

# **YANMAR DIESEL TRACTOR**

# **YANMAR**

## **PARTS CATALOG**



### **MODEL**

**AF110EX**

**AF110EX(4WD)**

**AF1088EX(2WD)**

**AF1088EX(4WD)**

---

Published 2nd. Edition

DEC.,1999

NPC-3693

## YOUR PARTS ORDERING

- When placing your parts order with us, Please contact us upon confirming the Model, Part No, Description and Q'ty of the parts you want to order by this parts catalog.  
First look for the illustration of the part you want. Then you can find out the necessary informations by tracing the illustration No., as each illustration corresponds to the parts list on the following page.
- All parts the illustrations of which are not numbered shall not be sold separately.
- You are asked to prepare parts, especially consumable parts in the demand season earlier, as orders will come with a rush in this season.
- Parts other than those due to misshipping on your part shall not be allowed to returned in principle.
- Please surely use YANMAR Genuine Parts in any YANMAR Product.  
(Use of similar goods (parts) on the market causes earlier damage or worsening of performance.)

## HOW TO READ THIS PARTS CATALOG

- In the case where a Ref. No. given in the list does not agree with the corresponding Sketch No. in illustration (no suffix number as shown below), an illustration for such a New Part has been omitted only in the case of a parts change for which Interchangeability Symbol N, R or K is given.

[Example]

Sketch No. in Illustration	Ref. No. in List	
1	1	(Before the change)
2	1	(After the change)
2	2	

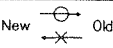
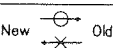
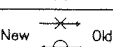
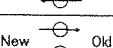
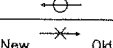
- Indication and meaning of level Level

- .....A number of dots indicated is called the level which refers to the assembly-component relation of an assembly part.  
("·" refers to an assembly part.)
- Refers to a component included in an assembly part indicated by one dot (·).
- Refers to a component included in a complete part indicated by two dots (··).  
(It indicates a sub-component of pertinent assembly part indicated by one dot (·).)

- Indication and meaning of interchangeability symbol

(Given under the column "I" next to the quantity column in the list)

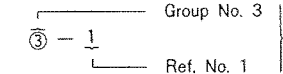
In the case where a parts change took place, one of the following interchangeability symbols is indicated for that part:

Symbol	Interchangeability	Contents note
N	New  Old	New Part is interchangeable for Old Part but not interchangeable conversely.
P	New  Old	Same as symbol N but supply of Old Part is suspended and New Part is sold in the future.
Q	New  Old	New Part is not interchangeable for Old Part but interchangeable conversely.
R	New  Old	New Part is interchangeable for Old Part and vice versa.
S	New  Old	New Part is not interchangeable for Old Part and vice versa.
W		Part newly added.
Z		Part discontinued.
F		Not interchangeable by single part but interchangeable by set of the related parts.
K		Changed only in quantity used.

- Remarks ..... (column "R" given at the right end of the list)  
9-1) A numerical or alphabetic character (symbol) may be indicated under the column "R".  
9-2) A comment (remarks) for a part in question is given at the lower part of the list, following a symbol identical to the aftermentioned symbol when a symbol is indicated under the column "R".
- Virtual No. in illustration

A Sketch No. in illustration containing an encircled numeral indicates other related Group No.

[Example]



indicated.

- Change Effective Machine No.

When a part is changed, a Change Effective Machine No. of such a model for which a New Part is applied is indicated as follows:

[Example] Model columns A ~ F

(Model indication is given in two kinds, namely, 4-model and 6-model indications, correspond to A ~ F in front of Change Effective Machine No..)

4-model Indication

(A) =
(B) =
(C) =
(D) =

6-model Indication

(A) =	(D) =
(B) =	(E) =
(C) =	(F) =

[Example] A=F610001 B=F612001

Model column A indicates that a parts change is put into effect from Machine No. 610001 and on. And moreover Model column B indicates that a parts change is put into effect from Machine No. 612001 and on.

[Classification]

E ..... Engine No.  
F ..... Machine Body No.  
R ..... Rotary Unit No.

indicated.

- Additional Group No. found in the Revised Edition

Kindly understand that a Group No. other than consecutive numbers has been entered in the case where the corresponding Group is added within the pertinent Section.

[Example]

Section

BODY SECTION

Group No. Group name

- ENGINE FIXTURE & BATTERY
- FRAME & HYDRAULIC PUMP
- BEVEL GEAR CASE
- TRANSM. CASE & RUNNING CLUTCH
- CONTROL LEVERS
- CRAWLER

- ENGINE FIXTURE & BATTERY (Group added for the YSR1300-N)
- CONTROL LEVERS (Group added for the YSR1300-N)

SNOW REMOVAL SECTION

- CHUTE
- SNOW REMOVAL FRAME & BLOWER

Additional Groups are indicated.

Owing to the improvement of YANMAR Product involved or its parts, the contents of this Parts Catalog may be altered without prior notice to you.

## SUS PEDIDOS DE PARTES

1. Cuando nos haga pedidos de partes, póngase en contacto con nosotros después de haber confirmado el modelo, el N.º de parte, la descripción, y la cantidad de las partes que desea pedir empleando este catálogo de partes.  
Primero, mire la ilustración de la parte que desee. Entonces, podrá encontrar la información necesaria trazando el N.º de ilustración, porque cada ilustración corresponde a la lista de partes de la página siguiente.
2. Todas las partes de las ilustraciones que no están numeradas, no pueden venderse por separado.
3. Le rogamos que prepare con anterioridad las partes, especialmente las partes consumibles, para la temporada de pedidos, porque vendrán muchos pedidos juntos durante esta temporada.
4. En principio, no se permite la devolución por su parte de las partes que no sean las que se hayan embarcado erróneamente.
5. Asegúrese de emplear partes genuinas de **YANMAR** en todos los productos **YANMAR**.  
(El empleo de componentes (partes) similares, de venta en el mercado, causa daños más rápidos o degrada el rendimiento.)

## COMO LEER ESTE CATALOGO DE PARTES

6. En el caso de que el número de referencia (Ref. N.º) dado en la lista no coincida con el N.º de dibujo de la ilustración (sin número de sufijo como se muestra abajo), la ilustración de tal parte nueva se habrá omitido sólo en el caso de cambio de partes para las que se da el símbolo de intercambiabilidad N, R, o K.

[Ejemplo]

N.º de dibujo en la ilustración	Ref. N.º en la lista	
1	1	(Antes del cambio)
	1	(Después del cambio)
2	2	

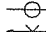
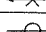
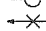
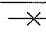
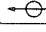
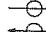
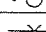



7. Indicación y significado del nivel

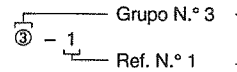
### Nivel

- ..... Un número de puntos indicados es el nivel, que se refiere a la relación de conjunto/componente de una parte de un conjunto.  
(". " indica una parte de componente.)
  - ..... Se refiere a un componente incluido en una parte de conjunto indicado con un punto (-).
  - ..... Se refiere a un componente incluido en una parte de conjunto indicado con dos puntos (--).
- (Indica un componente secundario de una parte del conjunto pertinente indicada con un punto (-).)

8. Indicación y significado del símbolo de intercambiabilidad  
(Se da debajo de la columna "I", al lado de la columna de cantidad en la lista.)

En el caso de haberse efectuado un cambio de partes, se indica uno de los siguientes símbolos de intercambiabilidad para tal parte:

Símbolo	Intercambiabilidad	Observaciones
N	Nueva  Vieja 	La parte nueva puede intercambiarse por la parte vieja, pero no a la inversa.
P	Nueva  Vieja 	Igual que el símbolo N, pero el suministro de la parte vieja se ha suspendido y a partir de ahora se vende la parte nueva.
Q	Nueva  Vieja 	La parte nueva no puede intercambiarse por la parte vieja, pero puede intercambiarse a la inversa.
R	Nueva  Vieja 	La parte nueva puede intercambiarse por la parte vieja, y viceversa.
S	Nueva  Vieja 	La parte nueva no puede intercambiarse por la parte vieja, ni viceversa.
W		Nueva parte añadida.
Z		Parte abandonada.
F		No puede intercambiarse por una sola parte pero puede intercambiarse por un juego de las partes relacionadas.
K		Se cambia sólo en la cantidad utilizada.

9. Observaciones.....(columna "R" dada en el extremo derecho de la lista)
  - 9-1) En la columna "R" puede indicarse un número o una letra (símbolo).
  - 9-2) En la parte inferior de la lista se da un comentario (observación) para la parte en cuestión, seguido por un símbolo idéntico al símbolo mencionado posteriormente cuando se indica un símbolo en la columna "R".
10. N.º virtual en la ilustración  
Un N.º de dibujo en la ilustración que contiene un número dentro de un círculo indica otro N.º de grupo relacionado.  
[Ejemplo]  indicado.
11. N.º de máquina efectivo del cambio  
Cuando se cambia una parte, se indica de la forma siguiente un N.º de máquina efectivo del cambio de tal modelo para el que se aplica una parte nueva.

[Ejemplo] Columnas de modelo A - F  
(La indicación de modelo se da en dos tipos, es decir, indicaciones de 4 modelos e indicación de 6 modelos.)  
Corresponde a A - F delante del N.º de máquina efectivo del cambio.

Indicación de 4 modelos

(A) =
(B) =
(C) =
(D) =

Indicación de 6 modelos

(A) =	(D) =
(B) =	(E) =
(C) =	(F) =

[Ejemplo] A=F610001 B=F612001

La columna del modelo A indica que un cambio de parte ha entrado en efecto a partir del N.º de máquina 610001. Además, la columna del modelo B indica que un cambio de parte ha entrado en efecto a partir del N.º de máquina 612001.

[Clasificación]

E..... N.º de motor  
F..... N.º de carrocería de la máquina  
R..... N.º de unidad rotativa } indicado.

12. N.º de grupo adicional encontrado en la edición revisada

Le rogamos que tenga presente que se ha introducido un N.º de grupo, aparte de los números consecutivos, en el caso en el que el grupo correspondiente se añada dentro de la sección pertinente.

[Ejemplo]

Section	Group No.	Group name
BODY SECTION	46.	ENGINE FIXTURE & BATTERY
	47.	FRAME & HYDRAULIC PUMP
	48.	BEVEL GEAR CASE
	49.	TRANSM. CASE & RUNNING CLUTCH
	50.	CONTROL LEVERS
SNOW REMOVAL SECTION	51.	CRAWLER
	64.	ENGINE FIXTURE & BATTERY (Group added for the YSR1300-N)
	65.	CONTROL LEVERS (Group added for the YSR1300-N)
	52.	CHUTE
	53.	SNOW REMOVAL FRAME & BLOWER
Se indican grupos adicionales.		

Debido a las mejoras de los productos **YANMAR** con relación a sus partes, el contenido de este catálogo de partes puede sufrir cambios sin previo aviso.

# CONTENTS

## YOUR PARTS ORDERING

ENGINE UNIT(MODEL 4TNE106-TRNP)

GROUP NO. GROUP NAME

- 1. CYLINDER BLOCK
- 2. GEAR HOUSING
- 3. MOUNTING FLANGE & OIL SUMP
- 4. CYLINDER HEAD & BONNET
- 5. SUCTION MANIFOLD
- 6. EXHAUST MANIFOLD & SILENCER
- 7. CAMSHAFT & DRIVING GEAR
- 8. TURBINE
- 9. CRANKSHAFT & PISTON
- 10. HYDRAULIC PUMP
- 11. BALANCER
- 12. LUBRICATING OIL SYSTEM
- 13. LUB. OIL LINE
- 14. COOLING WATER SYSTEM
- 15. FUEL OIL INJECTION PUMP
- 16. GOVERNOR
- 17. FEED PUMP
- 18. FUEL OIL INJECTION VALVE
- 19. FUEL OIL LINE
- 20. STARTING MOTOR
- 21. GENERATOR

ENGINE CONTROL UNIT

- 22. ENGINE ACCESSORIES
- 23. ACCELERATOR LEVER
- 24. FOOT ACCELERATOR

GROUP NO. GROUP NAME

- 25. EXHAUST PIPE
- 26. FUEL TANK
- 27. TANK COVER
- 28. PRECLEANER
- 29. RADIATOR DRAIN
- 139. ENGINE ACCESSORIES (ADDNL)

FRONT AXLE SECTION

- 30. FRONT BRACKET
- 31. FRONT WEIGHT(OPTION)
- 32. CENTER PIN SUPPORT
- 33. TIE ROD
- 34. RING GEAR
- 35. DIFFERENTIAL GEAR
- 36. PROPELLER SHAFT
- 37. FRONT SHAFT(1)
- 38. FRONT AXLE CASE
- 39. FRONT GEAR CASE
- 40. FRONT SHAFT(2)
- 41. FRONT SPINDLE
- 42. SHAFT COVER
- 43. FRONT WHEEL TIRE
- 44. STEERING
- 45. P.S.T CYLINDER
- 46. P.S.T VALVE
- 47. P.S.T. PIPING

TRANSMISSION UNIT

- 48. CLUTCH HOUSING
- 49. SINGLE CLUTCH

GROUP NO. GROUP NAME

- 50. HI-LO
- 51. CLUTCH SHAFT
- 52. CLUTCH RELEASE
- 53. CLUTCH CYLINDER
- 54. CLUTCH LINK
- 55. PTO CLUTCH LEVER
- 56. HI-LO LEVER
- 57. TRANSMISSION CASE
- 58. SECOND RELIFE
- 59. OIL STRAINER
- 60. MAIN DRIVE GEAR
- 61. MAIN SHAFT
- 62. COUNTER SHAFT
- 63. DRIVEN SHAFT
- 64. DRIVE PINION
- 65. REVERSE SHAFT
- 66. P.T.O. DRIVE SHAFT
- 67. P.T.O. SHAFT
- 68. POWER STEERING PUMP
- 69. PTO(WITHOUT G
- 70. P.T.O BRAKE
- 71. MAIN CHANGE
- 72. POWER STEERING CONTROL
- 73. SUB-CHANGE
- 74. P.T.O CHANGE
- 75. FRONT DRIVE
- 76. IDLE SHAFT
- 136. POWER STEERING CONTROL (ADDNL)

GROUP NO. GROUP NAME

REAR AXLE SECTION

- 77. RING GEAR
- 78. DIFFERENTIAL GEAR
- 79. DIFFERENTIAL CARRIER
- 80. REAR AXLE CASE
- 81. REAR HOUSING
- 82. DIFFERENTIAL LOCK
- 83. FINAL GEAR
- 84. REAR AXLE SHAFT
- 85. REAR WHEEL TIRE
- 86. REAR WHEEL WEIGHT(OPTION)
- 87. BRAKE
- 88. PEDAL
- 89. BRAKE VALVE
- 90. BRAKE PIPE
- 91. PARKING BRAKE

HYDRAULIC CONTROL UNIT

- 92. HYDRAULIC PUMP
- 93. HYDRAULIC CYLINDER CASE
- 94. PISTON
- 95. LIFT CRANK
- 96. CONTROL VALVE
- 97. RELIEF VALVE
- 98. SLOW RETURN VALVE
- 99. STOP VALVE
- 100. SAFETY VALVE
- 101. SUB VALVE
- 102. SCV LINK

GROUP NO. GROUP NAME

- 103. SCV COUPLER
- 104. HYDRAULIC CONTROL A
- 105. HYDRAULIC CONTROL (B
- 106. CONTROL LINK
- 107. DRAFT CONTROL
- 108. HYDRAULIC PIPING
- 109. HYDRAULIC FILTER
- 110. HYDRAULIC FILTER
- 111. OIL COOLER

ELECTRICAL PARTS SECTION

- 112. WIRE HARNESS
- 113. BATTERY
- 114. SWITCHES
- 115. LAMPS
- 116. METER
- 117. FLASHER RELAY

FITTINGS SECTION

- 118. BONNET
- 119. BONNET SEAL
- 120. DASHBOARD
- 121. FENDER
- 122. AIR SHIELD PLATE
- 123. STEP
- 124. SUB STEP
- 125. OPERATOR SEAT
- 126. SEAT BELT
- 127. TOOL BOX
- 128. LABELS

GROUP NO. GROUP NAME

- 137. BACK MIRROR (ADDITIONAL ITEM
- 138. LABEL (SAFETY (ADDITIONAL ITEM

HITCH SECTION

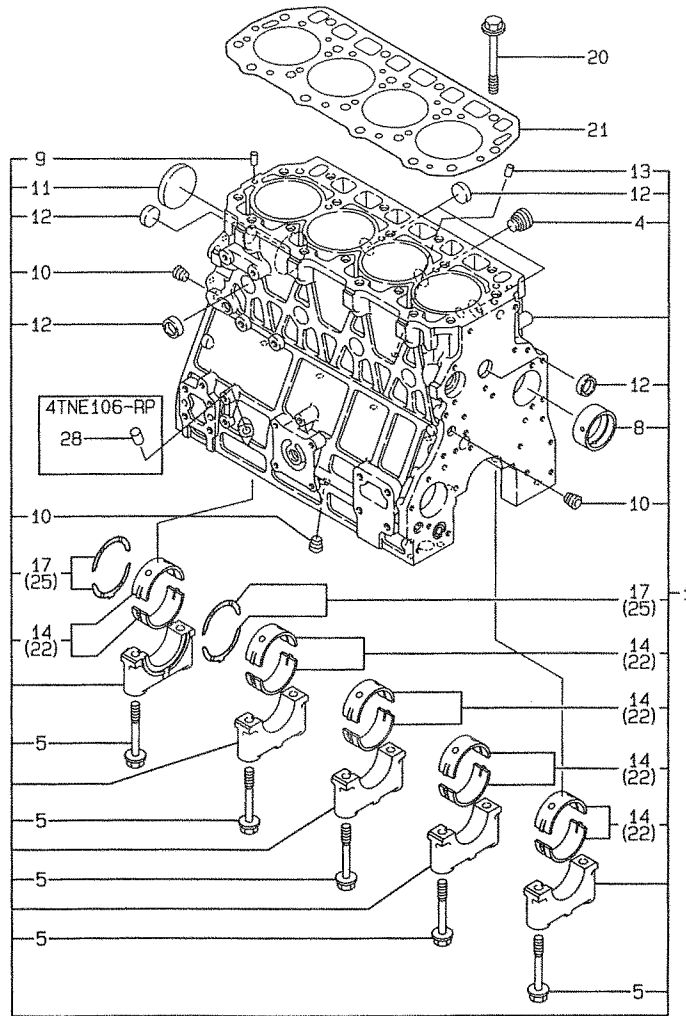
- 129. TOP LINK
- 130. LIFT LINK R
- 131. LIFT LINK L
- 132. LOWER LINK & CHECK CHAIN
- 133. DRAW BAR HITCH

TOOL & ACCESSORIES SECTION

- 134. SAFETY FRAME
- 135. STANDARD TOOLS

PARTS INDEX

1. CYLINDER BLOCK



(1) UNDER-SIZE (U.S=0.25) PART.  
 (2) OVER-SIZE (O.S=0.25) PART.  
 (REMARKS) "EFFECTIVE MACHINE NO." OF

ENGINE IS INDICATED ON THE  
 ENGINE LABEL WHICH IS SHOWN  
 IN FIG.4.

1C03  
 (1C02)  
 NPC-3693

1. CYLINDER BLOCK

99.12.07

(A)=4TNE106-TRNP(D)=  
 (B)=4TNE106-RP (E)=  
 (C)= (F)=

REF. NO.	LEV. 0	PART NO.	DESCRIPTION	Q'TY						I	P/U	A	R
				(A)	(B)	(C)	(D)	(E)	(F)				
1	.	723950-01560	BLOCK ASSY, CYLINDER	1	1							1	
4	..	171051-01921	PLUG	1	1							1	
5	..	123900-02020	BOLT,CAP,MAIN-BEARIN	10	10							1	
8	..	123900-02410	BUSH	1	1							1	
9	..	22351-060012	SPRING PIN 6X12	2	2							10	
10	..	23871-030000	PLUG PT3/8,SCREW	3								1	
10-1	..	23876-030000	PLUG PT3/8,SCREW	3	3						N	1	
		(A=EXXX)											
11	..	27231-700000	PLUG 70	1	1							1	
12	..	27241-300000	PLUG 30	8	8							1	
13	..	27225-120160	PLUG 12*16	1	1							1	
14	..	123900-02800	BEARING ASSY, MAIN	5	5							1	
17	..	123900-02930	BEARING ASSY, THRUST	2	2							1	
20	.	119174-01200	BOLT, CYLINDER HEAD	18	18							1	
21	.	123900-01340	GASKET, HEAD	1	1							1	
22	.	123900-02340	MAIN BEARING US=0.25	5	5							1	(1
25	.	123900-02940	BEARING,THRUST .250S	2	2							1	(2
I 28	.	27225-100140	PLUG 10X14	1								1	

N136178

REMARKS

(1) アンダーサイズ (U.S=0.25) パーツ。  
 (2) オーバーサイズ (O.S=0.25) パーツ。  
 (チズウ) エンジンが ショツコウキ ハ コウモクNO.4 ノ

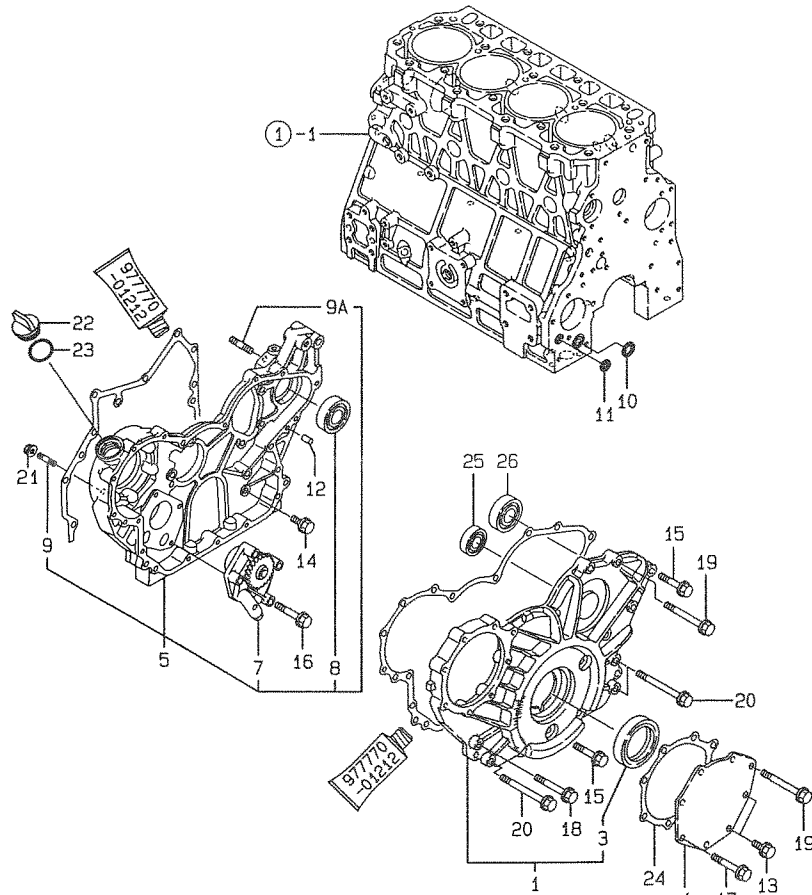
\*タイムマシン ノ コウキチス。

(1) UNDER-SIZE (U.S=0.25) PART.  
 (2) OVER-SIZE (O.S=0.25) PART.  
 (REMARKS) "EFFECTIVE MACHINE NO." OF

ENGINE IS INDICATED ON THE  
 ENGINE LABEL WHICH IS SHOWN  
 IN FIG.4.

N136178

2. GEAR HOUSING



N136179

(REMARKS) "EFFECTIVE MACHINE NO." OF  
 ENGINE IS INDICATED ON THE  
 ENGINE LABEL WHICH IS SHOWN  
 IN FIG.4.

1C04  
 (1C02)  
 NPC-3693

2. GEAR HOUSING

99.12.07

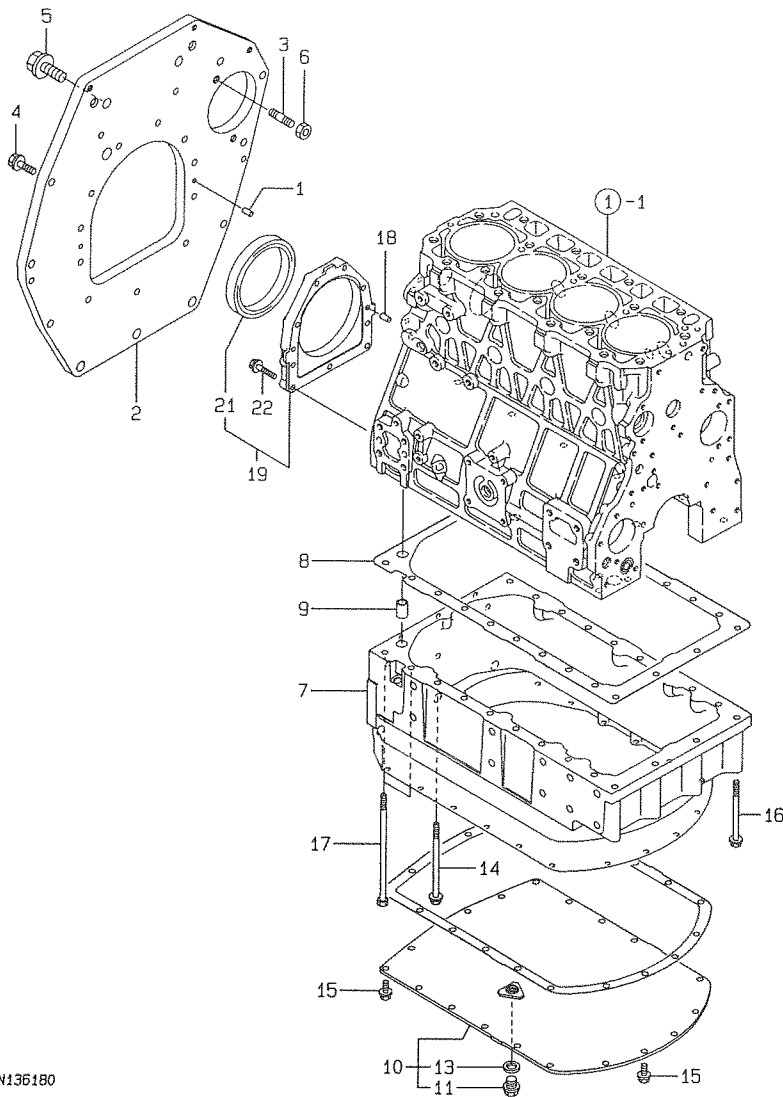
(A)=4TNE106-TRNP (D)=  
 (B)=4TNE106-RP (E)=  
 (C)= (F)=

REF. NO.	LEV. 0	PART NO.	DESCRIPTION	Q'TY						I P/U A R
				(A)	(B)	(C)	(D)	(E)	(F)	
1	.	723900-01590	HOUSING ASSY, COVER, G	1	1					1
3	..	123900-01780	OIL SEAL	1	1					1
4	.	123900-01740	COVER, FIP	1	1					1
5	.	123951-01810	CASE ASSY, GEAR	1	1					1
7	..	123950-32000	PUMP ASSY, L.O.	1	1					1
I 7-	1 ..	123950-32001	PUMP ASSY, L.O.	1	1				N	1
(A=E05541 )										
8	..	24101-062060	BALL BEARING	1	1					1
9	..	26216-100302	STUD BOLT	4	4					1
9A	..	26226-100252	STUD M10X 25 PLATED	2	2				W	1
(A=EXXX )										
10	.	129900-32030	O-RING P20	1	1					1
11	.	129900-32040	O-RING P14	1	1					1
12	.	22312-080160	PARALLEL PIN 8X 16	4	4					1
13	.	26106-080202	BOLT M 8X 20 PLATED	2	2					10
14	.	26106-080202	BOLT M 8X 20 PLATED	5	5					10
15	.	26106-080402	BOLT M 8X 40 PLATED	6	6					10
16	.	26106-080452	BOLT M 8X 45 PLATED	4	4					10
17	.	26106-080452	BOLT M 8X 45 PLATED	5	5					10
18	.	26106-080502	BOLT M 8X 50 PLATED	1	1					10
19	.	26106-080702	BOLT M 8X 70 PLATED	5	5					10
20	.	26106-080802	BOLT M 8X 80 PLATED	3	3					10
21	.	26366-100002	NUT M10	4	4					10
22	.	124160-01751	CAP, LUB.OIL SUPPLY	1	1					1
23	.	24311-000320	O-RING 1A P-32.0	1	1					10
24	.	123900-01750	GASKET	1	1					1
25	.	24101-062054	BEARING #6205	1	1					1
26	.	24101-062060	BALL BEARING	1	1					1

REMARKS  
 (チヨウ) エンジンフ シツシコウキ ノ コウモノ.4 ノ (REMARKS) "EFFECTIVE MACHINE NO." OF  
 キタイメイハシノ コウキチス。 ENGINE IS INDICATED ON THE  
 ENGINE LABEL WHICH IS SHOWN  
 IN FIG.4.

N136179

3. MOUNTING FLANGE & OIL SUMP



N136180

(REMARKS)"EFFECTIVE MACHINE NO." OF  
ENGINE IS INDICATED ON THE  
ENGINE LABEL WHICH IS SHOWN  
IN FIG.4.

+-----+  
| 1C05 |  
| (1C02) |  
+-----+  
NPC-3693

3. MOUNTING FLANGE & OIL SUMP

99.12.07

(A)=4TNE106-TRNP(D)=  
(B)=4TNE106-RP (E)=  
(C)= (F)=

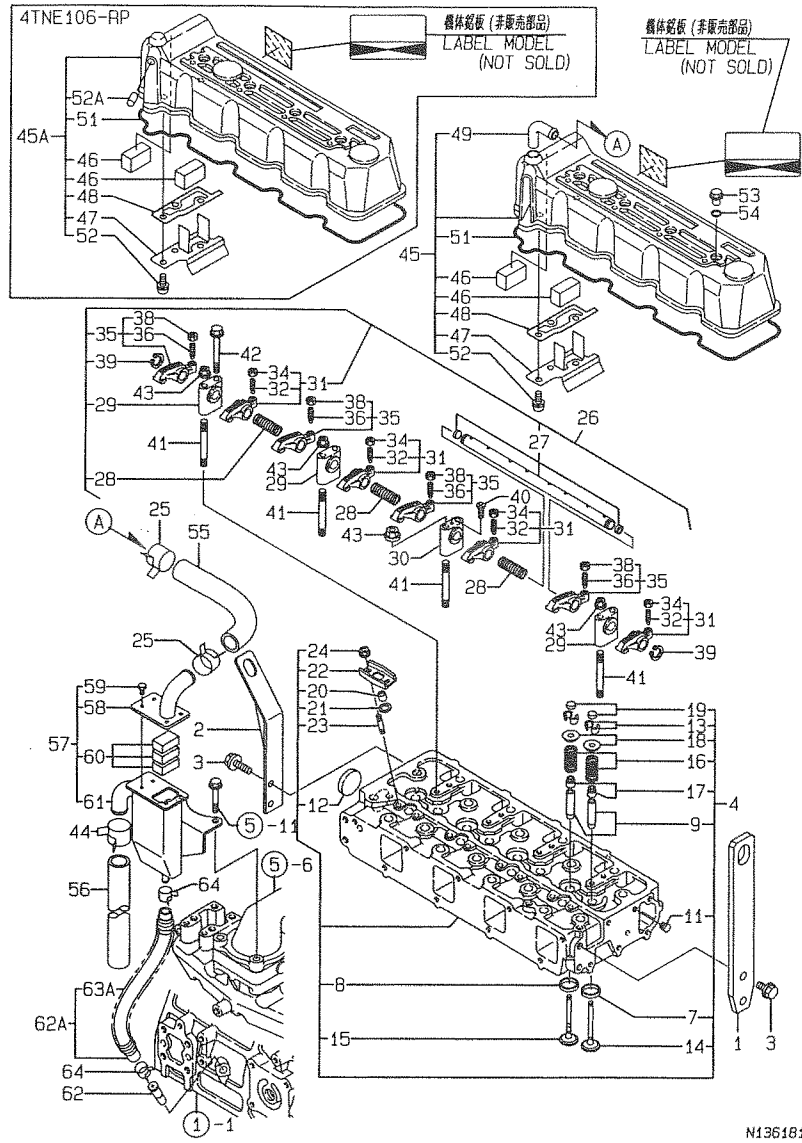
REF. NO.	LEV. 0	PART NO.	DESCRIPTION	Q'TY						I	P/U	A	R
				(A)	(B)	(C)	(D)	(E)	(F)				
1	.	129100-01580	PARALLEL PIN 8X16	2	2							1	
2	.	123951-01600	FLANGE	1	1							1	
3	.	124450-01610	STUD, STARTER	2	2							1	
4	.	26106-100322	BOLT M10X 32 PLATED	13	13							10	
5	.	26450-160452	BOLT M16X 45	2	2							1	
6	.	26716-120002	NUT 12	2	2							10	
7	.	123951-01700	PAN, OIL	1	1							1	
8	.	123950-01710	GASKET	1	1							1	
9	.	129956-01710	KNOCK L=25	1	1							1	
10	.	123950-01741	COVER	1	1							1	
11	..	105425-01690	PLUG M16	1	1							1	
13	..	22190-160002	SEAL WASHER 16S	1	1							10	
14	.	129052-26060	BOLT M 8X138 PLATED	12	12							1	
15	.	26106-080142	BOLT M 8X 14 PLATED	18	18							10	
16	.	26106-081102	BOLT M 8X110 PLATED	6	6							10	
17	.	123950-01720	BOLT	4	4							1	
18	.	129100-01580	PARALLEL PIN 8X16	2	2							1	
19	.	123950-01640	CASE ASSY, OIL SEAL	1	1							1	
21	..	123672-01782	SEAL, OIL	1	1							1	
22	.	26106-080302	BOLT M 8X 30 PLATED	9	9							10	

REMARKS  
(チリウ) エンジンラフ シツシコウキ ハ コウモクNO.4 ノ  
キタイメイバツ ノ コウキチマス。  
REMARKS)"EFFECTIVE MACHINE NO." OF  
ENGINE IS INDICATED ON THE  
ENGINE LABEL WHICH IS SHOWN  
IN FIG.4.

N136180



4. CYLINDER HEAD & BONNET



(1) REPAIR PART.  
 (REMARKS) "EFFECTIVE MACHINE NO." OF  
 ENGINE IS INDICATED ON THE  
 ENGINE LABEL WHICH IS SHOWN  
 IN FIG.4.

1C06  
 (1C02)  
 NPC-3693

4. CYLINDER HEAD & BONNET

99.12.07

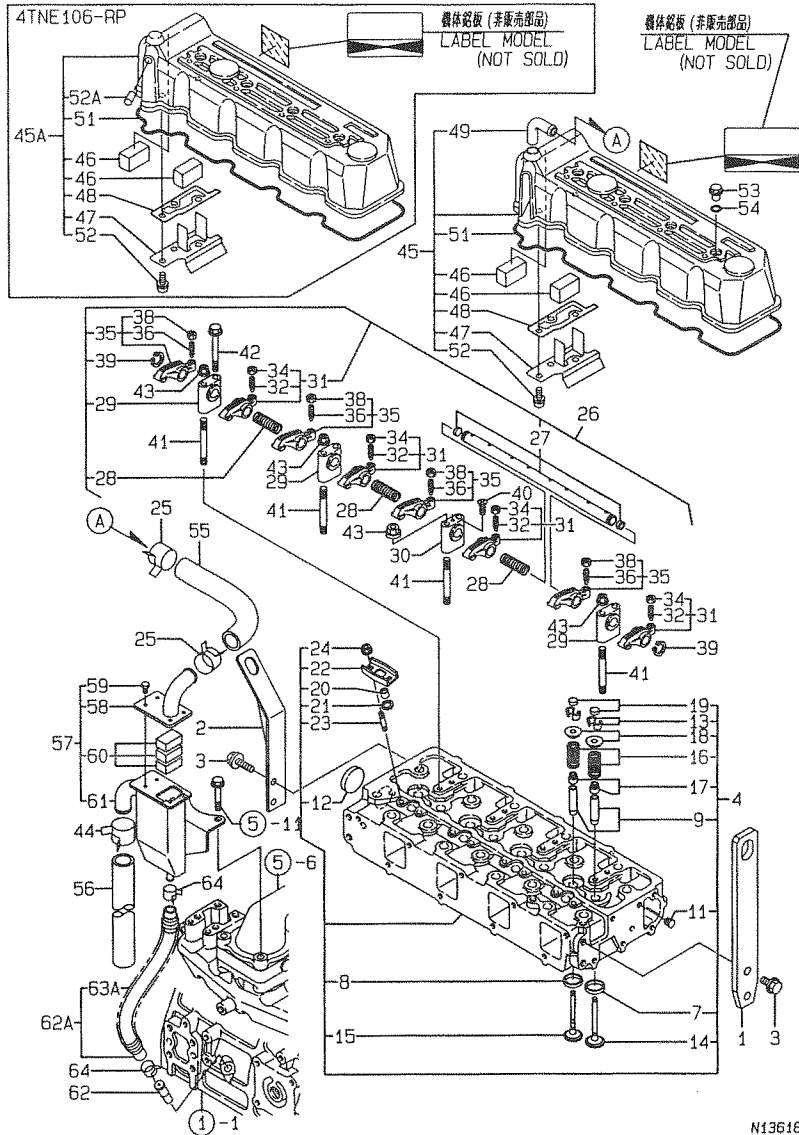
(A)=4TNE106-TRNP(D)=  
 (B)=4TNE106-RP (E)=  
 (C)= (F)=

REF. NO.	LEV. 0	PART NO.	DESCRIPTION	QTY						I	P	U	A	R
				(A)	(B)	(C)	(D)	(E)	(F)					
1	.	123951-07900	FITTING	1	1									1
2	.	123950-07910	FITTING	1	1									1
3	.	26106-100252	BOLT M10X 25 PLATED	4	4									10
4	..	723900-11100	HEAD ASSY, CYLINDER	1	1									1
7	..	123900-11080	SEAT, INTAKE	4	4									1
8	..	123900-11090	SEAT, EXHAUST	4	4									1
9	..	119000-11810	GUIDE, VALVE(EXHAUST	8	8									1
11	..	23871-005000	PLUG PT 1/16	1										1
11-1	..	23876-005000	PLUG PT 1/16,SCREW	1	1							N		1
(A=EXXX )														
12	..	27241-400000	PLUG 40	1	1									1
13	..	27310-090000	COTTER 9	16	16									5
14	..	123900-11100	VALVE INTAKE	4	4									1
15	..	123900-11110	VALVE EXHAUST	4	4									1
16	..	123900-11120	SPRING, VALVE	8	8									1
17	..	121850-11150	SEAL, VALVE STEM	8	8									1
18	..	121850-11180	RETAINER, SPRING	8	8									1
19	..	119171-11370	CAP, VALVE	8	8									1
20	..	119625-11870	PROTECTOR, NOZZLE	4	4									1
21	..	119625-11880	SEAT, NOZZLE	4	4									1
22	..	119625-11900	RETAINER	4	4									1
23	..	26216-060252	STUD M 6X 25 PLATED	8	8									1
24	..	26366-060002	NUT M 6	8	8									10
25	.	23000-041000	CLAMP 41	2										1
26	..	123900-11200	SUPPORT COMP,ROCKKER	1	1									1
27	..	123900-11240	SHAFT ROCKER ARM	1	1									1
28	..	119000-11280	SPRING	3	3									1
29	..	123900-11510	SUPPORT ROCKER ARM A	3	3									1
30	..	123900-11520	SUPPORT ROCKER ARM B	1	1									1
31	..	123900-11650	ARM ASSY, SUC. ROCKE	4	4									1
32	...	129150-11230	SCREW, VALVE	4	4									1
34	...	129150-11750	NUT M8XP1.0	4	4									1
35	..	123900-11660	ARM ASSY, EXH. ROCKE	4	4									1
36	...	129150-11230	SCREW, VALVE	4	4									1
38	...	129150-11750	NUT M8XP1.0	4	4									1
39	..	22242-000180	CIRCLIP 18	2	2									10
40	..	26577-040162	SCREW M 4X 16	1	1									10
41	.	119593-11300	BOLT 8X80	4	4									1
42	.	26106-080702	BOLT M 8X 70 PLATED	4	4									10
43	.	26366-080002	NUT M 8	4	4									10
44	.	23000-041000	CLAMP 41	1										1
45	.	123951-11300	BONNET ASSY	1										1
I 45A	.	123950-11330	BONNET ASSY		1									
46	..	129150-03070	BAFFLE, BREATHER	2	2									1
47	..	123900-03202	PLATE	1	1									1
48	..	123900-03210	PACKING (BREATHER	1	1									1
49	..	123900-03220	JOINT	1										1
51	..	123900-11310	PACKING	1	1									1
52	..	26022-050122	SCREW M 5X 12	3	3									10
I 52A	..	27225-100100	PLUG 10*10		1									1
53	.	124160-11360	KNOB	4	4									1
54	.	24311-000120	O-RING 1A P 12.0	4	4									10
55	.	123951-03010	HOSE A, BREATHER	1										1
56	.	123951-03090	HOSE B, BREATHER	1										1

\*\* CONTINUE \*\*

N136181

4. CYLINDER HEAD & BONNET



(1) REPAIR PART.  
 (REMARKS) "EFFECTIVE MACHINE NO." OF  
 ENGINE IS INDICATED ON THE  
 ENGINE LABEL WHICH IS SHOWN  
 IN FIG.4.

1C07  
 1C02  
 NPC-3693

4. CYLINDER HEAD & BONNET

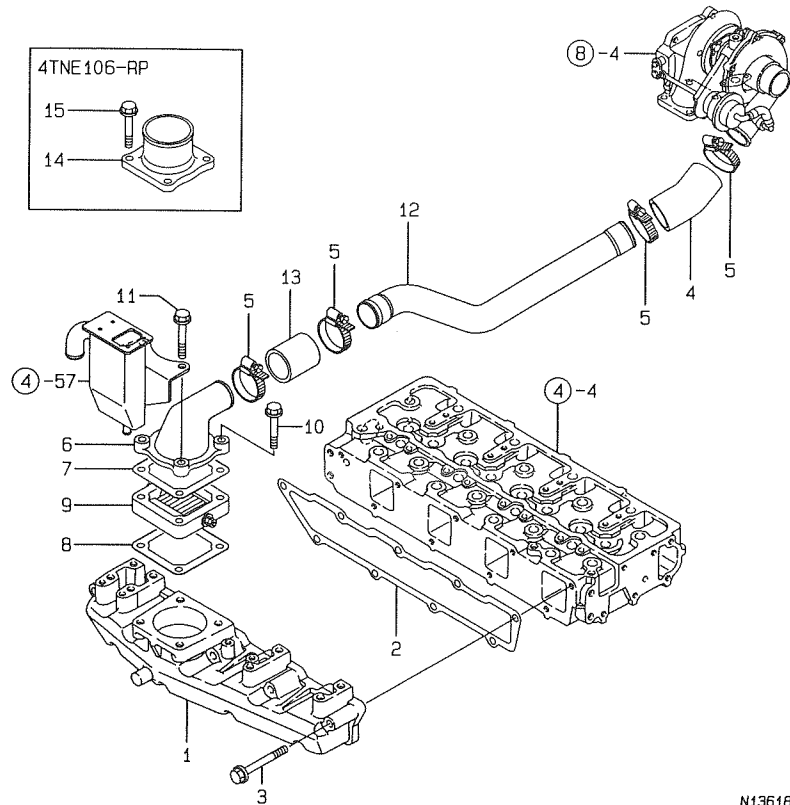
99.12.07

(A)=4TNE106-TRNP(D)=  
 (B)=4TNE106-RP (E)=  
 (C)= (F)=

REF. NO.	LEV. 0	PART NO.	DESCRIPTION	Q'TY						I	P/U	A	R
				(A)	(B)	(C)	(D)	(E)	(F)				
57	.	123951-03210	BREATHER ASSY	1								1	
58	..	123951-03230	COVER	1								1	
59	..	26116-050102	BOLT M 5X 10 PLATED	4								10	
60	.	123901-03240	WOOL, STEAL	3								1	
61	..	123951-03220	BREATHER	1								1	
62	.	123951-03280	JOINT	1								1	
62A	.	123951-03320	HOSE ASSY, RUBBER	1								W	1
		(A=E03347 )											
63A	..	123951-03330	REECTOR,FUEL PIPE	1								W	
		(A=E03347 )											
64	.	23000-016000	CLAMP 16	2									1

REMARKS  
 (1) ホヨウフヒンテマス。 (1) REPAIR PART.  
 (チユウ) エンジンフ シヤツシコウキ ハ コウモクNO.4 ノ (REMARKS) "EFFECTIVE MACHINE NO." OF  
 \*タイメイハクノ コウキテマス。 ENGINE IS INDICATED ON THE  
 ENGINE LABEL WHICH IS SHOWN  
 IN FIG.4.

5. SUCTION MANIFOLD



N136182

-----+  
 | (REMARKS) "EFFECTIVE MACHINE NO." OF  
 |  
 | ENGINE IS INDICATED ON THE  
 | ENGINE LABEL WHICH IS SHOWN  
IN FIG.4.

+-----+  
 | 1C08 |  
 | (1C02) |  
 +-----+  
 NPC-3693

5. SUCTION MANIFOLD

99.12.07

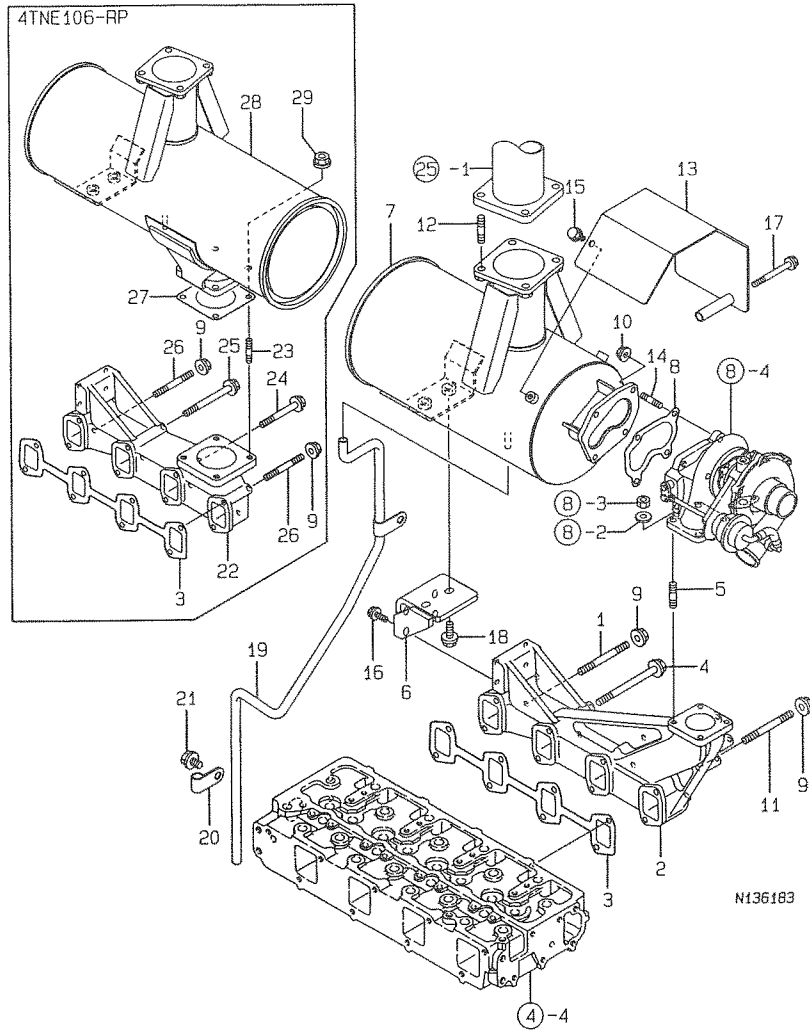
(A)=4TNE106-TRNP(D)=  
 (B)=4TNE106-RP (E)=  
 (C)= (F)=

REF. NO.	LEV. 0	PART NO.	DESCRIPTION	-----Q'TY-----						I P/U A R
				(A)	(B)	(C)	(D)	(E)	(F)	
1	.	123951-12100	MANIFOLD, INTAKE	1	1					1
2	.	123900-12110	PK(SUC	1	1					1
3	.	26106-080702	BOLT M 8X 70 PLATED	9	9					10
4	.	123951-18210	JOINT A	1						1
5	.	23000-060000	CLAMP 60	4						1
6	.	123951-18350	JOINT	1						1
7	.	123900-77020	GASKET,AIR HEATER	1	1					1
8	.	123900-77030	GASKET,AIR HEATER	1	1					1
9	.	123950-77500	HEATER, AIR	1	1					1
10	.	26106-100602	BOLT M10X 60 PLATED	2						10
11	.	26106-100652	BOLT M10X 65 PLATED	2						10
12	.	123951-18200	DUCT, AIR	1						1
13	.	123951-18220	JOINT B	1						1
I 14	.	123500-12580	JOINT, AIR PIPE		1					
I 15	.	26106-100552	BOLT M10X 55 PLATED		4					10

-----+ REMARKS -----+  
 (チユウ) エンジンフゝ シツシコウキ ハ コウモクNO.4 ノ | (REMARKS) "EFFECTIVE MACHINE NO." OF  
 キタイメイハツ ノ コウキチヌ。 | ENGINE IS INDICATED ON THE  
 | ENGINE LABEL WHICH IS SHOWN  
IN FIG.4.

N136182

6. EXHAUST MANIFOLD & SILENCER



N136183

(REMARKS) "EFFECTIVE MACHINE NO." OF  
ENGINE IS INDICATED ON THE  
ENGINE LABEL WHICH IS SHOWN  
IN FIG.4.

6. EXHAUST MANIFOLD & SILENCER

99.12.07

1C09  
1C02  
NPC-3693

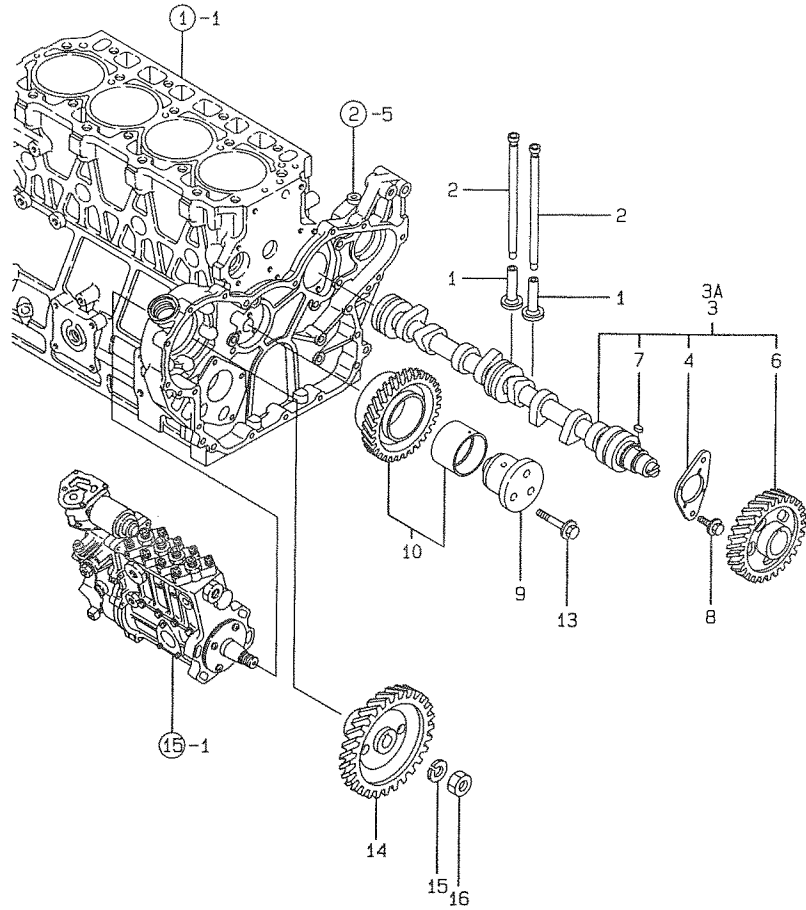
(A)=4TNE106-TRNP (D)=  
(B)=4TNE106-RP (E)=  
(C)= (F)=

REF. No.	LEV. O	PART NO.	DESCRIPTION	Q'TY						I	P	U	A	R
				(A)	(B)	(C)	(D)	(E)	(F)					
1	.	26216-080752	STUD M 8X 75 PLATED	1										1
2	.	123951-13101	MANIFOLD, EXHAUST	1										1
3	.	123900-13110	PK(EXH	1	1									1
4	.	26106-081002	BOLT M 8X100 PLATED	6										10
5	.	129418-18320	STUD BOLT M8X20	4										1
6	.	123950-13901	STAY	1	1									1
7	.	123951-13511	SILENCER	1										1
8	.	123901-18080	PK(T/C OUT	1										1
9	.	26366-080002	NUT M 8	2	2									10
10	.	26366-080002	NUT M 8	4										10
11	.	26216-081052	STUD M 8X105 PLATED	1										1
12	.	119107-13190	BOLT 10X30	4	4									1
13	.	123951-18020	COVER	1										1
14	.	119131-18320	BOLT M 8X 22	4										1
15	.	26106-080102	BOLT M 8X 10 PLATED	2										10
16	.	26106-080202	BOLT M 8X 20 PLATED	4	4									10
17	.	26106-080752	BOLT M 8X 75 PLATED	1										10
18	.	26106-100252	BOLT M10X 25 PLATED	2	2									10
19	.	123951-13910	PIPE, WATER DRAIN	1								Z		1
20	.	(A=EXXX) 23297-100081	RETAINER 10X 8	1								Z		1
21	.	(A=EXXX) 26106-080102	BOLT M 8X 10 PLATED	1								Z		10
I 22	.	123950-13101	MANIFOLD	1										1
I 23	.	119107-13190	BOLT 10X30	4										1
I 24	.	26106-080702	BOLT M 8X 70 PLATED	4										10
I 25	.	26106-080952	BOLT M 8X 95 PLATED	2										10
I 26	.	26216-080702	STUD M 8X 70 PLATED	2										1
I 27	.	128300-13230	PACKING	1										1
I 28	.	123950-13510	SILENCER	1										10
I 29	.	26366-100002	NUT M10	4										10

REMARKS  
(チユウ) エンジンマフ シヤツシコウキ ハ コウモクNO.4 ノ  
キタイメイハシノ コウキチヤス。 | (REMARKS) "EFFECTIVE MACHINE NO." OF  
ENGINE IS INDICATED ON THE  
ENGINE LABEL WHICH IS SHOWN  
IN FIG.4.

N136183

7. CAMSHAFT & DRIVING GEAR



1C10  
(1C02)  
NPC-3693

7. CAMSHAFT & DRIVING GEAR

99.12.07

(A)=4TNE106-TRNP (D)=  
(B)=4TNE106-RP (E)=  
(C)= (F)=

REF. NO.	LEV. O	PART NO.	DESCRIPTION	Q'TY						I P U A R
				(A)	(B)	(C)	(D)	(E)	(F)	
1	-	123900-14200	TAPPET	8	8					1
2	-	123900-14400	PUSH ROD	8	8					1
3	-	123901-14580	CAMSHAFT ASSY	1						1
I 3A	-	123900-14580	CAMSHAFT ASSY		1					1
4	..	129150-02450	METAL, THRUST	1	1					1
6	..	129900-14100	GEAR, CAMSHAFT	1	1					1
7	..	22512-070140	KEY 7X 14	1	1					1
8	-	26106-080142	BOLT M 8X 14 PLATED	2	2					10
9	-	123900-25060	SHAFT(GEAR, IDLE	1	1					1
10	-	123900-25120	GEAR ASSY, IDLE	1	1					1
13	-	26106-080552	BOLT M 8X 55 PLATED	3	3					10
14	-	123951-25900	GEAR	1	1					1
15	-	22217-180000	SPRING WASHER 18	1	1					10
16	-	26776-180002	NUT M18, LOCK	1	1					1

N136184

(REMARKS) "EFFECTIVE MACHINE NO." OF

ENGINE IS INDICATED ON THE  
ENGINE LABEL WHICH IS SHOWN  
IN FIG.4.

REMARKS (REMARKS) "EFFECTIVE MACHINE NO." OF  
(キタウ) エンジンフ シツコウキ ハ コウモクNO.4 ノ

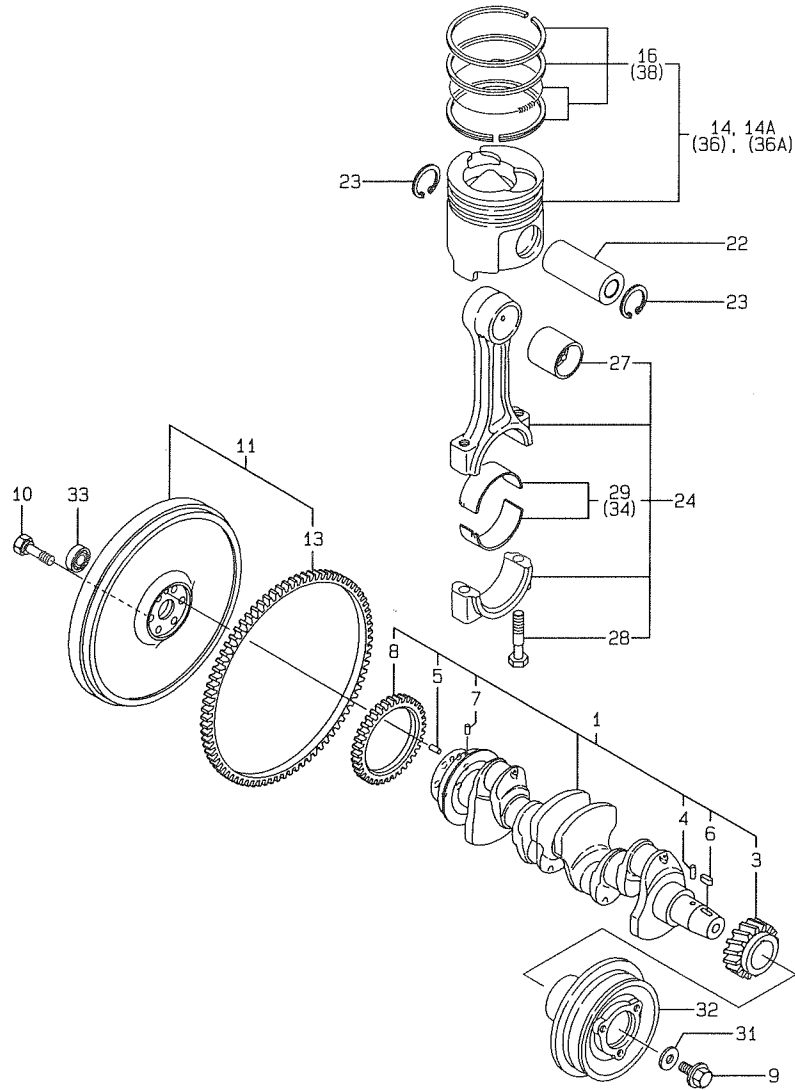
キタイメイハシノ コウキテニス。

ENGINE IS INDICATED ON THE  
ENGINE LABEL WHICH IS SHOWN  
IN FIG.4.

N136184



9. CRANKSHAFT & PISTON



-----  
 (1) REPAIR PART.  
 (2) UNDER-SIZE(U.S.=0.25)PART.  
 (3) OVER-SIZE(O.S.=0.25)PART.  
 (REMARKS)"EFFECTIVE MACHINE NO." OF  
 ENGINE IS INDICATED ON THE  
 ENGINE LABEL WHICH IS SHOWN  
 IN FIG.4.  
 -----

-----  
 1C12  
 (1C02)  
 -----  
 NPC-3693

9. CRANKSHAFT & PISTON

99.12.07

(A)=4TNE106-TRNP(D)=  
 (B)=4TNE106-RP (E)=  
 (C)= (F)=

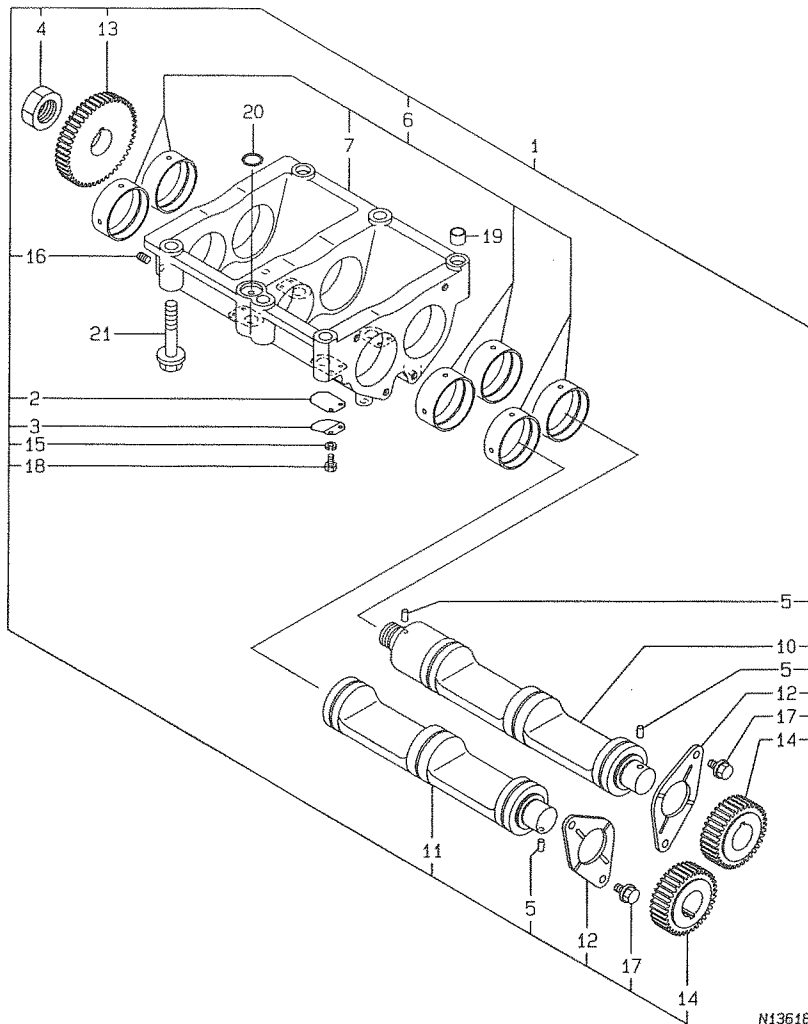
REF. NO.	LEV. 0	PART NO.	DESCRIPTION	-----Q'TY-----						I P U A R
				(A)	(B)	(C)	(D)	(E)	(F)	
1	.	123950-21000	CRANKSHAFT	1	1					1
3	..	129900-21200	GEAR, CRANKSHAFT	1	1					1
4	..	121850-21290	PARALLEL PIN	1	1					1
5	..	121850-21920	PARALLEL PIN 10X22	1	1					1
6	..	22512-070140	KEY 7X 14	1	1					1
7	..	121850-21290	PARALLEL PIN	1	1					1
8	..	123950-28300	GEAR	1	1					1
9	.	121850-21680	BOLT, V-PULLEY	1	1					1
9-1	.	121850-21680	BOLT, V-PULLEY	1						1
10	.	121850-21130	BOLT, FLYWHEEL	6	6					1
11	.	123951-21590	FLYWHEEL ASSY	1	1					1
13	..	123500-21600	GEAR, RING	1	1					1
14	.	123951-22080	PISTON ASSY	4						1
I 14A	.	123950-22080	PISTON ASSY		4					1
16	..	123950-22050	RING SET	4	4					1
22	.	119173-22300	PIN, PISTON	4	4					1
23	.	22252-000370	CIRCLIP 37	8	8					10
24	.	123900-23000	ROD ASSY, CONNECTING	4	4					1
27	..	123900-23910	METAL, PISTON PIN	4	4					1 (1)
28	..	123900-23200	BOLT, ROD	8	8					1
29	..	123900-23600	METAL ASSY, CRANKPIN	4	4					1
31	.	129900-21640	WASHER	1	1					1
31-1	.	129900-21640	WASHER	1						1
32	.	123900-21650	V-PULLY (CRANK	1	1					1
32-1	.	123900-21650	V-PULLY (CRANK	1						1
33	.	123500-21300	BEARING	1	1					1
34	.	123900-23610	BEARING, PIN U.S.=0.25	4	4					1 (2)
36	.	123951-22900	PISTON ASSY, O.S.=0.25	4						1 (3)
I 36A	.	123950-22900	PISTON ASSY, O.S.=0.25		4					1 (3)
38	..	123950-22950	RING SET O.S.=0.25	4	4					1 (3)

REMARKS	
(1) ホヨウフ <sup>レ</sup> ヒンチ <sup>レ</sup> ス。	(1) REPAIR PART.
(2) アンダーサイズ <sup>レ</sup> (U.S.=0.25)フ <sup>レ</sup> ヒンチ <sup>レ</sup> ス。	(2) UNDER-SIZE(U.S.=0.25)PART.
(3) オーバーサイズ <sup>レ</sup> (O.S.=0.25)フ <sup>レ</sup> ヒンチ <sup>レ</sup> ス。	(3) OVER-SIZE(O.S.=0.25)PART.
(チユウ) エンジン <sup>レ</sup> フ <sup>レ</sup> ショツコ <sup>レ</sup> ウキ ハ コウモ <sup>レ</sup> ク <sup>レ</sup> ノ.4 ノ	(REMARKS)"EFFECTIVE MACHINE NO." OF
キタイメイ <sup>レ</sup> ハ <sup>レ</sup> ン ノ コウキ <sup>レ</sup> チ <sup>レ</sup> ス。	ENGINE IS INDICATED ON THE ENGINE LABEL WHICH IS SHOWN IN FIG.4.





11. BALANCER



N136188

-----  
 (REMARKS) "EFFECTIVE MACHINE NO." OF  
 ENGINE IS INDICATED ON THE  
 ENGINE LABEL WHICH IS SHOWN  
 IN FIG.4.  
 -----

1C14  
 (1C02)  
 NPC-3693

11. BALANCER

99.12.07

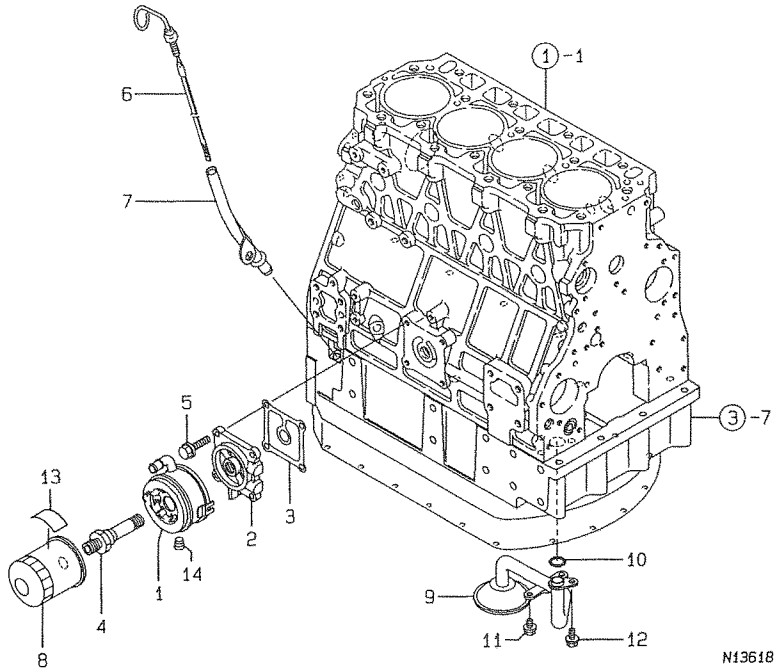
(A)=4TNE106-TRNP(D)=  
 (B)=4TNE106-RP (E)=  
 (C)= (F)=

REF. NO.	LEV. 0	PART NO.	DESCRIPTION	-----Q'TY-----						I P/U A R
				(A)	(B)	(C)	(D)	(E)	(F)	
1	.	123950-28000	BALANCER ASSY	1	1					1
2	..	103854-03400	VALVE, CHECK	4	4					1
3	..	103854-03430	RETAINER	4	4					1
4	..	128610-14120	NUT	1	1					1
5	..	121850-21290	PARALLEL PIN	3	3					1
6	..	123950-28010	CASE ASSY, BALANCER	1	1					1
7	...	123950-28020	CASE, BALANCER	1	1					1
10	..	123950-28100	SHAFT A, BALANCER	1	1					1
11	..	123950-28110	SHAFT B, BALANCER	1	1					1
12	..	129956-28180	BEARING, THRUST	2	2					1
13	..	123950-28310	GEAR	1	1					1
14	..	129956-28341	GEAR, BALANCER	2	2					1
15	..	22212-040000	SPRING WASHER 4	8	8					10
16	..	23876-005000	PLUG PT 1/16, SCREW	1	1					1
17	..	26106-080142	BOLT M 8X 14 PLATED	4	4					10
18	..	26116-040088	BOLT M 4X 8 PLATED	8	8					10
19	.	121950-28401	PIN	2	2					1
20	.	24311-000200	O-RING 1A P-20.0	1	1					10
21	.	26116-120652	BOLT M12X 65 PLATED	6	6					10

----- REMARKS -----  
 (チリウ) エンジンラベルにシリアルナンバーが示されている。 (REMARKS) "EFFECTIVE MACHINE NO." OF  
 キタメイハシンのコウキチニス。 ENGINE IS INDICATED ON THE  
 ENGINE LABEL WHICH IS SHOWN  
 IN FIG.4.  
 -----

N136188

12. LUBRICATING OIL SYSTEM



-----+  
 | (REMARKS) "EFFECTIVE MACHINE NO." OF  
 | ENGINE IS INDICATED ON THE  
 | ENGINE LABEL WHICH IS SHOWN  
IN FIG.4.

-----+  
 | 1C15 |  
 | (1C02) |  
 -----+  
 NPC-3693

12. LUBRICATING OIL SYSTEM

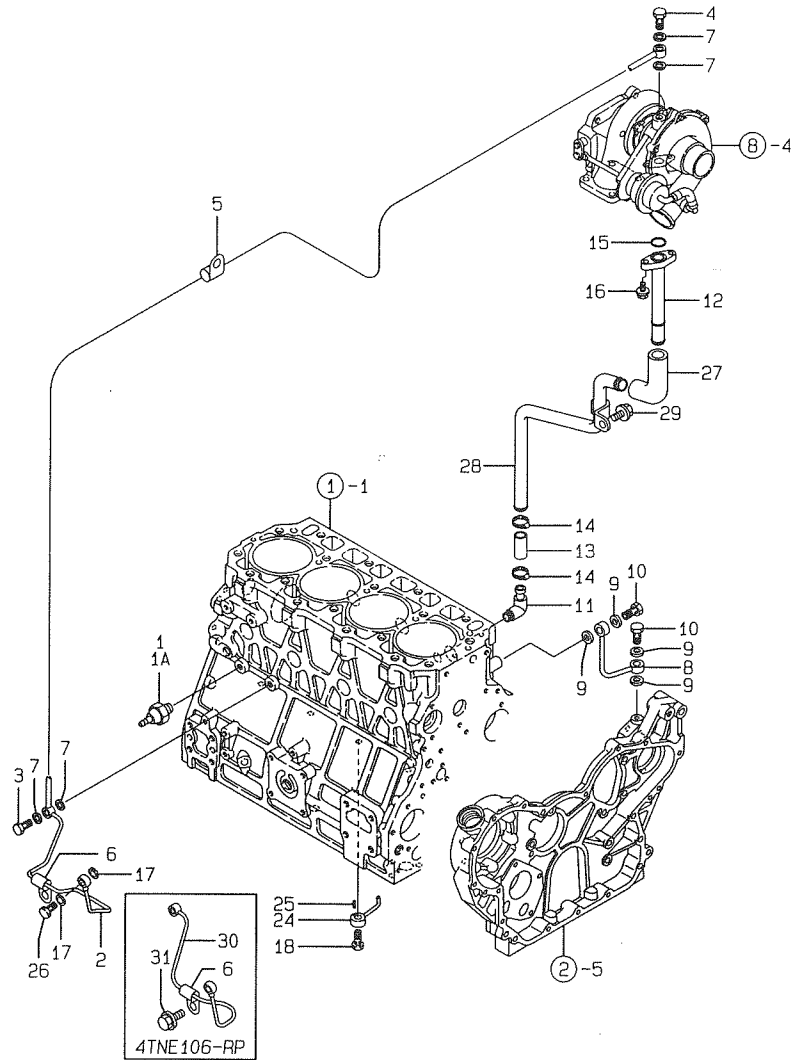
99.12.07

(A)=4TNE106-TRNP(D)=  
 (B)=4TNE106-RP (E)=  
 (C)= (F)=

REF. NO.	LEV. O	PART NO.	DESCRIPTION	-----Q'TY-----						I P/U A R
				(A)	(B)	(C)	(D)	(E)	(F)	
1	.	123950-33011	COOLER ASSY, OIL	1	1					1
2	.	123912-33040	BRACKET COMP, COOLER	1	1					1
3	.	123900-33060	PACKING	1	1					1
4	.	123912-33100	BOLT, L.O.COOLER	1	1					1
5	.	26106-080202	BOLT M 8X 20 PLATED	4	4					10
6	.	123950-34801	DIPSTICK	1	1					1
7	.	119860-34810	GUIDE, DIPSTICK	1	1					1
8	.	119005-35100	STRAINER 80X100L,LO.	1	1					1
9	.	123950-35001	PIPE ASSY,L.O.INLET	1	1					1
10	.	24314-000180	O-RING 4C P-18.0	1	1					10
11	.	26106-080122	BOLT M 8X 12 PLATED	2	2					10
12	.	26106-080162	BOLT M 8X 16 PLATED	1	1					10
13	.	123951-35190	LABEL (LO FILTER	1	1					1
14	.	23875-020000	PLUG PT1/4	1	1					1

-----+  
 | REMARKS |  
 | (チユウ) エンジンノ シヤツシヨウキ ノ コウモクNO.4 ノ | (REMARKS) "EFFECTIVE MACHINE NO." OF  
 | \*タイメイハツノ コウキチヤス。 | ENGINE IS INDICATED ON THE  
 | | ENGINE LABEL WHICH IS SHOWN  
 | | IN FIG.4.  
 |-----

13. LUB. OIL LINE



N136190

-----  
 | (REMARKS) "EFFECTIVE MACHINE NO." OF  
 | ENGINE IS INDICATED ON THE  
 | ENGINE LABEL WHICH IS SHOWN  
IN FIG.4.

13. LUB. OIL LINE

99.12.07

-----+  
 | 1C16 |  
 | (1C02) |  
 +-----+  
 NPC-3693

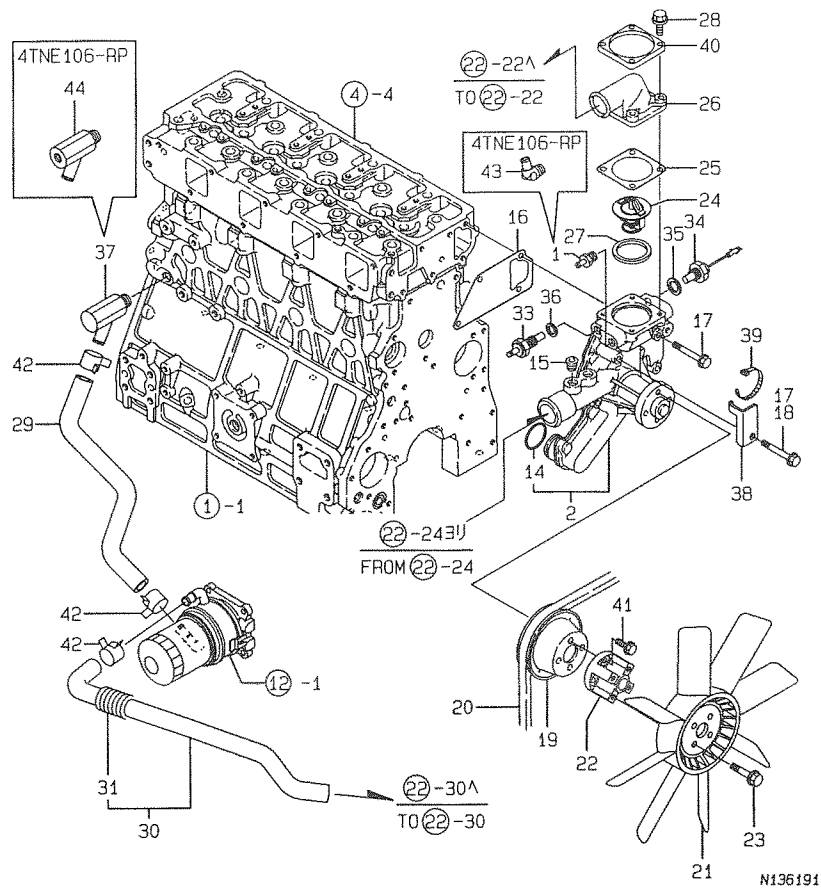
(A)=4TNE106-TRNP (D)=  
 (B)=4TNE106-RP (E)=  
 (C)= (F)=

REF. NO.	LEV. 0	PART NO.	DESCRIPTION	-----Q'TY-----						I P U A R
				(A)	(B)	(C)	(D)	(E)	(F)	
1	.	124160-39450	SWITCH, OIL PRESSURE	1						1
I 1A	.	114250-39450	SWITCH, (0.5KG)L.O.		1					1
2	.	123951-39640	PIPE, L.O.	1						1
3	.	124160-39140	BOLT 10, PIPE JOINT	1	1					1
4	.	121252-39150	BOLT, PIPE JOINT	1						1
5	.	23297-080081	RETAINER 8X 8	2						1
6	.	23297-060081	RETAINER 6X 8	1	1					1
7	.	23414-100000	GASKET 10, ROUND	4	2					10
8	.	123950-39050	PIPE.ASSY, L.O.	1	1					1
9	.	22190-080002	SEAL WASHER 8S	4	4					10
10	.	105010-39140	BOLT, PIPE JOINT	2	2					1
11	.	124070-13300	ELBOW (PT3/8)	1						1
12	.	123951-39601	PIPE, L.O.RETURN	1						1
13	.	129792-39610	JOINT, RUBBER	1						1
14	.	23000-025000	CLAMP 25	4						1
15	.	24314-000180	O-RING 4C P-18.0	1						10
16	.	26106-060162	BOLT M 6X 16 PLATED	2						10
17	.	23414-080000	GASKET 8, ROUND	2	2					10
18	.	129792-39410	VALVE ASSY, CHECK	4	4					1
24	.	123900-39650	NOZZLE	4	4					1
25	.	22351-030010	SPRING PIN 3X10	4	4					10
26	.	23857-030000	JOINT BOLT 3	1	1					1
27	.	119017-39610	JOINT, LUB, OIL RETURN	1						1
28	.	123951-39622	PIPE, L.O.RETURN	1						1
29	.	26106-100202	BOLT M10X 20 PLATED	1						10
I 30	.	123950-39620	PIPE ASSY, LUB OIL		1					
I 31	.	26106-080122	BOLT M 8X 12 PLATED		1					10

----- REMARKS -----  
 (チユウ) エンジン部分 ショツコウキ ノ コウモクNO.4 ノ | (REMARKS) "EFFECTIVE MACHINE NO." OF  
 キタイメイハツン ノ コウキチラス。 | ENGINE IS INDICATED ON THE  
 | ENGINE LABEL WHICH IS SHOWN  
 | IN FIG.4.

N136190

14. COOLING WATER SYSTEM



↑-----↑  
 (REMARKS) "EFFECTIVE MACHINE NO." OF  
 ENGINE IS INDICATED ON THE  
 ENGINE LABEL WHICH IS SHOWN  
 IN FIG.4.  
 ↓-----↓

14. COOLING WATER SYSTEM

99.12.07

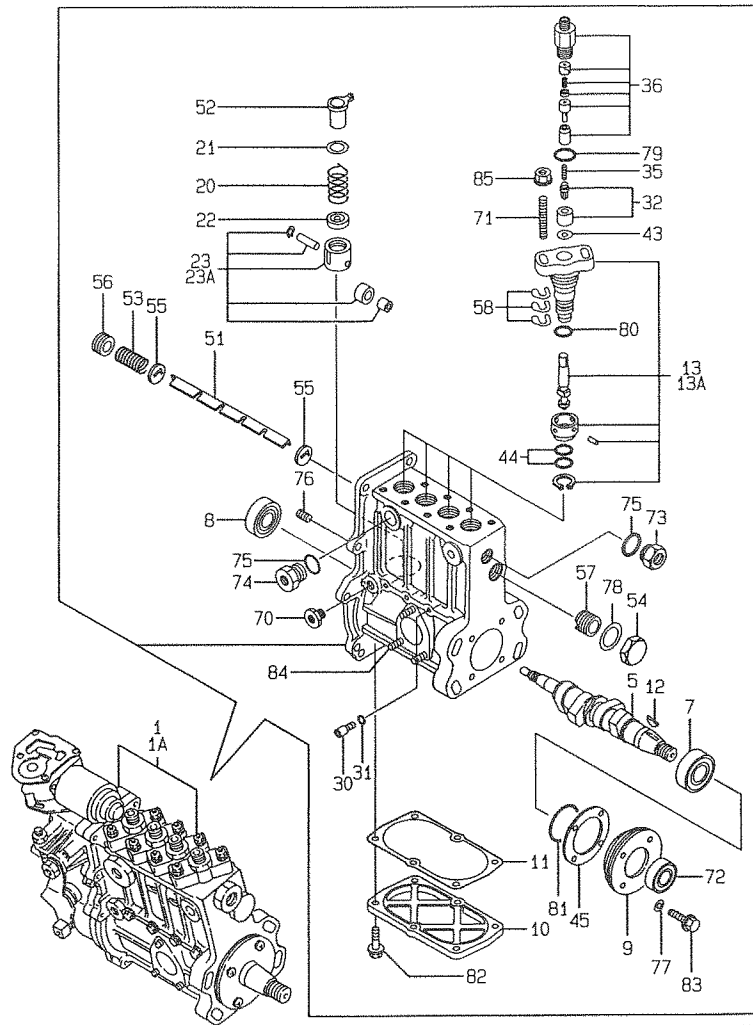
↑-----↑  
 1001  
 (1002)  
 ↓-----↓  
 NPC-3693

(A)=4TNE106-TRNP(D)=  
 (B)=4TNE106-RP (E)=  
 (C)= (F)=

REF. NO.	LEV. 0	PART NO.	DESCRIPTION	-----Q'TY-----						I	P	U	A	R
				(A)	(B)	(C)	(D)	(E)	(F)					
1	.	123951-49210	VALVE	1										1
2	.	123900-42100	PUMP ASSY, C. WATER	1	1									1
14	..	24311-000400	O-RING 1A P-40.0	1	1									10
15	.	23871-030000	PLUG PT3/8, SCREW	1										1
15-	1	23876-030000	PLUG PT3/8, SCREW	1								N		1
(A=EXXX )														
16	.	123900-42110	PACKING	1	1									1
17	.	26106-080702	BOLT M 8X 70 PLATED	1	2									10
18	.	26106-080602	BOLT M 8X 60 PLATED	3	2									10
19	.	123950-42450	V-PULLEY	1	1									1
20	.	123900-42480	V-BELT	1	1									1
21	.	123950-44740	FAN	1	1									1
22	.	123950-44760	SPACER	1	1									1
23	.	26106-100202	BOLT M10X 20 PLATED	4										10
23-	1	26106-100182	BOLT M10X 18 PLATED	4	4							N		10
(A=EXXX )														
24	.	124610-48610	THERMOSTAT	1	1									1
25	.	124610-49290	GASKET	1										1
I 25-	1	124610-49291	GASKET	1	1							N		1
(A=E05541 )														
26	.	123950-49500	COVER	1	1									1
27	.	123500-49550	GASKET	1	1									1
28	.	26106-080252	BOLT M 8X 25 PLATED	4	4									10
29	.	123950-49312	PIPE, C.W.	1	1									1
30	.	123950-49320	PIPE, C.W.	1	1									1
31	..	123950-49350	TUBE	1	1									1
33	.	124250-49351	THERMOMETER	1	1									1
34	.	129107-44901	SENSOR, HOT WATER	1	1									1
35	.	124465-44950	GASKET 16	1	1									1
36	.	129150-49360	GASKET 10	1	1									1
37	.	123951-49300	ELBOW	1										1
38	.	123950-49330	BRACKET	1	1									1
39	.	121750-59890	CLAMP 140	1	1									1
40	.	123758-49540	PLATE	1	1									1
41	.	26106-100302	BOLT M10X 30 PLATED	4	4									10
42	.	123950-49340	HOSE CLAMP	3	3									1
I 43	.	129051-49310	ELBOW											1
I 44	.	123950-49300	ELBOW R3/8											1

↑-----↑  
 REMARKS  
 (手注) エンジンが どのエンジンでも コウモクノ.4 / (REMARKS) "EFFECTIVE MACHINE NO." OF  
 \*タイメイヤン ノ コウキテス。  
 ↓-----↓  
 ENGINE IS INDICATED ON THE  
 ENGINE LABEL WHICH IS SHOWN  
 IN FIG.4.

15. FUEL OIL INJECTION PUMP



N136193

(1) FEED PUMP ASSY (FIG.17) &  
GOVERNOR ASSY (FIG.16) ARE  
INCORPORATED IN THIS FUEL  
INJECTION PUMP ASSY (REF.NO.1,1A).  
(REMARKS) "EFFECTIVE MACHINE NO." OF  
ENGINE IS INDICATED ON THE  
ENGINE LABEL WHICH IS SHOWN  
IN FIG.4.

1002  
1002  
NPC-3693

15. FUEL OIL INJECTION PUMP

99.12.07

(A)=4TNE106-TRNP (D)=  
(B)=4TNE106-RP (E)=  
(C)= (F)=

REF. NO.	LEV. O	PART NO.	DESCRIPTION	QTY						I P U A R	
				(A)	(B)	(C)	(D)	(E)	(F)		
1	-	723951-51310	PUMP ASSY, F.INJECT	1						1	(1
I 1A	-	723950-51320	PUMP ASSY, F.INJECT		1					1	(1
5	..	119175-51030	CAM SHAFT (FOP)	1	1					1	
7	..	119000-51050	BEARING	1	1					1	
8	..	122710-51050	BEARING, ROLLER	1	1					1	
9	..	119000-51060	SUPPORT, BEARING	1	1					1	
10	..	119100-51081	COVER	1	1					1	
11	..	119100-51091	GASKET, LOWER COVER	1	1					1	
12	..	144626-51090	KEY 5X19	1	1					1	
13	..	119593-51100	PLUNGER W/BARREL	4						1	
I 13A	..	119000-51101	PLUNGER W/BARREL		4					1	
20	..	119000-51161	SPRING	4	4					1	
21	..	119000-51170	SEAT A, PLNGR.SPRING	4	4					1	
22	..	119000-51181	SEAT B, PLNGR.SPRING	4	4					1	
23	..	119573-51200	TAPPET	4						1	
I 23A	..	119000-51201	TAPPET ASSY		4					1	
30	..	129155-51270	LOCKING, TAPPET	4	4					1	
31	..	129155-51280	O-RING S6	4	4					1	
32	..	123500-51300	VALVE W/SEAT, DELIV.	4	4					1	
35	..	119000-51330	SPRING, DELIVERY VLV.	4	4					1	
36	..	119175-51340	DELY VALVE CMP	4	4					1	
43	..	122710-51350	GASKET, DELIVERY	4	4					1	
44	..	119000-51410	O-RING S18	8	8					1	
45	..	119000-51450	SHIM SET, CAMSHAFT	1	1					1	
51	..	119100-51500	RACK	1	1					1	
52	..	119000-51511	SLEEVE, CONTROL	4	4					1	
53	..	119000-51530	SPRING, RACK AUX.	1	1					1	
54	..	119000-51550	COVER, RACK	1	1					1	
55	..	119000-51570	GUIDE, RACK	2	2					1	
56	..	119000-51580	SCREW A, GUIDE CAP	1	1					1	
57	..	119000-51590	SCREW B, GUIDE CAP	1	1					1	
58	..	119000-51650	SHIM SET, ADJUSTING	8	8					1	
70	..	121850-51700	BUSHING, OIL FEED	1	1					1	
71	..	119000-51800	BOLT, BARREL MOUNTING	8	8					1	
72	..	119000-51900	SEAL, OIL	1	1					1	
73	..	121952-51900	ADAPTER	1	1					1	
74	..	144626-51940	PLUG	1	1					1	
75	..	144626-51950	O-RING 1016	2	2					1	
76	..	137600-53900	SCREW M6X 6	1	1					1	
77	..	22190-060000	SEAL WASHER 6(BOLT)	4	4					10	
78	..	23414-220029	GASKET 22	1	1					10	
79	..	24352-010160	O-RING	4	4					10	
80	..	24341-000260	O-RING 1A S-26.0	4	4					10	
81	..	24341-000500	O-RING 1A S-50.0	1	1					10	
82	..	26106-060182	BOLT M 6X 18 PLATED	6	6					10	
83	..	119175-51070	BOLT M 6X 20	4	4					1	
84	..	26216-060162	STUD M 6X 16 PLATED	3	3					1	
85	..	26366-080002	NUT M 8	8	8					10	

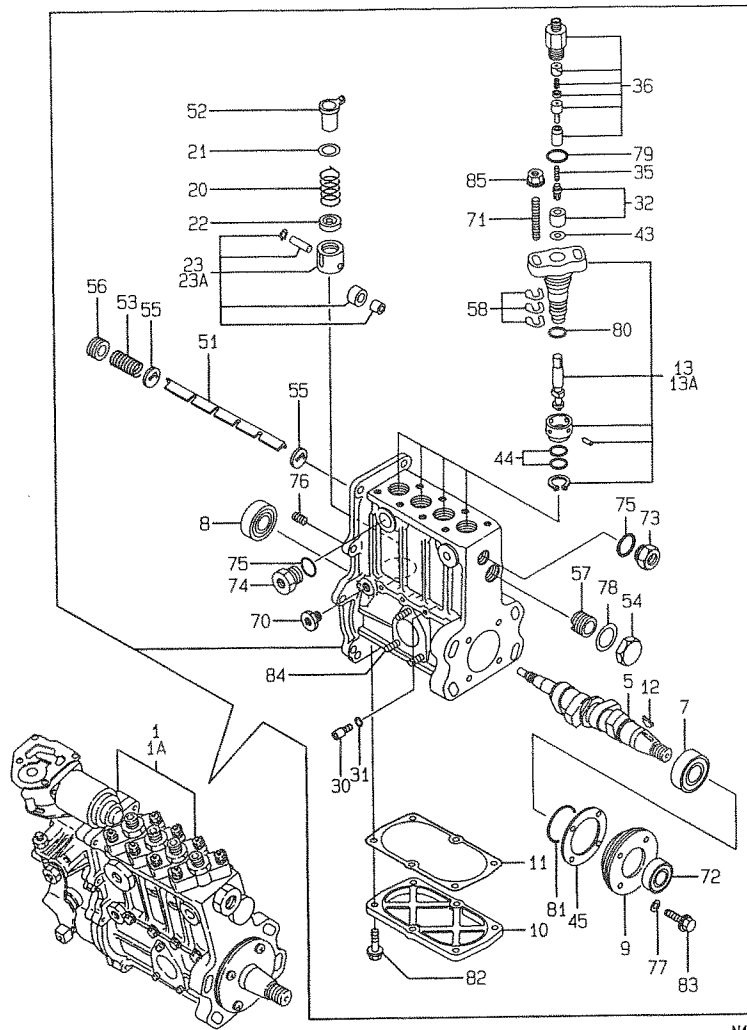
15. FUEL OIL INJECTION PUMP

+-----+  
 | 1D02 |  
 | (1C02) |  
 +-----+  
 NPC-3693

15. FUEL OIL INJECTION PUMP

99.12.07

(A)=4TNE106-TRNP (D)=  
 (B)=4TNE106-RP (E)=  
 (C)= (F)=



N136193

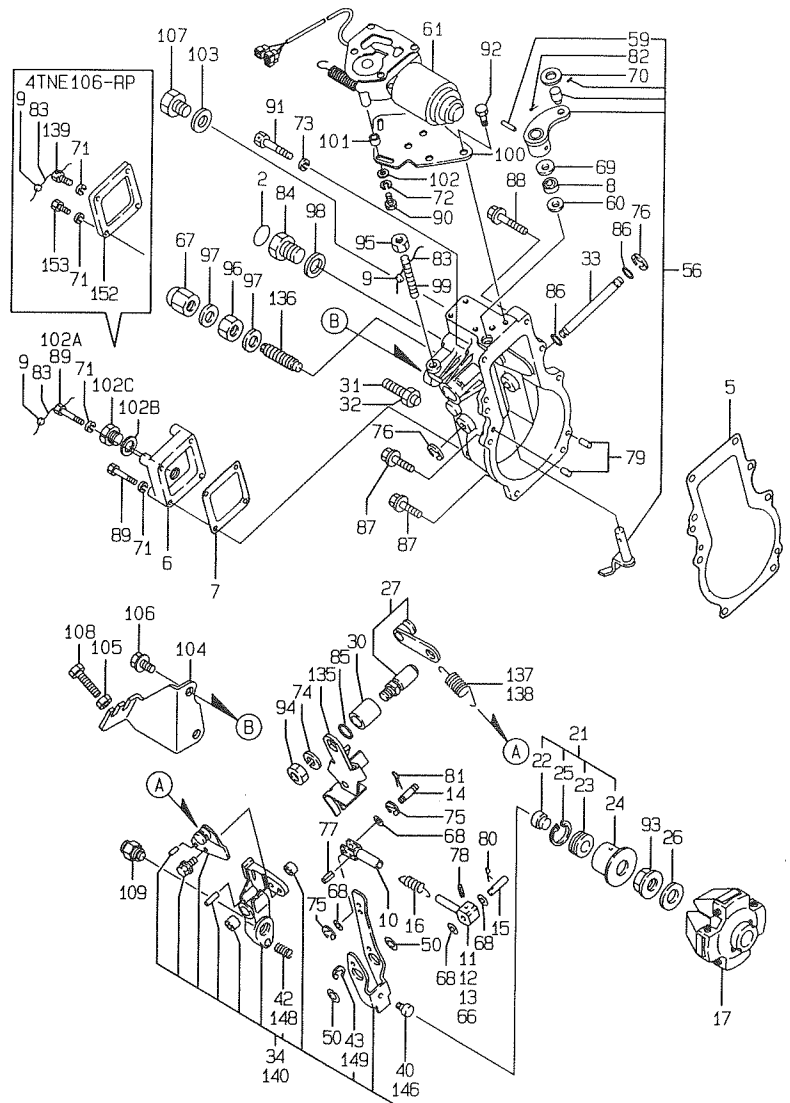
(1) FEED PUMP ASSY (FIG.17) &  
 GOVERNOR ASSY (FIG.16) ARE  
 INCORPORATED IN THIS FUEL  
 INJECTION PUMP ASSY (REF.NO.1,1A).  
 (REMARKS) "EFFECTIVE MACHINE NO." OF  
 ENGINE IS INDICATED ON THE  
 ENGINE LABEL WHICH IS SHOWN  
 IN FIG.4.

REF. NO.	LEV. 0	PART NO.	DESCRIPTION	Q'TY	I	P	U	A	R
				(A) (B) (C) (D) (E) (F)					

REMARKS	
(1) エンジン NO.1,1A (フィーディングポンプアッシー) は コウモク NO.17 (フィーディングポンプ) ト NO.16	(1) FEED PUMP ASSY (FIG.17) & GOVERNOR ASSY (FIG.16) ARE
(カマハナ) オ フシマス。 (チユウ) エンジンノ シツシコウキ ハ コウモク NO.4 ノ キタイメイハクノ コウキチラス。	INCORPORATED IN THIS FUEL INJECTION PUMP ASSY (REF.NO.1,1A). (REMARKS) "EFFECTIVE MACHINE NO." OF ENGINE IS INDICATED ON THE ENGINE LABEL WHICH IS SHOWN IN FIG.4.

N136193

16. GOVERNOR



N136194

(REMARKS) "EFFECTIVE MACHINE NO." OF  
ENGINE IS INDICATED ON THE  
ENGINE LABEL WHICH IS SHOWN  
IN FIG.4.

1004  
1C02  
NPC-3693

16. GOVERNOR

99.12.07

(A)=4TNE106-TRNP (D)=  
(B)=4TNE106-RP (E)=  
(C)= (F)=

REF. NO.	LEV. 0	PART NO.	DESCRIPTION	Q'TY						I	P	U	A	R
				(A)	(B)	(C)	(D)	(E)	(F)					
2	..	124610-51970	LABEL	1	1									1
5	..	119000-61052	GASKET, GOV. CASE	1	1									1
6	..	119187-61071	HOUSING, GOVERNOR.	1										1
7	..	120323-61070	GASKET	1	1									1
8	..	148616-61650	OIL SEAL VC081404	1	1									1
9	..	135210-61090	LEAD	2	2									1
10	..	119000-61120	LINK	1	1									1
11	..	119000-61140	LINK(MARK-1) L=40	1	1									1
12	..	119000-61150	LINK(MARK-2) L=42	1	1									1
13	..	119000-61160	LINK(MARK-3) L=44	1	1									1
14	..	119000-61170	PIN, LINK	1	1									1
15	..	119000-61180	PIN, LINK	1	1									1
16	..	119000-61190	SPRING	1	1									1
17	..	119000-61200	WEIGHT ASSY, GOV.	1	1									1
21	..	119000-61300	SLEEVE ASSY	1	1									1
22	...	119000-61310	SHIFTER A	1	1									1
23	...	119000-61320	BEARING, THRUST BALL	1	1									1
24	...	119000-61340	SLEEVE	1	1									1
25	...	22262-000260	CIRCLIP 26	1	1									10
26	..	119000-61380	SPACER	1	1									1
27	..	119000-61400	SHAFT ASSY,CNT.LEVER	1	1									1
30	..	119100-61430	BUSH, LEVER SHAFT	1	1									1
31	..	129155-61460	BOLT, IDLE LIMIT	1	1									1
32	..	119000-61470	NUT	1	1									1
33	..	119000-61490	SHAFT, GOV. LEVER	1	1									1
34	..	119187-61500	LEVER, GOVERNOR	1										1
40	...	119187-61310	SHIFTER	1										1
42	...	119187-61612	SPRING	1										1
43	...	22272-000040	CIRCLIP E- 4	1										10
50	..	119000-61630	SHIM PACK	1	1									1
56	..	119000-61801	LEVER ASSY, STOP	1	1									1
59	...	22351-030016	SPRING PIN 3X16	1	1									10
60	...	22137-080000	WASHER 8, POLISHED	1	1									10
61	..	119000-61850	MOTOR(12V),FUEL STOP	1	1									1
66	..	119000-61080	LINK	1	1									1
67	..	129100-61930	NUT, CAP	1	1									1
68	..	22117-050000	WASHER 5	4	4									10
69	..	22137-080000	WASHER 8, POLISHED	1	1									10
70	..	22137-080000	WASHER 8, POLISHED	1	1									10
71	..	22217-050000	SPRING WASHER 5	4	4									10
72	..	22217-050000	SPRING WASHER 5	3	3									10
73	..	22217-060000	SPRING WASHER 6	1	1									10
74	..	22217-100000	SPRING WASHER 10	1	1									10
75	..	22272-000040	CIRCLIP E- 4	2	2									10
76	..	22272-000080	CIRCLIP E- 8	2	2									10
77	..	22351-030016	SPRING PIN 3X16	1	1									10
78	..	22351-030025	SPRING PIN 3X25	1	1									10
79	..	22351-050020	SPRING PIN 5X20	2	2									10
80	..	22372-050000	SNAP PIN JASO 5	1	1									10
81	..	22417-120120	COTTER PIN 1.2X12	1	1									10
82	..	22417-160120	COTTER PIN 1.6X12	1	1									10
83	..	22453-060000	WIRE 0.6	2	2									1
84	..	23887-160002	PLUG 16,HEX.	1	1									1
85	..	24311-000110	O-RING 1A P-11.0	1	1									10

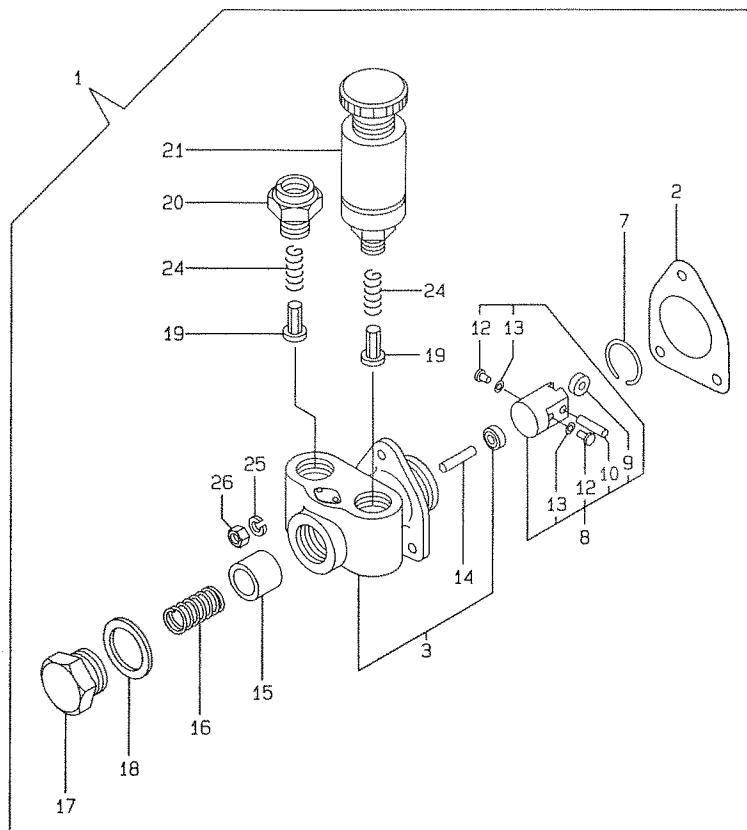
\*\* CONTINUE \*\*

N136194





17. FEED PUMP



N136195

(REMARKS) "EFFECTIVE MACHINE NO." OF

ENGINE IS INDICATED ON THE  
ENGINE LABEL WHICH IS SHOWN  
IN FIG.4.

1D06  
(1C02)  
NPC-3693

17. FEED PUMP

99.12.07

(A)=4TNE106-TRNP (D)=  
(B)=4TNE106-RP (E)=  
(C)= (F)=

REF. NO.	LEV. 0	PART NO.	DESCRIPTION	-----Q'TY-----						I P/U A R
				(A)	(B)	(C)	(D)	(E)	(F)	
1	.	119000-52000	PUMP ASSY, FUEL FEED	1	1					1
2	..	124410-51861	GASKET, (NON-ASB.)	1	1					1
3	..	121820-52020	HOUSING ASSY, FEED P	1	1					1
7	..	121820-52070	PIN, SNAP	1	1					1
8	..	119000-52100	TAPPET ASSY	1	1					1
9	...	121820-52110	ROLLER	1	1					1
10	...	148688-52120	ROLLER PIN	1	1					1
12	...	121820-52140	LOCKING, ROLLER PIN	2	2					1
13	...	119000-52150	SHIM	2	2					1
14	..	121820-52160	SPINDLE, INTER	1	1					1
15	..	121820-52170	PISTON	1	1					1
16	..	121820-52180	SPRING, PISTON	1	1					1
17	..	121820-52190	PLUG	1	1					1
18	..	121820-52200	GASKET	1	1					1
19	..	121820-52210	VALVE	2	2					1
20	..	121820-52230	ADAPTER	1	1					1
21	..	121820-52300	PUMP, PRIMING	1	1					1
24	..	121820-52510	SPRING, VALVE	2	2					1
25	..	22217-060000	SPRING WASHER 6	3	3					10
26	..	26716-060002	NUT 6	3	3					10

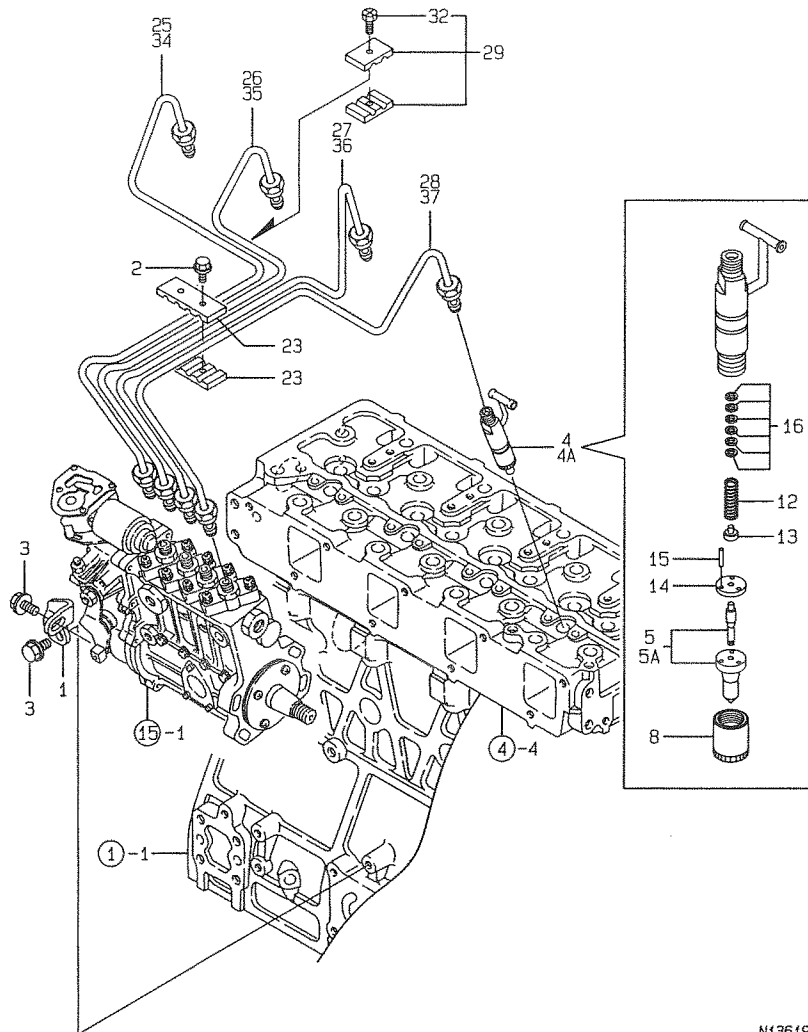
REMARKS (チユウ) エンジンラフ ショツシヨウキ ハ コウモクNO.4 ノ (REMARKS) "EFFECTIVE MACHINE NO." OF

キタイメイハシヨウ ノ コウキテス。

ENGINE IS INDICATED ON THE  
ENGINE LABEL WHICH IS SHOWN  
IN FIG.4.

N136195

18. FUEL OIL INJECTION VALVE



N136196

(REMARKS) "EFFECTIVE MACHINE NO." OF

ENGINE IS INDICATED ON THE ENGINE LABEL WHICH IS SHOWN IN FIG.4.

18. FUEL OIL INJECTION VALVE

99.12.07

1D07  
1C02  
NPC-3693

(A)=4TNE106-TRNP (D)=  
(B)=4TNE106-RP (E)=  
(C)= (F)=

REF. NO.	LEV. 0	PART NO.	DESCRIPTION	Q'ITY						I	P/U	A	R
				(A)	(B)	(C)	(D)	(E)	(F)				
1	.	123951-01951	RETAINER	1	1							1	
2	.	26106-060202	BOLT M 6X 20 PLATED	2	2							10	
3	.	26106-080162	BOLT M 8X 16 PLATED	2	2							10	
4	.	723900-53200	VALVE COMP, FUEL	4								1	
I 4A	.	723900-53100	VALVE COMP, FUEL		4							1	
5	..	123900-53050	NOZZLE ASSY	4								1	
I 5A	..	123900-53000	NOZZLE ASSY			4						1	
8	..	114250-53080	NUT, NOZZLE CASE	4	4							1	
12	..	114250-53120	SPRING, NOZZLE	4	4							1	
13	..	114250-53130	SEAT, NOZZLE SPRING	4	4							1	
14	..	114250-53140	PLATE, STOP	4	4							1	
15	..	114250-53210	PIN	8	8							1	
16	..	114250-53400	SHIM PACK	4	4							1	
23	.	123472-59120	BRACKET	2	2							1	
25	.	123951-59860	PIPE, F.INJECT (NO.1)	1								1	
26	.	123951-59870	PIPE, F.INJECT (NO.2)	1								1	
27	.	123951-59880	PIPE, F.INJECT (NO.3)	1								1	
28	.	123951-59890	PIPE, F.INJECT (NO.4)	1								1	
I 29	.	119305-59120	RETAINER	2	2							W	1
		(A=FROM 1ST )											
I 32	..	129150-59131	BOLT M4X14, HEX. SCKT.	2	2							W	1
		(A=FROM 1ST )											
I 34	.	123950-59860	PIPE ASSY, INJECTION	1									
I 35	.	123950-59870	PIPE ASSY, INJECTION	1									
I 36	.	123950-59880	PIPE ASSY, INJECTION	1									
I 37	.	123950-59890	PIPE ASSY, INJECTION	1									

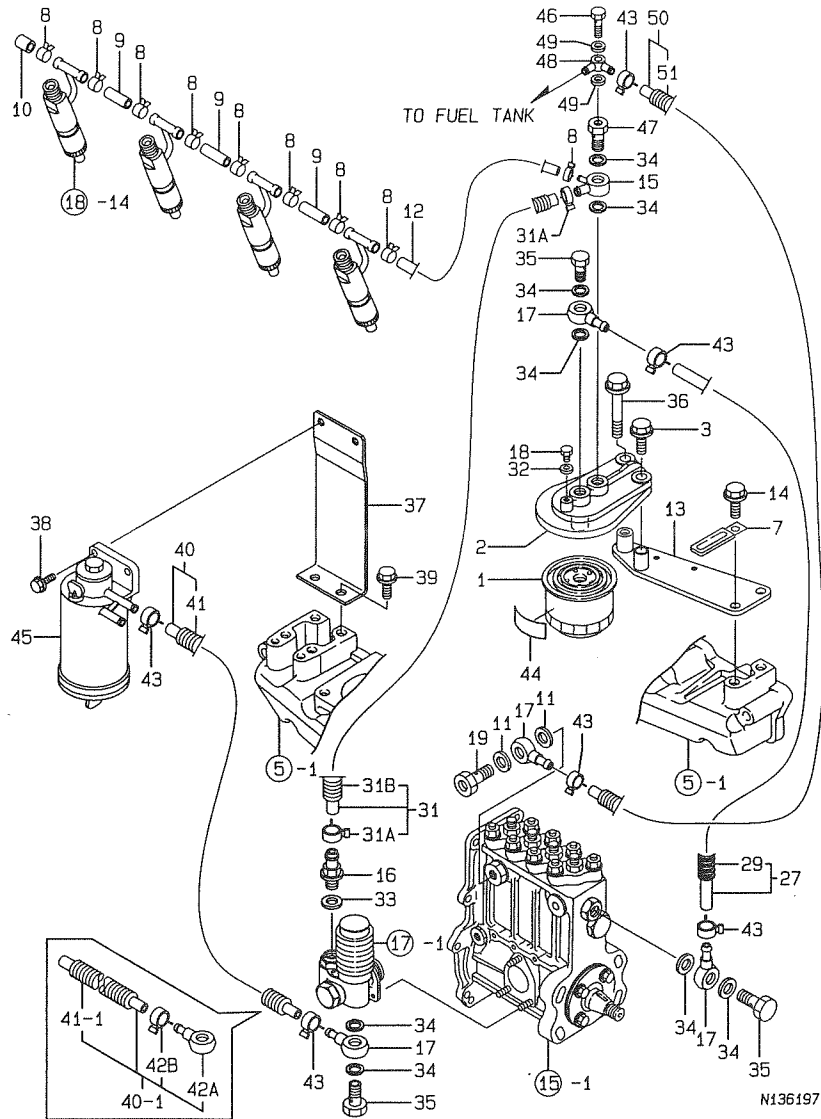
(REMARKS) "EFFECTIVE MACHINE NO." OF

\*(タイメイ)ハバノ コウキチ\*ス。

ENGINE IS INDICATED ON THE ENGINE LABEL WHICH IS SHOWN IN FIG.4.

N136196

19. FUEL OIL LINE



(REMARKS) "EFFECTIVE MACHINE NO." OF  
ENGINE IS INDICATED ON THE  
ENGINE LABEL WHICH IS SHOWN  
IN FIG.4.

1D08  
(1C02)  
NPC-3693

19. FUEL OIL LINE

99.12.07

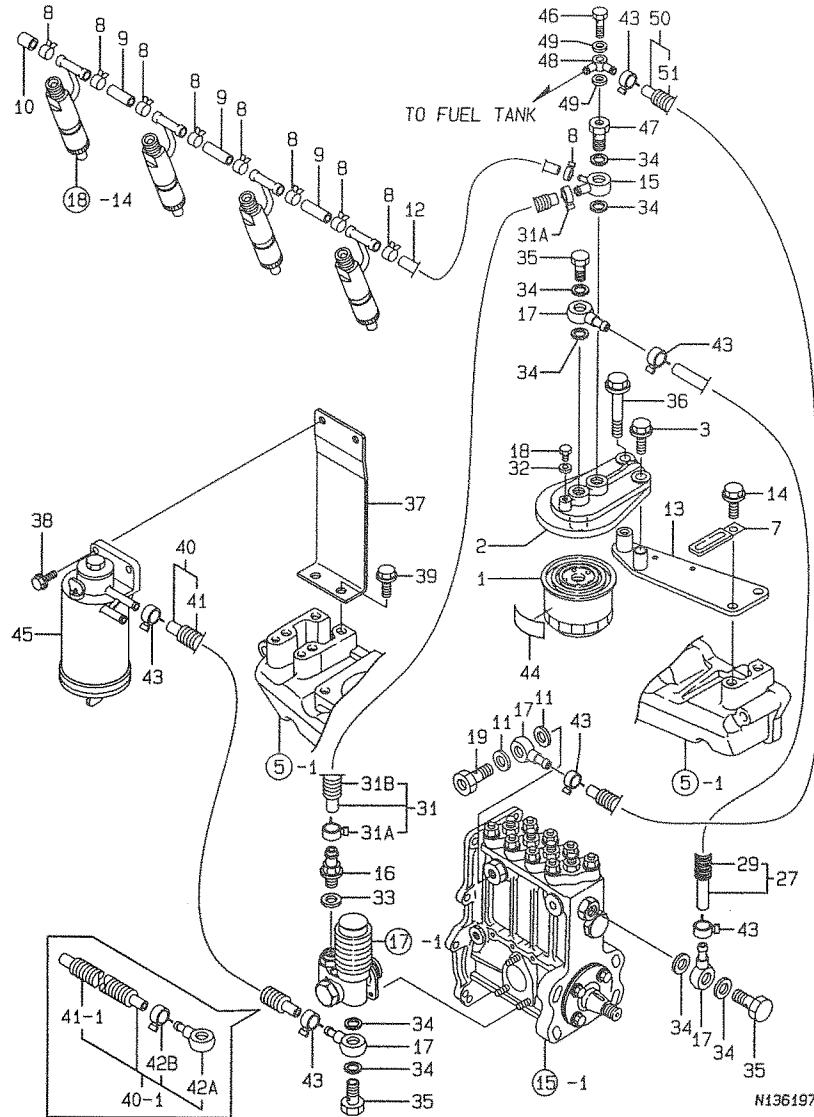
(A)=4TNE106-TRNP(D)=  
(B)=4TNE106-RP (E)=  
(C)= (F)=

REF. NO.	LEV. 0	PART NO.	DESCRIPTION	Q'TY						I	P	U	A	R
				(A)	(B)	(C)	(D)	(E)	(F)					
1	.	123951-55610	FILTER, F.O.	1	1									1
2	.	123951-55620	RETAINER	1	1									1
3	.	26106-100252	BOLT M10X 25 PLATED	1	1									10
7	.	194180-51640	CLAMP, WIRE HARNESS	1	1									1
8	.	23000-013000	CLAMP 13	11	11									1
9	.	121250-59550	PIPE, FUEL	3	3									1
10	.	129150-59580	CAP	1	1									1
11	.	22190-120002	SEAL WASHER 12	2	2									10
12	.	129100-59560	PIPE, FUEL RETURN	1	1									1
13	.	123951-55601	BRACKET	1	1									1
14	.	26106-100252	BOLT M10X 25 PLATED	2	2									10
15	.	119005-59530	JOINT, FUEL RET. PIPE	1										1
I 15- 1	.	119005-59531 (A=E04146 )	JOINT	1	1								N	1
16	.	121250-49110	JOINT, PIPE	1	1									1
17	.	121855-59880	JOINT	4										1
17- 1	.	121855-59880 (A=E03347 )	JOINT	3	3								K	1
18	.	124060-59380	PLUG	1	1									1
19	.	129100-59951	VALVE ASSY, CHECK	1	1									1
27	.	129957-59050	PIPE ASSY, FUEL	1	1									1
29	..	129957-59120	PROTECTOR, FUEL PIPE	1	1									1
31	..	129950-59211	PIPE, FUEL	1	1									1
31A	..	124766-59050	CLAMP 12	2	2								W	1
31B	..	129950-59221 (A=FROM 1ST )	TUBE	1	1								W	1
32	.	22190-060002	SEAL WASHER 6S	1	1									10
33	.	22190-140000	SEAL WASHER 14(BOLT)	1	1									10
34	.	22190-140002	SEAL WASHER 14S	8	8									10
35	.	23857-080000	JOINT BOLT 8	3	3									1
36	.	26106-100602	BOLT M10X 60 PLATED	1	1									10
37	.	123951-55820	BRACKET	1	1									1
38	.	26106-080222	BOLT M 8X 22 PLATED	2	2									10
39	.	26106-100222	BOLT M10X 22 PLATED	2	2									10
40	.	119560-59040	PIPE, 13/7.5X700, FUEL	1										1
40- 1	.	123951-59010 (A=E03347 )	PIPE ASSY, FUEL	1	1								N	1
41	..	119560-59120	TUBE	1										1
41- 1	..	123951-59100 (A=E03347 )	PROTECTOR, FUEL PIPE	1	1									N
42A	..	121855-59880	JOINT	1	1									W
42B	..	23000-013000 (A=E03347 )	CLAMP 13	1	1								W	1
43	.	23000-013000	CLAMP 13	6										1
43- 1	.	23000-013000 (A=E03347 )	CLAMP 13	5	5								K	1
44	.	123951-55680	LABEL	1	1									1
45	.	123951-55810	SEPARATOR, WATER	1	1									1
46	.	119266-59580	BOLT 8, PIPE JOINT	1	1								W	1
47	.	123951-59500 (A=FROM 1ST )	BOLT, JOINT	1	1									W

\*\* CONTINUE \*\*

N136197

19. FUEL OIL LINE



(REMARKS) "EFFECTIVE MACHINE NO." OF

ENGINE IS INDICATED ON THE  
ENGINE LABEL WHICH IS SHOWN  
IN FIG.4.

1D09  
(1C02)  
NPC-3693

19. FUEL OIL LINE

99.12.07

(A)=4TNE106-TRNP (D)=  
(B)=4TNE106-RP (E)=  
(C)= (F)=

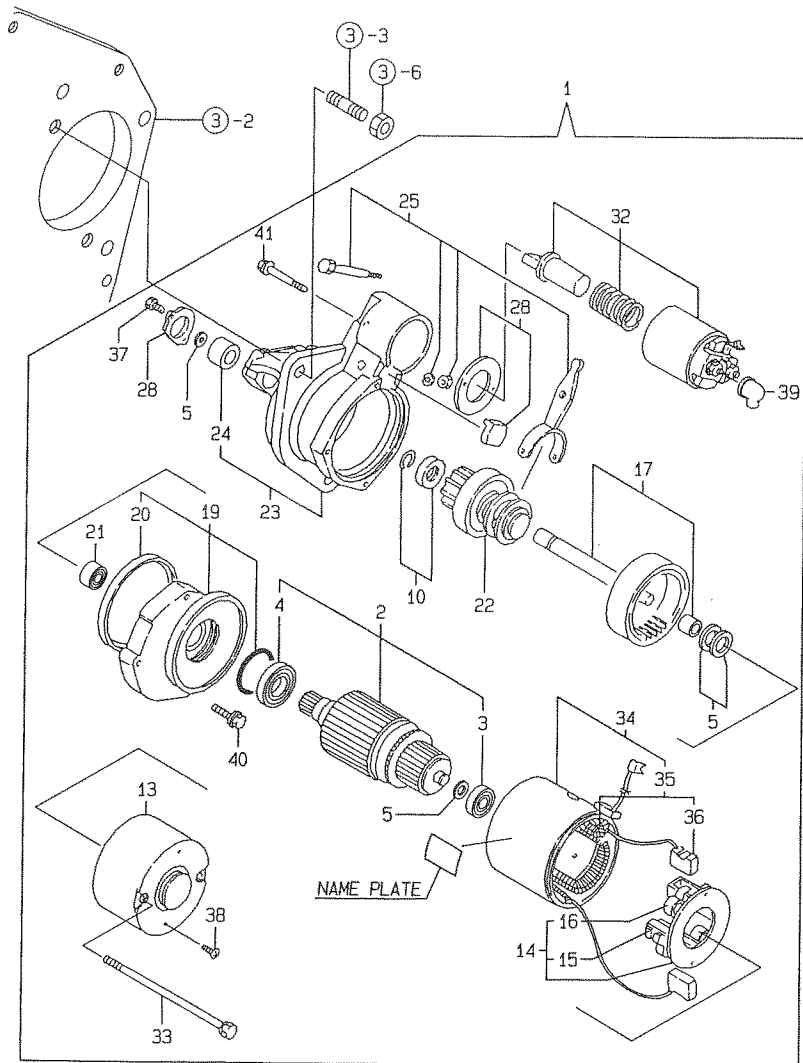
REF. NO.	LEV. 0	PART NO.	DESCRIPTION	Q'TY						I	P/U	A	R
				(A)	(B)	(C)	(D)	(E)	(F)				
48	.	123951-59510 (A=FROM 1ST )	JOINT,F.O RETURN	1									W
I 48-1	.	123951-59511 (A=EO4146 )	JOINT,F.O RETURN	1	1								N
49	.	22190-080002 (A=FROM 1ST )	SEAL WASHER 8S	2	2								W 10
50	.	129957-59050 (A=FROM 1ST )	PIPE ASSY, FUEL	1	1								W 1
51	..	129957-59120 (A=FROM 1ST )	PROTECTOR, FUEL PIPE	1	1								W 1

REMARKS (チユウ) エンジンノシヨウシヨウキノコウモクNO.4ノ

キタイメイハシノコウキチマス。

(REMARKS) "EFFECTIVE MACHINE NO." OF  
ENGINE IS INDICATED ON THE  
ENGINE LABEL WHICH IS SHOWN  
IN FIG.4.

20. STARTING MOTOR



N136198

(REMARKS) "EFFECTIVE MACHINE NO." OF

ENGINE IS INDICATED ON THE ENGINE LABEL WHICH IS SHOWN IN FIG.4.

1010  
1C02  
NPC-3693

20. STARTING MOTOR

99.12.07

(A)=4TNE106-TRNP (D)=  
(B)=4TNE106-RP (E)=  
(C)= (F)=

REF. NO.	LEV. 0	PART NO.	DESCRIPTION	-----Q'TY-----						I P U A R
				(A)	(B)	(C)	(D)	(E)	(F)	
1	.	124610-77010	STARTER	1	1					1
2	..	121254-77402	ARMATURE ASSY	1	1					1
3	...	121254-77410	BALL BEARING	1	1					1
4	...	121254-77420	BALL BEARING	1	1					1
5	..	121254-77430	WASHER KIT, THRUST	1	1					1
10	..	121254-77480	STOPPER KIT, PINION	1	1					1
13	..	124610-77550	REAR COVER ASSY	1	1					1
14	..	121254-77571	HOLDER	1	1					1
15	...	121254-77581	BRUSH	2	2					1
16	...	121254-77590	SPRING, BRUSH	4	4					1
17	..	121254-77640	SHAFT ASSY, GEAR	1	1					1
19	..	121254-77600	BEARING ASSY, CENTER	1	1					1
20	...	119129-77210	SEAL, OIL	1	1					1
21	...	119129-77220	BEARING, NEEDLE	1	1					1
22	..	121254-77661	PINION ASSY	1	1					1
23	..	121254-77681	CASE ASSY, GEAR	1	1					1
24	...	121254-77690	METAL, GEAR CASE	1	1					1
25	..	121254-77700	LEVER SET, SHIFT	1	1					1
28	..	121254-77730	DUST COVER SET	1	1					1
32	..	121254-77670	SWITCH, MAGNETIC	1	1					1
33	..	121254-77770	BOLT, THROUGH	2	2					1
34	..	121254-77511	COIL ASSY, FIELD	1	1					1
35	...	121254-77521	COIL ASSY, FIELD	1	1					1
36	....	121254-77541	BRUSH (+)	2	2					1
37	..	121254-77780	SCREW 5	2	2					1
38	..	121254-77790	SCREW 4	2	2					1
39	..	121254-77810	TERMINAL COVER	1	1					1
40	..	26106-060302	BOLT M 6X 30 PLATED	3	3					10
41	..	26106-060452	BOLT M 6X 45 PLATED	2	2					10

REMARKS (チユウ) エンジンコア ショツコウキ ノ コウモクNO.4 ノ (REMARKS) "EFFECTIVE MACHINE NO." OF

\*タイメイハツン ノ コウキテマス。

ENGINE IS INDICATED ON THE ENGINE LABEL WHICH IS SHOWN IN FIG.4.

N136198

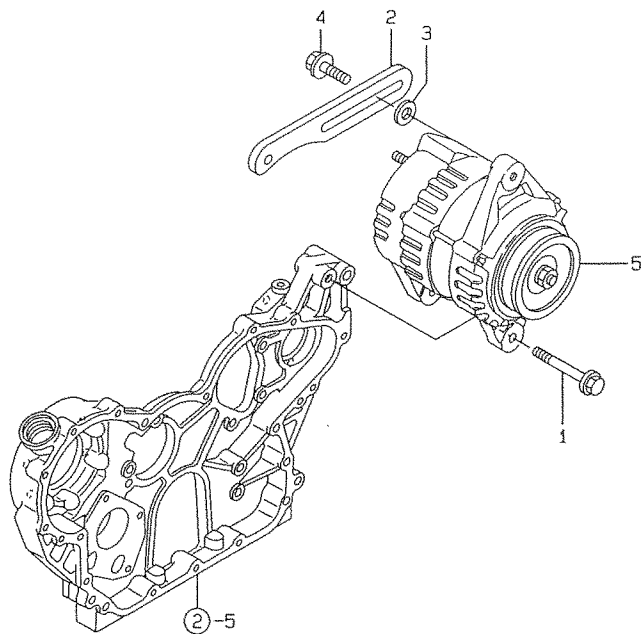
21. GENERATOR

1011  
 (1002)  
 NPC-3693

21. GENERATOR

99.12.07

(A)=4TNE106-TRNP (D)=  
 (B)=4TNE106-RP (E)=  
 (C)= (F)=



N136199

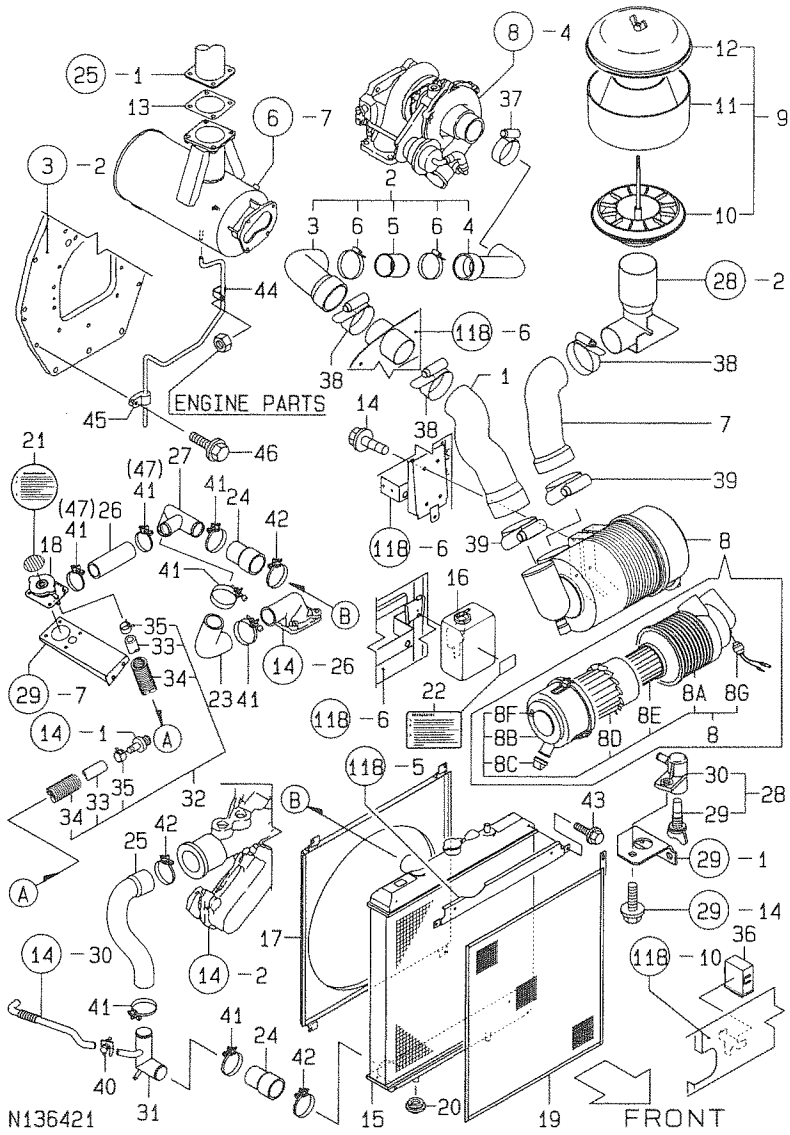
REF. NO.	LEV. 0	PART NO.	DESCRIPTION	-----Q'TY-----						I P/U A R
				(A)	(B)	(C)	(D)	(E)	(F)	
1	.	26106-100402	BOLT M10X 40 PLATED	1	1					10
2	.	119171-77330	ADJUSTER, BELT	1	1					1
3	.	124732-77340	SPACER	1	1					1
4	.	26014-080452	BOLT M 8X 45	1	1					10
5	.	123951-77200	GENERATOR	1	1					1

(REMARKS) "EFFECTIVE MACHINE NO." OF  
 ENGINE IS INDICATED ON THE  
 ENGINE LABEL WHICH IS SHOWN  
 IN FIG.4.

REMARKS  
 (子1ウ) エンジンラック シフトシヨウキ ハ コウモクNO.4 ノ (REMARKS) "EFFECTIVE MACHINE NO." OF  
 キタイメイハシツ ノ コウキチマス。 ENGINE IS INDICATED ON THE  
 ENGINE LABEL WHICH IS SHOWN  
 IN FIG.4.

N136199

22. ENGINE ACCESSORIES



-----+  
1E03  
1E02  
-----+  
NPC-3693

22. ENGINE ACCESSORIES

99.12.07

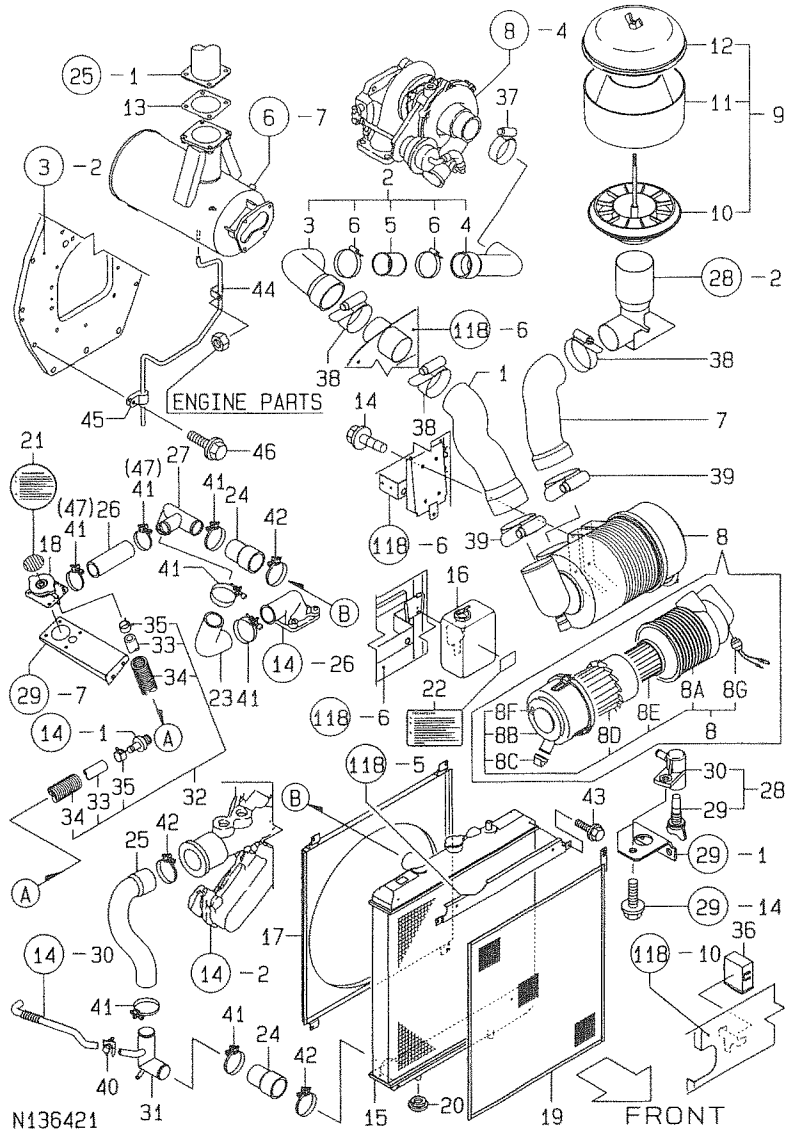
(A)=AF1110EX (D)=AF1088EX(4WD)  
(B)=AF1110EX(4WD)(E)=  
(C)=AF1088EX(2WD)(F)=

REF. NO.	LEV. 0	PART NO.	DESCRIPTION	-----Q'TY-----						I	P	U	A	R
				(A)	(B)	(C)	(D)	(E)	(F)					
1	.	123950-12010	PIPE	1	1								1	
2	.	123951-12010	PIPE, AIR INTAKE	1	1								1	
3	..	123951-12020	PIPE, AIR INTAKE	1	1								1	
4	..	123951-12030	PIPE, AIR INTAKE	1	1								1	
5	..	123951-12040	JOINT	1	1								1	
6	..	23000-075000	CLAMP 75	2	2								1	
7	.	123950-12410	JOINT	1	1								1	
8	.	123951-12510	CLEANER ASSY, AIR	1	1								1	
8A	..	123950-12510	BODY	1	1								1	
8B	..	123950-12520	COVER	1	1								1	
8C	..	119160-12540	VALVE	1	1								1	
8D	..	123950-12560	ELEMENT (OUTER	1	1								1	
8E	..	119117-12570	ELEMENT, INNER	1	1								1	
8F	..	129612-12650	MARKING, (W)	1	1								1	
8G	..	119005-12950	INDICATOR	1	1								1	
9	.	123500-12900	PRECLEANER	1	1								1	
10	..	123500-12910	SLEEVE, PRE-CLEANER	1	1								1	
11	..	123500-12920	BODY, PRE-CLEANER	1	1								1	
12	..	123500-12930	COVER, PRE-CLEANER	1	1								1	
13	.	128300-13230	PACKING	1	1								1	
14	.	26106-080162	BOLT M 8X 16 PLATED	4	4								10	
15	.	123951-44500	RADIATOR ASSY	1	1								1	
16	.	129466-44510	SUBTANK	1	1								1	
17	.	123951-44570	SHROUD, FAN	1	1								1	
18	.	129956-44600	CAP, RADIATOR	1	1								1	
19	.	123951-44650	SCREEN	1	1								1	
20	.	119255-44660	RUBBER	2	2								1	
21	.	123951-44800	LABEL	1	1								1	
22	.	123951-44810	LABEL	1	1								1	
23	.	123950-49011	PIPE, C.W.	1	1								1	
24	.	123951-49021	PIPE, C.W.	2	2								1	
25	.	123951-49031	PIPE, C.W.	1	1								1	
26	.	123950-49051	PIPE, C.W.	1	1								1	
27	.	123950-49100	JOINT	1	1								1	
28	.	129550-49101	COCK ASSY, 2-WAY	1	1								1	
29	..	129150-49081	COCK, DRAIN	1	1								1	
30	..	129550-49090	BODY, 2-WAY COCK	1	1								1	
31	.	123951-49110	JOINT, 4-WAY	1	1								1	
32	.	129957-59040	PIPE, FUEL	1	1								1	
33	..	129335-59090	PIPE, FUEL	1	1								1	
34	..	119560-59110	PROTECTOR, FUEL PIPE	1	1								1	
35	..	124766-59050	CLAMP 12	2	2								1	
I 36	.	129457-77880	BODY, CONTROLLER	1	1								1	
37	.	23000-060000	CLAMP 60	1	1								1	
38	.	23000-102000	CLAMP 102, HOSE	3	3								1	
39	.	23000-115000	CLAMP 115	2	2								1	
40	.	23001-022000	HOSE CLAMP 22	1	1								1	
I 41	.	23001-048000	CLIP 48, HOSE	7									1	
I 41-1	.	23001-048000	CLIP 48, HOSE	5	5								K	1
		(A=FXXXXX )												
I 42	.	23001-060000	CLIP, HOLELESS HOSE	3	3								1	
43	.	26106-060162	BOLT M 6X 16 PLATED	2	2								10	
44	.	123951-13911	PIPE, WATER DRAIN	1	1								1	
45	.	23297-100081	RETAINER 10X 8	1	1								1	

\*\* CONTINUE \*\*

N136421

22. ENGINE ACCESSORIES



1E04  
1E02  
NPC-3693

22. ENGINE ACCESSORIES

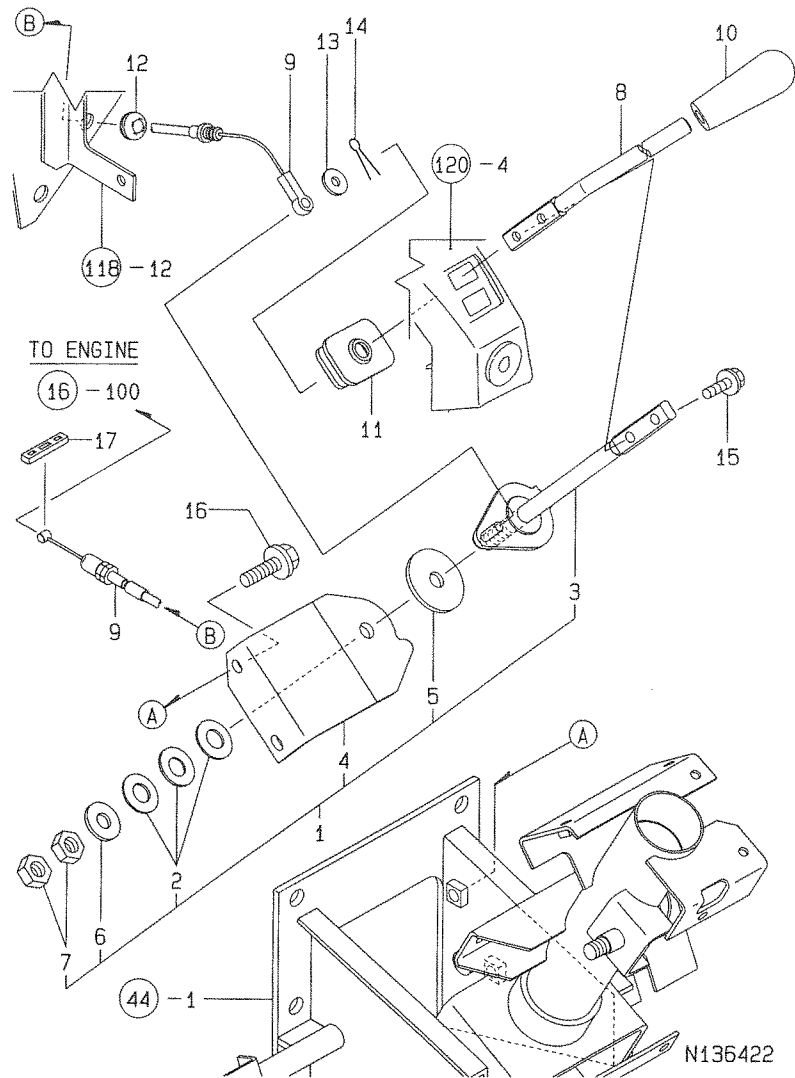
99.12.07

(A)=AF1110EX (D)=AF1088EX(4WD)  
(B)=AF1110EX(4WD)(E)=  
(C)=AF1088EX(2WD)(F)=

REF. NO.	LEV. 0	PART NO.	DESCRIPTION	-----Q'TY-----						I	P/U	A	R
				(A)	(B)	(C)	(D)	(E)	(F)				
46	.	26106-080102	BOLT M 8X 10 PLATED	1	1							10	
46	- 1	26106-080122 (A=FXXXXX )	BOLT M 8X 12 PLATED	1	1							N 10	
47	.	23000-048000 (A=FXXXXX )	CLAMP 48	2	2							W 1	



23. ACCELERATOR LEVER



1E05  
(1E02)  
NPC-3693

23. ACCELERATOR LEVER

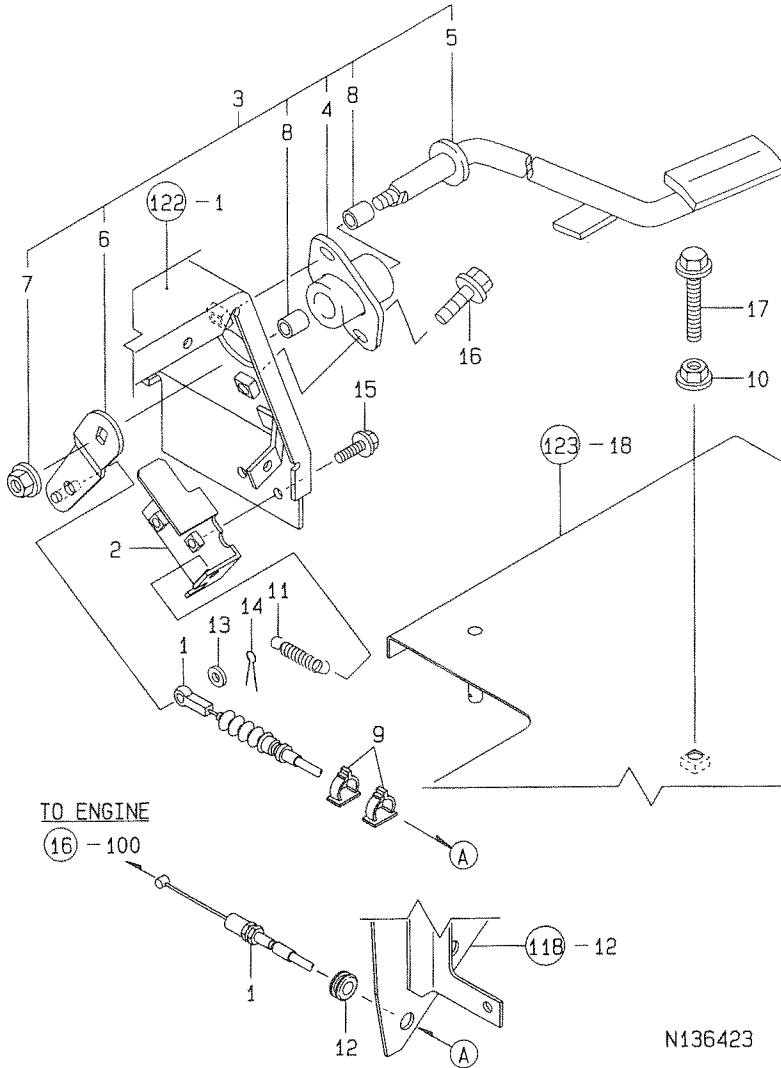
99.12.07

(A)=AF1110EX (D)=AF1088EX(4WD)  
(B)=AF1110EX(4WD)(E)=  
(C)=AF1088EX(2WD)(F)=

REF. NO.	LEV. 0	PART NO.	DESCRIPTION	Q'TY						I	P/U	A	R
				(A)	(B)	(C)	(D)	(E)	(F)				
1	.	198265-01080	LEVER UNIT,ACCELTR.	1	1	1	1					0	
2	..	194740-00160	WASHER 10, CONICAL	3	3	3	3					10	
3	..	198265-01100	LEVER,ACCEL.COMP.	1	1	1	1					0	
4	..	198265-01140	BRACKET, THRTL LEVER	1	1	1	1					0	
5	..	198220-01261	PLATE, FRICTION	1	1	1	1					1	
6	..	22137-100000	WASHER 10,POLISHED	1	1	1	1					10	
7	..	26716-100002	NUT 10	2	2	2	2					10	
8	.	198265-01110	LEVER, ACCEL	1	1	1	1					0	
9	.	198265-01160	WIRE ASSY,	1	1	1	1					0	
10	.	194464-01190	KNOB, THROTTLE LEVER	1	1	1	1					1	
11	.	198265-01210	GROMMET,ACCEL.LEVER	1	1	1	1					0	
12	.	198071-58810	GROMMET 8	1	1	1	1					1	
13	.	22137-060000	WASHER 6, POLISHED	1	1	1	1					10	
14	.	22417-160180	COTTER PIN 1.6X18	1	1	1	1					10	
15	.	26106-060162	BOLT M 6X 16 PLATED	2	2	2	2					10	
16	.	26106-080162	BOLT M 8X 16 PLATED	2	2	2	2					10	
17	.	198071-01160	RUBBER,WIRE RETAIN'G	1	1	1	1				W	1	

(A=F00079 )

24. FOOT ACCELERATOR



N136423

1E06  
1E02  
NPC-3693

24. FOOT ACCELERATOR

99.12.07

(A)=AF1110EX (D)=AF1088EX(4WD)  
(B)=AF1110EX(4WD)(E)=  
(C)=AF1088EX(2WD)(F)=

REF. NO.	LEV. 0	PART NO.	DESCRIPTION	Q'TY						I	P/U	A	R
				(A)	(B)	(C)	(D)	(E)	(F)				
1	.	198265-01180	WIRE CMP., FOOT ACCEL	1	1	1	1					0	
2	.	198265-01360	BRACKET, FT. ACCL. WIRE	1	1	1	1					0	
3	.	198265-01400	PEDAL UNIT, FT. ACCEL.	1								0	
3-1	.	198265-01401 (A=FXXXXX)	PEDAL UNIT, FT. ACCEL	1	1	1	1			N		0	
4	..	198448-01270	BOSS, FOOT ACCELERTR	1	1	1	1					0	
5	..	198448-01300	PEDAL, THROTTLE	1	1	1	1					1	
6	..	198265-01340	ARM, FOOT ACCELERATOR	1	1	1	1					0	
7	..	194990-22140	NUT W/WASHER 8	1	1	1	1					5	
8	..	24550-012120	DRY BUSH 12X12	2	2	2	2					1	
9	.	172010-07810	STICKER, WIRE	2	2	2	2					1	
10	.	194990-22140	NUT W/WASHER 8	1	1	1	1					5	
11	.	198360-55630	SPRING, RETURN	1	1	1	1					1	
12	.	198071-58810	GROMMET 8	1	1	1	1					1	
13	.	22137-060000	WASHER 6, POLISHED	1	1	1	1					10	
14	.	22417-160180	COTTER PIN 1.6X18	1	1	1	1					10	
15	.	26106-060122	BOLT M 6X 12 PLATED	2	2	2	2					10	
16	.	26106-080162	BOLT M 8X 16 PLATED	2	2	2	2					10	
17	.	26106-080502	BOLT M 8X 50 PLATED	1	1	1	1					10	

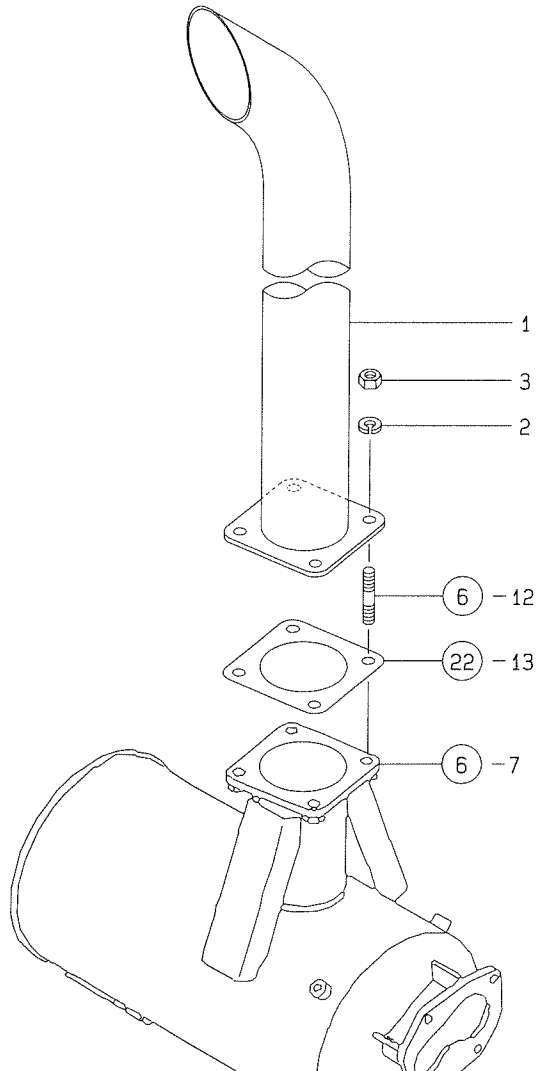
25. EXHAUST PIPE

-----+  
 | 1E07 |  
 | (1E02) |  
 +-----+  
 NPC-3693

25. EXHAUST PIPE

99.12.07

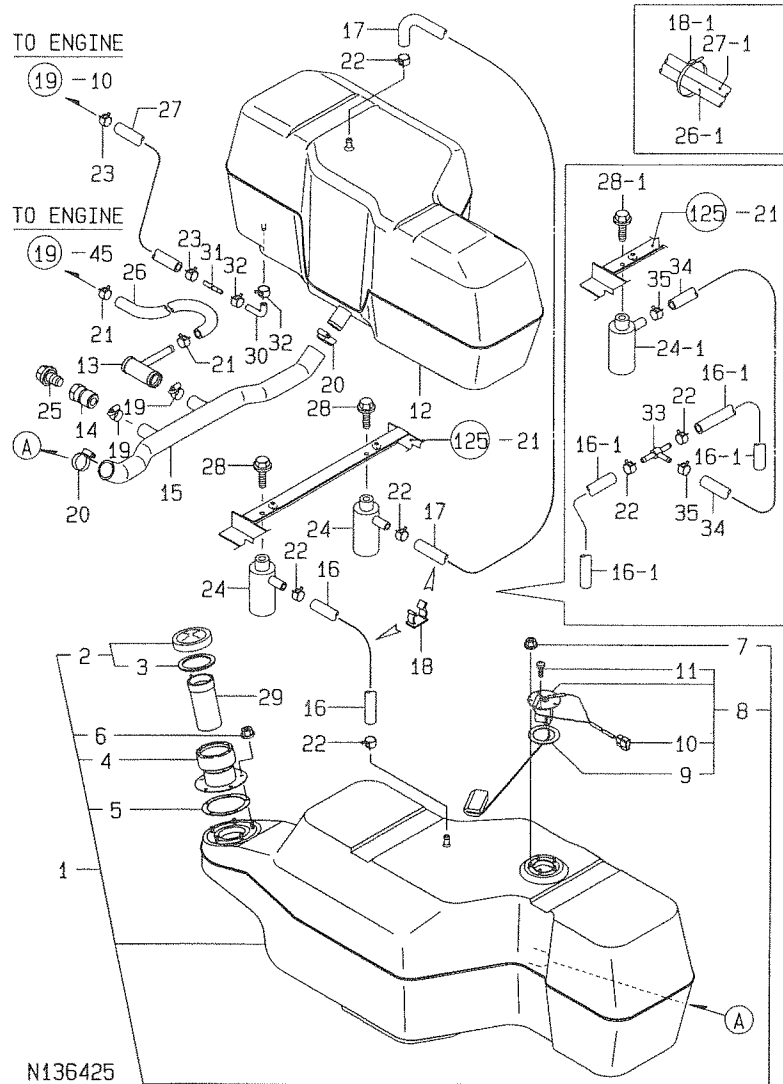
(A)=AF1110EX (D)=AF1088EX(4WD  
 (B)=AF1110EX(4WD(E)=  
 (C)=AF1088EX(2WD(F)=



N136424

REF. NO.	LEV. 0	PART NO.	DESCRIPTION	-----Q'TY-----						I P/U A R
				(A)	(B)	(C)	(D)	(E)	(F)	
1	-	198265-03100	TAILPIPE, MUFFLER	1	1	1	1			0
2	-	22213-100000	SPRING WASHER 10	4	4	4	4			10
3	-	26703-100002	NUT M10	4	4	4	4			10

26. FUEL TANK



N136425

-----+  
 | 1E08 |  
 | (1E02) |  
 -----+  
 NPC-3693

26. FUEL TANK

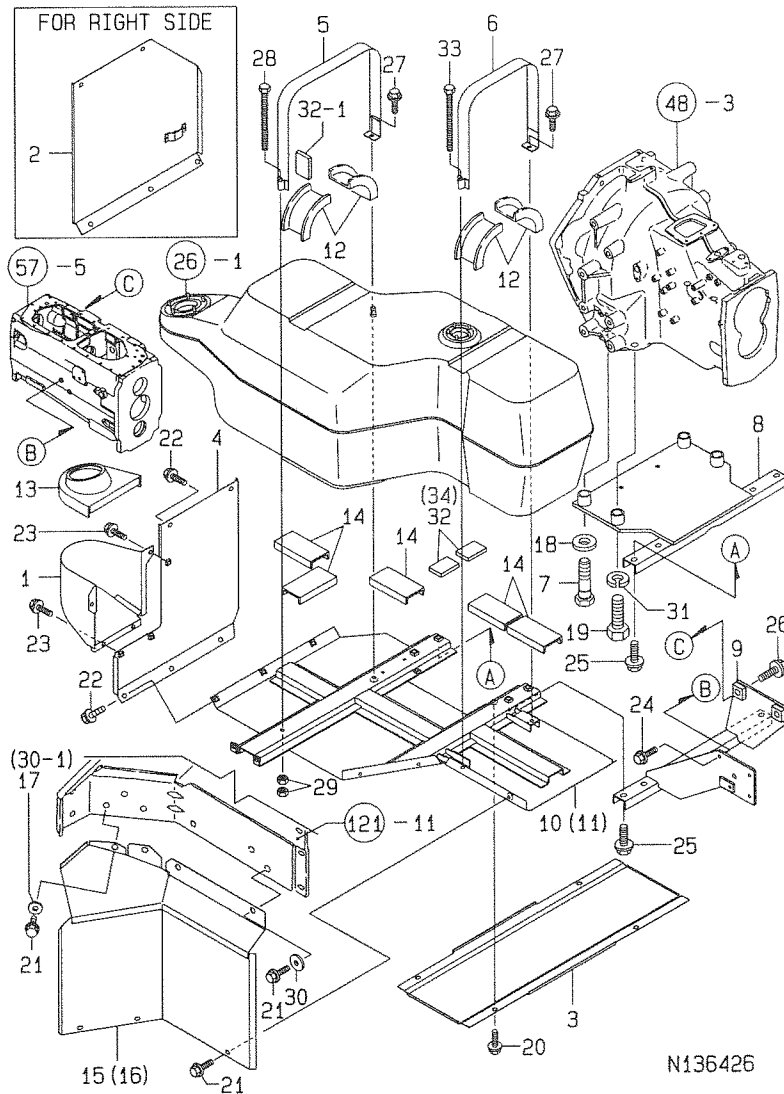
99.12.07

(A)=AF1110EX (D)=AF1088EX(4WD)  
 (B)=AF1110EX(4WD(E)=  
 (C)=AF1088EX(2WD(F)=

REF. NO.	LEV. 0	PART NO.	DESCRIPTION	-----Q'TY-----						I	P	U	A	R
				(A)	(B)	(C)	(D)	(E)	(F)					
1	.	198268-04100	TANK L/GAUGE COMP.	1	1	1	1						1	
2	..	198153-04240	CAP,FUEL TANK	1	1	1	1						1	
3	...	198153-04290	GASKET	1	1	1	1						1	
4	..	198448-04300	OIL HOLE	1	1	1	1						0	
5	..	198448-04340	GASKET, FILLER OIL	1	1	1	1						1	
6	..	194990-22130	NUT W/WASHER 6	5	5	5	5						5	
7	..	194990-22130	NUT W/WASHER 6	5	5	5	5						5	
8	..	198268-56600	FUEL GAUGE COMPL.	1	1	1	1						1	
9	...	194420-56620	GASKET	1	1	1	1						1	
10	...	198240-56630	WIRE	1	1	1	1						1	
11	...	26557-050122	SCREW M 5X 12	1	1	1	1						10	
12	.	198268-04210	FUEL TANK R COMPL.	1	1	1	1						1	
13	.	198071-04331	PIPE COMP.,SUCTION	1	1	1	1						1	
14	.	198268-04350	BLOCK,DRAIN	1	1	1	1						0	
15	.	198265-04490	PIPE, FUEL OIL	1	1	1	1						0	
16	.	198268-04940	PIPE, FUEL OIL	1									0	
16- 1	.	198448-04280 (A=F01338 )	VINYL TUBE	2	2	2	2				S		1	
I 17	.	198268-04940 (A=F01388 )	PIPE, FUEL OIL	1								Z	0	
18	.	172010-07810	STICKER, WIRE	2									1	
18- 1	.	121750-59890 (A=F00079 )	CLAMP 140	2	2	2	2				S		1	
19	.	175022-49700	CRIP 23, HOSE	2	2	2	2						1	
20	.	175022-49740	CLIP 33.6,HOSE	2	2	2	2						1	
21	.	124766-59050	CLAMP 12	2	2	2	2						1	
22	.	124766-59050	CLAMP 12	4	4	4	4						1	
23	.	124766-59050	CLAMP 12	2	2	2	2						1	
24	.	194205-63550	BREATHER, AIR	2									1	
24- 1	.	194205-63550	BREATHER, AIR	1	1	1	1				K		1	
		(A=F01338 )												
25	.	23491-120002	PLUG 12	1	1	1	1						1	
26	.	23980-731300	FUEL PIPE 7.3X1300	1									1	
26- 1	.	23980-732050 (A=F00079 )	BRAIDED HOSE	1	1	1	1				S		1	
27	.	23980-731400	HOSE 7.3,BRAIDED	1									0	
27- 1	.	23980-731450 (A=F00079 )	BRAIDED HOSE	1	1	1	1				S		1	
28	.	26106-080122	BOLT M 8X 12 PLATED	2									10	
28- 1	.	26106-080122 (A=F01338 )	BOLT M 8X 12 PLATED	1	1	1	1				K		10	
29	.	101504-55101	STRAINER,FUEL INLET	1	1	1	1						1	
30	.	198448-04270	HOSE.RETURN	1	1	1	1						1	
31	.	198448-04250	JOINT	1	1	1	1						1	
32	.	124766-59050	CLAMP 12	2	2	2	2						1	
33	.	198448-04930 (A=F01338 )	JOINT T-SHAPED,HOSE	1	1	1	1					W	0	
34	.	198265-04950	PIPE650,FUEL OIL	1	1	1	1					W	0	
		(A=F01338 )												
35	.	124766-59050 (A=F01338 )	CLAMP 12	2	2	2	2				W		1	

N136425

27. TANK COVER



1E09  
(1E02)  
NPC-3693

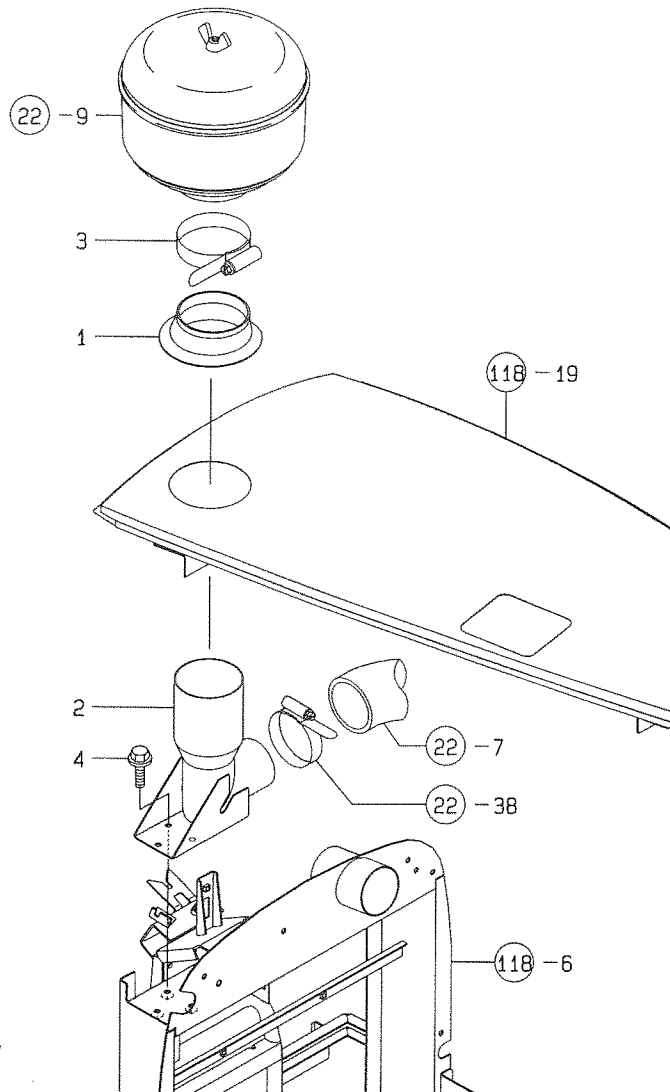
27. TANK COVER

99.12.07

(A)=AF1110EX (D)=AF1088EX(4WD)  
(B)=AF1110EX(4WD)(E)=  
(C)=AF1088EX(2WD)(F)=

REF. NO.	LEV. 0	PART NO.	DESCRIPTION	QTY						I P U A R
				(A)	(B)	(C)	(D)	(E)	(F)	
1	.	198268-04130	COVER,NOSE CMP.TANK	1	1	1	1			0
2	.	198265-04140	COVER,FRONT R CMP.TK	1	1	1	1			0
3	.	198265-04180	COVER,UNDER	1	1	1	1			0
4	.	198265-04190	COVER,FRONT L CMP.TK	1	1	1	1			0
5	.	198268-04311	BAND F COMPL.	2	2	2	2			0
6	.	198268-04331	BAND R COMPL.	2	2	2	2			0
7	.	198265-04390	BOLT 16X55,REAMER	2	2	2	2			0
8	.	198265-04410	STAY,C.F.CMP.TANK	1	1	1	1			0
9	.	198265-04450	STAY,C.R.CMP.TANK	1	1	1	1			0
10	.	198265-04500	COVER L COMP.,TANK	1	1	1	1			0
11	.	198265-04600	COVER R COMP.,TANK	1	1	1	1			0
12	.	198153-04670	CLAMP	8	8	8	8			1
13	.	198268-04720	COVER,AIR INLET	1	1	1	1			0
14	.	198448-04720	SEAT,TANK	10						0
14-1	.	198448-04720	SEAT,TANK	8	8	8	8			K 0
(A=F00079 )										
15	.	198265-04740	COVER,REAR L TANK	1	1	1	1			0
16	.	198265-04750	COVER REAR R TANK	1	1	1	1			0
17	.	22137-080000	WASHER 8, POLISHED							Z 10
(A=F01338 )										
18	.	22217-160000	SPRING WASHER 16	2	2	2	2			10
19	.	26116-160602	BOLT M16X 60 PLATED	2	2	2	2			1
20	.	26106-080162	BOLT M 8X 16 PLATED	4	4	4	4			10
21	.	26106-080162	BOLT M 8X 16 PLATED	14	14	14	14			10
22	.	26106-080162	BOLT M 8X 16 PLATED	10	10	10	10			10
23	.	26106-080162	BOLT M 8X 16 PLATED	4	4	4	4			10
24	.	26106-080202	BOLT M 8X 20 PLATED	2	2	2	2			10
25	.	26106-100202	BOLT M10X 20 PLATED	8	8	8	8			10
26	.	26106-100352	BOLT M10X 35 PLATED	2	2	2	2			10
27	.	26106-080162	BOLT M 8X 16 PLATED	4	4	4	4			10
28	.	26116-081054	BOLT M 8X105 PLATED	3	3	3	3			10
29	.	26716-080002	NUT M 8	8	8	8	8			10
30	.	22157-080000	WASHER 8	6						10
30-1	.	22157-080000	WASHER 8	8	8	8	8			K 10
(A=F01338 )										
31	.	22217-160000	SPRING WASHER 16	2	2	2	2			10
32	.	194190-61761	RUBBER, CUSHION	4						1
32-1	.	194190-61761	RUBBER, CUSHION	2	2	2	2			K 1
(A=F01338 )										
33	.	26116-081354	BOLT M 8X105 PLATED	1	1	1	1			1
34	.	194151-04260	GASKET, RUBBER	2	2	2	2			W 1
(A=F00079 )										

28. PRECLEANER



N136427

+-----+  
 | 1E10 |  
 | (1E02) |  
 +-----+  
 NPC-3693

28. PRECLEANER

99.12.07

(A)=AF1110EX (D)=AF1088EX(4WD)  
 (B)=AF1110EX(4WD)(E)=  
 (C)=AF1088EX(2WD)(F)=

REF. NO.	LEV. 0	PART NO.	DESCRIPTION	-----Q'TY-----						I P/U A R
				(A)	(B)	(C)	(D)	(E)	(F)	
1	.	194065-06150	GROMMET, AIR CLEANER	1	1	1	1			1
2	.	198265-06200	BRACKET, PRE-CLEANER	1	1	1	1			0
3	.	23000-115000	CLAMP 115	1	1	1	1			1
4	.	26106-080162	BOLT M 8X 16 PLATED	3	3	3	3			10

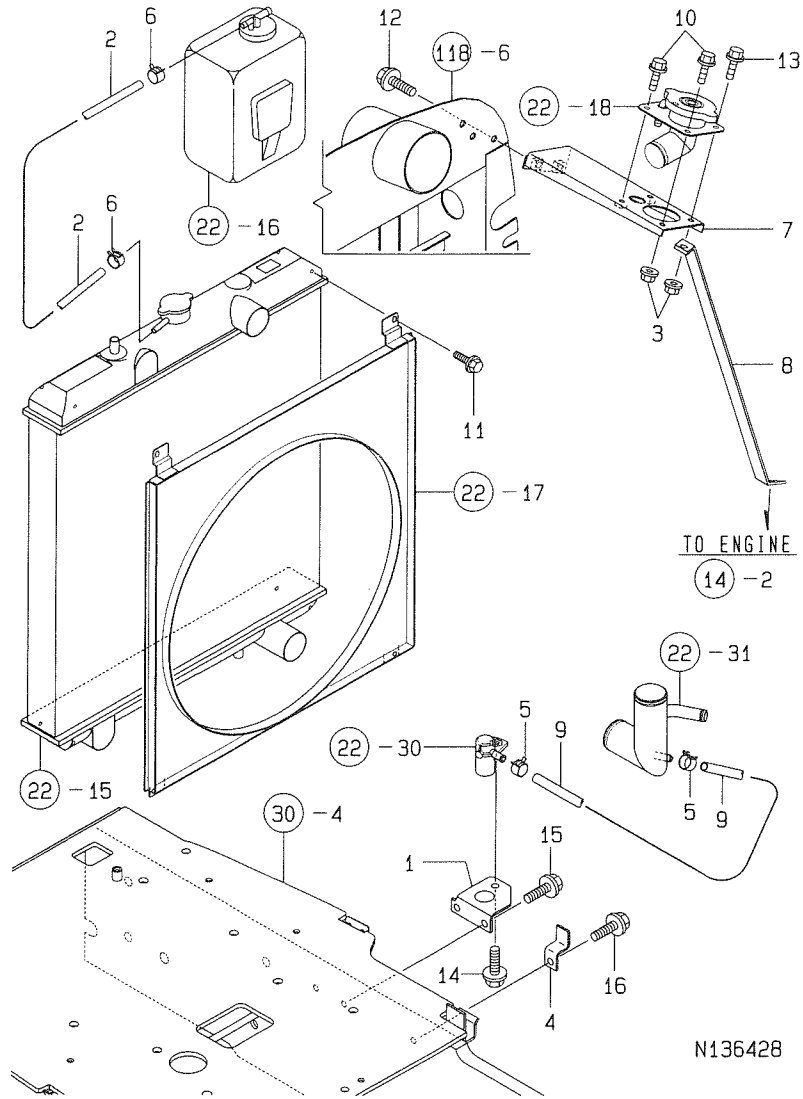
29. RADIATOR DRAIN

1E11  
(1E02)  
NPC-3693

29. RADIATOR DRAIN

99.12.07

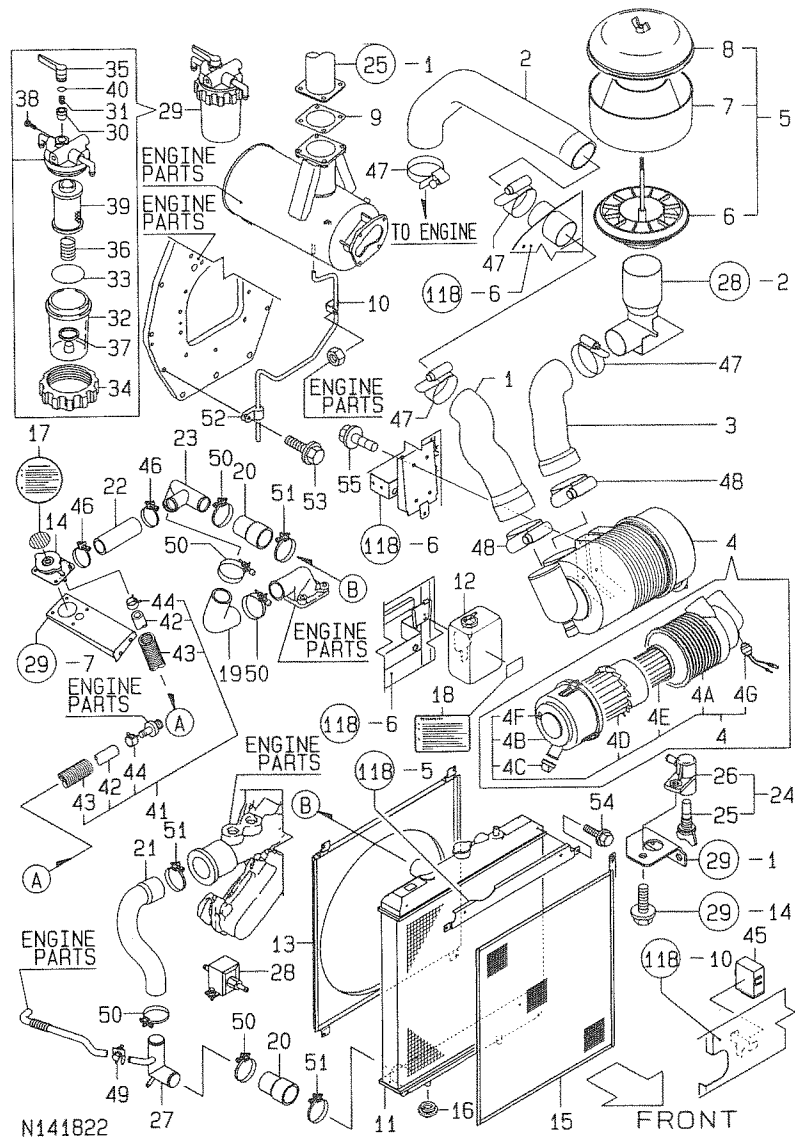
(A)=AF1110EX (D)=AF1088EX(4WD)  
(B)=AF1110EX(4WD)(E)=  
(C)=AF1088EX(2WD)(F)=



REF. NO.	LEV. 0	PART NO.	DESCRIPTION	Q'TY						I P/U A R
				(A)	(B)	(C)	(D)	(E)	(F)	
1	.	198268-07110	BRACKET,2-WAY COCK	1	1	1	1			0
2	.	198268-07150	PIPE	1	1	1	1			1
3	.	194990-22130	NUT W/WASHER 6	2	2	2	2			5
4	.	194450-48830	CLAMP	1	1	1	1			1
5	.	124766-59050	CLAMP 12	2	2	2	2			1
6	.	124766-59050	CLAMP 12	2	2	2	2			1
7	.	198268-60630	BRACKET,RADIATOR CAP	1	1	1	1			0
8	.	198265-60640	STAY,RADIATOR CAP	1	1	1	1			1
9	.	23980-730430	BRAIDED HOSE	1	1	1	1			1
10	.	26106-060122	BOLT M 6X 12 PLATED	3	3	3	3			10
11	.	26106-060162	BOLT M 6X 16 PLATED	4	4	4	4			10
12	.	26106-080162	BOLT M 8X 16 PLATED	2	2	2	2			10
13	.	26106-060202	BOLT M 6X 20 PLATED	1	1	1	1			10
14	.	26106-080162	BOLT M 8X 16 PLATED	1	1	1	1			10
15	.	26106-080162	BOLT M 8X 16 PLATED	2	2	2	2			10
16	.	26106-080162	BOLT M 8X 16 PLATED	1	1	1	1			10

N136428

139. ENGINE ACCESSORIES (ADDNL)



139. ENGINE ACCESSORIES (ADDNL)

99.12.07

-----+  
| 1E12 |  
| (1E02) |  
-----+  
NPC-3693

(A)=AF1110EX (D)=AF1088EX(4WD)  
(B)=AF1110EX(4WD)(E)=  
(C)=AF1088EX(2WD)(F)=

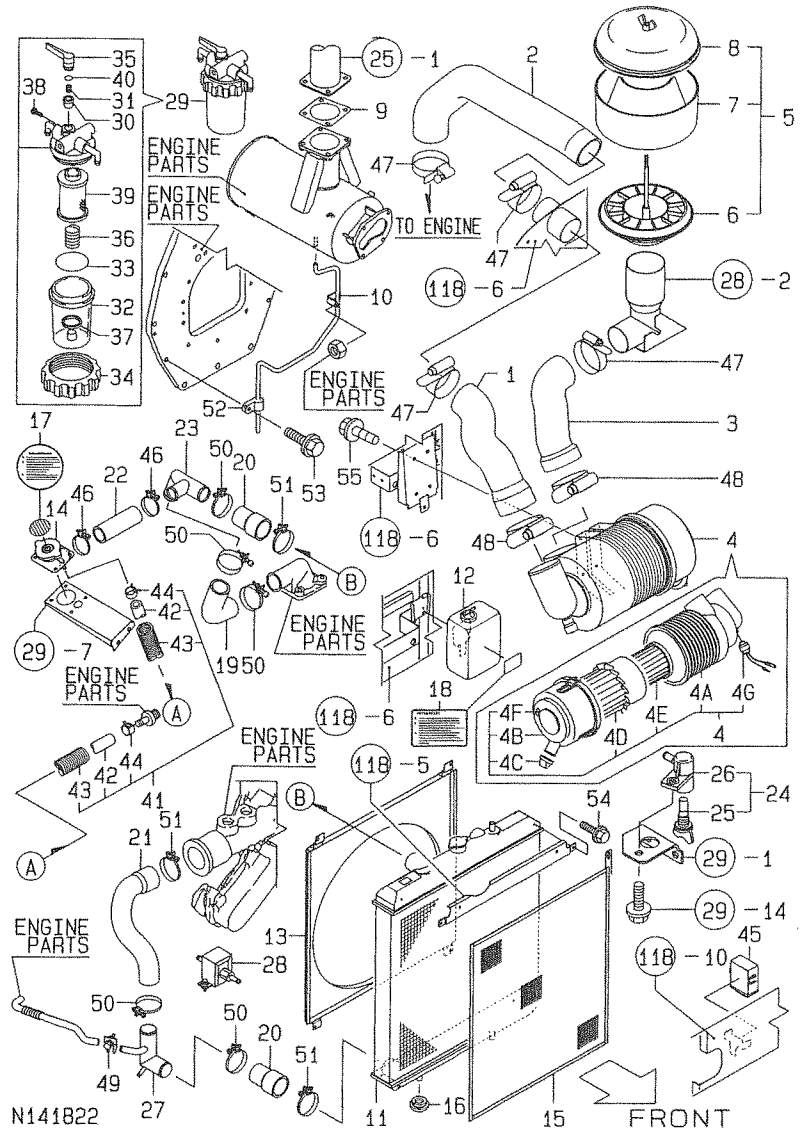
REF. NO.	LEV. 0	PART NO.	DESCRIPTION	-----Q'TY-----						I	P	U	A	R
				(A)	(B)	(C)	(D)	(E)	(F)					
I 1	.	123950-12010	PIPE				1	1						1
I 2	.	123950-12020	PIPE ,AIR INTAKE				1	1						
I 3	.	123950-12410	JOINT				1	1						1
I 4	.	123950-12530	AIR CLEANER COMP.				1	1						
I 4A	..	123951-12510	CLEANER ASSY, AIR				1	1						1
I 4B	..	123950-12520	COVER				1	1						1
I 4C	..	119160-12540	VALVE				1	1						1
I 4D	..	123950-12560	ELEMENT (OUTER				1	1						1
I 4E	..	119117-12570	ELEMENT, INNER				1	1						1
I 4F	..	129612-12650	MARKING, (W)				1	1						1
I 4G	..	126650-12680	INDICATOR				1	1						1
I 5	.	123500-12900	PRECLEANER				1	1						1
I 6	..	123500-12910	SLEEVE, PRE-CLEANER				1	1						1
I 7	..	123500-12920	BODY, PRE-CLEANER				1	1						1
I 8	..	123500-12930	COVER, PRE-CLEANER				1	1						1
I 9	.	128300-13230	PACKING				1	1						1
I 10	.	123951-13911	PIPE, WATER DRAIN				1	1						1
I 11	.	123951-44500	RADIATOR ASSY				1	1						1
I 12	.	129466-44510	SUBTANK				1	1						1
I 13	.	123951-44570	SHROUD, FAN				1	1						1
I 14	.	129956-44600	CAP, RADIATOR				1	1						1
I 15	.	123951-44650	SCREEN				1	1						1
I 16	.	119255-44660	RUBBER				2	2						1
I 17	.	123951-44800	LABEL				1	1						1
I 18	.	123951-44810	LABEL				1	1						1
I 19	.	123950-49011	PIPE, C.W.				1	1						1
I 20	.	123951-49021	PIPE, C.W.				2	2						1
I 21	.	123951-49031	PIPE, C.W.				1	1						1
I 22	.	123950-49051	PIPE, C.W.				1	1						1
I 23	.	123950-49100	JOINT				1	1						1
I 24	.	129550-49101	COCK ASSY, 2-WAY				1	1						1
I 25	..	129150-49081	COCK, DRAIN				1	1						1
I 26	..	129550-49090	BODY, 2-WAY COCK				1	1						1
I 27	.	123951-49110	JOINT, 4-WAY				1	1						1
I 28	.	129956-52100	FUEL PUMP				1	1						1
I 29	.	129450-55702	SEPARATOR, WATER				1	1						1
I 30	..	104200-55321	VALVE, TAPER				1	1						1
I 31	..	104200-55330	SPRING, TAPER VALVE				1	1						1
I 32	..	124064-55510	BOWL, FUEL STRAINER				1	1						1
I 33	..	102103-55520	O-RING				1	1						1
I 34	..	110250-55610	RING, RETAINING				1	1						1
I 35	..	129100-55670	LEVER				1	1						1
I 36	..	121257-55720	SPRING, SCREEN				1	1						1
I 37	..	121257-55731	FLOAT				1	1						1
I 38	..	104200-55750	SCREW M 4				1	1						1
I 39	..	171081-55910	SCREEN				1	1						1
I 40	..	24311-240100	O-RING 1A P-10A				1	1						10
I 41	.	129957-59040	PIPE, FUEL				1	1						1
I 42	..	129335-59090	PIPE, FUEL				1	1						1
I 43	..	119560-59110	PROTECTOR, FUEL PIPE				1	1						1
I 44	.	124766-59050	CLAMP 12				2	2						1
I 45	.	129457-77880	BODY, CONTROLLER				1	1						1
I 46	.	23000-048000	CLAMP 48				2	2						1
I 47	.	23000-102000	CLAMP 102, HOSE				4	4						1

\*\* CONTINUE \*\*

N141822



139. ENGINE ACCESSORIES (ADDNL)



1E13  
(1E02)  
NPC-3693

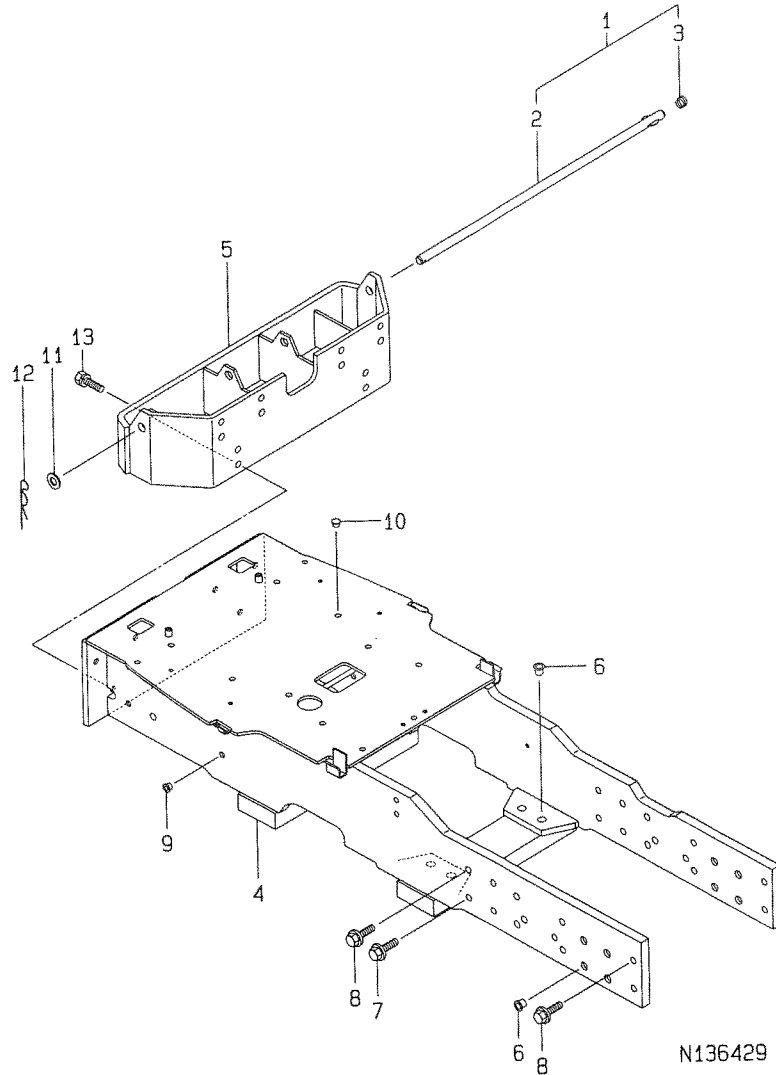
139. ENGINE ACCESSORIES (ADDNL)

99.12.07

(A)=AF1110EX (D)=AF1088EX(4WD)  
(B)=AF1110EX(4WD)(E)=  
(C)=AF1088EX(2WD)(F)=

REF. NO.	LEV. 0	PART NO.	DESCRIPTION	Q'TY						I	P/U	A	R
				(A)	(B)	(C)	(D)	(E)	(F)				
I 48	.	23000-115000	CLAMP 115			2	2					1	
I 49	.	23001-022000	HOSE CLAMP 22			1	1					1	
I 50	.	23001-048000	CLIP 48,HOSE			5	5					1	
I 51	.	23001-060000	CLIP,HOLELESS HOSE			3	3					1	
I 52	.	23297-100081	RETAINER 10X 8			1	1					1	
I 53	.	26106-080122	BOLT M 8X 12 PLATED			1	1					10	
I 54	.	26106-060162	BOLT M 6X 16 PLATED			2	2					10	
I 55	.	26106-080162	BOLT M 8X 16 PLATED			4	4					10	

30. FRONT BRACKET



1F03  
1F02  
NPC-3693

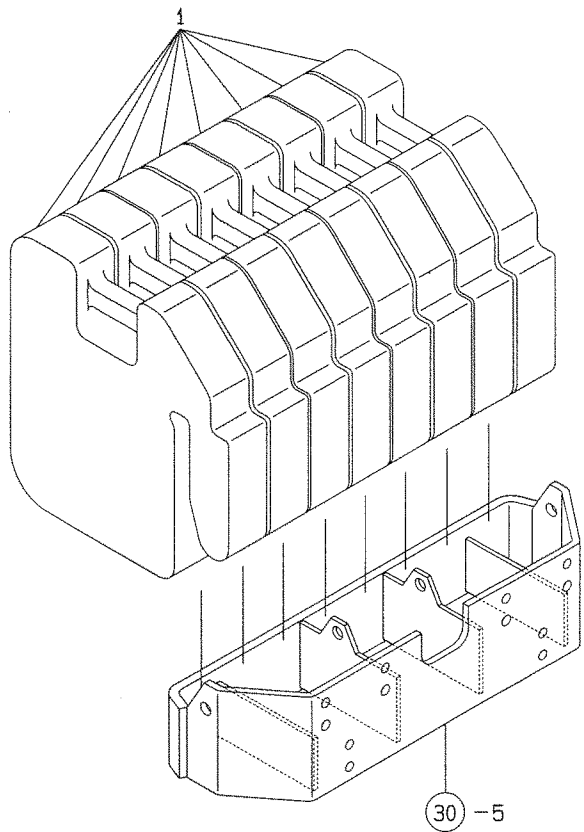
30. FRONT BRACKET

99.12.07

(A)=AF1110EX (D)=AF1088EX(4WD)  
(B)=AF1110EX(4WD(E)=  
(C)=AF1088EX(2WD(F)=

REF. NO.	LEV. 0	PART NO.	DESCRIPTION	Q'TY						I	P/U	A	R
				(A)	(B)	(C)	(D)	(E)	(F)				
1	.	198440-11090	PIN, LOCK	1	1	1	1						1
2	..	198440-11080	PIN	1	1	1	1						1
3	..	194250-11140	SPRING	1	1	1	1						1
4	.	198265-11100	BRACKET CMP., F.ACCEL	1	1	1	1						0
5	.	198265-11130	HITCH COMPL., FRONT	1	1	1	1						0
6	.	194450-11190	PLUG 15	16									1
6-1	.	194450-11190	PLUG 15	8	8	8	8					K	1
7	.	(A=F01338) 198220-11520-1	BOLT 12X38	14	14	14	14						1
8	.	198220-11530-1	BOLT 12X38	2	2	2	2						1
9	.	194150-21910	PLUG 11.2	8	8	8	8						2
10	.	194275-62310	CAP 10, RUBBER	4	4	4	4						1
11	.	22137-160000	WASHER 16,POLISHED	1	1	1	1						10
12	.	22360-200000	SNAP PIN 20	1	1	1	1						10
13	.	26013-120302	BOLT W/WASHER M12X30	6	6	6	6						10

31. FRONT WEIGHT(OPTION)



N136430

1F04  
1F02  
NPC-3693

31. FRONT WEIGHT(OPTION)

99.12.07

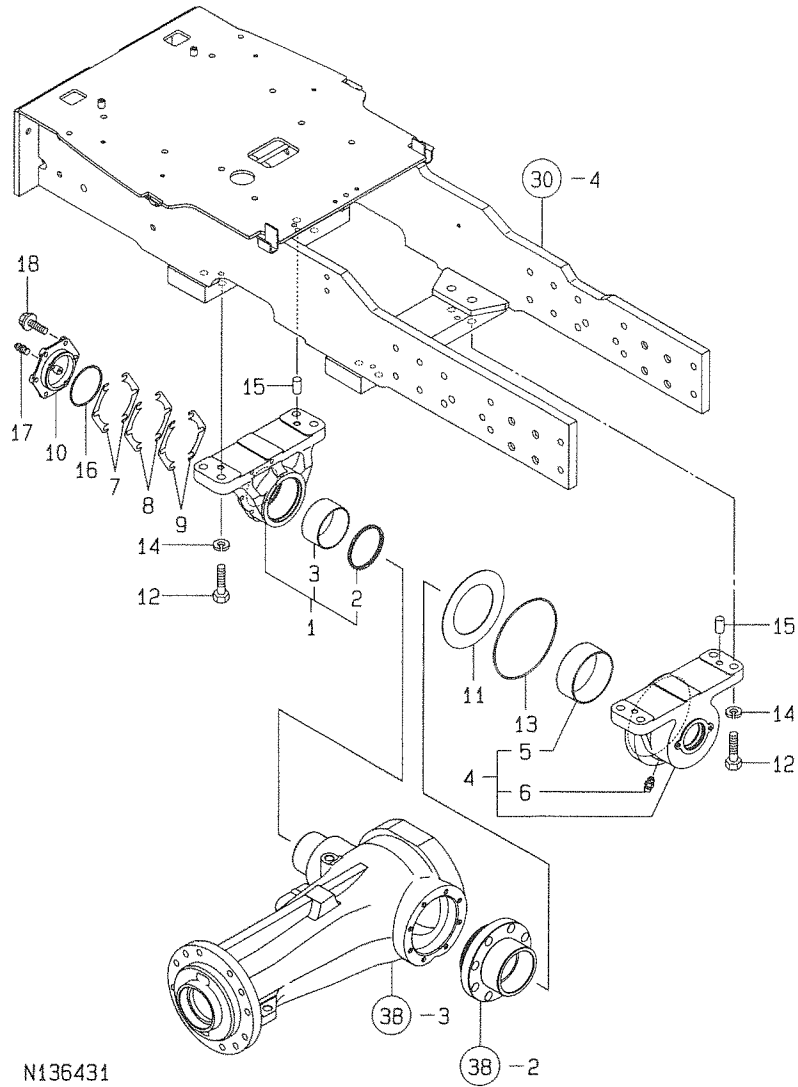
(A)=AF1110EX (D)=AF1088EX(4WD)  
(B)=AF1110EX(4WD(E)=  
(C)=AF1088EX(2WD(F)=

REF. NO.	LEV. 0	PART NO.	DESCRIPTION	-----Q'TY-----						I	P	U	A	R
				(A)	(B)	(C)	(D)	(E)	(F)					
1	.	198265-11800	WEIGHT 50,F FRONT	8									0	

A series of horizontal lines for additional table entries.

N136430

32. CENTER PIN SUPPORT



N136431

+-----+  
| 1F05 |  
| (1F02) |  
+-----+  
NPC-3693

32. CENTER PIN SUPPORT

99.12.07

(A)=AF1110EX (D)=AF1088EX(4WD)  
(B)=AF1110EX(4WD)(E)=  
(C)=AF1088EX(2WD)(F)=

REF. NO.	LEV. 0	PART NO.	DESCRIPTION	-----Q'TY-----						I P/U A R
				(A)	(B)	(C)	(D)	(E)	(F)	
1	.	198268-11610	SUPPORT F CMP.,FRONT	1	1	1	1			1
2	..	194181-11560	SEAL VB75 85 6.5,OIL	1	1	1	1			1
3	..	194181-11620	BUSH 75X80X40	1	1	1	1			1
I 4	.	198268-11651	SUPPORT R CMP.,FRONT	1	1	1	1			1
5	..	194181-11670	BUSH 95X101X40	1	1	1	1			1
6	..	24761-010000	NIPPLE M6F, GREASE	1	1	1	1			1
7	.	194328-11670	SHIM	8	8	8	8			1
8	.	194328-11680	SHIM	6	6	6	6			1
9	.	194328-11690	SHIM	4	4	4	4			1
10	.	194681-11690	COVER	1	1	1	1			1
11	.	198268-13420	WASHER,THRUST	1	1	1	1			1
12	.	194464-21141	BOLT M14X 55	8	8	8	8			1
13	.	194640-25360	O-RING 153	1	1	1	1			1
14	.	22217-140000	SPRING WASHER 14	8	8	8	8			10
15	.	22312-100180	PARALLEL PIN 10X 18	4	4	4	4			1
16	.	24321-000750	O-RING 1A G-75.0	1	1	1	1			10
17	.	24761-010000	NIPPLE M6F, GREASE	1	1	1	1			1
18	.	26106-080252	BOLT M 8X 25 PLATED	6	6	6	6			10

N136431

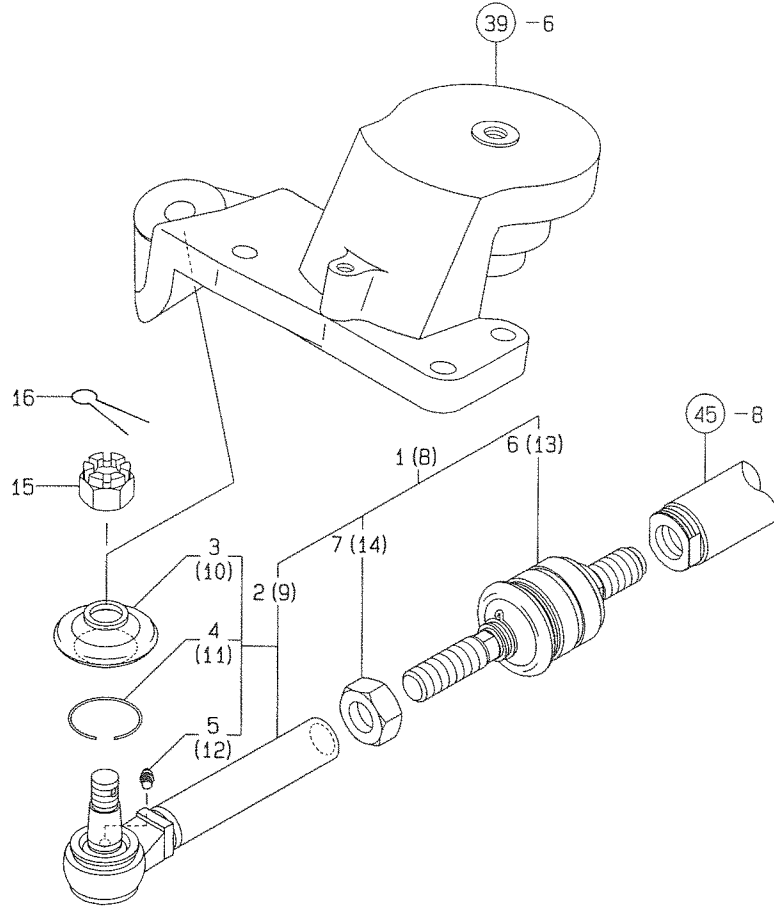
33. TIE ROD

+-----+  
 | 1F06 |  
 | (1F02) |  
 +-----+  
 NPC-3693

33. TIE ROD

99.12.07

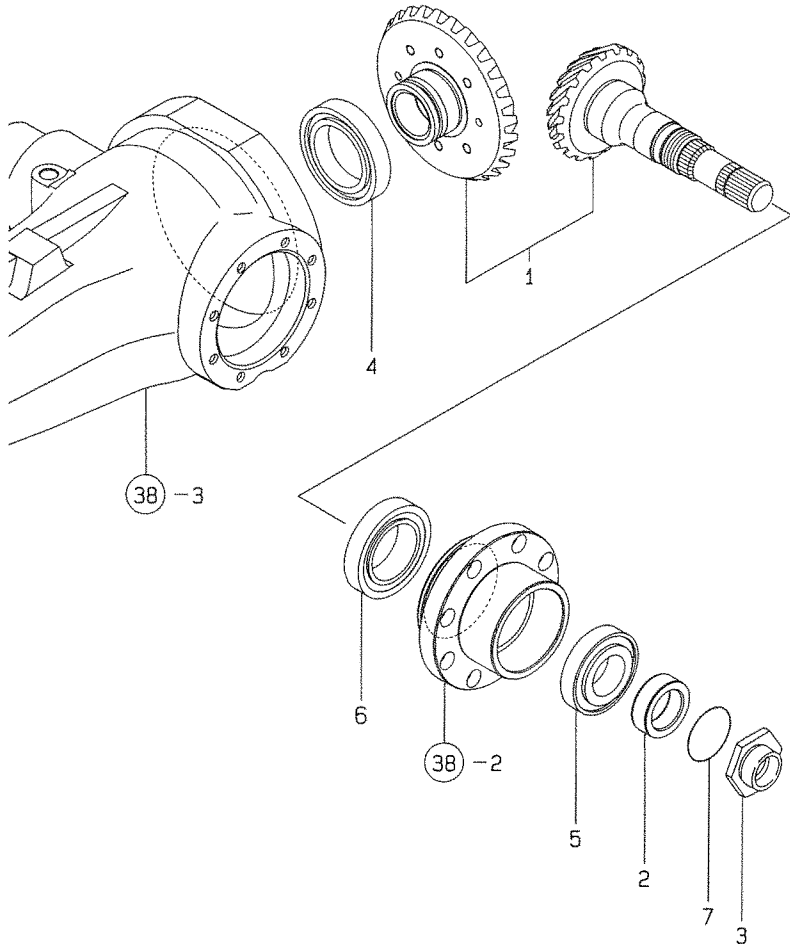
(A)=AF1110EX (D)=AF1088EX(4WD)  
 (B)=AF1110EX(4WD(E)=  
 (C)=AF1088EX(2WD(F)=



REF. NO.	LEV. 0	PART NO.	DESCRIPTION	Q'TY						I P/U A R
				(A)	(B)	(C)	(D)	(E)	(F)	
1	.	198266-12310	TIE ROD L COMPL.	1	1	1	1			1
2	..	198266-12330	END L COMP., ROD	1	1	1	1			0
3	...	194450-12552	COVER, DUST	1	1	1	1			1
4	...	194450-12561	RING, SET	1	1	1	1			1
5	...	24761-060000	NIPPLE MT6X1, GREASE	1	1	1	1			1
6	..	198266-12350	END L COMP., RACK	1	1	1	1			0
7	..	26776-200002	LOCK NUT 20	1	1	1	1			1
8	.	198266-12320	TIE ROD R COMPL.	1	1	1	1			1
9	..	198266-12340	END R COMP., ROD	1	1	1	1			0
10	...	194450-12552	COVER, DUST	1	1	1	1			1
11	...	194450-12561	RING, SET	1	1	1	1			1
12	...	24761-060000	NIPPLE MT6X1, GREASE	1	1	1	1			1
13	..	198266-12360	END R COMP., RACK	1	1	1	1			0
14	..	26776-200002	LOCK NUT 20	1	1	1	1			1
15	.	194180-12470	NUT, CASTLE	2	2	2	2			1
16	.	22417-400400	COTTER PIN 4.0X40	2	2	2	2			10

N136432

34. RING GEAR



N136433

1F07  
1F02  
NPC-3693

34. RING GEAR

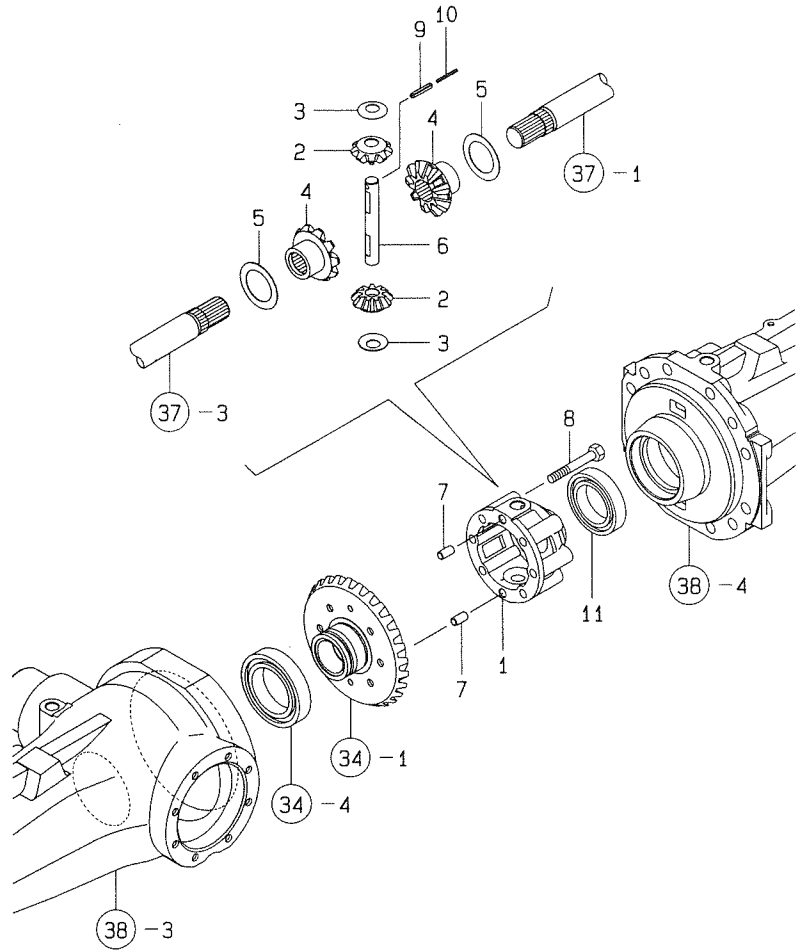
99.12.07

(A)=AF1110EX (D)=AF1088EX(4WD)  
(B)=AF1110EX(4WD)(E)=  
(C)=AF1088EX(2WD)(F)=

REF. NO.	LEV. 0	PART NO.	DESCRIPTION	-----Q'TY-----						I P/U A R
				(A)	(B)	(C)	(D)	(E)	(F)	
1	.	198265-13100	GEAR ASSY, RING	1	1		1			0
2	.	194181-13170	COLLAR, SEAL	1	1		1			1
3	.	194181-13180	CASTLE NUT	1	1		1			1
4	.	24101-060124	BALL BEARING	1	1		1			1
5	.	24141-302080	ROLLER BEARING	1	1		1			1
6	.	24141-320110	ROLLER BEARING	1	1		1			1
7	.	24341-000350	O-RING 1A S-35.0	1	1		1			10

N136433

35. DIFFERENTIAL GEAR



N1362434

1F08  
(1F02)  
NPC-3693

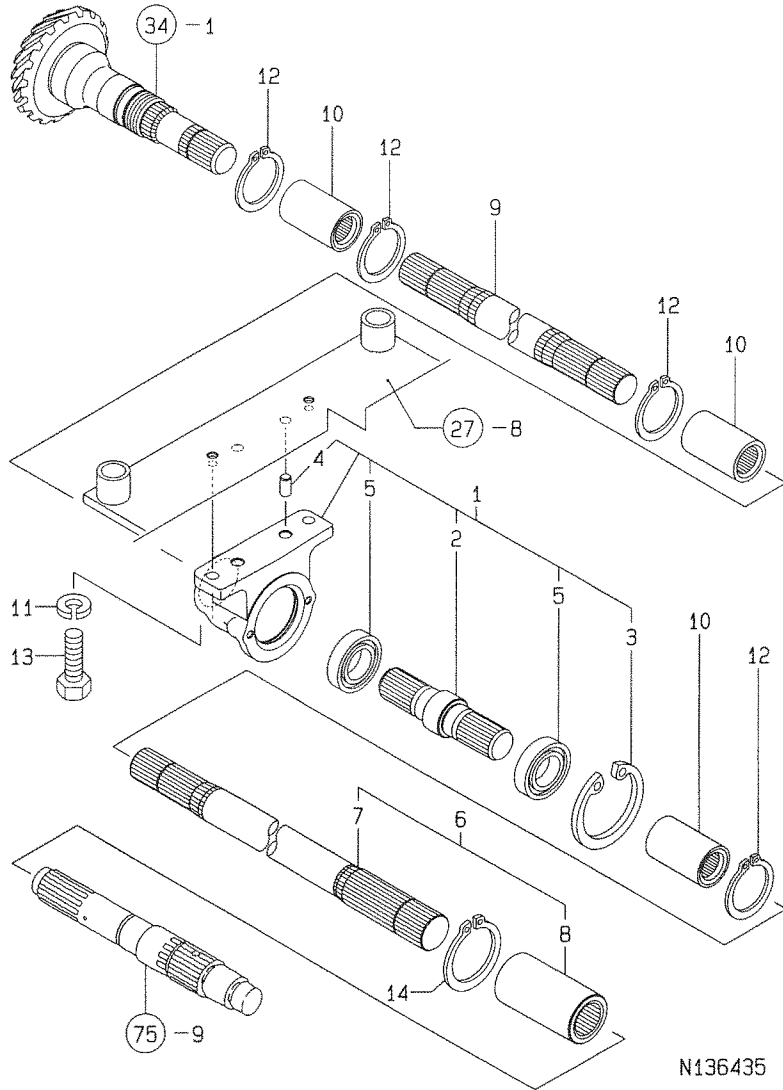
35. DIFFERENTIAL GEAR

99.12.07

(A)=AF1110EX (D)=AF1088EX(4WD)  
(B)=AF1110EX(4WD)(E)=  
(C)=AF1088EX(2WD)(F)=

REF. NO.	LEV. 0	PART NO.	DESCRIPTION	-----Q'TY-----						I	P/U	A	R
				(A)	(B)	(C)	(D)	(E)	(F)				
1	.	194641-13210	CASE, DIFFERENTIAL	1	1				1				1
2	.	194321-13230	PINION, DIFFERENTIAL	2	2				2				1
3	.	194465-13240	LINER, DIFFERENTIAL	2	2				2				1
4	.	194321-13250	GEAR, DIFF. SIDE	2	2				2				1
5	.	194465-13260	WASHER	2	2				2				1
6	.	194321-13270	SHAFT, DIFF. PINION	1	1				1				1
7	.	198153-13280	PIN 10X20, STRAIGHT	2	2				2				0
8	.	194323-13290	BOLT M10X 70	6	6				6				1
9	.	22351-035032	SPRING PIN 3.5X32	1	1				1				10
10	.	22351-060032	SPRING PIN 6X32	1	1				1				10
11	.	24101-060104	BALL BEARING	1	1				1				1

36. PROPELLER SHAFT



N136435

1 F09  
1 F02  
NPC-3693

36. PROPELLER SHAFT

99.12.07

(A)=AF1110EX (D)=AF1088EX(4WD)  
(B)=AF1110EX(4WD) (E)=  
(C)=AF1088EX(2WD) (F)=

REF. NO.	LEV. 0	PART NO.	DESCRIPTION	-----Q'TY-----						I P/U A R
				(A)	(B)	(C)	(D)	(E)	(F)	
1	.	198265-13300	SUPPORT,PROP.SHAFT	1	1		1			0
2	..	198268-13530	SHAFT,PROPELLER CENT	1	1		1			1
3	..	22252-000550	CIRCLIP 55	1	1		1			1
4	..	22312-100180	PARALLEL PIN 10X 18	2	2		2			1
5	..	24104-060064	BALL BEARING	2	2		2			1
6	.	198265-13500	SHAFT COUPLING	1	1		1			1
7	..	198265-13510	PROPELLER SHAFT A	1	1		1			1
8	..	198265-13550	COUPLING	1	1		1			1
9	.	198268-13520	PROPELLER SHAFT B	1	1		1			1
10	.	198268-13540	COUPLING	3	3		3			1
11	.	22217-100000	SPRING WASHER 10	2	2		2			10
12	.	22242-000300	CIRCLIP 30	4	4		4			10
13	.	26116-100302	BOLT 10X30	2	2		2			10
14	.	22242-000350	CIRCLIP 35	1	1		1			10



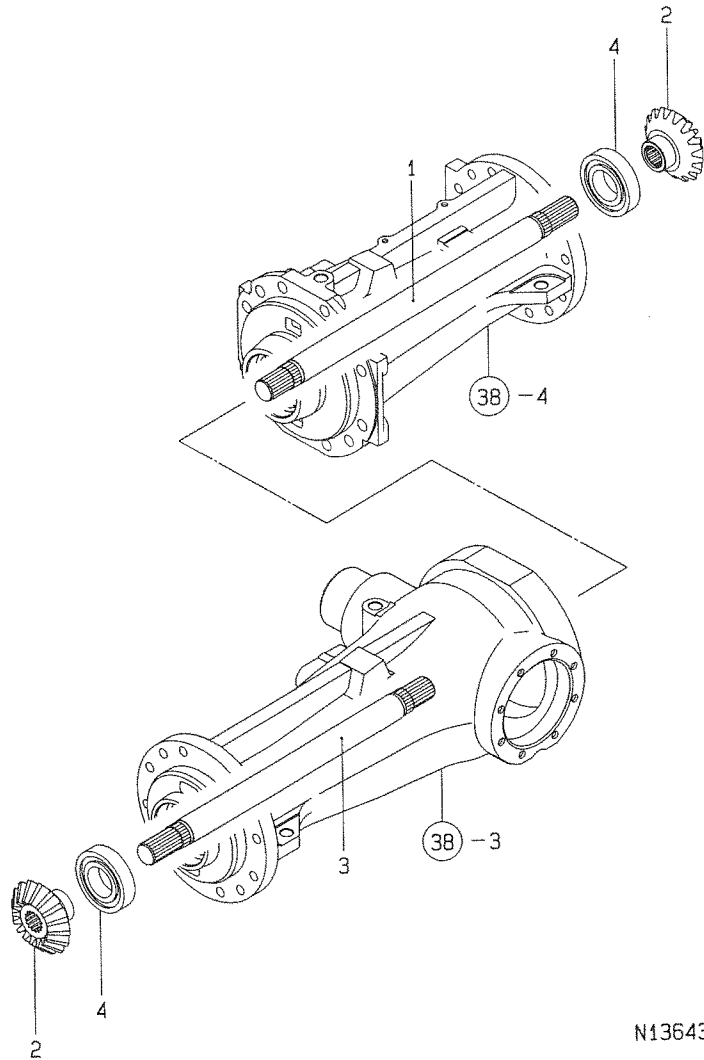
37. FRONT SHAFT(1)

+-----+  
 | 1F10 |  
 | (1F02) |  
 +-----+  
 NPC-3693

37. FRONT SHAFT(1)

99.12.07

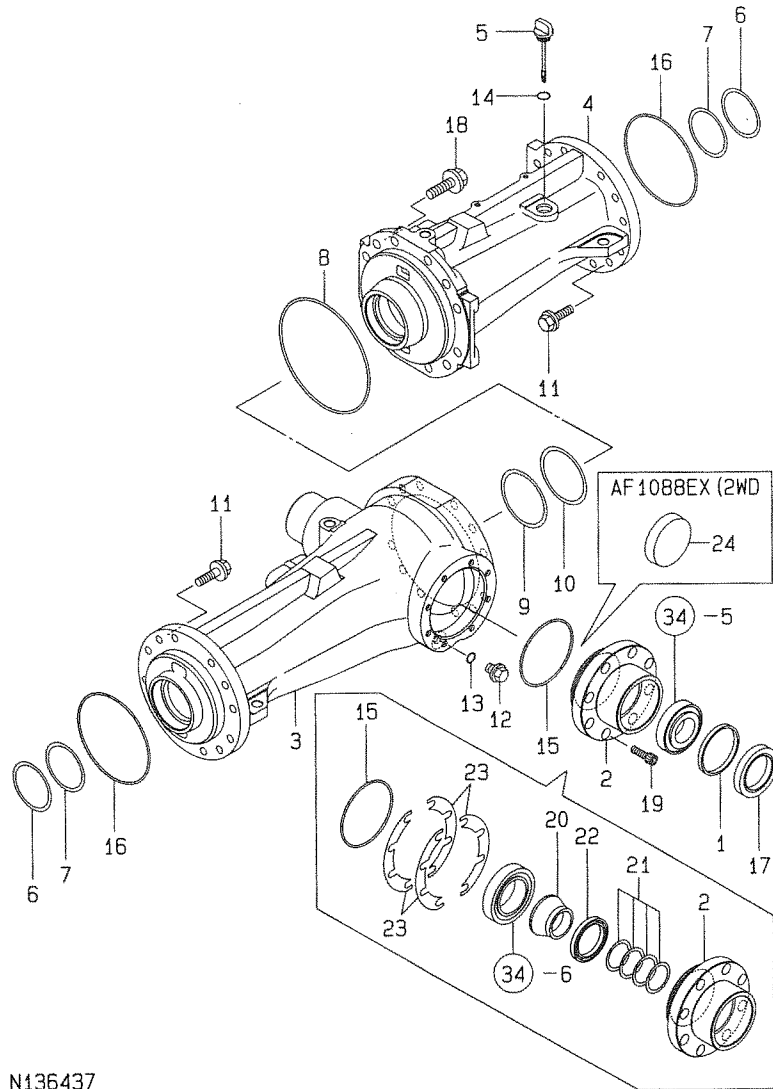
(A)=AF1110EX (D)=AF1088EX(4WD)  
 (B)=AF1110EX(4WD(E)=  
 (C)=AF1088EX(2WD(F)=



N136436

REF. NO.	LEV. 0	PART NO.	DESCRIPTION	-----Q'TY-----						I	P/U	A	R
				(A)	(B)	(C)	(D)	(E)	(F)				
1	-	198266-13510	SHAFT R,FRONT 1ST	1	1		1					1	
2	-	198266-13520	PINION 16,FRONT	2								1	
2-1	-	198266-13521	PINION FRONT 16	2	2		2				N	0	
(A=F01338 )													
3	-	198265-13530	SHAFT L,FRONT 1ST	1	1		1					1	
4	-	24101-062084	BALL BEARING	2	2		2					1	

38. FRONT AXLE CASE



N136437

-----+  
 | 1F11 |  
 | (1F02) |  
 -----+  
 NPC-3693

38. FRONT AXLE CASE

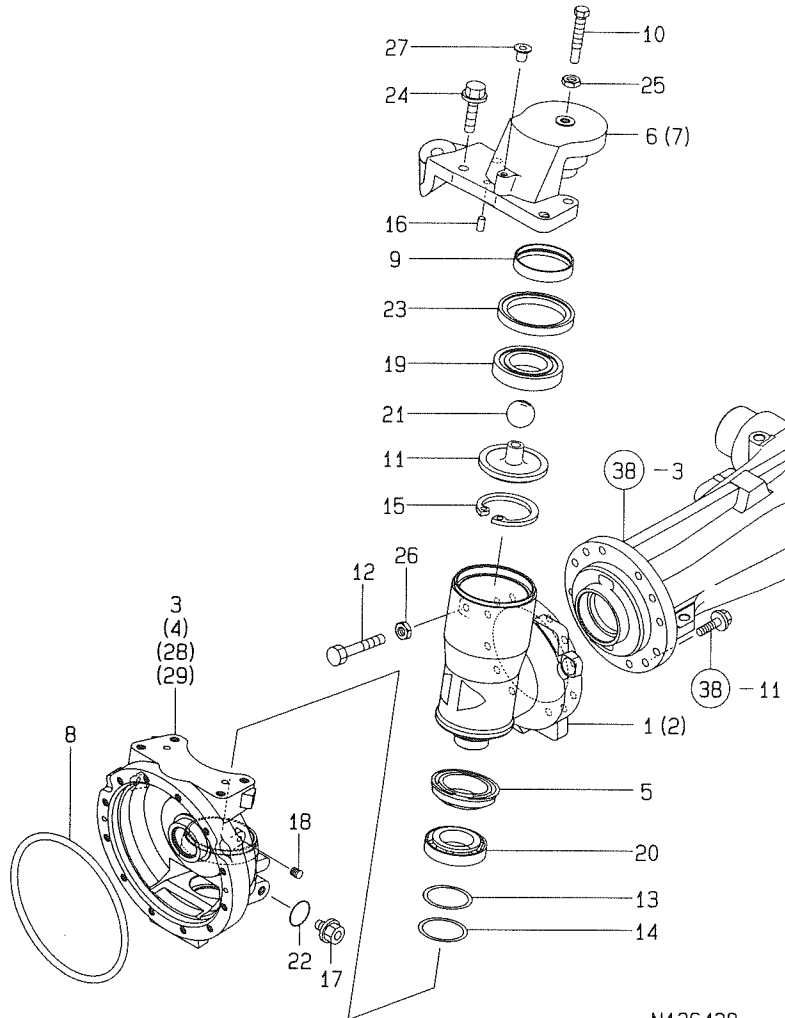
99.12.07

(A)=AF1110EX (D)=AF1088EX(4WD)  
 (B)=AF1110EX(4WD(E)=  
 (C)=AF1088EX(2WD(F)=

REF. NO.	LEV. 0	PART NO.	DESCRIPTION	Q'TY						I	P	U	A	R
				(A)	(B)	(C)	(D)	(E)	(F)					
1	.	198266-13150	COLLAR 80	1	1		1							1
2	.	198266-13160	BEARING RETAINER	1	1	1	1							1
3	.	198266-13610	FRONT AXLE CASE L	1	1	1	1							1
4	.	198266-13620	FRONT AXLE CASE R	1	1	1	1							1
5	.	194066-13640	PLUG 20	1	1	1	1							1
6	.	194641-13640	SHIM A	4	4		4							1
7	.	194641-13650	SHIM B	4	4		4							1
8	.	198266-13650	O-RING 180	1	1	1	1							1
9	.	194321-13660	SHIM A	2	2		2							1
10	.	194321-13670	SHIM B	2	2		2							1
11	.	192180-32211	BOLT 12X40	24	24	24	24							
12	.	23491-140002	PLUG 14	1	1	1	1							1
13	.	24311-000160	O-RING 1A P-16.0	1	1	1	1							10
14	.	24311-000180	O-RING 1A P-18.0	1	1	1	1							10
15	.	24321-001050	O-RING 1A G-105.0	1	1	1	1							10
16	.	24321-001450	O-RING 1A G-145.0	2	2	2	2							10
17	.	24421-558012	SEAL TC55 80 12, OIL	1										1
17-1	.	198266-13170	SEAL TC55 80 12, OIL	1	1		1						S	0
18	.	(A=FO1338 ) 198266-14240	BOLT, SPRING COLLR.HD	12	12	12	12							0
19	.	26450-100252	BOLT M10X 25	8	8	8	8							10
20	.	198266-13180	COLLAR 40	1	1		1						W	0
21	.	(A=FO1338 ) 198266-13200	SHIM SET	1	1		1						W	0
22	.	(A=FO1338 ) 24430-527007 (A=FO1338 )	SEAL VC527007	1	1		1						W	0
23	.	198266-13190	SHIM(BEARING RTNR)	4	4		4						W	0
I 24	.	(A=FO1802 ) 27241-800000	PLUG				1							1

N136437

39. FRONT GEAR CASE



N136438

-----+  
 | 1F12 |  
 | (1F02) |  
 -----+  
 NPC-3693

39. FRONT GEAR CASE

99.12.07

(A)=AF1110EX (D)=AF1088EX(4WD)  
 (B)=AF1110EX(4WD(E)=  
 (C)=AF1088EX(2WD(F)=

REF. NO.	LEV. 0	PART NO.	DESCRIPTION	-----QTY-----						I P U A R
				(A)	(B)	(C)	(D)	(E)	(F)	
1	.	198266-13710	CASE L,FRONT GEAR	1	1	1	1			1
2	.	198265-13720	CASE R,FRONT GEAR	1	1	1	1			1
I 3	.	198266-13731	BOX, FRONT GEAR	1	1		1			0
I 4	.	198266-13741	BOX, FRONT GEAR	1	1		1			0
5	.	198072-13760	SEAL QLF709521.5	2	2	2	2			1
I 6	.	198266-13761	SUPPORT(L),KING PIN	1	1	1	1			0
I 7	.	198266-13771	SUPPORT(R),KING PIN	1	1	1	1			0
8	.	198266-13790	O-RING 230	2	2		2			1
9	.	198266-13800	SLEEVE 80,SI	2	2	2	2			1
10	.	198266-13820	BOLT M14	2	2	2	2			1
11	.	198266-13830	PLATE	2	2	2	2			0
12	.	198153-13860	BOLT M14X50,STOPPER	2	2	2	2			0
13	.	194200-32330	SHIM T=0.1	8	8		8			5
14	.	194200-32340	SHIM T=0.3	4	4		4			5
15	.	22252-000900	CIRCLIP 90	2	2		2			1
16	.	22312-100200	PARALLEL PIN 10X20	4	4		4			1
17	.	23491-140002	PLUG 14	2	2		2			1
18	.	23871-010000	PLUG PT1/8,SCREW	2						1
18- 1	.	23876-010000	PLUG PT1/8,SCREW	2						N 1
(A=FXXXXX )										
18- 2	.	194151-36670	PLUG PT02	2	2	2	2			S 2
(A=FXXXXX )										
I 19	.	24104-062114	BALL BEARING	2	2	2	2			1
20	.	24141-302100	ROLLER BEARING	2	2	2	2			1
21	.	24190-160001	BALL 1/2	2	2	2	2			10
22	.	24311-000160	O-RING 1A P-16.0	2	2	2	2			10
23	.	24421-851013	SEAL TC851013,OIL	2	2	2	2			1
24	.	198266-14240	BOLT,SPRING COLLR.HD	8	8	8	8			0
25	.	26736-140002	NUT M14	2	2	2	2			10
26	.	26776-140002	LOCK NUT M14 PLATED	2	2	2	2			10
I 27	.	194145-31750	PLUG 9.5	2	2	2	2			1
I 28	.	198262-13730	BOX, FRONT GEAR				1			0
I 29	.	198262-13740	BOX R,FRONT GEAR				1			0

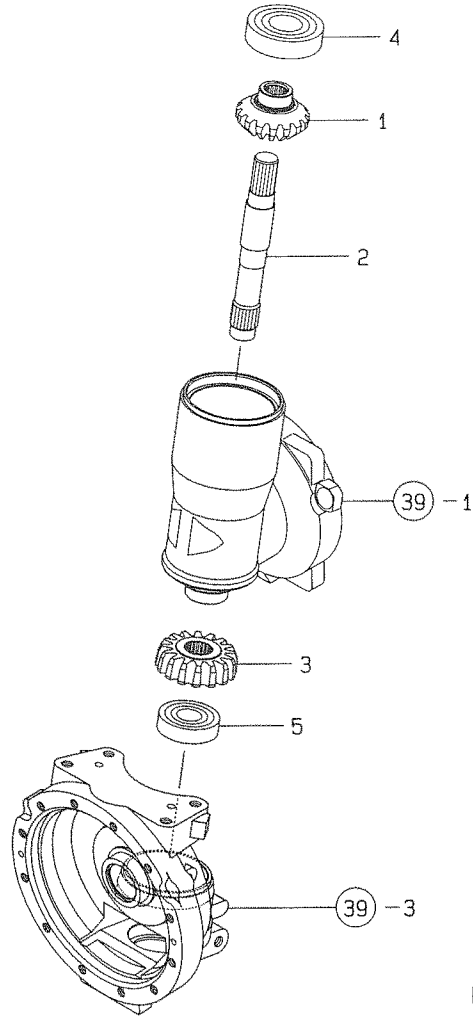
40. FRONT SHAFT(2)

+-----+  
| 1F13 |  
| (1F02) |  
+-----+  
NPC-3693

40. FRONT SHAFT(2)

99.12.07

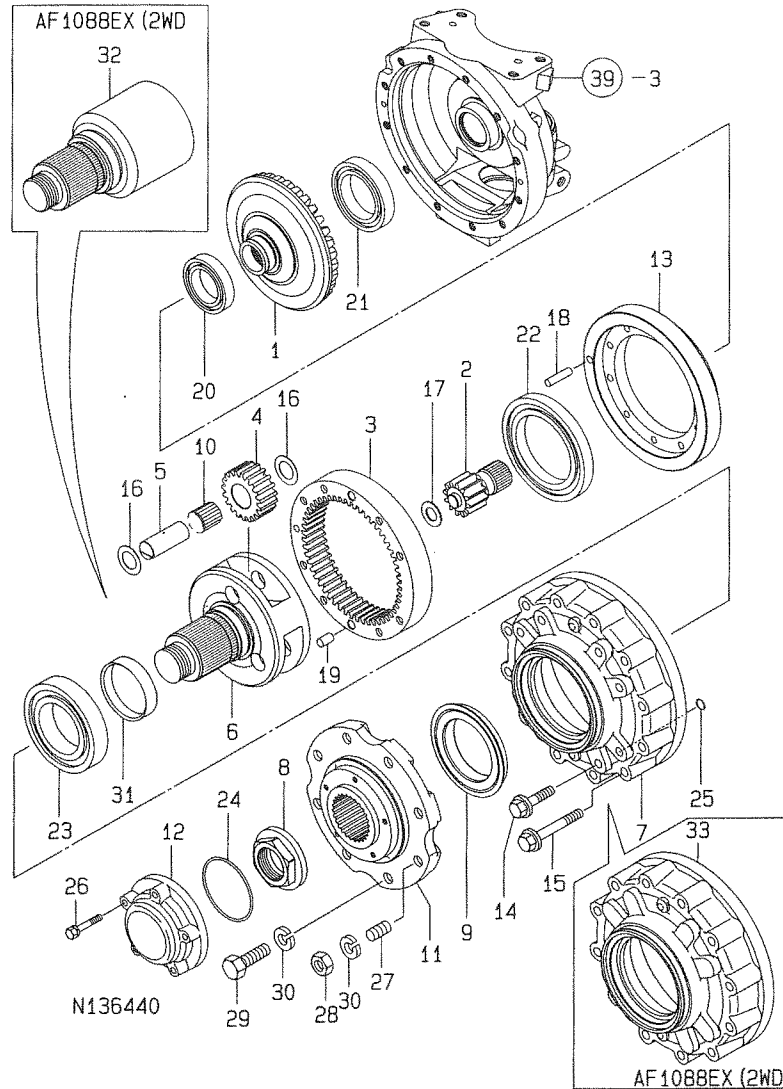
(A)=AF1110EX (D)=AF1088EX(4WD)  
(B)=AF1110EX(4WD)(E)=  
(C)=AF1088EX(2WD)(F)=



N136439

REF. NO.	LEV. 0	PART NO.	DESCRIPTION	-----Q'TY-----						I	P/U	A	R
				(A)	(B)	(C)	(D)	(E)	(F)				
I 1	-	198266-13520	PINION 16, FRONT	2								1	
I 1-1	-	198266-13521 (A=FD1338 )	PINION FRONT 16	2	2		2				N	0	
I 2	-	198266-13840	SHAFT (2ND), FRONT	2								1	
I 2-1	-	198266-13841 (A=FD1338 )	SHAFT (2ND), FRONT	2	2		2				N	0	
I 3	-	198266-13851	GEAR 16, REDUCTION	2	2		2					0	
4	-	24104-063084	BALL BEARING	2	2		2					1	
5	-	24107-063064	BALL BEARING	2	2		2					1	

41. FRONT SPINDLE



1F14  
1F02  
NPC-3693

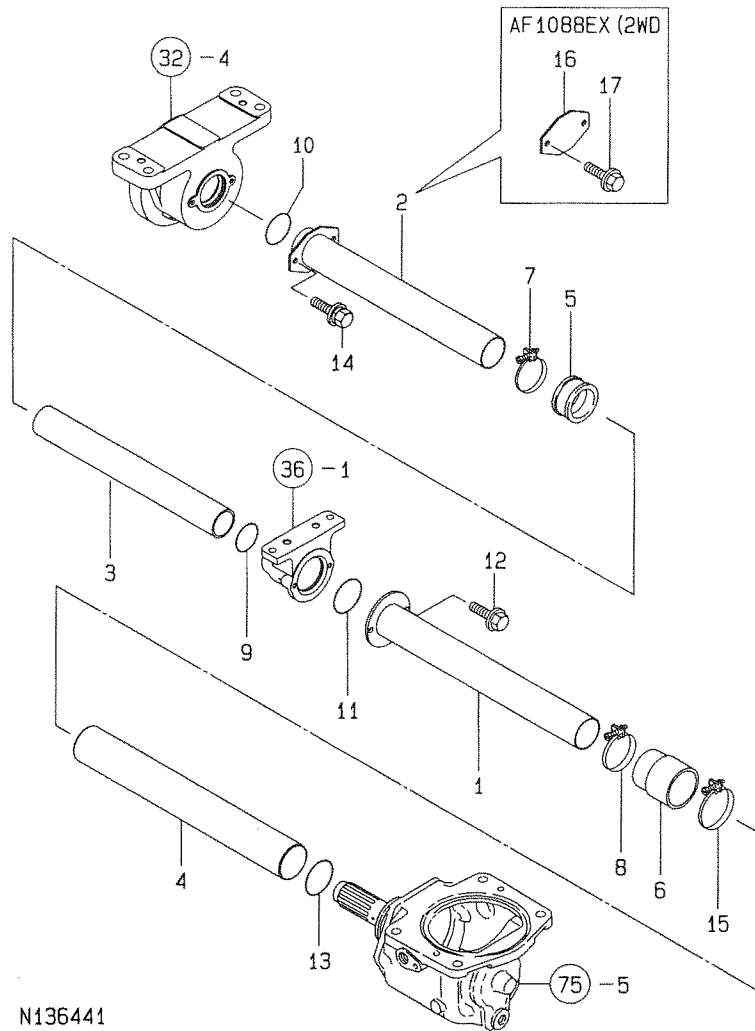
41. FRONT SPINDLE

99.12.07

(A)=AF1110EX (D)=AF1088EX(4WD)  
(B)=AF1110EX(4WD)(E)=  
(C)=AF1088EX(2WD)(F)=

REF. NO.	LEV. 0	PART NO.	DESCRIPTION	QTY						I	P	U	A	R
				(A)	(B)	(C)	(D)	(E)	(F)					
I 1	.	198266-13861	GEAR, REDUCTION	2	2		2							0
I 2	.	198266-14111	PINION 12, FINAL	2	2		2							0
I 3	.	198266-14131	GEAR 51, INTERNAL	2	2		2							0
I 4	.	198266-14141	GEAR 19, PLANETARY	6	6		6							0
I 5	.	198266-14153	SHAFT 25	6	6		6							0
I 6	.	198266-14163	SPINDLE, FRONT	2	2		2							0
I 7	.	198266-14172	CASE, FRONT BEARING	2	2		2							0
8	.	198266-14180	NUT	2	2		2	2						1
9	.	198266-14190	SEAL QLF 9012521	2	2		2	2						1
I 10	.	198320-33560	NEEDLE 4, 5X32	126	126		126							1
I 11	.	198266-14212	HUB(FRONT)	2	2		2							0
I 11-1	.	198266-14213	HUB(FRONT)	2	2		2	2					N	0
(A=FD1338)														
12	.	198266-14221	COVER, SHAFT	2	2		2	2						0
13	.	198266-14230	SUPPORT	2	2		2	2						0
14	.	192180-32221	BOLT 12X50	16	16		16							1
15	.	198266-32630	BOLT, SPRING COLLR.HD	24	24		24	24						1
16	.	198320-33620	WASHER 26X42X 1	12	12		12	12						1
17	.	1E6190-54170	THRUST WASHER (B)	2	2		2	2						1
I 18	.	22312-100450	PARALLEL PIN 10X45	2	2		2	2						1
19	.	22312-120200	PARALLEL PIN 12X20	4	4		4	4						1
20	.	24101-060104	BALL BEARING	2	2		2	2						1
21	.	24101-060134	BALL BEARING	2	2		2	2						1
I 22	.	198266-14300	BEARING 16020	2	2		2	2						0
I 23	.	24101-060174	BALL BEARING	2	2		2	2						1
24	.	24321-000900	O-RING 1A G-90.0	2	2		2	2						10
25	.	24351-010130	PACKING 1A 1013	16	16		16							1
26	.	26013-080452	BOLT M 8X 45	10	10		10	10						10
27	.	194181-14160	BOLT M16X 30	4	4		4	4						1
28	.	194181-14180	NUT M16	4	4		4	4						1
29	.	194181-14250	BOLT M16X 35	12	12		12	12						1
30	.	194065-34170	WASHER 16, LOCK	16	16		16	16						1
I 31	.	198266-14250	BEARING	2	2		2	2						0
I 32	.	198262-14160	SPINDLE, FRONT				2							0
I 33	.	198262-14170	CASE, FRONT BEARING				2							0

42. SHAFT COVER



N136441

1F15  
(1F02)  
NPC-3693

42. SHAFT COVER

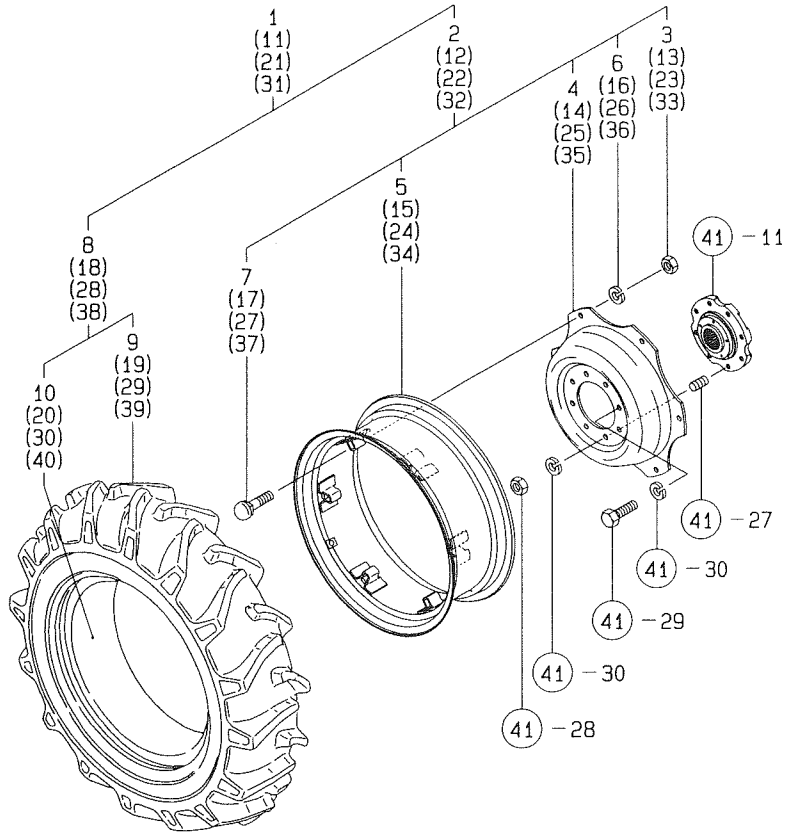
99.12.07

(A)=AF1110EX (D)=AF1088EX(4WD)  
(B)=AF1110EX(4WD)(E)=  
(C)=AF1088EX(2WD)(F)=

REF. NO.	LEV. 0	PART NO.	DESCRIPTION	Q'TY						I	P/U	A	R
				(A)	(B)	(C)	(D)	(E)	(F)				
1	-	198268-13350	COVER A,SHAFT	1	1		1					1	
I 2	-	198268-13401	COVER C,SHAFT	1	1		1					0	
3	-	198153-13410	COVER B,SHAFT	1	1		1					1	
4	-	198265-13440	COVER D,SHAFT	1	1		1					1	
5	-	198153-13550	BOOT,SHAFT COVER	1	1		1					1	
6	-	198241-14650	BOOT, RUBBER	1	1		1					1	
7	-	23010-055000	CLAMP 55	1	1		1					1	
8	-	23010-060000	CLAMP 60	1	1		1					1	
9	-	24321-000450	O-RING 1A G-45.0	1	1		1					10	
10	-	24321-000500	O-RING 1A G-50.0	1	1		1					10	
11	-	24321-000550	O-RING 1A G-55.0	1	1		1					10	
12	-	26106-080162	BOLT M 8X 16 PLATED	2	2		2					10	
13	-	24351-030560	O-RING 1A-3056	1	1		1					0	
I 14	-	26106-080122	BOLT M 8X 12 PLATED	2	2		2					10	
15	-	23010-065000	HOSE CLAMP 65	1	1		1				W	1	
(A=F01338 )													
I 16	-	198262-13400	COVER,SHAFT				1					0	
I 17	-	26106-080122	BOLT M 8X 12 PLATED				1					10	

N136441

43. FRONT WHEEL TIRE



N136442

1F16  
(1F02)  
NPC-3693

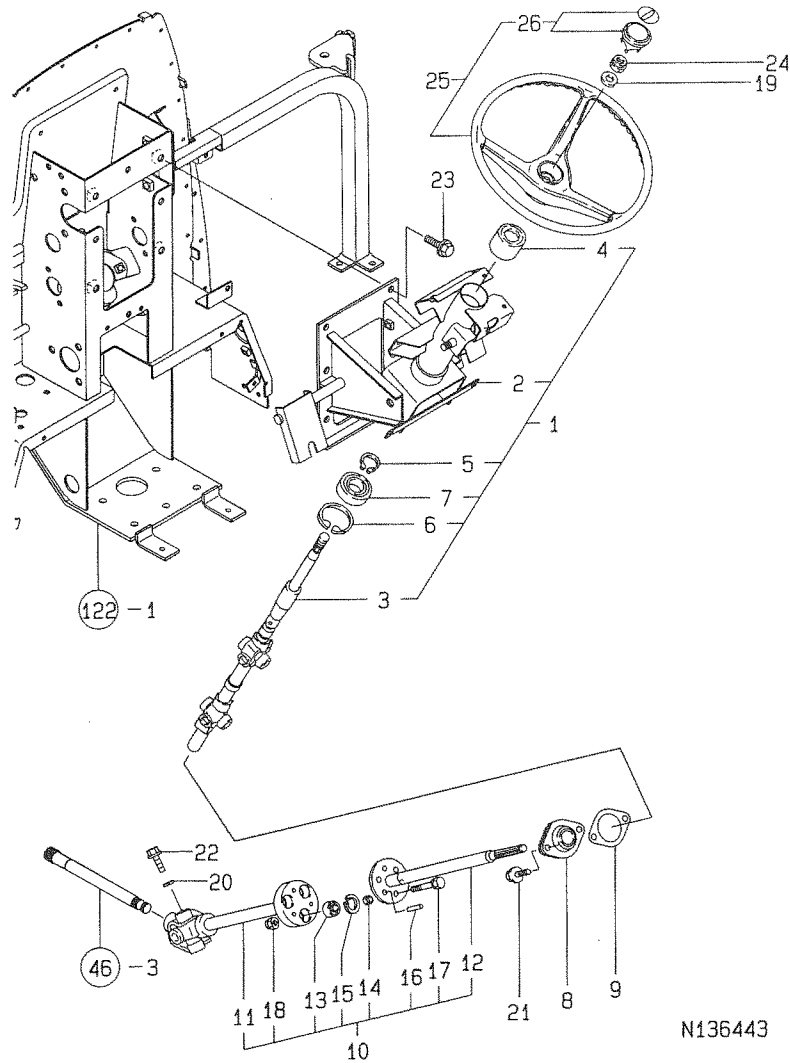
43. FRONT WHEEL TIRE

99.12.07

(A)=AF1110EX (D)=AF1088EX(4WD)  
(B)=AF1110EX(4WD)(E)=  
(C)=AF1088EX(2WD)(F)=

REF. NO.	LEV. 0	PART NO.	DESCRIPTION	Q'TY						I	P	U	A	R
				(A)	(B)	(C)	(D)	(E)	(F)					
1	-	198268-14750	WHEEL TIRE L KIT	1	1									1
2	..	198268-14780	WHEEL W9X24 COMP.	1	1									1
3	...	194181-14180	NUT M16	6	6									1
4	...	198268-14720	DISK 24	1	1									1
5	...	198268-14910	RIM W9X24	1	1									1
6	...	194065-34170	WASHER 16, LOCK	6	6									1
7	...	194180-34850	BOLT M16X 70	6	6									1
I 7-	1	198268-34850 (A=F01802)	BOLT M16X 70	6	6							N		0
8	..	194066-14800	TIRE W/TUBE 11.2X24	1	1									1
9	...	194066-14810	TIRE 11.2X24	1	1									1
10	...	194066-14820	TUBE 11.2-24	1	1									1
11	-	198268-14850	WHEEL TIRE R KIT	1	1									1
12	..	198268-14780	WHEEL W9X24 COMP.	1	1									1
13	...	194181-14180	NUT M16	6	6									1
14	...	198268-14720	DISK 24	1	1									1
15	...	198268-14910	RIM W9X24	1	1									1
16	...	194065-34170	WASHER 16, LOCK	6	6									1
17	...	194180-34850	BOLT M16X 70	6	6									1
I 17-	1	198268-34850 (A=F01802)	BOLT M16X 70	6	6							N		0
18	..	194066-14800	TIRE W/TUBE 11.2X24	1	1									1
19	...	194066-14810	TIRE 11.2X24	1	1									1
20	...	194066-14820	TUBE 11.2-24	1	1									1
I 21	-	198268-14700	WHEEL TIRE L KIT	1	1									0
I 22	..	198268-14740	WHEEL W7X24 CMP	1	1									0
I 23	...	194181-14180	NUT M16	6	6									1
I 24	...	198268-14710	RIM	1	1									1
I 25	...	198268-14720	DISK 24	1	1									1
I 26	...	194065-34170	WASHER 16, LOCK	6	6									1
I 27	...	198268-34850	BOLT M16X 70	6	6									0
I 28	..	1A6503-14800	TIRE W/TUBE 9.5-24	1	1									1
I 29	...	1A6503-14810	TIRE 9.5-24	1	1									1
I 30	...	1A6503-14820	TUBE 9.5-24	1	1									1
I 31	-	198268-14800	WHEEL TIRE R KIT	1	1									0
I 32	..	198268-14740	WHEEL W7X24 CMP	1	1									0
I 33	...	194181-14180	NUT M16	6	6									1
I 34	...	198268-14710	RIM	1	1									1
I 35	...	198268-14720	DISK 24	1	1									1
I 36	...	194065-34170	WASHER 16, LOCK	6	6									1
I 37	...	198268-34850	BOLT M16X 70	6	6									0
I 38	..	1A6503-14800	TIRE W/TUBE 9.5-24	1	1									1
I 39	...	1A6503-14810	TIRE 9.5-24	1	1									1
I 40	...	1A6503-14820	TUBE 9.5-24	1	1									1

4.4 . STEERING



N136443

1G01  
(1F02)  
NPC-3693

4.4 . STEERING

99.12.07

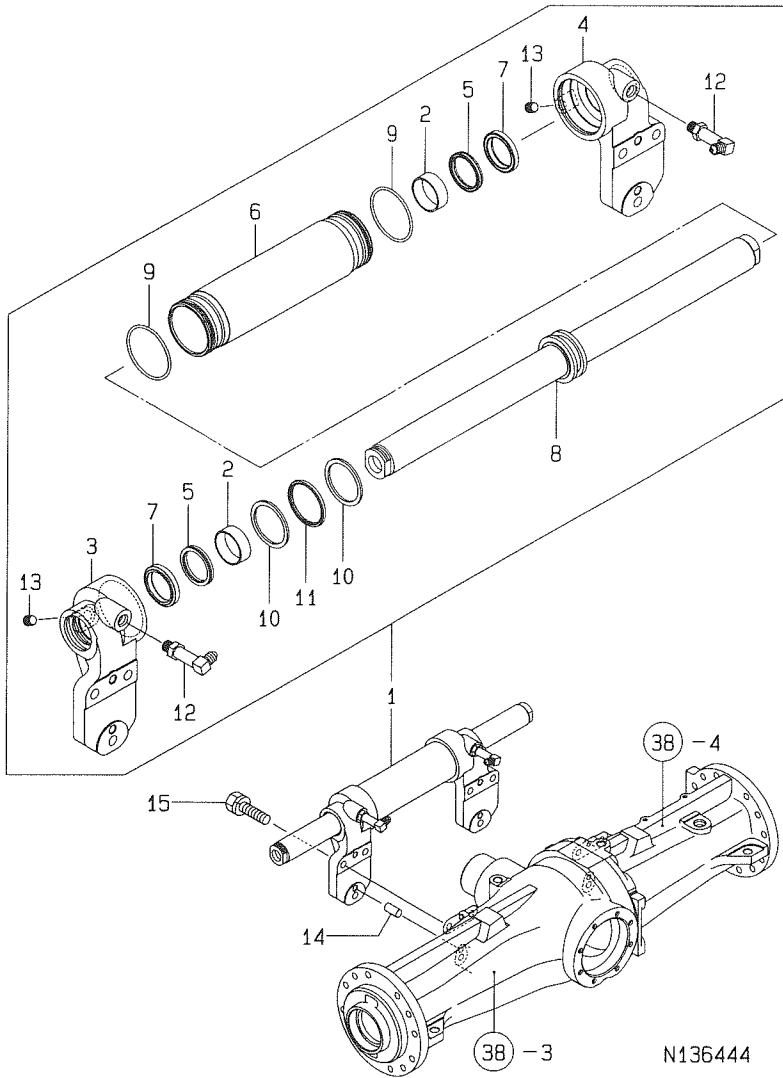
(A)=AF1110EX (D)=AF1088EX(4WD  
(B)=AF1110EX(4WD(E)=  
(C)=AF1088EX(2WD(F)=

REF. NO.	LEV. 0	PART NO.	DESCRIPTION	-----Q'TY-----						I P/U A R
				(A)	(B)	(C)	(D)	(E)	(F)	
1	.	198265-15100	COLUMN CMP.,STEERING	1	1	1	1			0
2	..	198265-15200	COLUMN CMP.,STEERING	1	1	1	1			0
3	..	198448-15310	SHAFT COMP.,JOINT	1	1	1	1			0
4	..	198071-15611	BUSH,COLUMN	1	1	1	1			1
5	..	22242-000200	CIRCLIP 20	2	2	2	2			10
6	..	22252-000420	CIRCLIP 42	1	1	1	1			10
7	..	24105-060040	BALL BEARING	1	1	1	1			0
8	.	198448-15370	PILLOW UNIT 20	1	1	1	1			1
9	.	198448-15380	SHIM,PILLOW UNIT	2	2	2	2			1
10	.	198265-15510	SHAFT COMP.,JOINT	1	1	1	1			0
11	..	198265-15520	SHAFT A COMP.,JOINT	1	1	1	1			0
12	..	198268-15560	SHAFT B,JOINT	1	1	1	1			0
13	..	198448-15580	BUSH D20XL15	3	3	3	3			1
14	..	198448-15590	COLLAR D12XL5	3	3	3	3			0
15	..	22252-000200	CIRCLIP 20	3	3	3	3			10
16	..	22351-060032	SPRING PIN 6X32	3	3	3	3			10
17	..	26013-080352	BOLT M 8X 35	3	3	3	3			10
18	..	26346-080002	U-NUT M 8 PLATED	1	1	1	1			1
19	.	22137-160000	WASHER 16,POLISHED	1	1	1	1			10
20	.	22217-080000	SPRING WASHER 8	1	1	1	1			10
21	.	26106-080162	BOLT M 8X 16 PLATED	2	2	2	2			10
22	.	26106-080252	BOLT M 8X 25 PLATED	1	1	1	1			10
23	.	26106-100202	BOLT M10X 20 PLATED	4	4	4	4			10
24	.	26356-160002	U-NUT M16	1	1	1	1			1
25	.	198448-15700	WHEEL COMP.,STEERING	1	1	1	1			0
26	..	198071-15720	CAP ASSY	1	1	1	1			1

N136443



45. P.S.T CYLINDER



1G02  
(1F02)  
NPC-3693

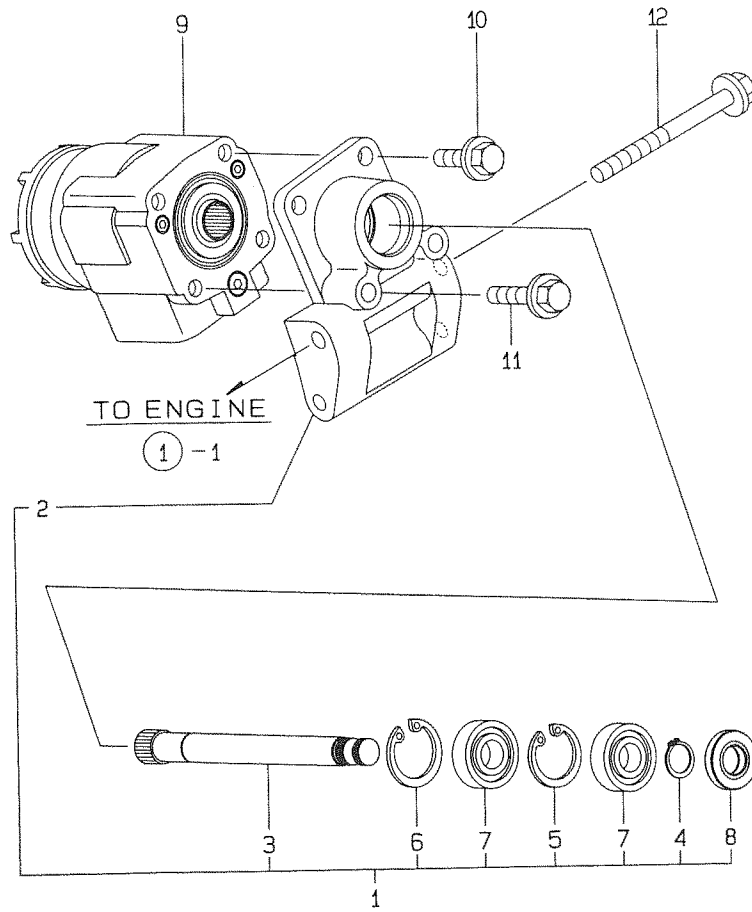
45. P.S.T CYLINDER

99.12.07

(A)=AF1110EX (D)=AF1088EX(4WD)  
(B)=AF1110EX(4WD)(E)=  
(C)=AF1088EX(2WD)(F)=

REF. NO.	LEV. 0	PART NO.	DESCRIPTION	Q'TY						I P/U A R
				(A)	(B)	(C)	(D)	(E)	(F)	
1	.	198266-17100	CYLINDER COMPL.	1	1	1	1			1
2	..	198266-17260	BUSH 40X44X15	2	2	2	2			1
3	..	198266-17310	CAP L,CYLINDER	1	1	1	1			0
4	..	198266-17320	CAP R,CYLINDER	1	1	1	1			0
5	..	198266-17330	PACKING 40	2	2	2	2			1
6	..	198266-17350	TUBE COMP	1	1	1	1			0
7	..	198266-17360	SCRAPER 40	2	2	2	2			1
8	..	198266-17400	ROD COMP.,CYLINDER	1	1	1	1			0
9	..	198266-17440	O-RING 65	2	2	2	2			1
10	..	198266-17480	RING 60,BACKUP	2	2	2	2			1
11	..	198266-17490	PACKING 60	1	1	1	1			1
12	..	198072-17840	BOLT,90° WASHER	2	2	2	2			1
13	..	26979-120122	SCREW 12* 12	2	2	2	2			1
14	.	22312-100200	PARALLEL PIN 10X20	4	4	4	4			1
15	.	26013-120402	BOLT M12X 40	6	6	6	6			10

46. P.S.T VALVE



N136445

1603  
1F02  
NPC-3693

46. P.S.T VALVE

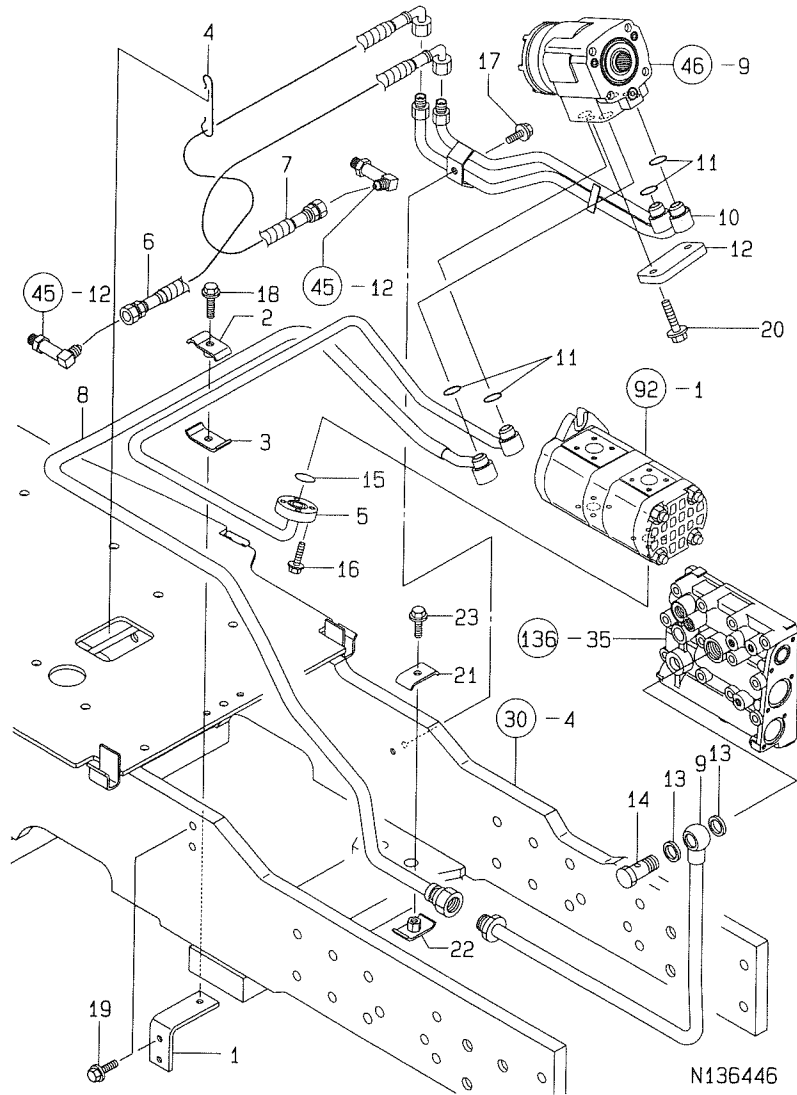
99.12.07

(A)=AF1110EX (D)=AF1088EX<4WD  
(B)=AF1110EX<4WD(E)=  
(C)=AF1088EX<2WD(F)=

REF. NO.	LEV. 0	PART NO.	DESCRIPTION	Q'TY						I P/U A R
				(A)	(B)	(C)	(D)	(E)	(F)	
1	.	198265-17100	SHAFT,PST COMP.	1	1	1	1			0
2	..	198265-17110	BRACKET,STEERING VLV	1	1	1	1			1
3	..	198265-17190	SHAFT, STEERING	1	1	1	1			0
4	..	22242-000170	CIRCLIP 17	1	1	1	1			10
5	..	22252-000370	CIRCLIP 37	1	1	1	1			10
6	..	22252-000400	CIRCLIP 40	1	1	1	1			10
7	..	24104-062030	BALL BEARING	2	2	2	2			1
8	..	24421-173507	SEAL TC17 35 O7, OIL	1	1	1	1			1
9	.	198268-17501	VALVE(PSTCMP1/2,2/2)	1	1	1	1			1
10	.	26106-100252	BOLT M10X 25 PLATED	2	2	2	2			10
11	.	26106-100552	BOLT M10X 55 PLATED	2	2	2	2			10
12	.	26106-101152	BOLT M10X115 PLATED	2	2	2	2			10

N136445

47. P.S.T. PIPING



+-----+  
 | 1604 |  
 | (1F02) |  
 +-----+  
 NPC-3693

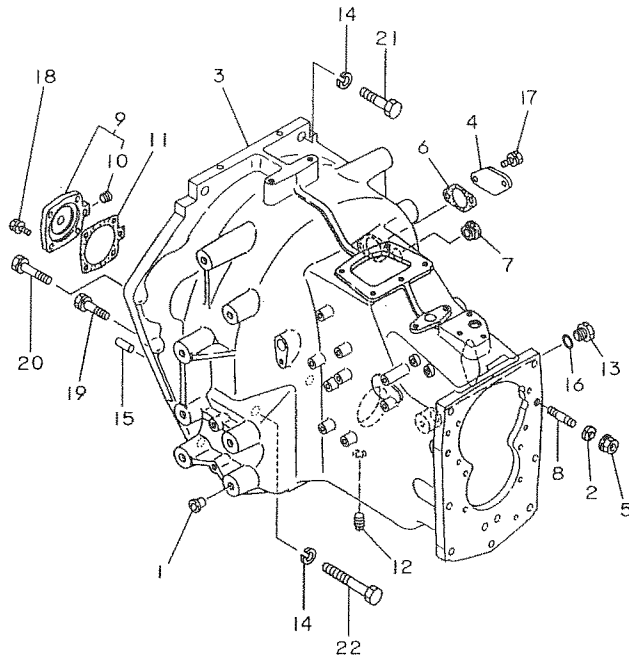
47. P.S.T. PIPING

99.12.07

(A)=AF1110EX (D)=AF1088EX(4WD)  
 (B)=AF1110EX(4WD)(E)=  
 (C)=AF1088EX(2WD)(F)=

REF. NO.	LEV. 0	PART NO.	DESCRIPTION	Q'TY-----						I P/U A R
				(A)	(B)	(C)	(D)	(E)	(F)	
1	.	198268-11130	CLAMP, PIPE	1	1	1	1			1
2	.	198265-17610	CLAMP A,PIPE 15X12	1	1	1	1			1
3	.	198265-17630	CLAMP B,PIPE 15X12	1	1	1	1			1
4	.	198268-17690	HANGER,PIPE	1	1	1	1			1
5	.	198265-17720	PIPE,PST HIGH-PRES.	1	1	1	1			1
6	.	198268-17751	PST.HOSE L	1	1	1	1			1
7	.	198268-17761	PST.HOSE R	1	1	1	1			1
8	.	198265-17770	PIPE,PST	1	1	1	1			1
9	.	198265-17800	PIPE,PST	1	1	1	1			1
10	.	198265-17830	PIPE,PST	1	1	1	1			1
11	.	194464-45930	O-RING 8-1	4	4	4	4			2
12	.	198071-48880	PLATE	1	1	1	1			1
13	.	23414-180023	GASKET 18	2	2	2	2			10
14	.	23857-120000	JOINT BOLT 12	1	1	1	1			1
15	.	24311-000200	O-RING 1A P-20.0	1	1	1	1			10
16	.	26106-060302	BOLT M 6X 30 PLATED	4						10
16-1	.	26106-060252	BOLT M 6X 25 PLATED	4	4	4	4			N 10
		(A=F01629)								
17	.	26106-080162	BOLT M 8X 16 PLATED	1	1	1	1			10
18	.	26106-080302	BOLT M 8X 30 PLATED	1	1	1	1			10
19	.	26106-080302	BOLT M 8X 30 PLATED	2	2	2	2			10
20	.	26106-100402	BOLT M10X 40 PLATED	2	2	2	2			10
21	.	198220-46550	CLAMP	1	1	1	1			1
22	.	198220-46560	CLAMP COMP	1	1	1	1			1
23	.	26106-080202	BOLT M 8X 20 PLATED	1	1	1	1			10

48. CLUTCH HOUSING



N136447

1607  
1606  
NPC-3693

48. CLUTCH HOUSING

99.12.07

(A)=AF1110EX (D)=AF1088EX(4WD)  
(B)=AF1110EX(4WD)(E)=  
(C)=AF1088EX(2WD)(F)=

REF. NO.	LEV. 0	PART NO.	DESCRIPTION	Q'TY						I	P	U	A	R
				(A)	(B)	(C)	(D)	(E)	(F)					
1	.	194450-11190	PLUG 15											1
1-1	.	194450-11190 (A=F01338)	PLUG 15	10	10	10	10					K		1
2	.	194465-14220	WASHER 14	2	2	2	2							1
3	.	198265-21110	HOUSING HL, CLUTCH	1	1	1	1							1
4	.	194146-21150	COVER, SIDE	1	1	1	1							1
5	.	194065-21160	NUT M14	2	2	2	2							1
6	.	194146-21161	GASKET	1	1	1	1							1
7	.	194250-21170	CAP	1	1	1	1							1
8	.	194065-21180	BOLT M14X 45	2	2	2	2							1
9	.	194670-21800	COVER, FRONT CASE	1	1	1	1							1
10	..	23871-010000	PLUG PT1/8, SCREW	1										1
10-1	..	23876-010000 (A=FXXXXX)	PLUG PT1/8, SCREW	1	1	1	1					N		1
11	.	194670-21990	PACKING	1	1	1	1							1
12	.	194151-36670	PLUG PT02	1	1	1	1							2
13	.	194065-42250	PLUG PF1/2	1	1	1	1							1
14	.	22217-160000	SPRING WASHER 16	5	5	5	5							10
15	.	22312-100200	PARALLEL PIN 10X20	2										1
15-1	.	121850-21920 (A=F01629)	PARALLEL PIN 10X22	2	2	2	2					S		1
16	.	24311-000180	O-RING 1A P-18.0	1	1	1	1							10
17	.	26013-080122	BOLT M 8X 12	2	2	2	2							10
18	.	26013-080252	BOLT M 8X 25	4	4	4	4							10
19	.	26013-120402	BOLT M12X 40	6	6	6	6							10
20	.	26013-120552	BOLT M12X55	1	1	1	1							10
21	.	26156-160452	BOLT M16X 45 PLATED	2	2	2	2							1
22	.	26156-160852	BOLT M16 X 85 PLATED	3	3	3	3							1

N136447

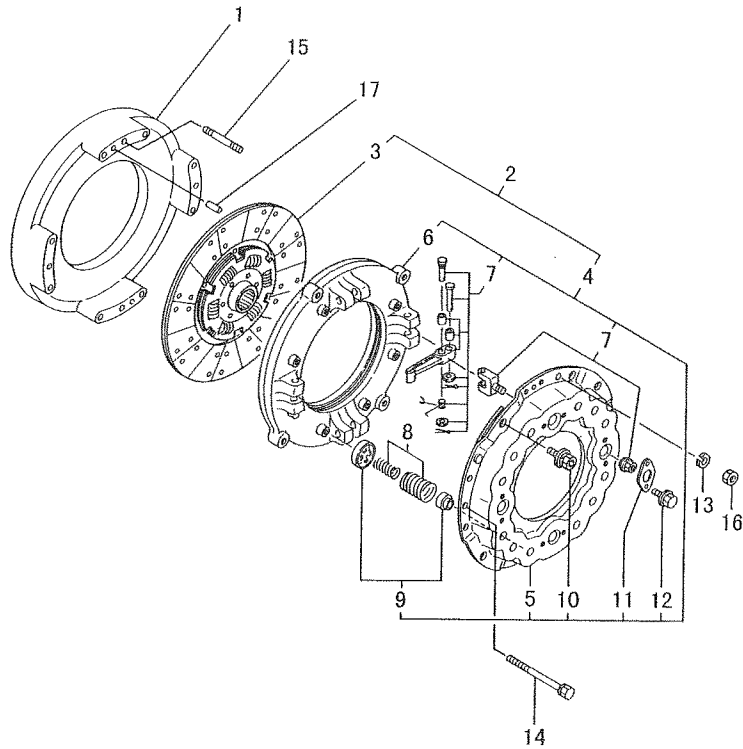
49. SINGLE CLUTCH

1G08  
 (1G06)  
 NPC-3693

49. SINGLE CLUTCH

99.12.07

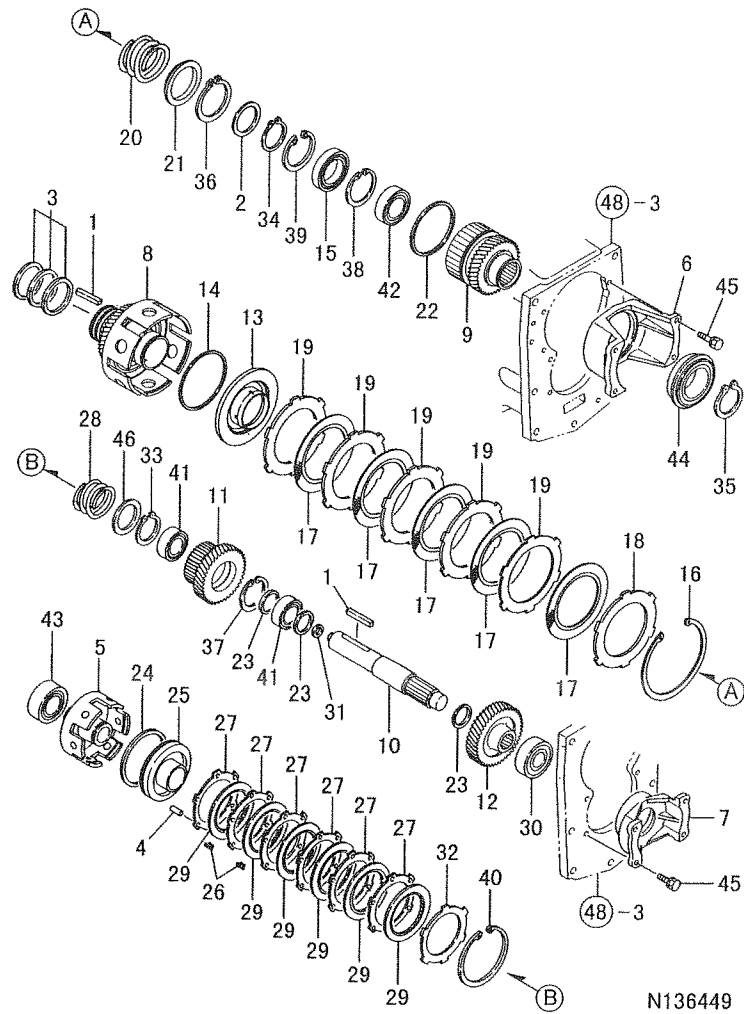
(A)=AF1110EX (D)=AF1088EX(4WD)  
 (B)=AF1110EX(4WD (E)=  
 (C)=AF1088EX(2WD (F)=



N136448

REF. NO.	LEV. 0	PART NO.	DESCRIPTION	Q'TY						I P/U A R
				(A)	(B)	(C)	(D)	(E)	(F)	
1	.	194670-21130	FLYWHEEL, SUB	1	1	1	1			0
2	.	198265-21610	CLUTCH UNIT, SINGLE	1	1	1	1			0
3	..	198265-21400	DISC ASSY	1	1	1	1			1
4	..	194670-21701	PLATE ASSY, PRESSURE	1	1	1	1			1
5	...	194670-21710	COVER COMP., CLUTCH	1	1	1	1			1
6	...	194670-21720	PLATE COMP., PRESSURE	1	1	1	1			1
7	...	194670-21730	LEVER COMP., RELEASE	1	1	1	1			1
8	...	194670-21741	SPRING COMP., PRESS	1	1	1	1			0
9	...	194670-21750	SEAT COMP., SPRING	1	1	1	1			1
10	...	194670-21760	BOLT COMP., SPECIAL	1	1	1	1			1
11	...	194670-21770	PLATE COMP., LOCK	1	1	1	1			1
12	...	26106-080122	BOLT M 8X 12 PLATED	8	8	8	8			10
13	.	22217-100000	SPRING WASHER 10	2	2	2	2			10
14	.	26013-101002	BOLT M10X100	10	10	10	10			10
15	.	26216-101002	STUD M10X100 PLATED	2	2	2	2			1
16	.	26716-100002	NUT 10	2	2	2	2			10
17	.	22312-100200	PARALLEL PIN 10X20	2	2	2	2			1

50. HI-L0



N136449

1609  
1606  
NPC-3693

50. HI-L0

99.12.07

(A)=AF1110EX (D)=AF1088EX(4WD)  
(B)=AF1110EX(4WD)(E)=  
(C)=AF1088EX(2WD)(F)=

REF. NO.	LEV. 0	PART NO.	DESCRIPTION	Q'TY						I	P	U	A	R
				(A)	(B)	(C)	(D)	(E)	(F)					
1	.	194670-21630	KEY 7X5.8X55	2	2	2	2							1
2	.	194670-21650	WASHER 55X68.5X2	1	1	1	1							1
3	.	194670-21670	RING, CLUTCH	3	3	3	3							1
4	.	194670-21690	PIN 2X22.5	6	6	6	6							1
5	.	198265-21810	CYLINDER, CLUTCH	1	1	1	1							1
6	.	198265-21840	RETAINER A, BEARING	1	1	1	1							1
7	.	194065-21850	BEARING (B), RETAINER	1	1	1	1							1
8	.	198265-21900	SHAFT COMP., CLUTCH	1	1	1	1							1
9	.	198265-21930	GEAR 39, CLUTCH	1	1	1	1							1
10	.	198265-21940	SHAFT, CLUTCH	1	1	1	1							1
11	.	198265-21950	GEAR 40, CLUTCH	1	1	1	1							1
12	.	198265-21960	GEAR 43, HIGH-LOW	1	1	1	1							1
13	.	192180-22620	PISTON, CLUTCH	1	1	1	1							1
14	.	192180-22630	PACKING 120	1	1	1	1							1
15	.	192180-22660	BALL BEARING 6911ZZ	1	1	1	1							1
16	.	192180-22790	RING 155	1	1	1	1							1
17	.	192180-22840	DISK 155	5	5	5	5							1
18	.	192180-22851	PLATE, 6.0	1	1	1	1							1
19	.	192180-22860	PLATE	5	5	5	5							1
20	.	192180-22870	SPRING (RET)	1	1	1	1							1
21	.	192180-22890	SUPPORT	1	1	1	1							1
22	.	192180-22950	PACKING 110	1	1	1	1							1
23	.	194250-25520	SPACER 35X45X2	3	3	3	3							1
24	.	194640-25530	RING 110	1										1
I 24-1	.	194066-28260 (A=F01338)	D-RING	1	1	1	1						N	1
25	.	194640-25550	PISTON, CLUTCH	1	1	1	1							1
26	.	194310-25630	SPRING, CLUTCH	36	36	36	36							1
27	.	194335-25640	PLATE 1.2, STEEL	6	6	6	6							1
28	.	194320-25650	SPRING, RETURN	1	1	1	1							1
29	.	194335-25650	PLATE, FRICTION	6	6	6	6							1
30	.	194197-25810	BALL BEARING	1	1	1	1							1
31	.	194180-26150	SEAL RING	1	1	1	1							1
32	.	194065-26270	PLATE (S.5), STEEL	1	1	1	1							1
33	.	22242-000500	CIRCLIP 50	1	1	1	1							10
34	.	22242-000550	CIRCLIP 55	1	1	1	1							1
35	.	22242-000600	CIRCLIP 60	1	1	1	1							1
36	.	22242-000680	SHAFT, STOPPER	1	1	1	1							1
37	.	22252-000620	CIRCLIP 62(H)	1	1	1	1							1
38	.	22252-000680	CIRCLIP 68	1	1	1	1							1
39	.	22252-000800	CIRCLIP 80	1	1	1	1							1
40	.	22252-001100	CIRCLIP 110	1	1	1	1							1
41	.	24101-060074	BALL BEARING	2	2	2	2							1
42	.	24101-060084	BALL BEARING	1	1	1	1							1
43	.	24101-062074	BALL BEARING	1	1	1	1							1
44	.	24121-060124	BALL BEARING	1	1	1	1							1
45	.	26013-080252	BOLT M 8X 25	8	8	8	8							10
46	.	981083-20710	RETAINER, SPRING	1	1	1	1							1

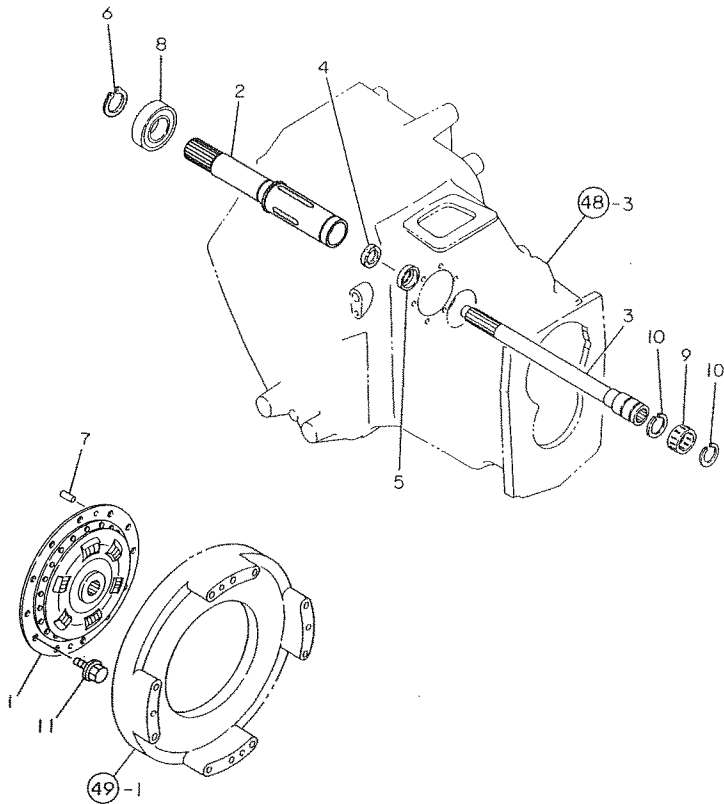
51. CLUTCH SHAFT

1G10  
1G06  
NPC-3693

51. CLUTCH SHAFT

99.12.07

(A)=AF1110EX (D)=AF1088EX(4WD  
(B)=AF1110EX(4WD(E)=  
(C)=AF1088EX(2WD(F)=

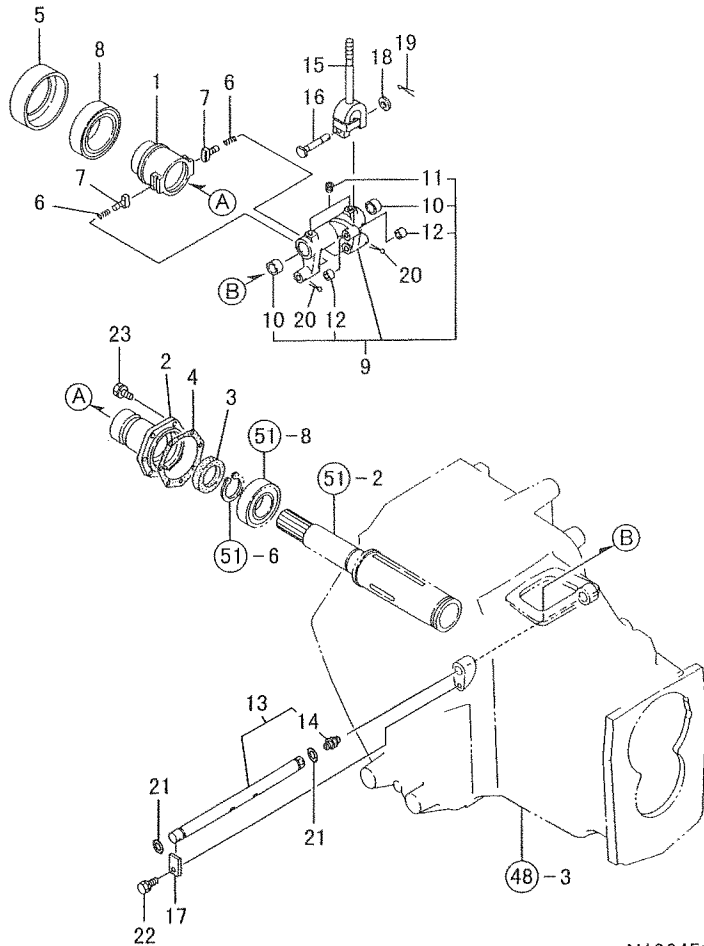


REF. NO.	LEV. 0	PART NO.	DESCRIPTION	-----Q'TY-----						I P/U A R
				(A)	(B)	(C)	(D)	(E)	(F)	
1	.	194065-21420	DUMPER, P.T.O	1	1	1	1			1
2	.	198265-22110	SHAFT,OUT.MAIN DRIVE	1	1	1	1			1
3	.	194065-22120	SHAFT, MAIN DRIVE	1	1	1	1			1
4	.	194065-22190	SEAL SC28 38 7P, OIL	1	1	1	1			1
5	.	194065-22230	COVER, OIL SEAL	1	1	1	1			1
6	.	22242-000450	CIRCLIP 45	1	1	1	1			10
7	.	22312-100200	PARALLEL PIN 10X20	2						1
7-1	.	121850-21920 (A=FXXXXX )	PARALLEL PIN 10X22	2	2	2	2		S	1
8	.	24101-062094	BALL BEARING	1	1	1	1			1
9	.	24161-404517	NEEDLE BEARING	1	1	1	1			1
10	.	24164-000402	CIRCLIP 40	2	2	2	2			1
11	.	26106-100202	BOLT M10X 20 PLATED	12	12	12	12			10

N136450

N136450

52. CLUTCH RELEASE



N136451

+-----+  
| 1G11 |  
| (1G06) |  
+-----+  
NPC-3693

52. CLUTCH RELEASE

99.12-07

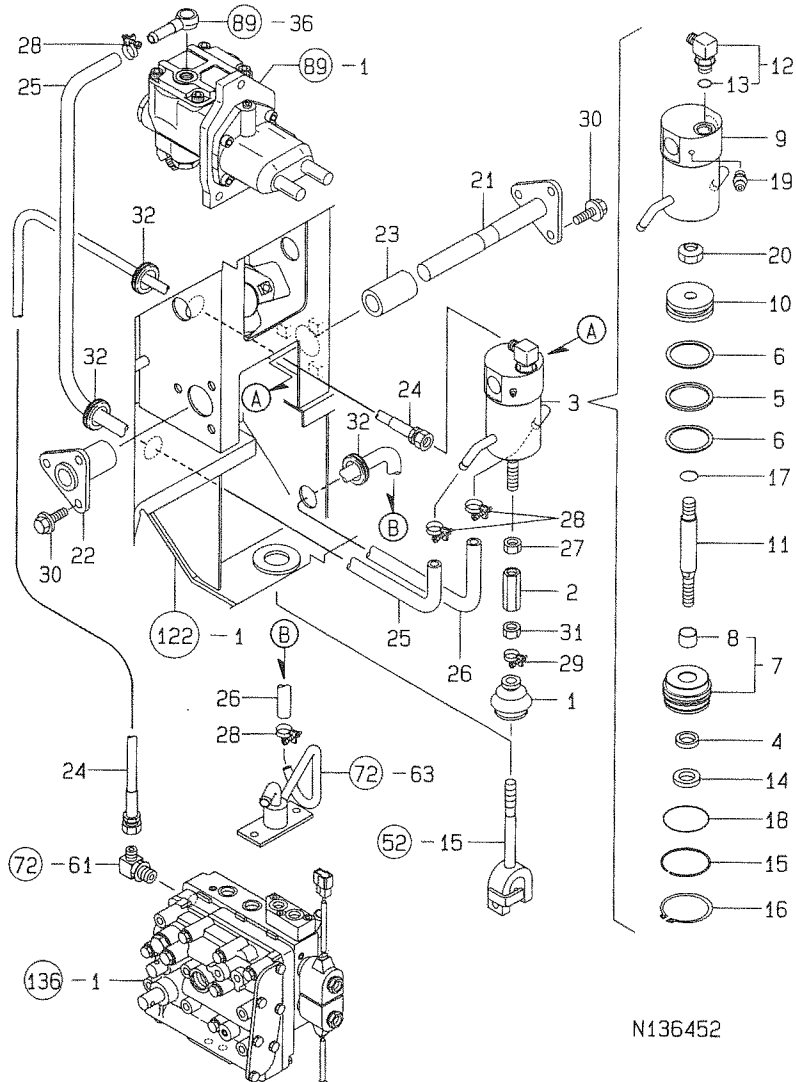
(A)=AF1110EX (D)=AF1088EX(4WD)  
(B)=AF1110EX(4WD)(E)=  
(C)=AF1088EX(2WD)(F)=

REF. NO.	LEV. 0	PART NO.	DESCRIPTION	-----Q'TY-----						I	P/U	A	R
				(A)	(B)	(C)	(D)	(E)	(F)				
1	.	194065-21211	SLEEVE	1	1	1	1					1	
2	.	194065-21220	GUIDE, SLEEVE	1	1	1	1					1	
3	.	194065-21230	SEAL HTC45 62 8, OIL	1	1	1	1					1	
4	.	194065-21240	PACKING	1	1	1	1					1	
5	.	194065-22050	COLLAR, RELEASE	1	1	1	1					1	
6	.	194065-22270	SPRING, SHIFT BLOCK	2	2	2	2					1	
7	.	194065-22280	BLOCK, SHIFT	2	2	2	2					1	
8	.	194470-22290	BALL BEARING	1	1	1	1					1	
9	.	194065-22301	YOKE W/BUSH, SHIFT	1	1	1	1					1	
10	..	194130-22280	BUSH 20X25X25	2	2	2	2					1	
11	..	23871-010000	PLUG PT1/8, SCREW	2								1	
11-1	..	23876-010000	PLUG PT1/8, SCREW	2	2	2	2				N	1	
(A=FXXXXX )													
12	..	24550-010120	BUSH 10X12	2	2	2	2					1	
13	.	194065-22320	SHAFT COMP., RELEASE	1	1	1	1					1	
14	..	24761-020000	NIPPLE PT1/8, GREASE	1	1	1	1					1	
15	.	198265-22470	ROD, R-HND. SCR. CLTCH	1	1	1	1					1	
16	.	194065-22710	PIN 8X53.5	1	1	1	1					1	
17	.	194065-25950	PLATE, KEEP	1	1	1	1					1	
18	.	22117-100000	WASHER 10	1	1	1	1					10	
19	.	22417-200300	COTTER PIN 2.0X30	1	1	1	1					10	
20	.	22417-200320	COTTER PIN 2.0X32	2	2	2	2					10	
21	.	24311-000160	O-RING 1A P-16.0	2	2	2	2					10	
22	.	26013-080202	BOLT W/WASHER M8X20	1	1	1	1					10	
23	.	26013-080202	BOLT W/WASHER M8X20	6	6	6	6					10	

N136451



53. CLUTCH CYLINDER



N136452

1G12  
(1G06)  
NPC-3693

53. CLUTCH CYLINDER

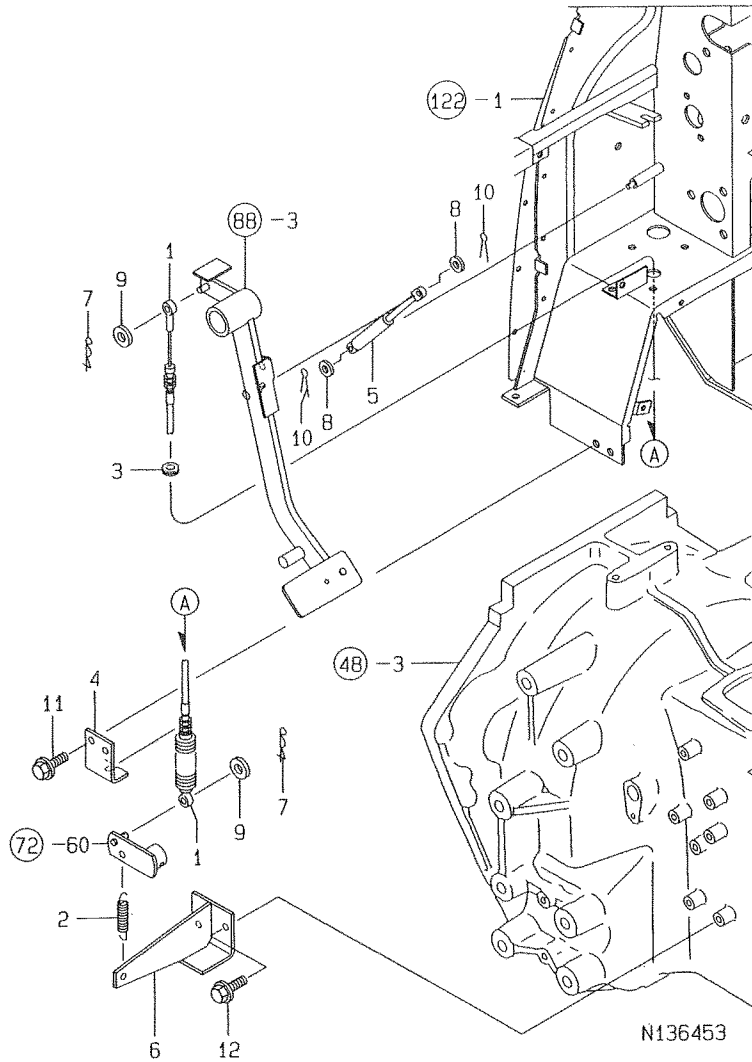
99.12.07

(A)=AF1110EX (D)=AF1088EX(4WD)  
(B)=AF1110EX(4WD)(E)=  
(C)=AF1088EX(2WD)(F)=

REF. NO.	LEV. 0	PART NO.	DESCRIPTION	Q'TY						I P U A R
				(A)	(B)	(C)	(D)	(E)	(F)	
1	.	194065-22460	RUBBER BOOT	1	1	1	1			1
2	.	198265-22490	TURNBUCKLE 12X15	1	1	1	1			0
3	.	198265-22700	CYLINDER UNIT,CLUTCH	1	1	1	1			0
4	..	198220-17330	SEAL 18	1	1	1	1			1
5	..	198440-17550	PACKING 55	1	1	1	1			1
6	..	198440-17560	RING 55,BACKUP	2	2	2	2			1
7	..	198265-22790	CAP ASSY	1	1	1	1			1
8	...	24550-018150	BUSH 18X15	1	1	1	1			1
9	..	198265-22720	TUBE COMPL.,CYLINDER	1	1	1	1			0
10	..	198265-22760	PISTON	1	1	1	1			0
11	..	198265-22770	ROD	1	1	1	1			0
12	..	198448-28520	ELBO CMP M16-G1/4	1	1	1	1			1
13	...	24311-000140	O-RING 1A P-14.0	1	1	1	1			10
14	..	198071-72670	SEAL 18,DUST	1	1	1	1			1
15	..	22207-055320	CIRCLIP	1	1	1	1			1
16	..	22242-000520	CIRCLIP 52	1	1	1	1			1
17	..	24311-000180	O-RING 1A P-18.0	1	1	1	1			10
18	..	24315-000490	O-RING 1B P-49.0	1	1	1	1			10
19	..	24761-010000	NIPPLE M6F, GREASE	1	1	1	1			1
20	..	26996-140002	LOCK NUT 14	1	1	1	1			1
21	.	198265-22800	SHAFT,CYLINDER COMP.	1	1	1	1			0
22	.	198265-22840	RETAINER,CYL.COMP.	1	1	1	1			0
23	.	198265-22880	BOSS	1	1	1	1			0
24	.	198265-22910	HOSE,HIGH-PRESSURE	1	1	1	1			1
25	.	198265-22920	HOSE A 800,LOW-PRES.	1	1	1	1			0
26	.	198265-22930	HOSE B 600,LOW-PRES.	1	1	1	1			0
27	.	1C6140-42120	NUT 12,L-HAND	1	1	1	1			1
28	.	23010-018000	CLAMP 18	4	4	4	4			1
29	.	23010-016000	CLAMP 16	1	1	1	1			1
30	.	26106-100202	BOLT M10X 20 PLATED	6	6	6	6			10
31	.	26736-120002	NUT M12	1	1	1	1			10
32	.	29311-254000	GROMMET	3	3	3	3			1

N136452

54. CLUTCH LINK



1613  
(1606)  
NPC-3693

54. CLUTCH LINK

99.12.07

(A)=AF1110EX (D)=AF1088EX(4WD)  
(B)=AF1110EX(4WD)(E)=  
(C)=AF1088EX(2WD)(F)=

REF. NO.	LEV. 0	PART NO.	DESCRIPTION	Q'ITY						I P/U A R
				(A)	(B)	(C)	(D)	(E)	(F)	
1	.	198265-22500	CLUTCH WIRE CMP	1	1	1	1			0
2	.	198220-22520	SPRING,CLUTCH	1	1	1	1			1
3	.	198448-22520	GROMMET,CLUTCH WIRE	1	1	1	1			1
4	.	198265-22590	SUPPORT,CLUTCH WIRE	1	1	1	1			0
5	.	198448-22610	DAMPER,CLUTCH	1	1	1	1			1
6	.	198265-22660	STAY,CLUTCH WIRE SP	1	1	1	1			0
7	.	166281-52320	PIN 8,COME-OFF SNAP	2	2	2	2			1
8	.	22137-060000	WASHER 6, POLISHED	2	2	2	2			10
9	.	22137-080000	WASHER 8, POLISHED	2	2	2	2			10
10	.	22417-250300	COTTER PIN 2.5X30	2	2	2	2			10
11	.	26106-080162	BOLT M 8X 16 PLATED	2	2	2	2			10
12	.	26106-080162	BOLT M 8X 16 PLATED	2	2	2	2			10

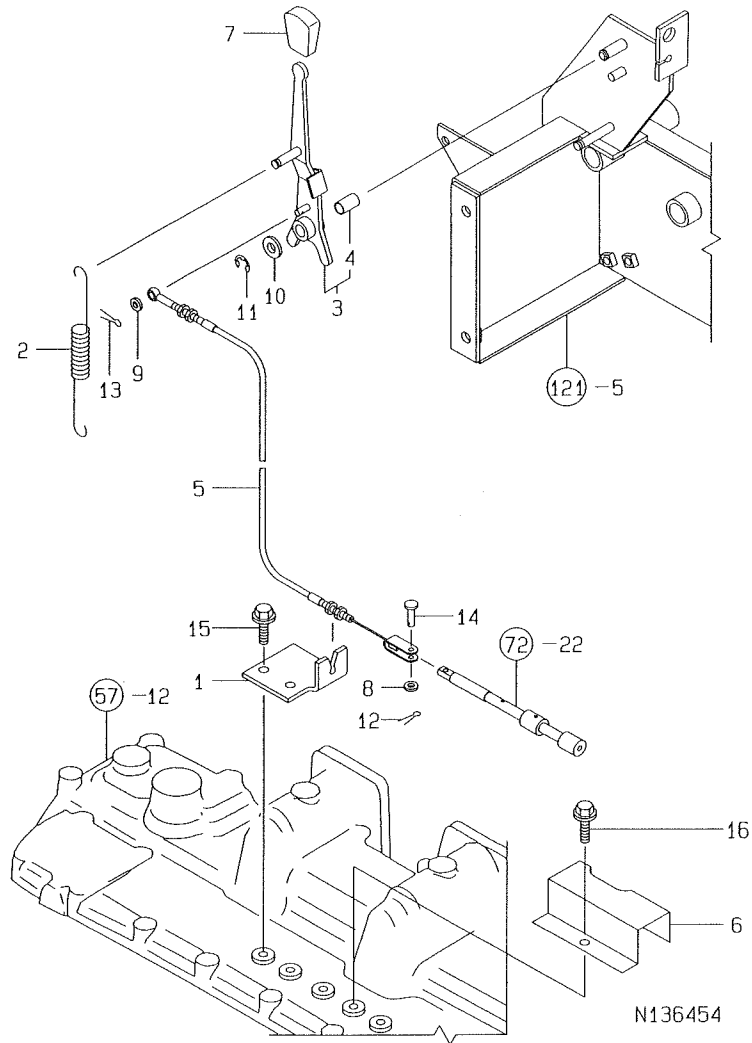
55. PTO CLUTCH LEVER

1G14  
(1G06)  
NPC-3693

55. PTO CLUTCH LEVER

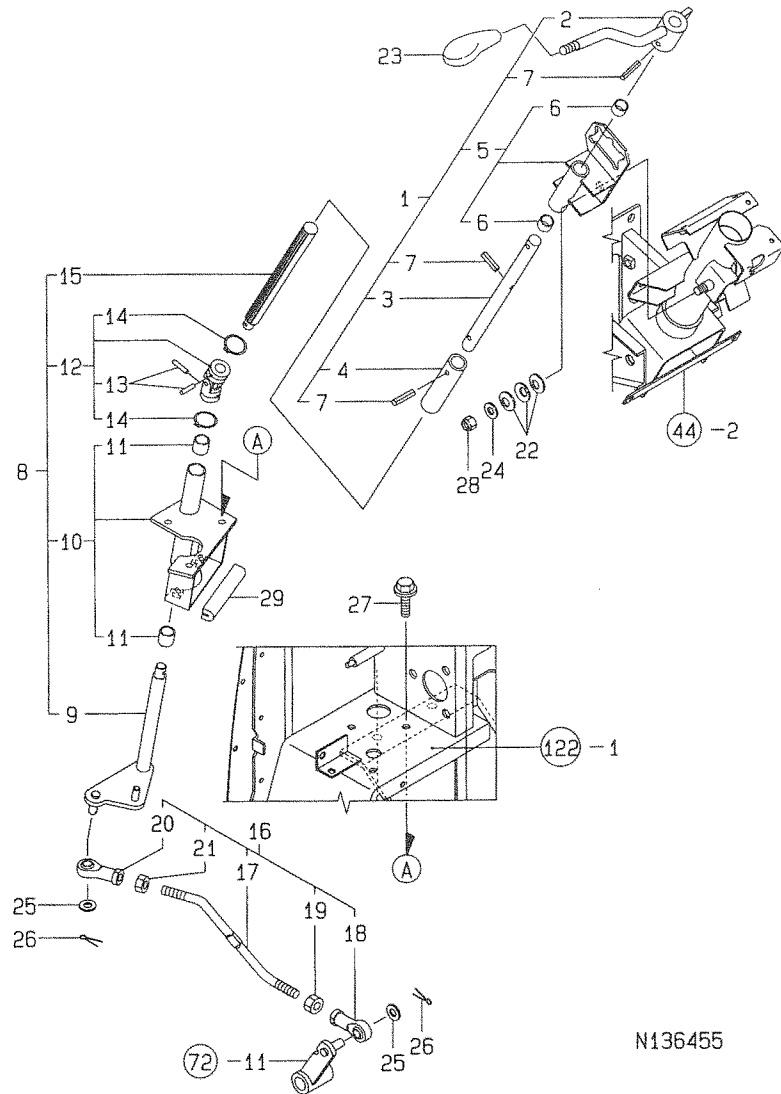
99.12.07

(A)=AF1110EX (D)=AF1088EX<4WD  
(B)=AF1110EX<4WD (E)=  
(C)=AF1088EX<2WD (F)=



REF. No.	LEV. 0	PART NO.	DESCRIPTION	-----Q'TY-----						I P/U A R
				(A)	(B)	(C)	(D)	(E)	(F)	
1	.	198265-18600	STAY,P.T.O.LINK	1	1	1	1			1
2	.	194145-22261	SPRING, RETURN	1	1	1	1			1
3	.	194065-23200	LEVER, PTO CLUTCH	1	1	1	1			1
4	..	24550-010200	BUSH 10X20	1	1	1	1			1
5	.	198265-23280	WIRE,P.T.O.CLUTCH	1	1	1	1			0
6	.	198265-23350	COVER, WIRE P.T.O	1	1	1	1			0
7	.	194273-47910	KNOB	1	1	1	1			1
8	.	22137-040000	WASHER 4, POLISHED	1	1	1	1			10
9	.	22137-060000	WASHER 6, POLISHED	1	1	1	1			10
10	.	22137-100000	WASHER 10,POLISHED	1	1	1	1			10
11	.	22272-000070	CIRCLIP E- 7	1	1	1	1			10
12	.	22417-120100	COTTER PIN 1.2X10	1	1	1	1			10
13	.	22417-200300	COTTER PIN 2.0X30	1	1	1	1			10
14	.	22487-040200	PIN 4X 20	1	1	1	1			1
15	.	26106-080162	BOLT M 8X 16 PLATED	2	2	2	2			10
16	.	26106-080162	BOLT M 8X 16 PLATED	1	1	1	1			10

56. HI-LO LEVER



N136455

+-----+  
| 1G15 |  
| (1G06) |  
+-----+  
NPC-3693

56. HI-LO LEVER

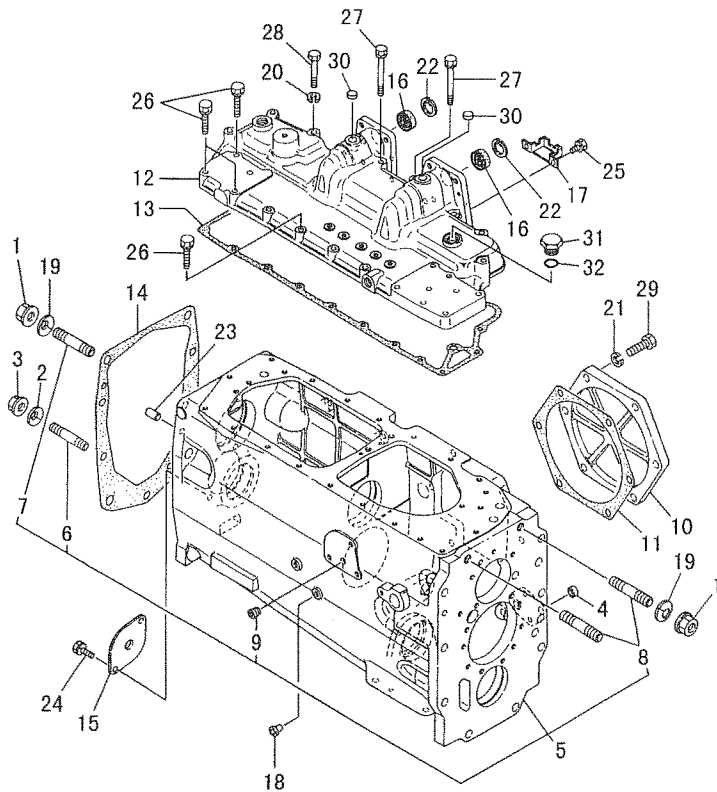
99.12.07

(A)=AF1110EX (D)=AF1088EX(4WD)  
(B)=AF1110EX(4WD)(E)=  
(C)=AF1088EX(2WD)(F)=

REF. NO.	LEV. 0	PART NO.	DESCRIPTION	Q'TY-----						I P U A R
				(A)	(B)	(C)	(D)	(E)	(F)	
1	.	198265-18100	LEVER UNIT,HIGH-LOW	1	1	1	1			0
2	..	198265-18110	LEVER,HIGH-LOW	1	1	1	1			1
3	..	198448-18200	SHAFT,COUPLING	1	1	1	1			0
4	..	198448-18220	COUPLING	1	1	1	1			0
5	..	198448-18550	BRACKET,REVERSER CMP	1	1	1	1			0
6	...	24550-015120	BUSH 15X12	2	2	2	2			1
7	..	22351-060032	SPRING PIN 6X32	3	3	3	3			10
8	.	198265-18150	SHAFT UNIT,HIGH-LOW	1	1	1	1			0
9	..	198265-18170	SHAFT,HIGH-LOW	1	1	1	1			0
10	..	198265-18240	BRACKET,H-L.SHFT.CMP	1	1	1	1			0
11	...	24550-016150	DRY BUSH 16X15	2	2	2	2			1
12	..	198071-18401	JOINT	1	1	1	1			1
13	...	198071-18520	PIN	2	2	2	2			1
14	...	198071-18530	CIRCLIP 23	2	2	2	2			1
15	..	198448-18460	SHAFT,INNER INTERMED	1	1	1	1			0
16	.	198265-18310	ROD,HIGH-LOW UNIT	1	1	1	1			0
17	..	198265-18320	ROD,HIGH-LOW	1	1	1	1			0
18	..	198153-22250	BALL 10L,PILLOW	1	1	1	1			1
19	..	194150-22480	NUT M10	1	1	1	1			5
20	..	194235-29440	BALL 10,PILLOW	1	1	1	1			1
21	..	26716-100002	NUT 10	1	1	1	1			10
22	.	198072-18320	SPRING 12	3	3	3	3			1
23	.	198071-18350	KNOB,REVERSER LEVER	1	1	1	1			1
24	.	22137-100000	WASHER 10,POLISHED	1	1	1	1			10
25	.	22137-100000	WASHER 10,POLISHED	2	2	2	2			10
26	.	22417-200300	COTTER PIN 2.0X30	2	2	2	2			10
27	.	26106-080122	BOLT M 8X 12 PLATED	3	3	3	3			10
28	.	26346-100002	U-NUT M10 PLATED	1	1	1	1			1
29	.	198291-77870	COVER,HOSE PROTECTOR	1	1	1	1		W	1
(A=F00079 )										

N136455

57. TRANSMISSION CASE



N136456

1G16  
(1G06)  
NPC-3693

57. TRANSMISSION CASE

99.12.07

(A)=AF1110EX (D)=AF1088EX(4WD)  
(B)=AF1110EX(4WD(E)=  
(C)=AF1088EX(2WD(F)=

REF. NO.	LEV. 0	PART NO.	DESCRIPTION	QTY						I	P	U	A	R
				(A)	(B)	(C)	(D)	(E)	(F)					
1	.	194065-11060	NUT M16	6	6	6	6							1
2	.	194465-14220	WASHER 14	3	3	3	3							1
3	.	194065-21160	NUT M14	3	3	3	3							1
4	.	194065-22240	COVER, BLIND	1	1	1	1							1
5	.	198265-24100	TRANSMISSION ASSY	1	1	1	1							1
6	..	194065-21180	BOLT M14X 45	3	3	3	3							1
7	..	194065-24140	STUD M16X 45	4	4	4	4							1
8	..	194065-24180	STUD M16X 40	2	2	2	2							1
9	..	23871-010000	PLUG PT1/8, SCREW	1										1
9-1	..	23876-010000 (A=FXXXXX )	PLUG PT1/8, SCREW	1	1	1	1					N		1
10	.	194065-24150	SIDE COVER, MISSION	1	1	1	1							1
11	.	194065-24160	PACKING	1	1	1	1							1
12	.	194065-24211	COVER, TRANSMIS. CASE	1	1	1	1							1
13	.	194065-24220	PACKING, MISSION	1	1	1	1							1
14	.	198265-24320	PACKING, C-M. CASE	1	1	1	1							1
15	.	194065-25470	PLATE, COUNTER	1	1	1	1							1
16	.	194235-27270	SEAL TC4 20357, SEAL	2	2	2	2							1
17	.	194065-27650	PLATE	1	1	1	1							1
18	.	194145-31750	PLUG 9,5	4	4	4	4							1
19	.	194280-34170	WASHER 16	6	6	6	6							4
20	.	22217-080000	SPRING WASHER 8	7	7	7	7							10
21	.	22217-120000	SPRING WASHER	6	6	6	6							10
22	.	22252-000350	CIRCLIP 35	2	2	2	2							10
23	.	22312-100200	PARALLEL PIN 10X20	2	2	2	2							1
24	.	26013-080162	BOLT W/WASHER M8X16	2	2	2	2							10
25	.	26013-080162	BOLT W/WASHER M8X16	2	2	2	2							10
26	.	26013-080402	BOLT M 8X 40	7	7	7	7							10
27	.	26013-080802	BOLT M 8X 80	2	2	2	2							10
28	.	26116-080552	BOLT 8X55	7	7	7	7							10
29	.	26116-120352	BOLT M12X 35 PLATED	6	6	6	6							10
30	.	27260-150000	PLUG 15, BORE	2	2	2	2							1
31	.	23887-180002	PLUG 18	1	1	1	1					W		1
32	.	24311-000180 (A=FXXXXX ) (A=FXXXXX )	O-RING 1A P-18.0	1	1	1	1					W		10

N136456

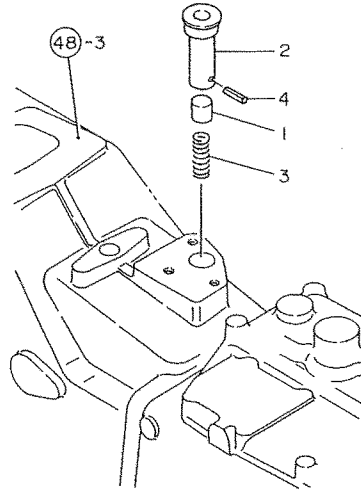
58. SECOND RELIEF

+-----+  
 | 1H01 |  
 | (1G06) |  
 +-----+  
 NPC-3693

58. SECOND RELIEF

99.12.07

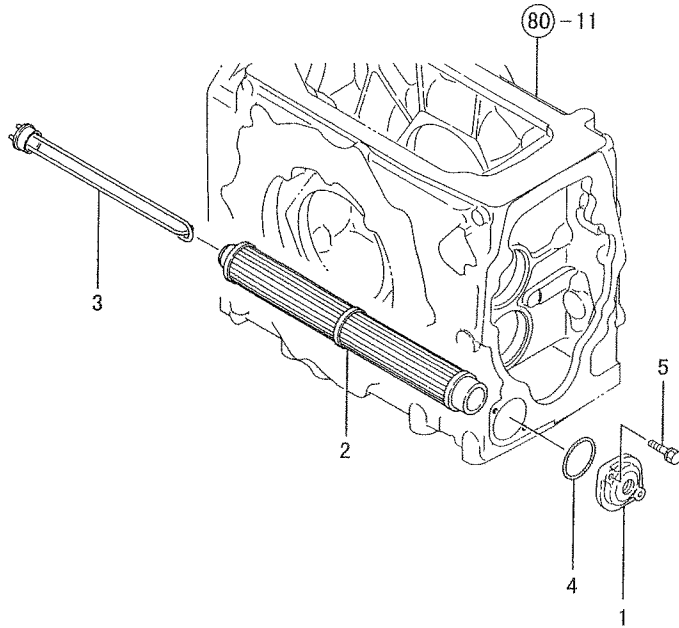
(A)=AF1110EX (D)=AF1088EX(4WD  
 (B)=AF1110EX(4WD(E)=  
 (C)=AF1088EX(2WD(F)=



REF. NO.	LEV. 0	PART NO.	DESCRIPTION	-----Q'TY-----						I P/U A R
				(A)	(B)	(C)	(D)	(E)	(F)	
1	.	194180-24750	VALVE	1	1	1	1			1
2	.	194180-24760	SLEEVE	1	1	1	1			1
3	.	194180-24770	SPRING	1	1	1	1			1
4	.	22351-030016	SPRING PIN 3X16	1	1	1	1			10

N136457

59. OIL STRAINER



N136458

+-----+  
| 1HD2 |  
| (1G06) |  
+-----+  
NPC-3693

59. OIL STRAINER

99.12.07

(A)=AF1110EX (D)=AF1088EX(4WD)  
(B)=AF1110EX(4WD)(E)=  
(C)=AF1088EX(2WD)(F)=

REF. NO.	LEV. 0	PART NO.	DESCRIPTION	-----Q'TY-----						I P/U A R
				(A)	(B)	(C)	(D)	(E)	(F)	
1	.	194065-24190	COVER, STRAINER	1	1	1	1			1
2	.	194065-24910	STRAINER, OIL	1	1	1	1			1
3	.	194065-24930	GUIDE, STRAINER	1	1	1	1			1
4	.	24321-000550	O-RING 1A G-55.0	1	1	1	1			10
5	.	26013-080302	BOLT M 8X 30	2	2	2	2			10

N136458

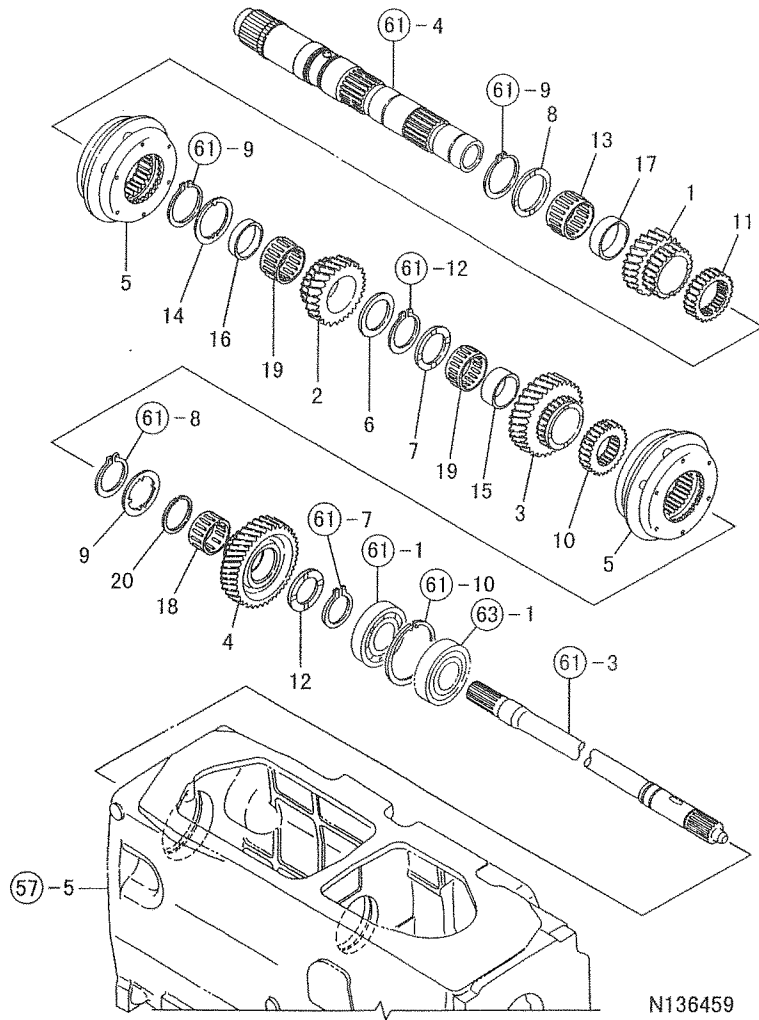
60. MAIN DRIVE GEAR

1H03  
(1G06)  
NPC-3693

60. MAIN DRIVE GEAR

99.12.07

(A)=AF1110EX (D)=AF1088EX(4WD)  
(B)=AF1110EX(4WD)(E)=  
(C)=AF1088EX(2WD)(F)=



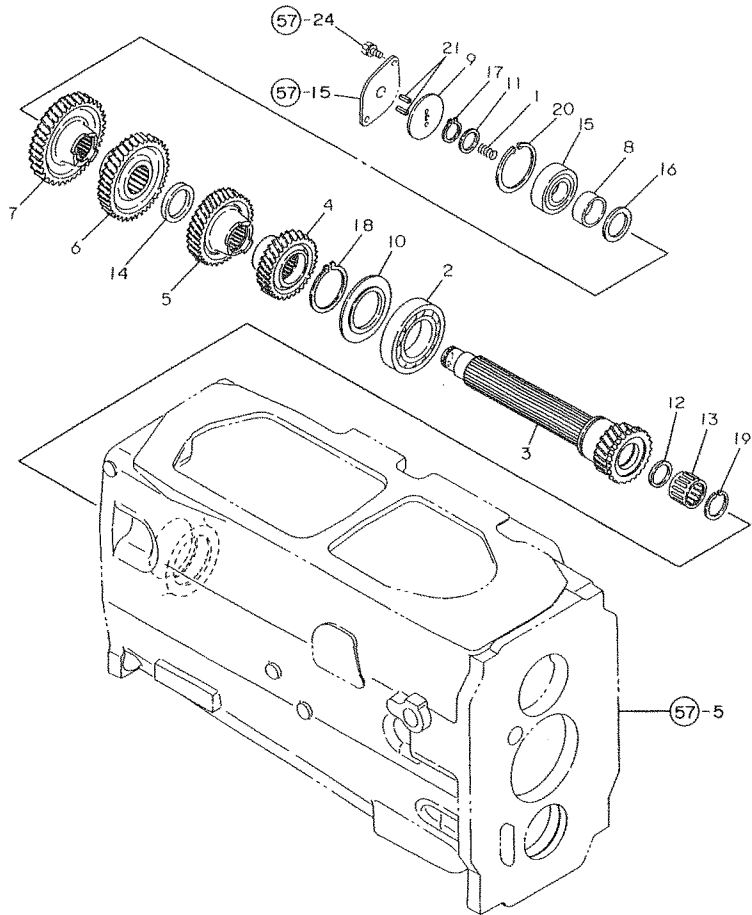
N136459

REF. NO.	LEV. 0	PART NO.	DESCRIPTION	Q'TY						I P U A R
				(A)	(B)	(C)	(D)	(E)	(F)	
1	-	194235-25110	GEAR 26,MAIN	1	1	1	1			1
2	-	194235-25120	GEAR 30,MAIN	1	1	1	1			1
3	-	194235-25130	GEAR 36,MAIN	1	1	1	1			1
4	-	194235-25140	GEAR 41,MAIN	1	1	1	1			1
5	-	194235-25150	SYNCHRONIZER	2	2	2	2			1
6	-	194065-25160	WASHER 45X60X3.5	1	1	1	1			1
7	-	194235-25160	WASHER 45X62X5	1	1	1	1			0
8	-	194065-25170	WASHER 50X67X3.5	1	1	1	1			1
9	-	194065-25180	WASHER 46, THRUST	1	1	1	1			1
10	-	194235-25230	HUB M3-4,SHIFTER	1	1	1	1			1
11	-	194235-25240	HUB ML-2,SHIFTER	1	1	1	1			1
12	-	194065-25250	WASHER 40X56X3	1	1	1	1			1
13	-	194065-25260	NEEDLE BEARING	1	1	1	1			1
14	-	194065-25270	WASHER 51, THRUST	1	1	1	1			1
15	-	194065-25710	COLLAR 45X49X20	1	1	1	1			1
16	-	194065-25720	COLLAR 45X49X11.5	1	1	1	1			1
17	-	194065-25730	COLLAR 50X54X16.5	1	1	1	1			1
18	-	24161-404527	NEEDLE BEARING	1	1	1	1			1
19	-	24161-455027	NEEDLE BEARING	2	2	2	2			1
20	-	24165-000452	CIRCLIP 45	1	1	1	1			1





62. COUNTER SHAFT



N136461

+-----+  
| 1H05 |  
| (1G06) |  
+-----+  
NPC-3693

62. COUNTER SHAFT

99.12.07

(A)=AF1110EX (D)=AF1088EX(4WD)  
(B)=AF1110EX(4WD) (E)=  
(C)=AF1088EX(2WD) (F)=

REF. NO.	LEV. 0	PART NO.	DESCRIPTION	-----Q'TY-----						I P/U A R
				(A)	(B)	(C)	(D)	(E)	(F)	
1	.	194180-24840	SPRING	1	1	1	1			1
2	.	194065-25290	BALL BEARING	1	1	1	1			1
3	.	194065-25411	SHAFT, COUNTER	1	1	1	1			1
4	.	194065-25420	GEAR, COUNTER	1	1	1	1			1
5	.	194065-25430	GEAR, COUNTER	1	1	1	1			1
6	.	194065-25440	GEAR, COUNTER	1	1	1	1			1
7	.	194065-25450	GEAR, COUNTER	1	1	1	1			1
8	.	194065-25460	COLLAR 37X46X18.3	1	1	1	1			1
9	.	194065-25480	SHOE, COUNTER BEARING	1	1	1	1			1
10	.	194065-25490	SPACER 60X72X4	1	1	1	1			1
11	.	194180-25530	WASHER 30X40X3	1	1	1	1			2
12	.	194065-25580	WASHER 31.7X42X4	1	1	1	1			1
13	.	194180-25591	NEEDLE BEARING	1	1	1	1			1
14	.	194065-25740	COLLAR 45X57X8.8	1	1	1	1			1
15	.	194197-25810	BALL BEARING	1	1	1	1			1
16	.	194065-25890	WASHER 37X54X4	1	1	1	1			1
17	.	22242-000290	CIRCLIP 29	1	1	1	1			10
18	.	22242-000600	CIRCLIP 60	1	1	1	1			1
19	.	22252-000420	CIRCLIP 42	1	1	1	1			10
20	.	22252-000720	CIRCLIP 72	1	1	1	1			1
21	.	22351-040012	SPRING PIN 4X12	2	2	2	2			10

N136461

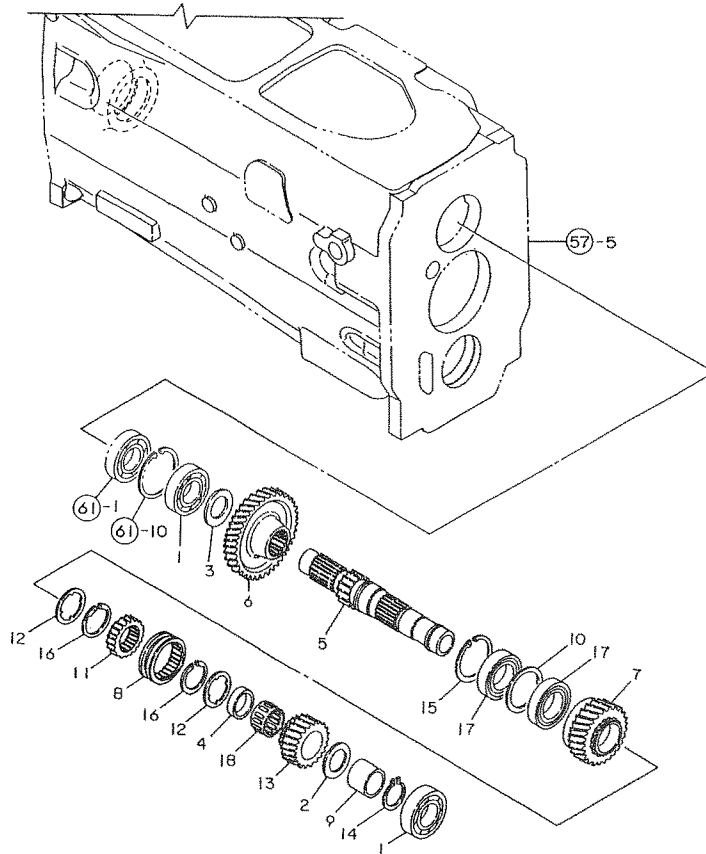
63. DRIVEN SHAFT

1406  
1606  
NPC-3693

63. DRIVEN SHAFT

99.12.07

(A)=AF1110EX (D)=AF1088EX(4WD)  
(B)=AF1110EX(4WD)(E)=  
(C)=AF1088EX(2WD)(F)=



N136462

REF. NO.	LEV. 0	PART NO.	DESCRIPTION	-----QTY-----						I P/U A R
				(A)	(B)	(C)	(D)	(E)	(F)	
1	.	194641-13840	BALL BEARING	2	2	2	2			1
2	.	194065-25250	WASHER 40X56X3	1	1	1	1			1
3	.	194180-25280	WASHER 40X60X3	1	1	1	1			1
4	.	194065-25550	COLLAR 40X44X10	1	1	1	1			1
5	.	194065-25610	SHAFT, REDUCTION	1	1	1	1			1
6	.	194065-25620	GEAR, REDUCTION	1	1	1	1			1
7	.	194065-25631	PINION, RANGE	1	1	1	1			1
8	.	194065-25641	SHIFTER, RANGE2-R	1	1	1	1			1
9	.	194065-25650	COLLAR 40X48X36.6	1	1	1	1			1
10	.	194065-25660	COLLAR 64X75X2	1	1	1	1			1
11	.	194065-25671	HUB, RANGE2-R SHIFTER	1	1	1	1			1
12	.	194065-25680	WASHER 46, THRUST	2	2	2	2			1
13	.	194065-25962	PINION, REVERSE	1	1	1	1			1
14	.	22242-000400	CIRCLIP 40	1	1	1	1			10
15	.	22252-000750	CIRCLIP 75	1	1	1	1			1
16	.	22292-000450	CIRCLIP S-45	2	2	2	2			10
17	.	24101-060094	BALL BEARING	2	2	2	2			1
18	.	24161-404527	NEEDLE BEARING	1	1	1	1			1

N136462

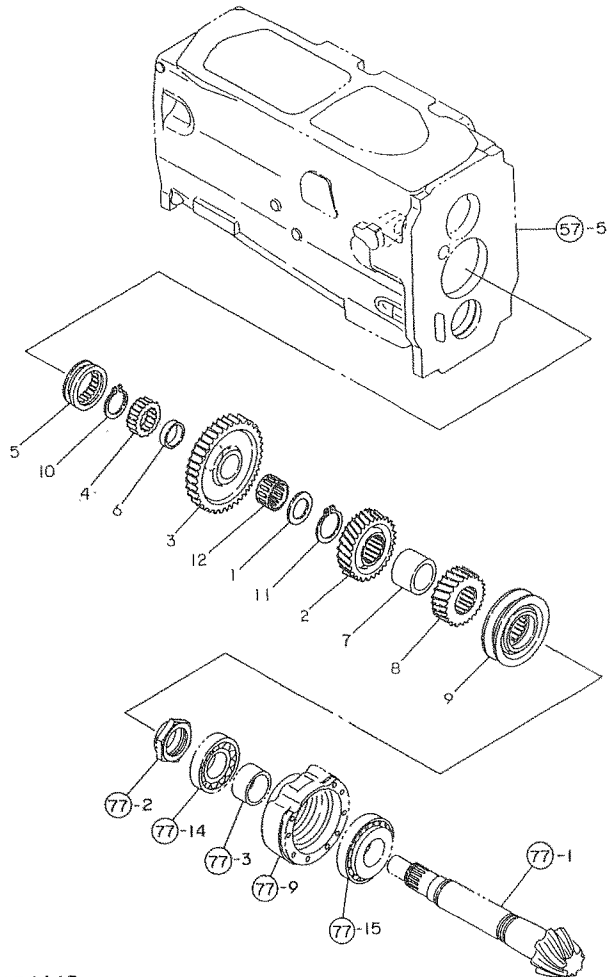
64. DRIVE PINION

1H07  
(1G06)  
NPC-3693

64. DRIVE PINION

99.12.07

(A)=AF1110EX (D)=AF1088EX(4WD)  
(B)=AF1110EX(4WD)(E)=  
(C)=AF1088EX(2WD)(F)=

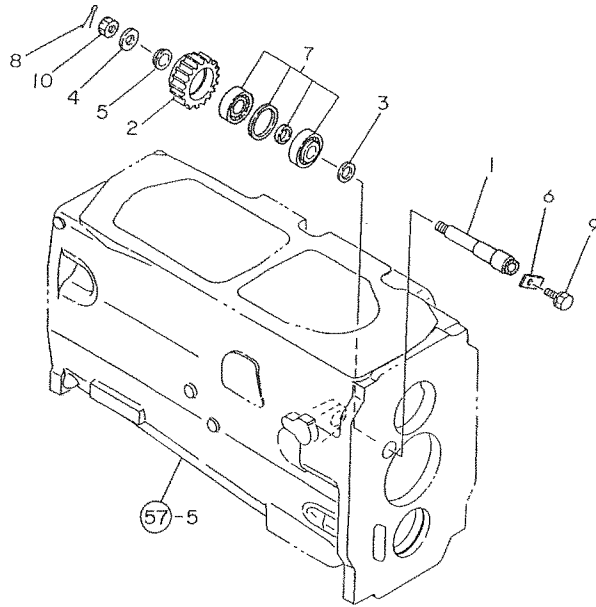


REF. NO.	LEV. 0	PART NO.	DESCRIPTION	Q'TY						I	P	U	A	R
				(A)	(B)	(C)	(D)	(E)	(F)					
1	.	194065-25250	WASHER 40X56X3	1	1	1	1							1
2	.	194065-25510	GEAR, RANGE	1	1	1	1							1
3	.	194065-25521	GEAR, RANGE	1	1	1	1							1
4	.	194065-25531	HUB, RANGE1-3 SHIFTER	1	1	1	1							1
5	.	194065-25541	SHIFTER, RANGE1-3	1	1	1	1							1
6	.	194065-25550	COLLAR 40X44X10	1	1	1	1							1
7	.	194065-25570	COLLAR 50X60X41.8	1	1	1	1							1
8	.	194065-25970	GEAR, REVERSE	1	1	1	1							1
9	.	194065-38990	DRUM, P. BRAKE	1	1	1	1							1
10	.	22242-000400	CIRCLIP 40	1	1	1	1							10
11	.	22242-000500	CIRCLIP 50	1	1	1	1							10
12	.	24161-404527	NEEDLE BEARING	1	1	1	1							1

N136463

N136463

65. REVERSE SHAFT



N136464

+-----+  
 | 1H08 |  
 | (1G06) |  
 +-----+  
 NPC-3693

65. REVERSE SHAFT

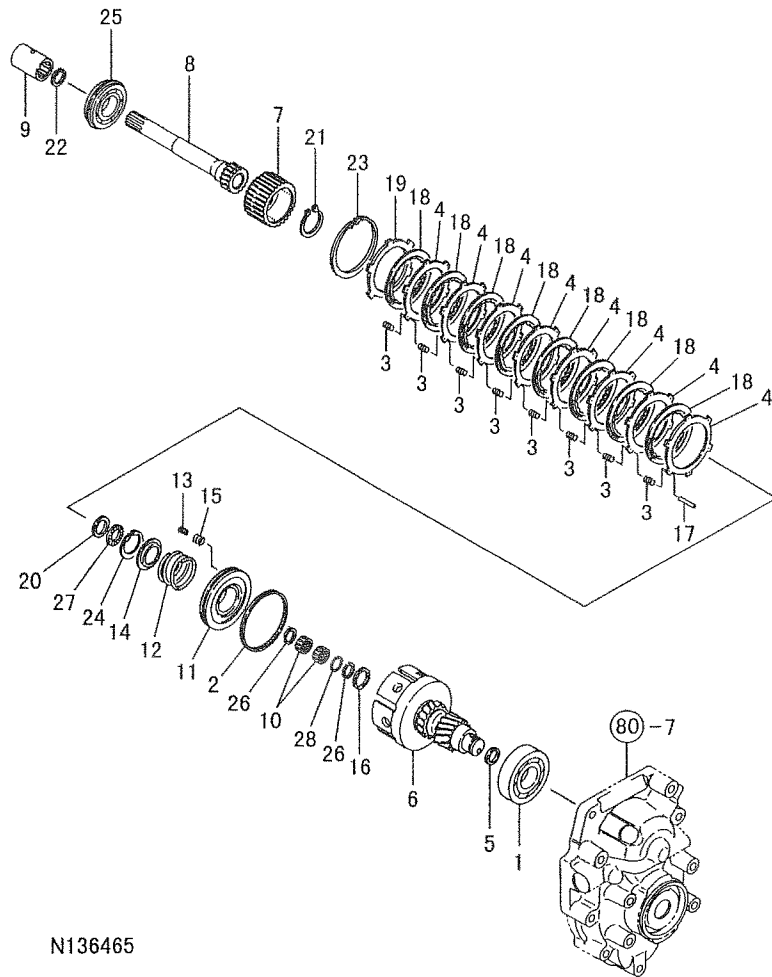
99.12.07

(A)=AF1110EX (D)=AF1088EX(4WD)  
 (B)=AF1110EX(4WD)(E)=  
 (C)=AF1088EX(2WD)(F)=

REF. NO.	LEV. 0	PART NO.	DESCRIPTION	-----Q'ITY-----						I P/U A R
				(A)	(B)	(C)	(D)	(E)	(F)	
1	.	194065-25910	SHAFT, REVERSE IDLE	1	1	1	1			1
2	.	194065-25921	GEAR, REVERSE IDLE	1	1	1	1			1
3	.	194065-25930	WASHER 20X27.5X2	1	1	1	1			1
4	.	194180-25930	WASHER 12X27X4.5	1	1	1	1			1
5	.	194065-25940	WASHER 20X27.5X8.3	1	1	1	1			1
6	.	194065-25950	PLATE, KEEP	1	1	1	1			1
7	.	194197-25990	BEARING ASSY	1	1	1	1			1
8	.	22417-320250	COTTER PIN 3.2X25	1	1	1	1			10
9	.	26013-080162	BOLT W/WASHER M8X16	1	1	1	1			10
10	.	26877-120002	CASTLE NUT M12	1	1	1	1			1

N136464

66. P.T.O. DRIVE SHAFT



N136465

1H09  
(1606)  
NPC-3693

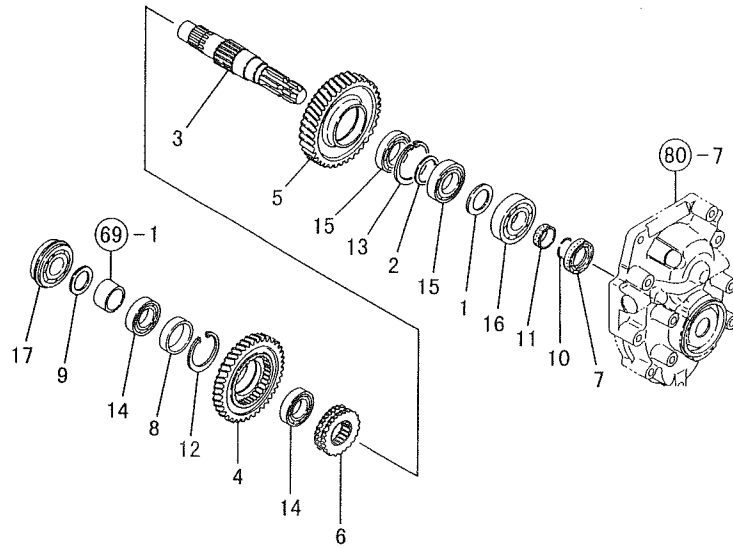
66. P.T.O. DRIVE SHAFT

99.12.07

(A)=AF1110EX (D)=AF1088EX(4WD)  
(B)=AF1110EX(4WD)(E)=  
(C)=AF1088EX(2WD)(F)=

REF. NO.	LEV. 0	PART NO.	DESCRIPTION	-----QTY-----						I P U A R
				(A)	(B)	(C)	(D)	(E)	(F)	
1	.	195107-14850	BALL BEARING	1	1	1	1			1
2	.	194640-25530	RING 110	1						1
2-1	.	194066-28260	D-RING	1	1	1	1			N 1
(A=FD1338 )										
3	.	194310-25630	SPRING, CLUTCH	48	48	48	48			1
4	.	194335-25640	PLATE 1.2, STEEL	8	8	8	8			1
5	.	194310-25690	SEAL RING 26303	1	1	1	1			1
6	.	198265-26110	SHAFT, PTO CLUTCH	1	1	1	1			1
7	.	194065-26120	SPLINE, PTO CLUTCH	1	1	1	1			1
8	.	198265-26120	SHAFT, CONNECTING	1	1	1	1			1
9	.	194065-26150	JOINT	1	1	1	1			1
10	.	198265-26190	NEEDLE 20X26X12	2	2	2	2			0
11	.	194185-26210	PISTON, PTO. CLUTCH	1	1	1	1			1
12	.	194065-26220	SPRING, RETURN	1	1	1	1			1
13	.	194235-26220	SPRING 3.5X0.6	6	6	6	6			1
14	.	194065-26230	RETAINER	1	1	1	1			1
15	.	194235-26230	SPRING 6.7X1.1	6	6	6	6			1
16	.	194065-26240	D-RING	1	1	1	1			1
17	.	194065-26250	PIN 2X33	6	6	6	6			1
18	.	194065-26260	PLATE, FRICTION	8	8	8	8			1
19	.	194065-26270	PLATE (5.5), STEEL	1	1	1	1			1
20	.	194180-26290	COLLAR GS81104	1	1	1	1			1
21	.	22242-000450	CIRCLIP 45	1	1	1	1			10
22	.	22252-000250	CIRCLIP 25	1	1	1	1			10
23	.	22252-001100	CIRCLIP 110	1	1	1	1			1
24	.	22292-000350	CIRCLIP S-35	1	1	1	1			10
25	.	24121-063074	BALL BEARING	1	1	1	1			1
26	.	24164-000202	CIRCLIP 20-S	2	2	2	2			1
27	.	24166-203502	NEEDLE BEARING	1	1	1	1			1
28	.	198265-26180	COLLAR 20X25X2.3	1	1	1	1			0

67. P.T.O. SHAFT



N136466

1H10  
(1G06)  
NPC-3693

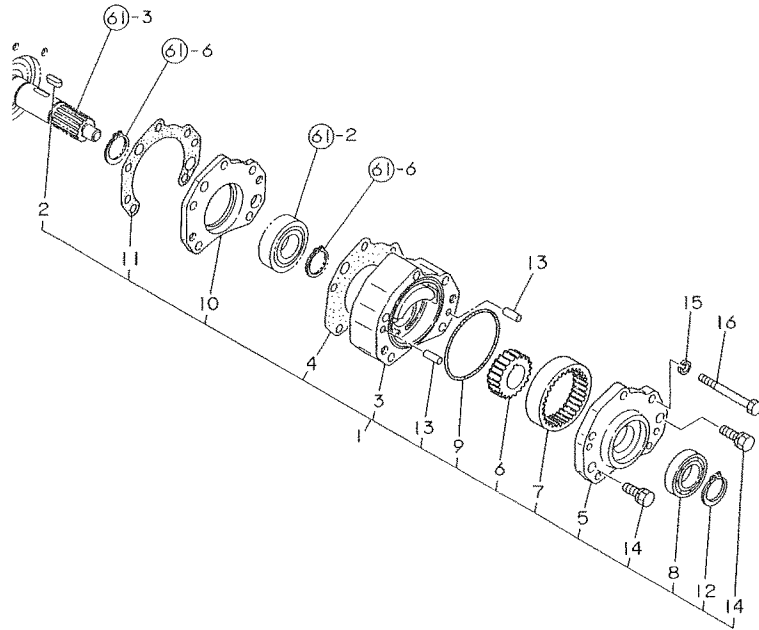
67. P.T.O. SHAFT

99.12.07

(A)=AF1110EX (D)=AF1088EX(4WD)  
(B)=AF1110EX(4WD)(E)=  
(C)=AF1088EX(2WD)(F)=

REF. NO.	LEV. 0	PART NO.	DESCRIPTION	-----Q'TY-----						I P/U A R
				(A)	(B)	(C)	(D)	(E)	(F)	
1	.	194180-25280	WASHER 40X60X3	1	1	1	1			1
2	.	194250-25560	SPACER 45X55X2.5	1	1	1	1			1
3	.	194065-26310	SHAFT, P.T.O.	1	1	1	1			1
4	.	198265-26320	GEAR, PTO	1	1	1	1			1
5	.	198265-26330	GEAR 49,P.T.O.	1	1	1	1			1
6	.	194065-26350	COLLAR,P.T.O CHANGE	1	1	1	1			1
7	.	194130-26350	SEAL TC 426009, OIL	1	1	1	1			1
8	.	194065-26360	COLLAR 58X68X13	1	1	1	1			1
9	.	194130-26370	SPACER 35X55X2.5	1	1	1	1			1
10	.	194065-26390	CIRCLIP 33X1.0	1	1	1	1			1
11	.	194130-33452	COLLAR 35X42X13	1	1	1	1			1
12	.	22252-000680	CIRCLIP 68	1	1	1	1			1
13	.	22252-000750	CIRCLIP 75	1	1	1	1			1
14	.	24101-060084	BALL BEARING	2	2	2	2			1
15	.	24101-060094	BALL BEARING	2	2	2	2			1
16	.	24101-063084	BALL BEARING	1	1	1	1			1
17	.	24121-063074	BALL BEARING	1	1	1	1			1

68. POWER STEERING PUMP



N136467

1H11  
(1G06)  
NPC-3693

68. POWER STEERING PUMP

99.12.07

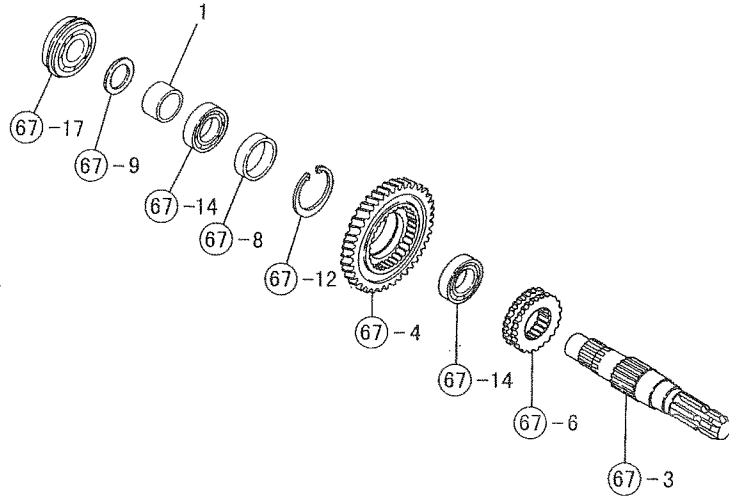
(A)=AF1110EX (D)=AF1088EX(4WD)  
(B)=AF1110EX(4WD)(E)=  
(C)=AF1088EX(2WD)(F)=

REF. NO.	LEV. 0	PART NO.	DESCRIPTION	Q'TY						I P U A R
				(A)	(B)	(C)	(D)	(E)	(F)	
1	.	194065-26400	PUMP ASSY, P. SHIFT	1	1	1	1			1
2	..	194180-24460	KEY 6X4X18	1	1	1	1			1
3	..	194065-26410	HOUSING	1	1	1	1			1
4	..	194065-26420	PACKING	1	1	1	1			1
5	..	194065-26430	COVER, PUMP	1	1	1	1			1
6	..	194065-26440	GEAR, DRIVE	1	1	1	1			1
7	..	194065-26450	GEAR, INTERNAL	1	1	1	1			1
8	..	194065-26460	BALL BEARING	1	1	1	1			1
9	..	194065-26470	O-RING 82.5	1	1	1	1			1
10	..	194065-26480	RETAINER	1	1	1	1			1
11	..	194065-26490	PACKING	1	1	1	1			1
12	..	22242-000280	CIRCLIP 28	1	1	1	1			10
13	..	22312-080200	PARALLEL PIN 8X20	2	2	2	2			1
14	..	26013-100252	BOLT W/WASHER M10X25	2	2	2	2			10
15	.	22217-080000	SPRING WASHER 8	5	5	5	5			10
16	.	26116-080702	BOLT M 8X 70 PLATED	5	5	5	5			10

N136467



69. PTO(WITHOUT G



N136468

1H12  
 (1G06)  
 NPC-3693

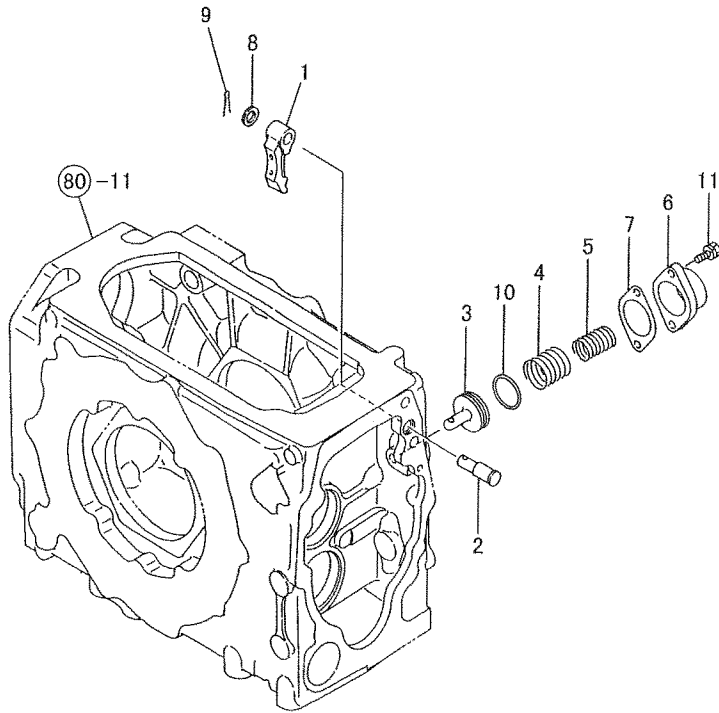
69. PTO(WITHOUT G

99.12.07

(A)=AF1110EX (D)=AF1088EX(4WD  
 (B)=AF1110EX(4WD(E)=  
 (C)=AF1088EX(2WD(F)=

REF. NO.	LEV.	0	PART NO.	DESCRIPTION	-----Q'ITY-----						I	P/U	A	R
					(A)	(B)	(C)	(D)	(E)	(F)				
1	.		194065-26340	COLLAR 40X48X28	1	1	1	1					1	

70. P.T.O BRAKE



N136469

1H13  
(1G06)  
NPC-3693

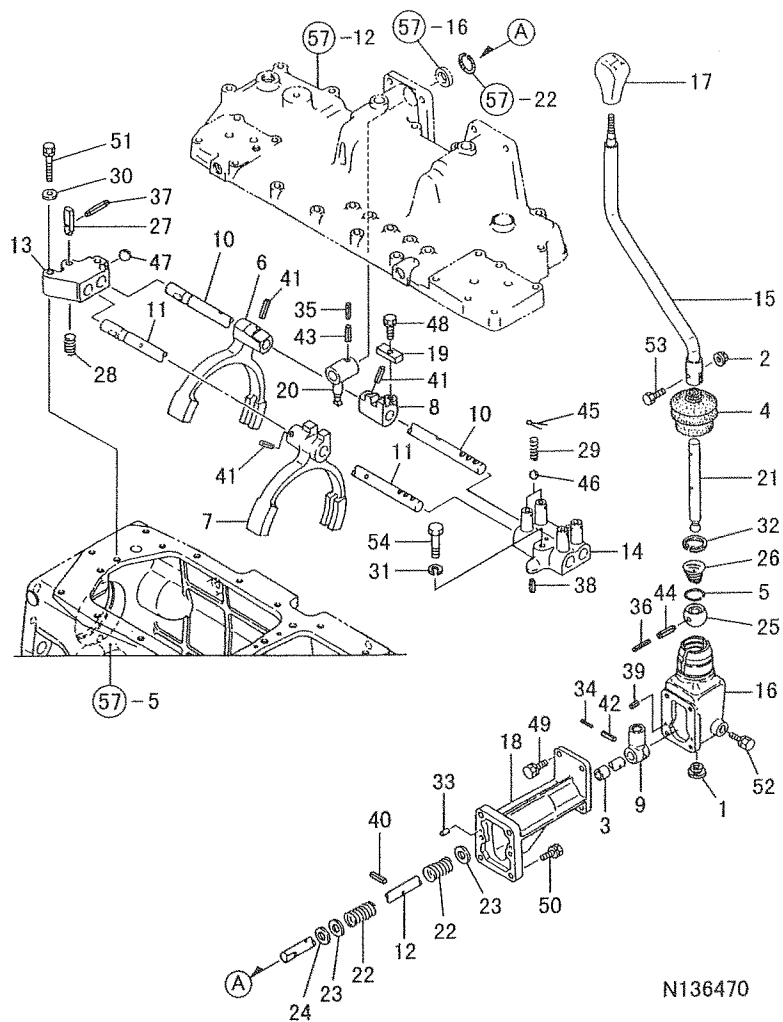
70. P.T.O BRAKE

99.12.07

(A)=AF1110EX (D)=AF1088EX(4WD)  
(B)=AF1110EX(4WD)(E)=  
(C)=AF1088EX(2WD)(F)=

REF. NO.	LEV. 0	PART NO.	DESCRIPTION	-----Q'TY-----						I P/U A R
				(A)	(B)	(C)	(D)	(E)	(F)	
1	.	194180-26610	SHOE, P.T.O. BRAKE	1	1	1	1			1
2	.	194065-26620	PIN	1	1	1	1			1
3	.	194235-26640	PISTON, PTO. BRAKE	1	1	1	1			1
4	.	194235-26650	SPRING, PTO. BRAKE A	1	1	1	1			1
5	.	194235-26660	SPRING, PTO. BRAKE B	1	1	1	1			1
6	.	194235-26680	HOLDER, SPRING	1	1	1	1			1
7	.	194235-26690	PACKING, SPRING HJLDR	1	1	1	1			1
8	.	22117-140000	WASHER 14	1	1	1	1			10
9	.	22417-200250	COTTER PIN 2.0X25	1	1	1	1			10
10	.	24311-000460	O-RING 1A P-46.0	1	1	1	1			10
11	.	26013-080302	BOLT M 8X 30	2	2	2	2			10

71. MAIN CHANGE



N136470

-----+  
| 1H14 |  
| (1G06) |  
-----+  
NPC-3693

71. MAIN CHANGE

99.12.07

(A)=AF1110EX (D)=AF1088EX(4WD)  
(B)=AF1110EX(4WD)(E)=  
(C)=AF1088EX(2WD)(F)=

REF. NO.	LEV. 0	PART NO.	DESCRIPTION	-----Q'TY-----						I	P	U	A	R
				(A)	(B)	(C)	(D)	(E)	(F)					
1	.	194250-21170	CAP	1	1	1	1							1
2	.	194990-22140	NUT W/WASHER 8	1	1	1	1							5
3	.	194130-22280	BUSH 20X25X25	1	1	1	1							1
4	.	194680-27040	RUBBER BOOT	1	1	1	1							1
5	.	194680-27090	CIRCRIP (38X2.3)	1	1	1	1							1
6	.	194065-27110	FORK, SHIFT	1	1	1	1							1
7	.	194065-27120	FORK, SHIFT	1	1	1	1							1
8	.	194235-27130	HOLDER,SHIFT	1	1	1	1							1
9	.	194235-27160	HOLDER,LEVER SHIFT	1	1	1	1							1
10	.	194235-27170	SHAFT,1-2 M FORK	1	1	1	1							0
11	.	194235-27180	SHAFT,3-4 M FORK	1	1	1	1							0
12	.	194235-27190	SHAFT,M SHIFTER	1	1	1	1							0
13	.	194065-27210	SUPPORT, FORK SHAFT	1	1	1	1							1
14	.	194065-27221	SUPPORT, FORK SHAFT	1	1	1	1							1
15	.	198265-27230	LEVER,MAIN SHIFT	1	1	1	1							1
16	.	194235-27250	RETAINER,CHG.LEVER	1	1	1	1							1
17	.	194235-27290	KNOB,MAIN CHANGE	1	1	1	1							1
18	.	194235-27310	CASE,M SHIFTER	1	1	1	1							1
19	.	194235-27320	STOPPER,SHIFT HJLDER	1	1	1	1							1
20	.	194235-27350	ARM,SHIFT	1	1	1	1							1
21	.	194235-27380	LEVER,SHIFTER	1	1	1	1							1
22	.	194235-27420	SPRING 60	2	2	2	2							1
23	.	194235-27430	PLATE,FRICTION	2	2	2	2							1
24	.	194235-27440	SPACER 20X35X3.2	1	1	1	1							1
25	.	194680-27440	BALL 38	1	1	1	1							1
26	.	194680-27460	SPRING	1	1	1	1							1
27	.	194180-27530	PIN	1	1	1	1							1
28	.	194180-27540	SPRING	1	1	1	1							1
29	.	1E6210-54920	SPRING 23	2	2	2	2							1
30	.	22117-080000	WASHER 8	2	2	2	2							10
31	.	22217-100000	SPRING WASHER 10	2	2	2	2							10
32	.	22252-000380	CIRCLIP 38	1	1	1	1							10
33	.	22312-060120	PARALLEL PIN 6X12	2	2	2	2							1
34	.	22351-035040	SPRING PIN 3.5X40	1	1	1	1							10
35	.	22351-035040	SPRING PIN 3.5X40	1	1	1	1							10
36	.	22351-035050	SPRING PIN 3.5X50	1	1	1	1							10
37	.	22351-040040	SPRING PIN 4X40	1	1	1	1							10
38	.	22351-050016	SPRING PIN 5X16	2	2	2	2							10
39	.	22351-060012	SPRING PIN 6X12	2	2	2	2							10
40	.	22351-060028	SPRING PIN 6X28	1	1	1	1							10
41	.	22351-060028	SPRING PIN 6X28	3	3	3	3							10
42	.	22351-060040	SPRING PIN 6X40	1	1	1	1							10
43	.	22351-060040	SPRING PIN 6X40	1	1	1	1							10
44	.	22351-060050	SPRING PIN 6X50	1	1	1	1							10
45	.	22417-250250	COTTER PIN 2.5X25	2	2	2	2							10
46	.	24190-100001	BALL 5/16, STEEL	2	2	2	2							1
47	.	24190-140001	BALL 7/16, STEEL	1	1	1	1							1
48	.	26013-080162	BOLT W/WASHER M8X16	1	1	1	1							10
49	.	26013-080252	BOLT M 8X 25	4	4	4	4							10
50	.	26013-080302	BOLT M 8X 30	6	6	6	6							10
51	.	26013-080452	BOLT M 8X 45	2	2	2	2							10
52	.	26013-120202	BOLT W/WASHER M12X20	1	1	1	1							10
53	.	26116-080354	BOLT M 8X 35 PLATED	1	1	1	1							10
54	.	26116-100402	BOLT 10X 40	2	2	2	2							10

N136470

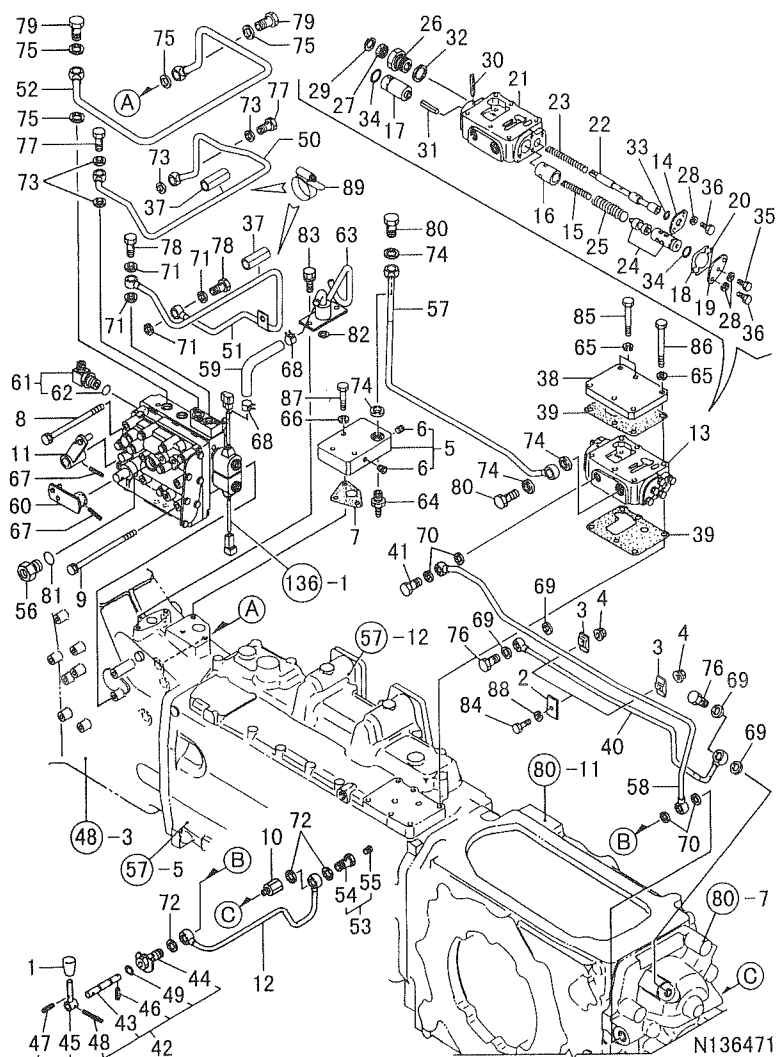
72. POWER STEERING CONTROL

1H15  
1606  
NPC-3693

72. POWER STEERING CONTROL

99.12.07

(A)=AF1110EX (D)=AF1088EX(4WD)  
(B)=AF1110EX(4WD)(E)=  
(C)=AF1088EX(2WD)(F)=

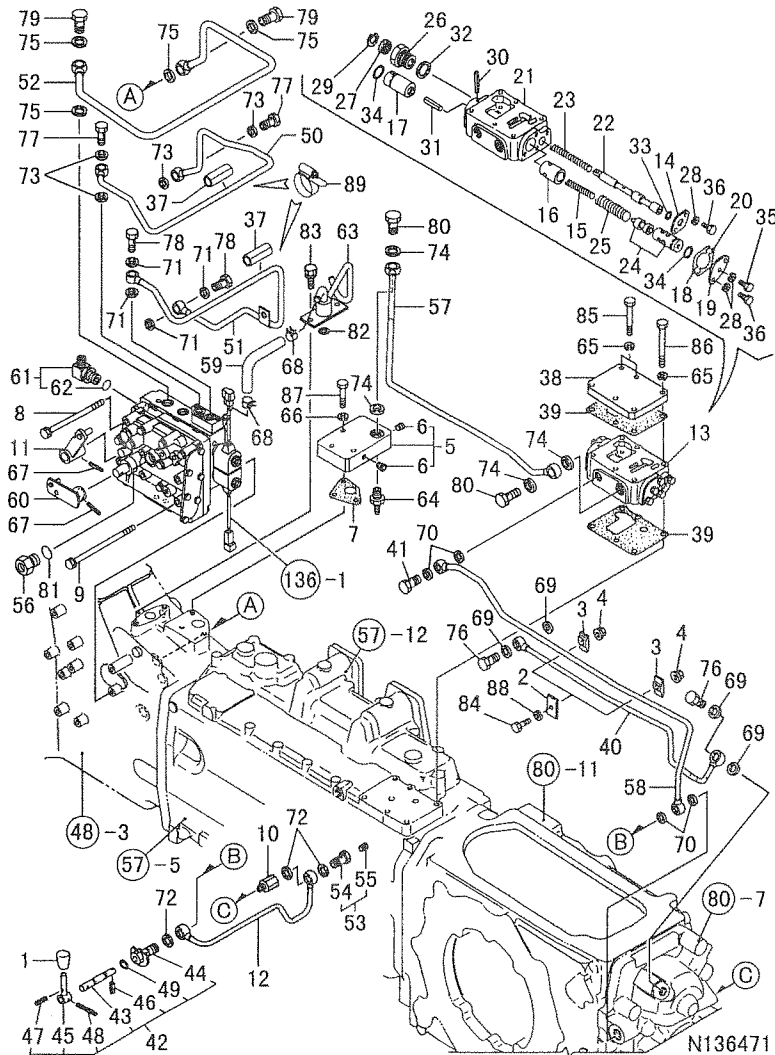


REF. NO.	LEV. 0	PART NO.	DESCRIPTION	-----QTY-----						I	P	U	A	R
				(A)	(B)	(C)	(D)	(E)	(F)					
1	.	194080-01121	KNOB 8X17X30	1	1	1	1							1
2	.	194250-17770	CLAMP	2	2	2	2							1
3	.	194180-17780	BASE, PIPE CLAMP	2	2	2	2							1
4	.	194990-22140	NUT W/WASHER 8	2	2	2	2							5
5	.	198265-24240	BLOCK CMP., DRAIN PP.	1	1	1	1							0
6	..	23871-020000	PLUG PT1/4, SCREW	2										1
6-1	..	23876-020000 (A=FXXXXX)	PLUG 1/4	2	2	2	2					N		1
7	.	194065-24260	GASKET	1	1	1	1							1
8	.	198265-24280	BOLT, SPRING 8X120	4	4	4	4							0
9	.	198265-24290	BOLT, SPRING 8X135	2	2	2	2							0
10	.	194065-24420	ADAPTER	1	1	1	1							1
11	.	198265-24420	ARM, HIGH-LOW CHANGE	1	1	1	1							0
12	.	194065-24430	PIPE, PTO. BRAKE HI-P.	1	1	1	1							1
13	.	194065-24600	VALVE ASSY, CONTROL	1	1	1	1							1
14	..	194065-24510	PLUG	1	1	1	1							1
15	..	194065-24531	SPRING, RELEASE	1	1	1	1							1
16	..	194065-24540	HOLDER, SPRING	1	1	1	1							1
17	..	194065-24560	SLEEVE	1	1	1	1							1
18	..	194065-24570	PLATE, END	1	1	1	1							1
19	..	194065-24580	SHIM T=0.5	1	1	1	1							1
20	..	194065-24590	SHIM T=0.1	5	5	5	5							1
21	..	194065-24610	BODY, VALVE	1	1	1	1							1
22	..	194065-24650	SPOOL, CONTROL VALVE	1	1	1	1							1
23	..	194065-24660	SPRING, RETURN	1	1	1	1							1
24	..	794065-24730	RELIEF ASSY	1	1	1	1							0
25	..	194065-24741	SPRING, RELEASE	1	1	1	1							1
26	..	194197-45150	HOLDER	1	1	1	1							1
27	..	194151-45810	SEAL TC4 10207, OIL	1	1	1	1							1
28	..	22217-060000	SPRING WASHER 6	5	5	5	5							10
29	..	22252-000200	CIRCLIP 20	1	1	1	1							10
30	..	22351-050045	SPRING PIN 5X45	1	1	1	1							10
31	..	22351-060040	SPRING PIN 6X40	1	1	1	1							10
32	..	23414-240031	GASKET 24	1	1	1	1							10
33	..	24341-000140	O-RING 1A S-14.0	1	1	1	1							10
34	..	24341-000250	O-RING 1A S-25.0	2	2	2	2							10
35	..	26116-060102	BOLT M 6X 10 PLATED	1	1	1	1							10
36	..	26116-060122	BOLT 6X12	4	4	4	4							10
37	.	194464-48850	RUBBER	2	2	2	2							1
38	.	194065-24620	COVER, VALVE BODY	1	1	1	1							1
39	.	194065-24640	GASKET	2	2	2	2							1
40	.	194065-24680	PIPE, LUB OIL	1	1	1	1							1
41	.	194065-24710	BOLT COMP., PP. JOINT	1	1	1	1							0
42	.	194065-24760	VALVE COMP., CHANGE	1	1	1	1							1
43	..	194065-24770	VALVE, P.T.O. SWITCH'G	1	1	1	1							1
44	..	194065-24780	HOLDER, SWITCH. VALVE	1	1	1	1							0
45	..	194065-24880	PIPE 4X 30	1	1	1	1							1
46	..	22351-020010	SPRING PIN 2X10	1	1	1	1							10
47	..	22351-030025	SPRING PIN 3X25	1	1	1	1							10
48	..	22351-030040	SPRING PIN 3X40	1	1	1	1							10
49	..	24311-000050	O-RING 1A P-5.0	1	1	1	1							10
50	.	198265-24840	PIPE, LO. CMP. HIGH-PRS	1	1	1	1							0
51	.	198265-24860	PIPE, HI. CMP. HIGH-PRS	1	1	1	1							0
52	.	198265-24880	PIPE, LUB. CMP. LO-PRS.	1	1	1	1							0

\*\* CONTINUE \*\*

N136471

72. POWER STEERING CONTROL



1H16  
(1606)  
NPC-3693

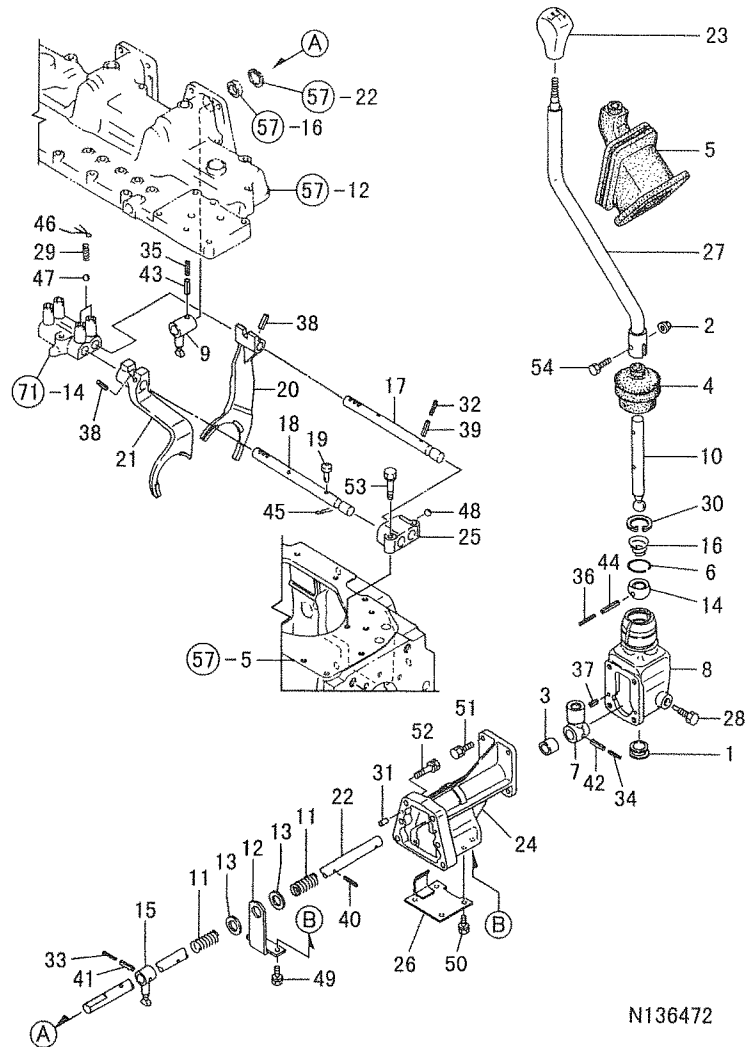
72. POWER STEERING CONTROL

99.12.07

(A)=AF1110EX (D)=AF1088EX(4WD)  
(B)=AF1110EX(4WD)(E)=  
(C)=AF1088EX(2WD)(F)=

REF. NO.	LEV. 0	PART NO.	DESCRIPTION	Q'TY						I	P	U	A	R
				(A)	(B)	(C)	(D)	(E)	(F)					
53	.	194065-24900	BOLT W/PLUG, JOINT	1	1	1	1							1
54	..	194065-24920	BOLT, PIPE JOINT	1	1	1	1							1
55	..	23871-010000	PLUG PT1/8, SCREW	1										1
55-1	..	23876-010000 (A=FXXXXX)	PLUG PT1/8, SCREW	1	1	1	1					N		1
56	.	198265-24910	CONNECTOR 18X22	1	1	1	1							0
57	.	198265-24940	PIPE, DRAIN	1	1	1	1							0
58	.	194065-24960	PIPE, HIGH-PRESSURE	1	1	1	1							1
59	.	198265-24960	HOSE, LOW PRESURE	1	1	1	1							0
60	.	198265-27410	SHIFT ARM, CLUTCH	1	1	1	1							0
61	.	198448-28520	ELBO CMP M16-G1/4	1	1	1	1							1
62	..	24311-000140	O-RING 1A P-14.0	1	1	1	1							10
63	.	198265-38650	PIPE, LUB.	1	1	1	1							0
64	.	194066-48570	JOINT PT 1/2	1	1	1	1							1
65	.	22217-080000	SPRING WASHER 8	6	6	6	6							10
66	.	22217-100000	SPRING WASHER 10	3	3	3	3							10
67	.	22351-060032	SPRING PIN 6X32	2	2	2	2							10
68	.	23080-016000	CLAMP 16, HOSE	2	2	2	2							1
69	.	23414-140018	GASKET 14	4	4	4	4							10
70	.	23414-140018	GASKET 14	4	4	4	4							10
70-1	.	23414-140018	GASKET 14	2	2	2	2					K		10
(A=FD1338)														
71	.	23414-140018	GASKET 14	4	4	4	4							10
72	.	23414-140018	GASKET 14	3	3	3	3							10
73	.	23414-140018	GASKET 14	4	4	4	4							10
74	.	23414-160021	GASKET 16	4	4	4	4							10
75	.	23414-160021	GASKET 16	4	4	4	4							10
76	.	23857-080000	JOINT BOLT 8	2	2	2	2							1
77	.	23857-080000	JOINT BOLT 8	2	2	2	2							1
78	.	23857-080000	JOINT BOLT 8	2	2	2	2							1
79	.	23857-100000	JOINT BOLT 10	2	2	2	2							1
80	.	23857-100000	JOINT BOLT 10	2	2	2	2							1
81	.	24311-000180	O-RING 1A P-18.0	1	1	1	1							10
82	.	24311-000200	O-RING 1A P-20.0	1	1	1	1							10
83	.	26013-080122	BOLT M 8X 12	2	2	2	2							10
84	.	26116-080302	BOLT 8X30	2	2	2	2							10
85	.	26116-080702	BOLT M 8X 70 PLATED	2	2	2	2							10
86	.	26116-081002	BOLT M 8X100 PLATED	4	4	4	4							10
87	.	26116-100452	BOLT M10X 45 PLATED	3	3	3	3							10
88	.	22217-080000	SPRING WASHER 8	2	2	2	2							10
89	.	23000-035000	CLAMP 35	1	1	1	1							1

73. SUB-CHANGE



1101  
(1606)  
NPC-3693

73. SUB-CHANGE

99.12.07

(A)=AF1110EX (D)=AF1088EX(4WD)  
(B)=AF1110EX(4WD)(E)=  
(C)=AF1088EX(2WD)(F)=

REF. NO.	LEV. 0	PART NO.	DESCRIPTION	Q'TY						I P U A R
				(A)	(B)	(C)	(D)	(E)	(F)	
1	.	194250-21170	CAP	1	1	1	1			1
2	.	194990-22140	NUT W/WASHER 8	1	1	1	1			5
3	.	194130-22280	BUSH 20X25X25	1	1	1	1			1
4	.	194680-27040	RUBBER BOOT	1	1	1	1			1
5	.	194065-27080	BOOTS, SUB-CHANGE	1	1	1	1			1
6	.	194680-27090	CIRCRIP (38X2.3)	1	1	1	1			1
7	.	194235-27160	HOLDER, LEVER SHIFT	1	1	1	1			1
8	.	194235-27250	RETAINER, CHG. LEVER	1	1	1	1			1
9	.	194235-27350	ARM, SHIFT	1	1	1	1			1
10	.	194235-27380	LEVER, SHIFTER	1	1	1	1			1
11	.	194235-27390	SPRING 46.5	2	2	2	2			1
12	.	194235-27400	SHOE, SPRING	1	1	1	1			1
13	.	194235-27430	PLATE, FRICTION	2	2	2	2			1
14	.	194680-27440	BALL 38	1	1	1	1			1
15	.	194235-27450	ARM, C SHIFT	1	1	1	1			1
16	.	194680-27460	SPRING	1	1	1	1			1
17	.	194065-27510	SHAFT, FORK	1	1	1	1			1
18	.	194065-27520	SHAFT, FORK	1	1	1	1			1
19	.	194065-27530	PIN	1	1	1	1			1
20	.	194065-27551	FORK, RANGE1-3 SHIFTR	1	1	1	1			1
21	.	194065-27560	FORK, SHIFT	1	1	1	1			1
22	.	194235-27570	SHAFT, RANGE SHIFTER	1	1	1	1			1
23	.	198265-27580	KNOB (SUBTRANSMISS)	1	1	1	1			0
24	.	194235-27590	CASE, RANGE SHIFTER	1	1	1	1			1
25	.	194065-27610	SUPPORT, FORK SHAFT	1	1	1	1			1
26	.	194235-27610	COVER, RANGE SHIFTER	1	1	1	1			1
27	.	198265-27660	LEVER, RANGE SHIFT	1	1	1	1			1
28	.	194235-28540	BOLT 12X40, STEPPED	1	1	1	1			1
29	.	1E6210-54920	SPRING 23	2	2	2	2			1
30	.	22252-000380	CIRCLIP 38	1	1	1	1			10
31	.	22312-060120	PARALLEL PIN 6X12	2	2	2	2			1
32	.	22351-035028	SPRING PIN 3.5X28	1						10
32-1	.	22351-035025	SPRING PIN 3.5X25	1	1	1	1		N	10
(A=F01338 )										
33	.	22351-035032	SPRING PIN 3.5X32	1	1	1	1			10
34	.	22351-035040	SPRING PIN 3.5X40	1	1	1	1			10
35	.	22351-035040	SPRING PIN 3.5X40	1	1	1	1			10
36	.	22351-035050	SPRING PIN 3.5X50	1	1	1	1			10
37	.	22351-060012	SPRING PIN 6X12	2	2	2	2			10
38	.	22351-060028	SPRING PIN 6X28	2	2	2	2			10
39	.	22351-060028	SPRING PIN 6X28	1	1	1	1			10
40	.	22351-060028	SPRING PIN 6X28	1						10
40-1	.	22351-060025	SPRING PIN 6X25	1	1	1	1		N	10
(A=F01338 )										
41	.	22351-060032	SPRING PIN 6X32	1	1	1	1			10
42	.	22351-060040	SPRING PIN 6X40	1	1	1	1			10
43	.	22351-060040	SPRING PIN 6X40	1	1	1	1			10
44	.	22351-060050	SPRING PIN 6X50	1	1	1	1			10
45	.	22417-200220	COTTER PIN 2.0X22	1	1	1	1			10
46	.	22417-250250	COTTER PIN 2.5X25	2	2	2	2			10
47	.	24190-100001	BALL 5/16, STEEL	2	2	2	2			1
48	.	24190-140001	BALL 7/16, STEEL	1	1	1	1			1
49	.	26013-080162	BOLT W/WASHER M8X16	2	2	2	2			10
50	.	26013-080162	BOLT W/WASHER M8X16	4						10

\*\* CONTINUE \*\*

N136472

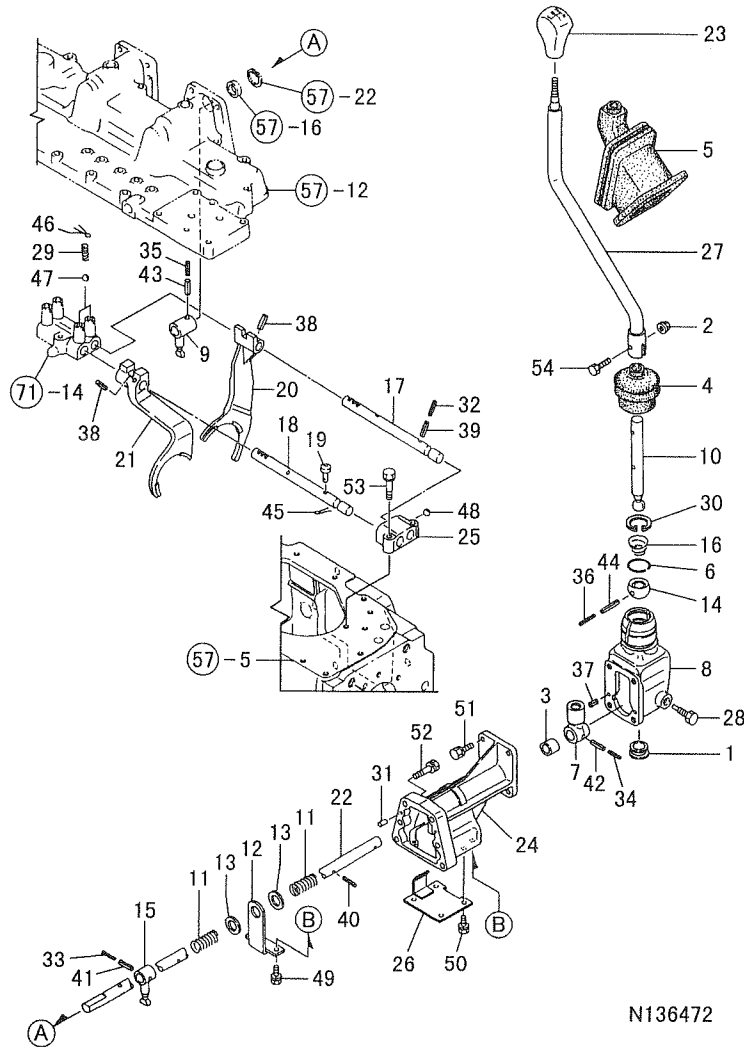
73. SUB-CHANGE

1102  
1606  
NPC-3693

73. SUB-CHANGE

99.12.07

(A)=AF1110EX (D)=AF1088EX(4WD)  
(B)=AF1110EX(4WD)(E)=  
(C)=AF1088EX(2WD)(F)=



REF. NO.	LEV. 0	PART NO.	DESCRIPTION	-----Q'TY-----						I P/U A R
				(A)	(B)	(C)	(D)	(E)	(F)	
50	1	26013-080162 (A=F01338)	BOLT W/WASHER M8X16	3	3	3	3		K	10
51	.	26013-080252	BOLT M 8X 25	4	4	4	4			10
52	.	26013-080352	BOLT M 8X 35	6	6	6	6			10
53	.	26013-080402	BOLT M 8X 40	2	2	2	2			10
54	.	26116-080354	BOLT M 8X 35 PLATED	1	1	1	1			10

N136472

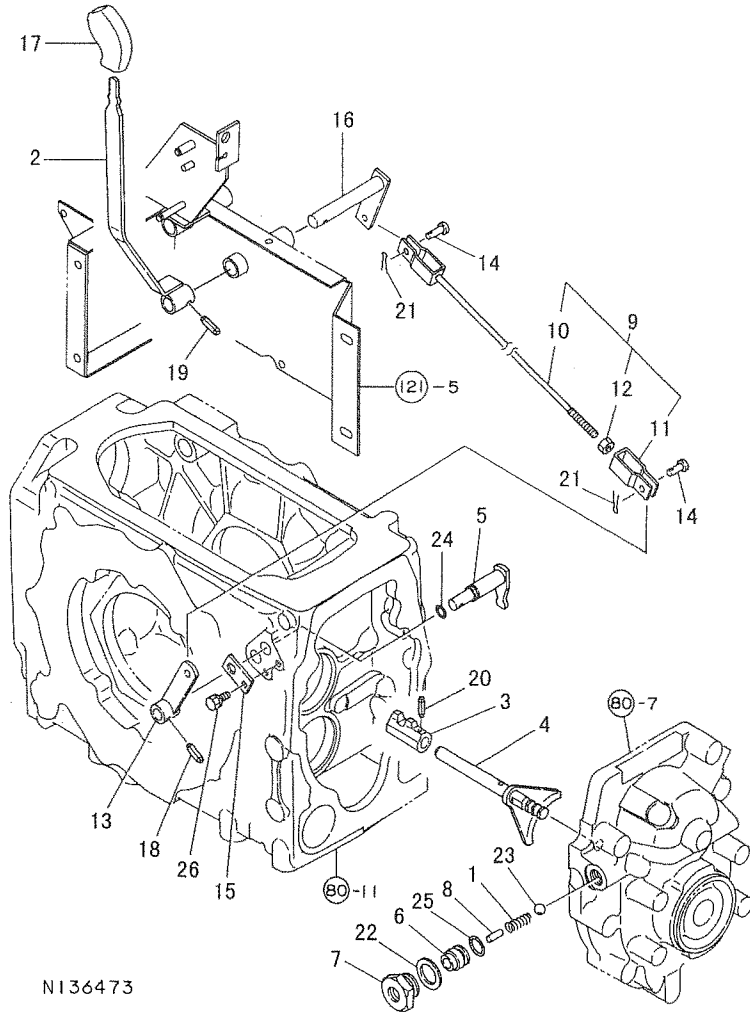
74. P.T.O CHANGE

1103  
1606  
NPC-3693

74. P.T.O CHANGE

99.12.07

(A)=AF1110EX (D)=AF1088EX(4WD)  
(B)=AF1110EX(4WD)(E)=  
(C)=AF1088EX(2WD)(F)=

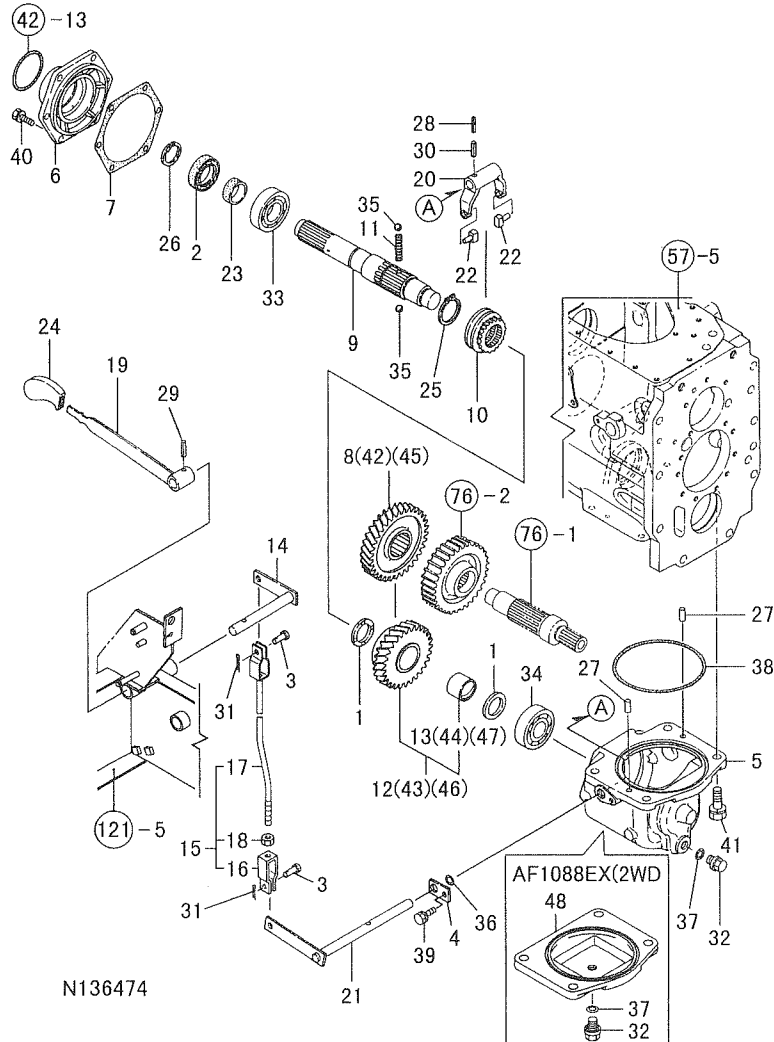


REF. NO.	LEV. 0	PART NO.	DESCRIPTION	Q'TY						I P/U A R
				(A)	(B)	(C)	(D)	(E)	(F)	
1	.	194310-27180	SPRING 22.2	1	1	1	1			1
2	.	194065-27680	LEVER, P.T.O.	1	1	1	1			1
3	.	194065-27700	HOLDER, SHIFT	1	1	1	1			1
4	.	194065-27711	SHAFT, PTO FORK	1	1	1	1			1
5	.	194065-27720	ARM, P.T.O. SHIFT	1	1	1	1			1
6	.	194065-27730	PISTON, LOCK	1	1	1	1			1
7	.	194065-27740	PLUG 22	1	1	1	1			1
8	.	194180-27750	PIN, LOCK	1	1	1	1			2
9	.	198265-27750	ROD (PTO UNIT)	1	1	1	1			0
10	..	194065-27760	ROD, P.T.O.	1	1	1	1			1
11	..	194312-27770	JOINT	1	1	1	1			1
12	..	26716-100002	NUT 10	1	1	1	1			10
13	.	194065-27780	LEVER, P.T.O.	1	1	1	1			1
14	.	194312-27780	PIN 8.9	2	2	2	2			1
15	.	194065-27840	PLATE, KEEP	1	1	1	1			1
16	.	194065-28270	PIN, HINGE	1	1	1	1			1
17	.	194420-47370	KNOB, CONTROL LEVER	1	1	1	1			1
18	.	22351-060028	SPRING PIN 6X28	1	1	1	1			10
19	.	22351-060028	SPRING PIN 6X28	1	1	1	1			10
20	.	22351-060032	SPRING PIN 6X32	1	1	1	1			10
21	.	22417-250250	COTTER PIN 2.5X25	2	2	2	2			10
22	.	23414-220029	GASKET 22	1	1	1	1			10
23	.	24190-100001	BALL 5/16, STEEL	1	1	1	1			1
24	.	24311-000140	O-RING 1A P-14.0	1	1	1	1			10
25	.	24311-000150	O-RING 1A P-15.0	1	1	1	1			10
26	.	26013-080162	BOLT W/WASHER M8X16	1	1	1	1			10

NI36473



75. FRONT DRIVE



N136474

1104  
(1606)  
NPC-3693

75. FRONT DRIVE

99.12.07

(A)=AF1110EX (D)=AF1088EX(4WD)  
(B)=AF1110EX(4WD)(E)=  
(C)=AF1088EX(2WD)(F)=

REF. NO.	LEV. 0	PART NO.	DESCRIPTION	Q'TY						I	P	U	A	R
				(A)	(B)	(C)	(D)	(E)	(F)					
1	.	194180-25550	WASHER 35X50X3	2	2		2							1
2	.	194130-26350	SEAL TC 426009, OIL	1	1		1							1
3	.	194312-27780	PIN 8.9	2	2		2							1
4	.	194065-27840	PLATE, KEEP	1	1		1							1
5	.	194186-28110	HOUSING, FRONT DRIVE	1	1		1							1
6	.	198265-28120	COVER, FRONT DRIVE	1	1		1							1
7	.	194066-28130	PACKING	1	1		1							1
8	.	198265-28170	PINION 33,FRONT	1										1
9	.	194186-28210	SHAFT, FRONT DRIVE	1	1		1							1
10	.	194181-28230	SLIDER, FRONT DRIVE	1	1		1							1
11	.	194181-28240	SPRING 30	1	1		1							1
12	.	198265-28250	GEAR ASSY, FRONT	1										1
13	..	194066-28250	BUSH 35X39X30	1										1
14	.	194065-28270	PIN, HINGE	1	1		1							1
15	.	198265-28300	ROD(FWD UNIT)	1	1		1							0
16	..	194312-27770	JOINT	1	1		1							1
17	..	198265-28370	ROD(FWD CMP)	1	1		1							0
18	..	26716-100002	NUT 10	1	1		1							10
19	.	194066-28330	LEVER, FRONT DRIVE	1	1		1							1
20	.	194186-28330	SHIFTER	1	1		1							1
21	.	194186-28350	LEVER, FRONT SHIFT	1	1		1							1
22	.	194186-28450	BLOCK, SHIFT	2	2		2							1
23	.	194130-33452	COLLAR 35X42X13	1	1		1							1
24	.	194420-47370	KNOB, CONTROL LEVER	1	1		1							1
25	.	22242-000400	CIRCLIP 40	1	1		1							10
26	.	22292-000350	CIRCLIP S-35	1	1		1							10
27	.	22312-100200	PARALLEL PIN 10X20	2	2		2							1
28	.	22351-035032	SPRING PIN 3.5X32	1	1		1							10
29	.	22351-060028	SPRING PIN 6X28	1	1		1							10
30	.	22351-060032	SPRING PIN 6X32	1	1		1							10
31	.	22417-250250	COTTER PIN 2.5X25	2	2		2							10
32	.	23491-140002	PLUG 14	1	1	1	1							1
33	.	24101-062074	BALL BEARING	1	1		1							1
34	.	24101-063064	BALL BEARING	1	1		1							1
35	.	24190-080001	BALL 1/4, STEEL	2	2		2							10
36	.	24311-000150	O-RING 1A P-15.0	1	1		1							10
37	.	24311-000160	O-RING 1A P-16.0	1	1	1	1							10
38	.	24321-001450	O-RING 1A G-145.0	1	1	1	1							10
39	.	26013-080162	BOLT W/WASHER M8X16	1	1		1							10
40	.	26013-080252	BOLT M 8X 25	6	6		6							10
41	.	26013-140352	BOLT W/WASHER M14X35	4	4	4	4							1
I 42	.	198265-28150	PINION 32,FRONT			1	1	1						0
I 43	.	198265-28260	GEAR ASSY, FRONT		1	1	1							0
I 44	..	194066-28250	BUSH 35X39X30		1	1	1							1
I 45	.	198263-28160	PINION 31,FRONT			1	1							0
I 46	.	198263-28240	GEAR ASSY, FRONT		1	1								0
I 47	..	194066-28250	BUSH 35X39X30		1	1								1
I 48	.	194065-24170	COVER, LOWER			1								1

N136474

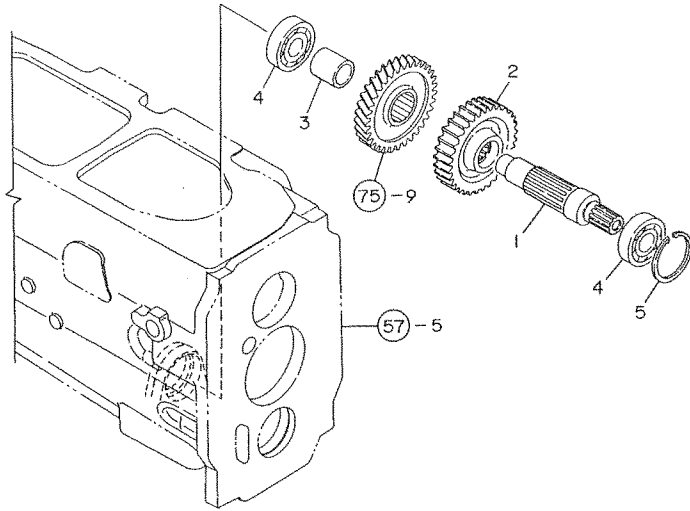
76. IDLE SHAFT

+-----+  
 | 1105 |  
 | (1606) |  
 +-----+  
 NPC-3693

76. IDLE SHAFT

99.12.07

(A)=AF1110EX (D)=AF1088EX(4WD)  
 (B)=AF1110EX(4WD)(E)=  
 (C)=AF1088EX(2WD)(F)=

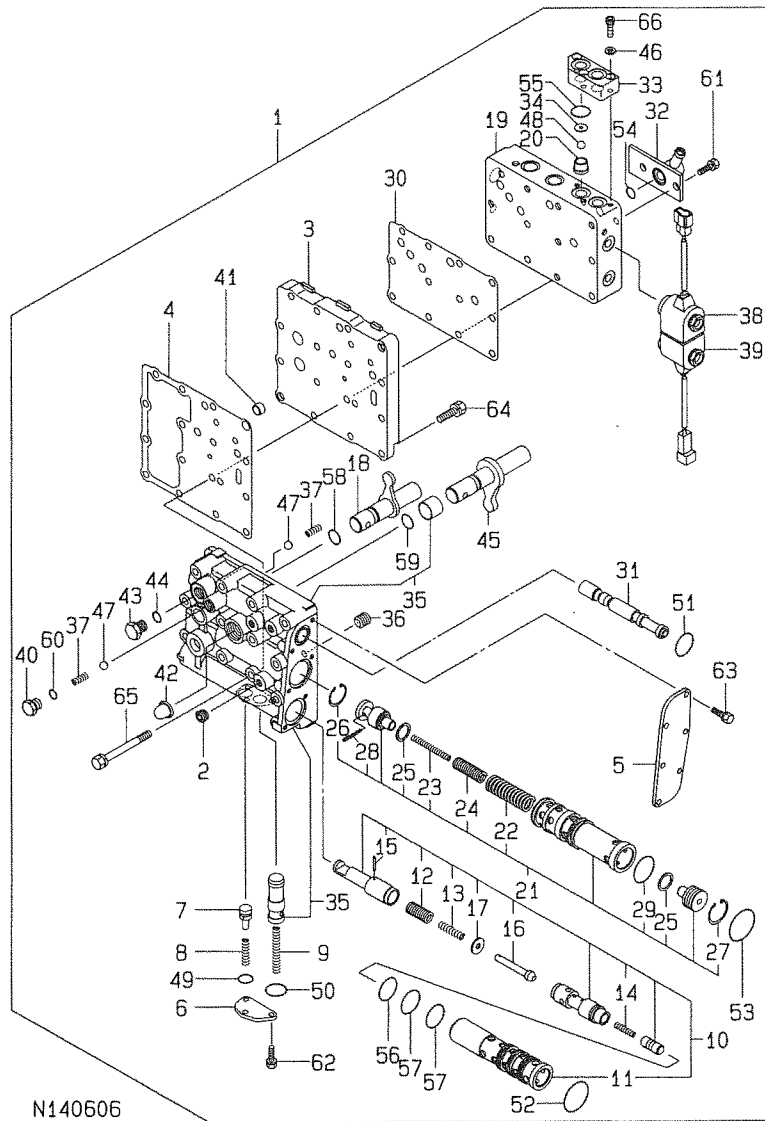


REF. NO.	LEV. 0	PART NO.	DESCRIPTION	-----Q'TY-----						I P/U A R
				(A)	(B)	(C)	(D)	(E)	(F)	
1	-	194066-28140	SHAFT, FRONT DRIVE	1	1	1	1			1
2	-	194066-28150	GEAR, FRONT DRIVE	1	1	1	1			1
3	-	194066-28170	COLLAR 28X38X37.2	1	1	1	1			1
4	-	194066-28180	BALL BEARING	2	2	2	2			1
5	-	22252-000680	CIRCLIP 68	1	1	1	1			1

N136475

N136475

136. POWER STEERING CONTROL (ADDNL)



N140606

1106  
(1606)  
NPC-3693

136. POWER STEERING CONTROL (ADDNL)

99.12.07

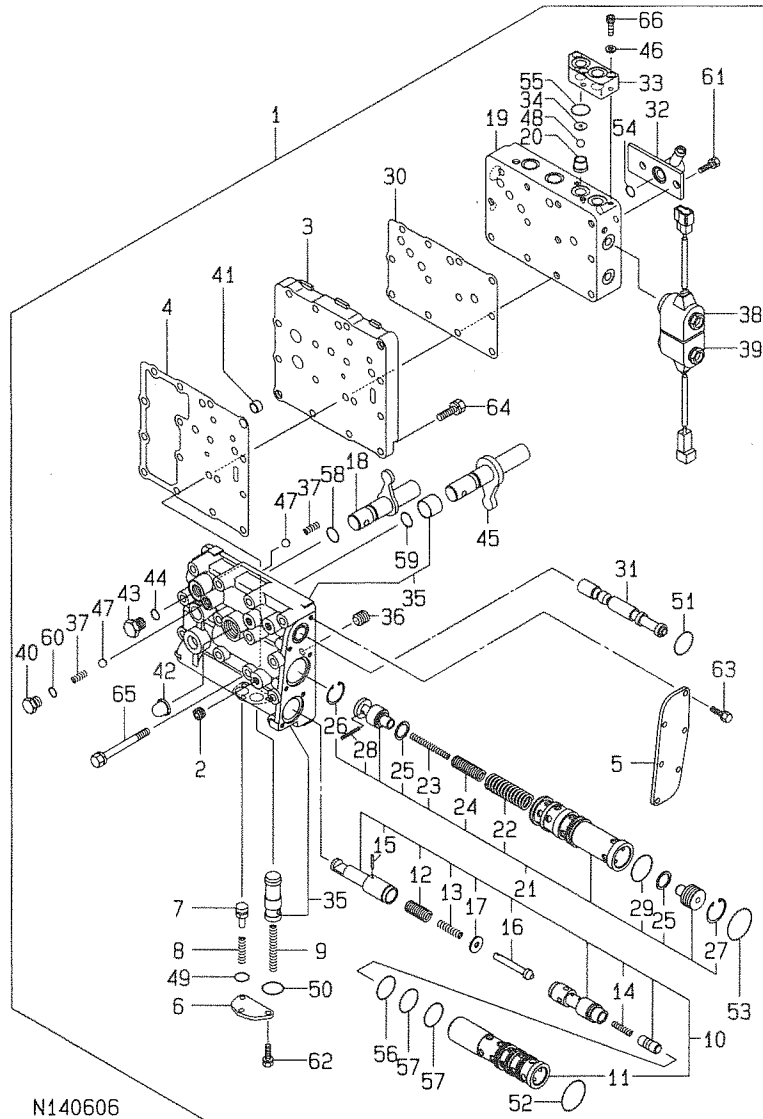
(A)=AF1110EX (D)=AF1088EX(4WD)  
(B)=AF1110EX(4WD)(E)=  
(C)=AF1088EX(2WD)(F)=

REF. NO.	LEV. 0	PART NO.	DESCRIPTION	QTY						I P U A R
				(A)	(B)	(C)	(D)	(E)	(F)	
1	.	198265-24600	VALVE, HI-LO. CMP. CONT	1	1	1	1			0
2	..	178073-01200	PLUG PT 1/8	7	7	7	7			1
3	..	198213-24341	PLATE, VALVE	1	1	1	1			1
4	..	198213-24350	GASKET, VALVE CASE	1	1	1	1			1
5	..	198213-24360	COVER, SPOOL	1	1	1	1			1
6	..	198213-24370	COVER, RELIEF	1	1	1	1			1
7	..	198213-24390	VALVE, RELIEF	1	1	1	1			1
8	..	198213-24400	SPRING, RELIEF	1	1	1	1			1
9	..	198213-24420	SPRING, CUT-OFF	1	1	1	1			1
10	..	198213-24430	VALVE ASSY., CLUTCH	1	1	1	1			1
11	...	198213-24380	SLEEVE, I/C	1	1	1	1			1
12	...	192180-24770	SPRING, CV OUT	1	1	1	1			1
13	...	192180-24780	SPRING, CV INN	1	1	1	1			1
14	...	192180-24790	SPRING, CV RET	1	1	1	1			1
15	...	192180-24800	PIN 2*18	1	1	1	1			1
16	...	192180-24810	PIN, GUIDE	1	1	1	1			1
17	...	192180-24850	WASHER 1.6	1	1	1	1			1
18	..	198213-24440	ARM, SHIFT	1	1	1	1			1
19	..	198265-24630	BODY (SOLENOID VALVE)	1	1	1	1			0
20	..	192163-24641	SLEEVE(A1)	2	2	2	2			
21	..	192180-24641	DRV CMP	1	1	1	1			1
22	...	192180-24680	SPRING (DRV OUT)	1	1	1	1			1
23	...	192180-24690	SPRING (DRV CEN)	1	1	1	1			1
24	...	192180-24700	SPRING (DRV INN)	1	1	1	1			1
25	...	192180-24910	SHIM	2	2	2	2			1
26	...	22252-000200	CIRCLIP 20	1	1	1	1			10
27	...	22252-000220	CIRCLIP 22	1	1	1	1			10
28	...	22351-030028	SPRING PIN 3X28	1	1	1	1			10
29	...	24321-000250	O-RING 1A G-25.0	1	1	1	1			10
30	..	198265-24640	PACKING (BODY)	1	1	1	1			0
31	..	198265-24660	SPOOL (HO-LO)	1	1	1	1			0
32	..	198265-24670	JOINT (T PORT)	1	1	1	1			0
33	..	198265-24680	PORTBLOCK (HI-LO)	1	1	1	1			0
34	..	192154-24690	HOLDER (BYPASS)	2	2	2	2			
35	..	198265-24700	CASE VALVE CMP	1	1	1	1			0
36	..	192180-24730	ORIFICE	1	1	1	1			1
37	..	192180-24740	SPRING	2	2	2	2			1
38	..	198265-24740	SOLENOID VALVE	1	1	1	1			1
39	..	198265-24750	SOLENOID VALVE (CLUTCH)	1	1	1	1			1
40	..	192157-26460	PLUG 1/2-20 UNF	1	1	1	1			1
41	..	194521-41570	PIN 11X7	2	2	2	2			1
42	..	194556-42220	STRAINER A	1	1	1	1			1
43	..	194850-49240	PLUG 9/16	1	1	1	1			1
44	..	194850-49290	PACKING 6-1	1	1	1	1			1
45	..	198213-24470	ARM, CLUTCH	1	1	1	1			1
46	..	22287-060000	WASHER 6	3	3	3	3			1
47	..	24190-100001	BALL 5/16, STEEL	2	2	2	2			1
48	..	24190-120001	BALL 3/8, STEEL	2	2	2	2			10
49	..	24311-000125	O-RING 1A P-12.5	1	1	1	1			10
50	..	24311-000180	O-RING 1A P-18.0	1	1	1	1			10
51	..	24311-000220	O-RING 1A P-22.0	1	1	1	1			10
52	..	24311-000290	O-RING 1A P-29.0	1	1	1	1			10
53	..	24311-000320	O-RING 1A P-32.0	1	1	1	1			10
54	..	24315-000140	O-RING 1B P-14.0	1	1	1	1			10

\*\* CONTINUE \*\*

N140606

136. POWER STEERING CONTROL (ADDNL)



N140606

1107  
(1606)  
NPC-3693

136. POWER STEERING CONTROL (ADDNL)

99.12.07

(A)=AF1110EX (D)=AF1088EX(4WD)  
(B)=AF1110EX(4WD)(E)=  
(C)=AF1088EX(2WD)(F)=

REF. NO.	LEV. 0	PART NO.	DESCRIPTION	Q'TY						I P/U A R
				(A)	(B)	(C)	(D)	(E)	(F)	
55	..	24341-000220	O-RING 1A S-22.0	2	2	2	2			10
56	..	24341-000220	O-RING 1A S-22.0	1	1	1	1			10
57	..	24341-000224	O-RING 1A S-22.4	2	2	2	2			10
58	..	24351-010140	PACKING 1A 1014	1	1	1	1			1
59	..	24351-010140	PACKING 1A 1014	1	1	1	1			1
60	..	24361-090500	PACKING 1A AS 905	1	1	1	1			1
61	..	26016-060142	BOLT M 6X 14	2	2	2	2			10
62	..	26016-060162	BOLT M 6X 16	3	3	3	3			10
63	..	26016-060162	BOLT M 6X 16	6	6	6	6			10
64	..	26016-080302	BOLT M 8X 30	4	4	4	4			10
65	..	26016-080802	BOLT M 8X 80	6	6	6	6			10
66	..	26450-060202	BOLT M 6X 20	3	3	3	3			10

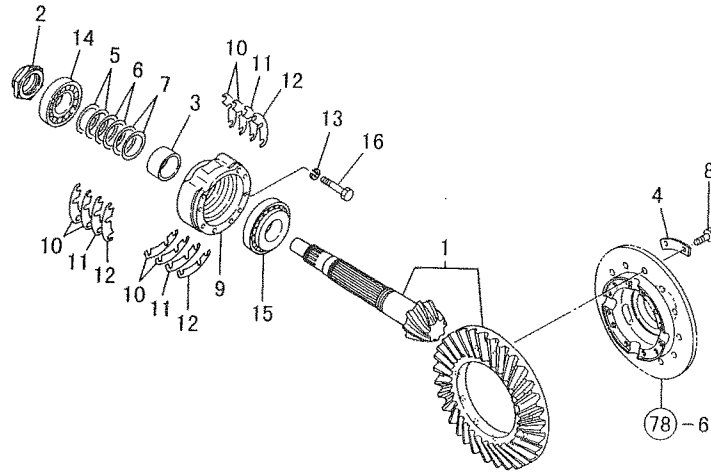
77. RING GEAR

1110  
(1109)  
NPC-3693

77. RING GEAR

99.12.07

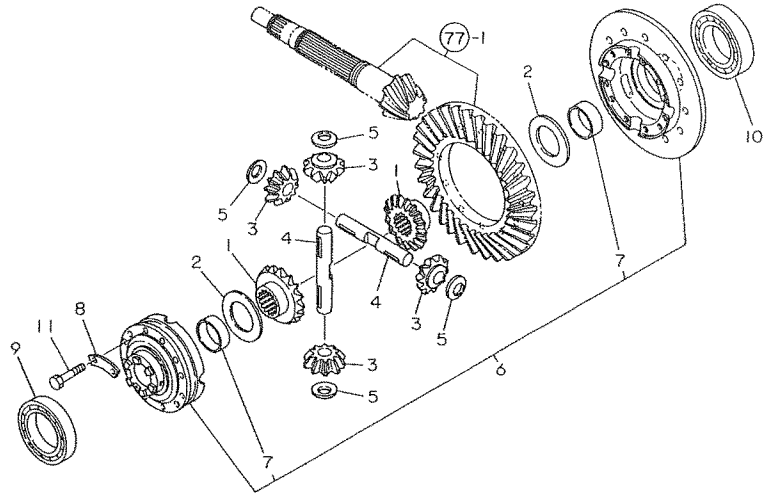
(A)=AF1110EX (D)=AF1088EX(4WD)  
(B)=AF1110EX(4WD)(E)=  
(C)=AF1088EX(2WD)(F)=



REF. NO.	LEV. 0	PART NO.	DESCRIPTION	-----Q'TY-----						I P/U A R
				(A)	(B)	(C)	(D)	(E)	(F)	
1	.	198265-31400	GEAR ASSY, RING	1	1	1	1			1
2	.	194065-31430	NUT M52	1	1	1	1			1
3	.	194065-31440	COLLAR 55X63.5X30	1	1	1	1			1
4	.	194065-31450	WASHER, LOCK	6	6	6	6			1
5	.	194065-31460	SHIM T=0.1	2	2	2	2			1
6	.	194065-31470	SHIM T=0.15	2	2	2	2			1
7	.	194065-31480	SHIM T=0.2	2	2	2	2			1
8	.	194065-31560	BOLT M12X 32	12	12	12	12			1
9	.	194065-32450	RETAINER, BEARING	1	1	1	1			1
10	.	194065-32460	SHIM T=0.1	6	6	6	6			1
11	.	194065-32470	SHIM T=0.3	3	3	3	3			1
12	.	194065-32480	SHIM T=0.5	3	3	3	3			1
13	.	22217-100000	SPRING WASHER 10	9	9	9	9			10
14	.	24141-322110	ROLLER BEARING	1	1	1	1			1
15	.	24143-303110	ROLLER BEARING	1	1	1	1			1
16	.	26116-100702	BOLT M10X 70 PLATED	9	9	9	9			10

N136476

78. DIFFERENTIAL GEAR



N136477

1111  
(1109)  
NPC-3693

78. DIFFERENTIAL GEAR

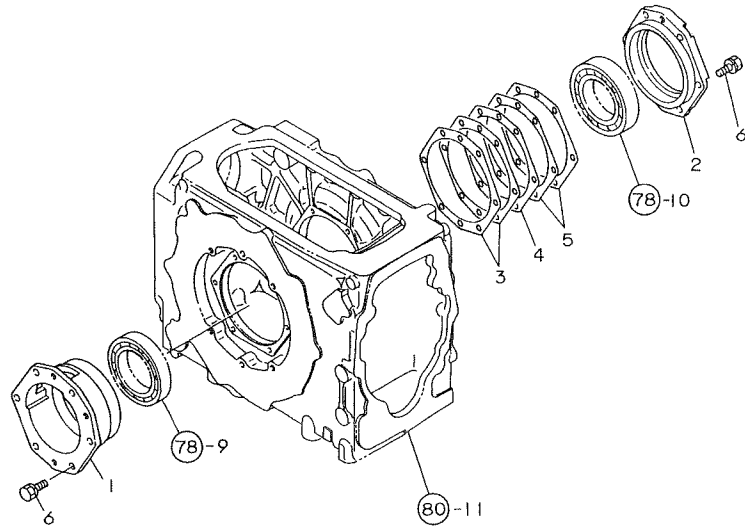
99.12.07

(A)=AF1110EX (D)=AF1088EX(4WD  
(B)=AF1110EX(4WD(E)=  
(C)=AF1088EX(2WD(F)=

REF. NO.	LEV. 0	PART NO.	DESCRIPTION	Q'TY						I	P	U	A	R
				(A)	(B)	(C)	(D)	(E)	(F)					
1	-	194065-31510	GEAR, DIFFERENTIAL	2	2	2	2							1
2	-	194065-31520	WASHER, DIFFERENTIAL	2	2	2	2							1
3	-	194065-31530	PINION, DIFFERENTIAL	4	4	4	4							1
4	-	194065-31540	SHAFT, DIFFERENTIAL	2	2	2	2							1
5	-	194065-31550	WASHER, DIFFERENTIAL	4	4	4	4							1
6	-	194670-31900	HOUSING ASSY, DIFF.	1	1	1	1							1
7	..	194180-32140	BUSH 60X65X20	2	2	2	2							1
8	-	194065-32150	WASHER	6	6	6	6							1
9	-	24101-060174	BALL BEARING	1	1	1	1							1
10	-	24101-062164	BALL BEARING	1	1	1	1							1
11	-	26116-120652	BOLT M12X 6S PLATED	12	12	12	12							10

N136477

79. DIFFERENTIAL CARRIER



N136478

1112  
(1109)  
NPC-3693

79. DIFFERENTIAL CARRIER

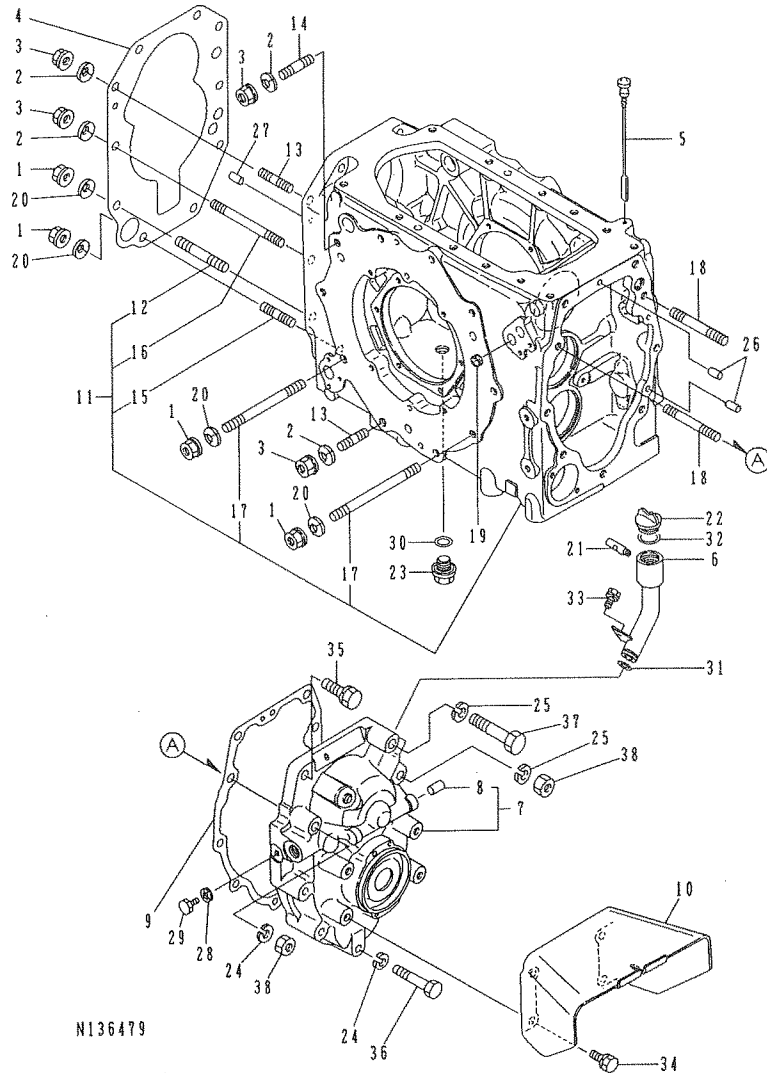
99.12.07

(A)=AF1110EX (D)=AF1088EX(4WD)  
(B)=AF1110EX(4WD)(E)=  
(C)=AF1088EX(2WD)(F)=

REF. NO.	LEV. 0	PART NO.	DESCRIPTION	Q'TY						I P/U A R
				(A)	(B)	(C)	(D)	(E)	(F)	
1	.	194470-32310	CARRIER,DIFFERENTIAL	1	1	1	1			1
2	.	194065-32320	CARRIER,DIFFERENTIAL	1	1	1	1			1
3	.	194180-32350	SHIM T=0.1	2	2	2	2			1
4	.	194180-32360	SHIM T=0.3	1	1	1	1			1
5	.	194180-32370	SHIM T=0.5	2	2	2	2			1
6	.	26013-100302	BOLT M10X 30	12	12	12	12			10

N136478

80. REAR AXLE CASE



N136479

1113  
(1109)  
NPC-3693

80. REAR AXLE CASE

99.12.07

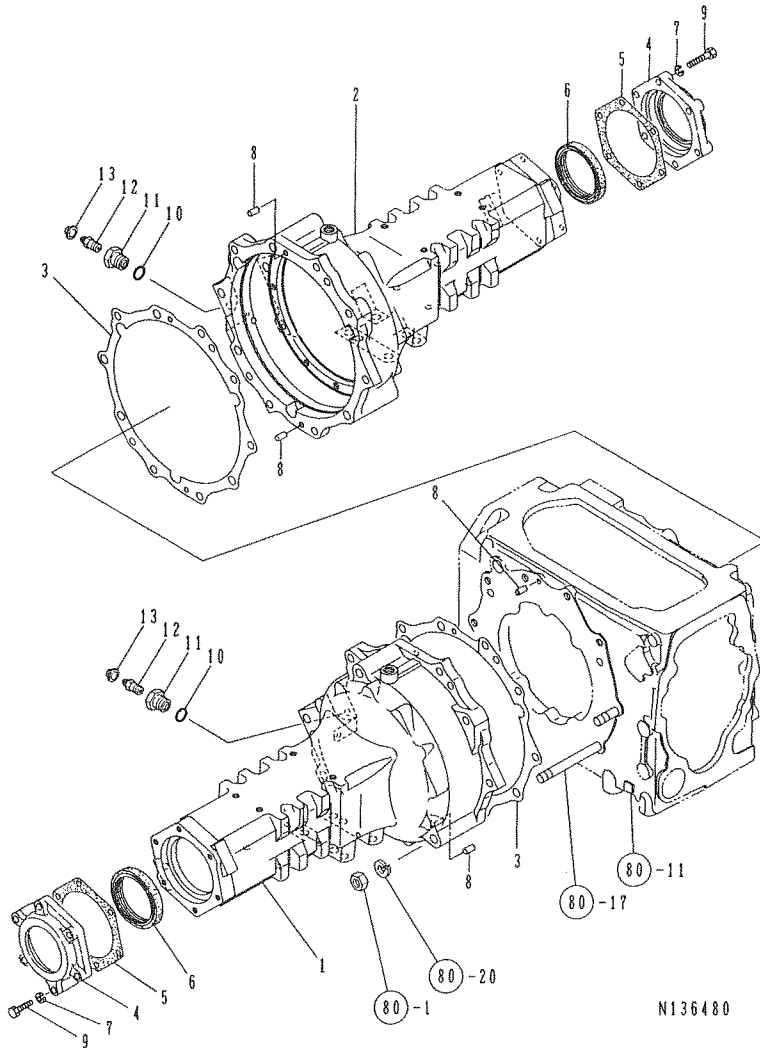
(A)=AF1110EX (D)=AF1088EX(4WD)  
(B)=AF1110EX(4WD)(E)=  
(C)=AF1088EX(2WD)(F)=

REF. NO.	LEV. 0	PART NO.	DESCRIPTION	QTY						I	P	U	A	R
				(A)	(B)	(C)	(D)	(E)	(F)					
1	-	194065-11060	NUT M16	12	12	12	12						1	
2	-	194465-14220	WASHER 14	16	16	16	16						1	
3	-	194065-21160	NUT M14	16	16	16	16						1	
4	-	194065-24120	PACKING, MISSION	1	1	1	1						1	
5	-	194065-24280	DIPSTICK	1	1	1	1						1	
6	-	194065-24330	ELBOW	1	1	1	1						1	
7	-	194065-24342	COVER, MISSION REAR	1	1	1	1						0	
8	-	194065-24450	PIN 6X13,TAPER	1	1	1	1						0	
9	-	194065-24360	GASKET	1	1	1	1						1	
10	-	194180-26910	GUARD, P.T.O. SHAFT	1	1	1	1						1	
11	-	194065-32401	CASE COMP.,REAR AXLE	1									1	
11-1	-	198265-32400	CASE REAR AXLE CMP	1	1	1	1					R	0	
(A=FD1496 )														
12	-	194065-11050	BOLT M16X80	1	1	1	1						1	
13	-	194065-21180	BOLT M14X 45	11	11	11	11						1	
14	-	194065-21190	BOLT M14X55	4	4	4	4						1	
15	-	194065-24140	STUD M16X 45	3	3	3	3						1	
16	-	194065-32430	BOLT M14X120	1	1	1	1						1	
17	-	194065-32680	BOLT M16X135	8	8	8	8						1	
18	-	26216-140802	STUD M14X 80 PLATED	2	2	2	2						1	
19	-	194065-32420	SEAL CAP 18X5	1									Z	1
(A=FD1496 )														
20	-	194280-34170	WASHER 16	12	12	12	12						4	
21	-	194555-42280	BREATHER, AIR	1	1	1	1						1	
22	-	194850-42500	CAP, OIL 33	1	1	1	1						1	
23	-	194145-48370	PLUG 20	1	1	1	1						1	
24	-	22217-120000	SPRING WASHER	5	5	5	5						10	
25	-	22217-140000	SPRING WASHER 14	3	3	3	3						10	
26	-	22312-100200	PARALLEL PIN 10X20	2	2	2	2						1	
27	-	22312-160280	PARALLEL PIN 16X28	1	1	1	1						1	
28	-	23414-100014	PACKING 10,ROUND	1	1	1	1						10	
29	-	23887-100002	PLUG 10	1	1	1	1						1	
30	-	24311-000220	O-RING 1A P-22.0	1	1	1	1						10	
31	-	24341-000224	O-RING 1A S-22.4	1	1	1	1						10	
32	-	24351-020330	O-RING 1A 2033	1	1	1	1						10	
33	-	26013-080162	BOLT W/WASHER M8X16	1	1	1	1						10	
34	-	26013-120202	BOLT W/WASHER M12X20	4	4	4	4						10	
35	-	26013-140452	BOLT M14X 45	1	1	1	1						1	
36	-	26116-120752	BOLT M12X 75 PLATED	5	5	5	5						10	
37	-	26116-140802	BOLT M14X 80 PLATED	1	1	1	1						1	
38	-	26716-140002	NUT M14	2	2	2	2						10	

N136479



81. REAR HOUSING



N136480

1114  
1109  
NPC-3693

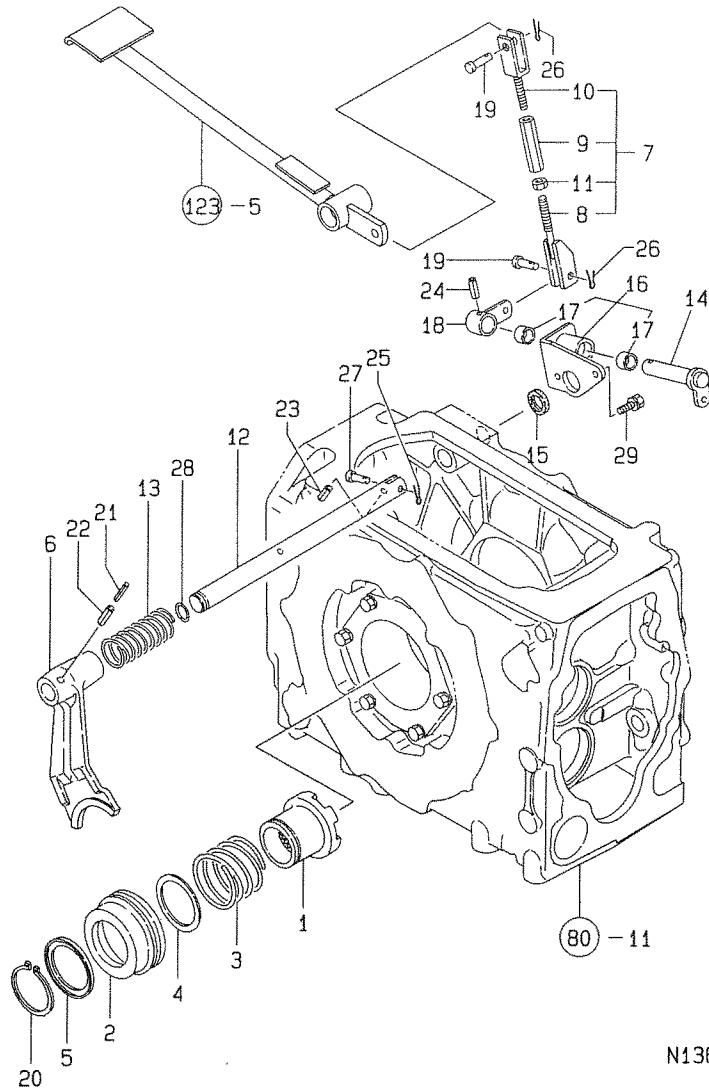
81. REAR HOUSING

99.12.07

(A)=AF1110EX (D)=AF1088EX(4WD)  
(B)=AF1110EX(4WD)(E)=  
(C)=AF1088EX(2WD)(F)=

REF. NO.	LEV. 0	PART NO.	DESCRIPTION	-----Q'ITY-----						I P/U A R
				(A)	(B)	(C)	(D)	(E)	(F)	
1	.	198265-32610	HOUSING, REAR AXLE	1	1	1	1			1
2	.	198265-32620	HOUSING, REAR AXLE	1	1	1	1			1
3	.	194065-32630	PACKING, REAR AXLE	2	2	2	2			1
4	.	194065-32650	CASE, OIL SEAL	2	2	2	2			1
5	.	194180-32660	PACKING	2	2	2	2			1
6	.	194120-32670	SEAL TC6Y90 115 15	2	2	2	2			1
7	.	22217-100000	SPRING WASHER 10	12	12	12	12			10
8	.	22312-100200	PARALLEL PIN 10X20	4	4	4	4			1
9	.	26116-100402	BOLT 10X 40	12	12	12	12			10
10	.	24311-000140	O-RING 1A P-14.0	2	2	2	2			10
11	.	198266-32750	SEAT.BREATHER	2	2	2	2			0
12	.	198153-29380	BREATHER	2	2	2	2			1
13	.	198153-29390	CAP, BREATHER	2	2	2	2			1

82. DIFFERENTIAL LOCK



N136481

1115  
1109  
NPC-3693

82. DIFFERENTIAL LOCK

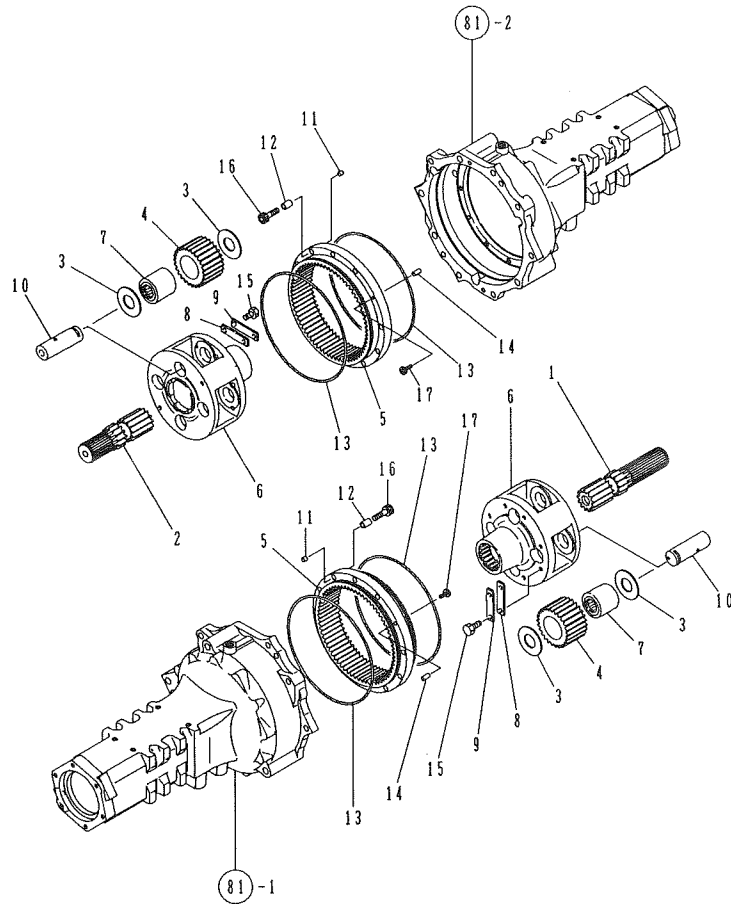
99.12.07

(A)=AF1110EX (D)=AF1088EX(4WD)  
(B)=AF1110EX(4WD)(E)=  
(C)=AF1088EX(2WD)(F)=

REF. NO.	LEV. 0	PART NO.	DESCRIPTION	Q'TY						I P/U A R
				(A)	(B)	(C)	(D)	(E)	(F)	
1	.	194180-33110	SLIDER, DIFFERENTIAL	1	1	1	1			1
2	.	194180-33120	SLIDER, DIFFERENTIAL	1	1	1	1			1
3	.	194180-33130	SPRING	1	1	1	1			1
4	.	194180-33140	WASHER 62X78X2	1	1	1	1			1
5	.	194180-33150	WASHER 62X80X4	1	1	1	1			1
6	.	194065-33160	FORK, DIFF. LOCK	1	1	1	1			1
7	.	198265-33180	ROD(DIF, LOCK UNIT)	1	1	1	1			0
8	..	194065-33190	JOINT	1	1	1	1			1
9	..	194130-37730	TURNBUCKLE M10X70	1	1	1	1			2
10	..	194130-37740	ROD, BRAKE	1	1	1	1			1
11	..	26716-100002	NUT 10	1	1	1	1			10
12	.	194065-33210	SHAFT, FORK	1	1	1	1			1
13	.	194180-33220	SPRING	1	1	1	1			1
14	.	194065-33230	SHAFT	1	1	1	1			1
15	.	194180-33240	SEAL 25X33X35, DUST	1	1	1	1			1
16	.	194065-33250	BRACKET, DIFF. LOCK	1	1	1	1			1
17	..	194312-27880	BUSH 17X20X12	2	2	2	2			1
18	.	194065-33270	ARM, DIFF. LOCK	1	1	1	1			1
19	.	194080-37781	PIN 8X25	2	2	2	2			2
20	.	22242-000600	CIRCLIP 60	1	1	1	1			1
21	.	22351-050040	SPRING PIN 5X40	1	1	1	1			10
22	.	22351-080040	SPRING PIN 8X40	1	1	1	1			10
23	.	22351-080040	SPRING PIN 8X40	1	1	1	1			10
24	.	22351-080040	SPRING PIN 8X40	1	1	1	1			10
25	.	22417-200200	COTTER PIN 2.0X20	1	1	1	1			10
26	.	22417-200200	COTTER PIN 2.0X20	2	2	2	2			10
27	.	22487-080260	PIN 8X 26	1	1	1	1			1
28	.	24311-000210	O-RING 1A P-21.0	1	1	1	1			10
29	.	26013-080202	BOLT W/WASHER M8X20	2	2	2	2			10

N136481

83. FINAL GEAR



N136482

-----+  
| 1116 |  
| (1109) |  
-----+  
NPC-3693

83. FINAL GEAR

99.12.07

(A)=AF1110EX (D)=AF1088EX(4WD)  
(B)=AF1110EX(4WD)(E)=  
(C)=AF1088EX(2WD)(F)=

REF. NO.	LEV. 0	PART NO.	DESCRIPTION	-----Q'ITY-----						I P/U A R
				(A)	(B)	(C)	(D)	(E)	(F)	
1	.	198265-33510	PINION, FINAL	1	1	1	1			1
2	.	198265-33520	PINION, FINAL	1	1	1	1			1
3	.	194065-33530	WASHER 35X75X3.1	16	16	16	16			1
4	.	198265-33540	PINION, PLANETARY	8	8	8	8			1
5	.	198265-33560	GEAR, FINAL DRIVE	2	2	2	2			1
6	.	194065-33570	CARRIER, PLANETARY	2	2	2	2			1
7	.	194065-33591	NEEDLE BEARING	8	8	8	8			1
8	.	194180-33610	PLATE, PLANETARY	8	8	8	8			1
9	.	194180-33620	WASHER	8	8	8	8			2
10	.	194065-33640	SHAFT, PLANETARY	8	8	8	8			1
11	.	194065-33660	CAP 10X10	20	20	20	20			1
12	.	194065-33670	SEAL RING 12X13X22	20	20	20	20			1
13	.	194065-36440	O-RING 260	4	4	4	4			1
14	.	22312-100200	PARALLEL PIN 10X20	4	4	4	4			1
15	.	26116-100202	BOLT M10X 20 PLATED	16	16	16	16			10
16	.	26450-120402	BOLT M12X 40	20	20	20	20			10
17	.	26587-080122	SCREW M 8X 12	4	4	4	4			10

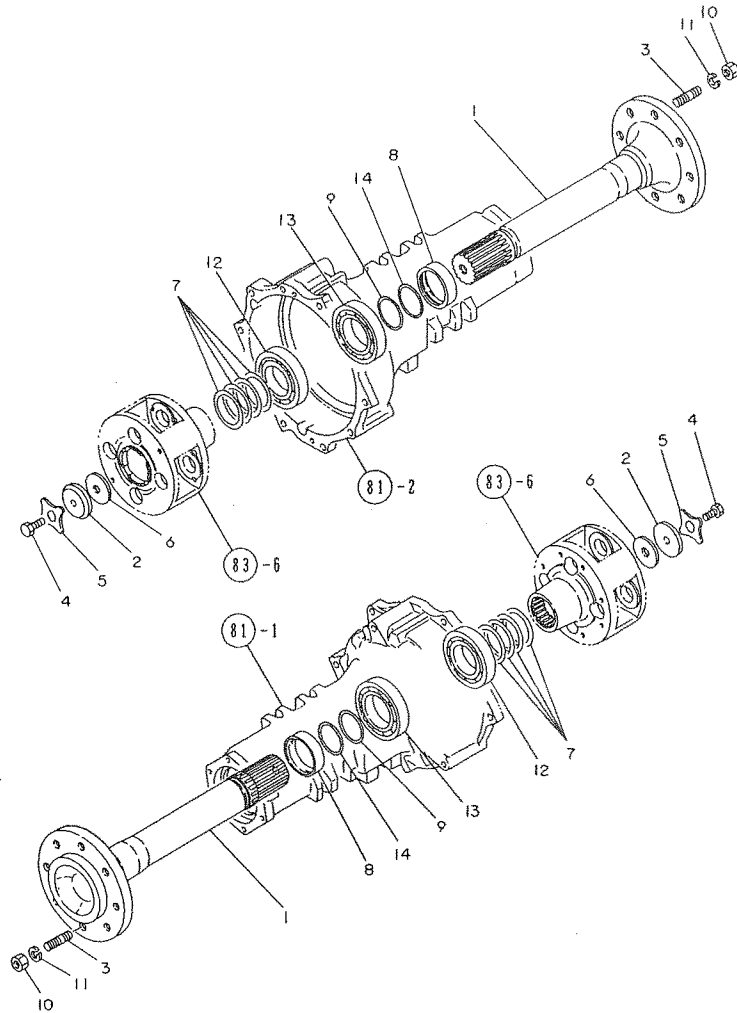
84. REAR AXLE SHAFT

1J01  
(1109)  
NPC-3693

84. REAR AXLE SHAFT

99.12.07

(A)=AF1110EX (D)=AF1088EX(4WD)  
(B)=AF1110EX(4WD(E)=  
(C)=AF1088EX(2WD(F)=

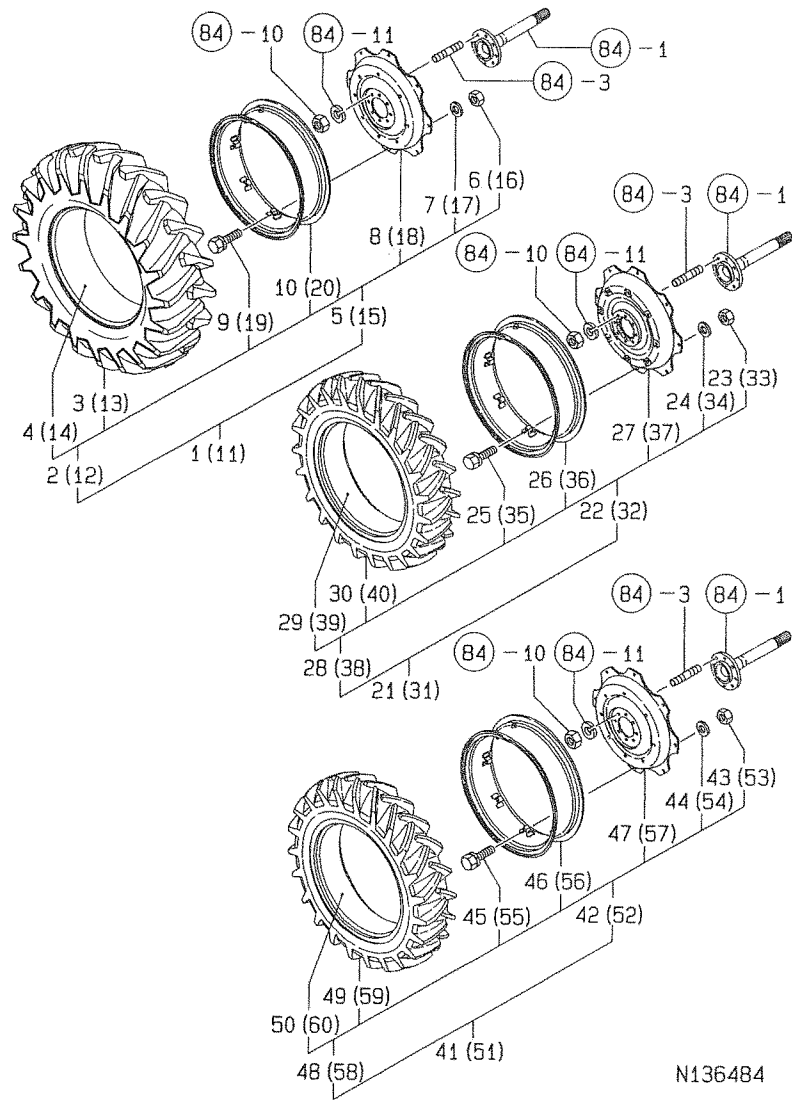


REF. NO.	LEV. 0	PART NO.	DESCRIPTION	Q'TY						I P/U A R
				(A)	(B)	(C)	(D)	(E)	(F)	
1	.	194235-34110	STUD M18X 35	16	16	16	16			1
2	.	198265-34120	SHAFT, REAR AXLE	2	2	2	2			0
3	.	194180-34130	WASHER 15X75X1.2	2	2	2	2			1
4	.	198265-34140	BOLT 14* 45	2	2	2	2			0
5	.	198265-34150	WASHER,REAR AXLE	2	2	2	2			0
6	.	194065-34160	SPACER 64X2	2	2	2	2			1
7	.	194120-34160	SHIM T=0.5	8	8	8	8			1
8	.	194120-34170	SEAL COLLAR	2	2	2	2			1
9	.	194120-34180	SPACER	2	2	2	2			1
10	.	194180-34951	NUT M16	16	16	16	16			1
11	.	194180-34960	WASHER 16	16	16	16	16			4
12	.	24101-062144	BALL BEARING	2	2	2	2			1
13	.	24101-062154	BALL BEARING	2	2	2	2			1
14	.	24321-000750	O-RING 1A G-75.0	2	2	2	2			10

N136483

N136483

85. REAR WHEEL TIRE



N136484

1J02  
(1109)  
NPC-3693

85. REAR WHEEL TIRE

99.12.07

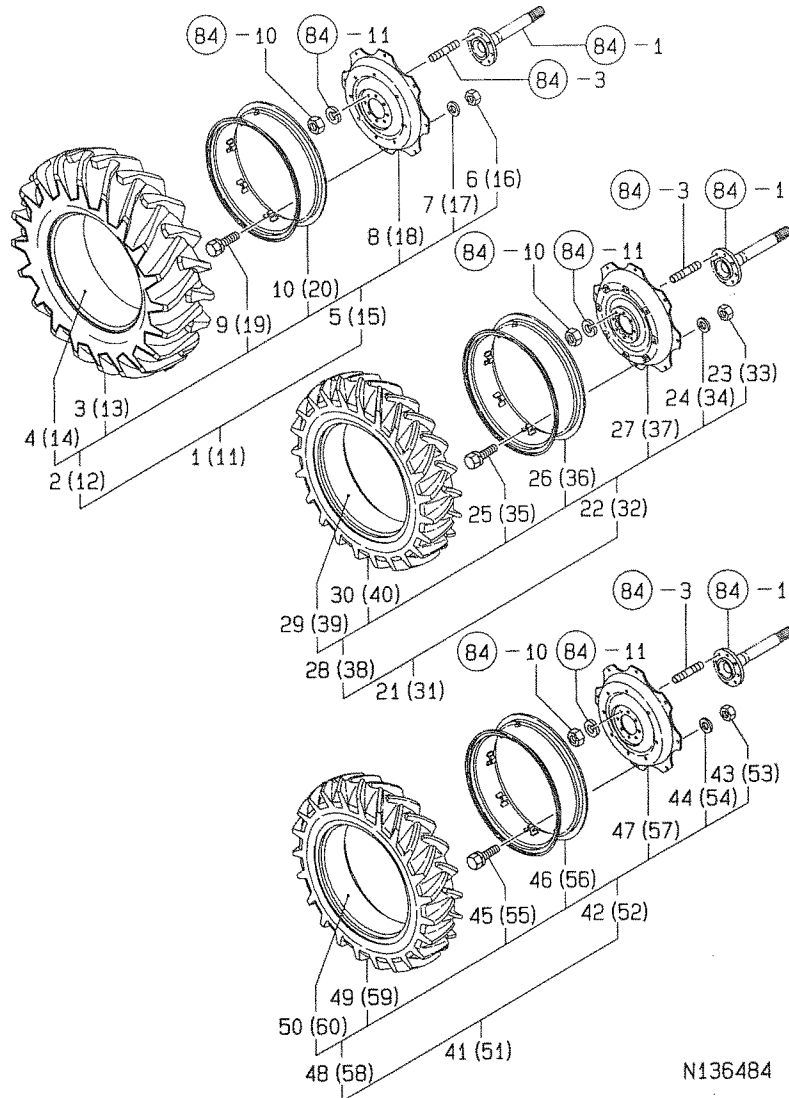
(A)=AF1110EX (D)=AF1088EX(4WD)  
(B)=AF1110EX(4WD)(E)=  
(C)=AF1088EX(2WD)(F)=

REF. NO.	LEV. 0	PART NO.	DESCRIPTION	-----Q'TY-----						I	P	U	A	R
				(A)	(B)	(C)	(D)	(E)	(F)					
1	.	198265-34700	TIRE 18.4-34 L KIT	1										1
2	..	198265-34710	TIRE 18.4-34(10) CMP	1										1
3	...	198265-34720	TIRE 18.4-34(10)FL20	1										1
4	...	198265-34730	TUBE ASSY	1										1
5	..	198265-34850	WHEEL W15LX34 ASSY	1										1
6	...	194181-14180	NUT M16	8										1
7	...	194065-34170	WASHER 16, LOCK	8										1
8	...	198265-34810	DISC 34	1										1
9	...	194180-34850	BOLT M16X 70	8										1
I 9- 1	...	198268-34850	BOLT M16X 70	8								N		0
		(A=F01802 )												
10	...	194670-34860	RIM W15LX34	1										1
11	.	198265-34800	TIRE 18.4-34 R KIT	1										1
12	..	198265-34710	TIRE 18.4-34(10) CMP	1										1
13	...	198265-34720	TIRE 18.4-34(10)FL20	1										1
14	...	198265-34730	TUBE ASSY	1										1
15	..	198265-34850	WHEEL W15LX34 ASSY	1										1
16	...	194181-14180	NUT M16	8										1
17	...	194065-34170	WASHER 16, LOCK	8										1
18	...	198265-34810	DISC 34	1										1
19	...	194180-34850	BOLT M16X 70	8										1
I 19- 1	...	198268-34850	BOLT M16X 70	8								N		0
		(A=F01802 )												
20	...	194670-34860	RIM W15LX34	1										1
I 21	.	198262-34700	TIRE 13.9-36 L KIT		1	1								0
I 22	..	198262-34850	WHEEL W11X36 CMP		1	1								0
I 23	...	194181-14180	NUT M16	8	8									1
I 24	...	194065-34170	WASHER 16, LOCK	8	8									1
I 25	...	198268-34850	BOLT M16X 70	8	8									0
I 26	...	194120-34810	RIM W11X36 (14)	1	1									1
I 27	...	198262-34810	DISC 36 CMP	1	1									0
I 28	..	1A6502-34960	TIRE W/TUBE 13.9-36	1	1									1
I 29	...	1A6502-34970	TUBE	1	1									1
I 30	...	1A6502-34980	TIRE	1	1									1
I 31	.	198262-34800	TIRE 13.9-36 R KIT	1	1									0
I 32	..	198262-34850	WHEEL W11X36 CMP	1	1									0
I 33	...	194181-14180	NUT M16	8	8									1
I 34	...	194065-34170	WASHER 16, LOCK	8	8									1
I 35	...	198268-34850	BOLT M16X 70	8	8									0
I 36	...	194120-34810	RIM W11X36 (14)	1	1									1
I 37	...	198262-34810	DISC 36 CMP	1	1									0
I 38	..	1A6502-34960	TIRE W/TUBE 13.9-36	1	1									1
I 39	...	1A6502-34970	TUBE	1	1									1
I 40	...	1A6502-34980	TIRE	1	1									1
I 41	.	198265-34740	TIRE 16.9-34 L KIT	1										0
I 42	..	198265-34650	WHEEL W14LX34 CMP	1										0
I 43	...	194181-14180	NUT M16	8										1
I 44	...	194065-34170	WASHER 16, LOCK	8										1
I 45	...	198268-34850	BOLT M16X 70	8										0
I 46	...	194065-34810	RIM W14LX34	1										1
I 47	...	198265-34810	DISC 34	1										1
I 48	..	1A6511-34900	TIRE W/TUBE 14-34	1										1
I 49	...	1A6511-34910	TIRE 16.9/14-34	1										1
I 50	...	1A6511-34920	TUBE	1										1

\*\* CONTINUE \*\*

N136484

85. REAR WHEEL TIRE



N136484

1J03  
 (1109)  
 NPC-3693

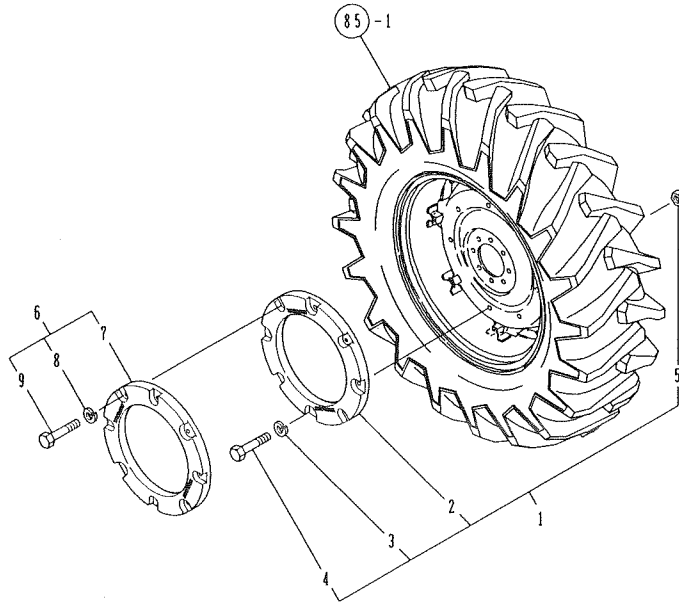
85. REAR WHEEL TIRE

99.12.07

(A)=AF1110EX (D)=AF1088EX(4WD)  
 (B)=AF1110EX(4WD(E)=  
 (C)=AF1088EX(2WD(F)=

REF. NO.	LEV. O	PART NO.	DESCRIPTION	Q'ITY						I	P/U	A	R
				(A)	(B)	(C)	(D)	(E)	(F)				
I 51	.	198265-34840	TIRE 16.9-34 R KIT	1								0	
I 52	..	198265-34650	WHEEL W14LX34 CMP	1								0	
I 53	...	194181-14180	NUT M16	8								1	
I 54	...	194065-34170	WASHER 16, LOCK	8								1	
I 55	...	198268-34850	BOLT M16X 70	8								0	
I 56	...	194065-34810	RIM W14LX34	1								1	
I 57	...	198265-34810	DISC 34	1								1	
I 58	..	1A6511-34900	TIRE W/TUBE 14-34	1								1	
I 59	...	1A6511-34910	TIRE 16.9/14-34	1								1	
I 60	...	1A6511-34920	TUBE	1								1	

86. REAR WHEEL WEIGHT(OPTION



N136485

-----+  
 | 1J04 |  
 | (1109) |  
 +-----+  
 NPC-3693

86. REAR WHEEL WEIGHT(OPTION

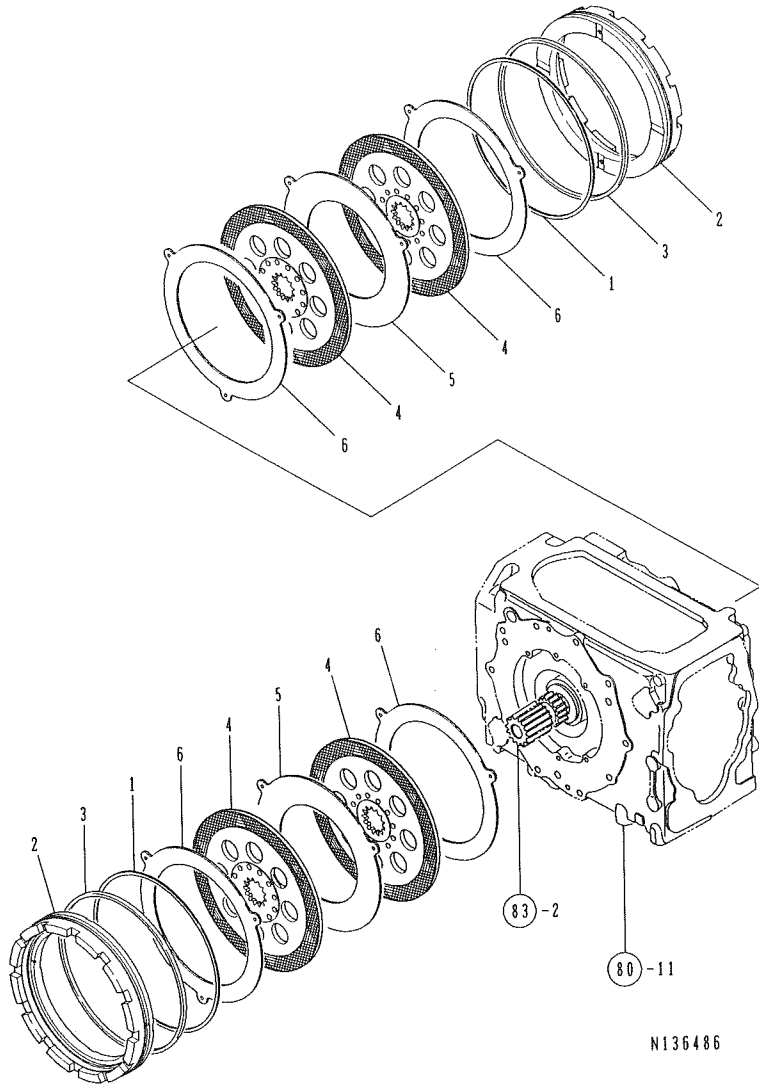
99.12.07

(A)=AF1110EX (D)=AF1088EX(4WD  
 (B)=AF1110EX(4WD(E)=  
 (C)=AF1088EX(2WD(F)=

REF. NO.	LEV. 0	PART NO.	DESCRIPTION	-----Q'TY-----						I P/U A R
				(A)	(B)	(C)	(D)	(E)	(F)	
1	.	198265-34940	WEIGHT KIT,REAR WHL.	2						0
2	..	198265-34960	WEIGHT RW40L,RR.WHL.	2						0
3	..	22217-160000	SPRING WASHER 16	8						10
4	..	26116-160802	BOLT M16X 80 PLATED	8						1
5	..	26716-160002	NUT M16	8						10
6	.	198265-34950	WEIGHT KIT,AD.RR.WHL	10						0
7	..	198265-34960	WEIGHT RW40L,RR.WHL.	10						0
8	..	22217-160000	SPRING WASHER 16	40						10
9	..	26116-160802	BOLT M16X 80 PLATED	40						1

N136485

87. BRAKE



N136486

+-----+  
| 1J05 |  
| (1I09) |  
+-----+  
NPC-3693

87. BRAKE

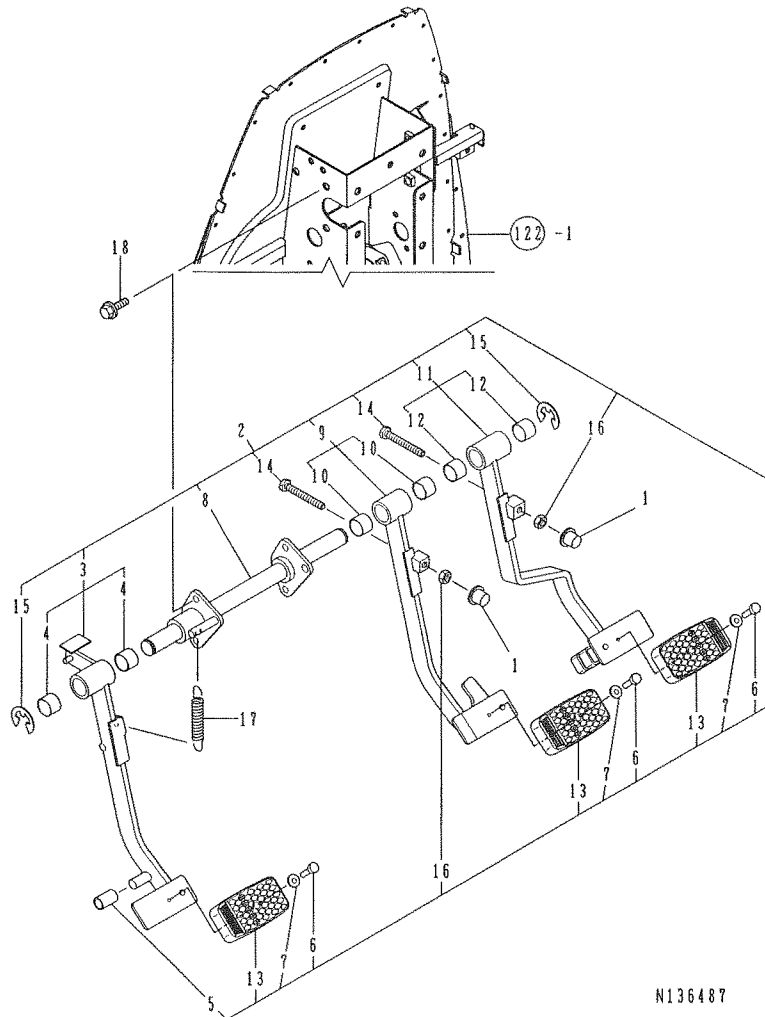
99.12.07

(A)=AF1110EX (D)=AF1088EX(4WD)  
(B)=AF1110EX(4WD)(E)=  
(C)=AF1088EX(2WD)(F)=

REF. NO.	LEV. 0	PART NO.	DESCRIPTION	-----Q'TY-----						I P/U A R
				(A)	(B)	(C)	(D)	(E)	(F)	
1	.	198266-36300	RING 312, BACKUP	2	2	2	2			1
2	.	198265-36310	PLATE, PRESSURE	2	2	2	2			1
3	.	198266-36320	O-RING 312	2	2	2	2			1
4	.	198265-36410	BRAKE COMP., DISK	4	4	4	4			1
5	.	194065-36420	PLATE (A), BRAKE	2	2	2	2			1
6	.	194065-36430	PLATE (B), BRAKE	4	4	4	4			1



88. PEDAL



N136487

-----+  
 | 1J06 |  
 | (1I09) |  
 -----+  
 NPC-3693

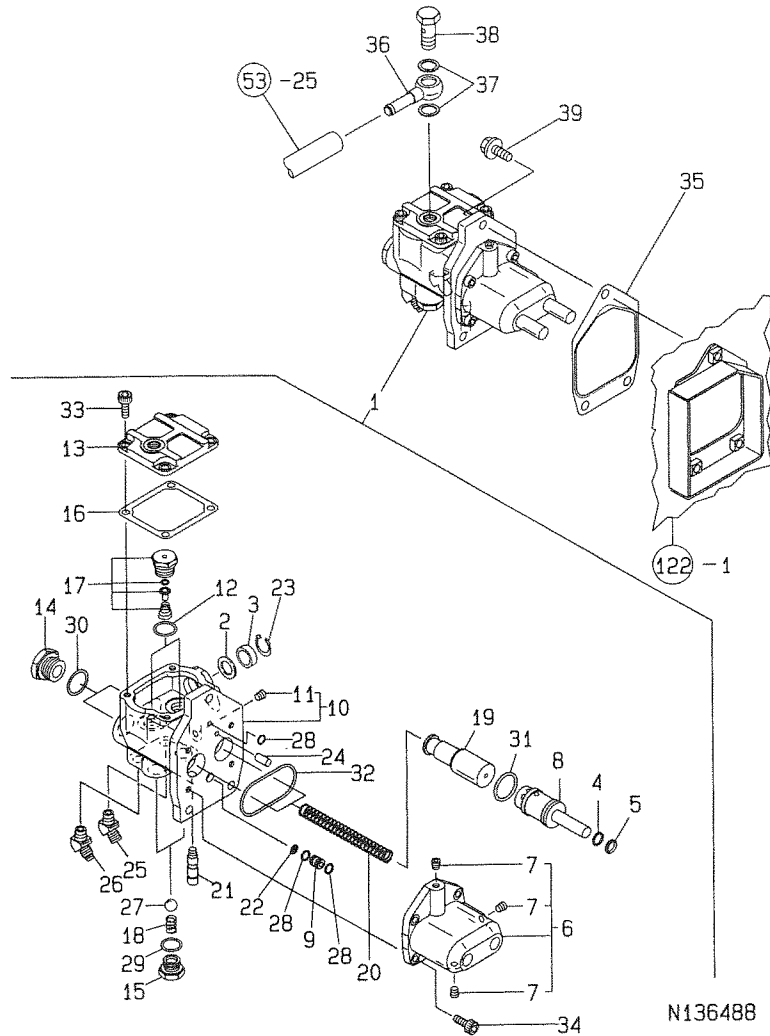
88. PEDAL

99.12.07

(A)=AF1110EX (D)=AF1088EX(4WD)  
 (B)=AF1110EX(4WD) (E)=  
 (C)=AF1088EX(2WD) (F)=

REF. NO.	LEV. 0	PART NO.	DESCRIPTION	-----Q'TY-----						I P/U A R
				(A)	(B)	(C)	(D)	(E)	(F)	
1	.	194150-21910	PLUG 11.2	2	2	2	2			2
2	.	198265-37200	PEDAL UNIT	1	1	1	1			1
3	..	198265-22400	PEDAL ASSY, CLUTCH	1	1	1	1			1
4	...	198448-37360	BUSH 25X28X20	2	2	2	2			0
5	..	198448-22470	PIPE,CLUTCH STOPPER	1	1	1	1			0
6	..	198133-22510	RIVET,PEDAL HEAD	3	3	3	3			1
7	..	198133-22530	WASHER,RIVET	3	3	3	3			1
8	..	198268-37250	RETAINER,PEDAL	1	1	1	1			0
9	..	198268-37300	PEDAL L COMP.,BRAKE	1	1	1	1			1
10	...	198448-37360	BUSH 25X28X20	2	2	2	2			0
11	..	198268-37400	PEDAL R COMP.,BRAKE	1	1	1	1			1
12	...	198448-37360	BUSH 25X28X20	2	2	2	2			0
13	..	198071-37510	COVER,PEDAL HEAD	3	3	3	3			1
14	..	198268-37580	BOLT 10X75	2	2	2	2			1
15	..	22272-000190	CIRCLIP E-19	2	2	2	2			10
16	..	26796-100002	NUT M10,LOCK	2	2	2	2			10
17	.	198290-37510	SPRING,RETURN	1	1	1	1			1
18	.	26106-100202	BOLT M10X 20 PLATED	4	4	4	4			10

89. BRAKE VALVE



N136488

1J07  
(1109)  
NPC-3693

89. BRAKE VALVE

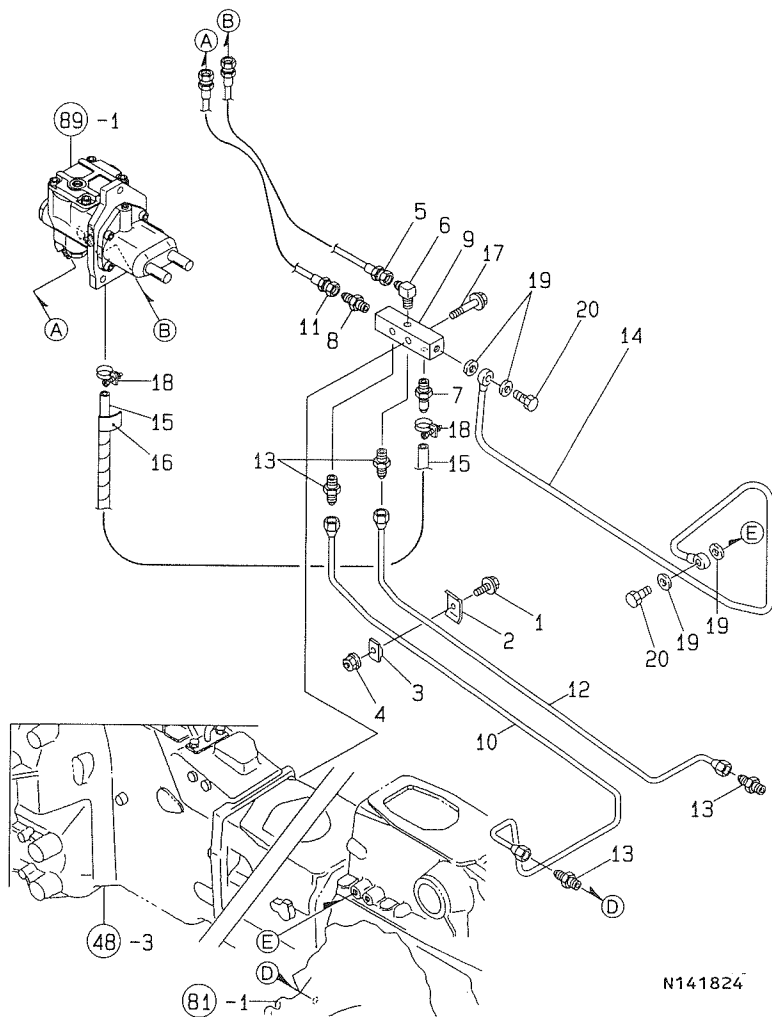
99.12.07

(A)=AF1110EX (D)=AF1088EX(4WD)  
(B)=AF1110EX(4WD)(E)=  
(C)=AF1088EX(2WD)(F)=

REF. NO.	LEV. 0	PART NO.	DESCRIPTION	-----Q'TY-----						I	P/U	A	R
				(A)	(B)	(C)	(D)	(E)	(F)				
1	.	198265-38100	VALVE, BRAKE	1	1	1	1					1	
2	..	198071-24350	PLATE, OL. INSP. WINDOW	1	1	1	1					1	
3	..	1A1040-28470	WINDOW 25, OIL CHECK	1	1	1	1					1	
4	..	198153-29160	PACKING, 14	2	2	2	2					1	
5	..	198153-29170	SEAL 14, DUST	2	2	2	2					1	
6	..	198268-38010	CASE, BOOSTER COMP.	1	1	1	1					0	
I 7	...	198268-38160	PLUG 1/16, TAPER SCRW	3	3	3	3					0	
8	..	198265-38040	ROD, VALVE	2	2	2	2					0	
9	..	198265-38080	PIN, STRAINER	1	1	1	1					1	
10	..	198265-38130	CASE COMP., BRAKE	1	1	1	1					1	
11	...	198268-38160	PLUG 1/16, TAPER SCRW	3	3	3	3					0	
12	..	194250-38150	O-RING	2	2	2	2					1	
13	..	198268-38150	COVER, CASE	1								0	
I 13-1	..	198268-38151	COVER (CASE)	1	1	1	1				N	0	
		(A=FXXXXX)											
14	..	198268-38170	PLUG, RETURN SPRING	2	2	2	2					1	
15	..	198268-38180	PLUG	2	2	2	2					1	
16	..	198268-38190	GASKET	1	1	1	1					1	
17	..	198268-38200	VALVE, CHECK	2	2	2	2					1	
18	..	194250-38210	SPRING	2	2	2	2					1	
19	..	198265-38230	PISTON, MASTER	2	2	2	2					1	
20	..	194250-38240	SPRING	2	2	2	2					1	
21	..	194555-42280	BREATHER, AIR	1	1	1	1					1	
22	..	194680-77770	STRAINER	1	1	1	1					1	
23	..	22262-000250	CIRCLIP 25	1	1	1	1					10	
24	..	22312-060120	PARALLEL PIN 6X12	1	1	1	1					1	
25	..	198268-38320	JOINT 45 RG1/4	1	1	1	1					0	
26	..	198268-38330	JOINT 45 RG01/4	1	1	1	1					0	
27	..	24190-160003	BALL 1/2	2	2	2	2					1	
28	..	24315-000090	O-RING 1B P- 9.0	3	3	3	3					10	
29	..	24315-000180	O-RING 1B P-18.0	2	2	2	2					10	
30	..	24315-000240	O-RING 1B P-24.0	2	2	2	2					10	
31	..	24315-000300	O-RING 1B P-30.0	2	2	2	2					10	
32	..	24325-000650	O-RING 1B G-65.0	1	1	1	1					10	
33	..	26450-080202	BOLT M 8X 20	4	4	4	4					10	
34	..	26450-080202	BOLT M 8X 20	4	4	4	4					10	
35	.	198268-38120	PACKING, BRAKE VALVE	1	1	1	1					1	
36	.	23387-091600	JOINT 9-16	1	1	1	1					0	
37	.	23414-160021	GASKET 16	2	2	2	2					10	
38	.	23857-100000	JOINT BOLT 10	1	1	1	1					1	
39	.	26106-100252	BOLT M10X 25 PLATED	3	3	3	3					10	

N136488

90. BRAKE PIPE



+-----+  
 | 1J08 |  
 | (1109) |  
 +-----+  
 NPC-3693

90. BRAKE PIPE

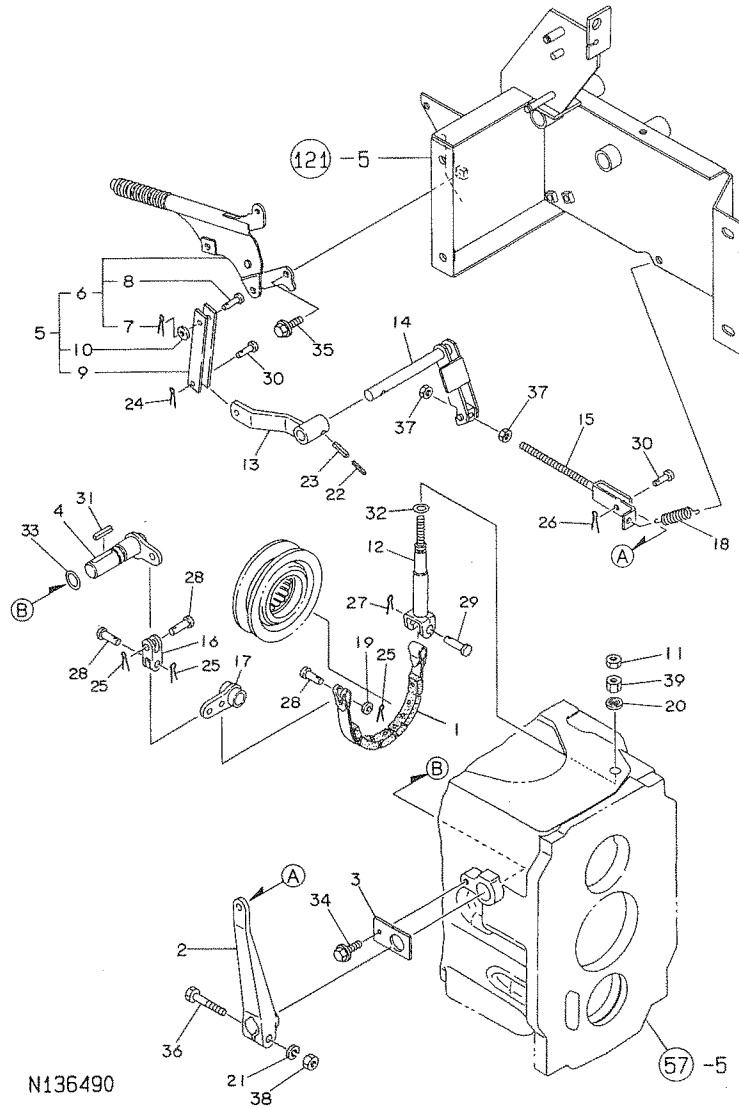
99.12.07

(A)=AF1110EX (D)=AF1088EX(4WD)  
 (B)=AF1110EX(4WD)(E)=  
 (C)=AF1088EX(2WD)(F)=

REF. NO.	LEV. 0	PART NO.	DESCRIPTION	-----Q'TY-----						I	P	U	A	R
				(A)	(B)	(C)	(D)	(E)	(F)					
1	.	26106-080302	BOLT M 8X 30 PLATED	4	4	4	4							10
2	.	194250-17770	CLAMP	4	4	4	4							1
3	.	194180-17780	BASE, PIPE CLAMP	4	4	4	4							1
4	.	194990-22140	NUT W/WASHER 8	4	4	4	4							5
5	.	194065-38290	HOSE, BRAKE R HI-PRES	1	1	1	1							1
6	.	194065-38300	JOINT PT 3/8	1	1	1	1							0
7	.	194065-38340	JOINT PT3/8	1	1	1	1							1
8	.	194065-38380	ADPTER 1/4	1	1	1	1							1
9	.	194235-38390	BLOCK, BRAKE PIPE	1	1	1	1							0
10	.	194065-38401	PIPE (L), BRAKE	1	1	1	1							1
11	.	194065-38421	PIPE, BRAKE	1	1	1	1							1
12	.	194065-38451	PIPE (R), BRAKE	1	1	1	1							1
13	.	194065-38470	CONNECTOR	4	4	4	4							1
14	.	194065-38500	PIPE, DRAIN	1	1	1	1							1
15	.	194065-38520	PIPE, RUBBER	1										1
15-1	.	194065-38530	PIPE, RUBBER	1	1	1	1					N		1
		(A=F01338 )												
16	.	194065-38540	ARMA 1/4	1	1	1	1							1
17	.	26106-100502	BOLT M10X 50 PLATED	2	2	2	2							10
18	.	23010-018000	CLAMP 18	2	2	2	2							1
19	.	23414-140018	GASKET 14	4	4	4	4							10
20	.	23857-080000	JOINT BOLT 8	2	2	2	2							1

N141824

91. PARKING BRAKE



N136490

1J09  
(1109)  
NPC-3693

91. PARKING BRAKE

99.12.07

(A)=AF1110EX (D)=AF1088EX(4WD)  
(B)=AF1110EX(4WD)(E)=  
(C)=AF1088EX(2WD)(F)=

REF. NO.	LEV. 0	PART NO.	DESCRIPTION	Q'TY						I	P	U	A	R
				(A)	(B)	(C)	(D)	(E)	(F)					
1	.	194065-38700	BAND, BRAKE	1	1	1	1							1
2	.	194065-38750	ARM, PARK. BRAKE	1	1	1	1							1
3	.	194065-38760	PLATE, KEEP	1	1	1	1							1
4	.	194065-38770	SHAFT, BRAKE ARM	1	1	1	1							1
5	.	194065-38800	BRAKE, PARKING	1	1	1	1							1
6	..	198335-38400	BRAKE, PARKING	1	1	1	1							1
7	...	22417-200300	COTTER PIN 2.OX30	1	1	1	1							10
8	...	22487-080280	PIN 8X 28	1	1	1	1							1
9	..	194065-38820	YOKE, BRAKE	2	2	2	2							1
10	..	22137-080000	WASHER 8, POLISHED	1	1	1	1							10
11	.	26776-120002	LOCK NUT M12 PLATED	1	1	1	1							10
12	.	194065-38810	PIN, ANCHOR	1	1	1	1							1
13	.	194065-38850	ARM, LEVER YOKE	1	1	1	1							1
14	.	194065-38880	ARM	1	1	1	1							1
15	.	194065-38930	ROD, PARKING	1	1	1	1							1
16	.	194065-38950	YOKE	1	1	1	1							1
17	.	194065-38960	ARM, LINK	1	1	1	1							1
18	.	194550-47840	SPRING, RETURN	1	1	1	1							1
19	.	22117-100000	WASHER 10	1	1	1	1							10
20	.	22190-120001	SEAL WASHER 12(NUT)	1	1	1	1							10
21	.	22217-120000	SPRING WASHER	1	1	1	1							10
22	.	22351-050036	SPRING PIN 5X36	1	1	1	1							10
23	.	22351-080036	SPRING PIN 8X36	1	1	1	1							10
24	.	22417-200200	COTTER PIN 2.OX20	1	1	1	1							10
25	.	22417-200200	COTTER PIN 2.OX20	3	3	3	3							10
26	.	22417-200200	COTTER PIN 2.OX20	1	1	1	1							10
27	.	22417-200200	COTTER PIN 2.OX20	1	1	1	1							10
28	.	22486-100220	PIN 10X 22	3	3	3	3							1
29	.	22486-120400	PIN 12X 40	1	1	1	1							1
30	.	22487-080260	PIN 8X 26	2	2	2	2							1
31	.	22550-070300	KEY 7X30	1	1	1	1							1
32	.	24311-000120	O-RING 1A P 12.0	1	1	1	1							10
33	.	24311-000210	O-RING 1A P-21.0	1	1	1	1							10
34	.	26106-080162	BOLT M 8X 16 PLATED	1	1	1	1							10
35	.	26106-080202	BOLT M 8X 20 PLATED	2	2	2	2							10
36	.	26116-120502	BOLT M12X 50	1	1	1	1							10
37	.	26716-100002	NUT 10	2	2	2	2							10
38	.	26716-120002	NUT 12	1	1	1	1							10
39	.	26736-120002	NUT M12	1	1	1	1							10

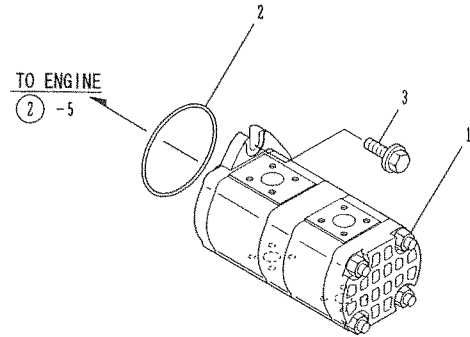
92. HYDRAULIC PUMP

-----+  
 | 1K03 |  
 | (1K02) |  
 +-----+  
 NPC-3693

92. HYDRAULIC PUMP

99.12.07

(A)=AF1110EX (D)=AF1088EX(4WD  
 (B)=AF1110EX(4WD(E)=  
 (C)=AF1088EX(2WD(F)=

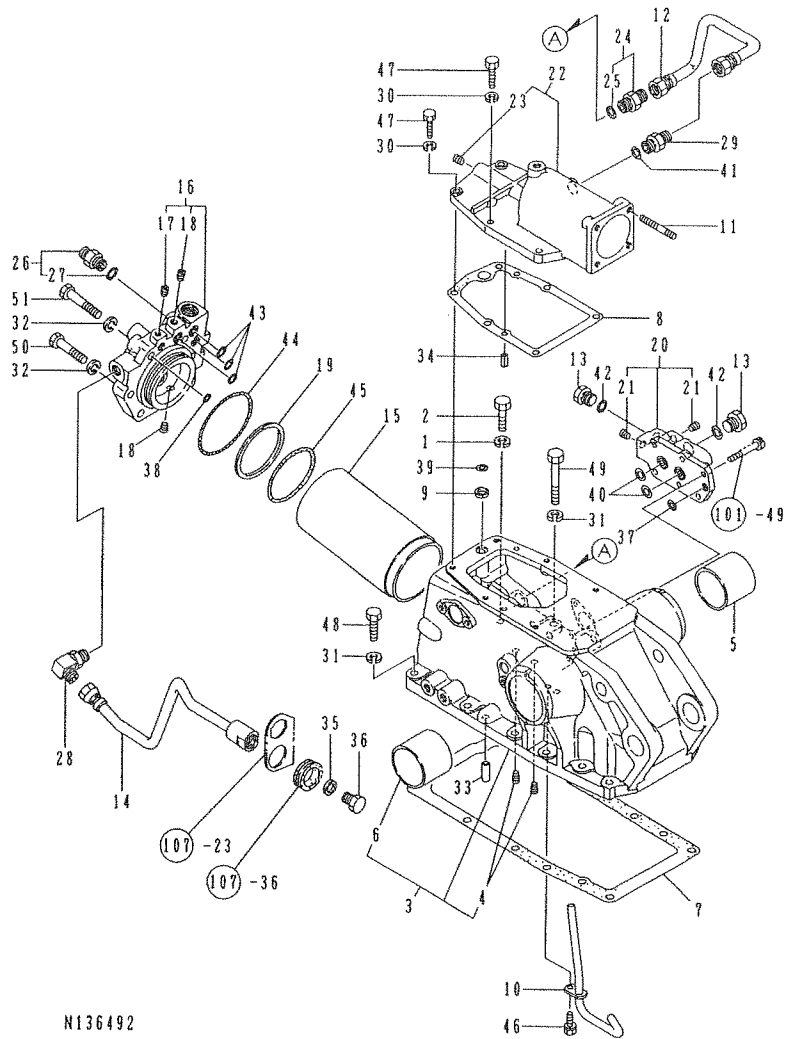


REF. NO.	LEV. 0	PART NO.	DESCRIPTION	-----Q'TY-----						I P/U A R
				(A)	(B)	(C)	(D)	(E)	(F)	
1	.	198265-41110	PUMP 8+16, HYDRAULIC	1	1	1	1			1
2	.	24321-000850	O-RING 1A G-85.0	1	1	1	1			10
3	.	26106-100302	BOLT M10X 30 PLATED	2	2	2	2			10

N136491

N136491

93. HYDRAULIC CYLINDER CASE



N136492

1K04  
(1K02)  
NPC-3693

93. HYDRAULIC CYLINDER CASE

99.12.07

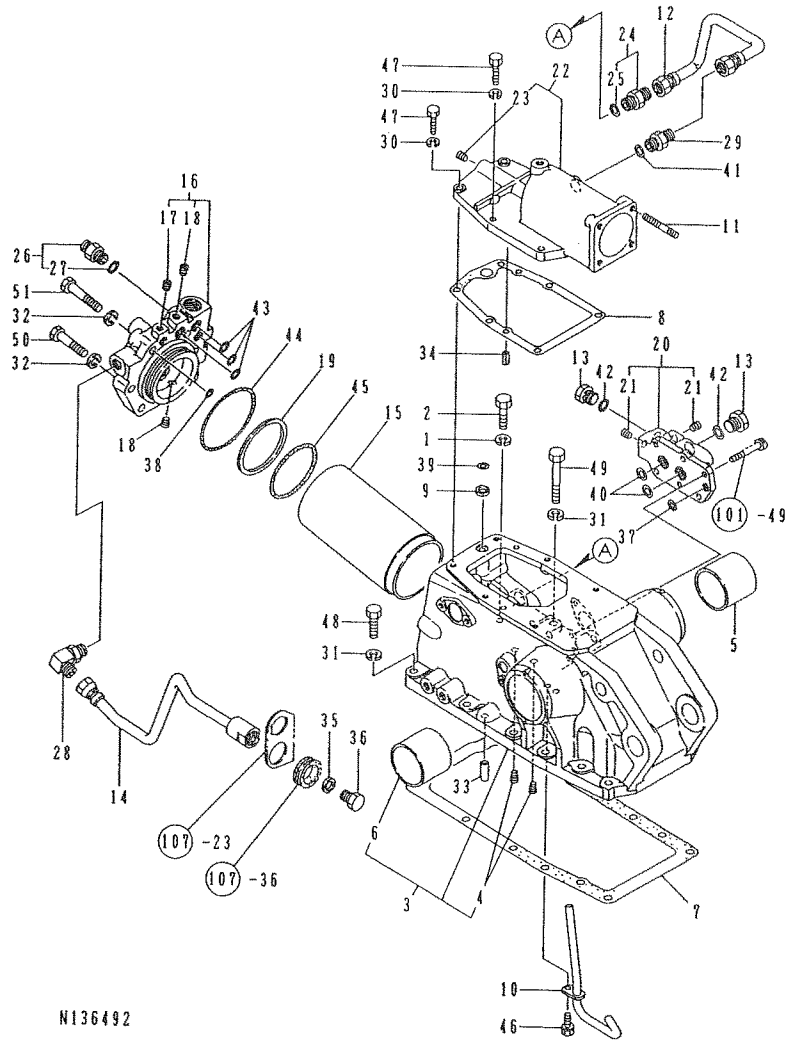
(A)=AF1110EX (D)=AF1088EX(4WD)  
(B)=AF1110EX(4WD)(E)=  
(C)=AF1088EX(2WD)(F)=

REF. NO.	LEV. 0	PART NO.	DESCRIPTION	Q'TY						I	P	U	A	R
				(A)	(B)	(C)	(D)	(E)	(F)					
1	.	194274-13580	SPRING WASHER 12	1	1	1	1						2	
2	.	194361-24140	STUD M12X40	1	1	1	1						1	
3	.	194065-42102	HOUSING, HYDRAULIC	1	1	1	1						0	
4	..	23871-020000	PLUG PT1/4,SCREW	2									1	
4-1	..	23876-020000	PLUG 1/4	2	2	2	2				N		1	
		(A=FXXXXX)												
5	..	24550-065600	BUSH 65X60	1	1	1	1						1	
6	..	24550-070600	BUSH 70X60	1	1	1	1						1	
7	.	194065-42130	PACKING, HOUSING	1	1	1	1						1	
8	.	194065-42140	PACKING	1	1	1	1						1	
9	.	194065-42150	RING P14, BACK UP	1	1	1	1						1	
10	.	194065-42161	PIPE,DRAIN	1	1	1	1						0	
11	.	194065-42180	STUD M10X50	2	2	2	2						1	
12	.	194065-42210	PIPE, HIGH-PRESSURE	1	1	1	1						1	
13	.	194065-42250	PLUG PF1/2	2	2	2	2						1	
14	.	194065-42260	PIPE, OUTLET	1	1	1	1						1	
15	.	194065-43110	LINER, CYLINDER	1	1	1	1						1	
16	.	194065-43200	HEAD ASSY, CYLINDER	1	1	1	1						1	
17	..	23871-010000	PLUG PT1/8,SCREW	1									1	
17-1	..	23876-010000	PLUG PT1/8,SCREW	1	1	1	1				N		1	
		(A=FXXXXX)												
18	..	23871-020000	PLUG PT1/4,SCREW	2									1	
18-1	..	23876-020000	PLUG 1/4	2	2	2	2				N		1	
		(A=FXXXXX)												
19	.	194065-43220	RING G95, BACK UP	1	1	1	1						1	
20	.	194065-43250	BLOCK W/PLUG	1	1	1	1						1	
21	..	23871-020000	PLUG PT1/4,SCREW	2									1	
21-1	..	23876-020000	PLUG 1/4	2	2	2	2				N		1	
		(A=FXXXXX)												
22	.	194065-47730	HOLDER, SPRING	1	1	1	1						1	
23	..	23871-020000	PLUG PT1/4,SCREW	1									1	
23-1	..	23876-020000	PLUG 1/4	1	1	1	1				N		1	
		(A=FXXXXX)												
24	.	198265-48200	ADAPTER ASSY	1	1	1	1						1	
25	..	24311-000180	O-RING 1A P-18.0	1	1	1	1						10	
26	.	198265-48200	ADAPTER ASSY	1	1	1	1						1	
27	..	24311-000180	O-RING 1A P-18.0	1	1	1	1						10	
28	.	172510-76320	ELBOW 1/2	1	1	1	1						1	
29	.	172510-76350	FITTING 1/2	1	1	1	1						1	
30	.	22217-100000	SPRING WASHER 10	6	6	6	6						10	
31	.	22217-120000	SPRING WASHER	11	11	11	11						10	
32	.	22217-140000	SPRING WASHER 14	6	6	6	6						10	
33	.	22312-120320	PARALLEL PIN 12X32	2	2	2	2						1	
34	.	22351-080020	SPRING PIN 8X20	2	2	2	2						10	
35	.	23414-160021	GASKET 16	1	1	1	1						10	
36	.	23897-030002	PLUG PF3/8	1	1	1	1						1	
37	.	24311-000100	O-RING 1A P-10.0	1	1	1	1						10	
38	.	24311-000110	O-RING 1A P-11.0	1	1	1	1						10	
39	.	24311-000140	O-RING 1A P-14.0	1	1	1	1						10	
40	.	24311-000160	O-RING 1A P-16.0	2	2	2	2						10	
41	.	24311-000180	O-RING 1A P-18.0	1	1	1	1						10	
42	.	24311-000180	O-RING 1A P-18.0	2	2	2	2						10	
43	.	24315-000150	O-RING 1B P-15.0	3	3	3	3						10	
44	.	24321-001100	O-RING 1A G-110.0	1	1	1	1						10	

\*\* CONTINUE \*\*

N136492

93. HYDRAULIC CYLINDER CASE



N136492

+-----+  
| 1K05 |  
| (1K02) |  
+-----+  
NPC-3693

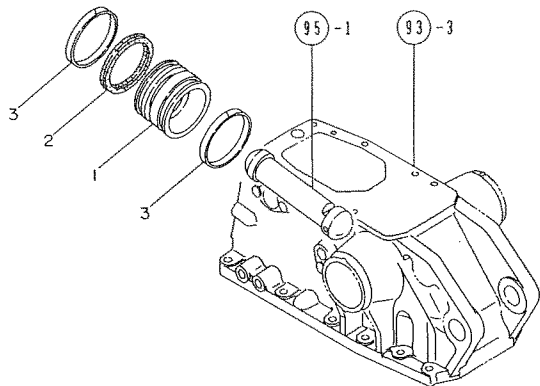
93. HYDRAULIC CYLINDER CASE

99.12.07

(A)=AF1110EX (D)=AF1088EX(4WD)  
(B)=AF1110EX(4WD(E)=  
(C)=AF1088EX(2WD(F)=

REF. NO.	LEV. 0	PART NO.	DESCRIPTION	-----Q'TY-----						I P/U A R
				(A)	(B)	(C)	(D)	(E)	(F)	
45	.	24325-000950	O-RING 1B G-95.0	1	1	1	1			10
46	.	26013-080162	BOLT W/WASHER M8X16	1	1	1	1			10
47	.	26116-100352	BOLT 10X35	6	6	6	6			10
48	.	26116-120402	BOLT M12X 40	10	10	10	10			10
49	.	26116-121002	BOLT M12X100 PLATED	1	1	1	1			10
50	.	26156-140552	BOLT M14X 55 PLATED	2	2	2	2			1
51	.	26156-140652	BOLT M14X65	4	4	4	4			1

94. PISTON



-----+  
 1K06  
 (1K02)  
 -----+  
 NPC-3693

94. PISTON

99.12.07

(A)=AF1110EX (D)=AF1088EX(4WD)  
 (B)=AF1110EX(4WD)(E)=  
 (C)=AF1088EX(2WD)(F)=

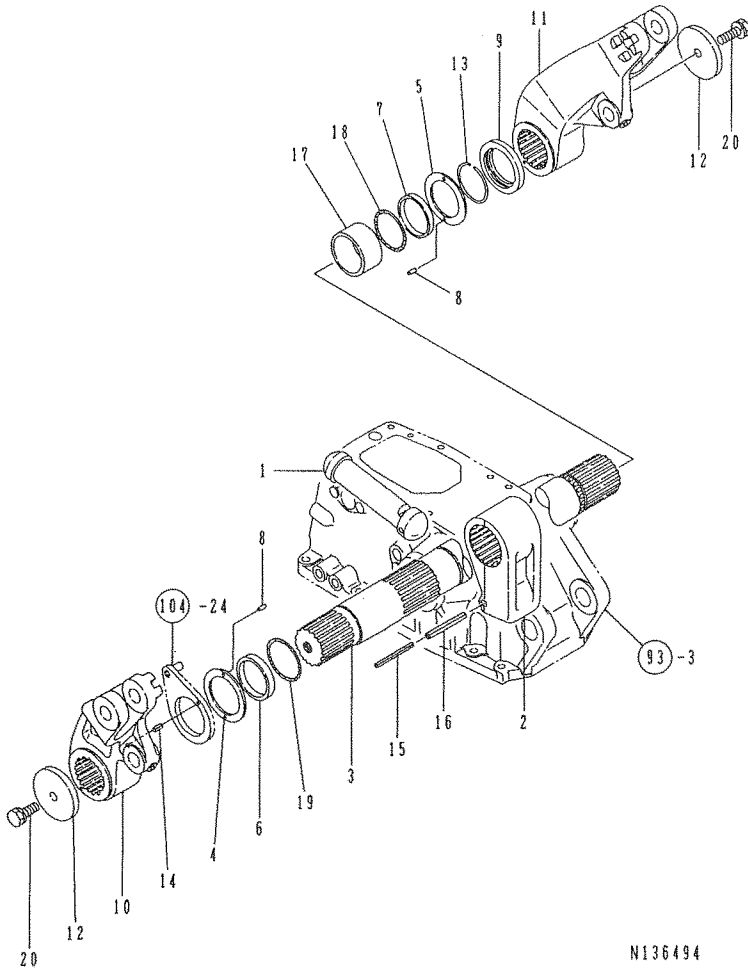
REF. NO.	LEV. 0	PART NO.	DESCRIPTION	-----QTY-----						I P/U A R
				(A)	(B)	(C)	(D)	(E)	(F)	
1	.	194065-43310	PISTON, HYDRAULIC	1	1	1	1			1
2	.	194065-43330	U-PACKING 100	1	1	1	1			1
3	.	194065-43440	RING, PISTON	2	2	2	2			1

N136493

N136493



95. LIFT CRANK



N136494

1K07  
1K02  
NPC-3693

95. LIFT CRANK

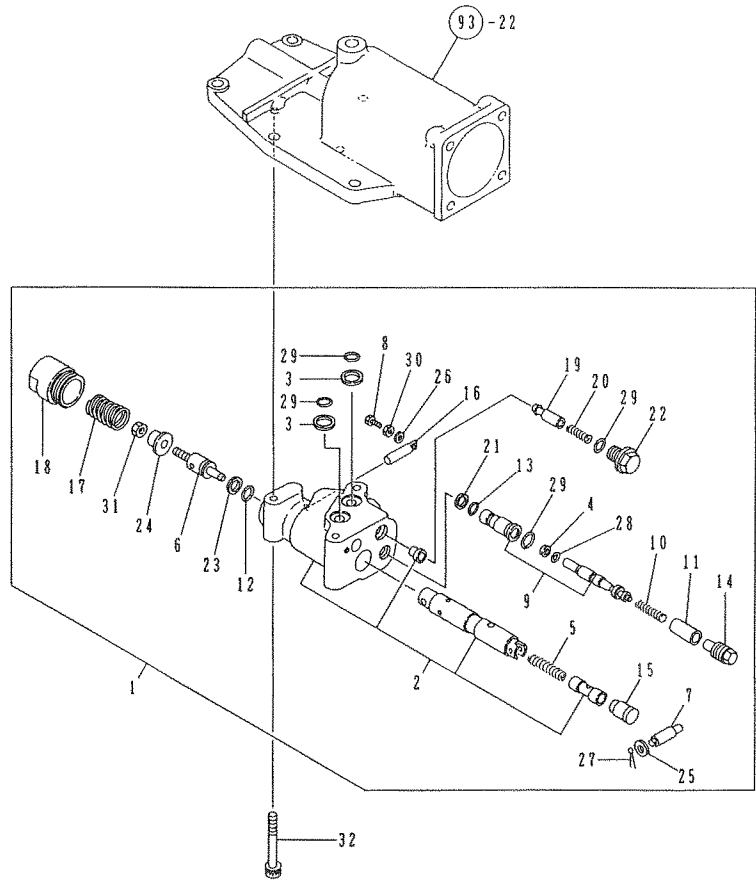
99.12.07

(A)=AF1110EX (D)=AF1088EX(4WD)  
(B)=AF1110EX(4WD)(E)=  
(C)=AF1088EX(2WD)(F)=

REF. NO.	LEV. 0	PART NO.	DESCRIPTION	Q'ITY						I P/U A R
				(A)	(B)	(C)	(D)	(E)	(F)	
1	.	194065-43410	ROD, PISTON	1	1	1	1			1
2	.	194065-44110	CRANK, LIFT	1	1	1	1			1
3	.	194065-44210	SHAFT, LIFT	1	1	1	1			1
4	.	194065-44230	WASHER, THRUST	1	1	1	1			1
5	.	194065-44240	WASHER, THRUST	1	1	1	1			1
6	.	194065-44250	COLLER	1	1	1	1			1
7	.	194065-44260	COLLAR	1	1	1	1			1
8	.	194065-44270	PARALLEL PIN 4X8	4	4	4	4			1
9	.	194065-44280	SPACER	1	1	1	1			1
10	.	194065-44410	ARM, LIFT (L)	1	1	1	1			1
11	.	194065-44420	ARM, LIFT (R)	1	1	1	1			1
12	.	194470-44520	RETAINER, LIFT SHAFT	2	2	2	2			1
13	.	22207-065320	CIRCLIP 65X3.2	1	1	1	1			1
14	.	22351-050012	PIN 5X12, SPRING	1	1	1	1			10
15	.	22351-050080	SPRING PIN 5X80	1	1	1	1			10
16	.	22351-080080	SPRING PIN 8X80	1	1	1	1			10
17	.	23034-240044	PIPE, SUCTION	1	1	1	1			1
18	.	24321-000650	O-RING 1A G-65.0	1	1	1	1			10
19	.	24321-000700	O-RING 1A G-70.0	1	1	1	1			10
20	.	26013-140352	BOLT W/WASHER M14X35	2	2	2	2			1

N136494

96. CONTROL VALVE



N136495

1K08  
1K02  
NPC-3693

96. CONTROL VALVE

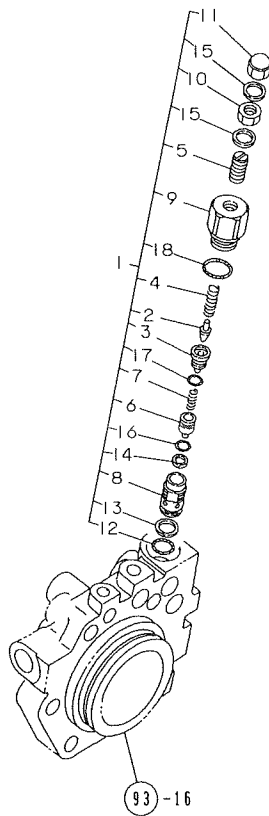
99.12.07

(A)=AF1110EX (D)=AF1088EX(4WD)  
(B)=AF1110EX(4WD)(E)=  
(C)=AF1088EX(2WD)(F)=

REF. NO.	LEV. O	PART NO.	DESCRIPTION	Q'TY						I P/U A R
				(A)	(B)	(C)	(D)	(E)	(F)	
1	.	194235-45100	VALVE ASSY, CONTROL	1	1	1	1			1
2	..	794235-45110	SPOOL ASSY., BODY	1	1	1	1			0
3	..	194180-45160	RING, BACK UP	2	2	2	2			1
4	..	194235-45160	RING, LOWERING VALVE	1	1	1	1			1
5	..	194450-45230	SPRING, SPOOL	1	1	1	1			1
6	..	194235-45250	STOPPER	1	1	1	1			1
7	..	194065-45260	PIN	1	1	1	1			0
8	..	194180-45300	BOLT	1	1	1	1			1
9	..	194235-45320	VALVE COMP., LOWERING	1	1	1	1			1
10	..	194235-45340	SPRING, LOWER'G VALVE	1	1	1	1			1
11	..	194235-45350	COLLAR	1	1	1	1			1
12	..	194180-45360	O-RING 1.5X12	1	1	1	1			2
13	..	194235-45360	O-RING	1	1	1	1			1
14	..	194235-45370	PLUG	1	1	1	1			1
15	..	194235-45410	SPACER	1	1	1	1			1
16	..	194235-45420	PIN, ADJUST	1	1	1	1			1
17	..	194235-45430	SPRING, PILOT SPOOL	1	1	1	1			1
18	..	194235-45440	CAP	1	1	1	1			1
19	..	194235-45810	VALVE, CHECK	1	1	1	1			1
20	..	194235-45820	SPRING, CHECK VALVE	1	1	1	1			1
21	..	194235-45830	RING, BUSH	1	1	1	1			1
22	..	194235-45850	PLUG	1	1	1	1			1
23	..	194235-45870	RING, STOPPER	1	1	1	1			1
24	..	194235-45880	SEAT, PILOT SPOOL	1	1	1	1			1
25	..	22117-060000	WASHER 6	1	1	1	1			10
26	..	22217-050000	SPRING WASHER 5	1	1	1	1			10
27	..	22417-160100	COTTER PIN 1.6X10	1	1	1	1			10
28	..	24315-000050	O-RING 1B P-5.0	1	1	1	1			10
29	..	24315-000140	O-RING 1B P-14.0	4	4	4	4			10
30	..	26756-050002	LOCK NUT M 5 PLATED	1	1	1	1			10
31	..	26756-080002	LOCK NUT M 8 PLATED	1	1	1	1			10
32	.	26450-080602	BOLT M 8X 60	3	3	3	3			10

N136495

97. RELIEF VALVE



N136496

-----+  
 | 1K09 |  
 | (1K02) |  
 +-----+  
 NPC-3693

97. RELIEF VALVE

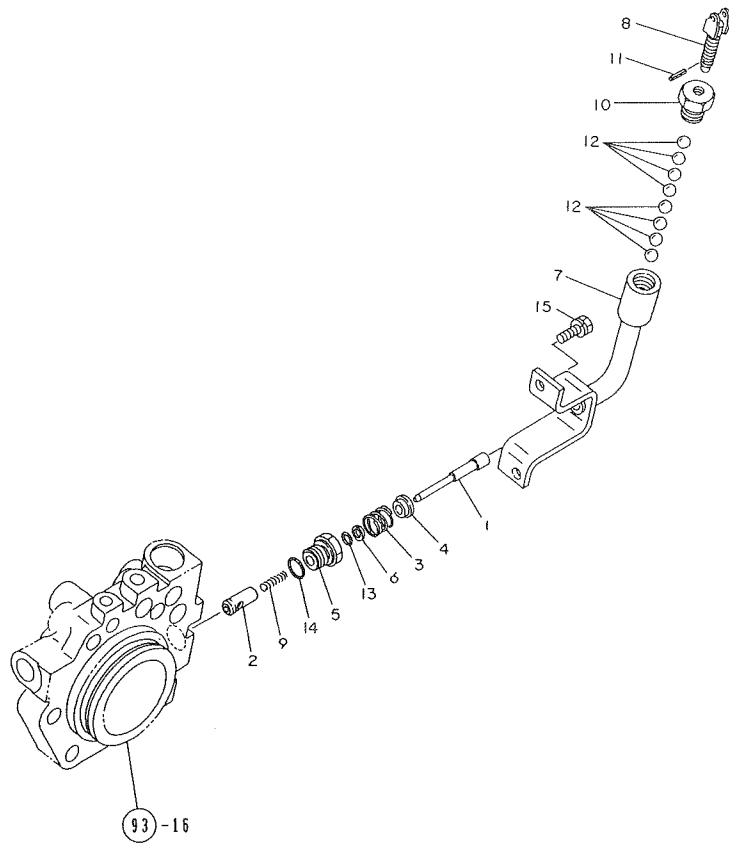
99.12.07

(A)=AF1110EX (D)=AF1088EX(4WD  
 (B)=AF1110EX(4WD(E)=  
 (C)=AF1088EX(2WD(F)=

REF. NO.	LEV. 0	PART NO.	DESCRIPTION	-----Q'TY-----						I P/U A R
				(A)	(B)	(C)	(D)	(E)	(F)	
1	.	194065-45600	VALVE ASSY, RELIEF	1	1	1	1			1
2	..	194065-45610	POPPET,PILOT	1	1	1	1			1
3	..	194065-45620	SEAT,VALVE	1	1	1	1			1
4	..	194065-45630	SPRING,PILOT	1	1	1	1			0
5	..	194065-45640	SCREW	1	1	1	1			0
6	..	194065-45650	PISTON	1	1	1	1			0
7	..	194065-45660	SPRING PISTON	1	1	1	1			0
8	..	194065-45670	SLEEVE	1	1	1	1			0
9	..	194065-45680	PLUG	1	1	1	1			0
10	..	194065-45690	NUT	1	1	1	1			0
11	..	194065-45710	CAP NUT	1	1	1	1			1
12	..	194065-45720	O-RING	1	1	1	1			1
13	..	194065-45730	RING, BUCK UP	1	1	1	1			1
14	..	194065-45740	RING, BUCK UP	1	1	1	1			1
15	..	194065-45750	PACKING,12X18X1.5	2	2	2	2			0
16	..	24311-000080	O-RING 1A P-8.0	1	1	1	1			10
17	..	24315-000090	O-RING 1B P- 9.0	1	1	1	1			10
18	..	24315-000220	O-RING 1B P-22.0	1	1	1	1			10

N136496

98. SLOW RETURN VALVE



1K10  
(1K02)  
NPC-3693

98. SLOW RETURN VALVE

99.12.07

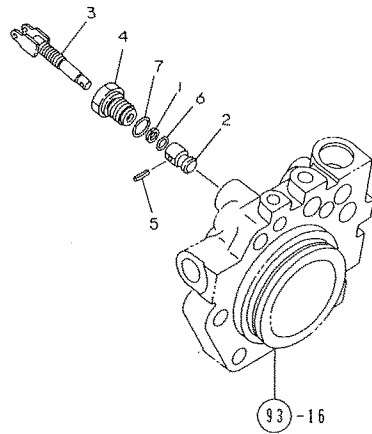
(A)=AF1110EX (D)=AF1088EX(4WD)  
(B)=AF1110EX(4WD)(E)=  
(C)=AF1088EX(2WD)(F)=

REF. NO.	LEV. 0	PART NO.	DESCRIPTION	-----Q'TY-----						I P/U A R
				(A)	(B)	(C)	(D)	(E)	(F)	
1	.	194065-46110	NEEDLE, SLOW RETURN	1	1	1	1			1
2	.	194065-46120	POPPET	1	1	1	1			1
3	.	194065-46140	SPRING, RETURN	1	1	1	1			1
4	.	194065-46150	RETAINER	1	1	1	1			1
5	.	194065-46210	GUIDE	1	1	1	1			1
6	.	194065-46220	RING P8, BACK UP	1	1	1	1			1
7	.	194065-46340	BRACKET, VALVE	1	1	1	1			1
8	.	194065-46360	SCREW, VALVE	1	1	1	1			1
9	.	194310-46380	SPRING	1	1	1	1			1
10	.	194310-46630	HOLDER, VALVE	1	1	1	1			1
11	.	22351-040012	SPRING PIN 4X12	1	1	1	1			10
12	.	24190-120001	BALL 3/8,STEEL	8	8	8	8			10
13	.	24311-000080	O-RING 1A P-8.0	1	1	1	1			10
14	.	24311-000160	O-RING 1A P-16.0	1	1	1	1			10
15	.	26013-080202	BOLT W/WASHER M8X20	2	2	2	2			10

N136497

N136497

99. STOP VALVE



N136498

1K11  
1K02  
NPC-3693

99. STOP VALVE

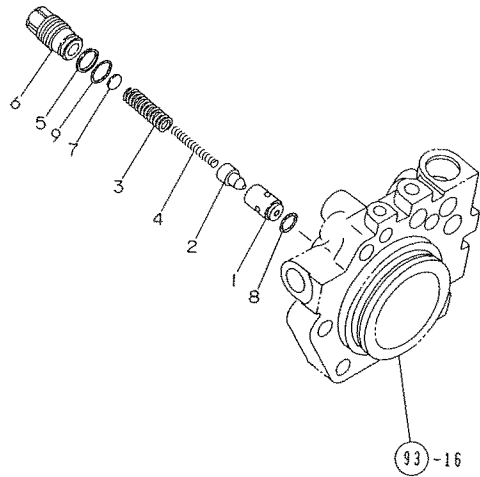
99.12.07

(A)=AF1110EX (D)=AF1088EX(4WD)  
(B)=AF1110EX(4WD)(E)=  
(C)=AF1088EX(2WD)(F)=

REF. NO.	LEV. 0	PART NO.	DESCRIPTION	-----Q'TY-----						I P/U A R
				(A)	(B)	(C)	(D)	(E)	(F)	
1	.	194065-46220	RING P8, BACK UP	1	1	1	1			1
2	.	194065-46310	VALVE, STOP	1	1	1	1			1
3	.	194065-46320	ROD, STOP VALVE	1	1	1	1			1
4	.	194065-46350	GUIDE, STOP VALVE	1	1	1	1			1
5	.	22351-040014	SPRING PIN 4X14	1	1	1	1			10
6	.	24311-000080	O-RING 1A P-8.0	1	1	1	1			10
7	.	24311-000160	O-RING 1A P-16.0	1	1	1	1			10

N136498

100. SAFETY VALVE



N136499

1K12  
(1K02)  
NPC-3693

100. SAFETY VALVE

99.12.07

(A)=AF1110EX (D)=AF1088EX(4WD)  
(B)=AF1110EX(4WD)(E)=  
(C)=AF1088EX(2WD)(F)=

REF. NO.	LEV. 0	PART NO.	DESCRIPTION	Q'TY						I	P/U	A	R
				(A)	(B)	(C)	(D)	(E)	(F)				
1	.	194250-46410	SEAT, SAFETY VALVE	1	1	1	1					1	
2	.	194250-46421	POPPET	1	1	1	1					1	
3	.	198265-46430	SPRING	1	1	1	1					1	
4	.	198265-46440	SPRING, SAFETY V. INNR	1	1	1	1					1	
5	.	194250-46450	RING P20, BACK UP	1	1	1	1					1	
6	.	194250-46460	PLUG, SAFETY VALVE	1	1	1	1					1	
7	.	194250-46470	SHIM 0.2	1	1	1	1					1	
8	.	24311-000160	O-RING 1A P-16.0	1	1	1	1					10	
9	.	24311-000200	O-RING 1A P-20.0	1	1	1	1					10	

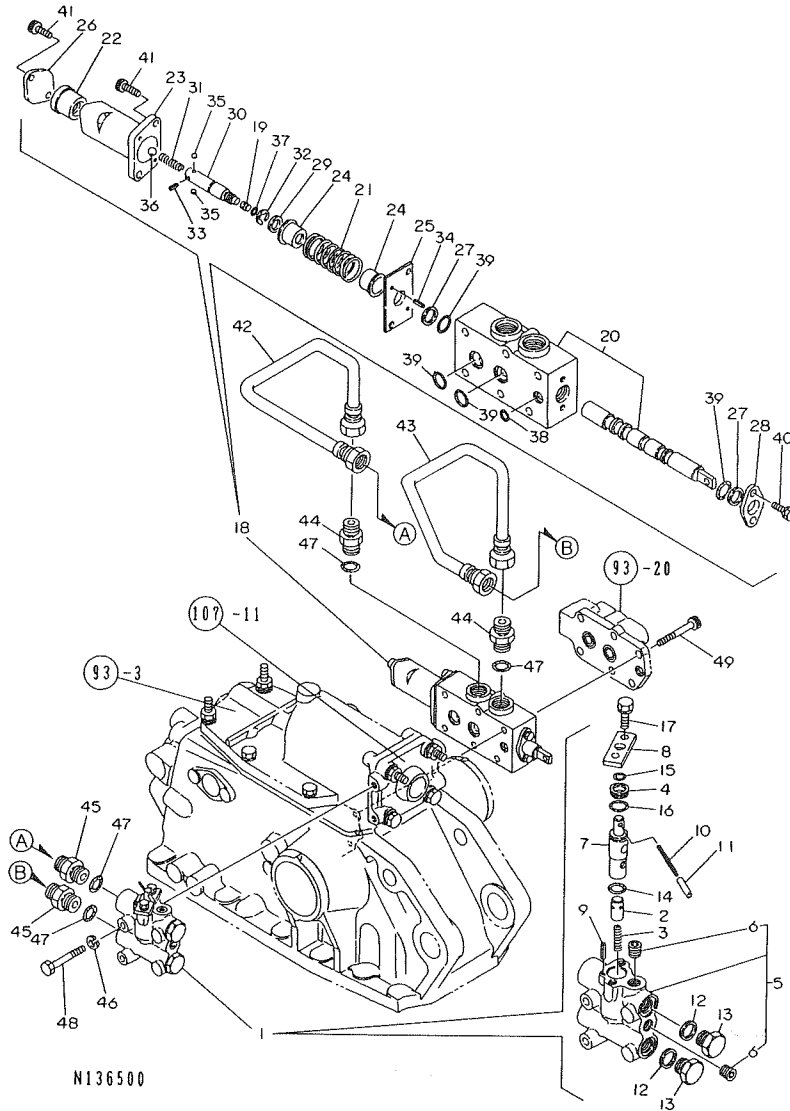
101. SUB VALVE

1K13  
1K02  
NPC-3693

101. SUB VALVE

99.12.07

(A)=AF1110EX (D)=AF1088EX(4WD)  
(B)=AF1110EX(4WD) (E)=  
(C)=AF1088EX(2WD) (F)=



N136500

REF. NO.	LEV. 0	PART NO.	DESCRIPTION	-----Q'TY-----						I	P	U	A	R
				(A)	(B)	(C)	(D)	(E)	(F)					
1	.	194065-46600	PORT ASSY, VALVE	1	1	1	1							1
2	..	194310-46350	POPPET, CHECK	1	1	1	1							1
3	..	194310-46380	SPRING	1	1	1	1							1
4	..	194065-46640	SPACER	1	1	1	1							1
5	..	194065-46650	BLOCK W/PLUG, VALVE	1	1	1	1							1
6	...	23871-020000	PLUG PT1/4, SCREW	2										1
6-1	...	23876-020000	PLUG 1/4	2	2	2	2					N		1
		(A=FXXXXX)												
7	..	194065-46860	VALVE, SLOW RETURN	1	1	1	1							1
8	..	194065-46870	PLATE, KEEP	1	1	1	1							1
9	..	22351-030018	SPRING PIN 3X18	1	1	1	1							10
10	..	22351-040056	SPRING PIN 4X56	1	1	1	1							10
11	..	23062-040030	PIPE 4X 30	1	1	1	1							1
12	..	23414-160021	GASKET 16	2	2	2	2							10
13	..	23897-030002	PLUG PF3/8	2	2	2	2							1
14	..	24315-000150	O-RING 1B P-15.0	1	1	1	1							10
15	..	24341-000100	O-RING 1A S-10.0	1	1	1	1							10
16	..	24341-000160	O-RING 1A S-16.0	1	1	1	1							10
17	..	26013-080202	BOLT W/WASHER M8X20	2	2	2	2							10
18	..	194065-46700	VALVE ASSY, SUB	1	1	1	1							1
19	..	194130-46460	PLUG 20	1	1	1	1							1
20	..	194065-46710	SPOOL W/BODY, SUB.	1	1	1	1							1
21	..	194680-46730	SPRING, RETURN	1										1
I 21-1	..	194680-46731	SPRING, RETURN	1	1	1	1					N		0
		(A=FXXXXX)												
22	..	194065-46741	RETAINER, SPOOL	1	1	1	1							1
23	..	194065-46750	COVER	1	1	1	1							1
24	..	194180-46760	HOLDER	2	2	2	2							1
25	..	194065-46770	SPACER	1	1	1	1							1
26	..	194065-46780	COVER	1	1	1	1							1
27	..	194065-46790	RING, BACK UP	2	2	2	2							1
28	..	194180-46790	COVER	1	1	1	1							1
29	..	194180-46800	SPACER	1	1	1	1							1
30	..	194065-46820	SHAFT, SPOOL LOCK	1	1	1	1							1
31	..	194065-46831	SPRING	1										1
I 31-1	..	194065-46832	SPRING	1	1	1	1					N		0
		(A=FXXXXX)												
32	..	22272-000080	CIRCLIP E- 8	1	1	1	1							10
33	..	22351-020010	SPRING PIN 2X10	1	1	1	1							10
34	..	22351-040016	SPRING PIN 4X16	2	2	2	2							10
35	..	24190-050003	BALL 5/32	2	2	2	2							1
36	..	24190-100003	BALL 5/16	1	1	1	1							10
37	..	24311-000050	O-RING 1A P-5.0	1	1	1	1							10
38	..	24311-000100	O-RING 1A P-10.0	1	1	1	1							10
39	..	24311-000160	O-RING 1A P-16.0	4	4	4	4							10
40	..	26013-060162	BOLT M 6X 16	2	2	2	2							10
41	..	26450-060202	BOLT M 6X 20	4	4	4	4							10
42	.	194065-46880	PIPE (A), SUB VALVE	1	1	1	1							1
43	.	194065-46890	PIPE (B), SUB VALVE	1	1	1	1							1
44	.	172510-76350	FITTING 1/2	2	2	2	2							1
45	.	172510-76350	FITTING 1/2	2	2	2	2							1
46	.	22217-080000	SPRING WASHER 8	2	2	2	2							10
47	.	24311-000180	O-RING 1A P-18.0	4	4	4	4							10
48	.	26116-080602	BOLT M 8X 60 PLATED	2	2	2	2							10

\*\* CONTINUE \*\*

N136500

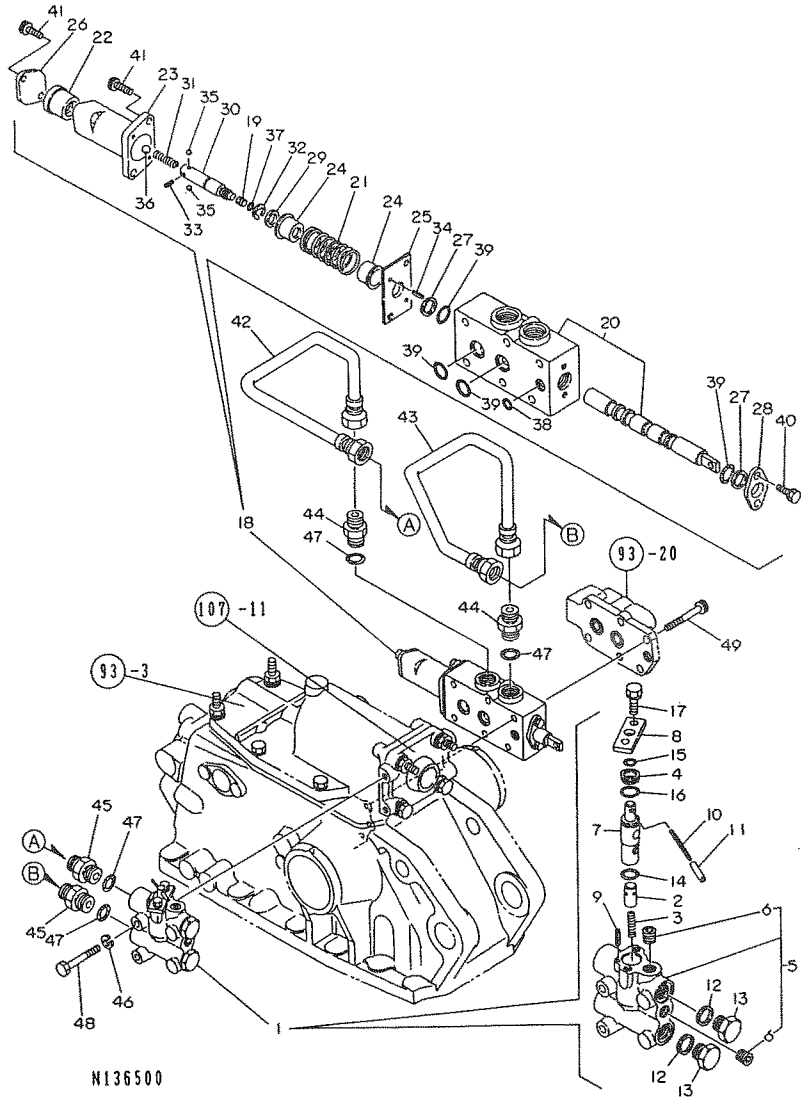
101. SUB VALVE

1K14  
1KD2  
NPC-3693

101. SUB VALVE

99.12.07

(A)=AF1110EX (D)=AF1088EX(4WD)  
(B)=AF1110EX(4WD)(E)=  
(C)=AF1088EX(2WD)(F)=

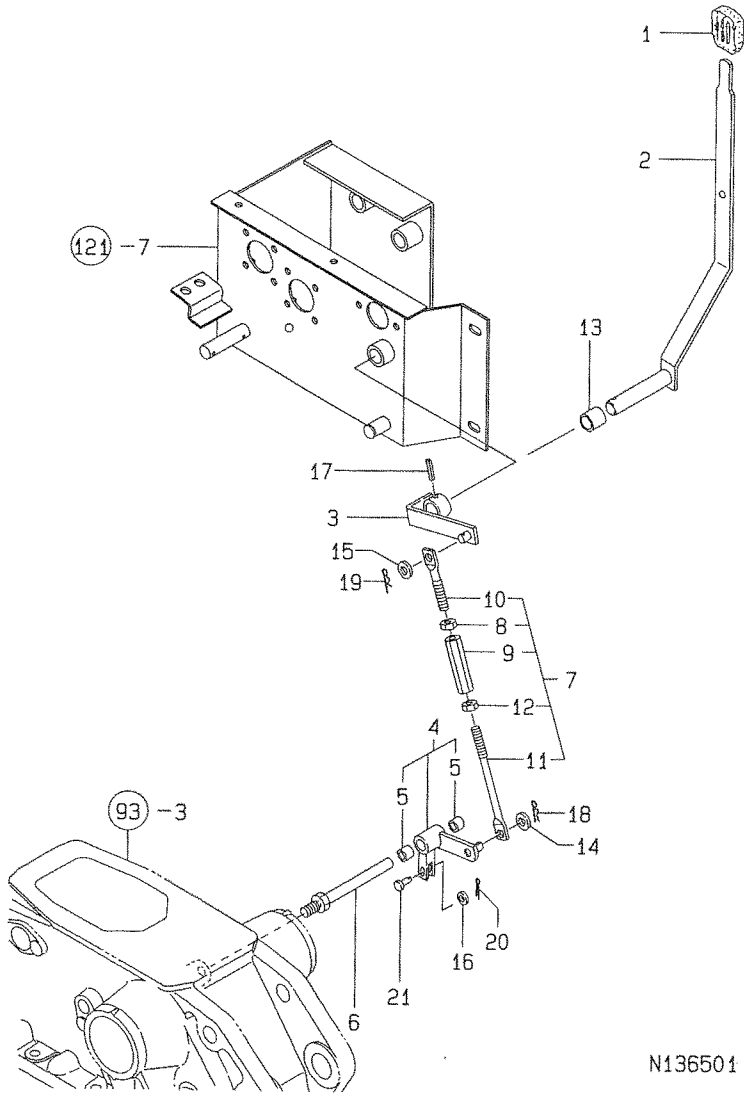


N136500

REF. NO.	LEV. 0	PART NO.	DESCRIPTION	-----Q'TY-----						I P/U A R
				(A)	(B)	(C)	(D)	(E)	(F)	
49	.	26450-080602	BOLT M 8X 60	6	6	6	6			10



102. SCV LINK



N136501

-----+  
 | 1K15 |  
 | (1K02) |  
 -----+  
 NPC-3693

102. SCV LINK

99.12.07

(A)=AF1110EX (D)=AF1088EX(4WD)  
 (B)=AF1110EX(4WD)(E)=  
 (C)=AF1088EX(2WD)(F)=

REF. NO.	LEV. 0	PART NO.	DESCRIPTION	-----Q'TY-----						I P U A R
				(A)	(B)	(C)	(D)	(E)	(F)	
1	.	194065-46510	KNOB	1	1	1	1			1
2	.	194235-46550	LEVER, SUB-VALVE LINK	1	1	1	1			0
3	.	194065-46560	ARM	1	1	1	1			1
4	.	194065-46910	LINK W/BUSH	1	1	1	1			1
5	..	24550-013150	BUSHING 13X15	2	2	2	2			1
6	.	194065-46930	ROD	1	1	1	1			1
7	.	198265-47000	ROD(SCV1 UNIT)	1	1	1	1			0
8	..	194150-22480	NUT M10	1	1	1	1			5
9	..	194130-37730	TURNBUCKLE M10X70	1	1	1	1			2
10	..	194180-47500	ROD, FEED BACK	1	1	1	1			1
11	..	194065-47510	ROD, FEED BACK	1	1	1	1			1
12	..	26716-100002	NUT 10	1	1	1	1			10
13	.	1E4320-74540	COLLAR-17X21.7X26	1	1	1	1			1
14	.	22117-100000	WASHER 10	1	1	1	1			10
15	.	22117-100000	WASHER 10	1	1	1	1			10
16	.	22137-060000	WASHER 6, POLISHED	1	1	1	1			10
17	.	22351-060028	SPRING PIN 6X28	1	1	1	1			10
18	.	22372-100000	SNAP PIN 10	1	1	1	1			10
19	.	22372-100000	SNAP PIN 10	1	1	1	1			10
20	.	22417-160180	COTTER PIN 1.6X18	1	1	1	1			10
21	.	22486-060160	PIN 6X 16	1	1	1	1			1

N136501

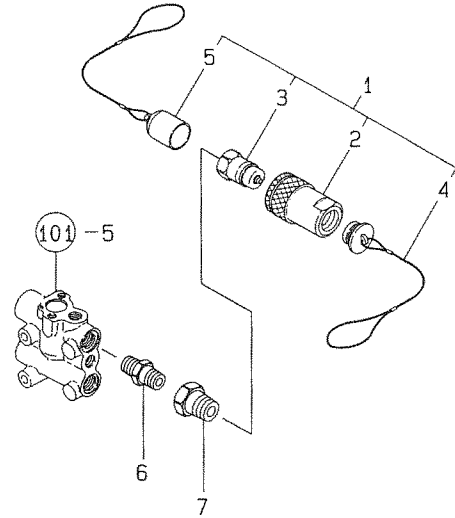
103. SCV COUPLER

+-----+  
 | 1K16 |  
 | (1K02) |  
 +-----+  
 NPC-3693

103. SCV COUPLER

99.12.07

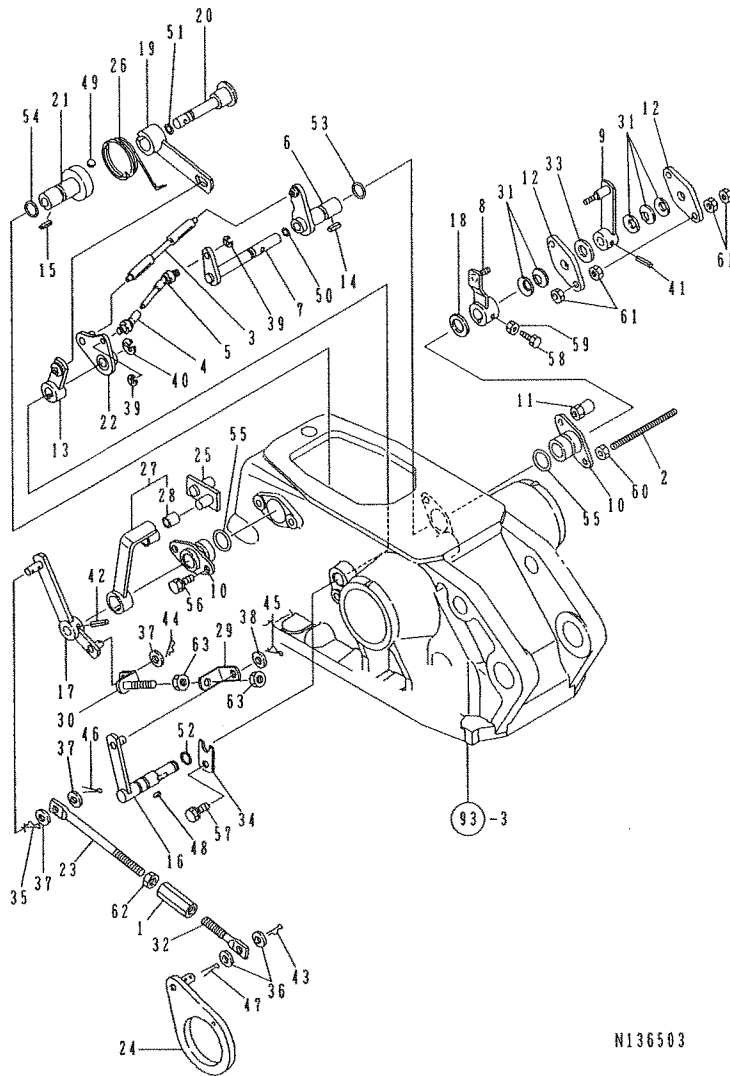
(A)=AF1110EX (D)=AF1088EX(4WD)  
 (B)=AF1110EX(4WD(E)=  
 (C)=AF1088EX(2WD(F)=



REF. NO.	LEV. 0	PART NO.	DESCRIPTION	Q'TY						I P/U A R
				(A)	(B)	(C)	(D)	(E)	(F)	
1	.	198265-46710	COUPLER COMP.,QUICK	2	2	2	2			0
2	..	198265-46720	COUPLER 1/2,FEMALE	2	2	2	2			0
3	..	198265-46730	COUPLER 1/2,MALE	2	2	2	2			0
4	..	198265-46740	PLUG,MALE	2	2	2	2			0
5	..	198265-46750	PLUG,FEMALE	2	2	2	2			0
6	.	174810-46270	JOINT RRN 3/8	2	2	2	2			1
7	.	23396-040300	JOINT	2	2	2	2			1

N136502

104. HYDRAULIC CONTROL A



N136503

-----+  
| 1L01 |  
| (1K02) |  
-----+  
NPC-3693

104. HYDRAULIC CONTROL A

99.12.07

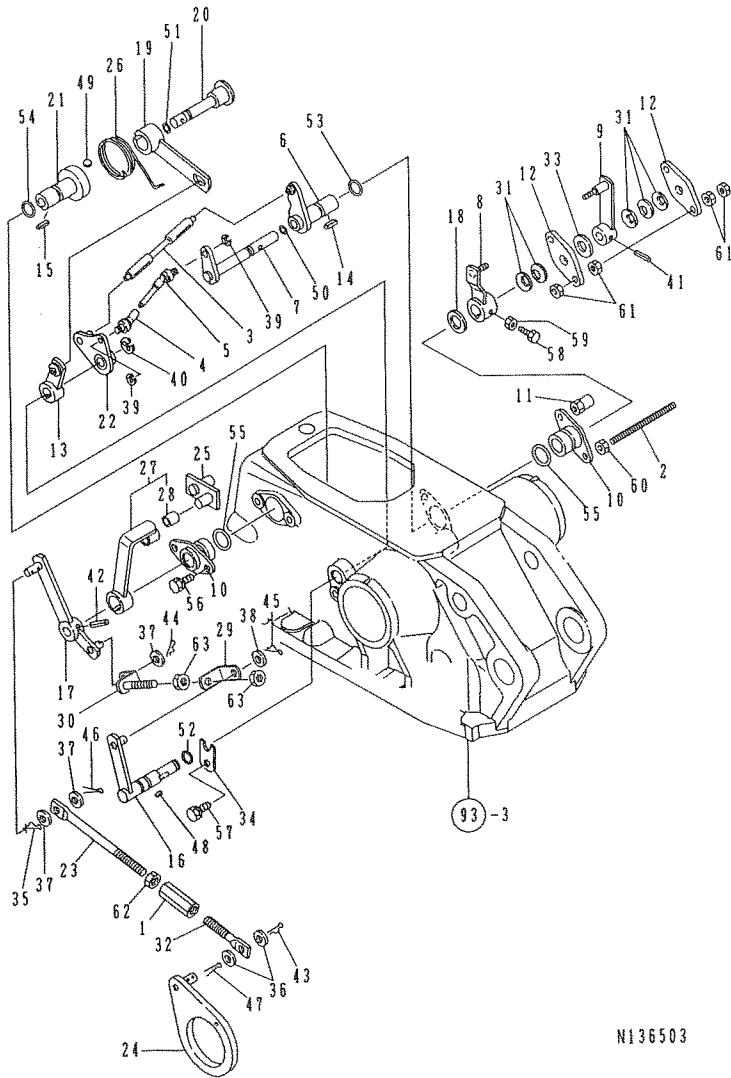
(A)=AF1110EX (D)=AF1088EX(4WD)  
(B)=AF1110EX(4WD)(E)=  
(C)=AF1088EX(2WD)(F)=

REF. NO.	LEV. 0	PART NO.	DESCRIPTION	-----Q'TY-----						I	P	U	A	R
				(A)	(B)	(C)	(D)	(E)	(F)					
1	.	194130-37730	TURNBUCKLE M10X70	1	1	1	1							2
2	.	194065-47090	BOLT 8X10S,FULL THRD	2	2	2	2							1
3	.	194065-47111	ROD,CONTROL	1	1	1	1							1
4	.	194065-47130	LINK (R)	1	1	1	1							1
5	.	194065-47140	LINK (L)	1	1	1	1							1
6	.	194065-47311	SHAFT, CONTROL	1	1	1	1							1
7	.	194065-47320	SHAFT, CONTROL	1	1	1	1							1
8	.	194065-47333	ARM,POS.CONTROL	1	1	1	1							0
9	.	194065-47343	ARM,DEPTH CONTROL	1	1	1	1							1
10	.	194065-47350	GUIDE, CONTROL LINK	2	2	2	2							1
11	.	194065-47381	NUT 8X20	1	1	1	1							1
12	.	194065-47390	PLATE, FRICTION	2	2	2	2							1
13	.	194065-47411	ARM	1	1	1	1							1
14	.	194250-47410	KEY 3X3.7X15	1	1	1	1							1
15	.	194250-47410	KEY 3X3.7X15	1	1	1	1							1
16	.	194065-47430	SHAFT	1	1	1	1							1
17	.	194065-47442	LINK,POS.FEEDBACK	1	1	1	1							1
18	.	194170-47440	PLATE, FRICTION	1	1	1	1							1
19	.	194065-47451	ARM,DEP.FEEDBACK INR	1	1	1	1							1
20	.	194065-47460	SHAFT, CONTROL	1	1	1	1							1
21	.	194065-47470	SHAFT, FEED BACK	1	1	1	1							1
22	.	194065-47481	LINK,DEPTJ FEEDBACK	1	1	1	1							1
23	.	194065-47510	ROD, FEED BACK	1	1	1	1							1
24	.	194065-47610	ARM, FEED BACK	1	1	1	1							1
25	.	194065-47630	HINGE	1	1	1	1							1
26	.	194065-47640	SPRING, RETURN	1	1	1	1							1
27	.	194065-47650	ARM W/BUSH	1	1	1	1							1
28	.	24550-013150	BUSHING 13X15	1	1	1	1							1
29	.	194065-47670	LINK, FEED BACK	1	1	1	1							1
30	.	194065-47680	LINK, FEED BACK	1	1	1	1							1
31	.	194151-47760	WASHER 12	5	5	5	5							1
32	.	194250-47790	ROD, FEED BACK	1	1	1	1							1
33	.	194310-47790	PLATE, FRICTION	1	1	1	1							1
34	.	194250-47930	PLATE, KEEP	1	1	1	1							1
35	.	1C6360-65700	SNAP PIN 10	1	1	1	1							1
36	.	22137-100000	WASHER 10,POLISHED	2	2	2	2							10
37	.	22137-100000	WASHER 10,POLISHED	3	3	3	3							10
38	.	22137-100000	WASHER 10,POLISHED	1	1	1	1							10
39	.	22272-000060	CIRCLIP E- 6	2	2	2	2							10
40	.	22272-000100	CIRCLIP E-10	1	1	1	1							10
41	.	22351-050025	SPRING PIN 5X25	1	1	1	1							10
42	.	22351-050025	SPRING PIN 5X25	1	1	1	1							10
43	.	22372-100000	SNAP PIN 10	1	1	1	1							10
44	.	22372-100000	SNAP PIN 10	1	1	1	1							10
45	.	22372-100000	SNAP PIN 10	1	1	1	1							10
46	.	22417-300250	COTTER PIN 3.OX 25	1	1	1	1							10
47	.	22417-300250	COTTER PIN 3.OX 25	1	1	1	1							10
48	.	22522-030130	WOODRUFF KEY 3X13	1	1	1	1							1
49	.	24190-100003	BALL 5/16	1	1	1	1							10
50	.	24311-000090	O-RING 1A P-9.0	1	1	1	1							10
51	.	24311-000090	O-RING 1A P-9.0	1	1	1	1							10
52	.	24311-000110	O-RING 1A P-11.0	1	1	1	1							10
53	.	24311-000150	O-RING 1A P-15.0	1	1	1	1							10
54	.	24311-000150	O-RING 1A P-15.0	1	1	1	1							10

\*\* CONTINUE \*\*

N136503

104. HYDRAULIC CONTROL A



N136503

1L02  
(1K02)  
NPC-3693

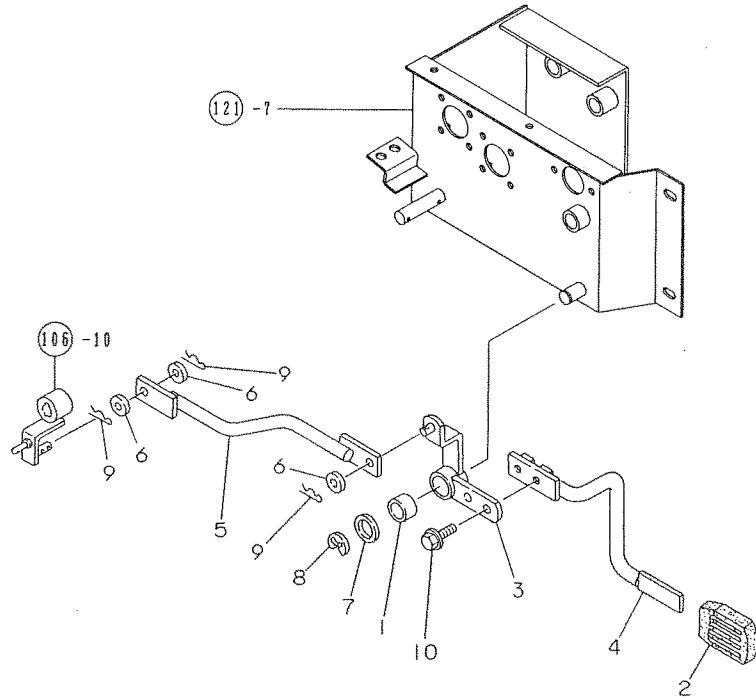
104. HYDRAULIC CONTROL A

99.12.07

(A)=AF1110EX (D)=AF1088EX(4WD)  
(B)=AF1110EX(4WD)(E)=  
(C)=AF1088EX(2WD)(F)=

REF. NO.	LEV. 0	PART NO.	DESCRIPTION	QTY						I P/U A R
				(A)	(B)	(C)	(D)	(E)	(F)	
55	.	24311-000240	O-RING 1A P-24.0	2	2	2	2			10
56	.	26013-080162	BOLT W/WASHER M8X16	2	2	2	2			10
57	.	26013-080162	BOLT W/WASHER M8X16	1	1	1	1			10
58	.	26116-080202	BOLT M 8X 20 PLATED	1	1	1	1			10
59	.	26716-080002	NUT M 8	1	1	1	1			10
60	.	26716-080002	NUT M 8	1	1	1	1			10
61	.	26716-080002	NUT M 8	8	8	8	8			10
62	.	26716-100002	NUT 10	1	1	1	1			10
63	.	26716-100002	NUT 10	2	2	2	2			10

105. HYDRAULIC CONTROL(B



N136504

+-----+  
| 1L03 |  
| (1K02) |  
+-----+  
NPC-3693

105. HYDRAULIC CONTROL(B

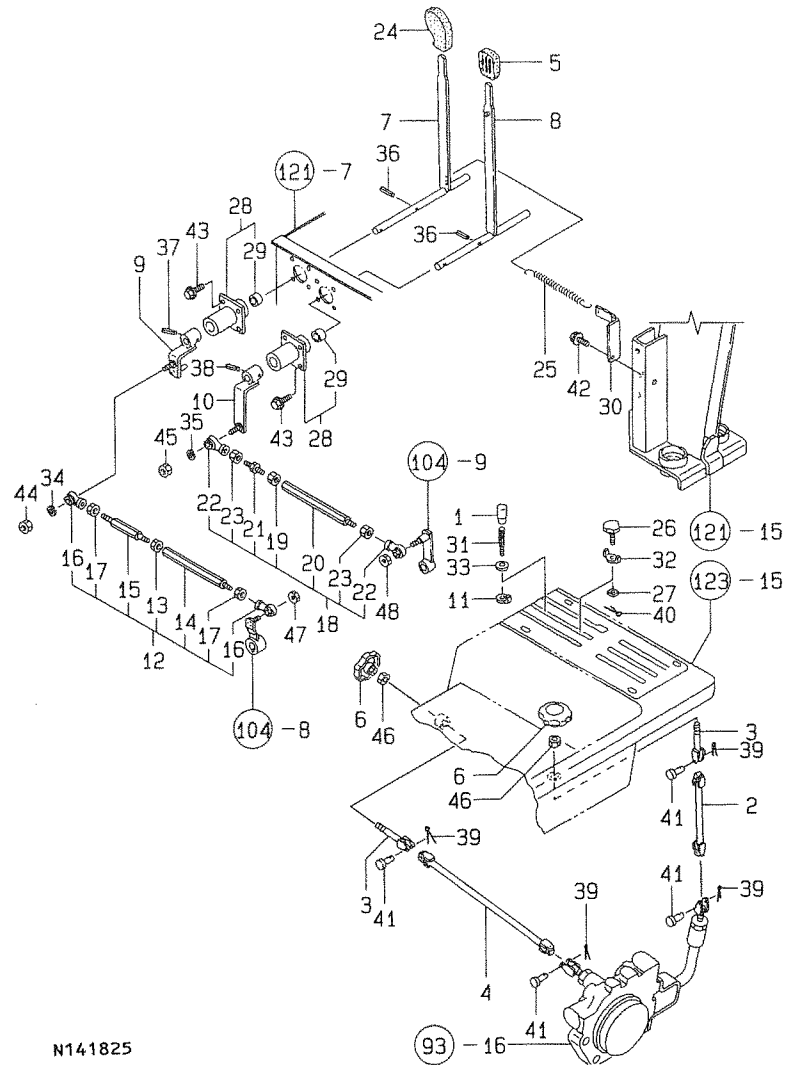
99.12.07

(A)=AF1110EX (D)=AF1088EX(4WD  
(B)=AF1110EX(4WD(E)=  
(C)=AF1088EX(2WD(F)=

REF. NO.	LEV. 0	PART NO.	DESCRIPTION	-----Q'TY-----						I	P/U	A	R
				(A)	(B)	(C)	(D)	(E)	(F)				
1	.	194312-27880	BUSH 17X20X12	1							Z	1	
		(A=F00001 )											
2	.	194065-46510	KNOB	1							Z	1	
		(A=F00001 )											
3	.	194065-47960	LINK (R)	1							Z	1	
		(A=F00001 )											
4	.	194065-47970	LINK (L)	1							Z	1	
		(A=F00001 )											
5	.	194065-47980	SHAFT, CONTROL	1							Z	1	
		(A=F00001 )											
6	.	22137-100000	WASHER 10,POLISHED	3							Z	10	
		(A=F00001 )											
7	.	22137-160000	WASHER 16,POLISHED	1							Z	10	
		(A=F00001 )											
8	.	22272-000150	CIRCLIP E-15	1							Z	10	
		(A=F00001 )											
9	.	22372-100000	SNAP PIN 10	3							Z	10	
		(A=F00001 )											
10	.	26106-080202	BOLT M 8X 20 PLATED	2							Z	10	
		(A=F00001 )											

N136504

106. CONTROL LINK



N141825

1L04  
(1K02)  
NPC-3693

106. CONTROL LINK

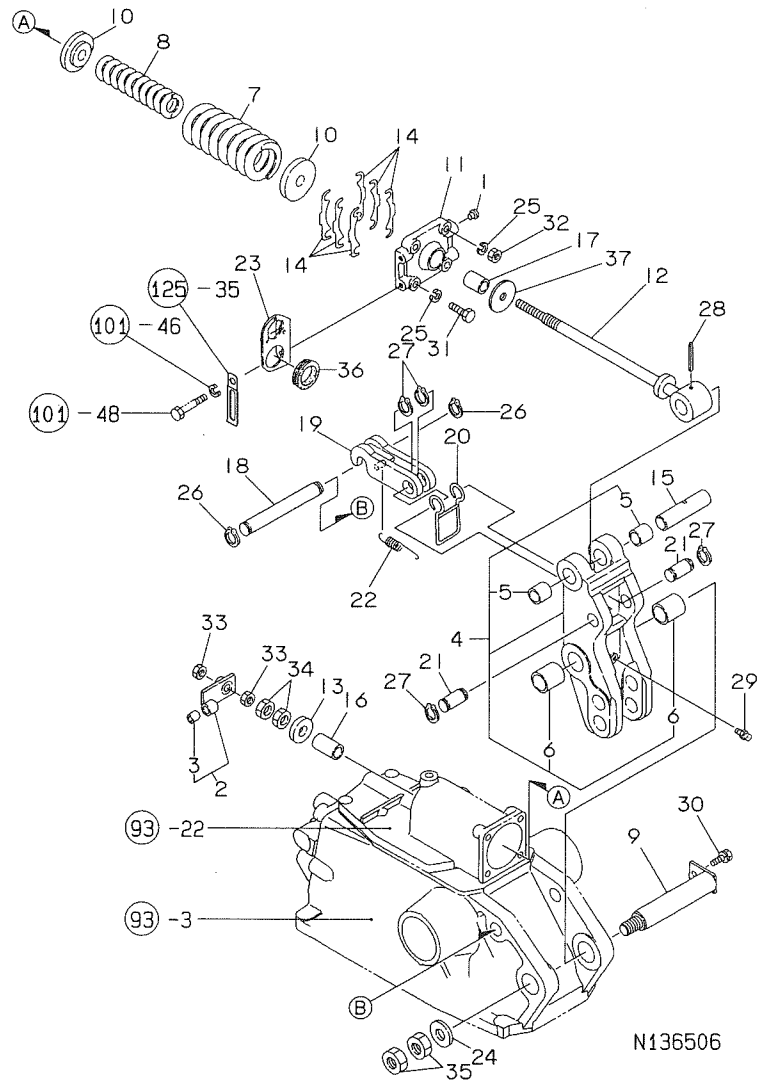
99.12.07

(A)=AF1110EX (D)=AF1088EX(4WD)  
(B)=AF1110EX(4WD)(E)=  
(C)=AF1088EX(2WD)(F)=

REF. NO.	LEV. 0	PART NO.	DESCRIPTION	Q'TY						I P U A R
				(A)	(B)	(C)	(D)	(E)	(F)	
1	.	194080-01121	KNOB 8X17X30	1	1	1	1			1
2	.	194065-46180	ROD, CONTROL	1	1	1	1			1
3	.	194065-46380	SHAFT, CONTROL	2	2	2	2			1
4	.	194065-46390	ROD, CONTROL	1	1	1	1			1
5	.	194065-46510	KNOB	1	1	1	1			1
6	.	198220-46670	KNOB	2	2	2	2			1
7	.	194065-47014	LEVER, POS. CONTROL	1	1	1	1			1
8	.	194065-47023	LEVER, DEPTH CONTROL	1	1	1	1			1
9	.	194065-47034	ARM, POSITION LEVER	1	1	1	1			1
10	.	194065-47044	ARM, DRAFT LEVER	1	1	1	1			1
11	.	194065-47050	STOPPER	1	1	1	1			1
12	.	198265-47100	ROD(P CONTROL UNIT)	1	1	1	1			0
13	..	194130-01390	NUT M6	1	1	1	1			1
14	..	194065-47062	ROD, CONTROL	1	1	1	1			1
15	..	194065-47150	ADJUSTER P	1	1	1	1			1
16	..	1E6480-87490	BALL 6,RING	2	2	2	2			1
17	..	26716-060002	NUT 6	2	2	2	2			10
18	.	198265-47110	ROD(D CONTROL UNIT)	1	1	1	1			0
19	..	194130-01390	NUT M6	1	1	1	1			1
20	..	194065-47062	ROD, CONTROL	1	1	1	1			1
21	..	194065-47081	ADJUST	1	1	1	1			1
22	..	1E6480-87490	BALL 6,RING	2	2	2	2			1
23	..	26716-060002	NUT 6	2	2	2	2			10
24	.	194450-47370	KNOB, CONTROL LEVER	1	1	1	1			1
25	.	194450-47470	SPRING, SET	1	1	1	1			1
26	.	194464-47470	BOLT, LOCK	1	1	1	1			1
27	.	194065-47540	LOCKINGS	1	1	1	1			1
28	.	194065-47550	PIVOT COMPL.	2	2	2	2			0
29	..	1E6210-63110	BUSH 17X15	2	2	2	2			1
30	.	194065-47561	HOOK, SPRING	1	1	1	1			1
31	.	194065-47570	STUD	1	1	1	1			1
32	.	194065-47590	STOPPER, LEVER	1	1	1	1			1
33	.	22137-060000	WASHER 6, POLISHED	1	1	1	1			10
34	.	22217-060000	SPRING WASHER 6	1	1	1	1			10
35	.	22217-060000	SPRING WASHER 6	1	1	1	1			10
36	.	22351-060028	SPRING PIN 6X28	2	2	2	2			10
37	.	22351-060028	SPRING PIN 6X28	1	1	1	1			10
38	.	22351-060028	SPRING PIN 6X28	1	1	1	1			10
39	.	22417-120100	COTTER PIN 1.2X10	4	4	4	4			10
40	.	22417-200200	COTTER PIN 2.0X20	1	1	1	1			10
41	.	22487-040200	PIN 4X 20	4	4	4	4			1
42	.	26106-080162	BOLT M 8X 16 PLATED	1	1	1	1			10
43	.	26106-080162	BOLT M 8X 16 PLATED	8	8	8	8			10
44	.	26716-060002	NUT 6	1	1	1	1			10
45	.	26716-060002	NUT 6	1	1	1	1			10
46	.	26716-100002	NUT 10	2	2	2	2			10
47	.	26756-060002	LOCK NUT 6	1	1	1	1			10
48	.	26756-060002	LOCK NUT 6	1	1	1	1			10

N141825

107. DRAFT CONTROL



N136506

1L05  
1K02  
NPC-3693

107. DRAFT CONTROL

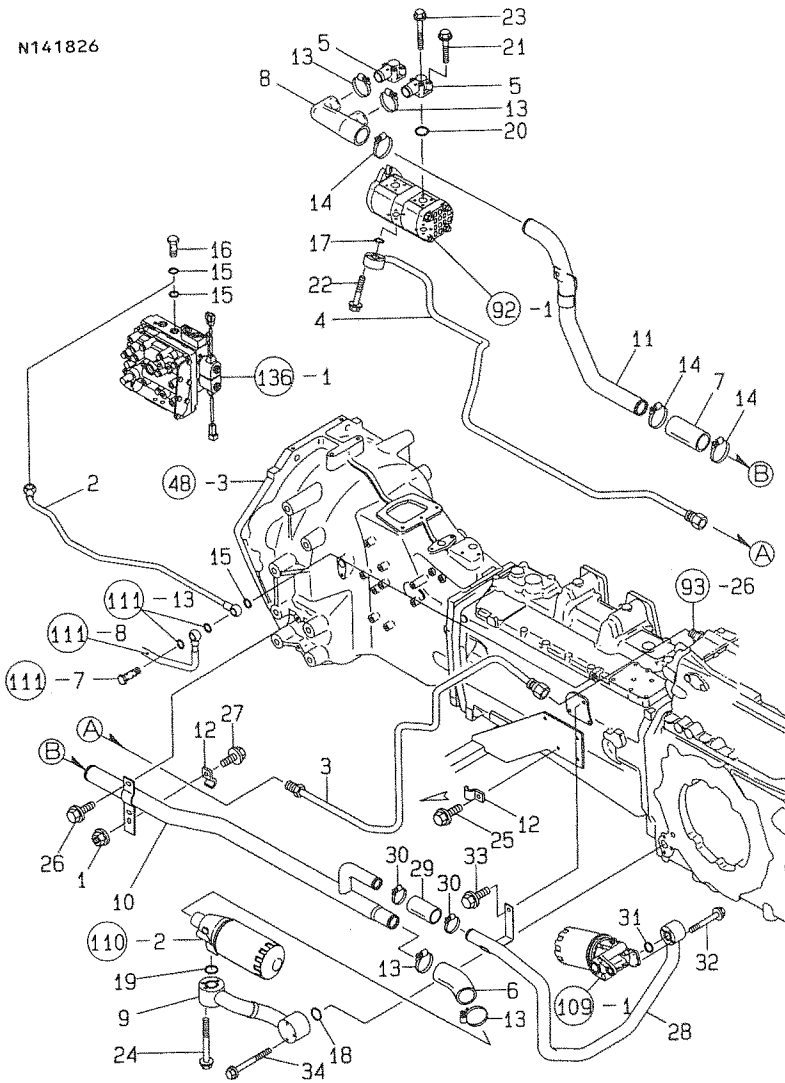
99.12.07

(A)=AF1110EX (D)=AF1088EX(4WD)  
(B)=AF1110EX(4WD)(E)=  
(C)=AF1088EX(2WD)(F)=

REF. NO.	LEV. 0	PART NO.	DESCRIPTION	-----Q'TY-----						I	P	U	A	R
				(A)	(B)	(C)	(D)	(E)	(F)					
1	.	194275-27750	PLUG 7.8	2	2	2	2							1
2	.	194065-47660	ADJUSTER	1	1	1	1							1
3	..	24550-013150	BUSHING 13X15	1	1	1	1							1
4	.	194065-47700	HINGE ASSY, TOP LINK	1	1	1	1							1
5	..	24550-025250	BUSH 25X25	2	2	2	2							1
6	..	24550-032400	BUSH 32X40	2	2	2	2							1
7	.	194065-47710	SPRING, SENSING	1	1	1	1							1
8	.	194065-47720	SPRING, SENSING	1	1	1	1							1
9	.	194065-47760	PIN, HINGE	1	1	1	1							1
10	.	194065-47770	SPACER, SPRING	2	2	2	2							1
11	.	194065-47790	COVER, SENSING SPRING	1	1	1	1							1
12	.	194065-47810	SHAFT	1	1	1	1							1
13	.	194065-47820	PLATE	1	1	1	1							1
14	.	194065-47830	SHIM	6	6	6	6							1
15	.	194065-47840	PIN, HINGE	1	1	1	1							1
16	.	194065-47850	COLLAR 47.5	1	1	1	1							1
17	.	194065-47860	COLLAR 33	1	1	1	1							1
18	.	194065-47910	PIN, HINGE	1	1	1	1							1
19	.	194065-47920	LOCK, HINGE	1	1	1	1							1
20	.	194065-47930	LEVER	1	1	1	1							1
21	.	194065-47940	SHAFT	2	2	2	2							1
22	.	194065-47950	SPRING	1	1	1	1							1
23	.	194065-51650	STAY, CONNECTOR	1	1	1	1							1
24	.	22137-200000	WASHER 20,POLISHED	1	1	1	1							10
25	.	22217-100000	SPRING WASHER 10	4	4	4	4							10
26	.	22242-000220	CIRCLIP 22	2	2	2	2							10
27	.	22242-000220	CIRCLIP 22	4	4	4	4							10
28	.	22351-060050	SPRING PIN 6X50	1	1	1	1							10
29	.	24761-010000	NIPPLE M6F, GREASE	1	1	1	1							1
30	.	26013-080162	BOLT W/WASHER M8X16	1	1	1	1							10
31	.	26116-100352	BOLT 10X35	2	2	2	2							10
32	.	26716-100002	NUT 10	2	2	2	2							10
33	.	26716-120002	NUT 12	2	2	2	2							10
34	.	26716-160002	NUT M16	2	2	2	2							10
35	.	26756-200002	LOCK NUT M20 PLATED	2	2	2	2							1
36	.	29311-324000	GROMMET	1	1	1	1							1
37	.	198265-46790	WASHER 10X40X3.2	1	1	1	1							1

108. HYDRAULIC PIPING

N141826



1L06  
(1K02)  
NPC-3693

108. HYDRAULIC PIPING

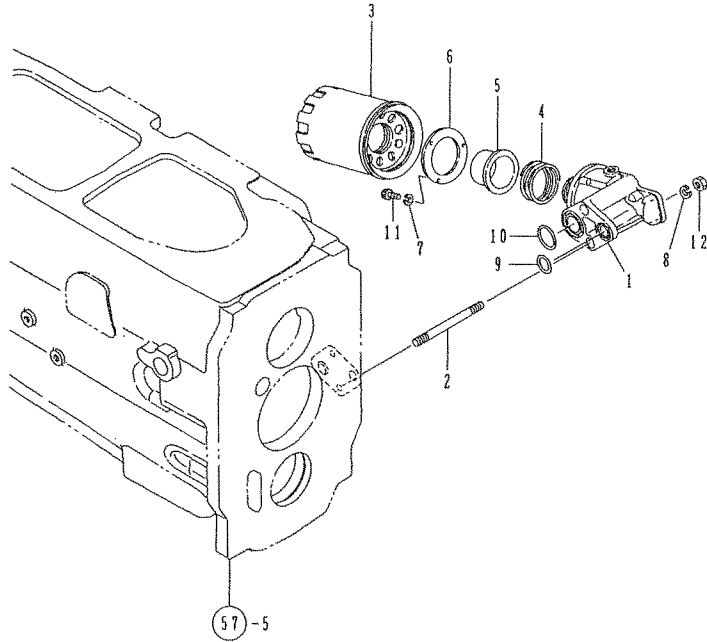
99.12.07

(A)=AF1110EX (D)=AF1088EX(4WD)  
(B)=AF1110EX(4WD)(E)=  
(C)=AF1088EX(2WD)(F)=

REF. NO.	LEV. 0	PART NO.	DESCRIPTION	Q'TY						I	P	U	A	R
				(A)	(B)	(C)	(D)	(E)	(F)					
1	.	194990-22140	NUT W/WASHER 8	1	1	1	1						5	
2	.	198265-24920	PIPE,TANK CMP,LO-PRS	1	1	1	1						1	
3	.	198265-48100	PIPE B CMP,HI-PRESS	1	1	1	1						0	
4	.	198265-48120	PIPE A CMP,HI-PRESS	1	1	1	1						0	
5	.	198240-48140	FLANGE	2	2	2	2						1	
6	.	194065-48280	RUBBER PIPE	1	1	1	1						1	
7	.	198265-48280	RUBBER PIPE	1	1	1	1						1	
8	.	198265-48340	PIPE,LOW-PRS,RUBBER	1	1	1	1						1	
9	.	198265-48410	PIPE B CMP,LOW-PRESS	1	1	1	1						0	
10	.	198265-48450	PIPE C CMP,LOW-PRESS	1	1	1	1						0	
11	.	198265-48480	PIPE A CMP,LOW-PRESS	1	1	1	1						0	
12	.	194450-48830	CLAMP	2	2	2	2						1	
13	.	23000-041000	CLAMP 41	4	4	4	4						1	
14	.	23000-054000	CLAMP 54	3	3	3	3						1	
15	.	23414-160021	GASKET 16	3	3	3	3						10	
16	.	23857-100000	JOINT BOLT 10	2	2	2	2						1	
17	.	24311-000200	O-RING 1A P-20.0	1	1	1	1						10	
18	.	24311-000260	O-RING 1A P-26.0	1	1	1	1						10	
19	.	24321-000250	O-RING 1A G-25.0	1	1	1	1						10	
20	.	24341-000250	O-RING 1A S-25.0	2	2	2	2						10	
21	.	26106-060352	BOLT M 6X 35 PLATED	4	4	4	4						10	
22	.	26106-060352	BOLT M 6X 35 PLATED	4	4	4	4						10	
23	.	26106-060452	BOLT M 6X 45 PLATED	4	4	4	4						10	
24	.	26106-060602	BOLT M 6X 60 PLATED	3	3	3	3						10	
25	.	26106-080122	BOLT M 8X 12 PLATED	1	1	1	1						10	
26	.	26106-080162	BOLT M 8X 16 PLATED	2	2	2	2						10	
27	.	26106-080202	BOLT M 8X 20 PLATED	1	1	1	1						10	
28	.	198265-48500	PIPE D CMP LO-PRS	1	1	1	1						0	
29	.	194640-48240	HOSE, LOW PRESSURE	1	1	1	1						1	
30	.	175022-49730	CRIP 31, HOSE	2	2	2	2						1	
31	.	24311-000200	O-RING 1A P-20.0	1	1	1	1						10	
32	.	26106-060452	BOLT M 6X 45 PLATED	3	3	3	3						10	
33	.	26106-080122	BOLT M 8X 12 PLATED	1	1	1	1						10	
34	.	26106-060552	BOLT M 6X 55 PLATED	3	3	3	3						10	



109. HYDRAULIC FILTER



N136508

-----+  
 | 1L07 |  
 | (1K02) |  
 +-----+  
 NPC-3693

109. HYDRAULIC FILTER

99.12.07

(A)=AF1110EX (D)=AF1088EX(4WD  
 (B)=AF1110EX(4WD(E)=  
 (C)=AF1088EX(2WD(F)=

REF. NO.	LEV. 0	PART NO.	DESCRIPTION	-----Q'TY-----						I P/U A R
				(A)	(B)	(C)	(D)	(E)	(F)	
1	.	198265-24550	COVER, HYD. FILTER	1	1	1	1			1
2	.	194065-24670	STUD M 8X 97	2	2	2	2			0
3	.	198265-48250	FILTER, HYDRAULIC	1	1	1	1			1
4	.	194555-48370	SPRING, VALVE	1	1	1	1			1
5	.	194555-48380	VALVE	1	1	1	1			1
6	.	194555-48390	SEAT, VALVE	1	1	1	1			1
7	.	22217-040000	SPRING WASHER 4	3	3	3	3			10
8	.	22217-080000	SPRING WASHER 8	2	2	2	2			10
9	.	24311-000180	O-RING 1A P-18.0	1	1	1	1			10
10	.	24311-000260	O-RING 1A P-26.0	1	1	1	1			10
11	.	26587-040102	SCREW M 4X 10	3	3	3	3			10
12	.	26716-080002	NUT M 8	2	2	2	2			10

N136508

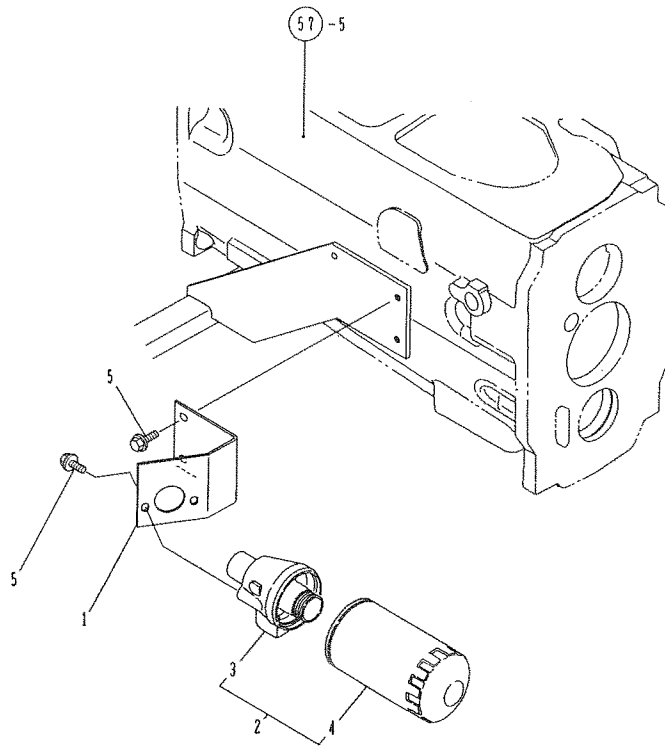
110. HYDRAULIC FILTER

1L08  
(1K02)  
NPC-3693

110. HYDRAULIC FILTER

99.12.07

(A)=AF1110EX (D)=AF1088EX(4WD)  
(B)=AF1110EX(4WD)(E)=  
(C)=AF1088EX(2WD)(F)=

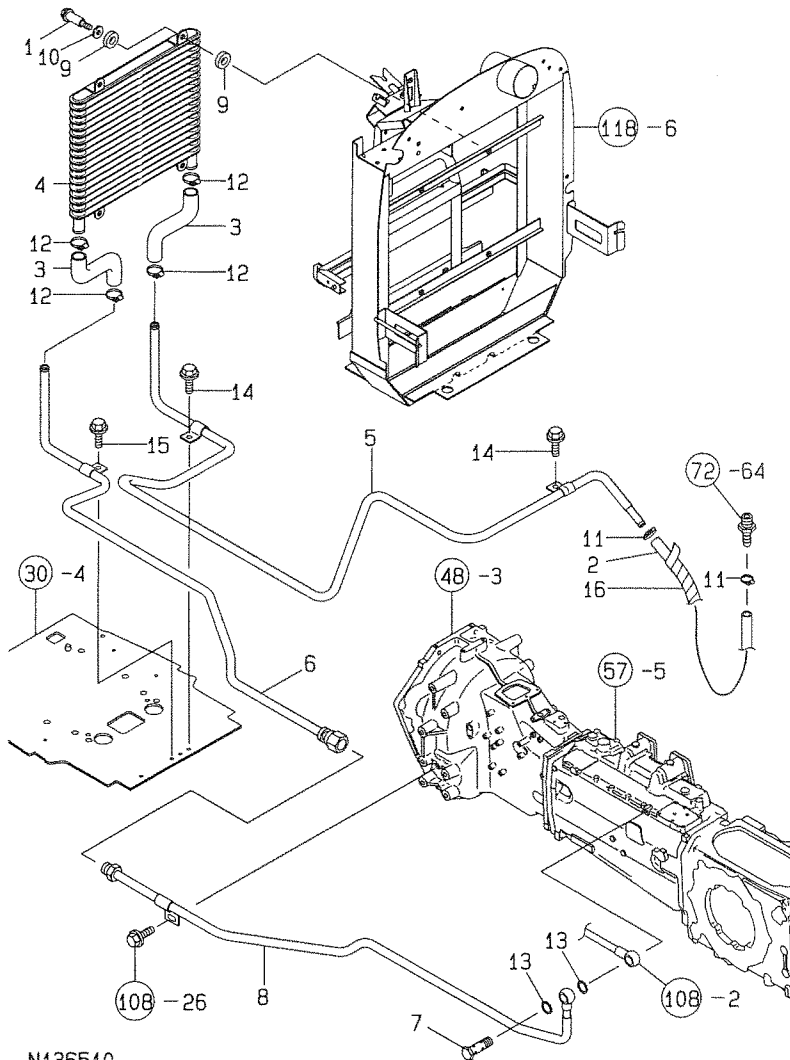


REF. NO.	LEV. O	PART NO.	DESCRIPTION	-----Q'ITY-----						I P/U A R
				(A)	(B)	(C)	(D)	(E)	(F)	
1	.	198265-48380	BRACKET, FILTER	1	1	1	1			1
2	.	198265-48240	FILTER ASSY, HYD.	1	1	1	1			1
3	..	194555-48360	COVER	1	1	1	1			1
4	..	198265-48250	FILTER, HYDRAULIC	1	1	1	1			1
5	.	26106-080122	BOLT M 8X 12 PLATED	4	4	4	4			10

N136509

N136509

111. OIL COOLER



N136510

-----+  
| 1L09 |  
| (1K02) |  
+-----+  
NPC-3693

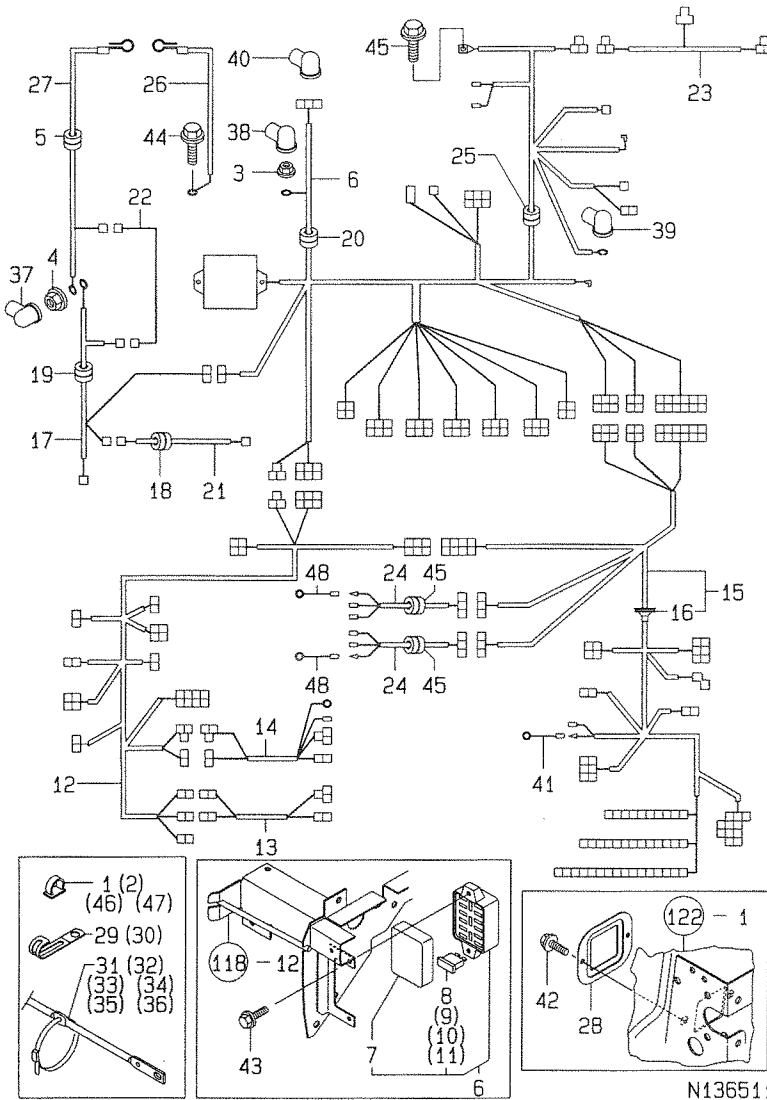
111. OIL COOLER

99.12.07

(A)=AF1110EX (D)=AF1088EX(4WD)  
(B)=AF1110EX(4WD)(E)=  
(C)=AF1088EX(2WD)(F)=

REF. NO.	LEV. 0	PART NO.	DESCRIPTION	Q'TY						I P/U A R
				(A)	(B)	(C)	(D)	(E)	(F)	
1	.	198133-02120	BOLT M 6	4	4	4	4			1
2	.	198265-48540	HOSE,O.COOLR.LOW-PRS	1	1	1	1			1
3	.	198448-48820	HOSE,OIL COOLER	2	2	2	2			1
4	.	198448-48810	COOLER ASSY, LUB OIL	1	1	1	1			1
5	.	198265-49110	PIPE,IN.COOLR	1	1	1	1			0
6	.	198265-49130	PIPE,OUT.F.CMP.COOLR	1	1	1	1			0
7	.	198265-49160	BOLT 16, JOINT	1	1	1	1			0
8	.	198265-49210	PIPE,OUT.R.CMP.COOLR	1	1	1	1			0
9	.	194420-62260	RUBBER, CUSHION	8	8	8	8			1
10	.	22137-100000	WASHER 10,POLISHED	4	4	4	4			10
11	.	23000-022000	CLAMP 22	2	2	2	2			1
12	.	23000-028000	CLAMP 28	4	4	4	4			1
13	.	23414-160021	GASKET 16	2	2	2	2			10
14	.	26106-080162	BOLT M 8X 16 PLATED	2	2	2	2			10
15	.	26106-080162	BOLT M 8X 16 PLATED	1	1	1	1			10
16	.	194065-38540	ARMA 1/4	1	1	1	1			1

112. WIRE HARNESS



1M03  
(1M02)  
NPC-3693

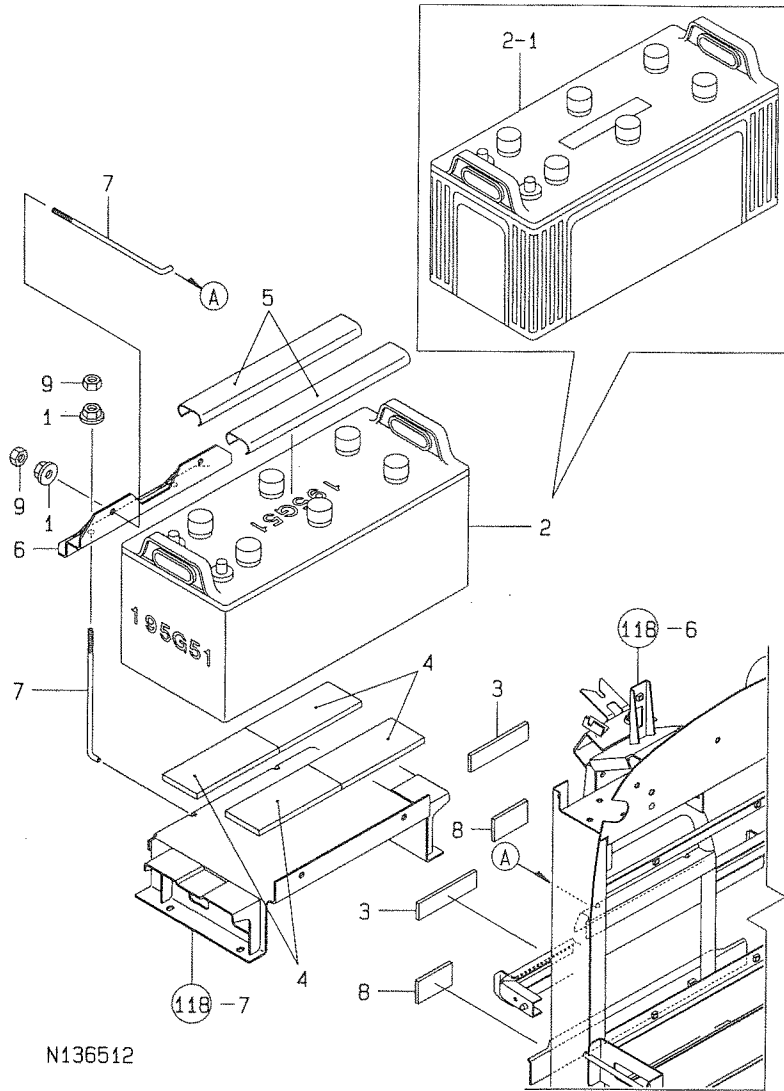
112. WIRE HARNESS

99.12.07

(A)=AF1110EX (D)=AF1088EX(4WD)  
(B)=AF1110EX(4WD(E)=  
(C)=AF1088EX(2WD(F)=

REF. NO.	LEV. 0	PART NO.	DESCRIPTION	Q'TY						I P U A R
				(A)	(B)	(C)	(D)	(E)	(F)	
1	.	194680-78350	STICKER 18,WIRE	4	4	4	4			1
2	.	194680-78350	STICKER 18,WIRE	1	1	1	1			1
3	.	194990-22130	NUT W/WASHER 6	1	1	1	1			5
4	.	194990-22140	NUT W/WASHER 8	1	1	1	1			5
5	.	198448-48990	GROMMET,COOLER HOSE	1	1	1	1			0
6	.	198265-51110	HARNESS A,WIRE	1	1	1	1			1
7	..	174501-51410	COVER, FUSE BOX	1	1	1	1			1
8	..	198220-52820	FUSE 5A	4	4	4	4			1
9	..	198220-52830	FUSE 10A	2	2	2	2			1
10	..	198220-52840	FUSE 15A	3	3	3	3			1
11	..	198440-52860	FUSE 20A,BLADE	1	1	1	1			1
12	.	198265-51120	HARNESS B,WIRE	1	1	1	1			1
13	.	198265-51130	HARNESS C,WIRE	1	1	1	1			1
14	.	198265-51140	HARNESS D, WIRE	1	1	1	1			1
15	.	198265-51160	HARNESS F,WIRE	1	1	1	1			1
16	..	198448-51410	GROMMET,WIRE HARNESS	1	1	1	1			0
17	.	198265-51200	HARNESS,STARTER WIRE	1	1	1	1			1
18	.	194170-51210	GROMMET 25	1	1	1	1			1
19	.	194170-51210	GROMMET 25	1	1	1	1			1
20	.	194555-51210	GROMMET 35	1	1	1	1			1
21	.	198268-51230	WIRE,MAIN LEAD	1	1	1	1			0
22	.	198153-51240	LINK 1.0,FUSIBLE	1	1	1	1			1
23	.	198448-51270	WIRE,HEAD LAMP LEAD	1	1	1	1			1
24	.	198463-51280	WIRE,FLASHR.LAMP LD.	2	2	2	2			1
25	.	198255-51290	GROMMET 23	1						1
25-1	.	194170-51210 (A=F00079 )	GROMMET 25	1	1	1	1		S	1
26	.	198268-51320	CABLE, BATTERY EARTH	1	1	1	1			0
27	.	198265-51410	CABLE, ASSY(BATTERY	1	1	1	1			0
28	.	198448-51420	RETAINER,GROMMET	1	1	1	1			1
29	.	194440-51620	CLAMP, WIRE HARNESS	1	1	1	1			1
30	.	194180-51640	CLAMP, WIRE HARNESS	1	1	1	1			1
31	.	194250-51660	BAND 250	15	15	15	15			1
32	.	194680-51670	BAND	4	4	4	4			1
33	.	194680-51670	BAND	1	1	1	1			1
34	.	194680-51670	BAND	9	9	9	9			1
35	.	121750-59890	CLAMP 140	3	3	3	3			1
36	.	121750-59890	CLAMP 140	1	1	1	1			1
37	.	124550-77030	COVER, TERMINAL	1	1	1	1			1
38	.	124756-77040	COVER, TERMINAL	1	1	1	1			1
39	.	124756-77040	COVER, TERMINAL	1	1	1	1			1
40	.	124756-77040	COVER, TERMINAL	1	1	1	1			1
41	.	198093-86180	WIRE,WASHER LEAD	1	1	1	1			1
42	.	26106-060122	BOLT M 6X 12 PLATED	2	2	2	2			10
43	.	26106-060162	BOLT M 6X 16 PLATED	2	2	2	2			10
44	.	26106-080162	BOLT M 8X 16 PLATED	1						10
44-1	.	26106-080122 (A=F00079 )	BOLT M 8X 12 PLATED	1	1	1	1		S	10
45	.	197830-85490	GROMMET 8,RUBBER	2	2	2	2			1
46	.	194680-78350	STICKER 18,WIRE	2	2	2	2			1
47	.	194680-78350	STICKER 18,WIRE	1	1	1	1			1
48	.	198146-86160 (A=F00079 )	WIRE,FLSH.EARTH LEAD	2	2	2	2		W	1

113. BATTERY



N136512

1M04  
(1M02)  
NPC-3693

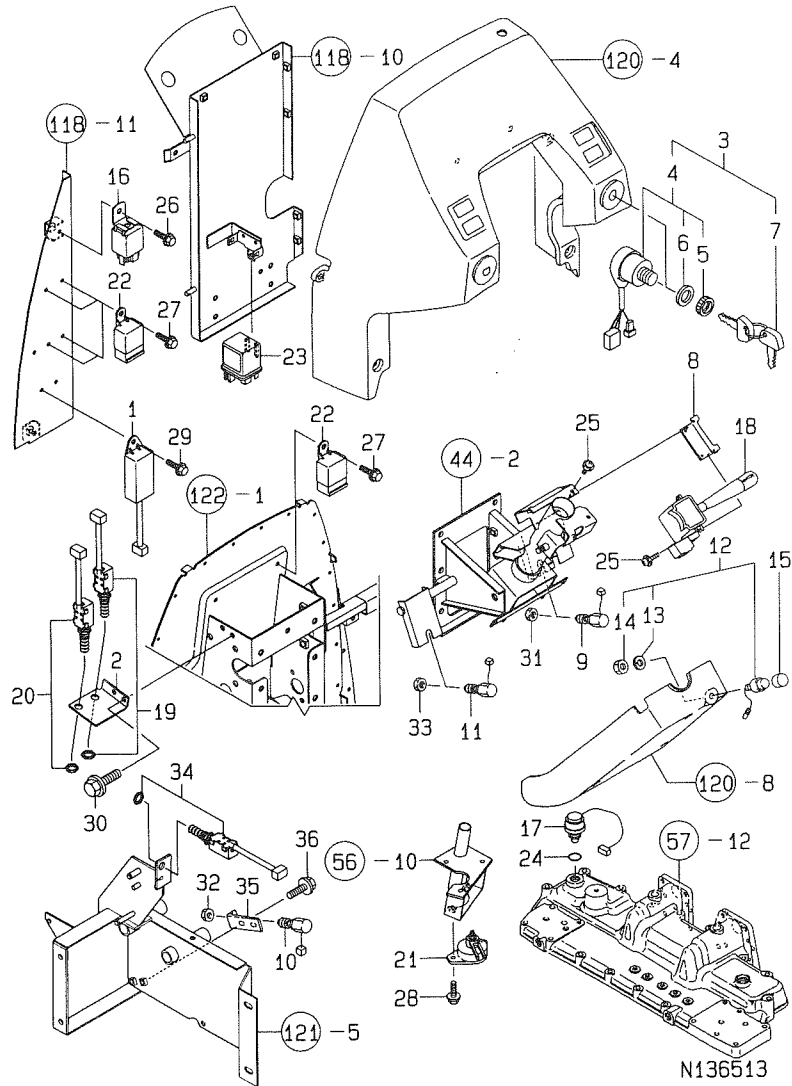
113. BATTERY

99.12.07

(A)=AF1110EX (D)=AF1088EX(4WD)  
(B)=AF1110EX(4WD(E)=  
(C)=AF1088EX(2WD(F)=

REF. NO.	LEV. 0	PART NO.	DESCRIPTION	Q'TY						I	P/U	A	R
				(A)	(B)	(C)	(D)	(E)	(F)				
1	.	194990-22140	NUT W/WASHER 8	4	4	4	4					5	
2	.	198265-51500	BATTERY 195G51(PERU)	1								0	
I 2-1	.	198153-51501	BATTERY	1	1	1	1				S	0	
(A=FXXXXX )													
3	.	198153-51510	SPACER (RUBBER)	2	2	2	2					1	
4	.	198268-51540	RUBBER, CUSHION	4	4	4	4					1	
5	.	198153-51550	COVER, BATTERY	2	2	2	2					1	
6	.	198268-51560	CLAMP, BATTERY	1	1	1	1					1	
7	.	198268-51570	ROD, BATTERY CLAMP	4	4	4	4					1	
8	.	194190-61761	RUBBER, CUSHION	2	2	2	2					1	
9	.	26716-080002	NUT M 8	4	4	4	4					10	

114. SWITCHES



N136513

1M05  
(1M02)  
NPC-3693

114. SWITCHES

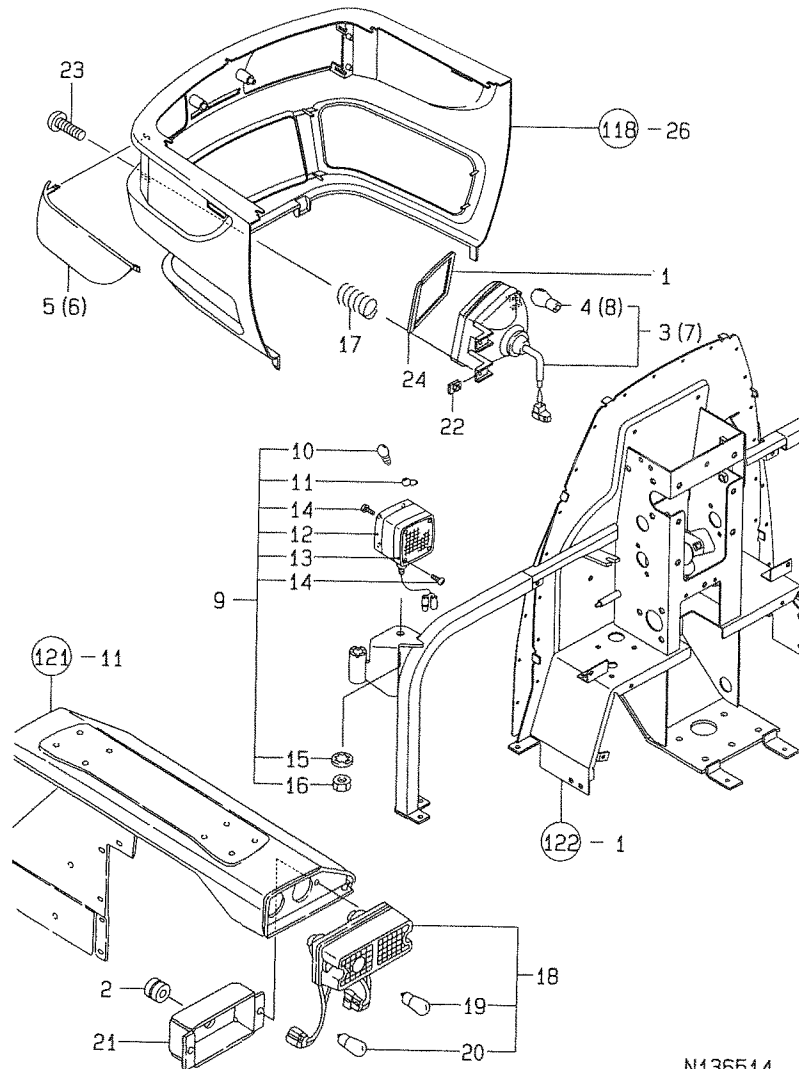
99.12.07

(A)=AF1110EX (D)=AF1088EX(4WD  
(B)=AF1110EX(4WD(E)=  
(C)=AF1088EX(2WD(F)=

REF. NO.	LEV. 0	PART NO.	DESCRIPTION	Q'TY						I	P/U	A	R
				(A)	(B)	(C)	(D)	(E)	(F)				
1	.	198461-51180	TIMER UNIT, STARTER	1	1	1	1					1	
2	.	198265-52110	STAY, SAFETY START	1	1	1	1					1	
3	.	198360-52110	SWITCH ASSY, START	1	1	1	1					1	
4	..	198360-52150	BODY COMP, STR. SWITCH	1	1	1	1					1	
5	...	198360-52320	NUT, RING	1	1	1	1					1	
6	...	198360-52330	WASHER	1	1	1	1					1	
7	..	198360-52160	KEY COMPL.	1	1	1	1					1	
I 8	.	198448-52130 (A=FXXXXX )	STAY, COMBINATION SW.	1								Z 1	
9	.	198223-52150	SWITCH, BRAKE LAMP	1	1	1	1					1	
10	.	198223-52150	SWITCH, BRAKE LAMP	1	1	1	1					1	
11	.	198223-52150	SWITCH, BRAKE LAMP	1	1	1	1					1	
12	..	194150-52160	SWITCH, HORN	1	1	1	1					1	
13	..	22217-080000	SPRING WASHER 8	1	1	1	1					10	
14	..	26736-080002	NUT 8	1	1	1	1					10	
15	.	194150-52170	CAP, HORN SWITCH	1	1	1	1					2	
16	.	198220-52180	RELAY, STARTER	1	1	1	1					1	
17	.	194464-52190	SWITCH, SAFETY START	1	1	1	1					1	
18	.	198448-52220	SWITCH, LIGHTING	1	1	1	1					0	
19	.	194065-52231	SWITCH, SAFETY	1	1	1	1					1	
20	.	194065-52231	SWITCH, SAFETY	1	1	1	1					1	
21	.	198448-52250	SWITCH, P.T.O. LEVER	1	1	1	1					1	
22	.	198461-52950	RELAY CA, TYPE C	5	5	5	5					1	
23	.	129052-77920	BODY, RELAY	1	1	1	1					1	
24	.	24311-000180	O-RING 1A P-18.0	1	1	1	1					10	
25	.	26023-040102	SCREW M 4X 10	4								10	
I 25- 1	.	26023-040102	SCREW M 4X 10	2	2	2	2					K 10	
		(A=FXXXXX )											
26	.	26106-060122	BOLT M 6X 12 PLATED	1	1	1	1					10	
27	.	26106-060122	BOLT M 6X 12 PLATED	5	5	5	5					10	
28	.	26106-060162	BOLT M 6X 16 PLATED	2	2	2	2					10	
29	.	26106-060162	BOLT M 6X 16 PLATED	1	1	1	1					10	
30	.	26106-080162	BOLT M 8X 16 PLATED	2	2	2	2					10	
I 31	.	26776-120002	LOCK NUT M12 PLATED	1	1	1	1					10	
32	.	26776-120002	LOCK NUT M12 PLATED	1	1	1	1					10	
33	.	26776-120002	LOCK NUT M12 PLATED	1	1	1	1					10	
34	.	194065-52231	SWITCH, SAFETY	1	1	1	1					1	
35	.	194065-52780	STAY, BRAKE SWITCH	1	1	1	1					1	
I 36	.	26106-080122	BOLT M 8X 12 PLATED	2								10	
I 36- 1	.	26106-080162 (A=F01338 )	BOLT M 8X 16 PLATED	2	2	2	2					S 10	

N136513

115. LAMPS



1M06  
1M02  
NPC-3693

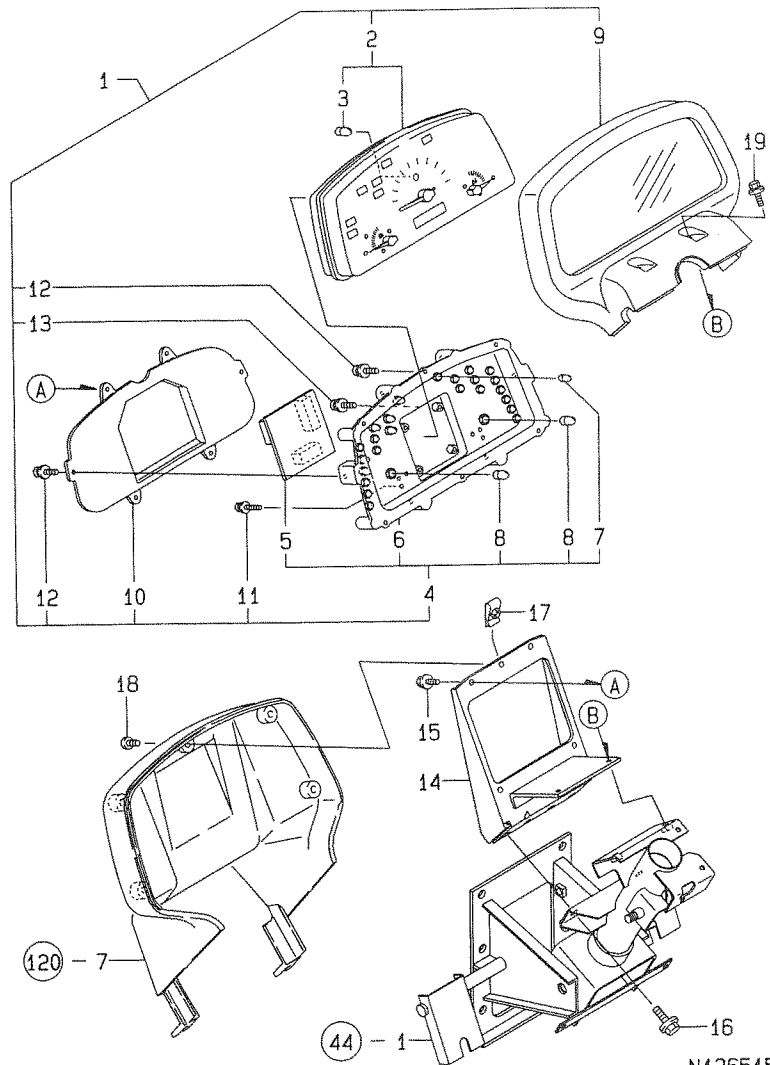
115. LAMPS

99.12.07

(A)=AF1110EX (D)=AF1088EX(4WD)  
(B)=AF1110EX(4WD)(E)=  
(C)=AF1088EX(2WD)(F)=

REF. NO.	LEV. 0	PART NO.	DESCRIPTION	Q'TY						I P U A R
				(A)	(B)	(C)	(D)	(E)	(F)	
1	.	129052-44550	SEAL, RADIATOR	2	2	2	2			1
2	.	194275-51210	GROMMET 25	2	2	2	2			1
3	.	198448-53200	HEADLIGHT L COMPL.	1	1	1	1			1
4	..	198448-53320	BULB 12V45/45W	1	1	1	1			1
5	.	198268-53250	LENS L,SIDE	1	1	1	1			1
6	.	198268-53260	LENS R,SIDE	1	1	1	1			1
7	.	198448-53300	HEADLIGHT R COMPL.	1	1	1	1			1
8	..	198448-53320	BULB 12V45/45W	1	1	1	1			1
9	.	198440-53400	LIGHT CMP,FRNT.COMB.	2	2	2	2			1
10	..	194450-53410	BULB 12V-23W	2	2	2	2			1
11	..	194450-53420	BULB 12V- 5W	2	2	2	2			1
12	..	198440-53420	LENS F	2	2	2	2			1
13	..	198440-53430	LENS R	2	2	2	2			1
14	..	198440-53440	SCREW M 4X 8	8	8	8	8			1
15	..	22222-120000	SPRING WASHER 12	2	2	2	2			10
16	..	26756-120002	LOCK NUT 12	2	2	2	2			10
17	.	198153-53410	SPRING,ADJUST	6	6	6	6			1
18	.	194065-53600	LAMP	2	2	2	2			1
19	..	194450-53410	BULB 12V-23W	2	2	2	2			1
20	..	194450-53610	BULB 12V-23/8W	2	2	2	2			1
21	.	194065-53800	COVER, LAMP	2	2	2	2			1
22	.	198071-61890	NUT 6,SPEED	6	6	6	6			1
23	.	26557-060302	SCREW M 6X 30	6	6	6	6			10
24	.	198268-53230	PAD, (RUBBER)	2	2	2	2			0

116. METER



1M07  
(1M02)  
NPC-3693

116. METER

99.12.07

(A)=AF1110EX (D)=AF1088EX(4WD  
(B)=AF1110EX(4WD(E)=  
(C)=AF1088EX(2WD(F)=

REF. NO.	LEV. 0	PART NO.	DESCRIPTION	Q'TY						I	P	U	A	R
				(A)	(B)	(C)	(D)	(E)	(F)					
1	.	198265-56010	METER CMP.,COMBNATION	1	1	1	1							0
2	..	198265-56020	TACHOMETER COMP.	1	1	1	1							0
3	...	198448-56160	LAMP 14V/1.7W,SOCKET	1	1	1	1							0
4	..	198265-56030	CASE COMP.,LOWER	1	1	1	1							0
5	...	198268-56040	FPC CMP	1	1	1	1							1
6	...	198448-56130	CASE,LOWER	1	1	1	1							1
7	...	198448-56150	LAMP 14V/1.4W,SOCKET	7	7	7	7							0
8	...	198448-56160	LAMP 14V/1.7W,SOCKET	2	2	2	2							0
9	..	198448-56170	CASE, TOP	1	1	1	1							0
10	..	198448-56180	COVER	1	1	1	1							0
11	..	198448-56190	SCREW 3X22	6	6	6	6							0
12	..	129574-91580	SCREW 4X16	8	8	8	8							1
13	..	26023-030162	SCREW M 3X 16	4	4	4	4							10
14	.	198448-56050	BRACKET,COMBINAT.M.	1	1	1	1							1
15	.	26106-060122	BOLT M 6X 12 PLATED	4	4	4	4							10
16	.	26106-080162	BOLT M 8X 16 PLATED	2	2	2	2							10
17	.	194167-61650	NUT 5008	1									Z	2
(A=F01338 )														
18	.	194940-61790	SCRFW 5X16	1									Z	1
(A=F01338 )														
19	.	198461-60590	BOLT 6* 20	2	2	2	2							1

N136515



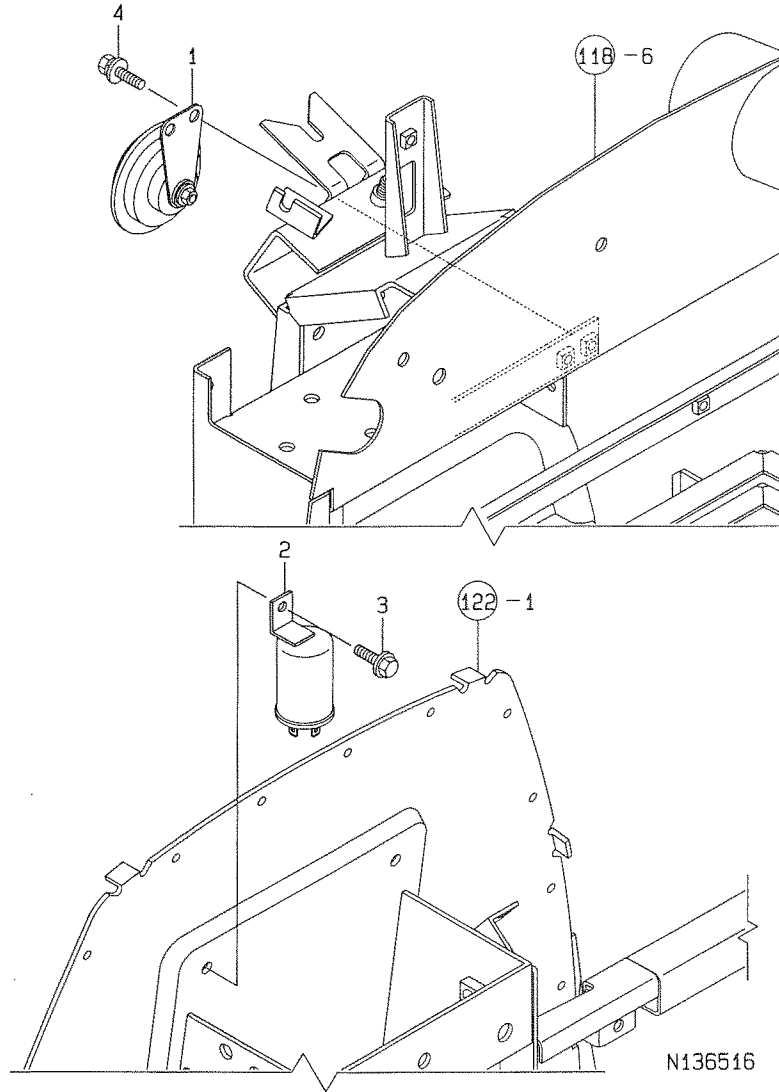
117. FLASHER RELAY

-----+  
 | 1M08 |  
 | (1M02) |  
 +-----+  
 NPC-3693

117. FLASHER RELAY

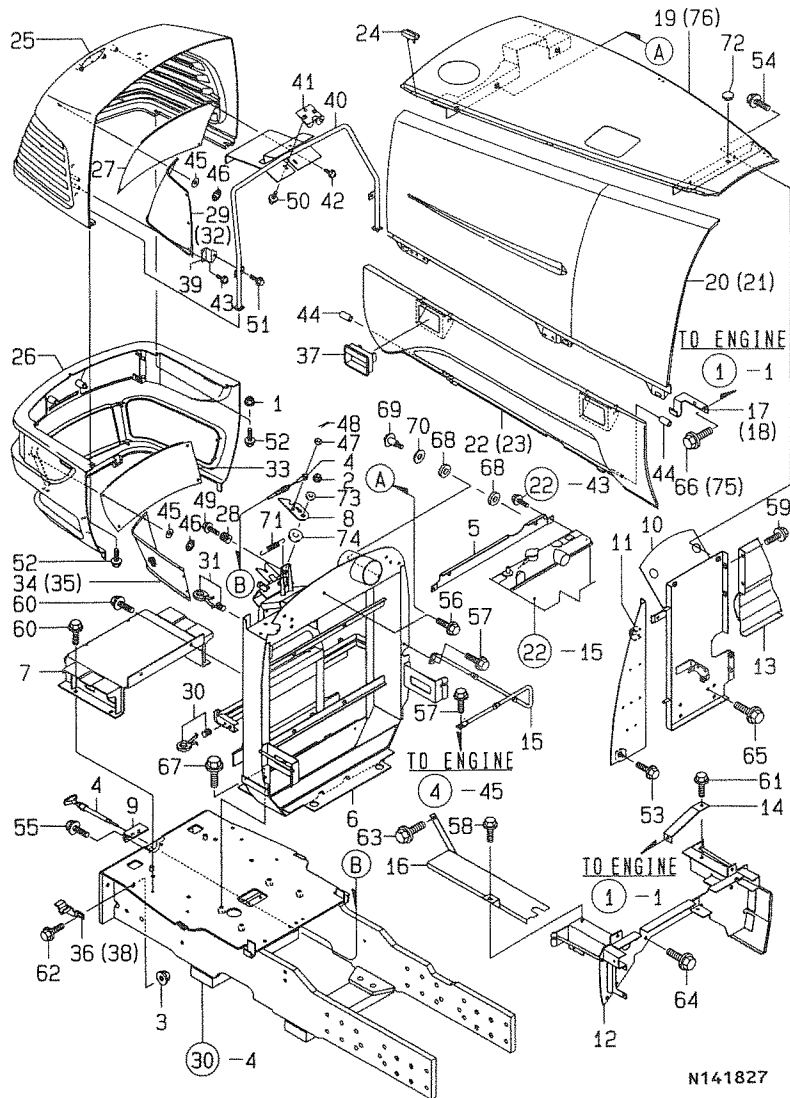
99.12.07

(A)=AF1110EX (D)=AF1088EX(4WD)  
 (B)=AF1110EX(4WD(E)=  
 (C)=AF1088EX(2WD(F)=



REF. NO.	LEV. 0	PART NO.	DESCRIPTION	-----Q'TY-----						I P/U A R
				(A)	(B)	(C)	(D)	(E)	(F)	
1	.	194151-57100	HORN	1	1	1	1			1
2	.	198327-57200	RELAY	1	1	1	1			1
3	.	26106-060122	BOLT M 6X 12 PLATED	1	1	1	1			10
4	.	26106-060162	BOLT M 6X 16 PLATED	2	2	2	2			10

118. BONNET



N141827

2A03  
(2A02)  
NPC-3693

118. BONNET

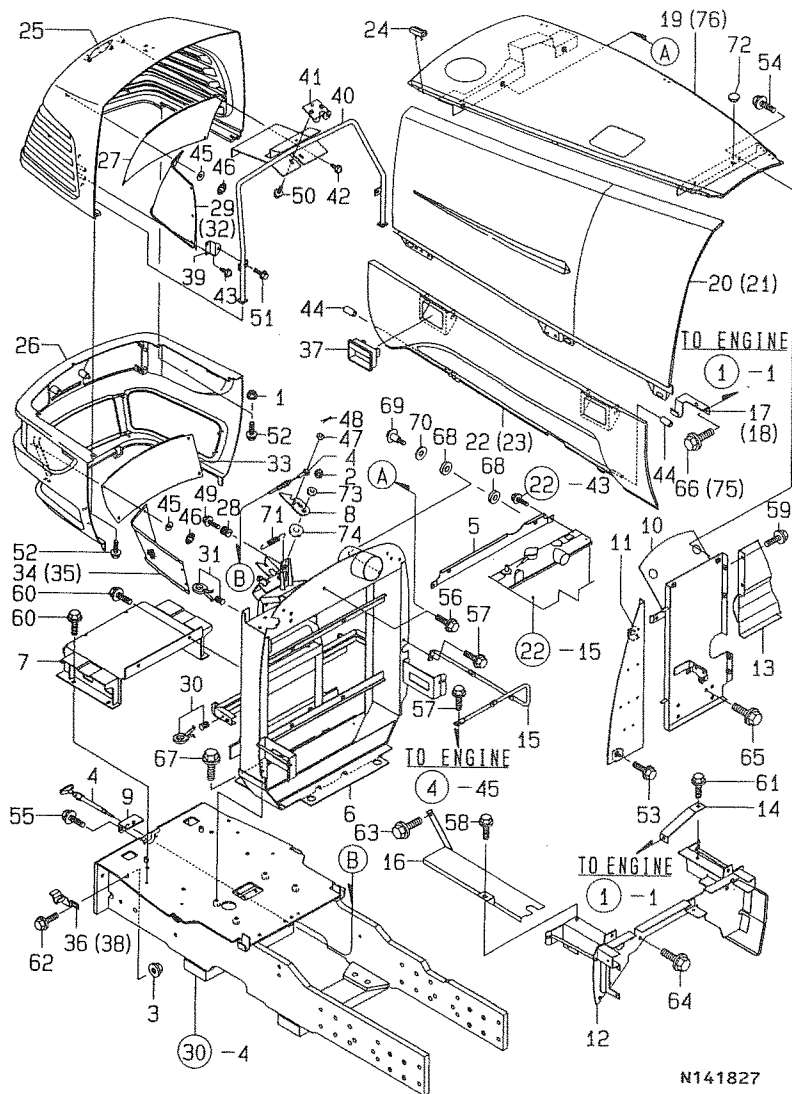
99.12.07

(A)=AF1110EX (D)=AF1088EX(4WD)  
(B)=AF1110EX(4WD(E)=  
(C)=AF1088EX(2WD(F)=

REF. NO.	LEV. O	PART NO.	DESCRIPTION	Q'TY						I	P	U	A	R
				(A)	(B)	(C)	(D)	(E)	(F)					
1	.	194990-22130	NUT W/WASHER 6	3	3	3	3							5
2	.	194990-22140	NUT W/WASHER 8	1	1	1	1							5
3	.	194990-22140	NUT W/WASHER 8	2	2	2	2							5
4	.	198268-60040	WIRE,GRILL LOCK	1	1	1	1							0
5	.	198265-60080	STAY,RADIATOR	1	1	1	1							0
6	.	198265-60100	FRAME COMP.,FRONT	1	1	1	1							1
7	.	198268-60300	BRACKET,BATTERY CMP.	1	1	1	1							1
8	.	198448-60370	LOCK,GRILL	1	1	1	1							1
9	.	198448-60390	PLATE,WIRE	1	1	1	1							1
10	.	198265-60500	FRAME COMP.,REAR	1	1	1	1							1
11	.	198265-60650	PLATE L CMP.,RR.SEAL	1	1	1	1							1
12	.	198265-60700	PLATE CMP.,LOWR.SEAL	1	1	1	1							1
13	.	198268-60800	PLATE,BRAKE GUARD	1	1	1	1							0
14	.	198265-60810	PLATE,SD.,LOWR.R.STAY	1	1	1	1							1
15	.	198268-60851	STAY FR,HARNESS	1	1	1	1							0
16	.	198265-60880	COVER,STARTER MOTOR	1	1	1	1							1
17	.	198265-60980	STAY B,SD.,LWR.L LWR.	1	1	1	1							1
18	.	198268-60990	STAY B,SD.,LWR.R LWR.	1										1
I 18-1	.	198268-60991	STAY B(LWR,SD.,LWR,R)	1	1	1	1						R	0
		(A=F01802)												
19	.	198265-61010	BONNET UPPER COMP.	1	1									1
20	.	198268-61020	BONNET SD.,UPR.L CMP	1	1	1	1							1
21	.	198268-61030	BONNET SD.,UPR.R CMP	1	1	1	1							1
22	.	198265-61040	BONNET,SD.,LWR.L CMP	1	1	1	1							1
23	.	198265-61050	BONNET SD.,LWR.R CMP	1	1	1	1							1
24	.	198151-61080	RUBBER	6	6	6	6							1
25	.	198265-61310	UPPER,FRONT GRILL	1	1	1	1							1
26	.	198268-61320	LOWER,FRONT GRILL	1	1	1	1							1
27	.	198268-61330	SCREEN,UPPER C	1										1
I 27-1	.	198268-61331	SCREEN,UPPER C	1	1	1	1					S		0
		(A=FXXXXX)												
28	.	198220-61340	SPRING	1	1	1	1							1
29	.	198268-61340	SCREEN,UPPER L	1										1
I 29-1	.	198268-61341	SCREEN,UPPER L	1	1	1	1					S		0
		(A=FXXXXX)												
30	.	198220-61351	LOCK COMP.,CAM	4	4	4	4							1
31	.	198220-61351	LOCK COMP.,CAM	1	1	1	1							1
32	.	198268-61350	SCREEN,UPPER R	1										1
I 32-1	.	198268-61351	SCREEN,UPPER R	1	1	1	1					S		0
		(A=FXXXXX)												
33	.	198268-61360	SCREEN,LOWER C	1										1
I 33-1	.	198268-61361	SCREEN,LOWER C	1	1	1	1					S		0
		(A=FXXXXX)												
34	.	198268-61370	SCREEN,LOWER L	1										1
I 34-1	.	198268-61371	SCREEN,LOWER L	1	1	1	1					S		0
		(A=FXXXXX)												
35	.	198268-61380	SCREEN,LOWER R	1										1
I 35-1	.	198268-61381	SCREEN,LOWER R	1	1	1	1					S		0
		(A=FXXXXX)												
36	.	198448-61410	HOOK L,LOWER	1	1	1	1							1
37	.	172187-61421	HANDLE, LOCK	4	4	4	4							1
38	.	198448-61420	HOOK R,LOWER	1	1	1	1							1
39	.	198268-61440	STAY,UPPER GRILL	2	2	2	2							1
40	.	198268-61510	FRAME COMP.,GRILL	1	1	1	1							1

\*\* CONTINUE \*\*

N141827



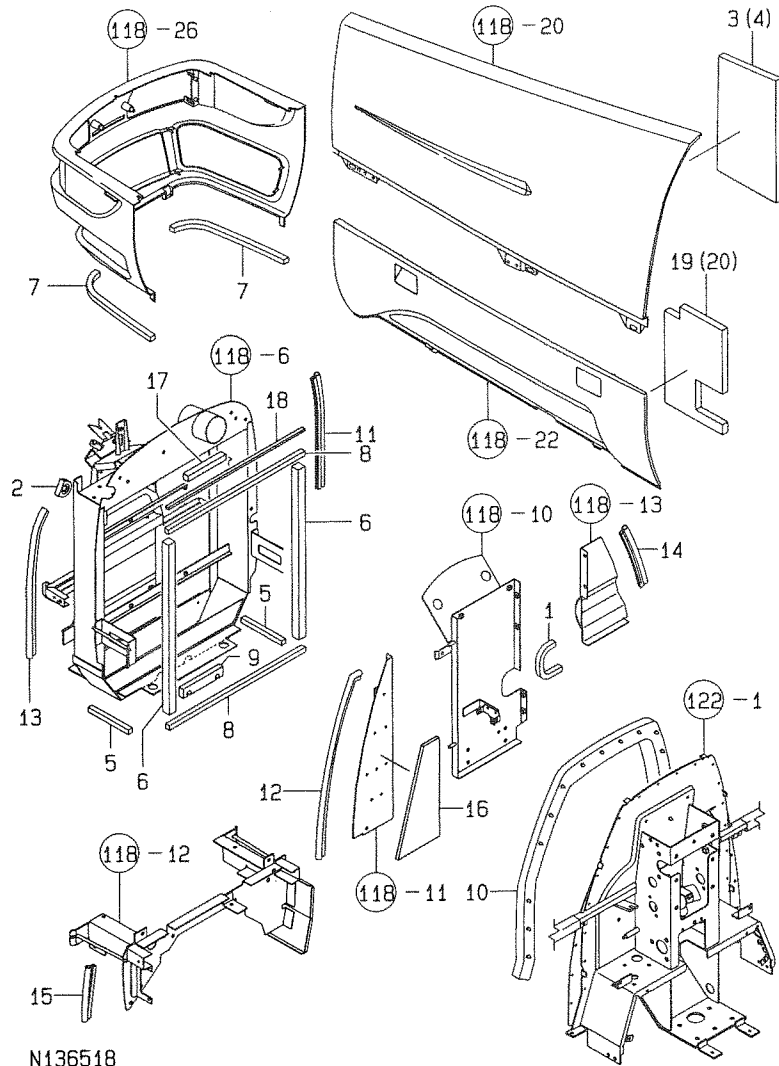
N141827

-----+  
| 2A04 |  
| (2A02) |  
-----+  
NPC-3693

(A)=AF1110EX (D)=AF1088EX(4WD)  
(B)=AF1110EX(4WD)(E)=  
(C)=AF1088EX(2WD)(F)=

REF. NO.	LEV. 0	PART NO.	DESCRIPTION	-----Q'TY-----						I	P	U	A	R
				(A)	(B)	(C)	(D)	(E)	(F)					
41	.	198448-61570	CATCH, LOCK	1	1	1	1							1
42	.	194940-61790	SCRFW 5X16	3	3	3	3							1
43	.	194940-61790	SCRFW 5X16	4	4	4	4							1
44	.	198220-61800	RUBBER, CUSHION	4	4	4	4							1
45	.	194555-65130	CUSHION	18	18	18	18							1
46	.	198071-65610	NUT M5, SPEED	18	18	18	18							1
47	.	22137-060000	WASHER 6, POLISHED	1	1	1	1							10
48	.	22417-160180	COTTER PIN 1.6X18	1	1	1	1							10
49	.	26106-060122	BOLT M 6X 12 PLATED	1										10
49-1	.	26106-060162	BOLT M 6X 16 PLATED	1	1	1	1					S		10
		(A=F01338 )												
50	.	26106-060162	BOLT M 6X 16 PLATED	2	2	2	2							10
51	.	26106-060162	BOLT M 6X 16 PLATED	2	2	2	2							10
52	.	26106-060202	BOLT M 6X 20 PLATED	5	5	5	5							10
53	.	26106-080122	BOLT M 8X 12 PLATED	2	2	2	2							10
54	.	26106-080122	BOLT M 8X 12 PLATED	2	2	2	2							10
55	.	26106-080162	BOLT M 8X 16 PLATED	2	2	2	2							10
56	.	26106-080162	BOLT M 8X 16 PLATED	3	3	3	3							10
57	.	26106-080162	BOLT M 8X 16 PLATED	2	2	2	2							10
58	.	26106-080162	BOLT M 8X 16 PLATED	1	1	1	1							10
59	.	26106-080162	BOLT M 8X 16 PLATED	2	2	2	2							10
I 60	.	26106-080162	BOLT M 8X 16 PLATED	6	6	6	6							10
I 61	.	26106-080162	BOLT M 8X 16 PLATED	2	2	2	2							10
62	.	26106-080302	BOLT M 8X 30 PLATED	2	2	2	2							10
63	.	26106-100162	BOLT M10X 16 PLATED	1	1	1	1							10
64	.	26106-100202	BOLT M10X 20 PLATED	4										10
64-1	.	26106-100162	BOLT M10X 16 PLATED	3	3	3	3					S		10
		(A=F01338 )												
65	.	26106-100202	BOLT M10X 20 PLATED	4										10
I 65-1	.	26106-100162	BOLT M10X 16 PLATED	4	4	4	4					S		10
		(A=F01338 )												
66	.	26106-100202	BOLT M10X 20 PLATED	4										10
66-1	.	26106-100162	BOLT M10X 16 PLATED	2	2	2	2					S		10
		(A=F01338 )												
67	.	26106-100202	BOLT M10X 20 PLATED	4	4	4	4							10
68	.	194420-62260	RUBBER, CUSHION	4	4	4	4							1
69	.	198133-02120	BOLT M 6	2	2	2	2							1
70	.	22137-100000	WASHER 10, POLISHED	2	2	2	2							10
I 71	.	198230-61960	SPRING	1	1	1	1							1
I 72	.	194145-64430	GROMMET 12	1	1	1	1							1
I 73	.	22137-080000	WASHER 8, POLISHED	1	1	1	1							10
I 74	.	22137-120000	WASHER 12, POLISHED	1	1	1	1							10
75	.	26106-100252	BOLT M10X 25 PLATED	2	2	2	2					W		10
		(A=F01338 )												
I 76	.	198262-61010	BONNET UPPER COMP.			1	1							0

119. BONNET SEAL



N136518

2A05  
2A02  
NPC-3693

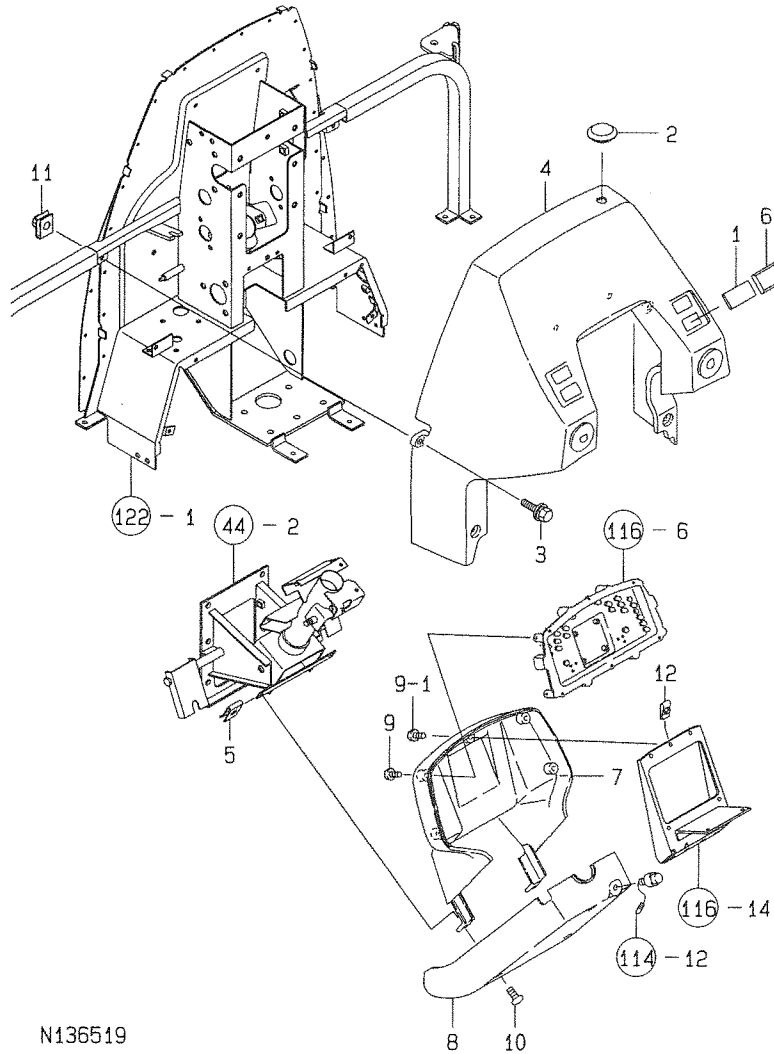
119. BONNET SEAL

99.12.07

(A)=AF1110EX (D)=AF1088EX(4WD)  
(B)=AF1110EX(4WD)(E)=  
(C)=AF1088EX(2WD)(F)=

REF. NO.	LEV. 0	PART NO.	DESCRIPTION	Q'TY						I	P	U	A	R
				(A)	(B)	(C)	(D)	(E)	(F)					
1	.	198461-04490	TRIM,SUB-TANK	1	1	1	1							1
2	.	198153-51290	GROMMET D13	1	1	1	1							1
3	.	198265-60620	URETHANE,SIDE UP.L	1	1	1	1							0
4	.	198265-60630	URETHANE,SIDE UP.R	1	1	1	1							0
5	.	198121-61420	SEAL,G FRAME SIDE	2	2	2	2							1
6	.	198268-61460	SEAL	2	2	2	2							1
7	.	198268-61470	URETHANE,RAD.F.GRILL	2	2	2	2							1
8	.	198268-61470	URETHANE,RAD.F.GRILL	2	2	2	2							1
9	.	198268-61570	URETHANE,O.C/R PIPE	1	1	1	1							1
10	.	198265-61880	SEAL,BONNET COMP.	1	1	1	1							1
11	.	198133-61970	RUBBER 380	1	1	1	1							1
12	.	198440-61980	STRIP,UPPER SIDE	1										1
I 12-1	.	198463-88810	WEATHER STRIP 530	1	1	1	1					S		0
		(A=F01338)												
13	.	198133-62050	STRIP 450,WEATHER	1	1	1	1							1
14	.	198146-62930	STRIP 230,WEATHER	1	1	1	1							1
15	.	198094-62960	STRIP 180,WEATHER	1	1	1	1							1
16	.	198268-60810	URETHANE(BLAKE V)	1	1	1	1							0
17	.	198230-61930	SEAL	1	1	1	1					W		1
		(A=F00079)												
18	.	198448-60760	URETHANE(RDTR SCRNR)	1	1	1	1					W		1
		(A=F01629)												
19	.	198268-61640	URETHANE,SD.LOWER L	1	1	1	1					W		0
		(A=F01629)												
20	.	198268-61650	URETHANE,SD LOWER R	1	1	1	1					W		0
		(A=F01629)												

120. DASHBOARD



N136519

2A06  
(2A02)  
NPC-3693

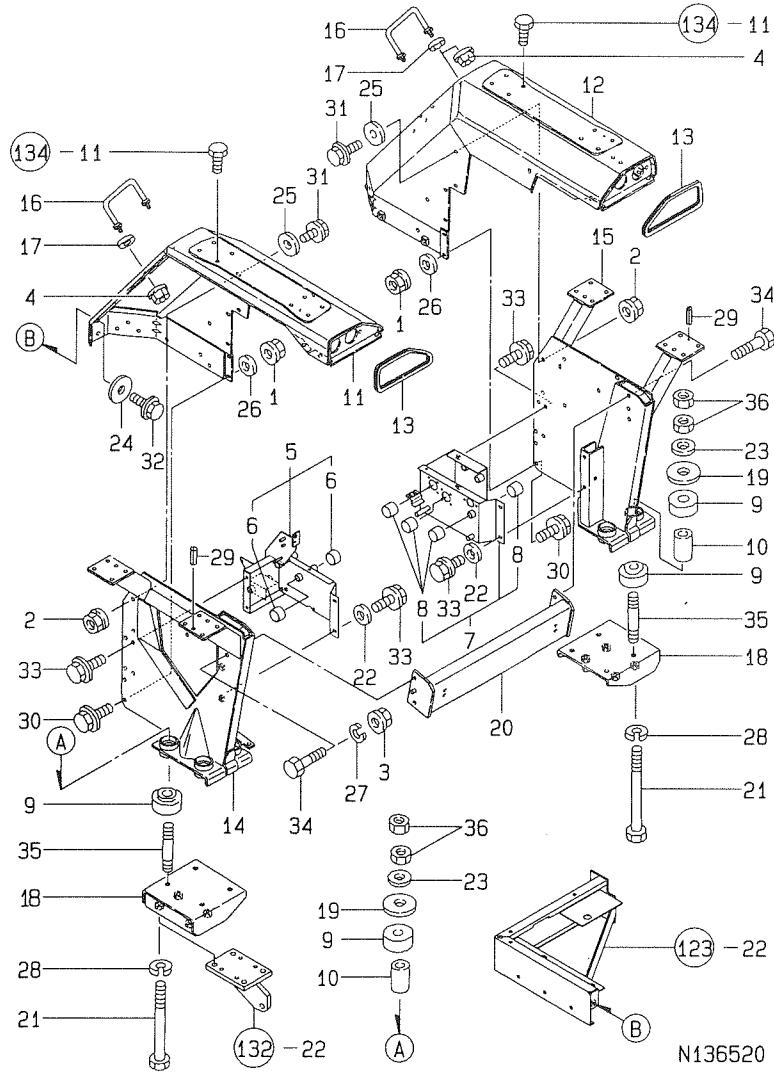
120. DASHBOARD

99.12.07

(A)=AF1110EX (D)=AF1088EX(4WD)  
(B)=AF1110EX(4WD)(E)=  
(C)=AF1088EX(2WD)(F)=

REF. NO.	LEV. 0	PART NO.	DESCRIPTION	-----Q'TY-----						I P/U A R
				(A)	(B)	(C)	(D)	(E)	(F)	
1	.	198010-05290	PACKING	3	3	3	3			1
2	.	1A1040-41610	PLUG,RUBBER	1	1	1	1			2
3	.	198461-60590	BOLT 6* 20	6	6	6	6			1
4	.	198448-61600	DASHBOARD	1	1	1	1			0
5	.	194167-61650	NUT 5008	3	3	3	3			2
6	.	198448-61650	COVER, SWITCH HOLE	3	3	3	3			1
7	.	198448-61660	COVER F,COLUMN	1	1	1	1			0
8	.	198448-61670	COVER R,COLUMN	1	1	1	1			0
9	.	194940-61790	SCRFW 5X16	4						1
9-1	.	194940-61790	SCRFW 5X16	5	5	5	5		K	1
		(A=FD1338 )								
10	.	194555-61640	SCREW M 5X 25	3	3	3	3			1
11	.	198071-61890	NUT 6,SPEED	6	6	6	6			1
12	.	194167-61650	NUT 5008	1	1	1	1		W	2
		(A=FD1338 )								

121. FENDER



2A07  
(2A02)  
NPC-3693

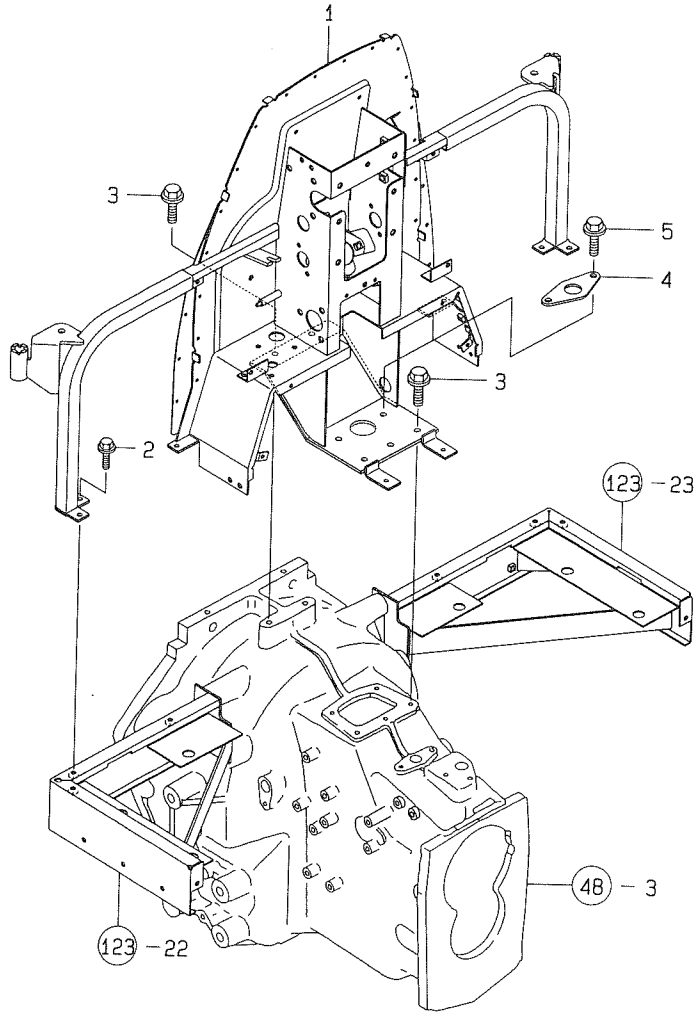
121. FENDER

99.12.07

(A)=AF1110EX (D)=AF1088EX(4WD)  
(B)=AF1110EX(4WD)(E)=  
(C)=AF1088EX(2WD)(F)=

REF. NO.	LEV. O	PART NO.	DESCRIPTION	Q'TY						I	P	U	A	R
				(A)	(B)	(C)	(D)	(E)	(F)					
1	.	194990-22140	NUT W/WASHER 8	4	4	4	4						5	
2	.	194990-22140	NUT W/WASHER 8	10	10	10	10						5	
3	.	26716-140002	NUT M14	4	4	4	4						10	
4	.	194990-22160	NUT W/WASHER 12	4	4	4	4						1	
5	.	198265-28100	BRACKET L CMP., LEVER	1	1	1	1						1	
6	..	194312-27880	BUSH 17X20X12	6	6	6	6						1	
7	.	194065-28202	BRACKET R CMP., LEVER	1	1	1	1						1	
8	..	1E6210-63110	BUSH 17X15	4	4	4	4						1	
9	.	194065-60980	GROMMET	12	12	12	12						1	
10	.	194065-60990	COLLAR 55X21.7X1.6	6	6	6	6						1	
11	.	198265-62110	FENDER L COMP.	1	1	1	1						1	
12	.	198265-62120	FENDER R COMP.	1	1	1	1						1	
13	.	194065-62130	GROMMET	2	2	2	2						1	
14	.	194065-62250	FRAME (L), FENDER	1	1	1	1						1	
15	.	194065-62260	FRAME (R), FENDER	1	1	1	1						1	
16	.	194420-62410	BAR, ASSIST	2	2	2	2						1	
17	.	194145-62420	RUBBER, CUSHION	4	4	4	4						1	
18	.	194065-62470	BRACKET, FENDER	2	2	2	2						1	
19	.	194065-62690	WASHER 20X73	6	6	6	6						1	
20	.	198265-85250	FRAME	1	1	1	1						1	
21	.	194065-85370	BOLT M18X200	8	8	8	8						1	
22	.	22137-100000	WASHER 10, POLISHED	4	4	4	4						10	
23	.	22137-180000	WASHER 18	6	6	6	6						10	
24	.	22157-080000	WASHER 8	2	2	2	2						10	
25	.	22157-080000	WASHER 8	10									10	
I 25-1	.	22157-080000 (A=F01338)	WASHER 8	12	12	12	12						K 10	
26	.	22157-080000	WASHER 8	4	4	4	4						10	
27	.	22217-140000	SPRING WASHER 14	4	4	4	4						10	
28	.	22217-180000	SPRING WASHER 18	8	8	8	8						10	
29	.	22351-060010	SPRING PIN 6X10	2	2	2	2						10	
30	.	26106-080202	BOLT M 8X 20 PLATED	4	4	4	4						10	
31	.	26106-080202	BOLT M 8X 20 PLATED	10									10	
I 31-1	.	26106-080202 (A=F01338)	BOLT M 8X 20 PLATED	12	12	12	12						K 10	
32	.	26106-080202	BOLT M 8X 20 PLATED	2	2	2	2						10	
33	.	26106-100252	BOLT M10X 25 PLATED	8	8	8	8						10	
34	.	26116-140802	BOLT M14X 80 PLATED	4	4	4	4						1	
35	.	26216-181102	STUD M18X110 PLATED	6	6	6	6						1	
36	.	26716-180002	NUT M18	12	12	12	12						1	

122. AIR SHIELD PLATE



N136521

2A08  
(2A02)  
NPC-3693

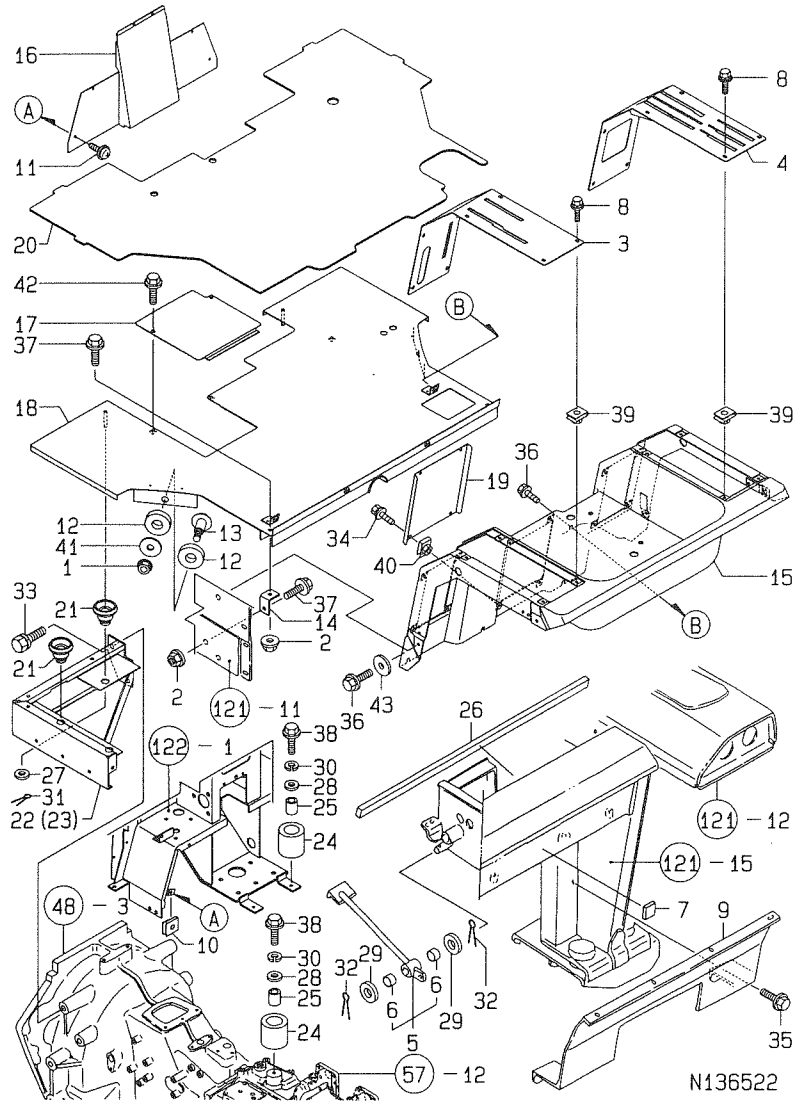
122. AIR SHIELD PLATE

99.12.07

(A)=AF1110EX (D)=AF1088EX(4WD)  
(B)=AF1110EX(4WD)(E)=  
(C)=AF1088EX(2WD)(F)=

REF. NO.	LEV. 0	PART NO.	DESCRIPTION	-----Q'TY-----						I P/U A R
				(A)	(B)	(C)	(D)	(E)	(F)	
1	.	198265-62400	PLATE COMP., AIR CUT	1	1	1	1			0
2	.	26106-080162	BOLT M 8X 16 PLATED	6	6	6	6			10
3	.	26106-100202	BOLT M10X 20 PLATED	5	5	5	5			10
4	.	198265-62491	PLATE(GROMMET)	1	1	1	1			0
5	.	26106-100252	BOLT M10X 25 PLATED	2	2	2	2			10

123. STEP



2A09  
(2A02)  
NPC-3693

123. STEP

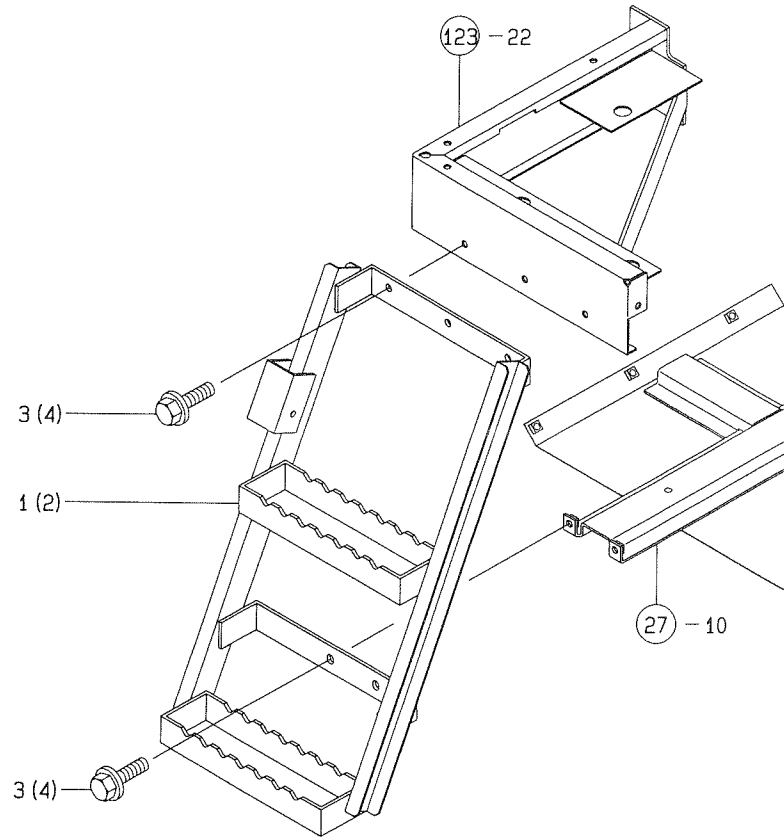
99.12.07

(A)=AF1110EX (D)=AF1088EX(4WD)  
(B)=AF1110EX(4WD)(E)=  
(C)=AF1088EX(2WD)(F)=

REF. NO.	LEV. 0	PART NO.	DESCRIPTION	Q'TY						I	P	U	A	R
				(A)	(B)	(C)	(D)	(E)	(F)					
1	.	194990-22140	NUT W/WASHER 8	2	2	2	2						5	
2	.	194990-22140	NUT W/WASHER 8	4	4	4	4						5	
3	.	198265-28310	GUIDE L, LEVER	1	1	1	1						1	
4	.	198265-28330	GUIDE R, LEVER	1	1	1	1						1	
5	.	194065-33300	PEDAL, DIFF. LOCK	1	1	1	1						1	
6	..	194312-27880	BUSH 17X20X12	2	2	2	2						1	
7	.	194065-33360	GASKET	1	1	1	1						1	
8	.	198461-60590	BOLT 6* 20	16	16	16	16						1	
9	.	194065-60950	COVER	1	1	1	1						1	
10	.	194167-61650	NUT 5008	6	6	6	6						2	
11	.	194940-61790	SCRFW 5X16	6	6	6	6						1	
12	.	194130-62160	RUBBER, CUSHION	4	4	4	4						1	
13	.	194145-62241	BOLT	2	2	2	2						1	
14	.	194065-62460	STAY	2	2	2	2						1	
15	.	198265-62500	PLATE REAR CMP., FLR.	1	1	1	1						1	
16	.	198265-62530	COVER, FRONT FRONT	1	1	1	1						0	
17	.	198265-62570	COVER, REAR FRONT	1	1	1	1						1	
18	.	198265-62600	PLATE FRONT CMP., FRL	1	1	1	1						1	
19	.	194065-62660	COVER, CENTER	1	1	1	1						1	
20	.	198265-62670	RUBBER, FLOOR CUSHION	1	1	1	1						1	
21	.	194065-62680	RUBBER, CUSHION	6	6	6	6						1	
22	.	198265-62820	STAY L, VIBPRF. RUBBER	1	1	1	1						1	
23	.	198265-62830	STAY R, VIBPRF. RUBBER	1	1	1	1						1	
24	.	194151-63240	RUBBER, CUSHION	3	3	3	3						1	
25	.	194151-63250	COLLAR	3	3	3	3						2	
26	.	194065-63630	PAD 15X30X850	1	1	1	1						1	
27	.	22137-080000	WASHER 8, POLISHED	2	2	2	2						10	
28	.	22137-080000	WASHER 8, POLISHED	3	3	3	3						10	
29	.	22137-180000	WASHER 18	2	2	2	2						10	
30	.	22217-080000	SPRING WASHER 8	3	3	3	3						10	
31	.	22417-200200	COTTER PIN 2.0X20	2	2	2	2						10	
32	.	22417-400400	COTTER PIN 4.0X40	2	2	2	2						10	
33	.	26013-120202	BOLT W/WASHER M12X20	4	4	4	4						10	
34	.	198461-60590	BOLT 6* 20	4	4	4	4						1	
35	.	26106-080162	BOLT M 8X 16 PLATED	6	6	6	6						10	
36	.	26106-080202	BOLT M 8X 20 PLATED	8	8	8	8						10	
37	.	26106-080202	BOLT M 8X 20 PLATED	4	4	4	4						10	
38	.	26106-080302	BOLT M 8X 30 PLATED	3	3	3	3						10	
39	.	198071-61890	NUT 6, SPEED	16	16	16	16						1	
40	.	198071-61890	NUT 6, SPEED	4	4	4	4						1	
41	.	22157-080000	WASHER 8	2	2	2	2						10	
42	.	26106-080162	BOLT M 8X 16 PLATED	2	2	2	2						10	
43	.	22157-080000	WASHER 8	4	4	4	4						10	



124. SUB STEP



N136523

2A10  
(2A02)  
NPC-3693

124. SUB STEP

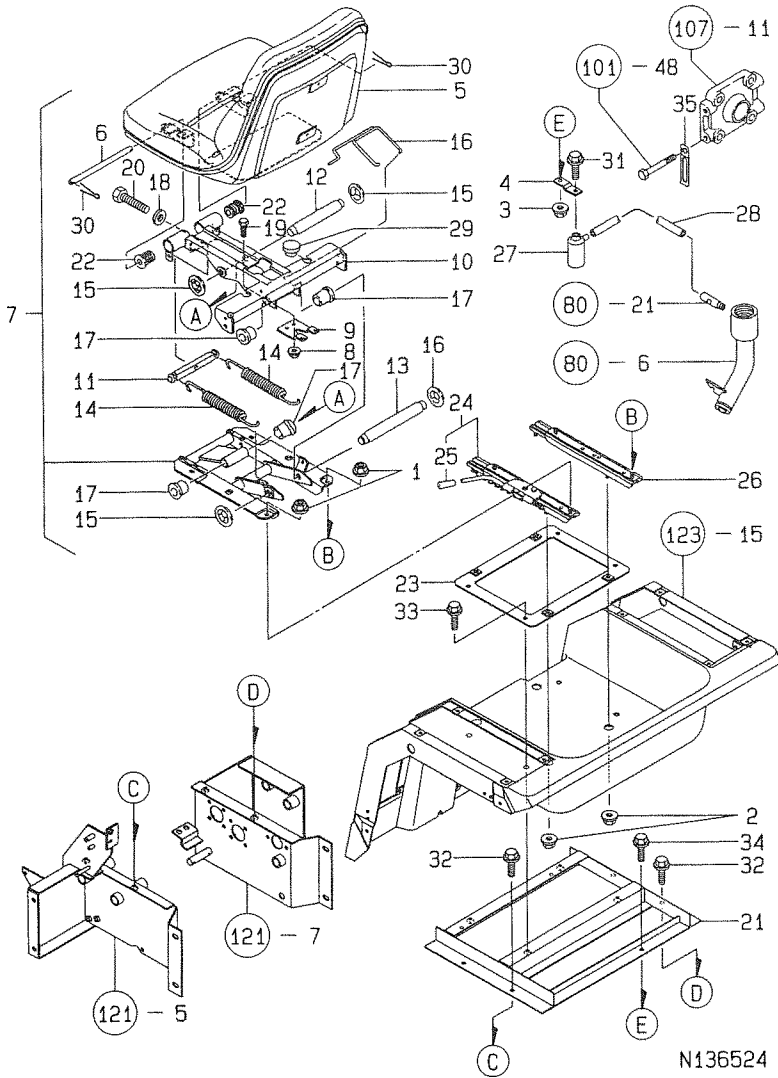
99.12.07

(A)=AF1110EX (D)=AF1088EX(4WD)  
(B)=AF1110EX(4WD(E)=  
(C)=AF1088EX(2WD(F)=

REF. NO.	LEV. 0	PART NO.	DESCRIPTION	-----Q'TY-----						I P/U A R
				(A)	(B)	(C)	(D)	(E)	(F)	
1	.	198265-62710	STEP L COMP.,SUB	1	1	1	1			0
2	.	198265-62720	STEP R COMP.,SUB	1	1	1	1			0
3	.	26106-080162	BOLT M 8X 16 PLATED	5						10
3-1	.	26106-080202 (A=F00079 )	BOLT M 8X 20 PLATED	5	5	5	5		S	10
4	.	26106-080162	BOLT M 8X 16 PLATED	5						10
4-1	.	26106-080202 (A=F00079 )	BOLT M 8X 20 PLATED	5	5	5	5		S	10

N136523

125. OPERATOR SEAT



2A11  
(2A02)  
NPC-3693

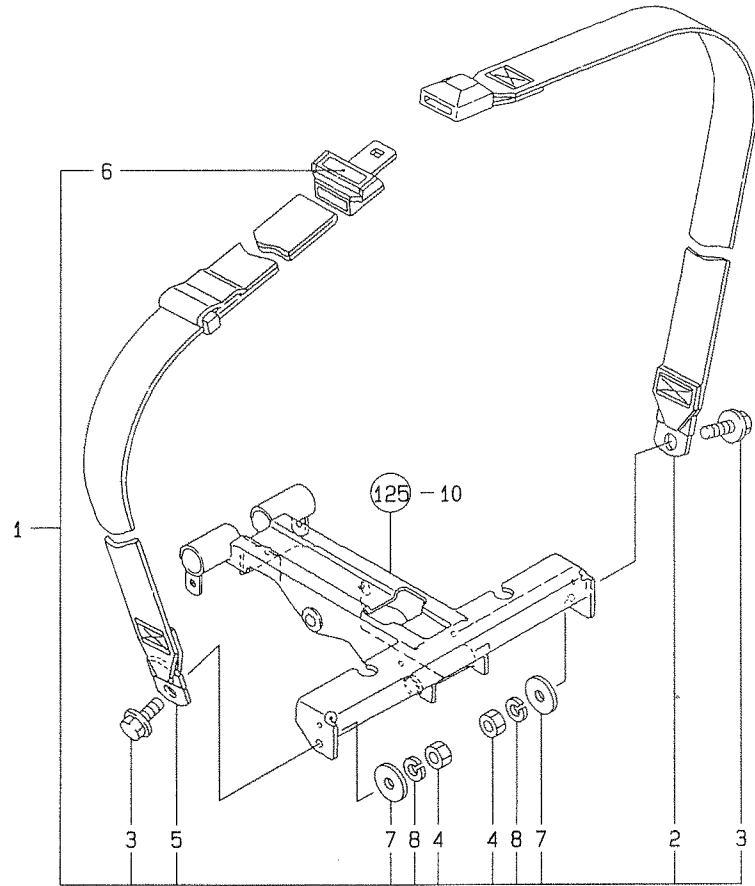
125. OPERATOR SEAT

99.12.07

(A)=AF1110EX (D)=AF1088EX(4WD)  
(B)=AF1110EX(4WD)(E)=  
(C)=AF1088EX(2WD)(F)=

REF. NO.	LEV. 0	PART NO.	DESCRIPTION	Q'TY						I	P	U	A	R
				(A)	(B)	(C)	(D)	(E)	(F)					
1	.	194990-22140	NUT W/WASHER 8	4	4	4	4							5
2	.	194990-22140	NUT W/WASHER 8	4	4	4	4							5
3	.	194990-22140	NUT W/WASHER 8	1	1	1	1							5
4	.	194312-39480	SUPPORT, BREATHER	1	1	1	1							1
5	.	198240-63110	SEAT	1	1	1	1							1
6	.	198220-63120	PIN, HINGE	1	1	1	1							1
7	.	198240-63151	SUSPENSION CMP., SEAT	1	1	1	1							1
8	..	194990-22130	NUT W/WASHER 6	2	2	2	2							5
9	..	198240-52290	PLATE, SEAT SWITCH	1	1	1	1							1
10	..	198240-63161	FRAME, UPPER	1	1	1	1							0
11	..	198240-63350	HOOK, SPRING	1	1	1	1							1
12	..	198240-63360	PIN	1	1	1	1							1
13	..	198240-63370	PIN	1	1	1	1							1
14	..	198133-63380	SPRING, SEAT	2	2	2	2							1
15	..	198240-63570	NUT	4	4	4	4							1
16	..	198240-63820	SUPPORT, DEFEAT LOCK	1	1	1	1							1
17	..	198240-63880	BUSH 14X15X22	4	4	4	4							1
18	..	22137-100000	WASHER 10, POLISHED	1	1	1	1							10
19	..	26116-060162	BOLT 6X16	2	2	2	2							10
20	..	26116-100554	BOLT M10X 55 PLATED	1	1	1	1							10
21	.	198265-63210	BRACKET B, SEAT COMP.	1	1	1	1							1
22	.	198220-63240	RUBBER	2	2	2	2							1
23	.	198265-63250	BRACKET A, SEAT COMP.	1	1	1	1							1
24	.	198240-63500	ADJUSTER, BELT	1	1	1	1							1
25	..	194150-01190	KNOB, THROTTLE LEVER	1	1	1	1							1
26	.	198240-63510	ADJUSTER, BELT	1	1	1	1							1
27	.	194205-63550	BREATHER, AIR	1	1	1	1							1
28	.	194640-63560	PIPE, AIR BREATHER	1	1	1	1							1
29	.	198133-63840	RUBBER, CUSHION	2	2	2	2							1
30	.	22417-250300	COTTER PIN 2.5X30	2	2	2	2							10
31	.	26106-080122	BOLT M 8X 12 PLATED	1	1	1	1							10
32	.	26106-080162	BOLT M 8X 16 PLATED	4	4	4	4							10
33	.	26106-080202	BOLT M 8X 20 PLATED	4	4	4	4							10
34	.	26106-080202	BOLT M 8X 20 PLATED	1	1	1	1							10
35	.	194440-51620	CLAMP, WIRE HARNESS	1	1	1	1							1

126. SEAT BELT



N136525

-----+  
 | 2A12 |  
 | (2A02) |  
 +-----+  
 NPC-3693

126. SEAT BELT

99.12.07

(A)=AF1110EX (D)=AF1088EX(4WD)  
 (B)=AF1110EX(4WD(E)=  
 (C)=AF1088EX(2WD(F)=

REF. NO.	LEV. 0	PART NO.	DESCRIPTION	-----Q'TY-----						I P/U A R
				(A)	(B)	(C)	(D)	(E)	(F)	
1	.	198133-63410	BELT	1	1	1	1			1
2	..	198220-63420	BELT,BUCKLE SIDE	1	1	1	1			0
3	..	198245-63460	BOLT 7/16-20UNF	2	2	2	2			1
4	..	198220-63470	NUT 7/16-20UNF	2	2	2	2			1
5	..	198220-63500	BELT,TANG SIDE	1	1	1	1			0
6	..	198220-63570	COVER	2	2	2	2			1
7	..	22137-110000	WASHER 11	2	2	2	2			10
8	..	22217-110000	SPRING WASHER 11	2	2	2	2			10

N136525

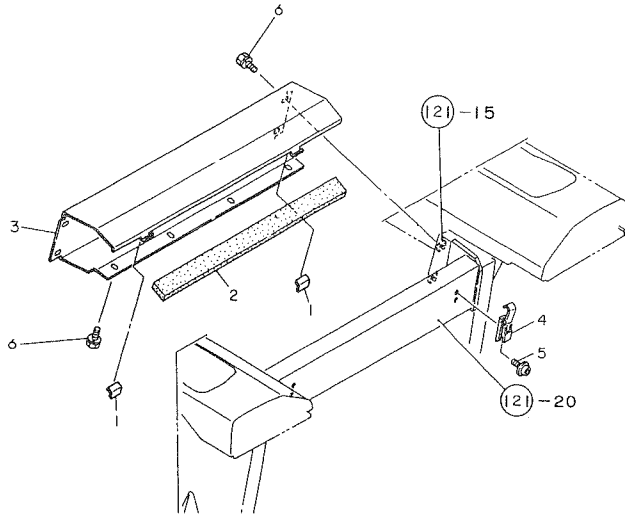
127. TOOL BOX

2A13  
(2A02)  
NPC-3693

127. TOOL BOX

99.12.07

(A)=AF1110EX (D)=AF1088EX(4WD  
(B)=AF1110EX(4WD(E)=  
(C)=AF1088EX(2WD(F)=

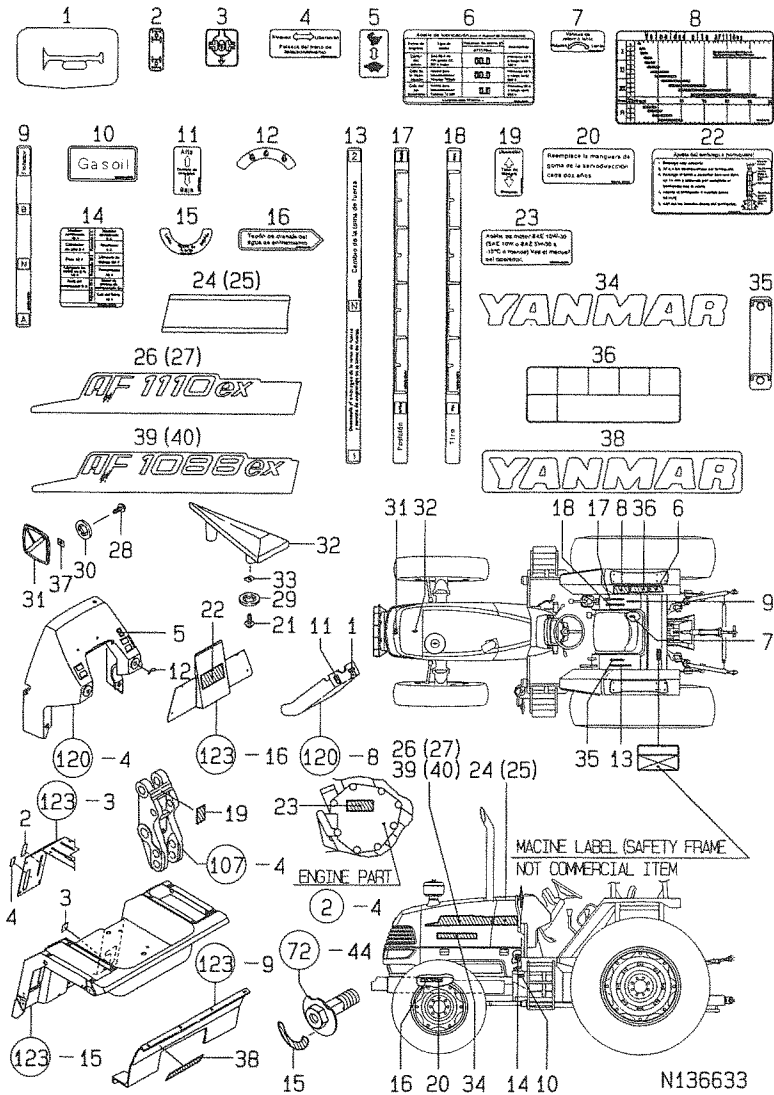


REF. NO.	LEV. 0	PART NO.	DESCRIPTION	-----Q'TY-----						I P/U A R
				(A)	(B)	(C)	(D)	(E)	(F)	
1	.	194065-33360	GASKET	2	2	2	2			1
2	.	194065-63620	PAD 16X50X560	1	1	1	1			1
3	.	194065-64300	BOX, TOOL	1	1	1	1			1
4	.	106530-13710	BRACE	2	2	2	2			1
5	.	26021-050122	SCREW M 5X 12	4	4	4	4			10
6	.	26106-080162	BOLT M 8X 16 PLATED	8	8	8	8			10

N136526

N136526

128. LABELS



2A14  
(2A02)  
NPC-3693

128. LABELS

99.12.07

(A)=AF1110EX (D)=AF1088EX(4WD)  
(B)=AF1110EX(4WD)(E)=  
(C)=AF1088EX(2WD)(F)=

REF. NO.	LEV. 0	PART NO.	DESCRIPTION	Q'TY						I P/U A R
				(A)	(B)	(C)	(D)	(E)	(F)	
1	.	198153-65351	LABEL, HORN	1	1	1	1			0
2	.	198221-65740	LABEL, MFWD	1	1	1	1			1
3	.	194240-65441	LABEL, DIFF. LOCK	1	1	1	1			1
4	.	198265-65470	LABEL, BRAKE LOCK	1	1	1	1			1
5	.	198265-65510	LABEL, ACCEL. LEVER	1	1	1	1			1
6	.	198265-65550	LABEL, LUB. OIL	1	1	1	1			1
7	.	198265-65570	LABEL, SLOW RTN. VALVE	1	1	1	1			1
8	.	198265-65640	LABEL, MACHINE SPEED	1	1	1	1			1
9	.	198265-65680	LABEL, SCV	1	1	1	1			1
I 10	.	198265-65690 (A=FXXXXX)	LABEL, FUEL INDICAT.	1						Z 1
11	.	198265-65710	LABEL, HIGH-LOW SHIFT	1	1	1	1			1
12	.	198265-65720	LABEL, KEY SWITCH	1	1	1	1			1
13	.	198265-65760	LABEL, P.T.O. CHANGE	1	1	1	1			1
14	.	198265-65780	LABEL, FUSE	1	1	1	1			1
15	.	198265-65790	LABEL, P.T.O.	1	1	1	1			1
16	.	198265-65850	LABEL, DRAIN	1	1	1	1			1
17	.	198265-65860	LABEL, POSITION	1	1	1	1			1
18	.	198265-65870	LABEL, DRAFT	1	1	1	1			1
19	.	198265-65880	LABEL, HINGE STOPPER	1	1	1	1			1
20	.	198265-65950	LABEL, PST RUBBR. HOSE	1	1	1	1			1
I 21	.	194940-61790	SCRFW 5X16	1	1	1	1			1
22	.	198265-65970	LABEL, CLUTCH CYL.	1	1	1	1			1
23	.	198265-65980	LABEL, ENGINE OIL	1	1	1	1			1
24	.	198265-65580	LABEL, MODEL LR	1	1	1	1			1
25	.	198265-65590	LABEL, MODEL RR	1	1	1	1			1
26	.	198265-65600	MARK L, MODEL	1	1					1
27	.	198265-65610	MARK R, MODEL	1	1					1
28	.	194940-61790	SCRFW 5X16	1	1	1	1			1
29	.	198071-65610	NUT M5, SPEED	1	1	1	1			1
30	.	198071-65610	NUT M5, SPEED	2	2	2	2			1
31	.	198440-64770	EMBLEM	1	1	1	1			1
32	.	198448-65590	MARK	1	1	1	1			1
33	.	194555-65130	CUSHION	1	1	1	1			1
34	.	198153-65170	MARK (YANMAR)	2	2	2	2			1
35	.	198265-65770	LABEL, P.T.O. CLUTCH	1	1	1	1			0
36	.	1A6150-91321	LABEL, OPERAT. PROCED.	1	1	1	1			1
37	.	194555-65130	CUSHION	2	2	2	2			1
38	.	194765-64770	LABEL, YANMAR	1	1	1	1			1
I 39	.	198262-65600	MARK L, MODEL			1	1			0
I 40	.	198262-65610	MARK R, MODEL			1	1			0
41- 1	.	198011-65180	LABEL, 4WD	2						1

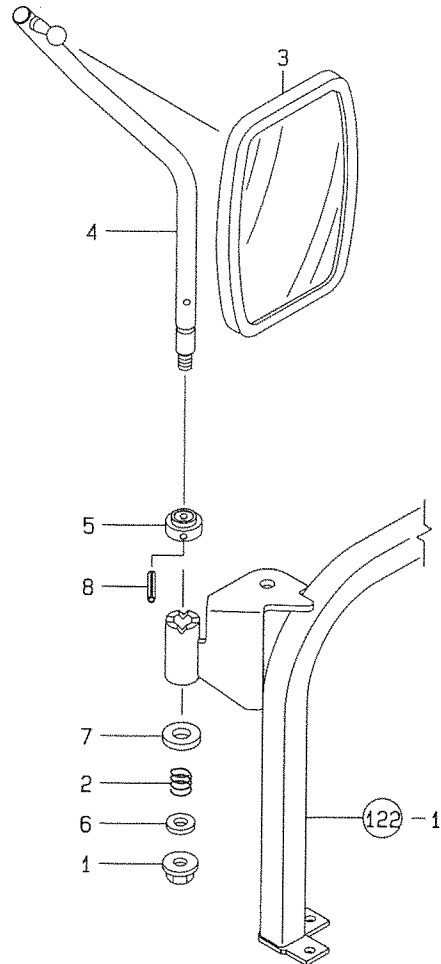
137. BACK MIRROR(ADDITIONAL ITEM)

2A15  
2A02  
NPC-3693

137. BACK MIRROR(ADDITIONAL ITEM)

99.12.07

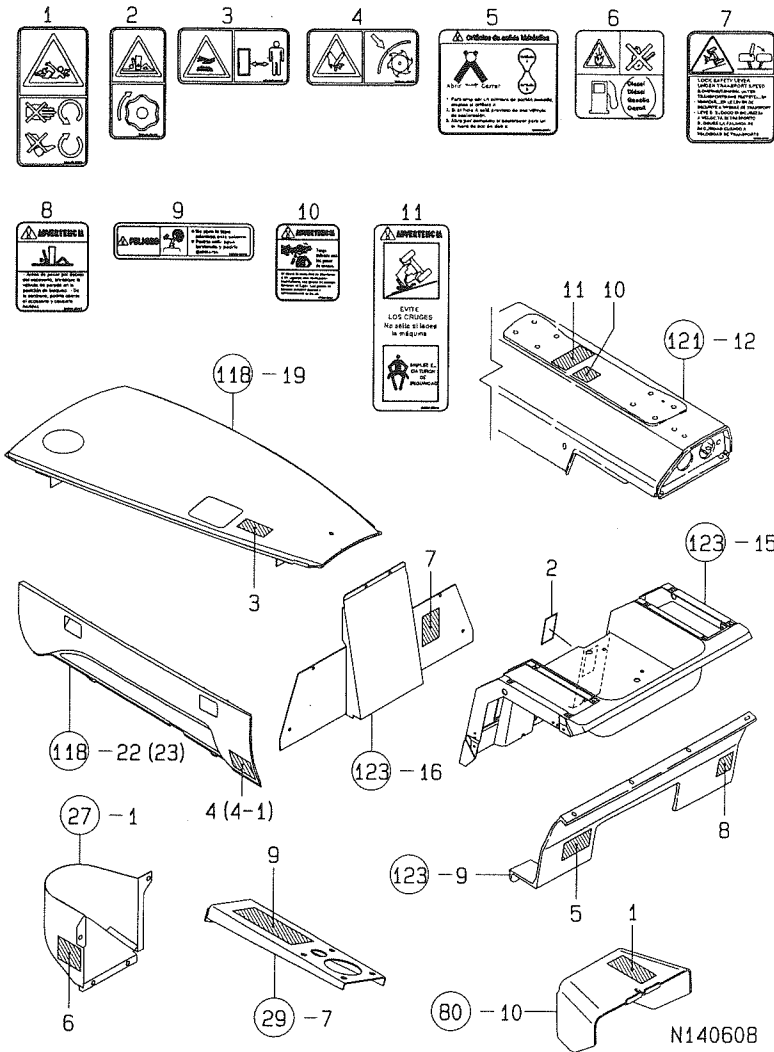
(A)=AF1110EX (D)=AF1088EX(4WD)  
(B)=AF1110EX(4WD)(E)=  
(C)=AF1088EX(2WD)(F)=



N140607

REF. NO.	LEV. 0	PART NO.	DESCRIPTION	-----Q'ITY-----						I P/U A R
				(A)	(B)	(C)	(D)	(E)	(F)	
1	.	194990-22160	NUT W/WASHER 12	1	1	1	1			1
2	.	198220-63340	SPRING	1	1	1	1			1
3	.	198440-64100	MIRROR, REAR VIEW	1	1	1	1			1
4	.	198448-64310	STAY(R-VW MIRROR L)	1	1	1	1			0
5	.	198133-64400	GROMMET	1	1	1	1			1
6	.	22137-120000	WASHER 12,POLISHED	1	1	1	1			10
7	.	22137-160000	WASHER 16,POLISHED	1	1	1	1			10
8	.	22351-060040	SPRING PIN 6X40	1	1	1	1			10

138. LABEL(SAFETY(ADDITIONAL ITEM



-----+  
 | 2A16 |  
 | (2A02) |  
 +-----+  
 NPC-3693

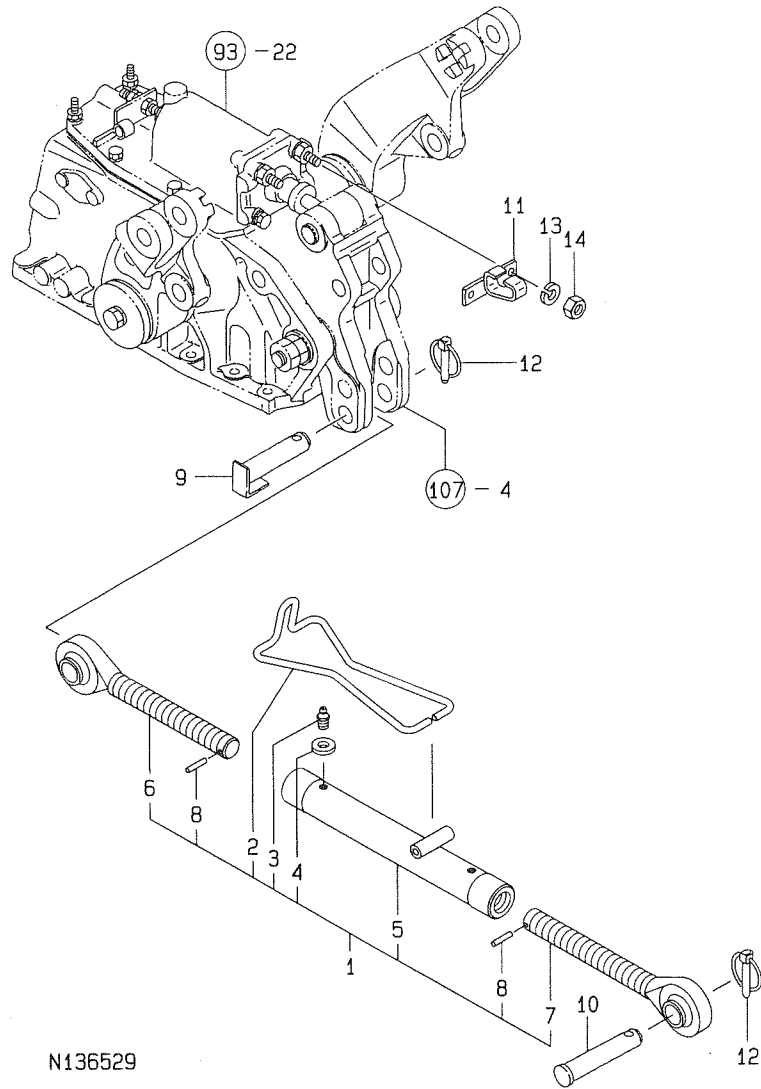
138. LABEL(SAFETY(ADDITIONAL ITEM

99.12.07

(A)=AF1110EX (D)=AF1088EX(4WD  
 (B)=AF1110EX(4WD(E)=  
 (C)=AF1088EX(2WD(F)=

REF. NO.	LEV. 0	PART NO.	DESCRIPTION	-----Q'TY-----						I P/U A R
				(A)	(B)	(C)	(D)	(E)	(F)	
1	.	198163-65350	DANGER,ROTAT.SHAFT	1	1	1	1			0
2	.	198163-65400	WARNING,EXT.CONTROL	1	1	1	1			0
3	.	198163-65930	CAUTION,MUFFLER	1	1	1	1			0
4	.	198163-65940	CAUTION,SAFETY COVER	1						0
4-1	.	198163-65940 (A=F00079 )	CAUTION,SAFETY COVER	2	2	2	2		K	0
5	.	198265-65670	LABEL,EXT.HYDR.PRES.	1	1	1	1			1
6	.	1A6150-91251	LABEL,RAKE CAUTION	1	1	1	1			1
7	.	198265-65750	LABEL,BRAKE CONNECT.	1	1	1	1			1
8	.	198265-65910	LABEL,HYDR.P.WARNING	1	1	1	1			1
9	.	198265-65920	LABEL,RADIATR.DANGER	1	1	1	1			1
10	.	198265-65930	LABEL,EXH.WARNING	1	1	1	1			1
11	.	198265-65940	LABEL,ROPS:CAUTION	1	1	1	1			1

129. TOP LINK



N136529

+-----+  
| 2B03 |  
| (2B02) |  
+-----+  
NPC-3693

129. TOP LINK

99.12.07

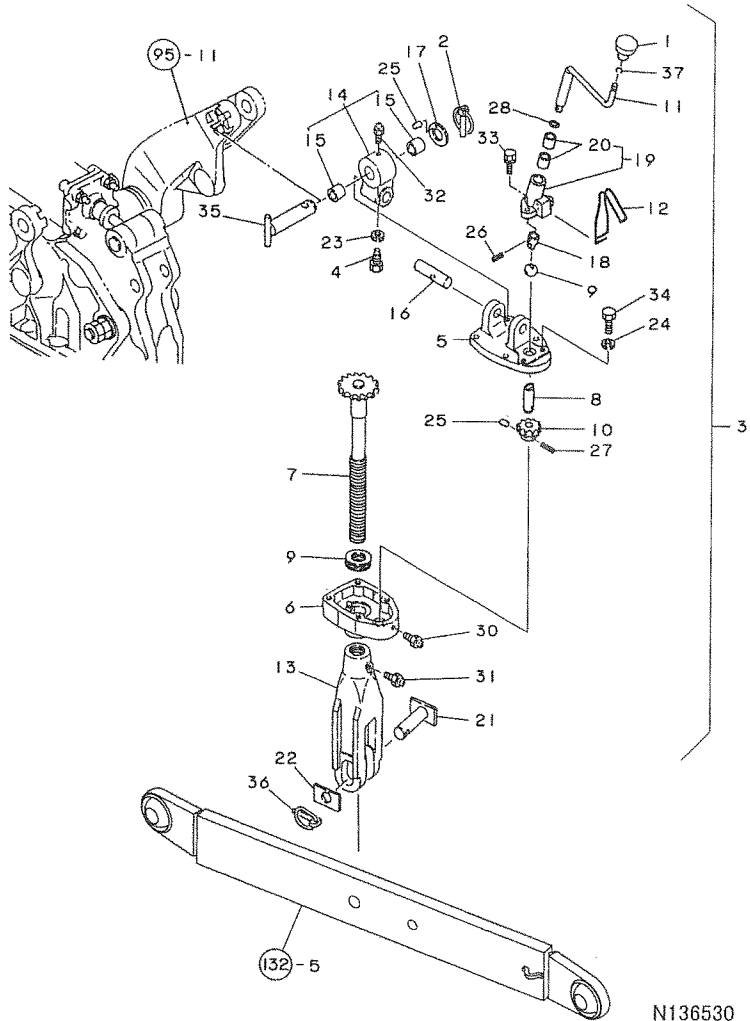
(A)=AF1110EX (D)=AF1088EX(4WD)  
(B)=AF1110EX(4WD)(E)=  
(C)=AF1088EX(2WD)(F)=

REF. NO.	LEV. 0	PART NO.	DESCRIPTION	-----Q'TY-----						I P/U A R
				(A)	(B)	(C)	(D)	(E)	(F)	
1	.	198265-71110	LINK, TOP	1	1	1	1			1
2	..	198265-71130	HANDLE	1	1	1	1			1
3	..	198153-71140	ROTARY PARTS	2	2	2	2			1
4	..	198153-71150	GASKET	2	2	2	2			1
5	..	198265-71500	TURNBUCKLE	1	1	1	1			1
6	..	198153-71601	LINK, TOP	1	1	1	1			1
7	..	198153-71701	LINK L, TOP	1	1	1	1			1
8	..	198153-71810	PIN, LOCKING	2	2	2	2			1
9	.	194065-71240	PIN, TOP LINK	1	1	1	1			1
10	.	194180-71260	PIN 25	1	1	1	1			1
11	.	194065-71350	HOOK, TOP LINK	1	1	1	1			1
12	.	794130-71410	PIN ASSY, BALL SOCKET	2	2	2	2			5
13	.	22217-100000	SPRING WASHER 10	2	2	2	2			10
14	.	26716-100002	NUT 10	2	2	2	2			10

N136529



130. LIFT LINK R



2B04  
(2B02)  
NPC-3693

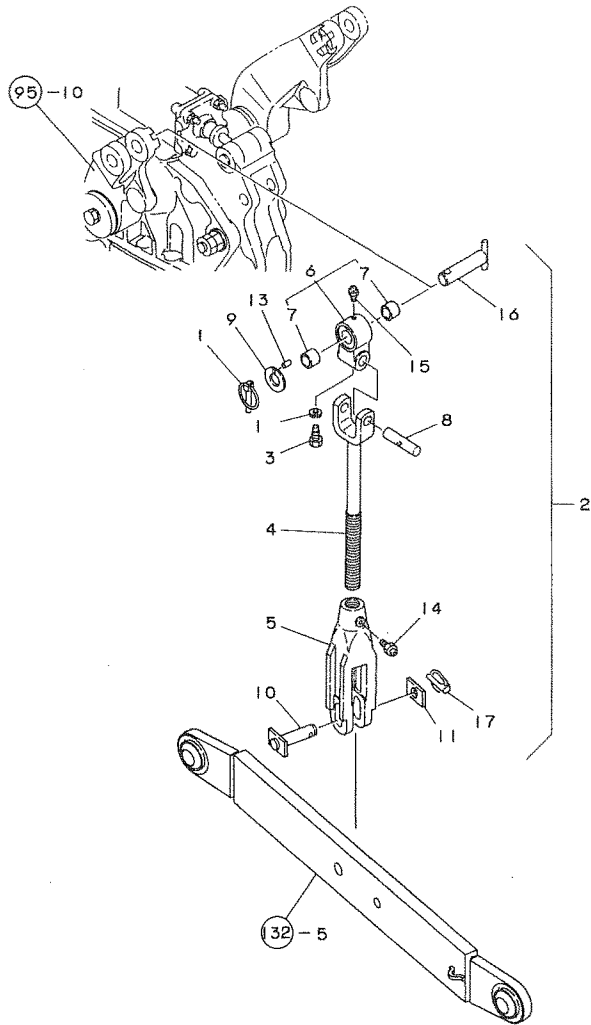
130. LIFT LINK R

99.12.07

(A)=AF1110EX (D)=AF1088EX(4WD)  
(B)=AF1110EX(4WD)(E)=  
(C)=AF1088EX(2WD)(F)=

REF. NO.	LEV. 0	PART NO.	DESCRIPTION	Q'TY					I P/U A R
				(A)	(B)	(C)	(D)	(E)	
1	.	1A1120-71070	GRIP, WHEEL ADJUST	1	1	1	1		1
2	.	794130-71410	PIN ASSY, BALL SOCKET	1	1	1	1		5
3	.	794065-72100	LINK R COMP., LIFT	1	1	1	1		1
4	..	194320-47860	BOLT	1	1	1	1		1
5	..	194065-72111	JOINT (R)	1	1	1	1		1
6	..	194065-72120	HOUSING, ADJUST	1	1	1	1		1
7	..	194065-72130	GEAR ASSY, ADJUSTING	1	1	1	1		1
8	..	194065-72140	SPRING WASHER 10	1	1	1	1		1
9	..	194065-72150	SPRING WASHER 10	1	1	1	1		1
10	..	194065-72160	PINION, ADJUST	1	1	1	1		1
11	..	194065-72172	HANDLE, ADJUSTING	1	1	1	1		1
12	..	194065-72191	STOPPER	1	1	1	1		1
13	..	194065-72350	YOKE, LIFT LINK	1	1	1	1		1
14	..	194065-72400	JOINT, CROSS	1	1	1	1		1
15	...	194065-11280	BUSH 24X27X20	2	2	2	2		1
16	..	194065-72420	PIN, CROSS JOINT	1	1	1	1		1
17	..	194065-72440	WASHER 28	1	1	1	1		1
18	..	194065-72461	SPRING PIN 6X20	1	1	1	1		1
19	..	194065-72500	NIPPLE MT6X1, GREASE	1	1	1	1		1
20	...	24550-013150	BUSHING 13X15	2	2	2	2		1
21	..	194065-72550	PIN, LIFT YOKE	1	1	1	1		1
22	..	194065-72560	WASHER	1	1	1	1		1
23	..	22217-100000	SPRING WASHER 10	1	1	1	1		10
24	..	22217-100000	SPRING WASHER 10	4	4	4	4		10
25	..	22312-040060	PIN 4X6, STRAIGHT	1	1	1	1		1
26	..	22351-050014	SPRING PIN 5X14	1	1	1	1		10
27	..	22351-060020	SPRING PIN 6X20	2	2	2	2		10
28	..	24311-000120	O-RING 1A P 12.0	1	1	1	1		10
29	..	24520-511060	THRUST BEARING	1	1	1	1		1
30	..	24761-060000	NIPPLE MT6X1, GREASE	1	1	1	1		1
31	..	24761-060000	NIPPLE MT6X1, GREASE	1	1	1	1		1
32	..	24761-060000	NIPPLE MT6X1, GREASE	1	1	1	1		1
33	..	26013-080252	BOLT M 8X 25	2	2	2	2		10
34	..	26116-100302	BOLT 10X30	4	4	4	4		10
35	.	194065-72450	PIN, LIFT ARM	1	1	1	1		1
36	.	194180-72950	PIN ASSY, LOCK	1	1	1	1		1
37	.	1A1040-76110	CIRCLIP 11	1	1	1	1		10

131. LIFT LINK L



N136531

2B05  
2B02  
NPC-3693

131. LIFT LINK L

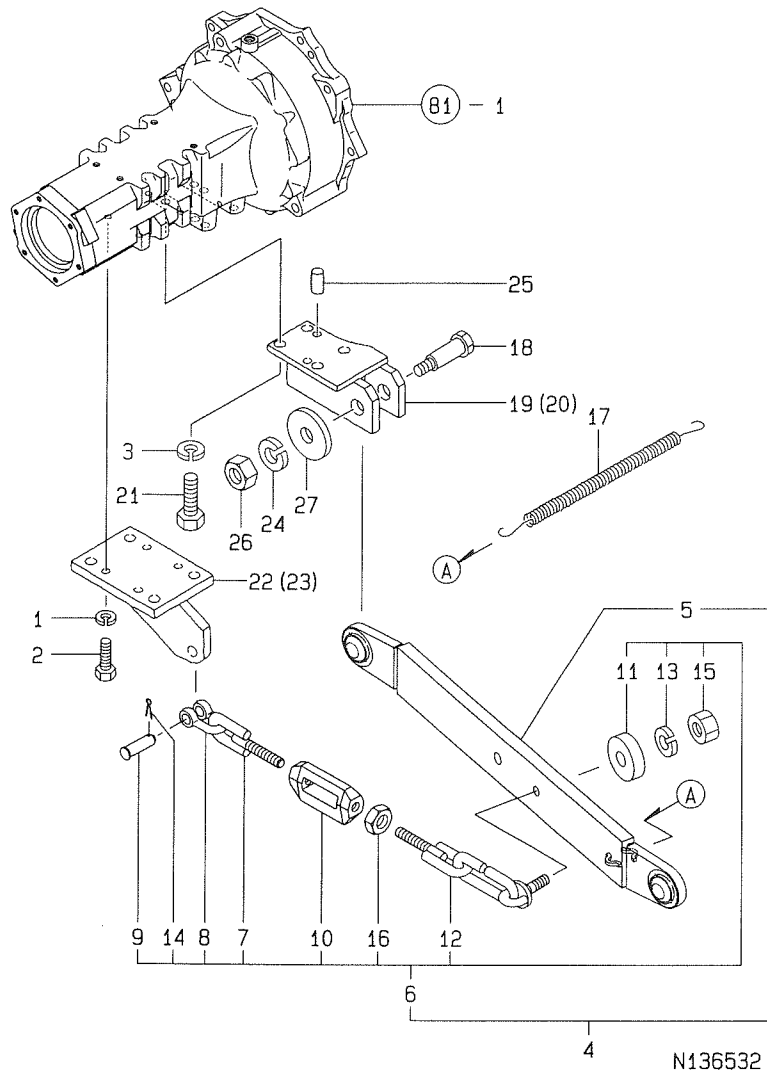
99.12.07

(A)=AF1110EX (D)=AF1088EX(4WD)  
(B)=AF1110EX(4WD)(E)=  
(C)=AF1088EX(2WD)(F)=

REF. NO.	LEV. 0	PART NO.	DESCRIPTION	Q'TY						I P/U A R
				(A)	(B)	(C)	(D)	(E)	(F)	
1	.	794130-71410	PIN ASSY,BALL SOCKET	1	1	1	1			5
2	.	794065-72200	LINK L COMP.,LIFT	1	1	1	1			1
3	..	194320-47860	BOLT	1	1	1	1			1
4	..	194065-72300	LINK ASSY, LIFT	1	1	1	1			1
5	..	194065-72350	YOKE, LIFT LINK	1	1	1	1			1
6	..	194065-72400	JOINT, CROSS	1	1	1	1			1
7	...	194065-11280	BUSH 24X27X20	2	2	2	2			1
8	..	194065-72420	PIN, CROSS JOINT	1	1	1	1			1
9	..	194065-72440	WASHER 28	1	1	1	1			1
10	..	194065-72550	PIN, LIFT YOKE	1	1	1	1			1
11	..	194065-72560	WASHER	1	1	1	1			1
12	..	22217-100000	SPRING WASHER 10	1	1	1	1			10
13	..	22312-040060	PIN 4X6,STRAIGHT	1	1	1	1			1
14	..	24761-060000	NIPPLE MT6X1, GREASE	1	1	1	1			1
15	..	24761-060000	NIPPLE MT6X1, GREASE	1	1	1	1			1
16	.	194065-72450	PIN, LIFT ARM	1	1	1	1			1
17	.	194180-72950	PIN ASSY, LOCK	1	1	1	1			1

N136531

132. LOWER LINK & CHECK CHAIN



-----+  
 | 2B06 |  
 | (2B02) |  
 -----+  
 NPC-3693

132. LOWER LINK & CHECK CHAIN

99.12.07

(A)=AF1110EX (D)=AF1088EX(4WD)  
 (B)=AF1110EX(4WD)(E)=  
 (C)=AF1088EX(2WD)(F)=

REF. NO.	LEV. 0	PART NO.	DESCRIPTION	-----Q'TY-----						I P/U A R
				(A)	(B)	(C)	(D)	(E)	(F)	
1	.	194274-13580	SPRING WASHER 12	8	8	8	8			2
2	.	194361-24140	STUD M12X40	8	8	8	8			1
3	.	194280-34170	WASHER 16	8	8	8	8			4
4	..	198265-73000	LWR.LINK & CHK.CHAIN	2	2	2	2			1
5	..	198265-73100	LINK CMP;LOWER (49)	2	2	2	2			1
6	..	198265-74010	CHAIN COMP.,CHECK	2	2	2	2			1
7	...	198265-74100	CHAIN F,CHECK	2	2	2	2			1
8	...	198265-74140	SHACKLE	2	2	2	2			1
9	...	194065-74150	PIN, CHECK CHAIN	2	2	2	2			1
10	...	198265-74150	TURN BUCKLE	2	2	2	2			1
11	...	198265-74160	WASHER,CHECK CHAIN	2	2	2	2			1
12	...	198265-74200	CHAIN R,CHECK	2	2	2	2			1
13	...	22217-180000	SPRING WASHER 18	2	2	2	2			10
14	...	22417-600400	COTTER PIN 6.0X40	2	2	2	2			10
15	...	26736-180002	NUT M18	2	2	2	2			1
16	...	26756-200002	LOCK NUT M20 PLATED	2	2	2	2			1
17	.	194145-73150	SPRING	1	1	1	1			1
18	.	194065-73410	PIN, HINGE	2	2	2	2			1
19	.	194065-73420	BRACKET (L), LINK	1	1	1	1			1
20	.	194065-73430	BRACKET (R), LINK	1	1	1	1			1
21	.	194065-73440	BOLT 16X40	8	8	8	8			1
22	.	194065-74310	BRACKET, CHAIN	1	1	1	1			1
23	.	194065-74320	BRACKET, CHAIN	1	1	1	1			1
24	.	22217-200000	SPRING WASHER 20	2	2	2	2			10
25	.	22312-160280	PARALLEL PIN 16X28	4	4	4	4			1
26	.	26736-200002	NUT M20	2	2	2	2			1
27	.	22157-200000	WASHER 20	2	2	2	2			10

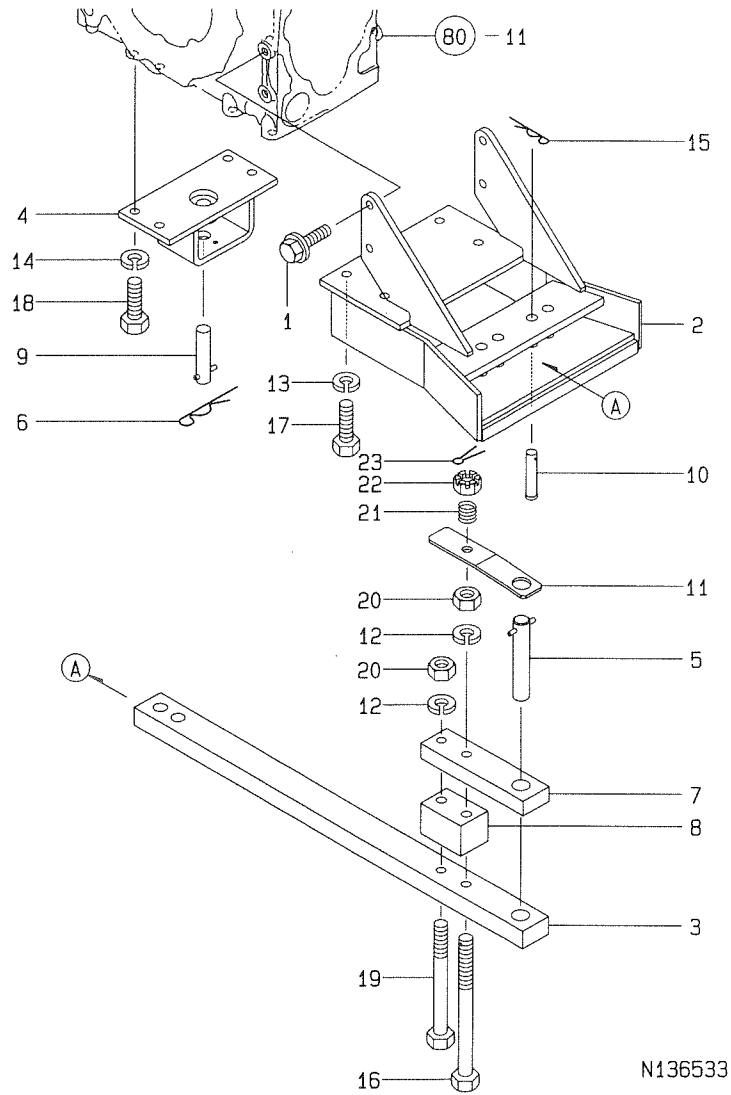
133. DRAW BAR HITCH

2B07  
(2B02)  
NPC-3693

133. DRAW BAR HITCH

99.12.07

(A)=AF1110EX (D)=AF1088EX(4WD)  
(B)=AF1110EX(4WD)(E)=  
(C)=AF1088EX(2WD)(F)=



REF. NO.	LEV. 0	PART NO.	DESCRIPTION	Q'TY						I	P	U	A	R
				(A)	(B)	(C)	(D)	(E)	(F)					
1	.	174810-29110	BOLT 14X32,COLLAR HD	4	4	4	4							1
2	.	198265-75700	BRACKET R,DRAWBAR	1	1	1	1							1
3	.	198265-75710	DRAWBAR (49)	1	1	1	1							1
4	.	198265-75720	BRACKET F,HITCH	1	1	1	1							1
5	.	198265-75750	PIN COMP.,HITCH	1	1	1	1							1
6	.	194080-75790	PIN 28, SNAP	1	1	1	1							5
7	.	198265-75810	HITCH,LOWER	1	1	1	1							1
8	.	198268-75820	SPACER,DRAWBAR	1	1	1	1							1
9	.	198265-75780	PIN,DRAWBAR CMP	1	1	1	1							0
10	.	195397-27810	PIN 19X92,HEADED	2	2	2	2							1
11	.	198265-75770	PLATE(HITCH PIN)	1	1	1	1							0
12	.	22217-160000	SPRING WASHER 16	2	2	2	2							10
13	.	22217-160000	SPRING WASHER 16	4	4	4	4							10
14	.	22217-160000	SPRING WASHER 16	4	4	4	4							10
15	.	22360-190000	SNAP PIN 19	2	2	2	2							10
16	.	198265-75820	BOLT 16X195	1	1	1	1							0
17	.	26116-160352	BOLT M16X 35 PLATED	4	4	4	4							1
18	.	26116-160352	BOLT M16X 35 PLATED	4	4	4	4							1
19	.	26116-161552	BOLT 16*155	1	1	1	1							1
20	.	26716-160002	NUT M16	2	2	2	2							10
21	.	198220-63340	SPRING	1	1	1	1							1
22	.	198265-75830	CASTLE NUT 16	1	1	1	1							0
23	.	22417-400400	COTTER PIN 4.0X40	1	1	1	1							10

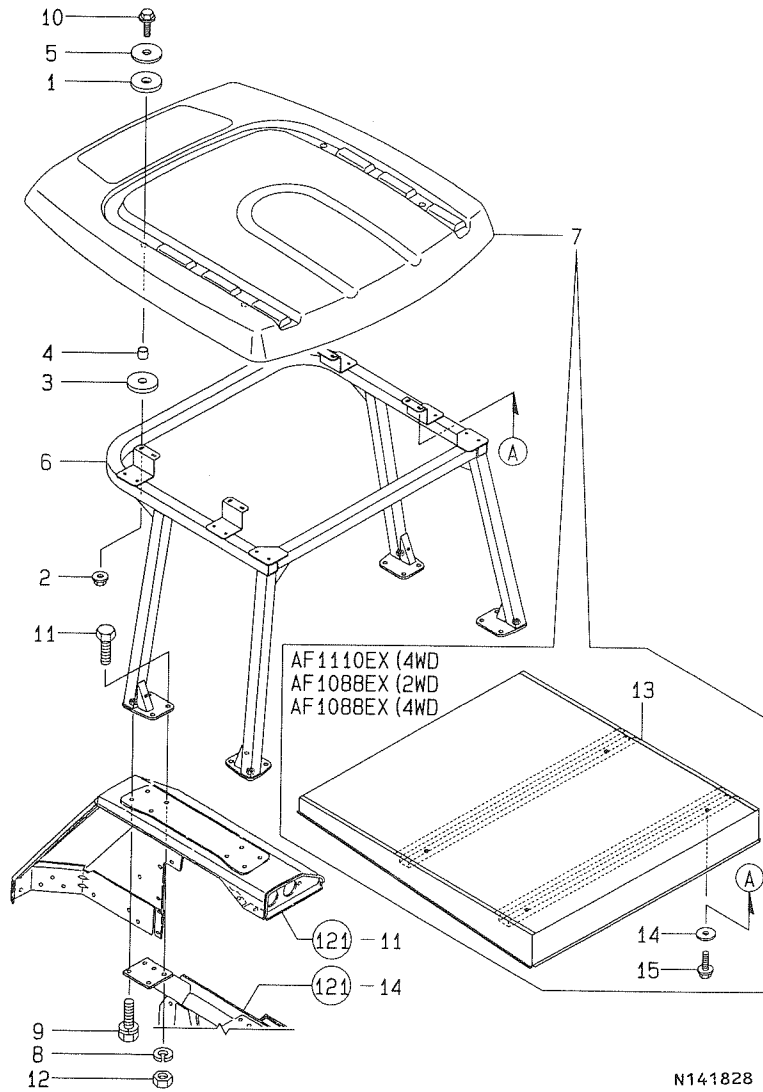
134. SAFETY FRAME

2C03  
2C02  
NPC-3693

134. SAFETY FRAME

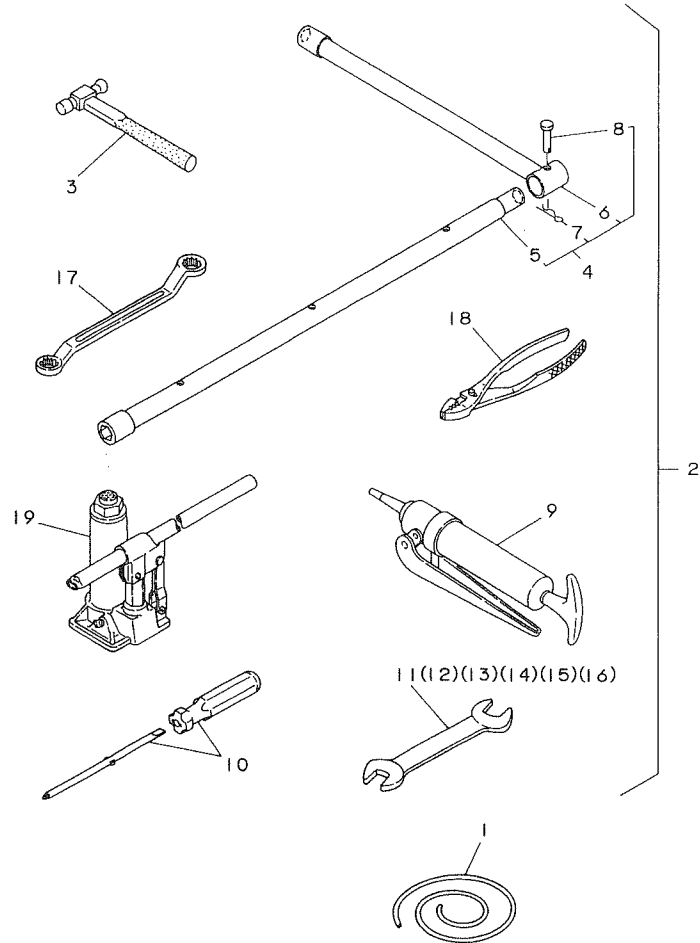
99.12.07

(A)=AF1110EX (D)=AF1088EX(4WD)  
(B)=AF1110EX(4WD(E)=  
(C)=AF1088EX(2WD(F)=



REF. NO.	LEV. 0	PART NO.	DESCRIPTION	Q'TY						I	P/U	A	R
				(A)	(B)	(C)	(D)	(E)	(F)				
1	.	194555-04260	PACKING, RUBBER	4								1	
2	.	194990-22140	NUT W/WASHER 8	4								5	
3	.	194145-62260	RUBBER, CUSHION	4								1	
4	.	194802-63330	COLLAR	4								1	
5	.	198255-82640	STAY, HINGE PLATE	4								1	
6	.	198265-85100	FRAME COMP., SAFETY	1	1	1	1					1	
7	.	198265-85740	ROOF	1								1	
8	.	22217-140000	SPRING WASHER 14	12	12	12	12					10	
9	.	26013-140452	BOLT M14X 45	4								1	
10	.	26106-080352	BOLT M 8X 35 PLATED	4								10	
11	.	26116-140352	BOLT M14X 35 PLATED	12	12	12	12					1	
12	.	26716-140002	NUT M14	12	12	12	12					10	
I 13	.	198265-85800	ROOF CMP		1	1	1					0	
I 14	.	22157-080000	WASHER 8		4	4	4					10	
I 15	.	26106-080202	BOLT M 8X 20 PLATED		4	4	4					10	

135. STANDARD TOOLS



N136535

2C04  
(2C02)  
NPC-3693

135. STANDARD TOOLS

99.12.07

(A)=AF1110EX (D)=AF1088EX(4WD)  
(B)=AF1110EX(4WD)(E)=  
(C)=AF1088EX(2WD)(F)=

REF. NO.	LEV. 0	PART NO.	DESCRIPTION	-----Q'TY-----						I P/U A R
				(A)	(B)	(C)	(D)	(E)	(F)	
1	.	194640-38340	PIPE 6X10X1000	1	1	1	1			1
2	.	794180-82100	TOOL KIT,STANDARD	1	1	1	1			1
3	..	194740-80121	HAMMER	1	1	1	1			1
4	..	194180-82100	WRENCH ASSY, WHEEL	1	1	1	1			1
5	...	194180-82110	WRENCH, WHEEL	1	1	1	1			1
6	...	194180-82120	HANDLE, WRENCH	1	1	1	1			1
7	...	22372-120000	SNAP PIN 12	1	1	1	1			10
8	...	22487-120500	PIN 12X 50	1	1	1	1			1
9	..	194130-82190	GUN, GREASE	1	1	1	1			1
10	..	104200-92350	DRIVER, SCREW	1	1	1	1			1
11	..	28110-080100	WRENCH 8X10	1	1	1	1			1
12	..	28110-120140	WRENCH 12X14	1	1	1	1			1
13	..	28110-170190	WRENCH 17X19	1	1	1	1			1
14	..	28110-220240	WRENCH 22X24	1	1	1	1			1
15	..	28110-260320	WRENCH 26X32	1	1	1	1			1
16	..	28110-270300	WRENCH 27X30	1	1	1	1			1
17	..	28160-170190	WRENCH 17X19,OFFSET	1	1	1	1			1
18	..	28170-001500	PLIERS 150	1	1	1	1			1
19	.	194320-82110	JACK	1	1	1	1			1

N136535

PART NO.	GRP. NO.	REF. NO.	LOC. NO.	PART NO.	GRP. NO.	REF. NO.	LOC. NO.	PART NO.	GRP. NO.	REF. NO.	LOC. NO.	PART NO.	GRP. NO.	REF. NO.	LOC. NO.
1A1040-28470	89	3	1J07	119000-11280	4	28	1C06	119032-61700	16	138	1D05	121254-77521	20	35	1D10
1A1040-41610	120	2	2A06	119000-11810	4	9	1C06	119100-51081	15	10	1D02	121254-77541	20	36	1D10
1A1040-76110	130	37	2B04	119000-51050	15	7	1D02	119100-51091	15	11	1D02	121254-77571	20	14	1D10
1A1120-71070	130	1	2B04	119000-51060	15	9	1D02	119100-51500	15	51	1D02	121254-77581	20	15	1D10
1A6150-91251	138	6	2A16	119000-51101	15	13A	1D02	119100-61430	16	30	1D04	121254-77590	20	16	1D10
1A6150-91321	128	36	2A14	119000-51161	15	20	1D02	119107-13190	6	12	1C09	121254-77600	20	19	1D10
1A6502-34960	85	28	1J02	119000-51170	15	21	1D02			23	1C09	121254-77640	20	17	1D10
		38	1J02	119000-51181	15	22	1D02	119117-12570	22	8E	1E03	121254-77661	20	22	1D10
1A6502-34970	85	29	1J02	119000-51201	15	23A	1D02		139	4E	1E12	121254-77670	20	32	1D10
		39	1J02	119000-51330	15	35	1D02	119129-77210	20	20	1D10	121254-77681	20	23	1D10
1A6502-34980	85	30	1J02	119000-51410	15	44	1D02	119129-77220	20	21	1D10	121254-77690	20	24	1D10
		40	1J02	119000-51450	15	45	1D02	119131-18320	6	14	1C09	121254-77700	20	25	1D10
1A6503-14800	43	28	1F16	119000-51511	15	52	1D02	119160-12540	22	8C	1E03	121254-77730	20	28	1D10
		38	1F16	119000-51530	15	53	1D02		139	4C	1E12	121254-77770	20	33	1D10
1A6503-14810	43	29	1F16	119000-51550	15	54	1D02	119171-11370	4	19	1C06	121254-77780	20	37	1D10
		39	1F16	119000-51570	15	55	1D02	119171-77330	21	2	1D11	121254-77790	20	38	1D10
1A6503-14820	43	30	1F16	119000-51580	15	56	1D02	119173-22300	9	22	1C12	121254-77810	20	39	1D10
		40	1F16	119000-51590	15	57	1D02	119174-01200	1	20	1C03	121257-55720	139	36	1E12
1A6511-34900	85	48	1J02	119000-51650	15	58	1D02	119175-51030	15	5	1D02	121257-55731	139	37	1E12
		58	1J03	119000-51800	15	71	1D02	119175-51070	15	83	1D02	121750-59890	14	39	1D01
1A6511-34910	85	49	1J02	119000-51900	15	72	1D02	119175-51340	15	36	1D02		26	18-	1E08
		59	1J03	119000-52000	17	1	1D06	119187-61071	16	6	1D04		112	35	1M03
1A6511-34920	85	50	1J02	119000-52100	17	8	1D06	119187-61310	16	40	1D04			36	1M03
		60	1J03	119000-52150	17	13	1D06	119187-61500	16	34	1D04	121820-52020	17	3	1D06
1C6140-42120	53	27	1G12	119000-53100	18	9	1D07	119187-61551	16	109	1D05	121820-52070	17	7	1D06
1C6281-52320	54	7	1G13	119000-61052	16	5	1D04	119187-61612	16	42	1D04	121820-52110	17	9	1D06
1C6360-65700	104	35	1L01	119000-61080	16	66	1D04	119187-61710	16	137	1D05	121820-52140	17	12	1D06
1E4320-74540	102	13	1K15	119000-61120	16	10	1D04	119255-44660	22	20	1E03	121820-52160	17	14	1D06
1E6190-54170	41	17	1F14	119000-61140	16	11	1D04		139	16	1E12	121820-52170	17	15	1D06
1E6210-54920	71	29	1H14	119000-61150	16	12	1D04	119266-59580	19	46	1D08	121820-52180	17	16	1D06
	73	29	1I01	119000-61160	16	13	1D04	119305-59120	18	29	1D07	121820-52190	17	17	1D06
1E6210-63110	106	29	1L04	119000-61170	16	14	1D04	119560-59040	19	40	1D08	121820-52200	17	18	1D06
	121	8	2A07	119000-61180	16	15	1D04	119560-59110	22	34	1E03	121820-52210	17	19	1D06
1E6480-87490	106	16	1L04	119000-61190	16	16	1D04		139	43	1E12	121820-52230	17	20	1D06
		22	1L04	119000-61200	16	17	1D04	119560-59120	19	41	1D08	121820-52300	17	21	1D06
101504-55101	26	29	1E08	119000-61300	16	21	1D04	119573-51200	15	23	1D02	121820-52510	17	24	1D06
102103-55520	139	33	1E12	119000-61310	16	22	1D04	119593-11300	4	41	1C06	121850-11150	4	17	1C06
103854-03400	11	2	1C14	119000-61320	16	23	1D04	119593-51100	15	13	1D02	121850-11180	4	18	1C06
103854-03430	11	3	1C14	119000-61340	16	24	1D04	119625-11870	4	20	1C06	121850-21130	9	10	1C12
104200-55321	139	30	1E12	119000-61380	16	26	1D04	119625-11880	4	21	1C06	121850-21290	9	4	1C12
104200-55330	139	31	1E12	119000-61400	16	27	1D04	119625-11900	4	22	1C06			7	1C12
104200-55750	139	38	1E12	119000-61470	16	32	1D04	119860-34810	12	7	1C15		11	5	1C14
104200-92350	135	10	2C04	119000-61490	16	33	1D04	120323-61060	16	152	1D05	121850-21680	9	9	1C12
105010-39140	13	10	1C16	119000-61500	16	140	1D05	120323-61070	16	7	1D04			9-	1C12
105425-01690	3	11	1C05	119000-61630	16	50	1D04	120323-61470	16	136	1D05	121850-21920	9	5	1C12
106530-13710	127	4	2A13	119000-61801	16	56	1D04	121250-49110	19	16	1D08		48	15-	1G07
110250-55610	139	34	1E12	119000-61850	16	61	1D04	121250-59550	19	9	1D08		51	7-	1G10
114250-39450	13	1A	1C16	119000-61880	16	101	1D05	121252-39150	13	4	1C16	121850-51700	15	70	1D02
114250-53080	18	8	1D07	119000-61890	16	102	1D05	121254-77402	20	2	1D10	121850-61600	16	148	1D05
114250-53120	18	12	1D07	119005-12950	22	8G	1E03	121254-77410	20	3	1D10	121855-59880	19	17	1D08
114250-53130	18	13	1D07	119005-35100	12	8	1C15	121254-77420	20	4	1D10			17-	1D08
114250-53140	18	14	1D07	119005-59530	19	15	1D08	121254-77430	20	5	1D10			42A	1D08
114250-53210	18	15	1D07	119005-59531	19	15-	1D08	121254-77480	20	10	1D10	121855-61910	16	99	1D05
114250-53400	18	16	1D07	119017-39610	13	27	1C16	121254-77511	20	34	1D10	121950-28401	11	19	1C14

PART NO.	GRP. NO.	REF. NO.	LOC. NO.	PART NO.	GRP. NO.	REF. NO.	LOC. NO.	PART NO.	GRP. NO.	REF. NO.	LOC. NO.	PART NO.	GRP. NO.	REF. NO.	LOC. NO.
124160-39450	13	1	1C16	129155-51270	15	30	1D02	172510-76320	93	28	1K04	194065-21230	52	3	1G11
124250-49351	14	33	1D01	129155-51280	15	31	1D02	172510-76350	93	29	1K04	194065-21240	52	4	1G11
124410-51861	17	2	1D06	129155-61090	16	139	1D05		101	44	1K13	194065-21420	51	1	1G10
124450-01610	3	3	1C05	129155-61460	16	31	1D04			45	1K13	194065-21850	50	7	1G09
124465-44950	14	35	1D01	129335-59090	22	33	1E03	174501-51410	112	7	1M03	194065-22050	52	5	1G11
124550-77030	112	37	1M03		139	42	1E12	174810-29110	133	1	2B07	194065-22120	51	3	1G10
124610-48610	14	24	1D01	129418-18320	6	5	1C09	174810-46270	103	6	1K16	194065-22190	51	4	1G10
124610-49290	14	25	1D01	129450-55702	139	29	1E12	175022-49700	26	19	1E08	194065-22230	51	5	1G10
124610-49291	14	25-1	1D01	129457-77880	22	36	1E03	175022-49730	108	30	1L06	194065-22240	57	4	1G16
124610-51970	16	2	1D04		139	45	1E12	175022-49740	26	20	1E08	194065-22270	52	6	1G11
124610-77010	20	1	1D10	129466-44510	22	16	1E03	178073-01200	136	2	1I06	194065-22280	52	7	1G11
124610-77550	20	13	1D10		139	12	1E12	192154-24690	136	34	1I06	194065-22301	52	9	1G11
124616-61540	16	146	1D05	129550-49090	22	30	1E03	192157-26460	136	40	1I06	194065-22320	52	13	1G11
124732-77340	21	3	1D11		139	26	1E12	192163-24641	136	20	1I06	194065-22460	53	1	1G12
124756-77040	112	38	1M03	129550-49101	22	28	1E03	192180-22620	50	13	1G09	194065-22710	52	16	1G11
		39	1M03		139	24	1E12	192180-22630	50	14	1G09	194065-23200	55	3	1G14
124766-59050	19	31A	1D08	129574-91580	116	12	1M07	192180-22660	50	15	1G09	194065-24120	80	4	1I13
		40	1M03	129612-12650	22	8F	1E03	192180-22790	50	16	1G09	194065-24140	57	7	1G16
	22	35	1E03		139	4F	1E12	192180-22840	50	17	1G09		80	15	1I13
	26	21	1E08	129792-39410	13	18	1C16	192180-22851	50	18	1G09	194065-24150	57	10	1G16
		22	1E08	129792-39610	13	13	1C16	192180-22860	50	19	1G09	194065-24160	57	11	1G16
		23	1E08	129900-14100	7	6	1C10	192180-22870	50	20	1G09	194065-24170	75	48	1I04
		32	1E08	129900-21200	9	3	1C12	192180-22890	50	21	1G09	194065-24180	57	8	1G16
		35	1E08	129900-21640	9	31	1C12	192180-22950	50	22	1G09	194065-24190	59	1	1H02
	29	5	1E11			31-1	1C12	192180-24641	136	21	1I06	194065-24211	57	12	1G16
		6	1E11	129900-32030	2	10	1C04	192180-24680	136	22	1I06	194065-24220	57	13	1G16
	139	44	1E12	129900-32040	2	11	1C04	192180-24690	136	23	1I06	194065-24260	72	7	1H15
126650-12680	139	46	1E12	129950-59211	19	31	1D08	192180-24700	136	24	1I06	194065-24280	80	5	1I13
128300-13230	6	27	1C09	129950-59221	19	31B	1D08	192180-24730	136	36	1I06	194065-24330	80	6	1I13
	22	13	1E03	129956-01710	3	9	1C05	192180-24740	136	37	1I06	194065-24342	80	7	1I13
	139	9	1E12	129956-26010	10	1	1C13	192180-24770	136	12	1I06	194065-24360	80	9	1I13
128610-14120	11	4	1C14	129956-28180	11	12	1C14	192180-24780	136	13	1I06	194065-24420	72	10	1H15
129051-49310	14	43	1D01	129956-28341	11	14	1C14	192180-24790	136	14	1I06	194065-24430	72	12	1H15
129052-26060	3	14	1C05	129956-44600	22	18	1E03	192180-24800	136	15	1I06	194065-24450	80	8	1I13
129052-44550	115	1	1M06		139	14	1E12	192180-24810	136	16	1I06	194065-24510	72	14	1H15
129052-77920	114	23	1M05	129956-52100	139	28	1E12	192180-24850	136	17	1I06	194065-24531	72	15	1H15
129100-01580	3	1	1C05	129957-59040	22	32	1E03	192180-24910	136	25	1I06	194065-24540	72	16	1H15
		18	1C05		139	41	1E12	192180-32211	38	11	1F11	194065-24560	72	17	1H15
129100-55670	139	35	1E12	129957-59050	19	27	1D08	192180-32221	41	14	1F14	194065-24570	72	18	1H15
129100-59560	19	12	1D08		50	1D09		194065-06150	28	1	1E10	194065-24580	72	19	1H15
129100-59951	19	19	1D08	129957-59120	19	29	1D08	194065-11050	80	12	1I13	194065-24590	72	20	1H15
129100-61930	16	67	1D04		51	1D09		194065-11060	57	1	1G16	194065-24600	72	13	1H15
129107-44901	14	34	1D01	135210-61090	16	9	1D04		80	1	1I13	194065-24610	72	21	1H15
129150-02450	7	4	1C10	137600-53900	15	76	1D02	194065-11280	130	15	2B04	194065-24620	72	38	1H15
129150-03070	4	46	1C06	144626-51090	15	12	1D02		131	7	2B05	194065-24640	72	39	1H15
129150-11230	4	32	1C06	144626-51940	15	74	1D02	194065-21160	48	5	1G07	194065-24650	72	22	1H15
		36	1C06	144626-51950	15	75	1D02		57	3	1G16	194065-24660	72	23	1H15
129150-11750	4	34	1C06	148616-61650	16	8	1D04		80	3	1I13	194065-24670	109	2	1L07
		38	1C06	148688-52120	17	10	1D06	194065-21180	48	8	1G07	194065-24680	72	40	1H15
129150-49081	22	29	1E03	171051-01921	1	4	1C03		57	6	1G16	194065-24710	72	41	1H15
	139	25	1E12	171081-55910	139	39	1E12		80	13	1I13	194065-24741	72	25	1H15
129150-49360	14	36	1D01	172010-07810	24	9	1E06	194065-21190	80	14	1I13	194065-24760	72	42	1H15
129150-59131	18	32	1D07		26	18	1E08	194065-21211	52	1	1G11	194065-24770	72	43	1H15
129150-59580	19	10	1D08	172187-61421	118	37	2A03	194065-21220	52	2	1G11	194065-24780	72	44	1H15



PART NO.	GRP. NO.	REF. NO.	LOC. NO.	PART NO.	GRP. NO.	REF. NO.	LOC. NO.	PART NO.	GRP. NO.	REF. NO.	LOC. NO.	PART NO.	GRP. NO.	REF. NO.	LOC. NO.
121952-51900	15	73	1D02	123900-23610	9	34	1C12	123950-33011	12	1	1C15	123951-18210	5	4	1C08
122710-51050	15	8	1D02	123900-23910	9	27	1C12	123950-34801	12	6	1C15	123951-18220	5	13	1C08
122710-51350	15	43	1D02	123900-25060	7	9	1C10	123950-35001	12	9	1C15	123951-18350	5	6	1C08
123472-59120	18	23	1D07	123900-25120	7	10	1C10	123950-39050	13	8	1C16	123951-21590	9	11	1C12
123500-12580	5	14	1C08	123900-33060	12	3	1C15	123950-39620	13	30	1C16	123951-22080	9	14	1C12
123500-12900	22	9	1E03	123900-39650	13	24	1C16	123950-42450	14	19	1D01	123951-22900	9	36	1C12
123500-12910	139	5	1E12	123900-42100	14	2	1D01	123950-44740	14	21	1D01	123951-25900	7	14	1C10
	22	10	1E03	123900-42110	14	16	1D01	123950-44760	14	22	1D01	123951-35190	12	13	1C15
	139	6	1E12	123900-42480	14	20	1D01	123950-49011	22	23	1E03	123951-39601	13	12	1C16
123500-12920	22	11	1E03	123900-53000	18	5A	1D07	123950-49051	139	19	1E12	123951-39622	13	28	1C16
	139	7	1E12	123900-53050	18	5	1D07		22	26	1E03	123951-39640	13	2	1C16
123500-12930	22	12	1E03	123900-77020	5	7	1C08	123950-49100	139	22	1E12	123951-44500	22	15	1E03
	139	8	1E12	123900-77030	5	8	1C08		22	27	1E03	139	11	1E12	
123500-21300	9	33	1C12	123901-03240	4	60	1C07	139	23	1E12	123951-44570	22	17	1E03	
123500-21600	9	13	1C12	123901-14580	7	3	1C10	123950-49300	14	44	1D01	139	13	1E12	
123500-49550	14	27	1D01	123901-18080	6	8	1C09	123950-49312	14	29	1D01	123951-44650	22	19	1E03
123500-51300	15	32	1D02	123901-18090	8	1	1C11	123950-49320	14	30	1D01	139	15	1E12	
123672-01782	3	21	1C05	123910-18010	8	4	1C11	123950-49330	14	38	1D01	123951-44800	22	21	1E03
123758-49540	14	40	1D01	123912-33040	12	2	1C15	123950-49340	14	42	1D01	139	17	1E12	
123900-01340	1	21	1C03	123912-33100	12	4	1C15	123950-49350	14	31	1D01	123951-44810	22	22	1E03
123900-01740	2	4	1C04	123950-01640	3	19	1C05	123950-49500	14	26	1D01	139	18	1E12	
123900-01750	2	24	1C04	123950-01710	3	8	1C05	123950-59860	18	34	1D07	123951-49021	22	24	1E03
123900-01780	2	3	1C04	123950-01720	3	17	1C05	123950-59870	18	35	1D07	139	20	1E12	
123900-02020	1	5	1C03	123950-01741	3	10	1C05	123950-59880	18	36	1D07	123951-49031	22	25	1E03
123900-02340	1	22	1C03	123950-07910	4	2	1C06	123950-59890	18	37	1D07	139	21	1E12	
123900-02410	1	8	1C03	123950-11330	4	45A	1C06	123950-77500	5	9	1C08	123951-49110	22	31	1E03
123900-02800	1	14	1C03	123950-12010	22	1	1E03	123951-01600	3	2	1C05	139	27	1E12	
123900-02930	1	17	1C03		139	1	1E12	123951-01700	3	7	1C05	123951-49210	14	1	1D01
123900-02940	1	25	1C03	123950-12020	139	2	1E12	123951-01810	2	5	1C04	123951-49300	14	37	1D01
123900-03202	4	47	1C06	123950-12410	22	7	1E03	123951-01951	18	1	1D07	123951-55601	19	13	1D08
123900-03210	4	48	1C06		139	3	1E12	123951-03010	4	55	1C06	123951-55610	19	1	1D08
123900-03220	4	49	1C06	123950-12510	22	8A	1E03	123951-03090	4	56	1C06	123951-55620	19	2	1D08
123900-11080	4	7	1C06	123950-12520	22	8B	1E03	123951-03210	4	57	1C07	123951-55680	19	44	1D08
123900-11090	4	8	1C06		139	4B	1E12	123951-03220	4	61	1C07	123951-55810	19	45	1D08
123900-11100	4	14	1C06	123950-12530	139	4	1E12	123951-03230	4	58	1C07	123951-55820	19	37	1D08
123900-11110	4	15	1C06	123950-12560	22	8D	1E03	123951-03280	4	62	1C07	123951-59010	19	40-1	1D08
123900-11120	4	16	1C06		139	4D	1E12	123951-03320	4	62A	1C07	123951-59100	19	41-1	1D08
123900-11200	4	26	1C06	123950-13101	6	22	1C09	123951-03330	4	63A	1C07	123951-59500	19	47	1D08
123900-11240	4	27	1C06	123950-13510	6	28	1C09	123951-07900	4	1	1C06	123951-59510	19	48	1D09
123900-11310	4	51	1C06	123950-13901	6	6	1C09	123951-11300	4	45	1C06	123951-59511	19	48-1	1D09
123900-11510	4	29	1C06	123950-21000	9	1	1C12	123951-12010	22	2	1E03	123951-59860	18	25	1D07
123900-11520	4	30	1C06	123950-22050	9	16	1C12	123951-12020	22	3	1E03	123951-59870	18	26	1D07
123900-11650	4	31	1C06	123950-22080	9	14A	1C12	123951-12030	22	4	1E03	123951-59880	18	27	1D07
123900-11660	4	35	1C06	123950-22900	9	36A	1C12	123951-12040	22	5	1E03	123951-59890	18	28	1D07
123900-12110	5	2	1C08	123950-22950	9	38	1C12	123951-12100	5	1	1C08	123951-61440	16	135	1D05
123900-13110	6	3	1C09	123950-28000	11	1	1C14	123951-12510	22	8	1E03	123951-61870	16	100	1D05
123900-14200	7	1	1C10	123950-28010	11	6	1C14		139	4A	1E12	123951-61950	16	104	1D05
123900-14400	7	2	1C10	123950-28020	11	7	1C14	123951-13101	6	2	1C09	123951-77200	21	5	1D11
123900-14580	7	3A	1C10	123950-28100	11	10	1C14	123951-13511	6	7	1C09	124060-59380	19	18	1D08
123900-21650	9	32	1C12	123950-28110	11	11	1C14	123951-13910	6	19	1C09	124064-55510	139	32	1E12
		32-1	1C12	123950-28300	9	8	1C12	123951-13911	22	44	1E03	124070-13300	13	11	1C16
123900-23000	9	24	1C12	123950-28310	11	13	1C14		139	10	1E12	124160-01751	2	22	1C04
123900-23200	9	28	1C12	123950-32000	2	7	1C04	123951-18020	6	13	1C09	124160-11360	4	53	1C06
123900-23600	9	29	1C12	123950-32001	2	7-1	1C04	123951-18200	5	12	1C08	124160-39140	13	3	1C16

PART NO.	GRP. NO.	REF. NO.	LOC. NO.	PART NO.	GRP. NO.	REF. NO.	LOC. NO.	PART NO.	GRP. NO.	REF. NO.	LOC. NO.	PART NO.	GRP. NO.	REF. NO.	LOC. NO.	
194065-24880	72	45	1H15	194065-26120	66	7	1H09	194065-31470	77	6	1I10	194065-38340	90	7	1J08	
194065-24900	72	53	1H16	194065-26150	66	9	1H09	194065-31480	77	7	1I10	194065-38380	90	8	1J08	
194065-24910	59	2	1H02	194065-26220	66	12	1H09	194065-31510	78	1	1I11	194065-38401	90	10	1J08	
194065-24920	72	54	1H16	194065-26230	66	14	1H09	194065-31520	78	2	1I11	194065-38421	90	11	1J08	
194065-24930	59	3	1H02	194065-26240	66	16	1H09	194065-31530	78	3	1I11	194065-38451	90	12	1J08	
194065-24960	72	58	1H16	194065-26250	66	17	1H09	194065-31540	78	4	1I11	194065-38470	90	13	1J08	
194065-25160	60	6	1H03	194065-26260	66	18	1H09	194065-31550	78	5	1I11	194065-38500	90	14	1J08	
194065-25170	60	8	1H03	194065-26270	50	32	1G09	194065-31560	77	8	1I10	194065-38520	90	15	1J08	
194065-25180	60	9	1H03		66	19	1H09	194065-32150	78	8	1I11	194065-38530	90	15-1	1J08	
194065-25211	61	3	1H04	194065-26310	67	3	1H10	194065-32320	79	2	1I12	194065-38540	90	16	1J08	
194065-25250	60	12	1H03	194065-26340	69	1	1H12	194065-32401	80	11	1I13		111	16	1L09	
	63	2	1H06	194065-26350	67	6	1H10	194065-32420	80	19	1I13	194065-38700	91	1	1J09	
	64	1	1H07	194065-26360	67	8	1H10	194065-32430	80	16	1I13	194065-38750	91	2	1J09	
194065-25260	60	13	1H03	194065-26390	67	10	1H10	194065-32450	77	9	1I10	194065-38760	91	3	1J09	
194065-25270	60	14	1H03	194065-26400	68	1	1H11	194065-32460	77	10	1I10	194065-38770	91	4	1J09	
194065-25290	62	2	1H05	194065-26410	68	3	1H11	194065-32470	77	11	1I10	194065-38800	91	5	1J09	
194065-25411	62	3	1H05	194065-26420	68	4	1H11	194065-32480	77	12	1I10	194065-38810	91	12	1J09	
194065-25420	62	4	1H05	194065-26430	68	5	1H11	194065-32630	81	3	1I14	194065-38820	91	9	1J09	
194065-25430	62	5	1H05	194065-26440	68	6	1H11	194065-32650	81	4	1I14	194065-38850	91	13	1J09	
194065-25440	62	6	1H05	194065-26450	68	7	1H11	194065-32680	80	17	1I13	194065-38880	91	14	1J09	
194065-25450	62	7	1H05	194065-26460	68	8	1H11	194065-33160	82	6	1I15	194065-38930	91	15	1J09	
194065-25460	62	8	1H05	194065-26470	68	9	1H11	194065-33190	82	8	1I15	194065-38950	91	16	1J09	
194065-25470	57	15	1G16	194065-26480	68	10	1H11	194065-33210	82	12	1I15	194065-38960	91	17	1J09	
194065-25480	62	9	1H05	194065-26490	68	11	1H11	194065-33230	82	14	1I15	194065-38990	64	9	1H07	
194065-25490	62	10	1H05	194065-26620	70	2	1H13	194065-33250	82	16	1I15	194065-42102	93	3	1K04	
194065-25510	64	2	1H07	194065-27080	73	5	1I01	194065-33270	82	18	1I15	194065-42130	93	7	1K04	
194065-25521	64	3	1H07	194065-27110	71	6	1H14	194065-33300	123	5	2A09	194065-42140	93	8	1K04	
194065-25531	64	4	1H07	194065-27120	71	7	1H14	194065-33360	123	7	2A09	194065-42150	93	9	1K04	
194065-25541	64	5	1H07	194065-27210	71	13	1H14		127	1	2A13	194065-42161	93	10	1K04	
194065-25550	63	4	1H06	194065-27221	71	14	1H14	194065-33530	83	3	1I16	194065-42180	93	11	1K04	
	64	6	1H07	194065-27510	73	17	1I01	194065-33570	83	6	1I16	194065-42210	93	12	1K04	
194065-25570	64	7	1H07	194065-27520	73	18	1I01	194065-33591	83	7	1I16	194065-42250	48	13	1G07	
194065-25580	62	12	1H05	194065-27530	73	19	1I01	194065-33640	83	10	1I16		93	13	1K04	
194065-25610	63	5	1H06	194065-27551	73	20	1I01	194065-33660	83	11	1I16	194065-42260	93	14	1K04	
194065-25620	63	6	1H06	194065-27560	73	21	1I01	194065-33670	83	12	1I16	194065-43110	93	15	1K04	
194065-25631	63	7	1H06	194065-27610	73	25	1I01	194065-34160	84	6	1J01	194065-43200	93	16	1K04	
194065-25641	63	8	1H06	194065-27650	57	17	1G16	194065-34170	41	30	1F14	194065-43220	93	19	1K04	
194065-25650	63	9	1H06	194065-27680	74	2	1I03		43	6	1F16	194065-43250	93	20	1K04	
194065-25660	63	10	1H06	194065-27700	74	3	1I03			16	1F16	194065-43310	94	1	1K06	
194065-25671	63	11	1H06	194065-27711	74	4	1I03			26	1F16	194065-43330	94	2	1K06	
194065-25680	63	12	1H06	194065-27720	74	5	1I03			36	1F16	194065-43410	95	1	1K07	
194065-25710	60	15	1H03	194065-27730	74	6	1I03			85	7	1J02	194065-43440	94	3	1K06
194065-25720	60	16	1H03	194065-27740	74	7	1I03			17	1J02	194065-44110	95	2	1K07	
194065-25730	60	17	1H03	194065-27760	74	10	1I03			24	1J02	194065-44210	95	3	1K07	
194065-25740	62	14	1H05	194065-27780	74	13	1I03			34	1J02	194065-44230	61	5	1H04	
194065-25890	62	16	1H05	194065-27840	74	15	1I03			44	1J02		95	4	1K07	
194065-25910	65	1	1H08		75	4	1I04			54	1J03	194065-44240	95	5	1K07	
194065-25921	65	2	1H08	194065-28202	121	7	2A07	194065-34810	85	46	1J02	194065-44250	95	6	1K07	
194065-25930	65	3	1H08	194065-28270	74	16	1I03			56	1J03	194065-44260	95	7	1K07	
194065-25940	65	5	1H08		75	14	1I04	194065-36420	87	5	1J05	194065-44270	95	8	1K07	
194065-25950	52	17	1G11	194065-31430	77	2	1I10	194065-36430	87	6	1J05	194065-44280	95	9	1K07	
	65	6	1H08	194065-31440	77	3	1I10	194065-36440	83	13	1I16	194065-44410	95	10	1K07	
194065-25962	63	13	1H06	194065-31450	77	4	1I10	194065-38290	90	5	1J08	194065-44420	95	11	1K07	
194065-25970	64	8	1H07	194065-31460	77	5	1I10	194065-38300	90	6	1J08	194065-45260	96	7	1K08	

PART NO.	GRP. NO.	REF. NO.	LOC. NO.	PART NO.	GRP. NO.	REF. NO.	LOC. NO.	PART NO.	GRP. NO.	REF. NO.	LOC. NO.	PART NO.	GRP. NO.	REF. NO.	LOC. NO.
194065-45600	97	1	1K09	194065-47023	106	8	1L04	194065-47920	107	19	1L05	194065-72560	130	22	2B04
194065-45610	97	2	1K09	194065-47034	106	9	1L04	194065-47930	107	20	1L05		131	11	2B05
194065-45620	97	3	1K09	194065-47044	106	10	1L04	194065-47940	107	21	1L05	194065-73410	132	18	2B06
194065-45630	97	4	1K09	194065-47050	106	11	1L04	194065-47950	107	22	1L05	194065-73420	132	19	2B06
194065-45640	97	5	1K09	194065-47062	106	14	1L04	194065-47960	105	3	1L03	194065-73430	132	20	2B06
194065-45650	97	6	1K09			20	1L04	194065-47970	105	4	1L03	194065-73440	132	21	2B06
194065-45660	97	7	1K09	194065-47081	106	21	1L04	194065-47980	105	5	1L03	194065-74150	132	9	2B06
194065-45670	97	8	1K09	194065-47090	104	2	1L01	194065-48280	108	6	1L06	194065-74310	132	22	2B06
194065-45680	97	9	1K09	194065-47111	104	3	1L01	194065-51650	107	23	1L05	194065-74320	132	23	2B06
194065-45690	97	10	1K09	194065-47130	104	4	1L01	194065-52231	114	19	1M05	194065-85370	121	21	2A07
194065-45710	97	11	1K09	194065-47140	104	5	1L01			20	1M05	194066-13640	38	5	1F11
194065-45720	97	12	1K09	194065-47150	106	15	1L04			34	1M05	194066-14800	43	8	1F16
194065-45730	97	13	1K09	194065-47311	104	6	1L01	194065-52780	114	35	1M05			18	1F16
194065-45740	97	14	1K09	194065-47320	104	7	1L01	194065-53600	115	18	1M06	194066-14810	43	9	1F16
194065-45750	97	15	1K09	194065-47333	104	8	1L01	194065-53800	115	21	1M06			19	1F16
194065-46110	98	1	1K10	194065-47343	104	9	1L01	194065-60950	123	9	2A09	194066-14820	43	10	1F16
194065-46120	98	2	1K10	194065-47350	104	10	1L01	194065-60980	121	9	2A07			20	1F16
194065-46140	98	3	1K10	194065-47381	104	11	1L01	194065-60990	121	10	2A07	194066-28130	75	7	1I04
194065-46150	98	4	1K10	194065-47390	104	12	1L01	194065-62130	121	13	2A07	194066-28140	76	1	1I05
194065-46180	106	2	1L04	194065-47411	104	13	1L01	194065-62250	121	14	2A07	194066-28150	76	2	1I05
194065-46210	98	5	1K10	194065-47430	104	16	1L01	194065-62260	121	15	2A07	194066-28170	76	3	1I05
194065-46220	98	6	1K10	194065-47442	104	17	1L01	194065-62460	123	14	2A09	194066-28180	76	4	1I05
	99	1	1K11	194065-47451	104	19	1L01	194065-62470	121	18	2A07	194066-28250	75	13	1I04
194065-46310	99	2	1K11	194065-47460	104	20	1L01	194065-62660	123	19	2A09			44	1I04
194065-46320	99	3	1K11	194065-47470	104	21	1L01	194065-62680	123	21	2A09			47	1I04
194065-46340	98	7	1K10	194065-47481	104	22	1L01	194065-62690	121	19	2A07	194066-28260	50	24-	1 1G09
194065-46350	99	4	1K11	194065-47510	102	11	1K15	194065-63620	127	2	2A13		66	2-	1 1H09
194065-46360	98	8	1K10		104	23	1L01	194065-63630	123	26	2A09	194066-28330	75	19	1I04
194065-46380	106	3	1L04	194065-47540	106	27	1L04	194065-64300	127	3	2A13	194066-48570	72	64	1H16
194065-46390	106	4	1L04	194065-47550	106	28	1L04	194065-71240	129	9	2B03	194080-01121	72	1	1H15
194065-46510	102	1	1K15	194065-47561	106	30	1L04	194065-71350	129	11	2B03		106	1	1L04
	105	2	1L03	194065-47570	106	31	1L04	194065-72111	130	5	2B04	194080-37781	82	19	1I15
	106	5	1L04	194065-47590	106	32	1L04	194065-72120	130	6	2B04	194080-75790	133	6	2B07
194065-46560	102	3	1K15	194065-47610	104	24	1L01	194065-72130	130	7	2B04	194120-32670	81	6	1I14
194065-46600	101	1	1K13	194065-47630	104	25	1L01	194065-72140	130	8	2B04	194120-34160	84	7	1J01
194065-46640	101	4	1K13	194065-47640	104	26	1L01	194065-72150	130	9	2B04	194120-34170	84	8	1J01
194065-46650	101	5	1K13	194065-47650	104	27	1L01	194065-72160	130	10	2B04	194120-34180	84	9	1J01
194065-46700	101	18	1K13	194065-47660	107	2	1L05	194065-72172	130	11	2B04	194120-34810	85	26	1J02
194065-46710	101	20	1K13	194065-47670	104	29	1L01	194065-72191	130	12	2B04			36	1J02
194065-46741	101	22	1K13	194065-47680	104	30	1L01	194065-72300	131	4	2B05	194130-01390	106	13	1L04
194065-46750	101	23	1K13	194065-47700	107	4	1L05	194065-72350	130	13	2B04			19	1L04
194065-46770	101	25	1K13	194065-47710	107	7	1L05		131	5	2B05	194130-22280	52	10	1G11
194065-46780	101	26	1K13	194065-47720	107	8	1L05	194065-72400	130	14	2B04		71	3	1H14
194065-46790	101	27	1K13	194065-47730	93	22	1K04		131	6	2B05		73	3	1I01
194065-46820	101	30	1K13	194065-47760	107	9	1L05	194065-72420	130	16	2B04	194130-26350	67	7	1H10
194065-46831	101	31	1K13	194065-47770	107	10	1L05		131	8	2B05		75	2	1I04
194065-46832	101	31-	1 1K13	194065-47790	107	11	1L05	194065-72440	130	17	2B04	194130-26370	67	9	1H10
194065-46860	101	7	1K13	194065-47810	107	12	1L05		131	9	2B05	194130-33452	67	11	1H10
194065-46870	101	8	1K13	194065-47820	107	13	1L05	194065-72450	130	35	2B04		75	23	1I04
194065-46880	101	42	1K13	194065-47830	107	14	1L05		131	16	2B05	194130-37730	82	9	1I15
194065-46890	101	43	1K13	194065-47840	107	15	1L05	194065-72461	130	18	2B04		102	9	1K15
194065-46910	102	4	1K15	194065-47850	107	16	1L05	194065-72500	130	19	2B04		104	1	1L01
194065-46930	102	6	1K15	194065-47860	107	17	1L05	194065-72550	130	21	2B04	194130-37740	82	10	1I15
194065-47014	106	7	1L04	194065-47910	107	18	1L05		131	10	2B05	194130-46460	101	19	1K13

PART NO.	GRP. NO.	REF. NO.	LOC. NO.	PART NO.	GRP. NO.	REF. NO.	LOC. NO.	PART NO.	GRP. NO.	REF. NO.	LOC. NO.	PART NO.	GRP. NO.	REF. NO.	LOC. NO.
194130-62160	123	12	2A09	194180-27530	71	27	1H14	194181-14180	85	43	1J02	194235-27390	73	11	1I01
194130-82190	135	9	2C04	194180-27540	71	28	1H14			53	1J03	194235-27400	73	12	1I01
194145-22261	55	2	1G14	194180-27750	74	8	1I03	194181-14250	41	29	1F14	194235-27420	71	22	1H14
194145-31750	39	27	1F12	194180-32140	78	7	1I11	194181-28230	75	10	1I04	194235-27430	71	23	1H14
	57	18	1G16	194180-32350	79	3	1I12	194181-28240	75	11	1I04		73	13	1I01
194145-48370	80	23	1I13	194180-32360	79	4	1I12	194185-26210	66	11	1H09	194235-27440	71	24	1H14
194145-62241	123	13	2A09	194180-32370	79	5	1I12	194186-28110	75	5	1I04	194235-27450	73	15	1I01
194145-62260	134	3	2C03	194180-32660	81	5	1I14	194186-28210	75	9	1I04	194235-27570	73	22	1I01
194145-62420	121	17	2A07	194180-33110	82	1	1I15	194186-28330	75	20	1I04	194235-27590	73	24	1I01
194145-64430	118	72	2A04	194180-33120	82	2	1I15	194186-28350	75	21	1I04	194235-27610	73	26	1I01
194145-73150	132	17	2B06	194180-33130	82	3	1I15	194186-28450	75	22	1I04	194235-28540	73	28	1I01
194146-21150	48	4	1G07	194180-33140	82	4	1I15	194190-61761	27	32	1E09	194235-29440	56	20	1G15
194146-21161	48	6	1G07	194180-33150	82	5	1I15			32- 1	1E09	194235-34110	84	1	1J01
194150-01190	125	25	2A11	194180-33220	82	13	1I15		113	8	1M04	194235-38390	90	9	1J08
194150-21910	30	9	1F03	194180-33240	82	15	1I15	194197-25810	50	30	1G09	194235-45100	96	1	1K08
	88	1	1J06	194180-33610	83	8	1I16		62	15	1H05	194235-45160	96	4	1K08
194150-22480	56	19	1G15	194180-33620	83	9	1I16	194197-25990	65	7	1H08	194235-45250	96	6	1K08
	102	8	1K15	194180-34130	84	3	1J01	194197-45150	72	26	1H15	194235-45320	96	9	1K08
194150-52160	114	12	1M05	194180-34850	43	7	1F16	194200-32330	39	13	1F12	194235-45340	96	10	1K08
194150-52170	114	15	1M05			17	1F16	194200-32340	39	14	1F12	194235-45350	96	11	1K08
194151-04260	27	34	1E09		85	9	1J02	194205-63550	26	24	1E08	194235-45360	96	13	1K08
194151-36670	39	18- 2	1F12			19	1J02			24- 1	1E08	194235-45370	96	14	1K08
	48	12	1G07	194180-34951	84	10	1J01		125	27	2A11	194235-45410	96	15	1K08
194151-45810	72	27	1H15	194180-34960	84	11	1J01	194235-25110	60	1	1H03	194235-45420	96	16	1K08
194151-47760	104	31	1L01	194180-45160	96	3	1K08	194235-25120	60	2	1H03	194235-45430	96	17	1K08
194151-57100	117	1	1M08	194180-45300	96	8	1K08	194235-25130	60	3	1H03	194235-45440	96	18	1K08
194151-63240	123	24	2A09	194180-45360	96	12	1K08	194235-25140	60	4	1H03	194235-45810	96	19	1K08
194151-63250	123	25	2A09	194180-46760	101	24	1K13	194235-25150	60	5	1H03	194235-45820	96	20	1K08
194167-61650	116	17	1M07	194180-46790	101	28	1K13	194235-25160	60	7	1H03	194235-45830	96	21	1K08
	120	5	2A06	194180-46800	101	29	1K13	194235-25230	60	10	1H03	194235-45850	96	22	1K08
		12	2A06	194180-47500	102	10	1K15	194235-25240	60	11	1H03	194235-45870	96	23	1K08
	123	10	2A09	194180-51640	19	7	1D08	194235-26220	66	13	1H09	194235-45880	96	24	1K08
194170-47440	104	18	1L01		112	30	1M03	194235-26230	66	15	1H09	194235-46550	102	2	1K15
194170-51210	112	18	1M03	194180-71260	129	10	2B03	194235-26640	70	3	1H13	194240-65441	128	3	2A14
		19	1M03	194180-72950	130	36	2B04	194235-26650	70	4	1H13	194250-11140	30	3	1F03
		25- 1	1M03		131	17	2B05	194235-26660	70	5	1H13	194250-17770	72	2	1H15
194180-12470	33	15	1F06	194180-82100	135	4	2C04	194235-26680	70	6	1H13		90	2	1J08
194180-17780	72	3	1H15	194180-82110	135	5	2C04	194235-26690	70	7	1H13	194250-21170	48	7	1G07
	90	3	1J08	194180-82120	135	6	2C04	194235-27130	71	8	1H14		71	1	1H14
194180-24460	68	2	1H11	194181-11560	32	2	1F05	194235-27160	71	9	1H14		73	1	1I01
194180-24750	58	1	1H01	194181-11620	32	3	1F05		73	7	1I01	194250-25520	50	23	1G09
194180-24760	58	2	1H01	194181-11670	32	5	1F05	194235-27170	71	10	1H14	194250-25560	67	2	1H10
194180-24770	58	3	1H01	194181-13170	34	2	1F07	194235-27180	71	11	1H14	194250-38150	89	12	1J07
194180-24840	62	1	1H05	194181-13180	34	3	1F07	194235-27190	71	12	1H14	194250-38210	89	18	1J07
194180-25280	63	3	1H06	194181-14160	41	27	1F14	194235-27250	71	16	1H14	194250-38240	89	20	1J07
	67	1	1H10	194181-14180	41	28	1F14		73	8	1I01	194250-46410	100	1	1K12
194180-25530	62	11	1H05		43	3	1F16	194235-27270	57	16	1G16	194250-46421	100	2	1K12
194180-25550	75	1	1I04			13	1F16	194235-27290	71	17	1H14	194250-46450	100	5	1K12
194180-25591	62	13	1H05			23	1F16	194235-27310	71	18	1H14	194250-46460	100	6	1K12
194180-25930	65	4	1H08			33	1F16	194235-27320	71	19	1H14	194250-46470	100	7	1K12
194180-26150	50	31	1G09		85	6	1J02	194235-27350	71	20	1H14	194250-47410	104	14	1L01
194180-26290	66	20	1H09			16	1J02		73	9	1I01			15	1L01
194180-26610	70	1	1H13			23	1J02	194235-27380	71	21	1H14	194250-47790	104	32	1L01
194180-26910	80	10	1I13			33	1J02		73	10	1I01	194250-47930	104	34	1L01

PART NO.	GRP. NO.	REF. NO.	LOC. NO.	PART NO.	GRP. NO.	REF. NO.	LOC. NO.	PART NO.	GRP. NO.	REF. NO.	LOC. NO.	PART NO.	GRP. NO.	REF. NO.	LOC. NO.	
194250-51660	112	31	1M03	194440-51620	125	35	2A11	194641-13210	35	1	1F08	194940-61790	123	11	2A09	
194273-47910	55	7	1G14	194450-11190	30	6	1F03	194641-13640	38	6	1F11		128	21	2A14	
194274-13580	93	1	1K04			6-	1F03	194641-13650	38	7	1F11		28	28	2A14	
	132	1	2B06		48	1	1G07	194641-13840	61	1	1H04	194990-22130	26	6	1E08	
194275-27750	107	1	1L05			1-	1G07		63	1	1H06			7	1E08	
194275-51210	115	2	1M06	194450-12552	33	3	1F06	194670-21130	49	1	1G08		29	3	1E11	
194275-62310	30	10	1F03			10	1F06	194670-21630	50	1	1G09		112	3	1M03	
194280-34170	57	19	1G16	194450-12561	33	4	1F06	194670-21650	50	2	1G09		118	1	2A03	
	80	20	1I13			11	1F06	194670-21670	50	3	1G09		125	8	2A11	
	132	3	2B06	194450-45230	96	5	1K08	194670-21690	50	4	1G09	194990-22140	24	7	1E06	
194310-25630	50	26	1G09	194450-47370	106	24	1L04	194670-21701	49	4	1G08			10	1E06	
	66	3	1H09	194450-47470	106	25	1L04	194670-21710	49	5	1G08		71	2	1H14	
194310-25690	66	5	1H09	194450-48830	29	4	1E11	194670-21720	49	6	1G08		72	4	1H15	
194310-27180	74	1	1I03			108	1L06	194670-21730	49	7	1G08		73	2	1I01	
194310-46350	101	2	1K13	194450-53410	115	10	1M06	194670-21741	49	8	1G08		90	4	1J08	
194310-46380	98	9	1K10			19	1M06	194670-21750	49	9	1G08		108	1	1L06	
	101	3	1K13	194450-53420	115	11	1M06	194670-21760	49	10	1G08		112	4	1M03	
194310-46630	98	10	1K10	194450-53610	115	20	1M06	194670-21770	49	11	1G08		113	1	1M04	
194310-47790	104	33	1L01	194464-01190	23	10	1E05	194670-21800	48	9	1G07		118	2	2A03	
194312-27770	74	11	1I03	194464-21141	32	12	1F05	194670-21990	48	11	1G07			3	2A03	
	75	16	1I04	194464-45930	47	11	1G04	194670-31900	78	6	1I11		121	1	2A07	
194312-27780	74	14	1I03	194464-47470	106	26	1L04	194670-34860	85	10	1J02			2	2A07	
	75	3	1I04	194464-48850	72	37	1H15			20	1J02		123	1	2A09	
194312-27880	82	17	1I15	194464-52190	114	17	1M05	194680-27040	71	4	1H14			2	2A09	
	105	1	1L03	194465-13240	35	3	1F08		73	4	1I01		125	1	2A11	
	121	6	2A07	194465-13260	35	5	1F08	194680-27090	71	5	1H14			2	2A11	
	123	6	2A09	194465-14220	48	2	1G07		73	6	1I01			3	2A11	
194312-39480	125	4	2A11			57	2	1G16	194680-27440	71	25	1H14		134	2	2C03
194320-25650	50	28	1G09			80	2	1I13		73	14	1I01	194990-22160	121	4	2A07
194320-47860	130	4	2B04	194470-22290	52	8	1G11	194680-27460	71	26	1H14		137	1	2A15	
	131	3	2B05	194470-32310	79	1	1I12		73	16	1I01	195107-14850	66	1	1H09	
194320-82110	135	19	2C04	194470-44520	95	12	1K07	194680-46730	101	21	1K13	195397-27810	133	10	2B07	
194321-13230	35	2	1F08	194521-41570	136	41	1I06	194680-46731	101	21-	1K13	197830-85490	112	45	1M03	
194321-13250	35	4	1F08	194550-47840	91	18	1J09	194680-51670	112	32	1M03	198010-05290	120	1	2A06	
194321-13270	35	6	1F08	194555-04260	134	1	2C03			33	1M03	198011-65180	128	41-	1 2A14	
194321-13660	38	9	1F11	194555-42280	80	21	1I13			34	1M03	198071-01160	23	17	1E05	
194321-13670	38	10	1F11			89	21	1J07	194680-77770	89	22	1J07	198071-04331	26	13	1E08
194323-13290	35	8	1F08	194555-48360	110	3	1L08	194680-78350	112	1	1M03	198071-15611	44	4	1G01	
194328-11670	32	7	1F05	194555-48370	109	4	1L07			2	1M03	198071-15720	44	26	1G01	
194328-11680	32	8	1F05	194555-48380	109	5	1L07			46	1M03	198071-18350	56	23	1G15	
194328-11690	32	9	1F05	194555-48390	109	6	1L07			47	1M03	198071-18401	56	12	1G15	
194335-25640	50	27	1G09	194555-51210	112	20	1M03	194681-11690	32	10	1F05	198071-18520	56	13	1G15	
	66	4	1H09	194555-61640	120	10	2A06	194740-00160	23	2	1E05	198071-18530	56	14	1G15	
194335-25650	50	29	1G09	194555-65130	118	45	2A04	194740-80121	135	3	2C04	198071-24350	89	2	1J07	
194361-24140	93	2	1K04			128	33	2A14	194765-64770	128	38	2A14	198071-37510	88	13	1J06
	132	2	2B06			37	2A14	194802-63330	134	4	2C03	198071-48880	47	12	1G04	
194420-47370	74	17	1I03	194556-42220	136	42	1I06	194850-42500	80	22	1I13	198071-58810	23	12	1E05	
	75	24	1I04	194640-25360	32	13	1F05	194850-49240	136	43	1I06		24	12	1E06	
194420-56620	26	9	1E08	194640-25530	50	24	1G09	194850-49290	136	44	1I06	198071-61890	115	22	1M06	
194420-62260	111	9	1L09			66	2	1H09	194940-61790	116	18	1M07		120	11	2A06
	118	68	2A04	194640-25550	50	25	1G09			118	42	2A04		123	39	2A09
194420-62410	121	16	2A07	194640-38340	135	1	2C04			43	2A04			40	2A09	
194430-24190	61	2	1H04	194640-48240	108	29	1L06			120	9	2A06	198071-65610	118	46	2A04
194440-51620	112	29	1M03	194640-63560	125	28	2A11			9-	1 2A06		128	29	2A14	

PART NO.	GRP. NO.	REF. NO.	LOC. NO.	PART NO.	GRP. NO.	REF. NO.	LOC. NO.	PART NO.	GRP. NO.	REF. NO.	LOC. NO.	PART NO.	GRP. NO.	REF. NO.	LOC. NO.
198071-65610	128	30	2A14	198213-24370	136	6	1I06	198255-51290	112	25	1M03	198265-15100	44	1	1G01
198071-72670	53	14	1G12	198213-24380	136	11	1I06	198255-82640	134	5	2C03	198265-15200	44	2	1G01
198072-13760	39	5	1F12	198213-24390	136	7	1I06	198262-13400	42	16	1F15	198265-15510	44	10	1G01
198072-17840	45	12	1G02	198213-24400	136	8	1I06	198262-13730	39	28	1F12	198265-15520	44	11	1G01
198072-18320	56	22	1G15	198213-24420	136	9	1I06	198262-13740	39	29	1F12	198265-17100	46	1	1G03
198093-86180	112	41	1M03	198213-24430	136	10	1I06	198262-14160	41	32	1F14	198265-17110	46	2	1G03
198094-62960	119	15	2A05	198213-24440	136	18	1I06	198262-14170	41	33	1F14	198265-17190	46	3	1G03
198121-61420	119	5	2A05	198213-24470	136	45	1I06	198262-34700	85	21	1J02	198265-17610	47	2	1G04
198133-02120	111	1	1L09	198220-01261	23	5	1E05	198262-34800	85	31	1J02	198265-17630	47	3	1G04
	118	69	2A04	198220-11520-1	30	7	1F03	198262-34810	85	27	1J02	198265-17720	47	5	1G04
198133-22510	88	6	1J06	198220-11530-1	30	8	1F03			37	1J02	198265-17770	47	8	1G04
198133-22530	88	7	1J06	198220-17330	53	4	1G12	198262-34850	85	22	1J02	198265-17800	47	9	1G04
198133-61970	119	11	2A05	198220-22520	54	2	1G13			32	1J02	198265-17830	47	10	1G04
198133-62050	119	13	2A05	198220-46550	47	21	1G04	198262-61010	118	76	2A04	198265-18100	56	1	1G15
198133-63380	125	14	2A11	198220-46560	47	22	1G04	198262-65600	128	39	2A14	198265-18110	56	2	1G15
198133-63410	126	1	2A12	198220-46670	106	6	1L04	198262-65610	128	40	2A14	198265-18150	56	8	1G15
198133-63840	125	29	2A11	198220-52180	114	16	1M05	198263-28160	75	45	1I04	198265-18170	56	9	1G15
198133-64400	137	5	2A15	198220-52820	112	8	1M03	198263-28240	75	46	1I04	198265-18240	56	10	1G15
198146-62930	119	14	2A05	198220-52830	112	9	1M03	198265-01080	23	1	1E05	198265-18310	56	16	1G15
198146-86160	112	48	1M03	198220-52840	112	10	1M03	198265-01100	23	3	1E05	198265-18320	56	17	1G15
198151-61080	118	24	2A03	198220-61340	118	28	2A03	198265-01110	23	8	1E05	198265-18600	55	1	1G14
198153-04240	26	2	1E08	198220-61351	118	30	2A03	198265-01140	23	4	1E05	198265-21110	48	3	1G07
198153-04290	26	3	1E08			31	2A03	198265-01160	23	9	1E05	198265-21400	49	3	1G08
198153-04670	27	12	1E09	198220-61800	118	44	2A04	198265-01180	24	1	1E06	198265-21610	49	2	1G08
198153-13280	35	7	1F08	198220-63120	125	6	2A11	198265-01210	23	11	1E05	198265-21810	50	5	1G09
198153-13410	42	3	1F15	198220-63240	125	22	2A11	198265-01340	24	6	1E06	198265-21840	50	6	1G09
198153-13550	42	5	1F15	198220-63340	133	21	2B07	198265-01360	24	2	1E06	198265-21900	50	8	1G09
198153-13860	39	12	1F12		137	2	2A15	198265-01400	24	3	1E06	198265-21930	50	9	1G09
198153-22250	56	18	1G15	198220-63420	126	2	2A12	198265-01401	24	3-1	1E06	198265-21940	50	10	1G09
198153-29160	89	4	1J07	198220-63470	126	4	2A12	198265-03100	25	1	1E07	198265-21950	50	11	1G09
198153-29170	89	5	1J07	198220-63500	126	5	2A12	198265-04140	27	2	1E09	198265-21960	50	12	1G09
198153-29380	81	12	1I14	198220-63570	126	6	2A12	198265-04180	27	3	1E09	198265-22110	51	2	1G10
198153-29390	81	13	1I14	198221-65740	128	2	2A14	198265-04190	27	4	1E09	198265-22400	88	3	1J06
198153-51240	112	22	1M03	198223-52150	114	9	1M05	198265-04390	27	7	1E09	198265-22470	52	15	1G11
198153-51290	119	2	2A05			10	1M05	198265-04410	27	8	1E09	198265-22490	53	2	1G12
198153-51501	113	2-1	1M04			11	1M05	198265-04450	27	9	1E09	198265-22500	54	1	1G13
198153-51510	113	3	1M04	198230-61930	119	17	2A05	198265-04490	26	15	1E08	198265-22590	54	4	1G13
198153-51550	113	5	1M04	198230-61960	118	71	2A04	198265-04500	27	10	1E09	198265-22660	54	6	1G13
198153-53410	115	17	1M06	198240-48140	108	5	1L06	198265-04600	27	11	1E09	198265-22700	53	3	1G12
198153-65170	128	34	2A14	198240-52290	125	9	2A11	198265-04740	27	15	1E09	198265-22720	53	9	1G12
198153-65351	128	1	2A14	198240-56630	26	10	1E08	198265-04750	27	16	1E09	198265-22760	53	10	1G12
198153-71140	129	3	2B03	198240-63110	125	5	2A11	198265-04950	26	34	1E08	198265-22770	53	11	1G12
198153-71150	129	4	2B03	198240-63151	125	7	2A11	198265-06200	28	2	1E10	198265-22790	53	7	1G12
198153-71601	129	6	2B03	198240-63161	125	10	2A11	198265-11100	30	4	1F03	198265-22800	53	21	1G12
198153-71701	129	7	2B03	198240-63350	125	11	2A11	198265-11130	30	5	1F03	198265-22840	53	22	1G12
198153-71810	129	8	2B03	198240-63360	125	12	2A11	198265-11800	31	1	1F04	198265-22880	53	23	1G12
198163-65350	138	1	2A16	198240-63370	125	13	2A11	198265-13100	34	1	1F07	198265-22910	53	24	1G12
198163-65400	138	2	2A16	198240-63500	125	24	2A11	198265-13300	36	1	1F09	198265-22920	53	25	1G12
198163-65930	138	3	2A16	198240-63510	125	26	2A11	198265-13440	42	4	1F15	198265-22930	53	26	1G12
198163-65940	138	4	2A16	198240-63570	125	15	2A11	198265-13500	36	6	1F09	198265-23280	55	5	1G14
		4-1	2A16	198240-63820	125	16	2A11	198265-13510	36	7	1F09	198265-23350	55	6	1G14
198213-24341	136	3	1I06	198240-63880	125	17	2A11	198265-13530	37	3	1F10	198265-24100	57	5	1G16
198213-24350	136	4	1I06	198241-14650	42	6	1F15	198265-13550	36	8	1F09	198265-24240	72	5	1H15
198213-24360	136	5	1I06	198245-63460	126	3	2A12	198265-13720	39	2	1F12	198265-24280	72	8	1H15

PART NO.	GRP. NO.	REF. NO.	LOC. NO.	PART NO.	GRP. NO.	REF. NO.	LOC. NO.	PART NO.	GRP. NO.	REF. NO.	LOC. NO.	PART NO.	GRP. NO.	REF. NO.	LOC. NO.	
198265-24290	72	9	1H15	198265-34650	85	42	1J02	198265-48410	108	9	1L06	198265-65550	128	6	2A14	
198265-24320	57	14	1G16			52	1J03	198265-48450	108	10	1L06	198265-65570	128	7	2A14	
198265-24420	72	11	1H15	198265-34700	85	1	1J02	198265-48480	108	11	1L06	198265-65580	128	24	2A14	
198265-24550	109	1	1L07	198265-34710	85	2	1J02	198265-48500	108	28	1L06	198265-65590	128	25	2A14	
198265-24600	136	1	1I06			12	1J02	198265-48540	111	2	1L09	198265-65600	128	26	2A14	
198265-24630	136	19	1I06	198265-34720	85	3	1J02	198265-49110	111	5	1L09	198265-65610	128	27	2A14	
198265-24640	136	30	1I06			13	1J02	198265-49130	111	6	1L09	198265-65640	128	8	2A14	
198265-24660	136	31	1I06	198265-34730	85	4	1J02	198265-49160	111	7	1L09	198265-65670	138	5	2A16	
198265-24670	136	32	1I06			14	1J02	198265-49210	111	8	1L09	198265-65680	128	9	2A14	
198265-24680	136	33	1I06	198265-34740	85	41	1J02	198265-51110	112	6	1M03	198265-65690	128	10	2A14	
198265-24700	136	35	1I06	198265-34800	85	11	1J02	198265-51120	112	12	1M03	198265-65710	128	11	2A14	
198265-24740	136	38	1I06	198265-34810	85	8	1J02	198265-51130	112	13	1M03	198265-65720	128	12	2A14	
198265-24750	136	39	1I06			18	1J02	198265-51140	112	14	1M03	198265-65750	138	7	2A16	
198265-24840	72	50	1H15			47	1J02	198265-51160	112	15	1M03	198265-65760	128	13	2A14	
198265-24860	72	51	1H15			57	1J03	198265-51200	112	17	1M03	198265-65770	128	35	2A14	
198265-24880	72	52	1H15	198265-34840	85	51	1J03	198265-51410	112	27	1M03	198265-65780	128	14	2A14	
198265-24910	72	56	1H16	198265-34850	85	5	1J02	198265-51500	113	2	1M04	198265-65790	128	15	2A14	
198265-24920	108	2	1L06			15	1J02	198265-52110	114	2	1M05	198265-65850	128	16	2A14	
198265-24940	72	57	1H16	198265-34940	86	1	1J04	198265-56010	116	1	1M07	198265-65860	128	17	2A14	
198265-24960	72	59	1H16	198265-34950	86	6	1J04	198265-56020	116	2	1M07	198265-65870	128	18	2A14	
198265-25220	61	4	1H04	198265-34960	86	2	1J04	198265-56030	116	4	1M07	198265-65880	128	19	2A14	
198265-26110	66	6	1H09			7	1J04	198265-60080	118	5	2A03	198265-65910	138	8	2A16	
198265-26120	66	8	1H09	198265-36310	87	2	1J05	198265-60100	118	6	2A03	198265-65920	138	9	2A16	
198265-26180	66	28	1H09	198265-36410	87	4	1J05	198265-60500	118	10	2A03	198265-65930	138	10	2A16	
198265-26190	66	10	1H09	198265-37200	88	2	1J06	198265-60620	119	3	2A05	198265-65940	138	11	2A16	
198265-26320	67	4	1H10	198265-38040	89	8	1J07	198265-60630	119	4	2A05	198265-65950	128	20	2A14	
198265-26330	67	5	1H10	198265-38080	89	9	1J07	198265-60640	29	8	1E11	198265-65970	128	22	2A14	
198265-27230	71	15	1H14	198265-38100	89	1	1J07	198265-60650	118	11	2A03	198265-65980	128	23	2A14	
198265-27410	72	60	1H16	198265-38130	89	10	1J07	198265-60700	118	12	2A03	198265-71110	129	1	2B03	
198265-27580	73	23	1I01	198265-38230	89	19	1J07	198265-60810	118	14	2A03	198265-71130	129	2	2B03	
198265-27660	73	27	1I01	198265-38650	72	63	1H16	198265-60880	118	16	2A03	198265-71500	129	5	2B03	
198265-27750	74	9	1I03	198265-41110	10	4	1C13	198265-60980	118	17	2A03	198265-73000	132	4	2B06	
198265-28100	121	5	2A07			92	1K03	198265-61010	118	19	2A03	198265-73100	132	5	2B06	
198265-28120	75	6	1I04	198265-46430	100	3	1K12	198265-61040	118	22	2A03	198265-74010	132	6	2B06	
198265-28150	75	42	1I04	198265-46440	100	4	1K12	198265-61050	118	23	2A03	198265-74100	132	7	2B06	
198265-28170	75	8	1I04	198265-46710	103	1	1K16	198265-61310	118	25	2A03	198265-74140	132	8	2B06	
198265-28250	75	12	1I04	198265-46720	103	2	1K16	198265-61880	119	10	2A05	198265-74150	132	10	2B06	
198265-28260	75	43	1I04	198265-46730	103	3	1K16	198265-62110	121	11	2A07	198265-74160	132	11	2B06	
198265-28300	75	15	1I04	198265-46740	103	4	1K16	198265-62120	121	12	2A07	198265-74200	132	12	2B06	
198265-28310	123	3	2A09	198265-46750	103	5	1K16	198265-62400	122	1	2A08	198265-75700	133	2	2B07	
198265-28330	123	4	2A09	198265-46790	107	37	1L05	198265-62491	122	4	2A08	198265-75710	133	3	2B07	
198265-28370	75	17	1I04	198265-47000	102	7	1K15	198265-62500	123	15	2A09	198265-75720	133	4	2B07	
198265-31400	77	1	1I10	198265-47100	106	12	1L04	198265-62530	123	16	2A09	198265-75750	133	5	2B07	
198265-32400	80	11-1	1I13	198265-47110	106	18	1L04	198265-62570	123	17	2A09	198265-75770	133	11	2B07	
198265-32610	81	1	1I14	198265-48100	108	3	1L06	198265-62600	123	18	2A09	198265-75780	133	9	2B07	
198265-32620	81	2	1I14	198265-48120	108	4	1L06	198265-62670	123	20	2A09	198265-75810	133	7	2B07	
198265-33180	82	7	1I15	198265-48200	93	24	1K04	198265-62710	124	1	2A10	198265-75820	133	16	2B07	
198265-33510	83	1	1I16			26	1K04	198265-62720	124	2	2A10	198265-75830	133	22	2B07	
198265-33520	83	2	1I16	198265-48240	110	2	1L08	198265-62820	123	22	2A09	198265-85100	134	6	2C03	
198265-33540	83	4	1I16	198265-48250	109	3	1L07	198265-62830	123	23	2A09	198265-85250	121	20	2A07	
198265-33560	83	5	1I16			110	4	1L08	198265-63210	125	21	2A11	198265-85740	134	7	2C03
198265-34120	84	2	1J01	198265-48280	108	7	1L06	198265-63250	125	23	2A11	198265-85800	134	13	2C03	
198265-34140	84	4	1J01	198265-48340	108	8	1L06	198265-65470	128	4	2A14	198266-12310	33	1	1F06	
198265-34150	84	5	1J01	198265-48380	110	1	1L08	198265-65510	128	5	2A14	198266-12320	33	8	1F06	

PART NO.	GRP. NO.	REF. NO.	LOC. NO.	PART NO.	GRP. NO.	REF. NO.	LOC. NO.	PART NO.	GRP. NO.	REF. NO.	LOC. NO.	PART NO.	GRP. NO.	REF. NO.	LOC. NO.	
198266-12330	33	2	1F06	198266-17400	45	8	1G02	198268-34850	85	19-1	1J02	198268-61440	118	39	2A03	
198266-12340	33	9	1F06	198266-17440	45	9	1G02			25	1J02	198268-61460	119	6	2A05	
198266-12350	33	6	1F06	198266-17480	45	10	1G02			35	1J02	198268-61470	119	7	2A05	
198266-12360	33	13	1F06	198266-17490	45	11	1G02			45	1J02			8	2A05	
198266-13150	38	1	1F11	198266-32630	41	15	1F14			55	1J03	198268-61510	118	40	2A03	
198266-13160	38	2	1F11	198266-32750	81	11	1I14	198268-37250	88	8	1J06	198268-61570	119	9	2A05	
198266-13170	38	17-1	1F11	198266-36300	87	1	1J05	198268-37300	88	9	1J06	198268-61640	119	19	2A05	
198266-13180	38	20	1F11	198266-36320	87	3	1J05	198268-37400	88	11	1J06	198268-61650	119	20	2A05	
198266-13190	38	23	1F11	198268-04100	26	1	1E08	198268-37580	88	14	1J06	198268-75820	133	8	2B07	
198266-13200	38	21	1F11	198268-04130	27	1	1E09	198268-38010	89	6	1J07	198290-37510	88	17	1J06	
198266-13510	37	1	1F10	198268-04210	26	12	1E08	198268-38120	89	35	1J07	198291-77870	56	29	1G15	
198266-13520	37	2	1F10	198268-04311	27	5	1E09	198268-38150	89	13	1J07	198320-33560	41	10	1F14	
	40	1	1F13	198268-04331	27	6	1E09	198268-38151	89	13-1	1J07	198320-33620	41	16	1F14	
198266-13521	37	2-1	1F10	198268-04350	26	14	1E08	198268-38160	89	7	1J07	198327-57200	117	2	1M08	
	40	1-1	1F13	198268-04720	27	13	1E09			11	1J07	198335-38400	91	6	1J09	
198266-13610	38	3	1F11	198268-04940	26	16	1E08	198268-38170	89	14	1J07	198360-52110	114	3	1M05	
198266-13620	38	4	1F11			17	1E08	198268-38180	89	15	1J07	198360-52150	114	4	1M05	
198266-13650	38	8	1F11	198268-07110	29	1	1E11	198268-38190	89	16	1J07	198360-52160	114	7	1M05	
198266-13710	39	1	1F12	198268-07150	29	2	1E11	198268-38200	89	17	1J07	198360-52320	114	5	1M05	
198266-13731	39	3	1F12	198268-11130	47	1	1G04	198268-38320	89	25	1J07	198360-52330	114	6	1M05	
198266-13741	39	4	1F12	198268-11610	32	1	1F05	198268-38330	89	26	1J07	198360-55630	24	11	1E06	
198266-13761	39	6	1F12	198268-11651	32	4	1F05	198268-51230	112	21	1M03	198440-11080	30	2	1F03	
198266-13771	39	7	1F12	198268-13350	42	1	1F15	198268-51320	112	26	1M03	198440-11090	30	1	1F03	
198266-13790	39	8	1F12	198268-13401	42	2	1F15	198268-51540	113	4	1M04	198440-17550	53	5	1G12	
198266-13800	39	9	1F12	198268-13420	32	11	1F05	198268-51560	113	6	1M04	198440-17560	53	6	1G12	
198266-13820	39	10	1F12	198268-13520	36	9	1F09	198268-51570	113	7	1M04	198440-52860	112	11	1M03	
198266-13830	39	11	1F12	198268-13530	36	2	1F09	198268-53230	115	24	1M06	198440-53400	115	9	1M06	
198266-13840	40	2	1F13	198268-13540	36	10	1F09	198268-53250	115	5	1M06	198440-53420	115	12	1M06	
198266-13841	40	2-1	1F13	198268-14700	43	21	1F16	198268-53260	115	6	1M06	198440-53430	115	13	1M06	
198266-13851	40	3	1F13	198268-14710	43	24	1F16	198268-56040	116	5	1M07	198440-53440	115	14	1M06	
198266-13861	41	1	1F14			34	1F16	198268-56600	26	8	1E08	198440-61980	119	12	2A05	
198266-14111	41	2	1F14	198268-14720	43	4	1F16	198268-60040	118	4	2A03	198440-64100	137	3	2A15	
198266-14131	41	3	1F14			14	1F16	198268-60300	118	7	2A03	198440-64770	128	31	2A14	
198266-14141	41	4	1F14			25	1F16	198268-60630	29	7	1E11	198448-01270	24	4	1E06	
198266-14153	41	5	1F14			35	1F16	198268-60800	118	13	2A03	198448-01300	24	5	1E06	
198266-14163	41	6	1F14	198268-14740	43	22	1F16	198268-60810	119	16	2A05	198448-04250	26	31	1E08	
198266-14172	41	7	1F14			32	1F16	198268-60851	118	15	2A03	198448-04270	26	30	1E08	
198266-14180	41	8	1F14	198268-14750	43	1	1F16	198268-60990	118	18	2A03	198448-04280	26	16-1	1E08	
198266-14190	41	9	1F14	198268-14780	43	2	1F16	198268-60991	118	18-1	2A03	198448-04300	26	4	1E08	
198266-14212	41	11	1F14			12	1F16	198268-61020	118	20	2A03	198448-04340	26	5	1E08	
198266-14213	41	11-1	1F14	198268-14800	43	31	1F16	198268-61030	118	21	2A03	198448-04720	27	14	1E09	
198266-14221	41	12	1F14	198268-14850	43	11	1F16	198268-61320	118	26	2A03			14-1	1E09	
198266-14230	41	13	1F14	198268-14910	43	5	1F16	198268-61330	118	27	2A03	198448-04930	26	33	1E08	
198266-14240	38	18	1F11			15	1F16	198268-61331	118	27-1	2A03	198448-15310	44	3	1G01	
	39	24	1F12	198268-15560	44	12	1G01	198268-61340	118	29	2A03	198448-15370	44	8	1G01	
198266-14250	41	31	1F14	198268-17501	46	9	1G03	198268-61341	118	29-1	2A03	198448-15380	44	9	1G01	
198266-14300	41	22	1F14	198268-17690	47	4	1G04	198268-61350	118	32	2A03	198448-15580	44	13	1G01	
198266-17100	45	1	1G02	198268-17751	47	6	1G04	198268-61351	118	32-1	2A03	198448-15590	44	14	1G01	
198266-17260	45	2	1G02	198268-17761	47	7	1G04	198268-61360	118	33	2A03	198448-15700	44	25	1G01	
198266-17310	45	3	1G02	198268-34850	43	7-1	1F16	198268-61361	118	33-1	2A03	198448-18200	56	3	1G15	
198266-17320	45	4	1G02			17-1	1F16	198268-61370	118	34	2A03	198448-18220	56	4	1G15	
198266-17330	45	5	1G02			27	1F16	198268-61371	118	34-1	2A03	198448-18460	56	15	1G15	
198266-17350	45	6	1G02			37	1F16	198268-61380	118	35	2A03	198448-18550	56	5	1G15	
198266-17360	45	7	1G02			85	9-1	1J02	198268-61381	118	35-1	2A03	198448-22470	88	5	1J06



PART NO.	GRP. NO.	REF. NO.	LOC. NO.	PART NO.	GRP. NO.	REF. NO.	LOC. NO.	PART NO.	GRP. NO.	REF. NO.	LOC. NO.	PART NO.	GRP. NO.	REF. NO.	LOC. NO.	
198448-22520	54	3	1G13	22117-100000	91	19	1J09	22190-060002	19	32	1D08	22217-140000	93	32	1K04	
198448-22610	54	5	1G13		102	14	1K15	22190-080002	13	9	1C16		121	27	2A07	
198448-28520	53	12	1G12			15	1K15		16	103	1D05		134	8	2C03	
	72	61	1H16	22117-140000	70	8	1H13		19	49	1D09	22217-160000	27	18	1E09	
198448-37360	88	4	1J06	22137-040000	55	8	1G14	22190-120001	91	20	1J09			31	1E09	
		10	1J06	22137-060000	23	13	1E05	22190-120002	16	97	1D05		48	14	1G07	
		12	1J06		24	13	1E06			102B	1D05		86	3	1J04	
198448-48810	111	4	1L09		54	8	1G13		19	11	1D08			8	1J04	
198448-48820	111	3	1L09		55	9	1G14	22190-140000	19	33	1D08		133	12	2B07	
198448-48990	112	5	1M03		102	16	1K15	22190-140002	19	34	1D08			13	2B07	
198448-51270	112	23	1M03		106	33	1L04	22190-160002	3	13	1C05			14	2B07	
198448-51410	112	16	1M03		118	47	2A04		16	98	1D05	22217-180000	7	15	1C10	
198448-51420	112	28	1M03	22137-080000	16	60	1D04	22207-055320	53	15	1G12		121	28	2A07	
198448-52130	114	8	1M05			69	1D04	22207-065320	95	13	1K07		132	13	2B06	
198448-52220	114	18	1M05			70	1D04	22212-040000	11	15	1C14	22217-200000	132	24	2B06	
198448-52250	114	21	1M05		27	17	1E09	22213-100000	25	2	1E07	22222-120000	115	15	1M06	
198448-53200	115	3	1M06		54	9	1G13	22217-040000	109	7	1L07	22242-000170	46	4	1G03	
198448-53300	115	7	1M06		91	10	1J09	22217-050000	16	71	1D04	22242-000180	4	39	1C06	
198448-53320	115	4	1M06		118	73	2A04			72	1D04	22242-000200	44	5	1G01	
		8	1M06		123	27	2A09			96	26	1K08	22242-000220	107	26	1L05
198448-56050	116	14	1M07			28	2A09	22217-060000	16	73	1D04			27	1L05	
198448-56130	116	6	1M07	22137-100000	23	6	1E05		17	25	1D06	22242-000280	61	6	1H04	
198448-56150	116	7	1M07		55	10	1G14		72	28	1H15		68	12	1H11	
198448-56160	116	3	1M07		56	24	1G15		106	34	1L04	22242-000290	62	17	1H05	
		8	1M07			25	1G15			35	1L04	22242-000300	36	12	1F09	
198448-56170	116	9	1M07		104	36	1L01	22217-080000	44	20	1G01	22242-000350	36	14	1F09	
198448-56180	116	10	1M07			37	1L01		57	20	1G16	22242-000400	61	7	1H04	
198448-56190	116	11	1M07			38	1L01		68	15	1H11		63	14	1H06	
198448-60370	118	8	2A03		105	6	1L03		72	65	1H16		64	10	1H07	
198448-60390	118	9	2A03		111	10	1L09			88	1H16		75	25	1I04	
198448-60760	119	18	2A05		118	70	2A04		101	46	1K13	22242-000450	51	6	1G10	
198448-61410	118	36	2A03		121	22	2A07		109	8	1L07		61	8	1H04	
198448-61420	118	38	2A03		125	18	2A11		114	13	1M05		66	21	1H09	
198448-61570	118	41	2A04	22137-110000	126	7	2A12		123	30	2A09	22242-000500	50	33	1G09	
198448-61600	120	4	2A06	22137-120000	118	74	2A04	22217-100000	16	74	1D04		61	9	1H04	
198448-61650	120	6	2A06		137	6	2A15		36	11	1F09		64	11	1H07	
198448-61660	120	7	2A06	22137-160000	30	11	1F03		49	13	1G08	22242-000520	53	16	1G12	
198448-61670	120	8	2A06		44	19	1G01		71	31	1H14	22242-000550	50	34	1G09	
198448-64310	137	4	2A15		105	7	1L03		72	66	1H16	22242-000600	50	35	1G09	
198448-65590	128	32	2A14		137	7	2A15		77	13	1I10		62	18	1H05	
198461-04490	119	1	2A05	22137-180000	121	23	2A07		81	7	1I14		82	20	1I15	
198461-51180	114	1	1M05		123	29	2A09		93	30	1K04	22242-000680	50	36	1G09	
198461-52950	114	22	1M05	22137-200000	107	24	1L05		107	25	1L05	22252-000200	44	15	1G01	
198461-60590	116	19	1M07	22157-080000	27	30	1E09		129	13	2B03		72	29	1H15	
	120	3	2A06			30-	1E09		130	23	2B04		136	26	1I06	
	123	8	2A09		121	24	2A07			24	2B04	22252-000220	136	27	1I06	
		34	2A09			25	2A07		131	12	2B05	22252-000250	66	22	1H09	
198463-51280	112	24	1M03		25-	1	2A07	22217-110000	126	8	2A12	22252-000350	57	22	1G16	
198463-88810	119	12-	1	2A05		26	2A07	22217-120000	57	21	1G16	22252-000370	9	23	1C12	
22117-050000	16	68	1D04		123	41	2A09		80	24	1I13		46	5	1G03	
22117-060000	96	25	1K08			43	2A09		91	21	1J09	22252-000380	71	32	1H14	
22117-080000	8	2	1C11		134	14	2C03		93	31	1K04		73	30	1I01	
	71	30	1H14	22157-200000	132	27	2B06	22217-140000	32	14	1F05	22252-000400	46	6	1G03	
22117-100000	52	18	1G11	22190-060000	15	77	1D02		80	25	1I13	22252-000420	44	6	1G01	

PART NO.	GRP. NO.	REF. NO.	LOC. NO.	PART NO.	GRP. NO.	REF. NO.	LOC. NO.	PART NO.	GRP. NO.	REF. NO.	LOC. NO.	PART NO.	GRP. NO.	REF. NO.	LOC. NO.	
22252-000420	62	19	1H05	22312-160280	80	27	1I13	22351-060028	102	17	1K15	22417-200250	70	9	1H13	
22252-000550	36	3	1F09		132	25	2B06		106	36	1L04	22417-200300	52	19	1G11	
22252-000620	50	37	1G09	22351-020010	72	46	1H15			37	1L04		55	13	1G14	
22252-000680	50	38	1G09		101	33	1K13			38	1L04		56	26	1G15	
	67	12	1H10	22351-030010	13	25	1C16	22351-060032	35	10	1F08		91	7	1J09	
	76	5	1I05	22351-030016	16	59	1D04		44	16	1G01	22417-200320	52	20	1G11	
22252-000720	62	20	1H05			77	1D04		56	7	1G15	22417-250250	71	45	1H14	
22252-000750	63	15	1H06		58	4	1H01		72	67	1H16		73	46	1I01	
	67	13	1H10	22351-030018	101	9	1K13		73	41	1I01		74	21	1I03	
22252-000800	50	39	1G09	22351-030025	16	78	1D04		74	20	1I03		75	31	1I04	
	61	10	1H04		72	47	1H15		75	30	1I04	22417-250300	54	10	1G13	
22252-000900	39	15	1F12	22351-030028	136	28	1I06	22351-060040	71	42	1H14		125	30	2A11	
	61	11	1H04	22351-030040	72	48	1H15			43	1H14	22417-300250	104	46	1L01	
22252-001100	50	40	1G09	22351-035025	73	32	1I01		72	31	1H15			47	1L01	
	66	23	1H09	22351-035028	73	32	1I01		73	42	1I01	22417-320250	65	8	1H08	
22262-000250	89	23	1J07	22351-035032	35	9	1F08			43	1I01	22417-400400	33	16	1F06	
22262-000260	16	25	1D04		73	33	1I01		137	8	2A15		123	32	2A09	
22272-000040	16	43	1D04		75	28	1I04	22351-060050	71	44	1H14		133	23	2B07	
		75	1D04	22351-035040	71	34	1H14		73	44	1I01	22417-600400	132	14	2B06	
		149	1D05			35	1H14		107	28	1L05	22453-060000	16	83	1D04	
22272-000060	104	39	1L01		73	34	1I01	22351-080020	93	34	1K04	22486-060160	102	21	1K15	
22272-000070	55	11	1G14			35	1I01	22351-080036	91	23	1J09	22486-100220	91	28	1J09	
22272-000080	16	76	1D04	22351-035050	71	36	1H14	22351-080040	82	22	1I15	22486-120400	91	29	1J09	
	101	32	1K13		73	36	1I01			23	1I15	22487-040200	55	14	1G14	
22272-000100	104	40	1L01	22351-040012	62	21	1H05			24	1I15		106	41	1L04	
22272-000150	105	8	1L03		98	11	1K10	22351-080080	95	16	1K07	22487-080260	82	27	1I15	
22272-000190	88	15	1J06	22351-040014	99	5	1K11	22360-190000	133	15	2B07		91	30	1J09	
22287-060000	136	46	1I06	22351-040016	101	34	1K13	22360-200000	30	12	1F03	22487-080280	91	8	1J09	
22292-000350	66	24	1H09	22351-040040	71	37	1H14	22372-050000	16	80	1D04	22487-120500	135	8	2C04	
	75	26	1I04	22351-040056	101	10	1K13	22372-100000	102	18	1K15	22512-070140	7	7	1C10	
22292-000450	61	12	1H04	22351-050012	95	14	1K07			19	1K15		9	6	1C12	
	63	16	1H06	22351-050014	130	26	2B04		104	43	1L01	22522-030130	104	48	1L01	
22312-040060	130	25	2B04	22351-050016	71	38	1H14			44	1L01	22550-070300	91	31	1J09	
	131	13	2B05	22351-050020	16	79	1D04			45	1L01	23000-013000	19	8	1D08	
22312-060120	71	33	1H14	22351-050025	104	41	1L01		105	9	1L03			428	1D08	
	73	31	1I01			42	1L01	22372-120000	135	7	2C04			43	1D08	
	89	24	1J07	22351-050036	91	22	1J09	22417-120100	55	12	1G14			43-	1D08	
22312-080160	2	12	1C04	22351-050040	82	21	1I15		106	39	1L04	23000-016000	4	64	1C07	
22312-080200	68	13	1H11	22351-050045	72	30	1H15	22417-120120	16	81	1D04	23000-022000	111	11	1L09	
22312-100180	32	15	1F05	22351-050080	95	15	1K07	22417-160100	96	27	1K08	23000-025000	13	14	1C16	
	36	4	1F09	22351-060010	121	29	2A07	22417-160120	16	82	1D04	23000-028000	111	12	1L09	
22312-100200	39	16	1F12	22351-060012	1	9	1C03	22417-160180	23	14	1E05	23000-035000	72	89	1H16	
	45	14	1G02		71	39	1H14			24	1E06	23000-041000	4	25	1C06	
	48	15	1G07		73	37	1I01		102	20	1K15			44	1C06	
	49	17	1G08	22351-060020	130	27	2B04		118	48	2A04			108	13	1L06
	51	7	1G10	22351-060025	73	40-	1I01	22417-200200	82	25	1I15	23000-048000	22	47	1E04	
	57	23	1G16	22351-060028	71	40	1H14			26	1I15		139	46	1E12	
	75	27	1I04			41	1H14		91	24	1J09	23000-054000	108	14	1L06	
	80	26	1I13		73	38	1I01			25	1J09	23000-060000	5	5	1C08	
	81	8	1I14			39	1I01			26	1J09			22	37	1E03
	83	14	1I16			40	1I01			27	1J09	23000-075000	22	6	1E03	
22312-100450	41	18	1F14		74	18	1I03		106	40	1L04	23000-102000	22	38	1E03	
22312-120200	41	19	1F14			19	1I03		123	31	2A09		139	47	1E12	
22312-120320	93	33	1K04		75	29	1I04	22417-200220	73	45	1I01	23000-115000	22	39	1E03	

PART NO.	GRP. NO.	REF. NO.	LOC. NO.	PART NO.	GRP. NO.	REF. NO.	LOC. NO.	PART NO.	GRP. NO.	REF. NO.	LOC. NO.	PART NO.	GRP. NO.	REF. NO.	LOC. NO.
24101-060094	67	15	1H10	24190-120001	136	48	1I06	23000-115000	28	3	1E10	23857-080000	72	78	1H16
24101-060104	35	11	1F08	24190-140001	71	47	1H14		139	48	1E13		90	20	1J08
	41	20	1F14		73	48	1I01	23001-022000	22	40	1E03	23857-100000	72	79	1H16
24101-060124	34	4	1F07	24190-160001	39	21	1F12		139	49	1E13			80	1H16
24101-060134	41	21	1F14	24190-160003	89	27	1J07	23001-048000	22	41	1E03		89	38	1J07
24101-060174	41	23	1F14	24311-000050	72	49	1H15			41-1	1E03		108	16	1L06
	78	9	1I11		101	37	1K13		139	50	1E13	23857-120000	47	14	1G04
24101-062054	2	25	1C04	24311-000080	97	16	1K09	23001-060000	22	42	1E03	23871-005000	4	11	1C06
24101-062060	2	8	1C04		98	13	1K10		139	51	1E13	23871-010000	39	18	1F12
		26	1C04		99	6	1K11	23010-016000	53	29	1G12		48	10	1G07
24101-062074	50	43	1G09	24311-000090	104	50	1L01	23010-018000	53	28	1G12		52	11	1G11
	75	33	1I04			51	1L01		90	18	1J08		57	9	1G16
24101-062084	37	4	1F10	24311-000100	93	37	1K04	23010-055000	42	7	1F15		72	55	1H16
24101-062094	51	8	1G10		101	38	1K13	23010-060000	42	8	1F15		93	17	1K04
24101-062104	61	13	1H04	24311-000110	16	85	1D04	23010-065000	42	15	1F15	23871-020000	72	6	1H15
24101-062144	84	12	1J01		93	38	1K04	23034-240044	95	17	1K07		93	4	1K04
24101-062154	84	13	1J01		104	52	1L01	23062-040030	101	11	1K13			18	1K04
24101-062164	78	10	1I11	24311-000120	4	54	1C06	23080-016000	72	68	1H16			21	1K04
24101-063064	75	34	1I04		91	32	1J09	23297-060081	13	6	1C16			23	1K04
24101-063084	67	16	1H10		130	28	2B04	23297-080081	13	5	1C16		101	6	1K13
24104-060064	36	5	1F09	24311-000125	136	49	1I06	23297-100081	6	20	1C09	23871-030000	1	10	1C03
24104-062030	46	7	1G03	24311-000140	53	13	1G12		22	45	1E03		14	15	1D01
24104-062114	39	19	1F12		72	62	1H16		139	52	1E13	23875-020000	12	14	1C15
24104-063084	40	4	1F13		74	24	1I03	23387-091600	89	36	1J07	23876-005000	4	11-1	1C06
24105-060040	44	7	1G01		81	10	1I14	23396-040300	103	7	1K16		11	16	1C14
24107-063064	40	5	1F13		93	39	1K04	23414-080000	13	17	1C16	23876-010000	39	18-1	1F12
24121-060124	50	44	1G09	24311-000150	74	25	1I03	23414-100000	13	7	1C16		48	10-1	1G07
24121-063074	66	25	1H09		75	36	1I04	23414-100014	80	28	1I13		52	11-1	1G11
	67	17	1H10		104	53	1L01	23414-140018	72	69	1H16		57	9-1	1G16
24141-302080	34	5	1F07			54	1L01			70	1H16		72	55-1	1H16
24141-302100	39	20	1F12	24311-000160	38	13	1F11			70-1	1H16		93	17-1	1K04
24141-320110	34	6	1F07		39	22	1F12			71	1H16	23876-020000	72	6-1	1H15
24141-322110	77	14	1I10		52	21	1G11			72	1H16		93	4-1	1K04
24143-303110	77	15	1I10		75	37	1I04			73	1H16			18-1	1K04
24161-283317	61	14	1H04		93	40	1K04		90	19	1J08			21-1	1K04
24161-404517	51	9	1G10		98	14	1K10	23414-160021	72	74	1H16			23-1	1K04
24161-404527	60	18	1H03		99	7	1K11			75	1H16		101	6-1	1K13
	63	18	1H06		100	8	1K12		89	37	1J07	23876-030000	1	10-1	1C03
	64	12	1H07		101	39	1K13		93	35	1K04		14	15-1	1D01
24161-455027	60	19	1H03	24311-000180	38	14	1F11		101	12	1K13	23887-100002	80	29	1I13
24164-000202	66	26	1H09		48	16	1G07		108	15	1L06	23887-120002	16	102C	1D05
24164-000402	51	10	1G10		53	17	1G12		111	13	1L09	23887-160002	16	84	1D04
24165-000332	61	15	1H04		57	32	1G16	23414-180023	47	13	1G04	23887-180002	57	31	1G16
24165-000452	60	20	1H03		72	81	1H16	23414-220029	15	78	1D02	23897-030002	93	36	1K04
24166-203502	66	27	1H09		93	25	1K04		74	22	1I03		101	13	1K13
24190-050003	101	35	1K13			27	1K04	23414-240031	72	32	1H15	23980-730430	29	9	1E11
24190-080001	75	35	1I04		41	1K04		23491-120002	26	25	1E08	23980-731300	26	26	1E08
24190-100001	71	46	1H14		42	1K04		23491-140002	38	12	1F11	23980-731400	26	27	1E08
	73	47	1I01		101	47	1K13		39	17	1F12	23980-731450	26	27-1	1E08
	74	23	1I03		109	9	1L07		75	32	1I04	23980-732050	26	26-1	1E08
	136	47	1I06		114	24	1M05	23857-030000	13	26	1C16	24101-060074	50	41	1G09
24190-100003	101	36	1K13		136	50	1I06	23857-080000	19	35	1D08	24101-060084	50	42	1G09
	104	49	1L01	24311-000200	11	20	1C14		72	76	1H16		67	14	1H10
24190-120001	98	12	1K10		47	15	1G04			77	1H16	24101-060094	63	17	1H06

PART NO.	GRP. NO.	REF. NO.	LOC. NO.	PART NO.	GRP. NO.	REF. NO.	LOC. NO.	PART NO.	GRP. NO.	REF. NO.	LOC. NO.	PART NO.	GRP. NO.	REF. NO.	LOC. NO.
24311-000200	72	82	1H16	24341-000220	136	55	1I07	26013-080162	73	49	1I01	26023-040102	114	25	1M05
	100	9	1K12			56	1I07			50	1I01			25-	1M05
	108	17	1L06	24341-000224	80	31	1I13			50-	1I02	26106-060122	24	15	1E06
		31	1L06		136	57	1I07		74	26	1I03		29	10	1E11
24311-000210	82	28	1I15	24341-000250	72	34	1H15		75	39	1I04		112	42	1M03
	91	33	1J09		108	20	1L06		80	33	1I13		114	26	1M05
24311-000220	80	30	1I13	24341-000260	15	80	1D02		93	46	1K05			27	1M05
	136	51	1I06	24341-000350	34	7	1F07		104	56	1L02		116	15	1M07
24311-000240	104	55	1L02	24341-000500	15	81	1D02			57	1L02		117	3	1M08
24311-000260	108	18	1L06	24351-010130	41	25	1F14		107	30	1L05		118	49	2A04
	109	10	1L07	24351-010140	136	58	1I07	26013-080202	52	22	1G11	26106-060162	13	16	1C16
24311-000290	136	52	1I06			59	1I07			23	1G11		22	43	1E03
24311-000320	2	23	1C04	24351-020330	80	32	1I13		82	29	1I15		23	15	1E05
	136	53	1I06	24351-030560	42	13	1F15		98	15	1K10		29	11	1E11
24311-000400	14	14	1D01	24352-010160	15	79	1D02		101	17	1K13		112	43	1M03
24311-000460	70	10	1H13	24361-090500	136	60	1I07	26013-080252	48	18	1G07		114	28	1M05
24311-240100	139	40	1E12	24421-173507	46	8	1G03		50	45	1G09			29	1M05
24314-000180	12	10	1C15	24421-558012	38	17	1F11		71	49	1H14		117	4	1M08
	13	15	1C16	24421-851013	39	23	1F12		73	51	1I02		118	49-	1 2A04
24315-000050	96	28	1K08	24430-527007	38	22	1F11		75	40	1I04			50	2A04
24315-000090	89	28	1J07	24520-511060	130	29	2B04		130	33	2B04			51	2A04
	97	17	1K09	24550-010120	52	12	1G11	26013-080302	59	5	1H02		139	54	1E13
24315-000140	96	29	1K08	24550-010200	55	4	1G14		70	11	1H13	26106-060182	15	82	1D02
	136	54	1I06	24550-012120	24	8	1E06		71	50	1H14	26106-060202	18	2	1D07
24315-000150	93	43	1K04	24550-013150	102	5	1K15	26013-080352	44	17	1G01		29	13	1E11
	101	14	1K13		104	28	1L01		73	52	1I02		118	52	2A04
24315-000180	89	29	1J07		107	3	1L05	26013-080402	57	26	1G16	26106-060222	16	87	1D05
24315-000220	97	18	1K09		130	20	2B04		73	53	1I02	26106-060252	47	16-	1 1G04
24315-000240	89	30	1J07	24550-015120	56	6	1G15	26013-080452	41	26	1F14	26106-060302	20	40	1D10
24315-000300	89	31	1J07	24550-016150	56	11	1G15		71	51	1H14		47	16	1G04
24315-000490	53	18	1G12	24550-018150	53	8	1G12	26013-080802	57	27	1G16	26106-060352	16	88	1D05
24321-000250	108	19	1L06	24550-025250	107	5	1L05	26013-100252	68	14	1H11		108	21	1L06
	136	29	1I06	24550-032400	107	6	1L05	26013-100302	79	6	1I12			22	1L06
24321-000450	42	9	1F15	24550-065600	93	5	1K04	26013-101002	49	14	1G08	26106-060452	20	41	1D10
24321-000500	42	10	1F15	24550-070600	93	6	1K04	26013-120202	71	52	1H14		108	23	1L06
24321-000550	42	11	1F15	24761-010000	32	6	1F05		80	34	1I13			32	1L06
	59	4	1H02			17	1F05		123	33	2A09	26106-060552	108	34	1L06
24321-000650	95	18	1K07		53	19	1G12	26013-120302	30	13	1F03	26106-060602	108	24	1L06
24321-000700	95	19	1K07		107	29	1L05	26013-120402	45	15	1G02	26106-080102	6	15	1C09
24321-000750	32	16	1F05	24761-020000	52	14	1G11		48	19	1G07			21	1C09
	84	14	1J01	24761-060000	33	5	1F06	26013-120552	48	20	1G07		22	46	1E04
24321-000850	10	2	1C13			12	1F06	26013-140352	75	41	1I04	26106-080122	12	11	1C15
	92	2	1K03		130	30	2B04		95	20	1K07		13	31	1C16
24321-000900	41	24	1F14			31	2B04	26013-140452	80	35	1I13		22	46-	1 1E04
24321-001050	38	15	1F11			32	2B04		134	9	2C03		26	28	1E08
24321-001100	93	44	1K04		131	14	2B05	26014-080452	21	4	1D11			28-	1 1E08
24321-001450	38	16	1F11			15	2B05	26016-060142	136	61	1I07		42	14	1F15
	75	38	1I04	26013-060162	101	40	1K13	26016-060162	136	62	1I07			17	1F15
24325-000650	89	32	1J07	26013-080122	48	17	1G07			63	1I07		49	12	1G08
24325-000950	93	45	1K05		72	83	1H16	26016-080302	136	64	1I07		56	27	1G15
24341-000080	16	86	1D05	26013-080162	57	24	1G16	26016-080802	136	65	1I07		108	25	1L06
24341-000100	101	15	1K13			25	1G16	26021-050122	127	5	2A13			33	1L06
24341-000140	72	33	1H15		65	9	1H08	26022-050122	4	52	1C06		110	5	1L08
24341-000160	101	16	1K13		71	48	1H14	26023-030162	116	13	1M07		112	44-	1 1M03

PART NO.	GRP. NO.	REF. NO.	LOC. NO.	PART NO.	GRP. NO.	REF. NO.	LOC. NO.	PART NO.	GRP. NO.	REF. NO.	LOC. NO.	PART NO.	GRP. NO.	REF. NO.	LOC. NO.
26106-080122	114	36	1M05	26106-080162	127	6	2A13	26106-100182	14	23--	1D01	26116-080602	101	48	1K13
	118	53	2A04		139	55	1E13	26106-100202	13	29	1C16	26116-080702	68	16	1H11
		54	2A04	26106-080202	2	13	1C04		14	23	1D01		72	85	1H16
	125	31	2A11			14	1C04		27	25	1E09	26116-081002	72	86	1H16
	139	53	1E13		6	16	1C09		44	23	1G01	26116-081054	27	28	1E09
26106-080142	3	15	1C05		12	5	1C15		51	11	1G10	26116-081354	27	33	1E09
	7	8	1C10		27	24	1E09		53	30	1G12	26116-100202	83	15	1I16
	11	17	1C14		47	23	1G04		88	18	1J06	26116-100302	36	13	1F09
	16	106	1D05		91	35	1J09		118	64	2A04		130	34	2B04
26106-080162	12	12	1C15		105	10	1L03			65	2A04	26116-100352	93	47	1K05
	18	3	1D07		108	27	1L06			66	2A04		107	31	1L05
	22	14	1E03		121	30	2A07			67	2A04	26116-100402	71	54	1H14
	23	16	1E05			31	2A07		122	3	2A08		81	9	1I14
	24	16	1E06			31--	1 2A07	26106-100222	19	39	1D08	26116-100452	72	87	1H16
	27	20	1E09			32	2A07	26106-100252	4	3	1C06	26116-100554	125	20	2A11
		21	1E09		123	36	2A09		6	18	1C09	26116-100702	77	16	1I10
		22	1E09			37	2A09		19	3	1D08	26116-120352	57	29	1G16
		23	1E09		124	3--	1 2A10			14	1D08	26116-120402	93	48	1K05
		27	1E09			4--	1 2A10		46	10	1G03	26116-120502	91	36	1J09
	28	4	1E10		125	33	2A11		89	39	1J07	26116-120652	11	21	1C14
	29	12	1E11			34	2A11		118	75	2A04		78	11	1I11
		14	1E11		134	15	2C03		121	33	2A07	26116-120752	80	36	1I13
		15	1E11	26106-080222	19	38	1D08		122	5	2A08	26116-121002	93	49	1K05
		16	1E11	26106-080252	14	28	1D01	26106-100302	10	3	1C13	26116-140352	134	11	2C03
	42	12	1F15		32	18	1F05		14	41	1D01	26116-140802	80	37	1I13
	44	21	1G01		44	22	1G01		92	3	1K03		121	34	2A07
	47	17	1G04	26106-080302	3	22	1C05	26106-100322	3	4	1C05	26116-160352	133	17	2B07
	54	11	1G13		47	18	1G04	26106-100352	27	26	1E09			18	2B07
		12	1G13			19	1G04	26106-100402	21	1	1D11	26116-160602	27	19	1E09
	55	15	1G14		90	1	1J08		47	20	1G04	26116-160802	86	4	1J04
		16	1G14		118	62	2A04	26106-100502	90	17	1J08			9	1J04
	91	34	1J09		123	38	2A09	26106-100552	5	15	1C08	26116-161552	133	19	2B07
	106	42	1L04	26106-080352	134	10	2C03		46	11	1G03	26156-140552	93	50	1K05
		43	1L04	26106-080402	2	15	1C04	26106-100602	5	10	1C08	26156-140652	93	51	1K05
	108	26	1L06	26106-080452	2	16	1C04		19	36	1D08	26156-160452	48	21	1G07
	111	14	1L09			17	1C04	26106-100652	5	11	1C08	26156-160852	48	22	1G07
		15	1L09	26106-080502	2	18	1C04	26106-101152	46	12	1G03	26216-060162	15	84	1D02
	112	44	1M03		24	17	1E06	26116-040088	11	18	1C14	26216-060252	4	23	1C06
	114	30	1M05	26106-080552	7	13	1C10	26116-050102	4	59	1C07	26216-080702	6	26	1C09
		36--	1 1M05	26106-080602	14	18	1D01		16	153	1D05	26216-080752	6	1	1C09
	116	16	1M07	26106-080702	2	19	1C04	26116-050252	16	90	1D05	26216-081052	6	11	1C09
	118	55	2A04		4	42	1C06	26116-050302	16	89	1D05	26216-100302	2	9	1C04
		56	2A04		5	3	1C08			89--	1 1D05	26216-101002	49	15	1G08
		57	2A04		6	24	1C09	26116-050306	16	102A	1D05	26216-140802	80	18	1I13
		58	2A04		14	17	1D01	26116-060102	72	35	1H15	26216-181102	121	35	2A07
		59	2A04	26106-080752	6	17	1C09	26116-060122	72	36	1H15	26226-100252	2	9A	1C04
		60	2A04	26106-080802	2	20	1C04	26116-060162	125	19	2A11	26346-080002	44	18	1G01
		61	2A04	26106-080952	6	25	1C09	26116-060356	16	91	1D05	26346-100002	56	28	1G15
	122	2	2A08	26106-081002	6	4	1C09	26116-080142	16	92	1D05	26356-160002	44	24	1G01
	123	35	2A09	26106-081102	3	16	1C05	26116-080202	104	58	1L02	26366-060002	4	24	1C06
		42	2A09	26106-100162	118	63	2A04	26116-080302	72	84	1H16	26366-080002	4	43	1C06
	124	3	2A10			64--	1 2A04	26116-080354	71	53	1H14		6	9	1C09
		4	2A10			65--	1 2A04		73	54	1I02			10	1C09
	125	32	2A11			66--	1 2A04	26116-080552	57	28	1G16		15	85	1D02

PART NO.	GRP. NO.	REF. NO.	LOC. NO.	PART NO.	GRP. NO.	REF. NO.	LOC. NO.	PART NO.	GRP. NO.	REF. NO.	LOC. NO.	PART NO.	GRP. NO.	REF. NO.	LOC. NO.
26366-100002	2	21	1C04	26716-160002	133	20	2B07	723950-01560	1	1	1C03				
	6	29	1C09	26716-180002	121	36	2A07	723950-51320	15	1A	1D02				
	10	3-	1C13	26736-080002	114	14	1M05	723951-51310	15	1	1D02				
26376-120002	16	93	1D05	26736-120002	53	31	1G12	794065-24730	72	24	1H15				
26450-060202	101	41	1K13		91	39	1J09	794065-72100	130	3	2B04				
	136	66	1I07	26736-140002	39	25	1F12	794065-72200	131	2	2B05				
26450-080202	89	33	1J07	26736-180002	132	15	2B06	794130-71410	129	12	2B03				
		34	1J07	26736-200002	132	26	2B06		130	2	2B04				
26450-080602	96	32	1K08	26756-050002	96	30	1K08		131	1	2B05				
	101	49	1K14	26756-060002	106	47	1L04	794180-82100	135	2	2C04				
26450-100252	38	19	1F11			48	1L04	794235-45110	96	2	1K08				
26450-120402	83	16	1I16	26756-080002	16	95	1D05	981083-20710	50	46	1G09				
26450-160452	3	5	1C05			105	1D05								
26557-050122	26	11	1E08			96	1K08								
26557-060302	115	23	1M06	26756-120002	115	16	1M06								
26577-040162	4	40	1C06	26756-200002	107	35	1L05								
26587-040102	109	11	1L07			132	2B06								
26587-080122	83	17	1I16	26776-120002	91	11	1J09								
26606-100002	16	94	1D05			114	1M05								
26667-080002	16	107	1D05				1M05								
26703-080002	8	3	1C11				1M05								
26703-100002	25	3	1E07	26776-140002	39	26	1F12								
26716-060002	17	26	1D06	26776-180002	7	16	1C10								
	106	17	1L04	26776-200002	33	7	1F06								
		23	1L04				1F06								
		44	1L04	26777-120002	16	96	1D05								
		45	1L04	26796-100002	88	16	1J06								
26716-080002	27	29	1E09	26877-120002	65	10	1H08								
	104	59	1L02	26911-080322	16	108	1D05								
		60	1L02	26979-120122	45	13	1G02								
		61	1L02	26996-140002	53	20	1G12								
	109	12	1L07	27225-100100	4	52A	1C06								
	113	9	1M04	27225-100140	1	28	1C03								
26716-100002	23	7	1E05	27225-120160	1	13	1C03								
	49	16	1G08	27231-700000	1	11	1C03								
	56	21	1G15	27241-300000	1	12	1C03								
	74	12	1I03	27241-400000	4	12	1C06								
	75	18	1I04	27241-800000	38	24	1F11								
	82	11	1I15	27260-150000	57	30	1G16								
	91	37	1J09	27310-090000	4	13	1C06								
	102	12	1K15	28110-080100	135	11	2C04								
	104	62	1L02	28110-120140	135	12	2C04								
		63	1L02	28110-170190	135	13	2C04								
	106	46	1L04	28110-220240	135	14	2C04								
	107	32	1L05	28110-260320	135	15	2C04								
	129	14	2B03	28110-270300	135	16	2C04								
26716-120002	3	6	1C05	28160-170190	135	17	2C04								
	91	38	1J09	28170-001500	135	18	2C04								
	107	33	1L05	29311-254000	53	32	1G12								
26716-140002	80	38	1I13	29311-324000	107	36	1L05								
	121	3	2A07	723900-01590	2	1	1C04								
	134	12	2C03	723900-11100	4	4	1C06								
26716-160002	86	5	1J04	723900-53100	18	4A	1D07								
	107	34	1L05	723900-53200	18	4	1D07								

TOTAL (ITEM= 2,463) (REF.= 3,360)



**YANMAR AGRICULTURAL EQUIPMENT CO.,LTD.**

1-32, Chayamachi, Kita-ku, OSAKA 530-8321, JAPAN

Tel:06-6376-6348