

OCK50-M00830EN

P R E F A C E

1. This Parts Catalog carries Yanmar carrier (rubber crawler carrier) C30R-3 for U.S.A.
(M/# 30501~)

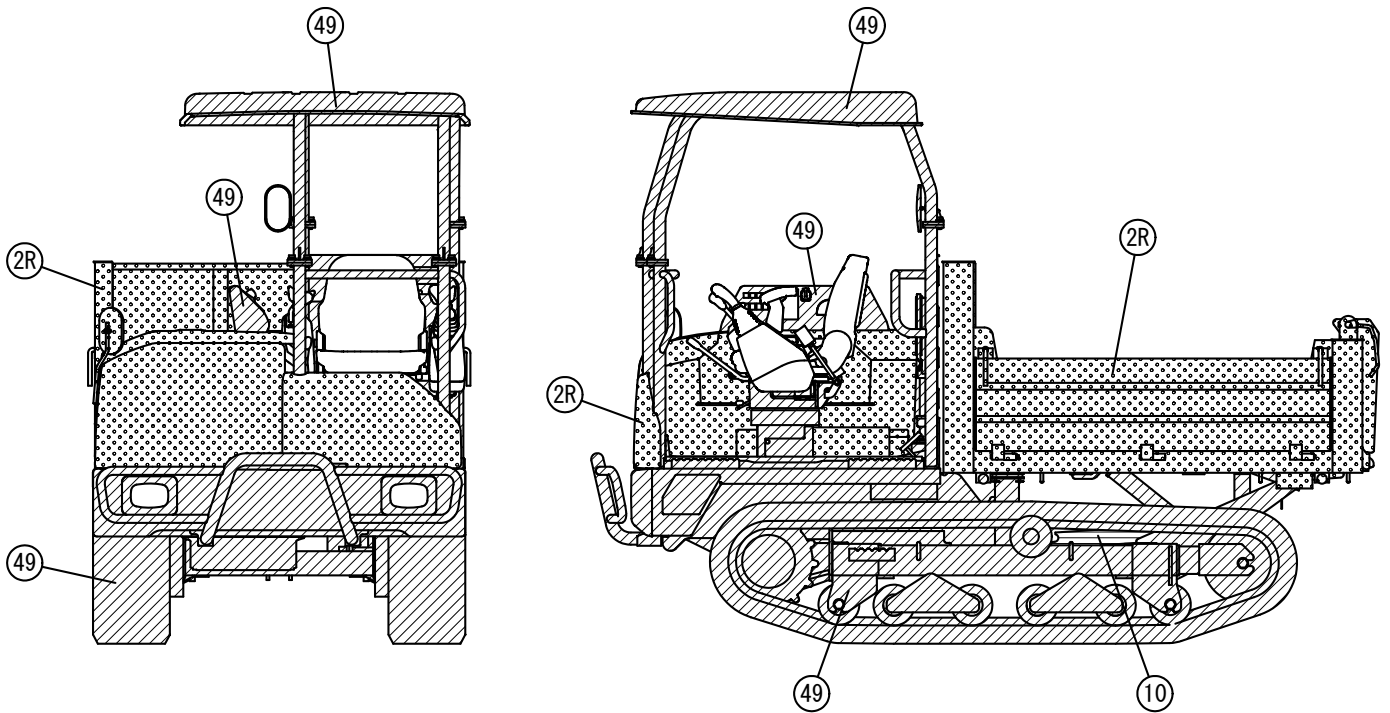
2. Parts catalog history



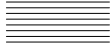
		Model	Published	Remarks
1st edition	Vehicle	C30R-3 (US)	Apr. , 2017	
	Engine	4TNV88C-KFW		

3. Your understanding is asking that this parts catalog is not a technical data manual setting forth as servicing procedures, This parts catalog is using simplified illustration.

Be sure to use Yanmar Genuine Parts in your maintenance servicing of Yanmar products. Be careful not to use the simple parts available in the market, otherwise their use in repairing causes such as an early breakage, for instance.

VEHICLE PAINTED COLOR



Color Code	Description	Painted Color	Paint Part No.		
			16L Can	4L Can	SPRAY
2R		YANMAR Turmeric Yellow	-----	977620-41001	977620-41002
49		YANMAR Navy Gray	-----	T0R-91390001	T0R-94800491
10		YANMAR Red 2	-----	T0R-91000003	T0R-94800101

PICTURESQUE INDEX (1) ■ ■ ■ MAIN PARTS

1. LABEL & ACCESSORY
Fig. 1~4

14. OPTIONAL & KIT
Fig. 86~90

3. ELECTRICAL PARTS
Fig. 16~23

8. AROUND SEAT
Fig. 38~45

10. CANOPY
Fig. 52

13. IMPLEMENT
Fig. 82~85

2. ENGINE RELATED
Fig. 5~15

9. BONNET
Fig. 46~51

5. CONTROL EQUIPMENT
Fig. 32

11. HYDRAULIC OIL EQUIPMENT
Fig. 53~65

12. HYDRAULIC OIL PIPING
Fig. 66~81

7. COVER
Fig. 36, 37

4. TRAVELING
Fig. 24~31

6. FRAME
Fig. 33~35

RIGHT
➔

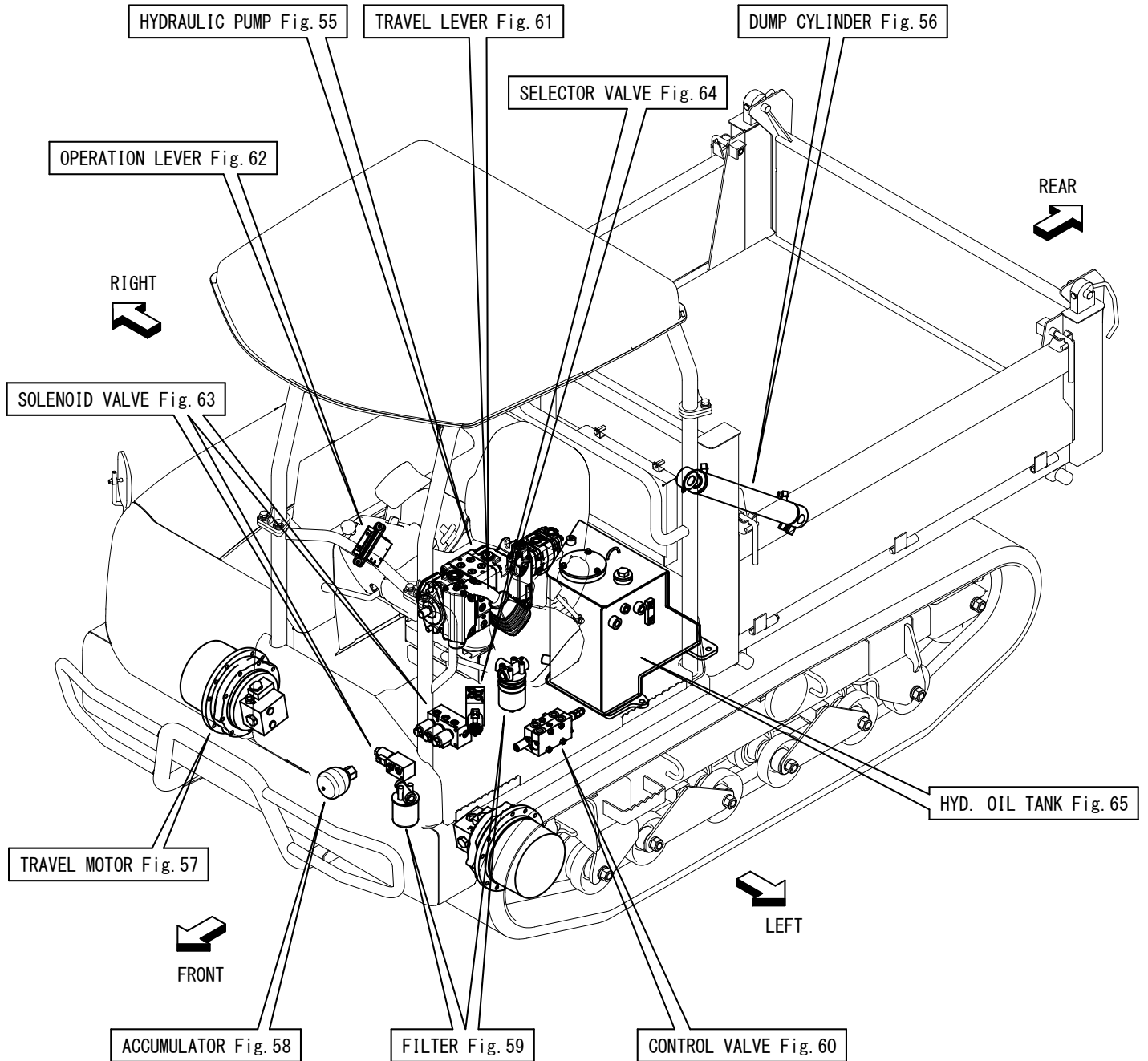
REAR
➔

FRONT
➔

LEFT
➔

PICTURESQUE INDEX (2) ■ ■ ■ HYDRAULIC SECTION

HYDRAULIC OIL PIPING Fig. 66~79
CONTROL PIPING Fig. 80, 81



Contents

OCK50-M00830

Fig. No. Fig. Name

LABEL & ACCESSORY

1. LABEL(EXTERIOR)
2. LABEL(BONNET INSIDE)
3. LABEL(CANOPY)
4. ACCESSORY

ENGINE RELATED

5. MUFFLER
6. AIR CLEANER
7. ENGINE ACCESSORIES
8. ACCELERATOR
9. FOOT ACCEL
10. ENGINE MOUNT
11. RADIATOR
12. DUCT & SUB TANK
13. FUEL TANK
14. OIL COOLER
15. FUEL PIPING

ELECTRICAL PARTS

16. BATTERY
17. AROUND THE ENGINE(1)
18. AROUND THE ENGINE(2)
19. AROUND THE SEAT
20. STARTER SWITCH

Fig. No. Fig. Name

21. FRONT LAMP
22. PLUG
23. GPS

TRAVELING

24. SPROCKET
25. IDLER
26. TRACK ROLLER(1)
27. TRACK ROLLER(2)
28. SWING PLATE
29. CARRIER ROLLER
30. CRAWLER ADJUST
31. CRAWLER

CONTROL EQUIPMENT

32. LOCK LEVER & STAND

FRAME

33. TRAVEL FRAME
34. FRONT FRAME
35. BUMPER

COVER

36. COVER(TRAVEL FRAME)
37. COVER(D.P.F.)

Contents

OCK50-M00830

Fig. No. Fig. Name

AROUND SEAT

- 38. FRONT COVER
- 39. STEP
- 40. COVER(MONITOR)
- 41. COVER(LEVER)
- 42. SEAT MOUNT
- 43. COVER(SEAT MOUNT)
- 44. SEAT
- 45. ARMREST

BONNET

- 46. SIDE MIRROR
- 47. BONNET(FRONT)
- 48. BONNET(RIGHT)
- 49. BONNET(LEFT)
- 50. BONNET(REAR)
- 51. COVER(BONNET)

CANOPY

- 52. CANOPY

HYDRAULIC OIL EQUIPMENT

- 53. HYDRAULIC PUMP MOUNT
- 54. COUPLING

Fig. No. Fig. Name

- 55. HYDRAULIC PUMP
- 56. DUMP CYLINDER
- 57. TRAVEL MOTOR
- 58. ACCUMULATOR
- 59. FILTER
- 60. CONTROL VALVE
- 61. TRAVEL LEVER
- 62. OPERATION LEVER
- 63. SOLENOID VALVE
- 64. SELECTOR VALVE
- 65. HYD. OIL TANK

HYDRAULIC OIL PIPING

- 66. FITTING(TRAVEL MOTOR)
- 67. FITTING(HYDRAULIC PUMP)
- 68. FITTING(LEVER)
- 69. FITTING(CONTROL VALVE)
- 70. FITTING(FILTER)
- 71. FITTING(SELECTOR VALVE)
- 72. FITTING(SOLENOID VALVE)
- 73. FITTING(ACCUMULATOR)
- 74. FITTING(BLOCK)
- 75. TUBE
- 76. TANK - PUMP & CONTROL VALVE
- 77. RETURN

Contents

OCK50-M00830

Fig. No. Fig. Name

- 78. PUMP - TRAVEL FRAME
- 79. CONTROL VALVE - DUMP CYLINDER
- 80. CONTROL PIPING(LEFT)
- 81. CONTROL PIPING(RIGHT)

Fig. No. Fig. Name

IMPLEMENT

- 82. VESSEL
- 83. GATE(REAR)
- 84. GATE(SIDE)
- 85. OPENING & CLOSING LEVER

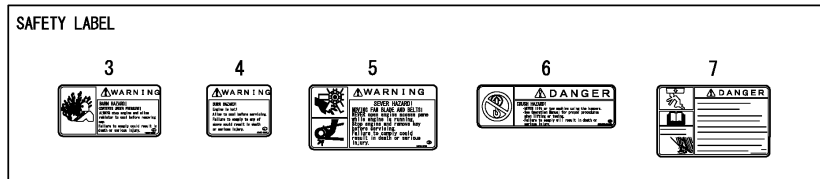
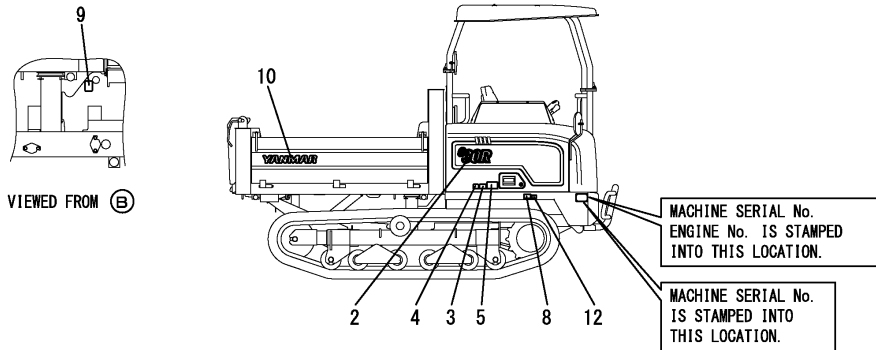
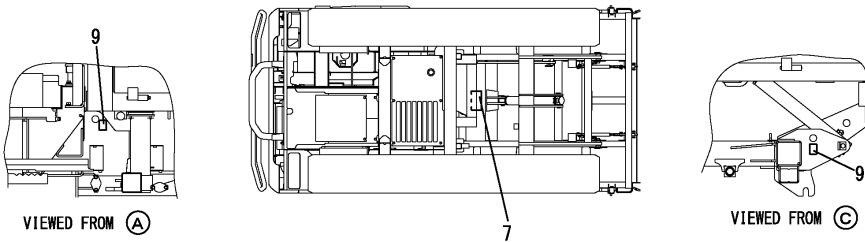
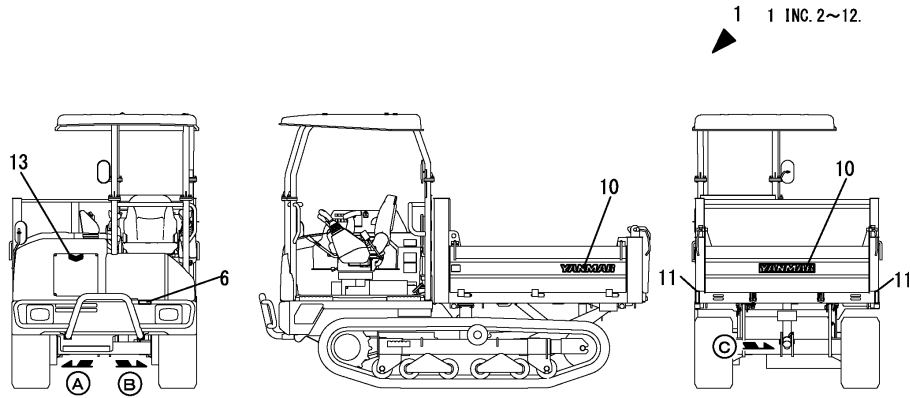
OPTIONAL & KIT

- 86. WORK LAMP KIT(OPTIONAL)(1)
- 87. WORK LAMP KIT(OPTIONAL)(2)
- 88. BEACON STAY KIT(OPTIONAL)
- 89. TRAVEL ALARM KIT(OPTIONAL)
- 90. WORK LAMP & TRAVEL ALARM KIT(OPTIONAL)

Fig.1. LABEL(EXTERIOR)

(A)=C30R-3(US)
(B)=
(C)=

(D)=
(E)=
(F)=



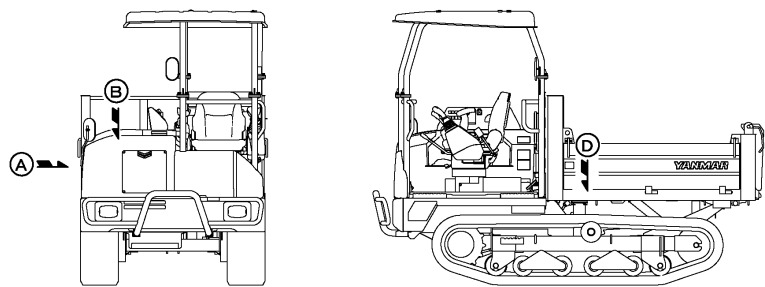
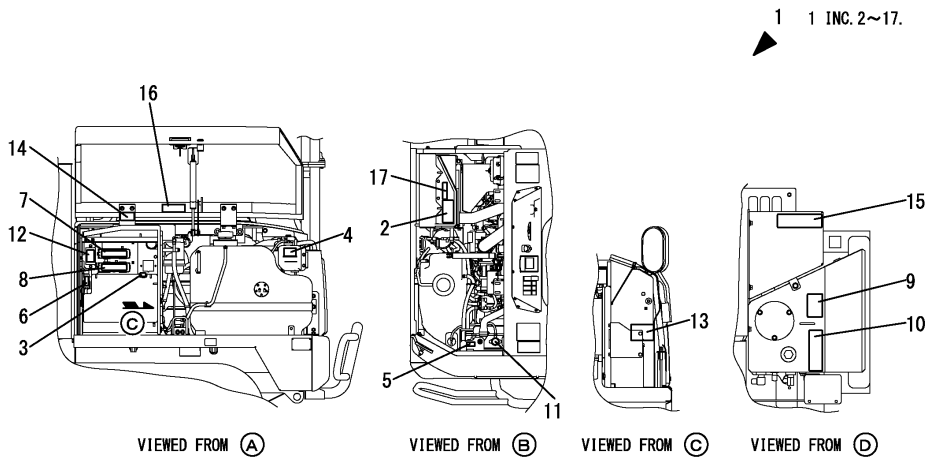
No.	Lev.	Parts No.	Description	Q'ty						I	R
				(A)	(B)	(C)	(D)	(E)	(F)		
1	1	172663-08220	LABEL SET,OUT US STD	1							
2	2	172663-03200	LABEL,MODEL C30R	1							
3	2	172437-03391	LABEL, RADIATOR	1							
4	2	172437-03402	LABEL, ENGINE COVER	1							
5	2	172A36-03411	LABEL, ENGINE ROOM	1							
6	2	172653-03440	LABEL,BUMPER US	1							
7	2	172663-03470	LABEL,WAGON US	1							
8	2	172437-03501	LABEL, FUEL	1							
9	2	172437-03511	LABEL, HOOK	3							
10	2	172A86-03790	LABEL,YANMAR 450 B	3							
11	2	172B04-03970	LABEL, REFLECTOR S	2							
12	2	114110-07761	LABEL, FUEL OIL CAUT	1							
13	1	41801-310041	EMBLEM, FY L 04	1							

Fig.2. LABEL(BONNET INSIDE)

(A)=C30R-3(US)
(B)=
(C)=

(D)=
(E)=
(F)=

No.	Lev.	Parts No.	Description	Q'ty						I	R
				(A)	(B)	(C)	(D)	(E)	(F)		
1	1	172663-08410	LABEL SET,IN US	1							
2	2	172545-03140	LABEL,WATER DRAIN US	1							
3	2	172544-03160	LABEL,BATTLY CUT	1							
4	2	172A38-03201	LABEL, SUB TANK	1							
5	2	172A38-03211	LABEL, ANTI-FREEZING	1							
6	2	172663-03250	LABEL, FUSE	1							
7	2	172663-03270	LABEL, RELAY BOX	1							
8	2	172663-03280	LABEL, RELAY BOX	1							
9	2	172463-03290	LABEL, HYD.OIL	1							
10	2	172437-03322	LABEL, RESEVOIR	1							
11	2	172462-03320	LABEL, RADIATOR	1							
12	2	172663-03330	LABEL, FUSE BOX US	1							
13	2	172437-03361	LABEL, BATTERY	1							
14	2	172437-03402	LABEL, ENGINE COVER	1							
15	2	172437-03422	LABEL, MUFFLER	1							
16	2	172B03-03710	LABEL,DUST IND EX	1							
17	2	172125-03951	LABEL, AIR CLEANER	1							



SAFETY LABEL

4

CAUTION

CHECK COOLANT LEVEL

Before starting the engine, check and top up the coolant level. If the coolant level is low, add coolant. Do not use plain water. Do not mix with antifreeze.

5

CAUTION

DO NOT OPERATE WITH

10

WARNING

DO NOT OPERATE WITH

13

DANGER

DO NOT OPERATE WITH

14

WARNING

DO NOT OPERATE WITH

15

WARNING

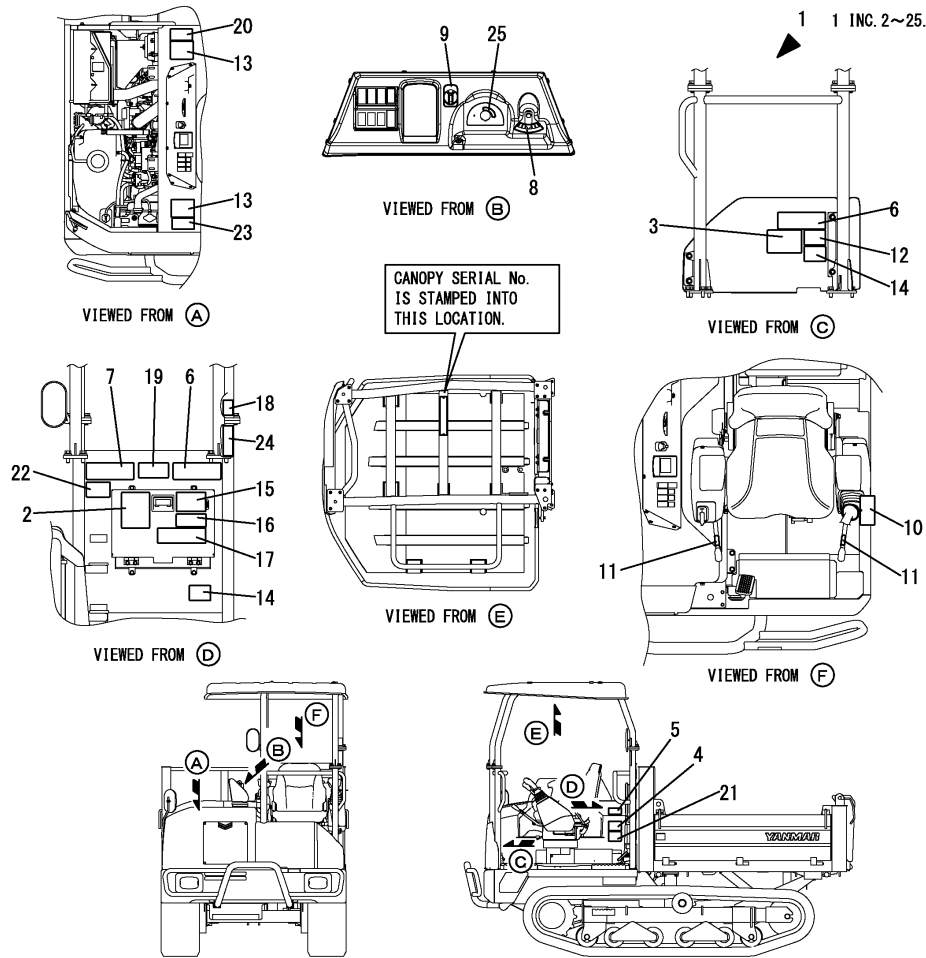
DO NOT OPERATE WITH

17

CAUTION

DO NOT OPERATE WITH

Fig.3. LABEL(CANOPY)



(A)=C30R-3(US)
(B)=
(C)=

(D)=
(E)=
(F)=

No.	Lev.	Parts No.	Description	Q'ty						I	R
				(A)	(B)	(C)	(D)	(E)	(F)		
1	1	172663-08520	LABEL SET,CNP US STD	1							
2	2	172663-03110	LABEL, DPF US	1							
3	2	172472-03141	LABEL, SUPPORT	1							
4	2	172663-03160	LABEL, OIL&WATER US	1							
5	2	172663-03170	LABEL,SPECIFICATION	1							
6	2	172663-03180	LABEL, LEVER LOCK US	2							
7	2	172663-03190	LABEL,SLOPE US	1							
8	2	172652-03220	LABEL,ANGEL	1							
9	2	172A69-03220	LABEL,ACCELERATOR	1							
10	2	172437-03252	TAG ASSY, CAUTION	1							
11	2	172183-03280	LABEL, LOCK	2							
12	2	172437-03302	LABEL, MANUAL	1							
13	2	172663-03310	LABEL, OPERATION US	2							
14	2	172663-03320	LABEL,ACCEL PEDAL US	2							
15	2	172437-03343	LABEL, TRANSPORT	1							
16	2	172437-03352	LABEL, CYLINDER	1							
17	2	172663-03400	LABEL,LIFT US	1							
18	2	172437-03441	LABEL, ROPS	1							
19	2	172653-03450	LABEL,PLACES US	1							
20	2	172653-03460	LABEL,NEUTRAL US	1							
21	2	172663-03460	LABEL,GREASING US	1							
22	2	172663-03470	LABEL,WAGON US	1							
23	2	172652-03661	LABEL,CAUTION-OPE.US	1							
24	2	172652-03681	LABEL, SEAT BELT US	1							
25	2	172B03-03220	LABEL,SW	1							

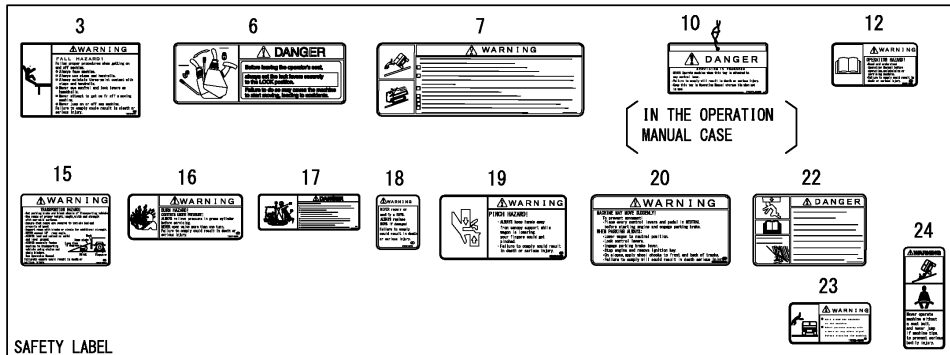
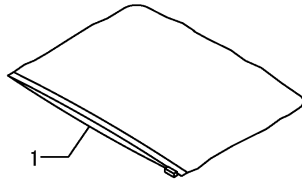


Fig.4. ACCESSORY

(A)=C30R-3(US)
 (B)=
 (C)=

(D)=
 (E)=
 (F)=

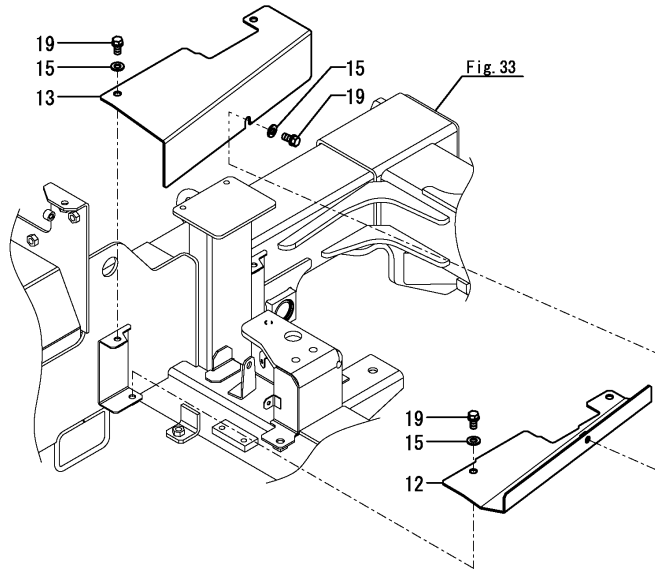
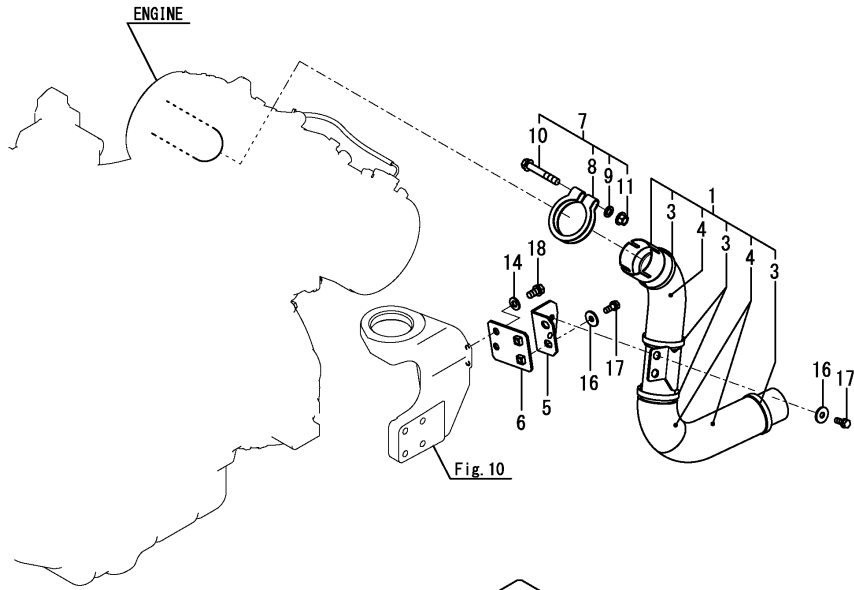


No.	Lev.	Parts No.	Description	Q'ty						I	R
				(A)	(B)	(C)	(D)	(E)	(F)		
1	1	172958-07330	CASE, MANUAL	1							

Fig.5. MUFFLER

(A)=C30R-3(US)
(B)=
(C)=

(D)=
(E)=
(F)=

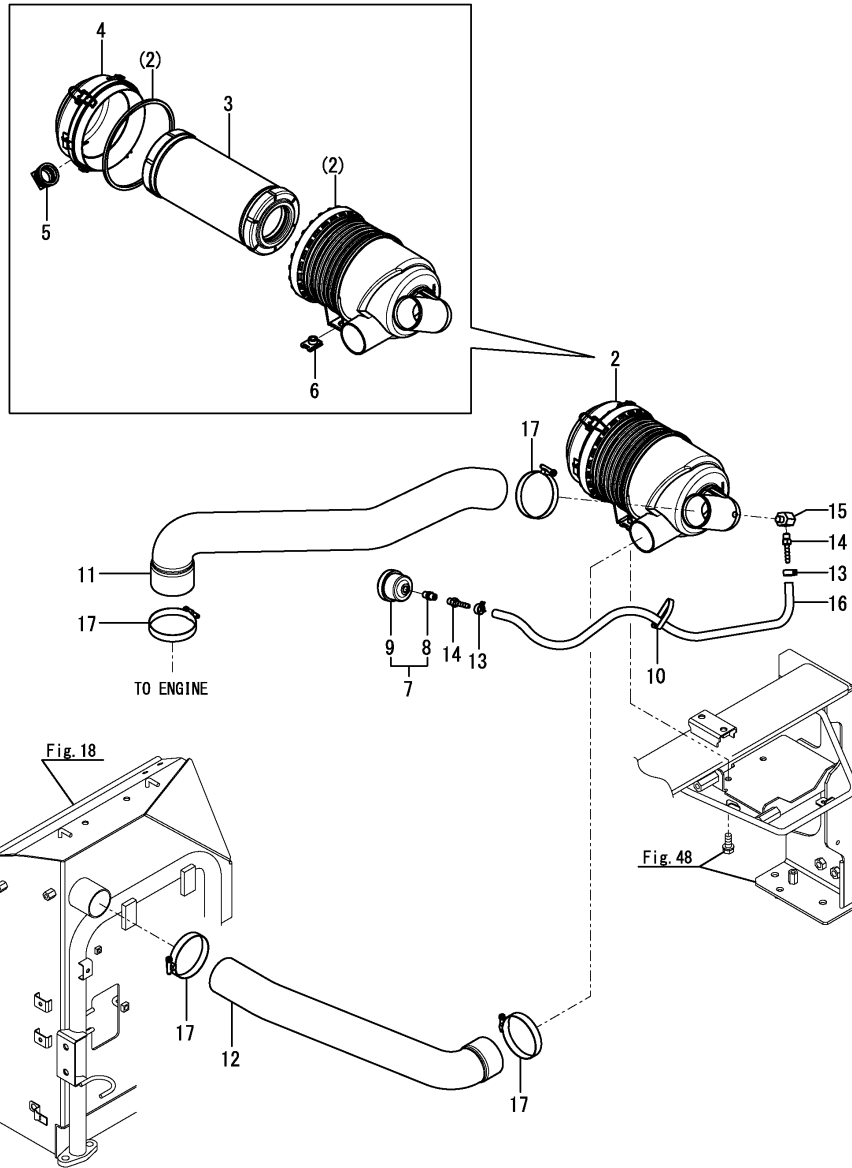


No.	Lev.	Parts No.	Description	Q'ty						I	R
				(A)	(B)	(C)	(D)	(E)	(F)		
1	1	172663-11201	PIPE ASSY, EXHAUST	1							
3	2	172663-11240	TIE, METAL	4							
4	2	172A46-11390	TAPE, INSURATOR	3							
5	1	172663-11250	PLATE ASSY,EX	1							
6	1	172663-11301	BRACKET ASSY, EX	1							
7	1	172B11-11350	CLAMP ASSY, SILENCER	1							
8	2	172B11-11360	CLAMP	1							
9	2	22117-100000	WASHER, 10	1							
10	2	26106-100652	BOLT, M10X 65 PLATED	1							
11	2	26366-100002	NUT, M10	1							
12	1	172663-11650	COVER ASSY,EX LOW	1							
13	1	172663-11680	COVER,EX UP	1							
14	1	22137-100000	WASHER, 10	2							
15	1	22137-100000	WASHER, 10	5							
16	1	22157-080000	WASHER, 8	4							
17	1	26013-080202	BOLT, M8X 20	4							
18	1	26013-100202	BOLT, M10X 20	2							
19	1	26013-100202	BOLT, M10X 20	5							

Fig.6. AIR CLEANER

(A)=C30R-3(US)
(B)=
(C)=

(D)=
(E)=
(F)=

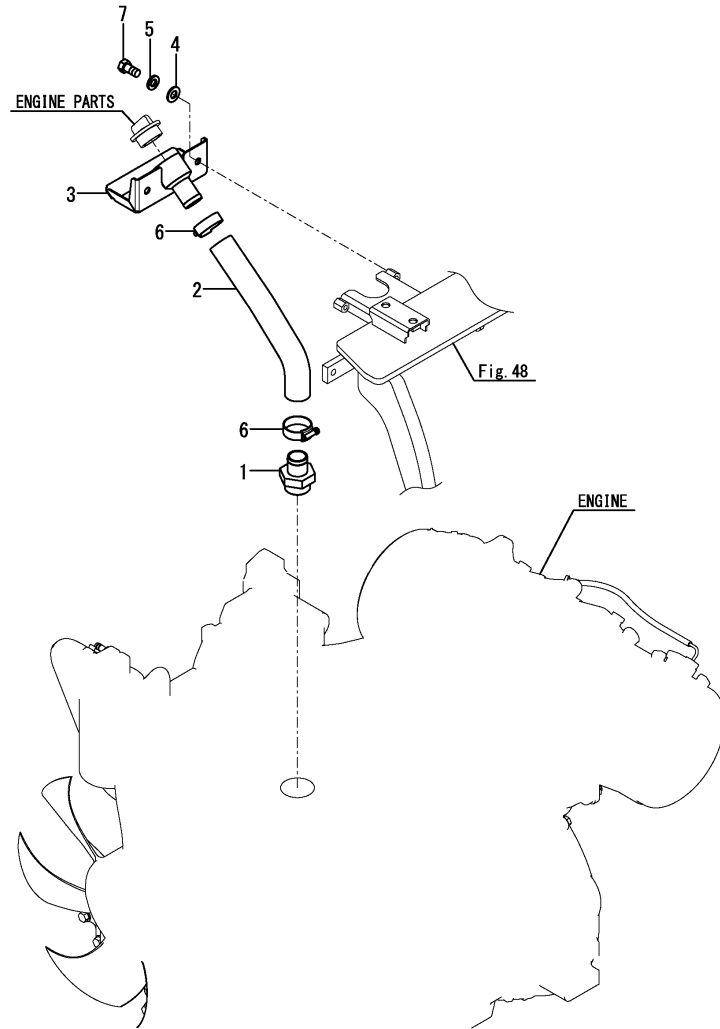


No.	Lev.	Parts No.	Description	Q'ty						I	R
				(A)	(B)	(C)	(D)	(E)	(F)		
2	2	172663-11530	AIR CLEANER ASSY	1							
3	3	1A8240-05110	ELEMENT ASSY, OUTER	1							
4	3	172663-11550	COVER ASSY,AIRCLEANE	1							
5	3	172B03-11560	PLUG	1							
6	3	172B03-11571	NUT,AIR CLEANER	2							
7	2	172663-11540	INDICATOR ASSY	1							
8	3	172B03-11820	PLUG	1							
9	3	172B03-11830	INDICATOR,AIR CLEAN	1							
10	1	172126-11510	BAND	1							
11	1	172663-11510	HOSE,AIR INTAKE A	1							
12	1	172663-11520	HOSE,AIR INTAKE B	1							
13	1	106990-44660	CLAMP, HOSE 12.5	2							
14	1	172131-76100	NIPPLE	2							
15	1	172112-77480	ELBOW	1							
16	1	172B16-78790	HOSE, G804YY069	1							
17	1	23000-075000	CLAMP, 75	4							

Fig.7. ENGINE ACCESSORIES

(A)=C30R-3(US)
(B)=
(C)=

(D)=
(E)=
(F)=

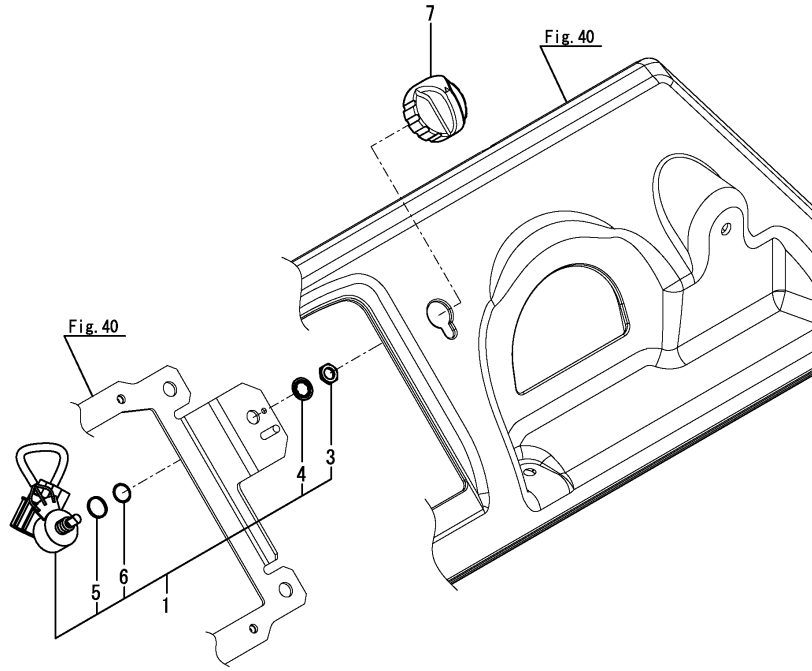


No.	Lev.	Parts No.	Description	Q'ty						I	R
				(A)	(B)	(C)	(D)	(E)	(F)		
1	1	1E8941-01650	CONNECTOR, M33-25	1							
2	1	172663-11800	HOSE, L.O	1							
3	1	172663-11810	BRACKET ASSY, O-FEED	1							
4	1	22137-080000	WASHER, 8	2							
5	1	22217-080000	WASHER, SPRING 8	2							
6	1	23001-041000	CLAMP, HOSE 41	2							
7	1	26116-080162	BOLT, M8X 16 PLATED	2							

Fig.8. ACCELERATOR

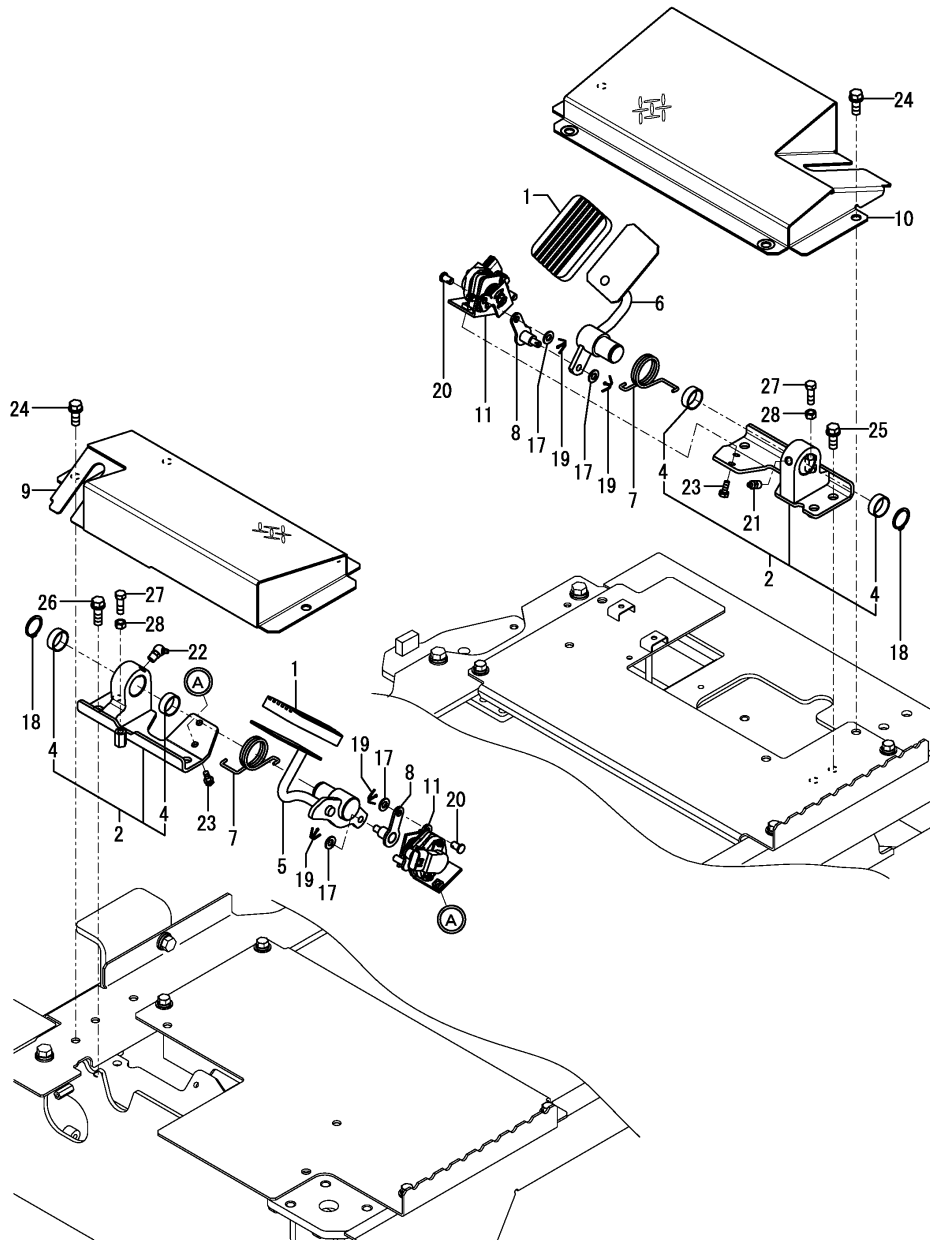
(A)=C30R-3(US)
(B)=
(C)=

(D)=
(E)=
(F)=



No.	Lev.	Parts No.	Description	Q'ty						I	R	
				(A)	(B)	(C)	(D)	(E)	(F)			
1	1	172A69-12100	VOLUME, ACCEL ASSY	1								
3	2	172A69-12160	NUT, M9P0.75	1								
4	2	172A69-12170	WASHER	1								
5	2	172A69-12180	WATER PROOF RING	1								
6	2	172A69-12190	O-RING	1								
7	1	172A69-12120	KNOB ASSY	1								

Fig.9. FOOT ACCEL

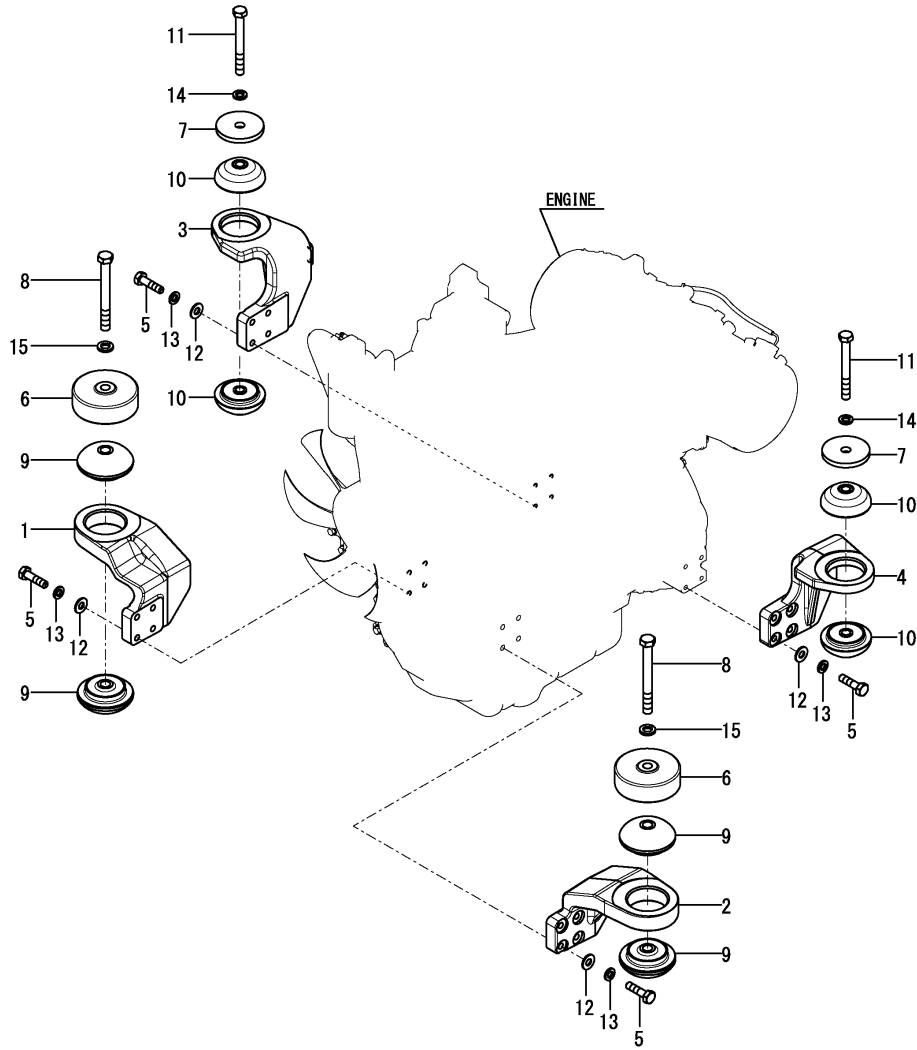


(A)=C30R-3(US)
(B)=
(C)=

(D)=
(E)=
(F)=

No.	Lev.	Parts No.	Description	Q'ty						I	R
				(A)	(B)	(C)	(D)	(E)	(F)		
1	1	172649-12390	PEDAL PAD	2							
2	1	172663-42500	BOSS ASSY	2							
4	2	24550-025100	BUSH, 25X10	4							
5	1	172663-42551	SHAFT ASSY,F ACCEL	1							
6	1	172663-42600	SHAFT ASSY,R ACCEL	1							
7	1	172663-42650	SPRING, ACCEL	2							
8	1	172663-42660	LINK ASSY,A	2							
9	1	172663-62311	FOOTREST ASSY,FRONT	1							
10	1	172663-62411	FOOTREST ASSY,REAR	1							
11	1	129A22-77800	SENSOR ASSY, ACCEL	2							
17	1	22137-080000	WASHER, 8	4							
18	1	22242-000250	RING, 25	2							
19	1	22417-200200	PIN, COTTER 2.0X20	4							
20	1	22487-080100	PIN, H 8X 10	2							
21	1	24761-020000	NIPPLE, GREASE PT1/8	1							
22	1	24761-040000	NIPPLE, GREASE B	1							
23	1	26013-060162	BOLT, M6X 16	4							
24	1	26013-100252	BOLT, M10X 25	8							
25	1	26013-100252	BOLT, M10X 25	3							
26	1	26013-100302	BOLT, M10X 30	3							
27	1	26116-080254	BOLT, M8X 25 PLATED	2							
28	1	26716-080002	NUT, M8	2							

Fig.10. ENGINE MOUNT



(A)=C30R-3(US)
(B)=
(C)=

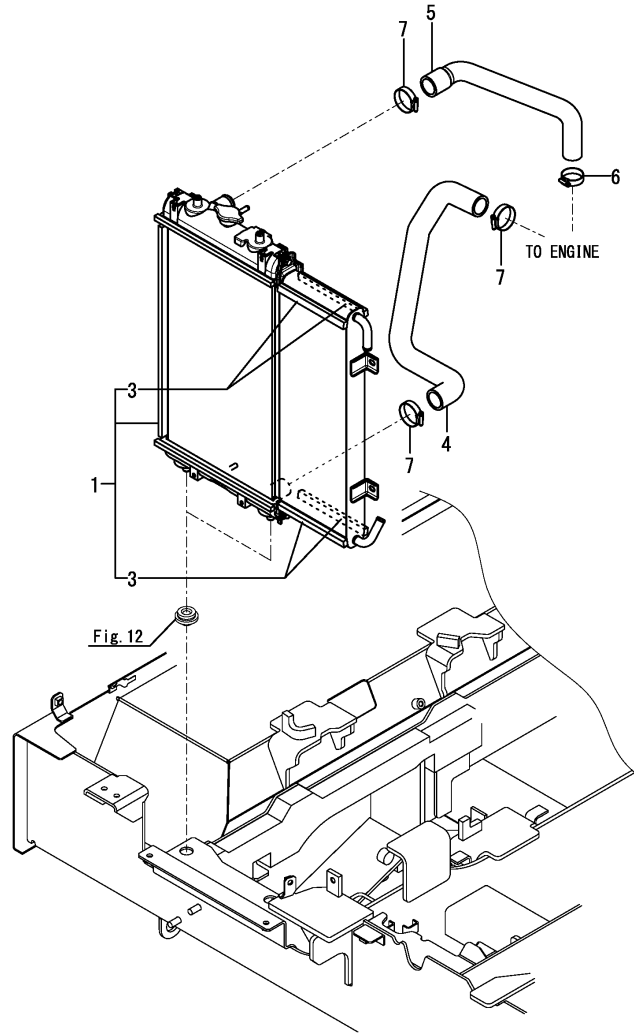
(D)=
(E)=
(F)=

No.	Lev.	Parts No.	Description	Q'ty						I	R
				(A)	(B)	(C)	(D)	(E)	(F)		
1	1	172663-13100	MOUNT, ENGINE FL	1							
2	1	172663-13110	MOUNT, ENGINE FR	1							
3	1	172663-13121	MOUNT, ENGINE RL	1							
4	1	172663-13130	MOUNT, ENGINE RR	1							
5	1	172461-13140	BOLT	16							
6	1	172A69-13150	STOPPER	2							
7	1	172162-13170	WASHER	2							
8	1	172162-13190	BOLT	2							
9	1	172165-13270	MOUNT, ENGINE	4							
10	1	172663-13270	MOUNT,ENGINE	4							
11	1	172663-13280	BOLT,14X130	2							
12	1	172137-46042	SEAT, SPRING	16							
13	1	22217-100000	WASHER, SPRING 10	16							
14	1	22217-140000	WASHER, SPRING 14	2							
15	1	22217-160000	WASHER, SPRING 16	2							

Fig.11. RADIATOR

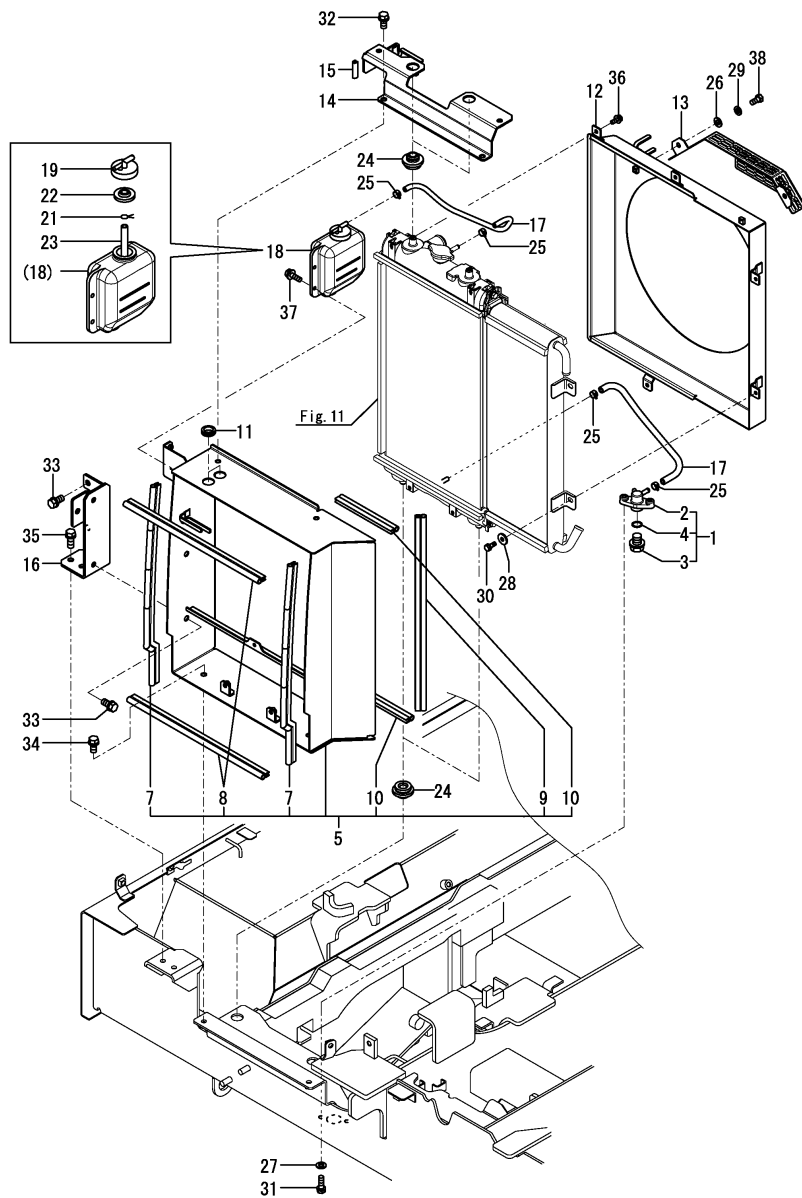
(A)=C30R-3(US)
(B)=
(C)=

(D)=
(E)=
(F)=



No.	Lev.	Parts No.	Description	Q'ty						I	R
				(A)	(B)	(C)	(D)	(E)	(F)		
1	1	172544-13430	RADIATOR ASSY	1							
3	2	172544-13850	SPONGE, 220L	4							
4	1	172663-13500	HOSE,RADIATOR A	1							
5	1	172663-13510	HOSE,RADIATOR B	1							
6	1	23001-041000	CLAMP, HOSE 41	1							
7	1	23001-048000	CLAMP, HOSE 48	3							

Fig.12. DUCT & SUB TANK



(A)=C30R-3(US)
(B)=
(C)=

(D)=
(E)=
(F)=

No.	Lev.	Parts No.	Description	Q'ty						I	R
				(A)	(B)	(C)	(D)	(E)	(F)		
1	1	172444-13210	COCK ASSY, 2-WAY	1							
2	2	172444-13220	BODY	1							
3	2	121250-49121	PLUG, DRAIN M16	1							
4	2	24311-000160	O-RING, 1AP16.0	1							
5	1	172663-13300	DUCT ASSY,RADIATOR	1							
7	2	172663-13440	SEAL,530	2							
8	2	172663-13450	SEAL,410	2							
9	2	172663-13460	SEAL,510	1							
10	2	172663-13470	SEAL,170	2							
11	1	172663-13520	GROMMET,20X 30X 3	2							
12	1	172663-13550	SHROUD ASSY	1							
13	1	172663-13630	GUARD,FAN	1							
14	1	172663-13650	BRACKET ASSY,RAD	1							1
14A	1	172A38-03211	LABEL, ANTI-FREEZING	1							3
15	1	172663-13680	TRIM,40	1							
16	1	172663-13700	STAY ASSY,FO	1							
17	1	172164-14630	HOSE, FUEL	2							
18	1	121468-44520	TANK ASSY, SUB	1							2
19	2	121450-44531	CAP	1							
21	2	124450-44560	CLAMP, HOSE	1							
22	2	121470-44581	GASKET	1							
23	2	23065-070130	PIPE, 7X 130	1							
23A	1	172A38-03201	LABEL, SUB TANK	1							3
24	1	184015-44680	CUSHION, RADIATOR	4							
25	1	124766-59050	CLAMP, HOSE 11.5	4							
26	1	22137-080000	WASHER, 8	2							
27	1	22137-080000	WASHER, 8	2							
28	1	22157-060000	WASHER, 6	2							
29	1	22217-080000	WASHER, SPRING 8	2							
30	1	26013-060162	BOLT, M6X 16	2							
31	1	26013-080252	BOLT, M8X 25	2							
32	1	26013-100202	BOLT, M10X 20	2							
33	1	26013-100202	BOLT, M10X 20	4							
34	1	26013-100202	BOLT, M10X 20	2							
35	1	26013-100252	BOLT, M10X 25	2							
36	1	26014-060162	BOLT, M6X 16	3							
37	1	26014-060202	BOLT, M6X 20	2							
38	1	26116-080162	BOLT, M8X 16 PLATED	2							

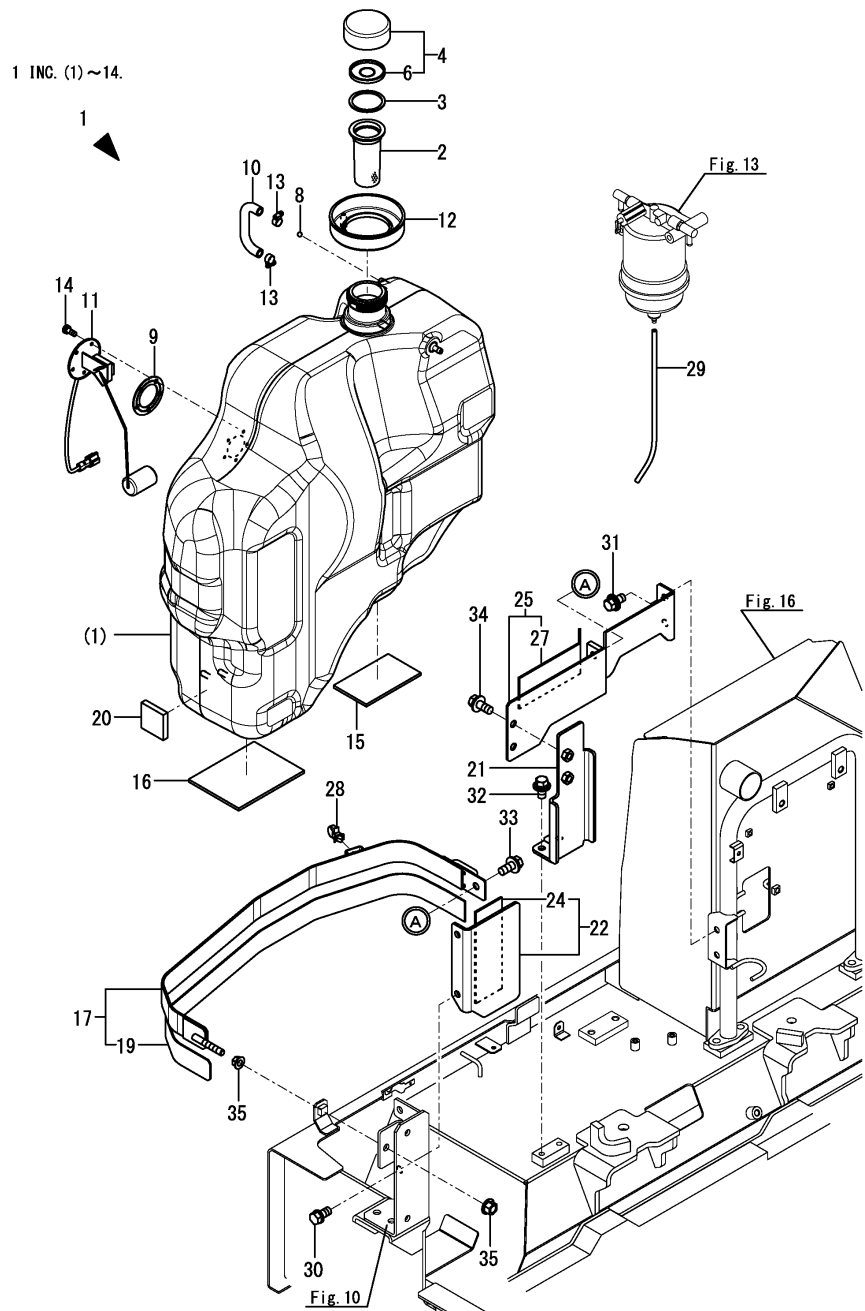
Remarks

- (1)Attach the No.14A label to this part.
- (2)Attach the No.23A label to this part.
- (3)Not illustrated.

Fig.13. FUEL TANK

(A)=C30R-3(US)
(B)=
(C)=

(D)=
(E)=
(F)=



No.	Lev.	Parts No.	Description	Q'ty						I	R
				(A)	(B)	(C)	(D)	(E)	(F)		
1	1	172663-08010	TANK KIT,FO	1							
2	2	194151-04141	STRAINER, FUEL	1							
3	2	194151-04150	GASKET, STRAINER	1							
4	2	194250-04301	CAP ASSY, FUEL TANK	1							
6	3	194250-04321	VALVE, VENT	1							
8	2	172447-14160	FLOAT	1							
9	2	172162-14200	GASKET	1							
10	2	172458-14203	HOSE, FUEL GAUGE	1							
11	2	172663-14220	GAUGE, FUEL	1							
12	2	172458-14370	SUMP, FUEL	1							
13	2	23000-013000	CLAMP, 13	2							
14	2	26022-050122	SCREW, M5X12	5							
15	1	172444-14130	PLATE, RUBBER	1							
16	1	172663-14130	RUBBER, 115X150	1							
17	1	172663-14150	CLAMP ASSY, FO	1							
19	2	172663-14191	RUBBER, CLAMP	1							
20	1	172663-14200	RUBBER, 50X50	1							
21	1	172663-14250	BRACKET ASSY, A FO	1							
22	1	172663-14290	BRACKET ASSY, B FO	1							
24	2	172446-62910	PLATE, RUBBER	1							
25	1	172663-14600	BRACKET ASSY, TANK	1							
27	2	172446-62910	PLATE, RUBBER	1							
28	1	1E8490-84130	CLAMP, BAND	1							
29	1	23061-050300	PIPE, 5X 300	1							
30	1	26013-100202	BOLT, M10X 20	2							
31	1	26014-100202	BOLT, M10X 20	2							
32	1	26014-100202	BOLT, M10X 20	2							
33	1	26014-100202	BOLT, M10X 20	1							
34	1	26014-100252	BOLT, M10X 25	2							
35	1	26367-100002	NUT, M10	2							

Fig.14. OIL COOLER

(A)=C30R-3(US)
 (B)=
 (C)=

(D)=
 (E)=
 (F)=

No.	Lev.	Parts No.	Description	Q'ty						I	R
				(A)	(B)	(C)	(D)	(E)	(F)		
1	1	1A6423-00650	COOLER, FO H100	1							
2	1	26013-060162	BOLT, M6X 16	1							
3	1	26013-080162	BOLT, M8X 16	2							

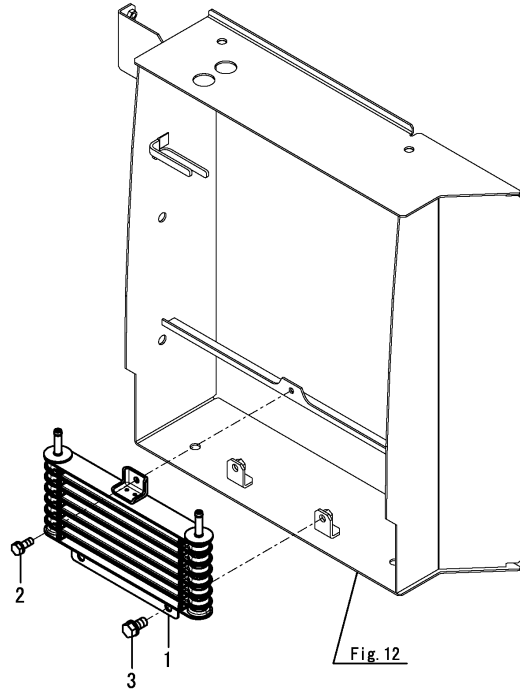
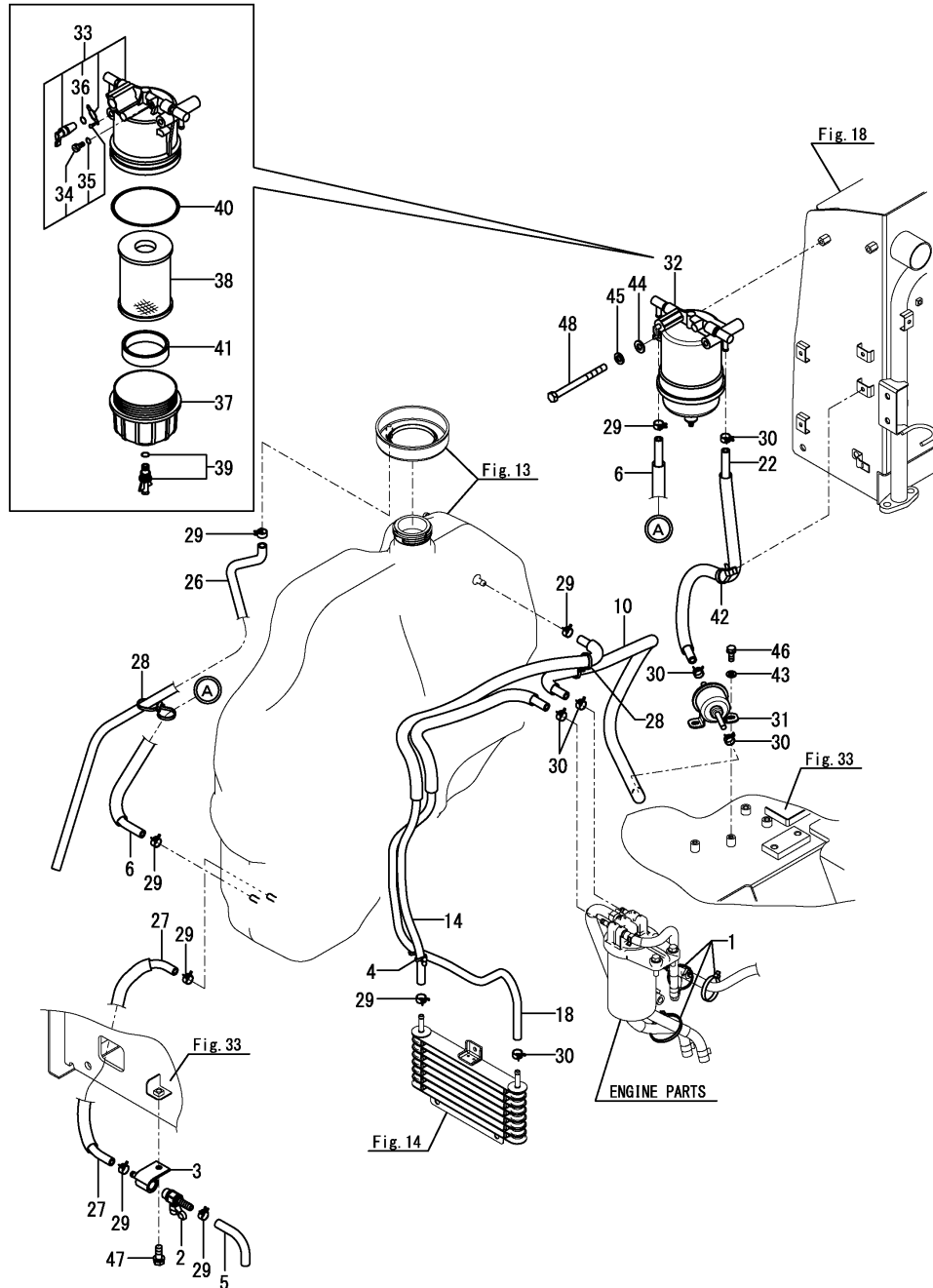


Fig.15. FUEL PIPING

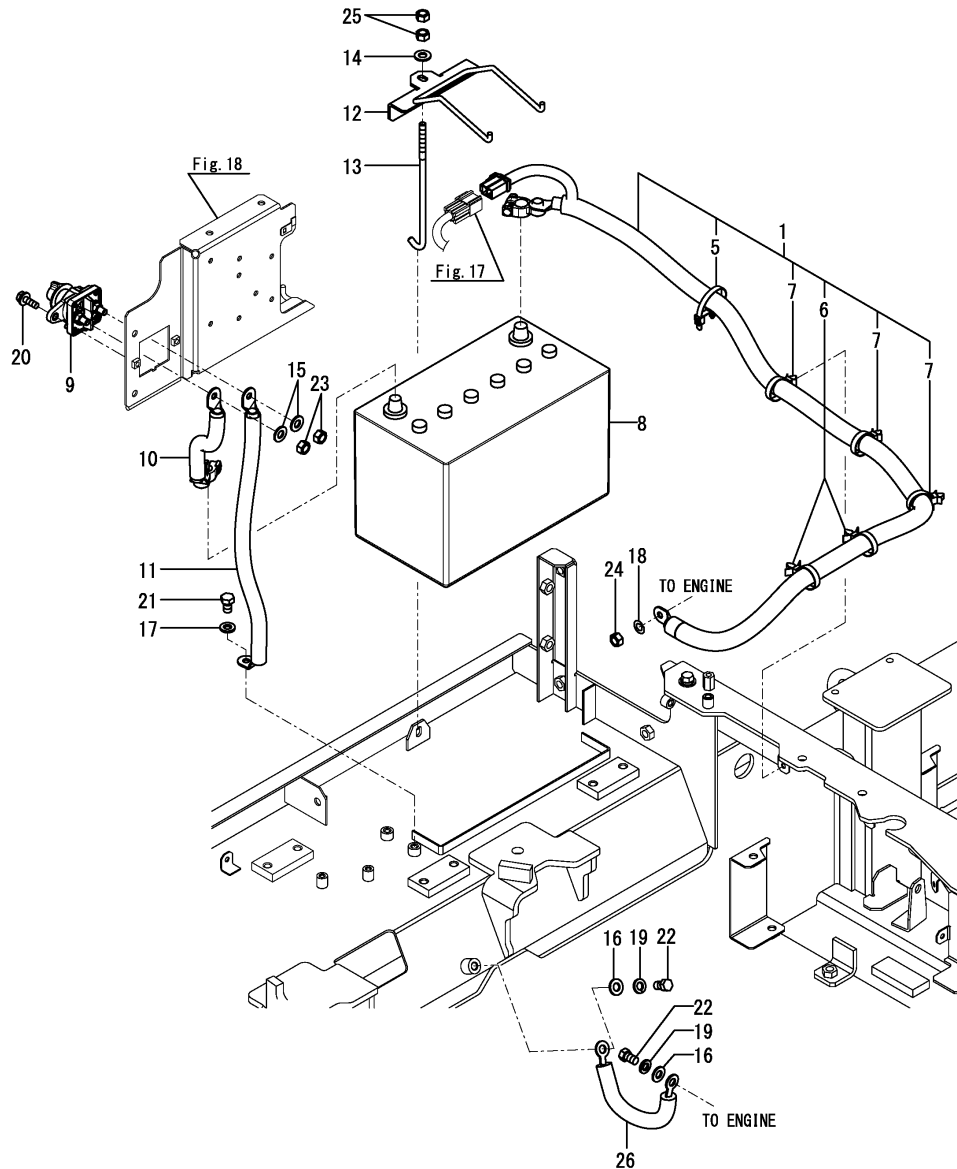


(A)=C30R-3(US)
(B)=
(C)=

(D)=
(E)=
(F)=

No.	Lev.	Parts No.	Description	Q'ty						I	R
				(A)	(B)	(C)	(D)	(E)	(F)		
1	1	172126-11510	BAND	3							
2	1	172A69-14230	VALVE, FUEL DRAIN	1							
3	1	172444-14271	JOINT, DRAIN	1							
4	1	172171-14300	CLAMP	1							
5	1	172444-14410	HOSE, DRAIN	1							
6	1	172663-14700	HOSE ASSY,FO 1150	1							
10	1	172B11-14700	HOSE ASSY, 850	1							
14	1	172663-14730	HOSE ASSY,FO 1030 CR	1							
18	1	172663-14760	HOSE ASSY,FO 1150 CR	1							
22	1	172B11-14790	HOSE ASSY, 650	1							
26	1	172663-14800	HOSE, 9.5X1240	1							
27	1	1D4291-15600	HOSE ASSY, FO 330	1							
28	1	172137-16560	BAND	2							
29	1	106990-44660	CLAMP, HOSE 12.5	8							
30	1	106990-44660	CLAMP, HOSE 12.5	6							
31	1	129612-52100	PUMP, FUEL FEED	1							
32	1	129E22-55700	FILTER ASSY, FUEL	1							
33	2	129E00-55710	BODY ASSY	1							
34	3	129A00-55751	PLUG, AIR VENT	1							
35	3	129A00-55760	O-RING	1							
36	3	24311-000110	O-RING, 1AP11.0	1							
37	2	129A00-55720	CUP(CLEAR	1							
38	2	129A00-55730	ELEMENT	1							
39	2	129242-55740	PLUG, DRAIN	1							
40	2	129A00-55740	O-RING	1							
41	2	129A00-55770	FLOAT	1							
42	1	1E8490-84130	CLAMP, BAND	1							
43	1	22137-060000	WASHER, 6	2							
44	1	22137-080000	WASHER, 8	2							
45	1	22217-080000	WASHER, SPRING 8	2							
46	1	26013-060162	BOLT, M6X 16	2							
47	1	26013-080202	BOLT, M8X 20	1							
48	1	26116-080952	BOLT, M8X 95 PLATED	2							

Fig.16. BATTERY

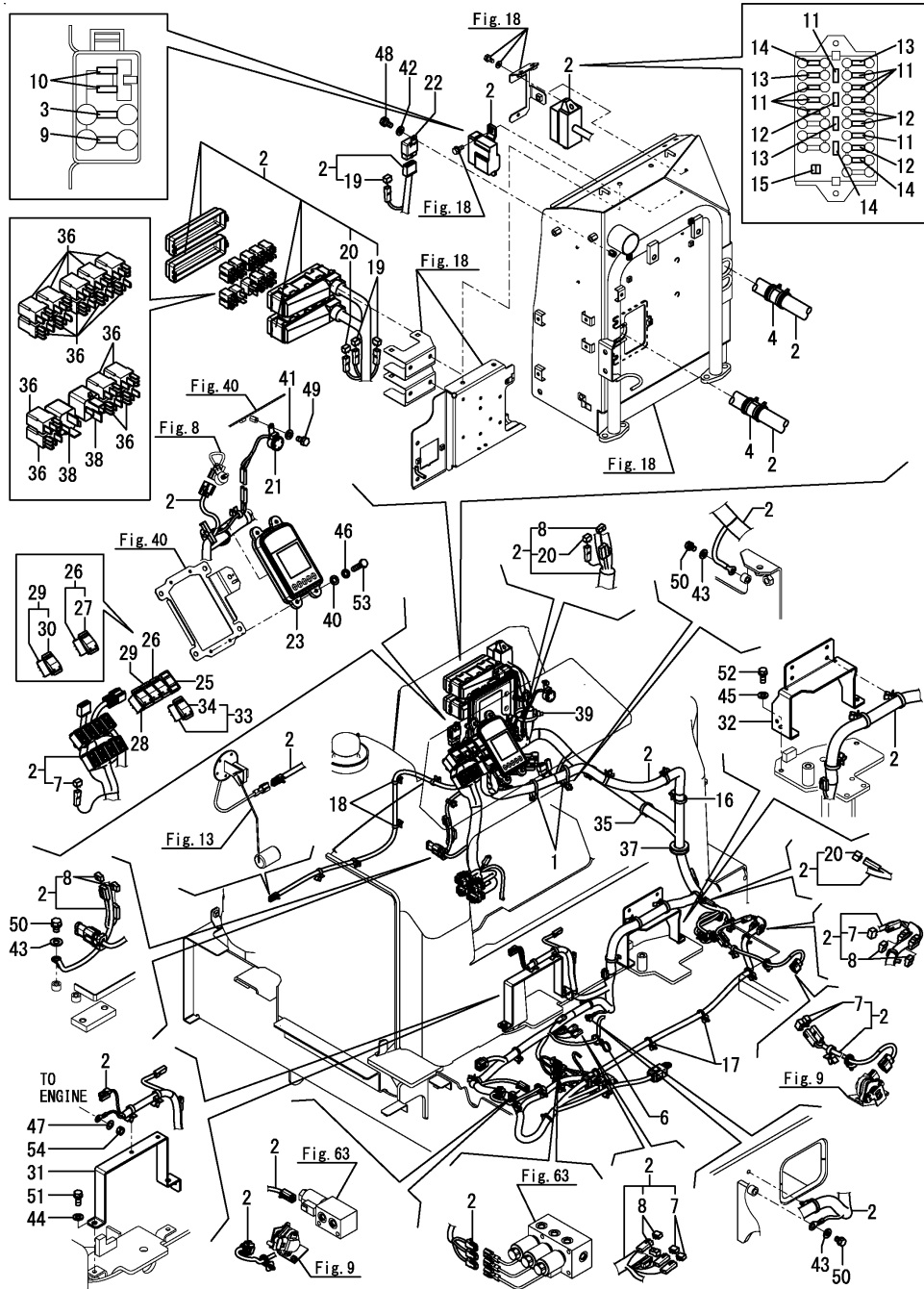


(A)=C30R-3(US)
(B)=
(C)=

(D)=
(E)=
(F)=

No.	Lev.	Parts No.	Description	Qty						I	R
				(A)	(B)	(C)	(D)	(E)	(F)		
1	1	172663-16100	CABLE ASSY,BATTERY +	1							
5	2	1A8275-51670	CLIP, M8 HOLE	1							
6	2	1E8775-84120	CLAMP, BAND	2							
7	2	1E8490-84130	CLAMP, BAND	3							
8	1	172460-16130	BATTERY	1							
9	1	172544-16200	SWITCH ASSY,BATTERY	1							
10	1	172663-16200	CABLE,BATTERY CUT A	1							
11	1	172663-16210	CABLE,BATTERY CUT B	1							
12	1	172460-16300-1	CLAMP ASSY, BATTERY	1							
13	1	1A7590-51570	ROD, BATTERY CLAMP	1							
14	1	22137-080000	WASHER, 8	1							
15	1	22137-080000	WASHER, 8	2							
16	1	22137-100000	WASHER, 10	2							
17	1	22217-080000	WASHER, SPRING 8	1							
18	1	22217-080000	WASHER, SPRING 8	1							
19	1	22217-100000	WASHER, SPRING 10	2							
20	1	26014-060202	BOLT, M6X 20	2							
21	1	26116-080122	BOLT, M8X 12 PLATED	1							
22	1	26116-100162	BOLT, M10X 16 PLATED	2							
23	1	26716-080002	NUT, M8	2							
24	1	26716-080002	NUT, M8	1							
25	1	26716-080002	NUT, M8	2							
26	1	933171-15801	CORD, ENGINE EARTH	1							

Fig.17. AROUND THE ENGINE(1)



(A)=C30R-3(US)

(B)=

(C)=

(D)=

(E)=

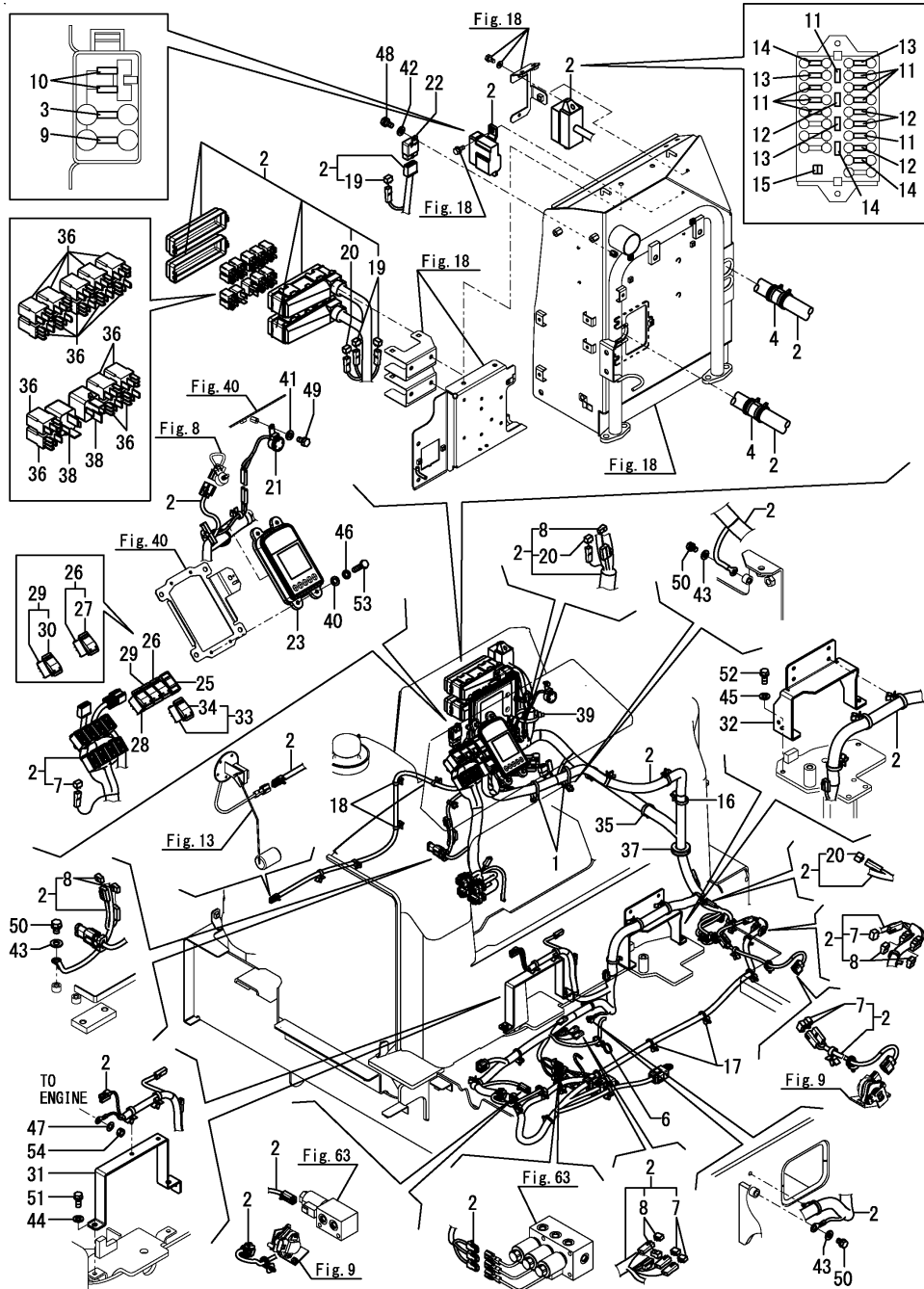
(F)=

No.	Lev.	Parts No.	Description	Q'ty						I	R
				(A)	(B)	(C)	(D)	(E)	(F)		
1	1	172126-11510	BAND	5							
2	1	172663-16500	HARNASS ASSY,MAIN	1							
3	2	1C6900-06180	FUSE, SLOW BLOW 80A	1							
4	2	172663-16060	RUBBER, PROTECT 95	2							
6	2	172137-16560	BAND	1							
7	2	1A7500-51140	DIODE, 1.5AX2	6							
8	2	1A6382-51510	RESISTANCE, 2W R120	7							
9	2	1A7810-51750	FUSE, SLOW BLOW 120A	1							
10	2	1A7000-52820	FUSE, SLOW BLOW 60A	2							
11	2	1E8665-83150	FUSE, MINI 5A	8							
12	2	1E8665-83160	FUSE, MINI 10A	4							
13	2	1E8665-83170	FUSE, MINI 15A	3							
14	2	1E8665-83180	FUSE, MINI 20A	3							
15	2	1E9570-83900	MINI FUSE PULLER	1							
16	2	1E8775-84120	CLAMP, BAND	11							
17	2	1E8915-84120	CLAMP, BAND	12							
18	2	1E8490-84130	CLAMP, BAND	14							
19	2	1E8450-84900	DIODE, 1.5AX2	3							
20	2	1E8235-84910	DIODE, 090 31	3							
21	1	172141-17150	BUZZER	1							
22	1	172B02-17150	RELAY,CA C TYPE	1							
23	1	172B03-17258	MONITOR ASSY	1							
25	1	172663-17300	SWITCH, PARKING	1							
26	1	172B03-17310	SWITCH, ECO	1							
27	2	172B03-17360	COVER,SWITCH ECO	1							
28	1	172663-17320	SWITCH, FRONT LIGHT	1							
29	1	172B03-17320	SWITCH, AUTO DECEL	1							
30	2	172B03-17370	COVER,SWITCH A/D	1							
31	1	172663-17850	STAY, HARNASS FR	1							
32	1	172663-17871	STAY, HARNASS RR	1							
33	1	172B04-17990	SWITCH, DPF	1							
34	2	172B04-17740	COVER,SWITCH DPF	1							
35	1	1A8275-51670	CLIP, M8 HOLE	2							
36	1	1A7522-52950	RELAY, ACM13221M19	16							
37	1	172A52-61220	GROMMET	1							
38	1	129927-77920	RELAY, ISO 70A	2							
39	1	172122-79890	CLAMP, HOSE	1							
40	1	22137-050000	WASHER, 5	4							
41	1	22137-060000	WASHER, 6	1							
42	1	22137-060000	WASHER, 6	1							
43	1	22137-080000	WASHER, 8	3							
44	1	22137-080000	WASHER, 8	2							
45	1	22137-080000	WASHER, 8	2							
46	1	22217-050000	WASHER, SPRING 5	4							
47	1	22217-060000	WASHER, SPRING 6	1							
48	1	26013-060122	BOLT, M6X 12	1							
49	1	26013-060122	BOLT, M6X 12	1							
50	1	26013-080122	BOLT, M8X 12	3							
51	1	26013-080202	BOLT, M8X 20	2							
52	1	26013-080202	BOLT, M8X 20	2							
53	1	26116-050202	BOLT, M5X 20 PLATED	4							

Fig.17. AROUND THE ENGINE(1)

(A)=C30R-3(US)
(B)=
(C)=

(D)=
(E)=
(F)=



No.	Lev.	Parts No.	Description	Q'ty						I	R
				(A)	(B)	(C)	(D)	(E)	(F)		
54	1	26716-060002	NUT, M6	1							

Fig.18. AROUND THE ENGINE(2)

(A)=C30R-3(US)

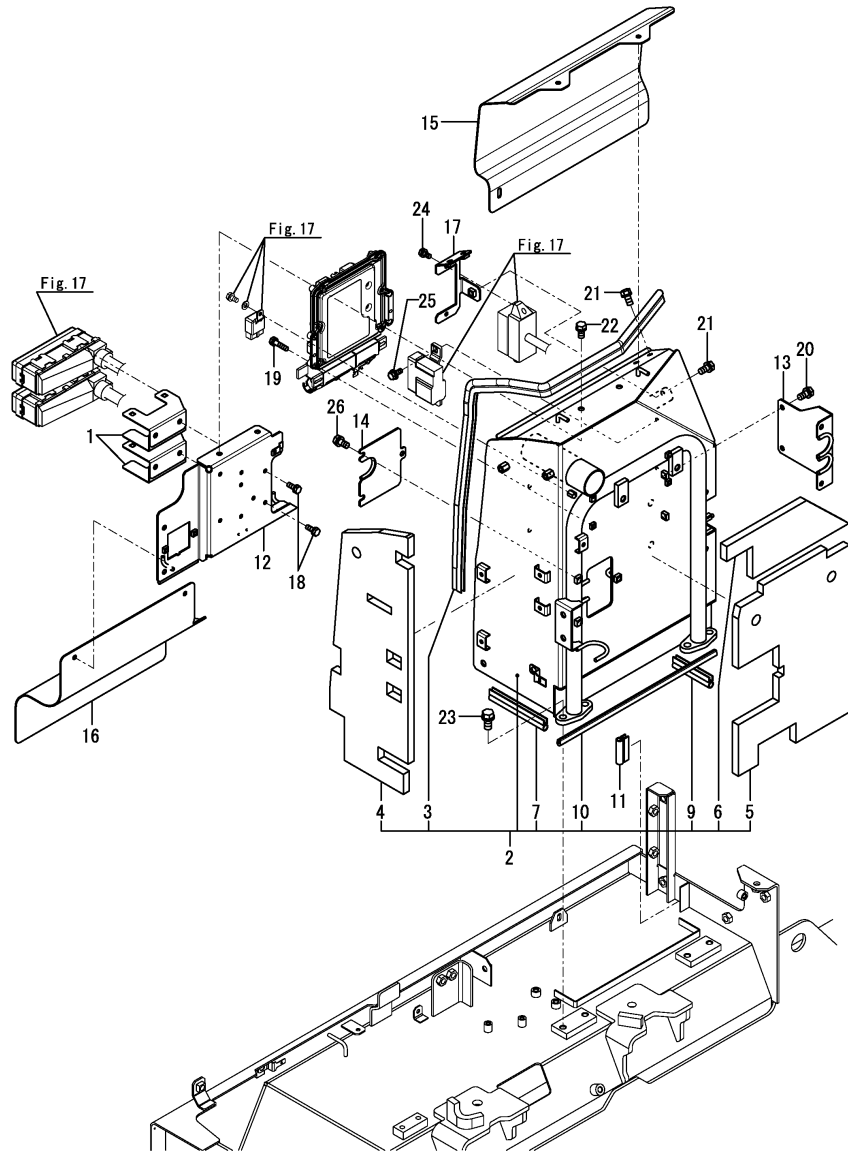
(B)=

(C)=

(D)=

(E)=

(F)=



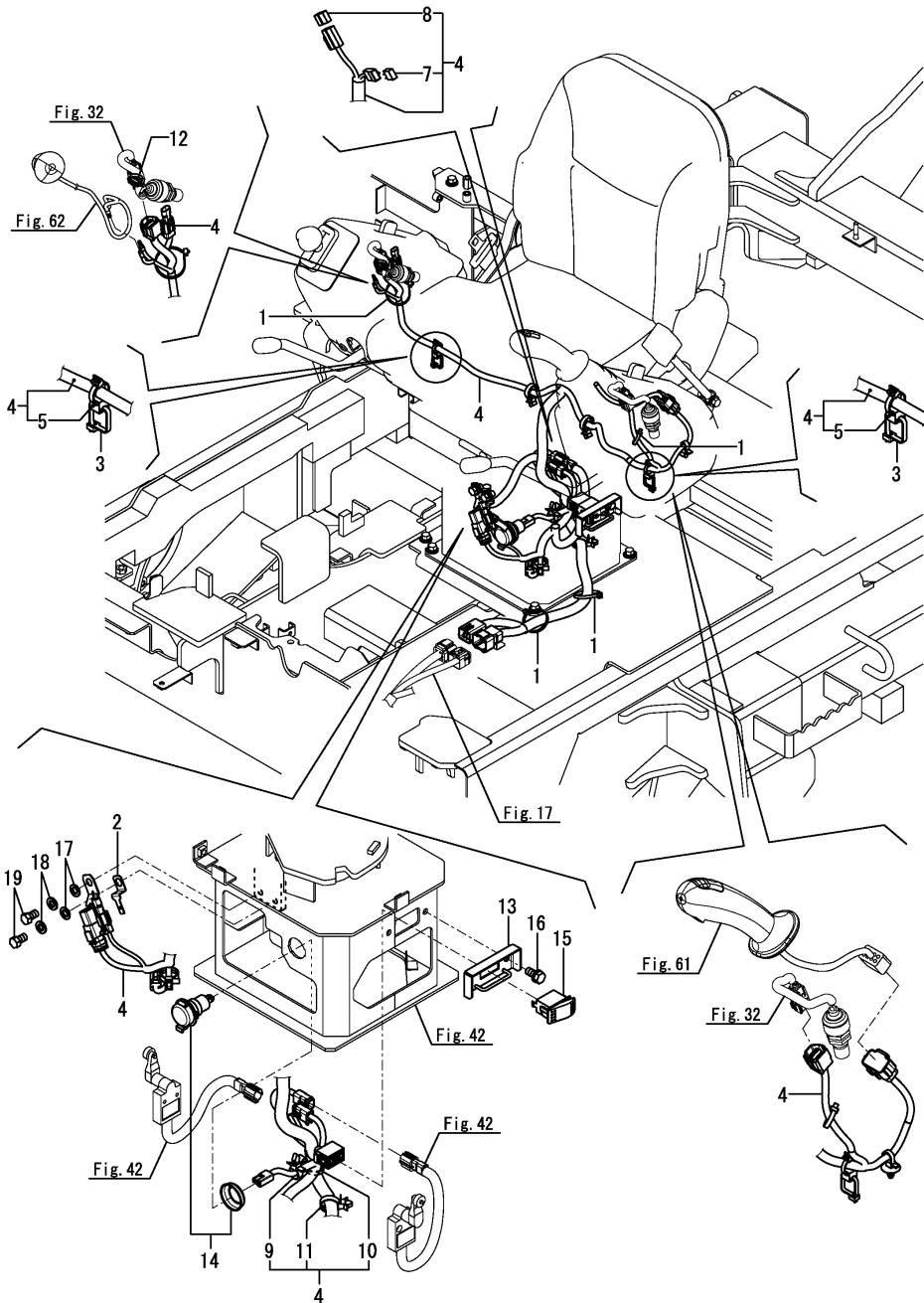
No.	Lev.	Parts No.	Description	Q'ty						I	R
				(A)	(B)	(C)	(D)	(E)	(F)		
1	1	172B04-17050-1	STAY ASSY,RELAY10	2							
2	1	172663-17100	STAY ASSY, ELECTRIC	1							1
3	2	172663-17110	SEAL, 1050	1							
4	2	172663-17120	INSULATOR, ELEC A	1							
5	2	172663-17131	INSULATOR, ELEC C	1							
6	2	172663-17140	INSULATOR, ELEC B	1							
7	2	172663-17150	SEAL, 135	1							
9	2	172544-18610	SEAL,90	1							
10	2	172146-61360	RUBBER, SEAL	1							
10A	1	172437-03361	LABEL, BATTERY	1							2
10B	1	172125-03951	LABEL, AIR CLEANER	1							2
11	1	172663-17160	SEAL, 50	1							
12	1	172663-17500	STAY ASSY, RELAY	1							
13	1	172663-17600	COVER ASSY, ELEC	1							
14	1	172663-17650	COVER ASSY, ELEC	1							
15	1	172663-17680	COVER, BATTERY A	1							
16	1	172663-17690	COVER, BATTERY B	1							
17	1	172663-17710	STAY ASSY, CONTROLLE	1							
18	1	26013-060162	BOLT, M6X 16	4							
19	1	26013-060252	BOLT, M6X 25	4							
20	1	26013-080162	BOLT, M8X 16	4							
21	1	26013-080162	BOLT, M8X 16	3							
22	1	26013-080162	BOLT, M8X 16	4							
23	1	26013-100202	BOLT, M10X 20	7							
24	1	26014-060162	BOLT, M6X 16	2							
25	1	26014-060162	BOLT, M6X 16	2							
26	1	26014-080162	BOLT, M8X 16	3							

Remarks

(1)Attach the No.10A & 10B label to this part.

(2)Not illustrated.

Fig.19. AROUND THE SEAT



(A)=C30R-3(US)
(B)=
(C)=

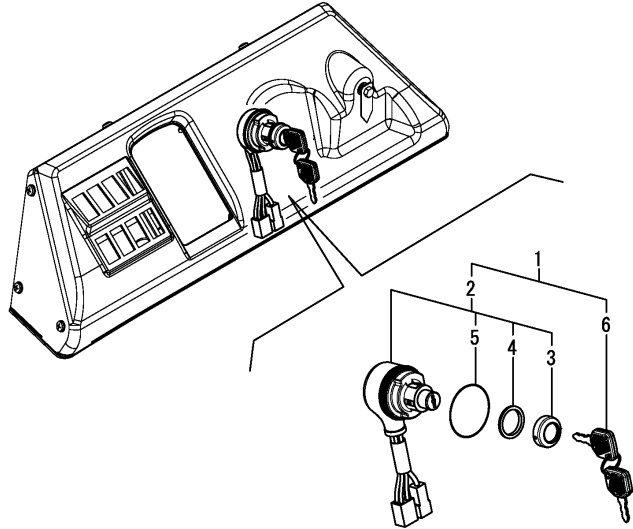
(D)=
(E)=
(F)=

No.	Lev.	Parts No.	Description	Q'ty						I	R
				(A)	(B)	(C)	(D)	(E)	(F)		
1	1	172126-11510	BAND	4							
2	1	172A23-14200	SUPPORT, CONNECTOR	1							
3	1	172614-16520	BAND 100	2							
4	1	172663-16520	HARNES ASSY,SEAT	1							
5	2	172544-16060	CLIP, CROSS	2							
7	2	1A7500-51140	DIODE, 1.5AX2	1							
8	2	1A6382-51510	RESISTANCE, 2W R120	1							
9	2	1E8775-84120	CLAMP, BAND	1							
10	2	1E8915-84120	CLAMP, BAND	1							
11	2	1E8490-84130	CLAMP, BAND	5							
12	1	172137-16560	BAND	1							
13	1	172663-17180-1	PLATE ASSY, SWITCH	1							
14	1	172A64-17250	SOCKET ASSY	1							
15	1	172A69-17260	SWITCH, ENGINE STOP	1							
16	1	172519-63240	BOLT	2							
17	1	22117-100000	WASHER, 10	2							
18	1	22217-100000	WASHER, SPRING 10	2							
19	1	26116-100162	BOLT, M10X 16 PLATED	2							

Fig.20. STARTER SWITCH

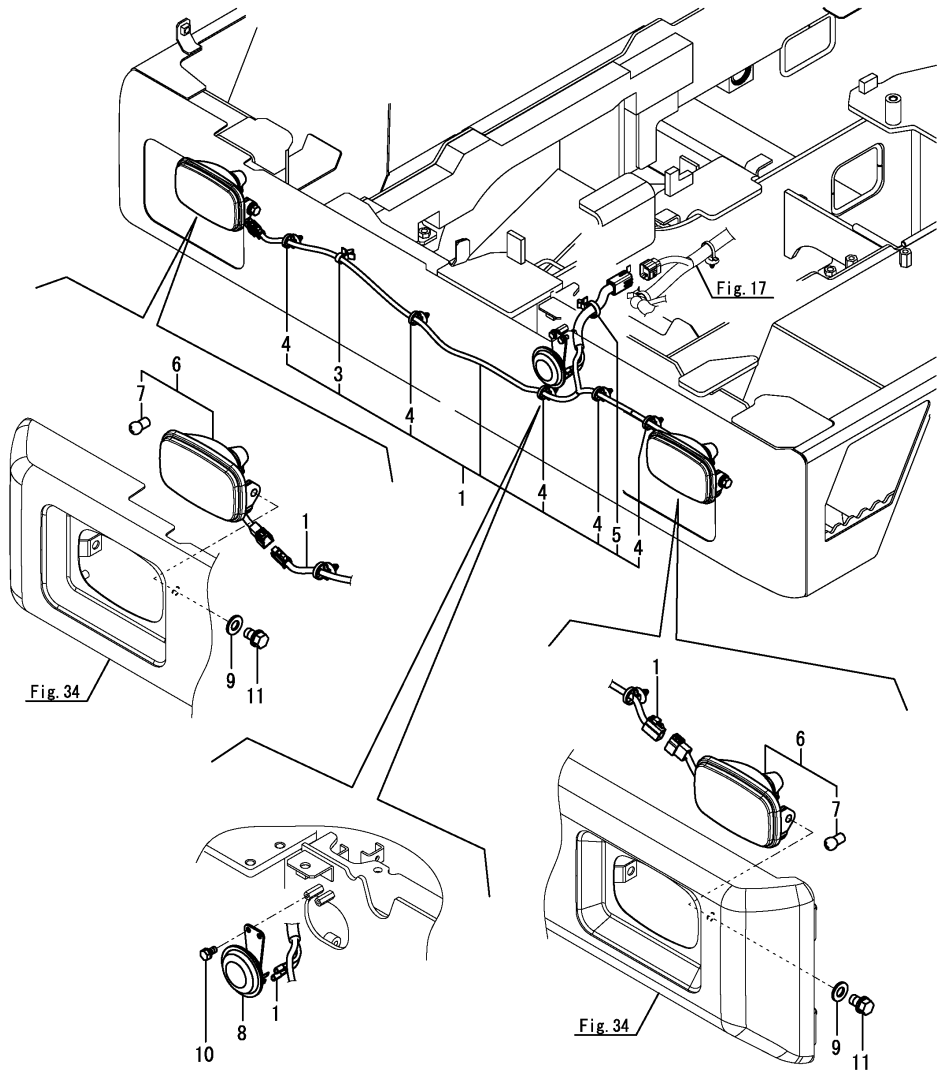
(A)=C30R-3(US)
(B)=
(C)=

(D)=
(E)=
(F)=



No.	Lev.	Parts No.	Description	Q'ty						I	R
				(A)	(B)	(C)	(D)	(E)	(F)		
1	1	172B11-17100	SWITCH ASSY, STARTER	1							
2	2	172B11-17110	CYLINDER ASSY, KEY	1							
3	3	172B11-17120	NUT, RING	1							
4	3	172B11-17130	WASHER	1							
5	3	172B11-17140	O-RING	1							
6	2	198360-52160	KEY ASSY, SPARE	1							

Fig.21. FRONT LAMP



(A)=C30R-3(US)
(B)=
(C)=

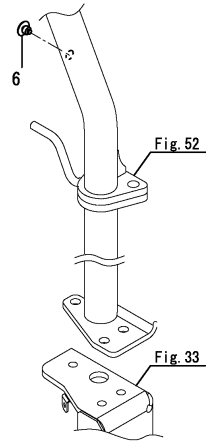
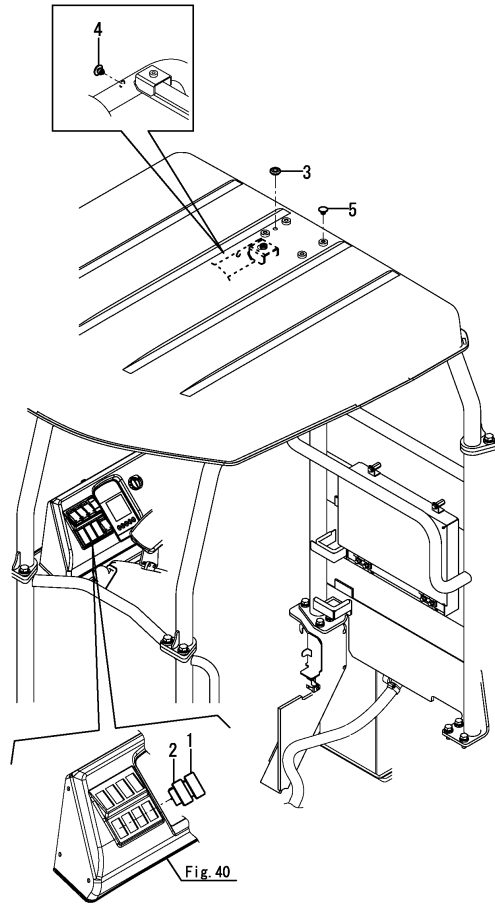
(D)=
(E)=
(F)=

No.	Lev.	Parts No.	Description	Q'ty						I	R
				(A)	(B)	(C)	(D)	(E)	(F)		
1	1	172663-16540	HARNES ASSY, FRONT	1							
3	2	1E8775-84120	CLAMP, BAND	1							
4	2	1E8915-84120	CLAMP, BAND	5							
5	2	1E8490-84130	CLAMP, BAND	1							
6	1	172647-17311	LIGHT,HEAD COMP	2							
7	2	29220-788200	BULB, 12V 25W	2							
8	1	194151-57100	HORN	1							
9	1	22137-100000	WASHER, 10	4							
10	1	26013-060122	BOLT, M6X 12	2							
11	1	26013-100162	BOLT, M10X 16	4							

Fig.22. PLUG

(A)=C30R-3(US)
(B)=
(C)=

(D)=
(E)=
(F)=



No.	Lev.	Parts No.	Description	Q'ty						I	R
				(A)	(B)	(C)	(D)	(E)	(F)		
1	1	172538-17100	PLUG, PANEL	1							
2	1	172538-17100	PLUG, PANEL	1							
3	1	172176-67780	GROMMET, GS12A	1							
4	1	1E8080-78890	PLUG, 14	1							
5	1	172183-81160	CLIP, TREE	4							
6	1	1E8080-78890	PLUG, 14	1							

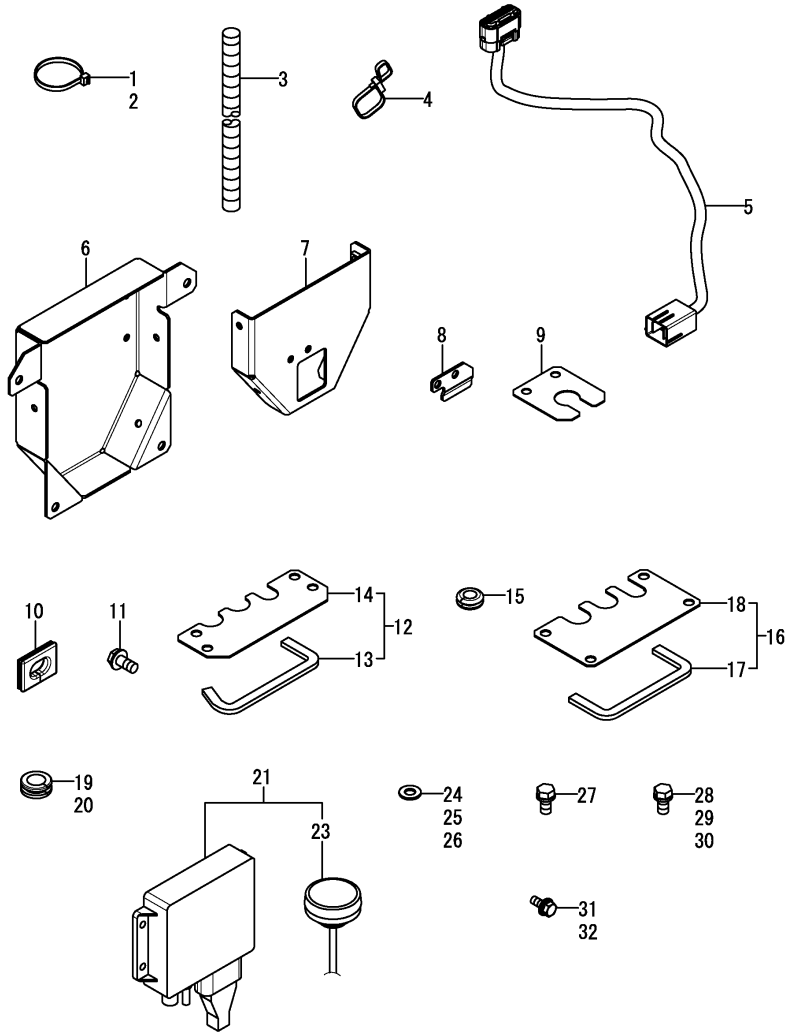
Remarks

- * Travel alarm kit is shown in Fig.89 & 90.
- * Beacon stay kit is shown in Fig.88.
- * Work lamp kit is shown in Fig.86, 87 & 90.

Fig.23. GPS

(A)=C30R-3(US)
(B)=
(C)=

(D)=
(E)=
(F)=

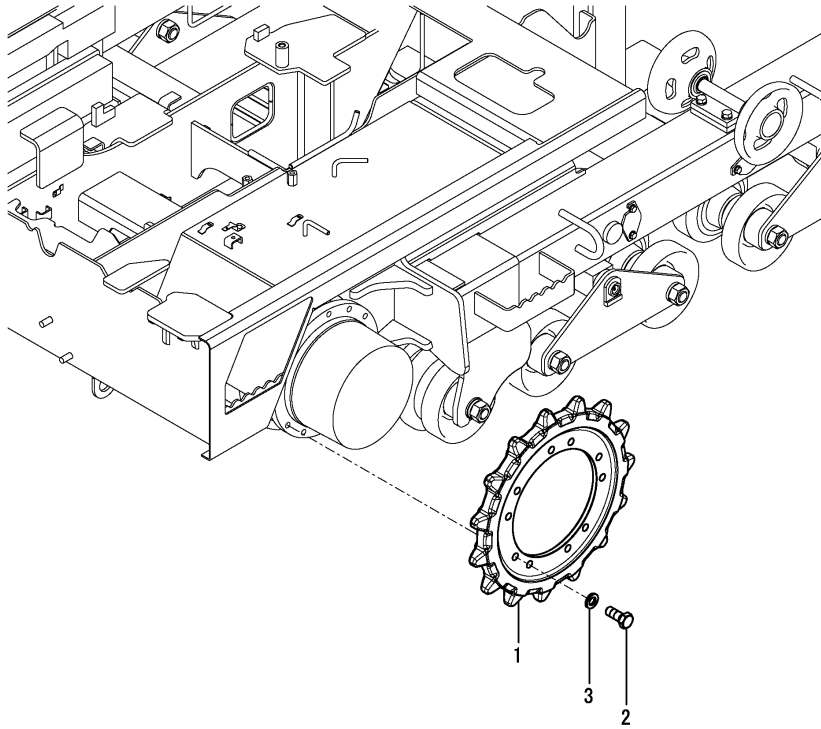


No.	Lev.	Parts No.	Description	Qty						I	R
				(A)	(B)	(C)	(D)	(E)	(F)		
1	1	172126-11510	BAND	4							
2	1	172126-11510	BAND	8							
3	1	172B11-16540	TUBE, PROTECTOR 7	1							
4	1	172137-16560	BAND	3							
5	1	172663-16600	HARNESS,REMOTE	1							
6	1	172663-17400	COVER ASSY, SA-R	1							
7	1	172663-17420	COVER ASSY, SA-R IN	1							
8	1	172663-17440	PLATE, STOPPER	1							
9	1	172663-17470	STAY, ANTENNA	1							
10	1	1A7880-51710	GROMMET, HARNESS	1							
11	1	172519-63240	BOLT	4							
12	1	172663-63700	COVER ASSY,MONI. GPS	1							
13	2	172663-63620	SPONGE,COVER MONITOR	1							
14	2	172663-63710	COVER,MONITOR GPS	1							
15	1	172663-63720	GROMMET,13	2							
16	1	172663-63750	COVER ASSY,BON GPS	1							
17	2	172663-63620	SPONGE,COVER MONITOR	1							
18	2	172663-63760	COVER,BONNET GPS	1							
19	1	1A8060-88931	GROMMET, HOSE	2							
20	1	1A8060-88931	GROMMET, HOSE	2							
21	1	1RF001-93553	SA-R KIT,3G	1							
23	2	1RF001-93010	ANTENNA,MOBILE	1							
24	1	22137-080000	WASHER, 8	2							
25	1	22137-080000	WASHER, 8	4							
26	1	22137-080000	WASHER, 8	4							
27	1	26013-060162	BOLT, M6X 16	4							
28	1	26013-080162	BOLT, M8X 16	2							
29	1	26013-080162	BOLT, M8X 16	4							
30	1	26013-080162	BOLT, M8X 16	4							
31	1	26014-060162	BOLT, M6X 16	4							
32	1	26014-060162	BOLT, M6X 16	2							

Fig.24. SPROCKET

(A)=C30R-3(US)
(B)=
(C)=

(D)=
(E)=
(F)=

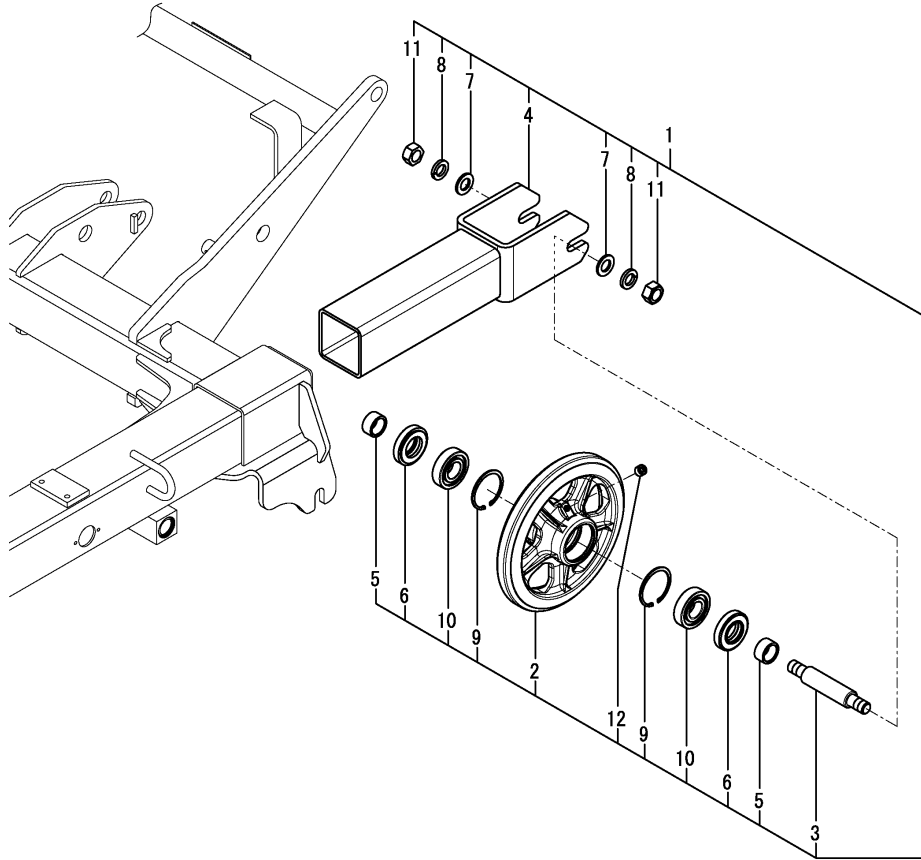


No.	Lev.	Parts No.	Description	Q'ty						I	R
				(A)	(B)	(C)	(D)	(E)	(F)		
1	1	172663-29111	SPROCKET	2							
2	1	172455-29140	BOLT	20							
3	1	22217-140000	WASHER, SPRING 14	20							

Fig.25. IDLER

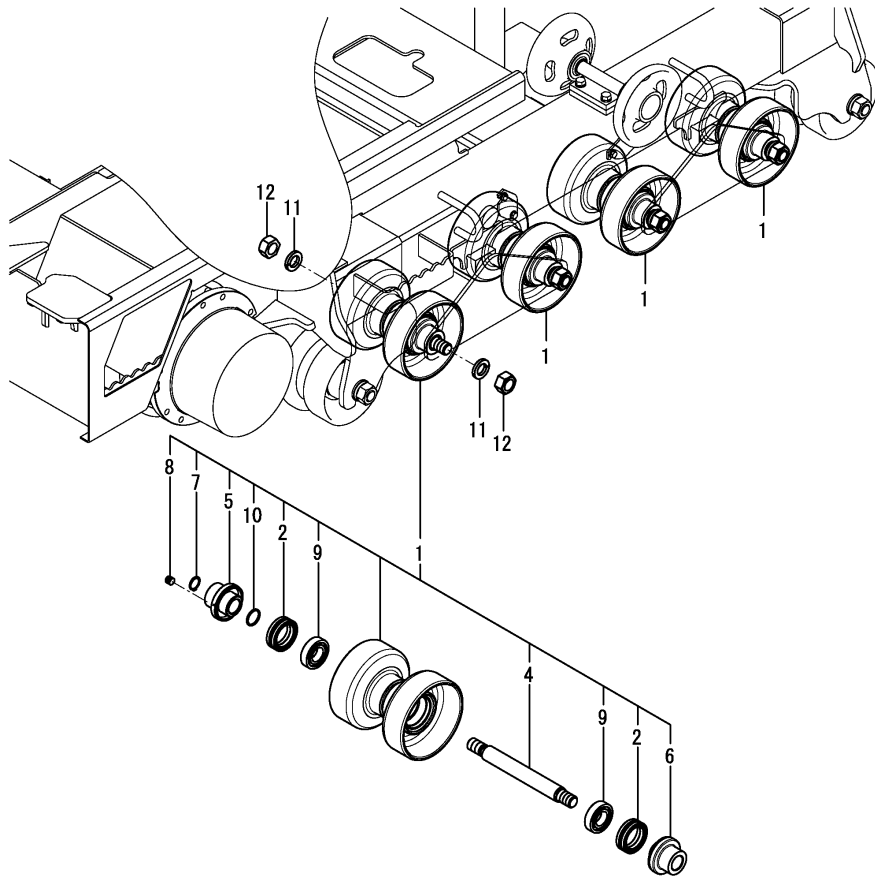
(A)=C30R-3(US)
(B)=
(C)=

(D)=
(E)=
(F)=



No.	Lev.	Parts No.	Description	Q'ty						I	R
				(A)	(B)	(C)	(D)	(E)	(F)		
1	1	172649-37090-1	IDLER ASSY	2							
2	2	172649-37100	IDLER ASSY	2							
3	2	172649-37110	SHAFT, IDLER	2							
4	2	172649-37150-2	FORK, IDLER	2							
5	2	172631-37160	COLLAR, 35X45X22.5	4							
6	2	172631-37170	SEAL, WATER 45X80X18	4							
7	2	22137-240000	WASHER, 24	4							
8	2	22217-240000	WASHER, SPRING 24	4							
9	2	22252-000800	RING, 80	4							
10	2	24101-063074	BEARING, BALL 6307	4							
11	2	26716-240002	NUT, M24	4							
12	2	933171-13691	PLUG	2							

Fig.26. TRACK ROLLER(1)

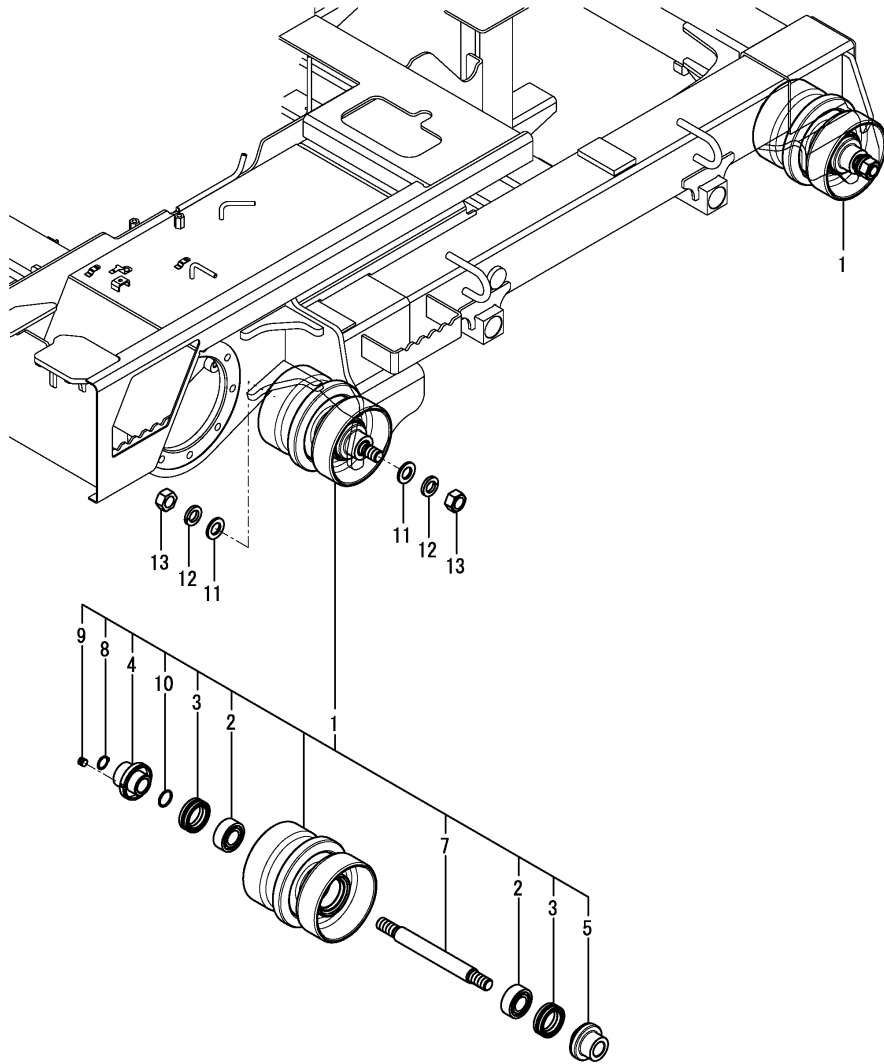


(A)=C30R-3(US)
(B)=
(C)=

(D)=
(E)=
(F)=

No.	Lev.	Parts No.	Description	Q'ty						I	R
				(A)	(B)	(C)	(D)	(E)	(F)		
1	1	172663-37600	ROLLER ASSY, LOWER A	8							
2	2	172653-37400	SEAL, ES764-466620	16							
4	2	172663-37620	SHAFT	8							
5	2	172663-37630	COVER, SEAL L	8							
6	2	172663-37640	COVER, SEAL R	8							
7	2	22242-000240	RING, 24	8							
8	2	23875-005000	PLUG, R005	8							
9	2	24101-062064	BEARING, BALL 6206	16							
10	2	24321-000300	O-RING, 1AG30.0	8							
11	1	22217-240000	WASHER, SPRING 24	16							
12	1	26716-240002	NUT, M24	16							

Fig.27. TRACK ROLLER(2)

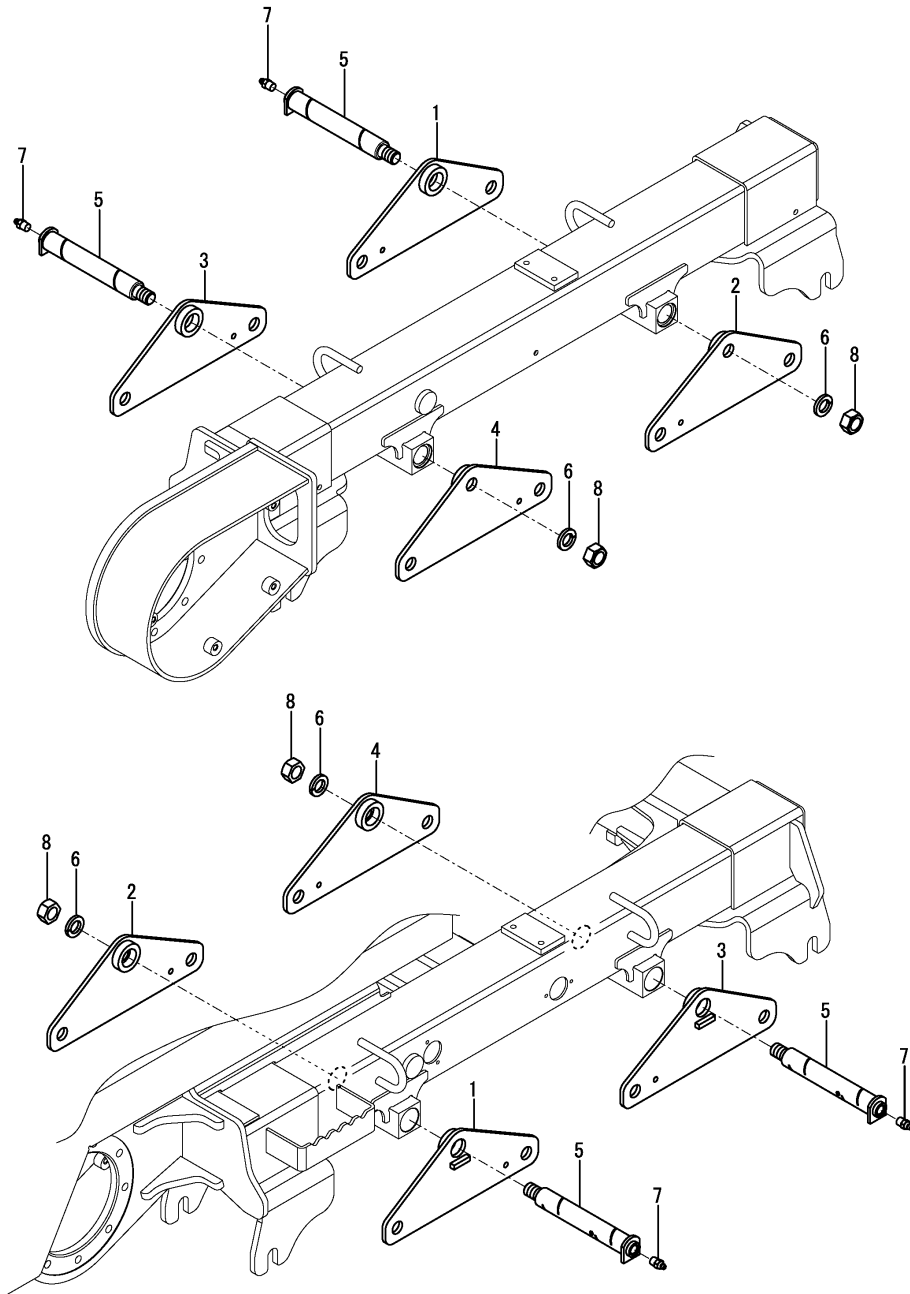


(A)=C30R-3(US)
(B)=
(C)=

(D)=
(E)=
(F)=

No.	Lev.	Parts No.	Description	Q'ty						I	R
				(A)	(B)	(C)	(D)	(E)	(F)		
1	1	172663-37700	ROLLER ASSY, LOWER B	4							
2	2	194150-31460	BEARING, BALL 5206	8							
3	2	172653-37400	SEAL, ES764-466620	8							
4	2	172663-37630	COVER, SEAL L	4							
5	2	172663-37640	COVER, SEAL R	4							
7	2	172663-37720	SHAFT	4							
8	2	22242-000240	RING, 24	4							
9	2	23875-005000	PLUG, R005	4							
10	2	24321-000300	O-RING, 1AG30.0	4							
11	1	22137-240000	WASHER, 24	8							
12	1	22217-240000	WASHER, SPRING 24	8							
13	1	26716-240002	NUT, M24	8							

Fig.28. SWING PLATE



(A)=C30R-3(US)
(B)=
(C)=

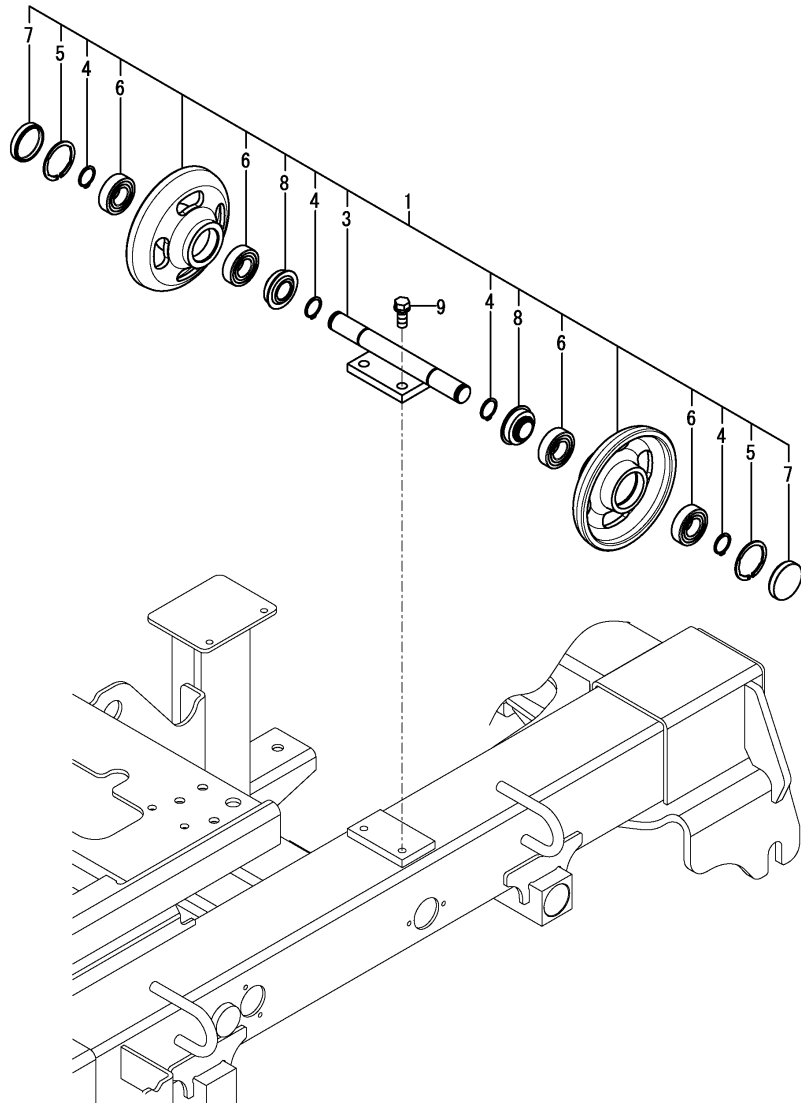
(D)=
(E)=
(F)=

No.	Lev.	Parts No.	Description	Q'ty						I	R
				(A)	(B)	(C)	(D)	(E)	(F)		
1	1	172663-37350-1	PLATE ASSY,A OSC OUT	2							
2	1	172663-37380-1	PLATE ASSY,A OSC IN	2							
3	1	172663-37420-1	PLATE ASSY,B OSC OUT	2							
4	1	172663-37430-1	PLATE ASSY,B OSC IN	2							
5	1	172663-37500-1	SHAFT ASSY, SWING	4							
6	1	22217-240000	WASHER, SPRING 24	4							
7	1	24761-020000	NIPPLE, GREASE PT1/8	4							
8	1	26716-240002	NUT, M24	4							

Fig.29. CARRIER ROLLER

(A)=C30R-3(US)
(B)=
(C)=

(D)=
(E)=
(F)=

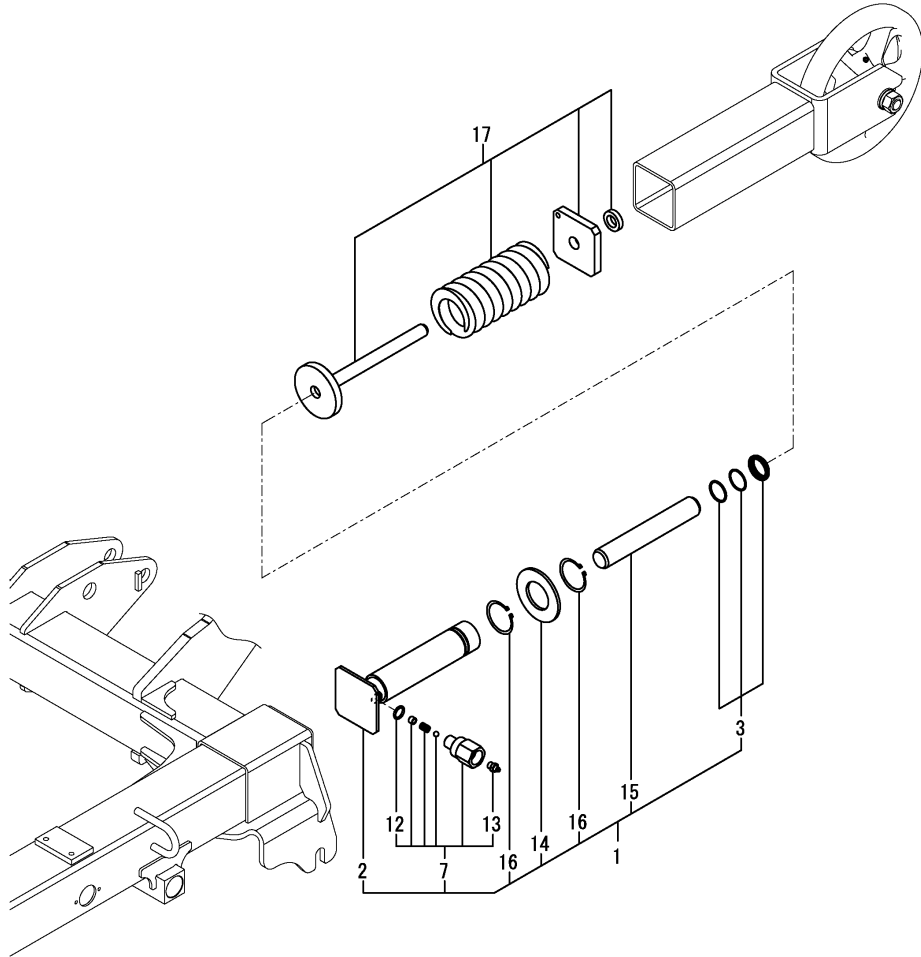


No.	Lev.	Parts No.	Description	Q'ty						I	R
				(A)	(B)	(C)	(D)	(E)	(F)		
1	1	772649-37500-2	ROLLER ASSY, CARRIER	2							
3	2	172649-37510-2	SHAFT, ROLLER	2							
4	2	22242-000250	RING, 25	8							
5	2	22252-000521	RING, 52	4							
6	2	24104-062054	BEARING, BALL 6205UU	8							
7	2	27260-520000	PLUG, 52	4							
8	2	933147-10350	SEAL, QLF25471121	4							
9	1	26013-120302	BOLT, M12X 30	4							

Fig.30. CRAWLER ADJUST

(A)=C30R-3(US)
(B)=
(C)=

(D)=
(E)=
(F)=



No.	Lev.	Parts No.	Description	Q'ty						I	R
				(A)	(B)	(C)	(D)	(E)	(F)		
1	1	172637-37751	CYLINDER ASSY	2							
2	2	172637-37781	TUBE ASSY, ADJUST	2							
3	2	172122-37820	SEAL SET, ADJUST	2							
7	2	172122-37844	VALVE ASSY, NIPPLE	2							
12	3	24315-000140	O-RING, 1BP14.0	2							
13	3	24761-020000	NIPPLE, GREASE PT1/8	2							
14	2	172637-37850	HOLDER, ADJUSTER	2							
15	2	172637-37860	PISTON	2							
16	2	22242-000601	CIRCLIP 60-S	4							
17	1	172637-37880-1	SPRING ASSY, ADJUST	2							

Fig.32. LOCK LEVER & STAND

(A)=C30R-3(US)

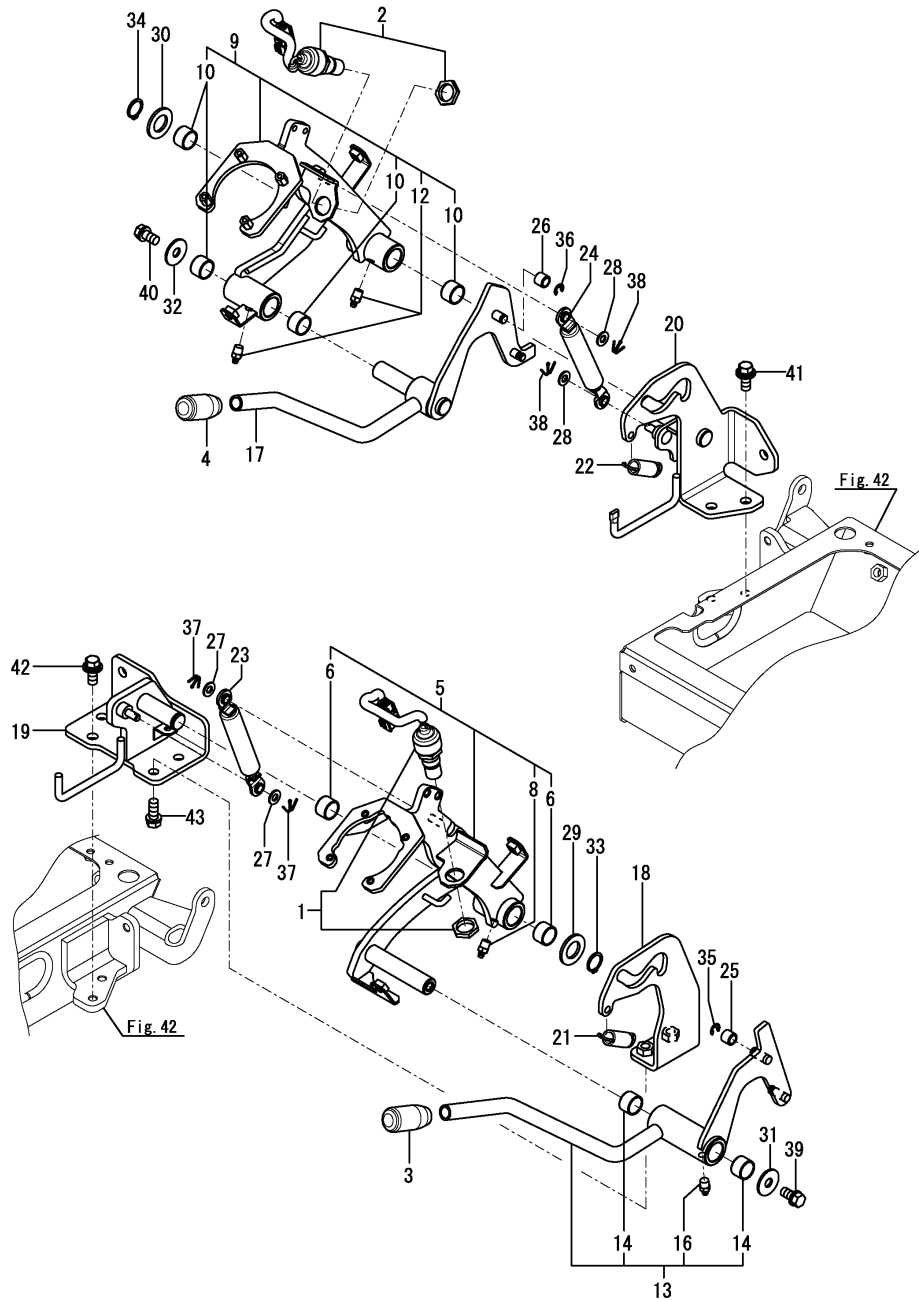
(B)=

(C)=

(D)=

(E)=

(F)=

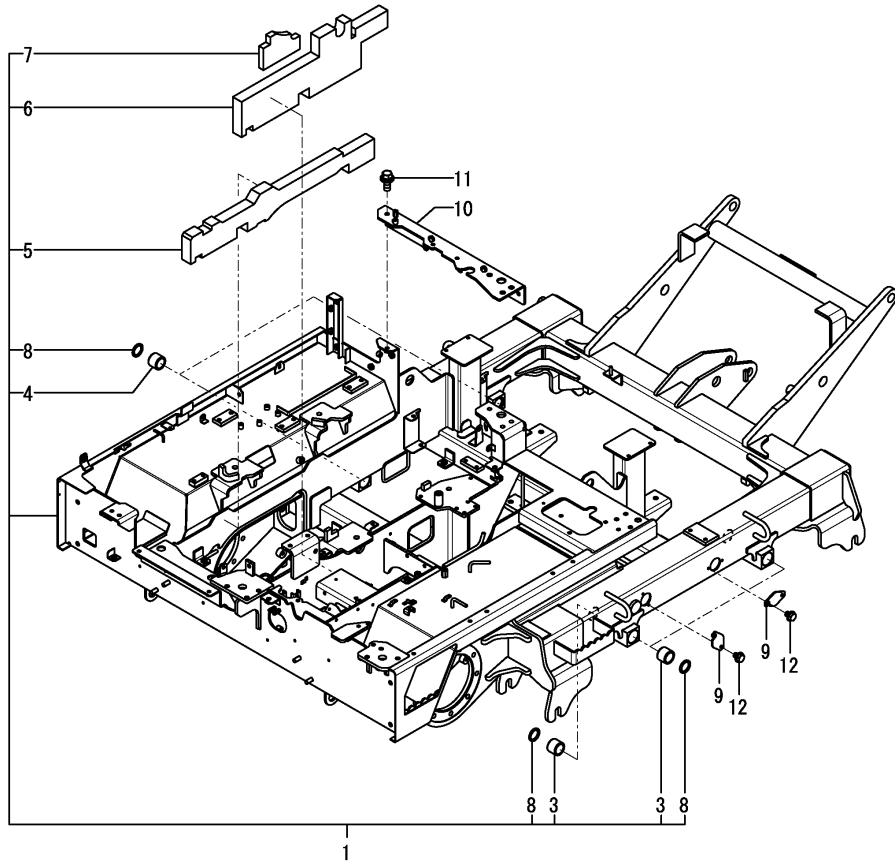


No.	Lev.	Parts No.	Description	Qty						I	R
				(A)	(B)	(C)	(D)	(E)	(F)		
1	1	172B06-17170	SWITCH,PUSH	1							
2	1	172B06-17170	SWITCH,PUSH	1							
3	1	172A77-46050	GRIP	1							
4	1	172A77-46050	GRIP	1							
5	1	172663-46101	STAND ASSY, LEVER L	1							
6	2	172141-41370	BUSH	2							
8	2	24761-020000	NIPPLE, GREASE PT1/8	1							
9	1	172663-46250	STAND ASSY, LEVER R	1							
10	2	172141-41370	BUSH	4							
12	2	24761-020000	NIPPLE, GREASE PT1/8	2							
13	1	172663-46401	ROD ASSY, GUIDE L	1							
14	2	172141-41370	BUSH	2							
16	2	24761-020000	NIPPLE, GREASE PT1/8	1							
17	1	172663-46471	ROD ASSY, GUIDE R	1							
18	1	172663-46510	PLATE ASSY, GUIDE LB	1							
19	1	172663-46540	BASE ASSY, LEVER L	1							
20	1	172663-46610	BASE ASSY, LEVER R	1							
21	1	172162-46690	SPRING	1							
22	1	172162-46690	SPRING	1							
23	1	172455-46890	SPRING, GAS	1							
24	1	172455-46890	SPRING, GAS	1							
25	1	172165-47550	BUSH	1							
26	1	172165-47550	BUSH	1							
27	1	22137-080000	WASHER, 8	2							
28	1	22137-080000	WASHER, 8	2							
29	1	22137-200000	WASHER, 20	1							
30	1	22137-200000	WASHER, 20	1							
31	1	22157-100000	WASHER, 10	1							
32	1	22157-100000	WASHER, 10	1							
33	1	22242-000200	RING, 20	1							
34	1	22242-000200	RING, 20	1							
35	1	22272-000070	RING, E- 7	1							
36	1	22272-000070	RING, E- 7	1							
37	1	22417-200200	PIN, COTTER 2.0X20	2							
38	1	22417-200200	PIN, COTTER 2.0X20	2							
39	1	26013-100202	BOLT, M10X 20	1							
40	1	26013-100202	BOLT, M10X 20	1							
41	1	26014-100252	BOLT, M10X 25	3							
42	1	26014-100252	BOLT, M10X 25	3							
43	1	26014-100252	BOLT, M10X 25	2							

Fig.33. TRAVEL FRAME

(A)=C30R-3(US)
(B)=
(C)=

(D)=
(E)=
(F)=

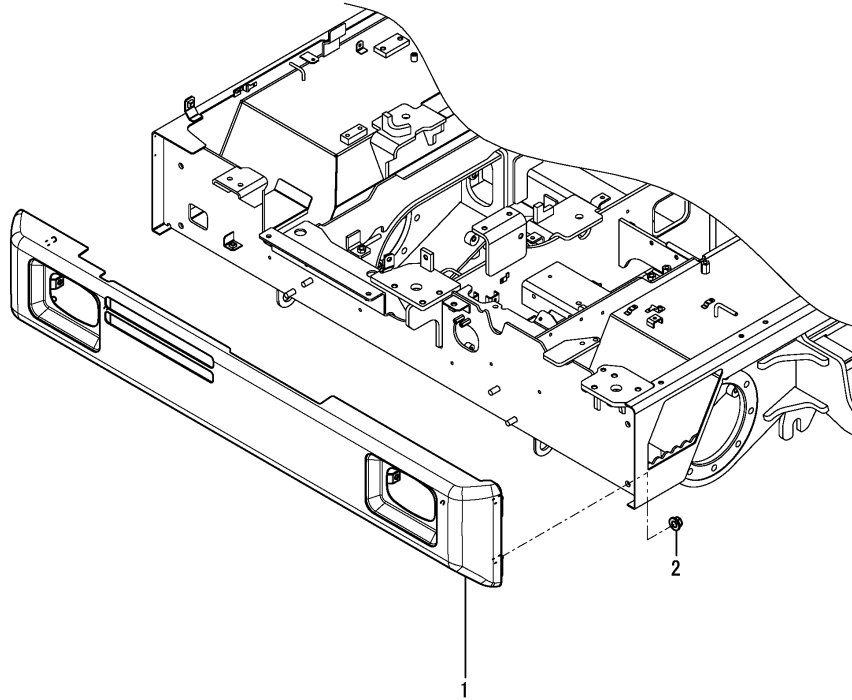


No.	Lev.	Parts No.	Description	Q'ty						I	R
				(A)	(B)	(C)	(D)	(E)	(F)		
1	1	172663-51091	FRAME ASSY	1							
3	3	172110-81570	BUSH 135X35	4							
4	3	172110-81570	BUSH 135X35	4							
5	2	172663-52631	SPONGE,FRAME A	1							
6	2	172663-52640	SPONGE,FRAME B	1							
7	2	172663-52650	SPONGE,FRAME C	1							
8	2	172448-81610	SEAL, DUST 35X45X4	8							
9	1	172653-51800-2	COVER, FRAME	4							
10	1	172663-52910	MEMBER ASSY,CROSS	1							
11	1	26014-100252	BOLT, M10X 25	3							
12	1	26106-080102	BOLT, M8X 10 PLATED	8							

Fig.34. FRONT FRAME

(A)=C30R-3(US)
 (B)=
 (C)=

(D)=
 (E)=
 (F)=

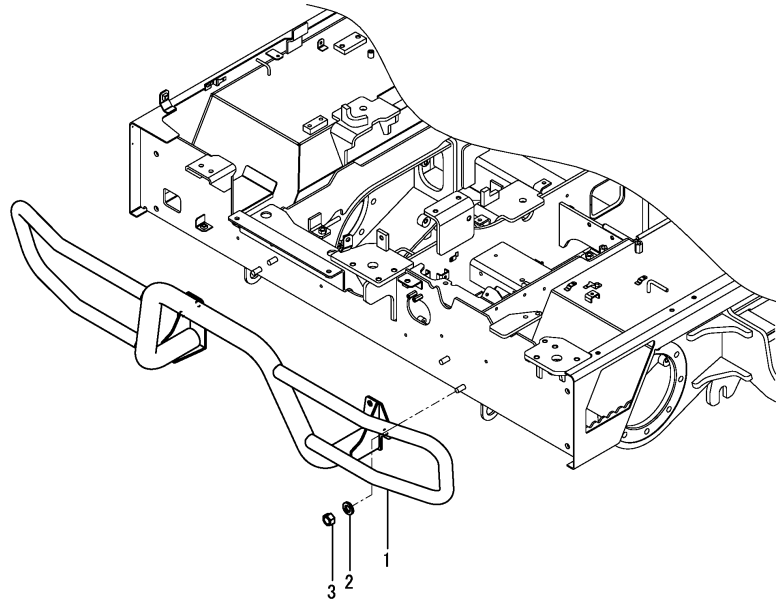


No.	Lev.	Parts No.	Description	Q'ty						I	R
				(A)	(B)	(C)	(D)	(E)	(F)		
1	1	172663-52811	FRAME ASSY,FRONT	1							
2	1	26051-100002	NUT, M10	4							

Fig.35. BUMPER

(A)=C30R-3(US)
(B)=
(C)=

(D)=
(E)=
(F)=

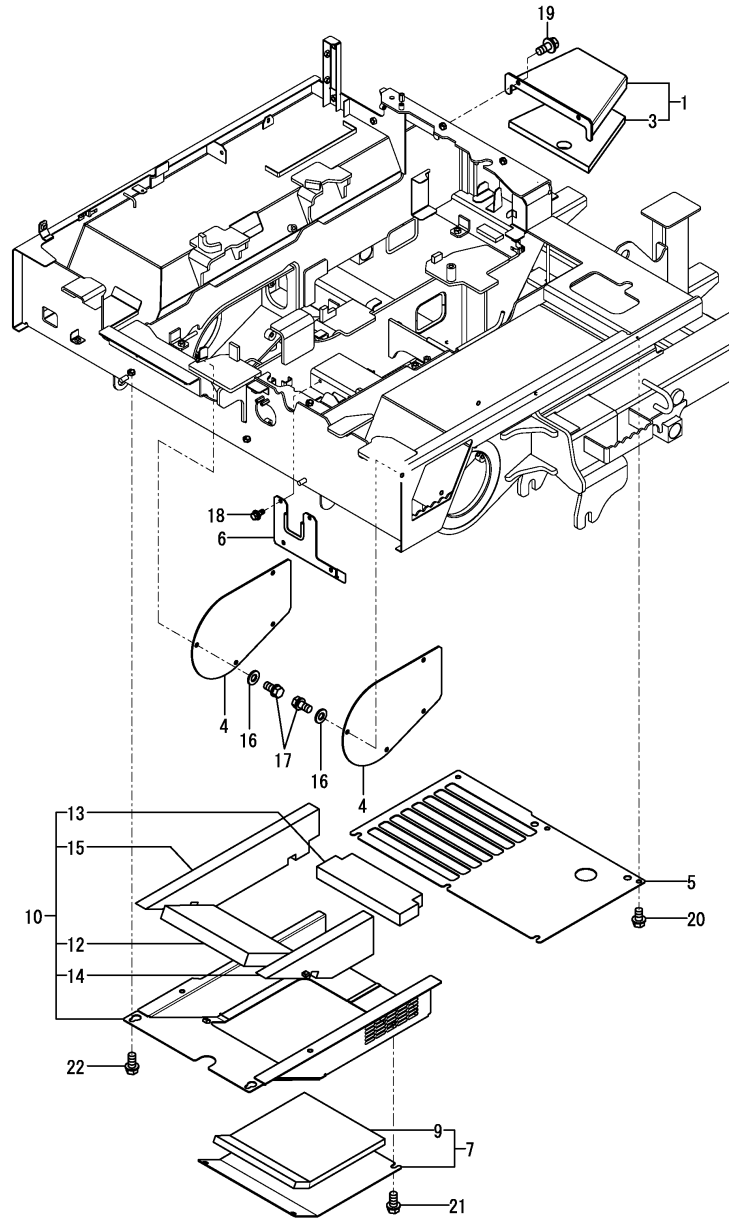


No.	Lev.	Parts No.	Description	Q'ty						I	R	
				(A)	(B)	(C)	(D)	(E)	(F)			
1	1	172663-53010	BUMPER ASSY	1							1	
1A	1	172653-03440	LABEL,BUMPER US	1								2
2	1	22217-120000	WASHER, SPRING 12	4								
3	1	26716-120002	NUT, M12	4								

Remarks

- (1) Attach the No.1A label to this part.
- (2) Not illustrated.

Fig.36. COVER(TRAVEL FRAME)



(A)=C30R-3(US)
(B)=
(C)=

(D)=
(E)=
(F)=

No.	Lev.	Parts No.	Description	Q'ty						I	R
				(A)	(B)	(C)	(D)	(E)	(F)		
1	1	172663-61011	COVER ASSY, PUMP	1							1
3	2	172663-61060	SPONGE, PUMP A	1							
3A	1	172437-03422	LABEL, MUFFLER	1							2
4	1	172663-61081	COVER, MOTOR	2							
5	1	172663-61092	COVER, UNDER R	1							
6	1	172663-62460	PLATE ASSY, GUARD	1							
7	1	172663-62500	PLATE ASSY,U COVER	1							
9	2	172663-62520	SPONGE,UNDER COVER	1							
10	1	172663-62600	COVER ASSY,UNDER	1							
12	2	172663-62680	SPONGE,UNDER COVER A	1							
13	2	172663-62690	SPONGE,UNDER COVER B	1							
14	2	172663-62700	SPONGE,UNDER COVER C	1							
15	2	172663-62710	SPONGE,UNDER COVER D	1							
16	1	22137-100000	WASHER, 10	8							
17	1	26013-100202	BOLT, M10X 20	8							
18	1	26014-080202	BOLT, M8X 20	4							
19	1	26014-100252	BOLT, M10X 25	2							
20	1	26106-100162	BOLT, M10X 16 PLATED	6							
21	1	26106-100202	BOLT, M10X 20 PLATED	4							
22	1	26106-100202	BOLT, M10X 20 PLATED	6							

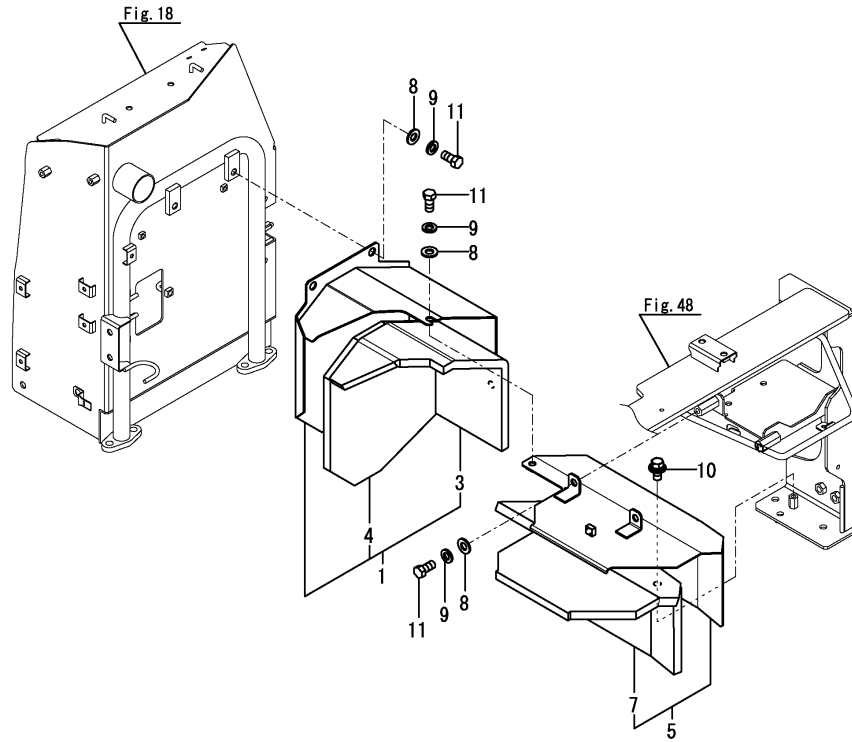
Remarks

- (1)Attach the No.3A label to this part.
- (2)Not illustrated.

Fig.37. COVER(D.P.F.)

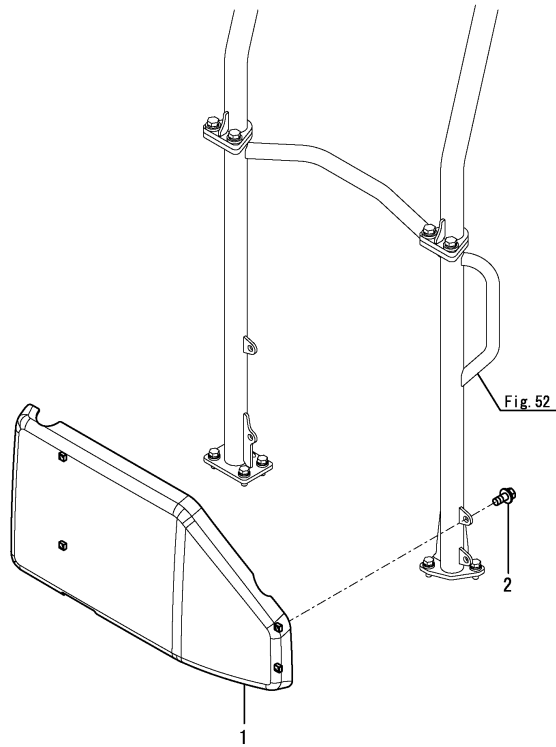
(A)=C30R-3(US)
(B)=
(C)=

(D)=
(E)=
(F)=



No.	Lev.	Parts No.	Description	Q'ty						I	R
				(A)	(B)	(C)	(D)	(E)	(F)		
1	1	172663-11350	COVER ASSY, A DPF	1							
3	2	172663-11390	INSULATOR, DPF A	1							
4	2	172663-11400	INSULATOR, DPF B	1							
5	1	172663-11410	COVER ASSY, B DPF	1							
7	2	172663-11470	INSULATOR, DPF C	1							
8	1	22137-100000	WASHER, 10	6							
9	1	22217-100000	WASHER, SPRING 10	6							
10	1	26014-100202	BOLT, M10X 20	1							
11	1	26116-100202	BOLT, M10X 20 PLATED	6							

Fig.38. FRONT COVER



(A)=C30R-3(US)
(B)=
(C)=

(D)=
(E)=
(F)=

No.	Lev.	Parts No.	Description	Q'ty						I	R	
				(A)	(B)	(C)	(D)	(E)	(F)			
1	1	172663-66650	COVER ASSY, FRONT	1							1	
1A	1	172472-03141	LABEL, SUPPORT	1								2
1B	1	172663-03180	LABEL, LEVER LOCK US	1								2
1C	1	172437-03302	LABEL, MANUAL	1								2
2	1	26014-100252	BOLT, M10X 25	4								

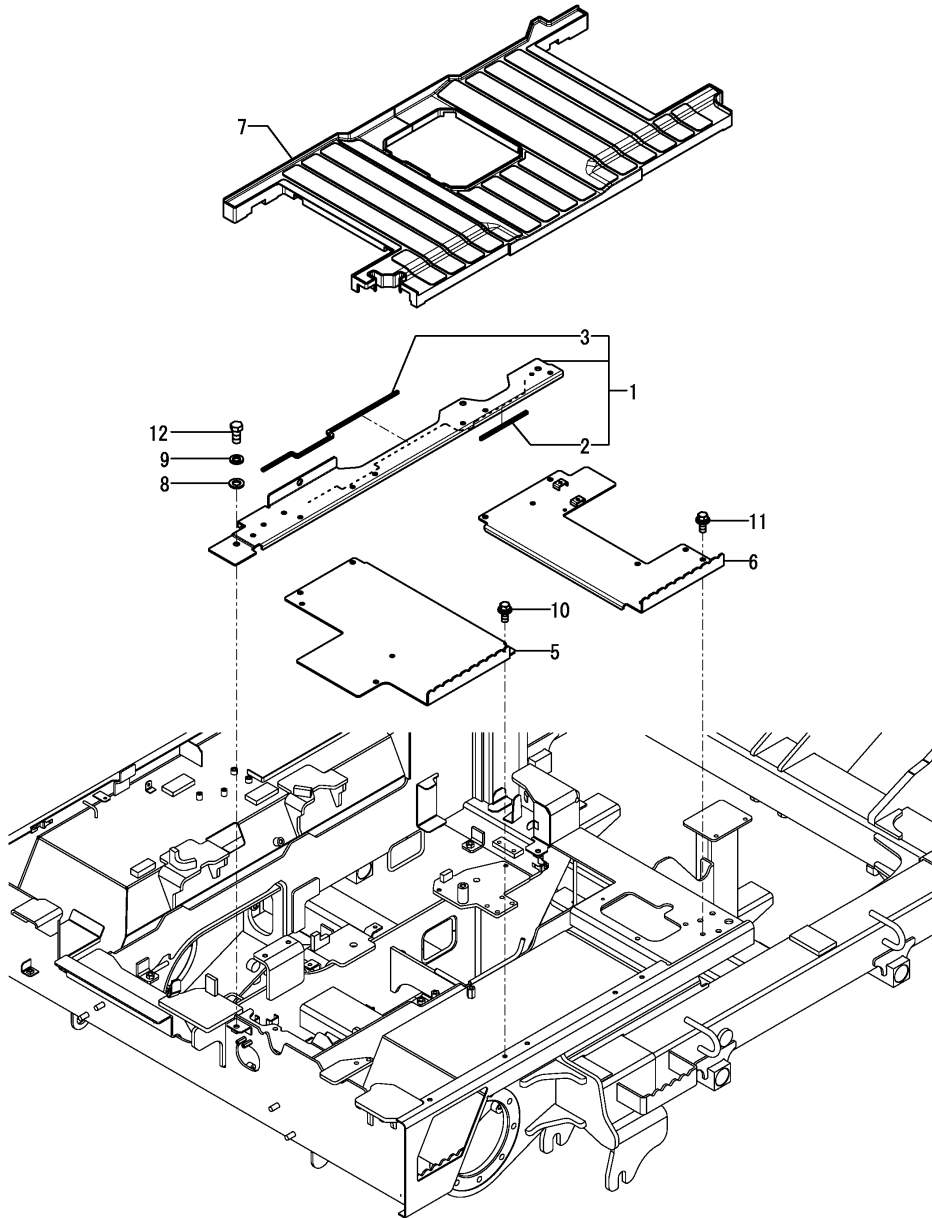
Remarks

- (1) Attach the No.1A, 1B & 1C label to this part.
- (2) Not illustrated.

Fig.39. STEP

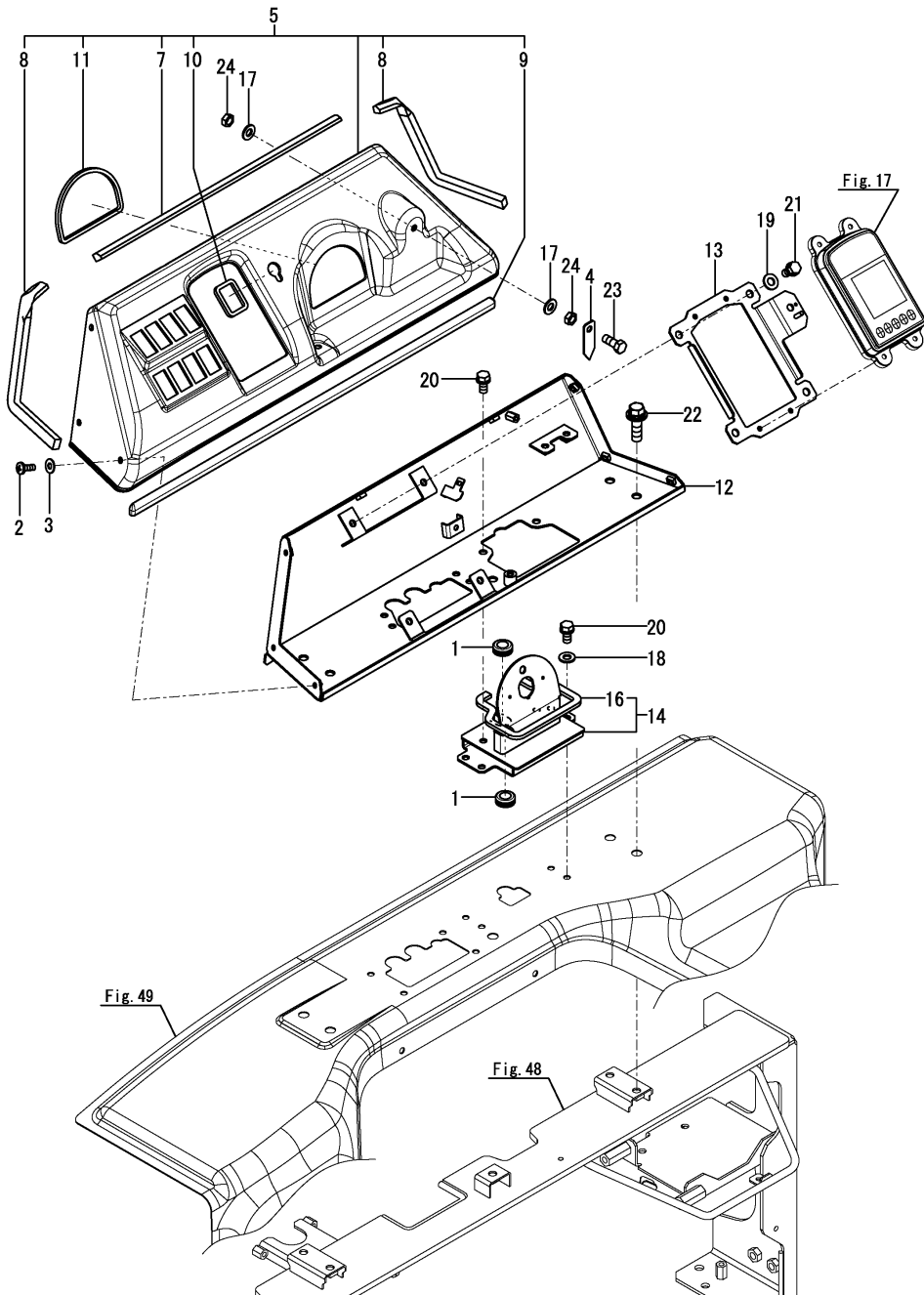
(A)=C30R-3(US)
(B)=
(C)=

(D)=
(E)=
(F)=



No.	Lev.	Parts No.	Description	Qty						I	R	
				(A)	(B)	(C)	(D)	(E)	(F)			
1	1	172663-62090	BRACKET ASSY,STEP	1								
2	2	172663-13470	SEAL,170	1								
3	2	172B03-13700	SEAL, 480	1								
5	1	172663-62150	STEP ASSY,FRONT	1								
6	1	172663-62200	STEP ASSY,REAR	1								
7	1	172663-62250	FLOOR MAT	1								
8	1	22137-120000	WASHER, 12	4								
9	1	22217-120000	WASHER, SPRING 12	4								
10	1	26014-100252	BOLT, M10X 25	4								
11	1	26014-100252	BOLT, M10X 25	3								
12	1	26116-120252	BOLT, M12X 25 PLATED	4								

Fig.40. COVER(MONITOR)



(A)=C30R-3(US)
(B)=
(C)=

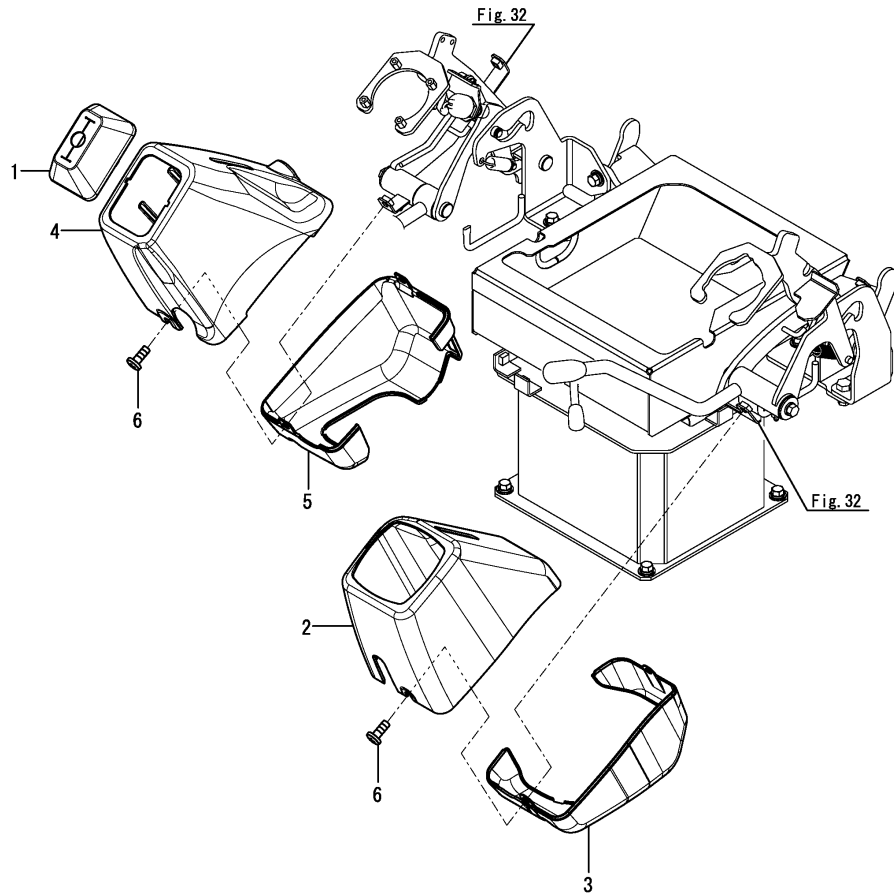
(D)=
(E)=
(F)=

No.	Lev.	Parts No.	Description	Q'ty						I	R
				(A)	(B)	(C)	(D)	(E)	(F)		
1	1	172187-16560	GROMMET	2							
2	1	172137-46210	SCREW	9							
3	1	172446-49350	WASHER 6.3X15X1	9							
4	1	172652-63150	STAY, GAUGE	1							
5	1	172663-63250	COVER ASSY,MONITOR	1							
7	2	172663-63270	SPONGE,COVER A	1							
8	2	172663-63280	SPONGE,COVER B	2							
9	2	172663-63290	SPONGE,COVER C	1							
10	2	172663-63480	SPONGE,COVER ACCEL	1							
11	2	172663-63570	SPONGE,COVER KEY	1							
12	1	172663-63300	STAY ASSY,MONITOR	1							
13	1	172663-63450	STAY ASSY,ACCEL	1							
14	1	172663-63500	BRACKET ASSY,KEY	1							
16	2	172663-63560	SPONGE,BRAKET KEY	1							
17	1	22137-080000	WASHER, 8	2							
18	1	22137-080000	WASHER, 8	6							
19	1	22137-080000	WASHER, 8	4							
20	1	26013-080162	BOLT, M8X 16	6							
21	1	26013-080162	BOLT, M8X 16	4							
22	1	26014-100352	BOLT 10X35	5							
23	1	26116-080202	BOLT, M8X 20 PLATED	1							
24	1	26756-080002	NUT, LOCK M8	2							

Fig.41. COVER(LEVER)

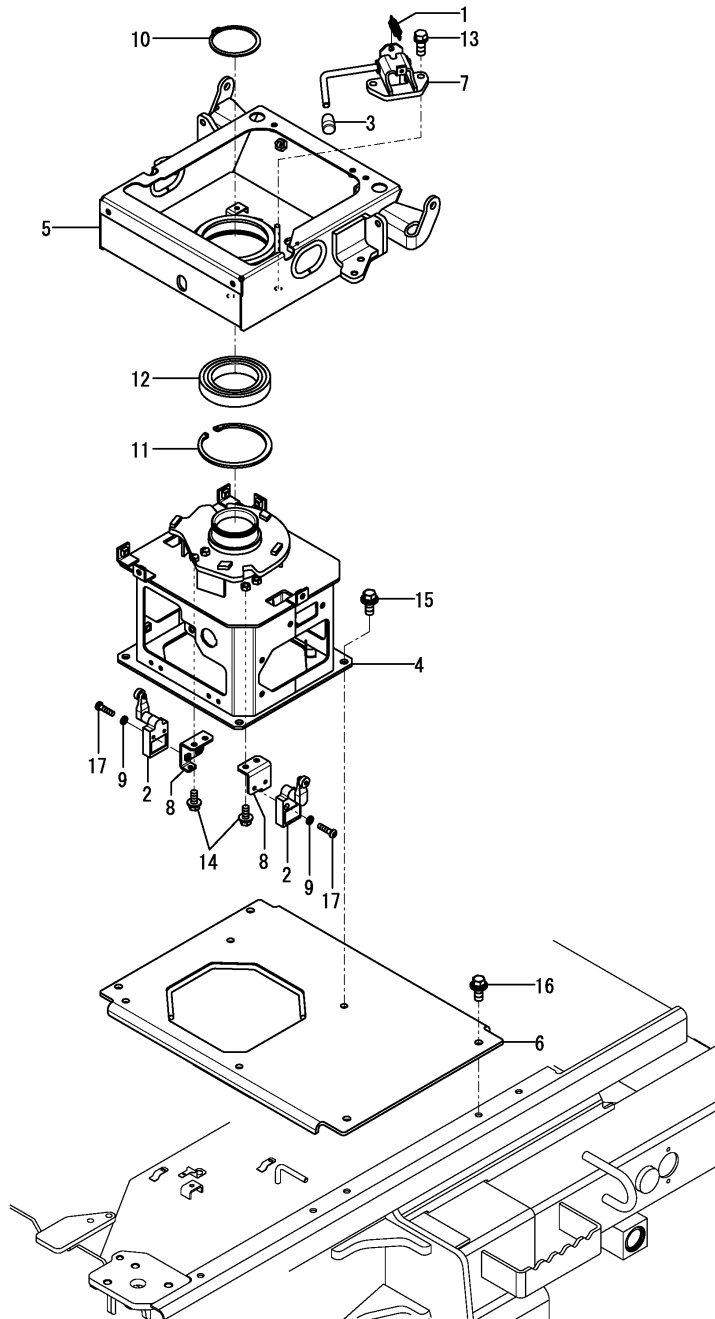
(A)=C30R-3(US)
(B)=
(C)=

(D)=
(E)=
(F)=



No.	Lev.	Parts No.	Description	Q'ty						I	R
				(A)	(B)	(C)	(D)	(E)	(F)		
1	1	172663-61390	GROMMET,LEVER	1							
2	1	172663-61400	COVER, LEVER L UP	1							
3	1	172663-61410	COVER, LEVER L LOW	1							
4	1	172663-61421	COVER,LEVER R UP STD	1							
5	1	172663-61430	COVER,LEVER R LO STD	1							
6	1	26589-080202	SCREW, M8X20	4							

Fig.42. SEAT MOUNT



(A)=C30R-3(US)
(B)=
(C)=

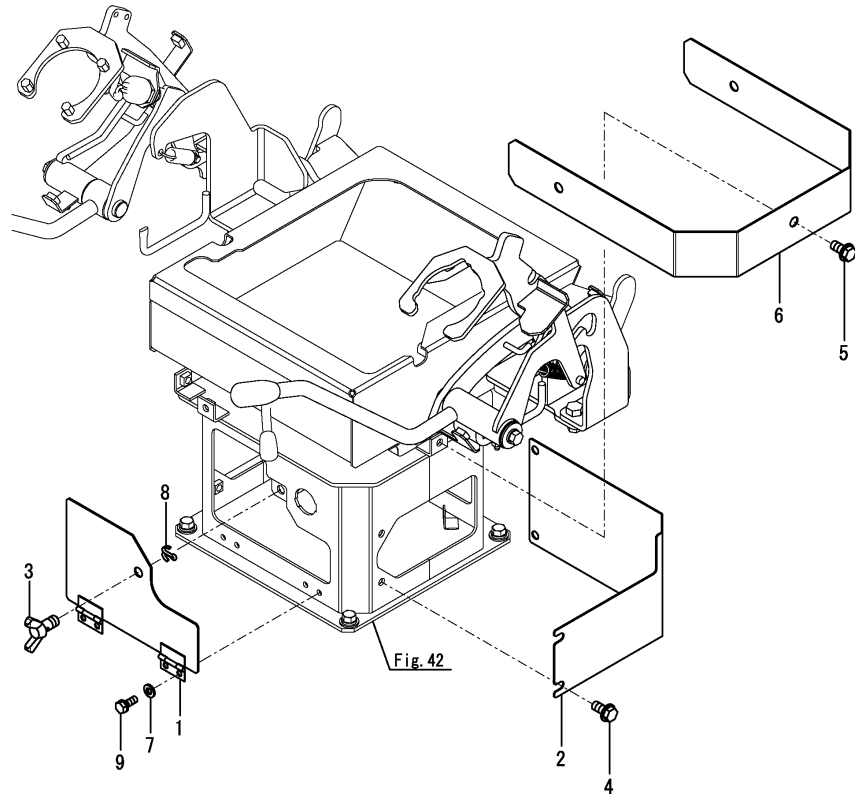
(D)=
(E)=
(F)=

No.	Lev.	Parts No.	Description	Q'ty						I	R
				(A)	(B)	(C)	(D)	(E)	(F)		
1	1	172730-01360	SPRING, RETURN	1							
2	1	172663-17560	SWITCH, LIMIT	2							
3	1	172116-46630	KNOB, LEVER	1							
4	1	172663-64201	MOUNT ASSY,SEAT	1							
5	1	172663-64311	BRACKET ASSY,SEAT	1							
6	1	172663-64610	BASE ASSY, SEAT M	1							
7	1	172663-64800	STOPPER ASSY, SEAT	1							
8	1	172663-64840	BRACKET ASSY, SW	2							
9	1	22217-050000	WASHER, SPRING 5	4							
10	1	22242-000750	RING, 75	1							
11	1	22252-001150	RING, 115	1							
12	1	24104-060154	BEARING, BALL 6015UU	1							
13	1	26013-100252	BOLT, M10X 25	2							
14	1	26014-080202	BOLT, M8X 20	4							
15	1	26014-100252	BOLT, M10X 25	4							
16	1	26014-100252	BOLT, M10X 25	4							
17	1	26557-050202	SCREW, M5X20	4							

Fig.43. COVER(SEAT MOUNT)

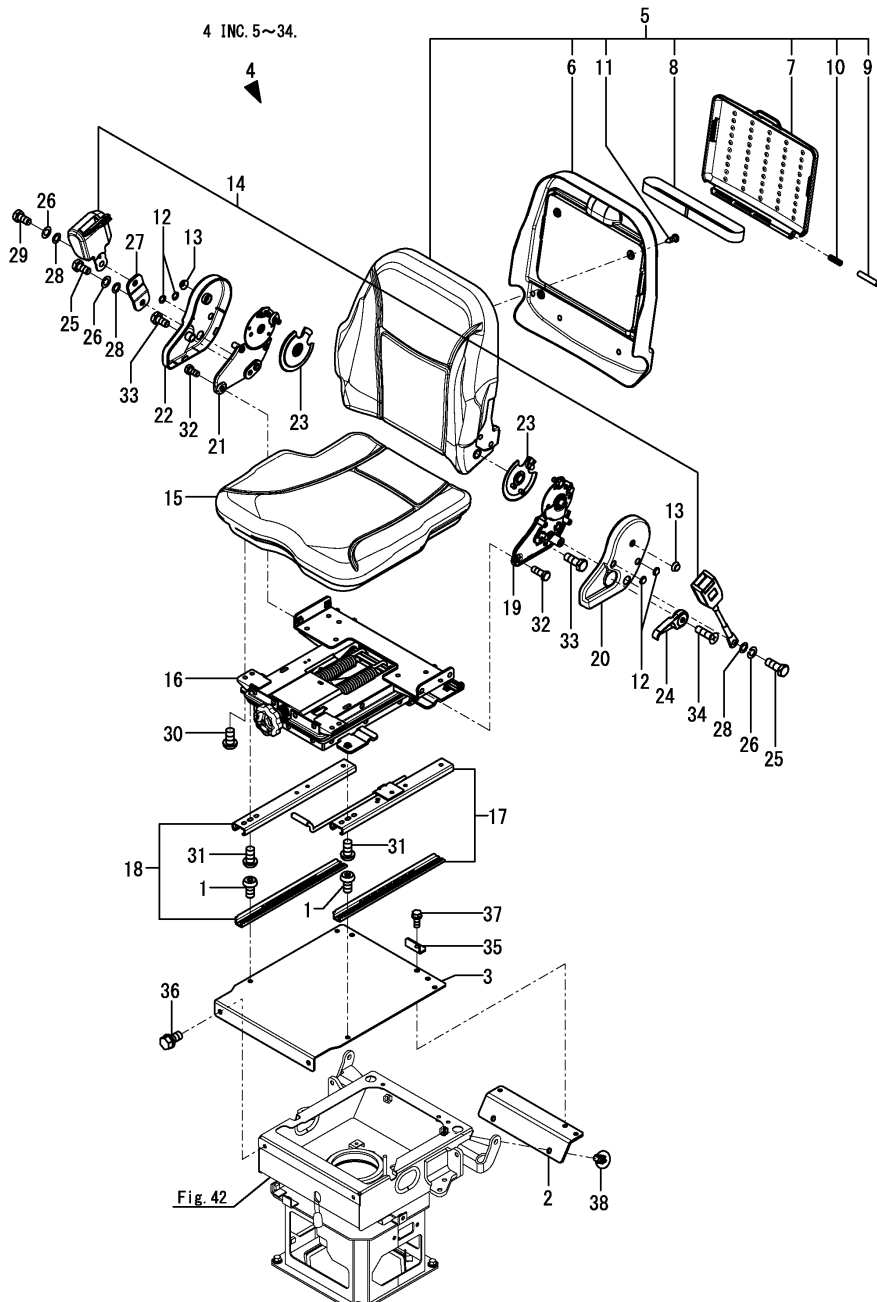
(A)=C30R-3(US)
 (B)=
 (C)=

(D)=
 (E)=
 (F)=



No.	Lev.	Parts No.	Description	Q'ty						I	R
				(A)	(B)	(C)	(D)	(E)	(F)		
1	1	172663-61700	COVER ASSY, SEAT M A	1							
2	1	172663-61740	COVER, SM B GPS	1							
3	1	172142-62301	BOLT, WING	1							
4	1	172519-63240	BOLT	4							
5	1	172519-63240	BOLT	3							
6	1	172663-64730	COVER, SWITCH	1							
7	1	22137-060000	WASHER, 6	4							
8	1	22417-320200	PIN, COTTER 3.2X20	1							
9	1	26013-060162	BOLT, M6X 16	4							

Fig.44. SEAT



(A)=C30R-3(US)

(B)=

(C)=

(D)=

(E)=

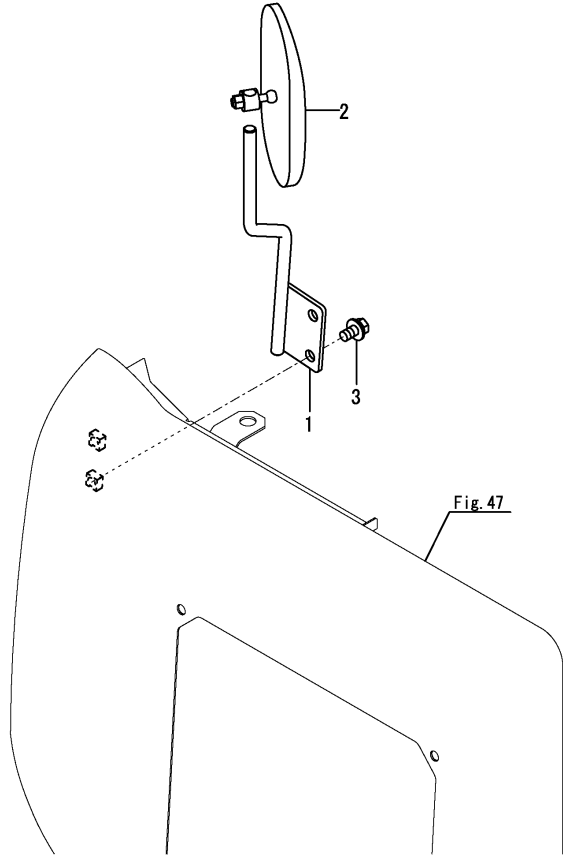
(F)=

No.	Lev.	Parts No.	Description	Q'ty						I	R
				(A)	(B)	(C)	(D)	(E)	(F)		
1	1	172455-61710	BOLT M 8X 16	4							
2	1	172663-64450	PLATE ASSY, SEAT	1							
3	1	172663-64530	PLATE ASSY, SEAT SUS	1							
4	1	172663-64900	SEAT ASSY,SUS	1							
5	2	172B02-64210	SEAT ASSY, BACK	1							
6	3	172B02-64220	BOX ASSY	1							
7	3	172A89-64940	COVER	1							
8	3	172A89-64950	BAND	1							
9	3	172A89-64960	PIN	1							
10	3	172A89-64970	SPRING	1							
11	3	22859-500160	SCREW, 5X16	4							
12	2	172B02-64250	CAP	4							
13	2	172B02-64260	CAP	2							
14	2	172A89-64740	SEAT BELT ASSY	1							
15	2	172A89-64780	SEAT, CUSHION	1							
16	2	172A89-64790	SEAT, SPRING	1							
17	2	172A89-64800	RAIL ASSY, TL	1							
18	2	172A89-64810	RAIL ASSY, TR	1							
19	2	172A89-64820	HINGE ASSY	1							
20	2	172A89-64830	COVER	1							
21	2	172A89-64840	HINGE ASSY	1							
22	2	172A89-64850	COVER	1							
23	2	172A89-64870	COVER	2							
24	2	172A89-64880	LEVER	1							
25	2	172A89-64890	BOLT	2							
26	2	172A89-64900	SPRING	3							
27	2	172663-64910	BRACKET ASSY	1							
28	2	172A89-64910	WASHER	3							
29	2	172A89-64920	BOLT	1							
30	2	26106-080162	BOLT, M8X 16 PLATED	4							
31	2	26106-080162	BOLT, M8X 16 PLATED	4							
32	2	26106-100162	BOLT, M10X 16 PLATED	6							
33	2	26106-100252	BOLT, M10X 25 PLATED	2							
34	2	26559-050202	SCREW, M5X20	1							
35	1	172B03-64960	PLATE, STOPPER	1							
36	1	26013-080162	BOLT, M8X 16	4							
37	1	26013-080202	BOLT, M8X 20	1							
38	1	26014-100202	BOLT, M10X 20	2							

Fig.46. SIDE MIRROR

(A)=C30R-3(US)
(B)=
(C)=

(D)=
(E)=
(F)=

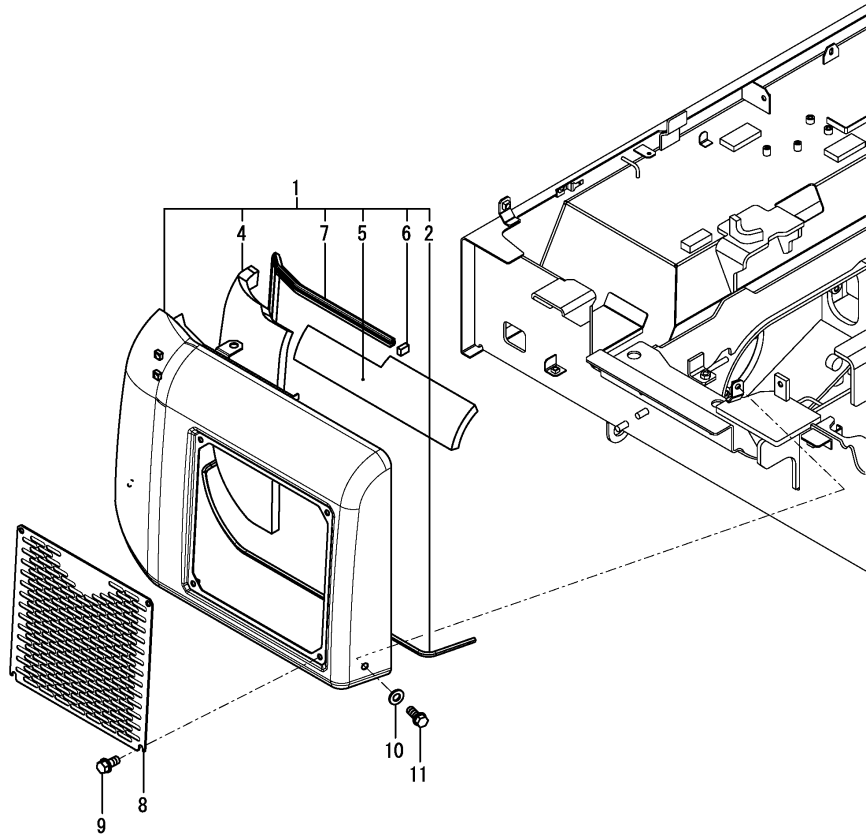


No.	Lev.	Parts No.	Description	Q'ty						I	R	
				(A)	(B)	(C)	(D)	(E)	(F)			
1	1	172663-61850	PLATE ASSY,MIRROR	1								
2	1	194630-64110	HEAD, REAR VIEW	1								
3	1	26014-100202	BOLT, M10X 20	2								

Fig.47. BONNET(FRONT)

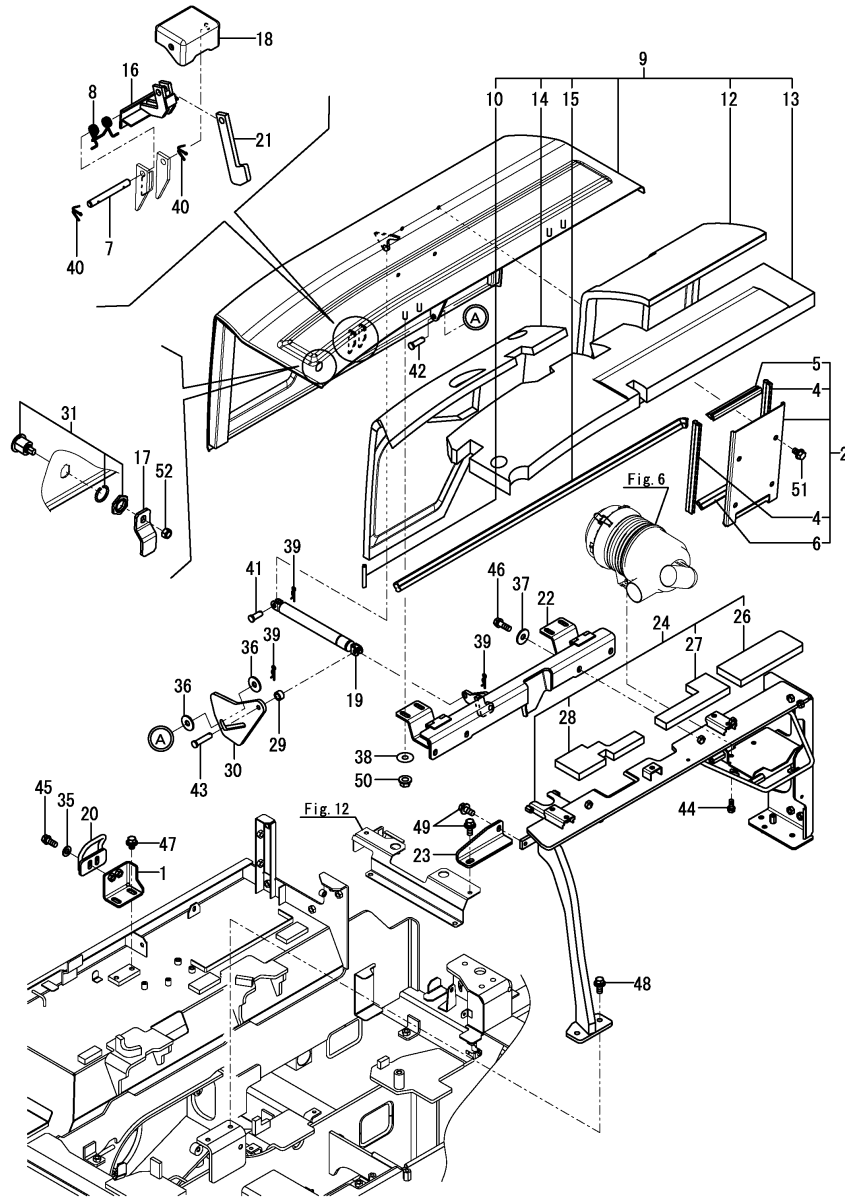
(A)=C30R-3(US)
(B)=
(C)=

(D)=
(E)=
(F)=



No.	Lev.	Parts No.	Description	Q'ty						I	R
				(A)	(B)	(C)	(D)	(E)	(F)		
1	1	172663-65050	BONNET ASSY,A	1							
2	2	172480-62900	TRIM	1							
4	2	172663-65140	SPONGE, BON A A	1							
5	2	172663-65150	SPONGE, BON A B	1							
6	2	172663-65160	SEAL,22	1							
7	2	172165-65460	RUBBER, SEAL	1							
8	1	172663-65170	GUARD, BONNET A	1							
9	1	198071-85440	BOLT, M10X20	4							
10	1	22137-100000	WASHER, 10	3							
11	1	26013-100202	BOLT, M10X 20	3							

Fig.48. BONNET(RIGHT)



(A)=C30R-3(US)

(B)=

(C)=

(D)=

(E)=

(F)=

No.	Lev.	Parts No.	Description	Q'ty						I	R
				(A)	(B)	(C)	(D)	(E)	(F)		
1	1	172663-52760	BRACKET ASSY	1							
2	1	172663-61800	DUCT ASSY,BONNET	1							
4	2	172663-61820	SEAL,285				2				
5	2	172663-61830	SEAL,170				1				
6	2	172B03-64690	SEAL, 175				1				
7	1	172458-65050	SHAFT				1				
8	1	172734-65270	SPRING, CATCH				1				
9	1	172663-65300	BONNET ASSY,B				1				1
10	2	172183-61360	TRIM				1				
12	2	172663-65500	SPONGE, BON B A				1				
13	2	172663-65510	SPONGE, BON B B				1				
14	2	172663-65520	SPONGE, BON B C				1				
15	2	172663-65530	SEAL, 1025				1				
15A	1	172437-03391	LABEL, RADIATOR				1				3
15B	1	172437-03402	LABEL, ENGINE COVER				1				3
15C	1	172A36-03411	LABEL, ENGINE ROOM				1				3
16	1	172124-65450	LEVER ASSY, LOCK				1				
17	1	172663-65550	PLATE,KEY LOCK				1				
18	1	172663-65560	COVER,BONNET LOCK				1				
19	1	172663-65570	DAMPER, GAS				1				
20	1	172663-65580	CATCH ASSY,BONNET				1				
21	1	172663-65610	CATCHER				1				
22	1	172663-65651	HINGE ASSY				1				2
22A	1	172437-03402	LABEL, ENGINE COVER				1				3
23	1	172663-65700	STAY,RADIATOR				1				
24	1	172663-65720	BASE ASSY,BONNET				1				
26	2	172663-65940	SPONGE,BON BASE A				1				
27	2	172663-65950	SPONGE,BON BASE B				1				
28	2	172663-65960	SPONGE,BON BASE C				1				
29	1	172663-65981	COLLAR				1				
30	1	172663-65991	PLATE, GUIDE				1				
31	1	172B03-66170	CYLINDER ASSY, KEY				1				
35	1	22137-100000	WASHER, 10				2				
36	1	22157-100000	WASHER, 10				2				
37	1	22157-100000	WASHER, 10				4				
38	1	22157-100000	WASHER, 10				4				
39	1	22372-100000	PIN, SNAP 10				3				
40	1	22417-200200	PIN, COTTER 2.0X20				2				
41	1	22487-100220	PIN, H10X 22				1				
42	1	22487-100220	PIN, H10X 22				1				
43	1	22487-100500	PIN, H10X 50				1				
44	1	26013-080202	BOLT, M8X 20				2				
45	1	26013-100252	BOLT, M10X 25				2				
46	1	26013-100302	BOLT, M10X 30				4				
47	1	26014-100162	BOLT, M10X 16				2				
48	1	26014-100252	BOLT, M10X 25				4				
49	1	26014-100252	BOLT, M10X 25				2				
50	1	26051-100002	NUT, M10				4				
51	1	26106-080122	BOLT, M8X 12 PLATED				4				
52	1	26347-100002	NUT, M10				1				

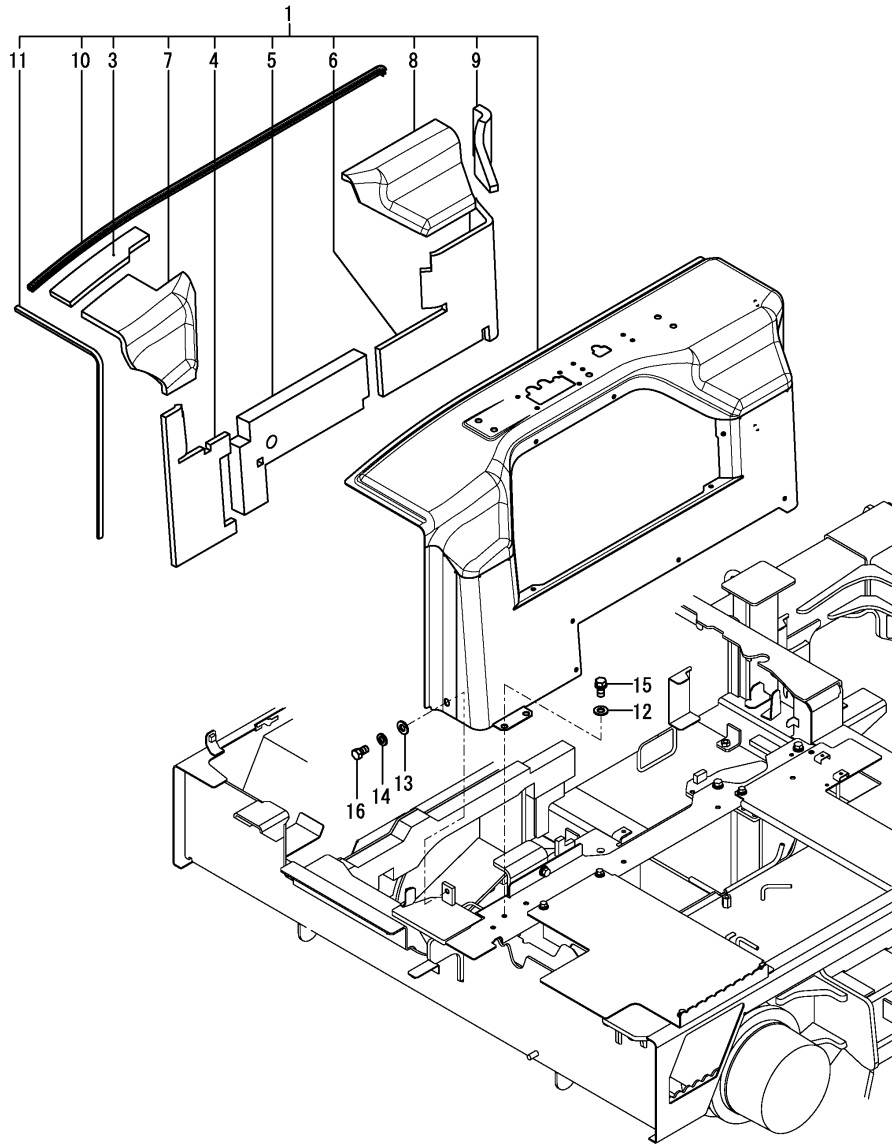
Remarks

- (1)Attach the No.15A, 15B & 15C label to this part.
- (2)Attach the No.22A label to this part.
- (3)Not illustrated.

Fig.49. BONNET(LEFT)

(A)=C30R-3(US)
(B)=
(C)=

(D)=
(E)=
(F)=

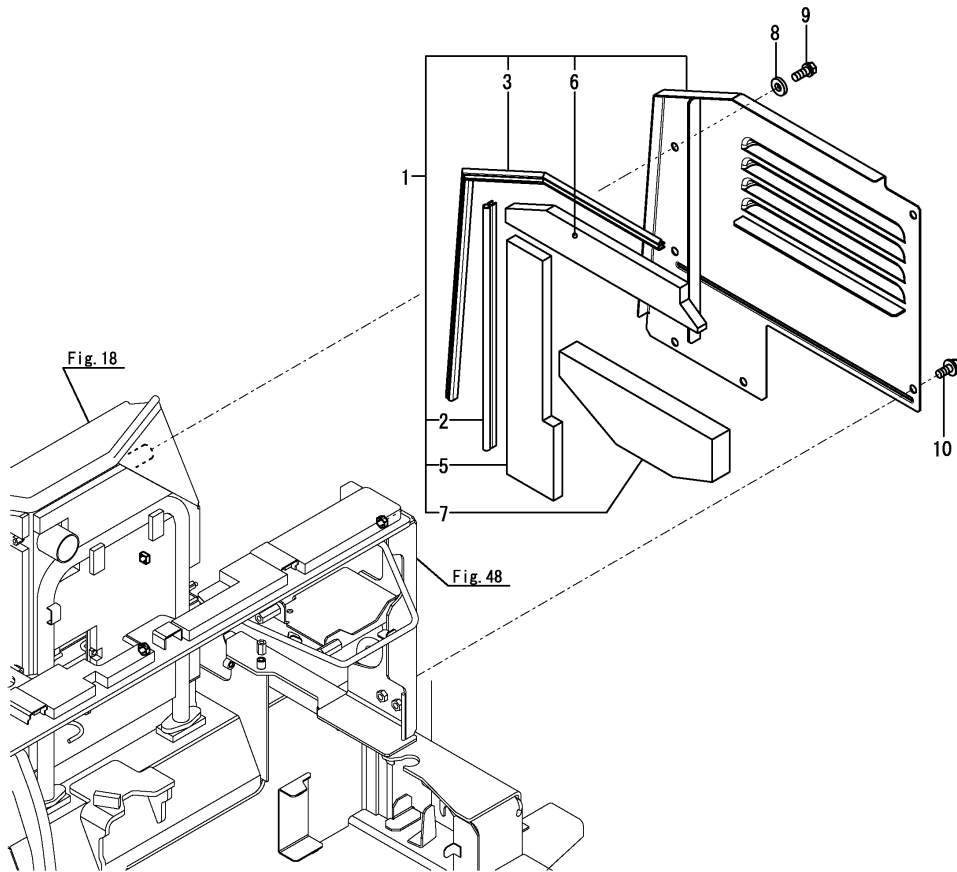


No.	Lev.	Parts No.	Description	Qty						I	R	
				(A)	(B)	(C)	(D)	(E)	(F)			
1	1	172663-61100	BONNET ASSY,L	1								
3	2	172663-61270	SPONGE,BON L A	1								
4	2	172663-61280	SPONGE, BON L B	1								
5	2	172663-61290	SPONGE, BON L C	1								
6	2	172663-61300	INSULATOR, BON L	1								
7	2	172663-61311	INSULATOR,BON L A	1								
8	2	172663-61321	INSULATOR,BON L B	1								
9	2	172663-61330	SPONGE,BON L F	1								
10	2	172663-61380	SEAL, BON L 760	1								
11	2	172141-64350	SEAL, MOUNT	1								
12	1	22137-100000	WASHER, 10	4								
13	1	22137-100000	WASHER, 10	1								
14	1	22217-100000	WASHER, SPRING 10	1								
15	1	26013-100202	BOLT, M10X 20	4								
16	1	26116-100162	BOLT, M10X 16 PLATED	1								

Fig.50. BONNET(REAR)

(A)=C30R-3(US)
 (B)=
 (C)=

(D)=
 (E)=
 (F)=

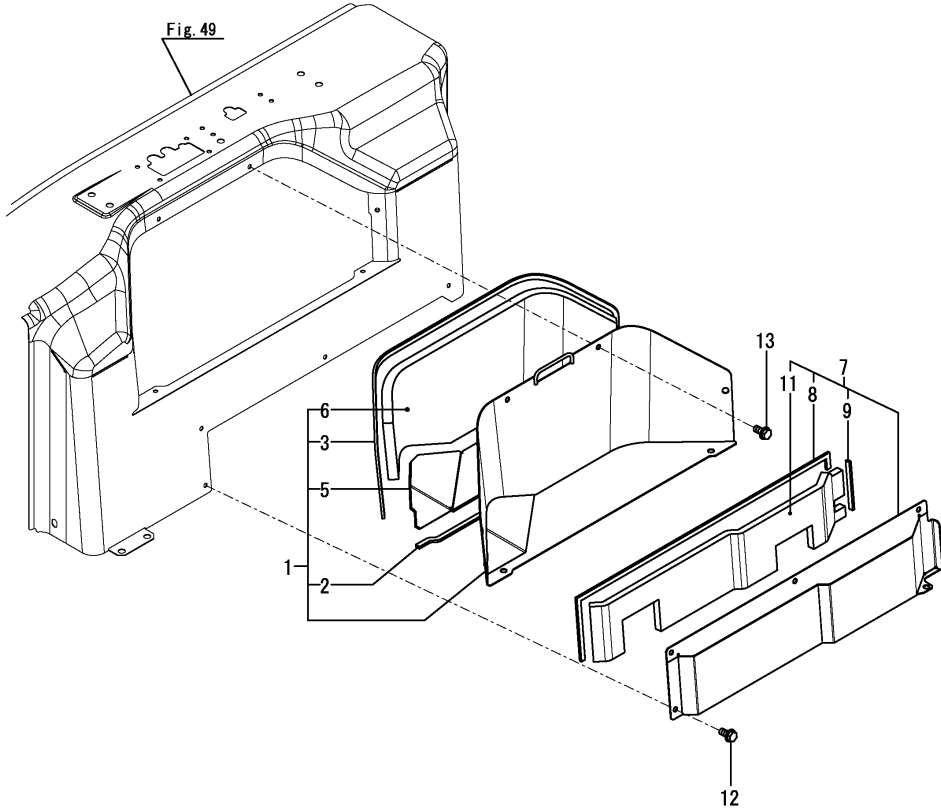


No.	Lev.	Parts No.	Description	Q'ty						I	R
				(A)	(B)	(C)	(D)	(E)	(F)		
1	1	172663-65201	BONNET ASSY,REAR	1							
2	2	172B03-13700	SEAL, 480	1							
3	2	172458-61660	RUBBER, SEAL 930	1							
5	2	172663-65240	SPONGE, BON REAR A	1							
6	2	172663-65250	SPONGE, BON REAR B	1							
7	2	172663-65260	SPONGE, BON REAR C	1							
8	1	172A79-72570	WASHER	1							
9	1	26013-100252	BOLT, M10X 25	1							
10	1	26014-100252	BOLT, M10X 25	5							

Fig.51. COVER(BONNET)

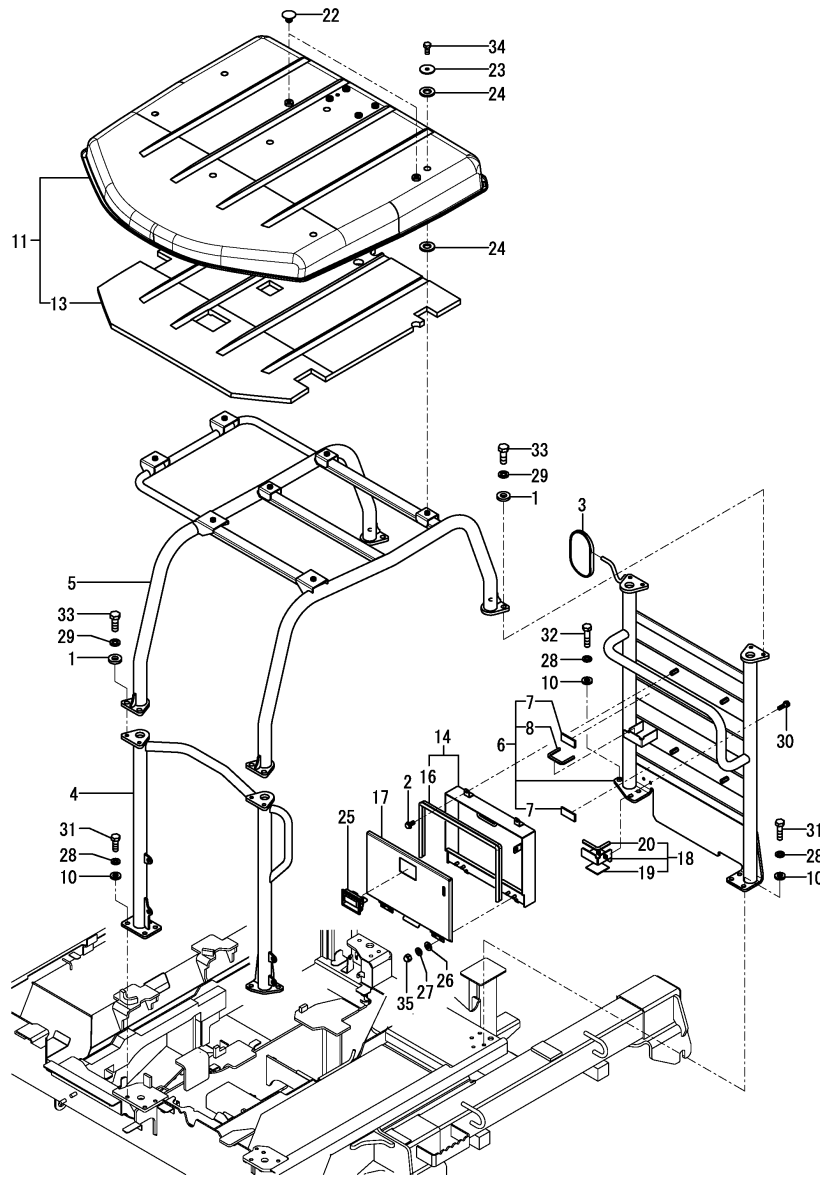
(A)=C30R-3(US)
(B)=
(C)=

(D)=
(E)=
(F)=



No.	Lev.	Parts No.	Description	Q'ty						I	R
				(A)	(B)	(C)	(D)	(E)	(F)		
1	1	172663-61500	COVER ASSY,BON UP	1							
2	2	172663-61340	SPONGE,BON COVER A	1							
3	2	172663-61350	SPONGE,BON COVER B	1							
5	2	172663-61560	SPONGE, COVER A	1							
6	2	172663-61570	SPONGE, COVER B	1							
7	1	172663-61600	COVER ASSY,BON LOW	1							
8	2	172663-61360	SPONGE,BON COVER LA	1							
9	2	172663-61370	SPONGE,BON COVER LB	1							
11	2	172663-61640	INSULATOR, COVER L	1							
12	1	172519-63240	BOLT	5							
13	1	172519-63240	BOLT	6							

Fig.52. CANOPY



(A)=C30R-3(US)
(B)=
(C)=

(D)=
(E)=
(F)=

No.	Lev.	Parts No.	Description	Q'ty						I	R
				(A)	(B)	(C)	(D)	(E)	(F)		
1	1	172649-22330	WASHER 15X32	8							
2	1	172519-63240	BOLT	4							
3	1	194630-64110	HEAD, REAR VIEW	1							
4	1	172663-66100	MOUNT ASSY, F ROPS	1							
5	1	172663-66300	CANOPY ASSY, ROPS	1							1
5A	1	172437-03441	LABEL, ROPS	1							4
6	1	172663-66490	MOUNT ASSY,ROPS	1							2
7	2	172A89-61470	RUBBER, PLATE	2							
8	2	172A65-64470	MOLD 180	1							
9A	1	172663-03180	LABEL, LEVER LOCK US	1							4
9B	1	172663-03190	LABEL,SLOPE US	1							4
9C	1	172653-03450	LABEL,PLACES US	1							4
9D	1	172663-03470	LABEL,WAGON US	1							4
9E	1	172652-03681	LABEL, SEAT BELT US	1							4
10	1	172149-66550	WASHER	12							
11	1	172663-66600	ROOF ASSY, CANOPY	1							
13	2	172663-66630	SPONGE, ROOF	1							
14	1	172663-66750	BOX ASSY	1							
16	2	172663-66820	SEAL, 870	1							
17	1	172663-66850	COVER ASSY, TRAY	1							3
17A	1	172437-03343	LABEL, TRANSPORT	1							4
17B	1	172437-03352	LABEL, CYLINDER	1							4
17C	1	172663-03400	LABEL,LIFT US	1							4
18	1	172663-66900	BRACKET ASSY	1							
19	2	172446-14250	PLATE, RUBBER	1							
20	2	172544-63300	TRIM,130	1							
22	1	172176-68210	CLIP, TREE	2							
23	1	172524-68710	WASHER	7							
24	1	172524-68720	SEAL	14							
25	1	172B02-69040	HANDLE,LOCK BLACK	1							
26	1	22137-080000	WASHER, 8	4							
27	1	22217-080000	WASHER, SPRING 8	4							
28	1	22217-120000	WASHER, SPRING 12	12							
29	1	22217-140000	WASHER, SPRING 14	8							
30	1	26013-080252	BOLT, M8X 25	2							
31	1	26076-120352	BOLT, 10.912X 35	9							
32	1	26076-120452	BOLT, 10.912X 45	3							
33	1	26076-140402	BOLT, 10.914X 40	8							
34	1	26116-080162	BOLT, M8X 16 PLATED	7							
35	1	26657-080002	NUT, CAP M8	4							

Remarks

- (1) Attach the No.5A label to this part.
- (2) Attach the No.9A, 9B, 9C, 9D & 9E label to this part.
- (3) Attach the No.17A, 17B & 17C label to this part.
- (4) Not illustrated.

Fig.53. HYDRAULIC PUMP MOUNT

(A)=C30R-3(US)
 (B)=
 (C)=

(D)=
 (E)=
 (F)=

No.	Lev.	Parts No.	Description	Q'ty						I	R
				(A)	(B)	(C)	(D)	(E)	(F)		
1	1	172663-71100	COVER, FLYWHEEL	1							
2	1	26013-100302	BOLT, M10X 30	8							

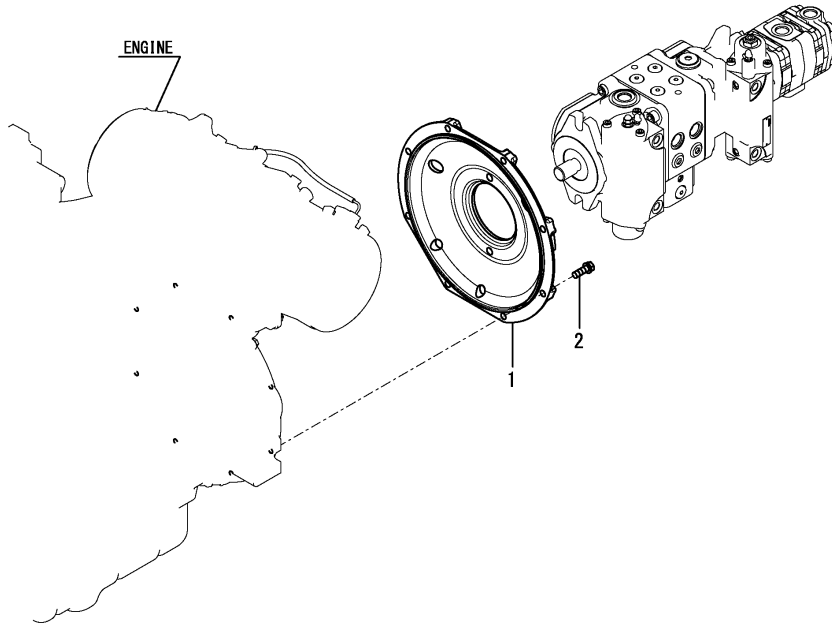


Fig.54. COUPLING

(A)=C30R-3(US)
(B)=
(C)=

(D)=
(E)=
(F)=

No.	Lev.	Parts No.	Description	Qty						I	R
				(A)	(B)	(C)	(D)	(E)	(F)		
1	1	172663-71200	COUPLING	1							
2	1	26450-120402	BOLT, M12X 40	3							

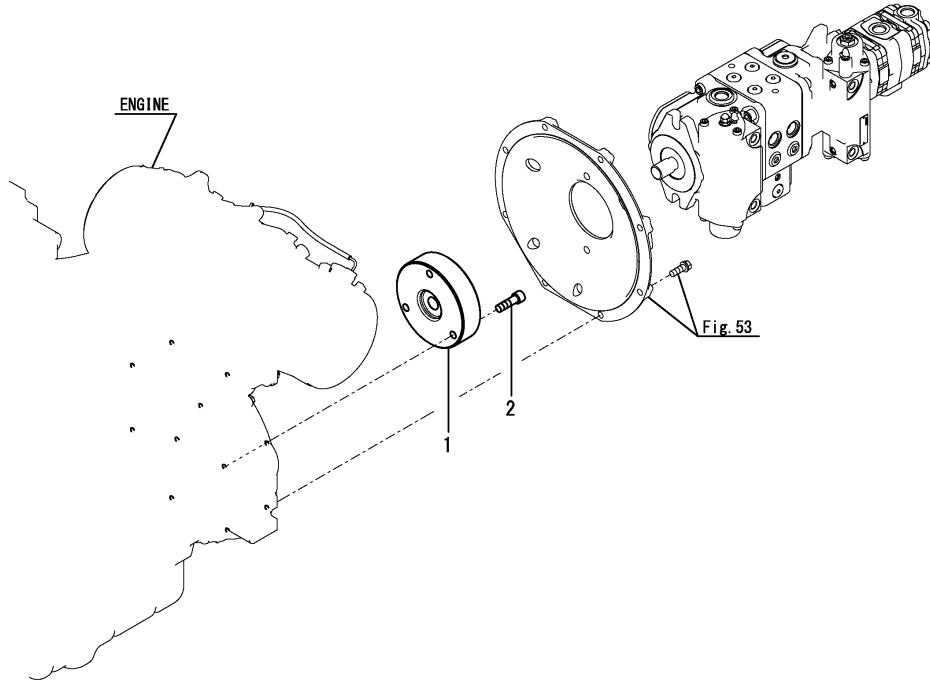
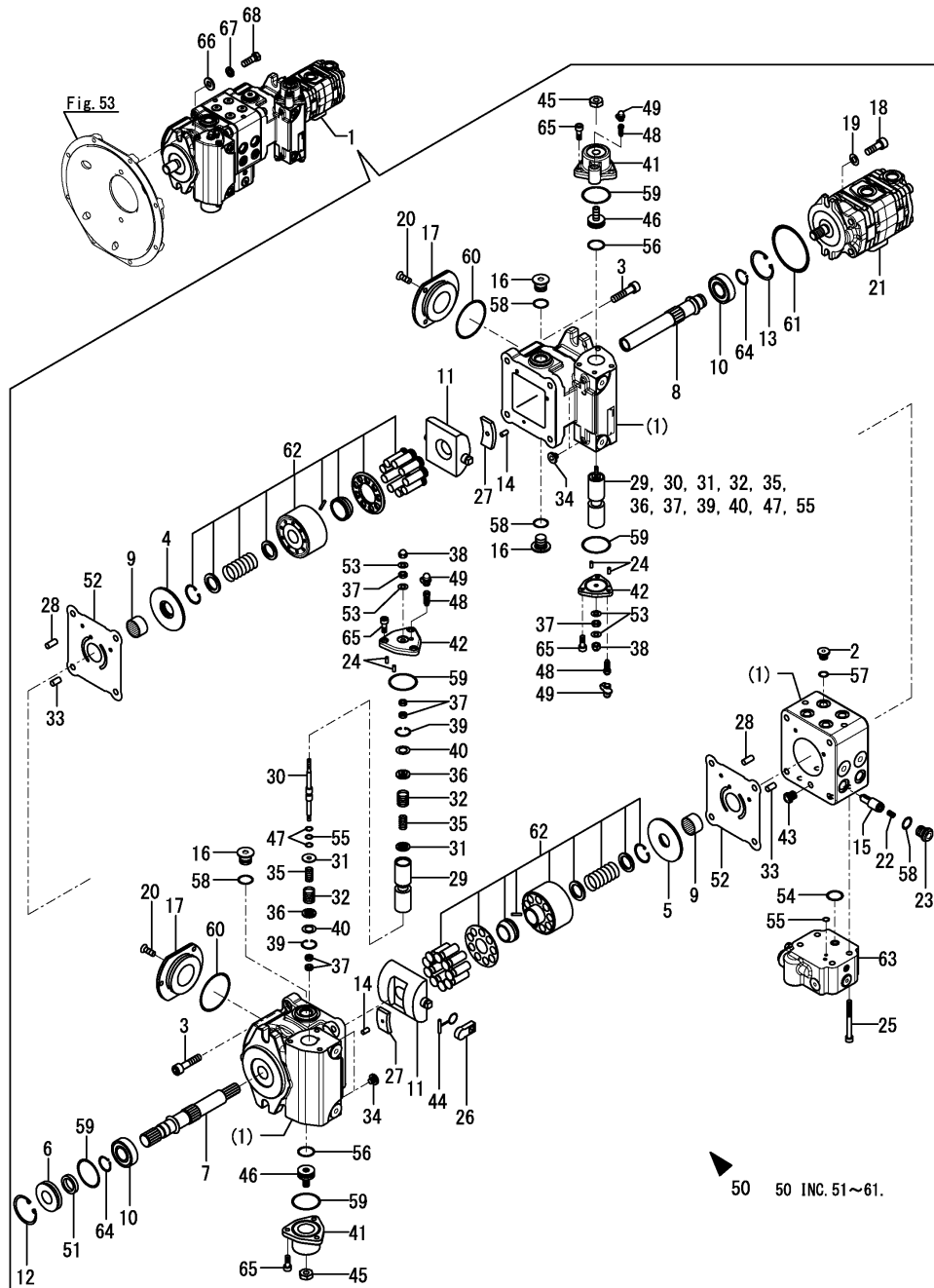


Fig.55. HYDRAULIC PUMP

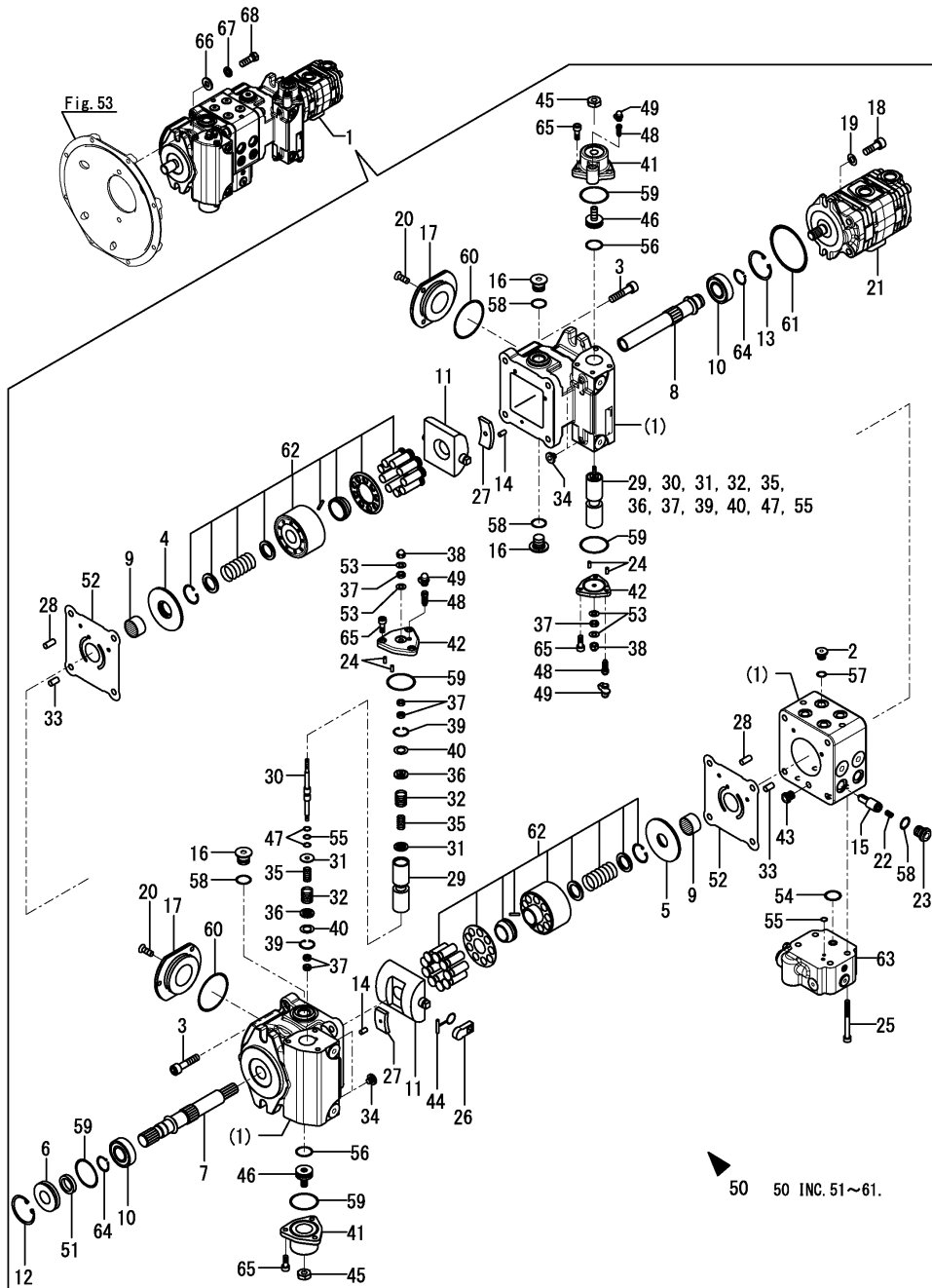


(A)=C30R-3(US)
(B)=
(C)=

(D)=
(E)=
(F)=

No.	Lev.	Parts No.	Description	Q'ty						I	R
				(A)	(B)	(C)	(D)	(E)	(F)		
1	1	172663-73101	PUMP ASSY	1							
2	2	172148-70301	PLUG	8							
3	2	172124-70580	BOLT, SOCKET HEAD	8							
4	2	172663-73110	VALVE, PLATE	1							
5	2	172663-73120	VALVE, PLATE	1							
6	2	172663-73130	CASE, OIL SEAL	1							
7	2	172663-73140	SHAFT	1							
8	2	172663-73150	SHAFT	1							
9	2	172425-73160	BEARING	2							
10	2	172663-73160	BEARING, BALL	2							
11	2	172663-73170	PLATE, SWASH	2							
12	2	172663-73180	RING, SNAP	1							
13	2	172663-73190	RING, SNAP	1							
14	2	172663-73210	PIN	4							
15	2	172663-73220	VALVE ASSY	4							
16	2	172663-73230	PLUG	3							
17	2	172663-73270	COVER, HST	2							
18	2	172663-73290	BOLT, SCH	2							
19	2	172663-73310	WASHER	2							
20	2	172663-73330	SCREW	6							
21	2	172663-73340	PUMP ASSY, GEAR	1							
22	2	172663-73360	SPRING, F/N	4							
23	2	172663-73370	PLUG	4							
24	2	172663-73380	PIN, HST	4							
25	2	172663-73390	BOLT, SCH	4							
26	2	172663-73400	METAL, SLIDE	2							
27	2	172663-73410	BEARING, NEEDLE	4							
28	2	172663-73420	PIN	2							
29	2	172663-73440	PISTON, SERVO	2							
30	2	172663-73450	ROD, SERVO	2							
31	2	172663-73460	SPRING, SEAT	4							
32	2	172663-73470	SPRING	4							
33	2	172122-73480	PIN	4							
34	2	172452-73480	PLUG	4							
35	2	172663-73480	SPRING	4							
36	2	172663-73490	SPRING, SEAT	4							
37	2	172663-73500	NUT	10							
38	2	172663-73520	CAP, NUT	2							
39	2	172663-73530	RING, SNAP	4							
40	2	172663-73540	WASHER	4							
41	2	172663-73550	COVER	2							
42	2	172663-73560	COVER	2							
43	2	172663-73570	PLUG	1							
44	2	172663-73600	GUIDE ASSY	4							
45	2	172663-73610	NUT	2							
46	2	172663-73620	ADJUSTER	2							
47	2	172663-73630	RING, BACK UP	4							
48	2	172663-73650	BLEEDER, AIR	4							
49	2	172663-73660	RUBBER, CAP	4							
50	2	172663-73670	SEAL KIT	1							
51	3	172460-73190	SEAL, OIL	1							

Fig.55. HYDRAULIC PUMP



(A)=C30R-3(US)
(B)=
(C)=

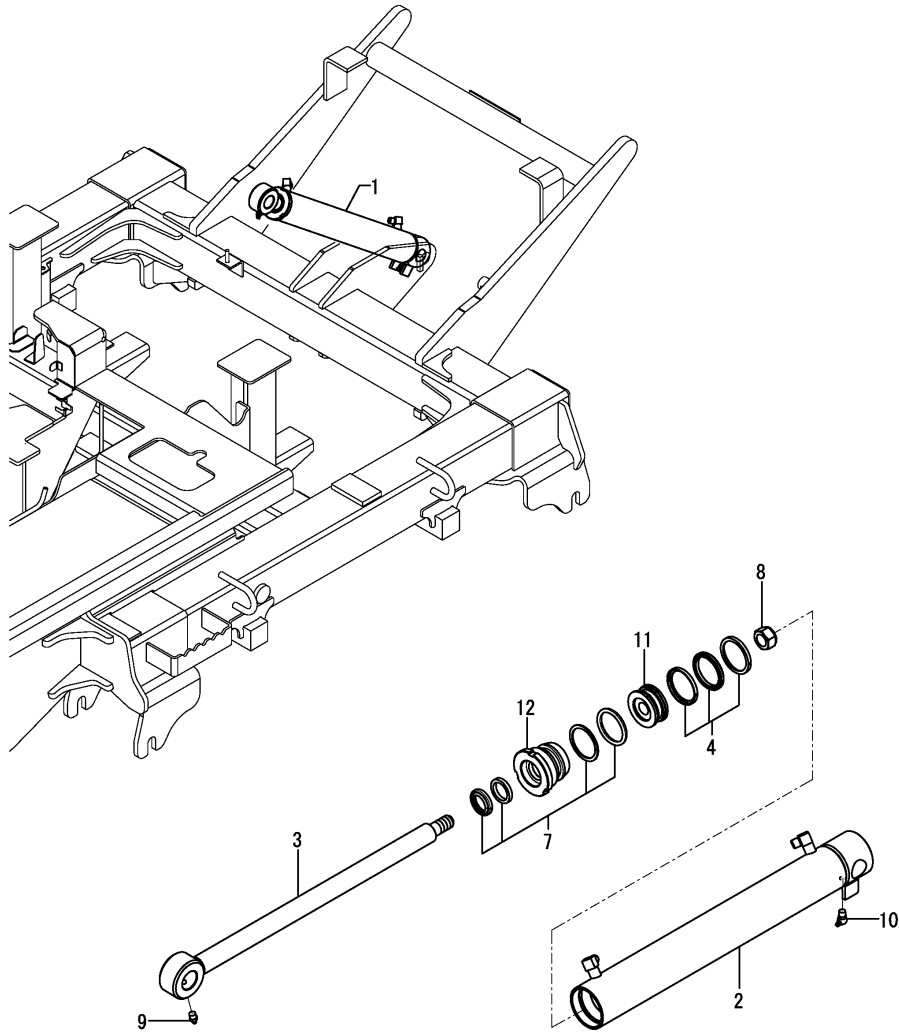
(D)=
(E)=
(F)=

No.	Lev.	Parts No.	Description	Q'ty						I	R
				(A)	(B)	(C)	(D)	(E)	(F)		
52	3	172663-73240	GASKET	2							
53	3	172663-73510	WASHER, SEAL	4							
54	3	172663-73580	O-RING	1							
55	3	172663-73590	O-RING	4							
56	3	172663-73640	O-RING	2							
57	3	24315-000110	O-RING, 1BP11.0	8							
58	3	24315-000180	O-RING, 1BP18.0	7							
59	3	24321-000500	O-RING, 1AG50.0	5							
60	3	24321-000700	O-RING, 1AG70.0	2							
61	3	24321-000850	O-RING, 1AG85.0	1							
62	2	172663-73680	BLOCK ASSY, PLUNGER	2							
63	2	172663-73690	VALVE ASSY	1							
64	2	22242-000250	RING, 25	2							
65	2	26455-080202	BOLT, M8X20	12							
66	1	172663-73200	WASHER, 14.5X32	2							
67	1	22217-140000	WASHER, SPRING 14	2							
68	1	26156-140402	BOLT, M14X 40 PLATED	2							

Fig.56. DUMP CYLINDER

(A)=C30R-3(US)
(B)=
(C)=

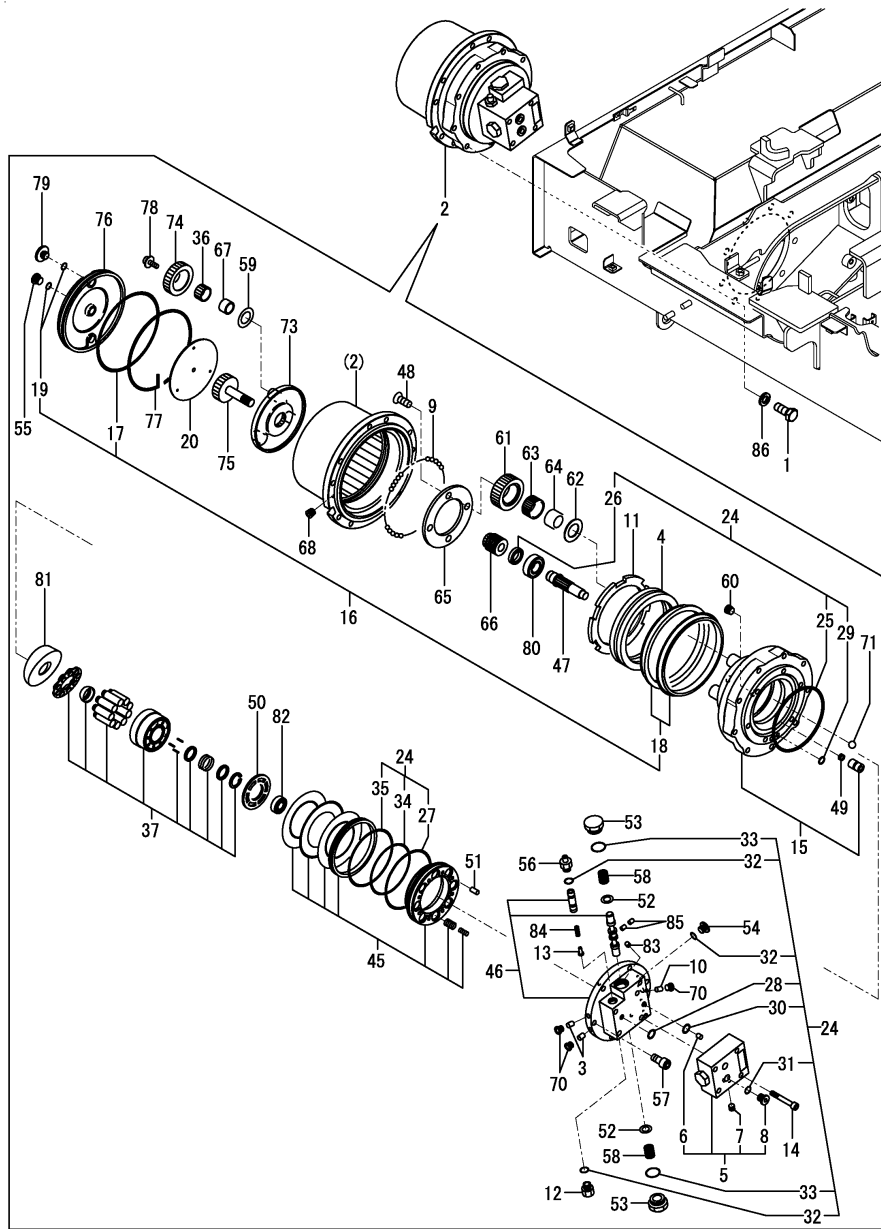
(D)=
(E)=
(F)=



1 1 INC. 2~12.

No.	Lev.	Parts No.	Description	Q'ty						I	R
				(A)	(B)	(C)	(D)	(E)	(F)		
1	1	172649-72100-2	CYLINDER, DUMP	1							
2	2	172649-72110-2	TUBE, DUMP	1							
3	2	172649-72150	ROD, DUMP	1							
4	2	172638-72201	SEAL SET	1							
7	2	172648-72300	SEAL SET, HEAD	1							
8	2	172141-72580	NUT, M20	1							
9	2	24761-020000	NIPPLE, GREASE PT1/8	1							
10	2	24761-040000	NIPPLE, GREASE B	1							
11	2	933123-73902	PISTON 60	1							
12	2	933133-96300	HEAD 60 30 ASSY	1							

Fig.57. TRAVEL MOTOR



(A)=C30R-3(US)

(B)=

(C)=

(D)=

(E)=

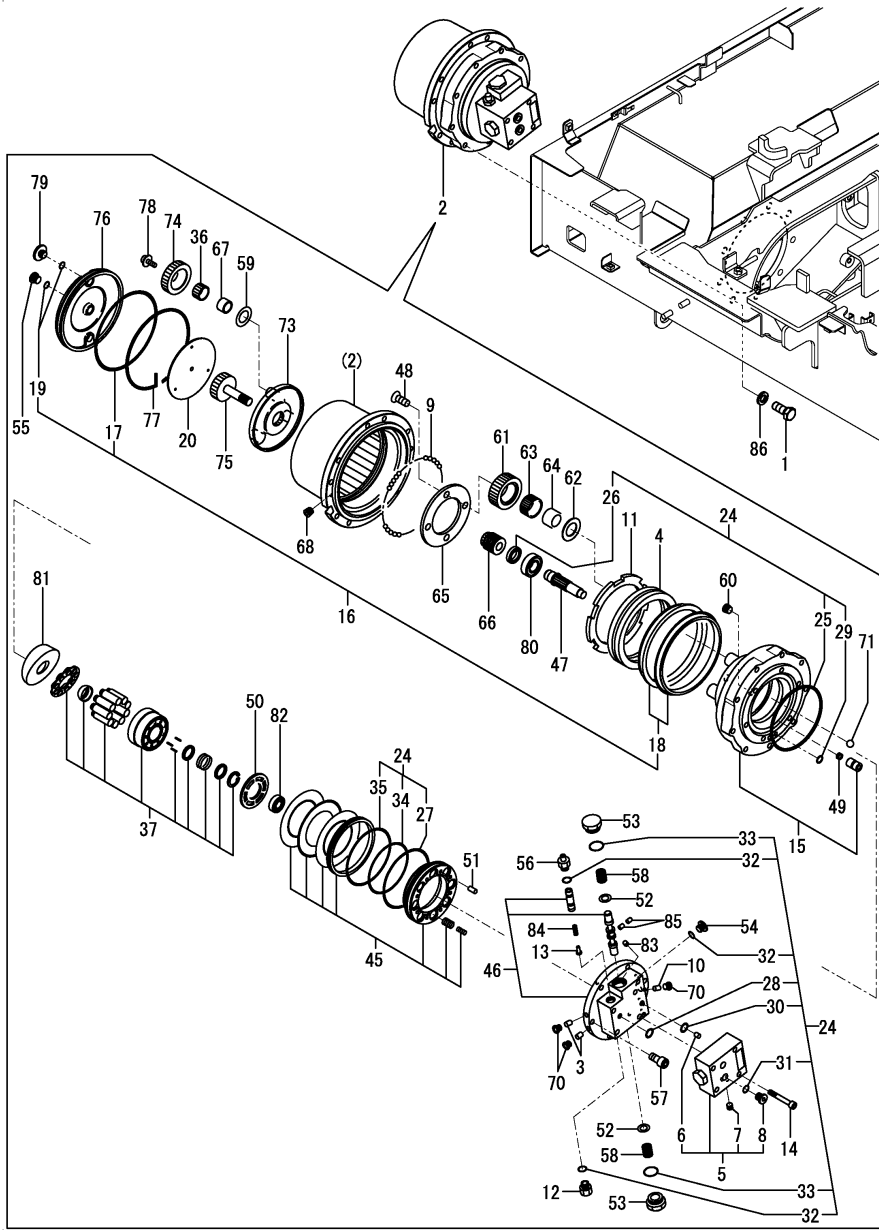
(F)=

No.	Lev.	Parts No.	Description	Q'ty						I	R
				(A)	(B)	(C)	(D)	(E)	(F)		
1	1	172455-29140	BOLT	18							
2	1	172663-73301	MOTOR ASSY,TRAVEL	2							
3	2	172663-70000	ORIFICE	8							
4	2	172124-70010	BEARING, ANGULAR	2							
5	2	172663-70010	VALVE ASSY	2							
6	3	172663-70020	ORIFICE	2							
7	3	172663-70030	ORIFICE	2							
8	3	172148-70301	PLUG	4							
9	2	172124-70030	BALL, STEEL	198							
10	2	172663-70040	ORIFICE	2							
11	2	172124-70051	NUT, RING	2							
12	2	172663-70050	PLUG	2							
13	2	172663-70060	SEAT, SPRING	2							
14	2	172663-70070	BOLT, SCH	8							
15	2	172663-70080	FLANGE KIT	2							
16	2	172663-70090	SEAL KIT,GEAR BOX	2							
17	3	172423-73690	O-RING	2							
18	3	172663-73740	SEAL,FLOATING								1
19	3	24315-000140	O-RING, 1BP14.0	6							
20	2	172663-70100	PLATE KIT,THRUST	2							
24	2	172663-70110	SEAL KIT,MOTOR	2							
25	3	172423-73560	O-RING	2							
26	3	172663-73870	SEAL, OIL	2							
27	3	172663-73920	O-RING	2							
28	3	24315-000070	O-RING, 1BP7.0	10							
29	3	24315-000070	O-RING, 1BP7.0	8							
30	3	24315-000100	O-RING, 1BP10.0	2							
31	3	24315-000110	O-RING, 1BP11.0	4							
32	3	24315-000140	O-RING, 1BP14.0	8							
33	3	24315-000290	O-RING, 1BP29.0	4							
34	3	24325-001250	O-RING, 1BG125.0	2							
35	3	24325-001350	O-RING, 1BG135.0	2							
36	2	172147-70120	GAUGE ASSY	6							
37	2	172663-70120	BLOCK KIT,CYLINDER	2							
45	2	172663-70130	PISTON KIT,BRAKE	2							
46	2	172663-70140	PLATE KIT,BASE	2							
47	2	172147-70230	SHAFT	2							
48	2	172162-70290	SCREW	8							
49	2	172147-70361	SPRING	4							
50	2	172147-70371	PLATE, VALVE	2							
51	2	172122-70410	PIN	8							
52	2	172122-70460	SEAT, SPRING	4							
53	2	172147-70460	CAP	4							
54	2	172147-70500	PLUG	4							
55	2	172147-70500	PLUG	2							
56	2	172147-70520	PLUG	2							
57	2	172147-70540	BOLT, SOCKET HEAD	12							
58	2	172122-70840	SPRING	4							
59	2	172A47-73310	WASHER, THRUST	6							
60	2	172423-73330	PLUG	4							
61	2	172B05-73360	GEAR, PLANETARY	8							

Remarks

(1)A package contains 2 floating seals.
1 package par 1 travel motor.

Fig.57. TRAVEL MOTOR



(A)=C30R-3(US)
(B)=
(C)=

(D)=
(E)=
(F)=

No.	Lev.	Parts No.	Description	Q'ty						I	R
				(A)	(B)	(C)	(D)	(E)	(F)		
62	2	172423-73370	WASHER, THRUST	8							
63	2	172B05-73370	BEARING, NEEDLE	8							
64	2	172B05-73380	RING, INNER	8							
65	2	172B05-73390	PLATE, THRUST	2							
66	2	172B05-73400	GEAR, SUN	2							
67	2	172423-73410	RACE, INNER	6							
68	2	172122-73430	PLUG	4							
70	2	172B05-73500	PLUG ASSY	6							
71	2	172423-73510	BALL, STEEL	4							
73	2	172663-73750	HOLDER	2							
74	2	172663-73760	GEAR, PLANETARYA	6							
75	2	172663-73770	GEAR, DRIVE	2							
76	2	172663-73810	COVER	2							
77	2	172663-73820	WIRE	2							
78	2	172663-73830	BOLT	6							
79	2	172663-73840	PLUG	4							
80	2	172663-73850	BEARING, ROLLER	2							
81	2	172663-73880	PLATE, SWASH	2							
82	2	172663-73930	BEARING, BALL	2							
83	2	172663-73970	ORIFICE	4							
84	2	172663-73980	SPRING	2							
85	2	172312-74790	ORIFICE	8							
86	1	22217-140000	WASHER, SPRING 14	18							

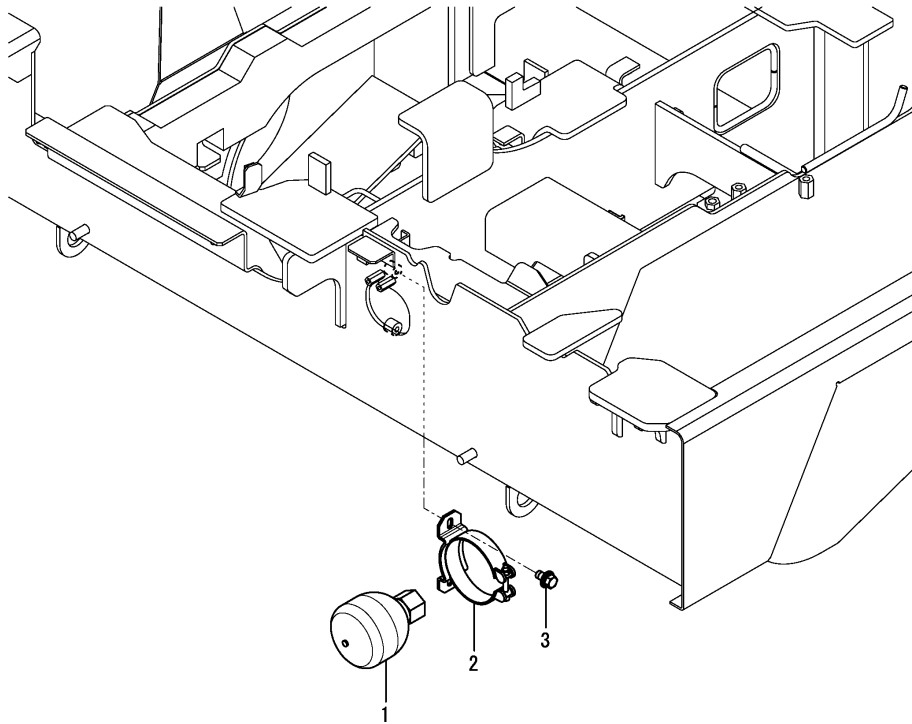
Remarks

(1)A package contains 2 floating seals.
1 package par 1 travel motor.

Fig.58. ACCUMULATOR

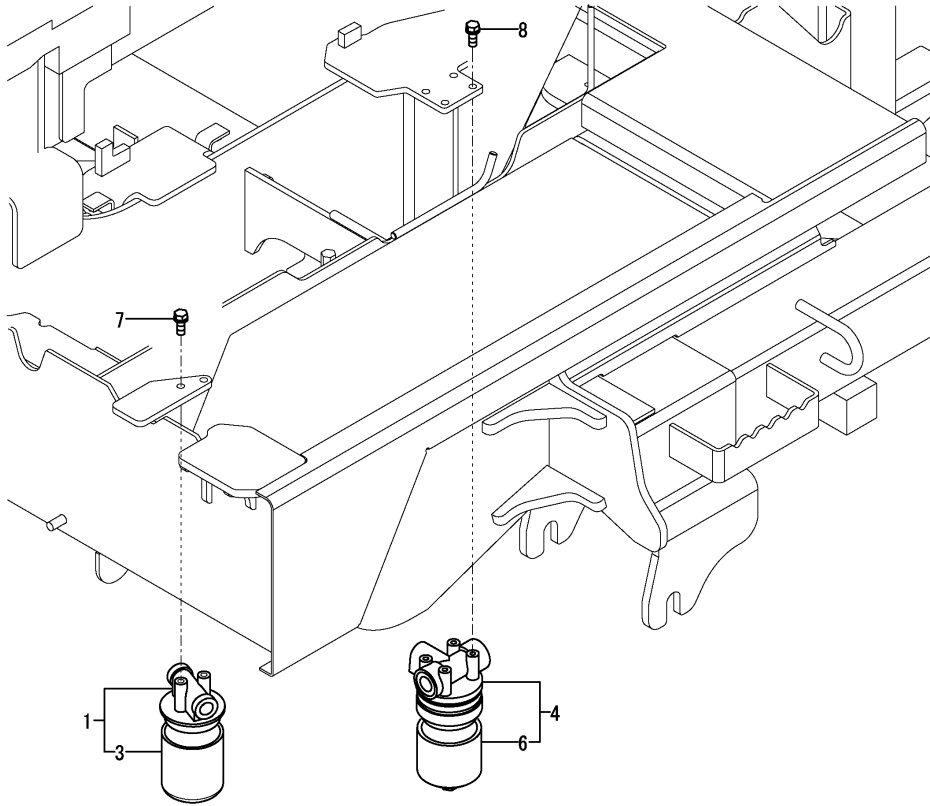
(A)=C30R-3(US)
(B)=
(C)=

(D)=
(E)=
(F)=



No.	Lev.	Parts No.	Description	Q'ty						I	R
				(A)	(B)	(C)	(D)	(E)	(F)		
1	1	172B11-73600	ACCUMULATOR	1							
2	1	172B11-73630	CLAMP	1							
3	1	26014-080162	BOLT, M8X 16	2							

Fig.59. FILTER



(A)=C30R-3(US)
(B)=
(C)=

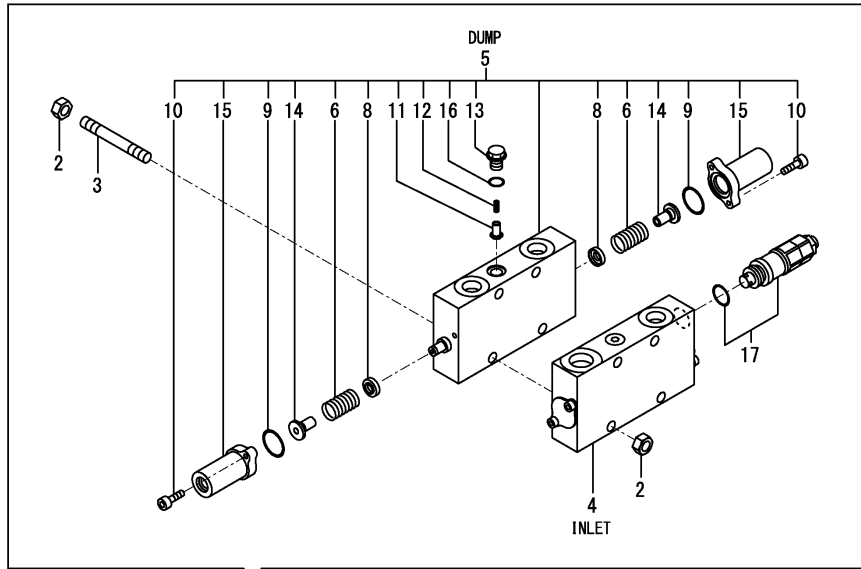
(D)=
(E)=
(F)=

No.	Lev.	Parts No.	Description	Q'ty						I	R
				(A)	(B)	(C)	(D)	(E)	(F)		
1	1	172156-73700	STRAINER, RETURN	1							
3	2	172156-73710	ELEMENT, FILTER	1							
4	1	172663-73700	FILTER ASSY,CHARGE	1							
6	2	172663-73720	ELEMENT, FILTER	1							
7	1	26013-080202	BOLT, M8X 20	2							
8	1	26013-080202	BOLT, M8X 20	4							

Fig.60. CONTROL VALVE

(A)=C30R-3(US)
(B)=
(C)=

(D)=
(E)=
(F)=



No.	Lev.	Parts No.	Description	Q'ty						I	R
				(A)	(B)	(C)	(D)	(E)	(F)		
1	1	172663-74100	VALVE, DUMP	1							
2	2	172422-74110	NUT	8							
3	2	172663-74110	TIE-ROD	4							
4	2	172663-74120	SECTION ASSY, INLET	1							
5	2	172663-74130	SECTION ASSY, DUMP	1							
6	3	172663-74160	SPRING	2							
8	3	172422-74180	SEAT, SPRING	2							
9	3	172614-74220	O-RING	2							
10	3	172422-74230	BOLT, SOCKET	4							
11	3	172460-74350	POPPET	1							
12	3	172460-74380	SPRING	1							
13	3	172460-74390	PLUG	1							
14	3	172460-74410	SEAT, SPRING	2							
15	3	172460-74420	CAP	2							
16	3	24315-000110	O-RING, 1BP11.0	1							
17	2	172663-74140	VALVE KIT, RELIEF	1							
18	1	172663-74150	BRACKET, DUMP VALVE	1							
19	1	26013-100162	BOLT, M10X 16	3							
20	1	26014-100162	BOLT, M10X 16	2							

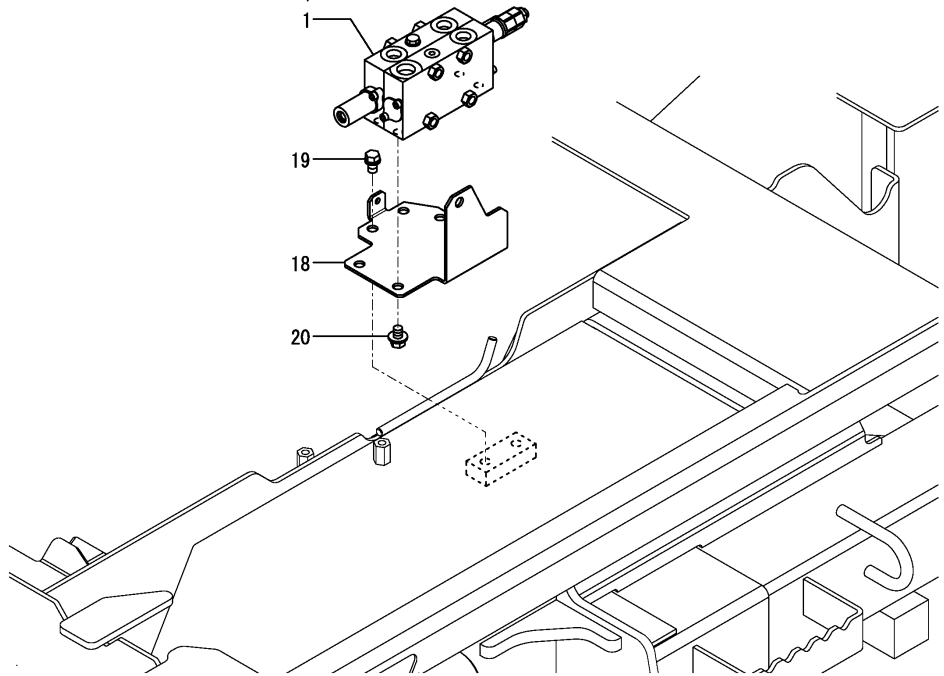
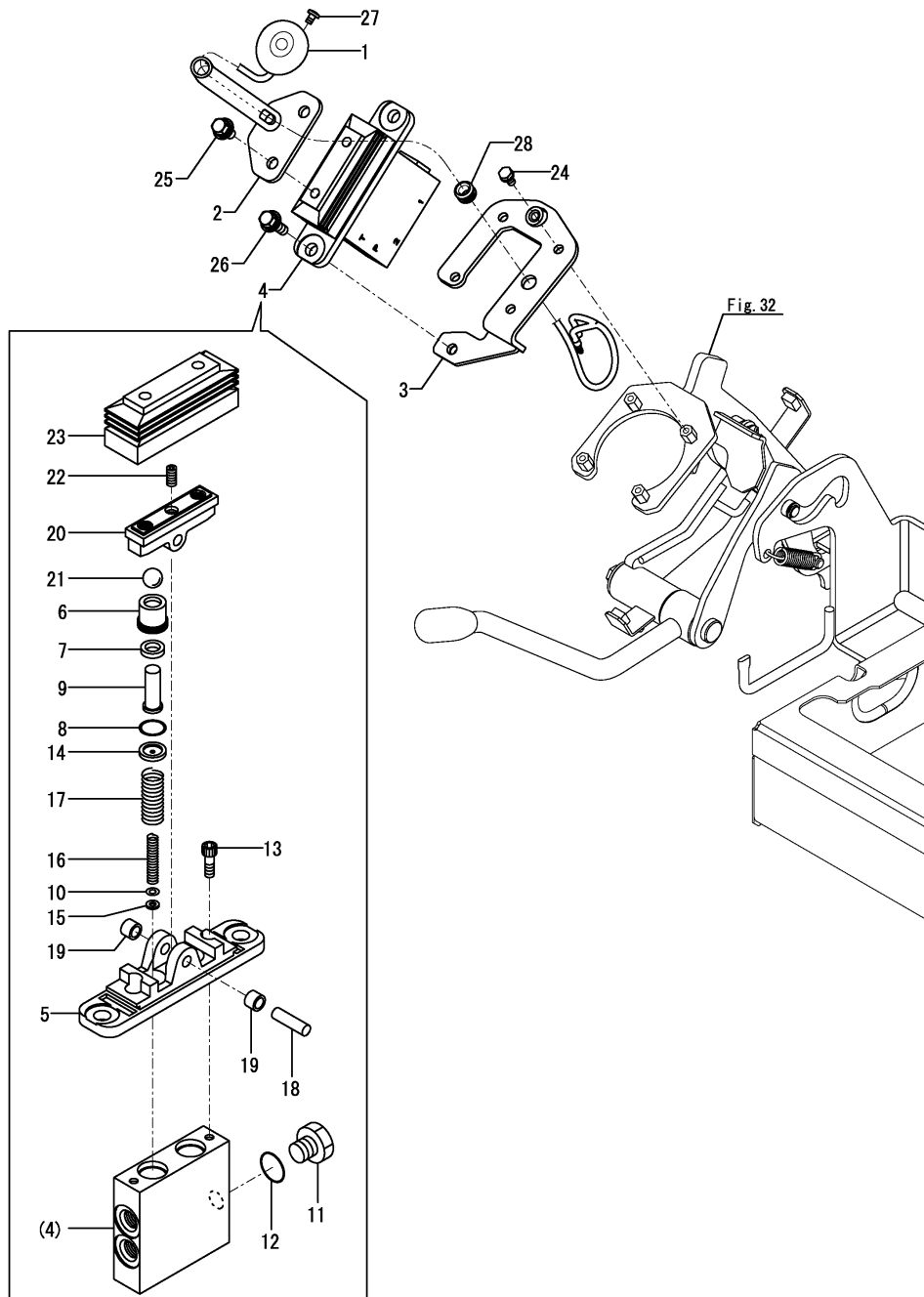


Fig.62. OPERATION LEVER



(A)=C30R-3(US)
(B)=
(C)=

(D)=
(E)=
(F)=

No.	Lev.	Parts No.	Description	Q'ty						I	R
				(A)	(B)	(C)	(D)	(E)	(F)		
1	1	172663-17950	KNOB ASSY,VESSEL	1							
2	1	172663-74501	LEVER ASSY,DUMP	1							
3	1	172663-74550	SPACER ASSY, L	1							
4	1	172A47-74700	VALVE ASSY, BLADE	1							
5	2	172A47-74710	COVER	1							
6	2	172A47-74720	PLUG	2							
7	2	172A47-74730	PACKING	2							
8	2	172A47-74740	O-RING	2							
9	2	172A47-74750	ROD, PUSH	2							
10	2	172A47-74760	SHIM	2							
11	2	172A47-74770	PLUG	1							
12	2	172A47-74780	O-RING	1							
13	2	172A47-74790	BOLT	2							
14	2	172A47-74800	SEAT, SPRING	2							
15	2	172A47-74810	WASHER	2							
16	2	172A47-74820	SPRING	2							
17	2	172A47-74830	SPRING	2							
18	2	172A47-74840	SHAFT, CAM	1							
19	2	172A47-74850	BUSH	2							
20	2	172A47-74860	CAM	1							
21	2	172A47-74870	BALL, STEEL	2							
22	2	172A47-74880	SCREW, SETTING	1							
23	2	172A47-74890	BELLOWS	1							
24	1	26013-060122	BOLT, M6X 12	4							
25	1	26014-080162	BOLT, M8X 16	2							
26	1	26014-080252	BOLT, M8X 25	2							
27	1	26587-040062	SCREW, M4X 6	1							
28	1	933160-09240	GROMMET, 9X10.5	1							

Fig.63. SOLENOID VALVE

(A)=C30R-3(US)
(B)=
(C)=

(D)=
(E)=
(F)=

No.	Lev.	Parts No.	Description	Q'ty						I	R
				(A)	(B)	(C)	(D)	(E)	(F)		
1	1	26013-080702	BOLT, M8X 70	2							
2	1	26013-080752	BOLT, M8X 75	3							
3	1	172663-74900	VALVE ASSY,SOL	1							
4	1	172663-74700	VALVE ASSY,3 SOL	1							

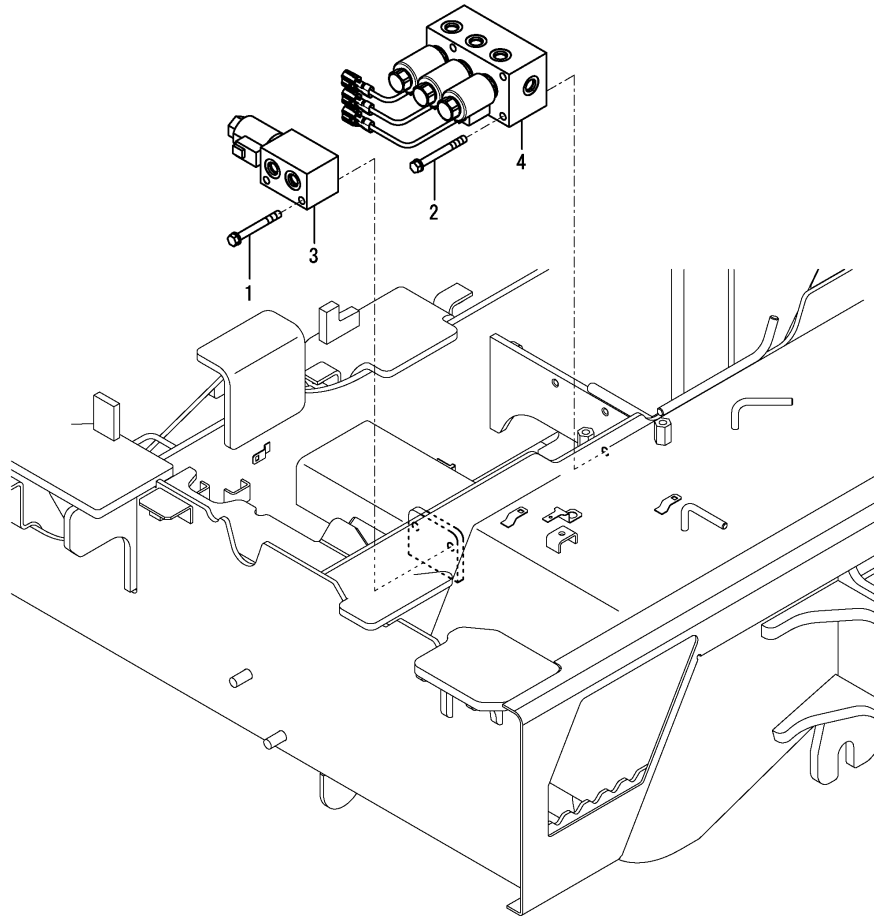


Fig.64. SELECTOR VALVE

(A)=C30R-3(US)
(B)=
(C)=

(D)=
(E)=
(F)=

No.	Lev.	Parts No.	Description	Q'ty						I	R
				(A)	(B)	(C)	(D)	(E)	(F)		
1	1	172663-74810	BRACKET ASSY,SELEC	1							
2	1	26013-080202	BOLT, M8X 20	2							
3	1	26014-100202	BOLT, M10X 20	2							
4	1	172663-74800	VALVE ASSY,SELECTER	1							

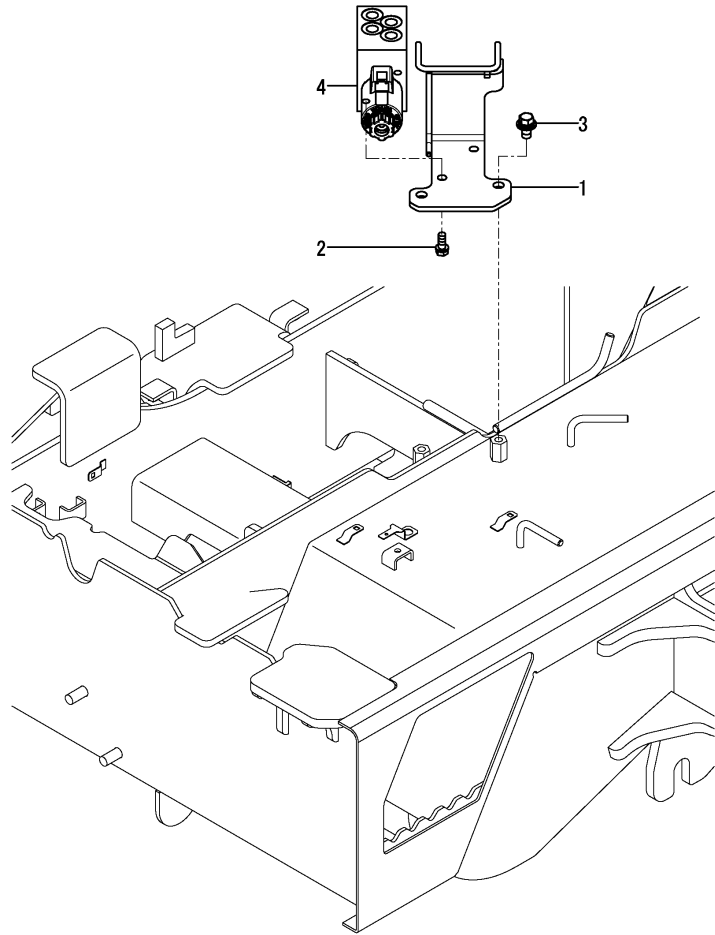
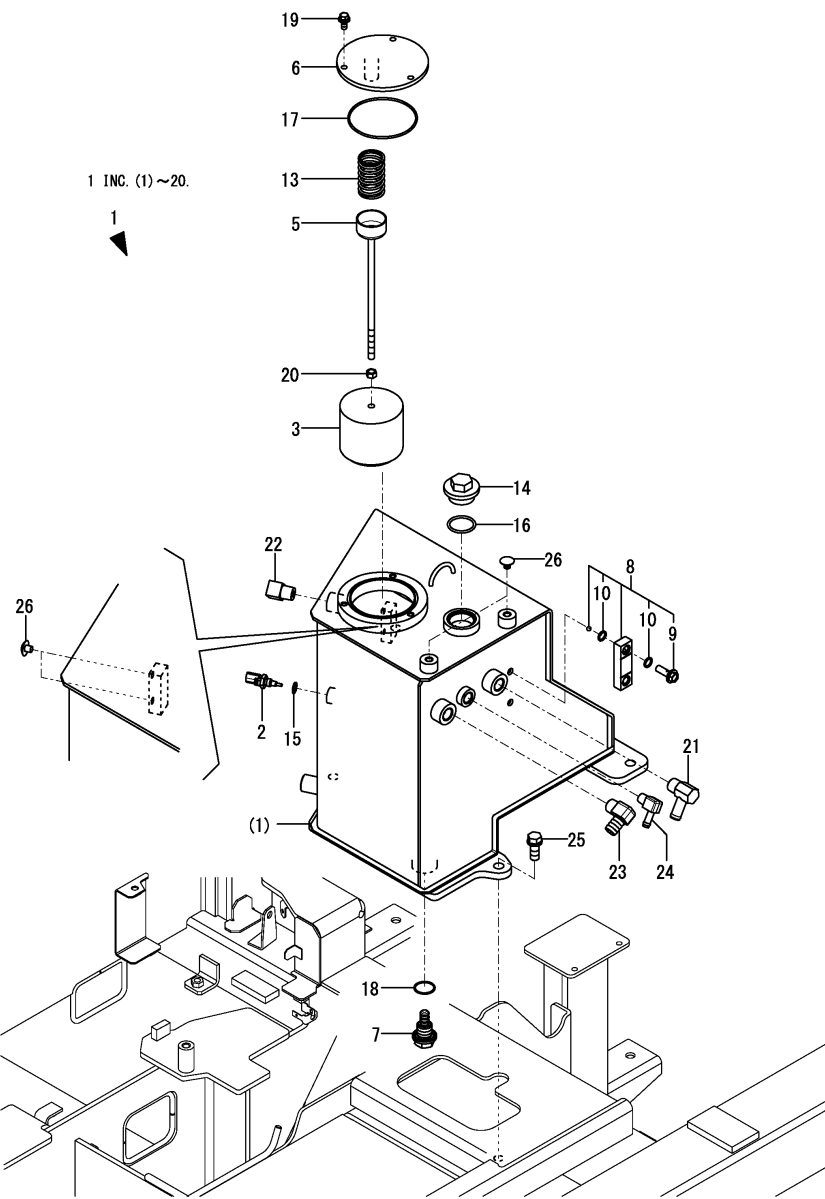


Fig.65. HYD. OIL TANK



(A)=C30R-3(US)
(B)=
(C)=

(D)=
(E)=
(F)=

No.	Lev.	Parts No.	Description	Q'ty						I	R
				(A)	(B)	(C)	(D)	(E)	(F)		
1	1	172663-08020	TANK KIT,RESERVOIR	1							
2	2	129927-44900	SENSOR, WATER TEMP.	1							
3	2	172137-73700	FILTER, SUCTION	1							
5	2	172663-75350	STAY ASSY,FILTER	1							
6	2	172663-75380	COVER ASSY,SUCTION	1							
7	2	172187-75500	PLUG	1							
8	2	172447-75600	GAUGE ASSY	1							
9	3	172455-75290	BOLT	2							
10	3	172455-75300	O-RING	4							
13	2	172112-75780	SPRING, FILTER	1							
14	2	172116-75850-B	PLUG, OIL FEED	1							
15	2	22190-120002	WASHER, SEAL 12	1							
16	2	24311-000380	O-RING, 1AP38.0	1							
17	2	24321-001050	O-RING, 1AG105.0	1							
18	2	24341-000300	O-RING, 1AS30.0	1							
19	2	26014-080202	BOLT, M8X 20	3							
20	2	26716-100002	NUT, M10	1							
20A	1	172437-03322	LABEL, RESEVOIR	1							2
21	1	174841-48792	JOINT, R1/2	1							
22	1	172131-76130	NIPPLE, ELBOW	1							
23	1	172164-76210	NIPPLE, ELBOW	1							
24	1	172168-76370	ELBOW	1							
25	1	26013-140352	BOLT, M14X 35	4							
26	1	172183-81160	CLIP, TREE	4							

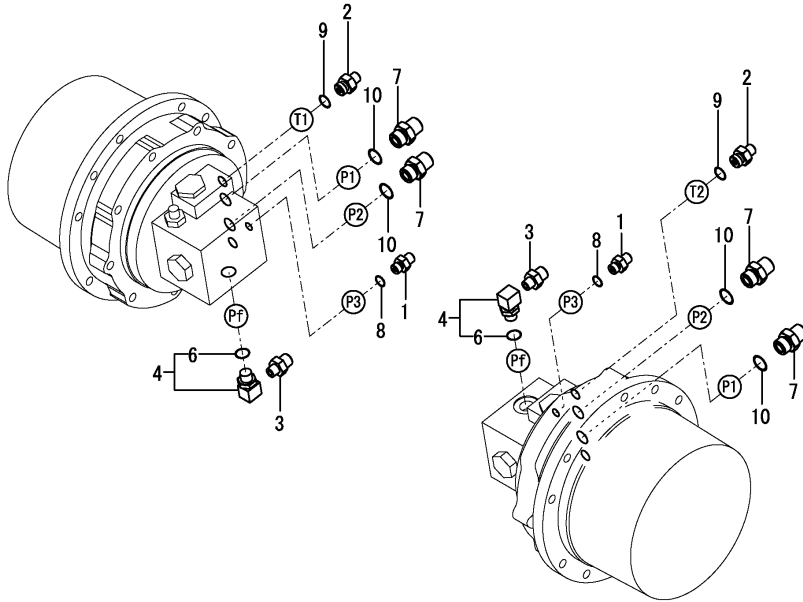
Remarks

- (1) Attach the No.20A label to this part.
- (2) Not illustrated.

Fig.66. FITTING(TRAVEL MOTOR)

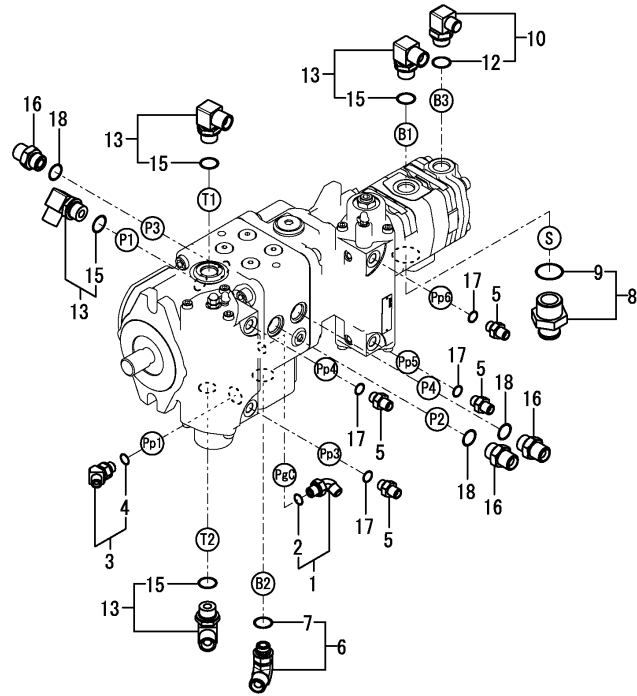
(A)=C30R-3(US)
(B)=
(C)=

(D)=
(E)=
(F)=



No.	Lev.	Parts No.	Description	Q'ty						I	R
				(A)	(B)	(C)	(D)	(E)	(F)		
1	1	172123-76121	ADAPTER	2							
2	1	172124-76160	CONNECTOR	2							
3	1	172312-76240	NIPPLE, 1/4-3/8	2							
4	1	172186-76370	CONNECTOR, 3/8X1/4	2							
6	2	24315-000140	O-RING, 1BP14.0	2							
7	1	172112-77361	CONNECTOR	4							
8	1	41851-000110	O-RING	2							
9	1	41851-000140	O-RING	2							
10	1	41851-000180	O-RING	4							

Fig.67. FITTING(HYDRAULIC PUMP)



(A)=C30R-3(US)
(B)=
(C)=

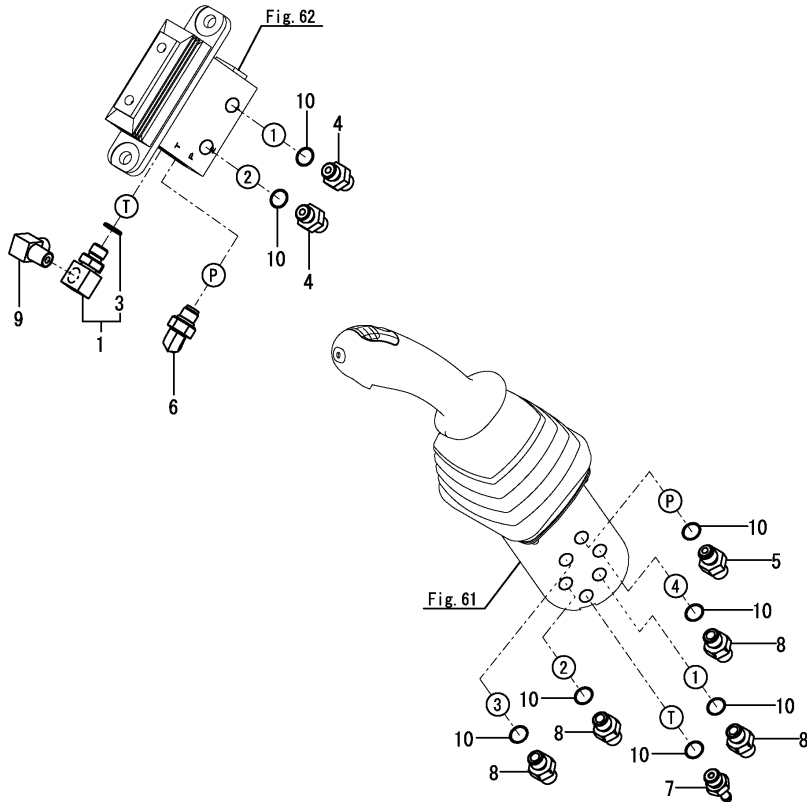
(D)=
(E)=
(F)=

No.	Lev.	Parts No.	Description	Q'ty						I	R
				(A)	(B)	(C)	(D)	(E)	(F)		
1	1	172B03-76010	ELBOW	1							
2	2	41851-000110	O-RING	1							
3	1	172173-76102	CONNECTOR ASSY	1							
4	2	41851-000110	O-RING	1							
5	1	172123-76121	ADAPTER	4							
6	1	172B03-76130	ELBOW	1							
7	2	41851-000140	O-RING	1							
8	1	172527-76210	NIPPLE, 1-25	1							
9	2	24315-000290	O-RING, 1BP29.0	1							
10	1	172157-76300	ELBOW ASSY	1							
12	2	24315-000180	O-RING, 1BP18.0	1							
13	1	172141-76900	CONNECTOR ASSY	4							
15	2	24315-000180	O-RING, 1BP18.0	4							
16	1	172112-77361	CONNECTOR	3							
17	1	41851-000110	O-RING	4							
18	1	41851-000180	O-RING	3							

Fig.68. FITTING(LEVER)

(A)=C30R-3(US)
(B)=
(C)=

(D)=
(E)=
(F)=

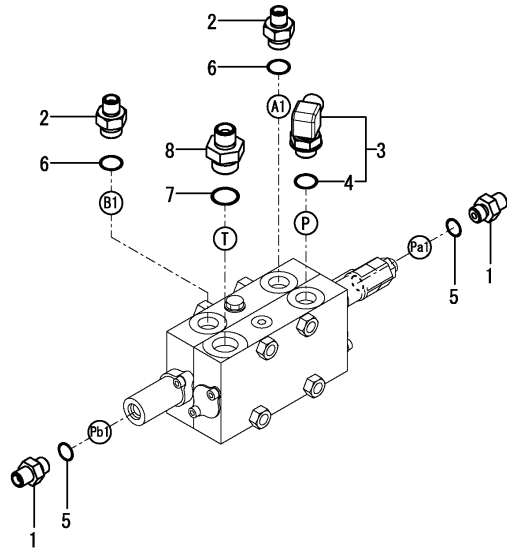


No.	Lev.	Parts No.	Description	Q'ty						I	R
				(A)	(B)	(C)	(D)	(E)	(F)		
1	1	172137-76100	ELBOW	1							
3	2	24315-000110	O-RING, 1BP11.0	1							
4	1	172123-76121	ADAPTER	2							
5	1	172455-76220	CONNECTOR	1							
6	1	172B03-76240	ELBOW,90FILTER G1/4	1							
7	1	172663-76650	NIPPLE,G1/4-1/4	1							
8	1	172663-76660	CONNECTOR,G1/4-0.6	4							
9	1	23393-020000	JOINT, 90RGI-1/4	1							
10	1	41851-000110	O-RING	8							

Fig.69. FITTING(CONTROL VALVE)

(A)=C30R-3(US)
(B)=
(C)=

(D)=
(E)=
(F)=



No.	Lev.	Parts No.	Description	Q'ty						I	R
				(A)	(B)	(C)	(D)	(E)	(F)		
1	1	172123-76121	ADAPTER	2							
2	1	172124-76160	CONNECTOR	2							
3	1	172142-76181	JOINT ASSY	1							
4	2	24315-000140	O-RING, 1BP14.0	1							
5	1	41851-000110	O-RING	2							
6	1	41851-000140	O-RING	2							
7	1	41851-000180	O-RING	1							
8	1	933160-01370	CONNECTOR,PF1/2PF3/8	1							

Fig.70. FITTING(FILTER)

(A)=C30R-3(US)
(B)=
(C)=

(D)=
(E)=
(F)=

No.	Lev.	Parts No.	Description	Q'ty						I	R
				(A)	(B)	(C)	(D)	(E)	(F)		
1	1	172124-76160	CONNECTOR	1							
2	1	172168-76162	CONNECTOR, PF1/2X3/8	1							
3	1	172423-76200	TEE, ADJUSTABLE	1							
4	1	172156-76240	ELBOW, NIPPLE	1							
5	1	172663-76280	ELBOW, 1/2-3/4	1							
6	1	172663-76290	ELBOW, 3/8-5/8	1							
7	1	172141-76900	CONNECTOR ASSY	1							
9	2	24315-000180	O-RING, 1BP18.0	1							
10	1	41851-000140	O-RING	2							

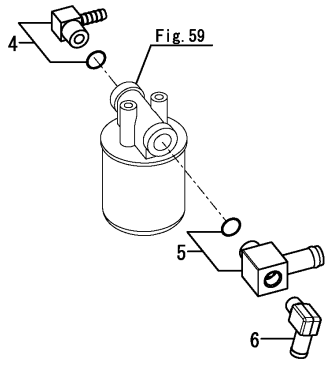
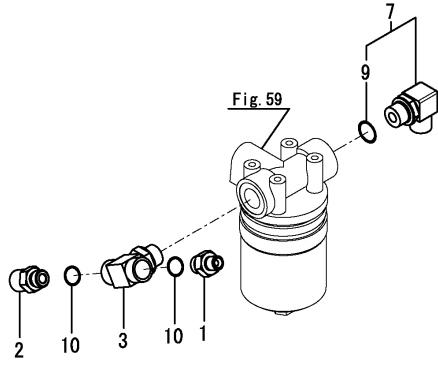
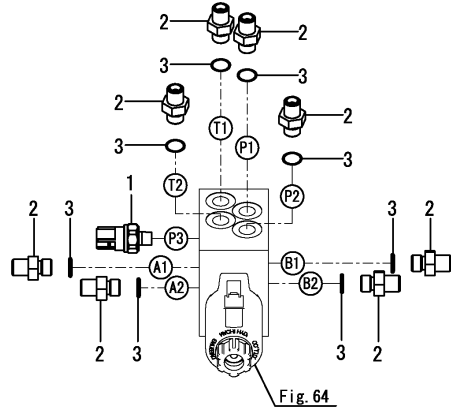


Fig.71. FITTING(SELECTOR VALVE)

(A)=C30R-3(US)
(B)=
(C)=

(D)=
(E)=
(F)=

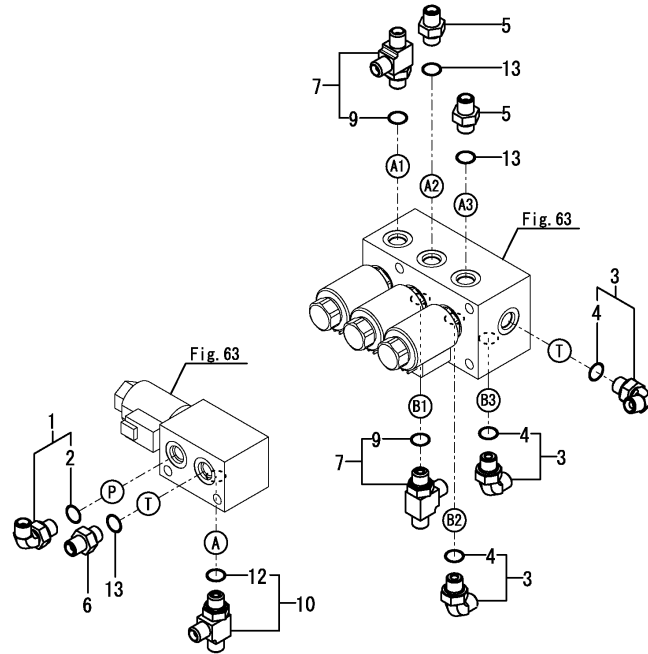


No.	Lev.	Parts No.	Description	Q'ty						I	R
				(A)	(B)	(C)	(D)	(E)	(F)		
1	1	172663-17550	SWITCH, PRESSURE	1							
2	1	172123-76121	ADAPTER	8							
3	1	41851-000110	O-RING	8							

Fig.72. FITTING(SOLENOID VALVE)

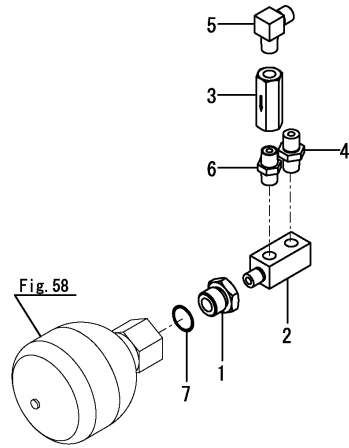
(A)=C30R-3(US)
(B)=
(C)=

(D)=
(E)=
(F)=



No.	Lev.	Parts No.	Description	Q'ty						I	R
				(A)	(B)	(C)	(D)	(E)	(F)		
1	1	172B03-76010	ELBOW	1							
2	2	41851-000110	O-RING	1							
3	1	172B03-76010	ELBOW	3							
4	2	41851-000110	O-RING	3							
5	1	172123-76121	ADAPTER	2							
6	1	172123-76121	ADAPTER	1							
7	1	172162-76181	JOINT ASSY	2							
9	2	41851-000110	O-RING	2							
10	1	172162-76181	JOINT ASSY	1							
12	2	41851-000110	O-RING	1							
13	1	41851-000110	O-RING	3							

Fig.73. FITTING(ACCUMULATOR)

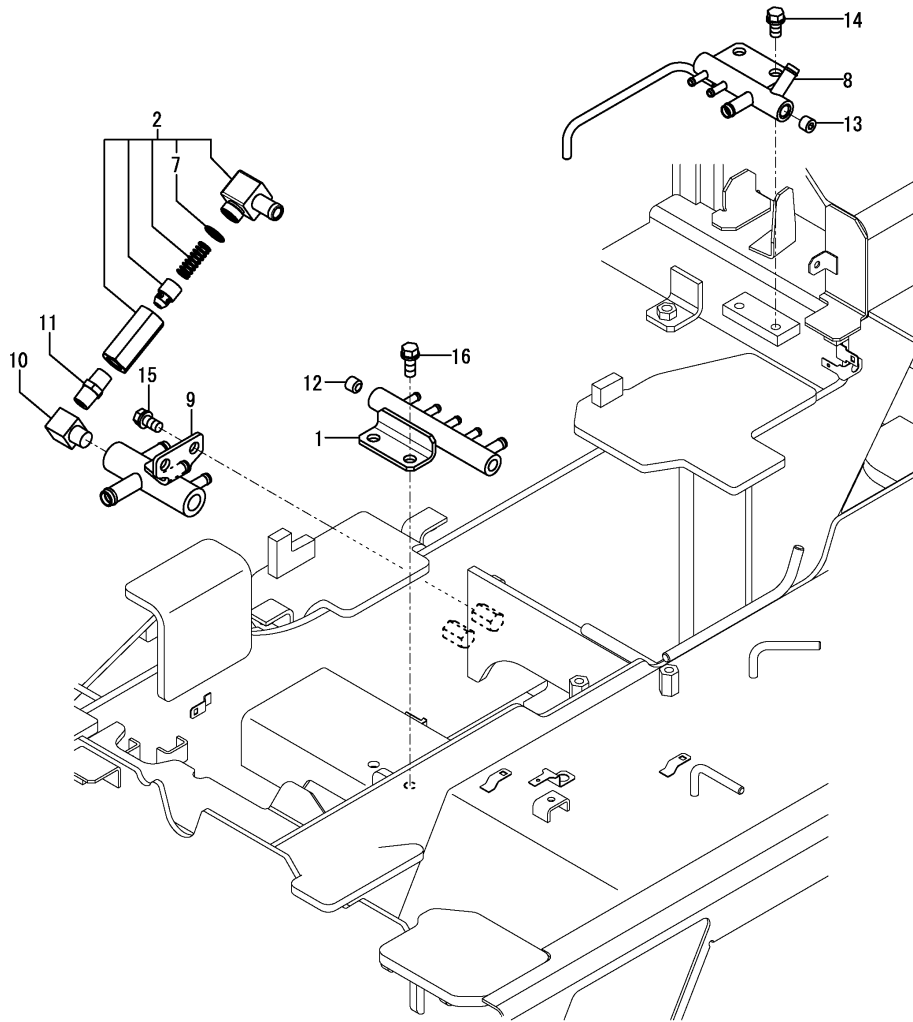


(A)=C30R-3(US)
(B)=
(C)=

(D)=
(E)=
(F)=

No.	Lev.	Parts No.	Description	Q'ty						I	R
				(A)	(B)	(C)	(D)	(E)	(F)		
1	1	172110-76050	BUSHING	1							
2	1	172181-76100	CONNECTOR, 3XPT1/4	1							
3	1	172156-76290	VALVE, CHECK PT1/4	1							
4	1	23391-020000	JOINT, RGI-1/4	1							
5	1	23393-020000	JOINT, 90RGI-1/4	1							
6	1	23395-020000	JOINT, RRN-1/4	1							
7	1	41851-000180	O-RING	1							

Fig.74. FITTING(BLOCK)



(A)=C30R-3(US)
(B)=
(C)=

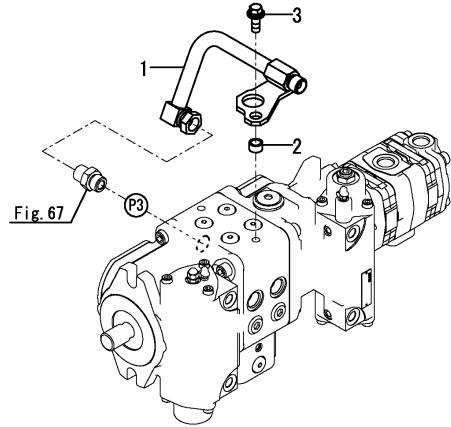
(D)=
(E)=
(F)=

No.	Lev.	Parts No.	Description	Q'ty						I	R
				(A)	(B)	(C)	(D)	(E)	(F)		
1	1	172663-76330	BLOCK, A DRAIN	1							
2	1	172663-76380	VALVE, CHECK	1							
7	2	41851-000180	O-RING	1							
8	1	172663-76430	BLOCK, B DRAIN	1							
9	1	172663-76450	BLOCK, C DRAIN	1							
10	1	172168-79520	ELBOW	1							
11	1	23395-030000	JOINT, RRN-3/8	1							
12	1	23871-020000	PLUG, R02	1							
13	1	23871-020000	PLUG, R02	1							
14	1	26013-100202	BOLT, M10X 20	2							
15	1	26013-100202	BOLT, M10X 20	2							
16	1	26013-100252	BOLT, M10X 25	2							

Fig.75. TUBE

(A)=C30R-3(US)
 (B)=
 (C)=

(D)=
 (E)=
 (F)=

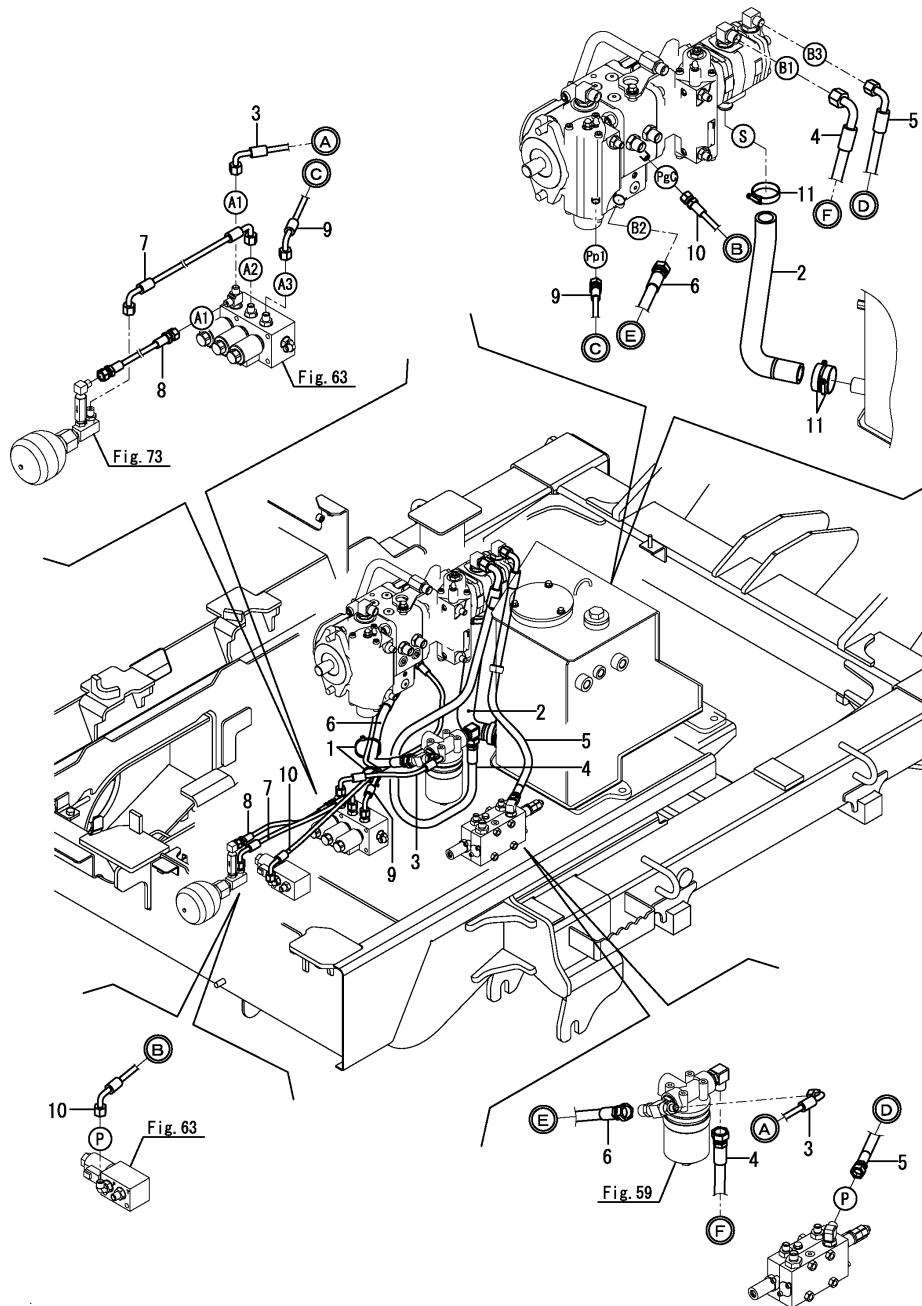


No.	Lev.	Parts No.	Description	Q'ty						I	R
				(A)	(B)	(C)	(D)	(E)	(F)		
1	1	172663-76170	TUBE ASSY, PUMP	1							
2	1	172738-95770	COLLAR	1							
3	1	26014-100302	BOLT, M10X 30	1							

Fig.76. TANK - PUMP & CONTROL VALVE

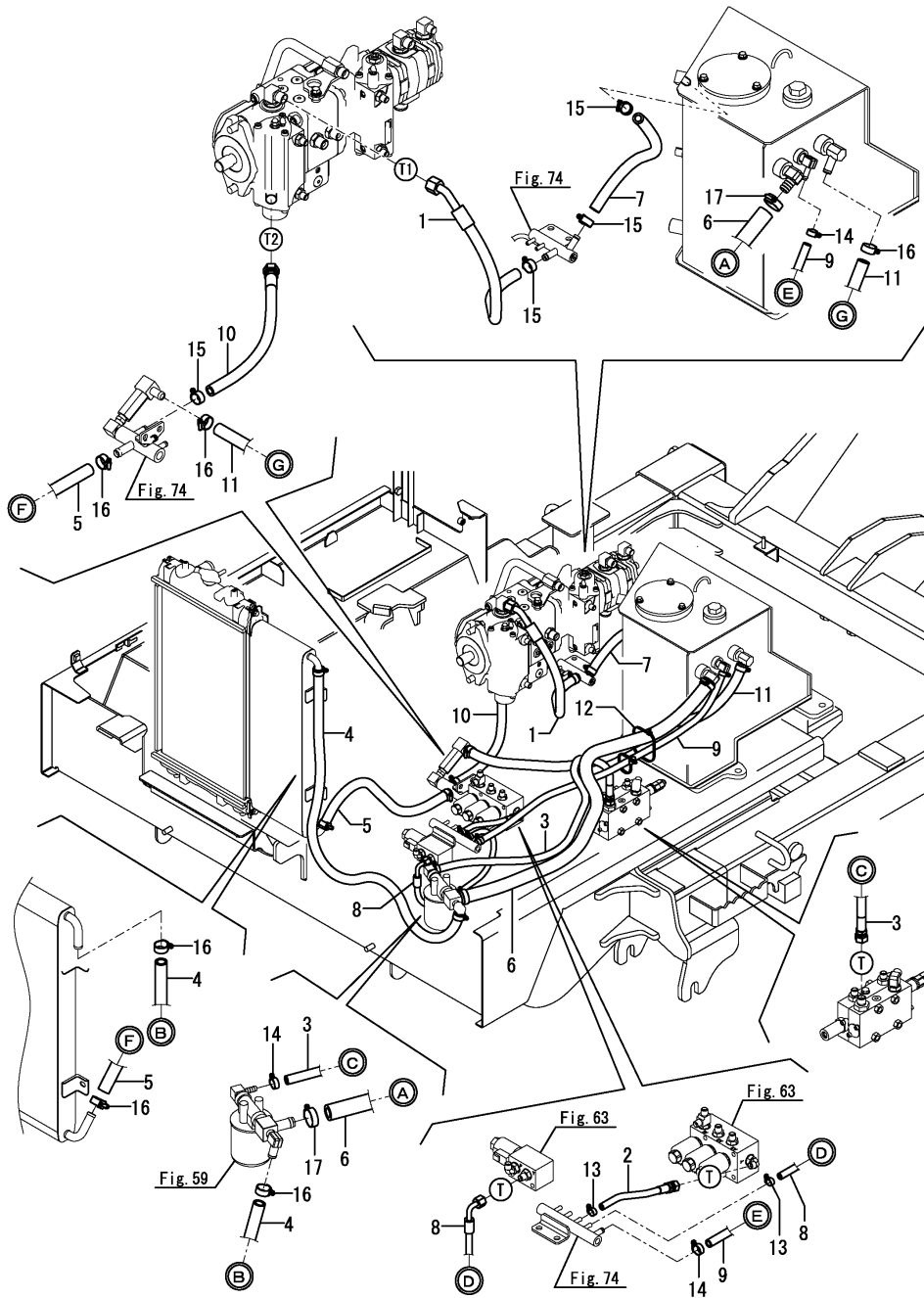
(A)=C30R-3(US)
(B)=
(C)=

(D)=
(E)=
(F)=



No.	Lev.	Parts No.	Description	Q'ty						I	R
				(A)	(B)	(C)	(D)	(E)	(F)		
1	1	194202-56460	BAND, 200	2							
2	1	172663-78080	HOSE, SUCTION	1							
3	1	172663-78120	HOSE,F403CC027	1							
4	1	172663-78131	HOSE,H508BC133S	1							
5	1	172663-78140	HOSE,H206BC083S	1							
6	1	172663-78210	HOSE,H508BB056	1							
7	1	172663-78310	HOSE,F403CC033	1							
8	1	172663-78340	HOSE,F403BB031	1							
9	1	172663-79530	HOSE,F403BC068	1							
10	1	172663-79570	HOSE,F403BC130S	1							
11	1	23001-041000	CLAMP, HOSE 41	3							

Fig.77. RETURN



(A)=C30R-3(US)
 (B)=
 (C)=

(D)=
 (E)=
 (F)=

No.	Lev.	Parts No.	Description	Q'ty						I	R
				(A)	(B)	(C)	(D)	(E)	(F)		
1	1	172663-78230	HOSE,H708EY067S	1							
2	1	172663-78330	HOSE,G704BY021	1							
3	1	172663-78380	HOSE,H606BY096S	1							
4	1	172663-78550	HOSE,H610YY110S	1							
5	1	172663-78560	HOSE,H610YY057	1							
6	1	172663-78570	HOSE,H612YY125S	1							
7	1	172663-78580	HOSE,G708YY046S	1							
8	1	172663-78590	HOSE,G704CY047	1							
9	1	172663-78600	HOSE,G706YY102	1							
10	1	172663-78680	HOSE,H608BY046	1							
11	1	172663-78970	HOSE,H610YY092S	1							
12	1	172122-79890	CLAMP, HOSE	1							
13	1	23000-013000	CLAMP, 13	2							
14	1	23001-016000	CLAMP, HOSE 16	3							
15	1	23001-019000	CLAMP, HOSE 19	4							
16	1	23001-022000	CLAMP, HOSE 22	6							
17	1	23001-035000	CLAMP, HOSE 35	2							

Fig.78. PUMP - TRAVEL FRAME

(A)=C30R-3(US)

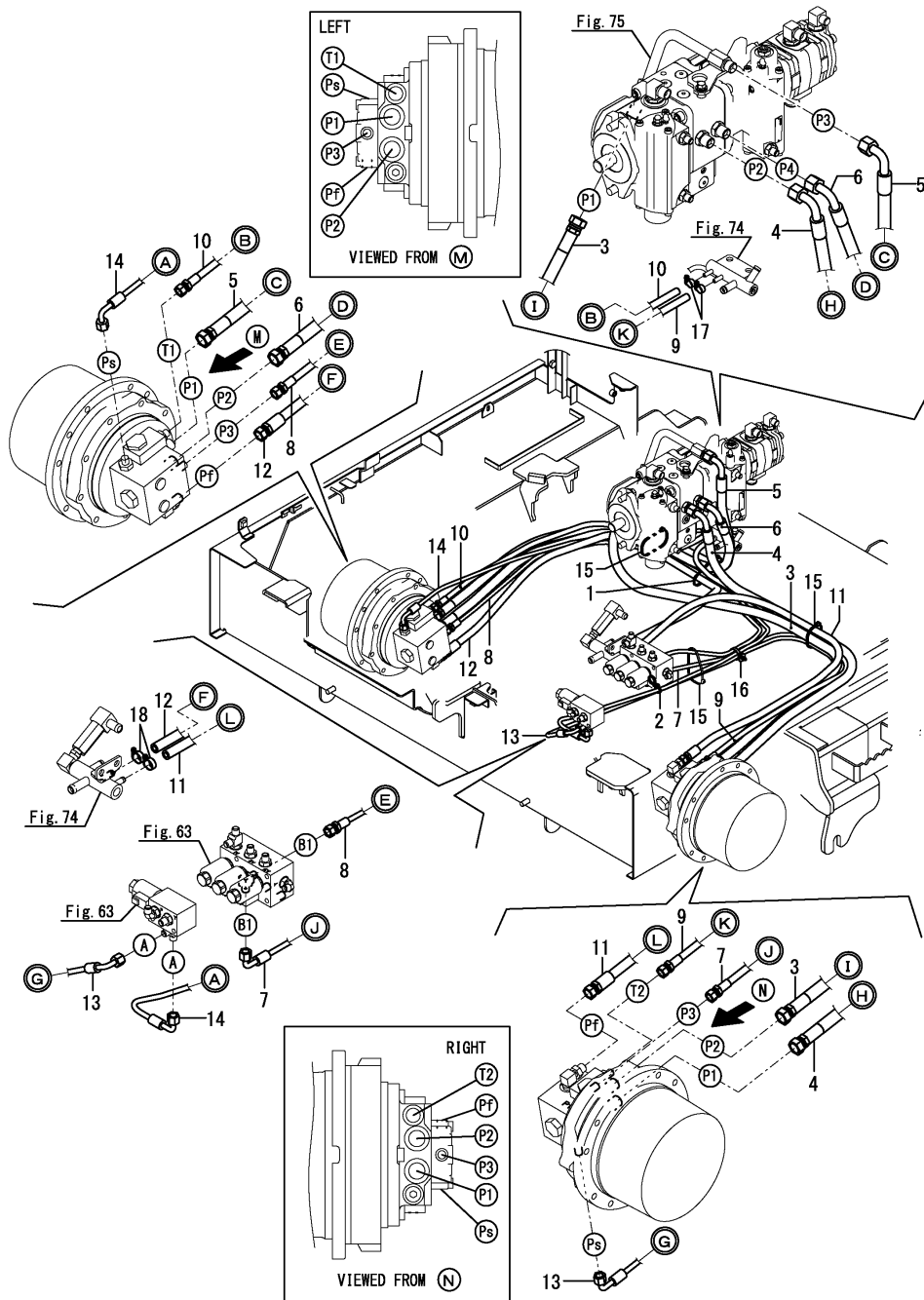
(B)=

(C)=

(D)=

(E)=

(F)=

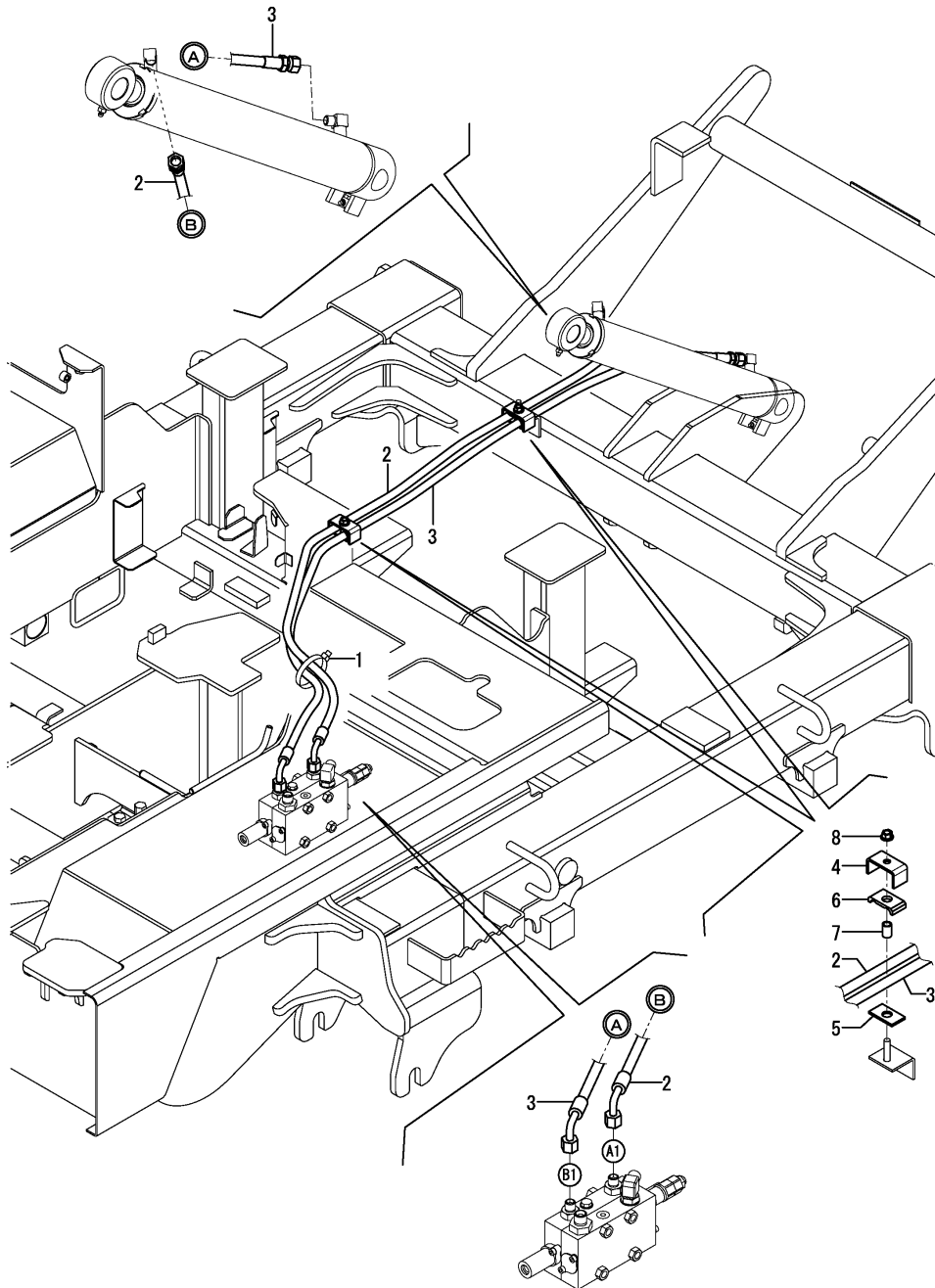


No.	Lev.	Parts No.	Description	Q'ty						I	R
				(A)	(B)	(C)	(D)	(E)	(F)		
1	1	172126-11510	BAND	1							
2	1	172137-16560	BAND	1							
3	1	172663-78151	HOSE,H108BB146S	1							
4	1	172663-78160	HOSE,H108BC123S	1							
5	1	172663-78170	HOSE,H108BC143S	1							
6	1	172663-78180	HOSE,H108BC133S	1							
7	1	172663-78250	HOSE,F403BC133S	1							
8	1	172663-78270	HOSE,F403BB180S	1							
9	1	172663-78290	HOSE,G704BY135S	1							
10	1	172663-78300	HOSE,G704BY092S	1							
11	1	172663-78320	HOSE,H606BY150S	1							
12	1	172663-78350	HOSE,H606BY173S	1							
13	1	172663-79550	HOSE,F403CC192S	1							
14	1	172663-79560	HOSE,F403CC240S	1							
15	1	172122-79890	CLAMP, HOSE	3							
16	1	1E8915-84120	CLAMP, BAND	1							
17	1	23000-013000	CLAMP, 13	2							
18	1	23001-016000	CLAMP, HOSE 16	2							

Fig.79. CONTROL VALVE - DUMP CYLINDER

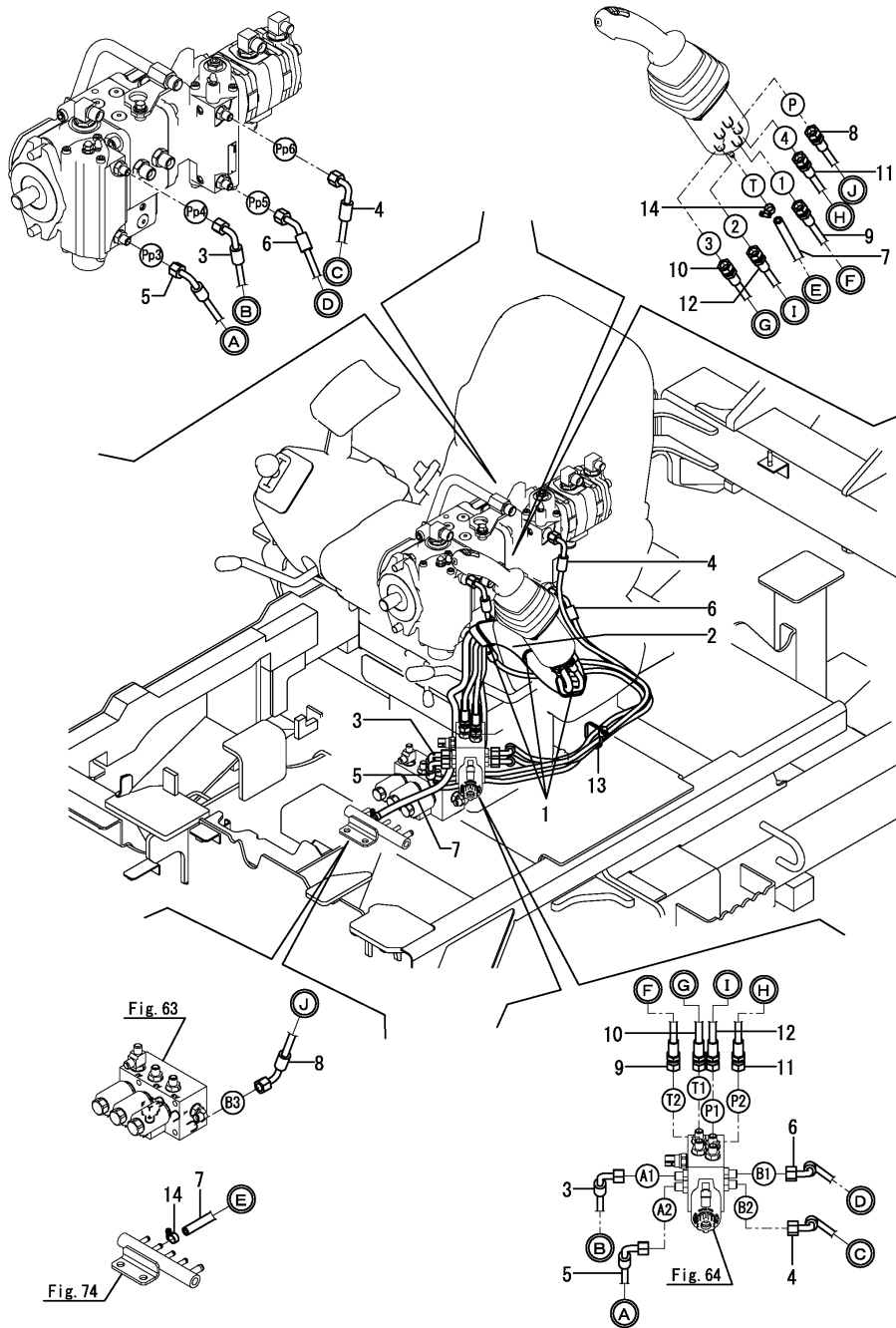
(A)=C30R-3(US)
 (B)=
 (C)=

(D)=
 (E)=
 (F)=



No.	Lev.	Parts No.	Description	Q'ty						I	R
				(A)	(B)	(C)	(D)	(E)	(F)		
1	1	172126-11510	BAND	1							
2	1	172663-78360	HOSE,H204BC189S	1							
3	1	172663-78370	HOSE,H204BC184S	1							
4	1	172156-78460-2	CLAMP, HOSE	2							
5	1	172156-78490	PLATE, RUBBER (B	2							
6	1	172156-78520	SUPPORT, HOSE	2							
7	1	172156-78540	COLLAR, 9X18	2							
8	1	26051-080002	NUT, M8	2							

Fig.80. CONTROL PIPING(LEFT)

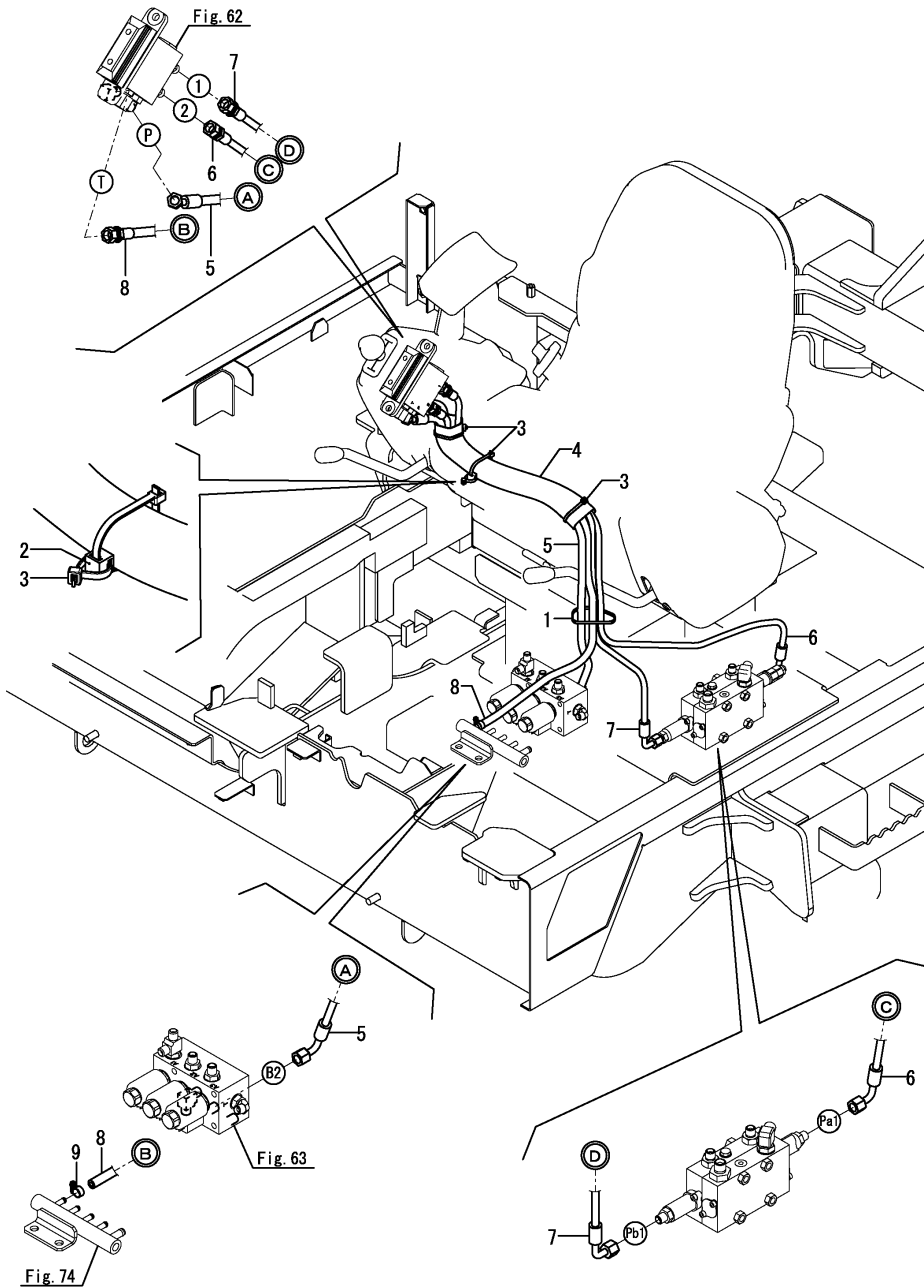


(A)=C30R-3(US)
(B)=
(C)=

(D)=
(E)=
(F)=

No.	Lev.	Parts No.	Description	Qty						I	R
				(A)	(B)	(C)	(D)	(E)	(F)		
1	1	194202-56460	BAND, 200	3							
2	1	172146-77900	COVER, HOSE	1							
3	1	172663-78400	HOSE,F403CC133S	1							
4	1	172663-78420	HOSE,F403CC111S	1							
5	1	172663-78440	HOSE,F403CC126S	1							
6	1	172663-78460	HOSE,F403CE093S	1							
7	1	172663-78490	HOSE,G704YY110	1							
8	1	172663-78540	HOSE,G603BC098	1							
9	1	172663-78940	HOSE,G603BB075	1							
10	1	172663-78950	HOSE,G603BB071	1							
11	1	172663-79650	HOSE,G603BB075	1							
12	1	172663-79660	HOSE,G603BB075	1							
13	1	1E8915-84120	CLAMP, BAND	1							
14	1	23000-013000	CLAMP, 13	2							

Fig.81. CONTROL PIPING(RIGHT)



(A)=C30R-3(US)
 (B)=
 (C)=

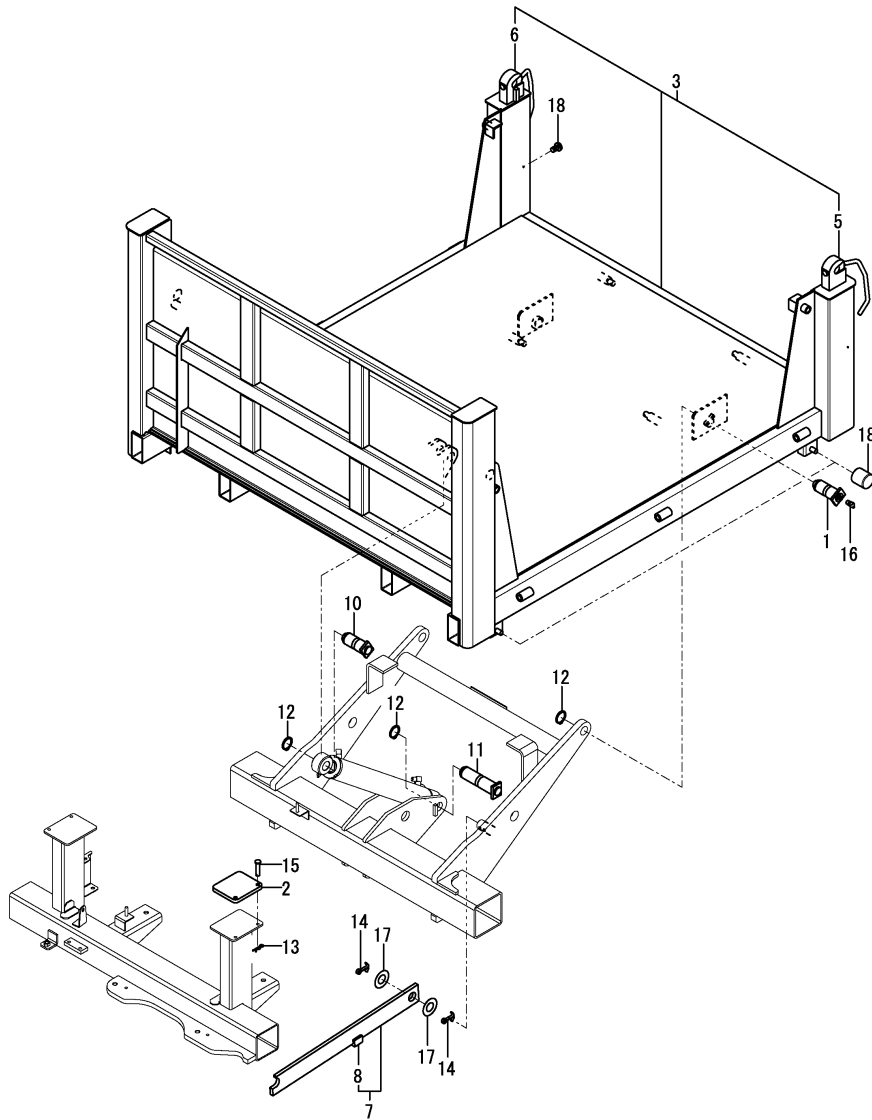
(D)=
 (E)=
 (F)=

No.	Lev.	Parts No.	Description	Q'ty						I	R
				(A)	(B)	(C)	(D)	(E)	(F)		
1	1	172126-11510	BAND	1							
2	1	172544-16060	CLIP, CROSS	1							
3	1	194202-56460	BAND, 200	4							
4	1	172146-77900	COVER, HOSE	1							
5	1	172663-78500	HOSE,G603CE112	1							
6	1	172663-78510	HOSE,G603BC149	1							
7	1	172663-78520	HOSE,G603BC119	1							
8	1	172663-78530	HOSE,G704BY125	1							
9	1	23000-013000	CLAMP, 13	1							

Fig.82. VESSEL

(A)=C30R-3(US)
(B)=
(C)=

(D)=
(E)=
(F)=



No.	Lev.	Parts No.	Description	Q'ty						I	R
				(A)	(B)	(C)	(D)	(E)	(F)		
1	1	172739-52851-Y	PIN,CYLINDER	2							
2	1	172725-85870	RUBBER, INTERVENTION	2							
3	1	172663-95100	VESSEL ASSY	1							1
5	2	172647-95450-Y	FULCRUM, BOARD	1							
6	2	172647-95460-Y	FULCRUM, BOARD	1							
6A	1	172663-03470	LABEL,WAGON US	1							2
7	1	172663-95230	BLOCK ASSY, WAGON	1							
8	2	172637-51750	RUBBER, SUPPORT	1							
10	1	172649-95850-Y	PIN 30.3X64.5	1							
11	1	172649-95870-Y	PIN 30.3X109	1							
12	1	22242-000300	RING, 30	4							
13	1	22372-080000	PIN, SNAP 8	4							
14	1	22417-800450	PIN, COTTER 8.0X45	2							
15	1	22487-080300	PIN, 8X 30	4							
16	1	24761-050000	NIPPLE, GREASE C	2							
17	1	933160-06990	SHIM, 30X T=0.5	2							
18	1	933172-27150	RUBBER, SUPPORT	4							

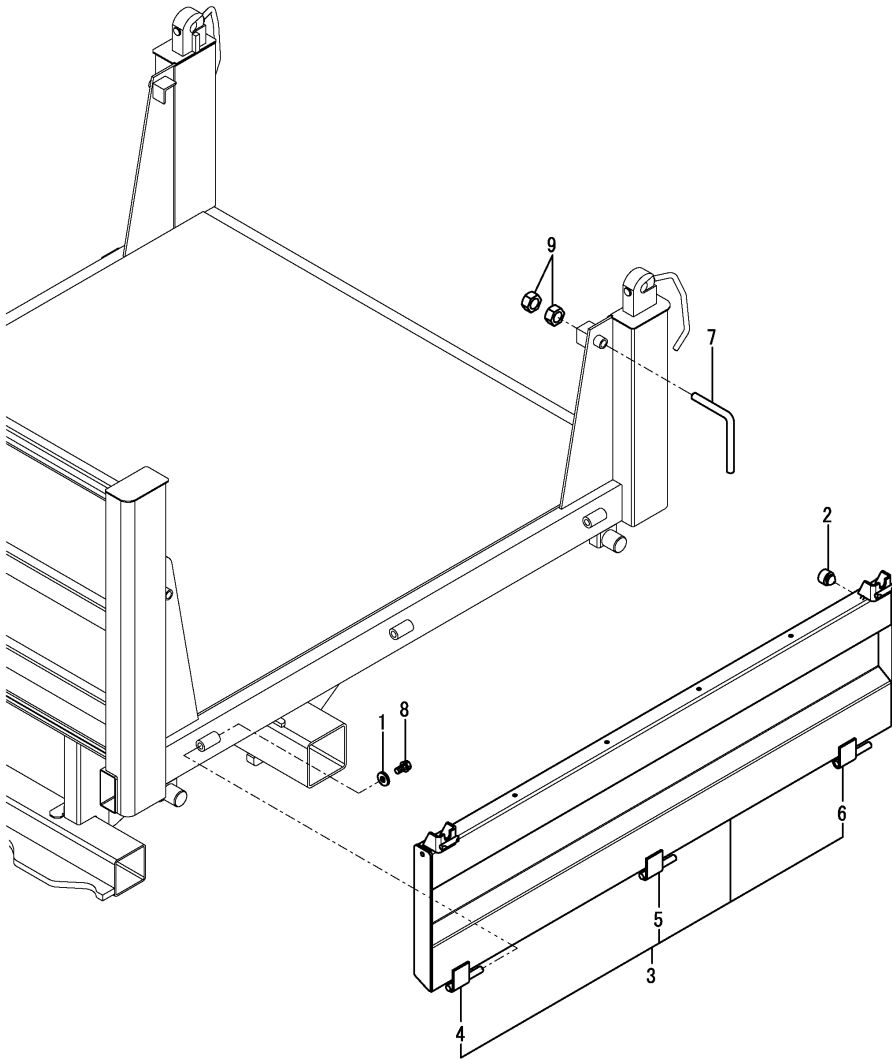
Remarks

- (1) Attach the No.6A label to this part.
- (2) Not illustrated.

Fig.84. GATE(SIDE)

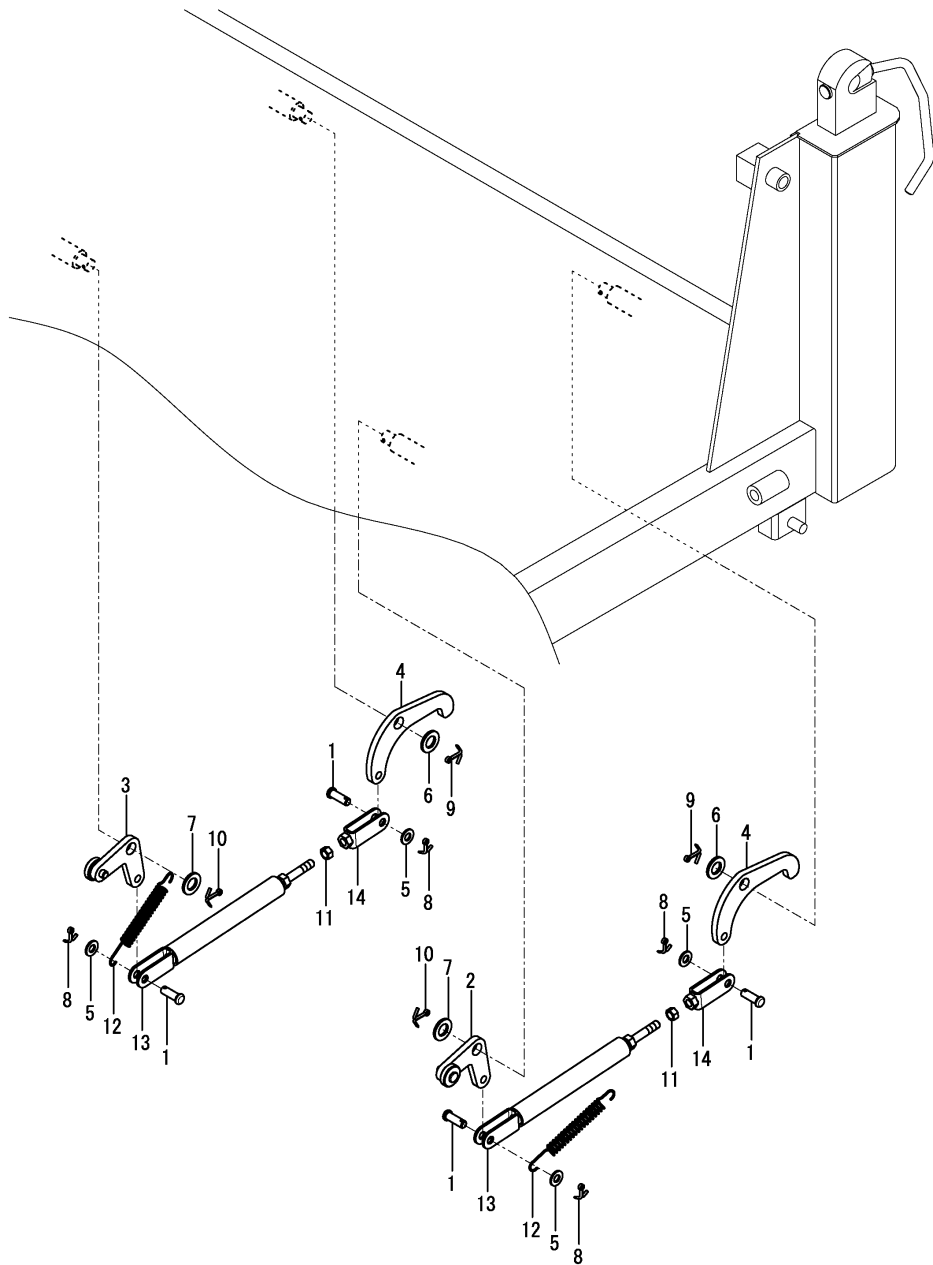
(A)=C30R-3(US)
(B)=
(C)=

(D)=
(E)=
(F)=



No.	Lev.	Parts No.	Description	Q'ty						I	R
				(A)	(B)	(C)	(D)	(E)	(F)		
1	1	1C6053-32020	WASHER, 8.5X20X3.2	2							
2	1	1E8080-81880	RUBBER, STOPPER	4							
3	1	172649-95701-Y	GATE	2							
4	2	172649-95750	HINGE ASSY	2							
5	2	172649-95760	HINGE ASSY,B-48-2	2							
6	2	172649-95770	HINGE ASSY	2							
7	1	172647-95730	LEVER, OPEN & SHUT	4							
8	1	26013-080162	BOLT, M8X 16	2							
9	1	26716-160002	NUT, M16	8							

Fig.85. OPENING & CLOSING LEVER



(A)=C30R-3(US)
(B)=
(C)=

(D)=
(E)=
(F)=

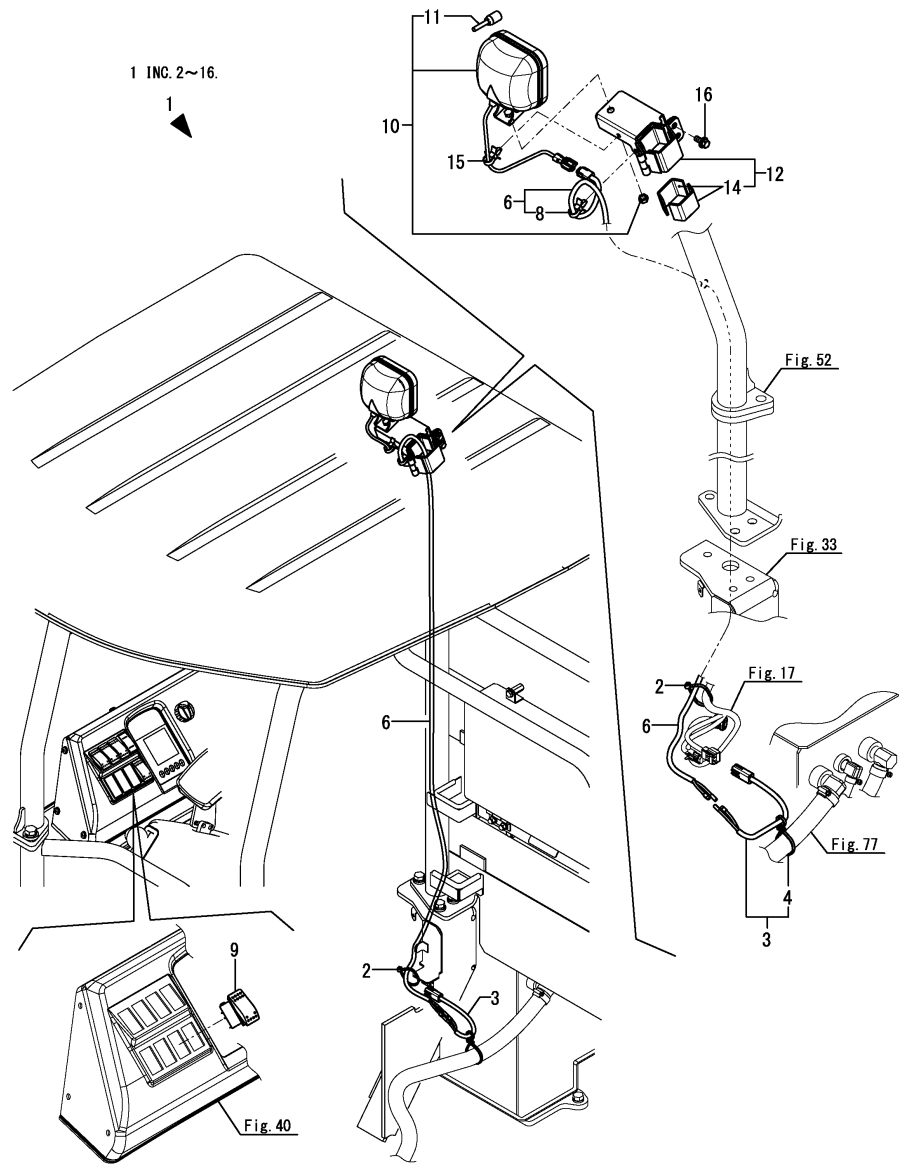
No.	Lev.	Parts No.	Description	Q'ty						I	R
				(A)	(B)	(C)	(D)	(E)	(F)		
1	1	172730-11451	PIN 10.25.29	4							
2	1	172649-95950-Y	ARM, HOOK	1							
3	1	172649-95960-Y	ARM, HOOK	1							
4	1	172649-95980-Y	HOOK	2							
5	1	22137-100000	WASHER, 10	4							
6	1	22137-160000	WASHER, 16	2							
7	1	22137-160000	WASHER, 16	2							
8	1	22417-400250	PIN, COTTER 4.0X25	4							
9	1	22417-400320	PIN, COTTER 4.0X32	2							
10	1	22417-400320	PIN, COTTER 4.0X32	2							
11	1	26716-100002	NUT, M10	2							
12	1	933153-01280	SPRING, RETURN	2							
13	1	933168-51700-Y	ROD,MOOK DRIVE	2							
14	1	933168-51780	JOINT, ROD	2							

Fig.86. WORK LAMP KIT(OPTIONAL)(1)

(A)=C30R-3(US)
(B)=
(C)=

(D)=
(E)=
(F)=

No.	Lev.	Parts No.	Description	Q'ty						I	R
				(A)	(B)	(C)	(D)	(E)	(F)		
1	1	172663-08300	LAMP KIT, VESSEL	1							
2	2	172126-11510	BAND	1							
3	2	172663-16650	HARNESS ASSY,LAMP A	1							
4	3	172137-16560	BAND	1							
6	2	172663-16670	HARNESS ASSY,LAMP B	1							
8	3	1E8775-84120	CLAMP, BAND	1							
9	2	172663-17340	SWITCH, WORK LAMP	1							
10	2	172B27-17380	LAMP ASSY, WORK	1							
11	3	172B03-17470	BULB, 12V 55W	1							
12	2	172663-17750	STAY ASSY, LAMP	1							
14	3	172B16-62370	RUBBER	2							
15	2	1E8775-84120	CLAMP, BAND	1							
16	2	26014-080202	BOLT, M8X 20	2							



1 INC. 2~16.

1

Fig. 52

Fig. 33

Fig. 17

Fig. 77

Fig. 40

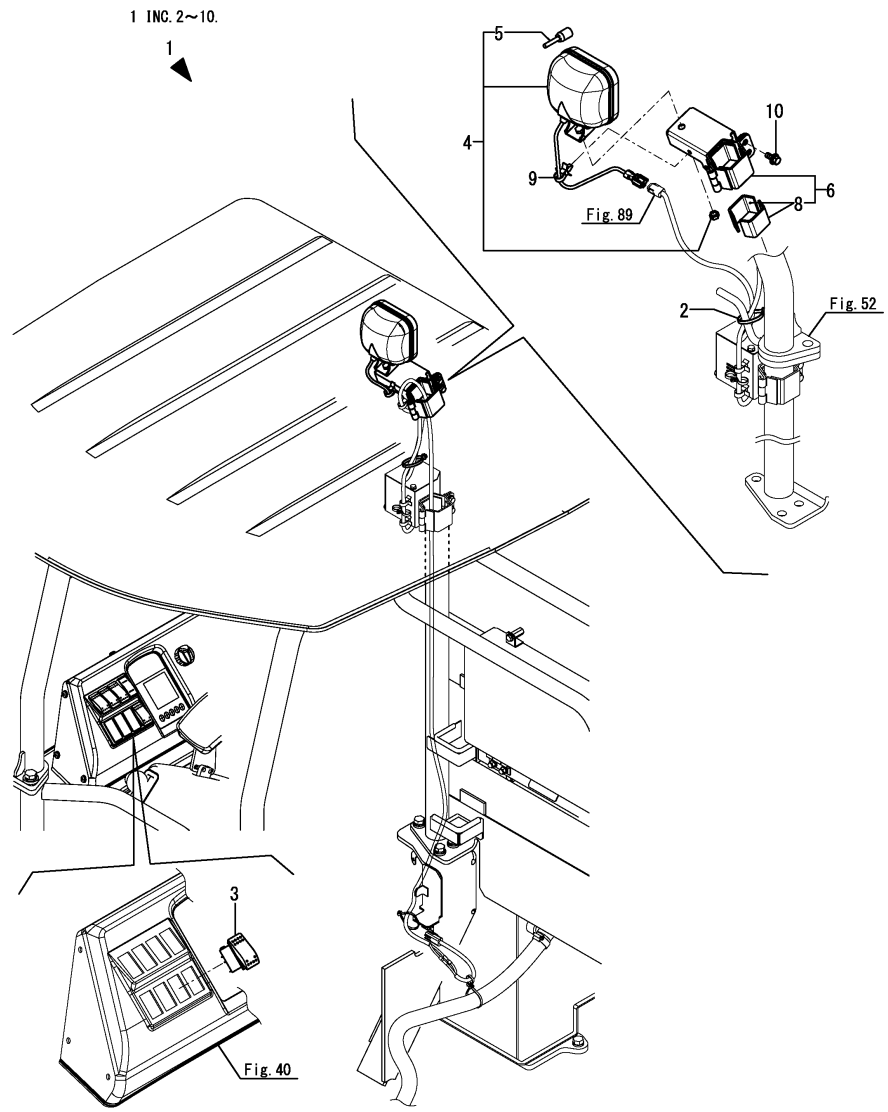
Remarks
* Refer to Fig.87 when travel alarm is installed.

Fig.87. WORK LAMP KIT(OPTIONAL)(2)

(A)=C30R-3(US)
(B)=
(C)=

(D)=
(E)=
(F)=

No.	Lev.	Parts No.	Description	Q'ty						I	R
				(A)	(B)	(C)	(D)	(E)	(F)		
1	1	172663-08340	LAMP KIT, ALARM	1							
2	2	172126-11510	BAND	1							
3	2	172663-17340	SWITCH, WORK LAMP	1							
4	2	172B27-17380	LAMP ASSY, WORK	1							
5	3	172B03-17470	BULB, 12V 55W	1							
6	2	172663-17750	STAY ASSY, LAMP	1							
8	3	172B16-62370	RUBBER	2							
9	2	1E8775-84120	CLAMP, BAND	1							
10	2	26014-080202	BOLT, M8X 20	2							

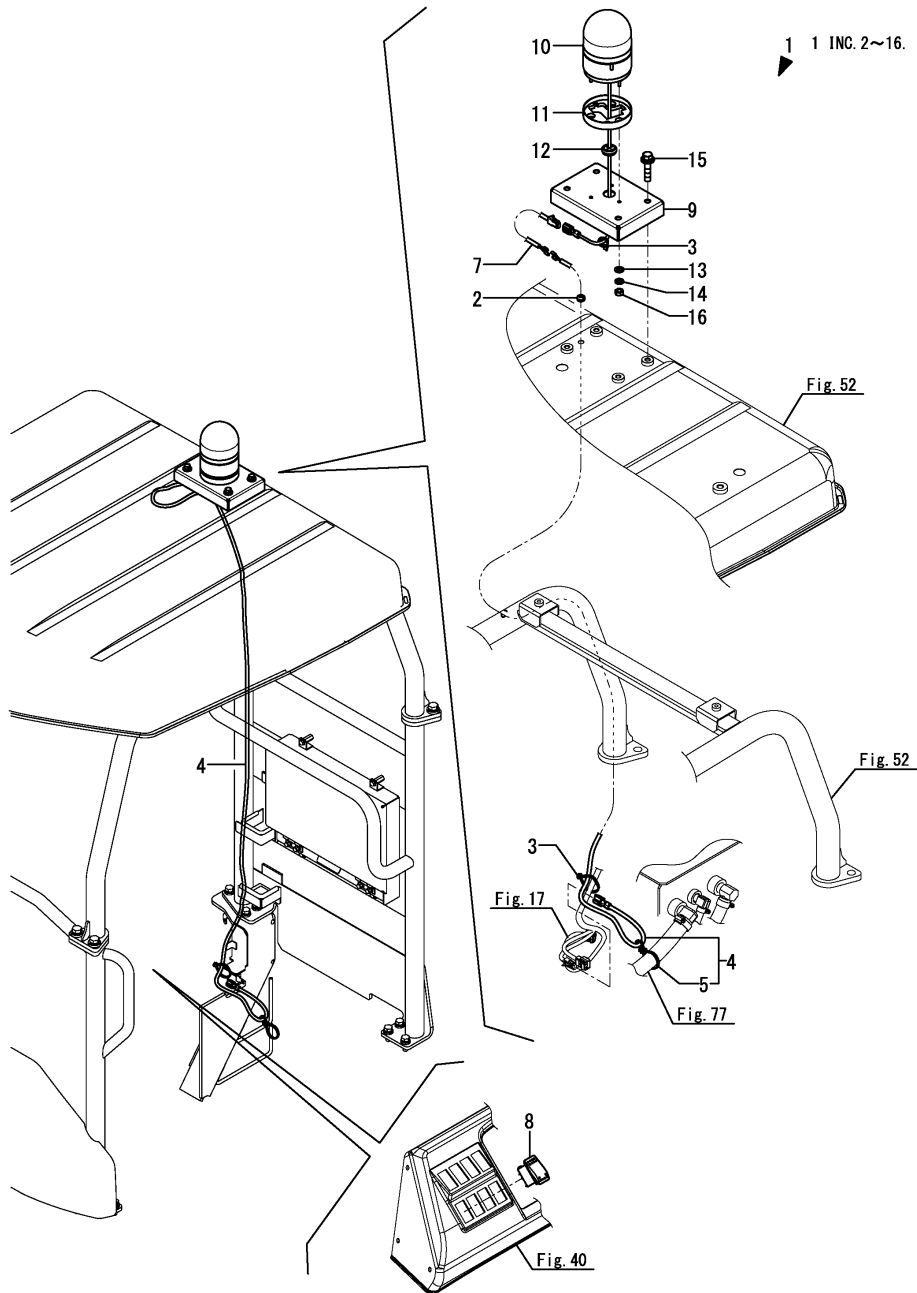


Remarks
* Refer to Fig.86 when travel alarm is not installed.

Fig.88. BEACON STAY KIT(OPTIONAL)

(A)=C30R-3(US)
(B)=
(C)=

(D)=
(E)=
(F)=

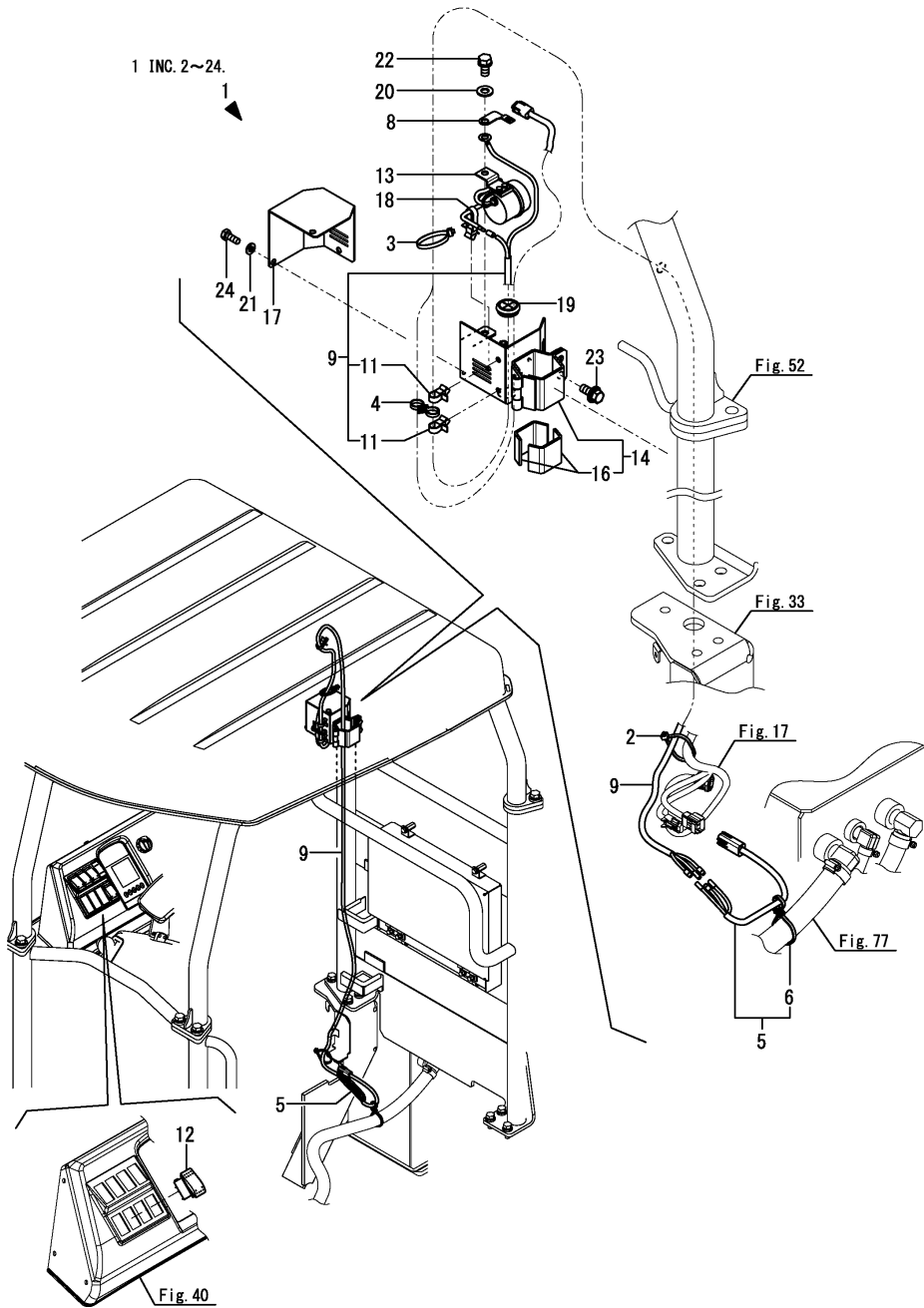


No.	Lev.	Parts No.	Description	Q'ty						I	R
				(A)	(B)	(C)	(D)	(E)	(F)		
1	1	172663-08310	LAMP KIT, BEACON	1							
2	2	1E8050-05500	GROMMET, SLIT 8	1							
3	2	172126-11510	BAND	2							
4	2	172663-16700	HARNESS ASSY,BCN A	1							
5	3	172137-16560	BAND	1							
7	2	172663-16720	HARNESS, BEACON B	1							
8	2	172663-17330	SWITCH, ROTARY	1							
9	2	172663-17800	STAY ASSY, BEACON	1							
10	2	172B11-17900	LAMP, CRANE	1							
11	2	172B11-17910	RUBBER, MOUNT	1							
12	2	1E8540-84890	GROMMET, 24	1							
13	2	22137-050000	WASHER, 5	3							
14	2	22217-050000	WASHER, SPRING 5	3							
15	2	26014-100452	BOLT, M10X 45	4							
16	2	26716-050002	NUT, M5	3							

Fig.89. TRAVEL ALARM KIT(OPTIONAL)

(A)=C30R-3(US)
(B)=
(C)=

(D)=
(E)=
(F)=



No.	Lev.	Parts No.	Description	Q'ty						I	R
				(A)	(B)	(C)	(D)	(E)	(F)		
1	1	172663-08320	ALARM KIT,TRAVEL	1							
2	2	172126-11510	BAND	1							
3	2	172126-11510	BAND	1							
4	2	172137-16560	BAND	1							
5	2	172663-16650	HARNESS ASSY,LAMP A	1							
6	3	172137-16560	BAND	1							
8	2	172A69-16700	BRACKET	1							
9	2	172663-16750	HARNESS ASSY,BUZZER	1							
11	3	1E8490-84130	CLAMP, BAND	2							
12	2	172663-17310	SWITCH, BUZZER	1							
13	2	172511-17351	BUZZER, BACK	1							
14	2	172663-18100	STAY ASSY,BUZZER	1							
16	3	172B16-62370	RUBBER	2							
17	2	172663-18180	CASE ASSY,BUZZER UP	1							
18	2	1E8490-84130	CLAMP, BAND	1							
19	2	1E8540-84890	GROMMET, 24	1							
20	2	22137-080000	WASHER, 8	1							
21	2	22217-060000	WASHER, SPRING 6	3							
22	2	26013-080162	BOLT, M8X 16	1							
23	2	26014-080202	BOLT, M8X 20	2							
24	2	26116-060162	BOLT, M6X 16 PLATED	3							

Fig.90. WORK LAMP & TRAVEL ALARM KIT(OPTIONAL)

(A)=C30R-3(US)

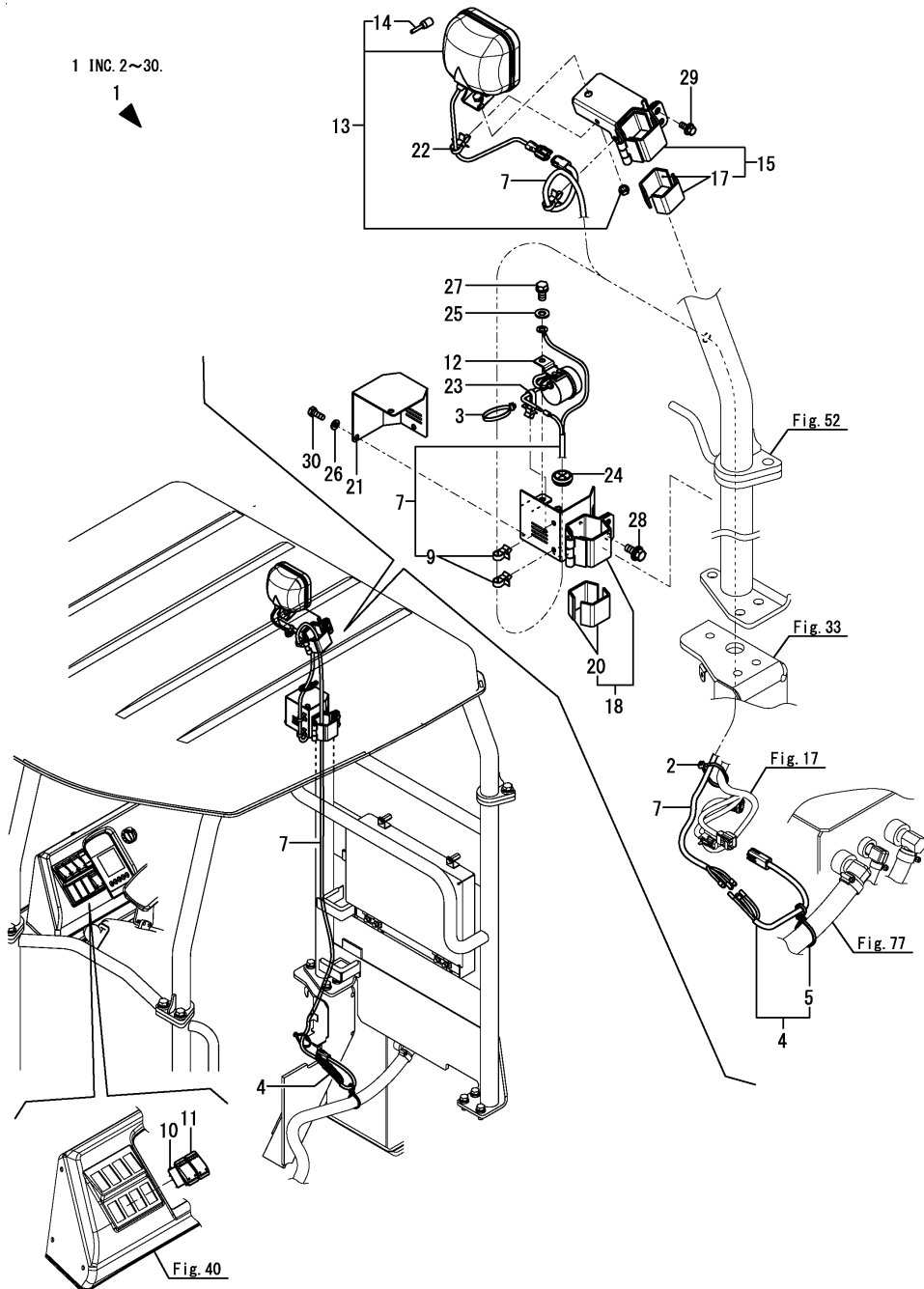
(B)=

(C)=

(D)=

(E)=

(F)=



No.	Lev.	Parts No.	Description	Q'ty						I	R
				(A)	(B)	(C)	(D)	(E)	(F)		
1	1	172663-08350	2WAY KIT,LAMP&ALARM	1							
2	2	172126-11510	BAND	1							
3	2	172126-11510	BAND	1							
4	2	172663-16650	HARNESS ASSY,LAMP A	1							
5	3	172137-16560	BAND	1							
7	2	172663-16750	HARNESS ASSY,BUZZER	1							
9	3	1E8490-84130	CLAMP, BAND	2							
10	2	172663-17310	SWITCH, BUZZER	1							
11	2	172663-17340	SWITCH, WORK LAMP	1							
12	2	172511-17351	BUZZER, BACK	1							
13	2	172B27-17380	LAMP ASSY, WORK	1							
14	3	172B03-17470	BULB, 12V 55W	1							
15	2	172663-17750	STAY ASSY, LAMP	1							
17	3	172B16-62370	RUBBER	2							
18	2	172663-18100	STAY ASSY,BUZZER	1							
20	3	172B16-62370	RUBBER	2							
21	2	172663-18180	CASE ASSY,BUZZER UP	1							
22	2	1E8775-84120	CLAMP, BAND	1							
23	2	1E8490-84130	CLAMP, BAND	1							
24	2	1E8540-84890	GROMMET, 24	1							
25	2	22137-080000	WASHER, 8	1							
26	2	22217-060000	WASHER, SPRING 6	3							
27	2	26013-080162	BOLT, M8X 16	1							
28	2	26014-080202	BOLT, M8X 20	2							
29	2	26014-080202	BOLT, M8X 20	2							
30	2	26116-060162	BOLT, M6X 16 PLATED	3							

Parts No. Index

Parts No.	Fig. No.	Ref. No.
106990-44660	6	13
	15	29
		30
114110-07761	1	12
121250-49121	12	3
121450-44531	12	19
121468-44520	12	18
121470-44581	12	22
124450-44560	12	21
124766-59050	12	25
129242-55740	15	39
129612-52100	15	31
129927-44900	65	2
129927-77920	17	38
129A00-55720	15	37
129A00-55730	15	38
129A00-55740	15	40
129A00-55751	15	34
129A00-55760	15	35
129A00-55770	15	41
129A22-77800	9	11
129E00-55710	15	33
129E22-55700	15	32
172110-76050	73	1
172110-81570	33	3
		4
172112-75780	65	13
172112-77361	66	7
	67	16
172112-77480	6	15
172116-46630	42	3
172116-75850-B	65	14
172122-37820	30	3
172122-37844	30	7
172122-70410	57	51
172122-70460	57	52
172122-70840	57	58
172122-73430	57	68
172122-73480	55	33
172122-79890	17	39
	77	12
	78	15
172123-76121	66	1
	67	5
	68	4
	69	1
	71	2
	72	5
		6
172124-65450	48	16

Parts No.	Fig. No.	Ref. No.
172124-70010	57	4
172124-70030	57	9
172124-70051	57	11
172124-70580	55	3
172124-76160	66	2
	69	2
	70	1
172125-03951	2	17
	18	10 B
172126-11510	6	10
	15	1
	17	1
	19	1
	23	1
		2
	78	1
	79	1
	81	1
	86	2
	87	2
	88	3
	89	2
		3
	90	2
		3
172131-76100	6	14
172131-76130	65	22
172137-16560	15	28
	17	6
	19	12
	23	4
	78	2
	86	4
	88	5
	89	4
		6
	90	5
172137-46042	10	12
172137-46210	40	2
172137-73700	65	3
172137-76100	68	1
172141-17150	17	21
172141-41370	32	6
		10
		14
172141-64350	49	11
172141-72580	56	8
172141-76900	67	13
	70	7
172142-62301	43	3

Parts No.	Fig. No.	Ref. No.
172142-76181	69	3
172146-61360	18	10
172146-77900	80	2
	81	4
172147-70120	57	36
172147-70230	57	47
172147-70361	57	49
172147-70371	57	50
172147-70460	57	53
172147-70500	57	54
		55
172147-70520	57	56
172147-70540	57	57
172148-70301	55	2
	57	8
172149-66550	52	10
172156-73700	59	1
172156-73710	59	3
172156-76240	70	4
172156-76290	73	3
172156-78460-2	79	4
172156-78490	79	5
172156-78520	79	6
172156-78540	79	7
172157-76300	67	10
172162-13170	10	7
172162-13190	10	8
172162-14200	13	9
172162-46690	32	21
		22
172162-70290	57	48
172162-76181	72	7
		10
172164-14630	12	17
172164-76210	65	23
172165-13270	10	9
172165-47550	32	25
		26
172165-65460	47	7
172168-76162	70	2
172168-76370	65	24
172168-79520	74	10
172171-14300	15	4
172173-76102	67	3
172176-67780	22	3
172176-68210	52	22
172181-76100	73	2
172183-03280	3	11
172183-61360	48	10
172183-81160	22	5

Parts No.	Fig. No.	Ref. No.
172183-81160	65	26
172186-76370	66	4
172187-16560	40	1
172187-75500	65	7
172312-74790	57	85
172312-76240	66	3
172422-74110	60	2
172422-74180	60	8
172422-74230	60	10
172423-73330	57	60
172423-73370	57	62
172423-73410	57	67
172423-73510	57	71
172423-73560	57	25
172423-73690	57	17
172423-76200	70	3
172425-73160	55	9
172437-03252	3	10
172437-03302	3	12
	38	1 C
172437-03322	2	10
	65	20 A
172437-03343	3	15
	52	17 A
172437-03352	3	16
	52	17 B
172437-03361	2	13
	18	10 A
172437-03391	1	3
	48	15 A
172437-03402	1	4
	2	14
	48	15 B
		22 A
172437-03422	2	15
	36	3 A
172437-03441	3	18
	52	5 A
172437-03501	1	8
172437-03511	1	9
172444-13210	12	1
172444-13220	12	2
172444-14130	13	15
172444-14271	15	3
172444-14410	15	5
172446-14250	52	19
172446-49350	40	3
172446-62910	13	24
		27
172447-14160	13	8

Parts No. Index

Parts No.	Fig. No.	Ref. No.
172447-75600	65	8
172448-81610	33	8
172452-73480	55	34
172455-29140	24	2
	57	1
172455-46890	32	23
		24
172455-61710	44	1
172455-75290	65	9
172455-75300	65	10
172455-76220	68	5
172458-14203	13	10
172458-14370	13	12
172458-61660	50	3
172458-65050	48	7
172460-16130	16	8
172460-16300-1	16	12
172460-73190	55	51
172460-74350	60	11
172460-74380	60	12
172460-74390	60	13
172460-74410	60	14
172460-74420	60	15
172461-13140	10	5
172462-03320	2	11
172463-03290	2	9
172472-03141	3	3
	38	1 A
172480-62900	47	2
172511-17351	89	13
	90	12
172519-63240	19	16
	23	11
	43	4
		5
	45	1
	51	12
		13
	52	2
172524-68710	52	23
172524-68720	52	24
172527-76210	67	8
172538-17100	22	1
		2
172544-03160	2	3
172544-13430	11	1
172544-13850	11	3
172544-16060	19	5
	81	2
172544-16200	16	9

Parts No.	Fig. No.	Ref. No.
172544-18610	18	9
172544-63300	52	20
172545-03140	2	2
172614-16520	19	3
172614-74220	60	9
172631-37160	25	5
172631-37170	25	6
172637-37751	30	1
172637-37781	30	2
172637-37850	30	14
172637-37860	30	15
172637-37880-1	30	17
172637-51750	82	8
172638-72201	56	4
172647-17311	21	6
172647-95450-Y	82	5
172647-95460-Y	82	6
172647-95730	84	7
172648-72300	56	7
172649-12390	9	1
172649-22330	52	1
172649-37090-1	25	1
172649-37100	25	2
172649-37110	25	3
172649-37150-2	25	4
172649-37510-2	29	3
172649-72100-2	56	1
172649-72110-2	56	2
172649-72150	56	3
172649-95701-Y	84	3
172649-95750	84	4
172649-95760	84	5
172649-95770	84	6
172649-95800	83	2
172649-95810	83	3
172649-95850-Y	82	10
172649-95870-Y	82	11
172649-95900-Y	83	1
172649-95950-Y	85	2
172649-95960-Y	85	3
172649-95980-Y	85	4
172652-03220	3	8
172652-03661	3	23
172652-03681	3	24
	52	9 E
172652-63150	40	4
172653-03440	1	6
	35	1 A
172653-03450	3	19
	52	9 C

Parts No.	Fig. No.	Ref. No.
172653-03460	3	20
172653-37400	26	2
	27	3
172653-51800-2	33	9
172663-03110	3	2
172663-03160	3	4
172663-03170	3	5
172663-03180	3	6
	38	1 B
	52	9 A
172663-03190	3	7
	52	9 B
172663-03200	1	2
172663-03250	2	6
172663-03270	2	7
172663-03280	2	8
172663-03310	3	13
172663-03320	3	14
172663-03330	2	12
172663-03400	3	17
	52	17 C
172663-03460	3	21
172663-03470	1	7
	3	22
	52	9 D
	82	6 A
172663-08010	13	1
172663-08020	65	1
172663-08220	1	1
172663-08300	86	1
172663-08310	88	1
172663-08320	89	1
172663-08340	87	1
172663-08350	90	1
172663-08410	2	1
172663-08520	3	1
172663-11201	5	1
172663-11240	5	3
172663-11250	5	5
172663-11301	5	6
172663-11350	37	1
172663-11390	37	3
172663-11400	37	4
172663-11410	37	5
172663-11470	37	7
172663-11510	6	11
172663-11520	6	12
172663-11530	6	2
172663-11540	6	7
172663-11550	6	4

Parts No.	Fig. No.	Ref. No.
172663-11650	5	12
172663-11680	5	13
172663-11800	7	2
172663-11810	7	3
172663-13100	10	1
172663-13110	10	2
172663-13121	10	3
172663-13130	10	4
172663-13270	10	10
172663-13280	10	11
172663-13300	12	5
172663-13440	12	7
172663-13450	12	8
172663-13460	12	9
172663-13470	12	10
	39	2
172663-13500	11	4
172663-13510	11	5
172663-13520	12	11
172663-13550	12	12
172663-13630	12	13
172663-13650	12	14
172663-13680	12	15
172663-13700	12	16
172663-14130	13	16
172663-14150	13	17
172663-14191	13	19
172663-14200	13	20
172663-14220	13	11
172663-14250	13	21
172663-14290	13	22
172663-14600	13	25
172663-14700	15	6
172663-14730	15	14
172663-14760	15	18
172663-14800	15	26
172663-16060	17	4
172663-16100	16	1
172663-16200	16	10
172663-16210	16	11
172663-16500	17	2
172663-16520	19	4
172663-16540	21	1
172663-16600	23	5
172663-16650	86	3
	89	5
	90	4
172663-16670	86	6
172663-16700	88	4
172663-16720	88	7

Parts No. Index

Parts No.	Fig. No.	Ref. No.
172663-16750	89	9
	90	7
172663-17100	18	2
172663-17110	18	3
172663-17120	18	4
172663-17131	18	5
172663-17140	18	6
172663-17150	18	7
172663-17160	18	11
172663-17180-1	19	13
172663-17300	17	25
172663-17310	89	12
	90	10
172663-17320	17	28
172663-17330	88	8
172663-17340	86	9
	87	3
	90	11
172663-17400	23	6
172663-17420	23	7
172663-17440	23	8
172663-17470	23	9
172663-17500	18	12
172663-17550	71	1
172663-17560	42	2
172663-17600	18	13
172663-17650	18	14
172663-17680	18	15
172663-17690	18	16
172663-17710	18	17
172663-17750	86	12
	87	6
	90	15
172663-17800	88	9
172663-17850	17	31
172663-17871	17	32
172663-17900	61	3
172663-17950	62	1
172663-18100	89	14
	90	18
172663-18180	89	17
	90	21
172663-29111	24	1
172663-37350-1	28	1
172663-37380-1	28	2
172663-37420-1	28	3
172663-37430-1	28	4
172663-37500-1	28	5
172663-37600	26	1
172663-37620	26	4

Parts No.	Fig. No.	Ref. No.
172663-37630	26	5
	27	4
172663-37640	26	6
	27	5
172663-37700	27	1
172663-37720	27	7
172663-38600	31	1
172663-42500	9	2
172663-42551	9	5
172663-42600	9	6
172663-42650	9	7
172663-42660	9	8
172663-46101	32	5
172663-46250	32	9
172663-46401	32	13
172663-46471	32	17
172663-46510	32	18
172663-46540	32	19
172663-46610	32	20
172663-51091	33	1
172663-52631	33	5
172663-52640	33	6
172663-52650	33	7
172663-52760	48	1
172663-52811	34	1
172663-52910	33	10
172663-53010	35	1
172663-61011	36	1
172663-61060	36	3
172663-61081	36	4
172663-61092	36	5
172663-61100	49	1
172663-61270	49	3
172663-61280	49	4
172663-61290	49	5
172663-61300	49	6
172663-61311	49	7
172663-61321	49	8
172663-61330	49	9
172663-61340	51	2
172663-61350	51	3
172663-61360	51	8
172663-61370	51	9
172663-61380	49	10
172663-61390	41	1
172663-61400	41	2
172663-61410	41	3
172663-61421	41	4
172663-61430	41	5
172663-61500	51	1

Parts No.	Fig. No.	Ref. No.
172663-61560	51	5
172663-61570	51	6
172663-61600	51	7
172663-61640	51	11
172663-61700	43	1
172663-61740	43	2
172663-61800	48	2
172663-61820	48	4
172663-61830	48	5
172663-61850	46	1
172663-62090	39	1
172663-62150	39	5
172663-62200	39	6
172663-62250	39	7
172663-62311	9	9
172663-62411	9	10
172663-62460	36	6
172663-62500	36	7
172663-62520	36	9
172663-62600	36	10
172663-62680	36	12
172663-62690	36	13
172663-62700	36	14
172663-62710	36	15
172663-63250	40	5
172663-63270	40	7
172663-63280	40	8
172663-63290	40	9
172663-63300	40	12
172663-63450	40	13
172663-63480	40	10
172663-63500	40	14
172663-63560	40	16
172663-63570	40	11
172663-63620	23	13
		17
172663-63700	23	12
172663-63710	23	14
172663-63720	23	15
172663-63750	23	16
172663-63760	23	18
172663-64201	42	4
172663-64311	42	5
172663-64450	44	2
172663-64530	44	3
172663-64610	42	6
172663-64700	45	2
172663-64710	45	3
172663-64720	45	4
172663-64730	43	6

Parts No.	Fig. No.	Ref. No.
172663-64800	42	7
172663-64840	42	8
172663-64900	44	4
172663-64910	44	27
172663-65050	47	1
172663-65140	47	4
172663-65150	47	5
172663-65160	47	6
172663-65170	47	8
172663-65201	50	1
172663-65240	50	5
172663-65250	50	6
172663-65260	50	7
172663-65300	48	9
172663-65500	48	12
172663-65510	48	13
172663-65520	48	14
172663-65530	48	15
172663-65550	48	17
172663-65560	48	18
172663-65570	48	19
172663-65580	48	20
172663-65610	48	21
172663-65651	48	22
172663-65700	48	23
172663-65720	48	24
172663-65940	48	26
172663-65950	48	27
172663-65960	48	28
172663-65981	48	29
172663-65991	48	30
172663-66100	52	4
172663-66300	52	5
172663-66490	52	6
172663-66600	52	11
172663-66630	52	13
172663-66650	38	1
172663-66750	52	14
172663-66820	52	16
172663-66850	52	17
172663-66900	52	18
172663-70000	57	3
172663-70010	57	5
172663-70020	57	6
172663-70030	57	7
172663-70040	57	10
172663-70050	57	12
172663-70060	57	13
172663-70070	57	14
172663-70080	57	15

Parts No. Index

Parts No.	Fig. No.	Ref. No.
172663-70090	57	16
172663-70100	57	20
172663-70110	57	24
172663-70120	57	37
172663-70130	57	45
172663-70140	57	46
172663-71100	53	1
172663-71200	54	1
172663-73101	55	1
172663-73110	55	4
172663-73120	55	5
172663-73130	55	6
172663-73140	55	7
172663-73150	55	8
172663-73160	55	10
172663-73170	55	11
172663-73180	55	12
172663-73190	55	13
172663-73200	55	66
172663-73210	55	14
172663-73220	55	15
172663-73230	55	16
172663-73240	55	52
172663-73270	55	17
172663-73290	55	18
172663-73301	57	2
172663-73310	55	19
172663-73330	55	20
172663-73340	55	21
172663-73360	55	22
172663-73370	55	23
172663-73380	55	24
172663-73390	55	25
172663-73400	55	26
172663-73410	55	27
172663-73420	55	28
172663-73440	55	29
172663-73450	55	30
172663-73460	55	31
172663-73470	55	32
172663-73480	55	35
172663-73490	55	36
172663-73500	55	37
172663-73510	55	53
172663-73520	55	38
172663-73530	55	39
172663-73540	55	40
172663-73550	55	41
172663-73560	55	42
172663-73570	55	43

Parts No.	Fig. No.	Ref. No.
172663-73580	55	54
172663-73590	55	55
172663-73600	55	44
172663-73610	55	45
172663-73620	55	46
172663-73630	55	47
172663-73640	55	56
172663-73650	55	48
172663-73660	55	49
172663-73670	55	50
172663-73680	55	62
172663-73690	55	63
172663-73700	59	4
172663-73720	59	6
172663-73740	57	18
172663-73750	57	73
172663-73760	57	74
172663-73770	57	75
172663-73810	57	76
172663-73820	57	77
172663-73830	57	78
172663-73840	57	79
172663-73850	57	80
172663-73870	57	26
172663-73880	57	81
172663-73920	57	27
172663-73930	57	82
172663-73970	57	83
172663-73980	57	84
172663-74100	60	1
172663-74110	60	3
172663-74120	60	4
172663-74130	60	5
172663-74140	60	17
172663-74150	60	18
172663-74160	60	6
172663-74400	61	2
172663-74501	62	2
172663-74550	62	3
172663-74700	63	4
172663-74800	64	4
172663-74810	64	1
172663-74900	63	3
172663-75350	65	5
172663-75380	65	6
172663-76170	75	1
172663-76280	70	5
172663-76290	70	6
172663-76330	74	1
172663-76380	74	2

Parts No.	Fig. No.	Ref. No.
172663-76430	74	8
172663-76450	74	9
172663-76650	68	7
172663-76660	68	8
172663-78080	76	2
172663-78120	76	3
172663-78131	76	4
172663-78140	76	5
172663-78151	78	3
172663-78160	78	4
172663-78170	78	5
172663-78180	78	6
172663-78210	76	6
172663-78230	77	1
172663-78250	78	7
172663-78270	78	8
172663-78290	78	9
172663-78300	78	10
172663-78310	76	7
172663-78320	78	11
172663-78330	77	2
172663-78340	76	8
172663-78350	78	12
172663-78360	79	2
172663-78370	79	3
172663-78380	77	3
172663-78400	80	3
172663-78420	80	4
172663-78440	80	5
172663-78460	80	6
172663-78490	80	7
172663-78500	81	5
172663-78510	81	6
172663-78520	81	7
172663-78530	81	8
172663-78540	80	8
172663-78550	77	4
172663-78560	77	5
172663-78570	77	6
172663-78580	77	7
172663-78590	77	8
172663-78600	77	9
172663-78680	77	10
172663-78940	80	9
172663-78950	80	10
172663-78970	77	11
172663-79530	76	9
172663-79550	78	13
172663-79560	78	14
172663-79570	76	10

Parts No.	Fig. No.	Ref. No.
172663-79650	80	11
172663-79660	80	12
172663-95100	82	3
172663-95230	82	7
172725-85870	82	2
172730-01360	42	1
172730-11451	85	1
172734-65270	48	8
172738-95770	75	2
172739-52851-Y	82	1
172958-07330	4	1
172A23-14200	19	2
172A36-03411	1	5
	48	15 C
172A38-03201	2	4
	12	23 A
172A38-03211	2	5
	12	14 A
172A46-11390	5	4
172A47-73310	57	59
172A47-74700	62	4
172A47-74710	62	5
172A47-74720	62	6
172A47-74730	62	7
172A47-74740	62	8
172A47-74750	62	9
172A47-74760	62	10
172A47-74770	62	11
172A47-74780	62	12
172A47-74790	62	13
172A47-74800	62	14
172A47-74810	62	15
172A47-74820	62	16
172A47-74830	62	17
172A47-74840	62	18
172A47-74850	62	19
172A47-74860	62	20
172A47-74870	62	21
172A47-74880	62	22
172A47-74890	62	23
172A52-61220	17	37
172A64-17250	19	14
172A65-64470	52	8
172A69-03220	3	9
172A69-12100	8	1
172A69-12120	8	7
172A69-12160	8	3
172A69-12170	8	4
172A69-12180	8	5
172A69-12190	8	6

Parts No. Index

Parts No.	Fig. No.	Ref. No.
172A69-13150	10	6
172A69-14230	15	2
172A69-16700	89	8
172A69-17260	19	15
172A77-46050	32	3
		4
172A79-72570	50	8
172A86-03790	1	10
172A89-61470	52	7
172A89-64740	44	14
172A89-64780	44	15
172A89-64790	44	16
172A89-64800	44	17
172A89-64810	44	18
172A89-64820	44	19
172A89-64830	44	20
172A89-64840	44	21
172A89-64850	44	22
172A89-64870	44	23
172A89-64880	44	24
172A89-64890	44	25
172A89-64900	44	26
172A89-64910	44	28
172A89-64920	44	29
172A89-64940	44	7
172A89-64950	44	8
172A89-64960	44	9
172A89-64970	44	10
172B02-17150	17	22
172B02-64210	44	5
172B02-64220	44	6
172B02-64250	44	12
172B02-64260	44	13
172B02-69040	52	25
172B03-03220	3	25
172B03-03710	2	16
172B03-11560	6	5
172B03-11571	6	6
172B03-11820	6	8
172B03-11830	6	9
172B03-13700	39	3
	50	2
172B03-17258	17	23
172B03-17310	17	26
172B03-17320	17	29
172B03-17360	17	27
172B03-17370	17	30
172B03-17470	86	11
	87	5
	90	14

Parts No.	Fig. No.	Ref. No.
172B03-64690	48	6
172B03-64960	44	35
172B03-66170	48	31
172B03-76010	67	1
	72	1
		3
172B03-76130	67	6
172B03-76240	68	6
172B04-03970	1	11
172B04-17050-1	18	1
172B04-17740	17	34
172B04-17990	17	33
172B05-73360	57	61
172B05-73370	57	63
172B05-73380	57	64
172B05-73390	57	65
172B05-73400	57	66
172B05-73500	57	70
172B06-17170	32	1
		2
172B11-11350	5	7
172B11-11360	5	8
172B11-14700	15	10
172B11-14790	15	22
172B11-16540	23	3
172B11-17100	20	1
172B11-17110	20	2
172B11-17120	20	3
172B11-17130	20	4
172B11-17140	20	5
172B11-17900	88	10
172B11-17910	88	11
172B11-73600	58	1
172B11-73630	58	2
172B16-62370	86	14
	87	8
	89	16
	90	17
		20
172B16-78790	6	16
172B27-17380	86	10
	87	4
	90	13
174841-48792	65	21
184015-44680	12	24
194150-31460	27	2
194151-04141	13	2
194151-04150	13	3
194151-57100	21	8
194202-56460	76	1

Parts No.	Fig. No.	Ref. No.
194202-56460	80	1
	81	3
194250-04301	13	4
194250-04321	13	6
194630-64110	46	2
	52	3
198071-85440	47	9
198360-52160	20	6
1A6382-51510	17	8
	19	8
1A6423-00650	14	1
1A7000-52820	17	10
1A7500-51140	17	7
	19	7
1A7522-52950	17	36
1A7590-51570	16	13
1A7810-51750	17	9
1A7880-51710	23	10
1A8060-88931	23	19
		20
1A8240-05110	6	3
1A8275-51670	16	5
	17	35
1C6053-32020	84	1
1C6900-06180	17	3
1D4291-15600	15	27
1E8050-05500	88	2
1E8080-78890	22	4
		6
1E8080-81880	84	2
1E8235-84910	17	20
1E8450-84900	17	19
1E8490-84130	13	28
	15	42
	16	7
	17	18
	19	11
	21	5
	89	11
		18
	90	9
		23
1E8540-84890	88	12
	89	19
	90	24
1E8665-83150	17	11
1E8665-83160	17	12
1E8665-83170	17	13
1E8665-83180	17	14
1E8775-84120	16	6

Parts No.	Fig. No.	Ref. No.
1E8775-84120	17	16
	19	9
	21	3
	86	8
		15
	87	9
	90	22
1E8915-84120	17	17
	19	10
	21	4
	78	16
	80	13
1E8941-01650	7	1
1E9570-83900	17	15
1RF001-93010	23	23
1RF001-93553	23	21
22117-100000	5	9
	19	17
22137-050000	17	40
	88	13
22137-060000	15	43
	17	41
		42
	43	7
22137-080000	7	4
	9	17
	12	26
		27
	15	44
	16	14
		15
	17	43
		44
		45
	23	24
		25
		26
	32	27
		28
	40	17
		18
		19
	52	26
	89	20
	90	25
22137-100000	5	14
		15
	16	16
	21	9
	36	16

Parts No. Index

Parts No.	Fig. No.	Ref. No.
22137-100000	37	8
	47	10
	48	35
	49	12
		13
	85	5
22137-120000	39	8
22137-160000	85	6
		7
22137-200000	32	29
		30
22137-240000	25	7
	27	11
22157-060000	12	28
22157-080000	5	16
22157-100000	32	31
		32
	48	36
		37
		38
22190-120002	65	15
22217-050000	17	46
	42	9
	88	14
22217-060000	17	47
	89	21
	90	26
22217-080000	7	5
	12	29
	15	45
	16	17
		18
	52	27
22217-100000	10	13
	16	19
	19	18
	37	9
	49	14
22217-120000	35	2
	39	9
	52	28
22217-140000	10	14
	24	3
	52	29
	55	67
	57	86
22217-160000	10	15
22217-240000	25	8
	26	11
	27	12

Parts No.	Fig. No.	Ref. No.
22217-240000	28	6
22242-000200	32	33
		34
22242-000240	26	7
	27	8
22242-000250	9	18
	29	4
	55	64
22242-000300	82	12
22242-000601	30	16
22242-000750	42	10
22252-000521	29	5
22252-000800	25	9
22252-001150	42	11
22272-000070	32	35
		36
22372-080000	82	13
22372-100000	48	39
22417-200200	9	19
	32	37
		38
	48	40
22417-320200	43	8
22417-400250	85	8
22417-400320	85	9
		10
22417-800450	82	14
22487-080100	9	20
22487-080300	82	15
22487-100220	48	41
		42
22487-100500	48	43
22859-500160	44	11
23000-013000	13	13
	77	13
	78	17
	80	14
	81	9
23000-075000	6	17
23001-016000	77	14
	78	18
23001-019000	77	15
23001-022000	77	16
23001-035000	77	17
23001-041000	7	6
	11	6
	76	11
23001-048000	11	7
23061-050300	13	29
23065-070130	12	23

Parts No.	Fig. No.	Ref. No.
23391-020000	73	4
23393-020000	68	9
	73	5
23395-020000	73	6
23395-030000	74	11
23871-020000	74	12
		13
23875-005000	26	8
	27	9
24101-062064	26	9
24101-063074	25	10
24104-060154	42	12
24104-062054	29	6
24311-000110	15	36
24311-000160	12	4
24311-000380	65	16
24315-000070	57	28
		29
24315-000100	57	30
24315-000110	55	57
	57	31
	60	16
	68	3
24315-000140	30	12
	57	19
		32
	66	6
	69	4
24315-000180	55	58
	67	12
		15
	70	9
24315-000290	57	33
	67	9
24321-000300	26	10
	27	10
24321-000500	55	59
24321-000700	55	60
24321-000850	55	61
24321-001050	65	17
24325-001250	57	34
24325-001350	57	35
24341-000300	65	18
24550-025100	9	4
24761-020000	9	21
	28	7
	30	13
	32	8
		12
		16

Parts No.	Fig. No.	Ref. No.
24761-020000	56	9
24761-040000	9	22
	56	10
24761-050000	82	16
26013-060122	17	48
		49
	21	10
	62	24
26013-060162	9	23
	12	30
	14	2
	15	46
	18	18
	23	27
	43	9
26013-060252	18	19
	61	1
26013-080122	17	50
26013-080162	14	3
	18	20
		21
		22
	23	28
		29
		30
	40	20
		21
	44	36
	84	8
	89	22
	90	27
26013-080202	5	17
	15	47
	17	51
		52
	44	37
	48	44
	59	7
		8
	64	2
26013-080252	12	31
	52	30
26013-080702	63	1
26013-080752	63	2
26013-100162	21	11
	60	19
26013-100202	5	18
		19
	12	32
		33

Parts No. Index

Parts No.	Fig. No.	Ref. No.	
26013-100202	12	34	
	13	30	
	18	23	
	32	39	
		40	
	36	17	
	47	11	
	49	15	
	74	14	
		15	
	26013-100252	9	24
			25
		12	35
		42	13
		48	45
50		9	
26013-100302	74	16	
	9	26	
	48	46	
	53	2	
26013-120302	29	9	
26013-140352	65	25	
26014-060162	12	36	
	18	24	
		25	
	23	31	
	32		
26014-060202	12	37	
	16	20	
26014-080162	18	26	
	58	3	
	62	25	
26014-080202	36	18	
	42	14	
	65	19	
	86	16	
	87	10	
	89	23	
	90	28	
		29	
26014-080252	62	26	
26014-100162	48	47	
	60	20	
26014-100202	13	31	
		32	
		33	
	37	10	
	44	38	
	46	3	
	64	3	

Parts No.	Fig. No.	Ref. No.
26014-100252	13	34
	32	41
		42
		43
	33	11
	36	19
	38	2
	39	10
		11
		42
		15
		16
	48	48
		49
		50
26014-100302	75	3
26014-100352	40	22
26014-100452	88	15
26022-050122	13	14
26051-080002	79	8
26051-100002	34	2
	48	50
26076-120352	52	31
26076-120452	52	32
26076-140402	52	33
26106-080102	33	12
26106-080122	48	51
26106-080162	44	30
	31	
26106-100162	36	20
	44	32
26106-100202	36	21
	22	
26106-100252	44	33
26106-100652	5	10
26116-050202	17	53
26116-060162	89	24
	90	30
26116-080122	16	21
26116-080162	7	7
	12	38
	52	34
26116-080202	40	23
26116-080254	9	27
26116-080952	15	48
26116-100162	16	22
	19	19
	49	16
26116-100202	37	11
26116-120252	39	12
26156-140402	55	68

Parts No.	Fig. No.	Ref. No.
26347-100002	48	52
26366-100002	5	11
26367-100002	13	35
26450-120402	54	2
26455-080202	55	65
26557-050202	42	17
26559-050202	44	34
26587-040062	62	27
26589-080202	41	6
26657-080002	52	35
26716-050002	88	16
26716-060002	17	54
26716-080002	9	28
	16	23
	24	
	25	
26716-100002	65	20
	85	11
26716-120002	35	3
26716-160002	84	9
26716-240002	25	11
	26	12
	27	13
	28	8
26756-080002	40	24
27260-520000	29	7
29220-788200	21	7
41801-310041	1	13
41851-000110	66	8
	67	2
		4
		17
	68	10
	69	5
	71	3
	72	2
		4
		9
		12
		13
41851-000140	66	9
	67	7
	69	6
	70	10
41851-000180	66	10
	67	18
	69	7
	73	7
	74	7
772649-37500-2	29	1

Parts No.	Fig. No.	Ref. No.
933123-73902	56	11
933133-96300	56	12
933147-10350	29	8
933153-01280	85	12
933160-01370	69	8
933160-06990	82	17
933160-09240	62	28
933168-51700-Y	85	13
933168-51780	85	14
933171-13691	25	12
933171-15801	16	26
933172-27150	82	18