

0CK50-M00230EN

P R E F A C E

1. This Parts Catalog carries Yanmar excavator (crawler back-hoe) SV08-1A for U. S. A. , Korea.
(M/# 1B501)

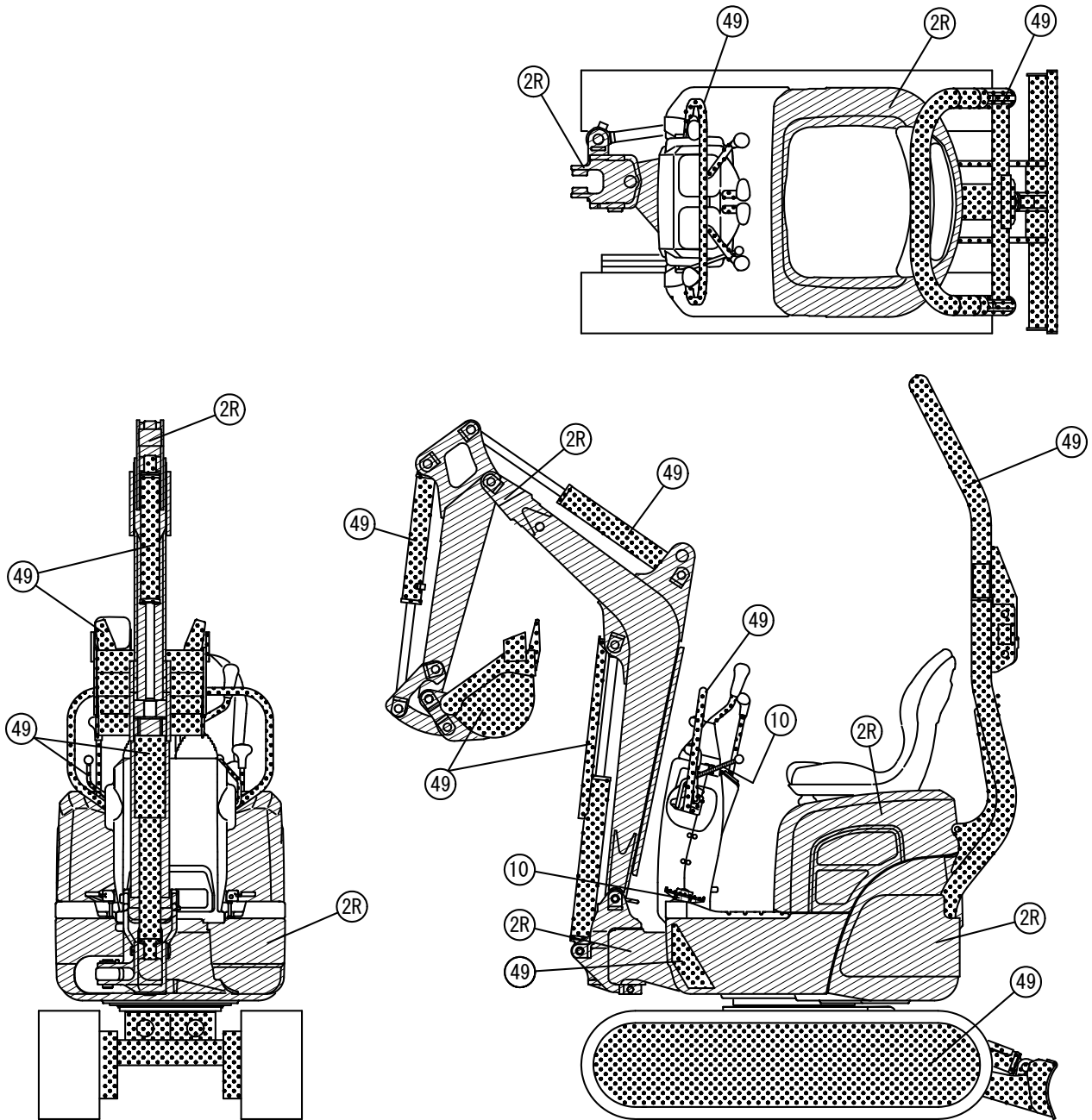
2. Parts catalog history

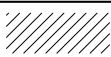


		Model	Published	Remarks
1st edition	Vehicle	SV08-1B (US, KR)	Nov. , 2014	
	Engine	2TE67L-BV4		

3. Your understanding is asking that this parts catalog is not a technical data manual setting forth as servicing procedures, This parts catalog is using simplified illustration.

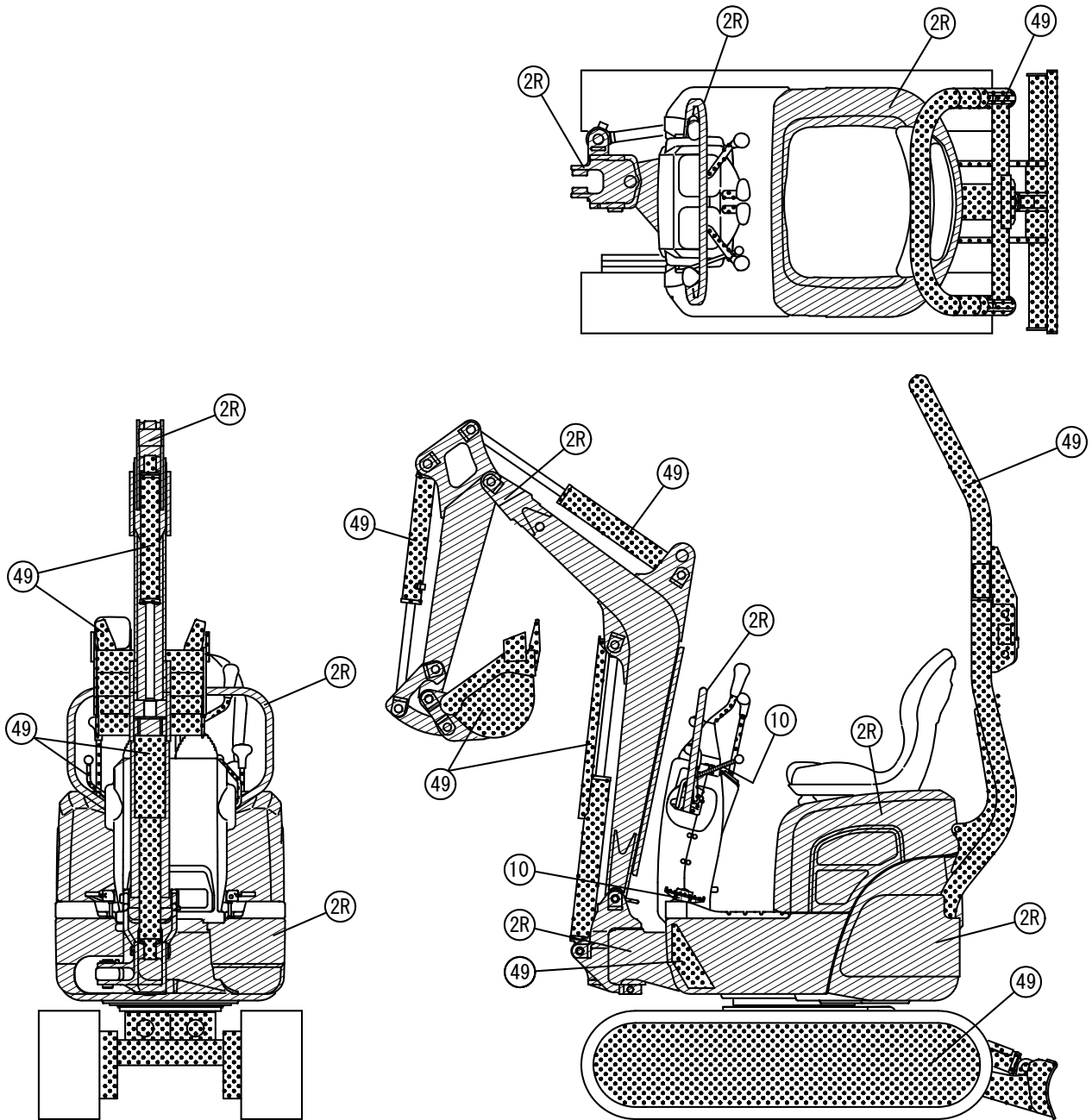
Be sure to use Yanmar Genuine Parts in your maintenance servicing of Yanmar products. Be careful not to use the simple parts available in the market, otherwise their use in repairing causes such as an early breakage, for instance.

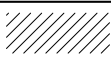


VEHICLE PAINTED COLOR (TO MBF000)



Color Code	Description	Painted Color	Paint Part No.		
			16L Can	4L Can	SPRAY
2R		YANMAR Turmeric Yellow	-----	977620-41001	977620-41002
49		YANMAR Navy Gray	-----	TOR-91390000	TOR-94800490
10		YANMAR Red 2	-----	TOR-91000002	TOR-94800100

VEHICLE PAINTED COLOR (FROM MBF001)



Color Code	Description	Painted Color	Paint Part No.		
			16L Can	4L Can	SPRAY
2R		YANMAR Turmeric Yellow	-----	977620-41001	977620-41002
49		YANMAR Navy Gray	-----	TOR-91390000	TOR-94800490
10		YANMAR Red 2	-----	TOR-91000002	TOR-94800100

PICTURESQUE INDEX (1) ■ ■ ■ MAIN PARTS

1. LABEL & ACCESSORY

Fig. 1~7, 84, 85

3. ELECTRICAL PARTS

Fig. 16~19

5. CONTROL EQUIPMENT

Fig. 25~37

8. AROUND SEAT

Fig. 42~46

11. HYDRAULIC OIL PIPING

Fig. 67~75

2. ENGINE RELATED

Fig. 8~15

9. BONNET

Fig. 47

7. COVER

Fig. 41

6. FRAME

Fig. 38~40

4. TRAVELING

Fig. 20~24, 82

12. IMPLEMENT

Fig. 76~81

10. HYDRAULIC OIL EQUIPMENT

Fig. 48~66, 83

RIGHT

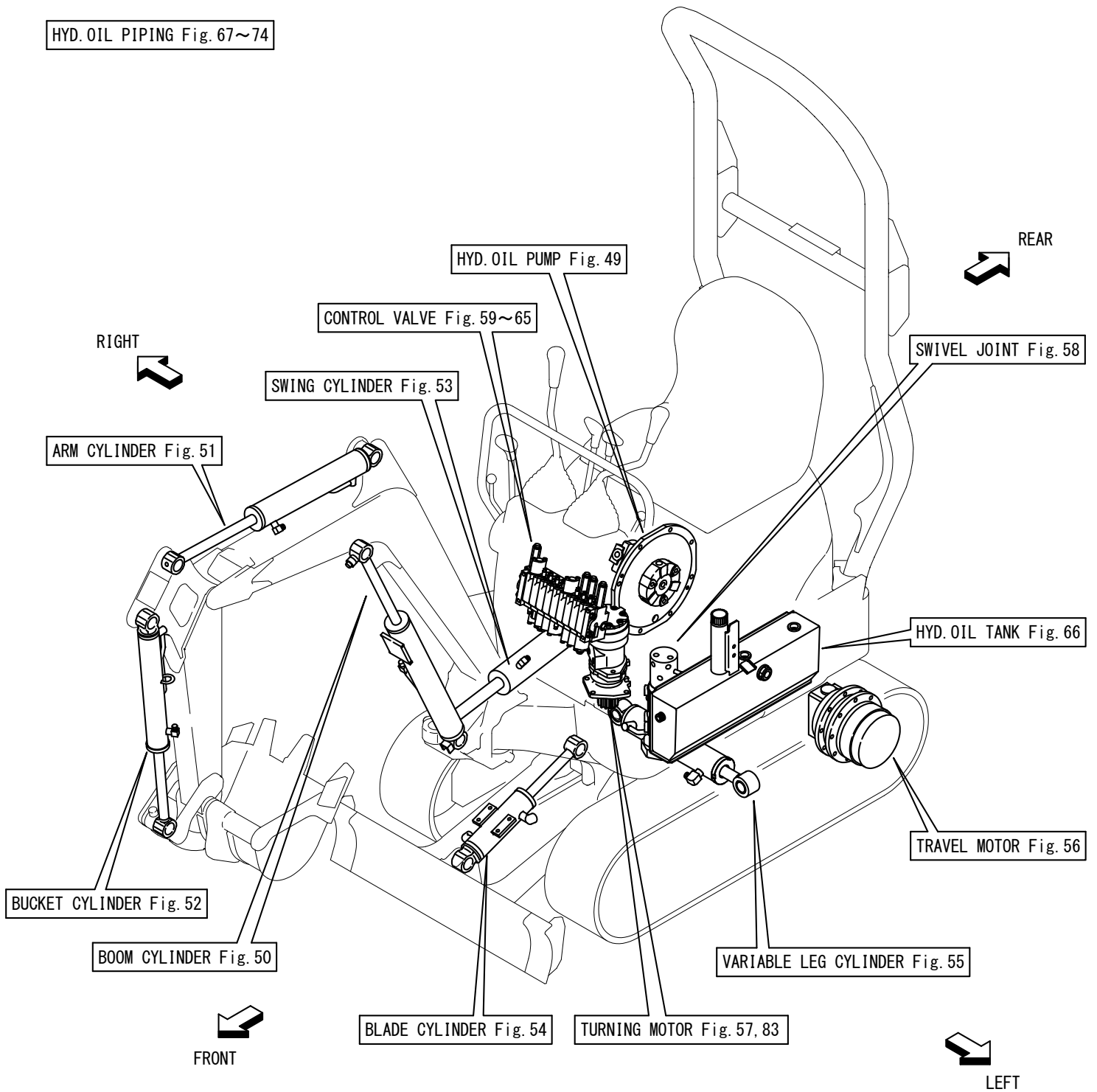
REAR

FRONT

LEFT

PICTURESQUE INDEX (2) ■ ■ ■ HYDRAULIC SECTION

HYD. OIL PIPING Fig. 67~74



Contents

OCK50-M00230

Fig. No. Fig. Name

LABEL & ACCESSORY

1. LABEL(EXTERIOR)(US)(TO MBF000)
84. (1A)LABEL(EXTERIOR)(US)(FROM MBF001)
2. LABEL(EXTERIOR)(KR)(TO MBF000)
85. (2A)LABEL(EXTERIOR)(KR)(FROM MBF001)
3. LABEL(BONNET INSIDE)(US)
4. LABEL(BONNET INSIDE)(KR)
5. LABEL(AROUND THE CONTROL)(US)
6. LABEL(AROUND THE CONTROL)(KR)
7. ACCESSORY

ENGINE RELATED

8. MUFFLER
9. AIR CLEANER
10. ACCELERATOR LEVER
11. ACCELERATOR CABLE
12. ENGINE MOUNT
13. RADIATOR
14. FUEL TANK
15. FUEL PIPING

ELECTRICAL PARTS

16. BATTERY
17. BATTERY CLAMP
18. WIRING

Fig. No. Fig. Name

19. EQUIPMENT

TRAVELING

20. SPROCKET
21. IDLER
22. TRACK ROLLER(Y SPEC.)
82. (22A)TRACK ROLLER(S SPEC.)
23. CRAWLER ADJUST
24. CRAWLER

CONTROL EQUIPMENT

25. OPERATION LEVER(RIGHT)(US)
26. OPERATION LEVER(RIGHT)(KR)
27. OPERATION LEVER(LEFT)(US)
28. OPERATION LEVER(LEFT)(KR)
29. BLADE LEVER
30. TRAVEL LEVER
31. VARIABLE LEG LEVER
32. LINK
33. SWING PEDAL
34. P.T.O. PEDAL
35. LINK STAND(US)
36. LINK STAND(KR)
37. STOPPER

Contents

OCK50-M00230

Fig. No. Fig. Name

FRAME

- 38. TRAVEL FRAME
- 39. TURNING FRAME
- 40. TURNING BEARING

COVER

- 41. COVER(TRAVEL FRAME)

AROUND SEAT

- 42. TURNING LOCK
- 43. STEP
- 44. SEAT
- 45. SEAT BELT
- 46. ROPS

BONNET

- 47. BONNET

HYDRAULIC OIL EQUIPMENT

- 48. HYDRAULIC PUMP MOUNT
- 49. HYDRAULIC PUMP
- 50. BOOM CYLINDER
- 51. ARM CYLINDER
- 52. BUCKET CYLINDER
- 53. SWING CYLINDER

Fig. No. Fig. Name

- 54. BLADE CYLINDER
- 55. VARIABLE LEG WIDEN / SHORTEN CYLINDER
- 56. TRAVEL MOTOR
- 57. TURNING MOTOR(N SPEC.)(TO M1B535)
- 83. (57A)TURNING MOTOR(E SPEC.)(FROM M1B536)
- 58. SWIVEL JOINT
- 59. CONTROL VALVE(1/7)
- 60. CONTROL VALVE(2/7)
- 61. CONTROL VALVE(3/7)
- 62. CONTROL VALVE(4/7)
- 63. CONTROL VALVE(5/7)
- 64. CONTROL VALVE(6/7)
- 65. CONTROL VALVE(7/7)
- 66. HYD. OIL TANK

HYDRAULIC OIL PIPING

- 67. TANK - PUMP - CONTROL VALVE
- 68. CONTROL VALVE - TURNING MOTOR & SWING CYLINDER
- 69. CONTROL VALVE - SWIVEL JOINT
- 70. RETURN
- 71. TRAVEL FRAME
- 72. CONTROL VALVE - BOOM
- 73. P.T.O.(FRAME END)
- 74. P.T.O.(BOOM END)
- 75. GREASING

Contents

0CK50-M00230

Fig. No. Fig. Name

Fig. No. Fig. Name

IMPLEMENT

76. BOOM BRACKET

77. BOOM

78. ARM

79. BUCKET ARM & LINK

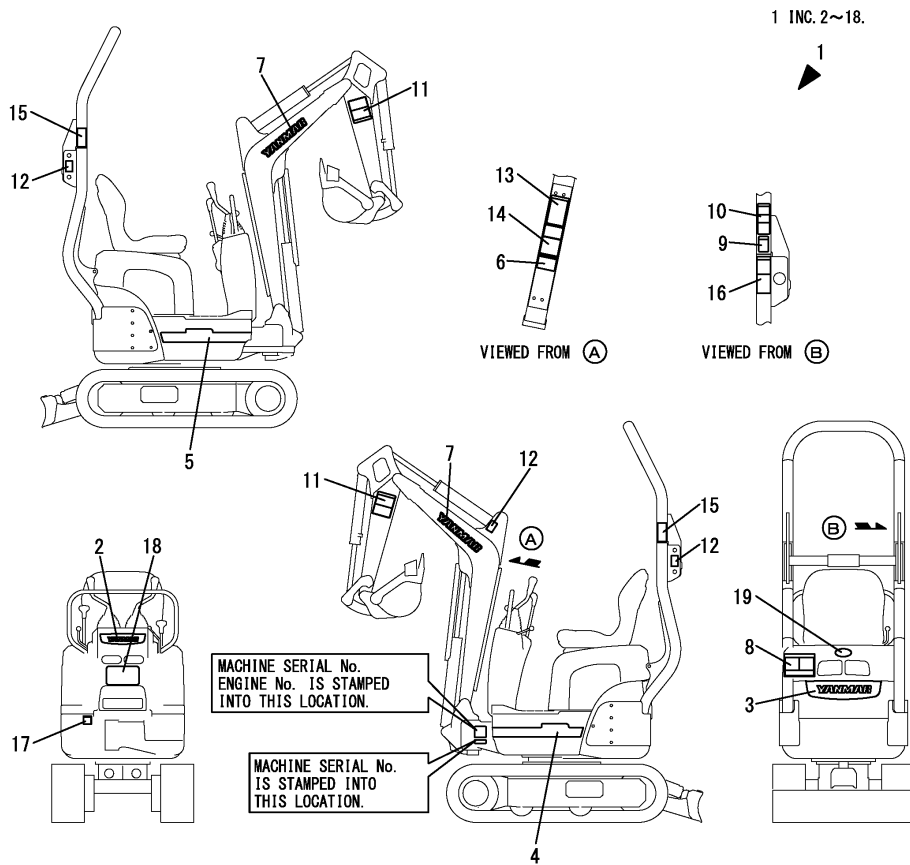
80. BUCKET

81. BLADE

Fig.1. LABEL(EXTERIOR)(US)(TO MBF000)

(A)=SV08-1B(US)
 (B)=SV08-1B(KR)
 (C)=

(D)=
 (E)=
 (F)=



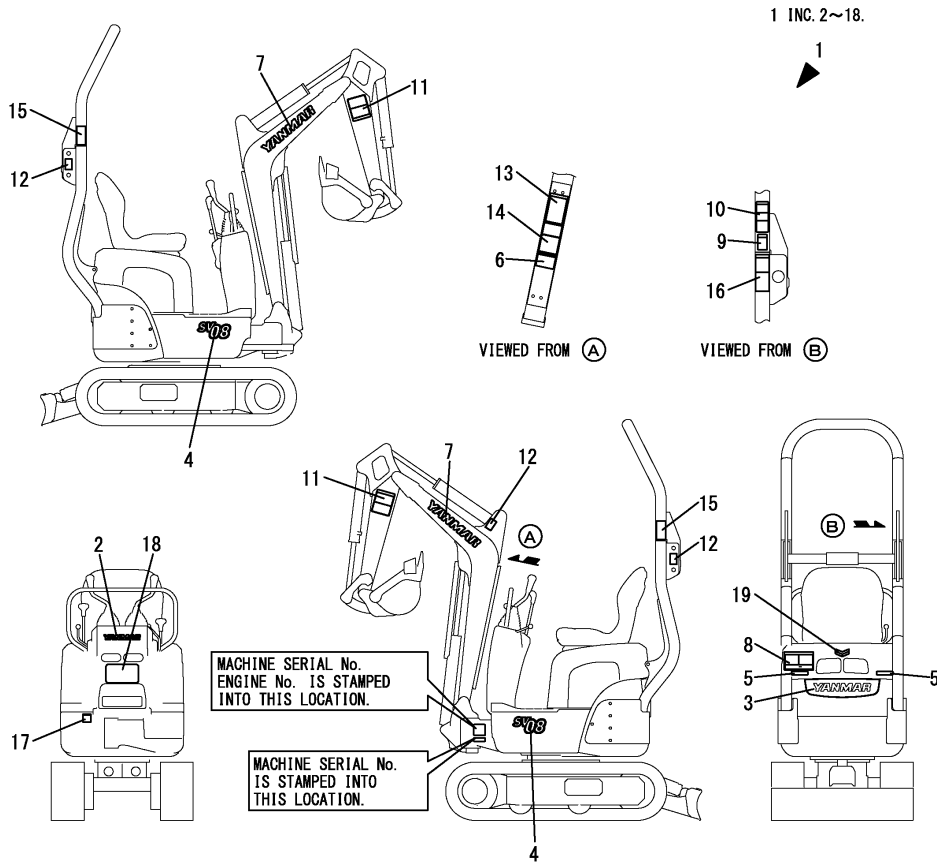
No.	Lev.	Parts No.	Description	Q'ty						I	R
				(A)	(B)	(C)	(D)	(E)	(F)		
1	1	172B19-08110	LABEL SET, OUT US	1							
2	2	172A82-03160	LABEL,FRONT EMBLEM	1							
3	2	172A82-03170	LABEL,REAR EMBLEM	1							
4	2	172A82-03180	LABEL,SIDE L	1							
5	2	172A82-03190	LABEL,SIDE R	1							
6	2	172480-03220	LABEL,GREASING	1							
7	2	172A86-03310	LABEL,YANMAR	2							
8	2	172A64-03380	LABEL,SWING AREA US	1							
9	2	172437-03441	LABEL, ROPS	1							
10	2	172437-03451	LABEL, SEAT BELT	1							
11	2	172437-03461	LABEL, BOOM	2							
12	2	172437-03511	LABEL, HOOK	3							
13	2	172446-03652	LABEL, VARIABLE US	1							
14	2	172446-03711	LABEL, LIFT US	1							
15	2	172A29-03740	LABEL, PINCH ROPS	2							
16	2	172A29-03750	LABEL, FOLDING ROPS	1							
17	2	172A29-03800	LABEL, GREASE US	1							
18	2	172A29-03820	LABEL,PATTERN CHANGE	1							
19	1	172A88-03050	EMBLEM ASSY	1							

SAFTY LABEL

Fig.84. (1A)LABEL(EXTERIOR)(US)(FROM MBF001)

(A)=SV08-1B(US)
 (B)=SV08-1B(KR)
 (C)=

(D)=
 (E)=
 (F)=



No.	Lev.	Parts No.	Description	Q'ty						I	R
				(A)	(B)	(C)	(D)	(E)	(F)		
1	1	172B19-08111	LABEL SET, OUT US D	1							
2	2	172A86-03720	LABEL, YANMAR 200 B	1							
3	2	172A82-03790	LABEL, REAR	1							
4	2	172A82-03470	LABEL, MODEL SV08	2							
5	2	172B04-03970	LABEL, REFLECTOR S	2							
6	2	172480-03220	LABEL, GREASING	1							
7	2	172A86-03770	LABEL, YANMAR 355 B	2							
8	2	172A64-03380	LABEL, SWING AREA US	1							
9	2	172437-03441	LABEL, ROPS	1							
10	2	172437-03451	LABEL, SEAT BELT	1							
11	2	172437-03461	LABEL, BOOM	2							
12	2	172437-03511	LABEL, HOOK	3							
13	2	172446-03652	LABEL, VARIABLE US	1							
14	2	172446-03711	LABEL, LIFT US	1							
15	2	172A29-03740	LABEL, PINCH ROPS	2							
16	2	172A29-03750	LABEL, FOLDING ROPS	1							
17	2	172A29-03800	LABEL, GREASE US	1							
18	2	172A29-03820	LABEL, PATTERN CHANGE	1							
19	1	172A88-03010	EMBLEM ASSY, FY S1 Y	1							

SAFETY LABEL

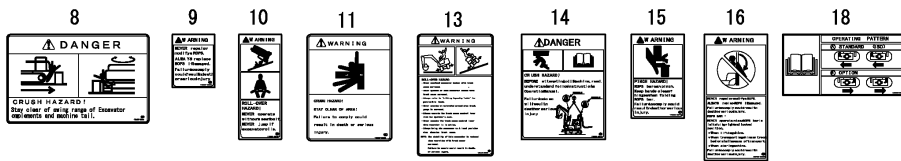
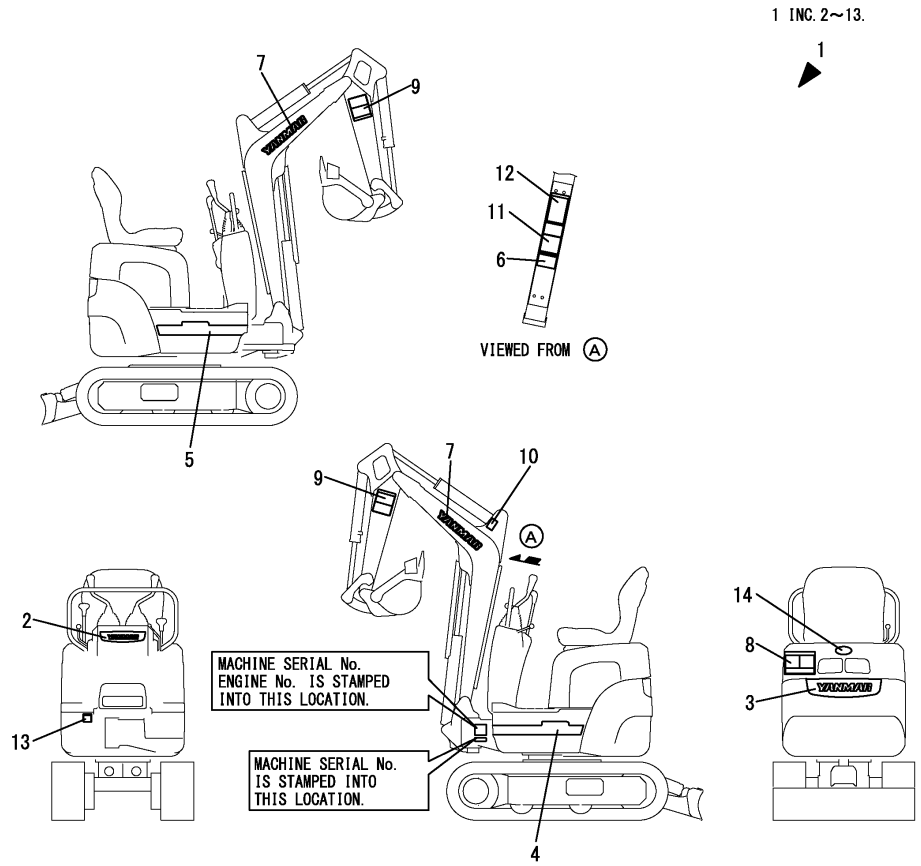


Fig.2. LABEL(EXTERIOR)(KR)(TO MBF000)

(A)=SV08-1B(US)
 (B)=SV08-1B(KR)
 (C)=

(D)=
 (E)=
 (F)=

No.	Lev.	Parts No.	Description	Q'ty						I	R
				(A)	(B)	(C)	(D)	(E)	(F)		
1	1	172B19-08150	LABEL SET, OUT KR		1						
2	2	172A82-03160	LABEL,FRONT EMBLEM		1						
3	2	172A82-03170	LABEL,REAR EMBLEM		1						
4	2	172A82-03180	LABEL,SIDE L		1						
5	2	172A82-03190	LABEL,SIDE R		1						
6	2	172480-03220	LABEL,GREASING		1						
7	2	172A86-03310	LABEL,YANMAR		2						
8	2	172A64-03380	LABEL,SWING AREA US		1						
9	2	172437-03461	LABEL, BOOM		2						
10	2	172437-03511	LABEL, HOOK		1						
11	2	172446-03621	LABEL,LIFT E		1						
12	2	172446-03652	LABEL, VARIABLE US		1						
13	2	172A29-03800	LABEL, GREASE US		1						
14	1	172A88-03050	EMBLEM ASSY		1						



SAFTY LABEL

8

9

11

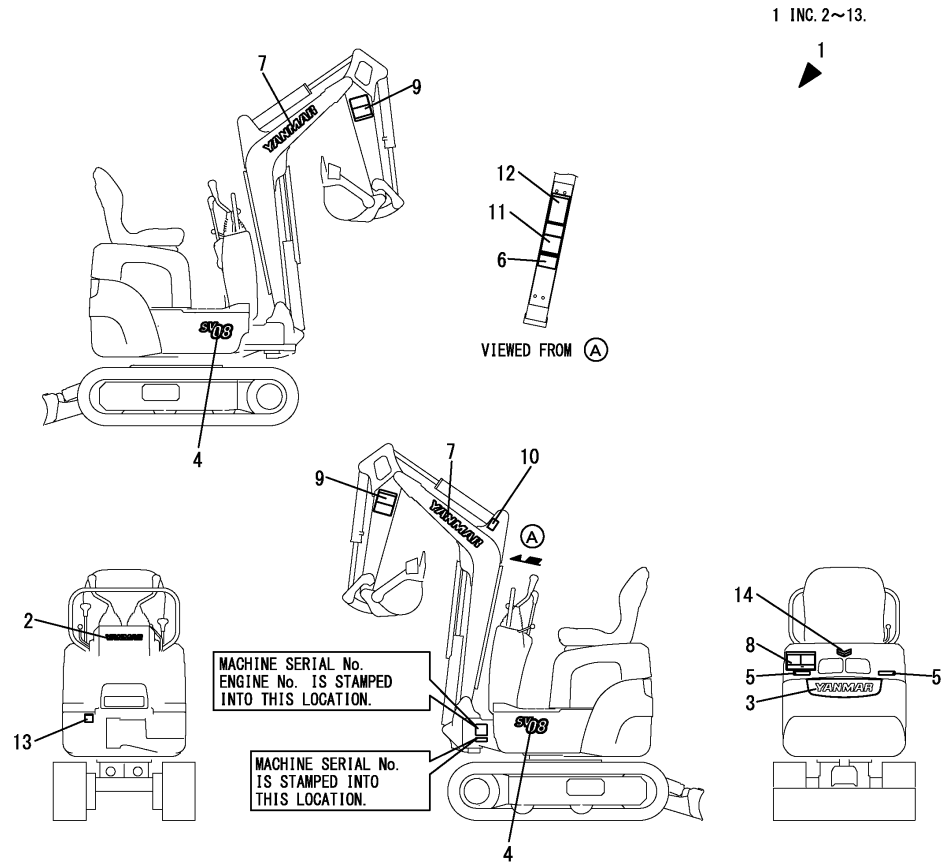
12

Fig.85. (2A)LABEL(EXTERIOR)(KR)(FROM MBF001)

(A)=SV08-1B(US)
 (B)=SV08-1B(KR)
 (C)=

(D)=
 (E)=
 (F)=

No.	Lev.	Parts No.	Description	Q'ty						I	R
				(A)	(B)	(C)	(D)	(E)	(F)		
1	1	172B19-08151	LABEL SET, OUT KR D		1						
2	2	172A86-03720	LABEL, YANMAR 200 B		1						
3	2	172A82-03790	LABEL, REAR		1						
4	2	172A82-03470	LABEL, MODEL SV08		2						
5	2	172B04-03970	LABEL, REFLECTOR S		2						
6	2	172480-03220	LABEL, GREASING		1						
7	2	172A86-03770	LABEL, YANMAR 355 B		2						
8	2	172A64-03380	LABEL, SWING AREA US		1						
9	2	172437-03461	LABEL, BOOM		2						
10	2	172437-03511	LABEL, HOOK		1						
11	2	172446-03621	LABEL, LIFT E		1						
12	2	172446-03652	LABEL, VARIABLE US		1						
13	2	172A29-03800	LABEL, GREASE US		1						
14	1	172A88-03010	EMBLEM ASSY, FY S1 Y		1						



SAFETY LABEL

8

9

11

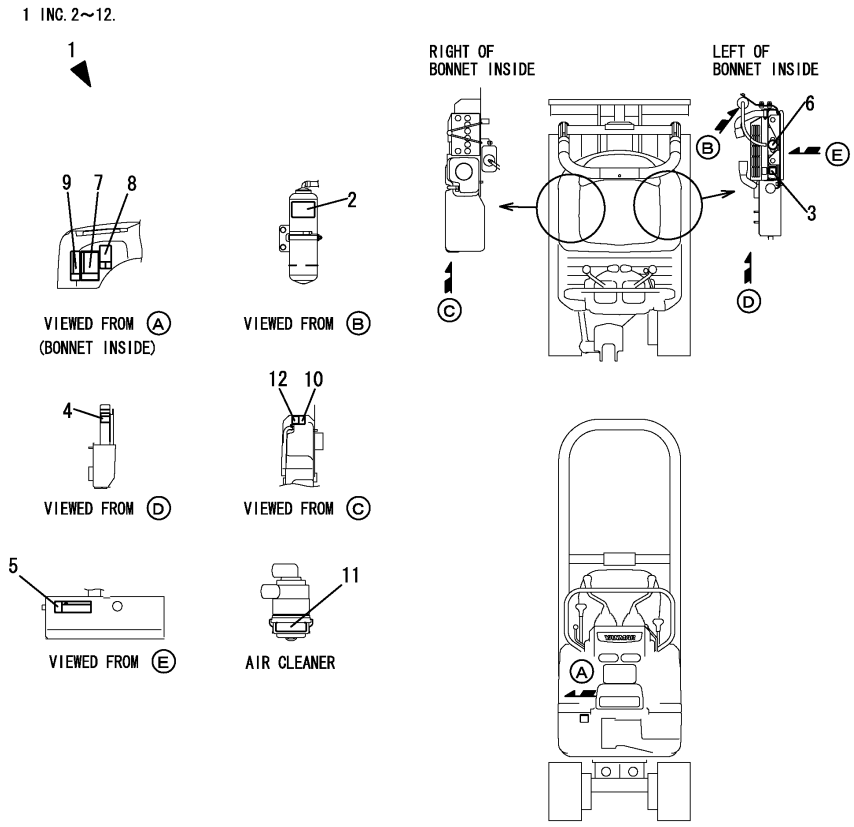
12

Fig.3. LABEL(BONNET INSIDE)(US)

(A)=SV08-1B(US)
 (B)=SV08-1B(KR)
 (C)=

(D)=
 (E)=
 (F)=

No.	Lev.	Parts No.	Description	Q'ty						I	R
				(A)	(B)	(C)	(D)	(E)	(F)		
1	1	172B19-08120	LABEL SET, IN US	1							
2	2	172A38-03201	LABEL, SUB TANK	1							
3	2	172A38-03211	LABEL, ANTI-FREEZING	1							
4	2	172463-03290	LABEL, HYD.OIL	1							
5	2	172437-03322	LABEL, RESEVOIR	1							
6	2	172462-03320	LABEL, RADIATOR	1							
7	2	172437-03361	LABEL, BATTERY	1							
8	2	172A36-03411	LABEL, ENGINE ROOM	1							
9	2	172437-03422	LABEL, MUFFLER	1							
10	2	172437-03501	LABEL, FUEL	1							
11	2	172125-03951	LABEL, AIR CLEANER	1							
12	2	114110-07761	LABEL, FUEL OIL CAUT	1							



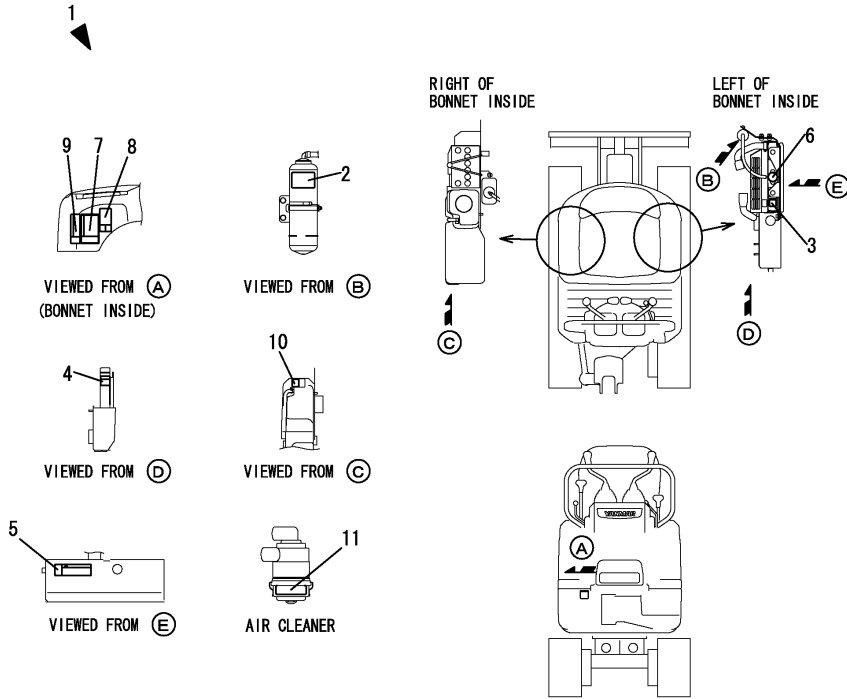
SAFTY LABEL

Fig.4. LABEL(BONNET INSIDE)(KR)

(A)=SV08-1B(US)
 (B)=SV08-1B(KR)
 (C)=

(D)=
 (E)=
 (F)=

1 INC. 2~11.



No.	Lev.	Parts No.	Description	Q'ty						I	R
				(A)	(B)	(C)	(D)	(E)	(F)		
1	1	172B19-08160	LABEL SET, IN KR		1						
2	2	172A38-03201	LABEL, SUB TANK		1						
3	2	172A38-03211	LABEL, ANTI-FREEZING		1						
4	2	172463-03290	LABEL, HYD.OIL		1						
5	2	172437-03322	LABEL, RESEVOIR		1						
6	2	172462-03320	LABEL, RADIATOR		1						
7	2	172437-03361	LABEL, BATTERY		1						
8	2	172A36-03411	LABEL, ENGINE ROOM		1						
9	2	172437-03422	LABEL, MUFFLER		1						
10	2	172437-03501	LABEL, FUEL		1						
11	2	172125-03951	LABEL, AIR CLEANER		1						

SAFTY LABEL

5

7

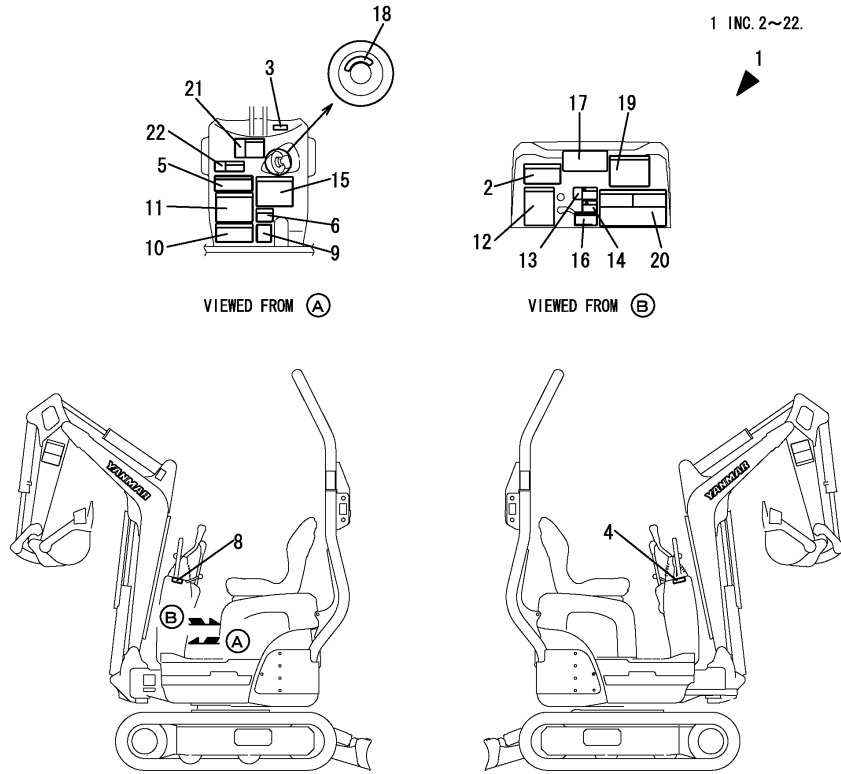
8

9

Fig.5. LABEL(AROUND THE CONTROL)(US)

(A)=SV08-1B(US)
 (B)=SV08-1B(KR)
 (C)=

(D)=
 (E)=
 (F)=



No.	Lev.	Parts No.	Description	Qty						I	R
				(A)	(B)	(C)	(D)	(E)	(F)		
1	1	172B19-08130	LABEL SET, CANOPY US	1							
2	2	172472-03141	LABEL, SUPPORT	1							
3	2	172A65-03150	LABEL,WARNING	1							
4	2	172448-03180	LABEL,W/S OPERATION	1							
5	2	172B19-03210	LABEL, SPEC US	1							
6	2	172433-03251	LABEL, SWING LOCK US	1							
7	2	172437-03252	TAG ASSY, CAUTION	1							
8	2	172183-03280	LABEL, LOCK	1							
9	2	172137-03300	LABEL, TURNING LOCK	1							
10	2	172437-03312	LABEL, SLOPE	1							
11	2	172437-03343	LABEL, TRANSPORT	1							
12	2	172437-03372	LABEL, NEUTRAL	1							
13	2	172437-03391	LABEL, RADIATOR	1							
14	2	172437-03402	LABEL, ENGINE COVER	1							
15	2	172437-03432	LABEL, STEERING	1							
16	2	172B19-03540	LABEL, FUSE US	1							
17	2	172437-03601	LABEL, 2-WAY US	1							
18	2	172A64-03700	LABEL, START SWITCH	1							
19	2	172A29-03720	LABEL,OIL & WATER US	1							
20	2	172A82-03730	LABEL,LIFT US	1							
21	2	172A29-03760	LABEL, MANUAL US	1							
22	2	172A29-03810	LABEL, LEVER LOCK US	1							

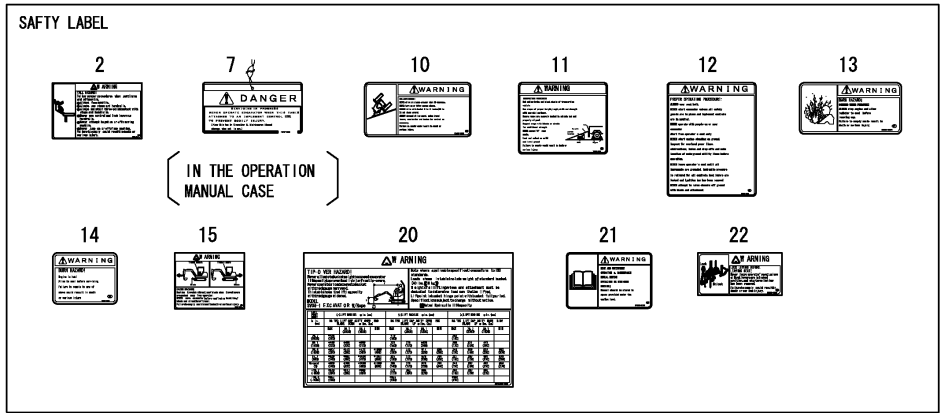
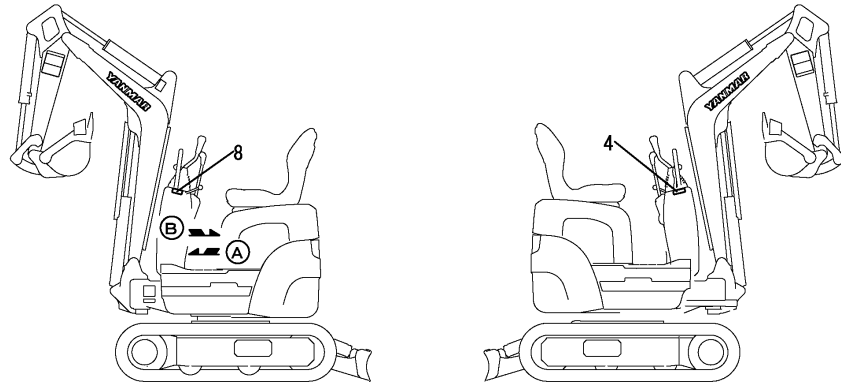
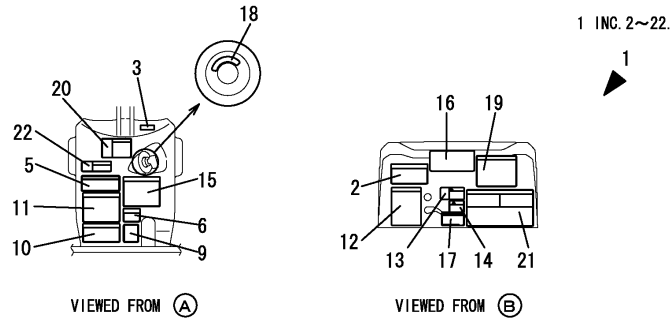


Fig.6. LABEL(AROUND THE CONTROL)(KR)

(A)=SV08-1B(US)
 (B)=SV08-1B(KR)
 (C)=

(D)=
 (E)=
 (F)=



No.	Lev.	Parts No.	Description	Qty						I	R	
				(A)	(B)	(C)	(D)	(E)	(F)			
1	1	172B19-08170	LABEL SET, CANOPY KR		1							
2	2	172472-03141	LABEL, SUPPORT		1							
3	2	172A65-03150	LABEL,WARNING		1							
4	2	172448-03180	LABEL,W/S OPERATION		1							
5	2	172B19-03220	LABEL, SPEC KR		1							
6	2	172433-03251	LABEL, SWING LOCK US		1							
7	2	172437-03252	TAG ASSY, CAUTION		1							
8	2	172183-03280	LABEL, LOCK		1							
9	2	172137-03300	LABEL, TURNING LOCK		1							
10	2	172437-03312	LABEL, SLOPE		1							
11	2	172437-03343	LABEL, TRANSPORT		1							
12	2	172437-03372	LABEL, NEUTRAL		1							
13	2	172437-03391	LABEL, RADIATOR		1							
14	2	172437-03402	LABEL, ENGINE COVER		1							
15	2	172437-03432	LABEL, STEERING		1							
16	2	172446-03440	LABEL,PATTERN EP		1							
17	2	172B19-03540	LABEL, FUSE US		1							
18	2	172A64-03700	LABEL, START SWITCH		1							
19	2	172A29-03720	LABEL,OIL & WATER US		1							
20	2	172A29-03760	LABEL, MANUAL US		1							
21	2	172A29-03781	LABEL,LIFT		1							
22	2	172A29-03810	LABEL, LEVER LOCK US		1							

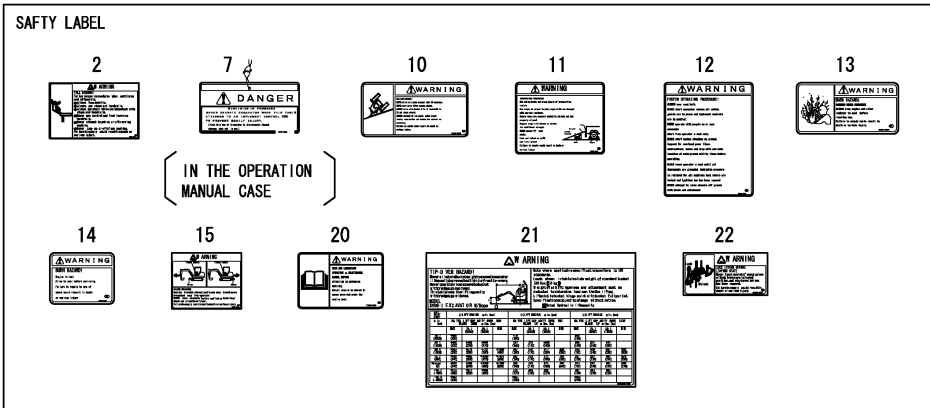


Fig.8. MUFFLER

(A)=SV08-1B(US)
 (B)=SV08-1B(KR)
 (C)=

(D)=
 (E)=
 (F)=

No.	Lev.	Parts No.	Description	Q'ty						I	R
				(A)	(B)	(C)	(D)	(E)	(F)		
1	1	172B19-11210	SPACER, EXH SILENCER	1	1						
2	1	172A20-11310	SILENCER ASSY	1	1						
3	1	172498-11330	GASKET	2	2						
4	1	26013-100352	BOLT, M10X 35	2	2						
5	1	26051-080002	NUT, M8	4	4						
6	1	172137-46042	SEAT, SPRING	2	2						

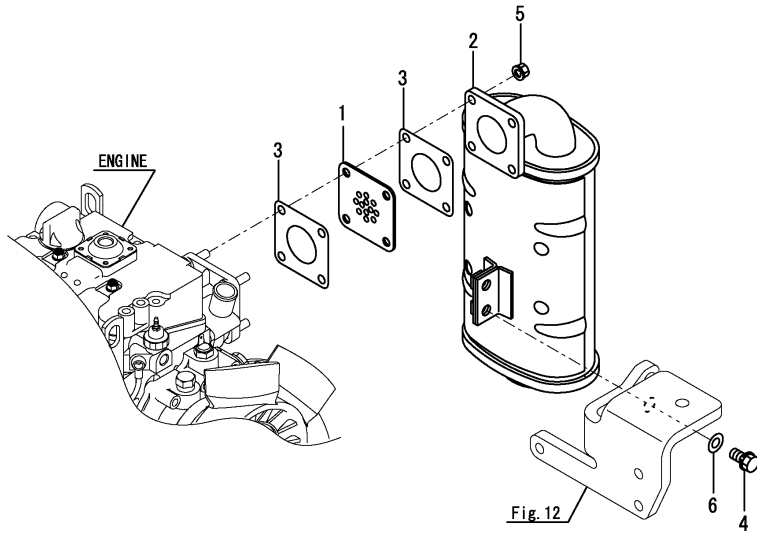
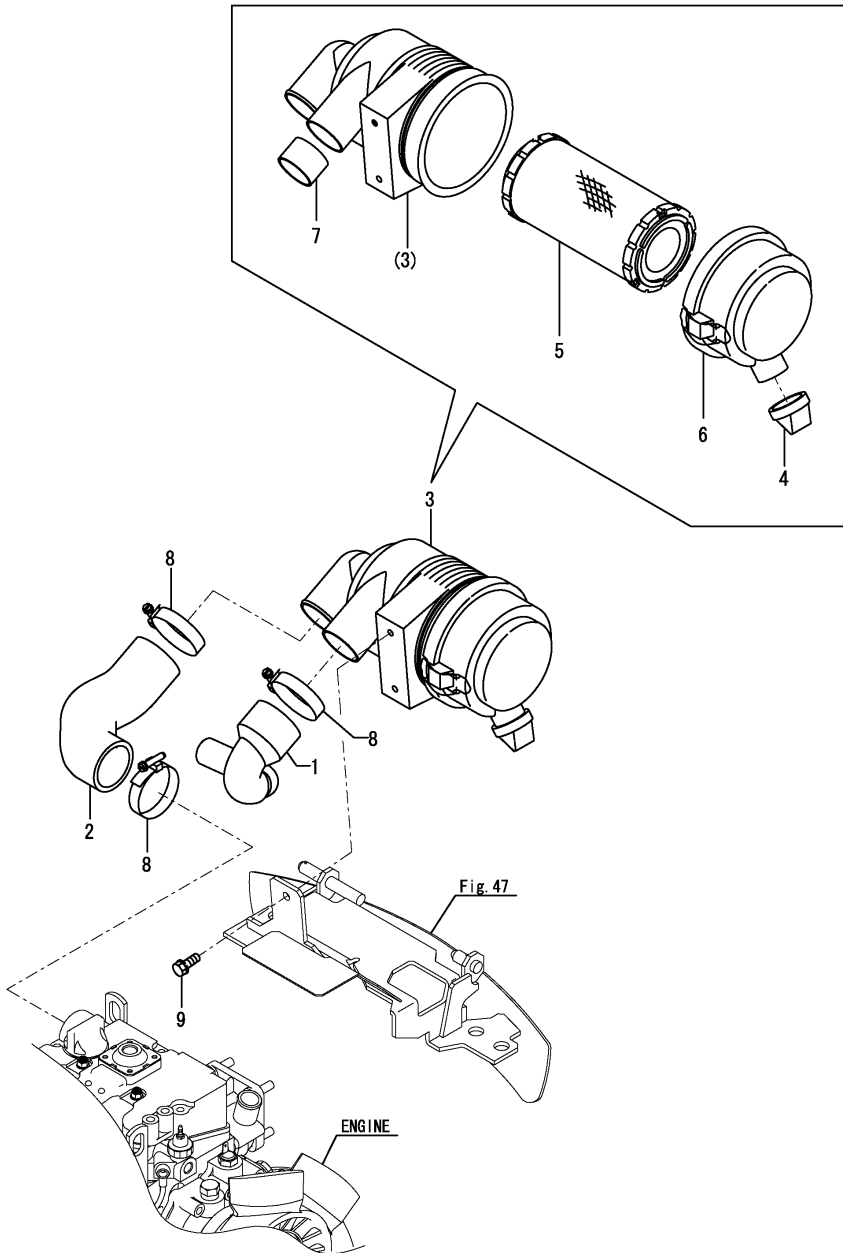


Fig.9. AIR CLEANER

(A)=SV08-1B(US)
 (B)=SV08-1B(KR)
 (C)=

(D)=
 (E)=
 (F)=

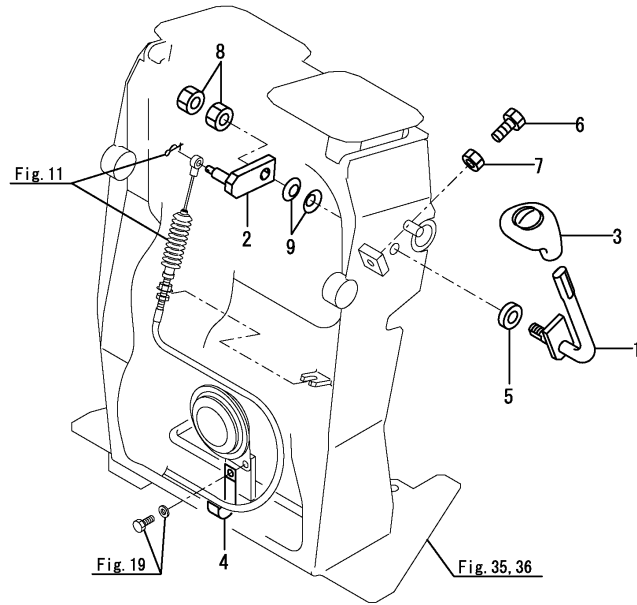


No.	Lev.	Parts No.	Description	Q'ty						I	R
				(A)	(B)	(C)	(D)	(E)	(F)		
1	1	172446-11511	HOSE, AIR CLEANER B	1	1						
2	1	172A20-11510	HOSE A, AIR CREANER	1	1						
3	1	172A20-11550	CLEANER ASSY, AIR	1	1						
4	2	119808-12540	VALVE, UNLOADER	1	1						
5	2	119655-12560	ELEMENT	1	1						
6	2	119655-12570	COVER ASSY	1	1						
7	2	105027-12580	RING	1	1						
8	1	23000-054000	CLAMP, 54	3	3						
9	1	26013-080162	BOLT, M8X 16	2	2						

Fig.10. ACCELERATOR LEVER

(A)=SV08-1B(US)
 (B)=SV08-1B(KR)
 (C)=

(D)=
 (E)=
 (F)=

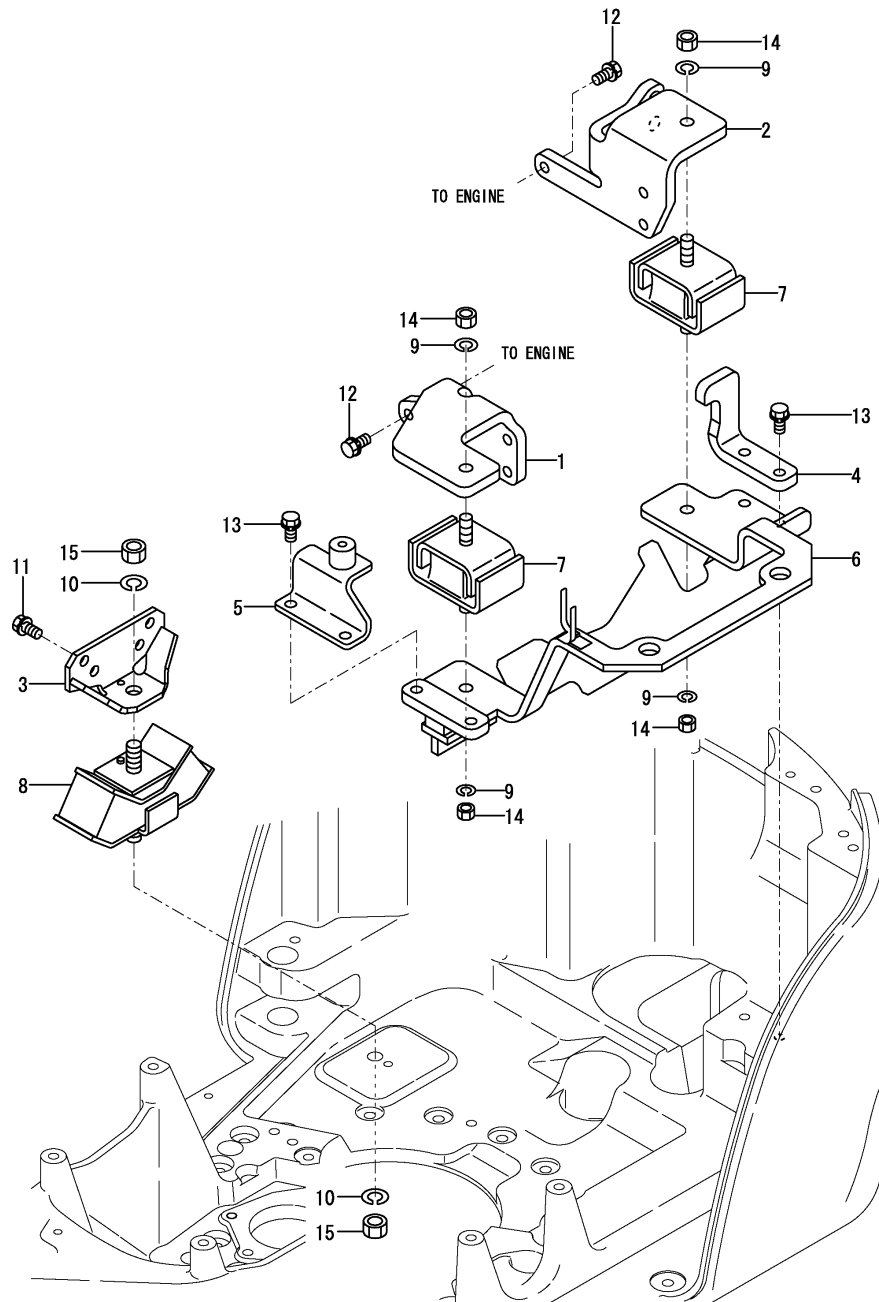


No.	Lev.	Parts No.	Description	Q'ty						I	R
				(A)	(B)	(C)	(D)	(E)	(F)		
1	1	172446-12100-1	LEVER, ACCELERATOR	1	1						
2	1	172446-12130	ARM ASSY	1	1						
3	1	172146-12150	GRIP, ACCELERATOR	1	1						
4	1	1A1686-57850	CLAMP, 80	1	1						
5	1	172156-61320	COLLAR	1	1						
6	1	26116-080254	BOLT, M8X 25 PLATED	1	1						
7	1	26756-080002	NUT, LOCK M8	1	1						
8	1	26756-120002	NUT, LOCK M12	2	2						
9	1	933170-01490	SPRING	2	2						

Fig.12. ENGINE MOUNT

(A)=SV08-1B(US)
 (B)=SV08-1B(KR)
 (C)=

(D)=
 (E)=
 (F)=

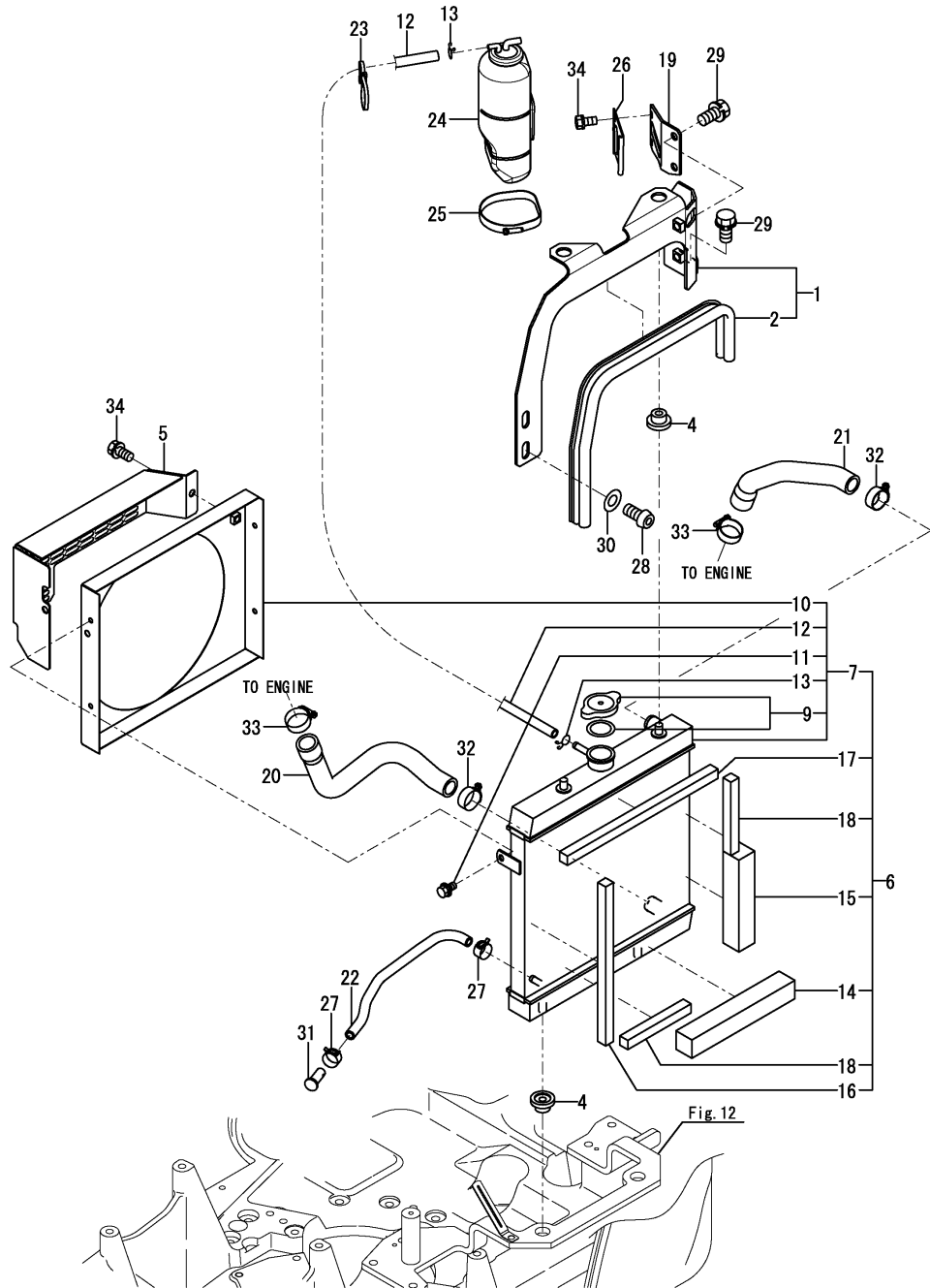


No.	Lev.	Parts No.	Description	Q'ty						I	R
				(A)	(B)	(C)	(D)	(E)	(F)		
1	1	172A82-13100	MOUNT ENGINE R	1	1						
2	1	172A82-13110	MOUNT ENGINE L	1	1						
3	1	172A20-13120	MOUNT, ENGN R	1	1						
4	1	172A82-13120	STOPPER	1	1						
5	1	172A82-13130	STOPPER ASSY	1	1						
6	1	172A82-13160	PLATE ASSY,A	1	1						
7	1	172A82-13220	CUSHION	2	2						
8	1	172447-13260	ABSOBER,SHOCK 290K	1	1						
9	1	22217-120000	WASHER, SPRING 12	4	4						
10	1	22217-140000	WASHER, SPRING 14	2	2						
11	1	26013-100202	BOLT, M10X 20	4	4						
12	1	26013-100302	BOLT, M10X 30	6	6						
13	1	26013-100352	BOLT, M10X 35	4	4						
14	1	26716-120002	NUT, M12	4	4						
15	1	26736-140002	NUT, M14	2	2						

Fig.13. RADIATOR

(A)=SV08-1B(US)
(B)=SV08-1B(KR)
(C)=

(D)=
(E)=
(F)=



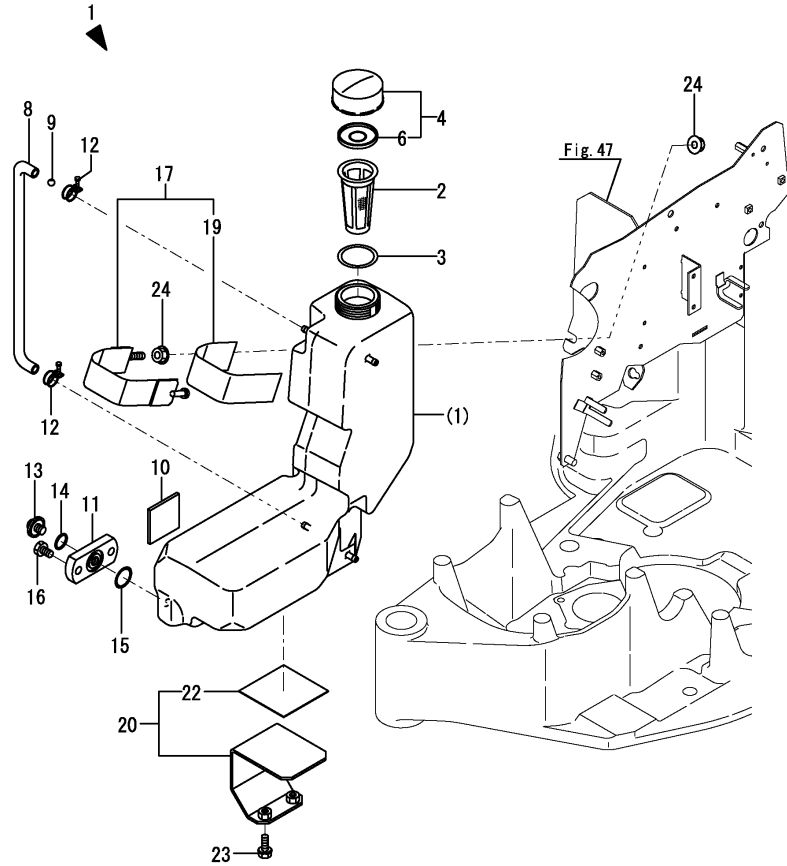
No.	Lev.	Parts No.	Description	Q'ty						I	R
				(A)	(B)	(C)	(D)	(E)	(F)		
1	1	172A20-13301	RADIATOR MOUNT	1	1						
2	2	172A20-13320	SEAL, RADIATOR	1	1						
4	1	172446-13330	ABSORBER, SHOCK	4	4						
5	1	172A20-13350-1	GUARD, FAN	1	1						
6	1	172A20-13420	RADIATOR ASSY	1	1						
7	2	172A20-13430	RADIATOR ASSY	1	1						
9	3	172446-13450	CAP, PRESSURE	1	1						
10	3	172446-13460	SHROUD ASSY	1	1						
11	3	172446-13470	BOLT ASSY	3	3						
12	3	172446-13480	HOSE, RUBBER	1	1						
13	3	172446-13490	CLIP	2	2						
14	2	172446-13540	SEAL	1	1						
15	2	172446-13550	SEAL	1	1						
16	2	172446-13560	SEAL	1	1						
17	2	172446-13570	SEAL	1	1						
18	2	172446-13580	SEAL, RADIATOR	2	2						
19	1	172B19-13500	BRACKET ASSY, SUBTAN	1	1						
20	1	172498-13611	HOSE B, RADIATOR	1	1						
21	1	172A82-13651	HOSE, RADIATOR A	1	1						
22	1	172734-14620	HOSE, FUEL	1	1						
23	1	172137-16560	BAND	1	1						
24	1	129263-44510	TANK ASSY, SUB	1	1						
25	1	124450-44550	BAND	1	1						
26	1	121256-44600	BRACKET, SUB TANK	1	1						
27	1	124766-59050	CLIP, HOSE 11.5	2	2						
28	1	172455-61720	BOLT	2	2						
29	1	26013-100202	BOLT, M10X 20	4	4						
30	1	22137-100000	WASHER, 10	2	2						
31	1	22487-080160	PIN, H 8X 16	1	1						
32	1	23001-025000	CLAMP, HOSE 25	2	2						
33	1	23001-035000	CLAMP, HOSE 35	2	2						
34	1	26013-080162	BOLT, M8X 16	4	4						

Fig.14. FUEL TANK

(A)=SV08-1B(US)
 (B)=SV08-1B(KR)
 (C)=

(D)=
 (E)=
 (F)=

1 INC. (1)~16.



No.	Lev.	Parts No.	Description	Q'ty						I	R
				(A)	(B)	(C)	(D)	(E)	(F)		
1	1	172A29-14100	TANK ASSY, FUEL	1	1						
2	2	194151-04141	STRAINER, FUEL	1	1						
3	2	194151-04150	GASKET, STRAINER	1	1						
4	2	194250-04301	CAP ASSY, TANK	1	1						
6	3	194250-04321	VALVE, VENT	1	1						
8	2	172446-14150	HOSE	1	1						
9	2	172447-14160	FLOAT	1	1						
10	2	172446-14250	PLATE, RUBBER	1	1						
11	2	172447-14310	BLOCK, DRAIN	1	1						
12	2	23010-014000	CLAMP, 14	2	2						
13	2	23491-080002	PLUG, 8	1	1						
14	2	24311-000090	O-RING, 1AP9.0	1	1						
15	2	24311-000160	O-RING, 1AP16.0	1	1						
16	2	26450-060102	BOLT, M6X 10	2	2						
17	1	172A29-14200	CLAMP ASSY, FUEL	1	1						
19	2	172A29-14240	RUBBER PLATE, FO	1	1						
20	1	172A29-14250	PLATE ASSY, FO	1	1						
22	2	172A29-14280	RUBBER PLATE A, FO	1	1						
23	1	26013-080202	BOLT, M8X 20	2	2						
24	1	26367-100002	NUT, M10	2	2						

Fig.15. FUEL PIPING

(A)=SV08-1B(US)
 (B)=SV08-1B(KR)
 (C)=

(D)=
 (E)=
 (F)=

No.	Lev.	Parts No.	Description	Q'ty						I	R
				(A)	(B)	(C)	(D)	(E)	(F)		
1	1	198072-04320	CLAMP, FILTER	1	1						
2	1	172A29-14600	HOSE,FO 80	1	1						
3	1	172734-14620	HOSE, FUEL	1	1						
4	1	172137-14630	PIPE, FUEL	1	1						
5	1	172137-16560	BAND	3	3						
6	1	129052-55630	FILTER, FUEL	1	1						
7	1	124766-59050	CLIP, HOSE 11.5	6	6						
8	1	22217-080000	WASHER, SPRING 8	1	1						
9	1	26116-080122	BOLT, M8X 12 PLATED	1	1						

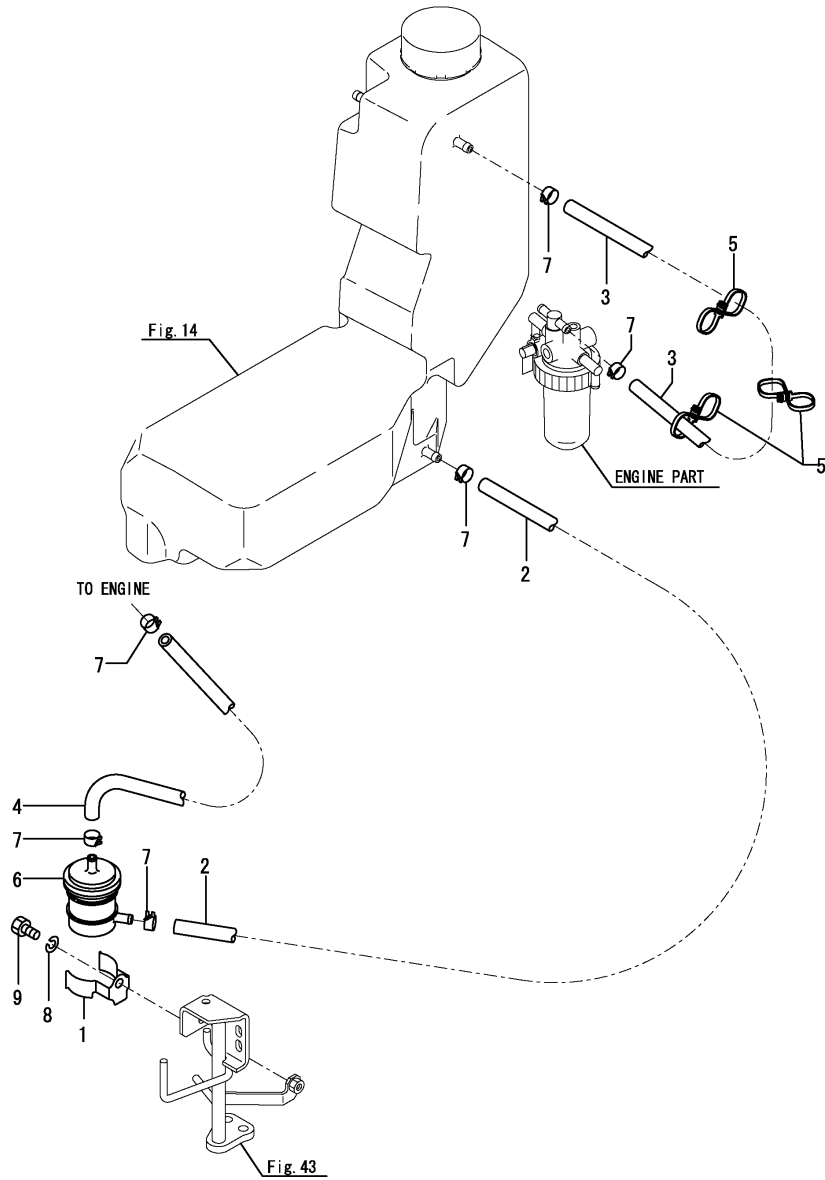
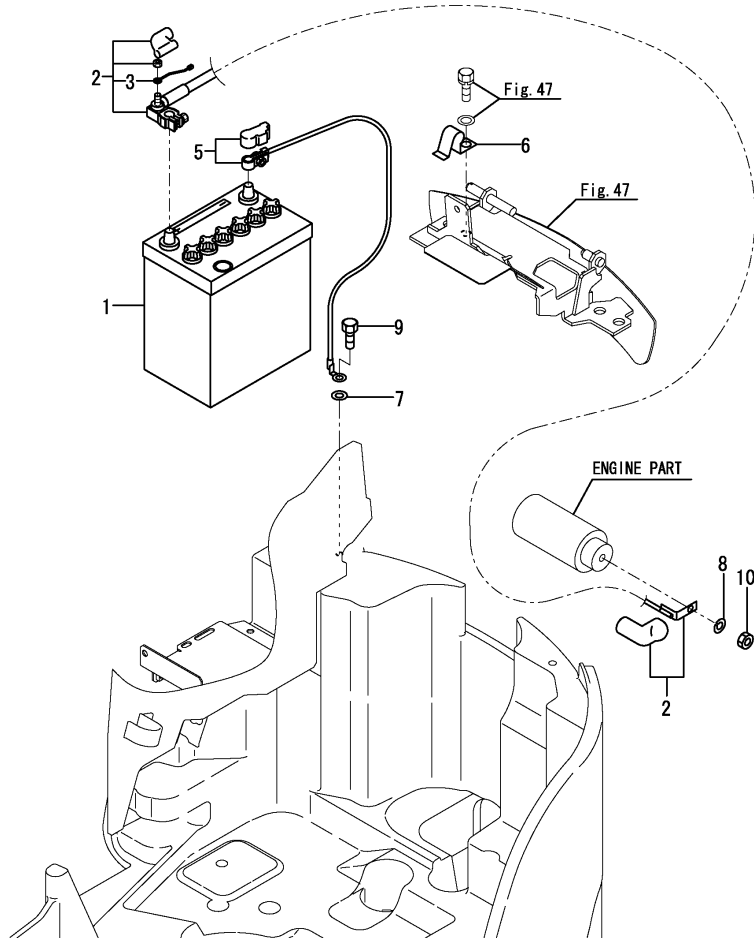


Fig.16. BATTERY

(A)=SV08-1B(US)
 (B)=SV08-1B(KR)
 (C)=

(D)=
 (E)=
 (F)=

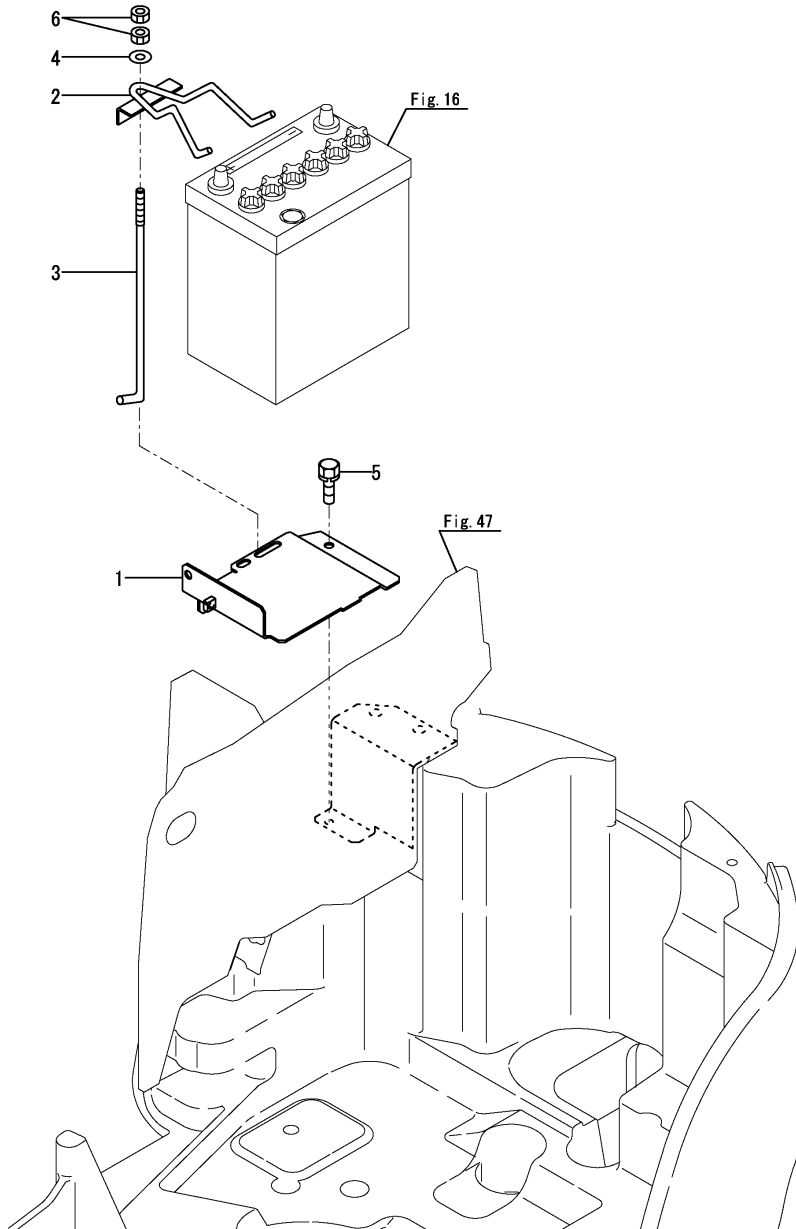


No.	Lev.	Parts No.	Description	Q'ty						I	R
				(A)	(B)	(C)	(D)	(E)	(F)		
1	1	172446-16100	BATTERY	1	1						
2	1	172446-16111	CORD ASSY,BATTERY(+)	1	1						
3	2	172A64-16120	HARNESS, F	1	1						
5	1	172446-16120	CORD, BATTERY	1	1						
6	1	172112-16650	CLAMP	1	1						
7	1	22137-080000	WASHER, 8	1	1						
8	1	22217-080000	WASHER, SPRING 8	1	1						
9	1	26116-080162	BOLT, M8X 16 PLATED	1	1						
10	1	26716-080002	NUT, M8	1	1						

Fig.17. BATTERY CLAMP

(A)=SV08-1B(US)
 (B)=SV08-1B(KR)
 (C)=

(D)=
 (E)=
 (F)=

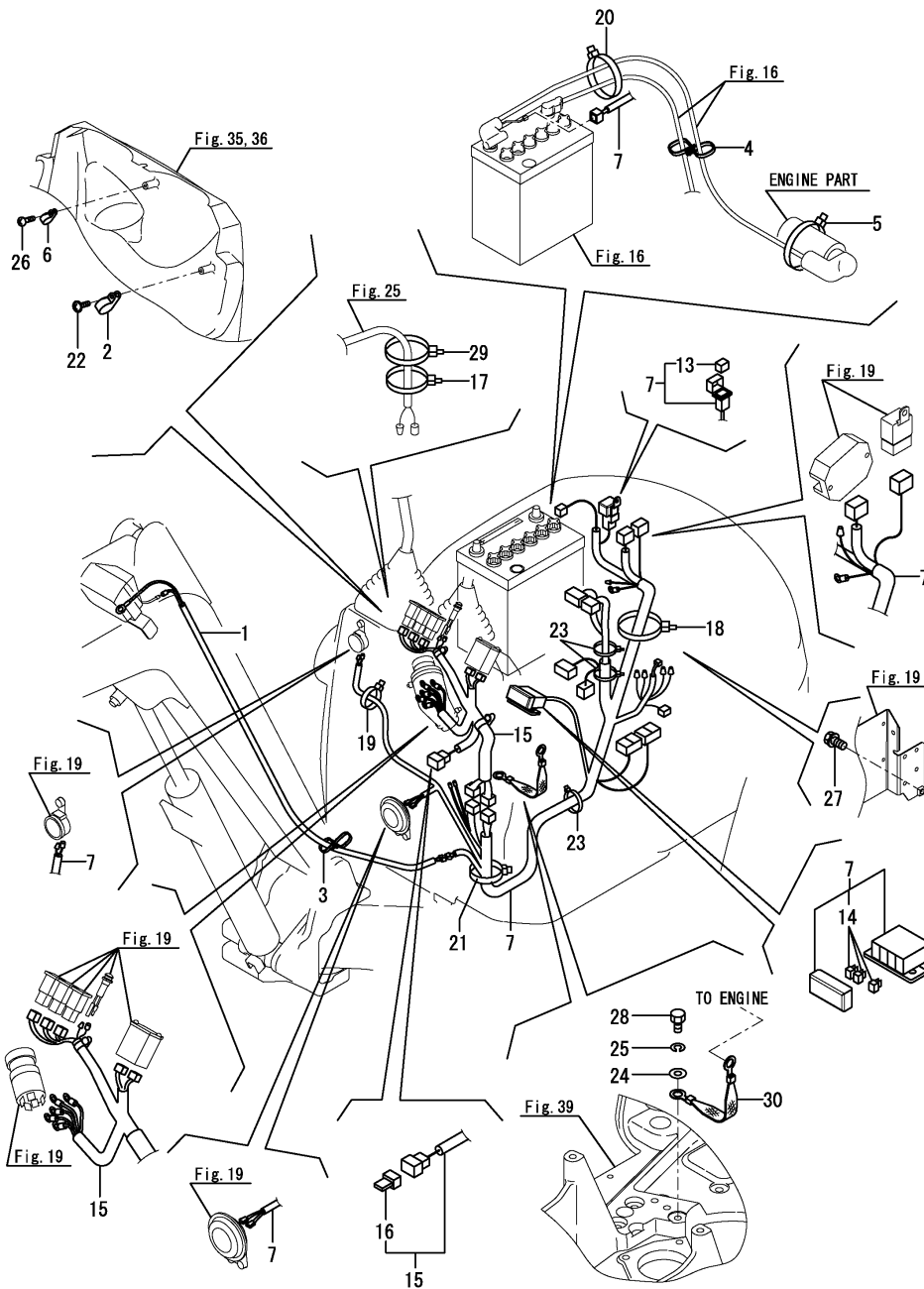


No.	Lev.	Parts No.	Description	Qty						I	R
				(A)	(B)	(C)	(D)	(E)	(F)		
1	1	172A29-16300	MOUNT ASSY, BATTERY	1	1						
2	1	172446-16320-1	CLAMP, BATTERY	1	1						
3	1	172164-16370	ROD	1	1						
4	1	22137-080000	WASHER, 8	1	1						
5	1	26013-080162	BOLT, M8X 16	2	2						
6	1	26716-080002	NUT, M8	2	2						

Fig.18. WIRING

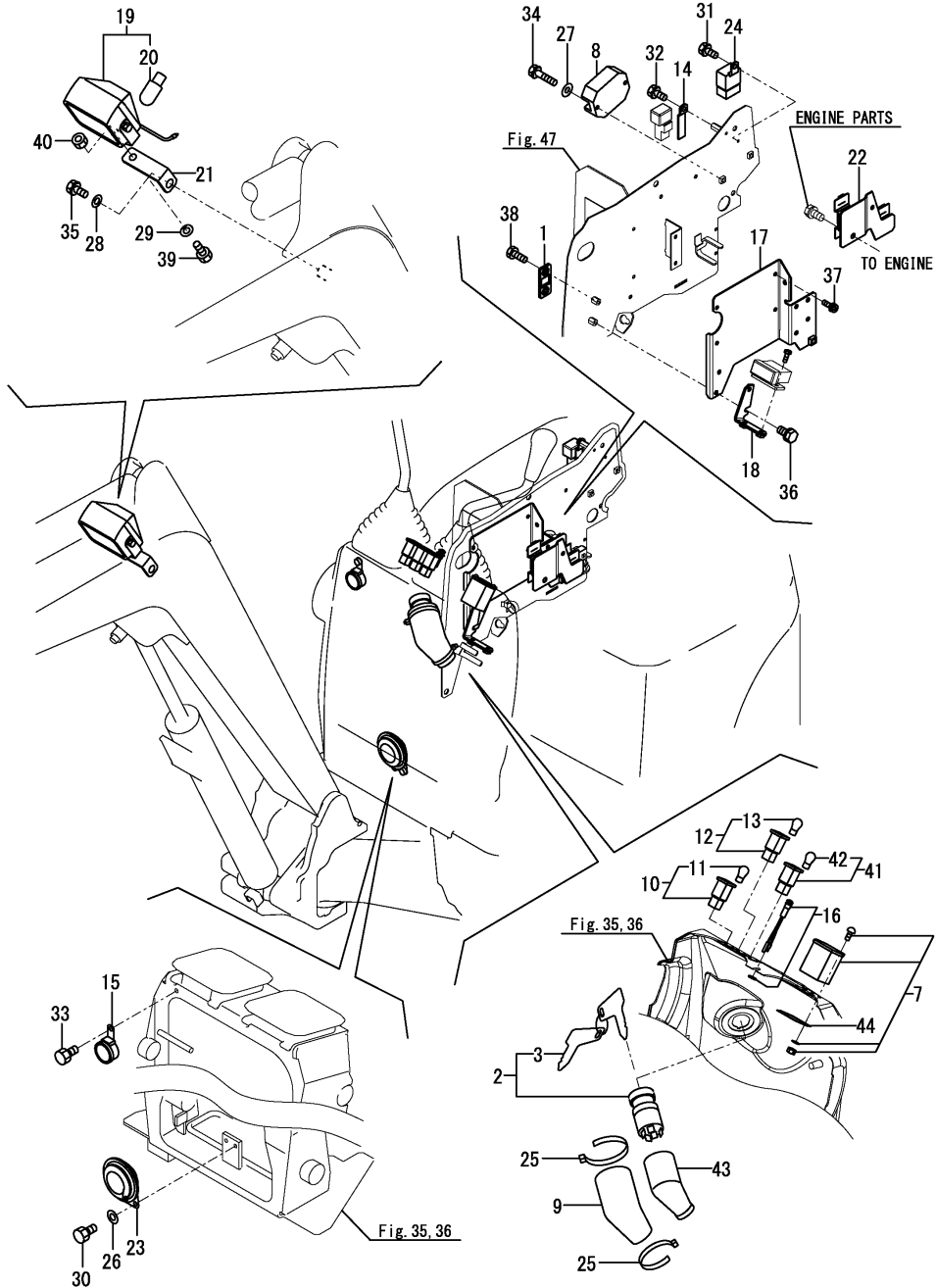
(A)=SV08-1B(US)
 (B)=SV08-1B(KR)
 (C)=

(D)=
 (E)=
 (F)=



No.	Lev.	Parts No.	Description	Q'ty						I	R
				(A)	(B)	(C)	(D)	(E)	(F)		
1	1	172186-16541	HARNES, WORK LAMP	1	1						
2	1	172446-16550	CLAMP	1	1						
3	1	172137-16560	BAND	1	1						
4	1	172137-16560	BAND	1	1						
5	1	172183-16560	CLIP, HOSE	1	1						
6	1	172446-16560	CLAMP	1	1						
7	1	172B19-16600	HARNES, STAND US	1	1						
13	2	172447-17150	FUSE 40A	1	1						
14	2	29420-100000	FUSE, B 10A	3	3						
15	1	172B19-16650	HARNES, STAND US	1	1						
16	2	1A6382-51510	RESISTOR, 2W,R120	1	1						
17	1	1A1380-55310	CLAMP, WIRE	1	1						
18	1	194202-56460	BAND, 200	1	1						
19	1	194202-56460	BAND, 200	2	2						
20	1	194202-56460	BAND, 200	1	1						
21	1	194202-56460	BAND, 200	1	1						
22	1	194940-61790	SCREW, TAPPING M5X16	1	1						
23	1	1E8490-84130	CLAMP, BAND	3	3						
24	1	22137-100000	WASHER, 10	1	1						
25	1	22217-100000	WASHER, SPRING 10	1	1						
26	1	22857-400120	SCREW, 4X12	1	1						
27	1	26013-080162	BOLT, M8X 16	1	1						
28	1	26116-100162	BOLT, M10X 16 PLATED	1	1						
29	1	933168-55770	BAND	1	1						
30	1	933171-15801	CORD, ENGINE EARTH	1	1						

Fig.19. EQUIPMENT



(A)=SV08-1B(US)
 (B)=SV08-1B(KR)
 (C)=

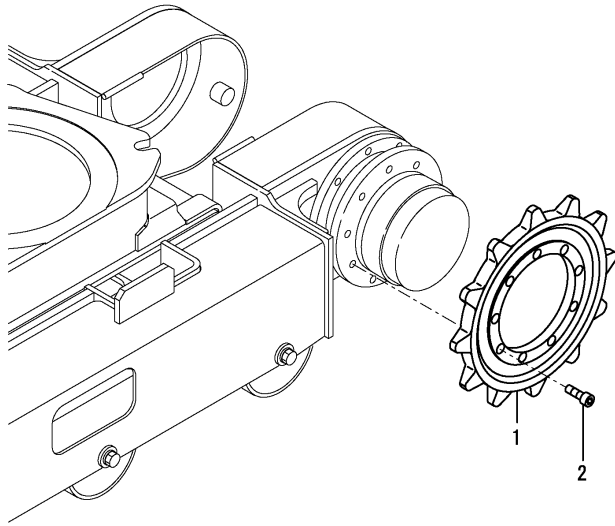
(D)=
 (E)=
 (F)=

No.	Lev.	Parts No.	Description	Q'ty						I	R
				(A)	(B)	(C)	(D)	(E)	(F)		
1	1	172183-16550	BRACKET,FUSE	1	1						
2	1	172524-17011	SWITCH ASSY, STARTER	1	1						
3	2	172524-17330	KEY ASSY	1	1						
7	1	172186-17100	METER, HOUR	1	1						
8	1	172A20-17100	LIMITER ASSY,CURRENT	1	1						
9	1	172446-17111	INSULATOR	1	1						
10	1	172149-17120	LAMP	1	1						
11	2	172149-17140	BULB, 12V 3.4W	1	1						
12	1	172149-17130	LAMP	1	1						
13	2	172149-17140	BULB, 12V 3.4W	1	1						
14	1	172447-17130	STAY	1	1						
15	1	172141-17150	BUZZER	1	1						
16	1	172A65-17150	LAMP ASSY ASSY	1	1						
17	1	172B19-17150	BRACKET ASSY, ECU	1	1						
18	1	172B19-17250	BRACKET ASSY, FUSE	1	1						
19	1	172156-17401	LAMP, WORK	1	1						
20	2	172156-17420	BULB, 12V 27W	1	1						
21	1	172156-17430-Y	STAY, LAMP	1	1						
22	1	172B19-17500	STAY ASSY, COUPLER	1	1						
23	1	194151-57100	HORN	1	1						
24	1	119247-77100	RELAY, POWER	1	1						
25	1	172122-79930	CLAMP, HOSE	2	2						
26	1	22137-060000	WASHER, 6	2	2						
27	1	22137-060000	WASHER, 6	2	2						
28	1	22137-100000	WASHER, 10	1	1						
29	1	22217-080000	WASHER, SPRING 8	1	1						
30	1	26013-060122	BOLT, SPRING M6X 12	2	2						
31	1	26013-060122	BOLT, SPRING M6X 12	1	1						
32	1	26013-060122	BOLT, SPRING M6X 12	1	1						
33	1	26013-060122	BOLT, SPRING M6X 12	1	1						
34	1	26013-060252	BOLT, SPRING M6X 25	2	2						
35	1	26013-100202	BOLT, SPRING M10X 20	1	1						
36	1	26014-060162	BOLT, M6X 16	2	2						
37	1	26023-050162	SCREW, M5X16	4	4						
38	1	26116-060162	BOLT, M6X 16 PLATED	2	2						
39	1	26116-080162	BOLT, M8X 16 PLATED	1	1						
40	1	26716-080002	NUT, M8	1	1						
41	1	933113-05190	LAMP, OIL	1	1						
42	2	933113-05180	BULB, 12V 3W	1	1						
43	1	933113-15900	COVER, TERMINAL	1	1						
44	1	172A82-17150	PLATE, HOUR METER	1	1						W
				(A=M1B561)	(B=M1B561)						

Fig.20. SPROCKET

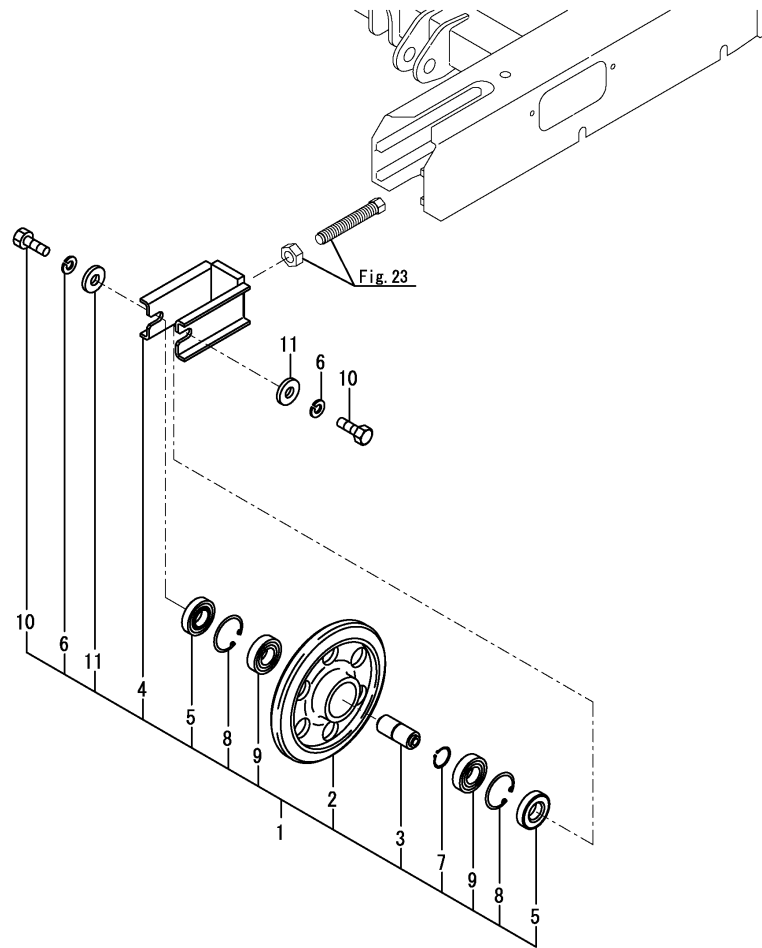
(A)=SV08-1B(US)
 (B)=SV08-1B(KR)
 (C)=

(D)=
 (E)=
 (F)=



No.	Lev.	Parts No.	Description	Q'ty						I	R
				(A)	(B)	(C)	(D)	(E)	(F)		
1	1	172446-29101-1	SPROCKET	2	2						
2	1	26450-100252	BOLT, M10X 25	18	18						

Fig.21. IDLER



(A)=SV08-1B(US)
 (B)=SV08-1B(KR)
 (C)=

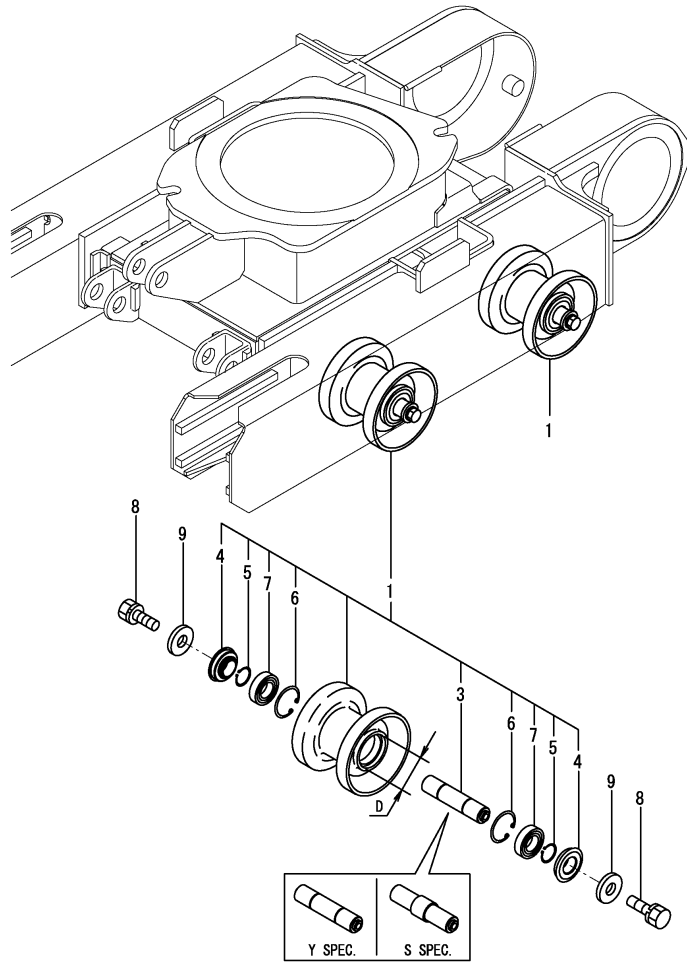
(D)=
 (E)=
 (F)=

No.	Lev.	Parts No.	Description	Q'ty						I	R
				(A)	(B)	(C)	(D)	(E)	(F)		
1	1	172A20-37100	IDLER ASSY	2	2						
2	2	172446-37100-1	IDLER, 250	2	2						
3	2	172449-37110-1	SHAFT IDLER(GRAY:49)	2	2						
4	2	172A20-37150	SLIDER ASSY	2	2						
5	2	1A1060-48300	SEAL, QLN30X62X13.2	4	4						
6	2	22217-120000	WASHER, SPRING 12	4	4						
7	2	22242-000300	RING, 30	2	2						
8	2	22252-000620	RING, 62	4	4						
9	2	24101-062064	BEARING, BALL 6206	4	4						
10	2	26116-120252	BOLT, M12X 25 PLATED	4	4						
11	2	933152-03700	WASHER, CLUTCH	4	4						

Fig.22. TRACK ROLLER(Y SPEC.)

(A)=SV08-1B(US)
 (B)=SV08-1B(KR)
 (C)=

(D)=
 (E)=
 (F)=



No.	Lev.	Parts No.	Description	Q'ty						I	R	
				(A)	(B)	(C)	(D)	(E)	(F)			
1	1	172446-30200 (A=M1B538)	ROLLER, TRACK (B=M1B538)	4	4						Z	1
3	2	172155-37310	SHAFT, ROLLER	4	4							
4	2	172137-37360	SEAL, TW254716	8	8							
5	2	22242-000250	RING, 25	8	8							
6	2	22252-000470	RING, 47	8	8							
7	2	24101-060054	BEARING, BALL 6005	8	8							
8	1	26013-120252	BOLT, SPRING M12X 25	8	8							
9	1	933152-03700	WASHER, CLUTCH	8	8							

Remarks

* Y specification. D=53.5mm, S specification. D=62mm.

(1)Compatibility by assembly exchange with parts of Fig.82(22A) No.1.

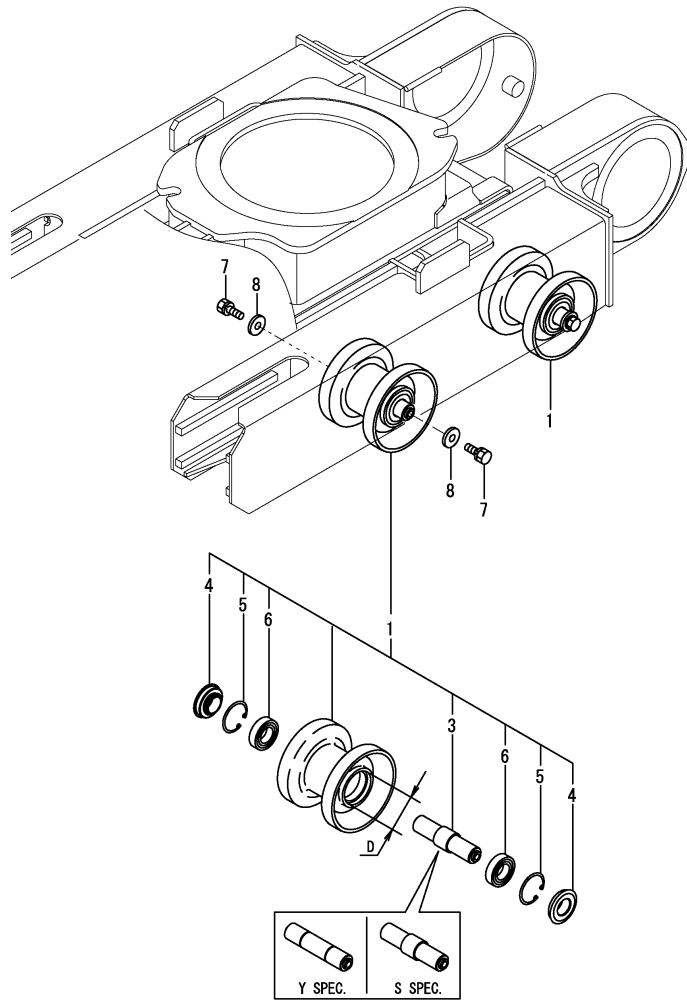
The inner parts are not compatible.

N:Old $\xrightarrow{\text{Yes}}$ New, Q:Old $\xrightarrow{\text{No}}$ New, R:Old $\xrightarrow{\text{Yes}}$ New, S:Old $\xrightarrow{\text{No}}$ New, W:Add, Z:Discontinued, F:Interchangeable by set, K:Q'ty Change

Fig.82. (22A)TRACK ROLLER(S SPEC.)

(A)=SV08-1B(US)
 (B)=SV08-1B(KR)
 (C)=

(D)=
 (E)=
 (F)=



No.	Lev.	Parts No.	Description	Q'ty						I	R
				(A)	(B)	(C)	(D)	(E)	(F)		
1	1	172A82-37300 (A=M1B538) (B=M1B538)	ROLLER ASSY, LOWER	4	4						W
3	2	172A82-37320	SHAFT	4	4						
4	2	1E6140-73420	SEAL, OIL 25X52X18	8	8						
5	2	22252-000470	RING, 47	8	8						
6	2	24101-060054	BEARING, BALL 6005	8	8						
7	1	26013-120252	BOLT, M12X 25	8	8						
8	1	933152-03700	WASHER, CLUTCH	8	8						

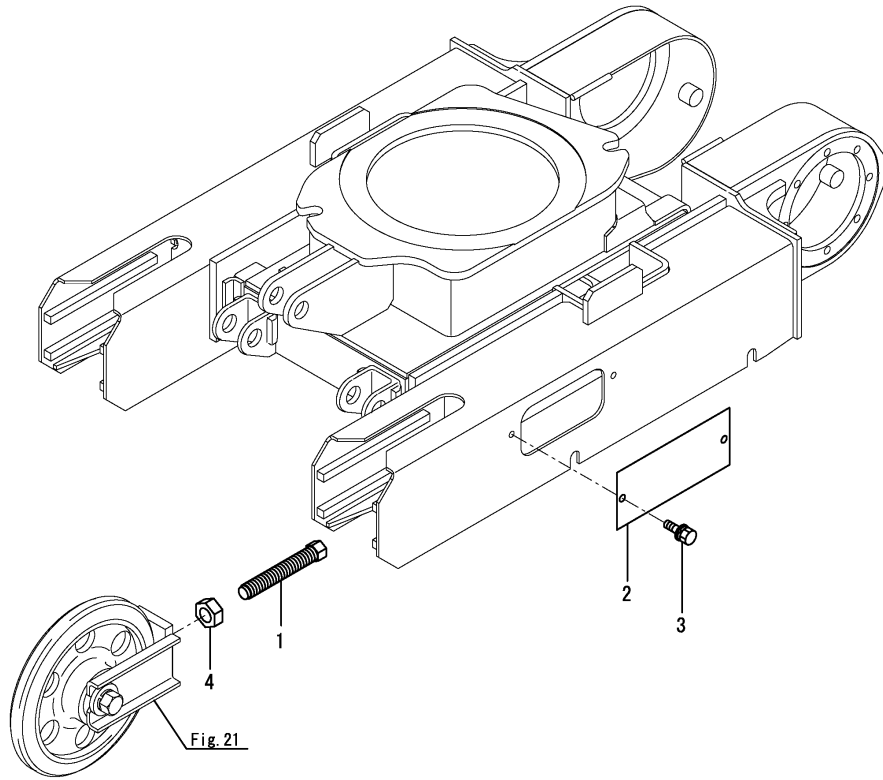
Remarks

* Y specification. D=53.5mm, S specification. D=62mm.
 * Track roller (Y specification) are shown in Fig.22.
 The inner parts are not compatible.

Fig.23. CRAWLER ADJUST

(A)=SV08-1B(US)
 (B)=SV08-1B(KR)
 (C)=

(D)=
 (E)=
 (F)=



No.	Lev.	Parts No.	Description	Q'ty						I	R
				(A)	(B)	(C)	(D)	(E)	(F)		
1	1	172446-37710	BOLT,ADJUST	2	2						
2	1	172446-37720-1	COVER, BOLT	2	2						
3	1	26014-080202	BOLT, M8X 20	4	4						
4	1	26716-200002	NUT, M20	2	2						

Fig.24. CRAWLER

(A)=SV08-1B(US)
(B)=SV08-1B(KR)
(C)=

(D)=
(E)=
(F)=

No.	Lev.	Parts No.	Description	Q'ty						I	R
				(A)	(B)	(C)	(D)	(E)	(F)		
1	1	172446-38600	CRAWLER, RUBBER	2	2						

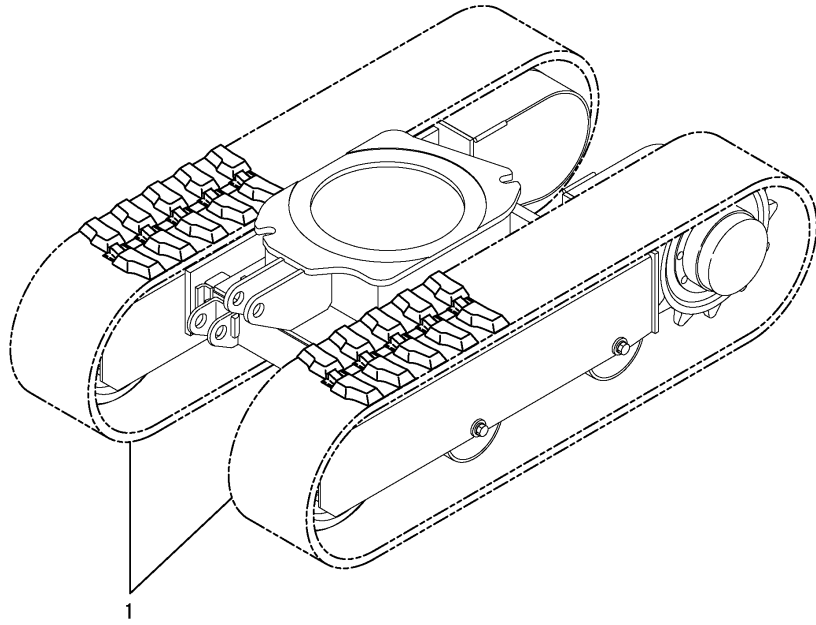
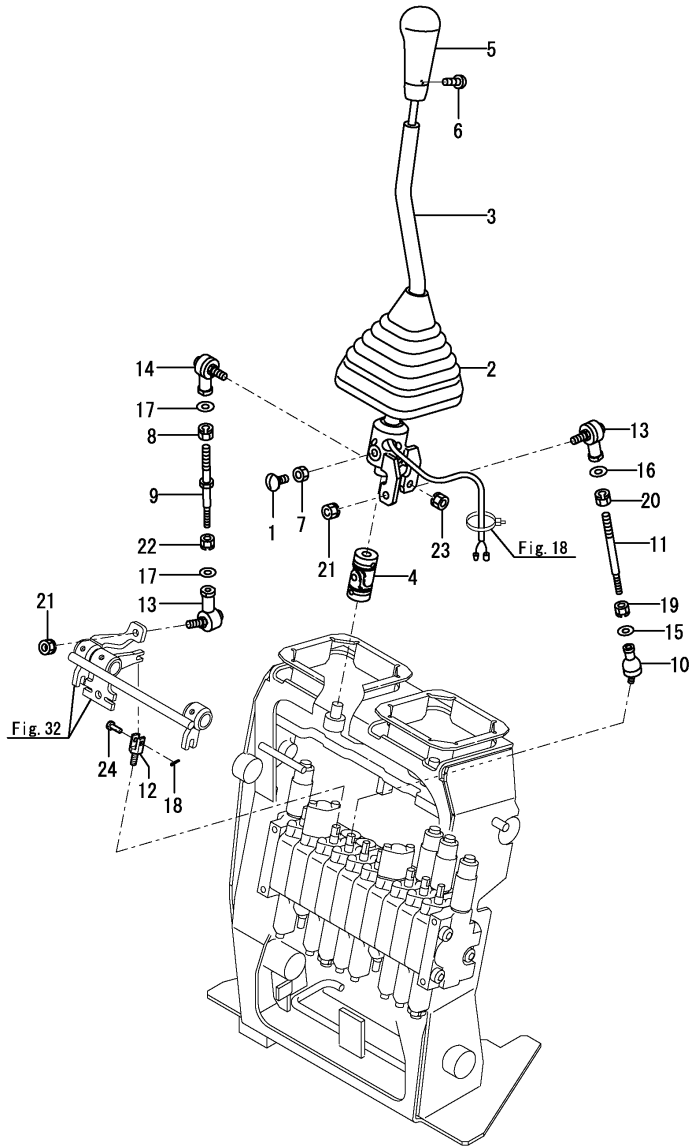


Fig.25. OPERATION LEVER(RIGHT)(US)

(A)=SV08-1B(US)
 (B)=SV08-1B(KR)
 (C)=

(D)=
 (E)=
 (F)=

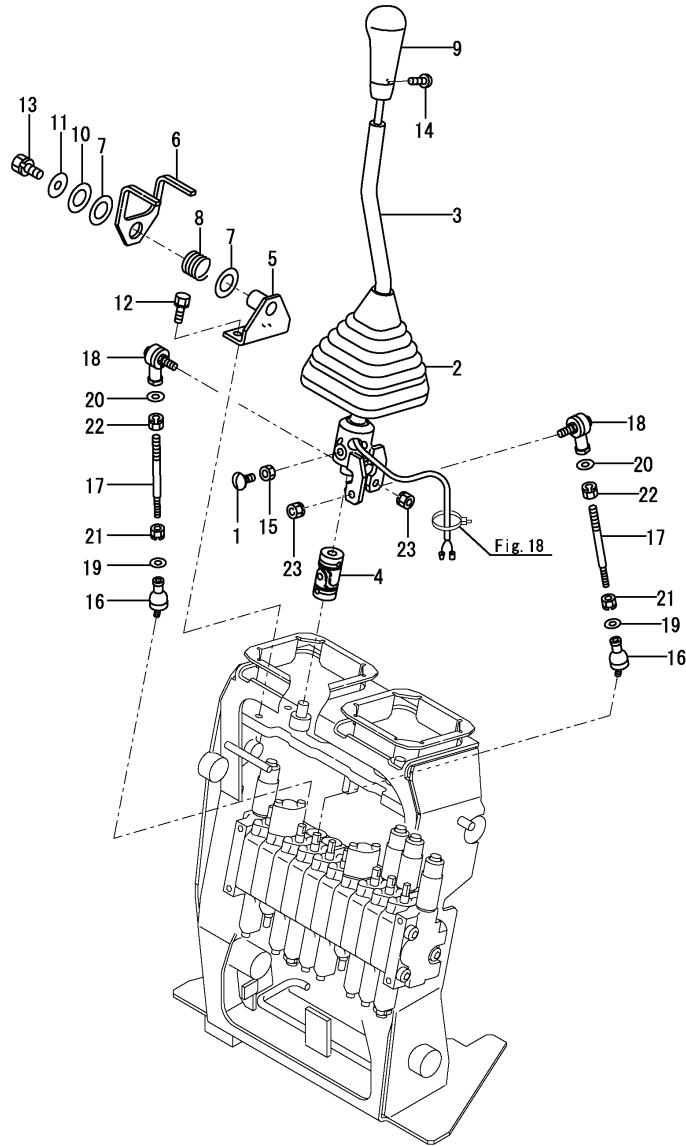


No.	Lev.	Parts No.	Description	Q'ty						I	R
				(A)	(B)	(C)	(D)	(E)	(F)		
1	1	172A82-42750	BOLT,STOPPER	4							
2	1	172151-45010	BOOT P,LEVER	1							
3	1	172446-45170-1	LEVER	1							
4	1	172446-45800	JOINT, NC-12	1							
5	1	172165-47871	KNOB ASSY	1							
6	1	26587-040062	SCREW, M4X 6	1							
7	1	26756-080002	NUT, LOCK M8	4							
8	1	194200-37780	NUT, M8	1							
9	1	172469-45360	ROD 77	1							
10	1	172157-45630	BALL 6, LINK	1							
11	1	172446-45750	ROD 110	1							
12	1	172446-46220	JOINT	1							
13	1	172122-46590	ELBOW	2							
14	1	1E6740-64200	BALL, LINK	1							
15	1	22117-060000	WASHER, 6	1							
16	1	22117-080000	WASHER, 8	1							
17	1	22117-080000	WASHER, 8	2							
18	1	22417-160160	PIN, COTTER 1.6X16	1							
19	1	26051-060002	NUT, M6	1							
20	1	26051-080002	NUT, M8	1							
21	1	26051-080002	NUT, M8	2							
22	1	26051-080002	NUT, M8	1							
23	1	26051-080002	NUT, M8	1							
24	1	933110-54100	PIN	1							

Fig.26. OPERATION LEVER(RIGHT)(KR)

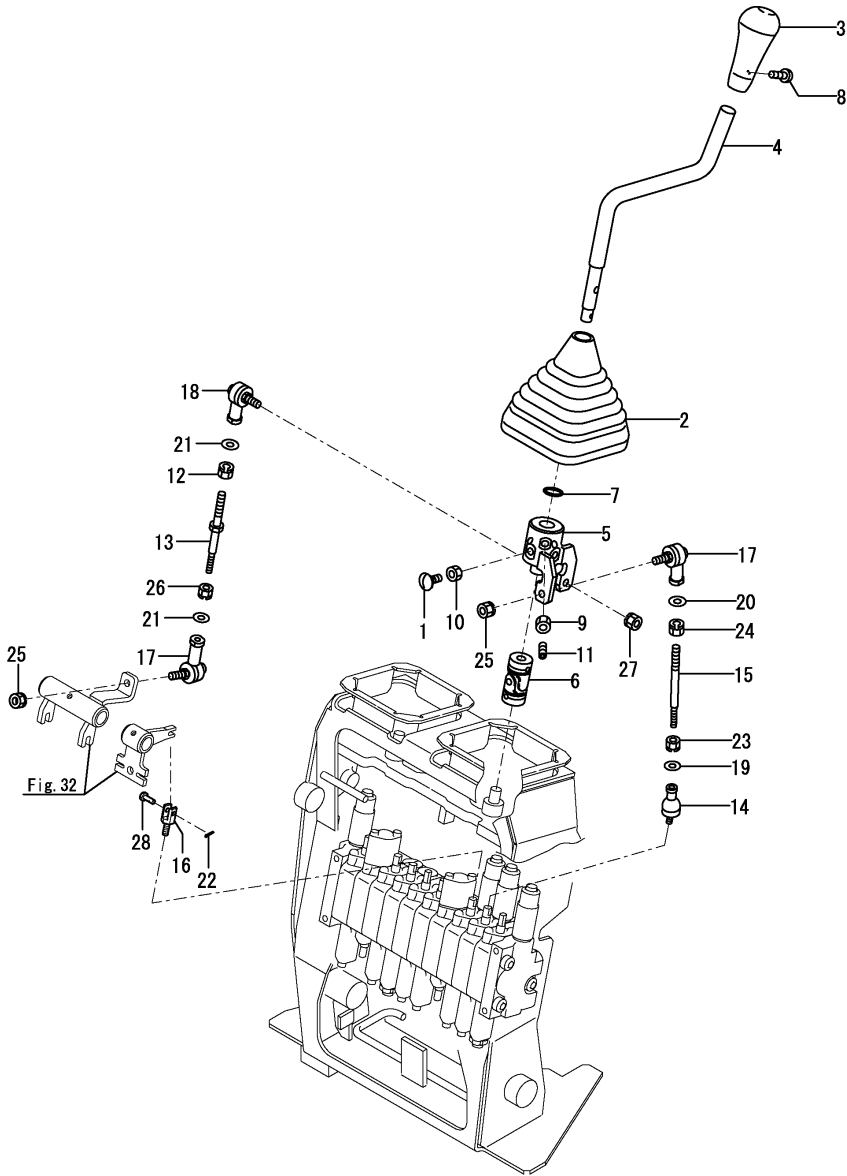
(A)=SV08-1B(US)
 (B)=SV08-1B(KR)
 (C)=

(D)=
 (E)=
 (F)=



No.	Lev.	Parts No.	Description	Q'ty						I	R
				(A)	(B)	(C)	(D)	(E)	(F)		
1	1	172A82-42750	BOLT,STOPPER		4						
2	1	172151-45010	BOOT P,LEVER		1						
3	1	172446-45170-1	LEVER		1						
4	1	172446-45800	JOINT, NC-12		1						
5	1	172446-45850-1	BASE ASSY		1						
6	1	172446-45890-1	ARM		1						
7	1	172446-45900	WASHER,THRUST		2						
8	1	172183-46430	SPRING		1						
9	1	172165-47871	KNOB ASSY		1						
10	1	22137-200000	WASHER, 20		1						
11	1	22157-100000	WASHER, 10		1						
12	1	26013-080202	BOLT, M8X 20		2						
13	1	26013-100202	BOLT, M10X 20		1						
14	1	26587-040062	SCREW, M4X 6		1						
15	1	26756-080002	NUT, LOCK M8		4						
16	1	172157-45630	BALL 6, LINK		2						
17	1	172446-45750	ROD 110		2						
18	1	172122-46590	ELBOW		2						
19	1	22117-060000	WASHER, 6		2						
20	1	22117-080000	WASHER, 8		2						
21	1	26051-060002	NUT, M6		2						
22	1	26051-080002	NUT, M8		2						
23	1	26051-080002	NUT, M8		2						

Fig.27. OPERATION LEVER(LEFT)(US)

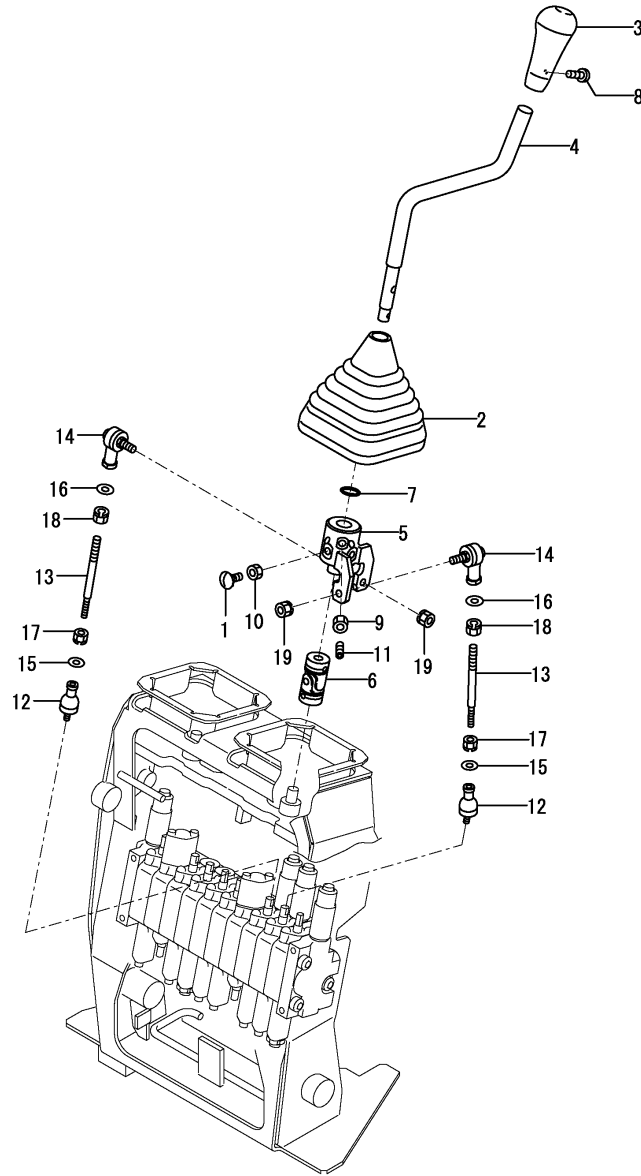


(A)=SV08-1B(US)
 (B)=SV08-1B(KR)
 (C)=

(D)=
 (E)=
 (F)=

No.	Lev.	Parts No.	Description	Q'ty						I	R
				(A)	(B)	(C)	(D)	(E)	(F)		
1	1	172A82-42750	BOLT,STOPPER	4							
2	1	172151-45010	BOOT P,LEVER	1							
3	1	172165-45071	KNOB ASSY	1							
4	1	172446-45110-1	LEVER	1							
5	1	172446-45140	LINK L	1							
6	1	172446-45800	JOINT, NC-12	1							
7	1	24311-000140	O-RING, 1AP14.0	1							
8	1	26587-040062	SCREW, M4X 6	1							
9	1	26756-080002	NUT, LOCK M8	1							
10	1	26756-080002	NUT, LOCK M8	4							
11	1	26979-080252	SCREW, M8X25	1							
12	1	194200-37780	NUT, M8	1							
13	1	172469-45360	ROD 77	1							
14	1	172157-45630	BALL 6, LINK	1							
15	1	172446-45750	ROD 110	1							
16	1	172446-46220	JOINT	1							
17	1	172122-46590	ELBOW	2							
18	1	1E6740-64200	BALL, LINK	1							
19	1	22117-060000	WASHER, 6	1							
20	1	22117-080000	WASHER, 8	1							
21	1	22117-080000	WASHER, 8	2							
22	1	22417-160160	PIN, COTTER 1.6X16	1							
23	1	26051-060002	NUT, M6	1							
24	1	26051-080002	NUT, M8	1							
25	1	26051-080002	NUT, M8	2							
26	1	26051-080002	NUT, M8	1							
27	1	26051-080002	NUT, M8	1							
28	1	933110-54100	PIN	1							

Fig.28. OPERATION LEVER(LEFT)(KR)

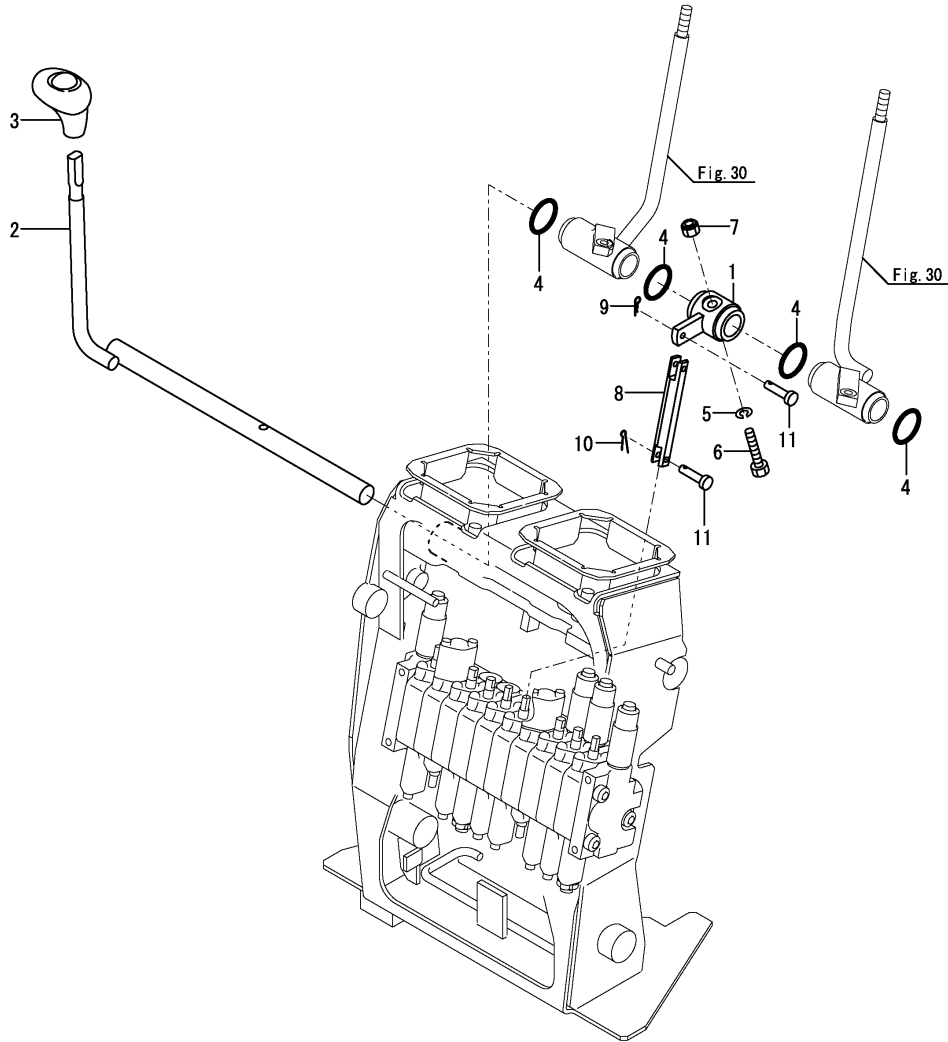


(A)=SV08-1B(US)
 (B)=SV08-1B(KR)
 (C)=

(D)=
 (E)=
 (F)=

No.	Lev.	Parts No.	Description	Q'ty						I	R
				(A)	(B)	(C)	(D)	(E)	(F)		
1	1	172A82-42750	BOLT,STOPPER		4						
2	1	172151-45010	BOOT P,LEVER		1						
3	1	172165-45071	KNOB ASSY		1						
4	1	172446-45110-1	LEVER		1						
5	1	172446-45140	LINK L		1						
6	1	172446-45800	JOINT, NC-12		1						
7	1	24311-000140	O-RING, 1AP14.0		1						
8	1	26587-040062	SCREW, M4X 6		1						
9	1	26756-080002	NUT, LOCK M8		1						
10	1	26756-080002	NUT, LOCK M8		4						
11	1	26979-080252	SCREW, M8X25		1						
12	1	172157-45630	BALL 6, LINK		2						
13	1	172446-45750	ROD 110		2						
14	1	172122-46590	ELBOW		2						
15	1	22117-060000	WASHER, 6		2						
16	1	22117-080000	WASHER, 8		2						
17	1	26051-060002	NUT, M6		2						
18	1	26051-080002	NUT, M8		2						
19	1	26051-080002	NUT, M8		2						

Fig.29. BLADE LEVER



(A)=SV08-1B(US)
 (B)=SV08-1B(KR)
 (C)=

(D)=
 (E)=
 (F)=

No.	Lev.	Parts No.	Description	Q'ty						I	R
				(A)	(B)	(C)	(D)	(E)	(F)		
1	1	172A29-45100-1	LINK, BLADE	1	1						
2	1	172446-45210-1	LEVER, BLADE	1	1						
3	1	172164-45970	GRIP, BLADE	1	1						
4	1	172124-46200	O-RING	4	4						
5	1	22217-080000	WASHER, SPRING 8	1	1						
6	1	26116-080454	BOLT, M8X 45 PLATED	1	1						
7	1	26346-080002	NUT, M8	1	1						
8	1	172498-45600	ROD A,SPOOL	1	1						
9	1	1C6281-52310	PIN, SNAP 6	1	1						
10	1	22417-160160	PIN, COTTER 1.6X16	1	1						
11	1	933110-54100	PIN	2	2						

Fig.30. TRAVEL LEVER

(A)=SV08-1B(US)
 (B)=SV08-1B(KR)
 (C)=

(D)=
 (E)=
 (F)=

No.	Lev.	Parts No.	Description	Qty						I	R
				(A)	(B)	(C)	(D)	(E)	(F)		
1	1	172446-45011-1	LEVER, TRACK	1	1						
2	2	172141-41370	BUSH	2	2						
4	1	172446-45060-1	LEVER, TRACK	1	1						
5	2	172141-41370	BUSH	2	2						
7	1	172164-45951	GRIP, DRIVE	1	1						
8	1	172164-45961	GRIP, DRIVE	1	1						
9	1	24761-020000	NIPPLE, GREASE PT1/8	2	2						
10	1	26756-100002	NUT, LOCK M10	2	2						
11	1	172157-45650	ROD A, SPOOL	2	2						
12	1	172122-47250	BALL 8, LINK	2	2						
13	1	22117-080000	WASHER, 8	2	2						
14	1	22417-160160	PIN, COTTER 1.6X16	2	2						
15	1	26051-080002	NUT, M8	2	2						
16	1	26051-080002	NUT, M8	2	2						
17	1	933110-54100	PIN	2	2						

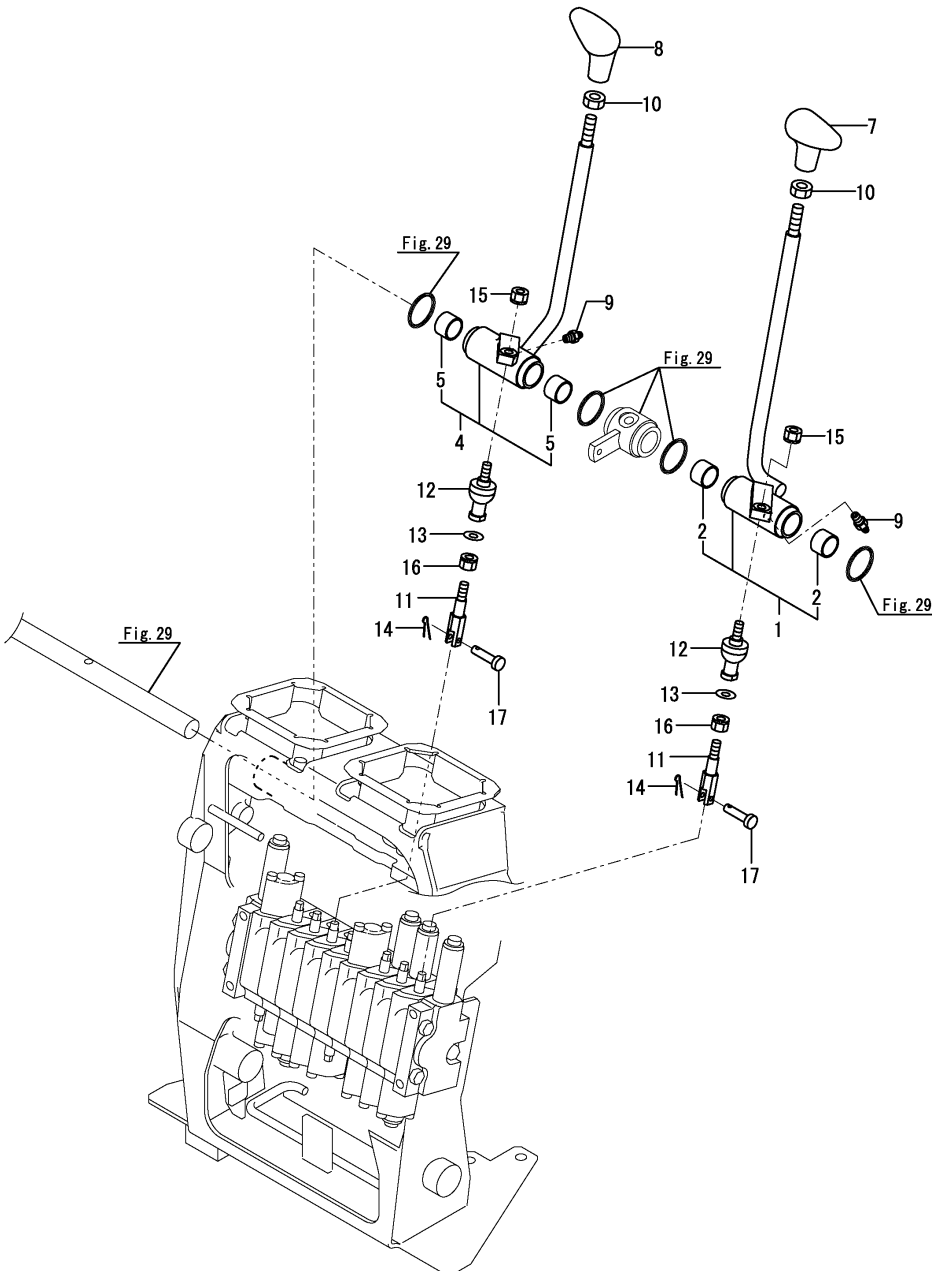
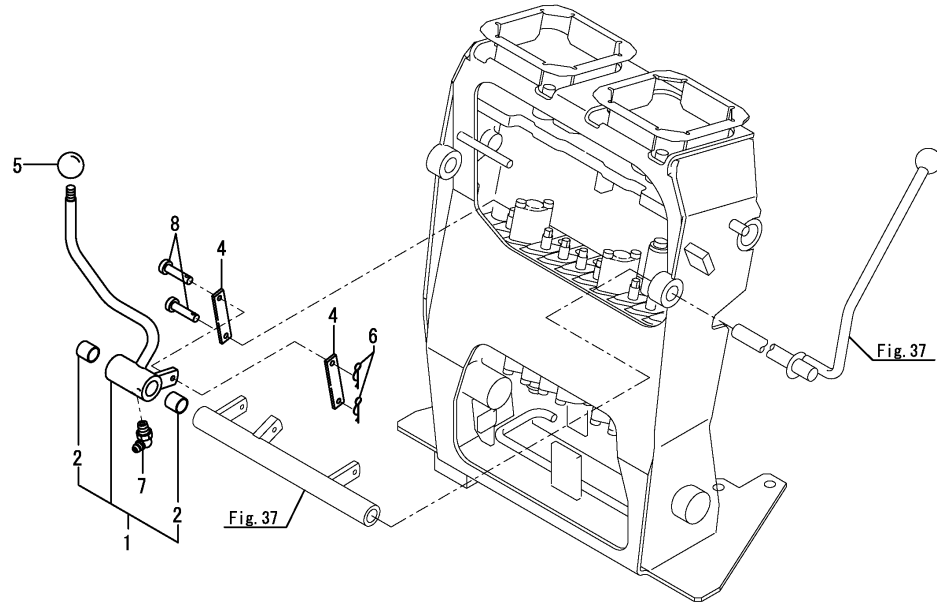


Fig.31. VARIABLE LEG LEVER

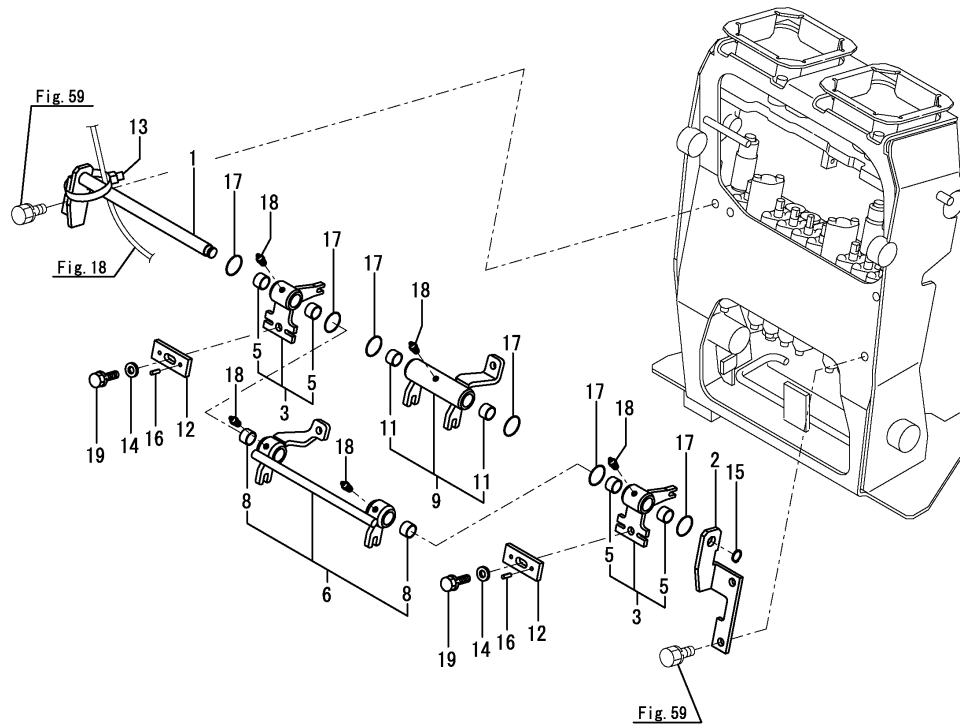
(A)=SV08-1B(US)
 (B)=SV08-1B(KR)
 (C)=

(D)=
 (E)=
 (F)=



No.	Lev.	Parts No.	Description	Q'ty						I	R
				(A)	(B)	(C)	(D)	(E)	(F)		
1	1	172446-45350-1	LEVER, VARIABLE	1	1						
2	2	172141-41360	BUSH	2	2						
4	1	172446-45390	LINK	2	2						
5	1	172446-45950	KNOB, LEVER	1	1						
6	1	1C6281-52310	PIN, SNAP 6	2	2						
7	1	24761-050000	NIPPLE, GREASE C	1	1						
8	1	933110-54100	PIN	2	2						

Fig.32. LINK



(A)=SV08-1B(US)
 (B)=SV08-1B(KR)
 (C)=

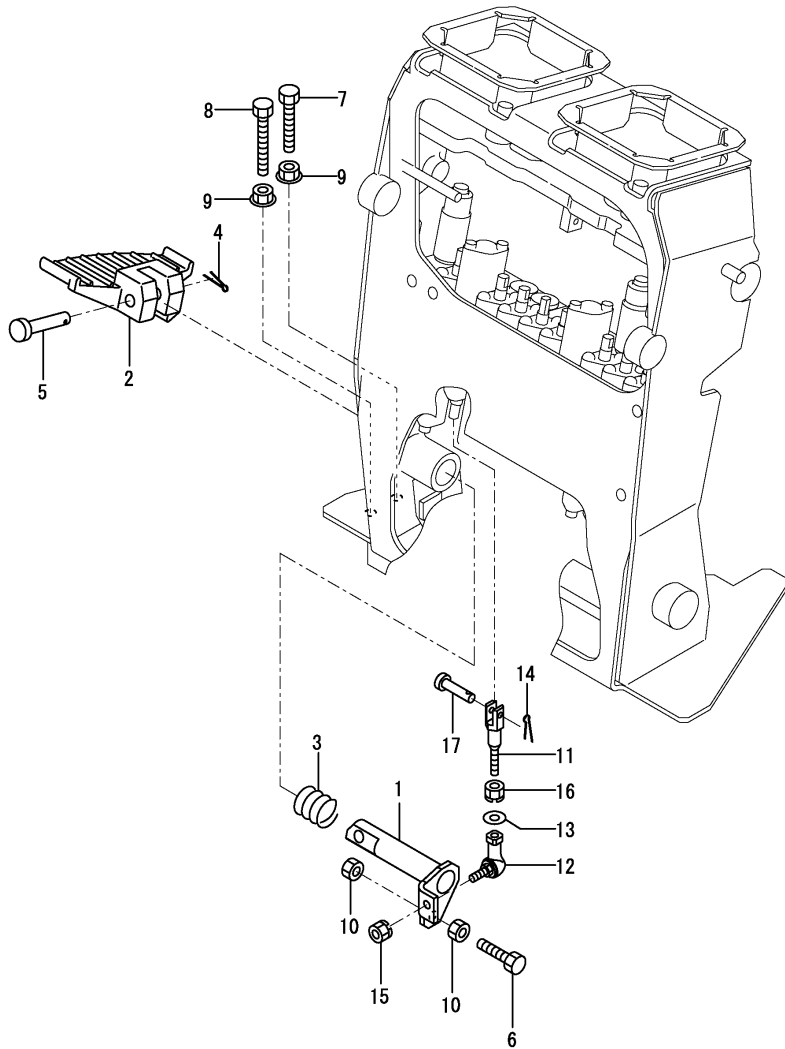
(D)=
 (E)=
 (F)=

No.	Lev.	Parts No.	Description	Qty						I	R
				(A)	(B)	(C)	(D)	(E)	(F)		
1	1	172A29-46300	SHAFT ASSY	1							
2	1	172A29-46340	STAY	1							
3	1	172A29-46350	LINK ASSY, A	2							
5	2	24550-014100	BUSH, 14X10	4							
6	1	172A29-46420	LINK ASSY, B	1							
8	2	24550-014100	BUSH, 14X10	2							
9	1	172A29-46490	LINK ASSY, C	1							
11	2	24550-014100	BUSH, 14X10	2							
12	1	172A29-46540	LATCH	2							
13	1	194202-56460	BAND, 200	1							
14	1	22137-080000	WASHER, 8	2							
15	1	22242-000120	RING, 12	1							
16	1	22351-040008	PIN, SPRING 4.0X 8	4							
17	1	24311-000210	O-RING, 1AP21.0	6							
18	1	24761-060000	NIPPLE, GREASE MT6X1	5							
19	1	26013-080202	BOLT, M8X 20	2							

Fig.33. SWING PEDAL

(A)=SV08-1B(US)
 (B)=SV08-1B(KR)
 (C)=

(D)=
 (E)=
 (F)=

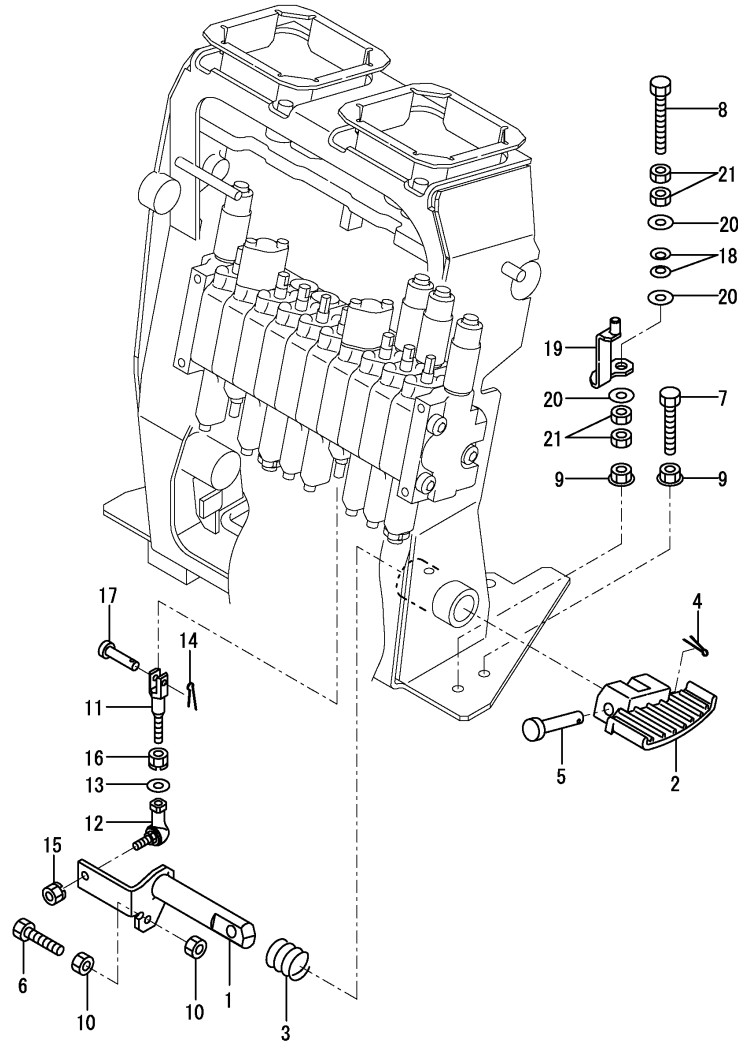


No.	Lev.	Parts No.	Description	Q'ty						I	R
				(A)	(B)	(C)	(D)	(E)	(F)		
1	1	172446-45650	SHAFT ASSY, SWING	1	1						
2	1	172446-45710-1	PEDAL, SWING	1	1						
3	1	172157-46270	SPRING	1	1						
4	1	22417-160160	PIN, COTTER 1.6X16	1	1						
5	1	22486-100500	PIN, H10X 50	1	1						
6	1	26116-080354	BOLT, M8X 35 PLATED	1	1						
7	1	26116-080504	BOLT, M8X 50 PLATED	1	1						
8	1	26116-080604	BOLT, M8X 60 PLATED	1	1						
9	1	26366-080002	NUT, M8	2	2						
10	1	26716-080002	NUT, M8	2	2						
11	1	172446-45760	ROD,SPOOL	1	1						
12	1	172446-45820	LINK BALL 6	1	1						
13	1	22117-060000	WASHER, 6	1	1						
14	1	22417-160160	PIN, COTTER 1.6X16	1	1						
15	1	26051-060002	NUT, M6	1	1						
16	1	26051-060002	NUT, M6	1	1						
17	1	933110-54100	PIN	1	1						

Fig.34. P.T.O. PEDAL

(A)=SV08-1B(US)
 (B)=SV08-1B(KR)
 (C)=

(D)=
 (E)=
 (F)=

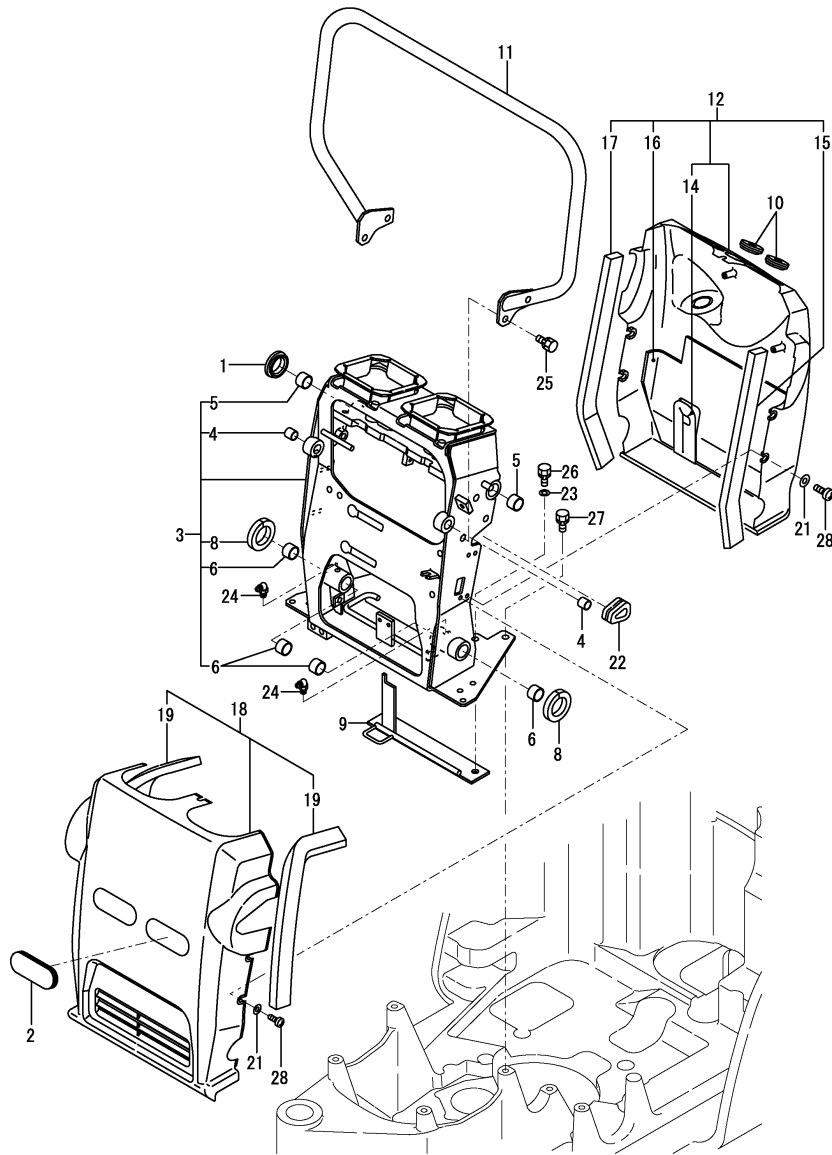


No.	Lev.	Parts No.	Description	Q'ty						I	R
				(A)	(B)	(C)	(D)	(E)	(F)		
1	1	172446-45680	SHAFT ASSY, PTO	1	1						
2	1	172446-45700-1	PEDAL, PTO	1	1						
3	1	172157-46270	SPRING	1	1						
4	1	22417-160160	PIN, COTTER 1.6X16	1	1						
5	1	22486-100500	PIN, H10X 50	1	1						
6	1	26116-080354	BOLT, M8X 35 PLATED	1	1						
7	1	26116-080504	BOLT, M8X 50 PLATED	1	1						
8	1	26116-080604	BOLT, M8X 60 PLATED	1	1						
9	1	26366-080002	NUT, M8	2	2						
10	1	26716-080002	NUT, M8	2	2						
11	1	172446-45760	ROD,SPOOL	1	1						
12	1	172446-45820	LINK BALL 6	1	1						
13	1	22117-060000	WASHER, 6	1	1						
14	1	22417-160160	PIN, COTTER 1.6X16	1	1						
15	1	26051-060002	NUT, M6	1	1						
16	1	26051-060002	NUT, M6	1	1						
17	1	933110-54100	PIN	1	1						
18	1	172068-28490	SPRING	2	2						
19	1	172446-45910	LOCK ASSY, PTO	1	1						
20	1	22137-080000	WASHER, 8	3	3						
21	1	26757-080002	NUT, LOCK M8	4	4						

Fig.35. LINK STAND(US)

(A)=SV08-1B(US)
 (B)=SV08-1B(KR)
 (C)=

(D)=
 (E)=
 (F)=



No.	Lev.	Parts No.	Description	Q'ty						I	R
				(A)	(B)	(C)	(D)	(E)	(F)		
1	1	1A6260-27270	GROMMET, 35	1							
2	1	172146-41320	GROMMET	2							
3	1	172A29-45400-1	SUPPORT ASSY	1							
4	2	172141-41360	BUSH	2							
5	2	172141-41370	BUSH	2							
6	2	172141-41370	BUSH	4							
8	2	172446-49280	SEAL	2							
9	1	172A82-45550	GUIDE ASSY	1							
10	1	172446-49180	GROMMET	2							
11	1	172446-49200-1	BAR, ASSIST	1							
11-1	1	172446-49200-Y	BAR, ASSIST	1							S
(A=MBF001)											
12	1	172B19-49250	COVER ASSY, STAND R	1							1
12-1	1	172B19-49450	COVER ASSY,ST R T4 D	1							S 1
(A=MBF001)											
14	3	172446-49170	PLATE, RUBBER R	1							
15	2	172446-49260	SEAL, STAND COVER	1							
16	2	172446-49270	INSULATOR	1							
17	2	172446-49290	SEAL, STAND COVER	1							
17A	1	172437-03312	LABEL, SLOPE	1							3
17B	1	172437-03343	LABEL, TRANSPORT	1							3
17C	1	172437-03432	LABEL, STEERING	1							3
17D	1	172A29-03760	LABEL, MANUAL US	1							3
17E	1	172A29-03810	LABEL, LEVER LOCK US	1							3
18	1	172A82-49300	COVER ASSY, STAND	1							
19	2	172446-49120	SEAL, SWIVEL	2							2
20A	1	172A29-03820	LABEL,PATTERN CHANGE	1							3
21	1	172446-49350	WASHER 6.3X15X1	10							
22	1	172456-53700	GROMMET	1							
23	1	22137-100000	WASHER, 10	2							
24	1	24761-050000	NIPPLE, GREASE C	2							
25	1	26013-100202	BOLT, SPRING M10X 20	4							
26	1	26013-100202	BOLT, SPRING M10X 20	2							
27	1	26013-100202	BOLT, SPRING M10X 20	4							
28	1	26589-060162	SCREW, M6	10							

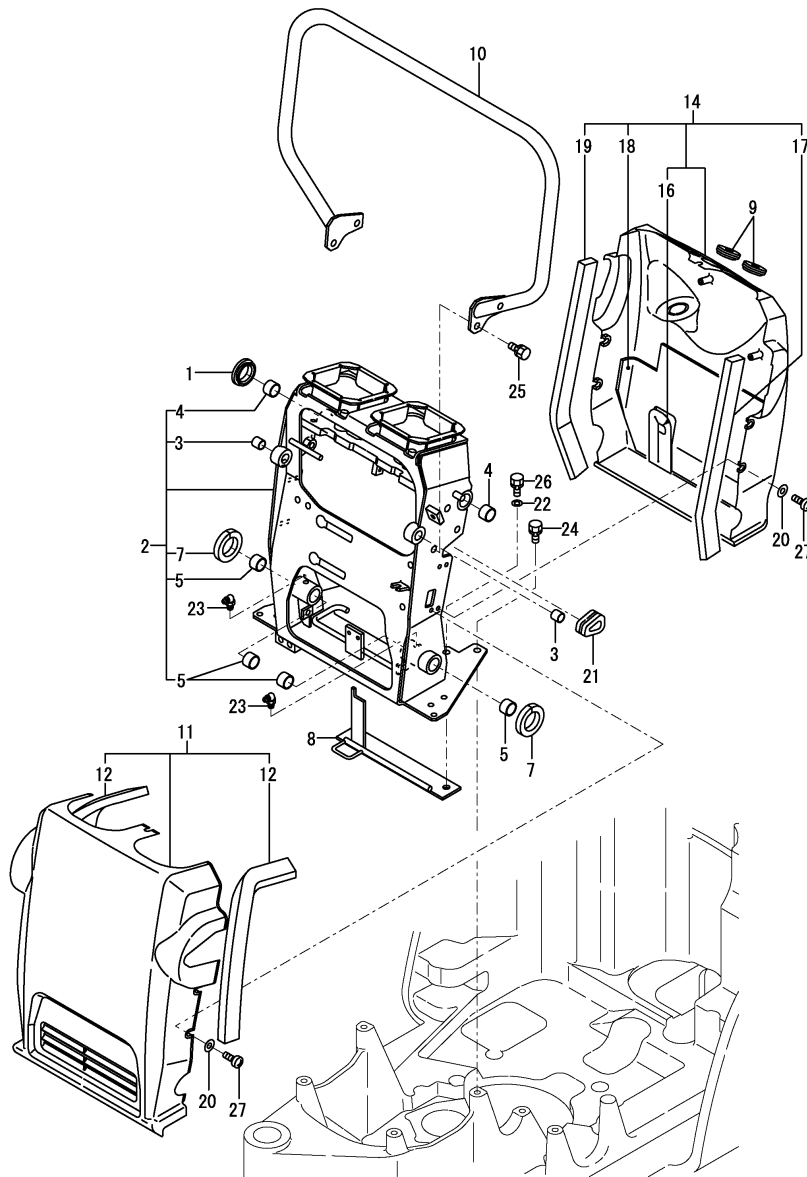
Remarks

- (1) Attach the No.17A, 17B, 17C, 17D & 17E label to this part.
 Color = No.12 : DARK OLIVE GRAY, No.12-1 : PANTONE 425C.
- (2) Attach the No.20A label to this part.
- (3) Label is not illustrated.

Fig.36. LINK STAND(KR)

(A)=SV08-1B(US)
 (B)=SV08-1B(KR)
 (C)=

(D)=
 (E)=
 (F)=



No.	Lev.	Parts No.	Description	Q'ty						I	R
				(A)	(B)	(C)	(D)	(E)	(F)		
1	1	1A6260-27270	GROMMET, 35		1						
2	1	172A29-45400-1	SUPPORT ASSY		1						
3	2	172141-41360	BUSH		2						
4	2	172141-41370	BUSH		2						
5	2	172141-41370	BUSH		4						
7	2	172446-49280	SEAL		2						
8	1	172A82-45550	GUIDE ASSY		1						
9	1	172446-49180	GROMMET		2						
10	1	172446-49200-1	BAR, ASSIST		1						
10-1	1	172446-49200-Y (B=MBF001)	BAR, ASSIST		1						S
11	1	172A82-49200	COVER ASSY,STAND F Y		1						
12	2	172446-49120	SEAL, SWIVEL		2						
14	1	172B19-49250	COVER ASSY, STAND R		1						1
14-1	1	172B19-49450 (B=MBF001)	COVER ASSY,ST R T4 D		1						S 1
16	3	172446-49170	PLATE, RUBBER R		1						
17	2	172446-49260	SEAL, STAND COVER		1						
18	2	172446-49270	INSULATOR		1						
19	2	172446-49290	SEAL, STAND COVER		1						
19A	1	172437-03312	LABEL, SLOPE		1						2
19B	1	172437-03343	LABEL, TRANSPORT		1						2
19C	1	172437-03432	LABEL, STEERING		1						2
19D	1	172A29-03760	LABEL, MANUAL US		1						2
19E	1	172A29-03810	LABEL, LEVER LOCK US		1						2
20	1	172446-49350	WASHER 6.3X15X1		10						
21	1	172456-53700	GROMMET		1						
22	1	22137-100000	WASHER, 10		2						
23	1	24761-050000	NIPPLE, GREASE C		2						
24	1	26013-100202	BOLT, SPRING M10X 20		4						
25	1	26013-100202	BOLT, SPRING M10X 20		4						
26	1	26013-100202	BOLT, SPRING M10X 20		2						
27	1	26589-060162	SCREW, M6		10						

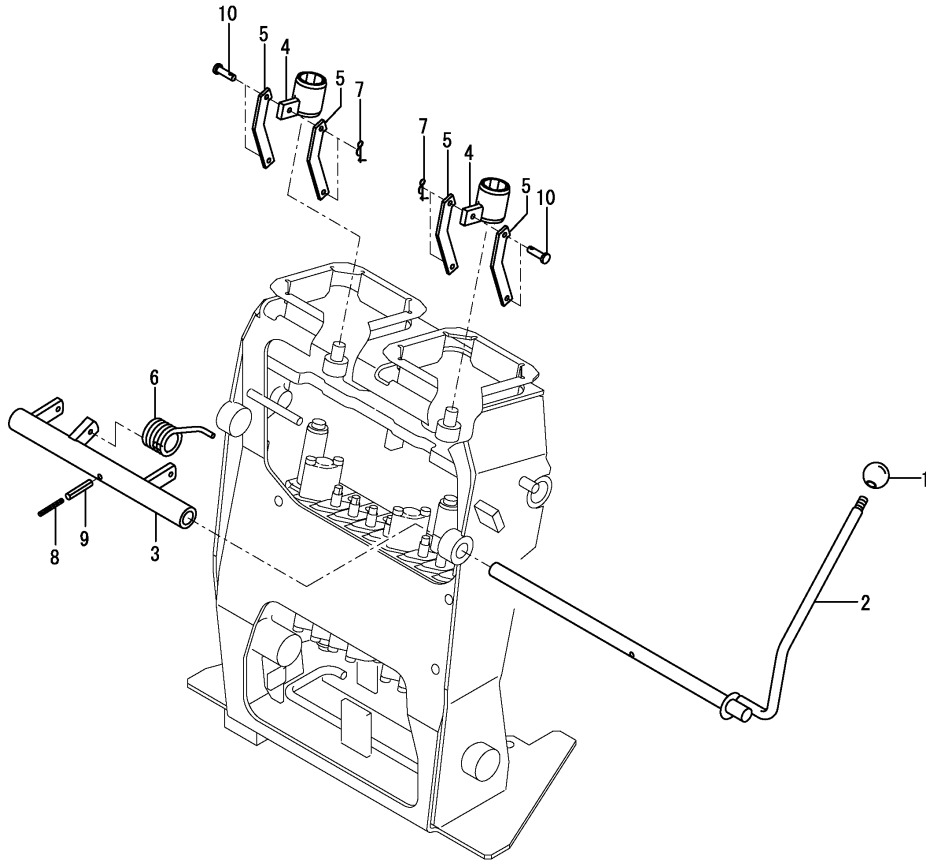
Remarks

- (1) Attach the No.19A, 19B, 19C, 19D & 19E label to this part.
 Color = No.14 : DARK OLIVE GRAY, No.14-1 : PANTONE 425C.
- (2) Label is not illustrated.

Fig.37. STOPPER

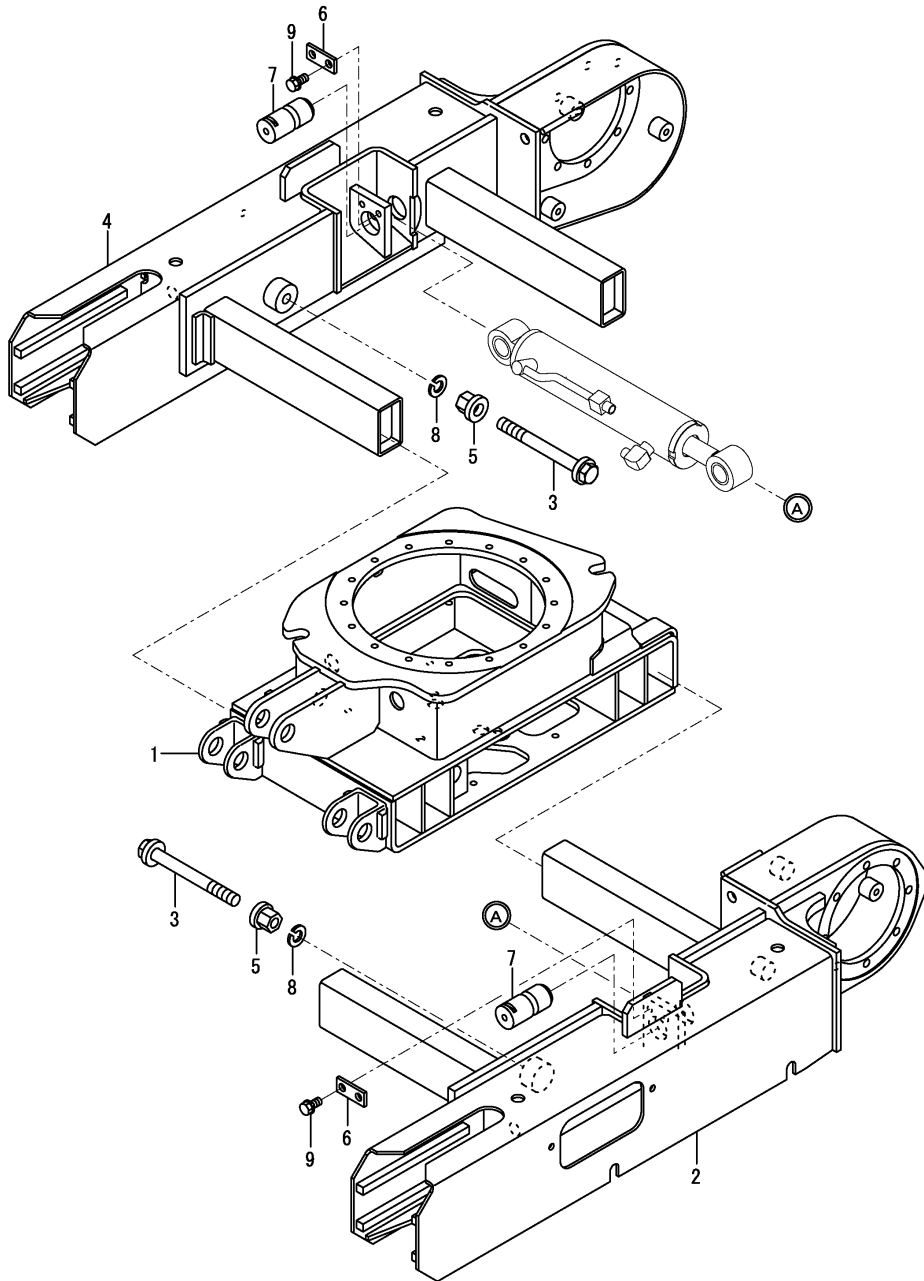
(A)=SV08-1B(US)
 (B)=SV08-1B(KR)
 (C)=

(D)=
 (E)=
 (F)=



No.	Lev.	Parts No.	Description	Q'ty						I	R
				(A)	(B)	(C)	(D)	(E)	(F)		
1	1	172447-45230	KNOB, LEVER	1	1						
2	1	172446-45250	LEVER, LOCK	1	1						
3	1	172446-45290	LINK, LOCK	1	1						
4	1	172446-45320	PIPE, LOCK	2	2						
5	1	172446-45340	LINK, LOCK	4	4						
6	1	172165-45970	SPRING	1	1						
7	1	1C6281-52310	PIN, SNAP 6	4	4						
8	1	22351-030025	PIN, SPRING 3.0X25	1	1						
9	1	22351-050025	PIN, SPRING 5.0X25	1	1						
10	1	933110-54100	PIN	4	4						

Fig.38. TRAVEL FRAME



(A)=SV08-1B(US)
 (B)=SV08-1B(KR)
 (C)=

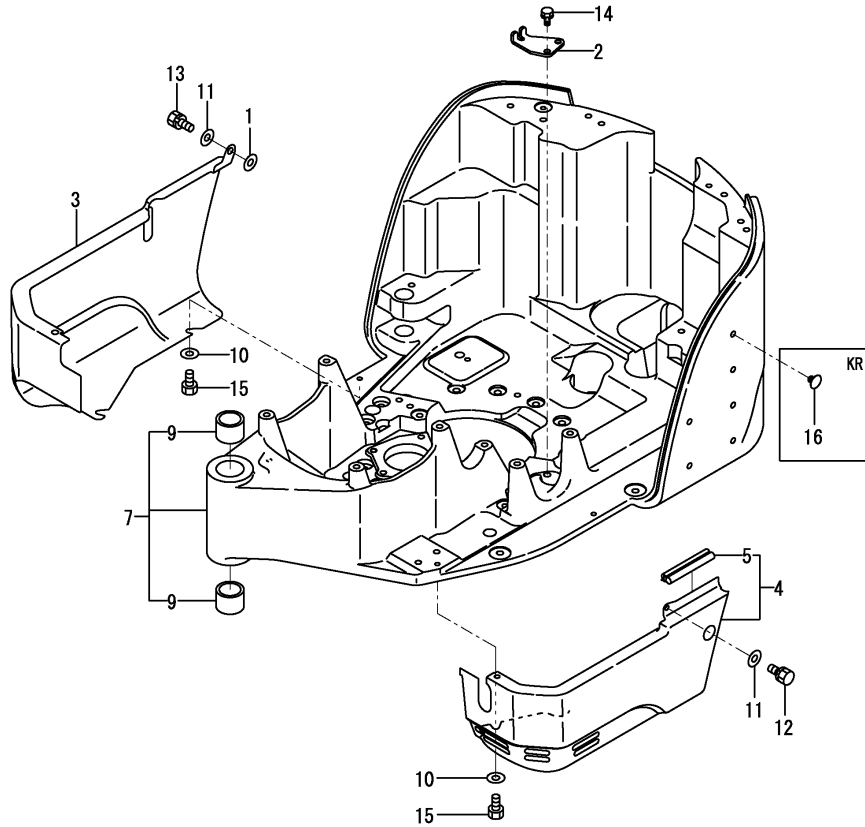
(D)=
 (E)=
 (F)=

No.	Lev.	Parts No.	Description	Q'ty						I	R
				(A)	(B)	(C)	(D)	(E)	(F)		
1	1	172A20-50201	FRAME ,LOWERCENT(49)	1	1						
2	1	172A20-50350-1	FRAME, CRAWLER	1	1						
3	1	172480-50480	BOLT ASSY, STOPPER	2	2						
4	1	172A20-50500-1	FRAME, CRAWLER	1	1						
5	1	172448-50720	NUT ASSY, STOPPER	2	2						
6	1	172448-50770-2	PLATE	2	2						
7	1	172480-50910	PIN 33 X 64	2	2						
8	1	22217-160000	WASHER, SPRING 16	2	2						
9	1	26013-100162	BOLT, M10X 16	4	4						

Fig.39. TURNING FRAME

(A)=SV08-1B(US)
 (B)=SV08-1B(KR)
 (C)=

(D)=
 (E)=
 (F)=

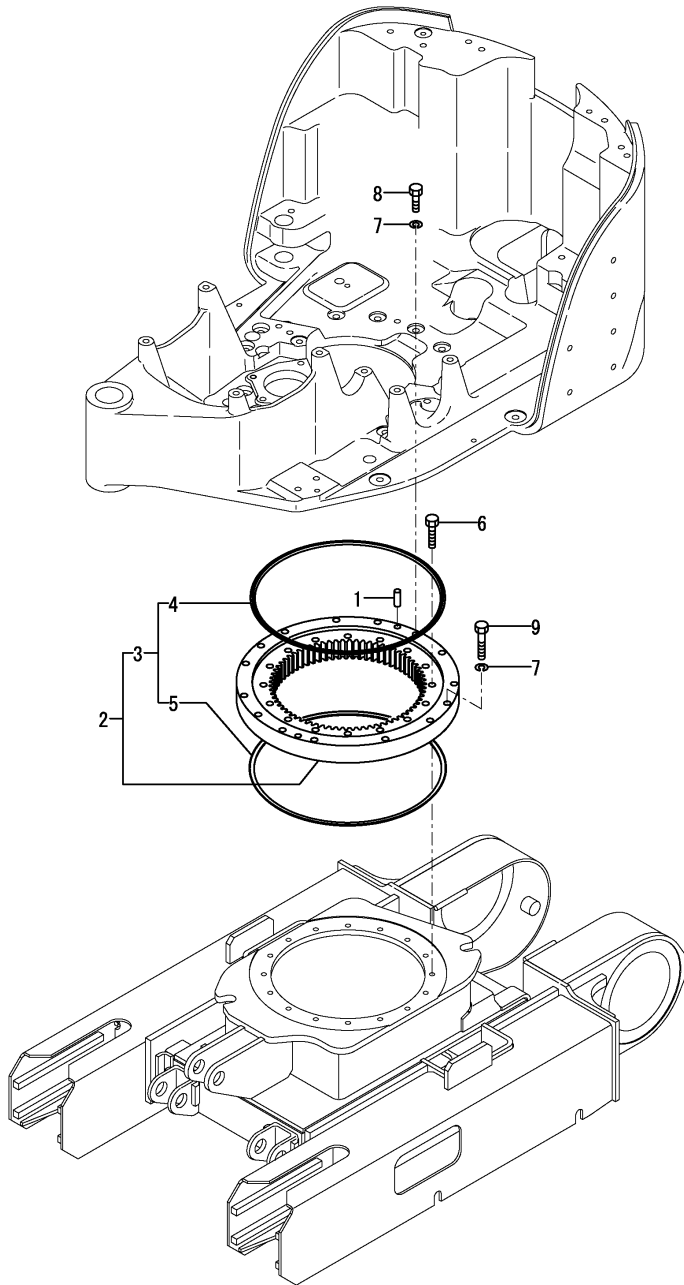


No.	Lev.	Parts No.	Description	Q'ty						I	R
				(A)	(B)	(C)	(D)	(E)	(F)		
1	1	172157-45840	WASHER 8X18X4	2	2						
2	1	172A29-54141	PLATE, SWIVEL	1	1						
3	1	172A29-54180-Y	COVER, FRAME	1	1						
4	1	172A29-54300-Y	COVER, PTO	1	1						
5	2	172446-13530	SEAL, RADIATOR	1	1						
7	1	172A29-54500-N	FRAME,TURNING	1	1						
9	2	172157-54800	BUSH 35X45	2	2						
10	1	1A1380-62160	WASHER	4	4						
11	1	22137-080000	WASHER, 8	2	2						
12	1	26013-080162	BOLT, M8X 16	1	1						
13	1	26013-080252	BOLT, M8X 25	1	1						
14	1	26013-120202	BOLT, M12X 20	2	2						
15	1	26116-080162	BOLT, M8X 16 PLATED	4	4						
16	1	172458-64600	CLIP, TREE		12						

Fig.40. TURNING BEARING

(A)=SV08-1B(US)
 (B)=SV08-1B(KR)
 (C)=

(D)=
 (E)=
 (F)=

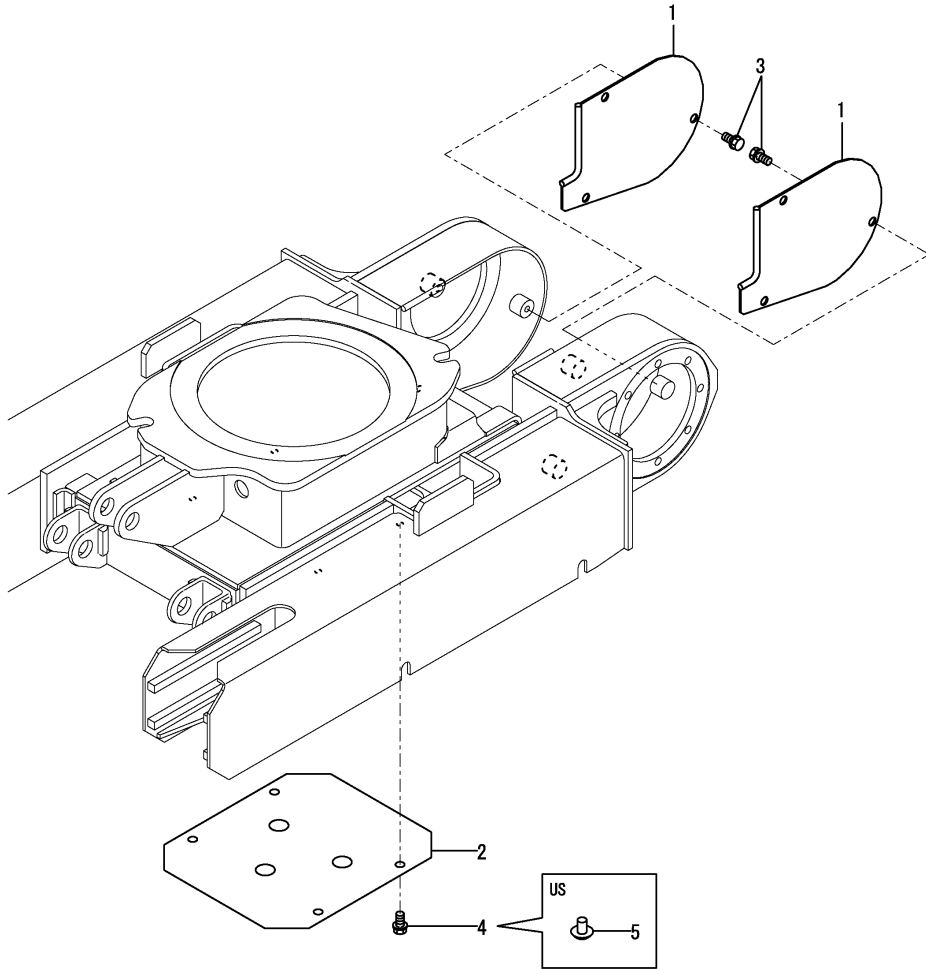


No.	Lev.	Parts No.	Description	Q'ty						I	R
				(A)	(B)	(C)	(D)	(E)	(F)		
1	1	194940-24350	PIN, 10X28	2	2						
2	1	172157-57600-1	BEARING, TURNING	1	1						
3	2	172157-57610	SEAL SET	1	1						
4	3	172157-57620	SEAL	1	1						
5	3	172157-57630	SEAL	1	1						
6	1	172155-57610	BOLT	16	16						
7	1	22217-100000	WASHER, SPRING 10	15	15						
8	1	26072-100352	BOLT, 10.910X 35	11	11						
9	1	26072-100552	BOLT, 10.910X 55	4	4						

Fig.41. COVER(TRAVEL FRAME)

(A)=SV08-1B(US)
 (B)=SV08-1B(KR)
 (C)=

(D)=
 (E)=
 (F)=

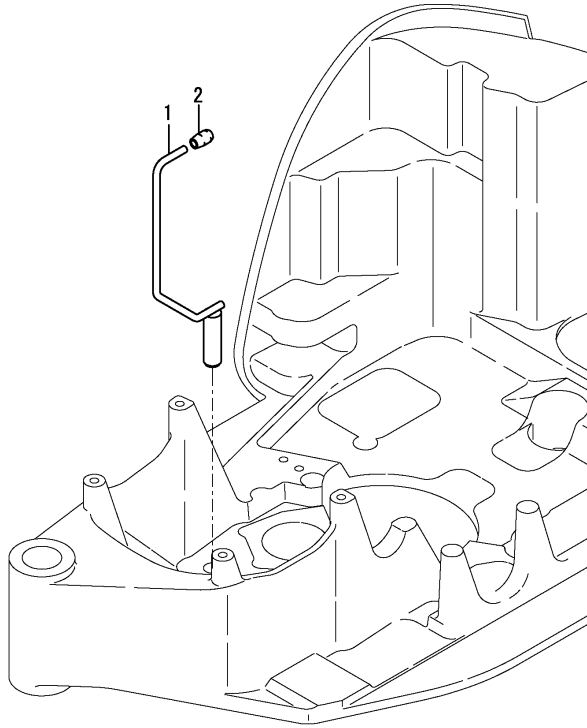


No.	Lev.	Parts No.	Description	Q'ty						I	R
				(A)	(B)	(C)	(D)	(E)	(F)		
1	1	172A20-61500-1	COVER, MOTOR	2	2						
2	1	172A20-61530	COVER ASSY		1						
3	1	26013-100202	BOLT, M10X 20	6	6						
4	1	26013-100202	BOLT, M10X 20		4						
5	1	172122-17190	CLIP, TREE	4							

Fig.42. TURNING LOCK

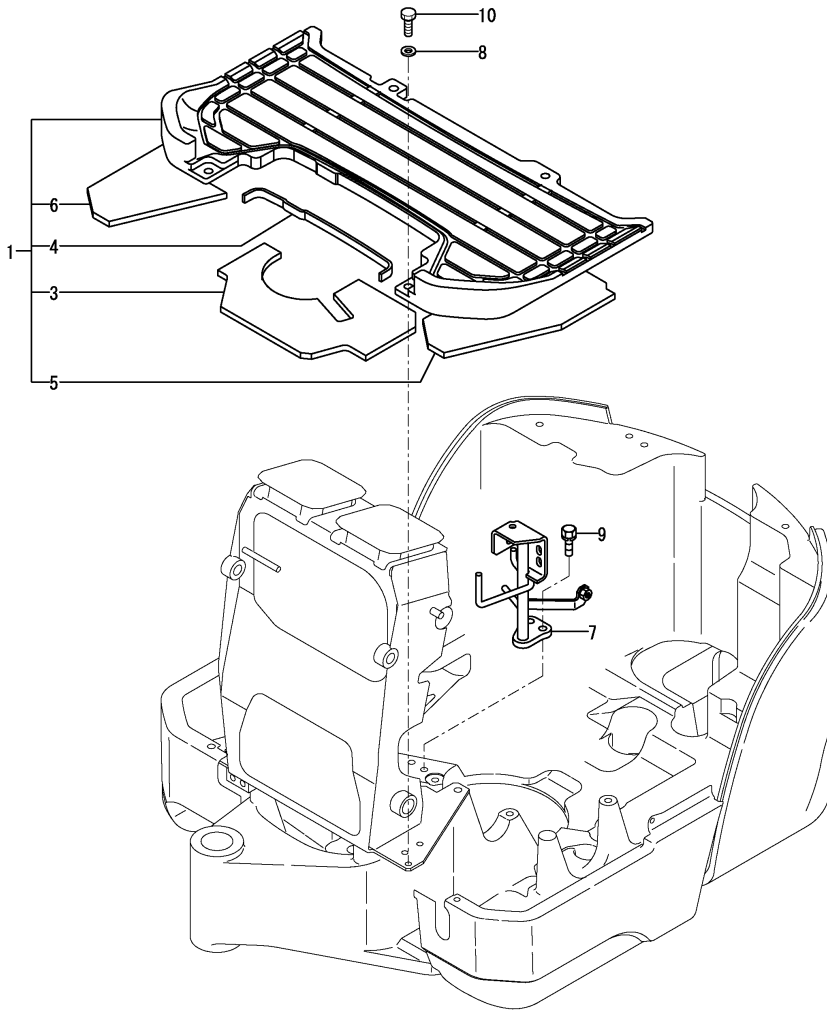
(A)=SV08-1B(US)
 (B)=SV08-1B(KR)
 (C)=

(D)=
 (E)=
 (F)=



No.	Lev.	Parts No.	Description	Q'ty						I	R
				(A)	(B)	(C)	(D)	(E)	(F)		
1	1	172446-58800	PIN,LOCK	1	1						
2	1	172157-58830	KNOB, 6.5X18X35	1	1						

Fig.43. STEP



(A)=SV08-1B(US)
 (B)=SV08-1B(KR)
 (C)=

(D)=
 (E)=
 (F)=

No.	Lev.	Parts No.	Description	Q'ty						I	R
				(A)	(B)	(C)	(D)	(E)	(F)		
1	1	172A29-62100	STEP ASSY	1	1						1
1-1	1	172A29-62400	STEP ASSY, BLACK	1	1						S 2
		(A=MAF001) (B=MAF001)									
3	2	172446-62210	INSULATOR	1	1						
4	2	172446-62220	SEAL, STEP	1	1						
5	2	172446-62230	INSULATOR	1	1						
6	2	172446-62240	INSULATOR	1	1						
7	1	172A29-62151	MOUNT ASSY,STEP	1	1						
8	1	1A1380-62160	WASHER, BELT COVER	4	4						
9	1	26013-100252	BOLT, SPRING M10X 25	2	2						
10	1	26116-080252	BOLT, M8X 25 PLATED	4	4						

Remarks

- (1)Color = DARK OLIVE GRAY.
- (2)Color = BLACK.

Fig.44. SEAT

(A)=SV08-1B(US)
 (B)=SV08-1B(KR)
 (C)=

(D)=
 (E)=
 (F)=

No.	Lev.	Parts No.	Description	Q'ty						I	R
				(A)	(B)	(C)	(D)	(E)	(F)		
1	1	172A64-64010	SEAT ASSY	1	1						
2	2	172A64-64020	STAY, SEAT	1	1						
3	2	172A64-64030	CASE, LETTER	1	1						
4	2	172A64-64050	SCREW, TAPPING 6.0X16	4	4						
5	2	26013-080202	BOLT, M8X 20	2	2						
6	1	172446-64200-Y	BRACKET, SEAT	1	1						
7	1	172141-64370	CUSHION, SEAT	2	2						
8	1	172156-64420	PIN	1	1						
9	1	22372-080000	PIN, SNAP 8	2	2						
10	1	26013-080162	BOLT, M8X 16	2	2						

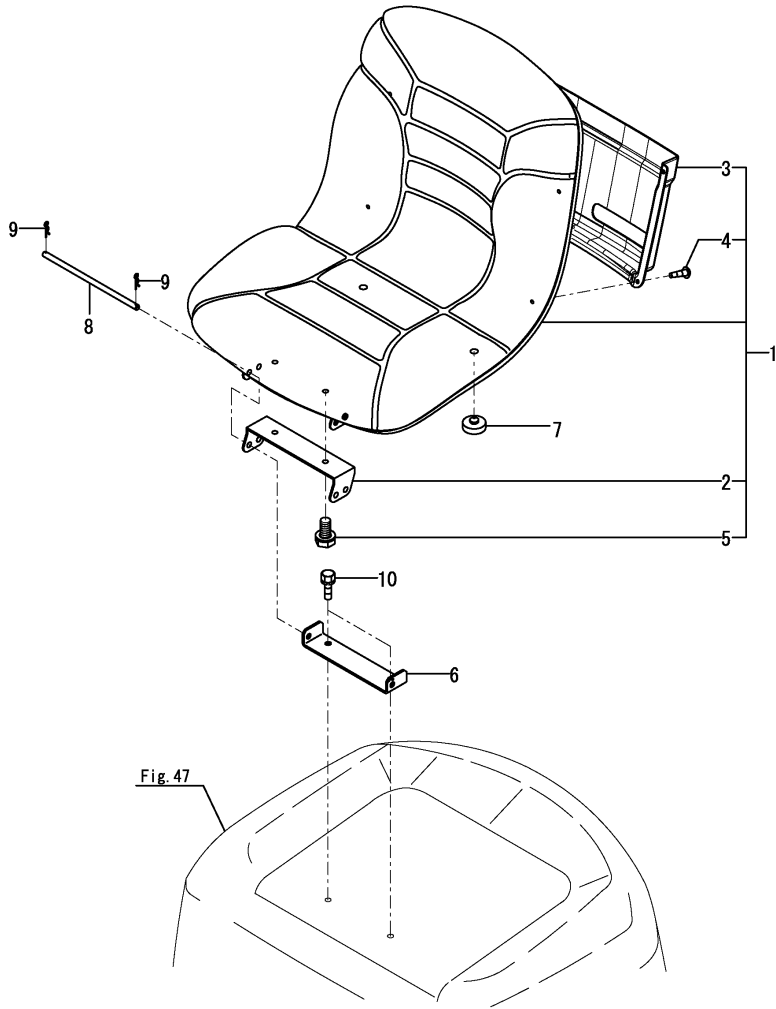
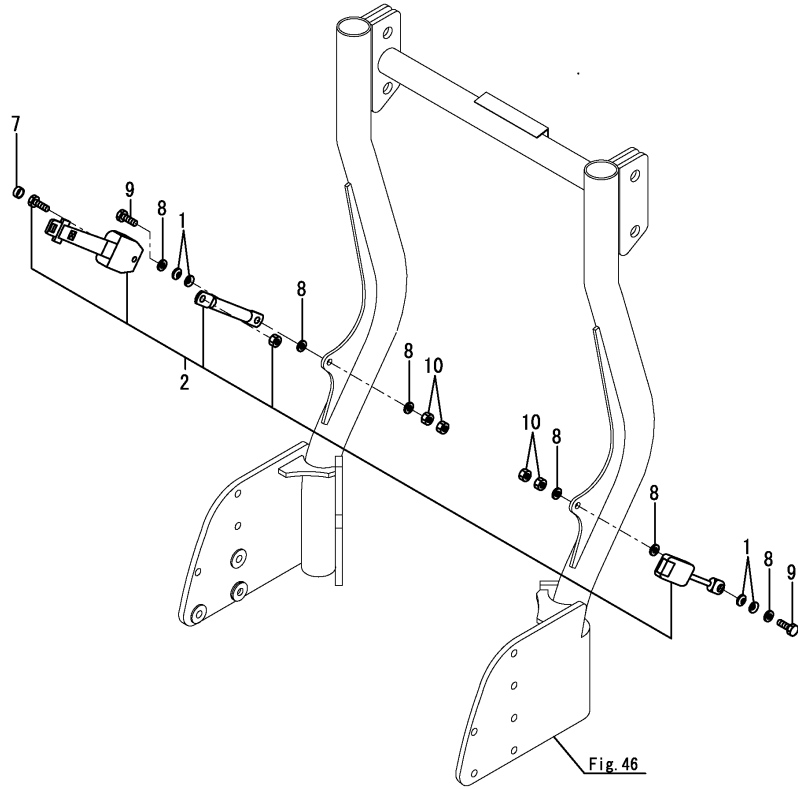


Fig.45. SEAT BELT

(A)=SV08-1B(US)
(B)=SV08-1B(KR)
(C)=

(D)=
(E)=
(F)=

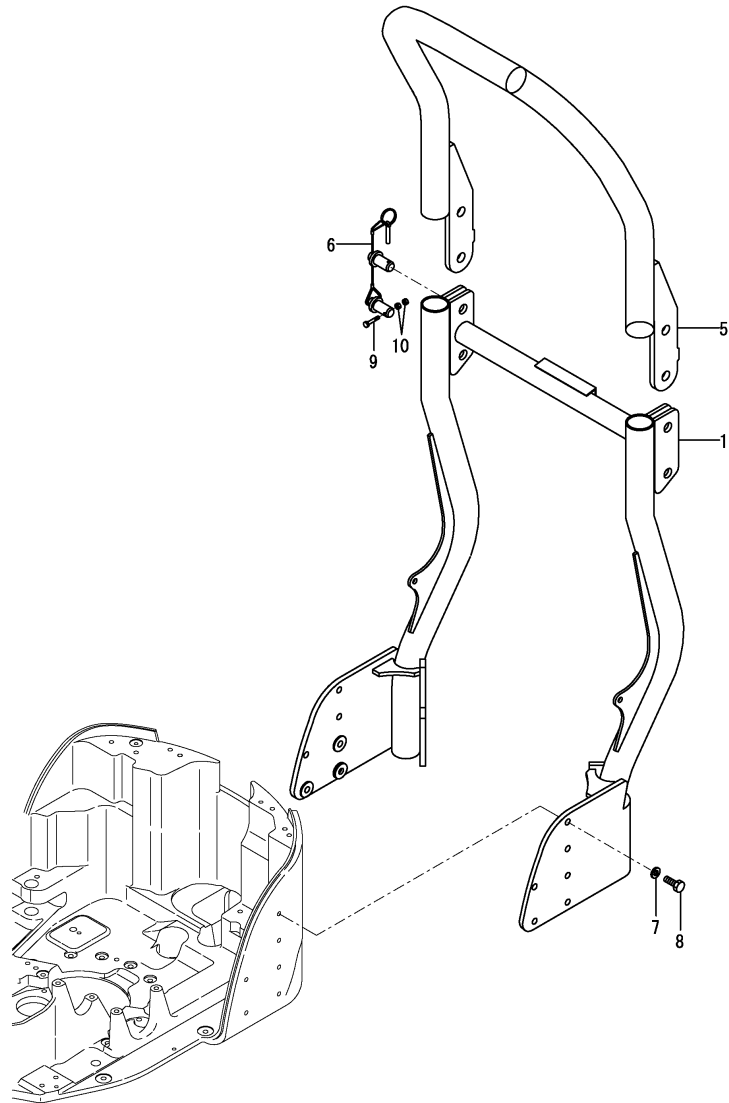


No.	Lev.	Parts No.	Description	Q'ty						I	R
				(A)	(B)	(C)	(D)	(E)	(F)		
1	1	172A77-64270	SPRING	4							
2	1	172498-64771	SEAT BELT ASSY	1							
7	1	172A29-64800	CAP, 15.5	1							
8	1	22137-100000	WASHER, 10	6							
9	1	26116-100402	BOLT, M10X 40 PLATED	2							
10	1	26716-100002	NUT, M10	4							

Fig.46. ROPS

(A)=SV08-1B(US)
 (B)=SV08-1B(KR)
 (C)=

(D)=
 (E)=
 (F)=



No.	Lev.	Parts No.	Description	Q'ty						I	R
				(A)	(B)	(C)	(D)	(E)	(F)		
1	1	172A29-68500-N	BASE ASSY,ROPS	1							1
4A	1	172A29-03750	LABEL, FOLDING ROPS	1							3
5	1	172A29-68610-N	ROOF ASSY,ROPS	1							2
5A	1	172437-03441	LABEL, ROPS	1							3
5B	1	172437-03451	LABEL, SEAT BELT	1							3
5C	1	172A29-03740	LABEL, PINCH ROPS	2							3
6	1	172480-68742	PIN ASSY(ROPS	2							
7	1	22217-120000	WASHER, SPRING 12	12							
8	1	26076-120352	BOLT, 10.912X 35	12							
9	1	26116-060352	BOLT, M6X 35 PLATED	2							
10	1	26716-060002	NUT, M6	4							

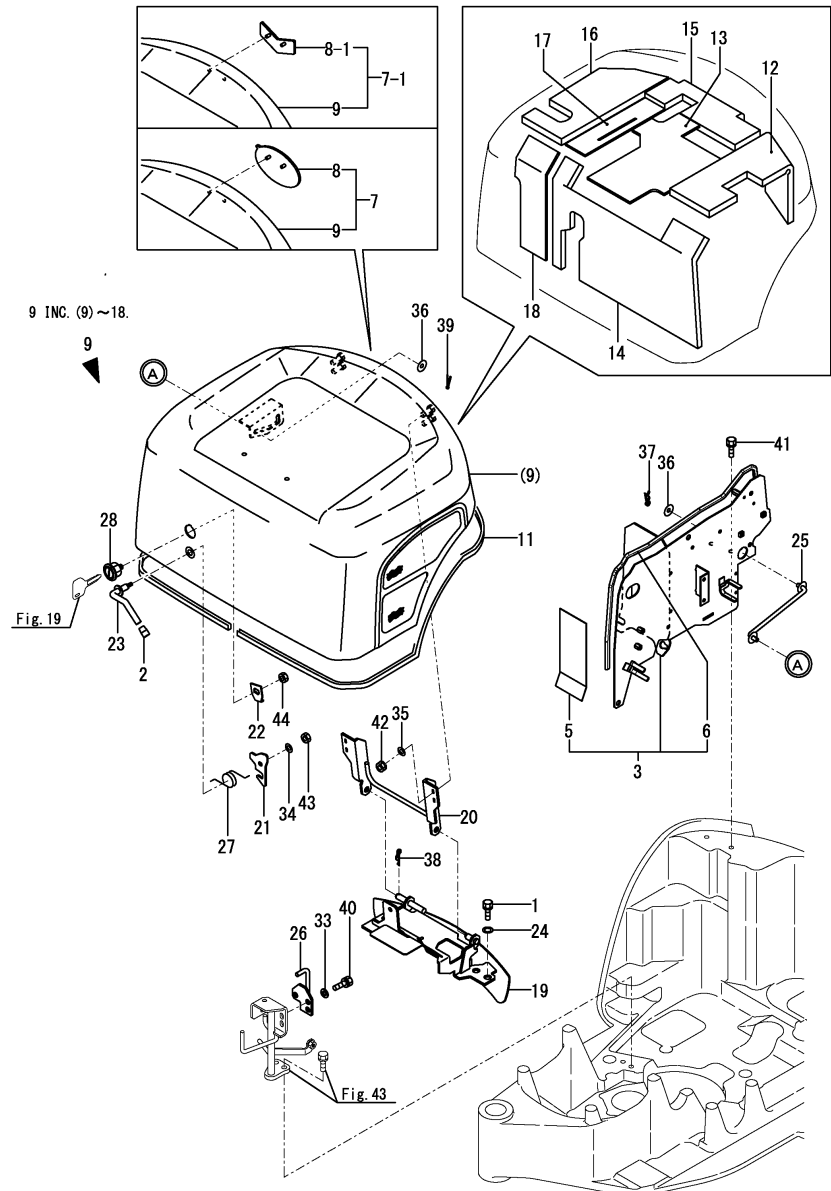
Remarks

- (1) Attach the No.4A label to this part.
- (2) Attach the No.5A, 5B & 5C label to this part.
- (3) Label is not illustrated.

Fig.47. BONNET

(A)=SV08-1B(US)
 (B)=SV08-1B(KR)
 (C)=

(D)=
 (E)=
 (F)=



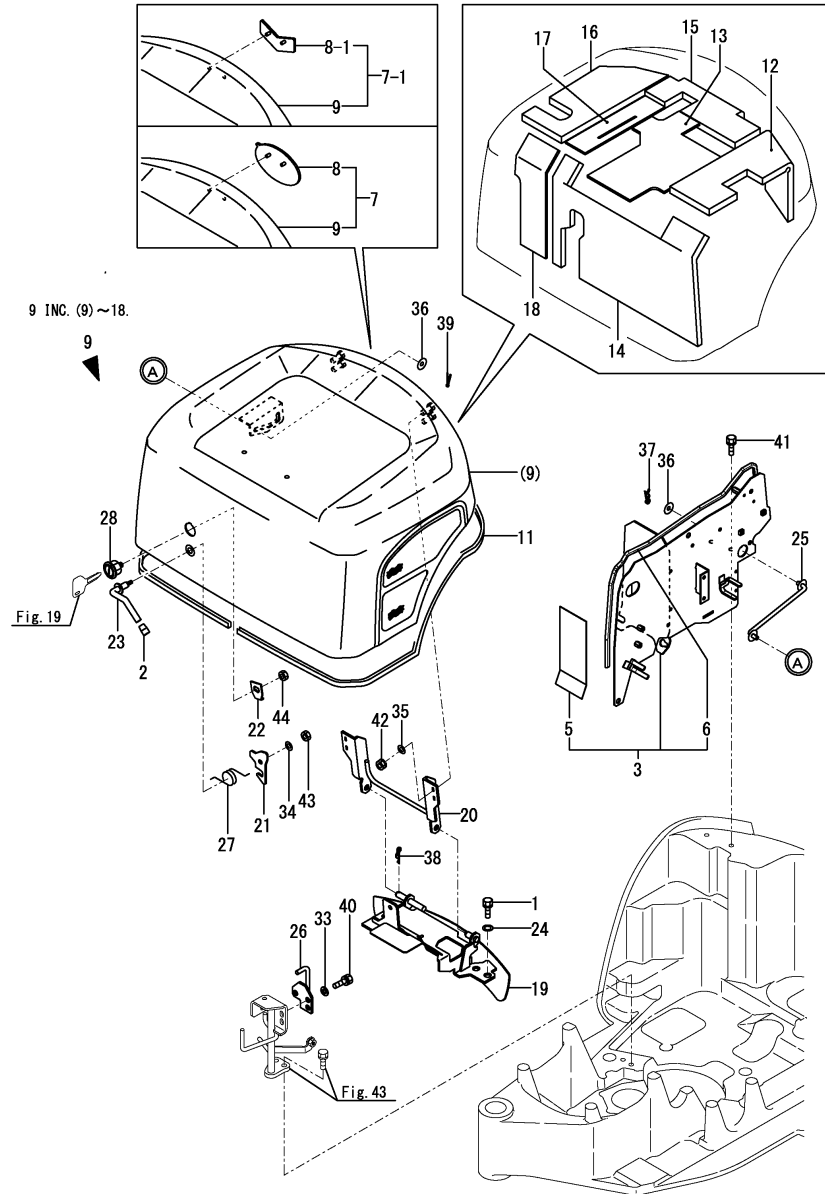
No.	Lev.	Parts No.	Description	(A)	(B)	Q'ty						I	R
				(C)	(D)	(E)	(F)						
1	1	172164-19130	BOLT M10X 25	4	4								
2	1	172116-46630	KNOB, LEVER	1	1								
3	1	172A29-62801	PLATE ASSY	1	1								
5	2	172A29-62900	RUBBER PLATE A	1	1								
6	2	172446-62930	RUBBER	1	1								
7	1	172A82-65080	BONNET KIT,ENBLEM Y	1	1								
7-1	1	172A82-65081	BONNET KIT,ENBLEM Y	1	1								S
				(A=MAF001)	(B=MAF001)								
8	2	172A88-03050	EMBLEM ASSY	1	1								
8-1	2	172A88-03010	EMBLEM ASSY,FY S1 Y	1	1								S
				(A=MAF001)	(B=MAF001)								
9	2	172A83-65100	BONNET ASSY	1	1								1
11	3	172446-65190	TRIM, 2300	1	1								
12	3	172446-65240	SPONGE	1	1								
13	3	172446-65281	INSULATOR	1	1								
14	3	172A20-65301	SPONGE	1	1								
15	3	172A20-65310	SPONGE	1	1								
16	3	172A20-65320	SPONGE	1	1								
17	3	172A20-65330	INSULATOR	1	1								
18	3	172446-65581	INSULATOR	1	1								
18A	1	172472-03141	LABEL, SUPPORT	1	1								2
18B	1	172437-03361	LABEL, BATTERY	1	1								2
18C	1	172437-03372	LABEL, NEUTRAL	1	1								2
18D	1	172A64-03380	LABEL, SWING AREA US	1	1								2
18E	1	172437-03391	LABEL, RADIATOR	1	1								2
18F	1	172437-03402	LABEL, ENGINE COVER	1	1								2
18G	1	172A36-03411	LABEL, ENGINE ROOM	1	1								2
18H	1	172437-03422	LABEL, MUFFLER	1	1								2
18I	1	172A82-03730	LABEL, LIFT US	1									2
18J	1	172A29-03781	LABEL, LIFT		1								2
19	1	172A29-65200	MOUNT ASSY, BONNET	1	1								
20	1	172446-65300	ARM ASSY, BONNET	1	1								
21	1	172446-65371	PLATE	1	1								
22	1	172446-65380	PLATE	1	1								
23	1	172480-65450	LEVER ASSY	1	1								
24	1	172446-65470	WASHER, 10.5-22	4	4								
25	1	172446-65502	LINK ASSY, OPEN	1	1								
26	1	172446-65540	HOOK	1	1								
27	1	172156-65690	SPRING, STOPPER	1	1								
28	1	172164-66170	KEY ASSY, CYLINDER	1	1								
33	1	22137-080000	WASHER, 8	3	3								
34	1	22137-080000	WASHER, 8	1	1								
35	1	22137-100000	WASHER, 10	4	4								
36	1	22157-080000	WASHER, 8	2	2								
37	1	22372-080000	PIN, SNAP 8	1	1								
38	1	22372-120000	PIN, SNAP 12	2	2								
39	1	22417-200200	PIN, COTTER 2.0X20	1	1								
40	1	26013-080202	BOLT, SPRING M8X 20	3	3								
41	1	26013-100202	BOLT, SPRING M10X 20	3	3								
42	1	26051-100002	NUT, M10	4	4								
43	1	26347-080002	NUT, M8	1	1								

Remarks
 (1)US specification : Attach the No.18A, 18B, 18C, 18D, 18E, 18F, 18G, 18H & 18I label to this part.
 KR specification : Attach the No18A, 18B, 18C, 18D, 18E, 18F, 18G & 18J label to this part.
 (2)Label is not illustrated.

Fig.47. BONNET

(A)=SV08-1B(US)
 (B)=SV08-1B(KR)
 (C)=

(D)=
 (E)=
 (F)=



No.	Lev.	Parts No.	Description	Q'ty						I	R
				(A)	(B)	(C)	(D)	(E)	(F)		
44	1	26347-100002	NUT, M10	1	1						

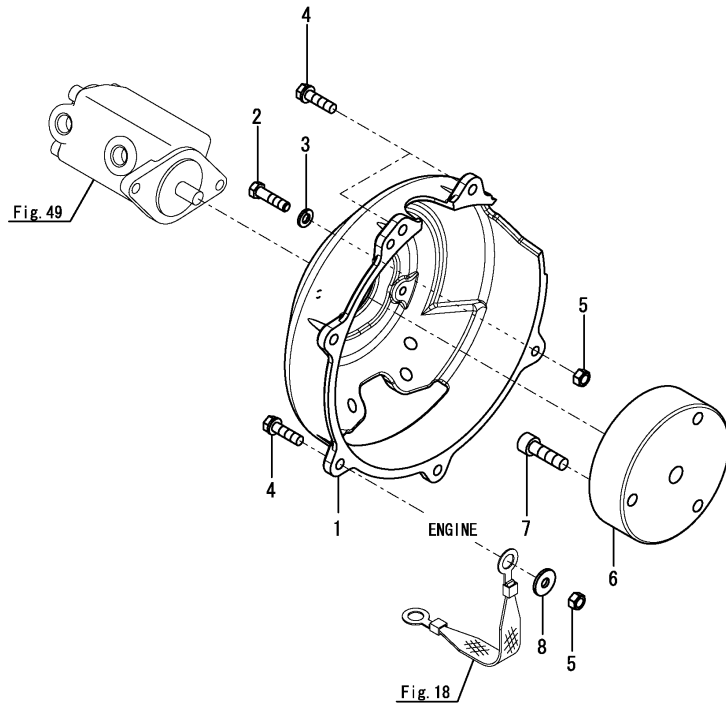
Remarks

- (1)US specification : Attach the No.18A, 18B, 18C, 18D, 18E, 18F, 18G, 18H & 18I label to this part.
- KR specification : Attach the No.18A, 18B, 18C, 18D, 18E, 18F, 18G, 18H & 18J label to this part.
- (2)Label is not illustrated.

Fig.48. HYDRAULIC PUMP MOUNT

(A)=SV08-1B(US)
 (B)=SV08-1B(KR)
 (C)=

(D)=
 (E)=
 (F)=



No.	Lev.	Parts No.	Description	Q'ty						I	R
				(A)	(B)	(C)	(D)	(E)	(F)		
1	1	172B19-71100	MOUNT, PUMP	1	1						
2	1	172498-71130	REAMER BOLT,8X32	1	1						
3	1	22217-080000	WASHER, SPRING 8	1	1						
4	1	26013-080302	BOLT, M8X 30	5	5						
5	1	26716-080002	NUT, M8	4	4						
6	1	172498-71200	COUPLING	1	1						
7	1	26450-100352	BOLT, M10X 35	3	3						
8	1	22157-080000	WASHER, 8	1	1						

Fig.49. HYDRAULIC PUMP

(A)=SV08-1B(US)
(B)=SV08-1B(KR)
(C)=

(D)=
(E)=
(F)=

No.	Lev.	Parts No.	Description	Qty						I	R
				(A)	(B)	(C)	(D)	(E)	(F)		
1	1	172B19-73100	PUMP ASSY, 3.5	1	1						
2	1	22137-080000	WASHER, 8	2	2						
3	1	26013-080252	BOLT, M8X 25	2	2						

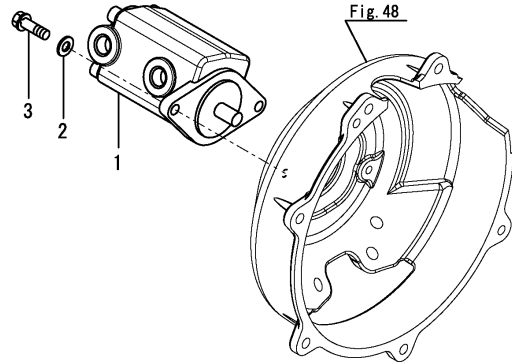
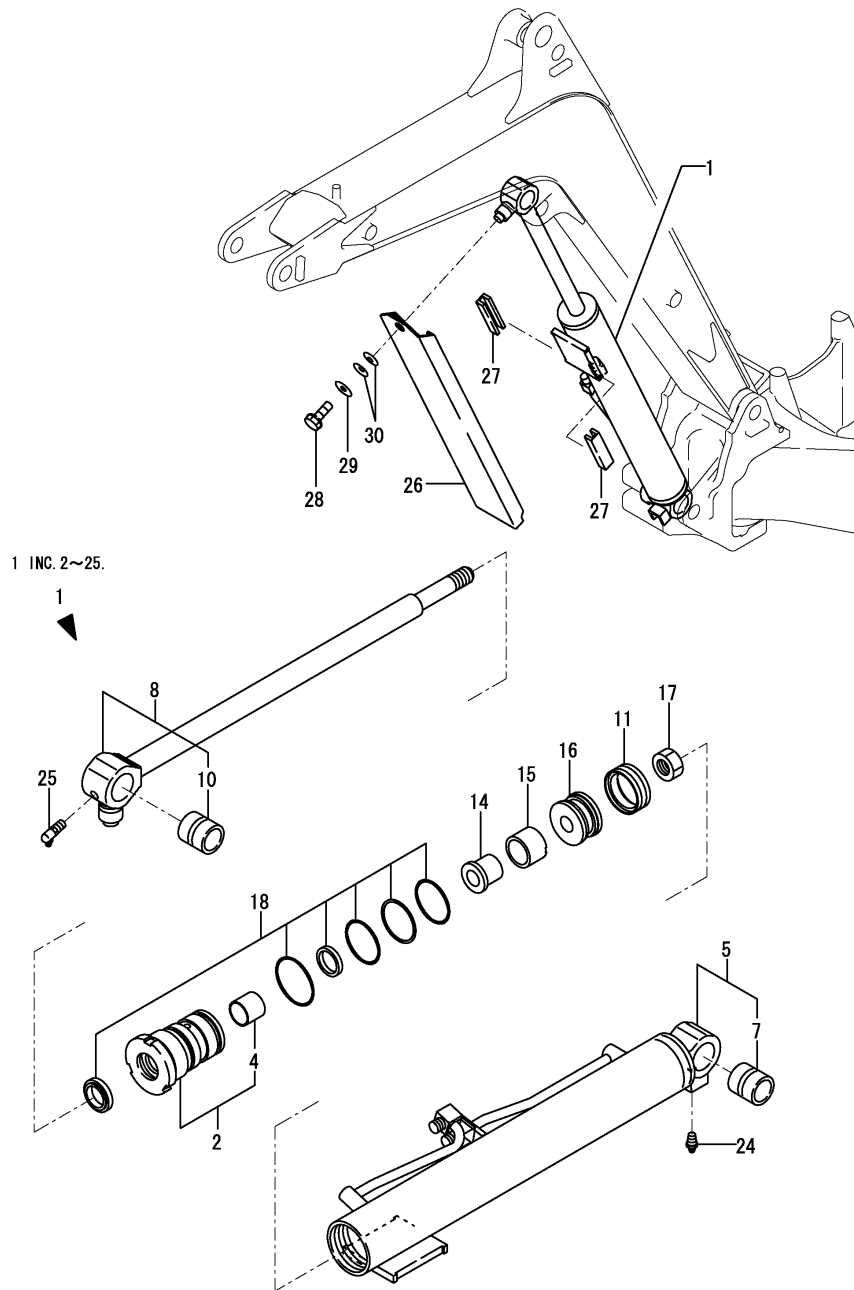


Fig.50. BOOM CYLINDER

(A)=SV08-1B(US)
 (B)=SV08-1B(KR)
 (C)=

(D)=
 (E)=
 (F)=

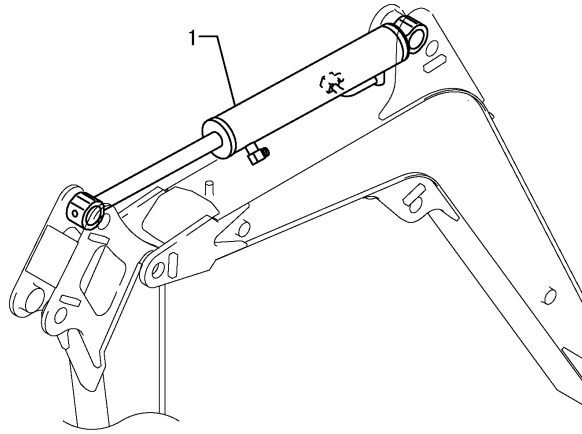


No.	Lev.	Parts No.	Description	Q'ty						I	R
				(A)	(B)	(C)	(D)	(E)	(F)		
1	1	172446-72100-N	CYLINDER ASSY, BOOM	1	1						
2	2	172446-72110	HEAD 50-25	1	1						
4	3	24550-025250	BUSH, 25X25	1	1						
5	2	172446-72140-N	TUBE, BOOM	1	1						
7	3	172156-72770	BUSH, PIN	1	1						
8	2	172446-72260	ROD ASSY, BOOM	1	1						
10	3	172156-72770	BUSH, PIN	1	1						
11	2	172447-72321	GASKET ASSY, RGU50	1	1						
14	2	172446-72370	COLLAR, 36-25	1	1						
15	2	172447-72380	RING 36	1	1						
16	2	172447-72531	PISTON 50 18X28	1	1						
17	2	172157-72730	NUT, M18	1	1						
18	2	172157-72010	SEAL SET, HEAD 50A	1	1						
24	2	24761-020000	NIPPLE, GREASE PT1/8	1	1						
25	2	24761-040000	NIPPLE, GREASE B	1	1						
26	1	172446-72350-N	COVER, SLIDE	1	1						
27	1	172186-72480	GUIDE, SLIDE	2	2						
28	1	26013-100202	BOLT, M10X 20	1	1						
29	1	933147-03400	WASHER, BRAKE ARM	1	1						
30	1	933168-14170	SPRING	2	2						

Fig.51. ARM CYLINDER

(A)=SV08-1B(US)
 (B)=SV08-1B(KR)
 (C)=

(D)=
 (E)=
 (F)=



No.	Lev.	Parts No.	Description	Q'ty						I	R
				(A)	(B)	(C)	(D)	(E)	(F)		
1	1	172446-72400-N	CYLINDER, ARM	1	1						
2	2	172447-72321	GASKET ASSY, RGU50	1	1						
5	2	172446-72420-N	TUBE, ARM	1	1						
7	3	172156-72770	BUSH, PIN	1	1						
8	2	172446-72490	ROD ASSY, ARM	1	1						
10	3	172156-72770	BUSH, PIN	1	1						
11	2	172447-72531	PISTON 50 18X28	1	1						
12	2	172157-72620	HEAD 5025 B W/BUSH	1	1						
14	3	24550-025250	BUSH, 25X25	1	1						
15	2	172157-72730	NUT, M18	1	1						
16	2	172157-72020	SEAL SET, HEAD 50B	1	1						
21	2	24761-020000	NIPPLE, GREASE PT1/8	2	2						

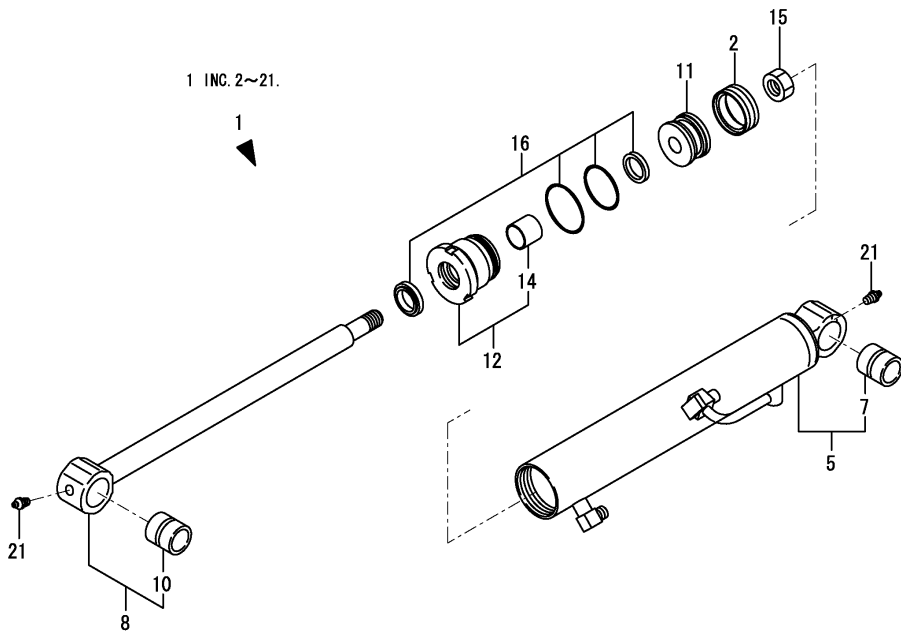
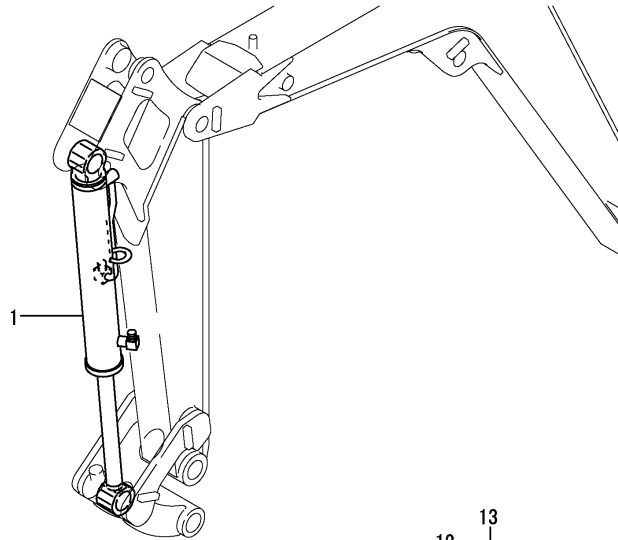


Fig.52. BUCKET CYLINDER

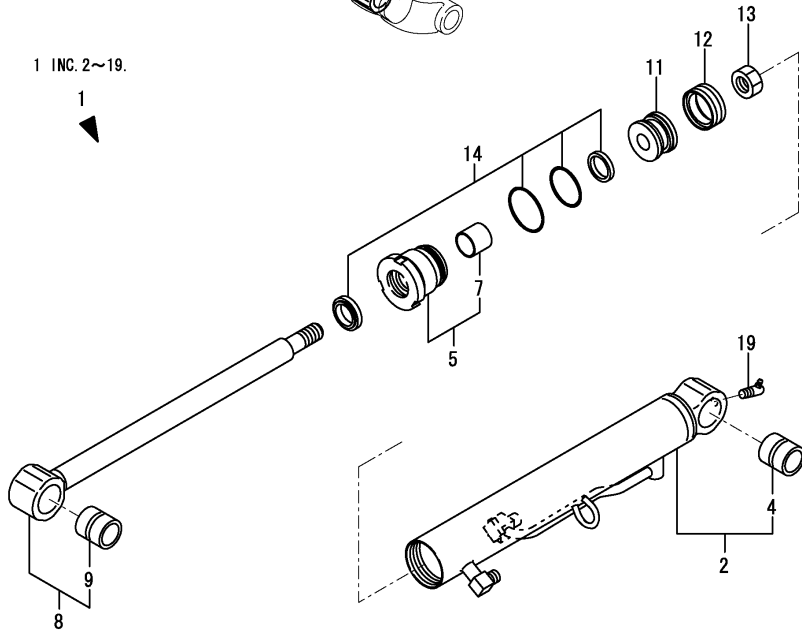
(A)=SV08-1B(US)
 (B)=SV08-1B(KR)
 (C)=

(D)=
 (E)=
 (F)=



1 INC. 2~19.

1

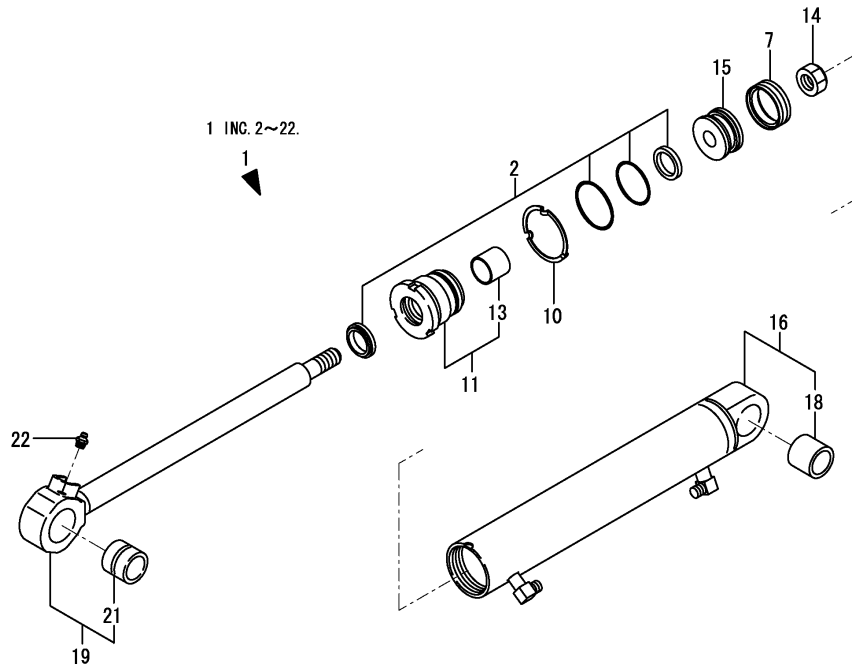
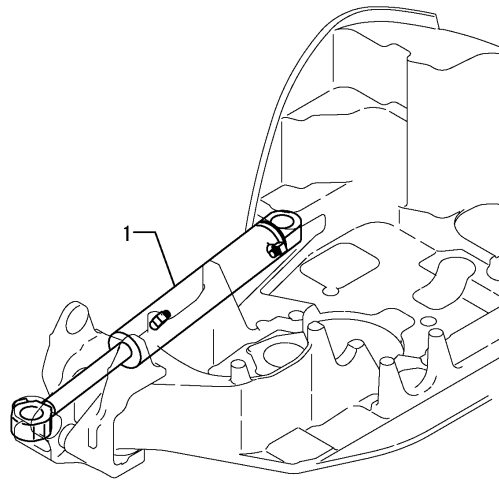


No.	Lev.	Parts No.	Description	Q'ty						I	R
				(A)	(B)	(C)	(D)	(E)	(F)		
1	1	172446-72550-N	CYLINDER ASSY	1	1						
2	2	172446-72570-N	TUBE, BUCKET	1	1						
4	3	172156-72770	BUSH, PIN	1	1						
5	2	172186-72630	HEAD	1	1						
7	3	24550-025250	BUSH, 25X25	1	1						
8	2	172446-72640	ROD ASSY, BUCKET	1	1						
9	3	172156-72410	BUSH, PIN 25 35 A	1	1						
11	2	172446-72681	PISTON 45	1	1						
12	2	172186-72690	GASKET	1	1						
13	2	172157-72730	NUT, M18	1	1						
14	2	172186-72590	SEAL SET, HEAD	1	1						
19	2	24761-040000	NIPPLE, GREASE B	1	1						

Fig.53. SWING CYLINDER

(A)=SV08-1B(US)
 (B)=SV08-1B(KR)
 (C)=

(D)=
 (E)=
 (F)=

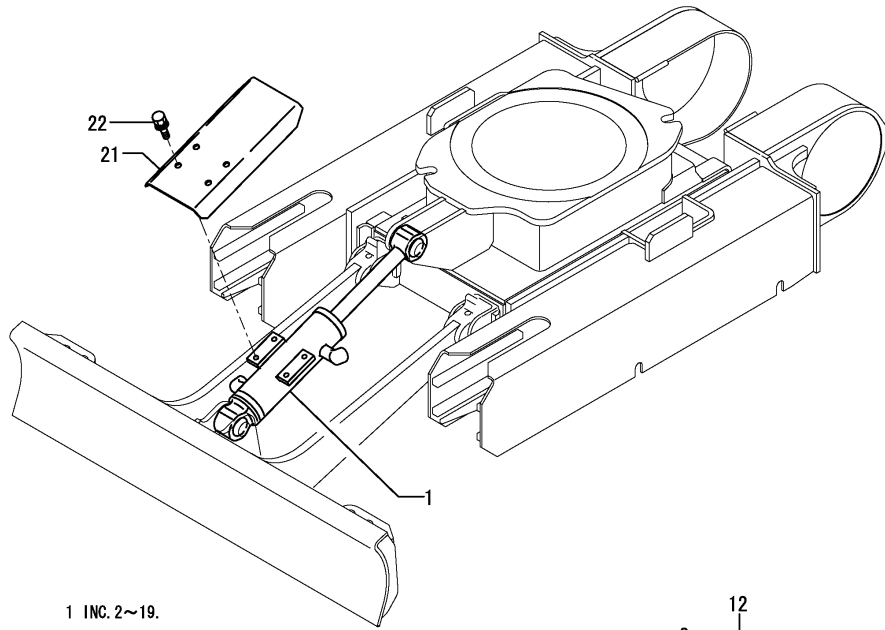


No.	Lev.	Parts No.	Description	Q'ty						I	R
				(A)	(B)	(C)	(D)	(E)	(F)		
1	1	172446-72801-N	CYLINDER, SWING	1	1						
2	2	172A64-72040	SEAL SET, HEAD 55 30	1	1						
7	2	172449-72321	GASKET ASSY, RGU55	1	1						
10	2	172173-72550	ROCK WASHER 55	1	1						
11	2	172449-72560	HEAD CMP 55 30	1	1						
13	3	24550-030300	BUSH, 30X30	1	1						
14	2	172141-72580	NUT, M20	1	1						
15	2	172449-72681	PISTON 55(20-28)	1	1						
16	2	172446-72820-N	TUBE ASSY, SWING	1	1						
18	3	172186-72910	BUSH	1	1						
19	2	172446-72860	ROD ASSY, SWING	1	1						
21	3	933125-05300	BUSHING 30 34.5B	1	1						
22	2	24761-020000	NIPPLE, GREASE PT1/8	1	1						

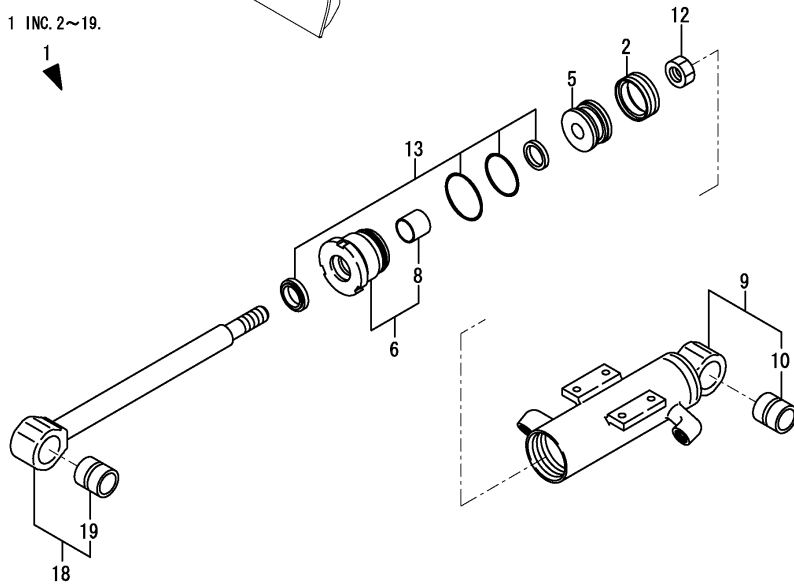
Fig.54. BLADE CYLINDER

(A)=SV08-1B(US)
 (B)=SV08-1B(KR)
 (C)=

(D)=
 (E)=
 (F)=



1 INC. 2~19.



No.	Lev.	Parts No.	Description	Q'ty						I	R
				(A)	(B)	(C)	(D)	(E)	(F)		
1	1	172446-72700-1	CYLINDER ASSY, BLADE	1	1						
2	2	172447-72321	GASKET ASSY, RGU50	1	1						
5	2	172447-72531	PISTON 50 18X28	1	1						
6	2	172157-72620	HEAD 5025 B W/BUSH	1	1						
8	3	24550-025250	BUSH, 25X25	1	1						
9	2	172446-72720	TUBE, BLADE	1	1						
10	3	172156-72410	BUSH, PIN 25 35 A	1	1						
12	2	172157-72730	NUT, M18	1	1						
13	2	172157-72020	SEAL SET, HEAD 50B	1	1						
18	2	172446-72760	ROD ASSY, BLADE	1	1						
19	3	172156-72410	BUSH, PIN 25 35 A	1	1						
21	1	172447-72790-3	PROTECTOR	1	1						
22	1	26014-080162	BOLT, M8X 16	4	4						

Fig.55. VARIABLE LEG WIDEN / SHORTEN CYLINDER

(A)=SV08-1B(US)
 (B)=SV08-1B(KR)
 (C)=

(D)=
 (E)=
 (F)=

No.	Lev.	Parts No.	Description	Q'ty						I	R
				(A)	(B)	(C)	(D)	(E)	(F)		
1	1	172A20-72500-1	CYLINDER ASSY	1	1						
2	2	172157-72020	SEAL SET, HEAD 50B	1	1						
7	2	172447-72321	GASKET ASSY, RGU50	1	1						
10	2	172480-72510-1	TUBE ASSY, VARIABLE	1	1						
11	2	172447-72531	PISTON 50 18X28	1	1						
12	2	172A20-72530	ROD ASSY, VARIABLE	1	1						
13	2	172157-72620	HEAD 5025 B W/BUSH	1	1						
15	3	24550-025250	BUSH, 25X25	1	1						
16	2	172157-72730	NUT, M18	1	1						

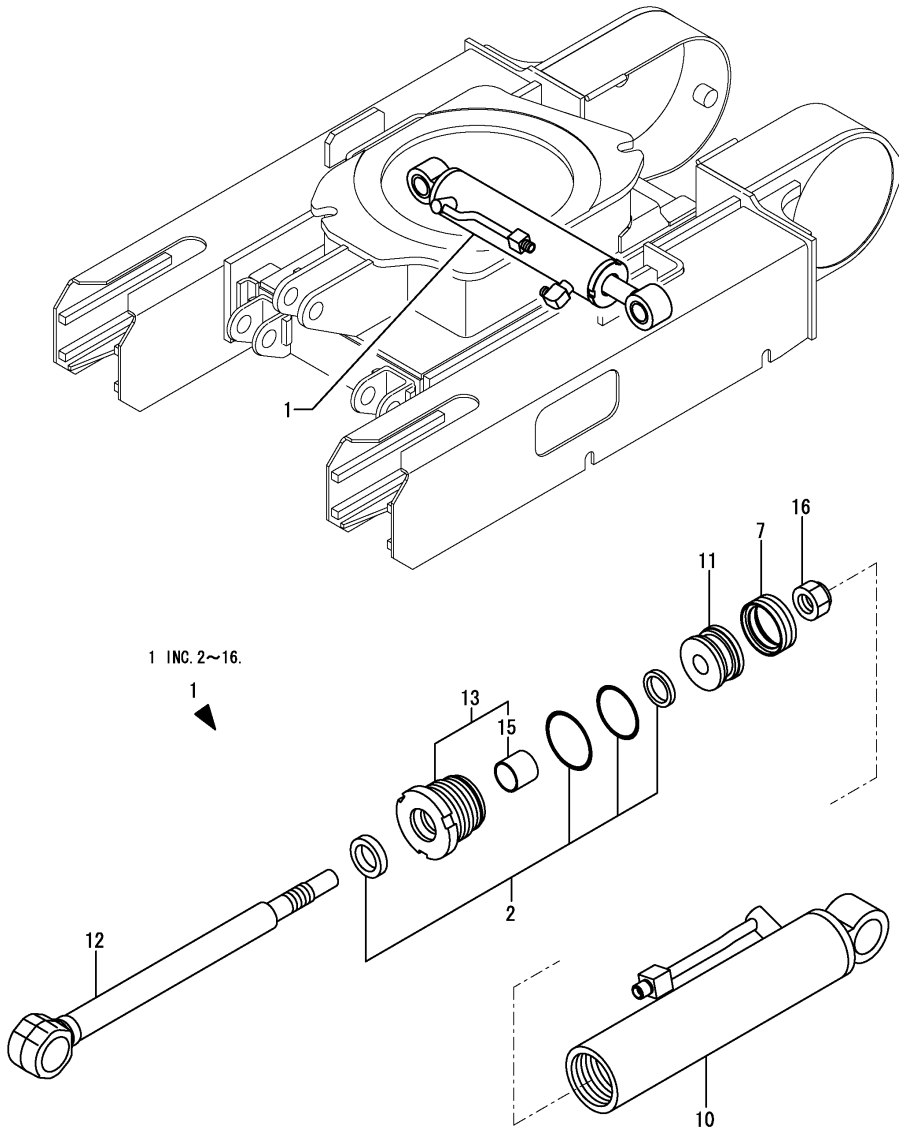
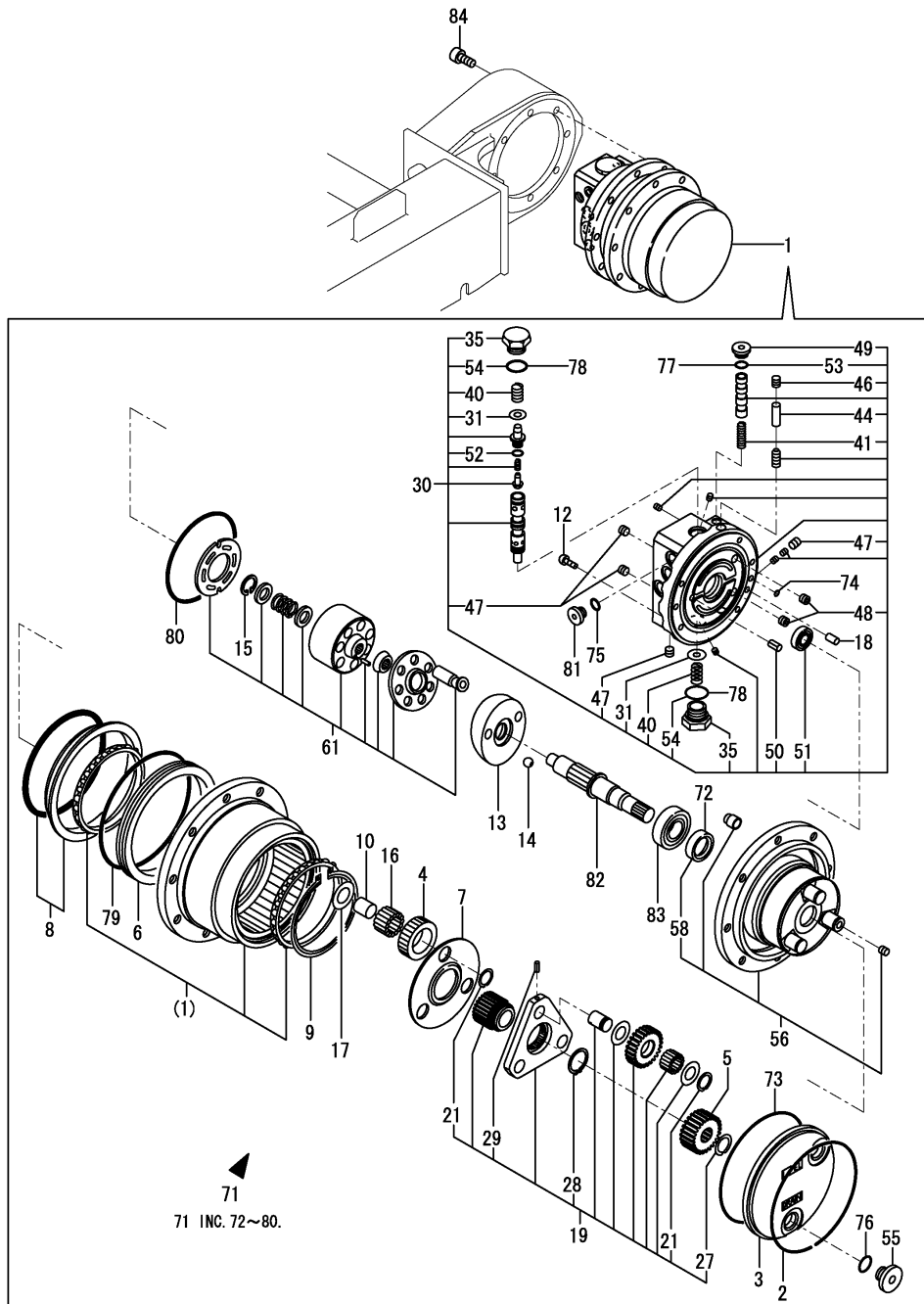


Fig.56. TRAVEL MOTOR

(A)=SV08-1B(US)
 (B)=SV08-1B(KR)
 (C)=

(D)=
 (E)=
 (F)=



No.	Lev.	Parts No.	Description	Q'ty						I	R
				(A)	(B)	(C)	(D)	(E)	(F)		
1	1	172447-73300	MOTOR CMP,TRAVEL	2	2						
2	2	172157-70090	SNAP RING	2	2						
3	2	172447-73100	COVER	2	2						
4	2	172447-73120	GEAR	6	6						
5	2	172447-73140	GEAR	2	2						
6	2	172447-73150	RING,SEAL	2	2						
7	2	172447-73160	PLATE,THRUST	2	2						
8	2	172447-73170	SEAL ASSY	2	2						
9	2	172447-73180	RING,SNAP	2	2						
10	2	172447-73190	RING	6	6						
12	2	172186-73240	BOLT,HEX SOCKET	14	14						
13	2	172447-73250	PLATE	2	2						
14	2	172447-73280	BALL	4	4						
15	2	172126-73400	SNAP RING	2	2						
16	2	172186-73410	NEEDLE	90	90						
17	2	172447-73510	WASHER,THRUST	6	6						
18	2	172425-73540	PIN, PARALLEL	2	2						
19	2	172447-73550	CARRIER KIT	2	2						
21	3	172157-70240	SNAP RING	12	12						
27	3	172186-73450	RING,SNAP	2	2						
28	3	22242-000150	RING, 15	2	2						
29	3	22351-030012	PIN, SPRING 3.0X12	6	6						
30	2	172447-73560	BODY 1 ASSY	2	2						
31	3	172157-70450	RING	4	4						
35	3	172186-73160	PLUG	4	4						
40	3	172447-73440	SPRING	4	4						
41	3	172447-73450	SPRING	2	2						
44	3	172447-73480	NEEDLE	4	4						
46	3	172422-73550	PLUG	4	4						
47	3	172422-73550	PLUG	8	8						
48	3	172422-73650	PLUG	4	4						
49	3	172187-73670	PLUG	4	4						
50	3	22351-050012	PIN, SPRING 5.0X12	2	2						
51	3	24101-060020	BEARING, BALL 6002C3	2	2						
52	3	24311-000100	O-RING, 1AP10.0	4	4						
53	3	24315-000140	O-RING, 1BP14.0	4	4						
54	3	24315-000180	O-RING, 1BP18.0	4	4						
55	2	172187-73570	PLUG	4	4						
56	2	172447-73570	PLATE KIT	2	2						
58	3	172186-73230	SEAL, OIL	2	2						
61	2	172447-73580	CYLINDER BARREL ASSY	2	2						
71	2	172447-73590	O-RING KIT	2	2						
72	3	172186-73230	SEAL, OIL	2	2						
73	3	172447-73500	O-RING	2	2						
74	3	24315-000060	O-RING, 1BP6.0	2	2						
75	3	24315-000110	O-RING, 1BP11.0	4	4						
76	3	24315-000140	O-RING, 1BP14.0	4	4						
77	3	24315-000140	O-RING, 1BP14.0	4	4						
78	3	24315-000180	O-RING, 1BP18.0	4	4						
79	3	24321-001300	O-RING, 1AG130.0	2	2						
80	3	24325-001050	O-RING 1B G-105.0	2	2						

Fig.56. TRAVEL MOTOR

(A)=SV08-1B(US)
 (B)=SV08-1B(KR)
 (C)=

(D)=
 (E)=
 (F)=

No.	Lev.	Parts No.	Description	Q'ty						I	R
				(A)	(B)	(C)	(D)	(E)	(F)		
81	2	172187-73600	PLUG	4	4						
82	2	172186-73710	SHAFT	2	2						
83	2	24101-060044	BEARING, BALL 6004	2	2						
84	1	26450-100252	BOLT, M10X 25	16	16						

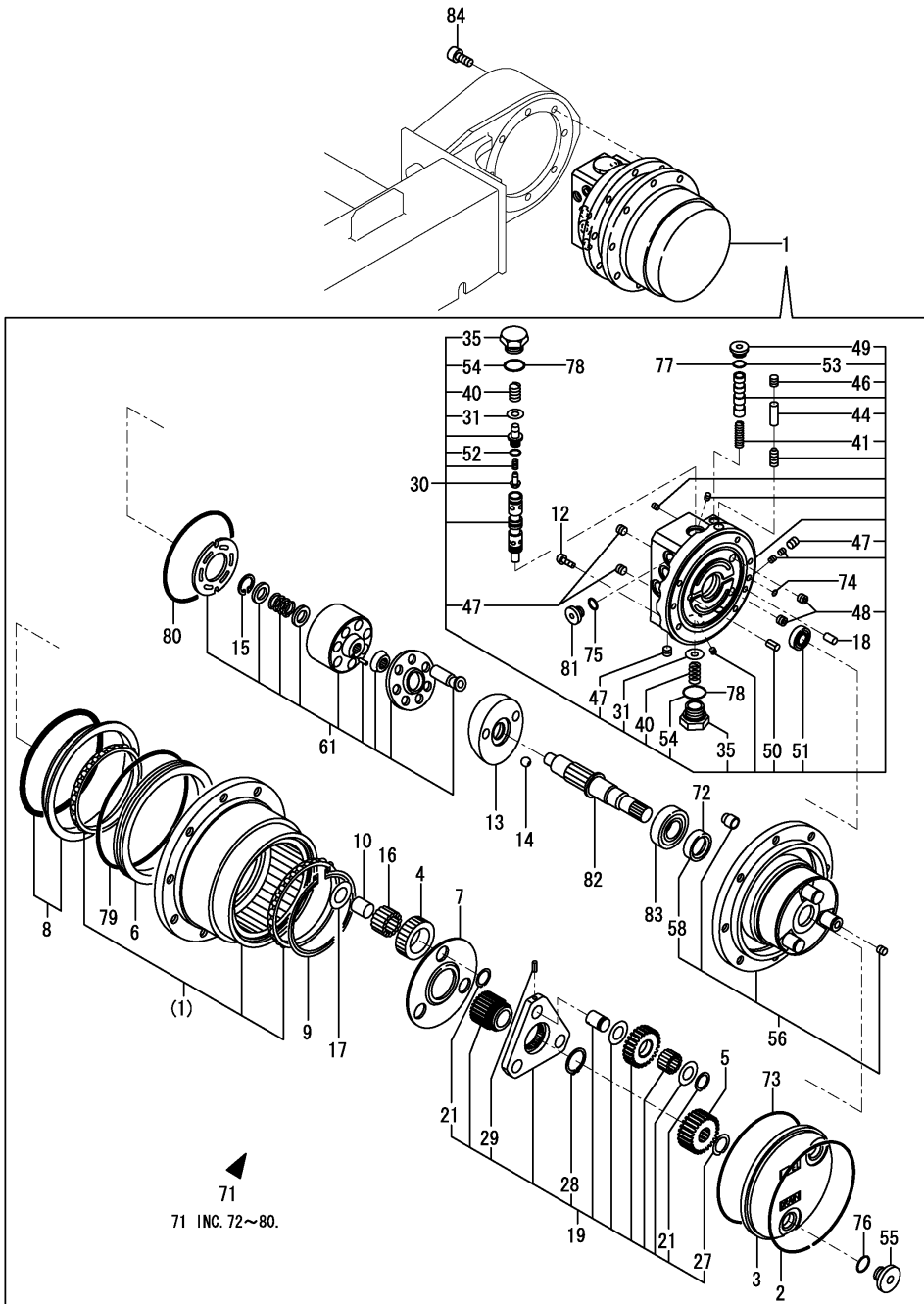
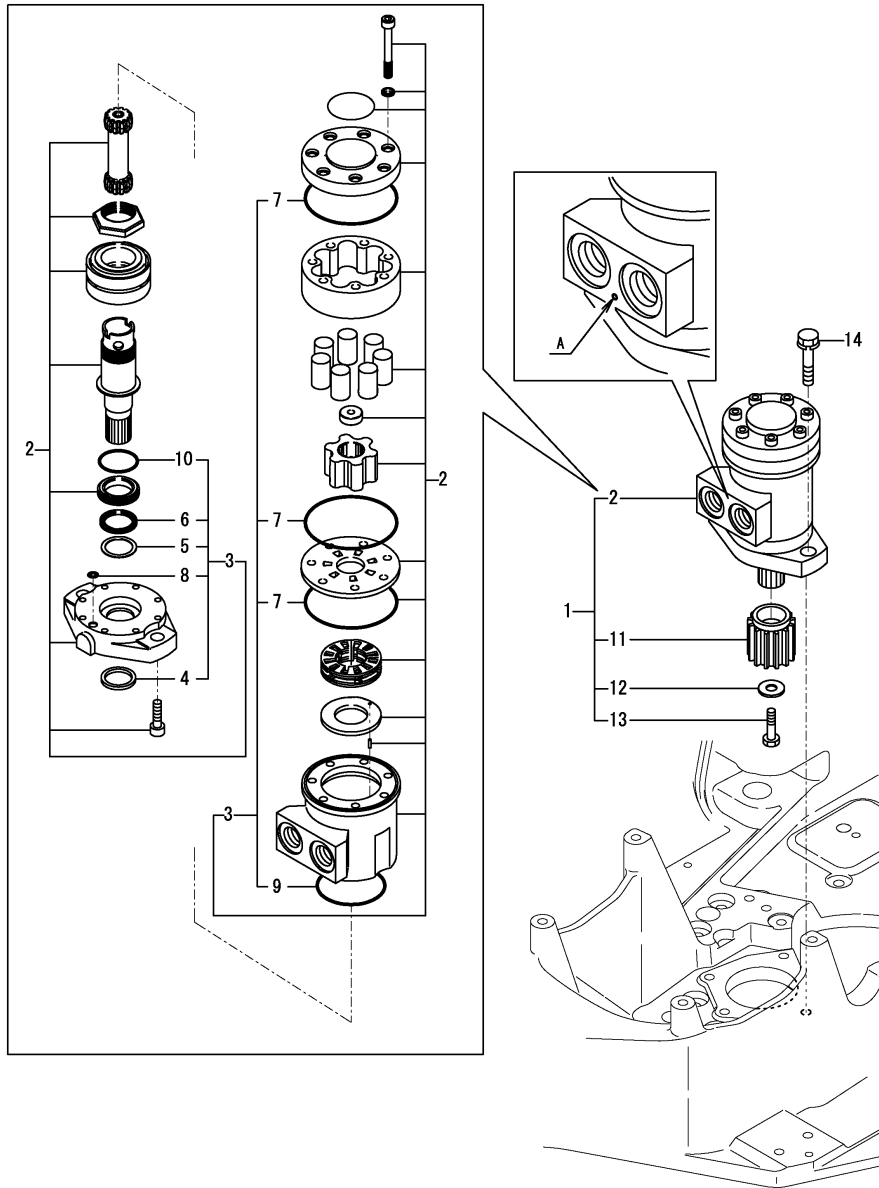


Fig.57. TURNING MOTOR(N SPEC.)(TO M1B535)

(A)=SV08-1B(US)
 (B)=SV08-1B(KR)
 (C)=

(D)=
 (E)=
 (F)=



No.	Lev.	Parts No.	Description	Q'ty						I	R
				(A)	(B)	(C)	(D)	(E)	(F)		
1	1	172A20-73311	MOTOR ASSY, SWING	1	1						
1-1	1	172A20-73311	MOTOR ASSY, SWING	1	1						Z
		(A=M1B536) (B=M1B536)									
2	2	172A20-73321	MOTOR, SWING	1	1						1
3	3	172A20-73400	SEAL SET	1	1						
4	4	172A20-73410	SEAL, OIL	1	1						
5	4	172A20-73420	BACKUP RING	1	1						
6	4	172A20-73430	X RING	1	1						
7	4	172A20-73440	O-RING	3	3						
8	4	24341-000080	O-RING, 1AS8.0	1	1						
8-1	4	24341-000060	O-RING, 1AS6.0	1	1						N
		(A=*2014.10) (B=*2014.10)									
9	4	24341-000670	O-RING, 1AS67.0	1	1						
10	4	24356-240370	O-RING, 4D24037	1	1						
11	2	172A20-73330	PINION 13T	1	1						
12	2	172A20-73340	WASHER, M10	1	1						
13	2	26450-100202	BOLT, M10X 20	1	1						
14	1	26013-120352	BOLT, SPRING M12X 35	2	2						

Remarks

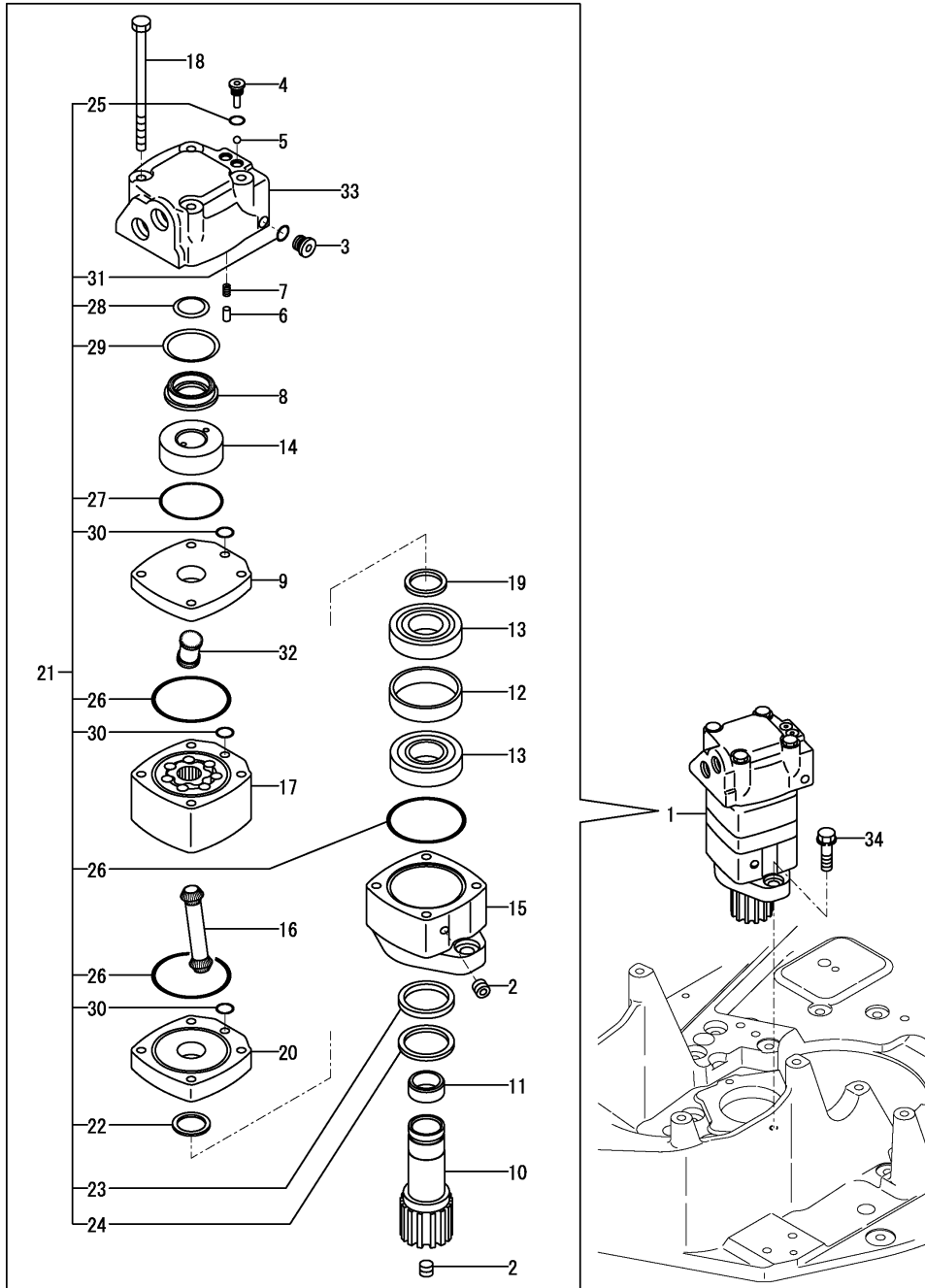
(1)A part : If there is an identification stamp, No.8 is not needed.

N:Old $\xrightarrow{\text{Yes}}$ New, Q:Old $\xrightarrow{\text{No}}$ New, R:Old $\xrightarrow{\text{Yes}}$ New, S:Old $\xrightarrow{\text{No}}$ New, W:Add, Z:Discontinued, F:Interchangeable by set, K:Q'ty Change

Fig.83. (57A)TURNING MOTOR(E SPEC.)(FROM M1B536)

(A)=SV08-1B(US)
 (B)=SV08-1B(KR)
 (C)=

(D)=
 (E)=
 (F)=

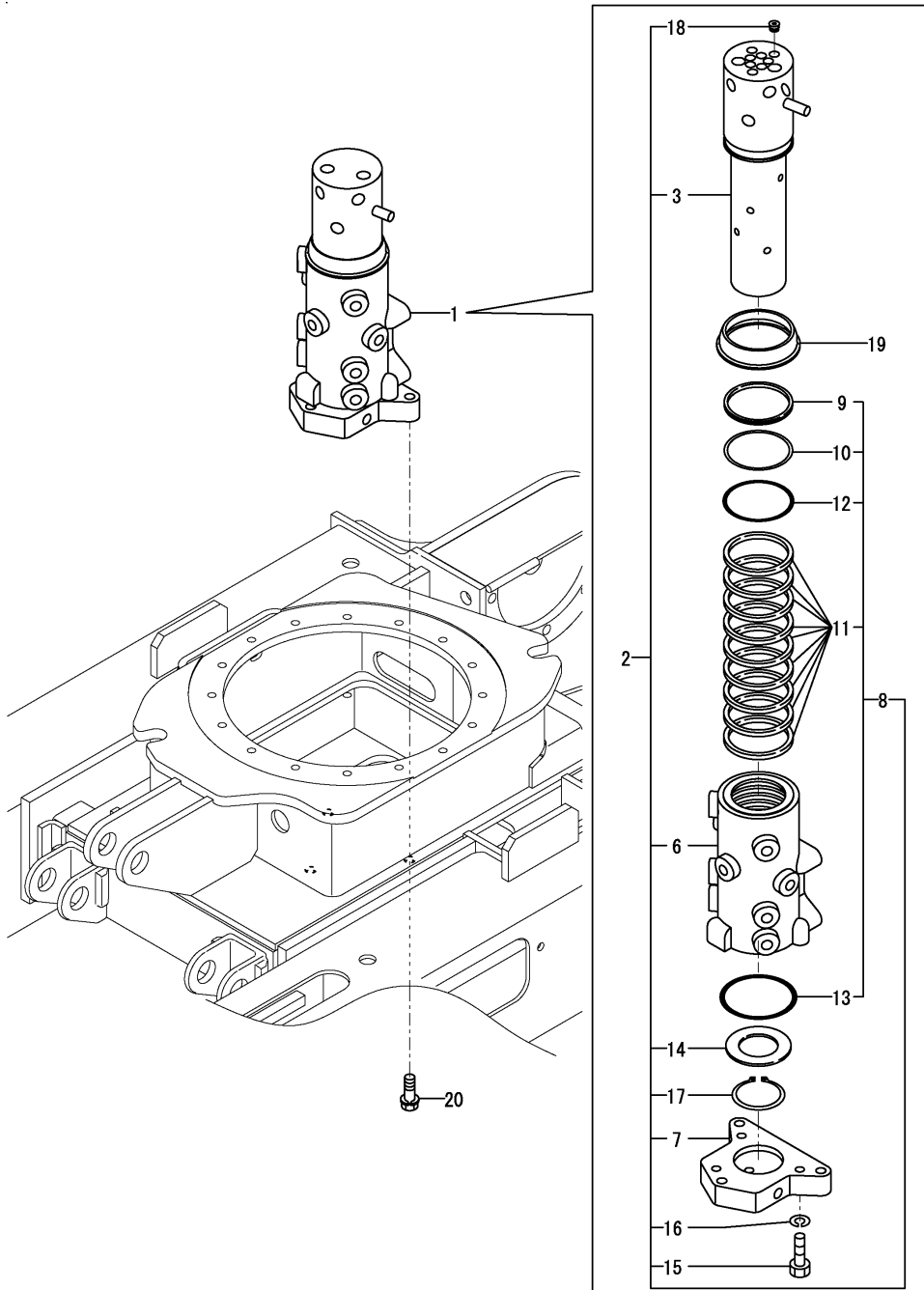


No.	Lev.	Parts No.	Description	Q'ty						I	R
				(A)	(B)	(C)	(D)	(E)	(F)		
1	1	172A20-73200 (A=M1B536) (B=M1B536)	MOTOR ASSY, SWING	1	1						W
2	2	172137-70490	PLUG	2	2						
3	2	172137-70500	PLUG, BLIND	1	1						
4	2	172137-70520	PLUG	2	2						
5	2	172137-70530	BALL	2	2						
6	2	172137-70570	PIN	2	2						
7	2	172137-70580	SPRING	2	2						
8	2	172137-70590	PLATE	1	1						
9	2	172137-70610	PLATE, VALVE	1	1						
10	2	172A20-73210	GEAR, PINION	1	1						
11	2	172A20-73220	COLLAR	1	1						
12	2	172A20-73230	SPACER, BEARING	1	1						
13	2	172A20-73240	ROLLER	2	2						
14	2	172A20-73260	VALVE	1	1						
15	2	172A20-73270	HOUSING, BEARING	1	1						
16	2	172449-73340	DRIVE	1	1						
17	2	172449-73350	GEROLLER	1	1						
18	2	172449-73360	BOLT 12X40	4	4						
19	2	172171-73460	RETAINING RING	1	1						
20	2	172171-73480	PLATE	1	1						
21	2	172A20-73500	SEAL KIT	1	1						
22	3	172171-73470	SEAL, SHAFT FACE	1	1						
23	3	172A20-73510	RING,X	1	1						
24	3	172A20-73520	SEAL,DUST	1	1						
25	3	172156-74050	O-RING	2	2						
26	3	172141-77150	O-RING	3	3						
27	3	172141-77170	O-RING	1	1						
28	3	172141-77210	SEAL, INNER FACE	1	1						
29	3	172141-77230	SEAL, OUTER FACE	1	1						
30	3	172141-77300	O-RING	3	3						
31	3	24315-000110	O-RING, 1BP11.0	1	1						
32	2	172141-77260	DRIVE, VALVE	1	1						
33	2	172842-77640	HOUSING, VALVE	1	1						
34	1	26013-120352	BOLT, M12X 35	2	2						

Fig.58. SWIVEL JOINT

(A)=SV08-1B(US)
 (B)=SV08-1B(KR)
 (C)=

(D)=
 (E)=
 (F)=



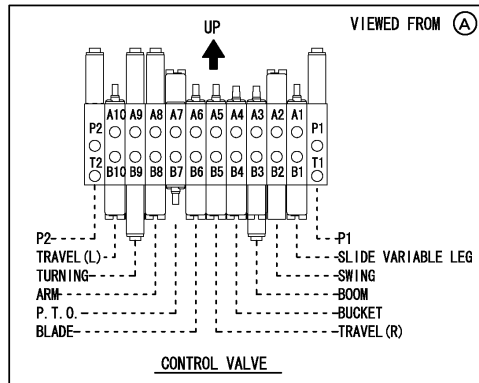
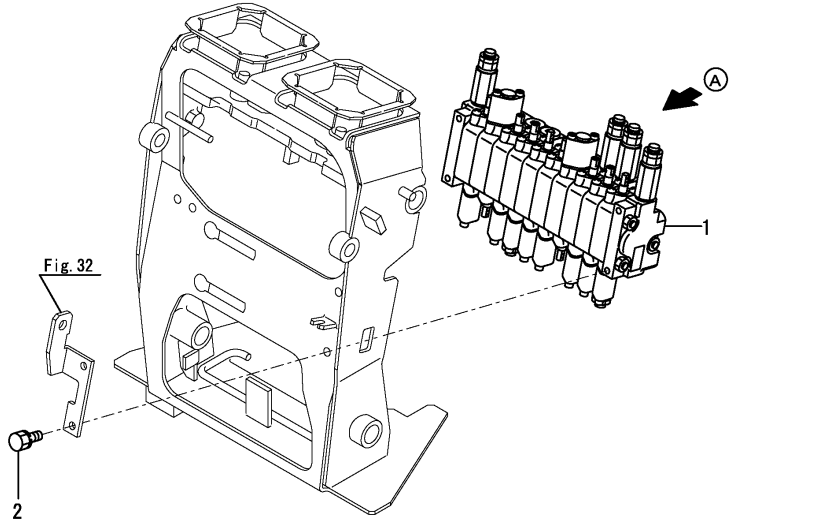
No.	Lev.	Parts No.	Description	Q'ty						I	R
				(A)	(B)	(C)	(D)	(E)	(F)		
1	1	172A64-73790	JOINT ASSY,SWIVEL S	1	1						
2	2	172A64-73800	JOINT ASSY,SWIVEL S	1	1						
3	3	172A64-73810	SHAFT ASSY,SWIVEL SL	1	1						
6	3	172A64-73840	HUB,SWIVEL S	1	1						
7	3	172A64-73850	FLANGE,SWIVEL SL	1	1						
8	3	172A64-73860	SEAL KIT, SWIVEL	1	1						
9	4	172A64-73870	RING,V	1	1						
10	4	172B02-73880	RING, BACKUP T3 55	1	1						
11	4	172B02-73890	SEAL, SWIVEL	9	9						
12	4	24315-000560	O-RING, 1BP56.0	1	1						
13	4	24325-000700	O-RING, 1BG70.0	1	1						
14	3	172B02-73860	SPACER, SWIVEL	1	1						
15	3	172A64-73890	BOLT,10.9 8X 40	3	3						
16	3	22217-080000	WASHER, SPRING 8	3	3						
17	3	22242-000451	RING, 45	1	1						
18	3	23871-010000	PLUG, R01	8	8						
19	2	172448-73900	COVER, DUCT	1	1						
20	1	26013-100402	BOLT, M10X 40	3	3						

Fig.59. CONTROL VALVE(1/7)

(A)=SV08-1B(US)
 (B)=SV08-1B(KR)
 (C)=

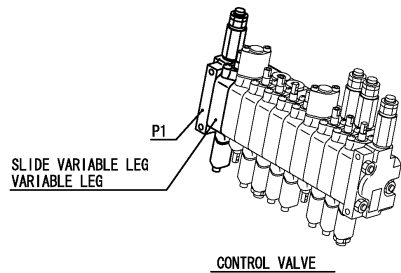
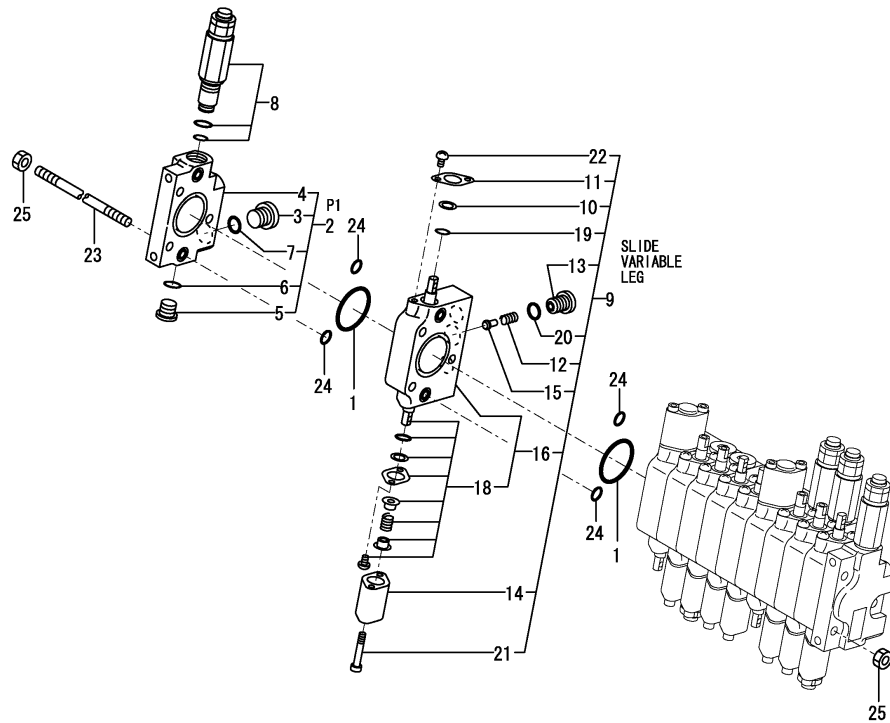
(D)=
 (E)=
 (F)=

CONTROL VALVE ASSY
 Fig. 59 Ref. No. 1
 INC. Fig. 60~65.



No.	Lev.	Parts No.	Description	Q'ty						I	R
				(A)	(B)	(C)	(D)	(E)	(F)		
1	1	172A29-74220	CONTROL VALVE,SUS	1	1						
2	1	26013-080162	BOLT, M8X 16	3	3						

Fig.60. CONTROL VALVE(2/7)



(A)=SV08-1B(US)
 (B)=SV08-1B(KR)
 (C)=

(D)=
 (E)=
 (F)=

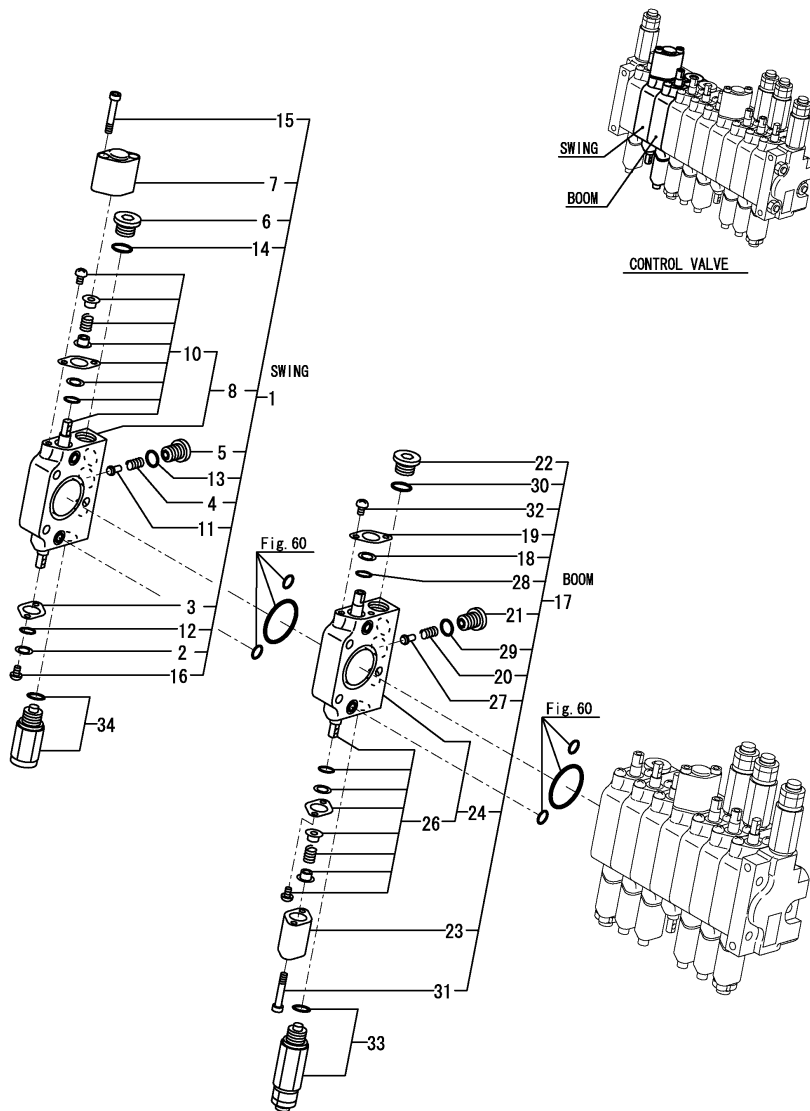
No.	Lev.	Parts No.	Description	Qty						I	R
				(A)	(B)	(C)	(D)	(E)	(F)		
1	2	172157-70710	O-RING	11	11						
2	2	172446-74120	SECTION ASSY	1	1						
3	3	172157-70720	PLUG PF3/8	1	1						
4	3	172447-74250	SECTION	1	1						
5	3	172183-74350	PLUG	1	1						
6	3	24315-000110	O-RING, 1BP11.0	1	1						
7	3	24315-000140	O-RING, 1BP14.0	1	1						
8	2	172A29-74350	MAIN RELIEF VALVE	1	1						
9	2	172A29-74410	SECTION ASSY, OPTION	1	1						
10	3	172157-70630	BAC UP RING	1	1						
11	3	172157-70640	PLATE, O-RING	1	1						
12	3	172157-70690	SPRING, VALVE	1	1						
13	3	172157-70700	STAY, VALVE	1	1						
14	3	172157-70820	CAP, SPRING	1	1						
15	3	172137-74520	VALVE, CHECK	1	1						
16	3	172A29-74600	SECTION, OPTION	1	1						
18	4	172A29-74610	SPOOL ASSY, OPTION	1	1						
19	3	24311-240100	O-RING, 1AP10A	1	1						
20	3	24315-000110	O-RING, 1BP11.0	1	1						
21	3	26450-050452	BOLT, M5X 45	2	2						
22	3	26557-050102	SCREW, M5X10	2	2						
23	2	172446-74560	BOLT	3	3						
24	2	24315-000100	O-RING, 1BP10.0	22	22						
25	2	26716-080002	NUT, M8	6	6						

Remarks
 * Control valve assy is shown in Fig.59.

Fig.61. CONTROL VALVE(3/7)

(A)=SV08-1B(US)
 (B)=SV08-1B(KR)
 (C)=

(D)=
 (E)=
 (F)=



No.	Lev.	Parts No.	Description	Q'ty						I	R
				(A)	(B)	(C)	(D)	(E)	(F)		
1	2	172446-74130	SECTION ASSY, SWING	1	1						
2	3	172157-70630	BAC UP RING	1	1						
3	3	172157-70640	PLATE, O-RING	1	1						
4	3	172157-70690	SPRING, VALVE	1	1						
5	3	172157-70700	STAY, VALVE	1	1						
6	3	172157-70720	PLUG PF3/8	1	1						
7	3	172157-70820	CAP, SPRING	1	1						
8	3	172446-74410	SECTION, SWING	1	1						
10	4	172446-74260	SPOOL ASSY, SWING	1	1						
11	3	172137-74520	VALVE, CHECK	1	1						
12	3	24311-240100	O-RING, 1AP10A	1	1						
13	3	24315-000110	O-RING, 1BP11.0	1	1						
14	3	24315-000140	O-RING, 1BP14.0	1	1						
15	3	26450-050452	BOLT, M5X 45	2	2						
16	3	26557-050102	SCREW, M5X10	2	2						
17	2	172446-74140	SECTION ASSY, BOOM	1	1						
18	3	172157-70630	BAC UP RING	1	1						
19	3	172157-70640	PLATE, O-RING	1	1						
20	3	172157-70690	SPRING, VALVE	1	1						
21	3	172157-70700	STAY, VALVE	1	1						
22	3	172157-70720	PLUG PF3/8	1	1						
23	3	172157-70820	CAP, SPRING	1	1						
24	3	172446-74420	SECTION, BOOM	1	1						
26	4	172446-74280	SPOOL ASSY, BOOM	1	1						
27	3	172137-74520	VALVE, CHECK	1	1						
28	3	24311-240100	O-RING, 1AP10A	1	1						
29	3	24315-000110	O-RING, 1BP11.0	1	1						
30	3	24315-000140	O-RING, 1BP14.0	1	1						
31	3	26450-050452	BOLT, M5X 45	2	2						
32	3	26557-050102	SCREW, M5X10	2	2						
33	2	172446-74230	VALVE ASSY, RELIEF 2	1	1						
34	2	172A29-74360	ANTI-CAVITATION ASSY	1	1						

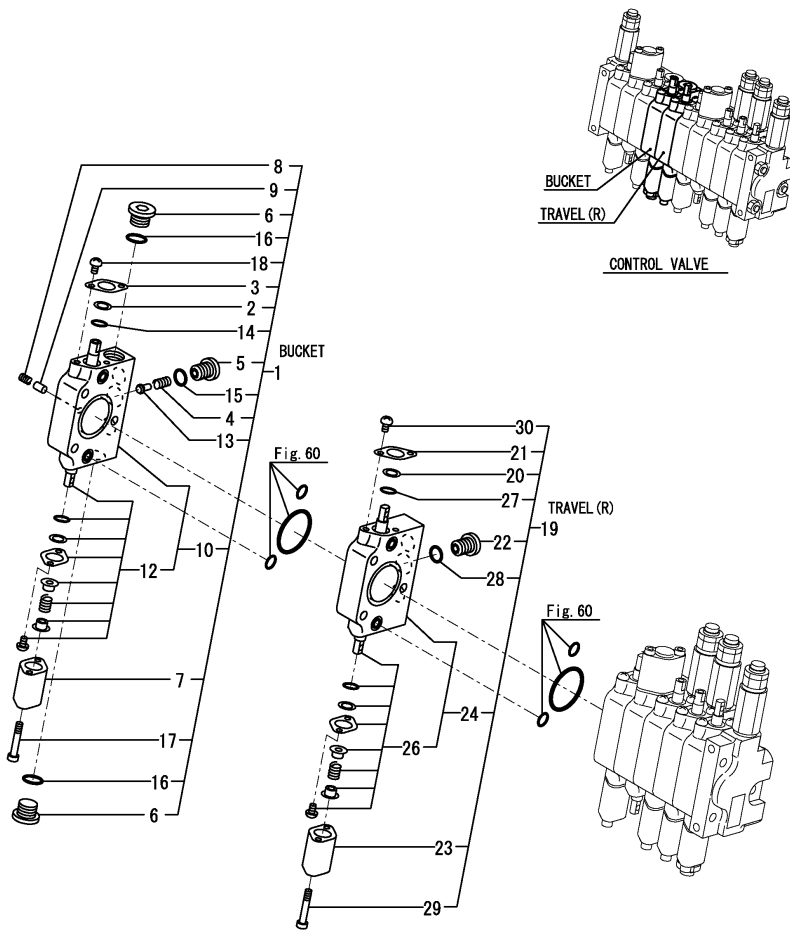
Remarks

* Control valve assy is shown in Fig.59.

Fig.62. CONTROL VALVE(4/7)

(A)=SV08-1B(US)
 (B)=SV08-1B(KR)
 (C)=

(D)=
 (E)=
 (F)=



No.	Lev.	Parts No.	Description	Q'ty						I	R
				(A)	(B)	(C)	(D)	(E)	(F)		
1	2	172446-74150	SECTION ASSY, BUCKET	1	1						
2	3	172157-70630	BAC UP RING	1	1						
3	3	172157-70640	PLATE, O-RING	1	1						
4	3	172157-70690	SPRING, VALVE	1	1						
5	3	172157-70700	STAY, VALVE	1	1						
6	3	172157-70720	PLUG PF3/8	2	2						
7	3	172157-70820	CAP, SPRING	1	1						
8	3	172447-74300	SPRING, VALVE	1	1						
9	3	172447-74310	VALVE, CHECK	1	1						
10	3	172446-74430	SECTION, BUCKET	1	1						
12	4	172446-74300	SPOOL ASSY, BUCKET	1	1						
13	3	172137-74520	VALVE, CHECK	1	1						
14	3	24311-240100	O-RING, 1AP10A	1	1						
15	3	24315-000110	O-RING, 1BP11.0	1	1						
16	3	24315-000140	O-RING, 1BP14.0	2	2						
17	3	26450-050452	BOLT, M5X 45	2	2						
18	3	26557-050102	SCREW, M5X10	2	2						
19	2	172446-74160	SECTION ASSY, TRAVEL	1	1						
20	3	172157-70630	BAC UP RING	1	1						
21	3	172157-70640	PLATE, O-RING	1	1						
22	3	172157-70700	STAY, VALVE	1	1						
23	3	172157-70820	CAP, SPRING	1	1						
24	3	172446-74440	SECTION ASSY, TRAVEL	1	1						
26	4	172446-74320	SPOOL ASSY, TRAVEL	1	1						
27	3	24311-240100	O-RING, 1AP10A	1	1						
28	3	24315-000110	O-RING, 1BP11.0	1	1						
29	3	26450-050452	BOLT, M5X 45	2	2						
30	3	26557-050102	SCREW, M5X10	2	2						

Remarks

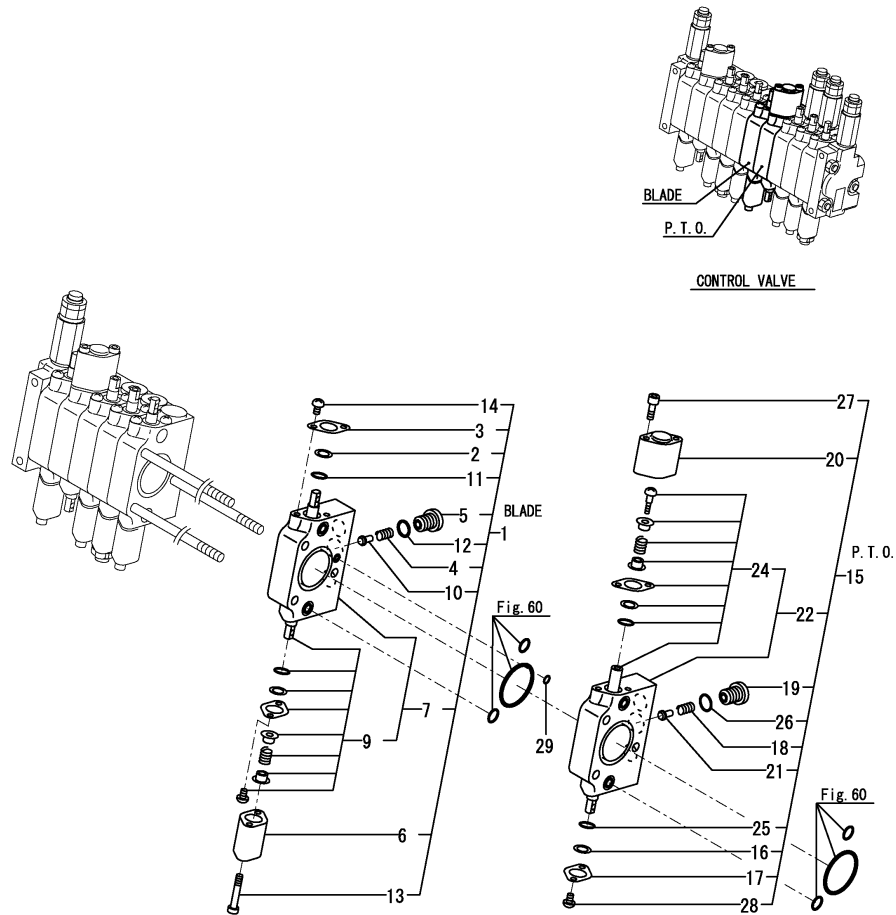
* Control valve assy is shown in Fig.59.

Fig.63. CONTROL VALVE(5/7)

(A)=SV08-1B(US)
 (B)=SV08-1B(KR)
 (C)=

(D)=
 (E)=
 (F)=

No.	Lev.	Parts No.	Description	Q'ty						I	R
				(A)	(B)	(C)	(D)	(E)	(F)		
1	2	172446-74170	SECTION ASSY, BLADE	1	1						
2	3	172157-70630	BAC UP RING	1	1						
3	3	172157-70640	PLATE, O-RING	1	1						
4	3	172157-70690	SPRING, VALVE	1	1						
5	3	172157-70700	STAY, VALVE	1	1						
6	3	172157-70820	CAP, SPRING	1	1						
7	3	172446-74450	SECTION ASSY, BLADE	1	1						
9	4	172446-74340	SPOOL ASSY, BLADE	1	1						
10	3	172137-74520	VALVE, CHECK	1	1						
11	3	24311-240100	O-RING, 1AP10A	1	1						
12	3	24315-000110	O-RING, 1BP11.0	1	1						
13	3	26450-050452	BOLT, M5X 45	2	2						
14	3	26557-050102	SCREW, M5X10	2	2						
15	2	172446-74600	SECTION ASSY, PTO	1	1						
16	3	172157-70630	BAC UP RING	1	1						
17	3	172157-70640	PLATE, O-RING	1	1						
18	3	172157-70690	SPRING, VALVE	1	1						
19	3	172157-70700	STAY, VALVE	1	1						
20	3	172157-70820	CAP, SPRING	1	1						
21	3	172137-74520	VALVE, CHECK	1	1						
22	3	172446-74630	SECTION ASSY, PTO	1	1						
24	4	172446-74620	SPOOL ASSY, PTO	1	1						
25	3	24311-240100	O-RING, 1AP10A	1	1						
26	3	24315-000110	O-RING, 1BP11.0	1	1						
27	3	26450-050452	BOLT, M5X 45	2	2						
28	3	26557-050102	SCREW, M5X10	2	2						
29	2	24315-000040	O-RING, 1BP4.0	1	1						



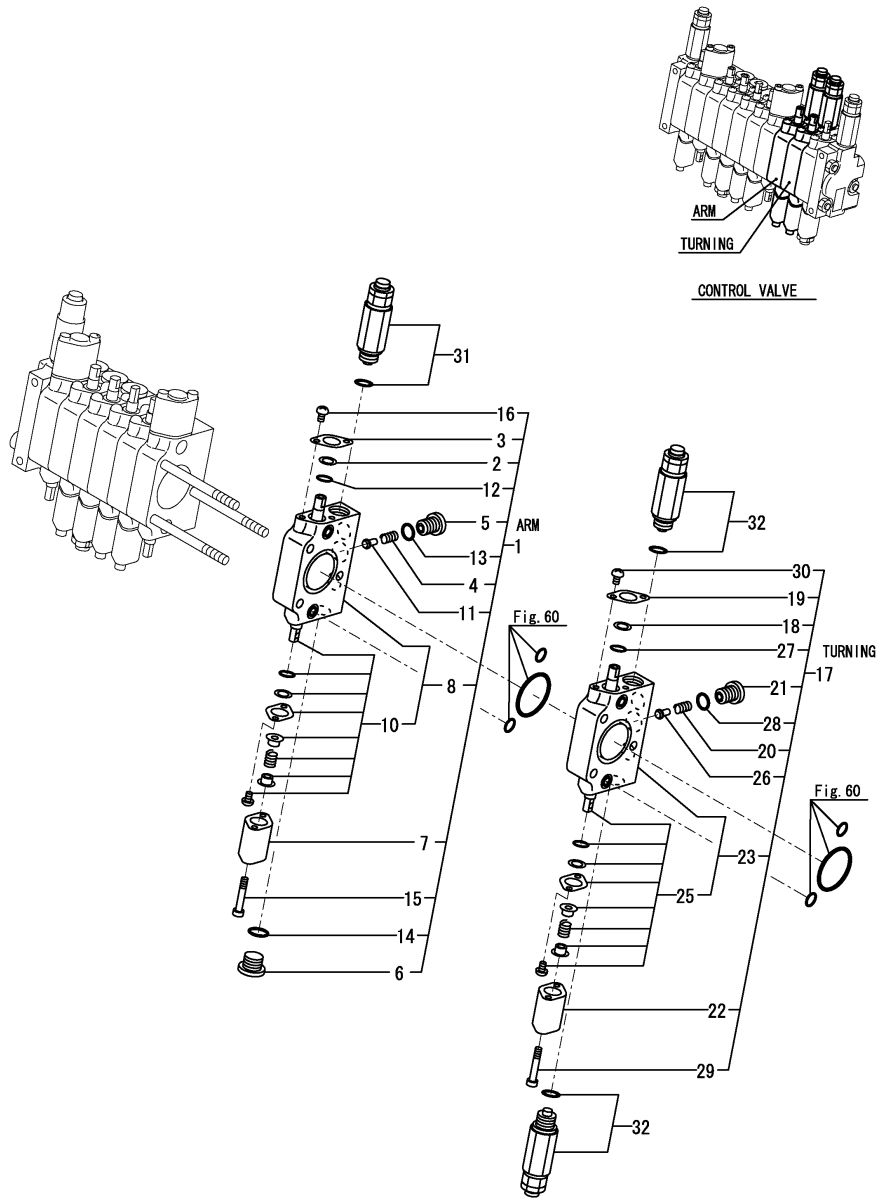
Remarks

* Control valve assy is shown in Fig.59.

Fig.64. CONTROL VALVE(6/7)

(A)=SV08-1B(US)
 (B)=SV08-1B(KR)
 (C)=

(D)=
 (E)=
 (F)=



No.	Lev.	Parts No.	Description	Q'ty						I	R
				(A)	(B)	(C)	(D)	(E)	(F)		
1	2	172446-74190	SECTION ASSY, ARM	1	1						
2	3	172157-70630	BAC UP RING	1	1						
3	3	172157-70640	PLATE, O-RING	1	1						
4	3	172157-70690	SPRING, VALVE	1	1						
5	3	172157-70700	STAY, VALVE	1	1						
6	3	172157-70720	PLUG PF3/8	1	1						
7	3	172157-70820	CAP, SPRING	1	1						
8	3	172446-74470	SECTION, ARM	1	1						
10	4	172446-74380	SPOOL ASSY, ARM	1	1						
11	3	172137-74520	VALVE, CHECK	1	1						
12	3	24311-240100	O-RING, 1AP10A	1	1						
13	3	24315-000110	O-RING, 1BP11.0	1	1						
14	3	24315-000140	O-RING, 1BP14.0	1	1						
15	3	26450-050452	BOLT, M5X 45	2	2						
16	3	26557-050102	SCREW, M5X10	2	2						
17	2	172446-74200	SECTION ASSY	1	1						
18	3	172157-70630	BAC UP RING	1	1						
19	3	172157-70640	PLATE, O-RING	1	1						
20	3	172157-70690	SPRING, VALVE	1	1						
21	3	172157-70700	STAY, VALVE	1	1						
22	3	172157-70820	CAP, SPRING	1	1						
23	3	172446-74480	SECTION ASSY	1	1						
25	4	172446-74400	SPOOL ASSY, SWING	1	1						
26	3	172137-74520	VALVE, CHECK	1	1						
27	3	24311-240100	O-RING, 1AP10A	1	1						
28	3	24315-000110	O-RING, 1BP11.0	1	1						
29	3	26450-050452	BOLT, M5X 45	2	2						
30	3	26557-050102	SCREW, M5X10	2	2						
31	2	172446-74230	VALVE ASSY, RELIEF 2	1	1						
32	2	172446-74240	VALVE ASSY, RELIEF 7	2	2						

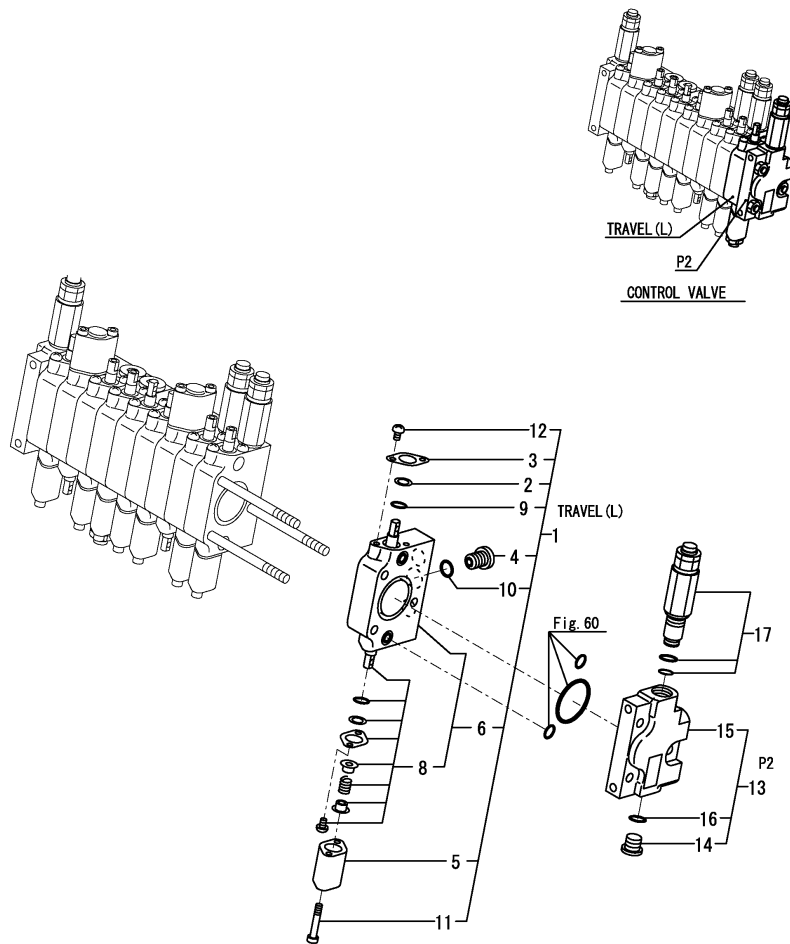
Remarks

* Control valve assy is shown in Fig.59.

Fig.65. CONTROL VALVE(7/7)

(A)=SV08-1B(US)
 (B)=SV08-1B(KR)
 (C)=

(D)=
 (E)=
 (F)=



No.	Lev.	Parts No.	Description	Q'ty						I	R
				(A)	(B)	(C)	(D)	(E)	(F)		
1	2	172446-74160	SECTION ASSY, TRAVEL	1	1						
2	3	172157-70630	BAC UP RING	1	1						
3	3	172157-70640	PLATE, O-RING	1	1						
4	3	172157-70700	STAY, VALVE	1	1						
5	3	172157-70820	CAP, SPRING	1	1						
6	3	172446-74440	SECTION ASSY, TRAVEL	1	1						
8	4	172446-74320	SPOOL ASSY, TRAVEL	1	1						
9	3	24311-240100	O-RING, 1AP10A	1	1						
10	3	24315-000110	O-RING, 1BP11.0	1	1						
11	3	26450-050452	BOLT, M5X 45	2	2						
12	3	26557-050102	SCREW, M5X10	2	2						
13	2	172447-74200	SECTION ASSY	1	1						
14	3	172183-74350	PLUG	1	1						
15	3	172447-74380	SECTION	1	1						
16	3	24315-000110	O-RING, 1BP11.0	1	1						
17	2	172A29-74350	MAIN RELIEF VALVE	1	1						

Remarks

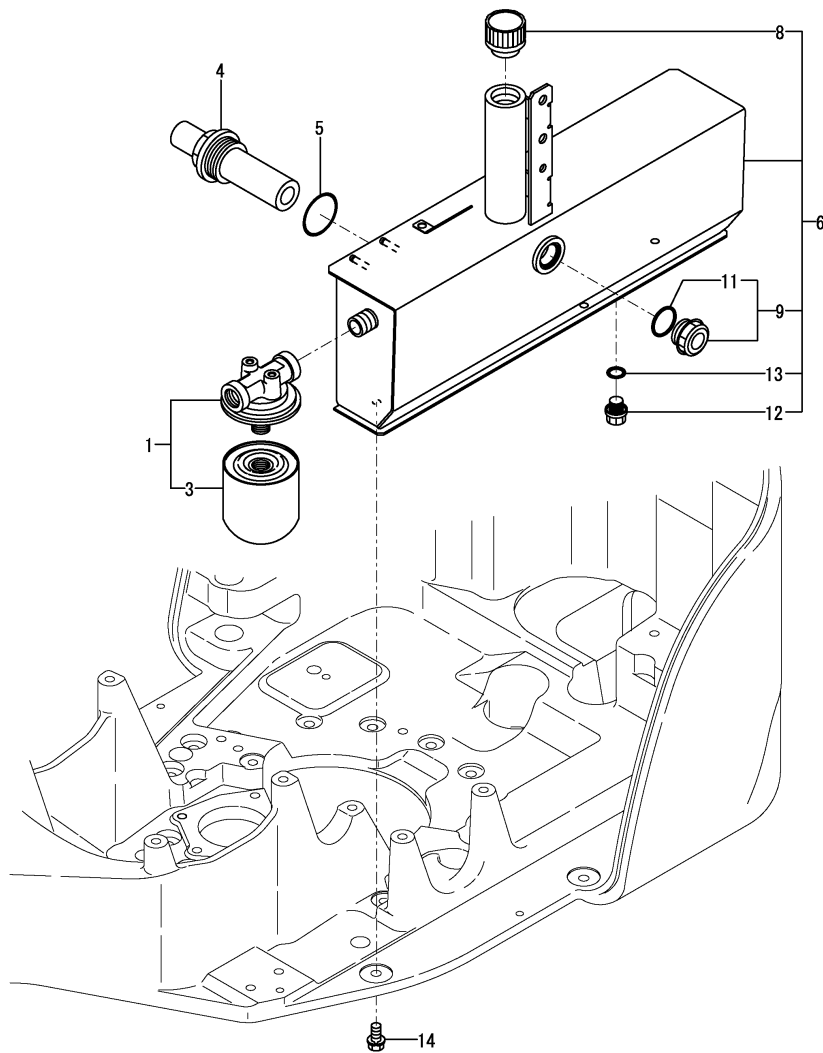
* Control valve assy is shown in Fig.59.

N:Old $\xrightarrow{\text{Yes}}$ New, Q:Old $\xrightarrow{\text{No}}$ New, R:Old $\xrightarrow{\text{Yes}}$ New, S:Old $\xrightarrow{\text{No}}$ New, W:Add, Z:Discontinued, F:Interchangeable by set, K:Q'ty Change

Fig.66. HYD. OIL TANK

(A)=SV08-1B(US)
 (B)=SV08-1B(KR)
 (C)=

(D)=
 (E)=
 (F)=



No.	Lev.	Parts No.	Description	Q'ty						I	R
				(A)	(B)	(C)	(D)	(E)	(F)		
1	1	172156-73700	STRAINER, RETURN	1	1						
3	2	172156-73710	ELEMENT, FILTER	1	1						
4	1	172480-73700	FILTER,SUCTION	1	1						
5	1	24315-000440	O-RING 1B P-44.0	1	1						
6	1	772A20-75100	TANK ASSY, RESERVOIR	1	1						1
8	2	172446-75250	CAP, RESERVER	1	1						
9	2	172480-75350	GAUGE ASSY	1	1						
11	3	24311-350220	O-RING, 1AP22A	1	1						
12	2	23491-140002	PLUG, 14	1	1						
13	2	24311-000160	O-RING, 1AP16.0	1	1						
13A	1	172437-03322	LABEL, RESEVOIR	1	1						2
14	2	26013-100252	BOLT, M10X 25	3	3						

Remarks

- (1) Attach the No.13A label to this part.
- (2) Label is not illustrated.

Fig.67. TANK - PUMP - CONTROL VALVE

(A)=SV08-1B(US)
 (B)=SV08-1B(KR)
 (C)=

(D)=
 (E)=
 (F)=

No.	Lev.	Parts No.	Description	Q'ty						I	R
				(A)	(B)	(C)	(D)	(E)	(F)		
1	1	172142-76181	JOINT ASSY	2	2						
2	2	24315-000140	O-RING, 1BP14.0	2	2						
3	1	172B19-76190	JOINT, PF1/2	1	1						
4	1	172186-76410	ADAPTER	2	2						
5	1	41851-000140	O-RING	2	2						
6	1	41851-000180	O-RING	1	1						
7	1	172A20-78100	HOSE ASSY, SUCTION	1	1						
8	1	172446-78110	HOSE	1	1						
9	1	172A20-78120	HOSE	1	1						
10	1	23001-041000	CLAMP, HOSE 41	4	4						

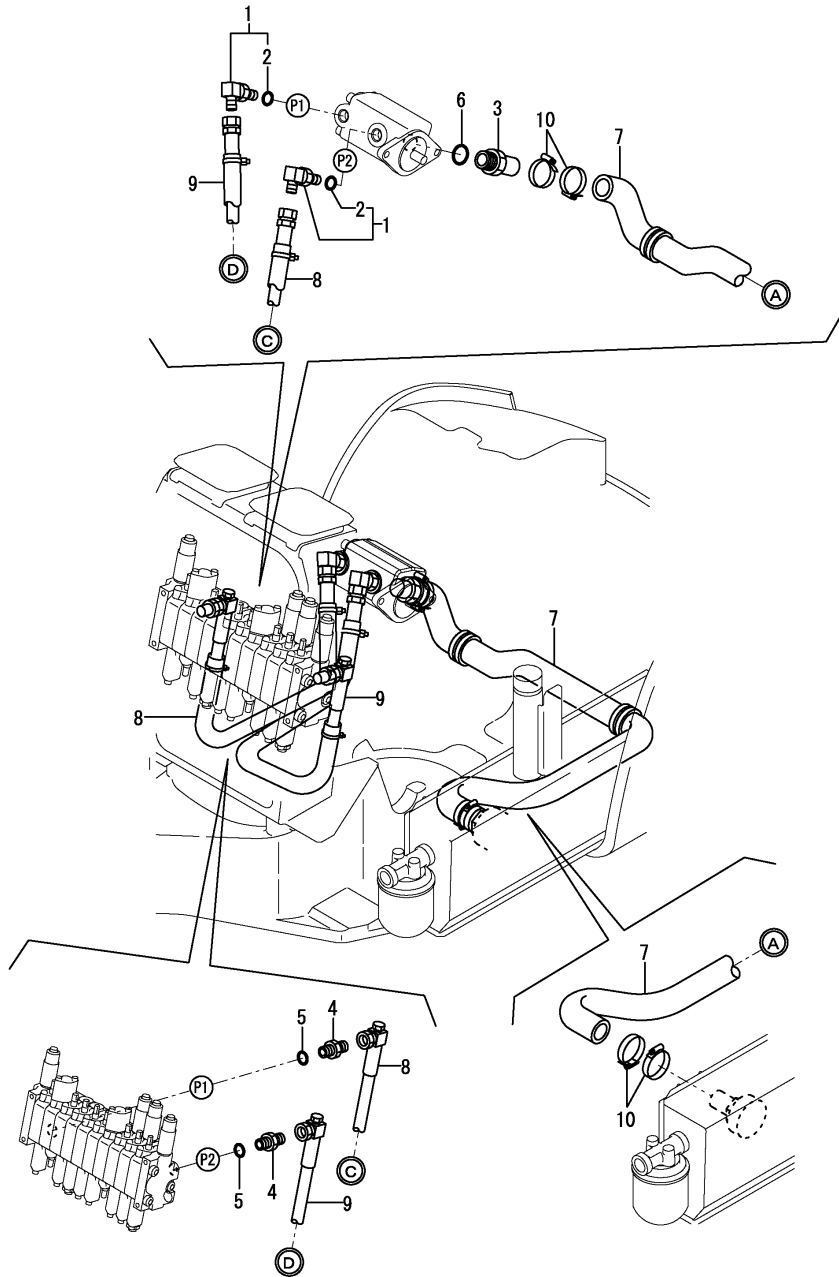
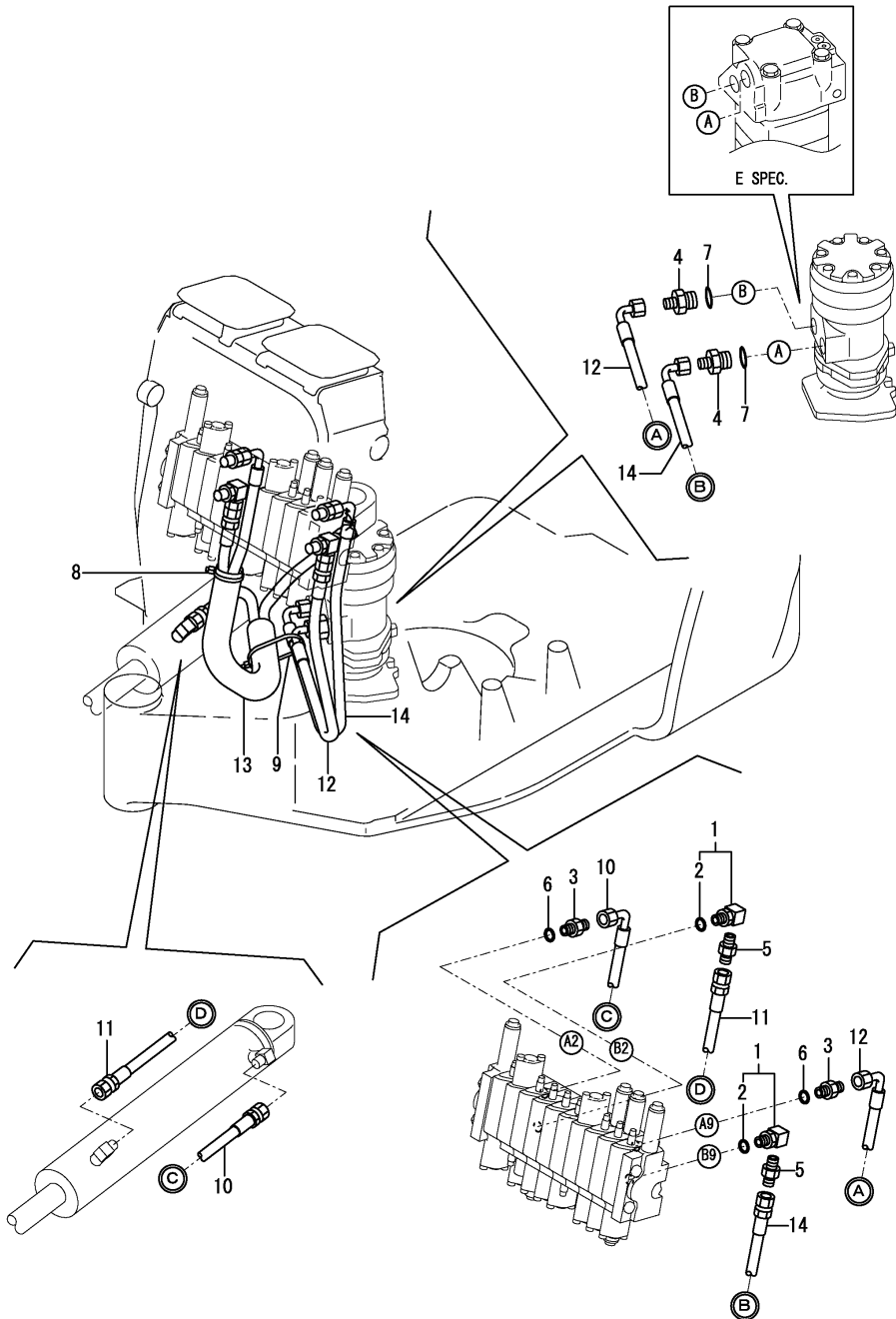


Fig.68. CONTROL VALVE - TURNING MOTOR & SWING CYLINDER

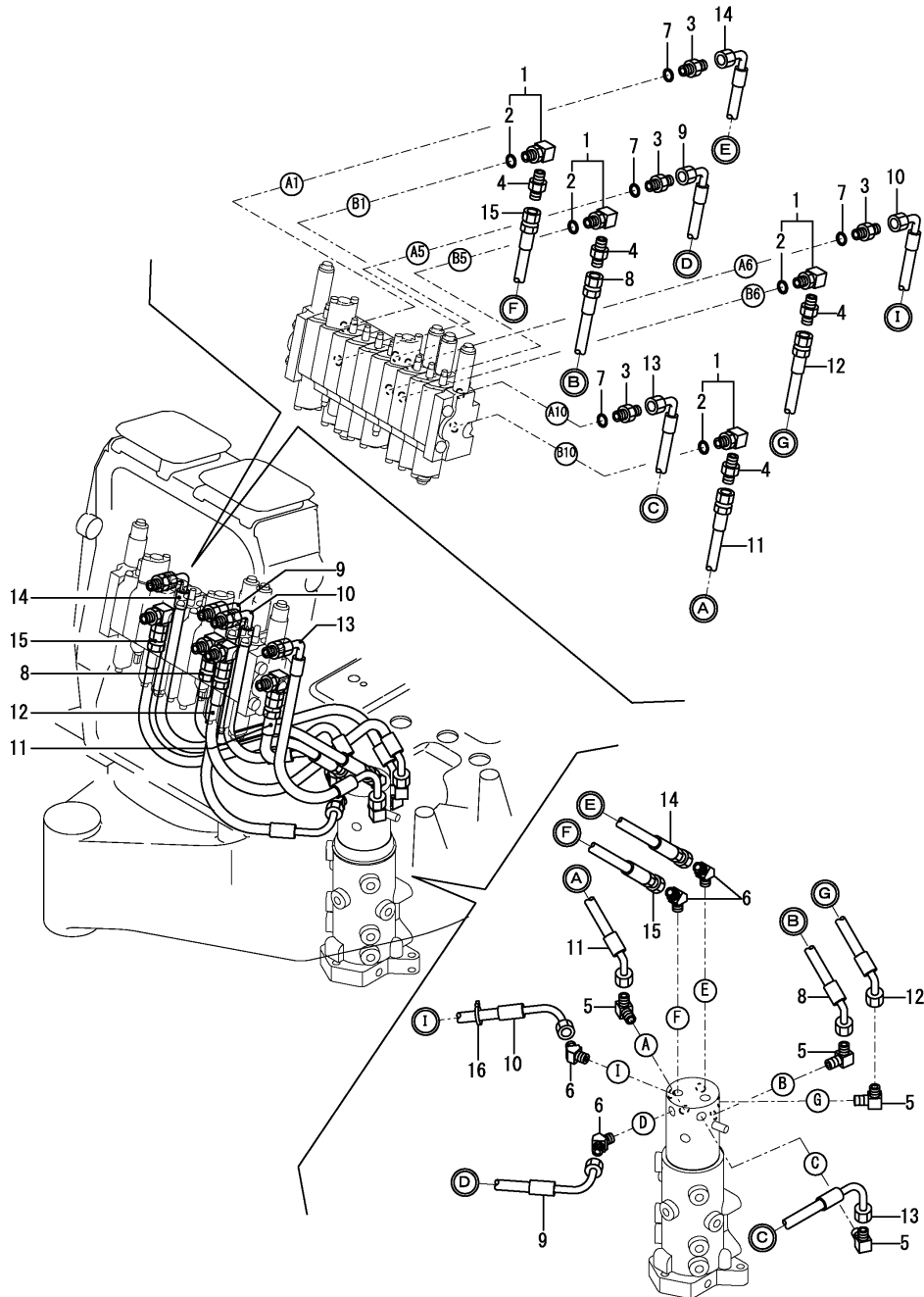
(A)=SV08-1B(US)
 (B)=SV08-1B(KR)
 (C)=

(D)=
 (E)=
 (F)=



No.	Lev.	Parts No.	Description	Q'ty						I	R
				(A)	(B)	(C)	(D)	(E)	(F)		
1	1	172137-76100	ELBOW	2	2						
2	2	24315-000110	O-RING, 1BP11.0	2	2						
3	1	172123-76121	ADAPTER	2	2						
4	1	172423-76120	CONNECTOR, PF1/2X1/4	2	2						
5	1	23391-020000	JOINT, RGI-1/4	2	2						
6	1	41851-000110	O-RING	2	2						
7	1	41851-000180	O-RING	2	2						
8	1	1A1380-55310	CLAMP, WIRE	1	1						
9	1	194202-56460	BAND, 200	1	1						
10	1	172446-78140	HOSE	1	1						
11	1	172446-78150	HOSE	1	1						
12	1	172446-78290	HOSE	1	1						
13	1	172157-78640	COVER, HOSE	1	1						
14	1	172462-78800	HOSE	1	1						

Fig.69. CONTROL VALVE - SWIVEL JOINT



(A)=SV08-1B(US)
 (B)=SV08-1B(KR)
 (C)=

(D)=
 (E)=
 (F)=

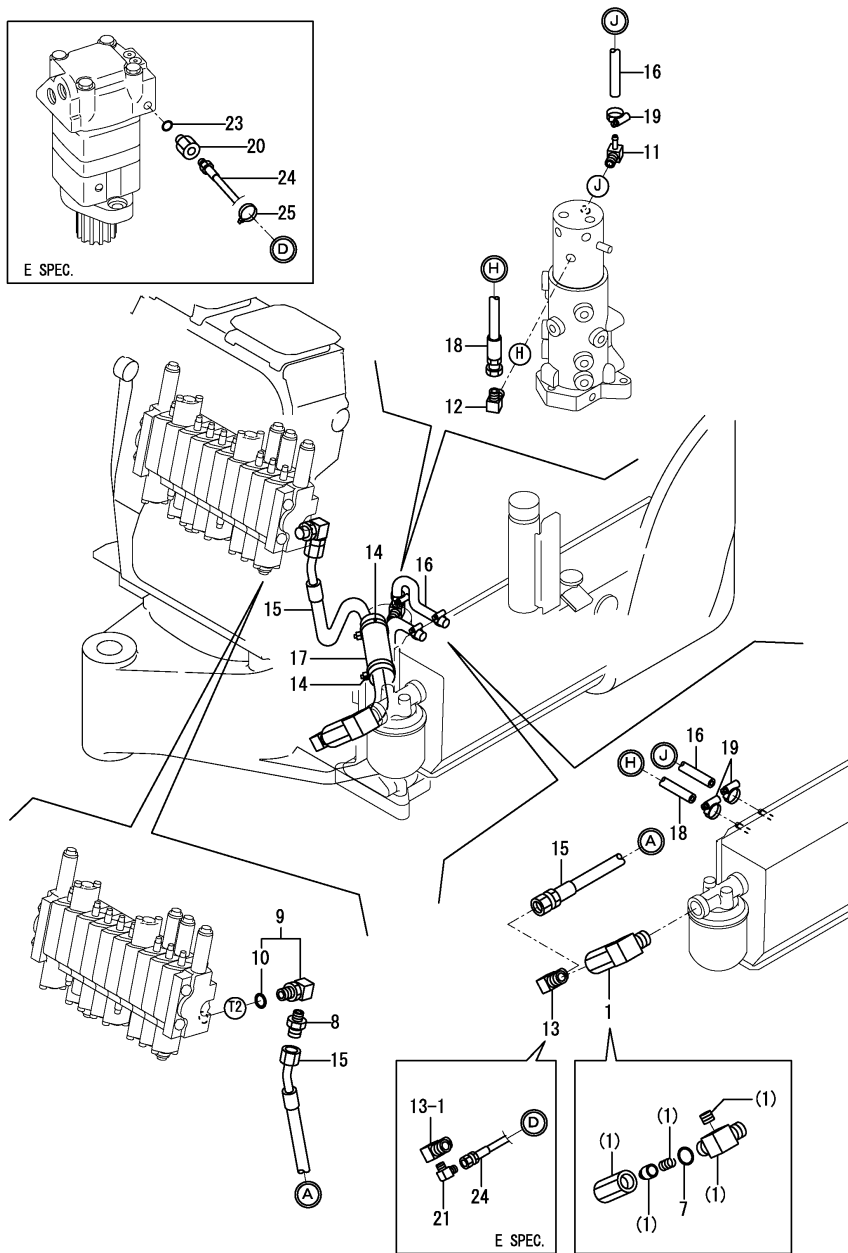
No.	Lev.	Parts No.	Description	Q'ty						I	R
				(A)	(B)	(C)	(D)	(E)	(F)		
1	1	172137-76100	ELBOW	4	4						
2	2	24315-000110	O-RING, 1BP11.0	4	4						
3	1	172123-76121	ADAPTER	4	4						
4	1	23391-020000	JOINT, RGI-1/4	4	4						
5	1	23393-020000	JOINT, 90RGI-1/4	4	4						
6	1	23394-020000	JOINT, 45RGI-1/4	4	4						
7	1	41851-000110	O-RING	4	4						
8	1	172A20-78150	HOSE	1	1						
9	1	172A20-78160	HOSE	1	1						
10	1	172A20-78180	HOSE	1	1						
11	1	172A20-78190	HOSE	1	1						
12	1	172A20-78200	HOSE	1	1						
13	1	172A20-78210	HOSE	1	1						
14	1	172A20-78220	HOSE	1	1						
15	1	172A20-78230	HOSE	1	1						
16	1	194202-56460	BAND, 200	1	1						W

(A)="2015.07." (B)="2015.07."

Fig.70. RETURN

(A)=SV08-1B(US)
 (B)=SV08-1B(KR)
 (C)=

(D)=
 (E)=
 (F)=



No.	Lev.	Parts No.	Description	Q'ty						I	R
				(A)	(B)	(C)	(D)	(E)	(F)		
1	1	772446-76120	VALVE ASSY, CHECK	1	1						
7	2	41851-000180	O-RING	1	1						
8	1	172312-76240	NIPPLE, 1/4-3/8	1	1						
9	1	172186-76370	CONNECTOR, 3/8X1/4	1	1						
10	2	24315-000140	O-RING, 1BP14.0	1	1						
11	1	172186-76390	NIPPLE, ELBOW	1	1						
12	1	23393-020000	JOINT, 90RGI-1/4	1	1						
13	1	23393-030000	JOINT, 90RGI-3/8	1	1						
13-1	1	172446-76140	ELBOW	1	1						S 1
		(A=M1B536) (B=M1B536)									
14	1	1A1380-55310	CLAMP, WIRE	2	2						
15	1	172446-78130	HOSE	1	1						
16	1	172A20-78240	HOSE	1	1						
17	1	172446-78690	COVER, HOSE	1	1						
18	1	172446-78930	HOSE	1	1						
19	1	23000-013000	CLAMP, 13	3	3						
20	1	172156-76110	CONNECTOR,PF1/4PT1/8	1	1						W 1
		(A=M1B536) (B=M1B536)									
21	1	172112-77660	JOINT, PT1/8	1	1						W 1
		(A=M1B536) (B=M1B536)									
23	1	41851-000110	O-RING	1	1						W 1
		(A=M1B536) (B=M1B536)									
24	1	172446-78240	HOSE	1	1						W 1
		(A=M1B536) (B=M1B536)									
25	1	194202-56460	BAND, 200	1							W
		(A=*2015.07.)									

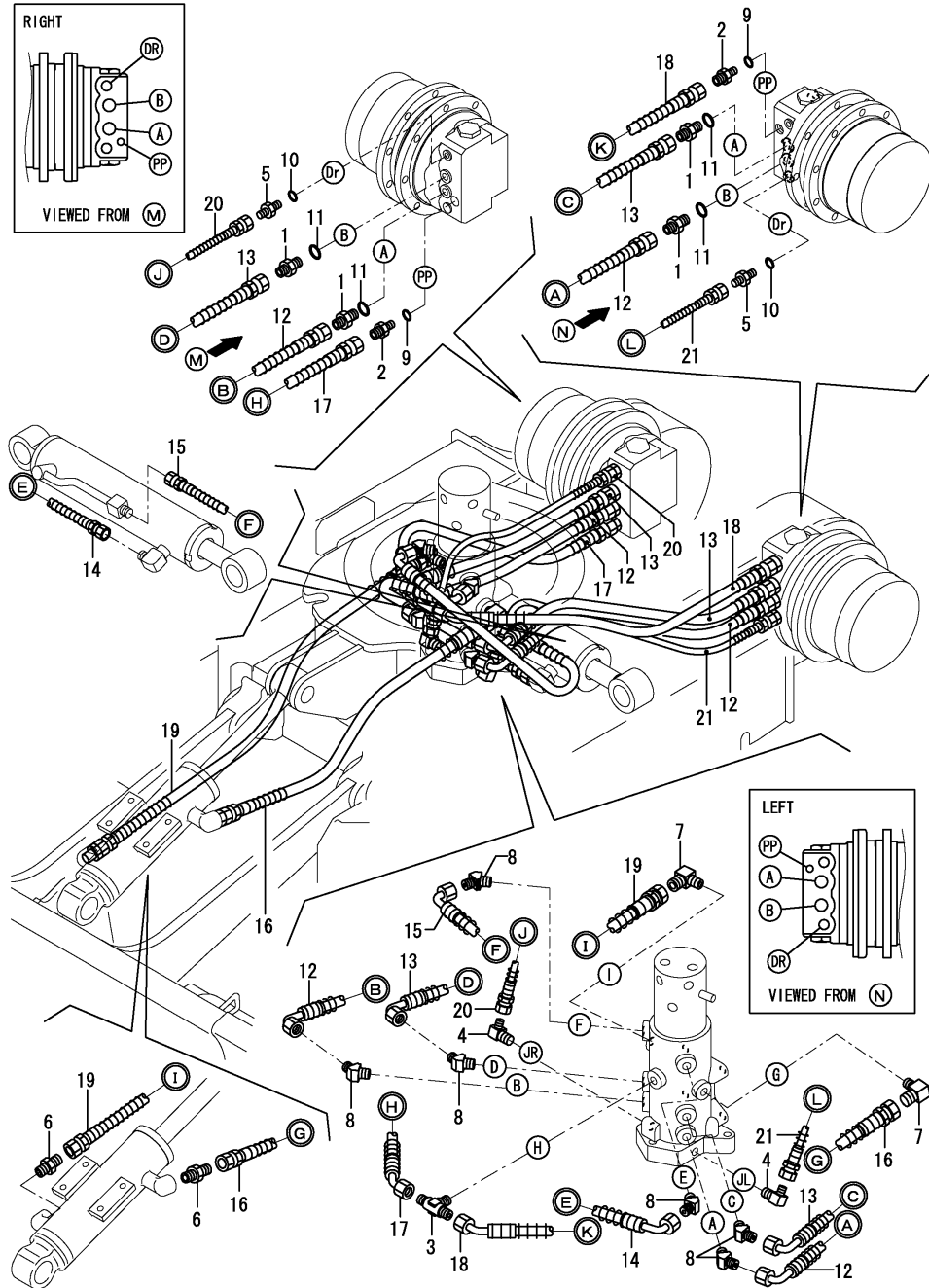
Remarks

(1)Travel motor : E specification.

Fig.71. TRAVEL FRAME

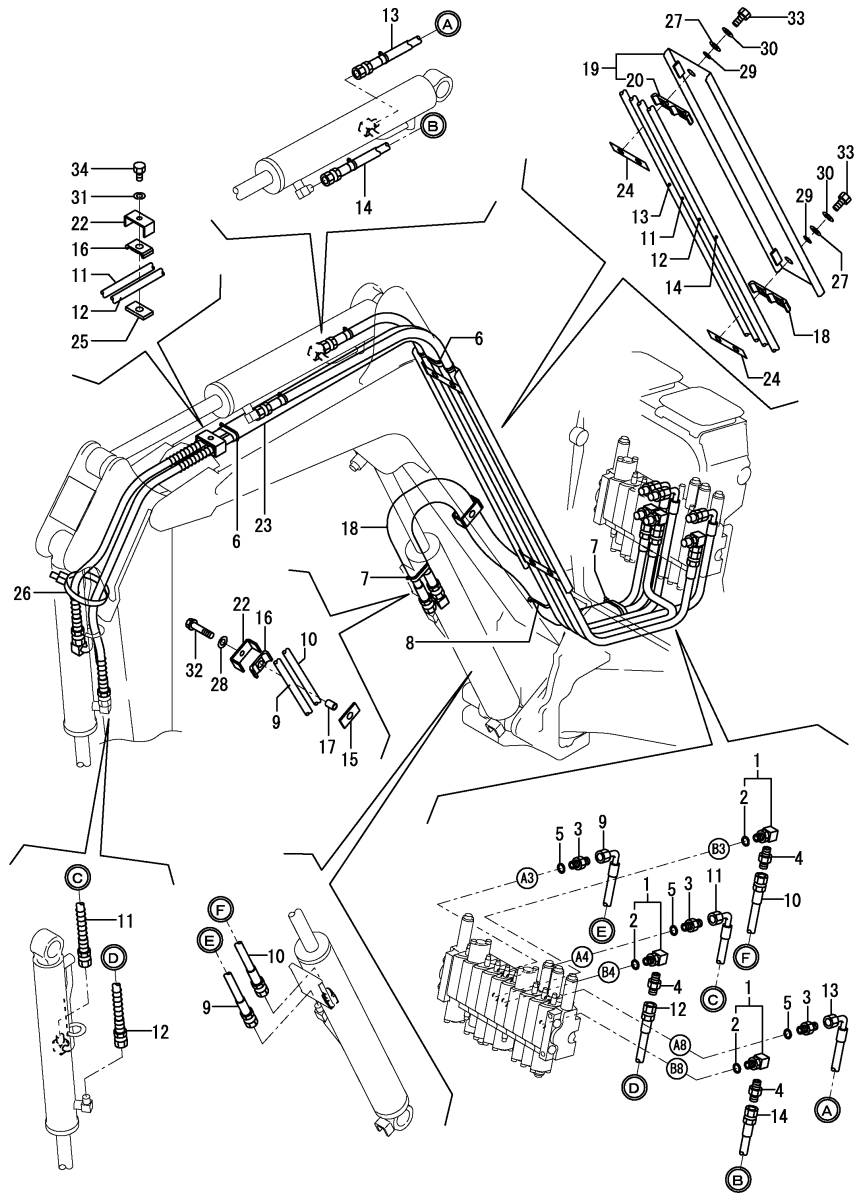
(A)=SV08-1B(US)
 (B)=SV08-1B(KR)
 (C)=

(D)=
 (E)=
 (F)=



No.	Lev.	Parts No.	Description	Qty						I	R
				(A)	(B)	(C)	(D)	(E)	(F)		
1	1	172157-76150	CONNECTOR	4	4						
2	1	172447-76210	JOINT, G1/8-G1/4	2	2						
3	1	172162-76320	CONNECTOR, 3X1/4	1	1						
4	1	172447-76520	JOINT	2	2						
5	1	172447-76700	JOINT, G1/4-G1/8	2	2						
6	1	23391-020000	JOINT, RGI-1/4	2	2						
7	1	23393-020000	JOINT, 90RGI-1/4	2	2						
8	1	23394-020000	JOINT, 45RGI-1/4	6	6						
9	1	24315-000080	O-RING, 1BP8.0	2	2						
10	1	41851-000110	O-RING	2	2						
11	1	41851-000140	O-RING	4	4						
12	1	172A20-78400	HOSE	2	2						
13	1	172A20-78430	HOSE	2	2						
14	1	172A20-78440	HOSE	1	1						
15	1	172A20-78450	HOSE	1	1						
16	1	172A20-78460	HOSE	1	1						
17	1	172A20-78470	HOSE	1	1						
18	1	172A20-78480	HOSE	1	1						
19	1	172A20-78490	HOSE	1	1						
20	1	172A20-78500	HOSE	1	1						
21	1	172A20-78510	HOSE	1	1						

Fig.72. CONTROL VALVE - BOOM



(A)=SV08-1B(US)
 (B)=SV08-1B(KR)
 (C)=

(D)=
 (E)=
 (F)=

No.	Lev.	Parts No.	Description	Qty						I	R
				(A)	(B)	(C)	(D)	(E)	(F)		
1	1	172137-76100	ELBOW	3	3						
2	2	24315-000110	O-RING, 1BP11.0	3	3						
3	1	172123-76121	ADAPTER	3	3						
4	1	23391-020000	JOINT, RGI-1/4	3	3						
5	1	41851-000110	O-RING	3	3						
6	1	194202-56460	BAND, 200	2	2						
7	1	194202-56460	BAND, 200	2	2						
8	1	194202-56460	BAND, 200	1	1						
9	1	172446-78161	HOSE	1	1						
10	1	172446-78171	HOSE	1	1						
11	1	172446-78191	HOSE	1	1						
12	1	172446-78201	HOSE	1	1						
13	1	172446-78271	HOSE	1	1						
14	1	172446-78281	HOSE	1	1						
15	1	172156-78490	PLATE, RUBBER (B)	1	1						
16	1	172156-78520	SUPPORT, HOSE	2	2						
17	1	172156-78540	COLLAR, 9X18	1	1						
18	1	172446-78680	COVER, HOSE	1	1						
19	1	172446-78710-Y	COVER, HOSE	1	1						1
20	2	172156-78510	SUPPORT, HOSE	2	2						
21A	1	172446-03621	LABEL, LIFT E			1					2
21B	1	172446-03652	LABEL, VARIABLE US	1	1						2
21C	1	172446-03711	LABEL, LIFT US	1	1						2
22	1	172446-78750-Y	CLAMP, HOSE	2	2						
23	1	172175-78760	COVER, HOSE	1	1						
24	1	172446-78760	RUBBER PLATE A	2	2						
25	1	172446-78770	RUBBER PLATE B	1	1						
26	1	172122-79890	CLAMP, HOSE	1	1						
27	1	22117-080000	WASHER, 8	4	4						
28	1	22137-080000	WASHER, 8	1	1						
29	1	22157-080000	WASHER, 8	4	4						
30	1	22217-080000	WASHER, SPRING 8	4	4						
31	1	22217-080000	WASHER, SPRING 8	1	1						
32	1	26013-080352	BOLT, M8X 35	1	1						
33	1	26116-080162	BOLT, M8X 16 PLATED	4	4						
34	1	26116-080162	BOLT, M8X 16 PLATED	1	1						

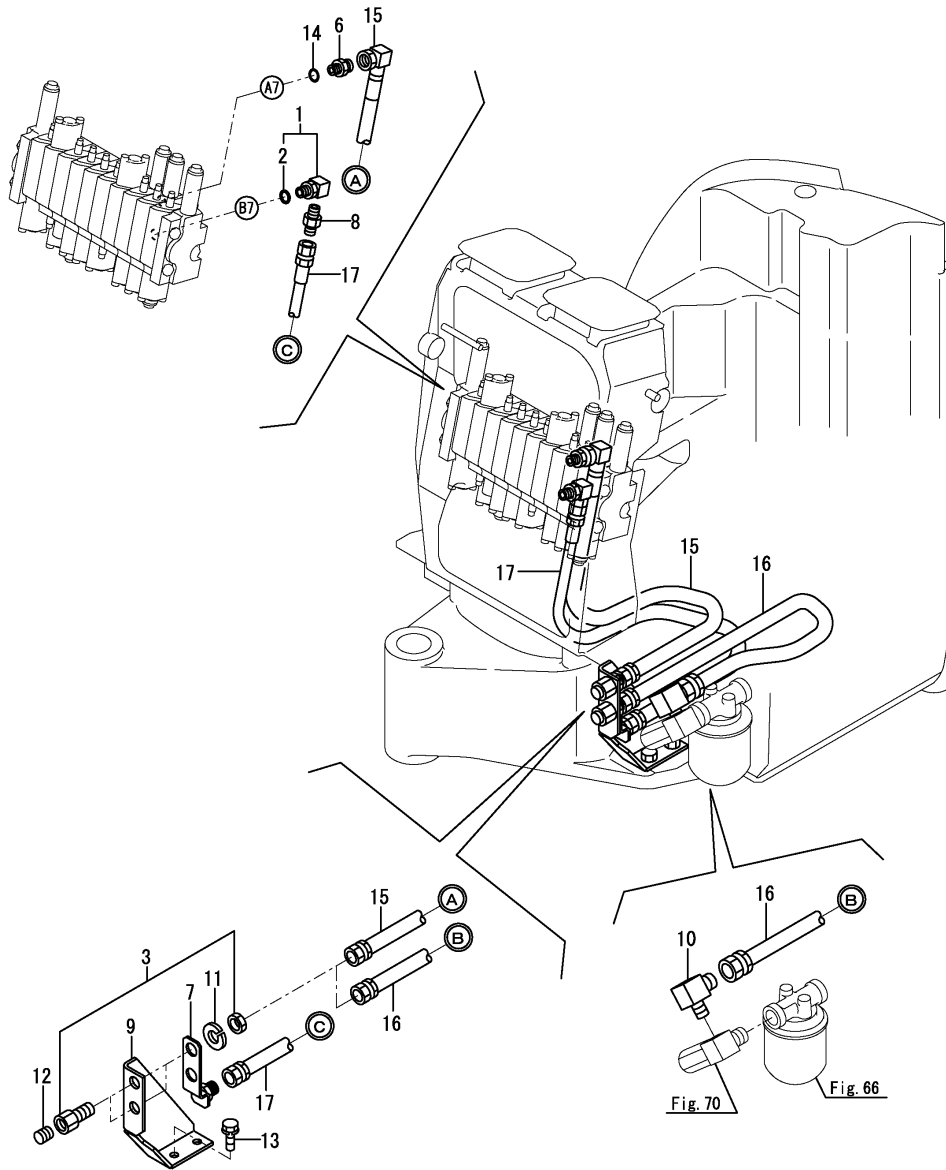
Remarks

- (1)US specification : Attach the No.21B & 21C label to this part.
- KR specification : Attach the No.21A & 21B label to this part.
- (2)Label is not illustrated.

Fig.73. P.T.O.(FRAME END)

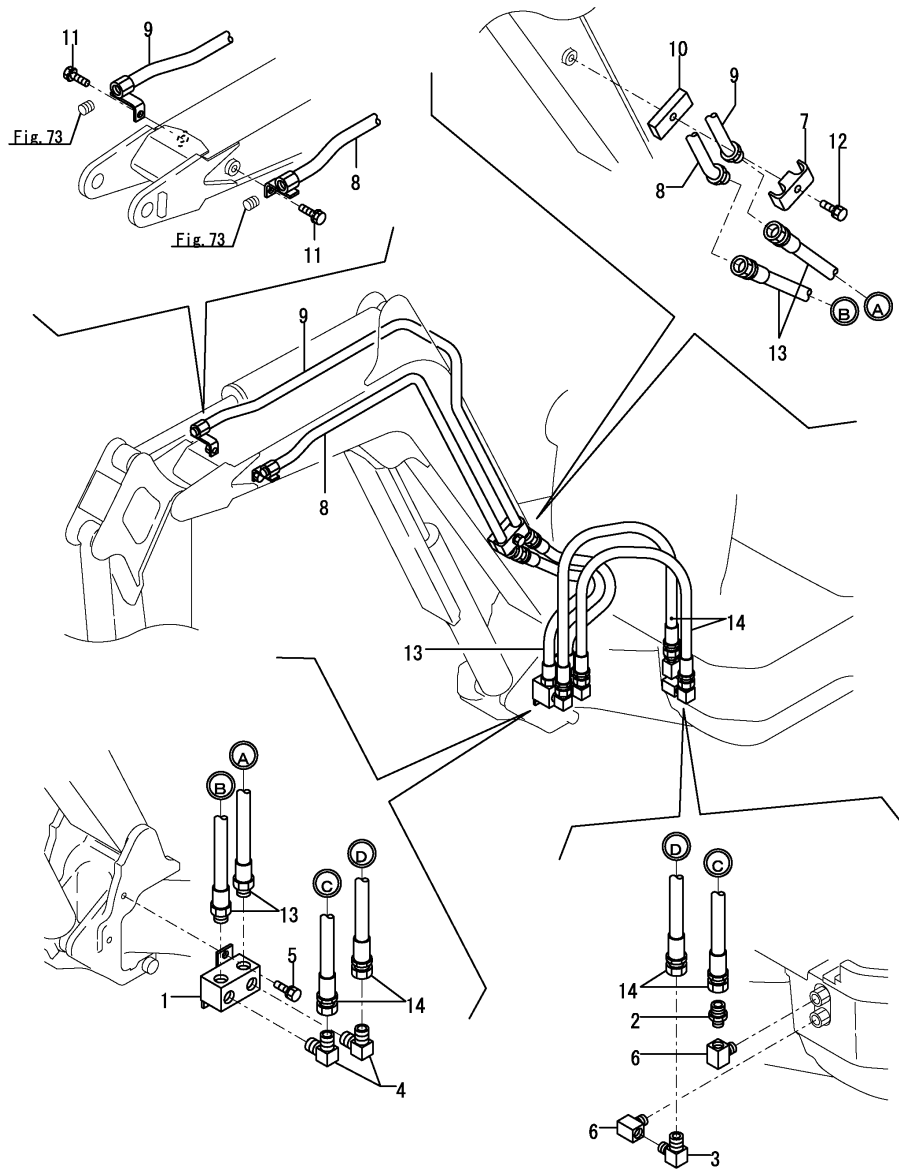
(A)=SV08-1B(US)
 (B)=SV08-1B(KR)
 (C)=

(D)=
 (E)=
 (F)=



No.	Lev.	Parts No.	Description	Q'ty						I	R
				(A)	(B)	(C)	(D)	(E)	(F)		
1	1	172137-76100	ELBOW	1	1						
2	2	24315-000110	O-RING, 1BP11.0	1	1						
3	1	172145-76180	JOINT, 3/8	2	2						
6	1	172638-76190	CONNECTOR, PF1/4PF3/8	1	1						
7	1	172446-76200-2	CONNECTOR ASSY	1	1						
8	1	172312-76240	NIPPLE, 1/4-3/8	1	1						
9	1	172446-76300-2	BRACKET, PTO	1	1						
10	1	172141-76990	ELBOW	1	1						
11	1	22217-180000	WASHER, SPRING 18	2	2						
12	1	23871-030000	PLUG, R03	2	2						
13	1	26013-100162	BOLT, M10X 16	2	2						
14	1	41851-000110	O-RING	1	1						
15	1	172446-78250	HOSE	1	1						
16	1	172446-78650	HOSE	1	1						
17	1	172446-78920	HOSE	1	1						

Fig.74. P.T.O.(BOOM END)



(A)=SV08-1B(US)
 (B)=SV08-1B(KR)
 (C)=

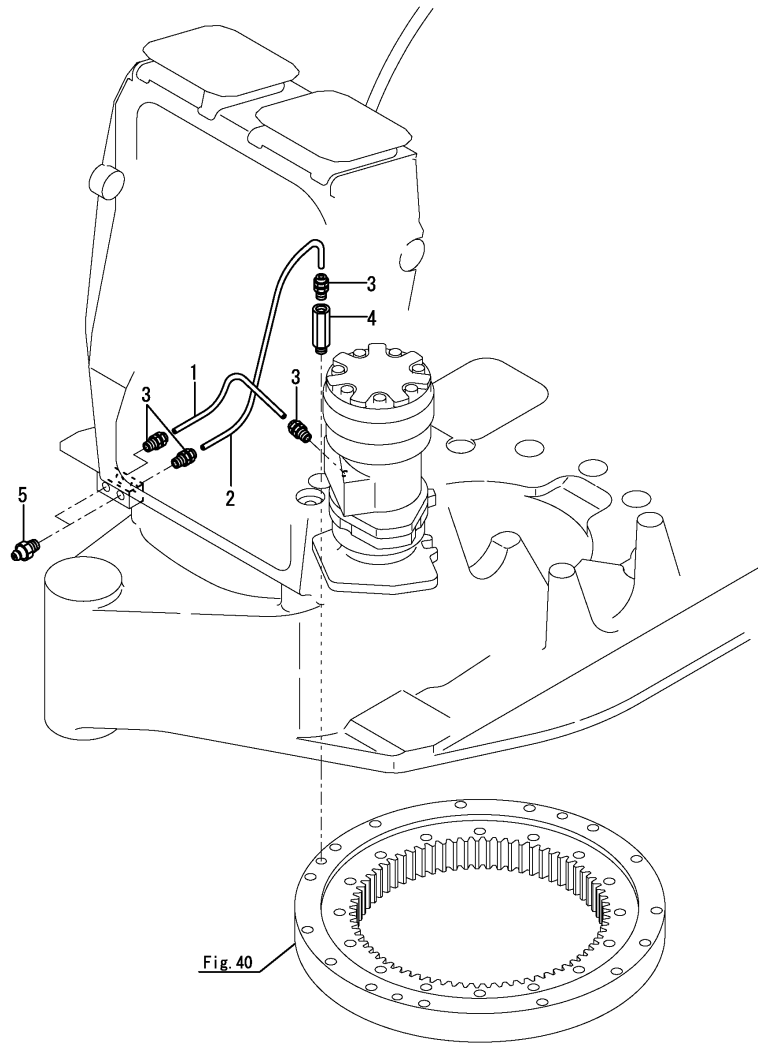
(D)=
 (E)=
 (F)=

No.	Lev.	Parts No.	Description	Q'ty						I	R
				(A)	(B)	(C)	(D)	(E)	(F)		
1	1	172446-76350	JOINT, 1/2	1	1						
2	1	172141-76940	ADAPTER	1	1						
3	1	172141-76990	ELBOW	1	1						
4	1	23393-040000	JOINT, 90RG1-1/2	2	2						
5	1	26013-100202	BOLT, M10X 20	2	2						
6	1	933166-24240	ELBOW, SWIVEL JOINT	2	2						
7	1	172112-76300-Y	RETAINER, BOOM PIPE	1	1						
8	1	172446-76500-Y	TUBE, PTO	1	1						
9	1	172446-76520-Y	TUBE, PTO	1	1						
10	1	172175-76590-Y	PLATE, SPACER	1	1						
11	1	26013-100202	BOLT, M10X 20	2	2						
12	1	26013-100552	BOLT, M10X 55	1	1						
13	1	172446-78800	HOSE	2	2						
14	1	172446-78810	HOSE	2	2						

Fig.75. GREASING

(A)=SV08-1B(US)
 (B)=SV08-1B(KR)
 (C)=

(D)=
 (E)=
 (F)=

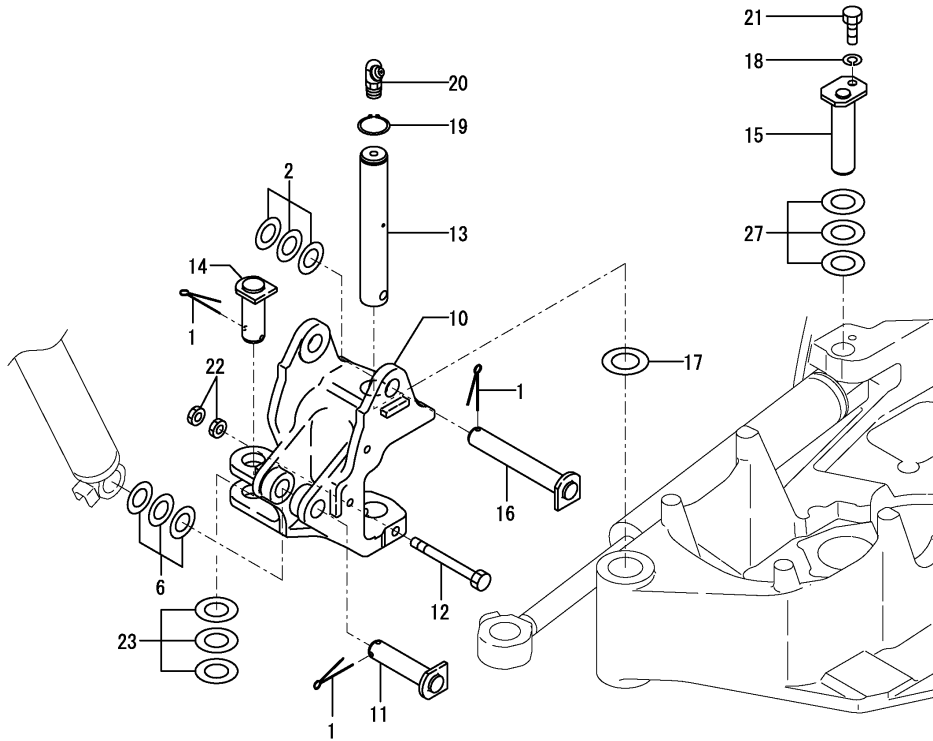


No.	Lev.	Parts No.	Description	Qty						I	R
				(A)	(B)	(C)	(D)	(E)	(F)		
1	1	172186-77100	HOSE	1	1						
2	1	172446-77100	HOSE	1	1						
3	1	172141-77800	JOINT, GREASE	4	4						
4	1	172147-77800	CONNECTOR, PT1/8	1	1						
5	1	24761-020000	NIPPLE, GREASE PT1/8	2	2						

Fig.76. BOOM BRACKET

(A)=SV08-1B(US)
 (B)=SV08-1B(KR)
 (C)=

(D)=
 (E)=
 (F)=

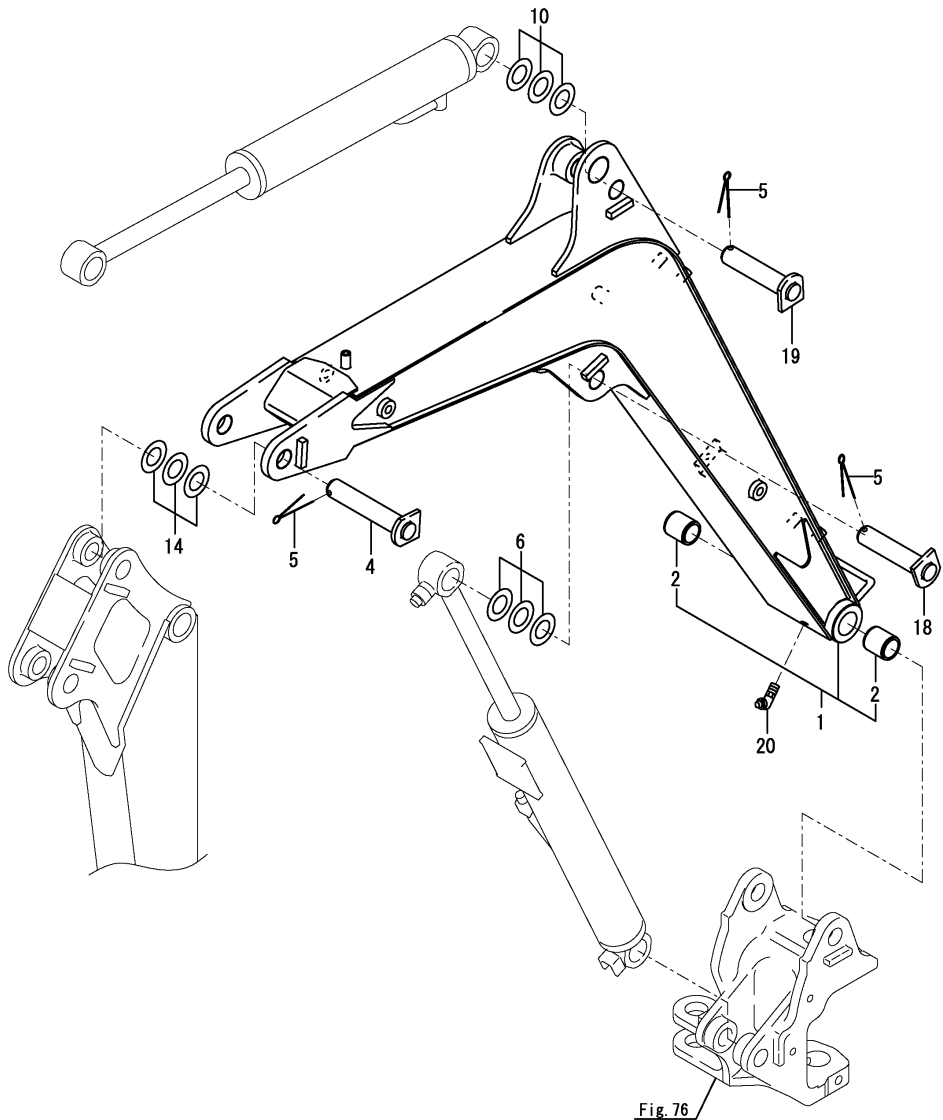


No.	Lev.	Parts No.	Description	Q'ty						I	R
				(A)	(B)	(C)	(D)	(E)	(F)		
1	1	172155-81390	COTTER PIN 6X 35	3	3						
2	1	172156-81400	SHIM ASSY	1	1						
6	1	172156-81400	SHIM ASSY	1	1						
10	1	172446-82300-Y	BRACKET,BOOM	1	1						
11	1	172498-82320	PIN 25X98 ASSY	1	1						
12	1	172157-82340	BOLT 12X 95	1	1						
13	1	172A29-82350	PIN 35X233	1	1						
14	1	172A29-82370	PIN 30X 67	1	1						
15	1	172A29-82400	PIN 30X112	1	1						
16	1	172A29-82450	PIN 25X161	1	1						
17	1	172141-84630	SHIM	1	1						
18	1	22217-100000	WASHER, SPRING 10	1	1						
19	1	22242-000350	RING, 35	1	1						
20	1	24761-050000	NIPPLE, GREASE C	1	1						
21	1	26116-100202	BOLT, M10X 20 PLATED	1	1						
22	1	26756-120002	NUT, LOCK M12	2	2						
23	1	933160-06711	SHIM ASSY	1	1						
27	1	933160-06711	SHIM ASSY	1	1						

Fig.77. BOOM

(A)=SV08-1B(US)
 (B)=SV08-1B(KR)
 (C)=

(D)=
 (E)=
 (F)=

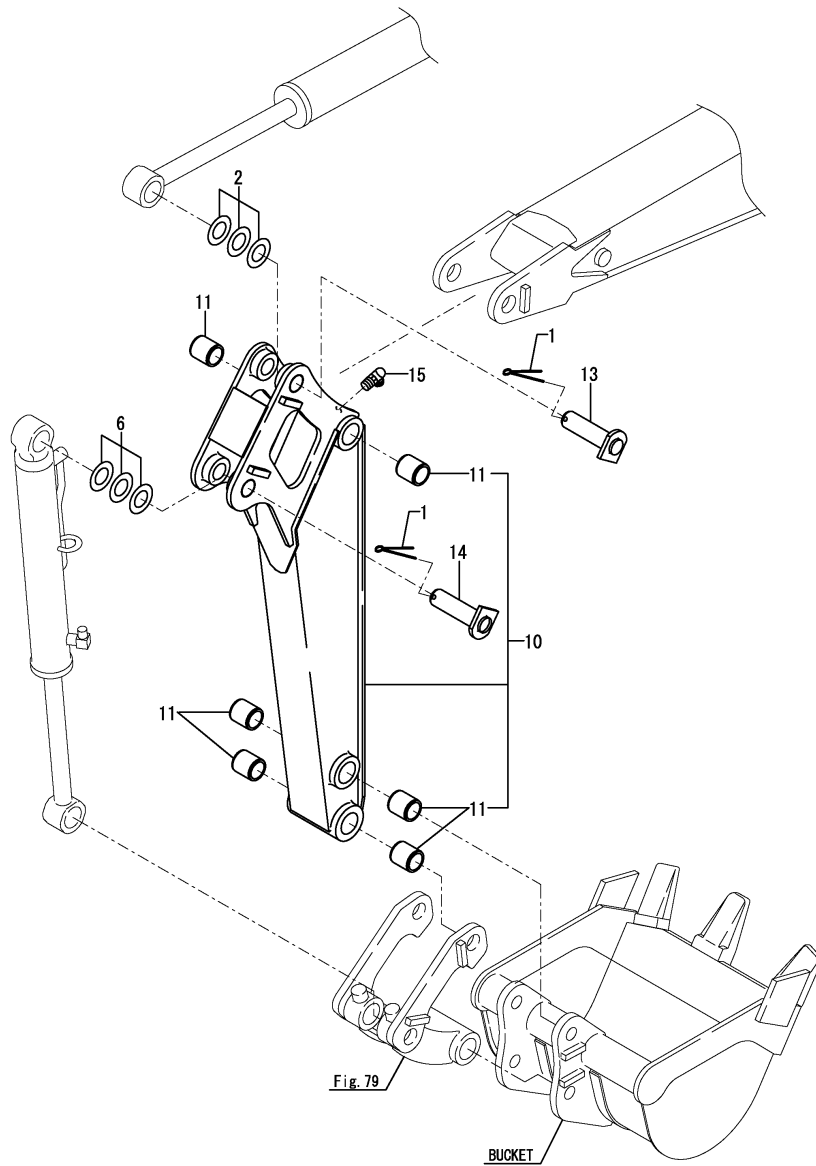


No.	Lev.	Parts No.	Description	Q'ty						I	R
				(A)	(B)	(C)	(D)	(E)	(F)		
1	1	172446-81090-Y	BOOM ASSY	1	1						
2	2	172156-72410	BUSH, PIN 25 35 A	2	2						
4	1	172498-81320	PIN 25X124 CMP	1	1						
5	1	172155-81390	COTTER PIN 6X 35	3	3						
6	1	172156-81400	SHIM ASSY	1	1						
10	1	172156-81400	SHIM ASSY	1	1						
14	1	172156-81400	SHIM ASSY	1	1						
18	1	172A29-81400	PIN 25X106	1	1						
19	1	172A29-81400	PIN 25X106	1	1						
20	1	24761-050000	NIPPLE, GREASE C	1	1						

Fig.78. ARM

(A)=SV08-1B(US)
 (B)=SV08-1B(KR)
 (C)=

(D)=
 (E)=
 (F)=



No.	Lev.	Parts No.	Description	Q'ty						I	R
				(A)	(B)	(C)	(D)	(E)	(F)		
1	1	172155-81390	COTTER PIN 6X 35	2	2						
2	1	172156-81400	SHIM ASSY	1	1						
6	1	172156-81400	SHIM ASSY	1	1						
10	1	172446-81490-Y	ARM ASSY, 670	1	1						1
11	2	172157-81360	BUSH 25 35 A, PIN	6	6						
12A	1	172437-03461	LABEL, BOOM	2	2						2
13	1	172A29-81620	PIN 25X 83	1	1						
14	1	172A29-81620	PIN 25X 83	1	1						
15	1	24761-050000	NIPPLE, GREASE C	1	1						

Fig. 79

BUCKET

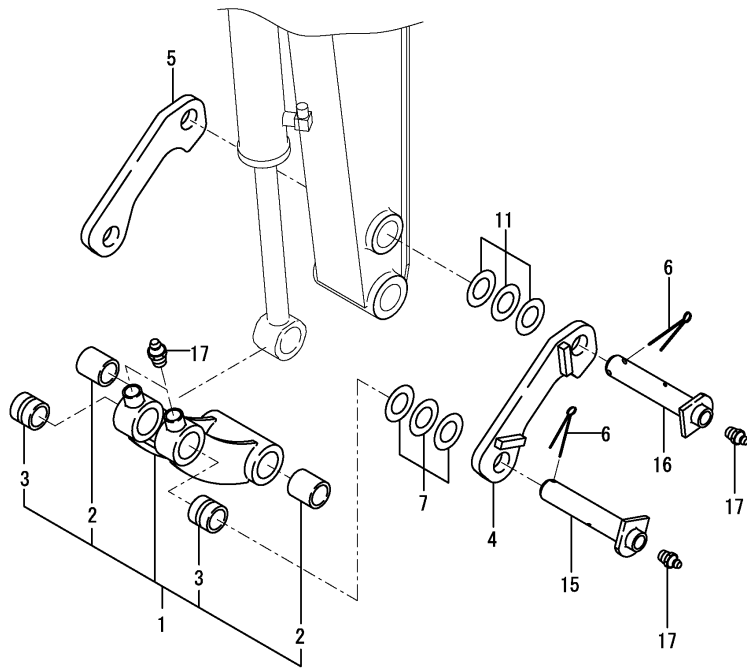
Remarks

- (1) Attach the No.12A label to this part.
- (2) Label is not illustrated.

Fig.79. BUCKET ARM & LINK

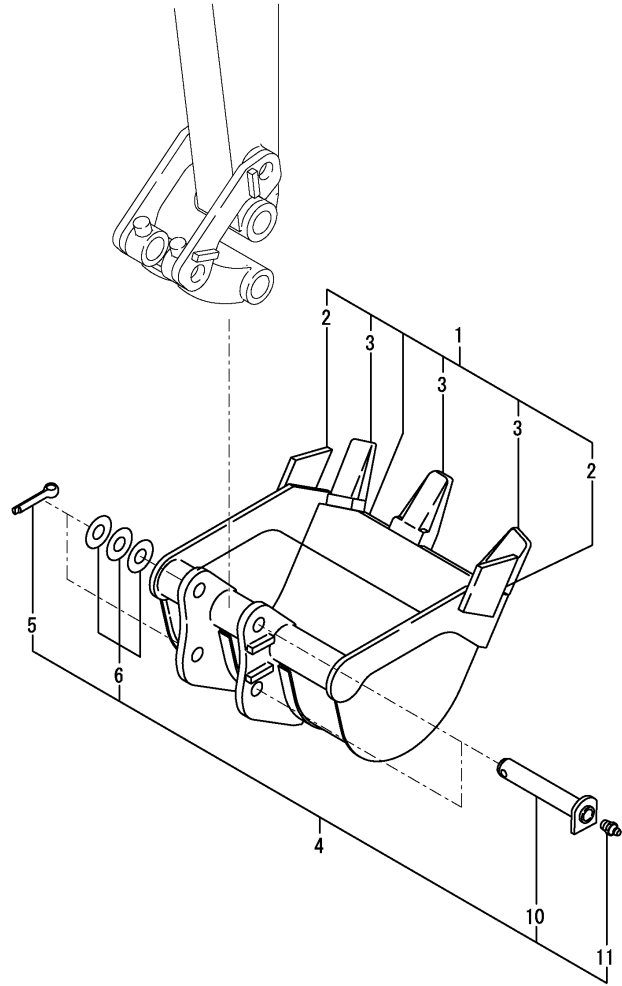
(A)=SV08-1B(US)
 (B)=SV08-1B(KR)
 (C)=

(D)=
 (E)=
 (F)=



No.	Lev.	Parts No.	Description	Q'ty						I	R
				(A)	(B)	(C)	(D)	(E)	(F)		
1	1	172157-81302-Y	LINK, BUCKET	1	1						
2	2	172157-81360	BUSH 25 35 A, PIN	2	2						
3	2	172157-81370	BUSH 25 35, PIN	2	2						
4	1	172157-81341-Y	ARM, BUCKET	1	1						
5	1	172157-81351-Y	ARM, BUCKET	1	1						
6	1	172155-81390	COTTER PIN 6X 35	2	2						
7	1	172156-81400	SHIM ASSY	1	1						
11	1	172156-81400	SHIM ASSY	1	1						
15	1	172A20-82100	PIN 25X125 ASSY	1	1						
16	1	172A20-82100	PIN 25X125 ASSY	1	1						
17	1	24761-020000	NIPPLE, GREASE PT1/8	4	4						

Fig.80. BUCKET



(A)=SV08-1B(US)
(B)=SV08-1B(KR)
(C)=

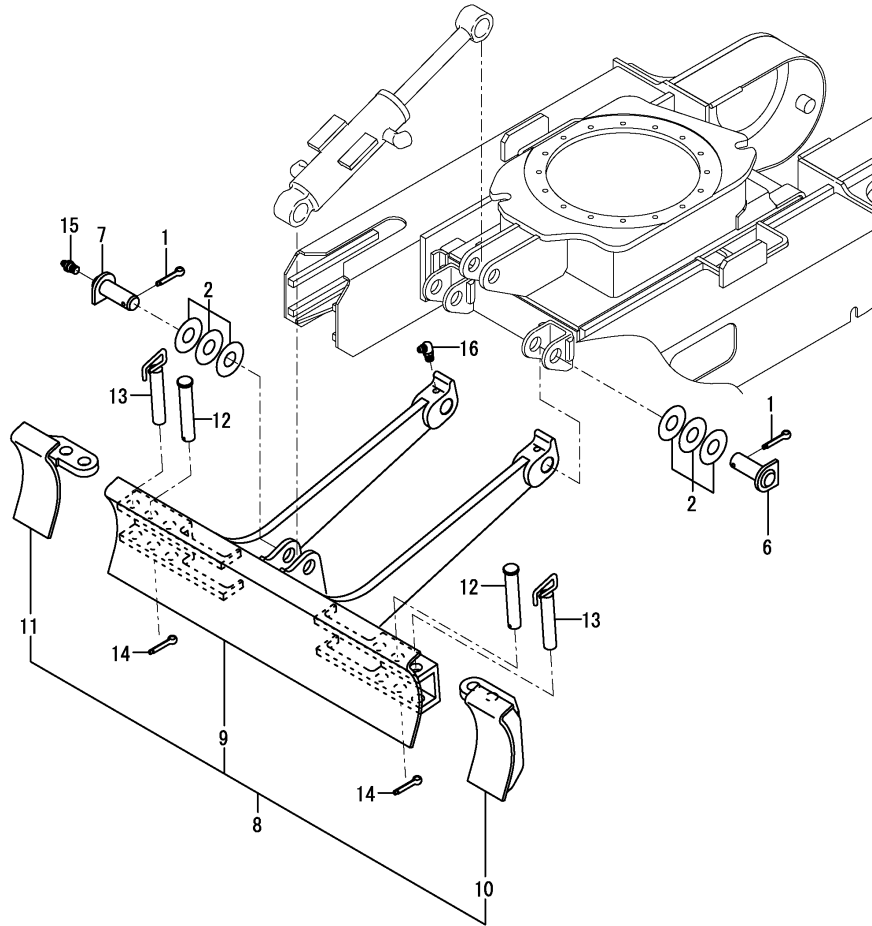
(D)=
(E)=
(F)=

No.	Lev.	Parts No.	Description	Q'ty						I	R
				(A)	(B)	(C)	(D)	(E)	(F)		
1	1	172157-81400-N	BUCKET ASSY, 350	1	1						
2	2	172137-86240	CUTTER, SIDE	2	2						
3	2	172110-89130	TEETH ASSY	3	3						
4	1	172A20-82120	BUCKET PIN KIT	2	2						
5	2	172155-81390	COTTER PIN 6X 35	2	2						
6	2	172156-81400	SHIM ASSY	2	2						
10	2	172A20-82100	PIN 25X125 ASSY	2	2						
11	2	24761-020000	NIPPLE, GREASE PT1/8	2	2						

Fig.81. BLADE

(A)=SV08-1B(US)
 (B)=SV08-1B(KR)
 (C)=

(D)=
 (E)=
 (F)=



No.	Lev.	Parts No.	Description	Q'ty						I	R
				(A)	(B)	(C)	(D)	(E)	(F)		
1	1	172155-81390	COTTER PIN 6X 35	4	4						
2	1	172156-81400	SHIM ASSY	4	4						
6	1	172498-94200	PIN 25X59 ASSY	2	2						
7	1	172498-94240	PIN 25X59 B ASSY	2	2						
8	1	172446-94450	BLADE, ASSY	1	1						
9	2	172446-94500-1	BLADE ASSY	1	1						
10	2	172446-94600-1	BLADE ASSY	1	1						
11	2	172446-94610-1	BLADE ASSY	1	1						
12	1	172446-94700	PIN 20X107	2	2						
13	1	172446-94710	PIN 20	2	2						
14	1	22417-400350	PIN, COTTER 4.0X35	2	2						
15	1	24761-020000	NIPPLE, GREASE PT1/8	2	2						
16	1	24761-040000	NIPPLE, GREASE B	2	2						

Parts No. Index

Parts No.	Fig. No.	Ref. No.
105027-12580	9	7
114110-07761	3	12
119247-77100	19	24
119655-12560	9	5
119655-12570	9	6
119808-12540	9	4
121256-44600	13	26
124450-44550	13	25
124766-59050	13	27
	15	7
129052-55630	15	6
129263-44510	13	24
172068-28490	34	18
172110-89130	80	3
172112-16650	16	6
172112-76300-Y	74	7
172112-77660	70	21
172116-46630	47	2
172122-17190	41	5
172122-46590	25	13
	26	18
	27	17
	28	14
172122-47250	30	12
172122-79890	72	26
172122-79930	19	25
172123-76121	68	3
	69	3
	72	3
172124-46200	29	4
172125-03951	3	11
	4	11
172126-73400	56	15
172137-03300	5	9
	6	9
172137-14630	15	4
172137-16560	13	23
	15	5
	18	3
		4
172137-37360	22	4
172137-46042	8	6
172137-70490	83	2
172137-70500	83	3
172137-70520	83	4
172137-70530	83	5
172137-70570	83	6
172137-70580	83	7
172137-70590	83	8
172137-70610	83	9

Parts No.	Fig. No.	Ref. No.
172137-74520	60	15
	61	11
		27
	62	13
	63	10
		21
	64	11
		26
172137-76100	68	1
	69	1
	72	1
	73	1
172137-86240	80	2
172141-17150	19	15
172141-41360	31	2
	35	4
	36	3
172141-41370	30	2
		5
	35	5
		6
	36	4
		5
172141-64370	44	7
172141-72580	53	14
172141-76940	74	2
172141-76990	73	10
	74	3
172141-77150	83	26
172141-77170	83	27
172141-77210	83	28
172141-77230	83	29
172141-77260	83	32
172141-77300	83	30
172141-77800	75	3
172141-84630	76	17
172142-76181	67	1
172145-76180	73	3
172146-12150	10	3
172146-41320	35	2
172147-77800	75	4
172149-17120	19	10
172149-17130	19	12
172149-17140	19	11
		13
172151-45010	25	2
	26	2
	27	2
	28	2
172155-37310	22	3

Parts No.	Fig. No.	Ref. No.
172155-57610	40	6
172155-81390	76	1
	77	5
	78	1
	79	6
	80	5
	81	1
172156-17401	19	19
172156-17420	19	20
172156-17430-Y	19	21
172156-61320	10	5
172156-64420	44	8
172156-65690	47	27
172156-72410	52	9
	54	10
		19
	77	2
172156-72770	50	7
		10
	51	7
		10
	52	4
172156-73700	66	1
172156-73710	66	3
172156-74050	83	25
172156-76110	70	20
172156-78490	72	15
172156-78510	72	20
172156-78520	72	16
172156-78540	72	17
172156-81400	76	2
		6
	77	6
		10
		14
	78	2
		6
	79	7
		11
	80	6
	81	2
172157-45630	25	10
	26	16
	27	14
	28	12
172157-45650	30	11
172157-45840	39	1
172157-46270	33	3
	34	3
172157-54800	39	9

Parts No.	Fig. No.	Ref. No.
172157-57600-1	40	2
172157-57610	40	3
172157-57620	40	4
172157-57630	40	5
172157-58830	42	2
172157-70090	56	2
172157-70240	56	21
172157-70450	56	31
172157-70630	60	10
	61	2
		18
	62	2
		20
	63	2
		16
	64	2
		18
	65	2
172157-70640	60	11
	61	3
		19
	62	3
		21
	63	3
	64	3
		19
	65	3
172157-70690	60	12
	61	4
		20
	62	4
	63	4
	64	4
		20
172157-70700	60	13
	61	5
		21
	62	5
		22
	63	5
		19
	64	5
		21
	65	4
172157-70710	60	1
172157-70720	60	3
	61	6
		22

Parts No. Index

Parts No.	Fig. No.	Ref. No.
172157-70720	62	6
	64	6
172157-70820	60	14
	61	7
		23
	62	7
		23
	63	6
		20
	64	7
		22
	65	5
172157-72010	50	18
172157-72020	51	16
	54	13
	55	2
172157-72620	51	12
	54	6
	55	13
172157-72730	50	17
	51	15
	52	13
	54	12
	55	16
172157-76150	71	1
172157-78640	68	13
172157-81302-Y	79	1
172157-81341-Y	79	4
172157-81351-Y	79	5
172157-81360	78	11
	79	2
172157-81370	79	3
172157-81400-N	80	1
172157-82340	76	12
172162-76320	71	3
172164-16370	17	3
172164-19130	47	1
172164-45951	30	7
172164-45961	30	8
172164-45970	29	3
172164-66170	47	28
172165-45071	27	3
	28	3
172165-45970	37	6
172165-47871	25	5
	26	9
172171-73460	83	19
172171-73470	83	22
172171-73480	83	20
172173-72550	53	10

Parts No.	Fig. No.	Ref. No.
172175-76590-Y	74	10
172175-78760	72	23
172183-03280	5	8
	6	8
172183-16550	19	1
172183-16560	18	5
172183-46430	26	8
172183-74350	60	5
	65	14
172186-16541	18	1
172186-17100	19	7
172186-72480	50	27
172186-72590	52	14
172186-72630	52	5
172186-72690	52	12
172186-72910	53	18
172186-73160	56	35
172186-73230	56	58
		72
172186-73240	56	12
172186-73410	56	16
172186-73450	56	27
172186-73710	56	82
172186-76370	70	9
172186-76390	70	11
172186-76410	67	4
172186-77100	75	1
172187-73570	56	55
172187-73600	56	81
172187-73670	56	49
172312-76240	70	8
	73	8
172422-73550	56	46
		47
172422-73650	56	48
172423-76120	68	4
172425-73540	56	18
172433-03251	5	6
	6	6
172437-03252	5	7
	6	7
172437-03312	5	10
	6	10
	35	17 A
	36	19 A
172437-03322	3	5
	4	5
	66	13 A
172437-03343	5	11
	6	11

Parts No.	Fig. No.	Ref. No.
172437-03343	35	17 B
	36	19 B
172437-03361	3	7
	4	7
	47	18 B
172437-03372	5	12
	6	12
	47	18 C
172437-03391	5	13
	6	13
	47	18 E
172437-03402	5	14
	6	14
	47	18 F
172437-03422	3	9
	4	9
	47	18 H
172437-03432	5	15
	6	15
	35	17 C
	36	19 C
172437-03441	1	9
	46	5 A
	84	9
172437-03451	1	10
	46	5 B
	84	10
172437-03461	1	11
	2	9
	78	12 A
	84	11
	85	9
172437-03501	3	10
	4	10
172437-03511	1	12
	2	10
	84	12
	85	10
172437-03601	5	17
172446-03440	6	16
172446-03621	2	11
	72	21 A
	85	11
172446-03652	1	13
	2	12
	72	21 B
	84	13
	85	12
172446-03711	1	14
	72	21 C

Parts No.	Fig. No.	Ref. No.
172446-03711	84	14
172446-11511	9	1
172446-12100-1	10	1
172446-12130	10	2
172446-13330	13	4
172446-13450	13	9
172446-13460	13	10
172446-13470	13	11
172446-13480	13	12
172446-13490	13	13
172446-13530	39	5
172446-13540	13	14
172446-13550	13	15
172446-13560	13	16
172446-13570	13	17
172446-13580	13	18
172446-14150	14	8
172446-14250	14	10
172446-16100	16	1
172446-16111	16	2
172446-16120	16	5
172446-16320-1	17	2
172446-16550	18	2
172446-16560	18	6
172446-17111	19	9
172446-29101-1	20	1
172446-30200	22	1
172446-37100-1	21	2
172446-37710	23	1
172446-37720-1	23	2
172446-38600	24	1
172446-45011-1	30	1
172446-45060-1	30	4
172446-45110-1	27	4
	28	4
172446-45140	27	5
	28	5
172446-45170-1	25	3
	26	3
172446-45210-1	29	2
172446-45250	37	2
172446-45290	37	3
172446-45320	37	4
172446-45340	37	5
172446-45350-1	31	1
172446-45390	31	4
172446-45650	33	1
172446-45680	34	1
172446-45700-1	34	2
172446-45710-1	33	2

Parts No. Index

Parts No.	Fig. No.	Ref. No.
172446-45750	25	11
	26	17
	27	15
	28	13
172446-45760	33	11
	34	11
172446-45800	25	4
	26	4
	27	6
	28	6
172446-45820	33	12
	34	12
172446-45850-1	26	5
172446-45890-1	26	6
172446-45900	26	7
172446-45910	34	19
172446-45950	31	5
172446-46220	25	12
	27	16
172446-49120	35	19
	36	12
172446-49170	35	14
	36	16
172446-49180	35	10
	36	9
172446-49200-1	35	11
	36	10
172446-49200-Y	35	11 -1
	36	10 -1
172446-49260	35	15
	36	17
172446-49270	35	16
	36	18
172446-49280	35	8
	36	7
172446-49290	35	17
	36	19
172446-49350	35	21
	36	20
172446-58800	42	1
172446-62210	43	3
172446-62220	43	4
172446-62230	43	5
172446-62240	43	6
172446-62930	47	6
172446-64200-Y	44	6
172446-65190	47	11
172446-65240	47	12
172446-65281	47	13
172446-65300	47	20

Parts No.	Fig. No.	Ref. No.
172446-65371	47	21
172446-65380	47	22
172446-65470	47	24
172446-65502	47	25
172446-65540	47	26
172446-65581	47	18
172446-72100-N	50	1
172446-72110	50	2
172446-72140-N	50	5
172446-72260	50	8
172446-72350-N	50	26
172446-72370	50	14
172446-72400-N	51	1
172446-72420-N	51	5
172446-72490	51	8
172446-72550-N	52	1
172446-72570-N	52	2
172446-72640	52	8
172446-72681	52	11
172446-72700-1	54	1
172446-72720	54	9
172446-72760	54	18
172446-72801-N	53	1
172446-72820-N	53	16
172446-72860	53	19
172446-74120	60	2
172446-74130	61	1
172446-74140	61	17
172446-74150	62	1
172446-74160	62	19
	65	1
172446-74170	63	1
172446-74190	64	1
172446-74200	64	17
172446-74230	61	33
	64	31
172446-74240	64	32
172446-74260	61	10
172446-74280	61	26
172446-74300	62	12
172446-74320	62	26
	65	8
172446-74340	63	9
172446-74380	64	10
172446-74400	64	25
172446-74410	61	8
172446-74420	61	24
172446-74430	62	10
172446-74440	62	24
	65	6

Parts No.	Fig. No.	Ref. No.
172446-74450	63	7
172446-74470	64	8
172446-74480	64	23
172446-74560	60	23
172446-74600	63	15
172446-74620	63	24
172446-74630	63	22
172446-75250	66	8
172446-76140	70	13 -1
172446-76200-2	73	7
172446-76300-2	73	9
172446-76350	74	1
172446-76500-Y	74	8
172446-76520-Y	74	9
172446-77100	75	2
172446-78110	67	8
172446-78130	70	15
172446-78140	68	10
172446-78150	68	11
172446-78161	72	9
172446-78171	72	10
172446-78191	72	11
172446-78201	72	12
172446-78240	70	24
172446-78250	73	15
172446-78271	72	13
172446-78281	72	14
172446-78290	68	12
172446-78650	73	16
172446-78680	72	18
172446-78690	70	17
172446-78710-Y	72	19
172446-78750-Y	72	22
172446-78760	72	24
172446-78770	72	25
172446-78800	74	13
172446-78810	74	14
172446-78920	73	17
172446-78930	70	18
172446-81090-Y	77	1
172446-81490-Y	78	10
172446-82300-Y	76	10
172446-94450	81	8
172446-94500-1	81	9
172446-94600-1	81	10
172446-94610-1	81	11
172446-94700	81	12
172446-94710	81	13
172447-13260	12	8
172447-14160	14	9

Parts No.	Fig. No.	Ref. No.
172447-14310	14	11
172447-17130	19	14
172447-17150	18	13
172447-45230	37	1
172447-72321	50	11
	51	2
	54	2
	55	7
172447-72380	50	15
172447-72531	50	16
	51	11
	54	5
	55	11
172447-72790-3	54	21
172447-73100	56	3
172447-73120	56	4
172447-73140	56	5
172447-73150	56	6
172447-73160	56	7
172447-73170	56	8
172447-73180	56	9
172447-73190	56	10
172447-73250	56	13
172447-73280	56	14
172447-73300	56	1
172447-73440	56	40
172447-73450	56	41
172447-73480	56	44
172447-73500	56	73
172447-73510	56	17
172447-73550	56	19
172447-73560	56	30
172447-73570	56	56
172447-73580	56	61
172447-73590	56	71
172447-74200	65	13
172447-74250	60	4
172447-74300	62	8
172447-74310	62	9
172447-74380	65	15
172447-76210	71	2
172447-76520	71	4
172447-76700	71	5
172448-03180	5	4
	6	4
172448-50720	38	5
172448-50770-2	38	6
172448-73900	58	19
172449-37110-1	21	3
172449-72321	53	7

Parts No. Index

Parts No.	Fig. No.	Ref. No.
172449-72560	53	11
172449-72681	53	15
172449-73340	83	16
172449-73350	83	17
172449-73360	83	18
172455-61720	13	28
172456-53700	35	22
	36	21
172458-64600	39	16
172462-03320	3	6
	4	6
172462-78800	68	14
172463-03290	3	4
	4	4
172469-07330	7	1
172469-45360	25	9
	27	13
172472-03141	5	2
	6	2
	47	18 A
172480-03220	1	6
	2	6
	84	6
	85	6
172480-50480	38	3
172480-50910	38	7
172480-65450	47	23
172480-68742	46	6
172480-72510-1	55	10
172480-73700	66	4
172480-75350	66	9
172498-11330	8	3
172498-13611	13	20
172498-45600	29	8
172498-64771	45	2
172498-71130	48	2
172498-71200	48	6
172498-81320	77	4
172498-82320	76	11
172498-94200	81	6
172498-94240	81	7
172524-17011	19	2
172524-17330	19	3
172638-76190	73	6
172734-14620	13	22
	15	3
172842-77640	83	33
172A20-11310	8	2
172A20-11510	9	2
172A20-11550	9	3

Parts No.	Fig. No.	Ref. No.
172A20-12200	11	1
172A20-13120	12	3
172A20-13301	13	1
172A20-13320	13	2
172A20-13350-1	13	5
172A20-13420	13	6
172A20-13430	13	7
172A20-17100	19	8
172A20-37100	21	1
172A20-37150	21	4
172A20-50201	38	1
172A20-50350-1	38	2
172A20-50500-1	38	4
172A20-61500-1	41	1
172A20-61530	41	2
172A20-65301	47	14
172A20-65310	47	15
172A20-65320	47	16
172A20-65330	47	17
172A20-72500-1	55	1
172A20-72530	55	12
172A20-73200	83	1
172A20-73210	83	10
172A20-73220	83	11
172A20-73230	83	12
172A20-73240	83	13
172A20-73260	83	14
172A20-73270	83	15
172A20-73311	57	1
		1 -1
172A20-73321	57	2
172A20-73330	57	11
172A20-73340	57	12
172A20-73400	57	3
172A20-73410	57	4
172A20-73420	57	5
172A20-73430	57	6
172A20-73440	57	7
172A20-73500	83	21
172A20-73510	83	23
172A20-73520	83	24
172A20-78100	67	7
172A20-78120	67	9
172A20-78150	69	8
172A20-78160	69	9
172A20-78180	69	10
172A20-78190	69	11
172A20-78200	69	12
172A20-78210	69	13
172A20-78220	69	14

Parts No.	Fig. No.	Ref. No.
172A20-78230	69	15
172A20-78240	70	16
172A20-78400	71	12
172A20-78430	71	13
172A20-78440	71	14
172A20-78450	71	15
172A20-78460	71	16
172A20-78470	71	17
172A20-78480	71	18
172A20-78490	71	19
172A20-78500	71	20
172A20-78510	71	21
172A20-82100	79	15
	16	
	80	10
172A20-82120	80	4
172A29-03720	5	19
	6	19
172A29-03740	1	15
	46	5 C
	84	15
172A29-03750	1	16
	46	4 A
	84	16
172A29-03760	5	21
	6	20
	35	17 D
	36	19 D
172A29-03781	6	21
	47	18 J
172A29-03800	1	17
	2	13
	84	17
	85	13
172A29-03810	5	22
	6	22
	35	17 E
	36	19 E
172A29-03820	1	18
	35	20 A
	84	18
172A29-14100	14	1
172A29-14200	14	17
172A29-14240	14	19
172A29-14250	14	20
172A29-14280	14	22
172A29-14600	15	2
172A29-16300	17	1
172A29-45100-1	29	1
172A29-45400-1	35	3

Parts No.	Fig. No.	Ref. No.
172A29-45400-1	36	2
172A29-46300	32	1
172A29-46340	32	2
172A29-46350	32	3
172A29-46420	32	6
172A29-46490	32	9
172A29-46540	32	12
172A29-54141	39	2
172A29-54180-Y	39	3
172A29-54300-Y	39	4
172A29-54500-N	39	7
172A29-62100	43	1
172A29-62151	43	7
172A29-62400	43	1 -1
172A29-62801	47	3
172A29-62900	47	5
172A29-64800	45	7
172A29-65200	47	19
172A29-68500-N	46	1
172A29-68610-N	46	5
172A29-74220	59	1
172A29-74350	60	8
	65	17
172A29-74360	61	34
172A29-74410	60	9
172A29-74600	60	16
172A29-74610	60	18
172A29-81400	77	18
		19
172A29-81620	78	13
		14
172A29-82350	76	13
172A29-82370	76	14
172A29-82400	76	15
172A29-82450	76	16
172A36-03411	3	8
	4	8
	47	18 G
172A38-03201	3	2
	4	2
172A38-03211	3	3
	4	3
172A64-03380	1	8
	2	8
	47	18 D
	84	8
	85	8
172A64-03700	5	18
	6	18
172A64-16120	16	3

Parts No. Index

Parts No.	Fig. No.	Ref. No.
172A64-64010	44	1
172A64-64020	44	2
172A64-64030	44	3
172A64-64050	44	4
172A64-72040	53	2
172A64-73790	58	1
172A64-73800	58	2
172A64-73810	58	3
172A64-73840	58	6
172A64-73850	58	7
172A64-73860	58	8
172A64-73870	58	9
172A64-73890	58	15
172A65-03150	5	3
	6	3
172A65-17150	19	16
172A77-64270	45	1
172A82-03160	1	2
	2	2
172A82-03170	1	3
	2	3
172A82-03180	1	4
	2	4
172A82-03190	1	5
	2	5
172A82-03470	84	4
	85	4
172A82-03730	5	20
	47	18 I
172A82-03790	84	3
	85	3
172A82-13100	12	1
172A82-13110	12	2
172A82-13120	12	4
172A82-13130	12	5
172A82-13160	12	6
172A82-13220	12	7
172A82-13651	13	21
172A82-17150	19	44
172A82-37300	82	1
172A82-37320	82	3
172A82-42750	25	1
	26	1
	27	1
	28	1
172A82-45550	35	9
	36	8
172A82-49200	36	11
172A82-49300	35	18
172A82-65080	47	7

Parts No.	Fig. No.	Ref. No.
172A82-65081	47	7 -1
172A83-65100	47	9
172A86-03310	1	7
	2	7
172A86-03720	84	2
	85	2
172A86-03770	84	7
	85	7
172A88-03010	47	8 -1
	84	19
	85	14
172A88-03050	1	19
	2	14
	47	8
172B02-73860	58	14
172B02-73880	58	10
172B02-73890	58	11
172B04-03970	84	5
	85	5
172B19-03210	5	5
172B19-03220	6	5
172B19-03540	5	16
	6	17
172B19-08110	1	1
172B19-08111	84	1
172B19-08120	3	1
172B19-08130	5	1
172B19-08150	2	1
172B19-08151	85	1
172B19-08160	4	1
172B19-08170	6	1
172B19-11210	8	1
172B19-13500	13	19
172B19-16600	18	7
172B19-16650	18	15
172B19-17150	19	17
172B19-17250	19	18
172B19-17500	19	22
172B19-49250	35	12
	36	14
172B19-49450	35	12 -1
	36	14 -1
172B19-71100	48	1
172B19-73100	49	1
172B19-76190	67	3
194151-04141	14	2
194151-04150	14	3
194151-57100	19	23
194200-37780	25	8
	27	12

Parts No.	Fig. No.	Ref. No.
194202-56460	18	18
		19
		20
		21
	32	13
	68	9
	69	16
	70	25
	72	6
		7
		8
194250-04301	14	4
194250-04321	14	6
194940-24350	40	1
194940-61790	18	22
198072-04320	15	1
1A1060-48300	21	5
1A1380-55310	18	17
	68	8
	70	14
1A1380-62160	39	10
	43	8
1A1686-57850	10	4
1A6260-27270	35	1
	36	1
1A6382-51510	18	16
1C6281-52310	11	2
	29	9
	31	6
	37	7
1C6281-52320	11	3
1E6140-73420	82	4
1E6740-64200	25	14
	27	18
1E8490-84130	18	23
22117-060000	25	15
	26	19
	27	19
	28	15
	33	13
	34	13
22117-080000	25	16
		17
	26	20
	27	20
		21
	28	16
	30	13
	72	27
22137-060000	19	26

Parts No.	Fig. No.	Ref. No.
22137-060000	19	27
22137-080000	16	7
	17	4
	32	14
	34	20
	39	11
	47	33
		34
	49	2
	72	28
22137-100000	13	30
	18	24
	19	28
	35	23
	36	22
	45	8
	47	35
22137-200000	26	10
22157-080000	47	36
	48	8
	72	29
22157-100000	26	11
22217-080000	15	8
	16	8
	19	29
	29	5
	48	3
	58	16
	72	30
		31
22217-100000	18	25
	40	7
	76	18
22217-120000	12	9
	21	6
	46	7
22217-140000	12	10
22217-160000	38	8
22217-180000	73	11
22242-000120	32	15
22242-000150	56	28
22242-000250	22	5
22242-000300	21	7
22242-000350	76	19
22242-000451	58	17
22252-000470	22	6
	82	5
22252-000620	21	8
22351-030012	56	29
22351-030025	37	8

Parts No. Index

Parts No.	Fig. No.	Ref. No.
22351-040008	32	16
22351-050012	56	50
22351-050025	37	9
22372-080000	44	9
	47	37
22372-120000	47	38
22417-160160	25	18
	27	22
	29	10
	30	14
	33	4
		14
	34	4
		14
22417-200200	47	39
22417-400350	81	14
22486-100500	33	5
	34	5
22487-080160	11	4
	13	31
22857-400120	18	26
23000-013000	70	19
23000-054000	9	8
23001-025000	13	32
23001-035000	13	33
23001-041000	67	10
23010-014000	14	12
23391-020000	68	5
	69	4
	71	6
	72	4
23393-020000	69	5
	70	12
	71	7
23393-030000	70	13
23393-040000	74	4
23394-020000	69	6
	71	8
23491-080002	14	13
23491-140002	66	12
23871-010000	58	18
23871-030000	73	12
24101-060020	56	51
24101-060044	56	83
24101-060054	22	7
	82	6
24101-062064	21	9
24311-000090	14	14
24311-000100	56	52
24311-000140	27	7

Parts No.	Fig. No.	Ref. No.
24311-000140	28	7
24311-000160	14	15
	66	13
24311-000210	32	17
24311-240100	60	19
	61	12
		28
	62	14
		27
	63	11
		25
		12
	64	12
		27
	65	9
24311-350220	66	11
24315-000040	63	29
24315-000060	56	74
24315-000080	71	9
24315-000100	60	24
24315-000110	56	75
	60	6
		20
	61	13
		29
	62	15
		28
	63	12
		26
	64	13
		28
	65	10
		16
	68	2
	69	2
	72	2
	73	2
	83	31
24315-000140	56	53
		76
		77
	60	7
	61	14
		30
	62	16
	64	14
	67	2
	70	10
24315-000180	56	54
		78
24315-000440	66	5

Parts No.	Fig. No.	Ref. No.
24315-000560	58	12
24321-001300	56	79
24325-000700	58	13
24325-001050	56	80
24341-000060	57	8 -1
24341-000080	57	8
24341-000670	57	9
24356-240370	57	10
24550-014100	32	5
		8
		11
24550-025250	50	4
	51	14
	52	7
	54	8
	55	15
24550-030300	53	13
24761-020000	30	9
	50	24
	51	21
	53	22
	75	5
	79	17
	80	11
	81	15
24761-040000	50	25
	52	19
	81	16
24761-050000	31	7
	35	24
	36	23
	76	20
	77	20
	78	15
24761-060000	32	18
26013-060122	19	30
		31
		32
		33
26013-060252	19	34
26013-080162	9	9
	13	34
	17	5
	18	27
	39	12
	44	10
	59	2
26013-080202	14	23
	26	12
	32	19

Parts No.	Fig. No.	Ref. No.
26013-080202	44	5
	47	40
26013-080252	39	13
	49	3
26013-080302	48	4
26013-080352	72	32
26013-100162	38	9
	73	13
26013-100202	12	11
	13	29
	19	35
	26	13
	35	25
		26
		27
		24
	36	24
		25
		26
	41	3
		4
	47	41
	50	28
	74	5
		11
26013-100252	43	9
	66	14
26013-100302	12	12
26013-100352	8	4
	12	13
26013-100402	58	20
26013-100552	74	12
26013-120202	39	14
26013-120252	22	8
	82	7
26013-120352	57	14
	83	34
26014-060162	19	36
26014-080162	54	22
26014-080202	23	3
26023-050162	19	37
26051-060002	25	19
	26	21
	27	23
	28	17
	33	15
		16
	34	15
		16
26051-080002	8	5
	25	20

Parts No. Index

Parts No.	Fig. No.	Ref. No.
26051-080002	25	21
		22
		23
	26	22
		23
		24
	27	24
		25
		26
	28	18
		19
		15
	30	16
		42
	26051-100002	47
26072-100352	40	8
26072-100552	40	9
26076-120352	46	8
26116-060162	19	38
26116-060352	46	9
26116-080122	15	9
26116-080162	16	9
		39
	39	15
	72	33
	34	
26116-080252	43	10
26116-080254	10	6
26116-080354	33	6
	34	6
26116-080454	29	6
	33	7
26116-080504	34	7
	33	8
26116-080604	34	8
	18	28
26116-100162	76	21
26116-100202	45	9
26116-100402	21	10
26346-080002	29	7
26347-080002	47	43
26347-100002	47	44
26366-080002	33	9
	34	9
26367-100002	14	24
26450-050452	60	21
	61	15
	62	31
		17
		29
63	13	

Parts No.	Fig. No.	Ref. No.
26450-050452	63	27
		15
	64	29
		11
		16
26450-060102	14	16
26450-100202	57	13
26450-100252	20	2
		84
26450-100352	56	7
		48
26557-050102	60	22
		16
	61	32
		18
		30
	62	14
		28
	63	16
		30
	64	16
		30
	65	12
		6
26587-040062	25	14
		8
	26	8
		8
	27	8
		28
26589-060162	35	28
		27
26716-060002	46	10
26716-080002	16	10
		6
	17	40
		10
	19	10
		10
	33	5
		25
26716-100002	45	10
		14
26716-120002	12	14
26716-200002	23	4
26736-140002	12	15
26756-080002	10	7
		7
	25	15
		9
	26	9
		10
	27	9
		9
	28	10
		10
26756-100002	30	10
26756-120002	10	8
	76	22
		21
26757-080002	34	21
26979-080252	27	11
		11
28	11	

Parts No.	Fig. No.	Ref. No.
29420-100000	18	14
41851-000110	68	6
		7
	69	23
		10
		5
	70	14
		14
41851-000140	67	5
		11
41851-000180	67	6
		7
	68	7
		7
772446-76120	70	1
		6
772A20-75100	66	6
933110-54100	25	24
		28
	27	11
		17
	29	8
		17
933113-05180	30	17
		8
933113-05190	31	17
		17
933113-15900	33	10
		42
933125-05300	19	41
		43
933147-03400	19	21
		29
933152-03700	53	11
		9
	22	8
		23
933160-06711	76	27
		6
933166-24240	74	30
933168-14170	50	29
933168-55770	18	9
933170-01490	10	30
933171-15801	18	30

Parts No.	Fig. No.	Ref. No.
-----------	----------	----------