

0CK30-M38102EN

PREFACE

1. This parts catalog is the 2nd revised edition of Yanmar rubber crawler carrier C50R-3 (A).

2. Parts catalog history

	Parts catalog No.	Date of issue	Model name	Remarks
First edition	000Y00K3810	Mar. , 2002	C50R-3	No need
1st edition(supplement)	000Y00K3811	Oct. , 2003	C50R-3, -3A	No need
2nd edition(supplement)	000Y00K3812	Sep. , 2007	C50R-3, -3A	

3. Model name

SECTION	Column	Model name	Manufactured	M / #	Remarks
I (Vehicle)	A	C50R-3	2001/9~ 2002/10	40503~ 40570	
	B	C50R-3A	2002/11~	41501~	
II (Engine)	A	4TNE106-TB	2001/7~ 2002/10	14745~ 19218	Engine for C50R-3
III (Engine)	A	4TNV106-NTB	2002/11~	V00156~	Engine for C50R-3A

4. This parts catalog does not contain the technical data needed for maintenance service.

The illustrations used in this parts catalog have been simplified for clarity.

The contents of this parts catalog are subject to change without notice.

Be sure to use only Yanmar genuine part for repairs. If imitation parts are used, it may cause engine defects.

Directions for the Parts Catalog.

1. The parts stipulated in this Parts Catalog are not necessarily standard equipped parts.
2. Parts may change without prior notice.
3. The following is an example of the Parts Catalog format.

REF.	LEV.	PARTS NO.	DESCRIPTION	Q'TY						I	R
				(A)	(B)	(C)	(D)	(E)	(F)		
1	1	729595-51390	FUEL INJECTION PUMP	1	1	1	1	1			1
1-1	1	729595-51391	FUEL INJECTION PUMP	1	1	1	1	1		N	1
		(A=E00185) (B=E00200)									
3	2	26022-060162	SCREW M 6X 16	9	9	9	9	9			
3-1	2	26022-060162	SCREW M 6X 16	4	4	4	4	4		K	
		(A=E00156) (B=E00156) (C=E00156) (D=E00156) (E=E00156)									
4	2	129470-51040	CAMSHAFT	1	1	1	1	1			
5	2	122710-51050	BEARING, ROLLER	2	2	2	2	2			
6	2	129470-51060	RETAINER	1	1	1	1	1			

Remarks
(1) BOOST COMPEMSATOR TYPE. OPTIONAL PART, TO E00155,(4JH-DT, 4JH-DTZ

① Ref. No.

The Ref. No. listed may not be in accordance with the illustration Ref. No.

(Ex.) Illustration No.

List Ref No.

1

1

(Before change)

1-1

(After change)

For interchangeable symbols N, R and K, illustrations for new parts may be abbreviated.

② Lev. (Level)

Level indication

The numbers below indicate the level of relativity towards the main part.

1 ----- Main parts (Assembly parts)

2 ----- Sub component included in " 1 ".

3 ----- Sub component included in " 2 ".

Note) Parts that are not for sale are partially illustrated but not listed.

③ Interchangeability Mark

When a part change takes place, one of the following interchangeability symbols is indicated beside the part.

Symbol	Interchangeability	Contents note
N	Old $\begin{matrix} \leftarrow \text{Yes} \\ \text{No} \rightarrow \end{matrix}$ New	New Part is interchangeable for Old Part but Old Part is not interchangeable for New Part.
Q	Old $\begin{matrix} \leftarrow \text{No} \\ \text{Yes} \rightarrow \end{matrix}$ New	New Part is not interchangeable for Old Part but Old Part is interchangeable for New Part.
R	Old $\begin{matrix} \leftarrow \text{Yes} \\ \text{Yes} \rightarrow \end{matrix}$ New	New/ Old Parts are both interchangeable.
S	Old $\begin{matrix} \leftarrow \text{No} \\ \text{No} \rightarrow \end{matrix}$ New	New/ Old Parts are both not interchangeable.
W		Part newly added.
Z		Part discontinued.
F		Not interchangeable by a single part but interchangeable together with related parts.
K		Changes only for used parts quantities.

④ Effective Machine No.

When a part changes, the effective Machine No. will be indicated in the (A)-(F) column.

Product Symbol	Product No.	Product Symbol	Product No.
C	Clutch No. Compressor No.	F	Machine No. (Agricultural Equip.)
D	Drive No.	M	Machine No.
E	Engine No.		

Note 1) A date may follow the symbol. (Ex.) 1996.01

Note 2) " XXXXX " and " ZZZZZ " are for parts that could not be predicted or for engine models that could not be identified.

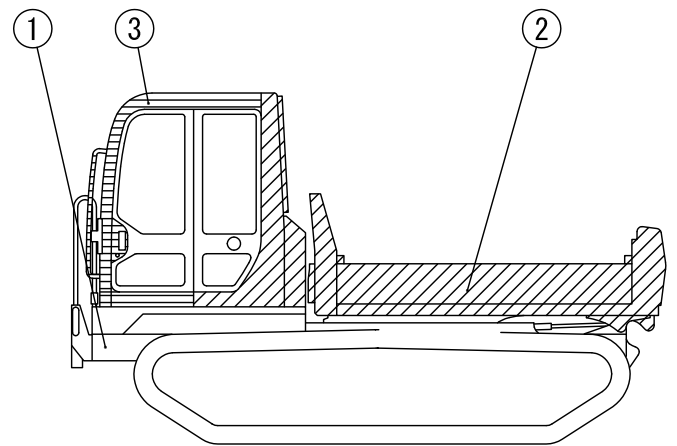
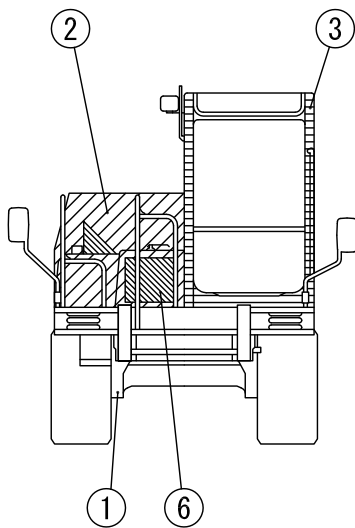
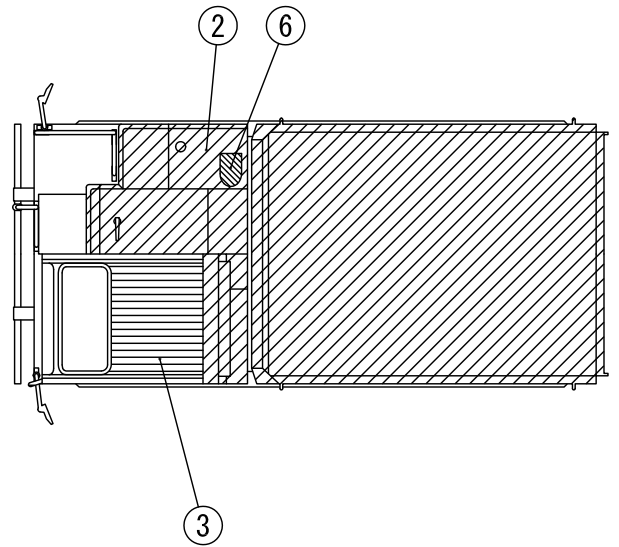
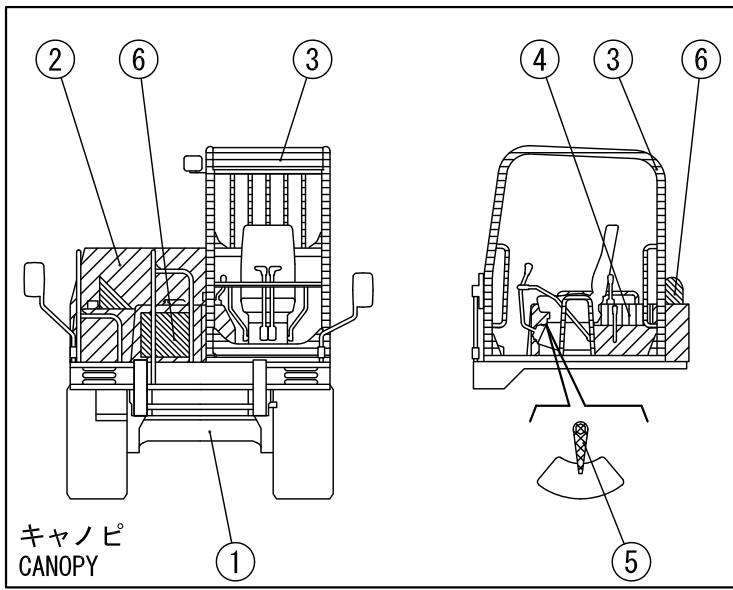
Note 3) (A=E00185) is the E (Engine Serial Number) for the column (A) model (in this case 4JH-DT) after the parts design change.

⑤ Remarks Mark

Figures or alphabets (symbols) are entered in the remarks column.

The comments (remarks) on parts that are indicated at the bottom of the illustration are the same symbols as those stated above.

1 [本機塗装色] [PAINTED COLOR LIST]



部所 PART	表示 DESCRIPTION	塗装色 PAINTED COLOR	色区分 COLOR CODE	適用号機 MACHINE No.
①		ヤンマーディープグリーン YANMAR DEEP GREEN	82	M40503~M41709
①		ヤンマーネイビーグレー YANMAR NAVY GRAY	49	M41710~
②		ヤンマー新パーマネントイエロー YANMAR NEW PERMANENT YELLOW	87	M40503~M41944
②		ヤンマー新パーマネントイエロー2 YANMAR NEW PERMANENT YELLOW 2	2J	M41945~
③		ヤンマーグレイッシュグリーン YANMAR GRAYISH GREEN	83	
④		ヤンマーダークオリーブグレー YANMAR DARK OLIVE GRAY	72	
⑤		ヤンマーレッド1 YANMAR RED 1	50	
⑥		ヤンマーブラック YANMAR BLACK	12	

2 [塗料部品番号] [PAINT PART No.]

部所 PART	塗装色 PAINTED COLOR	塗料部品番号 PAINT PART No.		
		16ℓ缶 16ℓCAN	4ℓ缶 4ℓCAN	スプレー SPRAY
①	ヤンマーディープグリーン YANMAR DEEP GREEN	981101-09517	977620-40820	977620-30N31
①	ヤンマーネイビーグレー YANMAR NAVY GRAY	-----	TOR-91390000	TOR-94800490
②	ヤンマー新パーマネントイエロー YANMAR NEW PERMANENT YELLOW	981101-09519	977620-40870	977620-30871
②	ヤンマー新パーマネントイエロー2 YANMAR NEW PERMANENT YELLOW 2	981101-09520	977620-40871	977620-30872
③	ヤンマーグレイッシュグリーン YANMAR GRAYISH GREEN	981101-09615	977620-40830	977620-30N41
④	ヤンマーダークオリーブグレー YANMAR DARK OLIVE GRAY	-----	977620-40720	TOR-94800720
⑤	ヤンマーレッド1 YANMAR RED 1	-----	977620-40500	TOR-94800500
⑥	ヤンマーブラック YANMAR BLACK	-----	TOR-91220001	TOR-94800120

3 [主要部品の塗装色] [COLOR OF MAIN PARTS]

部所 PART	塗装色 PAINTED COLOR	主な部品	MAIN PARTS
①	ヤンマーディープグリーン YANMAR DEEP GREEN ヤンマーネイビーグレー YANMAR NAVY GRAY	フレーム フロントフレーム キャリアローラ バンパー	FRAME FRONT FRAME CARRIER ROLLER BUMPER
②	ヤンマー新パーマネントイエロー YANMAR NEW PERMANENT YELLOW ヤンマー新パーマネントイエロー2 YANMAR NEW PERMANENT YELLOW 2	荷台 燃料タンク ボンネット フロントカバー	WAGON FUEL TANK BONNET FRONT COVER
③	ヤンマーグレイッシュグリーン YANMAR GRAYISH GREEN	キャビン キャノピ	CABIN CANOPY
④	ヤンマーダークオリーブグレー YANMAR DARK OLIVE GRAY	インスツルメントパネル	INSTRUMENT PANEL
⑤	ヤンマーレッド1 YANMAR RED 1	ロックレバー	LOCK LEVER
⑥	ヤンマーブラック YANMAR BLACK	ラジエータグリル	RADIATOR GRILL

絵目次 PICTURESQUE INDEX

銘板・・・Fig. 77～82
LABEL
工具・・・Fig. 83
TOOL
塗装色・・・Fig. 84, 85
PAINTED COLOR
安全銘板・・・Fig. 106
SAFETY LABEL

コントロールボックス・・・Fig. 19
CONTROL BOX
エンジンコントロール・・・Fig. 20
ENGINE CONTROL
電装品・・・Fig. 21
ELECTRIC PART
バッテリー・・・Fig. 22, 23
BATTERY
ベッセルセンターランプ・・・Fig. 24
VESSEL CENTER LAMP

ラジオ・・・Fig. 28
RADIO
ウインドウォッシャー・・・Fig. 29
WIND WASHER
バックブザー・・・Fig. 30
BACK BUZZER
キャビン・・・Fig. 56～60
CABIN
キャノピ・・・Fig. 61
CANOPY

エンジン&関連品・・・Fig. 16～18
ENGINE & RELATED DEVICE
作動油タンク・・・Fig. 40, 41
HYD. OIL TANK
燃料タンク・・・Fig. 42, 43
FUEL OIL TANK
カバー・・・Fig. 44～48
COVER

バックライト・・・Fig. 26
BACK LIGHT

ベッセル・・・Fig. 72, 73
VESSELL
ダンプボディ・・・Fig. 74
DUMP BODY
リヤリンク・・・Fig. 75
REAR LINK
アオリ開閉レバー・・・Fig. 76
OPEN AND CLOSE LEVER
ダンプシリンダ・・・Fig. 99, 100
DUMP CYLINDER
シュー張りシリンダ・・・Fig. 101
TRUCK SHOE CYLINDER

テスリ・・・Fig. 49
BALUSTRADE
バックミラー・・・Fig. 50
BACK MIRROR

右
RIGHT

後
REAR

前
FRONT

左
LEFT

フレーム・・・Fig. 1, 2
FRAME
旋回フレーム・・・Fig. 11
TURNING FRAME
ヘッドライト・・・Fig. 25
HEAD LIGHT
ターンシグナルランプ・・・Fig. 27
TURN SIGNAL LAMP

走行レバー・・・Fig. 13
TRAVEL LEVER
シート・・・Fig. 53～55
SEAT

ヒーター・・・Fig. 62, 63
HEATER
デフロスタ・・・Fig. 64
DEFROSTER
クーラ・・・Fig. 65～70
COOLER
クーラブラケット・・・Fig. 71
COOLER BRACKET

クーラベルト・・・Fig. 3
CRAWLER BELT
キャリアローラ・・・Fig. 4
CARRIER ROLLER
トラックローラ・・・Fig. 5
TRUCK ROLLER
アイドル・・・Fig. 6
IDLER
トラックアジャスタ・・・Fig. 7
TRUCK ADJUSTER
走行装置・・・Fig. 8
TRAVEL DEVICE
走行モータ・・・Fig. 102
TRAVEL MOTOR

旋回ベアリング・・・Fig. 9
TURNING BEARING
スィベルジョイント・・・Fig. 10
SWIVEL JOINT
旋回装置・・・Fig. 12
TURNING DEVICE
走行レバー配管・・・Fig. 14
TRAVEL LEVER PIPING
ダンプ&旋回レバー・・・Fig. 15
DUMP & TURNING LEVER
グリス配管・・・Fig. 31
GREASING PIPING
バルブ・・・Fig. 32, 33
VALVE
本体油圧配管・・・Fig. 34～37
HYD. OIL PIPING
旋回ダンプ配管・・・Fig. 38
TURNING DUMP PIPING
ポンプ駆動・・・Fig. 39
PUMP DRIVING
フロア・・・Fig. 51, 52
FLOOR

コントロールバルブ・・・Fig. 86, 87
CONTROL VALVE
ブロック・・・Fig. 88～91
BLOCK
リモコンバルブ・・・Fig. 92
REMOTE CONTROL VALVE
オートテンションバルブ・・・Fig. 93
AUTO TENSION VALVE
ソレノイドバルブ・・・Fig. 94, 95
SOLENOID VALVE
減圧弁・・・Fig. 96
DEPRESSION VALVE
スィベルセクタ・・・Fig. 97
SWIVEL SELECTOR
スィベルジョイント・・・Fig. 98
SWIVEL JOINT
旋回モータ・・・Fig. 103
TURNING MOTOR
油圧ポンプ・・・Fig. 104
HYD. OIL PUMP
ギヤポンプ・・・Fig. 105
GEAR PUMP

Contents

OCK30-M38102

Fig. No.	Fig. Name	Fig. No.	Fig. Name
C50R-3(A)		25.	HEAD LIGHT
1.	FRAME	26.	BACK LIGHT
2.	FRAME(TURNING)	27.	TURN SIGNAL LAMP
3.	CRAWLER BELT	28.	RADIO
4.	CARRIER ROLLER	29.	WIND WASHER
5.	TRUCK ROLLER	30.	BACK BUZZER
6.	IDLER	31.	GREASE PIPING
7.	TRUCK ADGUSTA	32.	VALVE
8.	TRAVEL DEVICE	33.	VALVE(TURNING)
9.	TURNING BEARING	34.	HYD.OIL PIPING(1)
10.	SWIVEL JOINT	35.	HYD.OIL PIPING(2)
11.	TURNING FRAME	36.	HYD.OIL PIPING(1)(TURNING)
12.	TURNING DEVICE	37.	HYD.OIL PIPING(2)(TURNING)
13.	TRAVEL LEVER	38.	TURNING DUMP PIPING
14.	TRAVEL LEVER PIPING	39.	PUMP DRIVING
15.	DUMP & TURNING LEVER	40.	HYD. OIL TANK
16.	ENGINE & RELATED DEVICE(1)	41.	HYD. OIL TANK(TURNING SPEC)
17.	ENGINE & RELATED DEVICE(2)	42.	FUEL OIL TANK(C50R-3)
18.	ENGINE & RELATED DEVICE(3)	43.	FUEL OIL TANK(C50R-3A)
19.	CONTROL BOX	44.	COVER(1)
20.	ENGINE CONTROL	45.	COVER(2)(TO M40562)
21.	ELECTRIC PART	46.	COVER(2)(FROM M40563)
22.	BATTERY(C50R-3)	47.	COVER(2)(EP)
23.	BATTERY(C50R-3A)	48.	COVER(3)(SIDE COVER:LEFT)
24.	VESSEL CENTER LAMP	49.	BALUSTRADE

Contents

OCK30-M38102

Fig. No. Fig. Name

- 50. BACK MIRROR
- 51. FLOOR(TO M40562)
- 52. FLOOR(FROM M40563)
- 53. SEAT(OVER SAE)
- 54. SEAT(COMPONENT PART)(OVER SAE)
- 55. SEAT(JAPAN)
- 56. CABIN(1)
- 57. CABIN(2)
- 58. CABIN(3)
- 59. CABIN(4)
- 60. CABIN(5)
- 61. CANOPY
- 62. HEATER(1)
- 63. HEATER(2)
- 64. DEFROSTER
- 65. COOLER(1)
- 66. COOLER(2)(COMPRESSOR)
- 67. COOLER(3)(CONDENSER))
- 68. COOLER(4)(UNIT)(-M40553)
- 69. COOLER(4-1)(UNIT)(M40554-)
- 70. COOLER(4-2)(UNIT)(M40554-)
- 71. COOLER BRACKET
- 72. VESSELL
- 73. VESSELL(TURNING)
- 74. DUMP BODY

Fig. No. Fig. Name

- 75. REAR LINK
- 76. OPEN AND CLOSE LEVER
- 77. LABEL(JAPAN)
- 78. LABEL(JAPAN)
- 79. LABEL(TURNING)
- 80. LABEL(TURNING)
- 81. LABEL(EX)
- 82. LABEL(EX)
- 83. TOOL
- 84. PAINTED COLOR
- 85. PAINTED COLOR(TURNING)
- 86. CONTROL VALVE(4-RANGE)
- 87. CONTROL VALVE(2-RANGE)
- 88. BLOCK(1)
- 89. BLOCK(2)
- 90. BLOCK(3)
- 91. BLOCK(4)
- 92. REMOTE CONTROL VALVE
- 93. AUTO TENSION VALVE
- 94. SOLENOID VALVE(1-RANGE)
- 95. SOLENOID VALVE(2-RANGE)
- 96. DEPRESSION VALVE
- 97. SWIVEL SELECTOR
- 98. SWIVEL JOINT
- 99. DUMP CYLINDER

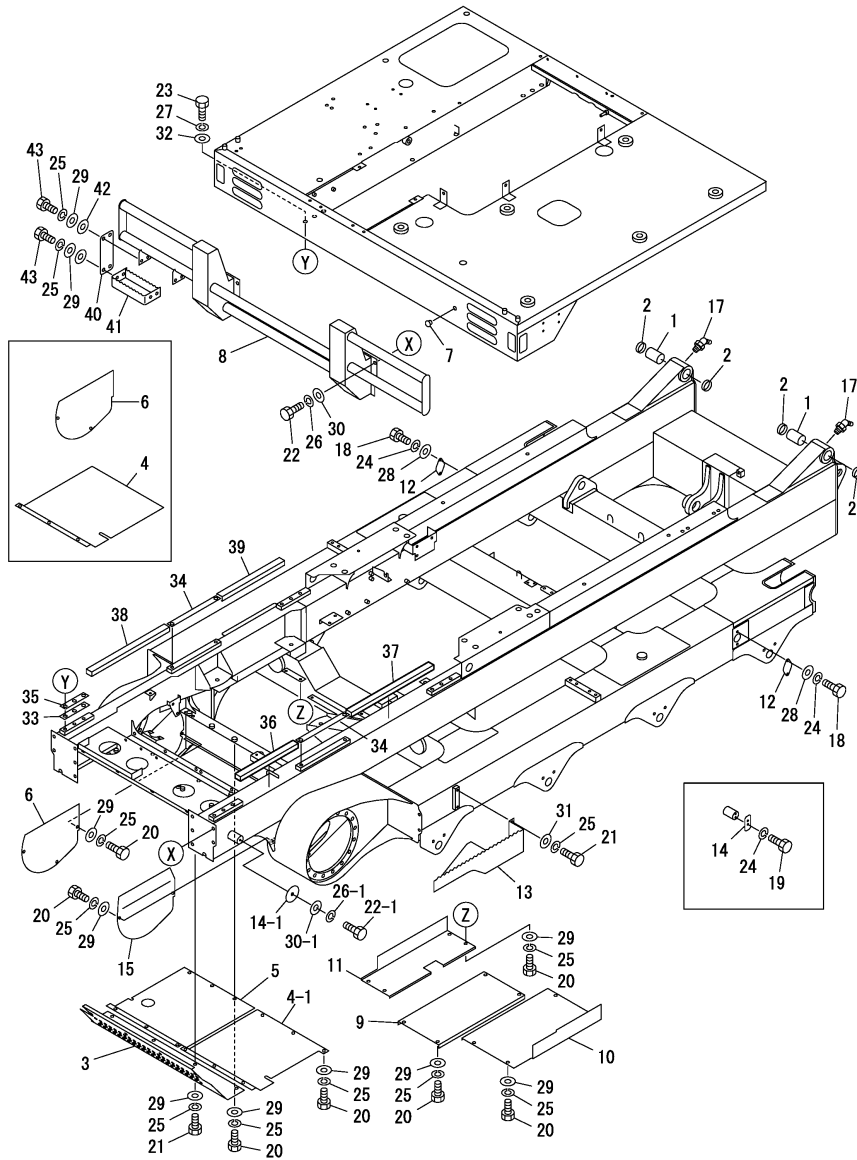
Contents

0CK30-M38102

Fig. No.	Fig. Name
100.	DUMP CYLINDER(TURNING)
101.	TRUCK SHOE CYLINDER
102.	TRAVEL MOTOR
103.	TURNING MOTOR
104.	HYD. OIL PUMP
105.	GEAR PUMP
106.	SAFETY LABEL

Fig. No.	Fig. Name
----------	-----------

Fig.1. FRAME



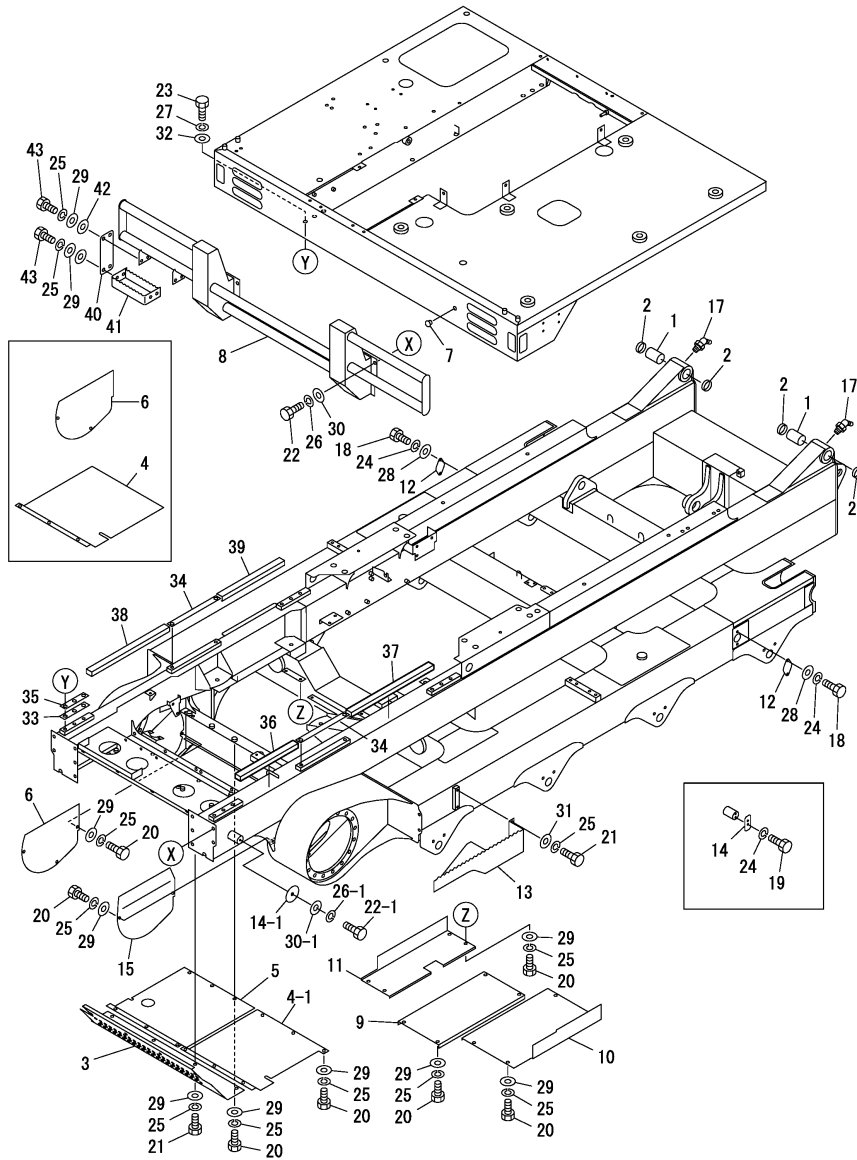
Remarks
 (1)INTERCHANGEABLE BY SIMULTANEOUS REPLACEMENT WITH REF.NO.16.
 (2)USE IT SIMULTANEOUS WITH NO.4-1.
 (3)SELECTION USE PARTS.

(A)=C50R-3
 (B)=C50R-3A
 (C)=

(D)=
 (E)=
 (F)=

No.	Lev.	Parts No.	Description	Qty						I	R
				(A)	(B)	(C)	(D)	(E)	(F)		
1	1	E000240052	BUSH	4	4						
2	1	E1432200040	SEAL, DUST	4	4						
3	1	E0871108603	COVER	1	1						
4	1	E0871107504	COVER	1	1						
4-1	1	E0874101004	COVER		1					F	1
(B=M/#41626)											
5	1	E0871107505	COVER	1	1						
6	1	E0871108606	COVER, MOTOR	2	2						
6-1	1	E0871108606	COVER, MOTOR		1						K
(B=M/#41626)											
7	1	E1652533023	CAP	1	1						
8	1	E0871108620	BUMPER	1	1						
9	1	E0874100009	COVER, OIL SUMP	1	1						
10	1	E0871108610	COVER	1	1						
11	1	E0871108611	COVER	1	1						
12	1	E0872106340	COVER	2	2						
13	1	E0871108630	STEP	1	1						
14	1	E0874100014	PLATE	2							
14-1	1	E0871108614	PLATE	2	2						S
(A=M/#40568)											
15	1	E0874101016	COVER, MOTOR		1						W
(B=M/#41626)											
17	1	E1560001675	NIPPLE, GREASE	2	2						
18	1	E1100040814	BOLT M8X14	4	4						
19	1	E1100040818	BOLT	4							Z
(A=M/#40568)											
20	1	E1100041020	BOLT M10X 20	30	30						
21	1	E1100041025	BOLT M10X 25	12	12						
22	1	E1100041225	BOLT M12X25	10	10						
22-1	1	E1100041225	BOLT M12X25	12	12						K
(A=MXXX) (B=MXXX)											
23	1	E1100041430	BOLT	1	1						3
23A	1	E1100041435	BOLT M14X 35	1	1						3
24	1	E1140020008	SPRING WASHER 8	8	8						
24-1	1	E1140020008	SPRING WASHER 8	4	4						K
(A=MXXX) (B=MXXX)											
25	1	E1140020010	SPRING WASHER 10	50	50						
26	1	E1140020012	SPRING WASHER 12	10	10						
26-1	1	E1140020012	SPRING WASHER 12	12	12						K
(A=MXXX) (B=MXXX)											
27	1	E1140020014	SPRING WASHER 14	16	16						
28	1	E1141110008	WASHER 8	4	4						
29	1	E1141110010	WASHER 10	46	46						
30	1	E1141110012	WASHER 12	10	10						
30-1	1	E1141110012	WASHER 12	12	12						K
(A=MXXX) (B=MXXX)											
31	1	E1141550010	WASHER, M10	4	4						
32	1	E1141550014	WASHER	16	16						
33	1	E0874100400	SHIM, T=1.0	1	1						3
33A	1	E0874100401	SHIM, T=1.6	1	1						3
33B	1	E0874100402	SHIM, T=2.3	1	1						3

Fig.1. FRAME



(A)=C50R-3
(B)=C50R-3A
(C)=

(D)=
(E)=
(F)=

No.	Lev.	Parts No.	Description	Q'ty						I	R
				(A)	(B)	(C)	(D)	(E)	(F)		
33C	1	E0874100403	SHIM, T=4.5	1	1						3
33D	1	E0874100404	SHIM, T=1.0	1	1						3
33E	1	E0874100405	SHIM, T=1.6	1	1						3
33F	1	E0874100406	SHIM, T=2.3	1	1						3
33G	1	E0874100407	SHIM, T=4.5	1	1						3
34	1	E0871100416	PLATE	1							
34-1	1	E0871108634	PLATE	1	1						N
(A=M/#40520)											
35	1	E0874100420	WASHER	1	1						
36	1	E0871107619	SPONGE	1	1						
37	1	E0871107620	SPONGE	1	1						
38	1	E0874100039	SPONGE	1							
38-1	1	E0871108638	SPONGE	1	1						N
(A=M/#40520)											
39	1	E0874100040	SPONGE	1	1						
40	1	E0872108110	HANGER,STEP	2	2						
41	1	E0872107070	STEP	1	1						
42	1	E0003612004	WASHER	8	8						
43	1	E1100041030	BOLT M10X30	8	8						

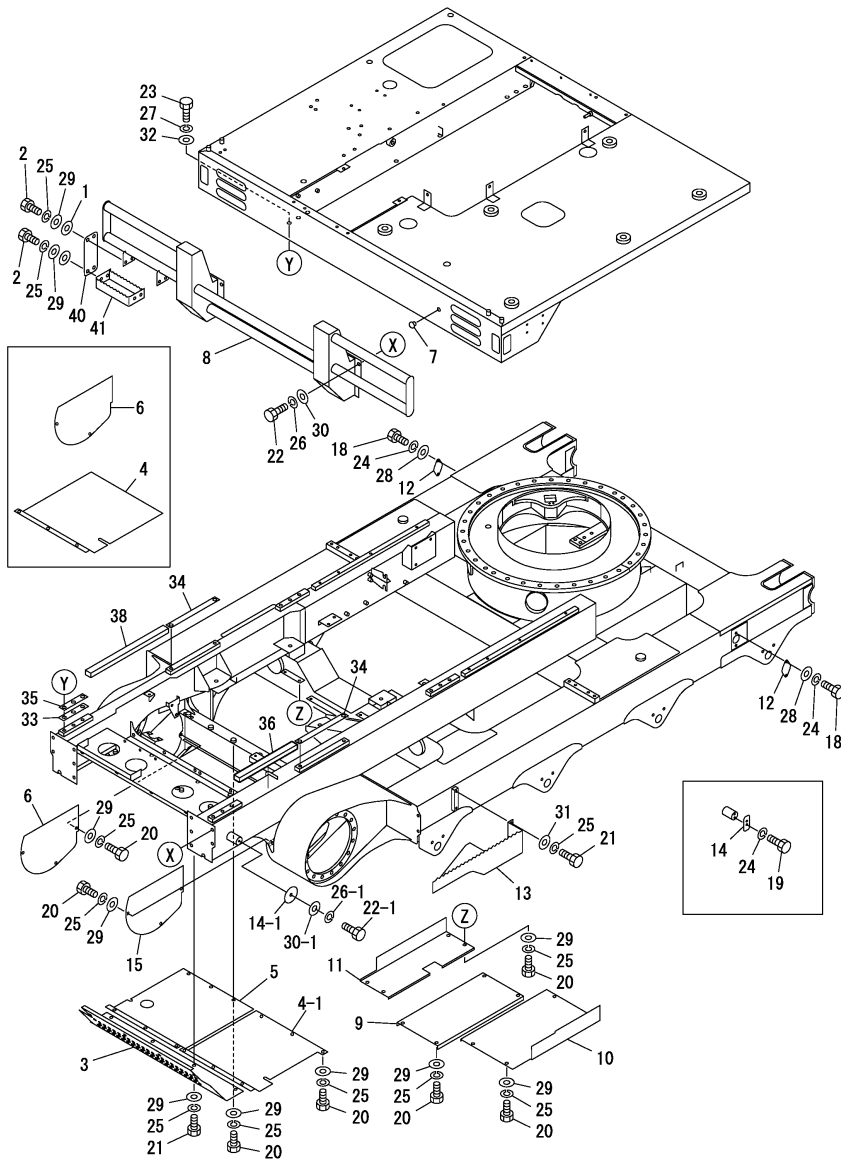
Remarks

- (1)INTERCHANGEABLE BY SIMULTANEOUS REPLACEMENT WITH REF.NO.16.
- (2)USE IT SIMULTANEOUS WITH NO.4-1.
- (3)SELECTION USE PARTS.

Fig.2. FRAME(TURNING)

(A)=C50R-3
(B)=C50R-3A
(C)=

(D)=
(E)=
(F)=



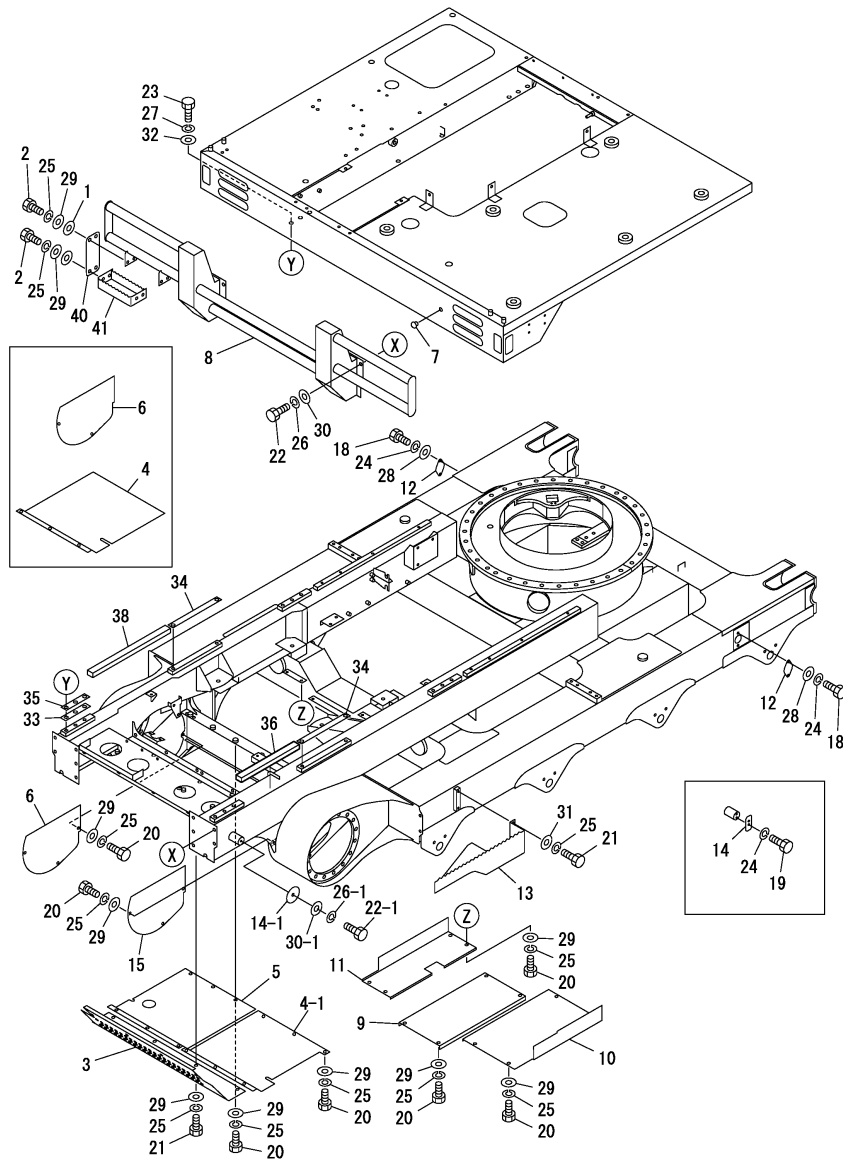
No.	Lev.	Parts No.	Description	Q'ty						I	R
				(A)	(B)	(C)	(D)	(E)	(F)		
1	1	E0003612004	WASHER	8	8						
2	1	E1100041030	BOLT M10X30	8	8						
3	1	E0871108603	COVER	1	1						
4	1	E0871107504	COVER	1	1						1
4-1	1	E0874101004	COVER		1						F 1
(B=M/#41626)											
5	1	E0871107505	COVER	1	1						
6	1	E0871108606	COVER, MOTOR	2	2						1
6-1	1	E0871108606	COVER, MOTOR		1						K
(B=M/#41626)											
7	1	E1652533023	CAP	1	1						
8	1	E0871108620	BUMPER	1	1						
9	1	E0874100009	COVER, OIL SUMP	1	1						
10	1	E0871108610	COVER	1	1						
11	1	E0871108611	COVER	1	1						
12	1	E0872106340	COVER	2	2						
13	1	E0871108630	STEP	1	1						
14	1	E0874100014	PLATE	2							
14-1	1	E0871108614	PLATE	2	2						S
(A=M/#40568)											
15	1	E0874101016	COVER, MOTOR		1						W 2
(B=M/#41626)											
18	1	E1100040814	BOLT M8X14	4	4						
19	1	E1100040818	BOLT	4							Z
(A=M/#40568)											
20	1	E1100041020	BOLT M10X 20	30	30						
21	1	E1100041025	BOLT M10X 25	12	12						
22	1	E1100041225	BOLT M12X25	10	10						
22-1	1	E1100041225	BOLT M12X25	12	12						K
(A=MXXX) (B=MXXX)											
23	1	E1100041430	BOLT	16	16						3
23A	1	E1100041435	BOLT M14X 35	16	16						3
24	1	E1140020008	SPRING WASHER 8	8	8						
24-1	1	E1140020008	SPRING WASHER 8	4	4						K
(A=MXXX) (B=MXXX)											
25	1	E1140020010	SPRING WASHER 10	50	50						
26	1	E1140020012	SPRING WASHER 12	10	10						
26-1	1	E1140020012	SPRING WASHER 12	12	12						K
(A=MXXX) (B=MXXX)											
27	1	E1140020014	SPRING WASHER 14	16	16						
28	1	E1141110008	WASHER 8	4	4						
29	1	E1141110010	WASHER 10	46	16						
30	1	E1141110012	WASHER 12	10	10						
30-1	1	E1141110012	WASHER 12	12	12						K
(A=MXXX) (B=MXXX)											
31	1	E1141550010	WASHER, M10	4	4						
32	1	E1141550014	WASHER	16	16						
33	1	E0874100400	SHIM, T=1.0	1	1						
33A	1	E0874100401	SHIM, T=1.6	1	1						3
33B	1	E0874100402	SHIM, T=2.3	1	1						3
33C	1	E0874100403	SHIM, T=4.5	1	1						3

Remarks
 (1)INTERCHANGEABLE BY SIMULTANEOUS REPLACEMENT WITH REF.NO.16.
 (2)USE IT SIMULTANEOUS WITH NO.4-1.
 (3)SELECTION USE PARTS.

Fig.2. FRAME(TURNING)

(A)=C50R-3
(B)=C50R-3A
(C)=

(D)=
(E)=
(F)=

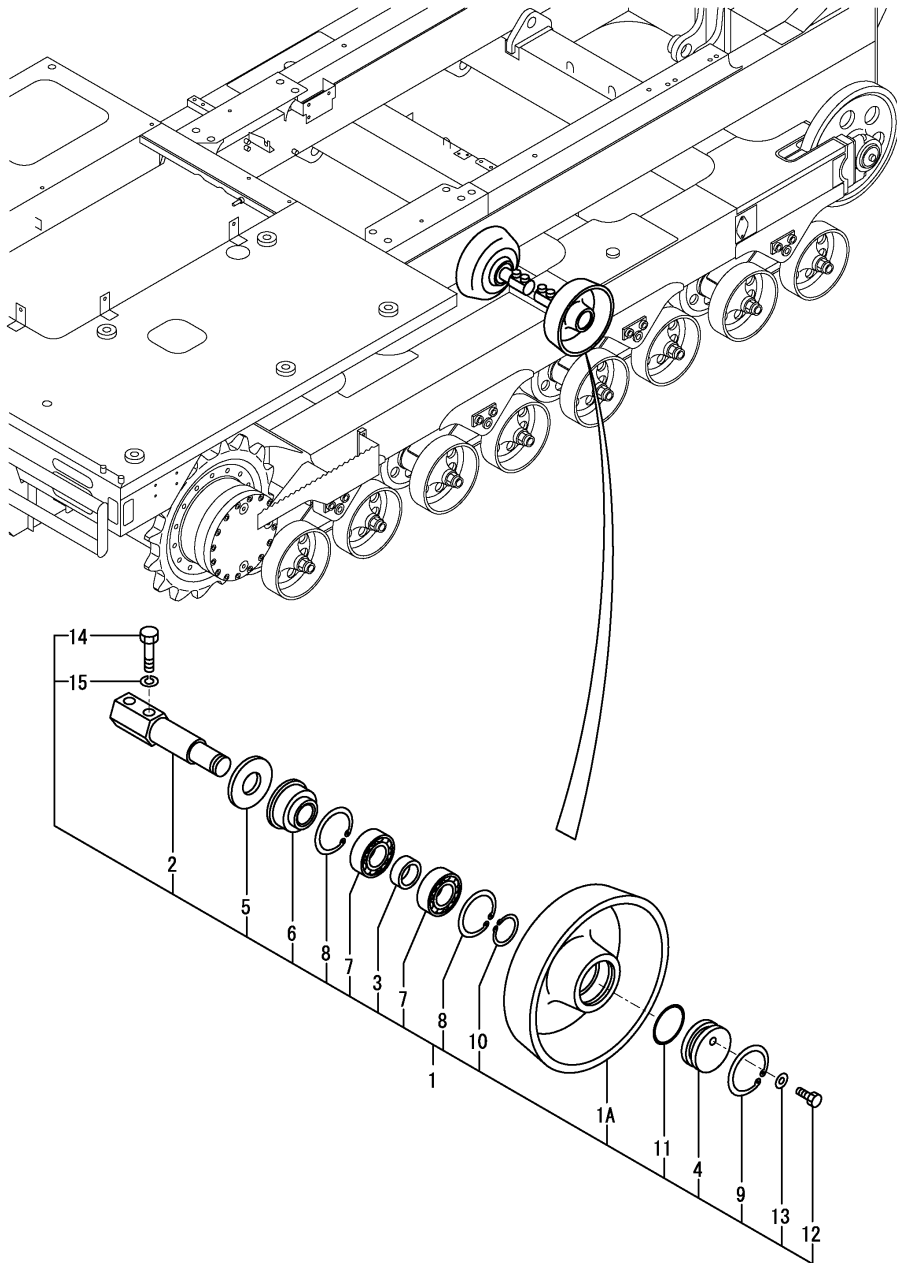


No.	Lev.	Parts No.	Description	Q'ty						I	R
				(A)	(B)	(C)	(D)	(E)	(F)		
33D	1	E0874100404	SHIM, T=1.0	1	1						3
33E	1	E0874100405	SHIM, T=1.6	1	1						3
33F	1	E0874100406	SHIM, T=2.3	1	1						3
33G	1	E0874100407	SHIM, T=4.5	1	1						3
34	1	E0871108634	PLATE	1	1						
35	1	E0874100420	WASHER	2	2						
36	1	E0871107619	SPONGE	2	2						
38	1	E0871108638	SPONGE	2	2						
40	1	E0872108110	HANGER,STEP	2	2						
41	1	E0872107070	STEP	1	1						

Remarks

- (1)INTERCHANGEABLE BY SIMULTANEOUS REPLACEMENT WITH REF.NO.16.
- (2)USE IT SIMULTANEOUS WITH NO.4-1.
- (3)SELECTION USE PARTS.

Fig.4. CARRIER ROLLER

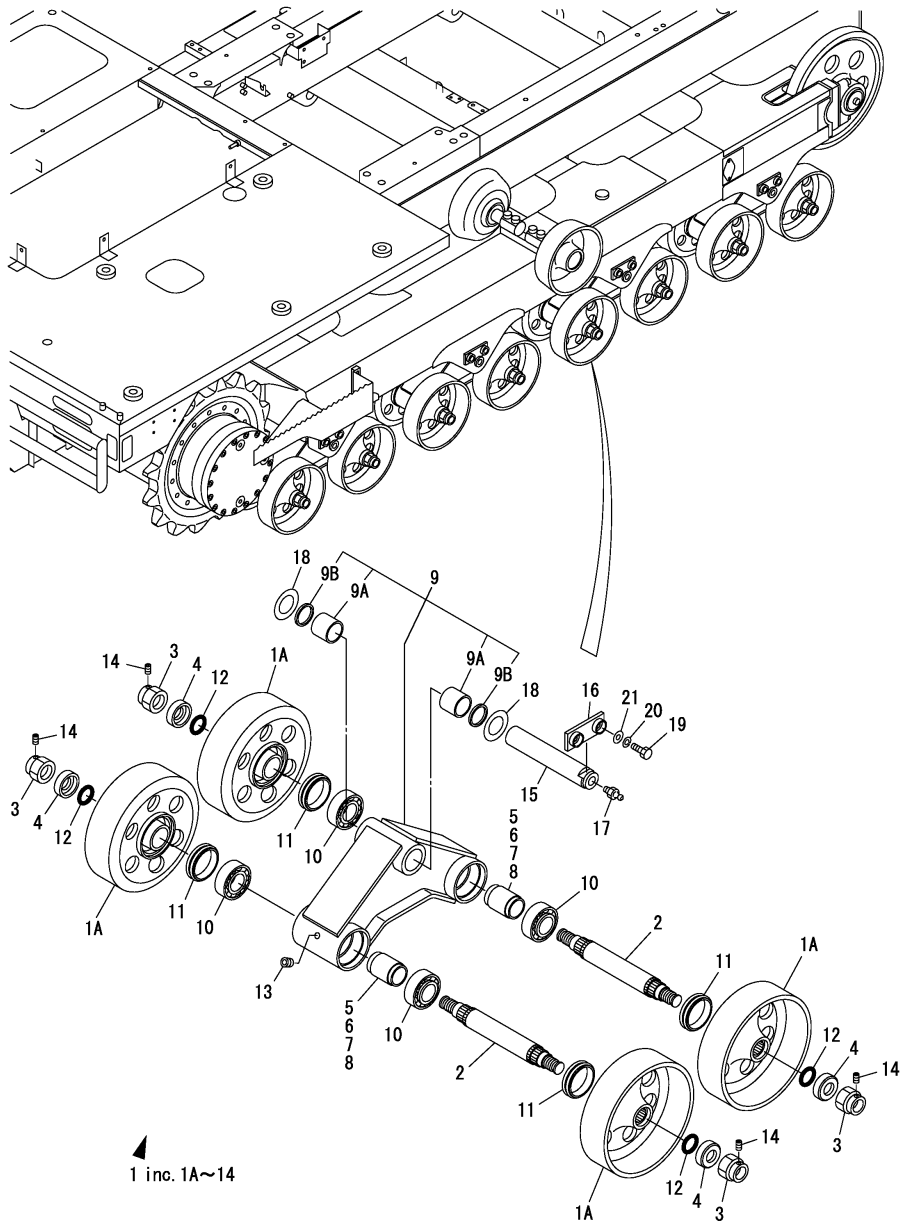


(A)=C50R-3
(B)=C50R-3A
(C)=

(D)=
(E)=
(F)=

No.	Lev.	Parts No.	Description	Q'ty						I	R
				(A)	(B)	(C)	(D)	(E)	(F)		
1	1	E0870121800	ROLLER ASSY, CARRIER	4	4						
1A	2	E0872123600	SHELL, ROLLER	4	4						
2	2	E0870121900	SHAFT	4	4						
3	2	E0872123800	COLLAR	4	4						
4	2	E0872123900	PLATE	4	4						
5	2	E0860124500	COVER, SEAL	4	4						
6	2	E1431203562	SEAL	4	4						
7	2	E1300006206	BEARING	8	8						
8	2	E1221000062	SNAP RING	8	8						
9	2	E1221000065	CIRCLIP	4	4						
10	2	E1220000030	SNAP RING	4	4						
11	2	E1420100600	O-RING	4	4						
12	2	E1100041014	BOLT M10X 14	4	4						
13	2	E1541400510	WASHER, COPPER	4	4						
14	2	E1101041670	BOLT M16X 70	8	8						
15	2	E1140020016	SPRING WASHER M16	8	8						

Fig.5. TRUCK ROLLER



(A)=C50R-3
(B)=C50R-3A
(C)=

(D)=
(E)=
(F)=

No.	Lev.	Parts No.	Description	Q'ty						I	R
				(A)	(B)	(C)	(D)	(E)	(F)		
1	1	E0874130100	TRUCK ROLLER ASSY	8	8						
1A	2	E0874130110	SHELL, TRACK ROLLER	32	32						
2	2	E0874130120	SHAFT	16	16						
3	2	E0874130130	NUT	32	32						
4	2	E0874130140	PLATE	32	32						
5	2	E0874130150	SPACER	1	1						1
6	2	E0874130160	SPACER	1	1						1
7	2	E0874130170	SPACER	1	1						1
8	2	E0874130180	SPACER	1	1						1
9	2	E0874130200	BRACKET ASSY	8	8						
9A	3	E0002400053	BUSH	16	16						
9B	3	E1432200040	SEAL, DUST	16	16						
10	2	E1305000004	ROLLER BEARING	32	32						
11	2	E1432500640	SEAL, FLOATING	32	32						
12	2	E1420360322	O-RING	32	32						
13	2	E1501810002	PLUG PT 1/4	32	32						
14	2	E1121240810	SCREW	32	32						
15	1	E0874130010	PIN	8	8						
16	1	E0870138460	LOCKER	8	8						
17	1	E1560001000	NIPPLE, GREASE	8	8						
18	1	E0003600036	SHIM	16	16						
19	1	E1101041235	BOLT M12X 35	16	16						
19-1	1	E1101041240	BOLT M12X 40 P1.5	16	16						S
		(A=MXXX) (B=MXXX)									
20	1	E1140020012	SPRING WASHER 12	16	16						
21	1	E1141550012	WASHER, M12	16	16						

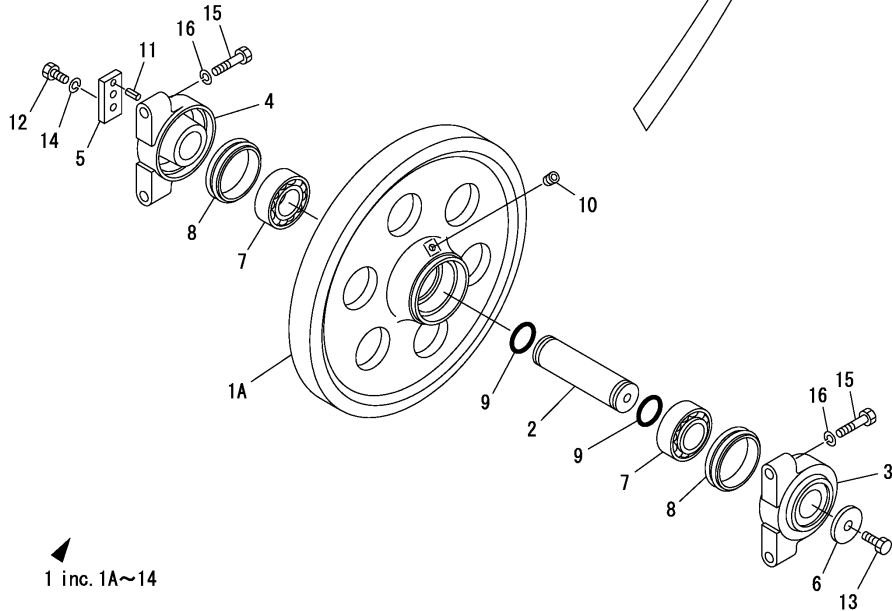
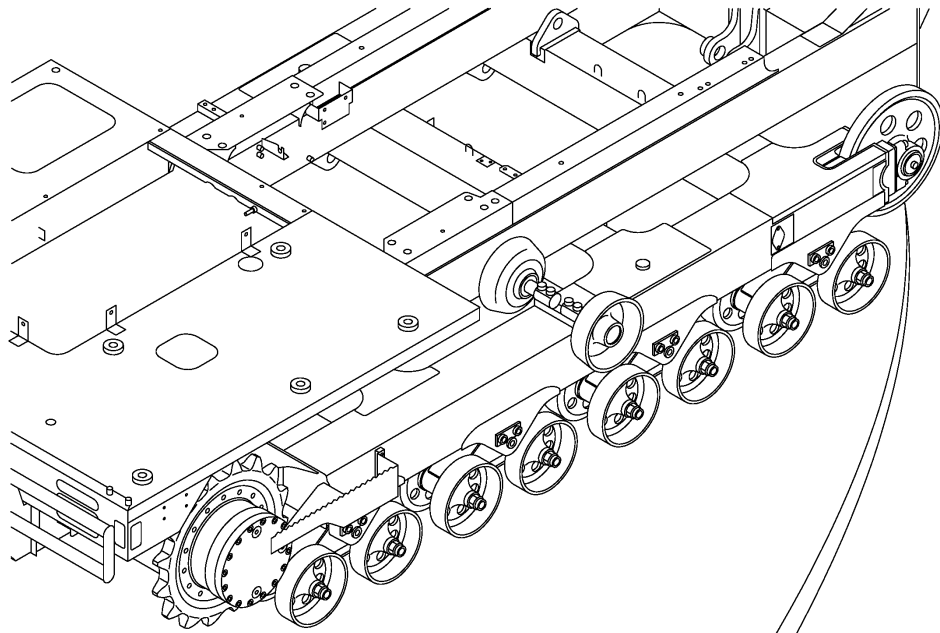
Remarks

(1)SELECTION USE PARTS.

Fig.6. IDLER

(A)=C50R-3
(B)=C50R-3A
(C)=

(D)=
(E)=
(F)=



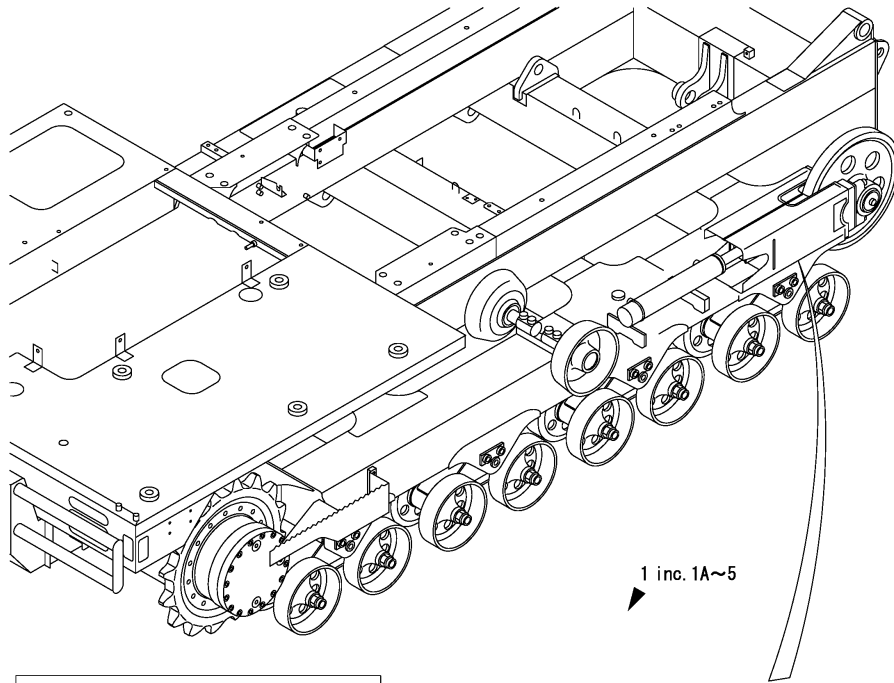
1 inc. 1A~14

No.	Lev.	Parts No.	Description	Q'ty						I	R
				(A)	(B)	(C)	(D)	(E)	(F)		
1	1	E0874140100	IDLER ASSY	2	2						
1A	2	E0874140110	SHELL, IDLER	2	2						
2	2	E0881140320	SHAFT	2	2						
3	2	E0874140130	COVER, SEAL	2	2						
4	2	E0874140140	COVER, SEAL	2	2						
5	2	E0881140350	PLATE	2	2						
6	2	E0881140360	PLATE	2	2						
7	2	E1305000005	BRACKET	4	4						
8	2	E1432500800	SEAL, FLOATING	4	4						
9	2	E1420100400	O-RING	4	4						
10	2	E1501810001	PLUG PT1/8	2	2						
11	2	E1213001026	SPRING PIN	2	2						
12	2	E1100041030	BOLT M10X30	4	4						
13	2	E1106041635	BOLT M16,P2.0X 35	2	2						
14	2	E1140020010	SPRING WASHER 10	4	4						
15	1	E1100041245	BOLT M12X 45	16	16						
16	1	E1140020012	SPRING WASHER 12	16	16						

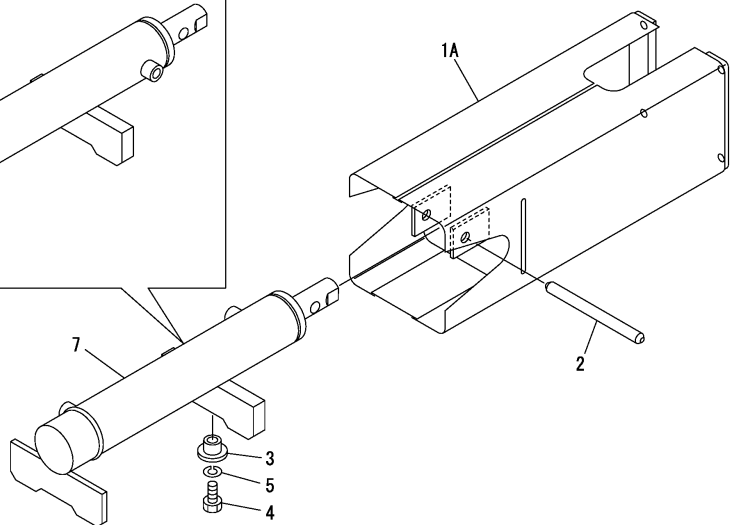
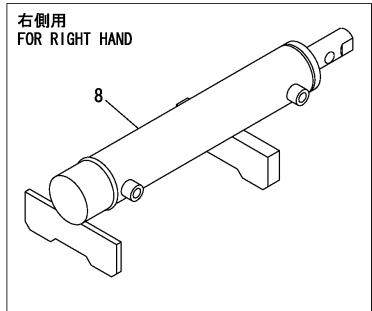
Fig.7. TRUCK ADGUSTA

(A)=C50R-3
(B)=C50R-3A
(C)=

(D)=
(E)=
(F)=



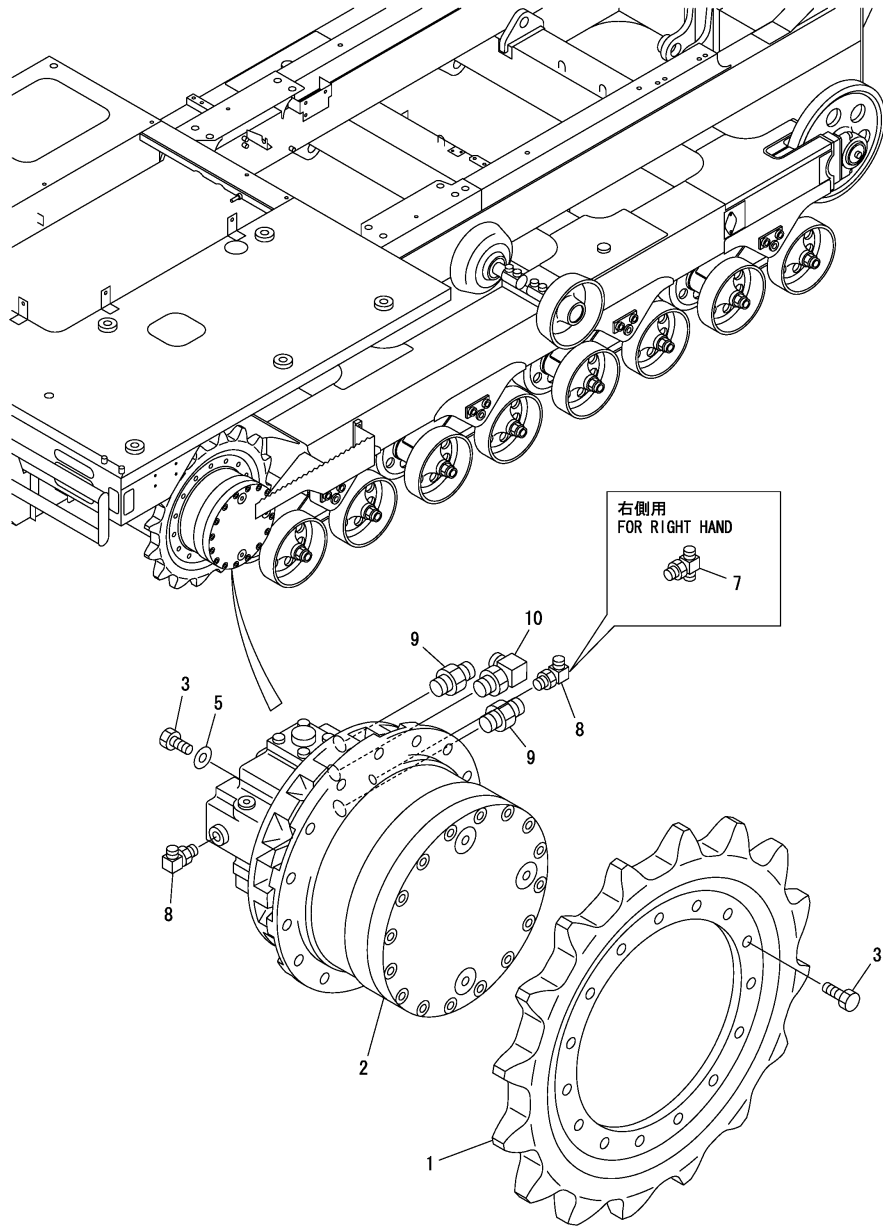
1 inc. 1A~5



No.	Lev.	Parts No.	Description	Qty						I	R
				(A)	(B)	(C)	(D)	(E)	(F)		
1	1	E0871152600	SLIDE FORK ASSY	2	2						
1A	2	E0871152700	FORK	2	2						
2	2	E0871150800	PIN	2	2						
3	2	E0872153630	BOSS	2	2						
4	2	E1100041440	BOLT M14X40	2	2						
5	2	E1140020014	SPRING WASHER 14	2	2						
7	1	E1900085900	CYLINDER ASSY	1	1						1
8	1	E1900086000	CYLINDER ASSY	1	1						1

Remarks
(1)COMPONENT PARTS:REFER TO FIG.101.

Fig.8. TRAVEL DEVICE



(A)=C50R-3
(B)=C50R-3A
(C)=

(D)=
(E)=
(F)=

No.	Lev.	Parts No.	Description	Q'ty						I	R
				(A)	(B)	(C)	(D)	(E)	(F)		
1	1	E0871162600	SPROCKET	2	2						
2	1	E1903123300	MOTOR ASSY, TRAVEL	2	2						1
3	1	E1100041635	BOLT M16X 35	62	62						
5	1	E1141550016	WASHER, M16	62	62						
5-1	1	E1141550016	WASHER, M16	32	32						K
		(A=MXXX)	(B=MXXX)								
7	1	E1512370010	NIPPLE	2	2						
8	1	E1515012040	ELBOW	2	2						
9	1	E1515600203	ADAPTER UNION	4	4						
10	1	E1515010043	ELBOW	2	2						

Remarks

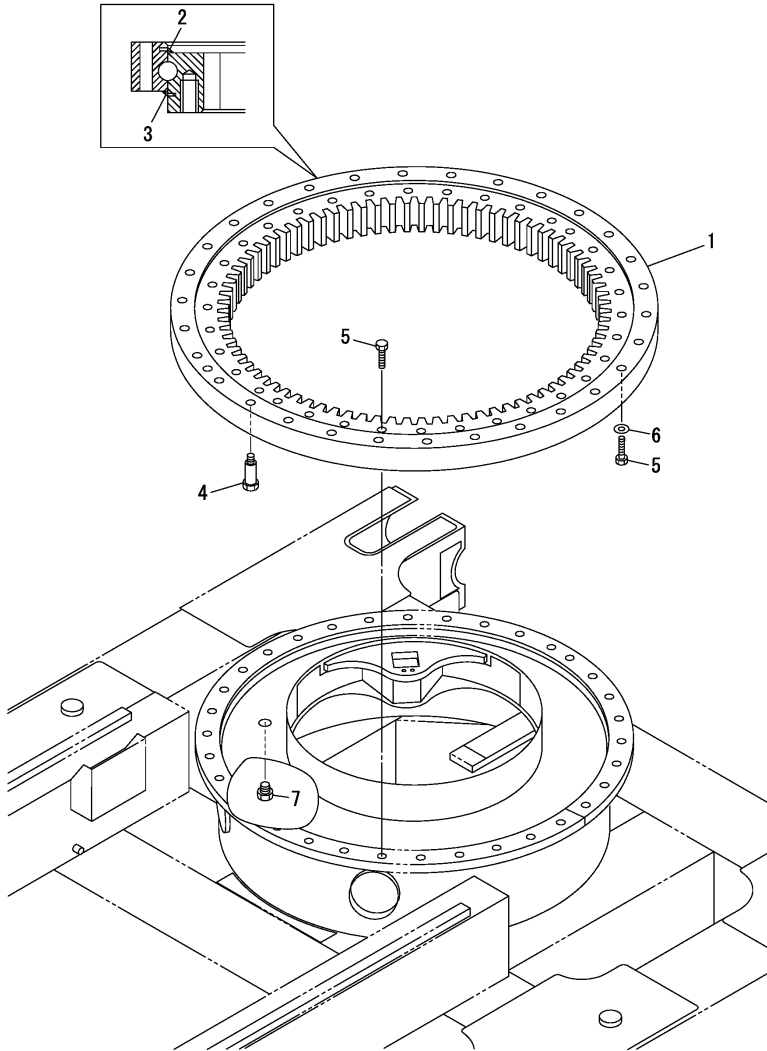
(1)COMPONENT PARTS:REFER TO FIG.102.

N:Old $\xrightarrow{\text{Yes}}$ New, Q:Old $\xrightarrow{\text{No}}$ New, R:Old $\xrightarrow{\text{Yes}}$ New, S:Old $\xrightarrow{\text{No}}$ New, W:Add, Z:Discontinued, F:Interchangeable by set, K:Q'ty Change

Fig.9. TURNING BEARING

(A)=C50R-3
(B)=C50R-3A
(C)=

(D)=
(E)=
(F)=

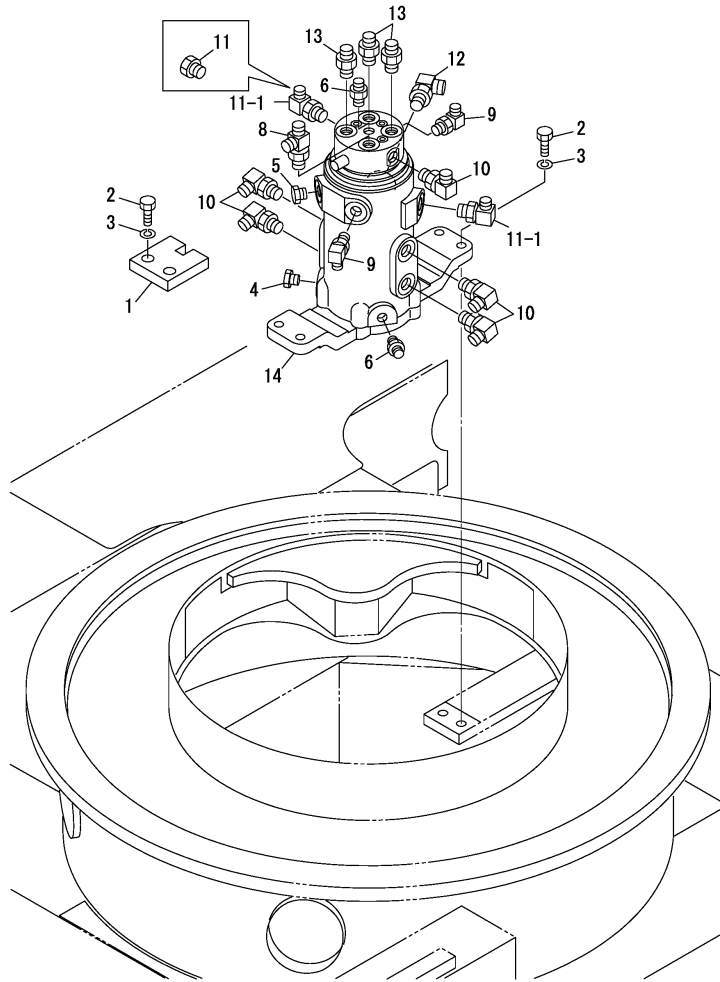


No.	Lev.	Parts No.	Description	Q'ty						I	R
				(A)	(B)	(C)	(D)	(E)	(F)		
1	1	E1913004650	TURNING BEARING	1	1						
1-1	1	E1913040950	TURNING BEARING	1	1						N
		(A=M/#41676) (B=M/#41676)									
2	2	E1913004658	SEAL	1	1						
3	2	E1913004659	SEAL	1	1						
4	1	E0562016100	BOLT	1	1						
5	1	E1101041680	BOLT	63	63						
5-1	1	E1101041685	BOLT	63	63						S
		(A=MXXX) (B=MXXX)									
6	1	E1141550016	WASHER, M16	29	29						
7	1	E1501710010	PLUG	1	1						W
		(A=MXXX) (B=MXXX)									

Fig.10. SWIVEL JOINT

(A)=C50R-3
(B)=C50R-3A
(C)=

(D)=
(E)=
(F)=



No.	Lev.	Parts No.	Description	Q'ty						I	R
				(A)	(B)	(C)	(D)	(E)	(F)		
1	1	E0874210010	LOCKING	1	1						
2	1	E1101041440	BOLT M14X 40	6	6						
3	1	E1140020014	SPRING WASHER 14	6	6						
4	1	E1501710002	PLUG	1	1						
5	1	E1501750002	PLUG	1	1						
6	1	E1511050002	ADAPTER, HOSE	2	2						
8	1	E1512370007	TEE	1	1						
9	1	E1515012040	ELBOW	2	2						
10	1	E1515010041	ELBOW	5	5						
11	1	E1501750003	PLUG	2							
11-1	1	E1515010050	ELBOW	2	2						S
(A=M/#40533)											
12	1	E1515010131	ELBOW	1	1						
13	1	E1515600201	UNION	3	3						
14	1	E1904005900	JOINT ASSY, SWIVEL	1	1						1

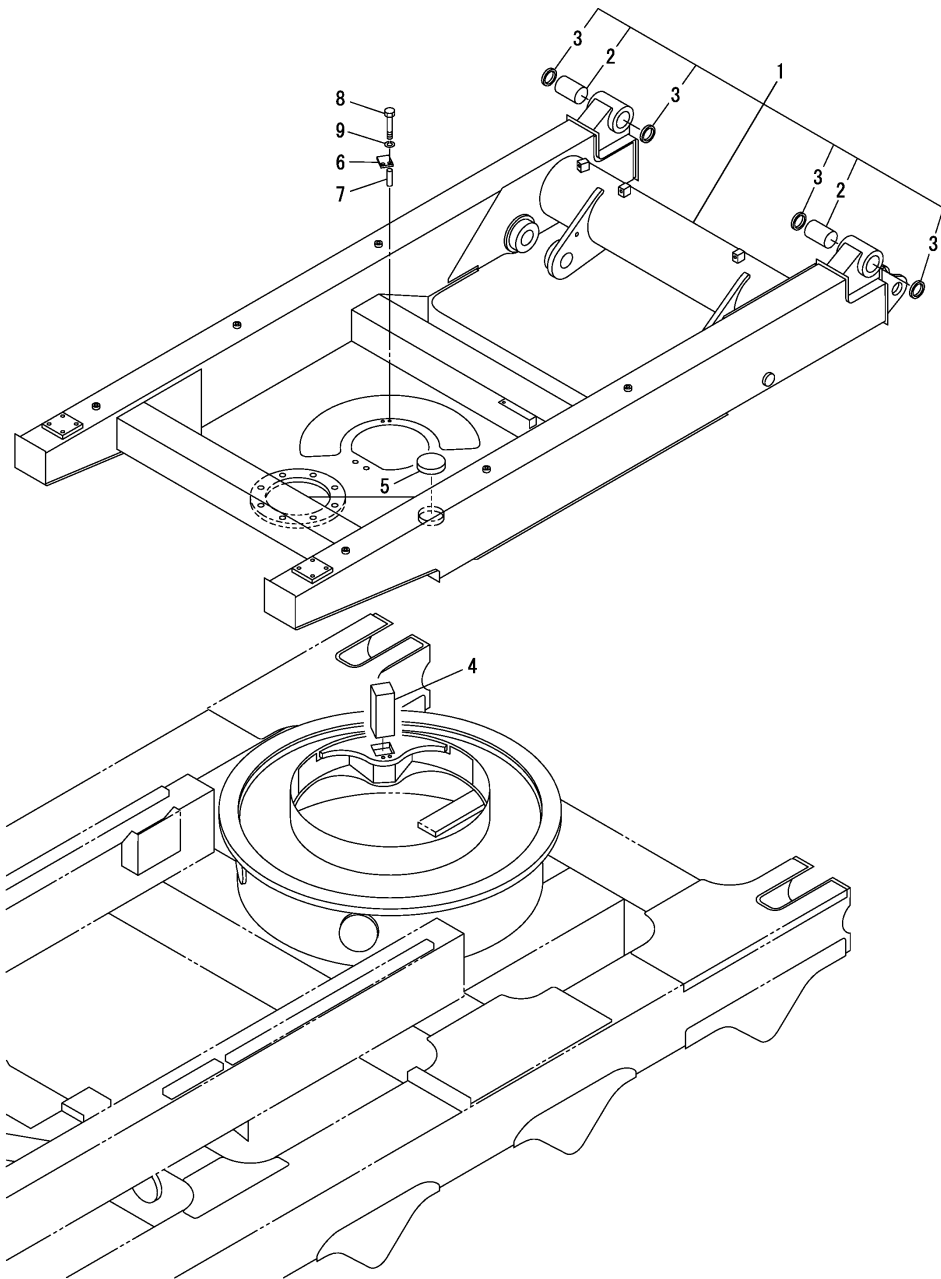
Remarks

(1)COMPONENT PARTS:REFER TO FIG.98.

Fig.11. TURNING FRAME

(A)=C50R-3
(B)=C50R-3A
(C)=

(D)=
(E)=
(F)=

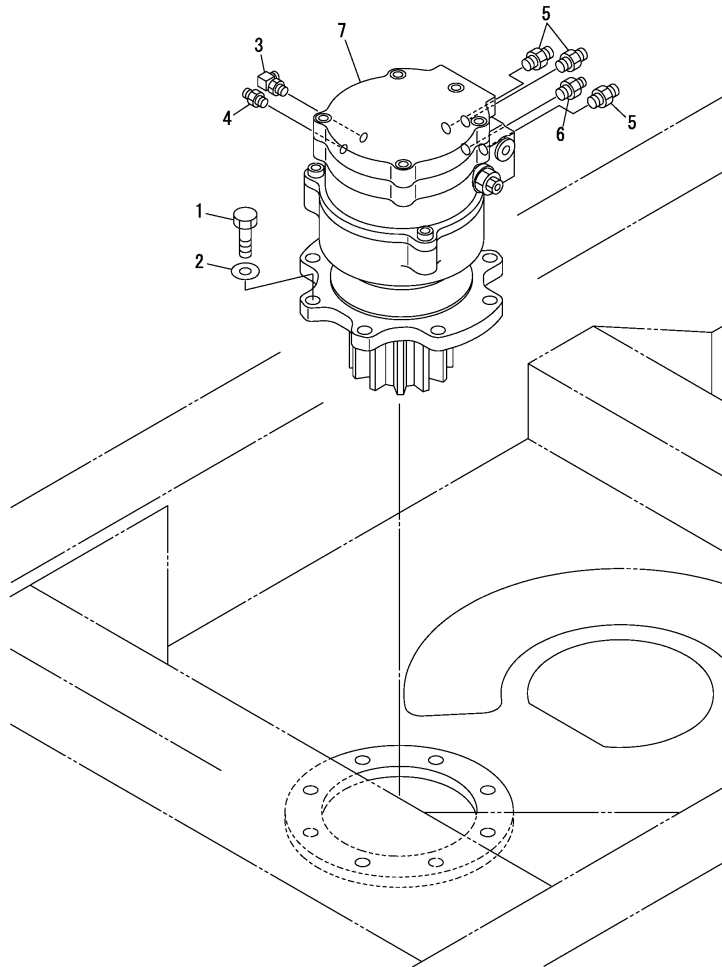


No.	Lev.	Parts No.	Description	Qty						I	R
				(A)	(B)	(C)	(D)	(E)	(F)		
1	1	E0871220020	TURNING FRAME	1	1						
2	2	E0002400052	BUSH	2	2						
3	2	E1432200040	SEAL, DUST	4	4						
4	1	E0871220010	LOCK PIN	1	1						
5	1	E0173216600	COVER	1	1						
6	1	E0874220008	PLAET	1	1						
7	1	E0874220009	PIPE	2	2						
8	1	E1100040860	BOLT M 8X60	2	2						
8-1	1	E1100040870	BOLT M 8X 70	2	2						S
		(A=MXXX) (B=MXXX)									
9	1	E1140020008	SPRING WASHER 8	2	2						

Fig.12. TURNING DEVICE

(A)=C50R-3
(B)=C50R-3A
(C)=

(D)=
(E)=
(F)=

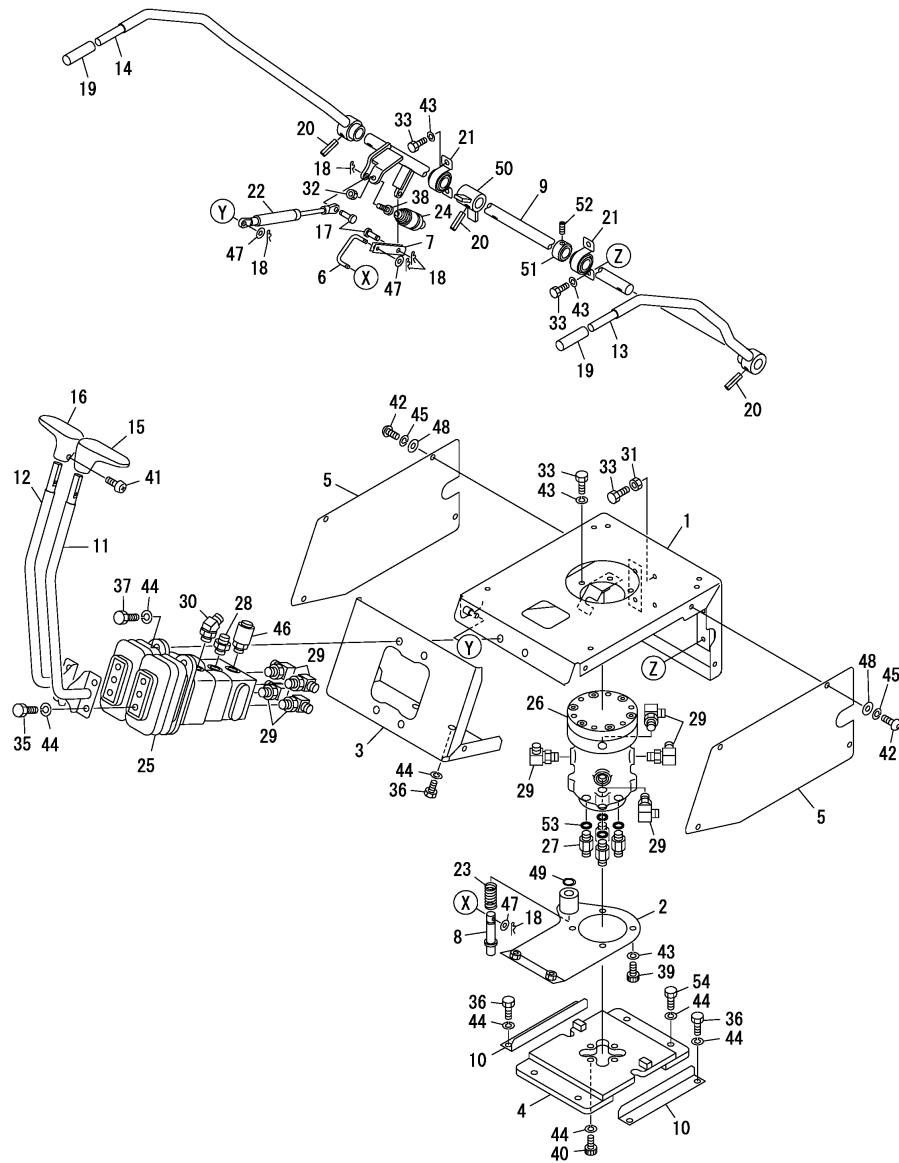


No.	Lev.	Parts No.	Description	Q'ty						I	R
				(A)	(B)	(C)	(D)	(E)	(F)		
1	1	E1101041650	BOLT M16X50	8	8						
2	1	E1141550016	WASHER, M16	8	8						
3	1	E1515012040	ELBOW	1	1						
4	1	E1515600200	UNION	1	1						
5	1	E1515600201	UNION	3	3						
6	1	E1515600576	ADAPTER UNION	1	1						
7	1	E1903121900	MOTOR ASSY, SWING	1							1
7-1	1	E1903123500	MOTOR ASSY, SWING	1	1						N 1
(A=M/#40533)											

Remarks

(1)COMPONENT PARTS:REFER TO FIG.103.

Fig.13. TRAVEL LEVER



(A)=C50R-3
(B)=C50R-3A
(C)=

(D)=
(E)=
(F)=

No.	Lev.	Parts No.	Description	Q'ty						I	R
				(A)	(B)	(C)	(D)	(E)	(F)		
1	1	E0871513010	SEAT MOUNT	1	1						
2	1	E0871513020	PLATE	1	1						
3	1	E0871513030	VALVE MOUNT	1	1						
4	1	E0871514040	PLATE	1	1						
5	1	E0871513050	COVER	2	2						
6	1	E0871513060	PIN	1	1						
7	1	E0871513070	LINK	1	1						
8	1	E0871513080	LOCK PIN	1	1						
9	1	E0871513090	SHAFT	1	1						
10	1	E0871514100	COVER	2	2						
11	1	E0871513110	LEVER L, TRAVEL	1	1						
12	1	E0871513120	LEVER R, TRAVEL	1	1						
13	1	E0871513130	LEVER L	1	1						
14	1	E0871513140	LEVER R	1	1						
15	1	E1650204200	GRIP	1	1						
16	1	E1650204100	GRIP	1	1						
17	1	E0004008015	PIN	2	2						
18	1	E1214000006	SNAP PIN	5	5						
19	1	E1650202300	CAP	2	2						
20	1	E1213000836	PIN(SP. 8X 36)	3	3						
21	1	E1332002022	PILLOW	2	2						
22	1	E1653900050	SPRING, GAS	1	1						
22-1	1	E1653900057	SPRING, GAS	1	1						N
		(A=MXXX) (B=MXXX)									
23	1	E0007000110	SPRING	1	1						
24	1	E1700000033	SWITCH, LIMIT	1	1						
25	1	E1901738800	REMO-CON VALVE ASSY	1	1						1
26	1	E1901729200	SELECTOR VALVE	1	1						2
27	1	E0007203078	ADAPTER, HOSE	4	4						
28	1	E1512370008	FILTER	1	1						
29	1	E1515010130	ELBOW	8	8						
30	1	E1515100136	ELBOW	1	1						
31	1	E1130040008	NUT, M8	2	2						
32	1	E1130040010	NUT	1	1						
33	1	E1100040820	BOLT M 8X 20	12	12						
35	1	E1100041020	BOLT M10X 20	4	4						
36	1	E1100041025	BOLT M10X 25	6	6						
37	1	E1100041030	BOLT M10X30	4	4						
38	1	E0335120970	BOLT	1	1						
39	1	E1110040820	BOLT M 8X 20	4	4						
40	1	E1110041025	SOCKET BOLT M10X 25	4	4						
41	1	E1120530416	SCREW, M4X16	2	2						
42	1	E1120990820	SCREW	8	8						
43	1	E1140020008	SPRING WASHER 8	14	14						
44	1	E1140020010	SPRING WASHER 10	20	20						
45	1	E1140090008	SPRING WASHER M 8	8	8						
46	1	E1700100041	SWITCH, PRESSURE	1	1						
47	1	E1141110006	WASHER, PLAIN 6	2	2						
48	1	E1141190008	WASHER M 8	8	8						
49	1	E1220000012	SNAP RING	1	1						
50	1	E0871513150	STOPPER	1	1						

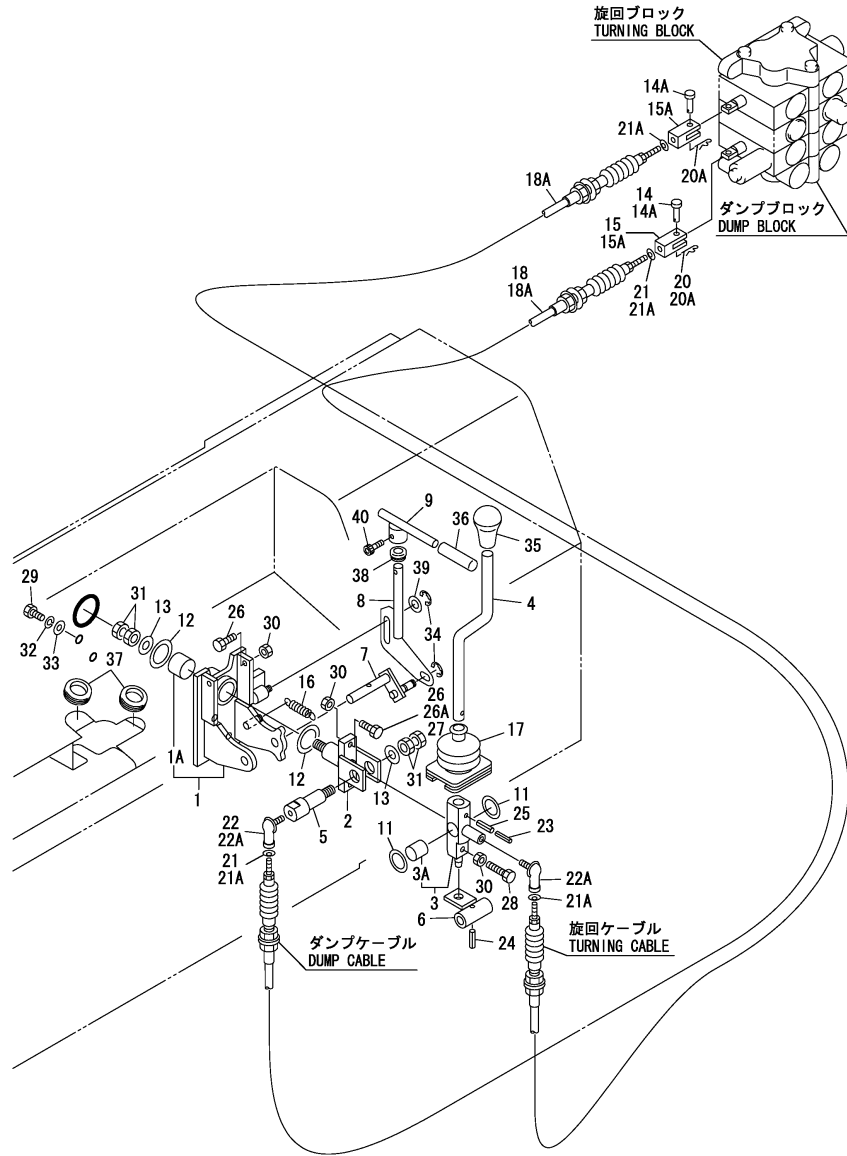
Remarks

- (1) COMPONENT PARTS: REFER TO FIG.92.
- (2) COMPONENT PARTS: REFER TO FIG.97.

Fig.15. DUMP & TURNING LEVER

(A)=C50R-3
(B)=C50R-3A
(C)=

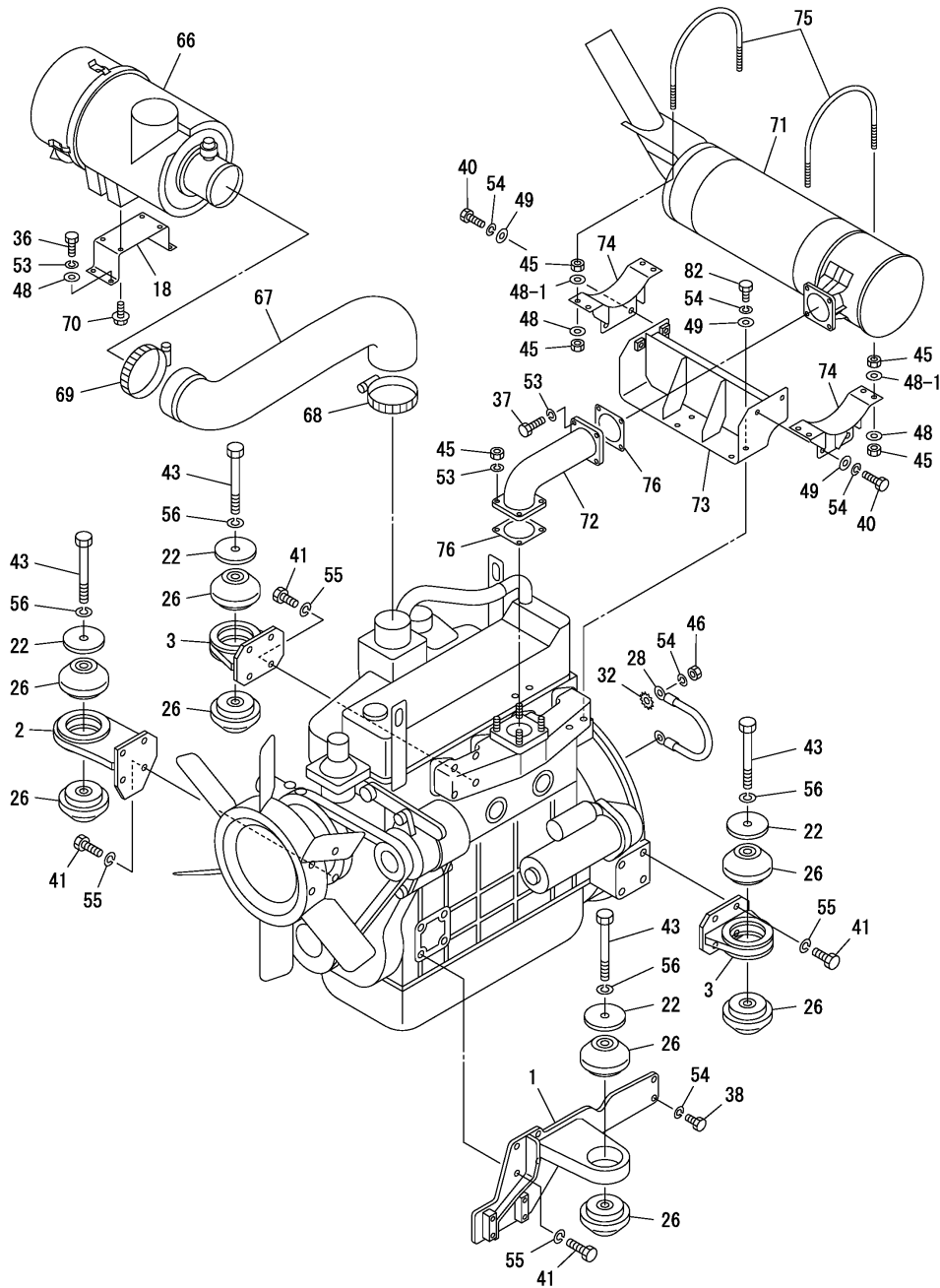
(D)=
(E)=
(F)=



No.	Lev.	Parts No.	Description	Q'ty						I	R
				(A)	(B)	(C)	(D)	(E)	(F)		
1	1	E0871325100	BRACKET	1	1						
1A	2	E1333002025	BUSHING	1	1						
2	1	E0871324120	ARM, LEVER	1	1						
3	1	E0871324130	LEVER	1	1						
3A	2	E1333001515	BUSH	1	1						
4	1	E0871324150	LEVER	1	1						
5	1	E0871325120	SHAFT, LEVER	1	1						
6	1	E0871324170	ARM, ROCKER	1	1						
7	1	E0871325130	PIN	1	1						
8	1	E0871325140	LEVER	1	1						
9	1	E0871325150	T-HANDLE	1	1						
9-1	1	E0871325160	T-HANDLE	1	1						S 1
		(A=M/40658)	(B=M/40658)								
11	1	E0083252100	WASHER	2	2						
12	1	E0093208300	WASHER	2	2						
13	1	E0003600025	WASHER	2	2						
14	1	E0004006017	PIN	1	1						
14A	1	E0004006017	PIN	2	2						2
15	1	E0005500009	YOKE	1	1						
15A	1	E0005500009	YOKE	2	2						2
16	1	E0143283500	SPRING	1	1						
17	1	E0363214700	BELLOWS	1	1						
18	1	E1630785210	CABLE, CONTROL	1	1						
18A	1	E1630785210	CABLE, CONTROL	2	2						2
20	1	E1214000006	SNAP PIN	1	1						
20A	1	E1214000006	SNAP PIN	2	2						2
21	1	E1225000006	WASHER	2	2						
21A	1	E1225000006	WASHER	4	4						2
22	1	E1340010060	END, ROD	1	1						
22A	1	E1340010060	END, ROD	2	2						2
23	1	E1213000325	PIN, SPRING	1	1						
24	1	E1213000520	PIN, SPRING	1	1						
25	1	E1213000525	SPRING PIN	1	1						
26	1	E1100040616	BOLT M 6X 16	3	3						
26A	1	E1100040616	BOLT M 6X 16	2	2						2
27	1	E1100240625	BOLT M 6X 25	1	1						
28	1	E1100240635	BOLT M 6X 35	1	1						
29	1	E1100040820	BOLT M 8X 20	2	2						
30	1	E1130040006	NUT, M6	4	4						
31	1	E1130140010	NUT	4	4						
32	1	E1140020008	SPRING WASHER 8	2	2						
33	1	E0003608252	WASHER	2	2						
34	1	E1224010006	E-RING	2	2						
35	1	E1650153655	GRIP	1	1						
36	1	E1650202700	CAP	1	1						
36-1	1	E1650202300	CAP	1	1						S 1
		(A=M/40658)	(B=M/40658)								
37	1	E1652053200	GROMMET	2	2						
38	1	E1652052000	GROMMET	1	1						
39	1	E1141110008	WASHER 8	1	1						
40	1	E1110040520	BOLT M 5X 20	1	1						

Remarks
(1)INTERCHANGEABLE BY SIMULTANEOUS REPLACEMENT WITH REF.NO.9-1 & NO.36-1.
(2)TURNING TYPE.

Fig.16. ENGINE & RELATED DEVICE(1)

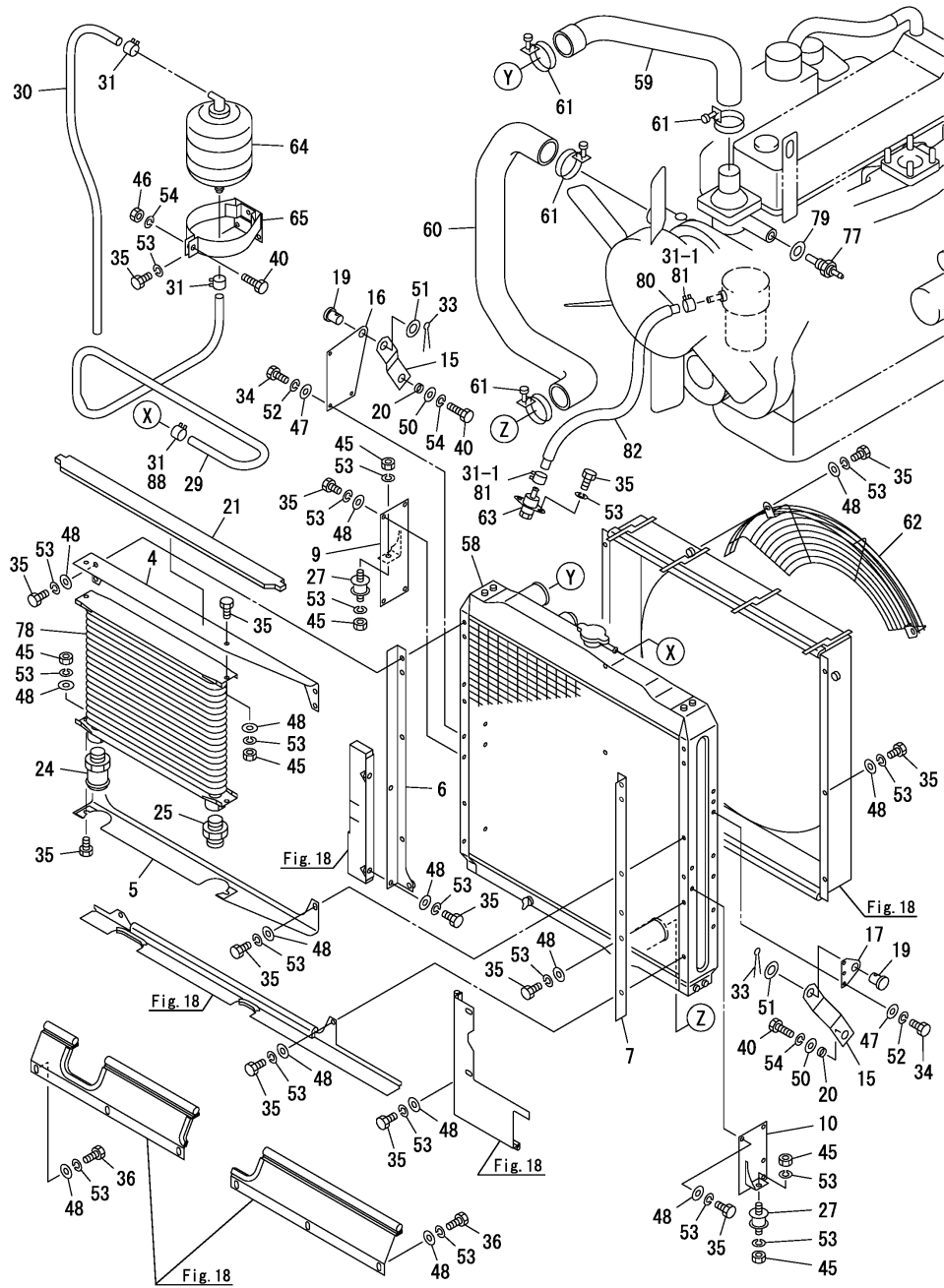


(A)=C50R-3
(B)=C50R-3A
(C)=

(D)=
(E)=
(F)=

No.	Lev.	Parts No.	Description	Q'ty						I	R
				(A)	(B)	(C)	(D)	(E)	(F)		
1	1	E0871403010	FOOT FL, ENGINE	1	1						
2	1	E0874400200	FOOT FR, ENGINE	1	1						
3	1	E0874400300	FOOT R, ENGINE	2	2						
18	1	E0874401250	BRACKET	1	1						
22	1	E0881400210	WASHER	4	4						
26	1	E1651030005	ABSORBER	8	8						
28	1	E1702402001	CABLE	1	1						
32	1	E1140330010	WASHER, TOOTHED 10	1	1						
36	1	E1100040820	BOLT M 8X 20	4	4						
37	1	E1100040830	BOLT M 8X 30	4	4						
38	1	E1100041020	BOLT M10X 20	2	2						
40	1	E1100041030	BOLT M10X30	4	4						
41	1	E1100041225	BOLT M12X25	12	12						
41-1	1	E1100041225	BOLT M12X25	16	16						K
(A=MXXX) (B=MXXX)											
43	1	E1100141630	BOLT M16X2X130	4	4						
45	1	E1130040008	NUT, M8	12	12						
46	1	E1130040010	NUT	1	1						
48	1	E1141110008	WASHER 8	8	8						
48-1	1	E1141110008	WASHER 8	12	12						K
(A=MXXX) (B=MXXX)											
49	1	E1141110010	WASHER 10	8	8						
53	1	E1140020008	SPRING WASHER 8	12	12						
54	1	E1140020010	SPRING WASHER 10	11	11						
55	1	E1140020012	SPRING WASHER 12	16	16						
56	1	E1140020016	SPRING WASHER M16	4	4						
66	1	123911-12500	CLEANER ASSY, AIR	1	1						
67	1	123911-12040	PIPE, AIR INTAKE	1	1						
68	1	23000-102000	CLAMP, 102	1	1						
69	1	23000-115000	CLAMP, 115	1	1						
70	1	23000-080162	BOLT	4	4						
71	1	123911-13510	SILENCER	1	1						
72	1	123911-13550	BEND, EXHAUST	1	1						
73	1	123911-13650	BRACKET, SILENCER	1	1						
74	1	123911-13660	STAY, SILENCER	2	2						
75	1	123911-13670	BOLT	2	2						
76	1	129400-13201	GASKET, SILENCER	2	2						
82	1	E1100041025	BOLT M10X 25	4	4						

Fig.17. ENGINE & RELATED DEVICE(2)

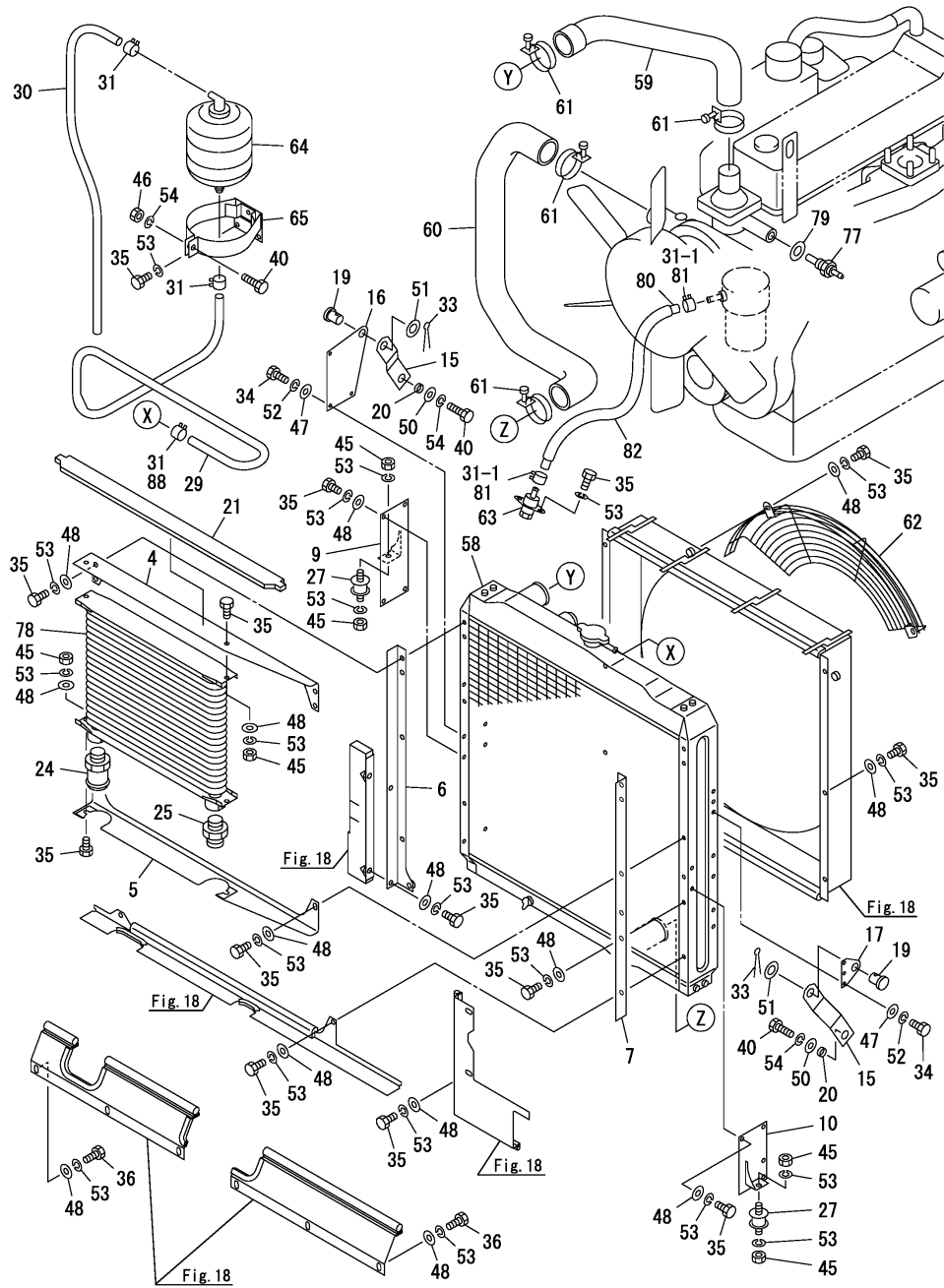


(A)=C50R-3
(B)=C50R-3A
(C)=

(D)=
(E)=
(F)=

No.	Lev.	Parts No.	Description	(A)	(B)	(C)	(D)	(E)	(F)	Q'ty	I	R
4	1	E0874400400	MOUNT A	1	1							
5	1	E0874400450	MOUNT B	1								
5-1	1	E0871403060	MOUNT B	1	1							S
(A=M/#40568)												
6	1	E0874400500	BRACKET R	1	1							
7	1	E0874400600	BRACKET L	1	1							
9	1	E0874400800	MOUNT R	1	1							
10	1	E0874400850	MOUNT L	1	1							
15	1	E0874401100	BREAS	2	2							
16	1	E0874401150	BRACKET R	1	1							
17	1	E0874401200	BRACKET L	1	1							
19	1	E0874401270	PIN	2	2							
20	1	E0874401280	COLLAR	2	2							
21	1	E0874401290	SPONGE	1	1							
24	1	E0872702300	NIPPLE, HOSE	1	1							
25	1	E1515600574	UNION	1	1							
27	1	E1651014003	ABSORBER,SHOCK	2	2							
29	1	E1531212138	HOSE, OVER-FLOW	1	1							
29-1	1	E1531407138	HOSE, OVER-FLOW	1	1							S
(A=MXXX) (B=MXXX)												
30	1	E1531212100	HOSE, FUEL OIL	1	1							
30-1	1	E1531407100	HOSE, OVER-FLOW	1	1							S
(A=MXXX) (B=MXXX)												
31	1	E1533120011	POWER BAND	3	3							
31-1	1	E1533120011	POWER BAND	4	4							K
(A=MXXX) (B=MXXX)												
33	1	E1210010428	COTTER PIN	2	2							
34	1	E1100040616	BOLT M 6X 16	6	6							
35	1	E1100040816	BOLT M 8X 16	40	40							
35-1	1	E1100040816	BOLT M 8X 16	39	39							K
(A=MXXX) (B=MXXX)												
36	1	E1100040820	BOLT M 8X 20	6	6							
40	1	E1100041030	BOLT M10X30	3	3							
45	1	E1130040008	NUT, M8	8	8							
46	1	E1130040010	NUT	1	1							
47	1	E1141110006	WASHER,PLAIN 6	6	6							
48	1	E1141110008	WASHER 8	41	41							
48-1	1	E1141110008	WASHER 8	40	40							K
(A=MXXX) (B=MXXX)												
50	1	E0003600025	WASHER	2	2							
51	1	E0003600138	WASHER	2	2							
52	1	E1140020006	SPRING WASHER 6	6	6							
53	1	E1140020008	SPRING WASHER 8	50	50							
53-1	1	E1140020008	SPRING WASHER 8	48	48							K
(A=MXXX) (B=MXXX)												
54	1	E1140020010	SPRING WASHER 10	3	3							
58	1	123930-44500	RADIATOR ASSY	1	1							
59	1	123911-49010	PIPE, WATER	1	1							
60	1	123911-49020	PIPE, WATER	1	1							
61	1	23000-060000	CLAMP, 60	4	4							
62	1	123655-44600	NET, WIRE	1	1							

Fig.17. ENGINE & RELATED DEVICE(2)



(A)=C50R-3
(B)=C50R-3A
(C)=

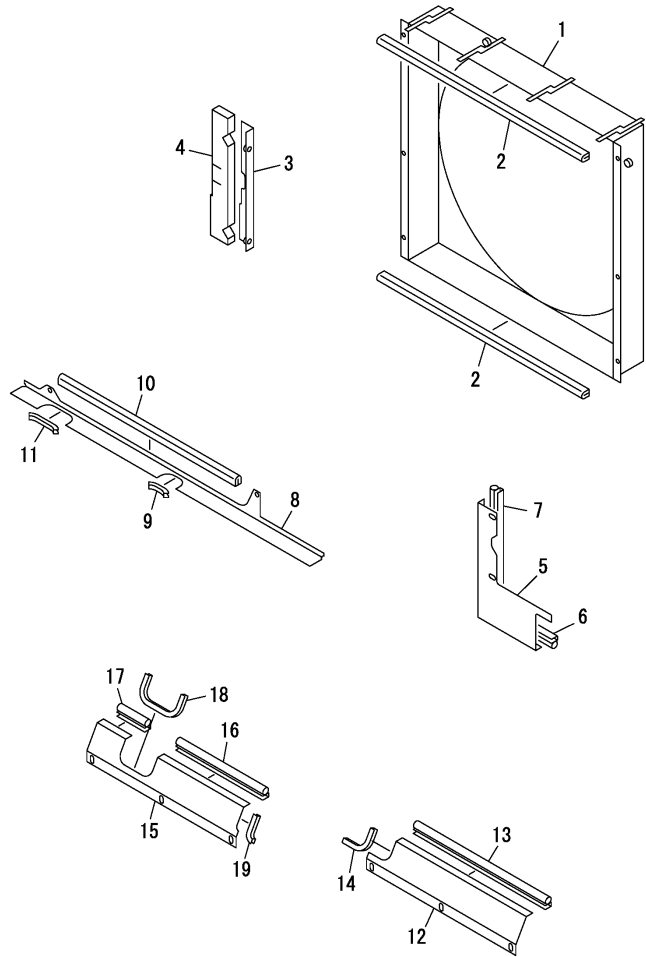
(D)=
(E)=
(F)=

No.	Lev.	Parts No.	Description	Q'ty						I	R
				(A)	(B)	(C)	(D)	(E)	(F)		
63	1	121521-49100	BODY ASSY, COCK	1	1						
64	1	148616-44510	TANK, SUB	1	1						
65	1	148616-44551	BRACKET	1	1						
77	1	121470-44900	SENSOR	1	1						
78	1	123930-44900	COOLER ASSY, OIL	1							
78-1	1	523930-44910	COOLER ASSY, OIL	1	1						S
(A=M/40568)											
79	1	E1910076121	GASKET	1	1						
80	1	E1531407065	HOSE	1	1						
80-1	1	E1531407070	HOSE	1	1						S
(A=MXXX) (B=MXXX)											
81	1	E1533120011	POWER BAND	2	2						Z
(A=MXXX) (B=MXXX)											
82	1	E1531115060	HOSE, VINYL	1	1						W
(A=MXXX) (B=MXXX)											
88	1	E1533120012	CLIP, HOSE	1	1						W
(A=MXXX) (B=MXXX)											

Fig.18. ENGINE & RELATED DEVICE(3)

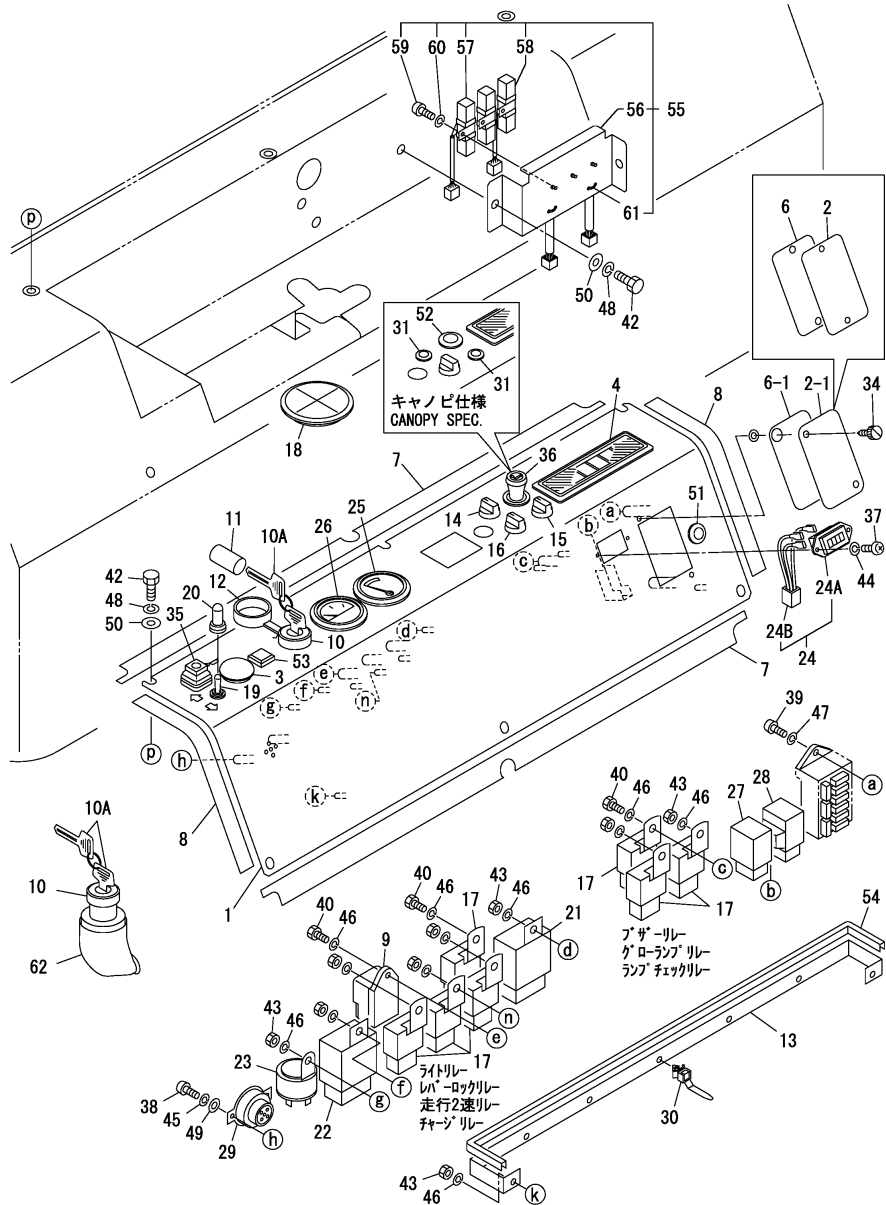
(A)=C50R-3
(B)=C50R-3A
(C)=

(D)=
(E)=
(F)=



No.	Lev.	Parts No.	Description	Qty						I	R
				(A)	(B)	(C)	(D)	(E)	(F)		
1	1	E0871402110	SHROUD, FAN	1							
1-1	1	E0871402120	SHROUD, FAN	1	1						S
(A=M/#40568)											
2	1	E1654613059	GASKET	2	2						
3	1	E0874400910	PLATE R	1	1						
4	1	E0874400902	SPONGE	1	1						
5	1	E0874400960	PLATE L	1	1						
6	1	E1654520016	SASH RUBBER	1	1						
7	1	E1654520028	SASH RUBBER	1	1						
8	1	E0871402510	PLATE A	1	1						
9	1	E1654601005	TRIM	1	1						
9-1	1	E1654601010	TRIM	1	1						S
(A=MXXX) (B=MXXX)											
10	1	E1654613051	GASKET	1	1						
10-1	1	E1654613059	GASKET	1	1						S
(A=MXXX) (B=MXXX)											
11	1	E1654601007	TRIM	1	1						
11-1	1	E1654601013	TRIM	1	1						S
(A=MXXX) (B=MXXX)											
12	1	E0871402610	PLATE B	1	1						
13	1	E1654520038	SASH RUBBER	1	1						
14	1	E1654601009	TRIM	1	1						
14-1	1	E1654601010	TRIM	1	1						S
(A=MXXX) (B=MXXX)											
15	1	E0871402810	PLATE C	1	1						
16	1	E1654520025	TRIM	1	1						
17	1	E1654520008	SASH RUBBER	1	1						
18	1	E1654601016	TRIM	1	1						
18-1	1	E1654601018	TRIM	1	1						S
(A=MXXX) (B=MXXX)											
19	1	E1654601004	TRIM	1	1						
19-1	1	E1654601006	TRIM	1	1						S
(A=MXXX) (B=MXXX)											

Fig.19. CONTROL BOX



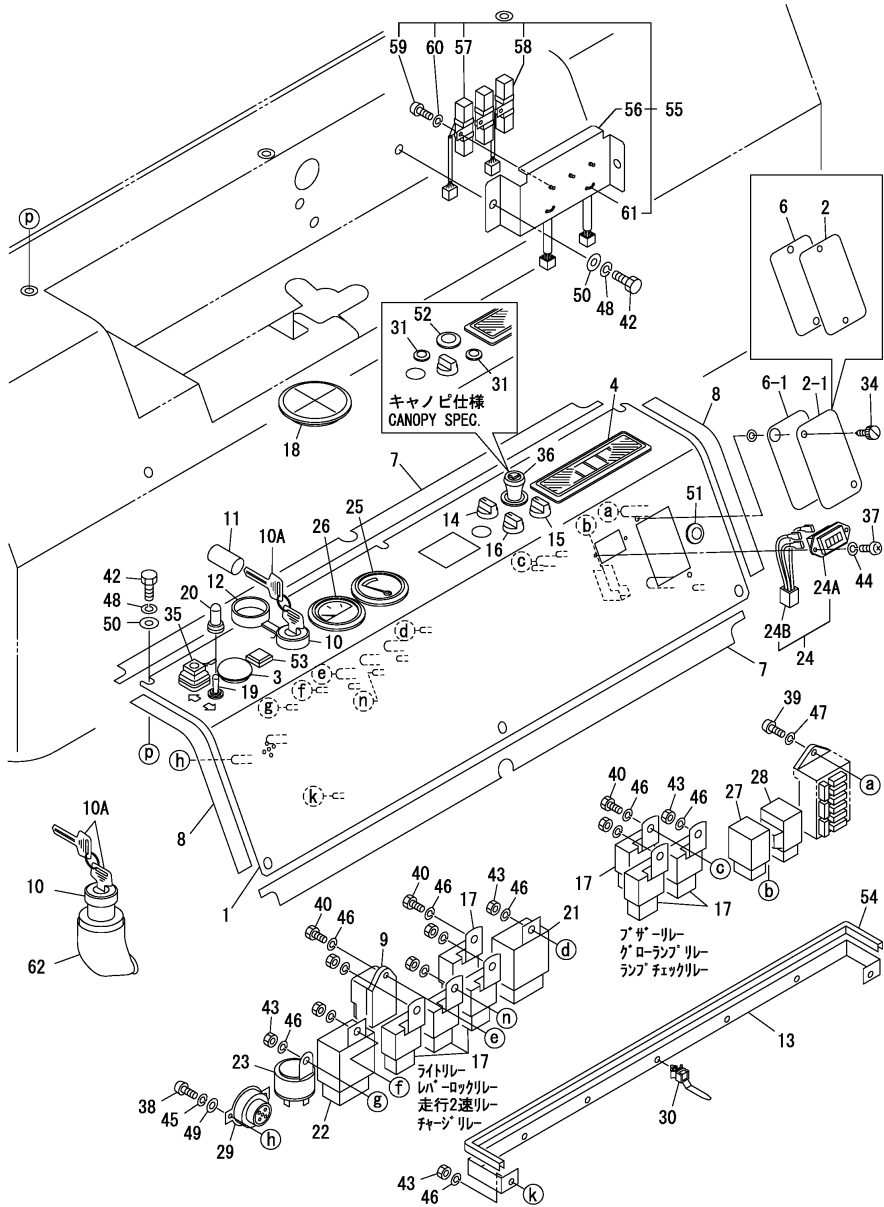
(A)=C50R-3
(B)=C50R-3A
(C)=

(D)=
(E)=
(F)=

No.	Lev.	Parts No.	Description	Q'ty						I	R
				(A)	(B)	(C)	(D)	(E)	(F)		
1	1	E0871433410	COVER	1							
1-1	1	E0871433470	COVER	1	1						N
(A=M/#40563)											
2	1	E0871433020	COVER, FUSE	1							
2-1	1	E0871433480	COVER	1	1						S
(A=M/#40563)											
3	1	E1700001211	SWITCH, HORN	1	1						
4	1	E1730140750	PILOT BOX	1	1						
6	1	E0871433030	URETHANE	1							
6-1	1	E0871433485	URETHANE	1	1						S
(A=M/#40563)											
7	1	E0871433240	URETHANE	2	2						
8	1	E0871433440	URETHANE	2	2						
9	1	119129-77920	TIMER	1	1						
10	1	933110-00200	SWITCH ASSY, STARTER	1	1						
10A	1	933110-00300	KEY	1	1						
11	1	E1531010004	HOSE, VINYL	1	1						
12	1	E0870431810	CAP	1	1						
13	1	E0871433435	PLATE	1	1						
14	1	E1700000031	SWITCH, HEATER	1	1						1
15	1	E1700000030	SWITCH, WIPER	1	1						1
16	1	E1700000032	SWITCH, ROTARY	1	1						
17	1	E1711900049	RELAY	7	7						
18	1	E1652060063	BUSHING 60	1	1						
19	1	E1700100029	SWITCH, TURN SIGNAL	1	1						
20	1	E1700100030	CAP, RUBBER	1	1						
21	1	E1700100053	TIMER	1	1						
22	1	E1700100054	TIMER	1	1						
23	1	E1711900032	FLASHER RELAY	1	1						
24	1	E0872433300	METER, HOUR	1	1						
24A	2	E1730000500	METER, HOUR	1	1						
24B	2	E0872433350	WIRE HARNESS	1	1						
25	1	E1730100030	THERMOMETER	1	1						
26	1	E1730110050	GAUGE, FUEL	1	1						
27	1	E1730500021	DIODE	1	1						
28	1	E1730500022	DIODE	1	1						
29	1	E1703700009	BUZZER	1	1						
30	1	E1652443640	CLIP	5	5						
31	1	E1652533019	CAP	2	2						2
34	1	E1652711696	SCREW	2	2						
35	1	E1700000027	SWITCH	1	1						
36	1	E1711900039	LIGHTER, CIGAR	1	1						1
37	1	E1120530310	SCREW, M3X10	2	2						
38	1	E1120530412	SCREW	2	2						
39	1	E1120530512	SCREW, M5X12	2	2						
39-1	1	E1120530516	SCREW, M5X16	2	2						S
(A=MXXX) (B=MXXX)											
40	1	E1100040616	BOLT M 6X 16	3	3						
40-1	1	E1100040616	BOLT M 6X 16	2	2						K
(A=MXXX) (B=MXXX)											
42	1	E1100040816	BOLT M 8X 16	8	8						

Remarks
(1)CABIN SPEC.
(2)CANOPY SPEC.

Fig.19. CONTROL BOX



(A)=C50R-3
(B)=C50R-3A
(C)=

(D)=
(E)=
(F)=

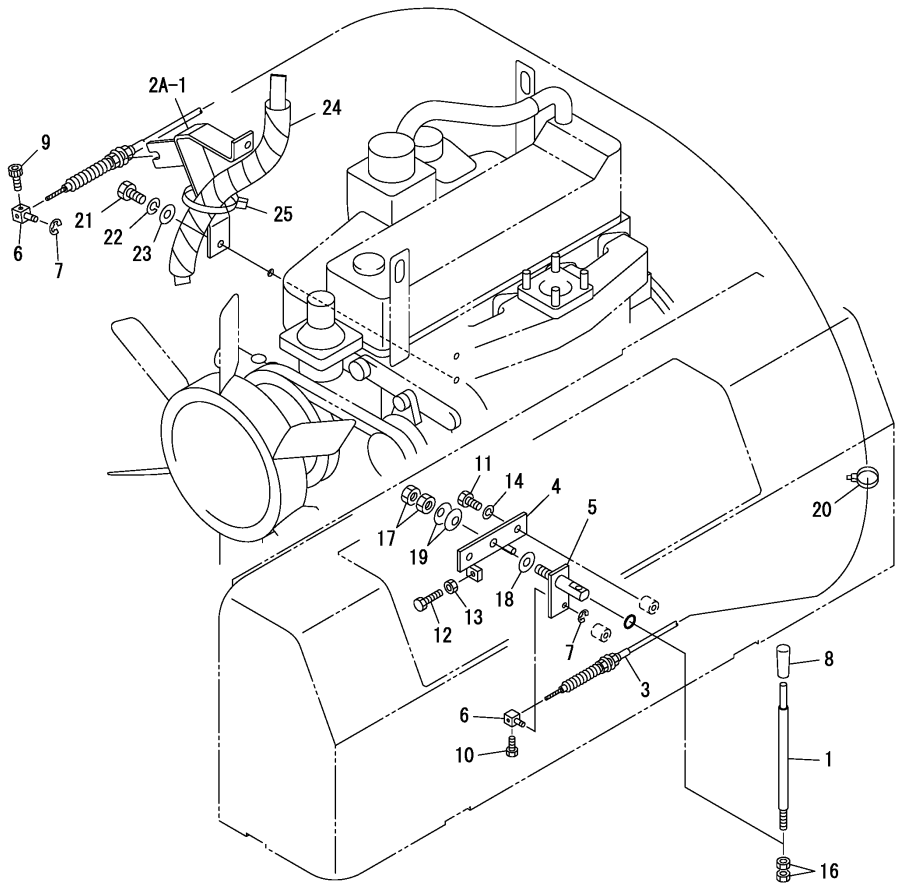
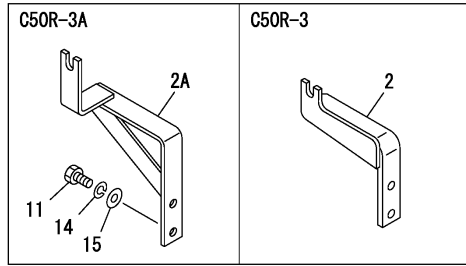
No.	Lev.	Parts No.	Description	Qty						I	R
				(A)	(B)	(C)	(D)	(E)	(F)		
43	1	E1130040006	NUT, M6	10	10						
43-1	1	E1130040006	NUT, M6	8	8						K
		(A=MXXX) (B=MXXX)									
43A	1	E1130040005	NUT, M5	2	2						W
		(A=M/#40563)									
44	1	E1140020003	WASHER, SPRING M 3	2	2						
45	1	E1140020004	WASHER, SPRING M 4	2	2						
46	1	E1140020006	SPRING WASHER 6	13	13						
47	1	E1140020005	SPRING WASHER 5	2	2						
48	1	E1140020008	SPRING WASHER 8	8	8						
49	1	E1141110004	WASHER, PLAIN 4	2	2						
50	1	E1141110008	WASHER 8	8	8						
50A	1	E1141110006	WASHER, PLAIN 6	1	1						W
		(A=M/#40563)									
51	1	E1652051800	GROMMET	1	1						1
51-1	1	E1652001401	GROMMET	1	1						S 1
		(A=M/#41506) (B=M/#41506)									
51A	1	E1652060022	GROMMET	1	1						W 2
		(A=M/#41506) (B=M/#41506)									
52	1	E1652533003	CAP	1	1						2
52-1	1	E1652052600	GROMMET	1	1						S 2
		(A=MXXX) (B=MXXX)									
53	1	E1700550024	OWNERMENT	1	1						
54	1	E1654613062	GASKET	1	1						
55	1	E0871433450	RESISTOR ASSY	1	1						
56	2	E0871433420	COVER	1	1						
57	2	E0564226840	RESISTOR	1	1						
58	2	E0564226830	RESISTOR	1	1						
59	2	E1120530305	SCREW	3	3						
60	2	E1140020003	WASHER, SPRING M 3	3	3						
61	2	E1652200003	TIE-LAP	2	2						
62	1	E0870431820	COVER, TERMINAL	1	1						W
		(A=MXXX) (B=MXXX)									

Remarks
(1)CABIN SPEC.
(2)CANOPY SPEC.

Fig.20. ENGINE CONTROL

(A)=C50R-3
(B)=C50R-3A
(C)=

(D)=
(E)=
(F)=

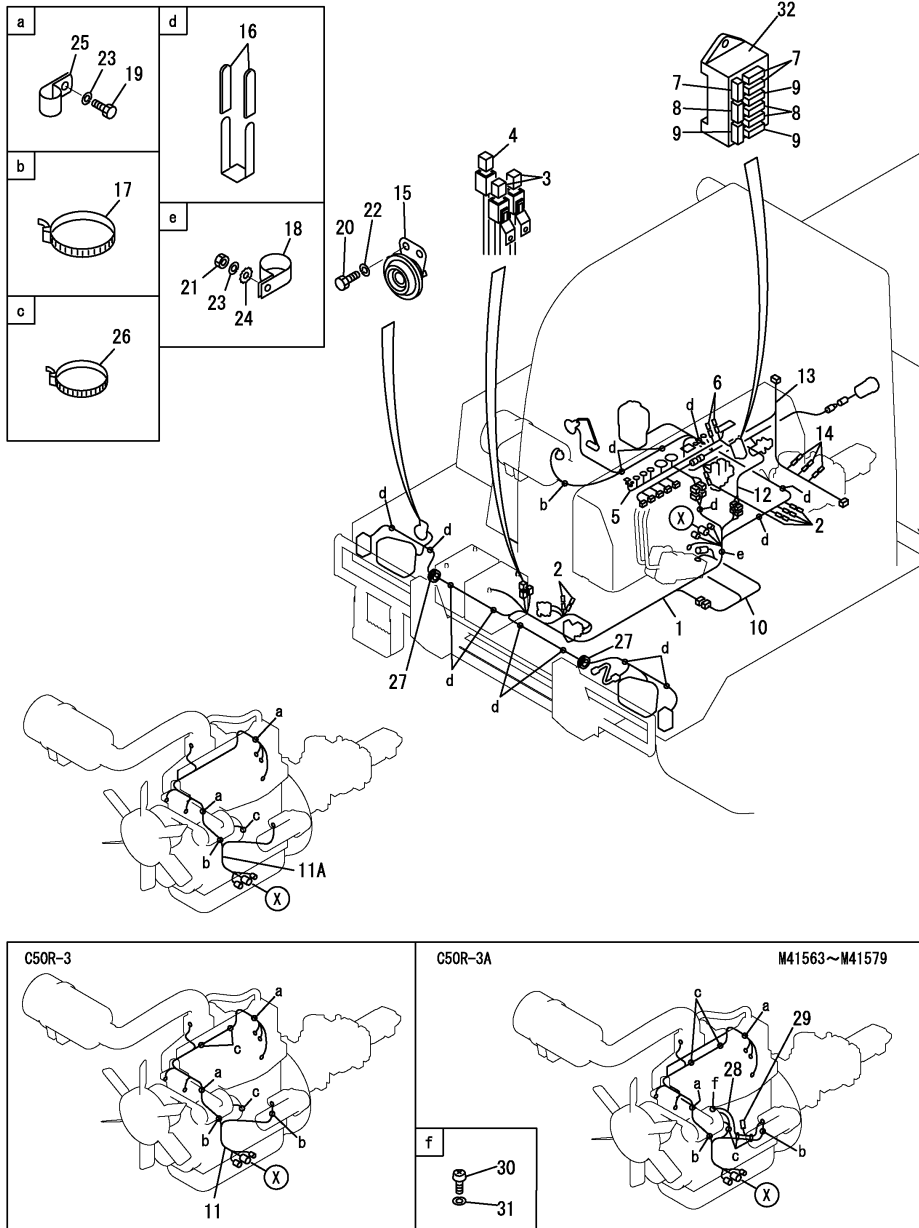


No.	Lev.	Parts No.	Description	Q'ty						I	R
				(A)	(B)	(C)	(D)	(E)	(F)		
1	1	E0871411610	LEVER	1	1						
2	1	E0871411720	BRACKET	1							
2A	1	E0871411820	BRACKET		1						
2A-1	1	E0871411830 (B=MXXX)	WIRE BRACKET		1						N
3	1	E0874410060	WIRE	1	1						
4	1	E0871411740	PLATE	1	1						
5	1	E0871411650	BRACKET	1	1						
6	1	E0007900020	PIN	2	2						
7	1	E1224010006	E-RING	2	2						
8	1	E1650132050	GRIP	1	1						
9	1	E1110040510	SOCKET BOLT M 5X 10	1	1						
10	1	E1100040510	BOLT M 5X 10	1	1						
11	1	E1100041020	BOLT M10X 20	4	4						
11-1	1	E1100041020	BOLT M10X 20	4	2						K
		(A=MXXX)	(B=MXXX)								
12	1	E1100040825	BOLT M 8X25	1	1						
13	1	E1130040008	NUT, M8	1	1						
14	1	E1140020010	SPRING WASHER 10	4	4						
14-1	1	E1140020010	SPRING WASHER 10	4	2						K
		(A=MXXX)	(B=MXXX)								
15	1	E1141110010	WASHER 10	2	2						
15-1	1	E1141110010 (B=M/#41540)	WASHER 10		2						Z
16	1	E1130040010	NUT	2	2						
17	1	E1130540014	NUT, M14	2	2						
18	1	E1141550014	WASHER	1	1						
19	1	E1225120014	SPRING	2	2						
20	1	E1652231250	TIE-LAP	1	1						
21	1	E100040820	BOLT		2						W
		(B=MXXX)									
22	1	E1140020008 (B=MXXX)	SPRING WASHER 8		2						W
		(B=MXXX)									
23	1	E0003608252	WASHER		2						W
		(B=MXXX)									
24	1	E1532224015 (B=MXXX)	TUBE		1						W
		(B=MXXX)									
25	1	E1652241150 (B=MXXX)	BAND		1						W

Fig.21. ELECTRIC PART

(A)=C50R-3
(B)=C50R-3A
(C)=

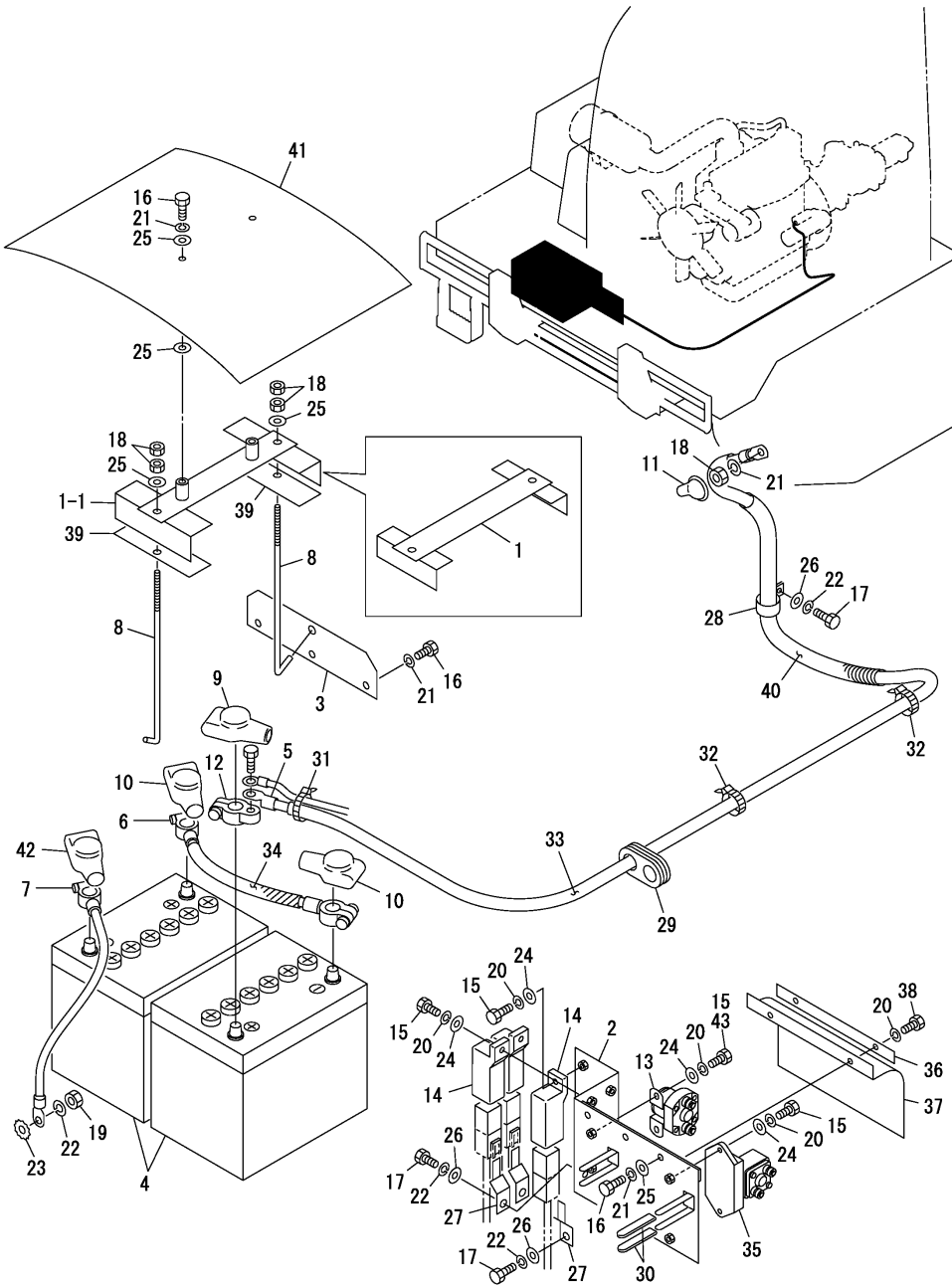
(D)=
(E)=
(F)=



No.	Lev.	Parts No.	Description	(A)	(B)	Q'ty						I	R
				(C)	(D)	(E)	(F)						
1	1	E0871423310	WIRE HARNESS	1									
1A	1	E0871423610	WIRE HARNESS		1								
2	2	E1730500008	DIODE	3									
2A	2	E1730500008	DIODE		4								
2A-1	2	E1730500008	DIODE		5								K
				(B=M/#41580)									
3	2	E1701330045	LINK 45A, FUSIBLE	2	2								
4	2	E1701330075	LINK 75A, FUSIBLE	1	1								
5	1	E0871423320	WIRE HARNESS	1									
5A	1	E0871423620	WIRE HARNESS		1								
6	2	E1730500008	DIODE	2									
6A	2	E1730500008	DIODE		1								
7	2	E1701310010	FUSE 10A	3	3								
8	2	E1701310020	FUSE 20A	3	3								
9	2	E1701310030	FUSE 30A	3	3								
10	1	E0871423330	WIRE HARNESS	1									
10A	1	E0871423630	WIRE HARNESS		1								
11	1	E0871423120	WIRE HARNESS	1									
11A	1	E0871423640	WIRE HARNESS		1								
12	1	E0871423335	WIRE HARNESS	1									
13	1	E0871423510	WIRE HARNESS	1	1								1
14	2	E1730500008	DIODE	3	3								
15	1	E1703500624	HORN	1	1								
16	1	E0872433150	CLAMP, TUBE	30	30								
17	1	E1652231250	TIE-LAP	2	2								
18	1	E0007300001	CLAMP	1	1								
19	1	E1100041016	BOLT M10X16	2	2								
20	1	E1100040820	BOLT M 8X 20	2	2								
21	1	E1130040010	NUT	1	1								
22	1	E1140020008	SPRING WASHER 8	2	2								
23	1	E1140020010	SPRING WASHER 10	3	3								
24	1	E1140330010	WASHER, TOOTHED 10	1	1								
25	1	E0007300035	CLAMP	2	2								
26	1	E1652231140	TIE-LAP	3									
26A	1	E1652231140	TIE-LAP		1								
26A-1	1	E1652231140	TIE-LAP		3								K
				(B=M/#41563)									
26A-2	1	E1652231140	TIE-LAP		1								K
				(B=M/#41580)									
27	1	E0437200100	GUARD, HOSE	2	2								
28	1	E0564242010	WIRE HARNESS		1								
29	2	E1730500008	DIODE		1								
30	1	E1120530508	SCREW, M5X8		1								
31	1	E1140020005	SPRING WASHER 5		1								
32	1	E0324262129	BOX, FUSE	1	1								

Remarks
(1) CABIN SPEC.

Fig.22. BATTERY(C50R-3)



(A)=C50R-3
(B)=C50R-3A
(C)=

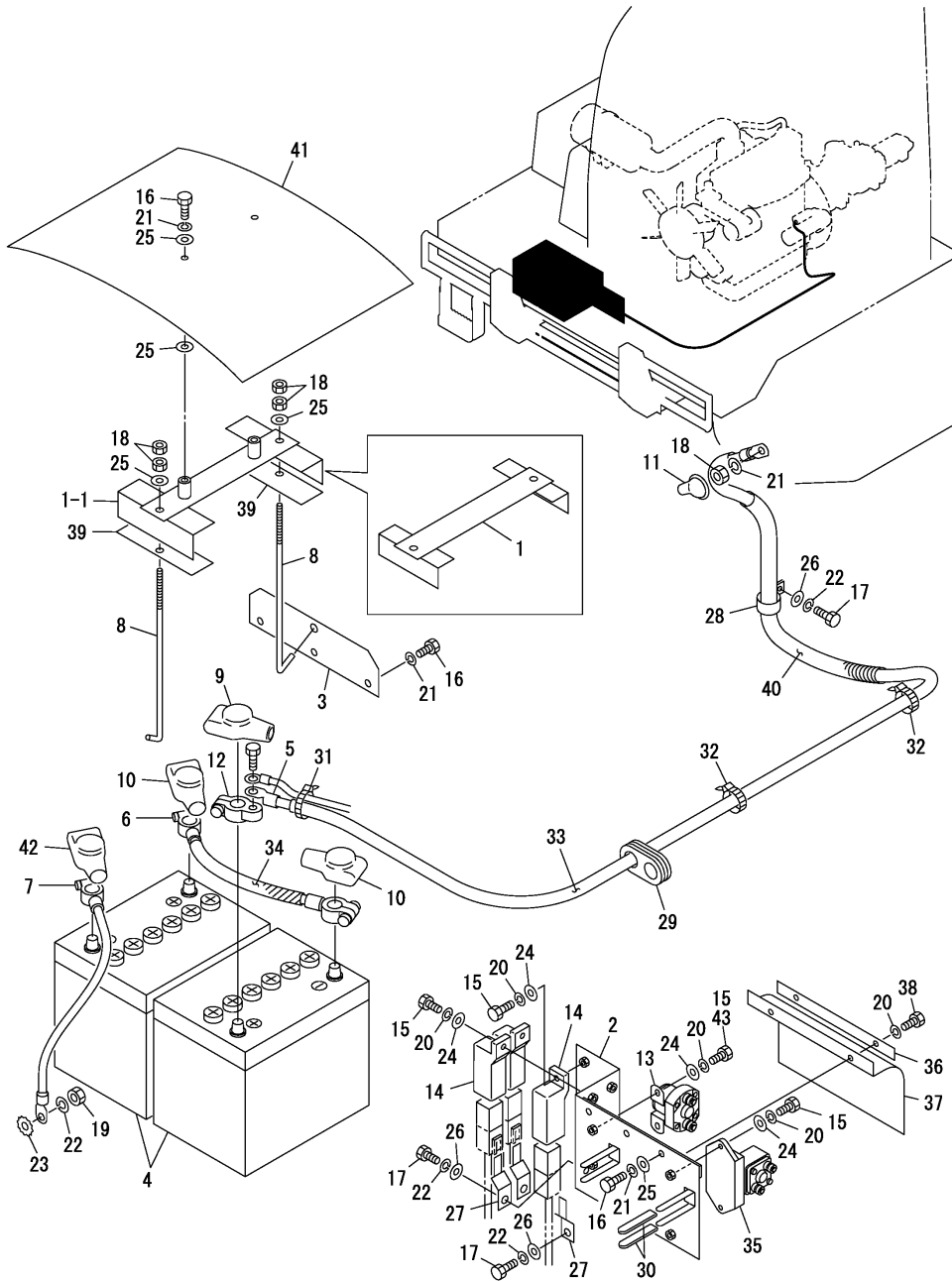
(D)=
(E)=
(F)=

No.	Lev.	Parts No.	Description	Q'ty						I	R
				(A)	(B)	(C)	(D)	(E)	(F)		
1	1	E0877440010	CLAMP, BATTERY	1							
1-1	1	E0871441660	CLAMP, BATTERY	1							N
(A=M/#40542)											
2	1	E0871441610	BRACKET	1							
3	1	E0871441620	BRACKET	1							
4	1	E1702027523	BATTERY	2							
5	1	E1702530220	CABLE, BATTERY	1							
6	1	E1702630030	CABLE, BATTERY	1							
7	1	E1702230030	CABLE, BATTERY EARTH	1							
7-1	1	E1702230015	CABLE, BATTERY EARTH	1							N
(A=M/#40553)											
8	1	E1702108210	BOLT M 8X210	2							
9	1	E1702920001	COVER, TERMINAL	1							
9-1	1	E1702920060	COVER, TERMINAL	1							S
(A=MXXX)											
10	1	E1702920002	COVER, TERMINAL	2							
11	1	124550-77030	COVER, TERMINAL	1							
12	1	E1702800001	TERMINAL, BATTERY	1							
13	1	124612-77920	SWITCH	1							
14	1	E1700100038	COVER, WATERPROOF	3							
15	1	E1100040620	BOLT M 6X 20	7							
15-1	1	E1100040620	BOLT M 6X 20	5							K
(A=MXXX)											
16	1	E1100040816	BOLT M 8X 16	6							
17	1	E1100041020	BOLT M10X 20	4							
18	1	E1130040008	NUT, M8	5							
19	1	E1130040010	NUT	1							
20	1	E1140020006	SPRING WASHER 6	9							
21	1	E1140020008	SPRING WASHER 8	7							
22	1	E1140020010	SPRING WASHER 10	5							
23	1	E1140330010	WASHER, TOOTHED 10	1							
24	1	E1141110006	WASHER,PLAIN 6	7							
25	1	E1141110008	WASHER 8	8							
26	1	E1141110010	WASHER 10	4							
27	1	E1711900064	CLIP	3							
28	1	E1711900076	CLAMP	1							
29	1	E0337017300	GUARD, HOSE	1							
30	1	E0872433150	CLAMP, TUBE	4							
31	1	E1652231140	TIE-LAP	1							
32	1	E1652201004	TIE-LAP	2							
33	1	E1703221392	TUBE, CORRUGATED	1							
34	1	E1703211320	TUBE, CORRUGATED	1							
35	1	129900-77100	RELAY, SAFETY	1							
36	1	E0871441630	PLATE	1							
37	1	E0871441640	PLATE, RUBBER	1							
38	1	E1100040612	BOLT M 6X12	2							
39	1	E0871441650	PLATE, RUBBER	2							
40	1	E1532215030	TUBE, SPIRAL	1							
41	1	E0564412300	SEAT	1							
42	1	E1702910016	COVER, TERMINAL	1							W
(A=*2001.12)											

Fig.22. BATTERY(C50R-3)

(A)=C50R-3
(B)=C50R-3A
(C)=

(D)=
(E)=
(F)=

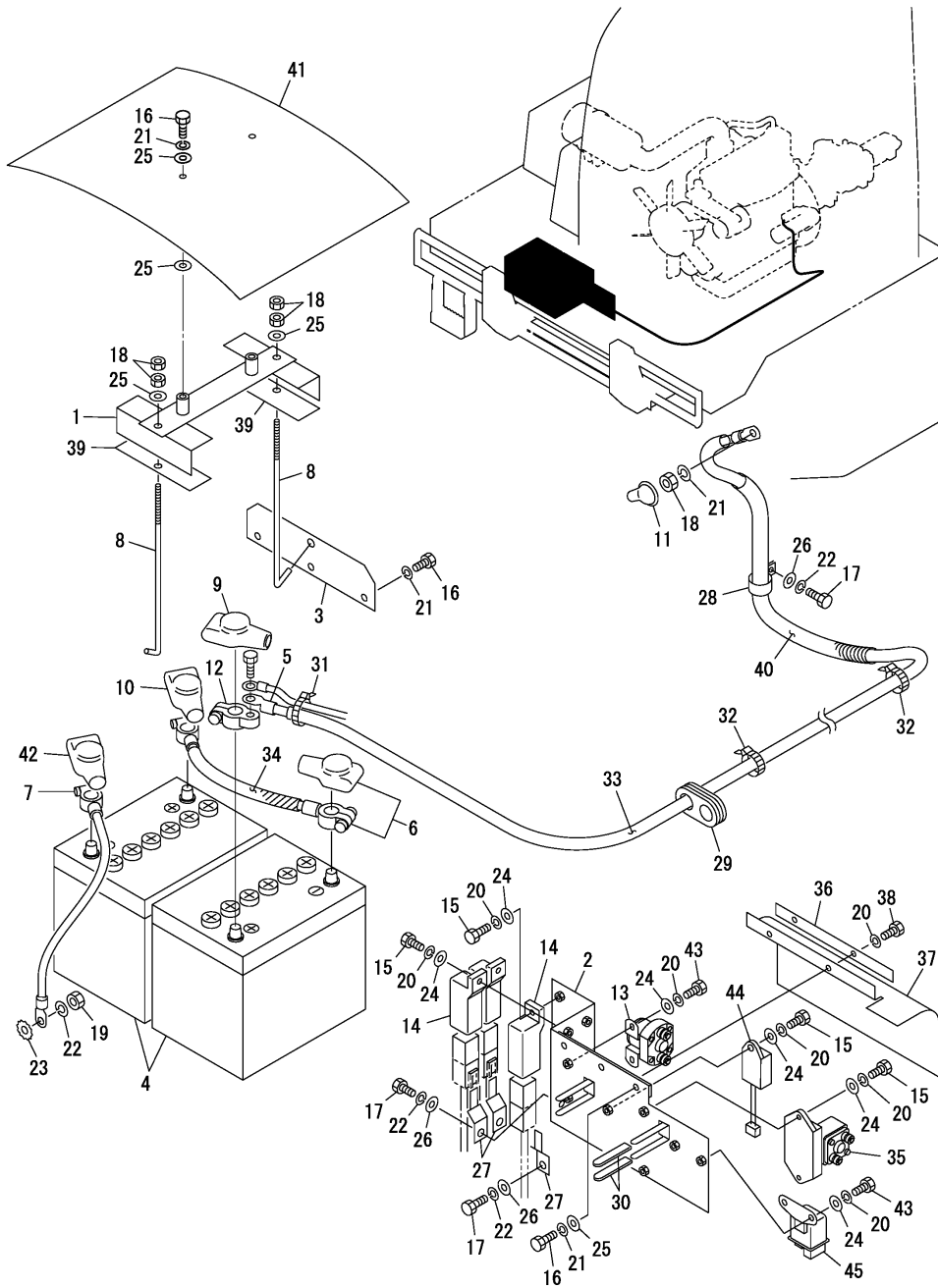


No.	Lev.	Parts No.	Description	Q'ty						I	R
				(A)	(B)	(C)	(D)	(E)	(F)		
43	1	E1100040612 (A=*2001.12)	BOLT M 6X12	2							W

Fig.23. BATTERY(C50R-3A)

(A)=C50R-3
(B)=C50R-3A
(C)=

(D)=
(E)=
(F)=

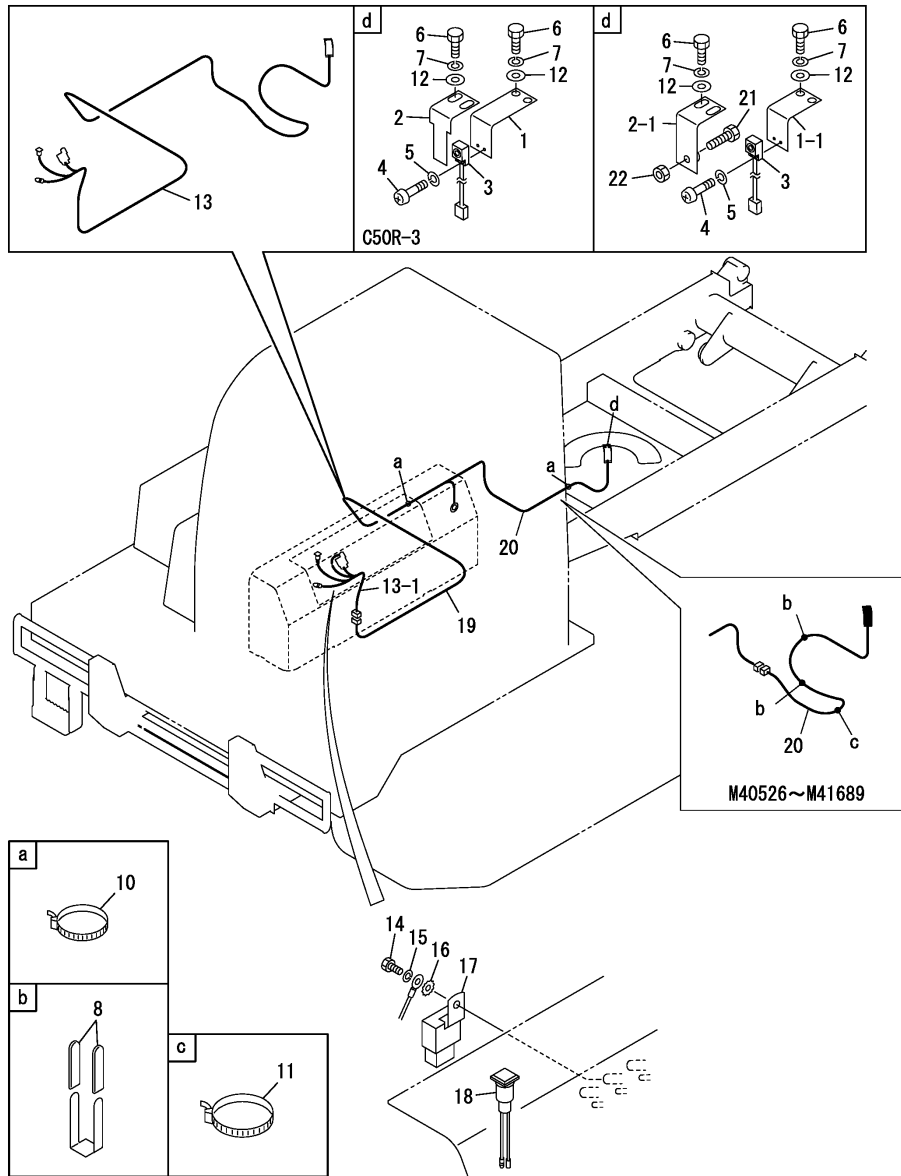


No.	Lev.	Parts No.	Description	Q'ty						I	R
				(A)	(B)	(C)	(D)	(E)	(F)		
1	1	E0871441660	CLAMP, BATTERY		1						
2	1	E0871441710	BRACKET		1						
3	1	E0871441620	BRACKET		1						
4	1	E1702027523	BATTERY		2						
5	1	E1702530220	CABLE, BATTERY		1						
6	1	E1702630030	CABLE, BATTERY		1						
7	1	E1702230015	CABLE, BATTERY EARTH		1						
7-1	1	E1702230020 (B=MXXX)	CABLE, BATTERY EARTH		1						S
8	1	E1702108210	BOLT M 8X210		2						
9	1	E1702920060	COVER, TERMINAL		1						
10	1	E1702920002 (B=MXXX)	COVER, TERMINAL		2						Z
11	1	124550-77030	COVER, TERMINAL		1						
12	1	E1702800001	TERMINAL, BATTERY		1						
12-1	1	E1702330000 (B=MXXX)	TERMINAL, BATTERY		1						S
13	1	124612-77920	SWITCH		1						
14	1	E1700100038	COVER, WATERPROOF		3						
15	1	E1100040620	BOLT M 6X 20		5						
16	1	E1100040816	BOLT M 8X 16		6						
17	1	E1100041020	BOLT M10X 20		4						
18	1	E1130040008	NUT, M8		5						
19	1	E1130040010	NUT		1						
20	1	E1140020006	SPRING WASHER 6		11						
21	1	E1140020008	SPRING WASHER 8		7						
22	1	E1140020010	SPRING WASHER 10		5						
23	1	E1140330010	WASHER, TOOTHED 10		1						
24	1	E1141110006	WASHER,PLAIN 6		9						
25	1	E1141110008	WASHER 8		8						
26	1	E1141110010	WASHER 10		4						
27	1	E1711900064	CLIP		3						
28	1	E1711900072	CLAMP		1						
29	1	E0337017300	GUARD, HOSE		1						
30	1	E0872433150	CLAMP, TUBE		4						
31	1	E1652231140	TIE-LAP		1						
32	1	E1652201004	TIE-LAP		2						
33	1	E1703221392	TUBE, CORRUGATED		1						
34	1	E1703211320	TUBE, CORRUGATED		1						
35	1	129900-77100	RELAY, SAFETY		1						
36	1	E0871441630	PLATE		1						
37	1	E0871441740	PLATE, RUBBER		1						
38	1	E1100040612	BOLT M 6X12		2						
39	1	E0871441650	PLATE, RUBBER		2						
40	1	E1531325050	HOSE, PROTECT		1						
41	1	E0564412300	SEAT		1						
41-1	1	E0874440210 (B=MXXX)	SEAT		1						S
42	1	E1702910016	COVER, TERMINAL		1						
43	1	E1100040612	BOLT M 6X12		4						
44	1	129612-77920	TIMER		1						

Fig.24. VESSEL CENTER LAMP

(A)=C50R-3
(B)=C50R-3A
(C)=

(D)=
(E)=
(F)=

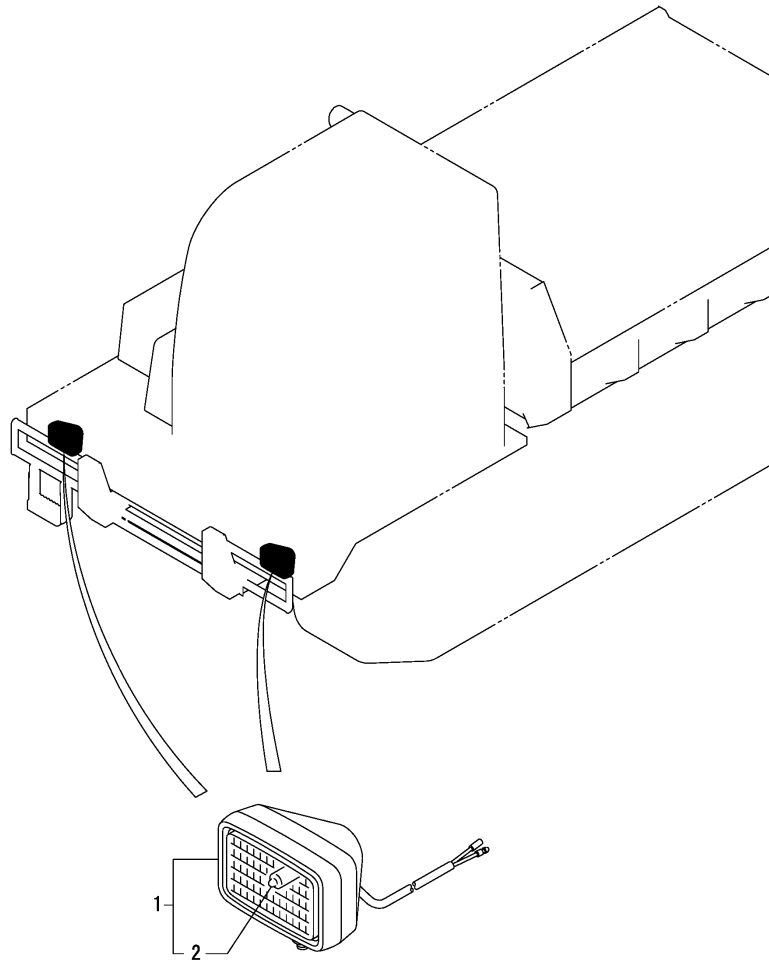


No.	Lev.	Parts No.	Description	Q'ty						I	R
				(A)	(B)	(C)	(D)	(E)	(F)		
1	1	E0874420180	BRACKET	1	1						
1-1	1	E0871423430	BRACKET		1						N
				(B=M/#41511)							
2	1	E0871423210	BRACKET	1	1						
2-1	1	E0871423460	BRACKET		1						N
				(B=M/#41511)							
3	1	E1700009010	SWITCH	1	1						
4	1	E1120530314	SCREW	2	2						
5	1	E1140020003	WASHER, SPRING M 3	2	2						
6	1	E1100040820	BOLT M 8X 20	4	4						
6-1	1	E1100040820	BOLT M 8X 20	2	2						K
				(A=MXXX)				(B=MXXX)			
7	1	E1140020008	SPRING WASHER 8	4	4						
7-1	1	E1140020008	SPRING WASHER 8	2	2						K
				(A=MXXX)				(B=MXXX)			
8	1	E0872433150	CLAMP, TUBE	4	4						
10	1	E1652231100	TIE-LAP	1	1						
10-1	1	E1652231100	TIE-LAP	2	2						K
				(A=MXXX)				(B=MXXX)			
11	1	E1652231140	TIE-LAP	1	1						
12	1	E1141110008	WASHER 8	4	4						
12-1	1	E1141110008	WASHER 8	2	2						K
				(A=MXXX)				(B=MXXX)			
13	1	E0871423220	WIRE HARNESS	1							
13-1	1	E0871423410	WIRE HARNESS	1	1						S
				(A=M/#40526)							
14	1	E1100040616	BOLT M 6X 16	1	1						
15	1	E1140020006	SPRING WASHER 6	1	1						
16	1	E1140330006	WASHER(TOOTHED)	1	1						
17	1	E1711900049	RELAY	1	1						
18	1	E1700550025	LAMP	1	1						
19	1	E0871423420	WIRE HARNESS	1	1						
20	1	E0874420140	WIRE HARNESS	1	1						
21	1	E1100040825	BOLT M 8X25		1						
22	1	E1130040008	NUT, M8		1						

Fig.25. HEAD LIGHT

(A)=C50R-3
(B)=C50R-3A
(C)=

(D)=
(E)=
(F)=

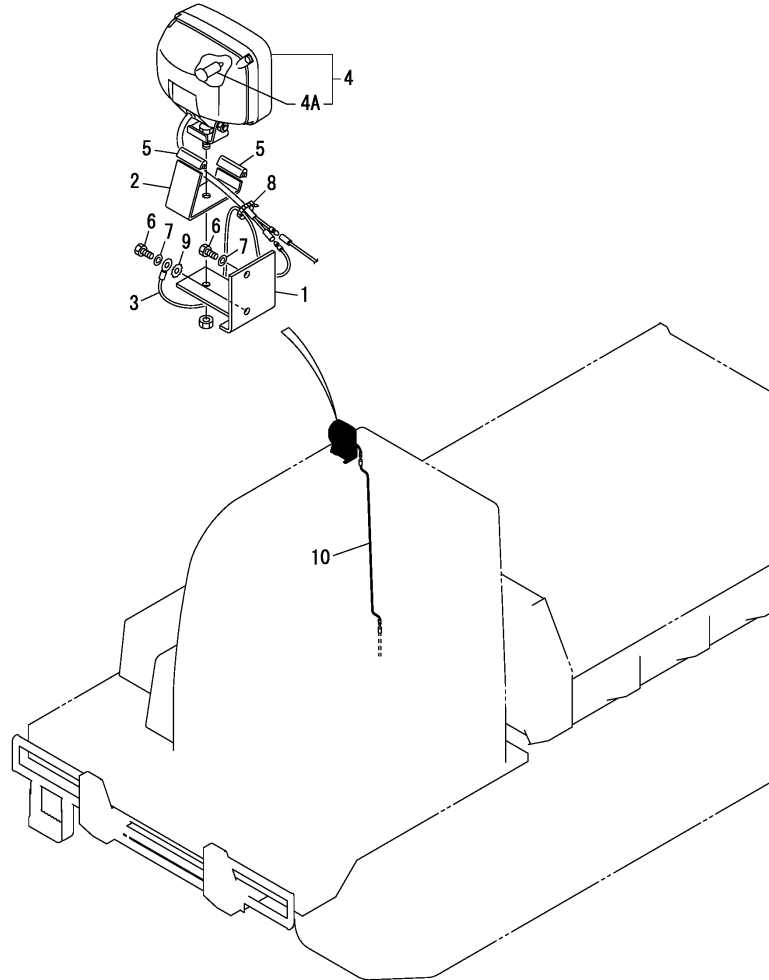


No.	Lev.	Parts No.	Description	Q'ty						I	R
				(A)	(B)	(C)	(D)	(E)	(F)		
1	1	E1703005400	HEAD LIGHT	2	2						
2	2	E1703005405	BULB	1	1						

Fig.26. BACK LIGHT

(A)=C50R-3
(B)=C50R-3A
(C)=

(D)=
(E)=
(F)=

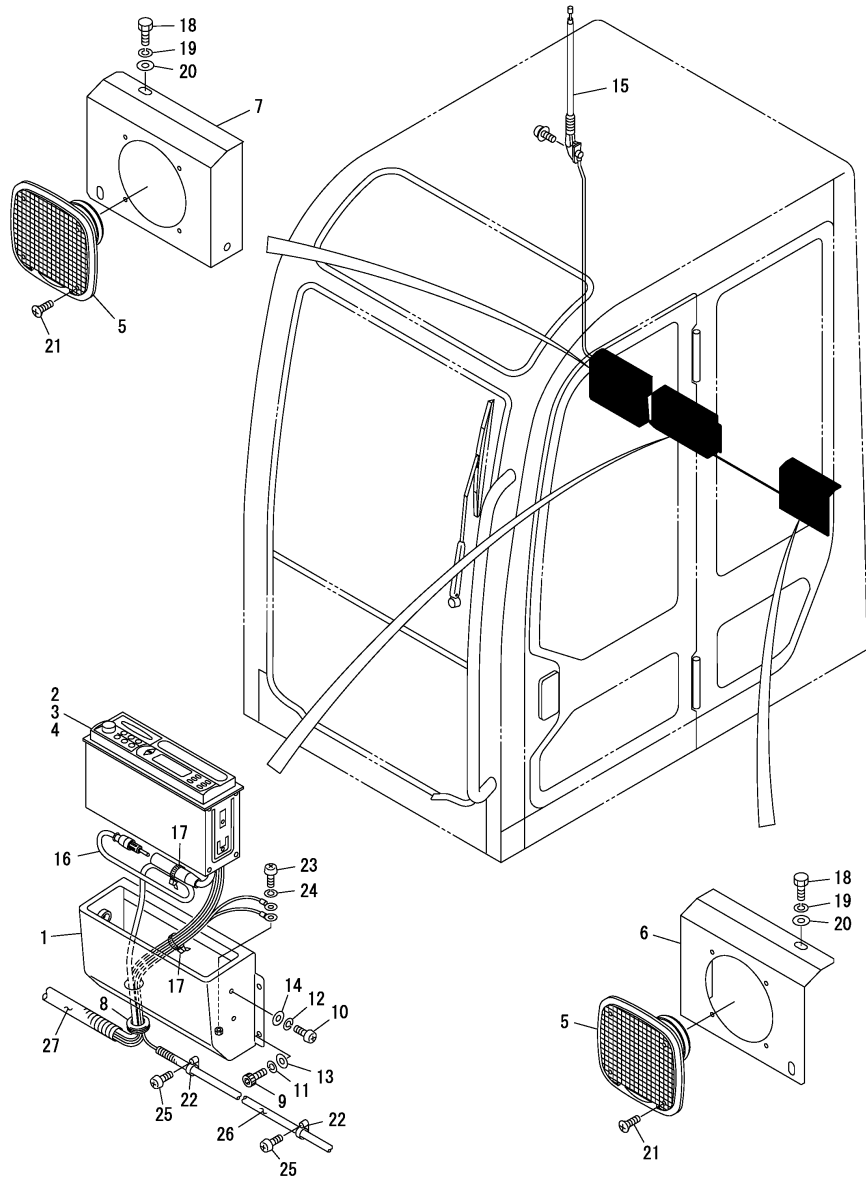


No.	Lev.	Parts No.	Description	Q'ty						I	R
				(A)	(B)	(C)	(D)	(E)	(F)		
1	1	E0874490220	PLATE	1	1						
2	1	E0872494020	PLATE	1	1						
3	1	E0872494030	WIRE HARNESS	1	1						
4	1	E1703004800	WARKING LIGHT	1	1						
4A	2	E1703004806	BULB	1	1						
5	1	E1654613035	PACKING,RUBBER	2	2						
6	1	E1100040812	BOLT M 8X12	2	2						
7	1	E1140020008	SPRING WASHER 8	2	2						
8	1	E1652241300	TIE-LAP	1	1						
9	1	E1140330008	WASHER, TOOTHED 8	1	1						
10	1	E0871490210	WIRE HARNESS	1	1						

Fig.28. RADIO

(A)=C50R-3
(B)=C50R-3A
(C)=

(D)=
(E)=
(F)=



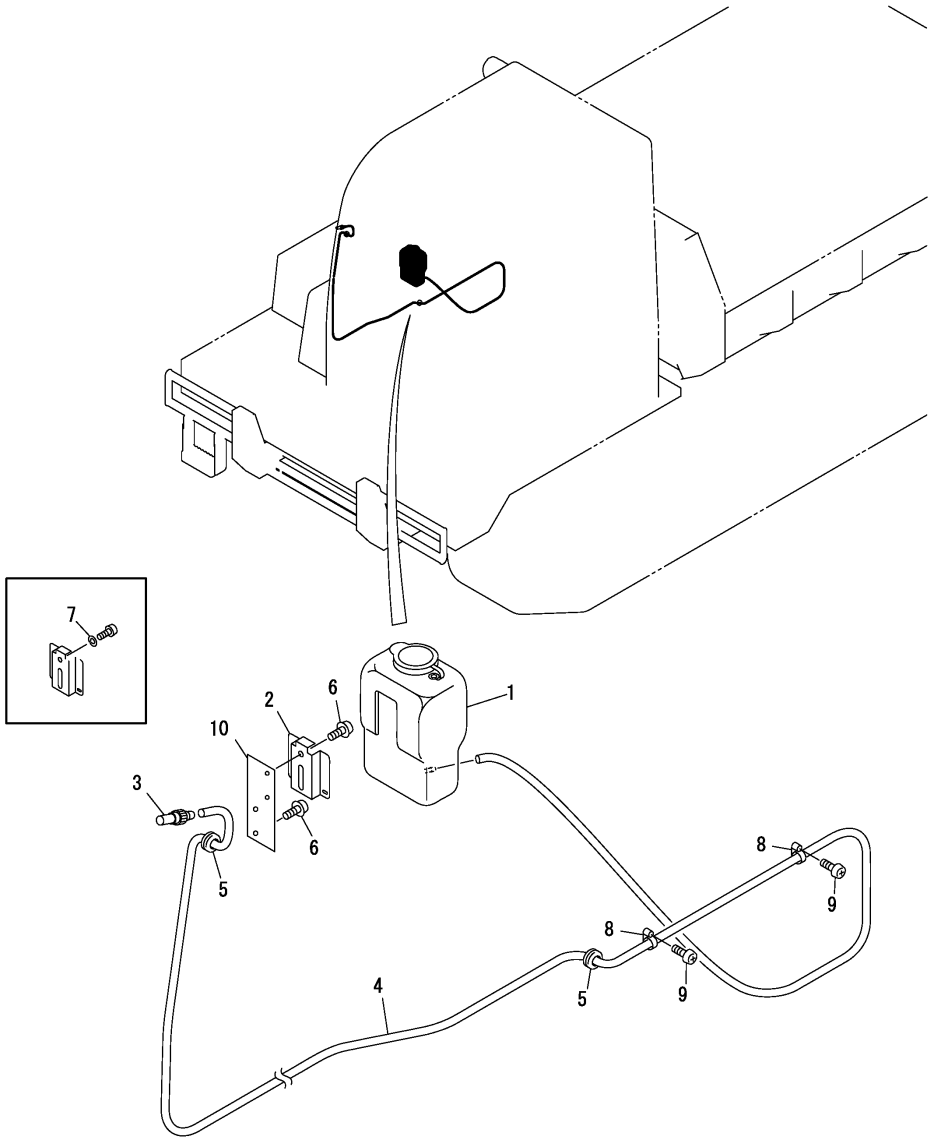
No.	Lev.	Parts No.	Description	Q'ty						I	R
				(A)	(B)	(C)	(D)	(E)	(F)		
1	1	E0872472210	CASE, RADIO	1	1						
2	1	E1705004200	AM/FM RADIO	1	1						Z 1
		(A=MXXX) (B=MXXX)									
3	1	E1705004300	AM/FM RADIO	1	1						Z 2
		(A=MXXX) (B=MXXX)									
4	1	E1705004400	AM/FM RADIO	1	1						3
5	1	E1705002150	SPEAKER	2	2						
6	1	E0871470410	COVER	1	1						
7	1	E0871470420	COVER	1	1						
8	1	E1652041515	GROMMET	1	1						
9	1	E1110020616	BOLT M 6X 16	4	4						
10	1	E1120590516	SCREW	4	4						
11	1	E1140090006	SPRING WASHER 6	4	4						
12	1	E1140090005	WASHER, SPRING M 5	4	4						
13	1	E1141190006	WASHER 6	4	4						
14	1	E1141190005	WASHER, PLAIN M 5	4	4						
15	1	E1705003400	ANTENNA, RUBBER	1	1						Z
		(A=MXXX) (B=MXXX)									
16	1	E1705001610	HARNES	1	1						Z
		(A=MXXX) (B=MXXX)									
17	1	E1652201003	TIE-LAP	2	2						
18	1	E1100090820	BOLT M 8X 20	6	6						
19	1	E1140090008	SPRING WASHER M 8	6	6						
20	1	E1141190008	WASHER M 8	6	6						
21	1	E1120730420	SCREW	8	8						
22	1	E1652221050	CLAMP	2	2						
23	1	E1120530406	SCREW, M4X6	1	1						
24	1	E1140020004	WASHER, SPRING M 4	1	1						
25	1	E1120590512	SCREW, M5X12	2	2						
26	1	E1703210760	TUBE, CORRUGATED	1	1						
27	1	E1703211015	TUBE, CORRUGATED	1	1						

Remarks
(1)EUROPE,ASIA,OCEANIA
(2)USA
(3)JAPAN

Fig.29. WIND WASHER

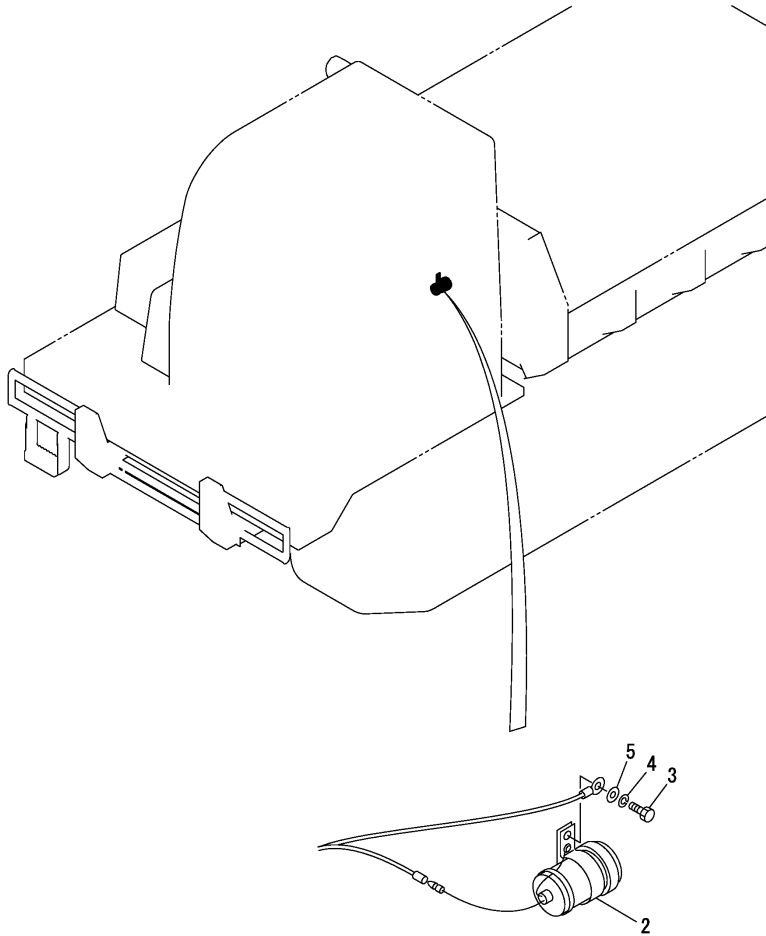
(A)=C50R-3
(B)=C50R-3A
(C)=

(D)=
(E)=
(F)=



No.	Lev.	Parts No.	Description	Q'ty						I	R
				(A)	(B)	(C)	(D)	(E)	(F)		
1	1	E1711910061	TANK, WASHER	1	1						
2	1	E1711910062	BRACKET	1	1						
3	1	E1711910040	NOZZLE	1	1						
4	1	E1711910063	HOSE	1	1						
5	1	E1652001002	GROMMET	2	2						
6	1	E1120530614	SCREW, M6X14	2	2						
6-1	1	E1150110614	SCREW	4	4						N
		(A=MXXX) (B=MXXX)									
7	1	E1140020006	SPRING WASHER 6	2	2						Z
		(A=MXXX) (B=MXXX)									
8	1	E1652221050	CLAMP	2	2						
9	1	E1120590512	SCREW, M5X12	2	2						
10	1	E0871891100	PLATE	1	1						W
		(A=M/#41809) (B=M/#41809)									

Fig.30. BACK BUZZER

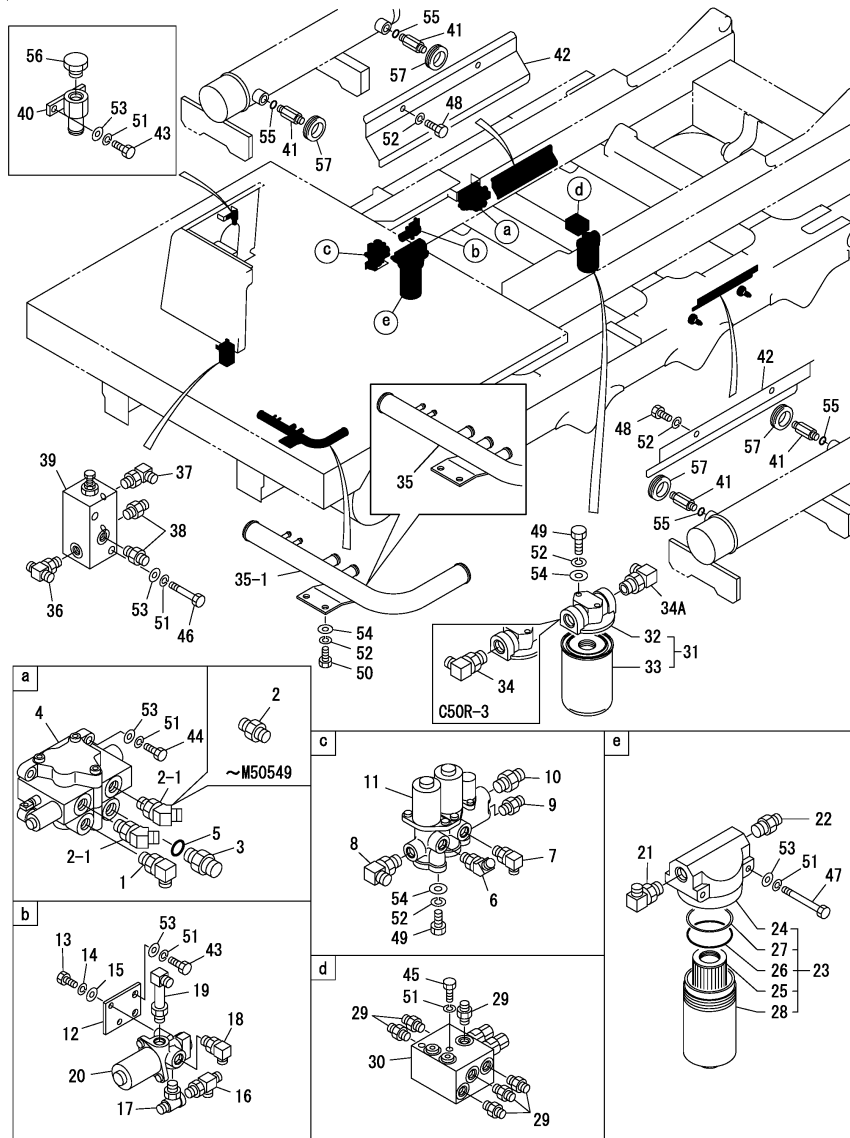


(A)=C50R-3
(B)=C50R-3A
(C)=

(D)=
(E)=
(F)=

No.	Lev.	Parts No.	Description	Q'ty						I	R
				(A)	(B)	(C)	(D)	(E)	(F)		
2	1	E1703700004	ALARM	1	1						
3	1	E1100040816	BOLT M 8X 16	1	1						
4	1	E1140020008	SPRING WASHER 8	1	1						
5	1	E1141110008	WASHER 8	1	1						

Fig.32. VALVE



(A)=C50R-3
(B)=C50R-3A
(C)=

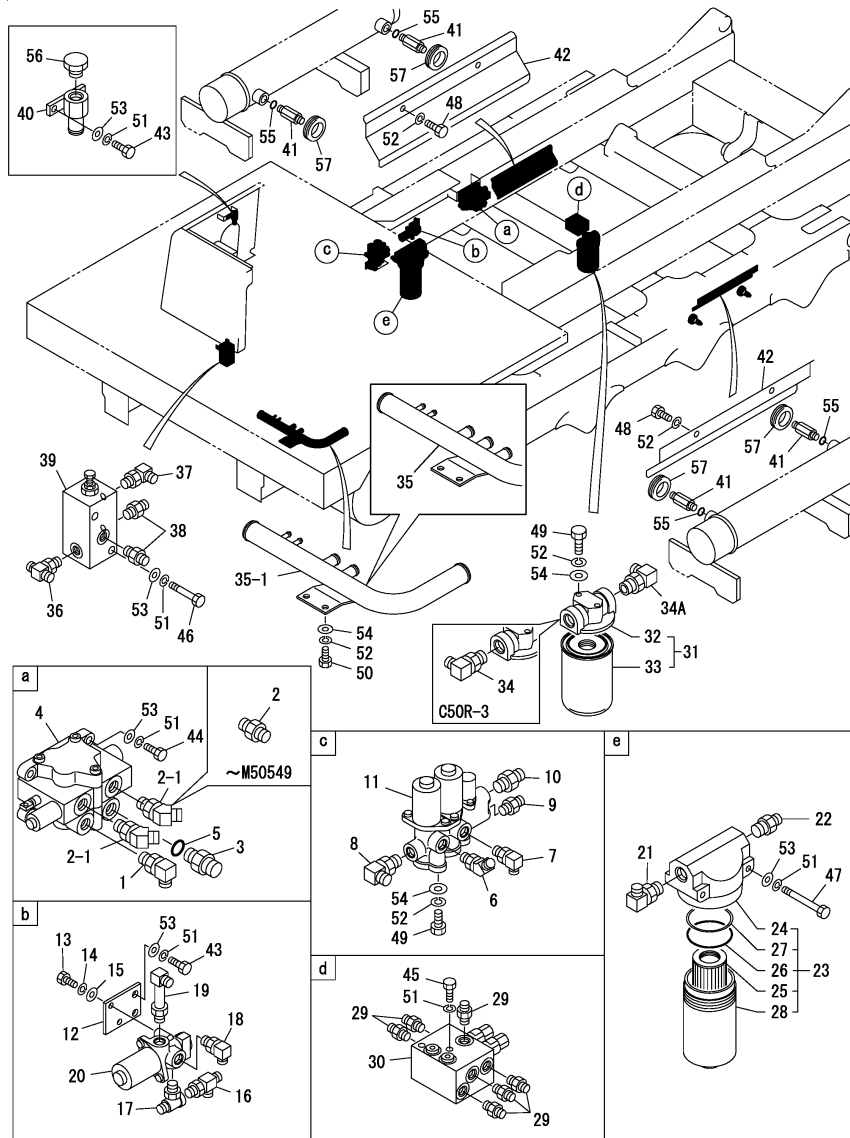
(D)=
(E)=
(F)=

No.	Lev.	Parts No.	Description	Qty						I	R
				(A)	(B)	(C)	(D)	(E)	(F)		
1	1	E1515010041	ELBOW	1	1						
2	1	E1515600201	UNION	2	2						
2-1	1	E1515100111	ELBOW	2	2						S
(A=M/#40550) (B=M/#40550)											
3	1	E0007203064	ADAPTER, HOSE	1	1						
4	1	E1901041100	VALVE ASSY,CONTROL(2)	1	1						1
5	1	E1420010180	O-RING	1	1						
6	1	E1515100110	ELBOW	1	1						
7	1	E1515012040	ELBOW	1	1						
8	1	E1515010041	ELBOW	1	1						
9	1	E1515600200	UNION	1	1						
10	1	E1515600201	UNION	1	1						
11	1	E1901738900	SOLENOID VALVE	1	1						2
12	1	E0871500531	PLATE	1	1						
13	1	E1100040614	BOLT M 6X 14	2	2						
14	1	E1140020006	SPRING WASHER 6	2	2						
15	1	E1141110006	WASHER,PLAIN 6	2	2						
16	1	E1512373007	NIPPLE	1	1						
17	1	E1513390029	NIPPLE	1	1						
18	1	E1515012040	ELBOW	1	1						
19	1	E1515012510	ELBOW	1	1						
20	1	E1901739600	VALVE ASSY, SOLENOID	1	1						3
21	1	E1515010053	ELBOW	1	1						
22	1	E1515600579	ADAPTER UNION	1	1						
23	1	E1551102800	FILTER	1	1						
24	2	E1551102801	BODY	1	1						
25	2	E1551102802	FILTER	1	1						
26	2	E1420000950	O-RING	1	1						
27	2	E1421030950	BUCKUP RING	1	1						
28	2	E1551102805	COVER	1	1						
29	1	E1515600200	UNION	6	6						
30	1	E1901739400	VALVE ASSY	1	1						4
31	1	E1551000300	FILTER	1	1						
32	2	E1551000310	BODY	1	1						
33	2	E1551000320	CARTRIDGE	1	1						
34	1	E1511150610	ADAPTER, HOSE	2							
34A	1	E1511150610	ADAPTER, HOSE		1						
35	1	E0871500870	PIPE	1							
35-1	1	E0871500875	PIPE	1	1						S
(A=M/#40563)											
36	1	E1512370010	NIPPLE	1	1						
37	1	E1515012040	ELBOW	1	1						
38	1	E1515600200	UNION	2	2						
39	1	E1901740300	VALVE	1	1						5
40	1	E0871500890	PIPE	1							Z
(A=M/#40563)											
41	1	E0007203034	ADAPTER, HOSE	4	4						
42	1	E0870703050	PLATE	2	2						
43	1	E1100040820	BOLT M 8X 20	4							
43-1	1	E1100040820	BOLT M 8X 20	2	2						K
(A=M/#40563)											

Remarks

- (1)COMPONENT PARTS:REFER TO FIG.87.
- (2)COMPONENT PARTS:REFER TO FIG.95.
- (3)COMPONENT PARTS:REFER TO FIG.94.
- (4)COMPONENT PARTS:REFER TO FIG.93.
- (5)COMPONENT PARTS:REFER TO FIG.96.

Fig.32. VALVE



(A)=C50R-3
(B)=C50R-3A
(C)=

(D)=
(E)=
(F)=

No.	Lev.	Parts No.	Description	Q'ty						I	R
				(A)	(B)	(C)	(D)	(E)	(F)		
44	1	E1100040830	BOLT M 8X 30	3	3						
45	1	E1100040860	BOLT M 8X60	2	2						
46	1	E1100040865	BOLT M 8X 65	2	2						
47	1	E1100040895	BOLT M 8X95	2	2						
48	1	E1100041014	BOLT M10X 14	4	4						
49	1	E1100041020	BOLT M10X 20	2	2						
50	1	E1100041025	BOLT M10X 25	2	2						
51	1	E1140020008	SPRING WASHER 8	13							
51-1	1	E1140020008	SPRING WASHER 8	11	11						K
(A=M/#40563)											
52	1	E1140020010	SPRING WASHER 10	10	10						
53	1	E1141110008	WASHER 8	11							
53-1	1	E1141110008	WASHER 8	9	9						K
(A=M/#40563)											
54	1	E1141110010	WASHER 10	4	4						
55	1	E1420010110	O-RING	4	4						
56	1	E1501750004	PLUG	1							Z
(A=M/#40563)											
57	1	E1652022506	GROMMET	4	4						

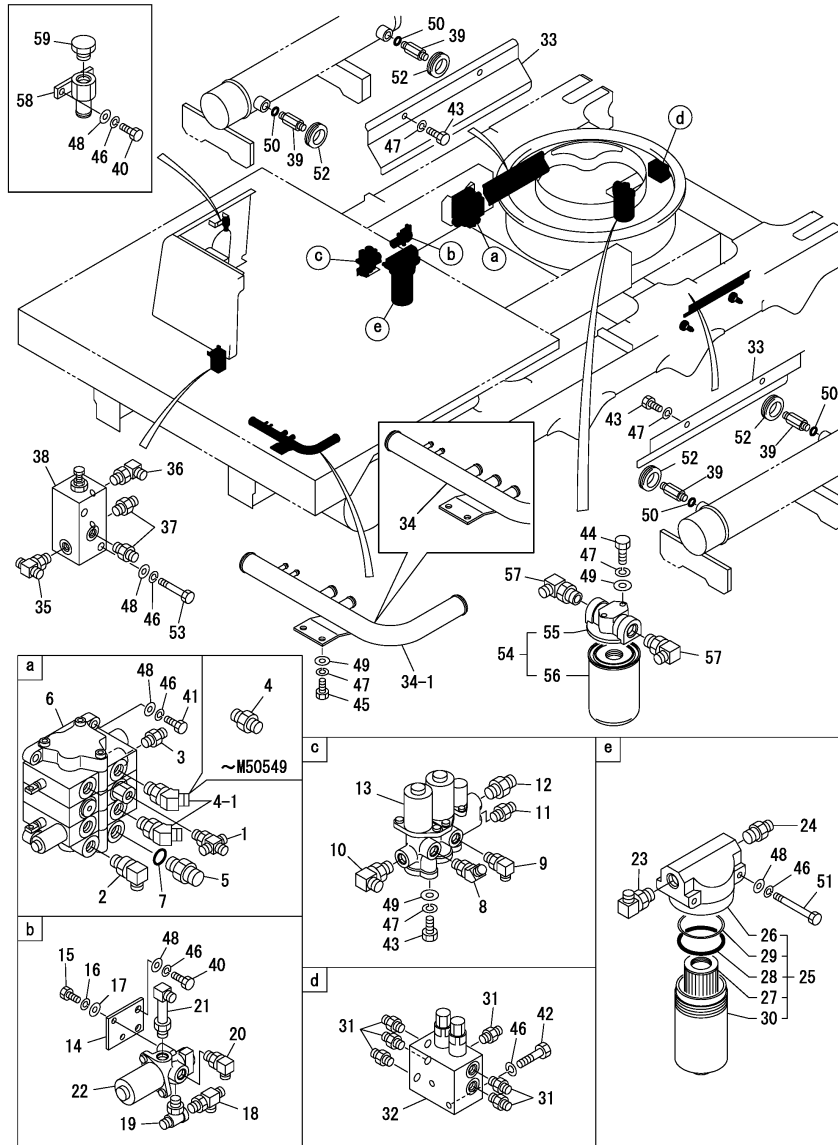
Remarks

- (1)COMPONENT PARTS:REFER TO FIG.87.
- (2)COMPONENT PARTS:REFER TO FIG.95.
- (3)COMPONENT PARTS:REFER TO FIG.94.
- (4)COMPONENT PARTS:REFER TO FIG.93.
- (5)COMPONENT PARTS:REFER TO FIG.96.

Fig.33. VALVE(TURNING)

(A)=C50R-3
(B)=C50R-3A
(C)=

(D)=
(E)=
(F)=



No.	Lev.	Parts No.	Description	Q'ty						I	R
				(A)	(B)	(C)	(D)	(E)	(F)		
1	1	E1513390027	CROSS	1	1						
2	1	E1515010041	ELBOW	1	1						
3	1	E1515600200	UNION	1	1						
4	1	E1515600201	UNION	4							
4-1	1	E1515100111	ELBOW	4	4						S
(A=M/#40550)											
5	1	E0007203064	ADAPTER, HOSE	1	1						
6	1	E1901041200	VALVE ASSY,CONTROL(4	1	1						1
7	1	E1420010180	O-RING	1	1						
8	1	E1515100110	ELBOW	1	1						
9	1	E1515012040	ELBOW	1	1						
10	1	E1515010041	ELBOW	1	1						
11	1	E1515600200	UNION	1	1						
12	1	E1515600201	UNION	1	1						
13	1	E1901738900	SOLENOID VALVE	1	1						2
14	1	E0871500531	PLATE	1	1						
15	1	E1100040614	BOLT M 6X 14	2	2						
16	1	E1140020006	SPRING WASHER 6	2	2						
17	1	E1141110006	WASHER,PLAIN 6	2	2						
18	1	E1512373007	NIPPLE	1	1						
19	1	E1513390029	NIPPLE	1	1						
20	1	E1515012040	ELBOW	1	1						
21	1	E1515012510	ELBOW	1	1						
22	1	E1901739600	VALVE ASSY, SOLENOID	1	1						3
23	1	E1515010053	ELBOW	1	1						
24	1	E1515600579	ADAPTER UNION	1	1						
25	1	E1551102800	FILTER	1	1						
26	2	E1551102801	BODY	1	1						
27	2	E1551102802	FILTER	1	1						
28	2	E1420000950	O-RING	1	1						
29	2	E1421030950	BUCKUP RING	1	1						
30	2	E1551102805	COVER	1	1						
31	1	E1515600200	UNION	6	6						
32	1	E1901739400	VALVE ASSY	1	1						4
33	1	E0870703050	PLATE	2	2						
34	1	E0871500870	PIPE	1							
34-1	1	E0871500875	PIPE	1	1						S
(A=M/#40563)											
35	1	E1512370010	NIPPLE	1	1						
36	1	E1515012040	ELBOW	1	1						
37	1	E1515600200	UNION	2	2						
38	1	E1901740300	VALVE	1	1						5
39	1	E0007203034	ADAPTER, HOSE	4	4						
40	1	E1100040820	BOLT M 8X 20	4							
40-1	1	E1100040820	BOLT M 8X 20	2	2						K
(A=M/#40563)											
41	1	E1100040830	BOLT M 8X 30	3	3						
42	1	E1100040860	BOLT M 8X60	2	2						
43	1	E1100041014	BOLT M10X 14	6	6						
44	1	E1100041035	BOLT M10X 35	2	2						
45	1	E1100041025	BOLT M10X 25	2	2						

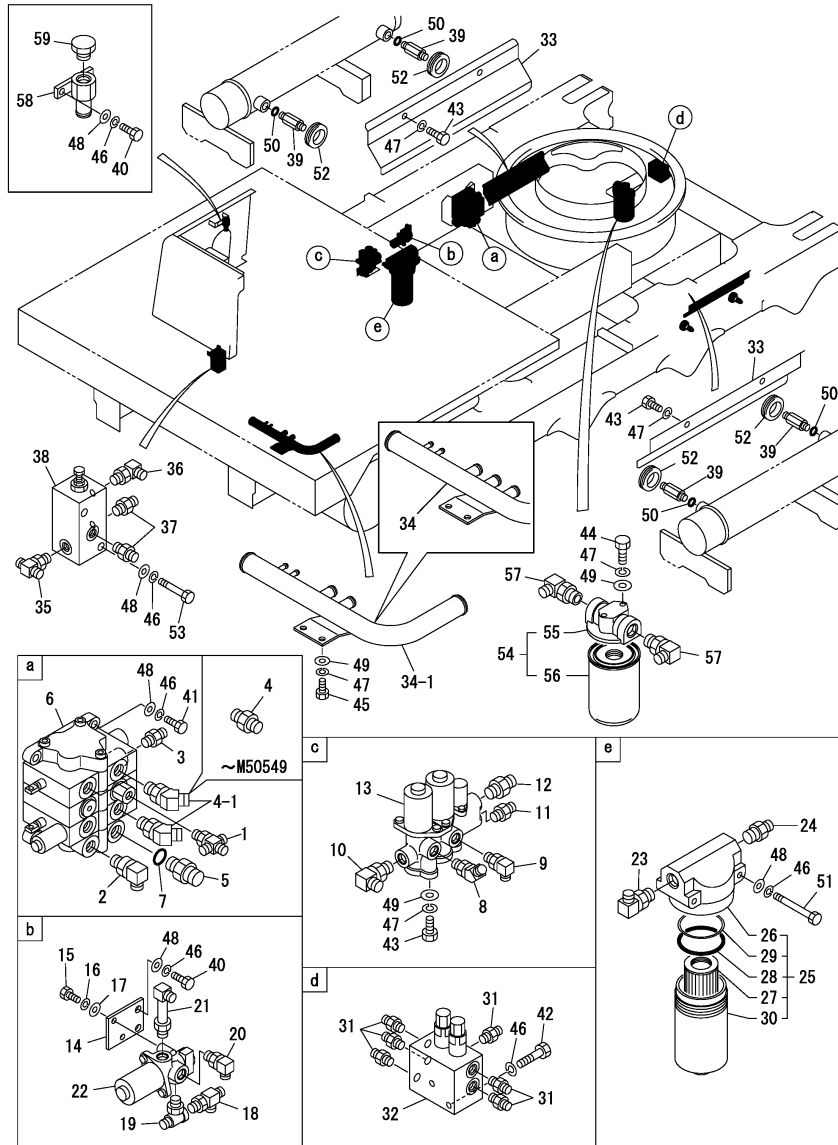
Remarks

- (1)COMPONENT PARTS:REFER TO FIG.86.
- (2)COMPONENT PARTS:REFER TO FIG.95.
- (3)COMPONENT PARTS:REFER TO FIG.94.
- (4)COMPONENT PARTS:REFER TO FIG.93.
- (5)COMPONENT PARTS:REFER TO FIG.96.

Fig.33. VALVE(TURNING)

(A)=C50R-3
(B)=C50R-3A
(C)=

(D)=
(E)=
(F)=



No.	Lev.	Parts No.	Description	Q'ty						I	R
				(A)	(B)	(C)	(D)	(E)	(F)		
46	1	E1140020008	SPRING WASHER 8	13							
46-1	1	E1140020008	SPRING WASHER 8	11	11						K
(A=M/#40563)											
47	1	E1140020010	SPRING WASHER 10	10	10						
48	1	E1141110008	WASHER 8	11							
48-1	1	E1141110008	WASHER 8	9	9						K
(A=M/#40563)											
49	1	E1141110010	WASHER 10	6	6						
50	1	E1420010110	O-RING	4	4						
51	1	E1100040895	BOLT M 8X95	2	2						
52	1	E1652022506	GROMMET	4	4						
53	1	E1100040865	BOLT M 8X 65	2	2						
54	1	E1551000300	FILTER	1	1						
55	2	E1551000310	BODY	1	1						
56	2	E1551000320	CARTRIDGE	1	1						
57	1	E1511150610	ADAPTER, HOSE	2	2						
58	1	E0871500890	PIPE	1							Z
(A=M/#40563)											
59	1	E1501750004	PLUG	1							Z
(A=M/#40563)											

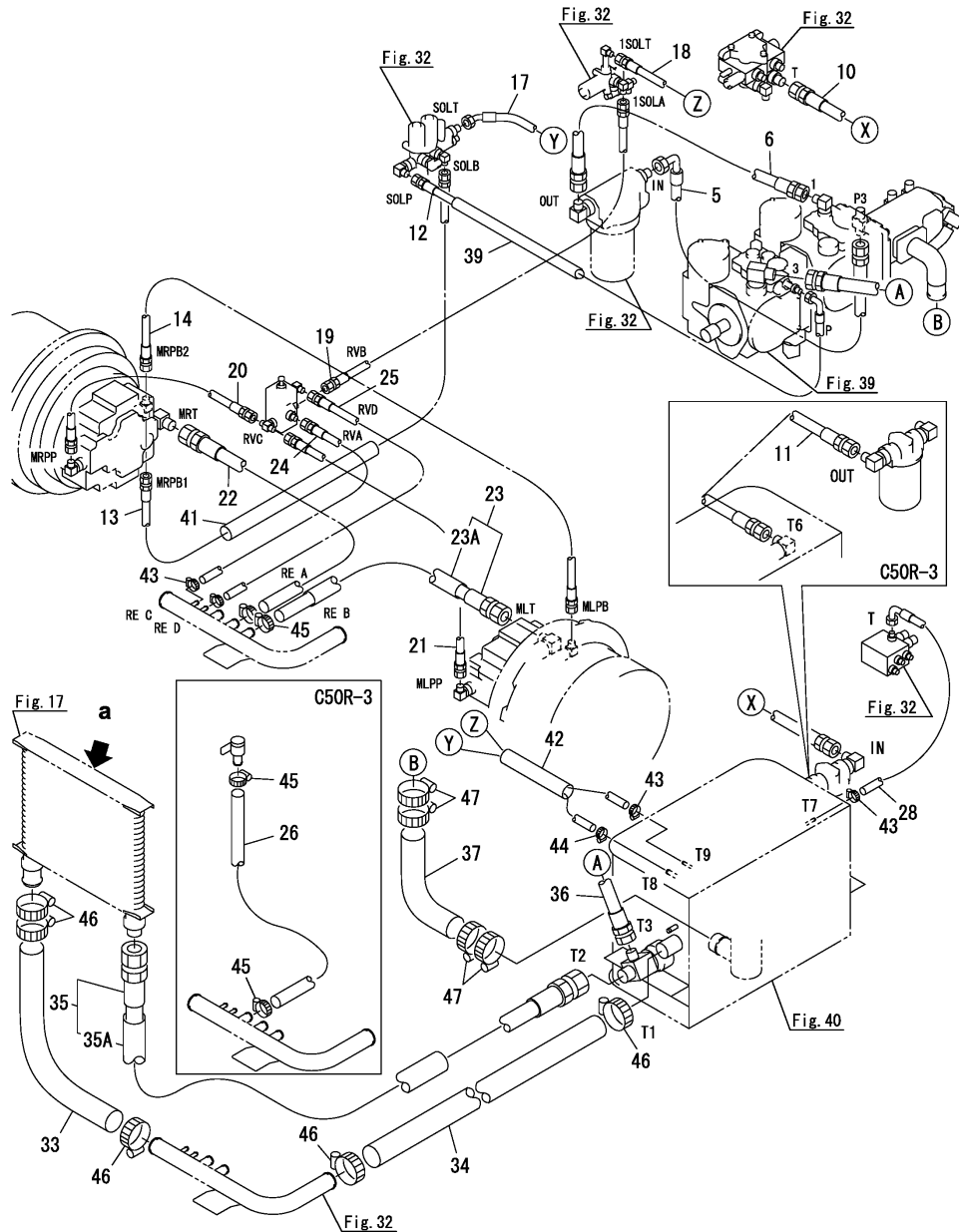
Remarks

- (1)COMPONENT PARTS:REFER TO FIG.86.
- (2)COMPONENT PARTS:REFER TO FIG.95.
- (3)COMPONENT PARTS:REFER TO FIG.94.
- (4)COMPONENT PARTS:REFER TO FIG.93.
- (5)COMPONENT PARTS:REFER TO FIG.96.

Fig.34. HYD.OIL PIPING(1)

(A)=C50R-3
(B)=C50R-3A
(C)=

(D)=
(E)=
(F)=

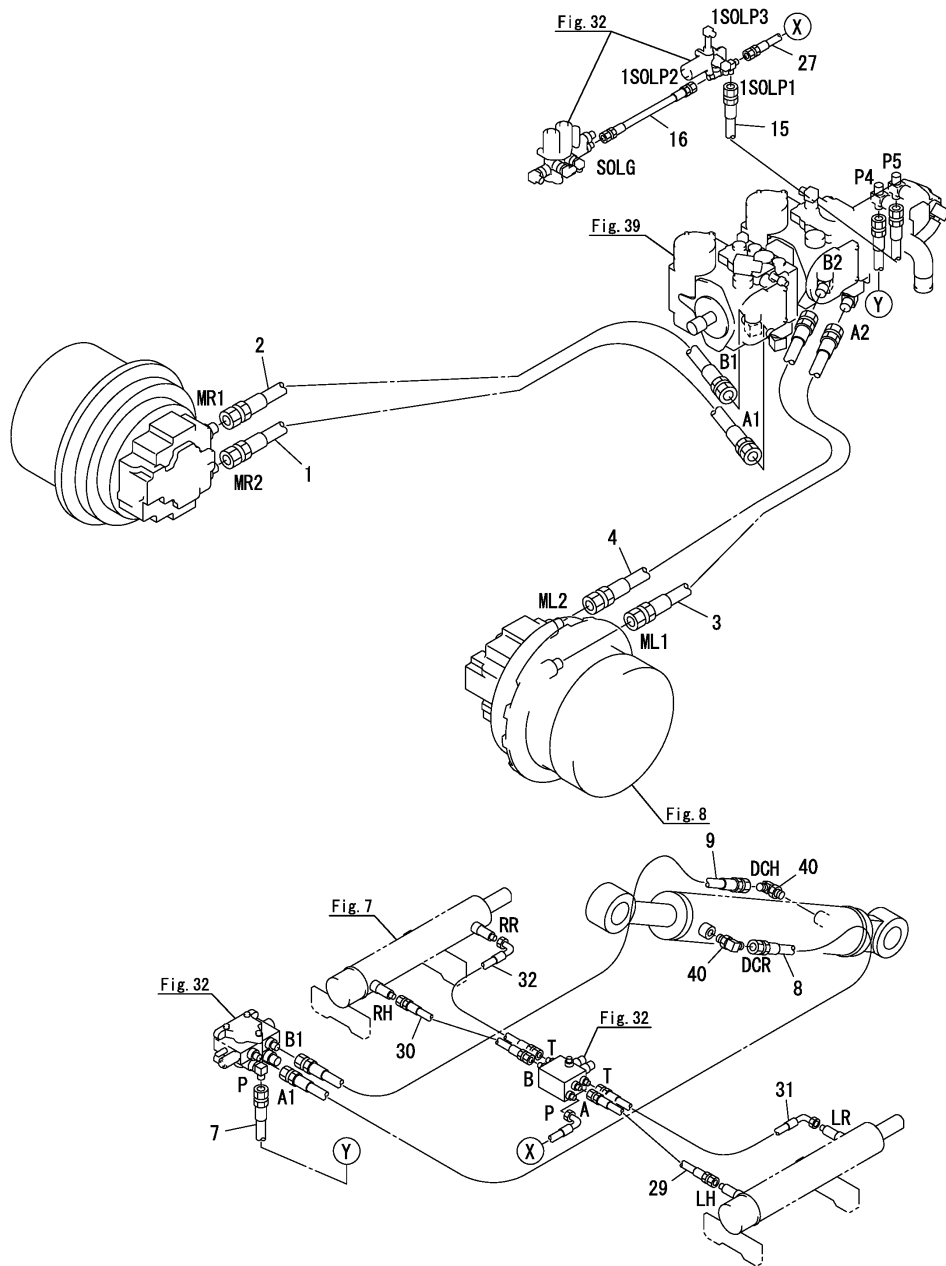


No.	Lev.	Parts No.	Description	Q'ty						I	R
				(A)	(B)	(C)	(D)	(E)	(F)		
5	1	E0871707550	HOSE, PRESSURE	1	1						
6	1	E0871707560	HOSE, PRESSURE	1	1						
10	1	E0871707600	HOSE, PRESSURE	1	1						
11	1	E0871707610	HOSE, PRESSURE	1							
12	1	E0871707620	HOSE, PRESSURE	1	1						
13	1	E0871707630	HOSE, PRESSURE	1	1						
14	1	E0871707640	HOSE, PRESSURE	1	1						
17	1	E0871707670	HOSE, PRESSURE	1	1						
18	1	E0871707680	HOSE, PRESSURE	1	1						
19	1	E0871707690	HOSE, PRESSURE	1	1						
20	1	E0871707700	HOSE, PRESSURE	1	1						
21	1	E0871707710	HOSE, PRESSURE	1	1						
22	1	E0871707720	HOSE, PRESSURE	1	1						
23	1	E0871707730	HOSE, PRESSURE	1	1						
23A	2	E1532224030	TUBE, SPIRAL	1	1						W
		(A=MXXX) (B=MXXX)									
24	1	E0871707740	HOSE, PRESSURE	1	1						
25	1	E0871707750	HOSE, PRESSURE	1	1						
26	1	E1530519135	HOSE, LOW PRESSURE	1							
28	1	E0871707780	HOSE, PRESSURE	1	1						
33	1	E1530538068	HOSE, LOW PRESSURE	1	1						
33-1	1	E1530538066	HOSE, LOW PRESSURE	1	1						S
		(A=MXXX) (B=MXXX)									
34	1	E1530538114	HOSE, LOW PRESSURE	1	1						
35	1	E0871707850	HOSE, PRESSURE	1	1						
35A	2	E1532224100	PROTECTOR	1	1						
36	1	E0871707860	HOSE, PRESSURE	1	1						
37	1	E0357007350	HOSE, SUCTION	1	1						
39	1	E1531325040	PROTECTOR	1	1						W
		(A=MXXX) (B=MXXX)									
41	1	E1531335050	HOSE	1	1						
42	1	E1531335020	HOSE, PROTECT	1	1						
43	1	E1533700013	CLIP, HOSE	4	4						
44	1	E1533700019	CLIP, HOSE	1	1						
45	1	E1533700035	CLIP, HOSE	4							
45-1	1	E1533700035	CLIP, HOSE	2	2						K
		(A=M/#40563)									
46	1	E1533700054	CLIP, HOSE	5	5						
47	1	E1533700060	CLIP, HOSE	4	4						

Fig.35. HYD.OIL PIPING(2)

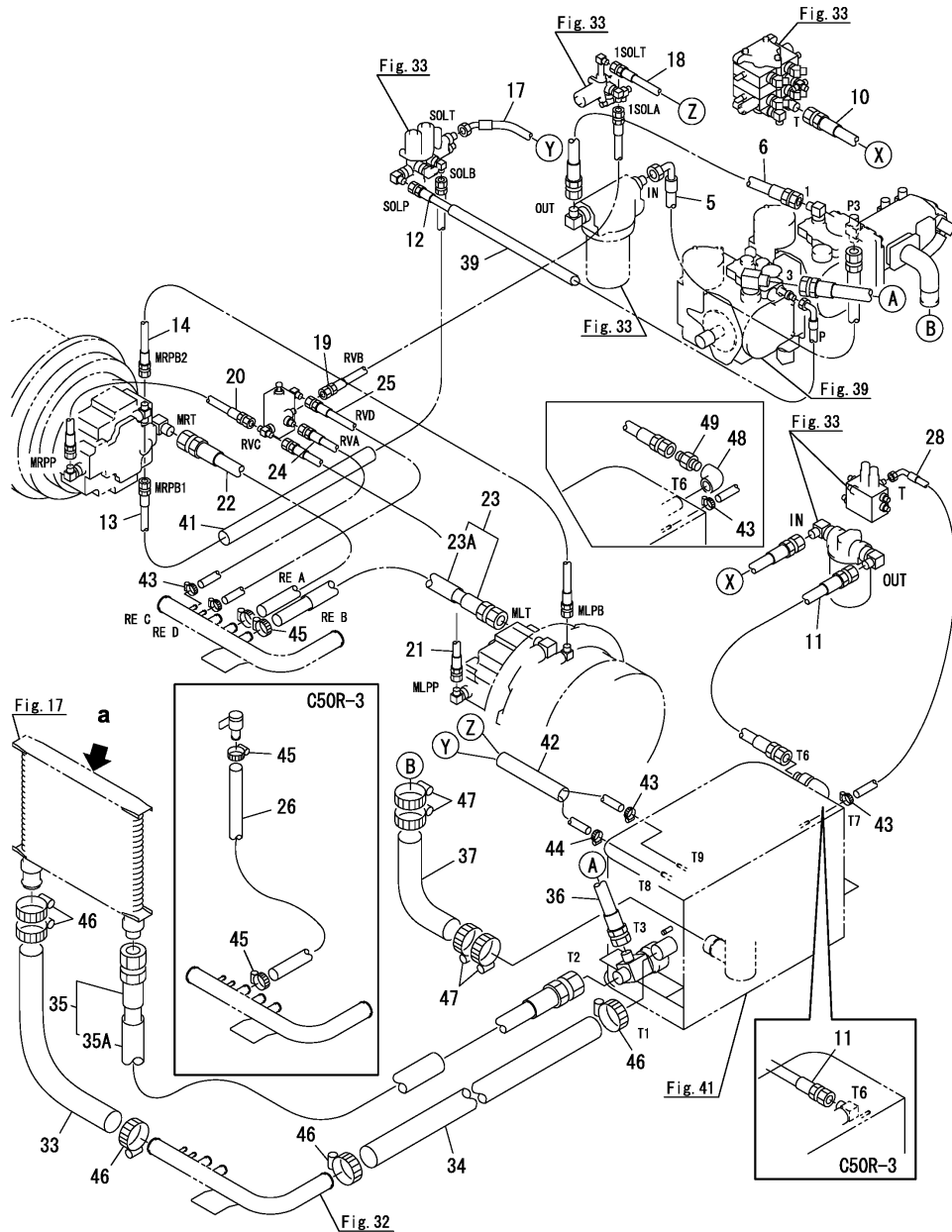
(A)=C50R-3
(B)=C50R-3A
(C)=

(D)=
(E)=
(F)=



No.	Lev.	Parts No.	Description	Q'ty						I	R
				(A)	(B)	(C)	(D)	(E)	(F)		
1	1	E0871707510	HOSE, HIGH PRESSURE	1	1						
2	1	E0871707520	HOSE, HIGH PRESSURE	1	1						
3	1	E0871707530	HOSE, HIGH PRESSURE	1	1						
4	1	E0871707540	HOSE, HIGH PRESSURE	1	1						
7	1	E0871707570	HOSE, HIGH PRESSURE	1	1						
8	1	E0871707580	HOSE, HIGH PRESSURE	1	1						
9	1	E0871707590	HOSE, HIGH PRESSURE	1	1						
15	1	E0871707650	HOSE, PRESSURE	1	1						
16	1	E0871707660	HOSE, PRESSURE	1	1						
27	1	E0871707770	HOSE, PRESSURE	1	1						
29	1	E0871707790	HOSE, HIGH PRESSURE	1	1						
30	1	E0871707800	HOSE, HIGH PRESSURE	1	1						
31	1	E0871707810	HOSE, PRESSURE	1	1						
32	1	E0871707820	HOSE, PRESSURE	1	1						
40	1	E1515010041	ELBOW	2	2						

Fig.36. HYD.OIL PIPING(1)(TURNING)



(A)=C50R-3
(B)=C50R-3A
(C)=

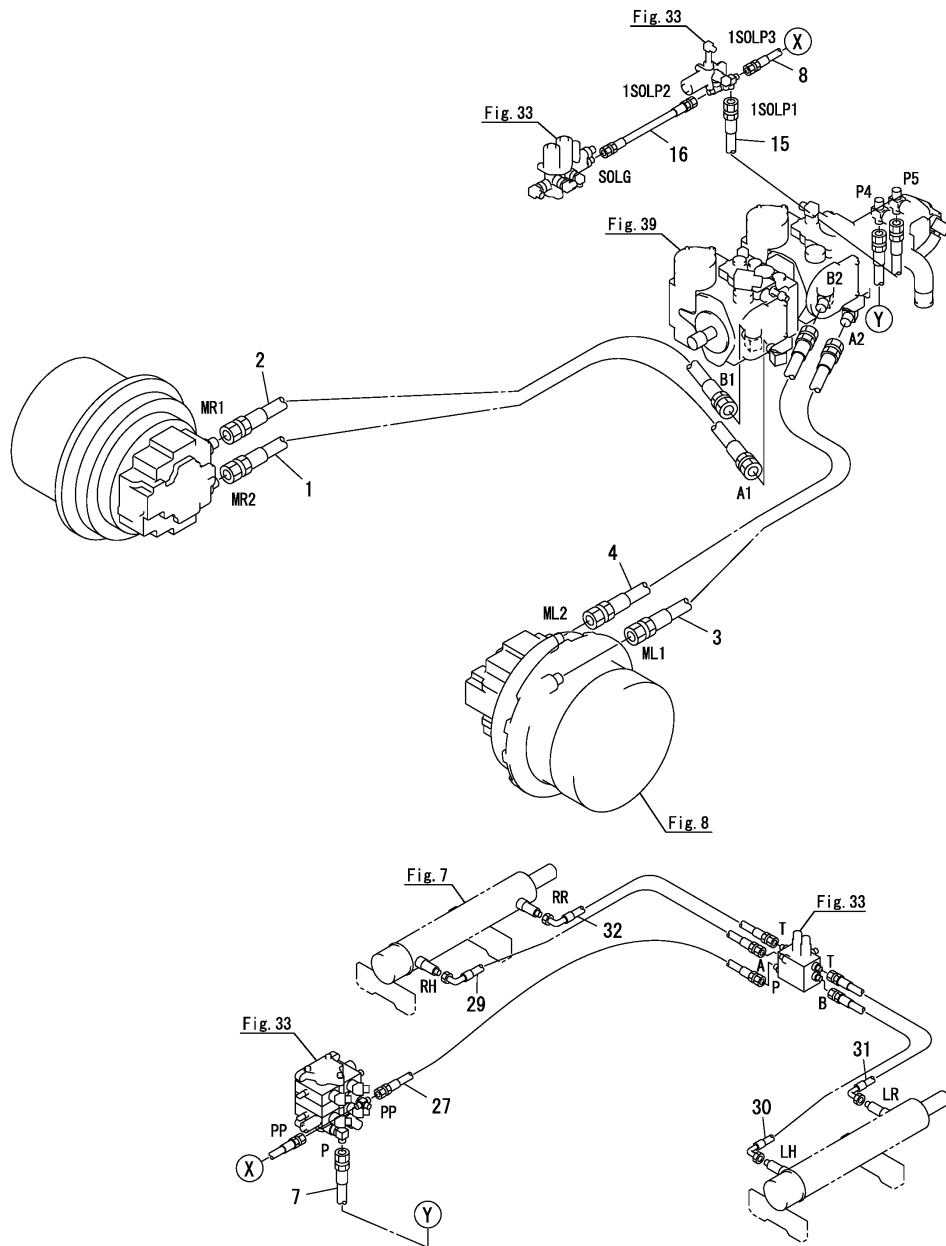
(D)=
(E)=
(F)=

No.	Lev.	Parts No.	Description	Q'ty						I	R
				(A)	(B)	(C)	(D)	(E)	(F)		
5	1	E0871707550	HOSE, PRESSURE	1	1						
6	1	E0871707560	HOSE, PRESSURE	1	1						
10	1	E0871706310	HOSE, PRESSURE	1	1						
11	1	E0871706320	HOSE, PRESSURE	1	1						
12	1	E0871707620	HOSE, PRESSURE	1	1						
13	1	E0871707630	HOSE, PRESSURE	1	1						
14	1	E0871707640	HOSE, PRESSURE	1	1						
17	1	E0871707670	HOSE, PRESSURE	1	1						
18	1	E0871707680	HOSE, PRESSURE	1	1						
19	1	E0871707690	HOSE, PRESSURE	1	1						
20	1	E0871707700	HOSE, PRESSURE	1	1						
21	1	E0871707710	HOSE, PRESSURE	1	1						
22	1	E0871707720	HOSE, PRESSURE	1	1						
23	1	E0871707730	HOSE, PRESSURE	1	1						
23A	2	E1532224030	TUBE, SPIRAL	1	1						W
		(A=MXXX) (B=MXXX)									
24	1	E0871707740	HOSE, PRESSURE	1	1						
25	1	E0871707750	HOSE, PRESSURE	1	1						
26	1	E1530519135	HOSE, LOW PRESSURE	1							Z
		(A=M/#40563)									
28	1	E0871706260	HOSE, PRESSURE	1	1						
33	1	E1530538068	HOSE, LOW PRESSURE	1	1						
33-1	1	E1530538066	HOSE, LOW PRESSURE	1	1						S
		(A=MXXX) (B=MXXX)									
34	1	E1530538114	HOSE, LOW PRESSURE	1	1						
35	1	E0871707850	HOSE, PRESSURE	1	1						
35A	2	E1532224100	PROTECTOR	1	1						
36	1	E0871707860	HOSE, PRESSURE	1	1						
37	1	E0357007350	HOSE, SUCTION	1	1						
39	1	E1531325040	PROTECTOR	1	1						W
		(A=MXXX) (B=MXXX)									
41	1	E1531335050	HOSE	1	1						
42	1	E1531335020	HOSE, PROTECT	1	1						
43	1	E1533700013	CLIP, HOSE	4	4						
44	1	E1533700019	CLIP, HOSE	1	1						
45	1	E1533700035	CLIP, HOSE	4							
45-1	1	E1533700035	CLIP, HOSE	2	2						K
		(A=M/#40563)									
46	1	E1533700054	CLIP, HOSE	5	5						
47	1	E1533700060	CLIP, HOSE	4	4						
48	1	E1509001006	ELBOW		1						Z
		(B=MXXX)									
49	1	E1511050006	ADAPTER, HOSE		1						Z
		(B=MXXX)									

Fig.37. HYD.OIL PIPING(2)(TURNING)

(A)=C50R-3
(B)=C50R-3A
(C)=

(D)=
(E)=
(F)=

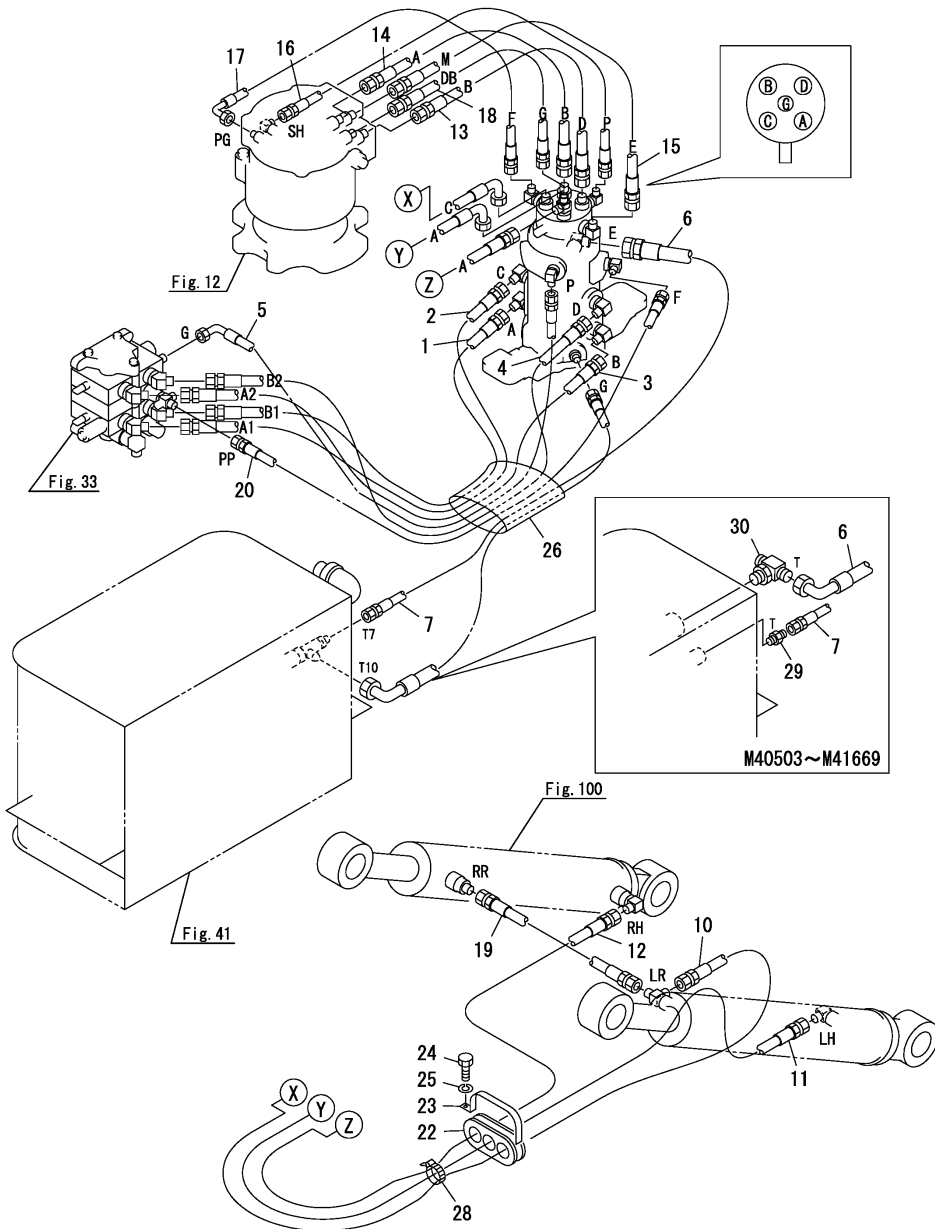


No.	Lev.	Parts No.	Description	Q'ty						I	R
				(A)	(B)	(C)	(D)	(E)	(F)		
1	1	E0871707510	HOSE, HIGH PRESSURE	1	1						
2	1	E0871707520	HOSE, HIGH PRESSURE	1	1						
3	1	E0871707530	HOSE, HIGH PRESSURE	1	1						
4	1	E0871707540	HOSE, HIGH PRESSURE	1	1						
7	1	E0871707570	HOSE, HIGH PRESSURE	1	1						
8	1	E0871706060	HOSE, HIGH PRESSURE	1	1						
15	1	E0871707650	HOSE, PRESSURE	1	1						
16	1	E0871707660	HOSE, PRESSURE	1	1						
27	1	E0871706250	HOSE, PRESSURE	1	1						
29	1	E0871706270	HOSE, HIGH PRESSURE	1	1						
30	1	E0871706280	HOSE, HIGH PRESSURE	1	1						
31	1	E0871706290	HOSE, PRESSURE	1	1						
32	1	E0871706300	HOSE, PRESSURE	1	1						

Fig.38. TURNING DUMP PIPING

(A)=C50R-3
(B)=C50R-3A
(C)=

(D)=
(E)=
(F)=

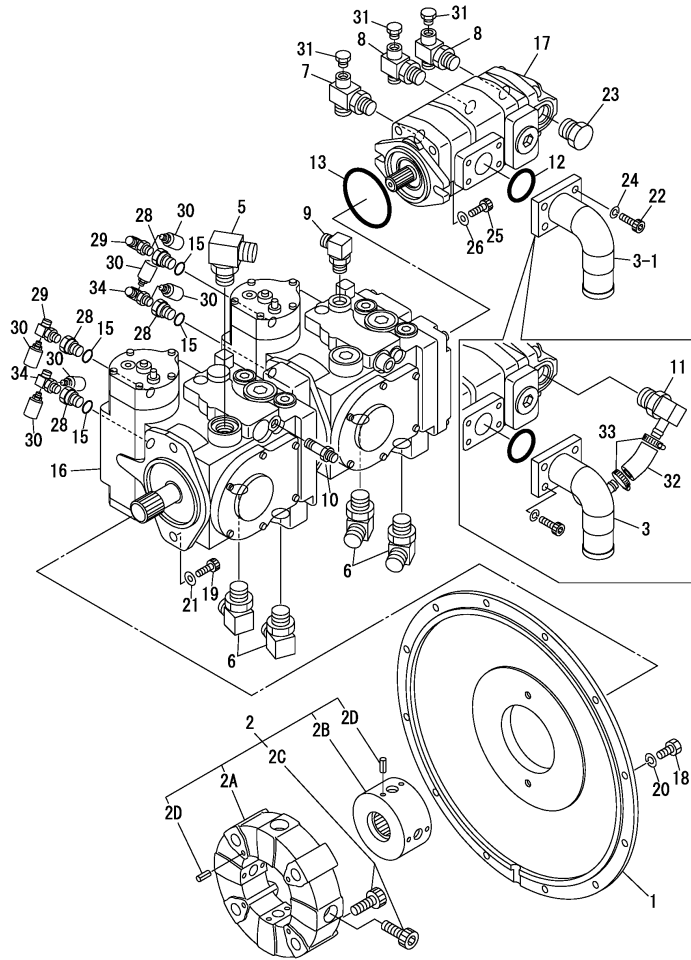


No.	Lev.	Parts No.	Description	Q'ty						I	R
				(A)	(B)	(C)	(D)	(E)	(F)		
1	1	E0871720010	HOSE, HIGH PRESSURE	1	1						
2	1	E0871720020	HOSE, HIGH PRESSURE	1	1						
3	1	E0871720030	HOSE, HIGH PRESSURE	1	1						
4	1	E0871720040	HOSE, HIGH PRESSURE	1	1						
5	1	E0871720050	HOSE, PRESSURE	1	1						
6	1	E0871720060	HOSE, PRESSURE	1	1						
7	1	E0871720070	HOSE, HIGH PRESSURE	1	1						
10	1	E0874720100	HOSE, HIGH PRESSURE	1	1						
11	1	E0874720110	HOSE, HIGH PRESSURE	1	1						
12	1	E0874720120	HOSE, HIGH PRESSURE	1	1						
13	1	E0874720130	HOSE, HIGH PRESSURE	1	1						
14	1	E0874720140	HOSE, HIGH PRESSURE	1	1						
15	1	E0874720150	HOSE, HIGH PRESSURE	1	1						
16	1	E0871720160	HOSE, PRESSURE	1	1						
17	1	E0871720170	HOSE, PRESSURE	1	1						
18	1	E0874720180	HOSE, PRESSURE	1	1						
19	1	E0874720190	HOSE, HIGH PRESSURE	1	1						
20	1	E0871720200	HOSE, PRESSURE	1	1						
22	1	E0097022400	GUARD, HOSE	1	1						
23	1	E0872704110	PLATE	1	1						
24	1	E1100040820	BOLT M 8X 20	1	1						
25	1	E1140020008	SPRING WASHER 8	1	1						
26	1	E1531360015	HOSE, PROTECT	1	1						
28	1	E1652201007	TIE-LAP	2	2						
29	1	E1515600200	UNION	1	1						Z
		(A=M41669) (B=M41669)									
30	1	E1512374002	TEE	1							
30-1	1	E1513370044	TEE	1	1						S
		(A=M/#40533)									
30-2	1	E1513370044	TEE	1	1						Z
		(A=M41669) (B=M41669)									

Fig.39. PUMP DRIVING

(A)=C50R-3
(B)=C50R-3A
(C)=

(D)=
(E)=
(F)=



No.	Lev.	Parts No.	Description	Q'ty						I	R
				(A)	(B)	(C)	(D)	(E)	(F)		
1	1	E0881520100	HOUSING, ENGINE	1	1						
1-1	1	E0881521400	HOUSING, ENGINE	1	1						N
		(A=M/#41580) (B=M/#41580)									
1-2	1	E0881521450	HOUSING, ENGINE	1	1						F 1
		(A=M/#41632) (B=M/#41632)									
2	1	E0881520200	COUPLING ASSY	1	1						
2A	2	E0881520201	COUPLING	1	1						
2B	2	E0881520202	COUPLING	1	1						
2C	2	E1110051650	BOLT M16X 50	8	8						
2D	2	E1213000510	SPRING PIN 5X 10	12	12						
3	1	E0871520710	FLANGE	1							
3-1	1	E0871520760	FLANGE	1	1						S
		(A=M/#40563)									
5	1	E1515200108	ELBOW	1	1						
6	1	E1515200063	ELBOW	4	4						
7	1	E1512350002	ELBOW	1	1						
8	1	E1512350003	ELBOW	2	2						
9	1	E1515200067	ELBOW	1	1						
10	1	E1512370032	ADAPTER	1	1						
11	1	E1513350022	ELBOW	1							Z
		(A=M/#40563)									
12	1	E1420100400	O-RING	1	1						
13	1	E1420360152	O-RING	1	1						
15	1	E1420370906	O-RING	4	4						
16	1	E1902019100	HST PUMP	1							2
16-1	1	E1902020400	HST PUMP	1	1						N 2
		(A=M/#40560)									
17	1	E1902019700	GEAR PUMP	1	1						3
18	1	E1100041030	BOLT M10X30	12	12						
19	1	E1111021240	BOLT M12X40	2	2						
19-1	1	E1102720838	BOLT	2	2						S 1
		(A=M/#41632) (B=M/#41632)									
20	1	E1140020010	SPRING WASHER 10	12	12						
21	1	E1141550012	WASHER, M12	2	2						
21-1	1	E1141450008	WASHER	2	2						S 1
		(A=M/#41632) (B=M/#41632)									
22	1	E1111041025	BOLT M10X25	4	4						
23	1	E1501750006	PLUG	1	1						W
		(A=M/#40563)									
24	1	E1140490010	SPRING WASHER	4	4						
25	1	E1102240625	BOLT M 6X25	2							
25-1	1	E1102240632	BOLT	2	2						S
		(A=M/#40533)									
26	1	E0003900035	WASHER	2							
26-1	1	E0003900039	WASHER	2	2						S
		(A=M/#40533)									
28	1	E0007213043	BUSHING	4	4						
29	1	E1512330003	ELBOW	2	2						
30	1	E1700100015	SWITCH, PRESSURE	6	6						
31	1	E1501750002	PLUG	3	3						
32	1	E1530512090	HOSE, LOW PRESSURE	1							Z

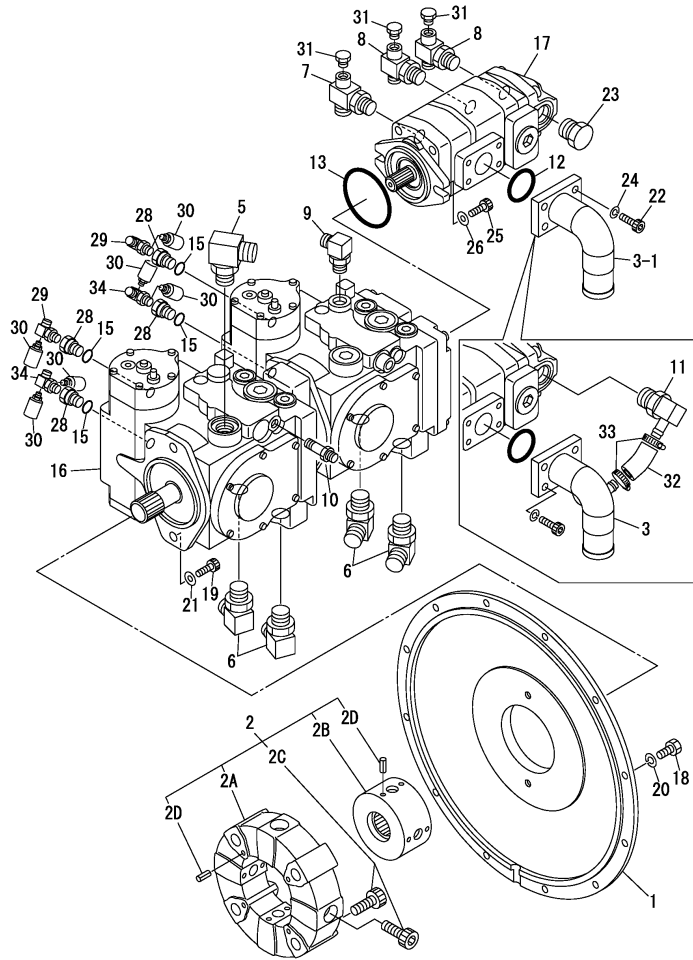
Remarks

- (1)INTERCHANGEABLE BY SIMULTANEOUS REPLACEMENT WITH REF.NO.19-1 & NO.21-1.
- (2)COMPONENT PARTS:REFER TO FIG.104.
- (3)COMPONENT PARTS:REFER TO FIG.105.

Fig.39. PUMP DRIVING

(A)=C50R-3
(B)=C50R-3A
(C)=

(D)=
(E)=
(F)=

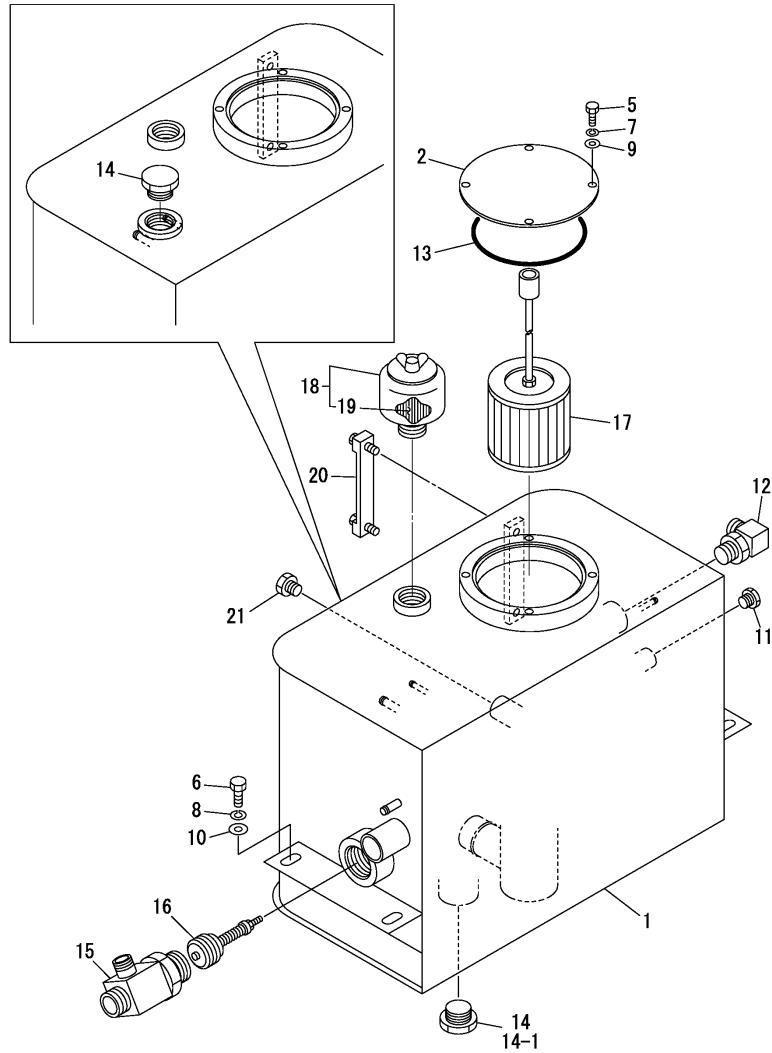


No.	Lev.	Parts No.	Description	Q'ty						I	R	
				(A)	(B)	(C)	(D)	(E)	(F)			
		(A=M/#40563)										
33	1	E1533700025	CLIP, HOSE	2								Z
		(A=M/#40563)										
34	1	E1512330004	ELBOW	2	2							

Remarks

- (1) INTERCHANGEABLE BY SIMULTANEOUS REPLACEMENT WITH REF.NO.19-1 & NO.21-1.
- (2) COMPONENT PARTS:REFER TO FIG.104.
- (3) COMPONENT PARTS:REFER TO FIG.105.

Fig.40. HYD. OIL TANK



(A)=C50R-3
(B)=C50R-3A
(C)=

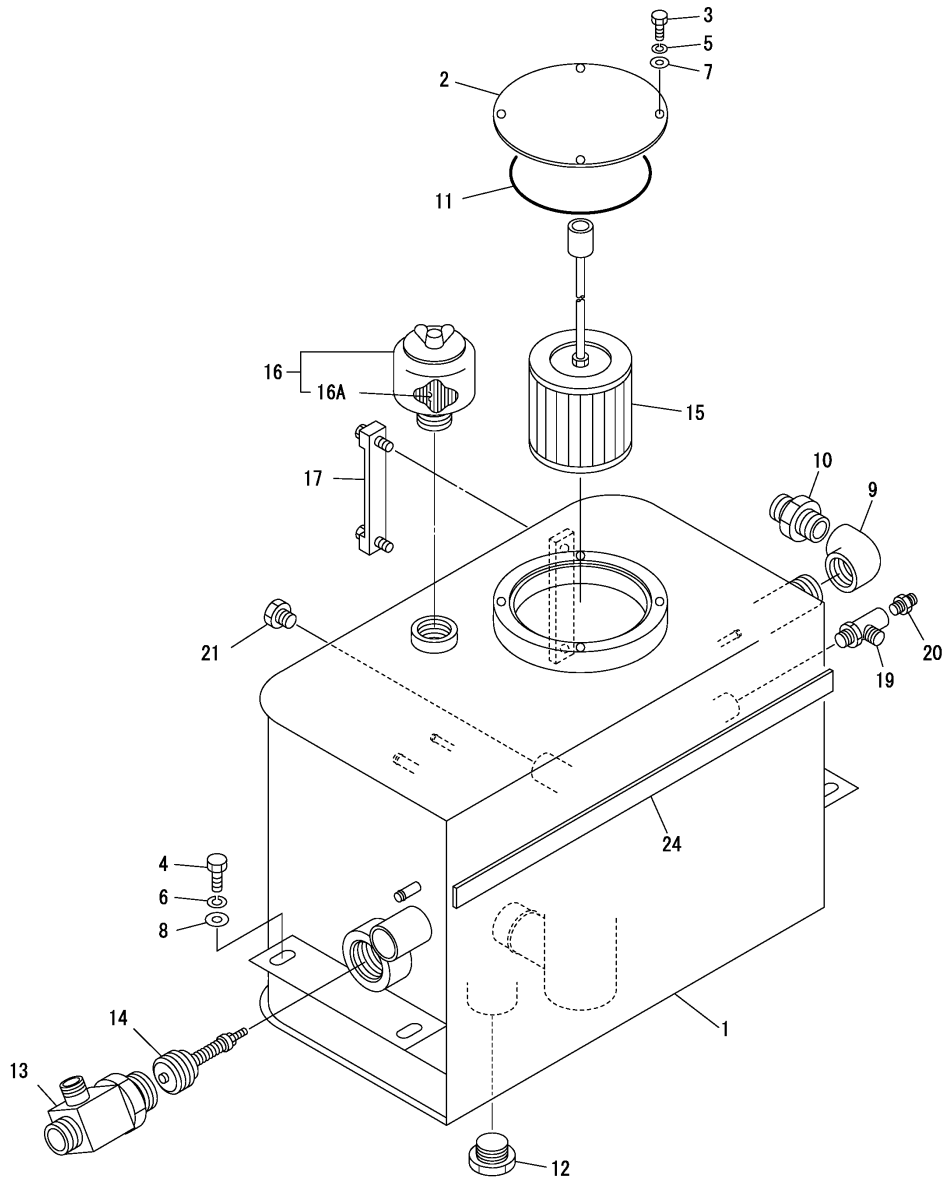
(D)=
(E)=
(F)=

No.	Lev.	Parts No.	Description	Q'ty						I	R
				(A)	(B)	(C)	(D)	(E)	(F)		
1	1	E0871802100	TANK, OIL	1	1						
2	1	E0438000300	COVER	1	1						
5	1	E1100041016	BOLT M10X16	4	4						
6	1	E1100041230	BOLT M12X 30	4	4						
7	1	E1140020010	SPRING WASHER 10	4	4						
8	1	E1140020012	SPRING WASHER 12	4	4						
9	1	E1141110010	WASHER 10	4	4						
10	1	E1141550012	WASHER, M12	4	4						
11	1	E1501750002	PLUG	1							
11A	1	E1501750004	PLUG		1						
12	1	E1515010042	ELBOW	1							
12-1	1	E1515010132	ELBOW	1							S
(A=M/#40510)											
13	1	E1420101250	O-RING	1	1						
14	1	E1501750010	PLUG	2							
14-1	1	E1501750010	PLUG	1	1						K
(A=M/#40558)											
15	1	E1512373012	TEE	1	1						
16	1	E1540141010	CHECK VALVE	1	1						
17	1	E1550210340	STRAINER, SUCTION	1	1						
18	1	E1552000801	AIR BREATHER	1							
18-1	1	E1552000800	AIR BREATHER	1	1						N
(A=M/#40510)											
19	2	E1552000830	ELEMENT	1	1						
20	1	E1553020612	GAUGE, OIL LEVEL	1	1						
21	1	E1501700003	PLUG	1							

Fig.41. HYD. OIL TANK(TURNING SPEC)

(A)=C50R-3
(B)=C50R-3A
(C)=

(D)=
(E)=
(F)=

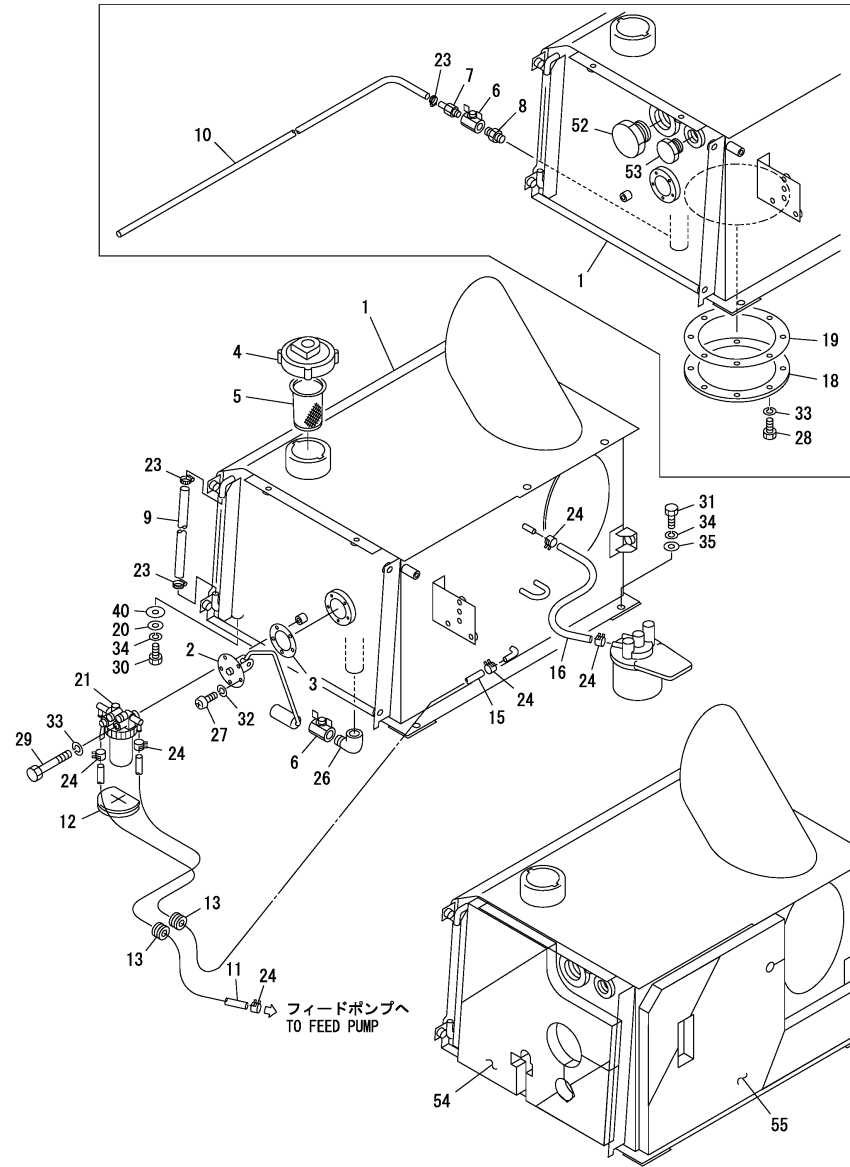


No.	Lev.	Parts No.	Description	Q'ty						I	R
				(A)	(B)	(C)	(D)	(E)	(F)		
1	1	E0871802100	TANK, OIL	1	1						
2	1	E0438000300	COVER	1	1						
3	1	E1100041016	BOLT M10X16	4	4						
4	1	E1100041230	BOLT M12X 30	4	4						
5	1	E1140020010	SPRING WASHER 10	4	4						
6	1	E1140020012	SPRING WASHER 12	4	4						
7	1	E1141110010	WASHER 10	4	4						
8	1	E1141550012	WASHER, M12	4	4						
9	1	E1509001006	ELBOW	1	1						
10	1	E1511050006	ADAPTER, HOSE	1	1						
11	1	E1420101250	O-RING	1	1						
12	1	E1501750010	PLUG	1	1						
13	1	E1512373012	TEE	1	1						
14	1	E1540141010	CHECK VALVE	1	1						
15	1	E1550210340	STRAINER, SUCTION	1	1						
16	1	E1552000800	AIR BREATHER	1	1						
16A	2	E1552000830	ELEMENT	1	1						
17	1	E1553020612	GAUGE, OIL LEVEL	1	1						
19	1	E1512340004	ELBOW	1	1						
20	1	E1515600200	UNION	1	1						
21	1	E1501700003	PLUG	1	1						
24	1	E1654313053	SPONGE	1	1						

Fig.42. FUEL OIL TANK(C50R-3)

(A)=C50R-3
(B)=C50R-3A
(C)=

(D)=
(E)=
(F)=



No.	Lev.	Parts No.	Description	Q'ty						I	R
				(A)	(B)	(C)	(D)	(E)	(F)		
1	1	E0871812100	TANK, FUEL	1							
1-1	1	E0871812900	FUEL TANK	1							F 2
(A=MZZZZZ)											
2	1	E1553200600	GAUGE, FUEL	1							
2-1	1	172660-14140	SENDER, FUEL	1							S
(A=MZZZZZ)											
3	1	E0438101500	PACKING	1							
4	1	E1552100900	CAP, TANK	1							
5	1	E1552002012	SCREEN, TANK	1							
6	1	E1521500003	BALL VALVE	1							
7	1	E0870811519	JOINT	1							Z
(A=M40559)											
8	1	E1501500003	NIPPLE	1							Z
(A=M40559)											
9	1	E1531010027	HOSE, VINYL	1							
10	1	E1531010113	HOSE, VINYL	1							Z
(A=M40559)											
11	1	E1531207085	HOSE, FUEL OIL	1							
12	1	E0871812512	GROMMET	1							
13	1	E1652001402	GROMMET	2							
15	1	E1531207110	HOSE, FUEL OIL	1							
16	1	E1531207025	HOSE, FUEL OIL	1							
18	1	E0872812032	COVER	1							Z
(A=M40559)											
19	1	E0872812033	PACKING	1							Z
(A=M40559)											
20	1	E0003600128	WASHER	2							
21	1	E1910030033	SEPARATOR ASSY	1							
23	1	E1533700017	CLIP, HOSE	2							
24	1	E1533120011	POWER BAND	6							
26	1	E1501300003	ELBOW	1							W
(A=M40559)											
27	1	E1120530512	SCREW, M5X12	5							
28	1	E1100040816	BOLT M 8X 16	8							Z
(A=M40559)											
29	1	E1100040865	BOLT M 8X 65	1							
30	1	E1100041025	BOLT M10X 25	1							1
30A	1	E1100041020	BOLT M10X 20	1							1
31	1	E1100041030	BOLT M10X30	2							
32	1	E1140020005	SPRING WASHER 5	5							
33	1	E1140020008	SPRING WASHER 8	9							
33-1	1	E1140020008	SPRING WASHER 8	1							K
(A=MXXXXXX)											
34	1	E1140020010	SPRING WASHER 10	4							
35	1	E1141110010	WASHER 10	2							
40	1	E0003600130	SHIM	1							1
40A	1	E0003600131	SHIM	1							1
40B	1	E0003600132	SHIM	1							1
52	1	E1501710012	PLUG	1							Z
(A=M40559)											
53	1	E1501750006	PLUG	1							Z

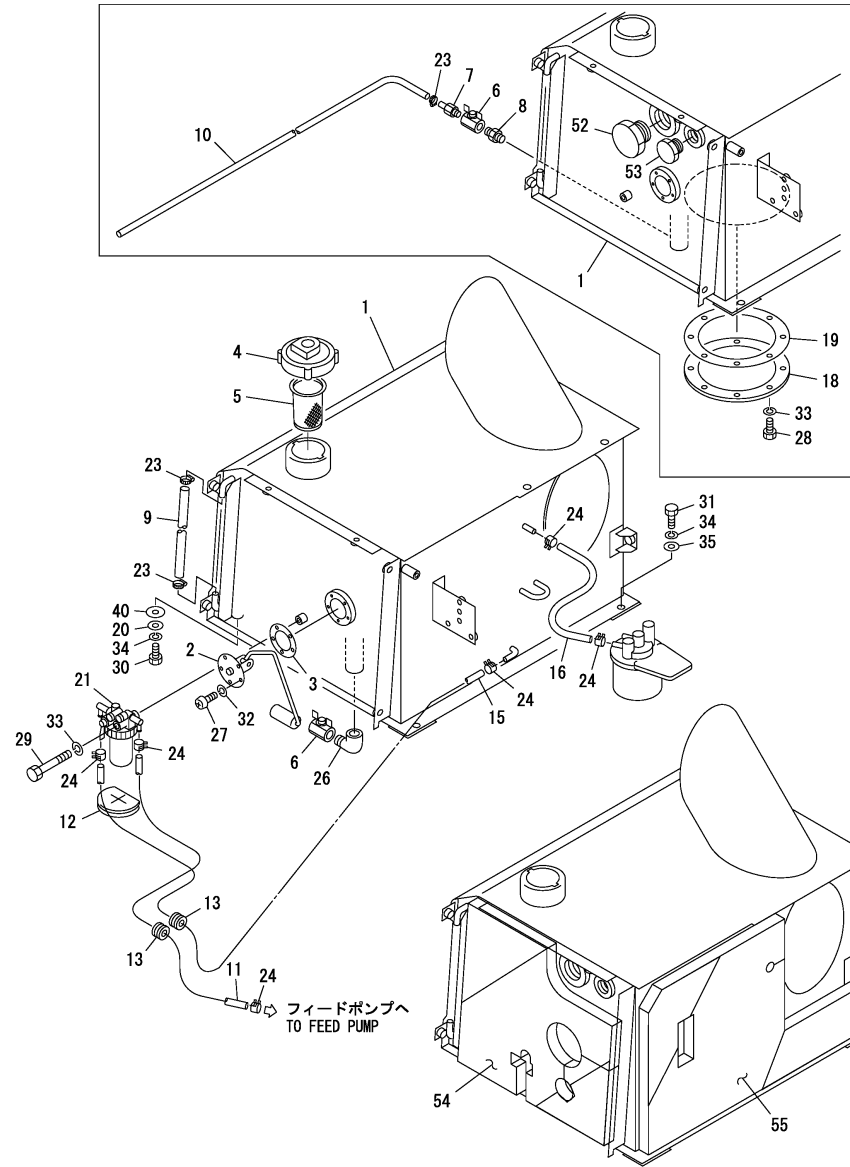
Remarks

- (1) Selection use parts.
- (2) Interchangeable by simultaneous Replacement with Ref.No.1-1 and 2-1.

Fig.42. FUEL OIL TANK(C50R-3)

(A)=C50R-3
(B)=C50R-3A
(C)=

(D)=
(E)=
(F)=



No.	Lev.	Parts No.	Description	Q'ty						I	R
				(A)	(B)	(C)	(D)	(E)	(F)		
(A=M40559)											
54	1	E0874810054	ACOUSTIC ABSORBENT	1							
55	1	E0871812055	ACOUSTIC ABSORBENT	1							

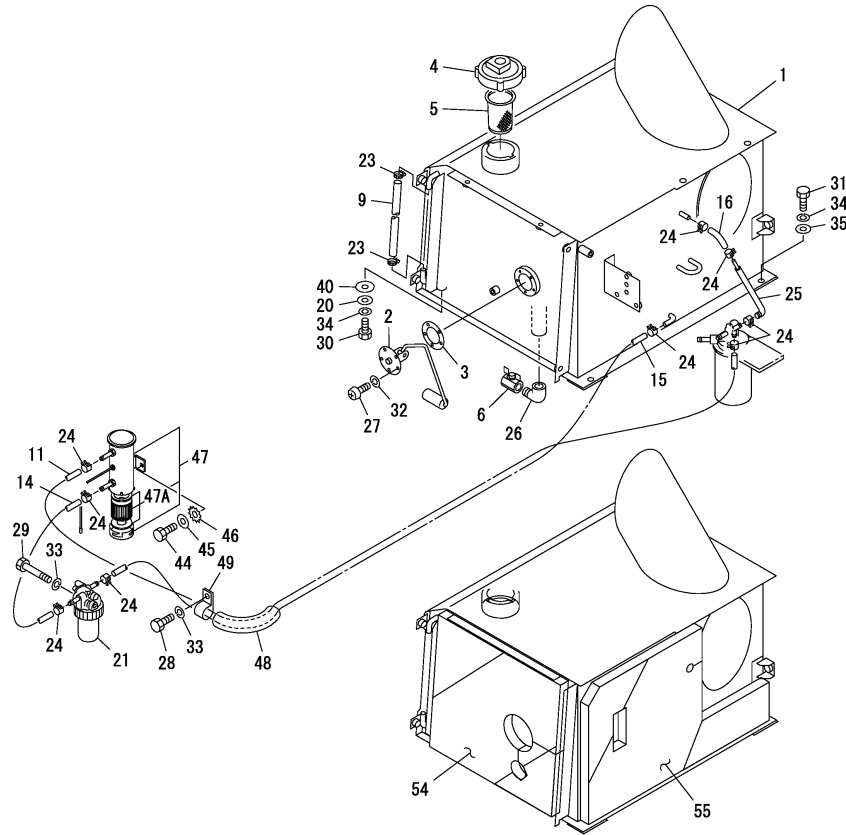
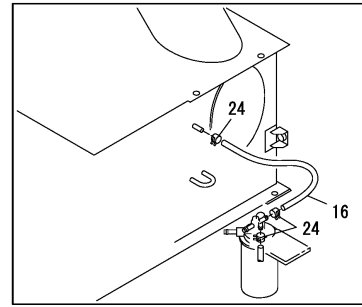
Remarks

- (1) Selection use parts.
- (2) Interchangeable by simultaneous Replacement with Ref.No.1-1 and 2-1.

Fig.43. FUEL OIL TANK(C50R-3A)

(A)=C50R-3
(B)=C50R-3A
(C)=

(D)=
(E)=
(F)=



No.	Lev.	Parts No.	Description	Qty						I	R	
				(A)	(B)	(C)	(D)	(E)	(F)			
1	1	E0871812100	TANK, FUEL		1							
1-1	1	E0871812900	FUEL TANK		1							F 2
				(B=M42146)								
2	1	E1553200600	GAUGE, FUEL		1							
2-1	1	172660-14140	SENDER, FUEL		1							S
				(B=M42146)								
3	1	E0438101500	PACKING		1							
4	1	E1552100900	CAP, TANK		1							
5	1	E1552002012	SCREEN, TANK		1							
6	1	E1521500003	BALL VALVE		1							
9	1	E1531010027	HOSE, VINYL		1							
9-1	1	E1531010025	HOSE, VINYL		1							S
				(B=MXXXXX)								
11	1	E1531207170	HOSE, FUEL OIL		1							
14	1	E1531207034	HOSE, FUEL OIL		1							
15	1	E1531207160	HOSE, FUEL OIL		1							
16	1	E1531207025	HOSE, FUEL OIL		1							
16-1	1	E1531207006	HOSE, FUEL OIL		1							S
				(B=MXXXXX)								
20	1	E0003600128	WASHER		2							
21	1	119802-55700	SEPARATOR ASSY		1							
23	1	E1533700017	CLIP, HOSE		2							
24	1	E1533120011	POWER BAND		8							
24-1	1	E1533120011	POWER BAND		9							K
				(B=MXXXXX)								
25	1	119840-59601	BEND		1							W
				(B=MXXXXX)								
26	1	E1501300003	ELBOW		1							
27	1	E1120530512	SCREW, M5X12		5							
28	1	E1100040816	BOLT M 8X 16		1							
29	1	E1100040865	BOLT M 8X 65		1							
30	1	E1100041025	BOLT M10X 25		1							1
30A	1	E1100041020	BOLT M10X 20		1							1
31	1	E1100041030	BOLT M10X30		2							
32	1	E1140020005	SPRING WASHER 5		5							
33	1	E1140020008	SPRING WASHER 8		9							
33-1	1	E1140020008	SPRING WASHER 8		1							K
				(B=MXXXXX)								
34	1	E1140020010	SPRING WASHER 10		4							
35	1	E1141110010	WASHER 10		2							
40	1	E0003600130	SHIM		1							1
40A	1	E0003600131	SHIM		1							1
40B	1	E0003600132	SHIM		1							1
44	1	E1100040616	BOLT M 6X 16		2							
45	1	E1141110006	WASHER,PLAIN 6		2							
46	1	E1140330006	WASHER(TOOTHED)		2							
47	1	129535-52100	PUMP ASSY, FUEL FEED		1							
47-1	1	129953-52100	PUMP ASSY, FUEL FEED		1							N
				(B=M41683)								
47A	2	129535-52150	FILTER ASSY		1							
48	1	E1531325010	PROTECTOR		1							W

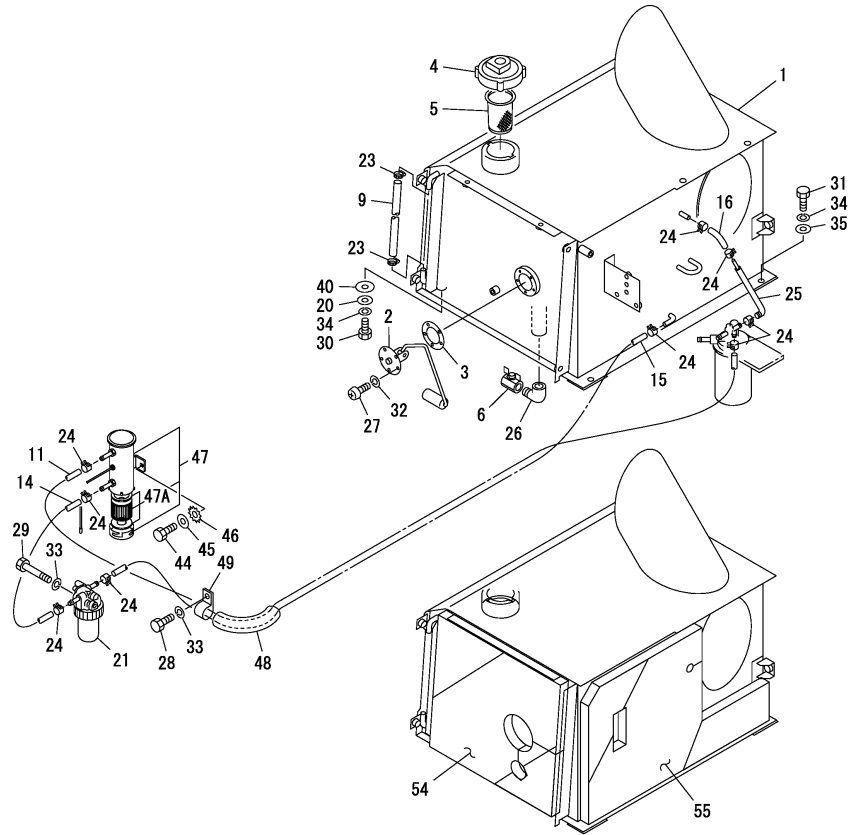
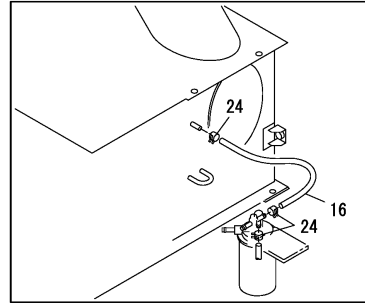
Remarks

- (1) Selection use parts.
- (2) Interchangeable by simultaneous Replacement with Ref.No.1-1 and 2-1.

Fig.43. FUEL OIL TANK(C50R-3A)

(A)=C50R-3
(B)=C50R-3A
(C)=

(D)=
(E)=
(F)=

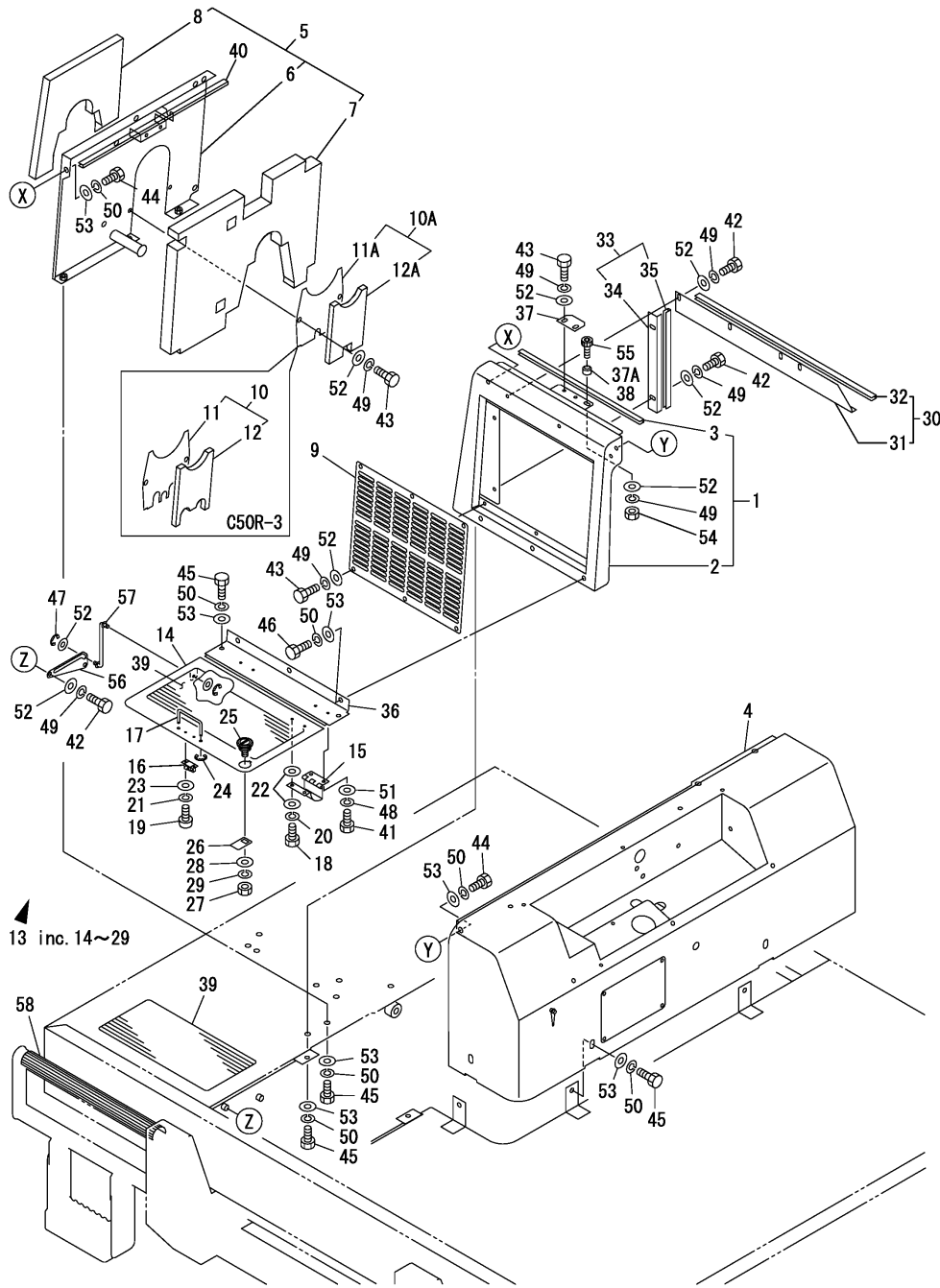


No.	Lev.	Parts No.	Description	Q'ty						I	R	
				(A)	(B)	(C)	(D)	(E)	(F)			
		(B=MXXXXX)										
49	1	E0007300013	CLAMP		1							
54	1	E0874810054	ACOUSTIC ABSORBENT		1							
55	1	E0871812055	ACOUSTIC ABSORBENT		1							

Remarks

- (1) Selection use parts.
- (2) Interchangeable by simultaneous Replacement with Ref.No.1-1 and 2-1.

Fig.44. COVER(1)

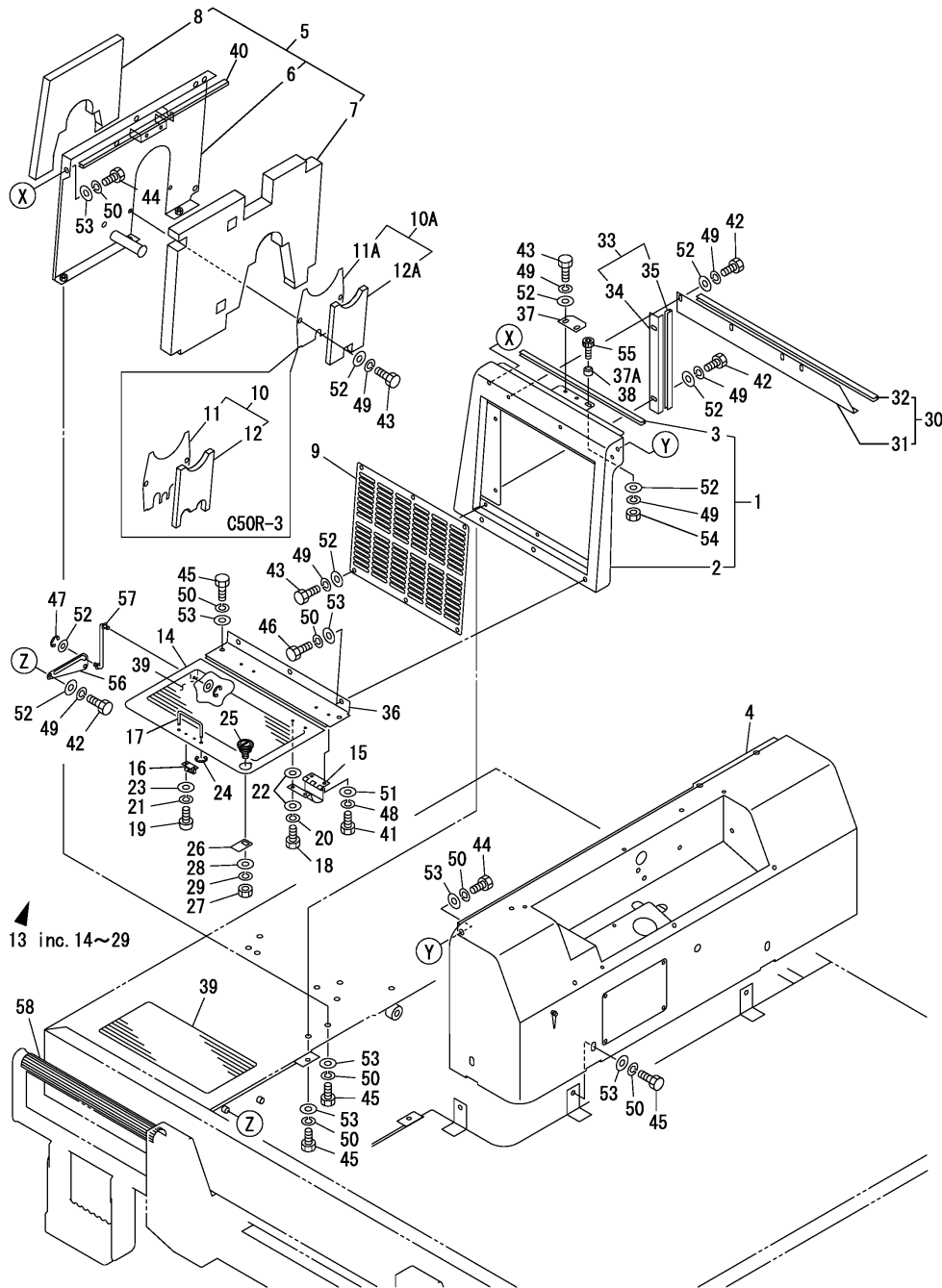


(A)=C50R-3
(B)=C50R-3A
(C)=

(D)=
(E)=
(F)=

No.	Lev.	Parts No.	Description	Q'ty						I	R
				(A)	(B)	(C)	(D)	(E)	(F)		
1	1	E0874820100	COVER ASSY	1	1						
2	2	E0874820110	COVER	1	1						
3	2	E1654520044	TRIM	1	1						
3-1	2	E1654520040	SASH RUBBER	1	1						S
		(A=MXXX) (B=MXXX)									
4	1	E0871826100	COVER ASSY	1	1						
5	1	E0874820500	COVER ASSY	1	1						
6	2	E0874820510	COVER	1	1						
7	2	E0874820502	ACOUSTIC ABSORBENT	1	1						
8	2	E0874820503	ACOUSTIC ABSORBENT	1	1						
9	1	E0874820700	GRILLE, RADIATOR	1	1						
10	1	E0871826680	COVER ASSY	1							
10A	1	E0874820720	COVER ASSY		1						
11	2	E0871826681	COVER	1							
11A	2	E0874820721	COVER		1						
12	2	E0871826682	ACOUSTIC ABSORBENT	1							
12A	2	E0874820722	ACOUSTIC ABSORBENT		1						
13	1	E0871826400	COVER ASSY, BATTERY	1	1						
14	2	E0871824410	PLATE	1	1						
15	2	E0872822800	HINGE	2	2						
16	2	E1653900016	LATCH	1	1						
17	2	E0872823850	ROD	1	1						
18	2	E1100040612	BOLT M 6X12	4	4						
19	2	E1120530508	SCREW, M5X8	2	2						
19-1	2	E1150410508	SCREW	2	2						S
		(A=MXXX) (B=MXXX)									
20	2	E1140020006	SPRING WASHER 6	4	4						
21	2	E1140020005	SPRING WASHER 5	2	2						Z
		(A=MXXX) (B=MXXX)									
22	2	E1141110006	WASHER,PLAIN 6	8	8						
23	2	E1141110005	WASHER 5	2	2						Z
		(A=MXXX) (B=MXXX)									
24	2	E1224010004	CIRCLIP	2	2						
25	2	E0871861650	CYLINDER LOCK	1	1						
26	2	E0871824423	PLATE	1	1						
27	2	E1130020008	NUT, M8	1	1						
28	2	E1141110010	WASHER 10	1	1						
29	2	E1140020010	SPRING WASHER 10	1	1						
30	1	E0874820750	PLATE A ASSY	1	1						
31	2	E0874820751	PLATE A	1	1						
32	2	E1654520063	RUBBER	1	1						
33	1	E0874820760	PLATE B ASSY	1	1						
34	2	E0874820761	PLATE B	1	1						
35	2	E1654520030	RUBBER	1	1						
36	1	E0874820770	COVER	1	1						
37	1	E0872822550	HOOK	1	1						
37A	1	E0872823009	STOPPER, COVER	1	1						W
		(A=MXXX) (B=MXXX)									
38	1	E0872824000	GUIDE	1	1						Z
		(A=MXXX) (B=MXXX)									
39	1	E0870821517	SHEET, NON SLIP	2	2						

Fig.44. COVER(1)



(A)=C50R-3
(B)=C50R-3A
(C)=

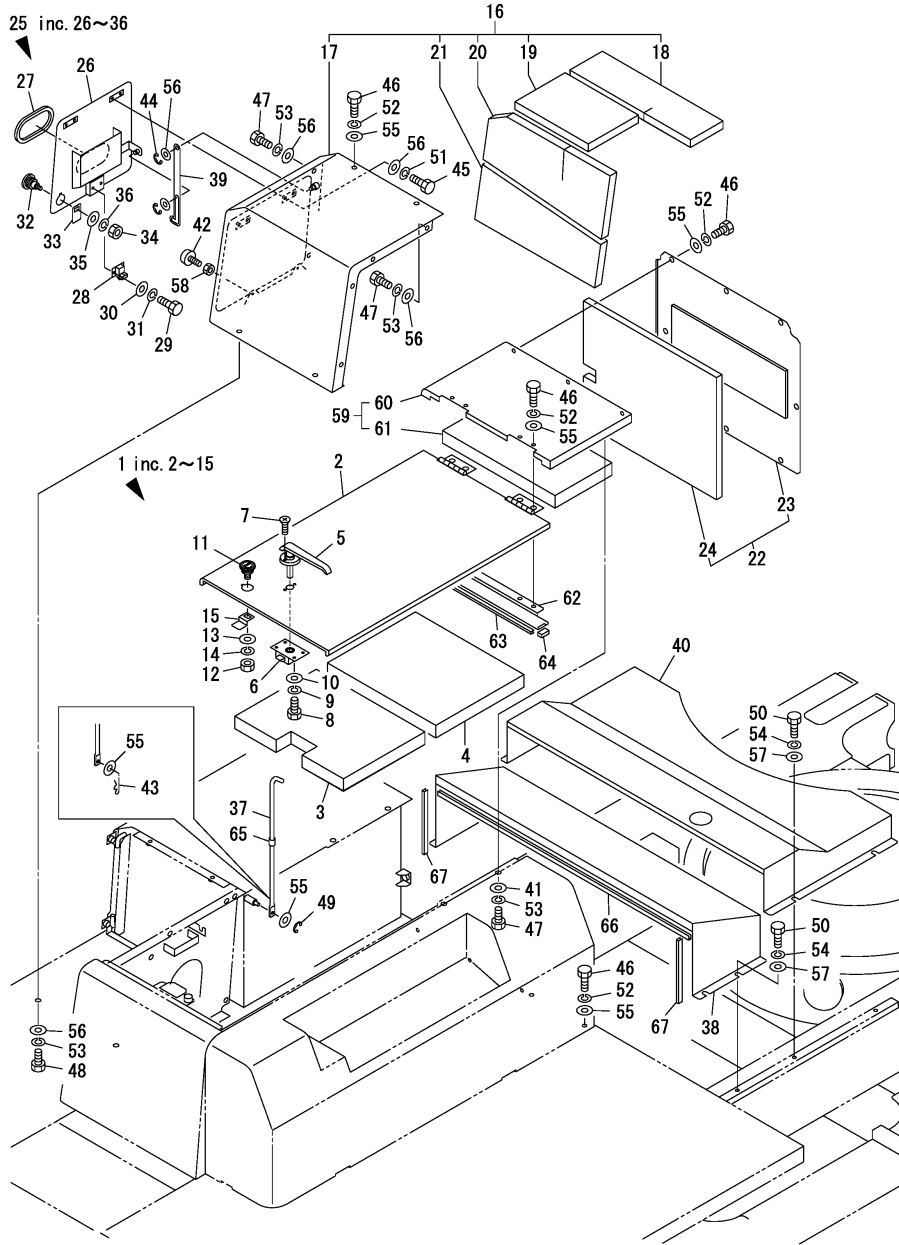
(D)=
(E)=
(F)=

No.	Lev.	Parts No.	Description	Q'ty						I	R
				(A)	(B)	(C)	(D)	(E)	(F)		
40	1	E1654520078	RUBBER	1	1						
41	1	E1100040612	BOLT M 6X12	4	4						
42	1	E1100040816	BOLT M 8X 16	8	8						
43	1	E1100040820	BOLT M 8X 20	10	10						
44	1	E1100041020	BOLT M10X 20	2	2						
45	1	E1100041025	BOLT M10X 25	9	9						
46	1	E1100041035	BOLT M10X 35	3	3						
47	1	E1224010006	E-RING	2	2						
48	1	E1140020006	SPRING WASHER 6	4	4						
49	1	E1140020008	SPRING WASHER 8	19	19						
50	1	E1140020010	SPRING WASHER 10	19	19						
51	1	E1141110006	WASHER,PLAIN 6	4	4						
52	1	E1141110008	WASHER 8	21	21						
53	1	E1141110010	WASHER 10	14	14						
53-1	1	E1141110010	WASHER 10	9	9						K
53A	1	(A=MXXX) (B=MXXX) E0003600020	WASHER	5	5						W
54	1	E1130040005	NUT, M5	1	1						
55	1	E1110040830	SOCKET BOLT M 8X 30	1	1						
56	1	E0874820910	PLATE	1	1						
57	1	E0874820920	ROD	1	1						
58	1	E0568222800	SHEET	1	1						

Fig.45. COVER(2)(TO M40562)

(A)=C50R-3
(B)=C50R-3A
(C)=

(D)=
(E)=
(F)=



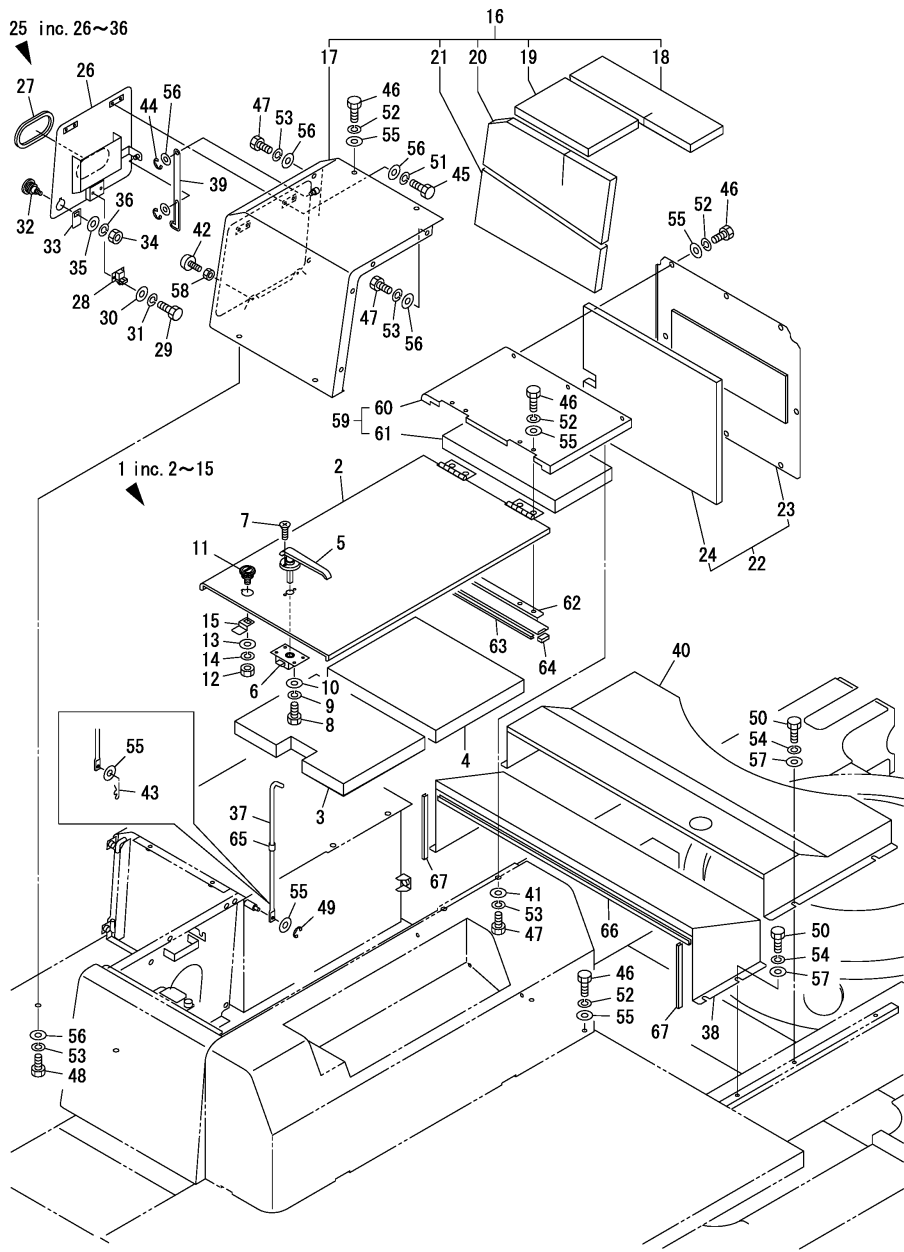
No.	Lev.	Parts No.	Description	(A)	(B)	(C)	Q'ty	(D)	(E)	(F)	I	R
1	1	E0871826300	BONNET ASSY	1								
2	2	E0871826310	BONNET	1								
3	2	E0874820360	ACOUSTIC ABSORBENT	1								
4	2	E0874820365	ACOUSTIC ABSORBENT	1								
5	2	E1654000820	HANDLE	1								
6	2	E1653692887	DOOR LOCK	1								
7	2	E1120630514	SCREW, M5X14	2								
8	2	E1100040514	BOLT M 5X 14	4								
9	2	E1140020005	SPRING WASHER 5	4								
10	2	E1141110005	WASHER 5	4								
11	2	E0871861650	CYLINDER LOCK	1								
12	2	E1130020008	NUT, M8	1								
13	2	E1141110010	WASHER 10	1								
14	2	E1140020010	SPRING WASHER 10	1								
15	2	E0871824324	PLATE	1								
16	1	E0871826350	COVER ASSY, CLEANER	1								
17	2	E0871826360	COVER, AIR CLEANER	1								
18	2	E0874820415	ACOUSTIC ABSORBENT	1								
19	2	E0874820416	ACOUSTIC ABSORBENT	1								
20	2	E0874820418	ACOUSTIC ABSORBENT	1								
21	2	E0874820419	ACOUSTIC ABSORBENT	1								
22	1	E0874820550	COVER ASSY	1								
23	2	E0874820551	COVER	1								
24	2	E0874820552	ACOUSTIC ABSORBENT	1								
25	1	E0871824500	COVER ASSY, CLEANER	1								
26	2	E0871824510	COVER, AIR CLEANER	1								
27	2	E1653916032	TRIM, SEAL	1								
28	2	E1653900016	LATCH	1								
29	2	E1100040512	BOLT M 5X 12	2								
30	2	E1141110005	WASHER 5	2								
31	2	E1140020005	SPRING WASHER 5	2								
32	2	E0871861650	CYLINDER LOCK	1								
33	2	E0871824423	PLATE	1								
34	2	E1130020008	NUT, M8	1								
35	2	E1141110010	WASHER 10	1								
36	2	E1140020010	SPRING WASHER 10	1								
37	1	E0874820765	STOPPER, BONNET	1								
38	1	E0871825510	GUARD	1								1
39	1	E0872823009	STOPPER, COVER	1								Z
(A=MXXX)												
39A	1	E0872824000	GUIDE	1								W
(A=MXXX)												
40	1	E0871825520	COVER, PUMP	1								1
41	1	E0003600025	WASHER	4								
42	1	E1652515100	CUSHION, RUBBER	2								
43	1	E1214000008	SNAP PIN 8	1								Z
(A=M/#40553)												
44	1	E1224010008	CIRCLIP	2								
45	1	E1100040612	BOLT M 6X12	4								
46	1	E1100040820	BOLT M 8X 20	18								
47	1	E1100041020	BOLT M10X 20	10								

Remarks
(1)TURNING TYPE

Fig.45. COVER(2)(TO M40562)

(A)=C50R-3
(B)=C50R-3A
(C)=

(D)=
(E)=
(F)=



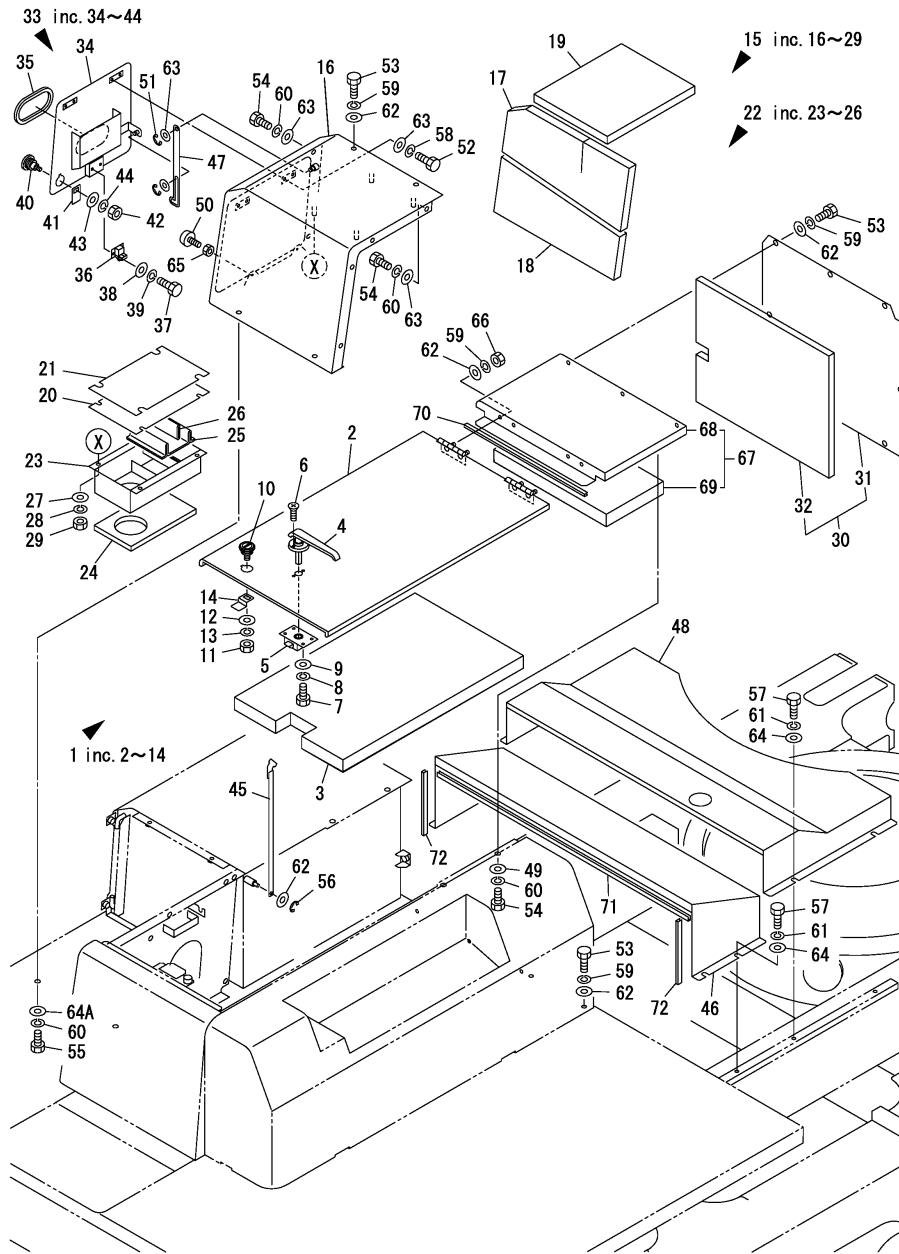
No.	Lev.	Parts No.	Description	Q'ty						I	R
				(A)	(B)	(C)	(D)	(E)	(F)		
48	1	E1100041025	BOLT M10X 25	2							
49	1	E1224010006	E-RING	1							W
(A=M/#40553)											
50	1	E1100041016	BOLT M10X16	8							1
51	1	E1140020006	SPRING WASHER 6	4							
52	1	E1140020008	SPRING WASHER 8	18							
53	1	E1140020010	SPRING WASHER 10	10							
54	1	E1140020010	SPRING WASHER 10	18							1
55	1	E1141110008	WASHER 8	18							
56	1	E1141110010	WASHER 10	14							
57	1	E1141110010	WASHER 10	22							1
58	1	E1130040005	NUT, M5	1							
59	1	E0874820800	REAR ASSY, BONNET	1							
60	2	E0874820810	REAR, BONNET	1							
61	2	E0874820802	ACOUSTIC ABSORBENT	1							
62	1	E0871826200	BRACKET	1							
63	1	E1654520045	RUBBER	1							
64	1	E0872822013	URETHANE	2							
65	1	E1531010004	HOSE, VINYL	1							
66	1	E1654520097	RUBBER	1							1
67	1	E1654606018	SEAL	2							1

Remarks
(1)TURNING TYPE

Fig.46. COVER(2)(FROM M40563)

(A)=C50R-3
(B)=C50R-3A
(C)=

(D)=
(E)=
(F)=



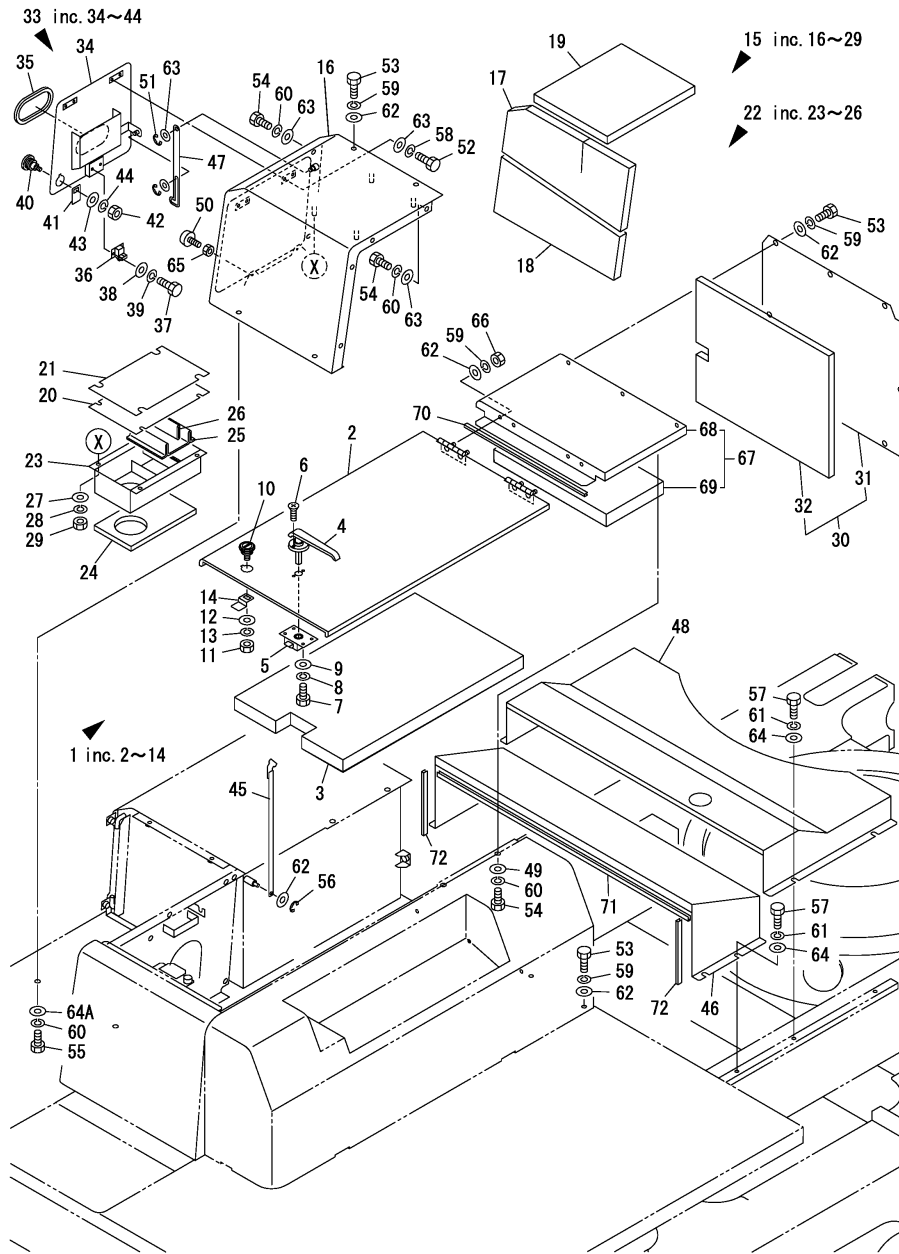
No.	Lev.	Parts No.	Description	(A)	(B)	Q'ty						I	R
						(C)	(D)	(E)	(F)				
1	1	E0871827400	BONNET ASSY	1	1								
2	2	E0871827420	BONNET	1	1								
3	2	E0871827402	ACOUSTIC ABSORBENT	1	1								
4	2	E1654000820	HANDLE	1	1								
5	2	E1653692887	DOOR LOCK	1	1								
6	2	E1120630514	SCREW, M5X14	2	2								
7	2	E1100040514	BOLT M 5X 14	4	4								
8	2	E1140020005	SPRING WASHER 5	4	4								
9	2	E1141110005	WASHER 5	4	4								
10	2	E0871861650	CYLINDER LOCK	1	1								
11	2	E1130020008	NUT, M8	1	1								
12	2	E1141110010	WASHER 10	1	1								
13	2	E1140020010	SPRING WASHER 10	1	1								
14	2	E0871824324	PLATE	1	1								
15	1	E0871826350	COVER ASSY, CLEANER	1	1								
16	2	E0871826360	COVER, AIR CLEANER	1	1								
17	2	E0874820418	ACOUSTIC ABSORBENT	1	1								
18	2	E0874820419	ACOUSTIC ABSORBENT	1	1								
19	2	E0871826357	ACOUSTIC ABSORBENT	1	1								
20	2	E0871826358	ACOUSTIC ABSORBENT	1	1								
21	2	E0871826359	ACOUSTIC ABSORBENT	1	1								
22	2	E0871826800	CASE ASSY	1	1								
23	3	E0871826810	CASE, SOUND-PROOF	1	1								
24	3	E0871826402	ACOUSTIC ABSORBENT	1	1								
25	3	E0871826403	ACOUSTIC ABSORBENT	1	1								
26	3	E0871826404	ACOUSTIC ABSORBENT	1	1								
27	2	E1141110008	WASHER 8	4	4								
28	2	E1140010008	SPRING WASHER 8	4	4								
29	2	E1130040008	NUT, M8	4	4								
30	1	E0874820550	COVER ASSY	1	1								
31	2	E0874820551	COVER	1	1								
32	2	E0874820552	ACOUSTIC ABSORBENT	1	1								
33	1	E0871824500	COVER ASSY, CLEANER	1	1								
34	2	E0871824510	COVER, AIR CLEANER	1	1								
35	2	E1653916032	TRIM, SEAL	1	1								
36	2	E1653900016	LATCH	1	1								
37	2	E1100040512	BOLT M 5X 12	2	2								
38	2	E1141110005	WASHER 5	2	2								
39	2	E1140020005	SPRING WASHER 5	2	2								
40	2	E0871861650	CYLINDER LOCK	1	1								
41	2	E0871824423	PLATE	1	1								
42	2	E1130040008	NUT, M8	1	1								
43	2	E1141110010	WASHER 10	1	1								
44	2	E1140020010	SPRING WASHER 10	1	1								
45	1	E0871826090	STOPPER, BONNET	1	1								
46	1	E0871825510	GUARD	1	1								1
47	1	E0872823009	STOPPER, COVER	1	1								Z
		(A=MXXX)	(B=MXXX)										
47A	1	E0872824000	GUIDE	1	1								W
		(A=MXXX)	(B=MXXX)										
48	1	E0871825520	COVER, PUMP	1	1								1

Remarks
(1)TURNING TYPE

Fig.46. COVER(2)(FROM M40563)

(A)=C50R-3
(B)=C50R-3A
(C)=

(D)=
(E)=
(F)=



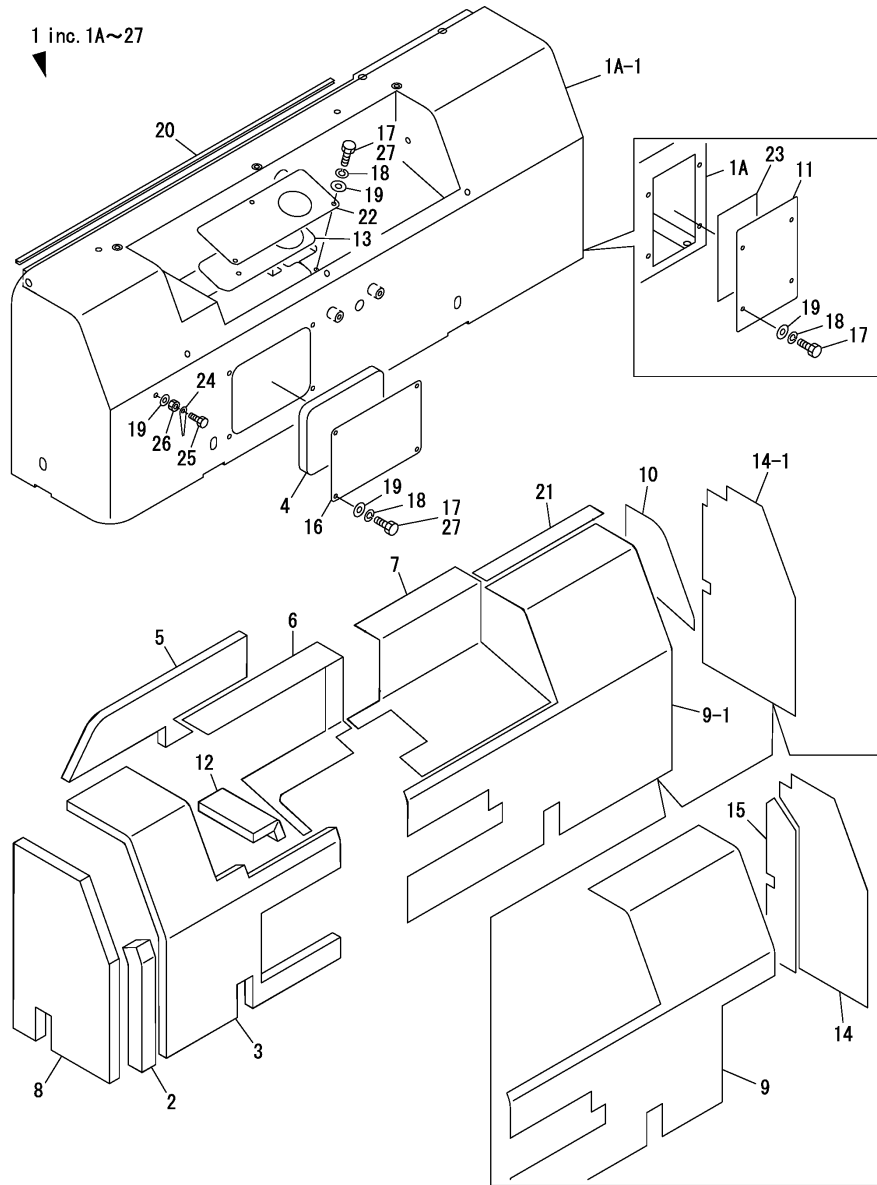
No.	Lev.	Parts No.	Description	(A)	(B)	Q'ty						I	R
				(C)	(D)	(E)	(F)						
49	1	E0003600025	WASHER	4	4								
50	1	E1652515100	CUSHION, RUBBER	2	2								
51	1	E1224010008	CIRCLIP	2	2								
52	1	E1100040612	BOLT M 6X12	4	4								
53	1	E1100040820	BOLT M 8X 20	14	14								
54	1	E1100041020	BOLT M10X 20	10	10								
55	1	E1100041025	BOLT M10X 25	2	2								
56	1	E1224010006	E-RING	1	1								
57	1	E1100041016	BOLT M10X16	8	8								1
58	1	E1140020006	SPRING WASHER 6	4	4								
59	1	E1140020008	SPRING WASHER 8	18	18								
60	1	E1140020010	SPRING WASHER 10	10	10								
61	1	E1140020010	SPRING WASHER 10	8	8								1
62	1	E1141110008	WASHER 8	18	18								
63	1	E1141110010	WASHER 10	14	14								
64	1	E1141110010	WASHER 10	8	8								1
64A	1	E0003600020	WASHER	2	2								W
				(A=MXXX) (B=MXXX)									
65	1	E1130040005	NUT, M5	1	1								
66	1	E1130040008	NUT, M8	4	4								
67	1	E0871827700	BONNET REAR ASSY	1	1								
68	2	E0871827710	BONNET REAR	1	1								
69	2	E0874820802	ACOUSTIC ABSORBENT	1	1								
70	1	E1654520045	RUBBER	1	1								
71	1	E1654520097	RUBBER	1	1								1
72	1	E1654606018	SEAL	2	2								1

Remarks
(1)TURNING TYPE

Fig.48. COVER(3)(SIDE COVER:LEFT)

(A)=C50R-3
(B)=C50R-3A
(C)=

(D)=
(E)=
(F)=

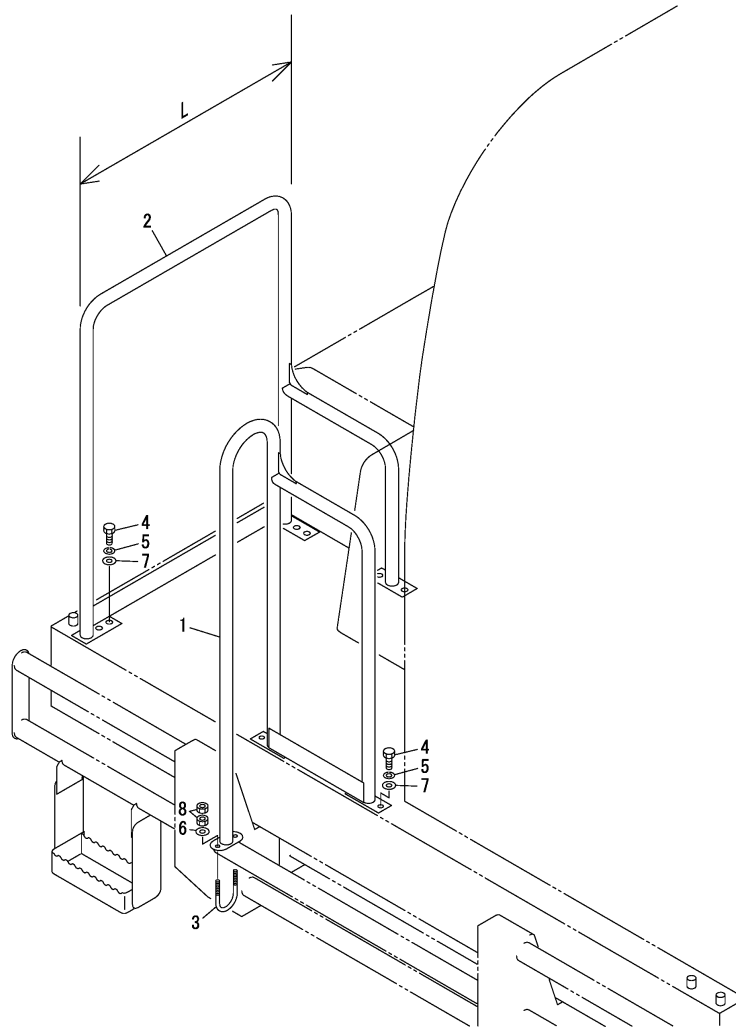


No.	Lev.	Parts No.	Description	Qty						I	R
				(A)	(B)	(C)	(D)	(E)	(F)		
1	1	E0871826100	COVER ASSY	1	1						
1A	2	E0871826130	COVER	1							
1A-1	2	E0871826140	COVER	1	1						S
(A=M/#40563)											
2	2	E0874820202	SPONGE	1	1						
3	2	E0871826103	ACOUSTIC ABSORBENT	1	1						
4	2	E0871825104	ACOUSTIC ABSORBENT	1	1						
5	2	E0871825105	ACOUSTIC ABSORBENT	1	1						
6	2	E0871826106	INSULATOR	1	1						
7	2	E0871826107	INSULATOR	1	1						
8	2	E0871824208	ACOUSTIC ABSORBENT	1	1						
9	2	E0871826109	INSULATOR	1							
9-1	2	E0871826115	INSULATOR	1	1						S
(A=M/#40563)											
10	2	E0871826110	INSULATOR	1	1						
11	2	E0871824270	PLATE	1							Z
(A=M/#40563)											
12	2	E0871826112	ACOUSTIC ABSORBENT	1	1						
13	2	E0871826113	INSULATOR	1	1						
14	2	E0874820214	INSULATOR	1							
14-1	2	E0871826114	INSULATOR	1	1						S
(A=M/#40563)											
15	2	E0874820215	INSULATOR	1							Z
(A=M/#40563)											
16	2	E0871825116	PLATE	1	1						
17	2	E1100040610	BOLT M 6X10	12	12						
17-1	2	E1100040610	BOLT M 6X10	8	8						K
(A=MXXX) (B=MXXX)											
17-2	2	E1100040610	BOLT M 6X10	8	8						Z
(A=MXXX) (B=MXXX)											
18	2	E1140020006	SPRING WASHER 6	12	12						
18-1	2	E1140020006	SPRING WASHER 6	8	8						K
(A=MXXX) (B=MXXX)											
18-2	2	E1140020006	SPRING WASHER 6	8	8						Z
(A=MXXX) (B=MXXX)											
19	2	E1141110006	WASHER,PLAIN 6	13	13						
19-1	2	E1141110006	WASHER,PLAIN 6	9	9						K
(A=MXXX) (B=MXXX)											
20	2	E1654520078	RUBBER	1	1						
21	2	E0871824241	INSULATOR	1	1						
22	2	E0871826122	PLATE	1	1						
23	2	E0871824243	INSULATOR	1							Z
(A=M/#40563)											
24	2	E0871083614	PLATE	1	1						W
(A=MXXX) (B=MXXX)											
25	2	E1100040620	BOLT M 6X 20	1	1						W
(A=MXXX) (B=MXXX)											
26	2	E1130040006	NUT, M6	1	1						W
(A=MXXX) (B=MXXX)											
27	2	E1100560612	BOLT	7	7						W
(A=MXXX) (B=MXXX)											

Fig.49. BALUSTRADE

(A)=C50R-3
(B)=C50R-3A
(C)=

(D)=
(E)=
(F)=



No.	Lev.	Parts No.	Description	Q'ty						I	R
				(A)	(B)	(C)	(D)	(E)	(F)		
1	1	E0874850010	HANDRAIL	1	1						
2	1	E0871851520	HANDRAIL	1	1						1
2A	1	E0874850510	HANDRAIL	1	1						2
3	1	E1533201012	U-BOLT ASSY 32A	1	1						
4	1	E1100041025	BOLT M10X 25	10	10						
5	1	E1140020010	SPRING WASHER 10	10	10						
6	1	E1141110008	WASHER 8	2	2						
7	1	E1141110010	WASHER 10	10	10						
8	1	E1130040008	NUT, M8	4	4						

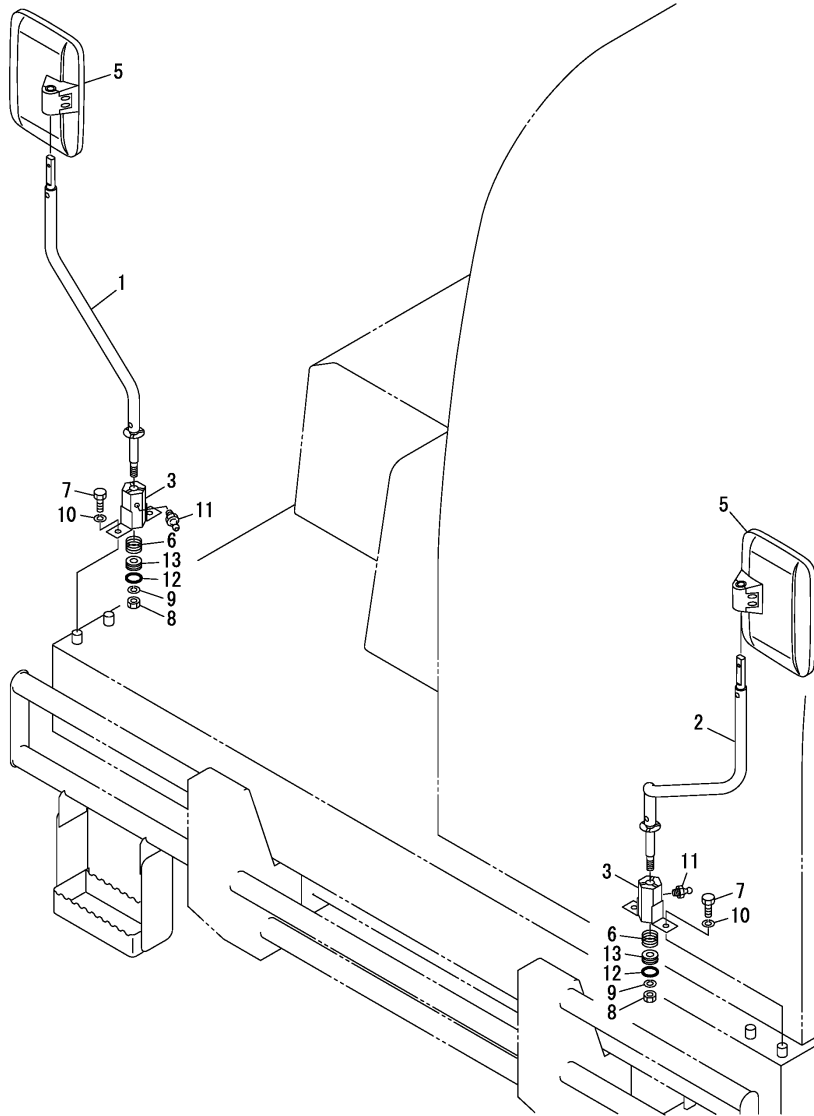
Remarks

- (1)National specification L=585mm
- (2)Overseas specification L=440mm

Fig.50. BACK MIRROR

(A)=C50R-3
(B)=C50R-3A
(C)=

(D)=
(E)=
(F)=

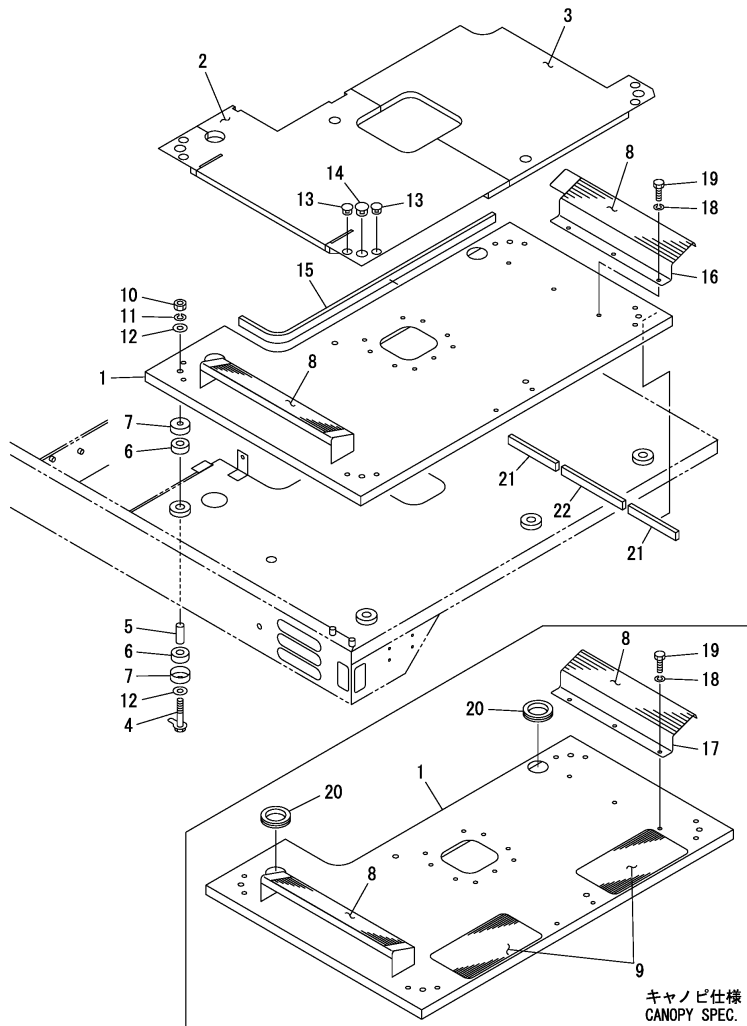


No.	Lev.	Parts No.	Description	Q'ty						I	R
				(A)	(B)	(C)	(D)	(E)	(F)		
1	1	E0874871100	STAY, MIRROR	1	1						
2	1	E0874871110	STAY, MIRROR	1	1						
3	1	E0874871120	HOLDER	2	2						
5	1	E1656500010	REARVIEW MIRROR	2	2						
6	1	E0007000016	SPRING	2	2						
7	1	E1100041025	BOLT M10X 25	4	4						
8	1	E1130540012	NUT, M12, 7T-P1.5	2	2						
9	1	E1140020012	SPRING WASHER 12	2	2						
10	1	E1140020010	SPRING WASHER 10	4	4						
11	1	E1560011006	NIPPLE, GREASE	2	2						
12	1	E1420000240	O-RING	2	2						
13	1	E0872871090	COLLAR	2	2						

Fig.51. FLOOR(TO M40562)

(A)=C50R-3
(B)=C50R-3A
(C)=

(D)=
(E)=
(F)=



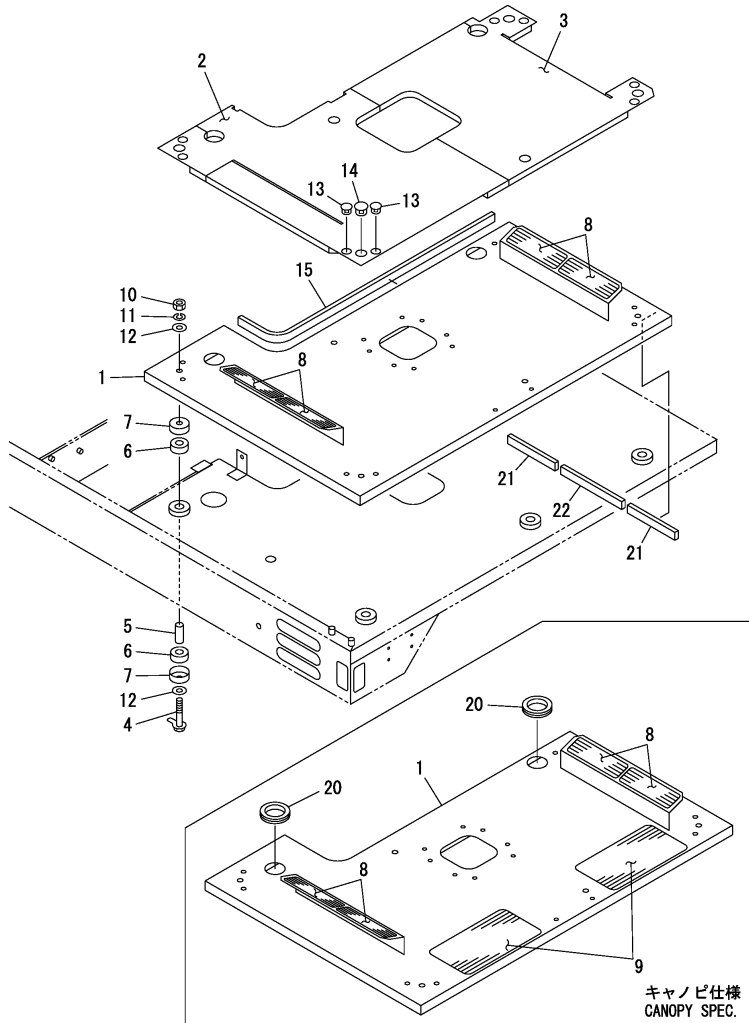
No.	Lev.	Parts No.	Description	Q'ty						I	R
				(A)	(B)	(C)	(D)	(E)	(F)		
1	1	E0871351510	PLATE	1	1						
2	1	E0871351040	MAT A, FLOOR	1	1						1
3	1	E0871351530	MAT B, FLOOR	1	1						1
4	1	E0874350050	BOLT ASSY	6							
4-1	1	E0871351540	BOLT ASSY	6	6						S
(A=M/#40523)											
5	1	E0874350004	SPACER	6	6						
6	1	E0433503100	RUBBER	12	12						
7	1	E0433503200	COVER	12	12						
8	1	E0880821355	SHEET, NON SLIP	2	2						
9	1	E0871351590	SHEET, NON SLIP	2	2						2
10	1	E1130040016	NUT, M16	6	6						
11	1	E1140020016	SPRING WASHER M16	6	6						
12	1	E1141110016	WASHER,PLAIN M16	6							
12-1	1	E1141110016	WASHER,PLAIN M16	12	12						S
(A=M/#40523)											
13	1	E0373508010	CAP	6	6						1
14	1	E1652533010	CAP	3	3						1
15	1	E1654312120	SPONGE	1							
15-1	1	E1654308120	SPONGE	1	1						S
(A=M/#40515)											
16	1	E0871351660	FOOT REST A	1	1						1
17	1	E0871351670	FOOT REST B	1	1						2
18	1	E1140020010	SPRING WASHER 10	3	3						
19	1	E1100041025	BOLT M10X 25	3	3						
20	1	E1652060063	BUSHING 60	2	2						2
21	1	E1654308021	SPONGE	2	2						
22	1	E1654308027	SPONGE	1	1						

Remarks
(1)CABIN SPEC.
(2)CANOPY SPEC.

Fig.52. FLOOR(FROM M40563)

(A)=C50R-3
(B)=C50R-3A
(C)=

(D)=
(E)=
(F)=



No.	Lev.	Parts No.	Description	Q'ty						I	R
				(A)	(B)	(C)	(D)	(E)	(F)		
1	1	E0871351550	PLATE	1	1						
2	1	E0871351560	MAT A,FLOOR	1	1						1
3	1	E0871351570	MAT B,FLOOR	1	1						1
4	1	E0871351540	BOLT ASSY	6	6						
5	1	E0874350004	SPACER	6	6						
6	1	E0433503100	RUBBER	12	12						
7	1	E0433503200	COVER	12	12						
8	1	E0068228700	PLATE,RUBBER	4	4						
9	1	E0871351590	SHEET, NON SLIP	2	2						2
10	1	E1130040016	NUT, M16	6	6						
11	1	E1140020016	SPRING WASHER M16	6	6						
12	1	E1141110016	WASHER,PLAIN M16	12	12						
13	1	E0373508010	CAP	8	8						1
14	1	E1652533010	CAP	6	6						1
15	1	E1654308120	SPONGE	1	1						
20	1	E1652060063	BUSHING 60	2	2						2
21	1	E1654308021	SPONGE	2	2						
22	1	E1654308027	SPONGE	1	1						

Remarks
(1)CABIN SPEC.
(2)CANOPY SPEC.

Fig.53. SEAT(OVER SAE)

(A)=C50R-3
(B)=C50R-3A
(C)=

(D)=
(E)=
(F)=

No.	Lev.	Parts No.	Description	Q'ty						I	R
				(A)	(B)	(C)	(D)	(E)	(F)		
1	1	E1914100089	SEAT, OPERATOR	1	1						
2	1	E1100040820	BOLT M 8X 20	4	4						
3	1	E1140020008	SPRING WASHER 8	4	4						
4	1	E0871341560	STOPPER	1	1						

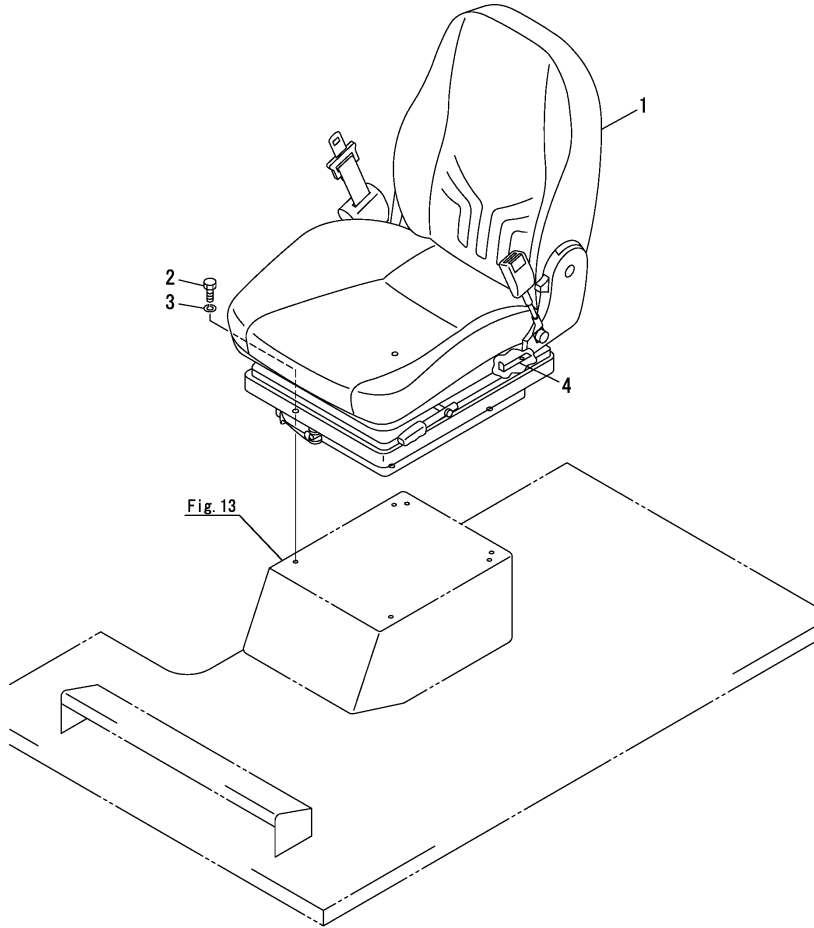
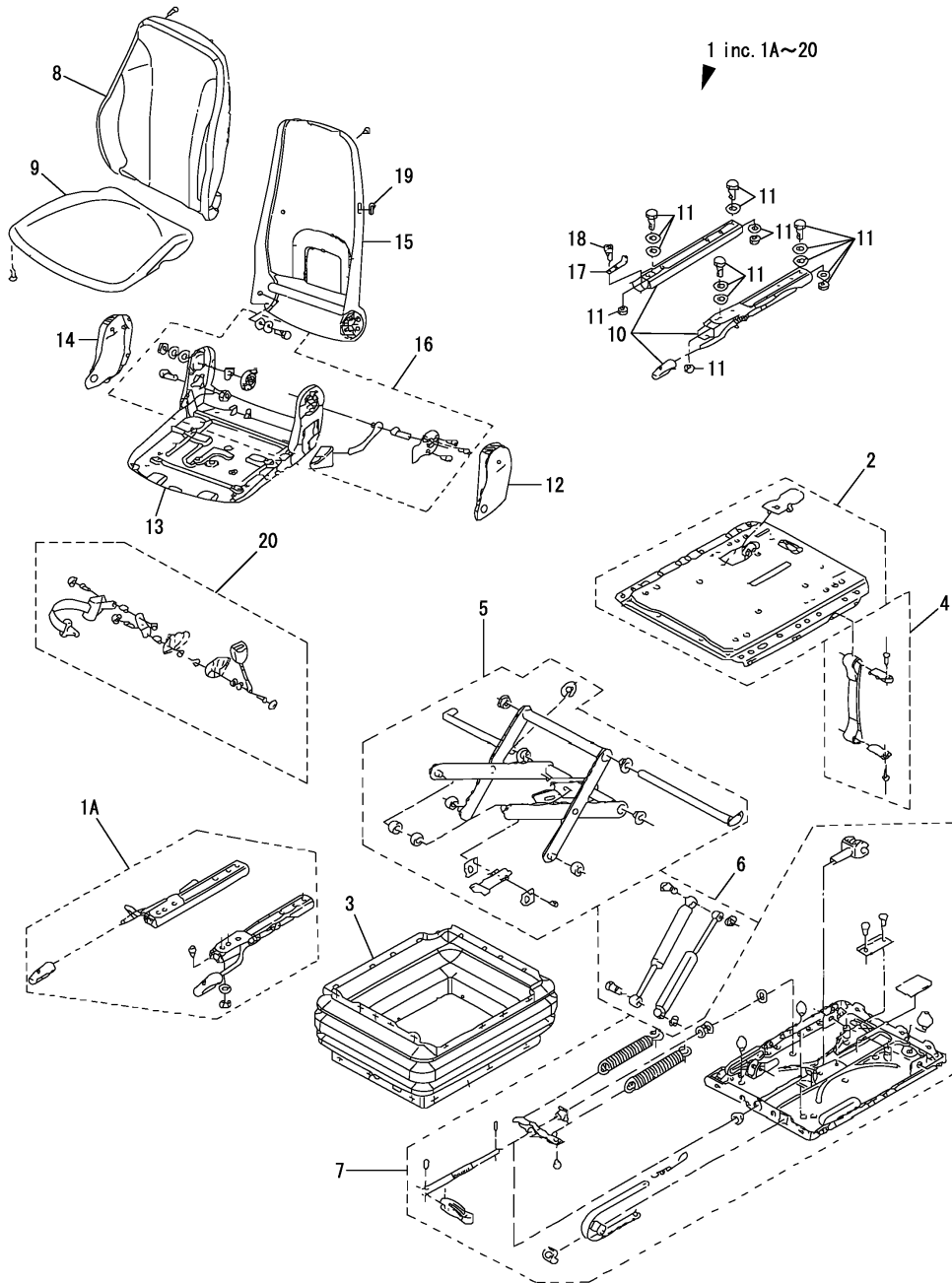


Fig.54. SEAT(COMPONENT PART)(OVER SAE)

(A)=C50R-3
(B)=C50R-3A
(C)=

(D)=
(E)=
(F)=

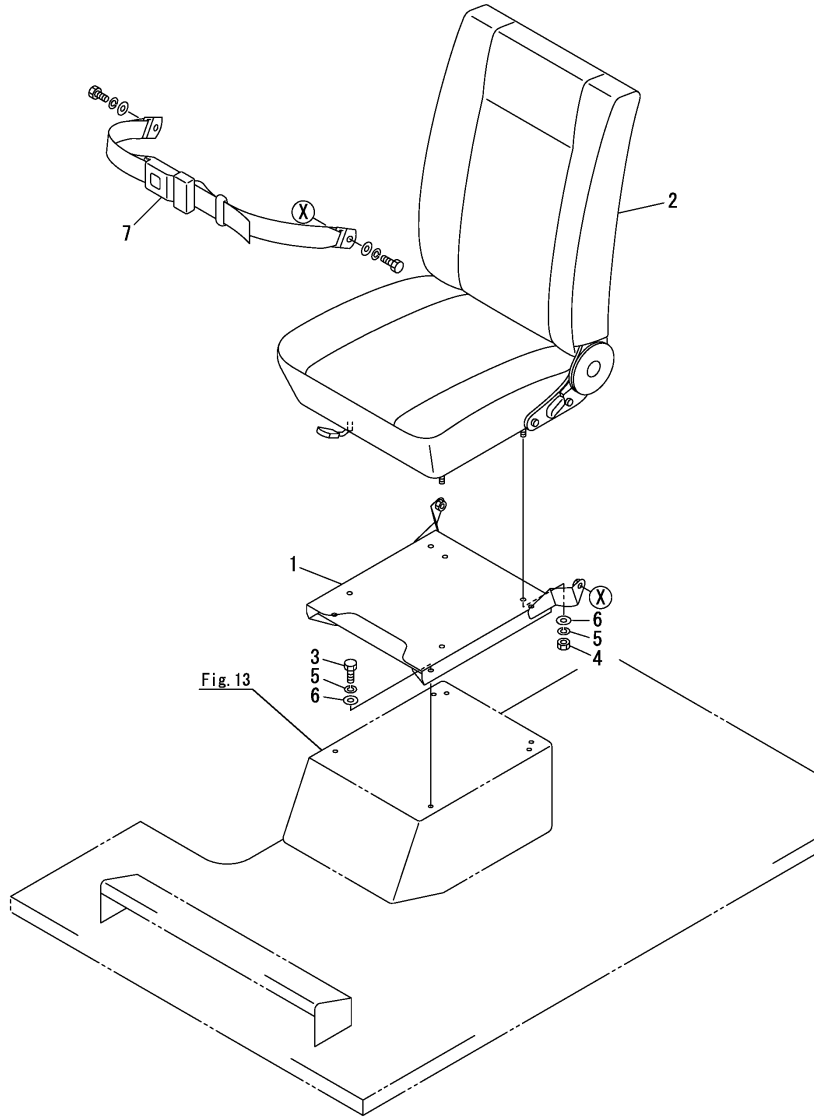


No.	Lev.	Parts No.	Description	Q'ty						I	R
				(A)	(B)	(C)	(D)	(E)	(F)		
1	1	E1914100089	SEAT, OPERATOR	1	1						
1A	2	E1914101072	RAIL ASSY	1	1						
2	2	E1914102072	PLATE ASSY	1	1						
3	2	E1914103072	BOOTS	1	1						
4	2	E1914104072	ANGLE ASSY	1	1						
5	2	E1914105072	LINK ASSY	1	1						
6	2	E1914106072	DAMPER ASSY	1	1						
7	2	E1914107072	SPRING ASSY	1	1						
8	2	E1914108089	TRIM	1	1						
9	2	E1914109072	TRIM	1	1						
10	2	E1914110072	RAIL ASSY	1	1						
11	2	E1914111072	BOLT ASSY	1	1						
12	2	E1914112072	COVER	1	1						
13	2	E1914113072	FRAME	1	1						
14	2	E1914114072	COVER	1	1						
15	2	E1914115072	FRAME	1	1						
16	2	E1914118072	JOINT ASSY	1	1						
17	2	E1914119072	PLATE	1	1						
18	2	E1914120072	SCREW, CAP	1	1						
19	2	E1914121072	PLATE	1	1						
20	2	E1914123072	BELT ASSY, SEAT	1	1						

Fig.55. SEAT(JAPAN)

(A)=C50R-3
(B)=C50R-3A
(C)=

(D)=
(E)=
(F)=



No.	Lev.	Parts No.	Description	Q'ty						I	R
				(A)	(B)	(C)	(D)	(E)	(F)		
1	1	E0871341910	BOX, SEAT	1	1						
2	1	E1914100084	SEAT ASSY	1	1						
3	1	E1100040820	BOLT M 8X 20	4	4						
4	1	E1130040008	NUT, M8	4	4						
5	1	E1140020008	SPRING WASHER 8	8	8						
6	1	E1141110008	WASHER 8	8	8						
7	1	E1914100080	BELT ASSY, SEAT	1	1						

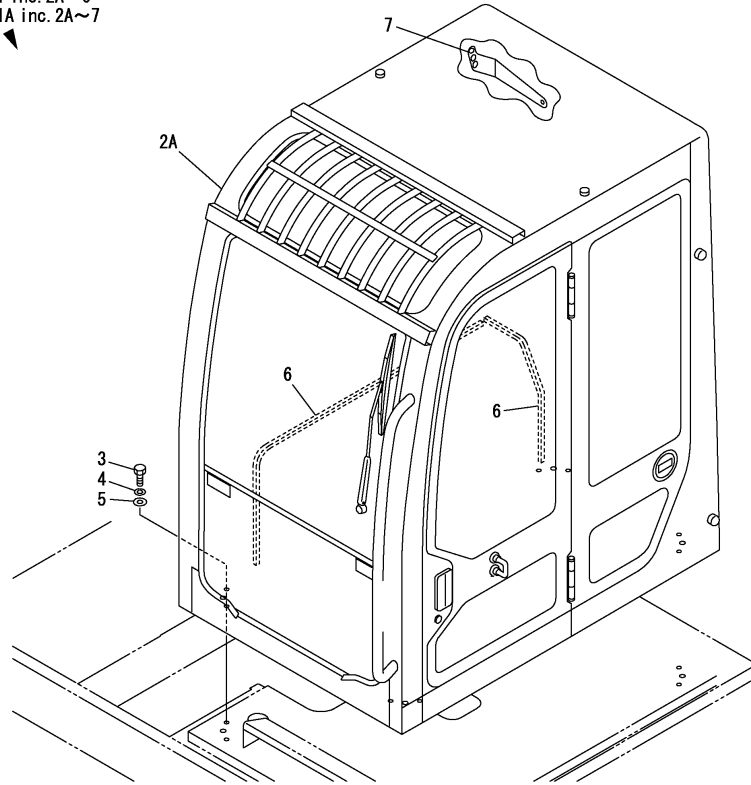
Fig.56. CABIN(1)

(A)=C50R-3
(B)=C50R-3A
(C)=

(D)=
(E)=
(F)=

キャビンASSY
CABIN ASSY
(E0871866500) (E0871867500)
Fig. 56 REF. No. 1, 1A
inc. Fig. 56 REF. No. 2~7
Fig. 57 REF. No. 1~92
Fig. 58 REF. No. 4~93
Fig. 59 REF. No. 1~39
Fig. 60 REF. No. 1~39

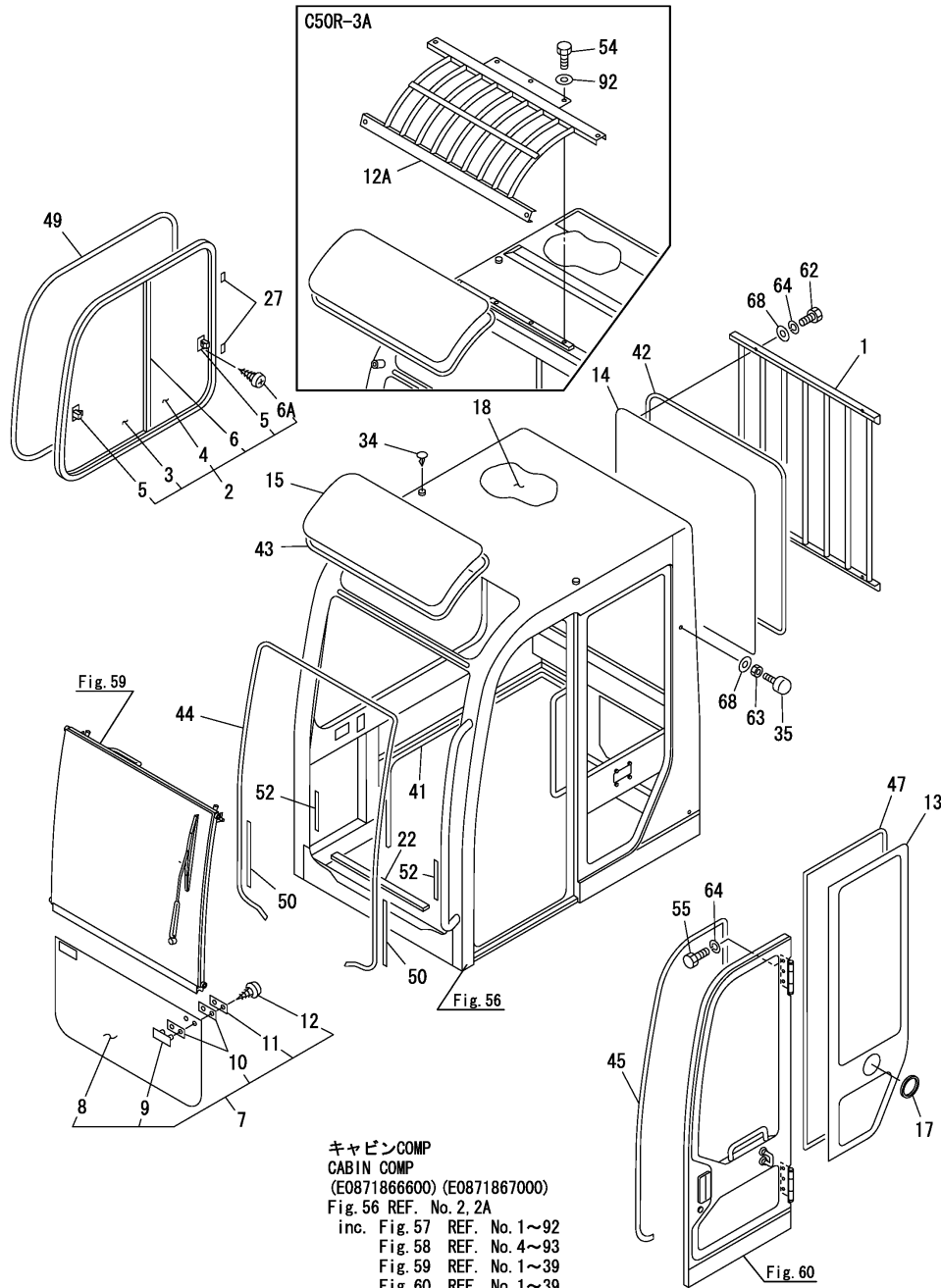
1 inc. 2A~6
1A inc. 2A~7



No.	Lev.	Parts No.	Description	Q'ty						I	R
				(A)	(B)	(C)	(D)	(E)	(F)		
1	1	E0871866500	CABIN ASSY	1	1						1
1A	1	E0871867500	CABIN ASSY	1	1						W 2
		(A=MXXX) (B=MXXX)									
2A	2	E0871867000	CABIN ASSY	1	1						W
		(A=MXXXXX) (B=M/#41501)									
3	2	E1100041230	BOLT M12X 30	8	8						
4	2	E1140020012	SPRING WASHER 12	8	8						
5	2	E1141110012	WASHER 12	8	8						
6	2	E1654315100	SPONGE	2	2						
7	2	E0871866040	PLATE	1	1						W 2
		(A=MXXX) (B=MXXX)									

Remarks
(1)OVER SEA
(2)JAPAN

Fig.57. CABIN(2)



キャビンCOMP
 CABIN COMP
 (E0871866600) (E0871867000)
 Fig. 56 REF. No. 2, 2A
 inc. Fig. 57 REF. No. 1~92
 Fig. 58 REF. No. 4~93
 Fig. 59 REF. No. 1~39
 Fig. 60 REF. No. 1~39

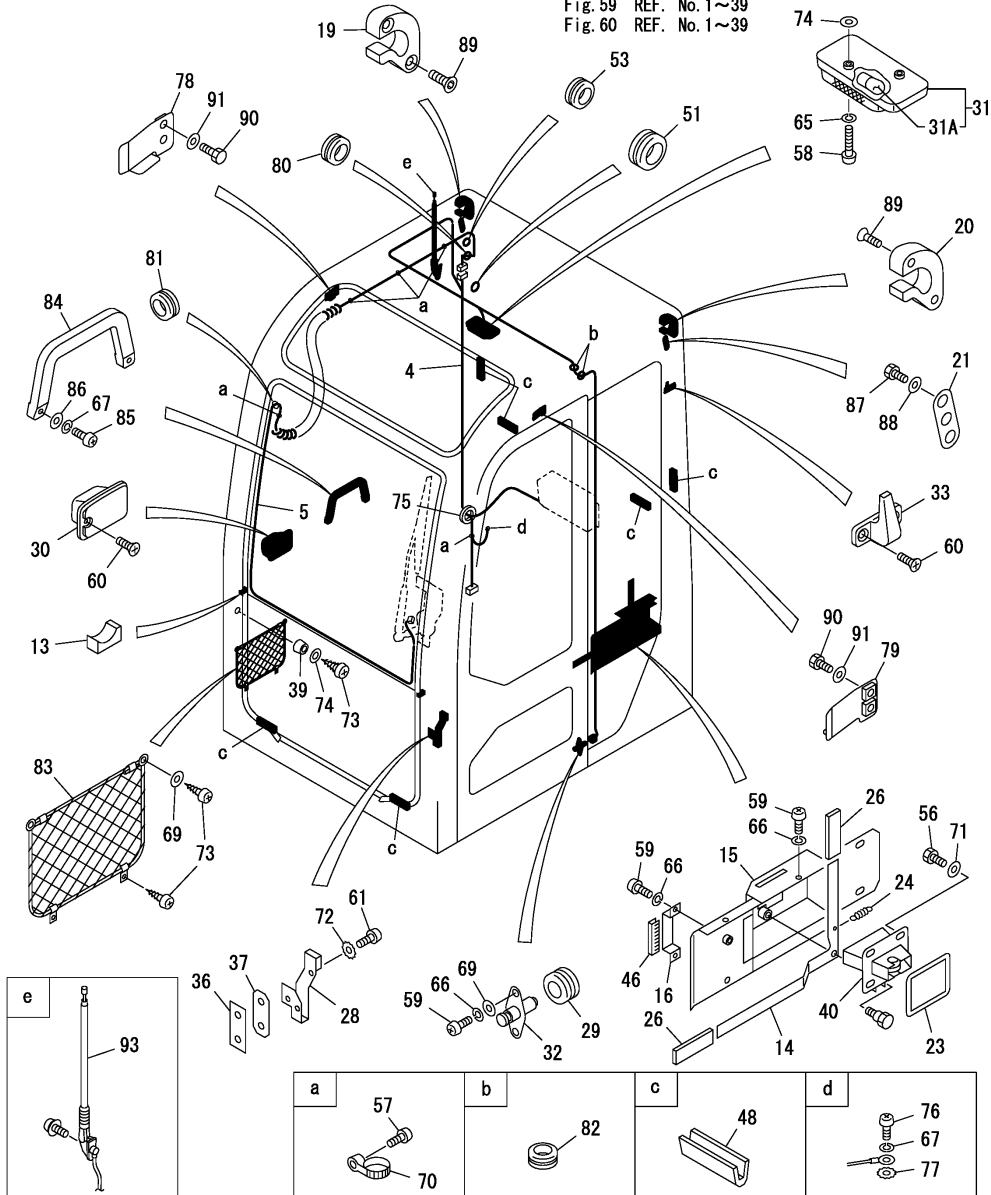
(A)=C50R-3
 (B)=C50R-3A
 (C)=

(D)=
 (E)=
 (F)=

No.	Lev.	Parts No.	Description	Q'ty						I	R
				(A)	(B)	(C)	(D)	(E)	(F)		
1	3	E0874860120	GUARD	1	1						
2	3	E0568639510	SASH ASSY	1	1						
3	4	E0568639512	GLASS	1	1						
4	4	E0568639513	GLASS	1	1						
5	4	E1654008300	LOCK ASSY	2	2						
6	4	E1654008200	STRIP, WEATHER	1	1						
6A	4	E1122420410	SCREW	4	4						W
		(A=MXXX) (B=MXXX)									
7	3	E0378601600	GLASS ASSY	1	1						
8	3	E0378601610	GLASS	1	1						
9	3	E1654010900	RETAINER	2	2						
10	3	E1654011100	GASKET	4	4						
11	3	E1654011000	PLATE	2	2						
12	3	E1122410412	SCREW	4	4						
12A	3	E0871866670	ROOF WIND GAURD		1						W
		(B=M/#41501)									
13	3	E0568639540	GLASS	1	1						
14	3	E0874860130	GLASS	1	1						
15	3	E0568633200	GLASS	1	1						
17	3	E0568626600	GROMMET	1	1						
18	3	E0871866650	ABSORBENT, NOISE	1	1						
22	3	E0568634100	SEAL	1	1						
27	3	E0438601770	SPACER	7	7						
34	3	E1654005000	CLIP	2	2						
35	3	E1651101042	STOPPER	2	2						
41	3	E1654520202	RUBBER	1	1						
42	3	E1654231320	RUBBER	1	1						
43	3	E1654231225	RUBBER	1	1						
44	3	E1654605440	RUBBER	1	1						
45	3	E1654605341	RUBBER	1	1						
47	3	E1654615235	DUM, 235CM	1	1						
49	3	E1653930375	RUBBER(375CM	1	1						
50	3	E1654605033	RUBBER	2	2						
52	3	E1653916020	RUBBER	2	2						
54	3	E1100041020	BOLT M10X 20		7						W
		(B=M/#41501)									
55	3	E1100090820	BOLT M 8X 20	6	6						
62	3	E1100091020	BOLT	4	4						
63	3	E1130090010	NUT	2	2						
64	3	E1140090010	SPRING WASHER M10	10	10						
68	3	E1141190010	WASHER M10	6	6						
92	3	E1141550010	WASHER, M10		7						W
		(B=M/#41501)									

Fig.58. CABIN(3)

キャビンCOMP
CABIN COMP
(E0871866600) (E0871867000)
Fig.56 REF. No.2,2A
inc. Fig.57 REF. No.1~92
Fig.58 REF. No.4~93
Fig.59 REF. No.1~39
Fig.60 REF. No.1~39



(A)=C50R-3
(B)=C50R-3A
(C)=

(D)=
(E)=
(F)=

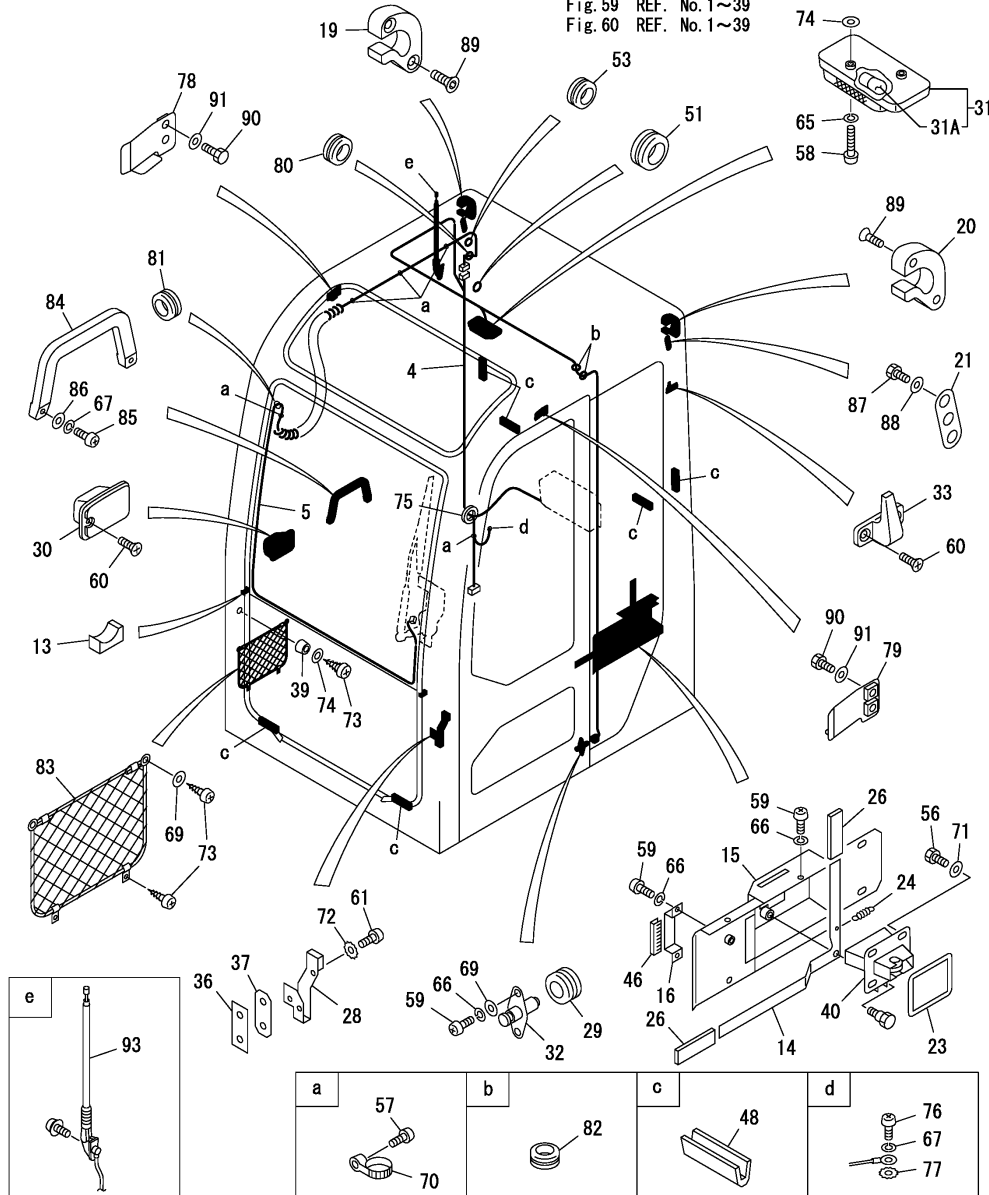
No.	Lev.	Parts No.	Description	Q'ty						I	R
				(A)	(B)	(C)	(D)	(E)	(F)		
4	3	E0871866610	WIRE HARNESS	1	1						
5	3	E0568601200	WIRE HARNESS	1	1						
13	3	E0568633300	STOPPER	2	2						
14	3	E0378601420	PLATE	1	1						
15	3	E0568644300	COVER	1	1						
16	3	E0338630870	PLATE	1	1						
19	3	E0338630910	STOPPER	1	1						
20	3	E0338630960	STOPPER	1	1						
21	3	E0338630920	PLATE	1	1						
23	3	E0568634400	SEAL	1	1						
24	3	E0007000096	SPRING	1	1						
26	3	E0438601760	COVER	2	2						
28	3	E0068620500	STRIKER	1	1						
29	3	E1652051600	GROMMET	1	1						
30	3	E1654010500	ASHTRAY	1	1						
31	3	E1703004100	ROOM LAMP	1	1						
31A	4	E1703004101	BULB	1	1						
32	3	E1700000015	SWITCH	1	1						
33	3	E1654004800	HANGER	1	1						
36	3	E0338630880	PLATE	1	1						
37	3	E0338630930	GASKET	1	1						
39	3	E1652102320	RUBBER	2	2						
40	3	E1654005100	LOCK	1	1						
46	3	E1653916007	TRIM, SEAL	1	1						
48	3	E1654004900	STOPPER	6	6						
51	3	E1652060031	GROMMET	1	1						
53	3	E1652051200	GROMMET	1	1						
56	3	E1100040825	BOLT M 8X25	4	4						
57	3	E1120590512	SCREW, M5X12	4	4						
58	3	E1120530520	SCREW, M5X20	2	2						
59	3	E1120590408	SCREW	8	8						
60	3	E1120690412	SCREW	4	4						
61	3	E0068621300	SCREW	2	2						
65	3	E1140020005	SPRING WASHER 5	2	2						
66	3	E1140090004	SPRING WASHER M 4	8	8						
67	3	E1140020006	SPRING WASHER 6	3	3						
69	3	E1141190004	WASHER M 4	6	6						
70	3	E1652221050	CLAMP	4	4						
71	3	E1141110008	WASHER 8	2	2						
72	3	E1140330010	WASHER, TOOTHED 10	2	2						
73	3	E1122410416	SCREW	6	6						
74	3	E1141190005	WASHER,PLAIN M 5	3	3						
75	3	E1652042515	GROMMET	1	1						
76	3	E1120530616	SCREW	1	1						
77	3	E1140330006	WASHER(TOOTHED)	1	1						
78	3	E0871866620	PLATE R	1							
78A	3	E0568648162	PLATE R		1						W
(B=M/#41501)											
79	3	E0871866630	PLATE L	1							
79A	3	E0568648163	PLATE L		1						W
(B=M/#41501)											

Fig.58. CABIN(3)

(A)=C50R-3
(B)=C50R-3A
(C)=

(D)=
(E)=
(F)=

キャビンCOMP
CABIN COMP
(E0871866600) (E0871867000)
Fig. 56 REF. No. 2, 2A
inc. Fig. 57 REF. No. 1~92
Fig. 58 REF. No. 4~93
Fig. 59 REF. No. 1~39
Fig. 60 REF. No. 1~39



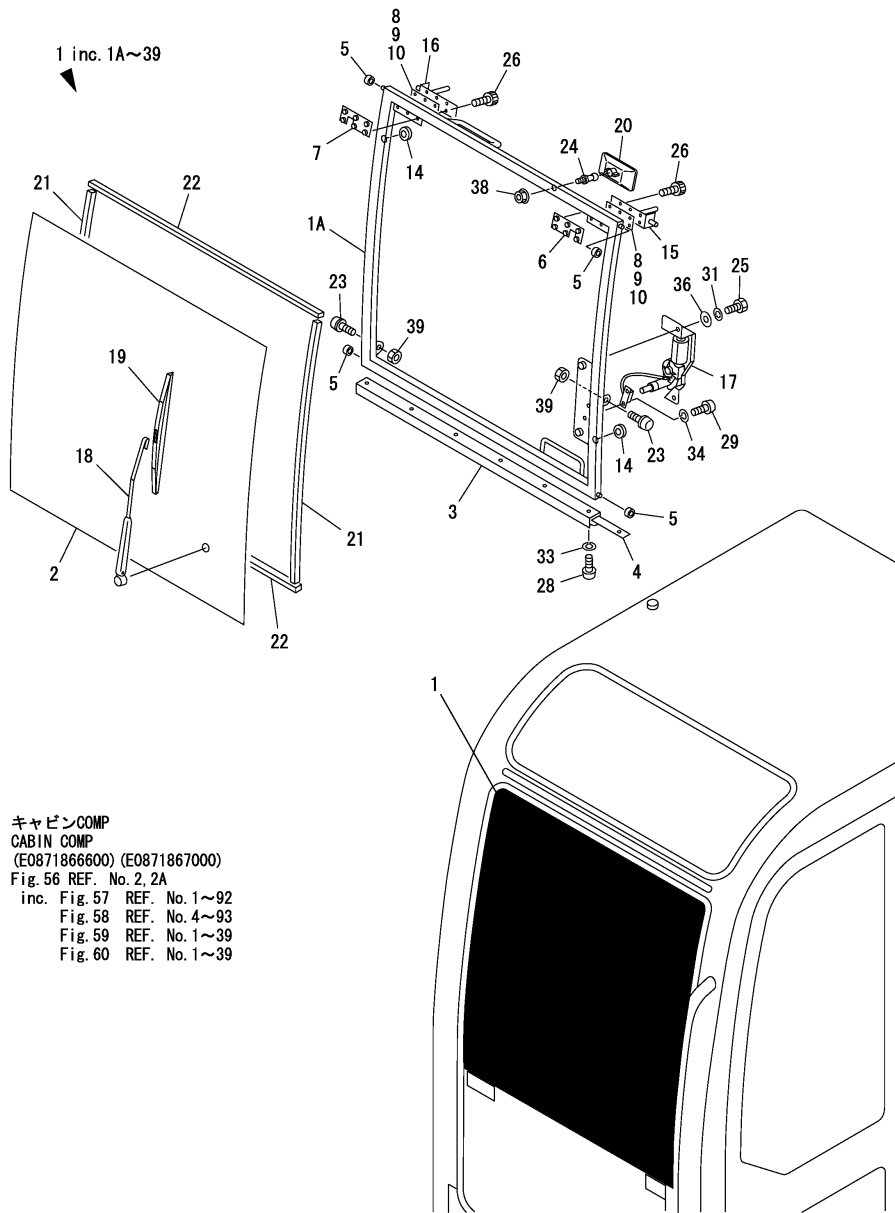
No.	Lev.	Parts No.	Description	Q'ty						I	R
				(A)	(B)	(C)	(D)	(E)	(F)		
80	3	E1652001602	GROMMET	1	1						
81	3	E1652000602	GROMMET	2	2						
82	3	E1652001002	GROMMET	2	2						
83	3	E1654010600	POCKET ASSY	1	1						
84	3	E0872862406	GRIP	1	1						
85	3	E1120530620	SCREW, M6X20	2	2						
86	3	E1141110006	WASHER, PLAIN 6	2	2						
87	3	E1100090820	BOLT M 8X 20	4	4						
88	3	E1141190008	WASHER M 8	4	4						
89	3	E1120800830	SCREW	4	4						
90	3	E1100090612	BOLT	4	4						
91	3	E1141190006	WASHER 6	4	4						
93	3	E1705003460	ANTENNA, RUBBER	1	1						W

(A=MXXX) (B=MXXX)

Fig.59. CABIN(4)

(A)=C50R-3
(B)=C50R-3A
(C)=

(D)=
(E)=
(F)=



キャビンCOMP
CABIN COMP
(E0871866600) (E0871867000)
Fig. 56 REF. No. 2, 2A
inc. Fig. 57 REF. No. 1~92
Fig. 58 REF. No. 4~93
Fig. 59 REF. No. 1~39
Fig. 60 REF. No. 1~39

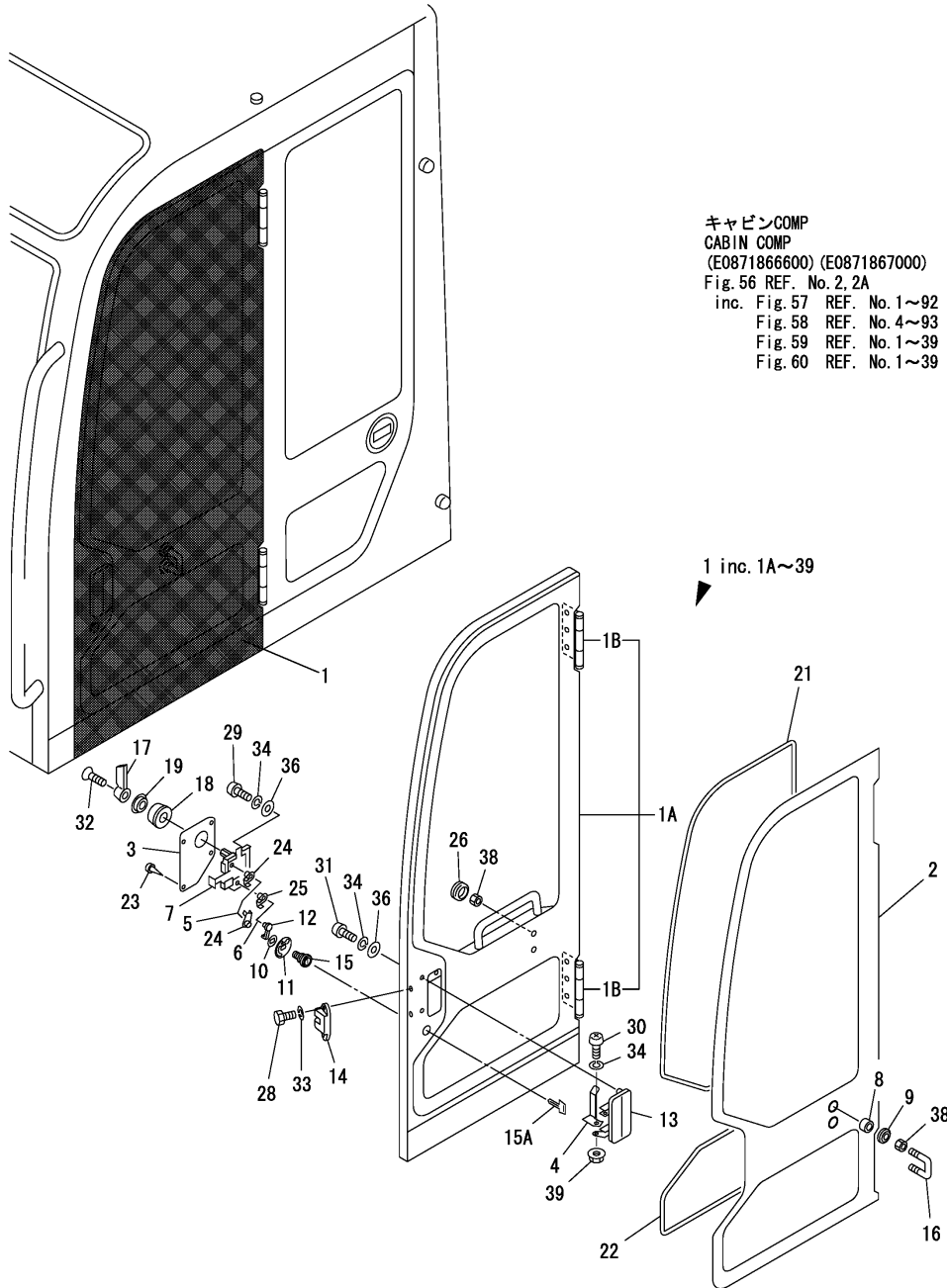
No.	Lev.	Parts No.	Description	Q'ty						I	R
				(A)	(B)	(C)	(D)	(E)	(F)		
1	3	E0871866800	SASH ASSY	1	1						
1A	4	E0871866810	SASH	1	1						
2	4	E0568639330	GLASS	1	1						
3	4	E0568621800	SEAL	1	1						
4	4	E0568621900	PLATE	1	1						
5	4	E0568622200	ROLLER	4	4						
6	4	E0568622400	PLATE(L)	1	1						
7	4	E0568622300	PLATE(R)	1	1						
8	4	E0468605031	SHIM	1	1						1
9	4	E0468605032	SHIM	1	1						1
10	4	E0468605033	SHIM	1	1						1
14	4	E1652001002	GROMMET	2	2						
15	4	E0871866830	RUCHE L	1	1						
16	4	E0871866840	RUCHE R	1	1						
17	4	E1704078924	WIPER MOTOR	1	1						
18	4	E1704100530	ARM, WIPER	1	1						
19	4	E1704201380	BLADE	1	1						
19-1	4	E1704200530	BLADE, WIPER	1	1						S
(A=MXXX) (B=MXXX)											
20	4	E1654005400	ROOM MIRROR	1	1						
21	4	E1654616080	DAM	2	2						
22	4	E1654615085	DUM, 85CM	2	2						
23	4	E1651101028	STOPPER	2	2						
24	4	E1654006000	PIVOT	1	1						
25	4	E1100290820	BOLT	2	2						
26	4	E1110090516	SCREW, CAP	12	12						
28	4	E1120530408	SCREW, M4X8	6	6						
29	4	E1120590408	SCREW	2	2						
31	4	E1140090008	SPRING WASHER M 8	2	2						
33	4	E1140020004	WASHER, SPRING M 4	6	6						
34	4	E1140090004	SPRING WASHER M 4	2	2						
36	4	E1141190008	WASHER M 8	2	2						
38	4	E1131242008	NUT, FLANGE M8	1	1						
39	4	E1130090010	NUT	2	2						

Remarks
(1)SELECTION USE PARTS.

Fig.60. CABIN(5)

(A)=C50R-3
(B)=C50R-3A
(C)=

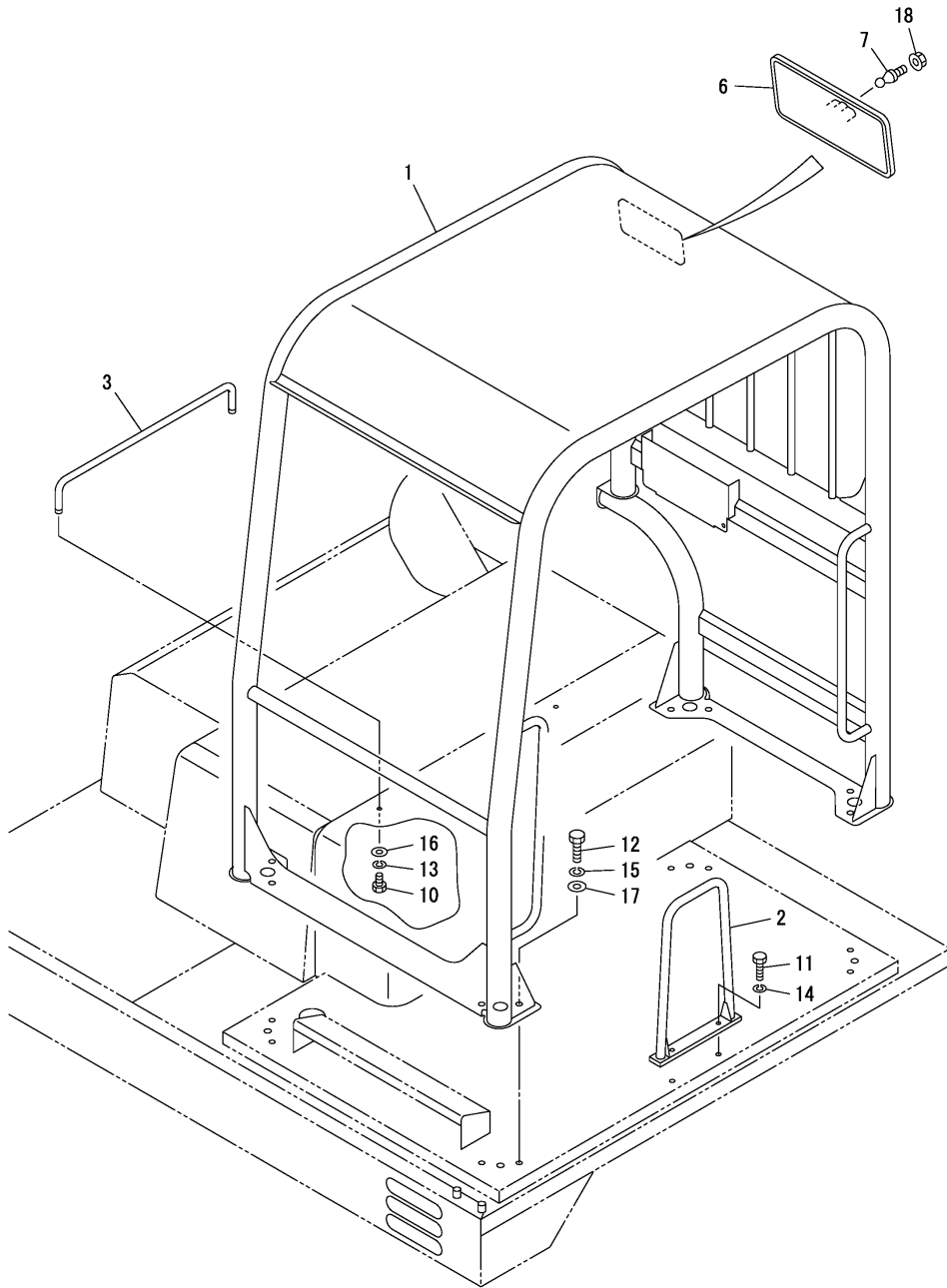
(D)=
(E)=
(F)=



キャビンCOMP
CABIN COMP
(E0871866600) (E0871867000)
Fig.56 REF. No. 2, 2A
inc. Fig.57 REF. No.1~92
Fig.58 REF. No.4~93
Fig.59 REF. No.1~39
Fig.60 REF. No.1~39

No.	Lev.	Parts No.	Description	Q'ty						I	R
				(A)	(B)	(C)	(D)	(E)	(F)		
1	3	E0871866900	DOOR ASSY	1	1						
1A	4	E0871866950	DOOR	1	1						
1B	5	E0338630541	HINGE	2	2						W
		(A=FROM 1ST) (B=FROM 1ST)									
2	4	E0568639430	GLASS	1	1						
3	4	E0568623300	COVER	1	1						
4	4	E0568630900	PLATE	1	1						
5	4	E0568630800	ROD	1	1						
6	4	E0568630600	ROD	1	1						
7	4	E0568623400	CONRTOL ASSY, ENGINE	1	1						
8	4	E0568623500	COLLAR	2	2						
9	4	E0568623600	SEAL	2	2						
10	4	E0871866610	WIRE HARNESS	1	1						
11	4	E0871866611	PLATE	1	1						
12	4	E0468604400	HOLDER	1	1						
13	4	E1654005600	OUTER HANDLE	1	1						
14	4	E0068620400	LOCK	1	1						
15	4	E0871861650	CYLINDER LOCK	1	1						
15A	4	933110-00300	KEY	1	1						
16	4	E1654005900	STRIKER	1	1						
17	4	E1654005500	HANDLE	1	1						
18	4	E1654005800	BASE	1	1						
19	4	E1654005700	ESCATION	1	1						
21	4	E1654615280	DUM, 280CM	1	1						
22	4	E1654615160	DUM, 160CM	1	1						
23	4	E1652711432	CLIP	4	4						
24	4	E0068621500	SNAP	2	2						
25	4	E0398610900	SNAP	1	1						
26	4	E1652053200	GROMMET	2	2						
28	4	E1100290616	BOLT	2	2						
29	4	E1120530612	SCREW, M6X16	2	2						
30	4	E1120530616	SCREW	1	1						
31	4	E1120530608	SCREW	2	2						
32	4	E1120790516	SCREW	1	1						
33	4	E1140090006	SPRING WASHER 6	2	2						
34	4	E1140020006	SPRING WASHER 6	5	5						
36	4	E1141110006	WASHER,PLAIN 6	4	4						
38	4	E1130040010	NUT	2	2						
39	4	E1131242006	NUT	1	1						

Fig.61. CANOPY



(A)=C50R-3
(B)=C50R-3A
(C)=

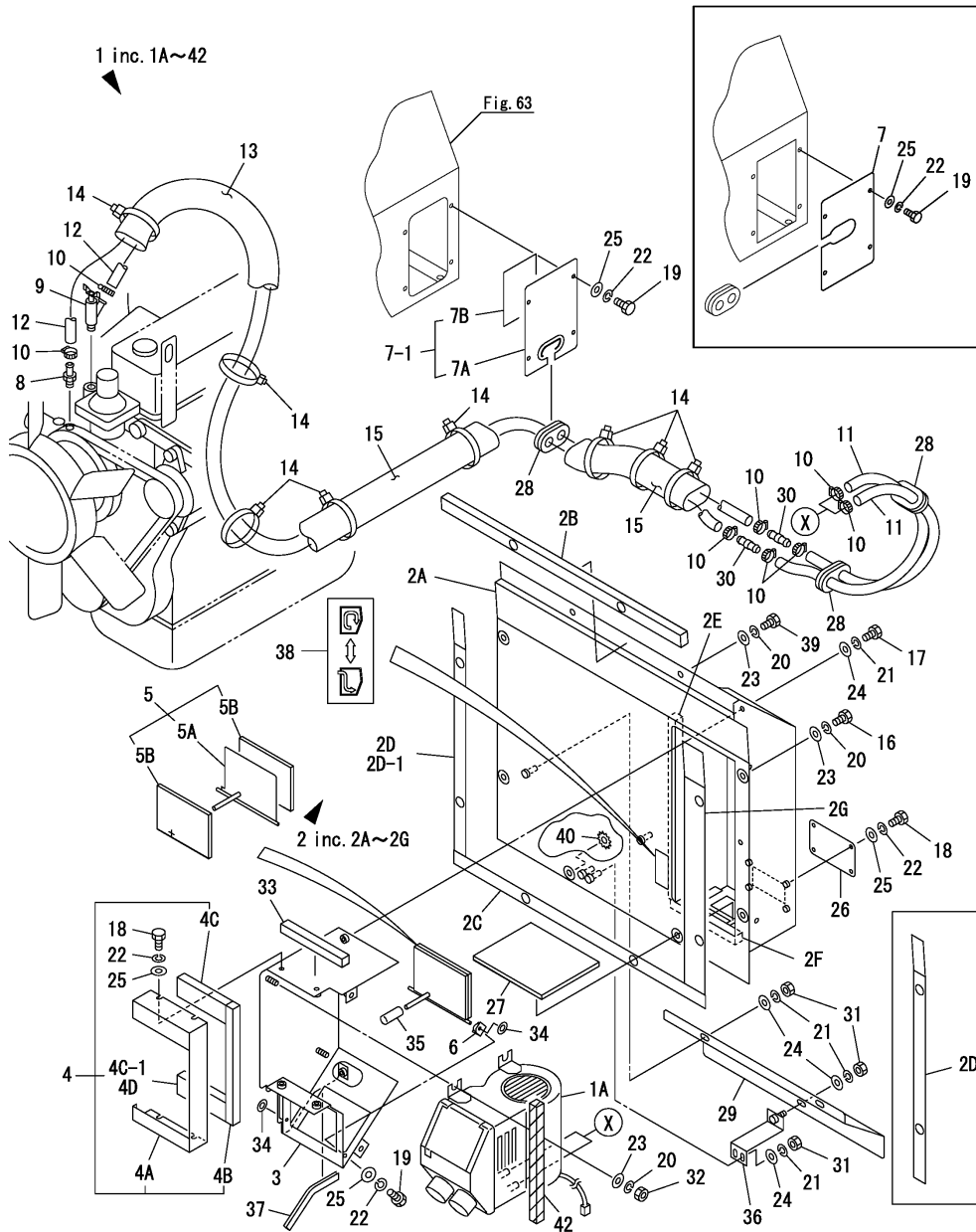
(D)=
(E)=
(F)=

No.	Lev.	Parts No.	Description	Q'ty						I	R
				(A)	(B)	(C)	(D)	(E)	(F)		
1	1	E0871844600	CANOPY FLAME	1							
1-1	1	E0871844700	CANOPY FLAME	1	1						N
(A=M/#40552)											
2	1	E0871844300	HANDRAIL	1	1						
3	1	E0871844400	BAR, HOLD	1	1						
6	1	E1654005400	ROOM MIRROR	1	1						
7	1	E1654006000	PIVOT	1	1						
10	1	E1100040816	BOLT M 8X 16	2	2						
11	1	E1100041030	BOLT M10X30	2	2						
12	1	E1100041230	BOLT M12X 30	8							
12-1	1	E1100041245	BOLT M12X 45	8	8						S
(A=M/#40552)											
13	1	E1140020008	SPRING WASHER 8	2	2						
14	1	E1140020010	SPRING WASHER 10	2	2						
15	1	E1140020012	SPRING WASHER 12	8	8						
16	1	E1141110008	WASHER 8	2	2						
17	1	E1141110012	WASHER 12	8	8						
18	1	E1131242008	NUT, FLANGE M8	1	1						

Fig.62. HEATER(1)

(A)=C50R-3
(B)=C50R-3A
(C)=

(D)=
(E)=
(F)=

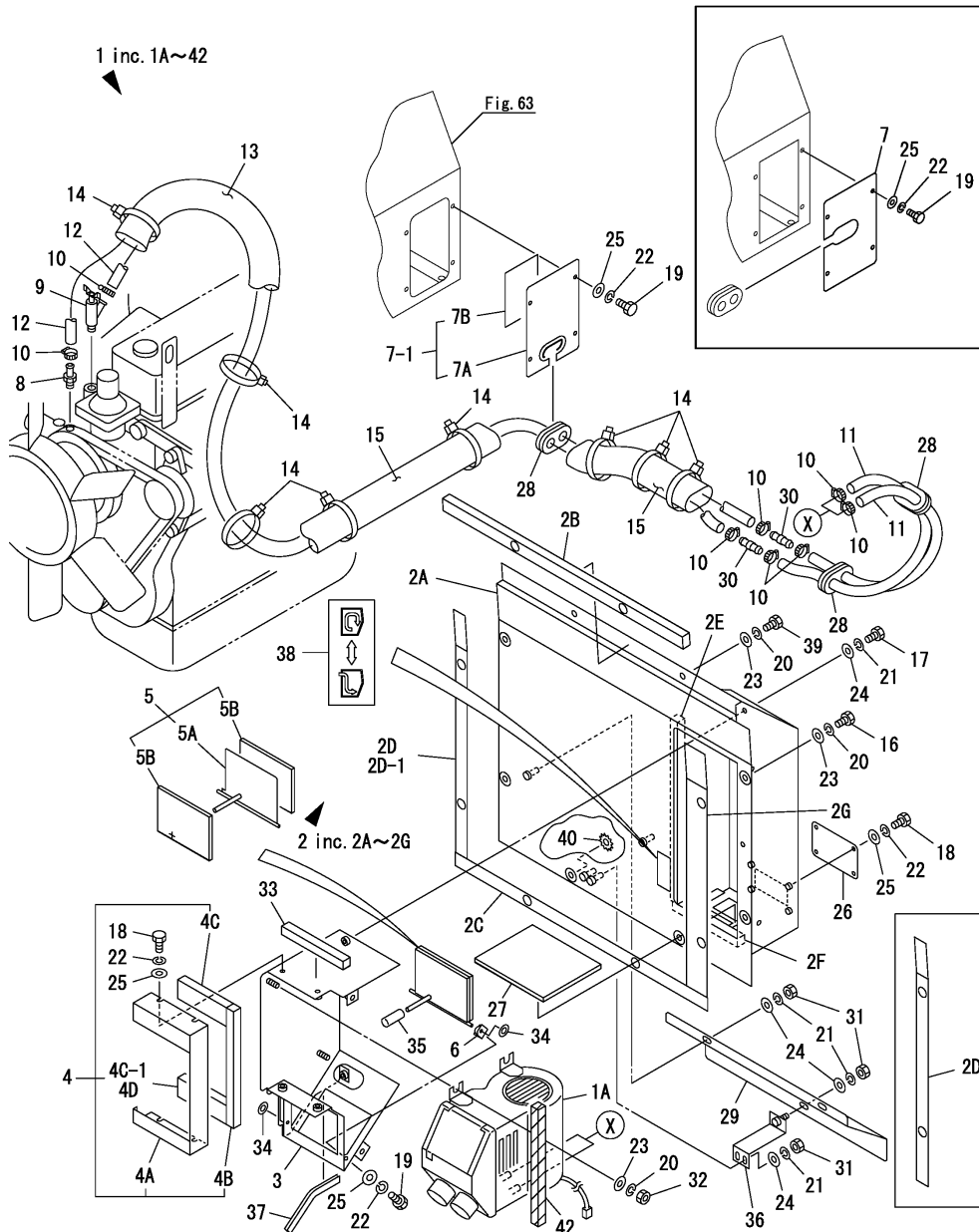


No.	Lev.	Parts No.	Description	Qty						I	R
				(A)	(B)	(C)	(D)	(E)	(F)		
1	1	E0871451000	HEATER ASSY	1	1						
1A	2	E1911507651	HEATER	1	1						
2	2	E0871451080	COVER ASSY	1	1						
2-1	2	E0871451600	COVER ASSY	1	1						N
		(A=M/#41760) (B=M/#41760)									
2A	3	E0871451060	COVER	1	1						
2A-1	3	E0871451700	COVER	1	1						S
		(A=M/#41760) (B=M/#41760)									
2B	3	E0871451082	URETHANE	1	1						
2B-1	3	E0871451601	URETHANE	1	1						S
		(A=M/#41760) (B=M/#41760)									
2C	3	E0871451013	URETHANE	1	1						
2C-1	3	E0871451013	URETHANE	2	2						K
		(A=MXXX) (B=MXXX)									
2C-2	3	E0871451013	URETHANE	1	1						K
		(A=M/#41760) (B=M/#41760)									
2D	3	E0871451083	URETHANE	2	2						
2D-1	3	E0871451083	URETHANE	1	1						K
		(A=MXXX) (B=MXXX)									
2E	3	E1654306044	URETHANE	1	1						
2E-1	3	E0871451085	URETHANE	1	1						S
		(A=MXXX) (B=MXXX)									
2F	3	E1654303018	URETHANE	1	1						
2G	3	E0871451602	URETHANE	1	1						W
		(A=M/#41760) (B=M/#41760)									
3	2	E0871451070	BRACKET	1	1						
4	2	E0871451090	COVER ASSY, HEATER	1	1						
4A	3	E0871451091	COVER, HEATER	1	1						
4B	3	E1654304028	URETHANE	1	1						
4B-1	3	E0871451096	URETHANE	1	1						S
		(A=MXXX) (B=MXXX)									
4C	3	E0871451092	URETHANE	1	1						
4C-1	3	E0871451094	URETHANE	2	2						S
		(A=MXXX) (B=MXXX)									
4D	3	E0871451093	URETHANE	1							Z
		(A=MXXX)									
5	2	E0871460840	DAMPER ASSY	1	1						
5A	3	E0871460841	DAMPER	1	1						
5B	3	E0871460845	URETHANE	2	2						
6	2	E0871460850	BRACKET	1	1						
7	2	E0871451030	COVER	1	1						
7-1	2	E0871451160	COVER ASSY	1	1						S
		(A=MXXX) (B=MXXX)									
7A	3	E0871451130	COVER	1	1						W
		(A=MXXX) (B=MXXX)									
7B	3	E0871451161	INSULATOR	1	1						W
		(A=MXXX) (B=MXXX)									
8	2	E0007224009	NIPPLE, HOSE	1	1						
9	2	E1911502300	VALVE	1	1						
9-1	2	E1911502300	VALVE	1	1						S
		(A=MXXX) (B=MXXX)									

Fig.62. HEATER(1)

(A)=C50R-3
(B)=C50R-3A
(C)=

(D)=
(E)=
(F)=

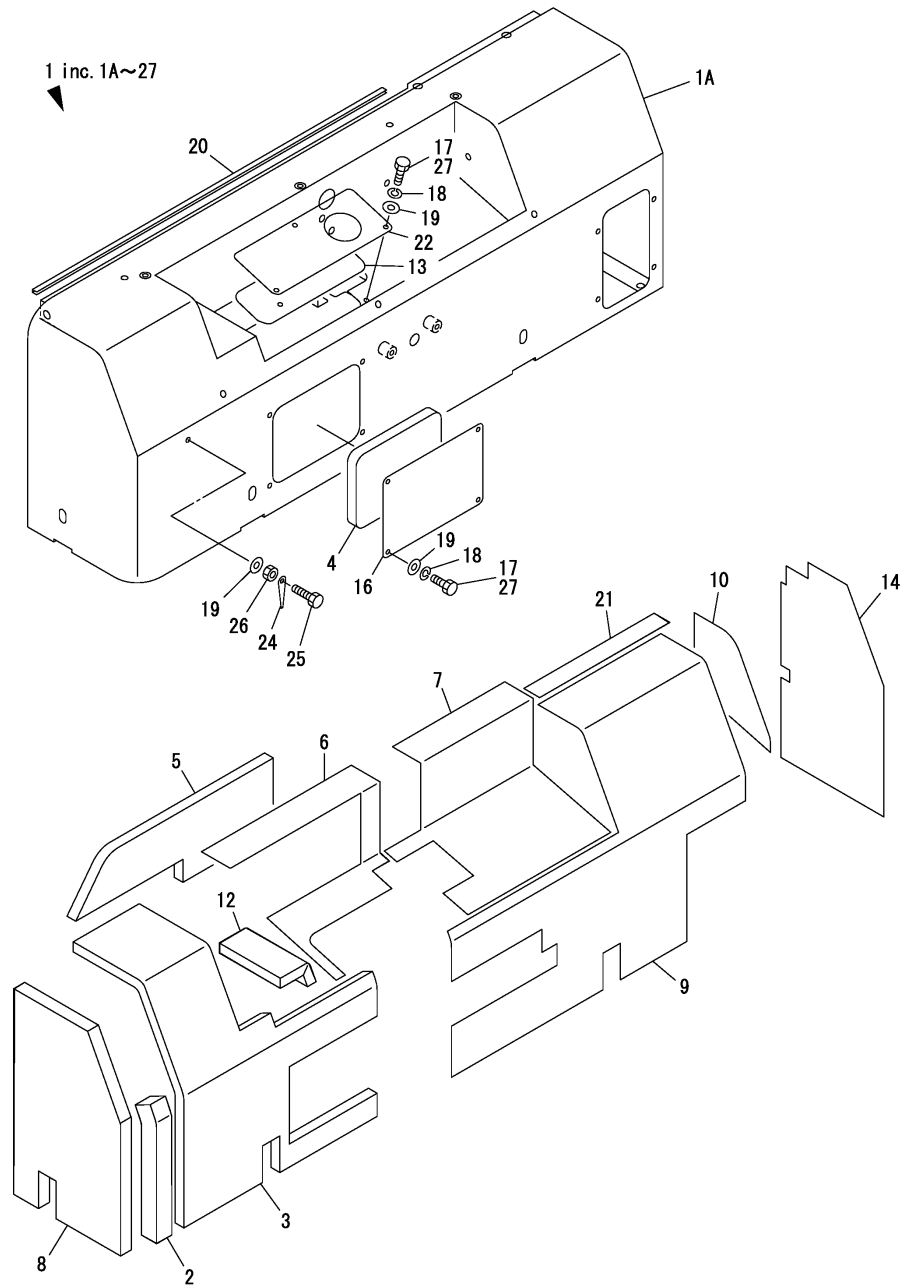


No.	Lev.	Parts No.	Description	Q'ty						I	R
				(A)	(B)	(C)	(D)	(E)	(F)		
10	2	E1911500500	CLAMP	8	8						
11	2	E1911501840	HOSE, HEATER	2	2						
12	2	E1911521800	HOSE, HEATER	2	2						
13	2	E1531345100	HOSE, PROTECT	1	1						
14	2	E1652231250	TIE-LAP	6	6						
14-1	2	E1652231250	TIE-LAP	8	8						K
		(A=MXXX) (B=MXXX)									
15	2	E1531345030	HOSE,PROTECTOR	2	2						
16	2	E1100041020	BOLT M10X 20	8	8						
16-1	2	E1100041020	BOLT M10X 20	6	6						K
		(A=MXXX) (B=MXXX)									
17	2	E1100040816	BOLT M 8X 16	4	4						
18	2	E1100040616	BOLT M 6X 16	4	4						
19	2	E1100040610	BOLT M 6X10	5	5						
20	2	E1140020010	SPRING WASHER 10	11	11						
21	2	E1140020008	SPRING WASHER 8	9	9						
22	2	E1140020006	SPRING WASHER 6	9	9						
23	2	E1141110010	WASHER 10	11	11						
24	2	E1141110008	WASHER 8	9	9						
25	2	E1141110006	WASHER,PLAIN 6	9	9						
26	2	E0871451016	PLATE	1	1						
27	2	E0871451017	FILTER	1	1						
28	2	E0337017300	GUARD, HOSE	3	3						
29	2	E0871451064	COVER, HOSE	1	1						
29-1	2	E0871451800	COVER, HOSE	1	1						S
		(A=M/#41760) (B=M/#41760)									
30	2	E0871451050	JOINT	2	2						
31	2	E1130040008	NUT, M8	5	5						
32	2	E1130040010	NUT	3	3						
33	2	E1654306017	SPONGE	1	1						
34	2	E1224100008	NUT	2	2						
35	2	E0543208900	KNOB	1	1						
36	2	E0871451100	BRACKET	1	1						
37	2	E1653916015	SEAL, TRIM	1	1						
38	2	E0189311800	OPERATION LEVER	1	1						
39	2	E1100041016	BOLT M10X16	2	2						W
		(A=MXXX) (B=MXXX)									
40	2	E1140330010	WASHER, TOOTHED 10	1	1						W
		(A=MXXX) (B=MXXX)									
42	2	E1654306028	SPONGE	1	1						W
		(A=M/#41760) (B=M/#41760)									

Fig.63. HEATER(2)

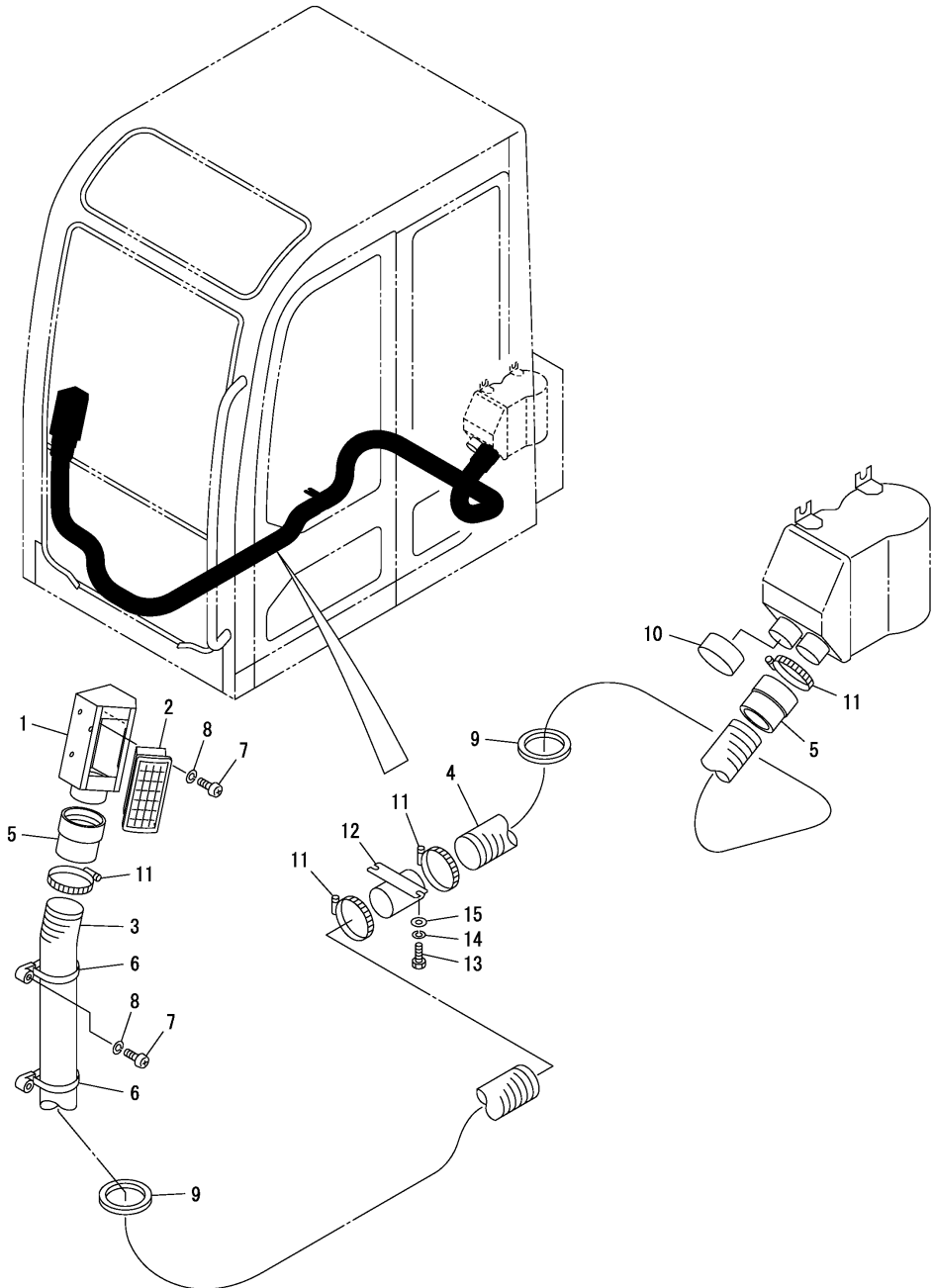
(A)=C50R-3
(B)=C50R-3A
(C)=

(D)=
(E)=
(F)=



No.	Lev.	Parts No.	Description	Q'ty						I	R
				(A)	(B)	(C)	(D)	(E)	(F)		
1	1	E0871451140	COVER ASSY	1	1						
1A	2	E0871451150	COVER	1	1						
2	2	E0874820202	SPONGE	1	1						
3	2	E0871826103	ACOUSTIC ABSORBENT	1	1						
4	2	E0871825104	ACOUSTIC ABSORBENT	1	1						
5	2	E0871825105	ACOUSTIC ABSORBENT	1	1						
6	2	E0871826106	INSULATOR	1	1						
7	2	E0871826107	INSULATOR	1	1						
8	2	E0871824208	ACOUSTIC ABSORBENT	1	1						
9	2	E0871826109	INSULATOR	1	1						
10	2	E0871826110	INSULATOR	1	1						
12	2	E0871826112	ACOUSTIC ABSORBENT	1	1						
13	2	E0871826113	INSULATOR	1	1						
14	2	E0871826114	INSULATOR	1	1						
16	2	E0871825116	PLATE	1	1						
17	2	E1100040610	BOLT M 6X10	7	7						Z
		(A=MXXX) (B=MXXX)									
18	2	E1140020006	SPRING WASHER 6	7	7						Z
		(A=MXXX) (B=MXXX)									
19	2	E1141110006	WASHER,PLAIN 6	8	8						
19-1	2	E1141110006	WASHER,PLAIN 6	1	1						K
		(A=MXXX) (B=MXXX)									
20	2	E1654520078	RUBBER	1	1						
21	2	E0871824241	INSULATOR	1	1						
22	2	E0871826122	PLATE	1	1						
24	2	E0871083614	PLATE	1	1						
25	2	E1100040620	BOLT M 6X 20	1	1						
26	2	E1130040006	NUT, M6	1	1						
27	2	E1100560612	BOLT	7	7						W
		(A=MXXX) (B=MXXX)									

Fig.64. DEFROSTER



(A)=C50R-3
(B)=C50R-3A
(C)=

(D)=
(E)=
(F)=

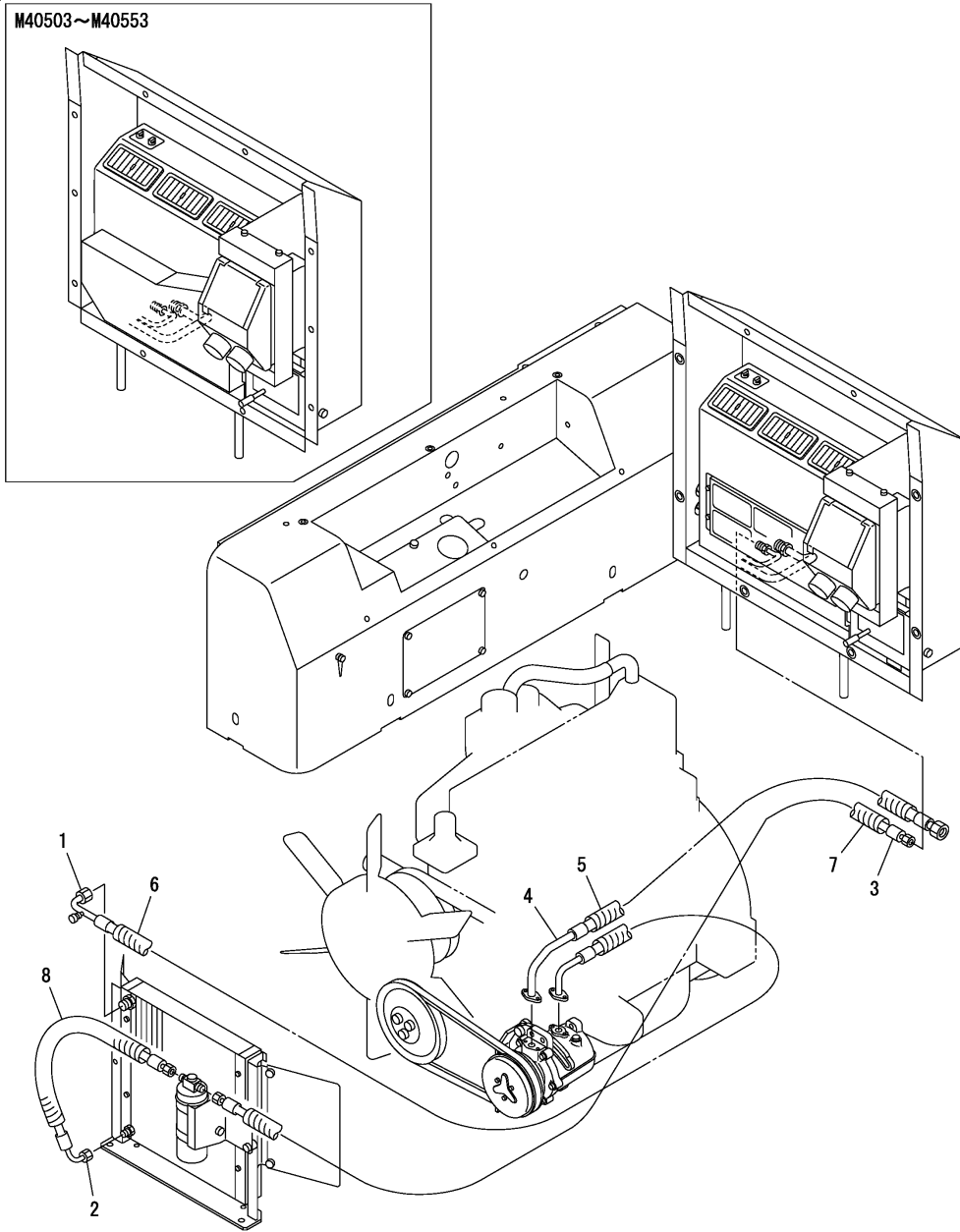
No.	Lev.	Parts No.	Description	Q'ty						I	R
				(A)	(B)	(C)	(D)	(E)	(F)		
1	1	E0874450510	DEFROSTER	1	1						
1-1	1	E0874453510	DEFROSTER	1	1						S
		(A=MXXX) (B=MXXX)									
1-2	1	E0872453510	DEFROSTER	1	1						S
		(A=MXXX) (B=MXXX)									
2	1	E1911504000	LOUVER	1	1						
3	1	E1567415095	HOSE, DEFROSTER	1	1						
4	1	E1567415050	HOSE, DEFROSTER	1	1						
5	1	E1567325000	CUFFS	2	2						
6	1	E1652261410	CABLE	2	2						
7	1	E1120590512	SCREW, M5X12	5	5						
8	1	E1140090005	WASHER, SPRING M 5	5	5						
9	1	E1653916021	SEAL, TRIM	2	2						
10	1	E1911503000	COVER	1	1						
11	1	E1533700070	CLIP, HOSE	4	4						
12	1	E0871451510	PIPE	1	1						
13	1	E1100040820	BOLT M 8X 20	2	2						
14	1	E1140020008	SPRING WASHER 8	2	2						
15	1	E1141110008	WASHER 8	2	2						

Fig.65. COOLER(1)

(A)=C50R-3
(B)=C50R-3A
(C)=

(D)=
(E)=
(F)=

M40503~M40553

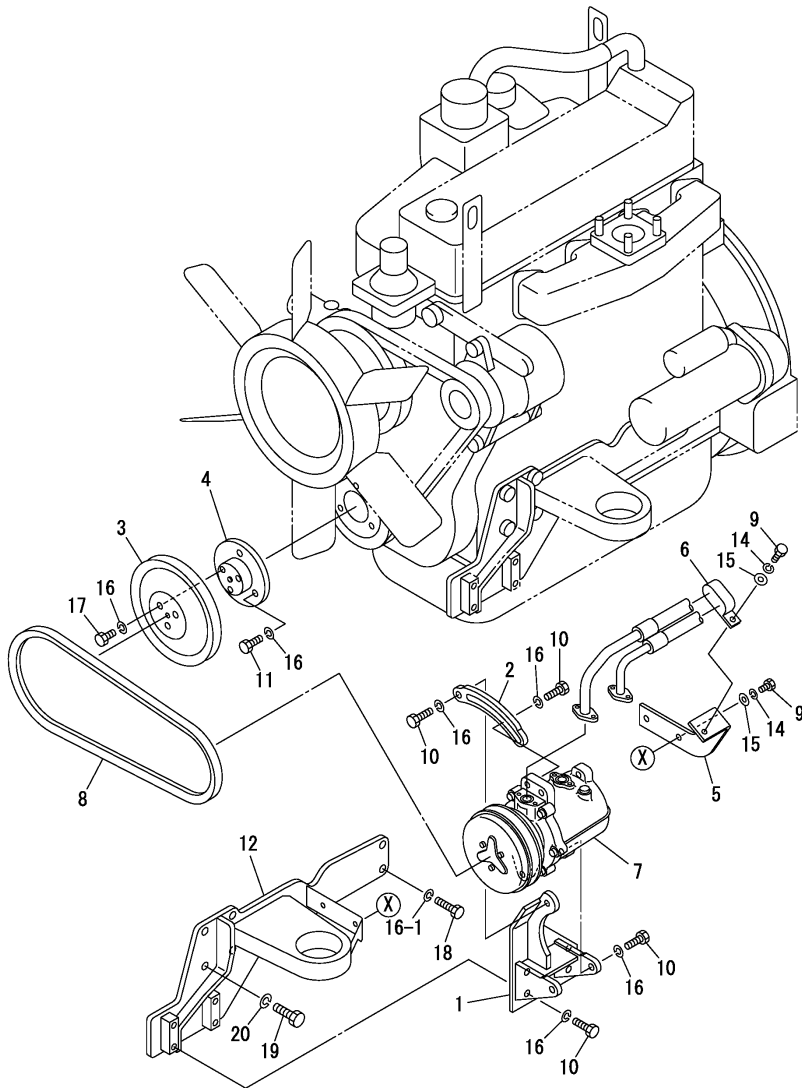


No.	Lev.	Parts No.	Description	Q'ty						I	R
				(A)	(B)	(C)	(D)	(E)	(F)		
1	1	E0871460535	HOSE, COOLER	1	1						
2	1	E0871460540	HOSE, COOLER	1	1						
3	1	E0871460550	HOSE, COOLER	1	1						
4	1	E0871460565	HOSE, COOLER	1	1						
5	1	E1532218126	TUBE, SPIRAL	1	1						
6	1	E1532218132	TUBE, SPIRAL	1	1						
7	1	E1532218165	TUBE, SPIRAL	1	1						
8	1	E1532218032	TUBE, SPIRAL	1	1						

Fig.66. COOLER(2)(COMPRESSOR)

(A)=C50R-3
(B)=C50R-3A
(C)=

(D)=
(E)=
(F)=

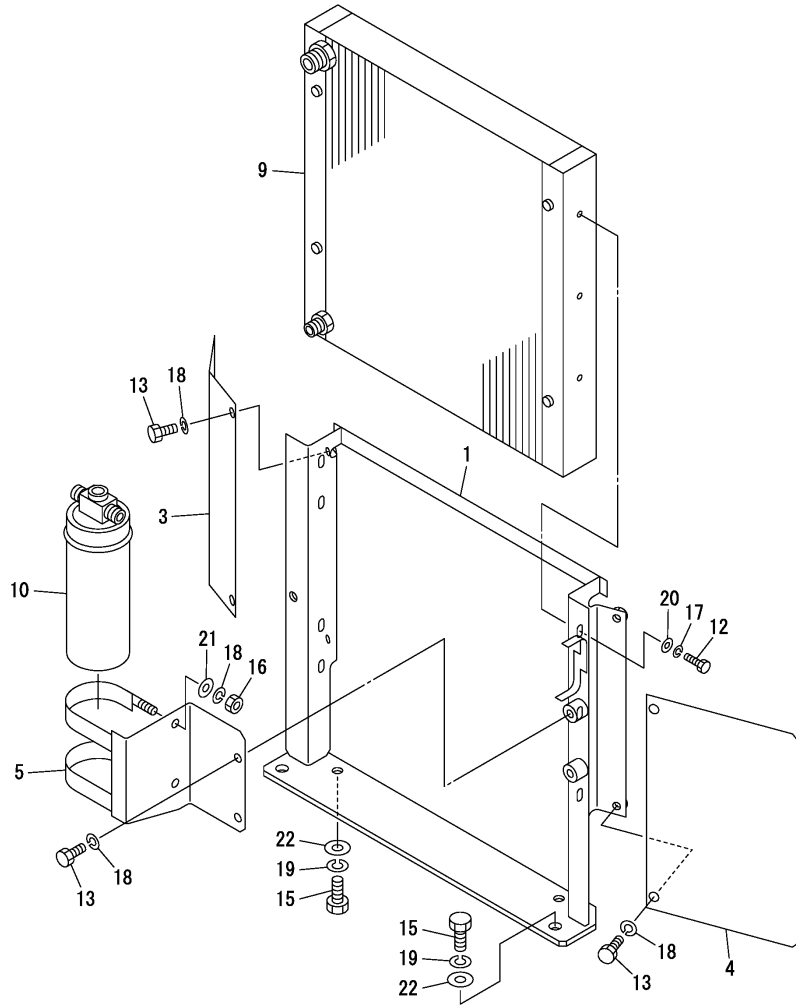


No.	Lev.	Parts No.	Description	Q'ty						I	R
				(A)	(B)	(C)	(D)	(E)	(F)		
1	1	E0871460910	BRACKET	1	1						
2	1	E0871460920	PLATE	1	1						
3	1	E0871460930	PULLY	1	1						
4	1	E0871460940	SPACER	1	1						
5	1	E0871460950	BRACKET	1	1						
6	1	E0007300019	CLAMP	1	1						
7	1	E1911503780	COMPRESSOR	1	1						
8	1	E1621002040	V-BELT	1							
8-1	1	E1621002041	V-BELT	1	1						N
(A=M/#40554)											
9	1	E1100040816	BOLT M 8X 16	3	3						
10	1	E1100041025	BOLT M10X 25	9	9						
11	1	E1100041020	BOLT M10X 20	3	3						
12	1	E0871460960	ENGINE FOOT	1	1						W
(A=M/#40554)											
14	1	E1140020008	SPRING WASHER 8	3	3						
15	1	E1141110008	WASHER 8	3	3						
16	1	E1140020010	SPRING WASHER 10	15	15						
16-1	1	E1140020010	SPRING WASHER 10	17	17						K
(A=MXXX) (B=MXXX)											
17	1	E1100041016	BOLT M10X16	3	3						
18	1	E1100041035	BOLT M10X 35	2	2						W
(A=M/#40554)											
19	1	E1100041235	BOLT M12X 35	4	4						W
(A=M/#40554)											
20	1	E1140020012	SPRING WASHER 12	4	4						W
(A=M/#40554)											

Fig.67. COOLER(3)(CONDENSER))

(A)=C50R-3
(B)=C50R-3A
(C)=

(D)=
(E)=
(F)=

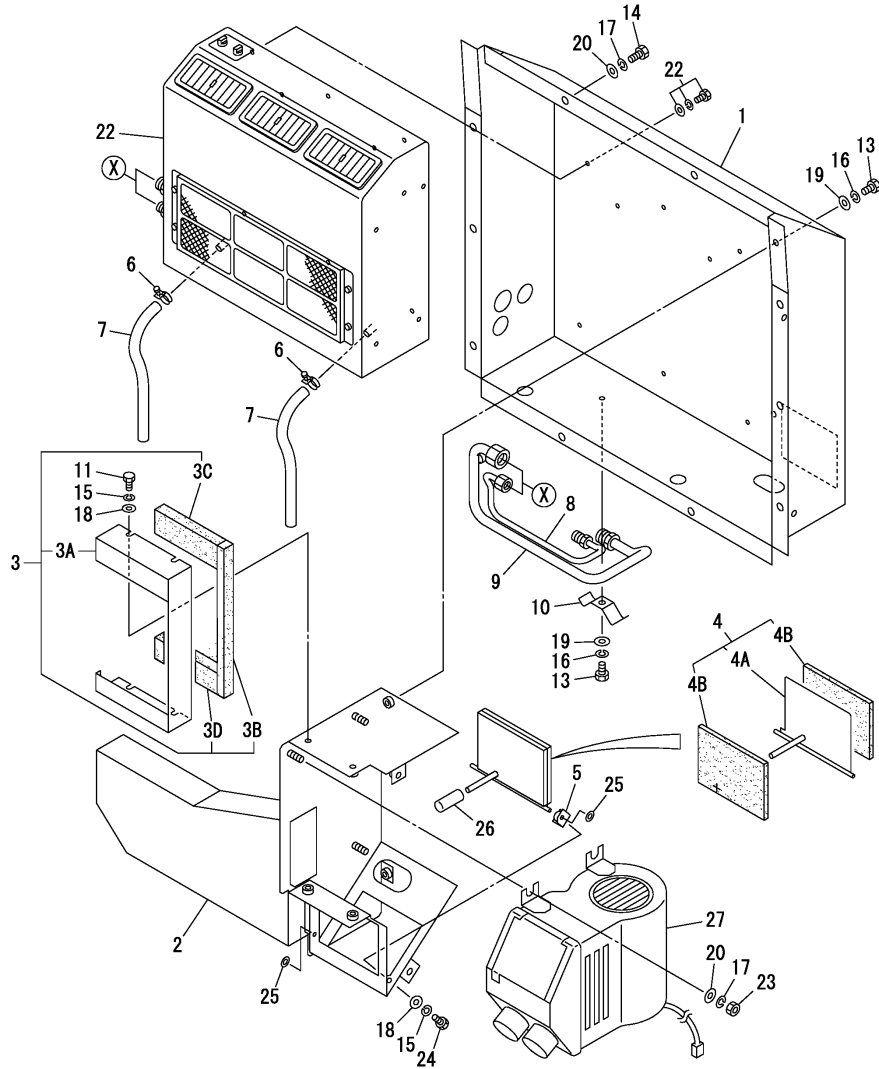


No.	Lev.	Parts No.	Description	Q'ty						I	R
				(A)	(B)	(C)	(D)	(E)	(F)		
1	1	E0871460760	BRACKET	1	1						
3	1	E0871460703	PLATE	1	1						
4	1	E0871460704	COVER	1	1						
5	1	E0871460780	BAND	1	1						
9	1	E1911504410	CONDENSER	1	1						
10	1	E1911504420	DRIER, RECEIVER	1	1						
12	1	E1100040616	BOLT M 6X 16	7	7						
13	1	E1100040816	BOLT M 8X 16	6	6						
15	1	E1100041025	BOLT M10X 25	4	4						
16	1	E1130040008	NUT, M8	2	2						
17	1	E1140020006	SPRING WASHER 6	7	7						
18	1	E1140020008	SPRING WASHER 8	8	8						
19	1	E1140020010	SPRING WASHER 10	4	4						
20	1	E1141110006	WASHER,PLAIN 6	7	7						
21	1	E1141110008	WASHER 8	2	2						
22	1	E1141110010	WASHER 10	4	4						

Fig.68. COOLER(4)(UNIT)(-M40553)

(A)=C50R-3
(B)=C50R-3A
(C)=

(D)=
(E)=
(F)=



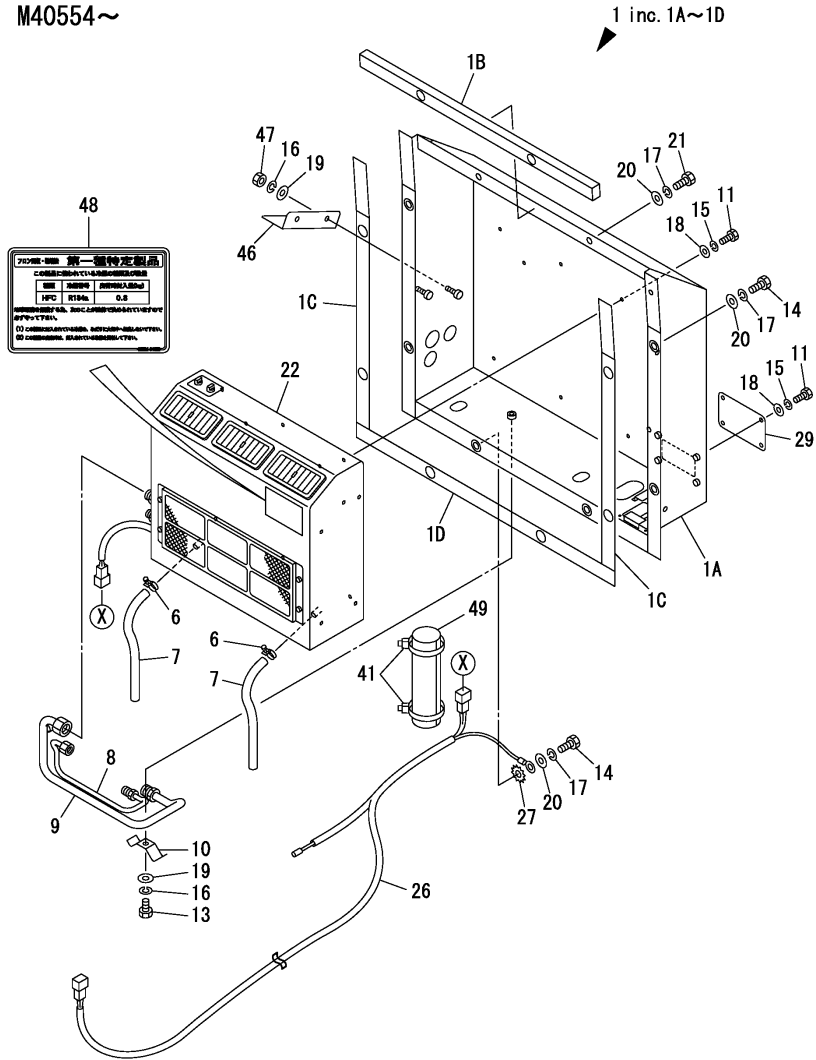
No.	Lev.	Parts No.	Description	Q'ty						I	R
				(A)	(B)	(C)	(D)	(E)	(F)		
1	1	E0871460810	COVER	1	1						
2	1	E0871460820	BRACKET	1	1						
3	1	E0871451090	COVER ASSY, HEATER	1	1						
3A	2	E0871451091	COVER, HEATER	1	1						
3B	2	E1654304028	URETHANE	1	1						
3C	2	E0871451092	URETHANE	1	1						
3D	2	E0871451093	URETHANE	1	1						
4	1	E0871460840	DAMPER ASSY	1	1						
4A	2	E0871460841	DAMPER	1	1						
4B	2	E0871460845	URETHANE	2	2						
5	1	E0871460850	BRACKET	1	1						
6	1	E1533001014	BAND, HOSE	2	2						
7	1	E1531110025	HOSE, VINYL	2	2						
8	1	E0871460860	PIPE	1	1						
9	1	E0871460865	PIPE	1	1						
10	1	E0871460870	PLATE	1	1						
11	1	E1100040616	BOLT M 6X 16	4	4						
13	1	E1100040816	BOLT M 8X 16	5	5						
14	1	E1100041020	BOLT M10X 20	3	3						
15	1	E1140020006	SPRING WASHER 6	9	9						
16	1	E1140020008	SPRING WASHER 8	5	5						
17	1	E1140020010	SPRING WASHER 10	3	3						
18	1	E1141110006	WASHER,PLAIN 6	9	9						
19	1	E1141110008	WASHER 8	5	5						
20	1	E1141110010	WASHER 10	3	3						
22	1	E1911504400	COOLER	1	1						
23	1	E1130040010	NUT	3	3						
24	1	E1100040610	BOLT M 6X10	5	5						
25	1	E1224100008	NUT	2	2						
26	1	E0543208900	KNOB	1	1						
27	1	E1911507651	HEATER	1	1						

Fig.69. COOLER(4-1)(UNIT)(M40554-)

(A)=C50R-3
(B)=C50R-3A
(C)=

(D)=
(E)=
(F)=

M40554~

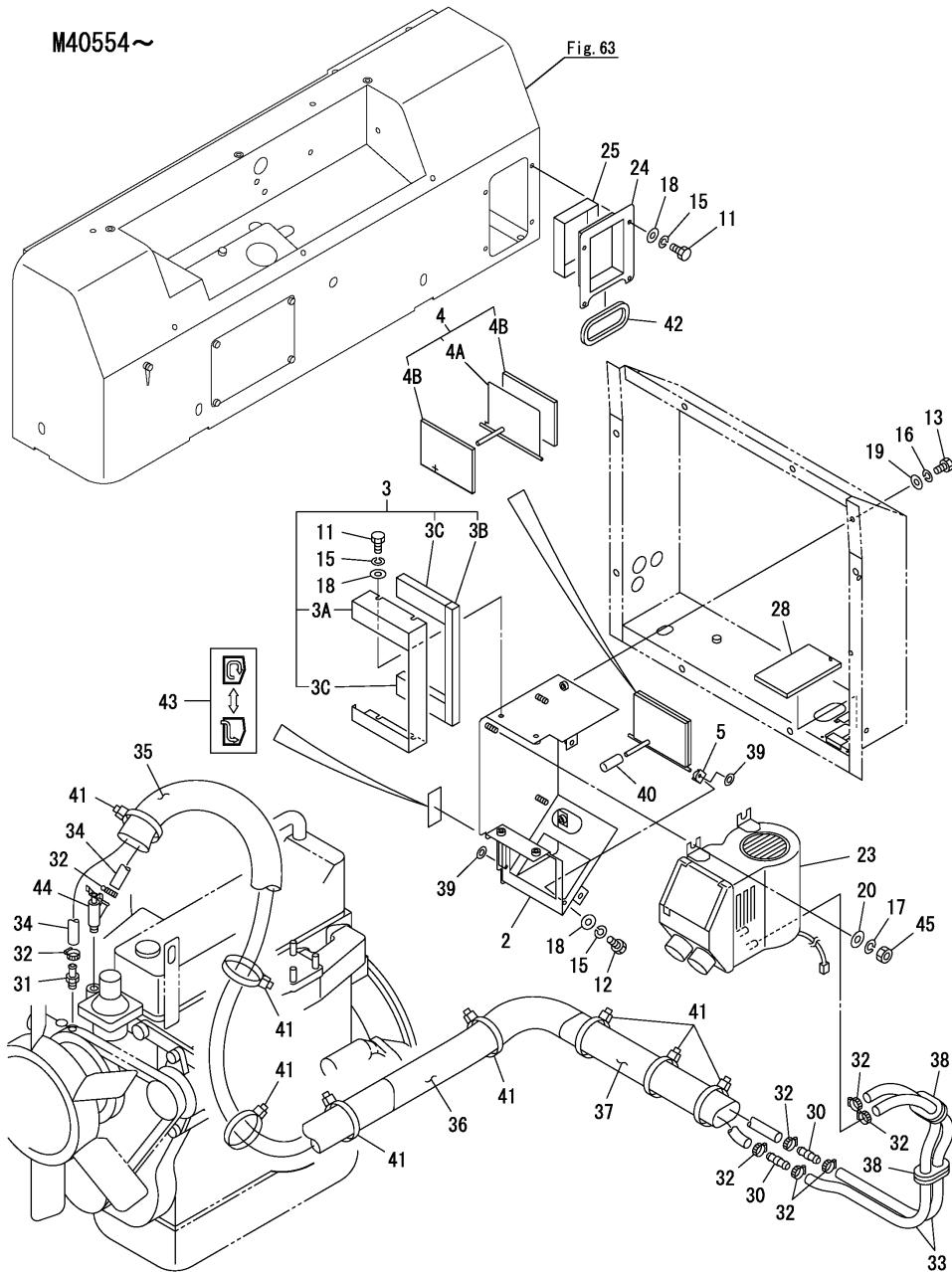


No.	Lev.	Parts No.	Description	Q'ty						I	R
				(A)	(B)	(C)	(D)	(E)	(F)		
1	1	E0871461000	COVER ASSY	1	1						
1A	2	E0871461010	COVER	1	1						
1B	2	E0871461020	URETHANE	1	1						
1C	2	E0871461021	URETHANE	2	2						
1D	2	E0871451013	URETHANE	1	1						
6	1	E1533001014	BAND, HOSE	2	2						
7	1	E1531110025	HOSE, VINYL	2	2						
8	1	E0871460860	PIPE	1	1						
9	1	E0871460865	PIPE	1	1						
10	1	E0871460870	PLATE	1	1						
11	1	E1100040616	BOLT M 6X 16	12	12						
13	1	E1100040816	BOLT M 8X 16	1	1						
14	1	E1100041020	BOLT M10X 20	6	6						
15	1	E1140020006	SPRING WASHER 6	12	12						
16	1	E1140020008	SPRING WASHER 8	3	3						
17	1	E1140020010	SPRING WASHER 10	8	8						
18	1	E1141110006	WASHER,PLAIN 6	12	12						
19	1	E1141110008	WASHER 8	3	3						
20	1	E1141110010	WASHER 10	8	8						
21	1	E1100041016	BOLT M10X16	2	2						
22	1	E1911504400	COOLER	1	1						
26	1	E0871461040	WIRE HARNESS	1	1						
27	1	E1140330010	WASHER, TOOTHED 10	1	1						
29	1	E0871451016	PLATE	1	1						
41	1	E1652231250	TIE-LAP	2	2						
46	1	E0871461070	COVER, HOSE	1	1						
47	1	E1130040008	NUT, M8	2	2						
48	1	E0872464050	LABEL	1	1						
49	1	E1531345020	HOSE, PROTECT	1	1						

Fig.70. COOLER(4-2)(UNIT)(M40554-)

(A)=C50R-3
(B)=C50R-3A
(C)=

(D)=
(E)=
(F)=

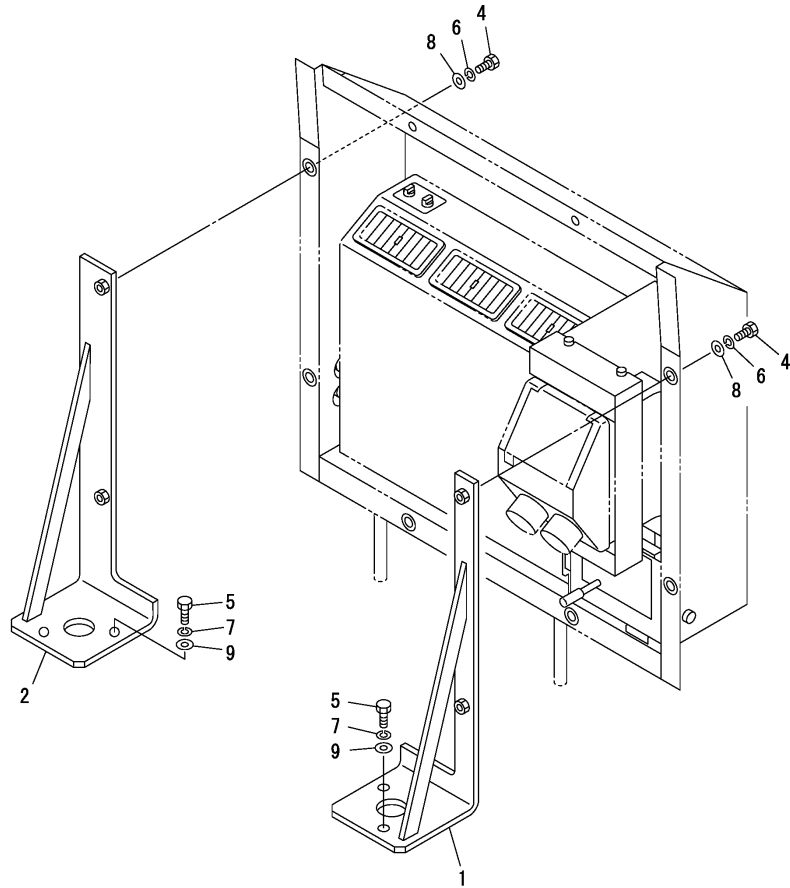


No.	Lev.	Parts No.	Description	Qty						I	R
				(A)	(B)	(C)	(D)	(E)	(F)		
2	1	E0871461080	BRACKET	1	1						
3	1	E0871461050	COVER ASSY, HEATER	1	1						
3A	2	E0871460830	COVER, HEATER	1	1						
3B	2	E0871451096	URETHANE	1	1						
3C	2	E0871451094	URETHANE	2	2						
4	1	E0871460840	DAMPER ASSY	1	1						
4A	2	E0871460841	DAMPER	1	1						
4B	2	E0871460845	URETHANE	2	2						
5	1	E0871460850	BRACKET	1	1						
11	1	E1100040616	BOLT M 6X 16	8	8						
12	1	E1100040610	BOLT M 6X10	1	1						
13	1	E1100040816	BOLT M 8X 16	4	4						
15	1	E1140020006	SPRING WASHER 6	9	9						
16	1	E1140020008	SPRING WASHER 8	4	4						
17	1	E1140020010	SPRING WASHER 10	3	3						
18	1	E1141110006	WASHER,PLAIN 6	9	9						
19	1	E1141110008	WASHER 8	4	4						
20	1	E1141110010	WASHER 10	3	3						
23	1	E1911507651	HEATER	1	1						
24	1	E0871461030	PLATE	1	1						
25	1	E0871461035	INSULATOR	1	1						
28	1	E0871461060	FILTER	1	1						
30	1	E0871451050	JOINT	2	2						
31	1	E0007224009	NIPPLE, HOSE	1	1						
32	1	E1911500500	CLAMP	8	8						
33	1	E1911501860	HOSE	2	2						
34	1	E1911521800	HOSE, HEATER	2	2						
35	1	E1531345100	HOSE, PROTECT	1	1						
36	1	E1531345050	HOSE, PROTECT	1	1						
37	1	E1531345040	HOSE	1	1						
38	1	E0337017300	GUARD, HOSE	2	2						
39	1	E1224100008	NUT	2	2						
40	1	E0543208900	KNOB	1	1						
41	1	E1652231250	TIE-LAP	8	8						
42	1	E1653916028	SEAL, TRIM	1	1						
43	1	E0189311800	OPERATION LEVER	1	1						
44	1	E1911502300	VALVE	1	1						
45	1	E1130040010	NUT	3	3						

Fig.71. COOLER BRACKET

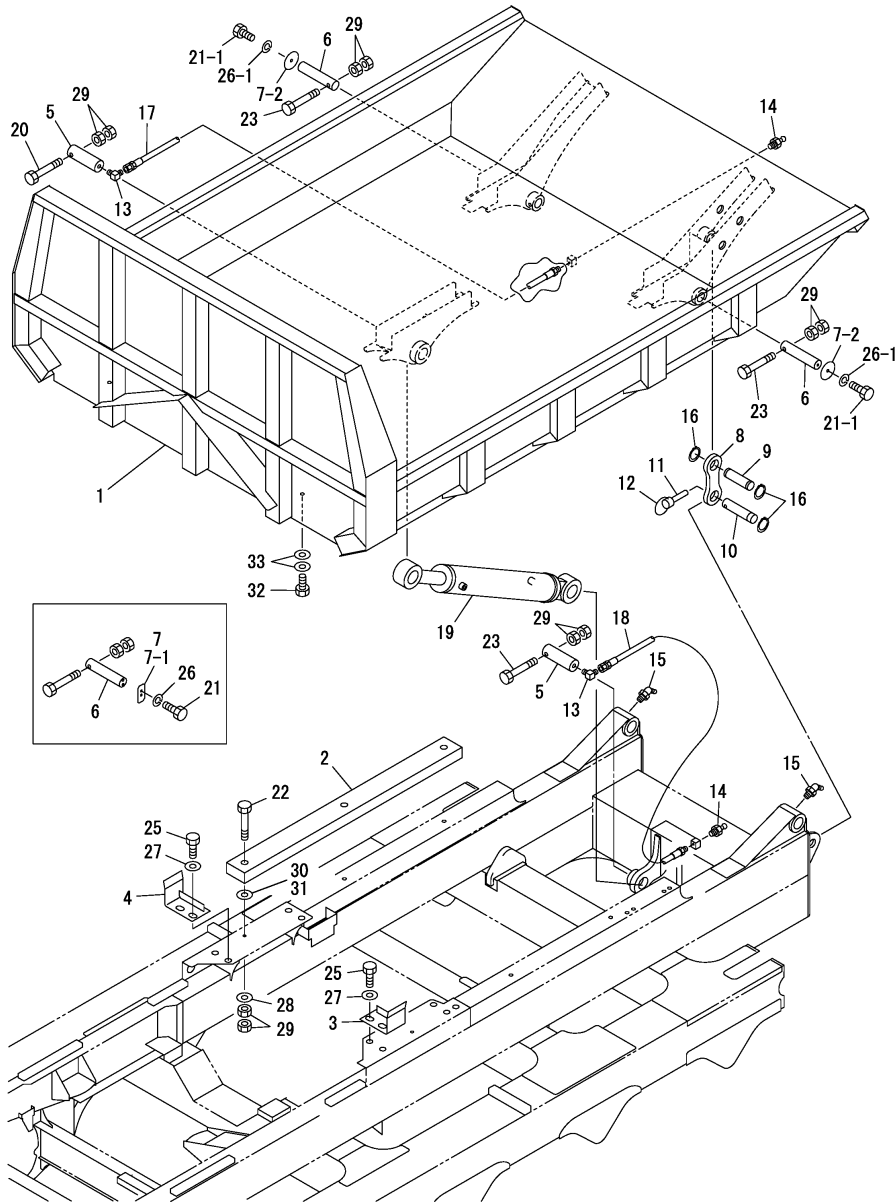
(A)=C50R-3
(B)=C50R-3A
(C)=

(D)=
(E)=
(F)=



No.	Lev.	Parts No.	Description	Q'ty						I	R
				(A)	(B)	(C)	(D)	(E)	(F)		
1	1	E0871461110	BRACKET	1	1						
2	1	E0871461120	BRACKET	1	1						
4	1	E1100041020	BOLT M10X 20	4	4						
5	1	E1100041220	BOLT	4	4						
6	1	E1140020010	SPRING WASHER 10	4	4						
7	1	E1140020012	SPRING WASHER 12	4	4						
8	1	E1141110010	WASHER 10	4	4						
9	1	E1141110012	WASHER 12	4	4						

Fig.72. VESSELL



(A)=C50R-3
(B)=C50R-3A
(C)=

(D)=
(E)=
(F)=

No.	Lev.	Parts No.	Description	Q'ty						I	R
				(A)	(B)	(C)	(D)	(E)	(F)		
1	1	E0871605100	VESSEL	1	1						
2	1	E0871604840	CUSHION	2	2						
3	1	E0871601560	LOCK L	1							
3-1	1	E0871604850 (A=M/#40529)	LOCK L	1	1						N
4	1	E0871601570	LOCK R	1							
4-1	1	E0871604860 (A=M/#40529)	LOCK R	1	1						N
5	1	E0871601580	PIN	2	2						
6	1	E0871601590	PIN	2	2						
7	1	E0871601600	PLATE	2							
7-1	1	E0874100014 (A=M/#40529)	PLATE	2							N
7-2	1	E0871108614 (A=M/#40568)	PLATE	2	2						S
8	1	E0871602010	PLATE	1							
8-1	1	E0871605008 (A=M/#40529)	PLATE	1	1						N
9	1	E0870604540	PIN	1	1						
10	1	E0870604550	PIN	1	1						
11	1	E0416100800	PIN	1	1						
12	1	E0416100900	RING	1	1						
13	1	E1513400022	ELBOW	2	2						
14	1	E1560001000	NIPPLE, GREASE	2	2						
15	1	E1560001675	NIPPLE, GREASE	2	2						
16	1	E1220000035	SNAP RING	3	3						
17	1	E0870604502	HOSE	1	1						
18	1	E0874600007	HOSE, HIGH PRESSURE	1	1						
19	1	E1900084300	CYLINDER ASSY, DUMP	1	1						1
20	1	E1100141005	BOLT M 5	1	1						
21	1	E1100040820	BOLT M 8X 20	4							
21-1	1	E1100041225 (A=M/#40568)	BOLT M12X25	2	2						S
22	1	E1100041060	BOLT M10X 60	6	6						
23	1	E1100041090	BOLT M10X 90	3	3						
25	1	E1100042245	BOLT M22X 45	4	4						
26	1	E1140020008	SPRING WASHER 8	4							
26-1	1	E1140020012 (A=M/#40568)	SPRING WASHER 12	4	4						S
27	1	E1141110022	WASHER	4	4						
28	1	E1141110010	WASHER 10	6	6						
29	1	E1130040010	NUT	20	20						
30	1	E0003600142	SHIM	1	1						2
31	1	E0003600143	SHIM	1	1						2
32	1	E1100041220	BOLT	2	2						
33	1	E1141110012	WASHER 12	4	4						

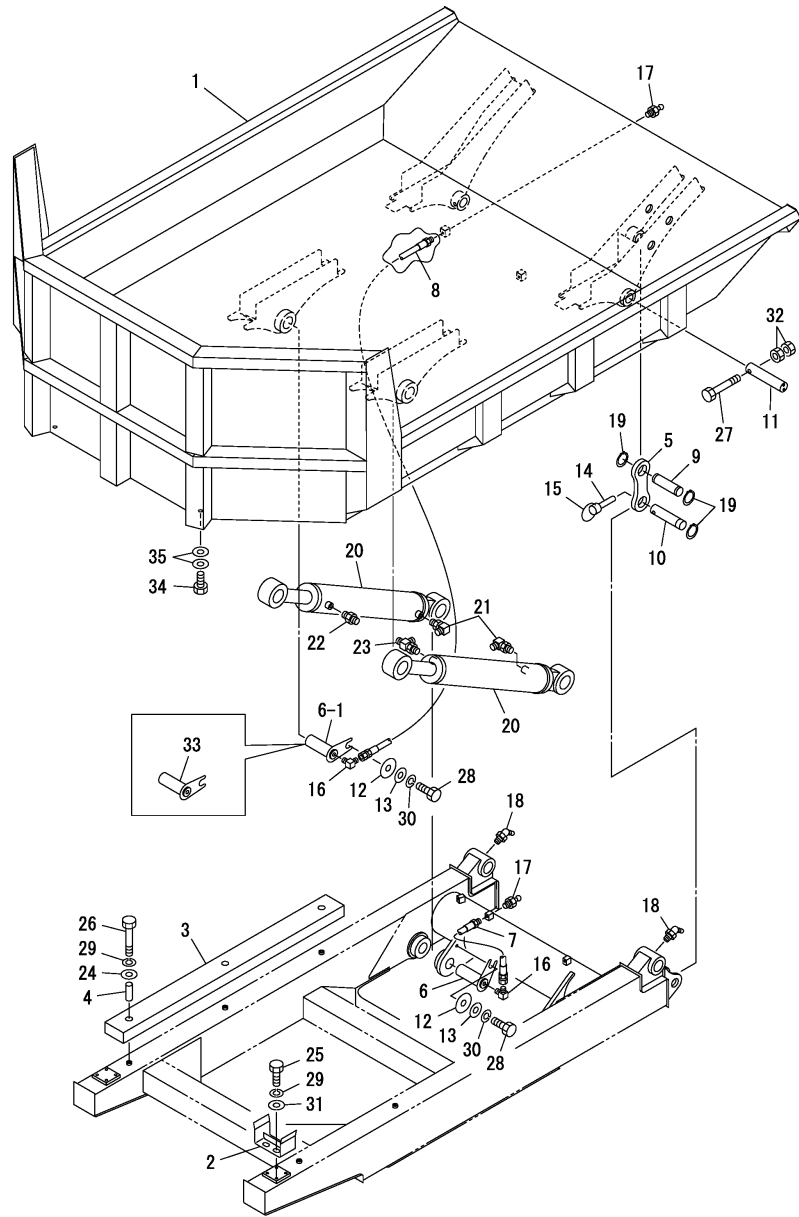
Remarks

- (1) COMPONENT PARTS: REFER TO FIG.99.
- (2) SELECTION USE PARTS.

Fig.73. VESSELL(TURNING)

(A)=C50R-3
(B)=C50R-3A
(C)=

(D)=
(E)=
(F)=



No.	Lev.	Parts No.	Description	Q'ty						I	R
				(A)	(B)	(C)	(D)	(E)	(F)		
1	1	E0874600400	VESSEL	1	1						
2	1	E0870604590	LOCK,VESSEL	1	1						
3	1	E0874600003	CUSHION	2	2						
4	1	E0874600004	PIPE	6	6						
5	1	E0874600050	PLATE	1	1						
6	1	E0874600500	PIN	2							
6-1	1	E0001794014	PIN	4	4						N
(A=M/#40540)											
7	1	E0874600007	HOSE, HIGH PRESSURE	2	2						
8	1	E0874600008	HOSE, HIGH PRESSURE	2	2						
9	1	E0870604540	PIN	1	1						
10	1	E0870604550	PIN	1	1						
11	1	E0001504010	PIN	2	2						
12	1	E0003600166	COLLAR	4	4						
13	1	E0003600057	WASHER	4	4						
14	1	E0416100800	PIN	1	1						
15	1	E0416100900	RING	1	1						
16	1	E1513400022	ELBOW	4	4						
17	1	E1560001000	NIPPLE, GREASE	4	4						
18	1	E1560001675	NIPPLE, GREASE	2	2						
19	1	E1220000035	SNAP RING	3	3						
20	1	E1900082900	CYLINDER, DUMP	2	2						1
21	1	E1515010041	ELBOW	2	2						
22	1	E1515600201	UNION	1	1						
23	1	E1512370007	TEE	1	1						
24	1	E0003600020	WASHER	6	6						
25	1	E1100041020	BOLT M10X 20	4	4						
26	1	E1100041065	BOLT M10X 65	6	6						
27	1	E1100041085	BOLT M10X 85	2	2						
28	1	E1100041225	BOLT M12X25	4	4						
29	1	E1140020010	SPRING WASHER 10	10	10						
30	1	E1140020012	SPRING WASHER 12	4	4						
31	1	E1141110010	WASHER 10	4	4						
32	1	E1130040010	NUT	4	4						
33	1	E0874600500	PIN	2							Z
(A=M/#40533)											
34	1	E1100041220	BOLT	2	2						
35	1	E1141110012	WASHER 12	4	4						

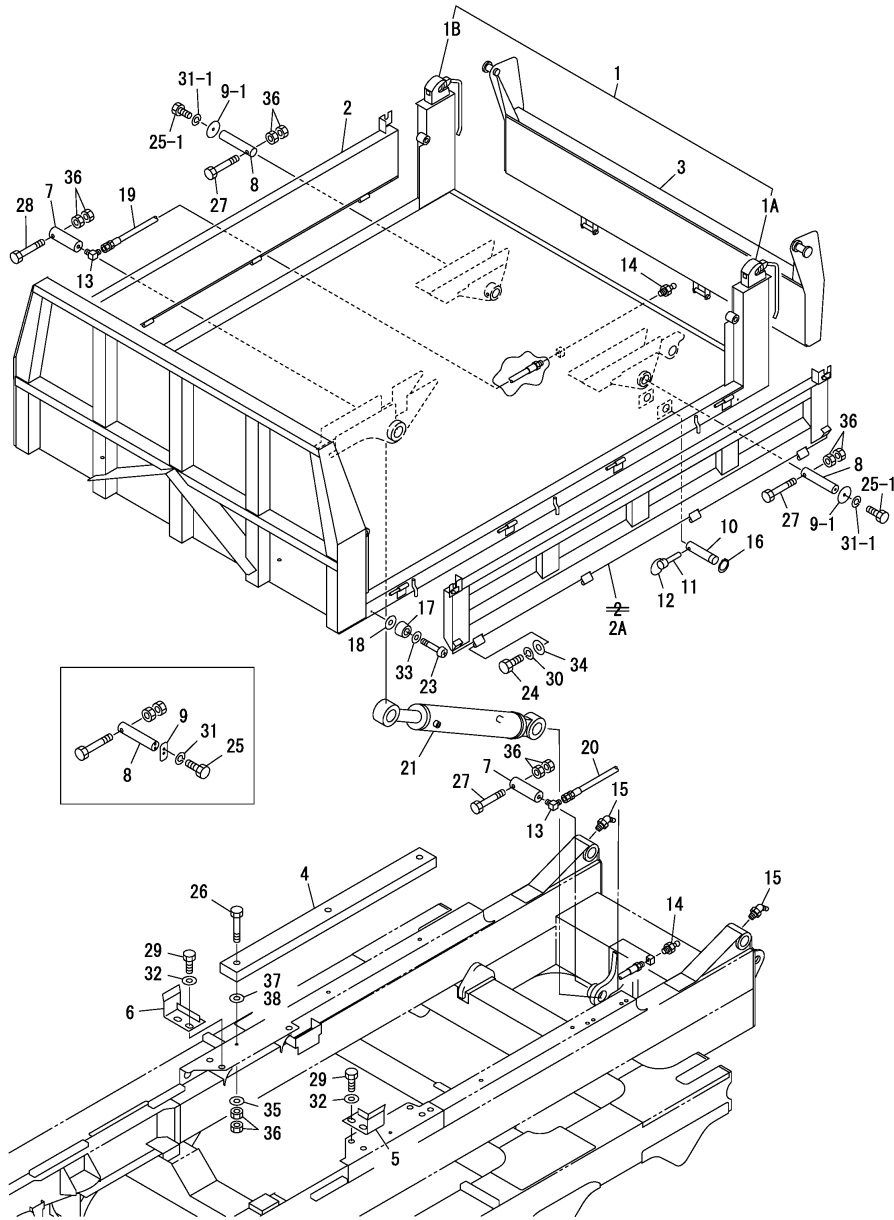
Remarks

(1)COMPONENT PARTS:REFER TO FIG.100.

Fig.74. DUMP BODY

(A)=C50R-3
(B)=C50R-3A
(C)=

(D)=
(E)=
(F)=



No.	Lev.	Parts No.	Description	Q'ty						I	R
				(A)	(B)	(C)	(D)	(E)	(F)		
1	1	E0871604900	DUMP BODY	1	1						
1A	2	E0868605626	HANDLE(LEFT)	1	1						
1B	2	E0868605627	HANDLE(RIGHT)	1	1						
2	1	E0871604510	GATE	1	1						
2A	1	E0871690000	GATE	1	1						
3	1	E0871604530	GATE	1	1						
4	1	E0871604840	CUSHION	2	2						
5	1	E0871601560	LOCK L	1							
5-1	1	E0871604850	LOCK L	1	1						N
(A=M/#40515)											
6	1	E0871601570	LOCK R	1							
6-1	1	E0871604860	LOCK R	1	1						N
(A=M/#40515)											
7	1	E0871601580	PIN	2	2						
8	1	E0871601590	PIN	2	2						
9	1	E0874100014	PLATE	2							
9-1	1	E0871108614	PLATE	2	2						S
(A=M/#40568)											
10	1	E0872605070	PIN	1	1						
11	1	E0416100800	PIN	1	1						
12	1	E0416100900	RING	1	1						
13	1	E1513400022	ELBOW	2	2						
14	1	E1560001000	NIPPLE, GREASE	2	2						
15	1	E1560001675	NIPPLE, GREASE	2	2						
16	1	E1220000035	SNAP RING	1	1						
17	1	E1652103225	PAD	4	4						
18	1	E0003600033	WASHER	4	4						
19	1	E0870604502	HOSE	1	1						
20	1	E0874600007	HOSE, HIGH PRESSURE	1	1						
21	1	E1900084300	CYLINDER ASSY, DUMP	1	1						1
23	1	E1120540530	SCREW	4	4						
23-1	1	E1120530530	SCREW	4	4						S
(A=MXXX) (B=MXXX)											
24	1	E1100040620	BOLT M 6X 20	2	2						
25	1	E1100040820	BOLT M 8X 20	4							
25-1	1	E1100041225	BOLT M12X25	4	4						S
(A=M/#40568)											
26	1	E1100041060	BOLT M10X 60	6	6						
27	1	E1100041090	BOLT M10X 90	3	3						
28	1	E1100141005	BOLT M 5	1	1						
29	1	E1100042245	BOLT M22X 45	4	4						
30	1	E1140020006	SPRING WASHER 6	2	2						
31	1	E1140020008	SPRING WASHER 8	4							
31-1	1	E1140020012	SPRING WASHER 12	4	4						S
(A=M/#40568)											
32	1	E1141110022	WASHER	4	4						
33	1	E1140010005	SPRING WASHER 5	4	4						
34	1	E1140010006	SPRING WASHER 6	2	2						
35	1	E1141110010	WASHER 10	6	6						
36	1	E1130040010	NUT	20	20						
37	1	E0003600142	SHIM	1	1						2

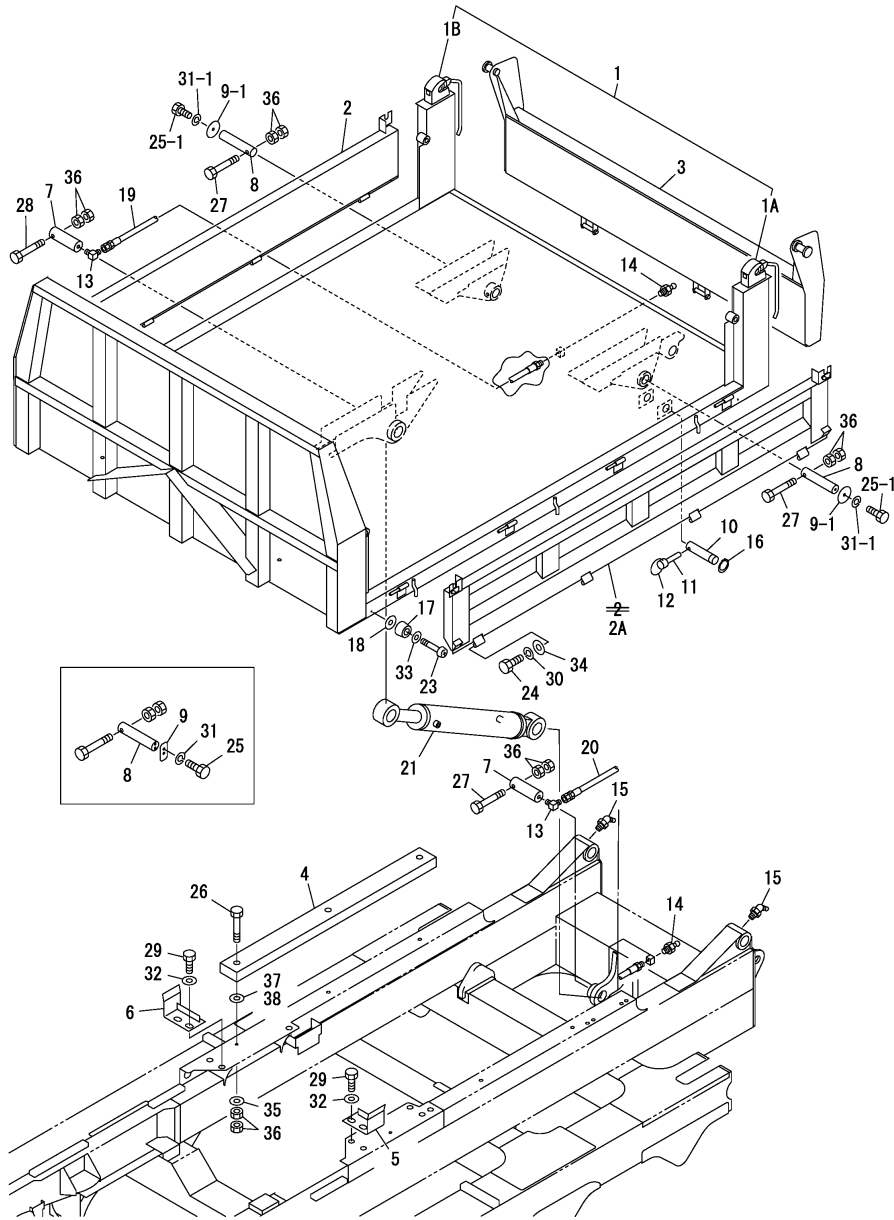
Remarks
(1)COMPONENT PARTS:REFER TO FIG.99.
(2)SELECTION USE PARTS.

Fig.74. DUMP BODY

(A)=C50R-3
(B)=C50R-3A
(C)=

(D)=
(E)=
(F)=

No.	Lev.	Parts No.	Description	Q'ty						I	R
				(A)	(B)	(C)	(D)	(E)	(F)		
38	1	E0003600143	SHIM	1	1						2

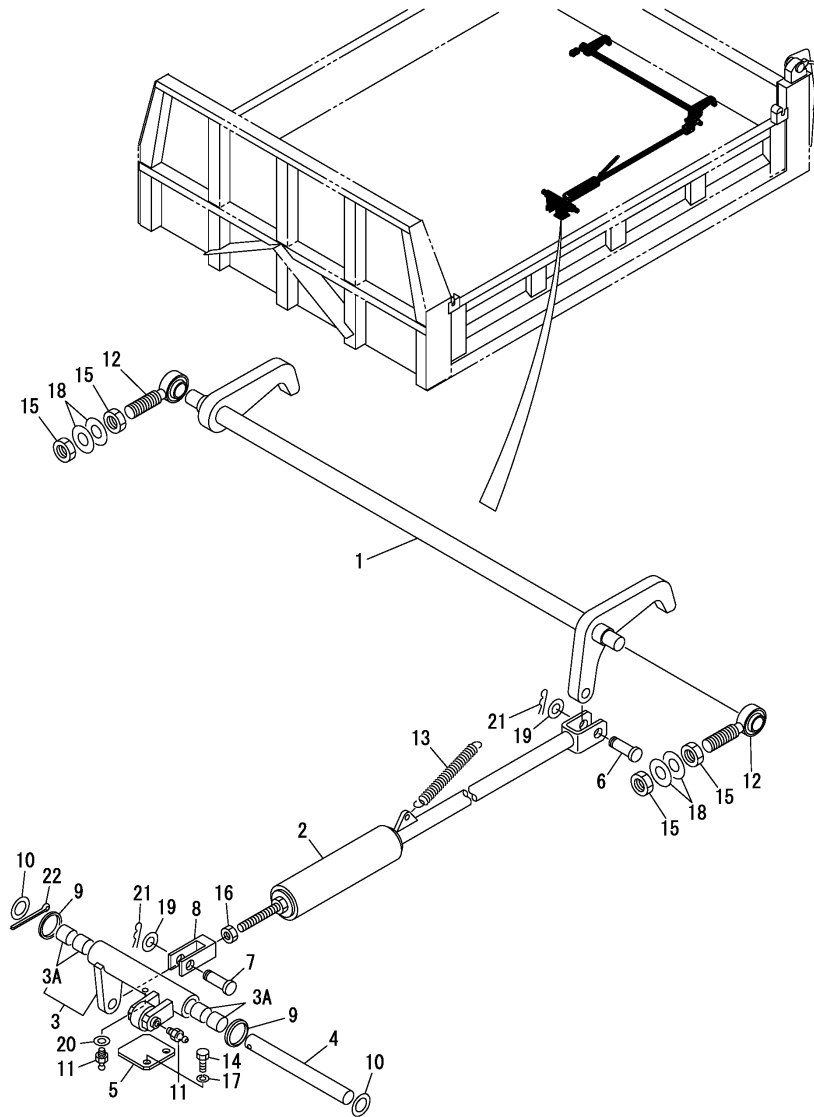


Remarks
(1) COMPONENT PARTS: REFER TO FIG.99.
(2) SELECTION USE PARTS.

Fig.75. REAR LINK

(A)=C50R-3
(B)=C50R-3A
(C)=

(D)=
(E)=
(F)=

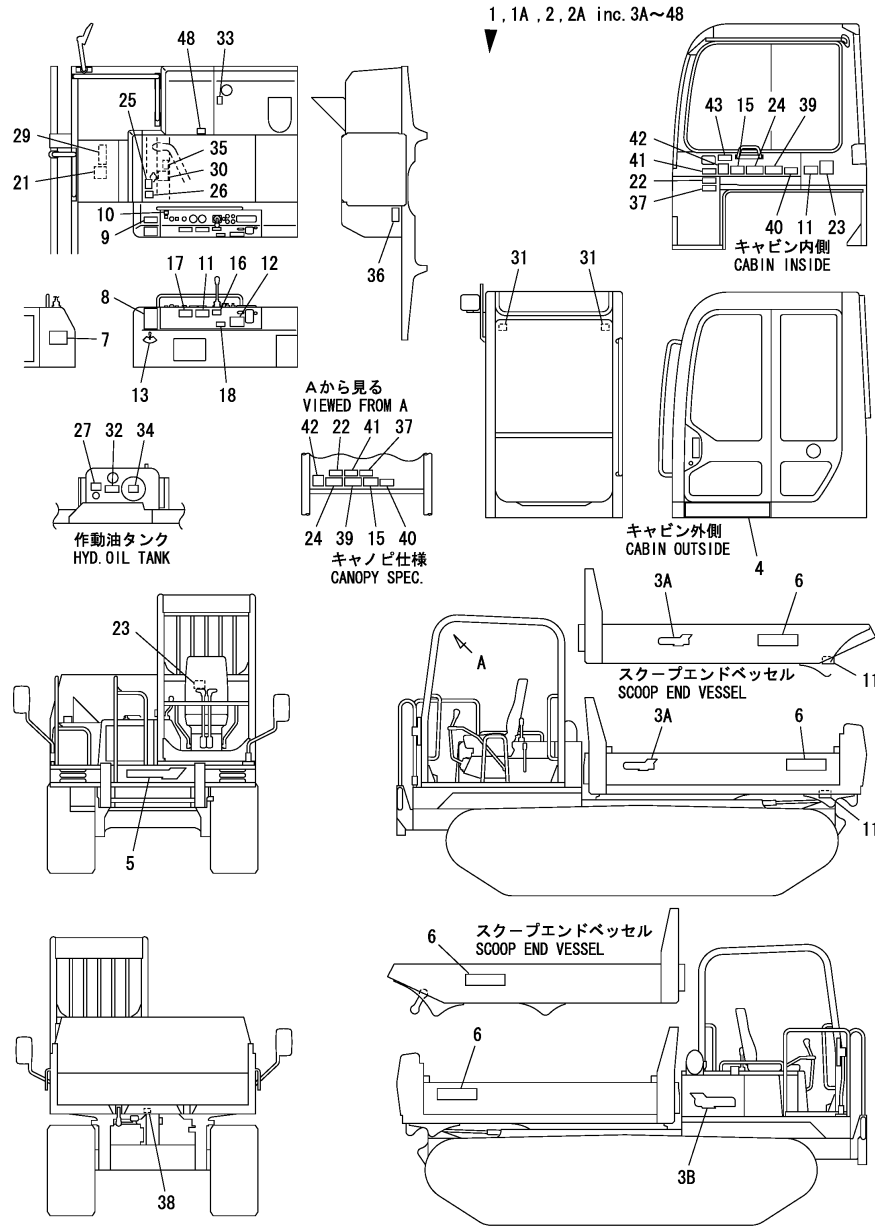


No.	Lev.	Parts No.	Description	Q'ty						I	R
				(A)	(B)	(C)	(D)	(E)	(F)		
1	1	E0871620520	HOOK LEVER	1	1						
2	1	E0872622550	SPRING	1	1						
2-1	1	E0871620550	SPRING ASSY	1	1						N
		(A=M/#41655) (B=M/#41655)									
3	1	E0872622600	LEVER COMP.	1	1						
3A	2	E1333002020	BUSHING	4	4						
4	1	E0872622650	SHAFT, LEVER	1	1						
5	1	E0872622660	PLATE	1	1						
6	1	E0004015001	PIN	1	1						
7	1	E0004015002	PIN	1	1						
8	1	E0005515050	YOKE	1	1						
9	1	E0353205032	SEAL	2	2						
10	1	E0093208300	WASHER	2	2						
11	1	E1560011006	NIPPLE, GREASE	2	2						
12	1	E1340600200	END, ROD	2	2						
13	1	E0007000092	SPRING	1	1						
14	1	E1100241025	BOLT M10X 25	2	2						
15	1	E1130640020	NUT, M20, P1.5	4	4						
16	1	E1130540012	NUT, M12, 7T-P1.5	1	1						
17	1	E1140020010	SPRING WASHER 10	2	2						
18	1	E1141110020	WASHER 20	4	4						
19	1	E1141110016	WASHER,PLAIN M16	2	2						
20	1	E1141110006	WASHER,PLAIN 6	1	1						
21	1	E1214000012	PIN, SNAP	2	2						
22	1	E1210010563	COTTER PIN	1	1						

Fig.77. LABEL(JAPAN)

(A)=C50R-3
(B)=C50R-3A
(C)=

(D)=
(E)=
(F)=



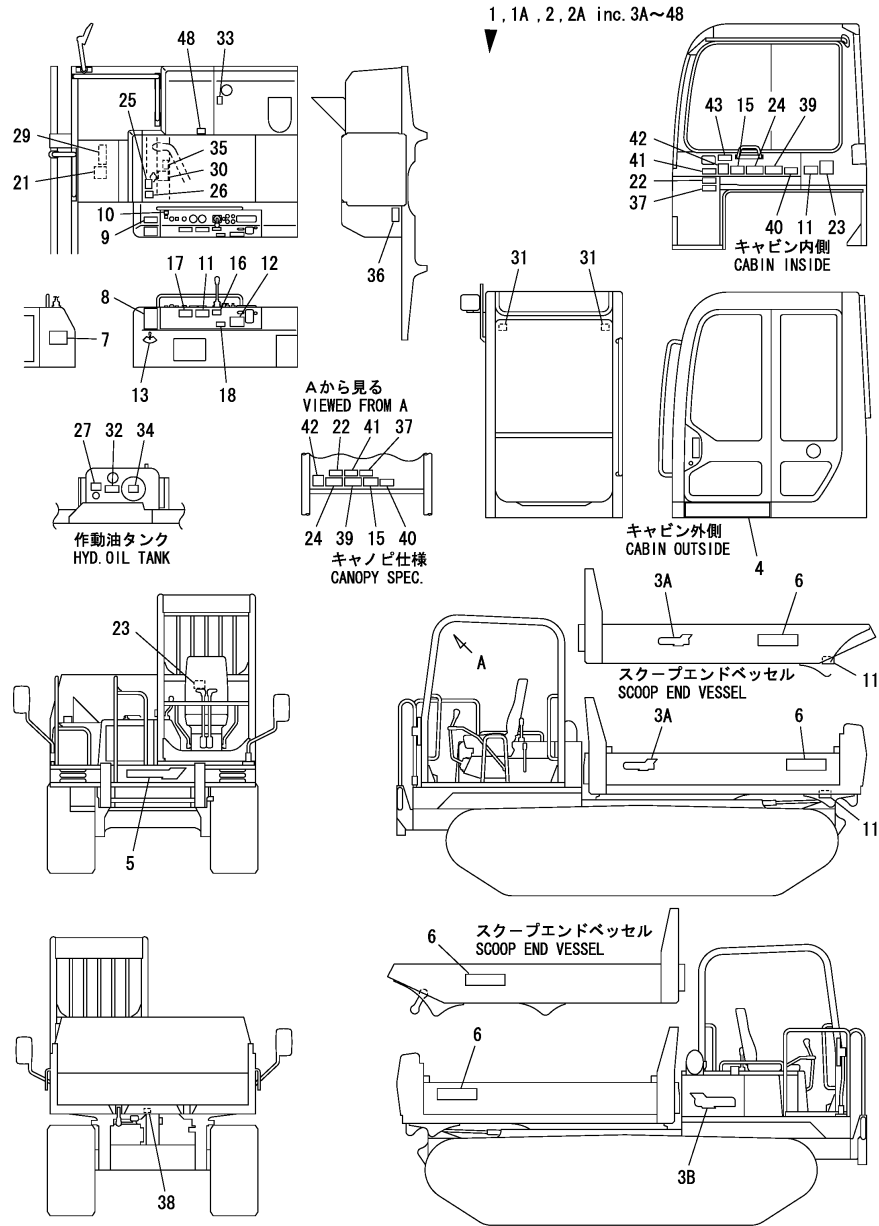
No.	Lev.	Parts No.	Description	Q'ty						I	R
				(A)	(B)	(C)	(D)	(E)	(F)		
1	1	E0871083600	LABEL ASSY(CANOPY)	1							1
1A	1	E0871084500	LABEL ASSY(CANOPY)		1						1
2	1	E0871083700	LABEL ASSY(CABIN)	1							2
2A	1	E0871084600	LABEL ASSY(CABIN)		1						2
3A	2	E0871083601	LABEL MODEL	1	1						1
3B	2	E0871081002	LABEL,MODEL	1	1						2
4	2	E0871083703	LABEL,MODEL	1	1						2
5	2	E0871081004	LABEL, YANMAR	1	1						
5-1	2	E0871084547	LABEL	1	1						S
		(A=MXXX) (B=MXXX)									
6	2	E0871083605	LABEL	2	2						
6-1	2	E0871084548	LABEL	2	2						S
		(A=MXXX) (B=MXXX)									
7	2	E0871083607	LABEL	1							
7A	2	E0871084507	LABEL		1						
7A-1	2	E0871083607	LABEL		1						S
		(B=M/#41501)									
8	2	E0871083608	LABEL	1	1						
9	2	E0871083609	LABEL	1	1						
10	2	E0871083610	LABEL	1	1						
11	2	E0871083611	LABEL	2	2						
12	2	E0871083612	LABEL	1	1						
13	2	E0871083613	LABEL	1	1						
15	2	E0871083615	LABEL	1	1						
16	2	E0871083616	LABEL	1	1						W
		(A=MXXX)									
17	2	E0871083617	LABEL	1	1						
18	2	E0359317200	LABEL	1	1						W
		(A=MXXX)									
21	2	E0569335020	LABEL,WARNING	1	1						
22	2	E0871082040	LABEL,WARNING	1	1						
23	2	E0871082060	LABEL,WARNING	1	1						
24	2	E0871082090	LABEL,WARNING	1	1						
25	2	E0871082120	LABEL,WARNING	1	1						
26	2	E0871082130	LABEL,CAUTION	1	1						
27	2	E0871082140	LABEL,WARNING	1	1						
29	2	E0871082170	LABEL,DANGER	1	1						
30	2	E0871082190	LABEL,WARNING	1	1						
31	2	E0871082210	LABEL,WARNING	2	2						
32	2	E0871082220	LABEL,CAUTION	1	1						
33	2	E0871082240	LABEL,FUEL	1	1						
34	2	E0871082250	LABEL,HYD.OIL	1	1						
35	2	E0871082260	LABEL,SUB.TANK	1	1						
36	2	E0871082280	LABEL,WARNING	1	1						
37	2	E0871082290	LABEL,CAUTION	1	1						
38	2	E0871082360	LABEL(GREASE)	1	1						
39	2	E0872930090	LABEL,ENGINE	1	1						
40	2	E0872930120	LABEL	1	1						
41	2	E0872930140	LABEL,ENGINE STOP	1	1						
42	2	E0872930160	LABEL,HIGH VOLTAGE	1	1						
43	2	E0872932040	CAUTION,WINDSHIELD	1	1						

Remarks
(1)CANOPY SPEC.
(2)CABIN SPEC.

Fig.77. LABEL(JAPAN)

(A)=C50R-3
(B)=C50R-3A
(C)=

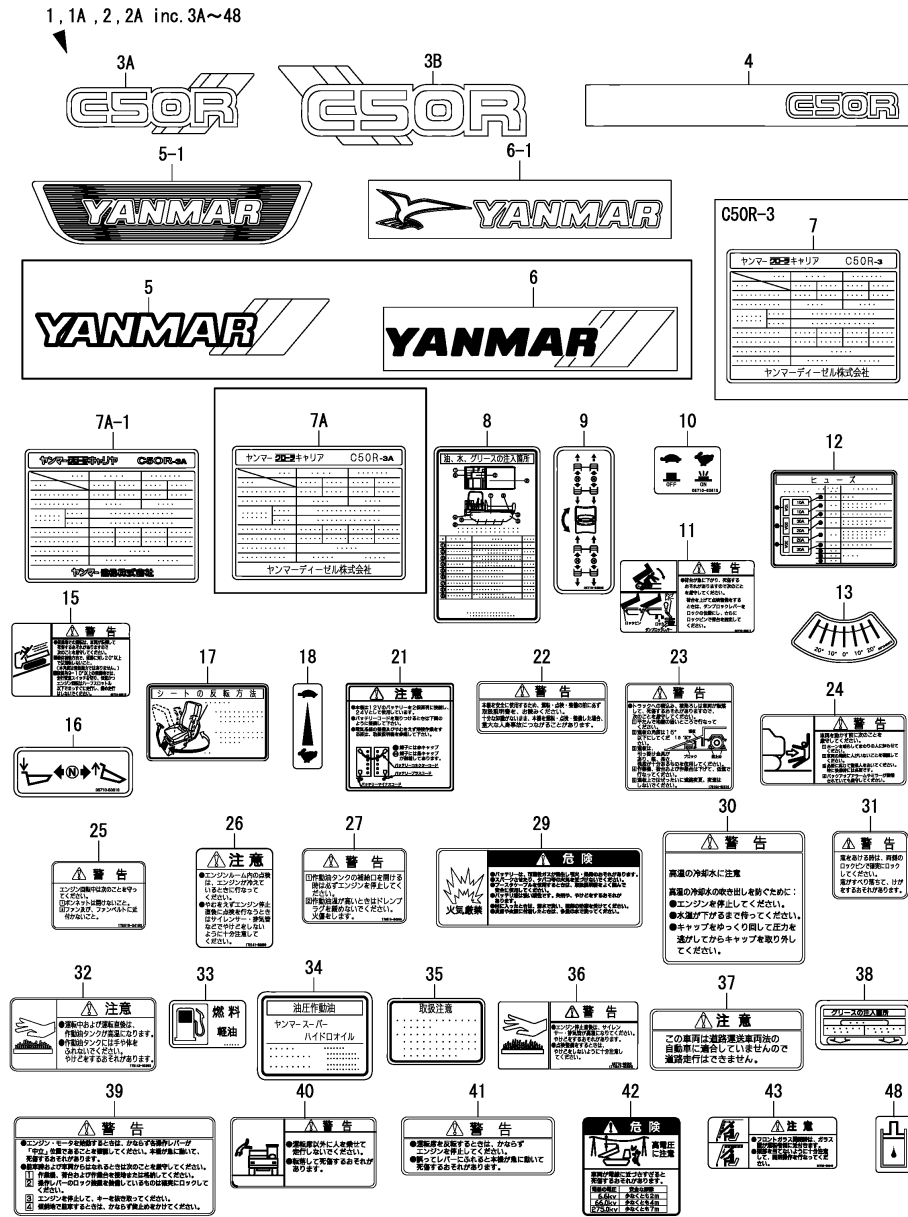
(D)=
(E)=
(F)=



No.	Lev.	Parts No.	Description	Q'ty						I	R
				(A)	(B)	(C)	(D)	(E)	(F)		
48	2	E0359306700	MARK		1						

Remarks
(1)CANOPY SPEC.
(2)CABIN SPEC.

Fig.78. LABEL(JAPAN)



(A)=C50R-3
(B)=C50R-3A
(C)=

(D)=
(E)=
(F)=

No.	Lev.	Parts No.	Description	Q'ty						I	R
				(A)	(B)	(C)	(D)	(E)	(F)		
1	1	E0871083600	LABEL ASSY(CANOPY)	1							1
1A	1	E0871084500	LABEL ASSY(CANOPY)		1						1
2	1	E0871083700	LABEL ASSY(CABIN)	1							2
2A	1	E0871084600	LABEL ASSY(CABIN)		1						2
3A	2	E0871083601	LABEL MODEL	1	1						1
3B	2	E0871081002	LABEL,MODEL	1	1						
4	2	E0871083703	LABEL,MODEL	1	1						2
5	2	E0871081004	LABEL, YANMAR	1	1						
5-1	2	E0871084547	LABEL	1	1						S
				(A=MXXX)		(B=MXXX)					
6	2	E0871083605	LABEL	2	2						
6-1	2	E0871084548	LABEL	2	2						S
				(A=MXXX)		(B=MXXX)					
7	2	E0871083607	LABEL	1							
7A	2	E0871084507	LABEL		1						
7A-1	2	E0871083607	LABEL		1						S
				(B=M/#41501)							
8	2	E0871083608	LABEL	1	1						
9	2	E0871083609	LABEL	1	1						
10	2	E0871083610	LABEL	1	1						
11	2	E0871083611	LABEL	2	2						
12	2	E0871083612	LABEL	1	1						
13	2	E0871083613	LABEL	1	1						
15	2	E0871083615	LABEL	1	1						
16	2	E0871083616	LABEL	1	1						W
				(A=MXXX)							
17	2	E0871083617	LABEL	1	1						
18	2	E0359317200	LABEL	1	1						W
				(A=MXXX)							
21	2	E0569335020	LABEL,WARNING	1	1						
22	2	E0871082040	LABEL,WARNING	1	1						
23	2	E0871082060	LABEL,WARNING	1	1						
24	2	E0871082090	LABEL,WARNING	1	1						
25	2	E0871082120	LABEL,WARNING	1	1						
26	2	E0871082130	LABEL,CAUTION	1	1						
27	2	E0871082140	LABEL,WARNING	1	1						
29	2	E0871082170	LABEL,DANGER	1	1						
30	2	E0871082190	LABEL,WARNING	1	1						
31	2	E0871082210	LABEL,WARNING	2	2						
32	2	E0871082220	LABEL,CAUTION	1	1						
33	2	E0871082240	LABEL,FUEL	1	1						
34	2	E0871082250	LABEL,HYD.OIL	1	1						
35	2	E0871082260	LABEL,SUB.TANK	1	1						
36	2	E0871082280	LABEL,WARNING	1	1						
37	2	E0871082290	LABEL,CAUTION	1	1						
38	2	E0871082360	LABEL(GREASE)	1	1						
39	2	E0872930090	LABEL,ENGINE	1	1						
40	2	E0872930120	LABEL	1	1						
41	2	E0872930140	LABEL,ENGINE STOP	1	1						
42	2	E0872930160	LABEL,HIGH VOLTAGE	1	1						
43	2	E08729302040	CAUTION,WINDSHIELD	1	1						

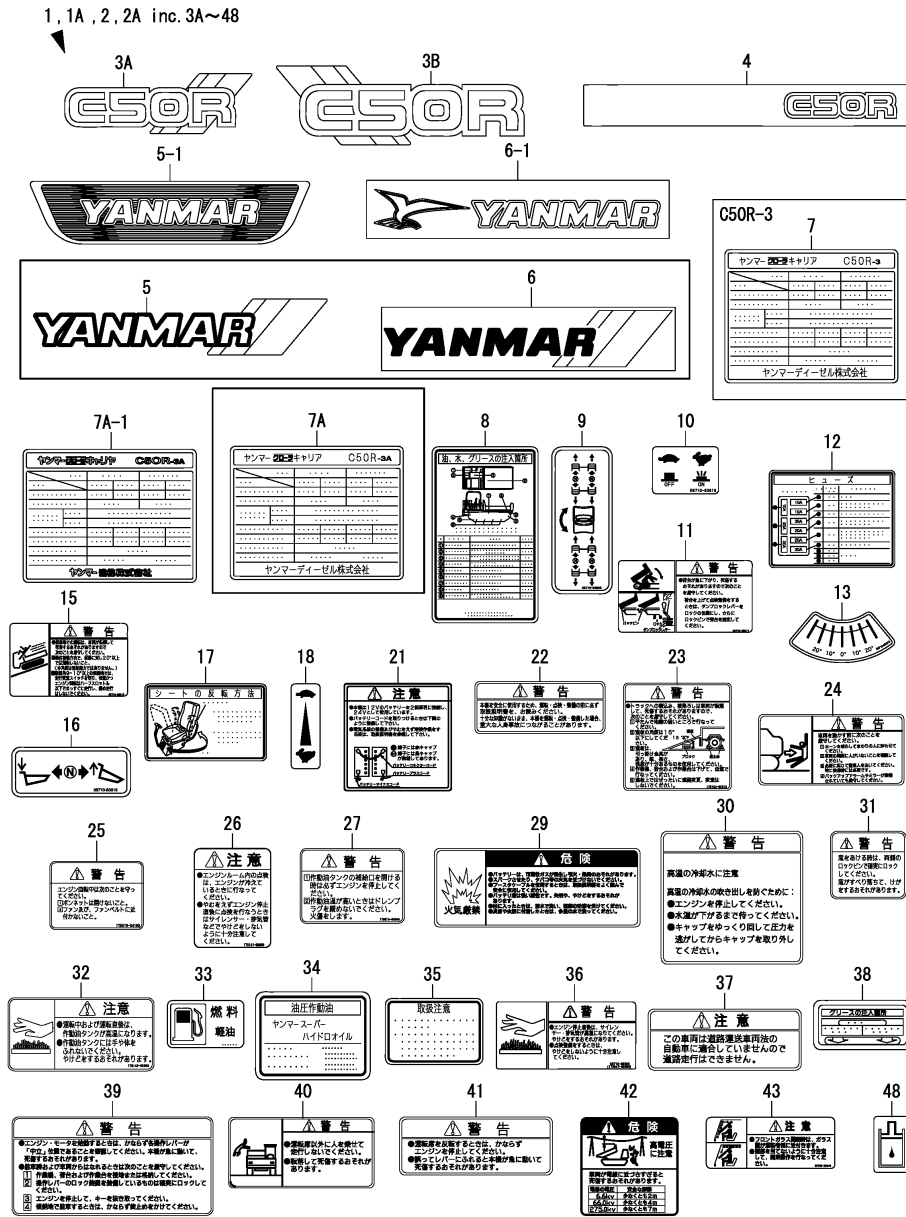
Remarks
(1)CANOPY SPEC.
(2)CABIN SPEC.

Fig.78. LABEL(JAPAN)

(A)=C50R-3
(B)=C50R-3A
(C)=

(D)=
(E)=
(F)=

No.	Lev.	Parts No.	Description	Q'ty						I	R
				(A)	(B)	(C)	(D)	(E)	(F)		
48	2	E0359306700	MARK		1						

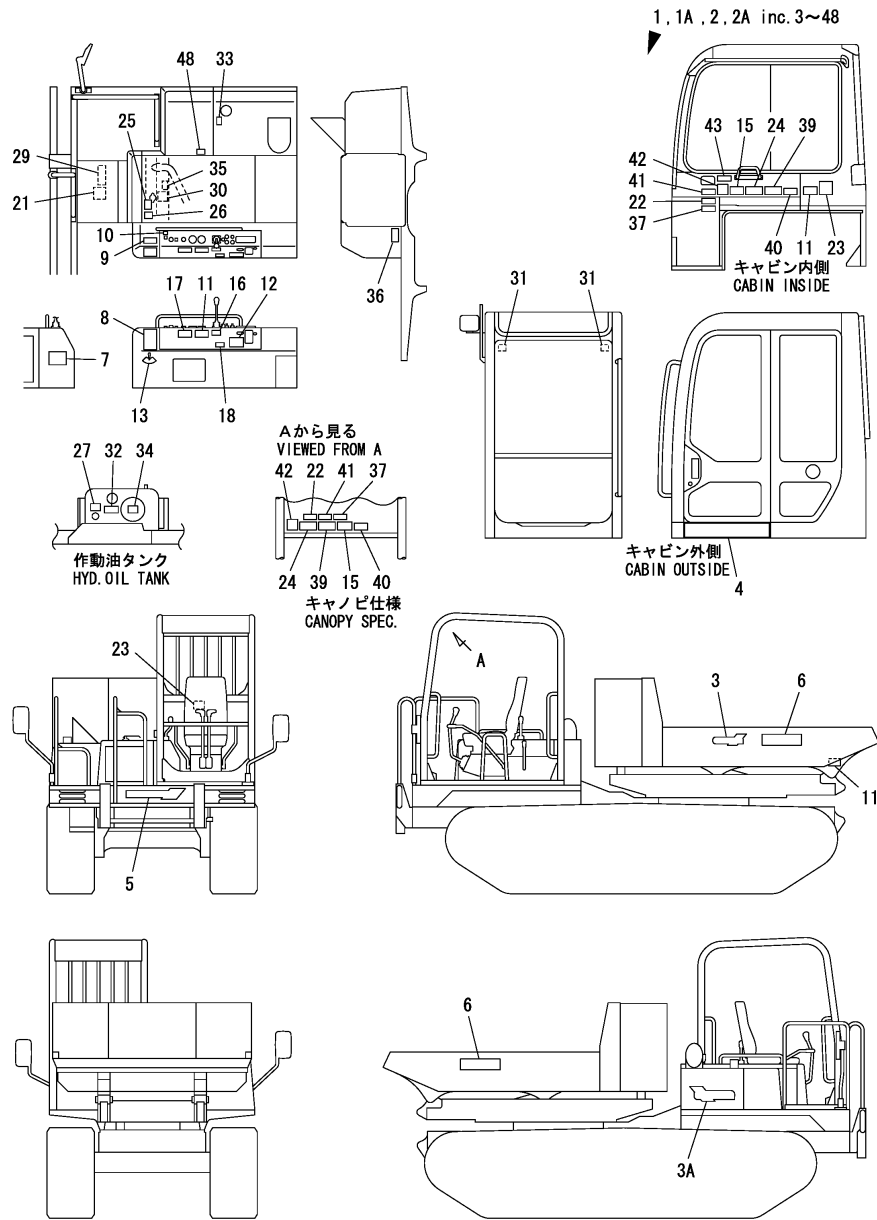


Remarks
(1)CANOPY SPEC.
(2)CABIN SPEC.

Fig.79. LABEL(TURNING)

(A)=C50R-3
(B)=C50R-3A
(C)=

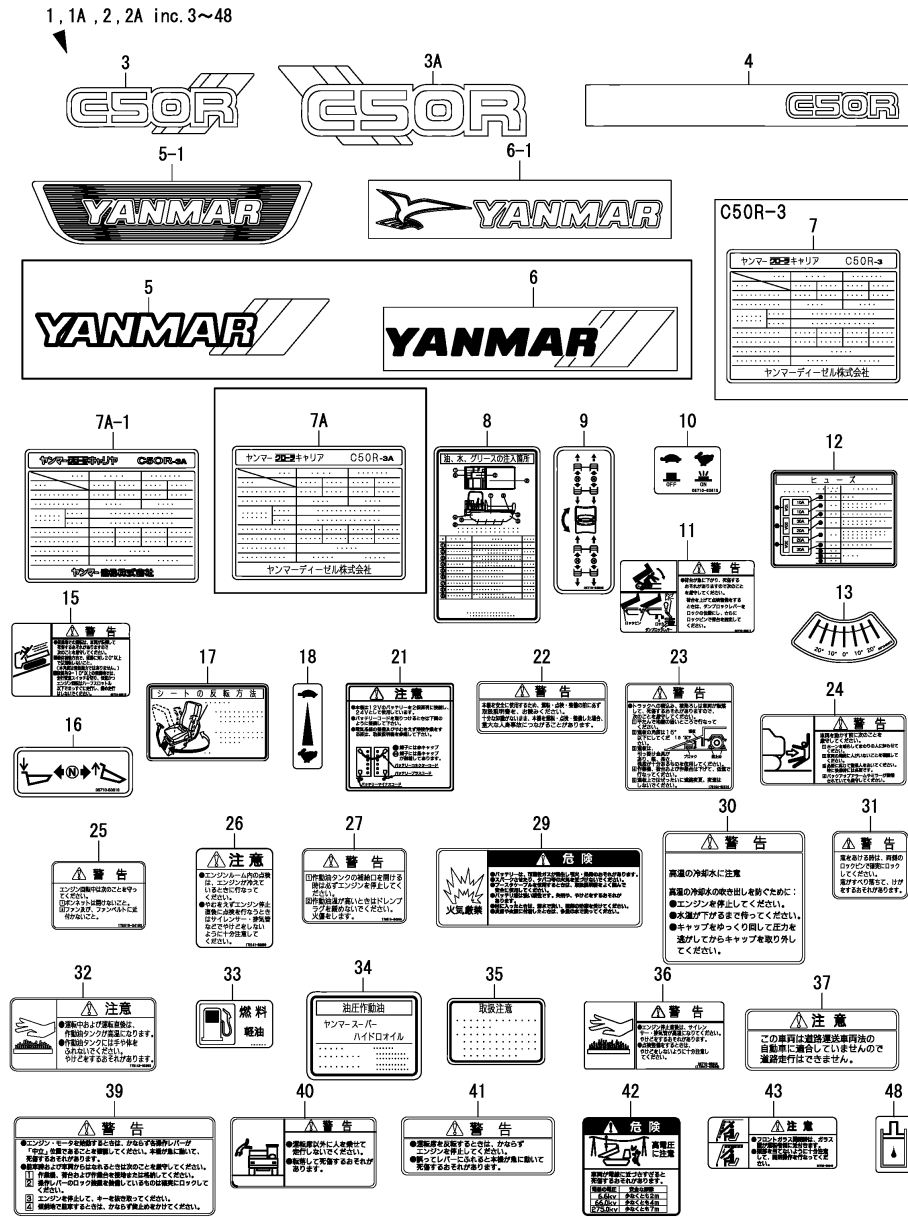
(D)=
(E)=
(F)=



No.	Lev.	Parts No.	Description	Q'ty						I	R
				(A)	(B)	(C)	(D)	(E)	(F)		
1	1	E0871083800	LABEL ASSY(CANOPY)	1							1
1A	1	E0871084800	LABEL ASSY(CANOPY)		1						1
2	1	E0871083900	LABEL ASSY(CABIN)	1							2
2A	1	E0871084900	LABEL ASSY(CABIN)		1						2
3	2	E0871083601	LABEL MODEL	1	1						1
3A	2	E0871081002	LABEL,MODEL	1	1						
4	2	E0871083703	LABEL,MODEL	1	1						2
5	2	E0871081004	LABEL, YANMAR	1	1						
5-1	2	E0871084547	LABEL	1	1						S
		(A=MXXX)	(B=MXXX)								
6	2	E0871083605	LABEL	2	2						
6-1	2	E0871084548	LABEL	2	2						S
		(A=MXXX)	(B=MXXX)								
7	2	E0871083607	LABEL	1							
7A	2	E0871084507	LABEL		1						
7A-1	2	E0871084607	LABEL		1						S
		(B=M/#41501)									
8	2	E0871083608	LABEL	1	1						
9	2	E0871083609	LABEL	1	1						
10	2	E0871083610	LABEL	1	1						
11	2	E0871083611	LABEL	2	2						
12	2	E0871083612	LABEL	1	1						
13	2	E0871083613	LABEL	1	1						
15	2	E0871083615	LABEL	1	1						
16	2	E0871083816	LABEL	1	1						
17	2	E0871083617	LABEL	1	1						
18	2	E0359317200	LABEL	1	1						
21	2	E0569335020	LABEL,WARNING	1	1						
22	2	E0871082040	LABEL,WARNING	1	1						
23	2	E0871082060	LABEL,WARNING	1	1						
24	2	E0871082090	LABEL,WARNING	1	1						
25	2	E0871082120	LABEL,WARNING	1	1						
26	2	E0871082130	LABEL,CAUTION	1	1						
27	2	E0871082140	LABEL,WARNING	1	1						
29	2	E0871082170	LABEL,DANGER	1	1						
30	2	E0871082190	LABEL,WARNING	1	1						
31	2	E0871082210	LABEL,WARNING	2	2						
32	2	E0871082220	LABEL,CAUTION	1	1						
33	2	E0871082240	LABEL,FUEL	1	1						
34	2	E0871082250	LABEL,HYD.OIL	1	1						
35	2	E0871082260	LABEL,SUB.TANK	1	1						
36	2	E0871082280	LABEL,WARNING	1	1						
37	2	E0871082290	LABEL,CAUTION	1	1						
39	2	E0872930090	LABEL,ENGINE	1	1						
40	2	E0872930120	LABEL	1	1						
41	2	E0872930140	LABEL,ENGINE STOP	1	1						
42	2	E0872930160	LABEL,HIGH VOLTAGE	1	1						
43	2	E0872932040	CAUTION,WINDSHIELD	1	1						
48	2	E0359306700	MARK								1

Remarks
(1)CANOPY SPEC.
(2)CABIN SPEC.

Fig.80. LABEL(TURNING)



(A)=C50R-3
(B)=C50R-3A
(C)=

(D)=
(E)=
(F)=

No.	Lev.	Parts No.	Description	Q'ty						I	R
				(A)	(B)	(C)	(D)	(E)	(F)		
1	1	E0871083800	LABEL ASSY(CANOPY)	1							1
1A	1	E0871084800	LABEL ASSY(CANOPY)		1						1
2	1	E0871083900	LABEL ASSY(CABIN)	1							2
2A	1	E0871084900	LABEL ASSY(CABIN)		1						2
3	2	E0871083601	LABEL MODEL	1	1						1
3A	2	E0871081002	LABEL,MODEL	1	1						
4	2	E0871083703	LABEL,MODEL	1	1						2
5	2	E0871081004	LABEL, YANMAR	1	1						
5-1	2	E0871084547	LABEL	1	1						S
				(A=MXXX)		(B=MXXX)					
6	2	E0871083605	LABEL	2	2						
6-1	2	E0871084548	LABEL	2	2						S
				(A=MXXX)		(B=MXXX)					
7	2	E0871083607	LABEL	1							
7A	2	E0871084507	LABEL		1						
7A-1	2	E0871084607	LABEL		1						S
				(B=M/#41501)							
8	2	E0871083608	LABEL	1	1						
9	2	E0871083609	LABEL	1	1						
10	2	E0871083610	LABEL	1	1						
11	2	E0871083611	LABEL	2	2						
12	2	E0871083612	LABEL	1	1						
13	2	E0871083613	LABEL	1	1						
15	2	E0871083615	LABEL	1	1						
16	2	E0871083816	LABEL	1	1						
17	2	E0871083617	LABEL	1	1						
18	2	E0359317200	LABEL	1	1						
21	2	E0569335020	LABEL,WARNING	1	1						
22	2	E0871082040	LABEL,WARNING	1	1						
23	2	E0871082060	LABEL,WARNING	1	1						
24	2	E0871082090	LABEL,WARNING	1	1						
25	2	E0871082120	LABEL,WARNING	1	1						
26	2	E0871082130	LABEL,CAUTION	1	1						
27	2	E0871082140	LABEL,WARNING	1	1						
29	2	E0871082170	LABEL,DANGER	1	1						
30	2	E0871082190	LABEL,WARNING	1	1						
31	2	E0871082210	LABEL,WARNING	2	2						
32	2	E0871082220	LABEL,CAUTION	1	1						
33	2	E0871082240	LABEL,FUEL	1	1						
34	2	E0871082250	LABEL,HYD.OIL	1	1						
35	2	E0871082260	LABEL,SUB.TANK	1	1						
36	2	E0871082280	LABEL,WARNING	1	1						
37	2	E0871082290	LABEL,CAUTION	1	1						
39	2	E0872930090	LABEL,ENGINE	1	1						
40	2	E0872930120	LABEL	1	1						
41	2	E0872930140	LABEL,ENGINE STOP	1	1						
42	2	E0872930160	LABEL,HIGH VOLTAGE	1	1						
43	2	E0872932040	CAUTION,WINDSHIELD	1	1						
48	2	E0359306700	MARK								1

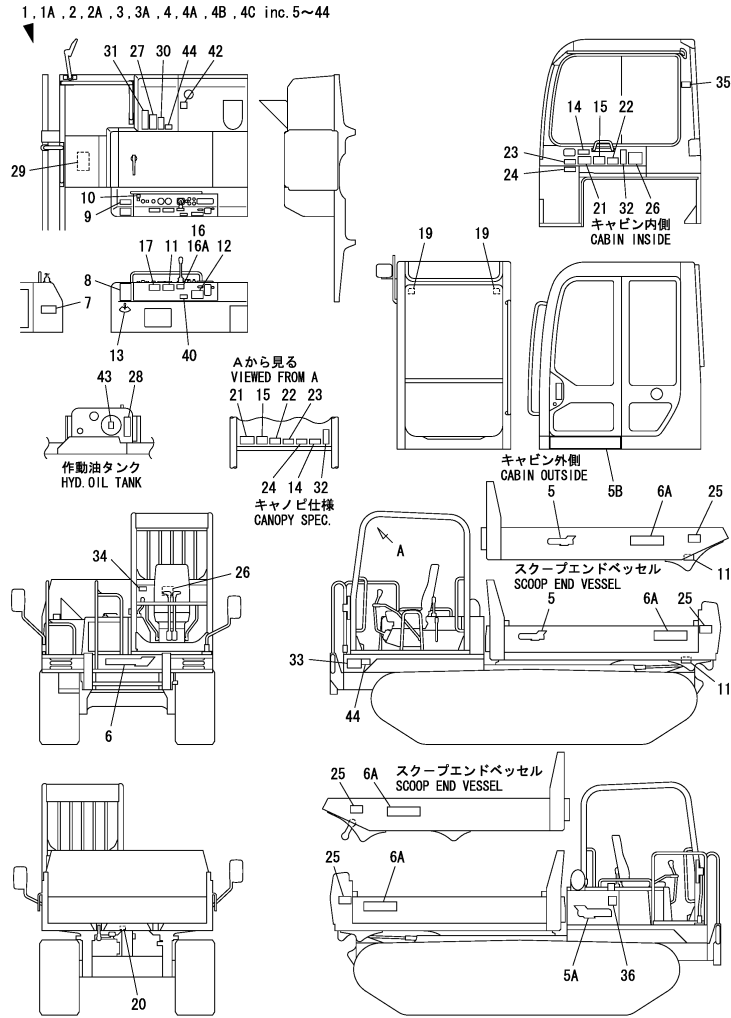
Remarks
(1)CANOPY SPEC.
(2)CABIN SPEC.

N:Old $\begin{matrix} \text{Yes} \\ \text{No} \end{matrix}$ New, Q:Old $\begin{matrix} \text{No} \\ \text{Yes} \end{matrix}$ New, R:Old $\begin{matrix} \text{Yes} \\ \text{No} \end{matrix}$ New, S:Old $\begin{matrix} \text{No} \\ \text{No} \end{matrix}$ New, W:Add, Z:Discontinued, F:Interchangeable by set, K:Q'ty Change

Fig.81. LABEL(EX)

(A)=C50R-3
(B)=C50R-3A
(C)=

(D)=
(E)=
(F)=



Remarks

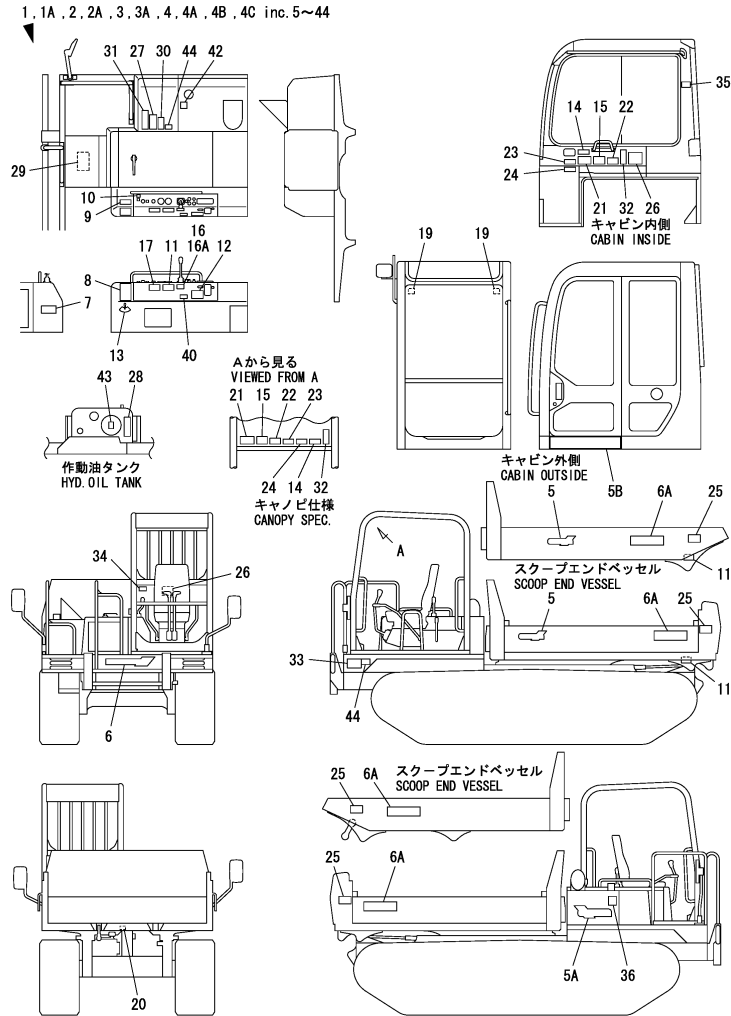
- (1)CANOPY SPEC:FOR US YANMAR.
- (2)CANOPY SPEC:FOR EP YANMAR.
- (3)CABIN SPEC:FOR US YANMAR.
- (4)CABIN SPEC:FOR EP YANMAR.
- (5)CANOPY SPEC,TURNING SPEC:FOR US.
- (6)CABIN SPEC,TURNING SPEC:FOR EP.
- (7)CANOPY SPEC.
- (8)CABIN SPEC.
- (9)FOR US YANMAR.
- (A)FOR EP YANMAR.
- (B)TURNING TYPE

No.	Lev.	Parts No.	Description	Q'ty						I	R
				(A)	(B)	(C)	(D)	(E)	(F)		
1	1	E0871084000	LABEL ASSY(CANOPY)	1							1
1A	1	E0871085000	LABEL ASSY(CANOPY)		1						1
2	1	E0871084200	LABEL ASSY(CANOPY)	1							2
2A	1	E0871085200	LABEL ASSY(CANOPY)		1						2
3	1	E0871084100	LABEL ASSY(CABIN)	1							3
3A	1	E0871085100	LABEL ASSY(CABIN)		1						3
4	1	E0871084300	LABEL ASSY(CABINE)	1							4
4A	1	E0871085300	LABEL ASSY(CABIN)		1						4
4B	1	E0871085400	LABEL ASSY(CANOPY)	1	1						W 5
4C	1	E0871085500	LABEL ASSY(CABIN)	1	1						W 6
5	2	E0871083601	LABEL,MODEL	1	1						7
5A	2	E0871081002	LABEL,MODEL	1	1						8
5B	2	E0871083703	LABEL,MODEL	1	1						8
6	2	E0871081004	LABEL, YANMAR	1	1						S
6-1	2	E0871084547	LABEL	1	1						S
6A	2	E0871083605	LABEL	2	2						S
6A-1	2	E0871084548	LABEL	2	2						S
7	2	E0871084007	LABEL	1							9
7A	2	E0871085007	LABEL		1						9
8	2	E0871084008	LABEL	1	1						9
9	2	E0871083609	LABEL	1	1						9
10	2	E0871083610	LABEL	1	1						9
11	2	E0871084011	LABEL	2	2						9
12	2	E0871084012	LABEL	1	1						9
13	2	E0871083613	LABEL	1	1						9
14	2	E0871084014	LABEL	1	1						9
15	2	E0871084015	LABEL	1	1						9
16	2	E0871083616	LABEL	1	1						9
16A	2	E0871083816	LABEL	1	1						W B
17	2	E0871084017	LABEL	1	1						9
19	2	E0871084019	LABEL	2	2						9
20	2	E0871084020	LABEL	1	1						9
21	2	E0871084021	LABEL	1	1						9
22	2	E0871084022	LABEL	1	1						9
23	2	E0871084023	LABEL	1	1						9
24	2	E0871084024	LABEL	1	1						9
25	2	E0871084025	LABEL	2	2						9
26	2	E0871084026	LABEL	1	1						9
27	2	E0871084027	LABEL	1	1						9
28	2	E0871084028	LABEL	1	1						9
29	2	E0871084029	LABEL	1	1						9
30	2	E0871084030	LABEL	1	1						9
31	2	E0871084031	LABEL	2	2						9
32	2	E0871084032	LABEL	1	1						9
33	2	E0871084033	LABEL	1	1						9
33A	2	E0871084133	LABEL	1	1						9

Fig.81. LABEL(EX)

(A)=C50R-3
(B)=C50R-3A
(C)=

(D)=
(E)=
(F)=



No.	Lev.	Parts No.	Description	Q'ty						I	R
				(A)	(B)	(C)	(D)	(E)	(F)		
34	2	E0871084034	LABEL	1	1						7
35	2	E0874030340	LABEL	1	1						8
36	2	E0871084350	LABEL	1	1						A
40	2	E0359317200	LABEL	1	1						
42	2	E0359306600	MARK	1	1						
43	2	E0339375460	MARK	1	1						
44	2	E0359306700	MARK		2						

Remarks

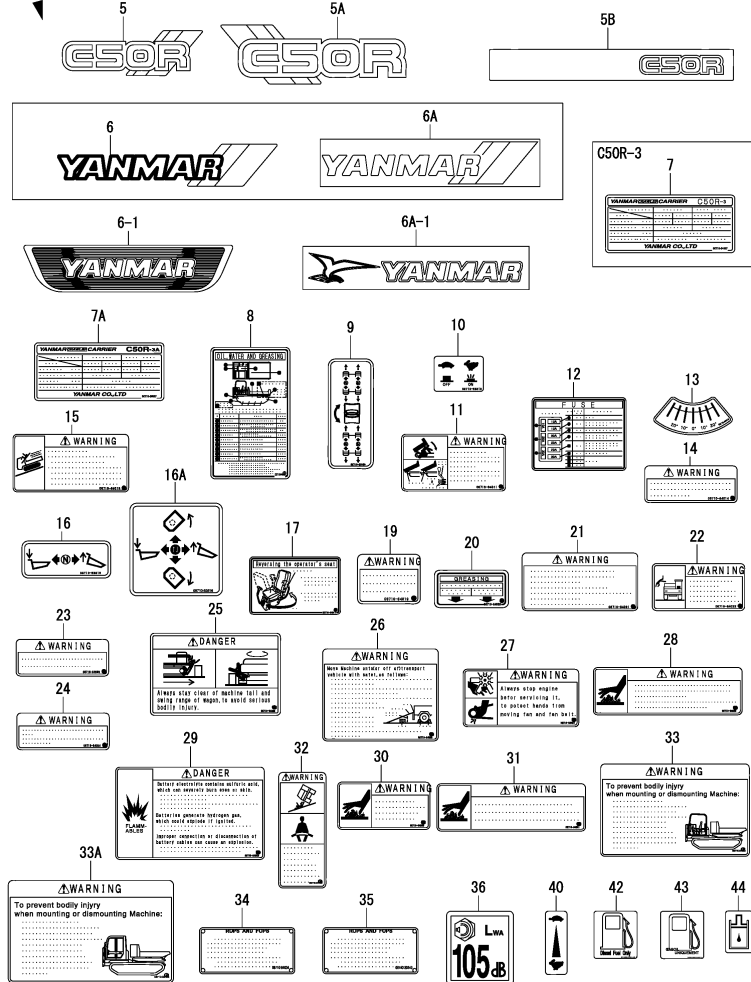
- (1)CANOPY SPEC:FOR US YANMAR.
- (2)CANOPY SPEC:FOR EP YANMAR.
- (3)CABIN SPEC:FOR US YANMAR.
- (4)CABIN SPEC:FOR EP YANMAR.
- (5)CANOPY SPEC,TURNING SPEC:FOR US.
- (6)CABIN SPEC,TURNING SPEC:FOR EP.
- (7)CANOPY SPEC.
- (8)CABIN SPEC.
- (9)FOR US YANMAR.
- (A)FOR EP YANMAR.
- (B)TURNING TYPE

Fig.82. LABEL(EX)

(A)=C50R-3
(B)=C50R-3A
(C)=

(D)=
(E)=
(F)=

1, 1A, 2, 2A, 3, 3A, 4, 4A, 4B, 4C inc. 5~44



Remarks

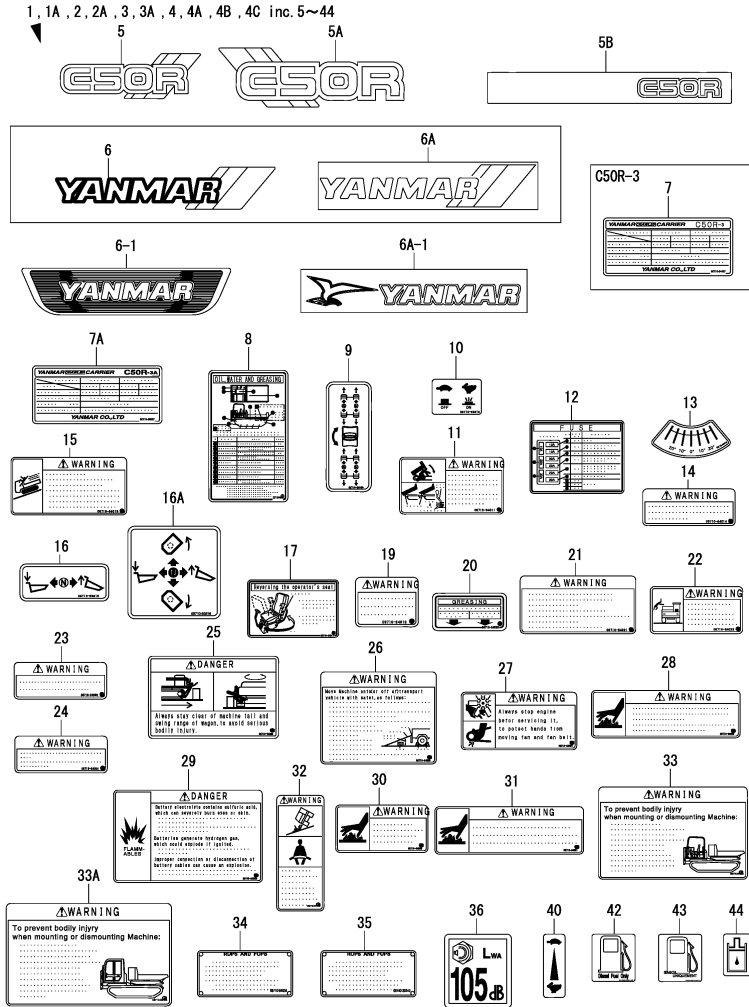
- (1)CANOPY SPEC:FOR US YANMAR.
- (2)CANOPY SPEC:FOR EP YANMAR.
- (3)CABIN SPEC:FOR US YANMAR.
- (4)CABIN SPEC:FOR EP YANMAR.
- (5)CANOPY SPEC,TURNING SPEC:FOR US.
- (6)CABIN SPEC,TURNING SPEC:FOR EP.
- (7)CANOPY SPEC.
- (8)CABIN SPEC.
- (9)FOR US YANMAR.
- (A)FOR EP YANMAR.
- (B)TURNING TYPE

No.	Lev.	Parts No.	Description	Q'ty						I	R
				(A)	(B)	(C)	(D)	(E)	(F)		
1	1	E0871084000	LABEL ASSY(CANOPY)	1							1
1A	1	E0871085000	LABEL ASSY(CANOPY)		1						1
2	1	E0871084200	LABEL ASSY(CANOPY)	1							2
2A	1	E0871085200	LABEL ASSY(CANOPY)		1						2
3	1	E0871084100	LABEL ASSY(CABIN)	1							3
3A	1	E0871085100	LABEL ASSY(CABIN)		1						3
4	1	E0871084300	LABEL ASSY(CABINE)	1							4
4A	1	E0871085300	LABEL ASSY(CABIN)		1						4
4B	1	E0871085400	LABEL ASSY(CANOPY)	1	1						W 5
		(A=MXXX) (B=MXXX)									
4C	1	E0871085500	LABEL ASSY(CABIN)	1	1						W 6
		(A=MXXX) (B=MXXX)									
5	2	E0871083601	LABEL MODEL	1	1						7
5A	2	E0871081002	LABEL,MODEL	1	1						
5B	2	E0871083703	LABEL,MODEL	1	1						8
6	2	E0871081004	LABEL, YANMAR	1	1						
6-1	2	E0871084547	LABEL	1	1						S
		(A=MXXX) (B=MXXX)									
6A	2	E0871083605	LABEL	2	2						
6A-1	2	E0871084548	LABEL	2	2						S
		(A=MXXX) (B=MXXX)									
7	2	E0871084007	LABEL	1							9
7A	2	E0871085007	LABEL		1						9
8	2	E0871084008	LABEL	1	1						
9	2	E0871083609	LABEL	1	1						
10	2	E0871083610	LABEL	1	1						
11	2	E0871084011	LABEL	2	2						9
12	2	E0871084012	LABEL	1	1						9
13	2	E0871083613	LABEL	1	1						
14	2	E0871084014	LABEL	1	1						9
15	2	E0871084015	LABEL	1	1						9
16	2	E0871083616	LABEL	1	1						
16A	2	E0871083816	LABEL	1	1						W B
		(A=MXXX) (B=MXXX)									
17	2	E0871084017	LABEL	1	1						9
19	2	E0871084019	LABEL	2	2						9
20	2	E0871084020	LABEL	1	1						9
21	2	E0871084021	LABEL	1	1						9
22	2	E0871084022	LABEL	1	1						9
23	2	E0871084023	LABEL	1	1						9
24	2	E0871084024	LABEL	1	1						9
25	2	E0871084025	LABEL	2	2						9
26	2	E0871084026	LABEL	1	1						9
27	2	E0871084027	LABEL	1	1						9
28	2	E0871084028	LABEL	1	1						9
29	2	E0871084029	LABEL	1	1						9
30	2	E0871084030	LABEL	1	1						9
31	2	E0871084031	LABEL	2	2						9
32	2	E0871084032	LABEL	1	1						9
33	2	E0871084033	LABEL	1	1						9
33A	2	E0871084133	LABEL	1	1						9

Fig.82. LABEL(EX)

(A)=C50R-3
(B)=C50R-3A
(C)=

(D)=
(E)=
(F)=



No.	Lev.	Parts No.	Description	Q'ty						I	R
				(A)	(B)	(C)	(D)	(E)	(F)		
34	2	E0871084034	LABEL	1	1						7
35	2	E0874030340	LABEL	1	1						8
36	2	E0871084350	LABEL	1	1						A
40	2	E0359317200	LABEL	1	1						
42	2	E0359306600	MARK	1	1						
43	2	E0339375460	MARK	1	1						
44	2	E0359306700	MARK		2						

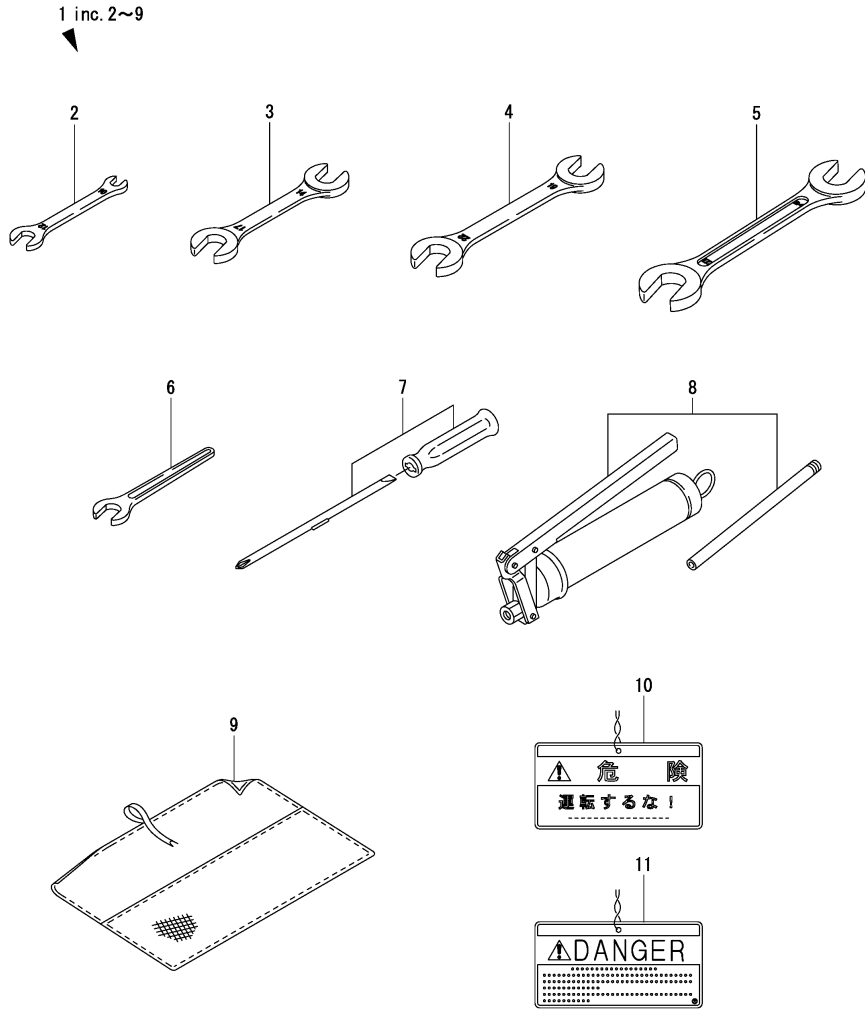
Remarks

- (1)CANOPY SPEC:FOR US YANMAR.
- (2)CANOPY SPEC:FOR EP YANMAR.
- (3)CABIN SPEC:FOR US YANMAR.
- (4)CABIN SPEC:FOR EP YANMAR.
- (5)CANOPY SPEC,TURNING SPEC:FOR US.
- (6)CABIN SPEC,TURNING SPEC:FOR EP.
- (7)CANOPY SPEC.
- (8)CABIN SPEC.
- (9)FOR US YANMAR.
- (A)FOR EP YANMAR.
- (B)TURNING TYPE

Fig.83. TOOL

(A)=C50R-3
(B)=C50R-3A
(C)=

(D)=
(E)=
(F)=



No.	Lev.	Parts No.	Description	Q'ty						I	R
				(A)	(B)	(C)	(D)	(E)	(F)		
1	1	E0871921000	TOOL KIT	1	1						
2	2	E1690001012	WRENCH	1	1						
3	2	E1690001417	WRENCH	1	1						
4	2	E1690001922	WRENCH	1	1						
5	2	E1690002427	WRENCH	1	1						
6	2	E1690100013	WRENCH	1	1						
7	2	E1690220205	DRIVER	1	1						
8	2	E1691000800	GREASE POMP	1	1						
9	2	E1691400003	BAG, TOOL	1	1						
10	1	E0871082160	TAG	1	1						1
11	1	E0871084050	LABEL	1	1						2

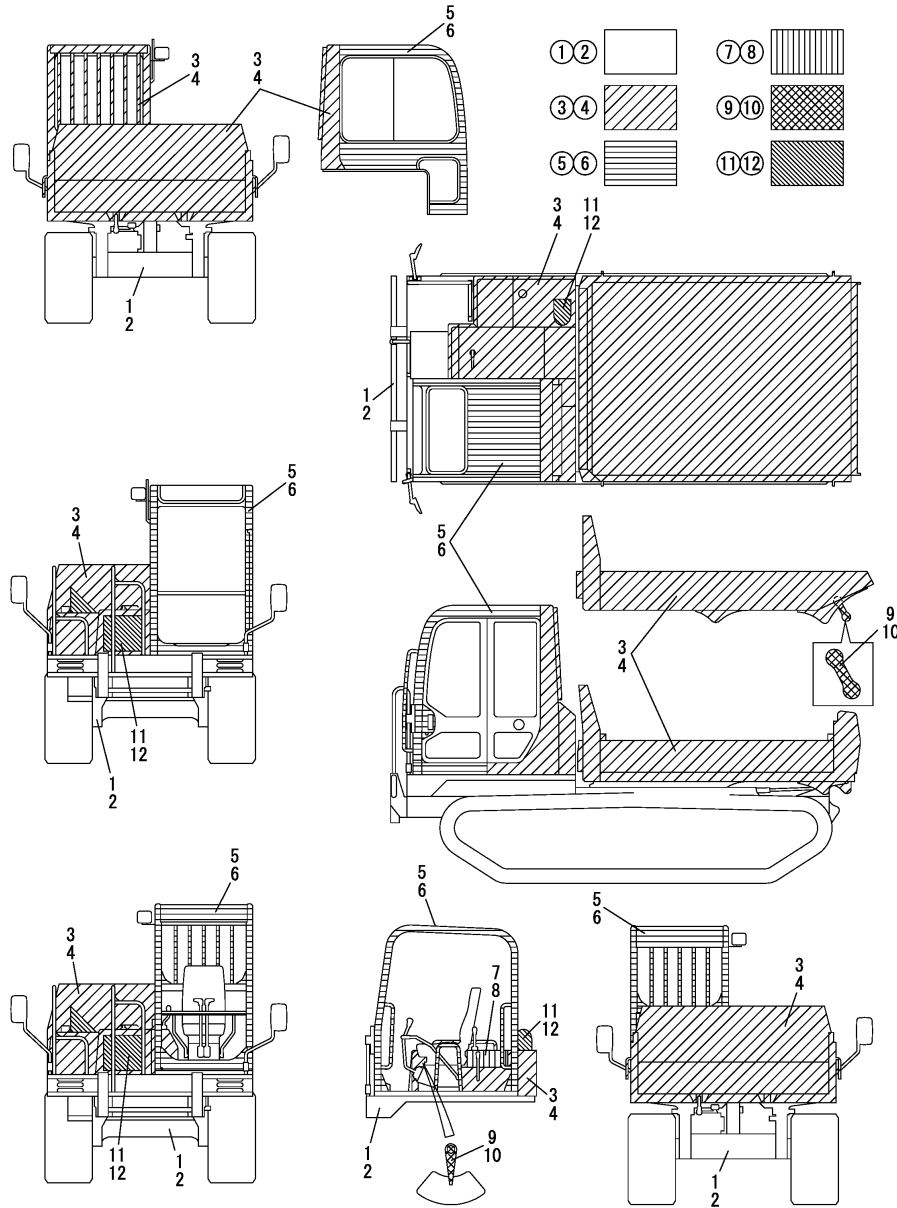
Remarks

- (1)JAPAN.
- (2)OVER SEA.

Fig.84. PAINTED COLOR

(A)=C50R-3
(B)=C50R-3A
(C)=

(D)=
(E)=
(F)=



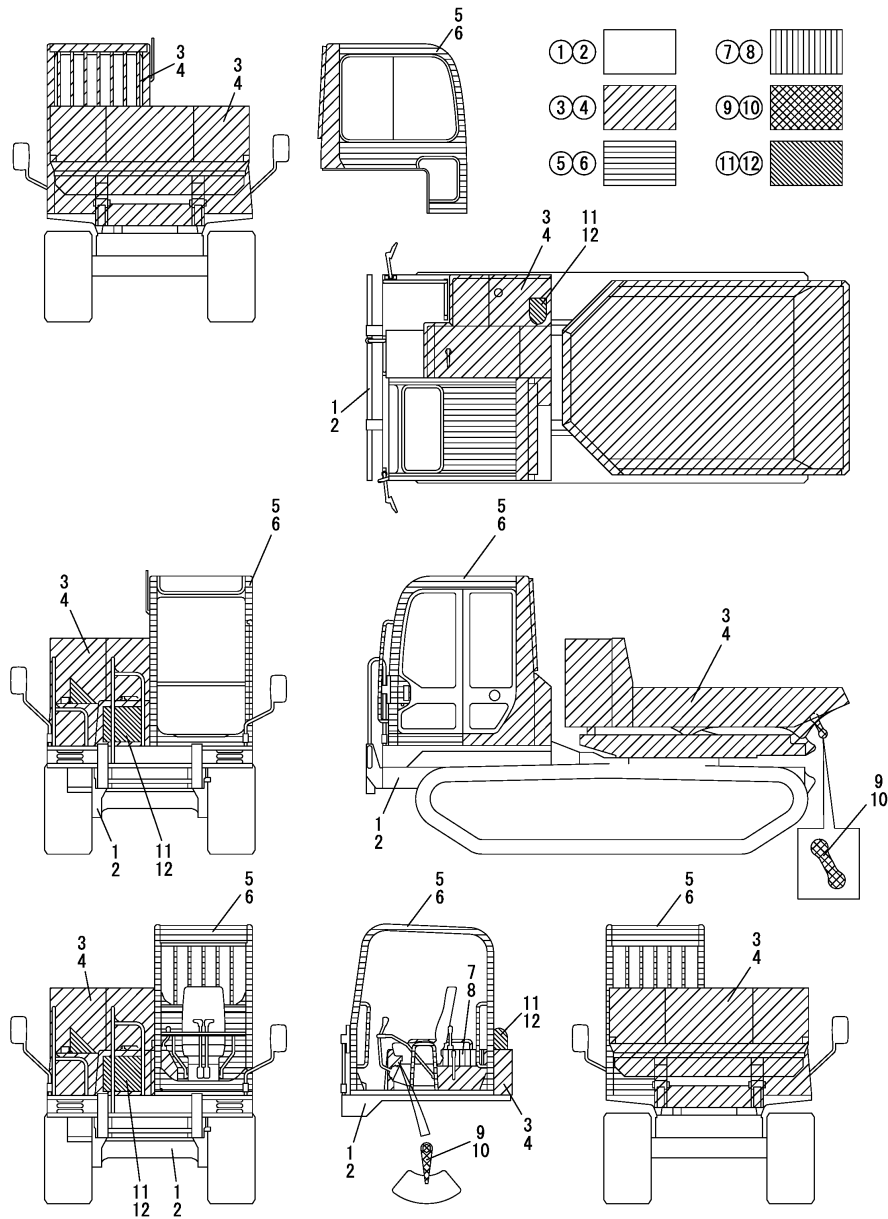
No.	Lev.	Parts No.	Description	Q'ty						I	R
				(A)	(B)	(C)	(D)	(E)	(F)		
1	1	977620-40820	PAINT, DEEP GREEN	1	1						1
1-1	1	TOR-91390000	YANMAR NAVY GRAY	1	1						S 1
		(A=M/#41675) (B=M/#41675)									
2	1	977620-30N31	SPRAY, DEEP GREEN	1	1						2
2-1	1	TOR-94800490	YANMAR NAVY GRAY	1	1						S 2
		(A=M/#41675) (B=M/#41675)									
3	1	977620-40870	PAINT,NEW PERM. YEL	1	1						1
3-1	1	977620-40871	PAINT,NEW PERM. YEL2	1	1						S 1
		(A=M41945) (B=M41945)									
4	1	977620-30871	SPRAY,NEW PERM. YEL	1	1						2
4-1	1	977620-30872	SPRAY,NEW PERM. YEL2	1	1						S 2
		(A=M41945) (B=M41945)									
5	1	977620-40830	PAINT,GRAYISH GREEN	1	1						1
6	1	977620-30N41	SPRAY,GREENISH GREEN	1	1						2
7	1	977620-40720	PAINT,DARK OLIVE GRY	1	1						1
8	1	TOR-94800720	DARK OLIVE GRAY	1	1						2
9	1	977620-40500	YANMAR RED 1	1	1						1
10	1	TOR-94800500	YANMAR RED 1	1	1						2
11	1	TOR-91220001	YANMAR BLACK	1	1						1
12	1	TOR-94800120	YANMAR BLACK(12)	1	1						2

Remarks
(1)4L CAN
(2)SPRAY CAN

Fig.85. PAINTED COLOR(TURNING)

(A)=C50R-3
(B)=C50R-3A
(C)=

(D)=
(E)=
(F)=



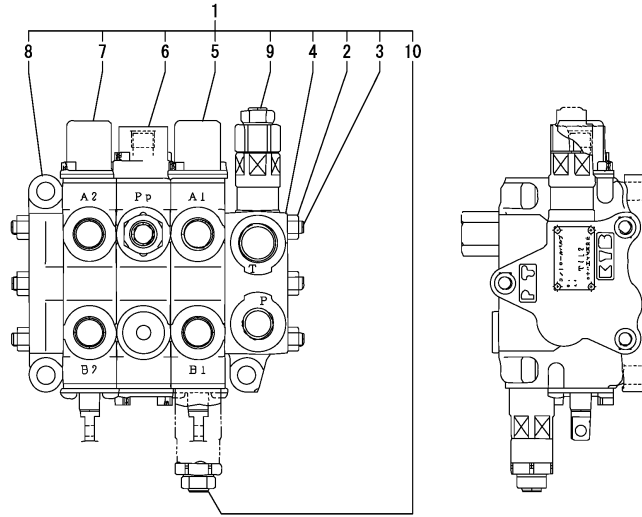
No.	Lev.	Parts No.	Description	Q'ty						I	R
				(A)	(B)	(C)	(D)	(E)	(F)		
1	1	977620-40820	PAINT, DEEP GREEN	1	1						1
1-1	1	TOR-91390000	YANMAR NAVY GRAY	1	1						S 1
		(A=M/#41675) (B=M/#41675)									
2	1	977620-30N31	SPRAY, DEEP GREEN	1	1						2
2-1	1	TOR-94800490	YANMAR NAVY GRAY	1	1						S 2
		(A=M/#41675) (B=M/#41675)									
3	1	977620-40870	PAINT,NEW PERM. YEL	1	1						1
3-1	1	977620-40871	PAINT,NEW PERM. YEL2	1	1						S 1
		(A=M41945) (B=M41945)									
4	1	977620-30871	SPRAY,NEW PERM. YEL	1	1						2
4-1	1	977620-30872	SPRAY,NEW PERM. YEL2	1	1						S 2
		(A=M41945) (B=M41945)									
5	1	977620-40830	PAINT,GRAYISH GREEN	1	1						1
6	1	977620-30N41	SPRAY,GREENISH GREEN	1	1						2
7	1	977620-40720	PAINT,DARK OLIVE GRY	1	1						1
8	1	TOR-94800720	DARK OLIVE GRAY	1	1						2
9	1	977620-40500	YANMAR RED 1	1	1						1
10	1	TOR-94800500	YANMAR RED 1	1	1						2
11	1	TOR-91220001	YANMAR BLACK	1	1						1
12	1	TOR-94800120	YANMAR BLACK(12)	1	1						2

Remarks
(1)4L CAN
(2)SPRAY CAN

Fig.86. CONTROL VALVE(4-RANGE)

(A)=C50R-3
(B)=C50R-3A
(C)=

(D)=
(E)=
(F)=



No.	Lev.	Parts No.	Description	Q'ty						I	R
				(A)	(B)	(C)	(D)	(E)	(F)		
1	1	E1901041200	VALVE ASSY,CONTROL(4	1	1						
2	2	E1901034907	NUT	6	6						
3	2	E1901041207	ROD, TIE	3	3						
4	2	E1901041101	BLOCK ASSY(1)	1	1						1
5	2	E1901041110	BLOCK ASSY(2)	1	1						2
6	2	E1901041202	BLOCK ASSY(3)	1	1						3
7	2	E1901041214	BLOCK ASSY(4)	1	1						4
8	2	E1901041204	HOUSING, OUTLET	1	1						
9	2	E1901041123	MAIN RELIFE VALVE	1	1						
10	2	E1901041124	OVERLOAD RELIFE VALV	1	1						

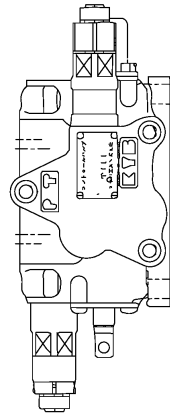
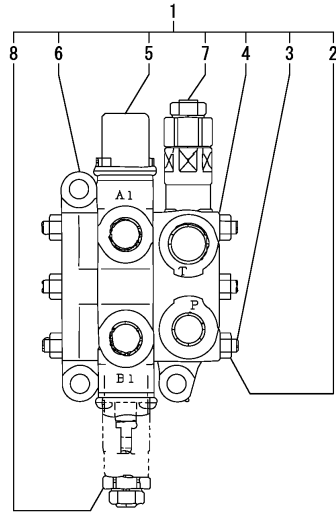
Remarks

- (1)COMPONENT PARTS:REFER TO FIG.88.
- (2)COMPONENT PARTS:REFER TO FIG.89.
- (3)COMPONENT PARTS:REFER TO FIG.90.
- (4)COMPONENT PARTS:REFER TO FIG.91.

Fig.87. CONTROL VALVE(2-RANGE)

(A)=C50R-3
(B)=C50R-3A
(C)=

(D)=
(E)=
(F)=



No.	Lev.	Parts No.	Description	Q'ty						I	R
				(A)	(B)	(C)	(D)	(E)	(F)		
1	1	E1901041100	VALVE ASSY,CONTROL(2	1	1						
2	2	E1901034907	NUT	6	6						
3	2	E1901041107	ROD, TIE	3	3						
4	2	E1901041101	BLOCK ASSY(1)	1	1						1
5	2	E1901041110	BLOCK ASSY(2)	1	1						2
6	2	E1901033204	HOUSING, OUTLET	1	1						
7	2	E1901041123	MAIN RELIFE VALVE	1	1						
8	2	E1901041124	OVERLOAD RELIFE VALV	1	1						

Remarks

- (1)COMPONENT PARTS:REFER TO FIG.88.
- (2)COMPONENT PARTS:REFER TO FIG.89.

Fig.88. BLOCK(1)

(A)=C50R-3
(B)=C50R-3A
(C)=

(D)=
(E)=
(F)=

No.	Lev.	Parts No.	Description	Q'ty						I	R
				(A)	(B)	(C)	(D)	(E)	(F)		
1	1	E1901041101	BLOCK ASSY(1)	1	1						
2	2	E1420100550	O-RING	1	1						

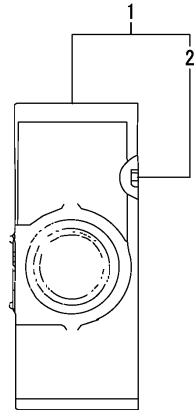
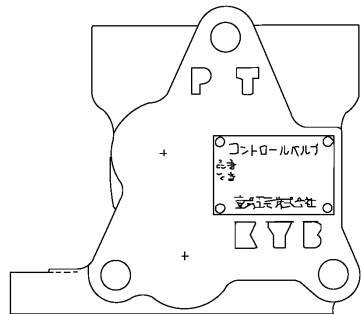
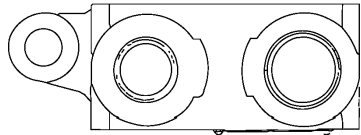
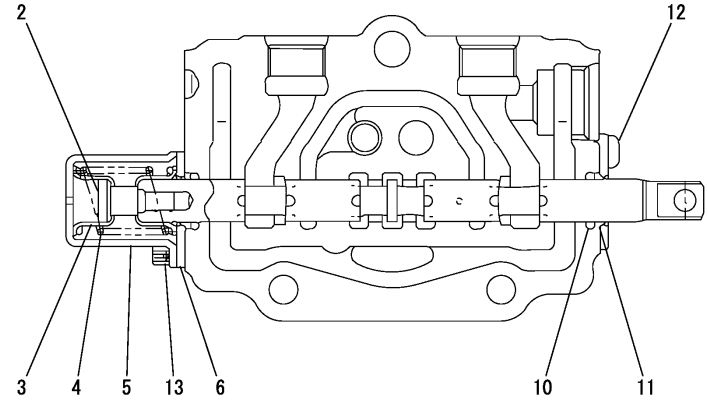
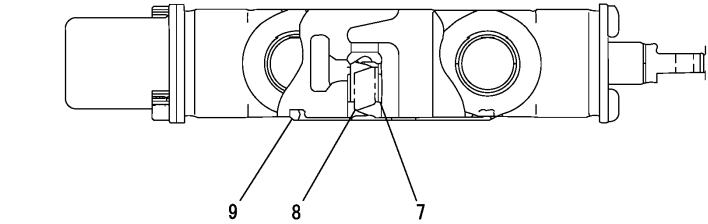


Fig.89. BLOCK(2)

(A)=C50R-3
(B)=C50R-3A
(C)=

(D)=
(E)=
(F)=

1 inc. 2~13



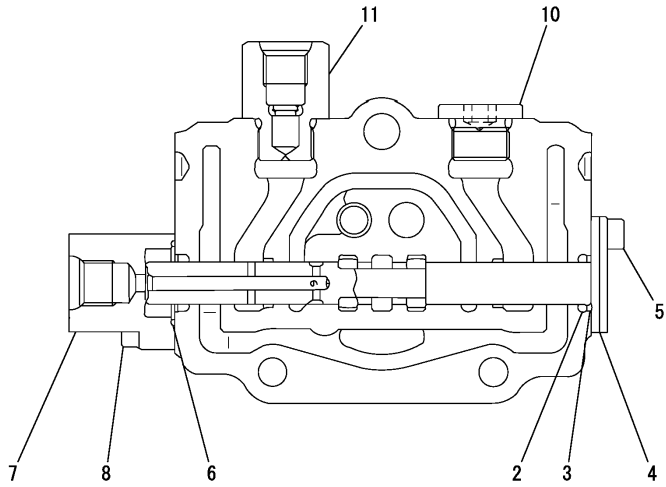
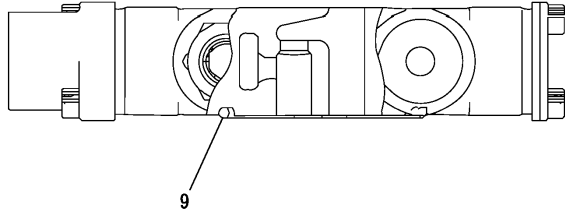
No.	Lev.	Parts No.	Description	Q'ty						I	R
				(A)	(B)	(C)	(D)	(E)	(F)		
1	1	E1901041110	BLOCK ASSY(2)	1	1						
2	2	E1901031790	SCREW, CAP	1	1						
3	2	E1901027792	HOLDER	2	2						
4	2	E1901041256	SPRING	1	1						
5	2	E1901027761	CAP	1	1						
6	2	E1901027772	PLATE	2	2						
7	2	E1901027768	PLUNGER	1	1						
8	2	E1901027757	SPRING	1	1						
9	2	E1420100550	O-RING	1	1						
10	2	E1420000120	O-RING	2	2						
11	2	E1901027771	WIPER	2	2						
12	2	E1120590510	SCREW, M5X10	2	2						
13	2	E1110020512	SCREW, M5X12	2	2						

Fig.90. BLOCK(3)

(A)=C50R-3
(B)=C50R-3A
(C)=

(D)=
(E)=
(F)=

1 inc. 2~11



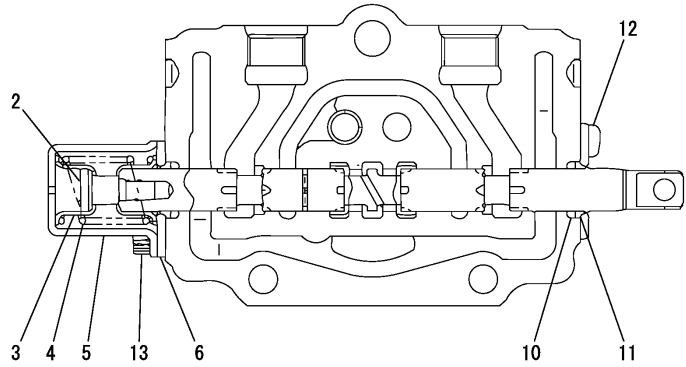
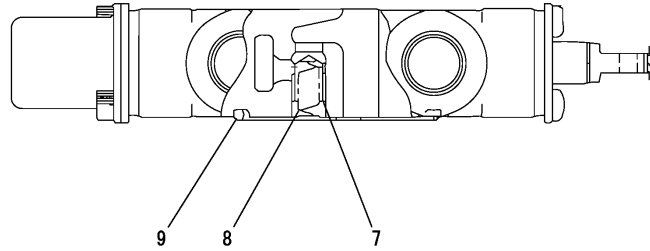
No.	Lev.	Parts No.	Description	Q'ty						I	R
				(A)	(B)	(C)	(D)	(E)	(F)		
1	1	E1901041202	BLOCK ASSY(3)	1	1						
2	2	E1420000120	O-RING	1	1						
3	2	E1421030120	RING P12, BACKUP	1	1						
4	2	E1901038852	PLATE	2	2						
5	2	E1110020512	SCREW, M5X12	2	2						
6	2	E1420500220	O-RING, S22-1A	1	1						
7	2	E1901035667	CAP	1	1						
8	2	E1110020518	SCREW, M5X18	2	2						
9	2	E1420100550	O-RING	1	1						
10	2	E1901036678	PLUG ASSY	1	1						
11	2	E1901041278	PLUR ASSY	1	1						

Fig.91. BLOCK(4)

(A)=C50R-3
(B)=C50R-3A
(C)=

(D)=
(E)=
(F)=

1 inc. 2~13

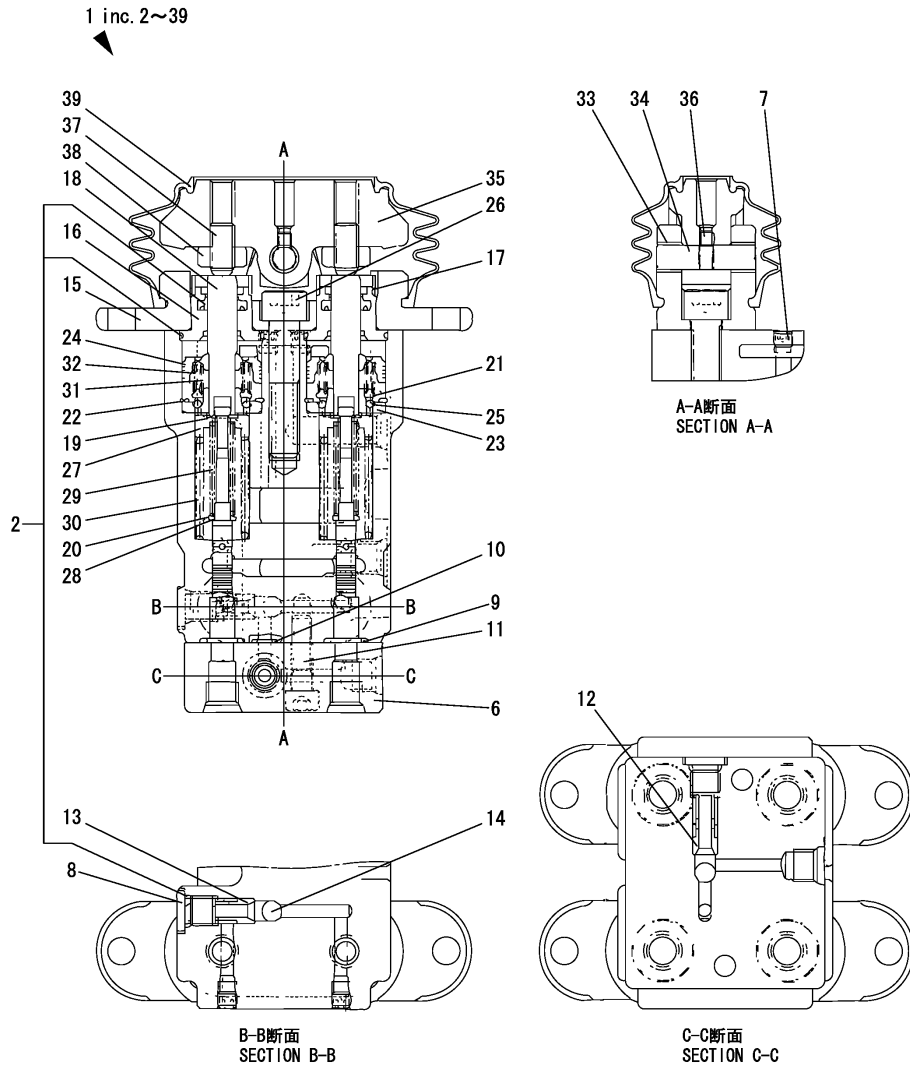


No.	Lev.	Parts No.	Description	Q'ty						I	R
				(A)	(B)	(C)	(D)	(E)	(F)		
1	1	E1901041214	BLOCK ASSY(4)	1	1						
2	2	E1901031790	SCREW, CAP	1	1						
3	2	E1901027792	HOLDER	2	2						
4	2	E1901027758	SPRING	1	1						
5	2	E1901027761	CAP	1	1						
6	2	E1901027772	PLATE	2	2						
7	2	E1901027768	PLUNGER	1	1						
8	2	E1901027757	SPRING	1	1						
9	2	E1420100550	O-RING	1	1						
10	2	E1420000120	O-RING	2	2						
11	2	E1901027771	WIPER	2	2						
12	2	E1120590510	SCREW, M5X10	2	2						
13	2	E1110020512	SCREW, M5X12	2	2						

Fig.92. REMOTE CONTROL VALVE

(A)=C50R-3
(B)=C50R-3A
(C)=

(D)=
(E)=
(F)=



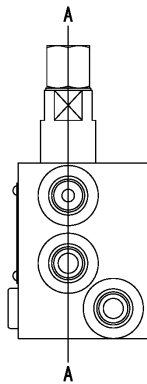
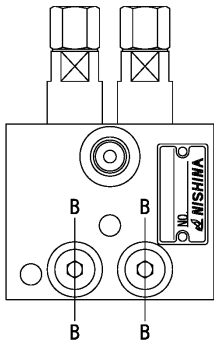
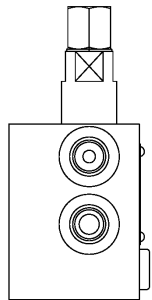
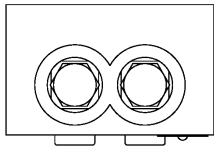
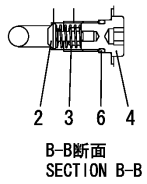
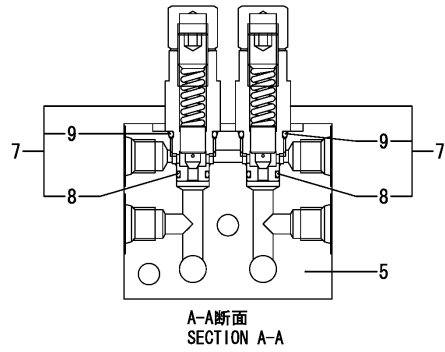
No.	Lev.	Parts No.	Description	Q'ty						I	R
				(A)	(B)	(C)	(D)	(E)	(F)		
1	1	E1901738800	REMO-CON VALVE ASSY	1	1						
2	2	E1901733599	SEAL SET	1	1						
6	2	E1901733502	PLATE	1	1						
7	2	E1901738851	PLUG	6	6						
8	2	E1901733504	PLUG	3	3						
9	2	E1420010140	O-RING	4	4						
10	2	E1420010070	O-RING, 1B. P7	2	2						
11	2	E1110020830	SCREW, M8X30	2	2						
12	2	E1901733509	SEAT	1	1						
13	2	E1901733510	SEAT	2	2						
14	2	E1390020500	STEEL BALL	3	3						
15	2	E1901733512	COVER	2	2						
16	2	E1901733513	PLUG	4	4						
17	2	E1901733514	CUP, GREASE	4	4						
18	2	E1901733517	ROD	4	4						
19	2	E1901710915	WASHER 1	8	8						
20	2	E1901710917	WASHER 2	4	4						
21	2	E1901733520	SEAT, SPRING	4	4						
22	2	E1901733521	RING	4	4						
23	2	E1901733522	BUSHING	4	4						
24	2	E1901738824	PISTON	4	4						
25	2	E1390020030	STEEL BALL	12	12						
26	2	E1110021255	SCREW, M12X55	2	2						
27	2	E1901738811	SEAT, SPRING	4	4						
28	2	E1901725211	WASHER	4	4						
29	2	E1901738832	SPRING	4	4						
30	2	E1901738835	SPRING	4	4						
31	2	E1901733531	SPRING	4	4						
32	2	E1901733532	SPRING	4	4						
33	2	E1333001010	BUSH	4	4						
34	2	E1901725215	CAMSHAFT	2	2						
35	2	E1901725216	CAM	2	2						
36	2	E1121050606	SCREW, M6	2	2						
37	2	E1901725218	SCREW	4	4						
38	2	E1901738872	NUT, LOCK	4	4						
39	2	E1901725520	BELLOWS	2	2						

Fig.93. AUTO TENSION VALVE

(A)=C50R-3
(B)=C50R-3A
(C)=

(D)=
(E)=
(F)=

1 inc. 2~9



No.	Lev.	Parts No.	Description	Q'ty						I	R
				(A)	(B)	(C)	(D)	(E)	(F)		
1	1	E1901739400	VALVE ASSY	1	1						
2	2	E1901035426	PLUNGER	2	2						
3	2	E1901004357	SPRING	2	2						
4	2	E1901035471	PLUG	2	2						
5	2	E1901739410	BODY	1	1						
6	2	E1420010100	O-RING	2	2						
7	2	E1901739498	RELIFE VALVE ASSY	2	2						
8	3	E1420010100	O-RING	1	1						
9	3	E1420010160	O-RING	1	1						

Fig.94. SOLENOID VALVE(1-RANGE)

(A)=C50R-3
(B)=C50R-3A
(C)=

(D)=
(E)=
(F)=

No.	Lev.	Parts No.	Description	Q'ty						I	R
				(A)	(B)	(C)	(D)	(E)	(F)		
1	1	E1901739600	VALVE ASSY, SOLENOID	1	1						
2	2	E1901734404	SPRING	1	1						
3	2	E1901738907	SOLENOID	1	1						
4	2	E1901738312	PLUG	1	1						
5	2	E1110040512	SCREW, CAP	2	2						
6	2	E1420000160	O-RING, P16-1A	1	1						
7	2	E1420010110	O-RING	1	1						
8	2	E1901738919	TUBE	1	1						

1 inc. 2~8

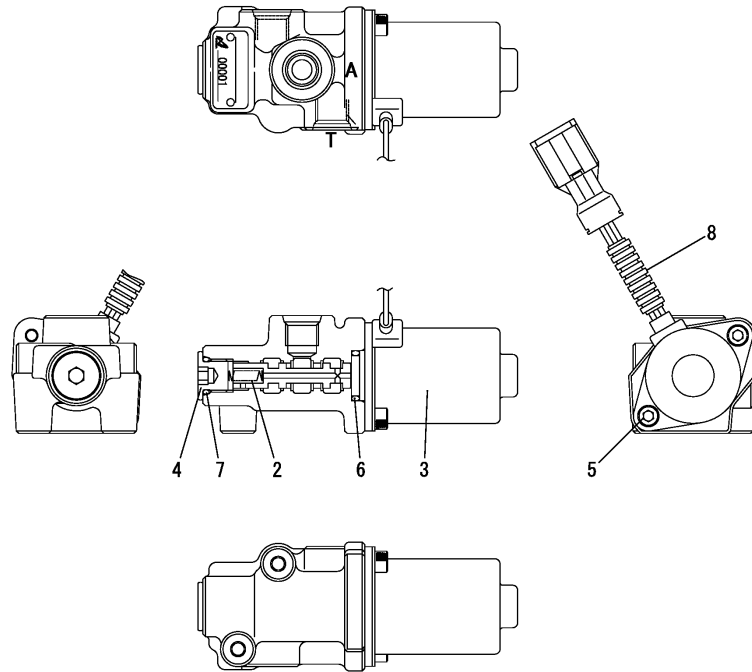
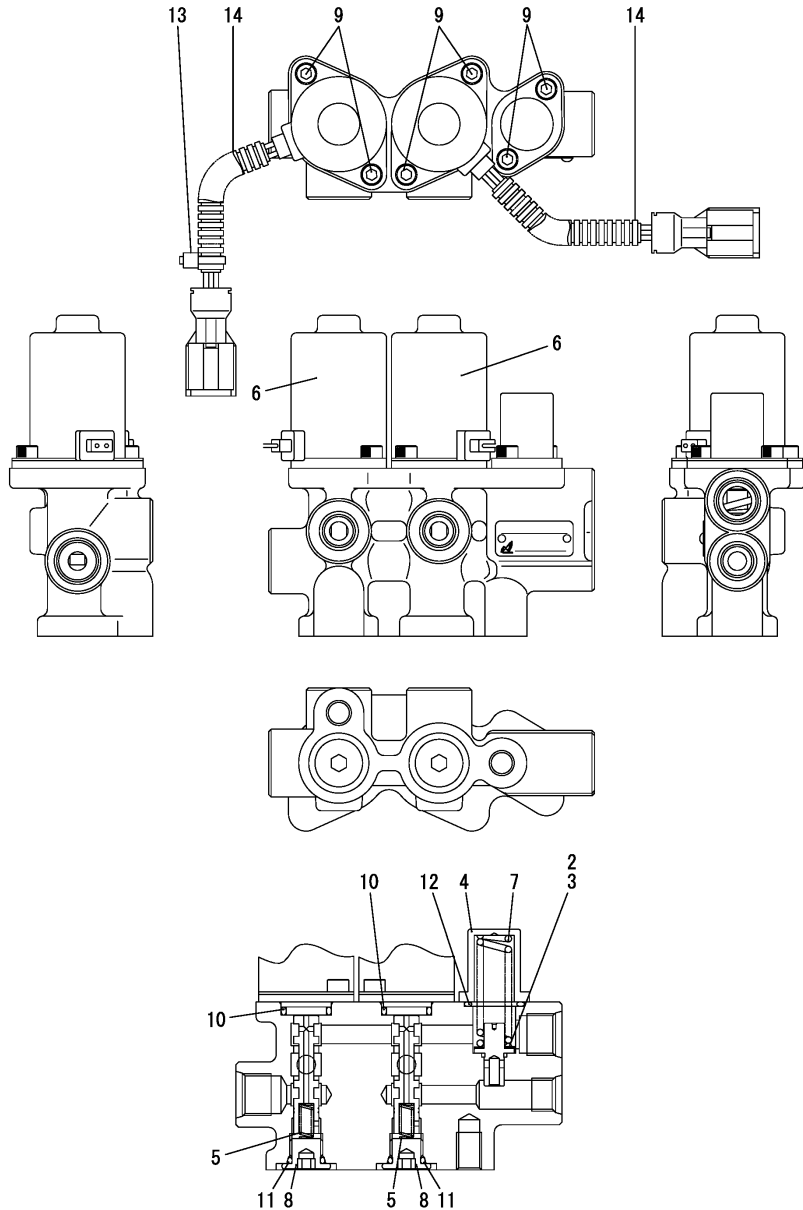


Fig.95. SOLENOID VALVE(2-RANGE)

(A)=C50R-3
(B)=C50R-3A
(C)=

(D)=
(E)=
(F)=

1 inc. 2~14

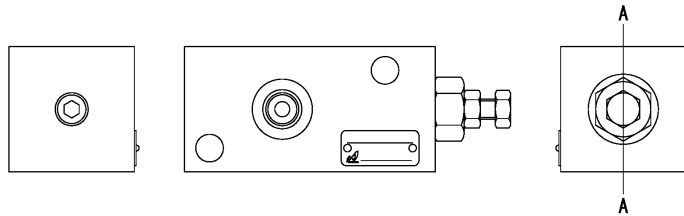
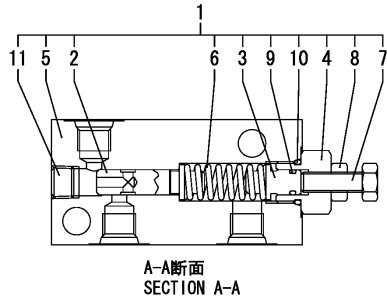


No.	Lev.	Parts No.	Description	Q'ty						I	R
				(A)	(B)	(C)	(D)	(E)	(F)		
1	1	E1901738900	SOLENOID VALVE	1	1						
2	2	E1901729601	SHIM, T=0.5	1	1						
3	2	E1901728701	SHIM, T=0.2	1	1						
4	2	E1901738303	COVER	1	1						
5	2	E1901734404	SPRING	2	2						
6	2	E1901738907	SOLENOID	2	2						
7	2	E1901738910	SPRING	1	1						
8	2	E1901738312	PLUG	2	2						
9	2	E1110040512	SCREW, CAP	6	6						
10	2	E1420000160	O-RING, P16-1A	2	2						
11	2	E1420010110	O-RING	2	2						
12	2	E1420010200	O-RING	1	1						
13	2	E1901738918	CABLE	1	1						
14	2	E1901738919	TUBE	2	2						

Fig.96. DEPRESSION VALVE

(A)=C50R-3
(B)=C50R-3A
(C)=

(D)=
(E)=
(F)=



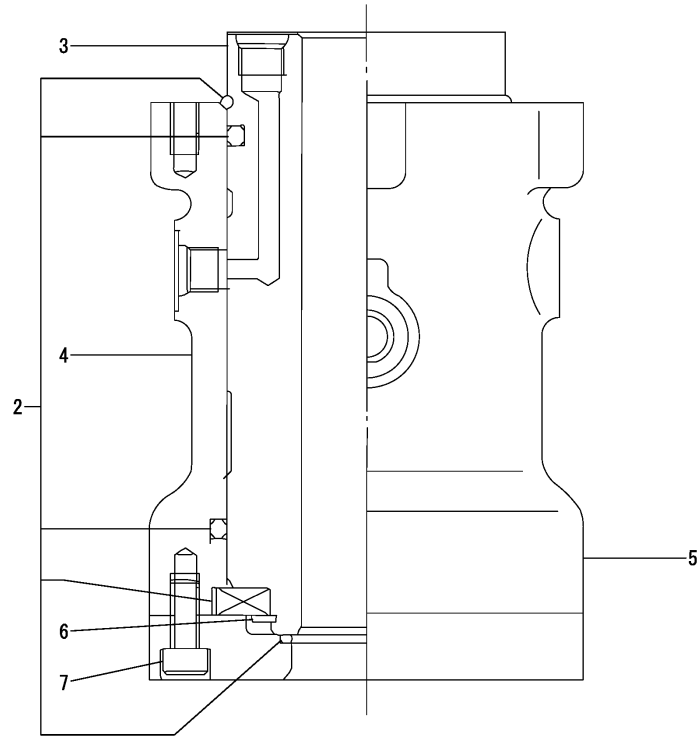
No.	Lev.	Parts No.	Description	Q'ty						I	R
				(A)	(B)	(C)	(D)	(E)	(F)		
1	1	E1901740300	VALVE	1	1						
2	2	E1901740301	SPOOL	1	1						
3	2	E1901740302	PLUG	1	1						
4	2	E1901740303	COVER	1	1						
5	2	E1901740304	BODY	1	1						
6	2	E1901740306	SPRING	1	1						
7	2	E1100040825	BOLT M 8X25	1	1						
8	2	E1130040008	NUT, M8	1	1						
9	2	E1420000070	O-RING	1	1						
10	2	E1420010140	O-RING	1	1						
11	2	E1501810002	PLUG PT 1/4	1	1						

Fig.97. SWIVEL SELECTOR

(A)=C50R-3
(B)=C50R-3A
(C)=

(D)=
(E)=
(F)=

1 inc. 2~7
▲

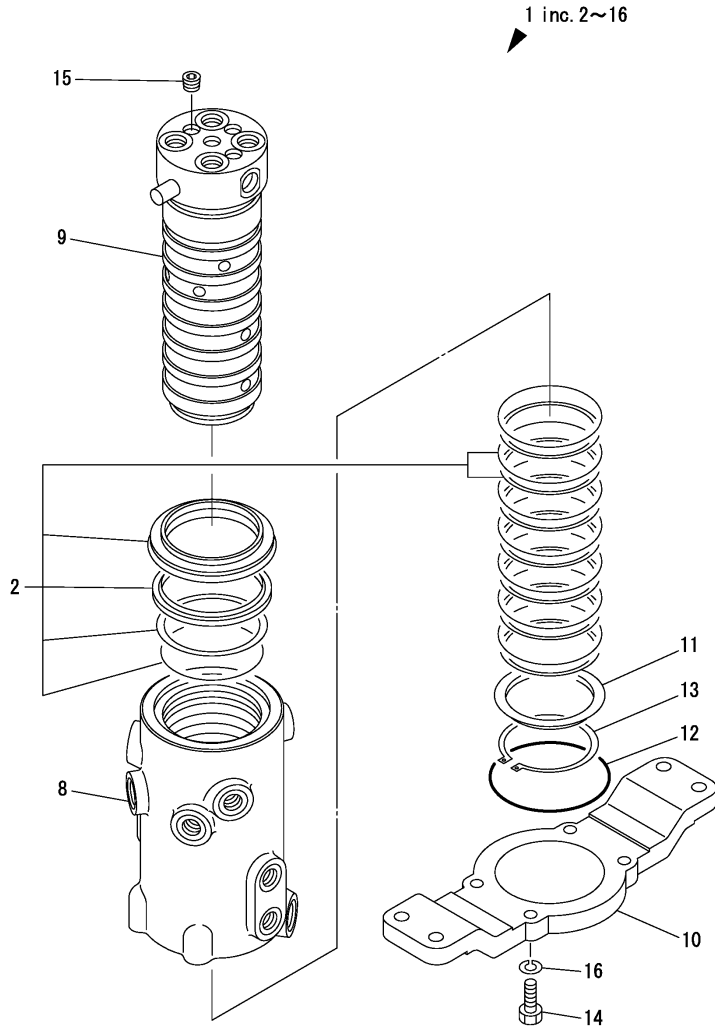


No.	Lev.	Parts No.	Description	Q'ty						I	R
				(A)	(B)	(C)	(D)	(E)	(F)		
1	1	E1901729200	SELECTOR VALVE	1	1						
2	2	E1901729299	SEAL SET	1	1						
3	2	E1901729201	SHAFT	1	1						
4	2	E1901729202	ROTOR	1	1						
5	2	E1901728403	COVER	1	1						
6	2	E1220000055	CIRCLIP	1	1						
7	2	E1110050820	BOLT M 8X20	6	6						

Fig.98. SWIVEL JOINT

(A)=C50R-3
(B)=C50R-3A
(C)=

(D)=
(E)=
(F)=

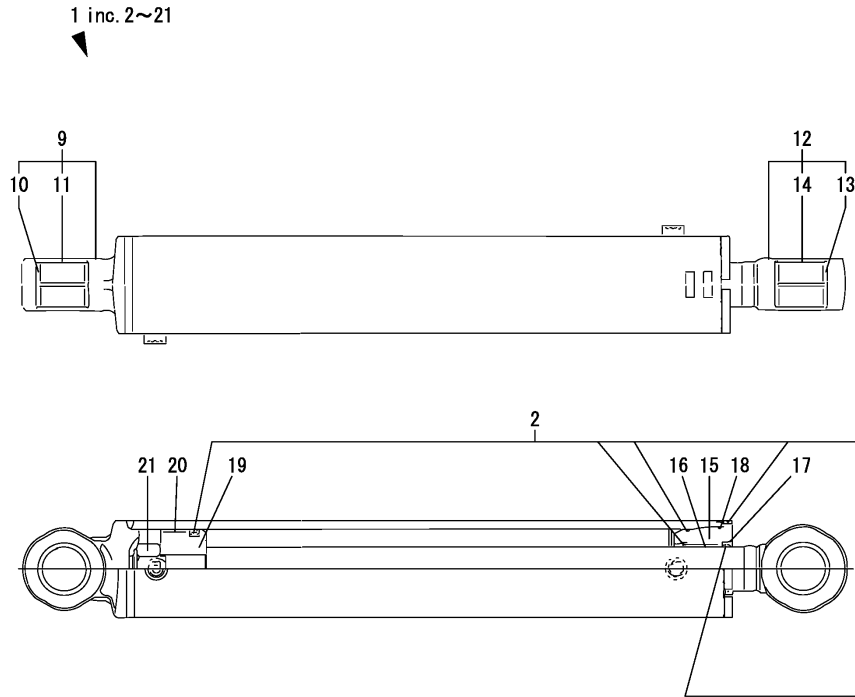


No.	Lev.	Parts No.	Description	Q'ty						I	R
				(A)	(B)	(C)	(D)	(E)	(F)		
1	1	E1904005900	JOINT ASSY, SWIVEL	1	1						
2	2	E1904006399	SEAL SET	1	1						
8	2	E1904005901	HUB	1	1						
9	2	E1904005911	SHAFT	1	1						
10	2	E1904003621	FLANGE	1	1						
11	2	E1904003691	SPACER	1	1						
12	2	E1420110950	O-RING	1	1						
13	2	E1221000072	CIRCLIP	1	1						
14	2	E1100041030	BOLT M10X30	4	4						
15	2	E1501810002	PLUG PT 1/4	3	3						
16	2	E1140010010	SPRING WASHER	4	4						

Fig.99. DUMP CYLINDER

(A)=C50R-3
(B)=C50R-3A
(C)=

(D)=
(E)=
(F)=



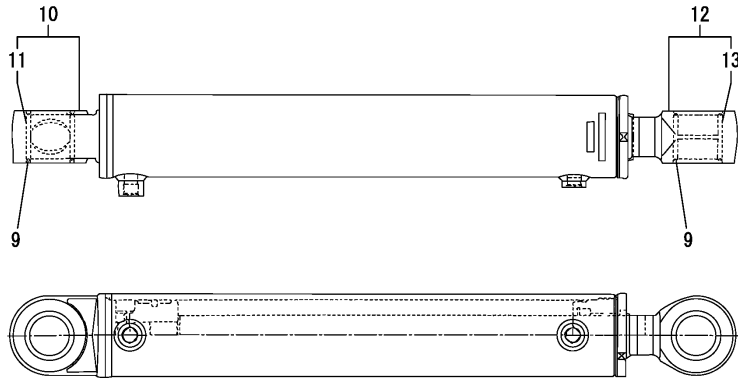
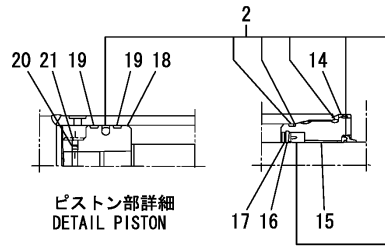
No.	Lev.	Parts No.	Description	Q'ty						I	R
				(A)	(B)	(C)	(D)	(E)	(F)		
1	1	E1900084300	CYLINDER ASSY, DUMP	1	1						
2	2	E1900084399	SEAL SET	1	1						
9	2	E1900084398	TUBE ASSY	1	1						
10	3	E1900084320	BUSH	1	1						
11	3	E1900084340	SEAL, DUST	2	2						
12	2	E1900084397	ROD ASSY	1	1						
13	3	E1900084320	BUSH	1	1						
14	3	E1900084340	SEAL, DUST	2	2						
15	2	E1900084303	CYLINDER HEAD	1	1						
16	2	E1900084305	ROD BUSH	1	1						
17	2	E1900084329	RING	1	1						
18	2	E1900084328	WASHER	1	1						
19	2	E1900084306	PISTON	1	1						
20	2	E1900084326	RING	1	1						
21	2	E1900084309	NUT	1	1						

Fig.100. DUMP CYLINDER(TURNING)

(A)=C50R-3
(B)=C50R-3A
(C)=

(D)=
(E)=
(F)=

1 inc. 2~21



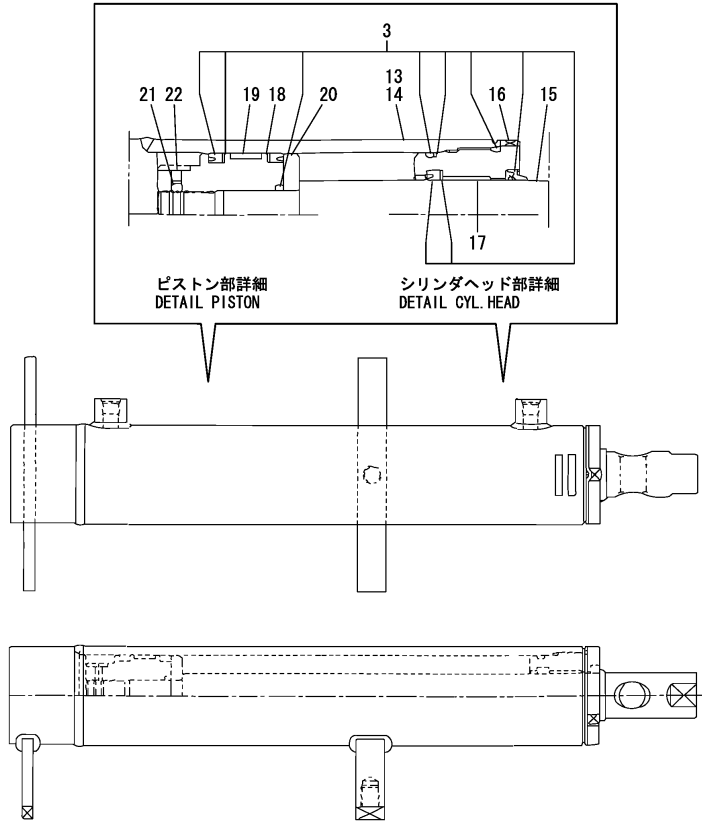
No.	Lev.	Parts No.	Description	Q'ty						I	R
				(A)	(B)	(C)	(D)	(E)	(F)		
1	1	E1900082900	CYLINDER, DUMP	1	1						
2	2	E1900082999	SEAL SET	1	1						
9	2	E1432200045	SEAL, DUST	4	4						
10	2	E1900082998	TUBE ASSY	1	1						
11	3	E1900018502	BUSH	1	1						
12	2	E1900082997	ROD ASSY	1	1						
13	3	E1900018520	BUSH	1	1						
14	2	E1900054903	COVER, ROD	1	1						
15	2	E1333004530	DU-BUSH MB4530DU	1	1						
16	2	E1900013508	HOLDER	1	1						
17	2	E1221000060	CIRCLIP	1	1						
18	2	E1900054106	PISTON	1	1						
19	2	E1900047232	RING	2	2						
20	2	E1390020250	BALL 5/32	1	1						
21	2	E1121050608	SCREW	1	1						

Fig.101. TRUCK SHOE CYLINDER

(A)=C50R-3
(B)=C50R-3A
(C)=

(D)=
(E)=
(F)=

1, 2 inc. 3~22



No.	Lev.	Parts No.	Description	Q'ty						I	R
				(A)	(B)	(C)	(D)	(E)	(F)		
1	1	E1900085900	CYLINDER ASSY	1	1						1
2	1	E1900086000	CYLINDER ASSY	1	1						2
3	2	E1900085999	SEAL SET	1	1						
13	2	E1900085907	TUBE	1	1						
14	2	E1900086007	TUBE	1	1						
15	2	E1900085901	ROD, PISTON	1	1						
16	2	E1900051803	COVER, ROD	1	1						
17	2	E1333003525	BUSH	1	1						
18	2	E1900085906	PISTON	1	1						
19	2	E1410706316	WEARING SW-63.57.16	1	1						
20	2	E1900085955	HOLDER	1	1						
21	2	E1390020250	BALL 5/32	1	1						
22	2	E1121050607	SCREW	1	1						

Remarks
(1)FOR LEFT.
(2)FOR RIGHT.

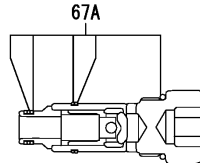
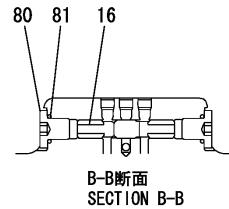
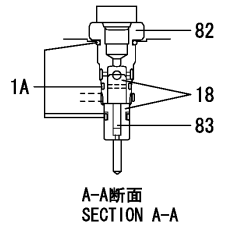
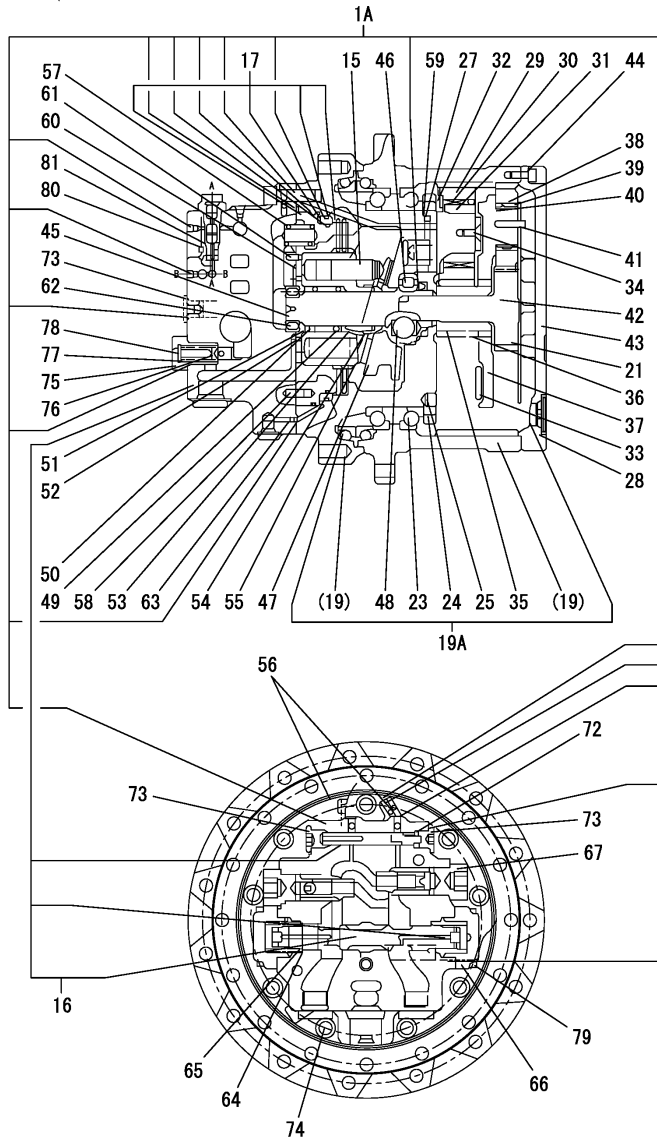
Fig.102. TRAVEL MOTOR

(A)=C50R-3
(B)=C50R-3A
(C)=

(D)=
(E)=
(F)=

1 inc. 1A~83

19 inc. (19)~44



No.	Lev.	Parts No.	Description	(A)	(B)	Q'ty						I	R
				(C)	(D)	(E)	(F)						
1	1	E1903123300	MOTOR ASSY, TRAVEL	1	1								
1A	2	E1903123399	SEAL SET	1	1								
15	2	E1903123398	CYLINDER BLOCK KIT	1	1								
16	2	E1903123397	BASE PLATE KIT	1	1								
17	2	E1903123396	BRAKE KIT	1	1								
18	2	E1903123395	PLUG ASSY	1	1								
19	2	E1912906800	GEAR, REDUCTION	1	1								
19A	3	E1912906899	SEAL SET	1	1								
21	3	E1912906898	PLATE KIT	1	1								
23	3	E1912906803	BEARING	2	2								
24	3	E1912906804	NUT, RING	1	1								
25	3	E1912906003	PLUG	4	4								
27	3	E1901804213	PLUG	4	4								
28	3	E1912906808	PLUG	3	3								
29	3	E1912906809	GEAR, PLANETARY	4	4								
30	3	E1912906810	BEARING	4	4								
31	3	E1912906811	BUSH	4	4								
32	3	E1912906812	WASHER	4	4								
33	3	E1912906813	PLATE	1	1								
34	3	E1912906814	SCREW	4	4								
35	3	E1912906815	GEAR, SUN	1	1								
36	3	E1912906816	SNAP RING	1	1								
37	3	E1912906817	HOLDER	1	1								
38	3	E1912906818	GEAR, PLANETARY	3	3								
39	3	E1912906819	BEARING	3	3								
40	3	E1912906820	LATHE	3	3								
41	3	E1912906821	SPRING PIN	3	3								
42	3	E1912906822	GEAR, DRIVE	1	1								
43	3	E1912906823	COVER	1	1								
44	3	E1110020825	SCREW, M8X25	16	16								
45	2	E1903123302	SHAFT	1	1								
46	2	E1903123303	BEARING	1	1								
47	2	E1903123305	PLATE	1	1								
48	2	E1903123306	BOLL	2	2								
49	2	E1903123308	COLLAR	1	1								
50	2	E1903123309	SPRING	1	1								
51	2	E1903123310	COLLAR	1	1								
52	2	E1903123311	SNAP RING	1	1								
53	2	E1903123312	PIN	3	3								
54	2	E1903123313	HOLDER	1	1								
55	2	E1903123314	PLATE	1	1								
56	2	E1903106847	ORIFICE	4	4								
57	2	E1903123322	SPRING	8	8								
58	2	E1903123323	PIN	4	4								
59	2	E1903123325	SPRING	2	2								
60	2	E1903123326	VALVE PLATE	1	1								
61	2	E1901802417	PIN	1	1								
62	2	E1903123328	BEARING	1	1								
63	2	E1903123329	ORIFICE	2	2								
64	2	E1903123334	SEAT, SPRING	2	2								
65	2	E1903123335	SPRING	2	2								

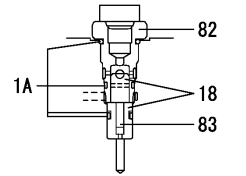
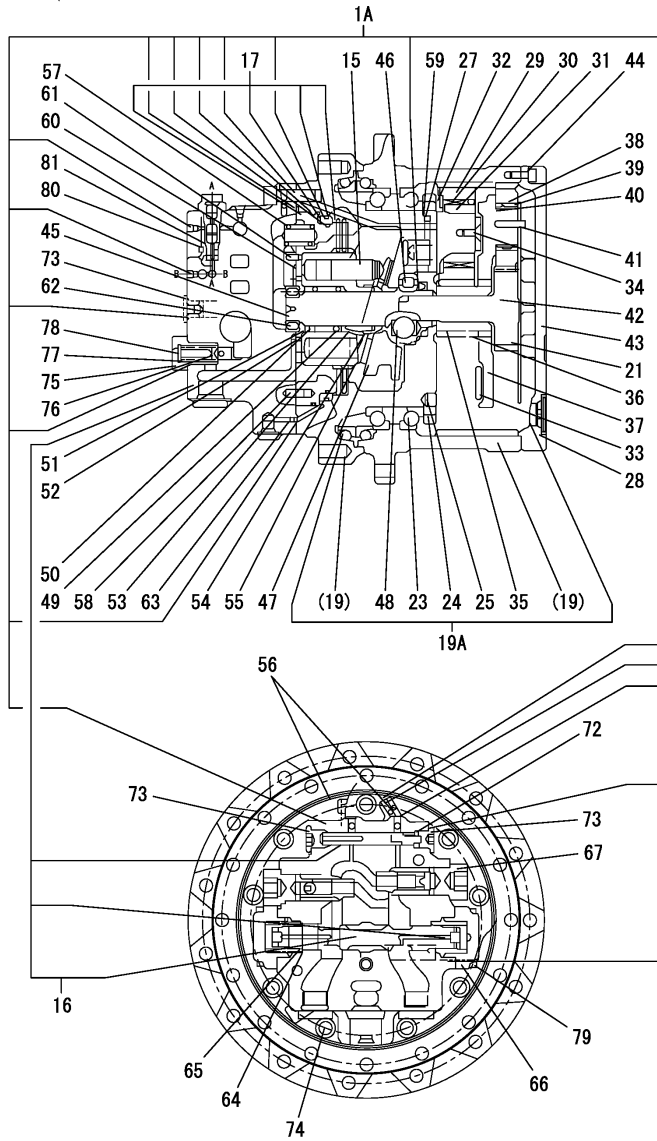
Fig.102. TRAVEL MOTOR

(A)=C50R-3
(B)=C50R-3A
(C)=

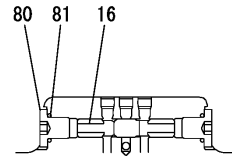
(D)=
(E)=
(F)=

1 inc. 1A~83

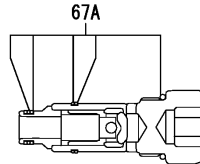
19 inc. (19)~44



A-A断面
SECTION A-A



B-B断面
SECTION B-B



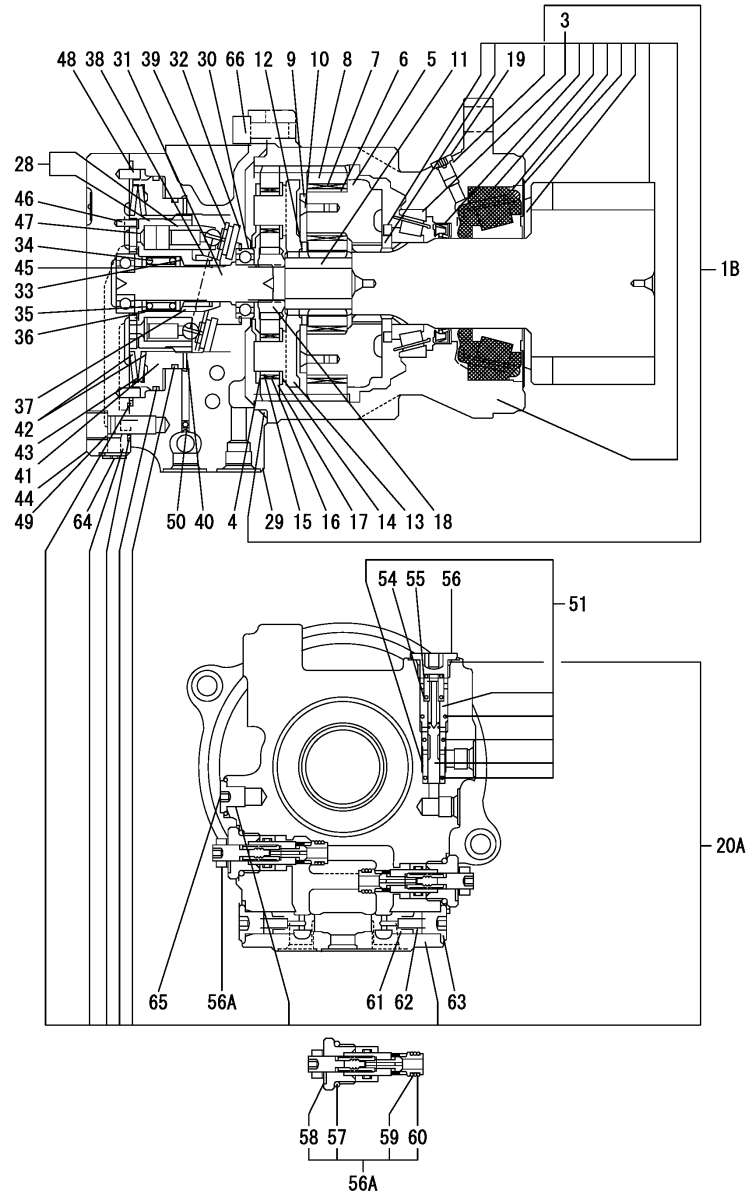
No.	Lev.	Parts No.	Description	Q'ty						I	R
				(A)	(B)	(C)	(D)	(E)	(F)		
66	2	E1903123337	FLANGE	2	2						
67	2	E1901810100	VALVE ASSY	2	2						
67A	3	E1901810199	SEAL SET	2	2						
72	2	E1903123340	SPRING	1	1						
73	2	E1903904537	PLUG	4	4						
74	2	E1110041440	SCREW, CAP	9	9						
75	2	E1903123355	PLUG	1	1						
76	2	E1903123357	POPPET	1	1						
77	2	E1903123358	SPRING	1	1						
78	2	E1903123359	SEAT, SPRING	1	1						
79	2	E1110041030	BOLT, SOCKET	8	8						
80	2	E1903108655	PLUG	4	4						
81	2	E1420010110	O-RING	4	4						
82	2	E1903123367	PLUG	1	1						
83	2	E1212000414	PIN	1	1						

Fig.103. TURNING MOTOR

(A)=C50R-3
(B)=C50R-3A
(C)=

(D)=
(E)=
(F)=

1 inc. 1B~66



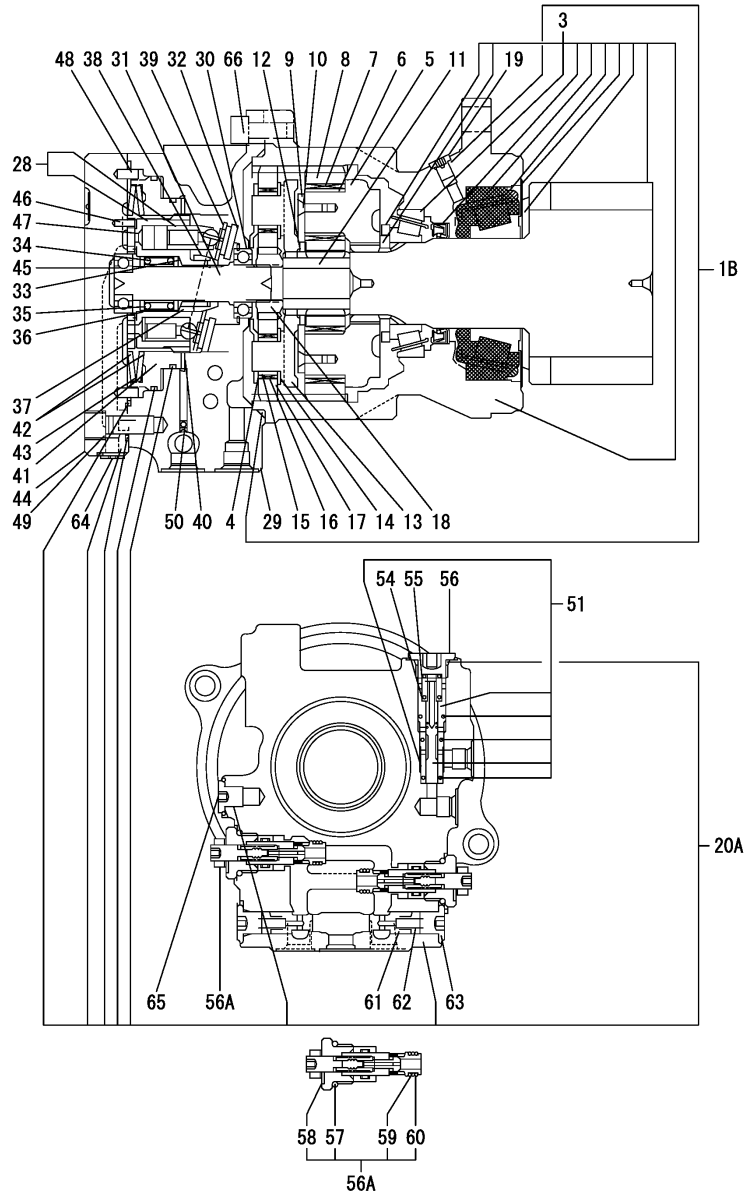
No.	Lev.	Parts No.	Description	(A)	(B)	(C)	(D)	(E)	(F)	Q'ty	I	R
1	1	E1903121900	MOTOR ASSY, SWING	1								
1-1	1	E1903123500	MOTOR ASSY, SWING	1	1							N
(A=M/#40533)												
1B	3	E1912907099	SEAL SET	1	1							
3	3	E1912907098	HOUSING ASSY	1	1							
4	3	E1912907097	PLATE	1	1							
5	3	E1912907011	HOLDER	1	1							
6	3	E1912905415	INNER RACE	4	4							
7	3	E1912905416	BEARING	4	4							
8	3	E1912904517	GEAR	4	4							
9	3	E1912907015	PLATE	1	1							
10	3	E1912900714	SCREW	4	4							
11	3	E1912906009	GEAR, SUN	1	1							
12	3	E122000042	CIRCLIP	1	1							
13	3	E1912907019	HOLDER	1	1							
14	3	E1912907020	WASHER	3	3							
15	3	E1912900720	LATHE	3	3							
16	3	E1912905422	GAUGE, W/ROLLER	3	3							
17	3	E1912907023	GEAR, PLANETARY	3	3							
18	3	E1912907025	GEAR, DRIVE	1	1							
19	3	E1912905325	PLUG	1	1							
20A	3	E1903906199	SEAL SET	1	1							
28	3	E1903120698	CYLINDER BLOCK KIT	1	1							
29	3	E1903906101	CASE	1	1							
30	3	E1903904502	BEARING	1	1							
31	3	E1903904503	SHAFT	1	1							
32	3	E1903904504	PLATE	1	1							
33	3	E1903106808	COLLAR	1	1							
34	3	E1903904507	SPRING	1	1							
35	3	E1903904508	WASHER	1	1							
36	3	E1221000037	SNAP RING	1	1							
37	3	E1903904510	PIN	3	3							
38	3	E1903106813	HOLDER	1	1							
39	3	E1903904511	PLATE	1	1							
40	3	E1903904514	DISK	1	1							
41	3	E1903904515	PISTON	1	1							
42	3	E1903904518	SEAT, SPRING	2	2							
43	3	E1903904519	SPRING, DISK	1	1							
44	3	E1903904921	COVER	1	1							
45	3	E1903107927	BEARING	1	1							
46	3	E1212000412	PIN	1	1							
47	3	E1903904524	VALVE PLATE	1	1							
48	3	E1903904525	PIN	2	2							
49	3	E1110051230	BOLT M12X 30	5	5							
50	3	E1901802713	ORIFICE	1	1							
51	3	E1901809200	VALVE ASSY	1	1							
54	3	E1141190006	WASHER 6	1	1							
55	3	E1903904535	SPRING	1	1							
55-1	3	E1903906135	SPRING	1	1							N
(A=M/#40533)												
56	3	E1903904537	PLUG	1	1							

Fig.103. TURNING MOTOR

(A)=C50R-3
(B)=C50R-3A
(C)=

(D)=
(E)=
(F)=

1 inc. 1B~66

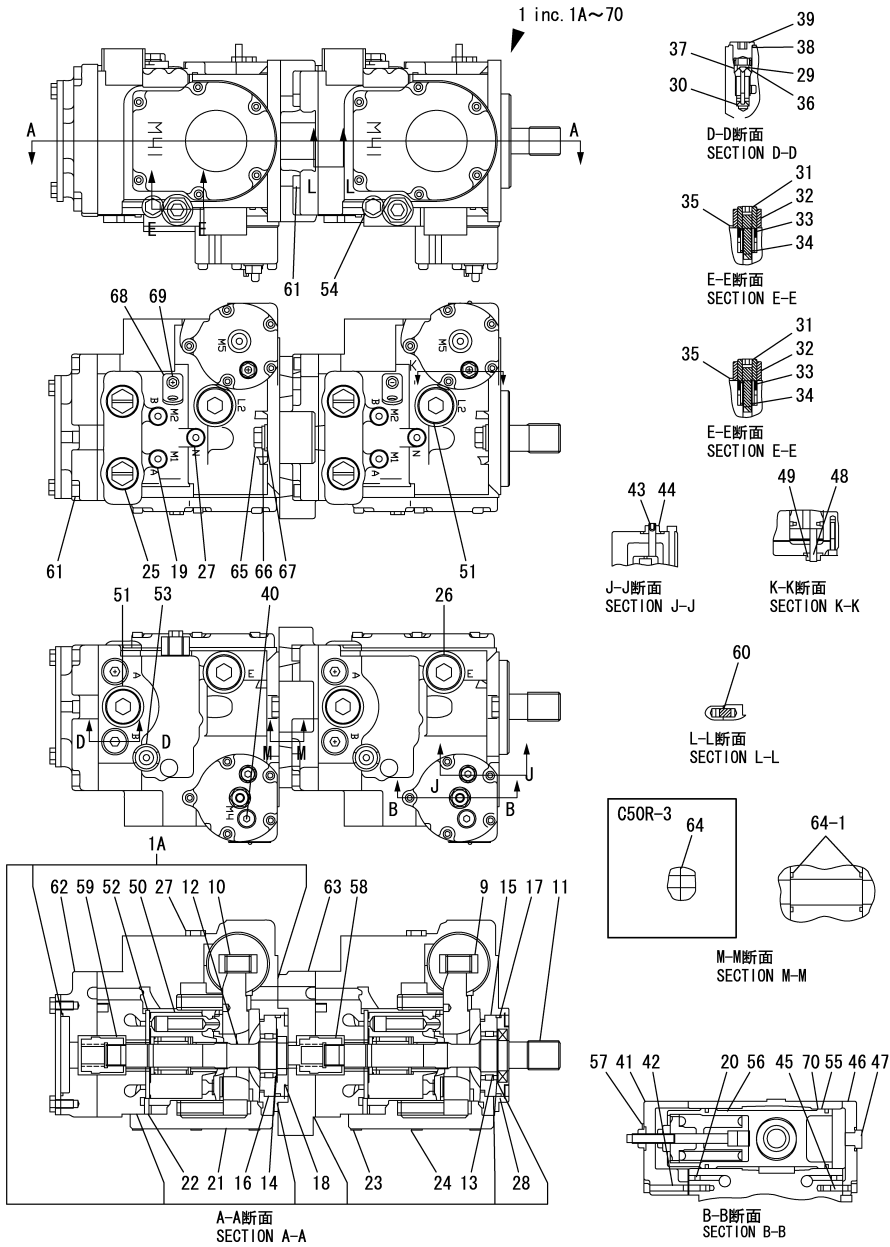


No.	Lev.	Parts No.	Description	Q'ty						I	R
				(A)	(B)	(C)	(D)	(E)	(F)		
56A	3	E1901800053	VALVE ASSY, RELIEF	2	2						
57	4	E1420010240	O-RING, P24	1	1						
58	4	E1420010100	O-RING	1	1						
59	4	E1420010120	O-RING	1	1						
60	4	E1421020120	BUCKUP RING	2	2						
61	3	E1903904539	CHECK VALVE	2	2						
62	3	E1903904540	SPRING	2	2						
63	3	E1903106843	PLUG	2	2						
64	3	E1912905325	PLUG	2	2						
65	3	E1903108655	PLUG	1	1						
66	2	E1110051230	BOLT M12X 30	2	2						

Fig.104. HYD. OIL PUMP

(A)=C50R-3
(B)=C50R-3A
(C)=

(D)=
(E)=
(F)=



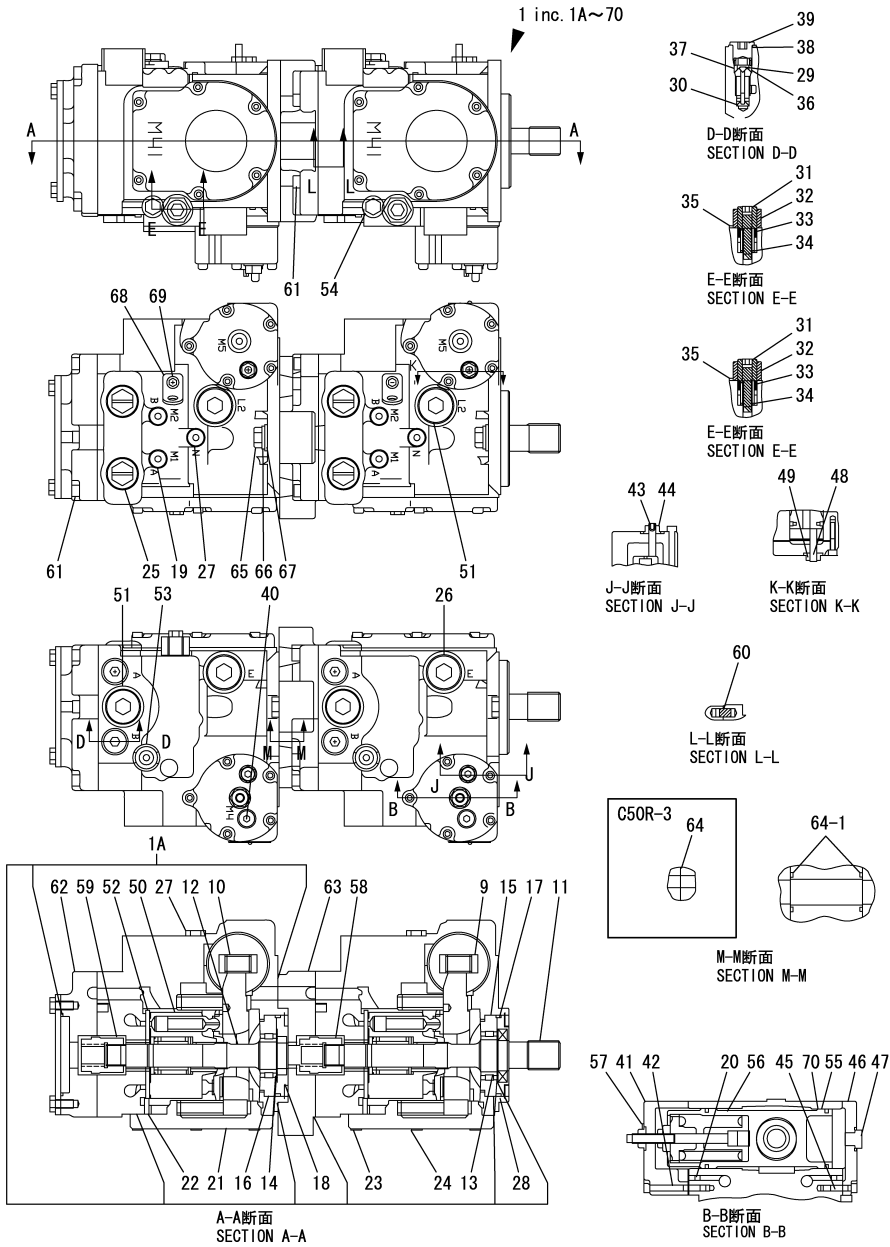
No.	Lev.	Parts No.	Description	(A)	(B)	(C)	Q'ty	(D)	(E)	(F)	I	R
1	1	E1902019100	HST PUMP	1								
1-1	1	E1902020400	HST PUMP	1	1							N
(A=M40560)												
1A	2	E1902020499	SEAL SET	1								
1A-1	2	E1902020498	SEAL SET	1	1							S
(A=M40560)												
9	2	E1902018801	BEARING ASSY	2	2							
10	2	E1902018802	PLATE	2	2							
11	2	E1902018803	SHAFT	1	1							
12	2	E1902018804	SHAFT	1	1							
13	2	E1902017704	RING, RETAINING	1	1							
14	2	E1902016505	RING, RETAINING	1	1							
15	2	E1902018805	BEARING	1	1							
16	2	E1902016506	BEARING	1	1							
17	2	E1902018806	SEAL, CARRIER	1	1							
18	2	E1902017409	SEAL, CARRIER	1	1							
19	2	E1902016531	PLUG ASSY	4	4							
19-1	2	E1902019215	PLUG ASSY	4	4							S
(A=MXXXXX) (B=MXXXXX)												
20	2	E1902018807	ORIFICE	4	4							
21	2	E1902019106	COVER ASSY	2	2							
22	2	E1902018809	PIN	2	2							
23	2	E1110050620	BOLT M 6X 20	4	4							
24	2	E1110050630	BOLT M 6X 30	8	8							
25	2	E1902007451	PLUG ASSY	4	4							
25-1	2	E1902020390	PLUG ASSY	4	4							S
(A=MXXXXX) (B=MXXXXX)												
26	2	E1902017724	PLUG ASSY	4	4							
27	2	E1902016531	PLUG ASSY	4	4							
27-1	2	E1902019215	PLUG ASSY	4	4							S
(A=MXXXXX) (B=MXXXXX)												
28	2	E1902016520	RING, RETAINING	2	2							
29	2	E1902016528	VALVE	4	4							
29-1	2	E1902019229	VALVE	4	4							S
(A=MXXXXX) (B=MXXXXX)												
30	2	E1902016529	SPRING	4	4							
30-1	2	E1902020736	SPRING	4	4							S
(A=MXXXXX) (B=MXXXXX)												
31	2	E1902019107	PLUG	1	1							
32	2	E1902016552	NUT	1	1							
33	2	E1902019108	SPRING	1	1							
34	2	E1902019109	POPPET	1	1							
35	2	E1420310910	O-RING	1	1							
36	2	E1902018814	O-RING	4	4							
37	2	E1902018815	BUCKUP RING	4	4							
38	2	E1420310910	O-RING	4	4							
39	2	E1902018817	PLUG	4	4							
40	2	E1902017410	PLUG	2	2							
40-1	2	E1902019215	PLUG ASSY	2	2							S
(A=MXXXXX) (B=MXXXXX)												
41	2	E1902018818	COVER	2	2							

Remarks
(1)When replaced with new one, do No.55 o-ring as well.

Fig.104. HYD. OIL PUMP

(A)=C50R-3
(B)=C50R-3A
(C)=

(D)=
(E)=
(F)=



No.	Lev.	Parts No.	Description	(A)	(B)	Q'ty						I	R		
				(C)	(D)	(E)	(F)								
42	2	E1110050660	SCREW, M6X60	10	10										
43	2	E1902017425	SCREW	2	2										
44	2	E1902017719	NUT	2	2										
45	2	E1100050630	BOLT M 6X30	10	10										
46	2	E1902018820	COVER	2	2										
47	2	E1902017410	PLUG	2	2										
47-1	2	E1902019215	PLUG ASSY	2	2										S
				(A=MXXXXX)	(B=MXXXXX)										
48	2	E1902017425	SCREW	2	2										
49	2	E1902017719	NUT	2	2										
50	2	E1902018822	CYLINDER BLOCK KIT	2	2										
50-1	2	E1902019250	CYLINDER BLOCK KIT	2	2										S
				(A=MXXXXX)	(B=MXXXXX)										
51	2	E1902017724	PLUG ASSY	2	2										
52	2	E1902018823	PLATE	2	2										
53	2	E1901802122	PLUG	1	1										
53-1	2	E1902019251	PLUG ASSY	1	1										S
				(A=MXXXXX)	(B=MXXXXX)										
54	2	E1902007455	PLUG ASSY	1	1										
54-1	2	E1902019215	PLUG ASSY	1	1										S
				(A=MXXXXX)	(B=MXXXXX)										
55	2	E1902017727	BUCKUP RING	2	2										
56	2	E1902018824	PISTON ASSY	2	2										
57	2	E1902018825	NUT	2	2										
58	2	E1902017730	COUPLING	1	1										
59	2	E1902017731	COUPLING	1	1										
60	2	E1902006702	PIN	4	4										
61	2	E1902020359	SCREW, CAP	13											
61-1	2	E1902020358	SCREW, CAP	15	15										K
				(A=M40560)											
62	2	E1902017449	ADAPTER	1	1										
63	2	E1902017450	ADAPTER	1											
63-1	2	E1902019271	ADAPTER	1	1										N
				(A=M40560)											
64	2	E1902016565	O-RING	1											
64-1	2	E1902016564	O-RING	2	2										S
				(A=M40560)											
65	2	E1902010035	SCREW	2	2										
66	2	E1902016567	SPRING WASHER	2	2										
67	2	E1902010037	WASHER	2	2										
68	2	E1902020297	BRACKET	2	2										W
				(A=MXXXXX)	(B=MXXXXX)										
69	2	E1902020298	BOLT	2	2										W
				(A=MXXXXX)	(B=MXXXXX)										
70	2	E1420300139	O-RING	2	2										W 1
				(A=MXXXXX)	(B=MXXXXX)										

Remarks
(1)When replaced with new one, do No.55 o-ring as well.

Fig.105. GEAR PUMP

(A)=C50R-3
(B)=C50R-3A
(C)=

(D)=
(E)=
(F)=

No.	Lev.	Parts No.	Description	Q'ty						I	R
				(A)	(B)	(C)	(D)	(E)	(F)		
1	1	E1902019700	GEAR PUMP	1	1						
2	2	E1902019799	SEAL SET	1	1						

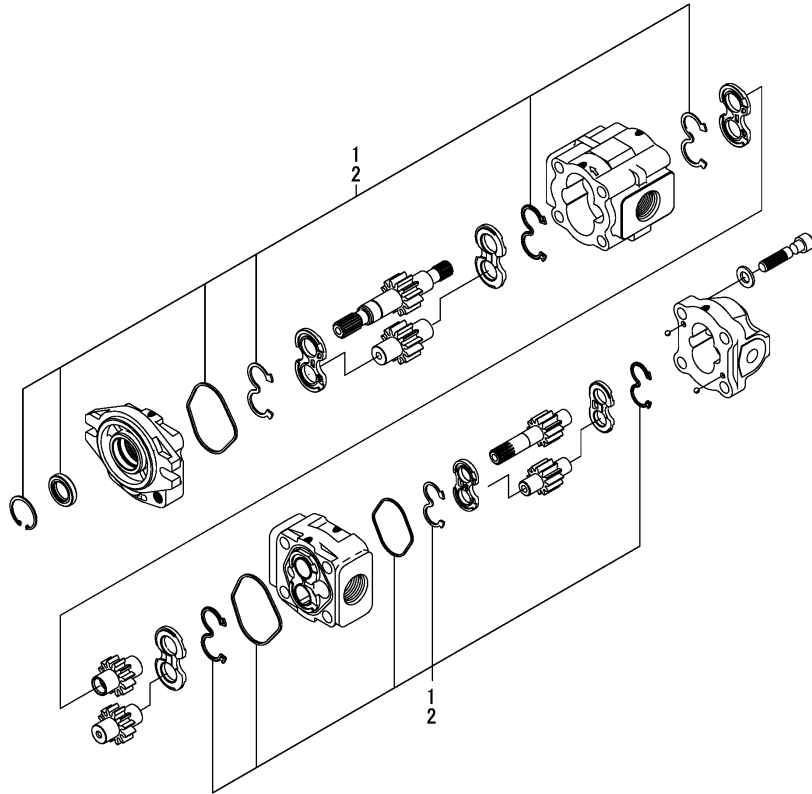
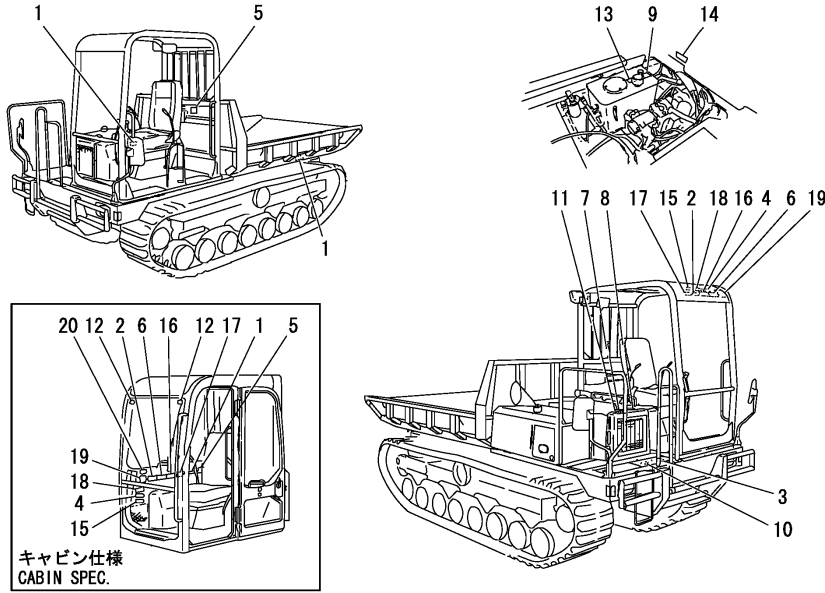


Fig.106. SAFETY LABEL

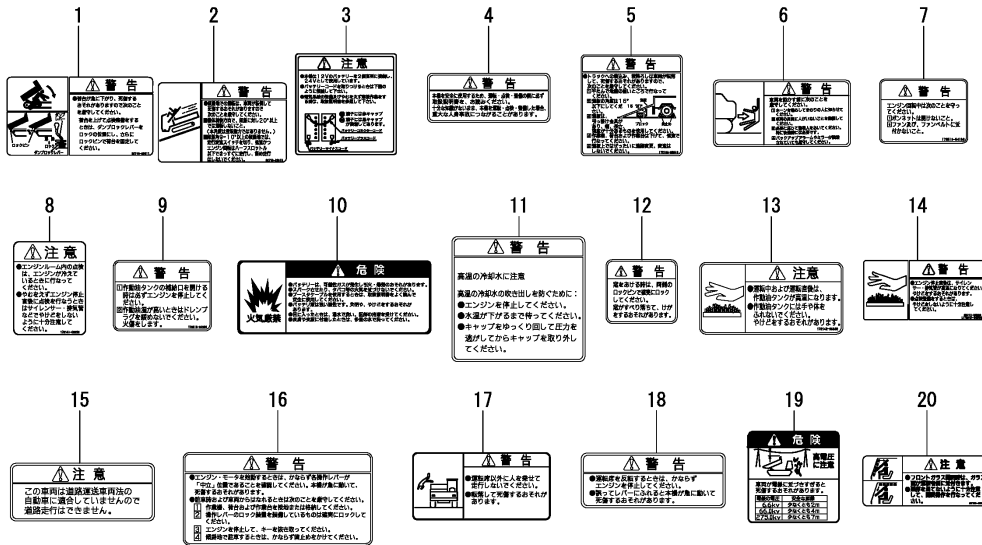
(A)=C50R-3
(B)=C50R-3A
(C)=

(D)=
(E)=
(F)=



No.	Lev.	Parts No.	Description	Q'ty						I	R
				(A)	(B)	(C)	(D)	(E)	(F)		
1	1	E0871083611	LABEL	2	2						
2	1	E0871083615	LABEL	1	1						
3	1	E0569335020	LABEL,WARNING	1	1						
4	1	E0871082040	LABEL,WARNING	1	1						
5	1	E0871082060	LABEL,WARNING	1	1						
6	1	E0871082090	LABEL,WARNING	1	1						
7	1	E0871082120	LABEL,WARNING	1	1						
8	1	E0871082130	LABEL,CAUTION	1	1						
9	1	E0871082140	LABEL,WARNING	1	1						
10	1	E0871082170	LABEL,DANGER	1	1						
11	1	E0871082190	LABEL,WARNING	1	1						
12	1	E0871082210	LABEL,WARNING	2	2						
13	1	E0871082220	LABEL,CAUTION	1	1						
14	1	E0871082280	LABEL,WARNING	1	1						
15	1	E0871082290	LABEL,CAUTION	1	1						
16	1	E0872930090	LABEL,ENGINE	1	1						
17	1	E0872930120	LABEL	1	1						
18	1	E0872930140	LABEL,ENGINE STOP	1	1						
19	1	E0872930160	LABEL,HIGH VOLTAGE	1	1						
20	1	E0872932040	CAUTION,WINDSHIELD	1	1						

安全銘板の貼付け位置は、取扱説明書をご参照下さい



Parts No. Index

Parts No.	Fig. No.	Ref. No.
119129-77920	19	9
119802-55700	43	21
119840-59601	43	25
121470-44900	17	77
121521-49100	17	63
123655-44600	17	62
123911-12040	16	67
123911-12500	16	66
123911-13510	16	71
123911-13550	16	72
123911-13650	16	73
123911-13660	16	74
123911-13670	16	75
123911-49010	17	59
123911-49020	17	60
123930-44500	17	58
123930-44900	17	78
124550-77030	22	11
	23	11
124612-77920	22	13
	23	13
129400-13201	16	76
129535-52100	43	47
129535-52150	43	47 A
129612-77910	23	45
129612-77920	23	44
129900-77100	22	35
	23	35
129953-52100	43	47 -1
148616-44510	17	64
148616-44551	17	65
172660-14140	42	2 -1
	43	2 -1
23000-060000	17	61
23000-080162	16	70
23000-102000	16	68
23000-115000	16	69
523930-44910	17	78 -1
933110-00200	19	10
933110-00300	19	10 A
	60	15 A
977620-30871	84	4
	85	4
977620-30872	84	4 -1
	85	4 -1
977620-30N31	84	2
	85	2
977620-30N41	84	6
	85	6
977620-40500	84	9

Parts No.	Fig. No.	Ref. No.
977620-40500	85	9
977620-40720	84	7
	85	7
977620-40820	84	1
	85	1
977620-40830	84	5
	85	5
977620-40870	84	3
	85	3
977620-40871	84	3 -1
	85	3 -1
E0001504010	73	11
E0001794014	73	6 -1
E0002400052	1	1
	11	2
E0002400053	5	9 A
E0003600020	44	53 A
	46	64 A
	73	24
E0003600025	15	13
	17	50
	45	41
	46	49
E0003600033	74	18
E0003600036	5	18
E0003600057	73	13
E0003600128	42	20
	43	20
E0003600130	42	40
	43	40
E0003600131	42	40 A
	43	40 A
E0003600132	42	40 B
	43	40 B
E0003600138	17	51
E0003600142	72	30
	74	37
E0003600143	72	31
	74	38
E0003600166	73	12
E0003608252	15	33
	20	23
E0003612004	1	42
	2	1
E0003900035	39	26
E0003900039	39	26 -1
E0004006017	15	14
		14 A
E0004008015	13	17
E0004015001	75	6

Parts No.	Fig. No.	Ref. No.
E0004015002	75	7
E0005500009	15	15
		15 A
E0005515050	75	8
E0007000016	50	6
E0007000092	75	13
E0007000096	58	24
E0007000110	13	23
E0007203034	32	41
	33	39
E0007203064	32	3
	33	5
E0007203078	13	27
E0007213043	39	28
E0007224009	62	8
	70	31
E0007262005	31	3
E0007300001	21	18
E0007300013	43	49
E0007300019	66	6
E0007300035	21	25
E0007900020	20	6
E0068228700	52	8
E0068620400	60	14
E0068620500	58	28
E0068621300	58	61
E0068621500	60	24
E0083252100	15	11
E0093208300	15	12
	75	10
E0097022400	38	22
E0143283500	15	16
E0163209400	13	51
E0173216600	11	5
E0189311800	62	38
	70	43
E0324262129	21	32
E0335120970	13	38
E0337017300	22	29
	23	29
	62	28
	70	38
E0338630541	60	1 B
E0338630870	58	16
E0338630880	58	36
E0338630910	58	19
E0338630920	58	21
E0338630930	58	37
E0338630960	58	20
E0339375460	81	43

Parts No.	Fig. No.	Ref. No.
E0339375460	82	43
E0353205032	75	9
E0357007350	34	37
	36	37
E0359306600	81	42
	82	42
E0359306700	77	48
	78	48
	79	48
	80	48
	81	44
	82	44
E0359317200	77	18
	78	18
	79	18
	80	18
	81	40
	82	40
E0363214700	15	17
E0373508010	51	13
	52	13
E0378601420	58	14
E0378601600	57	7
E0378601610	57	8
E0398610900	60	25
E0416100800	72	11
	73	14
	74	11
E0416100900	72	12
	73	15
	74	12
E0433503100	51	6
	52	6
E0433503200	51	7
	52	7
E0437200100	21	27
E0438000300	40	2
	41	2
E0438101500	42	3
	43	3
E0438601760	58	26
E0438601770	57	27
E0468604400	60	12
E0468605031	59	8
E0468605032	59	9
E0468605033	59	10
E0543208900	62	35
	68	26
	70	40
E0562016100	9	4

Parts No. Index

Parts No.	Fig. No.	Ref. No.
E0564226830	19	58
E0564226840	19	57
E0564242010	21	28
E0564412300	22	41
	23	41
E0568222800	44	58
E0568601200	58	5
E0568621800	59	3
E0568621900	59	4
E0568622200	59	5
E0568622300	59	7
E0568622400	59	6
E0568623300	60	3
E0568623400	60	7
E0568623500	60	8
E0568623600	60	9
E0568626600	57	17
E0568630600	60	6
E0568630800	60	5
E0568630900	60	4
E0568633200	57	15
E0568633300	58	13
E0568634100	57	22
E0568634400	58	23
E0568639330	59	2
E0568639430	60	2
E0568639510	57	2
E0568639512	57	3
E0568639513	57	4
E0568639540	57	13
E0568644300	58	15
E0568648162	58	78 A
E0568648163	58	79 A
E0569335020	77	21
	78	21
	79	21
	80	21
	106	3
E0860124500	4	5
E0868605400	76	1
E0868605626	74	1 A
E0868605627	74	1 B
E0870121800	4	1
E0870121900	4	2
E0870138460	5	16
E0870431810	19	12
E0870431820	19	62
E0870604502	72	17
	74	19
E0870604540	72	9

Parts No.	Fig. No.	Ref. No.
E0870604540	73	9
E0870604550	72	10
	73	10
E0870604590	73	2
E0870703050	32	42
	33	33
E0870811519	42	7
E0870821517	44	39
E0871081002	77	3 B
	78	3 B
	79	3 A
	80	3 A
	81	5 A
	82	5 A
E0871081004	77	5
	78	5
	79	5
	80	5
	81	6
	82	6
E0871082040	77	22
	78	22
	79	22
	80	22
	106	4
E0871082060	77	23
	78	23
	79	23
	80	23
	106	5
E0871082090	77	24
	78	24
	79	24
	80	24
	106	6
E0871082120	77	25
	78	25
	79	25
	80	25
	106	7
E0871082130	77	26
	78	26
	79	26
	80	26
	106	8
E0871082140	77	27
	78	27
	79	27
	80	27
	106	9

Parts No.	Fig. No.	Ref. No.
E0871082160	83	10
E0871082170	77	29
	78	29
	79	29
	80	29
	106	10
E0871082190	77	30
	78	30
	79	30
	80	30
	106	11
E0871082210	77	31
	78	31
	79	31
	80	31
	106	12
E0871082220	77	32
	78	32
	79	32
	80	32
	106	13
E0871082240	77	33
	78	33
	79	33
	80	33
E0871082250	77	34
	78	34
	79	34
	80	34
E0871082260	77	35
	78	35
	79	35
	80	35
E0871082280	77	36
	78	36
	79	36
	80	36
	106	14
E0871082290	77	37
	78	37
	79	37
	80	37
	106	15
E0871082360	77	38
	78	38
E0871083600	77	1
	78	1
E0871083601	77	3 A
	78	3 A
	79	3

Parts No.	Fig. No.	Ref. No.
E0871083601	80	3
	81	5
	82	5
E0871083605	77	6
	78	6
	79	6
	80	6
	81	6 A
	82	6 A
E0871083607	77	7
		7 A-1
	78	7
		7 A-1
	79	7
	80	7
E0871083608	77	8
	78	8
	79	8
	80	8
E0871083609	77	9
	78	9
	79	9
	80	9
	81	9
	82	9
E0871083610	77	10
	78	10
	79	10
	80	10
	81	10
	82	10
E0871083611	77	11
	78	11
	79	11
	80	11
	106	1
E0871083612	77	12
	78	12
	79	12
	80	12
E0871083613	77	13
	78	13
	79	13
	80	13
	81	13
	82	13
E0871083614	48	24
	63	24
E0871083615	77	15
	78	15

Parts No. Index

Parts No.	Fig. No.	Ref. No.
E0871083615	79	15
	80	15
	106	2
E0871083616	77	16
	78	16
	81	16
	82	16
E0871083617	77	17
	78	17
	79	17
	80	17
E0871083700	77	2
	78	2
E0871083703	77	4
	78	4
	79	4
	80	4
	81	5 B
	82	5 B
E0871083800	79	1
	80	1
E0871083816	79	16
	80	16
	81	16 A
	82	16 A
E0871083900	79	2
	80	2
E0871084000	81	1
	82	1
E0871084007	81	7
	82	7
E0871084008	81	8
	82	8
E0871084011	81	11
	82	11
E0871084012	81	12
	82	12
E0871084014	81	14
	82	14
E0871084015	81	15
	82	15
E0871084017	81	17
	82	17
E0871084019	81	19
	82	19
E0871084020	81	20
	82	20
E0871084021	81	21
	82	21
E0871084022	81	22

Parts No.	Fig. No.	Ref. No.
E0871084022	82	22
E0871084023	81	23
	82	23
E0871084024	81	24
	82	24
E0871084025	81	25
	82	25
E0871084026	81	26
	82	26
E0871084027	81	27
	82	27
E0871084028	81	28
	82	28
E0871084029	81	29
	82	29
E0871084030	81	30
	82	30
E0871084031	81	31
	82	31
E0871084032	81	32
	82	32
E0871084033	81	33
	82	33
E0871084034	81	34
	82	34
E0871084050	83	11
E0871084100	81	3
	82	3
E0871084133	81	33 A
	82	33 A
E0871084200	81	2
	82	2
E0871084300	81	4
	82	4
E0871084350	81	36
	82	36
E0871084500	77	1 A
	78	1 A
E0871084507	77	7 A
	78	7 A
	79	7 A
	80	7 A
E0871084547	77	5 -1
	78	5 -1
	79	5 -1
	80	5 -1
	81	6 -1
	82	6 -1
E0871084548	77	6 -1
	78	6 -1

Parts No.	Fig. No.	Ref. No.
E0871084548	79	6 -1
	80	6 -1
	81	6 A-1
	82	6 A-1
E0871084600	77	2 A
	78	2 A
E0871084607	79	7 A-1
	80	7 A-1
E0871084800	79	1 A
	80	1 A
E0871084900	79	2 A
	80	2 A
E0871085000	81	1 A
	82	1 A
E0871085007	81	7 A
	82	7 A
E0871085100	81	3 A
	82	3 A
E0871085200	81	2 A
	82	2 A
E0871085300	81	4 A
	82	4 A
E0871085400	81	4 B
	82	4 B
E0871085500	81	4 C
	82	4 C
E0871100416	1	34
E0871107504	1	4
	2	4
E0871107505	1	5
	2	5
E0871107619	1	36
	2	36
E0871107620	1	37
E0871108603	1	3
	2	3
E0871108606	1	6
		6 -1
	2	6
		6 -1
E0871108610	1	10
	2	10
E0871108611	1	11
	2	11
E0871108614	1	14 -1
	2	14 -1
	72	7 -2
	74	9 -1
E0871108620	1	8
	2	8

Parts No.	Fig. No.	Ref. No.
E0871108630	1	13
	2	13
E0871108634	1	34 -1
	2	34
E0871108638	1	38 -1
	2	38
E0871150800	7	2
E0871152600	7	1
E0871152700	7	1 A
E0871162600	8	1
E0871220010	11	4
E0871220020	11	1
E0871324120	15	2
E0871324130	15	3
E0871324150	15	4
E0871324170	15	6
E0871325100	15	1
E0871325120	15	5
E0871325130	15	7
E0871325140	15	8
E0871325150	15	9
E0871325160	15	9 -1
E0871341560	53	4
E0871341910	55	1
E0871351040	51	2
E0871351510	51	1
E0871351530	51	3
E0871351540	51	4 -1
	52	4
E0871351550	52	1
E0871351560	52	2
E0871351570	52	3
E0871351590	51	9
	52	9
E0871351660	51	16
E0871351670	51	17
E0871402110	18	1
E0871402120	18	1 -1
E0871402510	18	8
E0871402610	18	12
E0871402810	18	15
E0871403010	16	1
E0871403060	17	5 -1
E0871411610	20	1
E0871411650	20	5
E0871411720	20	2
E0871411740	20	4
E0871411820	20	2 A
E0871411830	20	2 A-1
E0871423120	21	11

Parts No. Index

Parts No.	Fig. No.	Ref. No.
E0871423210	24	2
E0871423220	24	13
E0871423310	21	1
E0871423320	21	5
E0871423330	21	10
E0871423335	21	12
E0871423410	24	13 -1
E0871423420	24	19
E0871423430	24	1 -1
E0871423460	24	2 -1
E0871423510	21	13
E0871423610	21	1 A
E0871423620	21	5 A
E0871423630	21	10 A
E0871423640	21	11 A
E0871433020	19	2
E0871433030	19	6
E0871433240	19	7
E0871433410	19	1
E0871433420	19	56
E0871433435	19	13
E0871433440	19	8
E0871433450	19	55
E0871433470	19	1 -1
E0871433480	19	2 -1
E0871433485	19	6 -1
E0871441610	22	2
E0871441620	22	3
E0871441630	22	36
	23	36
E0871441640	22	37
E0871441650	22	39
	23	39
E0871441660	22	1 -1
	23	1
E0871441710	23	2
E0871441740	23	37
E0871451000	62	1
E0871451013	62	2 C
		2 C-1
		2 C-2
	69	1 D
E0871451016	62	26
	69	29
E0871451017	62	27
E0871451030	62	7
E0871451050	62	30
	70	30
E0871451060	62	2 A

Parts No.	Fig. No.	Ref. No.
E0871451064	62	29
E0871451070	62	3
E0871451080	62	2
E0871451082	62	2 B
E0871451083	62	2 D
		2 D-1
E0871451085	62	2 E-1
E0871451090	62	4
	68	3
E0871451091	62	4 A
	68	3 A
E0871451092	62	4 C
	68	3 C
E0871451093	62	4 D
	68	3 D
E0871451094	62	4 C-1
	70	3 C
E0871451096	62	4 B-1
	70	3 B
E0871451100	62	36
E0871451130	62	7 A
E0871451140	63	1
E0871451150	63	1 A
E0871451160	62	7 -1
E0871451161	62	7 B
E0871451510	64	12
E0871451600	62	2 -1
E0871451601	62	2 B-1
E0871451602	62	2 G
E0871451700	62	2 A-1
E0871451800	62	29 -1
E0871460535	65	1
E0871460540	65	2
E0871460550	65	3
E0871460565	65	4
E0871460703	67	3
E0871460704	67	4
E0871460760	67	1
E0871460780	67	5
E0871460810	68	1
E0871460820	68	2
E0871460830	70	3 A
E0871460840	62	5
	68	4
	70	4
E0871460841	62	5 A
	68	4 A
	70	4 A
E0871460845	62	5 B
	68	4 B

Parts No.	Fig. No.	Ref. No.
E0871460845	70	4 B
E0871460850	62	6
	68	5
	70	5
E0871460860	68	8
	69	8
E0871460865	68	9
	69	9
E0871460870	68	10
	69	10
E0871460910	66	1
E0871460920	66	2
E0871460930	66	3
E0871460940	66	4
E0871460950	66	5
E0871460960	66	12
E0871461000	69	1
E0871461010	69	1 A
E0871461020	69	1 B
E0871461021	69	1 C
E0871461030	70	24
E0871461035	70	25
E0871461040	69	26
E0871461050	70	3
E0871461060	70	28
E0871461070	69	46
E0871461080	70	2
E0871461110	71	1
E0871461120	71	2
E0871470410	28	6
E0871470420	28	7
E0871490210	26	10
E0871500531	32	12
	33	14
E0871500870	32	35
	33	34
E0871500875	32	35 -1
	33	34 -1
E0871500890	32	40
	33	58
E0871513010	13	1
E0871513020	13	2
E0871513030	13	3
E0871513050	13	5
E0871513060	13	6
E0871513070	13	7
E0871513080	13	8
E0871513090	13	9
E0871513110	13	11
E0871513120	13	12

Parts No.	Fig. No.	Ref. No.
E0871513130	13	13
E0871513140	13	14
E0871513150	13	50
E0871514040	13	4
E0871514100	13	10
E0871520710	39	3
E0871520760	39	3 -1
E0871601560	72	3
	74	5
E0871601570	72	4
	74	6
E0871601580	72	5
	74	7
E0871601590	72	6
	74	8
E0871601600	72	7
E0871602010	72	8
E0871604510	74	2
E0871604530	74	3
E0871604840	72	2
	74	4
E0871604850	72	3 -1
	74	5 -1
E0871604860	72	4 -1
	74	6 -1
E0871604900	74	1
E0871605008	72	8 -1
E0871605100	72	1
E0871620520	75	1
E0871620550	75	2 -1
E0871690000	74	2 A
E0871706060	37	8
E0871706250	37	27
E0871706260	36	28
E0871706270	37	29
E0871706280	37	30
E0871706290	37	31
E0871706300	37	32
E0871706310	36	10
E0871706320	36	11
E0871707510	35	1
	37	1
E0871707520	35	2
	37	2
E0871707530	35	3
	37	3
E0871707540	35	4
	37	4
E0871707550	34	5
	36	5

Parts No. Index

Parts No.	Fig. No.	Ref. No.
E0871707560	34	6
	36	6
E0871707570	35	7
	37	7
E0871707580	35	8
E0871707590	35	9
E0871707600	34	10
E0871707610	34	11
E0871707620	34	12
	36	12
E0871707630	34	13
	36	13
E0871707640	34	14
	36	14
E0871707650	35	15
	37	15
E0871707660	35	16
	37	16
E0871707670	34	17
	36	17
E0871707680	34	18
	36	18
E0871707690	34	19
	36	19
E0871707700	34	20
	36	20
E0871707710	34	21
	36	21
E0871707720	34	22
	36	22
E0871707730	34	23
	36	23
E0871707740	34	24
	36	24
E0871707750	34	25
	36	25
E0871707770	35	27
E0871707780	34	28
E0871707790	35	29
E0871707800	35	30
E0871707810	35	31
E0871707820	35	32
E0871707850	34	35
	36	35
E0871707860	34	36
	36	36
E0871712510	14	1
E0871712520	14	2
E0871712530	14	3
E0871712540	14	4

Parts No.	Fig. No.	Ref. No.
E0871712550	14	5
E0871712560	14	6
E0871712570	14	7
E0871712580	14	8
E0871712590	14	9
E0871712600	14	10
E0871712610	14	14
E0871720010	38	1
E0871720020	38	2
E0871720030	38	3
E0871720040	38	4
E0871720050	38	5
E0871720060	38	6
E0871720070	38	7
E0871720160	38	16
E0871720170	38	17
E0871720200	38	20
E0871802100	40	1
	41	1
E0871812055	42	55
	43	55
E0871812100	42	1
	43	1
E0871812512	42	12
E0871812900	42	1 -1
	43	1 -1
E0871824208	48	8
	63	8
E0871824241	48	21
	63	21
E0871824243	48	23
E0871824270	48	11
E0871824324	45	15
	46	14
E0871824410	44	14
E0871824423	44	26
	45	33
	46	41
E0871824500	45	25
	46	33
E0871824510	45	26
	46	34
E0871825104	48	4
	63	4
E0871825105	48	5
	63	5
E0871825116	48	16
	63	16
E0871825510	45	38
	46	46

Parts No.	Fig. No.	Ref. No.
E0871825520	45	40
	46	48
E0871826090	46	45
E0871826100	44	4
	48	1
E0871826103	48	3
	63	3
E0871826106	48	6
	63	6
E0871826107	48	7
	63	7
E0871826109	48	9
	63	9
E0871826110	48	10
	63	10
E0871826112	48	12
	63	12
E0871826113	48	13
	63	13
E0871826114	48	14 -1
	63	14
E0871826115	48	9 -1
E0871826122	48	22
	63	22
E0871826130	48	1 A
E0871826140	48	1 A-1
E0871826200	45	62
E0871826300	45	1
E0871826310	45	2
E0871826350	45	16
	46	15
E0871826357	46	19
E0871826358	46	20
E0871826359	46	21
E0871826360	45	17
	46	16
E0871826400	44	13
E0871826402	46	24
E0871826403	46	25
E0871826404	46	26
E0871826610	47	3
E0871826680	44	10
E0871826681	44	11
E0871826682	44	12
E0871826710	47	1
E0871826711	47	2
E0871826800	46	22
E0871826810	46	23
E0871827400	46	1
E0871827402	46	3

Parts No.	Fig. No.	Ref. No.
E0871827420	46	2
E0871827700	46	67
E0871827710	46	68
E0871844300	61	2
E0871844400	61	3
E0871844600	61	1
E0871844700	61	1 -1
E0871851520	49	2
E0871861650	44	25
	45	11
		32
	46	10
		40
	60	15
E0871866040	56	7
E0871866500	56	1
E0871866610	58	4
	60	10
E0871866611	60	11
E0871866620	58	78
E0871866630	58	79
E0871866650	57	18
E0871866670	57	12 A
E0871866800	59	1
E0871866810	59	1 A
E0871866830	59	15
E0871866840	59	16
E0871866900	60	1
E0871866950	60	1 A
E0871867000	56	2 A
E0871867500	56	1 A
E0871891100	29	10
E0871921000	83	1
E0872106340	1	12
	2	12
E0872107070	1	41
	2	41
E0872108110	1	40
	2	40
E0872123600	4	1 A
E0872123800	4	3
E0872123900	4	4
E0872153630	7	3
E0872433150	21	16
	22	30
	23	30
	24	8
E0872433300	19	24
E0872433350	19	24 B
E0872453510	64	1 -2

Parts No. Index

Parts No.	Fig. No.	Ref. No.
E0872464050	69	48
E0872472210	28	1
E0872494020	26	2
E0872494030	26	3
E0872605070	74	10
E0872622550	75	2
E0872622600	75	3
E0872622650	75	4
E0872622660	75	5
E0872702300	17	24
E0872704110	38	23
E0872812032	42	18
E0872812033	42	19
E0872822013	45	64
E0872822550	44	37
E0872822800	44	15
E0872823009	44	37 A
	45	39
	46	47
E0872823850	44	17
E0872824000	44	38
	45	39 A
	46	47 A
E0872862406	58	84
E0872871090	50	13
E0872930090	77	39
	78	39
	79	39
	80	39
	106	16
E0872930120	77	40
	78	40
	79	40
	80	40
	106	17
E0872930140	77	41
	78	41
	79	41
	80	41
	106	18
E0872930160	77	42
	78	42
	79	42
	80	42
	106	19
E0872932040	77	43
	78	43
	79	43
	80	43
	106	20

Parts No.	Fig. No.	Ref. No.
E0874030340	81	35
	82	35
E0874100009	1	9
	2	9
E0874100014	1	14
	2	14
	72	7 -1
	74	9
E0874100039	1	38
E0874100040	1	39
E0874100400	1	33
	2	33
E0874100401	1	33 A
	2	33 A
E0874100402	1	33 B
	2	33 B
E0874100403	1	33 C
	2	33 C
E0874100404	1	33 D
	2	33 D
E0874100405	1	33 E
	2	33 E
E0874100406	1	33 F
	2	33 F
E0874100407	1	33 G
	2	33 G
E0874100420	1	35
	2	35
E0874101004	1	4 -1
	2	4 -1
E0874101016	1	15
	2	15
E0874130010	5	15
E0874130100	5	1
E0874130110	5	1 A
E0874130120	5	2
E0874130130	5	3
E0874130140	5	4
E0874130150	5	5
E0874130160	5	6
E0874130170	5	7
E0874130180	5	8
E0874130200	5	9
E0874140100	6	1
E0874140110	6	1 A
E0874140130	6	3
E0874140140	6	4
E0874210010	10	1
E0874220008	11	6
E0874220009	11	7

Parts No.	Fig. No.	Ref. No.
E0874240010	31	1
E0874350004	51	5
	52	5
E0874350050	51	4
E0874400200	16	2
E0874400300	16	3
E0874400400	17	4
E0874400450	17	5
E0874400500	17	6
E0874400600	17	7
E0874400800	17	9
E0874400850	17	10
E0874400902	18	4
E0874400910	18	3
E0874400960	18	5
E0874401100	17	15
E0874401150	17	16
E0874401200	17	17
E0874401250	16	18
E0874401270	17	19
E0874401280	17	20
E0874401290	17	21
E0874410060	20	3
E0874420140	24	20
E0874420180	24	1
E0874440210	23	41 -1
E0874450510	64	1
E0874453510	64	1 -1
E0874490220	26	1
E0874600003	73	3
E0874600004	73	4
E0874600007	72	18
	73	7
	74	20
E0874600008	73	8
E0874600050	73	5
E0874600400	73	1
E0874600500	73	6
		33
E0874720100	38	10
E0874720110	38	11
E0874720120	38	12
E0874720130	38	13
E0874720140	38	14
E0874720150	38	15
E0874720180	38	18
E0874720190	38	19
E0874810054	42	54
	43	54
E0874820100	44	1

Parts No.	Fig. No.	Ref. No.
E0874820110	44	2
E0874820202	48	2
	63	2
E0874820214	48	14
E0874820215	48	15
E0874820360	45	3
E0874820365	45	4
E0874820415	45	18
E0874820416	45	19
E0874820418	45	20
	46	17
E0874820419	45	21
	46	18
E0874820500	44	5
E0874820502	44	7
E0874820503	44	8
E0874820510	44	6
E0874820550	45	22
	46	30
E0874820551	45	23
	46	31
E0874820552	45	24
	46	32
E0874820700	44	9
E0874820720	44	10 A
E0874820721	44	11 A
E0874820722	44	12 A
E0874820750	44	30
E0874820751	44	31
E0874820760	44	33
E0874820761	44	34
E0874820765	45	37
E0874820770	44	36
E0874820800	45	59
E0874820802	45	61
	46	69
E0874820810	45	60
E0874820910	44	56
E0874820920	44	57
E0874850010	49	1
E0874850510	49	2 A
E0874860120	57	1
E0874860130	57	14
E0874871100	50	1
E0874871110	50	2
E0874871120	50	3
E0877440010	22	1
E0880821355	51	8
E0881140320	6	2
E0881140350	6	5

Parts No. Index

Parts No.	Fig. No.	Ref. No.
E0881140360	6	6
E0881400210	16	22
E0881520100	39	1
E0881520200	39	2
E0881520201	39	2 A
E0881520202	39	2 B
E0881521400	39	1 -1
E0881521450	39	1 -2
E100040820	20	21
E1100040510	20	10
E1100040512	45	29
	46	37
E1100040514	45	8
	46	7
E1100040610	48	17
		17 -1
		17 -2
	62	19
	63	17
	68	24
	70	12
E1100040612	22	38
		43
	23	38
		43
	44	18
		41
	45	45
	46	52
E1100040614	32	13
	33	15
E1100040616	15	26
		26 A
	17	34
	19	40
		40 -1
	24	14
	43	44
	62	18
	67	12
	68	11
	69	11
	70	11
E1100040620	22	15
		15 -1
	23	15
	48	25
	63	25
	74	24
E1100040812	26	6

Parts No.	Fig. No.	Ref. No.
E1100040814	1	18
	2	18
E1100040816	17	35
		35 -1
	19	42
	22	16
	23	16
	30	3
	42	28
	43	28
	44	42
	61	10
	62	17
	66	9
	67	13
	68	13
	69	13
	70	13
E1100040818	1	19
	2	19
E1100040820	13	33
	15	29
	16	36
	17	36
	21	20
	24	6
		6 -1
	32	43
		43 -1
	33	40
		40 -1
	38	24
	44	43
	45	46
	46	53
	53	2
	55	3
	64	13
	72	21
	74	25
E1100040825	20	12
	24	21
	47	5
	58	56
	96	7
E1100040830	16	37
	32	44
	33	41
E1100040860	11	8
	32	45

Parts No.	Fig. No.	Ref. No.
E1100040860	33	42
E1100040865	32	46
	33	53
	42	29
	43	29
E1100040870	11	8 -1
E1100040895	32	47
	33	51
E1100041014	4	12
	32	48
	33	43
E1100041016	21	19
	40	5
	41	3
	45	50
	46	57
	62	39
	66	17
	69	21
E1100041020	1	20
	2	20
	13	35
	14	15
	16	38
	20	11
		11 -1
	22	17
	23	17
	32	49
	42	30 A
	43	30 A
	44	44
	45	47
	46	54
	57	54
	62	16
		16 -1
	66	11
	68	14
	69	14
	71	4
	73	25
E1100041025	1	21
	2	21
	13	36
	16	82
	32	50
	33	45
	42	30
	43	30

Parts No.	Fig. No.	Ref. No.
E1100041025	44	45
	45	48
	46	55
	49	4
	50	7
	51	19
	66	10
	67	15
E1100041030	1	43
	2	2
	6	12
	13	37
	16	40
	17	40
	39	18
	42	31
	43	31
	61	11
	98	14
E1100041035	13	54
	33	44
	44	46
	66	18
E1100041060	72	22
	74	26
E1100041065	73	26
E1100041085	73	27
E1100041090	72	23
	74	27
E1100041220	71	5
	72	32
	73	34
E1100041225	1	22
		22 -1
	2	22
		22 -1
	16	41
		41 -1
	72	21 -1
	73	28
	74	25 -1
E1100041230	40	6
	41	4
	56	3
	61	12
E1100041235	66	19
E1100041245	6	15
	61	12 -1
E1100041430	1	23
	2	23

Parts No. Index

Parts No.	Fig. No.	Ref. No.
E1100041435	1	23 A
	2	23 A
E1100041440	7	4
E1100041635	8	3
E1100042245	72	25
	74	29
E1100050630	104	45
E1100090612	58	90
E1100090820	28	18
	57	55
	58	87
E1100091020	57	62
E1100141005	72	20
	74	28
E1100141630	16	43
E1100240625	15	27
E1100240635	15	28
E1100241025	75	14
E1100290616	60	28
E1100290820	59	25
E1100560612	48	27
	63	27
E1101041235	5	19
E1101041240	5	19 -1
E1101041440	10	2
E1101041650	12	1
E1101041670	4	14
E1101041680	9	5
E1101041685	9	5 -1
E1102240625	39	25
E1102240632	39	25 -1
E1102720838	39	19 -1
E1106041635	6	13
E1110020512	89	13
	90	5
	91	13
E1110020518	90	8
E1110020616	28	9
E1110020825	102	44
E1110020830	92	11
E1110021255	92	26
E1110040510	20	9
E1110040512	94	5
	95	9
E1110040520	15	40
E1110040820	13	39
E1110040830	44	55
E1110041025	13	40
E1110041030	102	79
E1110041440	102	74

Parts No.	Fig. No.	Ref. No.
E1110050620	104	23
E1110050630	104	24
E1110050660	104	42
E1110050820	97	7
E1110051230	103	49
		66
E1110051650	39	2 C
E1110090516	59	26
E1111021240	39	19
E1111041025	39	22
E1120530305	19	59
E1120530310	19	37
E1120530314	24	4
E1120530406	28	23
E1120530408	59	28
E1120530412	19	38
E1120530416	13	41
E1120530508	21	30
	44	19
E1120530512	19	39
	42	27
	43	27
E1120530516	19	39 -1
E1120530520	58	58
E1120530530	74	23 -1
E1120530608	60	31
E1120530612	60	29
E1120530614	29	6
E1120530616	58	76
	60	30
E1120530620	58	85
E1120540530	74	23
E1120590408	58	59
	59	29
E1120590510	89	12
	91	12
E1120590512	28	25
	29	9
	58	57
	64	7
E1120590516	28	10
E1120630514	45	7
	46	6
E1120690412	58	60
E1120730420	28	21
E1120790516	60	32
E1120800830	58	89
E1120990820	13	42
E1121040808	13	52
E1121050606	92	36

Parts No.	Fig. No.	Ref. No.
E1121050607	101	22
E1121050608	100	21
E1121240810	5	14
E1122410412	57	12
E1122410416	58	73
E1122420410	57	6 A
E1130020008	44	27
	45	12
		34
	46	11
E1130040005	19	43 A
	44	54
	45	58
	46	65
E1130040006	15	30
	19	43
		43 -1
	48	26
	63	26
E1130040008	13	31
	16	45
	17	45
	20	13
	22	18
	23	18
	24	22
	46	29
		42
		66
	49	8
	55	4
	62	31
	67	16
	69	47
	96	8
E1130040010	13	32
	16	46
	17	46
	20	16
	21	21
	22	19
	23	19
	60	38
	62	32
	68	23
	70	45
	72	29
	73	32
	74	36
E1130040016	51	10

Parts No.	Fig. No.	Ref. No.
E1130040016	52	10
E1130040020	76	2
E1130090010	57	63
	59	39
E1130140010	15	31
E1130540012	50	8
	75	16
E1130540014	20	17
E1130640020	75	15
E1131242006	60	39
E1131242008	59	38
	61	18
E1140010005	74	33
E1140010006	74	34
E1140010008	46	28
E1140010010	98	16
E1140020003	19	44
		60
	24	5
E1140020004	19	45
	28	24
	59	33
E1140020005	19	47
	21	31
	42	32
	43	32
	44	21
	45	9
		31
	46	8
		39
	58	65
E1140020006	17	52
	19	46
	22	20
	23	20
	24	15
	29	7
	32	14
	33	16
	44	20
		48
	45	51
	46	58
	48	18
		18 -1
		18 -2
	58	67
	60	34
	62	22

Parts No. Index

Parts No.	Fig. No.	Ref. No.	
E1140020006	63	18	
	67	17	
	68	15	
	69	15	
	70	15	
	74	30	
	E1140020008	1	24
			24 -1
		2	24
			24 -1
11		9	
13		43	
15		32	
16		53	
17		53	
		53 -1	
19		48	
20		22	
21		22	
22		21	
23		21	
24		7	
		7 -1	
26		7	
30		4	
32		51	
		51 -1	
33		46	
		46 -1	
38		25	
42		33	
		33 -1	
43	33		
	33 -1		
44	49		
45	52		
46	59		
47	4		
53	3		
55	5		
61	13		
62	21		
64	14		
66	14		
67	18		
68	16		
69	16		
70	16		
72	26		
74	31		

Parts No.	Fig. No.	Ref. No.
E1140020010	1	25
	2	25
	6	14
	13	44
	14	16
	16	54
	17	54
	20	14
		14 -1
	21	23
	22	22
	23	22
	32	52
	33	47
	39	20
	40	7
	41	5
	42	34
	43	34
	44	29
		50
	45	14
		36
		53
		54
	E1140020012	46
		44
		60
		61
49		5
50		10
51		18
61		14
62		20
66		16
		16 -1
67		19
68		17
69		17
70	17	
71	6	
73	29	
75	17	
1	26	
	26 -1	
2	26	
	26 -1	
5	20	
6	16	
16	55	

Parts No.	Fig. No.	Ref. No.	
E1140020012	40	8	
	41	6	
	50	9	
	56	4	
	61	15	
	66	20	
	71	7	
	72	26 -1	
	73	30	
	74	31 -1	
	E1140020014	1	27
		2	27
		7	5
	E1140020016	10	3
4		15	
16		56	
51		11	
52		11	
58		66	
E1140090004	59	34	
	28	12	
E1140090005	64	8	
	28	11	
E1140090006	60	33	
	13	45	
E1140090008	28	19	
	59	31	
E1140090010	57	64	
	24	16	
E1140330006	43	46	
	58	77	
E1140330008	26	9	
	16	32	
E1140330010	21	24	
	22	23	
	23	23	
	58	72	
	62	40	
	69	27	
E1140490010	39	24	
E1141110004	19	49	
E1141110005	44	23	
	45	10	
	30	30	
	46	9	
	38	38	
E1141110006	13	47	
	17	47	
	19	50 A	
	22	24	

Parts No.	Fig. No.	Ref. No.
E1141110006	23	24
	32	15
	33	17
	43	45
	44	22
		51
	48	19
		19 -1
	58	86
	60	36
	62	25
	63	19
		19 -1
	67	20
E1141110008	68	18
	69	18
	70	18
	75	20
	1	28
	2	28
	15	39
	16	48
		48 -1
	17	48
		48 -1
	19	50
	22	25
	23	25
24	12	
	12 -1	
30	5	
32	53	
	53 -1	
33	48	
	48 -1	
44	52	
45	55	
46	27	
	62	
47	6	
49	6	
55	6	
58	71	
61	16	
62	24	
64	15	
66	15	
67	21	
68	19	
69	19	

Parts No. Index

Parts No.	Fig. No.	Ref. No.
E1141110008	70	19
E1141110010	1	29
	2	29
	14	17
	16	49
	20	15
		15 -1
	22	26
	23	26
	32	54
	33	49
	40	9
	41	7
	42	35
	43	35
	44	28
		53
		53 -1
	45	13
		35
		56
		57
	46	12
		43
		63
		64
	49	7
	62	23
	67	22
	68	20
	69	20
	70	20
	71	8
	72	28
	73	31
	74	35
E1141110012	1	30
		30 -1
	2	30
		30 -1
	56	5
	61	17
	71	9
	72	33
	73	35
E1141110016	51	12
		12 -1
	52	12
	75	19
E1141110020	75	18

Parts No.	Fig. No.	Ref. No.
E1141110022	72	27
	74	32
E1141190004	58	69
E1141190005	28	14
	58	74
E1141190006	28	13
	58	91
	103	54
E1141190008	13	48
	28	20
	58	88
	59	36
E1141190010	57	68
E1141450008	39	21 -1
E1141550010	1	31
	2	31
	57	92
E1141550012	5	21
	39	21
	40	10
	41	8
E1141550014	1	32
	2	32
	20	18
E1141550016	8	5
		5 -1
	9	6
	12	2
E1150110614	29	6 -1
E1150410508	44	19 -1
E1210010428	17	33
E1210010563	75	22
E1212000412	103	46
E1212000414	102	83
E1213000325	15	23
E1213000510	39	2 D
E1213000520	15	24
E1213000525	15	25
E1213000836	13	20
E1213001026	6	11
E1214000006	13	18
	15	20
		20 A
E1214000008	45	43
E1214000012	75	21
E1220000012	13	49
E1220000030	4	10
E1220000035	72	16
	73	19
	74	16

Parts No.	Fig. No.	Ref. No.
E1220000042	103	12
E1220000055	97	6
E1221000037	103	36
E1221000060	100	17
E1221000062	4	8
E1221000065	4	9
E1221000072	98	13
E1224010004	44	24
E1224010006	15	34
	20	7
	44	47
	45	49
	46	56
E1224010008	45	44
	46	51
E1224100008	62	34
	68	25
	70	39
E1225000006	15	21
		21 A
E1225120014	20	19
E1300006206	4	7
E1305000004	5	10
E1305000005	6	7
E1332002022	13	21
E1333001010	92	33
E1333001515	15	3 A
E1333002020	75	3 A
E1333002025	15	1 A
E1333003525	101	17
E1333004530	100	15
E1340010060	15	22
		22 A
E1340600200	75	12
E1390020030	92	25
E1390020250	100	20
	101	21
E1390020500	92	14
E1410706316	101	19
E1420000070	96	9
E1420000120	89	10
	90	2
	91	10
E1420000160	94	6
	95	10
E1420000240	50	12
E1420000950	32	26
	33	28
E1420010070	92	10
E1420010100	93	6

Parts No.	Fig. No.	Ref. No.
E1420010100	93	8
	103	58
E1420010110	13	53
	32	55
	33	50
	94	7
	95	11
	102	81
E1420010120	103	59
E1420010140	92	9
	96	10
E1420010160	93	9
E1420010180	32	5
	33	7
E1420010200	95	12
E1420010240	103	57
E1420100400	6	9
	39	12
E1420100550	88	2
	89	9
	90	9
	91	9
E1420100600	4	11
E1420101250	40	13
	41	11
E1420110950	98	12
E1420300139	104	70
E1420310910	104	35
		38
E1420360152	39	13
E1420360322	5	12
E1420370906	39	15
E1420500220	90	6
E1421020120	103	60
E1421030120	90	3
E1421030950	32	27
	33	29
E1431203562	4	6
E1432200040	1	2
	5	9 B
	11	3
E1432200045	100	9
E1432500640	5	11
E1432500800	6	8
E1501300003	42	26
	43	26
E1501500003	42	8
E1501700003	40	21
	41	21
E1501710002	10	4

Parts No. Index

Parts No.	Fig. No.	Ref. No.
E1501710010	9	7
E1501710012	42	52
E1501750002	10	5
	39	31
	40	11
E1501750003	10	11
E1501750004	32	56
	33	59
	40	11 A
E1501750006	39	23
	42	53
E1501750010	40	14
		14 -1
	41	12
E1501810001	6	10
E1501810002	5	13
	96	11
	98	15
E1509001006	36	48
	41	9
E1511050002	10	6
E1511050006	36	49
	41	10
E1511150610	32	34
		34 A
	33	57
E1512330003	39	29
E1512330004	39	34
E1512340004	41	19
E1512350002	39	7
E1512350003	39	8
E1512370007	10	8
	73	23
E1512370008	13	28
E1512370010	8	7
	32	36
	33	35
E1512370032	39	10
E1512373007	32	16
	33	18
E1512373012	40	15
	41	13
E1512374002	38	30
E1513350022	39	11
E1513370044	38	30 -1
		30 -2
E1513390027	33	1
E1513390029	32	17
	33	19
E1513400021	31	2

Parts No.	Fig. No.	Ref. No.
E1513400022	72	13
	73	16
	74	13
E1515010041	10	10
	32	1
		8
	33	2
		10
	35	40
	73	21
E1515010042	40	12
E1515010043	8	10
E1515010050	10	11 -1
E1515010053	32	21
	33	23
E1515010130	13	29
E1515010131	10	12
E1515010132	40	12 -1
E1515012040	8	8
	10	9
	12	3
	32	7
		18
		37
	33	9
		20
		36
E1515012510	32	19
	33	21
E1515100110	32	6
	33	8
E1515100111	32	2 -1
	33	4 -1
E1515100136	13	30
E1515200063	39	6
E1515200067	39	9
E1515200108	39	5
E1515600200	12	4
	32	9
		29
		38
	33	3
		11
		31
		37
	38	29
	41	20
E1515600201	10	13
	12	5
	32	2

Parts No.	Fig. No.	Ref. No.
E1515600201	32	10
	33	4
		12
	73	22
E1515600203	8	9
E1515600574	17	25
E1515600576	12	6
E1515600579	32	22
	33	24
E1521500003	42	6
	43	6
E1530512090	39	32
E1530519135	34	26
	36	26
E1530538066	34	33 -1
	36	33 -1
E1530538068	34	33
	36	33
E1530538114	34	34
	36	34
E1531010004	19	11
	45	65
E1531010025	43	9 -1
E1531010027	42	9
	43	9
E1531010113	42	10
E1531110025	68	7
	69	7
E1531115060	17	82
E1531207006	43	16 -1
E1531207025	42	16
	43	16
E1531207034	43	14
E1531207085	42	11
E1531207110	42	15
E1531207160	43	15
E1531207170	43	11
E1531212100	17	30
E1531212138	17	29
E1531325010	43	48
E1531325030	14	18
E1531325040	34	39
	36	39
E1531325050	23	40
E1531335020	34	42
	36	42
E1531335050	34	41
	36	41
E1531345020	69	49
E1531345030	62	15

Parts No.	Fig. No.	Ref. No.
E1531345040	70	37
E1531345050	70	36
E1531345100	62	13
	70	35
E1531360015	38	26
E1531360050	14	13
E1531407065	17	80
E1531407070	17	80 -1
E1531407100	17	30 -1
E1531407138	17	29 -1
E1532215030	22	40
E1532218032	65	8
E1532218126	65	5
E1532218132	65	6
E1532218165	65	7
E1532224015	20	24
E1532224030	34	23 A
	36	23 A
E1532224100	34	35 A
	36	35 A
E1533001014	68	6
	69	6
E1533120011	17	31
		31 -1
		81
	42	24
	43	24
		24 -1
E1533120012	17	88
E1533201012	49	3
E1533700013	34	43
	36	43
E1533700016	14	11
E1533700017	42	23
	43	23
E1533700019	34	44
	36	44
E1533700025	39	33
E1533700035	34	45
		45 -1
	36	45
		45 -1
E1533700054	34	46
	36	46
E1533700060	34	47
	36	47
E1533700070	64	11
E1540141010	40	16
	41	14
E1541400510	4	13

Parts No. Index

Parts No.	Fig. No.	Ref. No.
E1550210340	40	17
	41	15
E1551000300	32	31
	33	54
E1551000310	32	32
	33	55
E1551000320	32	33
	33	56
E1551102800	32	23
	33	25
E1551102801	32	24
	33	26
E1551102802	32	25
	33	27
E1551102805	32	28
	33	30
E1552000800	40	18 -1
	41	16
E1552000801	40	18
E1552000830	40	19
	41	16 A
E1552002012	42	5
	43	5
E1552100900	42	4
	43	4
E1553020612	40	20
	41	17
E1553200600	42	2
	43	2
E1560001000	5	17
	31	4
	72	14
	73	17
	74	14
E1560001675	1	17
	72	15
	73	18
	74	15
E1560011006	50	11
	75	11
E1567325000	64	5
E1567415050	64	4
E1567415095	64	3
E1621002040	66	8
E1621002041	66	8 -1
E1630785210	15	18
		18 A
E1650132050	20	8
E1650153655	15	35
E1650202300	13	19

Parts No.	Fig. No.	Ref. No.
E1650202300	15	36 -1
E1650202700	15	36
E1650204100	13	16
E1650204200	13	15
E1651014003	17	27
E1651030005	16	26
E1651101028	59	23
E1651101042	57	35
E1652000602	58	81
E1652001002	29	5
	58	82
	59	14
E1652001401	19	51 -1
E1652001402	42	13
E1652001602	58	80
E1652022506	32	57
	33	52
E1652041515	28	8
E1652042515	58	75
E1652051200	58	53
E1652051600	58	29
E1652051800	19	51
E1652052000	15	38
E1652052600	19	52 -1
E1652053200	15	37
	60	26
E1652060022	19	51 A
E1652060031	58	51
E1652060063	19	18
	51	20
	52	20
E1652102320	58	39
E1652103225	74	17
E1652200003	19	61
E1652201003	28	17
E1652201004	22	32
	23	32
E1652201007	14	12
	38	28
E1652221050	28	22
	29	8
	58	70
E1652231100	24	10
		10 -1
E1652231140	21	26
		26 A
		26 A-1
		26 A-2
	22	31
	23	31

Parts No.	Fig. No.	Ref. No.
E1652231140	24	11
E1652231250	20	20
	21	17
	62	14
		14 -1
	69	41
	70	41
E1652241150	20	25
E1652241300	26	8
E1652261410	64	6
E1652443640	19	30
E1652515100	45	42
	46	50
E1652533003	19	52
E1652533010	51	14
	52	14
E1652533019	19	31
E1652533023	1	7
	2	7
E1652711432	60	23
E1652711696	19	34
E1653692887	45	6
	46	5
E1653900016	44	16
	45	28
	46	36
E1653900050	13	22
E1653900057	13	22 -1
E1653916007	58	46
E1653916015	62	37
E1653916020	57	52
E1653916021	64	9
E1653916028	70	42
E1653916032	45	27
	46	35
E1653930375	57	49
E1654000820	45	5
	46	4
E1654004800	58	33
E1654004900	58	48
E1654005000	57	34
E1654005100	58	40
E1654005400	59	20
	61	6
E1654005500	60	17
E1654005600	60	13
E1654005700	60	19
E1654005800	60	18
E1654005900	60	16
E1654006000	59	24

Parts No.	Fig. No.	Ref. No.
E1654006000	61	7
E1654008200	57	6
E1654008300	57	5
E1654010500	58	30
E1654010600	58	83
E1654010900	57	9
E1654011000	57	11
E1654011100	57	10
E1654231225	57	43
E1654231320	57	42
E1654303018	62	2 F
E1654304028	62	4 B
	68	3 B
E1654306017	62	33
E1654306028	62	42
E1654306044	62	2 E
E1654308021	51	21
	52	21
E1654308027	51	22
	52	22
E1654308120	51	15 -1
	52	15
E1654312120	51	15
E1654313053	41	24
E1654315100	56	6
E1654520008	18	17
E1654520016	18	6
E1654520025	18	16
E1654520028	18	7
E1654520030	44	35
E1654520038	18	13
E1654520040	44	3 -1
E1654520044	44	3
E1654520045	45	63
	46	70
E1654520063	44	32
E1654520078	44	40
	48	20
	63	20
E1654520097	45	66
	46	71
E1654520202	57	41
E1654601004	18	19
E1654601005	18	9
E1654601006	18	19 -1
E1654601007	18	11
E1654601009	18	14
E1654601010	18	9 -1
		14 -1
E1654601013	18	11 -1

Parts No. Index

Parts No.	Fig. No.	Ref. No.
E1654601016	18	18
E1654601018	18	18 -1
E1654605033	57	50
E1654605341	57	45
E1654605440	57	44
E1654606018	45	67
	46	72
E1654613035	26	5
E1654613051	18	10
E1654613059	18	2
		10 -1
E1654613062	19	54
E1654615085	59	22
E1654615160	60	22
E1654615235	57	47
E1654615280	60	21
E1654616080	59	21
E1656500010	50	5
E1690001012	83	2
E1690001417	83	3
E1690001922	83	4
E1690002427	83	5
E1690100013	83	6
E1690220205	83	7
E1691000800	83	8
E1691400003	83	9
E1700000015	58	32
E1700000027	19	35
E1700000030	19	15
E1700000031	19	14
E1700000032	19	16
E1700000033	13	24
E1700001211	19	3
E1700009010	24	3
E1700100015	39	30
E1700100029	19	19
E1700100030	19	20
E1700100038	22	14
	23	14
E1700100041	13	46
E1700100053	19	21
E1700100054	19	22
E1700550024	19	53
E1700550025	24	18
E1701310010	21	7
E1701310020	21	8
E1701310030	21	9
E1701330045	21	3
E1701330075	21	4
E1702027523	22	4

Parts No.	Fig. No.	Ref. No.
E1702027523	23	4
E1702108210	22	8
	23	8
E1702230015	22	7 -1
	23	7
E1702230020	23	7 -1
E1702230030	22	7
E1702330000	23	12 -1
E1702402001	16	28
E1702530220	22	5
	23	5
E1702630030	22	6
	23	6
E1702800001	22	12
	23	12
E1702910016	22	42
	23	42
E1702920001	22	9
E1702920002	22	10
	23	10
E1702920060	22	9 -1
	23	9
E1703001120	27	1
E1703001122	27	2
E1703004100	58	31
E1703004101	58	31 A
E1703004800	26	4
E1703004806	26	4 A
E1703005400	25	1
E1703005405	25	2
E1703210760	28	26
E1703211015	28	27
E1703211320	22	34
	23	34
E1703221392	22	33
	23	33
E1703500624	21	15
E1703700004	30	2
E1703700009	19	29
E1704078924	59	17
E1704100530	59	18
E1704200530	59	19 -1
E1704201380	59	19
E1705001610	28	16
E1705002150	28	5
E1705003400	28	15
E1705003460	58	93
E1705004200	28	2
E1705004300	28	3
E1705004400	28	4

Parts No.	Fig. No.	Ref. No.
E1711900032	19	23
E1711900039	19	36
E1711900049	19	17
	24	17
E1711900064	22	27
	23	27
E1711900072	23	28
E1711900076	22	28
E1711910040	29	3
E1711910061	29	1
E1711910062	29	2
E1711910063	29	4
E1730000500	19	24 A
E1730100030	19	25
E1730110050	19	26
E1730140750	19	4
E1730500008	21	2
		2 A
		2 A-1
		6
		6 A
		14
		29
E1730500021	19	27
E1730500022	19	28
E1900013508	100	16
E1900018502	100	11
E1900018520	100	13
E1900047232	100	19
E1900051803	101	16
E1900054106	100	18
E1900054903	100	14
E1900082900	73	20
	100	1
E1900082997	100	12
E1900082998	100	10
E1900082999	100	2
E1900084300	72	19
	74	21
	99	1
E1900084303	99	15
E1900084305	99	16
E1900084306	99	19
E1900084309	99	21
E1900084320	99	10
		13
E1900084326	99	20
E1900084328	99	18
E1900084329	99	17
E1900084340	99	11

Parts No.	Fig. No.	Ref. No.
E1900084340	99	14
E1900084397	99	12
E1900084398	99	9
E1900084399	99	2
E1900085900	7	7
	101	1
E1900085901	101	15
E1900085906	101	18
E1900085907	101	13
E1900085955	101	20
E1900085999	101	3
E1900086000	7	8
	101	2
E1900086007	101	14
E1901004357	93	3
E1901027757	89	8
	91	8
E1901027758	91	4
E1901027761	89	5
	91	5
E1901027768	89	7
	91	7
E1901027771	89	11
	91	11
E1901027772	89	6
	91	6
E1901027792	89	3
	91	3
E1901031790	89	2
	91	2
E1901033204	87	6
E1901034907	86	2
	87	2
E1901035426	93	2
E1901035471	93	4
E1901035667	90	7
E1901036678	90	10
E1901038852	90	4
E1901041100	32	4
	87	1
E1901041101	86	4
	87	4
	88	1
E1901041107	87	3
E1901041110	86	5
	87	5
	89	1
E1901041123	86	9
	87	7
E1901041124	86	10

Parts No. Index

Parts No.	Fig. No.	Ref. No.
E1901041124	87	8
E1901041200	33	6
	86	1
E1901041202	86	6
	90	1
E1901041204	86	8
E1901041207	86	3
E1901041214	86	7
	91	1
E1901041256	89	4
E1901041278	90	11
E1901710915	92	19
E1901710917	92	20
E1901725211	92	28
E1901725215	92	34
E1901725216	92	35
E1901725218	92	37
E1901725520	92	39
E1901728403	97	5
E1901728701	95	3
E1901729200	13	26
	97	1
E1901729201	97	3
E1901729202	97	4
E1901729299	97	2
E1901729601	95	2
E1901733502	92	6
E1901733504	92	8
E1901733509	92	12
E1901733510	92	13
E1901733512	92	15
E1901733513	92	16
E1901733514	92	17
E1901733517	92	18
E1901733520	92	21
E1901733521	92	22
E1901733522	92	23
E1901733531	92	31
E1901733532	92	32
E1901733599	92	2
E1901734404	94	2
	95	5
E1901738303	95	4
E1901738312	94	4
	95	8
E1901738800	13	25
	92	1
E1901738811	92	27
E1901738824	92	24
E1901738832	92	29

Parts No.	Fig. No.	Ref. No.
E1901738835	92	30
E1901738851	92	7
E1901738872	92	38
E1901738900	32	11
	33	13
	95	1
E1901738907	94	3
	95	6
E1901738910	95	7
E1901738918	95	13
E1901738919	94	8
	95	14
E1901739400	32	30
	33	32
	93	1
E1901739410	93	5
E1901739498	93	7
E1901739600	32	20
	33	22
	94	1
E1901740300	32	39
	33	38
	96	1
E1901740301	96	2
E1901740302	96	3
E1901740303	96	4
E1901740304	96	5
E1901740306	96	6
E1901800053	103	56 A
E1901802122	104	53
E1901802417	102	61
E1901802713	103	50
E1901804213	102	27
E1901809200	103	51
E1901810100	102	67
E1901810199	102	67 A
E1902006702	104	60
E1902007451	104	25
E1902007455	104	54
E1902010035	104	65
E1902010037	104	67
E1902016505	104	14
E1902016506	104	16
E1902016520	104	28
E1902016528	104	29
E1902016529	104	30
E1902016531	104	19
		27
E1902016552	104	32
E1902016564	104	64 -1

Parts No.	Fig. No.	Ref. No.
E1902016565	104	64
E1902016567	104	66
E1902017409	104	18
E1902017410	104	40
		47
E1902017425	104	43
		48
E1902017449	104	62
E1902017450	104	63
E1902017704	104	13
E1902017719	104	44
		49
E1902017724	104	26
		51
E1902017727	104	55
E1902017730	104	58
E1902017731	104	59
E1902018801	104	9
E1902018802	104	10
E1902018803	104	11
E1902018804	104	12
E1902018805	104	15
E1902018806	104	17
E1902018807	104	20
E1902018809	104	22
E1902018814	104	36
E1902018815	104	37
E1902018817	104	39
E1902018818	104	41
E1902018820	104	46
E1902018822	104	50
E1902018823	104	52
E1902018824	104	56
E1902018825	104	57
E1902019100	39	16
	104	1
E1902019106	104	21
E1902019107	104	31
E1902019108	104	33
E1902019109	104	34
E1902019215	104	19 -1
		27 -1
		40 -1
		47 -1
		54 -1
E1902019229	104	29 -1
E1902019250	104	50 -1
E1902019251	104	53 -1
E1902019271	104	63 -1
E1902019700	39	17

Parts No.	Fig. No.	Ref. No.
E1902019700	105	1
E1902019799	105	2
E1902020297	104	68
E1902020298	104	69
E1902020358	104	61 -1
E1902020359	104	61
E1902020390	104	25 -1
E1902020400	39	16 -1
	104	1 -1
E1902020498	104	1 A-1
E1902020499	104	1 A
E1902020736	104	30 -1
E1903106808	103	33
E1903106813	103	38
E1903106843	103	63
E1903106847	102	56
E1903107927	103	45
E1903108655	102	80
	103	65
E1903120698	103	28
E1903121900	12	7
	103	1
E1903123300	8	2
	102	1
E1903123302	102	45
E1903123303	102	46
E1903123305	102	47
E1903123306	102	48
E1903123308	102	49
E1903123309	102	50
E1903123310	102	51
E1903123311	102	52
E1903123312	102	53
E1903123313	102	54
E1903123314	102	55
E1903123322	102	57
E1903123323	102	58
E1903123325	102	59
E1903123326	102	60
E1903123328	102	62
E1903123329	102	63
E1903123334	102	64
E1903123335	102	65
E1903123337	102	66
E1903123340	102	72
E1903123355	102	75
E1903123357	102	76
E1903123358	102	77
E1903123359	102	78
E1903123367	102	82

Parts No. Index

Parts No.	Fig. No.	Ref. No.
E1903123395	102	18
E1903123396	102	17
E1903123397	102	16
E1903123398	102	15
E1903123399	102	1 A
E1903123500	12	7 -1
	103	1 -1
E1903904502	103	30
E1903904503	103	31
E1903904504	103	32
E1903904507	103	34
E1903904508	103	35
E1903904510	103	37
E1903904511	103	39
E1903904514	103	40
E1903904515	103	41
E1903904518	103	42
E1903904519	103	43
E1903904524	103	47
E1903904525	103	48
E1903904535	103	55
E1903904537	102	73
	103	56
E1903904539	103	61
E1903904540	103	62
E1903904921	103	44
E1903906101	103	29
E1903906135	103	55 -1
E1903906199	103	20 A
E1904003621	98	10
E1904003691	98	11
E1904005900	10	14
	98	1
E1904005901	98	8
E1904005911	98	9
E1904006399	98	2
E1910030033	42	21
E1910076121	17	79
E1911500500	62	10
	70	32
E1911501840	62	11
E1911501860	70	33
E1911502300	62	9
		9 -1
	70	44
E1911503000	64	10
E1911503780	66	7
E1911504000	64	2
E1911504400	68	22
	69	22

Parts No.	Fig. No.	Ref. No.
E1911504410	67	9
E1911504420	67	10
E1911507651	62	1 A
	68	27
	70	23
E1911521800	62	12
	70	34
E1912900714	103	10
E1912900720	103	15
E1912904517	103	8
E1912905325	103	19
		64
E1912905415	103	6
E1912905416	103	7
E1912905422	103	16
E1912906003	102	25
E1912906009	103	11
E1912906800	102	19
E1912906803	102	23
E1912906804	102	24
E1912906808	102	28
E1912906809	102	29
E1912906810	102	30
E1912906811	102	31
E1912906812	102	32
E1912906813	102	33
E1912906814	102	34
E1912906815	102	35
E1912906816	102	36
E1912906817	102	37
E1912906818	102	38
E1912906819	102	39
E1912906820	102	40
E1912906821	102	41
E1912906822	102	42
E1912906823	102	43
E1912906898	102	21
E1912906899	102	19 A
E1912907011	103	5
E1912907015	103	9
E1912907019	103	13
E1912907020	103	14
E1912907023	103	17
E1912907025	103	18
E1912907097	103	4
E1912907098	103	3
E1912907099	103	1 B
E1913004650	9	1
E1913004658	9	2
E1913004659	9	3

Parts No.	Fig. No.	Ref. No.
E1913040950	9	1 -1
E1914095110	3	1
E1914100080	55	7
E1914100084	55	2
E1914100089	53	1
	54	1
E1914101072	54	1 A
E1914102072	54	2
E1914103072	54	3
E1914104072	54	4
E1914105072	54	5
E1914106072	54	6
E1914107072	54	7
E1914108089	54	8
E1914109072	54	9
E1914110072	54	10
E1914111072	54	11
E1914112072	54	12
E1914113072	54	13
E1914114072	54	14
E1914115072	54	15
E1914118072	54	16
E1914119072	54	17
E1914120072	54	18
E1914121072	54	19
E1914123072	54	20
TOR-91220001	84	11
	85	11
TOR-91390000	84	1 -1
	85	1 -1
TOR-94800120	84	12
	85	12
TOR-94800490	84	2 -1
	85	2 -1
TOR-94800500	84	10
	85	10
TOR-94800720	84	8
	85	8

Parts No.	Fig. No.	Ref. No.
-----------	----------	----------