

0CD50-M00790EN

P R E F A C E

This parts catalog is the 1st edition of 4TNV94CHT-NTBC for Takeuchi.

Published : September, 2014

Contents

OCD50-M00790

| Fig. No. | Fig. Name | Fig. No. | Fig. Name |
|----------|---------------------------------|----------|-----------|
| 4 | TNV94CHT-NTBC | | |
| 1. | CYLINDER BLOCK | | |
| 2. | GEAR HOUSING | | |
| 3. | FLYWHEEL HOUSING & OIL SUMP | | |
| 4. | CYLINDER HEAD & BONNET | | |
| 5. | SUCTION MANIFOLD & AIR CLEANER | | |
| 6. | EXHAUST MANIFOLD | | |
| 7. | DIESEL PARTICULATE FILTER (DPF) | | |
| 8. | CAMSHAFT & DRIVING GEAR | | |
| 9. | TURBINE | | |
| 10. | CRANKSHAFT & PISTON | | |
| 11. | LUB. OIL SYSTEM | | |
| 12. | LUB. OIL PIPE | | |
| 13. | COOLING WATER SYSTEM | | |
| 14. | FUEL SUPPLY PUMP | | |
| 15. | FUEL INJECTION VALVE | | |
| 16. | FUEL PIPE | | |
| 17. | STARTER MOTOR | | |
| 18. | GENERATOR | | |
| 19. | ELECTRONIC CONTROL UNIT (ECU) | | |
| 20. | ELECTRIC PARTS | | |
| 21. | GASKET SET & TOOL | | |

Fig.1. CYLINDER BLOCK

(A)=4TNV94CHT-NTBC

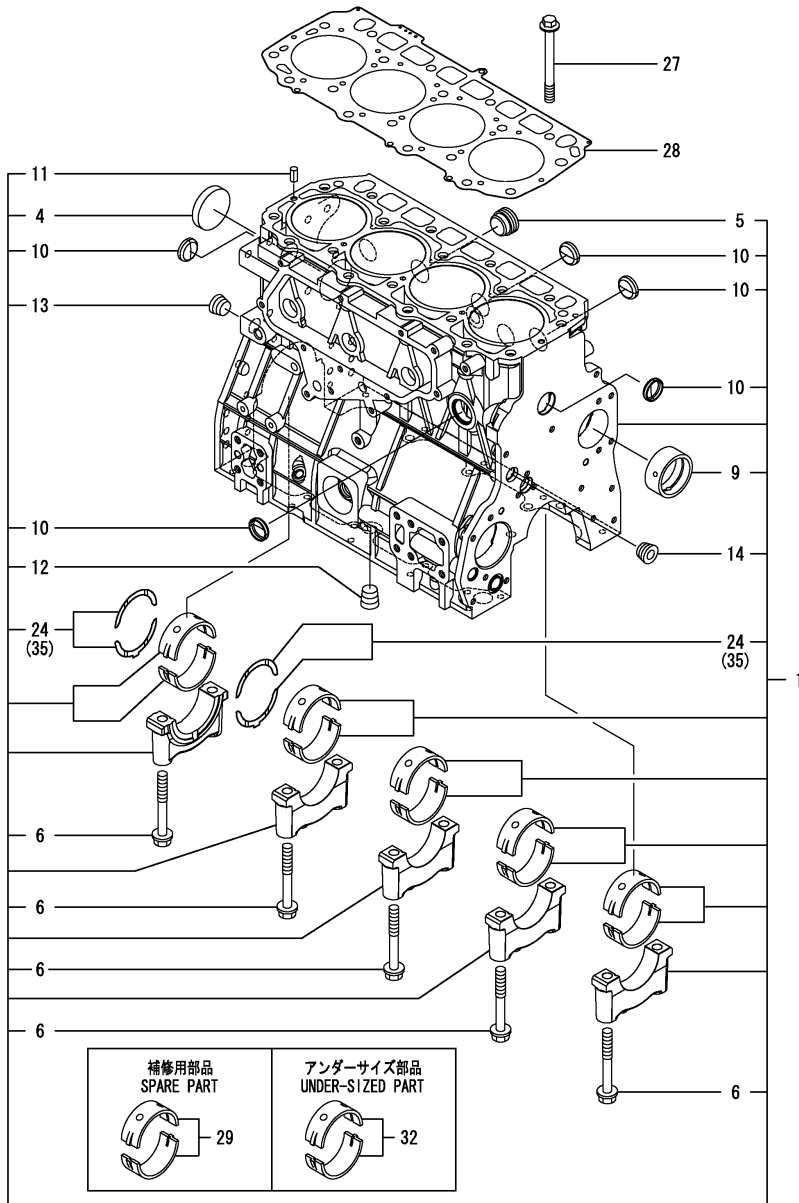
(B)=

(C)=

(D)=

(E)=

(F)=



| No. | Lev. | Parts No. | Description | Qty | | | | | | I | R |
|-----|------|--------------|----------------------|-----|-----|-----|-----|-----|-----|---|---|
| | | | | (A) | (B) | (C) | (D) | (E) | (F) | | |
| 1 | 1 | 129978-01180 | BLOCK ASSY, CYLINDER | 1 | | | | | | | |
| 4 | 2 | 129900-01250 | PLUG, 55 | 1 | | | | | | | |
| 5 | 2 | 171051-01921 | PLUG, NPTF1 | 1 | | | | | | | |
| 6 | 2 | 129978-02020 | BOLT, METAL CAP | 10 | | | | | | | |
| 9 | 2 | 129900-02410 | BUSH, CAMSHAFT | 1 | | | | | | | |
| 10 | 2 | 27241-300000 | PLUG 30 | 5 | | | | | | | |
| 11 | 2 | 22351-060012 | PIN, SPRING 6.0X12 | 2 | | | | | | | |
| 12 | 2 | 23876-030000 | PLUG, R03 | 1 | | | | | | | |
| 13 | 2 | 23876-030000 | PLUG, R03 | 1 | | | | | | | |
| 14 | 2 | 23876-030000 | PLUG, R03 | 1 | | | | | | | |
| 24 | 2 | 129900-02931 | BEARING, THRUST | 2 | | | | | | | |
| 27 | 1 | 129978-01200 | BOLT, HEAD | 18 | | | | | | | |
| 28 | 1 | 129978-01331 | GASKET, CYL. HEAD | 1 | | | | | | | |
| 29 | 1 | 729900-02801 | BEARING, MAIN | 5 | | | | | | | 1 |
| 32 | 1 | 129900-02341 | BEARING, 0.25 US | 5 | | | | | | | 2 |
| 35 | 1 | 129900-02941 | BEARING, THRUST 0.25 | 2 | | | | | | | 3 |

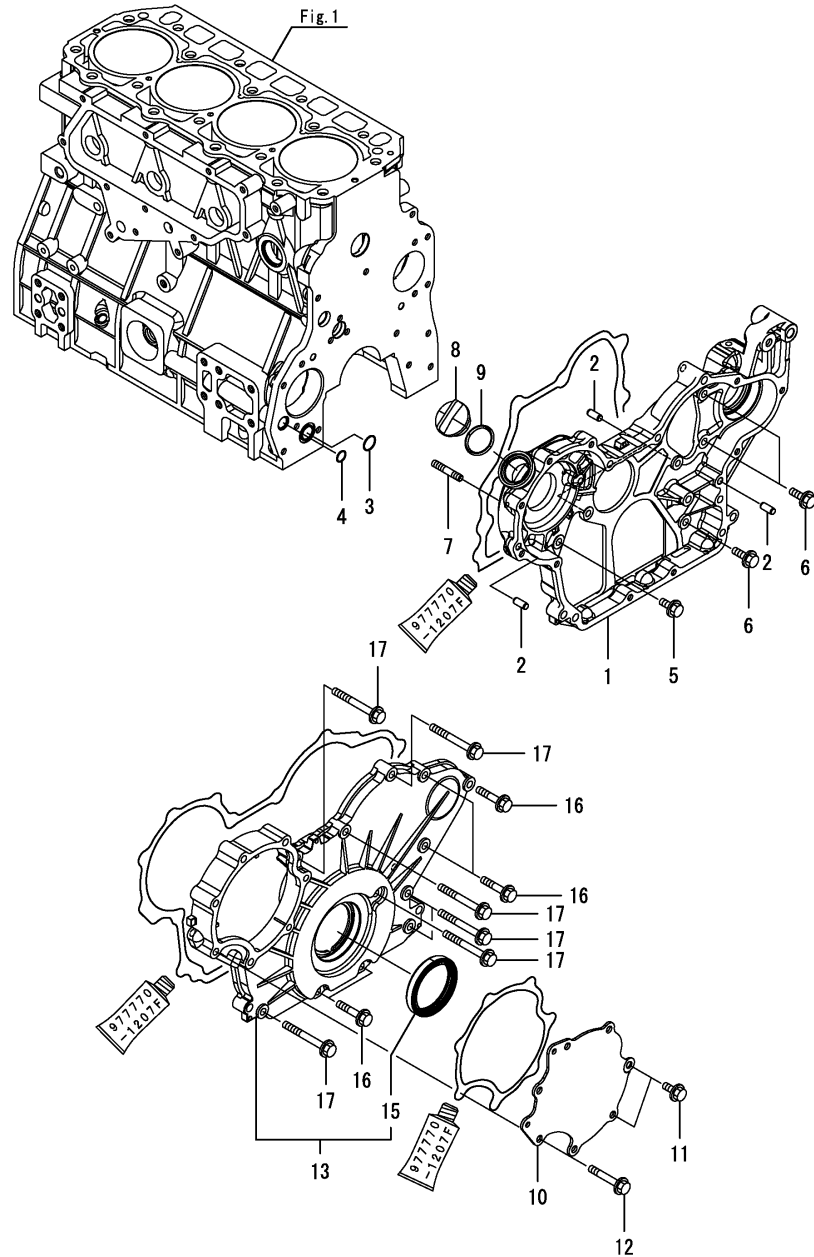
Remarks

- (1) Spare parts.
- (2) Under-sized (U.S.=0.25) parts.
- (3) Over-sized (O.S.=0.25) parts.

Fig.2. GEAR HOUSING

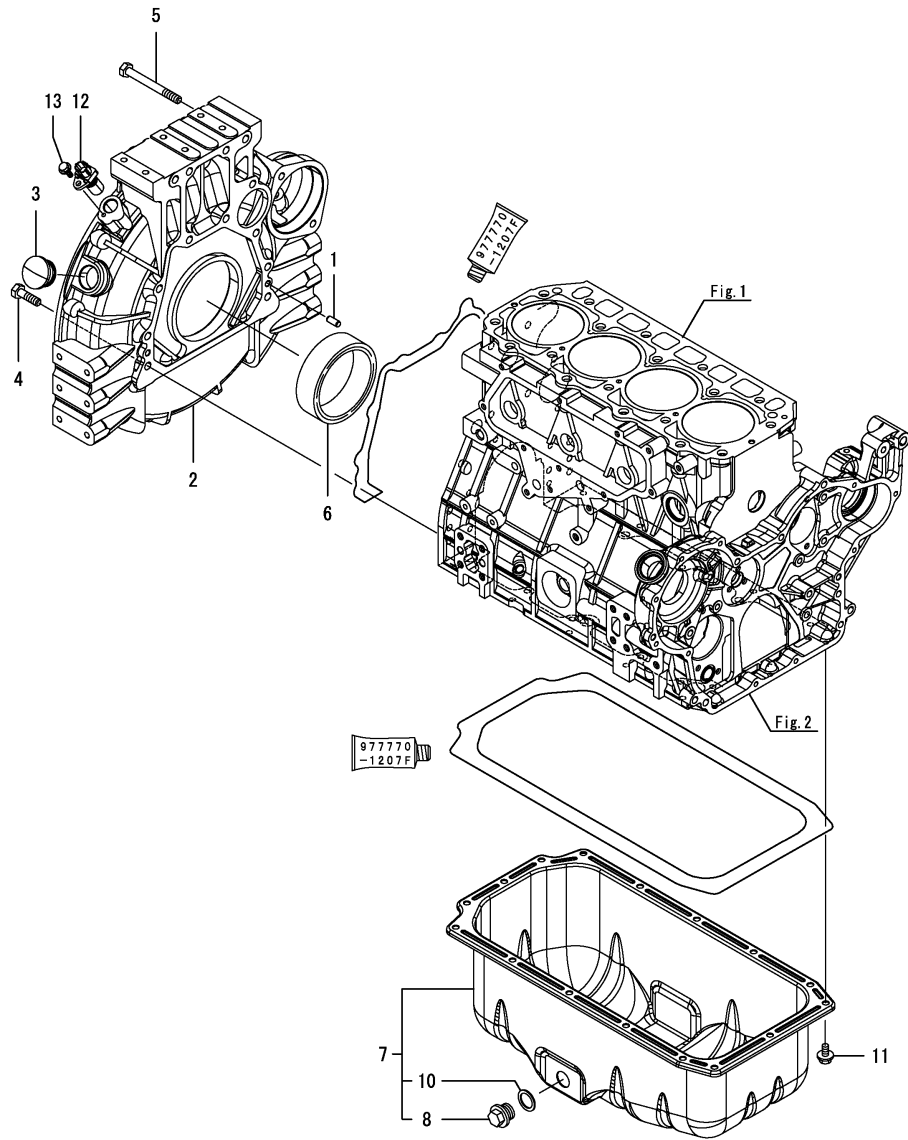
(A)=4TNV94CHT-NTBC
(B)=
(C)=

(D)=
(E)=
(F)=



| No. | Lev. | Parts No. | Description | Q'ty | | | | | | I | R |
|-----|------|--------------|---------------------|------|-----|-----|-----|-----|-----|---|---|
| | | | | (A) | (B) | (C) | (D) | (E) | (F) | | |
| 1 | 1 | 129978-01511 | CASE, GEARS | 1 | | | | | | | |
| 2 | 1 | 129100-01580 | PIN, 8X16 | 4 | | | | | | | |
| 3 | 1 | 129900-32030 | O-RING, P20 | 1 | | | | | | | |
| 4 | 1 | 129900-32040 | O-RING, P14 | 1 | | | | | | | |
| 5 | 1 | 26106-080162 | BOLT, M8X 16 PLATED | 1 | | | | | | | |
| 6 | 1 | 26106-080202 | BOLT, M8X 20 PLATED | 3 | | | | | | | |
| 7 | 1 | 26226-080302 | STUD, M8X 30 | 2 | | | | | | | |
| 8 | 1 | 124160-01751 | COVER, FILLER | 1 | | | | | | | |
| 9 | 1 | 24311-000320 | O-RING, 1AP32.0 | 1 | | | | | | | |
| 10 | 1 | 129978-01720 | COVER,CR SUPPLY PUM | 1 | | | | | | | |
| 11 | 1 | 26106-080162 | BOLT, M8X 16 PLATED | 2 | | | | | | | |
| 12 | 1 | 26106-080502 | BOLT, M8X 50 PLATED | 5 | | | | | | | |
| 13 | 1 | 129978-01540 | COVER ASSY, GEARS | 1 | | | | | | | |
| 15 | 2 | 129916-01800 | SEAL, OIL | 1 | | | | | | | |
| 16 | 1 | 26106-080402 | BOLT, M8X 40 PLATED | 5 | | | | | | | |
| 17 | 1 | 26106-080702 | BOLT, M8X 70 PLATED | 7 | | | | | | | |

Fig.3. FLYWHEEL HOUSING & OIL SUMP



(A)=4TNV94CHT-NTBC
(B)=
(C)=

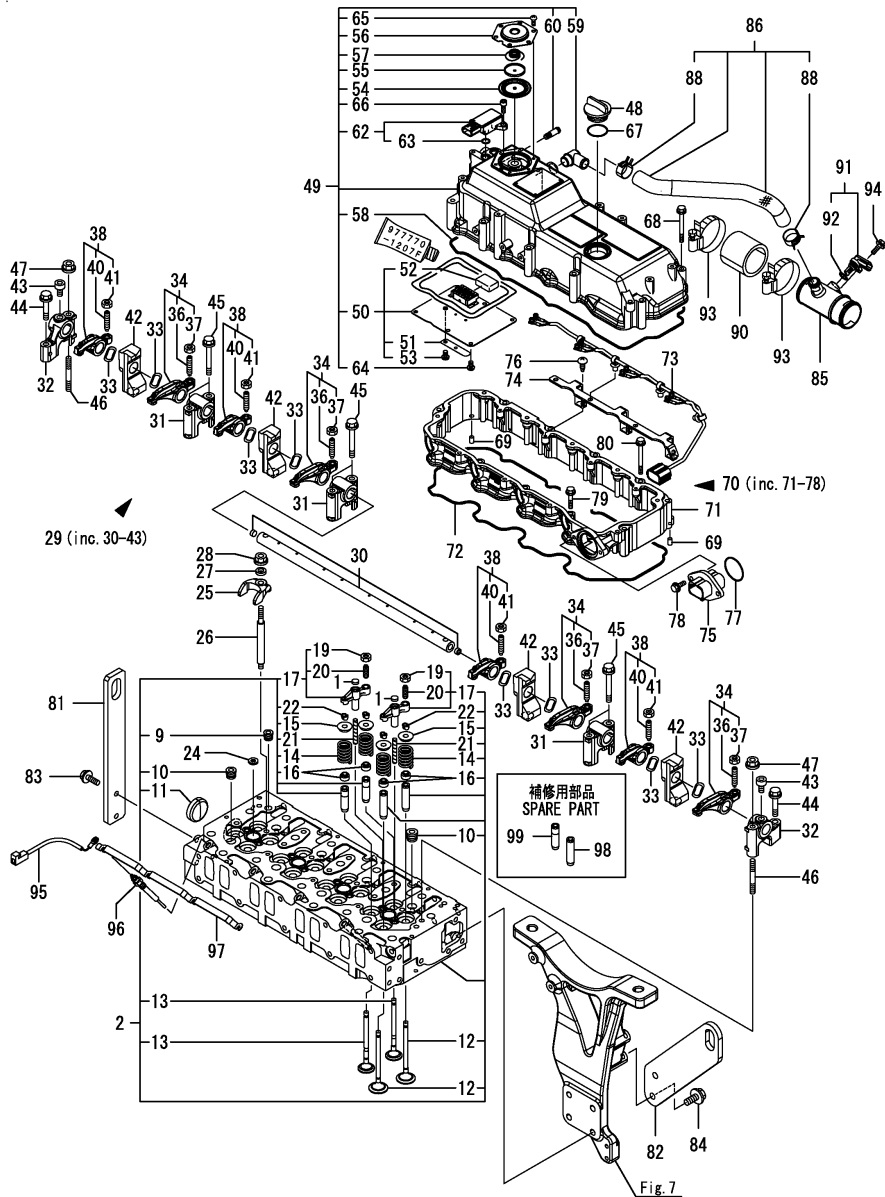
(D)=
(E)=
(F)=

| No. | Lev. | Parts No. | Description | Qty | | | | | | I | R |
|-----|------|--------------|----------------------|-----|-----|-----|-----|-----|-----|---|---|
| | | | | (A) | (B) | (C) | (D) | (E) | (F) | | |
| 1 | 1 | 129100-01580 | PIN, 8X16 | 2 | | | | | | | |
| 2 | 1 | 129978-01600 | HOUSING | 1 | | | | | | | |
| 3 | 1 | 119620-01750 | CAP | 1 | | | | | | | |
| 4 | 1 | 26206-100352 | BOLT, M10X 35 PLATED | 9 | | | | | | | |
| 5 | 1 | 26206-100952 | BOLT, M10X 95 PLATED | 4 | | | | | | | |
| 6 | 1 | 129916-01790 | SEAL, D115/95XT11 | 1 | | | | | | | |
| 7 | 1 | 129982-01710 | SUMP ASSY, OIL | 1 | | | | | | | |
| 8 | 2 | 119640-01640 | PLUG, DRAIN M22 | 1 | | | | | | | |
| 10 | 2 | 22190-220002 | WASHER, SEAL 22 | 1 | | | | | | | |
| 11 | 1 | 26106-080122 | BOLT, M8X 12 PLATED | 16 | | | | | | | |
| 12 | 1 | 127677-91260 | SENSOR, CRANK | 1 | | | | | | | 1 |
| 13 | 1 | 26106-060142 | BOLT, M6X 14 PLATED | 1 | | | | | | | |

Remarks

(1)When replacing this part, it is necessary to update the software of the ECU using the designated service tool. Please refer to the Service Manual for details.

Fig.4. CYLINDER HEAD & BONNET



(A)=4TNV94CHT-NTBC
(B)=
(C)=

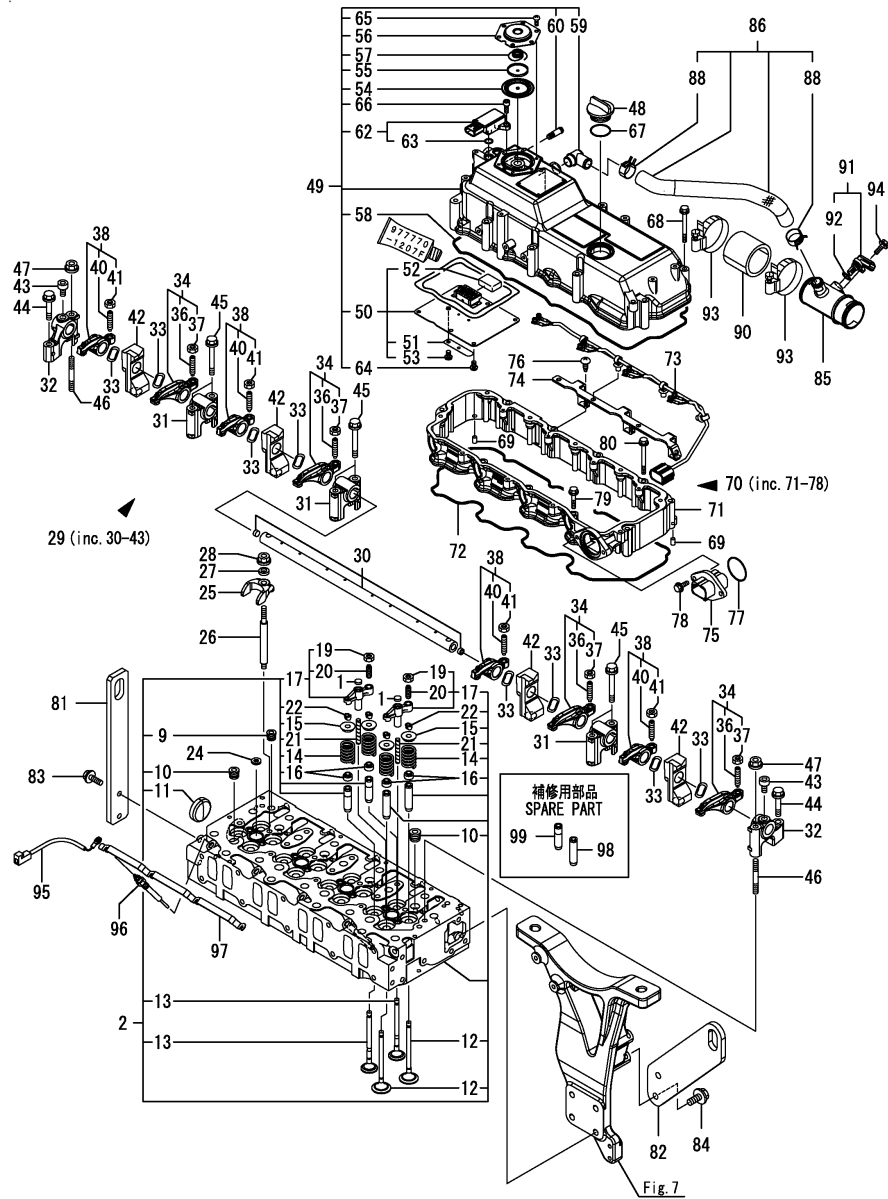
(D)=
(E)=
(F)=

| No. | Lev. | Parts No. | Description | Qty | | | | | | I | R |
|-----|------|--------------|---------------------|-----|-----|-----|-----|-----|-----|---|---|
| | | | | (A) | (B) | (C) | (D) | (E) | (F) | | |
| 1 | 1 | 123907-11550 | SEAT, VALVE BRIDGE | 8 | | | | | | | |
| 2 | 1 | 129978-11710 | HEAD ASSY, CYLINDER | 1 | | | | | | | |
| 9 | 2 | 23876-020000 | PLUG, R02 | 1 | | | | | | | |
| 10 | 2 | 23876-030000 | PLUG, R03 | 8 | | | | | | | |
| 11 | 2 | 27241-400000 | PLUG, 40 | 1 | | | | | | | |
| 12 | 2 | 129978-11100 | VALVE, INTAKE | 8 | | | | | | | |
| 13 | 2 | 129978-11110 | VALVE, EXHAUST | 8 | | | | | | | |
| 14 | 2 | 129907-11120 | SPRING, VALVE | 16 | | | | | | | |
| 15 | 2 | 119620-11180 | RETAINER, SPRING | 16 | | | | | | | |
| 16 | 2 | 124160-11340 | SEAL, VALVE STEM | 16 | | | | | | | |
| 17 | 2 | 129907-11510 | BRIDGE ASSY, VALVE | 8 | | | | | | | |
| 19 | 3 | 129150-11750 | NUT, M8 | 8 | | | | | | | |
| 20 | 3 | 123907-11830 | ADJUSTER | 8 | | | | | | | |
| 21 | 2 | 123907-11820 | GUIDE | 8 | | | | | | | |
| 22 | 2 | 27310-070001 | COTTER, 7 | 16 | | | | | | | |
| 24 | 1 | 129978-11871 | GASKET,INJECTOR | 4 | | | | | | | |
| 25 | 1 | 129978-11900 | RETAINER | 4 | | | | | | | |
| 26 | 1 | 129978-11950 | STUD | 4 | | | | | | | |
| 27 | 1 | 120270-54410 | WASHER, INJECTOR | 4 | | | | | | | |
| 28 | 1 | 26306-080002 | NUT, M8 | 4 | | | | | | | |
| 29 | 1 | 129978-11240 | SHAFT ASSY, ROCKER | 1 | | | | | | | |
| 30 | 2 | 129907-11250 | SHAFT, ROCKER ARM | 1 | | | | | | | |
| 31 | 2 | 129978-11260 | SUPPORT, ROCKER ARM | 3 | | | | | | | |
| 32 | 2 | 129978-11270 | SUPPORT, ROCKER ARM | 2 | | | | | | | |
| 33 | 2 | 123907-11280 | WASHER | 8 | | | | | | | |
| 34 | 2 | 129978-11650 | ARM ASSY, ROCKER | 4 | | | | | | | |
| 36 | 3 | 129150-11230 | SCREW, VALVE ADJUST | 4 | | | | | | | |
| 37 | 3 | 129150-11750 | NUT, M8 | 4 | | | | | | | |
| 38 | 2 | 129978-11660 | ARM ASSY, ROCKER | 4 | | | | | | | |
| 40 | 3 | 129150-11230 | SCREW, VALVE ADJUST | 4 | | | | | | | |
| 41 | 3 | 129150-11750 | NUT, M8 | 4 | | | | | | | |
| 42 | 2 | 129978-11920 | RETAINER | 4 | | | | | | | |
| 43 | 2 | 26455-080122 | BOLT, M8X12 | 2 | | | | | | | |
| 44 | 1 | 26106-080402 | BOLT, M8X 40 PLATED | 2 | | | | | | | |
| 45 | 1 | 26106-080652 | BOLT, M8X 65 PLATED | 6 | | | | | | | |
| 46 | 1 | 26216-080652 | STUD, M8X 65 | 2 | | | | | | | |
| 47 | 1 | 26306-080002 | NUT, M8 | 2 | | | | | | | |
| 48 | 1 | 124160-01751 | COVER, FILLER | 1 | | | | | | | |
| 49 | 1 | 129978-11412 | BONNET ASSY,HEAD | 1 | | | | | | | |
| 50 | 2 | 129978-03010 | PLATE | 1 | | | | | | | |
| 51 | 3 | 129978-03030 | SPRING,PLATE | 1 | | | | | | | |
| 52 | 3 | 129978-03060 | BAFFLE, BREATHER | 1 | | | | | | | |
| 53 | 3 | 26587-050102 | SCREW, M5X10 | 1 | | | | | | | |
| 54 | 2 | 123907-03100 | DIAPHRAGM | 1 | | | | | | | |
| 55 | 2 | 123907-03110 | PLATE | 1 | | | | | | | |
| 56 | 2 | 123907-03120 | PLATE, BREATHER | 1 | | | | | | | |
| 57 | 2 | 123907-03140 | SPRING, DIAPHRAGM | 1 | | | | | | | |
| 58 | 2 | 129978-11311 | GASKET, BONNET | 1 | | | | | | | |
| 59 | 2 | 119100-11330 | ELBOW | 1 | | | | | | | |
| 60 | 2 | 129A00-11330 | JOINT | 1 | | | | | | | |
| 62 | 2 | 129978-12700 | SENSOR,PRESSURE | 1 | | | | | | | |

Remarks

- (1)When replacing this part, it is necessary to update the software of the ECU using the designated service tool. Please refer to the Service Manual for details.
- (2)Spare parts.

Fig.4. CYLINDER HEAD & BONNET



(A)=4TNV94CHT-NTBC
(B)=
(C)=

(D)=
(E)=
(F)=

| No. | Lev. | Parts No. | Description | Q'ty | | | | | | I | R |
|-----|------|--------------|----------------------|------|-----|-----|-----|-----|-----|---|---|
| | | | | (A) | (B) | (C) | (D) | (E) | (F) | | |
| 63 | 3 | 129A00-12780 | O-RING,PRES SENSOR | 2 | | | | | | | |
| 64 | 2 | 22857-500100 | SCREW, 5X10 | 6 | | | | | | | |
| 65 | 2 | 22857-500100 | SCREW, 5X10 | 6 | | | | | | | |
| 66 | 2 | 26450-060162 | BOLT, M6X 16 | 2 | | | | | | | |
| 67 | 1 | 24311-000320 | O-RING, 1AP32.0 | 1 | | | | | | | |
| 68 | 1 | 26106-060652 | BOLT, M6X 65 PLATED | 10 | | | | | | | |
| 69 | 1 | 119620-01620 | PIN, M6X10 | 2 | | | | | | | |
| 70 | 1 | 129978-11360 | SPACER | 1 | | | | | | | |
| 71 | 2 | 129978-11340 | SPACER | 1 | | | | | | | |
| 72 | 2 | 129978-11351 | GASKET,BONNET SPACER | 1 | | | | | | | |
| 73 | 2 | 129978-77500 | HARNES, WIRE | 1 | | | | | | | |
| 74 | 2 | 129978-77510 | GUIDE | 1 | | | | | | | |
| 75 | 2 | 129978-77520 | CONNECTOR | 1 | | | | | | | |
| 76 | 2 | 22857-500100 | SCREW, 5X10 | 3 | | | | | | | |
| 77 | 2 | 24311-000380 | O-RING, 1AP38.0 | 1 | | | | | | | |
| 78 | 2 | 26106-060142 | BOLT, M6X 14 PLATED | 2 | | | | | | | |
| 79 | 1 | 26106-060302 | BOLT, M6X 30 PLATED | 3 | | | | | | | |
| 80 | 1 | 26106-060602 | BOLT, M6X 60 PLATED | 7 | | | | | | | |
| 81 | 1 | 129973-07910 | LIFTER | 1 | | | | | | | |
| 82 | 1 | 129978-07970 | LIFTER, ENGINE | 1 | | | | | | | |
| 83 | 1 | 26106-080202 | BOLT, M8X 20 PLATED | 2 | | | | | | | |
| 84 | 1 | 26106-100222 | BOLT, M10X 22 PLATED | 2 | | | | | | | |
| 85 | 1 | 129C01-03050 | JOINT,BREATHER | 1 | | | | | | | |
| 86 | 1 | 129978-03191 | HOSE ASSY, BREATHER | 1 | | | | | | | |
| 88 | 2 | 129410-03990 | CLIP,HOSE 21.5 | 2 | | | | | | | |
| 90 | 1 | 129C01-12060 | HOSE,INTAKE | 1 | | | | | | | |
| 91 | 1 | 129A00-12711 | SENSOR,AIR TEMP | 1 | | | | | | | |
| 92 | 2 | 129A00-12790 | O-RING,TEMP SENSOR | 1 | | | | | | | |
| 93 | 1 | 23000-060000 | CLAMP, 60 | 2 | | | | | | | |
| 94 | 1 | 26106-060142 | BOLT, M6X 14 PLATED | 1 | | | | | | | |
| 95 | 1 | 119803-77830 | HARNES, WIRE | 1 | | | | | | | |
| 96 | 1 | 129978-77800 | PLUG, GLOW | 4 | | | | | | | |
| 97 | 1 | 129978-77820 | CONNECTOR, GLOW PLUG | 1 | | | | | | | |
| 98 | 1 | 129978-11800 | GUIDE, VALVE(SUC | 8 | | | | | | | 2 |
| 99 | 1 | 123907-11810 | GUIDE, VALVE | 8 | | | | | | | 2 |

Remarks

- (1)When replacing this part, it is necessary to update the software of the ECU using the designated service tool. Please refer to the Service Manual for details.
- (2)Spare parts.

Fig.5. SUCTION MANIFOLD & AIR CLEANER

(A)=4TNV94CHT-NTBC

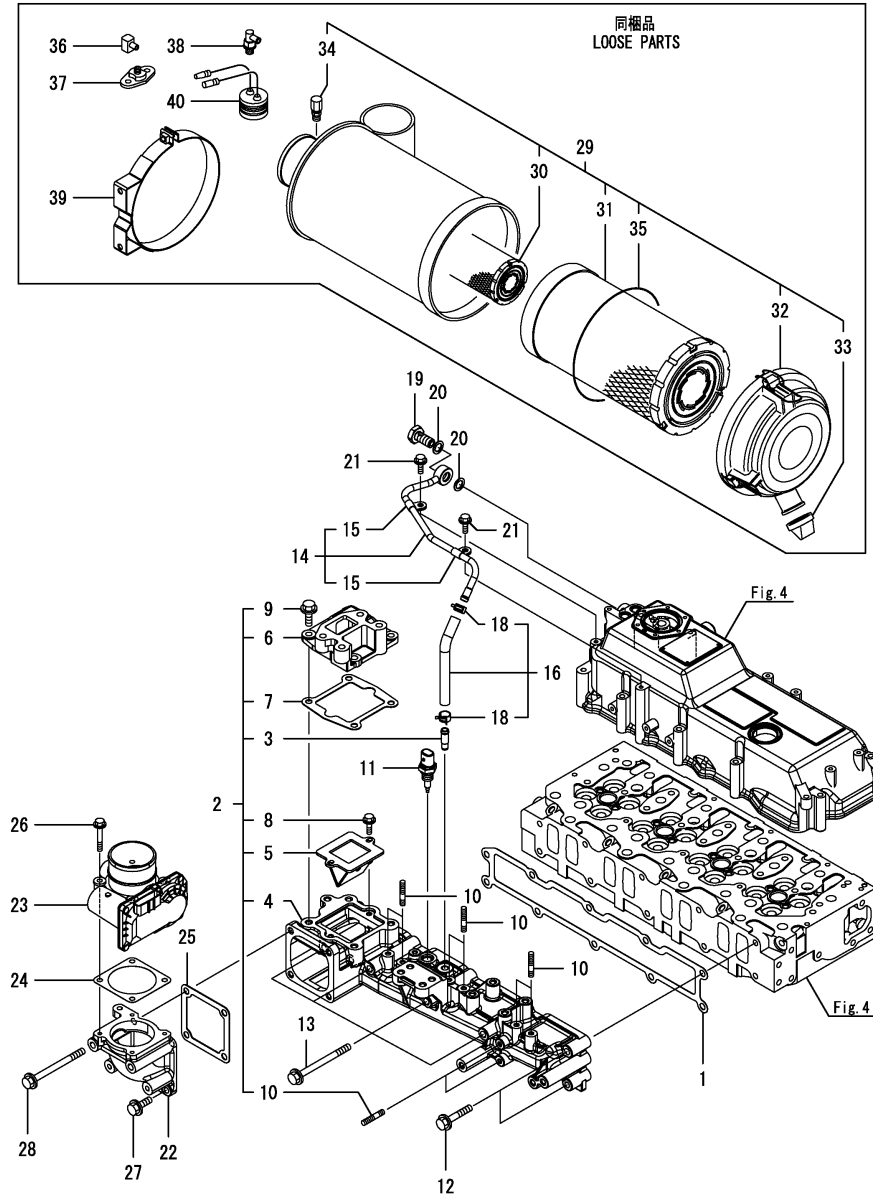
(B)=

(C)=

(D)=

(E)=

(F)=

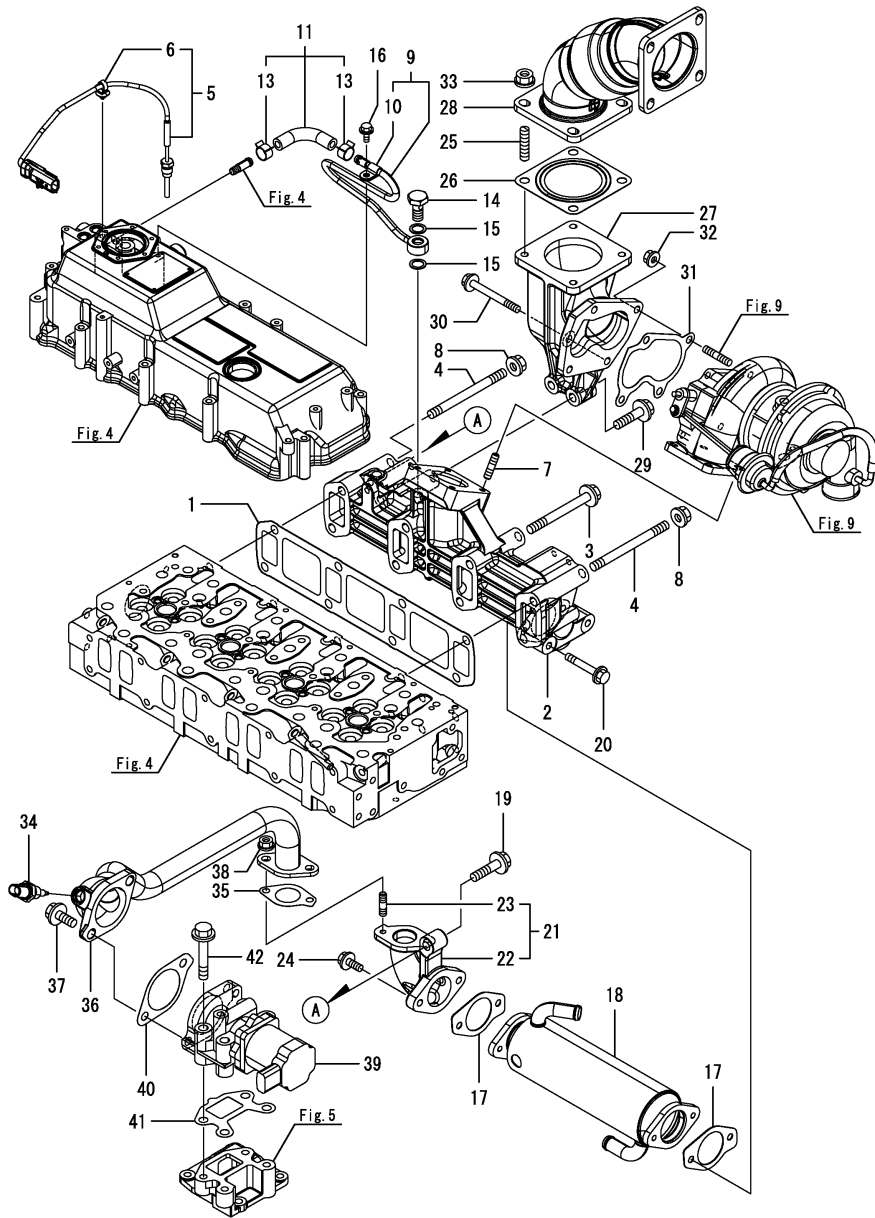


| No. | Lev. | Parts No. | Description | Q'ty | | | | | | I | R |
|-----|------|--------------|----------------------|------|-----|-----|-----|-----|-----|---|---|
| | | | | (A) | (B) | (C) | (D) | (E) | (F) | | |
| 1 | 1 | 129978-12110 | GASKET, MANIFOLD | 1 | | | | | | | |
| 2 | 1 | 129978-12161 | MANIFOLD ASSY,INTAKE | 1 | | | | | | | |
| 3 | 2 | 129A00-11330 | JOINT | 1 | | | | | | | |
| 4 | 2 | 129978-12120 | MANIFOLD, SUCTION | 1 | | | | | | | |
| 5 | 2 | 129E01-13700 | VALVE, REED | 1 | | | | | | | |
| 6 | 2 | 129978-13710 | SPACER, EGR VALVE | 1 | | | | | | | |
| 7 | 2 | 129978-13720 | GASKET, EGR-V SPACER | 1 | | | | | | | |
| 8 | 2 | 26106-060202 | BOLT, M6X 20 PLATED | 2 | | | | | | | |
| 9 | 2 | 26106-080252 | BOLT, M8X 25 PLATED | 4 | | | | | | | |
| 10 | 2 | 26216-060252 | STUD, M6X 25 | 8 | | | | | | | |
| 11 | 1 | 129A00-12720 | SENSOR,AIR TEMP | 1 | | | | | | | 1 |
| 12 | 1 | 26106-080452 | BOLT, M8X 45 PLATED | 6 | | | | | | | |
| 13 | 1 | 26106-080952 | BOLT, M8X 95 PLATED | 4 | | | | | | | |
| 14 | 1 | 129978-12310 | PIPE ASSY, INTAKE | 1 | | | | | | | |
| 15 | 2 | 23297-080061 | CLAMP, A8X 6 | 2 | | | | | | | |
| 16 | 1 | 129978-12330 | HOSE ASSY, PRES INT | 1 | | | | | | | |
| 18 | 2 | 106990-44660 | CLIP, HOSE 12.5 | 2 | | | | | | | |
| 19 | 1 | 129A00-13350 | BOLT, PIPE JOINT | 1 | | | | | | | |
| 20 | 1 | 22190-120002 | WASHER, SEAL 12 | 2 | | | | | | | |
| 21 | 1 | 26106-060162 | BOLT, M6X 16 PLATED | 2 | | | | | | | |
| 22 | 1 | 129978-12820 | BEND, INTAKE | 1 | | | | | | | |
| 23 | 1 | 129A00-12900 | THROTTLE BODY(INT | 1 | | | | | | | 1 |
| 24 | 1 | 129A00-12910 | GASKET,THROTTLE | 1 | | | | | | | |
| 25 | 1 | 121850-77021 | GASKET | 1 | | | | | | | |
| 26 | 1 | 26106-060402 | BOLT, M6X 40 PLATED | 4 | | | | | | | |
| 27 | 1 | 26106-080252 | BOLT, M8X 25 PLATED | 2 | | | | | | | |
| 28 | 1 | 26106-080902 | BOLT, M8X 90 PLATED | 2 | | | | | | | |
| 29 | 1 | 129979-12500 | AIR CLEANER | 1 | | | | | | | |
| 30 | 2 | 129979-12550 | ELEMENT, INNER | 1 | | | | | | | |
| 31 | 2 | 129979-12560 | ELEMENT, OUTER | 1 | | | | | | | |
| 32 | 2 | 129979-12570 | COVER, AIR CLEANER | 1 | | | | | | | |
| 33 | 2 | 129979-12580 | VALVE, VACUATOR | 1 | | | | | | | |
| 34 | 2 | 121820-12590 | NIPPLE | 1 | | | | | | | |
| 35 | 2 | 129979-12590 | O-RING | 1 | | | | | | | |
| 36 | 1 | 119540-12540 | ELBOW | 1 | | | | | | | |
| 37 | 1 | 119540-12550 | FLANGE | 1 | | | | | | | |
| 38 | 1 | 119540-12560 | ADAPTER | 1 | | | | | | | |
| 39 | 1 | 129979-12610 | BAND,AIR CLEANER | 2 | | | | | | | |
| 40 | 1 | 129953-12620 | INDICATOR ASSY | 1 | | | | | | | |

Remarks

(1)When replacing this part, it is necessary to update the software of the ECU using the designated service tool. Please refer to the Service Manual for details.

Fig.6. EXHAUST MANIFOLD



(A)=4TNV94CHT-NTBC
(B)=
(C)=

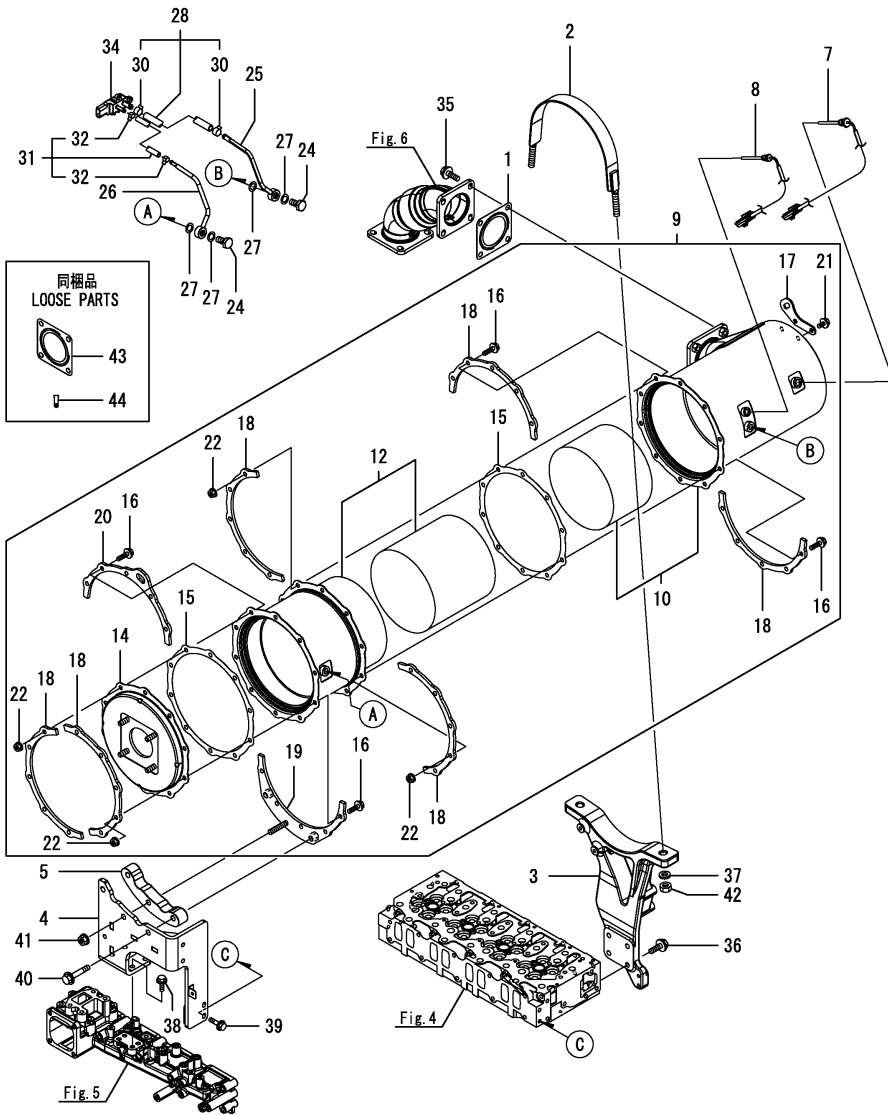
(D)=
(E)=
(F)=

| No. | Lev. | Parts No. | Description | Q'ty | | | | | | I | R |
|-----|------|--------------|----------------------|------|-----|-----|-----|-----|-----|---|---|
| | | | | (A) | (B) | (C) | (D) | (E) | (F) | | |
| 1 | 1 | 129978-13111 | GASKET, EXH MANIFOLD | 1 | | | | | | | |
| 2 | 1 | 129978-13121 | MANIFOLD, EXHAUST | 1 | | | | | | | |
| 3 | 1 | 129A00-13620 | BOLT, M10X95 10.9T | 6 | | | | | | | |
| 4 | 1 | 129A01-13710 | STUD, M10X95 10.9T | 2 | | | | | | | |
| 5 | 1 | 129978-13770 | SENSOR,EXH TEMP. | 1 | | | | | | | 1 |
| 6 | 2 | 129A00-91200 | BAND CLIP | 1 | | | | | | | |
| 7 | 1 | 129418-18320 | STUD, M8X20 | 4 | | | | | | | |
| 8 | 1 | 26306-100002 | NUT, M10 | 2 | | | | | | | |
| 9 | 1 | 129978-13310 | PIPE ASSY, EXHAUST | 1 | | | | | | | |
| 10 | 2 | 23297-080061 | CLAMP, A8X 6 | 1 | | | | | | | |
| 11 | 1 | 129978-13330 | HOSE ASSY, PRES EXH | 1 | | | | | | | |
| 13 | 2 | 129A00-13380 | CLIP, HOSE 14 | 2 | | | | | | | |
| 14 | 1 | 129A00-13350 | BOLT, PIPE JOINT | 1 | | | | | | | |
| 15 | 1 | 129A00-17311 | GASKET,SENSOR | 2 | | | | | | | |
| 16 | 1 | 26106-060122 | BOLT, M6X 12 PLATED | 1 | | | | | | | |
| 17 | 1 | 129978-13411 | GASKET, EGR COOLER | 2 | | | | | | | |
| 18 | 1 | 129978-13420 | COOLER, EGR | 1 | | | | | | | |
| 19 | 1 | 129C01-13600 | FLANGE BOLT, 10X40 | 1 | | | | | | | |
| 20 | 1 | 129E00-13610 | BOLT, M8X50 10.9 | 2 | | | | | | | |
| 21 | 1 | 129978-13880 | BEND ASSY, EGR-C OUT | 1 | | | | | | | |
| 22 | 2 | 129978-13870 | BEND, EGR COOLER OUT | 1 | | | | | | | |
| 23 | 2 | 129418-18320 | STUD, M8X20 | 2 | | | | | | | |
| 24 | 1 | 26106-080202 | BOLT, M8X 20 PLATED | 2 | | | | | | | |
| 25 | 1 | 123900-13130 | STUD, M10X22 | 4 | | | | | | | |
| 26 | 1 | 128300-13230 | GASKET, SILENCER | 1 | | | | | | | |
| 27 | 1 | 129978-13351 | PIPE, EXHAUST | 1 | | | | | | | |
| 28 | 1 | 129978-13360 | PIPE, EXHAUST | 1 | | | | | | | |
| 29 | 1 | 129C01-13600 | FLANGE BOLT, 10X40 | 2 | | | | | | | |
| 30 | 1 | 119802-13660 | BOLT, M8X75 10.9T | 1 | | | | | | | |
| 31 | 1 | 123901-18080 | GASKET | 1 | | | | | | | |
| 32 | 1 | 26306-080002 | NUT, M8 | 3 | | | | | | | |
| 33 | 1 | 26306-100002 | NUT, M10 | 4 | | | | | | | |
| 34 | 1 | 129A00-13751 | SENSOR,EGR GAS TEMP | 1 | | | | | | | 1 |
| 35 | 1 | 129927-13810 | GASKET | 1 | | | | | | | |
| 36 | 1 | 129978-13820 | PIPE ASSY, EGR | 1 | | | | | | | |
| 37 | 1 | 26106-100252 | BOLT, M10X 25 PLATED | 2 | | | | | | | |
| 38 | 1 | 26306-080002 | NUT, M8 | 2 | | | | | | | |
| 39 | 1 | 129978-13901 | VALVE, EGR | 1 | | | | | | | 1 |
| 40 | 1 | 129E00-13910 | GASKET, EGR-V IN | 1 | | | | | | | |
| 41 | 1 | 129E00-13920 | GASKET, EGR-V OUT | 1 | | | | | | | |
| 42 | 1 | 26106-100602 | BOLT, M10X 60 PLATED | 4 | | | | | | | |

Remarks

(1)When replacing this part, it is necessary to update the software of the ECU using the designated service tool. Please refer to the Service Manual for details.

Fig.7. DIESEL PARTICULATE FILTER (DPF)



(A)=4TNV94CHT-NTBC
(B)=
(C)=

(D)=
(E)=
(F)=

| No. | Lev. | Parts No. | Description | Q'ty | | | | | | I | R |
|-----|------|--------------|----------------------|------|-----|-----|-----|-----|-----|---|---|
| | | | | (A) | (B) | (C) | (D) | (E) | (F) | | |
| 1 | 1 | 128300-13230 | GASKET, SILENCER | 1 | | | | | | | |
| 2 | 1 | 129978-16801 | BAND, DPF | 1 | | | | | | | |
| 3 | 1 | 129978-16811 | STAY,DPF | 1 | | | | | | | |
| 4 | 1 | 129978-16820 | STAY ASSY, DPF | 1 | | | | | | | |
| 5 | 1 | 129978-16830 | SPACER, DPF | 1 | | | | | | | |
| 7 | 1 | 129C00-13940 | SENSOR, EXH.TEMP | 1 | | | | | | | 1 |
| 8 | 1 | 129C00-13950 | SENSOR, EXH.TEMP | 1 | | | | | | | 1 |
| 9 | 1 | 129978-16000 | DPF ASSY | 1 | | | | | | | 1 |
| 10 | 2 | 129978-16200 | CASE, DOC | 1 | | | | | | | 1 |
| 12 | 2 | 129978-16400 | CASE, SOOT FILTER | 1 | | | | | | | 1 |
| 14 | 2 | 129978-16550 | FLANGE, OUTLET | 1 | | | | | | | |
| 15 | 2 | 129978-16600 | GASKET, DPF | 2 | | | | | | | |
| 16 | 2 | 129A00-16610 | BOLT, M8X28 10.9T | 20 | | | | | | | |
| 17 | 2 | 129C01-16680 | LIFTER, DPF | 1 | | | | | | | |
| 18 | 2 | 129978-16700 | STIFFENER, DPF A | 6 | | | | | | | |
| 19 | 2 | 129978-16710 | STIFFENER, DPF B | 1 | | | | | | | |
| 20 | 2 | 129978-16720 | STIFFENER, DPF C | 1 | | | | | | | |
| 21 | 2 | 26106-080142 | BOLT, M8X 14 PLATED | 2 | | | | | | | |
| 22 | 2 | 26306-080002 | NUT, M8 | 20 | | | | | | | |
| 24 | 1 | 129A00-13350 | BOLT, PIPE JOINT | 2 | | | | | | | |
| 25 | 1 | 129979-17300 | PIPE ASSY,PRES EXH | 1 | | | | | | | |
| 26 | 1 | 129979-17310 | PIPE ASSY,PRES EXH | 1 | | | | | | | |
| 27 | 1 | 129A00-17311 | GASKET,SENSOR | 4 | | | | | | | |
| 28 | 1 | 129A00-17600 | HOSE ASSY,PRES EXH | 1 | | | | | | | |
| 30 | 2 | 129A00-17520 | CLIP, HOSE | 2 | | | | | | | |
| 31 | 1 | 129979-17650 | HOSE ASSY,PRES EXH | 1 | | | | | | | |
| 32 | 2 | 129A00-17520 | CLIP, HOSE | 2 | | | | | | | |
| 34 | 1 | 129978-17700 | SENSOR,PRESSURE | 1 | | | | | | | 1 |
| 35 | 1 | 129695-77380 | BOLT, M10X30 | 4 | | | | | | | |
| 36 | 1 | 129695-77380 | BOLT, M10X30 | 4 | | | | | | | |
| 37 | 1 | 22117-120000 | WASHER, 12 | 2 | | | | | | | |
| 38 | 1 | 26106-080252 | BOLT, M8X 25 PLATED | 4 | | | | | | | |
| 39 | 1 | 26106-080302 | BOLT, M8X 30 PLATED | 2 | | | | | | | |
| 40 | 1 | 26106-100552 | BOLT, M10X 55 PLATED | 2 | | | | | | | |
| 41 | 1 | 26306-100002 | NUT, M10 | 3 | | | | | | | |
| 42 | 1 | 26716-120002 | NUT, M12 | 2 | | | | | | | |
| 43 | 1 | 128300-13230 | GASKET, SILENCER | 1 | | | | | | | |
| 44 | 1 | 129A00-91430 | CLIP, CONNECTOR | 2 | | | | | | | |

Remarks

(1)When replacing this part, it is necessary to update the software of the ECU using the designated service tool. Please refer to the Service Manual for details.

Fig.8. CAMSHAFT & DRIVING GEAR

(A)=4TNV94CHT-NTBC

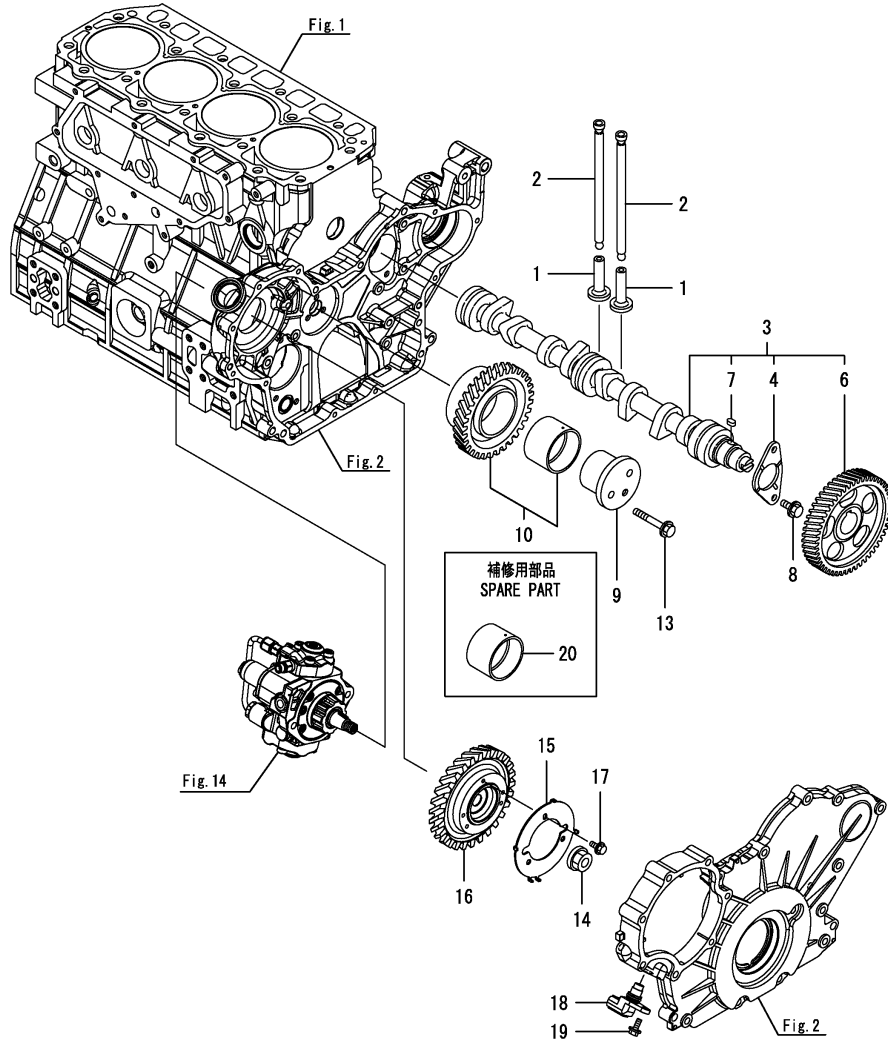
(B)=

(C)=

(D)=

(E)=

(F)=



| No. | Lev. | Parts No. | Description | Q'ty | | | | | | I | R |
|-----|------|--------------|---------------------|------|-----|-----|-----|-----|-----|---|---|
| | | | | (A) | (B) | (C) | (D) | (E) | (F) | | |
| 1 | 1 | 129150-14200 | TAPPET | 8 | | | | | | | |
| 2 | 1 | 129978-14400 | ROD, PUSH | 8 | | | | | | | |
| 3 | 1 | 129908-14581 | CAMSHAFT ASSY | 1 | | | | | | | |
| 4 | 2 | 129150-02450 | BEARING, THRUST | 1 | | | | | | | |
| 6 | 2 | 129900-14100 | GEAR, CAMSHAFT | 1 | | | | | | | |
| 7 | 2 | 22512-070140 | KEY, 7X 14 | 1 | | | | | | | |
| 8 | 1 | 26106-080162 | BOLT, M8X 16 PLATED | 2 | | | | | | | |
| 9 | 1 | 123900-25060 | SHAFT, IDLE GEAR | 1 | | | | | | | |
| 10 | 1 | 129900-25100 | GEAR ASSY, IDLE | 1 | | | | | | | |
| 13 | 1 | 26106-080552 | BOLT, M8X 55 PLATED | 3 | | | | | | | |
| 14 | 1 | 129978-25300 | NUT, M14X1.5 | 1 | | | | | | | |
| 15 | 1 | 129978-25700 | PULSAR | 1 | | | | | | | |
| 16 | 1 | 129978-25900 | GEAR, PUMP | 1 | | | | | | | |
| 17 | 1 | 26106-060102 | BOLT, M6X 10 PLATED | 3 | | | | | | | |
| 18 | 1 | 129978-25710 | SENSOR | 1 | | | | | | | |
| 19 | 1 | 26106-060142 | BOLT, M6X 14 PLATED | 1 | | | | | | | |
| 20 | 1 | 129150-25920 | BUSH, IDLE GEAR | 1 | | | | | | | 1 |

Remarks

(1) Spare parts.

N:Old $\xrightarrow{\text{Yes}}$ New, Q:Old $\xrightarrow{\text{No}}$ New, R:Old $\xrightarrow{\text{Yes}}$ New, S:Old $\xrightarrow{\text{No}}$ New, W:Add, Z:Discontinued, F:Interchangeable by set, K:Q'ty Change

Fig.9. TURBINE

(A)=4TNV94CHT-NTBC
(B)=
(C)=

(D)=
(E)=
(F)=

| No. | Lev. | Parts No. | Description | Q'ty | | | | | | I | R |
|-----|------|--------------|-------------------|------|-----|-----|-----|-----|-----|---|---|
| | | | | (A) | (B) | (C) | (D) | (E) | (F) | | |
| 1 | 1 | 129978-18020 | TURBOCHARGER ASSY | 1 | | | | | | | |
| 2 | 1 | 129472-18090 | GASKET | 1 | | | | | | | |
| 3 | 1 | 119131-18320 | STUD, M8X22 | 3 | | | | | | | |
| 4 | 1 | 26306-080002 | NUT, M8 | 4 | | | | | | | |

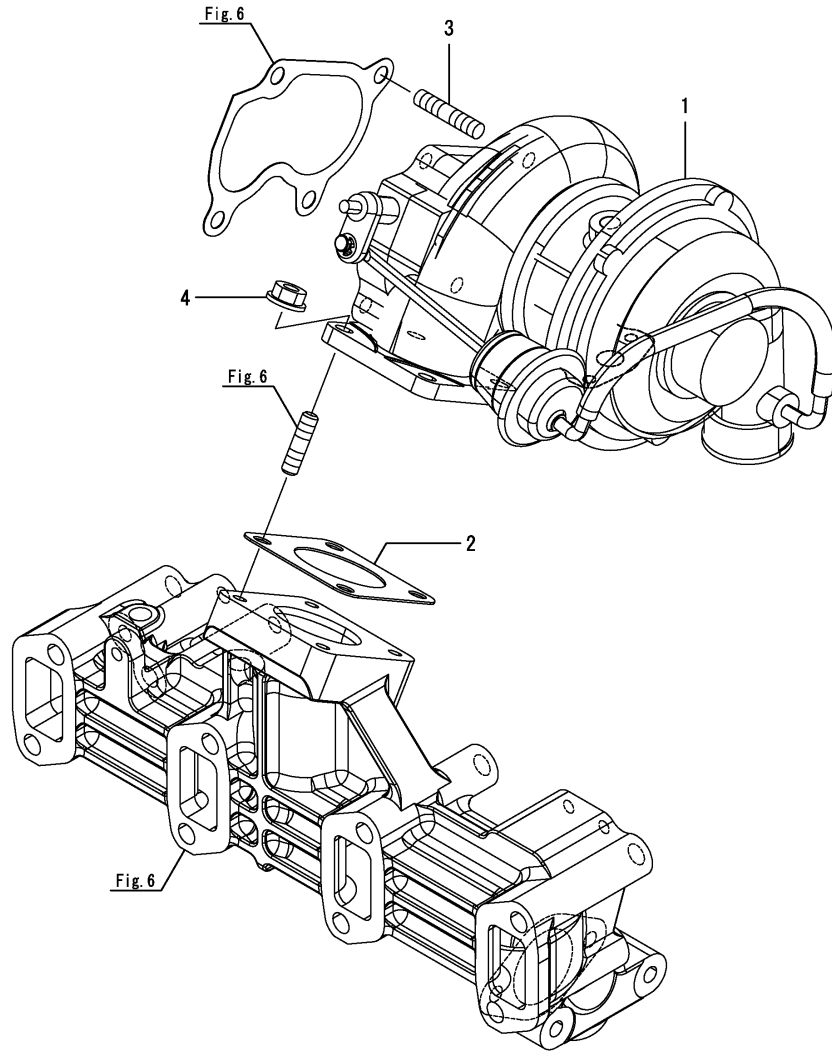
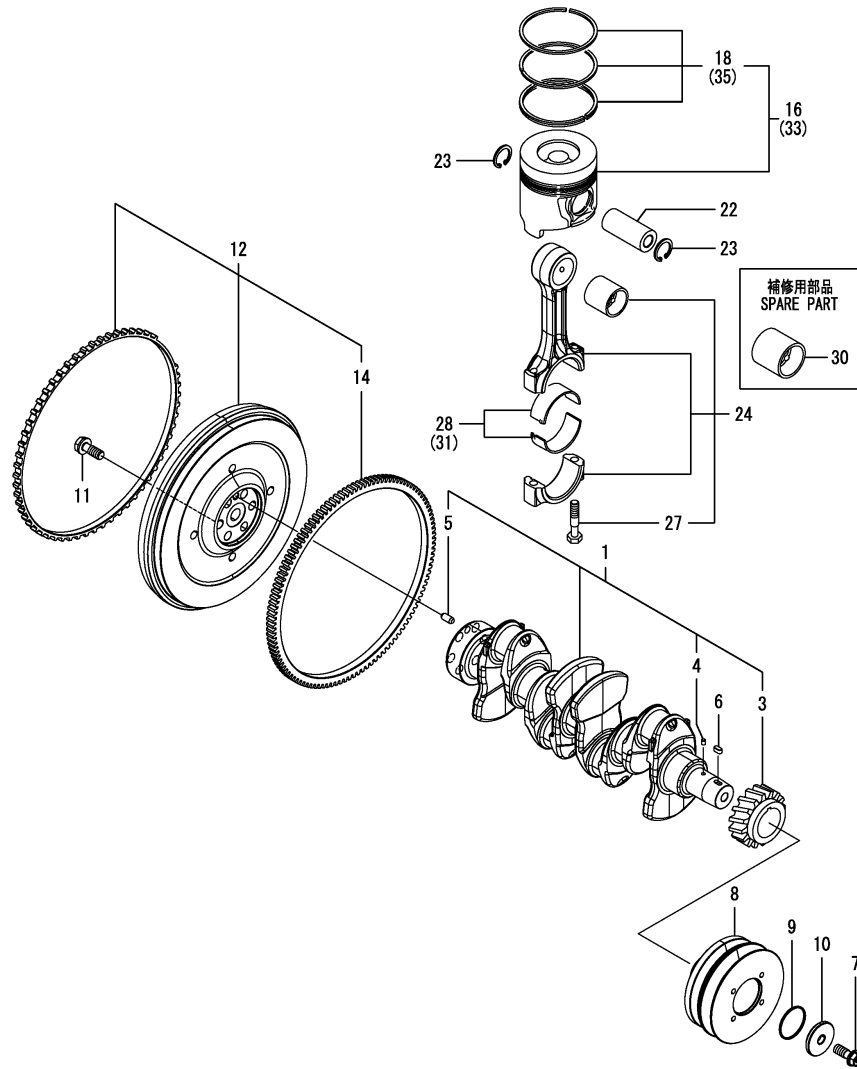


Fig.10. CRANKSHAFT & PISTON



(A)=4TNV94CHT-NTBC
(B)=
(C)=

(D)=
(E)=
(F)=

| No. | Lev. | Parts No. | Description | Q'ty | | | | | | I | R |
|-----|------|--------------|----------------------|------|-----|-----|-----|-----|-----|---|---|
| | | | | (A) | (B) | (C) | (D) | (E) | (F) | | |
| 1 | 1 | 129908-21000 | CRANKSHAFT ASSY | 1 | | | | | | | |
| 3 | 2 | 129900-21200 | GEAR, CRANKSHAFT | 1 | | | | | | | |
| 4 | 2 | 121850-21290 | PIN | 1 | | | | | | | |
| 5 | 2 | 121850-21920 | PIN, PARALLEL 10X22 | 1 | | | | | | | |
| 6 | 1 | 22512-070140 | KEY, 7X 14 | 1 | | | | | | | |
| 7 | 1 | 129916-21610 | BOLT | 1 | | | | | | | |
| 8 | 1 | 129978-21660 | V-PULLEY,CRANKSHAFT | 1 | | | | | | | |
| 9 | 1 | 129960-21930 | PACKING, WASHER | 1 | | | | | | | |
| 10 | 1 | 129960-21940 | WASHER, V-PULLEY | 1 | | | | | | | |
| 11 | 1 | 121850-21130 | BOLT, FLYWHEEL | 6 | | | | | | | |
| 12 | 1 | 129979-21580 | FLYWHEEL ASSY | 1 | | | | | | | |
| 14 | 2 | 129900-21600 | GEAR, RING | 1 | | | | | | | |
| 16 | 1 | 129978-22090 | PISTON ASSY | 4 | | | | | | | |
| 18 | 2 | 129978-22050 | PISTON RING ASSY | 4 | | | | | | | |
| 22 | 1 | 129978-22300 | PIN, PISTON | 4 | | | | | | | |
| 23 | 1 | 22252-000340 | RING, 34 | 8 | | | | | | | |
| 24 | 1 | 129978-23000 | ROD ASSY, CONNECTING | 4 | | | | | | | |
| 27 | 2 | 129900-23200 | BOLT, CONNECTING ROD | 8 | | | | | | | |
| 28 | 1 | 129900-23601 | BEARING, CRANK PIN | 4 | | | | | | | |
| 30 | 1 | 129978-23900 | BUSH, PISTON PIN | 4 | | | | | | | 1 |
| 31 | 1 | 129900-23611 | BEARING, 0.25 US | 4 | | | | | | | 2 |
| 33 | 1 | 129978-22900 | PISTON ASSY, 0.25 OS | 4 | | | | | | | 3 |
| 35 | 2 | 129978-22740 | RING ASSY, 0.25OS | 4 | | | | | | | 3 |

Remarks

- (1) Spare parts.
- (2) Under-sized (U.S.=0.25) parts.
- (3) Over-sized (O.S.=0.25) parts.

Fig.11. LUB. OIL SYSTEM

(A)=4TNV94CHT-NTBC

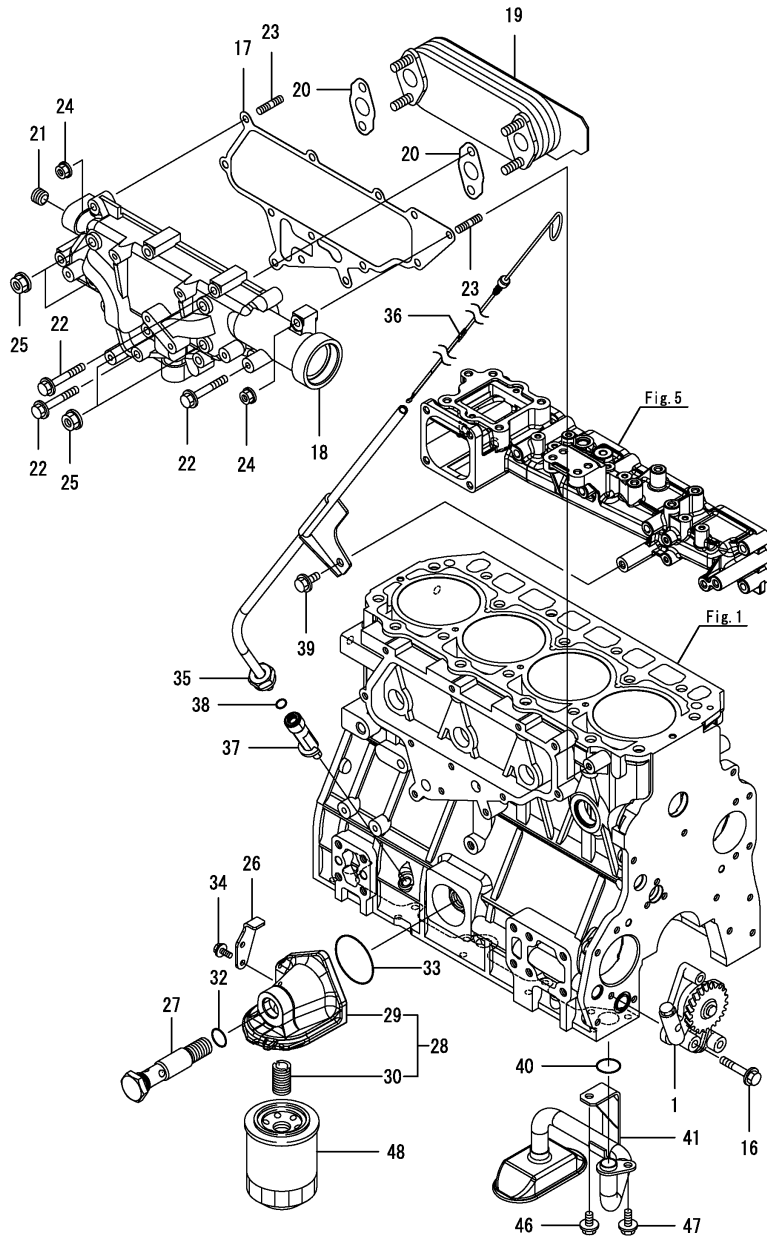
(B)=

(C)=

(D)=

(E)=

(F)=

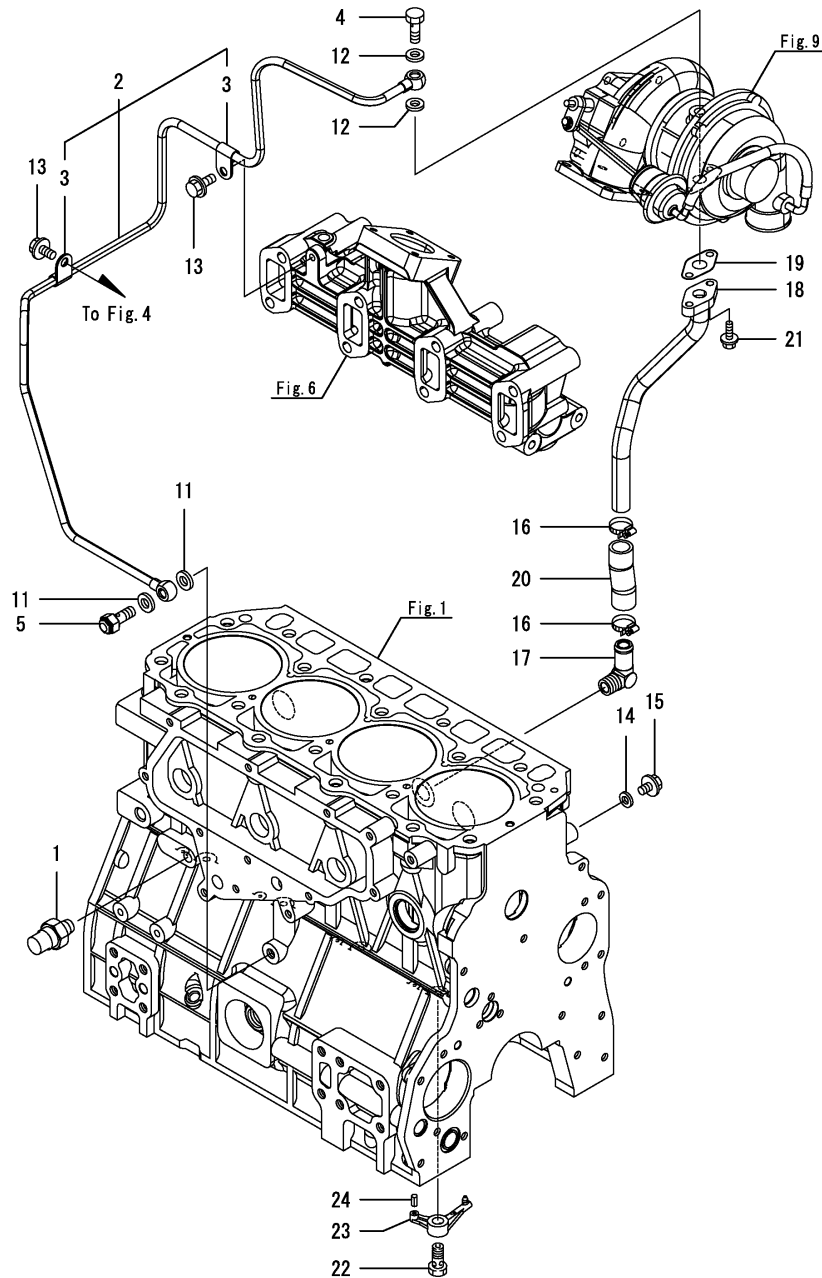


| No. | Lev. | Parts No. | Description | Q'ty | | | | | | I | R |
|-----|------|--------------|----------------------|------|-----|-----|-----|-----|-----|---|---|
| | | | | (A) | (B) | (C) | (D) | (E) | (F) | | |
| 1 | 1 | 129978-32000 | PUMP ASSY, OIL | 1 | | | | | | | |
| 16 | 1 | 26106-080452 | BOLT, M8X 45 PLATED | 3 | | | | | | | |
| 17 | 1 | 129978-33020 | GASKET | 1 | | | | | | | |
| 18 | 1 | 129978-33030 | CASE, OIL COOLER | 1 | | | | | | | |
| 19 | 1 | 119152-33050 | COOLER, OIL | 1 | | | | | | | |
| 20 | 1 | 129978-33070 | GASKET, COOLER | 2 | | | | | | | |
| 21 | 1 | 23875-030000 | PLUG, R03 | 1 | | | | | | | |
| 22 | 1 | 26106-080552 | BOLT, M8X 55 PLATED | 8 | | | | | | | |
| 23 | 1 | 26216-080352 | STUD, M8X 35 | 2 | | | | | | | |
| 24 | 1 | 26306-080002 | NUT, M8 | 2 | | | | | | | |
| 25 | 1 | 26376-100002 | NUT, M10 | 4 | | | | | | | |
| 26 | 1 | 129979-33100 | SUPPORT, BRACKET | 1 | | | | | | | |
| 27 | 1 | 129956-33110 | BOLT | 1 | | | | | | | |
| 28 | 1 | 129E20-33111 | BRACKET ASSY, FILTER | 1 | | | | | | | |
| 29 | 2 | 129956-33102 | BRACKET, OIL COOLER | 1 | | | | | | | |
| 30 | 2 | 129100-35140 | STUD | 1 | | | | | | | |
| 32 | 1 | 24314-000200 | O-RING, 4CP20.0 | 1 | | | | | | | |
| 33 | 1 | 24321-000600 | O-RING, 1AG60.0 | 1 | | | | | | | |
| 34 | 1 | 26106-060142 | BOLT, M6X 14 PLATED | 2 | | | | | | | |
| 35 | 1 | 129979-34800 | GUIDE, DIPSTICK | 1 | | | | | | | |
| 36 | 1 | 129979-34820 | DIPSTICK | 1 | | | | | | | |
| 37 | 1 | 129939-34864 | GUIDE, DIPSTICK | 1 | | | | | | | |
| 38 | 1 | 24316-240100 | O-RING, 4DP10A | 1 | | | | | | | |
| 39 | 1 | 26106-080162 | BOLT, M8X 16 PLATED | 1 | | | | | | | |
| 40 | 1 | 129900-32030 | O-RING, P20 | 1 | | | | | | | |
| 41 | 1 | 129953-35000 | PIPE ASSY, OIL INLET | 1 | | | | | | | |
| 46 | 1 | 26106-080122 | BOLT, M8X 12 PLATED | 1 | | | | | | | |
| 47 | 1 | 26106-080162 | BOLT, M8X 16 PLATED | 1 | | | | | | | |
| 48 | 1 | 119005-35151 | FILTER, D80X100L | 1 | | | | | | | 1 |

Remarks

(1) Spare parts.

Fig.12. LUB. OIL PIPE

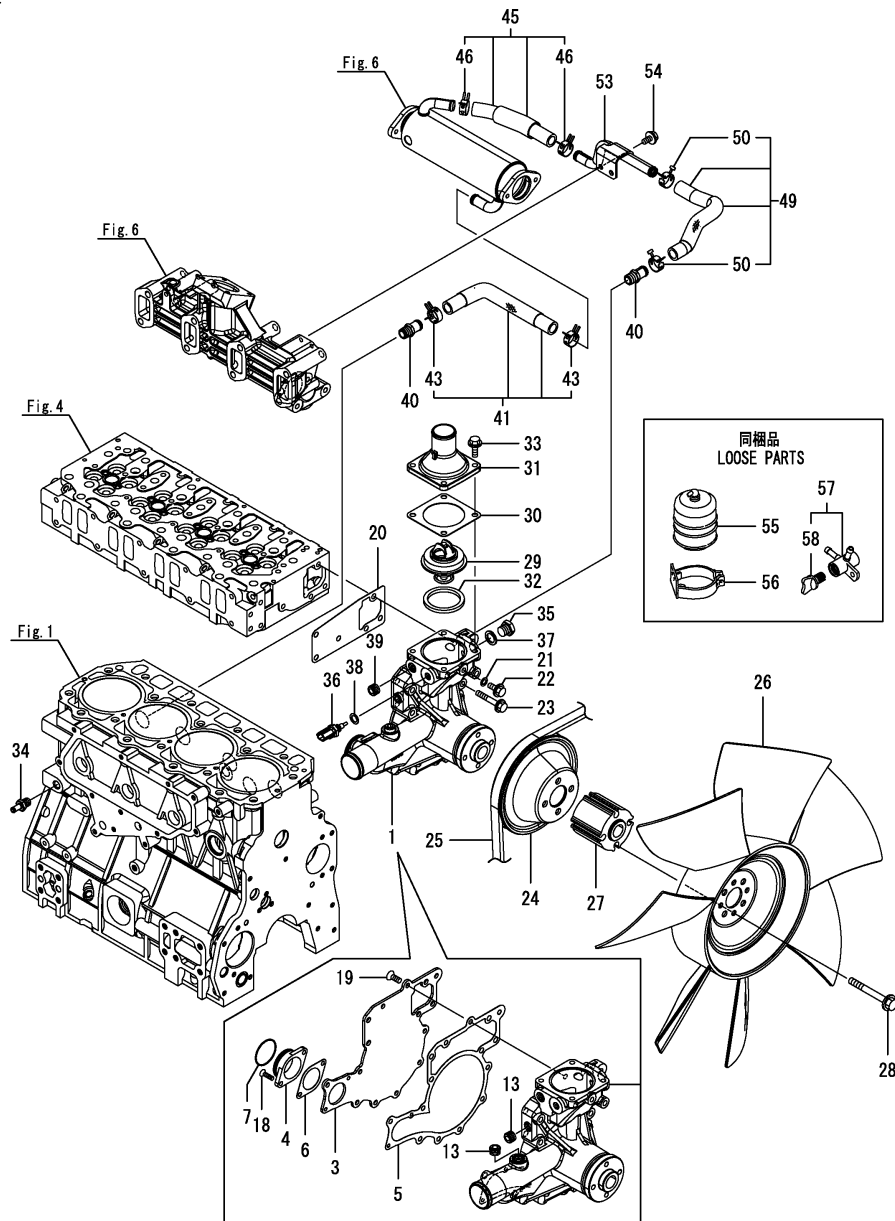


(A)=4TNV94CHT-NTBC
(B)=
(C)=

(D)=
(E)=
(F)=

| No. | Lev. | Parts No. | Description | Q'ty | | | | | | I | R |
|-----|------|--------------|---------------------|------|-----|-----|-----|-----|-----|---|---|
| | | | | (A) | (B) | (C) | (D) | (E) | (F) | | |
| 1 | 1 | 124298-39450 | SWITCH | 1 | | | | | | | |
| 2 | 1 | 129978-39050 | PIPE ASSY, LO T/C | 1 | | | | | | | |
| 3 | 2 | 124223-39900 | RETAINER | 2 | | | | | | | |
| 4 | 1 | 121252-39150 | BOLT, JOINT M10X1.5 | 1 | | | | | | | |
| 5 | 1 | 129978-39700 | CHECK VALVE ASSY | 1 | | | | | | | |
| 11 | 1 | 22190-100002 | WASHER, SEAL 10 | 2 | | | | | | | |
| 12 | 1 | 23414-100000 | GASKET, 10X1.0 | 2 | | | | | | | |
| 13 | 1 | 26106-080122 | BOLT, M8X 12 PLATED | 2 | | | | | | | |
| 14 | 1 | 22190-080002 | WASHER, SEAL 8 | 1 | | | | | | | |
| 15 | 1 | 26106-080122 | BOLT, M8X 12 PLATED | 1 | | | | | | | |
| 16 | 1 | 129960-03990 | CLIP, HOSE 19.8 | 2 | | | | | | | |
| 17 | 1 | 124070-13300 | ELBOW, PT3/8 | 1 | | | | | | | |
| 18 | 1 | 129E01-39600 | PIPE, LO RETURN T/C | 1 | | | | | | | |
| 19 | 1 | 129908-39690 | GASKET | 1 | | | | | | | |
| 20 | 1 | 129974-39820 | HOSE | 1 | | | | | | | |
| 21 | 1 | 26106-060162 | BOLT, M6X 16 PLATED | 2 | | | | | | | |
| 22 | 1 | 129908-39390 | BOLT, PIPE JOINT M8 | 4 | | | | | | | |
| 23 | 1 | 129978-39650 | NOZZLE | 4 | | | | | | | |
| 24 | 1 | 22351-030010 | PIN, SPRING 3.0X10 | 4 | | | | | | | |

Fig.13. COOLING WATER SYSTEM



(A)=4TNV94CHT-NTBC

(B)=

(C)=

(D)=

(E)=

(F)=

| No. | Lev. | Parts No. | Description | Q'ty | | | | | | I | R |
|-----|------|--------------|----------------------|------|-----|-----|-----|-----|-----|---|---|
| | | | | (A) | (B) | (C) | (D) | (E) | (F) | | |
| 1 | 1 | 129979-42000 | PUMP ASSY, WATER | 1 | | | | | | | |
| 3 | 2 | 129978-42111 | COVER, CW PUMP | 1 | | | | | | | |
| 4 | 2 | 119593-42120 | FLANGE | 1 | | | | | | | |
| 5 | 2 | 129978-42122 | GASKET, CW PUMP | 1 | | | | | | | |
| 6 | 2 | 119578-42130 | GASKET | 1 | | | | | | | |
| 7 | 2 | 129978-42140 | O-RING, CW-T(CW-P) | 1 | | | | | | | |
| 13 | 2 | 129916-49740 | PLUG, R03 | 4 | | | | | | | |
| 18 | 2 | 26577-060202 | SCREW, M6X20 | 2 | | | | | | | |
| 19 | 2 | 26577-080162 | SCREW, M8X16 | 9 | | | | | | | |
| 20 | 1 | 129978-42020 | GASKET, WATER PUMP | 1 | | | | | | | |
| 21 | 1 | 23414-080000 | GASKET, 8X1.0 | 1 | | | | | | | |
| 22 | 1 | 26106-080122 | BOLT, M8X 12 PLATED | 1 | | | | | | | |
| 23 | 1 | 26106-080502 | BOLT, M8X 50 PLATED | 5 | | | | | | | |
| 24 | 1 | 123915-42450 | V-PULLEY | 1 | | | | | | | |
| 25 | 1 | 129979-42200 | V-BELT, COG B48 | 1 | | | | | | | |
| 26 | 1 | 129979-44740 | FAN, D550 PULLER | 1 | | | | | | | |
| 27 | 1 | 123910-44780 | SPACER, FAN 65 | 1 | | | | | | | |
| 28 | 1 | 26106-100852 | BOLT, M10X 85 PLATED | 4 | | | | | | | |
| 29 | 1 | 124610-48620 | THERMOSTAT, 82 | 1 | | | | | | | |
| 30 | 1 | 124610-49291 | GASKET | 1 | | | | | | | |
| 31 | 1 | 123962-49500 | COVER, THERMOSTAT | 1 | | | | | | | |
| 32 | 1 | 123500-49550 | GASKET | 1 | | | | | | | |
| 33 | 1 | 26106-080252 | BOLT, M8X 25 PLATED | 4 | | | | | | | |
| 34 | 1 | 121550-49111 | JOINT, PT1/4 | 1 | | | | | | | |
| 35 | 1 | 121450-42450 | PLUG, M16 | 1 | | | | | | | |
| 36 | 1 | 129927-44900 | SENSOR.THERMO CW | 1 | | | | | | | 1 |
| 37 | 1 | 124465-44950 | GASKET, 16 | 1 | | | | | | | |
| 38 | 1 | 22190-120002 | WASHER, SEAL 12 | 1 | | | | | | | |
| 39 | 1 | 23875-030000 | PLUG, R03 | 1 | | | | | | | |
| 40 | 1 | 129928-49420 | JOINT | 2 | | | | | | | |
| 41 | 1 | 129E00-49610 | HOSE ASSY, EGR-C IN | 1 | | | | | | | |
| 43 | 2 | 129960-03990 | CLIP, HOSE 19.8 | 2 | | | | | | | |
| 45 | 1 | 129E00-49620 | HOSE ASSY,EGRC OUT A | 1 | | | | | | | |
| 46 | 2 | 129960-03990 | CLIP, HOSE 19.8 | 2 | | | | | | | |
| 49 | 1 | 129978-49691 | HOSE ASSY, EGR-C OUT | 1 | | | | | | | |
| 50 | 2 | 129960-03990 | CLIP, HOSE 19.8 | 2 | | | | | | | |
| 53 | 1 | 129978-49780 | PIPE, CW EGR-C OUT | 1 | | | | | | | |
| 54 | 1 | 26106-080162 | BOLT, M8X 16 PLATED | 2 | | | | | | | |
| 55 | 1 | 148616-44510 | TANK, SUB | 1 | | | | | | | |
| 56 | 1 | 148616-44551 | BRACKET | 1 | | | | | | | |
| 57 | 1 | 129150-49100 | COCK ASSY, 3-WAY | 1 | | | | | | | |
| 58 | 2 | 129150-49080 | COCK, DRAIN | 1 | | | | | | | |

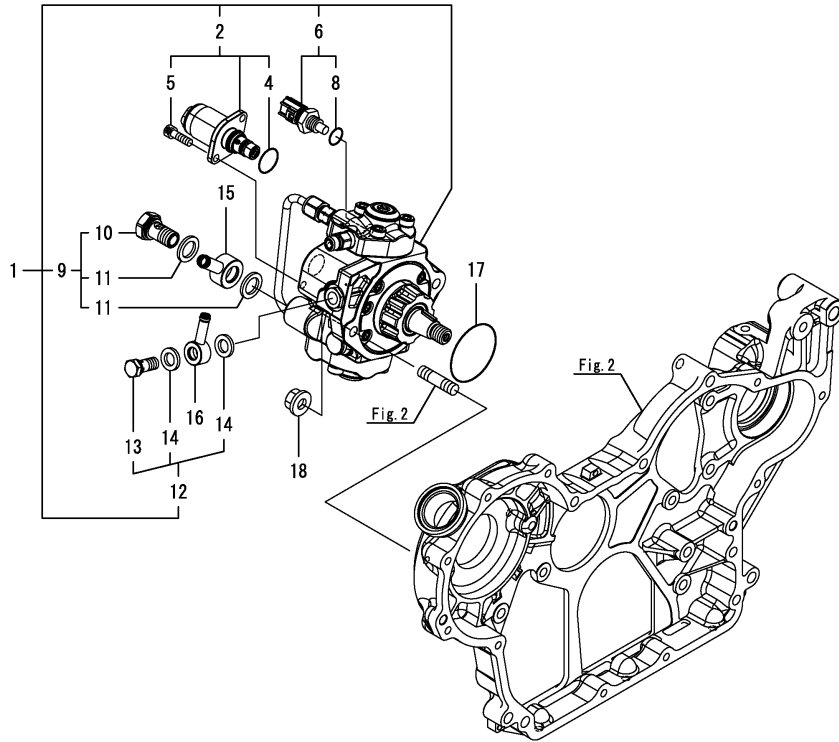
Remarks

(1)When replacing this part, it is necessary to update the software of the ECU using the designated service tool. Please refer to the Service Manual for details.

Fig.14. FUEL SUPPLY PUMP

(A)=4TNV94CHT-NTBC
(B)=
(C)=

(D)=
(E)=
(F)=



| No. | Lev. | Parts No. | Description | Q'ty | | | | | | I | R |
|-----|------|--------------|----------------------|------|-----|-----|-----|-----|-----|---|---|
| | | | | (A) | (B) | (C) | (D) | (E) | (F) | | |
| 1 | 1 | 129978-51000 | PUMP ASSY | 1 | | | | | | | 1 |
| 2 | 2 | 129978-51100 | VALVE ASSY,SCV S/A | 1 | | | | | | | 1 |
| 4 | 3 | 129978-51120 | O-RING, SCV | 1 | | | | | | | |
| 5 | 3 | 129978-51130 | BOLT, SCV | 2 | | | | | | | |
| 6 | 2 | 129978-51200 | SENSOR,TEMP S/A | 1 | | | | | | | 1 |
| 8 | 3 | 129978-51220 | O-RING, TEMP SENSOR | 1 | | | | | | | |
| 9 | 2 | 129978-51300 | SCREW KIR,HOLLOW IN | 1 | | | | | | | |
| 10 | 3 | 129978-51310 | SCREW, HOLLOW IN | 1 | | | | | | | |
| 11 | 3 | 129978-51320 | WASHER, HOLLOW SCREW | 2 | | | | | | | |
| 12 | 2 | 129978-51400 | SCREW KIR,HOLLOW OUT | 1 | | | | | | | |
| 13 | 3 | 129978-51410 | SCREW, HOLLOW OUT | 1 | | | | | | | |
| 14 | 3 | 129978-51420 | WASHER, HOLLOW SCREW | 2 | | | | | | | |
| 15 | 1 | 129978-59150 | JOINT, HOSE 14 | 1 | | | | | | | |
| 16 | 1 | 129978-59160 | JOINT, HOSE 10 | 1 | | | | | | | |
| 17 | 1 | 24341-000500 | O-RING, 1AS50.0 | 1 | | | | | | | |
| 18 | 1 | 26306-080002 | NUT, M8 | 2 | | | | | | | |

Remarks

(1)When replacing this part, it is necessary to update the software of the ECU using the designated service tool. Please refer to the Service Manual for details.

Fig.15. FUEL INJECTION VALVE

(A)=4TNV94CHT-NTBC

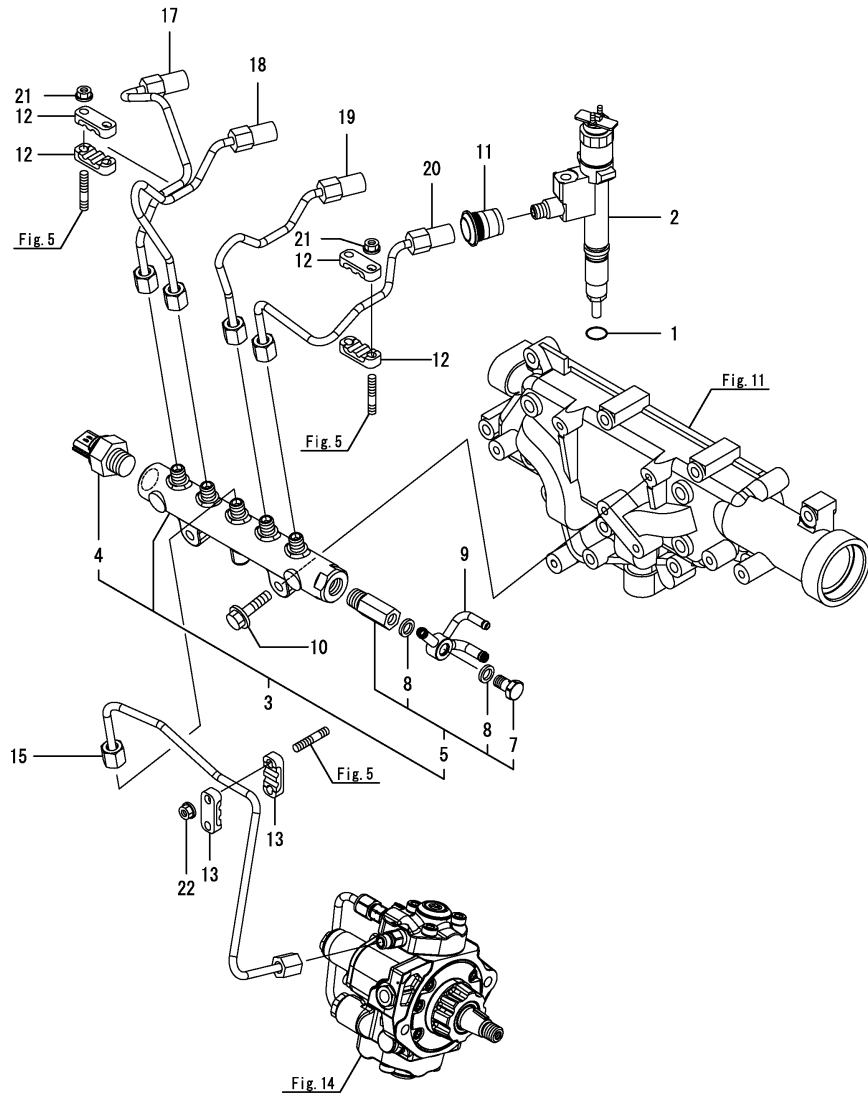
(B)=

(C)=

(D)=

(E)=

(F)=



| No. | Lev. | Parts No. | Description | Q'ty | | | | | | I | R |
|-----|------|--------------|----------------------|------|-----|-----|-----|-----|-----|---|---|
| | | | | (A) | (B) | (C) | (D) | (E) | (F) | | |
| 1 | 1 | 119717-32050 | O-RING, P17.0 | 4 | | | | | | | |
| 2 | 1 | 129978-53000 | INJECTOR, CR | 4 | | | | | | | 1 |
| 3 | 1 | 129978-57000 | RAIL ASSY | 1 | | | | | | | 1 |
| 4 | 2 | 129978-57100 | SENSOR,RAILPRESSURE | 1 | | | | | | | 1 |
| 5 | 2 | 129978-57200 | VALVE,PRES LIMIT S/A | 1 | | | | | | | 1 |
| 7 | 3 | 129978-57220 | SCREW, HOLLOW PRES L | 1 | | | | | | | |
| 8 | 3 | 129978-57230 | WASHER, HOLLOW SCREW | 2 | | | | | | | |
| 9 | 1 | 129978-59170 | JOINT, HOSE 10 | 1 | | | | | | | |
| 10 | 1 | 26106-080352 | BOLT, M8X 35 PLATED | 2 | | | | | | | |
| 11 | 1 | 123907-11601 | SEAL | 4 | | | | | | | |
| 12 | 1 | 129978-59100 | CLAMP, FUEL PIPE | 6 | | | | | | | |
| 13 | 1 | 129978-59100 | CLAMP, FUEL PIPE | 2 | | | | | | | |
| 15 | 1 | 129978-59700 | PIPE ASSY, FUEL | 1 | | | | | | | |
| 17 | 1 | 129978-59810 | PIPE ASSY, INJECTION | 1 | | | | | | | |
| 18 | 1 | 129978-59820 | PIPE ASSY, INJECTION | 1 | | | | | | | |
| 19 | 1 | 129978-59830 | PIPE ASSY, INJECTION | 1 | | | | | | | |
| 20 | 1 | 129978-59840 | PIPE ASSY, INJECTION | 1 | | | | | | | |
| 21 | 1 | 26366-060002 | NUT, M6 | 6 | | | | | | | |
| 22 | 1 | 26366-060002 | NUT, M6 | 2 | | | | | | | |

Remarks

(1)When replacing this part, it is necessary to update the software of the ECU using the designated service tool. Please refer to the Service Manual for details.

Fig.16. FUEL PIPE

(A)=4TNV94CHT-NTBC

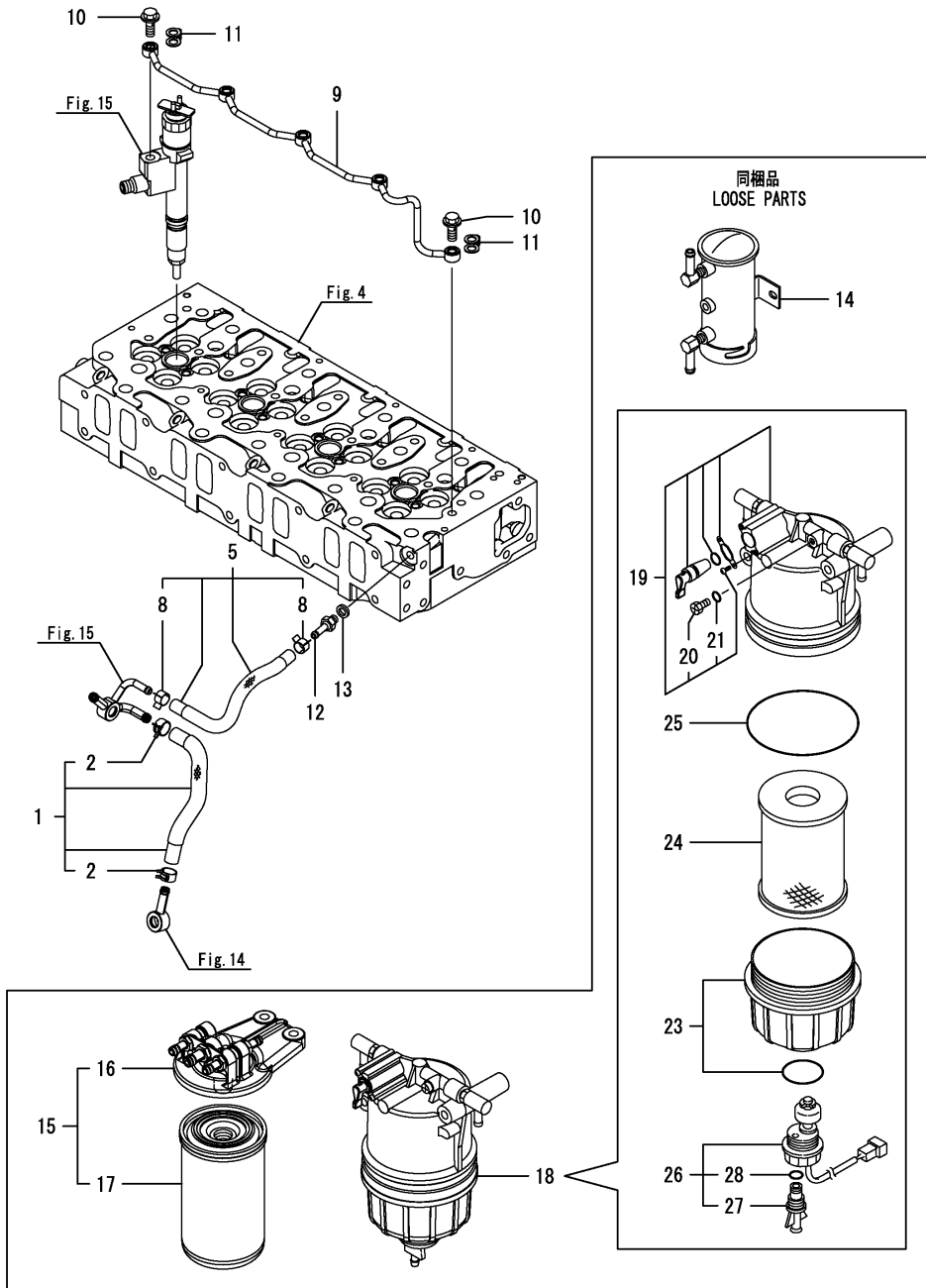
(B)=

(C)=

(D)=

(E)=

(F)=



| No. | Lev. | Parts No. | Description | Q'ty | | | | | | I | R |
|-----|------|--------------|----------------------|------|-----|-----|-----|-----|-----|---|---|
| | | | | (A) | (B) | (C) | (D) | (E) | (F) | | |
| 1 | 1 | 129978-59070 | HOSE ASSY, FUEL | 1 | | | | | | | |
| 2 | 2 | 114270-59010 | CLIP, HOSE 12 | 2 | | | | | | | |
| 5 | 1 | 129978-59080 | HOSE ASSY, FUEL | 1 | | | | | | | |
| 8 | 2 | 23080-011000 | CLAMP, 11 | 2 | | | | | | | |
| 9 | 1 | 129978-59500 | PIPE ASSY, RETURN | 1 | | | | | | | |
| 10 | 1 | 129978-59550 | BOLT, PIPE JOINT M8 | 5 | | | | | | | |
| 11 | 1 | 129978-59560 | GASKET | 5 | | | | | | | |
| 12 | 1 | 129978-59570 | JOINT | 1 | | | | | | | |
| 13 | 1 | 22190-080002 | WASHER, SEAL 8 | 1 | | | | | | | |
| 14 | 1 | 129978-52100 | PUMP, FUEL FEED | 1 | | | | | | | |
| 15 | 1 | 129A00-55600 | FILTE ASSY,FO | 1 | | | | | | | |
| 16 | 2 | 129A00-55610 | BRACKET ASSY,FO FILT | 1 | | | | | | | |
| 17 | 2 | 129A00-55800 | FILTER, FUEL OIL | 1 | | | | | | | |
| 18 | 1 | 129E00-55700 | FILTER, FO PRE | 1 | | | | | | | |
| 19 | 2 | 129E00-55710 | BODY ASSY | 1 | | | | | | | |
| 20 | 3 | 129A00-55750 | PLUG,BREATHER | 1 | | | | | | | |
| 21 | 3 | 129A00-55760 | O-RING | 1 | | | | | | | |
| 23 | 2 | 129C01-55720 | CUP, FUEL FILTER | 1 | | | | | | | |
| 24 | 2 | 129A00-55730 | ELEMENT | 1 | | | | | | | |
| 25 | 2 | 129A00-55740 | O-RING | 1 | | | | | | | |
| 26 | 2 | 129917-55821 | SENSOR ASSY | 1 | | | | | | | |
| 27 | 3 | 129917-55830 | PLUG, DRAIN | 1 | | | | | | | |
| 28 | 3 | 129917-55840 | O-RING | 1 | | | | | | | |

Fig.17. STARTER MOTOR

(A)=4TNV94CHT-NTBC

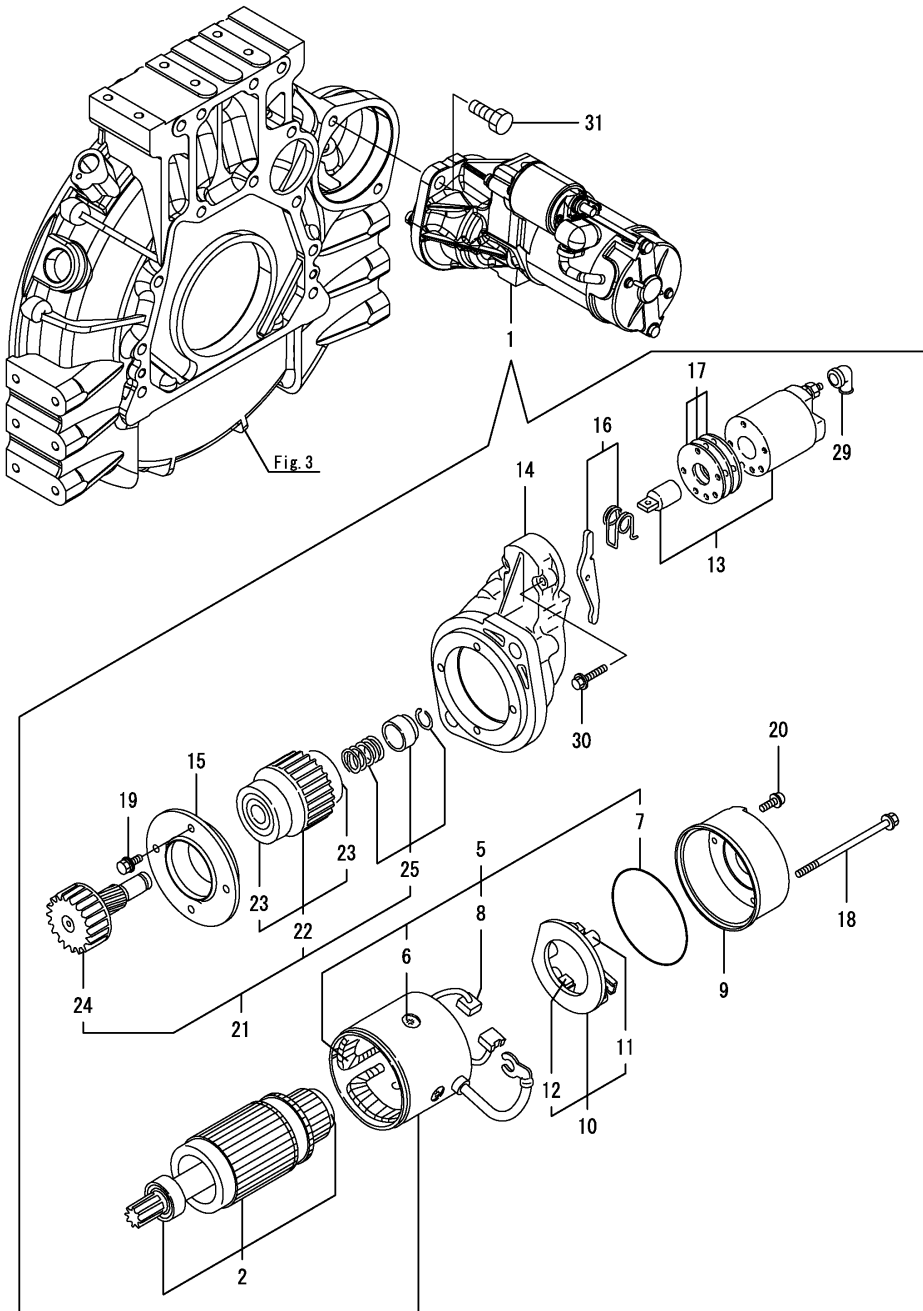
(B)=

(C)=

(D)=

(E)=

(F)=

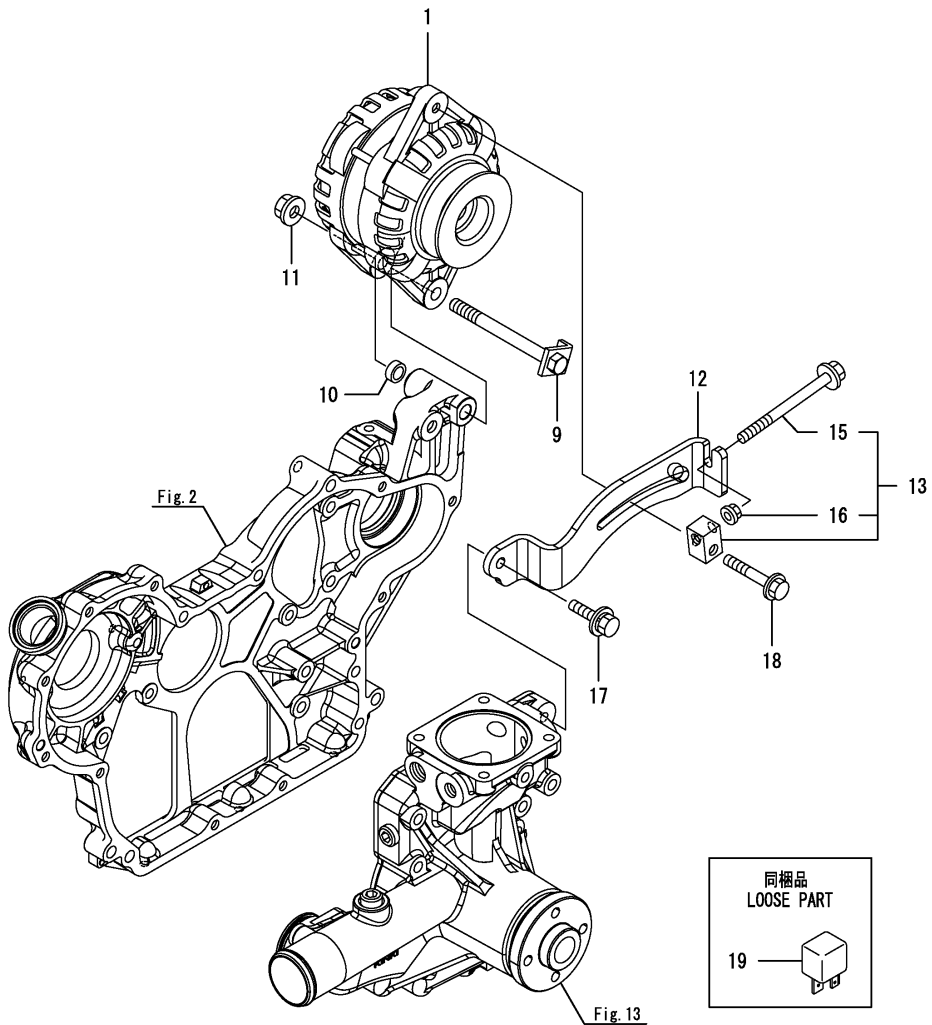


| No. | Lev. | Parts No. | Description | Q'ty | | | | | | I | R |
|-----|------|--------------|----------------------|------|-----|-----|-----|-----|-----|---|---|
| | | | | (A) | (B) | (C) | (D) | (E) | (F) | | |
| 1 | 1 | 129940-77011 | STARTER | 1 | | | | | | | |
| 2 | 2 | 129940-77100 | ARMATURE ASSY | 1 | | | | | | | |
| 5 | 2 | 129940-77130 | COIL ASSY, FIELD | 1 | | | | | | | |
| 6 | 3 | 129940-77140 | SCREW | 4 | | | | | | | |
| 7 | 3 | 129940-77150 | O-RING | 1 | | | | | | | |
| 8 | 3 | 129940-77160 | BRUSH | 2 | | | | | | | |
| 9 | 2 | 129940-77171 | COVER | 1 | | | | | | | |
| 10 | 2 | 129940-77181 | HOLDER ASSY, BRUSH | 1 | | | | | | | |
| 11 | 3 | 129940-77190 | SPRING | 1 | | | | | | | |
| 12 | 3 | 129940-77200 | BRUSH | 2 | | | | | | | |
| 13 | 2 | 129940-77210 | SWITCH ASSY | 1 | | | | | | | |
| 14 | 2 | 129940-77221 | CASE, GEAR | 1 | | | | | | | |
| 15 | 2 | 129940-77230 | RETAINER | 1 | | | | | | | |
| 16 | 2 | 129940-77240 | LEVER SET | 1 | | | | | | | |
| 17 | 2 | 129940-77250 | COVER ASSY, DUST | 1 | | | | | | | |
| 18 | 2 | 129940-77260 | BOLT, THROUGH | 2 | | | | | | | |
| 19 | 2 | 129940-77270 | BOLT | 4 | | | | | | | |
| 20 | 2 | 129940-77280 | SCREW | 2 | | | | | | | |
| 21 | 2 | 123900-77510 | PINION ASSY | 1 | | | | | | | |
| 22 | 3 | 123900-77520 | CLUTCH ASSY | 1 | | | | | | | |
| 23 | 4 | X2240610100 | BEARING, BALL | 2 | | | | | | | |
| 24 | 3 | 123900-77540 | SHAFT | 1 | | | | | | | |
| 25 | 3 | 119131-77550 | STOPPER KIT | 1 | | | | | | | |
| 29 | 2 | 121254-77810 | COVER, TERMINAL | 1 | | | | | | | |
| 30 | 2 | 114371-79070 | BOLT | 2 | | | | | | | |
| 31 | 1 | 26116-120302 | BOLT, M12X 30 PLATED | 2 | | | | | | | |

Fig.18. GENERATOR

(A)=4TNV94CHT-NTBC
(B)=
(C)=

(D)=
(E)=
(F)=



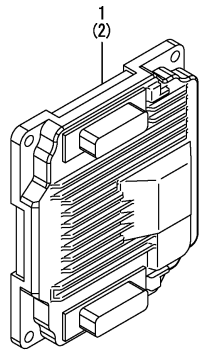
| No. | Lev. | Parts No. | Description | Q'ty | | | | | | I | R |
|-----|------|--------------|----------------------|------|-----|-----|-----|-----|-----|---|---|
| | | | | (A) | (B) | (C) | (D) | (E) | (F) | | |
| 1 | 1 | 129908-77210 | ALTERNATOR | 1 | | | | | | | |
| 9 | 1 | 129908-77220 | BOLT, STOPPER M10 | 1 | | | | | | | |
| 10 | 1 | 129979-77360 | PIECE, DISTANCE | 1 | | | | | | | |
| 11 | 1 | 26306-100002 | NUT, M10 | 1 | | | | | | | |
| 12 | 1 | 129979-77300 | ADJUSTER, BELT | 1 | | | | | | | |
| 13 | 1 | 119624-77351 | BLOCK ASSY, ADJUSTER | 1 | | | | | | | |
| 15 | 2 | 26106-081004 | BOLT, M8X100 PLATED | 1 | | | | | | | |
| 16 | 2 | 26306-080002 | NUT, M8 | 1 | | | | | | | |
| 17 | 1 | 26014-080252 | BOLT, M8X 25 | 1 | | | | | | | |
| 18 | 1 | 26106-080452 | BOLT, M8X 45 PLATED | 1 | | | | | | | |
| 19 | 1 | 129927-77920 | RELAY | 2 | | | | | | | |

Fig.19. ELECTRONIC CONTROL UNIT (ECU)

(A)=4TNV94CHT-NTBC
(B)=
(C)=

(D)=
(E)=
(F)=

| No. | Lev. | Parts No. | Description | Q'ty | | | | | | I | R |
|-----|------|--------------|----------------------|------|-----|-----|-----|-----|-----|---|---|
| | | | | (A) | (B) | (C) | (D) | (E) | (F) | | |
| 1 | 1 | 129979-75031 | ECU ASSY,94CHT-NTBC | 1 | | | | | | | 1 |
| 2 | 1 | 129978-75991 | ECU ASSY,SERVICE YMR | 1 | | | | | | | 2 |



Remarks

(1)Eco ECU

This part cannot be ordered.

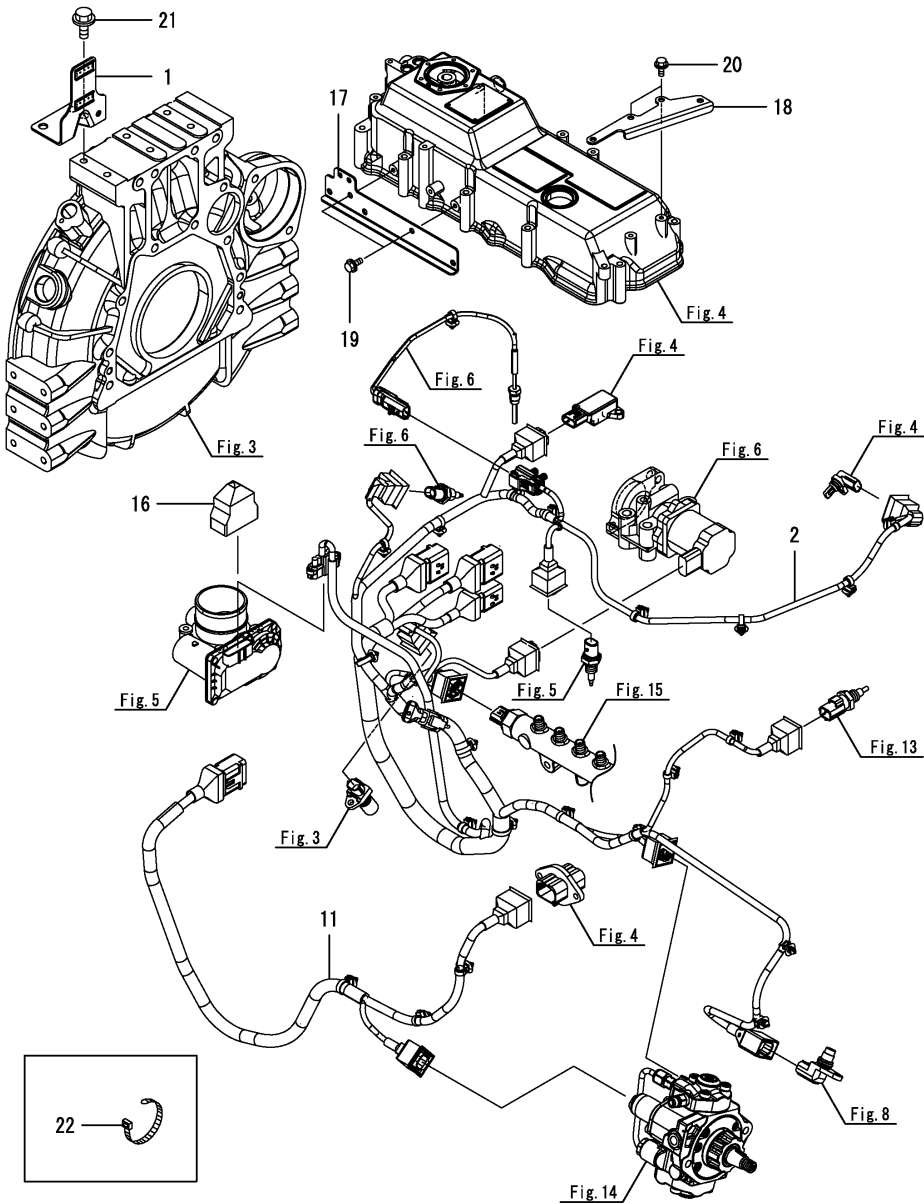
Replace the part using a Service ECU with the proper engine information installed.

(2)Service ECU

When replacing this part, it is necessary to update the software of the ECU using the designated service tool.

Please refer to the Service Manual for details.

Fig.20. ELECTRIC PARTS



(A)=4TNV94CHT-NTBC
(B)=
(C)=

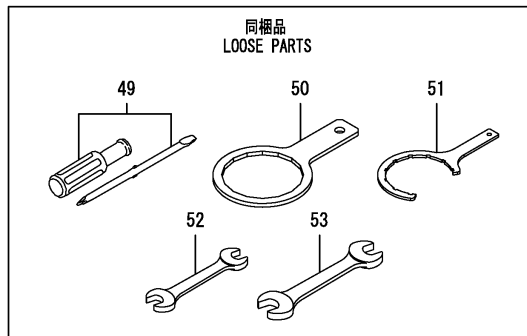
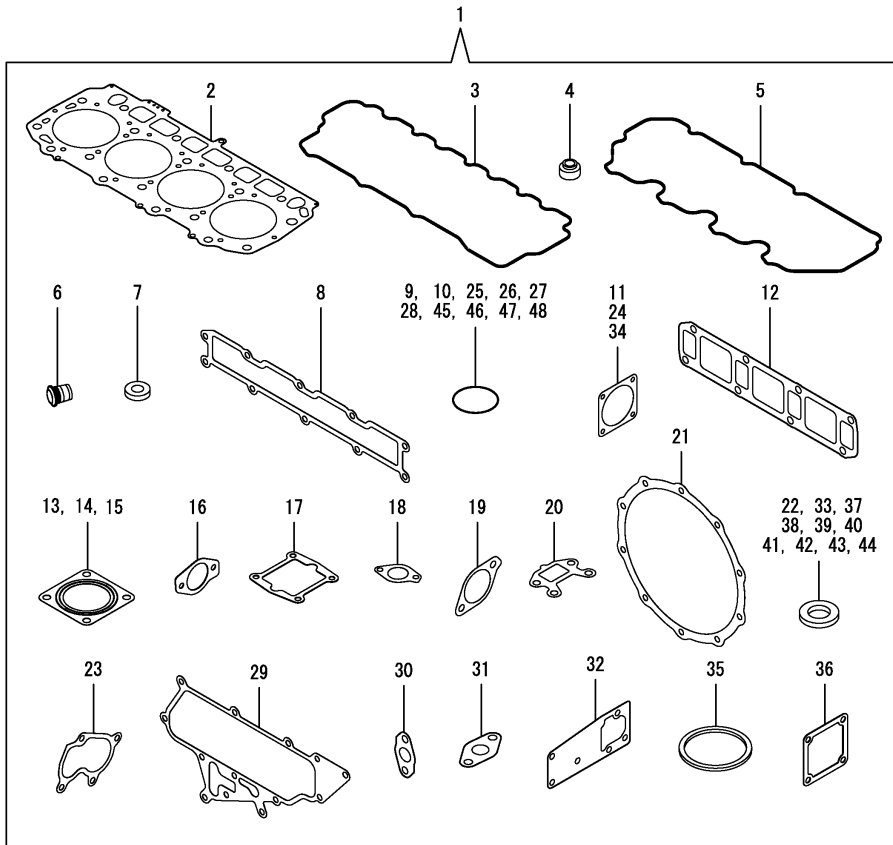
(D)=
(E)=
(F)=

| No. | Lev. | Parts No. | Description | Q'ty | | | | | | I | R |
|-----|------|--------------|----------------------|------|-----|-----|-----|-----|-----|---|---|
| | | | | (A) | (B) | (C) | (D) | (E) | (F) | | |
| 1 | 1 | 129978-77930 | BRACKET,CONNECTOR | 1 | | | | | | | |
| 2 | 1 | 129978-91242 | HARNESS, B 94CHTLONG | 1 | | | | | | | |
| 11 | 1 | 129978-91251 | HARNESS, C 94CHTLONG | 1 | | | | | | | |
| 16 | 1 | 129A00-91451 | BOOT,CAP TYPE | 1 | | | | | | | |
| 17 | 1 | 129978-91610 | BRACKET, HARNESS | 1 | | | | | | | |
| 18 | 1 | 129978-91620 | BRACKET, HARNESS | 1 | | | | | | | |
| 19 | 1 | 26106-060122 | BOLT, M6X 12 PLATED | 2 | | | | | | | |
| 20 | 1 | 26106-060122 | BOLT, M6X 12 PLATED | 2 | | | | | | | |
| 21 | 1 | 26106-100182 | BOLT, M10X 18 PLATED | 1 | | | | | | | |
| 22 | 1 | 29621-200000 | BAND | 2 | | | | | | | |

Fig.21. GASKET SET & TOOL

(A)=4TNV94CHT-NTBC
(B)=
(C)=

(D)=
(E)=
(F)=



| No. | Lev. | Parts No. | Description | Q'ty | | | | | | I | R |
|-----|------|--------------|-----------------------|------|-----|-----|-----|-----|-----|---|---|
| | | | | (A) | (B) | (C) | (D) | (E) | (F) | | |
| 1 | 1 | 729978-92600 | GASKET SET | 1 | | | | | | | |
| 2 | 2 | 129978-01331 | GASKET, CYL. HEAD | 1 | | | | | | | |
| 3 | 2 | 129978-11311 | GASKET, BONNET | 1 | | | | | | | |
| 4 | 2 | 124160-11340 | SEAL, VALVE STEM | 16 | | | | | | | |
| 5 | 2 | 129978-11351 | GASKET, BONNET SPACER | 1 | | | | | | | |
| 6 | 2 | 123907-11601 | SEAL | 4 | | | | | | | |
| 7 | 2 | 129978-11871 | GASKET, INJECTOR | 4 | | | | | | | |
| 8 | 2 | 129978-12110 | GASKET, MANIFOLD | 1 | | | | | | | |
| 9 | 2 | 129A00-12780 | O-RING, PRES SENSOR | 2 | | | | | | | |
| 10 | 2 | 129A00-12790 | O-RING, TEMP SENSOR | 1 | | | | | | | |
| 11 | 2 | 129A00-12910 | GASKET, THROTTLE | 1 | | | | | | | |
| 12 | 2 | 129978-13111 | GASKET, EXH MANIFOLD | 1 | | | | | | | |
| 13 | 2 | 128300-13230 | GASKET, SILENCER | 1 | | | | | | | |
| 14 | 2 | 128300-13230 | GASKET, SILENCER | 1 | | | | | | | |
| 15 | 2 | 128300-13230 | GASKET, SILENCER | 1 | | | | | | | |
| 16 | 2 | 129978-13411 | GASKET, EGR COOLER | 2 | | | | | | | |
| 17 | 2 | 129978-13720 | GASKET, EGR-V SPACER | 1 | | | | | | | |
| 18 | 2 | 129927-13810 | GASKET | 1 | | | | | | | |
| 19 | 2 | 129E00-13910 | GASKET, EGR-V IN | 1 | | | | | | | |
| 20 | 2 | 129E00-13920 | GASKET, EGR-V OUT | 1 | | | | | | | |
| 21 | 2 | 129978-16600 | GASKET, DPF | 2 | | | | | | | |
| 22 | 2 | 129A00-17311 | GASKET, SENSOR | 4 | | | | | | | |
| 23 | 2 | 123901-18080 | GASKET | 1 | | | | | | | |
| 24 | 2 | 129472-18090 | GASKET | 1 | | | | | | | |
| 25 | 2 | 129900-32030 | O-RING, P20 | 1 | | | | | | | |
| 26 | 2 | 129900-32030 | O-RING, P20 | 1 | | | | | | | |
| 27 | 2 | 129900-32040 | O-RING, P14 | 1 | | | | | | | |
| 28 | 2 | 119717-32050 | O-RING, P17.0 | 4 | | | | | | | |
| 29 | 2 | 129978-33020 | GASKET | 1 | | | | | | | |
| 30 | 2 | 129978-33070 | GASKET, COOLER | 2 | | | | | | | |
| 31 | 2 | 129908-39690 | GASKET | 1 | | | | | | | |
| 32 | 2 | 129978-42020 | GASKET, WATER PUMP | 1 | | | | | | | |
| 33 | 2 | 124465-44950 | GASKET, 16 | 1 | | | | | | | |
| 34 | 2 | 124610-49291 | GASKET | 1 | | | | | | | |
| 35 | 2 | 123500-49550 | GASKET | 1 | | | | | | | |
| 36 | 2 | 121850-77021 | GASKET | 1 | | | | | | | |
| 37 | 2 | 22190-080002 | WASHER, SEAL 8 | 1 | | | | | | | |
| 38 | 2 | 22190-080002 | WASHER, SEAL 8 | 1 | | | | | | | |
| 39 | 2 | 22190-100002 | WASHER, SEAL 10 | 2 | | | | | | | |
| 40 | 2 | 22190-120002 | WASHER, SEAL 12 | 1 | | | | | | | |
| 41 | 2 | 22190-120002 | WASHER, SEAL 12 | 2 | | | | | | | |
| 42 | 2 | 23414-080000 | GASKET, 8X1.0 | 1 | | | | | | | |
| 43 | 2 | 23414-100000 | GASKET, 10X1.0 | 2 | | | | | | | |
| 44 | 2 | 23414-120000 | GASKET, 12X1.0 | 2 | | | | | | | |
| 45 | 2 | 24311-000320 | O-RING, 1AP32.0 | 1 | | | | | | | |
| 46 | 2 | 24311-000320 | O-RING, 1AP32.0 | 1 | | | | | | | |
| 47 | 2 | 24311-000380 | O-RING, 1AP38.0 | 1 | | | | | | | |
| 48 | 2 | 24341-000530 | O-RING, 1AS53.0 | 1 | | | | | | | |
| 49 | 1 | 104200-92350 | DRIVER, SCREW | 1 | | | | | | | |
| 50 | 1 | 119640-92750 | WRENCH, FILTER 80 | 1 | | | | | | | |
| 51 | 1 | 129A00-92750 | WRENCH, PRE FILTER | 1 | | | | | | | |

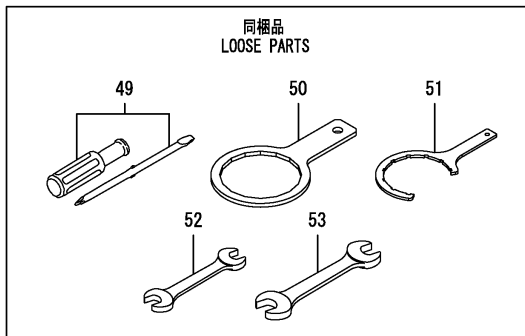
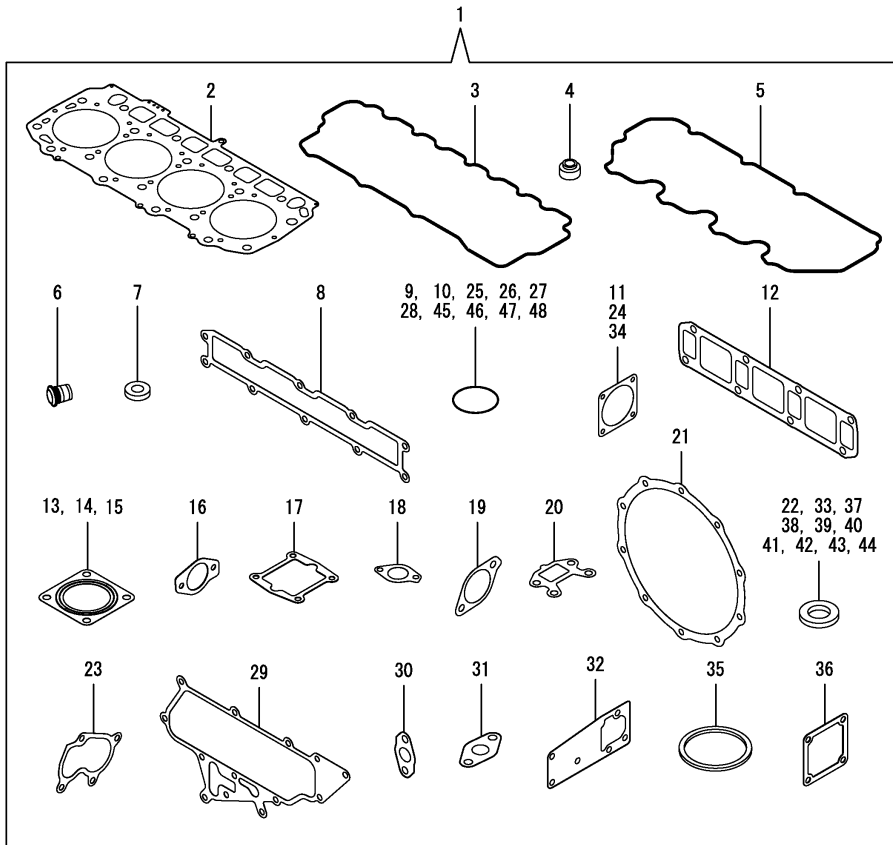
Remarks

(1)Optional parts.

Fig.21. GASKET SET & TOOL

(A)=4TNV94CHT-NTBC
(B)=
(C)=

(D)=
(E)=
(F)=



| No. | Lev. | Parts No. | Description | Q'ty | | | | | | I | R |
|-----|------|--------------|----------------|------|-----|-----|-----|-----|-----|---|---|
| | | | | (A) | (B) | (C) | (D) | (E) | (F) | | |
| 52 | 1 | 28110-100120 | SPANNER, 10X12 | 1 | | | | | | | |
| 53 | 1 | 28110-140170 | SPANNER, 14X17 | 1 | | | | | | | |

Remarks
(1)Optional parts.

Parts No. Index

| Parts No. | Fig. No. | Ref. No. |
|--------------|----------|----------|
| 104200-92350 | 21 | 49 |
| 106990-44660 | 5 | 18 |
| 114270-59010 | 16 | 2 |
| 114371-79070 | 17 | 30 |
| 119005-35151 | 11 | 48 |
| 119100-11330 | 4 | 59 |
| 119131-18320 | 9 | 3 |
| 119131-77550 | 17 | 25 |
| 119152-33050 | 11 | 19 |
| 119540-12540 | 5 | 36 |
| 119540-12550 | 5 | 37 |
| 119540-12560 | 5 | 38 |
| 119578-42130 | 13 | 6 |
| 119593-42120 | 13 | 4 |
| 119620-01620 | 4 | 69 |
| 119620-01750 | 3 | 3 |
| 119620-11180 | 4 | 15 |
| 119624-77351 | 18 | 13 |
| 119640-01640 | 3 | 8 |
| 119640-92750 | 21 | 50 |
| 119717-32050 | 15 | 1 |
| | 21 | 28 |
| 119802-13660 | 6 | 30 |
| 119803-77830 | 4 | 95 |
| 120270-54410 | 4 | 27 |
| 121252-39150 | 12 | 4 |
| 121254-77810 | 17 | 29 |
| 121450-42450 | 13 | 35 |
| 121550-49111 | 13 | 34 |
| 121820-12590 | 5 | 34 |
| 121850-21130 | 10 | 11 |
| 121850-21290 | 10 | 4 |
| 121850-21920 | 10 | 5 |
| 121850-77021 | 5 | 25 |
| | 21 | 36 |
| 123500-49550 | 13 | 32 |
| | 21 | 35 |
| 123900-13130 | 6 | 25 |
| 123900-25060 | 8 | 9 |
| 123900-77510 | 17 | 21 |
| 123900-77520 | 17 | 22 |
| 123900-77540 | 17 | 24 |
| 123901-18080 | 6 | 31 |
| | 21 | 23 |
| 123907-03100 | 4 | 54 |
| 123907-03110 | 4 | 55 |
| 123907-03120 | 4 | 56 |
| 123907-03140 | 4 | 57 |
| 123907-11280 | 4 | 33 |
| 123907-11550 | 4 | 1 |

| Parts No. | Fig. No. | Ref. No. |
|--------------|----------|----------|
| 123907-11601 | 15 | 11 |
| | 21 | 6 |
| 123907-11810 | 4 | 99 |
| 123907-11820 | 4 | 21 |
| 123907-11830 | 4 | 20 |
| 123910-44780 | 13 | 27 |
| 123915-42450 | 13 | 24 |
| 123962-49500 | 13 | 31 |
| 124070-13300 | 12 | 17 |
| 124160-01751 | 2 | 8 |
| | 4 | 48 |
| 124160-11340 | 4 | 16 |
| | 21 | 4 |
| 124223-39900 | 12 | 3 |
| 124298-39450 | 12 | 1 |
| 124465-44950 | 13 | 37 |
| | 21 | 33 |
| 124610-48620 | 13 | 29 |
| 124610-49291 | 13 | 30 |
| | 21 | 34 |
| 127677-91260 | 3 | 12 |
| 128300-13230 | 6 | 26 |
| | 7 | 1 |
| | | 43 |
| | 21 | 13 |
| | | 14 |
| | | 15 |
| 129100-01580 | 2 | 2 |
| | 3 | 1 |
| 129100-35140 | 11 | 30 |
| 129150-02450 | 8 | 4 |
| 129150-11230 | 4 | 36 |
| | | 40 |
| 129150-11750 | 4 | 19 |
| | | 37 |
| | | 41 |
| 129150-14200 | 8 | 1 |
| 129150-25920 | 8 | 20 |
| 129150-49080 | 13 | 58 |
| 129150-49100 | 13 | 57 |
| 129410-03990 | 4 | 88 |
| 129418-18320 | 6 | 7 |
| | | 23 |
| 129472-18090 | 9 | 2 |
| | 21 | 24 |
| 129695-77380 | 7 | 35 |
| | | 36 |
| 129900-01250 | 1 | 4 |
| 129900-02341 | 1 | 32 |
| 129900-02410 | 1 | 9 |

| Parts No. | Fig. No. | Ref. No. |
|--------------|----------|----------|
| 129900-02931 | 1 | 24 |
| 129900-02941 | 1 | 35 |
| 129900-14100 | 8 | 6 |
| 129900-21200 | 10 | 3 |
| 129900-21600 | 10 | 14 |
| 129900-23200 | 10 | 27 |
| 129900-23601 | 10 | 28 |
| 129900-23611 | 10 | 31 |
| 129900-25100 | 8 | 10 |
| 129900-32030 | 2 | 3 |
| | 11 | 40 |
| | 21 | 25 |
| | | 26 |
| 129900-32040 | 2 | 4 |
| | 21 | 27 |
| 129907-11120 | 4 | 14 |
| 129907-11250 | 4 | 30 |
| 129907-11510 | 4 | 17 |
| 129908-14581 | 8 | 3 |
| 129908-21000 | 10 | 1 |
| 129908-39390 | 12 | 22 |
| 129908-39690 | 12 | 19 |
| | 21 | 31 |
| 129908-77210 | 18 | 1 |
| 129908-77220 | 18 | 9 |
| 129916-01790 | 3 | 6 |
| 129916-01800 | 2 | 15 |
| 129916-21610 | 10 | 7 |
| 129916-49740 | 13 | 13 |
| 129917-55821 | 16 | 26 |
| 129917-55830 | 16 | 27 |
| 129917-55840 | 16 | 28 |
| 129927-13810 | 6 | 35 |
| | 21 | 18 |
| 129927-44900 | 13 | 36 |
| 129927-77920 | 18 | 19 |
| 129928-49420 | 13 | 40 |
| 129939-34864 | 11 | 37 |
| 129940-77011 | 17 | 1 |
| 129940-77100 | 17 | 2 |
| 129940-77130 | 17 | 5 |
| 129940-77140 | 17 | 6 |
| 129940-77150 | 17 | 7 |
| 129940-77160 | 17 | 8 |
| 129940-77171 | 17 | 9 |
| 129940-77181 | 17 | 10 |
| 129940-77190 | 17 | 11 |
| 129940-77200 | 17 | 12 |
| 129940-77210 | 17 | 13 |
| 129940-77221 | 17 | 14 |

| Parts No. | Fig. No. | Ref. No. |
|--------------|----------|----------|
| 129940-77230 | 17 | 15 |
| 129940-77240 | 17 | 16 |
| 129940-77250 | 17 | 17 |
| 129940-77260 | 17 | 18 |
| 129940-77270 | 17 | 19 |
| 129940-77280 | 17 | 20 |
| 129953-12620 | 5 | 40 |
| 129953-35000 | 11 | 41 |
| 129956-33102 | 11 | 29 |
| 129956-33110 | 11 | 27 |
| 129960-03990 | 12 | 16 |
| | 13 | 43 |
| | | 46 |
| | | 50 |
| 129960-21930 | 10 | 9 |
| 129960-21940 | 10 | 10 |
| 129973-07910 | 4 | 81 |
| 129974-39820 | 12 | 20 |
| 129978-01180 | 1 | 1 |
| 129978-01200 | 1 | 27 |
| 129978-01331 | 1 | 28 |
| | 21 | 2 |
| 129978-01511 | 2 | 1 |
| 129978-01540 | 2 | 13 |
| 129978-01600 | 3 | 2 |
| 129978-01720 | 2 | 10 |
| 129978-02020 | 1 | 6 |
| 129978-03010 | 4 | 50 |
| 129978-03030 | 4 | 51 |
| 129978-03060 | 4 | 52 |
| 129978-03191 | 4 | 86 |
| 129978-07970 | 4 | 82 |
| 129978-11100 | 4 | 12 |
| 129978-11110 | 4 | 13 |
| 129978-11240 | 4 | 29 |
| 129978-11260 | 4 | 31 |
| 129978-11270 | 4 | 32 |
| 129978-11311 | 4 | 58 |
| | 21 | 3 |
| 129978-11340 | 4 | 71 |
| 129978-11351 | 4 | 72 |
| | 21 | 5 |
| 129978-11360 | 4 | 70 |
| 129978-11412 | 4 | 49 |
| 129978-11650 | 4 | 34 |
| 129978-11660 | 4 | 38 |
| 129978-11710 | 4 | 2 |
| 129978-11800 | 4 | 98 |
| 129978-11871 | 4 | 24 |
| | 21 | 7 |

Parts No. Index

| Parts No. | Fig. No. | Ref. No. |
|--------------|----------|----------|
| 129978-11900 | 4 | 25 |
| 129978-11920 | 4 | 42 |
| 129978-11950 | 4 | 26 |
| 129978-12110 | 5 | 1 |
| | 21 | 8 |
| 129978-12120 | 5 | 4 |
| 129978-12161 | 5 | 2 |
| 129978-12310 | 5 | 14 |
| 129978-12330 | 5 | 16 |
| 129978-12700 | 4 | 62 |
| 129978-12820 | 5 | 22 |
| 129978-13111 | 6 | 1 |
| | 21 | 12 |
| 129978-13121 | 6 | 2 |
| 129978-13310 | 6 | 9 |
| 129978-13330 | 6 | 11 |
| 129978-13351 | 6 | 27 |
| 129978-13360 | 6 | 28 |
| 129978-13411 | 6 | 17 |
| | 21 | 16 |
| 129978-13420 | 6 | 18 |
| 129978-13710 | 5 | 6 |
| 129978-13720 | 5 | 7 |
| | 21 | 17 |
| 129978-13770 | 6 | 5 |
| 129978-13820 | 6 | 36 |
| 129978-13870 | 6 | 22 |
| 129978-13880 | 6 | 21 |
| 129978-13901 | 6 | 39 |
| 129978-14400 | 8 | 2 |
| 129978-16000 | 7 | 9 |
| 129978-16200 | 7 | 10 |
| 129978-16400 | 7 | 12 |
| 129978-16550 | 7 | 14 |
| 129978-16600 | 7 | 15 |
| | 21 | 21 |
| 129978-16700 | 7 | 18 |
| 129978-16710 | 7 | 19 |
| 129978-16720 | 7 | 20 |
| 129978-16801 | 7 | 2 |
| 129978-16811 | 7 | 3 |
| 129978-16820 | 7 | 4 |
| 129978-16830 | 7 | 5 |
| 129978-17700 | 7 | 34 |
| 129978-18020 | 9 | 1 |
| 129978-21660 | 10 | 8 |
| 129978-22050 | 10 | 18 |
| 129978-22090 | 10 | 16 |
| 129978-22300 | 10 | 22 |
| 129978-22740 | 10 | 35 |

| Parts No. | Fig. No. | Ref. No. |
|--------------|----------|----------|
| 129978-22900 | 10 | 33 |
| 129978-23000 | 10 | 24 |
| 129978-23900 | 10 | 30 |
| 129978-25300 | 8 | 14 |
| 129978-25700 | 8 | 15 |
| 129978-25710 | 8 | 18 |
| 129978-25900 | 8 | 16 |
| 129978-32000 | 11 | 1 |
| 129978-33020 | 11 | 17 |
| | 21 | 29 |
| 129978-33030 | 11 | 18 |
| 129978-33070 | 11 | 20 |
| | 21 | 30 |
| 129978-39050 | 12 | 2 |
| 129978-39650 | 12 | 23 |
| 129978-39700 | 12 | 5 |
| 129978-42020 | 13 | 20 |
| | 21 | 32 |
| 129978-42111 | 13 | 3 |
| 129978-42122 | 13 | 5 |
| 129978-42140 | 13 | 7 |
| 129978-49691 | 13 | 49 |
| 129978-49780 | 13 | 53 |
| 129978-51000 | 14 | 1 |
| 129978-51100 | 14 | 2 |
| 129978-51120 | 14 | 4 |
| 129978-51130 | 14 | 5 |
| 129978-51200 | 14 | 6 |
| 129978-51220 | 14 | 8 |
| 129978-51300 | 14 | 9 |
| 129978-51310 | 14 | 10 |
| 129978-51320 | 14 | 11 |
| 129978-51400 | 14 | 12 |
| 129978-51410 | 14 | 13 |
| 129978-51420 | 14 | 14 |
| 129978-52100 | 16 | 14 |
| 129978-53000 | 15 | 2 |
| 129978-57000 | 15 | 3 |
| 129978-57100 | 15 | 4 |
| 129978-57200 | 15 | 5 |
| 129978-57220 | 15 | 7 |
| 129978-57230 | 15 | 8 |
| 129978-59070 | 16 | 1 |
| 129978-59080 | 16 | 5 |
| 129978-59100 | 15 | 12 |
| | 13 | 13 |
| 129978-59150 | 14 | 15 |
| 129978-59160 | 14 | 16 |
| 129978-59170 | 15 | 9 |
| 129978-59500 | 16 | 9 |

| Parts No. | Fig. No. | Ref. No. |
|--------------|----------|----------|
| 129978-59550 | 16 | 10 |
| 129978-59560 | 16 | 11 |
| 129978-59570 | 16 | 12 |
| 129978-59700 | 15 | 15 |
| 129978-59810 | 15 | 17 |
| 129978-59820 | 15 | 18 |
| 129978-59830 | 15 | 19 |
| 129978-59840 | 15 | 20 |
| 129978-75991 | 19 | 2 |
| 129978-77500 | 4 | 73 |
| 129978-77510 | 4 | 74 |
| 129978-77520 | 4 | 75 |
| 129978-77800 | 4 | 96 |
| 129978-77820 | 4 | 97 |
| 129978-77930 | 20 | 1 |
| 129978-91242 | 20 | 2 |
| 129978-91251 | 20 | 11 |
| 129978-91610 | 20 | 17 |
| 129978-91620 | 20 | 18 |
| 129979-12500 | 5 | 29 |
| 129979-12550 | 5 | 30 |
| 129979-12560 | 5 | 31 |
| 129979-12570 | 5 | 32 |
| 129979-12580 | 5 | 33 |
| 129979-12590 | 5 | 35 |
| 129979-12610 | 5 | 39 |
| 129979-17300 | 7 | 25 |
| 129979-17310 | 7 | 26 |
| 129979-17650 | 7 | 31 |
| 129979-21580 | 10 | 12 |
| 129979-33100 | 11 | 26 |
| 129979-34800 | 11 | 35 |
| 129979-34820 | 11 | 36 |
| 129979-42000 | 13 | 1 |
| 129979-42200 | 13 | 25 |
| 129979-44740 | 13 | 26 |
| 129979-75031 | 19 | 1 |
| 129979-77300 | 18 | 12 |
| 129979-77360 | 18 | 10 |
| 129982-01710 | 3 | 7 |
| 129A00-11330 | 4 | 60 |
| | 5 | 3 |
| 129A00-12711 | 4 | 91 |
| 129A00-12720 | 5 | 11 |
| 129A00-12780 | 4 | 63 |
| | 21 | 9 |
| 129A00-12790 | 4 | 92 |
| | 21 | 10 |
| 129A00-12900 | 5 | 23 |
| 129A00-12910 | 5 | 24 |

| Parts No. | Fig. No. | Ref. No. |
|--------------|----------|----------|
| 129A00-12910 | 21 | 11 |
| 129A00-13350 | 5 | 19 |
| | 6 | 14 |
| | 7 | 24 |
| 129A00-13380 | 6 | 13 |
| 129A00-13620 | 6 | 3 |
| 129A00-13751 | 6 | 34 |
| 129A00-16610 | 7 | 16 |
| 129A00-17311 | 6 | 15 |
| | 7 | 27 |
| | 21 | 22 |
| 129A00-17520 | 7 | 30 |
| | | 32 |
| 129A00-17600 | 7 | 28 |
| 129A00-55600 | 16 | 15 |
| 129A00-55610 | 16 | 16 |
| 129A00-55730 | 16 | 24 |
| 129A00-55740 | 16 | 25 |
| 129A00-55750 | 16 | 20 |
| 129A00-55760 | 16 | 21 |
| 129A00-55800 | 16 | 17 |
| 129A00-91200 | 6 | 6 |
| 129A00-91430 | 7 | 44 |
| 129A00-91451 | 20 | 16 |
| 129A00-92750 | 21 | 51 |
| 129A01-13710 | 6 | 4 |
| 129C00-13940 | 7 | 7 |
| 129C00-13950 | 7 | 8 |
| 129C01-03050 | 4 | 85 |
| 129C01-12060 | 4 | 90 |
| 129C01-13600 | 6 | 19 |
| | | 29 |
| 129C01-16680 | 7 | 17 |
| 129C01-55720 | 16 | 23 |
| 129E00-13610 | 6 | 20 |
| 129E00-13910 | 6 | 40 |
| | 21 | 19 |
| 129E00-13920 | 6 | 41 |
| | 21 | 20 |
| 129E00-49610 | 13 | 41 |
| 129E00-49620 | 13 | 45 |
| 129E00-55700 | 16 | 18 |
| 129E00-55710 | 16 | 19 |
| 129E01-13700 | 5 | 5 |
| 129E01-39600 | 12 | 18 |
| 129E20-33111 | 11 | 28 |
| 148616-44510 | 13 | 55 |
| 148616-44551 | 13 | 56 |
| 171051-01921 | 1 | 5 |
| 22117-120000 | 7 | 37 |

Parts No. Index

| Parts No. | Fig. No. | Ref. No. |
|--------------|----------|----------|
| 22190-080002 | 12 | 14 |
| | 16 | 13 |
| | 21 | 37 |
| | | 38 |
| 22190-100002 | 12 | 11 |
| | 21 | 39 |
| 22190-120002 | 5 | 20 |
| | 13 | 38 |
| | 21 | 40 |
| | | 41 |
| 22190-220002 | 3 | 10 |
| 22252-000340 | 10 | 23 |
| 22351-030010 | 12 | 24 |
| 22351-060012 | 1 | 11 |
| 22512-070140 | 8 | 7 |
| | 10 | 6 |
| 22857-500100 | 4 | 64 |
| | | 65 |
| | | 76 |
| 23000-060000 | 4 | 93 |
| 23080-011000 | 16 | 8 |
| 23297-080061 | 5 | 15 |
| | 6 | 10 |
| 23414-080000 | 13 | 21 |
| | 21 | 42 |
| 23414-100000 | 12 | 12 |
| | 21 | 43 |
| 23414-120000 | 21 | 44 |
| 23875-030000 | 11 | 21 |
| | 13 | 39 |
| 23876-020000 | 4 | 9 |
| 23876-030000 | 1 | 12 |
| | | 13 |
| | | 14 |
| | 4 | 10 |
| 24311-000320 | 2 | 9 |
| | 4 | 67 |
| | 21 | 45 |
| | | 46 |
| 24311-000380 | 4 | 77 |
| | 21 | 47 |
| 24314-000200 | 11 | 32 |
| 24316-240100 | 11 | 38 |
| 24321-000600 | 11 | 33 |
| 24341-000500 | 14 | 17 |
| 24341-000530 | 21 | 48 |
| 26014-080252 | 18 | 17 |
| 26106-060102 | 8 | 17 |
| 26106-060122 | 6 | 16 |
| | 20 | 19 |

| Parts No. | Fig. No. | Ref. No. |
|--------------|----------|----------|
| 26106-060122 | 20 | 20 |
| 26106-060142 | 3 | 13 |
| | 4 | 78 |
| | | 94 |
| | 8 | 19 |
| | 11 | 34 |
| 26106-060162 | 5 | 21 |
| | 12 | 21 |
| 26106-060202 | 5 | 8 |
| 26106-060302 | 4 | 79 |
| 26106-060402 | 5 | 26 |
| 26106-060602 | 4 | 80 |
| 26106-060652 | 4 | 68 |
| 26106-080122 | 3 | 11 |
| | 11 | 46 |
| | 12 | 13 |
| | | 15 |
| | 13 | 22 |
| 26106-080142 | 7 | 21 |
| 26106-080162 | 2 | 5 |
| | | 11 |
| | 8 | 8 |
| | 11 | 39 |
| | | 47 |
| | 13 | 54 |
| 26106-080202 | 2 | 6 |
| | 4 | 83 |
| | 6 | 24 |
| 26106-080252 | 5 | 9 |
| | | 27 |
| | 7 | 38 |
| | 13 | 33 |
| 26106-080302 | 7 | 39 |
| 26106-080352 | 15 | 10 |
| 26106-080402 | 2 | 16 |
| | 4 | 44 |
| 26106-080452 | 5 | 12 |
| | 11 | 16 |
| | 18 | 18 |
| 26106-080502 | 2 | 12 |
| | 13 | 23 |
| 26106-080552 | 8 | 13 |
| | 11 | 22 |
| 26106-080652 | 4 | 45 |
| 26106-080702 | 2 | 17 |
| 26106-080902 | 5 | 28 |
| 26106-080952 | 5 | 13 |
| 26106-081004 | 18 | 15 |
| 26106-100182 | 20 | 21 |
| 26106-100222 | 4 | 84 |

| Parts No. | Fig. No. | Ref. No. |
|--------------|----------|----------|
| 26106-100252 | 6 | 37 |
| 26106-100552 | 7 | 40 |
| 26106-100602 | 6 | 42 |
| 26106-100852 | 13 | 28 |
| 26116-120302 | 17 | 31 |
| 26206-100352 | 3 | 4 |
| 26206-100952 | 3 | 5 |
| 26216-060252 | 5 | 10 |
| 26216-080352 | 11 | 23 |
| 26216-080652 | 4 | 46 |
| 26226-080302 | 2 | 7 |
| 26306-080002 | 4 | 28 |
| | | 47 |
| | 6 | 32 |
| | | 38 |
| | 7 | 22 |
| | 9 | 4 |
| | 11 | 24 |
| | 14 | 18 |
| | 18 | 16 |
| 26306-100002 | 6 | 8 |
| | | 33 |
| | 7 | 41 |
| | 18 | 11 |
| 26366-060002 | 15 | 21 |
| | | 22 |
| 26376-100002 | 11 | 25 |
| 26450-060162 | 4 | 66 |
| 26455-080122 | 4 | 43 |
| 26577-060202 | 13 | 18 |
| 26577-080162 | 13 | 19 |
| 26587-050102 | 4 | 53 |
| 26716-120002 | 7 | 42 |
| 27241-300000 | 1 | 10 |
| 27241-400000 | 4 | 11 |
| 27310-070001 | 4 | 22 |
| 28110-100120 | 21 | 52 |
| 28110-140170 | 21 | 53 |
| 29621-200000 | 20 | 22 |
| 729900-02801 | 1 | 29 |
| 729978-92600 | 21 | 1 |
| X2240610100 | 17 | 23 |

| Parts No. | Fig. No. | Ref. No. |
|-----------|----------|----------|
|-----------|----------|----------|