

0CD50-M00560EN

P R E F A C E

This parts catalog is the 1st edition of 3TNV88F-UGGE.

Published : July, 2014

Contents

OCD50-M00560

Fig. No. Fig. Name

3TNV88F-UGGE

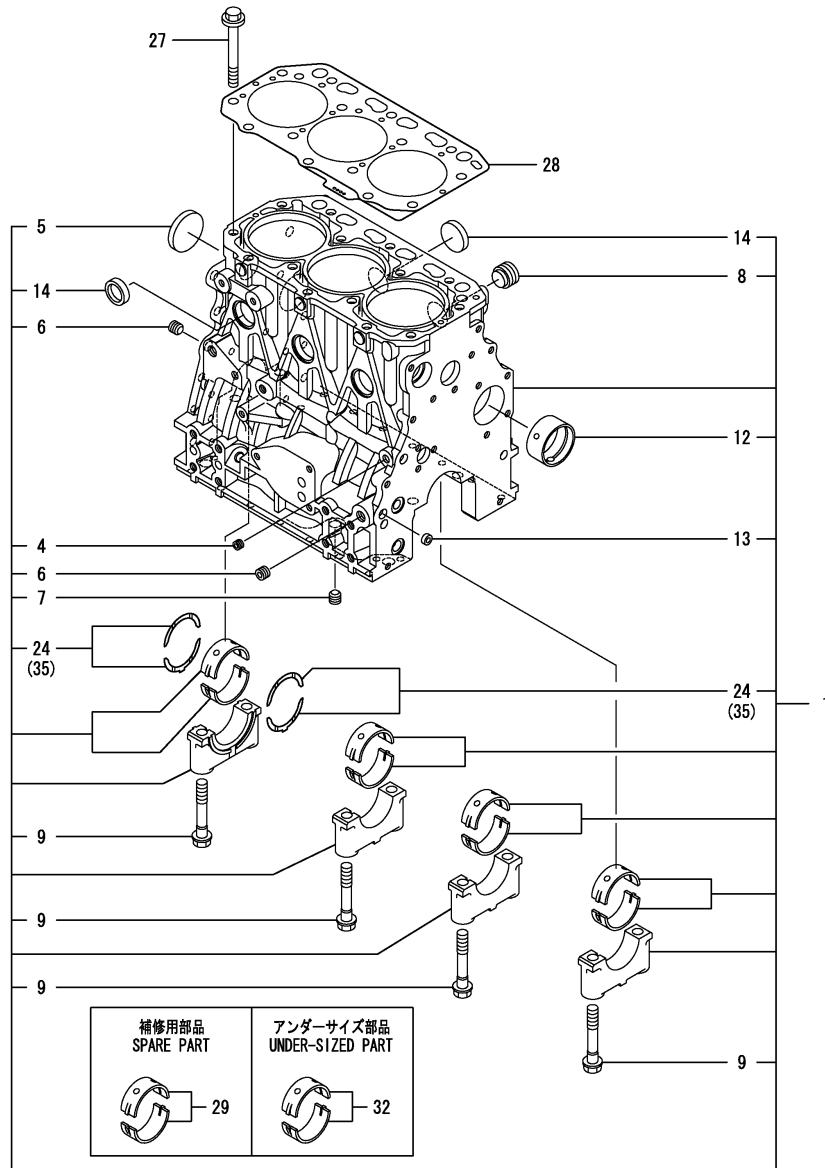
1. CYLINDER BLOCK
2. GEAR HOUSING
3. FLYWHEEL HOUSING & OIL SUMP
4. CYLINDER HEAD & BONNET
5. SUCTION MANIFOLD
6. EXHAUST MANIFOLD
7. CAMSHAFT & DRIVING GEAR
8. CRANKSHAFT & PISTON
9. LUB. OIL SYSTEM
10. COOLING WATER SYSTEM
11. FUEL INJECTION PUMP
12. GOVERNOR
13. FUEL INJECTION VALVE
14. FUEL PIPE
15. STARTER MOTOR
16. GENERATOR

Fig. No. Fig. Name

Fig.1. CYLINDER BLOCK

(A)=3TNV88F-UGGE
(B)=
(C)=

(D)=
(E)=
(F)=

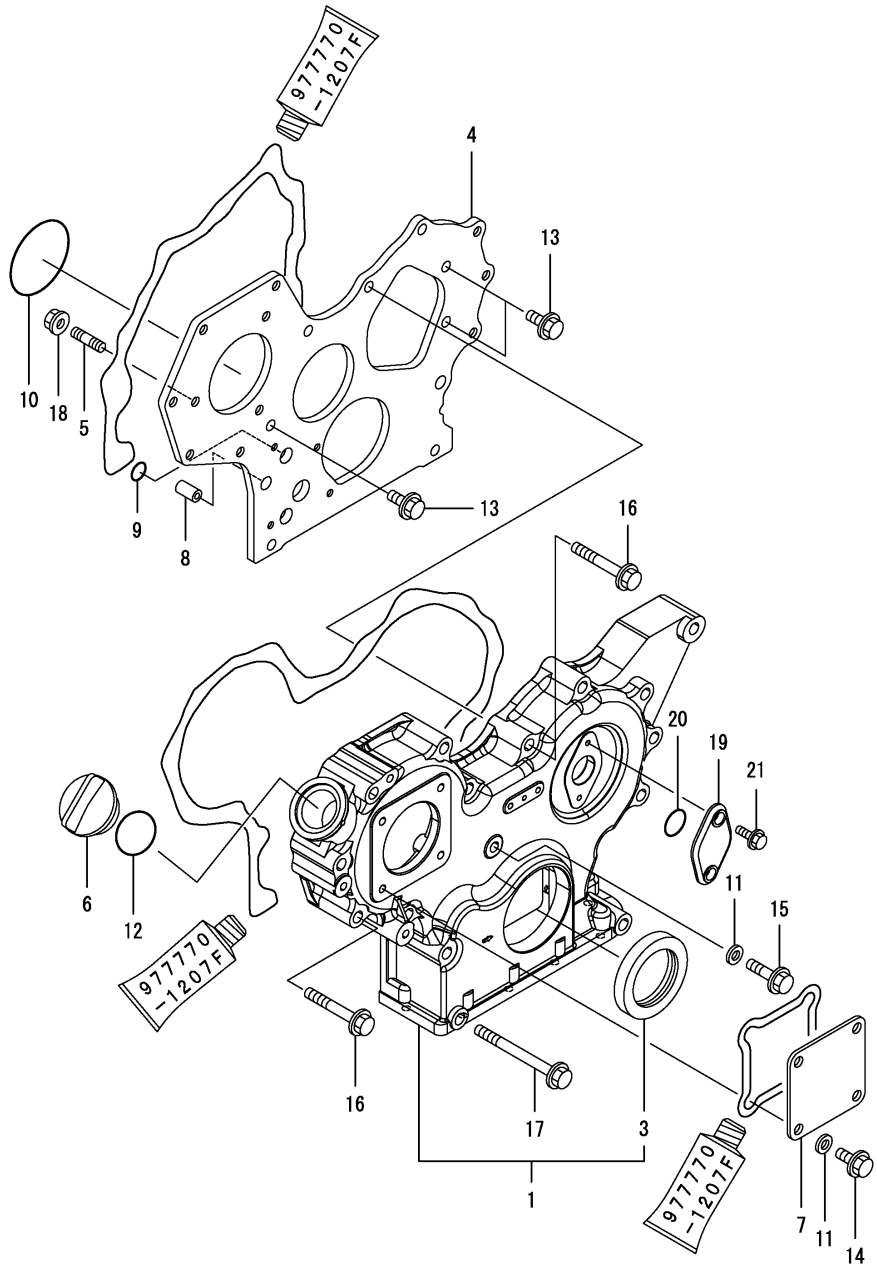


No.	Lev.	Parts No.	Description	Q'ty						I	R
				(A)	(B)	(C)	(D)	(E)	(F)		
1	1	729005-01560	BLOCK ASSY, CYLINDER	1							
4	2	124060-01050	PLUG, PT1/8	1							
5	2	129001-01250	PLUG, 50	1							
6	2	124160-01910	PLUG, PT1/4	2							
7	2	124160-01910	PLUG, PT1/4	1							
8	2	171051-01921	PLUG, NPTF1	1							
9	2	129150-02020	BOLT, METAL CAP	8							
12	2	129795-02412	BUSH, CAMSHAFT	1							
13	2	27241-120000	PLUG, 12	2							
14	2	27241-300000	PLUG 30	6							
24	2	129150-02931	BEARING, THRUST	2							
27	1	129150-01200	BOLT, HEAD	14							
28	1	129001-01340	GASKET, HEAD	1							
29	1	129001-02931	BEARING, MAIN	4							1
32	1	129150-02871	BEARING, 0.25 US	4							2
35	1	129150-02941	BEARING, THRUST 0.25	1							3

Remarks

- (1) Spare parts.
- (2) Under-sized (U.S.=0.25) parts.
- (3) Over-sized (O.S.=0.25) parts.

Fig.2. GEAR HOUSING



(A)=3TNV88F-UGGE
(B)=
(C)=

(D)=
(E)=
(F)=

No.	Lev.	Parts No.	Description	Q'ty						I	R
				(A)	(B)	(C)	(D)	(E)	(F)		
1	1	719803-01500	CASE ASSY, GEAR	1							
3	2	119934-01800	SEAL, OIL	1							
4	1	119803-01520	FLANGE, GEAR CASE	1							
5	1	119802-01561	STUD, M8X25	3							
6	1	124160-01751	COVER, FILLER	1							
7	1	124240-01871	COVER	1							
8	1	129795-01950	PIPE, KNOCK L=18	2							
9	1	119609-32040	O-RING, P16	2							
10	1	121850-51960	O-RING	1							
11	1	22190-080002	WASHER, SEAL 8	5							
12	1	24311-000320	O-RING, 1A32.0	1							
13	1	26106-080162	BOLT, M8X 16 PLATED	3							
14	1	26106-080162	BOLT, M8X 16 PLATED	4							
15	1	26106-080302	BOLT, M8X 30 PLATED	1							
16	1	26106-080552	BOLT, M8X 55 PLATED	12							
17	1	26106-080852	BOLT, M8X 85 PLATED	3							
18	1	26306-080002	NUT, M8	3							
19	1	121023-01551	COVER	1							
20	1	24341-000240	O-RING, 1AS24.0	1							
21	1	26106-060162	BOLT, M6X 16 PLATED	2							

Fig.3. FLYWHEEL HOUSING & OIL SUMP

(A)=3TNV88F-UGGE

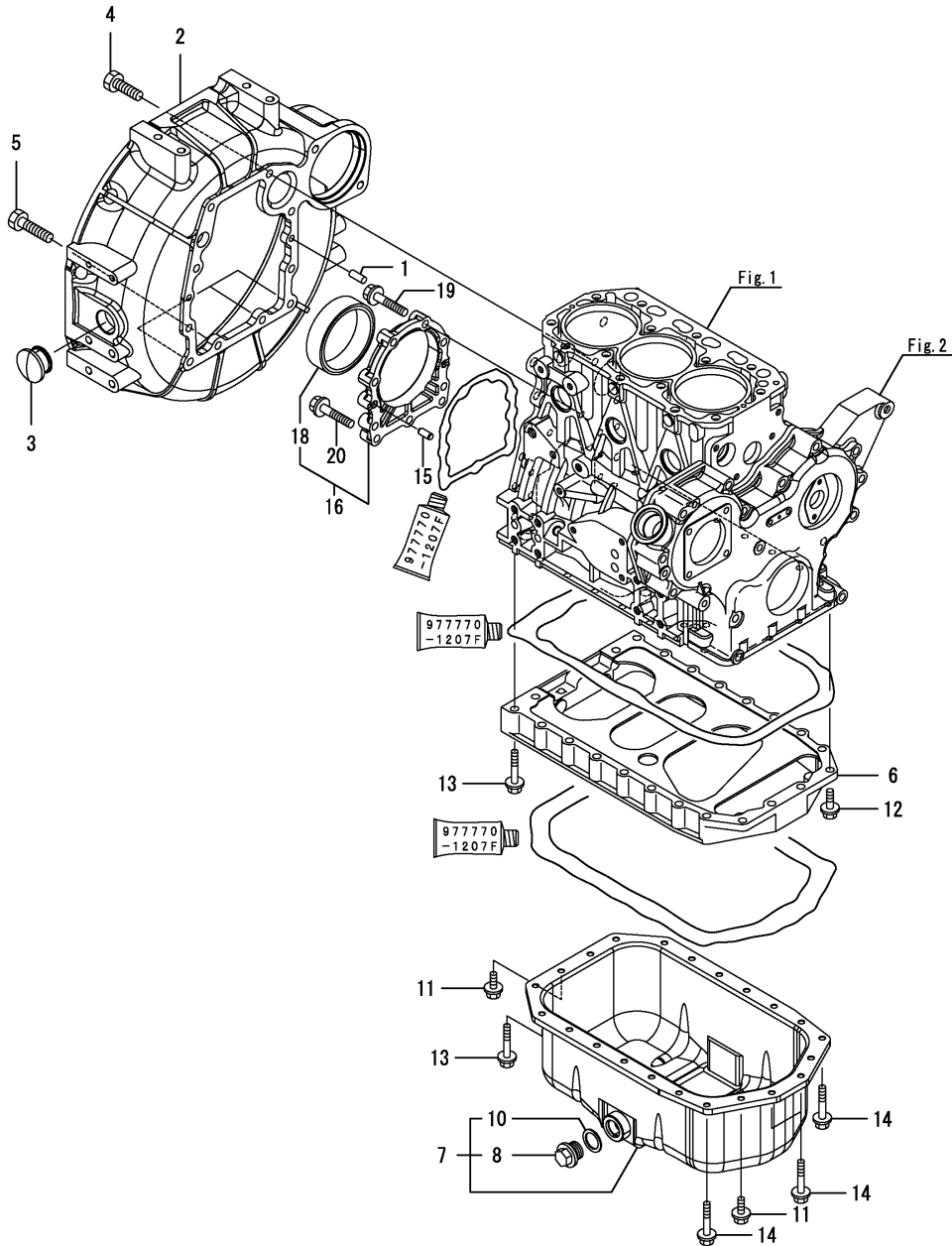
(B)=

(C)=

(D)=

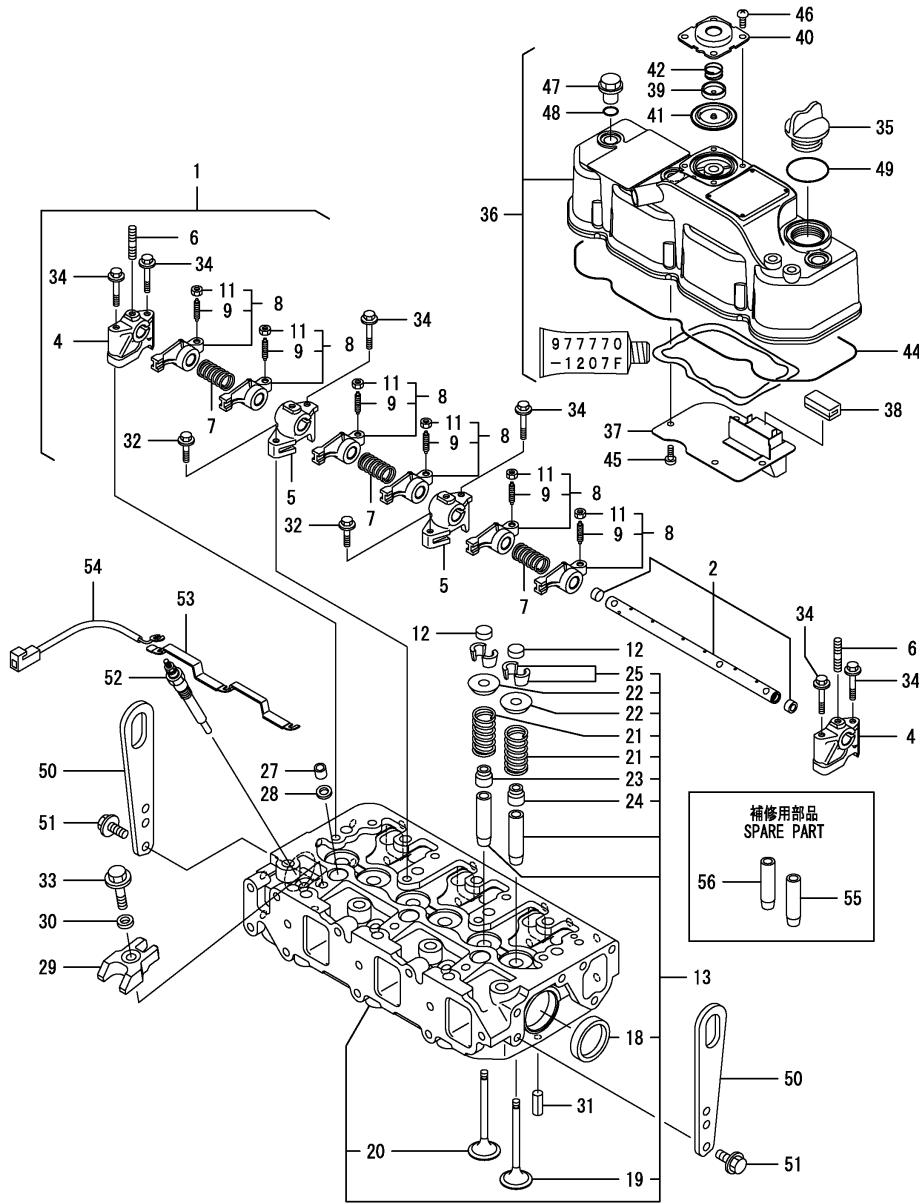
(E)=

(F)=



No.	Lev.	Parts No.	Description	Q'ty						I	R
				(A)	(B)	(C)	(D)	(E)	(F)		
1	1	129100-01580	PIN, 8X16	2							
2	1	171420-01600	HOUSING, FLYWHEEL	1							
3	1	119620-01750	CAP	1							
4	1	26206-100252	BOLT, M10X 25 PLATED	6							
5	1	26206-100302	BOLT, M10X 30 PLATED	4							
6	1	129100-01730	SPACER, OIL SUMP	1							
7	1	129100-01760	SUMP ASSY, OIL	1							
8	2	119640-01640	PLUG, DRAIN M22	1							
10	2	22190-220002	WASHER, SEAL 22	1							
11	1	26106-080162	BOLT, M8X 16 PLATED	4							
12	1	26106-080252	BOLT, M8X 25 PLATED	2							
13	1	26106-080452	BOLT, M8X 45 PLATED	16							
14	1	26106-080502	BOLT, M8X 50 PLATED	4							
15	1	129100-01580	PIN, 8X16	2							
16	1	129100-01640	CASE ASSY, OIL SEAL	1							
18	2	129795-01780	SEAL, OIL	1							
19	1	129486-01670	BOLT, M8X30	6							
20	1	26106-080352	BOLT, M8X 35 PLATED	3							

Fig.4. CYLINDER HEAD & BONNET



(A)=3TNV88F-UGGE

(B)=

(C)=

(D)=

(E)=

(F)=

No.	Lev.	Parts No.	Description	Q'ty						I	R
				(A)	(B)	(C)	(D)	(E)	(F)		
1	1	129004-11241	SHAFT ASSY, ROCKER	1							
2	2	129004-11251	SHAFT, ROCKER ARM	1							
4	2	119802-11260	SUPPORT, ROCKER ARM	2							
5	2	119802-11270	SUPPORT, ROCKER ARM	2							
6	2	119802-11280	STUD	3							
7	2	129150-11280	SPRING	3							
8	2	129004-11650	ARM, ROCKER	6							
9	3	129150-11230	SCREW, VALVE ADJUST	6							
11	3	129150-11750	NUT, M8	6							
12	1	129150-11370	CAP, VALVE	6							
13	1	129008-11700	HEAD ASSY, CYLINDER	1							
18	2	27241-400000	PLUG, 40	2							
19	2	129005-11100	VALVE, INTAKE	3							
20	2	129100-11112	VALVE, EXHAUST	3							
21	2	129795-11120	SPRING, VALVE	6							
22	2	129795-11180	RETAINER, SPRING	6							
23	2	121400-11340	SEAL, VALVE STEM	3							
24	2	124460-11340	SEAL, VALVE STEM	3							
25	2	27310-080001	COTTER, 8	6							
27	1	119802-11870	PROTECTOR, NOZZLE	3							
28	1	119625-11880	SEAT, NOZZLE	3							
29	1	129004-11900	RETAINER, NOZZLE	3							
30	1	120270-54410	WASHER, INJECTOR	3							
31	1	22351-060012	PIN, SPRING 6.0X12	2							
32	1	26106-080252	BOLT, M8X 25 PLATED	2							
33	1	26106-080352	BOLT, M8X 35 PLATED	3							
34	1	26106-080502	BOLT, M8X 50 PLATED	6							
35	1	124160-01751	COVER, FILLER	1							
36	1	129004-11350	BONNET ASSY, HEAD	1							
37	2	129004-03010	PLATE	1							
38	2	129150-03070	BAFFLE, BREATHER	1							
39	2	119802-03110	PLATE	1							
40	2	119802-03121	COVER, DIAPHRAGM	1							
41	2	119802-03130	DIAPHRAGM	1							
42	2	119802-03141	SPRING, DIAPHRAGM	1							
44	2	129004-11310	GASKET, BONNET	1							
45	2	22857-500100	SCREW, 5X10	4							
46	2	22857-500100	SCREW, 5X10	4							
47	1	124160-11360	KNOB	3							
48	1	24311-000120	O-RING, 1AP12.0	3							
49	1	24311-000320	O-RING, 1AP32.0	1							
50	1	129900-07900	LIFTER	2							
51	1	26106-080162	BOLT, M8X 16 PLATED	4							
52	1	129008-77800	PLUG, GLOW	3							
53	1	129008-77820	CONNECTOR, GLOW PLUG	1							
54	1	119803-77830	HARNES, WIRE	1							
55	1	120130-11860	GUIDE, VALVE	3							1
56	1	129150-11810	GUIDE, VALVE	3							1

Remarks

(1) Spare parts.

Fig.6. EXHAUST MANIFOLD

(A)=3TNV88F-UGGE
 (B)=
 (C)=

(D)=
 (E)=
 (F)=

No.	Lev.	Parts No.	Description	Q'ty						I	R
				(A)	(B)	(C)	(D)	(E)	(F)		
1	1	129004-13109	MANIFOLD, EXHAUST	1							
2	1	129150-13110	GASKET, MANIFOLD	1							
3	1	123900-13610	STUD, M8X80	2							
4	1	123900-13630	BOLT, M8X80	4							
5	1	119131-18320	STUD, M8X22	4							
6	1	26306-080002	NUT, M8	2							
7	1	129004-13200	GASKET, SILENCER	1							

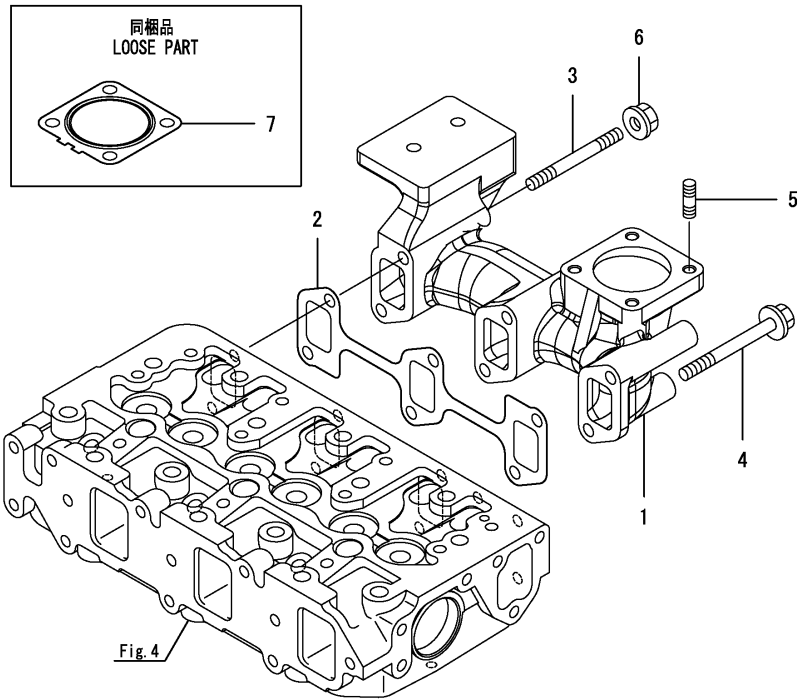
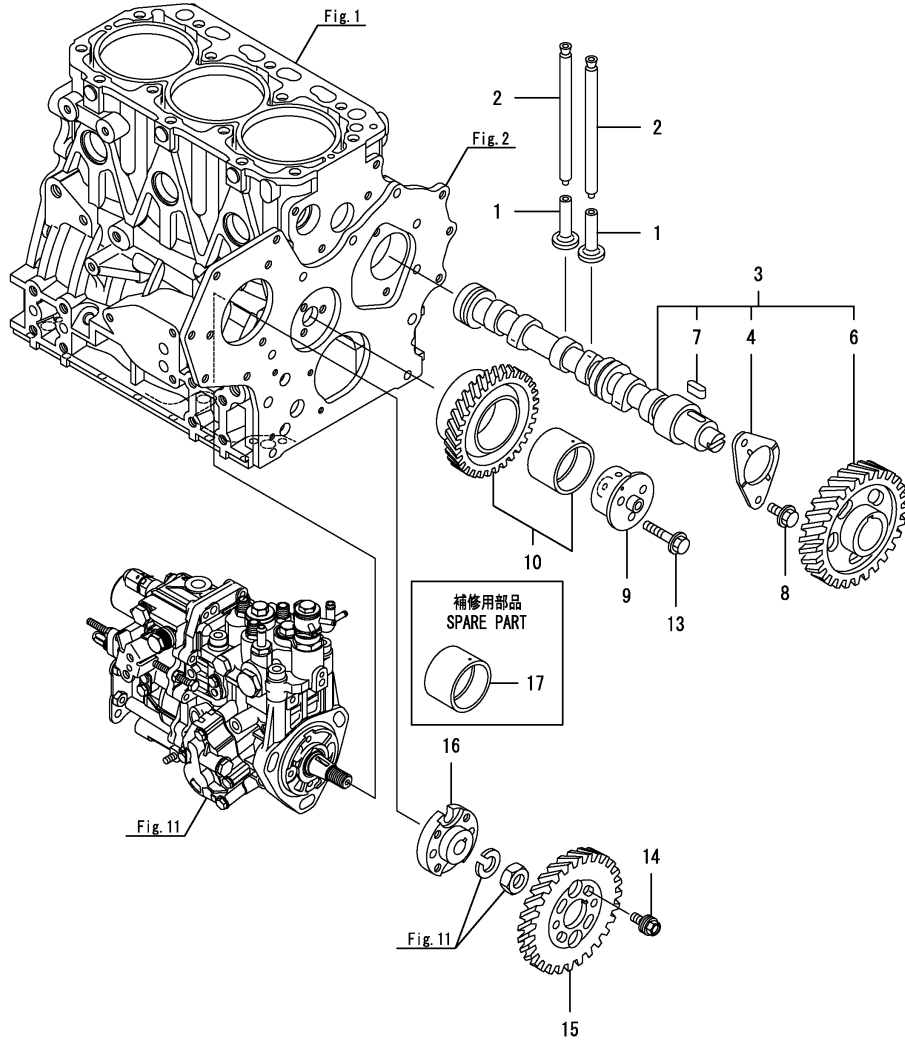


Fig.7. CAMSHAFT & DRIVING GEAR



(A)=3TNV88F-UGGE
(B)=
(C)=

(D)=
(E)=
(F)=

No.	Lev.	Parts No.	Description	Q'ty						I	R
				(A)	(B)	(C)	(D)	(E)	(F)		
1	1	129150-14200	TAPPET	6							
2	1	129150-14400	ROD, PUSH L=178	6							
3	1	129004-14580	CAMSHAFT ASSY	1							
4	2	129150-02450	BEARING, THRUST	1							
6	2	129150-14101	GEAR, CAMSHAFT	1							
7	2	22512-070140	KEY, 7X 14	1							
8	1	26106-080142	BOLT, M8X 14 PLATED	2							
9	1	119803-25050	SHAFT, IDLE	1							
10	1	119802-25101	GEAR ASSY, IDLE	1							
13	1	26106-080402	BOLT, M8X 40 PLATED	3							
14	1	129150-25301	BOLT	4							
15	1	119802-25901	GEAR, PUMP	1							
16	1	158552-51151	FLANGE	1							
17	1	119802-25071	BUSH, IDLE GEAR	1							1

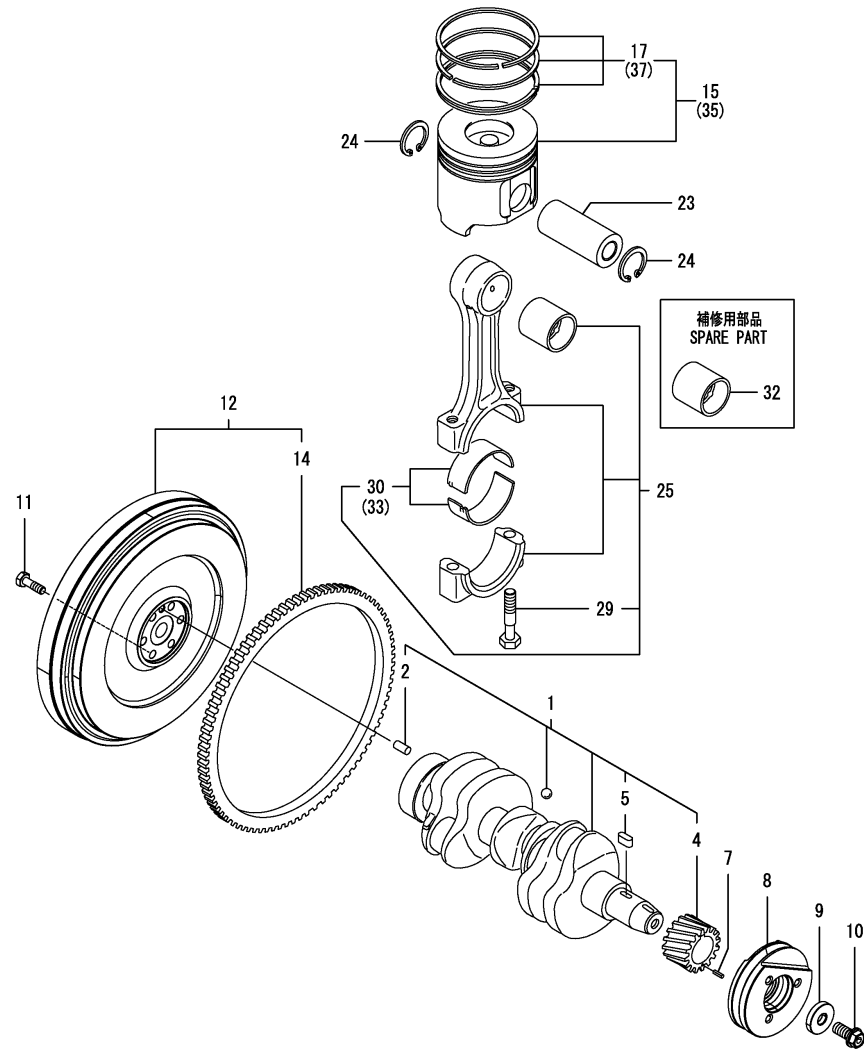
Remarks

(1)Spare parts.

Fig.8. CRANKSHAFT & PISTON

(A)=3TNV88F-UGGE
(B)=
(C)=

(D)=
(E)=
(F)=



No.	Lev.	Parts No.	Description	Q'ty						I	R
				(A)	(B)	(C)	(D)	(E)	(F)		
1	1	129008-21000	CRANKSHAFT ASSY	1							
2	2	129100-01580	PIN, 8X16	1							
4	2	119803-21200	GEAR, CRANKSHAFT	1							
5	2	22512-070140	KEY, 7X 14	1							
7	1	22351-030010	PIN, SPRING 3.0X10	1							
8	1	129005-21650	V-PULLEY, 120	1							
9	1	129795-21661	WASHER	1							
10	1	121850-21680	BOLT	1							
11	1	121111-21501	BOLT, FLYWHEEL	6							
12	1	171340-21590	FLYWHEEL ASSY	1							
14	2	124550-21600	GEAR, RING	1							
15	1	129017-22080	PISTON ASSY	3							
17	2	129005-22500	RING SET, PISTON	3							
23	1	129202-22300	PIN, PISTON D26 L70	3							
24	1	22252-000260	RING, 26	6							
25	1	729402-23100	ROD ASSY, CONNECTING	3							
29	2	121550-23200	BOLT, CONNECTING ROD	6							
30	2	129150-23601	BEARING, CRANK PIN	3							
32	1	129100-23910	BEARING, PISTON PIN	3							1
33	1	129150-23611	BEARING, 0.25 US	3							2
35	1	129017-22900	PISTON ASSY, 0.25 OS	3							3
37	2	129005-22950	RING SET, 0.25 OS	3							3

Remarks

- (1) Spare parts.
- (2) Under-sized (U.S.=0.25) parts.
- (3) Over-sized (O.S.=0.25) parts.

Fig.9. LUB. OIL SYSTEM

(A)=3TNV88F-UGGE

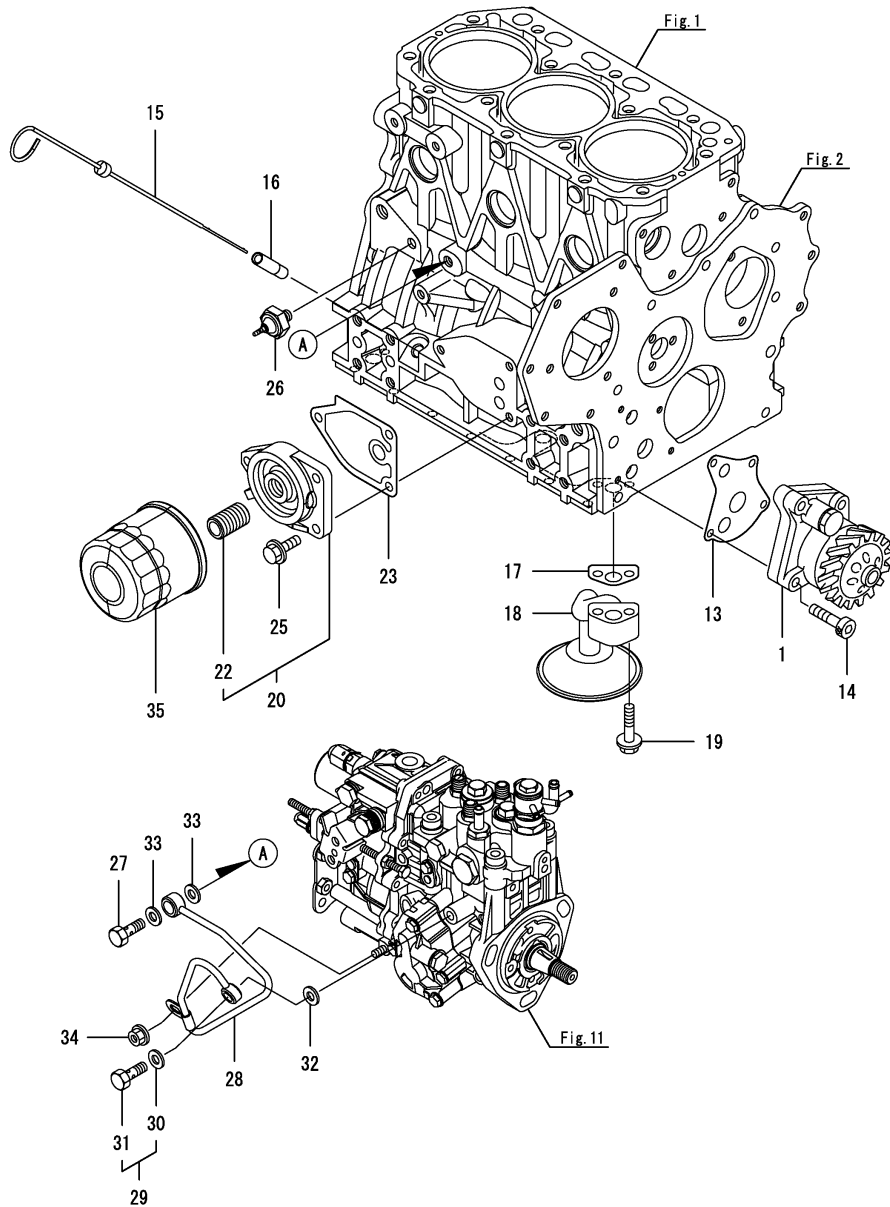
(B)=

(C)=

(D)=

(E)=

(F)=



No.	Lev.	Parts No.	Description	Q'ty						I	R
				(A)	(B)	(C)	(D)	(E)	(F)		
1	1	129001-32002	PUMP ASSY, OIL	1							
13	1	129150-32020	GASKET, PUMP	1							
14	1	26450-060252	BOLT, M6X 25	4							
15	1	129004-34802	DIPSTICK, OIL	1							
16	1	121520-34810	GUIDE, DIPSTICK	1							
17	1	129150-35042	GASKET	1							
18	1	129100-35301	PIPE ASSY, OIL INLET	1							
19	1	26106-080352	BOLT, M8X 35 PLATED	2							
20	1	119802-35100	BRACKET ASSY, FILTER	1							
22	2	129100-35140	STUD	1							
23	1	129150-35111	GASKET	1							
25	1	26106-080202	BOLT, M8X 20 PLATED	3							
26	1	114250-39450	SWITCH, 0.5KG	1							
27	1	124160-39140	BOLT, PIPE JOINT M10	1							
28	1	119802-39450	PIPE ASSY, OIL	1							
29	1	129005-59830	BOLT ASSY, JOINT M8	1							
30	2	22190-080002	WASHER, SEAL 8	1							
31	2	23857-030000	BOLT, JOINT 3	1							
32	1	22190-080002	WASHER, SEAL 8	1							
33	1	22190-100002	WASHER, SEAL 10	2							
34	1	26366-060002	NUT, M6	1							
35	1	129150-35170	FILTER,LO	1							1

Remarks

(1) Spare parts.

Fig.10. COOLING WATER SYSTEM

(A)=3TNV88F-UGGE

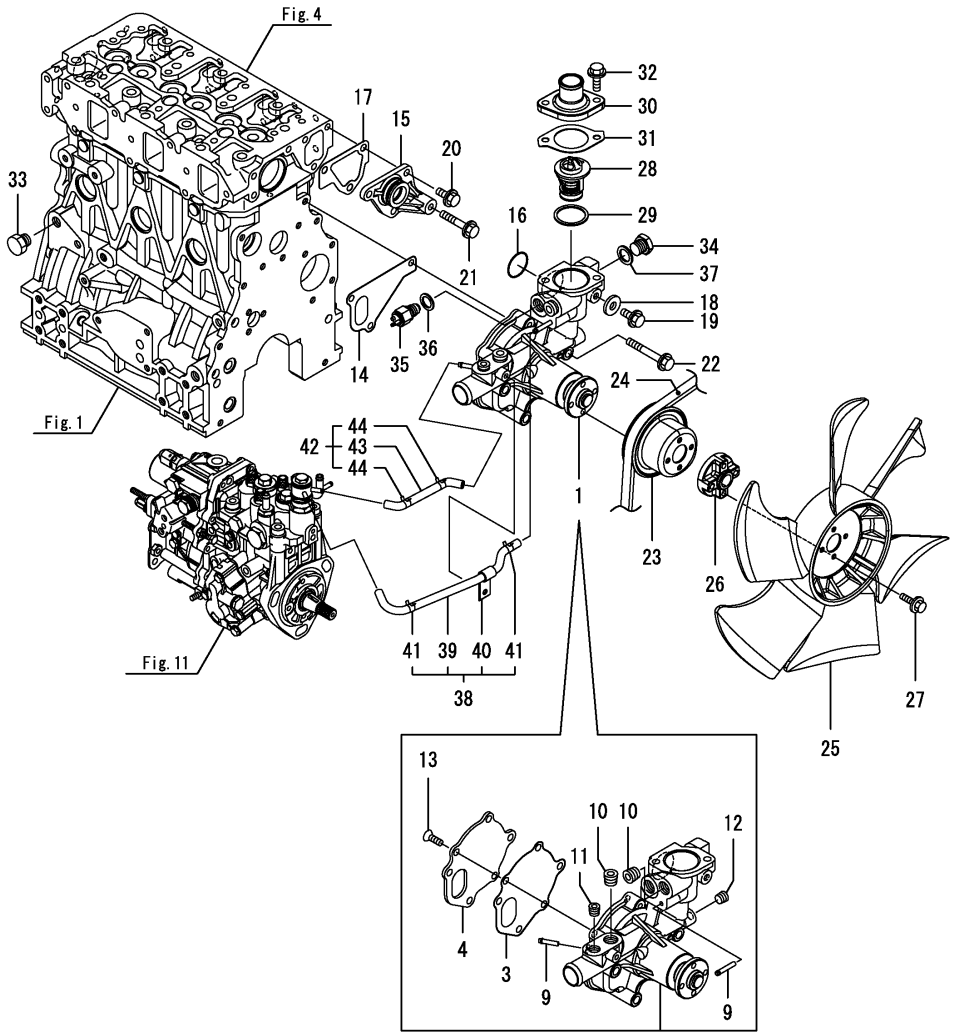
(B)=

(C)=

(D)=

(E)=

(F)=

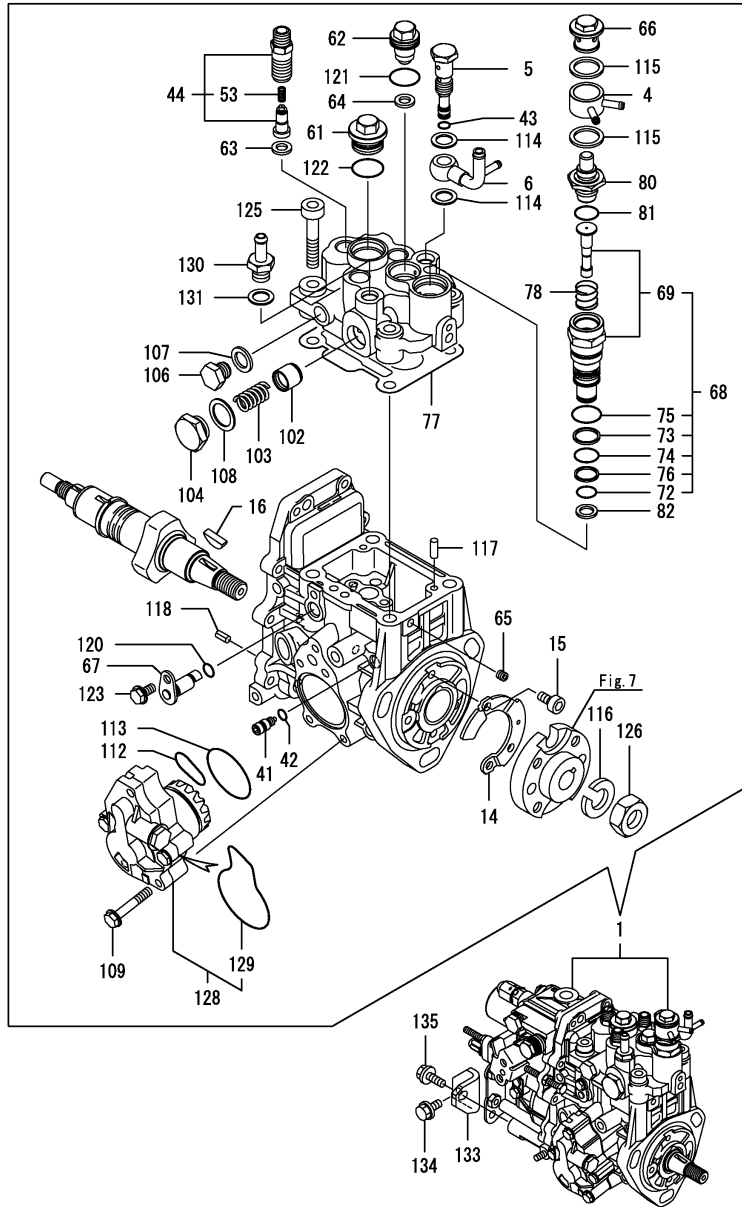


No.	Lev.	Parts No.	Description	Q'ty						I	R
				(A)	(B)	(C)	(D)	(E)	(F)		
1	1	129004-42001	PUMP ASSY, WATER	1							
3	2	129100-42051	GASKET, WATER PUMP	1							
4	2	129100-42121	PLATE	1							
9	2	119802-49113	JOINT, PIPE	2							
10	2	129916-49740	PLUG, R03	2							
11	2	23875-020000	PLUG, R02	1							
12	2	23876-010000	PLUG, R01	1							
13	2	26577-060142	SCREW M 6X 14	3							
14	1	129486-42021	GASKET, WATER PUMP	1							
15	1	129004-42040	JOINT	1							
16	1	129486-42140	O-RING, G30	1							
17	1	124395-49840	GASKET	1							
18	1	23414-080000	GASKET, 8X1.0	1							
19	1	26106-080122	BOLT, M8X 12 PLATED	1							
20	1	26106-080162	BOLT, M8X 16 PLATED	3							
21	1	26106-080452	BOLT, M8X 45 PLATED	1							
22	1	26106-080602	BOLT, M8X 60 PLATED	3							
23	1	129155-42350	V-PULLEY	1							
24	1	119831-42290	V-BELT, A37.5	1							
25	1	129030-44740	FAN, COOLING D360XUG	1							
26	1	121267-44760	SPACER	1							
27	1	26106-060302	BOLT, M6X 30 PLATED	4							
28	1	129155-49801	THERMOSTAT, 71	1							
29	1	129150-49811	GASKET, THERMOSTAT	1							
30	1	129350-49530	COVER, THERMOSTAT	1							
31	1	129795-49551	GASKET	1							
32	1	26106-080222	BOLT, M8X 22 PLATED	2							
33	1	171056-49120	PLUG, DRAIN	1							
34	1	121450-42450	PLUG, M16	1							
35	1	121250-44901	SWITCH, 110	1							
36	1	124465-44950	GASKET, 16	1							
37	1	124465-44950	GASKET, 16	1							
38	1	129004-49610	PIPE ASSY, WATER	1							
39	2	129004-49711	PIPE ASSY, WATER	1							
40	2	119802-49730	RETAINER, PIPE	1							
41	2	124722-59050	CLIP, HOSE 9	2							
42	1	129004-49620	PIPE ASSY, WATER	1							
43	2	129004-49721	PIPE ASSY, WATER	1							
44	2	124722-59050	CLIP, HOSE 9	2							

Fig.11. FUEL INJECTION PUMP

(A)=3TNV88F-UGGE
(B)=
(C)=

(D)=
(E)=
(F)=



No.	Lev.	Parts No.	Description	Q'ty						I	R
				(A)	(B)	(C)	(D)	(E)	(F)		
1	1	729084-51300	FIE ASSY	1							1
4	2	158553-51551	JOINT	1							
5	2	158601-51650	JOINT, OVER FLOW	1							
6	2	158552-51670	JOINT, OVER FLOW	1							
14	2	129008-51900	COVER, GEAR CASE	1							
15	2	129008-51920	BOLT, M6X10	2							
16	2	119802-51090	KEY, 4X16	1							
41	2	158600-51270	STOPPER, TAPPET	1							
42	2	158563-51281	O-RING, 4D S6	1							
43	2	158563-51281	O-RING, 4D S6	1							
44	2	129008-51390	VALVE ASSY, DELIVERY	3							
53	3	158563-51330	SPRING, DELIVERY	3							
61	2	158601-51550	PLUG	1							
62	2	119802-51560	PLUG, BARREL	1							
63	2	158552-51571	GASKET	3							
64	2	158552-51571	GASKET	1							
65	2	158557-51570	PLUG	1							
66	2	158601-51570	PLUG	1							
67	2	158552-51580	LIFTER	1							
68	2	119802-51590	TIMER SET	1							
69	3	119802-51600	TIMER ASSY	1							
72	3	158553-51670	O-RING, 1011	1							
73	3	119802-51680	RING, BACK UP	1							
74	3	119802-51690	O-RING	1							
75	3	24356-190200	O-RING, 4D19020	1							
76	3	24372-000150	RING, BACK UP T2P15	1							
77	2	158552-51600	GASKET	1							
78	2	158553-51630	SPRING, TIMER	1							
80	2	158553-51640	ELEMENT	1							
81	2	158553-51660	O-RING, P14	1							
82	2	158553-51680	GASKET	1							
102	2	158601-51770	PISTON	1							
103	2	158552-51781	SPRING	1							
104	2	158601-51790	PLUG	1							
106	2	158553-51930	PLUG, M12	1							
107	2	22190-120002	WASHER, SEAL 12	1							
108	2	22190-180002	WASHER, SEAL 18	1							
109	2	158553-51770	BOLT	4							
112	2	158552-52311	O-RING	1							
113	2	158552-52400	O-RING, 4E S42	1							
114	2	22190-120002	WASHER, SEAL 12	2							
115	2	22190-180002	WASHER, SEAL 18	2							
116	2	22217-140000	WASHER, SPRING 14	1							
117	2	22312-050140	PIN, PARALLEL 5X14	2							
118	2	22351-050010	PIN, SPRING 5.0X10	2							
120	2	24311-000070	O-RING, 1AP7.0	1							
121	2	24356-190180	O-RING, 4D19018	1							
122	2	24356-190200	O-RING, 4D19020	1							
123	2	26106-060102	BOLT, M6X 10 PLATED	1							
125	2	26450-080452	BOLT, M8X 45	4							
126	2	26776-140002	NUT, LOCK M14	1							

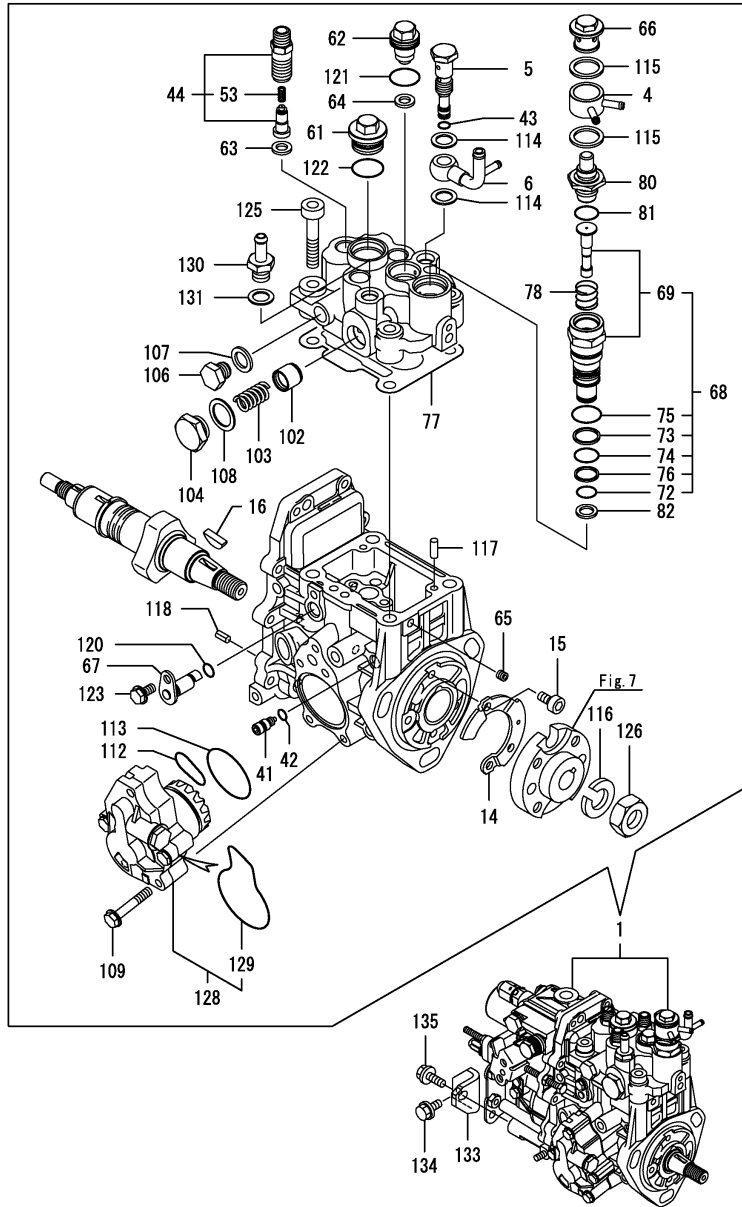
Remarks

(1)Governor(Fig.12) is incorporated in this Fuel Injection Pump(No.1).

Fig.11. FUEL INJECTION PUMP

(A)=3TNV88F-UGGE
 (B)=
 (C)=

(D)=
 (E)=
 (F)=



No.	Lev.	Parts No.	Description	Q'ty						I	R
				(A)	(B)	(C)	(D)	(E)	(F)		
128	2	158552-52100	PUMP ASSY, FUEL FEED	1							
129	3	158552-52500	O-RING	1							
130	2	119934-59910	JOINT, PIPE	1							
131	2	22190-120002	WASHER, SEAL 12	1							
133	1	119802-51250	RETAINER, PUMP	1							
134	1	26106-080162	BOLT, M8X 16 PLATED	1							
135	1	26106-080202	BOLT, M8X 20 PLATED	1							

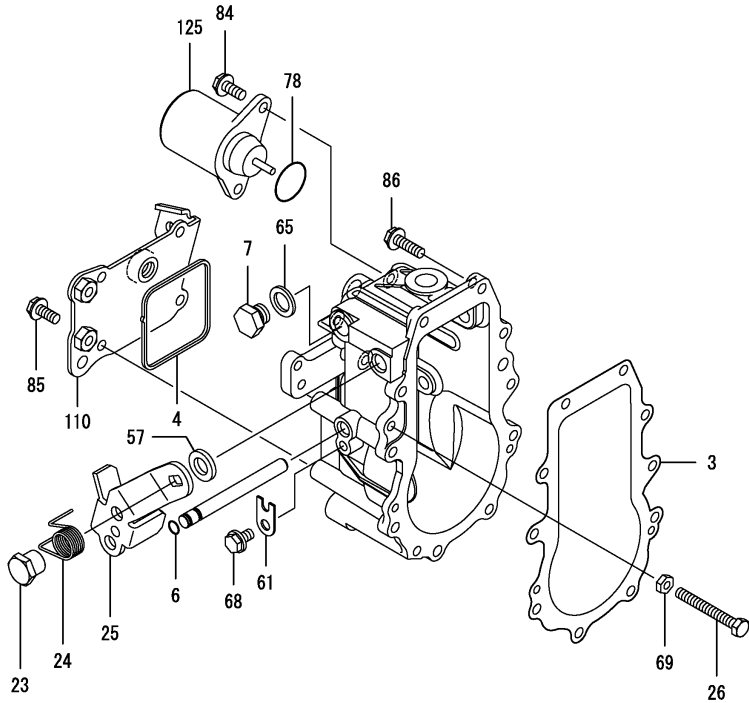
Remarks

(1)Governor(Fig.12) is incorporated in this Fuel Injection Pump(No.1).

Fig.12. GOVERNOR

(A)=3TNV88F-UGGE
(B)=
(C)=

(D)=
(E)=
(F)=



No.	Lev.	Parts No.	Description	Q'ty						I	R
				(A)	(B)	(C)	(D)	(E)	(F)		
3	2	158553-61050	GASKET	1							
4	2	158553-61070	GASKET	1							
6	2	129155-51280	O-RING, S6	1							
7	2	158553-51930	PLUG, M12	1							
23	2	129255-61410	NUT, LOCK	1							
24	2	119807-61420	SPRING, RETURN	1							
25	2	129246-61441	LEVER, REGULATOR	1							
26	2	129155-61460	BOLT, IDLE	1							
57	2	158552-61700	SHIM SET	1							
61	2	119660-61901	RETAINER, SHAFT	1							
65	2	22190-120002	WASHER, SEAL 12	1							
68	2	26106-060102	BOLT, M6X 10 PLATED	1							
69	2	26756-060002	NUT, LOCK M6	1							
78	2	158552-61900	O-RING	1							
84	2	26106-060142	BOLT, M6X 14 PLATED	2							
85	2	26106-060142	BOLT, M6X 14 PLATED	4							
86	2	26106-060202	BOLT, M6X 20 PLATED	10							
110	2	129246-61061	COVER, GOVERNOR CASE	1							
125	2	119653-77950	SOLENOID, STOP	1							

Remarks

* This figure(Governor) is incorporated in the Fuel Injection Pump(Fig.11).

Fig.13. FUEL INJECTION VALVE

(A)=3TNV88F-UGGE

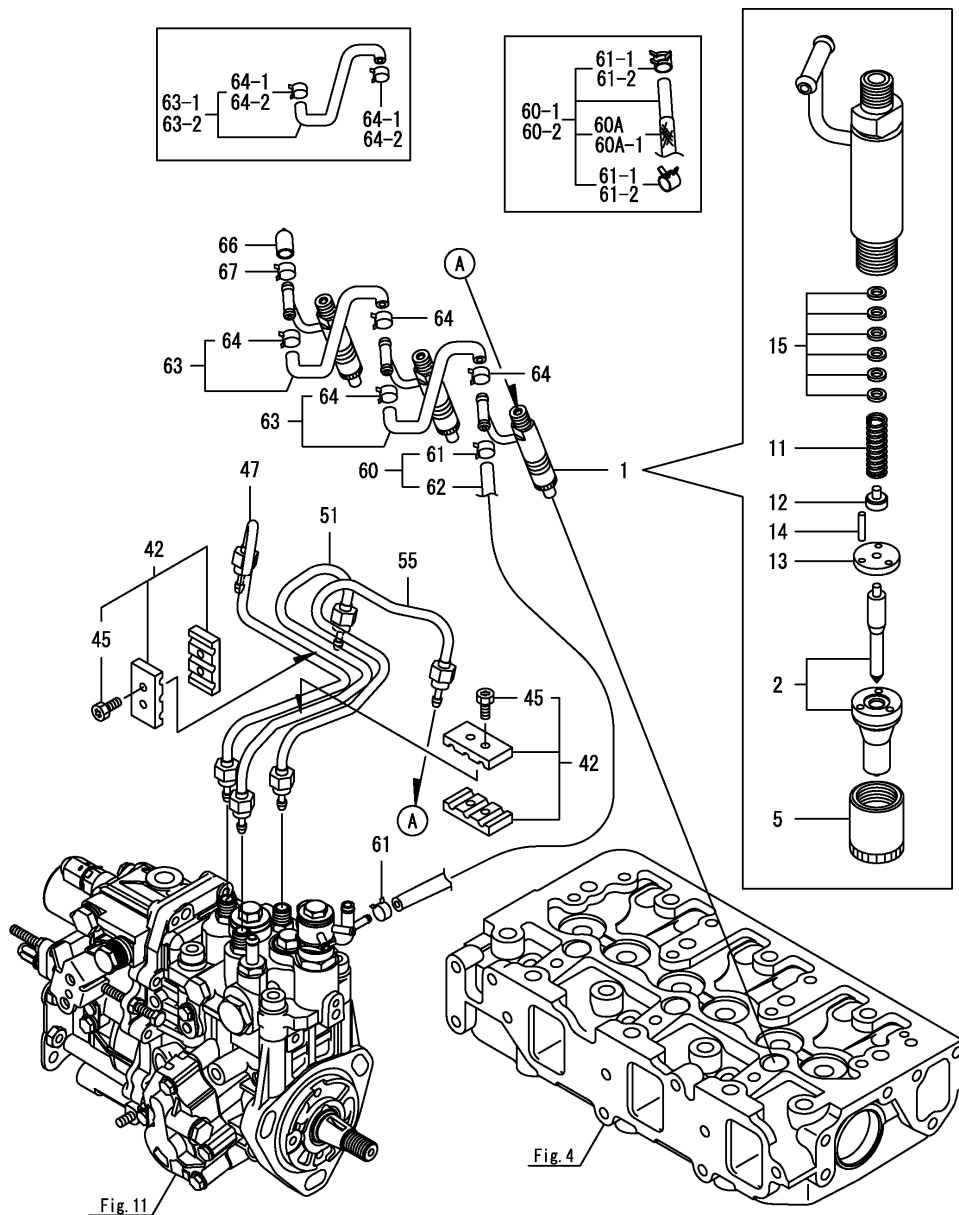
(B)=

(C)=

(D)=

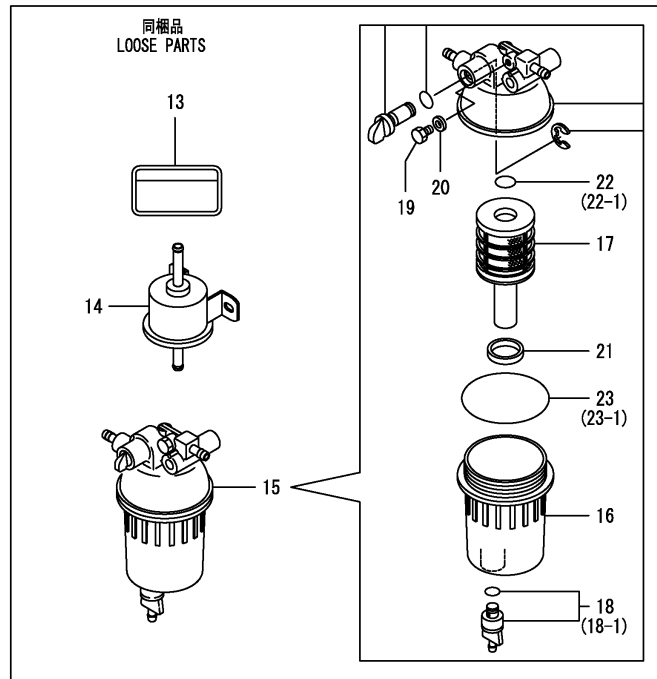
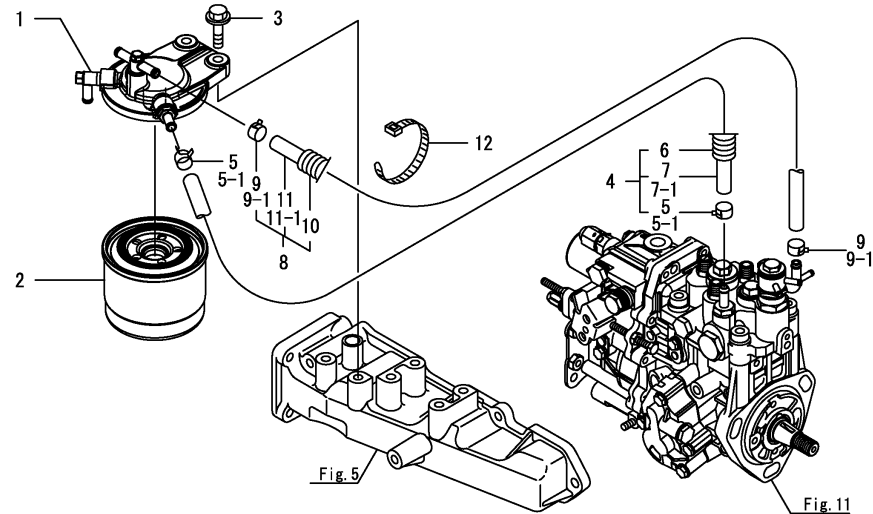
(E)=

(F)=



No.	Lev.	Parts No.	Description	Q'ty						I	R
				(A)	(B)	(C)	(D)	(E)	(F)		
1	1	729017-53100	VALVE ASSY,INJECTION	3							
2	2	129017-53000	VALVE ASSY,INJECTION	3							
5	2	114250-53080	NUT, NOZZLE	3							
11	2	114250-53120	SPRING, NOZZLE	3							
12	2	114250-53130	SEAT, SPRING	3							
13	2	114250-53140	SPACER, VALVE STOP	3							
14	2	114250-53210	PIN, POSITIONING	6							
15	2	119803-53400	SHIM SET	3							
42	1	129150-59120	RETAINER, PIPE	2							
45	2	129150-59131	BOLT, M4X14	4							
47	1	129017-59810	PIPE, INJECTION NO.1	1							
51	1	129017-59820	PIPE, INJECTION NO.2	1							
55	1	129017-59830	PIPE, INJECTION NO.3	1							
60	1	119802-59550	HOSE ASSY, RETURN	1							
60-1	1	129268-59551	PIPE ASSY, RETURN	1							N
		(A=E58442)									
60-2	1	129268-59552	PIPE ASSY, FO RETURN	1							N
		(A=E62857)									
60A	2	129237-59120	PROTECTOR, MESH	1							S
		(A=E58442)									
60A-1	2	129931-59710	PROTECTOR, MESH	1							S
		(A=E62857)									
61	2	124722-59050	CLAMP, HOSE 9	2							
61-1	1	124060-77680	CLAMP, HOSE 10	2							S
		(A=E58442)									
61-2	1	124066-59100	CLAMP, HOSE 8	2							S
		(A=E62857)									
62	2	119802-59560	HOSE, FUEL RETURN	1							
63	1	129486-59551	HOSE ASSY, RETURN	2							
63-1	1	129486-59581	HOSE, FUEL RETURN	2							N
		(A=E58442)									
63-2	1	129486-59582	PIPE ASSY, FO RETURN	2							N
		(A=E62857)									
64	2	124722-59050	CLAMP, HOSE 9	4							
64-1	2	124060-77680	CLAMP, HOSE 10	4							S
		(A=E58442)									
64-2	2	124066-59100	CLAMP, HOSE 8	4							S
		(A=E62857)									
66	1	119593-59581	CAP, RETURN PIPE	1							
67	1	124060-77680	CLAMP, HOSE 10	1							

Fig.14. FUEL PIPE



(A)=3TNV88F-UGGE

(B)=

(C)=

(D)=

(E)=

(F)=

No.	Lev.	Parts No.	Description	Q'ty						I	R
				(A)	(B)	(C)	(D)	(E)	(F)		
1	1	129004-55612	BRACKET, FILTER	1							
2	1	119802-55810	FILTER, FUEL	1							
3	1	26106-080302	BOLT, M8X 30 PLATED	2							
4	1	129044-59010	HOSE ASSY, D13XL220	1							
4-1	1	129236-59001	PIPE ASSY, FUEL	1							N
(A=E62857)											
5	2	124766-59050	CLAMP, HOSE 11.5	2							
5-1	2	114270-59010	CLAMP, HOSE 12	2							S
(A=E62857)											
6	2	129044-59100	TUBE, CORRUGATED 15	1							
7	2	129044-59510	HOSE, FUEL L=220	1							
7-1	2	129236-59501	PIPE, FUEL	1							S
(A=E62857)											
8	1	129950-59311	HOSE ASSY, FUEL	1							
8-1	1	129236-59011	PIPE ASSY, FUEL	1							N
(A=E62857)											
9	2	124766-59050	CLAMP, HOSE 11.5	2							
9-1	2	114270-59010	CLAMP, HOSE 12	2							S
(A=E62857)											
10	2	129961-59110	TUBE, CORRUGATED 15	1							
11	2	105025-59580	HOSE, FUEL	1							
11-1	2	129236-59511	PIPE, FUEL	1							S
(A=E62857)											
12	1	121750-59890	BAND, NYLON	1							
13	1	114110-07761	LABEL, FUEL CAUTION	1							
14	1	119225-52102	PUMP, FUEL FEED	1							
15	1	129242-55701	SEPARATOR ASSY,WATER	1							
15-1	1	129285-55700	SEPARATOR ASSY,WATER	1							N
(A=E53189)											
16	2	129242-55720	CUP, SEPARATOR	1							
17	2	129242-55730	ELEMENT, FUEL FILTER	1							
18	2	129242-55740	PLUG, DRAIN	1							
18-1	2	129E32-55740	PLUG ASSY	1							S 1
(A=E53189)											
19	2	129242-55750	VALVE, AIR VENT	1							
20	2	129242-55760	GASKET, PLUG	1							
21	2	129242-55770	FLOAT	1							
22	2	24311-000160	O-RING, 1AP16.0	1							
22-1	2	24316-000160	O-RING, 4DP16.0	1							S 2
(A=E53189)											
23	2	24321-000750	O-RING, 1AG75.0	1							
23-1	2	24326-000750	O-RING, 4DG75.0	1							S 2
(A=E53189)											

Remarks

(1)Color = No.18 : WHITE, No.18-1 : GRAY.

(2)Materials=No.22 & 23 : Nitrile rubber, No.22-1 & 23-1 : Fluorine rubber.

Fig.15. STARTER MOTOR

(A)=3TNV88F-UGGE

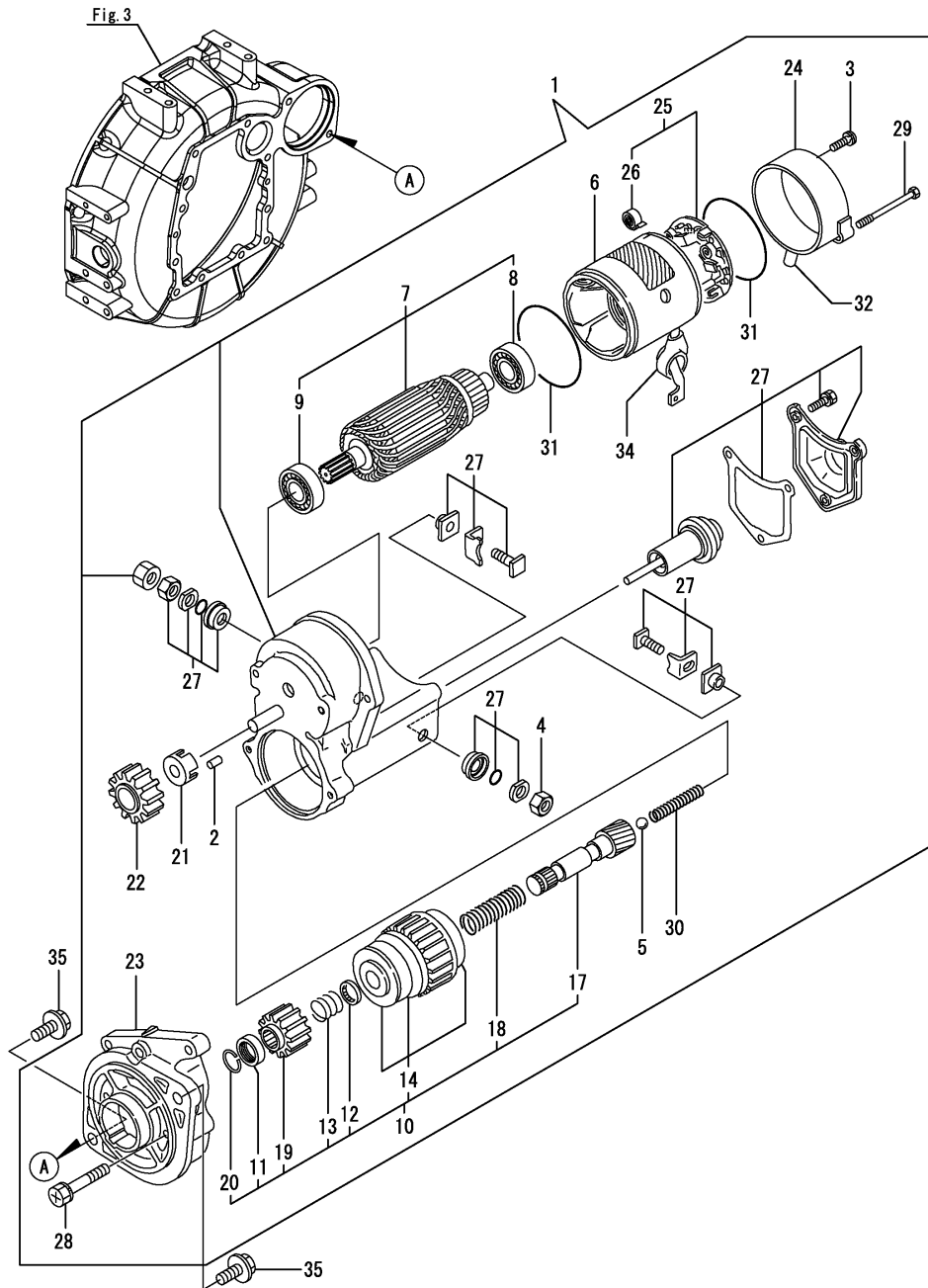
(B)=

(C)=

(D)=

(E)=

(F)=



No.	Lev.	Parts No.	Description	Q'ty						I	R
				(A)	(B)	(C)	(D)	(E)	(F)		
1	1	129129-77010	STARTER ASSY	1							
2	2	X0283060061	ROLLER	5							
3	2	129129-77460	SCREW	2							
4	2	X9490561370	NUT	1							
5	2	X9491200240	BALL	1							
6	2	129129-77210	YOKE ASSY	1							
7	2	129129-77220	ARMATURE ASSY	1							
8	3	129129-77230	BEARING, BALL	1							
9	3	129129-77240	BEARING, BALL	1							
10	2	129129-77250	STARTER	1							
11	3	X0280210230	NUT	1							
12	3	X0283270140	RETAINER	1							
13	3	X9491703371	SPRING, COIL	1							
14	3	129129-77390	CLUTCH ASSY	1							
17	3	129129-77400	SHAFT	1							
18	3	129129-77410	SPRING, COIL	1							
19	3	129129-77420	PINION, STARTER	1							
20	3	129129-77430	RING	1							
21	2	129129-77260	RETAINER	1							
22	2	129129-77270	PINION	1							
23	2	129129-77280	HOUSING	1							
24	2	129129-77290	FRAME	1							
25	2	129129-77300	HOLDER ASSY	1							
26	3	X9491730461	SPRING	4							
27	2	129129-77310	SWITCH ASSY	1							
28	2	129129-77320	BOLT	2							
29	2	129129-77330	BOLT	2							
30	2	129129-77340	SPRING	1							
31	2	129129-77350	O-RING	2							
32	2	129129-77362	COVER	1							
34	2	129129-77380	CAP	1							
35	1	26106-120252	BOLT, M12X 25 PLATED	2							

Fig.16. GENERATOR

(A)=3TNV88F-UGGE

(B)=

(C)=

(D)=

(E)=

(F)=

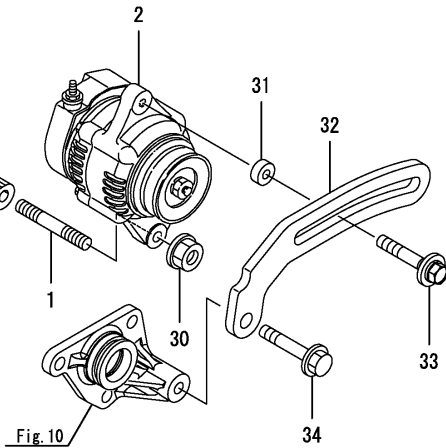
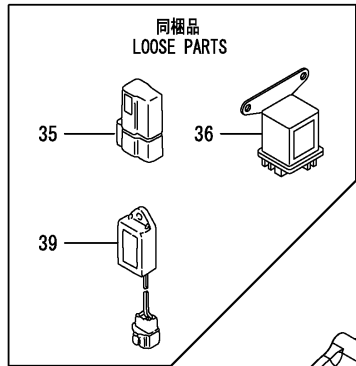
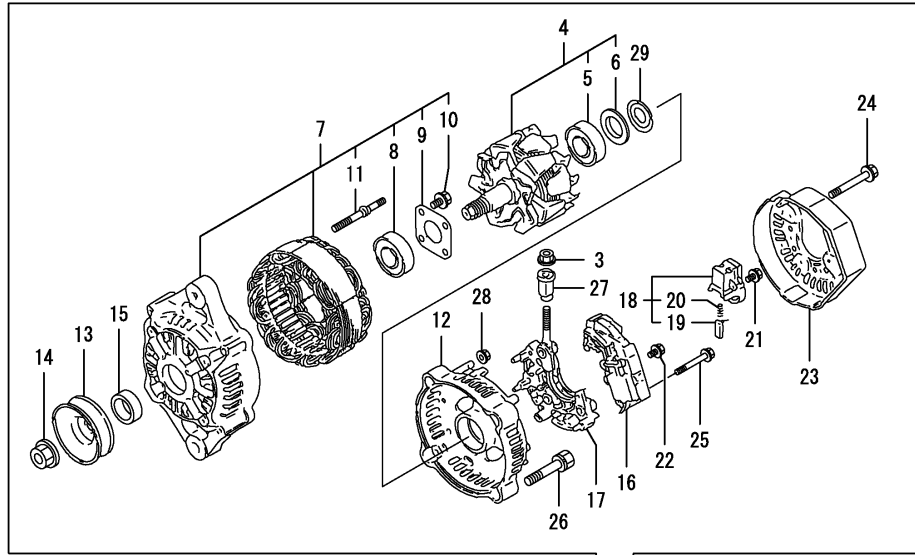


Fig. 2

Fig.10

No.	Lev.	Parts No.	Description	Q'ty						I	R
				(A)	(B)	(C)	(D)	(E)	(F)		
1	1	129795-01900	BOLT, M10X33	1							
2	1	129423-77200	GENERATOR, 12V-40A	1							
3	2	X9490561001	NUT	1							
4	2	119620-77380	ROTOR ASSY	1							
5	3	123501-79240	BEARING, BALL	1							
6	3	119620-79250	COVER, BEARING	1							
7	2	119620-77421	FRAME ASSY, DRIVE	1							
8	3	119620-79200	BEARING, BALL	1							
9	3	119620-79210	PLATE, RETAINER	1							
10	3	119620-79220	SCREW	4							
11	3	119620-79230	STUD	2							
12	2	119620-77440	FRAME ASSY, REAR	1							
13	2	119620-77461	PULLEY, GENERATOR	1							
14	2	119620-77471	NUT	1							
15	2	119620-77490	COLLAR	1							
16	2	129423-77710	REGULATOR ASSY	1							
17	2	119620-79260	HOLDER ASSY	1							
18	2	129052-79270	HOLDER ASSY, BRUSH	1							
19	3	119620-77480	BRUSH ASSY, SUB	2							
20	3	119620-79280	SPRING	2							
21	2	119620-79290	SCREW	6							
22	2	119620-79300	SCREW	1							
23	2	129240-79300	COVER	1							
24	2	119620-79310	BOLT	3							
25	2	119620-79320	SCREW, W/WASHER	2							
26	2	119620-79330	BOLT	2							
27	2	119620-79340	BUSH, INSULATION	1							
28	2	119620-79350	NUT	2							
29	2	119620-79360	WASHER, THRUST	1							
30	1	26306-100002	NUT, M10	1							
31	1	119940-77270	SPACER, GENERATOR	1							
32	1	119940-77330	ADJUSTER, BELT	1							
33	1	129972-77341	BOLT, ADJUSTER L=50	1							
34	1	26106-080452	BOLT, M8X 45 PLATED	1							
35	1	119643-66900	DIODE	1							
36	1	119650-77911	RELAY ASSY, GLOW	1							
39	1	129211-77920	TIMER, SECTION 1	1							

Parts No. Index

Parts No.	Fig. No.	Ref. No.
105025-59580	14	11
114110-07761	14	13
114250-39450	9	26
114250-53080	13	5
114250-53120	13	11
114250-53130	13	12
114250-53140	13	13
114250-53210	13	14
114270-59010	14	5 -1 9 -1
119131-18320	6	5
119225-52102	14	14
119593-59581	13	66
119609-32040	2	9
119620-01750	3	3
119620-77380	16	4
119620-77421	16	7
119620-77440	16	12
119620-77461	16	13
119620-77471	16	14
119620-77480	16	19
119620-77490	16	15
119620-79200	16	8
119620-79210	16	9
119620-79220	16	10
119620-79230	16	11
119620-79250	16	6
119620-79260	16	17
119620-79280	16	20
119620-79290	16	21
119620-79300	16	22
119620-79310	16	24
119620-79320	16	25
119620-79330	16	26
119620-79340	16	27
119620-79350	16	28
119620-79360	16	29
119625-11880	4	28
119640-01640	3	8
119643-66900	16	35
119650-77911	16	36
119653-77950	12	125
119660-61901	12	61
119802-01561	2	5
119802-03110	4	39
119802-03121	4	40
119802-03130	4	41
119802-03141	4	42
119802-11260	4	4
119802-11270	4	5

Parts No.	Fig. No.	Ref. No.
119802-11280	4	6
119802-11870	4	27
119802-25071	7	17
119802-25101	7	10
119802-25901	7	15
119802-35100	9	20
119802-39450	9	28
119802-49113	10	9
119802-49730	10	40
119802-51090	11	16
119802-51250	11	133
119802-51560	11	62
119802-51590	11	68
119802-51600	11	69
119802-51680	11	73
119802-51690	11	74
119802-55810	14	2
119802-59550	13	60
119802-59560	13	62
119803-01520	2	4
119803-21200	8	4
119803-25050	7	9
119803-53400	13	15
119803-77830	4	54
119807-61420	12	24
119831-42290	10	24
119934-01800	2	3
119934-59910	11	130
119940-77270	16	31
119940-77330	16	32
120130-11860	4	55
120270-54410	4	30
121023-01551	2	19
121111-21501	8	11
121250-44901	10	35
121267-44760	10	26
121400-11340	4	23
121450-42450	10	34
121520-34810	9	16
121550-23200	8	29
121750-59890	14	12
121850-21680	8	10
121850-51960	2	10
123501-79240	16	5
123900-13610	6	3
123900-13630	6	4
124060-01050	1	4
124060-77680	13	61 -1 64 -1 67

Parts No.	Fig. No.	Ref. No.
124066-59100	13	61 -2 64 -2
124160-01751	2	6
	4	35
124160-01910	1	6
		7
124160-11360	4	47
124160-39140	9	27
124240-01871	2	7
124395-49840	10	17
124460-11340	4	24
124465-44950	10	36
		37
124550-21600	8	14
124722-59050	10	41
		44
	13	61
		64
124766-59050	14	5
		9
129001-01250	1	5
129001-01340	1	28
129001-02931	1	29
129001-12110	5	4
129001-32002	9	1
129004-03010	4	37
129004-03080	5	1
129004-11241	4	1
129004-11251	4	2
129004-11310	4	44
129004-11350	4	36
129004-11650	4	8
129004-11900	4	29
129004-12101	5	3
129004-13109	6	1
129004-13200	6	7
129004-14580	7	3
129004-34802	9	15
129004-42001	10	1
129004-42040	10	15
129004-49610	10	38
129004-49620	10	42
129004-49711	10	39
129004-49721	10	43
129004-55612	14	1
129005-11100	4	19
129005-21650	8	8
129005-22500	8	17
129005-22950	8	37
129005-59830	9	29

Parts No.	Fig. No.	Ref. No.
129008-11700	4	13
129008-21000	8	1
129008-51390	11	44
129008-51900	11	14
129008-51920	11	15
129008-77800	4	52
129008-77820	4	53
129017-22080	8	15
129017-22900	8	35
129017-53000	13	2
129017-59810	13	47
129017-59820	13	51
129017-59830	13	55
129030-44740	10	25
129044-59010	14	4
129044-59100	14	6
129044-59510	14	7
129052-79270	16	18
129100-01580	3	1
		15
	8	2
129100-01640	3	16
129100-01730	3	6
129100-01760	3	7
129100-11112	4	20
129100-23910	8	32
129100-35140	9	22
129100-35301	9	18
129100-42051	10	3
129100-42121	10	4
129129-77010	15	1
129129-77210	15	6
129129-77220	15	7
129129-77230	15	8
129129-77240	15	9
129129-77250	15	10
129129-77260	15	21
129129-77270	15	22
129129-77280	15	23
129129-77290	15	24
129129-77300	15	25
129129-77310	15	27
129129-77320	15	28
129129-77330	15	29
129129-77340	15	30
129129-77350	15	31
129129-77362	15	32
129129-77380	15	34
129129-77390	15	14
129129-77400	15	17

Parts No. Index

Parts No.	Fig. No.	Ref. No.
129129-77410	15	18
129129-77420	15	19
129129-77430	15	20
129129-77460	15	3
129150-01200	1	27
129150-02020	1	9
129150-02450	7	4
129150-02871	1	32
129150-02931	1	24
129150-02941	1	35
129150-03070	4	38
129150-11230	4	9
129150-11280	4	7
129150-11370	4	12
129150-11750	4	11
129150-11810	4	56
129150-13110	6	2
129150-14101	7	6
129150-14200	7	1
129150-14400	7	2
129150-23601	8	30
129150-23611	8	33
129150-25301	7	14
129150-32020	9	13
129150-35042	9	17
129150-35111	9	23
129150-35170	9	35
129150-49811	10	29
129150-59120	13	42
129150-59131	13	45
129150-77511	5	8
129155-42350	10	23
129155-49801	10	28
129155-51280	12	6
129155-61460	12	26
129202-22300	8	23
129211-77920	16	39
129236-59001	14	4 -1
129236-59011	14	8 -1
129236-59501	14	7 -1
129236-59511	14	11 -1
129237-59120	13	60 A
129240-79300	16	23
129242-55701	14	15
129242-55720	14	16
129242-55730	14	17
129242-55740	14	18
129242-55750	14	19
129242-55760	14	20
129242-55770	14	21

Parts No.	Fig. No.	Ref. No.
129246-61061	12	110
129246-61441	12	25
129255-61410	12	23
129268-59551	13	60 -1
129268-59552	13	60 -2
129285-55700	14	15 -1
129350-49530	10	30
129410-03990	5	2
129423-77200	16	2
129423-77710	16	16
129486-01670	3	19
129486-12581	5	7
129486-42021	10	14
129486-42140	10	16
129486-59551	13	63
129486-59581	13	63 -1
129486-59582	13	63 -2
129795-01780	3	18
129795-01900	16	1
129795-01950	2	8
129795-02412	1	12
129795-11120	4	21
129795-11180	4	22
129795-21661	8	9
129795-49551	10	31
129900-07900	4	50
129916-49740	10	10
129931-59710	13	60 A-1
129950-59311	14	8
129961-59110	14	10
129972-77341	16	33
129E32-55740	14	18 -1
158552-51151	7	16
158552-51571	11	63
		64
158552-51580	11	67
158552-51600	11	77
158552-51670	11	6
158552-51781	11	103
158552-52100	11	128
158552-52311	11	112
158552-52400	11	113
158552-52500	11	129
158552-61700	12	57
158552-61900	12	78
158553-51551	11	4
158553-51630	11	78
158553-51640	11	80
158553-51660	11	81
158553-51670	11	72

Parts No.	Fig. No.	Ref. No.
158553-51680	11	82
158553-51770	11	109
158553-51930	11	106
	12	7
158553-61050	12	3
158553-61070	12	4
158557-51570	11	65
158563-51281	11	42
		43
158563-51330	11	53
158600-51270	11	41
158601-51550	11	61
158601-51570	11	66
158601-51650	11	5
158601-51770	11	102
158601-51790	11	104
171051-01921	1	8
171056-49120	10	33
171340-21590	8	12
171420-01600	3	2
22190-080002	2	11
		9
		30
		32
22190-100002	9	33
22190-120002	11	107
		114
		131
	12	65
22190-180002	11	108
		115
22190-220002	3	10
22217-140000	11	116
22252-000260	8	24
22312-050140	11	117
22351-030010	8	7
22351-050010	11	118
22351-060012	4	31
22512-070140	7	7
	8	5
22857-500100	4	45
		46
23414-080000	10	18
23857-030000	9	31
23875-020000	10	11
23876-010000	10	12
24311-000070	11	120
24311-000120	4	48
24311-000160	14	22
24311-000320	2	12
	4	49

Parts No.	Fig. No.	Ref. No.
24316-000160	14	22 -1
24321-000750	14	23
24326-000750	14	23 -1
24341-000240	2	20
24356-190180	11	121
24356-190200	11	75
		122
24372-000150	11	76
26106-060102	11	123
	12	68
26106-060142	12	84
		85
26106-060162	2	21
26106-060202	12	86
26106-060302	10	27
26106-080122	10	19
26106-080142	7	8
26106-080162	2	13
		14
	3	11
	4	51
	10	20
	11	134
26106-080202	5	5
		9
	9	25
	11	135
26106-080222	10	32
26106-080252	3	12
	4	32
26106-080302	2	15
	14	3
26106-080352	3	20
	4	33
	9	19
26106-080402	7	13
26106-080452	3	13
	10	21
	16	34
26106-080502	3	14
	4	34
26106-080552	2	16
26106-080602	10	22
26106-080802	5	6
26106-080852	2	17
26106-120252	15	35
26206-100252	3	4
26206-100302	3	5
26306-080002	2	18
	6	6

Parts No. Index

Parts No.	Fig. No.	Ref. No.
26306-100002	16	30
26366-060002	9	34
26450-060252	9	14
26450-080452	11	125
26577-060142	10	13
26756-060002	12	69
26776-140002	11	126
27241-120000	1	13
27241-300000	1	14
27241-400000	4	18
27310-080001	4	25
719803-01500	2	1
729005-01560	1	1
729017-53100	13	1
729084-51300	11	1
729402-23100	8	25
X0280210230	15	11
X0283060061	15	2
X0283270140	15	12
X9490561001	16	3
X9490561370	15	4
X9491200240	15	5
X9491703371	15	13
X9491730461	15	26

Parts No.	Fig. No.	Ref. No.
-----------	----------	----------

Parts No.	Fig. No.	Ref. No.
-----------	----------	----------

Parts No.	Fig. No.	Ref. No.
-----------	----------	----------