

0CD11-M19002EN

# P R E F A C E

This parts catalog is the 3rd edition of 3TNV82A-BPYBD, 3TNV82A-BPYBC and 3TNV82A-BPYBU for KOBELCO CONSTRUCTION MACHINERY CO., LTD.

Published : April, 2015

# Contents

0CD11-M19002

Fig. No.    Fig. Name  
3TNV82A-BPYBD/-BPYBC/-BPYBU

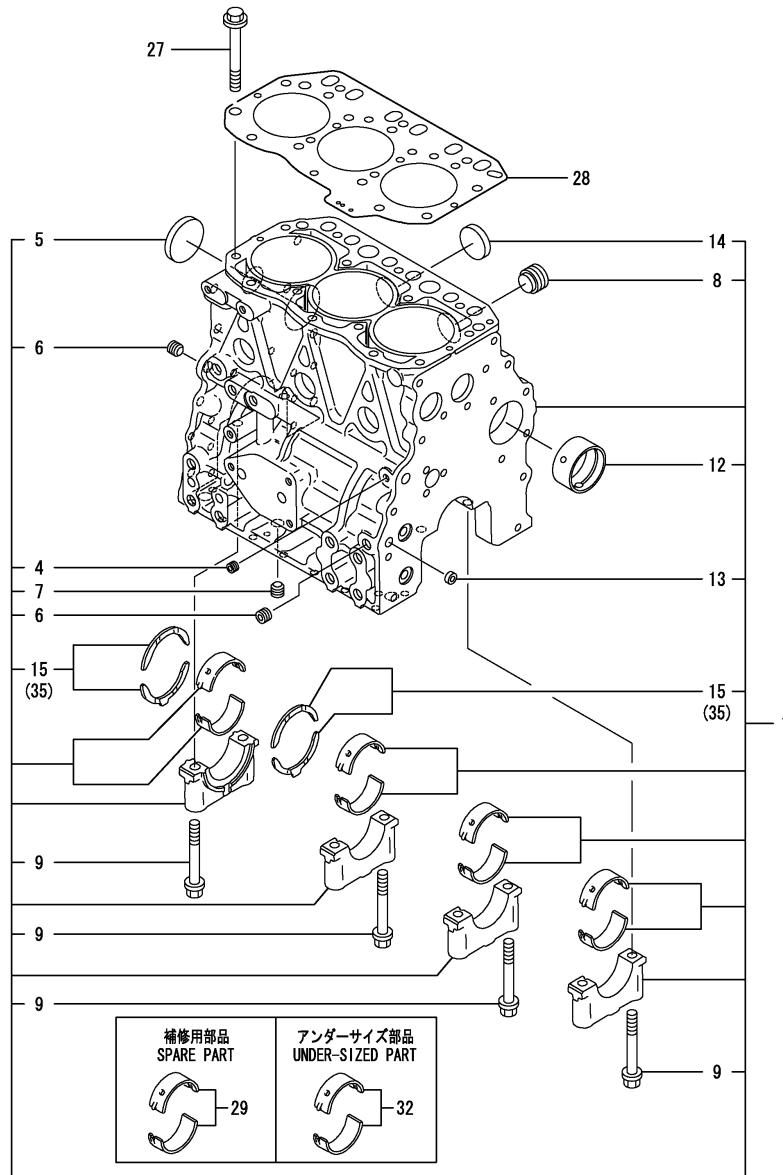
Fig. No.    Fig. Name

1. CYLINDER BLOCK
2. GEAR HOUSING
3. FLYWHEEL HOUSING & OIL SUMP
4. CYLINDER HEAD & BONNET
18. CYLINDER HEAD & BONNET
5. SUCTION MANIFOLD
6. EXHAUST MANIFOLD
7. CAMSHAFT & DRIVING GEAR
8. CRANKSHAFT & PISTON
9. LUB. OIL SYSTEM
10. COOLING WATER SYSTEM
11. FUEL INJECTION PUMP
12. GOVERNOR
13. FUEL INJECTION VALVE
14. FUEL PIPE
15. STARTER MOTOR
16. GENERATOR
19. GENERATOR
17. GASKET SET

Fig.1. CYLINDER BLOCK

(A)=3TNV82A-BPYBD  
 (B)=3TNV82A-BPYBC  
 (C)=3TNV82A-BPYBU

(D)=  
 (E)=  
 (F)=



No.	Lev.	Parts No.	Description	Qty						I	R
				(A)	(B)	(C)	(D)	(E)	(F)		
1	1	719802-01560	BLOCK ASSY, CYLINDER	1	1	1					
4	2	124060-01050	PLUG, PT1/8	1	1	1					
5	2	129001-01250	PLUG, 50	1	1	1					
6	2	124160-01910	PLUG, PT1/4	2	2	2					
7	2	124160-01910	PLUG, PT1/4	1	1	1					
8	2	171051-01921	PLUG, NPTF1	1	1	1					
9	2	119620-02020	BOLT, METAL CAP	8	8	8					
12	2	129795-02412	BUSH, CAMSHAFT	1	1	1					
13	2	27241-120000	PLUG, 12	2	2	2					
14	2	27241-300000	PLUG 30	6	6	6					
15	2	119717-02930	BEARING, THRUST	2	2	2					
27	1	119810-01200	BOLT, HEAD	14	14	14					
28	1	119812-01330	GASKET, HEAD	1	1	1					
29	1	719810-02981	BEARING, MAIN	4	4	4					1
32	1	119810-02871	BEARING, 0.25 US	4	4	4					2
35	1	119810-02941	BEARING, THRUST 0.25	2	2	2					3

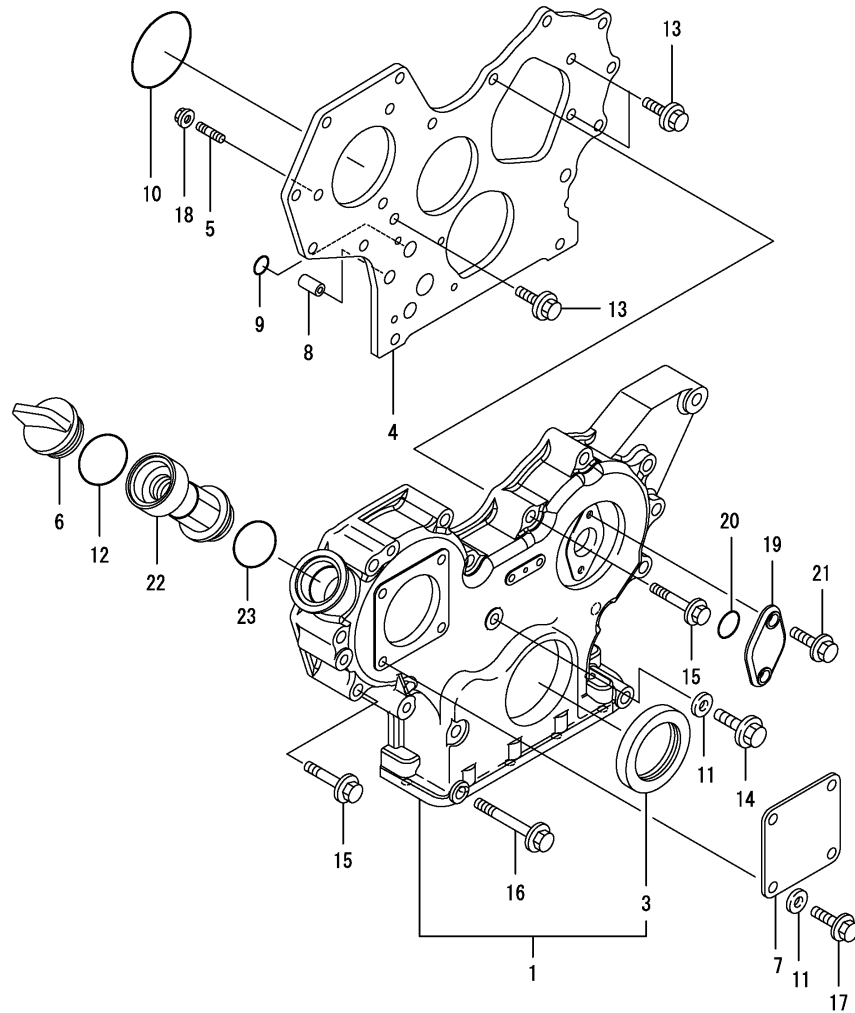
Remarks

- (1) Spare parts.
- (2) Under-sized (U.S.=0.25) parts.
- (3) Over-sized (O.S.=0.25) parts.

Fig.2. GEAR HOUSING

(A)=3TNV82A-BPYBD  
 (B)=3TNV82A-BPYBC  
 (C)=3TNV82A-BPYBU

(D)=  
 (E)=  
 (F)=

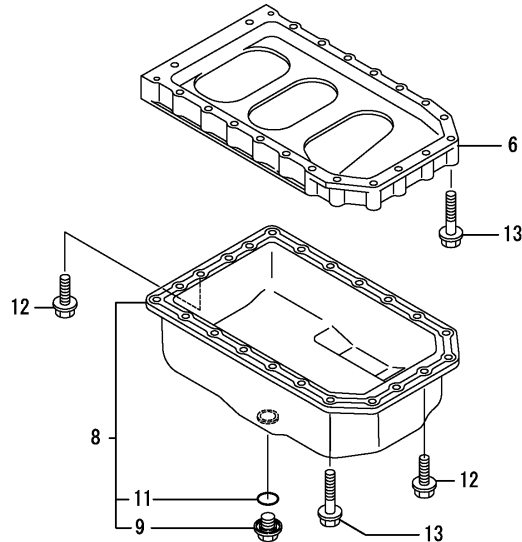
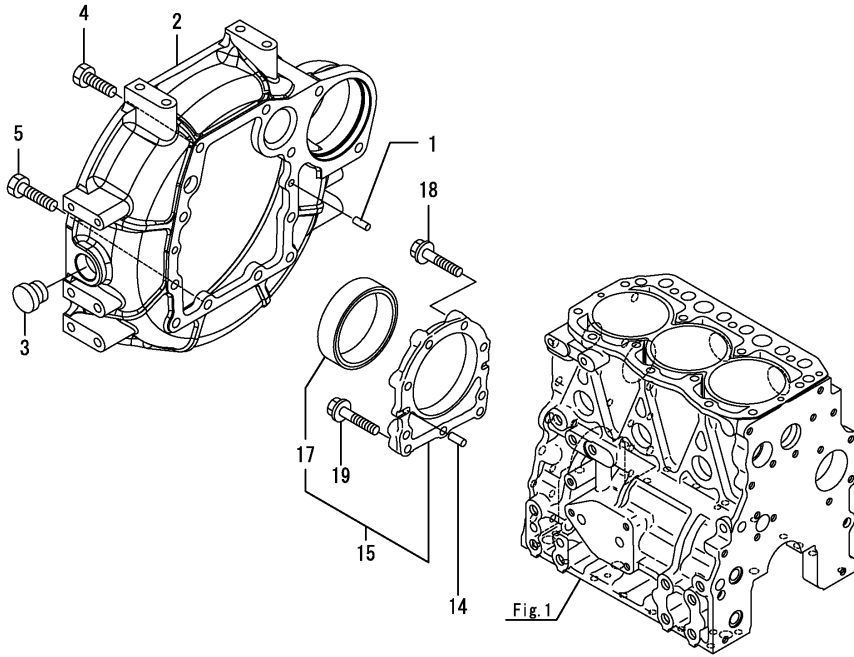


No.	Lev.	Parts No.	Description	Qty						I	R
				(A)	(B)	(C)	(D)	(E)	(F)		
1	1	729630-01500	CASE ASSY, GEAR	1	1	1					
3	2	119934-01800	SEAL, OIL	1	1	1					
4	1	119803-01520	FLANGE, GEAR CASE	1	1	1					
5	1	119802-01561	STUD, M8X25	3	3	3					
6	1	124160-01751	COVER, FILLER	1	1	1					
7	1	124240-01871	COVER	1	1	1					
8	1	129795-01950	PIPE, KNOCK L=18	2	2	2					
9	1	119609-32040	O-RING, P16	2	2	2					
10	1	121850-51960	O-RING	1	1	1					
11	1	22190-080002	WASHER, SEAL 8	5	5	5					
12	1	24311-000320	O-RING, 1AP32.0	1	1	1					
13	1	26106-080162	BOLT, M8X 16 PLATED	3	3	3					
14	1	26106-080302	BOLT, M8X 30 PLATED	1	1	1					
15	1	26106-080552	BOLT, M8X 55 PLATED	12	12	12					
16	1	26106-080852	BOLT, M8X 85 PLATED	3	3	3					
17	1	26106-080162	BOLT, M8X 16 PLATED	4	4	4					
18	1	26306-080002	NUT, M8	3	3	3					
19	1	121023-01551	COVER	1	1	1					
20	1	24341-000240	O-RING, 1AS24.0	1	1	1					
21	1	26106-060162	BOLT, M6X 16 PLATED	2	2	2					
22	1	171031-11741	PIPE	1	1	1					
23	1	24311-000320	O-RING, 1AP32.0	1	1	1					

Fig.3. FLYWHEEL HOUSING & OIL SUMP

(A)=3TNV82A-BPYBD  
 (B)=3TNV82A-BPYBC  
 (C)=3TNV82A-BPYBU

(D)=  
 (E)=  
 (F)=

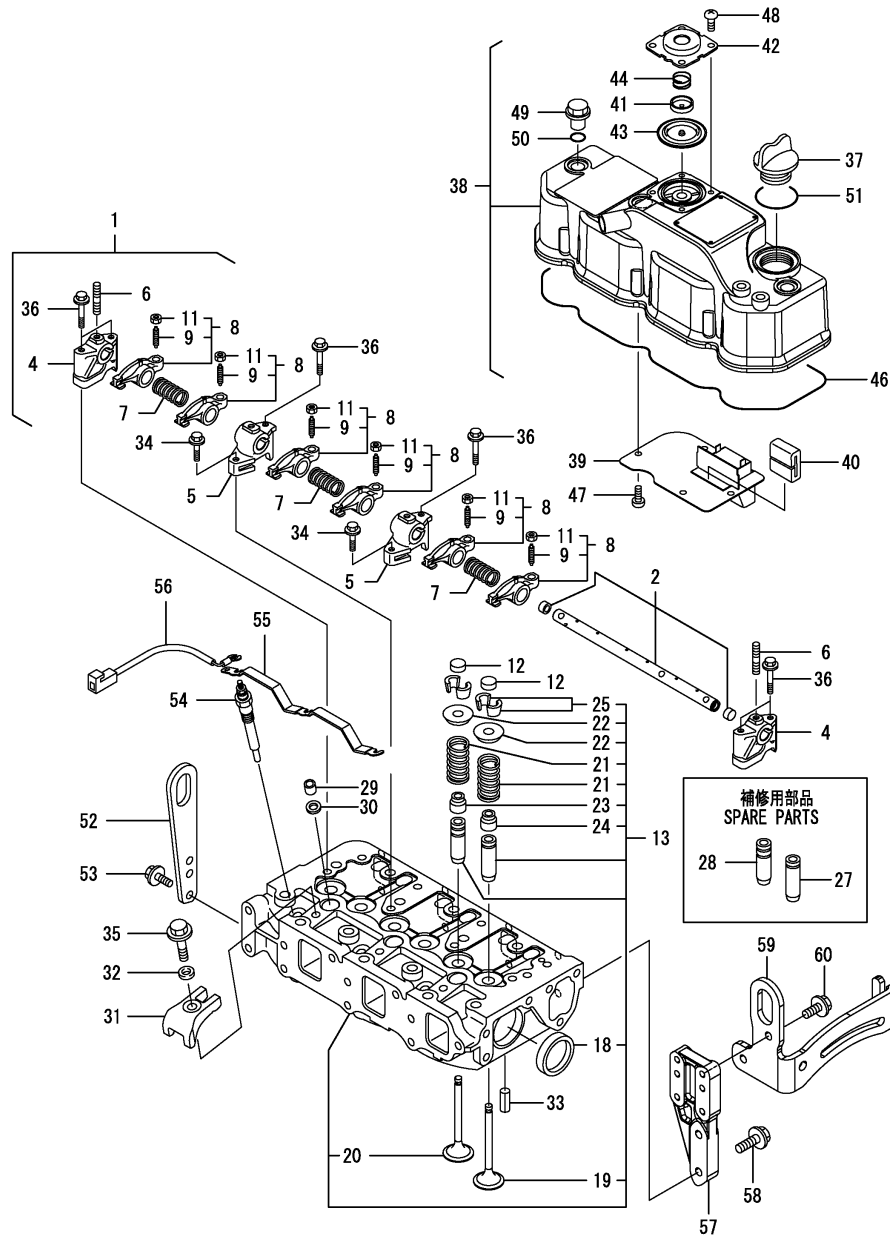


No.	Lev.	Parts No.	Description	Qty						I	R
				(A)	(B)	(C)	(D)	(E)	(F)		
1	1	129100-01580	PIN, 8X16	2	2	2					
2	1	129612-01600	HOUSING, FLYWHEEL	1	1	1					
3	1	119620-01750	CAP	1	1	1					
4	1	26206-100252	BOLT, M10X 25 PLATED	6	6	6					
5	1	26206-100302	BOLT, M10X 30 PLATED	4	4	4					
6	1	119810-01730	SPACER, OIL SUMP	1	1	1					
8	1	119823-01780	SUMP ASSY, OIL	1	1	1					
9	2	121400-01640	PLUG, 16	1	1	1					
11	2	24311-000180	O-RING, 1AP18.0	1	1	1					
12	1	26106-080162	BOLT, M8X 16 PLATED	6	6	6					
13	1	26106-080452	BOLT, M8X 45 PLATED	22	22	22					
14	1	129100-01580	PIN, 8X16	2	2	2					
15	1	129100-01640	CASE ASSY, OIL SEAL	1	1	1					
17	2	129795-01780	SEAL, OIL	1	1	1					
18	1	129486-01670	BOLT, M8X30	6	6	6					
19	1	26106-080352	BOLT, M8X 35 PLATED	3	3	3					

Fig.4. CYLINDER HEAD & BONNET

(A)=3TNV82A-BPYBD  
(B)=3TNV82A-BPYBC  
(C)=3TNV82A-BPYBU

(D)=  
(E)=  
(F)=



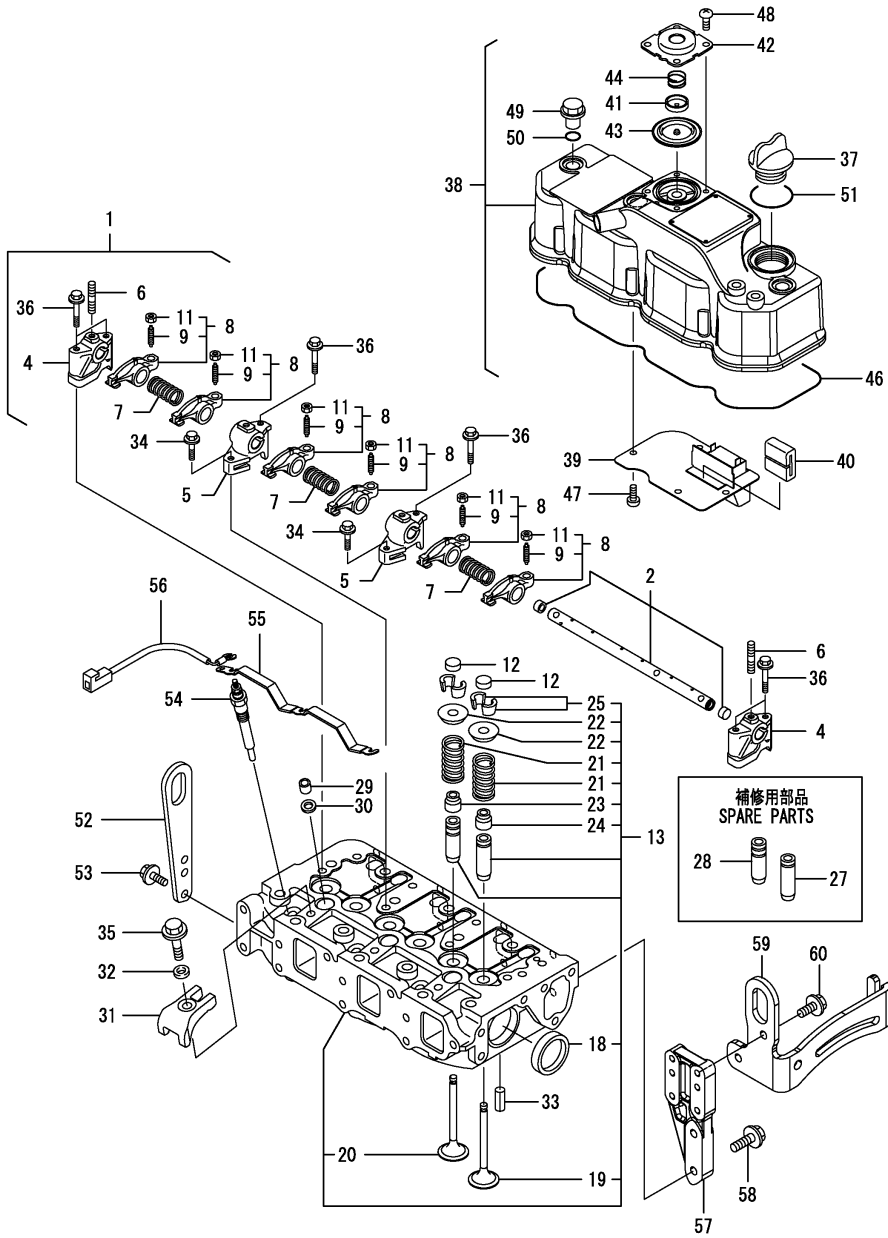
No.	Lev.	Parts No.	Description	Q'ty						I	R
				(A)	(B)	(C)	(D)	(E)	(F)		
1	1	119802-11241	SHAFT ASSY, ROCKER	1	1						
2	2	119802-11251	SHAFT, ROCKER ARM	1	1						
4	2	119802-11260	SUPPORT, ROCKER ARM	2	2						
5	2	119802-11270	SUPPORT, ROCKER ARM	2	2						
6	2	119802-11280	STUD	3	3						
7	2	129150-11280	SPRING	3	3						
8	2	119802-11650	ARM, ROCKER	6	6						
9	3	129150-11230	SCREW, VALVE ADJUST	6	6						
11	3	129150-11750	NUT, M8	6	6						
12	1	104211-11370	CAP, VALVE	6	6						
13	1	119803-11700	HEAD ASSY, CYLINDER	1	1						
18	2	27241-400000	PLUG, 40	2	2						
19	2	119802-11100	VALVE, INTAKE	3	3						
20	2	119802-11110	VALVE, EXHAUST	3	3						
21	2	119810-11120	SPRING, VALVE	6	6						
22	2	104211-11180	RETAINER, SPRING	6	6						
23	2	119803-11340	SEAL, VALVE STEM	3	3						
24	2	124160-11340	SEAL, VALVE STEM	3	3						
25	2	27310-070001	COTTER, 7	6	6						
27	1	124060-11800	GUIDE, VALVE	3	3						1
28	1	119802-11810	GUIDE, VALVE	3	3						1
29	1	119802-11870	PROTECTOR, NOZZLE	3	3						
30	1	119625-11880	SEAT, NOZZLE	3	3						
31	1	119802-11900	RETAINER, NOZZLE	3	3						
32	1	120270-54410	WASHER, INJECTOR	3	3						
33	1	22351-060012	PIN, SPRING 6.0X12	2	2						
34	1	26106-080252	BOLT, M8X 25 PLATED	2	2						
35	1	26106-080452	BOLT, M8X 45 PLATED	3	3						
36	1	26106-080502	BOLT, M8X 50 PLATED	6	6						
37	1	124160-01751	COVER, FILLER	1	1						
38	1	119802-11350	BONNET ASSY, HEAD	1	1						
39	2	119802-03010	PLATE	1	1						
40	2	129150-03070	BAFFLE, BREATHER	1	1						
41	2	119802-03110	PLATE	1	1						
42	2	119802-03121	COVER, DIAPHRAGM	1	1						
43	2	119802-03130	DIAPHRAGM	1	1						
44	2	119802-03141	SPRING, DIAPHRAGM	1	1						
46	2	119802-11310	GASKET, BONNET	1	1						
47	2	22857-500100	SCREW, 5X10	4	4						
48	2	22857-500100	SCREW, 5X10	4	4						
49	1	124160-11360	KNOB	3	3						
50	1	24311-000120	O-RING, 1AP12.0	3	3						
51	1	24311-000320	O-RING, 1AP32.0	1	1						
52	1	129900-07900	LIFTER	1	1						
53	1	26106-080162	BOLT, M8X 16 PLATED	2	2						
54	1	129008-77800	PLUG, GLOW	3	3						
55	1	119803-77821	CONNECTOR, GLOW PLUG	1	1						
56	1	119803-77830	HARNESS, WIRE	1	1						
57	1	129C01-07910	SPACER, LIFTER	1	1						
58	1	26106-080252	BOLT, M8X 25 PLATED	2	2						
59	1	119935-77350	ADJUSTER, BELT	1	1						

Remarks  
(1) Spare parts.

# Fig.4. CYLINDER HEAD & BONNET

(A)=3TNV82A-BPYBD  
(B)=3TNV82A-BPYBC  
(C)=3TNV82A-BPYBU

(D)=  
(E)=  
(F)=



No.	Lev.	Parts No.	Description	Q'ty						I	R
				(A)	(B)	(C)	(D)	(E)	(F)		
60	1	26106-080162	BOLT, M8X 16 PLATED	2	2						

Remarks  
(1) Spare parts.

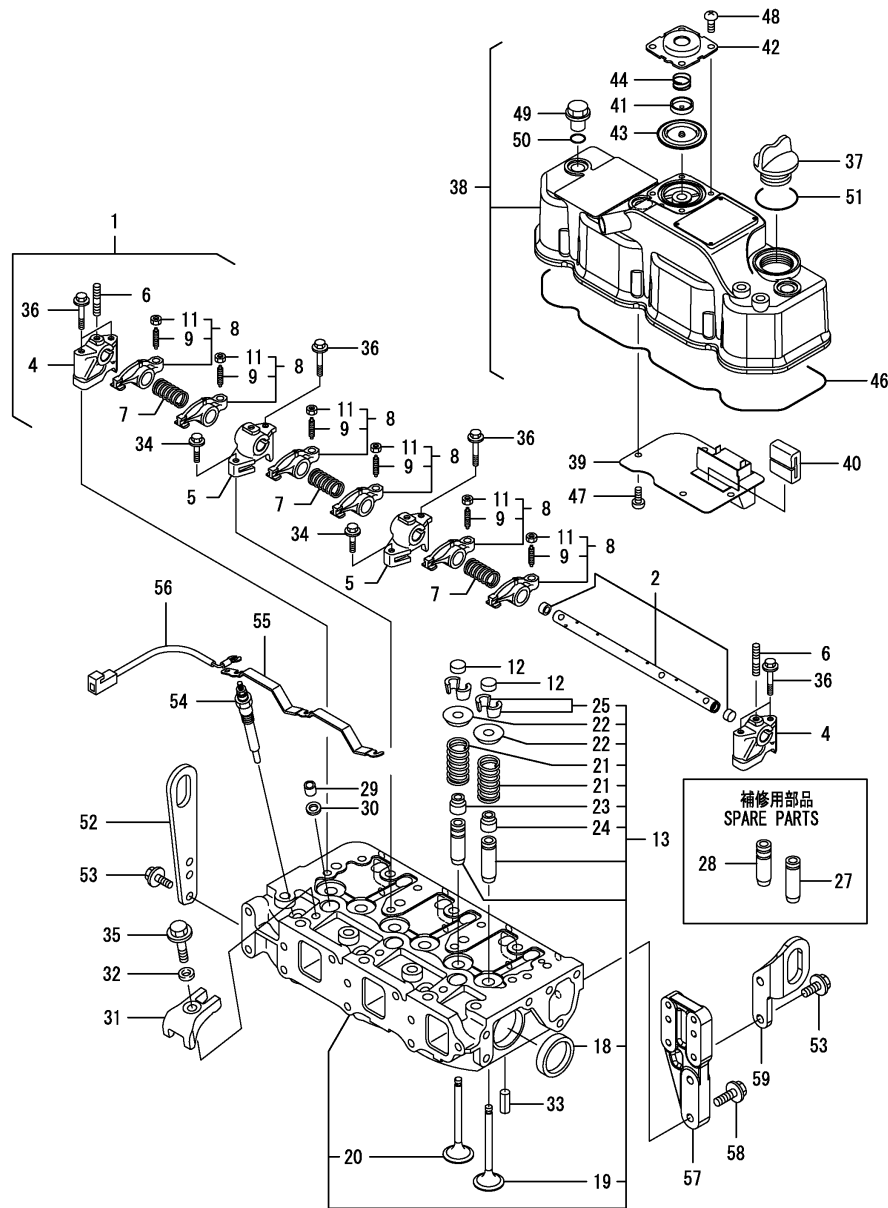
N:Old  $\begin{smallmatrix} \leftarrow \text{Yes} \\ \text{No} \rightarrow \end{smallmatrix}$  New, Q:Old  $\begin{smallmatrix} \leftarrow \text{No} \\ \text{Yes} \rightarrow \end{smallmatrix}$  New, R:Old  $\begin{smallmatrix} \leftarrow \text{Yes} \\ \text{Yes} \rightarrow \end{smallmatrix}$  New, S:Old  $\begin{smallmatrix} \leftarrow \text{No} \\ \text{No} \rightarrow \end{smallmatrix}$  New, W:Add, Z:Discontinued, F:Interchangeable by set, K:Q'ty Change  
Copyright (C) 2015 YANMAR CO., LTD. All Rights Reserved.



Fig.18. CYLINDER HEAD & BONNET

(A)=3TNV82A-BPYBD  
(B)=3TNV82A-BPYBC  
(C)=3TNV82A-BPYBU

(D)=  
(E)=  
(F)=



No.	Lev.	Parts No.	Description	Qty						I	R
				(A)	(B)	(C)	(D)	(E)	(F)		
1	1	119802-11241	SHAFT ASSY, ROCKER			1					
2	2	119802-11251	SHAFT, ROCKER ARM			1					
4	2	119802-11260	SUPPORT, ROCKER ARM			2					
5	2	119802-11270	SUPPORT, ROCKER ARM			2					
6	2	119802-11280	STUD			3					
7	2	129150-11280	SPRING			3					
8	2	119802-11650	ARM, ROCKER			6					
9	3	129150-11230	SCREW, VALVE ADJUST			6					
11	3	129150-11750	NUT, M8			6					
12	1	104211-11370	CAP, VALVE			6					
13	1	119803-11700	HEAD ASSY, CYLINDER			1					
18	2	27241-400000	PLUG, 40			2					
19	2	119802-11100	VALVE, INTAKE			3					
20	2	119802-11110	VALVE, EXHAUST			3					
21	2	119810-11120	SPRING, VALVE			6					
22	2	104211-11180	RETAINER, SPRING			6					
23	2	119803-11340	SEAL, VALVE STEM			3					
24	2	124160-11340	SEAL, VALVE STEM			3					
25	2	27310-070001	COTTER, 7			6					
27	1	124060-11800	GUIDE, VALVE			3					1
28	1	119802-11810	GUIDE, VALVE			3					1
29	1	119802-11870	PROTECTOR, NOZZLE			3					
30	1	119625-11880	SEAT, NOZZLE			3					
31	1	119802-11900	RETAINER, NOZZLE			3					
32	1	120270-54410	WASHER, INJECTOR			3					
33	1	22351-060012	PIN, SPRING 6.0X12			2					
34	1	26106-080252	BOLT, M8X 25 PLATED			2					
35	1	26106-080452	BOLT, M8X 45 PLATED			3					
36	1	26106-080502	BOLT, M8X 50 PLATED			6					
37	1	124160-01751	COVER, FILLER			1					
38	1	119802-11350	BONNET ASSY, HEAD			1					
39	2	119802-03010	PLATE			1					
40	2	129150-03070	BAFFLE, BREATHER			1					
41	2	119802-03110	PLATE			1					
42	2	119802-03121	COVER, DIAPHRAGM			1					
43	2	119802-03130	DIAPHRAGM			1					
44	2	119802-03141	SPRING, DIAPHRAGM			1					
46	2	119802-11310	GASKET, BONNET			1					
47	2	22857-500100	SCREW, 5X10			4					
48	2	22857-500100	SCREW, 5X10			4					
49	1	124160-11360	KNOB			3					
50	1	24311-000120	O-RING, 1AP12.0			3					
51	1	24311-000320	O-RING, 1AP32.0			1					
52	1	129900-07900	LIFTER			1					
53	1	26106-080162	BOLT, M8X 16 PLATED			4					
54	1	129008-77800	PLUG, GLOW			3					
55	1	119803-77821	CONNECTOR, GLOW PLUG			1					
56	1	119803-77830	HARNES, WIRE			1					
57	1	129C01-07910	SPACER, LIFTER			1					
58	1	26106-080252	BOLT, M8X 25 PLATED			2					
59	1	119718-07900	LIFTER			1					

Remarks  
(1) Spare parts.

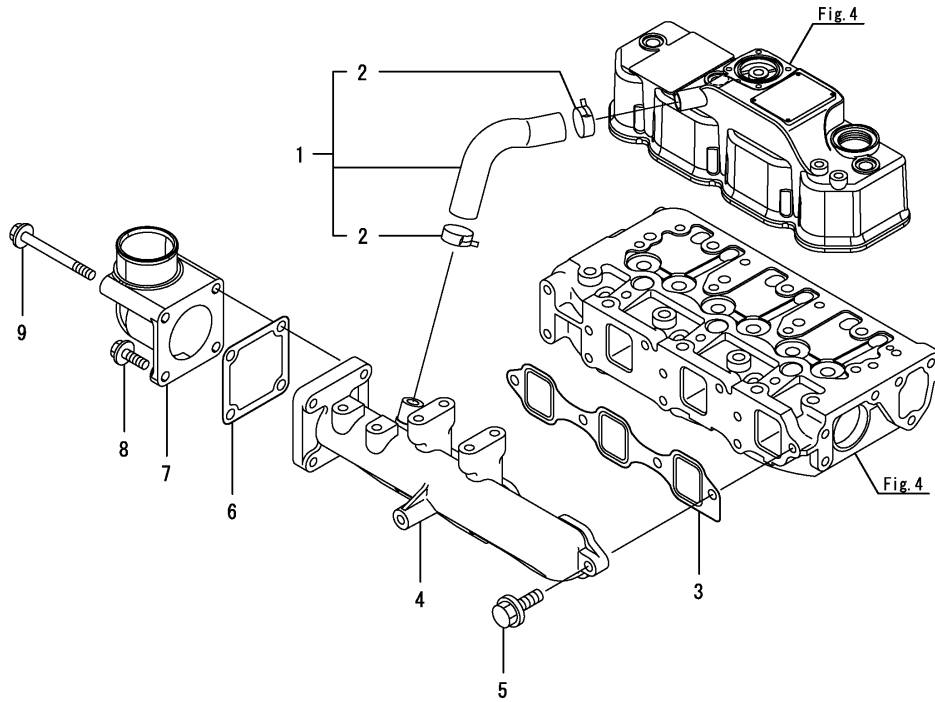
N:Old  $\xrightarrow{Yes}$  New, Q:Old  $\xrightarrow{No}$  New, R:Old  $\xrightarrow{Yes}$  New, S:Old  $\xrightarrow{No}$  New, W:Add, Z:Discontinued, F:Interchangeable by set, K:Q'ty Change

# Fig.5. SUCTION MANIFOLD

(A)=3TNV82A-BPYBD  
 (B)=3TNV82A-BPYBC  
 (C)=3TNV82A-BPYBU

(D)=  
 (E)=  
 (F)=

No.	Lev.	Parts No.	Description	Q'ty						I	R
				(A)	(B)	(C)	(D)	(E)	(F)		
1	1	119802-03090	PIPE , BREATHER	1	1	1					
2	2	129410-03990	CLIP,HOSE 21.5	2	2	2					
3	1	119810-12112	GASKET, MANIFOLD	1	1	1					
4	1	119802-12130	MANIFOLD, AIR INTAKE	1	1	1					
5	1	26106-080252	BOLT, M8X 25 PLATED	4	4	4					
6	1	129150-77511	GASKET	1	1	1					
7	1	119803-77520	BEND, AIR HEATER	1	1	1					
8	1	26106-080202	BOLT, M8X 20 PLATED	2	2	2					
9	1	26106-080802	BOLT, M8X 80 PLATED	2	2	2					




---

---

---

---

---

---

---

---

---

---

---

---

---

---

---

---

---

---

---

---

---

---

---

---

---

---

Fig.6. EXHAUST MANIFOLD

(A)=3TNV82A-BPYBD  
 (B)=3TNV82A-BPYBC  
 (C)=3TNV82A-BPYBU

(D)=  
 (E)=  
 (F)=

No.	Lev.	Parts No.	Description	Q'ty						I	R
				(A)	(B)	(C)	(D)	(E)	(F)		
1	1	119810-13110	GASKET	1	1	1					
2	1	119802-13129	MANIFOLD, EXHAUST	1	1	1					
3	1	123900-13610	STUD, M8X80	2	2	2					
4	1	123900-13630	BOLT, M8X80	4	4						
4-1	1	129E00-13640 (A=EC9434) (B=EC9457)	BOLT, M8X80 10.9T	4	4	4					N
5	1	119131-18320	STUD, M8X22	4	4	4					
6	1	26306-080002	NUT, M8	2	2	2					
7	1	129004-13200	GASKET, SILENCER	1	1	1					

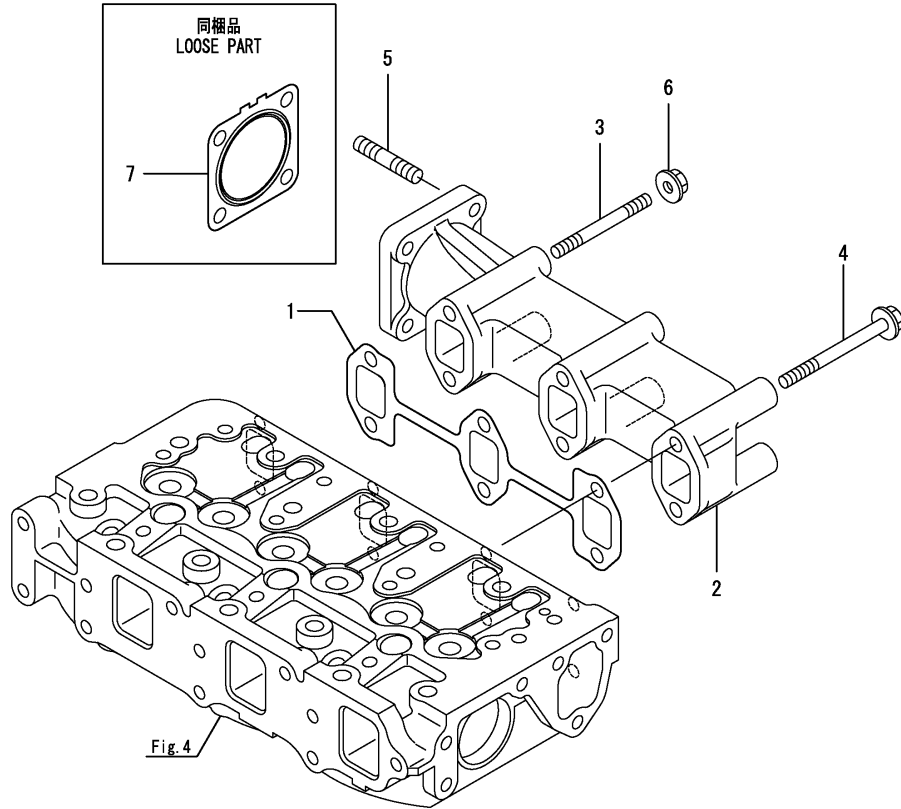
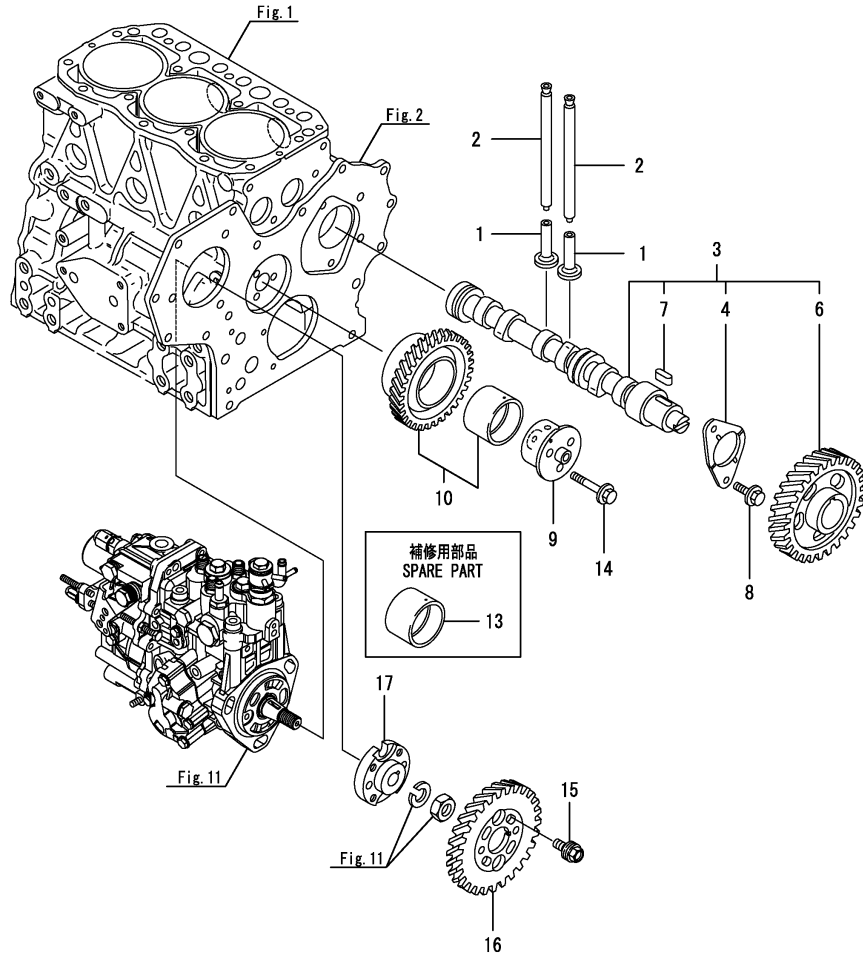


Fig.7. CAMSHAFT & DRIVING GEAR

(A)=3TNV82A-BPYBD  
 (B)=3TNV82A-BPYBC  
 (C)=3TNV82A-BPYBU

(D)=  
 (E)=  
 (F)=



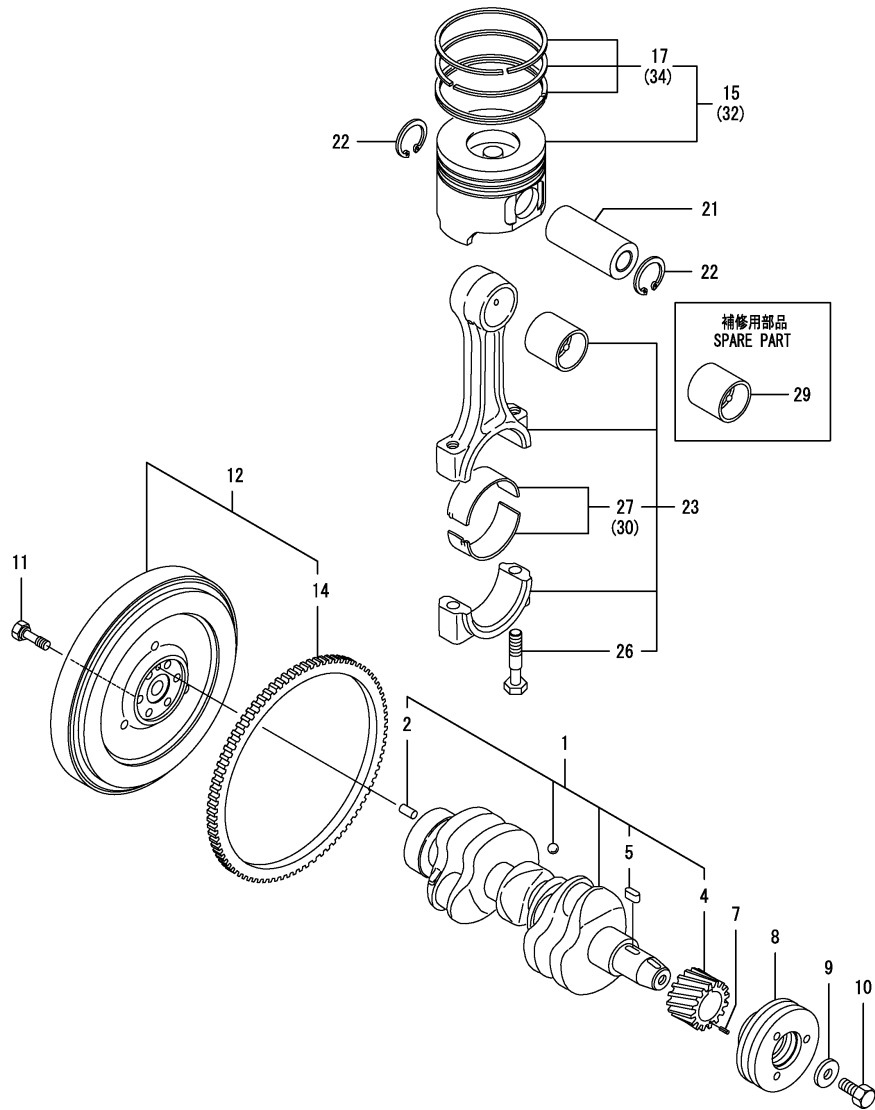
No.	Lev.	Parts No.	Description	Q'ty						I	R
				(A)	(B)	(C)	(D)	(E)	(F)		
1	1	129150-14200	TAPPET	6	6	6					
2	1	119810-14400	ROD, PUSH	6	6	6					
3	1	119802-14580	CAMSHAFT ASSY	1	1	1					
4	2	129150-02450	BEARING, THRUST	1	1	1					
6	2	129150-14101	GEAR, CAMSHAFT	1	1	1					
7	2	22512-070140	KEY, 7X 14	1	1	1					
8	1	26106-080142	BOLT, M8X 14 PLATED	2	2	2					
9	1	119803-25050	SHAFT, IDLE	1	1	1					
10	1	119802-25101	GEAR ASSY, IDLE	1	1	1					
13	1	119802-25071	BUSH, IDLE GEAR	1	1	1					1
14	1	26106-080402	BOLT, M8X 40 PLATED	3	3	3					
15	1	129150-25301	BOLT	4	4	4					
16	1	119802-25901	GEAR, PUMP	1	1	1					
17	1	158552-51151	FLANGE	1	1	1					

Remarks  
 (1)Spare parts.

Fig.8. CRANKSHAFT & PISTON

(A)=3TNV82A-BPYBD  
 (B)=3TNV82A-BPYBC  
 (C)=3TNV82A-BPYBU

(D)=  
 (E)=  
 (F)=



No.	Lev.	Parts No.	Description	Qty						I	R
				(A)	(B)	(C)	(D)	(E)	(F)		
1	1	119803-21000	CRANKSHAFT ASSY	1	1	1					
2	2	129100-01580	PIN, 8X16	1	1	1					
4	2	119803-21200	GEAR, CRANKSHAFT	1	1	1					
5	2	22512-070140	KEY, 7X 14	1	1	1					
7	1	22351-030010	PIN, SPRING 3.0X10	1	1	1					
8	1	119802-21650	V-PULLEY, 110	1	1	1					
9	1	129795-21661	WASHER	1	1	1					
10	1	121850-21680	BOLT	1	1	1					
11	1	121111-21501	BOLT, FLYWHEEL	6	6	6					
12	1	129489-21590	FLYWHEEL ASSY	1	1	1					
14	2	119865-21600	GEAR, RING	1	1	1					
15	1	119803-22080	PISTON ASSY	3	3	3					
17	2	119802-22500	RING SET, PISTON	3	3	3					
21	1	119813-22300	PIN, PISTON	3	3	3					
22	1	129792-22400	CIRCLIP, 23	6	6	6					
23	1	719810-23100	ROD ASSY, CONNECTING	3	3	3					
26	2	119810-23200	BOLT, CONNECTING ROD	6	6	6					
27	2	119810-23601	BEARING, CRANK PIN	3	3	3					
29	1	119810-23910	BEARING, PISTON PIN	3	3	3					1
30	1	119810-23611	BEARING, 0.25 US	3	3	3					2
32	1	119803-22900	PISTON ASSY	3	3	3					3
34	2	119802-22950	RING SET, 0.25 OS	3	3	3					3

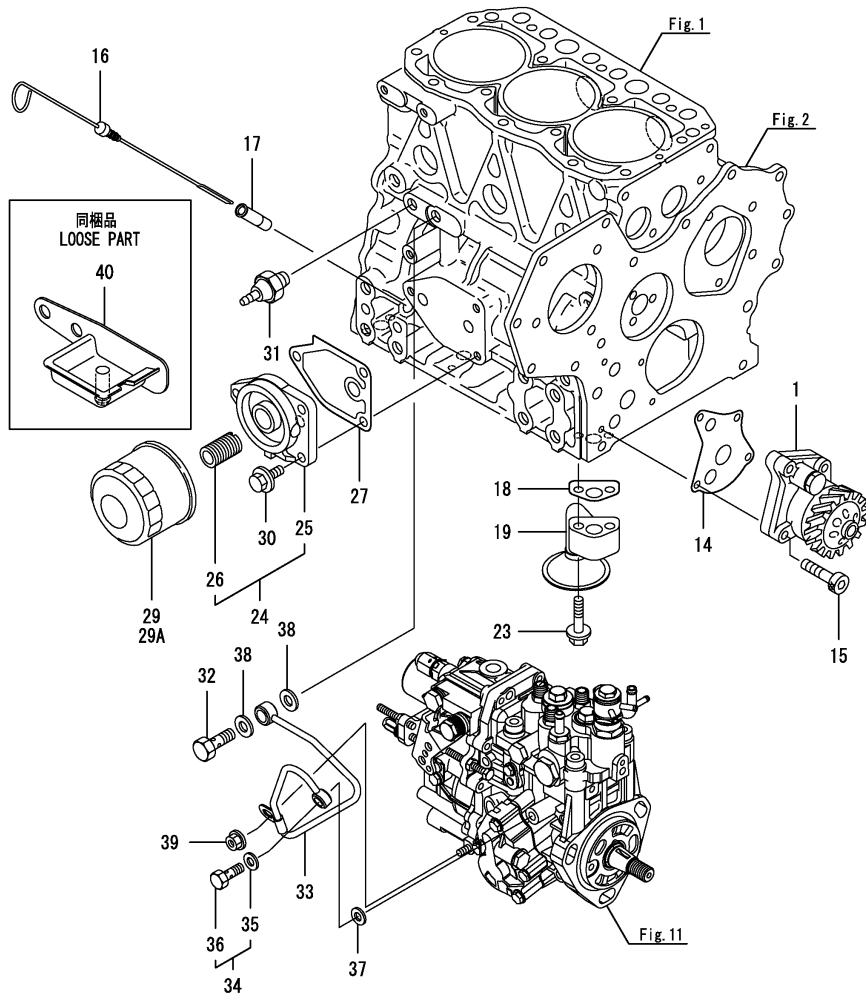
Remarks

- (1) Spare parts.
- (2) Under-sized (U.S.=0.25) parts.
- (3) Over-sized (O.S.=0.25) parts.

Fig.9. LUB. OIL SYSTEM

(A)=3TNV82A-BPYBD  
 (B)=3TNV82A-BPYBC  
 (C)=3TNV82A-BPYBU

(D)=  
 (E)=  
 (F)=



No.	Lev.	Parts No.	Description	Q'ty						I	R
				(A)	(B)	(C)	(D)	(E)	(F)		
1	1	129001-32002	PUMP ASSY, OIL	1	1	1					
14	1	129150-32020	GASKET, PUMP	1	1	1					
15	1	26450-060252	BOLT, M6X 25	4	4	4					
16	1	119802-34802	DIPSTICK, OIL	1	1	1					
17	1	121520-34810	GUIDE, DIPSTICK	1	1	1					
18	1	129150-35042	GASKET	1	1	1					
19	1	119810-35300	PIPE ASSY, OIL INLET	1	1	1					
23	1	26106-080352	BOLT, M8X 35 PLATED	2	2	2					
24	1	119802-35100	BRACKET ASSY, FILTER	1	1	1					
25	2	119802-35110	BRACKET, FILTER	1	1	1					
26	2	129100-35140	STUD	1	1	1					
27	1	129150-35111	GASKET	1	1	1					
29	1	129150-35153	FILTER	1	1	1					1
29A	1	119005-35151	FILTER, D80X100L		1						1
30	1	26106-080202	BOLT, M8X 20 PLATED	3	3	3					
31	1	114250-39450	SWITCH, 0.5KG	1	1	1					
32	1	124160-39140	BOLT, PIPE JOINT M10	1	1	1					
33	1	119802-39450	PIPE ASSY, OIL	1	1	1					
34	1	129005-59830	BOLT ASSY, JOINT M8	1	1	1					
35	2	22190-080002	WASHER, SEAL 8	1	1	1					
36	2	23857-030000	BOLT, JOINT 3	1	1	1					
37	1	22190-080002	WASHER, SEAL 8	1	1	1					
38	1	22190-100002	WASHER, SEAL 10	2	2	2					
39	1	26366-060002	NUT, M6	1	1	1					
40	1	119940-35800	OIL PAN	1	1	1					

Remarks

(1) Spare parts.

N:Old  $\begin{matrix} \leftarrow \text{Yes} \\ \text{No} \end{matrix}$  New, Q:Old  $\begin{matrix} \leftarrow \text{No} \\ \text{Yes} \end{matrix}$  New, R:Old  $\begin{matrix} \leftarrow \text{Yes} \\ \text{Yes} \end{matrix}$  New, S:Old  $\begin{matrix} \leftarrow \text{No} \\ \text{No} \end{matrix}$  New, W:Add, Z:Discontinued, F:Interchangeable by set, K:Q'ty Change

Fig.10. COOLING WATER SYSTEM

(A)=3TNV82A-BPYBD  
(B)=3TNV82A-BPYBC  
(C)=3TNV82A-BPYBU

(D)=  
(E)=  
(F)=

No.	Lev.	Parts No.	Description	Q'ty						I	R
				(A)	(B)	(C)	(D)	(E)	(F)		
1	1	119802-42001	PUMP ASSY, WATER	1	1	1					
3	2	119810-42051	GASKET, WATER PUMP	1	1	1					
4	2	119810-42120	PLATE	1	1	1					
8	2	119810-42281	GASKET, WATER PUMP	1	1	1					
9	2	119810-42290	PIPE	1	1	1					
11	2	129054-42320	O-RING	1	1	1					
13	2	23876-030000	PLUG, R03	2	2	2					
14	2	26106-060142	BOLT, M6X 14 PLATED	2	2	2					
15	2	26106-060202	BOLT, M6X 20 PLATED	2	2	2					
16	1	129486-42050	GASKET, WATER PUMP	1	1	1					
17	1	23414-080000	GASKET, 8X1.0	1	1	1					
18	1	26106-080122	BOLT, M8X 12 PLATED	1	1	1					
19	1	26106-080352	BOLT, M8X 35 PLATED	1	1	1					
20	1	26106-080502	BOLT, M8X 50 PLATED	1	1	1					
21	1	26106-080552	BOLT, M8X 55 PLATED	2	2	2					
22	1	129556-42350	V-PULLEY, 96	1	1	1					
23	1	121267-44741	FAN, COOLING D=360	1	1	1					
24	1	119823-44760	SPACER, FAN	1	1	1					
25	1	26106-060202	BOLT, M6X 20 PLATED	4	4	4					
26	1	129155-49801	THERMOSTAT, 71	1	1	1					
27	1	129150-49811	GASKET, THERMOSTAT	1	1	1					
28	1	129350-49530	COVER, THERMOSTAT	1	1	1					
29	1	129795-49551	GASKET	1	1	1					
30	1	26106-080222	BOLT, M8X 22 PLATED	2	2	2					
31	1	129612-42350	V-BELT, A38	1	1						
31A	1	129612-42380	V-BELT, A38.5				1				
32	1	26106-060122	BOLT, M6X 12 PLATED	4	4	4					
33	1	121250-44901	SWITCH, 110	1	1	1					
34	1	124465-44950	GASKET, 16	1	1	1					
35	1	124465-44950	GASKET, 16	1	1	1					
36	1	119802-49610	PIPE ASSY, WATER	1	1	1					
37	2	119802-49711	PIPE ASSY, WATER	1	1	1					
38	2	119802-49730	RETAINER, PIPE	1	1	1					
39	2	124722-59050	CLIP, HOSE 9	2	2	2					
40	2	119802-59320	TUBE, CORRUGATED	1	1	1					
41	1	119802-49620	PIPE ASSY, WATER	1	1	1					
42	2	119802-49721	PIPE ASSY, WATER	1	1	1					
43	2	124722-59050	CLIP, HOSE 9	2	2	2					
44	1	121468-44520	TANK ASSY, SUB	1	1	1					
46	2	121450-44531	CAP	1	1	1					
47	2	124450-44560	RETAINER	1	1	1					
48	2	121470-44581	GASKET	1	1	1					
49	2	23065-070130	PIPE, 7X 130	1	1	1					
50	1	129150-49360	GASKET	1	1	1					
51	1	171056-49120	PLUG, DRAIN	1	1	1					
52	1	121450-42450	PLUG, M16	1	1	1					
53	1	124465-44950	GASKET, 16	1	1	1					

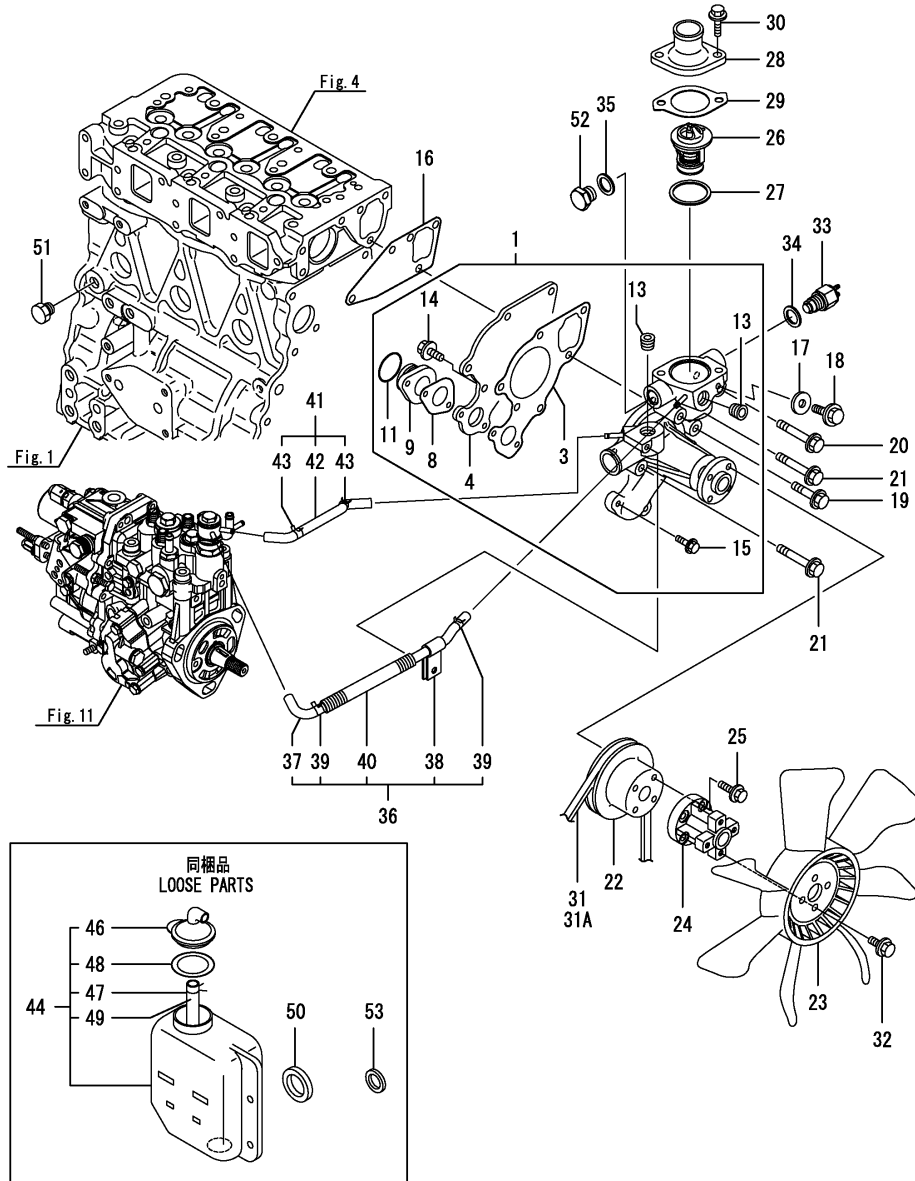
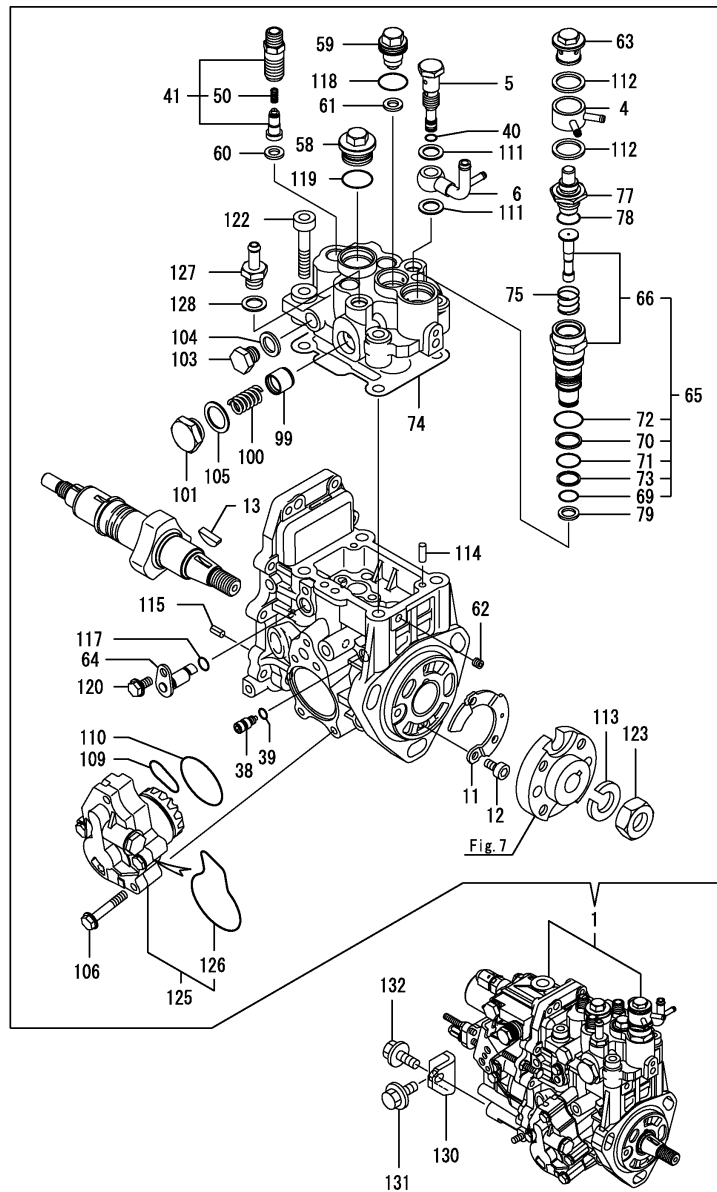


Fig.11. FUEL INJECTION PUMP

(A)=3TNV82A-BPYBD  
(B)=3TNV82A-BPYBC  
(C)=3TNV82A-BPYBU

(D)=  
(E)=  
(F)=



No.	Lev.	Parts No.	Description	Qty						I	R
				(A)	(B)	(C)	(D)	(E)	(F)		
1	1	719935-51380	PUMP ASSY, INJECTION	1	1	1					1
4	2	158553-51551	JOINT	1	1	1					
5	2	158601-51650	JOINT, OVER FLOW	1	1	1					
6	2	158552-51670	JOINT, OVER FLOW	1	1	1					
11	2	129008-51900	COVER, GEAR CASE	1	1	1					
12	2	129008-51920	BOLT, M6X10	2	2	2					
13	2	119802-51090	KEY, 4X16	1	1	1					
38	2	158600-51270	STOPPER, TAPPET	1	1	1					
39	2	158563-51281	O-RING, 4D S6	1	1	1					
40	2	158563-51281	O-RING, 4D S6	1	1	1					
41	2	129008-51390	VALVE ASSY, DELIVERY	3	3	3					
50	3	158563-51330	SPRING, DELIVERY	3	3	3					
58	2	158601-51550	PLUG	1	1	1					
59	2	119802-51560	PLUG, BARREL	1	1	1					
60	2	158552-51571	GASKET	3	3	3					
61	2	158552-51571	GASKET	1	1	1					
62	2	158557-51570	PLUG	1	1	1					
63	2	158601-51570	PLUG	1	1	1					
64	2	158552-51580	LIFTER	1	1	1					
65	2	119802-51590	TIMER SET	1	1	1					
66	3	119802-51600	TIMER ASSY	1	1	1					
69	3	158553-51670	O-RING, 1011	1	1	1					
70	3	119802-51680	RING, BACK UP	1	1	1					
71	3	119802-51690	O-RING	1	1	1					
72	3	24356-190200	O-RING, 4D19020	1	1	1					
73	3	24372-000150	RING, BACK UP T2P15	1	1	1					
74	2	158552-51600	GASKET	1	1	1					
75	2	158553-51630	SPRING, TIMER	1	1	1					
77	2	158553-51650	ELEMENT	1	1	1					
78	2	158553-51660	O-RING, P14	1	1	1					
79	2	158553-51680	GASKET	1	1	1					
99	2	158601-51770	PISTON	1	1	1					
100	2	158552-51781	SPRING	1	1	1					
101	2	158601-51790	PLUG	1	1	1					
103	2	158553-51930	PLUG, M12	1	1	1					
104	2	22190-120002	WASHER, SEAL 12	1	1	1					
105	2	22190-180002	WASHER, SEAL 18	1	1	1					
106	2	158553-51770	BOLT	4	4	4					
109	2	158552-52311	O-RING	1	1	1					
110	2	158552-52400	O-RING, 4E S42	1	1	1					
111	2	22190-120002	WASHER, SEAL 12	2	2	2					
112	2	22190-180002	WASHER, SEAL 18	2	2	2					
113	2	22217-140000	WASHER, SPRING 14	1	1	1					
114	2	22312-050140	PIN, PARALLEL 5X14	2	2	2					
115	2	22351-050010	PIN, SPRING 5.0X10	2	2	2					
117	2	24311-000070	O-RING, 1AP7.0	1	1	1					
118	2	24356-190180	O-RING, 4D19018	1	1	1					
119	2	24356-190200	O-RING, 4D19020	1	1	1					
120	2	26106-060102	BOLT, M6X 10 PLATED	1	1	1					
122	2	26450-080452	BOLT, M8X 45	4	4	4					
123	2	26776-140002	NUT, LOCK M14	1	1	1					

Remarks

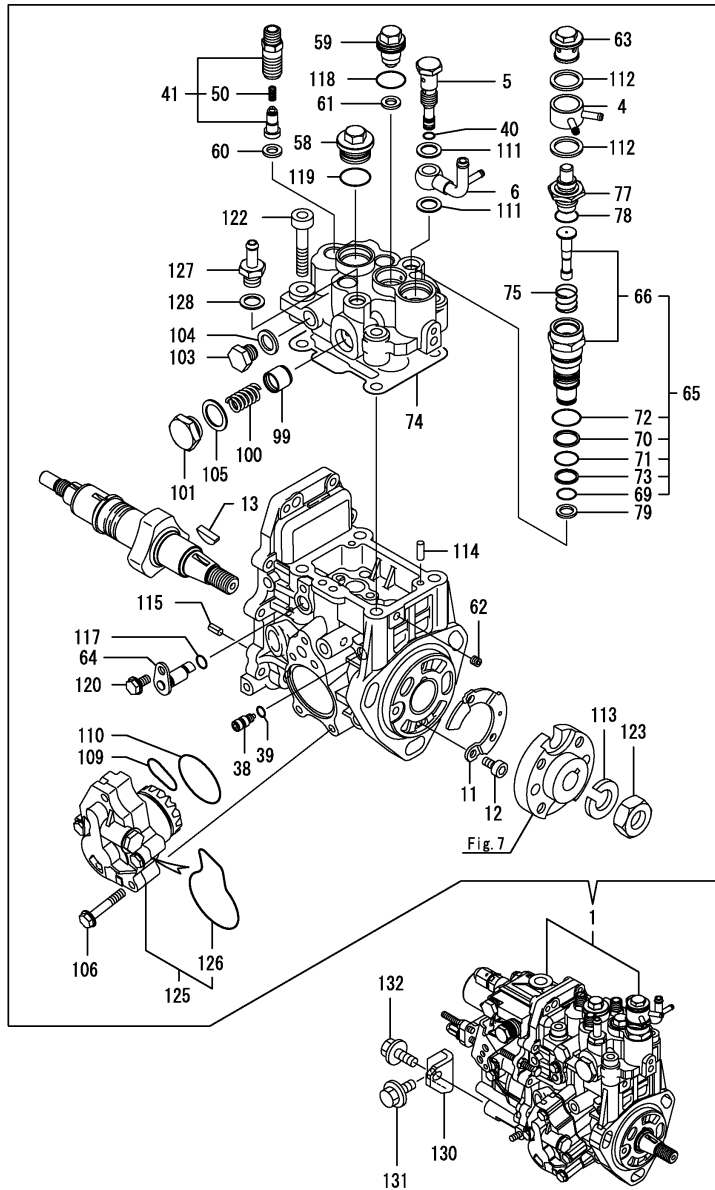
(1)Governor(Fig.12) is incorporated in this Fuel Injection Pump(No.1).



Fig.11. FUEL INJECTION PUMP

(A)=3TNV82A-BPYBD  
 (B)=3TNV82A-BPYBC  
 (C)=3TNV82A-BPYBU

(D)=  
 (E)=  
 (F)=



No.	Lev.	Parts No.	Description	Q'ty						I	R
				(A)	(B)	(C)	(D)	(E)	(F)		
125	2	158552-52100	PUMP ASSY, FUEL FEED	1	1	1					
126	3	158552-52500	O-RING	1	1	1					
127	2	119934-59910	JOINT, PIPE	1	1	1					
128	2	22190-120002	WASHER, SEAL 12	1	1	1					
130	1	119802-51250	RETAINER, PUMP	1	1	1					
131	1	26106-080162	BOLT, M8X 16 PLATED	1	1	1					
132	1	26106-080202	BOLT, M8X 20 PLATED	1	1	1					

Remarks

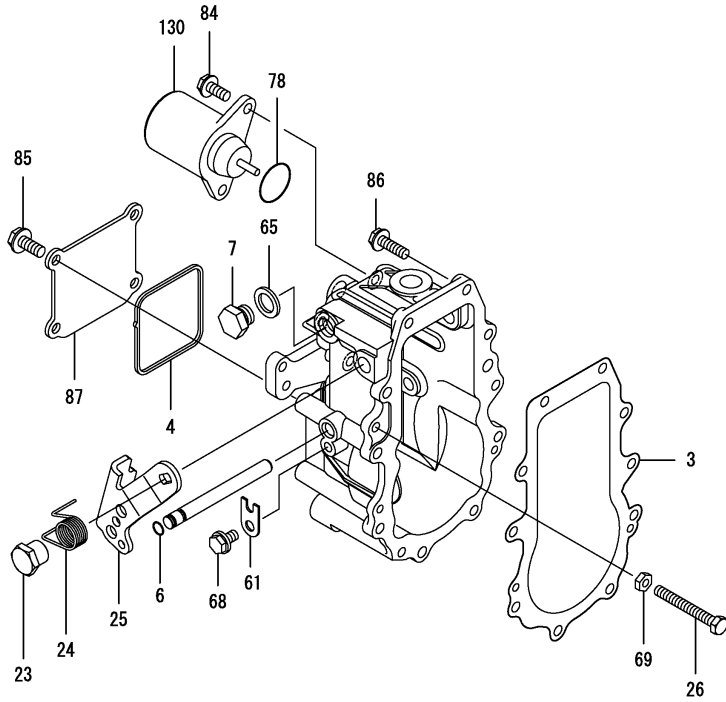
(1)Governor(Fig.12) is incorporated in this Fuel Injection Pump(No.1).

N:Old  $\begin{matrix} \leftarrow \text{Yes} \\ \text{No} \end{matrix}$  New, Q:Old  $\begin{matrix} \leftarrow \text{No} \\ \text{Yes} \end{matrix}$  New, R:Old  $\begin{matrix} \leftarrow \text{Yes} \\ \text{Yes} \end{matrix}$  New, S:Old  $\begin{matrix} \leftarrow \text{No} \\ \text{No} \end{matrix}$  New, W:Add, Z:Discontinued, F:Interchangeable by set, K:Q'ty Change

Fig.12. GOVERNOR

(A)=3TNV82A-BPYBD  
 (B)=3TNV82A-BPYBC  
 (C)=3TNV82A-BPYBU

(D)=  
 (E)=  
 (F)=



No.	Lev.	Parts No.	Description	Qty						I	R
				(A)	(B)	(C)	(D)	(E)	(F)		
3	2	158553-61050	GASKET	1	1	1					
4	2	158553-61070	GASKET	1	1	1					
6	2	129155-51280	O-RING, S6	1	1	1					
7	2	158553-51930	PLUG, M12	1	1	1					
23	2	129255-61410	NUT, LOCK	1	1	1					
24	2	119807-61420	SPRING, RETURN	1	1	1					
25	2	158552-61441	LEVER, REGULATOR	1	1	1					
26	2	129155-61460	BOLT, IDLE	1	1	1					
61	2	119660-61901	RETAINER, SHAFT	1	1	1					
65	2	22190-120002	WASHER, SEAL 12	1	1	1					
68	2	26106-060102	BOLT, M6X 10 PLATED	1	1	1					
69	2	26756-060002	NUT, LOCK M6	1	1	1					
78	2	158552-61900	O-RING	1	1	1					
84	2	26106-060142	BOLT, M6X 14 PLATED	2	2	2					
85	2	26106-060142	BOLT, M6X 14 PLATED	4	4	4					
86	2	26106-060202	BOLT, M6X 20 PLATED	10	10	10					
87	2	129642-61060	COVER, GOVERNOR CASE	1	1	1					
130	2	119233-77932	SOLENOID, STOP	1	1	1					

Remarks

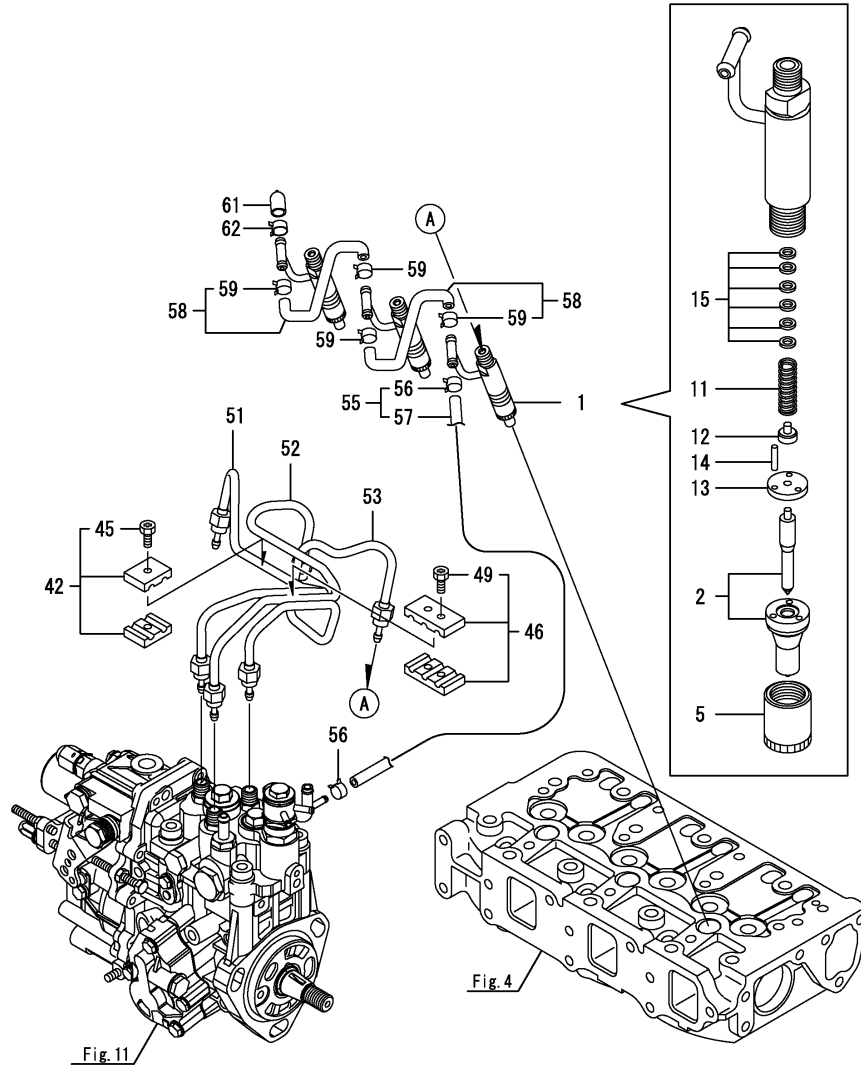
\* This figure(Governor) is incorporated in the Fuel Injection Pump(Fig.11).

N:Old  $\xrightarrow{\text{Yes}}$  New, Q:Old  $\xrightarrow{\text{No}}$  New, R:Old  $\xrightarrow{\text{Yes}}$  New, S:Old  $\xrightarrow{\text{No}}$  New, W:Add, Z:Discontinued, F:Interchangeable by set, K:Qty Change

Fig.13. FUEL INJECTION VALVE

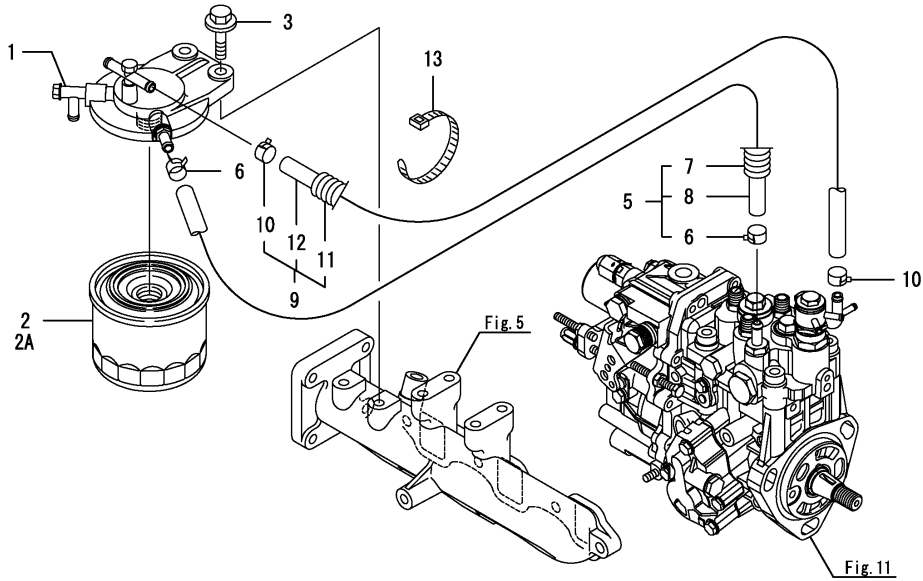
(A)=3TNV82A-BPYBD  
 (B)=3TNV82A-BPYBC  
 (C)=3TNV82A-BPYBU

(D)=  
 (E)=  
 (F)=



No.	Lev.	Parts No.	Description	Q'ty						I	R
				(A)	(B)	(C)	(D)	(E)	(F)		
1	1	729246-53200	VALVE ASSY,INJECTION	3	3	3					
2	2	129246-53001	VALVE ASSY,INJECTION	3	3	3					
5	2	114250-53080	NUT, NOZZLE D16.95	3	3	3					
11	2	114250-53120	SPRING, NOZZLE	3	3	3					
12	2	114250-53130	SEAT, SPRING	3	3	3					
13	2	114250-53140	PLATE	3	3	3					
14	2	114250-53210	PIN	6	6	6					
15	2	119803-53400	SHIM SET	3	3	3					
42	1	119305-59120	RETAINER, PIPE	1	1	1					
45	2	129150-59131	BOLT, M4X14	1	1	1					
46	1	129150-59120	RETAINER, PIPE	1	1	1					
49	2	129150-59131	BOLT, M4X14	2	2	2					
51	1	119803-59810	PIPE ASSY, INJECTION	1	1	1					
52	1	119803-59820	PIPE ASSY, INJECTION	1	1	1					
53	1	119803-59830	PIPE ASSY, INJECTION	1	1	1					
55	1	119802-59550	PIPE ASSY, RETURN	1	1	1					
56	2	124722-59050	CLIP, HOSE 9	2	2	2					
57	2	119802-59560	PIPE, FUEL RETURN	1	1	1					
58	1	129486-59551	PIPE ASSY, RETURN	2	2	2					
59	2	124722-59050	CLIP, HOSE 9	4	4	4					
61	1	119593-59581	CAP	1	1	1					
62	1	124060-77680	CLIP, HOSE 10	1	1	1					

Fig.14. FUEL PIPE



(A)=3TNV82A-BPYBD  
(B)=3TNV82A-BPYBC  
(C)=3TNV82A-BPYBU

(D)=  
(E)=  
(F)=

No.	Lev.	Parts No.	Description	Qty						I	R
				(A)	(B)	(C)	(D)	(E)	(F)		
1	1	129004-55612	BRACKET, FILTER	1	1	1					
2	1	119802-55801	FILTER, FUEL	1		1					
2A	1	129004-55801	FILTER, FUEL		1						
3	1	26106-080302	BOLT, M8X 30 PLATED	2	2	2					
4	1	129612-52100	PUMP ASSY, FUEL FEED	1	1	1					
5	1	129044-59010	PIPE, D13/7.5X220	1	1	1					
6	2	124766-59050	CLIP, HOSE 11.5	2	2	2					
7	2	129044-59100	TUBE, CORRUGATED	1	1	1					
8	2	129044-59510	PIPE, FUEL 220	1	1	1					
9	1	129630-59010	PIPE ASSY, FUEL	1	1	1					
10	2	124766-59050	CLIP, HOSE 11.5	2	2	2					
11	2	129961-59110	TUBE, CORRUGATED	1	1	1					
12	2	105025-59560	PIPE, FUEL	1	1	1					
13	1	121750-59890	BAND, 140	1	1	1					
14	1	129906-55711	SEPARATOR ASSY	1	1	1					
15	2	129100-55690	RING, RETAINING	1	1	1					
16	2	119802-55710	ELEMENT	1	1	1					
17	2	119802-55730	CUP ASSY	1	1	1					
18	2	24311-000160	O-RING, 1AP16.0	1	1	1					
19	2	24321-000650	O-RING, 1AG65.0	1	1	1					

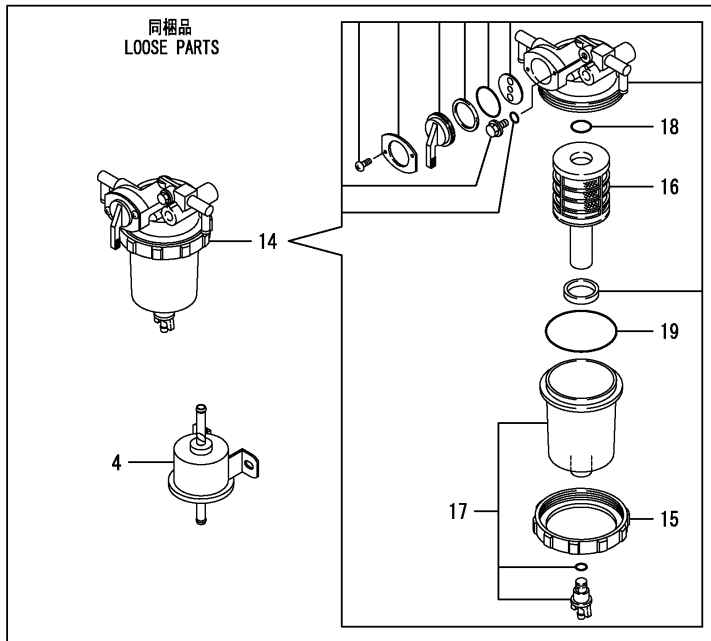
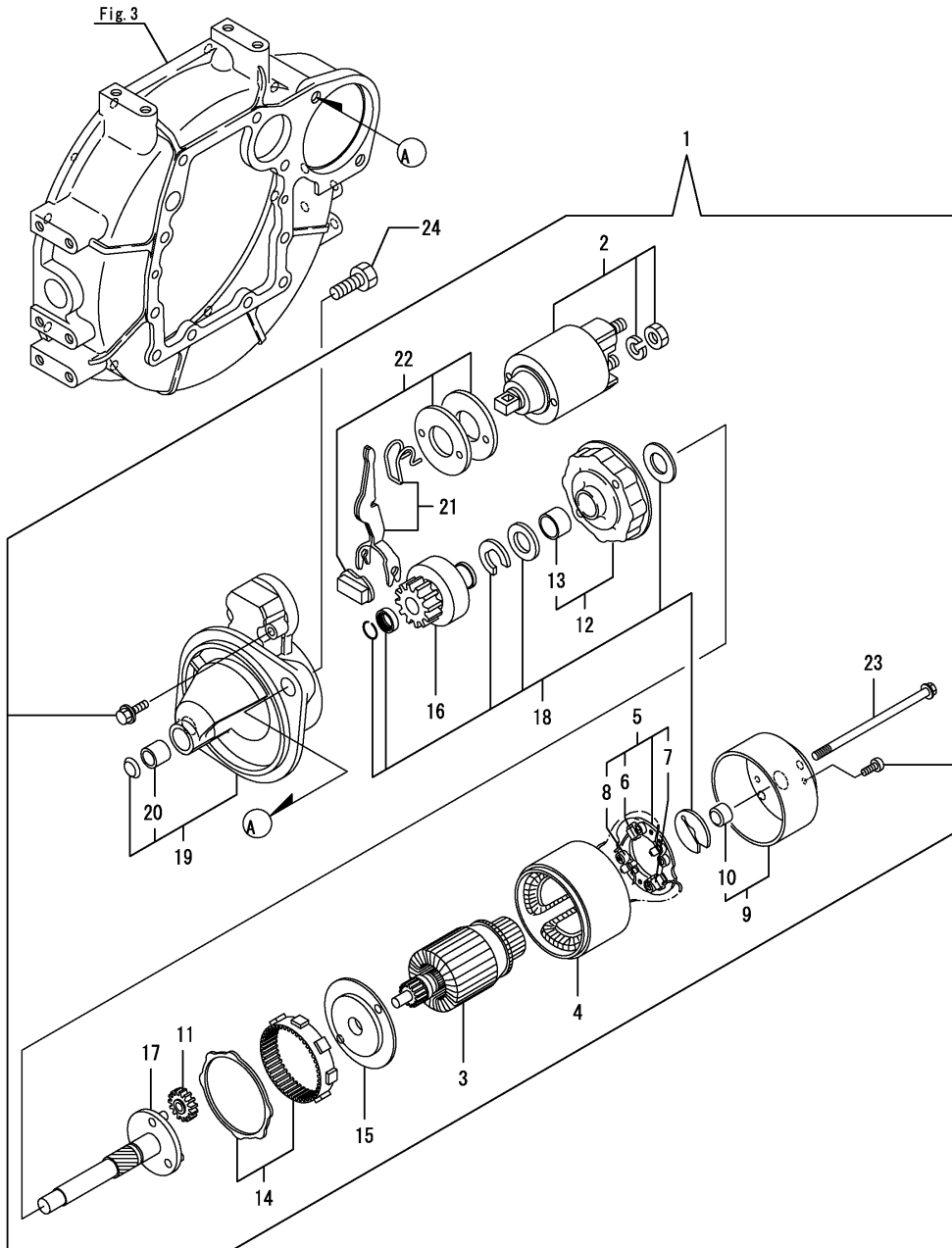


Fig.15. STARTER MOTOR

(A)=3TNV82A-BPYBD  
 (B)=3TNV82A-BPYBC  
 (C)=3TNV82A-BPYBU

(D)=  
 (E)=  
 (F)=

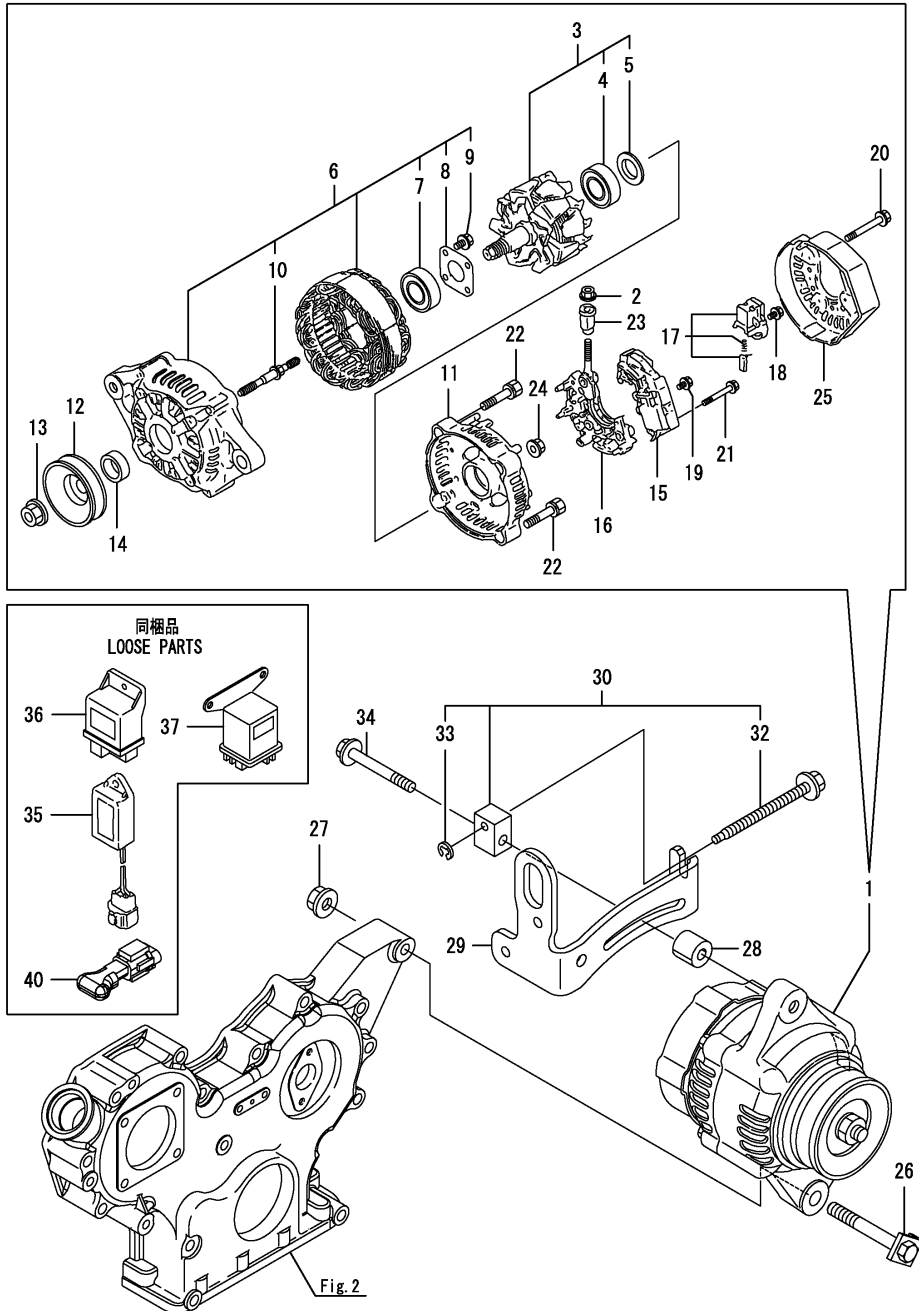


No.	Lev.	Parts No.	Description	Qty						I	R
				(A)	(B)	(C)	(D)	(E)	(F)		
1	1	129242-77010	STARTER, 1.7	1	1	1					
2	2	129698-77020	SWITCH ASSY	1	1	1					
3	2	129242-77100	ARMATURE ASSY	1	1	1					
4	2	129242-77110	YOKE ASSY	1	1	1					
5	2	129242-77120	HOLDER ASSY, BRUSH	1	1	1					
6	3	129242-77130	BRUSH	2	2	2					
7	3	129242-77140	BRUSH SET	1	1	1					
8	3	129242-77150	SPRING	4	4	4					
9	2	129242-77160	COVER ASSY	1	1	1					
10	3	129242-77170	METAL	1	1	1					
11	2	118400-77170	GEAR	3	3	3					
12	2	129242-77180	BRACKET	1	1	1					
13	3	129698-77190	BRACKET	1	1	1					
14	2	129698-77200	GEAR, INTERNAL	1	1	1					
15	2	129242-77210	BRACKET	1	1	1					
16	2	129698-77220	PINION ASSY	1	1	1					
17	2	129698-77230	SHAFT	1	1	1					
18	2	129698-77250	WASHER SET	1	1	1					
19	2	129242-77260	CASE ASSY	1	1	1					
20	3	X2114535200	METAL, STARTER	1	1	1					
21	2	129242-77270	LEVER SET	1	1	1					
22	2	129242-77280	COVER ASSY, DUST	1	1	1					
23	2	124195-77770	BOLT, THROUGH	2	2	2					
24	1	26106-120252	BOLT, M12X 25 PLATED	2	2	2					

Fig.16. GENERATOR

(A)=3TNV82A-BPYBD  
 (B)=3TNV82A-BPYBC  
 (C)=3TNV82A-BPYBU

(D)=  
 (E)=  
 (F)=

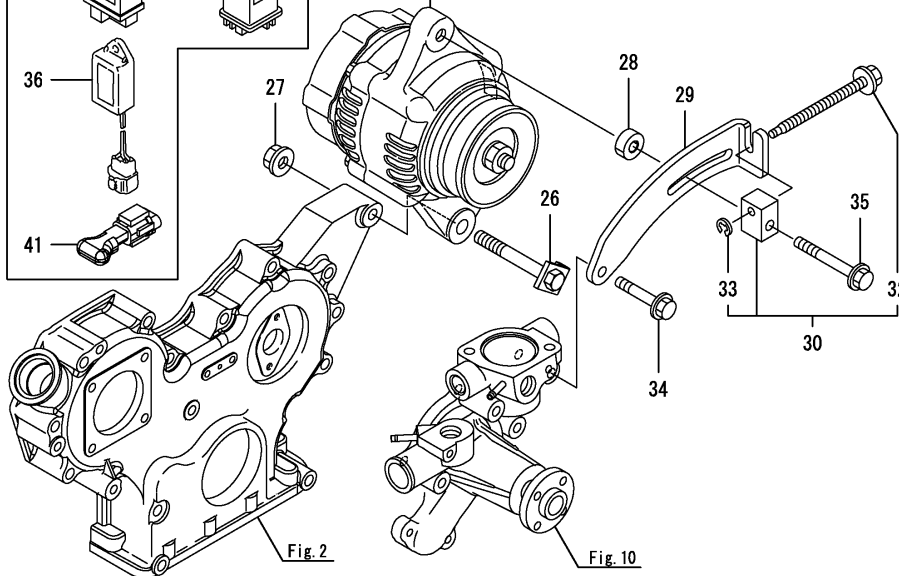
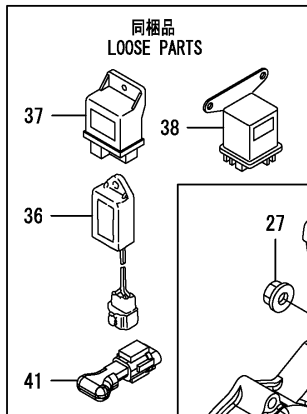
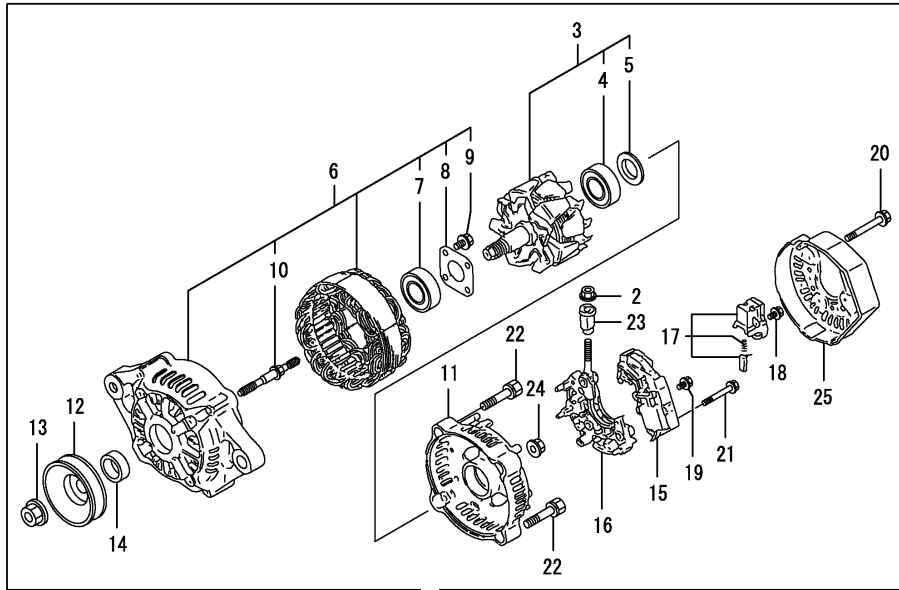


No.	Lev.	Parts No.	Description	Q'ty						I	R
				(A)	(B)	(C)	(D)	(E)	(F)		
1	1	119626-77210	ALTERNATOR, 12V-55A	1	1						
2	2	X9490561001	NUT	1	1						
3	2	129052-77380	ROTOR ASSY	1	1						
4	3	123501-79240	BEARING, BALL	1	1						
5	3	119620-79250	COVER	1	1						
6	2	129052-77422	FRAME ASSY	1	1						
7	3	119620-79200	BEARING, BALL	1	1						
8	3	119620-79210	PLATE, RETAINER	1	1						
9	3	119620-79220	SCREW	4	4						
10	3	119620-79230	STUD	2	2						
11	2	128401-77440	FRAME	1	1						
12	2	119620-77461	PULLEY	1	1						
13	2	119620-77471	NUT	1	1						
14	2	119620-77490	COLLAR	1	1						
15	2	129423-77710	REGULATOR ASSY	1	1						
16	2	129052-79260	HOLDER	1	1						
17	2	129052-79270	HOLDER, BRUSH	1	1						
18	2	119620-79290	SCREW	6	6						
19	2	119620-79300	SCREW	1	1						
20	2	119620-79310	BOLT	3	3						
21	2	119620-79320	SCREW	2	2						
22	2	119620-79330	BOLT	2	2						
23	2	119620-79340	BUSH, INSULATION	1	1						
24	2	119620-79350	NUT	2	2						
25	2	119626-77450	COVER	1	1						
26	1	119740-77251	BOLT, M10X80	1	1						
27	1	26306-100002	NUT, M10	1	1						
28	1	124732-77340	SPACER	1	1						
29	1	119935-77350	ADJUSTER, BELT	1	1						
30	1	129630-77350	BLOCK ASSY, ADJUSTER	1	1						
32	2	129630-77380	BOLT, M8X100	1	1						
33	2	22272-000050	RING, E- 5	1	1						
34	1	26106-080652	BOLT, M8X 65 PLATED	1	1						
35	1	129211-77920	TIMER	1	1						
36	1	119802-77200	RELAY, SAFETY	1	1						
37	1	119650-77911	RELAY ASSY, GLOW	1	1						
40	1	129C00-77300	RESISTER MOLDE	1	1						

Fig.19. GENERATOR

(A)=3TNV82A-BPYBD  
(B)=3TNV82A-BPYBC  
(C)=3TNV82A-BPYBU

(D)=  
(E)=  
(F)=

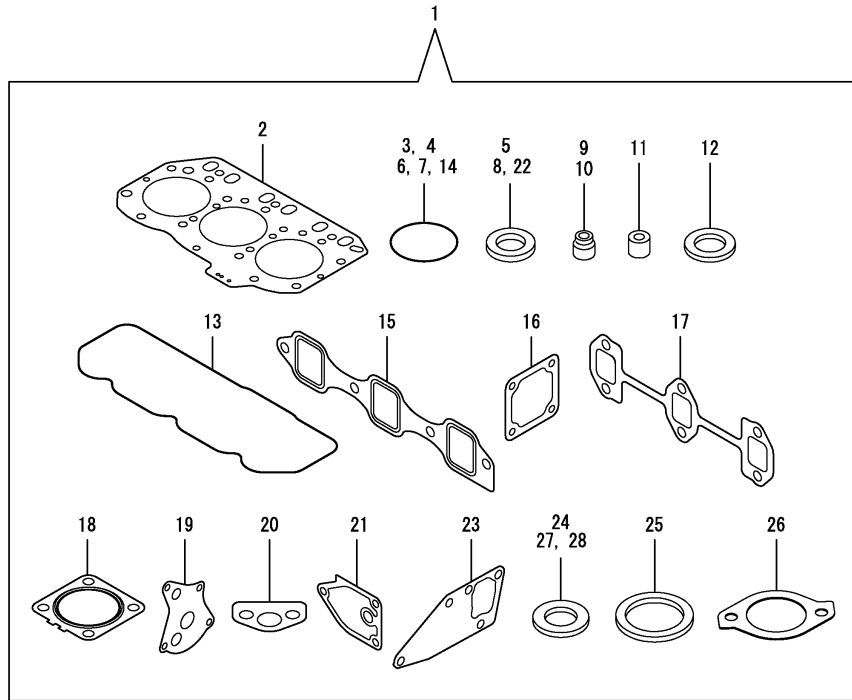


No.	Lev.	Parts No.	Description	Q'ty						I	R
				(A)	(B)	(C)	(D)	(E)	(F)		
1	1	119626-77210	ALTERNATOR, 12V-55A			1					
2	2	X9490561001	NUT			1					
3	2	129052-77380	ROTOR ASSY			1					
4	3	123501-79240	BEARING, BALL			1					
5	3	119620-79250	COVER			1					
6	2	129052-77422	FRAME ASSY			1					
7	3	119620-79200	BEARING, BALL			1					
8	3	119620-79210	PLATE, RETAINER			1					
9	3	119620-79220	SCREW			4					
10	3	119620-79230	STUD			2					
11	2	128401-77440	FRAME			1					
12	2	119620-77461	PULLEY			1					
13	2	119620-77471	NUT			1					
14	2	119620-77490	COLLAR			1					
15	2	129423-77710	REGULATOR ASSY			1					
16	2	129052-79260	HOLDER			1					
17	2	129052-79270	HOLDER, BRUSH			1					
18	2	119620-79290	SCREW			6					
19	2	119620-79300	SCREW			1					
20	2	119620-79310	BOLT			3					
21	2	119620-79320	SCREW			2					
22	2	119620-79330	BOLT			2					
23	2	119620-79340	BUSH, INSULATION			1					
24	2	119620-79350	NUT			2					
25	2	119626-77450	COVER			1					
26	1	119740-77251	BOLT, M10X80			1					
27	1	26306-100002	NUT, M10			1					
28	1	119940-77270	SPACER, GENERATOR			1					
29	1	119935-77360	ADJUSTER, BELT			1					
30	1	129630-77350	BLOCK ASSY, ADJUSTER			1					
32	2	129630-77380	BOLT, M8X100			1					
33	2	22272-000050	RING, E- 5			1					
34	1	26106-080452	BOLT, M8X 45 PLATED			1					
35	1	26106-080652	BOLT, M8X 65 PLATED			1					
36	1	129211-77920	TIMER			1					
37	1	119802-77200	RELAY, SAFETY			1					
38	1	119650-77911	RELAY ASSY, GLOW			1					
41	1	129C00-77300	RESISTER MOLDE			1					

Fig.17. GASKET SET

(A)=3TNV82A-BPYBD  
 (B)=3TNV82A-BPYBC  
 (C)=3TNV82A-BPYBU

(D)=  
 (E)=  
 (F)=



No.	Lev.	Parts No.	Description	Q'ty						I	R
				(A)	(B)	(C)	(D)	(E)	(F)		
1	1	719802-92700	GASKET SET	1	1	1					1
2	2	119812-01330	GASKET, HEAD	1	1	1					
3	2	119609-32040	O-RING, P16	2	2	2					
4	2	121850-51960	O-RING	1	1	1					
5	2	22190-080002	WASHER, SEAL 8	7	7	7					
6	2	24311-000320	O-RING, 1AP32.0	2	2	2					
7	2	24341-000240	O-RING, 1AS24.0	1	1	1					
8	2	22190-220002	WASHER, SEAL 22	1	1	1					
9	2	119803-11340	SEAL, VALVE STEM	3	3	3					
10	2	124160-11340	SEAL, VALVE STEM	3	3	3					
11	2	119802-11870	PROTECTOR, NOZZLE	3	3	3					
12	2	119625-11880	SEAT, NOZZLE	3	3	3					
13	2	119802-11310	GASKET, BONNET	1	1	1					
14	2	24311-000120	O-RING, 1AP12.0	3	3	3					
15	2	119810-12112	GASKET, MANIFOLD	1	1	1					
16	2	129150-77511	GASKET	1	1	1					
17	2	119810-13110	GASKET	1	1	1					
18	2	129004-13200	GASKET, SILENCER	1	1	1					
19	2	129150-32020	GASKET, PUMP	1	1	1					
20	2	129150-35042	GASKET	1	1	1					
21	2	129150-35111	GASKET	1	1	1					
22	2	22190-100002	WASHER, SEAL 10	2	2	2					
23	2	129486-42050	GASKET, WATER PUMP	1	1	1					
24	2	23414-080000	GASKET, 8X1.0	1	1	1					
25	2	129150-49811	GASKET, THERMOSTAT	1	1	1					
26	2	129795-49551	GASKET	1	1	1					
27	2	124465-44950	GASKET, 16	2	2	2					
28	2	129150-49360	GASKET	1	1	1					

Remarks

(1)Optional parts.

N:Old  $\xrightarrow{Yes}$  New, Q:Old  $\xrightarrow{No}$  New, R:Old  $\xrightarrow{Yes}$  New, S:Old  $\xrightarrow{No}$  New, W:Add, Z:Discontinued, F:Interchangeable by set, K:Q'ty Change



## Parts No. Index

Parts No.	Fig. No.	Ref. No.
104211-11180	4	22
	18	22
104211-11370	4	12
	18	12
105025-59560	14	12
114250-39450	9	31
114250-53080	13	5
114250-53120	13	11
114250-53130	13	12
114250-53140	13	13
114250-53210	13	14
118400-77170	15	11
119005-35151	9	29 A
119131-18320	6	5
119233-77932	12	130
119305-59120	13	42
119593-59581	13	61
119609-32040	2	9
	17	3
119620-01750	3	3
119620-02020	1	9
119620-77461	16	12
	19	12
119620-77471	16	13
	19	13
119620-77490	16	14
	19	14
119620-79200	16	7
	19	7
119620-79210	16	8
	19	8
119620-79220	16	9
	19	9
119620-79230	16	10
	19	10
119620-79250	16	5
	19	5
119620-79290	16	18
	19	18
119620-79300	16	19
	19	19
119620-79310	16	20
	19	20
119620-79320	16	21
	19	21
119620-79330	16	22
	19	22
119620-79340	16	23
	19	23
119620-79350	16	24

Parts No.	Fig. No.	Ref. No.
119620-79350	19	24
119625-11880	4	30
	17	12
	18	30
119626-77210	16	1
	19	1
119626-77450	16	25
	19	25
119650-77911	16	37
	19	38
119660-61901	12	61
119717-02930	1	15
119718-07900	18	59
119740-77251	16	26
	19	26
119802-01561	2	5
119802-03010	4	39
	18	39
119802-03090	5	1
119802-03110	4	41
	18	41
119802-03121	4	42
	18	42
119802-03130	4	43
	18	43
119802-03141	4	44
	18	44
119802-11100	4	19
	18	19
119802-11110	4	20
	18	20
119802-11241	4	1
	18	1
119802-11251	4	2
	18	2
119802-11260	4	4
	18	4
119802-11270	4	5
	18	5
119802-11280	4	6
	18	6
119802-11310	4	46
	17	13
	18	46
119802-11350	4	38
	18	38
119802-11650	4	8
	18	8
119802-11810	4	28
	18	28

Parts No.	Fig. No.	Ref. No.
119802-11870	4	29
	17	11
	18	29
119802-11900	4	31
	18	31
119802-12130	5	4
119802-13129	6	2
119802-14580	7	3
119802-21650	8	8
119802-22500	8	17
119802-22950	8	34
119802-25071	7	13
119802-25101	7	10
119802-25901	7	16
119802-34802	9	16
119802-35100	9	24
119802-35110	9	25
119802-39450	9	33
119802-42001	10	1
119802-49610	10	36
119802-49620	10	41
119802-49711	10	37
119802-49721	10	42
119802-49730	10	38
119802-51090	11	13
119802-51250	11	130
119802-51560	11	59
119802-51590	11	65
119802-51600	11	66
119802-51680	11	70
119802-51690	11	71
119802-55710	14	16
119802-55730	14	17
119802-55801	14	2
119802-59320	10	40
119802-59550	13	55
119802-59560	13	57
119802-77200	16	36
	19	37
119803-01520	2	4
119803-11340	4	23
	17	9
	18	23
119803-11700	4	13
	18	13
119803-21000	8	1
119803-21200	8	4
119803-22080	8	15
119803-22900	8	32
119803-25050	7	9

Parts No.	Fig. No.	Ref. No.
119803-53400	13	15
119803-59810	13	51
119803-59820	13	52
119803-59830	13	53
119803-77520	5	7
119803-77821	4	55
	18	55
119803-77830	4	56
	18	56
119807-61420	12	24
119810-01200	1	27
119810-01730	3	6
119810-02871	1	32
119810-02941	1	35
119810-11120	4	21
	18	21
119810-12112	5	3
	17	15
119810-13110	6	1
	17	17
119810-14400	7	2
119810-23200	8	26
119810-23601	8	27
119810-23611	8	30
119810-23910	8	29
119810-35300	9	19
119810-42051	10	3
119810-42120	10	4
119810-42281	10	8
119810-42290	10	9
119812-01330	1	28
	17	2
119813-22300	8	21
119823-01780	3	8
119823-44760	10	24
119865-21600	8	14
119934-01800	2	3
119934-59910	11	127
119935-77350	4	59
	16	29
119935-77360	19	29
119940-35800	9	40
119940-77270	19	28
120270-54410	4	32
	18	32
121023-01551	2	19
121111-21501	8	11
121250-44901	10	33
121267-44741	10	23
121400-01640	3	9

## Parts No. Index

Parts No.	Fig. No.	Ref. No.
121450-42450	10	52
121450-44531	10	46
121468-44520	10	44
121470-44581	10	48
121520-34810	9	17
121750-59890	14	13
121850-21680	8	10
121850-51960	2	10
	17	4
123501-79240	16	4
	19	4
123900-13610	6	3
123900-13630	6	4
124060-01050	1	4
124060-11800	4	27
	18	27
124060-77680	13	62
124160-01751	2	6
	4	37
	18	37
124160-01910	1	6
		7
124160-11340	4	24
	17	10
	18	24
124160-11360	4	49
	18	49
124160-39140	9	32
124195-77770	15	23
124240-01871	2	7
124450-44560	10	47
124465-44950	10	34
		35
		53
	17	27
124722-59050	10	39
		43
	13	56
		59
124732-77340	16	28
124766-59050	14	6
		10
128401-77440	16	11
	19	11
129001-01250	1	5
129001-32002	9	1
129004-13200	6	7
	17	18
129004-55612	14	1
129004-55801	14	2 A

Parts No.	Fig. No.	Ref. No.
129005-59830	9	34
129008-51390	11	41
129008-51900	11	11
129008-51920	11	12
129008-77800	4	54
	18	54
129044-59010	14	5
129044-59100	14	7
129044-59510	14	8
129052-77380	16	3
	19	3
129052-77422	16	6
	19	6
129052-79260	16	16
	19	16
129052-79270	16	17
	19	17
129054-42320	10	11
129100-01580	3	1
		14
	8	2
129100-01640	3	15
129100-35140	9	26
129100-55690	14	15
129150-02450	7	4
129150-03070	4	40
	18	40
129150-11230	4	9
	18	9
129150-11280	4	7
	18	7
129150-11750	4	11
	18	11
129150-14101	7	6
129150-14200	7	1
129150-25301	7	15
129150-32020	9	14
	17	19
129150-35042	9	18
	17	20
129150-35111	9	27
	17	21
129150-35153	9	29
129150-49360	10	50
	17	28
129150-49811	10	27
	17	25
129150-59120	13	46
129150-59131	13	45
		49

Parts No.	Fig. No.	Ref. No.
129150-77511	5	6
	17	16
129155-49801	10	26
129155-51280	12	6
129155-61460	12	26
129211-77920	16	35
	19	36
129242-77010	15	1
129242-77100	15	3
129242-77110	15	4
129242-77120	15	5
129242-77130	15	6
129242-77140	15	7
129242-77150	15	8
129242-77160	15	9
129242-77170	15	10
129242-77180	15	12
129242-77210	15	15
129242-77260	15	19
129242-77270	15	21
129242-77280	15	22
129246-53001	13	2
129255-61410	12	23
129350-49530	10	28
129410-03990	5	2
129423-77710	16	15
	19	15
129486-01670	3	18
129486-42050	10	16
	17	23
129486-59551	13	58
129489-21590	8	12
129556-42350	10	22
129612-01600	3	2
129612-42350	10	31
129612-42380	10	31 A
129612-52100	14	4
129630-59010	14	9
129630-77350	16	30
	19	30
129630-77380	16	32
	19	32
129642-61060	12	87
129698-77020	15	2
129698-77190	15	13
129698-77200	15	14
129698-77220	15	16
129698-77230	15	17
129698-77250	15	18
129792-22400	8	22

Parts No.	Fig. No.	Ref. No.
129795-01780	3	17
129795-01950	2	8
129795-02412	1	12
129795-21661	8	9
129795-49551	10	29
	17	26
129900-07900	4	52
	18	52
129906-55711	14	14
129961-59110	14	11
129C00-77300	16	40
	19	41
129C01-07910	4	57
	18	57
129E00-13640	6	4 -1
158552-51151	7	17
158552-51571	11	60
		61
158552-51580	11	64
158552-51600	11	74
158552-51670	11	6
158552-51781	11	100
158552-52100	11	125
158552-52311	11	109
158552-52400	11	110
158552-52500	11	126
158552-61441	12	25
158552-61900	12	78
158553-51551	11	4
158553-51630	11	75
158553-51650	11	77
158553-51660	11	78
158553-51670	11	69
158553-51680	11	79
158553-51770	11	106
158553-51930	11	103
	12	7
158553-61050	12	3
158553-61070	12	4
158557-51570	11	62
158563-51281	11	39
		40
158563-51330	11	50
158600-51270	11	38
158601-51550	11	58
158601-51570	11	63
158601-51650	11	5
158601-51770	11	99
158601-51790	11	101
171031-11741	2	22

## Parts No. Index

Parts No.	Fig. No.	Ref. No.
171051-01921	1	8
171056-49120	10	51
22190-080002	2	11
	9	35
		37
	17	5
22190-100002	9	38
	17	22
22190-120002	11	104
		111
		128
	12	65
22190-180002	11	105
		112
22190-220002	17	8
22217-140000	11	113
22272-000050	16	33
	19	33
22312-050140	11	114
22351-030010	8	7
22351-050010	11	115
22351-060012	4	33
	18	33
22512-070140	7	7
	8	5
22857-500100	4	47
		48
	18	47
		48
23065-070130	10	49
23414-080000	10	17
	17	24
23857-030000	9	36
23876-030000	10	13
24311-000070	11	117
24311-000120	4	50
	17	14
	18	50
24311-000160	14	18
24311-000180	3	11
24311-000320	2	12
		23
	4	51
	17	6
	18	51
24321-000650	14	19
24341-000240	2	20
	17	7
24356-190180	11	118
24356-190200	11	72

Parts No.	Fig. No.	Ref. No.
24356-190200	11	119
24372-000150	11	73
26106-060102	11	120
	12	68
26106-060122	10	32
26106-060142	10	14
	12	84
		85
26106-060162	2	21
26106-060202	10	15
		25
	12	86
26106-080122	10	18
26106-080142	7	8
26106-080162	2	13
		17
	3	12
	4	53
		60
	11	131
	18	53
26106-080202	5	8
	9	30
	11	132
26106-080222	10	30
26106-080252	4	34
		58
	5	5
	18	34
		58
26106-080302	2	14
	14	3
26106-080352	3	19
	9	23
	10	19
26106-080402	7	14
26106-080452	3	13
	4	35
	18	35
	19	34
26106-080502	4	36
	10	20
	18	36
26106-080552	2	15
	10	21
26106-080652	16	34
	19	35
26106-080802	5	9
26106-080852	2	16
26106-120252	15	24

Parts No.	Fig. No.	Ref. No.
26206-100252	3	4
26206-100302	3	5
26306-080002	2	18
	6	6
26306-100002	16	27
	19	27
26366-060002	9	39
26450-060252	9	15
26450-080452	11	122
26756-060002	12	69
26776-140002	11	123
27241-120000	1	13
27241-300000	1	14
27241-400000	4	18
	18	18
27310-070001	4	25
	18	25
719802-01560	1	1
719802-92700	17	1
719810-02981	1	29
719810-23100	8	23
719935-51380	11	1
729246-53200	13	1
729630-01500	2	1
X2114535200	15	20
X9490561001	16	2
	19	2

Parts No.	Fig. No.	Ref. No.
-----------	----------	----------