

OCD10-M99700EN

P R E F A C E

1. This parts catalog is the 1st edition of 4TNV88-BPTB, 4TNV88-BPTB1, 4TNV88-BPTBT, 4TNV88-BPTB1T for Takeuchi Mfg. Co., Ltd.

Pub. No. : 0CD10-G99700

Published : February, 2008

2. Model name

Engine model	Vehicle	Vehicle made by
4TNV88-BPTB 4TNV88-BPTB1 4TNV88-BPTBT 4TNV88-BPTB1T	EXCAVATOR	Takeuchi Mfg. Co., Ltd.

Directions for the Parts Catalog.

1. This Parts Catalog shows both standard and optional parts.
2. Parts may change without prior notice.
3. The following is an example of the Parts Catalog format.

REF.	LEV.	PARTS NO.	DESCRIPTION	Q'TY						I	R
				(A)	(B)	(C)	(D)	(E)	(F)		
1	1	729595-51390	FUEL INJECTION PUMP	1	1	1	1	1			1
1-1	1	729595-51391	FUEL INJECTION PUMP	1	1	1	1	1		N	1
		(A=E00185) (B=E00200)									
3	2	26022-060162	SCREW M 6X 16	9	9	9	9	9			
3-1	2	26022-060162	SCREW M 6X 16	4	4	4	4	4		K	
		(A=E00156) (B=E00156) (C=E00156) (D=E00156) (E=E00156)									
4	2	129470-51040	CAMSHAFT	1	1	1	1	1			
5	2	122710-51050	BEARING, ROLLER	2	2	2	2	2			
6	2	129470-51060	RETAINER	1	1	1	1	1			

Remarks
(1) BOOST COMPEMSATOR TYPE. OPTIONAL PART, TO E00155,(4JH-DT, 4JH-DTZ

① Ref. No.

The Ref. No. listed may not be in accordance with the illustration Ref. No.

(Ex.) Illustration No.

List Ref No.

1

1

(Before change) → 1-1 (After change)

For interchangeable symbols N, R and K, illustrations for new parts may be abbreviated.

② Lev. (Level)

Level indication

The numbers below indicate the level of relativity towards the main part.

1 ----- Main parts (Assembly parts)

2 ----- Sub component included in " 1 ".

3 ----- Sub component included in " 2 ".

Note) Parts that are not for sale are partially illustrated but not listed.

③ Interchangeability Symbol

When a part change takes place, one of the following interchangeability symbols is indicated beside the part.

Symbol	Interchangeability	Contents note
N	Old $\begin{matrix} \leftarrow \text{Yes} \\ \text{No} \rightarrow \end{matrix}$ New	New Part is interchangeable for Old Part but Old Part is not interchangeable for New Part.
Q	Old $\begin{matrix} \leftarrow \text{No} \\ \text{Yes} \rightarrow \end{matrix}$ New	New Part is not interchangeable for Old Part but Old Part is interchangeable for New Part.
R	Old $\begin{matrix} \leftarrow \text{Yes} \\ \text{Yes} \rightarrow \end{matrix}$ New	New/ Old Parts are both interchangeable.
S	Old $\begin{matrix} \leftarrow \text{No} \\ \text{No} \rightarrow \end{matrix}$ New	New/ Old Parts are both not interchangeable.
W		Part newly added.
Z		Part discontinued.
F		Not interchangeable by a single part but interchangeable together with related parts.
K		Changes only for used parts quantities.

④ Effective Machine No.

When a part changes, the effective Machine No. will be indicated in the (A)-(F) column.

Product Symbol	Product No.	Product Symbol	Product No.
C	Clutch No. Compressor No.	F	Machine No. (Agricultural Equip.)
D	Drive No.	M	Machine No.
E	Engine No.		

Note 1) A date may follow the symbol. (Ex.) 1996.01

Note 2) "XXXXX" and "ZZZZZ" are for parts that could not be predicted or for engine models that could not be identified.

Note 3) (A=E00185) is the E (Engine Serial Number) for the column (A) model (in this case 4JH-DT) after the parts design change.

⑤ Remarks

Figures or alphabets (symbols) are entered in the remarks column.

The comments (remarks) on parts that are indicated at the bottom of the illustration are the same symbols as those stated above.

Contents

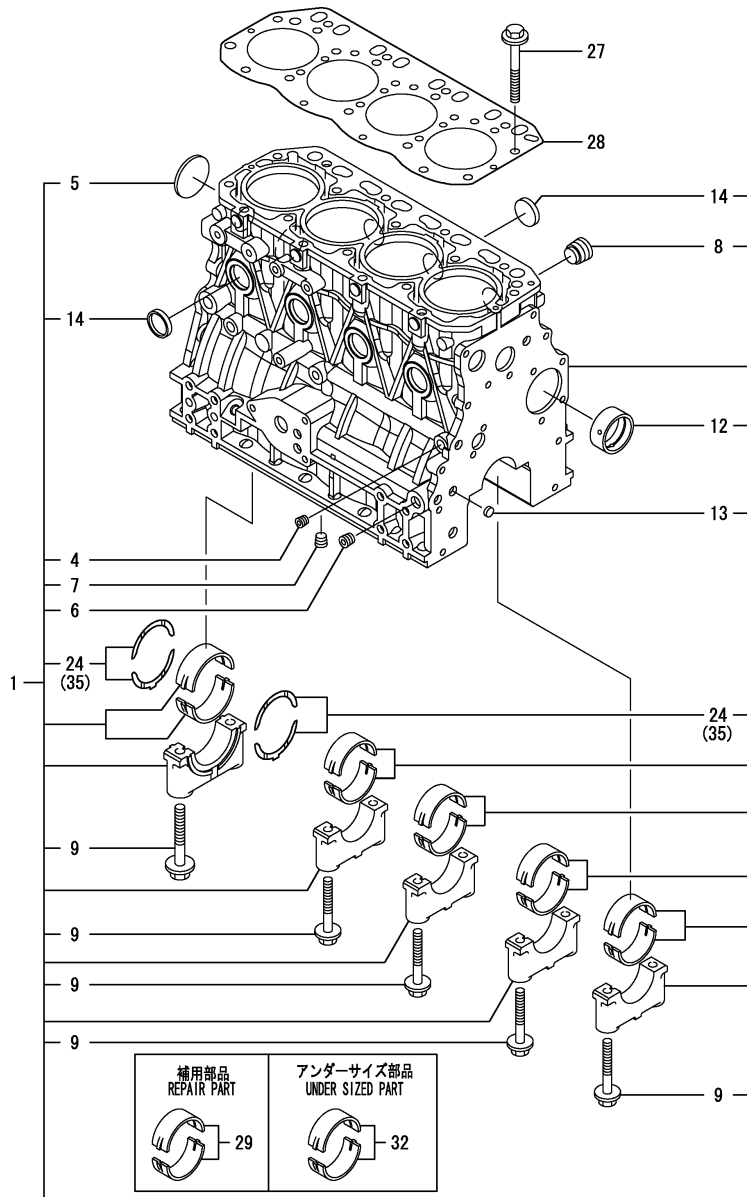
OCD10-M99700

Fig. No.	Fig. Name	Fig. No.	Fig. Name
4	TNV88-BPTB,4TNV88-BPTB1		
1.	CYLINDER BLOCK		
2.	GEAR HOUSING		
3.	FLYWHEEL HOUSING & OIL SUMP		
4.	CYLINDER HEAD & BONNET		
5.	SUCTION MANIFOLD & AIR CLEANER		
6.	EXHAUST MANIFOLD & SILENCER		
7.	CAMSHAFT & DRIVING GEAR		
8.	CRANKSHAFT & PISTON		
9.	LUB.OIL SYSTEM		
10.	COOLING WATER SYSTEM		
11.	FUEL INJECTION PUMP		
12.	GOVERNOR		
13.	FUEL INJECTION VALVE		
14.	FUEL LINE		
15.	STARTING MOTOR		
16.	GENERATOR		
17.	GASKET SET		

Fig.1. CYLINDER BLOCK

(A)=4TNV88-BPTB
 (B)=4TNV88-BPTB1
 (C)=4TNV88-BPTBT

(D)=4TNV88-BPTB1T
 (E)=
 (F)=



No.	Lev.	Parts No.	Description	Q'ty						I	R
				(A)	(B)	(C)	(D)	(E)	(F)		
1	1	729602-01560	BLOCK ASSY, CYLINDER	1	1	1	1				
4	2	124060-01050	PLUG, PT1/8	1	1	1	1				
5	2	129001-01250	PLUG, 50	1	1	1	1				
6	2	124160-01910	PLUG, PT1/4	2	2	2	2				
7	2	124160-01910	PLUG, PT1/4	1	1	1	1				
8	2	171051-01921	PLUG, NPTF1	1	1	1	1				
9	2	129150-02020	BOLT, METAL CAP	10	10	10	10				
12	2	129795-02412	BUSH, CAMSHAFT	1	1	1	1				
13	2	27241-120000	PLUG, 12	2	2	2	2				
14	2	27241-300000	PLUG 30	8	8	8	8				
24	2	129150-02931	BEARING, THRUST	2	2	2	2				
27	1	129150-01200	BOLT, HEAD	18	18	18	18				
28	1	129407-01340	GASKET, HEAD	1	1	1	1				
29	1	129001-02931	BEARING, MAIN	5	5	5	5				1
32	1	129150-02871	BEARING, 0.25 US	5	5	5	5				2
35	1	129150-02941	BEARING, THRUST 0.25	1	1	1	1				3

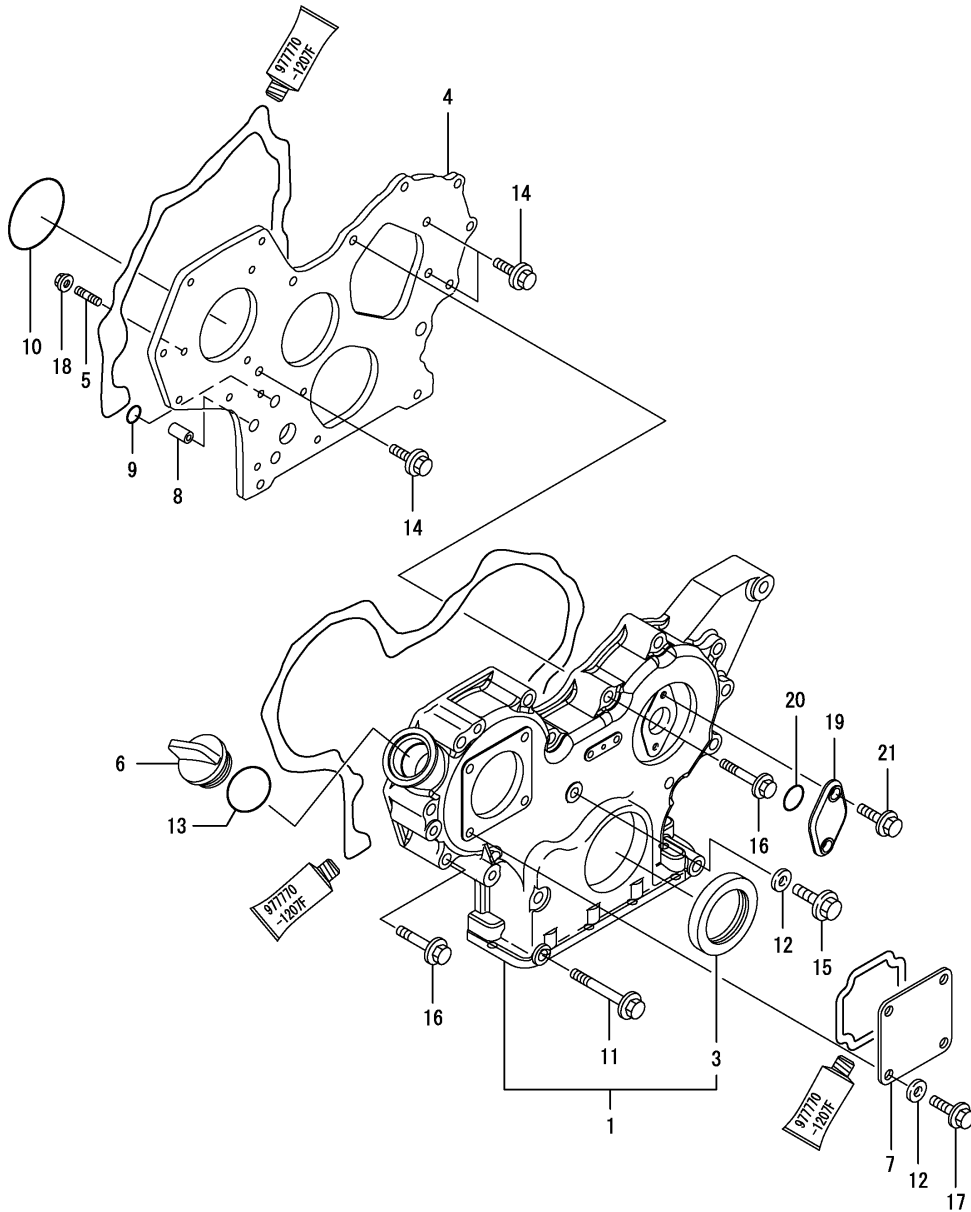
Remarks

- (1) REPAIR PART.
- (2) UNDER-SIZED(U.S=0.25)PART.
- (3) OVER-SIZED(O.S=0.25)PART.

Fig.2. GEAR HOUSING

(A)=4TNV88-BPTB
 (B)=4TNV88-BPTB1
 (C)=4TNV88-BPTBT

(D)=4TNV88-BPTB1T
 (E)=
 (F)=

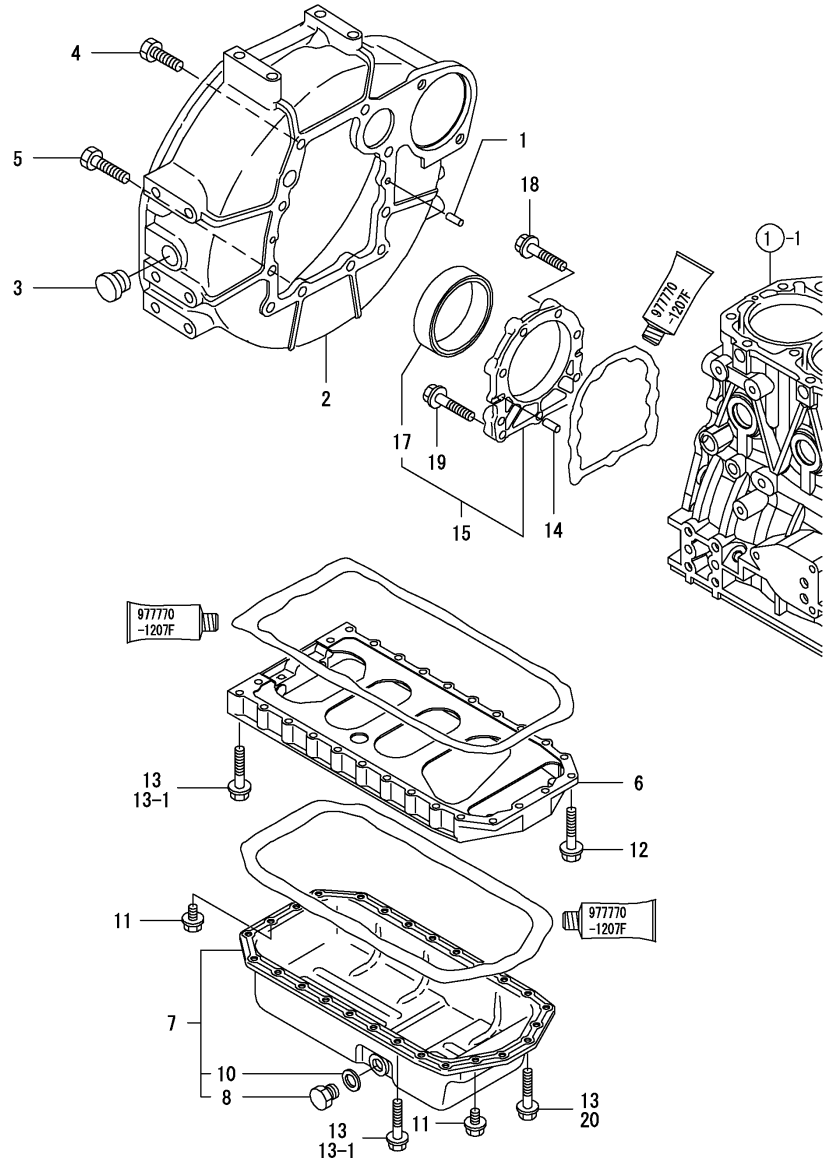


No.	Lev.	Parts No.	Description	Q'ty						I	R
				(A)	(B)	(C)	(D)	(E)	(F)		
1	1	729630-01500	CASE ASSY, GEAR	1	1	1	1				
3	2	119934-01800	SEAL, OIL	1	1	1	1				
4	1	119803-01520	FLANGE, GEAR CASE	1	1	1	1				
5	1	119802-01561	STUD, M8X25	3	3	3	3				
6	1	124160-01751	COVER, FILLER	1	1	1	1				
7	1	124240-01871	COVER	1	1	1	1				
8	1	129795-01950	PIPE, KNOCK L=18	2	2	2	2				
9	1	119609-32040	O-RING, P16	2	2	2	2				
10	1	121850-51960	O-RING	1	1	1	1				
11	1	129001-91841	BOLT, M8X85	3	3	3	3				
12	1	22190-080002	WASHER, SEAL 6	5	5	5	5				
13	1	24311-000320	O-RING, 1AP32.0	1	1	1	1				
14	1	26106-080162	BOLT, M8X 16 PLATED	3	3	3	3				
15	1	26106-080302	BOLT, M8X 30 PLATED	1	1	1	1				
16	1	26106-080552	BOLT, M8X 55 PLATED	12	12	12	12				
17	1	26106-080162	BOLT, M8X 16 PLATED	4	4	4	4				
18	1	26306-080002	NUT, M8	3	3	3	3				
19	1	121023-01551	COVER	1	1	1	1				
20	1	24341-000240	O-RING, 1AS24.0	1	1	1	1				
21	1	26106-060162	BOLT, M6X 16 PLATED	2	2	2	2				

Fig.3. FLYWHEEL HOUSING & OIL SUMP

(A)=4TNV88-BPTB
(B)=4TNV88-BPTB1
(C)=4TNV88-BPTBT

(D)=4TNV88-BPTB1T
(E)=
(F)=

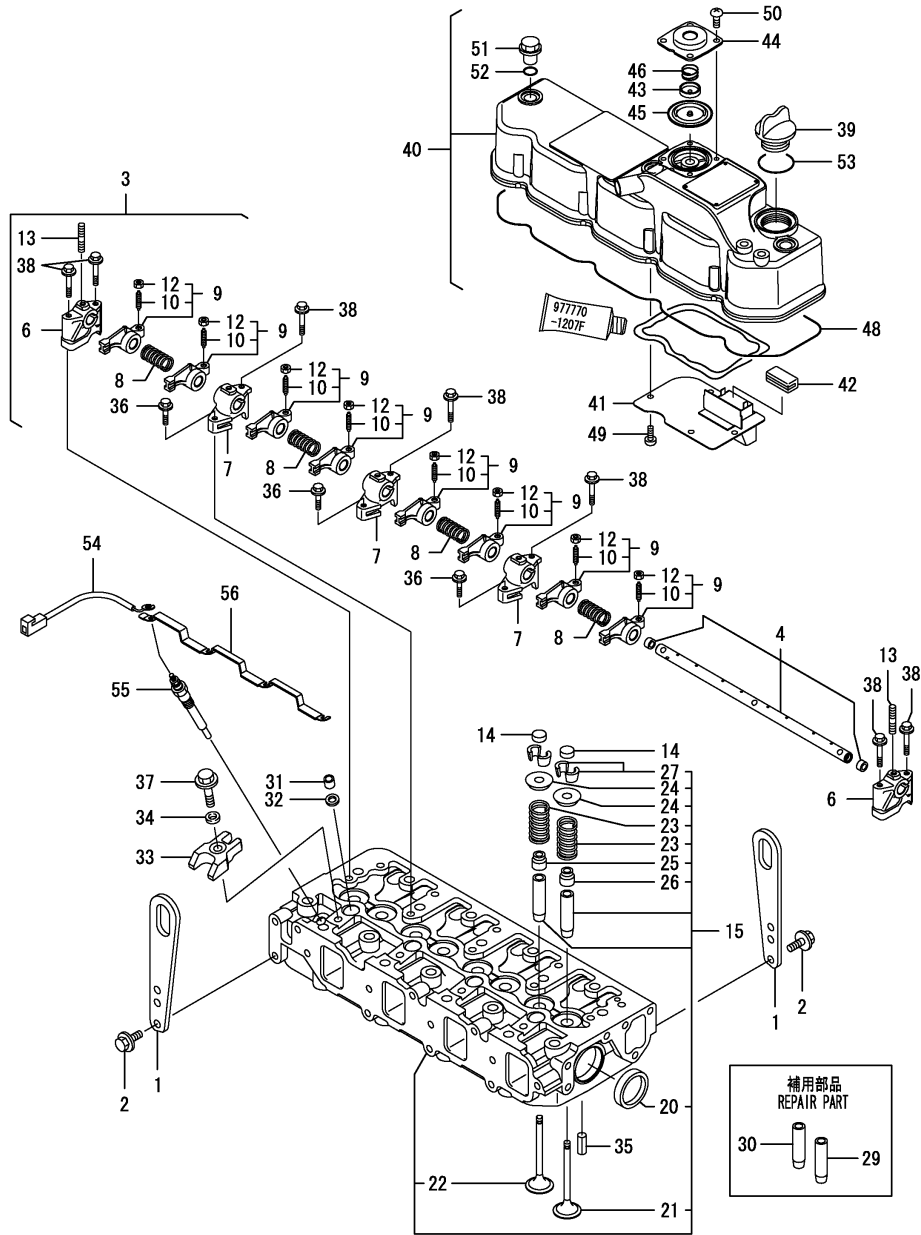


No.	Lev.	Parts No.	Description	Qty						I	R
				(A)	(B)	(C)	(D)	(E)	(F)		
1	1	129100-01580	PIN, M8X16	2	2						
2	1	129612-01600	HOUSING, FLYWHEEL	1	1						
3	1	119620-01750	CAP	1	1						
4	1	26206-100252	BOLT, M10X 25 PLATED	6	6						
5	1	26206-100302	BOLT, M10X 30 PLATED	4	4						
6	1	129400-01730	SPACER, OIL SUMP	1	1						
7	1	129400-01770	SUMP ASSY, OIL	1	1						
7-1	1	129688-01780	OIL PAN ASSY, DEEP	1	1						N
		(A=EM9922)	(C=EN0680)								
8	2	119640-01640	PLUG, DRAIN M22	1	1						
10	2	22190-220002	WASHER, SEAL 22	1	1						
11	1	26106-080162	BOLT, M8X 16 PLATED	4	4						
12	1	26106-080252	BOLT, M8X 25 PLATED	2	2						
13	1	26106-080452	BOLT, M8X 45 PLATED	24	24						
13-1	1	26106-080452	BOLT, M8X 45 PLATED	20	20						K
		(A=FROM 1ST)	(C=FROM 1ST)								
14	1	129100-01580	PIN, M8X16	2	2						
15	1	129100-01640	CASE ASSY, OIL SEAL	1	1						
17	2	129795-01780	SEAL, OIL	1	1						
18	1	129486-01670	BOLT, M8X30	6	6						
19	1	26106-080352	BOLT, M8X 35 PLATED	3	3						
20	1	26106-080502	BOLT, M8X 50 PLATED	4	4						W
		(A=FROM 1ST)	(C=FROM 1ST)								

Fig.4. CYLINDER HEAD & BONNET

(A)=4TNV88-BPTB
(B)=4TNV88-BPTB1
(C)=4TNV88-BPTBT

(D)=4TNV88-BPTB1T
(E)=
(F)=



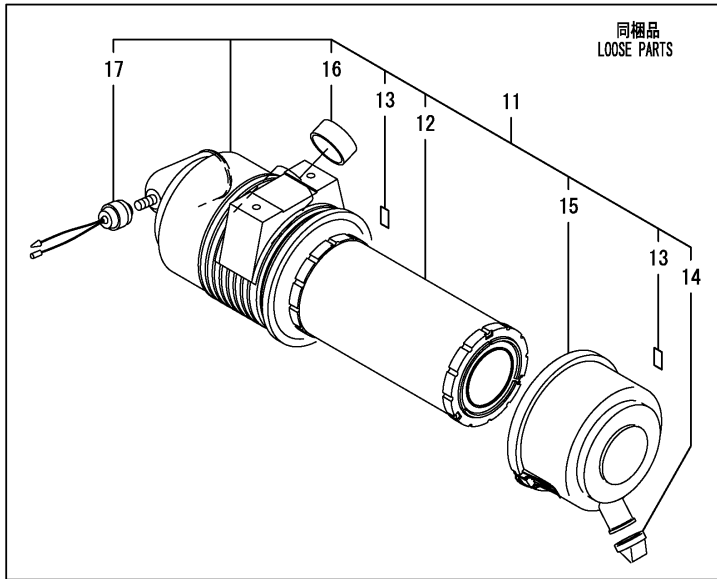
No.	Lev.	Parts No.	Description	Q'ty						I	R
				(A)	(B)	(C)	(D)	(E)	(F)		
1	1	129900-07900	LIFTER	2	2	2	2				
2	1	26106-080162	BOLT, M8X 16 PLATED	4	4	4	4				
3	1	129601-11241	SHAFT ASSY, ROCKER	1	1	1	1				
4	2	129601-11251	SHAFT, ROCKER ARM	1	1	1	1				
6	2	119802-11260	SUPPORT, ROCKER ARM	2	2	2	2				
7	2	119802-11270	SUPPORT, ROCKER ARM	3	3	3	3				
8	2	129150-11280	SPRING	4	4	4	4				
9	2	129004-11650	ARM, ROCKER	8	8	8	8				
10	3	129150-11230	SCREW, VALVE ADJUST	8	8	8	8				
12	3	129150-11750	NUT, M8	8	8	8	8				
13	2	26226-080182	STUD, M8X 18	3	3	3	3				
14	1	129150-11370	CAP, VALVE	8	8	8	8				
15	1	129604-11700	HEAD ASSY, CYLINDER	1	1	1	1				
20	2	27241-400000	PLUG, 40	2	2	2	2				
21	2	129005-11100	VALVE, INTAKE	4	4	4	4				
22	2	129100-11112	VALVE, EXHAUST	4	4	4	4				
23	2	129795-11120	SPRING, VALVE	8	8	8	8				
24	2	129795-11180	RETAINER, SPRING	8	8	8	8				
25	2	121400-11340	SEAL, VALVE STEM	4	4	4	4				
26	2	124460-11340	SEAL, VALVE STEM	4	4	4	4				
27	2	27310-080001	COTTER, 8	8	8	8	8				
29	1	120130-11860	GUIDE, VALVE	4	4	4	4				1
30	1	129150-11810	GUIDE, VALVE	4	4	4	4				1
31	1	119802-11870	PROTECTOR, NOZZLE	4	4	4	4				
32	1	119625-11880	SEAT, NOZZLE	4	4	4	4				
33	1	129004-11900	RETAINER, NOZZLE	4	4	4	4				
34	1	120270-54410	WASHER, INJECTOR	4	4	4	4				
35	1	22351-060012	PIN, SPRING 6.0X12	2	2	2	2				
36	1	26106-080252	BOLT, M8X 25 PLATED	3	3	3	3				
37	1	26106-080352	BOLT, M8X 35 PLATED	4	4	4	4				
38	1	26106-080502	BOLT, M8X 50 PLATED	7	7	7	7				
39	1	124160-01751	COVER, FILLER	1	1	1	1				
40	1	129601-11350	BONNET ASSY, HEAD	1	1	1	1				
41	2	129004-03010	PLATE	1	1	1	1				
42	2	129150-03070	BAFFLE, BREATHER	1	1	1	1				
43	2	119802-03110	PLATE	1	1	1	1				
44	2	119802-03121	COVER, DIAPHRAGM	1	1	1	1				
45	2	119802-03130	DIAPHRAGM	1	1	1	1				
46	2	119802-03141	SPRING, DIAPHRAGM	1	1	1	1				
48	2	129601-11310	GASKET, BONNET	1	1	1	1				
49	2	22857-500100	SCREW, 5X10	4	4	4	4				
50	2	22857-500100	SCREW, 5X10	4	4	4	4				
51	1	124160-11360	KNOB	3	3	3	3				
52	1	24311-000120	O-RING, 1AP12.0	3	3	3	3				
53	1	24311-000320	O-RING, 1AP32.0	1	1	1	1				
54	1	119803-77830	HARNES, WIRE	1	1	1	1				
55	1	129008-77800	PLUG, GLOW	4	4	4	4				
56	1	129604-77821	CONNECTOR, GLOW PLUG	1	1	1	1				

Remarks
(1) REPAIR PART.

Fig.5. SUCTION MANIFOLD & AIR CLEANER

(A)=4TNV88-BPTB
 (B)=4TNV88-BPTB1
 (C)=4TNV88-BPTBT

(D)=4TNV88-BPTB1T
 (E)=
 (F)=



No.	Lev.	Parts No.	Description	Qty						I	R
				(A)	(B)	(C)	(D)	(E)	(F)		
1	1	129601-03080	PIPE , BREATHER	1	1	1	1				
2	2	129410-03990	CLIP	2	2	2	2				
3	1	129601-12100	MANIFOLD, AIR INTAKE	1	1	1	1				
4	1	129407-12110	GASKET, MANIFOLD	1	1	1	1				
5	1	26106-080202	BOLT, M8X 20 PLATED	6	6	6	6				
6	1	26106-080802	BOLT, M8X 80 PLATED	1	1	1	1				
7	1	129150-77511	GASKET	1	1	1	1				
8	1	119803-77520	BEND, AIR HEATER	1	1	1	1				
9	1	26106-080202	BOLT, M8X 20 PLATED	2	2	2	2				
10	1	26106-080802	BOLT, M8X 80 PLATED	2	2	2	2				
11	1	129236-12510	CLEANER ASSY, AIR	1	1	1	1				
12	2	129004-12520	ELEMENT	1	1	1	1				
13	2	129418-12530	LABEL, MARK	2	2	2	2				
14	2	119808-12540	VALVE, UNLOADER	1	1	1	1				
15	2	119866-12541	COVER ASSY	1	1	1	1				
16	2	129259-12570	RING	1	1	1	1				
17	2	119140-12680	INDICATOR	1	1	1	1				

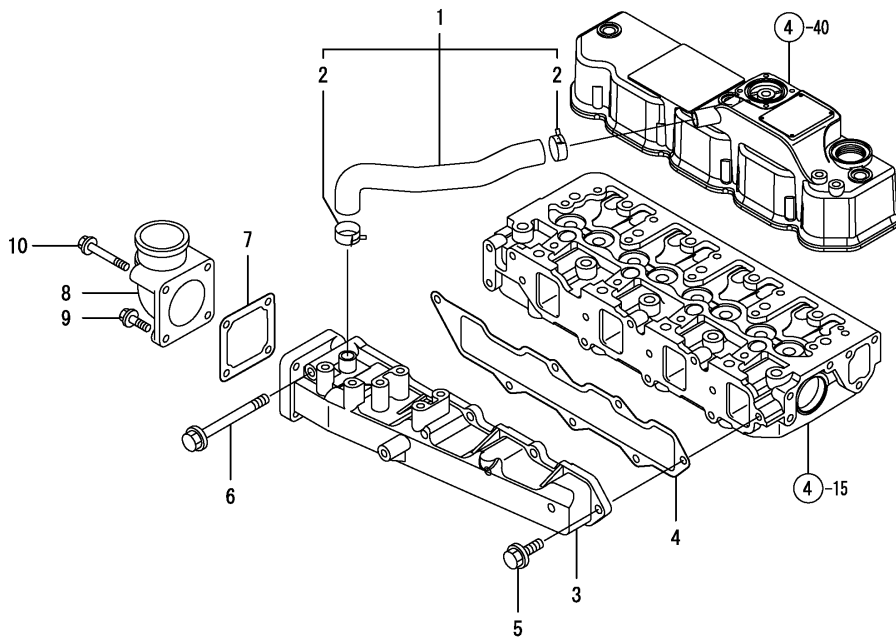


Fig.6. EXHAUST MANIFOLD & SILENCER

(A)=4TNV88-BPTB
(B)=4TNV88-BPTB1
(C)=4TNV88-BPTBT

(D)=4TNV88-BPTB1T
(E)=
(F)=

No.	Lev.	Parts No.	Description	Qty						I	R
				(A)	(B)	(C)	(D)	(E)	(F)		
1	1	129640-13109	MANIFOLD, EXHAUST	1	1	1	1				
2	1	129550-13110	GASKET	1	1	1	1				
3	1	123900-13610	STUD, M8X80	2	2	2	2				
4	1	123900-13630	BOLT, M8X80	6	6	6	6				
5	1	119131-18320	STUD, M8X22	4	4	4	4				
6	1	26306-080002	NUT, M8	2	2	2	2				
7	1	129930-13201	GASKET, SILENCER	1	1	1	1				
8	1	129642-13520	SILENCER	1		1					
9	1	129642-13530	SILENCER		1		1				
10	1	26106-100202	BOLT, M10X 20 PLATED	2	2	2	2				
11	1	26306-080002	NUT, M8	4	4	4	4				
12	1	129642-13590	CLAMP ASSY	1	1	1	1				
14	2	22117-100000	WASHER, 10	1	1	1	1				
15	2	22217-100000	WASHER, SPRING 10	1	1	1	1				
16	2	26106-100652	BOLT, M10X 65 PLATED	1	1	1	1				
17	2	26706-100002	NUT, M10	1	1	1	1				

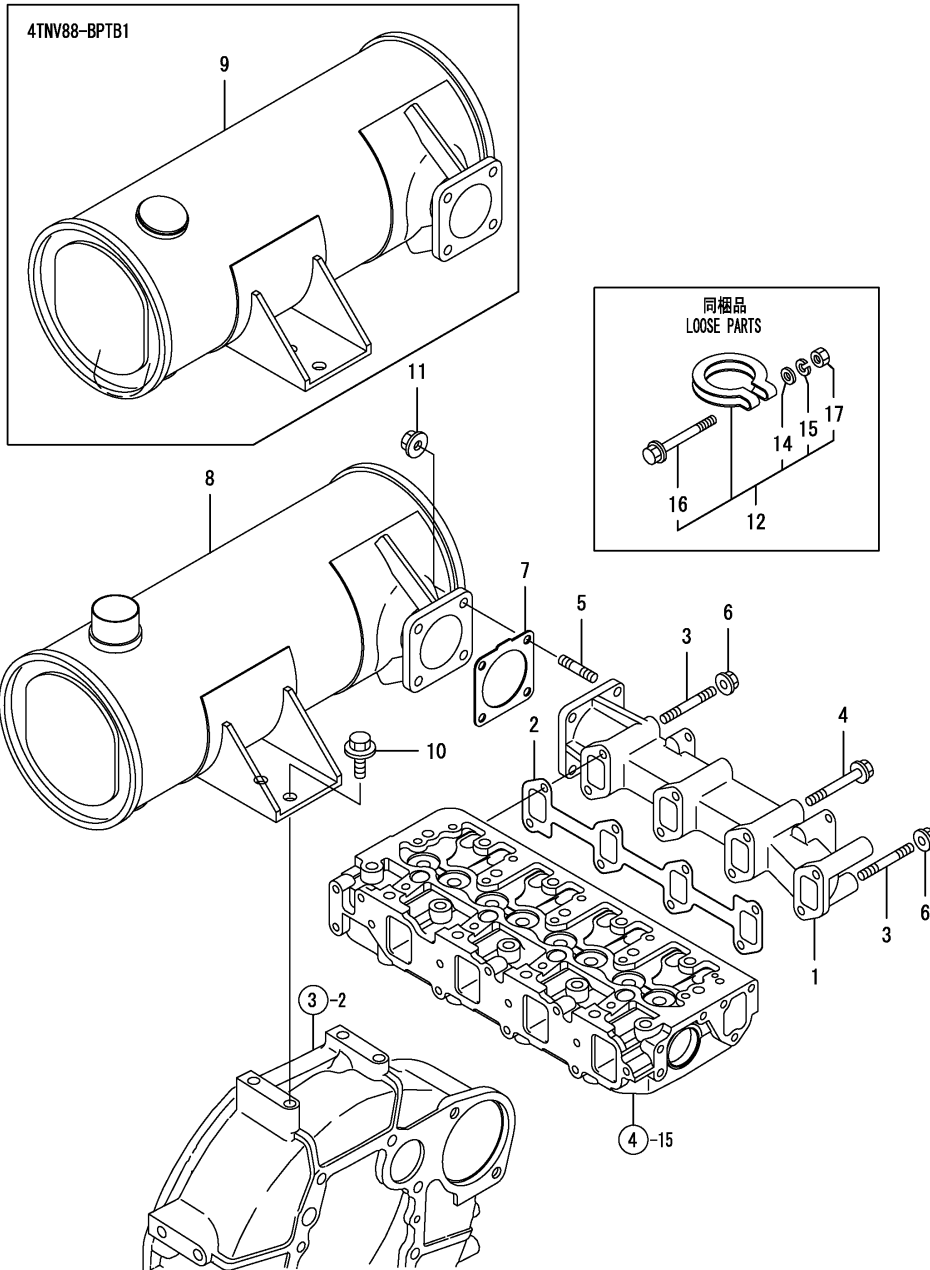
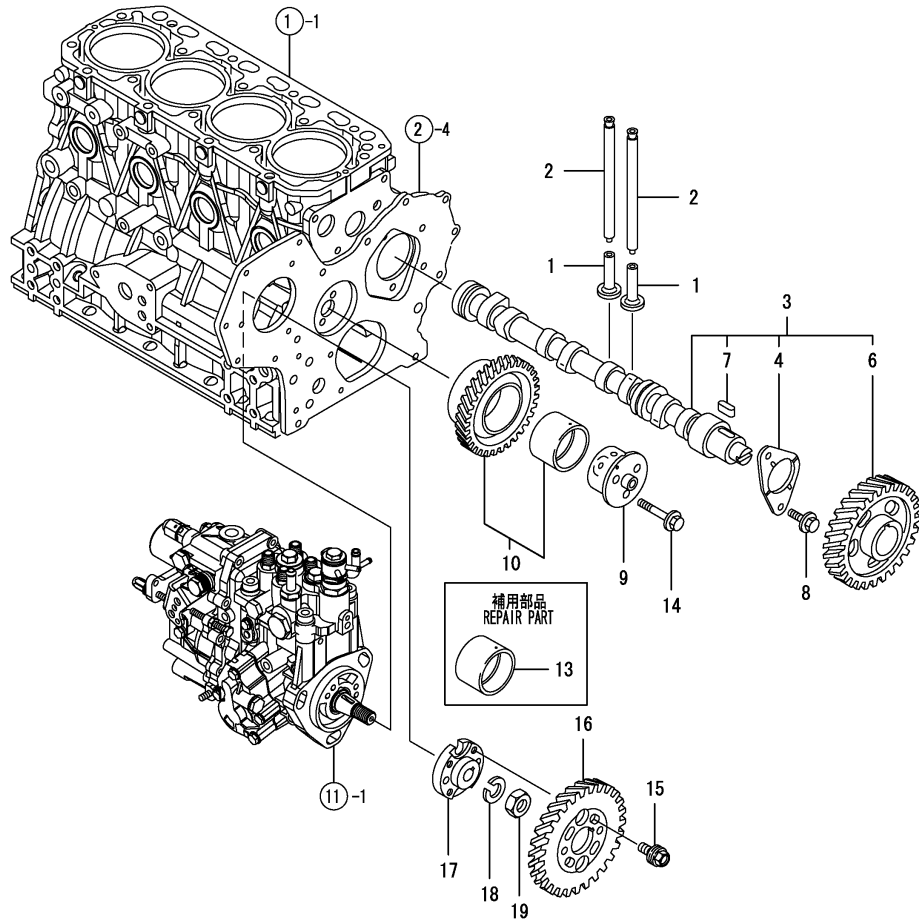


Fig.7. CAMSHAFT & DRIVING GEAR

(A)=4TNV88-BPTB
 (B)=4TNV88-BPTB1
 (C)=4TNV88-BPTBT

(D)=4TNV88-BPTB1T
 (E)=
 (F)=



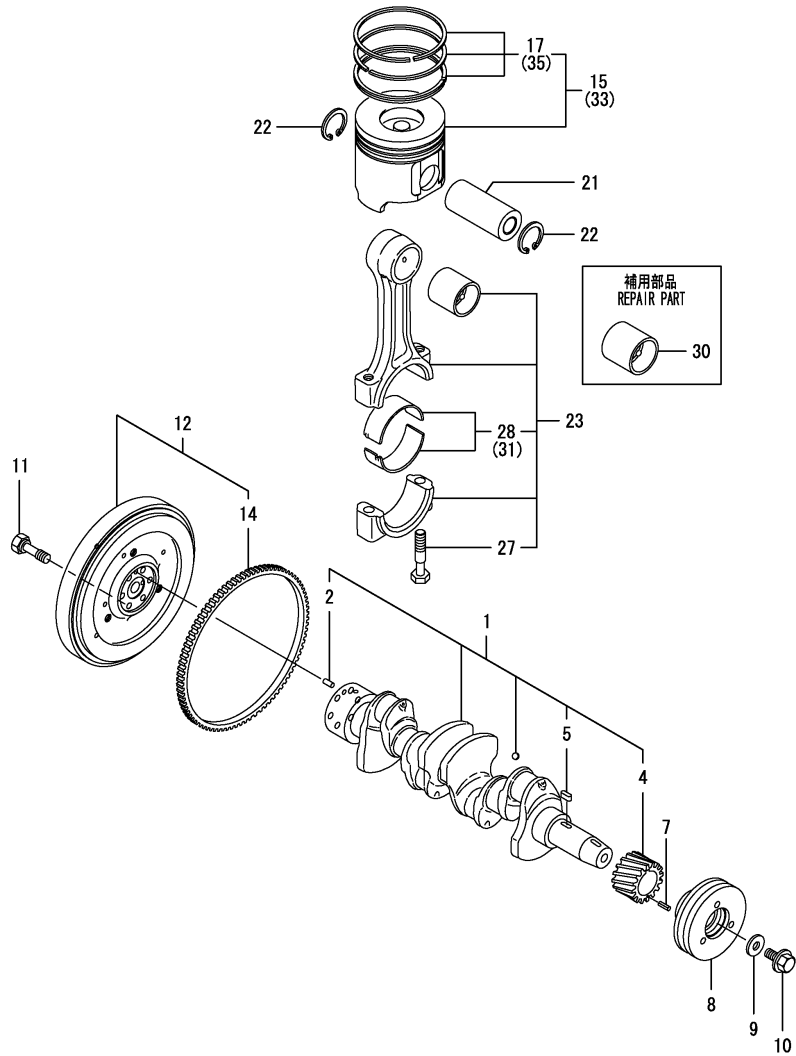
No.	Lev.	Parts No.	Description	Q'ty						I	R
				(A)	(B)	(C)	(D)	(E)	(F)		
1	1	129150-14200	TAPPET	8	8	8	8				
2	1	129150-14400	ROD, PUSH L=178	8	8	8	8				
3	1	729402-14580	CAMSHAFT ASSY	1	1	1	1				
4	2	129150-02450	BEARING, THRUST	1	1	1	1				
6	2	129150-14101	GEAR, CAMSHAFT	1	1	1	1				
7	2	22512-070140	KEY, 7X 14	1	1	1	1				
8	1	26106-080142	BOLT, M8X 14 PLATED	2	2	2	2				
9	1	119803-25050	SHAFT, IDLE	1	1	1	1				
10	1	119802-25101	GEAR ASSY, IDLE	1	1	1	1				
13	1	119802-25071	BUSH, IDLE GEAR	1	1	1	1				1
14	1	26106-080402	BOLT, M8X 40 PLATED	3	3	3	3				
15	1	129150-25301	BOLT	4	4	4	4				
16	1	119802-25901	GEAR, PUMP	1	1	1	1				
17	1	158552-51151	FLANGE	1	1	1	1				
18	1	22217-140000	WASHER, SPRING 14	1	1	1	1				
19	1	26776-140002	NUT, LOCK M14	1	1	1	1				

Remarks
 (1) REPAIR PART.

Fig.8. CRANKSHAFT & PISTON

(A)=4TNV88-BPTB
(B)=4TNV88-BPTB1
(C)=4TNV88-BPTBT

(D)=4TNV88-BPTB1T
(E)=
(F)=



No.	Lev.	Parts No.	Description	Qty						I	R
				(A)	(B)	(C)	(D)	(E)	(F)		
1	1	129604-21000	CRANKSHAFT ASSY	1	1	1	1				
2	2	129100-01580	PIN, M8X16	1	1	1	1				
4	2	119803-21200	GEAR, CRANKSHAFT	1	1	1	1				
5	2	22512-070140	KEY, 7X 14	1	1	1	1				
7	1	22351-030010	PIN, SPRING 3.0X10	1	1	1	1				
8	1	119802-21650	V-PULLEY, 110	1	1	1	1				
9	1	129795-21661	WASHER	1	1	1	1				
10	1	121850-21680	BOLT	1	1	1	1				
11	1	121111-21501	BOLT, FLYWHEEL	6	6	6	6				
12	1	129642-21590	FLYWHEEL ASSY	1	1	1	1				
14	2	119865-21600	GEAR, RING	1	1	1	1				
15	1	129005-22080	PISTON ASSY	4	4	4	4				
17	2	129005-22500	RING SET, PISTON	4	4	4	4				
21	1	129202-22300	PIN, PISTON D26 L70	4	4	4	4				
22	1	22252-000260	RING, 26	8	8	8	8				
23	1	729402-23100	ROD ASSY, CONNECTING	4	4	4	4				
27	2	121550-23200	BOLT, CONNECTING ROD	8	8	8	8				
28	2	129150-23601	BEARING, CRANK PIN	4	4	4	4				
30	1	129100-23910	BEARING, PISTON PIN	4	4	4	4				1
31	1	129150-23611	BEARING, 0.25 US	4	4	4	4				2
33	1	129005-22900	PISTON ASSY, 0.25 OS	4	4	4	4				3
35	2	129005-22950	RING SET, 0.25 OS	4	4	4	4				3

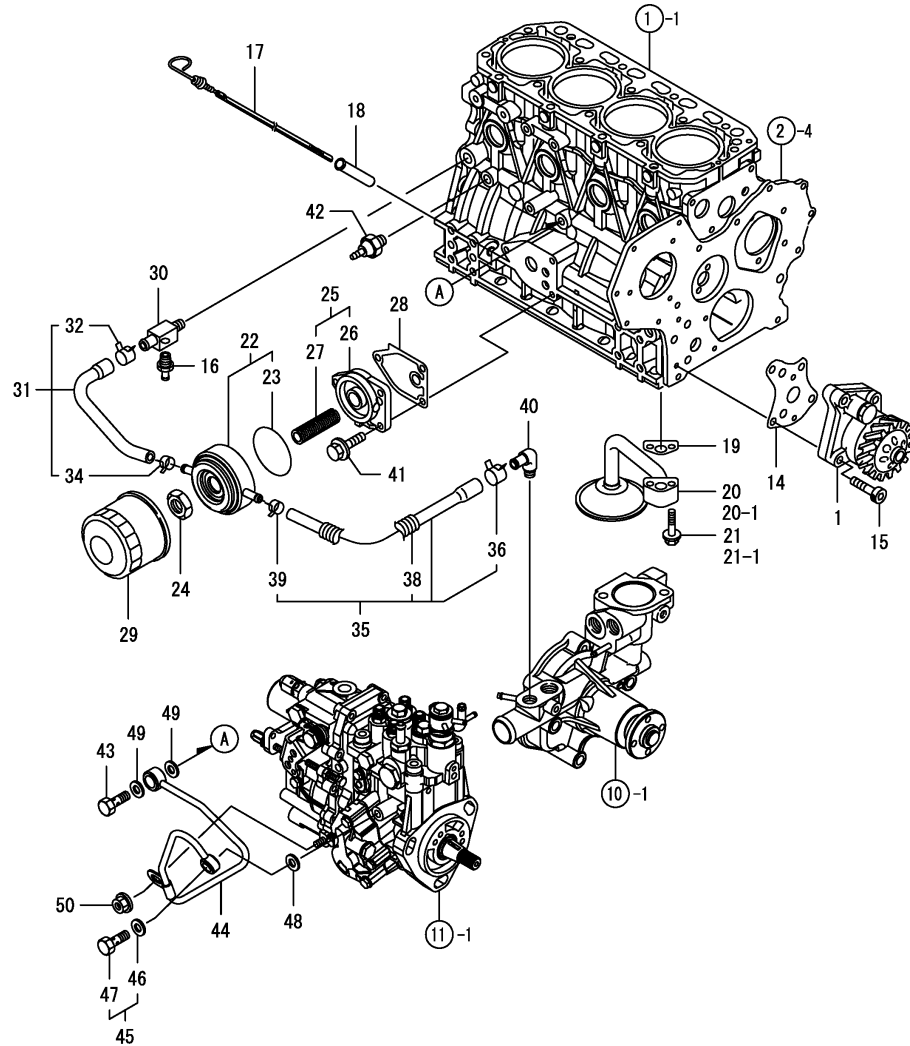
Remarks

- (1) REPAIR PART.
- (2) UNDER-SIZED(U.S=0.25)PART.
- (3) OVER-SIZED(O.S=0.25)PART.

Fig.9. LUB.OIL SYSTEM

(A)=4TNV88-BPTB
(B)=4TNV88-BPTB1
(C)=4TNV88-BPTBT

(D)=4TNV88-BPTB1T
(E)=
(F)=



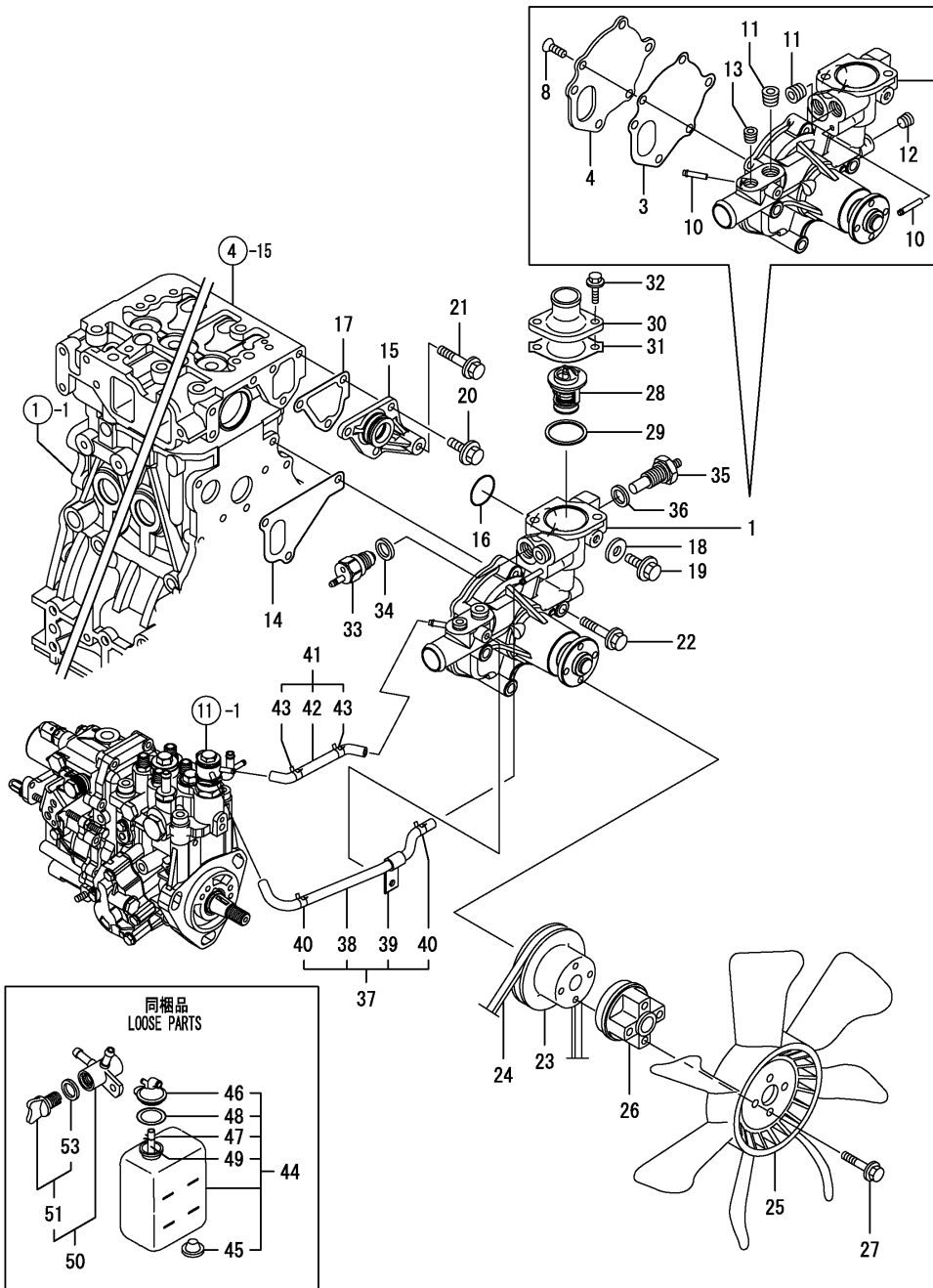
No.	Lev.	Parts No.	Description	Q'ty						I	R
				(A)	(B)	(C)	(D)	(E)	(F)		
1	1	129407-32000	PUMP ASSY, OIL	1	1	1	1				
14	1	129150-32020	GASKET, PUMP	1	1	1	1				
15	1	26450-060252	BOLT, M6X 25	4	4	4	4				
16	1	121550-49111	JOINT, PT1/4	1	1	1	1				
17	1	129004-34802	DIPSTICK, OIL	1	1	1	1				
18	1	121520-34810	GUIDE, DIPSTICK	1	1	1	1				
19	1	129150-35042	GASKET	1	1	1	1				
20	1	129436-35091	PIPE ASSY, OIL INLET	1	1	1	1				
20-1	1	129436-35070	PIPE ASSY	1	1	1	1				S
		(A=EZZZZZ) (B=EZZZZZ) (C=EZZZZZ) (D=EZZZZZ)									
21	1	26106-080352	BOLT, M8X 35 PLATED	2	2	2	2				
21-1	1	26106-080552	BOLT, M8X 55 PLATED	2	2	2	2				S
		(A=EZZZZZ) (B=EZZZZZ) (C=EZZZZZ) (D=EZZZZZ)									
22	1	129508-33010	COOLER ASSY, OIL	1	1	1	1				
23	2	129508-33050	O-RING	1	1	1	1				
24	1	129417-33110	NUT	1	1	1	1				
25	1	129006-35100	BRACKET ASSY, FILTER	1	1	1	1				
26	2	119802-35110	BRACKET, FILTER	1	1	1	1				
27	2	129417-35150	STUD, L=67	1	1	1	1				
28	1	129150-35111	GASKET	1	1	1	1				
29	1	129150-35153	FILTER	1	1	1	1				1
30	1	129006-44480	JOINT	1	1	1	1				
31	1	129508-49030	PIPE ASSY, WATER	1	1	1	1				
32	2	171008-03990	CLIP, HOSE 18.5	1	1	1	1				
34	2	23080-015000	CLAMP, 15	1	1	1	1				
35	1	129508-49040	PIPE ASSY, WATER	1	1	1	1				
36	2	171008-03990	CLIP, HOSE 18.5	1	1	1	1				
38	2	119940-59130	TUBE, CORRUGATED	1	1	1	1				
39	2	23080-015000	CLAMP, 15	1	1	1	1				
40	1	129103-49301	ELBOW, PT1/4	1	1	1	1				
41	1	26106-080202	BOLT, M8X 20 PLATED	3	3	3	3				
42	1	114250-39450	SWITCH, 0.5KG	1	1	1	1				
43	1	124160-39140	BOLT, PIPE JOINT M10	1	1	1	1				
44	1	119802-39450	PIPE ASSY, OIL	1	1	1	1				
45	1	129005-59830	BOLT ASSY, JOINT M8	1	1	1	1				
46	2	22190-080002	WASHER, SEAL 6	1	1	1	1				
47	2	23857-030000	BOLT, JOINT 3	1	1	1	1				
48	1	22190-080002	WASHER, SEAL 6	1	1	1	1				
49	1	22190-100002	WASHER, SEAL 10	2	2	2	2				
50	1	26366-060002	NUT, M6	1	1	1	1				

Remarks
(1) REPAIR PART.

Fig.10. COOLING WATER SYSTEM

(A)=4TNV88-BPTB
(B)=4TNV88-BPTB1
(C)=4TNV88-BPTBT

(D)=4TNV88-BPTB1T
(E)=
(F)=

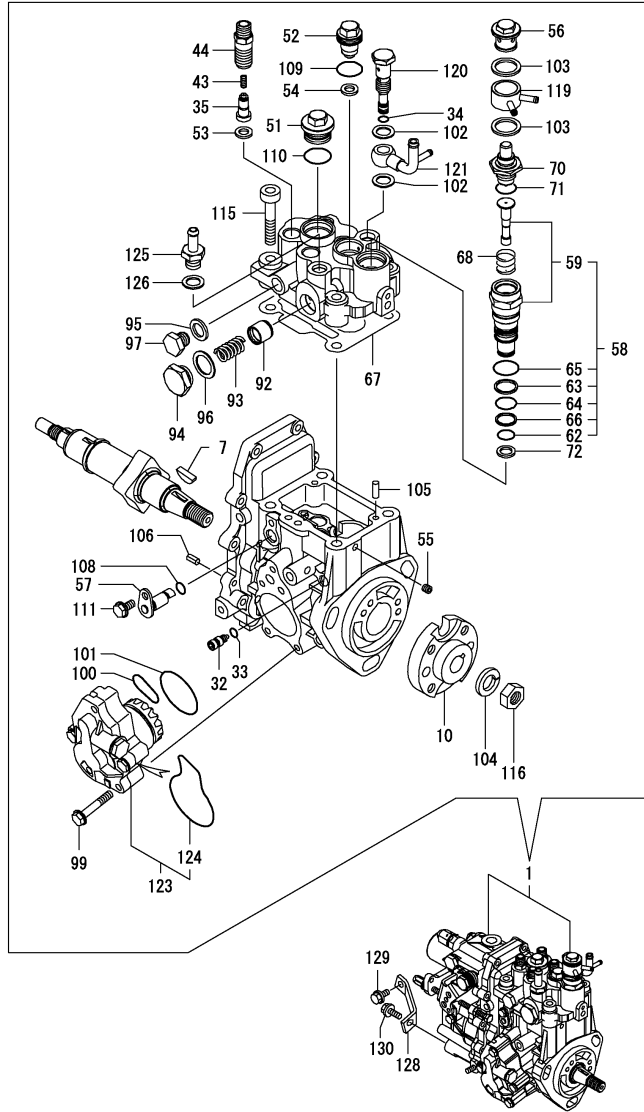


No.	Lev.	Parts No.	Description	Q'ty						I	R
				(A)	(B)	(C)	(D)	(E)	(F)		
1	1	129004-42001	PUMP ASSY, WATER	1	1	1	1				
3	2	129100-42051	GASKET, WATER PUMP	1	1	1	1				
4	2	129100-42121	PLATE	1	1	1	1				
8	2	121850-42410	SCREW	3	3	3	3				
10	2	119802-49113	JOINT, PIPE	2	2	2	2				
11	2	129916-49740	PLUG, R03	2	2	2	2				
12	2	23876-010000	PLUG, R01	1	1	1	1				
13	2	23876-020000	PLUG, R02	1	1	1	1				
14	1	129486-42021	GASKET, WATER PUMP	1	1	1	1				
15	1	129004-42040	JOINT	1	1	1	1				
16	1	129486-42140	O-RING, G30	1	1	1	1				
17	1	124395-49840	GASKET	1	1	1	1				
18	1	23414-080000	GASKET, 8X1.0	1	1	1	1				
19	1	26106-080122	BOLT, M8X 12 PLATED	1	1	1	1				
20	1	26106-080162	BOLT, M8X 16 PLATED	3	3	3	3				
21	1	26106-080452	BOLT, M8X 45 PLATED	1	1	1	1				
22	1	26106-080602	BOLT, M8X 60 PLATED	3	3	3	3				
23	1	129556-42350	V-PULLEY, 96	1	1	1	1				
24	1	25152-003800	V-BELT, A38	1	1	1	1				
25	1	129655-44740	FAN, COOLING D380	1	1	1	1				
26	1	129030-44760	SPACER, FAN L38.5	1	1	1	1				
27	1	26106-060502	BOLT, M6X 50 PLATED	4	4	4	4				
28	1	129457-49801	THERMOSTAT, 82	1	1	1	1				
29	1	129150-49811	GASKET, THERMOSTAT	1	1	1	1				
30	1	129350-49530	COVER, THERMOSTAT	1	1	1	1				
31	1	129795-49551	GASKET	1	1	1	1				
32	1	26106-080222	BOLT, M8X 22 PLATED	2	2	2	2				
33	1	121250-44901	SWITCH, 110	1	1	1	1				
34	1	124465-44950	GASKET, 16	1	1	1	1				
35	1	119266-49350	SWITCH	1	1	1	1				
36	1	129150-49360	GASKET	1	1	1	1				
37	1	129004-49610	PIPE ASSY, WATER	1	1	1	1				
38	2	129004-49711	PIPE ASSY, WATER	1	1	1	1				
39	2	119802-49730	RETAINER, PIPE	1	1	1	1				
40	2	124722-59050	CLIP, HOSE 9	2	2	2	2				
41	1	129004-49620	PIPE ASSY, WATER	1	1	1	1				
42	2	129004-49721	PIPE ASSY, WATER	1	1	1	1				
43	2	124722-59050	CLIP, HOSE 9	2	2	2	2				
44	1	129466-44510	TANK ASSY, SUB	1	1	1	1				
45	2	121468-44540	PLUG	1	1	1	1				
46	2	121450-44531	CAP	1	1	1	1				
47	2	124450-44560	RETAINER	1	1	1	1				
48	2	121470-44581	GASKET	1	1	1	1				
49	2	121267-44590	PIPE	1	1	1	1				
50	1	129150-49100	COCK ASSY, 3-WAY	1	1	1	1				
51	2	129150-49080	COCK, DRAIN	1	1	1	1				
53	3	119629-49080	GASKET	1	1	1	1				

Fig.11. FUEL INJECTION PUMP

(A)=4TNV88-BPTB
(B)=4TNV88-BPTB1
(C)=4TNV88-BPTBT

(D)=4TNV88-BPTB1T
(E)=
(F)=



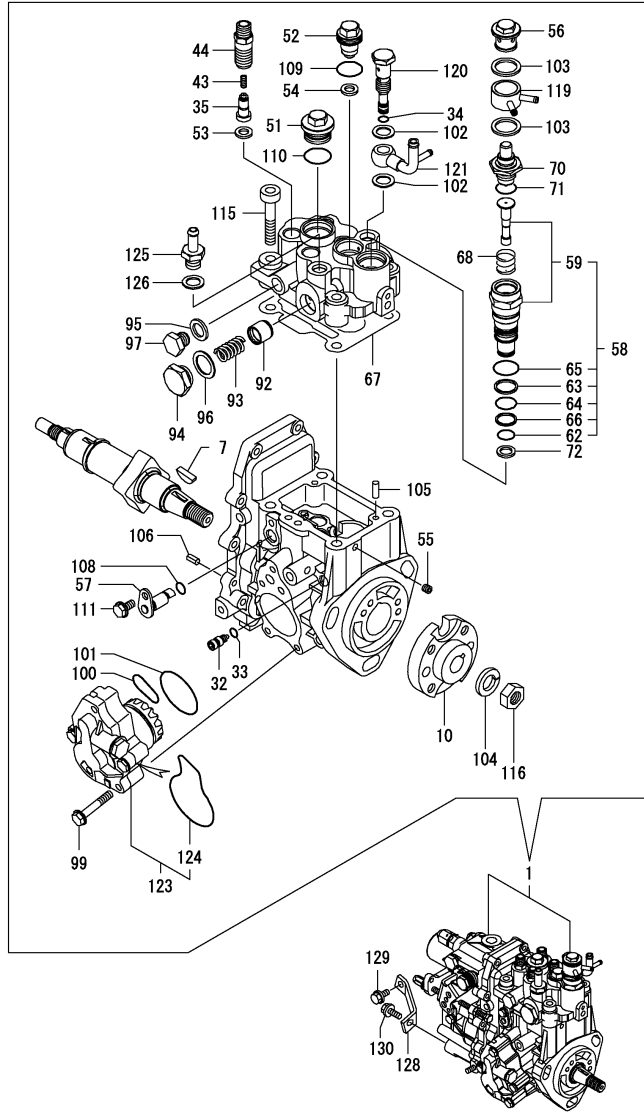
No.	Lev.	Parts No.	Description	Qty						I	R
				(A)	(B)	(C)	(D)	(E)	(F)		
1	1	729630-51400	PUMP ASSY, INJECTION	1	1	1	1				1
1-1	1	729630-51401	PUMP ASSY, INJECTION	1	1	1	1				N 1
		(A=*2008.11) (B=*2008.11) (C=*2008.11) (D=*2008.11)									
1-2	1	729630-51510	PUMP ASSY, INJECTION	1	1	1	1				S 2
		(A=E/#C6494) (B=E/#C6020) (C=E/#C6494) (D=E/#C6020)									
7	2	119802-51090	KEY, 4X16	1	1	1	1				
10	2	158552-51151	FLANGE	1	1	1	1				
32	2	158600-51270	STOPPER, TAPPET	1	1	1	1				
33	2	158563-51281	O-RING, 4D S6	1	1	1	1				
34	2	158563-51281	O-RING, 4D S6	1	1	1	1				
34A	2	129008-51390	VALVE ASSY, DELIVERY	4	4	4	4				W
		(A=*2008.04.) (B=*2008.04.) (C=*2008.04.) (D=*2008.04.)									
43	3	158563-51330	SPRING, DELIVERY	4	4	4	4				
51	2	158601-51550	PLUG	1	1	1	1				
52	2	119802-51560	PLUG, BARREL	1	1	1	1				
53	2	158552-51570	GASKET	3	3	3	3				
54	2	158552-51570	GASKET	1	1	1	1				
55	2	158557-51570	PLUG	1	1	1	1				
56	2	158601-51570	PLUG	1	1	1	1				
57	2	158552-51580	LIFTER	1	1	1	1				
58	2	119802-51590	TIMER SET	1	1	1	1				
59	3	119802-51600	TIMER ASSY	1	1	1	1				
62	3	158553-51670	O-RING, 1011	1	1	1	1				
63	3	119802-51680	RING, BACK UP	1	1	1	1				
64	3	119802-51690	O-RING	1	1	1	1				
65	3	24356-010200	O-RING, 4D1020	1	1	1	1				
66	3	24372-000150	RING, BACK UP T2P15	1	1	1	1				
67	2	158552-51600	GASKET	1	1	1	1				
68	2	158553-51630	SPRING, TIMER	1	1	1	1				
70	3	158553-51640	ELEMENT	1	1	1	1				
70-1	3	158553-51650	ELEMENT	1	1	1	1				N
		(A=*2008.11) (B=*2008.11) (C=*2008.11) (D=*2008.11)									
71	2	158553-51660	O-RING, P14	1	1	1	1				
72	2	158553-51680	GASKET	1	1	1	1				
92	2	158601-51770	PISTON	1	1	1	1				
93	2	158552-51781	SPRING	1	1	1	1				
94	2	158601-51790	PLUG	1	1	1	1				
95	2	22190-120002	WASHER, SEAL 12	1	1	1	1				
96	2	22190-180002	WASHER, SEAL 18	1	1	1	1				
97	2	23887-120002	PLUG, 12	1	1	1	1				
99	2	158553-51770	BOLT	4	4	4	4				
100	2	158552-52310	O-RING	1	1	1	1				
101	2	158552-52400	O-RING, 4E S42	1	1	1	1				
102	2	22190-120002	WASHER, SEAL 12	2	2	2	2				
103	2	22190-180002	WASHER, SEAL 18	2	2	2	2				
104	2	22217-140000	WASHER, SPRING 14	1	1	1	1				
105	2	22312-050140	PIN, PARALLEL M5X14	2	2	2	2				
106	2	22351-050010	PIN, SPRING 5.0X10	2	2	2	2				
108	2	24311-000070	O-RING, 1AP7.0	1	1	1	1				
109	2	24356-010180	O-RING, 4D1018	1	1	1	1				
110	2	24356-010200	O-RING, 4D1020	1	1	1	1				

Remarks
(1)GOVERNOR ASSY(FIG.12) IS INCORPORATED IN THIS FOP CMP (REF NO.1).
(2)NO.1-2 & FIG.13 NO.1-1 INTERCHANGEABLE BY SET.

Fig.11. FUEL INJECTION PUMP

(A)=4TNV88-BPTB
 (B)=4TNV88-BPTB1
 (C)=4TNV88-BPTBT

(D)=4TNV88-BPTB1T
 (E)=
 (F)=



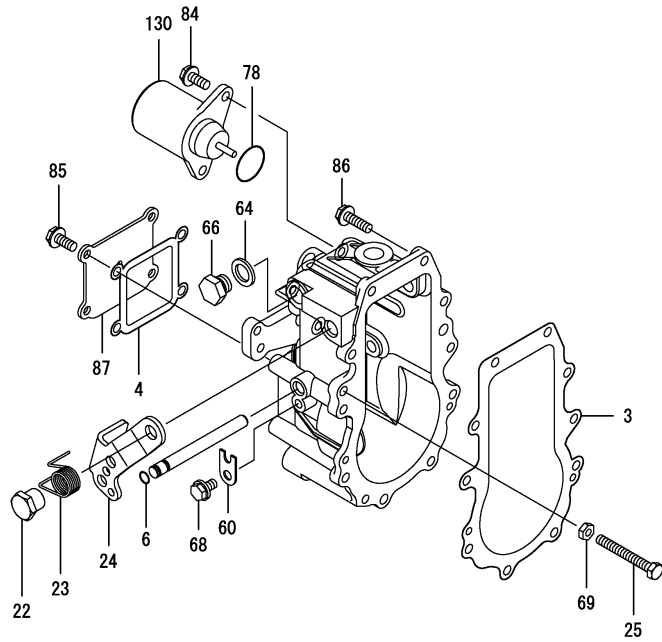
No.	Lev.	Parts No.	Description	Qty						I	R
				(A)	(B)	(C)	(D)	(E)	(F)		
111	2	26106-060102	BOLT, M6X 10 PLATED	1	1	1	1				
115	2	26450-080452	BOLT, M8X 45	4	4	4	4				
116	2	26776-140002	NUT, LOCK M14	1	1	1	1				
119	2	158553-51551	JOINT	1	1	1	1				
120	2	158601-51650	JOINT, OVER FLOW	1	1	1	1				
121	2	158552-51670	JOINT, OVER FLOW	1	1	1	1				
123	2	158552-52100	PUMP ASSY, FUEL FEED	1	1	1	1				
124	3	158552-52500	O-RING	1	1	1	1				
125	2	119934-59910	JOINT, PIPE	1	1	1	1				
126	2	22190-120002	WASHER, SEAL 12	1	1	1	1				
128	1	129601-51250	RETAINER, PUMP	1	1	1	1				
129	1	26106-080162	BOLT, M8X 16 PLATED	1	1	1	1				
130	1	26106-080202	BOLT, M8X 20 PLATED	1	1	1	1				

Remarks
 (1)GOVERNOR ASSY(FIG.12) IS INCORPORATED IN THIS FOP CMP (REF NO.1).
 (2)NO.1-2 & FIG.13 NO.1-1 INTERCHANGEABLE BY SET.

Fig.12. GOVERNOR

(A)=4TNV88-BPTB
(B)=4TNV88-BPTB1
(C)=4TNV88-BPTBT

(D)=4TNV88-BPTB1T
(E)=
(F)=



No.	Lev.	Parts No.	Description	Qty						I	R
				(A)	(B)	(C)	(D)	(E)	(F)		
3	2	158553-61050	GASKET	1	1	1	1				
4	2	158553-61070	GASKET	1	1	1	1				
6	2	129155-51280	O-RING, S6	1	1	1	1				
22	2	129255-61410	NUT, LOCK	1	1	1	1				
23	2	119807-61420	SPRING, RETURN	1	1	1	1				
24	2	158552-61441	LEVER, REGULATOR	1	1	1	1				
25	2	129155-61460	BOLT, IDLE	1	1	1	1				
60	2	119660-61901	RETAINER, SHAFT	1	1	1	1				
64	2	22190-120000	WASHER, SEAL 12	1	1	1	1				
66	2	23887-120002	PLUG, 12	1	1	1	1				
68	2	26106-060102	BOLT, M6X 10 PLATED	1	1	1	1				
69	2	26756-060002	NUT, LOCK M6	1	1	1	1				
78	2	158552-61900	O-RING	1	1	1	1				
84	2	26106-060142	BOLT, M6X 14 PLATED	2	2	2	2				
85	2	26106-060142	BOLT, M6X 14 PLATED	4	4	4	4				
86	2	26106-060202	BOLT, M6X 20 PLATED	10	10	10	10				
87	2	129642-61060	COVER, GOVERNOR CASE	1	1	1	1				
130	2	119233-77932	SOLENOID, STOP	1	1	1	1				

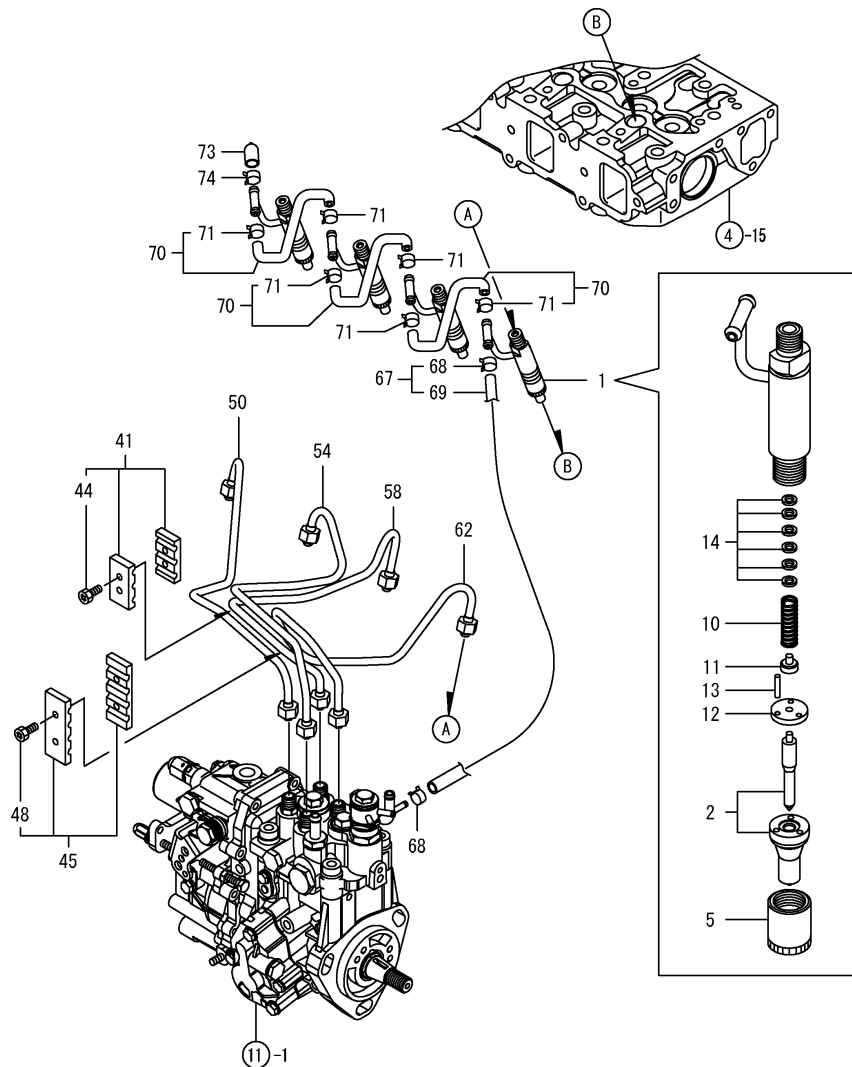
Remarks

* THIS FIGURE(GOVERNOR ASSY)IS
INCORPORATED IN THE FUEL INJECTION
PUMP ASSY(FIG.11).

Fig.13. FUEL INJECTION VALVE

(A)=4TNV88-BPTB
(B)=4TNV88-BPTB1
(C)=4TNV88-BPTBT

(D)=4TNV88-BPTB1T
(E)=
(F)=



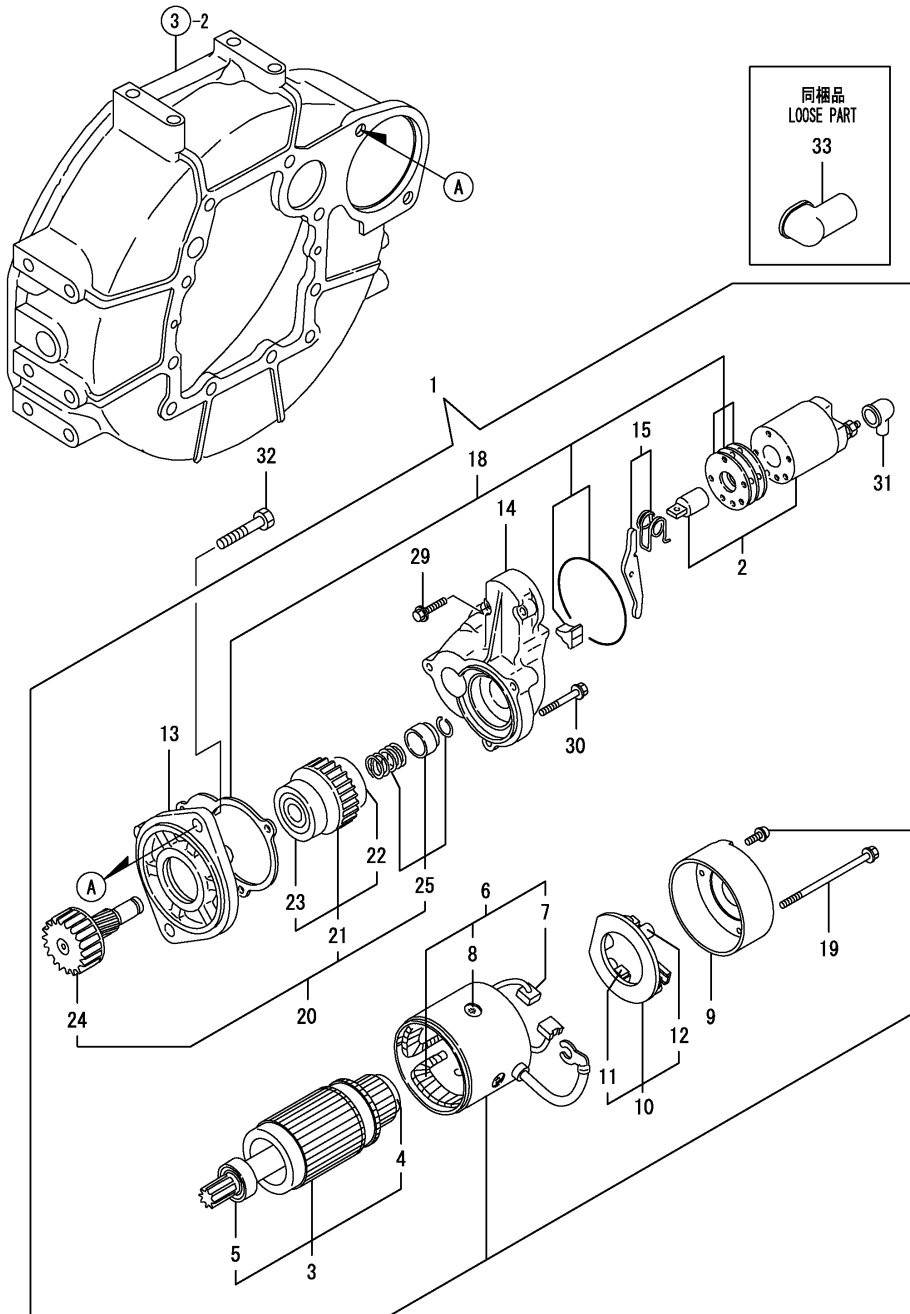
No.	Lev.	Parts No.	Description	Qty						I	R
				(A)	(B)	(C)	(D)	(E)	(F)		
1	1	729604-53100	VALVE ASSY,INJECTION	4	4	4	4				
1-1	1	729604-53300	VALVE ASSY,INJECTION	4	4	4	4			S	1
(A=E/#C6494) (B=E/#C6020) (C=E/#C6494) (D=E/#C6020)											
2	2	129604-53000	VALVE ASSY,INJECTION	4	4	4	4				
2-1	2	129604-53300	VALVE ASSY,INJECTION	4	4	4	4			S	
(A=E/#C6494) (B=E/#C6020) (C=E/#C6494) (D=E/#C6020)											
5	2	114250-53080	NUT, NOZZLE D16.95	4	4	4	4				
10	2	114250-53120	SPRING, NOZZLE	4	4	4	4				
11	2	114250-53130	SEAT, SPRING	4	4	4	4				
12	2	114250-53140	PLATE	4	4	4	4				
13	2	114250-53210	PIN	8	8	8	8				
14	2	119803-53400	SHIM SET	4	4	4	4				
41	1	129150-59120	RETAINER, PIPE	1	1	1	1				
44	2	129150-59131	BOLT, M4X14	2	2	2	2				
45	1	129550-59120	RETAINER, PIPE	1	1	1	1				
48	2	129150-59131	BOLT, M4X14	2	2	2	2				
50	1	129601-59810	PIPE ASSY, INJECTION	1	1	1	1				
54	1	129601-59820	PIPE ASSY, INJECTION	1	1	1	1				
58	1	129601-59830	PIPE ASSY, INJECTION	1	1	1	1				
62	1	129601-59840	PIPE ASSY, INJECTION	1	1	1	1				
67	1	119802-59550	PIPE ASSY, RETURN	1	1	1	1				
68	2	124722-59050	CLIP, HOSE 9	2	2	2	2				
69	2	119802-59560	PIPE, FUEL RETURN	1	1	1	1				
70	1	129486-59551	PIPE ASSY, RETURN	3	3	3	3				
71	2	124722-59050	CLIP, HOSE 9	6	6	6	6				
73	1	119593-59581	CAP	1	1	1	1				
74	1	124060-77680	CLIP, HOSE 10	1	1	1	1				

Remarks
(1)NO.1-1 & FIG.11 NO.1-2
INTERCHANGEABLE BY SET.

Fig.15. STARTING MOTOR

(A)=4TNV88-BPTB
(B)=4TNV88-BPTB1
(C)=4TNV88-BPTBT

(D)=4TNV88-BPTB1T
(E)=
(F)=

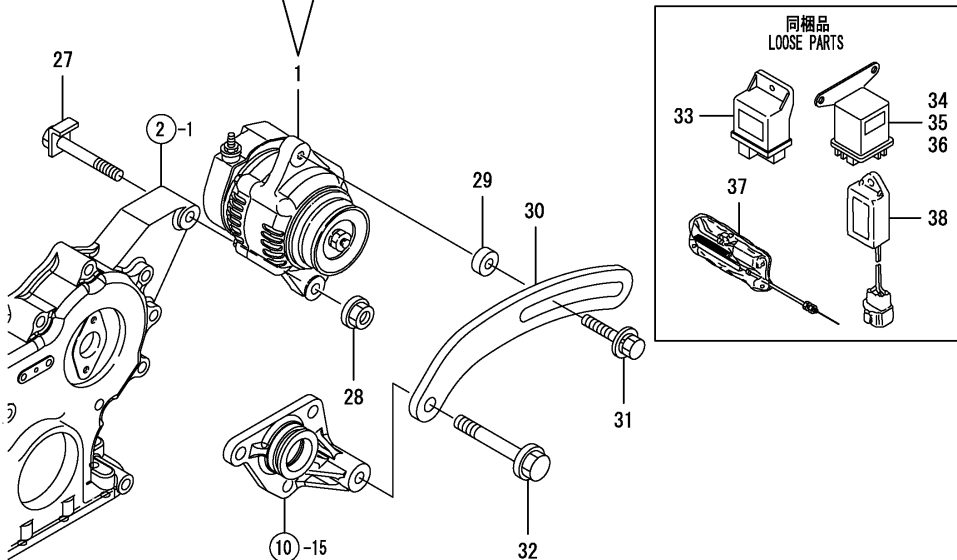
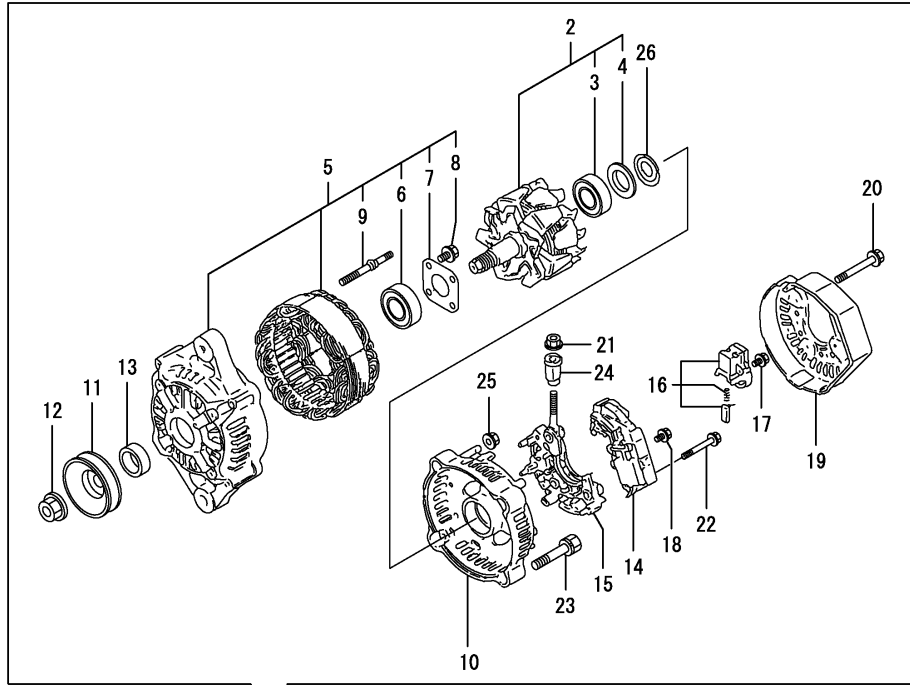


No.	Lev.	Parts No.	Description	Qty						I	R
				(A)	(B)	(C)	(D)	(E)	(F)		
1	1	129136-77011	STARTER	1	1	1	1				
2	2	129136-77310	SWITCH ASSY	1	1	1	1				
3	2	129900-77400	ARMATURE ASSY	1	1	1	1				
4	3	X2130350900	BEARING, BALL	1	1	1	1				
5	3	X2114255110	BEARING, BALL	1	1	1	1				
6	2	129900-77440	COIL ASSY, FIELD	1	1	1	1				
7	3	129900-77450	BRUSH	2	2	2	2				
8	3	171008-77450	SCREW	4	4	4	4				
9	2	129900-77460	COVER	1	1	1	1				
10	2	129900-77480	HOLDER ASSY, BRUSH	1	1	1	1				
11	3	129900-77450	BRUSH	2	2	2	2				
12	3	129400-77490	SPRING	4	4	4	4				
13	2	171008-77510	CASE, GEAR	1	1	1	1				
14	2	129136-77520	HOUSING	1	1	1	1				
15	2	171008-77540	LEVER SET	1	1	1	1				
18	2	129400-77571	COVER ASSY, DUST	1	1	1	1				
19	2	129900-77640	BOLT, THROUGH	2	2	2	2				
20	2	171008-77650	PINION ASSY	1	1	1	1				
21	3	X2114555500	CLUTCH ASSY	1	1	1	1				
22	4	X2114955020	BEARING, BALL	1	1	1	1				
23	4	X2240410100	BEARING, BALL	1	1	1	1				
24	3	171008-77660	SHAFT	1	1	1	1				
25	3	171008-77670	STOPPER SET	1	1	1	1				
29	2	26106-060322	BOLT, M6X 32 PLATED	2	2	2	2				
30	2	26106-060402	BOLT, M6X 40 PLATED	3	3	3	3				
31	2	171008-77750	COVER	1	1	1	1				
32	1	26116-120252	BOLT, M12X 25 PLATED	2	2	2	2				
33	1	124550-77030	COVER, TERMINAL	1	1	1	1				

Fig.16. GENERATOR

(A)=4TNV88-BPTB
(B)=4TNV88-BPTB1
(C)=4TNV88-BPTBT

(D)=4TNV88-BPTB1T
(E)=
(F)=



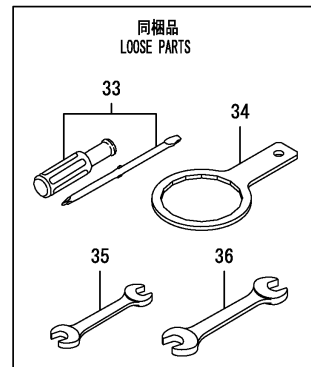
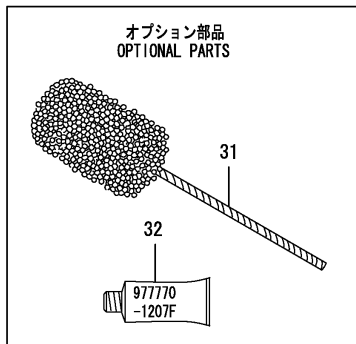
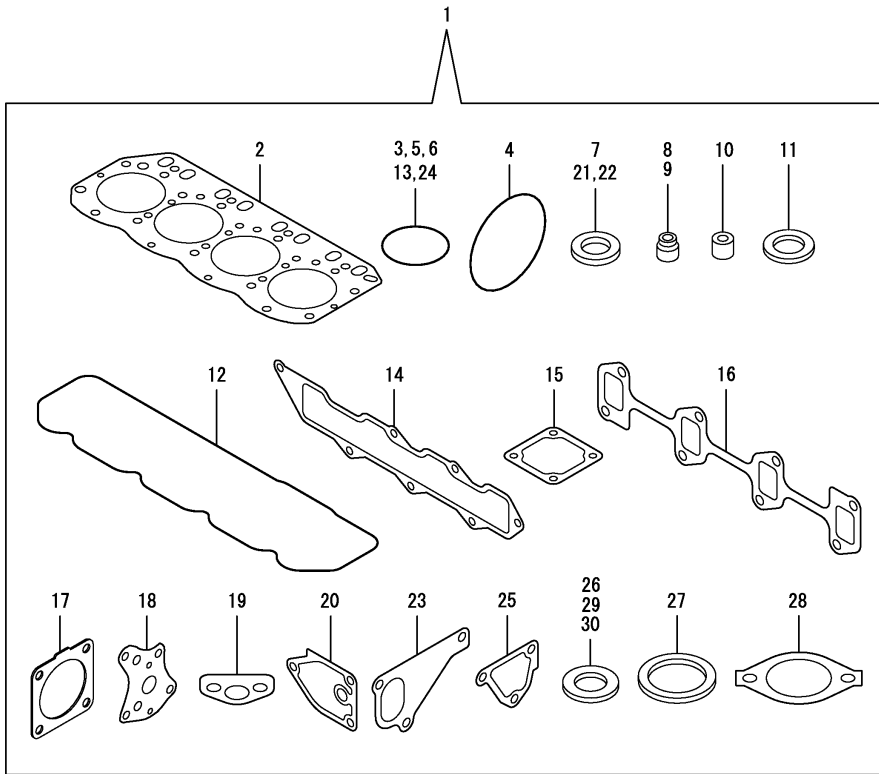
No.	Lev.	Parts No.	Description	Qty						I	R
				(A)	(B)	(C)	(D)	(E)	(F)		
1	1	129240-77200	ALTERNATOR	1	1	1	1				
2	2	119620-77380	ROTOR ASSY	1	1	1	1				
3	3	123501-79240	BEARING, BALL	1	1	1	1				
4	3	119620-79250	COVER	1	1	1	1				
5	2	119620-77421	FRAME ASSY, DRIVE	1	1	1	1				
6	3	119620-79200	BEARING, BALL	1	1	1	1				
7	3	119620-79210	PLATE, RETAINER	1	1	1	1				
8	3	119620-79220	SCREW	4	4	4	4				
9	3	119620-79230	STUD	2	2	2	2				
10	2	119620-77440	FRAME ASSY	1	1	1	1				
11	2	119620-77461	PULLEY	1	1	1	1				
12	2	119620-77471	NUT	1	1	1	1				
13	2	119620-77490	COLLAR	1	1	1	1				
14	2	129240-77710	REGULATOR ASSY	1	1	1	1				
15	2	119620-79260	HOLDER	1	1	1	1				
16	2	129052-79270	HOLDER, BRUSH	1	1	1	1				
17	2	119620-79290	SCREW	6	6	6	6				
18	2	119620-79300	SCREW	1	1	1	1				
19	2	129240-79300	COVER	1	1	1	1				
20	2	119620-79310	BOLT	3	3	3	3				
21	2	129240-79310	NUT	1	1	1	1				
22	2	119620-79320	SCREW	2	2	2	2				
23	2	119620-79330	BOLT	2	2	2	2				
24	2	119620-79340	BUSH, INSULATION	1	1	1	1				
25	2	119620-79350	NUT	2	2	2	2				
26	2	119620-79360	WASHER, THRUST	1	1	1	1				
27	1	119740-77250	BOLT, M10X76	1	1	1	1				
28	1	26306-100002	NUT, M10	1	1	1	1				
29	1	119940-77270	SPACER, GENERATOR	1	1	1	1				
30	1	119802-77330	ADJUSTER	1	1	1	1				
31	1	129972-77341	BOLT, ADJUSTER L=50	1	1	1	1				
32	1	26106-080452	BOLT, M8X 45 PLATED	1	1	1	1				
33	1	119802-77200	RELAY, SAFETY	1	1	1	1				
34	1	119646-77900	RELAY, POWER	1	1	1	1				
35	1	119646-77900	RELAY, POWER	1	1	1	1				
36	1	119646-77900	RELAY, POWER	1	1	1	1				
37	1	119032-77910	MOTOR ASSY	1	1	1	1				
38	1	129211-77920	TIMER	1	1	1	1				

Fig.17. GASKET SET

(A)=4TNV88-BPTB
(B)=4TNV88-BPTB1
(C)=4TNV88-BPTBT

(D)=4TNV88-BPTB1T
(E)=
(F)=

No.	Lev.	Parts No.	Description	Q'ty						I	R
				(A)	(B)	(C)	(D)	(E)	(F)		
1	1	729602-92640	GASKET SET	1	1	1	1				1
2	2	129407-01340	GASKET, HEAD	1	1	1	1				
3	2	119609-32040	O-RING, P16	2	2	2	2				
4	2	121850-51960	O-RING	1	1	1	1				
5	2	24311-000320	O-RING, 1AP32.0	2	2	2	2				
6	2	24341-000240	O-RING, 1AS24.0	1	1	1	1				
7	2	22190-220002	WASHER, SEAL 22	1	1	1	1				
8	2	121400-11340	SEAL, VALVE STEM	4	4	4	4				
9	2	124460-11340	SEAL, VALVE STEM	4	4	4	4				
10	2	119802-11870	PROTECTOR, NOZZLE	4	4	4	4				
11	2	119625-11880	SEAT, NOZZLE	4	4	4	4				
12	2	129601-11310	GASKET, BONNET	1	1	1	1				
13	2	24311-000120	O-RING, 1AP12.0	3	3	3	3				
14	2	129407-12110	GASKET, MANIFOLD	1	1	1	1				
15	2	129150-77511	GASKET	1	1	1	1				
16	2	129550-13110	GASKET	1	1	1	1				
17	2	129930-13201	GASKET, SILENCER	1	1	1	1				
18	2	129150-32020	GASKET, PUMP	1	1	1	1				
19	2	129150-35042	GASKET	1	1	1	1				
20	2	129150-35111	GASKET	1	1	1	1				
21	2	22190-080002	WASHER, SEAL 6	2	2	2	2				
22	2	22190-100002	WASHER, SEAL 10	2	2	2	2				
23	2	129486-42021	GASKET, WATER PUMP	1	1	1	1				
24	2	129486-42140	O-RING, G30	1	1	1	1				
25	2	124395-49840	GASKET	1	1	1	1				
26	2	23414-080000	GASKET, 8X1.0	1	1	1	1				
27	2	129150-49811	GASKET, THERMOSTAT	1	1	1	1				
28	2	129795-49551	GASKET	1	1	1	1				
29	2	124465-44950	GASKET, 16	1	1	1	1				
30	2	129150-49360	GASKET	1	1	1	1				
31	1	129400-92430	HONE	1	1	1	1				1
32	1	977770-1207F	GASKET.LIQUID	1	1	1	1				1
33	1	104200-92350	DRIVER, SCREW	1	1	1	1				
34	1	119640-92750	WRENCH, FILTER 80	1	1	1	1				
35	1	28110-100120	SPANNER, 10X12	1	1	1	1				
36	1	28110-140170	SPANNER, 14X17	1	1	1	1				



Remarks
(1) OPTIONAL PART.

Parts No. Index

Parts No.	Fig. No.	Ref. No.
104200-92350	17	33
105025-59560	14	7
105225-59511	14	11
114250-39450	9	42
114250-53080	13	5
114250-53120	13	10
114250-53130	13	11
114250-53140	13	12
114250-53210	13	13
119032-77910	16	37
119131-18320	6	5
119140-12680	5	17
119233-77932	12	130
119266-49350	10	35
119593-59581	13	73
119609-32040	2	9
	17	3
119620-01750	3	3
119620-77380	16	2
119620-77421	16	5
119620-77440	16	10
119620-77461	16	11
119620-77471	16	12
119620-77490	16	13
119620-79200	16	6
119620-79210	16	7
119620-79220	16	8
119620-79230	16	9
119620-79250	16	4
119620-79260	16	15
119620-79290	16	17
119620-79300	16	18
119620-79310	16	20
119620-79320	16	22
119620-79330	16	23
119620-79340	16	24
119620-79350	16	25
119620-79360	16	26
119625-11880	4	32
	17	11
119629-49080	10	53
119640-01640	3	8
119640-92750	17	34
119646-77900	16	34
		35
		36
119660-61901	12	60
119740-77250	16	27
119802-01561	2	5
119802-03110	4	43

Parts No.	Fig. No.	Ref. No.
119802-03121	4	44
119802-03130	4	45
119802-03141	4	46
119802-11260	4	6
119802-11270	4	7
119802-11870	4	31
	17	10
119802-21650	8	8
119802-25071	7	13
119802-25101	7	10
119802-25901	7	16
119802-35110	9	26
119802-39450	9	44
119802-49113	10	10
119802-49730	10	39
119802-51090	11	7
119802-51560	11	52
119802-51590	11	58
119802-51600	11	59
119802-51680	11	63
119802-51690	11	64
119802-55710	14	16
119802-55730	14	17
119802-59550	13	67
119802-59560	13	69
119802-77200	16	33
119802-77330	16	30
119803-01520	2	4
119803-21200	8	4
119803-25050	7	9
119803-53400	13	14
119803-77520	5	8
119803-77830	4	54
119807-61420	12	23
119808-12540	5	14
119865-21600	8	14
119866-12541	5	15
119934-01800	2	3
119934-59910	11	125
119940-59130	9	38
119940-77270	16	29
120130-11860	4	29
120270-54410	4	34
121023-01551	2	19
121111-21501	8	11
121250-44901	10	33
121267-44590	10	49
121400-11340	4	25
	17	8
121450-44531	10	46

Parts No.	Fig. No.	Ref. No.
121468-44540	10	45
121470-44581	10	48
121520-34810	9	18
121550-23200	8	27
121550-49111	9	16
121750-59890	14	12
121850-21680	8	10
121850-42410	10	8
121850-51960	2	10
	17	4
123501-79240	16	3
123900-13610	6	3
123900-13630	6	4
124060-01050	1	4
124060-77680	13	74
124160-01751	2	6
	4	39
124160-01910	1	6
		7
124160-11360	4	51
124160-39140	9	43
124240-01871	2	7
124395-49840	10	17
	17	25
124450-44560	10	47
124460-11340	4	26
	17	9
124465-44950	10	34
	17	29
124550-77030	15	33
124722-59050	10	40
		43
	13	68
		71
124766-59050	14	5
		9
129001-01250	1	5
129001-02931	1	29
129001-91841	2	11
129004-03010	4	41
129004-11650	4	9
129004-11900	4	33
129004-12520	5	12
129004-34802	9	17
129004-42001	10	1
129004-42040	10	15
129004-49610	10	37
129004-49620	10	41
129004-49711	10	38
129004-49721	10	42

Parts No.	Fig. No.	Ref. No.
129004-55612	14	1
129005-11100	4	21
129005-22080	8	15
129005-22500	8	17
129005-22900	8	33
129005-22950	8	35
129005-59830	9	45
129006-35100	9	25
129006-44480	9	30
129008-51390	11	34 A
129008-77800	4	55
129030-44760	10	26
129052-79270	16	16
129100-01580	3	1
		14
	8	2
129100-01640	3	15
129100-11112	4	22
129100-23910	8	30
129100-42051	10	3
129100-42121	10	4
129100-55690	14	15
129103-49301	9	40
129136-77011	15	1
129136-77310	15	2
129136-77520	15	14
129150-01200	1	27
129150-02020	1	9
129150-02450	7	4
129150-02871	1	32
129150-02931	1	24
129150-02941	1	35
129150-03070	4	42
129150-11230	4	10
129150-11280	4	8
129150-11370	4	14
129150-11750	4	12
129150-11810	4	30
129150-14101	7	6
129150-14200	7	1
129150-14400	7	2
129150-23601	8	28
129150-23611	8	31
129150-25301	7	15
129150-32020	9	14
	17	18
129150-35042	9	19
	17	19
129150-35111	9	28
	17	20

Parts No. Index

Parts No.	Fig. No.	Ref. No.
129150-35153	9	29
129150-49080	10	51
129150-49100	10	50
129150-49360	10	36
	17	30
129150-49811	10	29
	17	27
129150-59120	13	41
129150-59131	13	44
		48
129150-77511	5	7
	17	15
129155-51280	12	6
129155-61460	12	25
129202-22300	8	21
129211-77920	16	38
129236-12510	5	11
129240-77200	16	1
129240-77710	16	14
129240-79300	16	19
129240-79310	16	21
129255-61410	12	22
129259-12570	5	16
129350-49530	10	30
129400-01730	3	6
129400-01770	3	7
129400-77490	15	12
129400-77571	15	18
129400-92430	17	31
129407-01340	1	28
	17	2
129407-12110	5	4
	17	14
129407-32000	9	1
129410-03990	5	2
129417-33110	9	24
129417-35150	9	27
129418-12530	5	13
129436-35070	9	20 -1
129436-35091	9	20
129457-49801	10	28
129466-44510	10	44
129486-01670	3	18
129486-42021	10	14
	17	23
129486-42140	10	16
	17	24
129486-59551	13	70
129508-33010	9	22
129508-33050	9	23

Parts No.	Fig. No.	Ref. No.
129508-49030	9	31
129508-49040	9	35
129550-13110	6	2
	17	16
129550-59120	13	45
129556-42350	10	23
129601-03080	5	1
129601-11241	4	3
129601-11251	4	4
129601-11310	4	48
	17	12
129601-11350	4	40
129601-12100	5	3
129601-51250	11	128
129601-59810	13	50
129601-59820	13	54
129601-59830	13	58
129601-59840	13	62
129604-11700	4	15
129604-21000	8	1
129604-53000	13	2
129604-53300	13	2 -1
129604-77821	4	56
129612-01600	3	2
129612-52100	14	13
129630-59010	14	4
129640-13109	6	1
129642-13520	6	8
129642-13530	6	9
129642-13590	6	12
129642-21590	8	12
129642-61060	12	87
129655-44740	10	25
129688-01780	3	7 -1
129795-01780	3	17
129795-01950	2	8
129795-02412	1	12
129795-11120	4	23
129795-11180	4	24
129795-21661	8	9
129795-49551	10	31
	17	28
129900-07900	4	1
129900-77400	15	3
129900-77440	15	6
129900-77450	15	7
		11
129900-77460	15	9
129900-77480	15	10
129900-77640	15	19

Parts No.	Fig. No.	Ref. No.
129906-55700	14	14
129907-55801	14	2
129916-49740	10	11
129930-13201	6	7
	17	17
129956-59010	14	8
129957-59101	14	10
129961-59110	14	6
129972-77341	16	31
158552-51151	7	17
	11	10
158552-51570	11	53
		54
158552-51580	11	57
158552-51600	11	67
158552-51670	11	121
158552-51781	11	93
158552-52100	11	123
158552-52310	11	100
158552-52400	11	101
158552-52500	11	124
158552-61441	12	24
158552-61900	12	78
158553-51551	11	119
158553-51630	11	68
158553-51640	11	70
158553-51650	11	70 -1
158553-51660	11	71
158553-51670	11	62
158553-51680	11	72
158553-51770	11	99
158553-61050	12	3
158553-61070	12	4
158557-51570	11	55
158563-51281	11	33
		34
158563-51330	11	43
158600-51270	11	32
158601-51550	11	51
158601-51570	11	56
158601-51650	11	120
158601-51770	11	92
158601-51790	11	94
171008-03990	9	32
		36
171008-77450	15	8
171008-77510	15	13
171008-77540	15	15
171008-77650	15	20
171008-77660	15	24

Parts No.	Fig. No.	Ref. No.
171008-77670	15	25
171008-77750	15	31
171051-01921	1	8
22117-100000	6	14
22190-080002	2	12
	9	46
		48
	17	21
22190-100002	9	49
	17	22
22190-120000	12	64
22190-120002	11	95
		102
		126
22190-180002	11	96
		103
22190-220002	3	10
	17	7
22217-100000	6	15
22217-140000	7	18
	11	104
22252-000260	8	22
22312-050140	11	105
22351-030010	8	7
22351-050010	11	106
22351-060012	4	35
22512-070140	7	7
	8	5
22857-500100	4	49
		50
23080-015000	9	34
		39
23414-080000	10	18
	17	26
23857-030000	9	47
23876-010000	10	12
23876-020000	10	13
23887-120002	11	97
	12	66
24311-000070	11	108
24311-000120	4	52
	17	13
24311-000160	14	18
24311-000320	2	13
	4	53
	17	5
24321-000650	14	19
24341-000240	2	20
	17	6
24356-010180	11	109

Parts No. Index

Parts No.	Fig. No.	Ref. No.
24356-010200	11	65 110
24372-000150	11	66
25152-003800	10	24
26106-060102	11	111
	12	68
26106-060142	12	84 85
26106-060162	2	21
26106-060202	12	86
26106-060322	15	29
26106-060402	15	30
26106-060502	10	27
26106-080122	10	19
26106-080142	7	8
26106-080162	2	14 17
	3	11
	4	2
	10	20
	11	129
26106-080202	5	5 9
	9	41
	11	130
26106-080222	10	32
26106-080252	3	12
	4	36
26106-080302	2	15
	14	3
26106-080352	3	19
	4	37
	9	21
26106-080402	7	14
26106-080452	3	13 13 -1
	10	21
	16	32
26106-080502	3	20
	4	38
26106-080552	2	16
	9	21 -1
26106-080602	10	22
26106-080802	5	6 10
26106-100202	6	10
26106-100652	6	16
26116-120252	15	32
26206-100252	3	4
26206-100302	3	5

Parts No.	Fig. No.	Ref. No.
26226-080182	4	13
26306-080002	2	18
	6	6 11
26306-100002	16	28
26366-060002	9	50
26450-060252	9	15
26450-080452	11	115
26706-100002	6	17
26756-060002	12	69
26776-140002	7	19
	11	116
27241-120000	1	13
27241-300000	1	14
27241-400000	4	20
27310-080001	4	27
28110-100120	17	35
28110-140170	17	36
729402-14580	7	3
729402-23100	8	23
729602-01560	1	1
729602-92640	17	1
729604-53100	13	1
729604-53300	13	1 -1
729630-01500	2	1
729630-51400	11	1
729630-51401	11	1 -1
729630-51510	11	1 -2
977770-1207F	17	32
X2114255110	15	5
X2114555500	15	21
X2114955020	15	22
X2130350900	15	4
X2240410100	15	23

Parts No.	Fig. No.	Ref. No.
-----------	----------	----------

Parts No.	Fig. No.	Ref. No.
-----------	----------	----------