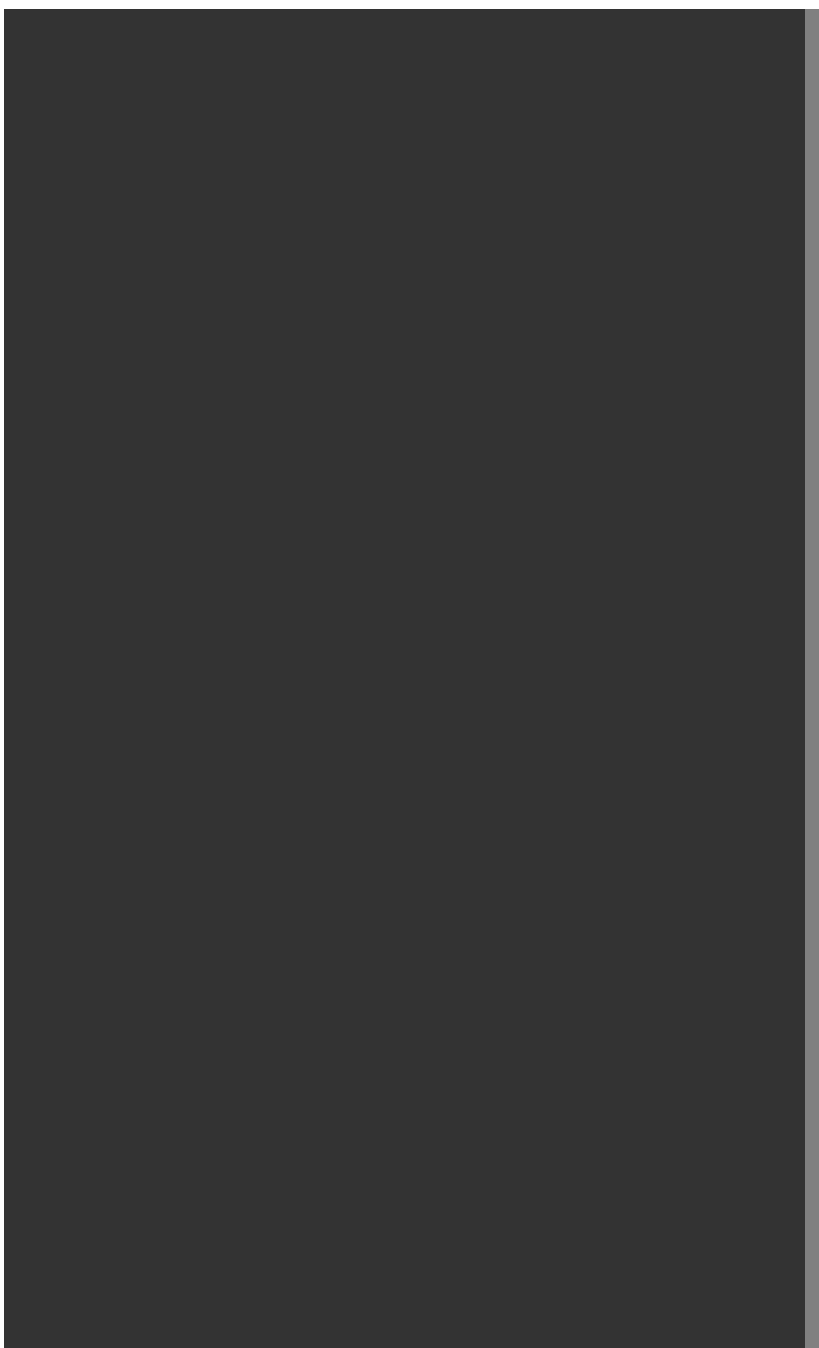


OCD10-M99500EN



PREFACE

1. This parts catalog is the 1st edition of 4TNV84T-ZKTBL for Takeuchi Mfg. Co., Ltd.

Pub.No. : 000Y00D9950

Published : February,2008

2. Model name

Engine model	Vehicle		Vehicle made by
	Products	Model name	
4TNV84T-ZKTBL	Track Loader	TL220	Takeuchi Mfg. Co., Ltd.

Directions for the Parts Catalog.

- The parts stipulated in this Parts Catalog are not necessarily standard equipped parts.
- Parts may change without prior notice.
- The following is an example of the Parts Catalog format.

OCF10-G21601 29. FUEL INJECTION PUMP(W/BOOST)

REF.	LEV.	PARTS NO.	DESCRIPTION	Q'TY						I	R
				(A)	(B)	(C)	(D)	(E)	(F)		
1	1	729595-51390	FUEL INJECTION PUMP	1	1	1	1	1			1
1-1	1	729595-51391	FUEL INJECTION PUMP	1	1	1	1	1		N	1
		(A=E00185) (B=E00200)									
3	2	26022-060162	SCREW M 6X 16	9	9	9	9	9			
3-1	2	26022-060162	SCREW M 6X 16	4	4	4	4	4		K	
		(A=E00156) (B=E00156) (C=E00156) (D=E00156) (E=E00156)									
4	2	129470-51040	CAMSHAFT	1	1	1	1	1			
5	2	122710-51050	BEARING, ROLLER	2	2	2	2	2			
6	2	129470-51060	RETAINER	1	1	1	1	1			

Remarks

(1) BOOST COMPEMSATOR TYPE. OPTIONAL PART, TO E00155,(4JH-DT, 4JH-DTZ

① Ref. No.

The Ref. No. listed may not be in accordance with the illustration Ref. No.

(Ex.) Illustration No.

List Ref No.

1 1 (Before change) → 1-1 (After change)

For interchangeable symbols N, R and K, illustrations for new parts may be abbreviated.

② Lev. (Level)

Level indication

The numbers below indicate the level of relativity towards the main part.

1 ----- Main parts (Assembly parts)

2 ----- Sub component included in " 1 ".

3 ----- Sub component included in " 2 ".

Note) Parts that are not for sale are partially illustrated but not listed.

③ Interchangeability Mark

When a part change takes place, one of the following interchangeability symbols is indicated beside the part.

Symbol	Interchangeability	Contents note
N	Old $\begin{matrix} \leftarrow \text{Yes} \\ \text{No} \rightarrow \end{matrix}$ New	New Part is interchangeable for Old Part but Old Part is not interchangeable for New Part.
Q	Old $\begin{matrix} \leftarrow \text{No} \\ \text{Yes} \rightarrow \end{matrix}$ New	New Part is not interchangeable for Old Part but Old Part is interchangeable for New Part.
R	Old $\begin{matrix} \leftarrow \text{Yes} \\ \text{Yes} \rightarrow \end{matrix}$ New	New/ Old Parts are both interchangeable.
S	Old $\begin{matrix} \leftarrow \text{No} \\ \text{No} \rightarrow \end{matrix}$ New	New/ Old Parts are both not interchangeable.
W		Part newly added.
Z		Part discontinued.
F		Not interchangeable by a single part but interchangeable together with related parts.
K		Changes only for used parts quantities.

④ Effective Machine No.

When a part changes, the effective Machine No. will be indicated in the (A)-(F) column.

Product Symbol	Product No.	Product Symbol	Product No.
C	Clutch No. Compressor No.	F	Machine No. (Agricultural Equip.)
D	Drive No.	M	Machine No.
E	Engine No.		

Note 1) A date may follow the symbol. (Ex.) 1996.01

Note 2) "XXXXX" and "ZZZZZ" are for parts that could not be predicted or for engine models that could not be identified.

Note 3) (A=E00185) is the E (Engine Serial Number) for the column (A) model (in this case 4JH-DT) after the parts design change.

⑤ Remarks Mark

Figures or alphabets (symbols) are entered in the remarks column.

The comments (remarks) on parts that are indicated at the bottom of the illustration are the same symbols as those stated above.

Contents

OCD10-M99500

Fig. No. Fig. Name

Fig. No. Fig. Name

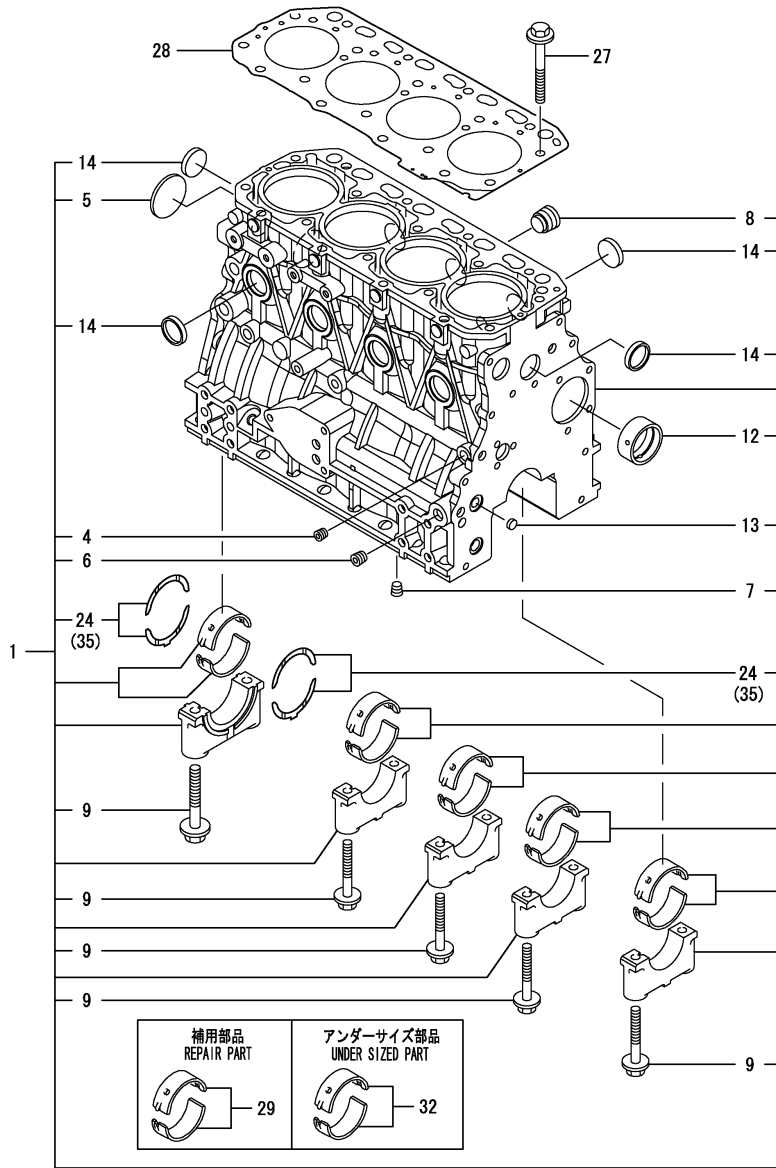
4TNV84T-ZKTBL

1. CYLINDER BLOCK
2. GEAR HOUSING
3. FLYWHEEL HOUSING & OIL SUMP
4. CYLINDER HEAD & BONNET
5. SUCTION MANIFOLD & AIR CLEANER
6. EXHAUST MANIFOLD & SILENCER
7. CAMSHAFT & DRIVING GEAR
8. TURBINE
9. CRANKSHAFT & PISTON
10. LUB.OIL SYSTEM
11. LUB.OIL LINE
12. COOLING WATER SYSTEM
13. FUEL INJECTION PUMP
14. GOVERNOR
15. FUEL INJECTION VALVE
16. FUEL FILTER
17. STARTING MOTOR
18. GENERATOR
19. ELECTRONIC CONTROL UNIT (ECU)
20. GASKET SET
21. LOOSE PART

Fig.1. CYLINDER BLOCK

(A)=4TNV84T-ZKTBL
(B)=
(C)=

(D)=
(E)=
(F)=



No.	Lev.	Parts No.	Description	Q'ty						I	R
				(A)	(B)	(C)	(D)	(E)	(F)		
1	1	729509-01560	BLOCK ASSY, CYLINDER	1							
4	2	124060-01050	PLUG, PT1/8	1							
5	2	129001-01250	PLUG, 50	1							
6	2	124160-01910	PLUG, PT1/4	2							
7	2	124160-01910	PLUG, PT1/4	1							
8	2	171051-01921	PLUG, NPTF1	1							
9	2	129150-02020	BOLT, METAL CAP	10							
12	2	129795-02412	BUSH, CAMSHAFT	1							
13	2	27241-120000	PLUG, 12	2							
14	2	27241-300000	PLUG 30	8							
24	2	129150-02931	BEARING, THRUST	2							
27	1	129150-01200	BOLT, HEAD	18							
28	1	129508-01330	GASKET, HEAD	1							
29	1	129001-02931	BEARING, MAIN	5							1
32	1	129150-02871	BEARING, 0.25 US	5							2
35	1	129150-02941	BEARING, THRUST 0.25	1							3

Remarks
 (1) REPAIR PART.
 (2) UNDER-SIZED(U.S=0.25)PART.
 (3) OVER-SIZED(O.S=0.25)PART.

Fig.2. GEAR HOUSING

(A)=4TNV84T-ZKTBL

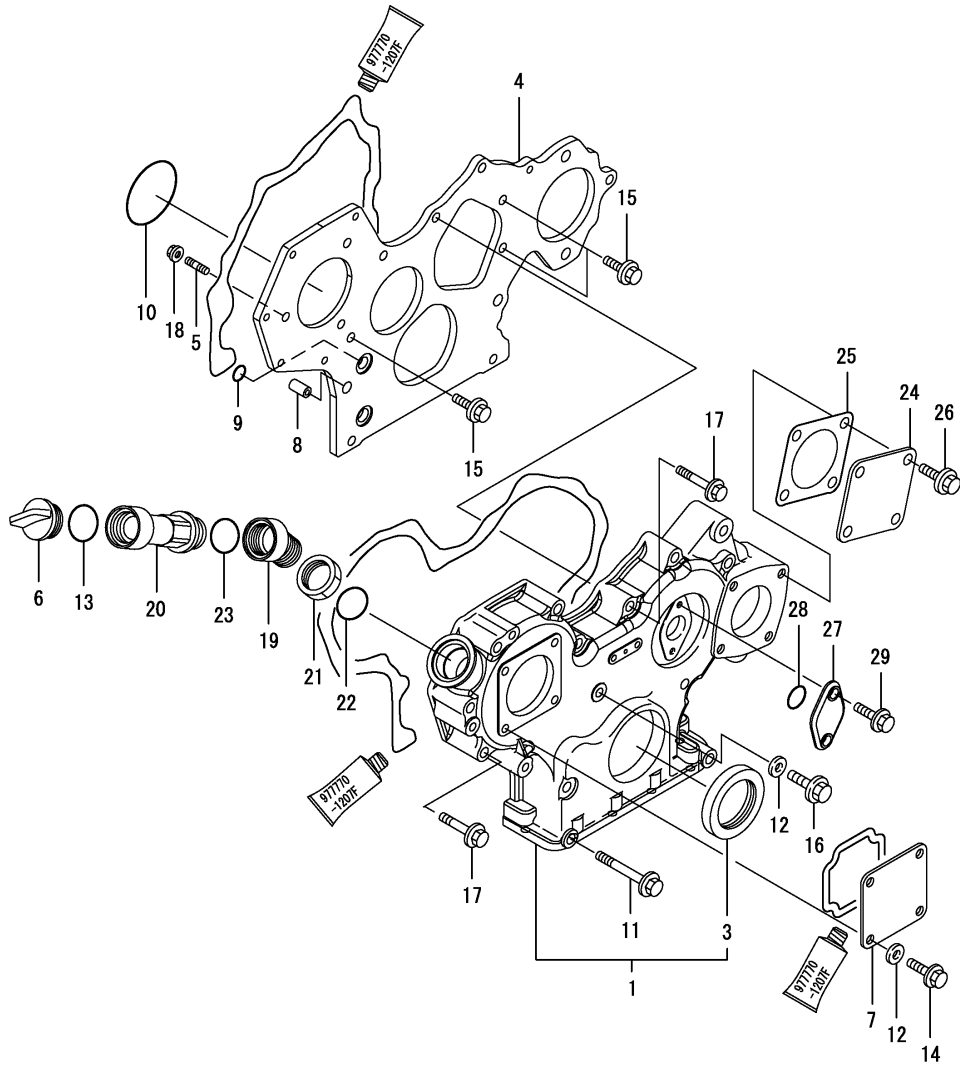
(B)=

(C)=

(D)=

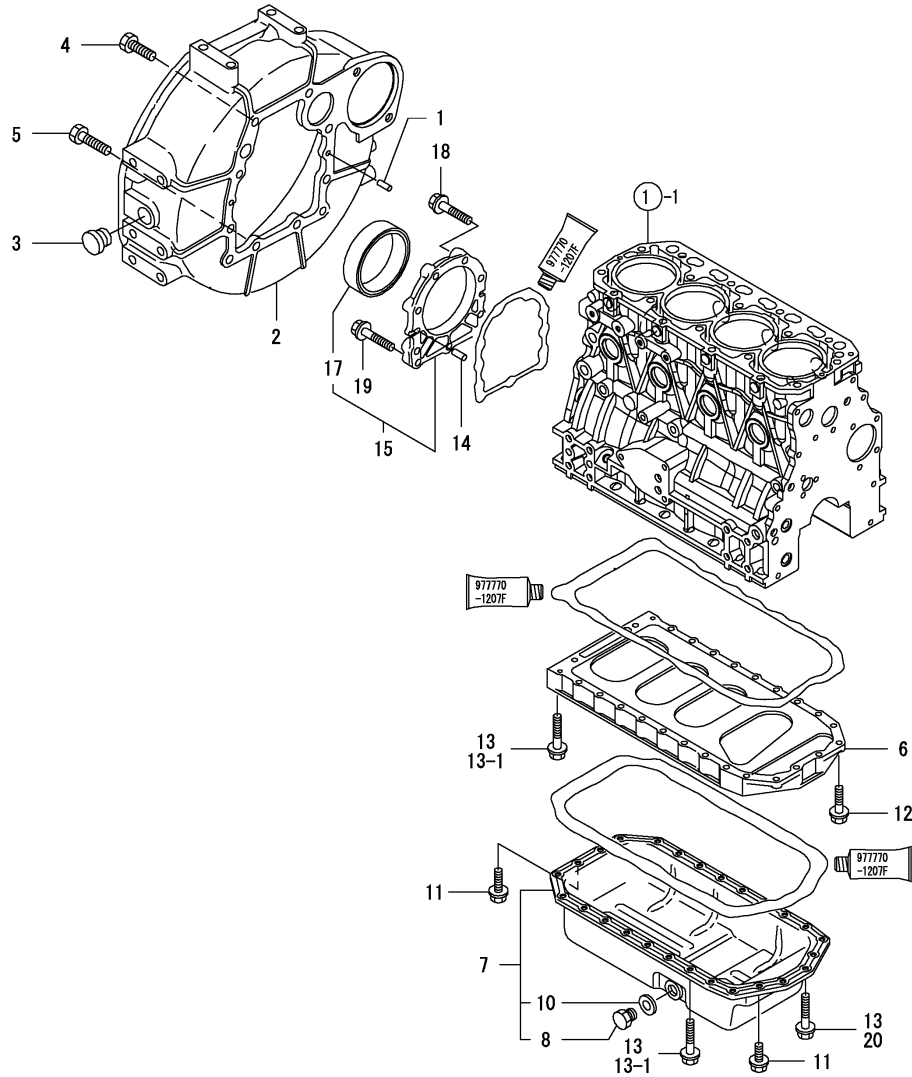
(E)=

(F)=



No.	Lev.	Parts No.	Description	Q'ty						I	R
				(A)	(B)	(C)	(D)	(E)	(F)		
1	1	729652-01500	CASE ASSY, GEAR	1							
3	2	119934-01800	SEAL, OIL	1							
4	1	129604-01520	FLANGE, GEAR CASE	1							
5	1	119802-01561	STUD, M8X25	3							
6	1	124160-01751	COVER, FILLER	1							
7	1	124240-01871	COVER	1							
8	1	129795-01950	PIPE, KNOCK L=18	2							
9	1	119609-32040	O-RING, P16	2							
10	1	121850-51960	O-RING	1							
11	1	129001-91841	BOLT, M8X85	3							
12	1	22190-080002	WASHER, SEAL 6	5							
13	1	24311-000320	O-RING, 1AP32.0	1							
14	1	26106-080162	BOLT, M8X 16 PLATED	4							
15	1	26106-080162	BOLT, M8X 16 PLATED	3							
16	1	26106-080302	BOLT, M8X 30 PLATED	1							
17	1	26106-080552	BOLT, M8X 55 PLATED	10							
18	1	26306-080002	NUT, M8	3							
19	1	119225-11740	ADAPTER	1							
20	1	171031-11741	PIPE	1							
21	1	119225-11750	NUT	1							
22	1	24311-000300	O-RING, 1AP30.0	1							
23	1	24311-000320	O-RING, 1AP32.0	1							
24	1	124240-01871	COVER	1							
25	1	124240-01883	GASKET	1							
26	1	26106-080122	BOLT, M8X 12 PLATED	4							
27	1	121023-01551	COVER	1							
28	1	24341-000240	O-RING, 1AS24.0	1							
29	1	26106-060162	BOLT, M6X 16 PLATED	2							

Fig.3. FLYWHEEL HOUSING & OIL SUMP



(A)=4TNV84T-ZKTBL

(B)=

(C)=

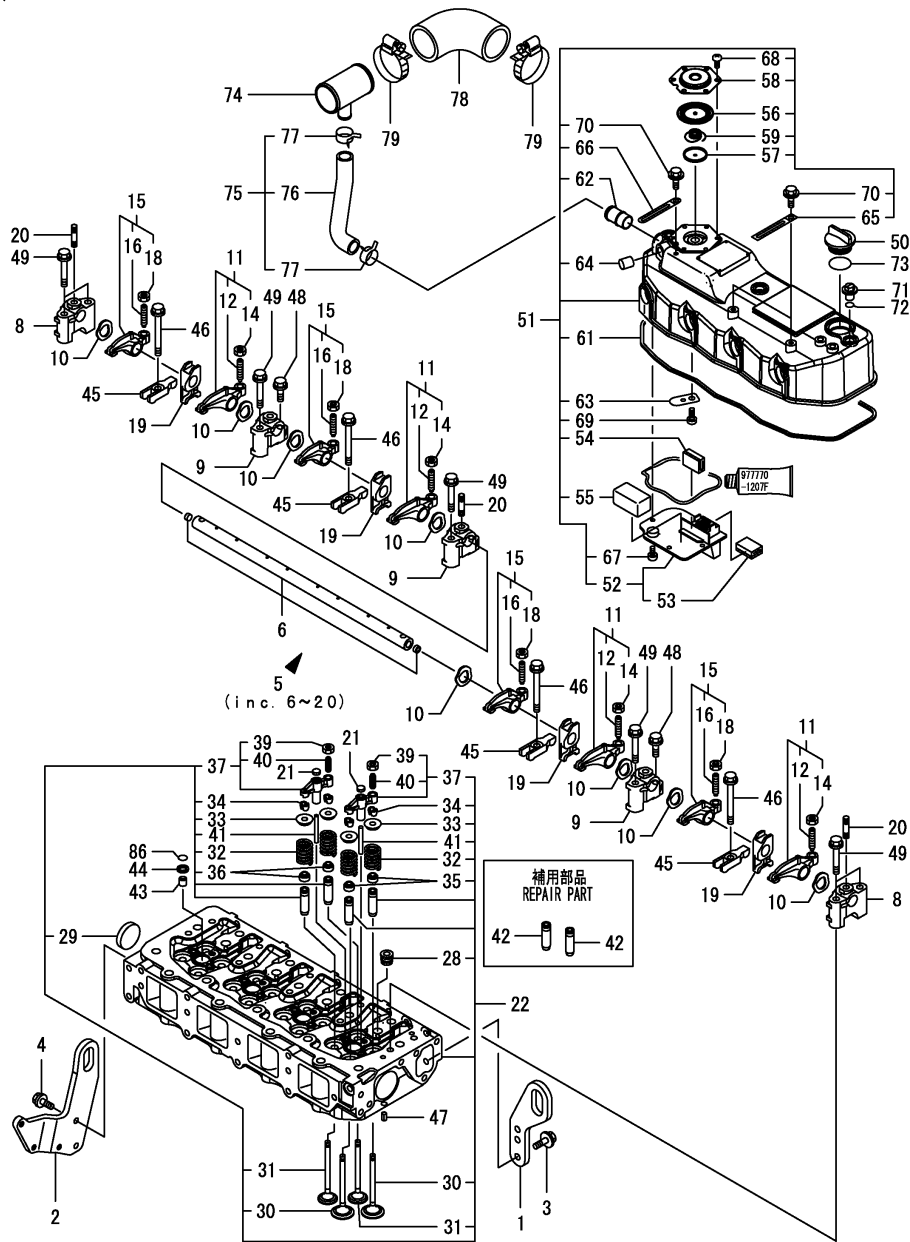
(D)=

(E)=

(F)=

No.	Lev.	Parts No.	Description	Q'ty						I	R
				(A)	(B)	(C)	(D)	(E)	(F)		
1	1	129100-01580	PIN, M8X16	2							
2	1	129612-01600	HOUSING, FLYWHEEL	1							
3	1	119620-01750	CAP	1							
4	1	26206-100252	BOLT, M10X 25 PLATED	6							
5	1	26206-100302	BOLT, M10X 30 PLATED	4							
6	1	129400-01730	SPACER, OIL SUMP	1							
7	1	129400-01770	SUMP ASSY, OIL	1							
7-1	1	129688-01780	OIL PAN ASSY, DEEP	1							N
(A=E53157)											
8	2	119640-01640	PLUG, DRAIN M22	1							
10	2	22190-220002	WASHER, SEAL 22	1							
11	1	26106-080162	BOLT, M8X 16 PLATED	4							
12	1	26106-080252	BOLT, M8X 25 PLATED	2							
13	1	26106-080452	BOLT, M8X 45 PLATED	24							
13-1	1	26106-080452	BOLT, M8X 45 PLATED	20							K
(A=FROM 1ST)											
14	1	129100-01580	PIN, M8X16	2							
15	1	129100-01640	CASE ASSY, OIL SEAL	1							
17	2	129795-01780	SEAL, OIL	1							
18	1	129486-01670	BOLT, M8X30	6							
19	1	26106-080352	BOLT, M8X 35 PLATED	3							
20	1	26106-080502	BOLT, M8X 50 PLATED	4							W
(A=FROM 1ST)											

Fig.4. CYLINDER HEAD & BONNET



(A)=4TNV84T-ZKTBL

(B)=

(C)=

(D)=

(E)=

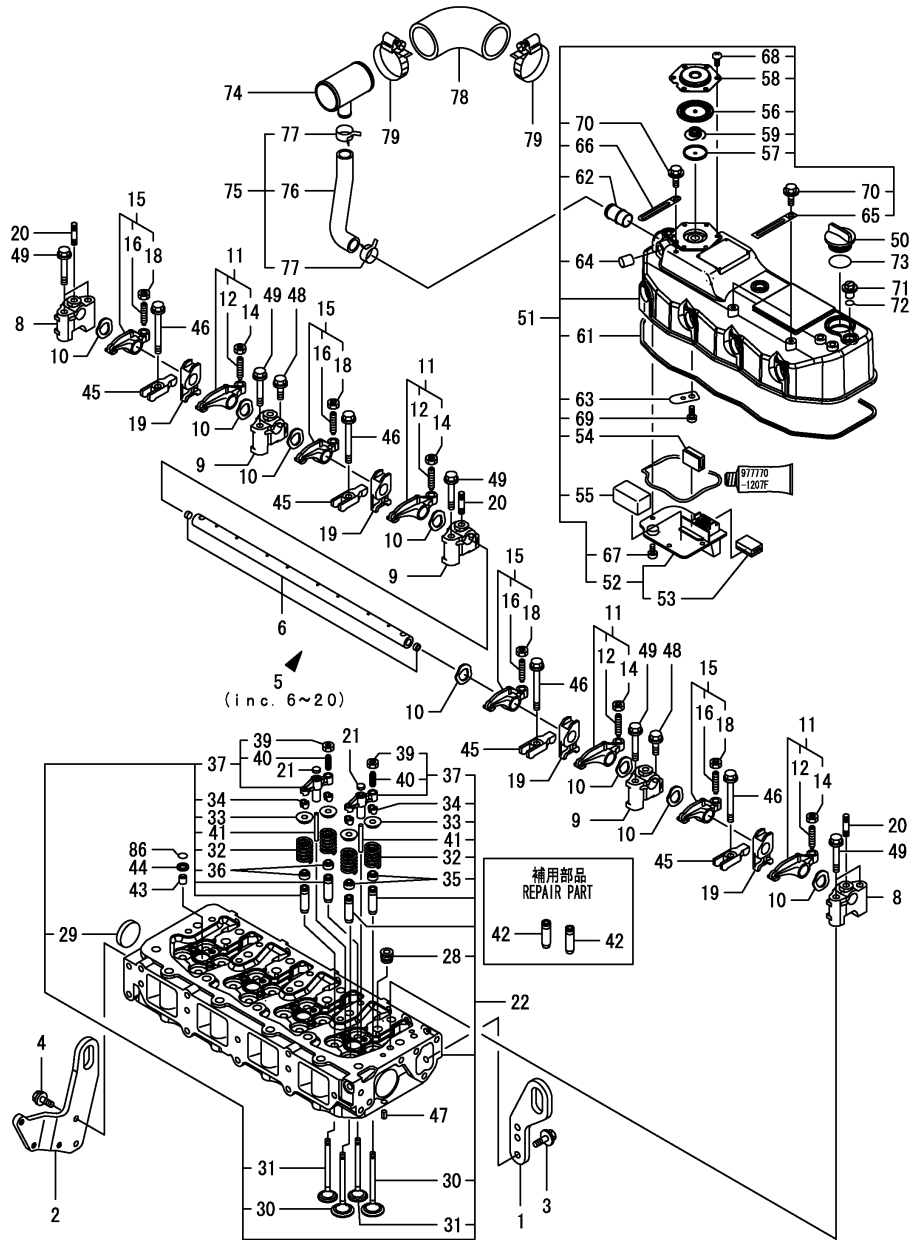
(F)=

No.	Lev.	Parts No.	Description	Q'ty						I	R
				(A)	(B)	(C)	(D)	(E)	(F)		
1	1	129486-07901	LIFTER	1							
2	1	129928-07900	LIFTER	1							
3	1	26106-080162	BOLT, M8X 16 PLATED	2							
4	1	26106-080202	BOLT, M8X 20 PLATED	2							
5	1	129508-11241	SHAFT ASSY, ROCKER	1							
6	2	129508-11250	SHAFT, ROCKER ARM	1							
8	2	129508-11260	SUPPORT, ROCKER ARM	2							
9	2	129508-11270	SUPPORT, ROCKER ARM	3							
10	2	129508-11280	WASHER	8							
11	2	129508-11650	ARM, ROCKER	4							
12	3	129150-11230	SCREW, VALVE ADJUST	4							
14	3	129150-11750	NUT, M8	4							
15	2	129508-11660	ARM, ROCKER	4							
16	3	129150-11230	SCREW, VALVE ADJUST	4							
18	3	129150-11750	NUT, M8	4							
19	2	129508-11920	RETAINER	4							
20	2	26226-080352	STUD, M8X 35	3							
21	1	123907-11550	SEAT, VALVE BRIDGE	8							
22	1	129509-11700	HEAD ASSY, CYLINDER	1							
28	2	23876-020000	PLUG, R02	4							
29	2	27241-400000	PLUG, 40	2							
30	2	129508-11100	VALVE, INTAKE	8							
31	2	129508-11110	VALVE, EXHAUST	8							
32	2	129508-11130	SPRING, VALVE	16							
33	2	129508-11180	RETAINER, SPRING	16							
34	2	119717-11190	COTTER	32							
35	2	119717-11340	SEAL, VALVE STEM	8							
36	2	119717-11350	SEAL, VALVE STEM	8							
37	2	129672-11510	BRIDGE ASSY, VALVE	8							
39	3	129150-11750	NUT, M8	8							
40	3	123907-11830	ADJUSTER	8							
41	2	129508-11820	GUIDE	8							
42	1	119717-11800	GUIDE, VALVE	16							1
43	1	119802-11870	PROTECTOR, NOZZLE	4							
44	1	119625-11880	SEAT, NOZZLE	4							
45	1	129508-11900	RETAINER, NOZZLE	4							
46	1	129907-11950	BOLT, M8X75	4							
47	1	22351-060012	PIN, SPRING 6.0X12	2							
48	1	26106-080252	BOLT, M8X 25 PLATED	3							
49	1	26106-080502	BOLT, M8X 50 PLATED	7							
50	1	124160-01751	COVER, FILLER	1							
51	1	129509-11350	BONNET ASSY, HEAD	1							
52	2	129508-03010	PLATE	1							
53	3	119802-03070	BAFFLE, BREATHER	1							
54	2	129150-03070	BAFFLE, BREATHER	1							
55	2	129907-03070	BAFFLE, BREATHER	1							
56	2	123907-03100	DIAPHRAGM	1							
57	2	123907-03110	PLATE	1							
58	2	123907-03120	PLATE, BREATHER	1							
59	2	123907-03140	SPRING, DIAPHRAGM	1							
61	2	129508-11310	GASKET, BONNET	1							

Remarks

(1) REPAIR PART.

Fig.4. CYLINDER HEAD & BONNET



(A)=4TNV84T-ZKTBL

(B)=

(C)=

(D)=

(E)=

(F)=

No.	Lev.	Parts No.	Description	Q'ty						I	R
				(A)	(B)	(C)	(D)	(E)	(F)		
62	2	129001-11340	PIPE , BREATHER	1							
63	2	129009-11340	SPRING	1							
64	2	119640-61400	PLUG	1							
65	2	129509-79700	CLIP	2							
66	2	175339-79700	CLIP	1							
67	2	22857-500100	SCREW, 5X10	4							
68	2	22857-500100	SCREW, 5X10	6							
69	2	22857-500100	SCREW, 5X10	1							
70	2	26106-060122	BOLT, M6X 12 PLATED	3							
71	1	124160-11360	KNOB	3							
72	1	24311-000120	O-RING, 1AP12.0	3							
73	1	24311-000320	O-RING, 1AP32.0	1							
74	1	129509-03050	JOINT, BREATHER	1							
75	1	129509-03080	HOSE ASSY, BREATHER	1							
76	2	129509-03090	HOSE, BREATHER	1							
77	2	129410-03990	CLAMP 22	2							
78	1	129509-12070	PIPE, AIR INTAKE	1							
79	1	23000-060000	CLAMP, 60	2							
86	1	24311-000120	O-RING, 1AP12.0	4							

Remarks
(1) REPAIR PART.

Fig.5. SUCTION MANIFOLD & AIR CLEANER

(A)=4TNV84T-ZKTBL

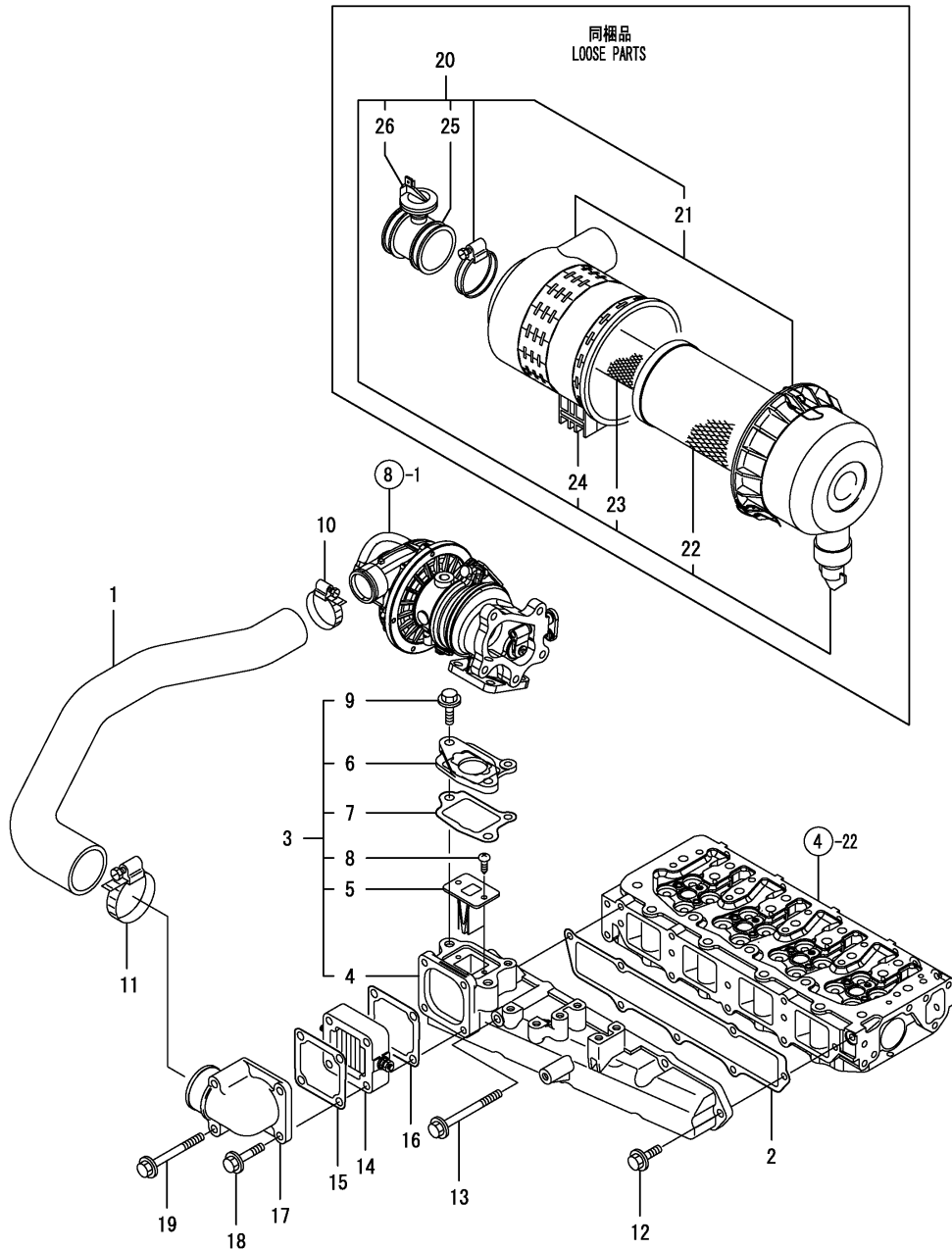
(B)=

(C)=

(D)=

(E)=

(F)=



No.	Lev.	Parts No.	Description	Q'ty						I	R
				(A)	(B)	(C)	(D)	(E)	(F)		
1	1	129509-12060	PIPE, AIR INTAKE	1							
2	1	129508-12110	GASKET, MANIFOLD	1							
3	1	129509-12150	MANIFOLD ASSY,INTAKE	1							
4	2	129509-12100	MANIFOLD, AIR INTAKE	1							
5	2	129509-13700	VALVE	1							
6	2	129509-13710	SPACER	1							
7	2	129509-13720	GASKET	1							
8	2	22857-500160	SCREW, 5X16	2							
9	2	26106-080202	BOLT, M8X 20 PLATED	1							
10	1	23000-048000	CLAMP, 48	1							
11	1	23000-060000	CLAMP, 60	1							
12	1	26106-080202	BOLT, M8X 20 PLATED	5							
13	1	26106-080902	BOLT, M8X 90 PLATED	2							
14	1	129100-77501	HEATER	1							
15	1	129100-77510	GASKET, AIR HEATER	1							
16	1	129150-77511	GASKET	1							
17	1	171340-77520	BEND	1							
18	1	26106-080402	BOLT, M8X 40 PLATED	2							
19	1	26106-080802	BOLT, M8X 80 PLATED	2							
20	1	129536-12510	CLEANER ASSY, AIR	1							
21	2	129536-12610	HOUSING, CLEANER	1							
22	2	129939-12621	ELEMENT	1							
23	2	129939-12630	ELEMENT	1							
24	2	129939-12640	BRACKET	1							
25	2	129939-12650	JOINT	1							
26	2	129948-12660	INDICATOR	1							

Fig.6. EXHAUST MANIFOLD & SILENCER

(A)=4TNV84T-ZKTBL

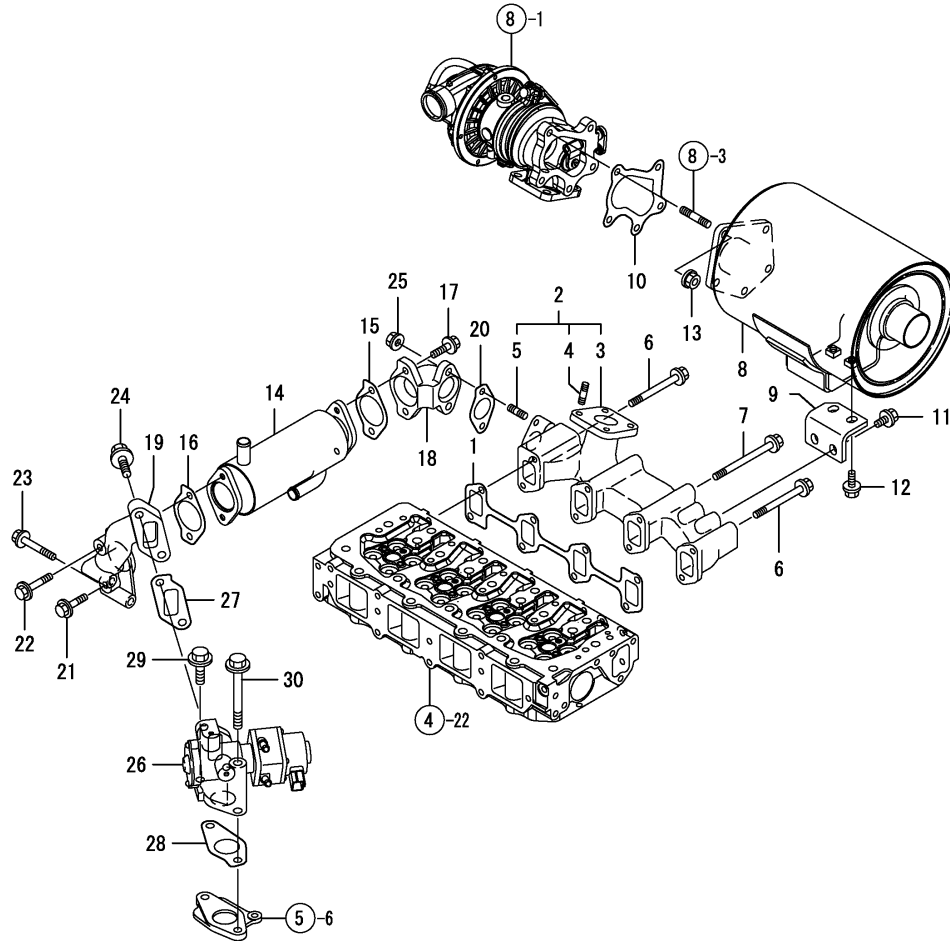
(B)=

(C)=

(D)=

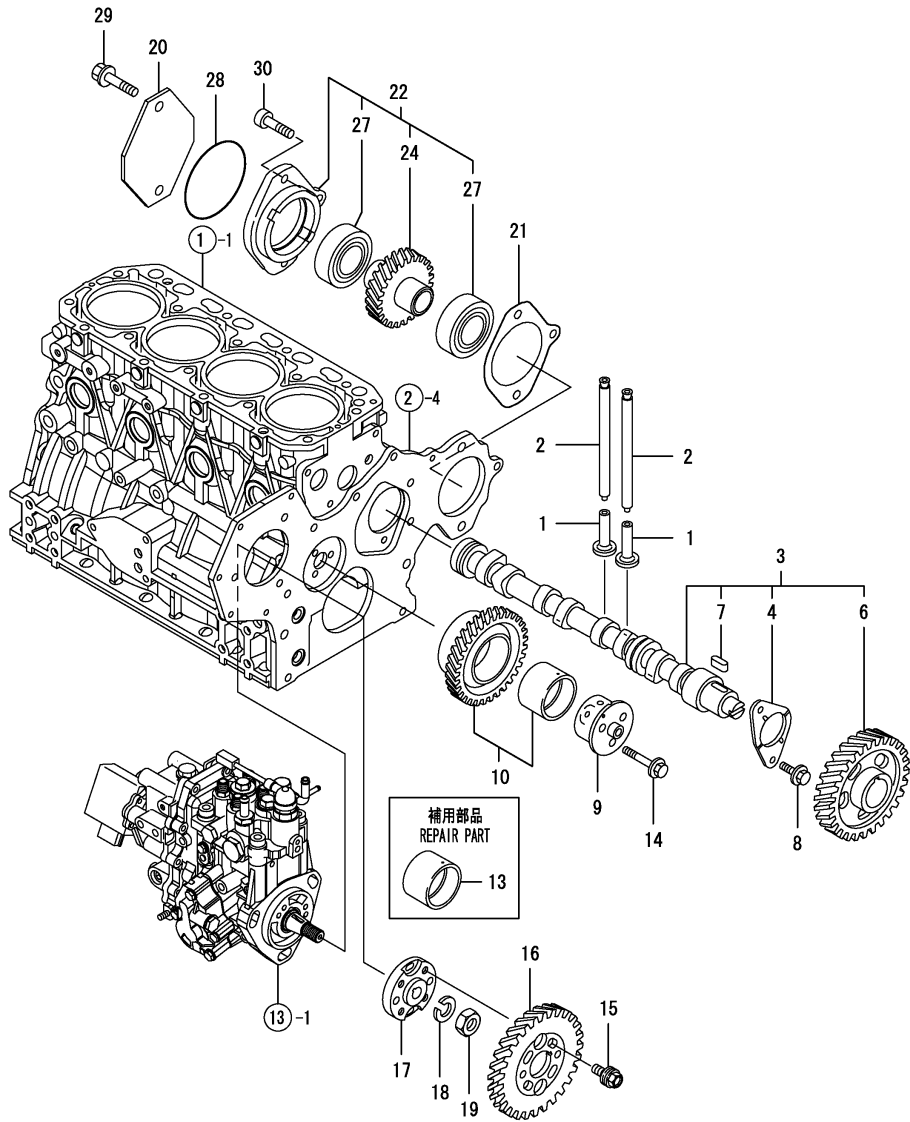
(E)=

(F)=



No.	Lev.	Parts No.	Description	Q'ty						I	R
				(A)	(B)	(C)	(D)	(E)	(F)		
1	1	129550-13110	GASKET	1							
2	1	129509-13150	MANIFOLD ASSY	1							
3	2	129509-13100	MANIFOLD, EXHAUST	1							
4	2	129418-18320	STUD, M8X20	4							
5	2	129418-18320	STUD, M8X20	2							
6	1	123900-13630	BOLT, M8X80	4							
7	1	129693-44310	BOLT	4							
7-1	1	119802-13820	BOLT, M8X100 9.8T	4							N
(A=*2009.12)											
8	1	129648-13520	SILENCER	1							
9	1	129648-13570	SUPPORT, SILENCER	1							
10	1	129508-18090	GASKET	1							
11	1	26106-080142	BOLT, M8X 14 PLATED	2							
12	1	26106-080202	BOLT, M8X 20 PLATED	2							
13	1	26306-080002	NUT, M8	5							
14	1	129509-13400	COOLER, EGR	1							
15	1	129928-13410	GASKET	1							
16	1	129928-13410	GASKET	1							
17	1	119802-13790	BOLT, M8X25 10.9T	2							
18	1	129928-13800	PIPE	1							
19	1	129509-13810	PIPE	1							
20	1	129927-13810	GASKET	1							
21	1	26106-080352	BOLT, M8X 35 PLATED	1							
22	1	26106-080452	BOLT, M8X 45 PLATED	1							
23	1	26106-080552	BOLT, M8X 55 PLATED	2							
24	1	26106-100252	BOLT, M10X 25 PLATED	2							
25	1	26306-080002	NUT, M8	2							
26	1	129927-13900	VALVE	1							
27	1	129927-13910	GASKET	1							
28	1	129927-13920	GASKET	1							
29	1	26106-100402	BOLT, M10X 40 PLATED	1							
30	1	26106-101052	BOLT, M10X105 PLATED	1							

Fig.7. CAMSHAFT & DRIVING GEAR



(A)=4TNV84T-ZKTBL

(B)=

(C)=

(D)=

(E)=

(F)=

No.	Lev.	Parts No.	Description	Q'ty						I	R
				(A)	(B)	(C)	(D)	(E)	(F)		
1	1	129150-14200	TAPPET	8							
2	1	129150-14400	ROD, PUSH L=178	8							
3	1	129508-14580	CAMSHAFT ASSY	1							
4	2	129150-02450	BEARING, THRUST	1							
6	2	129150-14101	GEAR, CAMSHAFT	1							
7	2	22512-070140	KEY, 7X 14	1							
8	1	26106-080142	BOLT, M8X 14 PLATED	2							
9	1	119803-25050	SHAFT, IDLE	1							
10	1	119802-25101	GEAR ASSY, IDLE	1							
13	1	119802-25071	BUSH, IDLE GEAR	1							1
14	1	26106-080402	BOLT, M8X 40 PLATED	3							
15	1	129150-25301	BOLT	4							
16	1	119802-25901	GEAR, PUMP	1							
17	1	158552-51151	FLANGE	1							
18	1	22217-140000	WASHER, SPRING 14	1							
19	1	26776-140002	NUT, LOCK M14	1							
20	1	121023-26070	COVER	1							
21	1	171353-26081	GASKET	1							
22	1	129484-26200	DRIVE ASSY, PUMP	1							
24	2	129484-26210	GEAR ASSY	1							
27	2	24105-060064	BEARING, BALL 6006Z	2							
28	1	24321-000850	O-RING, 1AG85.0	1							
29	1	26106-100452	BOLT, M10X 45 PLATED	2							
30	1	26450-080282	BOLT, M8X 28	1							

Remarks

(1) REPAIR PART.

N:Old $\begin{matrix} \leftarrow \text{Yes} \\ \text{No} \end{matrix}$ New, Q:Old $\begin{matrix} \leftarrow \text{No} \\ \text{Yes} \end{matrix}$ New, R:Old $\begin{matrix} \leftarrow \text{Yes} \\ \text{Yes} \end{matrix}$ New, S:Old $\begin{matrix} \leftarrow \text{No} \\ \text{No} \end{matrix}$ New, W:Add, Z:Discontinued, F:Interchangeable by set, K:Q'ty Change

Fig.8. TURBINE

(A)=4TNV84T-ZKTBL
(B)=
(C)=

(D)=
(E)=
(F)=

No.	Lev.	Parts No.	Description	Q'ty						I	R
				(A)	(B)	(C)	(D)	(E)	(F)		
1	1	129508-18010	TURBINE, RHF4	1							
2	1	129508-18080	GASKET	1							
3	1	129418-18320	STUD, M8X20	5							
4	1	26306-080002	NUT, M8	4							

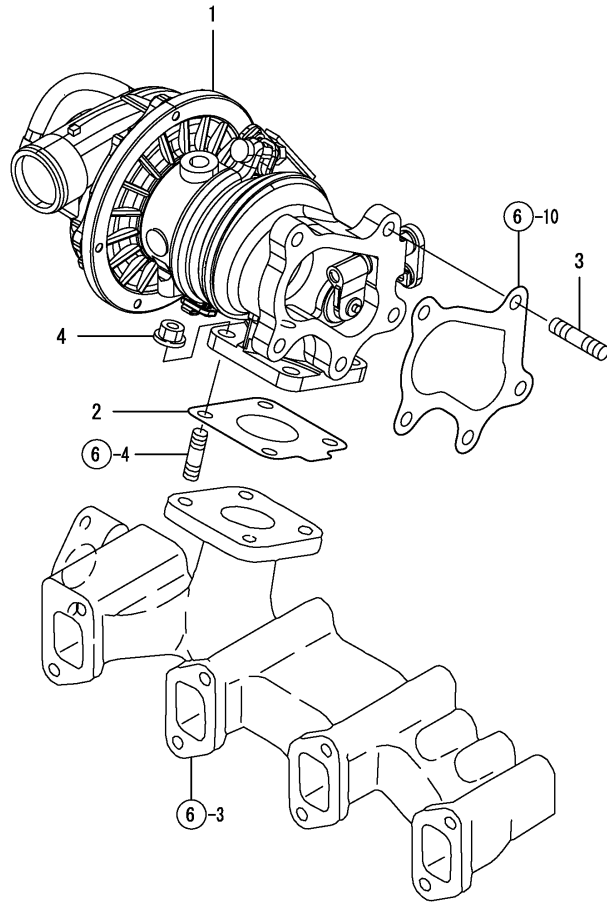
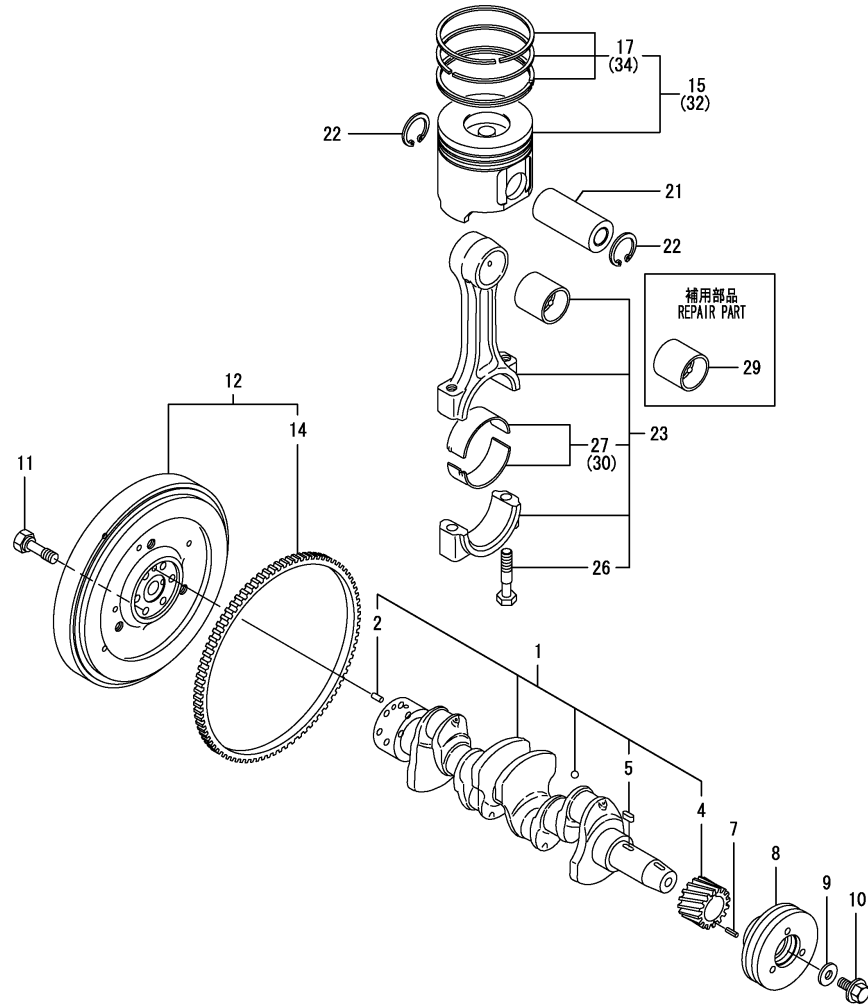


Fig.9. CRANKSHAFT & PISTON

(A)=4TNV84T-ZKTBL
(B)=
(C)=

(D)=
(E)=
(F)=

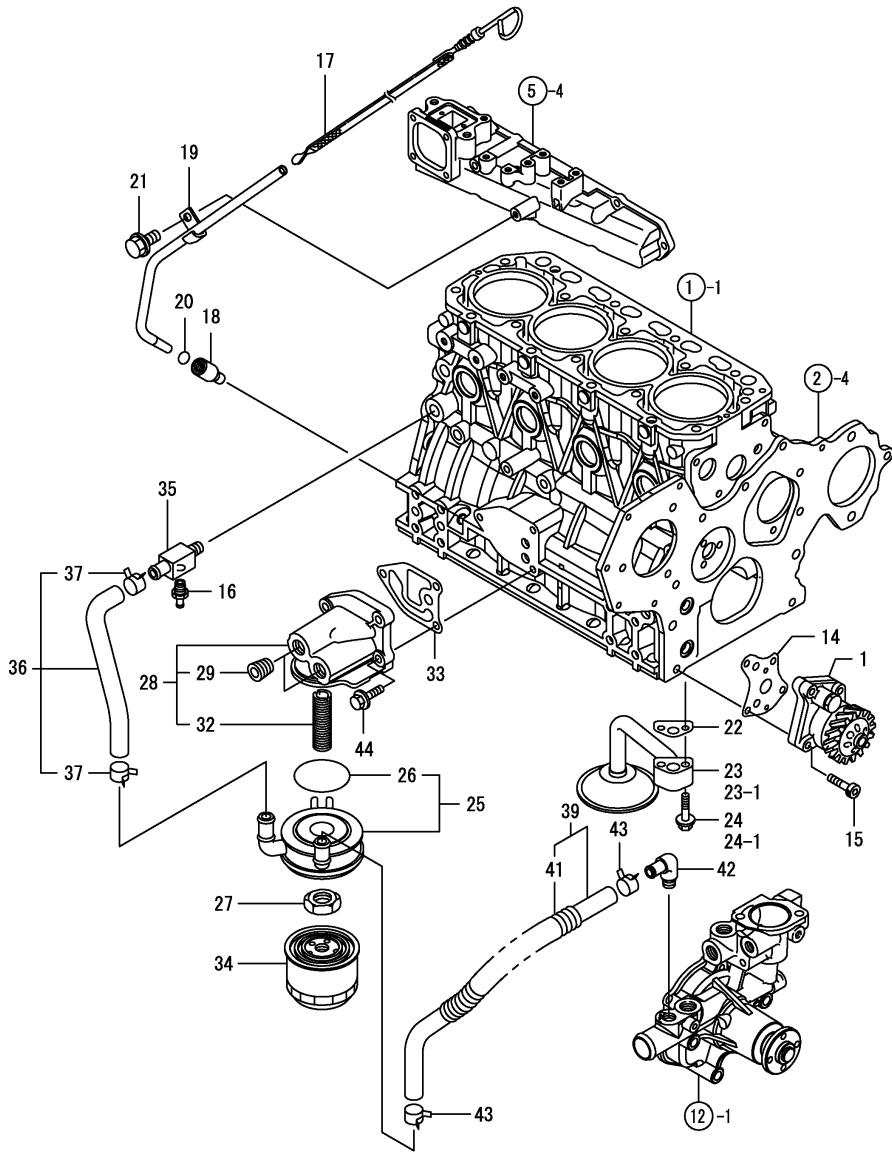


No.	Lev.	Parts No.	Description	Q'ty						I	R
				(A)	(B)	(C)	(D)	(E)	(F)		
1	1	129509-21000	CRANKSHAFT ASSY	1							
2	2	129100-01580	PIN, M8X16	1							
4	2	119803-21200	GEAR, CRANKSHAFT	1							
5	2	22512-070140	KEY, 7X 14	1							
7	1	22351-030010	PIN, SPRING 3.0X10	1							
8	1	119802-21660	V-PULLEY, 120	1							
9	1	129795-21661	WASHER	1							
10	1	121850-21680	BOLT	1							
11	1	121111-21501	BOLT, FLYWHEEL	6							
12	1	129642-21590	FLYWHEEL ASSY	1							
14	2	119865-21600	GEAR, RING	1							
15	1	129509-22080	PISTON ASSY	4							
17	2	129509-22500	RING SET, PISTON	4							
21	1	129202-22300	PIN, PISTON D26 L70	4							
22	1	22252-000260	RING, 26	8							
23	1	729402-23100	ROD ASSY, CONNECTING	4							
26	2	121550-23200	BOLT, CONNECTING ROD	8							
27	2	129150-23601	BEARING, CRANK PIN	4							
29	1	129100-23910	BEARING, PISTON PIN	4							1
30	1	129150-23611	BEARING, 0.25 US	4							2
32	1	729509-22900	PISTON ASSY, 0.25 OS	4							3
34	2	729509-22950	RING SET, 0.25 OS	4							3

Remarks

- (1) REPAIR PART.
- (2) UNDER-SIZED(U.S=0.25)PART.
- (3) OVER-SIZED(O.S=0.25)PART.

Fig.10. LUB.OIL SYSTEM



(A)=4TNV84T-ZKTBL

(B)=

(C)=

(D)=

(E)=

(F)=

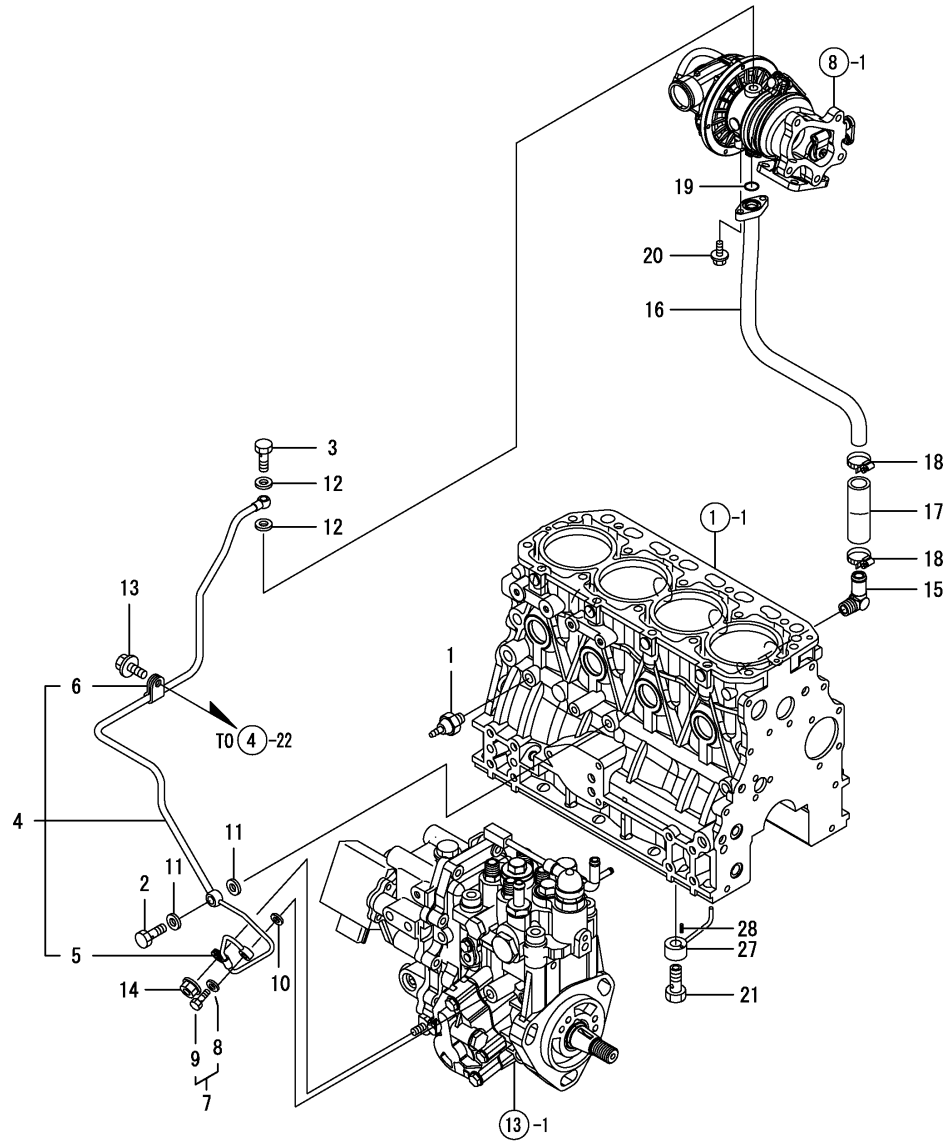
No.	Lev.	Parts No.	Description	Q'ty						I	R
				(A)	(B)	(C)	(D)	(E)	(F)		
1	1	129418-32000	PUMP ASSY, OIL	1							
14	1	129150-32020	GASKET, PUMP	1							
15	1	26450-060252	BOLT, M6X 25	4							
16	1	121550-49111	JOINT, PT1/4	1							
17	1	129244-34802	DIPSTICK, OIL	1							
18	1	119260-34810	GUIDE, DIPSTICK	1							
19	1	129536-34860	GUIDE, DIPSTICK	1							
20	1	24311-240100	O-RING, 1AP10A	1							
21	1	26106-080162	BOLT, M8X 16 PLATED	1							
22	1	129150-35042	GASKET	1							
23	1	129436-35091	PIPE ASSY, OIL INLET	1							
23-1	1	129436-35070	PIPE ASSY, LUB. OIL	1							S
(A=EZZZZZ)											
24	1	26106-080352	BOLT, M8X 35 PLATED	2							
24-1	1	26106-080552	BOLT, M8X 55 PLATED	2							S
(A=EZZZZZ)											
25	1	129067-33011	COOLER ASSY, OIL	1							
26	2	129508-33050	O-RING	1							
27	1	129417-33110	NUT	1							
28	1	129033-35100	BRACKET ASSY	1							
29	2	129033-01770	PLUG, NPT1/2	2							
32	2	129417-35150	STUD, L=67	1							
33	1	129103-35122	GASKET	1							
34	1	129150-35153	FILTER 80X80L	1							1
35	1	129006-44480	JOINT	1							
36	1	129033-49030	PIPE ASSY, WATER	1							
37	2	171008-03990	CLIP, HOSE 18.5	2							
39	1	129467-49040	PIPE, WATER	1							
41	2	129165-49060	TUBE, CORRUGATED	1							
42	1	129103-49301	ELBOW, PT1/4	1							
43	1	23080-018000	CLAMP, 18	2							
44	1	26106-080252	BOLT, M8X 25 PLATED	3							

Remarks

(1) REPAIR PART.

N:Old $\begin{matrix} \leftarrow \text{Yes} \\ \text{No} \end{matrix}$ New, Q:Old $\begin{matrix} \leftarrow \text{No} \\ \text{Yes} \end{matrix}$ New, R:Old $\begin{matrix} \leftarrow \text{Yes} \\ \text{Yes} \end{matrix}$ New, S:Old $\begin{matrix} \leftarrow \text{No} \\ \text{No} \end{matrix}$ New, W:Add, Z:Discontinued, F:Interchangeable by set, K:Q'ty Change

Fig.11. LUB.OIL LINE



(A)=4TNV84T-ZKTBL
(B)=
(C)=

(D)=
(E)=
(F)=

No.	Lev.	Parts No.	Description	Q'ty						I	R
				(A)	(B)	(C)	(D)	(E)	(F)		
1	1	114250-39450	SWITCH, 0.5KG	1							
2	1	124160-39140	BOLT, PIPE JOINT M10	1							
3	1	121252-39150	BOLT, JOINT M10X1.5	1							
4	1	129508-39450	PIPE ASSY, OIL	1							
5	2	119802-39500	RETAINER, PIPE	1							
6	2	124223-39900	RETAINER	1							
7	1	129005-59830	BOLT ASSY, JOINT M8	1							
8	2	22190-080002	WASHER, SEAL 6	1							
9	2	23857-030000	BOLT, JOINT 3	1							
10	1	22190-080002	WASHER, SEAL 6	1							
11	1	22190-100002	WASHER, SEAL 10	2							
12	1	23414-100000	GASKET, 10X1.0	2							
13	1	26106-080122	BOLT, M8X 12 PLATED	1							
14	1	26366-060002	NUT, M6	1							
15	1	124070-13300	ELBOW, PT3/8	1							
16	1	129508-39600	PIPE, OIL	1							
17	1	123901-39820	HOSE	1							
18	1	23000-025000	CLAMP, 25	2							
19	1	24316-000160	O-RING, 4DP16.0	1							
20	1	26106-060162	BOLT, M6X 16 PLATED	2							
21	1	129792-39410	VALVE ASSY, CHECK	4							
27	1	129553-39650	NOZZLE	4							
28	1	22351-030010	PIN, SPRING 3.0X10	4							

Fig.12. COOLING WATER SYSTEM

(A)=4TNV84T-ZKTBL

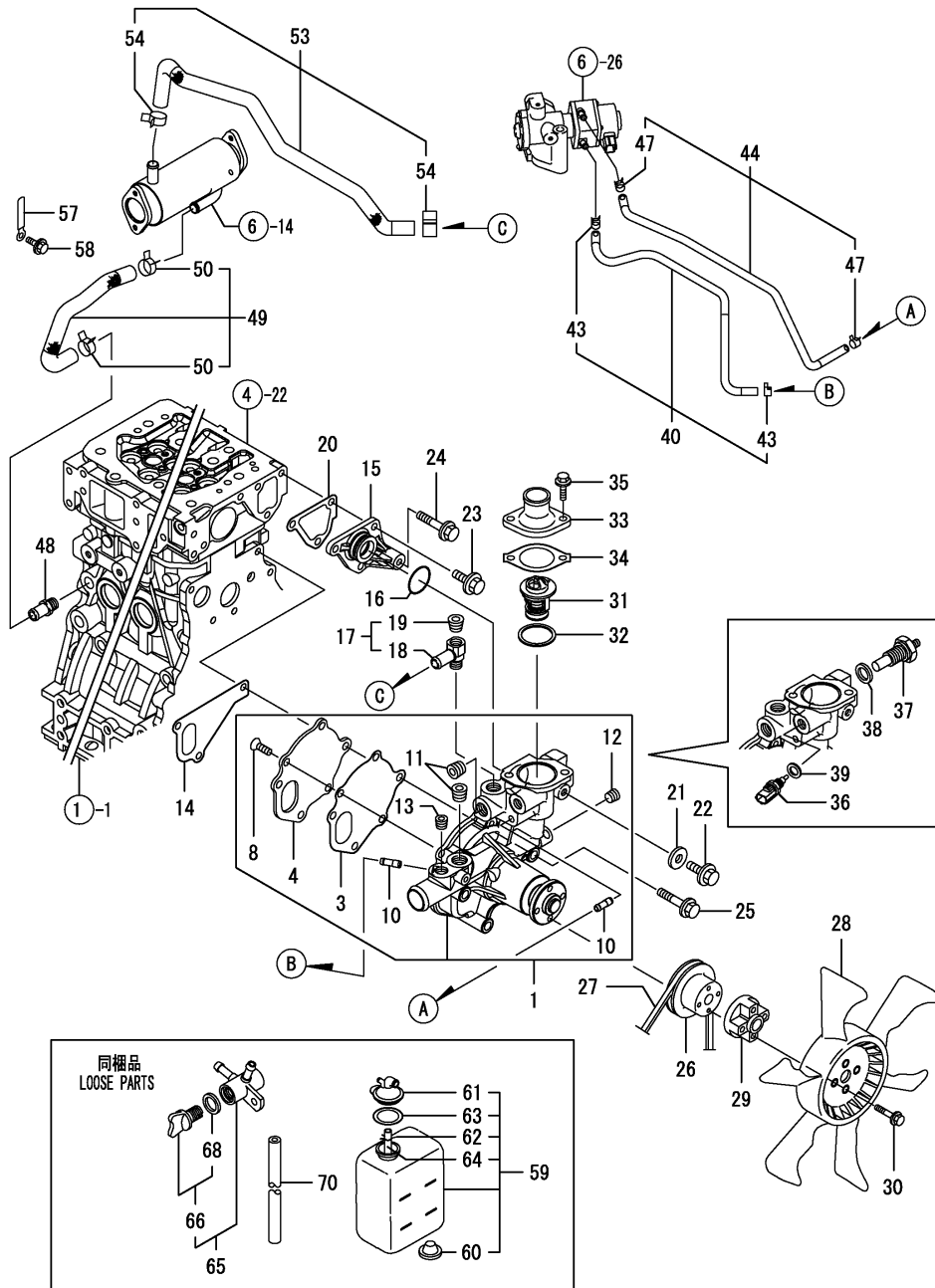
(B)=

(C)=

(D)=

(E)=

(F)=



No.	Lev.	Parts No.	Description	Q'ty						I	R
				(A)	(B)	(C)	(D)	(E)	(F)		
1	1	129509-42001	PUMP ASSY, WATER	1							
3	2	129100-42051	GASKET, WATER PUMP	1							
4	2	129100-42121	PLATE	1							
8	2	121850-42410	SCREW	3							
10	2	129509-49540	JOINT	2							
11	2	129916-49740	PLUG, R03	2							
12	2	23876-010000	PLUG, R01	1							
13	2	23876-020000	PLUG, R02	1							
14	1	129486-42021	GASKET, WATER PUMP	1							
15	1	129004-42040	JOINT	1							
16	1	129486-42140	O-RING, G30	1							
17	1	129928-49400	JOINT ASSY	1							
18	2	129928-49410	JOINT	1							
19	2	23875-030000	PLUG, R03	1							
20	1	124395-49840	GASKET	1							
21	1	23414-080000	GASKET, 8X1.0	1							
22	1	26106-080122	BOLT, M8X 12 PLATED	1							
23	1	26106-080162	BOLT, M8X 16 PLATED	3							
24	1	26106-080452	BOLT, M8X 45 PLATED	1							
25	1	26106-080602	BOLT, M8X 60 PLATED	3							
26	1	129403-42380	V-PULLEY, D=110	1							
27	1	129612-42310	V-BELT, A36.5	1							
28	1	129612-44700	FAN, COOLING	1							
29	1	171353-44760	SPACER, FAN	1							
30	1	26106-060402	BOLT, M6X 40 PLATED	4							
31	1	129457-49801	THERMOSTAT, 82	1							
32	1	129150-49811	GASKET, THERMOSTAT	1							
33	1	129350-49530	COVER, THERMOSTAT	1							
34	1	129795-49551	GASKET	1							
35	1	26106-080222	BOLT, M8X 22 PLATED	2							
36	1	129927-44900	SENSOR	1							
37	1	119266-49350	SWITCH	1							
38	1	129150-49360	GASKET	1							
39	1	22190-120002	WASHER, SEAL 12	1							
40	1	129509-49630	PIPE, WATER	1							
43	2	23080-012000	CLAMP, 12	2							
44	1	129509-49640	PIPE, WATER	1							
47	2	23080-012000	CLAMP, 12	2							
48	1	129928-49420	JOINT	1							
49	1	129509-49610	PIPE, WATER	1							
50	2	129960-03990	CLIP, HOSE 22	2							
53	1	129536-49620	PIPE, WATER	1							
54	2	129960-03990	CLIP, HOSE 22	2							
57	1	105430-67110	CLAMP, CORD	1							
58	1	26106-080122	BOLT, M8X 12 PLATED	1							
59	1	129466-44510	TANK ASSY, SUB	1							
60	2	121468-44540	PLUG, SUB-TANK	1							
61	2	121450-44531	CAP	1							
62	2	124450-44560	RETAINER	1							
63	2	121470-44581	GASKET	1							
64	2	121267-44590	PIPE	1							

Fig.13. FUEL INJECTION PUMP

(A)=4TNV84T-ZKTBL

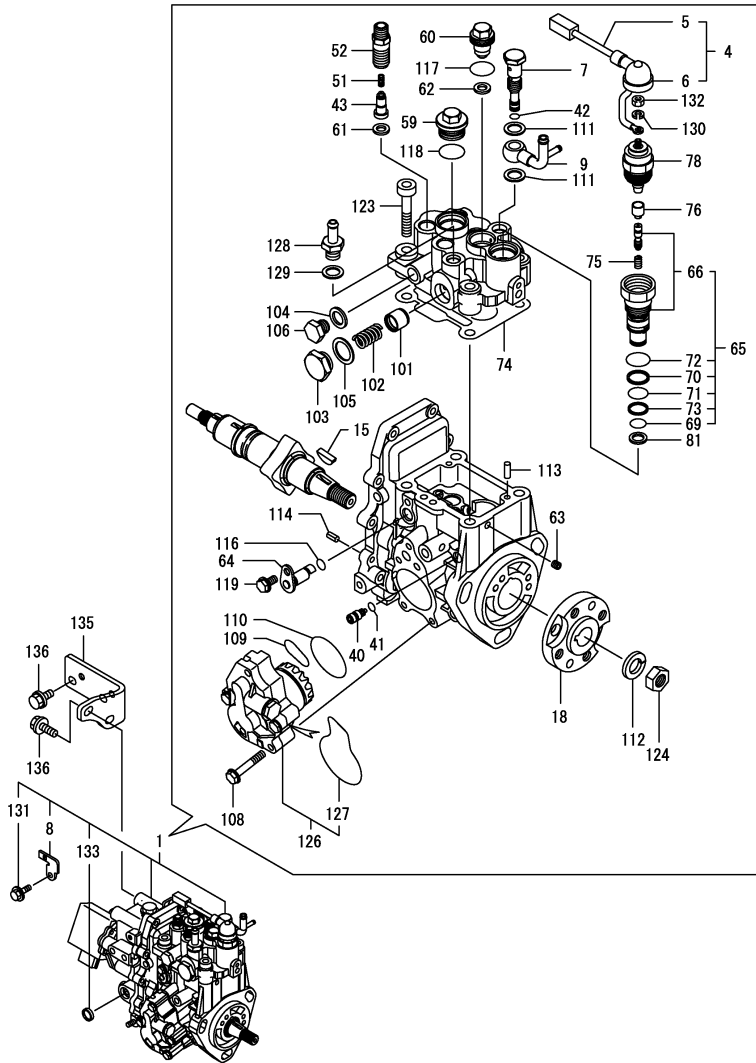
(B)=

(C)=

(D)=

(E)=

(F)=



No.	Lev.	Parts No.	Description	Q'ty						I	R
				(A)	(B)	(C)	(D)	(E)	(F)		
1	1	729536-51300	PUMP ASSY, INJECTION	1							1
4	2	129927-51650	HARNESS ASSY, WIRE	1							
5	3	129927-51660	HARNESS, CSD	1							
6	3	129263-77941	CAP, RUBBER	1							
7	2	158601-51650	JOINT, OVER FLOW	1							
8	2	129927-51670	BRACKET	1							
9	2	158552-51670	JOINT, OVER FLOW	1							
15	2	119802-51090	KEY, 4X16	1							
18	2	158552-51151	FLANGE	1							
40	2	158600-51270	STOPPER, TAPPET	1							
41	2	158563-51281	O-RING, 4D S6	1							
42	2	158563-51281	O-RING, 4D S6	1							
43	2	129008-51300	VALVE ASSY, DELIVERY	4							
51	2	158563-51330	SPRING, DELIVERY	4							
52	2	129008-51340	HOLDER, DELIVERY	4							
59	2	158601-51550	PLUG	1							
60	2	119802-51560	PLUG, BARREL	1							
61	2	158552-51570	GASKET	4							
62	2	158552-51570	GASKET	1							
63	2	158557-51570	PLUG	1							
64	2	158552-51580	LIFTER	1							
65	2	129657-51590	TIMER SET	1							
66	3	129657-51600	TIMER ASSY	1							
69	3	158553-51670	O-RING, 1011	1							
70	3	119802-51680	RING, BACK UP	1							
71	3	119802-51690	O-RING	1							
72	3	24356-010200	O-RING, 4D1020	1							
73	3	24372-000150	RING, BACK UP T2P15	1							
74	2	158552-51600	GASKET	1							
75	2	119852-51630	SPRING, TIMER	1							
76	2	119852-51640	CAP	1							
78	2	119852-51650	VALVE ASSY	1							
81	2	158553-51680	GASKET	1							
101	2	158601-51770	PISTON	1							
102	2	158552-51781	SPRING	1							
103	2	158601-51790	PLUG	1							
104	2	22190-120002	WASHER, SEAL 12	1							
105	2	22190-180002	WASHER, SEAL 18	1							
106	2	23887-120002	PLUG, 12	1							
108	2	158553-51770	BOLT	4							
109	2	158552-52310	O-RING	1							
110	2	158552-52400	O-RING, 4E S42	1							
111	2	22190-120002	WASHER, SEAL 12	2							
112	2	22217-140000	WASHER, SPRING 14	1							
113	2	22312-050140	PIN, PARALLEL M5X14	2							
114	2	22351-050010	PIN, SPRING 5.0X10	2							
116	2	24311-000070	O-RING, 1AP7.0	1							
117	2	24356-010180	O-RING, 4D1018	1							
118	2	24356-010200	O-RING, 4D1020	1							
119	2	26106-060102	BOLT, M6X 10 PLATED	1							
123	2	26450-080452	BOLT, M8X 45	4							

Remarks

(1) GOVERNOR ASSY(FIG.14) IS INCORPORATED IN THIS FUEL INJECTION PUMP.(REF.NO.1).

* ECO PUMP

MAKE SURE TO UPDATE THE ENGINES ECU INFORMATION WHEN REPLACING THE ECO PUMP.

FAILING TO DO SO WILL RESULT IN ENGINE MALFUNCTION.

N:Old $\xrightarrow{\text{Yes}}$ New, Q:Old $\xrightarrow{\text{No}}$ New, R:Old $\xrightarrow{\text{Yes}}$ New, S:Old $\xrightarrow{\text{No}}$ New, W:Add, Z:Discontinued, F:Interchangeable by set, K:Q'ty Change

++ CONTINUE ++

Copyright (C) YANMAR CO., LTD. All Rights Reserved.

Fig.13. FUEL INJECTION PUMP

(A)=4TNV84T-ZKTBL

(B)=

(C)=

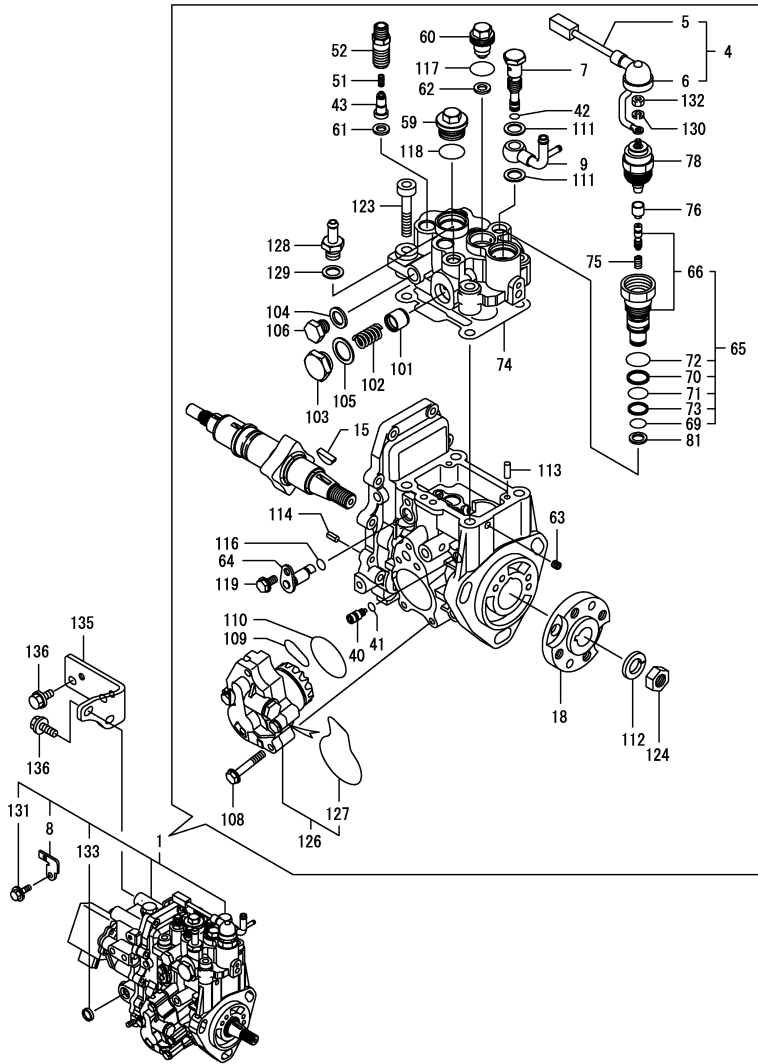
(D)=

(E)=

(F)=

Q'ty

I R



No.	Lev.	Parts No.	Description	(A)	(B)	(C)	(D)	(E)	(F)	I	R
124	2	26776-140002	NUT, LOCK M14	1							
126	2	158552-52100	PUMP ASSY, FUEL FEED	1							
127	3	158552-52500	O-RING	1							
128	2	119934-59910	JOINT, PIPE	1							
129	2	22190-120002	WASHER, SEAL 12	1							
130	2	22217-050000	WASHER, SPRING 5	1							
131	2	26106-060142	BOLT, M6X 14 PLATED	1							
132	2	26716-050002	NUT, M5	1							
133	2	27241-160000	PLUG, 16	1							
135	1	129263-51251	RETAINER, PUMP	1							
136	1	26106-080162	BOLT, M8X 16 PLATED	4							

Remarks

(1) GOVERNOR ASSY(FIG.14) IS INCORPORATED IN THIS FUEL INJECTION PUMP.(REF.NO.1).

* ECO PUMP

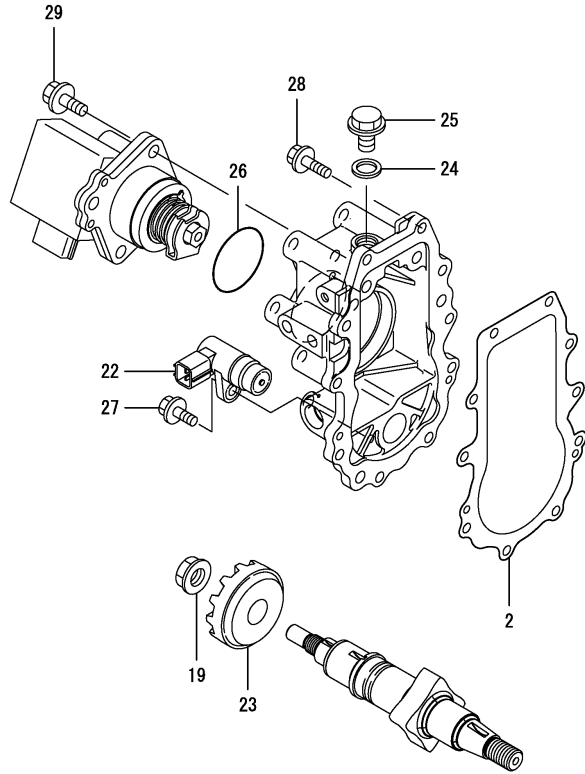
MAKE SURE TO UPDATE THE ENGINES ECU INFORMATION WHEN REPLACING THE ECO PUMP.

FAILING TO DO SO WILL RESULT IN ENGINE MALFUNCTION.

Fig.14. GOVERNOR

(A)=4TNV84T-ZKTBL
(B)=
(C)=

(D)=
(E)=
(F)=



No.	Lev.	Parts No.	Description	Q'ty						I	R
				(A)	(B)	(C)	(D)	(E)	(F)		
2	2	158553-61050	GASKET	1							
19	2	129008-61301	NUT	1							
22	2	158557-61720	SENSOR	1							
23	2	158553-61780	GEAR, SENSOR	1							
24	2	23414-120000	GASKET, 12X1.0	1							
25	2	23887-120002	PLUG, 12	1							
26	2	24341-000480	O-RING, 1AS48.0	1							
27	2	26106-060162	BOLT, M6X 16 PLATED	1							
28	2	26106-060202	BOLT, M6X 20 PLATED	10							
29	2	26106-080252	BOLT, M8X 25 PLATED	3							

Remarks

* THIS FIGURE(GOVERNOR ASSY)IS INCORPORATED IN THE FUEL INJECTION PUMP ASSY(FIG.13).

Fig.15. FUEL INJECTION VALVE

(A)=4TNV84T-ZKTBL

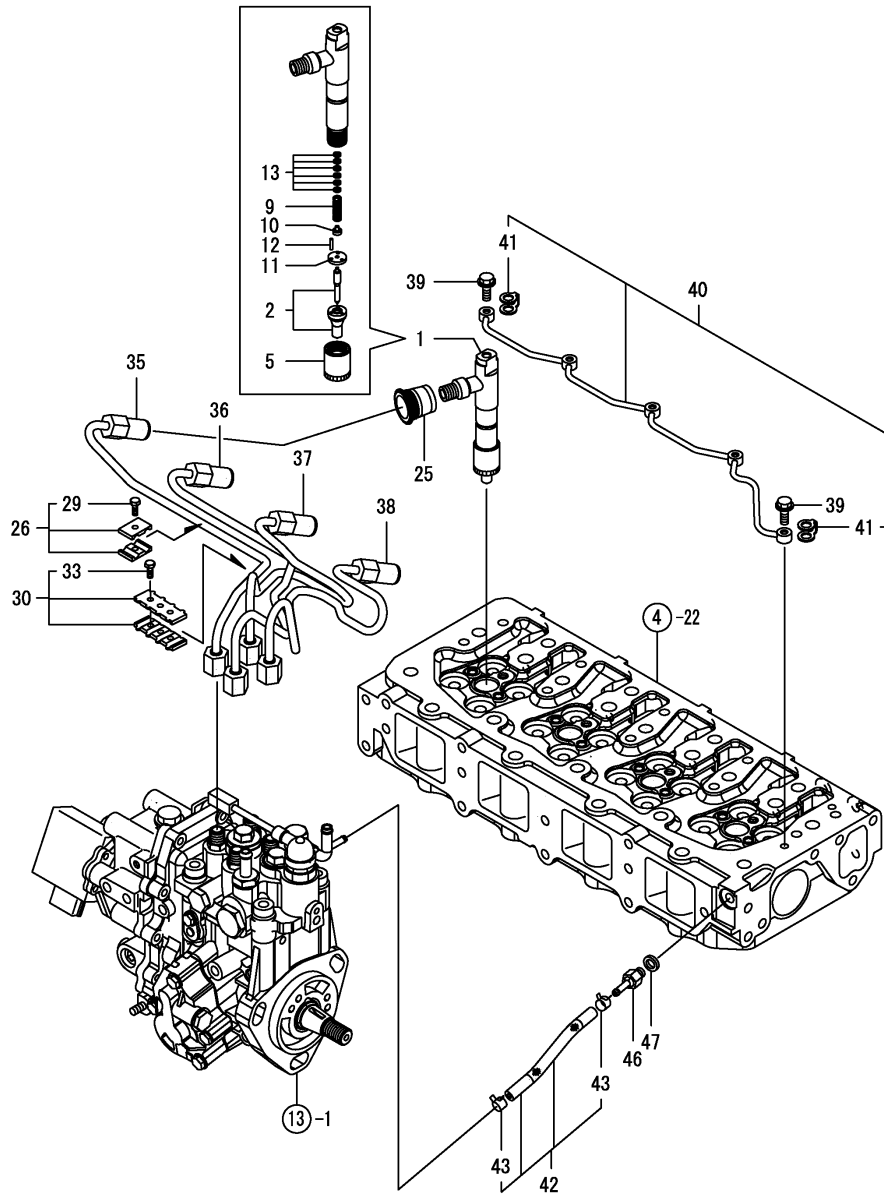
(B)=

(C)=

(D)=

(E)=

(F)=



No.	Lev.	Parts No.	Description	Q'ty						I	R
				(A)	(B)	(C)	(D)	(E)	(F)		
1	1	729530-53200	VALVE ASSY,INJECTION	4							
2	2	129530-53000	VALVE ASSY,INJECTION	4							
5	2	114250-53080	NUT, NOZZLE D16.95	4							
9	2	114250-53120	SPRING, NOZZLE	4							
10	2	114250-53130	SEAT, SPRING	4							
11	2	114250-53140	PLATE	4							
12	2	114250-53210	PIN	8							
13	2	114250-53400	SHIM SET	4							
25	1	123907-11601	SEAL	4							
26	1	119305-59120	RETAINER, PIPE	2							
29	2	129150-59131	BOLT, M4X14	2							
30	1	129550-59120	RETAINER, PIPE	1							
33	2	129150-59131	BOLT, M4X14	2							
35	1	129508-59910	PIPE ASSY, INJECTION	1							
36	1	129508-59920	PIPE ASSY, INJECTION	1							
37	1	129508-59930	PIPE ASSY, INJECTION	1							
38	1	129508-59940	PIPE ASSY, INJECTION	1							
39	1	123907-59540	BOLT, PIPE JOINT M6	5							
40	1	129508-59550	PIPE ASSY, RETURN	1							
41	2	123907-59550	GASKET	5							
42	1	129509-59550	PIPE ASSY, FUEL	1							
43	2	124722-59050	CLIP, HOSE 9	2							
46	1	123907-59560	JOINT	1							
47	1	22190-080002	WASHER, SEAL 6	1							

Fig.16. FUEL FILTER

(A)=4TNV84T-ZKTBL
(B)=
(C)=

(D)=
(E)=
(F)=

No.	Lev.	Parts No.	Description	Q'ty						I	R
				(A)	(B)	(C)	(D)	(E)	(F)		
1	1	129612-52100	PUMP ASSY, FUEL FEED	1							
2	1	129940-55610	FILTER ASSY, FUEL	1							
3	2	129004-55612	BRACKET, FILTER	1							
4	2	129907-55801	FILTER, FUEL	1							
5	1	129906-55700	SEPARATOR ASSY	1							
6	2	129100-55690	RING, RETAINING	1							
7	2	119802-55710	ELEMENT	1							
8	2	119802-55730	CUP ASSY	1							
9	2	24311-000160	O-RING, 1AP16.0	1							
10	2	24321-000650	O-RING, 1AG65.0	1							

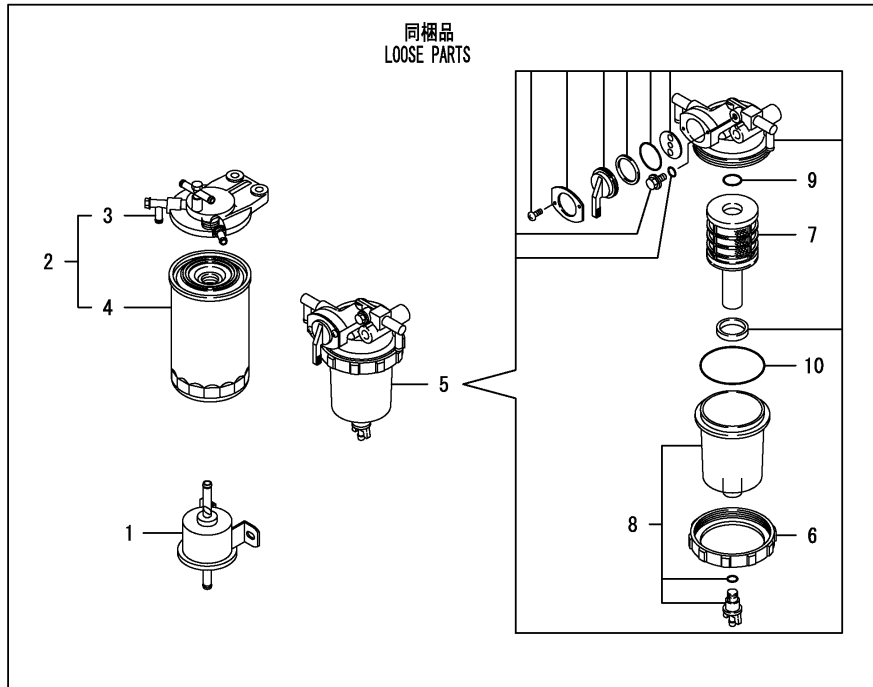


Fig.17. STARTING MOTOR

(A)=4TNV84T-ZKTBL

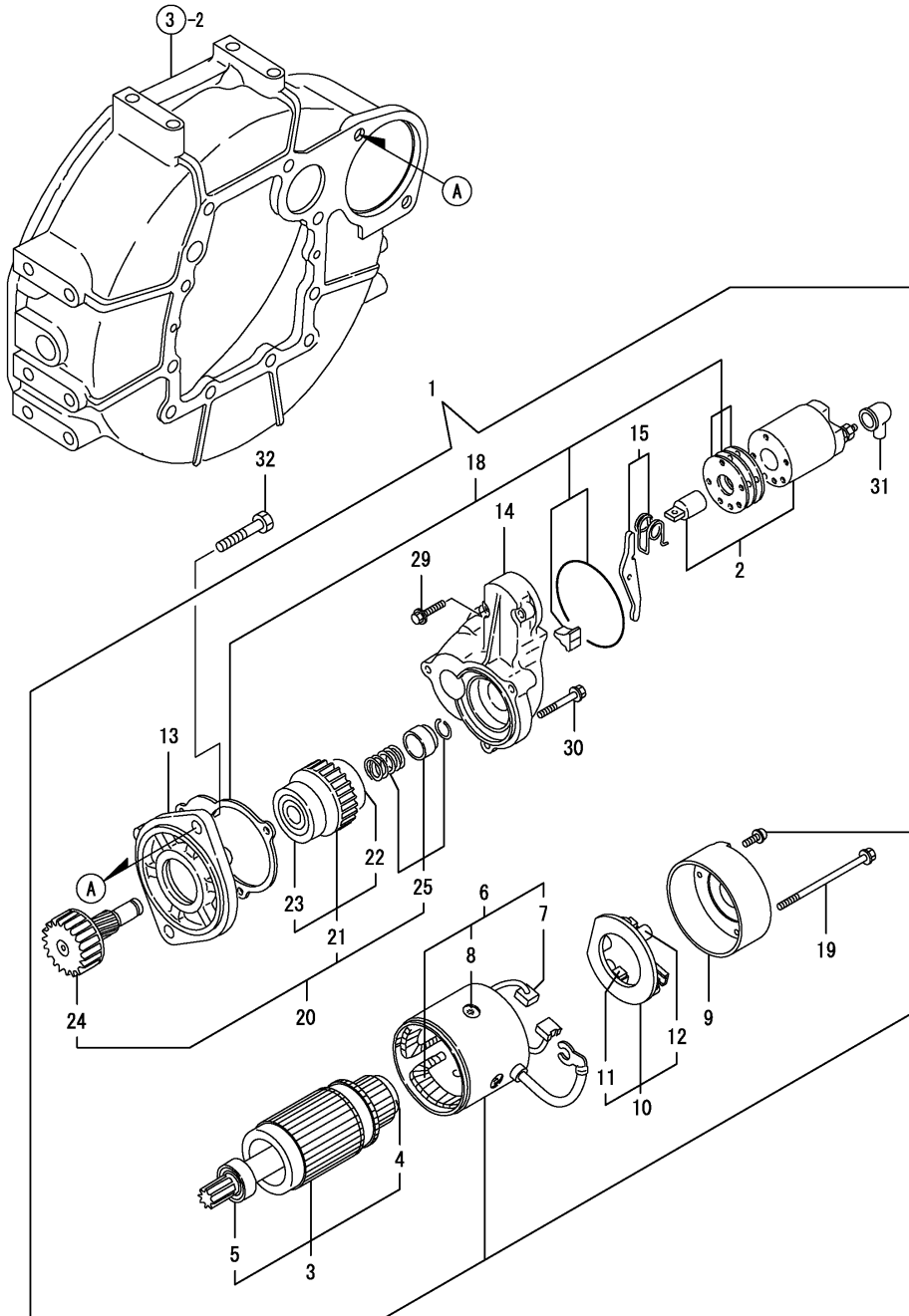
(B)=

(C)=

(D)=

(E)=

(F)=



No.	Lev.	Parts No.	Description	Q'ty						I	R
				(A)	(B)	(C)	(D)	(E)	(F)		
1	1	129136-77011	STARTER	1							
2	2	129136-77310	SWITCH ASSY	1							
3	2	129900-77400	ARMATURE ASSY	1							
4	3	X2130350900	BALL BEARING	1							
5	3	X2114255110	BEARING, BALL	1							
6	2	129900-77440	COIL ASSY, FIELD	1							
7	3	129900-77450	BRUSH (+)	2							
8	3	171008-77450	SCREW	4							
9	2	129900-77460	COVER, REAR	1							
10	2	129900-77480	HOLDER ASSY, BRASH	1							
11	3	129900-77450	BRUSH (+)	2							
12	3	129400-77490	SPRING, BRUSH	4							
13	2	171008-77510	HOUSING ASSY, GEAR	1							
14	2	129136-77520	CENTER HOUSING	1							
15	2	171008-77540	LEVER SET, SHIFT	1							
18	2	129400-77571	DUST COVER,(NON-ASB.	1							
19	2	129900-77640	BOLT, THROUGH	2							
20	2	171008-77650	PINION ASSY	1							
21	3	X2114555500	CLUTCH ASSY	1							
22	4	X2114955020	BALL BEARING	1							
23	4	X2240410100	BEARING, BALL	1							
24	3	171008-77660	SHAFT, PINION	1							
25	3	171008-77670	STOPPER SET, PINION	1							
29	2	26106-060322	BOLT, M6X 32 PLATED	2							
30	2	26106-060402	BOLT, M6X 40 PLATED	3							
31	2	171008-77750	COVER, M TERMINAL	1							
32	1	26116-120252	BOLT, M12X 25 PLATED	2							

Fig.18. GENERATOR

(A)=4TNV84T-ZKTBL

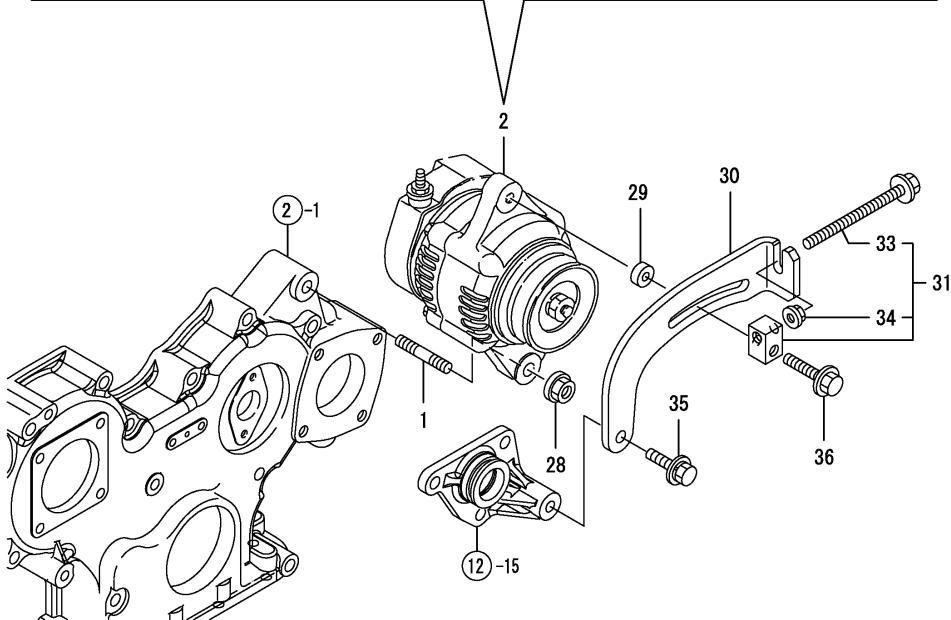
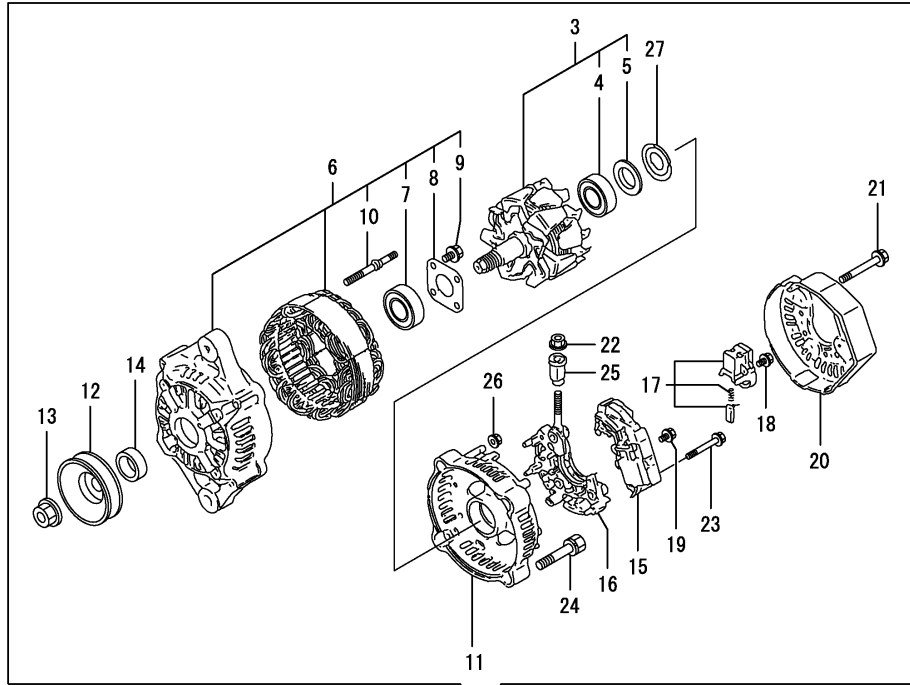
(B)=

(C)=

(D)=

(E)=

(F)=

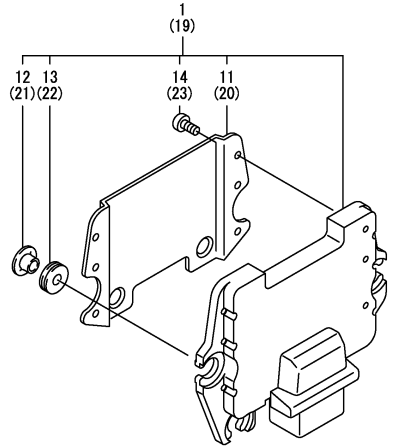


No.	Lev.	Parts No.	Description	Q'ty						I	R
				(A)	(B)	(C)	(D)	(E)	(F)		
1	1	129795-01900	STUD	1							
2	1	129240-77200	ALTERNATOR	1							
3	2	119620-77380	ROTOR ASSY	1							
4	3	123501-79240	BEARING, BALL	1							
5	3	119620-79250	COVER, BEARING	1							
6	2	119620-77421	FRAME ASSY, DRIVE	1							
7	3	119620-79200	BALL BEARING	1							
8	3	119620-79210	PLATE	1							
9	3	119620-79220	SCREW	4							
10	3	119620-79230	BOLT, STUD	2							
11	2	119620-77440	FLAME ASSY, REAR	1							
12	2	119620-77461	PULLEY	1							
13	2	119620-77471	NUT	1							
14	2	119620-77490	COLLAR	1							
15	2	129240-77710	REGULATOR ASSY	1							
16	2	119620-79260	HOLDER	1							
17	2	129052-79270	HOLDER, BRUSH	1							
18	2	119620-79290	SCREW	6							
19	2	119620-79300	SCREW	1							
20	2	129240-79300	COVER	1							
21	2	119620-79310	BOLT	3							
22	2	129240-79310	NUT	1							
23	2	119620-79320	SCREW W/WASHER	2							
24	2	119620-79330	BOLT	2							
25	2	119620-79340	INSULATION BUSH	1							
26	2	119620-79350	NUT	2							
27	2	119620-79360	WASHER, THRUST	1							
28	1	26306-100002	NUT, M10	1							
29	1	119940-77270	SPACER, GENERATOR	1							
30	1	129536-77300	ADJUSTER	1							
31	1	119624-77351	BLOCK ASSY, ADJUSTER	1							
33	2	26106-081004	BOLT, M8X100 PLATED	1							
34	2	26306-080002	NUT, M8	1							
35	1	26106-080452	BOLT, M8X 45 PLATED	1							
36	1	26106-080552	BOLT, M8X 55 PLATED	1							

Fig.19. ELECTRONIC CONTROL UNIT (ECU)

(A)=4TNV84T-ZKTBL
(B)=
(C)=

(D)=
(E)=
(F)=



No.	Lev.	Parts No.	Description	Q'ty						I	R
				(A)	(B)	(C)	(D)	(E)	(F)		
1	1	129536-75020	CONTROLLER ASSY, EUC	1							1
11	3	129927-77600	SHIELD	1							
12	3	129927-77680	COLLAR	3							
13	3	119578-91351	ABSORBER	3							
14	3	22877-500080	SCREW, 5X 8	6							
19	1	129927-75900	CONTROLLER ASSY, EUC	1							2
20	2	129927-77600	SHIELD	1							
21	2	129927-77680	COLLAR	3							
22	2	119578-91351	ABSORBER	3							
23	2	22877-500080	SCREW, 5X 8	6							

Remarks
 (1)ECO ECU
 THIS PART CANNOT BE ORDERED.
 REPLACE THE PART USING A SERVICE
 ECU WITH THE PROPER ENGINE
 INFORMATION INSTALLED.
 (2)SERVICE ECU
 IF THE PROPER INFORMATION IS NOT
 INSTALLED, THE ENGINE WILL NOT
 OPERATE.
 TO INSTALL PROPER INFORMATION,
 GO TO AN AUTHORIZED DISTRIBUTOR.

Fig.20. GASKET SET

(A)=4TNV84T-ZKTBL

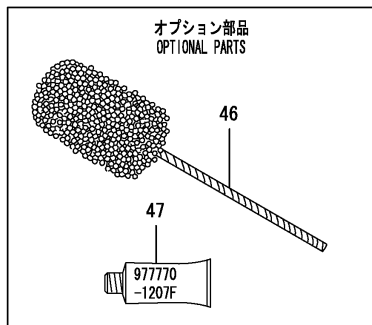
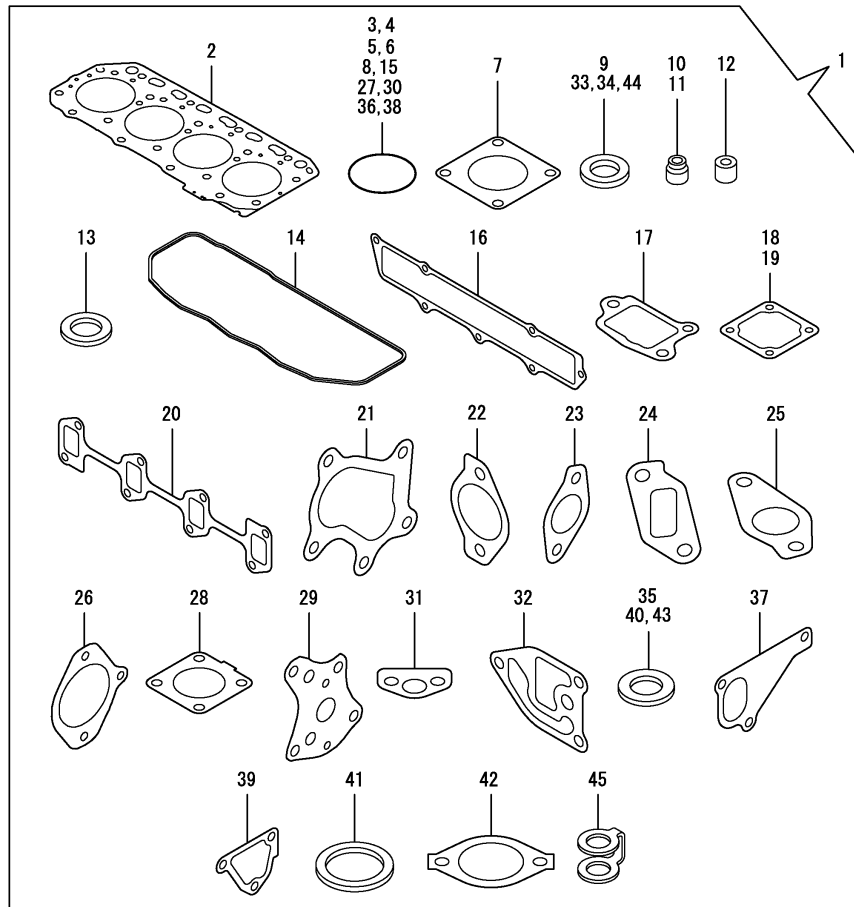
(B)=

(C)=

(D)=

(E)=

(F)=



No.	Lev.	Parts No.	Description	Q'ty						I	R
				(A)	(B)	(C)	(D)	(E)	(F)		
1	1	729509-92600	GASKET SET	1							1
2	2	129508-01330	GASKET, HEAD	1							
3	2	119609-32040	O-RING, P16	2							
4	2	121850-51960	O-RING	1							
5	2	24311-000320	O-RING, 1AP32.0	3							
6	2	24311-000300	O-RING, 1AP30.0	1							
7	2	124240-01883	GASKET	1							
8	2	24341-000240	O-RING, 1AS24.0	1							
9	2	22190-220002	WASHER, SEAL 22	1							
10	2	119717-11340	SEAL, VALVE STEM	8							
11	2	119717-11350	SEAL, VALVE STEM	8							
12	2	119802-11870	PROTECTOR, NOZZLE	4							
13	2	119625-11880	SEAT, NOZZLE	4							
14	2	129508-11310	GASKET, BONNET	1							
15	2	24311-000120	O-RING, 1AP12.0	3							
16	2	129508-12110	GASKET, MANIFOLD	1							
17	2	129509-13720	GASKET	1							
18	2	129100-77510	GASKET, AIR HEATER	1							
19	2	129150-77511	GASKET	1							
20	2	129550-13110	GASKET	1							
21	2	129508-18090	GASKET	1							
22	2	129928-13410	GASKET	2							
23	2	129927-13810	GASKET	1							
24	2	129927-13910	GASKET	1							
25	2	129927-13920	GASKET	1							
26	2	171353-26081	GASKET	1							
27	2	24321-000850	O-RING, 1AG85.0	1							
28	2	129508-18080	GASKET	1							
29	2	129150-32020	GASKET, PUMP	1							
30	2	24311-240100	O-RING, 1AP10A	1							
31	2	129150-35042	GASKET	1							
32	2	129103-35122	GASKET	1							
33	2	22190-080002	WASHER, SEAL 6	3							
34	2	22190-100002	WASHER, SEAL 10	2							
35	2	23414-100000	GASKET, 10X1.0	2							
36	2	24316-000160	O-RING, 4DP16.0	1							
37	2	129486-42021	GASKET, WATER PUMP	1							
38	2	129486-42140	O-RING, G30	1							
39	2	124395-49840	GASKET	1							
40	2	23414-080000	GASKET, 8X1.0	1							
41	2	129150-49811	GASKET, THERMOSTAT	1							
42	2	129795-49551	GASKET	1							
43	2	129150-49360	GASKET	1							
44	2	22190-120002	WASHER, SEAL 12	1							
45	2	123907-59550	GASKET	5							
46	1	129400-92420	FLEX HORN	1							1
47	1	977770-1207F	GASKET.LIQUID	1							1

Remarks

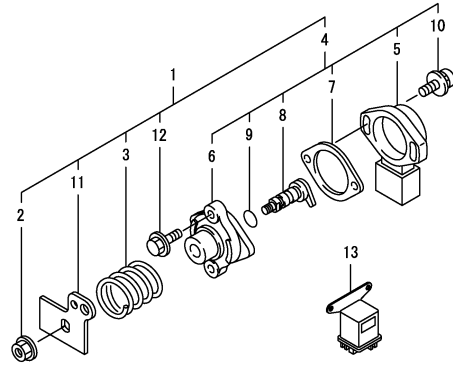
(1) OPTIONAL PART.

N:Old $\xrightarrow{\text{Yes}}$ New, Q:Old $\xrightarrow{\text{No}}$ New, R:Old $\xrightarrow{\text{Yes}}$ New, S:Old $\xrightarrow{\text{No}}$ New, W:Add, Z:Discontinued, F:Interchangeable by set, K:Q'ty Change

Fig.21. LOOSE PART

(A)=4TNV84T-ZKTBL
(B)=
(C)=

(D)=
(E)=
(F)=



No.	Lev.	Parts No.	Description	Q'ty						I	R
				(A)	(B)	(C)	(D)	(E)	(F)		
1	1	129938-77800	SENSOR ASSY	1							
2	2	194990-22130	NUT, M6	1							
3	2	119060-61990	SPRING, RETURN	1							
4	2	129054-77800	SENSOR ASSY	1							
5	3	185100-50070	BODY	1							
6	3	129054-77811	SUPPORT	1							
7	3	129054-77820	GASKET, SUPPORT	1							
8	3	129054-77830	SHAFT ASY	1							
9	3	24311-000070	O-RING, 1AP7.0	1							
10	3	26023-040202	SCREW, M4X20	2							
11	2	129938-77810	LEVER	1							
12	2	26106-060122	BOLT, M6X 12 PLATED	2							
13	1	119646-77900	RELAY, POWER	2							

Remarks

(1)ECO ECU
THIS PART CANNOT BE ORDERED.
REPLACE THE PART USING A SERVICE
ECU WITH THE PROPER ENGINE
INFORMATION INSTALLED.

(2)SERVICE ECU
IF THE PROPER INFORMATION IS NOT
INSTALLED, THE ENGINE WILL NOT
OPERATE.

TO INSTALL PROPER INFORMATION,
GO TO AN AUTHORIZED DISTRIBUTOR.

Parts No. Index

Parts No.	Fig. No.	Ref. No.
105430-67110	12	57
105840-59100	12	70
114250-39450	11	1
114250-53080	15	5
114250-53120	15	9
114250-53130	15	10
114250-53140	15	11
114250-53210	15	12
114250-53400	15	13
119060-61990	21	3
119225-11740	2	19
119225-11750	2	21
119260-34810	10	18
119266-49350	12	37
119305-59120	15	26
119578-91351	19	13
		22
119609-32040	2	9
	20	3
119620-01750	3	3
119620-77380	18	3
119620-77421	18	6
119620-77440	18	11
119620-77461	18	12
119620-77471	18	13
119620-77490	18	14
119620-79200	18	7
119620-79210	18	8
119620-79220	18	9
119620-79230	18	10
119620-79250	18	5
119620-79260	18	16
119620-79290	18	18
119620-79300	18	19
119620-79310	18	21
119620-79320	18	23
119620-79330	18	24
119620-79340	18	25
119620-79350	18	26
119620-79360	18	27
119624-77351	18	31
119625-11880	4	44
	20	13
119629-49080	12	68
119640-01640	3	8
119640-61400	4	64
119646-77900	21	13
119717-11190	4	34
119717-11340	4	35
	20	10

Parts No.	Fig. No.	Ref. No.
119717-11350	4	36
	20	11
119717-11800	4	42
119802-01561	2	5
119802-03070	4	53
119802-11870	4	43
	20	12
119802-13790	6	17
119802-13820	6	7 -1
119802-21660	9	8
119802-25071	7	13
119802-25101	7	10
119802-25901	7	16
119802-39500	11	5
119802-51090	13	15
119802-51560	13	60
119802-51680	13	70
119802-51690	13	71
119802-55710	16	7
119802-55730	16	8
119803-21200	9	4
119803-25050	7	9
119852-51630	13	75
119852-51640	13	76
119852-51650	13	78
119865-21600	9	14
119934-01800	2	3
119934-59910	13	128
119940-77270	18	29
121023-01551	2	27
121023-26070	7	20
121111-21501	9	11
121252-39150	11	3
121267-44590	12	64
121450-44531	12	61
121468-44540	12	60
121470-44581	12	63
121550-23200	9	26
121550-49111	10	16
121850-21680	9	10
121850-42410	12	8
121850-51960	2	10
	20	4
123501-79240	18	4
123900-13630	6	6
123901-39820	11	17
123907-03100	4	56
123907-03110	4	57
123907-03120	4	58
123907-03140	4	59

Parts No.	Fig. No.	Ref. No.
123907-11550	4	21
123907-11601	15	25
123907-11830	4	40
123907-59540	15	39
123907-59550	15	41
	20	45
123907-59560	15	46
124060-01050	1	4
124070-13300	11	15
124160-01751	2	6
	4	50
124160-01910	1	6
		7
124160-11360	4	71
124160-39140	11	2
124223-39900	11	6
124240-01871	2	7
		24
124240-01883	2	25
	20	7
124395-49840	12	20
	20	39
124450-44560	12	62
124722-59050	15	43
129001-01250	1	5
129001-02931	1	29
129001-11340	4	62
129001-91841	2	11
129004-42040	12	15
129004-55612	16	3
129005-59830	11	7
129006-44480	10	35
129008-51300	13	43
129008-51340	13	52
129008-61301	14	19
129009-11340	4	63
129033-01770	10	29
129033-35100	10	28
129033-49030	10	36
129052-79270	18	17
129054-77800	21	4
129054-77811	21	6
129054-77820	21	7
129054-77830	21	8
129067-33011	10	25
129100-01580	3	1
		14
	9	2
129100-01640	3	15
129100-23910	9	29

Parts No.	Fig. No.	Ref. No.
129100-42051	12	3
129100-42121	12	4
129100-55690	16	6
129100-77501	5	14
129100-77510	5	15
	20	18
129103-35122	10	33
	20	32
129103-49301	10	42
129136-77011	17	1
129136-77310	17	2
129136-77520	17	14
129150-01200	1	27
129150-02020	1	9
129150-02450	7	4
129150-02871	1	32
129150-02931	1	24
129150-02941	1	35
129150-03070	4	54
129150-11230	4	12
		16
129150-11750	4	14
		18
		39
129150-14101	7	6
129150-14200	7	1
129150-14400	7	2
129150-23601	9	27
129150-23611	9	30
129150-25301	7	15
129150-32020	10	14
	20	29
129150-35042	10	22
	20	31
129150-35153	10	34
129150-49080	12	66
129150-49100	12	65
129150-49360	12	38
	20	43
129150-49811	12	32
	20	41
129150-59131	15	29
		33
129150-77511	5	16
	20	19
129165-49060	10	41
129202-22300	9	21
129240-77200	18	2
129240-77710	18	15
129240-79300	18	20

Parts No. Index

Parts No.	Fig. No.	Ref. No.
129240-79310	18	22
129244-34802	10	17
129263-51251	13	135
129263-77941	13	6
129350-49530	12	33
129400-01730	3	6
129400-01770	3	7
129400-77490	17	12
129400-77571	17	18
129400-92420	20	46
129403-42380	12	26
129410-03990	4	77
129417-33110	10	27
129417-35150	10	32
129418-18320	6	4
		5
		3
129418-32000	10	1
129436-35070	10	23 -1
129436-35091	10	23
129457-49801	12	31
129466-44510	12	59
129467-49040	10	39
129484-26200	7	22
129484-26210	7	24
129486-01670	3	18
129486-07901	4	1
129486-42021	12	14
	20	37
129486-42140	12	16
	20	38
129508-01330	1	28
	20	2
129508-03010	4	52
129508-11100	4	30
129508-11110	4	31
129508-11130	4	32
129508-11180	4	33
129508-11241	4	5
129508-11250	4	6
129508-11260	4	8
129508-11270	4	9
129508-11280	4	10
129508-11310	4	61
	20	14
129508-11650	4	11
129508-11660	4	15
129508-11820	4	41
129508-11900	4	45
129508-11920	4	19

Parts No.	Fig. No.	Ref. No.
129508-12110	5	2
	20	16
129508-14580	7	3
129508-18010	8	1
129508-18080	8	2
	20	28
129508-18090	6	10
	20	21
129508-33050	10	26
129508-39450	11	4
129508-39600	11	16
129508-59550	15	40
129508-59910	15	35
129508-59920	15	36
129508-59930	15	37
129508-59940	15	38
129509-03050	4	74
129509-03080	4	75
129509-03090	4	76
129509-11350	4	51
129509-11700	4	22
129509-12060	5	1
129509-12070	4	78
129509-12100	5	4
129509-12150	5	3
129509-13100	6	3
129509-13150	6	2
129509-13400	6	14
129509-13700	5	5
129509-13710	5	6
129509-13720	5	7
	20	17
129509-13810	6	19
129509-21000	9	1
129509-22080	9	15
129509-22500	9	17
129509-42001	12	1
129509-49540	12	10
129509-49610	12	49
129509-49630	12	40
129509-49640	12	44
129509-59550	15	42
129509-79700	4	65
129530-53000	15	2
129536-12510	5	20
129536-12610	5	21
129536-34860	10	19
129536-49620	12	53
129536-75020	19	1
129536-77300	18	30

Parts No.	Fig. No.	Ref. No.
129550-13110	6	1
	20	20
129550-59120	15	30
129553-39650	11	27
129604-01520	2	4
129612-01600	3	2
129612-42310	12	27
129612-44700	12	28
129612-52100	16	1
129642-21590	9	12
129648-13520	6	8
129648-13570	6	9
129657-51590	13	65
129657-51600	13	66
129672-11510	4	37
129688-01780	3	7 -1
129693-44310	6	7
129792-39410	11	21
129795-01780	3	17
129795-01900	18	1
129795-01950	2	8
129795-02412	1	12
129795-21661	9	9
129795-49551	12	34
	20	42
129900-77400	17	3
129900-77440	17	6
129900-77450	17	7
		11
129900-77460	17	9
129900-77480	17	10
129900-77640	17	19
129906-55700	16	5
129907-03070	4	55
129907-11950	4	46
129907-55801	16	4
129916-49740	12	11
129927-13810	6	20
	20	23
129927-13900	6	26
129927-13910	6	27
	20	24
129927-13920	6	28
	20	25
129927-44900	12	36
129927-51650	13	4
129927-51660	13	5
129927-51670	13	8
129927-75900	19	19
129927-77600	19	11

Parts No.	Fig. No.	Ref. No.
129927-77600	19	20
129927-77680	19	12
		21
129928-07900	4	2
129928-13410	6	15
		16
	20	22
129928-13800	6	18
129928-49400	12	17
129928-49410	12	18
129928-49420	12	48
129938-77800	21	1
129938-77810	21	11
129939-12621	5	22
129939-12630	5	23
129939-12640	5	24
129939-12650	5	25
129940-55610	16	2
129948-12660	5	26
129960-03990	12	50
		54
158552-51151	7	17
	13	18
158552-51570	13	61
		62
158552-51580	13	64
158552-51600	13	74
158552-51670	13	9
158552-51781	13	102
158552-52100	13	126
158552-52310	13	109
158552-52400	13	110
158552-52500	13	127
158553-51670	13	69
158553-51680	13	81
158553-51770	13	108
158553-61050	14	2
158553-61780	14	23
158557-51570	13	63
158557-61720	14	22
158563-51281	13	41
		42
158563-51330	13	51
158600-51270	13	40
158601-51550	13	59
158601-51650	13	7
158601-51770	13	101
158601-51790	13	103
171008-03990	10	37
171008-77450	17	8

Parts No. Index

Parts No.	Fig. No.	Ref. No.
171008-77510	17	13
171008-77540	17	15
171008-77650	17	20
171008-77660	17	24
171008-77670	17	25
171008-77750	17	31
171031-11741	2	20
171051-01921	1	8
171340-77520	5	17
171353-26081	7	21
	20	26
171353-44760	12	29
175339-79700	4	66
185100-50070	21	5
194990-22130	21	2
22190-080002	2	12
	11	8
		10
	15	47
	20	33
22190-100002	11	11
	20	34
22190-120002	12	39
	13	104
		111
		129
	20	44
22190-180002	13	105
22190-220002	3	10
	20	9
22217-050000	13	130
22217-140000	7	18
	13	112
22252-000260	9	22
22312-050140	13	113
22351-030010	9	7
	11	28
22351-050010	13	114
22351-060012	4	47
22512-070140	7	7
	9	5
22857-500100	4	67
		68
		69
22857-500160	5	8
22877-500080	19	14
		23
23000-025000	11	18
23000-048000	5	10
23000-060000	4	79

Parts No.	Fig. No.	Ref. No.
23000-060000	5	11
23080-012000	12	43
		47
23080-018000	10	43
23414-080000	12	21
	20	40
23414-100000	11	12
	20	35
23414-120000	14	24
23857-030000	11	9
23875-030000	12	19
23876-010000	12	12
23876-020000	4	28
	12	13
23887-120002	13	106
	14	25
24105-060064	7	27
24311-000070	13	116
	21	9
24311-000120	4	72
		86
	20	15
24311-000160	16	9
24311-000300	2	22
	20	6
24311-000320	2	13
		23
	4	73
	20	5
24311-240100	10	20
	20	30
24316-000160	11	19
	20	36
24321-000650	16	10
24321-000850	7	28
	20	27
24341-000240	2	28
	20	8
24341-000480	14	26
24356-010180	13	117
24356-010200	13	72
		118
24372-000150	13	73
26023-040202	21	10
26106-060102	13	119
26106-060122	4	70
	21	12
26106-060142	13	131
26106-060162	2	29
	11	20

Parts No.	Fig. No.	Ref. No.
26106-060162	14	27
26106-060202	14	28
26106-060322	17	29
26106-060402	12	30
	17	30
26106-080122	2	26
	11	13
	12	22
		58
26106-080142	6	11
	7	8
26106-080162	2	14
		15
	3	11
	4	3
	10	21
	12	23
	13	136
26106-080202	4	4
	5	9
		12
	6	12
26106-080222	12	35
26106-080252	3	12
	4	48
	10	44
	14	29
26106-080302	2	16
26106-080352	3	19
	6	21
	10	24
26106-080402	5	18
	7	14
26106-080452	3	13
		13 -1
	6	22
	12	24
	18	35
26106-080502	3	20
	4	49
26106-080552	2	17
	6	23
	10	24 -1
	18	36
26106-080602	12	25
26106-080802	5	19
26106-080902	5	13
26106-081004	18	33
26106-100252	6	24
26106-100402	6	29

Parts No.	Fig. No.	Ref. No.
26106-100452	7	29
26106-101052	6	30
26116-120252	17	32
26206-100252	3	4
26206-100302	3	5
26226-080352	4	20
26306-080002	2	18
	6	13
		25
	8	4
	18	34
26306-100002	18	28
26366-060002	11	14
26450-060252	10	15
26450-080282	7	30
26450-080452	13	123
26716-050002	13	132
26776-140002	7	19
	13	124
27241-120000	1	13
27241-160000	13	133
27241-300000	1	14
27241-400000	4	29
729402-23100	9	23
729509-01560	1	1
729509-22900	9	32
729509-22950	9	34
729509-92600	20	1
729530-53200	15	1
729536-51300	13	1
729652-01500	2	1
977770-1207F	20	47
X2114255110	17	5
X2114555500	17	21
X2114955020	17	22
X2130350900	17	4
X2240410100	17	23