

OCD10-M99400EN

PREFACE

1. This parts catalog is the 1st edition of 4TNV98-ZQTB for Takeuchi Mfg. Co., Ltd.

Pub.No. : 000Y00D9940

Published : December,2007

2. Model name

Engine model	Vehicle		Vehicle made by
	Products	Model name	
4TNV98-ZQTB	Excavator	TB175	Takeuchi Mfg. Co., Ltd.

Directions for the Parts Catalog.

- The parts stipulated in this Parts Catalog are not necessarily standard equipped parts.
- Parts may change without prior notice.
- The following is an example of the Parts Catalog format.

REF.	LEV.	PARTS NO.	DESCRIPTION	Q'TY						I	R
				(A)	(B)	(C)	(D)	(E)	(F)		
1	1	729595-51390	FUEL INJECTION PUMP	1	1	1	1	1			1
1-1	1	729595-51391	FUEL INJECTION PUMP	1	1	1	1	1		N	1
		(A=E00185) (B=E00200)									
3	2	26022-060162	SCREW M 6X 16	9	9	9	9	9			
3-1	2	26022-060162	SCREW M 6X 16	4	4	4	4	4		K	
		(A=E00156) (B=E00156) (C=E00156) (D=E00156) (E=E00156)									
4	2	129470-51040	CAMSHAFT	1	1	1	1	1			
5	2	122710-51050	BEARING, ROLLER	2	2	2	2	2			
6	2	129470-51060	RETAINER	1	1	1	1	1			

Remarks
(1) BOOST COMPEMSATOR TYPE. OPTIONAL PART, TO E/#00155,(4JH-DT, 4JH-DTZ)

① Ref. No.

The Ref. No. listed may not be in accordance with the illustration Ref. No.

(Ex.) Illustration No. 1 List Ref No. 1 (Before change) → 1-1 (After change)

For interchangeable symbols N, R and K, illustrations for new parts may be abbreviated.

② Lev. (Level)

Level indication

The numbers below indicate the level of relativity towards the main part.

1 ---- Main parts (Assembly parts)

2 ---- Sub component included in " 1 ".

3 ---- Sub component included in " 2 ".

Note) Parts that are not for sale are partially illustrated but not listed.

③ Change Mark

The "I" indicates parts that were newly changed.

④ Interchangeability Mark

When a part change takes place, one of the following interchangeability symbols is indicated beside the part.

Symbol	Interchangeability	Contents note
N	Old $\begin{matrix} \leftarrow \text{Yes} \\ \text{No} \rightarrow \end{matrix}$ New	New Part is interchangeable for Old Part but Old Part is not interchangeable for New Part.
Q	Old $\begin{matrix} \text{No} \leftarrow \\ \text{Yes} \rightarrow \end{matrix}$ New	New Part is not interchangeable for Old Part but Old Part is interchangeable for New Part.
R	Old $\begin{matrix} \leftarrow \text{Yes} \\ \text{Yes} \rightarrow \end{matrix}$ New	New/ Old Parts are both interchangeable.
S	Old $\begin{matrix} \text{No} \leftarrow \\ \text{No} \rightarrow \end{matrix}$ New	New/ Old Parts are both not interchangeable.
W		Part discontinued.
Z		Part newly added.
F		Not interchangeable by a single part but interchangeable together with related parts.
K		Changes only for used parts quantities.

⑤ Effective Machine No.

When a part changes, the effective Machine No. will be indicated in the (A)-(F) column.

Product Symbol	Product No.	Product Symbol	Product No.
C	Clutch No. Compressor No.	F	Machine No. (Agricultural Equip.)
D	Drive No.	M	Machine No.
E	Engine No.	Note 1)	Date

Note 1) A date may follow the symbol. (Ex.) 1996.01

Note 2) " XXX " are for parts that could not be predicted or for engine models that could not be identified.

Note 3) (A=E00185) is the E (Engine Serial Number) for the column (A) model (in this case 4JH-DT) after the parts design change.

⑥ Remarks Mark

Figures or alphabets (symbols) are entered in the remarks column.

The comments (remarks) on parts that are indicated at the bottom of the illustration are the same symbols as those stated above.

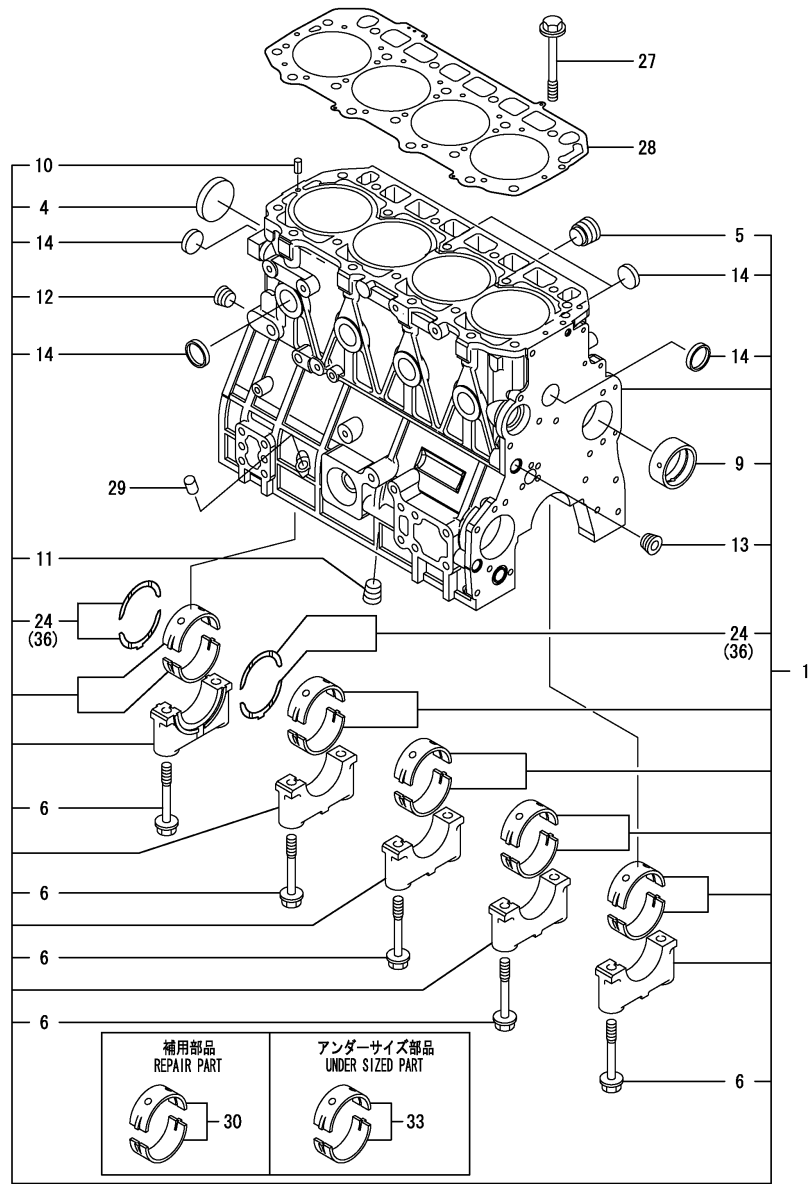
Contents

Fig. No.	Fig. Name	Fig. No.	Fig. Name
4	TNV98-ZQTB		
1.	CYLINDER BLOCK		
2.	GEAR HOUSING		
3.	FLYWHEEL HOUSING & OIL SUMP		
4.	CYLINDER HEAD & BONNET		
5.	SUCTION MANIFOLD & AIR CLEANER		
6.	EXHAUST MANIFOLD & SILENCER		
7.	CAMSHAFT & DRIVING GEAR		
8.	CRANKSHAFT & PISTON		
9.	LUB.OIL SYSTEM		
10.	COOLING WATER SYSTEM		
11.	FUEL INJECTION PUMP		
12.	GOVERNOR		
13.	FUEL INJECTION VALVE		
14.	FUEL LINE		
15.	STARTING MOTOR		
16.	GENERATOR		
17.	ELECTRONIC CONTROL UNIT (ECU)		
18.	GASKET SET		

Fig.1. CYLINDER BLOCK

(A)=4TNV98-ZQTB
(B)=
(C)=

(D)=
(E)=
(F)=

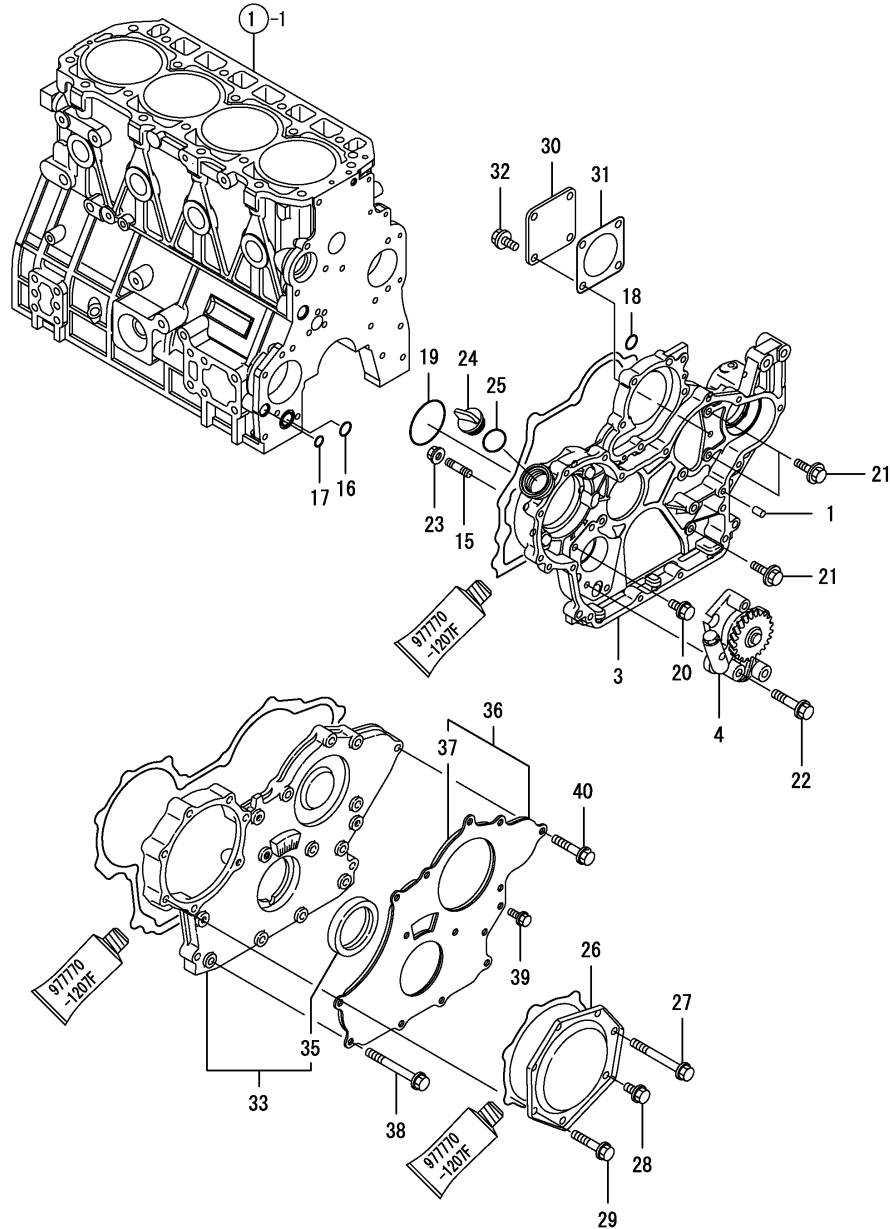


No.	Lev.	Parts No.	Description	Q'ty						I	R
				(A)	(B)	(C)	(D)	(E)	(F)		
1	1	729927-01560	BLOCK ASSY, CYLINDER	1							
4	2	129900-01250	PLUG, 55	1							
5	2	171051-01921	PLUG, NPTF1	1							
6	2	129900-02020	BOLT, METAL CAP	10							
9	2	129900-02410	BUSH, CAMSHAFT	1							
10	2	22351-060012	PIN, SPRING 6.0X12	2							
11	2	23876-030000	PLUG, R03	1							
12	2	23876-030000	PLUG, R03	1							
13	2	23876-030000	PLUG, R03	1							
14	2	27241-300000	PLUG 30	8							
24	2	129900-02931	BEARING, THRUST	2							
27	1	129900-01200	BOLT, HEAD	18							
28	1	129907-01331	GASKET, HEAD	1							
29	1	119309-01810	PLUG	1							
30	1	729900-02801	BEARING, MAIN	5							1
33	1	129900-02341	BEARING, 0.25 US	5							2
36	1	129900-02941	BEARING, THRUST 0.25	2							3

Remarks

- (1) REPAIR PART.
- (2) UNDER-SIZED(U.S=0.25)PART.
- (3) OVER-SIZED(O.S=0.25)PART.

Fig.2. GEAR HOUSING



(A)=4TNV98-ZQTB
(B)=
(C)=

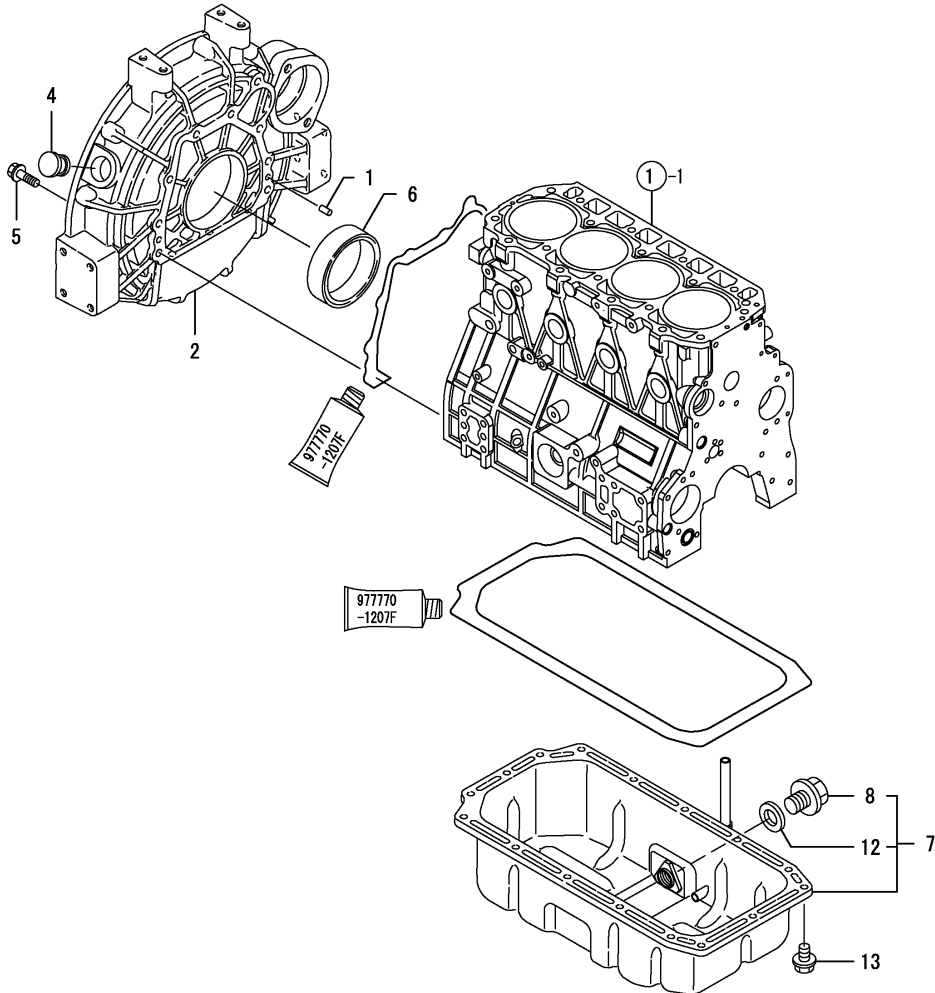
(D)=
(E)=
(F)=

No.	Lev.	Parts No.	Description	Q'ty						I	R
				(A)	(B)	(C)	(D)	(E)	(F)		
1	1	129100-01580	PIN, M8X16	4							
3	1	129907-01500	CASE, GEAR	1							
4	1	129900-32001	PUMP ASSY, OIL	1							
15	1	26216-100302	STUD, M10X 30	4							
16	1	129900-32030	O-RING, P20	1							
17	1	129900-32040	O-RING, P14	1							
18	1	24311-000070	O-RING, 1AP7.0	1							
19	1	24351-030750	O-RING, 1A3075	1							
20	1	26106-080162	BOLT, M8X 16 PLATED	1							
21	1	26106-080202	BOLT, M8X 20 PLATED	3							
22	1	26106-080452	BOLT, M8X 45 PLATED	3							
23	1	26306-100002	NUT, M10	4							
24	1	124160-01751	COVER, FILLER	1							
25	1	24311-000320	O-RING, 1AP32.0	1							
26	1	129900-01740	COVER	1							
27	1	129001-91810	BOLT, M8X70	1							
28	1	26106-080162	BOLT, M8X 16 PLATED	1							
29	1	26106-080402	BOLT, M8X 40 PLATED	5							
30	1	124240-01871	COVER	1							
31	1	124240-01883	GASKET	1							
32	1	26106-080162	BOLT, M8X 16 PLATED	4							
33	1	729906-01550	COVER ASSY,GEAR CASE	1							
35	2	129916-01800	SEAL, OIL	1							
36	1	129900-01850	COVER ASSY,GEAR CASE	1							
37	2	129900-01870	SPONGE	1							
38	1	129001-91810	BOLT, M8X70	6							
39	1	26106-080162	BOLT, M8X 16 PLATED	3							
40	1	26106-080402	BOLT, M8X 40 PLATED	5							

Fig.3. FLYWHEEL HOUSING & OIL SUMP

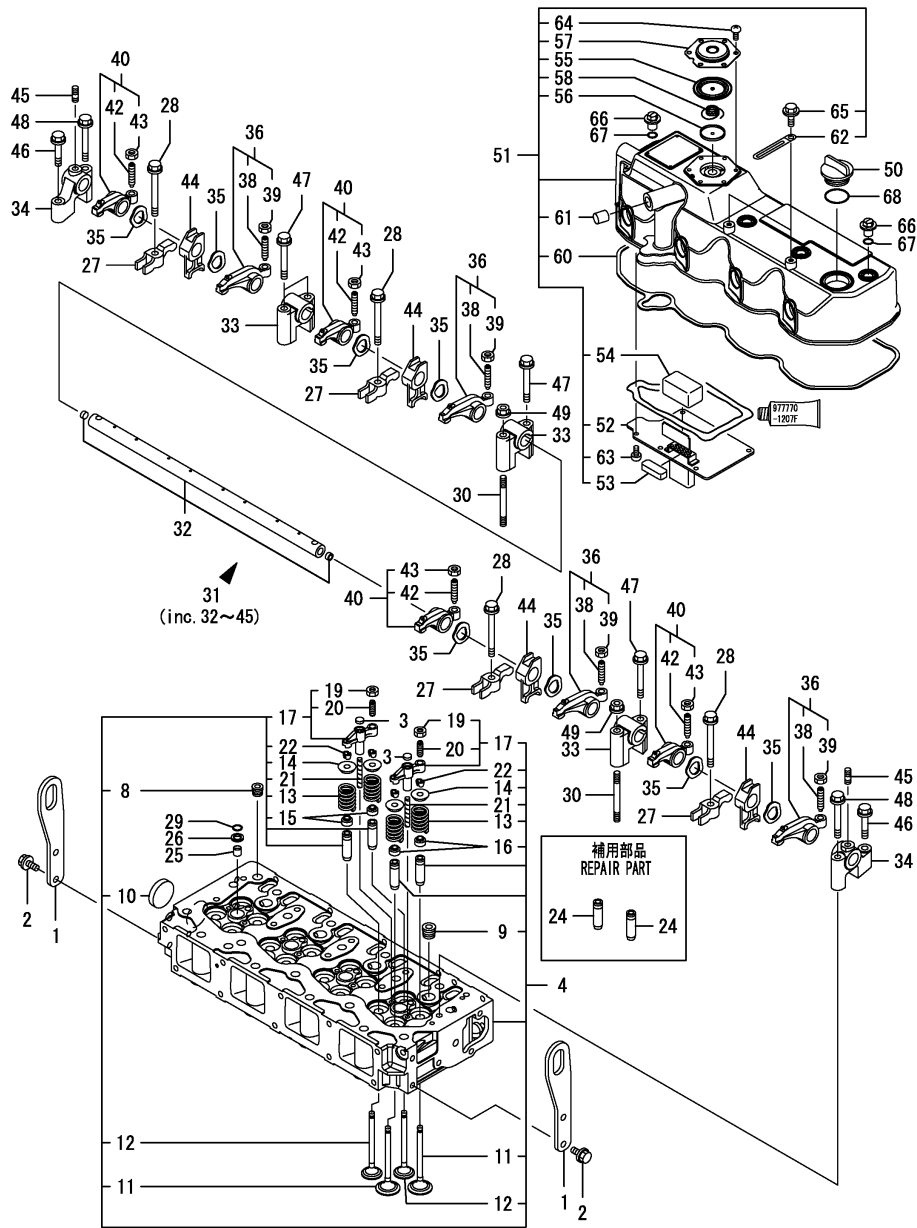
(A)=4TNV98-ZQTB
(B)=
(C)=

(D)=
(E)=
(F)=



No.	Lev.	Parts No.	Description	Q'ty						I	R
				(A)	(B)	(C)	(D)	(E)	(F)		
1	1	129100-01580	PIN, M8X16	2							
2	1	129951-01620	HOUSING, FLYWHEEL	1							
4	1	119000-01840	PLUG, RUBBER	1							
5	1	26206-100352	BOLT, M10X 35 PLATED	9							
6	1	129916-01790	SEAL, D115/95XT11	1							
7	1	129953-01730	SUMP ASSY, OIL	1							
8	2	119640-01640	PLUG, DRAIN M22	1							
12	2	22190-220002	WASHER, SEAL 22	1							
13	1	26106-080122	BOLT, M8X 12 PLATED	16							

Fig.4. CYLINDER HEAD & BONNET



(A)=4TNV98-ZQTB

(B)=

(C)=

(D)=

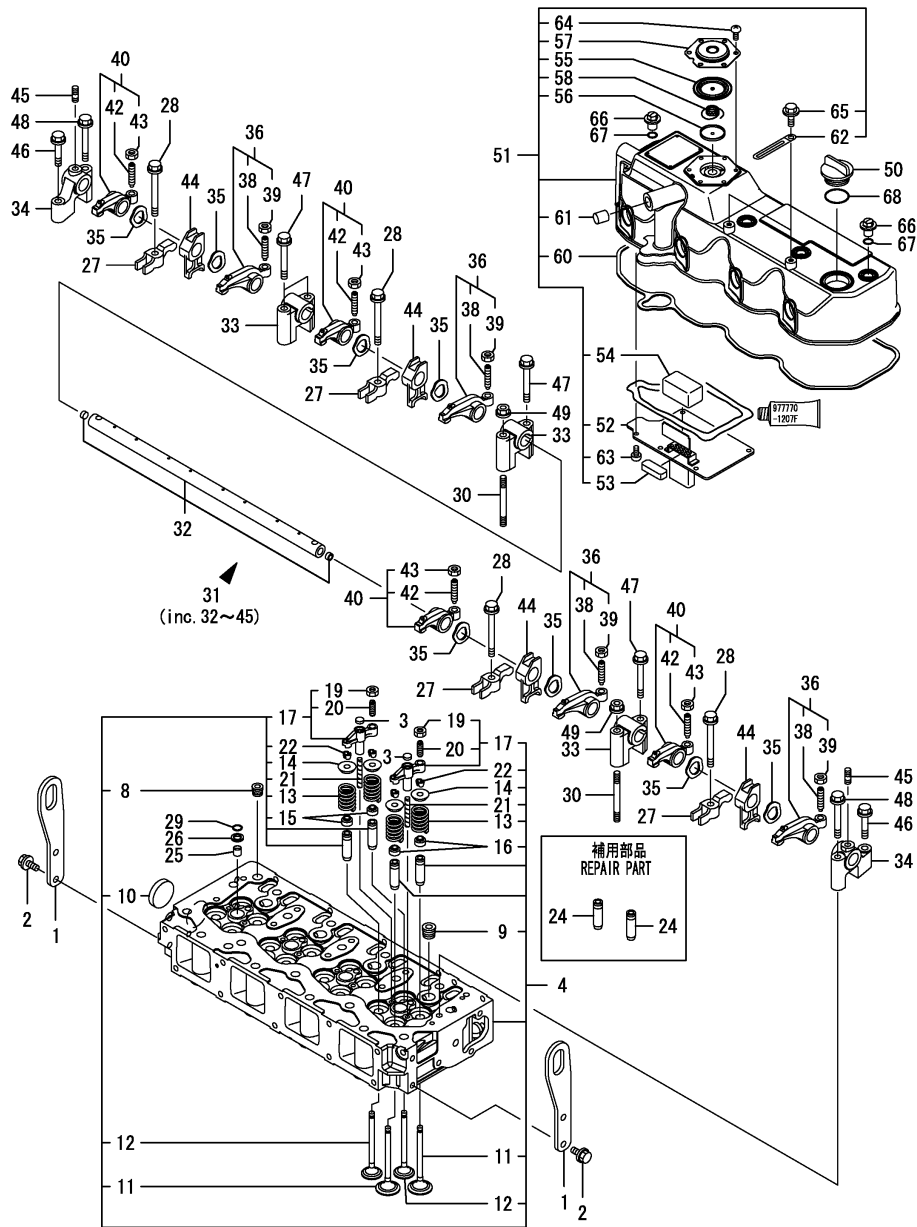
(E)=

(F)=

No.	Lev.	Parts No.	Description	Q'ty						I	R
				(A)	(B)	(C)	(D)	(E)	(F)		
1	1	129907-07900	LIFTER	2							
2	1	26106-080162	BOLT, M8X 16 PLATED	4							
3	1	123907-11550	SEAT, VALVE BRIDGE	8							
4	1	129927-11700	HEAD ASSY, CYLINDER	1							
8	2	23876-020000	PLUG, R02	1							
9	2	23876-030000	PLUG, R03	4							
10	2	27241-400000	PLUG, 40	1							
11	2	129907-11100	VALVE, INTAKE	8							
12	2	129907-11110	VALVE, EXHAUST	8							
13	2	129907-11120	SPRING, VALVE	16							
14	2	119620-11180	RETAINER, SPRING	16							
15	2	119803-11340	SEAL, VALVE STEM	8							
16	2	124160-11340	SEAL, VALVE STEM	8							
17	2	129907-11510	BRIDGE ASSY, VALVE	8							
19	3	129150-11750	NUT, M8	8							
20	3	123907-11830	ADJUSTER	8							
21	2	123907-11820	GUIDE	8							
22	2	27310-070001	COTTER, 7	16							
24	1	129907-11800	GUIDE, VALVE	16							1
25	1	119802-11870	PROTECTOR, NOZZLE	4							
26	1	119625-11880	SEAT, NOZZLE	4							
27	1	129907-11910	RETAINER, NOZZLE	4							
28	1	129907-11950	BOLT, M8X75	4							
29	1	24311-000120	O-RING, 1AP12.0	4							
30	1	119593-11301	STUD, M8X80	2							
31	1	129907-11341	SHAFT ASSY, ROCKER	1							
32	2	129907-11250	SHAFT, ROCKER ARM	1							
33	2	129907-11260	SUPPORT, ROCKER ARM	3							
34	2	129907-11270	SUPPORT, ROCKER ARM	2							
35	2	123907-11280	WASHER	8							
36	2	129907-11650	ARM, ROCKER	4							
38	3	129150-11230	SCREW, VALVE ADJUST	4							
39	3	129150-11750	NUT, M8	4							
40	2	129907-11660	ARM, ROCKER	4							
42	3	129150-11230	SCREW, VALVE ADJUST	4							
43	3	129150-11750	NUT, M8	4							
44	2	129907-11920	RETAINER	4							
45	2	26226-080222	STUD, M8X 22	2							
46	1	26106-080402	BOLT, M8X 40 PLATED	2							
47	1	26106-080602	BOLT, M8X 60 PLATED	4							
48	1	26106-080602	BOLT, M8X 60 PLATED	2							
49	1	26306-080002	NUT, M8	2							
50	1	124160-01751	COVER, FILLER	1							
51	1	129927-11320	BONNET ASSY, HEAD	1							
52	2	129907-03011	PLATE	1							
53	2	129907-03061	BAFFLE, BREATHER	1							
54	2	129907-03070	BAFFLE, BREATHER	1							
55	2	123907-03100	DIAPHRAGM	1							
56	2	123907-03110	PLATE	1							
57	2	123907-03120	PLATE, BREATHER	1							
58	2	123907-03140	SPRING, DIAPHRAGM	1							

Remarks
(1) REPAIR PART.

Fig.4. CYLINDER HEAD & BONNET



(A)=4TNV98-ZQTB
(B)=
(C)=

(D)=
(E)=
(F)=

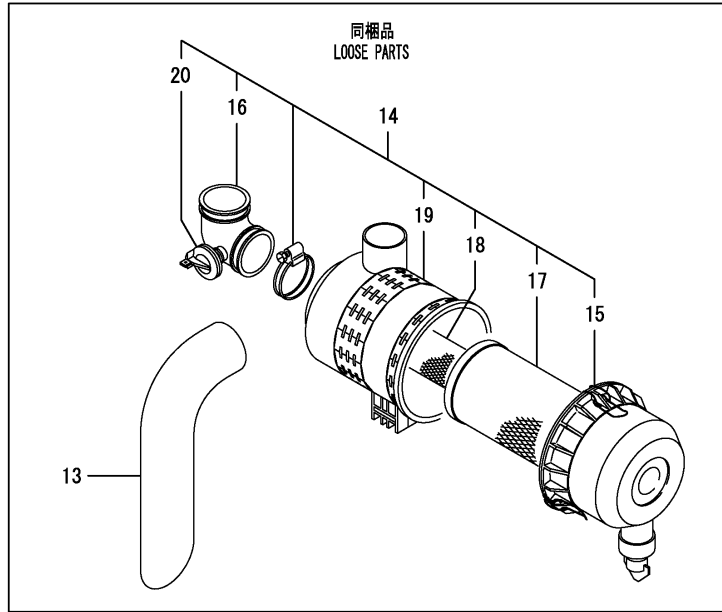
No.	Lev.	Parts No.	Description	Q'ty						I	R
				(A)	(B)	(C)	(D)	(E)	(F)		
60	2	129933-11310	GASKET, BONNET	1							
61	2	119640-61400	PLUG	1							
62	2	175339-79700	CLIP	2							
63	2	22857-500100	SCREW, 5X10	6							
64	2	22857-500100	SCREW, 5X10	6							
65	2	26106-060122	BOLT, M6X 12 PLATED	2							
66	1	124160-11360	KNOB	4							
67	1	24311-000120	O-RING, 1AP12.0	4							
68	1	24311-000320	O-RING, 1AP32.0	1							

Remarks
(1) REPAIR PART.

Fig.5. SUCTION MANIFOLD & AIR CLEANER

(A)=4TNV98-ZQTB
(B)=
(C)=

(D)=
(E)=
(F)=



No.	Lev.	Parts No.	Description	Q'ty						I	R
				(A)	(B)	(C)	(D)	(E)	(F)		
1	1	129907-12110	GASKET, MANIFOLD	1							
2	1	129927-12150	MANIFOLD ASSY,INTAKE	1							
3	2	129927-12100	MANIFOLD, AIR INTAKE	1							
4	2	26216-060202	STUD, M6X 20	2							
5	1	26106-080452	BOLT, M8X 45 PLATED	6							
6	1	26106-080802	BOLT, M8X 80 PLATED	4							
7	1	119129-77020	GASKET	1							
8	1	121850-77021	GASKET	1							
9	1	119005-77051	HEATER	1							
10	1	119129-77520	BEND	1							
11	1	26106-080402	BOLT, M8X 40 PLATED	2							
12	1	26106-080902	BOLT, M8X 90 PLATED	2							
13	1	129953-12250	PIPE, AIR INTAKE	1							
14	1	129938-12510	CLEANER ASSY, AIR	1							
15	2	129938-12610	HOUSING, CLEANER	1							
16	2	129938-12620	MANIFOLD, AIR INTAKE	1							
17	2	129939-12621	ELEMENT	1							
18	2	129939-12630	ELEMENT	1							
19	2	129939-12640	BRACKET	1							
20	2	129948-12660	INDICATOR	1							

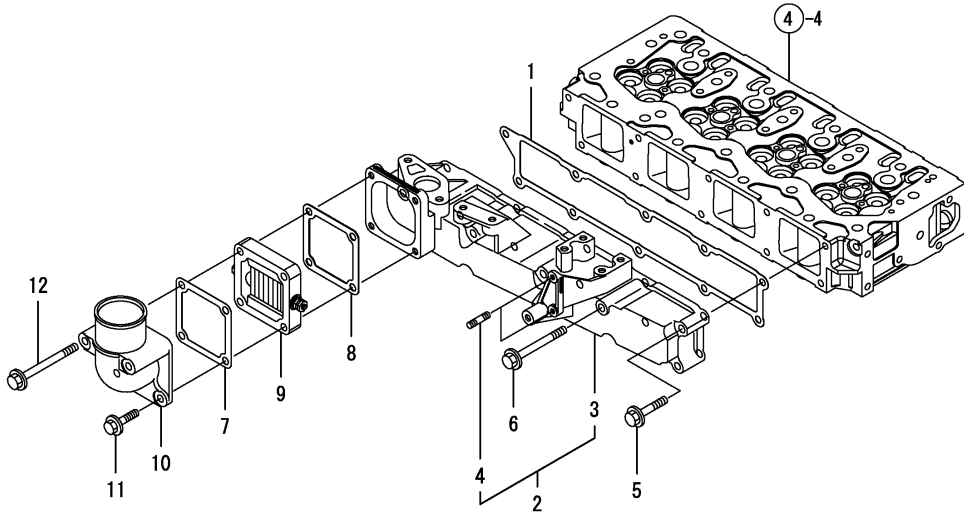
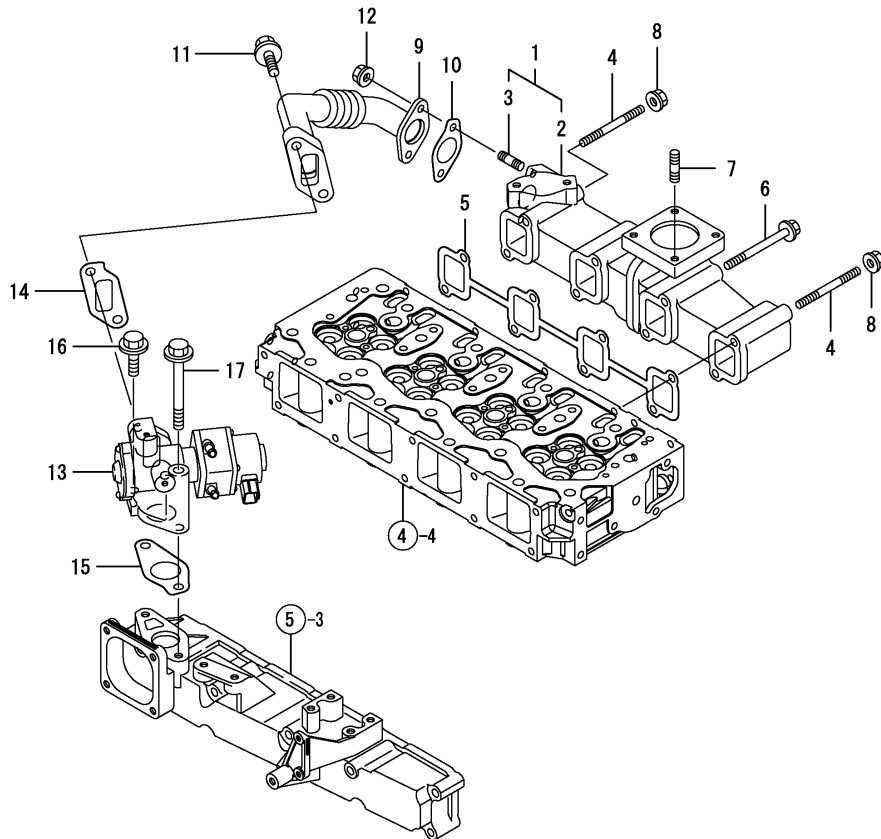
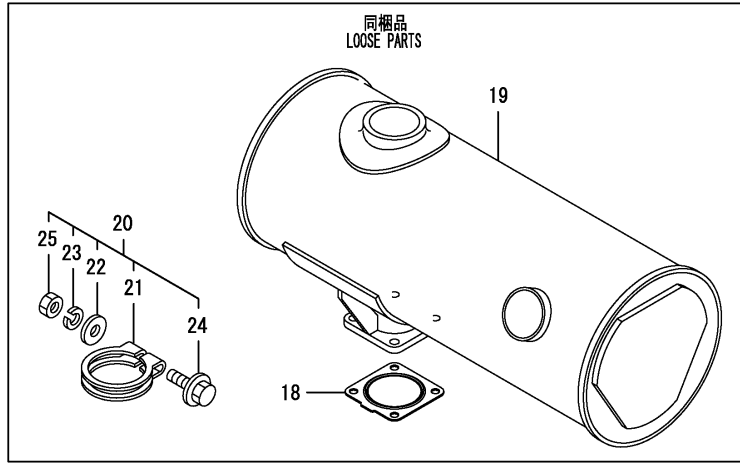


Fig.6. EXHAUST MANIFOLD & SILENCER

(A)=4TNV98-ZQTB
(B)=
(C)=

(D)=
(E)=
(F)=



No.	Lev.	Parts No.	Description	Q'ty						I	R
				(A)	(B)	(C)	(D)	(E)	(F)		
1	1	129927-13150	MANIFOLD ASSY	1							
2	2	129927-13100	MANIFOLD, EXHAUST	1							
3	2	129418-18320	STUD, M8X20	2							
4	1	129263-13210	STUD, M8X90	2							
5	1	129900-13251	GASKET	1							
6	1	119802-13680	BOLT, M8X90 10.9T	6							
7	1	119131-18320	STUD, M8X22	4							
8	1	26306-080002	NUT, M8	2							
9	1	129927-13800	PIPE ASSY	1							
10	1	129927-13810	GASKET	1							
11	1	26106-100302	BOLT, M10X 30 PLATED	2							
12	1	26306-080002	NUT, M8	2							
13	1	129927-13900	VALVE	1							
14	1	129927-13910	GASKET	1							
15	1	129927-13920	GASKET	1							
16	1	26106-100302	BOLT, M10X 30 PLATED	1							
17	1	26106-100952	BOLT, M10X 95 PLATED	1							
18	1	129930-13201	GASKET, SILENCER	2							
19	1	129940-13500	SILENCER	1							
20	1	129640-13590	CLAMP ASSY	1							
21	2	129640-13580	CLAMP	1							
22	2	22117-100000	WASHER, 10	1							
23	2	22217-100000	WASHER, SPRING 10	1							
24	2	26106-100652	BOLT, M10X 65 PLATED	1							
25	2	26706-100002	NUT, M10	1							

Fig.7. CAMSHAFT & DRIVING GEAR

(A)=4TNV98-ZQTB

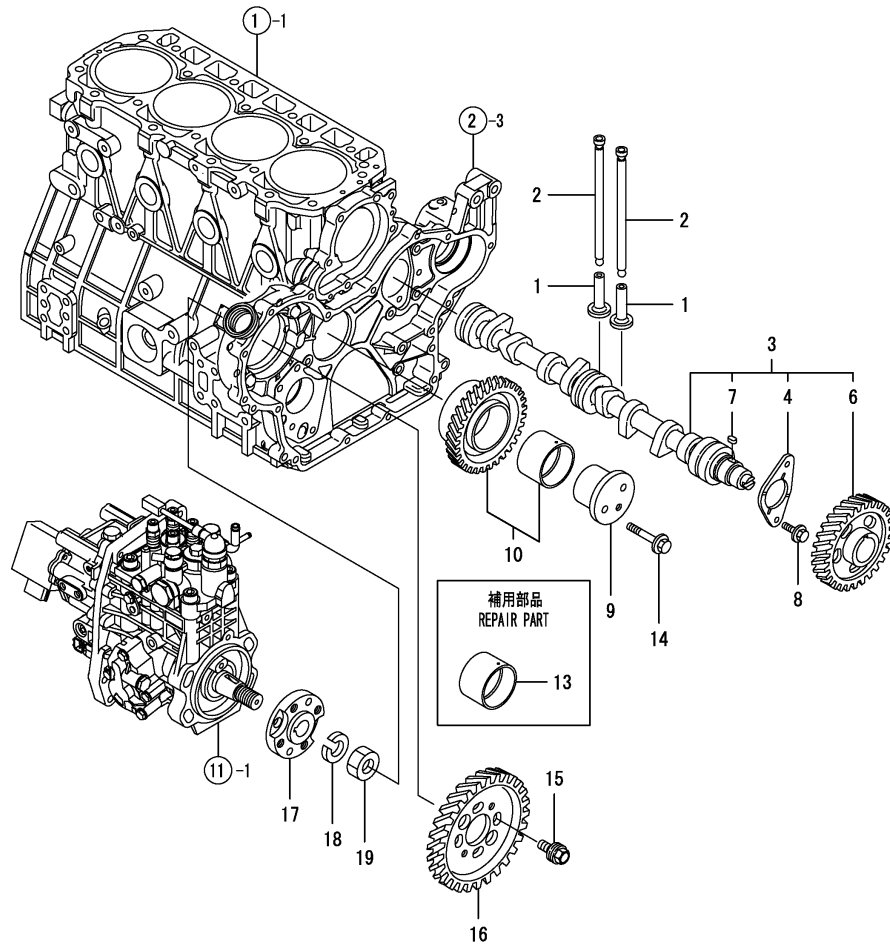
(B)=

(C)=

(D)=

(E)=

(F)=



No.	Lev.	Parts No.	Description	Q'ty						I	R
				(A)	(B)	(C)	(D)	(E)	(F)		
1	1	129150-14200	TAPPET	8							
2	1	129907-14400	ROD, PUSH	8							
3	1	129908-14581	CAMSHAFT ASSY	1							
4	2	129150-02450	BEARING, THRUST	1							
6	2	129900-14100	GEAR, CAMSHAFT	1							
7	2	22512-070140	KEY, 7X 14	1							
8	1	26106-080162	BOLT, M8X 16 PLATED	2							
9	1	123900-25060	SHAFT, IDLE GEAR	1							
10	1	129900-25100	GEAR ASSY, IDLE	1							
13	1	129150-25920	BUSH, IDLE GEAR	1							1
14	1	26106-080552	BOLT, M8X 55 PLATED	3							
15	1	129953-25300	BOLT	4							
16	1	129907-25900	GEAR, PUMP	1							
17	1	158563-51150	FLANGE	1							
18	1	22217-180000	WASHER, SPRING 18	1							
19	1	26776-180002	NUT, LOCK M18	1							

Remarks

(1) REPAIR PART.

Fig.8. CRANKSHAFT & PISTON

(A)=4TNV98-ZQTB

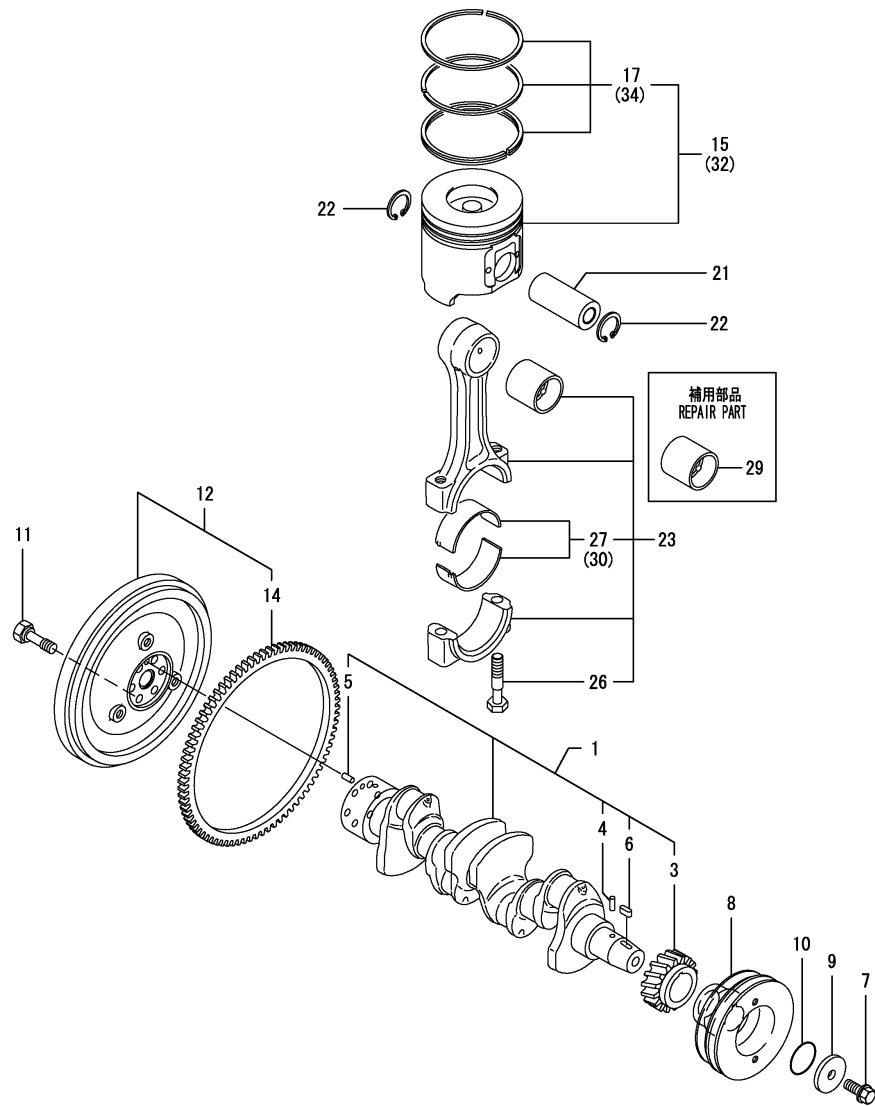
(B)=

(C)=

(D)=

(E)=

(F)=



No.	Lev.	Parts No.	Description	Q'ty						I	R
				(A)	(B)	(C)	(D)	(E)	(F)		
1	1	129902-21000	CRANKSHAFT ASSY	1							
3	2	129900-21200	GEAR, CRANKSHAFT	1							
4	2	121850-21290	PIN	1							
5	2	121850-21920	PIN, M10X22	1							
6	2	22512-070140	KEY, 7X 14	1							
7	1	129916-21610	BOLT	1							
8	1	129948-21610	V-PULLEY	1							
9	1	129960-21640	WASHER	1							
10	1	24341-000530	O-RING, 1AS53.0	1							
11	1	121850-21130	BOLT, FLYWHEEL	6							
12	1	129902-21580	FLYWHEEL ASSY	1							
14	2	127410-21480	GEAR, RING Z=129	1							
15	1	129927-22080	PISTON ASSY	4							
17	2	129927-22050	RING SET, PISTON	4							
21	1	120130-22301	PIN, PISTON	4							
22	1	22252-000300	RING, 30	8							
23	1	129900-23001	ROD ASSY, CONNECTING	4							
26	2	129900-23200	BOLT, CONNECTING ROD	8							
27	2	129900-23601	BEARING, CRANK PIN	4							
29	1	129900-23911	BEARING, PISTON PIN	4							1
30	1	129900-23611	BEARING, 0.25 US	4							2
32	1	729927-22900	PISTON ASSY, 0.25 OS	4							3
34	2	729927-22950	RING SET, 0.25 OS	4							3

Remarks

- (1) REPAIR PART.
- (2) UNDER-SIZED(U.S=0.25)PART.
- (3) OVER-SIZED(O.S=0.25)PART.

Fig.9. LUB.OIL SYSTEM

(A)=4TNV98-ZQTB

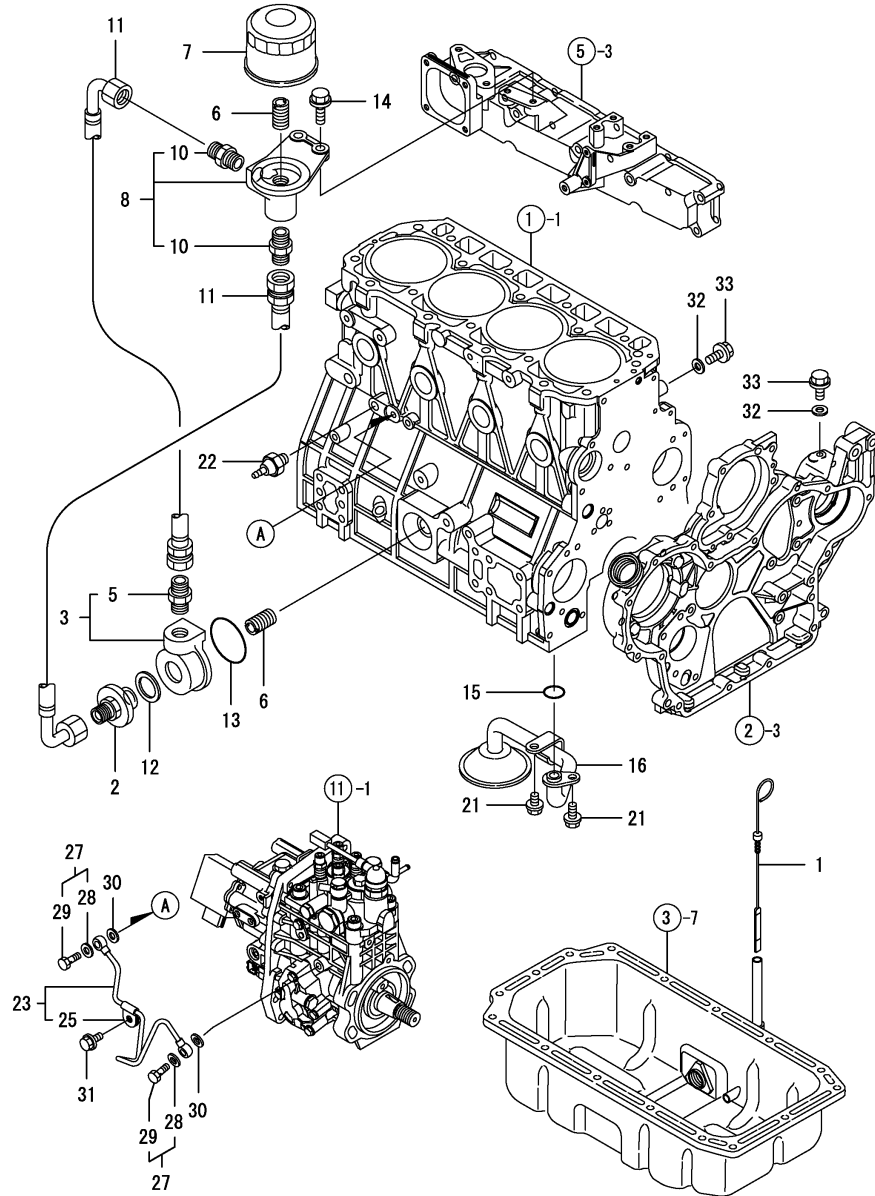
(B)=

(C)=

(D)=

(E)=

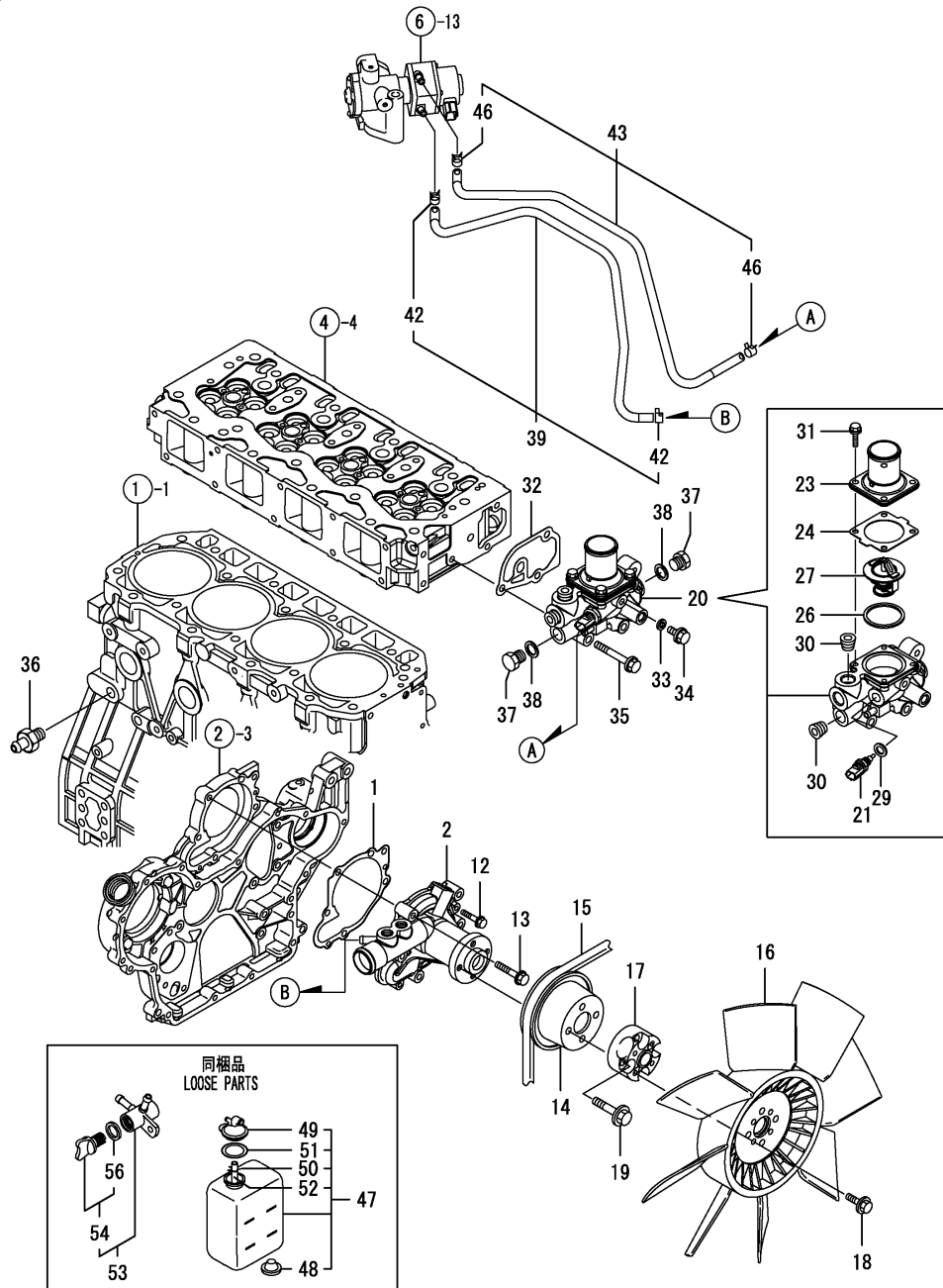
(F)=



No.	Lev.	Parts No.	Description	Q'ty						I	R
				(A)	(B)	(C)	(D)	(E)	(F)		
1	1	119812-34800	DIPSTICK, OIL	1							
2	1	129953-35110	RETAINER	1							
3	1	129953-35121	CASE ASSY	1							
5	2	129953-39500	ADAPTER, R-G1/2	1							
6	1	119000-35140	BOLT, FILTER	2							
7	1	129150-35153	FILTER 80X80L	1							1
8	1	129938-35200	BRACKET ASSY	1							
10	2	129953-39500	ADAPTER, R-G1/2	2							
11	1	129953-39101	PIPE ASSY, OIL	2							
12	1	22190-300002	WASHER, SEAL 30	1							
13	1	24321-000600	O-RING, 1AG60.0	1							
14	1	26106-080252	BOLT, M8X 25 PLATED	2							
15	1	129900-32030	O-RING, P20	1							
16	1	129900-35000	PIPE ASSY, OIL INLET	1							
21	1	26106-080122	BOLT, M8X 12 PLATED	2							
22	1	114250-39450	SWITCH, 0.5KG	1							
23	1	129927-39060	PIPE ASSY, OIL	1							
25	2	123907-39500	RETAINER	1							
27	1	129005-59830	BOLT ASSY, JOINT M8	2							
28	2	22190-080002	WASHER, SEAL 6	2							
29	2	23857-030000	BOLT, JOINT 3	2							
30	1	22190-080002	WASHER, SEAL 6	2							
31	1	26106-080122	BOLT, M8X 12 PLATED	1							
32	1	22190-080002	WASHER, SEAL 6	2							
33	1	26106-080122	BOLT, M8X 12 PLATED	2							

Remarks
(1) REPAIR PART.

Fig.10. COOLING WATER SYSTEM



(A)=4TNV98-ZQTB

(B)=

(C)=

(D)=

(E)=

(F)=

No.	Lev.	Parts No.	Description	Qty						I	R
				(A)	(B)	(C)	(D)	(E)	(F)		
1	1	129900-42020	GASKET, WATER PUMP	1							
2	1	129948-42100	PUMP ASSY, WATER	1							
12	1	26106-060302	BOLT, M6X 30 PLATED	2							
13	1	26106-080552	BOLT, M8X 55 PLATED	5							
14	1	123900-42470	V-PULLEY, B 130	1							
15	1	25153-004500	V-BELT, B45	1							
16	1	129953-44710	FAN, COOLING D=460	1							
17	1	129948-44760	SPACER, FAN	1							
18	1	26106-080162	BOLT, M8X 16 PLATED	4							
19	1	26106-100452	BOLT, M10X 45 PLATED	4							
20	1	129938-49800	CASE ASSY, THERMOSTAT	1							
21	2	129927-44900	SENSOR	1							
23	2	129916-49530	COVER, THERMOSTAT	1							
24	2	121850-49540	GASKET, THERMOSTAT	1							
26	2	121850-49550	GASKET, THERMOSTAT	1							
27	2	121850-49800	THERMOSTAT, 82	1							
29	2	22190-120002	WASHER, SEAL 12	1							
30	2	23875-030000	PLUG, R03	2							
31	2	26106-060202	BOLT, M6X 20 PLATED	4							
32	1	129900-49870	GASKET	1							
33	1	23414-080000	GASKET, 8X1.0	1							
34	1	26106-080122	BOLT, M8X 12 PLATED	1							
35	1	26106-080602	BOLT, M8X 60 PLATED	3							
36	1	121550-49111	JOINT, PT1/4	1							
37	1	121450-42450	PLUG, M16	2							
38	1	124465-44950	GASKET, 16	2							
39	1	129927-49610	PIPE, WATER	1							
42	2	23080-012000	CLAMP, 12	2							
43	1	129927-49620	PIPE ASSY, WATER	2							
46	2	23080-012000	CLAMP, 12	2							
47	1	129466-44510	TANK ASSY, SUB	1							
48	2	121468-44540	PLUG, SUB-TANK	1							
49	2	121450-44531	CAP	1							
50	2	124450-44560	RETAINER	1							
51	2	121470-44581	GASKET	1							
52	2	121267-44590	PIPE	1							
53	1	129150-49100	COCK ASSY, 3-WAY	1							
54	2	129150-49080	COCK, DRAIN	1							
56	3	119629-49080	GASKET	1							

Fig.11. FUEL INJECTION PUMP

(A)=4TNV98-ZQTB

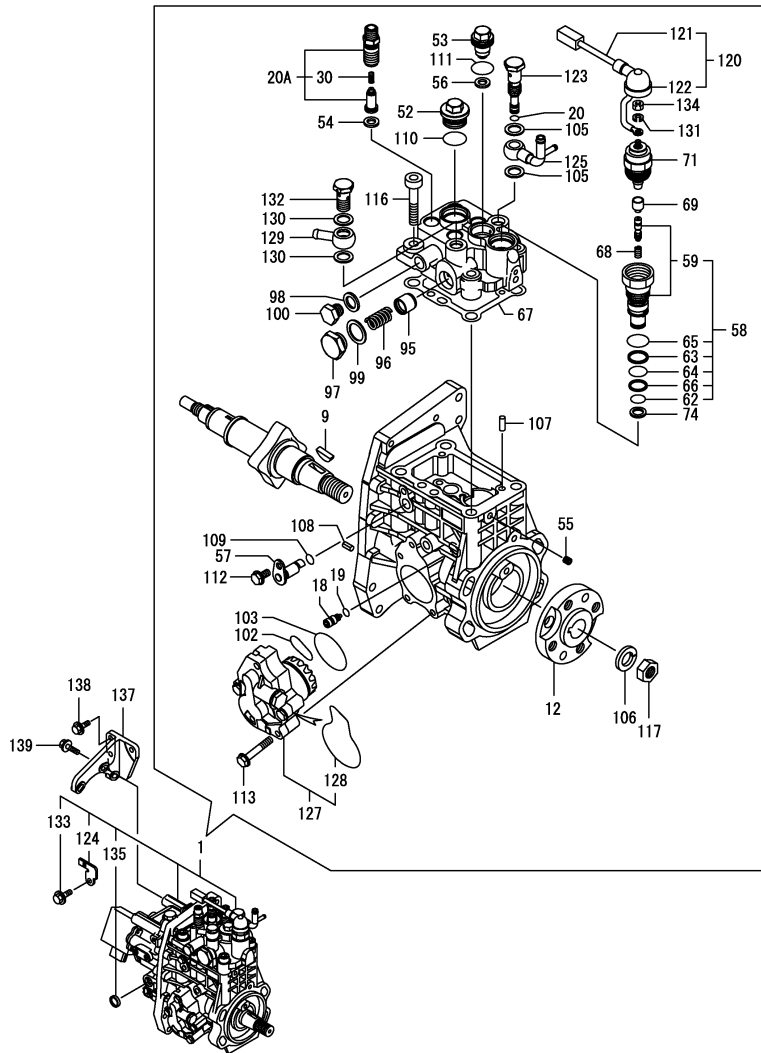
(B)=

(C)=

(D)=

(E)=

(F)=



No.	Lev.	Parts No.	Description	Qty						I	R
				(A)	(B)	(C)	(D)	(E)	(F)		
1	1	729938-51320	PUMP ASSY, INJECTION	1							1
9	2	144626-51090	KEY, 5X19	1							
12	2	158563-51150	FLANGE	1							
18	2	158600-51270	STOPPER, TAPPET	1							
19	2	158563-51281	O-RING, 4D S6	1							
20	2	158563-51281	O-RING, 4D S6	1							
20A	2	129927-51390	VALVE ASSY, DELIVERY	4							W
		(A=*2008.04.)									
30	3	158563-51330	SPRING, DELIVERY	4							
52	2	158601-51550	PLUG	1							
53	2	129907-51560	PLUG, BARREL	1							
54	2	158552-51570	GASKET	4							
55	2	158557-51570	PLUG	1							
56	2	129906-51580	GASKET	1							
57	2	158552-51580	LIFTER	1							
58	2	129657-51590	TIMER SET	1							
59	3	129657-51600	TIMER ASSY	1							
62	3	158553-51670	O-RING, 1011	1							
63	3	119802-51680	RING, BACK UP	1							
64	3	119802-51690	O-RING	1							
65	3	24356-010200	O-RING, 4D1020	1							
66	3	24372-000150	RING, BACK UP T2P15	1							
67	2	158560-51600	GASKET	1							
68	2	119852-51630	SPRING, TIMER	1							
69	2	119852-51640	CAP	1							
71	2	119852-51650	VALVE ASSY	1							
74	2	158553-51680	GASKET	1							
95	2	158601-51770	PISTON	1							
96	2	158552-51781	SPRING	1							
97	2	158601-51790	PLUG	1							
98	2	22190-120002	WASHER, SEAL 12	1							
99	2	22190-180002	WASHER, SEAL 18	1							
100	2	23887-120002	PLUG, 12	1							
102	2	158552-52310	O-RING	1							
103	2	158552-52400	O-RING, 4E S42	1							
105	2	22190-120002	WASHER, SEAL 12	2							
106	2	22217-180000	WASHER, SPRING 18	1							
107	2	22312-050140	PIN, PARALLEL M5X14	2							
108	2	22351-050010	PIN, SPRING 5.0X10	2							
109	2	24311-000070	O-RING, 1AP7.0	1							
110	2	24356-010200	O-RING, 4D1020	1							
111	2	24356-020210	O-RING, 4D2021	1							
112	2	26106-060102	BOLT, M6X 10 PLATED	1							
113	2	26106-060352	BOLT, M6X 35 PLATED	4							
116	2	26450-100452	BOLT, M10X 45	4							
117	2	26776-180002	NUT, LOCK M18	1							
120	2	129927-51650	HARNESS ASSY, WIRE	1							
121	3	129927-51660	HARNESS ,CSD	1							
122	3	129263-77941	CAP, RUBBER	1							
123	2	158601-51650	JOINT, OVER FLOW	1							
124	2	129927-51670	BRACKET	1							

Remarks

(1) GOVERNOR ASSY(FIG.12) IS INCORPORATED IN THIS FUEL INJECTION PUMP.(REF.NO.1).

* ECO PUMP

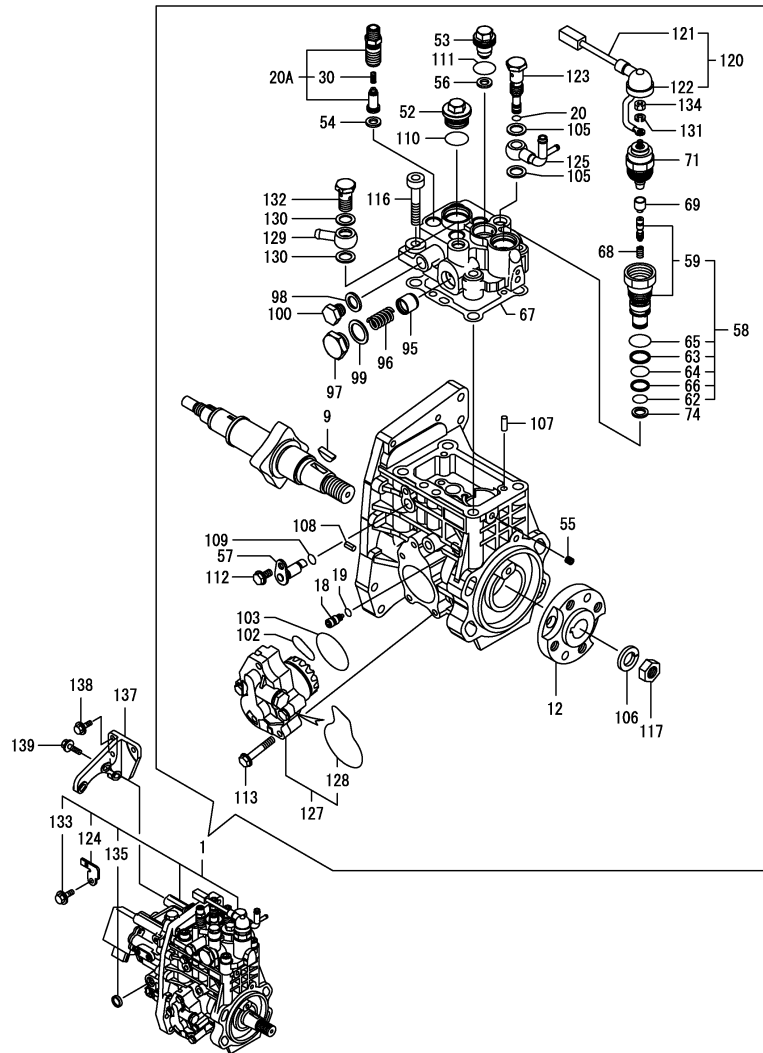
MAKE SURE TO UPDATE THE ENGINES ECU INFORMATION WHEN REPLACING THE ECO PUMP.

FAILING TO DO SO WILL RESULT IN ENGINE MALFUNCTION.

Fig.11. FUEL INJECTION PUMP

(A)=4TNV98-ZQTB
(B)=
(C)=

(D)=
(E)=
(F)=



No.	Lev.	Parts No.	Description	Q'ty						I	R
				(A)	(B)	(C)	(D)	(E)	(F)		
125	2	158552-51670	JOINT, OVER FLOW	1							
127	2	158552-52100	PUMP ASSY, FUEL FEED	1							
128	3	158552-52500	O-RING	1							
129	2	129916-59020	JOINT, PIPE 12	1							
130	2	22190-120002	WASHER, SEAL 12	2							
131	2	22217-050000	WASHER, SPRING 5	1							
132	2	23857-060000	BOLT, JOINT 6	1							
133	2	26106-060122	BOLT, M6X 12 PLATED	1							
134	2	26716-050002	NUT, M5	1							
135	2	27241-160000	PLUG, 16	1							
137	1	129927-51250	RETAINER, PUMP	1							
138	1	26106-080202	BOLT, M8X 20 PLATED	3							
139	1	26106-080302	BOLT, M8X 30 PLATED	3							

Remarks

(1) GOVERNOR ASSY(FIG.12) IS INCORPORATED IN THIS FUEL INJECTION PUMP.(REF.NO.1).

* ECO PUMP

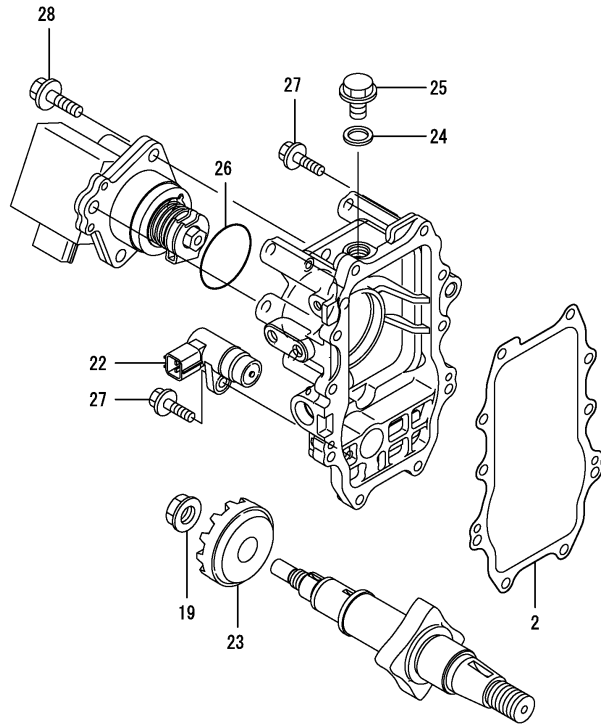
MAKE SURE TO UPDATE THE ENGINES ECU INFORMATION WHEN REPLACING THE ECO PUMP.

FAILING TO DO SO WILL RESULT IN ENGINE MALFUNCTION.

Fig.12. GOVERNOR

(A)=4TNV98-ZQTB
(B)=
(C)=

(D)=
(E)=
(F)=



No.	Lev.	Parts No.	Description	Q'ty						I	R
				(A)	(B)	(C)	(D)	(E)	(F)		
2	2	158560-61050	GASKET	1							
19	2	129008-61301	NUT	1							
22	2	158557-61720	SENSOR	1							
23	2	158553-61780	GEAR, SENSOR	1							
24	2	23414-120000	GASKET, 12X1.0	1							
25	2	23887-120002	PLUG, 12	1							
26	2	24341-000480	O-RING, 1AS48.0	1							
27	2	26106-060252	BOLT, M6X 25 PLATED	10							
28	2	26106-080252	BOLT, M8X 25 PLATED	3							

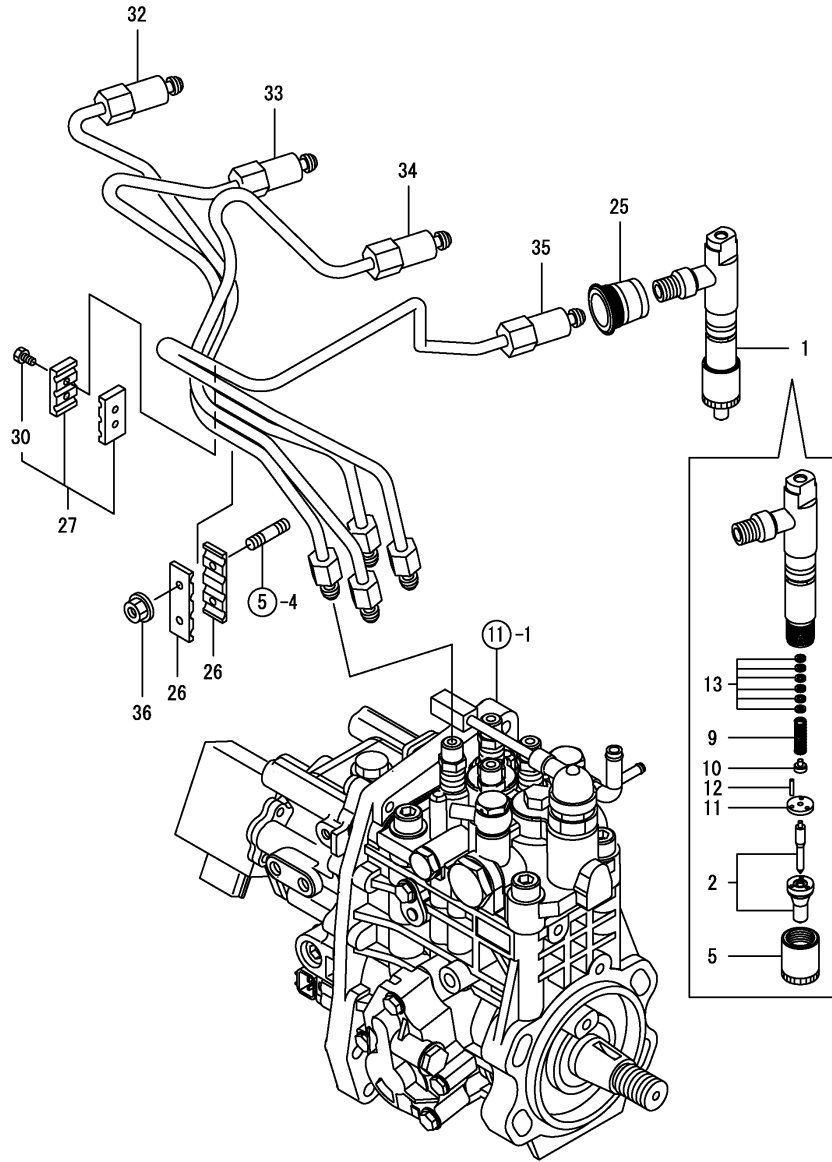
Remarks

* THIS FIGURE(GOVERNOR ASSY)IS INCORPORATED IN THE FUEL INJECTION PUMP ASSY(FIG.11).

Fig.13. FUEL INJECTION VALVE

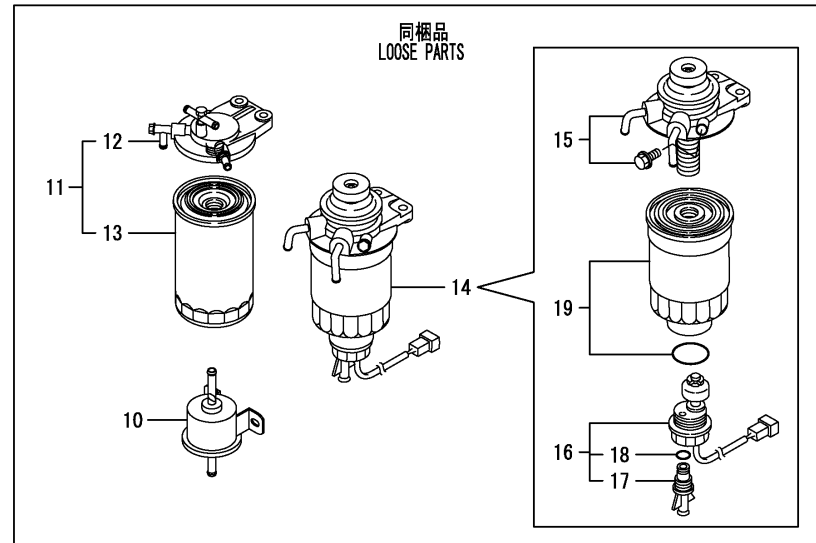
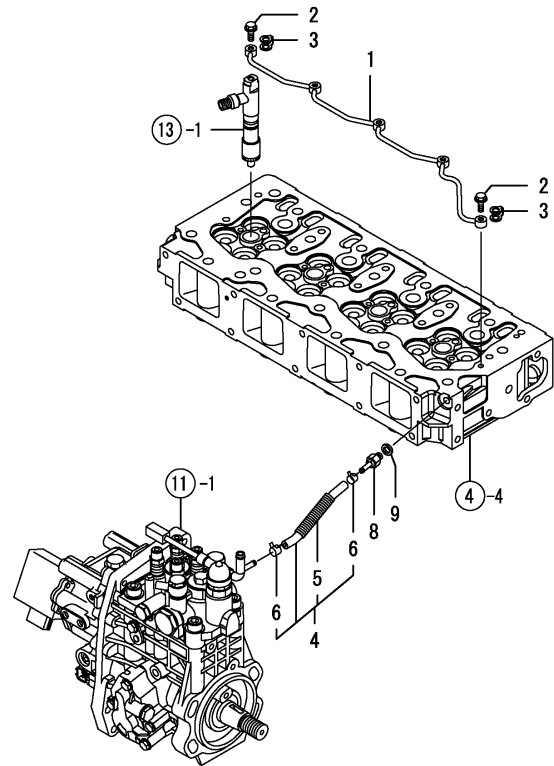
(A)=4TNV98-ZQTB
(B)=
(C)=

(D)=
(E)=
(F)=



No.	Lev.	Parts No.	Description	Q'ty						I	R
				(A)	(B)	(C)	(D)	(E)	(F)		
1	1	729927-53100	VALVE ASSY,INJECTION	4							
2	2	129927-53000	VALVE ASSY,INJECTION	4							
5	2	114250-53080	NUT, NOZZLE D16.95	4							
9	2	114250-53120	SPRING, NOZZLE	4							
10	2	114250-53130	SEAT, SPRING	4							
11	2	114250-53140	PLATE	4							
12	2	114250-53210	PIN	8							
13	2	114250-53400	SHIM SET	4							
25	1	123907-11601	SEAL	4							
26	1	123472-59120	RETAINER, PIPE	2							
27	1	129150-59120	RETAINER, PIPE	1							
30	2	129150-59131	BOLT, M4X14	2							
32	1	129927-59810	PIPE ASSY, INJECTION	1							
33	1	129927-59820	PIPE ASSY, INJECTION	1							
34	1	129927-59830	PIPE ASSY, INJECTION	1							
35	1	129927-59840	PIPE ASSY, INJECTION	1							
36	1	26366-060002	NUT, M6	2							

Fig.14. FUEL LINE



(A)=4TNV98-ZQTB
(B)=
(C)=

(D)=
(E)=
(F)=

No.	Lev.	Parts No.	Description	Q'ty						I	R
				(A)	(B)	(C)	(D)	(E)	(F)		
1	1	129907-59140	PIPE ASSY, RETURN	1							
2	1	123907-59540	BOLT, PIPE JOINT M6	5							
3	1	123907-59550	GASKET	5							
4	1	129927-59550	PIPE ASSY, RETURN	1							
5	2	129263-49750	TUBE, CORRUGATED	1							
6	2	124722-59050	CLIP, HOSE 9	2							
8	1	123907-59560	JOINT	1							
9	1	22190-080002	WASHER, SEAL 6	1							
10	1	129612-52100	PUMP ASSY, FUEL FEED	1							
11	1	129940-55610	FILTER ASSY, FUEL	1							
12	2	129004-55612	BRACKET, FILTER	1							
13	2	129907-55801	FILTER, FUEL	1							
14	1	129917-55801	FILTER ASSY, FUEL	1							
15	2	129917-55810	BODY	1							
16	2	129917-55821	SENSOR ASSY	1							
17	3	129917-55830	PLUG, DRAIN	1							
18	3	129917-55840	O-RING	1							
19	2	129917-55850	ELEMENT KIT	1							

Fig.15. STARTING MOTOR

(A)=4TNV98-ZQTB

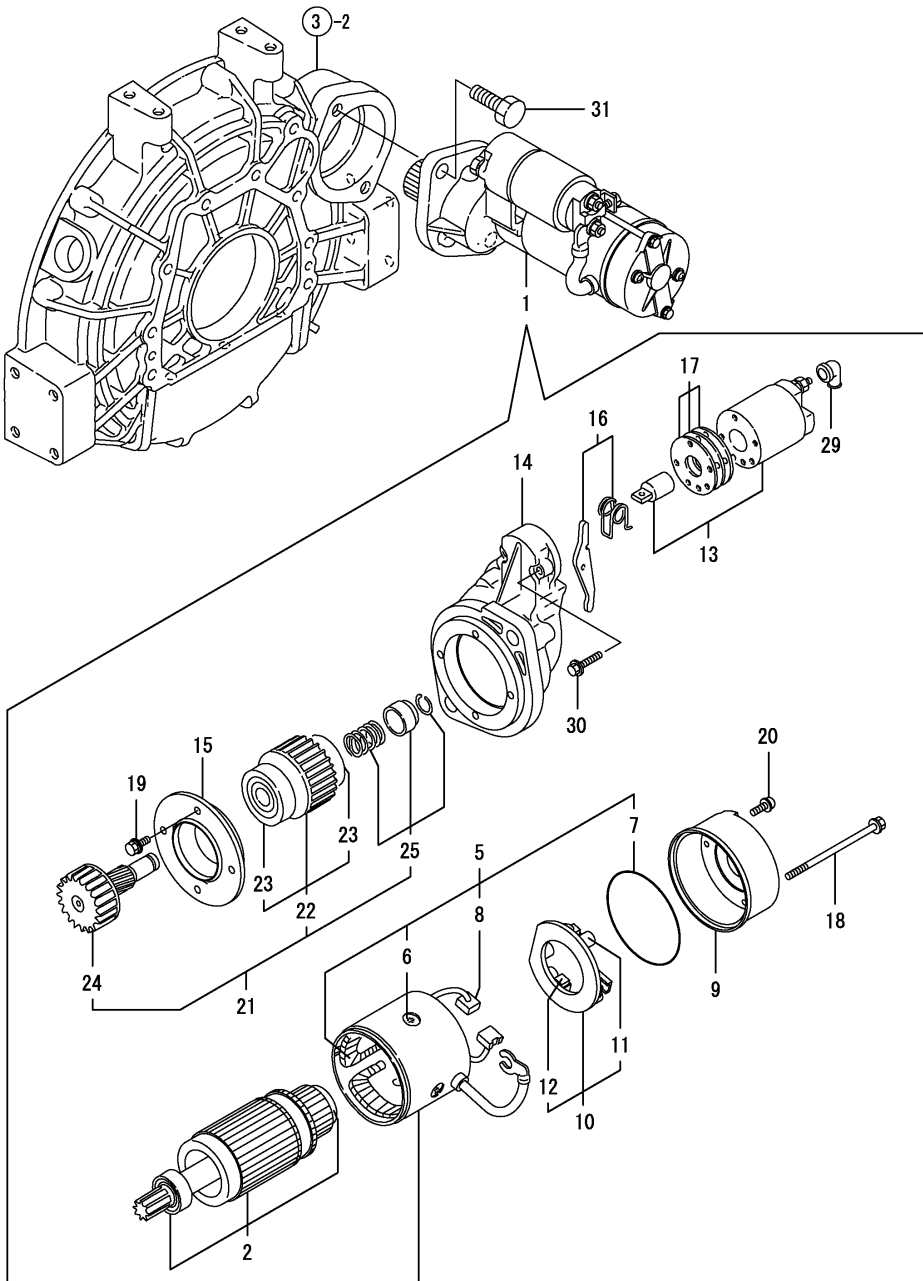
(B)=

(C)=

(D)=

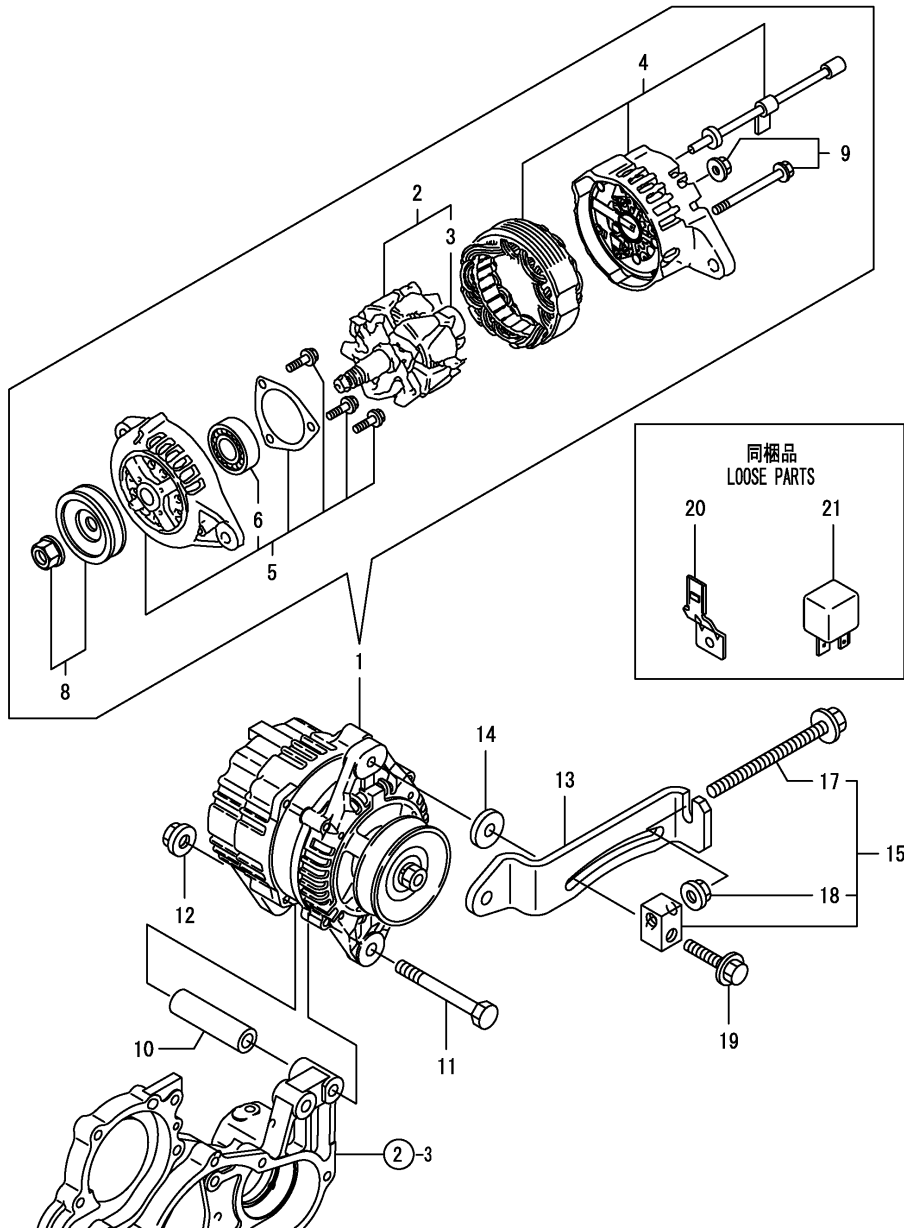
(E)=

(F)=



No.	Lev.	Parts No.	Description	Q'ty						I	R
				(A)	(B)	(C)	(D)	(E)	(F)		
1	1	129940-77010	STARTER 12V,3KW	1							
2	2	129940-77100	ARMATURE ASSY	1							
5	2	129940-77130	COIL ASSY, FIELD	1							
6	3	129940-77140	SCREW, POLE CORE SET	4							
7	3	129940-77150	O-RING	1							
8	3	129940-77160	BRUSH (+)	2							
9	2	129940-77170	COVER, REAR	1							
10	2	129940-77180	HOLDER, BRUSH	1							
11	3	129940-77190	SPRING, BRUSH	1							
12	3	129940-77200	BRUSH (-)	2							
13	2	129940-77210	SWITCH ASSY,MAGNETIC	1							
14	2	129940-77220	HOUSING, GEARS	1							
15	2	129940-77230	RETAINER, BEARING	1							
16	2	129940-77240	SHIFT LEVER SET	1							
17	2	129940-77250	COVER ASSY, DUST	1							
18	2	129940-77260	THROUGHT BOLT	2							
19	2	129940-77270	BOLT M6X 20	4							
20	2	129940-77280	SCREW M4X 10	2							
21	2	123900-77510	PINION ASSY	1							
22	3	123900-77520	CLUTCH ASSY	1							
23	4	X2240610100	BALL BEARING (3	2							
24	3	123900-77540	SHAFT, PINION	1							
25	3	119131-77550	STOPPER KIT, PINION	1							
29	2	121254-77810	COVER, TERMINAL	1							
30	2	114371-79070	BOLT M 6X 37	2							
31	1	26116-120302	BOLT, M12X 30 PLATED	2							

Fig.16. GENERATOR



(A)=4TNV98-ZQTB
(B)=
(C)=

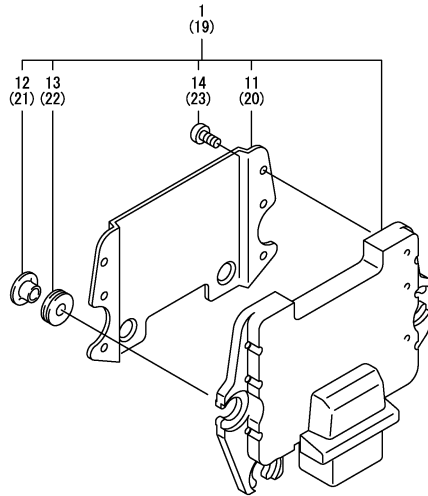
(D)=
(E)=
(F)=

No.	Lev.	Parts No.	Description	Q'ty						I	R
				(A)	(B)	(C)	(D)	(E)	(F)		
1	1	123910-77210	ALTERNATOR	1							
2	2	123910-77740	ROTOR ASSY	1							
3	3	129900-77810	BALL BEARING	1							
4	2	123910-77760	REAR BLAKET ASSY	1							
5	2	129900-77890	BRACKET, FRONT	1							
6	3	129900-77900	BALL BEARING	1							
8	2	123910-77910	PULLY	1							
9	2	129900-77920	SCREW KIT	1							
10	1	129470-77340	PIECE, DISTANCE	1							
11	1	26116-101202	BOLT, M10X120 PLATED	1							
12	1	26306-100002	NUT, M10	1							
13	1	129953-77300	ADJUSTER	1							
14	1	121236-77340	SPACER	1							
15	1	119624-77351	BLOCK ASSY, ADJUSTER	1							
17	2	26106-081004	BOLT, M8X100 PLATED	1							
18	2	26306-080002	NUT, M8	1							
19	1	26106-080452	BOLT, M8X 45 PLATED	1							
20	1	129927-77910	BRACKET, CONNECTOR	3							
21	1	129927-77920	RELAY	3							

Fig.17. ELECTRONIC CONTROL UNIT (ECU)

(A)=4TNV98-ZQTB
(B)=
(C)=

(D)=
(E)=
(F)=



No.	Lev.	Parts No.	Description	Q'ty						I	R
				(A)	(B)	(C)	(D)	(E)	(F)		
1	1	129938-75030	CONTROLLER ASSY, EUC	1							1
11	2	129927-77600	SHIELD	1							
12	2	129927-77680	COLLAR	3							
13	2	119578-91351	ABSORBER	3							
14	2	22877-500080	SCREW, 5X 8	6							
19	1	129927-75900	CONTROLLER ASSY, EUC	1							2
20	2	129927-77600	SHIELD	1							
21	2	129927-77680	COLLAR	3							
22	2	119578-91351	ABSORBER	3							
23	2	22877-500080	SCREW, 5X 8	6							

Remarks

(1)ECO ECU
THIS PART CANNOT BE ORDERED.
REPLACE THE PART USING A SERVICE
ECU WITH THE PROPER ENGINE
INFORMATION INSTALLED.

(2)SERVICE ECU
IF THE PROPER INFORMATION IS NOT
INSTALLED, THE ENGINE WILL NOT
OPERATE.

TO INSTALL PROPER INFORMATION,
GO TO AN AUTHORIZED DISTRIBUTOR.

Fig.18. GASKET SET

(A)=4TNV98-ZQTB

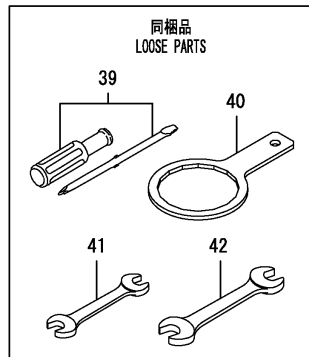
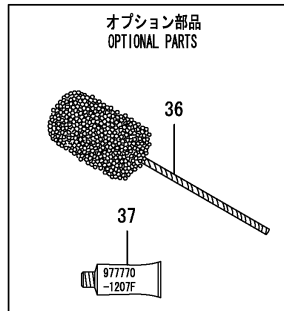
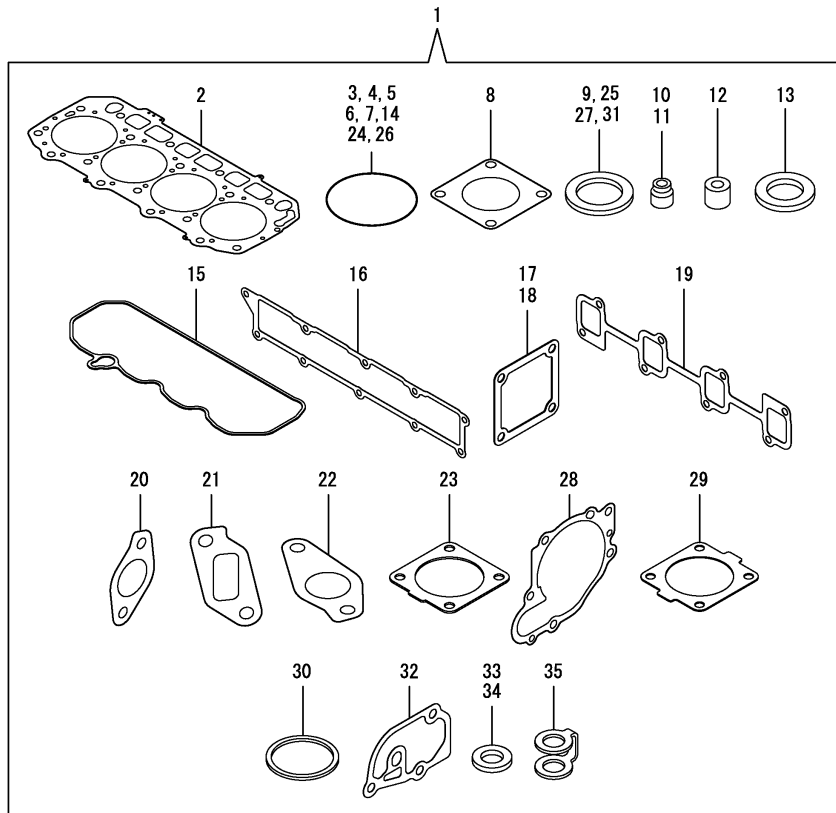
(B)=

(C)=

(D)=

(E)=

(F)=



No.	Lev.	Parts No.	Description	Q'ty						I	R
				(A)	(B)	(C)	(D)	(E)	(F)		
1	1	729927-92700	GASKET SET	1							1
2	2	129907-01331	GASKET, HEAD	1							
3	2	129900-32030	O-RING, P20	2							
4	2	129900-32040	O-RING, P14	1							
5	2	24311-000070	O-RING, 1AP7.0	1							
6	2	24351-030750	O-RING, 1A3075	1							
7	2	24311-000320	O-RING, 1AP32.0	2							
8	2	124240-01883	GASKET	1							
9	2	22190-220002	WASHER, SEAL 22	1							
10	2	119803-11340	SEAL, VALVE STEM	8							
11	2	124160-11340	SEAL, VALVE STEM	8							
12	2	119802-11870	PROTECTOR, NOZZLE	4							
13	2	119625-11880	SEAT, NOZZLE	4							
14	2	24311-000120	O-RING, 1AP12.0	8							
15	2	129933-11310	GASKET, BONNET	1							
16	2	129907-12110	GASKET, MANIFOLD	1							
17	2	119129-77020	GASKET	1							
18	2	121850-77021	GASKET	1							
19	2	129900-13251	GASKET	1							
20	2	129927-13810	GASKET	1							
21	2	129927-13910	GASKET	1							
22	2	129927-13920	GASKET	1							
23	2	129930-13201	GASKET, SILENCER	2							
24	2	24341-000530	O-RING, 1AS53.0	1							
25	2	22190-300002	WASHER, SEAL 30	1							
26	2	24321-000600	O-RING, 1AG60.0	1							
27	2	22190-080002	WASHER, SEAL 6	7							
28	2	129900-42020	GASKET, WATER PUMP	1							
29	2	121850-49540	GASKET, THERMOSTAT	1							
30	2	121850-49550	GASKET, THERMOSTAT	1							
31	2	22190-120002	WASHER, SEAL 12	1							
32	2	129900-49870	GASKET	1							
33	2	23414-080000	GASKET, 8X1.0	1							
34	2	124465-44950	GASKET, 16	2							
35	2	123907-59550	GASKET	5							
36	1	129400-92450	HONE	1							1
37	1	977770-1207F	GASKET.LIQUID	1							1
39	1	104200-92350	DRIVER, SCREW	1							
40	1	119640-92750	WRENCH, FILTER 80	1							
41	1	28110-100120	SPANNER, 10X12	1							
42	1	28110-140170	SPANNER, 14X17	1							

Remarks

(1) OPTIONAL PART.

N:Old $\xrightarrow{\text{Yes}}$ New, Q:Old $\xrightarrow{\text{No}}$ New, R:Old $\xrightarrow{\text{Yes}}$ New, S:Old $\xrightarrow{\text{No}}$ New, W:Add, Z:Discontinued, F:Interchangeable by set, K:Q'ty Change

Parts No. Index

Parts No.	Fig. No.	Ref. No.
104200-92350	18	39
114250-39450	9	22
114250-53080	13	5
114250-53120	13	9
114250-53130	13	10
114250-53140	13	11
114250-53210	13	12
114250-53400	13	13
114371-79070	15	30
119000-01840	3	4
119000-35140	9	6
119005-77051	5	9
119129-77020	5	7
	18	17
119129-77520	5	10
119131-18320	6	7
119131-77550	15	25
119309-01810	1	29
119578-91351	17	13
		22
119593-11301	4	30
119620-11180	4	14
119624-77351	16	15
119625-11880	4	26
	18	13
119629-49080	10	56
119640-01640	3	8
119640-61400	4	61
119640-92750	18	40
119802-11870	4	25
	18	12
119802-13680	6	6
119802-51680	11	63
119802-51690	11	64
119803-11340	4	15
	18	10
119812-34800	9	1
119852-51630	11	68
119852-51640	11	69
119852-51650	11	71
120130-22301	8	21
121236-77340	16	14
121254-77810	15	29
121267-44590	10	52
121450-42450	10	37
121450-44531	10	49
121468-44540	10	48
121470-44581	10	51
121550-49111	10	36
121850-21130	8	11

Parts No.	Fig. No.	Ref. No.
121850-21290	8	4
121850-21920	8	5
121850-49540	10	24
	18	29
121850-49550	10	26
	18	30
121850-49800	10	27
121850-77021	5	8
	18	18
123472-59120	13	26
123900-25060	7	9
123900-42470	10	14
123900-77510	15	21
123900-77520	15	22
123900-77540	15	24
123907-03100	4	55
123907-03110	4	56
123907-03120	4	57
123907-03140	4	58
123907-11280	4	35
123907-11550	4	3
123907-11601	13	25
123907-11820	4	21
123907-11830	4	20
123907-39500	9	25
123907-59540	14	2
123907-59550	14	3
	18	35
123907-59560	14	8
123910-77210	16	1
123910-77740	16	2
123910-77760	16	4
123910-77910	16	8
124160-01751	2	24
	4	50
124160-11340	4	16
	18	11
124160-11360	4	66
124240-01871	2	30
124240-01883	2	31
	18	8
124450-44560	10	50
124465-44950	10	38
	18	34
124722-59050	14	6
127410-21480	8	14
129001-91810	2	27
		38
129004-55612	14	12
129005-59830	9	27

Parts No.	Fig. No.	Ref. No.
129008-61301	12	19
129100-01580	2	1
	3	1
129150-02450	7	4
129150-11230	4	38
		42
129150-11750	4	19
		39
		43
129150-14200	7	1
129150-25920	7	13
129150-35153	9	7
129150-49080	10	54
129150-49100	10	53
129150-59120	13	27
129150-59131	13	30
129263-13210	6	4
129263-49750	14	5
129263-77941	11	122
129400-92450	18	36
129418-18320	6	3
129466-44510	10	47
129470-77340	16	10
129612-52100	14	10
129640-13580	6	21
129640-13590	6	20
129657-51590	11	58
129657-51600	11	59
129900-01200	1	27
129900-01250	1	4
129900-01740	2	26
129900-01850	2	36
129900-01870	2	37
129900-02020	1	6
129900-02341	1	33
129900-02410	1	9
129900-02931	1	24
129900-02941	1	36
129900-13251	6	5
	18	19
129900-14100	7	6
129900-21200	8	3
129900-23001	8	23
129900-23200	8	26
129900-23601	8	27
129900-23611	8	30
129900-23911	8	29
129900-25100	7	10
129900-32001	2	4
129900-32030	2	16

Parts No.	Fig. No.	Ref. No.
129900-32030	9	15
	18	3
129900-32040	2	17
	18	4
129900-35000	9	16
129900-42020	10	1
	18	28
129900-49870	10	32
	18	32
129900-77810	16	3
129900-77890	16	5
129900-77900	16	6
129900-77920	16	9
129902-21000	8	1
129902-21580	8	12
129906-51580	11	56
129907-01331	1	28
	18	2
129907-01500	2	3
129907-03011	4	52
129907-03061	4	53
129907-03070	4	54
129907-07900	4	1
129907-11100	4	11
129907-11110	4	12
129907-11120	4	13
129907-11250	4	32
129907-11260	4	33
129907-11270	4	34
129907-11341	4	31
129907-11510	4	17
129907-11650	4	36
129907-11660	4	40
129907-11800	4	24
129907-11910	4	27
129907-11920	4	44
129907-11950	4	28
129907-12110	5	1
	18	16
129907-14400	7	2
129907-25900	7	16
129907-51560	11	53
129907-55801	14	13
129907-59140	14	1
129908-14581	7	3
129916-01790	3	6
129916-01800	2	35
129916-21610	8	7
129916-49530	10	23
129916-59020	11	129

Parts No. Index

Parts No.	Fig. No.	Ref. No.
129917-55801	14	14
129917-55810	14	15
129917-55821	14	16
129917-55830	14	17
129917-55840	14	18
129917-55850	14	19
129927-11320	4	51
129927-11700	4	4
129927-12100	5	3
129927-12150	5	2
129927-13100	6	2
129927-13150	6	1
129927-13800	6	9
129927-13810	6	10
	18	20
129927-13900	6	13
129927-13910	6	14
	18	21
129927-13920	6	15
	18	22
129927-22050	8	17
129927-22080	8	15
129927-39060	9	23
129927-44900	10	21
129927-49610	10	39
129927-49620	10	43
129927-51250	11	137
129927-51390	11	20 A
129927-51650	11	120
129927-51660	11	121
129927-51670	11	124
129927-53000	13	2
129927-59550	14	4
129927-59810	13	32
129927-59820	13	33
129927-59830	13	34
129927-59840	13	35
129927-75900	17	19
129927-77600	17	11
		20
129927-77680	17	12
		21
129927-77910	16	20
129927-77920	16	21
129930-13201	6	18
	18	23
129933-11310	4	60
	18	15
129938-12510	5	14
129938-12610	5	15

Parts No.	Fig. No.	Ref. No.
129938-12620	5	16
129938-35200	9	8
129938-49800	10	20
129938-75030	17	1
129939-12621	5	17
129939-12630	5	18
129939-12640	5	19
129940-13500	6	19
129940-55610	14	11
129940-77010	15	1
129940-77100	15	2
129940-77130	15	5
129940-77140	15	6
129940-77150	15	7
129940-77160	15	8
129940-77170	15	9
129940-77180	15	10
129940-77190	15	11
129940-77200	15	12
129940-77210	15	13
129940-77220	15	14
129940-77230	15	15
129940-77240	15	16
129940-77250	15	17
129940-77260	15	18
129940-77270	15	19
129940-77280	15	20
129948-12660	5	20
129948-21610	8	8
129948-42100	10	2
129948-44760	10	17
129951-01620	3	2
129953-01730	3	7
129953-12250	5	13
129953-25300	7	15
129953-35110	9	2
129953-35121	9	3
129953-39101	9	11
129953-39500	9	5
		10
129953-44710	10	16
129953-77300	16	13
129960-21640	8	9
144626-51090	11	9
158552-51570	11	54
158552-51580	11	57
158552-51670	11	125
158552-51781	11	96
158552-52100	11	127
158552-52310	11	102

Parts No.	Fig. No.	Ref. No.
158552-52400	11	103
158552-52500	11	128
158553-51670	11	62
158553-51680	11	74
158553-61780	12	23
158557-51570	11	55
158557-61720	12	22
158560-51600	11	67
158560-61050	12	2
158563-51150	7	17
	11	12
158563-51281	11	19
		20
158563-51330	11	30
158600-51270	11	18
158601-51550	11	52
158601-51650	11	123
158601-51770	11	95
158601-51790	11	97
171051-01921	1	5
175339-79700	4	62
22117-100000	6	22
22190-080002	9	28
		30
		32
	14	9
	18	27
22190-120002	10	29
	11	98
		105
		130
	18	31
22190-180002	11	99
22190-220002	3	12
	18	9
22190-300002	9	12
	18	25
22217-050000	11	131
22217-100000	6	23
22217-180000	7	18
	11	106
22252-000300	8	22
22312-050140	11	107
22351-050010	11	108
22351-060012	1	10
22512-070140	7	7
	8	6
22857-500100	4	63
		64
22877-500080	17	14

Parts No.	Fig. No.	Ref. No.
22877-500080	17	23
23080-012000	10	42
		46
23414-080000	10	33
	18	33
23414-120000	12	24
23857-030000	9	29
23857-060000	11	132
23875-030000	10	30
23876-020000	4	8
23876-030000	1	11
		12
		13
	4	9
23887-120002	11	100
	12	25
24311-000070	2	18
	11	109
	18	5
24311-000120	4	29
		67
	18	14
24311-000320	2	25
	4	68
	18	7
24321-000600	9	13
	18	26
24341-000480	12	26
24341-000530	8	10
	18	24
24351-030750	2	19
	18	6
24356-010200	11	65
		110
24356-020210	11	111
24372-000150	11	66
25153-004500	10	15
26106-060102	11	112
26106-060122	4	65
	11	133
26106-060202	10	31
26106-060252	12	27
26106-060302	10	12
26106-060352	11	113
26106-080122	3	13
	9	21
		31
		33
	10	34
26106-080162	2	20

Parts No. Index

Parts No.	Fig. No.	Ref. No.
26106-080162	2	28
		32
		39
	4	2
26106-080202	7	8
	10	18
	2	21
26106-080252	11	138
	9	14
26106-080302	12	28
	11	139
26106-080402	2	29
		40
	4	46
	5	11
26106-080452	2	22
	5	5
	16	19
26106-080552	7	14
	10	13
26106-080602	4	47
		48
26106-080802	10	35
	5	6
26106-080902	5	12
26106-081004	16	17
26106-100302	6	11
		16
26106-100452	10	19
26106-100652	6	24
26106-100952	6	17
26116-101202	16	11
26116-120302	15	31
26206-100352	3	5
26216-060202	5	4
26216-100302	2	15
26226-080222	4	45
26306-080002	4	49
	6	8
26306-100002	2	12
		18
26366-060002	16	12
	13	36
26450-100452	11	116
26706-100002	6	25
26716-050002	11	134
26776-180002	7	19
		117
27241-160000	11	135

Parts No.	Fig. No.	Ref. No.
27241-300000	1	14
27241-400000	4	10
27310-070001	4	22
28110-100120	18	41
28110-140170	18	42
729900-02801	1	30
729906-01550	2	33
729927-01560	1	1
729927-22900	8	32
729927-22950	8	34
729927-53100	13	1
729927-92700	18	1
729938-51320	11	1
977770-1207F	18	37
X2240610100	15	23

Parts No.	Fig. No.	Ref. No.
-----------	----------	----------

Parts No.	Fig. No.	Ref. No.
-----------	----------	----------