

OCD10-M98900EN

PREFACE

1. This parts catalog is the 1st edition of 4TNV98-ZVIK for IHI Construction Machinery Limited.

Pub.No. : 000Y00D9890

Published : November,2007

2. Model name

Engine model	Vehicle		Vehicle made by
	Products	Model name	
4TNV98-ZVIK	Mini Excavator	80VX2	IHI Construction Machinery Ltd.

Directions for the Parts Catalog.

1. The parts stipulated in this Parts Catalog are not necessarily standard equipped parts.
2. Parts may change without prior notice.
3. The following is an example of the Parts Catalog format.

REF.	LEV.	PARTS NO.	DESCRIPTION	Q'TY						I	R
				(A)	(B)	(C)	(D)	(E)	(F)		
1	1	729595-51390	FUEL INJECTION PUMP	1	1	1	1	1			1
1-1	1	729595-51391	FUEL INJECTION PUMP	1	1	1	1	1		N	1
		(A=E00185) (B=E00200)									
3	2	26022-060162	SCREW M 6X 16	9	9	9	9	9			
3-1	2	26022-060162	SCREW M 6X 16	4	4	4	4	4		K	
		(A=E00156) (B=E00156) (C=E00156) (D=E00156) (E=E00156)									
4	2	129470-51040	CAMSHAFT	1	1	1	1	1			
5	2	122710-51050	BEARING, ROLLER	2	2	2	2	2			
6	2	129470-51060	RETAINER	1	1	1	1	1			

Remarks
(1) BOOST COMPEMSATOR TYPE. OPTIONAL PART, TO E00155,(4JH-DT, 4JH-DTZ

① Ref. No.

The Ref. No. listed may not be in accordance with the illustration Ref. No.

(Ex.) Illustration No.

List Ref No.

1

1

(Before change)

1-1

(After change)

For interchangeable symbols N, R and K, illustrations for new parts may be abbreviated.

② Lev. (Level)

Level indication

The numbers below indicate the level of relativity towards the main part.

1 ----- Main parts (Assembly parts)

2 ----- Sub component included in " 1 ".

3 ----- Sub component included in " 2 ".

Note) Parts that are not for sale are partially illustrated but not listed.

③ Interchangeability Mark

When a part change takes place, one of the following interchangeability symbols is indicated beside the part.

Symbol	Interchangeability	Contents note
N	Old $\begin{matrix} \leftarrow \text{Yes} \\ \text{No} \rightarrow \end{matrix}$ New	New Part is interchangeable for Old Part but Old Part is not interchangeable for New Part.
Q	Old $\begin{matrix} \leftarrow \text{No} \\ \text{Yes} \rightarrow \end{matrix}$ New	New Part is not interchangeable for Old Part but Old Part is interchangeable for New Part.
R	Old $\begin{matrix} \leftarrow \text{Yes} \\ \text{Yes} \rightarrow \end{matrix}$ New	New/ Old Parts are both interchangeable.
S	Old $\begin{matrix} \leftarrow \text{No} \\ \text{No} \rightarrow \end{matrix}$ New	New/ Old Parts are both not interchangeable.
W		Part newly added.
Z		Part discontinued.
F		Not interchangeable by a single part but interchangeable together with related parts.
K		Changes only for used parts quantities.

④ Effective Machine No.

When a part changes, the effective Machine No. will be indicated in the (A)-(F) column.

Product Symbol	Product No.	Product Symbol	Product No.
C	Clutch No. Compressor No.	F	Machine No. (Agricultural Equip.)
D	Drive No.	M	Machine No.
E	Engine No.		

Note 1) A date may follow the symbol. (Ex.) 1996.01

Note 2) "XXXXX" and "ZZZZZ" are for parts that could not be predicted or for engine models that could not be identified.

Note 3) (A=E00185) is the E (Engine Serial Number) for the column (A) model (in this case 4JH-DT) after the parts design change.

⑤ Remarks Mark

Figures or alphabets (symbols) are entered in the remarks column.

The comments (remarks) on parts that are indicated at the bottom of the illustration are the same symbols as those stated above.

Contents

Fig. No. Fig. Name

4TNV98-ZVIK

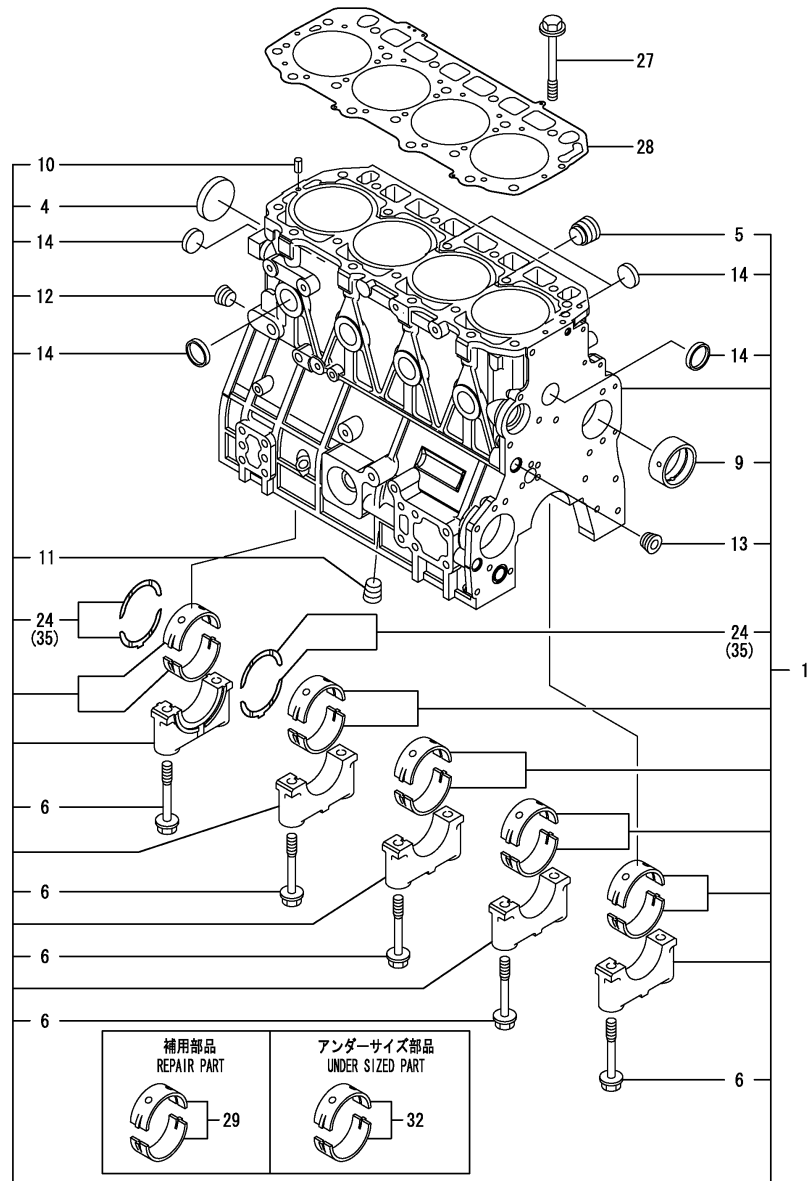
1. CYLINDER BLOCK
2. GEAR HOUSING
3. FLYWHEEL HOUSING & OIL SUMP
4. CYLINDER HEAD & BONNET
5. SUCTION MANIFOLD & AIR CLEANER
6. EXHAUST MANIFOLD & SILENCER
7. CAMSHAFT & DRIVING GEAR
8. CRANKSHAFT & PISTON
9. LUB. OIL SYSTEM
10. COOLING WATER SYSTEM
11. FUEL INJECTION PUMP
12. GOVERNOR
13. FUEL INJECTION VALVE
14. FUEL LINE
15. STARTING MOTOR
16. GENERATOR
17. ELECTRONIC CONTROL UNIT (ECU)
18. GASKET SET
19. LOOSE PART

Fig. No. Fig. Name

Fig.1. CYLINDER BLOCK

(A)=4TNV98-ZVIK
(B)=
(C)=

(D)=
(E)=
(F)=

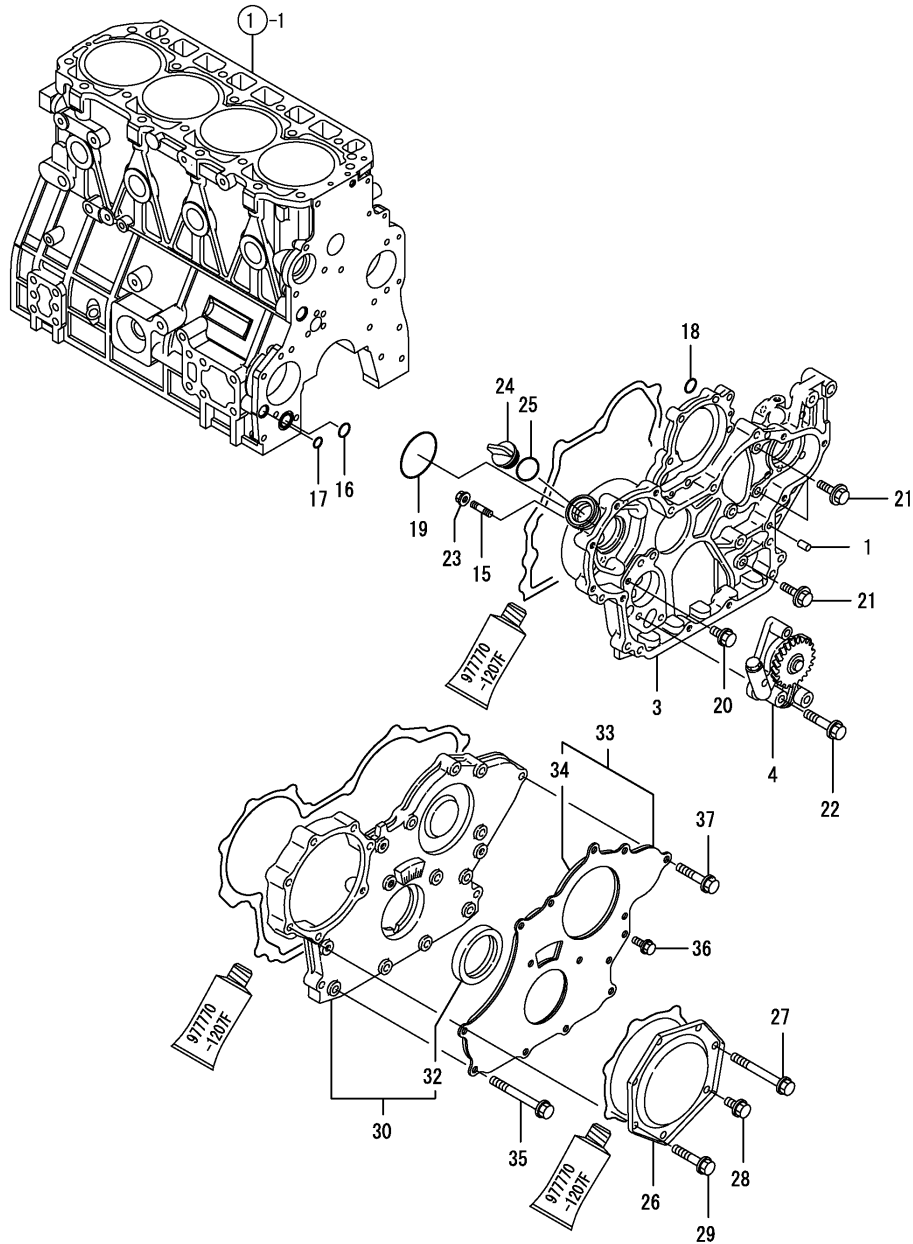


No.	Lev.	Parts No.	Description	Q'ty						I	R
				(A)	(B)	(C)	(D)	(E)	(F)		
1	1	729927-01560	BLOCK ASSY, CYLINDER	1							
4	2	129900-01250	PLUG, 55	1							
5	2	171051-01921	PLUG, NPTF1	1							
6	2	129900-02020	BOLT, METAL CAP	10							
9	2	129900-02410	BUSH, CAMSHAFT	1							
10	2	22351-060012	PIN, SPRING 6.0X12	2							
11	2	23876-030000	PLUG, R03	1							
12	2	23876-030000	PLUG, R03	1							
13	2	23876-030000	PLUG, R03	1							
14	2	27241-300000	PLUG 30	8							
24	2	129900-02931	BEARING, THRUST	2							
27	1	129900-01200	BOLT, HEAD	18							
28	1	129907-01331	GASKET, HEAD	1							
29	1	729900-02801	BEARING, MAIN	5							1
32	1	129900-02341	BEARING, 0.25 US	5							2
35	1	129900-02941	BEARING, THRUST 0.25	2							3

Remarks

- (1) REPAIR PART.
- (2) UNDER-SIZED(U.S=0.25)PART.
- (3) OVER-SIZED(O.S=0.25)PART.

Fig.2. GEAR HOUSING



(A)=4TNV98-ZVIK
(B)=
(C)=

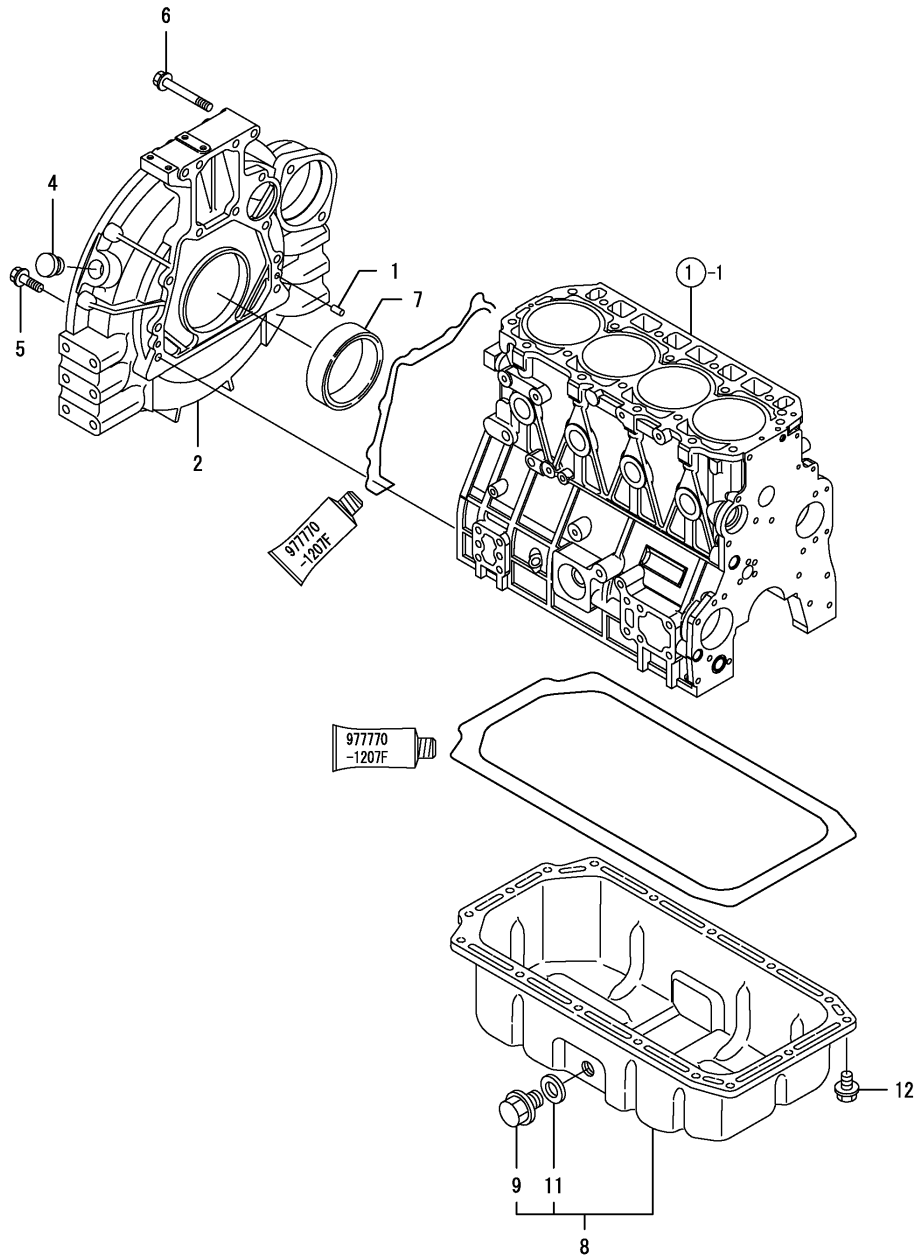
(D)=
(E)=
(F)=

No.	Lev.	Parts No.	Description	Q'ty						I	R
				(A)	(B)	(C)	(D)	(E)	(F)		
1	1	129100-01580	PIN, M8X16	4							
3	1	129944-01500	CASE, GEAR	1							
4	1	129900-32001	PUMP ASSY, OIL	1							
15	1	26216-100302	STUD, M10X 30	4							
16	1	129900-32030	O-RING, P20	1							
17	1	129900-32040	O-RING, P14	1							
18	1	24311-000070	O-RING, 1AP7.0	1							
19	1	24351-030750	O-RING, 1A3075	1							
20	1	26106-080162	BOLT, M8X 16 PLATED	1							
21	1	26106-080202	BOLT, M8X 20 PLATED	3							
22	1	26106-080452	BOLT, M8X 45 PLATED	3							
23	1	26306-100002	NUT, M10	4							
24	1	124160-01751	COVER, FILLER	1							
25	1	24311-000320	O-RING, 1AP32.0	1							
26	1	129900-01740	COVER	1							
27	1	129001-91810	BOLT, M8X70	1							
28	1	26106-080162	BOLT, M8X 16 PLATED	1							
29	1	26106-080402	BOLT, M8X 40 PLATED	5							
30	1	729906-01550	COVER ASSY,GEAR CASE	1							
32	2	129916-01800	SEAL, OIL	1							
33	1	129900-01850	COVER ASSY,GEAR CASE	1							
34	2	129900-01870	SPONGE	1							
35	1	129001-91810	BOLT, M8X70	6							
36	1	26106-080162	BOLT, M8X 16 PLATED	3							
37	1	26106-080402	BOLT, M8X 40 PLATED	5							

Fig.3. FLYWHEEL HOUSING & OIL SUMP

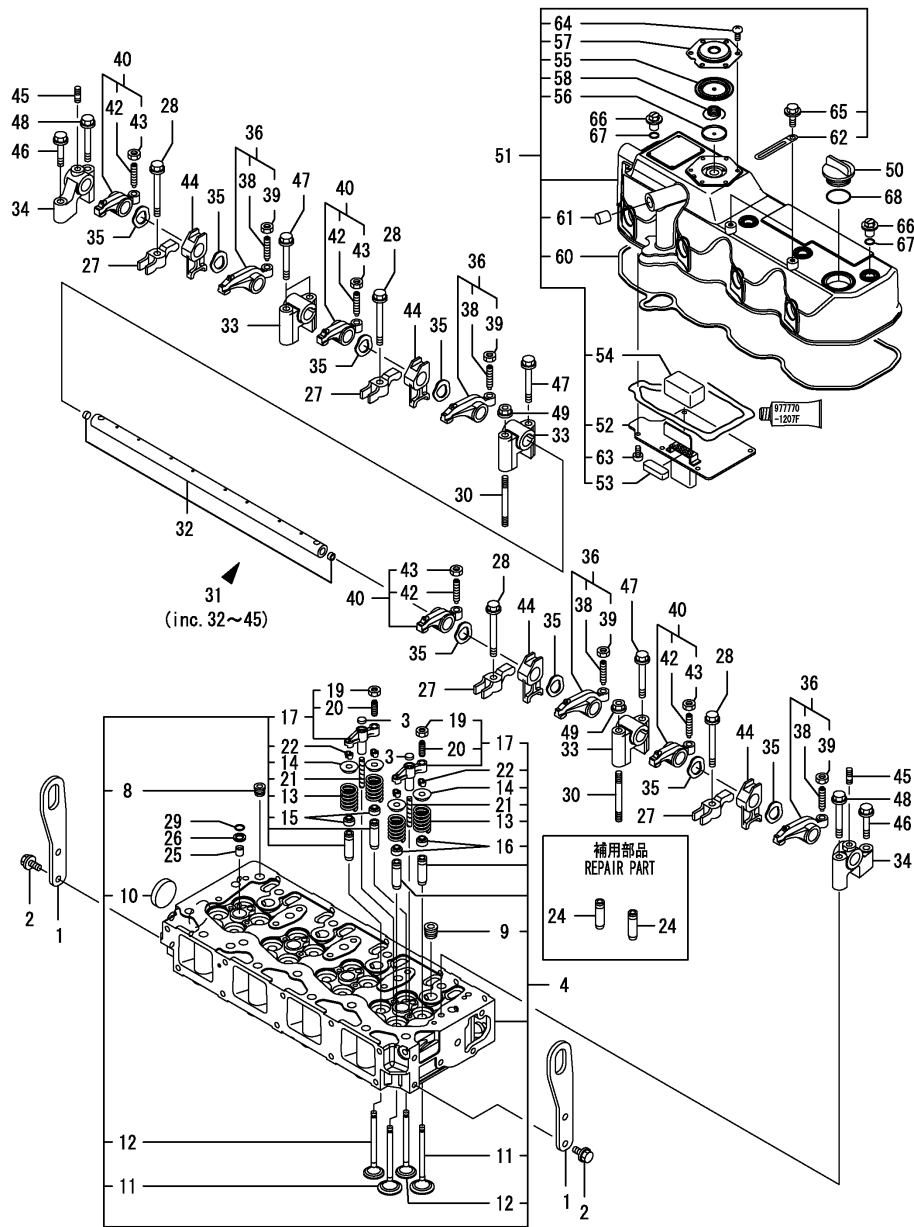
(A)=4TNV98-ZVIK
(B)=
(C)=

(D)=
(E)=
(F)=



No.	Lev.	Parts No.	Description	Q'ty						I	R
				(A)	(B)	(C)	(D)	(E)	(F)		
1	1	129100-01580	PIN, M8X16	2							
2	1	129953-01620	HOUSING, FLYWHEEL	1							
4	1	119620-01750	CAP	1							
5	1	26206-100352	BOLT, M10X 35 PLATED	9							
6	1	26206-100702	BOLT, M10X 70 PLATED	4							
7	1	129916-01790	SEAL, D115/95XT11	1							
8	1	129982-01710	SUMP ASSY, OIL	1							
9	2	119640-01640	PLUG, DRAIN M22	1							
11	2	22190-220002	WASHER, SEAL 22	1							
12	1	26106-080122	BOLT, M8X 12 PLATED	16							

Fig.4. CYLINDER HEAD & BONNET



(A)=4TNV98-ZVIK

(B)=

(C)=

(D)=

(E)=

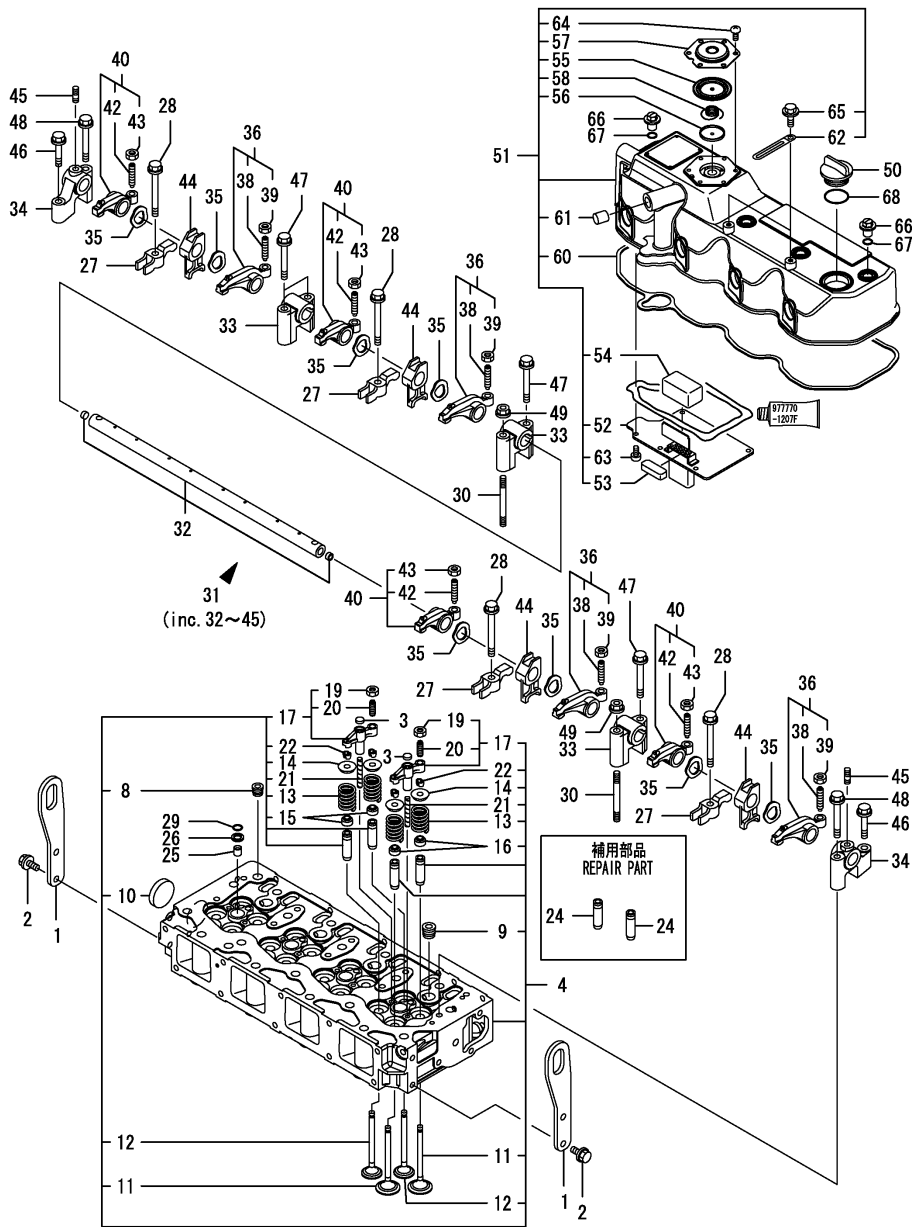
(F)=

No.	Lev.	Parts No.	Description	Q'ty						I	R
				(A)	(B)	(C)	(D)	(E)	(F)		
1	1	129907-07900	LIFTER	2							
2	1	26106-080162	BOLT, M8X 16 PLATED	4							
3	1	123907-11550	SEAT, VALVE BRIDGE	8							
4	1	129927-11700	HEAD ASSY, CYLINDER	1							
8	2	23876-020000	PLUG, R02	1							
9	2	23876-030000	PLUG, R03	4							
10	2	27241-400000	PLUG, 40	1							
11	2	129907-11100	VALVE, INTAKE	8							
12	2	129907-11110	VALVE, EXHAUST	8							
13	2	129907-11120	SPRING, VALVE	16							
14	2	119620-11180	RETAINER, SPRING	16							
15	2	119803-11340	SEAL, VALVE STEM	8							
16	2	124160-11340	SEAL, VALVE STEM	8							
17	2	129907-11510	BRIDGE ASSY, VALVE	8							
19	3	129150-11750	NUT, M8	8							
20	3	123907-11830	ADJUSTER	8							
21	2	123907-11820	GUIDE	8							
22	2	27310-070001	COTTER, 7	16							
24	1	129907-11800	GUIDE, VALVE	16							1
25	1	119802-11870	PROTECTOR, NOZZLE	4							
26	1	119625-11880	SEAT, NOZZLE	4							
27	1	129907-11910	RETAINER, NOZZLE	4							
28	1	129907-11950	BOLT, M8X75	4							
29	1	24311-000120	O-RING, 1AP12.0	4							
30	1	119593-11301	STUD, M8X80	2							
31	1	129907-11341	SHAFT ASSY, ROCKER	1							
32	2	129907-11250	SHAFT, ROCKER ARM	1							
33	2	129907-11260	SUPPORT, ROCKER ARM	3							
34	2	129907-11270	SUPPORT, ROCKER ARM	2							
35	2	123907-11280	WASHER	8							
36	2	129907-11650	ARM, ROCKER	4							
38	3	129150-11230	SCREW, VALVE ADJUST	4							
39	3	129150-11750	NUT, M8	4							
40	2	129907-11660	ARM, ROCKER	4							
42	3	129150-11230	SCREW, VALVE ADJUST	4							
43	3	129150-11750	NUT, M8	4							
44	2	129907-11920	RETAINER	4							
45	2	26226-080222	STUD, M8X 22	2							
46	1	26106-080402	BOLT, M8X 40 PLATED	2							
47	1	26106-080602	BOLT, M8X 60 PLATED	4							
48	1	26106-080602	BOLT, M8X 60 PLATED	2							
49	1	26306-080002	NUT, M8	2							
50	1	124160-01751	COVER, FILLER	1							
51	1	129927-11320	BONNET ASSY, HEAD	1							
52	2	129907-03011	PLATE	1							
53	2	129907-03061	BAFFLE, BREATHER	1							
54	2	129907-03070	BAFFLE, BREATHER	1							
55	2	123907-03100	DIAPHRAGM	1							
56	2	123907-03110	PLATE	1							
57	2	123907-03120	PLATE, BREATHER	1							
58	2	123907-03140	SPRING, DIAPHRAGM	1							

Remarks

(1) REPAIR PART.

Fig.4. CYLINDER HEAD & BONNET



(A)=4TNV98-ZVIK
(B)=
(C)=

(D)=
(E)=
(F)=

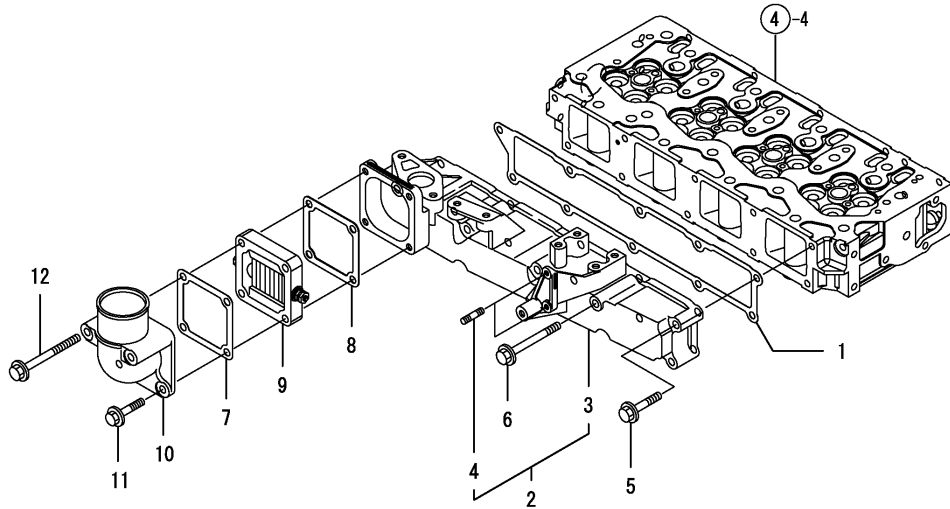
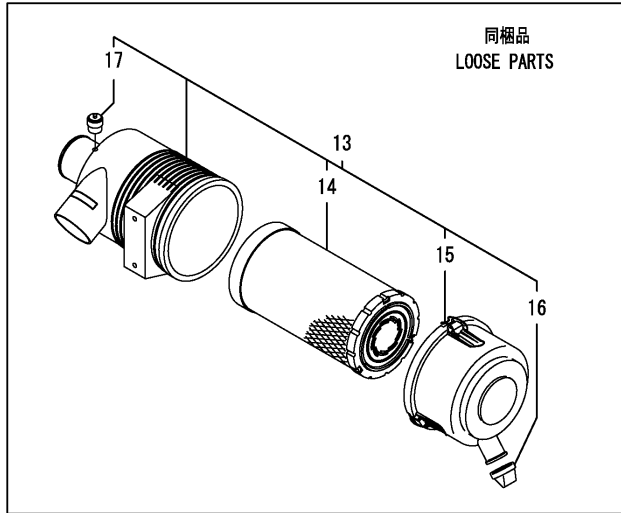
No.	Lev.	Parts No.	Description	Q'ty						I	R
				(A)	(B)	(C)	(D)	(E)	(F)		
60	2	129933-11310	GASKET, BONNET	1							
61	2	119640-61400	PLUG	1							
62	2	175339-79700	CLIP	2							
63	2	22857-500100	SCREW, 5X10	6							
64	2	22857-500100	SCREW, 5X10	6							
65	2	26106-060122	BOLT, M6X 12 PLATED	2							
66	1	124160-11360	KNOB	4							
67	1	24311-000120	O-RING, 1AP12.0	4							
68	1	24311-000320	O-RING, 1AP32.0	1							

Remarks
(1) REPAIR PART.

Fig.5. SUCTION MANIFOLD & AIR CLEANER

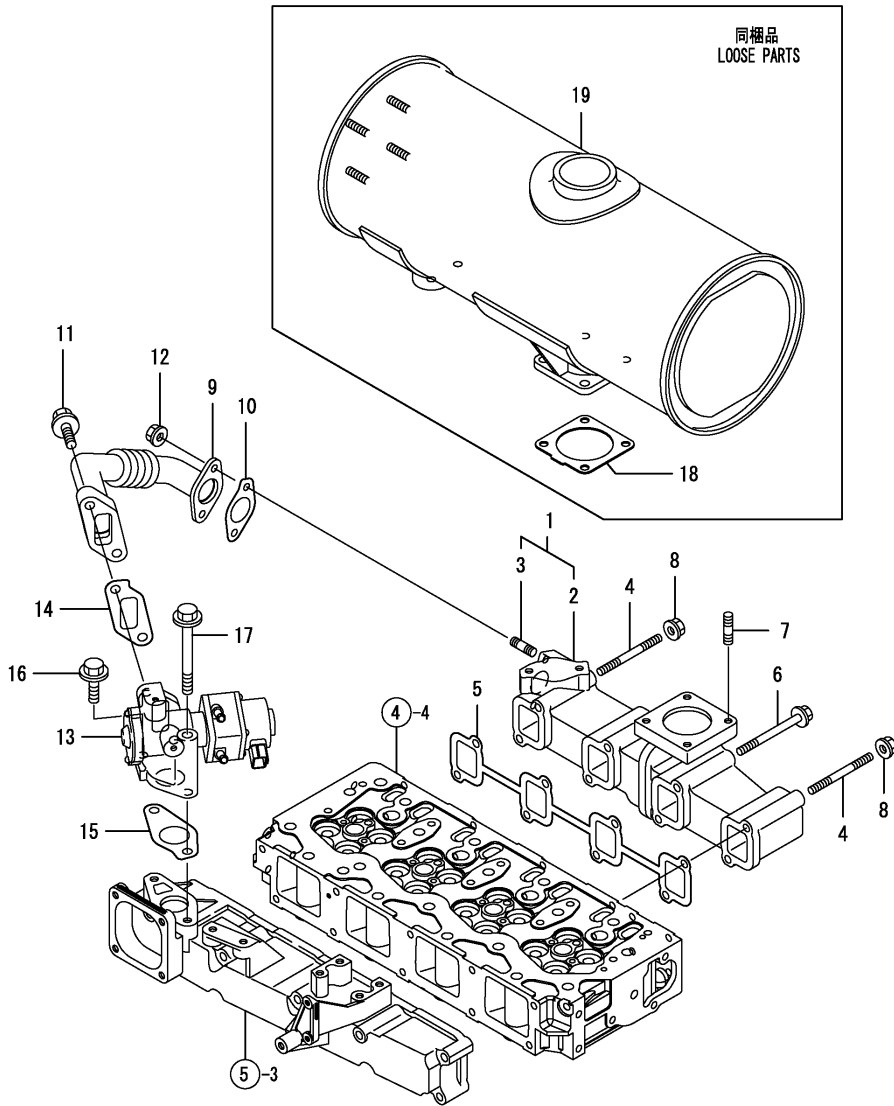
(A)=4TNV98-ZVIK
(B)=
(C)=

(D)=
(E)=
(F)=



No.	Lev.	Parts No.	Description	Q'ty						I	R
				(A)	(B)	(C)	(D)	(E)	(F)		
1	1	129907-12110	GASKET, MANIFOLD	1							
2	1	129927-12150	MANIFOLD ASSY,INTAKE	1							
3	2	129927-12100	MANIFOLD, AIR INTAKE	1							
4	2	26216-060202	STUD, M6X 20	2							
5	1	26106-080452	BOLT, M8X 45 PLATED	6							
6	1	26106-080802	BOLT, M8X 80 PLATED	4							
7	1	119129-77020	GASKET	1							
8	1	121850-77021	GASKET	1							
9	1	119005-77050	HEATER	1							
10	1	119129-77520	BEND	1							
11	1	26106-080402	BOLT, M8X 40 PLATED	2							
12	1	26106-080902	BOLT, M8X 90 PLATED	2							
13	1	129939-12550	CLEANER ASSY, AIR	1							
14	2	119160-12560	ELEMENT, OUTER	1							
15	2	119160-12530	COVER ASSY	1							
16	2	119160-12540	VALVE	1							
17	2	126650-12680	INDICATOR	1							

Fig.6. EXHAUST MANIFOLD & SILENCER



(A)=4TNV98-ZVIK
(B)=
(C)=

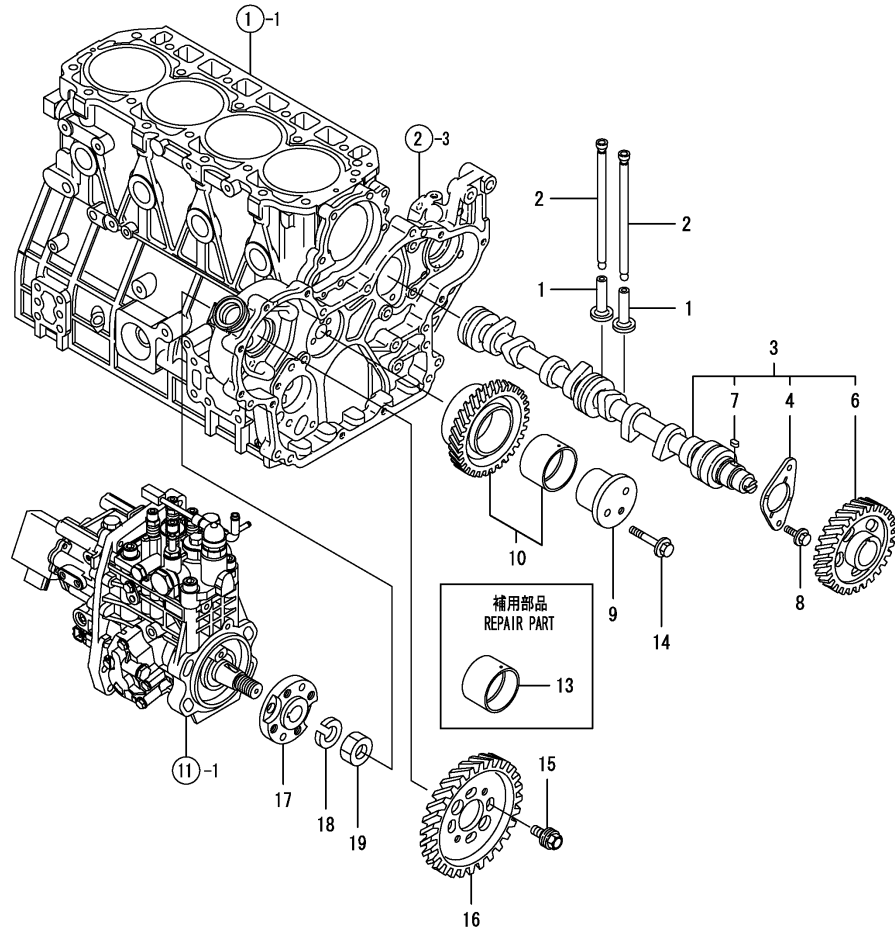
(D)=
(E)=
(F)=

No.	Lev.	Parts No.	Description	Q'ty						I	R
				(A)	(B)	(C)	(D)	(E)	(F)		
1	1	129927-13150	MANIFOLD ASSY	1							
2	2	129927-13100	MANIFOLD, EXHAUST	1							
3	2	129418-18320	STUD, M8X20				2				
4	1	129263-13210	STUD, M8X90				2				
5	1	129900-13251	GASKET				1				
6	1	119802-13680	BOLT, M8X90 10.9T				6				
7	1	119131-18320	STUD, M8X22				4				
8	1	26306-080002	NUT, M8				2				
9	1	129927-13800	PIPE ASSY				1				
10	1	129927-13810	GASKET				1				
11	1	26106-100302	BOLT, M10X 30 PLATED				2				
12	1	26306-080002	NUT, M8				2				
13	1	129927-13900	VALVE				1				
14	1	129927-13910	GASKET				1				
15	1	129927-13920	GASKET				1				
16	1	26106-100302	BOLT, M10X 30 PLATED				1				
17	1	26106-100952	BOLT, M10X 95 PLATED				1				
18	1	129930-13201	GASKET, SILENCER				3				
19	1	129907-13500	SILENCER				1				

Fig.7. CAMSHAFT & DRIVING GEAR

(A)=4TNV98-ZVIK
(B)=
(C)=

(D)=
(E)=
(F)=



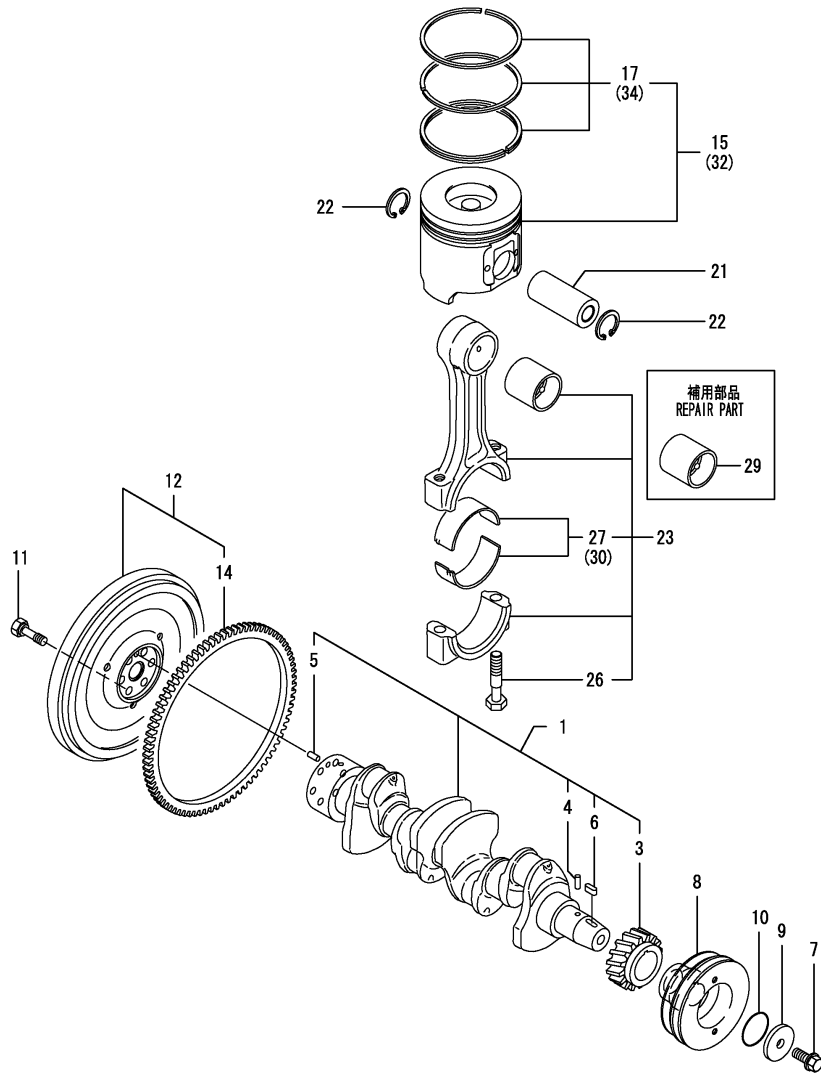
No.	Lev.	Parts No.	Description	Q'ty						I	R
				(A)	(B)	(C)	(D)	(E)	(F)		
1	1	129150-14200	TAPPET	8							
2	1	129907-14400	ROD, PUSH	8							
3	1	129908-14581	CAMSHAFT ASSY	1							
4	2	129150-02450	BEARING, THRUST	1							
6	2	129900-14100	GEAR, CAMSHAFT	1							
7	2	22512-070140	KEY, 7X 14	1							
8	1	26106-080162	BOLT, M8X 16 PLATED	2							
9	1	123900-25060	SHAFT, IDLE GEAR	1							
10	1	129900-25100	GEAR ASSY, IDLE	1							
13	1	129150-25920	BUSH, IDLE GEAR	1							1
14	1	26106-080552	BOLT, M8X 55 PLATED	3							
15	1	129953-25300	BOLT	4							
16	1	129907-25900	GEAR, PUMP	1							
17	1	158563-51150	FLANGE	1							
18	1	22217-180000	WASHER, SPRING 18	1							
19	1	26776-180002	NUT, LOCK M18	1							

Remarks
(1) REPAIR PART.

Fig.8. CRANKSHAFT & PISTON

(A)=4TNV98-ZVIK
(B)=
(C)=

(D)=
(E)=
(F)=



No.	Lev.	Parts No.	Description	Q'ty						I	R
				(A)	(B)	(C)	(D)	(E)	(F)		
1	1	129902-21000	CRANKSHAFT ASSY	1							
3	2	129900-21200	GEAR, CRANKSHAFT	1							
4	2	121850-21290	PIN	1							
5	2	121850-21920	PIN, M10X22	1							
6	2	22512-070140	KEY, 7X 14	1							
7	1	129916-21610	BOLT	1							
8	1	129907-21650	V-PULLEY, 130	1							
9	1	129960-21640	WASHER	1							
10	1	24341-000530	O-RING, 1AS53.0	1							
11	1	121850-21130	BOLT, FLYWHEEL	6							
12	1	129916-21590	FLYWHEEL ASSY	1							
14	2	129900-21600	GEAR, RING	1							
15	1	129927-22080	PISTON ASSY	4							
17	2	129927-22050	RING SET, PISTON	4							
21	1	120130-22301	PIN, PISTON	4							
22	1	22252-000300	RING, 30	8							
23	1	129900-23001	ROD ASSY, CONNECTING	4							
26	2	129900-23200	BOLT, CONNECTING ROD	8							
27	2	129900-23601	BEARING, CRANK PIN	4							
29	1	129900-23911	BEARING, PISTON PIN	4							1
30	1	129900-23611	BEARING, 0.25 US	4							2
32	1	729927-22900	PISTON ASSY, 0.25 OS	4							3
34	2	729927-22950	RING SET, 0.25 OS	4							3

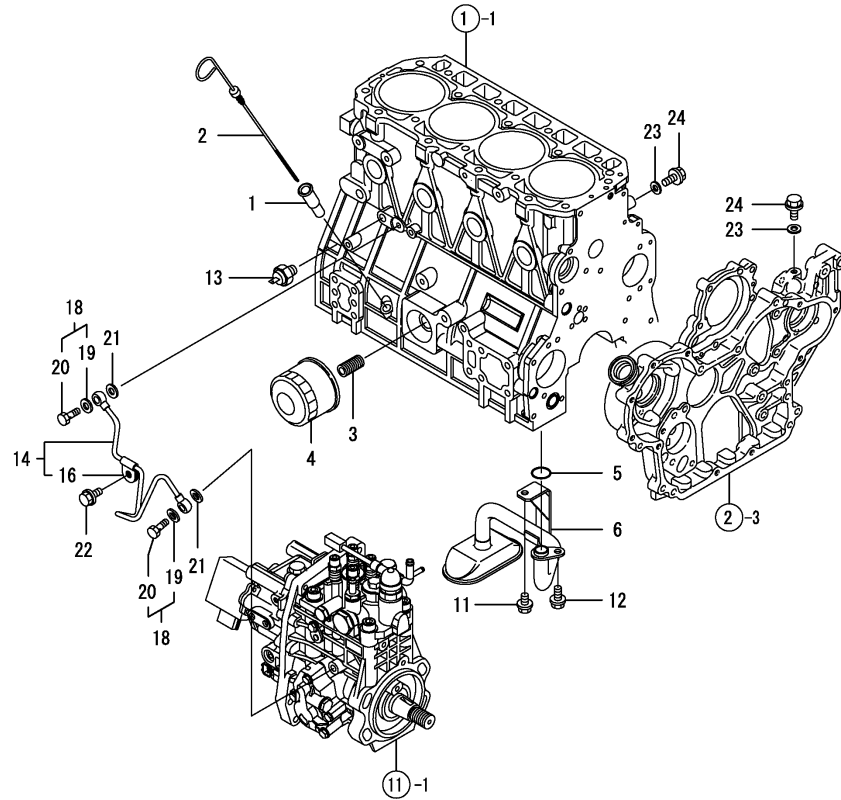
Remarks

- (1) REPAIR PART.
- (2) UNDER-SIZED(U.S=0.25)PART.
- (3) OVER-SIZED(O.S=0.25)PART.

Fig.9. LUB. OIL SYSTEM

(A)=4TNV98-ZVIK
(B)=
(C)=

(D)=
(E)=
(F)=

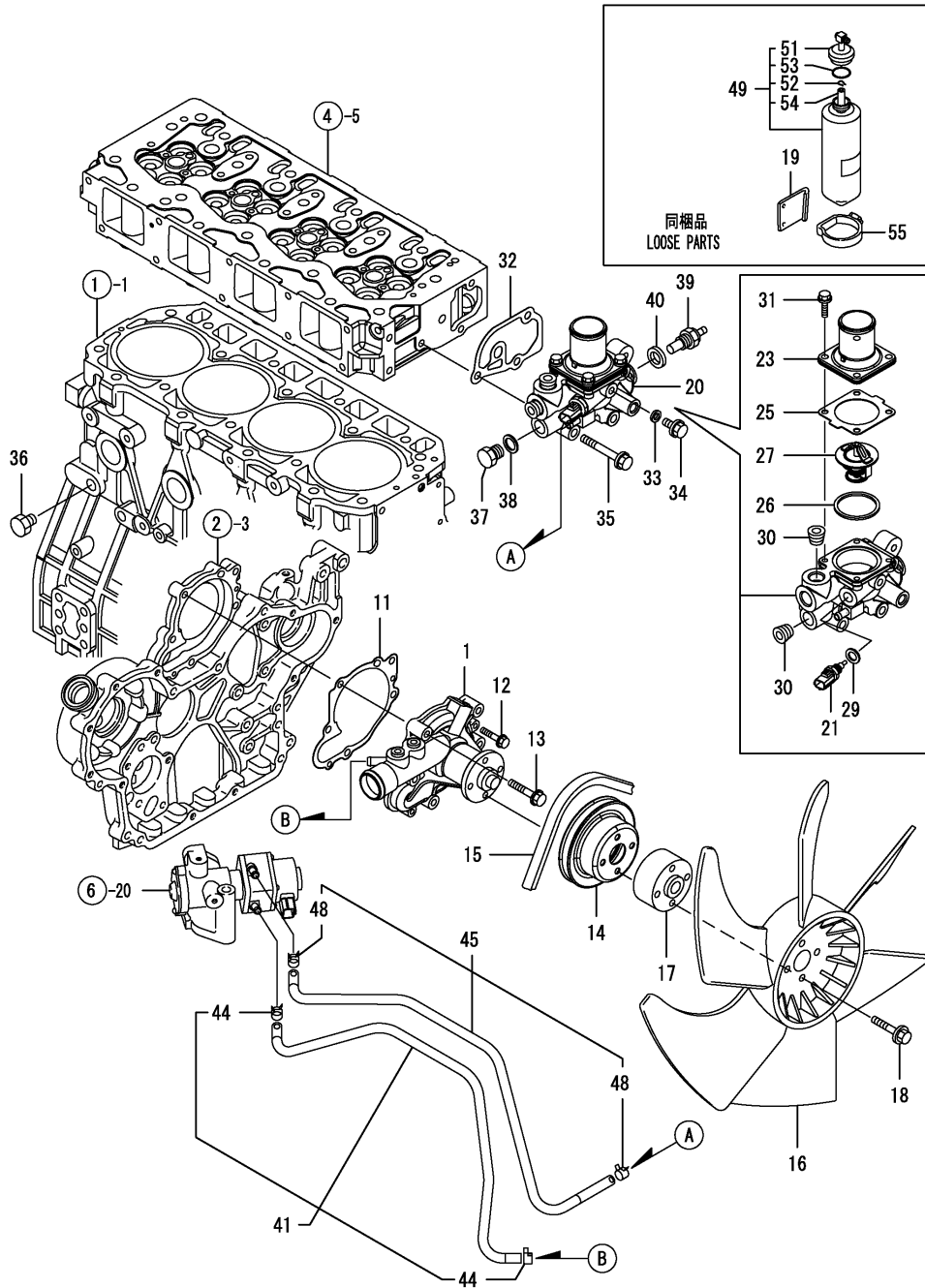


No.	Lev.	Parts No.	Description	Q'ty						I	R
				(A)	(B)	(C)	(D)	(E)	(F)		
1	1	121520-34810	GUIDE, DIPSTICK	1							
2	1	129953-34830	DIPSTICK, OIL	1							
3	1	119000-35140	BOLT, FILTER	1							
4	1	129150-35153	FILTER 80X80L	1							1
5	1	129900-32030	O-RING, P20	1							
6	1	129953-35000	PIPE ASSY, OIL INLET	1							
11	1	26106-080122	BOLT, M8X 12 PLATED	1							
12	1	26106-080162	BOLT, M8X 16 PLATED	1							
13	1	119761-39450	SWITCH, 0.5KG	1							
14	1	129927-39060	PIPE ASSY, OIL	1							
16	2	123907-39500	RETAINER	1							
18	1	129005-59830	BOLT ASSY, JOINT M8	2							
19	2	22190-080002	WASHER, SEAL 6	2							
20	2	23857-030000	BOLT, JOINT 3	2							
21	1	22190-080002	WASHER, SEAL 6	2							
22	1	26106-080122	BOLT, M8X 12 PLATED	1							
23	1	22190-080002	WASHER, SEAL 6	2							
24	1	26106-080122	BOLT, M8X 12 PLATED	2							

Remarks

(1) REPAIR PART.

Fig.10. COOLING WATER SYSTEM



(A)=4TNV98-ZVIK
(B)=
(C)=

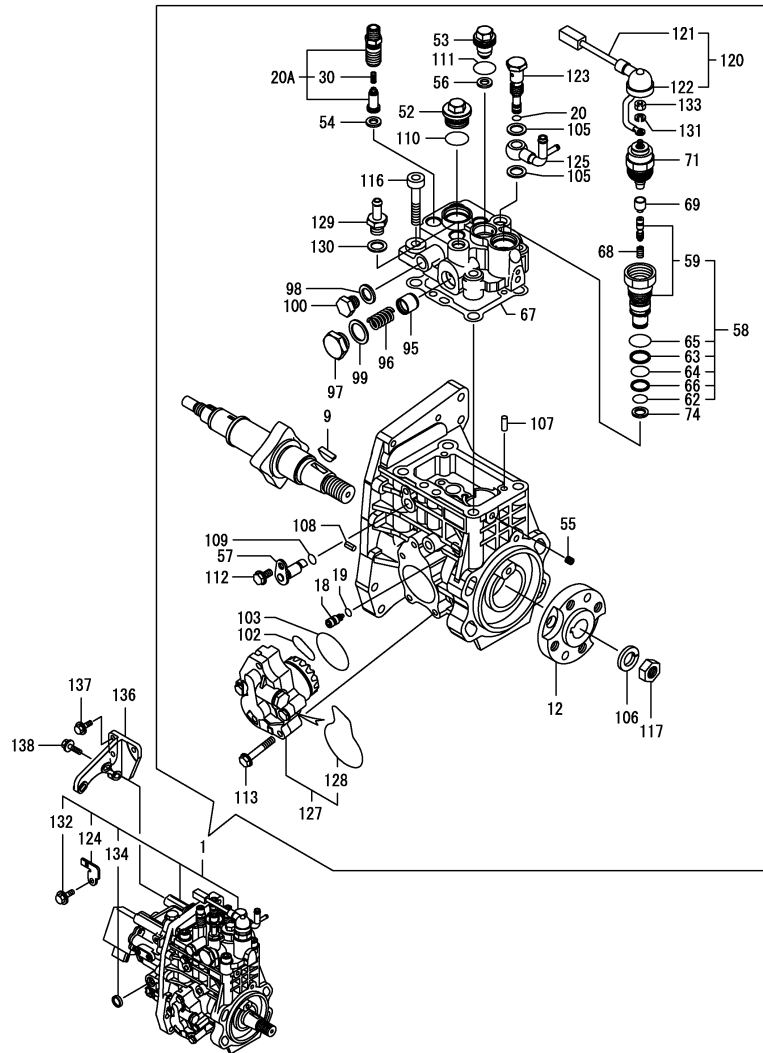
(D)=
(E)=
(F)=

No.	Lev.	Parts No.	Description	Q'ty						I	R
				(A)	(B)	(C)	(D)	(E)	(F)		
1	1	129927-42000	PUMP ASSY, WATER	1							
11	1	129900-42020	GASKET, WATER PUMP	1							
12	1	26106-060302	BOLT, M6X 30 PLATED	2							
13	1	26106-080552	BOLT, M8X 55 PLATED	5							
14	1	129900-42461	V-PULLEY	1							
15	1	25152-004150	V-BELT, A41.5	1							
16	1	129916-44740	FAN, COOLING D=430	1							
17	1	119005-44761	SPACER, FAN	1							
18	1	26106-080452	BOLT, M8X 45 PLATED	4							
19	1	121256-44600	BRACKET, SUB TANK	1							
20	1	129927-49800	CASE ASSY, THERMOSTAT	1							
21	2	129927-44900	SENSOR	1							
23	2	129916-49530	COVER, THERMOSTAT	1							
25	2	121850-49540	GASKET, THERMOSTAT	1							
26	2	121850-49550	GASKET, THERMOSTAT	1							
27	2	121850-49810	THERMOSTAT, 71	1							
29	2	22190-120002	WASHER, SEAL 12	1							
30	2	23875-030000	PLUG, R03	2							
31	2	26106-060202	BOLT, M6X 20 PLATED	4							
32	1	129900-49870	GASKET	1							
33	1	23414-080000	GASKET, 8X1.0	1							
34	1	26106-080122	BOLT, M8X 12 PLATED	1							
35	1	26106-080602	BOLT, M8X 60 PLATED	3							
36	1	171056-49120	PLUG, DRAIN	1							
37	1	121450-42450	PLUG, M16	1							
38	1	124465-44950	GASKET, 16	1							
39	1	171056-49351	SENSOR	1							
39-1	1	119266-49350	SWITCH	1							N
(A=EZZZZZ)											
40	1	129150-49360	GASKET	1							
41	1	129927-49610	PIPE, WATER	1							
44	2	23080-012000	CLAMP, 12	2							
45	1	129927-49620	PIPE ASSY, WATER	1							
48	2	23080-012000	CLAMP, 12	2							
49	1	171064-44510	TANK ASSY, SUB	1							
51	2	121450-44531	CAP	1							
52	2	124450-44560	RETAINER	1							
53	2	121470-44581	GASKET	1							
54	2	23065-070225	HOSE 7X 225	1							
55	1	124450-44550	BAND	1							

Fig.11. FUEL INJECTION PUMP

(A)=4TNV98-ZVIK
(B)=
(C)=

(D)=
(E)=
(F)=



No.	Lev.	Parts No.	Description	Qty						I	R
				(A)	(B)	(C)	(D)	(E)	(F)		
1	1	729938-51300	PUMP ASSY, INJECTION	1							1
9	2	144626-51090	KEY, 5X19	1							
12	2	158563-51150	FLANGE	1							
18	2	158600-51270	STOPPER, TAPPET	1							
19	2	158563-51281	O-RING, 4D S6	1							
20	2	158563-51281	O-RING, 4D S6	1							
20A	2	129927-51390	VALVE ASSY, DELIVERY	4							W
		(A=*2008.04.)									
30	3	158563-51330	SPRING, DELIVERY	4							
52	2	158601-51550	PLUG	1							
53	2	129907-51560	PLUG, BARREL	1							
54	2	158552-51570	GASKET	4							
55	2	158557-51570	PLUG	1							
56	2	129906-51580	GASKET	1							
57	2	158552-51580	LIFTER	1							
58	2	129657-51590	TIMER SET	1							
59	3	129657-51600	TIMER ASSY	1							
62	3	158553-51670	O-RING, 1011	1							
63	3	119802-51680	RING, BACK UP	1							
64	3	119802-51690	O-RING	1							
65	3	24356-010200	O-RING, 4D1020	1							
66	3	24372-000150	RING, BACK UP T2P15	1							
67	2	158560-51600	GASKET	1							
68	2	119852-51630	SPRING, TIMER	1							
69	2	119852-51640	CAP	1							
71	2	119852-51650	VALVE ASSY	1							
74	2	158553-51680	GASKET	1							
95	2	158601-51770	PISTON	1							
96	2	158552-51781	SPRING	1							
97	2	158601-51790	PLUG	1							
98	2	22190-120002	WASHER, SEAL 12	1							
99	2	22190-180002	WASHER, SEAL 18	1							
100	2	23887-120002	PLUG, 12	1							
102	2	158552-52310	O-RING	1							
103	2	158552-52400	O-RING, 4E S42	1							
105	2	22190-120002	WASHER, SEAL 12	2							
106	2	22217-180000	WASHER, SPRING 18	1							
107	2	22312-050140	PIN, PARALLEL M5X14	2							
108	2	22351-050010	PIN, SPRING 5.0X10	2							
109	2	24311-000070	O-RING, 1AP7.0	1							
110	2	24356-010200	O-RING, 4D1020	1							
111	2	24356-020210	O-RING, 4D2021	1							
112	2	26106-060102	BOLT, M6X 10 PLATED	1							
113	2	26106-060352	BOLT, M6X 35 PLATED	4							
116	2	26450-100452	BOLT, M10X 45	4							
117	2	26776-180002	NUT, LOCK M18	1							
120	2	129927-51650	HARNESS ASSY, WIRE	1							
121	3	129927-51660	HARNESS_CSD	1							
122	3	129263-77941	CAP, RUBBER	1							
123	2	158601-51650	JOINT, OVER FLOW	1							
124	2	129927-51670	BRACKET	1							

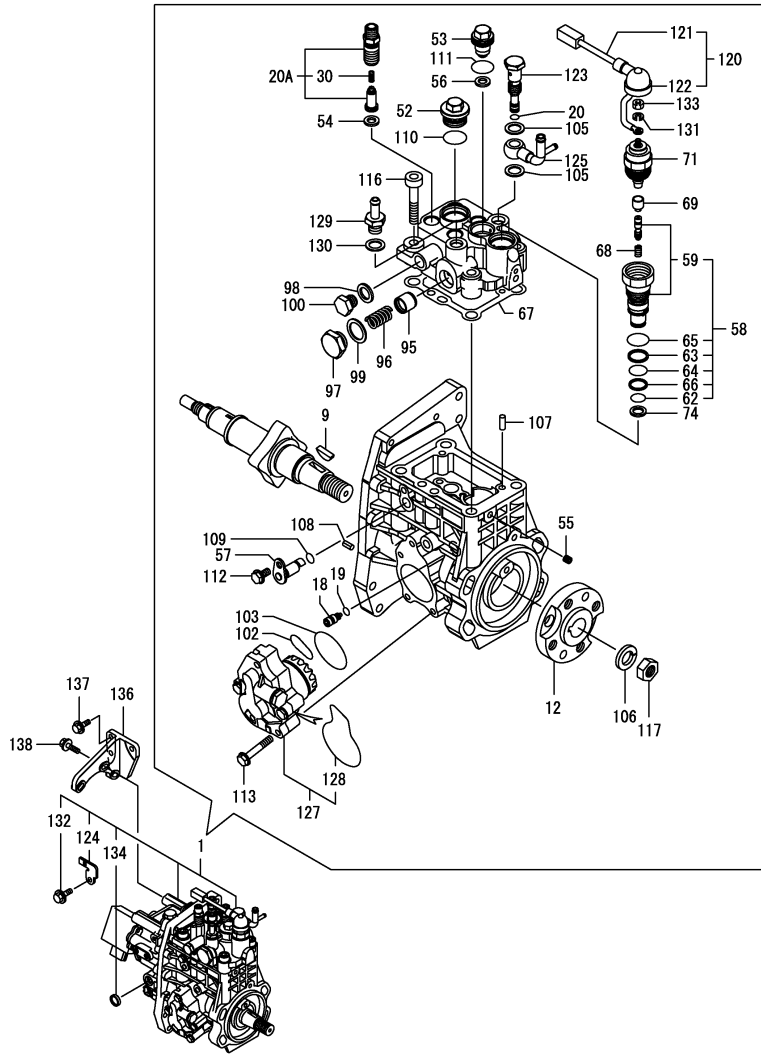
Remarks

(1) GOVERNOR ASSY(FIG.12) IS INCORPORATED IN THIS FUEL INJECTION PUMP.(REF.NO.1).
* ECO PUMP
MAKE SURE TO UPDATE THE ENGINES ECU INFORMATION WHEN REPLACING THE ECO PUMP.
FAILING TO DO SO WILL RESULT IN ENGINE MALFUNCTION.

Fig.11. FUEL INJECTION PUMP

(A)=4TNV98-ZVIK
(B)=
(C)=

(D)=
(E)=
(F)=



No.	Lev.	Parts No.	Description	Q'ty						I	R
				(A)	(B)	(C)	(D)	(E)	(F)		
125	2	158552-51670	JOINT, OVER FLOW	1							
127	2	158552-52100	PUMP ASSY, FUEL FEED	1							
128	3	158552-52500	O-RING	1							
129	2	119934-59910	JOINT, PIPE	1							
130	2	22190-120002	WASHER, SEAL 12	1							
131	2	22217-050000	WASHER, SPRING 5	1							
132	2	26106-060122	BOLT, M6X 12 PLATED	1							
133	2	26716-050002	NUT, M5	1							
134	2	27241-160000	PLUG, 16	1							
136	1	129927-51250	RETAINER, PUMP	1							
137	1	26106-080202	BOLT, M8X 20 PLATED	3							
138	1	26106-080302	BOLT, M8X 30 PLATED	3							

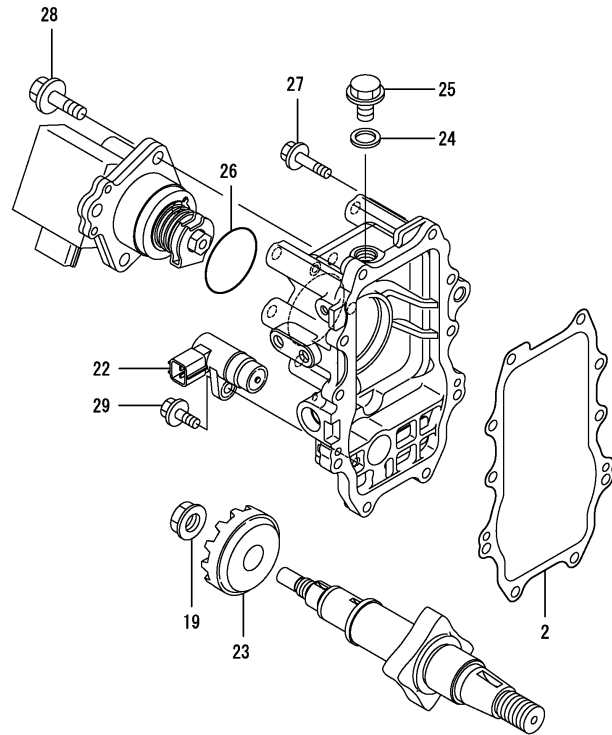
Remarks

(1) GOVERNOR ASSY(FIG.12) IS INCORPORATED IN THIS FUEL INJECTION PUMP.(REF.NO.1).
* ECO PUMP
MAKE SURE TO UPDATE THE ENGINES ECU INFORMATION WHEN REPLACING THE ECO PUMP.
FAILING TO DO SO WILL RESULT IN ENGINE MALFUNCTION.

Fig.12. GOVERNOR

(A)=4TNV98-ZVIK
(B)=
(C)=

(D)=
(E)=
(F)=



No.	Lev.	Parts No.	Description	Q'ty						I	R
				(A)	(B)	(C)	(D)	(E)	(F)		
2	2	158560-61050	GASKET	1							
19	2	119660-61300	NUT	1							
22	2	158557-61720	SENSOR	1							
23	2	158553-61780	GEAR, SENSOR	1							
24	2	23414-120000	GASKET, 12X1.0	1							
25	2	23887-120002	PLUG, 12	1							
26	2	24341-000480	O-RING, 1AS48.0	1							
27	2	26106-060252	BOLT, M6X 25 PLATED	10							
28	2	26106-080252	BOLT, M8X 25 PLATED	3							

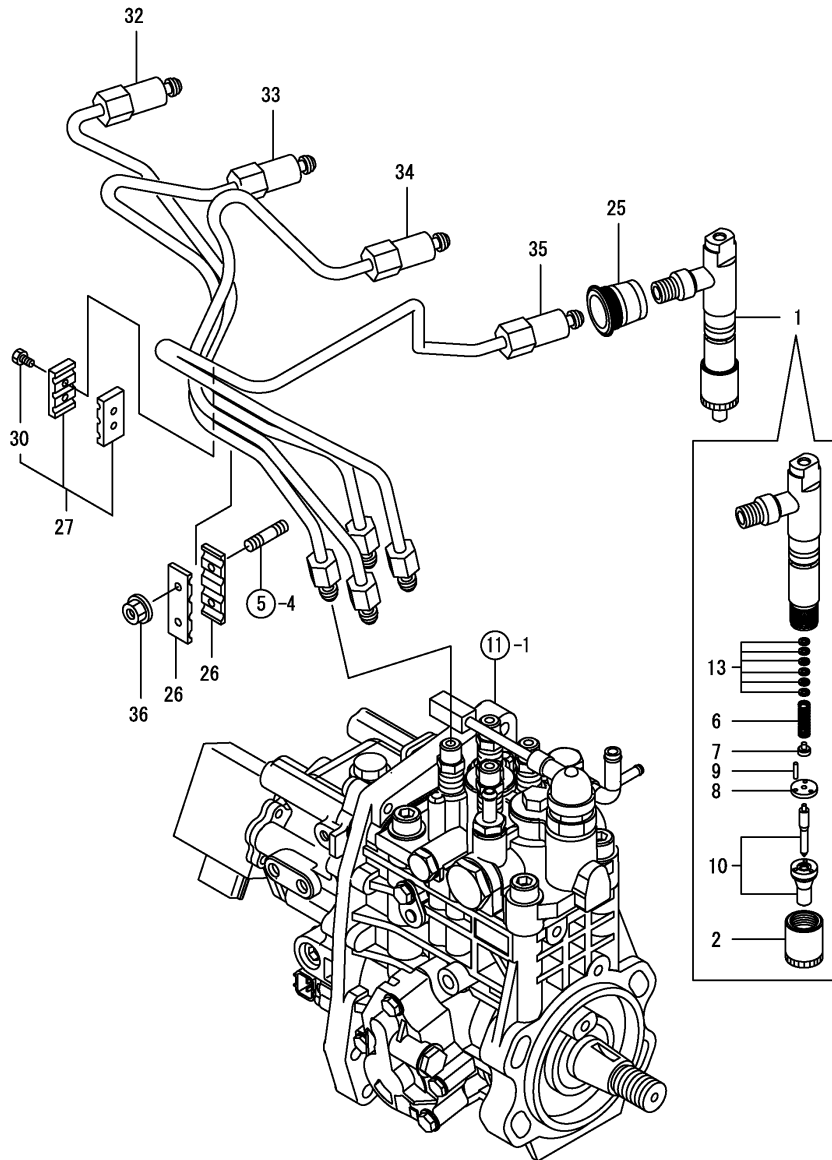
Remarks

* THIS FIGURE(GOVERNOR ASSY)IS INCORPORATED IN THE FUEL INJECTION PUMP ASSY(FIG.11).

Fig.13. FUEL INJECTION VALVE

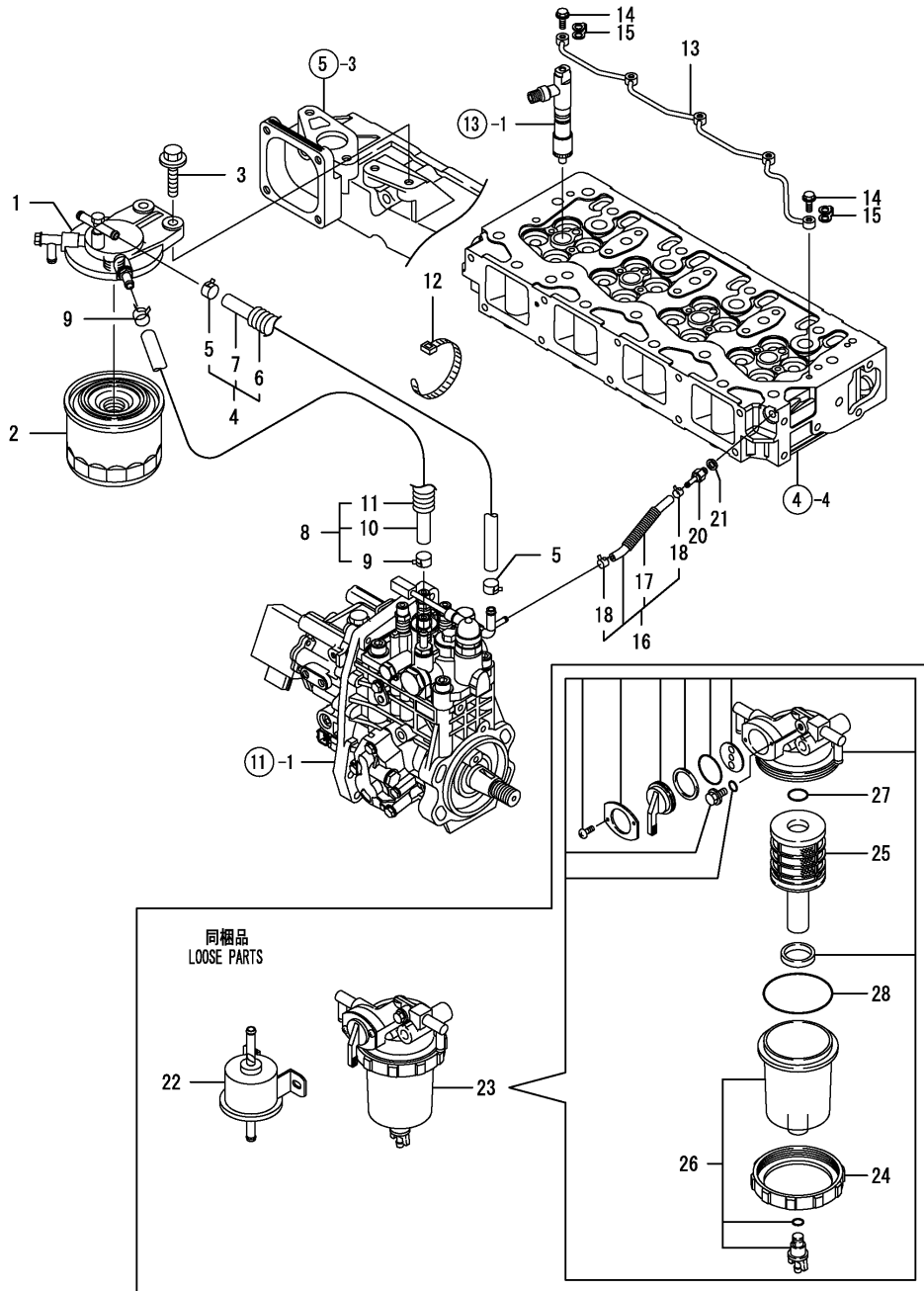
(A)=4TNV98-ZVIK
(B)=
(C)=

(D)=
(E)=
(F)=



No.	Lev.	Parts No.	Description	Q'ty						I	R
				(A)	(B)	(C)	(D)	(E)	(F)		
1	1	729927-53200	VALVE ASSY,INJECTION	4							
2	2	114250-53080	NUT, NOZZLE D16.95	4							
6	2	114250-53120	SPRING, NOZZLE	4							
7	2	114250-53130	SEAT, SPRING	4							
8	2	114250-53140	PLATE	4							
9	2	114250-53210	PIN	8							
10	2	129927-53200	VALVE ASSY,INJECTION	4							
13	2	114250-53400	SHIM SET	4							
25	1	123907-11601	SEAL	4							
26	1	123472-59120	RETAINER, PIPE	2							
27	1	129150-59120	RETAINER, PIPE	1							
30	2	129150-59131	BOLT, M4X14	2							
32	1	129927-59810	PIPE ASSY, INJECTION	1							
33	1	129927-59820	PIPE ASSY, INJECTION	1							
34	1	129927-59830	PIPE ASSY, INJECTION	1							
35	1	129927-59840	PIPE ASSY, INJECTION	1							
36	1	26366-060002	NUT, M6	2							

Fig.14. FUEL LINE



(A)=4TNV98-ZVIK
(B)=
(C)=

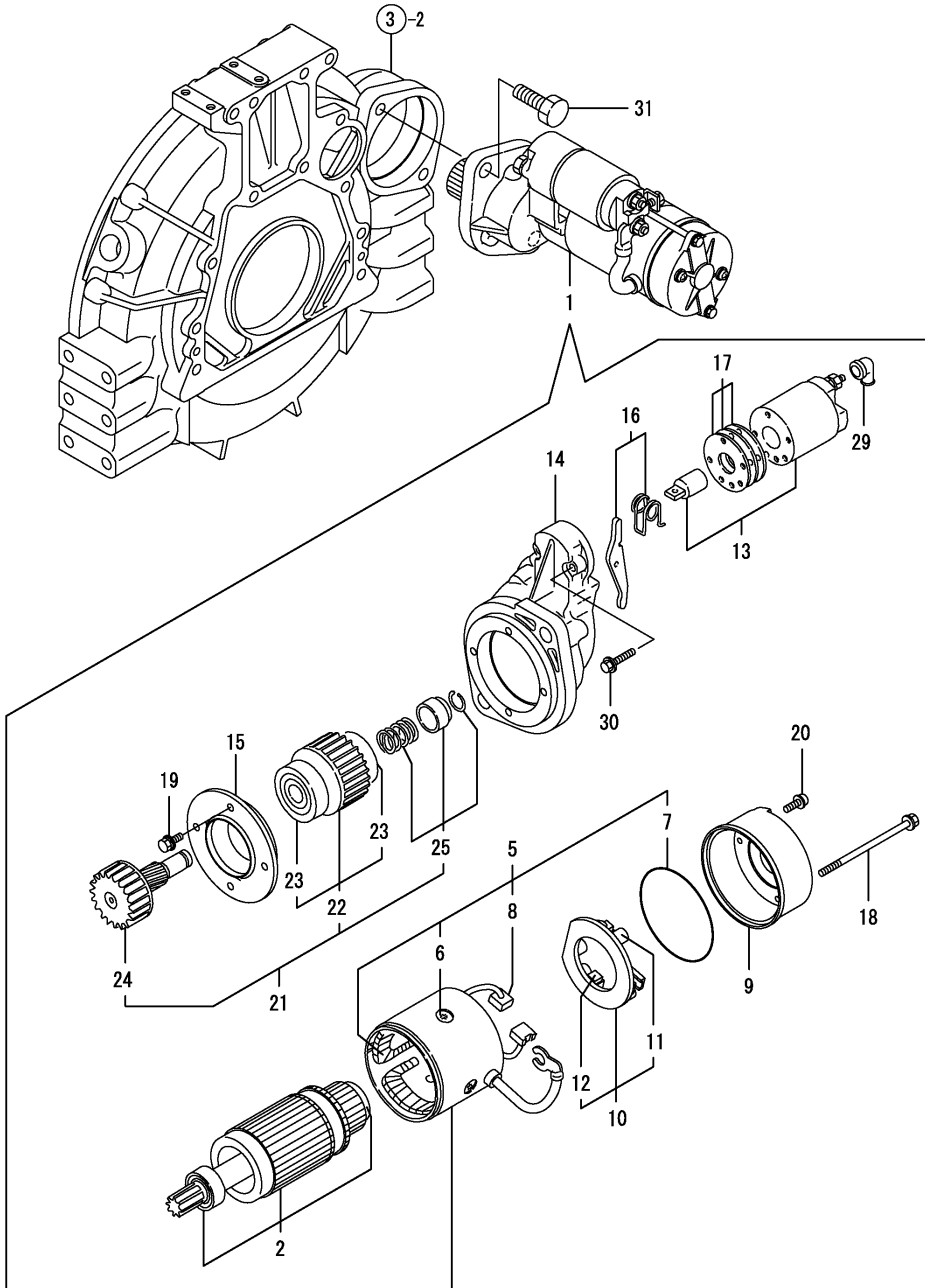
(D)=
(E)=
(F)=

No.	Lev.	Parts No.	Description	Q'ty						I	R
				(A)	(B)	(C)	(D)	(E)	(F)		
1	1	129004-55612	BRACKET, FILTER	1							
2	1	119802-55801	FILTER, FUEL	1							
3	1	26106-080302	BOLT, M8X 30 PLATED	2							
4	1	129457-59010	PIPE ASSY, FUEL	1							
5	2	124766-59050	CLIP, HOSE 12	2							
6	2	129957-59120	TUBE, CORRUGATED	1							
7	2	105025-59750	PIPE, FUEL	1							
8	1	129961-59310	PIPE ASSY, FUEL	1							
9	2	124766-59050	CLIP, HOSE 12	2							
10	2	129136-59110	PIPE, D13/7.5X270	1							
11	2	129961-59110	TUBE, CORRUGATED	1							
12	1	121750-59890	BAND, 140	1							
13	1	129907-59140	PIPE ASSY, RETURN	1							
14	1	123907-59540	BOLT, PIPE JOINT M6	5							
15	1	123907-59550	GASKET	5							
16	1	129927-59550	PIPE ASSY, RETURN	1							
17	2	129263-49750	TUBE, CORRUGATED	1							
18	2	124722-59050	CLIP, HOSE 9	2							
20	1	123907-59560	JOINT	1							
21	1	22190-080002	WASHER, SEAL 6	1							
22	1	119225-52102	PUMP ASSY, FUEL FEED	1							
23	1	129906-55700	SEPARATOR ASSY	1							
24	2	129100-55690	RING, RETAINING	1							
25	2	119802-55710	ELEMENT	1							
26	2	119802-55730	CUP ASSY	1							
27	2	24311-000160	O-RING, 1AP16.0	1							
28	2	24321-000650	O-RING, 1AG65.0	1							

Fig.15. STARTING MOTOR

(A)=4TNV98-ZVIK
(B)=
(C)=

(D)=
(E)=
(F)=



No.	Lev.	Parts No.	Description	Q'ty						I	R
				(A)	(B)	(C)	(D)	(E)	(F)		
1	1	129940-77010	STARTER 12V,3KW	1							
2	2	129940-77100	ARMATURE ASSY	1							
5	2	129940-77130	COIL ASSY, FIELD	1							
6	3	129940-77140	SCREW, POLE CORE SET	4							
7	3	129940-77150	O-RING	1							
8	3	129940-77160	BRUSH (+)	2							
9	2	129940-77170	COVER, REAR	1							
10	2	129940-77180	HOLDER, BRUSH	1							
11	3	129940-77190	SPRING, BRUSH	1							
12	3	129940-77200	BRUSH (-)	2							
13	2	129940-77210	SWITCH ASSY,MAGNETIC	1							
14	2	129940-77220	HOUSING, GEARS	1							
15	2	129940-77230	RETAINER, BEARING	1							
16	2	129940-77240	SHIFT LEVER SET	1							
17	2	129940-77250	COVER ASSY, DUST	1							
18	2	129940-77260	THROUGHT BOLT	2							
19	2	129940-77270	BOLT M6X 20	4							
20	2	129940-77280	SCREW M4X 10	2							
21	2	123900-77510	PINION ASSY	1							
22	3	123900-77520	CLUTCH ASSY	1							
23	4	X2240610100	BALL BEARING (3	2							
24	3	123900-77540	SHAFT, PINION	1							
25	3	119131-77550	STOPPER KIT, PINION	1							
29	2	121254-77810	COVER, TERMINAL	1							
30	2	114371-79070	BOLT M 6X 37	2							
31	1	26116-120252	BOLT, M12X 25 PLATED	2							

Fig.16. GENERATOR

(A)=4TNV98-ZVIK

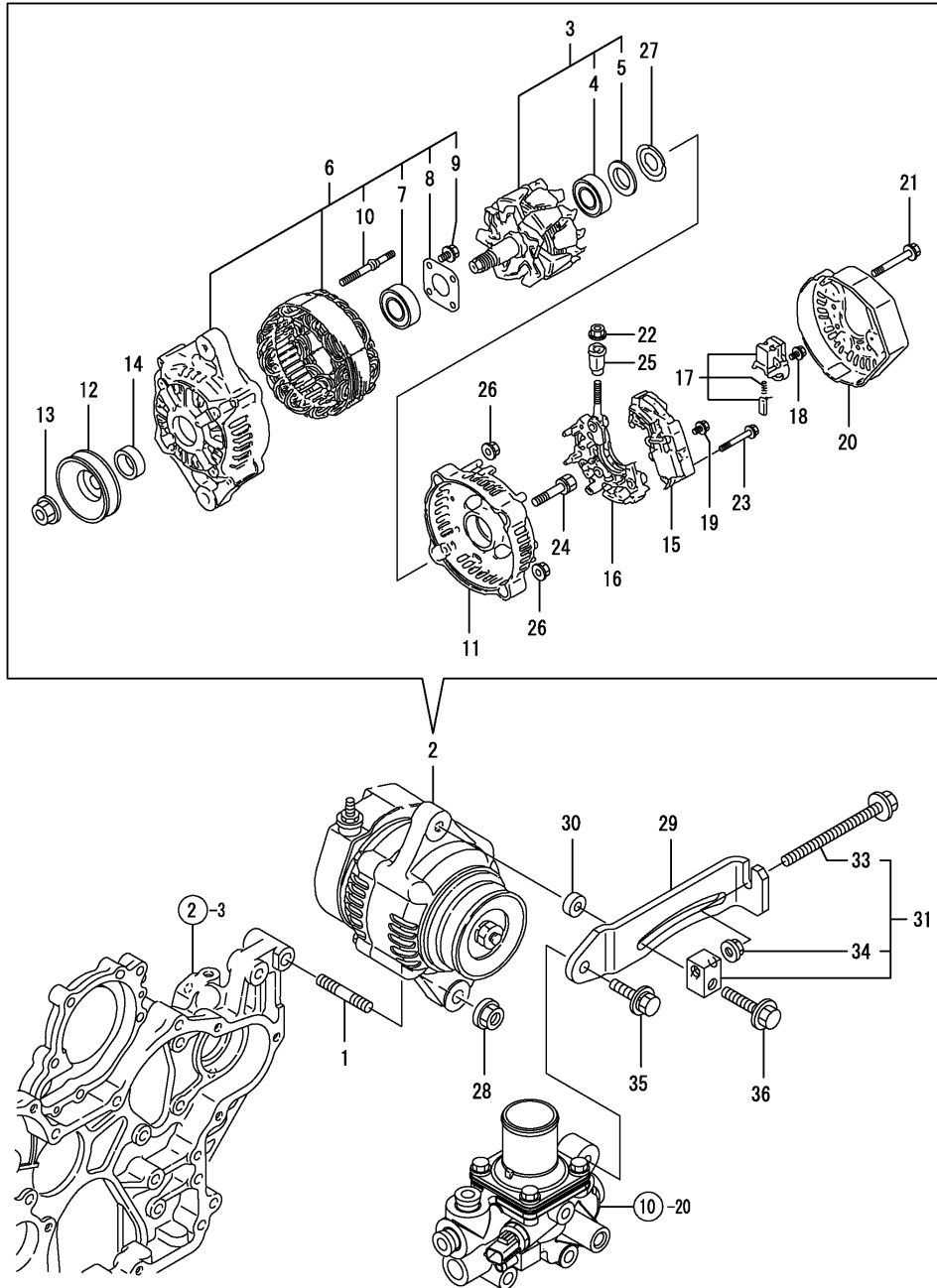
(B)=

(C)=

(D)=

(E)=

(F)=

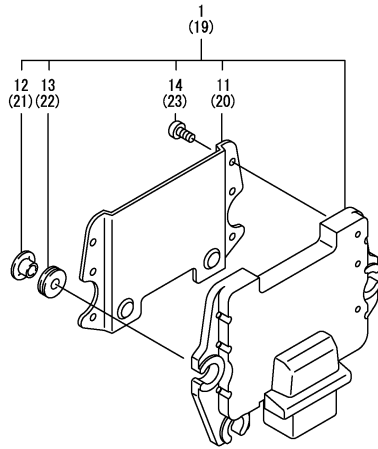


No.	Lev.	Parts No.	Description	Q'ty						I	R
				(A)	(B)	(C)	(D)	(E)	(F)		
1	1	129795-01900	STUD	1							
2	1	129240-77200	ALTERNATOR	1							
3	2	119620-77380	ROTOR ASSY	1							
4	3	123501-79240	BEARING, BALL	1							
5	3	119620-79250	COVER, BEARING	1							
6	2	119620-77421	FRAME ASSY, DRIVE	1							
7	3	119620-79200	BALL BEARING	1							
8	3	119620-79210	PLATE	1							
9	3	119620-79220	SCREW	4							
10	3	119620-79230	BOLT, STUD	2							
11	2	119620-77440	FLAME ASSY, REAR	1							
12	2	119620-77461	PULLEY	1							
13	2	119620-77471	NUT	1							
14	2	119620-77490	COLLAR	1							
15	2	129240-77710	REGULATOR ASSY	1							
16	2	119620-79260	HOLDER	1							
17	2	129052-79270	HOLDER, BRUSH	1							
18	2	119620-79290	SCREW	6							
19	2	119620-79300	SCREW	1							
20	2	129240-79300	COVER	1							
21	2	119620-79310	BOLT	3							
22	2	129240-79310	NUT	1							
23	2	119620-79320	SCREW W/WASHER	2							
24	2	119620-79330	BOLT	2							
25	2	119620-79340	INSULATION BUSH	1							
26	2	119620-79350	NUT	2							
27	2	119620-79360	WASHER, THRUST	1							
28	1	26306-100002	NUT, M10	1							
29	1	129906-77300	ADJUSTER	1							
30	1	121236-77340	SPACER	1							
31	1	119624-77351	BLOCK ASSY, ADJUSTER	1							
33	2	26106-081004	BOLT, M8X100 PLATED	1							
34	2	26306-080002	NUT, M8	1							
35	1	26014-080252	BOLT, M8X 25	1							
36	1	26106-080552	BOLT, M8X 55 PLATED	1							

Fig.17. ELECTRONIC CONTROL UNIT (ECU)

(A)=4TNV98-ZVIK
(B)=
(C)=

(D)=
(E)=
(F)=



No.	Lev.	Parts No.	Description	Q'ty						I	R
				(A)	(B)	(C)	(D)	(E)	(F)		
1	1	129939-75040	CONTROLLER ASSY, EUC	1							1
11	2	129927-77600	SHIELD	1							
12	2	129927-77680	COLLAR	3							
13	2	119578-91351	ABSORBER	3							
14	2	22877-500080	SCREW, 5X 8	6							
19	1	129927-75900	CONTROLLER ASSY, EUC	1							2
20	2	129927-77600	SHIELD	1							
21	2	129927-77680	COLLAR	3							
22	2	119578-91351	ABSORBER	3							
23	2	22877-500080	SCREW, 5X 8	6							

Remarks

(1)ECO ECU
THIS PART CANNOT BE ORDERED.
REPLACE THE PART USING A SERVICE
ECU WITH THE PROPER ENGINE
INFORMATION INSTALLED.

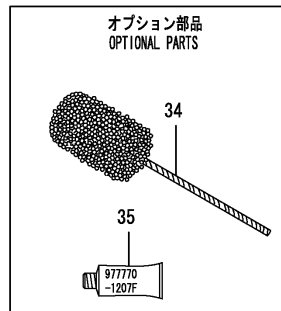
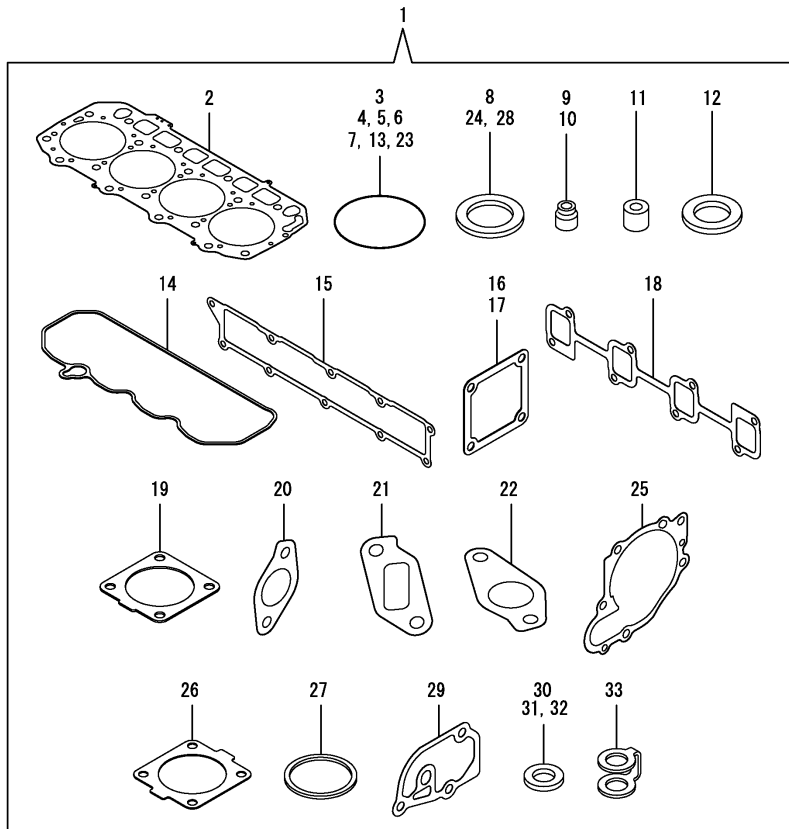
(2)SERVICE ECU
IF THE PROPER INFORMATION IS NOT
INSTALLED, THE ENGINE WILL NOT
OPERATE.

TO INSTALL PROPER INFORMATION,
GO TO AN AUTHORIZED DISTRIBUTOR.

Fig.18. GASKET SET

(A)=4TNV98-ZVIK
(B)=
(C)=

(D)=
(E)=
(F)=



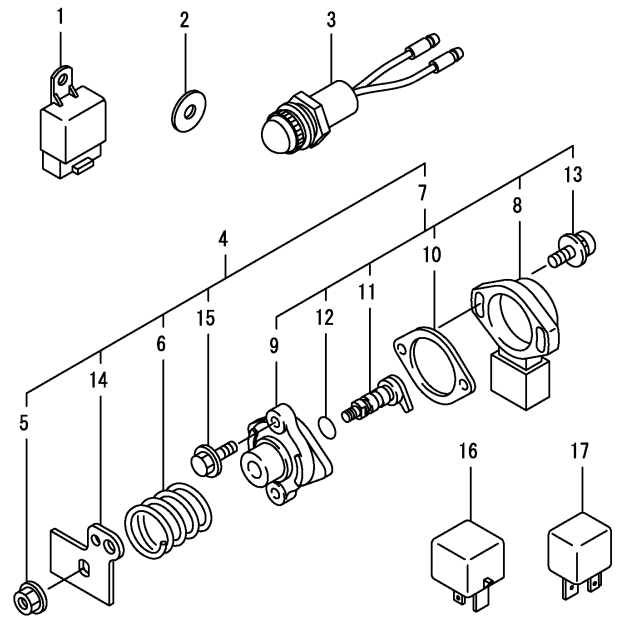
No.	Lev.	Parts No.	Description	Q'ty						I	R
				(A)	(B)	(C)	(D)	(E)	(F)		
1	1	729927-92620	GASKET SET	1							1
2	2	129907-01331	GASKET, HEAD	1							
3	2	129900-32030	O-RING, P20	2							
4	2	129900-32040	O-RING, P14	1							
5	2	24311-000070	O-RING, 1AP7.0	1							
6	2	24351-030750	O-RING, 1A3075	1							
7	2	24311-000320	O-RING, 1AP32.0	2							
8	2	22190-220002	WASHER, SEAL 22	1							
9	2	119803-11340	SEAL, VALVE STEM	8							
10	2	124160-11340	SEAL, VALVE STEM	8							
11	2	119802-11870	PROTECTOR, NOZZLE	4							
12	2	119625-11880	SEAT, NOZZLE	4							
13	2	24311-000120	O-RING, 1AP12.0	8							
14	2	129933-11310	GASKET, BONNET	1							
15	2	129907-12110	GASKET, MANIFOLD	1							
16	2	119129-77020	GASKET	1							
17	2	121850-77021	GASKET	1							
18	2	129900-13251	GASKET	1							
19	2	129930-13201	GASKET, SILENCER	3							
20	2	129927-13810	GASKET	1							
21	2	129927-13910	GASKET	1							
22	2	129927-13920	GASKET	1							
23	2	24341-000530	O-RING, 1AS53.0	1							
24	2	22190-080002	WASHER, SEAL 6	7							
25	2	129900-42020	GASKET, WATER PUMP	1							
26	2	121850-49540	GASKET, THERMOSTAT	1							
27	2	121850-49550	GASKET, THERMOSTAT	1							
28	2	22190-120002	WASHER, SEAL 12	1							
29	2	129900-49870	GASKET	1							
30	2	23414-080000	GASKET, 8X1.0	1							
31	2	124465-44950	GASKET, 16	1							
32	2	129150-49360	GASKET	1							
33	2	123907-59550	GASKET	5							
34	1	129400-92450	HONE	1							1
35	1	977770-1207F	GASKET.LIQUID	1							1

Remarks
(1) OPTIONAL PART.

Fig.19. LOOSE PART

(A)=4TNV98-ZVIK
(B)=
(C)=

(D)=
(E)=
(F)=



No.	Lev.	Parts No.	Description	Q'ty						I	R
				(A)	(B)	(C)	(D)	(E)	(F)		
1	1	198461-52950	RELAY, CA TYPE C	3							
2	1	129927-77690	WASHER	3							
3	1	124732-77720	LAMP, CHARGING	1							
4	1	129938-77800	SENSOR ASSY	1							
5	2	194990-22130	NUT, M6	1							
6	2	119060-61990	SPRING, RETURN	1							
7	2	129054-77800	SENSOR ASSY	1							
8	3	185100-50070	BODY	1							
9	3	129054-77811	SUPPORT	1							
10	3	129054-77820	GASKET, SUPPORT	1							
11	3	129054-77830	SHAFT ASY	1							
12	3	24311-000070	O-RING, 1AP7.0	1							
13	3	26023-040202	SCREW, M4X20	2							
14	2	129938-77810	LEVER	1							
15	2	26106-060122	BOLT, M6X 12 PLATED	2							
16	1	129927-77900	RELAY	1							
17	1	129927-77920	RELAY	1							

Parts No. Index

Parts No.	Fig. No.	Ref. No.
105025-59750	14	7
114250-53080	13	2
114250-53120	13	6
114250-53130	13	7
114250-53140	13	8
114250-53210	13	9
114250-53400	13	13
114371-79070	15	30
119000-35140	9	3
119005-44761	10	17
119005-77050	5	9
119060-61990	19	6
119129-77020	5	7
	18	16
119129-77520	5	10
119131-18320	6	7
119131-77550	15	25
119160-12530	5	15
119160-12540	5	16
119160-12560	5	14
119225-52102	14	22
119266-49350	10	39 -1
119578-91351	17	13
		22
119593-11301	4	30
119620-01750	3	4
119620-11180	4	14
119620-77380	16	3
119620-77421	16	6
119620-77440	16	11
119620-77461	16	12
119620-77471	16	13
119620-77490	16	14
119620-79200	16	7
119620-79210	16	8
119620-79220	16	9
119620-79230	16	10
119620-79250	16	5
119620-79260	16	16
119620-79290	16	18
119620-79300	16	19
119620-79310	16	21
119620-79320	16	23
119620-79330	16	24
119620-79340	16	25
119620-79350	16	26
119620-79360	16	27
119624-77351	16	31
119625-11880	4	26
	18	12

Parts No.	Fig. No.	Ref. No.
119640-01640	3	9
119640-61400	4	61
119660-61300	12	19
119761-39450	9	13
119802-11870	4	25
	18	11
119802-13680	6	6
119802-51680	11	63
119802-51690	11	64
119802-55710	14	25
119802-55730	14	26
119802-55801	14	2
119803-11340	4	15
	18	9
119852-51630	11	68
119852-51640	11	69
119852-51650	11	71
119934-59910	11	129
120130-22301	8	21
121236-77340	16	30
121254-77810	15	29
121256-44600	10	19
121450-42450	10	37
121450-44531	10	51
121470-44581	10	53
121520-34810	9	1
121750-59890	14	12
121850-21130	8	11
121850-21290	8	4
121850-21920	8	5
121850-49540	10	25
	18	26
121850-49550	10	26
	18	27
121850-49810	10	27
121850-77021	5	8
	18	17
123472-59120	13	26
123501-79240	16	4
123900-25060	7	9
123900-77510	15	21
123900-77520	15	22
123900-77540	15	24
123907-03100	4	55
123907-03110	4	56
123907-03120	4	57
123907-03140	4	58
123907-11280	4	35
123907-11550	4	3
123907-11601	13	25

Parts No.	Fig. No.	Ref. No.
123907-11820	4	21
123907-11830	4	20
123907-39500	9	16
123907-59540	14	14
123907-59550	14	15
	18	33
123907-59560	14	20
124160-01751	2	24
	4	50
124160-11340	4	16
	18	10
124160-11360	4	66
124450-44550	10	55
124450-44560	10	52
124465-44950	10	38
	18	31
124722-59050	14	18
124732-77720	19	3
124766-59050	14	5
		9
126650-12680	5	17
129001-91810	2	27
		35
129004-55612	14	1
129005-59830	9	18
129052-79270	16	17
129054-77800	19	7
129054-77811	19	9
129054-77820	19	10
129054-77830	19	11
129100-01580	2	1
	3	1
129100-55690	14	24
129136-59110	14	10
129150-02450	7	4
129150-11230	4	38
		42
129150-11750	4	19
		39
		43
129150-14200	7	1
129150-25920	7	13
129150-35153	9	4
129150-49360	10	40
	18	32
129150-59120	13	27
129150-59131	13	30
129240-77200	16	2
129240-77710	16	15
129240-79300	16	20

Parts No.	Fig. No.	Ref. No.
129240-79310	16	22
129263-13210	6	4
129263-49750	14	17
129263-77941	11	122
129400-92450	18	34
129418-18320	6	3
129457-59010	14	4
129657-51590	11	58
129657-51600	11	59
129795-01900	16	1
129900-01200	1	27
129900-01250	1	4
129900-01740	2	26
129900-01850	2	33
129900-01870	2	34
129900-02020	1	6
129900-02341	1	32
129900-02410	1	9
129900-02931	1	24
129900-02941	1	35
129900-13251	6	5
	18	18
129900-14100	7	6
129900-21200	8	3
129900-21600	8	14
129900-23001	8	23
129900-23200	8	26
129900-23601	8	27
129900-23611	8	30
129900-23911	8	29
129900-25100	7	10
129900-32001	2	4
129900-32030	2	16
	9	5
	18	3
129900-32040	2	17
	18	4
129900-42020	10	11
	18	25
129900-42461	10	14
129900-49870	10	32
	18	29
129902-21000	8	1
129906-51580	11	56
129906-55700	14	23
129906-77300	16	29
129907-01331	1	28
	18	2
129907-03011	4	52
129907-03061	4	53

Parts No. Index

Parts No.	Fig. No.	Ref. No.
129907-03070	4	54
129907-07900	4	1
129907-11100	4	11
129907-11110	4	12
129907-11120	4	13
129907-11250	4	32
129907-11260	4	33
129907-11270	4	34
129907-11341	4	31
129907-11510	4	17
129907-11650	4	36
129907-11660	4	40
129907-11800	4	24
129907-11910	4	27
129907-11920	4	44
129907-11950	4	28
129907-12110	5	1
	18	15
129907-13500	6	19
129907-14400	7	2
129907-21650	8	8
129907-25900	7	16
129907-51560	11	53
129907-59140	14	13
129908-14581	7	3
129916-01790	3	7
129916-01800	2	32
129916-21590	8	12
129916-21610	8	7
129916-44740	10	16
129916-49530	10	23
129927-11320	4	51
129927-11700	4	4
129927-12100	5	3
129927-12150	5	2
129927-13100	6	2
129927-13150	6	1
129927-13800	6	9
129927-13810	6	10
	18	20
129927-13900	6	13
129927-13910	6	14
	18	21
129927-13920	6	15
	18	22
129927-22050	8	17
129927-22080	8	15
129927-39060	9	14
129927-42000	10	1
129927-44900	10	21

Parts No.	Fig. No.	Ref. No.
129927-49610	10	41
129927-49620	10	45
129927-49800	10	20
129927-51250	11	136
129927-51390	11	20 A
129927-51650	11	120
129927-51660	11	121
129927-51670	11	124
129927-53200	13	10
129927-59550	14	16
129927-59810	13	32
129927-59820	13	33
129927-59830	13	34
129927-59840	13	35
129927-75900	17	19
129927-77600	17	11
		20
129927-77680	17	12
		21
129927-77690	19	2
129927-77900	19	16
129927-77920	19	17
129930-13201	6	18
	18	19
129933-11310	4	60
	18	14
129938-77800	19	4
129938-77810	19	14
129939-12550	5	13
129939-75040	17	1
129940-77010	15	1
129940-77100	15	2
129940-77130	15	5
129940-77140	15	6
129940-77150	15	7
129940-77160	15	8
129940-77170	15	9
129940-77180	15	10
129940-77190	15	11
129940-77200	15	12
129940-77210	15	13
129940-77220	15	14
129940-77230	15	15
129940-77240	15	16
129940-77250	15	17
129940-77260	15	18
129940-77270	15	19
129940-77280	15	20
129944-01500	2	3
129953-01620	3	2

Parts No.	Fig. No.	Ref. No.
129953-25300	7	15
129953-34830	9	2
129953-35000	9	6
129957-59120	14	6
129960-21640	8	9
129961-59110	14	11
129961-59310	14	8
129982-01710	3	8
144626-51090	11	9
158552-51570	11	54
158552-51580	11	57
158552-51670	11	125
158552-51781	11	96
158552-52100	11	127
158552-52310	11	102
158552-52400	11	103
158552-52500	11	128
158553-51670	11	62
158553-51680	11	74
158553-61780	12	23
158557-51570	11	55
158557-61720	12	22
158560-51600	11	67
158560-61050	12	2
158563-51150	7	17
	11	12
158563-51281	11	19
		20
158563-51330	11	30
158600-51270	11	18
158601-51550	11	52
158601-51650	11	123
158601-51770	11	95
158601-51790	11	97
171051-01921	1	5
171056-49120	10	36
171056-49351	10	39
171064-44510	10	49
175339-79700	4	62
185100-50070	19	8
194990-22130	19	5
198461-52950	19	1
22190-080002	9	19
		21
		23
	14	21
	18	24
22190-120002	10	29
	11	98
		105

Parts No.	Fig. No.	Ref. No.
22190-120002	11	130
	18	28
22190-180002	11	99
22190-220002	3	11
	18	8
22217-050000	11	131
22217-180000	7	18
	11	106
22252-000300	8	22
22312-050140	11	107
22351-050010	11	108
22351-060012	1	10
22512-070140	7	7
	8	6
22857-500100	4	63
		64
22877-500080	17	14
		23
23065-070225	10	54
23080-012000	10	44
		48
23414-080000	10	33
	18	30
23414-120000	12	24
23857-030000	9	20
23875-030000	10	30
23876-020000	4	8
23876-030000	1	11
		12
		13
	4	9
23887-120002	11	100
	12	25
24311-000070	2	18
	11	109
	18	5
	19	12
24311-000120	4	29
		67
	18	13
24311-000160	14	27
24311-000320	2	25
	4	68
	18	7
24321-000650	14	28
24341-000480	12	26
24341-000530	8	10
	18	23
24351-030750	2	19
	18	6

Parts No. Index

Parts No.	Fig. No.	Ref. No.
24356-010200	11	65
		110
		111
24356-020210	11	111
24372-000150	11	66
25152-004150	10	15
26014-080252	16	35
26023-040202	19	13
26106-060102	11	112
26106-060122	4	65
		11
		132
	19	15
26106-060202	10	31
26106-060252	12	27
26106-060302	10	12
26106-060352	11	113
26106-080122	3	12
		9
		11
	22	
	24	
	10	34
26106-080162	2	20
		28
		36
	4	2
	7	8
	9	12
26106-080202	2	21
		11
	11	137
26106-080252	12	28
26106-080302	11	138
		14
	14	3
26106-080402	2	29
		37
		4
	4	46
	5	11
26106-080452	2	22
		5
	5	5
	10	18
26106-080552	7	14
		10
	10	13
	16	36
26106-080602	4	47
		48
	10	35
26106-080802	5	6
26106-080902	5	12
26106-081004	16	33
26106-100302	6	11
		16
26106-100952	6	17

Parts No.	Fig. No.	Ref. No.
26116-120252	15	31
26206-100352	3	5
26206-100702	3	6
26216-060202	5	4
26216-100302	2	15
26226-080222	4	45
26306-080002	4	49
		6
	6	8
		12
	16	34
26306-100002	2	23
		16
	16	28
26366-060002	13	36
26450-100452	11	116
26716-050002	11	133
26776-180002	7	19
		11
	11	117
27241-160000	11	134
27241-300000	1	14
27241-400000	4	10
27310-070001	4	22
729900-02801	1	29
729906-01550	2	30
729927-01560	1	1
729927-22900	8	32
729927-22950	8	34
729927-53200	13	1
729927-92620	18	1
729938-51300	11	1
977770-1207F	18	35
X2240610100	15	23

Parts No.	Fig. No.	Ref. No.
-----------	----------	----------

Parts No.	Fig. No.	Ref. No.
-----------	----------	----------