

0CD10-M97600EN

PREFACE

1. This parts catalog is the 1st edition of 4TNV98T-ZSTBW for Takeuchi Mfg. Co., Ltd.

Pub.No. : 000Y00D9760

Published : September,2007

2. Model name

Engine model	Vehicle		Vehicle made by
	Products	Model name	
4TNV98T-ZSTBW	Excavator	TB175W	Takeuchi Mfg. Co., Ltd.

Contents

Fig. No.	Fig. Name	Fig. No.	Fig. Name
4	TNV98T-ZSTBW		
1.	CYLINDER BLOCK		
2.	GEAR HOUSING		
3.	FLYWHEEL HOUSING & OIL SUMP		
4.	CYLINDER HEAD & BONNET		
5.	SUCTION MANIFOLD & AIR CLEANER		
6.	EXHAUST MANIFOLD & SILENCER		
7.	CAMSHAFT & DRIVING GEAR		
8.	TURBINE		
9.	CRANKSHAFT & PISTON		
10.	HYDRAULIC PUMP		
11.	LUB.OIL SYSTEM		
12.	LUB.OIL LINE		
13.	COOLING WATER SYSTEM		
14.	FUEL INJECTION PUMP		
15.	GOVERNOR		
16.	FUEL INJECTION VALVE		
17.	FUEL LINE		
18.	STARTING MOTOR		
19.	GENERATOR		
23.	GENERATOR(19A)		
20.	ELECTRONIC CONTROL UNIT (ECU)		
21.	GASKET SET		
22.	LOOSE PART		

Fig.1. CYLINDER BLOCK

(A)=4TNV98T-ZSTBW

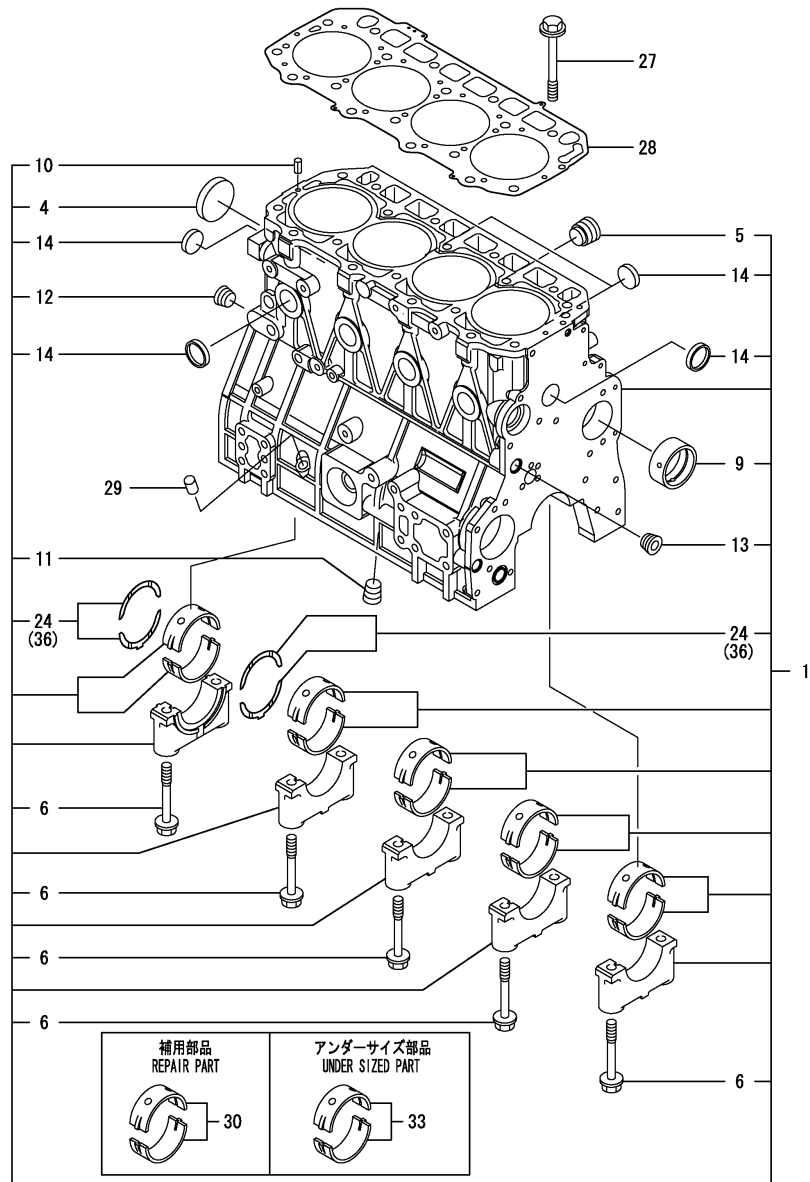
(B)=

(C)=

(D)=

(E)=

(F)=

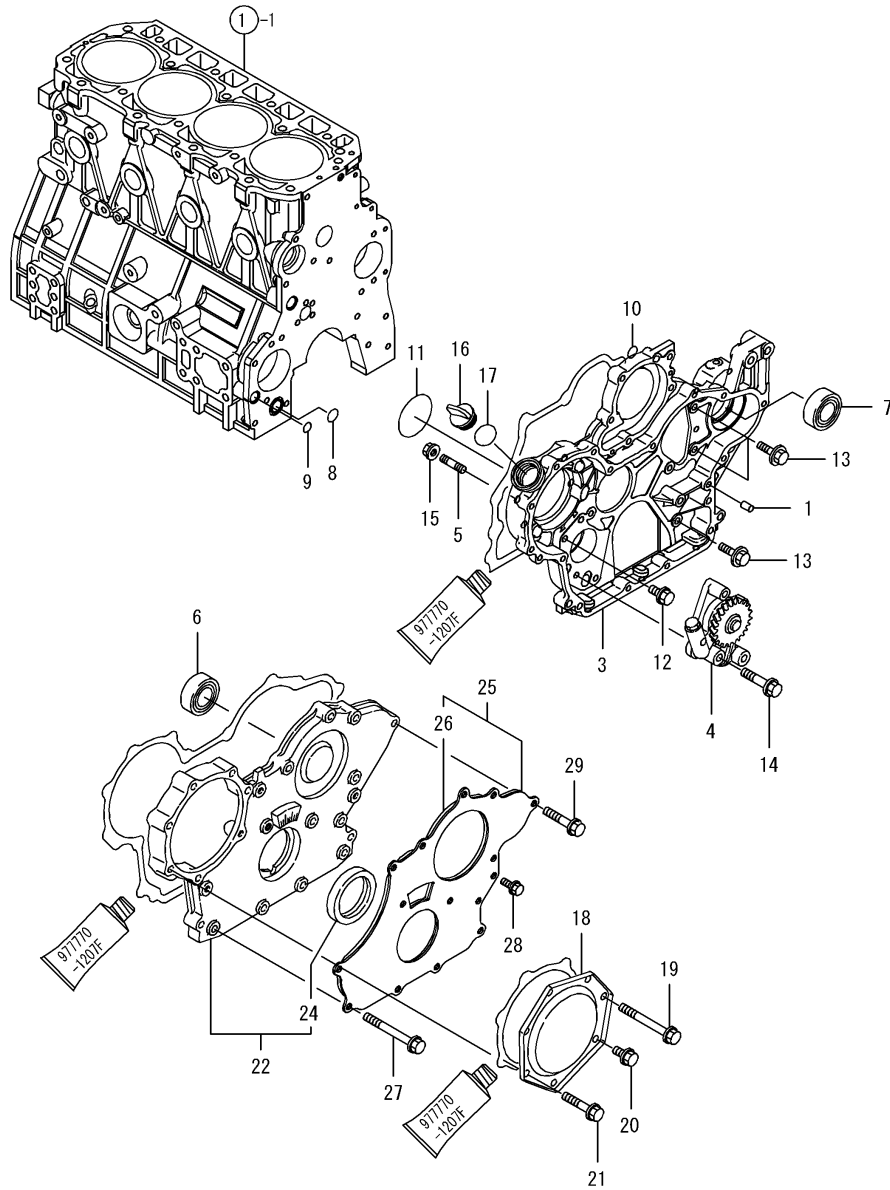


No.	Lev.	Parts No.	Description	Q'ty						I	R
				(A)	(B)	(C)	(D)	(E)	(F)		
1	1	729928-01560	BLOCK ASSY, CYLINDER	1							
4	2	129900-01250	PLUG, 55	1							
5	2	171051-01921	PLUG, NPTF1	1							
6	2	129900-02020	BOLT, METAL CAP	10							
9	2	129900-02410	BUSH, CAMSHAFT	1							
10	2	22351-060012	PIN, SPRING 6.0X12	2							
11	2	23876-030000	PLUG, R03	1							
12	2	23876-030000	PLUG, R03	1							
13	2	23876-030000	PLUG, R03	1							
14	2	27241-300000	PLUG 30	8							
24	2	129900-02931	BEARING, THRUST	2							
27	1	129900-01200	BOLT, HEAD	18							
28	1	129907-01331	GASKET, HEAD	1							
29	1	119309-01810	PLUG	1							
30	1	729900-02801	BEARING, MAIN	5							1
33	1	129900-02341	BEARING, 0.25 US	5							2
36	1	129900-02941	BEARING, THRUST 0.25	2							3

Remarks

- (1) REPAIR PART.
- (2) UNDER-SIZED(U.S=0.25)PART.
- (3) OVER-SIZED(O.S=0.25)PART.

Fig.2. GEAR HOUSING



(A)=4TNV98T-ZSTBW

(B)=

(C)=

(D)=

(E)=

(F)=

No.	Lev.	Parts No.	Description	Q'ty						I	R
				(A)	(B)	(C)	(D)	(E)	(F)		
1	1	129100-01580	PIN, M8X16	4							
3	1	129948-01500	CASE ASSY, GEAR	1							
3-1	1	129908-01500	CASE, GEAR	1						F	1
(A=E58688)											
4	1	129908-32060	PUMP ASSY, OIL	1							
5	1	26216-100302	STUD, M10X 30	4							
6	1	129900-26250	BEARING, BALL 6206C3	1							
7	1	129900-26250	BEARING, BALL 6206C3	1							
8	1	129900-32030	O-RING, P20	1							
9	1	129900-32040	O-RING, P14	1							
10	1	24311-000070	O-RING, 1AP7.0	1							
11	1	24351-030750	O-RING, 1A3075	1							
12	1	26106-080162	BOLT, M8X 16 PLATED	1							
13	1	26106-080202	BOLT, M8X 20 PLATED	3							
14	1	26106-080452	BOLT, M8X 45 PLATED	3							
15	1	26306-100002	NUT, M10	4							
16	1	124160-01751	COVER, FILLER	1							
17	1	24311-000320	O-RING, 1AP32.0	1							
18	1	129900-01740	COVER	1							
19	1	129001-91810	BOLT, M8X70	1							
20	1	26106-080162	BOLT, M8X 16 PLATED	1							
21	1	26106-080402	BOLT, M8X 40 PLATED	5							
22	1	729906-01550	COVER ASSY,GEAR CASE	1							
24	2	129916-01800	SEAL, OIL	1							
25	1	129900-01850	COVER ASSY,GEAR CASE	1							
26	2	129900-01870	SPONGE	1							
27	1	129001-91810	BOLT, M8X70	6							
28	1	26106-080162	BOLT, M8X 16 PLATED	3							
29	1	26106-080402	BOLT, M8X 40 PLATED	5							

Remarks

(1)Ref.No.3-1is interchangeable by set with Fig.No.13, Ref. No. 15-1, and Fig. No. 23 and Ref. No. 1, 13.

Fig.3. FLYWHEEL HOUSING & OIL SUMP

(A)=4TNV98T-ZSTBW

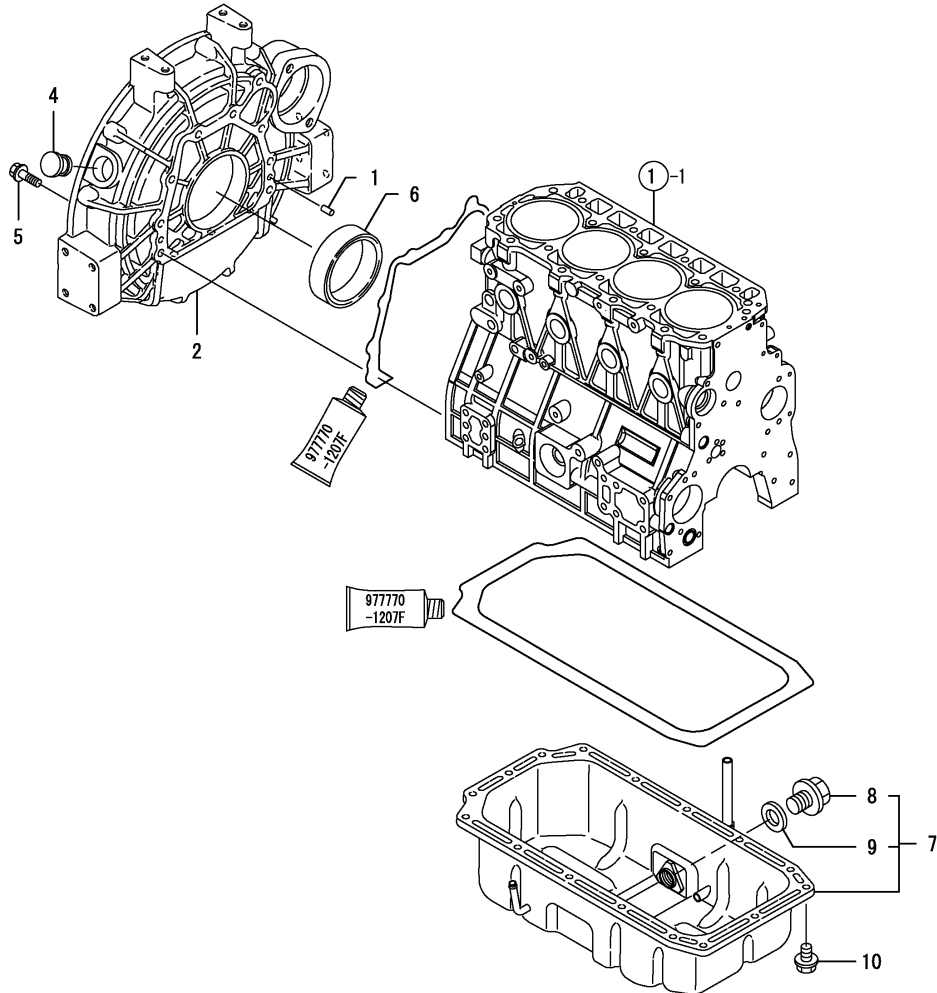
(B)=

(C)=

(D)=

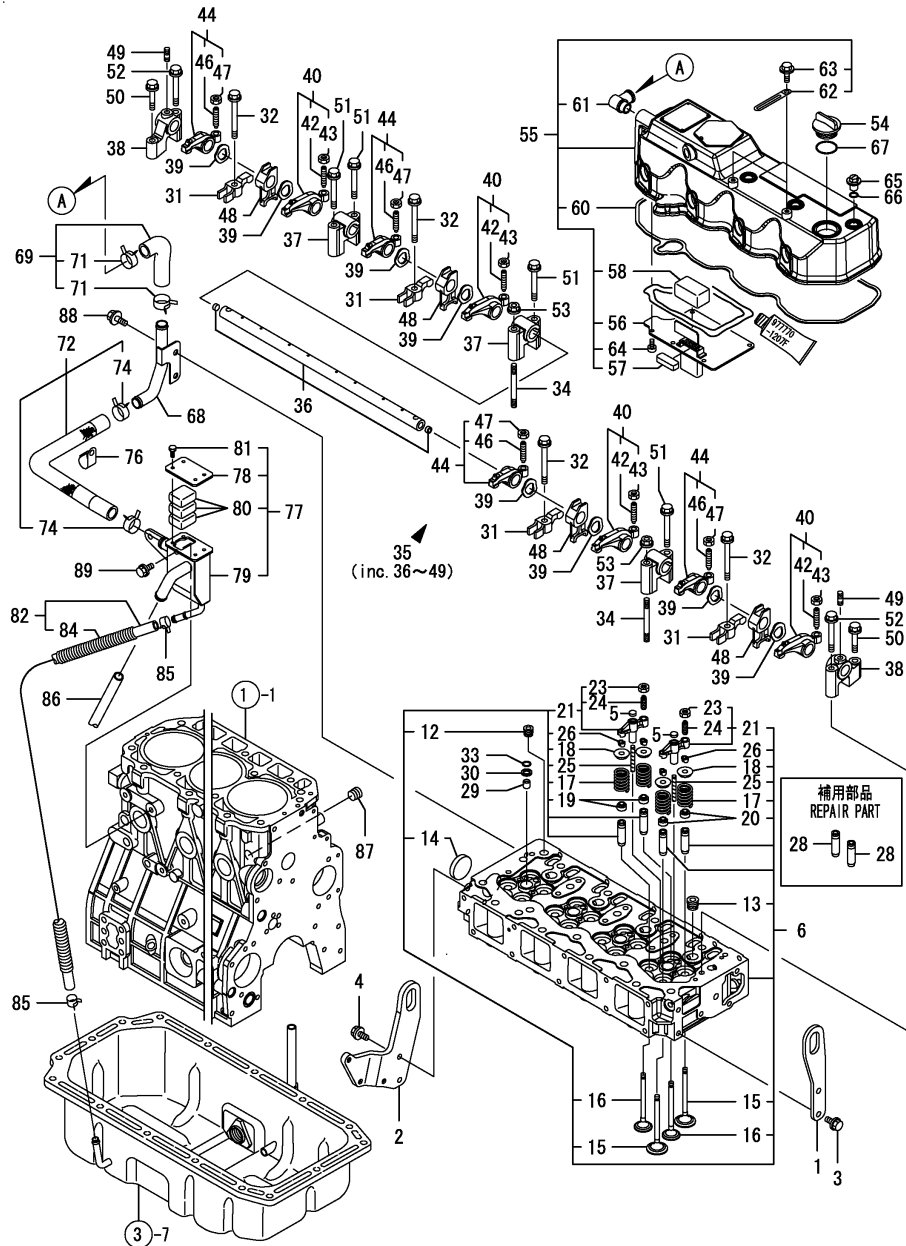
(E)=

(F)=



No.	Lev.	Parts No.	Description	Q'ty						I	R
				(A)	(B)	(C)	(D)	(E)	(F)		
1	1	129100-01580	PIN, M8X16	2							
2	1	129951-01620	HOUSING, FLYWHEEL	1							
4	1	119000-01840	PLUG, RUBBER	1							
5	1	26206-100352	BOLT, M10X 35 PLATED	9							
6	1	129916-01790	SEAL, D115/95XT11	1							
7	1	129948-01710	SUMP ASSY, OIL	1							
8	2	119640-01640	PLUG, DRAIN M22	1							
9	2	22190-220002	WASHER, SEAL 22	1							
10	1	26106-080122	BOLT, M8X 12 PLATED	16							

Fig.4. CYLINDER HEAD & BONNET



(A)=4TNV98T-ZSTBW

(B)=

(C)=

(D)=

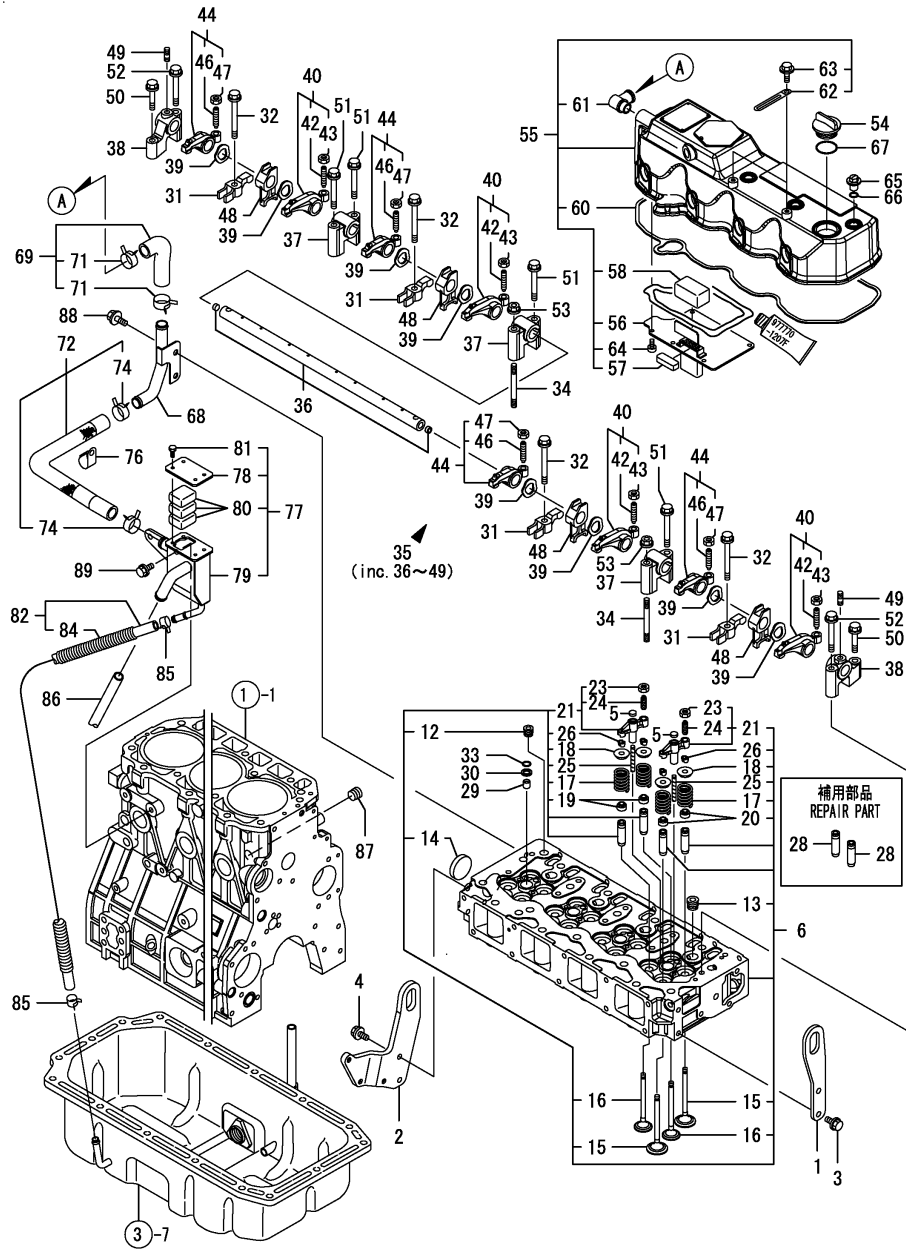
(E)=

(F)=

No.	Lev.	Parts No.	Description	Q'ty						I	R
				(A)	(B)	(C)	(D)	(E)	(F)		
1	1	129907-07900	LIFTER	1							
2	1	129928-07900	LIFTER	1							
3	1	26106-080162	BOLT, M8X 16 PLATED	2							
4	1	26106-080202	BOLT, M8X 20 PLATED	2							
5	1	123907-11550	SEAT, VALVE BRIDGE	8							
6	1	129928-11700	HEAD ASSY, CYLINDER	1							
12	2	23876-020000	PLUG, R02	1							
13	2	23876-030000	PLUG, R03	4							
14	2	27241-400000	PLUG, 40	1							
15	2	129907-11100	VALVE, INTAKE	8							
16	2	129907-11110	VALVE, EXHAUST	8							
17	2	129907-11120	SPRING, VALVE	16							
18	2	119620-11180	RETAINER, SPRING	16							
19	2	119803-11340	SEAL, VALVE STEM	8							
20	2	124160-11340	SEAL, VALVE STEM	8							
21	2	129907-11510	BRIDGE ASSY, VALVE	8							
23	3	129150-11750	NUT, M8	8							
24	3	123907-11830	ADJUSTER	8							
25	2	123907-11820	GUIDE	8							
26	2	27310-070001	COTTER, 7	16							
28	1	129907-11800	GUIDE, VALVE	16							1
29	1	119802-11870	PROTECTOR, NOZZLE	4							
30	1	119625-11880	SEAT, NOZZLE	4							
31	1	129907-11910	RETAINER, NOZZLE	4							
32	1	129907-11950	BOLT, M8X75	4							
33	1	24311-000120	O-RING, 1AP12.0	4							
34	1	119593-11301	STUD, M8X80	2							
35	1	129907-11341	SHAFT ASSY, ROCKER	1							
36	2	129907-11250	SHAFT, ROCKER ARM	1							
37	2	129907-11260	SUPPORT, ROCKER ARM	3							
38	2	129907-11270	SUPPORT, ROCKER ARM	2							
39	2	123907-11280	WASHER	8							
40	2	129907-11650	ARM, ROCKER	4							
42	3	129150-11230	SCREW, VALVE ADJUST	4							
43	3	129150-11750	NUT, M8	4							
44	2	129907-11660	ARM, ROCKER	4							
46	3	129150-11230	SCREW, VALVE ADJUST	4							
47	3	129150-11750	NUT, M8	4							
48	2	129907-11920	RETAINER	4							
49	2	26226-080222	STUD, M8X 22	2							
50	1	26106-080402	BOLT, M8X 40 PLATED	2							
51	1	26106-080602	BOLT, M8X 60 PLATED	4							
52	1	26106-080602	BOLT, M8X 60 PLATED	2							
53	1	26306-080002	NUT, M8	2							
54	1	124160-01751	COVER, FILLER	1							
55	1	129928-11320	BONNET ASSY, HEAD	1							
56	2	129907-03011	PLATE	1							
57	2	129907-03061	BAFFLE, BREATHER	1							
58	2	129907-03070	BAFFLE, BREATHER	1							
60	2	129933-11310	GASKET, BONNET	1							
61	2	119100-11330	ELBOW	1							

Remarks
(1) REPAIR PART.

Fig.4. CYLINDER HEAD & BONNET



(A)=4TNV98T-ZSTBW

(B)=

(C)=

(D)=

(E)=

(F)=

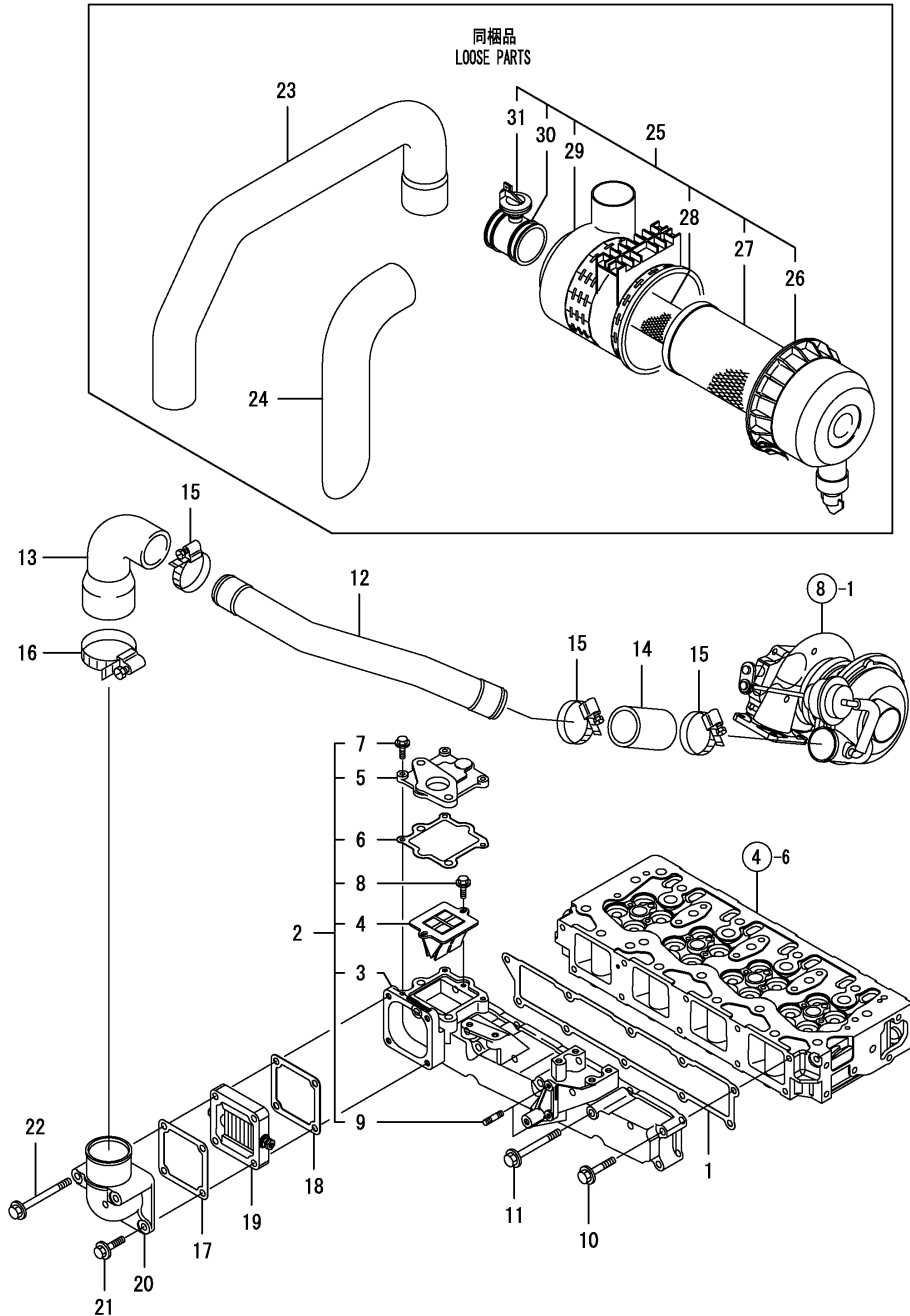
No.	Lev.	Parts No.	Description	Q'ty						I	R
				(A)	(B)	(C)	(D)	(E)	(F)		
62	2	129509-79700	CLIP	2							
63	2	26106-060122	BOLT, M6X 12 PLATED	2							
64	2	22857-500100	SCREW, 5X10	6							
65	1	124160-11360	KNOB	4							
66	1	24311-000120	O-RING, 1AP12.0	4							
67	1	24311-000320	O-RING, 1AP32.0	1							
68	1	129928-03050	PIPE , BREATHER	1							
69	1	129928-03060	HOSE ASSY, BREATHER	1							
71	2	129410-03990	CLIP	2							
72	1	129928-03080	HOSE ASSY, BREATHER	1							
74	2	129410-03990	CLIP	2							
76	1	129150-03100	RETAINER, PIPE	1							
77	1	129972-03240	SEPARATOR ASSY, MIST	1							
78	2	129972-03220	COVER, SEPARATOR	1							
79	2	129972-03230	SEPARATOR, MIST	1							
80	2	123901-03240	FILTER	3							
81	2	26116-050102	BOLT, M5X 10 PLATED	4							
82	1	129928-03300	HOSE ASSY, RETURN	1							
84	2	129928-59130	TUBE, CORRUGATED	1							
85	1	23000-019000	CLAMP, 19	2							
86	1	23065-160250	PIPE, 16X 250	1							
87	1	23876-030000	PLUG, R03	1							
88	1	26106-080122	BOLT, M8X 12 PLATED	2							
89	1	26106-080142	BOLT, M8X 14 PLATED	2							

Remarks

(1) REPAIR PART.

N:Old $\begin{matrix} \text{Yes} \\ \text{No} \end{matrix}$ New, Q:Old $\begin{matrix} \text{No} \\ \text{Yes} \end{matrix}$ New, R:Old $\begin{matrix} \text{Yes} \\ \text{Yes} \end{matrix}$ New, S:Old $\begin{matrix} \text{No} \\ \text{No} \end{matrix}$ New, W:Add, Z:Discontinued, F:Interchangeable by set, K:Q'ty Change

Fig.5. SUCTION MANIFOLD & AIR CLEANER



(A)=4TNV98T-ZSTBW
(B)=
(C)=

(D)=
(E)=
(F)=

No.	Lev.	Parts No.	Description	Q'ty						I	R
				(A)	(B)	(C)	(D)	(E)	(F)		
1	1	129907-12110	GASKET, MANIFOLD	1							
2	1	129928-12150	MANIFOLD ASSY,INTAKE	1							
3	2	129928-12100	MANIFOLD, AIR INTAKE	1							
4	2	129928-13700	VALVE	1							
5	2	129928-13710	SPACER	1							
6	2	129928-13720	GASKET	1							
7	2	26106-060202	BOLT, M6X 20 PLATED	3							
8	2	26106-060202	BOLT, M6X 20 PLATED	2							
9	2	26216-060202	STUD, M6X 20	2							
10	1	26106-080452	BOLT, M8X 45 PLATED	6							
11	1	26106-080802	BOLT, M8X 80 PLATED	4							
12	1	129949-18200	DUCT, AIR	1							
13	1	129949-18210	JOINT, RUBBER	1							
14	1	123951-18220	JOINT, RUBBER	1							
15	1	23000-054000	CLAMP, 54	3							
16	1	23000-070000	CLAMP, 70	1							
17	1	119129-77020	GASKET	1							
18	1	121850-77021	GASKET	1							
19	1	119005-77050	HEATER	1							
20	1	119129-77520	BEND	1							
21	1	26106-080402	BOLT, M8X 40 PLATED	2							
22	1	26106-080902	BOLT, M8X 90 PLATED	2							
23	1	129953-12210	PIPE, AIR INTAKE	1							
24	1	129953-12250	PIPE, AIR INTAKE	1							
25	1	129948-12510	CLEANER, AIR	1							
26	2	129948-12610	HOUSING, CLEANER	1							
27	2	129948-12620	ELEMENT	1							
28	2	129948-12630	ELEMENT	1							
29	2	129948-12640	BRACKET	1							
30	2	129948-12650	JOINT	1							
31	2	129948-12660	INDICATOR	1							

Fig.6. EXHAUST MANIFOLD & SILENCER

(A)=4TNV98T-ZSTBW

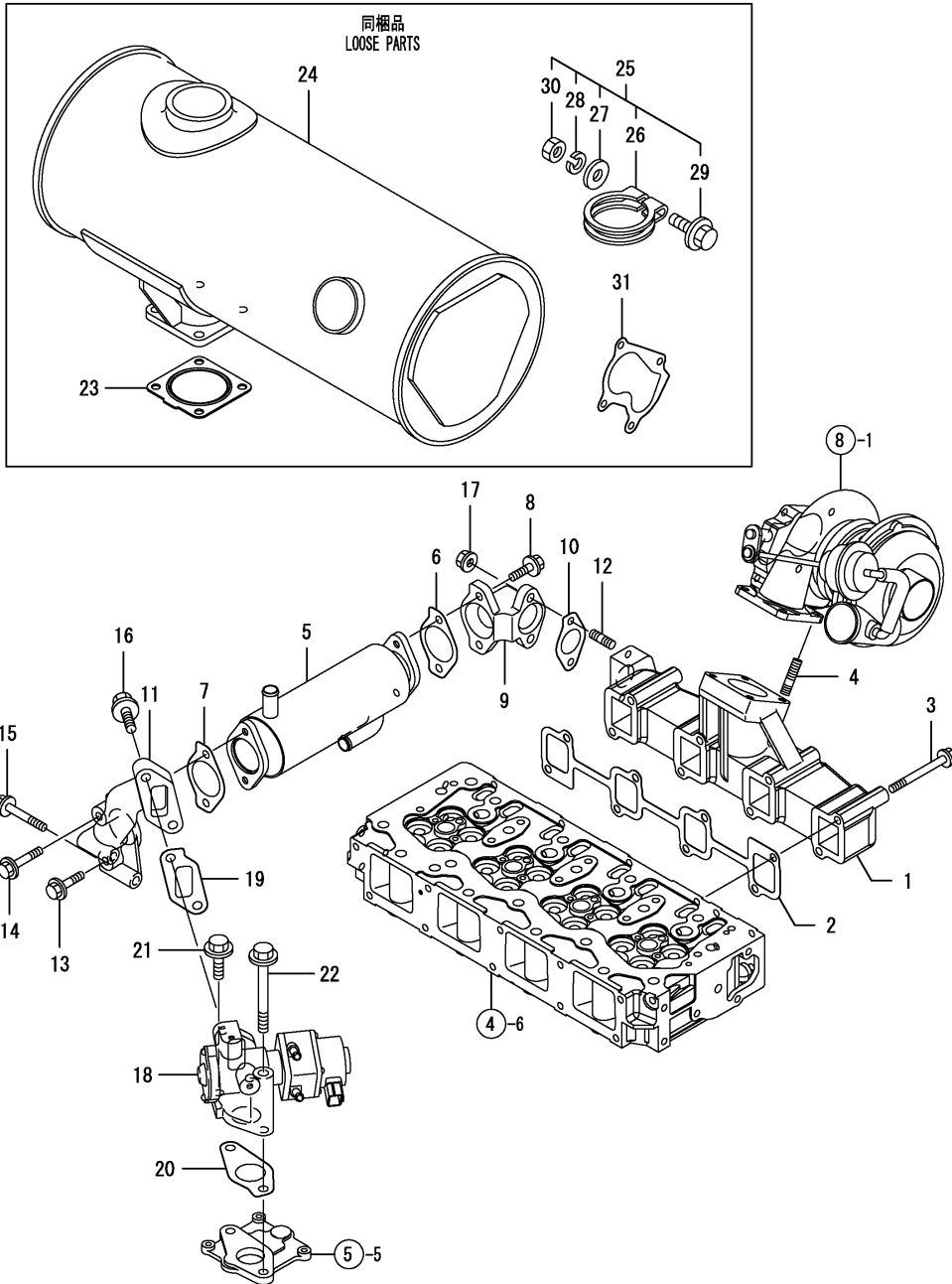
(B)=

(C)=

(D)=

(E)=

(F)=



No.	Lev.	Parts No.	Description	Q'ty						I	R
				(A)	(B)	(C)	(D)	(E)	(F)		
1	1	129948-13100	MANIFOLD, EXHAUST	1							
2	1	129900-13251	GASKET	1							
3	1	123900-13630	BOLT, M8X80	8							
4	1	119131-18320	STUD, M8X22	4							
5	1	129928-13400	COOLER, EGR	1							
6	1	129928-13410	GASKET	1							
7	1	129928-13410	GASKET	1							
8	1	119802-13790	BOLT, M8X25 10.9T	2							
9	1	129928-13800	PIPE	1							
10	1	129927-13810	GASKET	1							
11	1	129928-13810	PIPE	1							
12	1	129418-18320	STUD, M8X20	2							
13	1	26106-080352	BOLT, M8X 35 PLATED	1							
14	1	26106-080452	BOLT, M8X 45 PLATED	1							
15	1	26106-080552	BOLT, M8X 55 PLATED	2							
16	1	26106-100252	BOLT, M10X 25 PLATED	2							
17	1	26306-080002	NUT, M8	2							
18	1	129927-13900	VALVE	1							
19	1	129927-13910	GASKET	1							
20	1	129927-13920	GASKET	1							
21	1	26106-100402	BOLT, M10X 40 PLATED	1							
22	1	26106-101052	BOLT, M10X105 PLATED	1							
23	1	129930-13201	GASKET, SILENCER	2							
24	1	129940-13500	SILENCER	1							
25	1	129640-13590	CLAMP ASSY	1							
26	2	129640-13580	CLAMP	1							
27	2	22117-100000	WASHER, 10	1							
28	2	22217-100000	WASHER, SPRING 10	1							
29	2	26106-100652	BOLT, M10X 65 PLATED	1							
30	2	26706-100002	NUT, M10	1							
31	1	123901-18080	GASKET	1							

Fig.7. CAMSHAFT & DRIVING GEAR

(A)=4TNV98T-ZSTBW

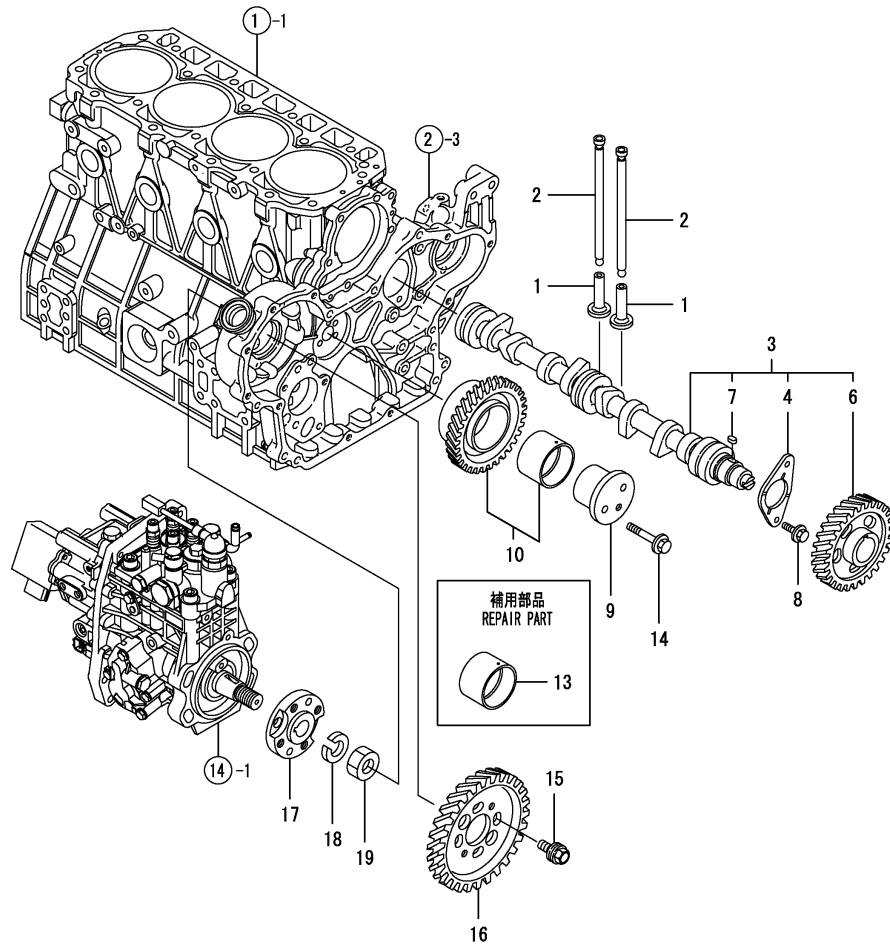
(B)=

(C)=

(D)=

(E)=

(F)=



No.	Lev.	Parts No.	Description	Q'ty						I	R
				(A)	(B)	(C)	(D)	(E)	(F)		
1	1	129150-14200	TAPPET	8							
2	1	129907-14400	ROD, PUSH	8							
3	1	129908-14581	CAMSHAFT ASSY	1							
4	2	129150-02450	BEARING, THRUST	1							
6	2	129900-14100	GEAR, CAMSHAFT	1							
7	2	22512-070140	KEY, 7X 14	1							
8	1	26106-080162	BOLT, M8X 16 PLATED	2							
9	1	123900-25060	SHAFT, IDLE GEAR	1							
10	1	129900-25100	GEAR ASSY, IDLE	1							
13	1	129150-25920	BUSH, IDLE GEAR	1							1
14	1	26106-080552	BOLT, M8X 55 PLATED	3							
15	1	129953-25300	BOLT	4							
16	1	129907-25900	GEAR, PUMP	1							
17	1	158563-51150	FLANGE	1							
18	1	22217-180000	WASHER, SPRING 18	1							
19	1	26776-180002	NUT, LOCK M18	1							

Remarks

(1) REPAIR PART.

Fig.8. TURBINE

(A)=4TNV98T-ZSTBW
(B)=
(C)=

(D)=
(E)=
(F)=

No.	Lev.	Parts No.	Description	Q'ty						I	R
				(A)	(B)	(C)	(D)	(E)	(F)		
1	1	129908-18010	TURBINE, RHF5	1							
1-1	1	129948-18010	TURBINE, RHF5	1							N
			(A=*2008.01.)								
2	1	129472-18090	GASKET	1							
3	1	26306-080002	NUT, M8	4							

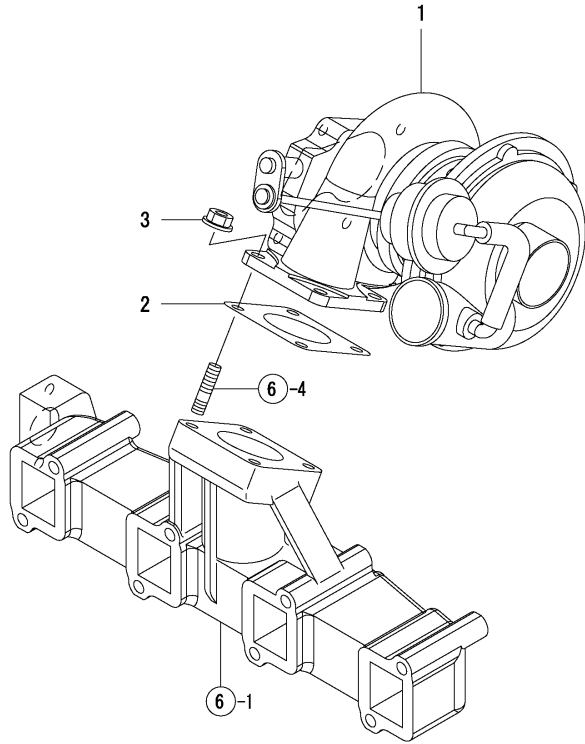
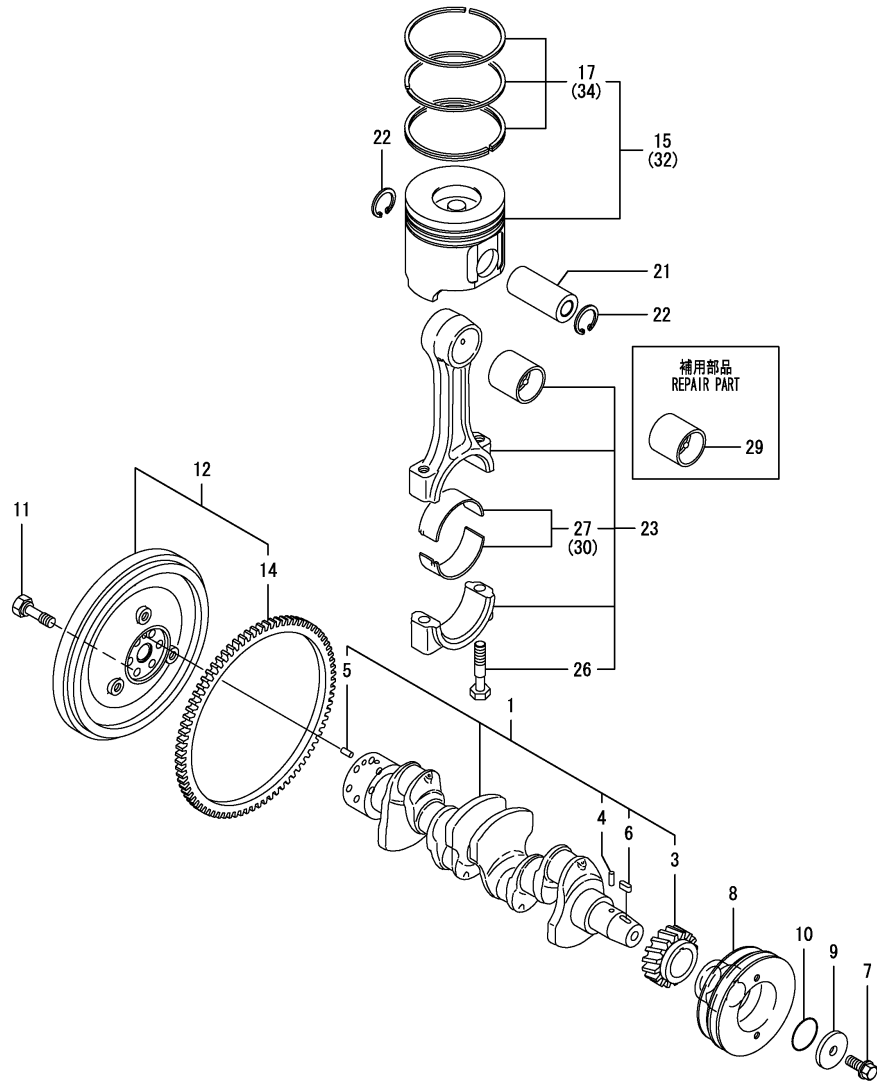


Fig.9. CRANKSHAFT & PISTON



(A)=4TNV98T-ZSTBW

(B)=

(C)=

(D)=

(E)=

(F)=

No.	Lev.	Parts No.	Description	Q'ty						I	R
				(A)	(B)	(C)	(D)	(E)	(F)		
1	1	129908-21000	CRANKSHAFT ASSY	1							
3	2	129900-21200	GEAR, CRANKSHAFT	1							
4	2	121850-21290	PIN	1							
5	2	121850-21920	PIN, M10X22	1							
6	2	22512-070140	KEY, 7X 14	1							
7	1	129916-21610	BOLT	1							
8	1	129948-21610	V-PULLEY	1							
9	1	129960-21640	WASHER	1							
10	1	24341-000530	O-RING, 1AS53.0	1							
11	1	121850-21130	BOLT, FLYWHEEL	6							
12	1	129902-21580	FLYWHEEL ASSY	1							
14	2	127410-21480	GEAR, RING Z=129	1							
15	1	129928-22080	PISTON ASSY	4							
17	2	129927-22050	RING SET, PISTON	4							
21	1	120130-22301	PIN, PISTON	4							
22	1	22252-000300	RING, 30	8							
23	1	129900-23001	ROD ASSY, CONNECTING	4							
26	2	129900-23200	BOLT, CONNECTING ROD	8							
27	2	129900-23601	BEARING, CRANK PIN	4							
29	1	129900-23911	BEARING, PISTON PIN	4							1
30	1	129900-23611	BEARING, 0.25 US	4							2
32	1	729928-22900	PISTON ASSY, 0.25 OS	4							3
34	2	729927-22950	RING SET, 0.25 OS	4							3

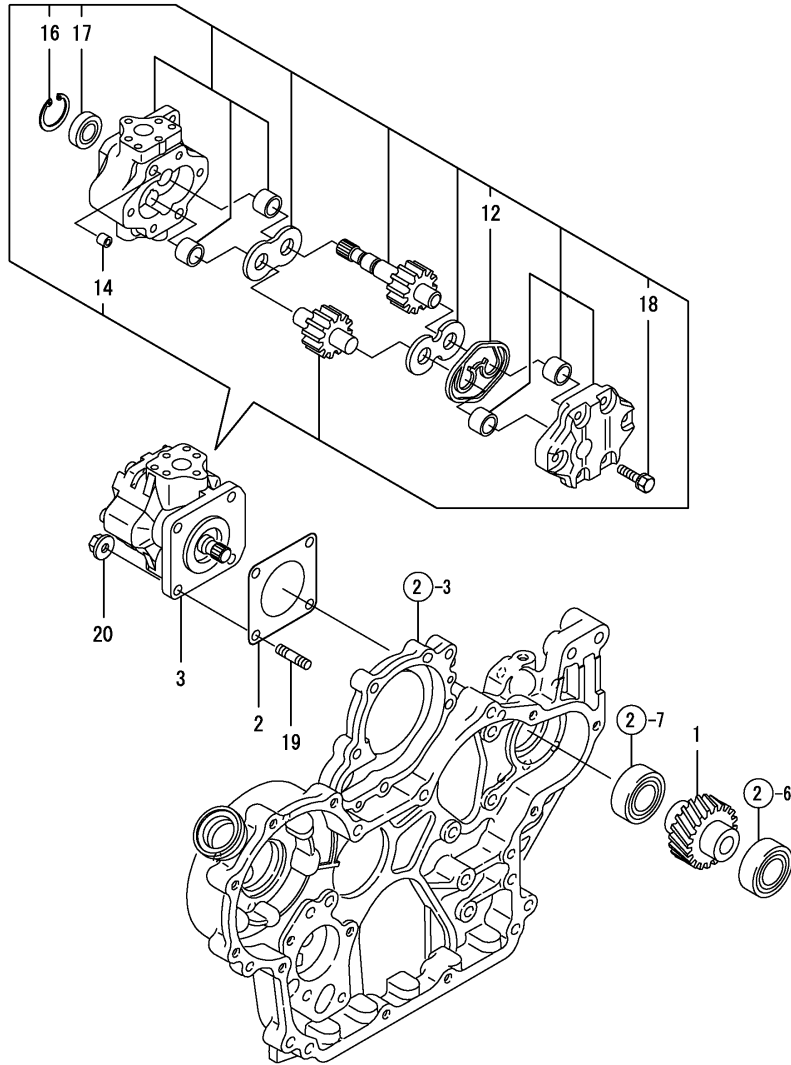
Remarks

- (1) REPAIR PART.
- (2) UNDER-SIZED(U.S=0.25)PART.
- (3) OVER-SIZED(O.S=0.25)PART.

Fig.10. HYDRAULIC PUMP

(A)=4TNV98T-ZSTBW
(B)=
(C)=

(D)=
(E)=
(F)=



No.	Lev.	Parts No.	Description	Q'ty						I	R
				(A)	(B)	(C)	(D)	(E)	(F)		
1	1	129900-26210	GEAR, PUMP	1							
2	1	124240-01883	GASKET	1							
3	1	129953-26011	PUMP ASSY, GPW1-C-4A	1							
12	2	178070-10401	RING	1							
14	2	194521-41570	PIN, 11X7	2							
16	2	22252-000320	RING, 32	1							
17	2	24421-153207	SEAL, OIL TC153207	1							
18	2	26016-080352	BOLT, M8X 35	6							
19	1	26216-080202	STUD, M8X 20	4							
20	1	26306-080002	NUT, M8	4							

Fig.11. LUB.OIL SYSTEM

(A)=4TNV98T-ZSTBW

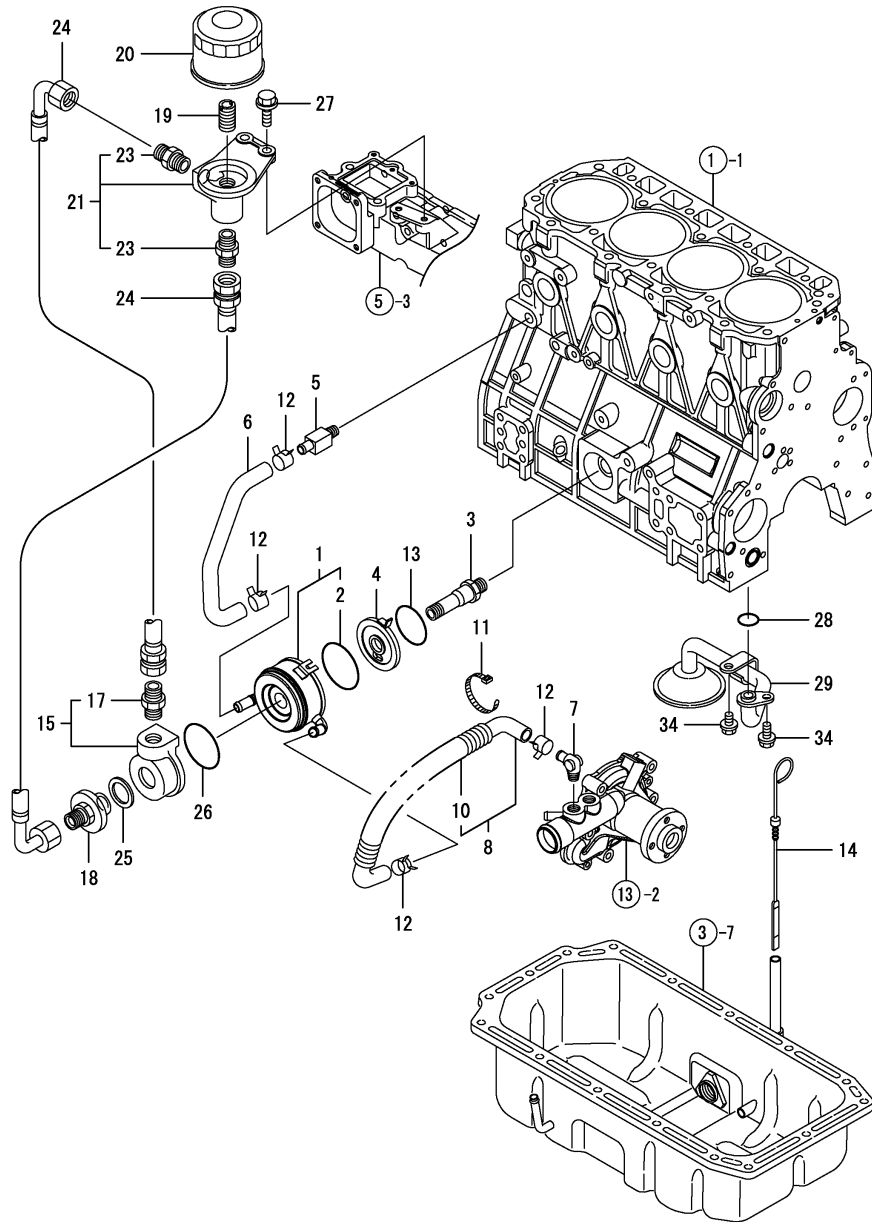
(B)=

(C)=

(D)=

(E)=

(F)=

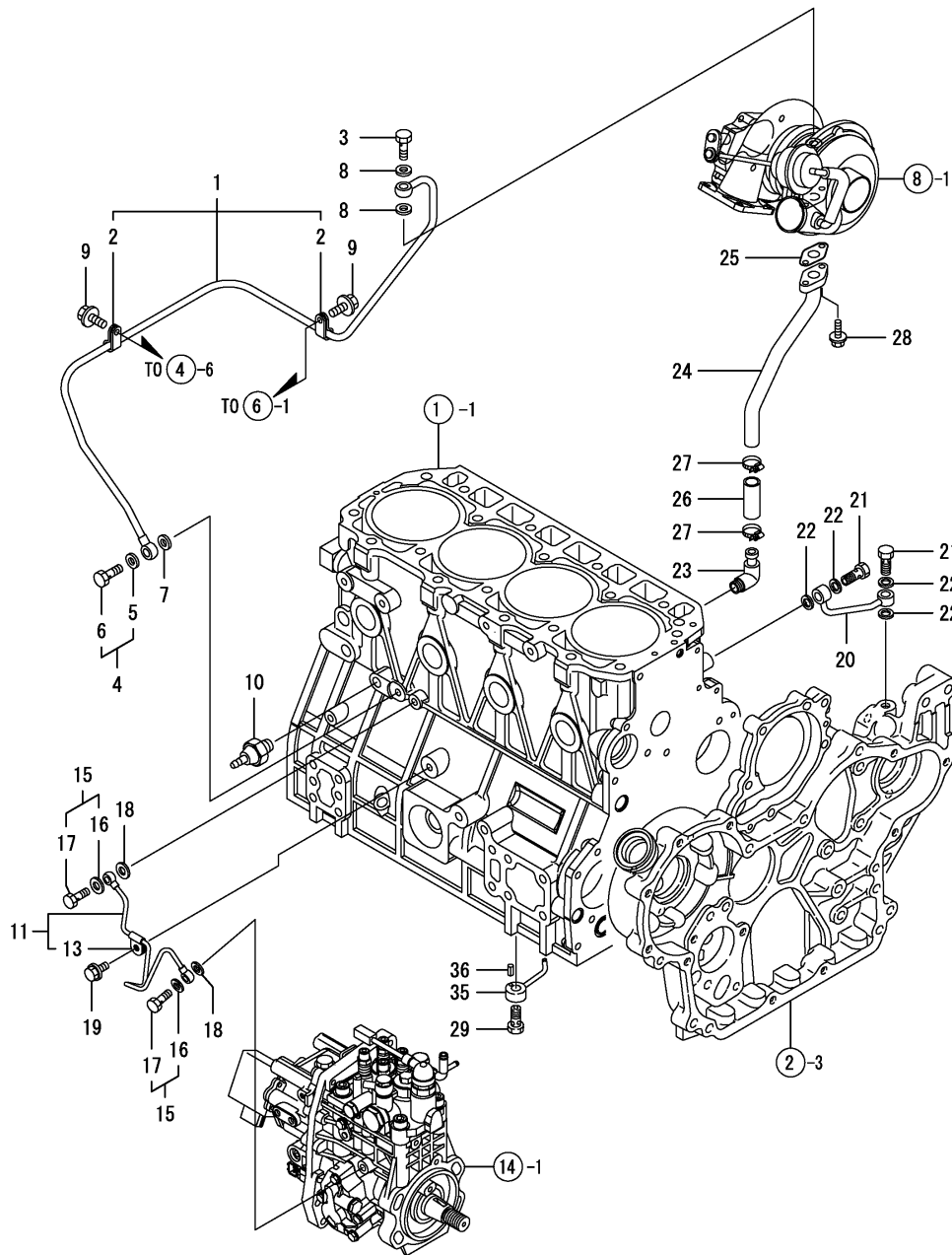


No.	Lev.	Parts No.	Description	Q'ty						I	R
				(A)	(B)	(C)	(D)	(E)	(F)		
1	1	129908-33010	COOLER ASSY, OIL	1							
2	2	123912-33050	O-RING	1							
3	1	123912-33100	BOLT, COOLER	1							
4	1	129908-33101	BRACKET, COOLER	1							
5	1	129006-44480	JOINT	1							
6	1	129908-49060	PIPE, WATER	1							
7	1	129466-49300	ELBOW, PT3/8	1							
8	1	123910-49600	PIPE, WATER	1							
10	2	123910-49610	TUBE, CORRUGATED	1							
11	1	121750-59890	BAND, 140	1							
12	1	23000-025000	CLAMP, 25	4							
13	1	24321-000600	O-RING, 1AG60.0	1							
14	1	119812-34800	DIPSTICK, OIL	1							
15	1	123945-35110	CASE ASSY	1							
17	2	129953-39500	ADAPTER, R-G1/2	1							
18	1	129953-35110	RETAINER	1							
19	1	119000-35140	BOLT, FILTER	1							
20	1	129150-35153	FILTER	1							1
21	1	129938-35200	BRACKET ASSY	1							
23	2	129953-39500	ADAPTER, R-G1/2	2							
24	1	129953-39101	PIPE ASSY, OIL	2							
25	1	22190-300002	WASHER, SEAL 30	1							
26	1	24321-000700	O-RING, 1AG70.0	1							
27	1	26106-100252	BOLT, M10X 25 PLATED	2							
28	1	129900-32030	O-RING, P20	1							
29	1	129900-35000	PIPE ASSY, OIL INLET	1							
34	1	26106-080122	BOLT, M8X 12 PLATED	2							

Remarks

(1) REPAIR PART.

Fig.12. LUB.OIL LINE



(A)=4TNV98T-ZSTBW

(B)=

(C)=

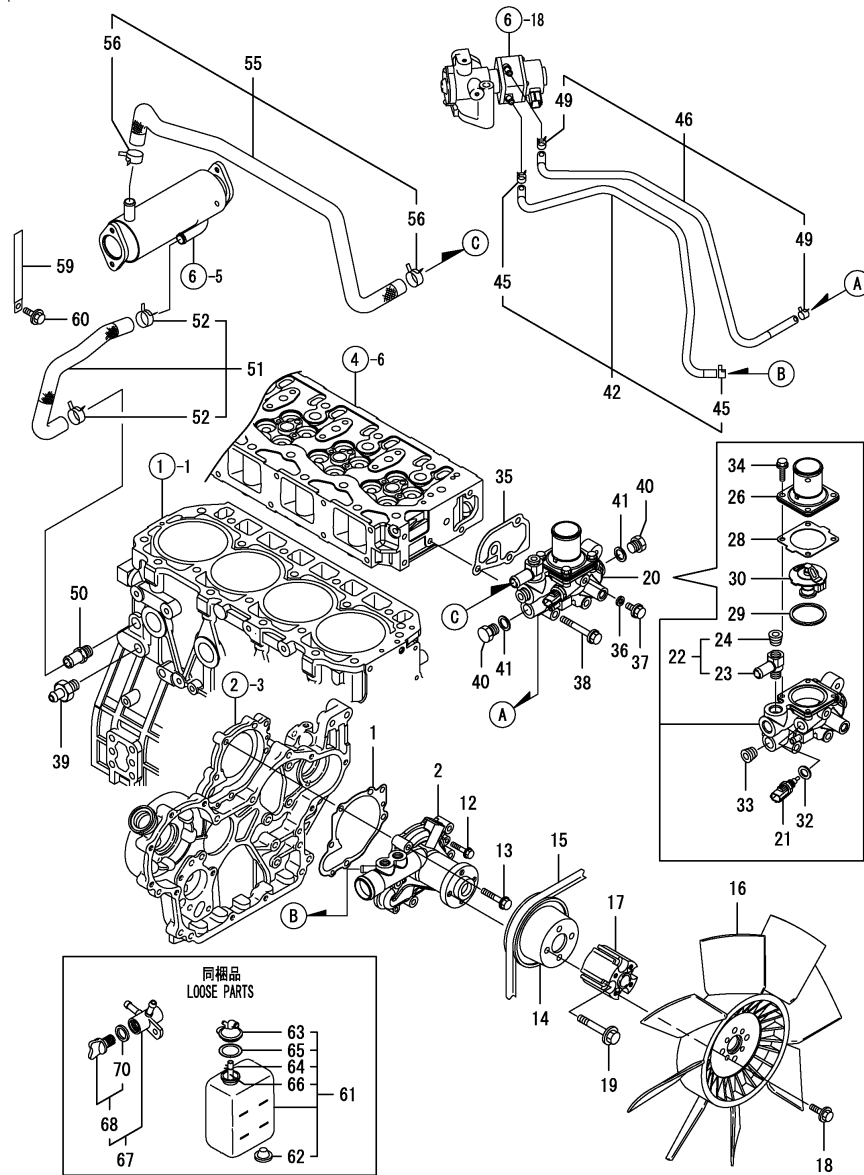
(D)=

(E)=

(F)=

No.	Lev.	Parts No.	Description	Q'ty						I	R
				(A)	(B)	(C)	(D)	(E)	(F)		
1	1	129972-39080	PIPE ASSY, OIL	1							
2	2	124223-39900	RETAINER		2						
3	1	121252-39150	BOLT, JOINT M10X1.5			1					
4	1	129005-59830	BOLT ASSY, JOINT M8				1				
5	2	22190-080002	WASHER, SEAL 6					1			
6	2	23857-030000	BOLT, JOINT 3						1		
7	1	22190-080002	WASHER, SEAL 6							1	
8	1	23414-100000	GASKET, 10X1.0								2
9	1	26106-080122	BOLT, M8X 12 PLATED								2
10	1	114250-39450	SWITCH, 0.5KG								1
11	1	129927-39060	PIPE ASSY, OIL								1
13	2	123907-39500	RETAINER								1
15	1	129005-59830	BOLT ASSY, JOINT M8								2
16	2	22190-080002	WASHER, SEAL 6								2
17	2	23857-030000	BOLT, JOINT 3								2
18	1	22190-080002	WASHER, SEAL 6								2
19	1	26106-080122	BOLT, M8X 12 PLATED								1
20	1	129930-39050	PIPE, OIL								1
21	1	105010-39140	BOLT, PIPE JOINT								2
22	1	22190-080002	WASHER, SEAL 6								4
23	1	124070-13300	ELBOW, PT3/8								1
24	1	129908-39610	PIPE, OIL								1
25	1	129908-39690	GASKET								1
26	1	123901-39820	HOSE								1
27	1	23000-025000	CLAMP, 25								2
28	1	26106-060162	BOLT, M6X 16 PLATED								2
29	1	129908-39410	VALVE ASSY, CHECK								4
35	1	119000-39650	NOZZLE								4
36	1	22351-030010	PIN, SPRING 3.0X10								4

Fig.13. COOLING WATER SYSTEM



(A)=4TNV98T-ZSTBW

(B)=

(C)=

(D)=

(E)=

(F)=

No.	Lev.	Parts No.	Description	Q'ty						I	R
				(A)	(B)	(C)	(D)	(E)	(F)		
1	1	129900-42020	GASKET, WATER PUMP	1							
2	1	129948-42100	PUMP ASSY, WATER	1							
12	1	26106-060302	BOLT, M6X 30 PLATED	2							
13	1	26106-080552	BOLT, M8X 55 PLATED	5							
14	1	123900-42470	V-PULLEY, B 130	1							
15	1	129948-42240	V-BELT, B 43.0	1							
15-1	1	25153-004500	V-BELT, B45	1						F	1
(A=E58688)											
16	1	129953-44710	FAN, COOLING D=460	1							
17	1	129948-44760	SPACER, FAN	1							
18	1	26106-080162	BOLT, M8X 16 PLATED	4							
19	1	26106-100652	BOLT, M10X 65 PLATED	4							
20	1	129949-49810	CASE ASSY,THERMOSTAT	1							
21	2	129927-44900	SENSOR	1							
22	2	129928-49400	JOINT ASSY	1							
23	3	129928-49410	JOINT	1							
24	3	23875-030000	PLUG, R03	1							
26	2	129916-49530	COVER, THERMOSTAT	1							
28	2	121850-49540	GASKET, THERMOSTAT	1							
29	2	121850-49550	GASKET, THERMOSTAT	1							
30	2	121850-49800	THERMOSTAT, 82	1							
32	2	22190-120002	WASHER, SEAL 12	1							
33	2	23875-030000	PLUG, R03	1							
34	2	26106-060202	BOLT, M6X 20 PLATED	4							
35	1	129900-49870	GASKET	1							
36	1	23414-080000	GASKET, 8X1.0	1							
37	1	26106-080122	BOLT, M8X 12 PLATED	1							
38	1	26106-080602	BOLT, M8X 60 PLATED	3							
39	1	121550-49111	JOINT, PT1/4	1							
40	1	121450-42450	PLUG, M16	2							
41	1	124465-44950	GASKET, 16	2							
42	1	129927-49610	PIPE, WATER	1							
45	2	23080-012000	CLAMP, 12	2							
46	1	129927-49620	PIPE ASSY, WATER	1							
49	2	23080-012000	CLAMP, 12	2							
50	1	129928-49420	JOINT	1							
51	1	129928-49610	PIPE ASSY, WATER	1							
52	2	129410-03990	CLIP	2							
55	1	129928-49620	PIPE ASSY, WATER	1							
56	2	129410-03990	CLIP	2							
59	1	129928-79700	CLIP	1							
60	1	26106-080122	BOLT, M8X 12 PLATED	1							
61	1	129466-44510	TANK ASSY, SUB	1							
62	2	121468-44540	PLUG	1							
63	2	121450-44531	CAP	1							
64	2	124450-44560	RETAINER	1							
65	2	121470-44581	GASKET	1							
66	2	121267-44590	PIPE	1							
67	1	129150-49100	COCK ASSY, 3-WAY	1							
68	2	129150-49080	COCK, DRAIN	1							
70	3	119629-49080	GASKET	1							

Remarks

(1)Ref.No.15-1is interchangeable by set with Fig.No.2, Ref. No. 3-1, and Fig. No. 23 and Ref. No. 1, 13.

Fig.14. FUEL INJECTION PUMP

(A)=4TNV98T-ZSTBW

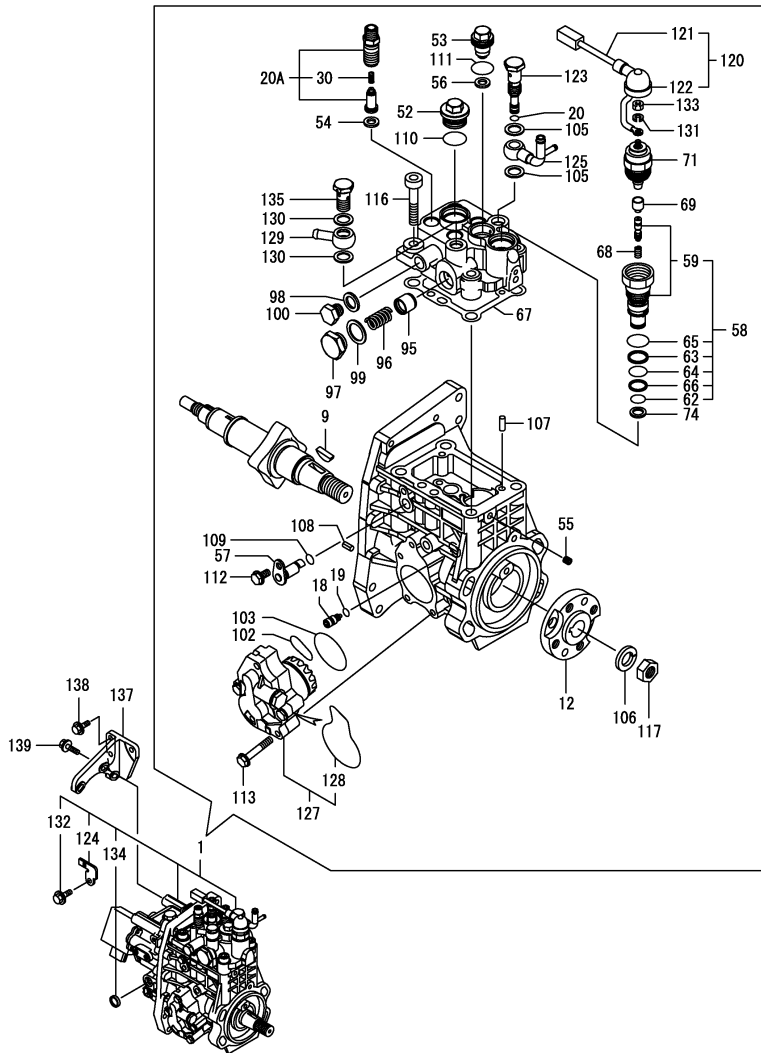
(B)=

(C)=

(D)=

(E)=

(F)=



No.	Lev.	Parts No.	Description	Q'ty						I	R
				(A)	(B)	(C)	(D)	(E)	(F)		
1	1	729948-51300	PUMP ASSY, INJECTION	1							1
1-1	1	729948-51320	PUMP ASSY, INJECTION	1							N 1
(A=*2008.01.)											
9	2	144626-51090	KEY, 5X19	1							
12	2	158563-51150	FLANGE	1							
18	2	158600-51270	STOPPER, TAPPET	1							
19	2	158563-51281	O-RING, 4D S6	1							
20	2	158563-51281	O-RING, 4D S6	1							
20A	2	129928-51390	VALVE ASSY, DELIVERY	4							W
(A=*2008.04.)											
30	3	158563-51330	SPRING, DELIVERY	4							
52	2	158601-51550	PLUG	1							
53	2	129907-51560	PLUG, BARREL	1							
54	2	158552-51570	GASKET	4							
54-1	2	158552-51571	GASKET	4							R
(A=*2008.07.)											
55	2	158557-51570	PLUG	1							
56	2	129906-51580	GASKET	1							
57	2	158552-51580	LIFTER	1							
58	2	129657-51590	TIMER SET	1							
59	3	129657-51600	TIMER ASSY	1							
62	3	158553-51670	O-RING, 1011	1							
63	3	119802-51680	RING, BACK UP	1							
64	3	119802-51690	O-RING	1							
65	3	24356-010200	O-RING, 4D1020	1							
66	3	24372-000150	RING, BACK UP T2P15	1							
67	2	158560-51600	GASKET	1							
68	2	119852-51630	SPRING, TIMER	1							
69	2	119852-51640	CAP	1							
71	2	119852-51650	VALVE ASSY	1							
74	2	158553-51680	GASKET	1							
95	2	158601-51770	PISTON	1							
96	2	158552-51781	SPRING	1							
97	2	158601-51790	PLUG	1							
98	2	22190-120002	WASHER, SEAL 12	1							
99	2	22190-180002	WASHER, SEAL 18	1							
100	2	23887-120002	PLUG, 12	1							
102	2	158552-52310	O-RING	1							
103	2	158552-52400	O-RING, 4E S42	1							
105	2	22190-120002	WASHER, SEAL 12	2							
106	2	22217-180000	WASHER, SPRING 18	1							
107	2	22312-050140	PIN, PARALLEL M5X14	2							
108	2	22351-050010	PIN, SPRING 5.0X10	2							
109	2	24311-000070	O-RING, 1AP7.0	1							
110	2	24356-010200	O-RING, 4D1020	1							
111	2	24356-020210	O-RING, 4D2021	1							
112	2	26106-060102	BOLT, M6X 10 PLATED	1							
113	2	26106-060352	BOLT, M6X 35 PLATED	4							
116	2	26450-100452	BOLT, M10X 45	4							
117	2	26776-180002	NUT, LOCK M18	1							
120	2	129927-51650	HARNES ASSY, WIRE	1							

Remarks

(1) GOVERNOR ASSY(FIG.15) IS INCORPORATED IN THIS FUEL INJECTION PUMP.(REF.NO.1).

* ECO PUMP

MAKE SURE TO UPDATE THE ENGINES ECU INFORMATION WHEN REPLACING THE ECO PUMP.

FAILING TO DO SO WILL RESULT IN ENGINE MALFUNCTION.

N:Old $\frac{Yes}{No}$ New, Q:Old $\frac{No}{Yes}$ New, R:Old $\frac{Yes}{Yes}$ New, S:Old $\frac{No}{No}$ New, W:Add, Z:Discontinued, F:Interchangeable by set, K:Q'ty Change

++ CONTINUE ++

Copyright (C) YANMAR CO., LTD. All Rights Reserved.

Fig.14. FUEL INJECTION PUMP

(A)=4TNV98T-ZSTBW

(B)=

(C)=

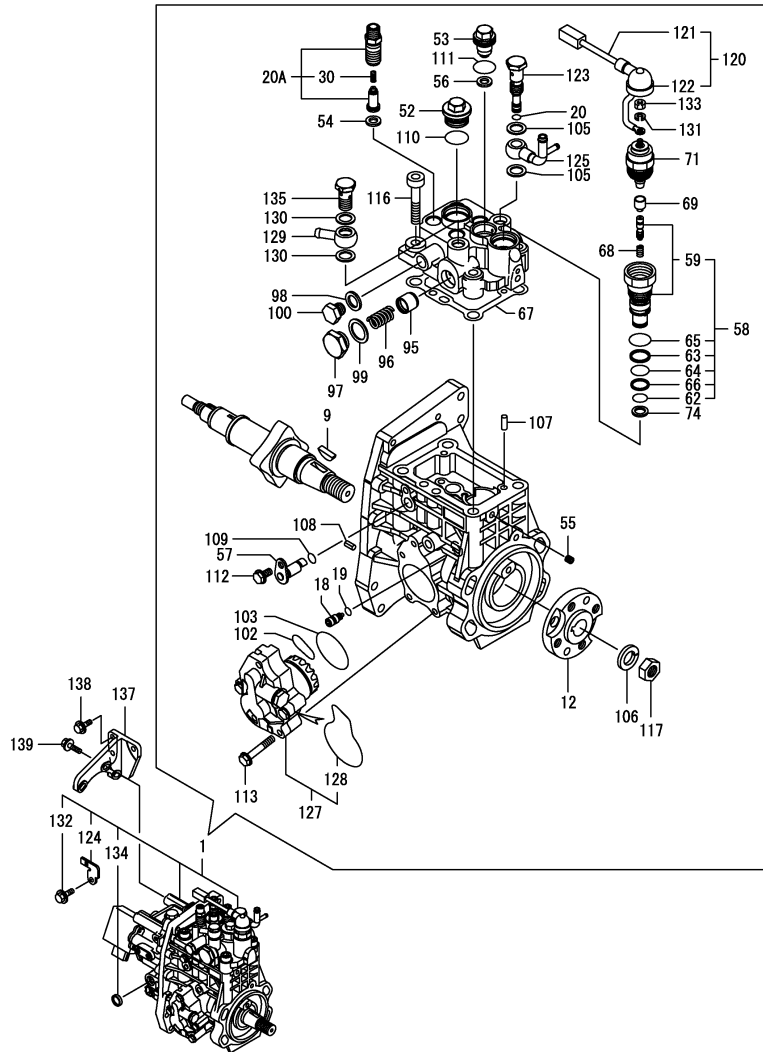
(D)=

(E)=

(F)=

Q'ty

I R



No.	Lev.	Parts No.	Description	(A)	(B)	(C)	(D)	(E)	(F)	I	R
121	3	129927-51660	HARNES	1							
122	3	129263-77941	CAP, RUBBER	1							
123	2	158601-51650	JOINT, OVER FLOW	1							
124	2	129927-51670	BRACKET	1							
125	2	158552-51670	JOINT, OVER FLOW	1							
127	2	158552-52100	PUMP ASSY, FUEL FEED	1							
128	3	158552-52500	O-RING	1							
129	2	129916-59020	JOINT, PIPE 12	1							
130	2	22190-120002	WASHER, SEAL 12	2							
131	2	22217-050000	WASHER, SPRING 5	1							
132	2	26106-060122	BOLT, M6X 12 PLATED	1							
133	2	26716-050002	NUT, M5	1							
134	2	27241-160000	PLUG, 16	1							
135	2	23857-060000	BOLT, JOINT 6	1							
137	1	129927-51250	RETAINER, PUMP	1							
138	1	26106-080202	BOLT, M8X 20 PLATED	3							
139	1	26106-080302	BOLT, M8X 30 PLATED	3							

Remarks

(1) GOVERNOR ASSY(FIG.15) IS INCORPORATED IN THIS FUEL INJECTION PUMP.(REF.NO.1).

* ECO PUMP

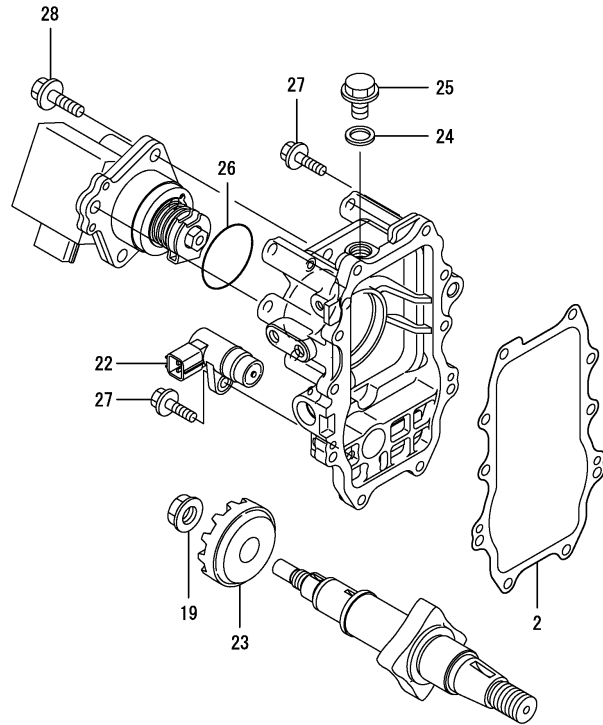
MAKE SURE TO UPDATE THE ENGINES ECU INFORMATION WHEN REPLACING THE ECO PUMP.

FAILING TO DO SO WILL RESULT IN ENGINE MALFUNCTION.

Fig.15. GOVERNOR

(A)=4TNV98T-ZSTBW
(B)=
(C)=

(D)=
(E)=
(F)=



No.	Lev.	Parts No.	Description	Q'ty						I	R
				(A)	(B)	(C)	(D)	(E)	(F)		
2	2	158560-61050	GASKET	1							
19	2	119660-61300	NUT	1							
19-1	2	129008-61301	NUT	1							R
(A=*2008.03.)											
22	2	158557-61720	SENSOR	1							
23	2	158553-61780	GEAR, SENSOR	1							
24	2	23414-120000	GASKET, 12X1.0	1							
25	2	23887-120002	PLUG, 12	1							
26	2	24341-000480	O-RING, 1AS48.0	1							
27	2	26106-060252	BOLT, M6X 25 PLATED	10							
28	2	26106-080252	BOLT, M8X 25 PLATED	3							

Remarks

* THIS FIGURE(GOVERNOR ASSY)IS INCORPORATED IN THE FUEL INJECTION PUMP ASSY(FIG.14).

Fig.16. FUEL INJECTION VALVE

(A)=4TNV98T-ZSTBW

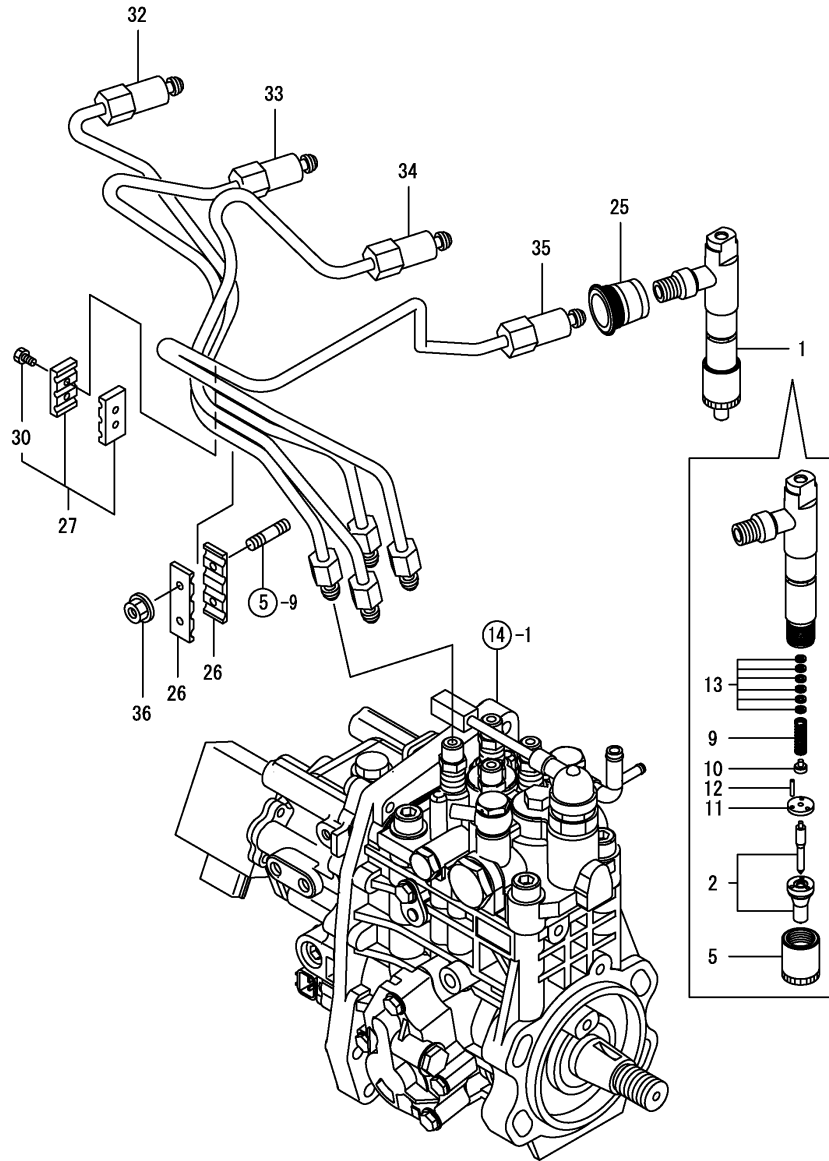
(B)=

(C)=

(D)=

(E)=

(F)=



No.	Lev.	Parts No.	Description	Q'ty						I	R
				(A)	(B)	(C)	(D)	(E)	(F)		
1	1	729928-53100	VALVE ASSY,INJECTION	4							
1-1	1	729928-53300	VALVE ASSY,INJECTION	4							N
(A=*2008.01.)											
2	2	129928-53000	VALVE ASSY,INJECTION	4							
2-1	2	129672-53000	VALVE ASSY,INJECTION	4							N
(A=*2008.01.)											
5	2	114250-53080	NUT, NOZZLE D16.95	4							
9	2	114250-53120	SPRING, NOZZLE	4							
10	2	114250-53130	SEAT, SPRING	4							
11	2	114250-53140	PLATE	4							
12	2	114250-53210	PIN	8							
13	2	114250-53400	SHIM SET	4							
25	1	123907-11601	SEAL	4							
26	1	123472-59120	RETAINER, PIPE	2							
27	1	129150-59120	RETAINER, PIPE	1							
30	2	129150-59131	BOLT, M4X14	2							
32	1	129927-59810	PIPE ASSY, INJECTION	1							
33	1	129927-59820	PIPE ASSY, INJECTION	1							
34	1	129927-59830	PIPE ASSY, INJECTION	1							
35	1	129927-59840	PIPE ASSY, INJECTION	1							
36	1	26366-060002	NUT, M6	2							

Fig.17. FUEL LINE

(A)=4TNV98T-ZSTBW

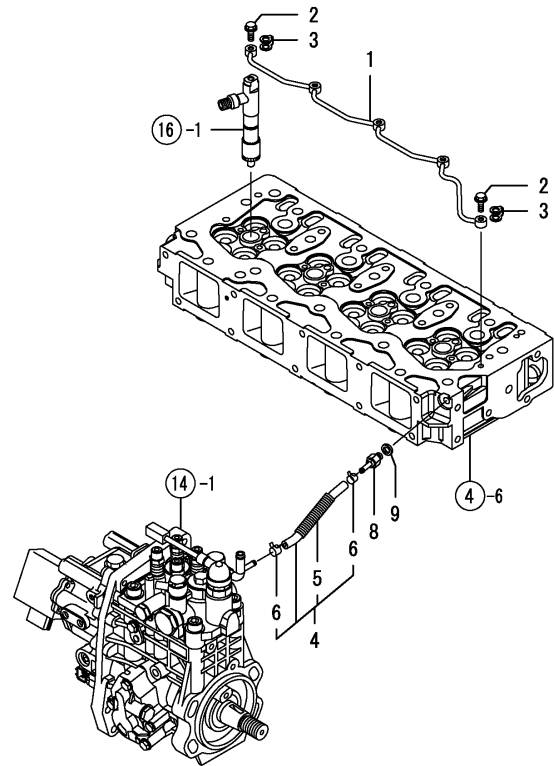
(B)=

(C)=

(D)=

(E)=

(F)=



No.	Lev.	Parts No.	Description	Q'ty						I	R
				(A)	(B)	(C)	(D)	(E)	(F)		
1	1	129907-59140	PIPE ASSY, RETURN	1							
2	1	123907-59540	BOLT, PIPE JOINT M6	5							
3	1	123907-59550	GASKET	5							
4	1	129927-59550	PIPE ASSY, RETURN	1							
5	2	129263-49750	TUBE, CORRUGATED	1							
6	2	124722-59050	CLIP, HOSE 9	2							
8	1	123907-59560	JOINT	1							
9	1	22190-080002	WASHER, SEAL 6	1							
10	1	129612-52100	PUMP ASSY, FUEL FEED	1							
11	1	129940-55610	FILTER ASSY, FUEL	1							
12	2	129004-55612	BRACKET, FILTER	1							
13	2	129907-55801	FILTER, FUEL	1							
14	1	129917-55801	FILTER ASSY, FUEL	1							
15	2	129917-55810	BODY	1							
16	2	129917-55821	SENSOR ASSY	1							
17	3	129917-55830	PLUG, DRAIN	1							
18	3	129917-55840	O-RING	1							
19	2	129917-55850	ELEMENT KIT	1							

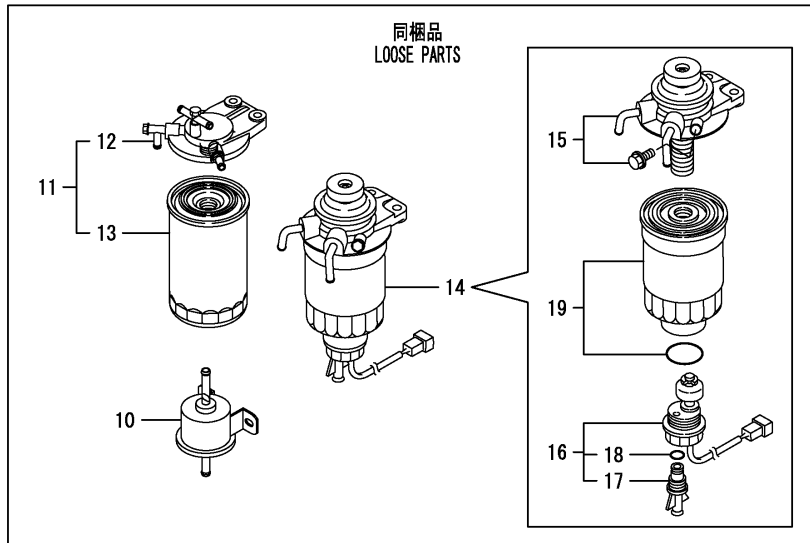
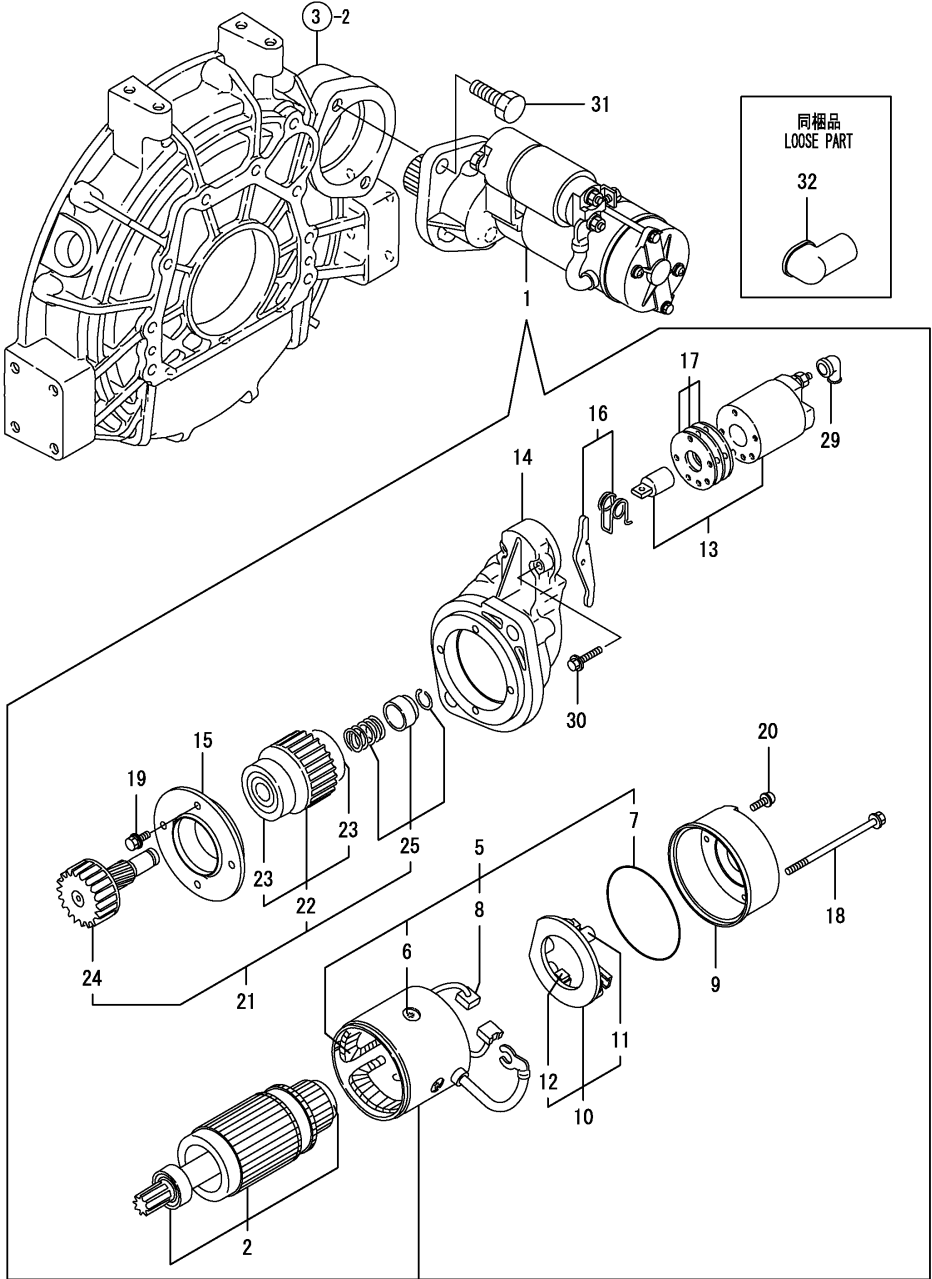


Fig.18. STARTING MOTOR

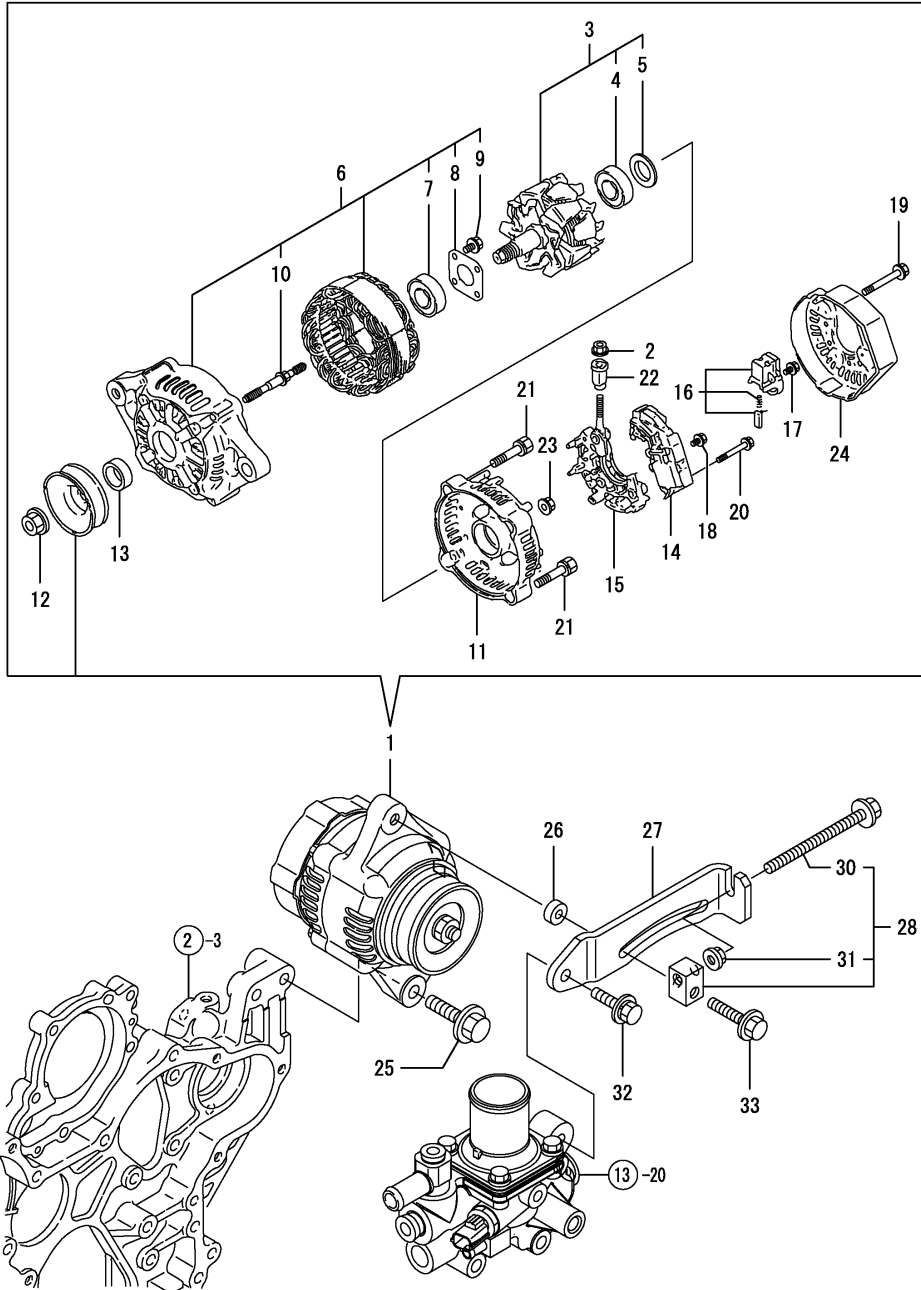
(A)=4TNV98T-ZSTBW
(B)=
(C)=

(D)=
(E)=
(F)=



No.	Lev.	Parts No.	Description	Q'ty						I	R
				(A)	(B)	(C)	(D)	(E)	(F)		
1	1	129940-77010	STARTER	1							
2	2	129940-77100	ARMATURE ASSY	1							
5	2	129940-77130	COIL ASSY, FIELD	1							
6	3	129940-77140	SCREW	4							
7	3	129940-77150	O-RING	1							
8	3	129940-77160	BRUSH	2							
9	2	129940-77170	COVER	1							
10	2	129940-77180	HOLDER ASSY, BRUSH	1							
11	3	129940-77190	SPRING	1							
12	3	129940-77200	BRUSH	2							
13	2	129940-77210	SWITCH ASSY	1							
14	2	129940-77220	CASE, GEAR	1							
15	2	129940-77230	RETAINER	1							
16	2	129940-77240	LEVER SET	1							
17	2	129940-77250	COVER ASSY, DUST	1							
18	2	129940-77260	BOLT, THROUGH	2							
19	2	129940-77270	BOLT	4							
20	2	129940-77280	SCREW	2							
21	2	123900-77510	PINION ASSY	1							
22	3	123900-77520	CLUTCH ASSY	1							
23	4	X2240610100	BEARING, BALL	2							
24	3	123900-77540	SHAFT	1							
25	3	119131-77550	STOPPER KIT	1							
29	2	121254-77810	COVER, TERMINAL	1							
30	2	114371-79070	BOLT	2							
31	1	26116-120252	BOLT, M12X 25 PLATED	2							
32	1	124550-77030	COVER, TERMINAL	1							

Fig.19. GENERATOR

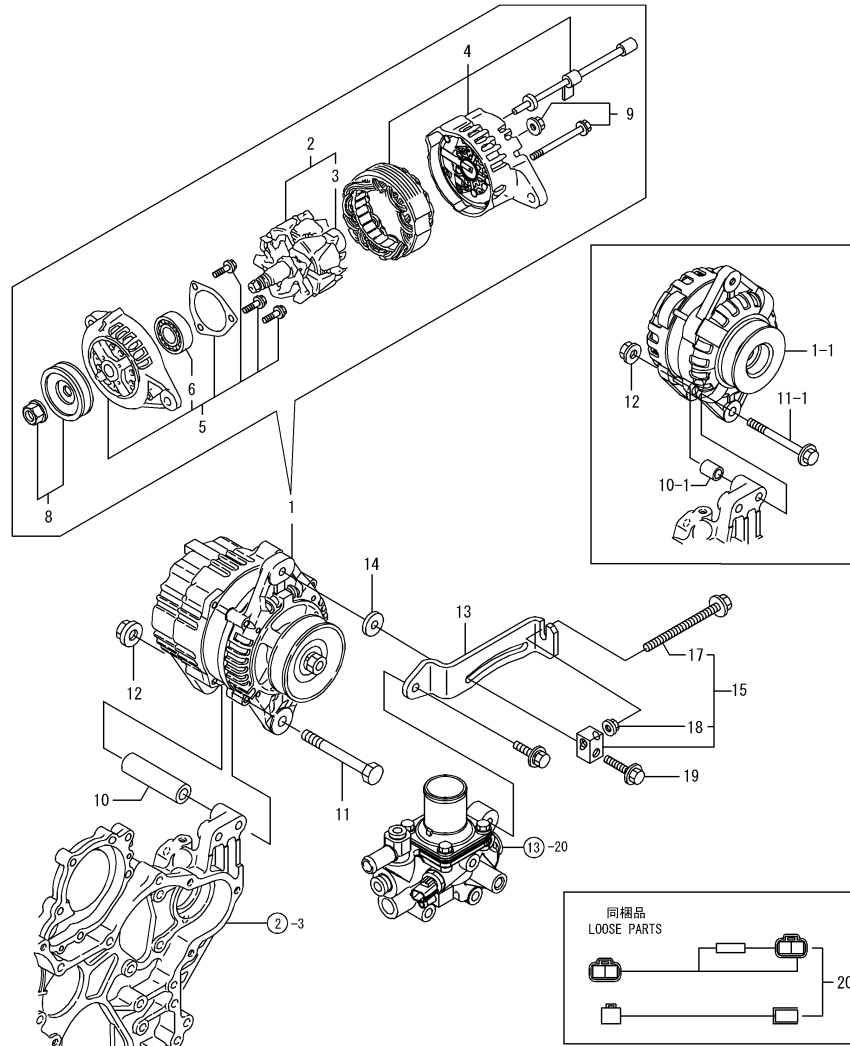


(A)=4TNV98T-ZSTBW
(B)=
(C)=

(D)=
(E)=
(F)=

No.	Lev.	Parts No.	Description	Q'ty						I	R
				(A)	(B)	(C)	(D)	(E)	(F)		
1	1	123951-77200	GENERATOR, 12V-55A P	1							
2	2	X9490561001	NUT	1							
3	2	129052-77380	ROTOR ASSY	1							
4	3	125301-79240	BEARING, BALL	1							
5	3	119620-79250	COVER	1							
6	2	129052-77421	FRAME ASSY	1							
7	3	119620-79200	BEARING, BALL	1							
8	3	119620-79210	PLATE, RETAINER	1							
9	3	119620-79220	SCREW	4							
10	3	119620-79230	STUD	2							
11	2	128401-77440	FRAME	1							
12	2	119620-77470	NUT	1							
13	2	119620-77490	COLLAR	1							
14	2	119626-77710	REGULATOR ASSY	1							
15	2	129052-79260	HOLDER	1							
16	2	129052-79270	HOLDER, BRUSH	1							
17	2	119620-79290	SCREW	6							
18	2	119620-79300	SCREW	1							
19	2	119620-79310	BOLT	3							
20	2	119620-79320	SCREW	2							
21	2	119620-79330	BOLT	2							
22	2	119620-79340	BUSH, INSULATION	1							
23	2	119620-79350	NUT	2							
24	2	119626-77450	COVER	1							
25	1	26106-100402	BOLT, M10X 40 PLATED	1							
26	1	119940-77270	SPACER, GENERATOR	1							
27	1	129906-77300	ADJUSTER	1							
28	1	119624-77351	BLOCK ASSY, ADJUSTER	1							
30	2	26106-081004	BOLT, M8X100 PLATED	1							
31	2	26306-080002	NUT, M8	1							
32	1	26014-080252	BOLT, M8X 25	1							
33	1	26106-080552	BOLT, M8X 55 PLATED	1							

Fig.23. GENERATOR(19A)



(A)=4TNV98-ZVHYB1

(B)=

(C)=

(D)=

(E)=

(F)=

No.	Lev.	Parts No.	Description	Q'ty						I	R	
				(A)	(B)	(C)	(D)	(E)	(F)			
1	1	123910-77210	ALTERNATOR	1							F	1
1-1	1	129908-77210	ALTERNATOR	1							F	2
(A=EZZZZZ)												
2	2	123910-77740	ROTOR ASSY	1								
3	3	129900-77810	BEARING, BALL	1								
4	2	123910-77760	BRACKET ASSY	1								
5	2	129900-77890	BRACKET ASSY	1								
6	3	129900-77900	BEARING, BALL	1								
8	2	123910-77910	PULLEY	1								
9	2	129900-77920	SCREW KIT	1								
10	1	129470-77340	PIECE, DISTANCE	1								
10-1	1	129908-77360	PIECE, DISTANCE	1							F	2
(A=EZZZZZ)												
11	1	26116-101202	BOLT, M10X120 PLATED	1								
11-1	1	26106-101052	BOLT, M10X105 PLATED	1							F	2
(A=EZZZZZ)												
12	1	26306-100002	NUT, M10	1								
13	1	129953-77300	ADJUSTER	1							F	1
14	1	121236-77340	SPACER	1								
15	1	119624-77351	BLOCK ASSY, ADJUSTER	1								
17	2	26106-081004	BOLT, M8X100 PLATED	1								
18	2	26306-080002	NUT, M8	1								
19	1	26106-080452	BOLT, M8X 45 PLATED	1								
20	1	129908-77910	HARNES	1							F	2
(A=EZZZZZ)												

Remarks

*Fig.No.23 shows after models below.

(A)=E#58688

*Please refer to Fig.No.19 before.

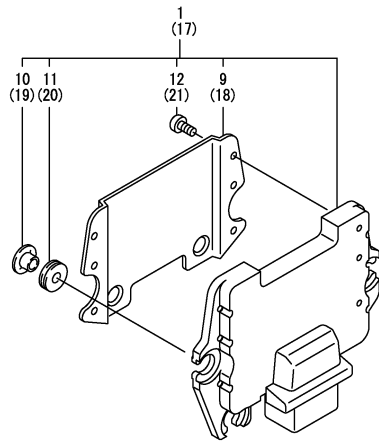
(1)Ref.No1,13 is interchangeable by set with Fig.No.2, Ref. No. 3-1,

and Fig. No. 13 and Ref. No. 15-1.

(2)Interchangeable by simultaneous replacement with No.1-1, No.10-1,

11-1 and No.20.

Fig.20. ELECTRONIC CONTROL UNIT (ECU)



(A)=4TNV98T-ZSTBW
(B)=
(C)=

(D)=
(E)=
(F)=

No.	Lev.	Parts No.	Description	Q'ty						I	R
				(A)	(B)	(C)	(D)	(E)	(F)		
1	1	129948-75030	CONTROLLER ASSY, EUC	1							
1-1	1	129948-75060	CONTROLLER ASSY, EUC	1						S	1
(A=*2008.01.)											
9	2	129927-77600	SHIELD	1							
10	2	129927-77680	COLLAR	3							
11	2	119578-91351	ABSORBER	3							
12	2	22877-500080	SCREW, 5X 8	6							
17	1	129927-75900	CONTROLLER ASSY, EUC	1							2
18	2	129927-77600	SHIELD	1							
19	2	129927-77680	COLLAR	3							
20	2	119578-91351	ABSORBER	3							
21	2	22877-500080	SCREW, 5X 8	6							

Remarks

(1)ECO ECU
THIS PART CANNOT BE ORDERED.
REPLACE THE PART USING A SERVICE
ECU WITH THE PROPER ENGINE
INFORMATION INSTALLED.

(2)SERVICE ECU
IF THE PROPER INFORMATION IS NOT
INSTALLED, THE ENGINE WILL NOT
OPERATE.

TO INSTALL PROPER INFORMATION,
GO TO AN AUTHORIZED DISTRIBUTOR.

Fig.21. GASKET SET

(A)=4TNV98T-ZSTBW

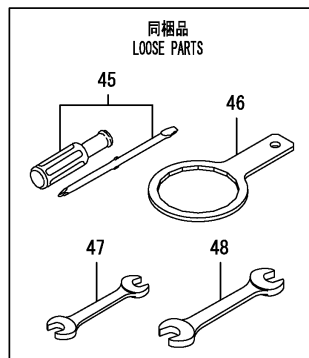
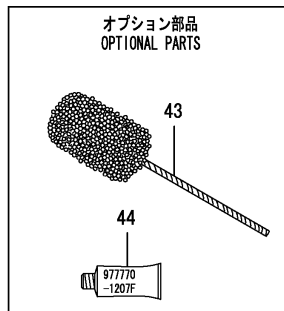
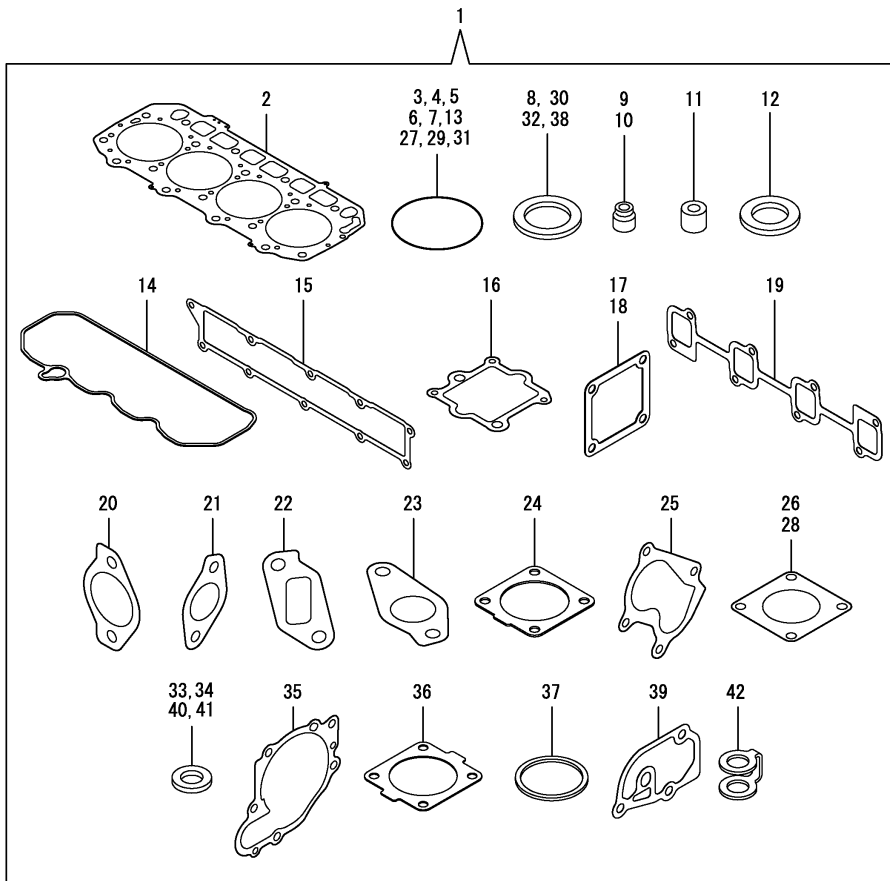
(B)=

(C)=

(D)=

(E)=

(F)=



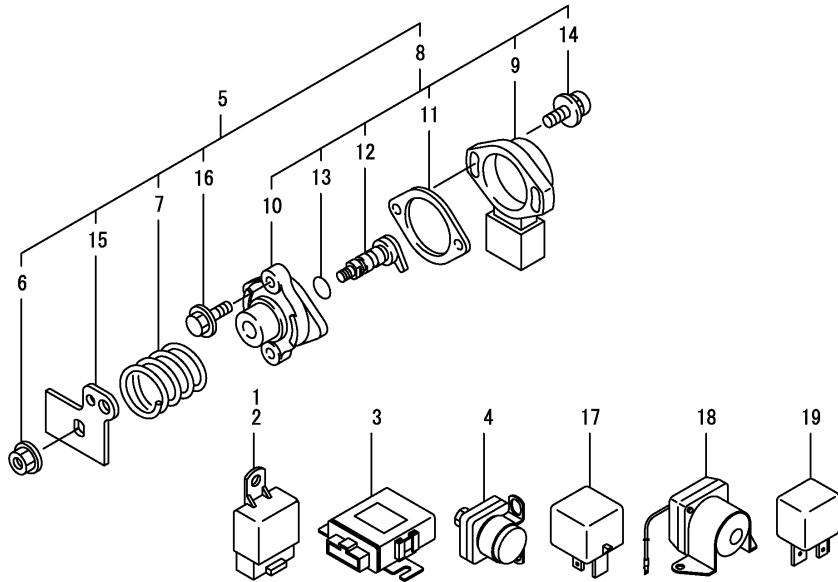
No.	Lev.	Parts No.	Description	Q'ty						I	R
				(A)	(B)	(C)	(D)	(E)	(F)		
1	1	729928-92600	GASKET SET	1							1
2	2	129907-01331	GASKET, HEAD	1							
3	2	129900-32030	O-RING, P20	2							
4	2	129900-32040	O-RING, P14	1							
5	2	24311-000070	O-RING, 1AP7.0	1							
6	2	24351-030750	O-RING, 1A3075	1							
7	2	24311-000320	O-RING, 1AP32.0	2							
8	2	22190-220002	WASHER, SEAL 22	1							
9	2	119803-11340	SEAL, VALVE STEM	8							
10	2	124160-11340	SEAL, VALVE STEM	8							
11	2	119802-11870	PROTECTOR, NOZZLE	4							
12	2	119625-11880	SEAT, NOZZLE	4							
13	2	24311-000120	O-RING, 1AP12.0	8							
14	2	129933-11310	GASKET, BONNET	1							
15	2	129907-12110	GASKET, MANIFOLD	1							
16	2	129928-13720	GASKET	1							
17	2	119129-77020	GASKET	1							
18	2	121850-77021	GASKET	1							
19	2	129900-13251	GASKET	1							
20	2	129928-13410	GASKET	2							
21	2	129927-13810	GASKET	1							
22	2	129927-13910	GASKET	1							
23	2	129927-13920	GASKET	1							
24	2	129930-13201	GASKET, SILENCER	2							
25	2	123901-18080	GASKET	1							
26	2	129472-18090	GASKET	1							
27	2	24341-000530	O-RING, 1AS53.0	1							
28	2	124240-01883	GASKET	1							
29	2	24321-000600	O-RING, 1AG60.0	1							
30	2	22190-300002	WASHER, SEAL 30	1							
31	2	24321-000700	O-RING, 1AG70.0	1							
32	2	22190-080002	WASHER, SEAL 6	11							
33	2	23414-100000	GASKET, 10X1.0	2							
34	2	129908-39690	GASKET	1							
35	2	129900-42020	GASKET, WATER PUMP	1							
36	2	121850-49540	GASKET, THERMOSTAT	1							
37	2	121850-49550	GASKET, THERMOSTAT	1							
38	2	22190-120002	WASHER, SEAL 12	1							
39	2	129900-49870	GASKET	1							
40	2	23414-080000	GASKET, 8X1.0	1							
41	2	124465-44950	GASKET, 16	2							
42	2	123907-59550	GASKET	5							
43	1	129400-92450	HONE	1							1
44	1	977770-1207F	GASKET, LIQUID	1							1
45	1	104200-92350	DRIVER, SCREW	1							
46	1	119640-92750	WRENCH, FILTER 80	1							
47	1	28110-100120	SPANNER, 10X12	1							
48	1	28110-140170	SPANNER, 14X17	1							

Remarks
(1) OPTIONAL PART.

Fig.22. LOOSE PART

(A)=4TNV98T-ZSTBW
(B)=
(C)=

(D)=
(E)=
(F)=



No.	Lev.	Parts No.	Description	Q'ty						I	R
				(A)	(B)	(C)	(D)	(E)	(F)		
1	1	198461-52950	RELAY, CA TYPE C	1							
2	1	198461-52950	RELAY, CA TYPE C	1							
3	1	119503-77520	CONTROLLER	1							
4	1	127488-77530	RELAY, GROW	1							
5	1	129938-77800	SENSOR ASSY	1							
6	2	194990-22130	NUT, M6	1							
7	2	119060-61990	SPRING, RETURN	1							
8	2	129054-77800	SENSOR ASSY	1							
9	3	185100-50070	BODY	1							
10	3	129054-77811	SUPPORT	1							
11	3	129054-77820	GASKET	1							
12	3	129054-77830	SHAFT ASY	1							
13	3	24311-000070	O-RING, 1AP7.0	1							
14	3	26023-040202	SCREW, M4X20	2							
15	2	129938-77810	LEVER	1							
16	2	26106-060122	BOLT, M6X 12 PLATED	2							
17	1	129927-77900	RELAY	1							
18	1	119129-77910	RELAY, MAGNETIC	1							
19	1	129927-77920	RELAY	1							

Parts No. Index

Parts No.	Fig. No.	Ref. No.
104200-92350	21	45
105010-39140	12	21
114250-39450	12	10
114250-53080	16	5
114250-53120	16	9
114250-53130	16	10
114250-53140	16	11
114250-53210	16	12
114250-53400	16	13
114371-79070	18	30
119000-01840	3	4
119000-35140	11	19
119000-39650	12	35
119005-77050	5	19
119060-61990	22	7
119100-11330	4	61
119129-77020	5	17
	21	17
119129-77520	5	20
119129-77910	22	18
119131-18320	6	4
119131-77550	18	25
119309-01810	1	29
119503-77520	22	3
119578-91351	20	11
		20
119593-11301	4	34
119620-11180	4	18
119620-77470	19	12
119620-77490	19	13
119620-79200	19	7
119620-79210	19	8
119620-79220	19	9
119620-79230	19	10
119620-79250	19	5
119620-79290	19	17
119620-79300	19	18
119620-79310	19	19
119620-79320	19	20
119620-79330	19	21
119620-79340	19	22
119620-79350	19	23
119624-77351	19	28
	23	15
119625-11880	4	30
	21	12
119626-77450	19	24
119626-77710	19	14
119629-49080	13	70
119640-01640	3	8

Parts No.	Fig. No.	Ref. No.
119640-92750	21	46
119660-61300	15	19
119802-11870	4	29
	21	11
119802-13790	6	8
119802-51680	14	63
119802-51690	14	64
119803-11340	4	19
	21	9
119812-34800	11	14
119852-51630	14	68
119852-51640	14	69
119852-51650	14	71
119940-77270	19	26
120130-22301	9	21
121236-77340	23	14
121252-39150	12	3
121254-77810	18	29
121267-44590	13	66
121450-42450	13	40
121450-44531	13	63
121468-44540	13	62
121470-44581	13	65
121550-49111	13	39
121750-59890	11	11
121850-21130	9	11
121850-21290	9	4
121850-21920	9	5
121850-49540	13	28
	21	36
121850-49550	13	29
	21	37
121850-49800	13	30
121850-77021	5	18
	21	18
123472-59120	16	26
123900-13630	6	3
123900-25060	7	9
123900-42470	13	14
123900-77510	18	21
123900-77520	18	22
123900-77540	18	24
123901-03240	4	80
123901-18080	6	31
	21	25
123901-39820	12	26
123907-11280	4	39
123907-11550	4	5
123907-11601	16	25
123907-11820	4	25

Parts No.	Fig. No.	Ref. No.
123907-11830	4	24
123907-39500	12	13
123907-59540	17	2
123907-59550	17	3
	21	42
123907-59560	17	8
123910-49600	11	8
123910-49610	11	10
123910-77210	23	1
123910-77740	23	2
123910-77760	23	4
123910-77910	23	8
123912-33050	11	2
123912-33100	11	3
123945-35110	11	15
123951-18220	5	14
123951-77200	19	1
124070-13300	12	23
124160-01751	2	16
	4	54
124160-11340	4	20
	21	10
124160-11360	4	65
124223-39900	12	2
124240-01883	10	2
	21	28
124450-44560	13	64
124465-44950	13	41
	21	41
124550-77030	18	32
124722-59050	17	6
125301-79240	19	4
127410-21480	9	14
127488-77530	22	4
128401-77440	19	11
129001-91810	2	19
		27
129004-55612	17	12
129005-59830	12	4
		15
129006-44480	11	5
129008-61301	15	19 -1
129052-77380	19	3
129052-77421	19	6
129052-79260	19	15
129052-79270	19	16
129054-77800	22	8
129054-77811	22	10
129054-77820	22	11
129054-77830	22	12

Parts No.	Fig. No.	Ref. No.
129100-01580	2	1
	3	1
129150-02450	7	4
129150-03100	4	76
129150-11230	4	42
		46
129150-11750	4	23
		43
		47
129150-14200	7	1
129150-25920	7	13
129150-35153	11	20
129150-49080	13	68
129150-49100	13	67
129150-59120	16	27
129150-59131	16	30
129263-49750	17	5
129263-77941	14	122
129400-92450	21	43
129410-03990	4	71
		74
	13	52
		56
129418-18320	6	12
129466-44510	13	61
129466-49300	11	7
129470-77340	23	10
129472-18090	8	2
	21	26
129509-79700	4	62
129612-52100	17	10
129640-13580	6	26
129640-13590	6	25
129657-51590	14	58
129657-51600	14	59
129672-53000	16	2 -1
129900-01200	1	27
129900-01250	1	4
129900-01740	2	18
129900-01850	2	25
129900-01870	2	26
129900-02020	1	6
129900-02341	1	33
129900-02410	1	9
129900-02931	1	24
129900-02941	1	36
129900-13251	6	2
	21	19
129900-14100	7	6
129900-21200	9	3

Parts No. Index

Parts No.	Fig. No.	Ref. No.
129900-23001	9	23
129900-23200	9	26
129900-23601	9	27
129900-23611	9	30
129900-23911	9	29
129900-25100	7	10
129900-26210	10	1
129900-26250	2	6
		7
129900-32030	2	8
	11	28
	21	3
129900-32040	2	9
	21	4
129900-35000	11	29
129900-42020	13	1
	21	35
129900-49870	13	35
	21	39
129900-77810	23	3
129900-77890	23	5
129900-77900	23	6
129900-77920	23	9
129902-21580	9	12
129906-51580	14	56
129906-77300	19	27
129907-01331	1	28
	21	2
129907-03011	4	56
129907-03061	4	57
129907-03070	4	58
129907-07900	4	1
129907-11100	4	15
129907-11110	4	16
129907-11120	4	17
129907-11250	4	36
129907-11260	4	37
129907-11270	4	38
129907-11341	4	35
129907-11510	4	21
129907-11650	4	40
129907-11660	4	44
129907-11800	4	28
129907-11910	4	31
129907-11920	4	48
129907-11950	4	32
129907-12110	5	1
	21	15
129907-14400	7	2
129907-25900	7	16

Parts No.	Fig. No.	Ref. No.
129907-51560	14	53
129907-55801	17	13
129907-59140	17	1
129908-01500	2	3 -1
129908-14581	7	3
129908-18010	8	1
129908-21000	9	1
129908-32060	2	4
129908-33010	11	1
129908-33101	11	4
129908-39410	12	29
129908-39610	12	24
129908-39690	12	25
	21	34
129908-49060	11	6
129908-77210	23	1 -1
129908-77360	23	10 -1
129908-77910	23	20
129916-01790	3	6
129916-01800	2	24
129916-21610	9	7
129916-49530	13	26
129916-59020	14	129
129917-55801	17	14
129917-55810	17	15
129917-55821	17	16
129917-55830	17	17
129917-55840	17	18
129917-55850	17	19
129927-13810	6	10
	21	21
129927-13900	6	18
129927-13910	6	19
	21	22
129927-13920	6	20
	21	23
129927-22050	9	17
129927-39060	12	11
129927-44900	13	21
129927-49610	13	42
129927-49620	13	46
129927-51250	14	137
129927-51650	14	120
129927-51660	14	121
129927-51670	14	124
129927-59550	17	4
129927-59810	16	32
129927-59820	16	33
129927-59830	16	34
129927-59840	16	35

Parts No.	Fig. No.	Ref. No.
129927-75900	20	17
129927-77600	20	9
		18
129927-77680	20	10
		19
129927-77900	22	17
129927-77920	22	19
129928-03050	4	68
129928-03060	4	69
129928-03080	4	72
129928-03300	4	82
129928-07900	4	2
129928-11320	4	55
129928-11700	4	6
129928-12100	5	3
129928-12150	5	2
129928-13400	6	5
129928-13410	6	6
		7
	21	20
129928-13700	5	4
129928-13710	5	5
129928-13720	5	6
	21	16
129928-13800	6	9
129928-13810	6	11
129928-22080	9	15
129928-49400	13	22
129928-49410	13	23
129928-49420	13	50
129928-49610	13	51
129928-49620	13	55
129928-51390	14	20 A
129928-53000	16	2
129928-59130	4	84
129928-79700	13	59
129930-13201	6	23
	21	24
129930-39050	12	20
129933-11310	4	60
	21	14
129938-35200	11	21
129938-77800	22	5
129938-77810	22	15
129940-13500	6	24
129940-55610	17	11
129940-77010	18	1
129940-77100	18	2
129940-77130	18	5
129940-77140	18	6

Parts No.	Fig. No.	Ref. No.
129940-77150	18	7
129940-77160	18	8
129940-77170	18	9
129940-77180	18	10
129940-77190	18	11
129940-77200	18	12
129940-77210	18	13
129940-77220	18	14
129940-77230	18	15
129940-77240	18	16
129940-77250	18	17
129940-77260	18	18
129940-77270	18	19
129940-77280	18	20
129948-01500	2	3
129948-01710	3	7
129948-12510	5	25
129948-12610	5	26
129948-12620	5	27
129948-12630	5	28
129948-12640	5	29
129948-12650	5	30
129948-12660	5	31
129948-13100	6	1
129948-18010	8	1 -1
129948-21610	9	8
129948-42100	13	2
129948-42240	13	15
129948-44760	13	17
129948-75030	20	1
129948-75060	20	1 -1
129949-18200	5	12
129949-18210	5	13
129949-49810	13	20
129951-01620	3	2
129953-12210	5	23
129953-12250	5	24
129953-25300	7	15
129953-26011	10	3
129953-35110	11	18
129953-39101	11	24
129953-39500	11	17
		23
129953-44710	13	16
129953-77300	23	13
129960-21640	9	9
129972-03220	4	78
129972-03230	4	79
129972-03240	4	77
129972-39080	12	1

Parts No. Index

Parts No.	Fig. No.	Ref. No.
144626-51090	14	9
158552-51570	14	54
158552-51571	14	54 -1
158552-51580	14	57
158552-51670	14	125
158552-51781	14	96
158552-52100	14	127
158552-52310	14	102
158552-52400	14	103
158552-52500	14	128
158553-51670	14	62
158553-51680	14	74
158553-61780	15	23
158557-51570	14	55
158557-61720	15	22
158560-51600	14	67
158560-61050	15	2
158563-51150	7	17
	14	12
158563-51281	14	19
		20
158563-51330	14	30
158600-51270	14	18
158601-51550	14	52
158601-51650	14	123
158601-51770	14	95
158601-51790	14	97
171051-01921	1	5
178070-10401	10	12
185100-50070	22	9
194521-41570	10	14
194990-22130	22	6
198461-52950	22	1
		2
22117-100000	6	27
22190-080002	12	5
		7
		16
		18
		22
	17	9
	21	32
22190-120002	13	32
	14	98
		105
		130
	21	38
22190-180002	14	99
22190-220002	3	9
	21	8

Parts No.	Fig. No.	Ref. No.
22190-300002	11	25
	21	30
22217-050000	14	131
22217-100000	6	28
22217-180000	7	18
	14	106
22252-000300	9	22
22252-000320	10	16
22312-050140	14	107
22351-030010	12	36
22351-050010	14	108
22351-060012	1	10
22512-070140	7	7
	9	6
22857-500100	4	64
22877-500080	20	12
		21
23000-019000	4	85
23000-025000	11	12
	12	27
23000-054000	5	15
23000-070000	5	16
23065-160250	4	86
23080-012000	13	45
		49
23414-080000	13	36
	21	40
23414-100000	12	8
	21	33
23414-120000	15	24
23857-030000	12	6
		17
23857-060000	14	135
23875-030000	13	24
		33
23876-020000	4	12
23876-030000	1	11
		12
		13
	4	13
		87
23887-120002	14	100
	15	25
24311-000070	2	10
	14	109
	21	5
	22	13
24311-000120	4	33
		66
	21	13

Parts No.	Fig. No.	Ref. No.
24311-000320	2	17
	4	67
	21	7
24321-000600	11	13
	21	29
24321-000700	11	26
	21	31
24341-000480	15	26
24341-000530	9	10
	21	27
24351-030750	2	11
	21	6
24356-010200	14	65
		110
24356-020210	14	111
24372-000150	14	66
24421-153207	10	17
25153-004500	13	15 -1
26014-080252	19	32
26016-080352	10	18
26023-040202	22	14
26106-060102	14	112
26106-060122	4	63
	14	132
	22	16
26106-060162	12	28
26106-060202	5	7
		8
	13	34
26106-060252	15	27
26106-060302	13	12
26106-060352	14	113
26106-080122	3	10
	4	88
	11	34
	12	9
		19
	13	37
		60
26106-080142	4	89
26106-080162	2	12
		20
		28
	4	3
	7	8
	13	18
26106-080202	2	13
	4	4
	14	138
26106-080252	15	28

Parts No.	Fig. No.	Ref. No.
26106-080302	14	139
26106-080352	6	13
26106-080402	2	21
		29
	4	50
	5	21
26106-080452	2	14
	5	10
	6	14
	23	19
26106-080552	6	15
	7	14
	13	13
	19	33
26106-080602	4	51
		52
	13	38
26106-080802	5	11
26106-080902	5	22
26106-081004	19	30
	23	17
26106-100252	6	16
	11	27
26106-100402	6	21
	19	25
26106-100652	6	29
	13	19
26106-101052	6	22
	23	11 -1
26116-050102	4	81
26116-101202	23	11
26116-120252	18	31
26206-100352	3	5
26216-060202	5	9
26216-080202	10	19
26216-100302	2	5
26226-080222	4	49
26306-080002	4	53
	6	17
	8	3
	10	20
	19	31
	23	18
26306-100002	2	15
	23	12
26366-060002	16	36
26450-100452	14	116
26706-100002	6	30
26716-050002	14	133
26776-180002	7	19

Parts No. Index

Parts No.	Fig. No.	Ref. No.
26776-180002	14	117
27241-160000	14	134
27241-300000	1	14
27241-400000	4	14
27310-070001	4	26
28110-100120	21	47
28110-140170	21	48
729900-02801	1	30
729906-01550	2	22
729927-22950	9	34
729928-01560	1	1
729928-22900	9	32
729928-53100	16	1
729928-53300	16	1 -1
729928-92600	21	1
729948-51300	14	1
729948-51320	14	1 -1
977770-1207F	21	44
X2240610100	18	23
X9490561001	19	2

Parts No.	Fig. No.	Ref. No.
-----------	----------	----------

Parts No.	Fig. No.	Ref. No.
-----------	----------	----------

Parts No.	Fig. No.	Ref. No.
-----------	----------	----------