

OCD10-M95601EN

P R E F A C E

This parts catalog is the 2nd edition of 3TNV88-BPYB, 3TNV88-BPYBT for KOBELCO CONSTRUCTION MACHINERY CO., LTD.

Published : February, 2016

Contents

OCD10-M95601

Fig. No. Fig. Name
3TNV88-BPYB/3TNV88-BPYBT

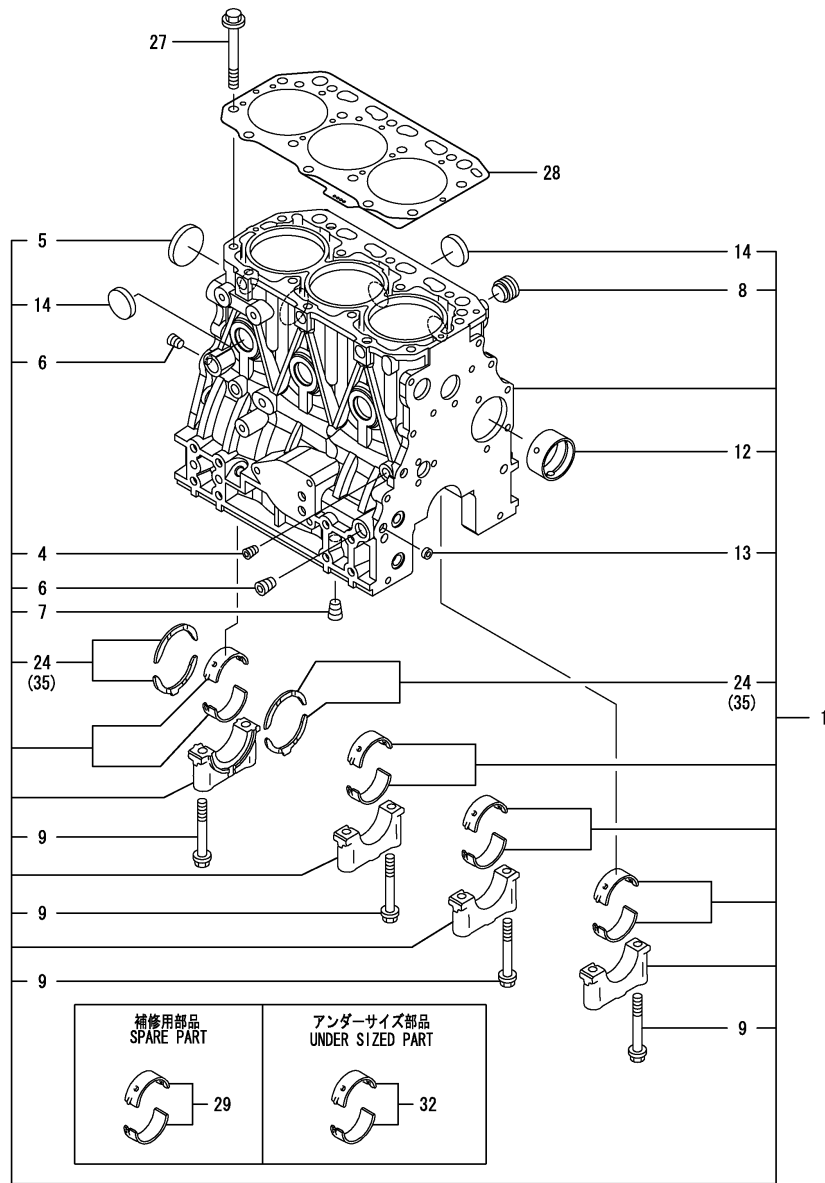
Fig. No. Fig. Name

1. CYLINDER BLOCK
2. GEAR HOUSING
3. FLYWHEEL HOUSING & OIL SUMP
4. CYLINDER HEAD & BONNET
5. SUCTION MANIFOLD
6. EXHAUST MANIFOLD
7. CAMSHAFT & DRIVING GEAR
8. CRANKSHAFT & PISTON
9. LUB. OIL SYSTEM
10. COOLING WATER SYSTEM
11. FUEL INJECTION PUMP
12. GOVERNOR
13. FUEL INJECTION VALVE
14. FUEL PIPE
15. STARTER MOTOR
16. GENERATOR
17. GASKET SET

Fig.1. CYLINDER BLOCK

(A)=3TNV88-BPYB
 (B)=3TNV88-BPYBT
 (C)=

(D)=
 (E)=
 (F)=



No.	Lev.	Parts No.	Description	Q'ty						I	R
				(A)	(B)	(C)	(D)	(E)	(F)		
1	1	729005-01560	BLOCK ASSY, CYLINDER	1	1						
4	2	124060-01050	PLUG, PT1/8	1	1						
5	2	129001-01250	PLUG, DISH TYPE 50	1	1						
6	2	124160-01910	PLUG, PT1/4	2	2						
7	2	124160-01910	PLUG, PT1/4	1	1						
8	2	171051-01921	PLUG, NPTF1	1	1						
9	2	129150-02020	BOLT, METAL CAP	8	8						
12	2	129795-02412	BUSH, CAMSHAFT	1	1						
13	2	27241-120000	PLUG, 12	2	2						
14	2	27241-300000	PLUG 30	6	6						
24	2	129150-02931	BEARING ASSY, THRUST	2	2						
27	1	129150-01200	BOLT, CYLINDER HEAD	14	14						
28	1	129001-01340	GASKET, HEAD	1	1						
29	1	129001-02931	BEARING ASSY, MAIN	4	4						1
32	1	129150-02871	BEARING ASSY, MAIN	4	4						2
35	1	129150-02941	BEARING, THRUST 0.25	1	1						3

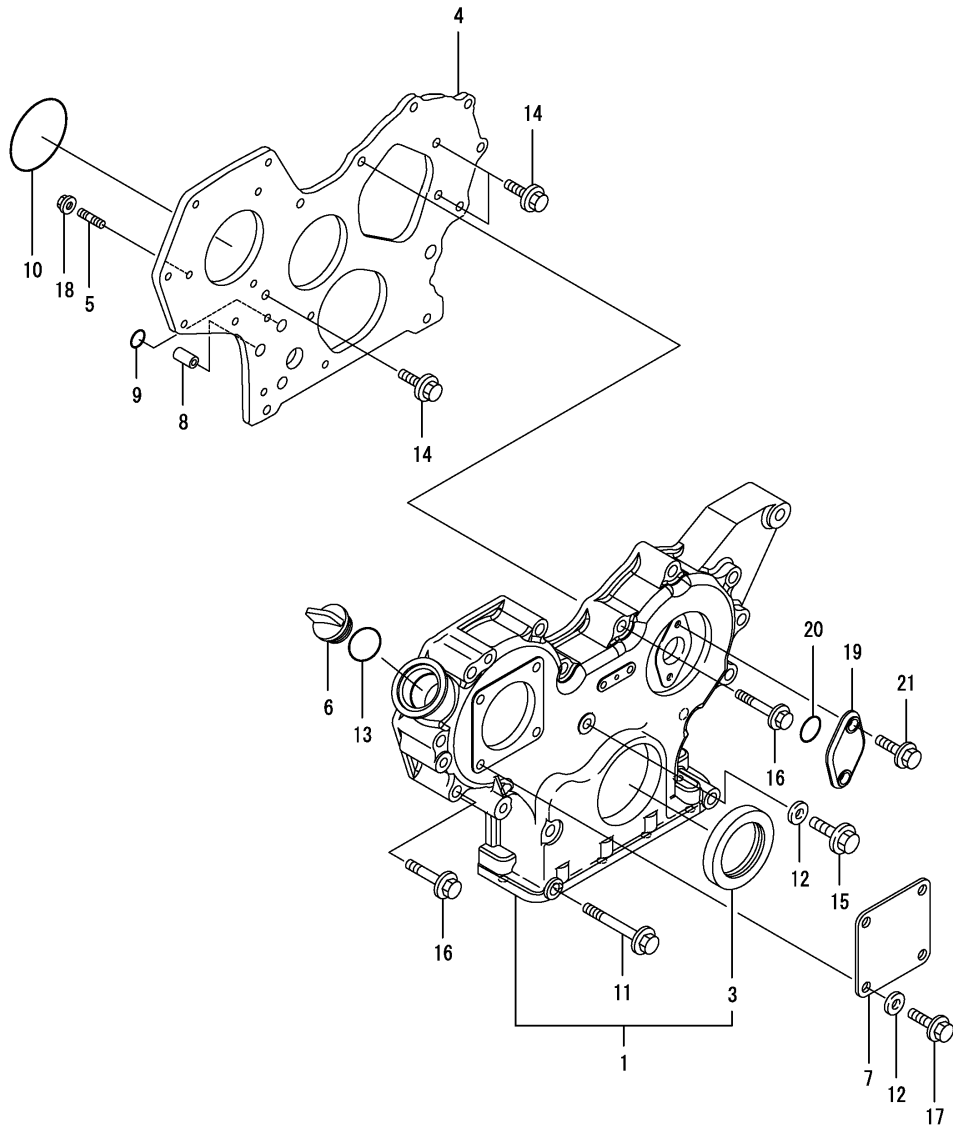
Remarks

- (1) Spare parts.
- (2) Under-sized (U.S.=0.25) parts.
- (3) Over-sized (O.S.=0.25) parts.

Fig.2. GEAR HOUSING

(A)=3TNV88-BPYB
(B)=3TNV88-BPYBT
(C)=

(D)=
(E)=
(F)=

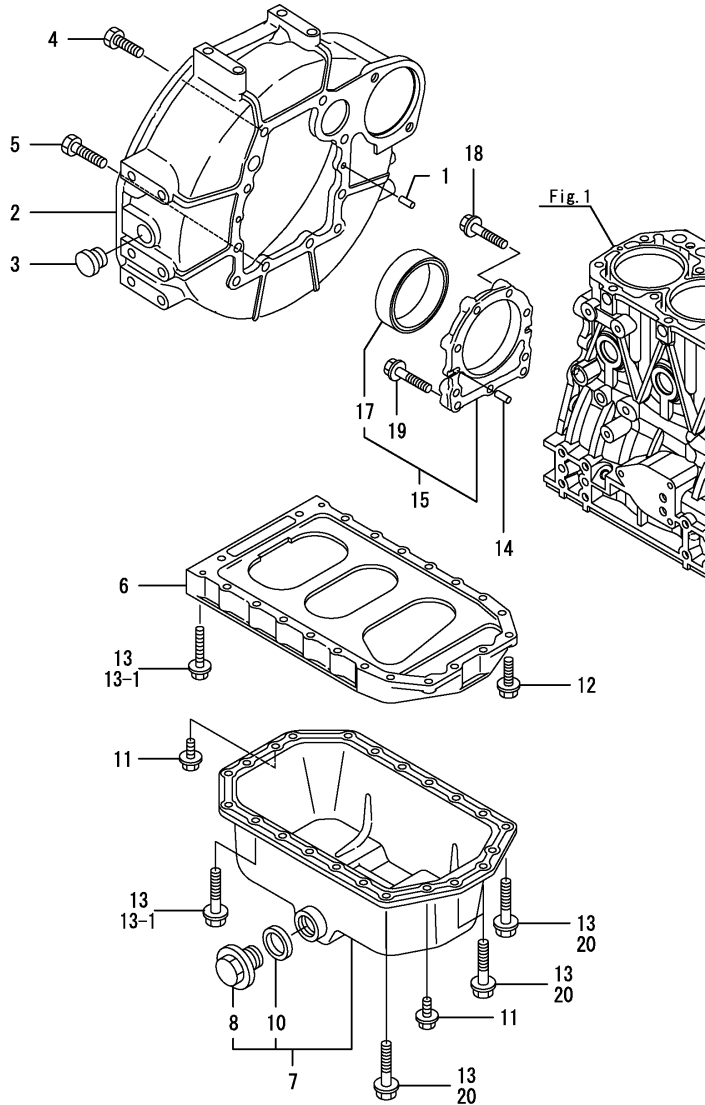


No.	Lev.	Parts No.	Description	Q'ty						I	R
				(A)	(B)	(C)	(D)	(E)	(F)		
1	1	729630-01500	CASE ASSY, GEAR	1	1						
3	2	119934-01800	SEAL, OIL	1	1						
4	1	119803-01520	FLANGE, GEAR CASE	1	1						
5	1	119802-01561	BOLT, STUD M8X25	3	3						
6	1	124160-01751	CAP, FILLER	1	1						
7	1	124240-01871	COVER, PUMP	1	1						
8	1	129795-01950	PIPE, DOWEL L=18	2	2						
9	1	119609-32040	O-RING, P16	2	2						
10	1	121850-51960	O-RING	1	1						
11	1	129001-91841	BOLT, M8X87	3							
11-1	1	26106-080852	BOLT, M8X 85 PLATED	3	3						R
(A=EA4252)											
12	1	22190-080002	WASHER, SEAL 8	5	5						
13	1	24311-000320	O-RING, 1AP32.0	1	1						
14	1	26106-080162	BOLT, M8X 16 PLATED	3	3						
15	1	26106-080302	BOLT, M8X 30 PLATED	1	1						
16	1	26106-080552	BOLT, M8X 55 PLATED	12	12						
17	1	26106-080162	BOLT, M8X 16 PLATED	4	4						
18	1	26306-080002	NUT, M8	3	3						
19	1	121023-01551	COVER	1	1						
20	1	24341-000240	O-RING, 1AS24.0	1	1						
21	1	26106-060162	BOLT, M6X 16 PLATED	2	2						

Fig.3. FLYWHEEL HOUSING & OIL SUMP

(A)=3TNV88-BPYB
(B)=3TNV88-BPYBT
(C)=

(D)=
(E)=
(F)=

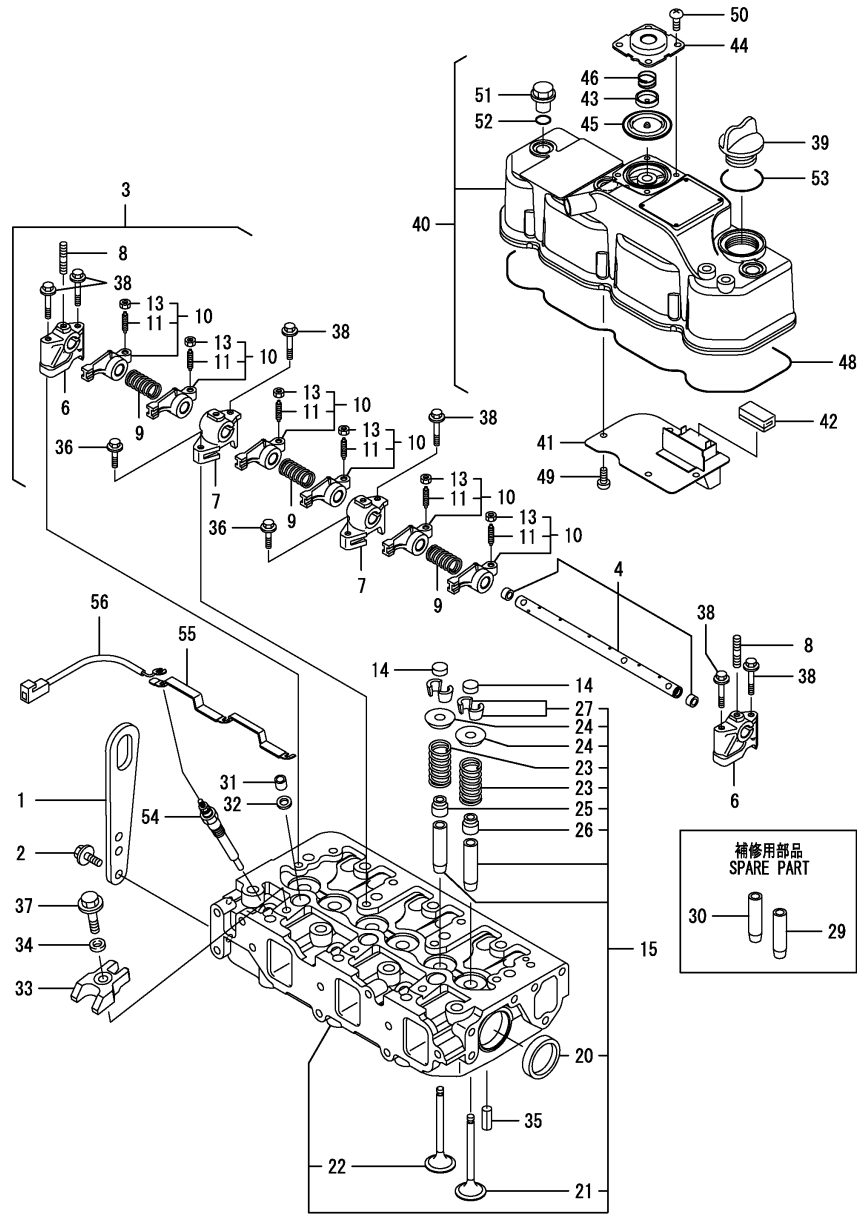


No.	Lev.	Parts No.	Description	Q'ty						I	R
				(A)	(B)	(C)	(D)	(E)	(F)		
1	1	129100-01580	PIN, PARALLEL 8X16	2	2						
2	1	129612-01600	HOUSING, FLYWHEEL	1	1						
3	1	119620-01750	CAP	1	1						
4	1	26206-100252	BOLT, M10X 25 PLATED	6	6						
5	1	26206-100302	BOLT, M10X 30 PLATED	4	4						
6	1	129100-01730	SPACER, OIL-PAN	1	1						
7	1	129100-01760	OIL PAN ASSY	1	1						
8	2	119640-01640	PLUG, DRAIN M22	1	1						
10	2	22190-220002	WASHER, SEAL 22	1	1						
11	1	26106-080162	BOLT, M8X 16 PLATED	4	4						
12	1	26106-080252	BOLT, M8X 25 PLATED	2	2						
13	1	26106-080452	BOLT, M8X 45 PLATED	20							
13-1	1	26106-080452	BOLT, M8X 45 PLATED	16	16						K
		(A=E62935)									
14	1	129100-01580	PIN, PARALLEL 8X16	2	2						
15	1	129100-01640	CASE ASSY, OIL SEAL	1	1						
17	2	129795-01780	SEAL, OIL	1	1						
18	1	129486-01670	BOLT, M8X30	6	6						
19	1	26106-080352	BOLT, M8X 35 PLATED	3	3						
20	1	26106-080502	BOLT, M8X 50 PLATED	4	4						W
		(A=E62935)									

Fig.4. CYLINDER HEAD & BONNET

(A)=3TNV88-BPYB
(B)=3TNV88-BPYBT
(C)=

(D)=
(E)=
(F)=



No.	Lev.	Parts No.	Description	Q'ty						I	R
				(A)	(B)	(C)	(D)	(E)	(F)		
1	1	129900-07900	LIFTER, ENGINE	1	1						
2	1	26106-080142	BOLT, M8X 14 PLATED	2	2						
3	1	129004-11241	SHAFT ASSY, ROCKER	1	1						
4	2	129004-11251	SHAFT, ROCKER ARM	1	1						
6	2	119802-11260	SUPPORT, ROCKER ARM	2	2						
7	2	119802-11270	SUPPORT, ROCKER ARM	2	2						
8	2	119802-11280	BOLT, STUD	3	3						
9	2	129150-11280	SPRING, ROCKER	3	3						
10	2	129004-11650	ARM ASSY, ROCKER	6	6						
11	3	129150-11230	SCREW, VALVE ADJUST	6	6						
13	3	129150-11750	NUT, M8	6	6						
14	1	129150-11370	CAP, VALVE	6	6						
15	1	129008-11700	HEAD ASSY, CYLINDER	1	1						
20	2	27241-400000	PLUG, 40	2	2						
21	2	129005-11100	VALVE, SUCTION	3	3						
22	2	129100-11112	VALVE, EXHAUST	3	3						
23	2	129795-11120	SPRING, VALVE	6	6						
24	2	129795-11180	RETAINER, SPRING	6	6						
25	2	121400-11340	SEAL, VALVE STEM	3	3						
26	2	124460-11340	SEAL, VALVE STEM	3	3						
27	2	27310-080001	COTTER, 8	6	6						
29	1	120130-11860	GUIDE, VALVE	3	3						1
30	1	129150-11810	GUIDE, VALVE	3	3						1
31	1	119802-11870	PROTECTOR, NOZZLE	3	3						
32	1	119625-11880	SEAT, NOZZLE	3	3						
33	1	129004-11900	RETAINER, NOZZLE	3	3						
34	1	120270-54410	WASHER, INJECTOR	3	3						
35	1	22351-060012	PIN, SPRING 6.0X12	2	2						
36	1	26106-080252	BOLT, M8X 25 PLATED	2	2						
37	1	26106-080352	BOLT, M8X 35 PLATED	3	3						
38	1	26106-080502	BOLT, M8X 50 PLATED	6	6						
39	1	124160-01751	CAP, FILLER	1	1						
40	1	129004-11350	BONNET ASSY, HEAD	1	1						
41	2	129004-03010	PLATE, BAFFLE	1	1						
42	2	129150-03070	BAFFLE, BREATHER	1	1						
43	2	119802-03110	PLATE, DIAPHRAGM	1	1						
44	2	119802-03121	COVER, DIAPHRAGM	1	1						
45	2	119802-03130	DIAPHRAGM	1	1						
46	2	119802-03141	SPRING, DIAPHRAGM	1	1						
48	2	129004-11310	GASKET, BONNET	1	1						
49	2	22857-500100	SCREW, 5X10	4	4						
50	2	22857-500100	SCREW, 5X10	4	4						
51	1	124160-11360	KNOB	3	3						
52	1	24311-000120	O-RING, 1AP12.0	3	3						
53	1	24311-000320	O-RING, 1AP32.0	1	1						
54	1	129008-77800	PLUG, GLOW	3	3						
55	1	129008-77820	CONNECTOR, GLOW PLUG	1	1						
56	1	119803-77830	HARNES, WIRE	1	1						

Remarks

(1) Spare parts.

N:Old $\xrightarrow{\text{Yes}}$ New, Q:Old $\xrightarrow{\text{No}}$ New, R:Old $\xrightarrow{\text{Yes}}$ New, S:Old $\xrightarrow{\text{No}}$ New, W:Add, Z:Discontinued, F:Interchangeable by set, K:Q'ty Change

Fig.5. SUCTION MANIFOLD

(A)=3TNV88-BPYB
 (B)=3TNV88-BPYBT
 (C)=

(D)=
 (E)=
 (F)=

No.	Lev.	Parts No.	Description	Q'ty						I	R
				(A)	(B)	(C)	(D)	(E)	(F)		
1	1	129005-03080	HOSE ASSY, BREATHER	1	1						
2	2	129410-03990	CLAMP, HOSE 21.5	2	2						
3	1	129005-12100	MANIFOLD, AIR INTAKE	1							
3-1	1	129005-12101 (A=E88102)	MANIFOLD, AIR INTAKE	1	1						R
4	1	129001-12110	GASKET, MANIFOLD	1	1						
5	1	26106-080202	BOLT, M8X 20 PLATED	4	4						
6	1	26106-080802	BOLT, M8X 80 PLATED	1	1						
7	1	129150-77511	GASKET, AIR HEATER	1	1						
8	1	119803-77520	BEND, AIR HEATER	1	1						
9	1	26106-080202	BOLT, M8X 20 PLATED	2	2						
10	1	26106-080802	BOLT, M8X 80 PLATED	2	2						

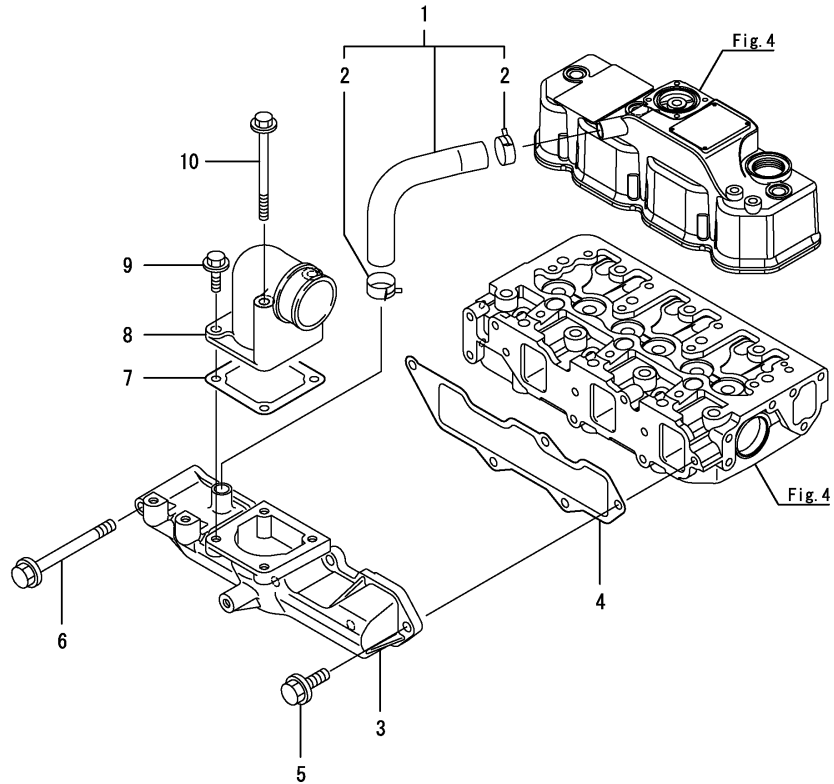
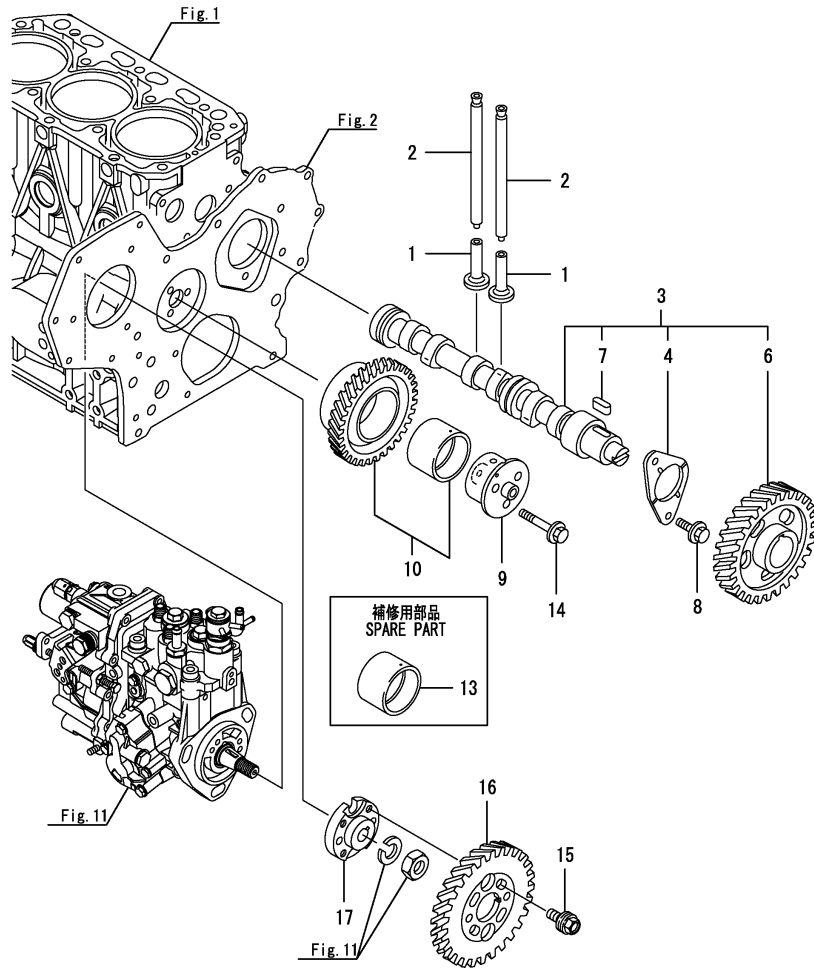


Fig.7. CAMSHAFT & DRIVING GEAR

(A)=3TNV88-BPYB
 (B)=3TNV88-BPYBT
 (C)=

(D)=
 (E)=
 (F)=



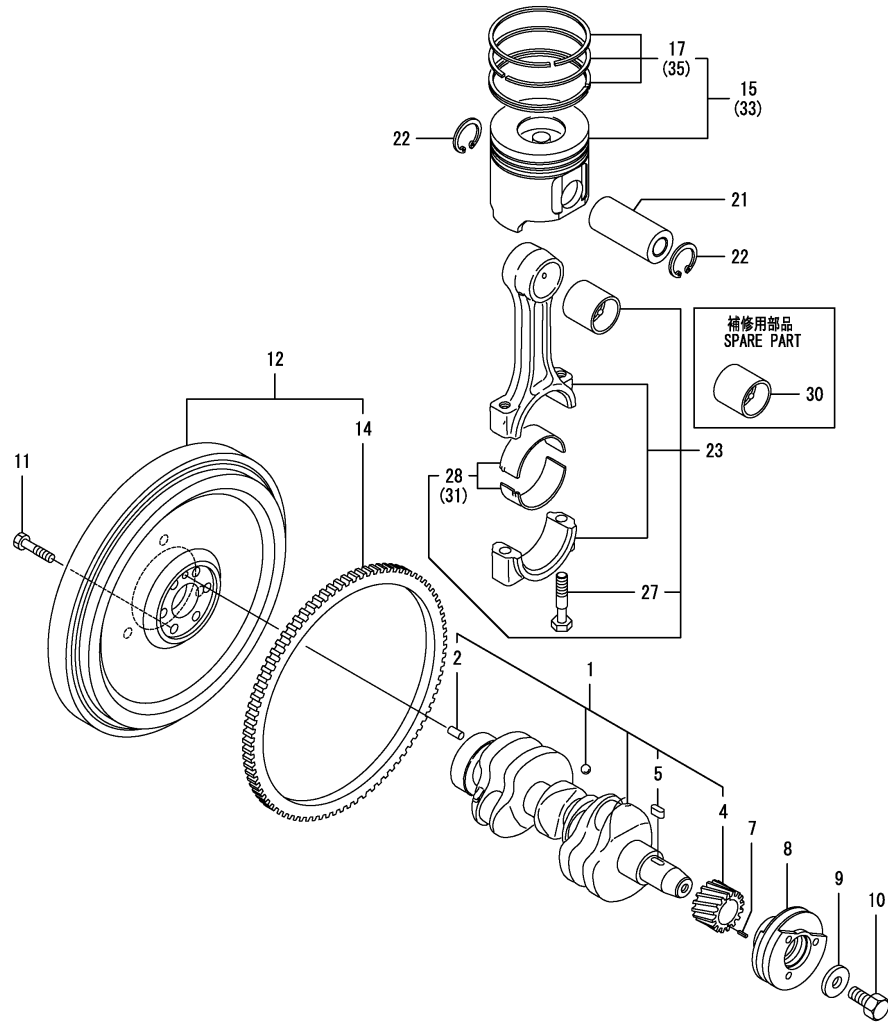
No.	Lev.	Parts No.	Description	Q'ty						I	R
				(A)	(B)	(C)	(D)	(E)	(F)		
1	1	129150-14200	TAPPET	6	6						
2	1	129150-14400	PUSH-ROD, L=178	6	6						
3	1	129129-14580	CAMSHAFT ASSY	1	1						
4	2	129150-02450	BEARING, THRUST	1	1						
6	2	129150-14101	GEAR, CAMSHAFT	1	1						
7	2	22512-070140	KEY, 7X 14	1	1						
8	1	26106-080142	BOLT, M8X 14 PLATED	2	2						
9	1	119803-25050	SHAFT, IDLE	1	1						
10	1	119802-25101	GEAR ASSY, IDLE	1	1						
13	1	119802-25071	BUSH, IDLE GEAR	1	1						1
14	1	26106-080402	BOLT, M8X 40 PLATED	3	3						
15	1	129150-25301	BOLT	4	4						
16	1	119802-25901	GEAR, PUMP	1	1						
17	1	158552-51151	FLANGE	1	1						

Remarks
 (1) Spare parts.

Fig.8. CRANKSHAFT & PISTON

(A)=3TNV88-BPYB
 (B)=3TNV88-BPYBT
 (C)=

(D)=
 (E)=
 (F)=



No.	Lev.	Parts No.	Description	Q'ty						I	R
				(A)	(B)	(C)	(D)	(E)	(F)		
1	1	129008-21000	CRANKSHAFT ASSY	1	1						
2	2	129100-01580	PIN, PARALLEL 8X16	1	1						
4	2	119803-21200	GEAR, CRANKSHAFT	1	1						
5	2	22512-070140	KEY, 7X 14	1	1						
7	1	22351-030010	PIN, SPRING 3.0X10	1	1						
8	1	129004-21650	V-PULLEY, CRANK 110	1	1						
9	1	129795-21661	WASHER	1	1						
10	1	121850-21680	BOLT	1	1						
11	1	121111-21501	BOLT, FLYWHEEL	6	6						
12	1	129128-21590	FLYWHEEL ASSY	1	1						
14	2	119865-21600	GEAR, RING Z=116	1	1						
15	1	129005-22080	PISTON ASSY	3	3						
17	2	129005-22500	RING SET, PISTON	3	3						
21	1	129202-22300	PIN, PISTON D26 L70	3	3						
22	1	22252-000260	RING, 26	6	6						
23	1	729402-23100	ROD ASSY, CONNECTING	3	3						
27	2	121550-23200	BOLT, CONNECTING ROD	6	6						
28	2	129150-23601	BEARING, CRANK PIN	3	3						
30	1	129100-23910	BEARING, PISTON PIN	3	3						1
31	1	129150-23611	BEARING, 0.25 US	3	3						2
33	1	129005-22900	PISTON ASSY, 0.25 OS	3	3						3
35	2	129005-22950	RING SET, 0.25 OS	3	3						3

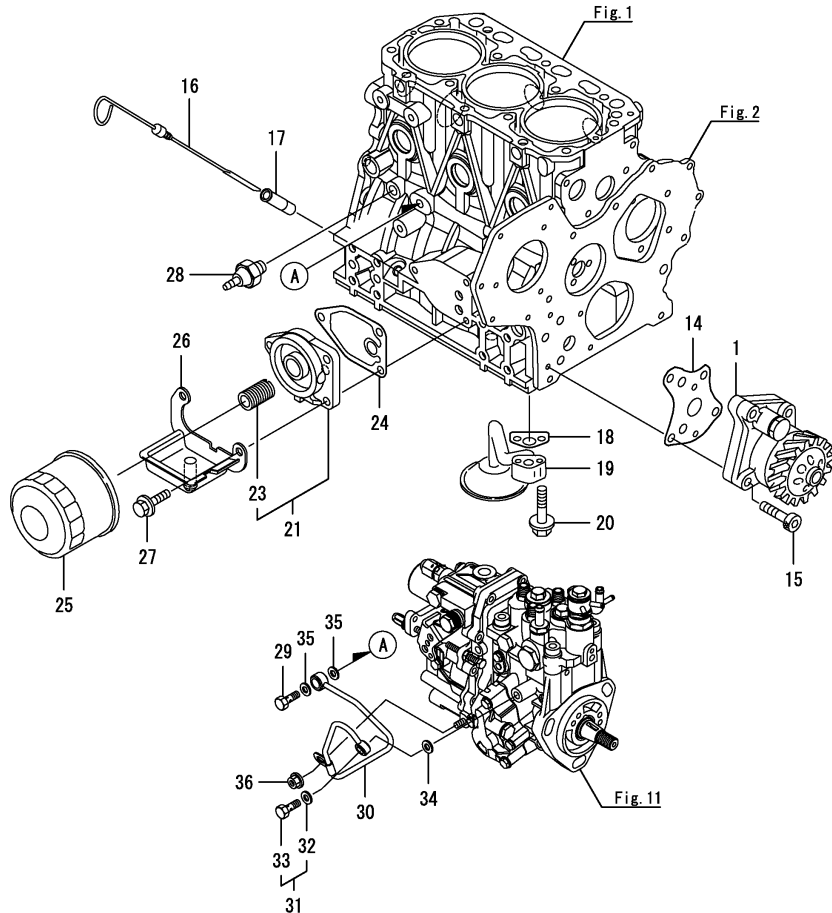
Remarks

- (1) Spare parts.
- (2) Under-sized (U.S.=0.25) parts.
- (3) Over-sized (O.S.=0.25) parts.

Fig.9. LUB. OIL SYSTEM

(A)=3TNV88-BPYB
(B)=3TNV88-BPYBT
(C)=

(D)=
(E)=
(F)=



No.	Lev.	Parts No.	Description	Q'ty						I	R
				(A)	(B)	(C)	(D)	(E)	(F)		
1	1	129001-32001	PUMP ASSY, OIL	1	1						
1-1	1	129001-32002	PUMP ASSY, OIL	1	1						N
		(A=EM1144) (B=EM1192)									
14	1	129150-32020	GASKET, PUMP	1	1						
15	1	26450-060252	BOLT, M6X 25	4	4						
16	1	129004-34802	DIPSTICK	1	1						
17	1	121520-34810	GUIDE, DIPSTICK	1	1						
18	1	129150-35042	GASKET	1	1						
19	1	129100-35301	PIPE ASSY, OIL INLET	1	1						
20	1	26106-080352	BOLT, M8X 35 PLATED	2	2						
21	1	119802-35100	BRACKET ASSY, FILTER	1	1						
23	2	129100-35140	BOLT, STUD	1	1						
24	1	129150-35111	GASKET	1	1						
25	1	129150-35153	FILTER ASSY, D80X80L	1	1						1
26	1	129240-35800	SUMP, OIL	1	1						
27	1	26106-080202	BOLT, M8X 20 PLATED	3	3						
28	1	114250-39450	SWITCH, HYDRAULIC	1	1						
29	1	124160-39140	BOLT, PIPE JOINT M10	1	1						
30	1	119802-39450	PIPE ASSY, OIL	1	1						
31	1	129005-59830	BOLT ASSY, JOINT M8	1	1						
32	2	22190-080002	WASHER, SEAL 8	1	1						
33	2	23857-030000	BOLT, JOINT 3	1	1						
34	1	22190-080002	WASHER, SEAL 8	1	1						
35	1	22190-100002	WASHER, SEAL 10	2	2						
36	1	26366-060002	NUT, M6	1	1						

Remarks

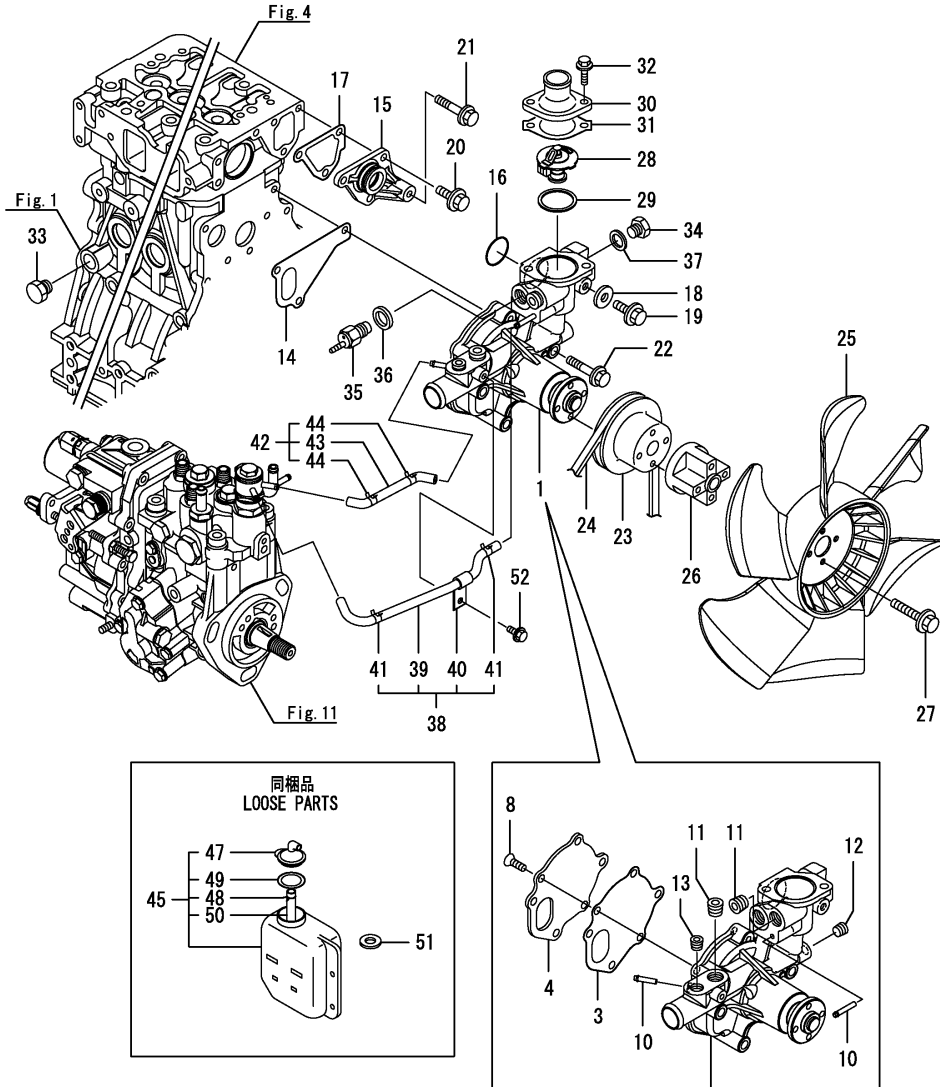
(1) Spare parts.

N:Old $\xrightarrow{\text{Yes}}$ New, Q:Old $\xrightarrow{\text{No}}$ New, R:Old $\xrightarrow{\text{Yes}}$ New, S:Old $\xrightarrow{\text{No}}$ New, W:Add, Z:Discontinued, F:Interchangeable by set, K:Q'ty Change

Fig.10. COOLING WATER SYSTEM

(A)=3TNV88-BPYB
(B)=3TNV88-BPYBT
(C)=

(D)=
(E)=
(F)=

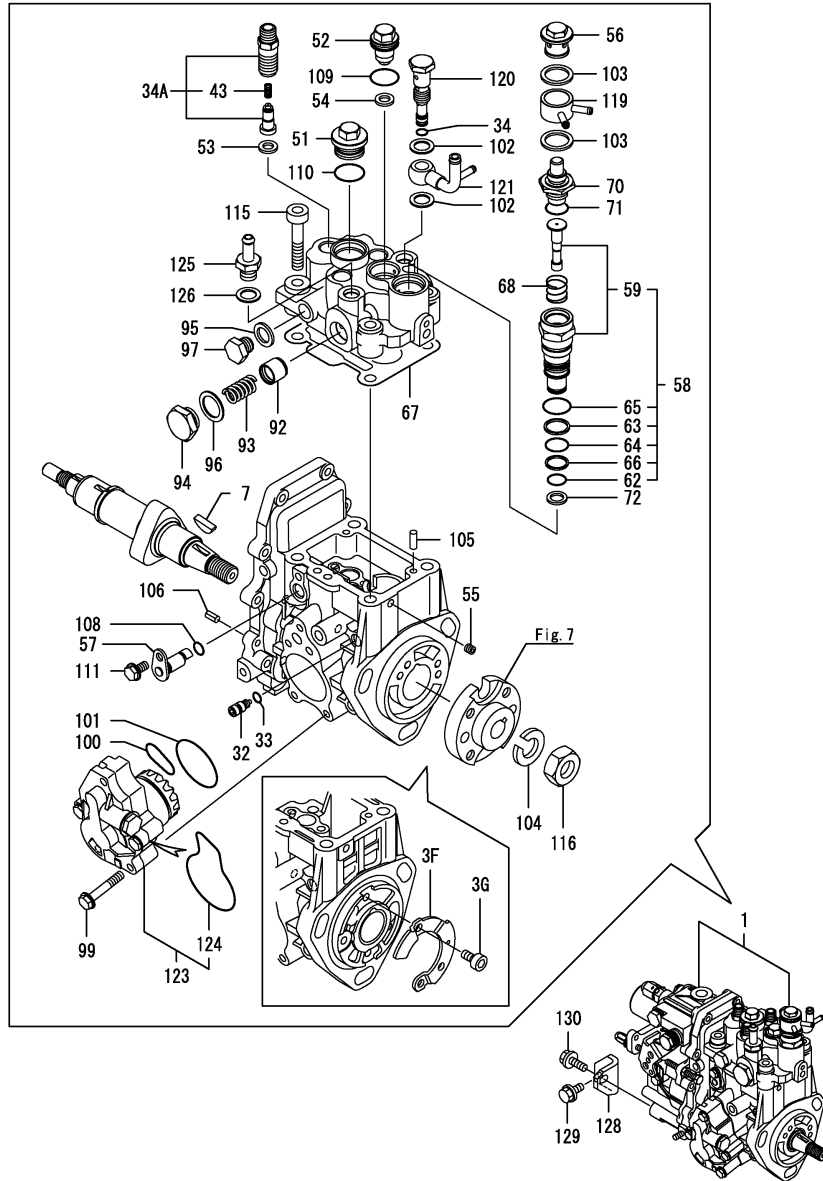


No.	Lev.	Parts No.	Description	Q'ty						I	R
				(A)	(B)	(C)	(D)	(E)	(F)		
1	1	129242-42000	PUMP ASSY, WATER	1	1						
3	2	129100-42051	GASKET, WATER PUMP	1	1						
4	2	129100-42121	PLATE, PUMP	1	1						
8	2	121850-42410	SCREW	3							
8-1	2	26577-060142	SCREW M 6X 14	3	3						N
(A=EB5951)											
10	2	119802-49113	JOINT, PIPE	2	2						
11	2	129916-49740	PLUG, R3/8	2	2						
12	2	23876-010000	PLUG, R01	1	1						
13	2	23876-020000	PLUG, R02	1							
13-1	2	23875-020000	PLUG, R02	1	1						N
(A=EB5951)											
14	1	129486-42021	GASKET, WATER PUMP	1	1						
15	1	129004-42040	JOINT	1	1						
16	1	129486-42140	O-RING, G30	1	1						
17	1	124395-49840	GASKET, THERMOSTAT	1	1						
18	1	23414-080000	GASKET, 8X1.0	1	1						
19	1	26106-080122	BOLT, M8X 12 PLATED	1	1						
20	1	26106-080162	BOLT, M8X 16 PLATED	3	3						
21	1	26106-080452	BOLT, M8X 45 PLATED	1	1						
22	1	26106-080602	BOLT, M8X 60 PLATED	3	3						
23	1	129155-42350	V-PULLEY, C.W.PUMP	1	1						
24	1	129612-42350	V-BELT, A38	1	1						
25	1	171340-44740	FAN, COOLING D335XNF	1	1						
26	1	171353-44760	SPACER, FAN	1	1						
27	1	26106-060402	BOLT, M6X 40 PLATED	4	4						
28	1	129155-49801	THERMOSTAT, 71C	1	1						
29	1	129150-49811	GASKET, THERMOSTAT	1	1						
30	1	129350-49530	COVER, THERMOSTAT	1	1						
31	1	129795-49551	GASKET	1	1						
32	1	26106-080222	BOLT, M8X 22 PLATED	2	2						
33	1	171056-49120	PLUG, DRAIN R1/4	1	1						
34	1	121450-42450	PLUG, M16	1	1						
35	1	121250-44901	SWITCH, THERMO 110	1	1						
36	1	124465-44950	GASKET, 16	1	1						
37	1	124465-44950	GASKET, 16	1	1						
38	1	129004-49610	HOSE ASSY, WATER	1	1						
39	2	129004-49711	HOSE, WATER	1	1						
40	2	119802-49730	RETAINER, PIPE	1	1						
41	2	124722-59050	CLAMP, HOSE 9	2	2						
42	1	129004-49620	HOSE ASSY, WATER	1	1						
43	2	129004-49721	HOSE, WATER	1	1						
44	2	124722-59050	CLAMP, HOSE 9	2	2						
45	1	121468-44520	TANK ASSY, SUB	1	1						
47	2	121450-44531	CAP	1	1						
48	2	124450-44560	CLAMP, HOSE	1	1						
49	2	121470-44581	GASKET	1	1						
50	2	23065-070130	PIPE, 7X 130	1	1						
51	1	129150-49360	GASKET	1	1						
52	1	26106-060122	BOLT, M6X 12 PLATED	1	1						

Fig.11. FUEL INJECTION PUMP

(A)=3TNV88-BPYB
(B)=3TNV88-BPYBT
(C)=

(D)=
(E)=
(F)=



No.	Lev.	Parts No.	Description	Q'ty						I	R
				(A)	(B)	(C)	(D)	(E)	(F)		
1	1	729236-51320	PUMP ASSY, INJECTION	1							1
1-1	1	729236-51321 (A=EA3556)	PUMP ASSY, INJECTION	1							N 1
1-2	1	729236-51500 (A=EB5018)	PUMP ASSY, INJECTION	1	1						F 1
3F	2	129008-51900 (A=EB4028)	COVER, PUMP	1	1						W
3G	2	129008-51920 (A=EB4028)	BOLT, SOCKET M6X10	2	2						W
7	2	119802-51090	FEATHER KEY, 4X16	1	1						
32	2	158600-51270	STOPPER, TAPPET	1	1						
33	2	158563-51281	O-RING, 4D S6	1	1						
34	2	158563-51281	O-RING, 4D S6	1	1						
34A	2	129008-51390	VALVE ASSY, DELIVERY	3	3						
43	3	158563-51330	SPRING, DELIVERY	3	3						
51	2	158601-51550	PLUG, M22	1	1						
52	2	119802-51560	PLUG, M14	1	1						
53	2	158552-51570	GASKET, PLUG	3							
53-1	2	158552-51571 (A=E90712)	GASKET, PLUG	3	3						R
54	2	158552-51570	GASKET, PLUG	1							
54-1	2	158552-51571 (A=E90712)	GASKET, PLUG	1	1						R
55	2	158557-51570	PLUG, RACK	1	1						
56	2	158601-51570	PLUG	1	1						
57	2	158552-51580	LIFTER, LINK	1	1						
58	2	119802-51590	TIMER ASSY	1	1						
59	3	119802-51600	TIMER ASSY	1	1						
62	3	158553-51670	O-RING	1	1						
63	3	119802-51680	RING, BACKUP	1	1						
64	3	119802-51690	O-RING	1	1						
65	3	24356-190200	O-RING, 4D19020	1	1						
66	3	24372-000150	RING, BACK UP T2P15	1	1						
67	2	158552-51600	GASKET	1	1						
68	2	158553-51630	SPRING, TIMER	1	1						
70	2	158553-51640	THERMOELEMENT	1							
70-1	2	158553-51650 (A=EA3556)	THERMOELEMENT	1	1						N
71	2	158553-51660	O-RING, P14	1	1						
72	2	158553-51680	GASKET, TIMER	1	1						
92	2	158601-51770	PISTON, ACCUMLATOR	1	1						
93	2	158552-51781	SPRING, ACCUMULATOR	1	1						
94	2	158601-51790	PLUG	1	1						
95	2	22190-120002	WASHER, SEAL 12	1	1						
96	2	22190-180002	WASHER, SEAL 18	1	1						
97	2	23887-120002	PLUG, 12	1							
97-1	2	158553-51930 (A=EA8403)	PLUG, M12	1	1						R
99	2	158553-51770	BOLT	4	4						
100	2	158552-52310	O-RING	1							
100-1	2	158552-52311	O-RING	1	1						R

Remarks

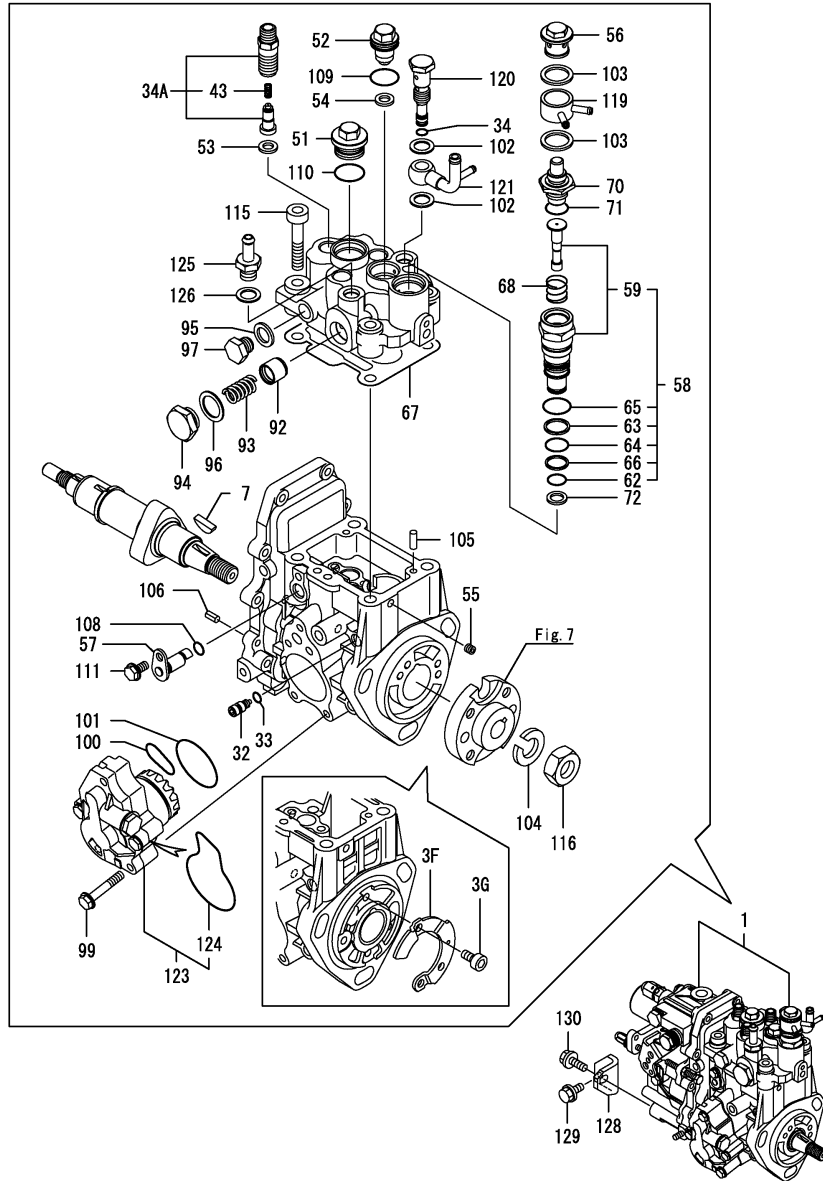
(1)Governor(Fig.12) is incorporated in this Fuel Injection Pump(No.1).

(1)No.1-2 is interchangeable with a set of Fig.13 No.1-2.

Fig.11. FUEL INJECTION PUMP

(A)=3TNV88-BPYB
 (B)=3TNV88-BPYBT
 (C)=

(D)=
 (E)=
 (F)=



No.	Lev.	Parts No.	Description	Q'ty						I	R
				(A)	(B)	(C)	(D)	(E)	(F)		
(A=EB6423)											
101	2	158552-52400	O-RING, 4E S42	1	1						
102	2	22190-120002	WASHER, SEAL 12	2	2						
103	2	22190-180002	WASHER, SEAL 18	2	2						
104	2	22217-140000	WASHER, SPRING 14	1	1						
105	2	22312-050140	PIN, PARALLEL 5X14	2	2						
106	2	22351-050010	PIN, SPRING 5.0X10	2	2						
108	2	24311-000070	O-RING, 1AP7.0	1	1						
109	2	24356-190180	O-RING, 4D19018	1	1						
110	2	24356-190200	O-RING, 4D19020	1	1						
111	2	26106-060102	BOLT, M6X 10 PLATED	1	1						
115	2	26450-080452	BOLT, M8X 45	4	4						
116	2	26776-140002	NUT, LOCK M14	1	1						
119	2	158553-51551	JOINT, COOLING WATER	1	1						
120	2	158601-51650	JOINT, OVER FLOW	1	1						
121	2	158552-51670	JOINT, OVER FLOW	1	1						
123	2	158552-52100	PUMP ASSY, FUEL FEED	1	1						
124	3	158552-52500	O-RING	1	1						
125	2	11934-59910	JOINT, PIPE	1	1						
126	2	22190-120002	WASHER, SEAL 12	1	1						
128	1	119802-51250	RETAINER, PUMP	1	1						
129	1	26106-080162	BOLT, M8X 16 PLATED	1	1						
130	1	26106-080202	BOLT, M8X 20 PLATED	1	1						

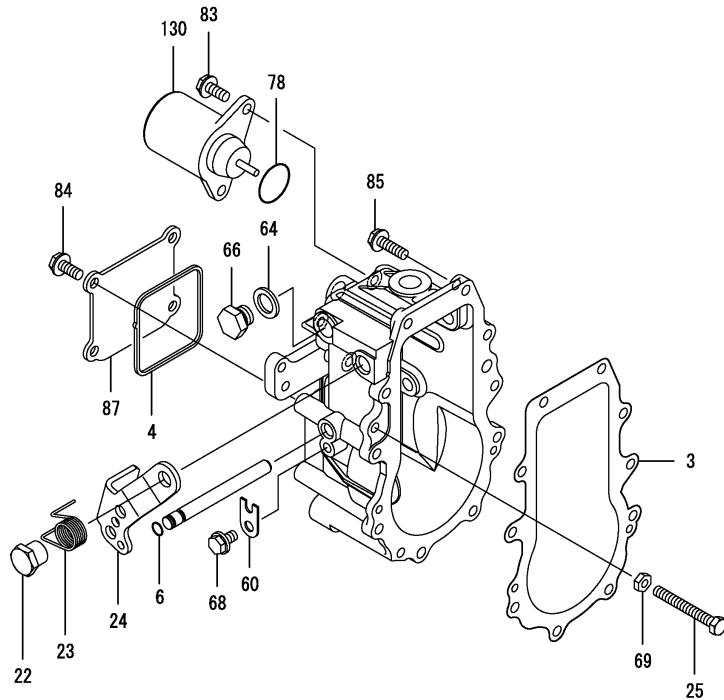
Remarks

- (1)Governor(Fig.12) is incorporated in this Fuel Injection Pump(No.1).
- (1)No.1-2 is interchangeable with a set of Fig.13 No.1-2.

Fig.12. GOVERNOR

(A)=3TNV88-BPYB
(B)=3TNV88-BPYBT
(C)=

(D)=
(E)=
(F)=



No.	Lev.	Parts No.	Description	Q'ty						I	R
				(A)	(B)	(C)	(D)	(E)	(F)		
3	2	158553-61050	GASKET	1	1						
4	2	158553-61070	GASKET	1	1						
6	2	129155-51280	O-RING, S6	1	1						
22	2	129255-61410	NUT, M8	1	1						
23	2	119807-61420	SPRING, RETURN	1	1						
24	2	158552-61441	LEVER, REGULATOR	1	1						
25	2	129155-61460	BOLT, LIMITING	1	1						
60	2	119660-61901	STOPPER, SHAFT	1	1						
64	2	22190-120002	WASHER, SEAL 12	1	1						
66	2	23887-120002	PLUG, 12	1							
66-1	2	158553-51930	PLUG, M12	1	1						R
(A=EA8403)											
68	2	26106-060102	BOLT, M6X 10 PLATED	1	1						
69	2	26756-060002	NUT, LOCK M6	1	1						
78	2	158552-61900	O-RING	1	1						
83	2	26106-060142	BOLT, M6X 14 PLATED	2	2						
84	2	26106-060142	BOLT, M6X 14 PLATED	4	4						
85	2	26106-060202	BOLT, M6X 20 PLATED	10	10						
87	2	129642-61060	COVER, GOVERNOR CASE	1	1						
130	2	119233-77932	SOLENOID, STOP	1	1						

Remarks

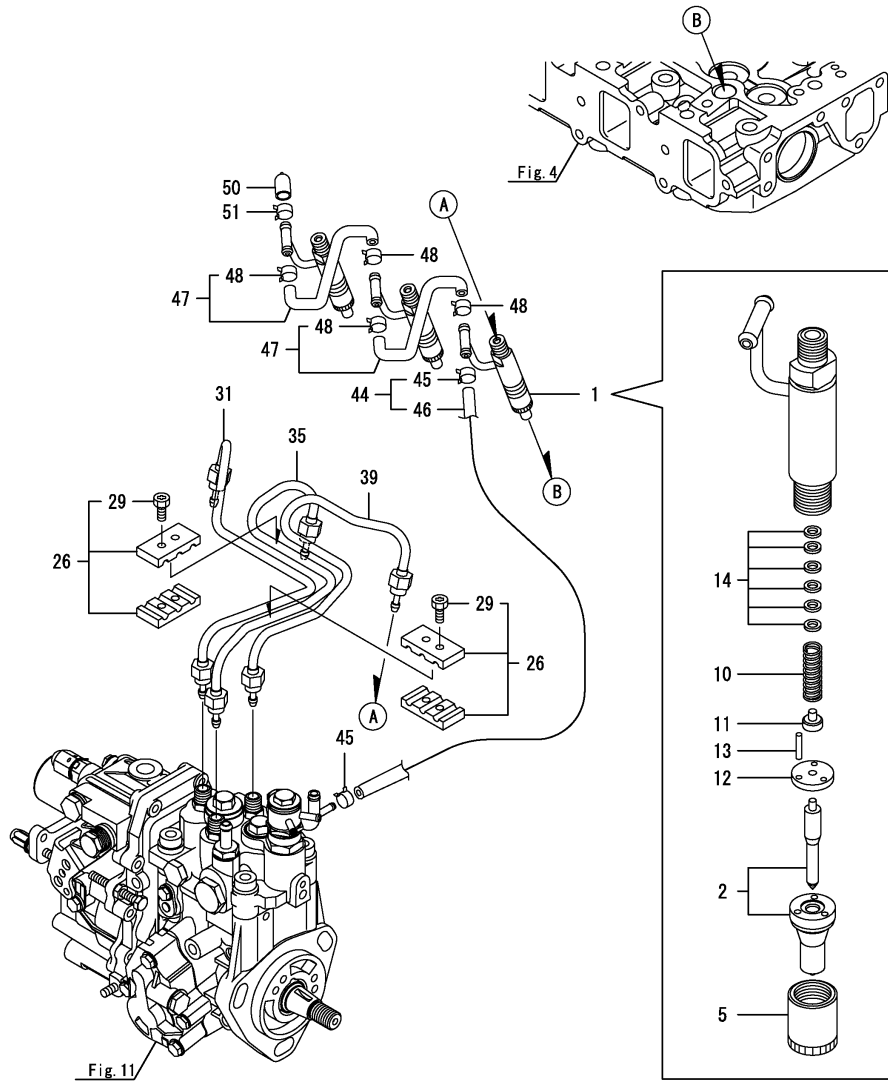
* This figure(Governor) is incorporated in the Fuel Injection Pump(Fig.11).

N:Old $\xrightarrow{\text{Yes}}$ New, Q:Old $\xrightarrow{\text{No}}$ New, R:Old $\xrightarrow{\text{Yes}}$ New, S:Old $\xrightarrow{\text{No}}$ New, W:Add, Z:Discontinued, F:Interchangeable by set, K:Q'ty Change

Fig.13. FUEL INJECTION VALVE

(A)=3TNV88-BPYB
(B)=3TNV88-BPYBT
(C)=

(D)=
(E)=
(F)=



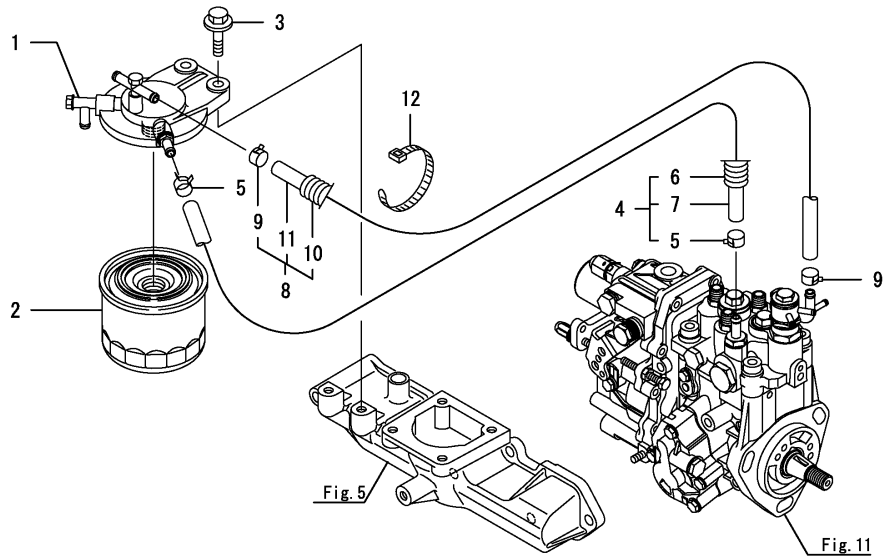
No.	Lev.	Parts No.	Description	Q'ty						I	R
				(A)	(B)	(C)	(D)	(E)	(F)		
1	1	729008-53100	VALVE ASSY,INJECTION	3							
1-1	1	729604-53100	FUEL INJECTOR ASSY	3							N
		(A=E62935)									
1-2	1	729604-53300	FUEL INJECTOR ASSY	3	3						S 1
		(A=EB5018)									
2	2	129008-53000	VALVE ASSY,INJECTION	3							
2-1	2	129604-53000	NOZZLE ASSY, F.I.	3							N
		(A=E62935)									
2-2	2	129604-53300	NOZZLE ASSY, F.I.	3	3						S
		(A=EB5018)									
5	2	114250-53080	NUT, NOZZLE	3	3						
10	2	114250-53120	SPRING, NOZZLE	3	3						
11	2	114250-53130	SEAT, SPRING	3	3						
12	2	114250-53140	SPACER	3	3						
13	2	114250-53210	PIN	6	6						
14	2	114250-53400	SHIM SET	3							
14-1	2	119803-53400	SHIM SET	3	3						N
		(A=E74710)									
26	1	129150-59120	RETAINER, PIPE	2	2						
29	2	129150-59131	BOLT, M4X14	4	4						
31	1	129004-59811	PIPE ASSY, INJECTION	1	1						
35	1	129004-59821	PIPE ASSY, INJECTION	1	1						
39	1	129004-59831	PIPE ASSY, INJECTION	1	1						
44	1	119802-59550	HOSE ASSY, RETURN	1	1						
45	2	124722-59050	CLAMP, HOSE 9	2	2						
46	2	119802-59560	HOSE, FUEL RETURN	1	1						
47	1	129486-59551	HOSE ASSY, RETURN	2	2						
48	2	124722-59050	CLAMP, HOSE 9	4	4						
50	1	119593-59581	CAP	1	1						
51	1	124060-77680	CLAMP, HOSE 10	1	1						

Remarks

(1)No.1-2 is interchangeable with a set of Fig.11 No.1-2.

N:Old $\xrightarrow{\text{Yes}}$ New, Q:Old $\xrightarrow{\text{No}}$ New, R:Old $\xrightarrow{\text{Yes}}$ New, S:Old $\xrightarrow{\text{No}}$ New, W:Add, Z:Discontinued, F:Interchangeable by set, K:Q'ty Change

Fig.14. FUEL PIPE



(A)=3TNV88-BPYB
(B)=3TNV88-BPYBT
(C)=

(D)=
(E)=
(F)=

No.	Lev.	Parts No.	Description	Qty						I	R
				(A)	(B)	(C)	(D)	(E)	(F)		
1	1	129004-55612	BRACKET, FILTER	1	1						
2	1	119802-55801	FILTER, FUEL	1	1						
3	1	26106-080302	BOLT, M8X 30 PLATED	2	2						
4	1	129044-59010	HOSE ASSY, D13XL220	1	1						
5	2	124766-59050	CLAMP, HOSE 11.5	2	2						
6	2	129044-59100	TUBE, CORRUGATED 15	1	1						
7	2	129044-59510	HOSE, FUEL L=220	1	1						
8	1	129950-59311	HOSE ASSY, FUEL	1	1						
9	2	124766-59050	CLAMP, HOSE 11.5	2	2						
10	2	129961-59110	TUBE, CORRUGATED 15	1	1						
11	2	105025-59580	HOSE, FUEL	1	1						
12	1	121750-59890	BAND, NYLON	1	1						
13	1	129612-52100	PUMP, FUEL FEED	1	1						
14	1	119802-55700	SEPARATOR ASSY, WATER	1	1						
15	2	129100-55690	RING, CUP RETAINING	1	1						
16	2	119802-55710	ELEMENT	1	1						
17	2	24311-000160	O-RING, 1AP16.0	1	1						
18	2	24321-000650	O-RING, 1AG65.0	1	1						
19	2	119802-55730	CUP ASSY, SEPARATOR	1	1						

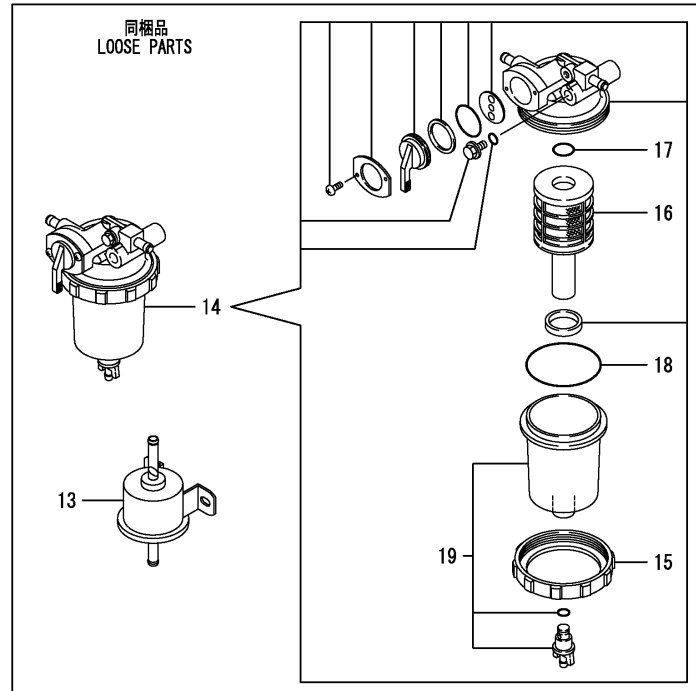
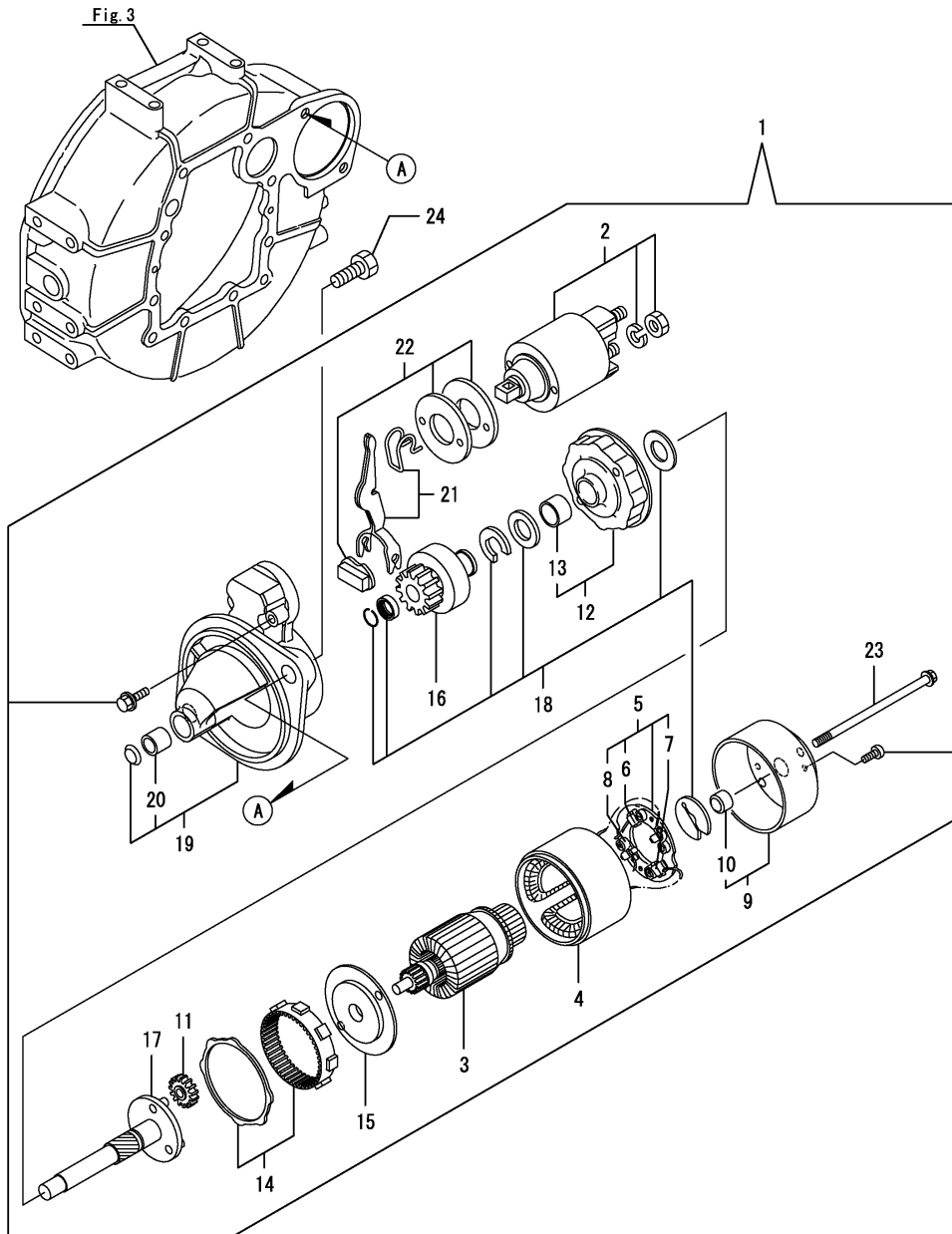


Fig.15. STARTER MOTOR

(A)=3TNV88-BPYB
 (B)=3TNV88-BPYBT
 (C)=

(D)=
 (E)=
 (F)=



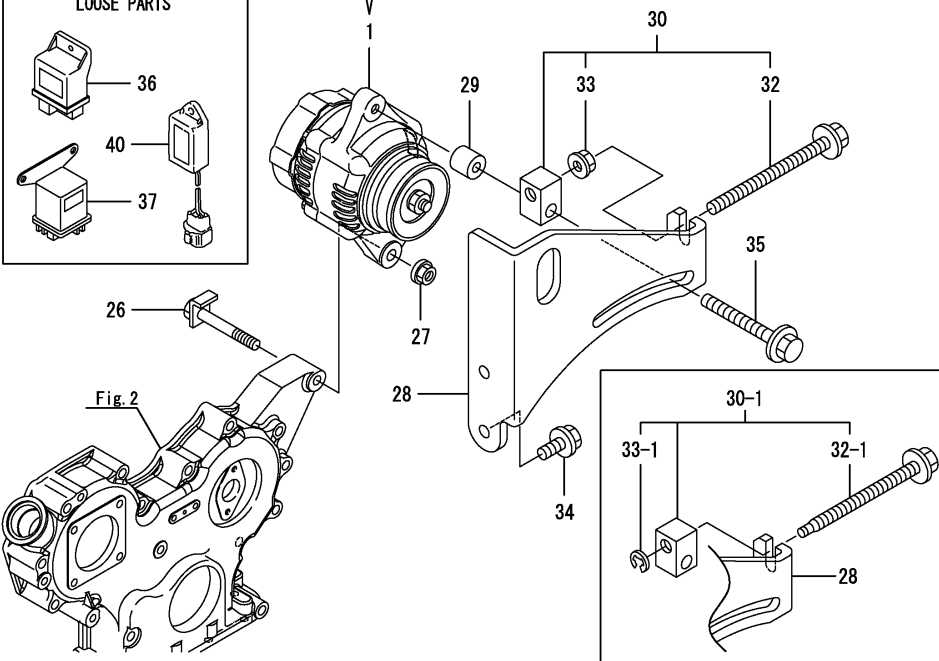
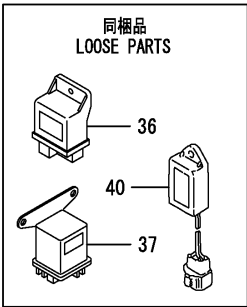
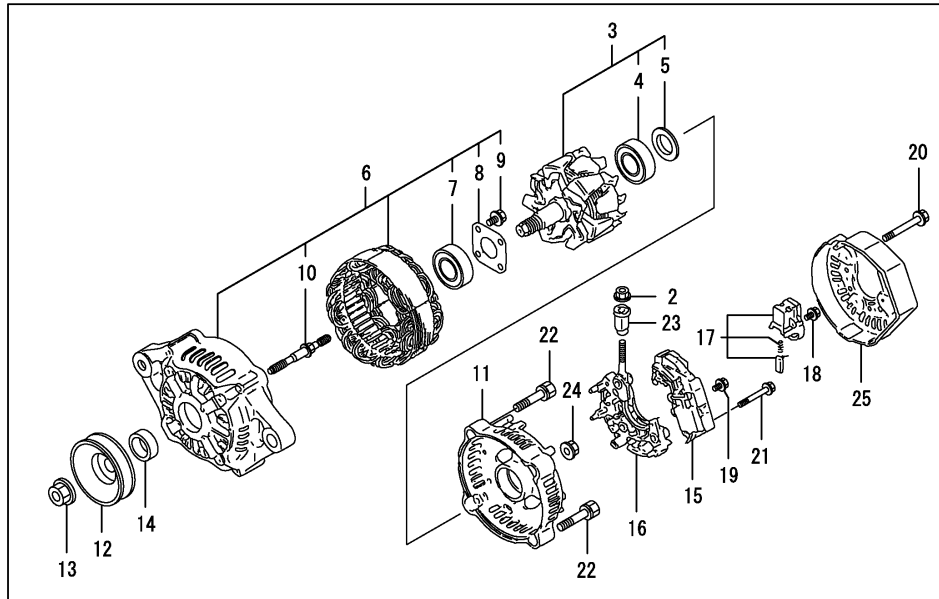
No.	Lev.	Parts No.	Description	Q'ty						I	R
				(A)	(B)	(C)	(D)	(E)	(F)		
1	1	129242-77010	STARTER ASSY	1	1						
2	2	129698-77020	SWITCH ASSY, MAGNET	1	1						
3	2	129242-77100	ARMATURE ASSY	1	1						
4	2	129242-77110	YOKE ASSY	1	1						
5	2	129242-77120	HOLDER ASSY, BRUSH	1	1						
6	3	129242-77130	BRUSH	2	2						
7	3	129242-77140	BRUSH SET	1	1						
8	3	129242-77150	SPRING, BRUSH	4	4						
9	2	129242-77160	COVER ASSY	1	1						
10	3	129242-77170	BEARING, COVER	1	1						
11	2	118400-77170	GEAR, PLANETARY	3	3						
12	2	129242-77180	BRACKET, CENTER	1	1						
13	3	129698-77190	BRACKET, CENTER	1	1						
14	2	129698-77200	GEAR, INTERNAL	1	1						
15	2	129242-77210	BRACKET, CENTER	1	1						
16	2	129698-77220	PINION ASSY	1	1						
17	2	129698-77230	SHAFT, PINION	1	1						
18	2	129698-77250	WASHER SET	1	1						
19	2	129242-77260	CASE ASSY, GEAR	1	1						
20	3	X2114535200	BEARING, STARTER	1	1						
21	2	129242-77270	LEVER SET	1	1						
22	2	129242-77280	COVER KIT, DUST	1	1						
23	2	124195-77770	BOLT, THROUGH	2	2						
24	1	26116-120252	BOLT, M12X 25 PLATED	2	2						
24-1	1	26106-120252	BOLT, M12X 25 PLATED	2	2						R

(A=ED6788)

Fig.16. GENERATOR

(A)=3TNV88-BPYB
(B)=3TNV88-BPYBT
(C)=

(D)=
(E)=
(F)=

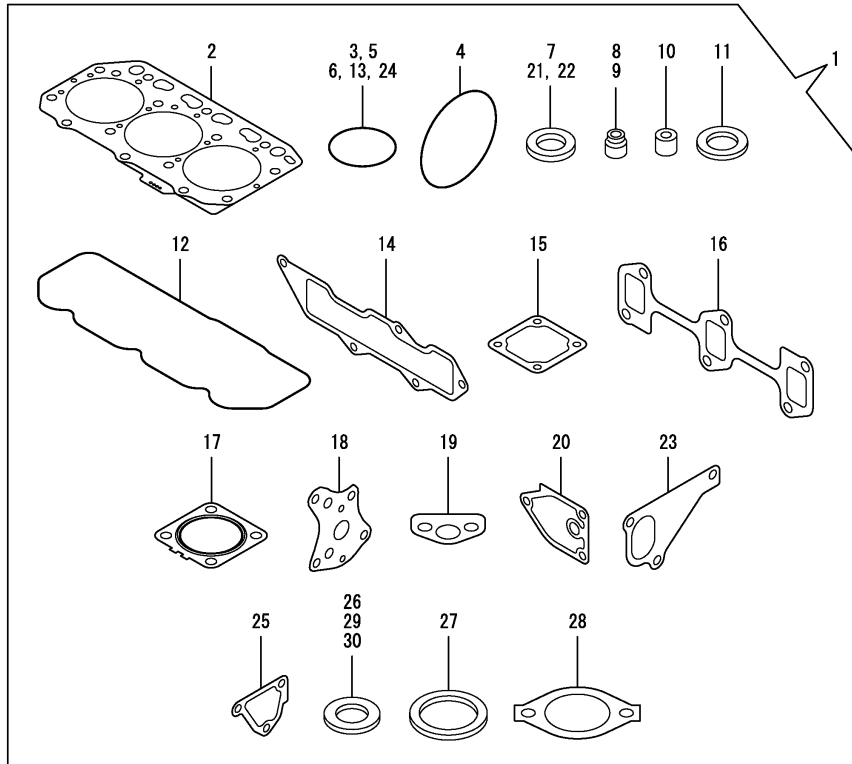


No.	Lev.	Parts No.	Description	(A)	(B)	Q'ty						I	R	
				(C)	(D)	(E)	(F)							
1	1	119626-77210	ALTERNATOR, 12V-55A	1	1									
2	2	X9490561001	NUT	1	1									
3	2	129052-77380	ROTOR ASSY	1	1									
4	3	123501-79240	BEARING, BALL	1	1									
5	3	119620-79250	COVER, BEARING	1	1									
6	2	129052-77422	FRAME ASSY	1	1									
7	3	119620-79200	BEARING, BALL	1	1									
8	3	119620-79210	RETAINER	1	1									
9	3	119620-79220	SCREW	4	4									
10	3	119620-79230	BOLT, STUD	2	2									
11	2	128401-77440	FRAME	1	1									
12	2	119620-77461	PULLEY, GENERATOR	1	1									
13	2	119620-77471	NUT	1	1									
14	2	119620-77490	COLLAR	1	1									
15	2	129423-77710	REGULATOR ASSY	1	1									
16	2	129052-79260	HOLDER	1	1									
17	2	129052-79270	HOLDER, BRUSH	1	1									
18	2	119620-79290	SCREW	6	6									
19	2	119620-79300	SCREW	1	1									
20	2	119620-79310	BOLT	3	3									
21	2	119620-79320	SCREW	2	2									
22	2	119620-79330	BOLT	2	2									
23	2	119620-79340	BUSH, INSULATION	1	1									
24	2	119620-79350	NUT	2	2									
25	2	119626-77450	COVER	1	1									
26	1	119740-77250	BOLT, M10X75	1										
26-1	1	119740-77251	BOLT, M10X80	1	1									N
(A=EB1593)														
27	1	26306-100002	NUT, M10	1	1									
28	1	129242-77310	ADJUSTER	1	1									
29	1	124732-77340	SPACER	1	1									
30	1	119624-77351	BLOCK ASSY, ADJUSTER	1										
30-1	1	129630-77350	BLOCK ASSY, ADJUSTER	1	1									N
(A=EB4028)														
32	2	26106-081004	BOLT, M8X100 PLATED	1										
32-1	2	129630-77380	BOLT, M8X100	1	1									S
(A=EB4028)														
33	2	26306-080002	NUT, M8	1										
33-1	2	22272-000050	RING, E- 5	1	1									S
(A=EB4028)														
34	1	26106-080162	BOLT, M8X 16 PLATED	2	2									
35	1	26106-080652	BOLT, M8X 65 PLATED	1	1									
36	1	119802-77200	RELAY, SAFETY	1	1									
37	1	119650-77910	RELAY ASSY, GLOW	1										
37-1	1	119650-77911	RELAY ASSY, GLOW	1	1									N
(A=EE5422)														
40	1	129211-77920	TIMER	1	1									

Fig.17. GASKET SET

(A)=3TNV88-BPYB
(B)=3TNV88-BPYBT
(C)=

(D)=
(E)=
(F)=



No.	Lev.	Parts No.	Description	Q'ty						I	R
				(A)	(B)	(C)	(D)	(E)	(F)		
1	1	729005-92620	GASKET SET	1	1						1
2	2	129001-01340	GASKET, HEAD	1	1						
3	2	119609-32040	O-RING, P16	2	2						
4	2	121850-51960	O-RING	1	1						
5	2	24311-000320	O-RING, 1AP32.0	2	2						
6	2	24341-000240	O-RING, 1AS24.0	1	1						
7	2	22190-220002	WASHER, SEAL 22	1	1						
8	2	121400-11340	SEAL, VALVE STEM	3	3						
9	2	124460-11340	SEAL, VALVE STEM	3	3						
10	2	119802-11870	PROTECTOR, NOZZLE	3	3						
11	2	119625-11880	SEAT, NOZZLE	3	3						
12	2	129004-11310	GASKET, BONNET	1	1						
13	2	24311-000120	O-RING, 1AP12.0	3	3						
14	2	129001-12110	GASKET, MANIFOLD	1	1						
15	2	129150-77511	GASKET, AIR HEATER	1	1						
16	2	129150-13110	GASKET, EXH.MANIFOLD	1	1						
17	2	129004-13200	GASKET, SILENCER	1	1						
18	2	129150-32020	GASKET, PUMP	1	1						
19	2	129150-35042	GASKET	1	1						
20	2	129150-35111	GASKET	1	1						
21	2	22190-080002	WASHER, SEAL 8	2	2						
22	2	22190-100002	WASHER, SEAL 10	2	2						
23	2	129486-42021	GASKET, WATER PUMP	1	1						
24	2	129486-42140	O-RING, G30	1	1						
25	2	124395-49840	GASKET, THERMOSTAT	1	1						
26	2	23414-080000	GASKET, 8X1.0	1	1						
27	2	129150-49811	GASKET, THERMOSTAT	1	1						
28	2	129795-49551	GASKET	1	1						
29	2	124465-44950	GASKET, 16	2	2						
30	2	129150-49360	GASKET	1	1						

Remarks

(1)Optional parts.

Parts No. Index

Parts No.	Fig. No.	Ref. No.
105025-59580	14	11
114250-39450	9	28
114250-53080	13	5
114250-53120	13	10
114250-53130	13	11
114250-53140	13	12
114250-53210	13	13
114250-53400	13	14
118400-77170	15	11
119131-18320	6	5
119233-77932	12	130
119593-59581	13	50
119609-32040	2	9
	17	3
119620-01750	3	3
119620-77461	16	12
119620-77471	16	13
119620-77490	16	14
119620-79200	16	7
119620-79210	16	8
119620-79220	16	9
119620-79230	16	10
119620-79250	16	5
119620-79290	16	18
119620-79300	16	19
119620-79310	16	20
119620-79320	16	21
119620-79330	16	22
119620-79340	16	23
119620-79350	16	24
119624-77351	16	30
119625-11880	4	32
	17	11
119626-77210	16	1
119626-77450	16	25
119640-01640	3	8
119650-77910	16	37
119650-77911	16	37 -1
119660-61901	12	60
119740-77250	16	26
119740-77251	16	26 -1
119802-01561	2	5
119802-03110	4	43
119802-03121	4	44
119802-03130	4	45
119802-03141	4	46
119802-11260	4	6
119802-11270	4	7
119802-11280	4	8
119802-11870	4	31

Parts No.	Fig. No.	Ref. No.
119802-11870	17	10
119802-25071	7	13
119802-25101	7	10
119802-25901	7	16
119802-35100	9	21
119802-39450	9	30
119802-49113	10	10
119802-49730	10	40
119802-51090	11	7
119802-51250	11	128
119802-51560	11	52
119802-51590	11	58
119802-51600	11	59
119802-51680	11	63
119802-51690	11	64
119802-55700	14	14
119802-55710	14	16
119802-55730	14	19
119802-55801	14	2
119802-59550	13	44
119802-59560	13	46
119802-77200	16	36
119803-01520	2	4
119803-21200	8	4
119803-25050	7	9
119803-53400	13	14 -1
119803-77520	5	8
119803-77830	4	56
119807-61420	12	23
119865-21600	8	14
119934-01800	2	3
119934-59910	11	125
120130-11860	4	29
120270-54410	4	34
121023-01551	2	19
121111-21501	8	11
121250-44901	10	35
121400-11340	4	25
	17	8
121450-42450	10	34
121450-44531	10	47
121468-44520	10	45
121470-44581	10	49
121520-34810	9	17
121550-23200	8	27
121750-59890	14	12
121850-21680	8	10
121850-42410	10	8
121850-51960	2	10
	17	4

Parts No.	Fig. No.	Ref. No.
123501-79240	16	4
123900-13610	6	3
123900-13630	6	4
124060-01050	1	4
124060-77680	13	51
124160-01751	2	6
	4	39
124160-01910	1	6
		7
124160-11360	4	51
124160-39140	9	29
124195-77770	15	23
124240-01871	2	7
124395-49840	10	17
	17	25
	17	29
124450-44560	10	48
124460-11340	4	26
	17	9
124465-44950	10	36
		37
	17	29
124722-59050	10	41
		44
	13	45
		48
124732-77340	16	29
124766-59050	14	5
		9
128401-77440	16	11
129001-01250	1	5
129001-01340	1	28
	17	2
129001-02931	1	29
129001-12110	5	4
	17	14
129001-32001	9	1
129001-32002	9	1 -1
129001-91841	2	11
129004-03010	4	41
129004-11241	4	3
129004-11251	4	4
129004-11310	4	48
	17	12
129004-11350	4	40
129004-11650	4	10
129004-11900	4	33
129004-13129	6	2
129004-13200	6	7
	17	17
129004-21650	8	8

Parts No.	Fig. No.	Ref. No.
129004-34802	9	16
129004-42040	10	15
129004-49610	10	38
129004-49620	10	42
129004-49711	10	39
129004-49721	10	43
129004-55612	14	1
129004-59811	13	31
129004-59821	13	35
129004-59831	13	39
129005-03080	5	1
129005-11100	4	21
129005-12100	5	3
129005-12101	5	3 -1
129005-22080	8	15
129005-22500	8	17
129005-22900	8	33
129005-22950	8	35
129005-59830	9	31
129008-11700	4	15
129008-21000	8	1
129008-51390	11	34 A
129008-51900	11	3 F
129008-51920	11	3 G
129008-53000	13	2
129008-77800	4	54
129008-77820	4	55
129044-59010	14	4
129044-59100	14	6
129044-59510	14	7
129052-77380	16	3
129052-77422	16	6
129052-79260	16	16
129052-79270	16	17
129100-01580	3	1
		14
	8	2
129100-01640	3	15
129100-01730	3	6
129100-01760	3	7
129100-11112	4	22
129100-23910	8	30
129100-35140	9	23
129100-35301	9	19
129100-42051	10	3
129100-42121	10	4
129100-55690	14	15
129128-21590	8	12
129129-14580	7	3
129150-01200	1	27

Parts No. Index

Parts No.	Fig. No.	Ref. No.
129150-02020	1	9
129150-02450	7	4
129150-02871	1	32
129150-02931	1	24
129150-02941	1	35
129150-03070	4	42
129150-11230	4	11
129150-11280	4	9
129150-11370	4	14
129150-11750	4	13
129150-11810	4	30
129150-13110	6	1
	17	16
129150-14101	7	6
129150-14200	7	1
129150-14400	7	2
129150-23601	8	28
129150-23611	8	31
129150-25301	7	15
129150-32020	9	14
	17	18
129150-35042	9	18
	17	19
129150-35111	9	24
	17	20
129150-35153	9	25
129150-49360	10	51
	17	30
129150-49811	10	29
	17	27
129150-59120	13	26
129150-59131	13	29
129150-77511	5	7
	17	15
129155-42350	10	23
129155-49801	10	28
129155-51280	12	6
129155-61460	12	25
129202-22300	8	21
129211-77920	16	40
129240-35800	9	26
129242-42000	10	1
129242-77010	15	1
129242-77100	15	3
129242-77110	15	4
129242-77120	15	5
129242-77130	15	6
129242-77140	15	7
129242-77150	15	8
129242-77160	15	9

Parts No.	Fig. No.	Ref. No.
129242-77170	15	10
129242-77180	15	12
129242-77210	15	15
129242-77260	15	19
129242-77270	15	21
129242-77280	15	22
129242-77310	16	28
129255-61410	12	22
129350-49530	10	30
129410-03990	5	2
129423-77710	16	15
129486-01670	3	18
129486-42021	10	14
	17	23
129486-42140	10	16
	17	24
129486-59551	13	47
129604-53000	13	2 -1
129604-53300	13	2 -2
129612-01600	3	2
129612-42350	10	24
129612-52100	14	13
129630-77350	16	30 -1
129630-77380	16	32 -1
129642-61060	12	87
129698-77020	15	2
129698-77190	15	13
129698-77200	15	14
129698-77220	15	16
129698-77230	15	17
129698-77250	15	18
129795-01780	3	17
129795-01950	2	8
129795-02412	1	12
129795-11120	4	23
129795-11180	4	24
129795-21661	8	9
129795-49551	10	31
	17	28
129900-07900	4	1
129916-49740	10	11
129950-59311	14	8
129961-59110	14	10
129E00-13640	6	4 -1
158552-51151	7	17
158552-51570	11	53
		54
158552-51571	11	53 -1
		54 -1
158552-51580	11	57

Parts No.	Fig. No.	Ref. No.
158552-51600	11	67
158552-51670	11	121
158552-51781	11	93
158552-52100	11	123
158552-52310	11	100
158552-52311	11	100 -1
158552-52400	11	101
158552-52500	11	124
158552-61441	12	24
158552-61900	12	78
158553-51551	11	119
158553-51630	11	68
158553-51640	11	70
158553-51650	11	70 -1
158553-51660	11	71
158553-51670	11	62
158553-51680	11	72
158553-51770	11	99
158553-51930	11	97 -1
	12	66 -1
158553-61050	12	3
158553-61070	12	4
158557-51570	11	55
158563-51281	11	33
		34
158563-51330	11	43
158600-51270	11	32
158601-51550	11	51
158601-51570	11	56
158601-51650	11	120
158601-51770	11	92
158601-51790	11	94
171051-01921	1	8
171056-49120	10	33
171340-44740	10	25
171353-44760	10	26
22190-080002	2	12
	9	32
		34
	17	21
22190-100002	9	35
	17	22
22190-120002	11	95
		102
		126
	12	64
22190-180002	11	96
		103
22190-220002	3	10
	17	7

Parts No.	Fig. No.	Ref. No.
22217-140000	11	104
22252-000260	8	22
22272-000050	16	33 -1
22312-050140	11	105
22351-030010	8	7
22351-050010	11	106
22351-060012	4	35
22512-070140	7	7
	8	5
22857-500100	4	49
		50
23065-070130	10	50
23414-080000	10	18
	17	26
23857-030000	9	33
23875-020000	10	13 -1
23876-010000	10	12
23876-020000	10	13
23887-120002	11	97
	12	66
24311-000070	11	108
24311-000120	4	52
	17	13
24311-000160	14	17
24311-000320	2	13
	4	53
	17	5
24321-000650	14	18
24341-000240	2	20
	17	6
24356-190180	11	109
24356-190200	11	65
		110
24372-000150	11	66
26106-060102	11	111
	12	68
26106-060122	10	52
26106-060142	12	83
		84
26106-060162	2	21
26106-060202	12	85
26106-060402	10	27
26106-080122	10	19
26106-080142	4	2
	7	8
26106-080162	2	14
		17
	3	11
	10	20
	11	129

Parts No. Index

Parts No.	Fig. No.	Ref. No.
26106-080162	16	34
26106-080202	5	5
	9	9
	11	27
	11	130
26106-080222	10	32
26106-080252	3	12
	4	36
26106-080302	2	15
	14	3
26106-080352	3	19
	4	37
	9	20
26106-080402	7	14
26106-080452	3	13
		13 -1
	10	21
26106-080502	3	20
	4	38
26106-080552	2	16
26106-080602	10	22
26106-080652	16	35
26106-080802	5	6
		10
26106-080852	2	11 -1
26106-081004	16	32
26106-120252	15	24 -1
26116-120252	15	24
26206-100252	3	4
26206-100302	3	5
26306-080002	2	18
	6	6
	16	33
26306-100002	16	27
26366-060002	9	36
26450-060252	9	15
26450-080452	11	115
26577-060142	10	8 -1
26756-060002	12	69
26776-140002	11	116
27241-120000	1	13
27241-300000	1	14
27241-400000	4	20
27310-080001	4	27
729005-01560	1	1
729005-92620	17	1
729008-53100	13	1
729236-51320	11	1
729236-51321	11	1 -1
729236-51500	11	1 -2

Parts No.	Fig. No.	Ref. No.
729402-23100	8	23
729604-53100	13	1 -1
729604-53300	13	1 -2
729630-01500	2	1
X2114535200	15	20
X9490561001	16	2

Parts No.	Fig. No.	Ref. No.
-----------	----------	----------

Parts No.	Fig. No.	Ref. No.
-----------	----------	----------