

0CD10-M95200EN

PREFACE

1. This parts catalog is the 1st edition of 4TNV106-GGB1B,4TNV106T-GGB1 export engine for generator Model "YEG650DTLS &YEG750DTLS"

Pub.No. : 000Y00D9520

Published : July,2007

2. Model name

| Engine model | Vehicle | | Vehicle made by |
|---------------|----------------------------|------------|-----------------------------------|
| | Products | Model name | |
| 4TNV106-GGB1B | Soundproof 4P Generator | YEG650DTLS | Toyo Denki Industrial Co.,Ltd. |
| 4TNV106T-GGB1 | | YEG750DTLS | |

Contents

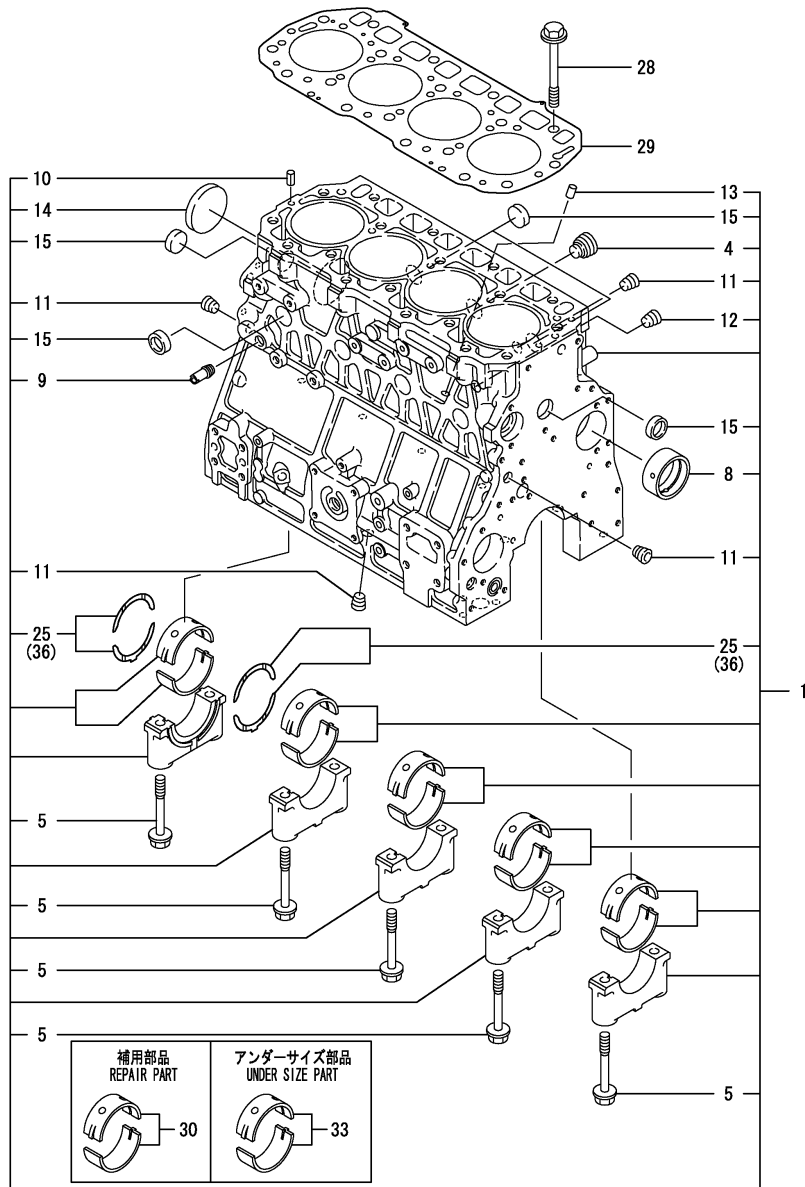
OCD10-M95200

| Fig. No. | Fig. Name | Fig. No. | Fig. Name |
|---------------|--------------------------------|----------|-----------|
| ENGINE | | | |
| 1. | CYLINDER BLOCK | | |
| 2. | GEAR HOUSING | | |
| 3. | FLYWHEEL HOUSING & OIL SUMP | | |
| 4. | CYLINDER HEAD & BONNET | | |
| 5. | CYLINDER HEAD & BONNET | | |
| 6. | SUCTION MANIFOLD & AIR CLEANER | | |
| 7. | SUCTION MANIFOLD & AIR CLEANER | | |
| 8. | EXHAUST MANIFOLD | | |
| 9. | EXHAUST MANIFOLD | | |
| 10. | CAMSHAFT & DRIVING GEAR | | |
| 11. | TURBINE | | |
| 12. | CRANKSHAFT & PISTON | | |
| 13. | LUB. OIL SYSTEM | | |
| 14. | LUB. OIL PIPE | | |
| 15. | LUB. OIL PIPE | | |
| 16. | COOLING WATER SYSTEM | | |
| 17. | FUEL INJECTION PUMP | | |
| 18. | GOVERNOR | | |
| 19. | FUEL INJECTION VALVE | | |
| 20. | FUEL PIPE | | |
| 21. | STARTER MOTOR | | |
| 22. | GENERATOR | | |
| 24. | (22A)GENERATOR | | |
| 23. | GASKET SET | | |

Fig.1. CYLINDER BLOCK

(A)=4TNV106GGB1B
(B)=4TNV106TGB1
(C)=

(D)=
(E)=
(F)=



| No. | Lev. | Parts No. | Description | Q'ty | | | | | | I | R |
|-----|------|--------------|----------------------|------|-----|-----|-----|-----|-----|---|---|
| | | | | (A) | (B) | (C) | (D) | (E) | (F) | | |
| 1 | 1 | 723907-01560 | BLOCK ASSY, CYLINDER | 1 | 1 | | | | | | |
| 4 | 2 | 171051-01921 | PLUG, NPTF1 | 1 | 1 | | | | | | |
| 5 | 2 | 123900-02020 | BOLT, METAL CAP | 10 | 10 | | | | | | |
| 8 | 2 | 123900-02410 | BUSH | 1 | 1 | | | | | | |
| 9 | 2 | 121851-11970 | JOINT, PIPE | 1 | 1 | | | | | | |
| 10 | 2 | 22351-060012 | PIN, SPRING 6.0X12 | 2 | 2 | | | | | | |
| 11 | 2 | 23875-030000 | PLUG, R03 | 4 | 4 | | | | | | |
| 12 | 2 | 23875-030000 | PLUG, R03 | 1 | 1 | | | | | | |
| 13 | 2 | 27225-120160 | PLUG, 12X16 | 1 | 1 | | | | | | |
| 14 | 2 | 27231-700000 | PLUG, 70 | 1 | 1 | | | | | | |
| 15 | 2 | 27241-300000 | PLUG 30 | 8 | 8 | | | | | | |
| 25 | 2 | 123900-02930 | BEARING, THRUST | 2 | 2 | | | | | | |
| 28 | 1 | 119174-01200 | BOLT, HEAD | 18 | 18 | | | | | | |
| 29 | 1 | 123907-01350 | GASKET, HEAD | 1 | 1 | | | | | | |
| 30 | 1 | 723900-02800 | BEARING, MAIN | 5 | 5 | | | | | | 1 |
| 33 | 1 | 123900-02340 | BEARING, 0.25 US | 5 | 5 | | | | | | 2 |
| 36 | 1 | 123900-02940 | BEARING, THRUST 0.25 | 2 | 2 | | | | | | 3 |

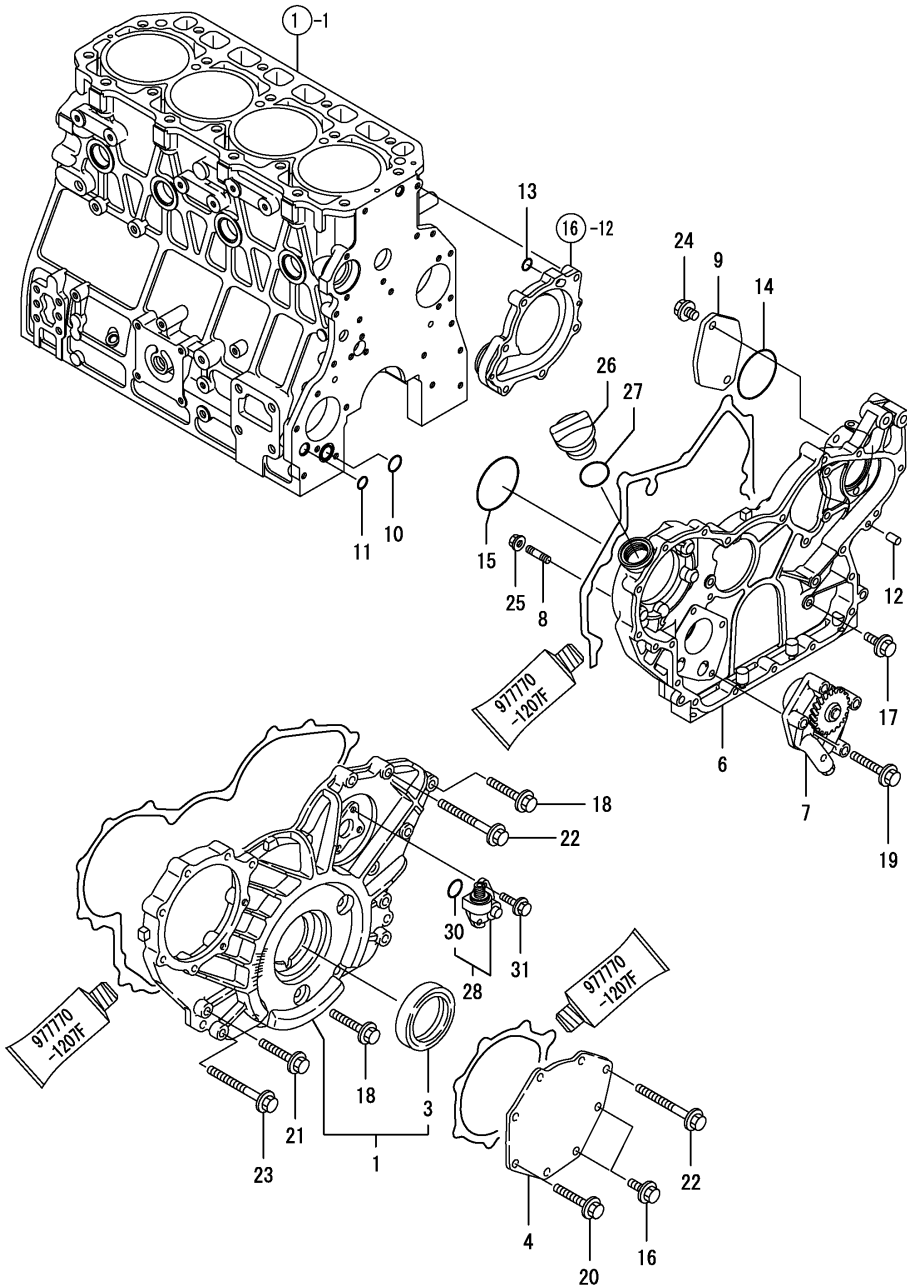
Remarks

- (1) Spare parts.
- (2) Under-sized (U.S.=0.25) parts.
- (3) Over-sized (O.S.=0.25) parts.

Fig.2. GEAR HOUSING

(A)=4TNV106GGB1B
(B)=4TNV106TGGB1
(C)=

(D)=
(E)=
(F)=

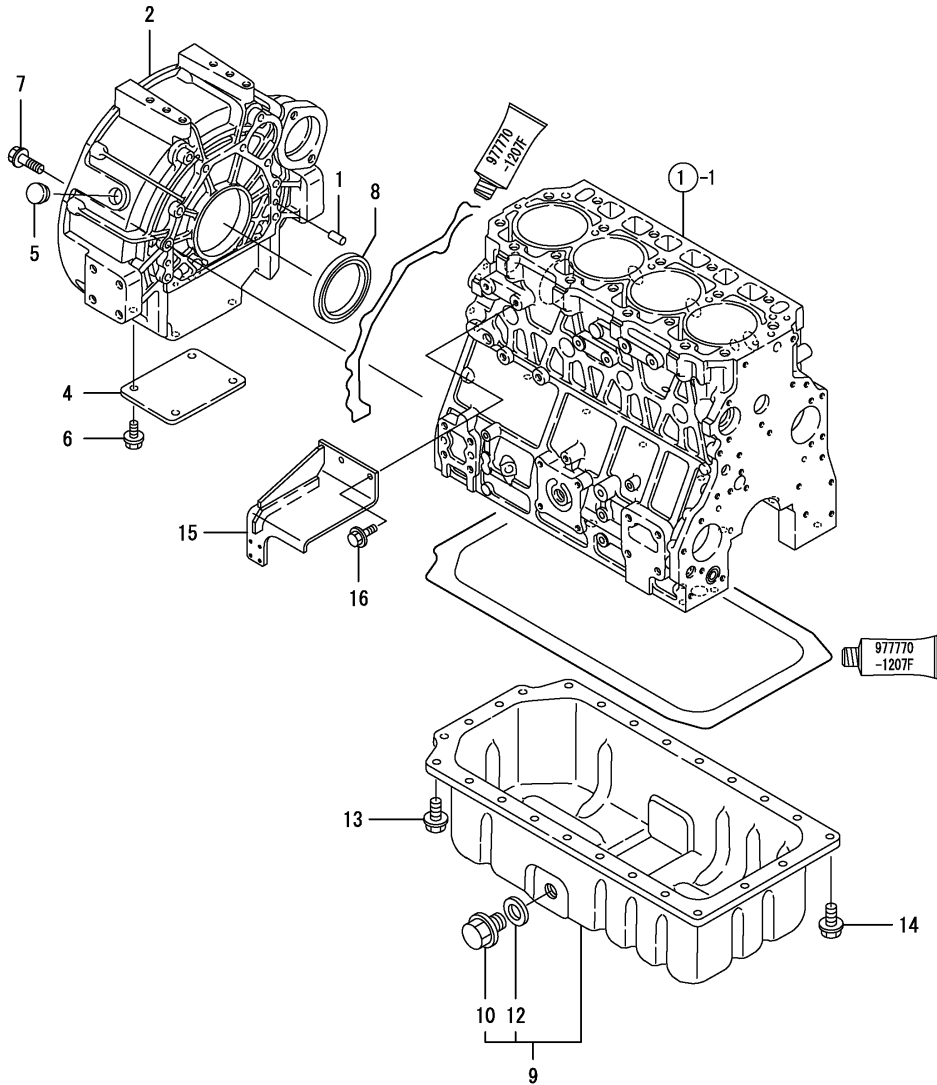


| No. | Lev. | Parts No. | Description | Q'ty | | | | | | I | R |
|-----|------|--------------|----------------------|------|-----|-----|-----|-----|-----|---|---|
| | | | | (A) | (B) | (C) | (D) | (E) | (F) | | |
| 1 | 1 | 723900-01580 | COVER ASSY,GEAR CASE | 1 | 1 | | | | | | |
| 3 | 2 | 123946-01780 | SEAL, OIL | 1 | 1 | | | | | | |
| 4 | 1 | 123900-01740 | COVER | 1 | 1 | | | | | | |
| 6 | 1 | 123907-01540 | CASE ASSY, GEAR | 1 | 1 | | | | | | |
| 7 | 1 | 123900-32001 | PUMP ASSY, OIL | 1 | 1 | | | | | | |
| 8 | 1 | 26226-100322 | STUD, M10X 32 | 4 | 4 | | | | | | |
| 9 | 1 | 121023-26070 | COVER | 1 | 1 | | | | | | |
| 10 | 1 | 129900-32030 | O-RING, P20 | 1 | 1 | | | | | | |
| 11 | 1 | 129900-32040 | O-RING, P14 | 1 | 1 | | | | | | |
| 12 | 1 | 22312-080160 | PIN, PARALLEL M8X16 | 4 | 4 | | | | | | |
| 13 | 1 | 24311-000110 | O-RING, 1AP11.0 | 1 | 1 | | | | | | |
| 14 | 1 | 24321-000850 | O-RING, 1AG85.0 | 1 | 1 | | | | | | |
| 15 | 1 | 24351-030750 | O-RING, 1A3075 | 1 | 1 | | | | | | |
| 16 | 1 | 26106-080202 | BOLT, M8X 20 PLATED | 2 | 2 | | | | | | |
| 17 | 1 | 26106-080202 | BOLT, M8X 20 PLATED | 5 | 5 | | | | | | |
| 18 | 1 | 26106-080402 | BOLT, M8X 40 PLATED | 6 | 6 | | | | | | |
| 19 | 1 | 26106-080452 | BOLT, M8X 45 PLATED | 4 | 4 | | | | | | |
| 20 | 1 | 26106-080452 | BOLT, M8X 45 PLATED | 5 | 5 | | | | | | |
| 21 | 1 | 26106-080502 | BOLT, M8X 50 PLATED | 1 | 1 | | | | | | |
| 22 | 1 | 26106-080702 | BOLT, M8X 70 PLATED | 5 | 5 | | | | | | |
| 23 | 1 | 26106-080802 | BOLT, M8X 80 PLATED | 3 | 3 | | | | | | |
| 24 | 1 | 26106-100222 | BOLT, M10X 22 PLATED | 2 | 2 | | | | | | |
| 25 | 1 | 26306-100002 | NUT, M10 | 4 | 4 | | | | | | |
| 26 | 1 | 124160-01751 | COVER, FILLER | 1 | 1 | | | | | | |
| 27 | 1 | 24311-000320 | O-RING, 1AP32.0 | 1 | 1 | | | | | | |
| 28 | 1 | 129150-91400 | GEAR | 1 | 1 | | | | | | |
| 30 | 2 | 24341-000240 | O-RING, 1AS24.0 | 1 | 1 | | | | | | |
| 31 | 1 | 26106-060162 | BOLT, M6X 16 PLATED | 2 | 2 | | | | | | |

Fig.3. FLYWHEEL HOUSING & OIL SUMP

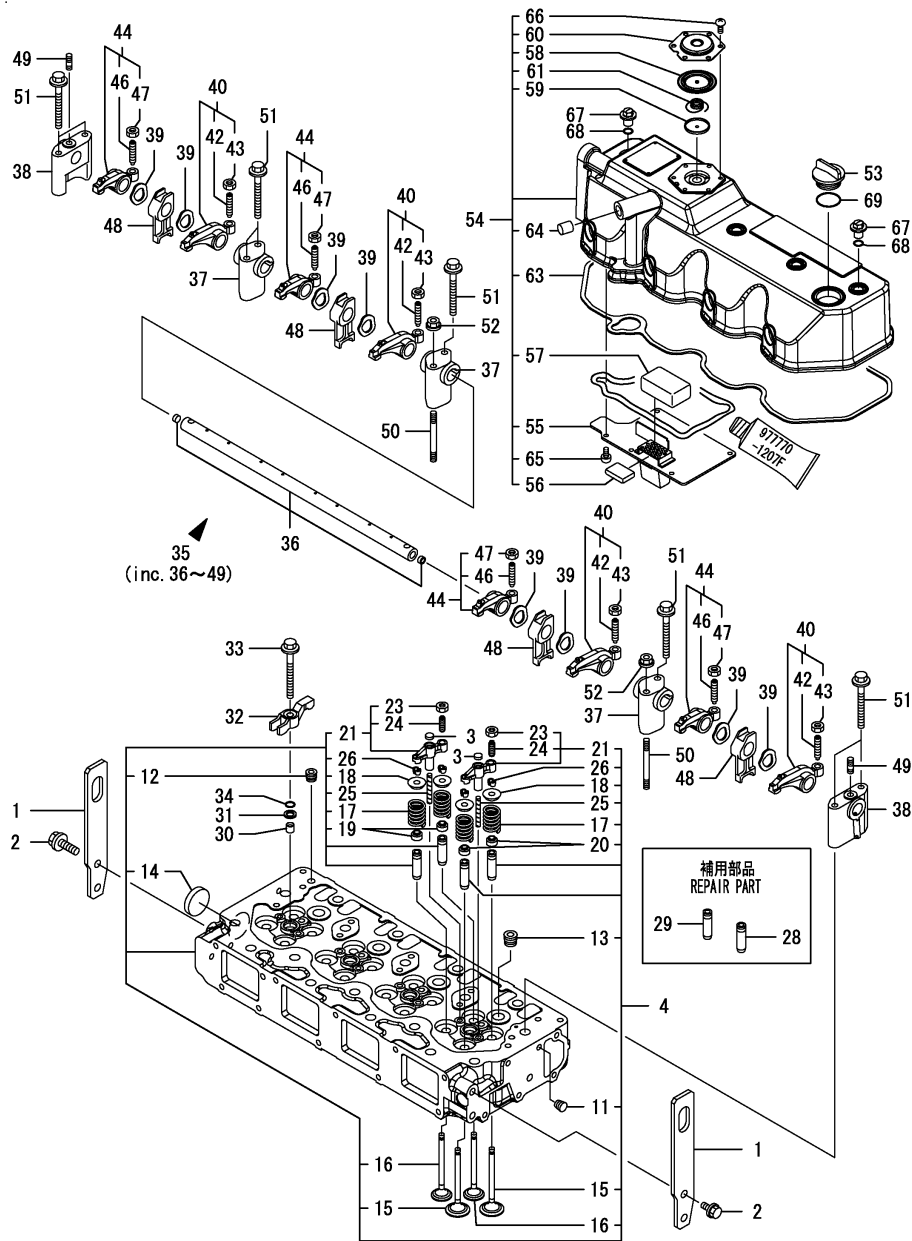
(A)=4TNV106GGB1B
 (B)=4TNV106TGGB1
 (C)=

(D)=
 (E)=
 (F)=



| No. | Lev. | Parts No. | Description | Q'ty | | | | | | I | R |
|-----|------|---------------------------|----------------------|------|-----|-----|-----|-----|-----|---|---|
| | | | | (A) | (B) | (C) | (D) | (E) | (F) | | |
| 1 | 1 | 129100-01580 | PIN, M8X16 | 2 | 2 | | | | | | |
| 2 | 1 | 123910-01620 | HOUSING, FLYWHEEL | 1 | 1 | | | | | | |
| 4 | 1 | 123910-01690 | COVER | 1 | 1 | | | | | | |
| 5 | 1 | 119575-01750 | CAP | 1 | 1 | | | | | | |
| 5-1 | 1 | 119620-01750 | CAP | 1 | 1 | | | | | | R |
| | | (A=*2009.11) (B=*2009.11) | | | | | | | | | |
| 6 | 1 | 26106-080162 | BOLT, M8X 16 PLATED | 4 | 4 | | | | | | |
| 7 | 1 | 26106-100352 | BOLT, M10X 35 PLATED | 10 | 10 | | | | | | |
| 8 | 1 | 123946-01790 | SEAL, OIL | 1 | 1 | | | | | | |
| 9 | 1 | 123900-01710 | SUMP ASSY, OIL | 1 | 1 | | | | | | |
| 10 | 2 | 119640-01640 | PLUG, DRAIN M22 | 1 | 1 | | | | | | |
| 12 | 2 | 22190-220002 | WASHER, SEAL 22 | 1 | 1 | | | | | | |
| 13 | 1 | 26106-080122 | BOLT, M8X 12 PLATED | 22 | 22 | | | | | | |
| 14 | 1 | 26106-080162 | BOLT, M8X 16 PLATED | 4 | 4 | | | | | | |
| 15 | 1 | 123946-67010 | SUPPORT, WIRE | 1 | 1 | | | | | | |
| 16 | 1 | 26106-080162 | BOLT, M8X 16 PLATED | 2 | 2 | | | | | | |

Fig.4. CYLINDER HEAD & BONNET



(A)=4TNV106GGB1B
(B)=4TNV106TGGB1
(C)=

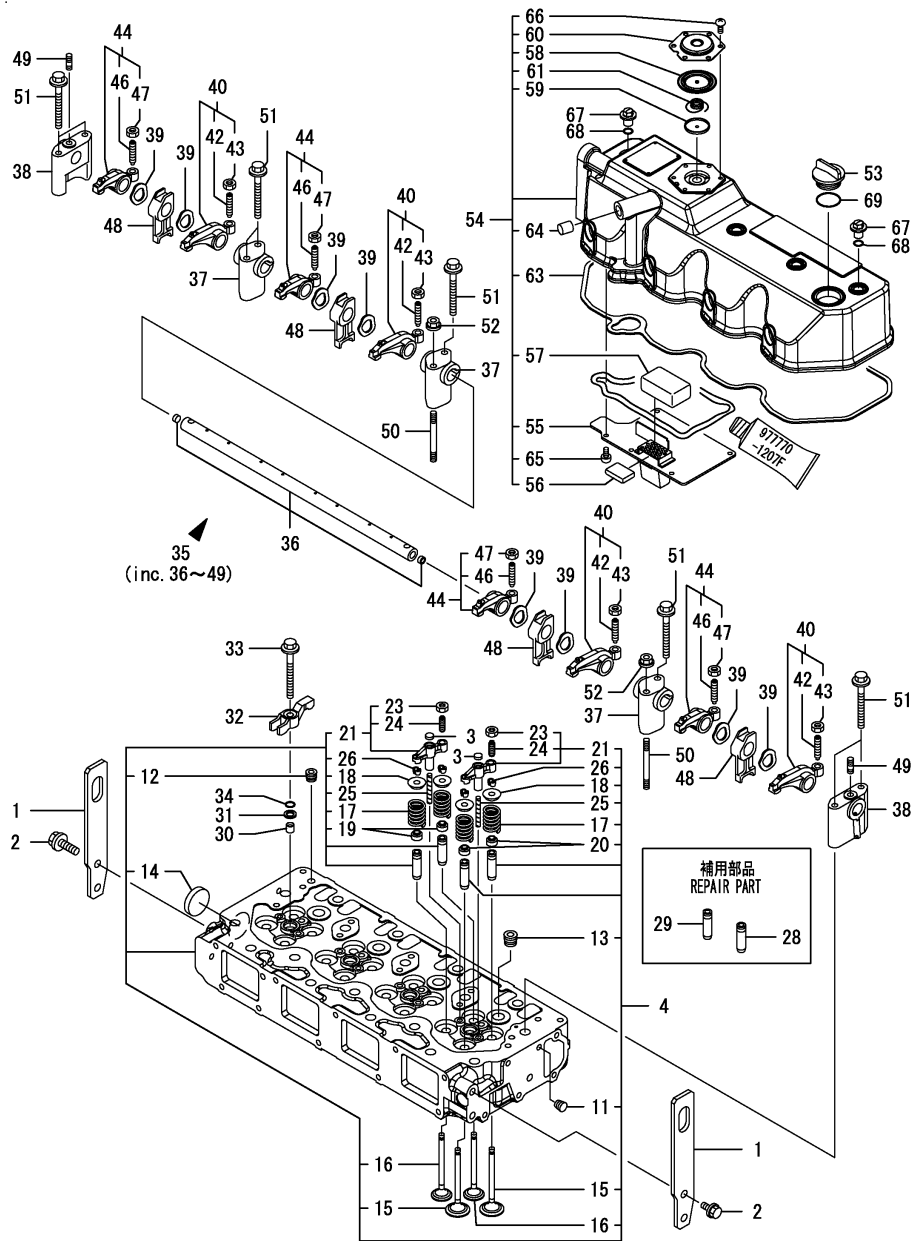
(D)=
(E)=
(F)=

| No. | Lev. | Parts No. | Description | Q'ty | | | | | | I | R |
|-----|------|--------------|----------------------|------|-----|-----|-----|-----|-----|---|---|
| | | | | (A) | (B) | (C) | (D) | (E) | (F) | | |
| 1 | 1 | 123907-07900 | LIFTER | 2 | | | | | | | |
| 2 | 1 | 26106-100202 | BOLT, M10X 20 PLATED | 4 | | | | | | | |
| 3 | 1 | 123907-11550 | SEAT, VALVE BRIDGE | 8 | | | | | | | |
| 4 | 1 | 123907-11700 | HEAD ASSY, CYLINDER | 1 | | | | | | | |
| 11 | 2 | 23876-005000 | PLUG, R005 | 1 | | | | | | | |
| 12 | 2 | 23876-020000 | PLUG, R02 | 1 | | | | | | | |
| 13 | 2 | 23876-030000 | PLUG, R03 | 4 | | | | | | | |
| 14 | 2 | 27241-400000 | PLUG, 40 | 1 | | | | | | | |
| 15 | 2 | 123907-11100 | VALVE, INTAKE | 8 | | | | | | | |
| 16 | 2 | 123907-11110 | VALVE, EXHAUST | 8 | | | | | | | |
| 17 | 2 | 123907-11120 | SPRING, VALVE | 16 | | | | | | | |
| 18 | 2 | 123907-11180 | RETAINER, SPRING | 16 | | | | | | | |
| 19 | 2 | 119803-11340 | SEAL, VALVE STEM | 8 | | | | | | | |
| 20 | 2 | 124160-11340 | SEAL, VALVE STEM | 8 | | | | | | | |
| 21 | 2 | 123907-11510 | BRIDGE ASSY, VALVE | 8 | | | | | | | |
| 23 | 3 | 129150-11750 | NUT, M8 | 8 | | | | | | | |
| 24 | 3 | 123907-11830 | ADJUSTER | 8 | | | | | | | |
| 25 | 2 | 123907-11820 | GUIDE | 8 | | | | | | | |
| 26 | 2 | 27310-070001 | COTTER, 7 | 16 | | | | | | | |
| 28 | 1 | 123907-11800 | GUIDE, VALVE | 8 | | | | | | | 1 |
| 29 | 1 | 123907-11810 | GUIDE, VALVE | 8 | | | | | | | 1 |
| 30 | 1 | 119802-11870 | PROTECTOR, NOZZLE | 4 | | | | | | | |
| 31 | 1 | 119625-11880 | SEAT, NOZZLE | 4 | | | | | | | |
| 32 | 1 | 123907-11910 | RETAINER, NOZZLE | 4 | | | | | | | |
| 33 | 1 | 123907-11950 | BOLT, M8X80 | 4 | | | | | | | |
| 34 | 1 | 24311-000120 | O-RING, 1AP12.0 | 4 | | | | | | | |
| 35 | 1 | 123907-11341 | SUPPORT ASSY, ARM | 1 | | | | | | | |
| 36 | 2 | 123907-11250 | SHAFT, ROCKER ARM | 1 | | | | | | | |
| 37 | 2 | 123907-11260 | SUPPORT, ROCKER ARM | 3 | | | | | | | |
| 38 | 2 | 123907-11270 | SUPPORT, ROCKER ARM | 2 | | | | | | | |
| 39 | 2 | 123907-11280 | WASHER | 8 | | | | | | | |
| 40 | 2 | 123907-11650 | ARM, ROCKER | 4 | | | | | | | |
| 42 | 3 | 129150-11230 | SCREW, VALVE ADJUST | 4 | | | | | | | |
| 43 | 3 | 129150-11750 | NUT, M8 | 4 | | | | | | | |
| 44 | 2 | 123907-11660 | ARM, ROCKER | 4 | | | | | | | |
| 46 | 3 | 129150-11230 | SCREW, VALVE ADJUST | 4 | | | | | | | |
| 47 | 3 | 129150-11750 | NUT, M8 | 4 | | | | | | | |
| 48 | 2 | 123907-11920 | RETAINER | 4 | | | | | | | |
| 49 | 2 | 26226-080302 | STUD, M8X 30 | 2 | | | | | | | |
| 50 | 1 | 123907-11390 | STUD, M8X95 | 2 | | | | | | | |
| 51 | 1 | 26106-080752 | BOLT, M8X 75 PLATED | 8 | | | | | | | |
| 52 | 1 | 26306-080002 | NUT, M8 | 2 | | | | | | | |
| 53 | 1 | 124160-01751 | COVER, FILLER | 1 | | | | | | | |
| 54 | 1 | 123907-11321 | BONNET ASSY, HEAD | 1 | | | | | | | |
| 55 | 2 | 123907-03010 | PLATE | 1 | | | | | | | |
| 56 | 2 | 123907-03060 | BAFFLE, BREATHER | 1 | | | | | | | |
| 57 | 2 | 123907-03070 | BAFFLE, BREATHER | 1 | | | | | | | |
| 58 | 2 | 123907-03100 | DIAPHRAGM | 1 | | | | | | | |
| 59 | 2 | 123907-03110 | PLATE | 1 | | | | | | | |
| 60 | 2 | 123907-03120 | PLATE, BREATHER | 1 | | | | | | | |
| 61 | 2 | 123907-03140 | SPRING, DIAPHRAGM | 1 | | | | | | | |

Remarks

(1) Spare parts.

Fig.4. CYLINDER HEAD & BONNET



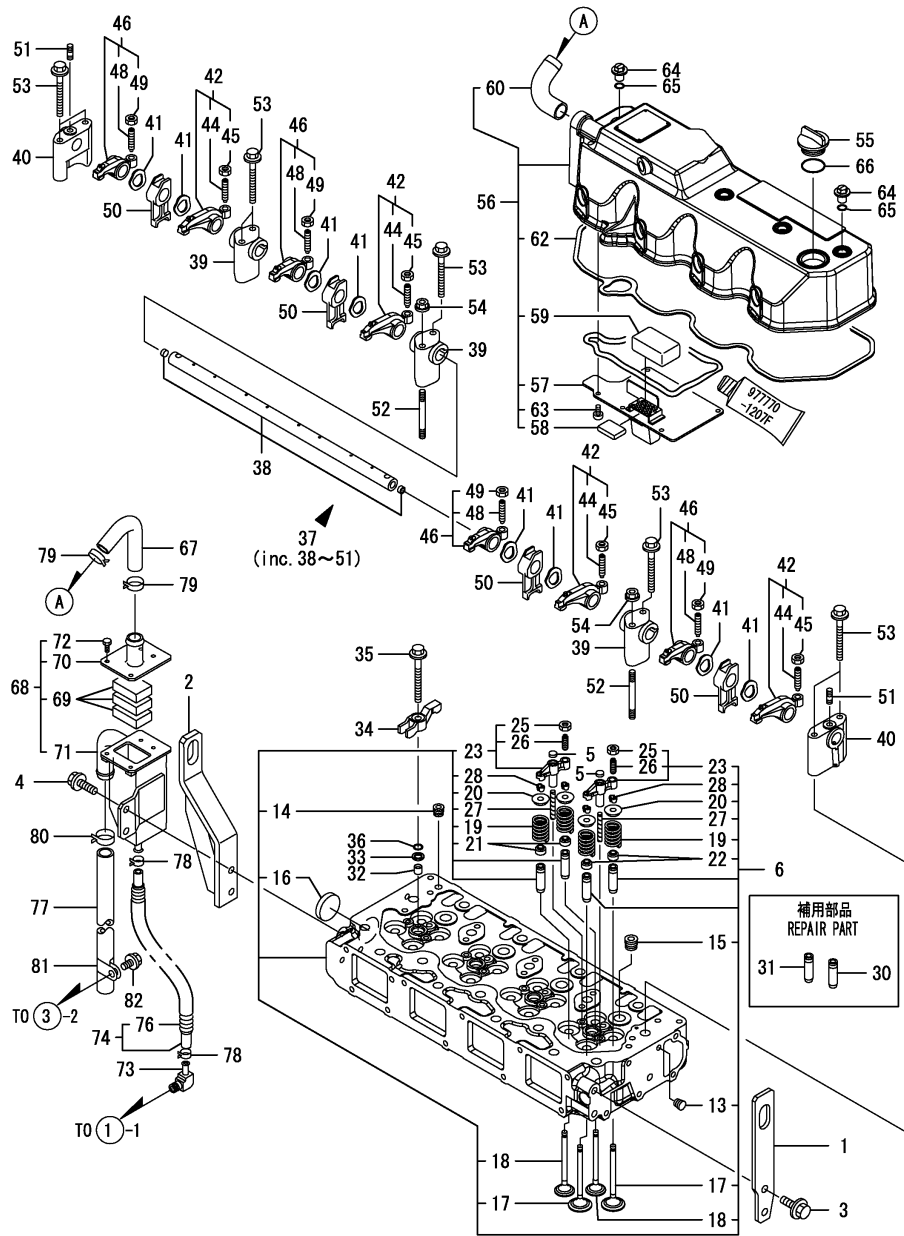
(A)=4TNV106GGB1B
(B)=4TNV106TGGB1
(C)=

(D)=
(E)=
(F)=

| No. | Lev. | Parts No. | Description | Q'ty | | | | | | I | R |
|-----|------|--------------|-----------------|------|-----|-----|-----|-----|-----|---|---|
| | | | | (A) | (B) | (C) | (D) | (E) | (F) | | |
| 63 | 2 | 123907-11311 | GASKET, BONNET | 1 | | | | | | | |
| 64 | 2 | 119640-61400 | PLUG | 1 | | | | | | | |
| 65 | 2 | 22857-500100 | SCREW, 5X10 | 6 | | | | | | | |
| 66 | 2 | 22857-500100 | SCREW, 5X10 | 6 | | | | | | | |
| 67 | 1 | 124160-11360 | KNOB | 4 | | | | | | | |
| 68 | 1 | 24311-000120 | O-RING, 1AP12.0 | 4 | | | | | | | |
| 69 | 1 | 24311-000320 | O-RING, 1AP32.0 | 1 | | | | | | | |

Remarks
(1) Spare parts.

Fig.5. CYLINDER HEAD & BONNET



(A)=4TNV106GGB1B
(B)=4TNV106TGGB1
(C)=

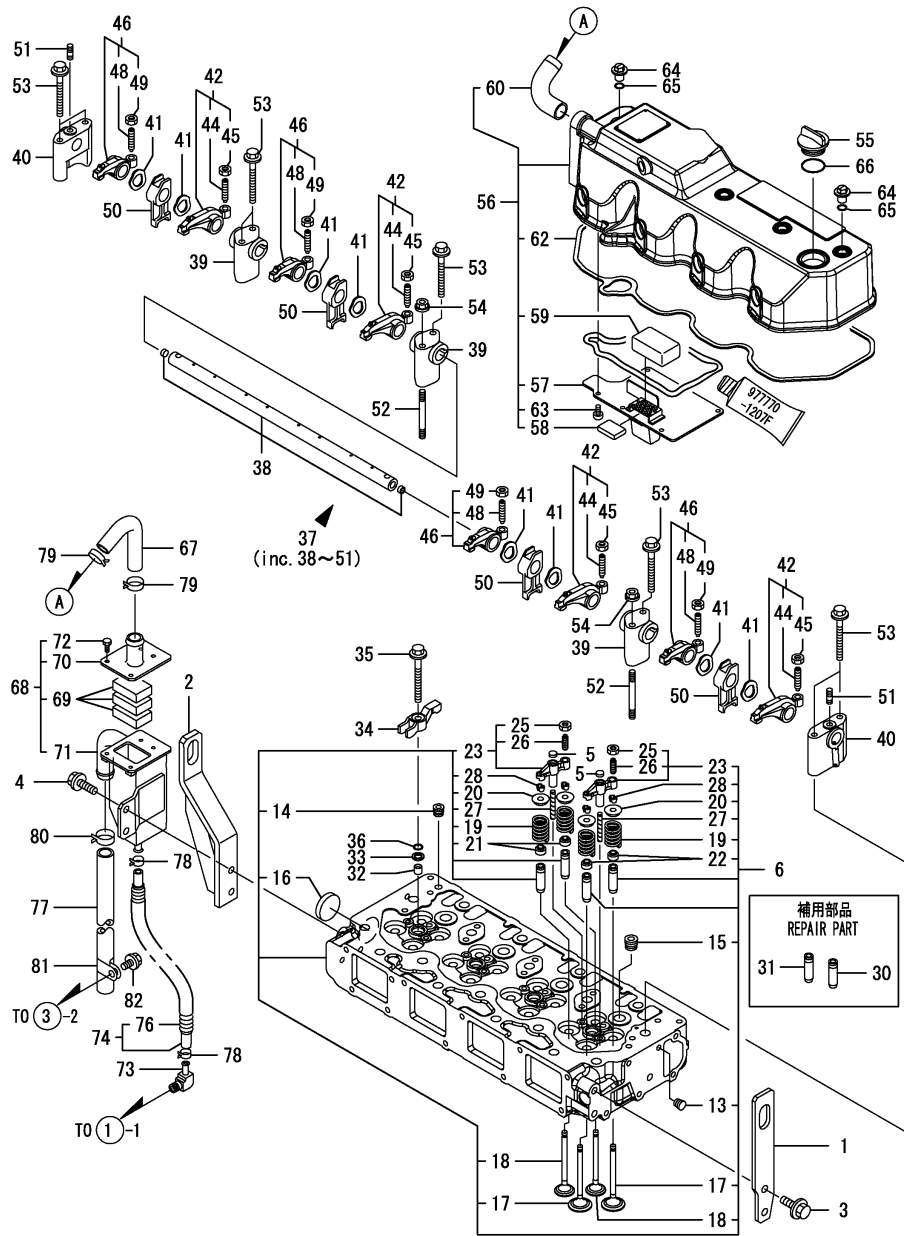
(D)=
(E)=
(F)=

| No. | Lev. | Parts No. | Description | Q'ty | | | | | | I | R |
|-----|------|--------------|----------------------|------|-----|-----|-----|-----|-----|---|---|
| | | | | (A) | (B) | (C) | (D) | (E) | (F) | | |
| 1 | 1 | 123907-07900 | LIFTER | 1 | | | | | | | |
| 2 | 1 | 123912-07900 | LIFTER | 1 | | | | | | | |
| 3 | 1 | 26106-100202 | BOLT, M10X 20 PLATED | 2 | | | | | | | |
| 4 | 1 | 26106-100252 | BOLT, M10X 25 PLATED | 2 | | | | | | | |
| 5 | 1 | 123907-11550 | SEAT, VALVE BRIDGE | 8 | | | | | | | |
| 6 | 1 | 123907-11700 | HEAD ASSY, CYLINDER | 1 | | | | | | | |
| 13 | 2 | 23876-005000 | PLUG, R005 | 1 | | | | | | | |
| 14 | 2 | 23876-020000 | PLUG, R02 | 1 | | | | | | | |
| 15 | 2 | 23876-030000 | PLUG, R03 | 4 | | | | | | | |
| 16 | 2 | 27241-400000 | PLUG, 40 | 1 | | | | | | | |
| 17 | 2 | 123907-11100 | VALVE, INTAKE | 8 | | | | | | | |
| 18 | 2 | 123907-11110 | VALVE, EXHAUST | 8 | | | | | | | |
| 19 | 2 | 123907-11120 | SPRING, VALVE | 16 | | | | | | | |
| 20 | 2 | 123907-11180 | RETAINER, SPRING | 16 | | | | | | | |
| 21 | 2 | 119803-11340 | SEAL, VALVE STEM | 8 | | | | | | | |
| 22 | 2 | 124160-11340 | SEAL, VALVE STEM | 8 | | | | | | | |
| 23 | 2 | 123907-11510 | BRIDGE ASSY, VALVE | 8 | | | | | | | |
| 25 | 3 | 129150-11750 | NUT, M8 | 8 | | | | | | | |
| 26 | 3 | 123907-11830 | ADJUSTER | 8 | | | | | | | |
| 27 | 2 | 123907-11820 | GUIDE | 8 | | | | | | | |
| 28 | 2 | 27310-070001 | COTTER, 7 | 16 | | | | | | | |
| 30 | 1 | 123907-11800 | GUIDE, VALVE | 8 | | | | | | | 1 |
| 31 | 1 | 123907-11810 | GUIDE, VALVE | 8 | | | | | | | 1 |
| 32 | 1 | 119802-11870 | PROTECTOR, NOZZLE | 4 | | | | | | | |
| 33 | 1 | 119625-11880 | SEAT, NOZZLE | 4 | | | | | | | |
| 34 | 1 | 123907-11910 | RETAINER, NOZZLE | 4 | | | | | | | |
| 35 | 1 | 123907-11950 | BOLT, M8X80 | 4 | | | | | | | |
| 36 | 1 | 24311-000120 | O-RING, 1AP12.0 | 4 | | | | | | | |
| 37 | 1 | 123907-11341 | SUPPORT ASSY, ARM | 1 | | | | | | | |
| 38 | 2 | 123907-11250 | SHAFT, ROCKER ARM | 1 | | | | | | | |
| 39 | 2 | 123907-11260 | SUPPORT, ROCKER ARM | 3 | | | | | | | |
| 40 | 2 | 123907-11270 | SUPPORT, ROCKER ARM | 2 | | | | | | | |
| 41 | 2 | 123907-11280 | WASHER | 8 | | | | | | | |
| 42 | 2 | 123907-11650 | ARM, ROCKER | 4 | | | | | | | |
| 44 | 3 | 129150-11230 | SCREW, VALVE ADJUST | 4 | | | | | | | |
| 45 | 3 | 129150-11750 | NUT, M8 | 4 | | | | | | | |
| 46 | 2 | 123907-11660 | ARM, ROCKER | 4 | | | | | | | |
| 48 | 3 | 129150-11230 | SCREW, VALVE ADJUST | 4 | | | | | | | |
| 49 | 3 | 129150-11750 | NUT, M8 | 4 | | | | | | | |
| 50 | 2 | 123907-11920 | RETAINER | 4 | | | | | | | |
| 51 | 2 | 26226-080302 | STUD, M8X 30 | 2 | | | | | | | |
| 52 | 1 | 123907-11390 | STUD, M8X95 | 2 | | | | | | | |
| 53 | 1 | 26106-080752 | BOLT, M8X 75 PLATED | 8 | | | | | | | |
| 54 | 1 | 26306-080002 | NUT, M8 | 2 | | | | | | | |
| 55 | 1 | 124160-01751 | COVER, FILLER | 1 | | | | | | | |
| 56 | 1 | 123908-11321 | BONNET ASSY, HEAD | 1 | | | | | | | |
| 57 | 2 | 123907-03010 | PLATE | 1 | | | | | | | |
| 58 | 2 | 123907-03060 | BAFFLE, BREATHER | 1 | | | | | | | |
| 59 | 2 | 123907-03070 | BAFFLE, BREATHER | 1 | | | | | | | |
| 60 | 2 | 123900-03220 | JOINT | 1 | | | | | | | |
| 62 | 2 | 123907-11311 | GASKET, BONNET | 1 | | | | | | | |

Remarks

(1) Spare parts.

Fig.5. CYLINDER HEAD & BONNET



(A)=4TNV106GGB1B
(B)=4TNV106TGGB1
(C)=

(D)=
(E)=
(F)=

| No. | Lev. | Parts No. | Description | Q'ty | | | | | | I | R |
|-----|------|--------------|----------------------|------|-----|-----|-----|-----|-----|---|---|
| | | | | (A) | (B) | (C) | (D) | (E) | (F) | | |
| 63 | 2 | 22857-500100 | SCREW, 5X10 | | 6 | | | | | | |
| 64 | 1 | 124160-11360 | KNOB | | 4 | | | | | | |
| 65 | 1 | 24311-000120 | O-RING, 1AP12.0 | | 4 | | | | | | |
| 66 | 1 | 24311-000320 | O-RING, 1AP32.0 | | 1 | | | | | | |
| 67 | 1 | 123901-03090 | HOSE, BREATHER | | 1 | | | | | | |
| 68 | 1 | 123901-03270 | BREATHER ASSY | | 1 | | | | | | |
| 69 | 2 | 123901-03240 | FILTER | | 3 | | | | | | |
| 70 | 2 | 123901-03250 | COVER, BREATHER | | 1 | | | | | | |
| 71 | 2 | 123901-03260 | BREATHER | | 1 | | | | | | |
| 72 | 2 | 26116-050102 | BOLT, M5X 10 PLATED | | 4 | | | | | | |
| 73 | 1 | 123901-03280 | ELBOW, PT3/8-10 | | 1 | | | | | | |
| 74 | 1 | 123912-03300 | HOSE ASSY, RETURN | | 1 | | | | | | |
| 76 | 2 | 123912-03270 | TUBE, CORRUGATED | | 1 | | | | | | |
| 77 | 1 | 127605-03400 | PIPE, BREATHER | | 1 | | | | | | |
| 78 | 1 | 23000-016000 | CLAMP, 16 | | 2 | | | | | | |
| 79 | 1 | 23000-035000 | CLAMP, 35 | | 2 | | | | | | |
| 80 | 1 | 23000-035000 | CLAMP, 35 | | 1 | | | | | | |
| 81 | 1 | 23297-350121 | CLAMP, A35X12 | | 1 | | | | | | |
| 82 | 1 | 26106-120202 | BOLT, M12X 20 PLATED | | 1 | | | | | | |

Remarks

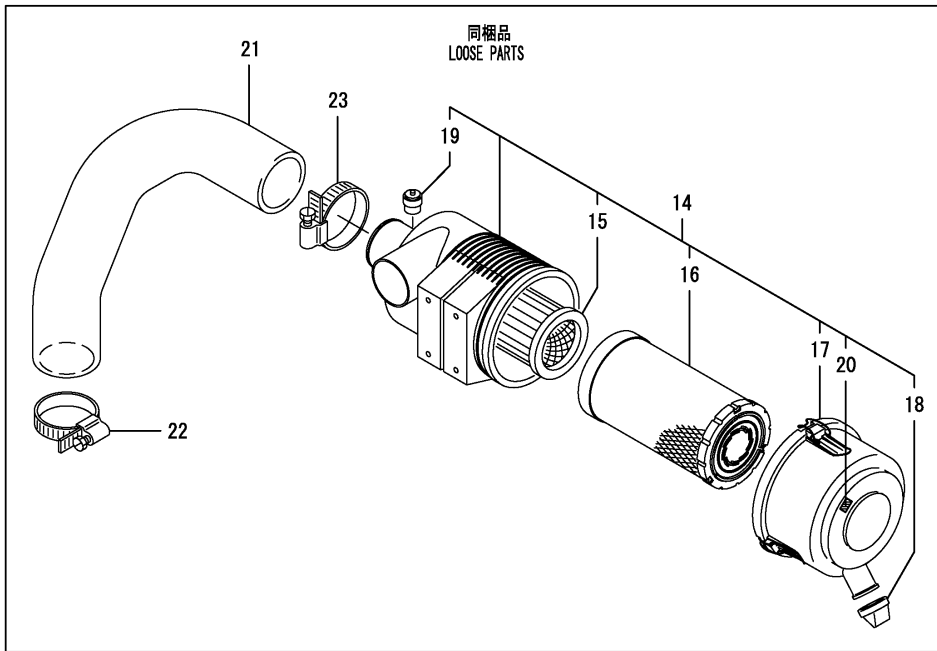
(1) Spare parts.

N:Old $\begin{matrix} \leftarrow \text{Yes} \\ \text{No} \end{matrix}$ New, Q:Old $\begin{matrix} \leftarrow \text{No} \\ \text{Yes} \end{matrix}$ New, R:Old $\begin{matrix} \leftarrow \text{Yes} \\ \text{Yes} \end{matrix}$ New, S:Old $\begin{matrix} \leftarrow \text{No} \\ \text{No} \end{matrix}$ New, W:Add, Z:Discontinued, F:Interchangeable by set, K:Q'ty Change

Fig.6. SUCTION MANIFOLD & AIR CLEANER

(A)=4TNV106GGB1B
(B)=4TNV106TGGB1
(C)=

(D)=
(E)=
(F)=



| No. | Lev. | Parts No. | Description | Q'ty | | | | | | I | R |
|-----|------|--------------|----------------------|------|-----|-----|-----|-----|-----|---|---|
| | | | | (A) | (B) | (C) | (D) | (E) | (F) | | |
| 1 | 1 | 123907-12100 | MANIFOLD, AIR INTAKE | 1 | | | | | | | |
| 2 | 1 | 123907-12110 | GASKET, MANIFOLD | 1 | | | | | | | |
| 3 | 1 | 26106-080702 | BOLT, M8X 70 PLATED | 10 | | | | | | | |
| 4 | 1 | 124610-12580 | JOINT, AIR HEATER | 1 | | | | | | | |
| 5 | 1 | 123900-77020 | GASKET | 1 | | | | | | | |
| 6 | 1 | 123900-77030 | GASKET | 1 | | | | | | | |
| 7 | 1 | 123900-77500 | HEATER | 1 | | | | | | | |
| 8 | 1 | 26106-100452 | BOLT, M10X 45 PLATED | 4 | | | | | | | |
| 9 | 1 | 124612-77910 | SWITCH | 1 | | | | | | | |
| 10 | 1 | 123946-77920 | BRACKET, RELAY | 1 | | | | | | | |
| 11 | 1 | 124612-77950 | CORD, HEATER | 1 | | | | | | | |
| 12 | 1 | 26106-060102 | BOLT, M6X 10 PLATED | 2 | | | | | | | |
| 13 | 1 | 26106-100202 | BOLT, M10X 20 PLATED | 3 | | | | | | | |
| 14 | 1 | 123946-12500 | CLEANER ASSY, AIR | 1 | | | | | | | |
| 15 | 2 | 119117-12570 | ELEMENT | 1 | | | | | | | |
| 16 | 2 | 119117-12560 | ELEMENT | 1 | | | | | | | |
| 17 | 2 | 123950-12520 | COVER | 1 | | | | | | | |
| 18 | 2 | 119160-12540 | VALVE | 1 | | | | | | | |
| 19 | 2 | 126650-12680 | INDICATOR | 1 | | | | | | | |
| 20 | 2 | 129612-12650 | MARKING,(W) | 1 | | | | | | | |
| 21 | 1 | 123946-12550 | PIPE, AIR INTAKE | 1 | | | | | | | |
| 22 | 1 | 23000-102000 | CLAMP, 102 | 1 | | | | | | | |
| 23 | 1 | 23000-115000 | CLAMP, 115 | 1 | | | | | | | |

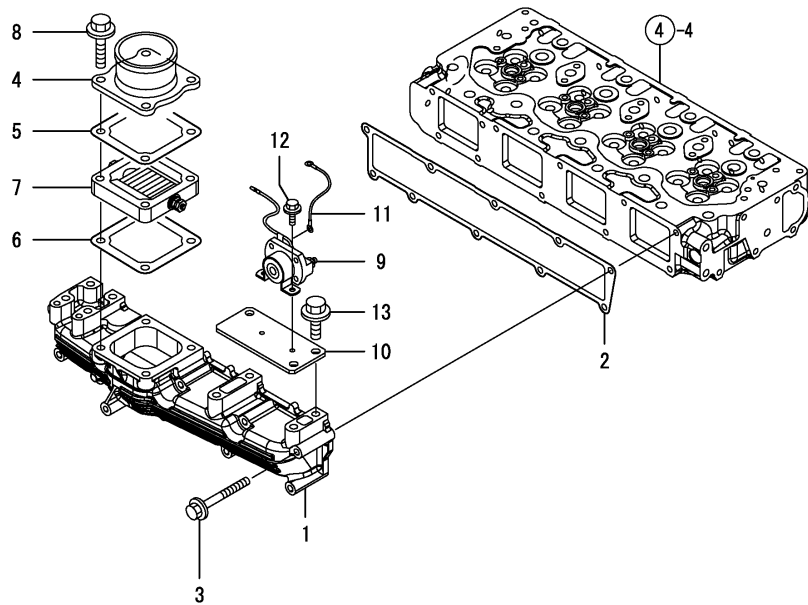
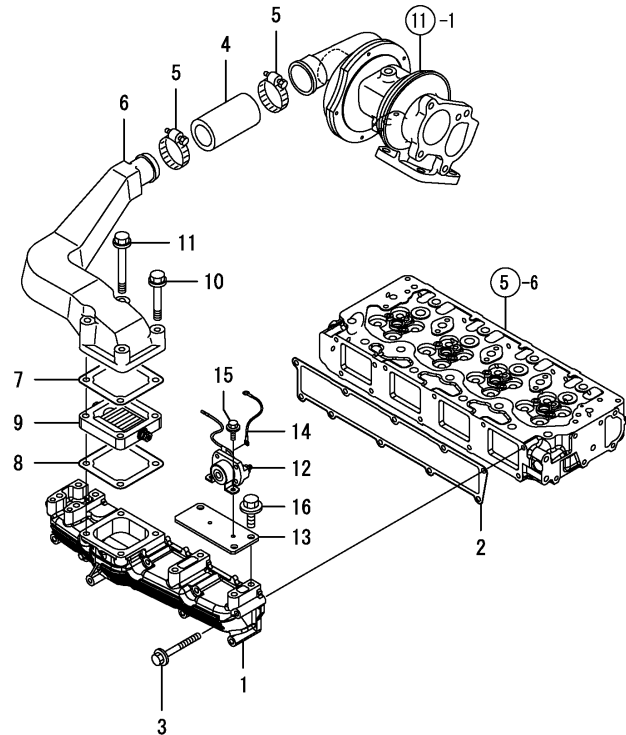
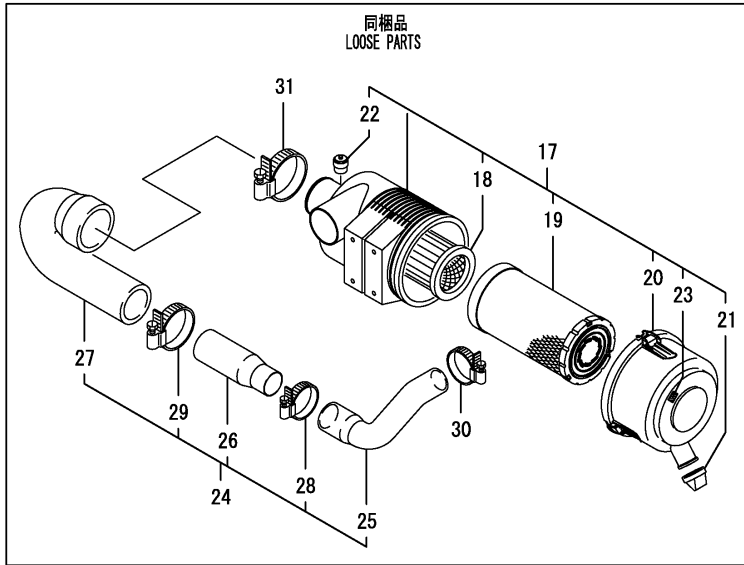


Fig.7. SUCTION MANIFOLD & AIR CLEANER

(A)=4TNV106GGB1B
 (B)=4TNV106TGGB1
 (C)=

(D)=
 (E)=
 (F)=



| No. | Lev. | Parts No. | Description | Q'ty | | | | | | I | R |
|-----|------|--------------|----------------------|------|-----|-----|-----|-----|-----|---|---|
| | | | | (A) | (B) | (C) | (D) | (E) | (F) | | |
| 1 | 1 | 123907-12100 | MANIFOLD, AIR INTAKE | | 1 | | | | | | |
| 2 | 1 | 123907-12110 | GASKET, MANIFOLD | | 1 | | | | | | |
| 3 | 1 | 26106-080702 | BOLT, M8X 70 PLATED | | 10 | | | | | | |
| 4 | 1 | 129595-18141 | JOINT, RUBBER | | 1 | | | | | | |
| 5 | 1 | 23000-054000 | CLAMP, 54 | | 2 | | | | | | |
| 6 | 1 | 123912-18350 | BEND, INTAKE | | 1 | | | | | | |
| 7 | 1 | 123900-77020 | GASKET | | 1 | | | | | | |
| 8 | 1 | 123900-77030 | GASKET | | 1 | | | | | | |
| 9 | 1 | 123900-77500 | HEATER | | 1 | | | | | | |
| 10 | 1 | 26106-100752 | BOLT, M10X 75 PLATED | | 2 | | | | | | |
| 11 | 1 | 26106-100952 | BOLT, M10X 95 PLATED | | 2 | | | | | | |
| 12 | 1 | 124612-77910 | SWITCH | | 1 | | | | | | |
| 13 | 1 | 123946-77920 | BRACKET, RELAY | | 1 | | | | | | |
| 14 | 1 | 124612-77950 | CORD, HEATER | | 1 | | | | | | |
| 15 | 1 | 26106-060102 | BOLT, M6X 10 PLATED | | 2 | | | | | | |
| 16 | 1 | 26106-100202 | BOLT, M10X 20 PLATED | | 3 | | | | | | |
| 17 | 1 | 123946-12500 | CLEANER ASSY, AIR | | 1 | | | | | | |
| 18 | 2 | 119117-12570 | ELEMENT | | 1 | | | | | | |
| 19 | 2 | 119117-12560 | ELEMENT | | 1 | | | | | | |
| 20 | 2 | 123950-12520 | COVER | | 1 | | | | | | |
| 21 | 2 | 119160-12540 | VALVE | | 1 | | | | | | |
| 22 | 2 | 126650-12680 | INDICATOR | | 1 | | | | | | |
| 23 | 2 | 129612-12650 | MARKING,(W) | | 1 | | | | | | |
| 24 | 1 | 123947-12540 | PIPE, AIR INTAKE | | 1 | | | | | | |
| 25 | 2 | 123947-12550 | PIPE, AIR INTAKE | | 1 | | | | | | |
| 26 | 2 | 123947-12560 | PIPE, AIR INTAKE | | 1 | | | | | | |
| 27 | 2 | 123947-12570 | PIPE, AIR INTAKE | | 1 | | | | | | |
| 28 | 2 | 23000-070000 | CLAMP, 70 | | 1 | | | | | | |
| 29 | 2 | 23000-102000 | CLAMP, 102 | | 1 | | | | | | |
| 30 | 1 | 23000-070000 | CLAMP, 70 | | 1 | | | | | | |
| 31 | 1 | 23000-115000 | CLAMP, 115 | | 1 | | | | | | |

Fig.8. EXHAUST MANIFOLD

(A)=4TNV106GGB1B
 (B)=4TNV106TGGB1
 (C)=

(D)=
 (E)=
 (F)=

| No. | Lev. | Parts No. | Description | Q'ty | | | | | | I | R |
|-----|------|--------------|-------------------|------|-----|-----|-----|-----|-----|---|---|
| | | | | (A) | (B) | (C) | (D) | (E) | (F) | | |
| 1 | 1 | 123907-13110 | GASKET | 1 | | | | | | | |
| 2 | 1 | 123907-13150 | MANIFOLD, EXHAUST | 1 | | | | | | | |
| 3 | 1 | 119107-13190 | STUD, M10X30 | 4 | | | | | | | |
| 4 | 1 | 123907-13700 | BOLT, M10X75 10.9 | 4 | | | | | | | |
| 5 | 1 | 123907-13720 | BOLT, M10X100 | 2 | | | | | | | |
| 6 | 1 | 123907-13810 | STUD, M10X75 | 2 | | | | | | | |
| 7 | 1 | 26306-100002 | NUT, M10 | 2 | | | | | | | |
| 8 | 1 | 128300-13230 | GASKET, SILENCER | 1 | | | | | | | |

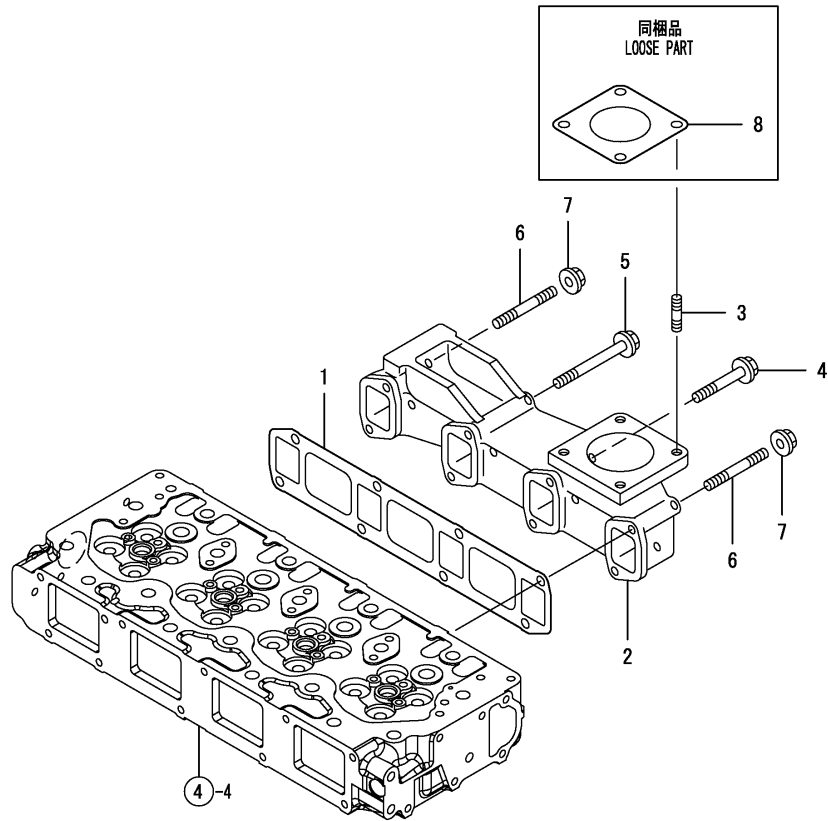


Fig.9. EXHAUST MANIFOLD

(A)=4TNV106GGB1B
 (B)=4TNV106TGGB1
 (C)=

(D)=
 (E)=
 (F)=

| No. | Lev. | Parts No. | Description | Q'ty | | | | | | I | R |
|-----|------|--------------|--------------------|------|-----|-----|-----|-----|-----|---|---|
| | | | | (A) | (B) | (C) | (D) | (E) | (F) | | |
| 1 | 1 | 123907-13110 | GASKET | | 1 | | | | | | |
| 2 | 1 | 123908-13120 | MANIFOLD, EXHAUST | | 1 | | | | | | |
| 3 | 1 | 123907-13730 | BOLT, M10X105 10.9 | | 6 | | | | | | |
| 4 | 1 | 123907-13820 | STUD, M10X85 | | 2 | | | | | | |
| 5 | 1 | 129418-18320 | STUD, M8X20 | | 4 | | | | | | |
| 6 | 1 | 26306-100002 | NUT, M10 | | 2 | | | | | | |
| 7 | 1 | 123901-18080 | GASKET | | 1 | | | | | | |

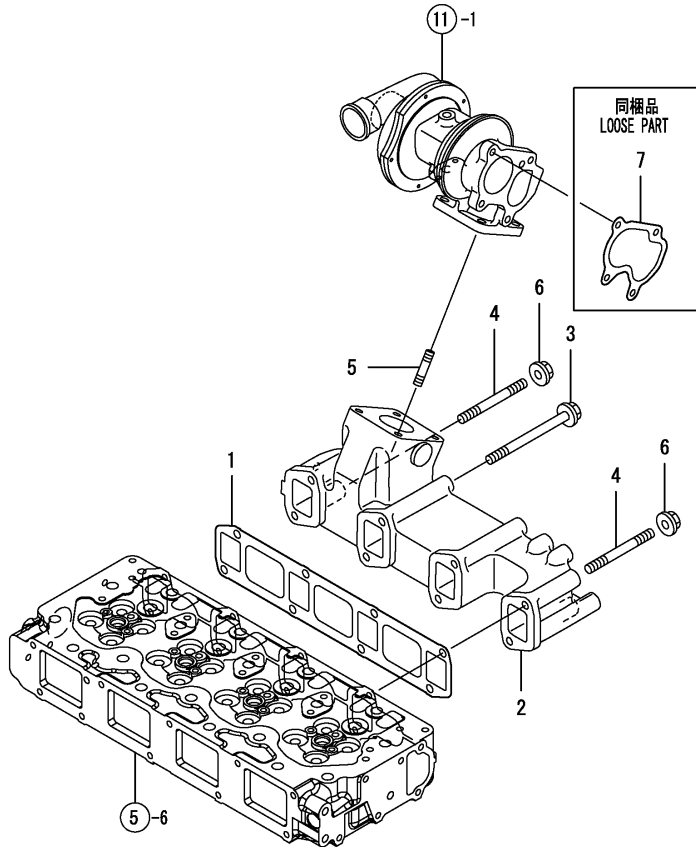
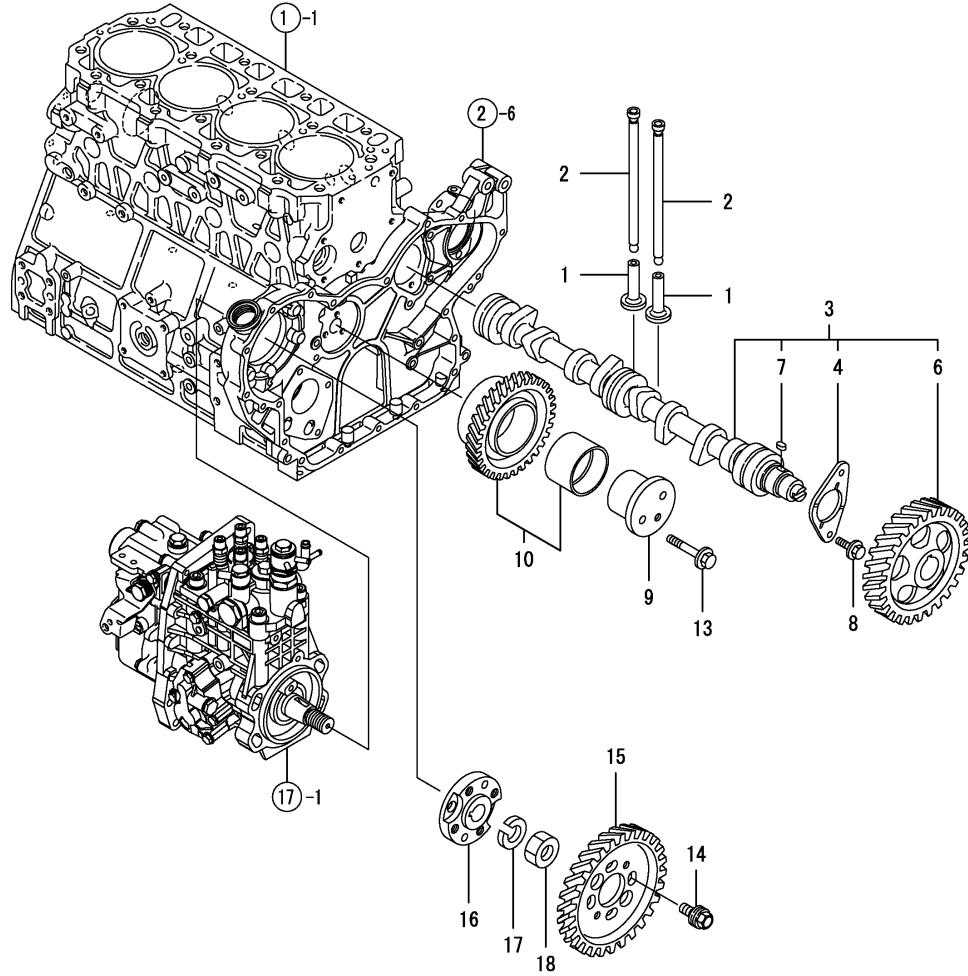


Fig.10. CAMSHAFT & DRIVING GEAR

(A)=4TNV106GGB1B
 (B)=4TNV106TGGB1
 (C)=

(D)=
 (E)=
 (F)=



| No. | Lev. | Parts No. | Description | Q'ty | | | | | | I | R |
|-----|------|--------------|---------------------|------|-----|-----|-----|-----|-----|---|---|
| | | | | (A) | (B) | (C) | (D) | (E) | (F) | | |
| 1 | 1 | 123900-14200 | TAPPET | 8 | 8 | | | | | | |
| 2 | 1 | 123907-14400 | ROD, PUSH | 8 | 8 | | | | | | |
| 3 | 1 | 123907-14580 | CAMSHAFT ASSY | 1 | 1 | | | | | | |
| 4 | 2 | 129150-02450 | BEARING, THRUST | 1 | 1 | | | | | | |
| 6 | 2 | 129900-14100 | GEAR, CAMSHAFT | 1 | 1 | | | | | | |
| 7 | 2 | 22512-070140 | KEY, 7X 14 | 1 | 1 | | | | | | |
| 8 | 1 | 26106-080142 | BOLT, M8X 14 PLATED | 2 | 2 | | | | | | |
| 9 | 1 | 123900-25060 | SHAFT, IDLE GEAR | 1 | 1 | | | | | | |
| 10 | 1 | 123900-25120 | GEAR ASSY, IDLE | 1 | 1 | | | | | | |
| 13 | 1 | 26106-080552 | BOLT, M8X 55 PLATED | 3 | 3 | | | | | | |
| 14 | 1 | 129953-25300 | BOLT | 4 | 4 | | | | | | |
| 15 | 1 | 123907-25909 | GEAR, PUMP | 1 | 1 | | | | | | |
| 16 | 1 | 158563-51150 | FLANGE | 1 | 1 | | | | | | |
| 17 | 1 | 22217-180000 | WASHER, SPRING 18 | 1 | 1 | | | | | | |
| 18 | 1 | 26776-180002 | NUT, LOCK M18 | 1 | 1 | | | | | | |

Fig.11. TURBINE

(A)=4TNV106GGB1B
 (B)=4TNV106TGGB1
 (C)=

(D)=
 (E)=
 (F)=

| No. | Lev. | Parts No. | Description | Q'ty | | | | | | I | R |
|-----|------|--------------|---------------|------|-----|-----|-----|-----|-----|---|---|
| | | | | (A) | (B) | (C) | (D) | (E) | (F) | | |
| 1 | 1 | 123981-18021 | TURBINE, RHF5 | | 1 | | | | | | |
| 2 | 1 | 123901-18090 | GASKET | | 1 | | | | | | |
| 3 | 1 | 22117-080000 | WASHER, 8 | | 4 | | | | | | |
| 4 | 1 | 26703-080002 | NUT, M8 | | 4 | | | | | | |

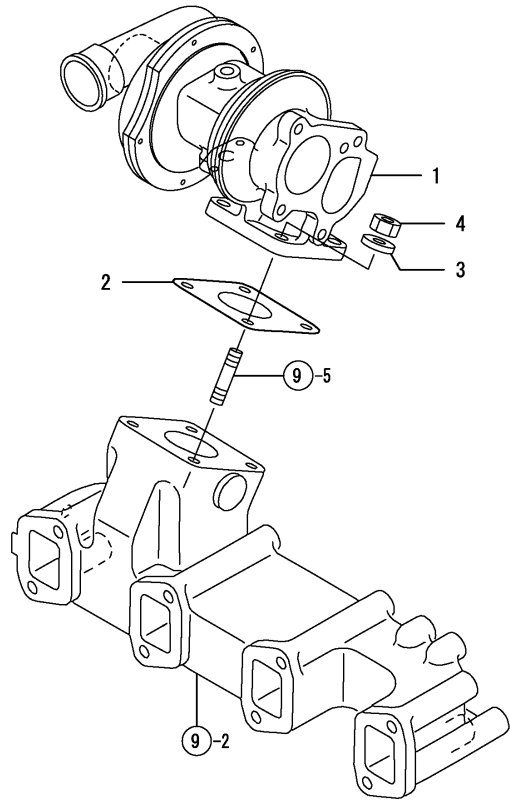
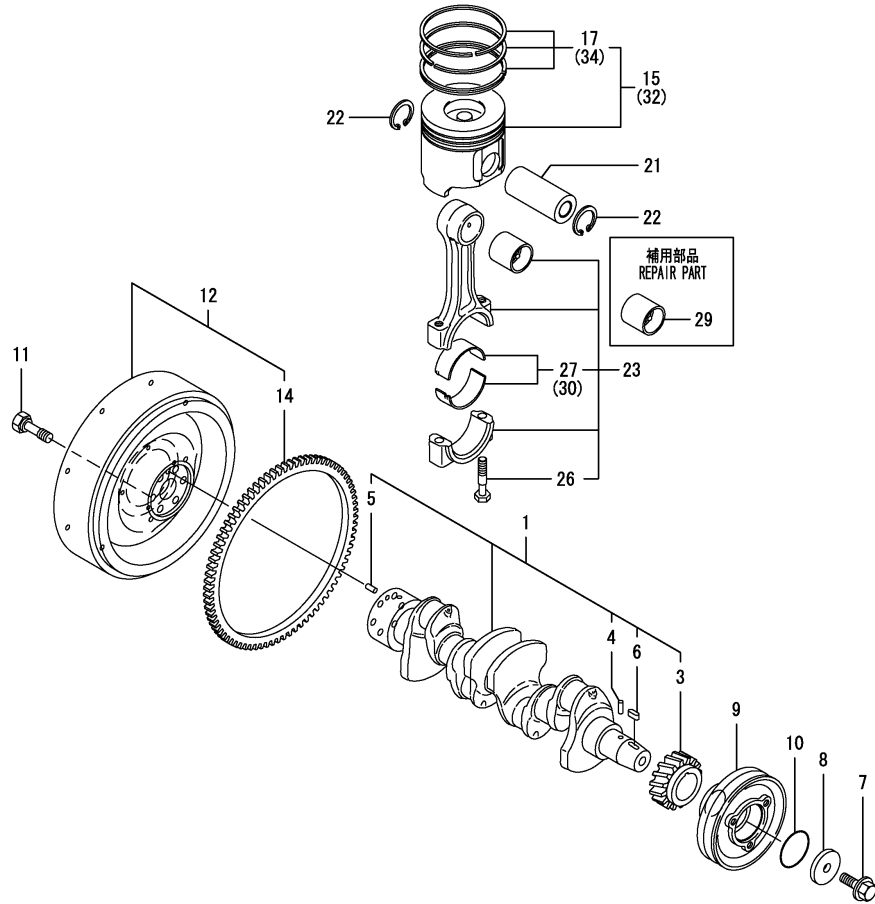


Fig.12. CRANKSHAFT & PISTON

(A)=4TNV106GGB1B
(B)=4TNV106TGGB1
(C)=

(D)=
(E)=
(F)=



| No. | Lev. | Parts No. | Description | Q'ty | | | | | | I | R |
|-----|------|--------------|----------------------|------|-----|-----|-----|-----|-----|---|---|
| | | | | (A) | (B) | (C) | (D) | (E) | (F) | | |
| 1 | 1 | 123900-21000 | CRANKSHAFT ASSY | 1 | 1 | | | | | | |
| 3 | 2 | 129900-21200 | GEAR, CRANKSHAFT | 1 | 1 | | | | | | |
| 4 | 2 | 121850-21290 | PIN | 1 | 1 | | | | | | |
| 5 | 2 | 121850-21920 | PIN, M10X22 | 1 | 1 | | | | | | |
| 6 | 2 | 22512-070140 | KEY, 7X 14 | 1 | 1 | | | | | | |
| 7 | 1 | 129916-21610 | BOLT | 1 | 1 | | | | | | |
| 8 | 1 | 129960-21640 | WASHER | 1 | 1 | | | | | | |
| 9 | 1 | 123946-21660 | V-PULLEY, 150 | 1 | 1 | | | | | | |
| 10 | 1 | 24341-000530 | O-RING, 1AS53.0 | 1 | 1 | | | | | | |
| 11 | 1 | 121850-21130 | BOLT, FLYWHEEL | 6 | 6 | | | | | | |
| 12 | 1 | 123915-21590 | FLYWHEEL ASSY | 1 | 1 | | | | | | |
| 14 | 2 | 127410-21480 | GEAR, RING Z=129 | 1 | 1 | | | | | | |
| 15 | 1 | 123907-22081 | PISTON ASSY | 4 | 4 | | | | | | |
| 17 | 2 | 123907-22050 | RING SET, PISTON | 4 | 4 | | | | | | |
| 21 | 1 | 119173-22300 | PIN, PISTON | 4 | 4 | | | | | | |
| 22 | 1 | 22252-000370 | RING, 37 | 8 | 8 | | | | | | |
| 23 | 1 | 123900-23000 | ROD ASSY, CONNECTING | 4 | 4 | | | | | | |
| 26 | 2 | 123900-23200 | BOLT, CONNECTING ROD | 8 | 8 | | | | | | |
| 27 | 2 | 123900-23600 | BEARING, CRANK PIN | 4 | 4 | | | | | | |
| 29 | 1 | 123900-23910 | BEARING, PISTON PIN | 4 | 4 | | | | | | 1 |
| 30 | 1 | 123900-23610 | BEARING, 0.25 US | 4 | 4 | | | | | | 2 |
| 32 | 1 | 723907-22900 | PISTON ASSY, 0.25 OS | 4 | 4 | | | | | | 3 |
| 34 | 2 | 723907-22950 | RING SET, 0.25 OS | 4 | 4 | | | | | | 3 |

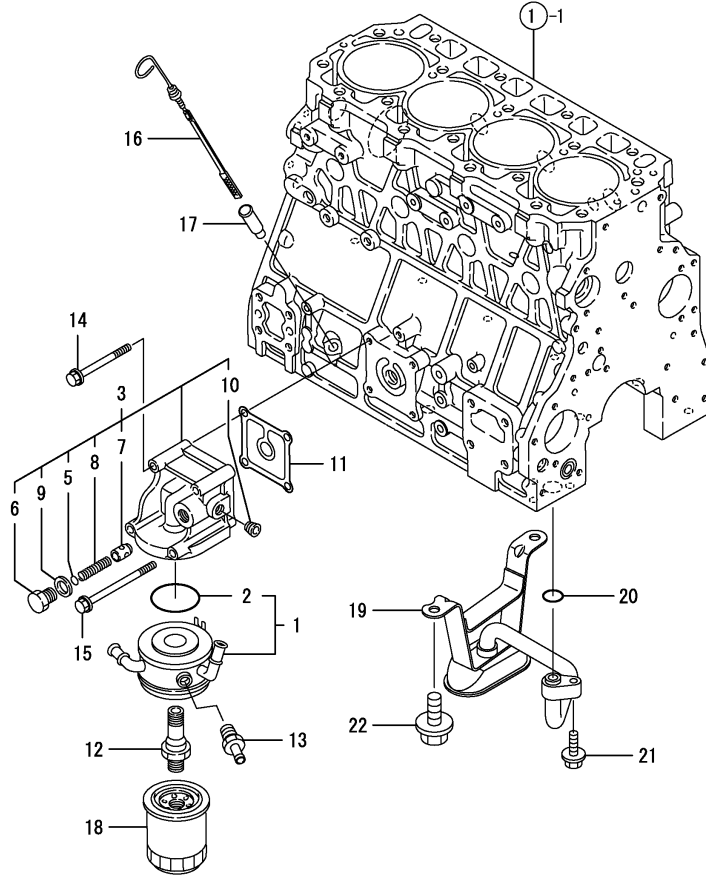
Remarks

- (1) Spare parts.
- (2) Under-sized (U.S.=0.25) parts.
- (3) Over-sized (O.S.=0.25) parts.

Fig.13. LUB. OIL SYSTEM

(A)=4TNV106GGB1B
(B)=4TNV106TGB1
(C)=

(D)=
(E)=
(F)=



| No. | Lev. | Parts No. | Description | Q'ty | | | | | | I | R |
|-----|------|--------------|----------------------|------|-----|-----|-----|-----|-----|---|---|
| | | | | (A) | (B) | (C) | (D) | (E) | (F) | | |
| 1 | 1 | 123910-33011 | COOLER ASSY, OIL | 1 | 1 | | | | | | |
| 2 | 2 | 123912-33050 | O-RING | 1 | 1 | | | | | | |
| 3 | 1 | 123910-33041 | BRACKET ASSY, COOLER | 1 | 1 | | | | | | |
| 5 | 2 | 121850-35230 | SHIM, T=1.0 | 1 | 1 | | | | | | |
| 6 | 2 | 124223-35510 | RETAINER, SPRING | 1 | 1 | | | | | | |
| 7 | 2 | 121850-35531 | VALVE, CONTROL | 1 | 1 | | | | | | |
| 8 | 2 | 121952-39830 | SPRING | 1 | 1 | | | | | | |
| 9 | 2 | 23414-180000 | GASKET, 18X1.0 | 1 | 1 | | | | | | |
| 10 | 2 | 23876-020000 | PLUG, R02 | 1 | 1 | | | | | | |
| 11 | 1 | 123900-33060 | GASKET | 1 | 1 | | | | | | |
| 12 | 1 | 123910-33100 | BOLT | 1 | 1 | | | | | | |
| 13 | 1 | 121550-49111 | JOINT, PT1/4 | 1 | 1 | | | | | | |
| 14 | 1 | 26106-080752 | BOLT, M8X 75 PLATED | 2 | 2 | | | | | | |
| 15 | 1 | 26106-081002 | BOLT, M8X100 PLATED | 2 | 2 | | | | | | |
| 16 | 1 | 123982-34801 | DIPSTICK, OIL | 1 | 1 | | | | | | |
| 17 | 1 | 121520-34810 | GUIDE, DIPSTICK | 1 | 1 | | | | | | |
| 18 | 1 | 119005-35151 | FILTER, D80X100L | 1 | 1 | | | | | | 1 |
| 19 | 1 | 123900-35004 | PIPE ASSY, OIL INLET | 1 | 1 | | | | | | |
| 20 | 1 | 24314-000180 | O-RING, 4CP18.0 | 1 | 1 | | | | | | |
| 21 | 1 | 26106-080302 | BOLT, M8X 30 PLATED | 1 | 1 | | | | | | |
| 22 | 1 | 26106-120162 | BOLT, M12X 16 PLATED | 2 | 2 | | | | | | |

Remarks

(1) Spare parts.

N:Old $\xrightarrow{\text{Yes}}$ New, Q:Old $\xrightarrow{\text{No}}$ New, R:Old $\xrightarrow{\text{Yes}}$ New, S:Old $\xrightarrow{\text{No}}$ New, W:Add, Z:Discontinued, F:Interchangeable by set, K:Q'ty Change

Fig.14. LUB. OIL PIPE

(A)=4TNV106GGB1B
 (B)=4TNV106TGGB1
 (C)=

(D)=
 (E)=
 (F)=

| No. | Lev. | Parts No. | Description | Q'ty | | | | | | I | R |
|-----|------|--------------|----------------------|------|-----|-----|-----|-----|-----|---|---|
| | | | | (A) | (B) | (C) | (D) | (E) | (F) | | |
| 1 | 1 | 123907-39061 | PIPE ASSY, OIL | 1 | | | | | | | |
| 3 | 2 | 123907-39500 | RETAINER | 1 | | | | | | | |
| 6 | 1 | 124160-39140 | BOLT, PIPE JOINT M10 | 1 | | | | | | | |
| 7 | 1 | 23414-080000 | GASKET, 8X1.0 | 2 | | | | | | | |
| 8 | 1 | 23414-100000 | GASKET, 10X1.0 | 2 | | | | | | | |
| 9 | 1 | 23857-030000 | BOLT, JOINT 3 | 1 | | | | | | | |
| 10 | 1 | 26106-080122 | BOLT, M8X 12 PLATED | 1 | | | | | | | |
| 11 | 1 | 22190-080002 | WASHER, SEAL 6 | 2 | | | | | | | |
| 12 | 1 | 26106-080122 | BOLT, M8X 12 PLATED | 2 | | | | | | | |
| 13 | 1 | 129792-39410 | VALVE ASSY, CHECK | 4 | | | | | | | |
| 19 | 1 | 123900-39650 | NOZZLE | 4 | | | | | | | |
| 20 | 1 | 22351-030010 | PIN, SPRING 3.0X10 | 4 | | | | | | | |
| 21 | 1 | 114250-39450 | SWITCH, 0.5KG | 1 | | | | | | | |
| 22 | 1 | 171375-39601 | DAMPER, 1/8 | 1 | | | | | | | |
| 23 | 1 | 119773-91501 | SENSOR | 1 | | | | | | | |

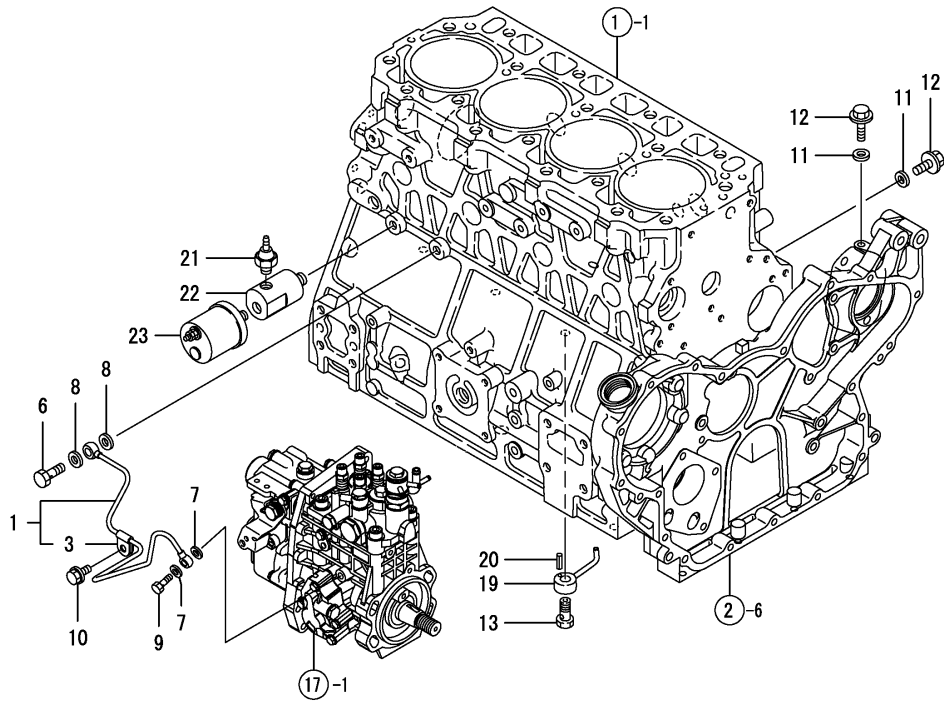
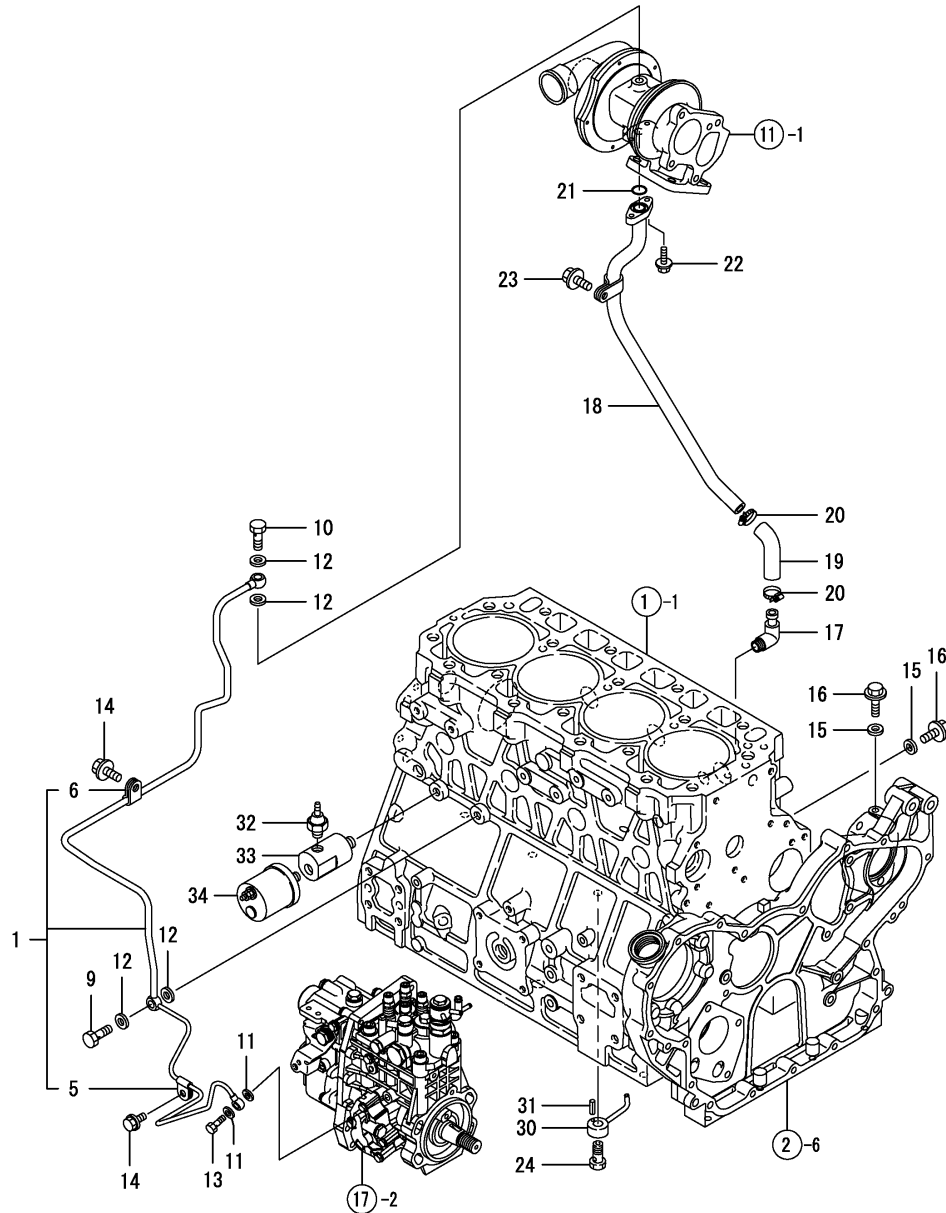


Fig.15. LUB. OIL PIPE

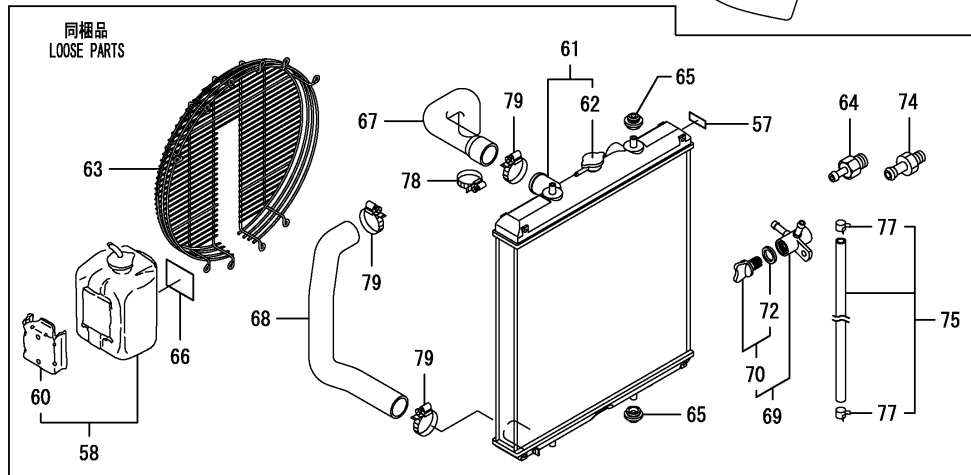
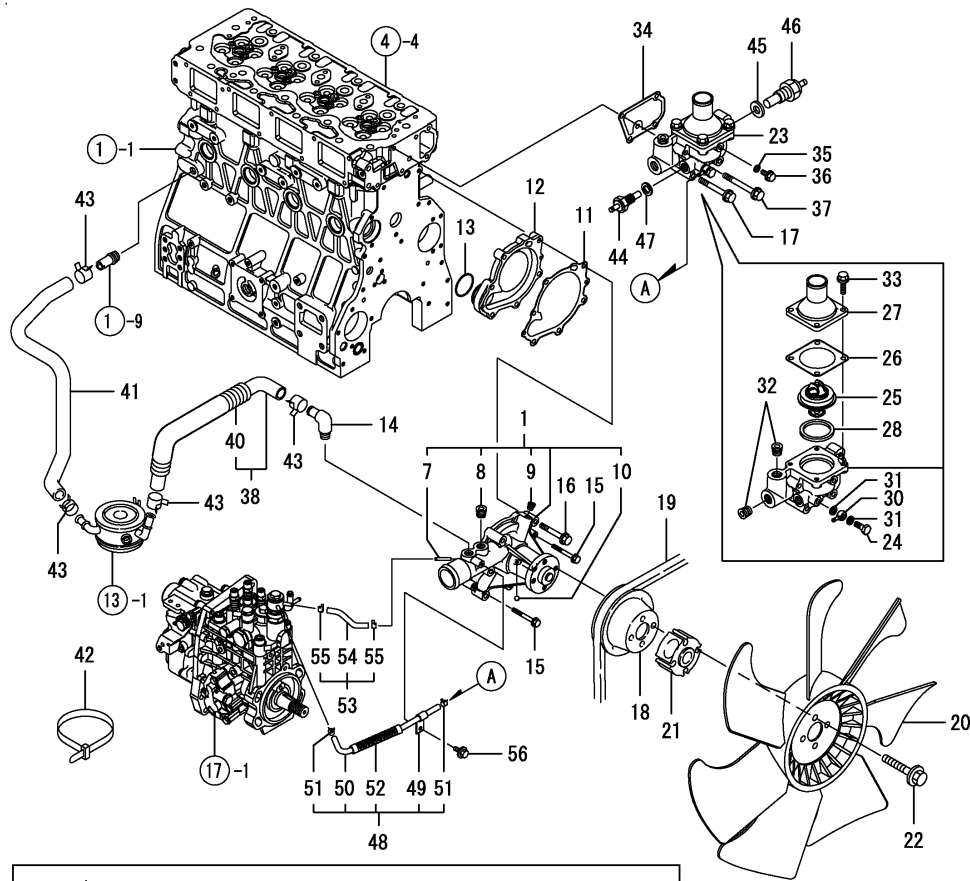
(A)=4TNV106GGB1B
(B)=4TNV106TGGB1
(C)=

(D)=
(E)=
(F)=



| No. | Lev. | Parts No. | Description | Q'ty | | | | | | I | R |
|-----|------|--------------|----------------------|------|-----|-----|-----|-----|-----|---|---|
| | | | | (A) | (B) | (C) | (D) | (E) | (F) | | |
| 1 | 1 | 123908-39061 | PIPE ASSY, OIL | | 1 | | | | | | |
| 5 | 2 | 123907-39500 | RETAINER | | 1 | | | | | | |
| 6 | 2 | 124223-39900 | RETAINER | | 1 | | | | | | |
| 9 | 1 | 124160-39140 | BOLT, PIPE JOINT M10 | | 1 | | | | | | |
| 10 | 1 | 121252-39150 | BOLT, JOINT M10X1.5 | | 1 | | | | | | |
| 11 | 1 | 23414-080000 | GASKET, 8X1.0 | | 2 | | | | | | |
| 12 | 1 | 23414-100000 | GASKET, 10X1.0 | | 4 | | | | | | |
| 13 | 1 | 23857-030000 | BOLT, JOINT 3 | | 1 | | | | | | |
| 14 | 1 | 26106-080122 | BOLT, M8X 12 PLATED | | 2 | | | | | | |
| 15 | 1 | 22190-080002 | WASHER, SEAL 6 | | 2 | | | | | | |
| 16 | 1 | 26106-080122 | BOLT, M8X 12 PLATED | | 2 | | | | | | |
| 17 | 1 | 124070-13300 | ELBOW, PT3/8 | | 1 | | | | | | |
| 18 | 1 | 123912-39600 | PIPE, OIL | | 1 | | | | | | |
| 19 | 1 | 123901-39820 | HOSE | | 1 | | | | | | |
| 20 | 1 | 23000-025000 | CLAMP, 25 | | 2 | | | | | | |
| 21 | 1 | 24316-000180 | O-RING, 4DP18.0 | | 1 | | | | | | |
| 22 | 1 | 26106-060162 | BOLT, M6X 16 PLATED | | 2 | | | | | | |
| 23 | 1 | 26106-080142 | BOLT, M8X 14 PLATED | | 1 | | | | | | |
| 24 | 1 | 129792-39410 | VALVE ASSY, CHECK | | 4 | | | | | | |
| 30 | 1 | 123900-39650 | NOZZLE | | 4 | | | | | | |
| 31 | 1 | 22351-030010 | PIN, SPRING 3.0X10 | | 4 | | | | | | |
| 32 | 1 | 114250-39450 | SWITCH, 0.5KG | | 1 | | | | | | |
| 33 | 1 | 171375-39601 | DAMPER, 1/8 | | 1 | | | | | | |
| 34 | 1 | 119773-91501 | SENSOR | | 1 | | | | | | |

Fig.16. COOLING WATER SYSTEM



(A)=4TNV106GGB1B
(B)=4TNV106TGB1
(C)=

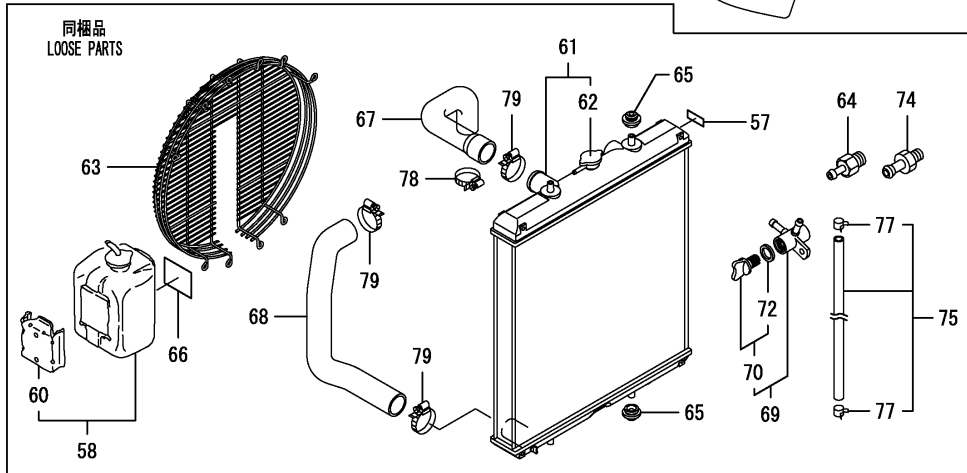
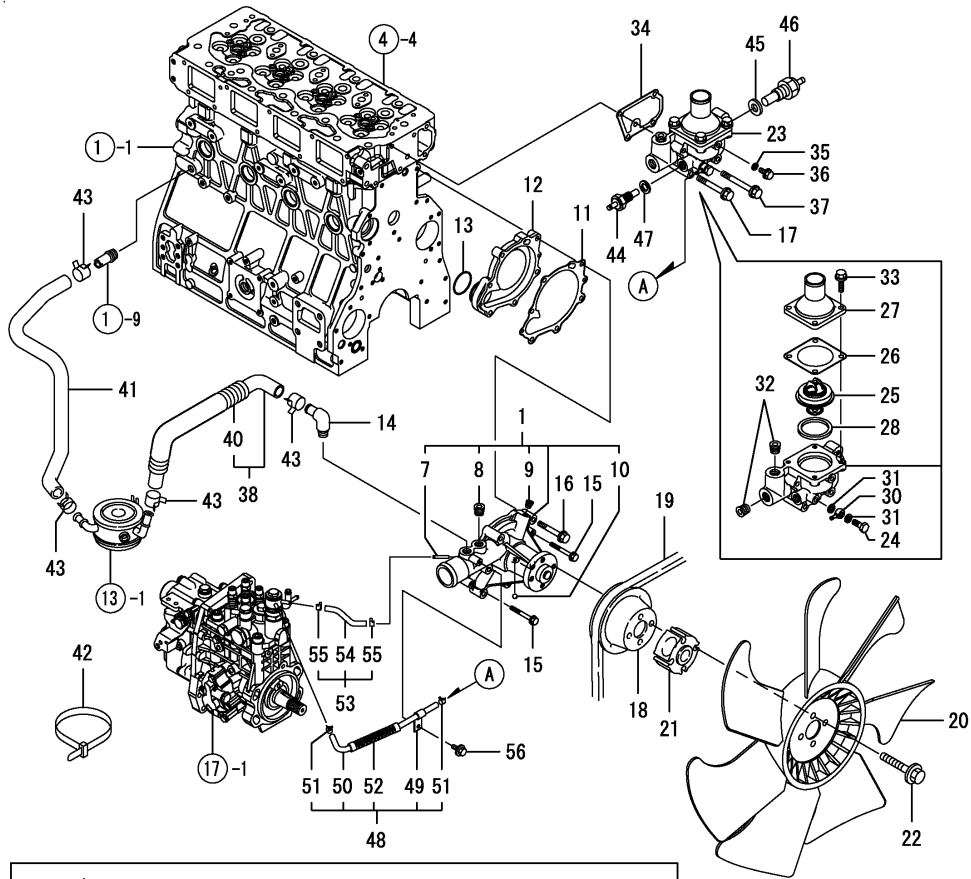
(D)=
(E)=
(F)=

| No. | Lev. | Parts No. | Description | Q'ty | | | | | | I | R |
|------|------|-------------------------|-----------------------|------|-----|-----|-----|-----|-----|---|---|
| | | | | (A) | (B) | (C) | (D) | (E) | (F) | | |
| 1 | 1 | 123907-42000 | PUMP ASSY, WATER | 1 | 1 | | | | | | |
| 7 | 2 | 119802-49113 | JOINT, PIPE | 1 | 1 | | | | | | |
| 8 | 2 | 129916-49740 | PLUG, R3/8 | 1 | 1 | | | | | | |
| 9 | 2 | 23875-020000 | PLUG, R02 | 1 | 1 | | | | | | |
| 10 | 2 | 24190-080001 | BALL, STEEL 1/4 | 1 | 1 | | | | | | |
| 11 | 1 | 123900-42050 | GASKET, WATER PUMP | 1 | 1 | | | | | | |
| 12 | 1 | 123900-42070 | CASE, WATER PUMP | 1 | 1 | | | | | | |
| 13 | 1 | 123900-42320 | O-RING, P40 | 1 | 1 | | | | | | |
| 14 | 1 | 123907-49300 | ELBOW, R3/8 | 1 | 1 | | | | | | |
| 15 | 1 | 26106-060502 | BOLT, M6X 50 PLATED | 2 | 2 | | | | | | |
| 16 | 1 | 26106-080552 | BOLT, M8X 55 PLATED | 4 | 4 | | | | | | |
| 17 | 1 | 26106-080702 | BOLT, M8X 70 PLATED | 2 | 2 | | | | | | |
| 18 | 1 | 123900-42470 | V-PULLEY, C.W.PUMP | 1 | 1 | | | | | | |
| 19 | 1 | 25163-004801 | V-BELT, B48H | 1 | 1 | | | | | | |
| 19-2 | 1 | 123957-42460 | V-BELT, B46.0 | 1 | 1 | | | | | | N |
| | | (A=EV21568) (B=EV21568) | | | | | | | | | |
| 20 | 1 | 123915-44741 | FAN, COOLING | 1 | 1 | | | | | | |
| 21 | 1 | 123957-44770 | SPACER, FAN 35 | 1 | 1 | | | | | | |
| 22 | 1 | 26106-100552 | BOLT, M10X 55 PLATED | 4 | 4 | | | | | | |
| 23 | 1 | 123907-49800 | CASE ASSY, THERMOSTAT | 1 | 1 | | | | | | |
| 24 | 2 | 105010-39140 | BOLT, PIPE JOINT | 1 | 1 | | | | | | |
| 25 | 2 | 124610-48610 | THERMOSTAT, 71 | 1 | 1 | | | | | | |
| 26 | 2 | 124610-49291 | GASKET | 1 | 1 | | | | | | |
| 27 | 2 | 123962-49500 | COVER, THERMOSTAT | 1 | 1 | | | | | | |
| 28 | 2 | 123500-49550 | GASKET, THERMOSTAT | 1 | 1 | | | | | | |
| 30 | 2 | 23387-040800 | JOINT, HOSE 4-8 | 1 | 1 | | | | | | |
| 31 | 2 | 23414-080000 | GASKET, 8X1.0 | 2 | 2 | | | | | | |
| 32 | 2 | 23876-030000 | PLUG, R03 | 2 | 2 | | | | | | |
| 33 | 2 | 26106-080252 | BOLT, M8X 25 PLATED | 4 | 4 | | | | | | |
| 34 | 1 | 123900-49820 | GASKET | 1 | 1 | | | | | | |
| 35 | 1 | 23414-080000 | GASKET, 8X1.0 | 1 | 1 | | | | | | |
| 36 | 1 | 26106-080122 | BOLT, M8X 12 PLATED | 1 | 1 | | | | | | |
| 37 | 1 | 26106-080602 | BOLT, M8X 60 PLATED | 4 | 4 | | | | | | |
| 38 | 1 | 123946-49040 | HOSE ASSY, WATER | 1 | 1 | | | | | | |
| 40 | 2 | 123946-49660 | TUBE, CORRUGATED | 1 | 1 | | | | | | |
| 41 | 1 | 123946-49050 | PIPE, WATER | 1 | 1 | | | | | | |
| 42 | 1 | 121750-59890 | BAND, NYLON | 1 | 1 | | | | | | |
| 43 | 1 | 23000-025000 | CLAMP, 25 | 4 | 4 | | | | | | |
| 44 | 1 | 121250-44901 | SWITCH, THERMO 110 | 1 | 1 | | | | | | |
| 45 | 1 | 124465-44950 | GASKET, 16 | 1 | 1 | | | | | | |
| 46 | 1 | 124250-49351 | SENSOR, WATER TEMP. | 1 | 1 | | | | | | |
| 47 | 1 | 129150-49360 | GASKET | 1 | 1 | | | | | | |
| 48 | 1 | 123945-49610 | HOSE ASSY, WATER | 1 | 1 | | | | | | |
| 49 | 2 | 123945-49700 | RETAINER, PIPE | 1 | 1 | | | | | | |
| 50 | 2 | 123907-49710 | HOSE, WATER | 1 | 1 | | | | | | |
| 51 | 2 | 124722-59050 | CLAMP, HOSE 9 | 2 | 2 | | | | | | |
| 52 | 2 | 129486-59320 | TUBE, CORRUGATED | 1 | 1 | | | | | | |
| 53 | 1 | 123907-49620 | HOSE ASSY, WATER | 1 | 1 | | | | | | |
| 54 | 2 | 123907-49720 | HOSE, WATER | 1 | 1 | | | | | | |
| 55 | 2 | 124722-59050 | CLAMP, HOSE 9 | 2 | 2 | | | | | | |
| 56 | 1 | 26106-060122 | BOLT, M6X 12 PLATED | 1 | 1 | | | | | | |

Fig.16. COOLING WATER SYSTEM

(A)=4TNV106GGB1B
(B)=4TNV106TGB1
(C)=

(D)=
(E)=
(F)=

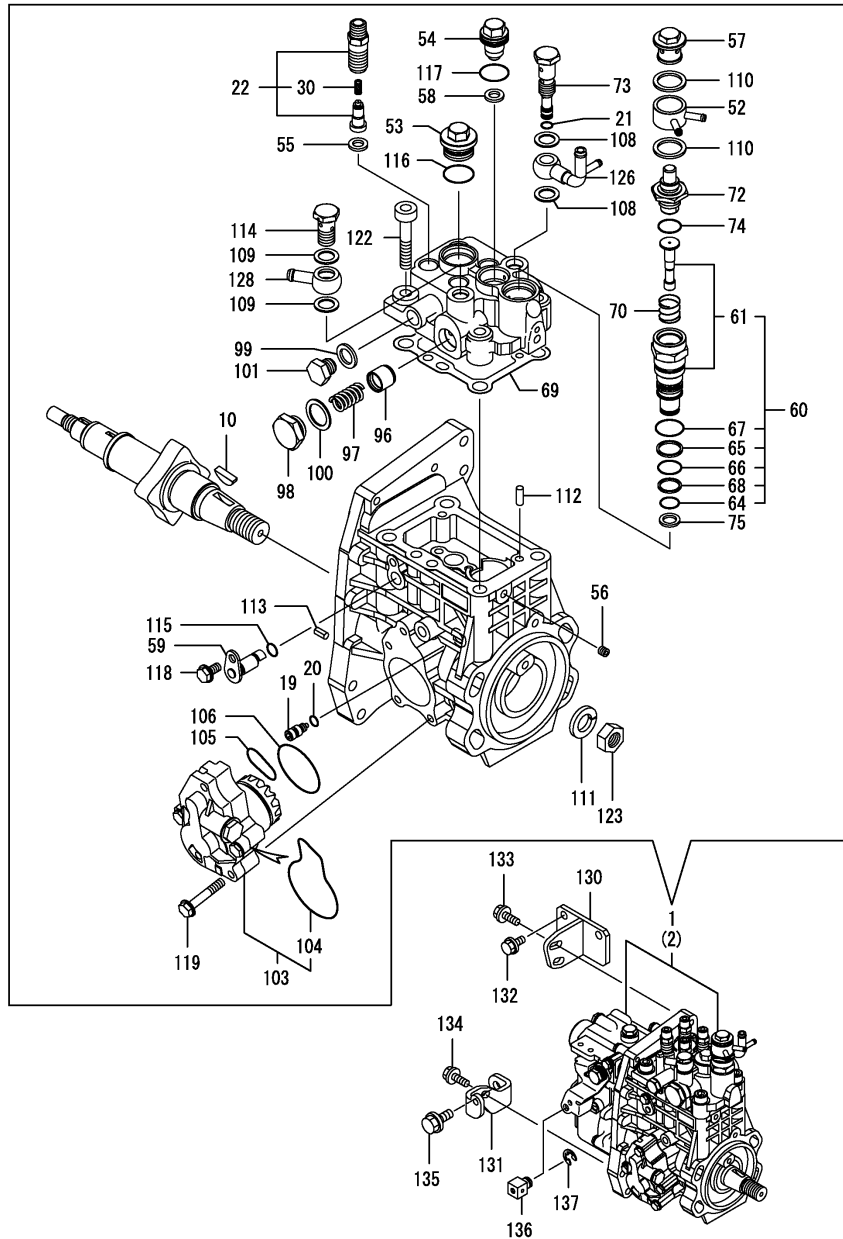


| No. | Lev. | Parts No. | Description | Q'ty | | | | | | I | R |
|-----|------|--------------|------------------|------|-----|-----|-----|-----|-----|---|---|
| | | | | (A) | (B) | (C) | (D) | (E) | (F) | | |
| 57 | 1 | 172437-03391 | LABEL, RADIATOR | 1 | 1 | | | | | | |
| 58 | 1 | 720445-44200 | TANK ASSY, SUB | 1 | 1 | | | | | | |
| 60 | 2 | 120445-44540 | SUPPORT | 1 | 1 | | | | | | |
| 61 | 1 | 129940-44510 | RADIATOR | 1 | 1 | | | | | | |
| 62 | 2 | 129107-44590 | CAP, RADIATOR | 1 | 1 | | | | | | |
| 63 | 1 | 123915-44570 | GUARD | 1 | 1 | | | | | | |
| 64 | 1 | 119156-44600 | COCK ASSY | 1 | 1 | | | | | | |
| 65 | 1 | 119255-44660 | ABSORBER | 4 | 4 | | | | | | |
| 66 | 1 | 124764-44810 | LABEL, SUB TANK | 1 | 1 | | | | | | |
| 67 | 1 | 123901-49050 | PIPE, WATER | 1 | 1 | | | | | | |
| 68 | 1 | 123901-49060 | PIPE, WATER | 1 | 1 | | | | | | |
| 69 | 1 | 129150-49100 | COCK ASSY, 3-WAY | 1 | 1 | | | | | | |
| 70 | 2 | 129150-49080 | COCK, DRAIN | 1 | 1 | | | | | | |
| 72 | 3 | 119629-49080 | GASKET | 1 | 1 | | | | | | |
| 74 | 1 | 121550-49111 | JOINT, PT1/4 | 1 | 1 | | | | | | |
| 75 | 1 | 129210-49280 | PIPE ASSY, DRAIN | 1 | 1 | | | | | | |
| 77 | 2 | 124766-59050 | CLAMP, HOSE 11.5 | 2 | 2 | | | | | | |
| 78 | 1 | 23000-048000 | CLAMP, 48 | 1 | 1 | | | | | | |
| 79 | 1 | 23000-060000 | CLAMP, 60 | 3 | 3 | | | | | | |

Fig.17. FUEL INJECTION PUMP

(A)=4TNV106GGB1B
(B)=4TNV106TGGB1
(C)=

(D)=
(E)=
(F)=



| No. | Lev. | Parts No. | Description | Q'ty | | | | | | I | R |
|-----|------|-----------------------------|----------------------|------|-----|-----|-----|-----|-----|---|---|
| | | | | (A) | (B) | (C) | (D) | (E) | (F) | | |
| 1 | 1 | 723946-51310 | PUMP ASSY, INJECTION | 1 | | | | | | | 1 |
| 2 | 1 | 723947-51300 | PUMP ASSY, INJECTION | | 1 | | | | | | 1 |
| 10 | 2 | 144626-51090 | KEY, 5X19 | 1 | 1 | | | | | | |
| 19 | 2 | 158600-51270 | STOPPER, TAPPET | 1 | 1 | | | | | | |
| 20 | 2 | 158563-51281 | O-RING, 4D S6 | 1 | 1 | | | | | | |
| 21 | 2 | 158563-51281 | O-RING, 4D S6 | 1 | 1 | | | | | | |
| 22 | 2 | 129509-51390 | VALVE ASSY, DELIVERY | 4 | 4 | | | | | | W |
| | | (A=*2008.02.) (B=*2008.02.) | | | | | | | | | |
| 30 | 3 | 158563-51330 | SPRING, DELIVERY | 4 | 4 | | | | | | |
| 52 | 2 | 158553-51551 | JOINT | 1 | 1 | | | | | | |
| 53 | 2 | 158601-51550 | PLUG | 1 | 1 | | | | | | |
| 54 | 2 | 129907-51560 | PLUG, BARREL | 1 | 1 | | | | | | |
| 55 | 2 | 158552-51570 | GASKET | 4 | 4 | | | | | | |
| 56 | 2 | 158557-51570 | PLUG | 1 | 1 | | | | | | |
| 57 | 2 | 158601-51570 | PLUG | 1 | 1 | | | | | | |
| 58 | 2 | 129906-51580 | GASKET | 1 | 1 | | | | | | |
| 59 | 2 | 158552-51580 | LIFTER | 1 | 1 | | | | | | |
| 60 | 2 | 119802-51590 | TIMER SET | 1 | 1 | | | | | | |
| 61 | 3 | 119802-51600 | TIMER ASSY | 1 | 1 | | | | | | |
| 64 | 3 | 158553-51670 | O-RING, 1011 | 1 | 1 | | | | | | |
| 65 | 3 | 119802-51680 | RING, BACK UP | 1 | 1 | | | | | | |
| 66 | 3 | 119802-51690 | O-RING | 1 | 1 | | | | | | |
| 67 | 3 | 24356-010200 | O-RING, 4D1020 | 1 | 1 | | | | | | |
| 68 | 3 | 24372-000150 | RING, BACK UP T2P15 | 1 | 1 | | | | | | |
| 69 | 2 | 158560-51600 | GASKET | 1 | 1 | | | | | | |
| 70 | 2 | 158553-51630 | SPRING, TIMER | 1 | 1 | | | | | | |
| 72 | 2 | 158553-51640 | ELEMENT | 1 | 1 | | | | | | |
| 73 | 2 | 158601-51650 | JOINT, OVER FLOW | 1 | 1 | | | | | | |
| 74 | 2 | 158553-51660 | O-RING, P14 | 1 | 1 | | | | | | |
| 75 | 2 | 158553-51680 | GASKET | 1 | 1 | | | | | | |
| 96 | 2 | 158601-51770 | PISTON | 1 | 1 | | | | | | |
| 97 | 2 | 158552-51781 | SPRING | 1 | 1 | | | | | | |
| 98 | 2 | 158601-51790 | PLUG | 1 | 1 | | | | | | |
| 99 | 2 | 22190-120002 | WASHER, SEAL 12 | 1 | 1 | | | | | | |
| 100 | 2 | 22190-180002 | WASHER, SEAL 18 | 1 | 1 | | | | | | |
| 101 | 2 | 23887-120002 | PLUG, 12 | 1 | 1 | | | | | | |
| 103 | 2 | 158552-52100 | PUMP ASSY, FUEL FEED | 1 | 1 | | | | | | |
| 104 | 3 | 158552-52500 | O-RING | 1 | 1 | | | | | | |
| 105 | 2 | 158552-52310 | O-RING | 1 | 1 | | | | | | |
| 106 | 2 | 158552-52400 | O-RING, 4E S42 | 1 | 1 | | | | | | |
| 108 | 2 | 22190-120002 | WASHER, SEAL 12 | 2 | 2 | | | | | | |
| 109 | 2 | 22190-120002 | WASHER, SEAL 12 | 2 | 2 | | | | | | |
| 110 | 2 | 22190-180002 | WASHER, SEAL 18 | 2 | 2 | | | | | | |
| 111 | 2 | 22217-180000 | WASHER, SPRING 18 | 1 | 1 | | | | | | |
| 112 | 2 | 22312-050140 | PIN, PARALLEL M5X14 | 2 | 2 | | | | | | |
| 113 | 2 | 22351-050010 | PIN, SPRING 5.0X10 | 2 | 2 | | | | | | |
| 114 | 2 | 23857-060000 | BOLT, JOINT 6 | 1 | 1 | | | | | | |
| 115 | 2 | 24311-000070 | O-RING, 1AP7.0 | 1 | 1 | | | | | | |
| 116 | 2 | 24356-010200 | O-RING, 4D1020 | 1 | 1 | | | | | | |
| 117 | 2 | 24356-020210 | O-RING, 4D2021 | 1 | 1 | | | | | | |
| 118 | 2 | 26106-060102 | BOLT, M6X 10 PLATED | 1 | 1 | | | | | | |

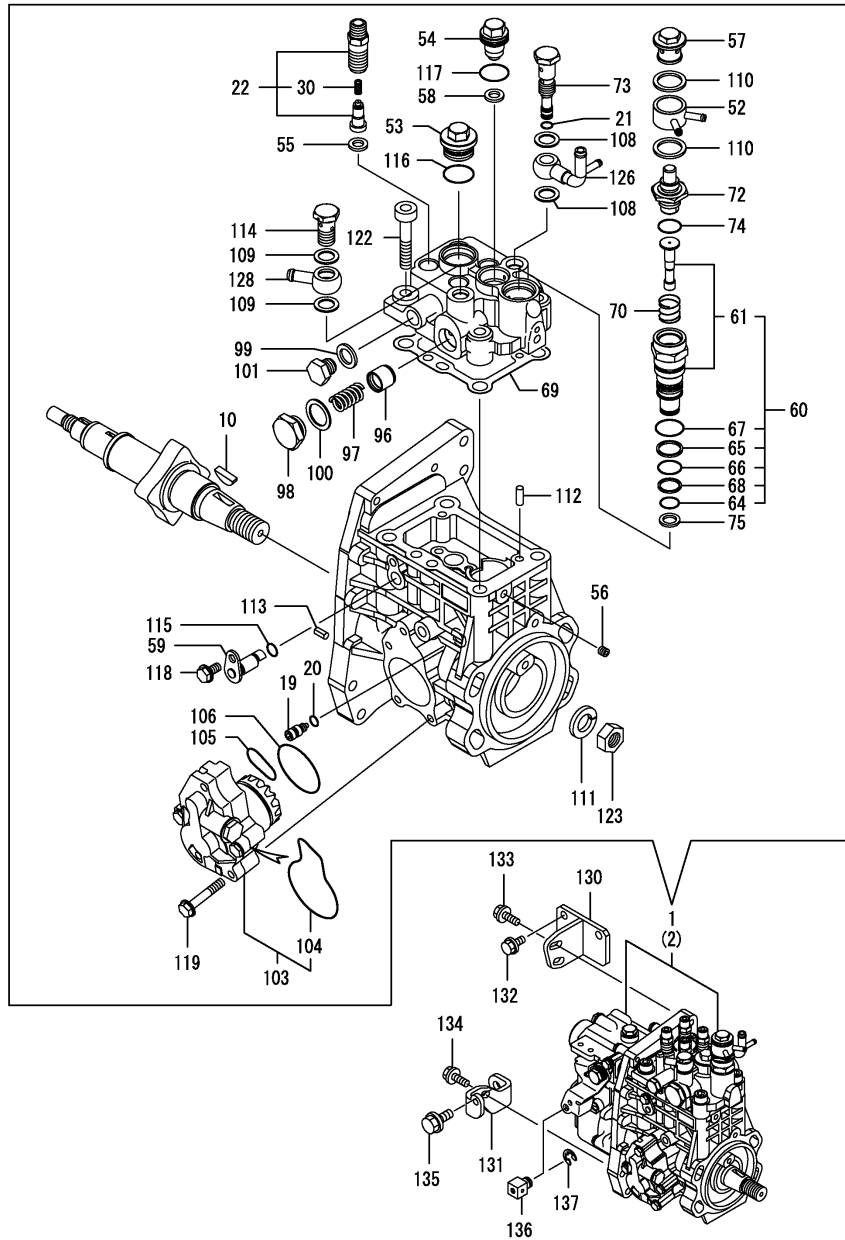
Remarks

(1)Governor(Fig.18) is incorporated in this Fuel Injection Pump(No.1,No.2).

Fig.17. FUEL INJECTION PUMP

(A)=4TNV106GGB1B
 (B)=4TNV106TGGB1
 (C)=

(D)=
 (E)=
 (F)=



| No. | Lev. | Parts No. | Description | Q'ty | | | | | | I | R |
|-----|------|--------------|----------------------|------|-----|-----|-----|-----|-----|---|---|
| | | | | (A) | (B) | (C) | (D) | (E) | (F) | | |
| 119 | 2 | 26106-060352 | BOLT, M6X 35 PLATED | 4 | 4 | | | | | | |
| 122 | 2 | 26450-100452 | BOLT, M10X 45 | 4 | 4 | | | | | | |
| 123 | 2 | 26776-180002 | NUT, LOCK M18 | 1 | 1 | | | | | | |
| 126 | 2 | 158552-51670 | JOINT, OVER FLOW | 1 | 1 | | | | | | |
| 128 | 2 | 129916-59020 | JOINT, PIPE 12 | 1 | 1 | | | | | | |
| 130 | 1 | 123907-01950 | RETAINER | 1 | 1 | | | | | | |
| 131 | 1 | 123907-01960 | RETAINER | 1 | 1 | | | | | | |
| 132 | 1 | 26106-080162 | BOLT, M8X 16 PLATED | 2 | 2 | | | | | | |
| 133 | 1 | 26106-080202 | BOLT, M8X 20 PLATED | 2 | 2 | | | | | | |
| 134 | 1 | 26106-080202 | BOLT, M8X 20 PLATED | 1 | 1 | | | | | | |
| 135 | 1 | 26106-100162 | BOLT, M10X 16 PLATED | 1 | 1 | | | | | | |
| 136 | 1 | 124756-67510 | RETAINER | 1 | 1 | | | | | | |
| 137 | 1 | 22272-000070 | RING, E- 7 | 1 | 1 | | | | | | |

Remarks

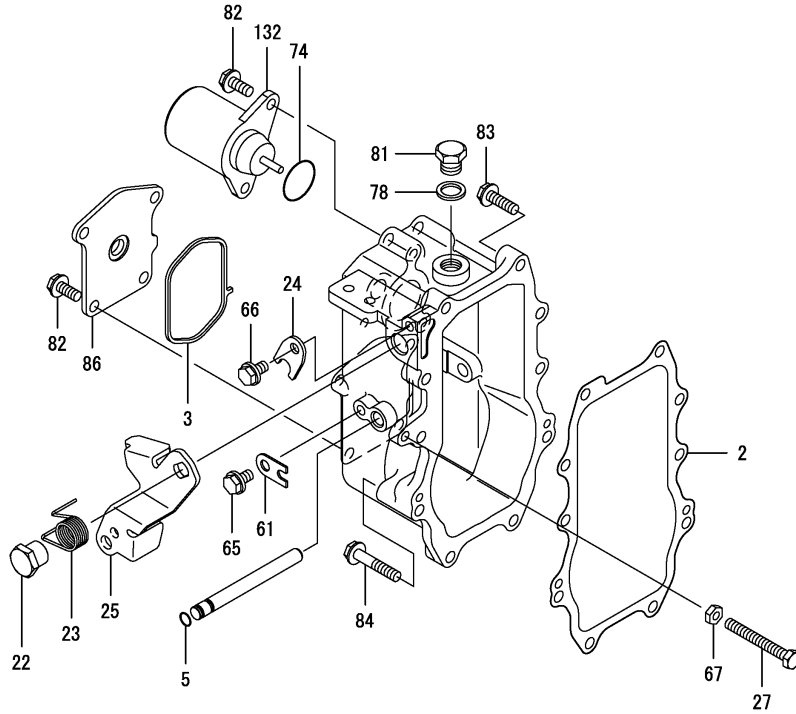
(1)Governor(Fig.18) is incorporated in this Fuel Injection Pump(No.1,No.2).

N:Old $\xrightarrow{\text{Yes}}$ New, Q:Old $\xrightarrow{\text{No}}$ New, R:Old $\xrightarrow{\text{Yes}}$ New, S:Old $\xrightarrow{\text{No}}$ New, W:Add, Z:Discontinued, F:Interchangeable by set, K:Q'ty Change

Fig.18. GOVERNOR

(A)=4TNV106GGB1B
(B)=4TNV106TGGB1
(C)=

(D)=
(E)=
(F)=

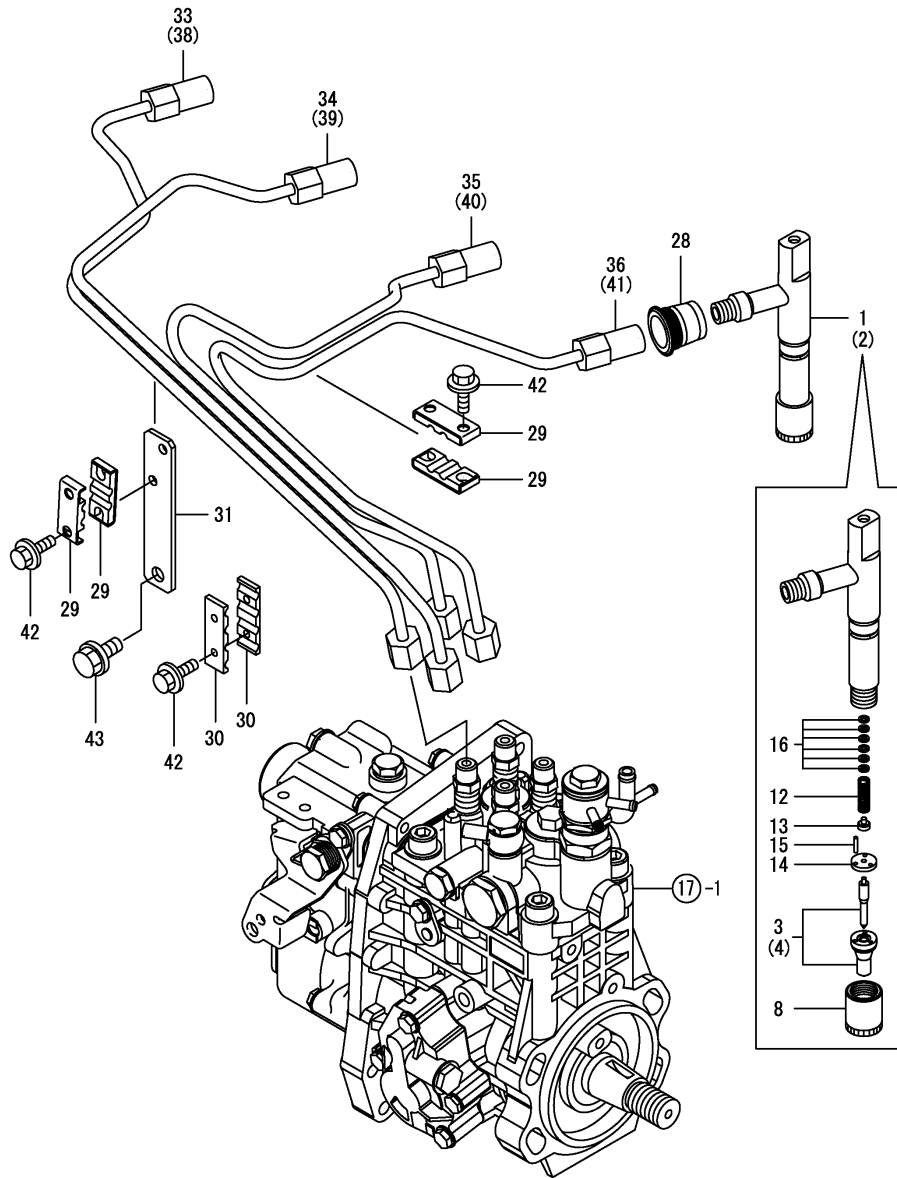


| No. | Lev. | Parts No. | Description | Q'ty | | | | | | I | R |
|-----|------|--------------|----------------------|------|-----|-----|-----|-----|-----|---|---|
| | | | | (A) | (B) | (C) | (D) | (E) | (F) | | |
| 2 | 2 | 158560-61050 | GASKET | 1 | 1 | | | | | | |
| 3 | 2 | 158560-61071 | GASKET | 1 | 1 | | | | | | |
| 5 | 2 | 129155-51280 | O-RING, S6 | 1 | 1 | | | | | | |
| 22 | 2 | 129255-61410 | NUT, LOCK | 1 | 1 | | | | | | |
| 23 | 2 | 119807-61420 | SPRING, RETURN | 1 | 1 | | | | | | |
| 24 | 2 | 158560-61430 | RETAINER, SHAFT | 1 | 1 | | | | | | |
| 25 | 2 | 129937-61440 | LEVER, REGULATOR | 1 | 1 | | | | | | |
| 27 | 2 | 129155-61460 | BOLT, IDLE | 1 | 1 | | | | | | |
| 61 | 2 | 119660-61901 | RETAINER, SHAFT | 1 | 1 | | | | | | |
| 65 | 2 | 26106-060102 | BOLT, M6X 10 PLATED | 1 | 1 | | | | | | |
| 66 | 2 | 26106-060102 | BOLT, M6X 10 PLATED | 1 | 1 | | | | | | |
| 67 | 2 | 26756-060002 | NUT, LOCK M6 | 1 | 1 | | | | | | |
| 74 | 2 | 158552-61900 | O-RING | 1 | 1 | | | | | | |
| 78 | 2 | 22190-160002 | WASHER, SEAL 16 | 1 | 1 | | | | | | |
| 81 | 2 | 23887-160002 | PLUG, 16 | 1 | 1 | | | | | | |
| 82 | 2 | 26106-060142 | BOLT, M6X 14 PLATED | 6 | 6 | | | | | | |
| 83 | 2 | 26106-060252 | BOLT, M6X 25 PLATED | 8 | 8 | | | | | | |
| 84 | 2 | 26106-060402 | BOLT, M6X 40 PLATED | 2 | 2 | | | | | | |
| 86 | 2 | 129946-61061 | COVER, GOVERNOR CASE | 1 | 1 | | | | | | |
| 132 | 2 | 119653-77950 | SOLENOID, STOP | 1 | 1 | | | | | | |

Remarks

* This figure(Governor) is incorporated in the Fuel Injection Pump(Fig.17).

Fig.19. FUEL INJECTION VALVE

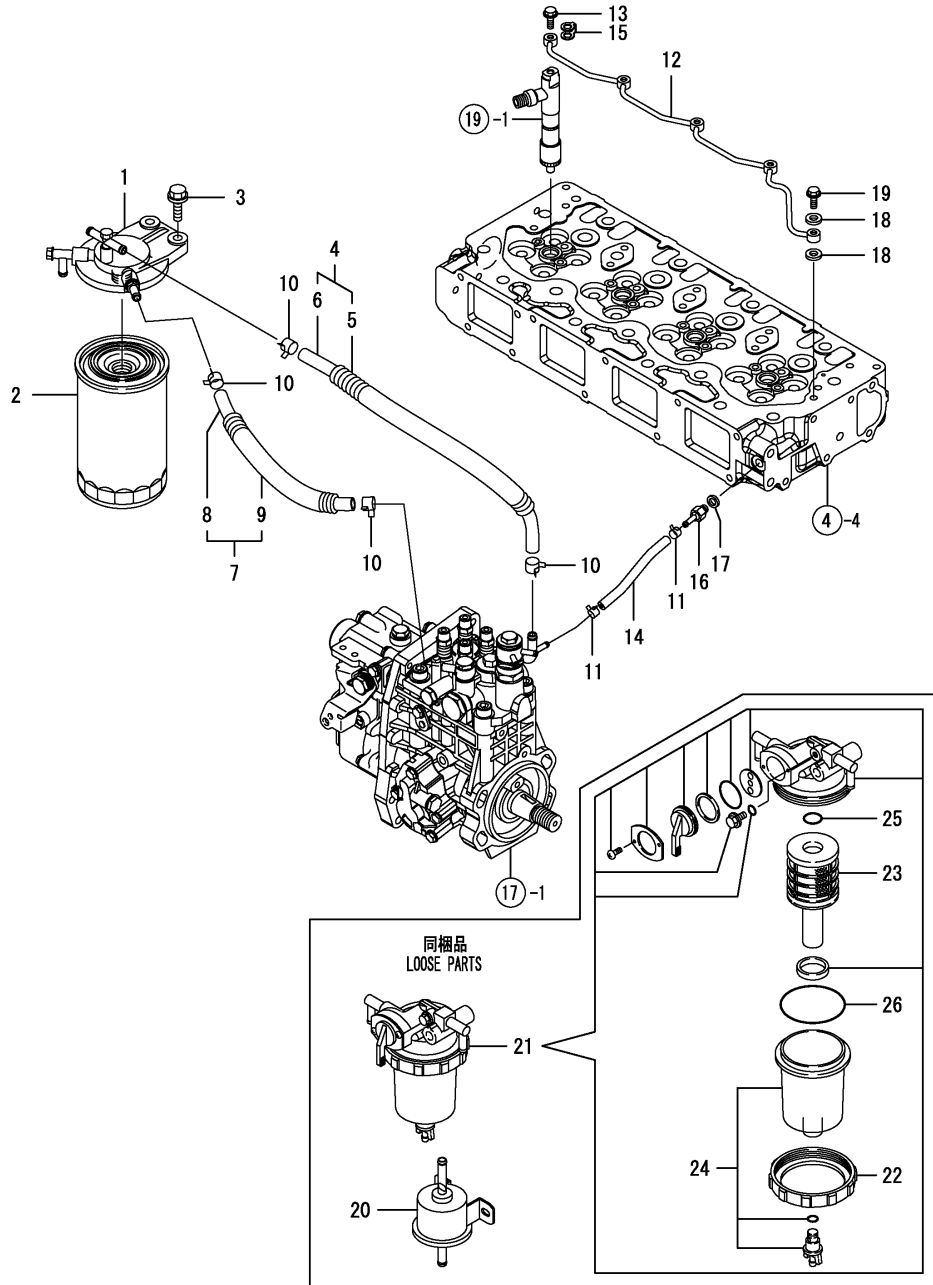


(A)=4TNV106GGB1B
(B)=4TNV106TGGB1
(C)=

(D)=
(E)=
(F)=

| No. | Lev. | Parts No. | Description | Q'ty | | | | | | I | R |
|-----|------|--------------|----------------------|------|-----|-----|-----|-----|-----|---|---|
| | | | | (A) | (B) | (C) | (D) | (E) | (F) | | |
| 1 | 1 | 723946-53100 | VALVE ASSY,INJECTION | 4 | | | | | | | |
| 2 | 1 | 723947-53100 | VALVE ASSY,INJECTION | | 4 | | | | | | |
| 3 | 2 | 129933-53000 | VALVE ASSY,INJECTION | 4 | | | | | | | |
| 4 | 2 | 123947-53000 | VALVE ASSY,INJECTION | | 4 | | | | | | |
| 8 | 2 | 114250-53080 | NUT, NOZZLE D16.95 | 4 | 4 | | | | | | |
| 12 | 2 | 114250-53120 | SPRING, NOZZLE | 4 | 4 | | | | | | |
| 13 | 2 | 114250-53130 | SEAT, SPRING | 4 | 4 | | | | | | |
| 14 | 2 | 114250-53140 | PLATE | 4 | 4 | | | | | | |
| 15 | 2 | 114250-53210 | PIN | 8 | 8 | | | | | | |
| 16 | 2 | 114250-53400 | SHIM SET | 4 | 4 | | | | | | |
| 28 | 1 | 123907-11601 | SEAL | 4 | 4 | | | | | | |
| 29 | 1 | 122780-59100 | RETAINER | 4 | 4 | | | | | | |
| 30 | 1 | 123472-59120 | RETAINER, PIPE | 2 | 2 | | | | | | |
| 31 | 1 | 123907-59719 | SUPPORT | 1 | 1 | | | | | | |
| 33 | 1 | 123907-59810 | PIPE ASSY, INJECTION | 1 | | | | | | | |
| 34 | 1 | 123907-59820 | PIPE ASSY, INJECTION | 1 | | | | | | | |
| 35 | 1 | 123907-59830 | PIPE ASSY, INJECTION | 1 | | | | | | | |
| 36 | 1 | 123907-59840 | PIPE ASSY, INJECTION | 1 | | | | | | | |
| 38 | 1 | 123908-59810 | PIPE ASSY, INJECTION | | 1 | | | | | | |
| 39 | 1 | 123908-59820 | PIPE ASSY, INJECTION | | 1 | | | | | | |
| 40 | 1 | 123908-59830 | PIPE ASSY, INJECTION | | 1 | | | | | | |
| 41 | 1 | 123908-59840 | PIPE ASSY, INJECTION | | 1 | | | | | | |
| 42 | 1 | 26106-060202 | BOLT, M6X 20 PLATED | 6 | 6 | | | | | | |
| 43 | 1 | 26106-080202 | BOLT, M8X 20 PLATED | 1 | 1 | | | | | | |

Fig.20. FUEL PIPE



(A)=4TNV106GGB1B
(B)=4TNV106TGGB1
(C)=

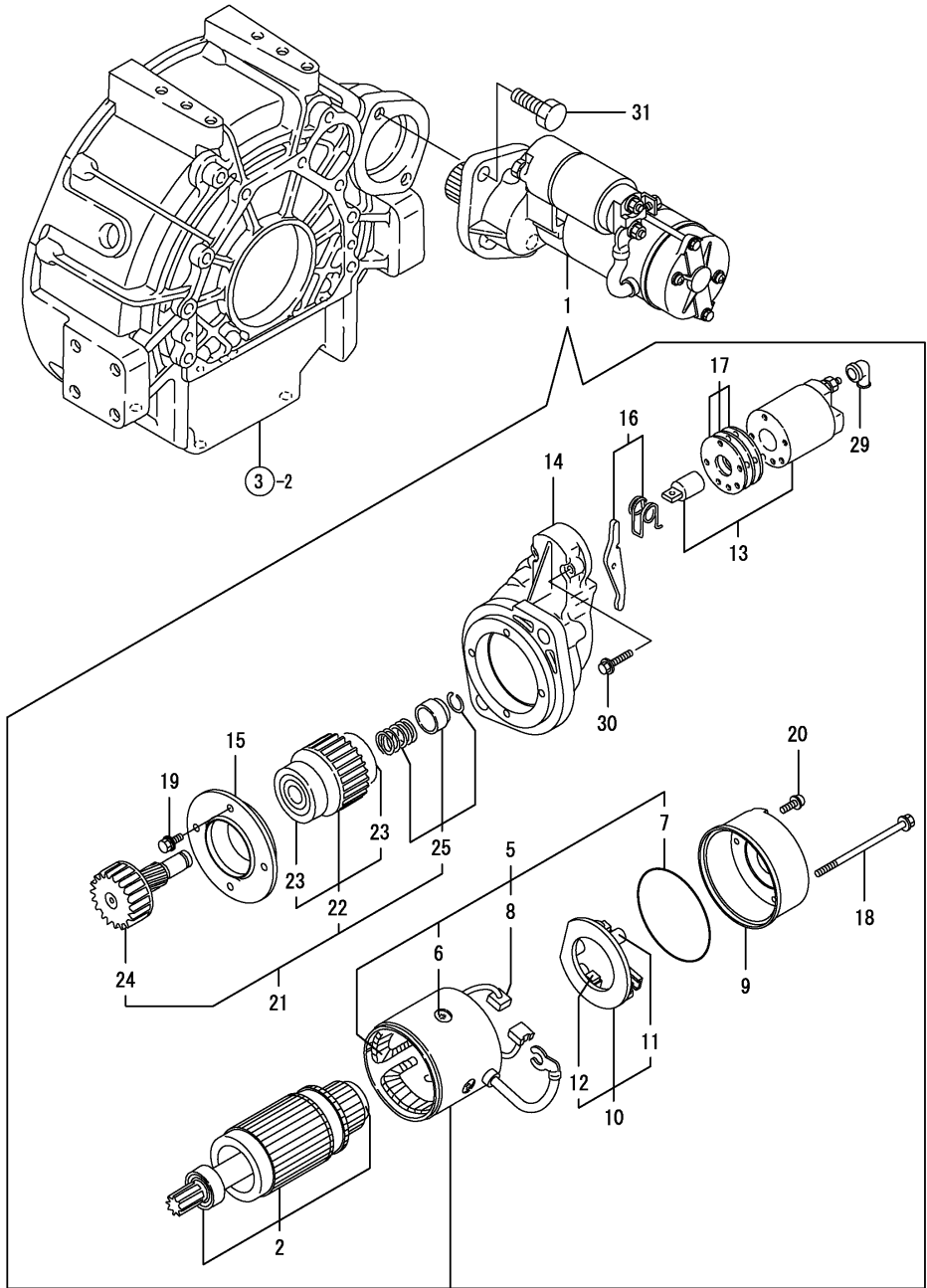
(D)=
(E)=
(F)=

| No. | Lev. | Parts No. | Description | Qty | | | | | | I | R |
|-----|------|--------------|----------------------|-----|-----|-----|-----|-----|-----|---|---|
| | | | | (A) | (B) | (C) | (D) | (E) | (F) | | |
| 1 | 1 | 129004-55612 | BRACKET, FILTER | 1 | 1 | | | | | | |
| 2 | 1 | 129907-55801 | FILTER, FUEL | 1 | 1 | | | | | | |
| 3 | 1 | 26106-080302 | BOLT, M8X 30 PLATED | 2 | 2 | | | | | | |
| 4 | 1 | 129957-59040 | PIPE, FUEL | 1 | 1 | | | | | | |
| 5 | 2 | 119560-59110 | TUBE, CORRUGATED | 1 | 1 | | | | | | |
| 6 | 2 | 129335-59090 | PIPE, FUEL D13X500 | 1 | 1 | | | | | | |
| 7 | 1 | 119160-59010 | PIPE ASSY, FUEL | 1 | 1 | | | | | | |
| 8 | 2 | 105025-59530 | PIPE, FUEL D13X400 | 1 | 1 | | | | | | |
| 9 | 2 | 129950-59221 | TUBE, CORRUGATED | 1 | 1 | | | | | | |
| 10 | 1 | 23000-013000 | CLAMP, 13 | 4 | 4 | | | | | | |
| 11 | 1 | 124066-59100 | CLIP, HOSE 8 | 2 | 2 | | | | | | |
| 12 | 1 | 123907-59140 | PIPE ASSY, RETURN | 1 | 1 | | | | | | |
| 13 | 1 | 123907-59540 | BOLT, PIPE JOINT M6 | 4 | 4 | | | | | | |
| 14 | 1 | 119000-59550 | PIPE, FUEL RETURN | 1 | 1 | | | | | | |
| 15 | 1 | 123907-59550 | GASKET | 4 | 4 | | | | | | |
| 16 | 1 | 123907-59560 | JOINT | 1 | 1 | | | | | | |
| 17 | 1 | 22190-080002 | WASHER, SEAL 6 | 1 | 1 | | | | | | |
| 18 | 1 | 23414-080000 | GASKET, 8X1.0 | 2 | 2 | | | | | | |
| 19 | 1 | 23857-030000 | BOLT, JOINT 3 | 1 | 1 | | | | | | |
| 20 | 1 | 129612-52100 | PUMP ASSY, FUEL FEED | 1 | 1 | | | | | | |
| 21 | 1 | 129906-55700 | SEPARATOR ASSY | 1 | 1 | | | | | | |
| 22 | 2 | 129100-55690 | RING, RETAINING | 1 | 1 | | | | | | |
| 23 | 2 | 119802-55710 | ELEMENT | 1 | 1 | | | | | | |
| 24 | 2 | 119802-55730 | CUP ASSY | 1 | 1 | | | | | | |
| 25 | 2 | 24311-000160 | O-RING, 1AP16.0 | 1 | 1 | | | | | | |
| 26 | 2 | 24321-000650 | O-RING, 1AG65.0 | 1 | 1 | | | | | | |

Fig.21. STARTER MOTOR

(A)=4TNV106GGB1B
(B)=4TNV106TGGB1
(C)=

(D)=
(E)=
(F)=

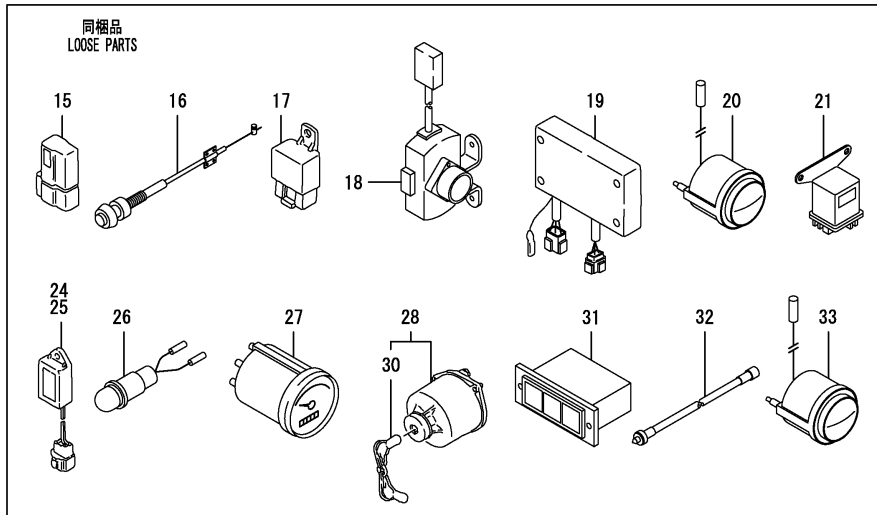
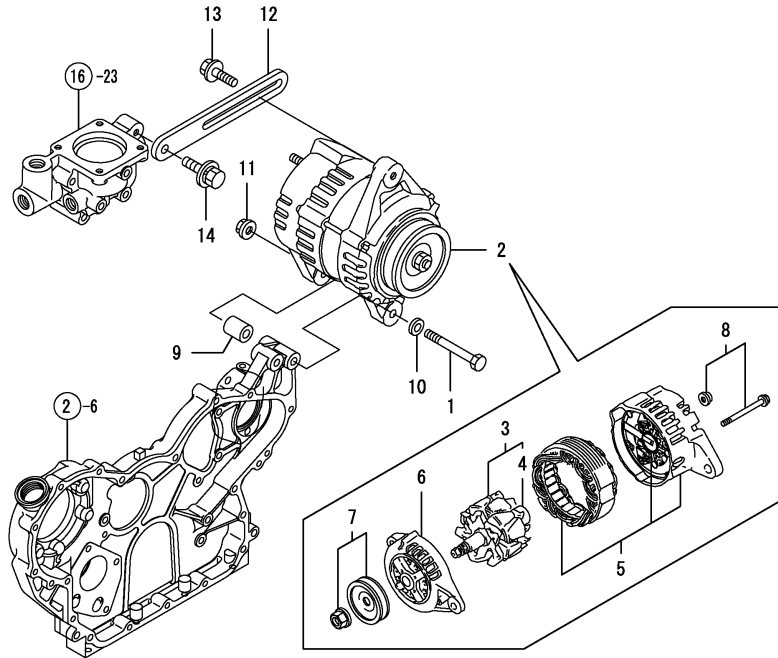


| No. | Lev. | Parts No. | Description | Q'ty | | | | | | I | R |
|-----|------|--------------|----------------------|------|-----|-----|-----|-----|-----|---|---|
| | | | | (A) | (B) | (C) | (D) | (E) | (F) | | |
| 1 | 1 | 129940-77010 | STARTER 12V,3KW | 1 | 1 | | | | | | |
| 2 | 2 | 129940-77100 | ARMATURE ASSY | 1 | 1 | | | | | | |
| 5 | 2 | 129940-77130 | COIL ASSY, FIELD | 1 | 1 | | | | | | |
| 6 | 3 | 129940-77140 | SCREW, POLE CORE SET | 4 | 4 | | | | | | |
| 7 | 3 | 129940-77150 | O-RING | 1 | 1 | | | | | | |
| 8 | 3 | 129940-77160 | BRUSH (+) | 2 | 2 | | | | | | |
| 9 | 2 | 129940-77170 | COVER, REAR | 1 | 1 | | | | | | |
| 10 | 2 | 129940-77180 | HOLDER, BRUSH | 1 | 1 | | | | | | |
| 11 | 3 | 129940-77190 | SPRING, BRUSH | 1 | 1 | | | | | | |
| 12 | 3 | 129940-77200 | BRUSH (-) | 2 | 2 | | | | | | |
| 13 | 2 | 129940-77210 | SWITCH ASSY,MAGNETIC | 1 | 1 | | | | | | |
| 14 | 2 | 129940-77220 | HOUSING, GEARS | 1 | 1 | | | | | | |
| 15 | 2 | 129940-77230 | RETAINER, BEARING | 1 | 1 | | | | | | |
| 16 | 2 | 129940-77240 | SHIFT LEVER SET | 1 | 1 | | | | | | |
| 17 | 2 | 129940-77250 | COVER ASSY, DUST | 1 | 1 | | | | | | |
| 18 | 2 | 129940-77260 | THROUGHT BOLT | 2 | 2 | | | | | | |
| 19 | 2 | 129940-77270 | BOLT M6X 20 | 4 | 4 | | | | | | |
| 20 | 2 | 129940-77280 | SCREW M4X 10 | 2 | 2 | | | | | | |
| 21 | 2 | 123900-77510 | PINION ASSY | 1 | 1 | | | | | | |
| 22 | 3 | 123900-77520 | CLUTCH ASSY | 1 | 1 | | | | | | |
| 23 | 4 | X2240610100 | BALL BEARING (3) | 2 | 2 | | | | | | |
| 24 | 3 | 123900-77540 | SHAFT, PINION | 1 | 1 | | | | | | |
| 25 | 3 | 119131-77550 | STOPPER KIT, PINION | 1 | 1 | | | | | | |
| 29 | 2 | 121254-77810 | COVER, TERMINAL | 1 | 1 | | | | | | |
| 30 | 2 | 114371-79070 | BOLT M 6X 37 | 2 | 2 | | | | | | |
| 31 | 1 | 26116-120252 | BOLT, M12X 25 PLATED | 2 | 2 | | | | | | |

Fig.22. GENERATOR

(A)=4TNV106GGB1B
(B)=4TNV106TGGB1
(C)=

(D)=
(E)=
(F)=



| No. | Lev. | Parts No. | Description | Q'ty | | | | | | I | R |
|-----|------|--------------|----------------------|------|-----|-----|-----|-----|-----|---|---|
| | | | | (A) | (B) | (C) | (D) | (E) | (F) | | |
| 1 | 1 | 123945-77200 | BOLT, M10X120 | 1 | 1 | | | | | | |
| 2 | 1 | 123900-77210 | ALTERNATOR, 12V-60A | 1 | 1 | | | | | | 1 |
| 3 | 2 | 123900-77700 | ROTOR ASSY | 1 | 1 | | | | | | 1 |
| 4 | 3 | 129612-77710 | BEARING, BALL | 1 | 1 | | | | | | 1 |
| 5 | 2 | 123900-77720 | BRACKET ASSY | 1 | 1 | | | | | | 1 |
| 6 | 2 | 123900-77730 | BRACKET ASSY | 1 | 1 | | | | | | 1 |
| 7 | 2 | 123900-77740 | PULLEY, GENERATOR | 1 | 1 | | | | | | 1 |
| 8 | 2 | 123900-77750 | SCREW KIT | 1 | 1 | | | | | | 1 |
| 9 | 1 | 123900-77340 | PIECE, DISTANCE | 1 | 1 | | | | | | |
| 10 | 1 | 22137-100000 | WASHER, 10 | 1 | 1 | | | | | | |
| 11 | 1 | 26306-100002 | NUT, M10 | 1 | 1 | | | | | | |
| 12 | 1 | 123900-77330 | ADJUSTER, BELT | 1 | 1 | | | | | | |
| 13 | 1 | 119810-77340 | BOLT, ADJUST L=30 | 1 | 1 | | | | | | |
| 14 | 1 | 119005-77350 | BOLT, M8X25 | 1 | 1 | | | | | | |
| 15 | 1 | 119643-66900 | DIODE | 1 | 1 | | | | | | |
| 16 | 1 | 170032-67110 | WIRE | 1 | 1 | | | | | | |
| 17 | 1 | 119247-77100 | RELAY, POWER | 1 | 1 | | | | | | |
| 18 | 1 | 171051-77101 | RELAY, SAFETY | 1 | 1 | | | | | | |
| 19 | 1 | 171440-77801 | RELAY, EMERGENCY | 1 | 1 | | | | | | |
| 20 | 1 | 171010-77850 | THERMOMETER | 1 | 1 | | | | | | |
| 21 | 1 | 119650-77910 | RELAY ASSY, GLOW | 1 | 1 | | | | | | |
| 24 | 1 | 128300-77920 | TIMER | 1 | 1 | | | | | | |
| 25 | 1 | 129211-77920 | TIMER | 1 | 1 | | | | | | |
| 26 | 1 | 124732-77970 | LAMP, PILOT | 1 | 1 | | | | | | |
| 27 | 1 | 171082-91100 | TACHOMETER | 1 | 1 | | | | | | |
| 28 | 1 | 129115-91250 | SWITCH ASSY, STARTER | 1 | 1 | | | | | | |
| 30 | 2 | 129115-91270 | KEY | 1 | 1 | | | | | | |
| 31 | 1 | 170038-91310 | LAMP UNIT | 1 | 1 | | | | | | |
| 32 | 1 | 124737-91420 | CABLE, TACHOMETER | 1 | 1 | | | | | | |
| 33 | 1 | 46150-513400 | GAUGE | 1 | 1 | | | | | | |

Remarks

* This figure is applicable to the Serial No. EV21567 or previous machines(Refer to Fig.24).

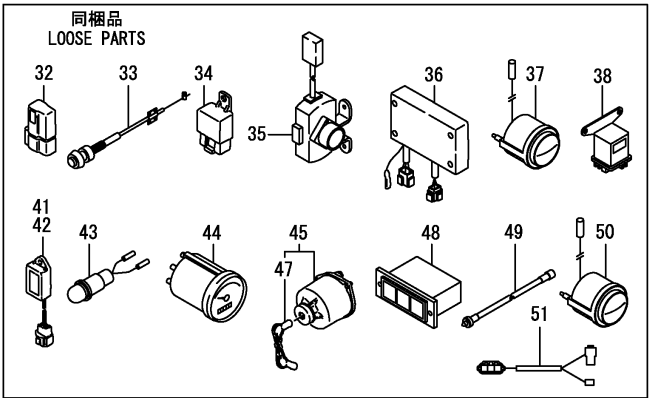
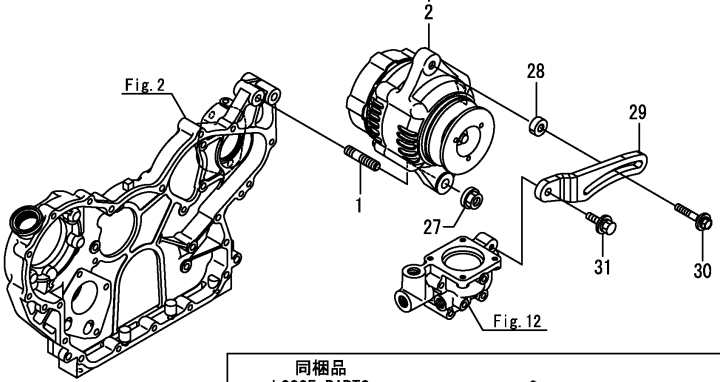
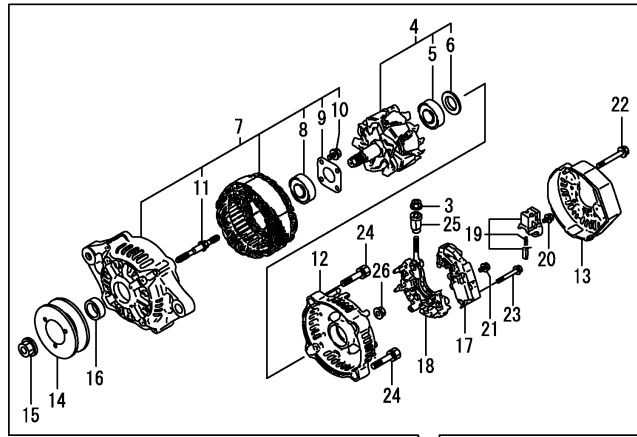
(1)Interchangeable by simultaneous replacement with Fig.24 No.1,2,27,28,29,30,31,51, Fig.16 No.19-2.

N:Old $\xrightarrow{\text{Yes}}$ New, Q:Old $\xrightarrow{\text{No}}$ New, R:Old $\xrightarrow{\text{Yes}}$ New, S:Old $\xrightarrow{\text{No}}$ New, W:Add, Z:Discontinued, F:Interchangeable by set, K:Q'ty Change

Fig.24. (22A)GENERATOR

(A)=4TNV106GGB1B
(B)=4TNV106TGGB1
(C)=

(D)=
(E)=
(F)=



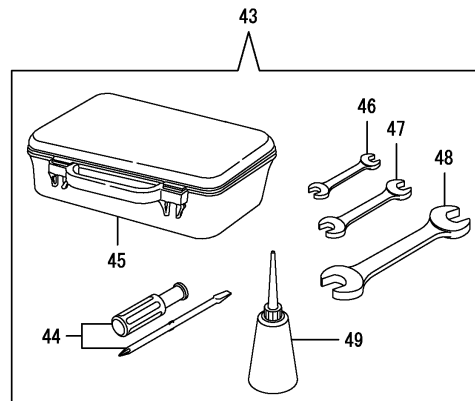
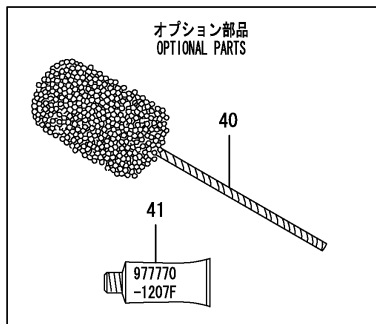
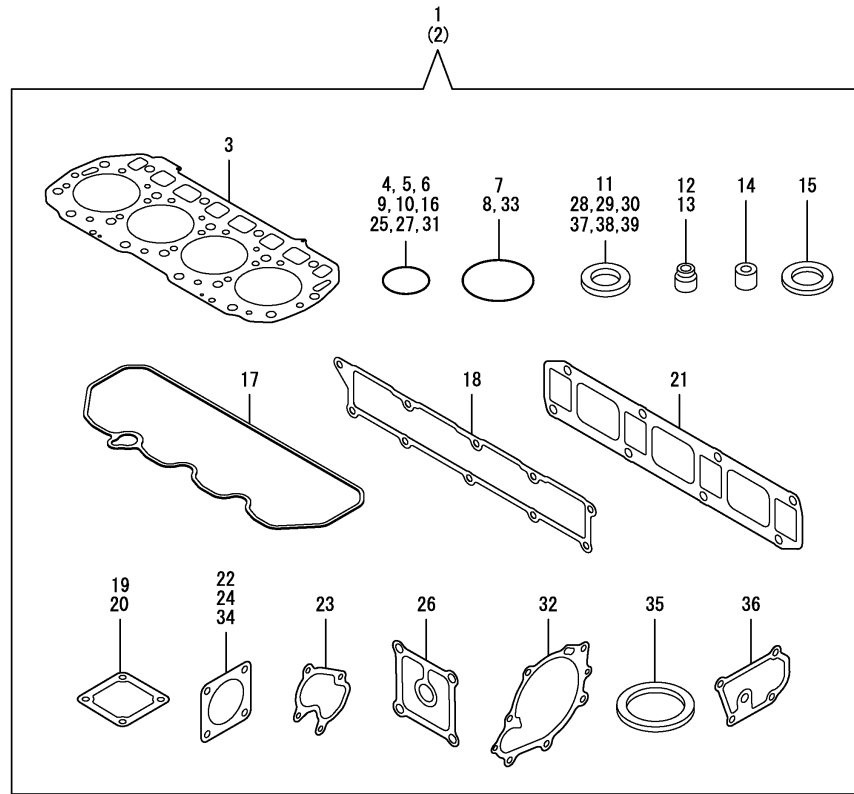
| No. | Lev. | Parts No. | Description | Q'ty | | | | | | I | R |
|-----|------|--------------|----------------------|------|-----|-----|-----|-----|-----|---|---|
| | | | | (A) | (B) | (C) | (D) | (E) | (F) | | |
| 1 | 1 | 129795-01900 | BOLT, STUD M10X33 | 1 | 1 | | | | | | |
| 2 | 1 | 123951-77200 | GENERATOR ASSY, 55A | 1 | 1 | | | | | | |
| 3 | 2 | X9490561001 | NUT | 1 | 1 | | | | | | |
| 4 | 2 | 129052-77380 | ROTOR ASSY | 1 | 1 | | | | | | |
| 5 | 3 | 123501-79240 | BEARING, BALL | 1 | 1 | | | | | | |
| 6 | 3 | 119620-79250 | COVER, BEARING | 1 | 1 | | | | | | |
| 7 | 2 | 129052-77422 | FRAME ASSY | 1 | 1 | | | | | | |
| 8 | 3 | 119620-79200 | BEARING, BALL | 1 | 1 | | | | | | |
| 9 | 3 | 119620-79210 | RETAINER | 1 | 1 | | | | | | |
| 10 | 3 | 119620-79220 | SCREW | 4 | 4 | | | | | | |
| 11 | 3 | 119620-79230 | BOLT, STUD | 2 | 2 | | | | | | |
| 12 | 2 | 128401-77440 | FRAME | 1 | 1 | | | | | | |
| 13 | 2 | 119626-77450 | COVER | 1 | 1 | | | | | | |
| 14 | 2 | 123950-77450 | V-PULLEY | 1 | 1 | | | | | | |
| 15 | 2 | 119620-77470 | NUT | 1 | 1 | | | | | | |
| 16 | 2 | 119620-77490 | COLLAR | 1 | 1 | | | | | | |
| 17 | 2 | 119626-77710 | REGULATOR ASSY | 1 | 1 | | | | | | |
| 18 | 2 | 129052-79260 | HOLDER | 1 | 1 | | | | | | |
| 19 | 2 | 129052-79270 | HOLDER, BRUSH | 1 | 1 | | | | | | |
| 20 | 2 | 119620-79290 | SCREW | 6 | 6 | | | | | | |
| 21 | 2 | 119620-79300 | SCREW | 1 | 1 | | | | | | |
| 22 | 2 | 119620-79310 | BOLT | 3 | 3 | | | | | | |
| 23 | 2 | 119620-79320 | SCREW | 2 | 2 | | | | | | |
| 24 | 2 | 119620-79330 | BOLT | 2 | 2 | | | | | | |
| 25 | 2 | 119620-79340 | BUSH, INSULATION | 1 | 1 | | | | | | |
| 26 | 2 | 119620-79350 | NUT | 2 | 2 | | | | | | |
| 27 | 1 | 26306-100002 | NUT, M10 | 1 | 1 | | | | | | |
| 28 | 1 | 119940-77270 | SPACER | 1 | 1 | | | | | | |
| 29 | 1 | 123946-77300 | ADJUSTER, BELT | 1 | 1 | | | | | | |
| 30 | 1 | 129972-77341 | BOLT, ADJUST L=50 | 1 | 1 | | | | | | |
| 31 | 1 | 26106-080452 | BOLT, M8X 45 PLATED | 1 | 1 | | | | | | |
| 32 | 1 | 119643-66900 | DIODE | 1 | 1 | | | | | | |
| 33 | 1 | 170032-67110 | WIRE | 1 | 1 | | | | | | |
| 34 | 1 | 119247-77100 | RELAY, POWER | 1 | 1 | | | | | | |
| 35 | 1 | 171051-77101 | RELAY, SAFETY | 1 | 1 | | | | | | |
| 36 | 1 | 171440-77801 | RELAY, EMERGENCY | 1 | 1 | | | | | | |
| 37 | 1 | 171010-77850 | THERMOMETER | 1 | 1 | | | | | | |
| 38 | 1 | 119650-77910 | RELAY ASSY, GLOW | 1 | 1 | | | | | | |
| 41 | 1 | 128300-77920 | TIMER | 1 | 1 | | | | | | |
| 42 | 1 | 129211-77920 | TIMER | 1 | 1 | | | | | | |
| 43 | 1 | 124732-77970 | LAMP, PILOT | 1 | 1 | | | | | | |
| 44 | 1 | 171082-91100 | TACHOMETER | 1 | 1 | | | | | | |
| 45 | 1 | 129115-91250 | SWITCH ASSY, STARTER | 1 | 1 | | | | | | |
| 47 | 2 | 129115-91270 | KEY | 1 | 1 | | | | | | |
| 48 | 1 | 170038-91310 | LAMP UNIT | 1 | 1 | | | | | | |
| 49 | 1 | 124737-91420 | CABLE, TACHOMETER | 1 | 1 | | | | | | |
| 50 | 1 | 46150-513400 | GAUGE | 1 | 1 | | | | | | |
| 51 | 1 | 129930-77510 | CONNECTOR | 1 | 1 | | | | | | |

Remarks
* This figure is applicable to the Serial No. EV21568 or following machines(Refer to Fig.22).

Fig.23. GASKET SET

(A)=4TNV106GGB1B
(B)=4TNV106TGGB1
(C)=

(D)=
(E)=
(F)=



| No. | Lev. | Parts No. | Description | Q'ty | | | | | | I | R |
|-----|------|--------------|--------------------|------|-----|-----|-----|-----|-----|---|---|
| | | | | (A) | (B) | (C) | (D) | (E) | (F) | | |
| 1 | 1 | 723900-92730 | GASKET SET | 1 | | | | | | | 1 |
| 2 | 1 | 723900-92740 | GASKET SET | | 1 | | | | | | 1 |
| 3 | 2 | 123907-01350 | GASKET, HEAD | 1 | 1 | | | | | | |
| 4 | 2 | 129900-32030 | O-RING, P20 | 1 | 1 | | | | | | |
| 5 | 2 | 129900-32040 | O-RING, P14 | 1 | 1 | | | | | | |
| 6 | 2 | 24311-000110 | O-RING, 1AP11.0 | 1 | 1 | | | | | | |
| 7 | 2 | 24321-000850 | O-RING, 1AG85.0 | 1 | 1 | | | | | | |
| 8 | 2 | 24351-030750 | O-RING, 1A3075 | 1 | 1 | | | | | | |
| 9 | 2 | 24311-000320 | O-RING, 1AP32.0 | 2 | 2 | | | | | | |
| 10 | 2 | 24341-000240 | O-RING, 1AS24.0 | 1 | 1 | | | | | | |
| 11 | 2 | 22190-220002 | WASHER, SEAL 22 | 1 | 1 | | | | | | |
| 12 | 2 | 119803-11340 | SEAL, VALVE STEM | 8 | 8 | | | | | | |
| 13 | 2 | 124160-11340 | SEAL, VALVE STEM | 8 | 8 | | | | | | |
| 14 | 2 | 119802-11870 | PROTECTOR, NOZZLE | 4 | 4 | | | | | | |
| 15 | 2 | 119625-11880 | SEAT, NOZZLE | 4 | 4 | | | | | | |
| 16 | 2 | 24311-000120 | O-RING, 1AP12.0 | 8 | 8 | | | | | | |
| 17 | 2 | 123907-11311 | GASKET, BONNET | 1 | 1 | | | | | | |
| 18 | 2 | 123907-12110 | GASKET, MANIFOLD | 1 | 1 | | | | | | |
| 19 | 2 | 123900-77020 | GASKET | 1 | 1 | | | | | | |
| 20 | 2 | 123900-77030 | GASKET | 1 | 1 | | | | | | |
| 21 | 2 | 123907-13110 | GASKET | 1 | 1 | | | | | | |
| 22 | 2 | 128300-13230 | GASKET, SILENCER | 1 | | | | | | | |
| 23 | 2 | 123901-18080 | GASKET | | 1 | | | | | | |
| 24 | 2 | 123901-18090 | GASKET | | 1 | | | | | | |
| 25 | 2 | 24341-000530 | O-RING, 1AS53.0 | 1 | 1 | | | | | | |
| 26 | 2 | 123900-33060 | GASKET | 1 | 1 | | | | | | |
| 27 | 2 | 24314-000180 | O-RING, 4CP18.0 | 1 | 1 | | | | | | |
| 28 | 2 | 23414-080000 | GASKET, 8X1.0 | 7 | 7 | | | | | | |
| 29 | 2 | 23414-100000 | GASKET, 10X1.0 | 2 | 4 | | | | | | |
| 30 | 2 | 22190-080002 | WASHER, SEAL 6 | 3 | 3 | | | | | | |
| 31 | 2 | 24316-000180 | O-RING, 4DP18.0 | | 1 | | | | | | |
| 32 | 2 | 123900-42050 | GASKET, WATER PUMP | 1 | 1 | | | | | | |
| 33 | 2 | 123900-42320 | O-RING, P40 | 1 | 1 | | | | | | |
| 34 | 2 | 124610-49291 | GASKET | 1 | 1 | | | | | | |
| 35 | 2 | 123500-49550 | GASKET | 1 | 1 | | | | | | |
| 36 | 2 | 123900-49820 | GASKET | 1 | 1 | | | | | | |
| 37 | 2 | 124465-44950 | GASKET, 16 | 1 | 1 | | | | | | |
| 38 | 2 | 129150-49360 | GASKET | 1 | 1 | | | | | | |
| 39 | 2 | 123907-59550 | GASKET | 4 | 4 | | | | | | |
| 40 | 1 | 129400-92450 | HONE | 1 | 1 | | | | | | 1 |
| 41 | 1 | 977770-1207F | GASKET.LIQUID | 1 | 1 | | | | | | 1 |
| 43 | 1 | 721400-92102 | BOX ASSY, TOOL | 1 | 1 | | | | | | |
| 44 | 2 | 104200-92350 | DRIVER, SCREW | 1 | 1 | | | | | | |
| 45 | 2 | 104200-92600 | BOX, TOOL | 1 | 1 | | | | | | |
| 46 | 2 | 28110-100120 | SPANNER, 10X12 | 1 | 1 | | | | | | |
| 47 | 2 | 28110-140170 | SPANNER, 14X17 | 1 | 1 | | | | | | |
| 48 | 2 | 28110-190220 | SPANNER, 19X22 | 1 | 1 | | | | | | |
| 49 | 2 | 28210-000140 | OILER | 1 | 1 | | | | | | |

Remarks

(1)Optional parts.

N:Old $\xrightarrow{\text{Yes}}$ New, Q:Old $\xrightarrow{\text{No}}$ New, R:Old $\xrightarrow{\text{Yes}}$ New, S:Old $\xrightarrow{\text{No}}$ New, W:Add, Z:Discontinued, F:Interchangeable by set, K:Q'ty Change

Parts No. Index

| Parts No. | Fig. No. | Ref. No. |
|--------------|----------|----------|
| 104200-92350 | 23 | 44 |
| 104200-92600 | 23 | 45 |
| 105010-39140 | 16 | 24 |
| 105025-59530 | 20 | 8 |
| 114250-39450 | 14 | 21 |
| | 15 | 32 |
| 114250-53080 | 19 | 8 |
| 114250-53120 | 19 | 12 |
| 114250-53130 | 19 | 13 |
| 114250-53140 | 19 | 14 |
| 114250-53210 | 19 | 15 |
| 114250-53400 | 19 | 16 |
| 114371-79070 | 21 | 30 |
| 119000-59550 | 20 | 14 |
| 119005-35151 | 13 | 18 |
| 119005-77350 | 22 | 14 |
| 119107-13190 | 8 | 3 |
| 119117-12560 | 6 | 16 |
| | 7 | 19 |
| 119117-12570 | 6 | 15 |
| | 7 | 18 |
| 119131-77550 | 21 | 25 |
| 119156-44600 | 16 | 64 |
| 119160-12540 | 6 | 18 |
| | 7 | 21 |
| 119160-59010 | 20 | 7 |
| 119173-22300 | 12 | 21 |
| 119174-01200 | 1 | 28 |
| 119247-77100 | 22 | 17 |
| | 24 | 34 |
| 119255-44660 | 16 | 65 |
| 119560-59110 | 20 | 5 |
| 119575-01750 | 3 | 5 |
| 119620-01750 | 3 | 5 -1 |
| 119620-77470 | 24 | 15 |
| 119620-77490 | 24 | 16 |
| 119620-79200 | 24 | 8 |
| 119620-79210 | 24 | 9 |
| 119620-79220 | 24 | 10 |
| 119620-79230 | 24 | 11 |
| 119620-79250 | 24 | 6 |
| 119620-79290 | 24 | 20 |
| 119620-79300 | 24 | 21 |
| 119620-79310 | 24 | 22 |
| 119620-79320 | 24 | 23 |
| 119620-79330 | 24 | 24 |
| 119620-79340 | 24 | 25 |
| 119620-79350 | 24 | 26 |
| 119625-11880 | 4 | 31 |
| | 5 | 33 |

| Parts No. | Fig. No. | Ref. No. |
|--------------|----------|----------|
| 119625-11880 | 23 | 15 |
| 119626-77450 | 24 | 13 |
| 119626-77710 | 24 | 17 |
| 119629-49080 | 16 | 72 |
| 119640-01640 | 3 | 10 |
| 119640-61400 | 4 | 64 |
| 119643-66900 | 22 | 15 |
| | 24 | 32 |
| 119650-77910 | 22 | 21 |
| | 24 | 38 |
| 119653-77950 | 18 | 132 |
| 119660-61901 | 18 | 61 |
| 119773-91501 | 14 | 23 |
| | 15 | 34 |
| 119802-11870 | 4 | 30 |
| | 5 | 32 |
| | 23 | 14 |
| 119802-49113 | 16 | 7 |
| 119802-51590 | 17 | 60 |
| 119802-51600 | 17 | 61 |
| 119802-51680 | 17 | 65 |
| 119802-51690 | 17 | 66 |
| 119802-55710 | 20 | 23 |
| 119802-55730 | 20 | 24 |
| 119803-11340 | 4 | 19 |
| | 5 | 21 |
| | 23 | 12 |
| 119807-61420 | 18 | 23 |
| 119810-77340 | 22 | 13 |
| 119940-77270 | 24 | 28 |
| 120445-44540 | 16 | 60 |
| 121023-26070 | 2 | 9 |
| 121250-44901 | 16 | 44 |
| 121252-39150 | 15 | 10 |
| 121254-77810 | 21 | 29 |
| 121520-34810 | 13 | 17 |
| 121550-49111 | 13 | 13 |
| | 16 | 74 |
| 121750-59890 | 16 | 42 |
| 121850-21130 | 12 | 11 |
| 121850-21290 | 12 | 4 |
| 121850-21920 | 12 | 5 |
| 121850-35230 | 13 | 5 |
| 121850-35531 | 13 | 7 |
| 121851-11970 | 1 | 9 |
| 121952-39830 | 13 | 8 |
| 122780-59100 | 19 | 29 |
| 123472-59120 | 19 | 30 |
| 123500-49550 | 16 | 28 |
| | 23 | 35 |

| Parts No. | Fig. No. | Ref. No. |
|--------------|----------|----------|
| 123501-79240 | 24 | 5 |
| 123900-01710 | 3 | 9 |
| 123900-01740 | 2 | 4 |
| 123900-02020 | 1 | 5 |
| 123900-02340 | 1 | 33 |
| 123900-02410 | 1 | 8 |
| 123900-02930 | 1 | 25 |
| 123900-02940 | 1 | 36 |
| 123900-03220 | 5 | 60 |
| 123900-14200 | 10 | 1 |
| 123900-21000 | 12 | 1 |
| 123900-23000 | 12 | 23 |
| 123900-23200 | 12 | 26 |
| 123900-23600 | 12 | 27 |
| 123900-23610 | 12 | 30 |
| 123900-23910 | 12 | 29 |
| 123900-25060 | 10 | 9 |
| 123900-25120 | 10 | 10 |
| 123900-32001 | 2 | 7 |
| 123900-33060 | 13 | 11 |
| | 23 | 26 |
| 123900-35004 | 13 | 19 |
| 123900-39650 | 14 | 19 |
| | 15 | 30 |
| 123900-42050 | 16 | 11 |
| | 23 | 32 |
| 123900-42070 | 16 | 12 |
| 123900-42320 | 16 | 13 |
| | 23 | 33 |
| 123900-42470 | 16 | 18 |
| 123900-49820 | 16 | 34 |
| | 23 | 36 |
| 123900-77020 | 6 | 5 |
| | 7 | 7 |
| | 23 | 19 |
| 123900-77030 | 6 | 6 |
| | 7 | 8 |
| | 23 | 20 |
| 123900-77210 | 22 | 2 |
| 123900-77330 | 22 | 12 |
| 123900-77340 | 22 | 9 |
| 123900-77500 | 6 | 7 |
| | 7 | 9 |
| 123900-77510 | 21 | 21 |
| 123900-77520 | 21 | 22 |
| 123900-77540 | 21 | 24 |
| 123900-77700 | 22 | 3 |
| 123900-77720 | 22 | 5 |
| 123900-77730 | 22 | 6 |
| 123900-77740 | 22 | 7 |

| Parts No. | Fig. No. | Ref. No. |
|--------------|----------|----------|
| 123900-77750 | 22 | 8 |
| 123901-03090 | 5 | 67 |
| 123901-03240 | 5 | 69 |
| 123901-03250 | 5 | 70 |
| 123901-03260 | 5 | 71 |
| 123901-03270 | 5 | 68 |
| 123901-03280 | 5 | 73 |
| 123901-18080 | 9 | 7 |
| | 23 | 23 |
| 123901-18090 | 11 | 2 |
| | 23 | 24 |
| 123901-39820 | 15 | 19 |
| 123901-49050 | 16 | 67 |
| 123901-49060 | 16 | 68 |
| 123907-01350 | 1 | 29 |
| | 23 | 3 |
| 123907-01540 | 2 | 6 |
| 123907-01950 | 17 | 130 |
| 123907-01960 | 17 | 131 |
| 123907-03010 | 4 | 55 |
| | 5 | 57 |
| 123907-03060 | 4 | 56 |
| | 5 | 58 |
| 123907-03070 | 4 | 57 |
| | 5 | 59 |
| 123907-03100 | 4 | 58 |
| 123907-03110 | 4 | 59 |
| 123907-03120 | 4 | 60 |
| 123907-03140 | 4 | 61 |
| 123907-07900 | 4 | 1 |
| | 5 | 1 |
| 123907-11100 | 4 | 15 |
| | 5 | 17 |
| 123907-11110 | 4 | 16 |
| | 5 | 18 |
| 123907-11120 | 4 | 17 |
| | 5 | 19 |
| 123907-11180 | 4 | 18 |
| | 5 | 20 |
| 123907-11250 | 4 | 36 |
| | 5 | 38 |
| 123907-11260 | 4 | 37 |
| | 5 | 39 |
| 123907-11270 | 4 | 38 |
| | 5 | 40 |
| 123907-11280 | 4 | 39 |
| | 5 | 41 |
| 123907-11311 | 4 | 63 |
| | 5 | 62 |
| | 23 | 17 |

Parts No. Index

| Parts No. | Fig. No. | Ref. No. |
|--------------|----------|----------|
| 123907-11321 | 4 | 54 |
| 123907-11341 | 4 | 35 |
| | 5 | 37 |
| 123907-11390 | 4 | 50 |
| | 5 | 52 |
| 123907-11510 | 4 | 21 |
| | 5 | 23 |
| 123907-11550 | 4 | 3 |
| | 5 | 5 |
| 123907-11601 | 19 | 28 |
| 123907-11650 | 4 | 40 |
| | 5 | 42 |
| 123907-11660 | 4 | 44 |
| | 5 | 46 |
| 123907-11700 | 4 | 4 |
| | 5 | 6 |
| 123907-11800 | 4 | 28 |
| | 5 | 30 |
| 123907-11810 | 4 | 29 |
| | 5 | 31 |
| 123907-11820 | 4 | 25 |
| | 5 | 27 |
| 123907-11830 | 4 | 24 |
| | 5 | 26 |
| 123907-11910 | 4 | 32 |
| | 5 | 34 |
| 123907-11920 | 4 | 48 |
| | 5 | 50 |
| 123907-11950 | 4 | 33 |
| | 5 | 35 |
| 123907-12100 | 6 | 1 |
| | 7 | 1 |
| 123907-12110 | 6 | 2 |
| | 7 | 2 |
| | 23 | 18 |
| 123907-13110 | 8 | 1 |
| | 9 | 1 |
| | 23 | 21 |
| 123907-13150 | 8 | 2 |
| 123907-13700 | 8 | 4 |
| 123907-13720 | 8 | 5 |
| 123907-13730 | 9 | 3 |
| 123907-13810 | 8 | 6 |
| 123907-13820 | 9 | 4 |
| 123907-14400 | 10 | 2 |
| 123907-14580 | 10 | 3 |
| 123907-22050 | 12 | 17 |
| 123907-22081 | 12 | 15 |
| 123907-25909 | 10 | 15 |
| 123907-39061 | 14 | 1 |

| Parts No. | Fig. No. | Ref. No. |
|--------------|----------|----------|
| 123907-39500 | 14 | 3 |
| | 15 | 5 |
| 123907-42000 | 16 | 1 |
| 123907-49300 | 16 | 14 |
| 123907-49620 | 16 | 53 |
| 123907-49710 | 16 | 50 |
| 123907-49720 | 16 | 54 |
| 123907-49800 | 16 | 23 |
| 123907-59140 | 20 | 12 |
| 123907-59540 | 20 | 13 |
| 123907-59550 | 20 | 15 |
| | 23 | 39 |
| 123907-59560 | 20 | 16 |
| 123907-59719 | 19 | 31 |
| 123907-59810 | 19 | 33 |
| 123907-59820 | 19 | 34 |
| 123907-59830 | 19 | 35 |
| 123907-59840 | 19 | 36 |
| 123908-11321 | 5 | 56 |
| 123908-13120 | 9 | 2 |
| 123908-39061 | 15 | 1 |
| 123908-59810 | 19 | 38 |
| 123908-59820 | 19 | 39 |
| 123908-59830 | 19 | 40 |
| 123908-59840 | 19 | 41 |
| 123910-01620 | 3 | 2 |
| 123910-01690 | 3 | 4 |
| 123910-33011 | 13 | 1 |
| 123910-33041 | 13 | 3 |
| 123910-33100 | 13 | 12 |
| 123912-03270 | 5 | 76 |
| 123912-03300 | 5 | 74 |
| 123912-07900 | 5 | 2 |
| 123912-18350 | 7 | 6 |
| 123912-33050 | 13 | 2 |
| 123912-39600 | 15 | 18 |
| 123915-21590 | 12 | 12 |
| 123915-44570 | 16 | 63 |
| 123915-44741 | 16 | 20 |
| 123945-49610 | 16 | 48 |
| 123945-49700 | 16 | 49 |
| 123945-77200 | 22 | 1 |
| 123946-01780 | 2 | 3 |
| 123946-01790 | 3 | 8 |
| 123946-12500 | 6 | 14 |
| | 7 | 17 |
| 123946-12550 | 6 | 21 |
| 123946-21660 | 12 | 9 |
| 123946-49040 | 16 | 38 |
| 123946-49050 | 16 | 41 |

| Parts No. | Fig. No. | Ref. No. |
|--------------|----------|----------|
| 123946-49660 | 16 | 40 |
| 123946-67010 | 3 | 15 |
| 123946-77300 | 24 | 29 |
| 123946-77920 | 6 | 10 |
| | 7 | 13 |
| 123947-12540 | 7 | 24 |
| 123947-12550 | 7 | 25 |
| 123947-12560 | 7 | 26 |
| 123947-12570 | 7 | 27 |
| 123947-53000 | 19 | 4 |
| 123950-12520 | 6 | 17 |
| | 7 | 20 |
| 123950-77450 | 24 | 14 |
| 123951-77200 | 24 | 2 |
| 123957-42460 | 16 | 19 -2 |
| 123957-44770 | 16 | 21 |
| 123962-49500 | 16 | 27 |
| 123981-18021 | 11 | 1 |
| 123982-34801 | 13 | 16 |
| 124066-59100 | 20 | 11 |
| 124070-13300 | 15 | 17 |
| 124160-01751 | 2 | 26 |
| | 4 | 53 |
| | 5 | 55 |
| 124160-11340 | 4 | 20 |
| | 5 | 22 |
| | 23 | 13 |
| 124160-11360 | 4 | 67 |
| | 5 | 64 |
| 124160-39140 | 14 | 6 |
| | 15 | 9 |
| 124223-35510 | 13 | 6 |
| 124223-39900 | 15 | 6 |
| 124250-49351 | 16 | 46 |
| 124465-44950 | 16 | 45 |
| | 23 | 37 |
| 124610-12580 | 6 | 4 |
| 124610-48610 | 16 | 25 |
| 124610-49291 | 16 | 26 |
| | 23 | 34 |
| 124612-77910 | 6 | 9 |
| | 7 | 12 |
| 124612-77950 | 6 | 11 |
| | 7 | 14 |
| 124722-59050 | 16 | 51 |
| | | 55 |
| 124732-77970 | 22 | 26 |
| | 24 | 43 |
| 124737-91420 | 22 | 32 |
| | 24 | 49 |

| Parts No. | Fig. No. | Ref. No. |
|--------------|----------|----------|
| 124756-67510 | 17 | 136 |
| 124764-44810 | 16 | 66 |
| 124766-59050 | 16 | 77 |
| 126650-12680 | 6 | 19 |
| | 7 | 22 |
| 127410-21480 | 12 | 14 |
| 127605-03400 | 5 | 77 |
| 128300-13230 | 8 | 8 |
| | 23 | 22 |
| 128300-77920 | 22 | 24 |
| | 24 | 41 |
| 128401-77440 | 24 | 12 |
| 129004-55612 | 20 | 1 |
| 129052-77380 | 24 | 4 |
| 129052-77422 | 24 | 7 |
| 129052-79260 | 24 | 18 |
| 129052-79270 | 24 | 19 |
| 129100-01580 | 3 | 1 |
| 129100-55690 | 20 | 22 |
| 129107-44590 | 16 | 62 |
| 129115-91250 | 22 | 28 |
| | 24 | 45 |
| 129115-91270 | 22 | 30 |
| | 24 | 47 |
| 129150-02450 | 10 | 4 |
| 129150-11230 | 4 | 42 |
| | | 46 |
| | 5 | 44 |
| | | 48 |
| 129150-11750 | 4 | 23 |
| | | 43 |
| | | 47 |
| | 5 | 25 |
| | | 45 |
| | | 49 |
| 129150-49080 | 16 | 70 |
| 129150-49100 | 16 | 69 |
| 129150-49360 | 16 | 47 |
| | 23 | 38 |
| 129150-91400 | 2 | 28 |
| 129155-51280 | 18 | 5 |
| 129155-61460 | 18 | 27 |
| 129210-49280 | 16 | 75 |
| 129211-77920 | 22 | 25 |
| | 24 | 42 |
| 129255-61410 | 18 | 22 |
| 129335-59090 | 20 | 6 |
| 129400-92450 | 23 | 40 |
| 129418-18320 | 9 | 5 |
| 129486-59320 | 16 | 52 |

Parts No. Index

| Parts No. | Fig. No. | Ref. No. |
|--------------|----------|----------|
| 129509-51390 | 17 | 22 |
| 129595-18141 | 7 | 4 |
| 129612-12650 | 6 | 20 |
| | 7 | 23 |
| 129612-52100 | 20 | 20 |
| 129612-77710 | 22 | 4 |
| 129792-39410 | 14 | 13 |
| | 15 | 24 |
| 129795-01900 | 24 | 1 |
| 129900-14100 | 10 | 6 |
| 129900-21200 | 12 | 3 |
| 129900-32030 | 2 | 10 |
| | 23 | 4 |
| 129900-32040 | 2 | 11 |
| | 23 | 5 |
| 129906-51580 | 17 | 58 |
| 129906-55700 | 20 | 21 |
| 129907-51560 | 17 | 54 |
| 129907-55801 | 20 | 2 |
| 129916-21610 | 12 | 7 |
| 129916-49740 | 16 | 8 |
| 129916-59020 | 17 | 128 |
| 129930-77510 | 24 | 51 |
| 129933-53000 | 19 | 3 |
| 129937-61440 | 18 | 25 |
| 129940-44510 | 16 | 61 |
| 129940-77010 | 21 | 1 |
| 129940-77100 | 21 | 2 |
| 129940-77130 | 21 | 5 |
| 129940-77140 | 21 | 6 |
| 129940-77150 | 21 | 7 |
| 129940-77160 | 21 | 8 |
| 129940-77170 | 21 | 9 |
| 129940-77180 | 21 | 10 |
| 129940-77190 | 21 | 11 |
| 129940-77200 | 21 | 12 |
| 129940-77210 | 21 | 13 |
| 129940-77220 | 21 | 14 |
| 129940-77230 | 21 | 15 |
| 129940-77240 | 21 | 16 |
| 129940-77250 | 21 | 17 |
| 129940-77260 | 21 | 18 |
| 129940-77270 | 21 | 19 |
| 129940-77280 | 21 | 20 |
| 129946-61061 | 18 | 86 |
| 129950-59221 | 20 | 9 |
| 129953-25300 | 10 | 14 |
| 129957-59040 | 20 | 4 |
| 129960-21640 | 12 | 8 |
| 129972-77341 | 24 | 30 |

| Parts No. | Fig. No. | Ref. No. |
|--------------|----------|----------|
| 144626-51090 | 17 | 10 |
| 158552-51570 | 17 | 55 |
| 158552-51580 | 17 | 59 |
| 158552-51670 | 17 | 126 |
| 158552-51781 | 17 | 97 |
| 158552-52100 | 17 | 103 |
| 158552-52310 | 17 | 105 |
| 158552-52400 | 17 | 106 |
| 158552-52500 | 17 | 104 |
| 158552-61900 | 18 | 74 |
| 158553-51551 | 17 | 52 |
| 158553-51630 | 17 | 70 |
| 158553-51640 | 17 | 72 |
| 158553-51660 | 17 | 74 |
| 158553-51670 | 17 | 64 |
| 158553-51680 | 17 | 75 |
| 158557-51570 | 17 | 56 |
| 158560-51600 | 17 | 69 |
| 158560-61050 | 18 | 2 |
| 158560-61071 | 18 | 3 |
| 158560-61430 | 18 | 24 |
| 158563-51150 | 10 | 16 |
| 158563-51281 | 17 | 20 |
| | | 21 |
| 158563-51330 | 17 | 30 |
| 158600-51270 | 17 | 19 |
| 158601-51550 | 17 | 53 |
| 158601-51570 | 17 | 57 |
| 158601-51650 | 17 | 73 |
| 158601-51770 | 17 | 96 |
| 158601-51790 | 17 | 98 |
| 170032-67110 | 22 | 16 |
| | 24 | 33 |
| 170038-91310 | 22 | 31 |
| | 24 | 48 |
| 171010-77850 | 22 | 20 |
| | 24 | 37 |
| 171051-01921 | 1 | 4 |
| 171051-77101 | 22 | 18 |
| | 24 | 35 |
| 171082-91100 | 22 | 27 |
| | 24 | 44 |
| 171375-39601 | 14 | 22 |
| | 15 | 33 |
| 171440-77801 | 22 | 19 |
| | 24 | 36 |
| 172437-03391 | 16 | 57 |
| 22117-080000 | 11 | 3 |
| 22137-100000 | 22 | 10 |
| 22190-080002 | 14 | 11 |

| Parts No. | Fig. No. | Ref. No. |
|--------------|----------|----------|
| 22190-080002 | 15 | 15 |
| | 20 | 17 |
| | 23 | 30 |
| 22190-120002 | 17 | 99 |
| | | 108 |
| | | 109 |
| 22190-160002 | 18 | 78 |
| 22190-180002 | 17 | 100 |
| | | 110 |
| 22190-220002 | 3 | 12 |
| | 23 | 11 |
| 22217-180000 | 10 | 17 |
| | 17 | 111 |
| 22252-000370 | 12 | 22 |
| 22272-000070 | 17 | 137 |
| 22312-050140 | 17 | 112 |
| 22312-080160 | 2 | 12 |
| 22351-030010 | 14 | 20 |
| | 15 | 31 |
| 22351-050010 | 17 | 113 |
| 22351-060012 | 1 | 10 |
| 22512-070140 | 10 | 7 |
| | 12 | 6 |
| 22857-500100 | 4 | 65 |
| | | 66 |
| | 5 | 63 |
| 23000-013000 | 20 | 10 |
| 23000-016000 | 5 | 78 |
| 23000-025000 | 15 | 20 |
| | 16 | 43 |
| 23000-035000 | 5 | 79 |
| | | 80 |
| 23000-048000 | 16 | 78 |
| 23000-054000 | 7 | 5 |
| 23000-060000 | 16 | 79 |
| 23000-070000 | 7 | 28 |
| | | 30 |
| 23000-102000 | 6 | 22 |
| | 7 | 29 |
| 23000-115000 | 6 | 23 |
| | 7 | 31 |
| 23297-350121 | 5 | 81 |
| 23387-040800 | 16 | 30 |
| 23414-080000 | 14 | 7 |
| | 15 | 11 |
| | 16 | 31 |
| | | 35 |
| | 20 | 18 |
| | 23 | 28 |
| 23414-100000 | 14 | 8 |

| Parts No. | Fig. No. | Ref. No. |
|--------------|----------|----------|
| 23414-100000 | 15 | 12 |
| | 23 | 29 |
| 23414-180000 | 13 | 9 |
| 23857-030000 | 14 | 9 |
| | 15 | 13 |
| | 20 | 19 |
| 23857-060000 | 17 | 114 |
| 23875-020000 | 16 | 9 |
| 23875-030000 | 1 | 11 |
| | | 12 |
| 23876-005000 | 4 | 11 |
| | 5 | 13 |
| 23876-020000 | 4 | 12 |
| | 5 | 14 |
| | 13 | 10 |
| 23876-030000 | 4 | 13 |
| | 5 | 15 |
| | 16 | 32 |
| 23887-120002 | 17 | 101 |
| 23887-160002 | 18 | 81 |
| 24190-080001 | 16 | 10 |
| 24311-000070 | 17 | 115 |
| 24311-000110 | 2 | 13 |
| | 23 | 6 |
| 24311-000120 | 4 | 34 |
| | | 68 |
| | 5 | 36 |
| | | 65 |
| | 23 | 16 |
| 24311-000160 | 20 | 25 |
| 24311-000320 | 2 | 27 |
| | 4 | 69 |
| | 5 | 66 |
| | 23 | 9 |
| 24314-000180 | 13 | 20 |
| | 23 | 27 |
| 24316-000180 | 15 | 21 |
| | 23 | 31 |
| 24321-000650 | 20 | 26 |
| 24321-000850 | 2 | 14 |
| | 23 | 7 |
| 24341-000240 | 2 | 30 |
| | 23 | 10 |
| 24341-000530 | 12 | 10 |
| | 23 | 25 |
| 24351-030750 | 2 | 15 |
| | 23 | 8 |
| 24356-010200 | 17 | 67 |
| | | 116 |
| 24356-020210 | 17 | 117 |

Parts No. Index

| Parts No. | Fig. No. | Ref. No. |
|--------------|----------|----------|
| 24372-000150 | 17 | 68 |
| 25163-004801 | 16 | 19 |
| 26106-060102 | 6 | 12 |
| | 7 | 15 |
| | 17 | 118 |
| | 18 | 65 |
| | | 66 |
| 26106-060122 | 16 | 56 |
| 26106-060142 | 18 | 82 |
| 26106-060162 | 2 | 31 |
| | 15 | 22 |
| 26106-060202 | 19 | 42 |
| 26106-060252 | 18 | 83 |
| 26106-060352 | 17 | 119 |
| 26106-060402 | 18 | 84 |
| 26106-060502 | 16 | 15 |
| 26106-080122 | 3 | 13 |
| | 14 | 10 |
| | | 12 |
| | 15 | 14 |
| | | 16 |
| | 16 | 36 |
| 26106-080142 | 10 | 8 |
| | 15 | 23 |
| 26106-080162 | 3 | 6 |
| | | 14 |
| | | 16 |
| | 17 | 132 |
| 26106-080202 | 2 | 16 |
| | | 17 |
| | 17 | 133 |
| | | 134 |
| | 19 | 43 |
| 26106-080252 | 16 | 33 |
| 26106-080302 | 13 | 21 |
| | 20 | 3 |
| 26106-080402 | 2 | 18 |
| 26106-080452 | 2 | 19 |
| | | 20 |
| | 24 | 31 |
| 26106-080502 | 2 | 21 |
| 26106-080552 | 10 | 13 |
| | 16 | 16 |
| 26106-080602 | 16 | 37 |
| 26106-080702 | 2 | 22 |
| | 6 | 3 |
| | 7 | 3 |
| | 16 | 17 |
| 26106-080752 | 4 | 51 |
| | 5 | 53 |

| Parts No. | Fig. No. | Ref. No. |
|--------------|----------|----------|
| 26106-080752 | 13 | 14 |
| 26106-080802 | 2 | 23 |
| 26106-081002 | 13 | 15 |
| 26106-100162 | 17 | 135 |
| 26106-100202 | 4 | 2 |
| | 5 | 3 |
| | 6 | 13 |
| | 7 | 16 |
| 26106-100222 | 2 | 24 |
| 26106-100252 | 5 | 4 |
| 26106-100352 | 3 | 7 |
| 26106-100452 | 6 | 8 |
| 26106-100552 | 16 | 22 |
| 26106-100752 | 7 | 10 |
| 26106-100952 | 7 | 11 |
| 26106-120162 | 13 | 22 |
| 26106-120202 | 5 | 82 |
| 26116-050102 | 5 | 72 |
| 26116-120252 | 21 | 31 |
| 26226-080302 | 4 | 49 |
| | 5 | 51 |
| 26226-100322 | 2 | 8 |
| 26306-080002 | 4 | 52 |
| | 5 | 54 |
| 26306-100002 | 2 | 25 |
| | 8 | 7 |
| | 9 | 6 |
| | 22 | 11 |
| | 24 | 27 |
| 26450-100452 | 17 | 122 |
| 26703-080002 | 11 | 4 |
| 26756-060002 | 18 | 67 |
| 26776-180002 | 10 | 18 |
| | 17 | 123 |
| 27225-120160 | 1 | 13 |
| 27231-700000 | 1 | 14 |
| 27241-300000 | 1 | 15 |
| 27241-400000 | 4 | 14 |
| | 5 | 16 |
| 27310-070001 | 4 | 26 |
| | 5 | 28 |
| 28110-100120 | 23 | 46 |
| 28110-140170 | 23 | 47 |
| 28110-190220 | 23 | 48 |
| 28210-000140 | 23 | 49 |
| 46150-513400 | 22 | 33 |
| | 24 | 50 |
| 720445-44200 | 16 | 58 |
| 721400-92102 | 23 | 43 |
| 723900-01580 | 2 | 1 |

| Parts No. | Fig. No. | Ref. No. |
|--------------|----------|----------|
| 723900-02800 | 1 | 30 |
| 723900-92730 | 23 | 1 |
| 723900-92740 | 23 | 2 |
| 723907-01560 | 1 | 1 |
| 723907-22900 | 12 | 32 |
| 723907-22950 | 12 | 34 |
| 723946-51310 | 17 | 1 |
| 723946-53100 | 19 | 1 |
| 723947-51300 | 17 | 2 |
| 723947-53100 | 19 | 2 |
| 977770-1207F | 23 | 41 |
| X2240610100 | 21 | 23 |
| X9490561001 | 24 | 3 |

| Parts No. | Fig. No. | Ref. No. |
|-----------|----------|----------|
|-----------|----------|----------|