

OCD10-M95000EN

# PREFACE

1. This parts catalog is the 1st edition of 3TNE84-GHN1, 4TNE84T-GHN1 for Nishinohon Generator Mfg. Co., Ltd.

Pub.No. : 000Y00D9500

Published : September,2007

2. Model name

Engine model	Vehicle		Vehicle made by
	Products	Model name	
3TNE84-GHN1	Generator	PX-30YSR(B)	Nishinohon Generator Mfg. Co., Ltd.
4TNE84T-GHN1		PX-47YSR(B)	

## Directions for the Parts Catalog.

1. This Parts Catalog shows both standard and optional parts.
2. Parts may change without prior notice.
3. The following is an example of the Parts Catalog format.

REF.	LEV.	PARTS NO.	DESCRIPTION	Q'TY						I	R
				(A)	(B)	(C)	(D)	(E)	(F)		
1	1	729595-51390	FUEL INJECTION PUMP	1	1	1	1	1			1
1-1	1	729595-51391	FUEL INJECTION PUMP	1	1	1	1	1		N	1
		(A=E00185) (B=E00200)									
3	2	26022-060162	SCREW M 6X 16	9	9	9	9	9			
3-1	2	26022-060162	SCREW M 6X 16	4	4	4	4	4		K	
		(A=E00156) (B=E00156) (C=E00156) (D=E00156) (E=E00156)									
4	2	129470-51040	CAMSHAFT	1	1	1	1	1			
5	2	122710-51050	BEARING, ROLLER	2	2	2	2	2			
6	2	129470-51060	RETAINER	1	1	1	1	1			

Remarks
(1) BOOST COMPEMSATOR TYPE. OPTIONAL PART, TO E00155,(4JH-DT, 4JH-DTZ

### ① Ref. No.

The Ref. No. listed may not be in accordance with the illustration Ref. No.

(Ex.) Illustration No.

List Ref No.

1

1

(Before change)

1-1

(After change)

For interchangeable symbols N, R and K, illustrations for new parts may be abbreviated.

### ② Lev. (Level)

Level indication

The numbers below indicate the level of relativity towards the main part.

1 ----- Main parts (Assembly parts)

2 ----- Sub component included in " 1 ".

3 ----- Sub component included in " 2 ".

Note) Parts that are not for sale are partially illustrated but not listed.

### ③ Interchangeability Symbol

When a part change takes place, one of the following interchangeability symbols is indicated beside the part.

Symbol	Interchangeability	Contents note
N	Old $\begin{matrix} \leftarrow \text{Yes} \\ \text{No} \rightarrow \end{matrix}$ New	New Part is interchangeable for Old Part but Old Part is not interchangeable for New Part.
Q	Old $\begin{matrix} \leftarrow \text{No} \\ \text{Yes} \rightarrow \end{matrix}$ New	New Part is not interchangeable for Old Part but Old Part is interchangeable for New Part.
R	Old $\begin{matrix} \leftarrow \text{Yes} \\ \text{Yes} \rightarrow \end{matrix}$ New	New/ Old Parts are both interchangeable.
S	Old $\begin{matrix} \leftarrow \text{No} \\ \text{No} \rightarrow \end{matrix}$ New	New/ Old Parts are both not interchangeable.
W		Part newly added.
Z		Part discontinued.
F		Not interchangeable by a single part but interchangeable together with related parts.
K		Changes only for used parts quantities.

### ④ Effective Machine No.

When a part changes, the effective Machine No. will be indicated in the (A)-(F) column.

Product Symbol	Product No.	Product Symbol	Product No.
C	Clutch No. Compressor No.	F	Machine No. (Agricultural Equip.)
D	Drive No.	M	Machine No.
E	Engine No.		

Note 1) A date may follow the symbol. (Ex.) 1996.01

Note 2) "XXXXX" and "ZZZZZ" are for parts that could not be predicted or for engine models that could not be identified.

Note 3) (A=E00185) is the E (Engine Serial Number) for the column (A) model (in this case 4JH-DT) after the parts design change.

### ⑤ Remarks

Figures or alphabets (symbols) are entered in the remarks column.

The comments (remarks) on parts that are indicated at the bottom of the illustration are the same symbols as those stated above.

# Contents

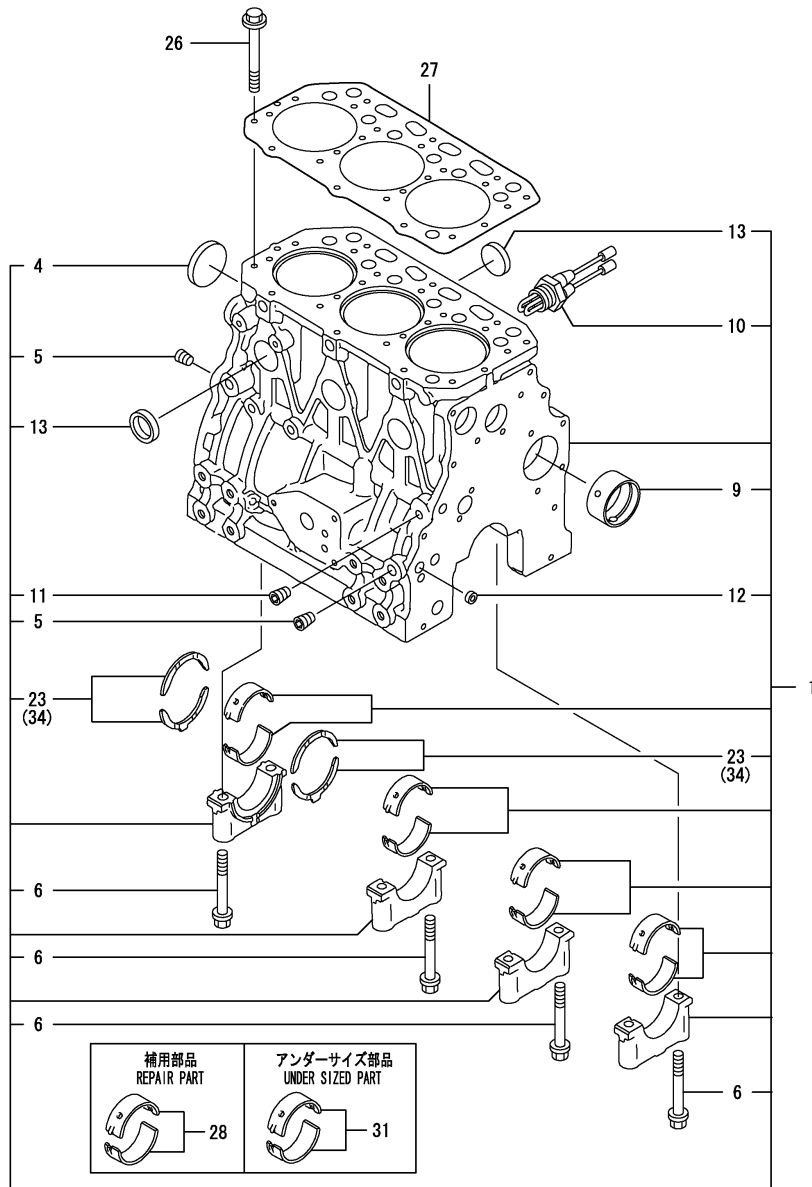
OCD10-M95000

Fig. No.	Fig. Name	Fig. No.	Fig. Name
3TNE84-GHN1		23.	CYLINDER HEAD & BONNET
1.	CYLINDER BLOCK	24.	SUCTION MANIFOLD
2.	GEAR HOUSING	25.	EXHAUST MANIFOLD
3.	FLYWHEEL HOUSING & OIL SUMP	26.	CAMSHAFT & DRIVING GEAR
4.	CYLINDER HEAD & BONNET	27.	TURBINE
5.	SUCTION MANIFOLD	28.	CRANKSHAFT & PISTON
6.	EXHAUST MANIFOLD	29.	LUB.OIL SYSTEM
7.	CAMSHAFT & DRIVING GEAR	30.	LUB.OIL LINE
8.	CRANKSHAFT & PISTON	31.	COOLING WATER SYSTEM
9.	LUB.OIL SYSTEM	32.	FUEL INJECTION PUMP
10.	COOLING WATER SYSTEM	33.	GOVERNOR
11.	FUEL INJECTION PUMP	34.	FUEL FEED PUMP
12.	GOVERNOR	35.	FUEL INJECTION VALVE
13.	FUEL FEED PUMP	36.	FUEL FILTER
14.	FUEL INJECTION VALVE	37.	STARTING MOTOR
15.	FUEL FILTER	38.	TENSTION PULLEY
16.	STARTING MOTOR	39.	ELECTRIC PARTS
17.	TENSTION PULLEY	40.	GASKET SET
18.	ELECTRIC PARTS		
19.	GASKET SET		
4TNE84T-GHN1			
20.	CYLINDER BLOCK		
21.	GEAR HOUSING		
22.	FLYWHEEL HOUSING & OIL SUMP		

Fig.1. CYLINDER BLOCK

(A)=3TNE84-GHN1  
 (B)=4TNE84T-GHN1  
 (C)=

(D)=  
 (E)=  
 (F)=



No.	Lev.	Parts No.	Description	Q'ty						I	R
				(A)	(B)	(C)	(D)	(E)	(F)		
1	1	729215-01560	BLOCK ASSY, CYLINDER	1							
4	2	129001-01250	PLUG, 50	1							
5	2	124160-01910	PLUG, PT1/4	3							
6	2	129150-02020	BOLT, METAL CAP	8							
9	2	129795-02412	BUSH, CAMSHAFT	1							
10	2	124097-77900	HEATER, COOLING WATER	1							
11	2	23876-010000	PLUG, R01	1							
12	2	27241-120000	PLUG, 12	2							
13	2	27241-300000	PLUG 30	6							
23	2	129150-02931	BEARING, THRUST	2							
26	1	129150-01200	BOLT, HEAD	14							
27	1	129002-01331	GASKET, HEAD	1							
28	1	129001-02931	BEARING, MAIN	4							1
31	1	129150-02871	BEARING, 0.25 US	4							2
34	1	129150-02941	BEARING, THRUST 0.25	1							3

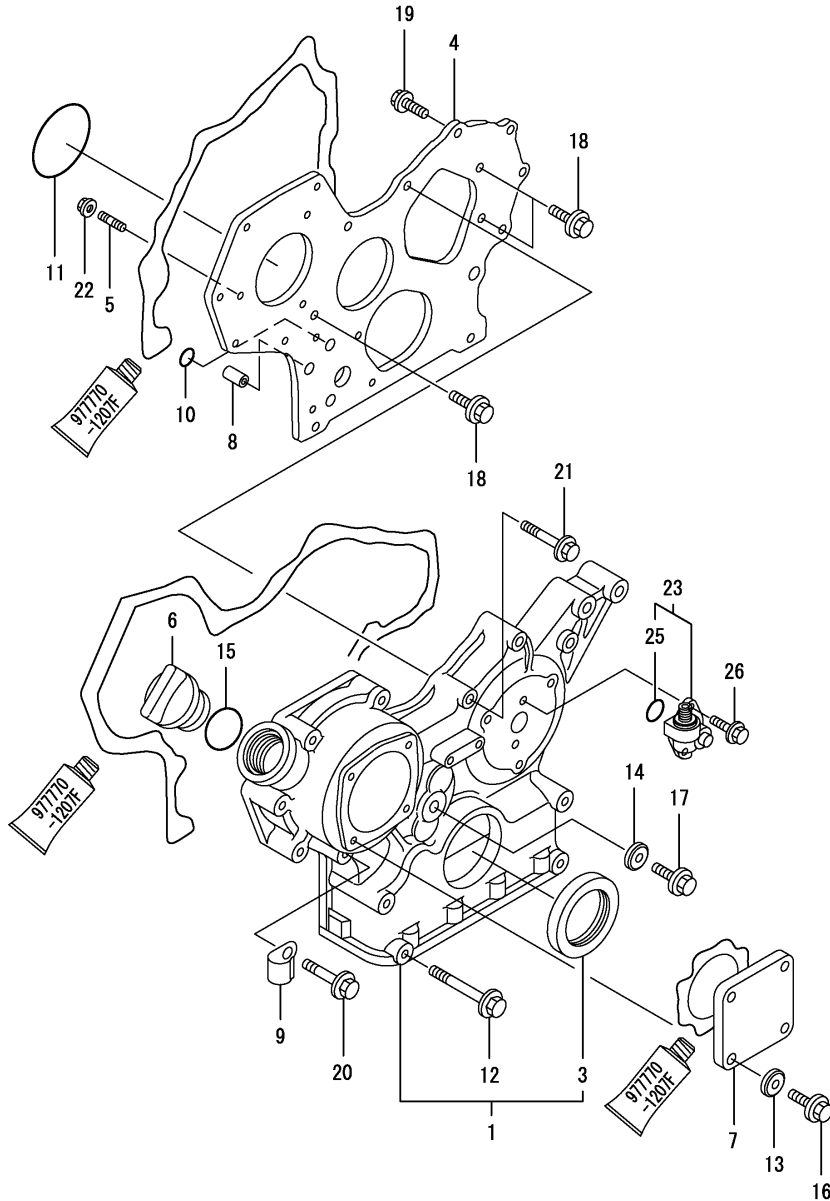
Remarks

- (1) REPAIR PART.
- (2) UNDER-SIZED(U.S=0.25)PART.
- (3) OVER-SIZED(O.S=0.25)PART.

Fig.2. GEAR HOUSING

(A)=3TNE84-GHN1  
 (B)=4TNE84T-GHN1  
 (C)=

(D)=  
 (E)=  
 (F)=

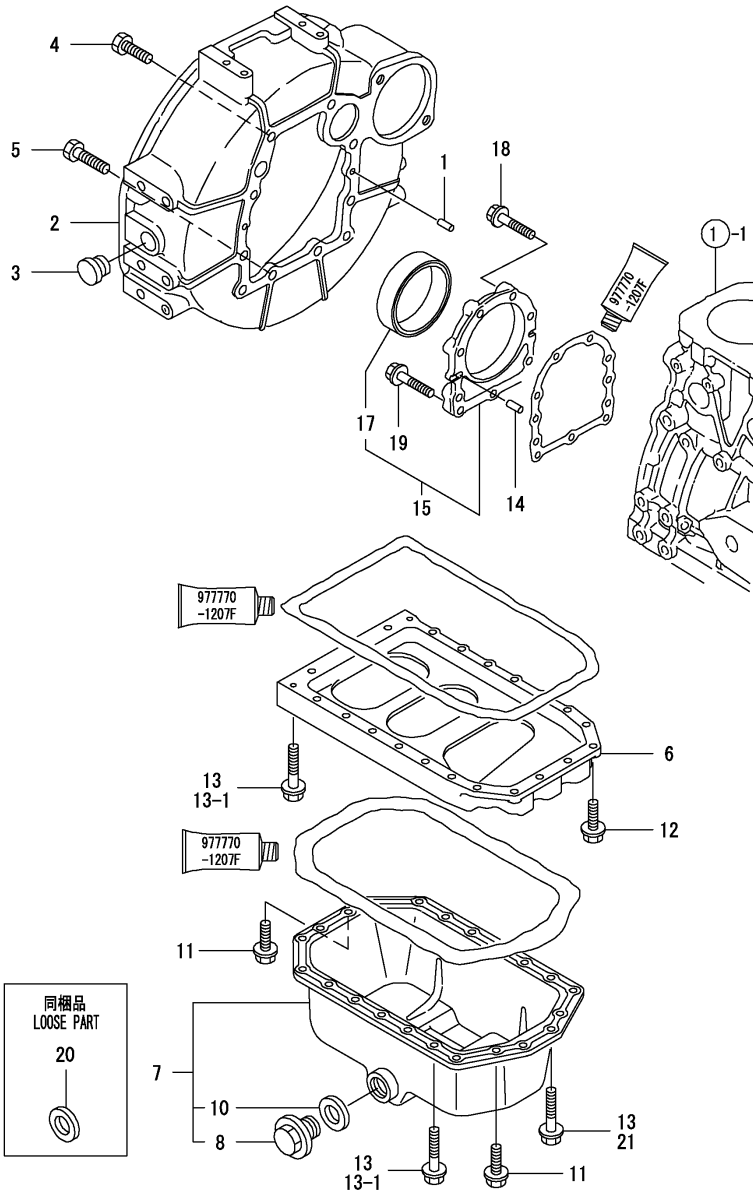


No.	Lev.	Parts No.	Description	Q'ty						I	R
				(A)	(B)	(C)	(D)	(E)	(F)		
1	1	719810-01500	CASE ASSY, GEAR	1							
3	2	129795-01800	SEAL, OIL	1							
4	1	129400-01520	FLANGE, GEAR CASE	1							
5	1	121450-01560	STUD, M8X22	3							
6	1	124160-01751	COVER, FILLER	1							
7	1	124240-01871	COVER	1							
8	1	129795-01950	PIPE, KNOCK L=18	2							
9	1	129150-03100	RETAINER, PIPE	1							
10	1	119609-32040	O-RING, P16	2							
11	1	121850-51960	O-RING	1							
12	1	129001-91841	BOLT, M8X85	4							
13	1	22190-080002	WASHER, SEAL 6	4							
14	1	22190-080002	WASHER, SEAL 6	1							
15	1	24311-000320	O-RING, 1AP32.0	1							
16	1	26106-080122	BOLT, M8X 12 PLATED	4							
17	1	26106-080162	BOLT, M8X 16 PLATED	1							
18	1	26106-080162	BOLT, M8X 16 PLATED	3							
19	1	26106-080202	BOLT, M8X 20 PLATED	2							
20	1	26106-080452	BOLT, M8X 45 PLATED	6							
21	1	26106-080552	BOLT, M8X 55 PLATED	3							
22	1	26306-080002	NUT, M8	3							
23	1	129150-91400	GEAR	1							
25	2	24341-000240	O-RING, 1AS24.0	1							
26	1	26106-060162	BOLT, M6X 16 PLATED	2							

Fig.3. FLYWHEEL HOUSING & OIL SUMP

(A)=3TNE84-GHN1  
(B)=4TNE84T-GHN1  
(C)=

(D)=  
(E)=  
(F)=

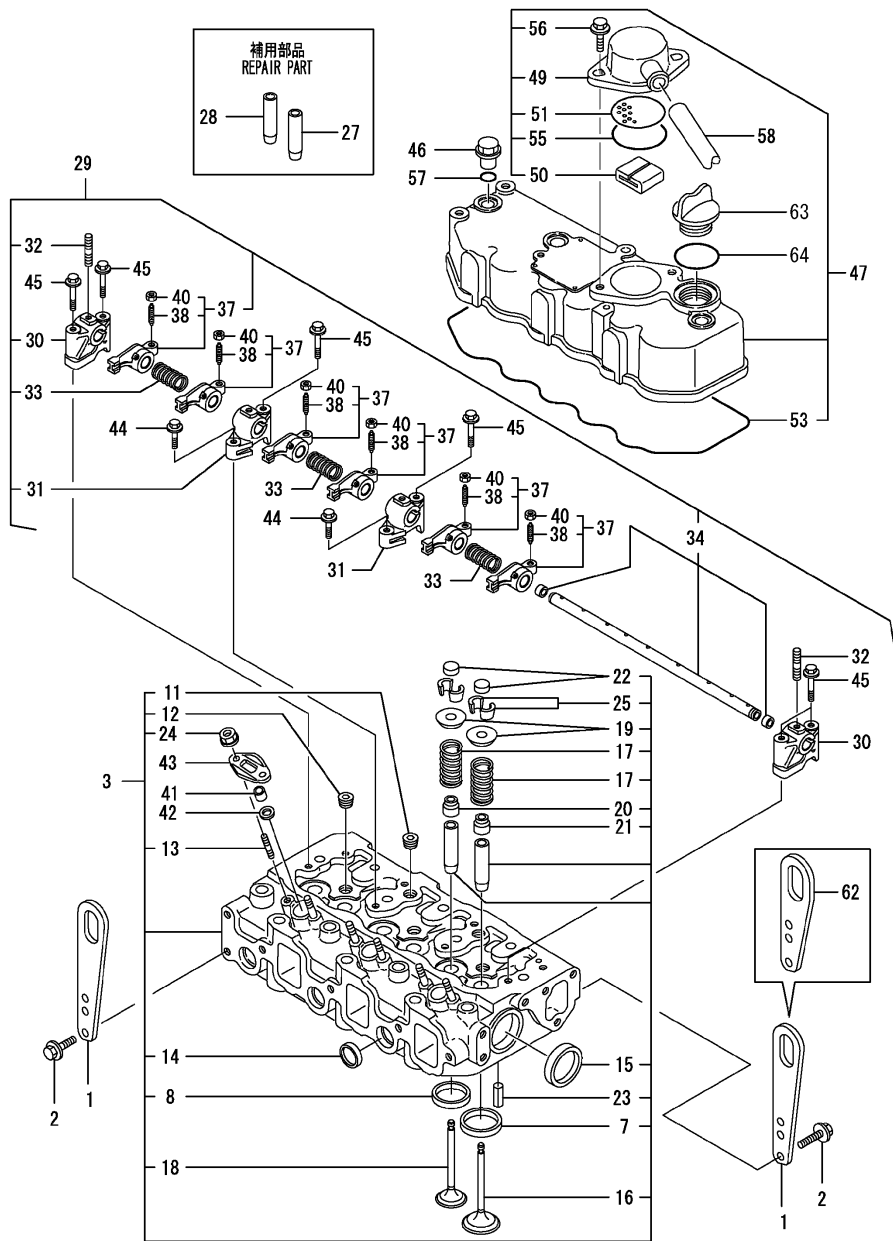


No.	Lev.	Parts No.	Description	Q'ty						I	R
				(A)	(B)	(C)	(D)	(E)	(F)		
1	1	129100-01580	PIN, M8X16	2							
2	1	129612-01600	HOUSING, FLYWHEEL	1							
3	1	119620-01750	CAP	1							
4	1	26206-100252	BOLT, M10X 25 PLATED	6							
5	1	26206-100302	BOLT, M10X 30 PLATED	4							
6	1	129100-01730	SPACER, OIL SUMP	1							
7	1	129100-01760	SUMP ASSY, OIL	1							
8	2	119640-01640	PLUG, DRAIN M22	1							
10	2	22190-220002	WASHER, SEAL 22	1							
11	1	26106-080162	BOLT, M8X 16 PLATED	4							
12	1	26106-080252	BOLT, M8X 25 PLATED	2							
13	1	26106-080452	BOLT, M8X 45 PLATED	20							
13-1	1	26106-080452	BOLT, M8X 45 PLATED	16							K
(A=FROM 1ST)											
14	1	129100-01580	PIN, M8X16	2							
15	1	129100-01640	CASE ASSY, OIL SEAL	1							
17	2	129795-01780	SEAL, OIL	1							
18	1	129486-01670	BOLT, M8X30	6							
19	1	26106-080352	BOLT, M8X 35 PLATED	3							
20	1	23414-220000	GASKET, 22X1.0	1							
21	1	26106-080502	BOLT, M8X 50 PLATED	4							W
(A=FROM 1ST)											

Fig.4. CYLINDER HEAD & BONNET

(A)=3TNE84-GHN1  
(B)=4TNE84T-GHN1  
(C)=

(D)=  
(E)=  
(F)=



No.	Lev.	Parts No.	Description	Q'ty						I	R
				(A)	(B)	(C)	(D)	(E)	(F)		
1	1	129900-07900	LIFTER	2							
1-1	1	129900-07900	LIFTER	1							K
(A=*2009.08)											
2	1	26106-080162	BOLT, M8X 16 PLATED	4							
3	1	729202-11710	HEAD ASSY, CYLINDER	1							
7	2	129470-11080	SEAT, INTAKE VALVE	3							
8	2	129470-11090	SEAT, EXHAUST VALVE	3							
11	2	23876-020000	PLUG, R02	2							
12	2	23876-030000	PLUG, R03	3							
13	2	26216-060202	STUD, M6X 20	6							
14	2	27241-220000	PLUG, 22	3							
15	2	27241-400000	PLUG, 40	2							
16	2	129100-11100	VALVE, INTAKE	3							
17	2	129795-11120	SPRING, VALVE	6							
18	2	129100-11130	VALVE, EXHAUST	3							
19	2	129795-11180	RETAINER, SPRING	6							
20	2	121400-11340	SEAL, VALVE STEM	3							
21	2	124460-11340	SEAL, VALVE STEM	3							
22	2	129150-11370	CAP, VALVE	6							
23	2	22351-060012	PIN, SPRING 6.0X12	2							
24	2	26366-060002	NUT, M6	6							
25	2	27310-080001	COTTER, 8	6							
27	1	120130-11860	GUIDE, VALVE	3							1
28	1	129150-11810	GUIDE, VALVE	3							1
29	1	129155-11241	SHAFT ASSY, ROCKER	1							
30	2	129155-11260	SUPPORT, ROCKER ARM	2							
31	2	129155-11270	SUPPORT, ROCKER ARM	2							
32	2	119802-11280	STUD	3							
33	2	129150-11280	SPRING	3							
34	2	129150-11290	SHAFT, ROCKER ARM	1							
37	2	729402-11650	ARM ASSY, ROCKER	6							
38	3	129150-11230	SCREW, VALVE ADJUST	6							
40	3	129150-11750	NUT, M8	6							
41	1	119625-11870	PROTECTOR, NOZZLE	3							
42	1	119625-11880	SEAT, NOZZLE	3							
43	1	119625-11900	RETAINER, NOZZLE	3							
44	1	26106-080252	BOLT, M8X 25 PLATED	2							
45	1	26106-080502	BOLT, M8X 50 PLATED	6							
46	1	124160-11360	KNOB	3							
47	1	729132-11521	BONNET ASSY, HEAD	1							
49	2	129150-03020	COVER, BREATHER	1							
50	2	129150-03070	BAFFLE, BREATHER	1							
51	2	129150-03080	PLATE, BAFFLE	1							
53	2	129150-11310	GASKET, BONNET	1							
55	2	24341-000500	O-RING, 1AS50.0	1							
56	2	26106-080162	BOLT, M8X 16 PLATED	2							
57	1	24311-000120	O-RING, 1AP12.0	3							
58	1	129150-03090	HOSE, ID16X2T	1							
62	1	119226-07900	LIFTER	1							W
(A=*2009.06)											
63	1	124160-01751	COVER, FILLER	1							

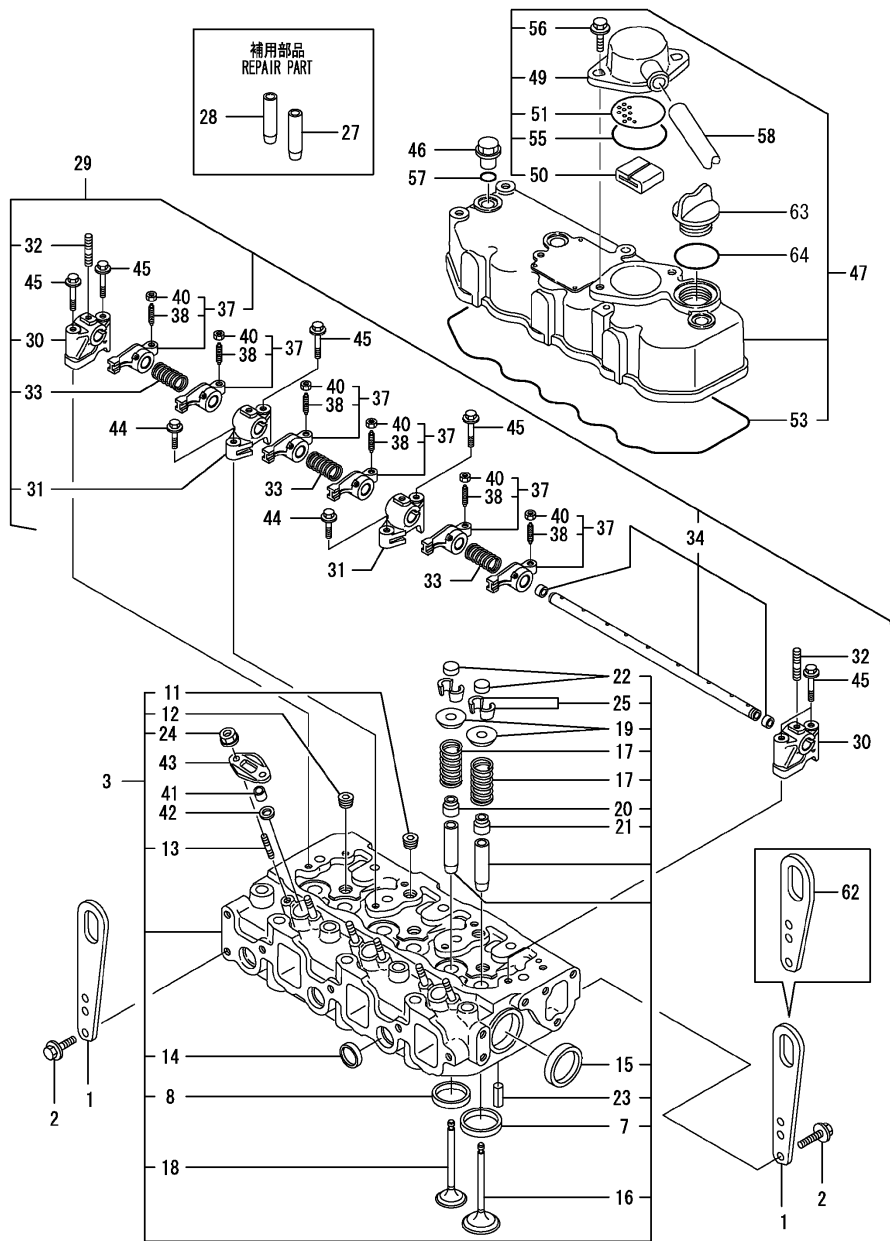
Remarks  
(1) REPAIR PART.



Fig.4. CYLINDER HEAD & BONNET

(A)=3TNE84-GHN1  
 (B)=4TNE84T-GHN1  
 (C)=

(D)=  
 (E)=  
 (F)=



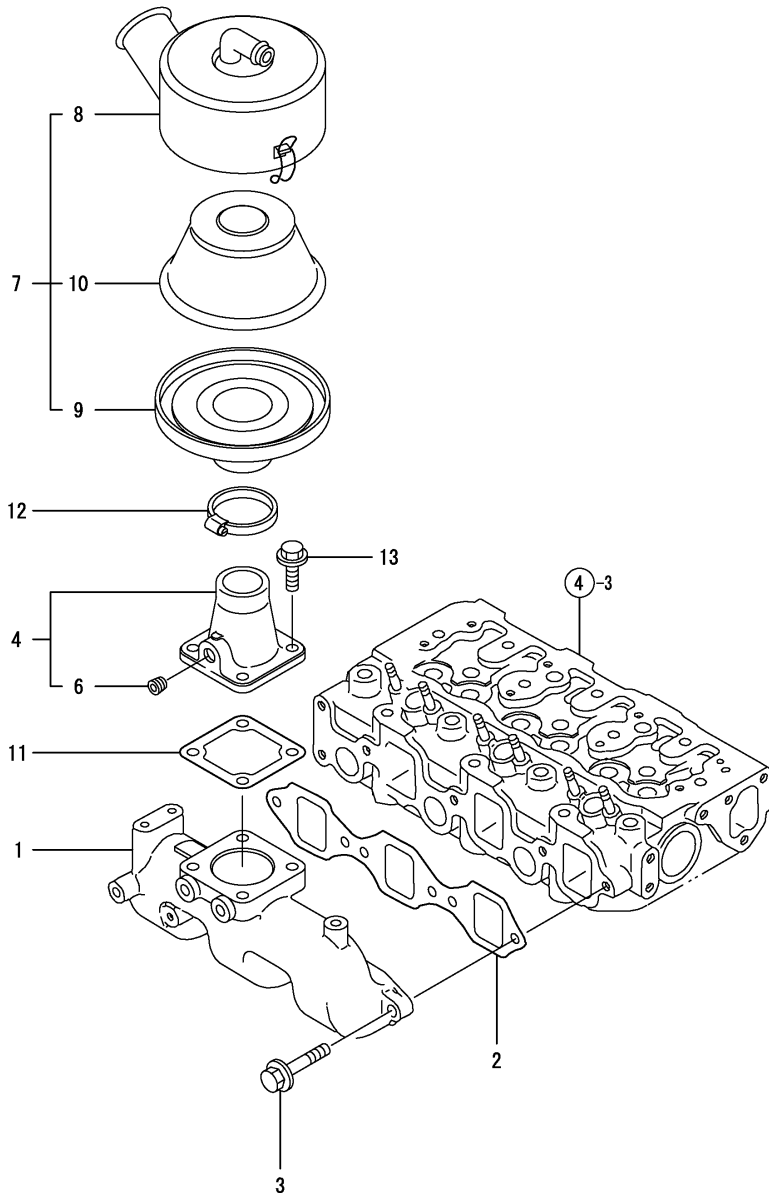
No.	Lev.	Parts No.	Description	Q'ty						I	R
				(A)	(B)	(C)	(D)	(E)	(F)		
64	1	24311-000320	O-RING, 1AP32.0	1							

Remarks  
 (1) REPAIR PART.

Fig.5. SUCTION MANIFOLD

(A)=3TNE84-GHN1  
 (B)=4TNE84T-GHN1  
 (C)=

(D)=  
 (E)=  
 (F)=



No.	Lev.	Parts No.	Description	Q'ty						I	R
				(A)	(B)	(C)	(D)	(E)	(F)		
1	1	129150-12100	MANIFOLD, AIR INTAKE	1							
2	1	129150-12111	GASKET, MANIFOLD	1							
3	1	26106-080252	BOLT, M8X 25 PLATED	4							
4	1	129470-12210	JOINT ASSY	1							
6	2	23876-010000	PLUG, R01	1							
7	1	129795-12501	SILENCER ASSY	1							
8	2	129795-12520	PIPE, AIR INTAKE	1							
9	2	129795-12530	PLATE	1							
10	2	129795-12540	ELEMENT	1							
11	1	129150-77511	GASKET	1							
12	1	23000-060000	CLAMP, 60	1							
13	1	26106-080162	BOLT, M8X 16 PLATED	4							

Fig.6. EXHAUST MANIFOLD

(A)=3TNE84-GHN1  
 (B)=4TNE84T-GHN1  
 (C)=

(D)=  
 (E)=  
 (F)=

No.	Lev.	Parts No.	Description	Q'ty						I	R
				(A)	(B)	(C)	(D)	(E)	(F)		
1	1	171350-13100	MANIFOLD, EXHAUST	1							
2	1	129150-13110	GASKET	1							
3	1	123900-13610	STUD, M8X80	2							
4	1	123900-13630	BOLT, M8X80	4							
5	1	119131-18320	STUD, M8X22	4							
6	1	26306-080002	NUT, M8	2							
7	1	129004-13200	GASKET, SILENCER	1							

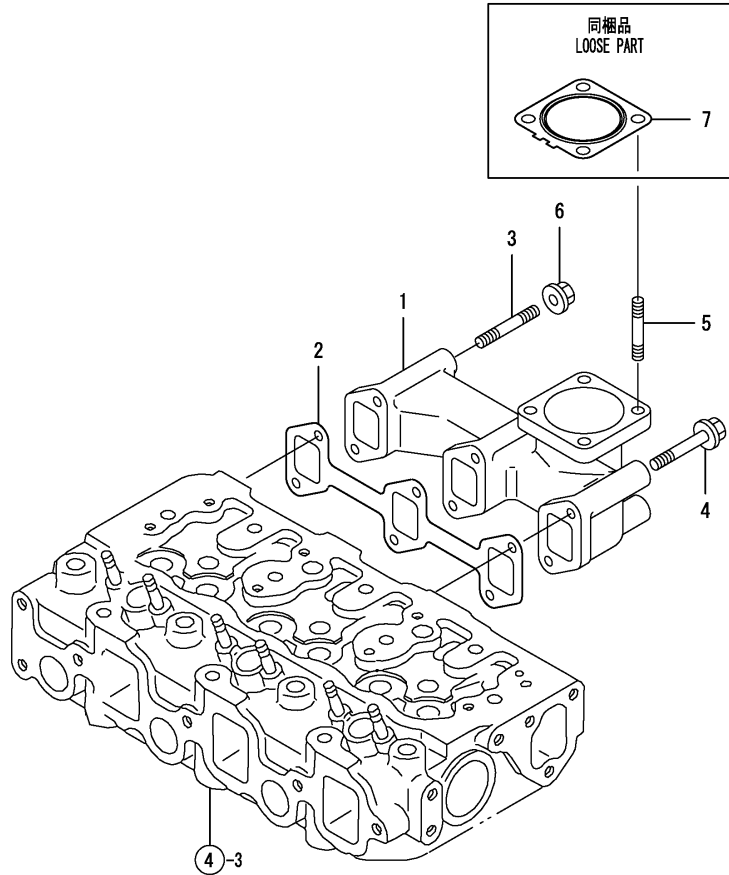
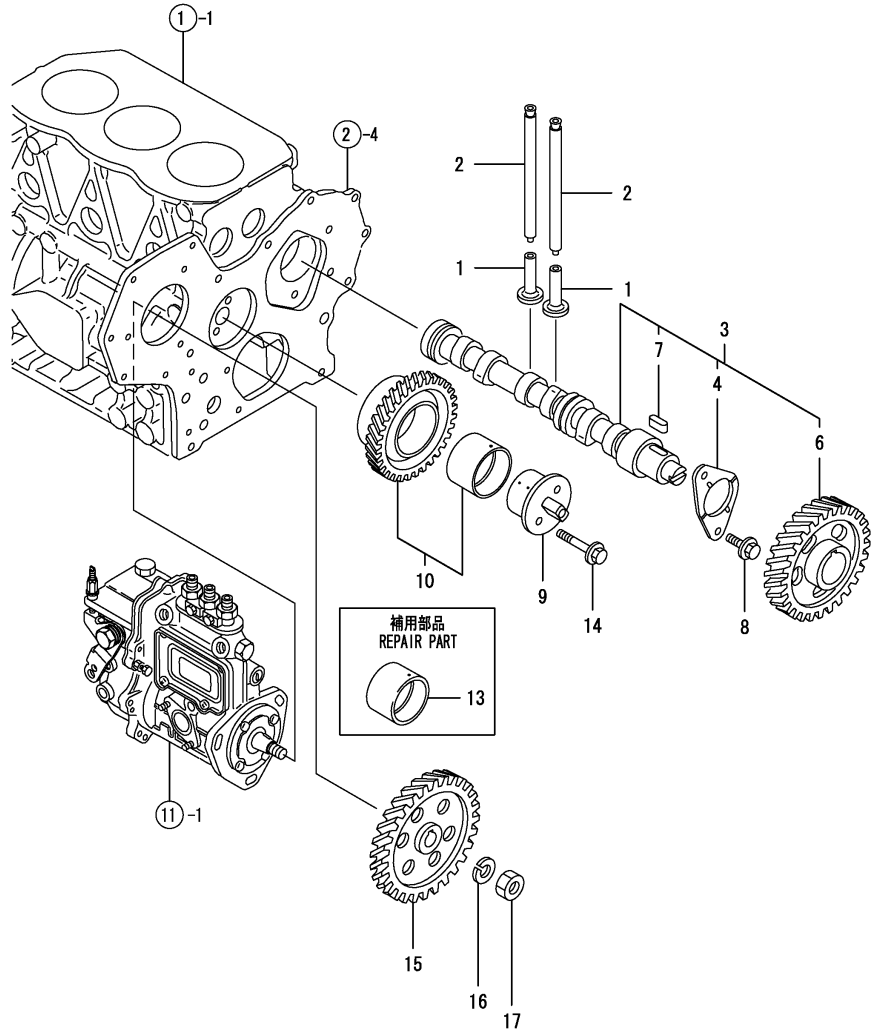


Fig.7. CAMSHAFT & DRIVING GEAR

(A)=3TNE84-GHN1  
 (B)=4TNE84T-GHN1  
 (C)=

(D)=  
 (E)=  
 (F)=



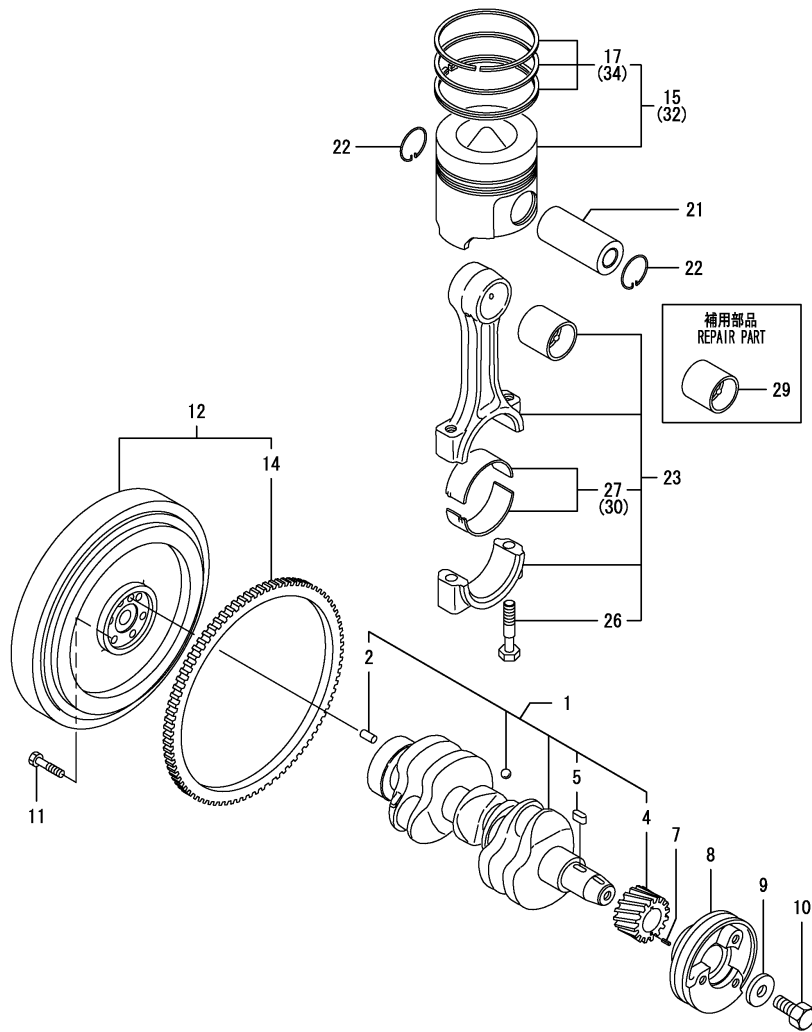
No.	Lev.	Parts No.	Description	Q'ty						I	R
				(A)	(B)	(C)	(D)	(E)	(F)		
1	1	129150-14200	TAPPET	6							
2	1	129150-14400	ROD, PUSH L=178	6							
3	1	129129-14580	CAMSHAFT ASSY	1							
4	2	129150-02450	BEARING, THRUST	1							
6	2	129150-14101	GEAR, CAMSHAFT	1							
7	2	22512-070140	KEY, 7X 14	1							
8	1	26106-080142	BOLT, M8X 14 PLATED	2							
9	1	129100-25061	SHAFT, IDLE	1							
10	1	129150-25101	GEAR ASSY, IDLE	1							
13	1	129150-25920	BUSH, IDLE GEAR	1							1
14	1	26106-080452	BOLT, M8X 45 PLATED	2							
15	1	129100-25900	GEAR, PUMP	1							
16	1	22217-120000	WASHER, SPRING 12	1							
17	1	26716-120002	NUT, M12	1							

Remarks  
 (1) REPAIR PART.

Fig.8. CRANKSHAFT & PISTON

(A)=3TNE84-GHN1  
(B)=4TNE84T-GHN1  
(C)=

(D)=  
(E)=  
(F)=



No.	Lev.	Parts No.	Description	Q'ty						I	R
				(A)	(B)	(C)	(D)	(E)	(F)		
1	1	129001-21100	CRANKSHAFT ASSY	1							
2	2	129100-01580	PIN, M8X16	1							
4	2	129150-21200	GEAR, CRANKSHAFT	1							
5	2	22512-070140	KEY, 7X 14	1							
7	1	22351-040010	PIN, SPRING 4.0X10	1							
8	1	171340-21650	V-PULLEY	1							
9	1	129795-21661	WASHER	1							
10	1	121850-21680	BOLT	1							
11	1	121111-21501	BOLT, FLYWHEEL	6							
12	1	171340-21580	FLYWHEEL ASSY	1							
14	2	119865-21600	GEAR, RING	1							
15	1	129002-22090	PISTON ASSY	3							
17	2	129002-22510	RING SET, PISTON	3							
21	1	129202-22300	PIN, PISTON D26 L70	3							
22	1	22252-000260	RING, 26	6							
23	1	729402-23100	ROD ASSY, CONNECTING	3							
26	2	121550-23200	BOLT, CONNECTING ROD	6							
27	2	129150-23601	BEARING, CRANK PIN	3							
29	1	129100-23910	BEARING, PISTON PIN	3							1
30	1	129150-23611	BEARING, 0.25 US	3							2
32	1	129002-22910	PISTON ASSY, 0.25 OS	3							3
34	2	129002-22960	RING SET, 0.25 OS	3							3

Remarks

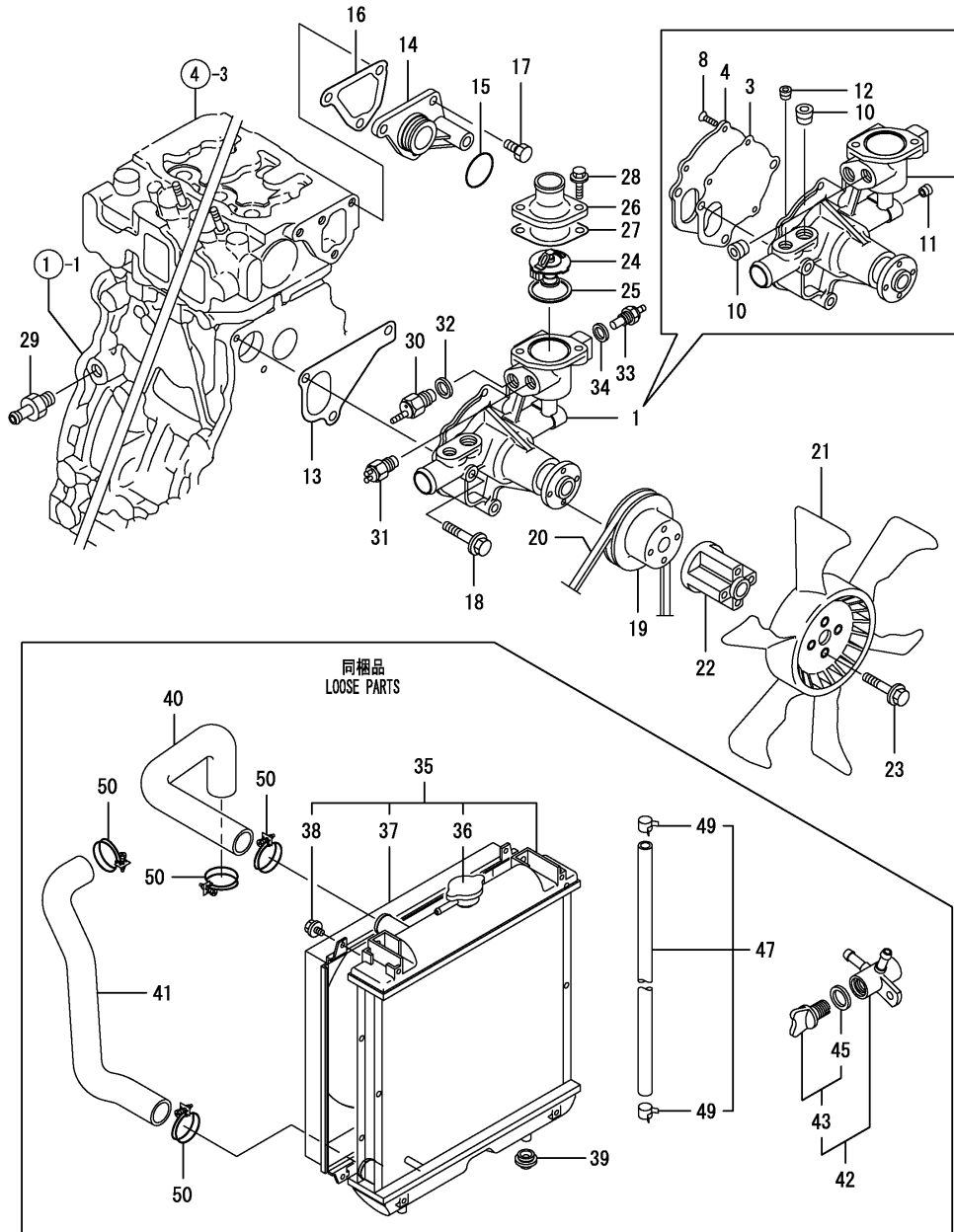
- (1) REPAIR PART.
- (2) UNDER-SIZED(U.S=0.25)PART.
- (3) OVER-SIZED(O.S=0.25)PART.



Fig.10. COOLING WATER SYSTEM

(A)=3TNE84-GHN1  
(B)=4TNE84T-GHN1  
(C)=

(D)=  
(E)=  
(F)=

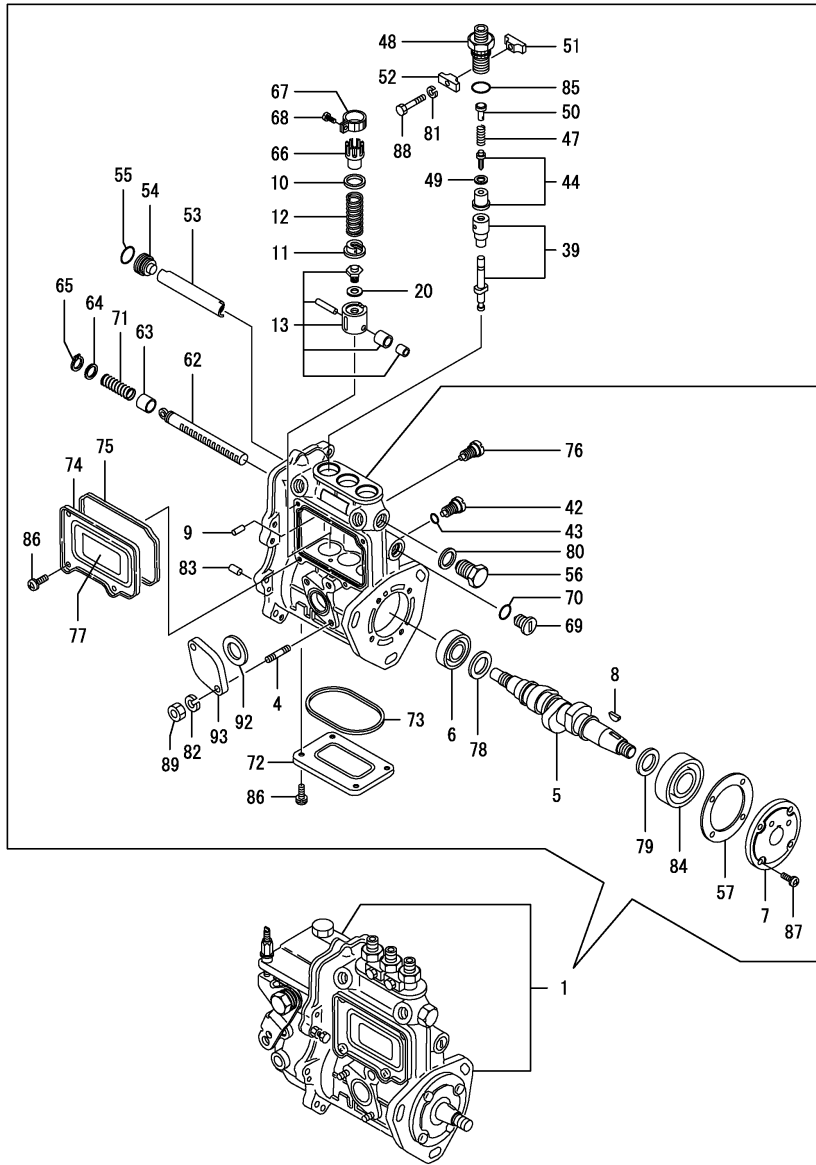


No.	Lev.	Parts No.	Description	Q'ty						I	R
				(A)	(B)	(C)	(D)	(E)	(F)		
1	1	129001-42004	PUMP ASSY, WATER	1							
3	2	129100-42051	GASKET, WATER PUMP	1							
4	2	129100-42121	PLATE	1							
8	2	121850-42410	SCREW	3							
10	2	129916-49740	PLUG, R03	2							
11	2	23876-010000	PLUG, R01	1							
12	2	23876-020000	PLUG, R02	1							
13	1	129486-42021	GASKET, WATER PUMP	1							
14	1	129001-42040	JOINT	1							
15	1	129486-42140	O-RING, G30	1							
16	1	124395-49840	GASKET	1							
17	1	26106-080162	BOLT, M8X 16 PLATED	3							
18	1	26106-080602	BOLT, M8X 60 PLATED	3							
19	1	129155-42350	V-PULLEY	1							
20	1	129612-42330	V-BELT, A37.5	1							
21	1	171340-44740	FAN, COOLING D335XNF	1							
22	1	119256-44760	SPACER, FAN	1							
23	1	26106-060552	BOLT, M6X 55 PLATED	4							
24	1	129155-49801	THERMOSTAT, 71	1							
25	1	129150-49811	GASKET, THERMOSTAT	1							
26	1	129350-49530	COVER, THERMOSTAT	1							
27	1	129795-49551	GASKET	1							
28	1	26106-080222	BOLT, M8X 22 PLATED	2							
29	1	121550-49111	JOINT, PT1/4	1							
30	1	121250-44901	SWITCH, 110	1							
31	1	171375-44900	SWITCH, 15	1							
32	1	124465-44950	GASKET, 16	1							
33	1	124250-49351	SENSOR	1							
34	1	129150-49360	GASKET	1							
35	1	129004-44500	RADIATOR ASSY	1							
36	2	129107-44590	CAP, RADIATOR	1							
37	2	119802-44600	SHROUD	1							
38	2	26014-060122	BOLT, M6X 12	4							
39	1	119255-44660	ABSORBER	2							
40	1	119960-49010	PIPE, WATER	1							
41	1	119960-49020	PIPE, WATER	1							
42	1	129150-49100	COCK ASSY, 3-WAY	1							
43	2	129150-49080	COCK, DRAIN	1							
45	3	119629-49080	GASKET	1							
47	1	129210-49280	PIPE ASSY, DRAIN	1							
49	2	124766-59050	CLIP, HOSE 12	2							
50	1	23010-038000	CLAMP, 38	4							

Fig.11. FUEL INJECTION PUMP

(A)=3TNE84-GHN1  
(B)=4TNE84T-GHN1  
(C)=

(D)=  
(E)=  
(F)=



No.	Lev.	Parts No.	Description	Q'ty						I	R
				(A)	(B)	(C)	(D)	(E)	(F)		
1	1	729205-51410	PUMP ASSY, INJECTION	1							1
4	2	129155-51020	STUD	2							
5	2	119810-51040	CAMSHAFT	1							
6	2	129155-51051	BEARING	1							
7	2	129155-51060	SUPPORT, CAMSHAFT	1							
8	2	122710-51090	KEY	1							
9	2	129155-51140	PIN	3							
10	2	174307-51170	RETAINER, SPRING A	3							
11	2	129155-51180	RETAINER, SPRING	3							
12	2	124950-51190	SPRING, PLUNGER	3							
13	2	129155-51200	TAPPET ASSY	3							
20	2	129155-51600	SHIM SET, ADJUSTING	3							
39	2	129403-51200	PLUNGER ASSY	3							
42	2	129155-51270	STOPPER, TAPPET	3							
43	2	129155-51280	O-RING, S6	3							
44	2	105300-51300	VALVE ASSY, DELIVERY	3							
47	2	129155-51320	SPRING, DELIVERY	3							
48	2	129155-51340	RETAINER	3							
49	2	124550-51350	GASKET, DELIVERY	3							
50	2	129155-51370	STOPPER, VALVE	3							
51	2	129155-51380	STOPPER	2							
52	2	129155-51390	STOPPER	2							
53	2	129155-51400	DEFLECTOR	1							
54	2	158600-51410	PLUG, DEFLECTOR	1							
55	2	119717-51420	O-RING	1							
56	2	158600-51420	PLUG, DEFLECTOR	1							
57	2	129155-51450	SHIM SET, ADJUSTING	1							
62	2	119717-51500	RACK, CONTROL	1							
63	2	129155-51521	BUSH, RACK	1							
64	2	129155-51530	SPACER	1							
65	2	129155-51540	CIRCLIP	1							
66	2	129155-51550	PINION, CONTROL	3							
67	2	129100-51560	PINION	3							
68	2	129100-51570	SCREW	3							
69	2	129155-51570	PLUG, M12	1							
70	2	129155-51580	O-RING	1							
71	2	129155-51591	SPRING, RACK	1							
72	2	129155-51701	COVER	1							
73	2	129155-51711	GASKET	1							
74	2	129155-51751	COVER	1							
75	2	129155-51761	GASKET	1							
76	2	129155-51790	STOOPER, RACK	1							
77	2	129156-51910	LABEL, CAUTION	1							
78	2	129155-51930	SPACER, T=3.25	1							
79	2	129155-51940	SPACER, T=1.5	1							
80	2	22190-160002	WASHER, SEAL 16	1							
81	2	22217-050000	WASHER, SPRING 5	2							
82	2	22217-060000	WASHER, SPRING 6	2							
83	2	22351-050010	PIN, SPRING 5.0X10	2							
84	2	24101-063034	BEARING, BALL 6303	1							
85	2	24316-000150	O-RING, 4DP15.0	3							

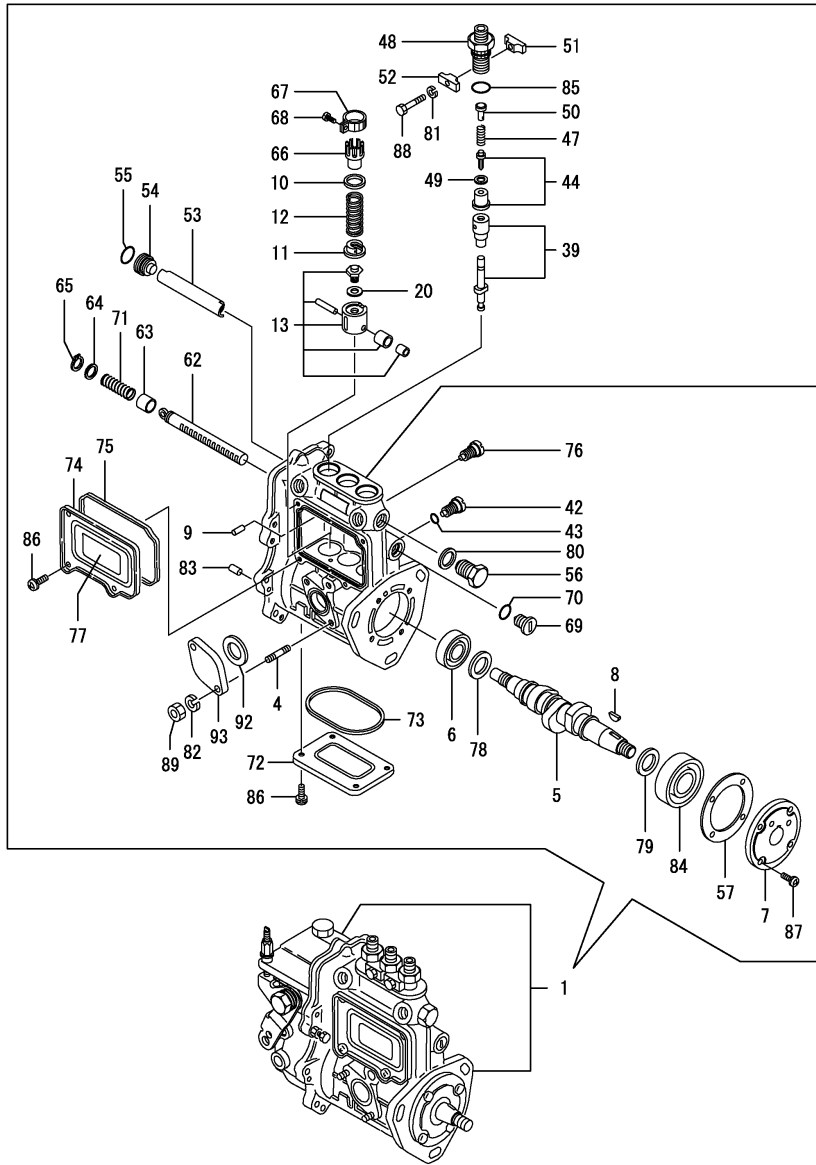
Remarks  
(1) GOVERNOR ASSY(FIG.12) IS INCORPORATED IN THIS FUEL INJECTION PUMP.(REF.NO.1).



Fig.11. FUEL INJECTION PUMP

(A)=3TNE84-GHN1  
(B)=4TNE84T-GHN1  
(C)=

(D)=  
(E)=  
(F)=



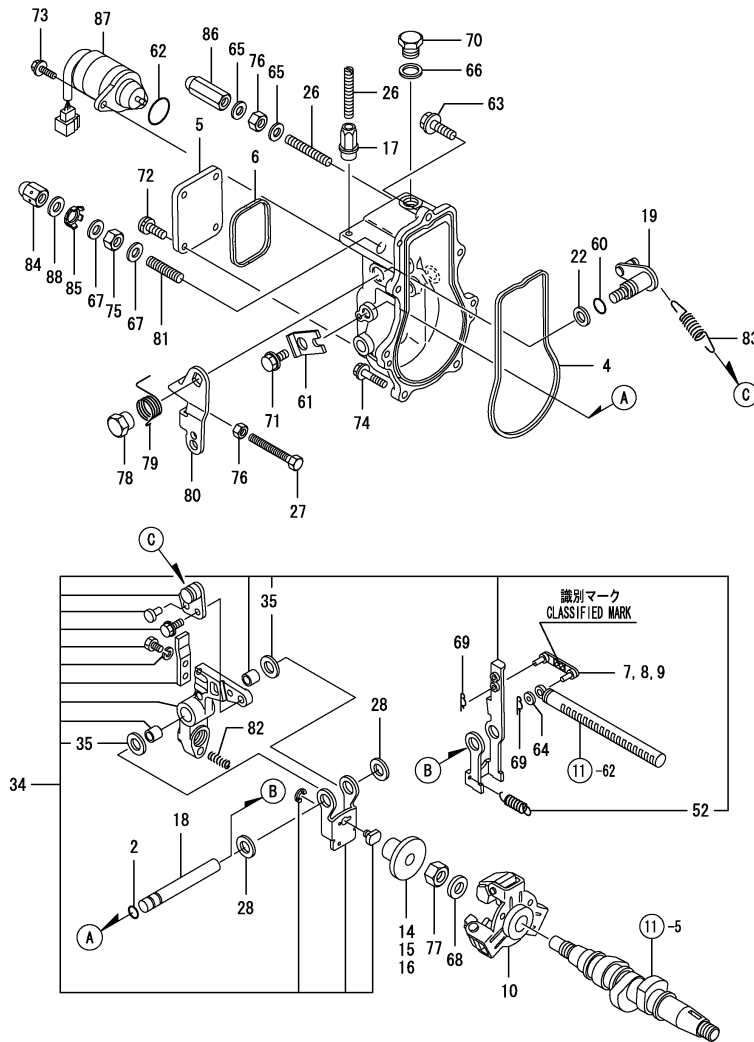
No.	Lev.	Parts No.	Description	Q'ty						I	R
				(A)	(B)	(C)	(D)	(E)	(F)		
86	2	26022-050122	SCREW, M5X12	8							
87	2	26022-060162	SCREW, M6X16	4							
88	2	26116-050302	BOLT, M5X 30 PLATED	2							
89	2	26716-060002	NUT, M6	2							
92	2	129155-52051	GASKET	1							
93	2	129100-52200	COVER	1							

Remarks  
(1) GOVERNOR ASSY(FIG.12) IS  
INCORPORATED IN THIS FUEL  
INJECTION PUMP.(REF.NO.1).

Fig.12. GOVERNOR

(A)=3TNE84-GHN1  
(B)=4TNE84T-GHN1  
(C)=

(D)=  
(E)=  
(F)=



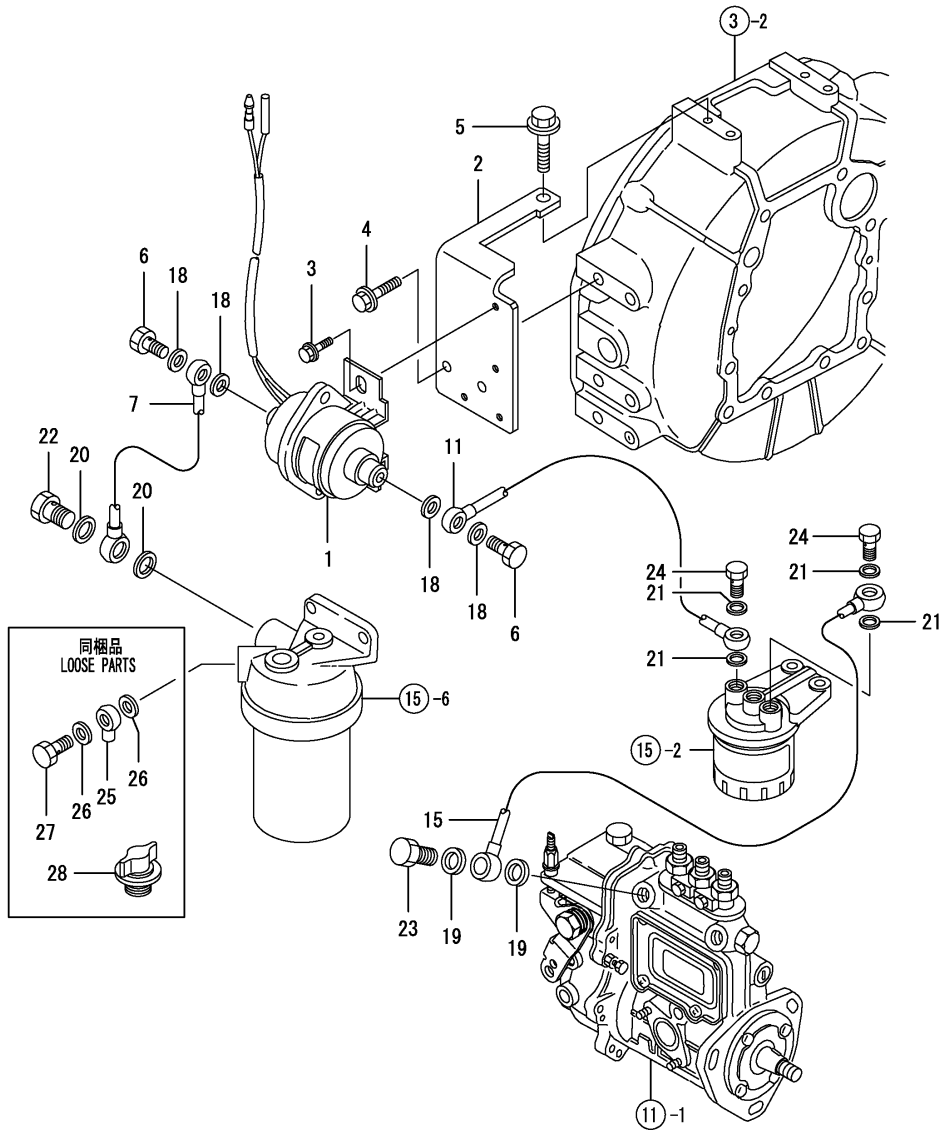
No.	Lev.	Parts No.	Description	Q'ty						I	R
				(A)	(B)	(C)	(D)	(E)	(F)		
2	2	129155-51280	O-RING, S6	1							
4	2	129052-61051	GASKET	1							
5	2	129052-61060	COVER, GOVERNOR CASE	1							
6	2	129052-61071	GASKET	1							
7	2	129155-61120	LINK, L=30 MARK 0	1							1
8	2	129155-61130	LINK, L=31 MARK 1	1							1
9	2	129155-61140	LINK, L=30.5 MARK 05	1							1
10	2	129155-61202	WEIGHT ASSY,GOVERNOR	1							
14	2	129155-61341	SLEEVE	1							2
15	2	129155-61350	SLEEVE, L=24.9	1							2
16	2	129155-61360	SLEEVE, L=25.2	1							2
17	2	129209-61370	NUT, M6	1							
18	2	129052-61390	SHAFT	1							
19	2	129100-61400	SHAFT ASSY	1							
22	2	129155-61430	SPACER	1							
26	2	129155-61450	BOLT, LIMITER	2							
27	2	129155-61460	BOLT, IDLE	1							
28	2	129155-61480	SPACER ASSY	2							
34	2	129486-61501	LEVER ASSY, GOVERNOR	1							
35	3	174307-51700	SHIM SET	2							
52	3	129486-61540	SPRING, SET	1							
60	2	129155-61830	O-RING, S10	1							
61	2	119660-61901	RETAINER, SHAFT	1							
62	2	158552-61900	O-RING	1							
63	2	129155-61950	BOLT	1							
64	2	22117-040000	WASHER, 4	1							
65	2	22190-060003	SEAL WASER 6	2							
66	2	22190-100002	WASHER, SEAL 10	1							
67	2	22190-120002	WASHER, SEAL 12	2							
68	2	22287-120000	WASHER, 12	1							
69	2	22372-040000	PIN, SNAP 4	2							
70	2	23887-100002	PLUG, 10	1							
71	2	26106-060102	BOLT, M6X 10 PLATED	1							
72	2	26106-060102	BOLT, M6X 10 PLATED	4							
73	2	26106-060142	BOLT, M6X 14 PLATED	2							
74	2	26106-060202	BOLT, M6X 20 PLATED	6							
75	2	26736-120002	NUT, M12	1							
76	2	26756-060002	NUT, LOCK M6	2							
77	2	26776-120002	NUT, LOCK M12	1							
78	2	129255-61410	NUT, LOCK	1							
79	2	129255-61420	SPRING, RETURN	1							
80	2	171488-61440	LEVER, CONTROL	1							
81	2	120323-61470	BOLT, CONTROL	1							
82	2	129500-61650	SPRING, FUEL CONTROL	1							
83	2	171335-61710	SPRING, GOVERNOR	1							
84	2	129209-61930	NUT, CAP	1							
85	2	129209-61970	PLATE	1							
86	2	119600-66840	NUT, CAP	1							
87	2	129271-77950	SOLENOID, STOP	1							
88	2	23414-120016	GASKET, 12X1.0	1							

Remarks  
 \* THIS FIGURE(GOVERNOR ASSY)IS INCORPORATED IN THE FUEL INJECTION PUMP ASSY(FIG. 11).  
 (1) SELECTIVE PARTS;CERTAIN THE CLASSIFICATION MARK, THEN PLACE YOUR ORDER.(REF.TO.ILLUSTRATION).  
 (2) SELECTIVE PARTS.

Fig.13. FUEL FEED PUMP

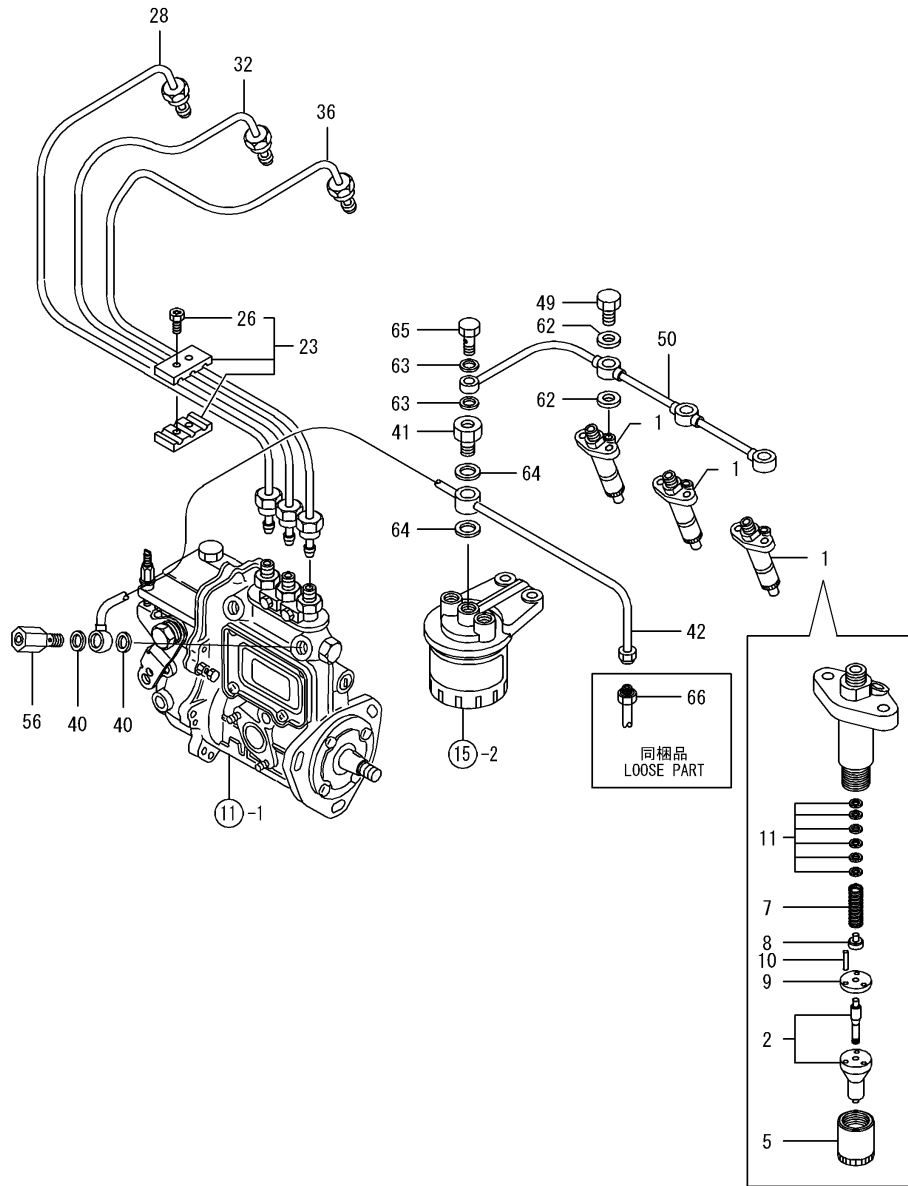
(A)=3TNE84-GHN1  
(B)=4TNE84T-GHN1  
(C)=

(D)=  
(E)=  
(F)=



No.	Lev.	Parts No.	Description	Q'ty						I	R
				(A)	(B)	(C)	(D)	(E)	(F)		
1	1	124790-52201	PUMP ASSY, FUEL FEED	1							
2	1	171375-52501	BRACKET, PUMP	1							
3	1	26106-060102	BOLT, M6X 10 PLATED	2							
4	1	26106-080162	BOLT, M8X 16 PLATED	2							
5	1	26106-100162	BOLT, M10X 16 PLATED	1							
6	1	105582-59150	BOLT, PIPE JOINT	2							
7	1	171375-59500	PIPE ASSY, FUEL	1							
11	1	171375-59511	PIPE ASSY, FUEL	1							
15	1	171375-59521	PIPE ASSY, FUEL	1							
18	1	22190-080002	WASHER, SEAL 6	4							
19	1	22190-120002	WASHER, SEAL 12	2							
20	1	22190-120002	WASHER, SEAL 12	2							
21	1	22190-120002	WASHER, SEAL 12	4							
22	1	23857-060000	BOLT, JOINT 6	1							
23	1	23857-060000	BOLT, JOINT 6	1							
24	1	23857-060000	BOLT, JOINT 6	2							
25	1	103854-39540	JOINT, PIPE	1							
26	1	23414-120000	GASKET, 12X1.0	2							
27	1	23857-060000	BOLT, JOINT 6	1							
28	1	119822-59600	PLUG	2							

Fig.14. FUEL INJECTION VALVE



(A)=3TNE84-GHN1  
(B)=4TNE84T-GHN1  
(C)=

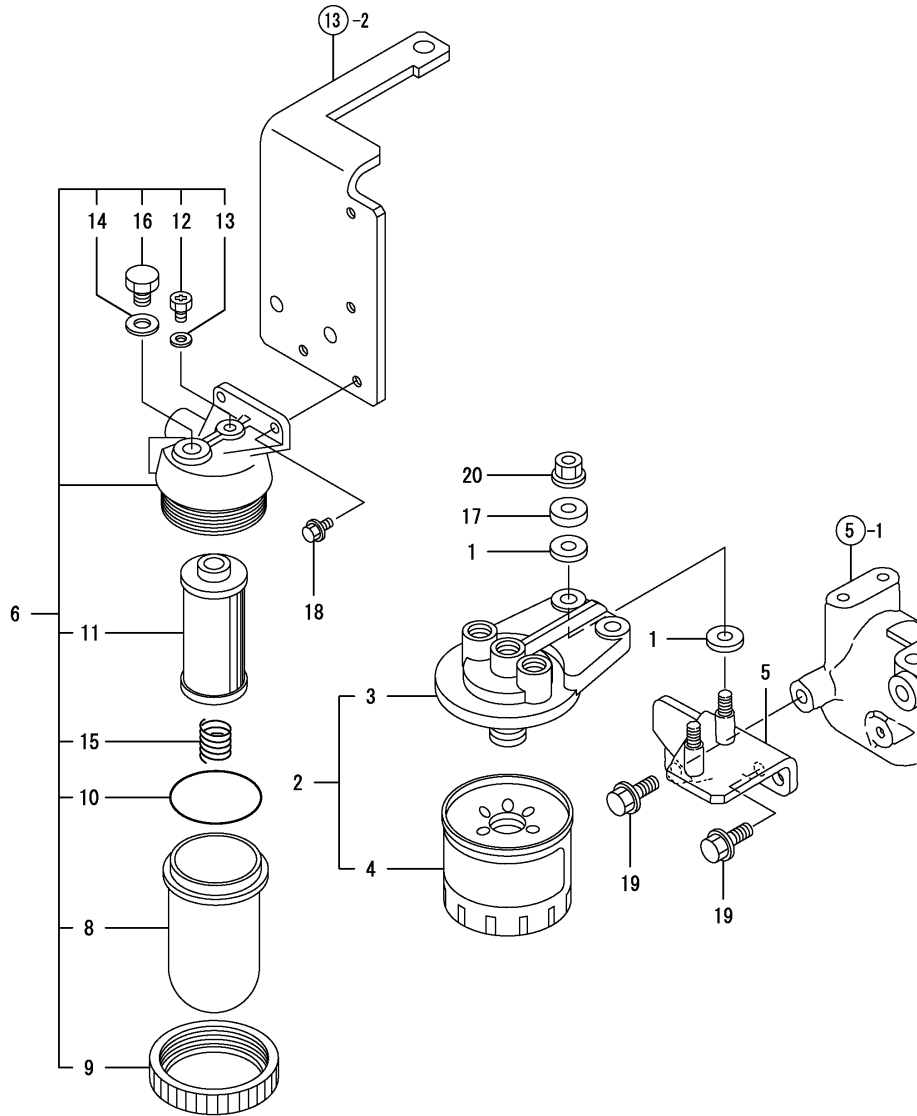
(D)=  
(E)=  
(F)=

No.	Lev.	Parts No.	Description	Q'ty						I	R
				(A)	(B)	(C)	(D)	(E)	(F)		
1	1	729100-53300	VALVE ASSY,INJECTION	3							
2	2	129100-53000	VALVE ASSY,INJECTION	3							
5	2	114250-53080	NUT, NOZZLE D16.95	3							
7	2	114250-53120	SPRING, NOZZLE	3							
8	2	114250-53130	SEAT, SPRING	3							
9	2	114250-53140	PLATE	3							
10	2	114250-53210	PIN	6							
11	2	114250-53400	SHIM SET	3							
23	1	129150-59120	RETAINER, PIPE	1							
26	2	129150-59131	BOLT, M4X14	2							
28	1	129100-59811	PIPE ASSY, INJECTION	1							
32	1	129100-59821	PIPE ASSY, INJECTION	1							
36	1	129100-59831	PIPE ASSY, INJECTION	1							
40	1	22190-120002	WASHER, SEAL 12	2							
41	1	129495-59300	BOLT, PIPE JOINT	1							
42	1	171375-59530	PIPE ASSY, FUEL	1							
49	1	129491-59540	BOLT, PIPE JOINT M6	3							
50	1	171375-59551	PIPE ASSY, RETURN	1							
56	1	119813-59950	VALVE ASSY, CHECK	1							
62	1	22190-060002	WASHER, SEAL 6	6							
63	1	22190-080002	WASHER, SEAL 6	2							
64	1	22190-140002	WASHER, SEAL 14	2							
65	1	23857-030000	BOLT, JOINT 3	1							
66	1	43551-001451	UNION 8(M)	1							

Fig.15. FUEL FILTER

(A)=3TNE84-GHN1  
 (B)=4TNE84T-GHN1  
 (C)=

(D)=  
 (E)=  
 (F)=

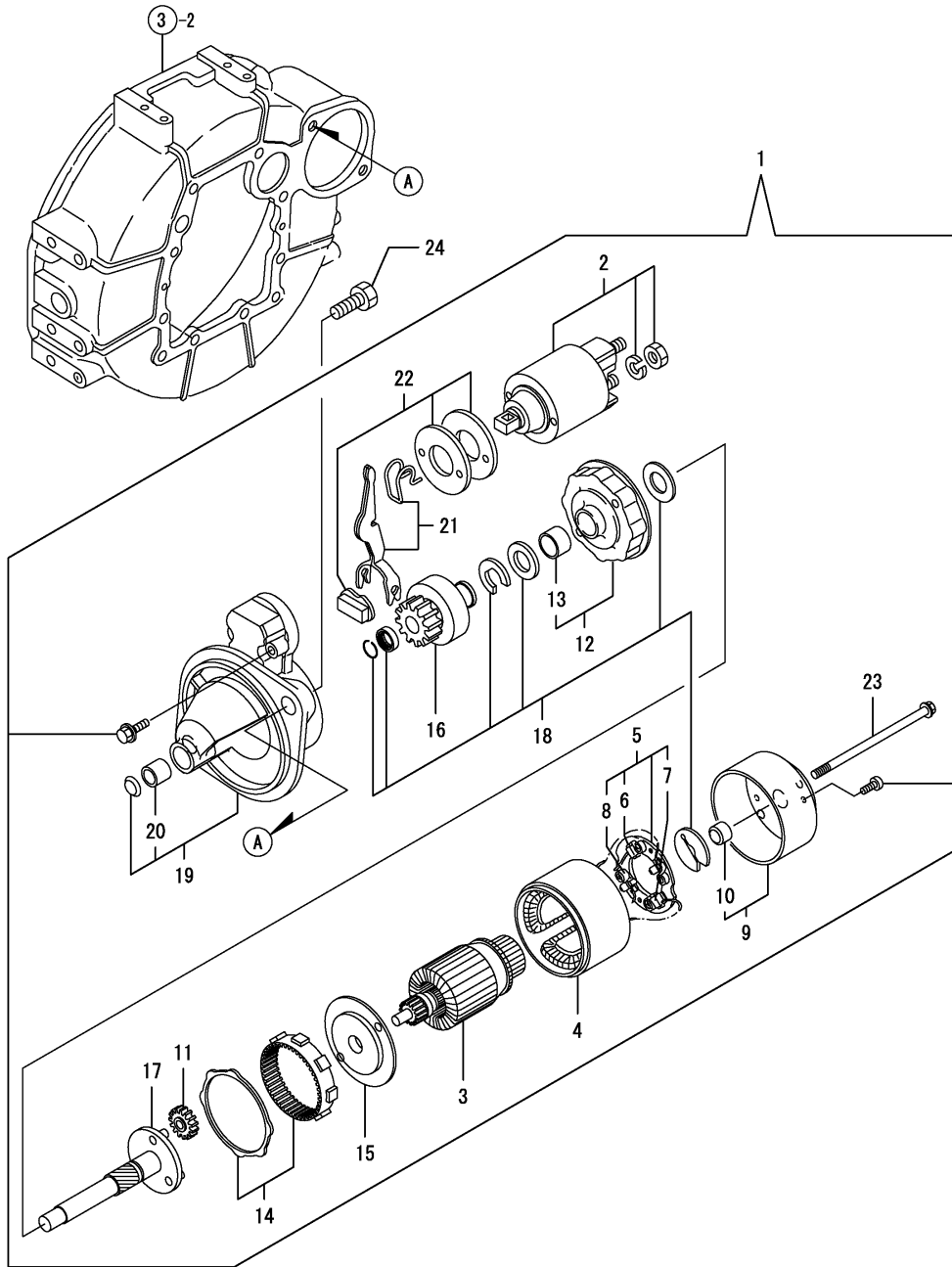


No.	Lev.	Parts No.	Description	Q'ty						I	R
				(A)	(B)	(C)	(D)	(E)	(F)		
1	1	160610-55460	INSULATOR	4							
2	1	129470-55601	FILTER ASSY, FUEL	1							
3	2	129470-55610	BODY, STRAINER	1							
4	2	129470-55703	FILTER, FUEL	1							
5	1	171375-55612	BRACKET, STRAINER	1							
6	1	171081-55900	FILTER ASSY, PRE	1							
8	2	121370-55730	CUP, STRAINER	1							
9	2	110250-55610	RING, RETAINING	1							
10	2	103854-32050	O-RING	1							
11	2	171081-55910	SCREEN	1							
12	2	101720-55750	PLUG, 6	1							
13	2	23418-060000	GASKET, 6X1.0	1							
14	2	23414-080012	GASKET, 8X1.0	1							
15	2	121257-55720	SPRING	1							
16	2	101720-55750	PLUG, 6	1							
17	1	121236-77340	SPACER	2							
18	1	26106-060142	BOLT, M6X 14 PLATED	2							
19	1	26106-080162	BOLT, M8X 16 PLATED	2							
20	1	26306-080002	NUT, M8	2							

Fig.16. STARTING MOTOR

(A)=3TNE84-GHN1  
(B)=4TNE84T-GHN1  
(C)=

(D)=  
(E)=  
(F)=



No.	Lev.	Parts No.	Description	Q'ty						I	R
				(A)	(B)	(C)	(D)	(E)	(F)		
1	1	129242-77010	STARTER	1							
2	2	129698-77020	MAGNETIC SWITCH ASSY	1							
3	2	129242-77100	ARMATURE ASSY	1							
4	2	129242-77110	YOKE ASSY	1							
5	2	129242-77120	BRUSH HOLDER ASSY	1							
6	3	129242-77130	BRUSH(-)	2							
7	3	129242-77140	BRUSH(+) SET	1							
8	3	129242-77150	BRUSH SPRING	4							
9	2	129242-77160	REAR COVER ASSY	1							
10	3	129242-77170	REAR COVER METAL	1							
11	2	118400-77170	GEAR	3							
12	2	129242-77180	CENTER BRACKET(P)	1							
13	3	129698-77190	BRACKET	1							
14	2	129698-77200	GEAR, INTERNAL	1							
15	2	129242-77210	CENTER BRACKET(A)	1							
16	2	129698-77220	PINION ASSY	1							
17	2	129698-77230	SHAFT(PINION)	1							
18	2	129698-77250	WASHER SET	1							
19	2	129242-77260	GEAR CASE ASSY	1							
20	3	X2114535200	METAL, STARTER	1							
21	2	129242-77270	SHIFT LEVER SET	1							
22	2	129242-77280	DUST COVER KIT	1							
23	2	124195-77770	THROUGH BOLT	2							
24	1	26116-120252	BOLT, M12X 25 PLATED	2							

Fig.17. TENSION PULLEY

(A)=3TNE84-GHN1  
 (B)=4TNE84T-GHN1  
 (C)=

(D)=  
 (E)=  
 (F)=

No.	Lev.	Parts No.	Description	Q'ty						I	R
				(A)	(B)	(C)	(D)	(E)	(F)		
1	1	129795-01900	STUD	1							
2	1	171375-44300	PULLEY ASSY, TENSION	1							
3	2	171011-44301	PULLEY, TENSION	1							
4	2	171375-44320	BRACKET, PULLEY	1							
5	2	26706-100002	NUT, M10	1							
6	1	26306-100002	NUT, M10	1							
7	1	129400-77330	ADJUSTER	1							
8	1	119810-77340	BOLT, ADJUSTER	1							

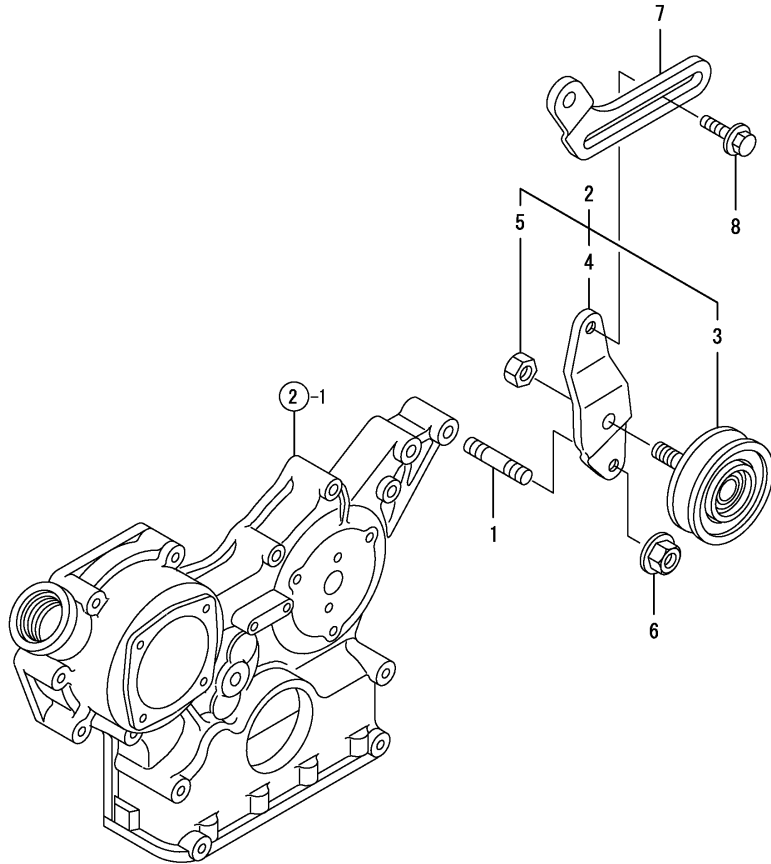


Fig.18. ELECTRIC PARTS

(A)=3TNE84-GHN1  
 (B)=4TNE84T-GHN1  
 (C)=

(D)=  
 (E)=  
 (F)=

No.	Lev.	Parts No.	Description	Q'ty						I	R
				(A)	(B)	(C)	(D)	(E)	(F)		
1	1	171010-77850	THERMOSTAT	2							
2	1	171014-91102	TACHOMETER	1							
3	1	42130-502220	CABLE, TACHOMETER	1							
4	1	46150-513400	GAUGE	1							

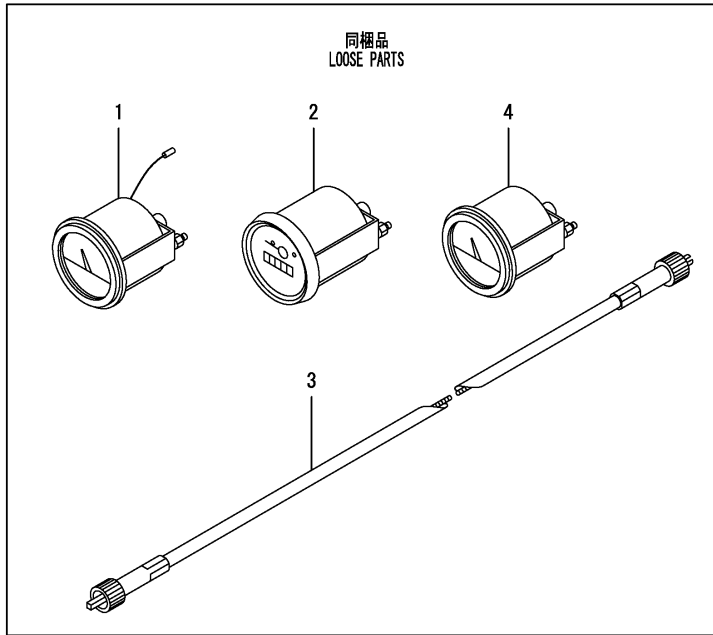
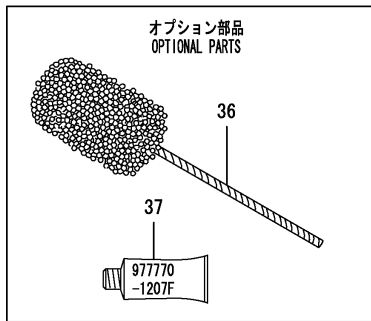
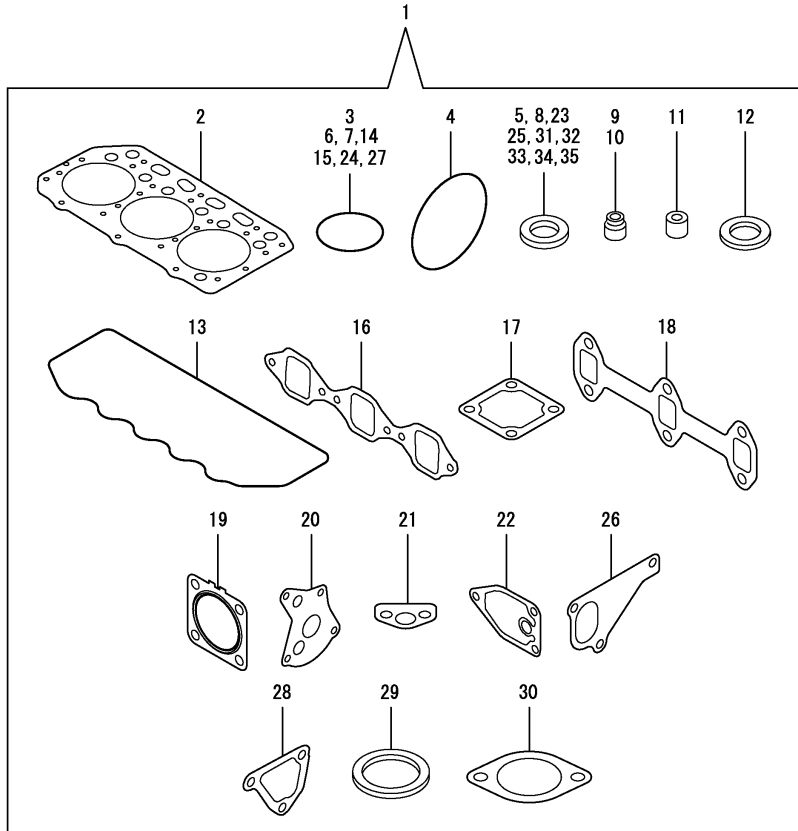




Fig.19. GASKET SET

(A)=3TNE84-GHN1  
(B)=4TNE84T-GHN1  
(C)=

(D)=  
(E)=  
(F)=



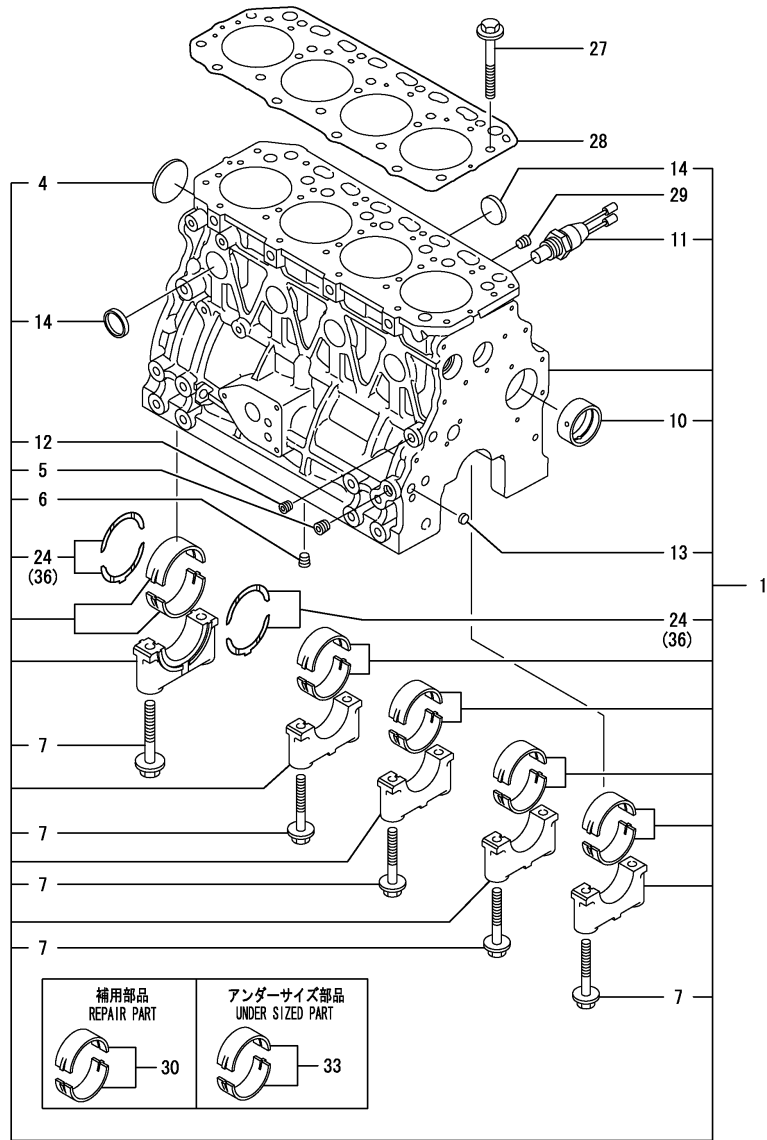
No.	Lev.	Parts No.	Description	Q'ty						I	R
				(A)	(B)	(C)	(D)	(E)	(F)		
1	1	729012-92640	GASKET SET	1							1
2	2	129002-01331	GASKET, HEAD	1							
3	2	119609-32040	O-RING, P16	2							
4	2	121850-51960	O-RING	1							
5	2	22190-080002	WASHER, SEAL 6	13							
6	2	24311-000320	O-RING, 1AP32.0	2							
7	2	24341-000240	O-RING, 1AS24.0	1							
8	2	22190-220002	WASHER, SEAL 22	1							
9	2	121400-11340	SEAL, VALVE STEM	3							
10	2	124460-11340	SEAL, VALVE STEM	3							
11	2	119625-11870	PROTECTOR, NOZZLE	3							
12	2	119625-11880	SEAT, NOZZLE	3							
13	2	129150-11310	GASKET, BONNET	1							
14	2	24341-000500	O-RING, 1AS50.0	1							
15	2	24311-000120	O-RING, 1AP12.0	3							
16	2	129150-12111	GASKET, MANIFOLD	1							
17	2	129150-77511	GASKET	1							
18	2	129150-13110	GASKET	1							
19	2	129004-13200	GASKET, SILENCER	1							
20	2	129150-32020	GASKET, PUMP	1							
21	2	129150-35042	GASKET	1							
22	2	129150-35111	GASKET	1							
23	2	129150-49360	GASKET	2							
24	2	24311-000160	O-RING, 1AP16.0	1							
25	2	22190-100002	WASHER, SEAL 10	2							
26	2	129486-42021	GASKET, WATER PUMP	1							
27	2	129486-42140	O-RING, G30	1							
28	2	124395-49840	GASKET	1							
29	2	129150-49811	GASKET, THERMOSTAT	1							
30	2	129795-49551	GASKET	1							
31	2	124465-44950	GASKET, 16	1							
32	2	22190-120002	WASHER, SEAL 12	10							
33	2	23414-120000	GASKET, 12X1.0	2							
34	2	22190-060002	WASHER, SEAL 6	6							
35	2	22190-140002	WASHER, SEAL 14	2							
36	1	129400-92420	FLEX HORN	1							1
37	1	977770-1207F	GASKET.LIQUID	1							1

Remarks  
(1) OPTIONAL PART.

Fig.20. CYLINDER BLOCK

(A)=3TNE84-GHN1  
 (B)=4TNE84T-GHN1  
 (C)=

(D)=  
 (E)=  
 (F)=



No.	Lev.	Parts No.	Description	Q'ty						I	R
				(A)	(B)	(C)	(D)	(E)	(F)		
1	1	729615-01561	BLOCK ASSY, CYLINDER		1						
4	2	129001-01250	PLUG, 50		1						
5	2	124160-01910	PLUG, PT1/4		2						
6	2	124160-01910	PLUG, PT1/4		1						
7	2	129150-02020	BOLT, METAL CAP		10						
10	2	129795-02412	BUSH, CAMSHAFT		1						
11	2	124097-77900	HEATER, COOLING WATER		1						
12	2	23876-010000	PLUG, R01		1						
13	2	27241-120000	PLUG, 12		2						
14	2	27241-300000	PLUG 30		8						
24	2	129150-02931	BEARING, THRUST		2						
27	1	129150-01200	BOLT, HEAD		18						
28	1	129408-01330	GASKET, HEAD		1						
29	1	23876-030000	PLUG, R03		1						
30	1	129001-02931	BEARING, MAIN		5						1
33	1	129150-02871	BEARING, 0.25 US		5						2
36	1	129150-02941	BEARING, THRUST 0.25		1						3

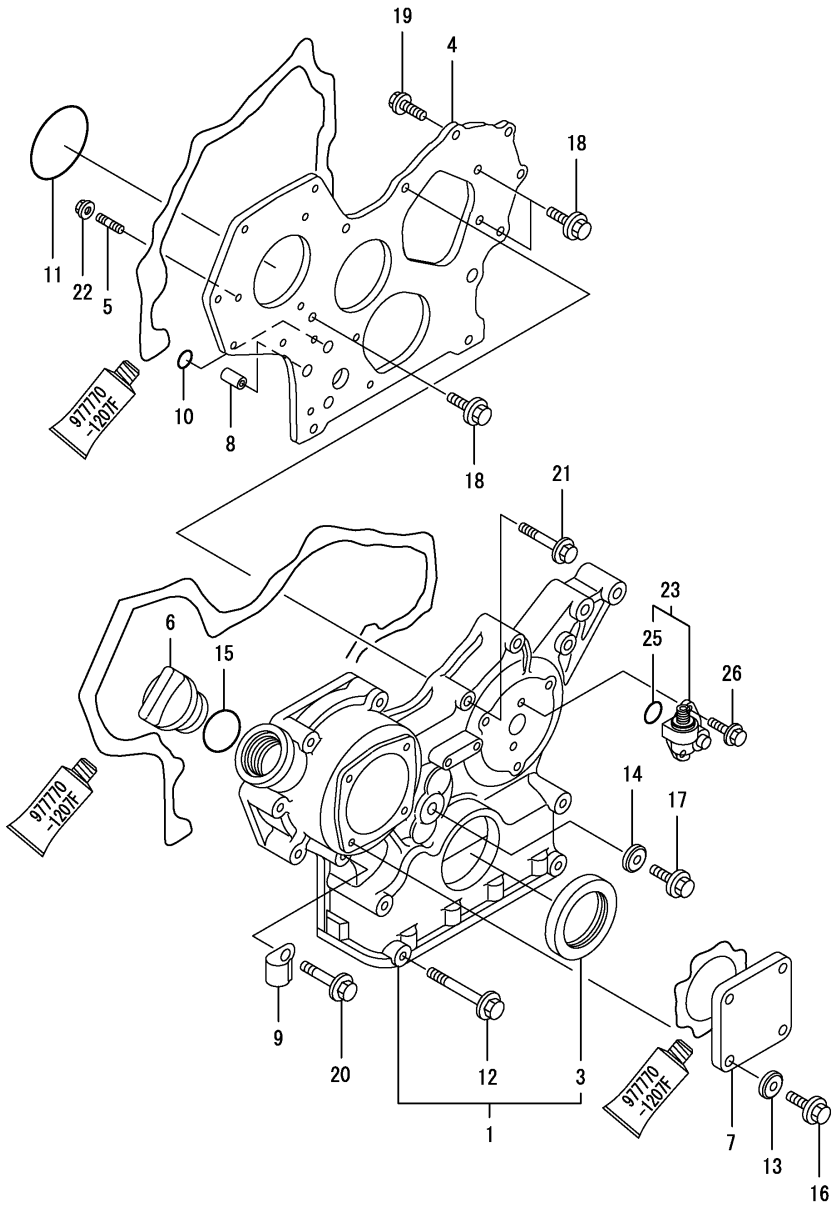
Remarks

- (1) REPAIR PART.
- (2) UNDER-SIZED(U.S=0.25)PART.
- (3) OVER-SIZED(O.S=0.25)PART.

Fig.21. GEAR HOUSING

(A)=3TNE84-GHN1  
 (B)=4TNE84T-GHN1  
 (C)=

(D)=  
 (E)=  
 (F)=

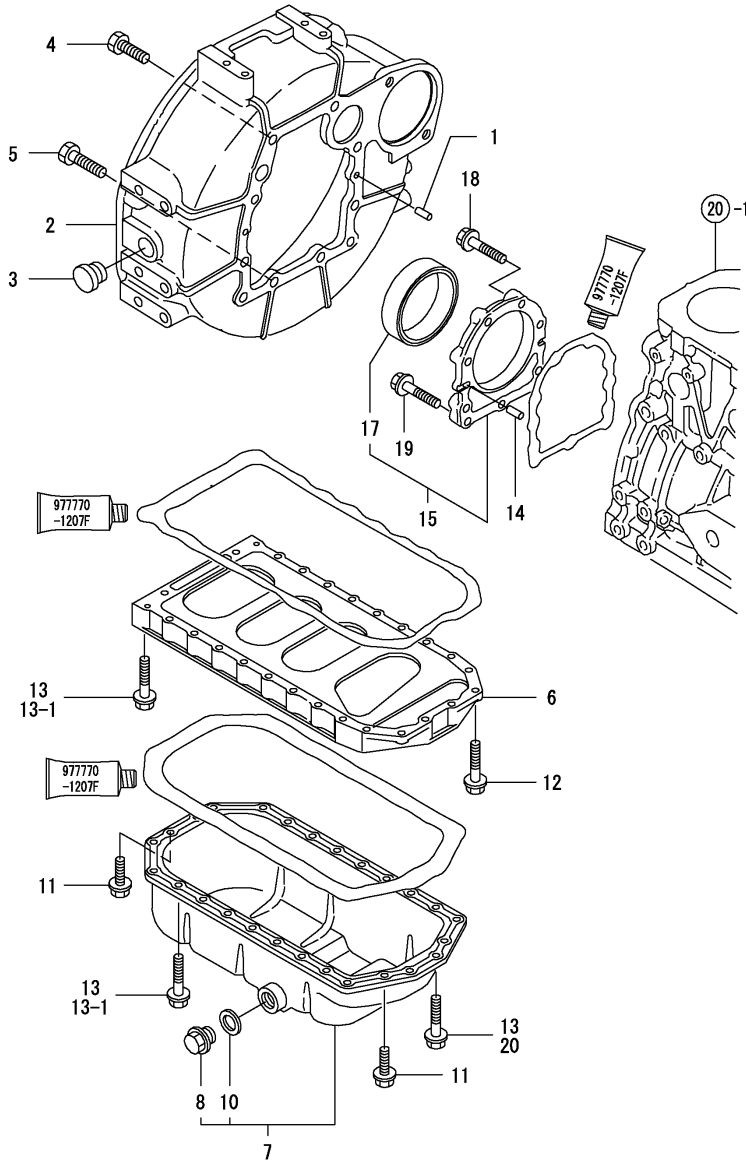


No.	Lev.	Parts No.	Description	Q'ty						I	R
				(A)	(B)	(C)	(D)	(E)	(F)		
1	1	719810-01500	CASE ASSY, GEAR		1						
3	2	129795-01800	SEAL, OIL		1						
4	1	129400-01520	FLANGE, GEAR CASE		1						
5	1	121450-01560	STUD, M8X22		3						
6	1	124160-01751	COVER, FILLER		1						
7	1	124240-01871	COVER		1						
8	1	129795-01950	PIPE, KNOCK L=18		2						
9	1	129150-03100	RETAINER, PIPE		1						
10	1	119609-32040	O-RING, P16		2						
11	1	121850-51960	O-RING		1						
12	1	129001-91841	BOLT, M8X85		4						
13	1	22190-080002	WASHER, SEAL 6		4						
14	1	22190-080002	WASHER, SEAL 6		1						
15	1	24311-000320	O-RING, 1AP32.0		1						
16	1	26106-080122	BOLT, M8X 12 PLATED		4						
17	1	26106-080162	BOLT, M8X 16 PLATED		1						
18	1	26106-080162	BOLT, M8X 16 PLATED		3						
19	1	26106-080202	BOLT, M8X 20 PLATED		2						
20	1	26106-080452	BOLT, M8X 45 PLATED		6						
21	1	26106-080552	BOLT, M8X 55 PLATED		3						
22	1	26306-080002	NUT, M8		3						
23	1	129150-91400	GEAR		1						
25	2	24341-000240	O-RING, 1AS24.0		1						
26	1	26106-060162	BOLT, M6X 16 PLATED		2						

Fig.22. FLYWHEEL HOUSING & OIL SUMP

(A)=3TNE84-GHN1  
 (B)=4TNE84T-GHN1  
 (C)=

(D)=  
 (E)=  
 (F)=

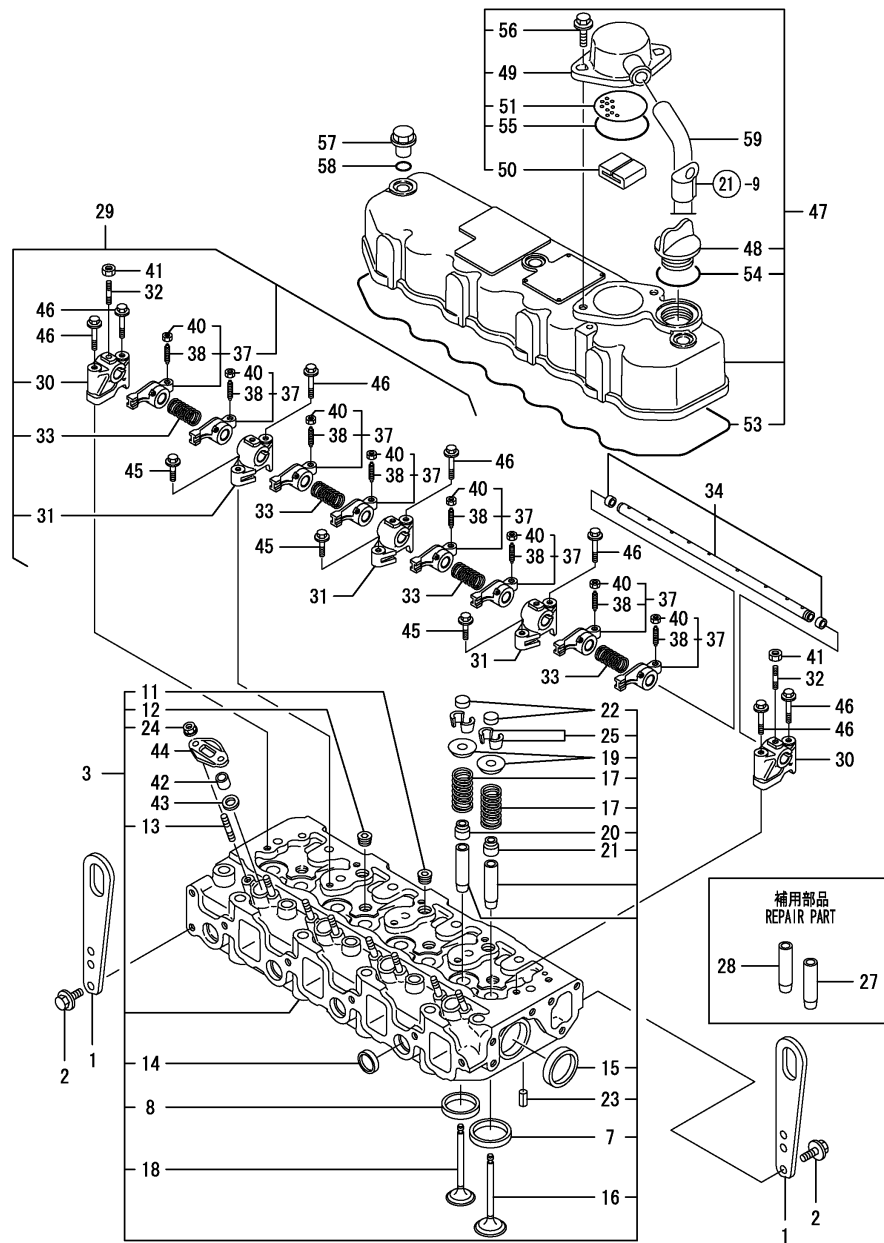


No.	Lev.	Parts No.	Description	Q'ty						I	R
				(A)	(B)	(C)	(D)	(E)	(F)		
1	1	129100-01580	PIN, M8X16		2						
2	1	129612-01600	HOUSING, FLYWHEEL		1						
3	1	119620-01750	CAP		1						
4	1	26206-100252	BOLT, M10X 25 PLATED		6						
5	1	26206-100302	BOLT, M10X 30 PLATED		4						
6	1	129400-01730	SPACER, OIL SUMP		1						
7	1	129400-01770	SUMP ASSY, OIL		1						
7-1	1	129688-01780 (B=E68396)	OIL PAN ASSY, DEEP		1						N
8	2	119640-01640	PLUG, DRAIN M22		1						
10	2	22190-220002	WASHER, SEAL 22		1						
11	1	26106-080162	BOLT, M8X 16 PLATED		4						
12	1	26106-080252	BOLT, M8X 25 PLATED		2						
13	1	26106-080452	BOLT, M8X 45 PLATED		24						
13-1	1	26106-080452	BOLT, M8X 45 PLATED		20						K
		(B=FROM 1ST)									
14	1	129100-01580	PIN, M8X16		2						
15	1	129100-01640	CASE ASSY, OIL SEAL		1						
17	2	129795-01780	SEAL, OIL		1						
18	1	129486-01670	BOLT, M8X30		6						
19	1	26106-080352	BOLT, M8X 35 PLATED		3						
20	1	26106-080502	BOLT, M8X 50 PLATED		4						W
		(B=FROM 1ST)									

Fig.23. CYLINDER HEAD & BONNET

(A)=3TNE84-GHN1  
(B)=4TNE84T-GHN1  
(C)=

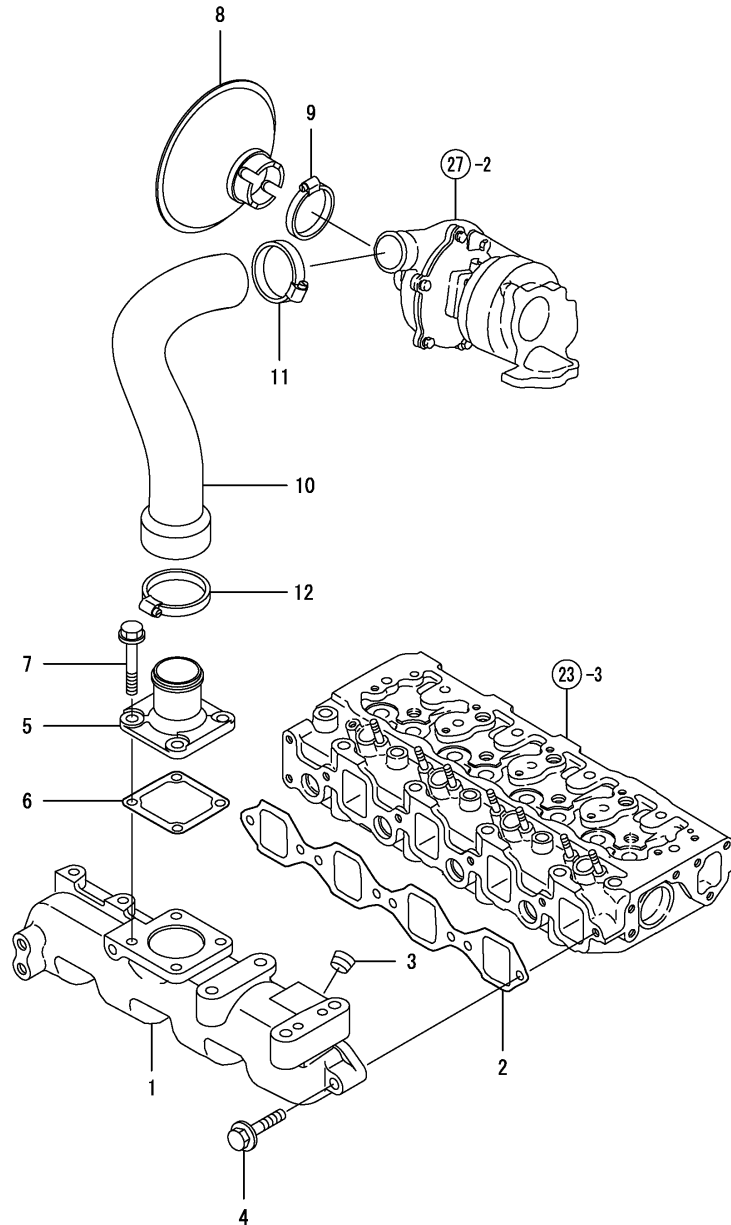
(D)=  
(E)=  
(F)=



No.	Lev.	Parts No.	Description	Qty						I	R
				(A)	(B)	(C)	(D)	(E)	(F)		
1	1	129900-07900	LIFTER		2						
2	1	26106-080162	BOLT, M8X 16 PLATED		4						
3	1	729418-11100	HEAD ASSY, CYLINDER		1						
7	2	129470-11080	SEAT, INTAKE VALVE		4						
8	2	129470-11090	SEAT, EXHAUST VALVE		4						
11	2	23871-020000	PLUG, R02		3						
12	2	23871-030000	PLUG, R03		4						
13	2	26216-060202	STUD, M6X 20		8						
14	2	27241-220000	PLUG, 22		4						
15	2	27241-400000	PLUG, 40		2						
16	2	129100-11100	VALVE, INTAKE		4						
17	2	129795-11120	SPRING, VALVE		8						
18	2	129100-11130	VALVE, EXHAUST		4						
19	2	129795-11180	RETAINER, SPRING		8						
20	2	121400-11340	SEAL, VALVE STEM		4						
21	2	124460-11340	SEAL, VALVE STEM		4						
22	2	129150-11370	CAP, VALVE		8						
23	2	22351-060012	PIN, SPRING 6.0X12		2						
24	2	26366-060002	NUT, M6		8						
25	2	27310-080001	COTTER, 8		8						
27	1	120130-11860	GUIDE, VALVE		4						1
28	1	129150-11810	GUIDE, VALVE		4						1
29	1	129555-11241	SHAFT ASSY, ROCKER		1						
30	2	129155-11260	SUPPORT, ROCKER ARM		2						
31	2	129155-11270	SUPPORT, ROCKER ARM		3						
32	2	119802-11280	STUD		3						
33	2	129150-11280	SPRING		4						
34	2	129550-11290	SHAFT, ROCKER ARM		1						
37	2	729402-11650	ARM ASSY, ROCKER		8						
38	3	129150-11230	SCREW, VALVE ADJUST		8						
40	3	129150-11750	NUT, M8		8						
41	2	26756-080002	NUT, LOCK M8		3						
42	1	119625-11870	PROTECTOR, NOZZLE		4						
43	1	119625-11880	SEAT, NOZZLE		4						
44	1	119625-11900	RETAINER, NOZZLE		4						
45	1	26106-080252	BOLT, M8X 25 PLATED		3						
46	1	26106-080502	BOLT, M8X 50 PLATED		7						
47	1	129400-11350	BONNET ASSY, HEAD		1						
48	2	124160-01751	COVER, FILLER		1						
49	2	129150-03020	COVER, BREATHER		1						
50	2	129150-03070	BAFFLE, BREATHER		1						
51	2	129150-03080	PLATE, BAFFLE		1						
53	2	129550-11310	GASKET, BONNET		1						
54	2	24311-000320	O-RING, 1AP32.0		1						
55	2	24341-000500	O-RING, 1AS50.0		1						
56	2	26106-080162	BOLT, M8X 16 PLATED		2						
57	1	124160-11360	KNOB		3						
58	1	24311-000120	O-RING, 1AP12.0		3						
59	1	129150-03090	HOSE, ID16X2T		1						

Remarks  
(1) REPAIR PART.

Fig.24. SUCTION MANIFOLD



(A)=3TNE84-GHN1  
 (B)=4TNE84T-GHN1  
 (C)=

(D)=  
 (E)=  
 (F)=

No.	Lev.	Parts No.	Description	Q'ty						I	R
				(A)	(B)	(C)	(D)	(E)	(F)		
1	1	129400-12100	MANIFOLD, AIR INTAKE		1						
2	1	129550-12112	GASKET, MANIFOLD		1						
3	1	23876-030000	PLUG, R03		1						
4	1	26106-080352	BOLT, M8X 35 PLATED		5						
5	1	171463-12581	JOINT, MANIFOLD		1						
6	1	129150-77511	GASKET		1						
7	1	26106-080352	BOLT, M8X 35 PLATED		4						
8	1	129412-12460	COVER		1						
9	1	23000-054000	CLAMP, 54		1						
10	1	129403-12090	PIPE, AIR INTAKE		1						
11	1	23000-054000	CLAMP, 54		1						
12	1	23000-060000	CLAMP, 60		1						

Fig.25. EXHAUST MANIFOLD

(A)=3TNE84-GHN1  
 (B)=4TNE84T-GHN1  
 (C)=

(D)=  
 (E)=  
 (F)=

No.	Lev.	Parts No.	Description	Q'ty						I	R
				(A)	(B)	(C)	(D)	(E)	(F)		
1	1	129406-13100	MANIFOLD, EXHAUST		1						
2	1	129550-13110	GASKET		1						
3	1	119802-13650	BOLT, M8X65		3						
4	1	119802-13670	BOLT, M8X85		1						
5	1	119131-18320	STUD, M8X22		4						
6	1	129693-44310	BOLT		4						
6-1	1	119802-13820	BOLT, M8X100 9.8T		4						N
		(B=*2009.12)									
7	1	129412-18290	SUPPORT		1						
8	1	129418-18320	STUD, M8X20		3						
9	1	129412-18400	BEND, EXHAUST		1						
10	1	23414-170000	GASKET, 17X1.0		1						
11	1	23894-030002	PLUG, G3/8		1						
12	1	26014-080202	BOLT, M8X 20		4						
13	1	26306-080002	NUT, M8		3						

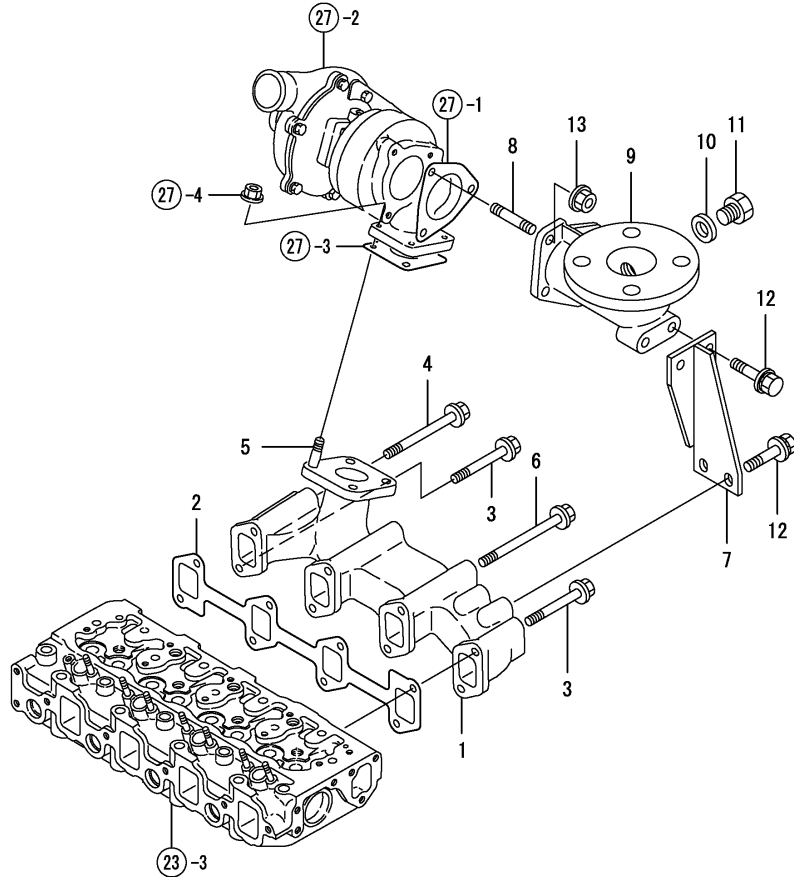
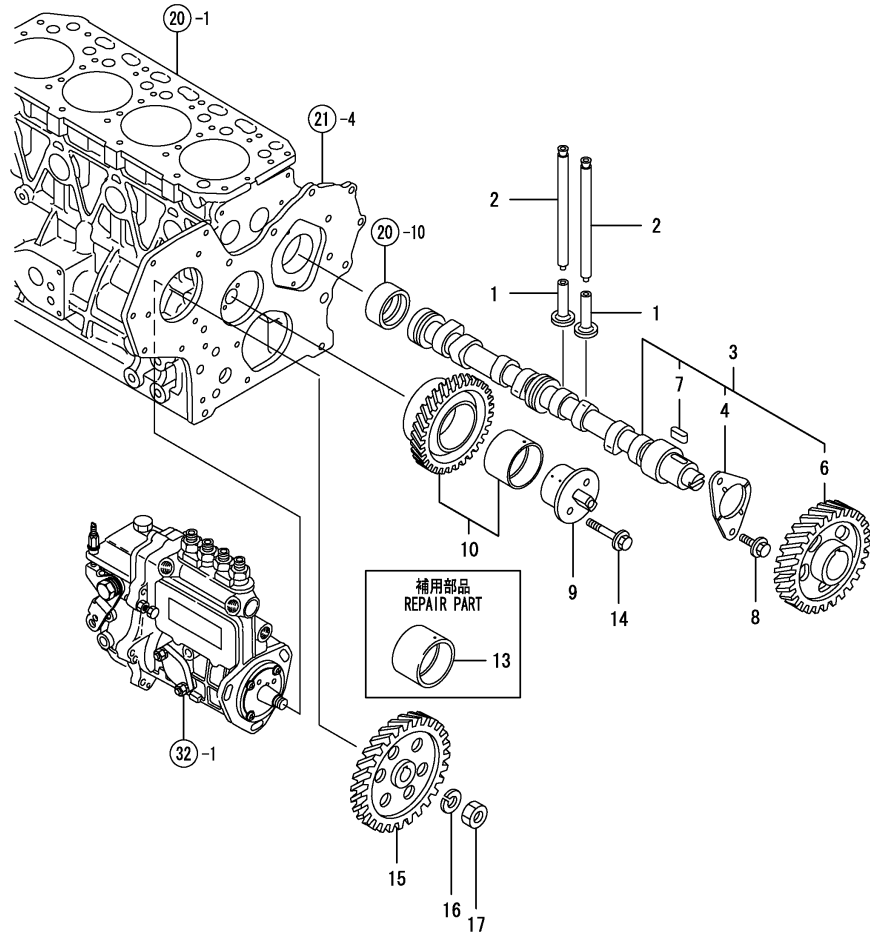


Fig.26. CAMSHAFT & DRIVING GEAR

(A)=3TNE84-GHN1  
 (B)=4TNE84T-GHN1  
 (C)=

(D)=  
 (E)=  
 (F)=



No.	Lev.	Parts No.	Description	Q'ty						I	R
				(A)	(B)	(C)	(D)	(E)	(F)		
1	1	129150-14200	TAPPET		8						
2	1	129150-14400	ROD, PUSH L=178		8						
3	1	729402-14580	CAMSHAFT ASSY		1						
4	2	129150-02450	BEARING, THRUST		1						
6	2	129150-14101	GEAR, CAMSHAFT		1						
7	2	22512-070140	KEY, 7X 14		1						
8	1	26106-080142	BOLT, M8X 14 PLATED		2						
9	1	129100-25061	SHAFT, IDLE		1						
10	1	129150-25101	GEAR ASSY, IDLE		1						
13	1	129150-25920	BUSH, IDLE GEAR		1						1
14	1	26106-080452	BOLT, M8X 45 PLATED		2						
15	1	129150-25900	GEAR, PUMP		1						
16	1	22217-120000	WASHER, SPRING 12		1						
17	1	26716-120002	NUT, M12		1						

Remarks  
 (1) REPAIR PART.



Fig.27. TURBINE

(A)=3TNE84-GHN1  
 (B)=4TNE84T-GHN1  
 (C)=

(D)=  
 (E)=  
 (F)=

No.	Lev.	Parts No.	Description	Q'ty						I	R
				(A)	(B)	(C)	(D)	(E)	(F)		
1	1	129472-13520	GASKET		1						
2	1	129406-18030	TURBINE, RHB52		1						
3	1	129472-18090	GASKET		1						
4	1	26306-080002	NUT, M8		4						

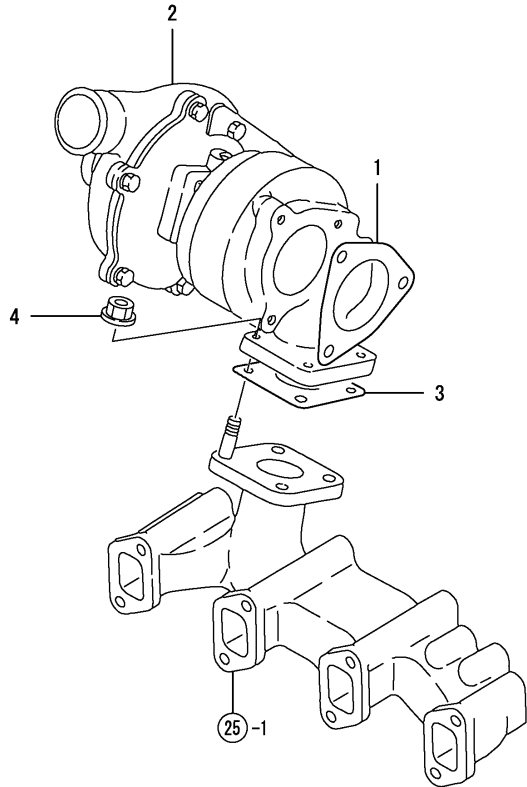
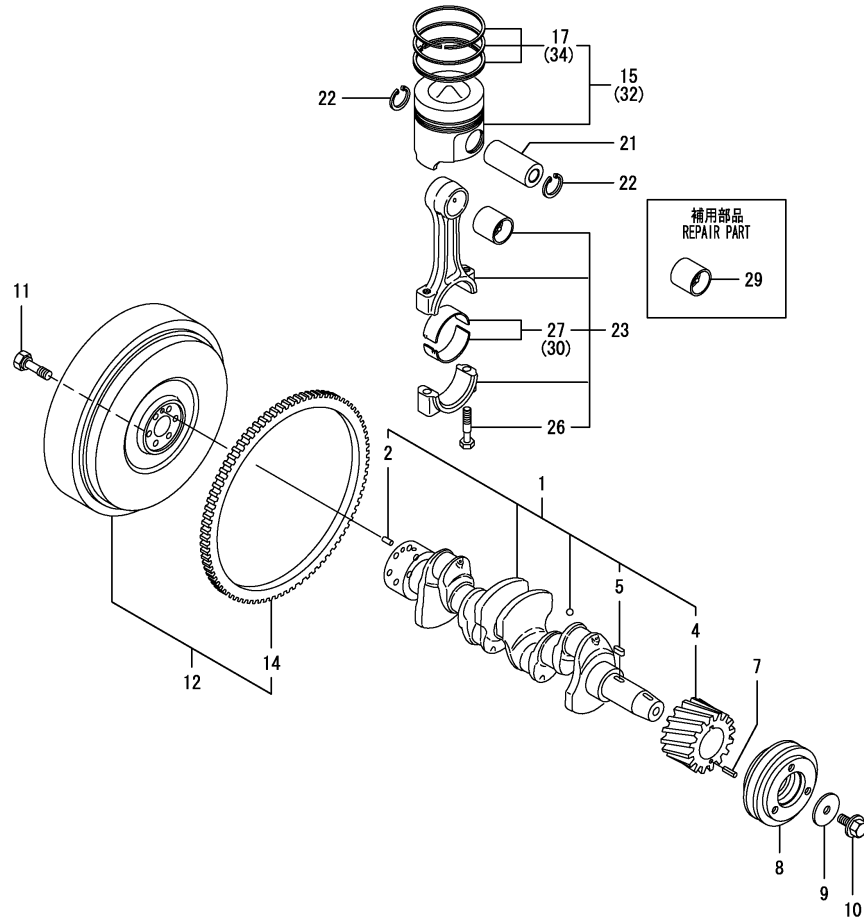


Fig.28. CRANKSHAFT & PISTON

(A)=3TNE84-GHN1  
(B)=4TNE84T-GHN1  
(C)=

(D)=  
(E)=  
(F)=



No.	Lev.	Parts No.	Description	Q'ty						I	R
				(A)	(B)	(C)	(D)	(E)	(F)		
1	1	129418-21000	CRANKSHAFT ASSY		1						
2	2	129100-01580	PIN, M8X16		1						
4	2	129150-21200	GEAR, CRANKSHAFT		1						
5	2	22512-070140	KEY, 7X 14		1						
7	1	22351-040010	PIN, SPRING 4.0X10		1						
8	1	171301-21650	V-PULLEY		1						
9	1	129795-21661	WASHER		1						
10	1	121850-21680	BOLT		1						
11	1	121111-21501	BOLT, FLYWHEEL		6						
12	1	171420-21580	FLYWHEEL ASSY		1						
14	2	119865-21600	GEAR, RING		1						
15	1	129002-22090	PISTON ASSY		4						
17	2	129002-22510	RING SET, PISTON		4						
21	1	129202-22300	PIN, PISTON D26 L70		4						
22	1	22252-000260	RING, 26		8						
23	1	729402-23100	ROD ASSY, CONNECTING		4						
26	2	121550-23200	BOLT, CONNECTING ROD		8						
27	2	129150-23601	BEARING, CRANK PIN		4						
29	1	129100-23910	BEARING, PISTON PIN		4						1
30	1	129150-23611	BEARING, 0.25 US		4						2
32	1	129002-22910	PISTON ASSY, 0.25 OS		4						3
34	2	129002-22960	RING SET, 0.25 OS		4						3

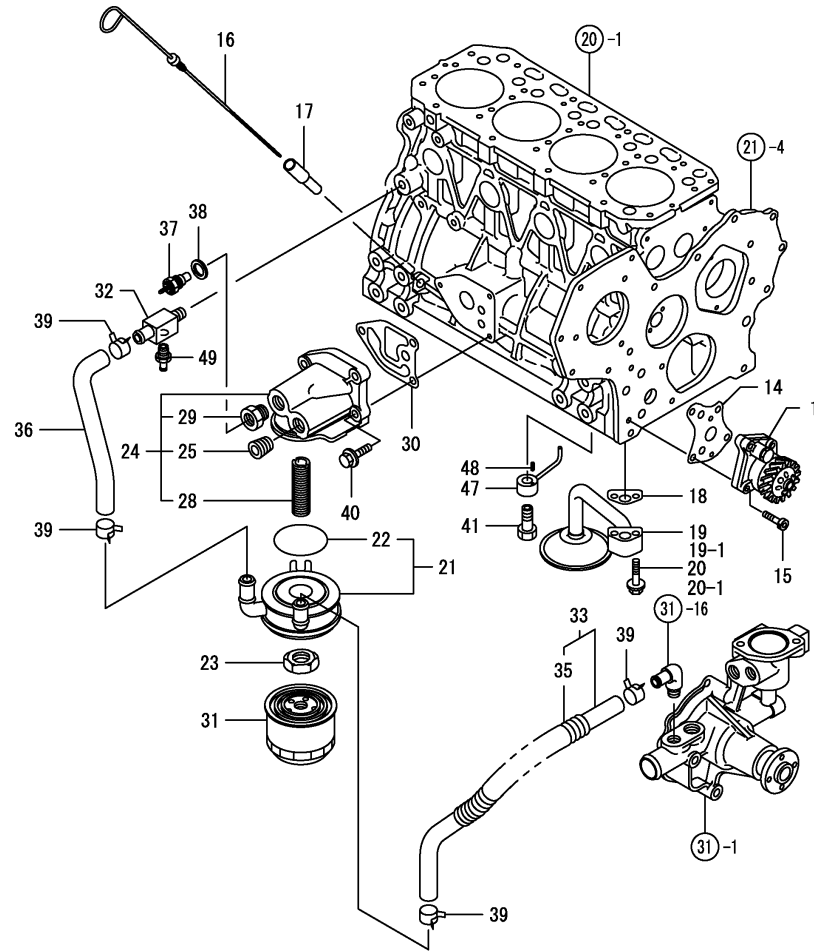
Remarks

- (1) REPAIR PART.
- (2) UNDER-SIZED(U.S=0.25)PART.
- (3) OVER-SIZED(O.S=0.25)PART.

Fig.29. LUB.OIL SYSTEM

(A)=3TNE84-GHN1  
(B)=4TNE84T-GHN1  
(C)=

(D)=  
(E)=  
(F)=



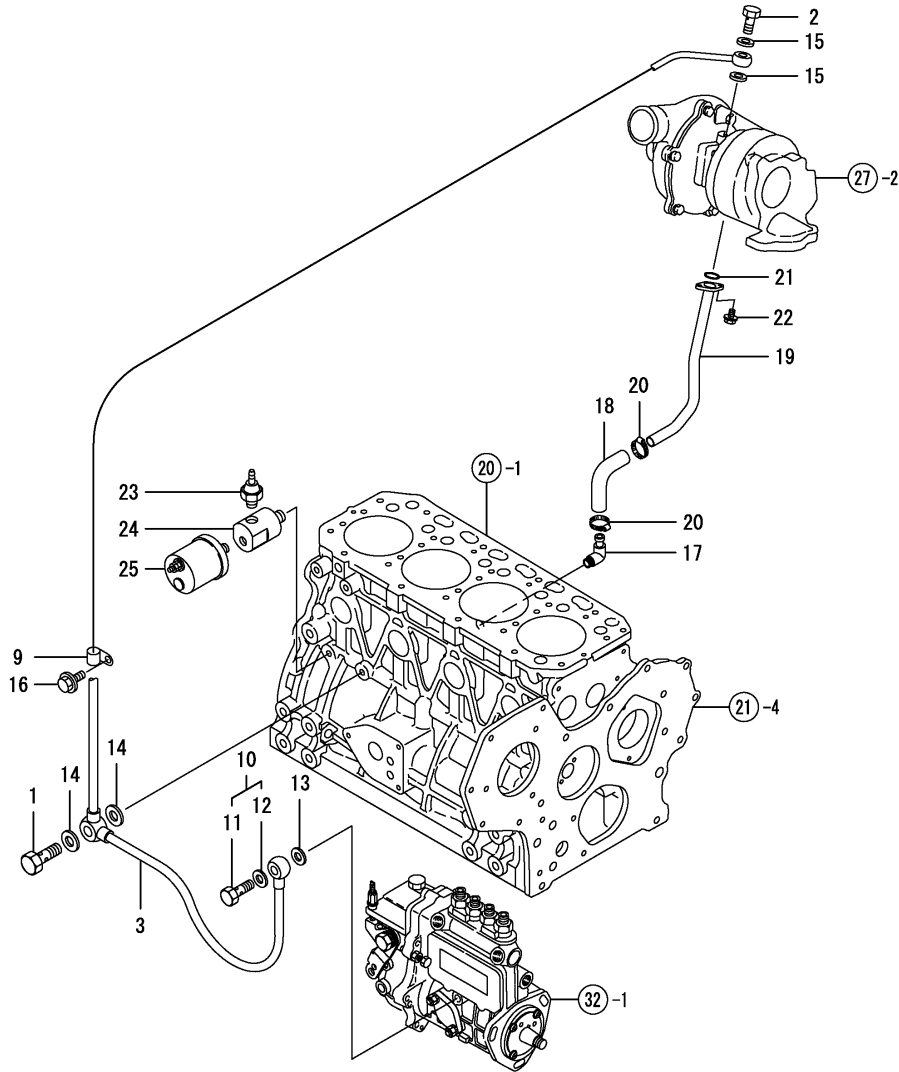
No.	Lev.	Parts No.	Description	Q'ty						I	R
				(A)	(B)	(C)	(D)	(E)	(F)		
1	1	129418-32000	PUMP ASSY, OIL		1						
14	1	129150-32020	GASKET, PUMP		1						
15	1	26450-060252	BOLT, M6X 25		4						
16	1	129615-34801	DIPSTICK, OIL		1						
17	1	121520-34810	GUIDE, DIPSTICK		1						
18	1	129150-35042	GASKET		1						
19	1	129436-35091	PIPE ASSY, OIL INLET		1						
19-1	1	129436-35070	PIPE ASSY, LUB. OIL		1						S
		(B=EZZZZZ)									
20	1	26106-080352	BOLT, M8X 35 PLATED		2						
20-1	1	26106-080552	BOLT, M8X 55 PLATED		2						S
		(B=EZZZZZ)									
21	1	129067-33011	COOLER ASSY, OIL		1						
22	2	129508-33050	O-RING		1						
23	1	129417-33110	NUT		1						
24	1	129615-35100	BRACKET ASSY, FILTER		1						
25	2	129033-01770	PLUG, NPT1/2		1						
28	2	129417-35150	STUD, L=67		1						
29	2	129615-39770	ADAPTER		1						
30	1	129103-35122	GASKET		1						
31	1	129150-35153	FILTER 80X80L		1						1
32	1	129006-44480	JOINT		1						
33	1	129467-49040	PIPE, WATER		1						
35	2	129165-49060	TUBE, CORRUGATED		1						
36	1	129615-49050	PIPE, WATER		1						
37	1	124250-49351	SENSOR		1						
38	1	129150-49360	GASKET		1						
39	1	23000-022000	CLAMP, 22		4						
40	1	26106-080252	BOLT, M8X 25 PLATED		3						
41	1	129792-39410	VALVE ASSY, CHECK		4						
47	1	129553-39650	NOZZLE		4						
48	1	22351-030010	PIN, SPRING 3.0X10		4						
49	1	121550-49111	JOINT, PT1/4		1						

Remarks  
(1) REPAIR PART.

Fig.30. LUB.OIL LINE

(A)=3TNE84-GHN1  
(B)=4TNE84T-GHN1  
(C)=

(D)=  
(E)=  
(F)=

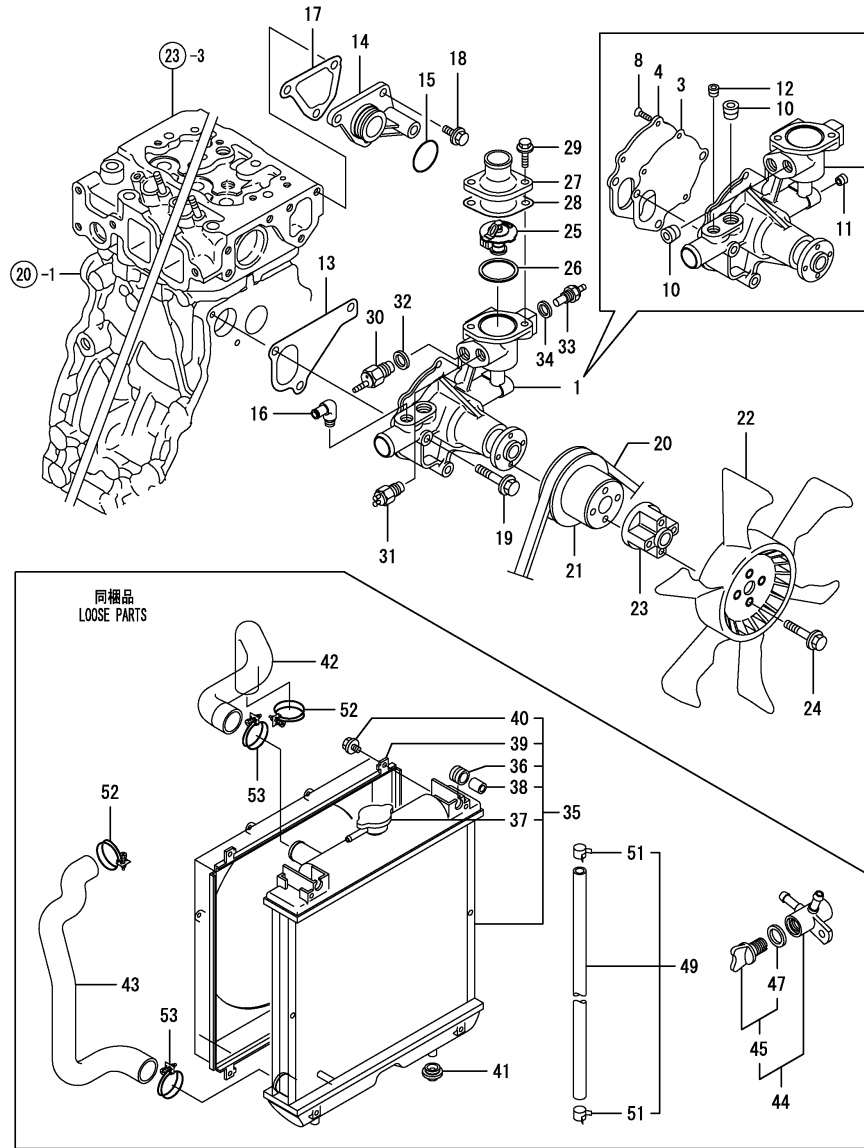


No.	Lev.	Parts No.	Description	Q'ty						I	R
				(A)	(B)	(C)	(D)	(E)	(F)		
1	1	124160-39140	BOLT, PIPE JOINT M10		1						
2	1	121252-39150	BOLT, JOINT M10X1.5		1						
3	1	129403-39460	PIPE ASSY, OIL		1						
9	1	124223-39900	RETAINER		1						
10	1	124550-59830	BOLT ASSY, JOINT M8		1						
11	2	124550-59820	BOLT, PIPE JOINT M8		1						
12	2	22190-080002	WASHER, SEAL 6		1						
13	1	22190-080002	WASHER, SEAL 6		1						
14	1	22190-100002	WASHER, SEAL 10		2						
15	1	23414-100000	GASKET, 10X1.0		2						
16	1	26106-080102	BOLT, M8X 10 PLATED		1						
17	1	124070-13300	ELBOW, PT3/8		1						
18	1	121952-39600	JOINT, PIPE		1						
19	1	129615-39600	PIPE, OIL		1						
20	1	23000-025000	CLAMP, 25		2						
21	1	24316-000160	O-RING, 4DP16.0		1						
22	1	26106-060162	BOLT, M6X 16 PLATED		2						
23	1	114250-39450	SWITCH, 0.5KG		1						
24	1	171375-39601	DAMPER, 1/8		1						
25	1	119773-91501	SENSOR		1						

Fig.31. COOLING WATER SYSTEM

(A)=3TNE84-GHN1  
(B)=4TNE84T-GHN1  
(C)=

(D)=  
(E)=  
(F)=



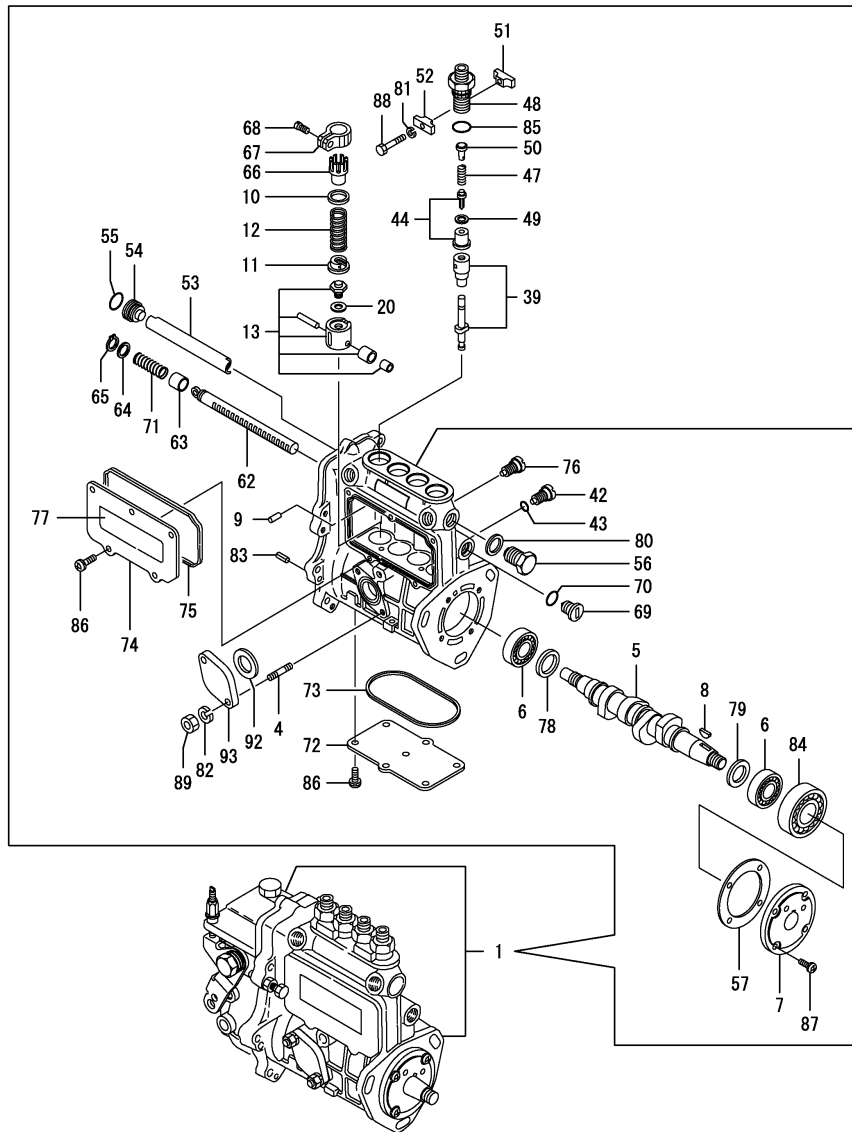
No.	Lev.	Parts No.	Description	Q'ty						I	R
				(A)	(B)	(C)	(D)	(E)	(F)		
1	1	129001-42004	PUMP ASSY, WATER	1							
3	2	129100-42051	GASKET, WATER PUMP	1							
4	2	129100-42121	PLATE	1							
8	2	121850-42410	SCREW		3						
10	2	129916-49740	PLUG, R03		2						
11	2	23876-010000	PLUG, R01		1						
12	2	23876-020000	PLUG, R02		1						
13	1	129486-42021	GASKET, WATER PUMP	1							
14	1	129001-42040	JOINT	1							
15	1	129486-42140	O-RING, G30	1							
16	1	129103-49301	ELBOW, PT1/4	1							
17	1	124395-49840	GASKET	1							
18	1	26106-080162	BOLT, M8X 16 PLATED		3						
19	1	26106-080602	BOLT, M8X 60 PLATED		3						
20	1	129612-42330	V-BELT, A37.5		1						
20-1	1	129612-42350	V-BELT, A38 (B=E67528)		1					F	1
21	1	129556-42350	V-PULLEY, 96		1						
21-1	1	129403-42380	V-PULLEY, D=110 (B=E67528)		1					F	1
22	1	129432-44740	FAN, COOLING D370XEF		1						
23	1	129030-44760	SPACER, FAN L38.5		1						
24	1	26106-060502	BOLT, M6X 50 PLATED		4						
25	1	129155-49801	THERMOSTAT, 71		1						
26	1	129150-49811	GASKET, THERMOSTAT		1						
27	1	129350-49530	COVER, THERMOSTAT		1						
28	1	129795-49551	GASKET		1						
29	1	26106-080222	BOLT, M8X 22 PLATED		2						
30	1	121250-44901	SWITCH, 110		1						
31	1	171375-44900	SWITCH, 15		1						
32	1	124465-44950	GASKET, 16		1						
33	1	124250-49351	SENSOR		1						
34	1	129150-49360	GASKET		1						
35	1	129615-44500	RADIATOR ASSY		1						
36	2	129467-44580	MOUNT, RUBBER		2						
37	2	129107-44590	CAP, RADIATOR		1						
38	2	129467-44590	COLLAR		2						
39	2	129601-44600	SHROUD		1						
40	2	26014-060202	BOLT, M6X 20		4						
41	1	119255-44660	ABSORBER		2						
42	1	129602-49010	PIPE, WATER		1						
43	1	129612-49040	PIPE, WATER		1						
44	1	129150-49100	COCK ASSY, 3-WAY		1						
45	2	129150-49080	COCK, DRAIN		1						
47	3	119629-49080	GASKET		1						
49	1	129210-49280	PIPE ASSY, DRAIN		1						
51	2	124766-59050	CLIP, HOSE 12		2						
52	1	23010-038000	CLAMP, 38		2						
53	1	23010-044000	CLAMP, 44		2						

Remarks  
(1)Interchangeable by simultaneous replacement with No.20-1 and No.21-1.

Fig.32. FUEL INJECTION PUMP

(A)=3TNE84-GHN1  
(B)=4TNE84T-GHN1  
(C)=

(D)=  
(E)=  
(F)=



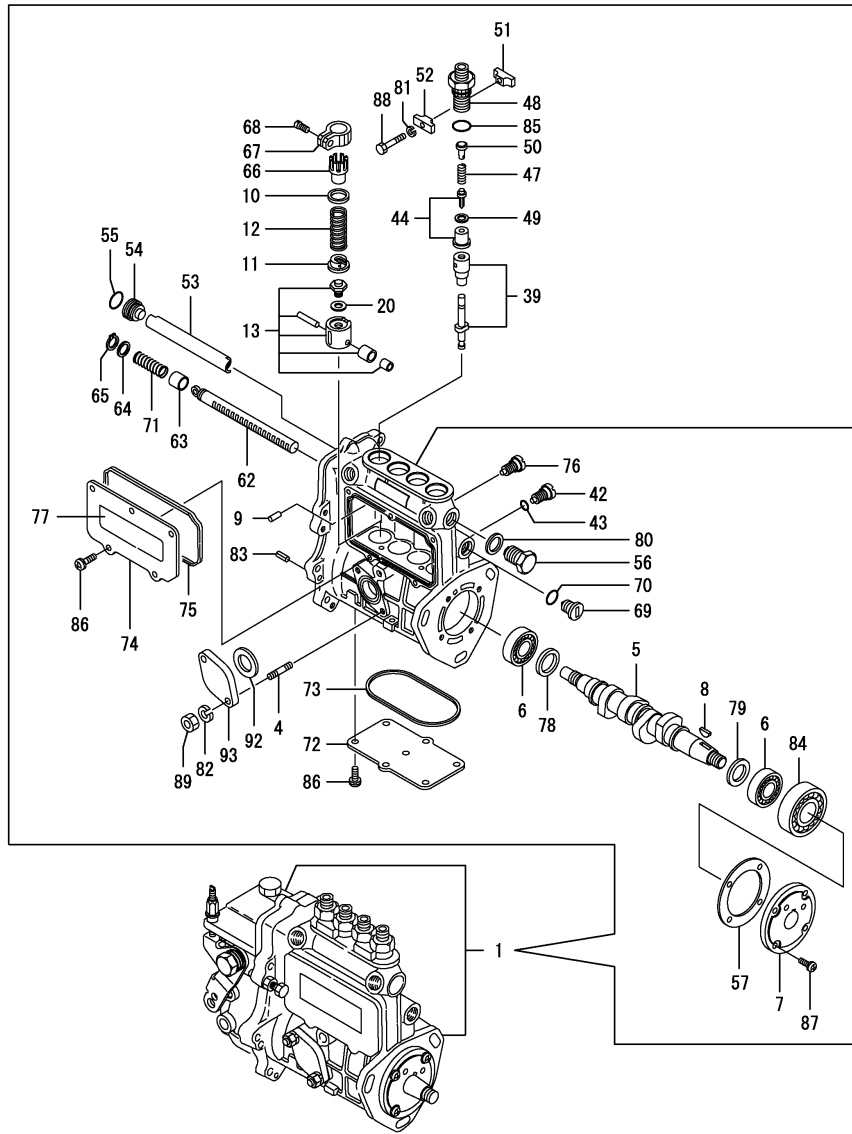
No.	Lev.	Parts No.	Description	Q'ty						I	R
				(A)	(B)	(C)	(D)	(E)	(F)		
1	1	729615-51410	PUMP ASSY, INJECTION	1							1
4	2	129155-51020	STUD		2						
5	2	129470-51040	CAMSHAFT		1						
6	2	129155-51051	BEARING		2						
7	2	129155-51060	SUPPORT, CAMSHAFT		1						
8	2	122710-51090	KEY		1						
9	2	129155-51140	PIN		4						
10	2	174307-51170	RETAINER, SPRING A		4						
11	2	129155-51180	RETAINER, SPRING		4						
12	2	124950-51190	SPRING, PLUNGER		4						
13	2	129155-51200	TAPPET ASSY		4						
20	2	129155-51600	SHIM SET, ADJUSTING		4						
39	2	129403-51200	PLUNGER ASSY		4						
42	2	129155-51270	STOPPER, TAPPET		4						
43	2	129155-51280	O-RING, S6		4						
44	2	105300-51300	VALVE ASSY, DELIVERY		4						
47	2	129155-51320	SPRING, DELIVERY		4						
48	2	129155-51340	RETAINER		4						
49	2	124550-51350	GASKET, DELIVERY		4						
50	2	129155-51370	STOPPER, VALVE		4						
51	2	129155-51380	STOPPER		2						
52	2	129155-51390	STOPPER		2						
53	2	129555-51400	DEFLECTOR		1						
54	2	158600-51410	PLUG, DEFLECTOR		1						
55	2	119717-51420	O-RING		1						
56	2	158600-51420	PLUG, DEFLECTOR		1						
57	2	129155-51450	SHIM SET, ADJUSTING		1						
62	2	129555-51500	RACK, CONTROL		1						
63	2	129155-51521	BUSH, RACK		1						
64	2	129155-51530	SPACER		1						
65	2	129155-51540	CIRCLIP		1						
66	2	129155-51550	PINION, CONTROL		4						
67	2	129100-51560	PINION		4						
68	2	129100-51570	SCREW		4						
69	2	129155-51570	PLUG, M12		1						
70	2	129155-51580	O-RING		1						
71	2	129155-51591	SPRING, RACK		1						
72	2	129555-51701	COVER		1						
73	2	129555-51711	GASKET		1						
74	2	129555-51751	COVER		1						
75	2	129555-51761	GASKET		1						
76	2	129155-51790	STOOPER, RACK		1						
77	2	129156-51910	LABEL, CAUTION		1						
78	2	129155-51930	SPACER, T=3.25		1						
79	2	129155-51940	SPACER, T=1.5		1						
80	2	22190-160002	WASHER, SEAL 16		1						
81	2	22217-050000	WASHER, SPRING 5		2						
82	2	22217-060000	WASHER, SPRING 6		2						
83	2	22351-050010	PIN, SPRING 5.0X10		2						
84	2	24101-063034	BEARING, BALL 6303		1						
85	2	24316-000150	O-RING, 4DP15.0		4						

Remarks  
(1) GOVERNOR ASSY(FIG.33) IS INCORPORATED IN THIS FUEL INJECTION PUMP.(REF.NO.1).

Fig.32. FUEL INJECTION PUMP

(A)=3TNE84-GHN1  
 (B)=4TNE84T-GHN1  
 (C)=

(D)=  
 (E)=  
 (F)=



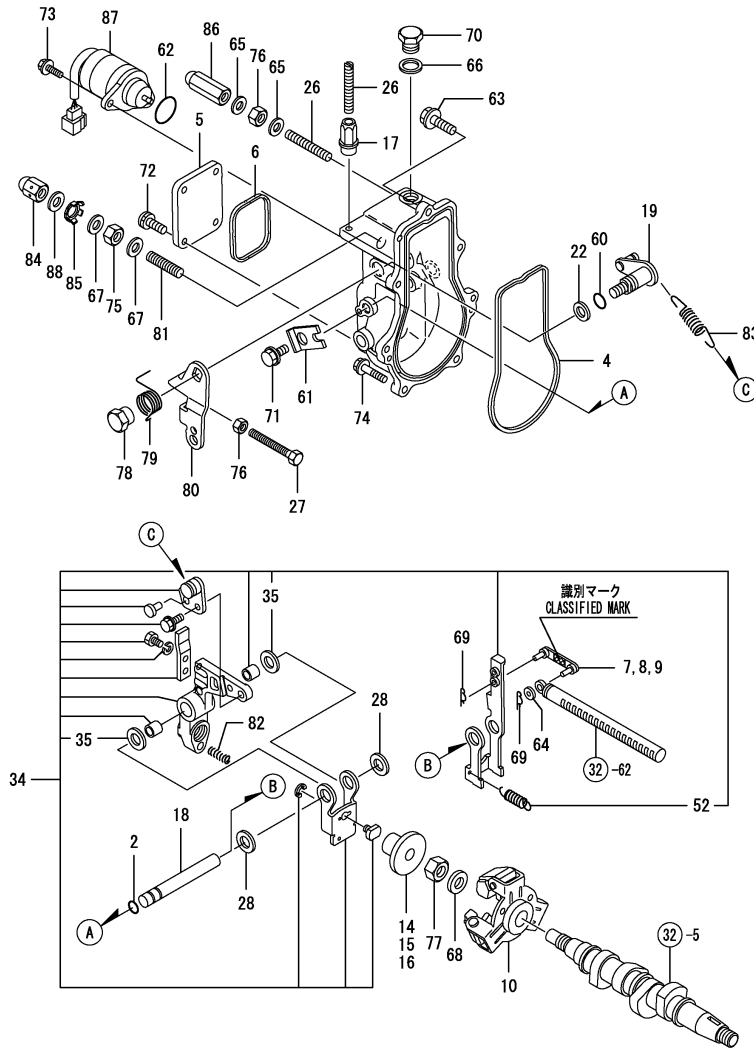
No.	Lev.	Parts No.	Description	Q'ty						I	R
				(A)	(B)	(C)	(D)	(E)	(F)		
86	2	26022-050122	SCREW, M5X12		11						
87	2	26022-060162	SCREW, M6X16		4						
88	2	26116-050302	BOLT, M5X 30 PLATED		2						
89	2	26716-060002	NUT, M6		2						
92	2	129155-52051	GASKET		1						
93	2	129100-52200	COVER		1						

Remarks  
 (1) GOVERNOR ASSY(FIG.33) IS  
 INCORPORATED IN THIS FUEL  
 INJECTION PUMP.(REF.NO.1).

Fig.33. GOVERNOR

(A)=3TNE84-GHN1  
(B)=4TNE84T-GHN1  
(C)=

(D)=  
(E)=  
(F)=



No.	Lev.	Parts No.	Description	Q'ty						I	R
				(A)	(B)	(C)	(D)	(E)	(F)		
2	2	129155-51280	O-RING, S6		1						
4	2	129052-61051	GASKET		1						
5	2	129052-61060	COVER, GOVERNOR CASE		1						
6	2	129052-61071	GASKET		1						
7	2	129155-61120	LINK, L=30 MARK 0		1						1
8	2	129155-61130	LINK, L=31 MARK 1		1						1
9	2	129155-61140	LINK, L=30.5 MARK 05		1						1
10	2	129155-61202	WEIGHT ASSY,GOVERNOR		1						
14	2	129155-61341	SLEEVE		1						2
15	2	129155-61350	SLEEVE, L=24.9		1						2
16	2	129155-61360	SLEEVE, L=25.2		1						2
17	2	129209-61370	NUT, M6		1						
18	2	129052-61390	SHAFT		1						
19	2	129100-61400	SHAFT ASSY		1						
22	2	129155-61430	SPACER		1						
26	2	129155-61450	BOLT, LIMITER		2						
27	2	129155-61460	BOLT, IDLE		1						
28	2	129155-61480	SPACER ASSY		2						
34	2	129486-61501	LEVER ASSY, GOVERNOR		1						
35	3	174307-51700	SHIM SET		2						
52	3	129486-61540	SPRING, SET		1						
60	2	129155-61830	O-RING, S10		1						
61	2	119660-61901	RETAINER, SHAFT		1						
62	2	158552-61900	O-RING		1						
63	2	129155-61950	BOLT		1						
64	2	22117-040000	WASHER, 4		1						
65	2	22190-060003	SEAL WASER 6		2						
66	2	22190-100002	WASHER, SEAL 10		1						
67	2	22190-120002	WASHER, SEAL 12		2						
68	2	22287-120000	WASHER, 12		1						
69	2	22372-040000	PIN, SNAP 4		2						
70	2	23887-100002	PLUG, 10		1						
71	2	26106-060102	BOLT, M6X 10 PLATED		1						
72	2	26106-060102	BOLT, M6X 10 PLATED		4						
73	2	26106-060142	BOLT, M6X 14 PLATED		2						
74	2	26106-060202	BOLT, M6X 20 PLATED		6						
75	2	26736-120002	NUT, M12		1						
76	2	26756-060002	NUT, LOCK M6		2						
77	2	26776-120002	NUT, LOCK M12		1						
78	2	129255-61410	NUT, LOCK		1						
79	2	129255-61420	SPRING, RETURN		1						
80	2	171488-61440	LEVER, CONTROL		1						
81	2	120323-61470	BOLT, CONTROL		1						
82	2	129500-61650	SPRING, FUEL CONTROL		1						
83	2	171335-61710	SPRING, GOVERNOR		1						
84	2	129209-61930	NUT, CAP		1						
85	2	129209-61970	PLATE		1						
86	2	119600-66840	NUT, CAP		1						
87	2	129271-77950	SOLENOID, STOP		1						
88	2	23414-120016	GASKET, 12X1.0		1						

Remarks

\* THIS FIGURE(GOVERNOR ASSY)IS INCORPORATED IN THE FUEL INJECTION PUMP ASSY(FIG.32).

(1) SELECTIVE PARTS;CERTAIN THE CLASSIFICATION MARK, THEN PLACE YOUR ORDER.(REF.TO.ILLUSTRATION).

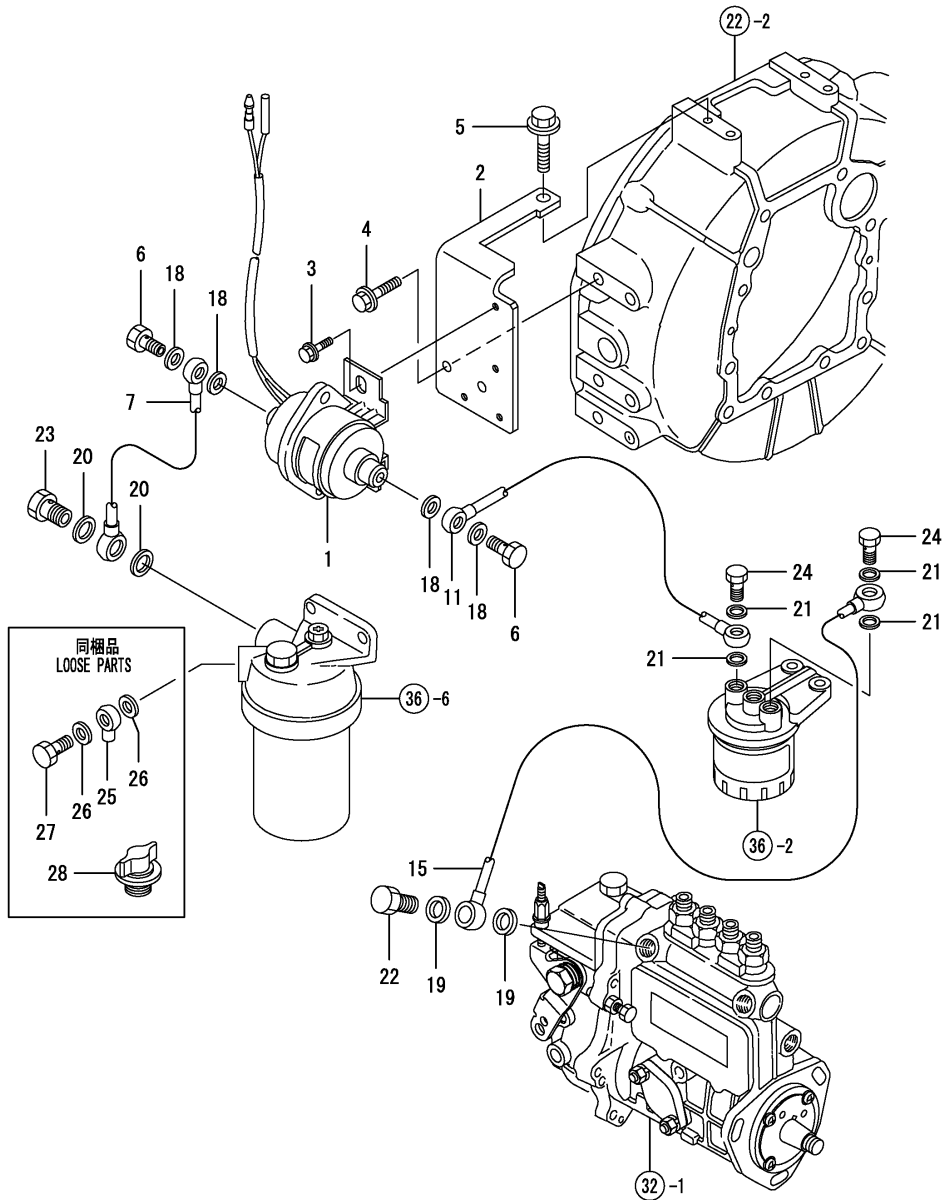
(2) SELECTIVE PARTS.



Fig.34. FUEL FEED PUMP

(A)=3TNE84-GHN1  
(B)=4TNE84T-GHN1  
(C)=

(D)=  
(E)=  
(F)=



No.	Lev.	Parts No.	Description	Q'ty						I	R
				(A)	(B)	(C)	(D)	(E)	(F)		
1	1	124790-52201	PUMP ASSY, FUEL FEED		1						
2	1	171375-52501	BRACKET, PUMP		1						
3	1	26106-060102	BOLT, M6X 10 PLATED		2						
4	1	26106-080162	BOLT, M8X 16 PLATED		2						
5	1	26106-100162	BOLT, M10X 16 PLATED		1						
6	1	105582-59150	BOLT, PIPE JOINT		2						
7	1	171375-59500	PIPE ASSY, FUEL		1						
11	1	129411-59510	PIPE ASSY, FUEL		1						
15	1	129411-59521	PIPE ASSY, FUEL		1						
18	1	22190-080002	WASHER, SEAL 6		4						
19	1	22190-120002	WASHER, SEAL 12		2						
20	1	22190-120002	WASHER, SEAL 12		2						
21	1	22190-120002	WASHER, SEAL 12		4						
22	1	23857-060000	BOLT, JOINT 6		1						
23	1	23857-060000	BOLT, JOINT 6		1						
24	1	23857-060000	BOLT, JOINT 6		2						
25	1	103854-39540	JOINT, PIPE		1						
26	1	23414-120000	GASKET, 12X1.0		2						
27	1	23857-060000	BOLT, JOINT 6		1						
28	1	119822-59600	PLUG		2						

Fig.35. FUEL INJECTION VALVE

(A)=3TNE84-GHN1  
 (B)=4TNE84T-GHN1  
 (C)=

(D)=  
 (E)=  
 (F)=

No.	Lev.	Parts No.	Description	Qty						I	R
				(A)	(B)	(C)	(D)	(E)	(F)		
1	1	729103-53300	VALVE ASSY,INJECTION		4						
2	2	129103-53050	VALVE ASSY,INJECTION		4						
5	2	114250-53080	NUT, NOZZLE D16.95		4						
7	2	114250-53120	SPRING, NOZZLE		4						
8	2	114250-53130	SEAT, SPRING		4						
9	2	114250-53140	PLATE		4						
10	2	114250-53210	PIN		8						
11	2	114250-53400	SHIM SET		4						
23	1	129150-59120	RETAINER, PIPE		2						
26	2	129150-59131	BOLT, M4X14		4						
28	1	129400-59810	PIPE ASSY, INJECTION		1						
32	1	129400-59820	PIPE ASSY, INJECTION		1						
36	1	129400-59830	PIPE ASSY, INJECTION		1						
40	1	129400-59840	PIPE ASSY, INJECTION		1						
44	1	123658-39320	HOSE, RUBBER		1						
45	1	129495-59300	BOLT, PIPE JOINT		1						
46	1	129411-59530	PIPE ASSY, FUEL		1						
53	1	129491-59540	BOLT, PIPE JOINT M6		4						
54	1	129411-59552	PIPE ASSY, RETURN		1						
60	1	119813-59950	VALVE ASSY, CHECK		1						
66	1	22190-060002	WASHER, SEAL 6		8						
67	1	22190-080002	WASHER, SEAL 6		2						
68	1	22190-120002	WASHER, SEAL 12		2						
69	1	22190-140002	WASHER, SEAL 14		2						
70	1	23297-080081	CLAMP, A8X 8		1						
71	1	23857-030000	BOLT, JOINT 3		1						
72	1	26106-060122	BOLT, M6X 12 PLATED		1						
73	1	43551-001451	UNION 8(M)		1						

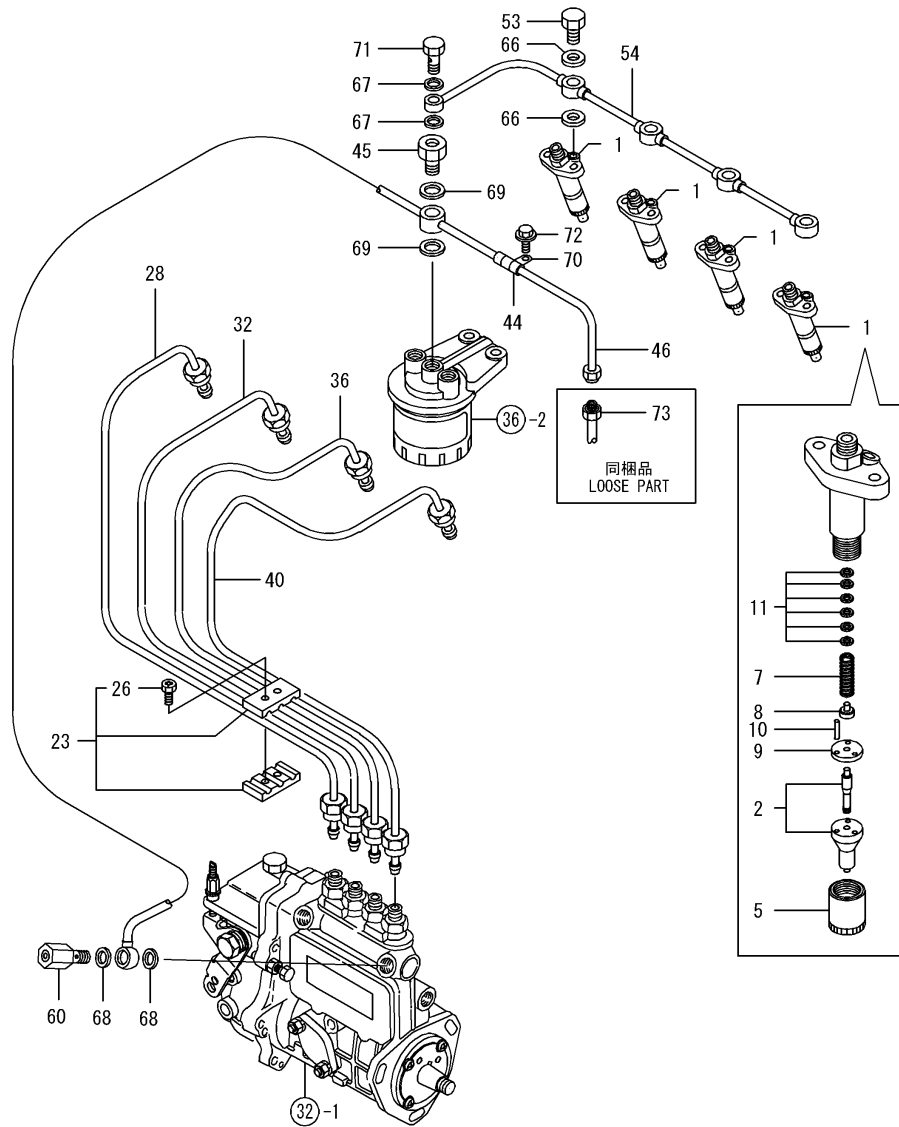
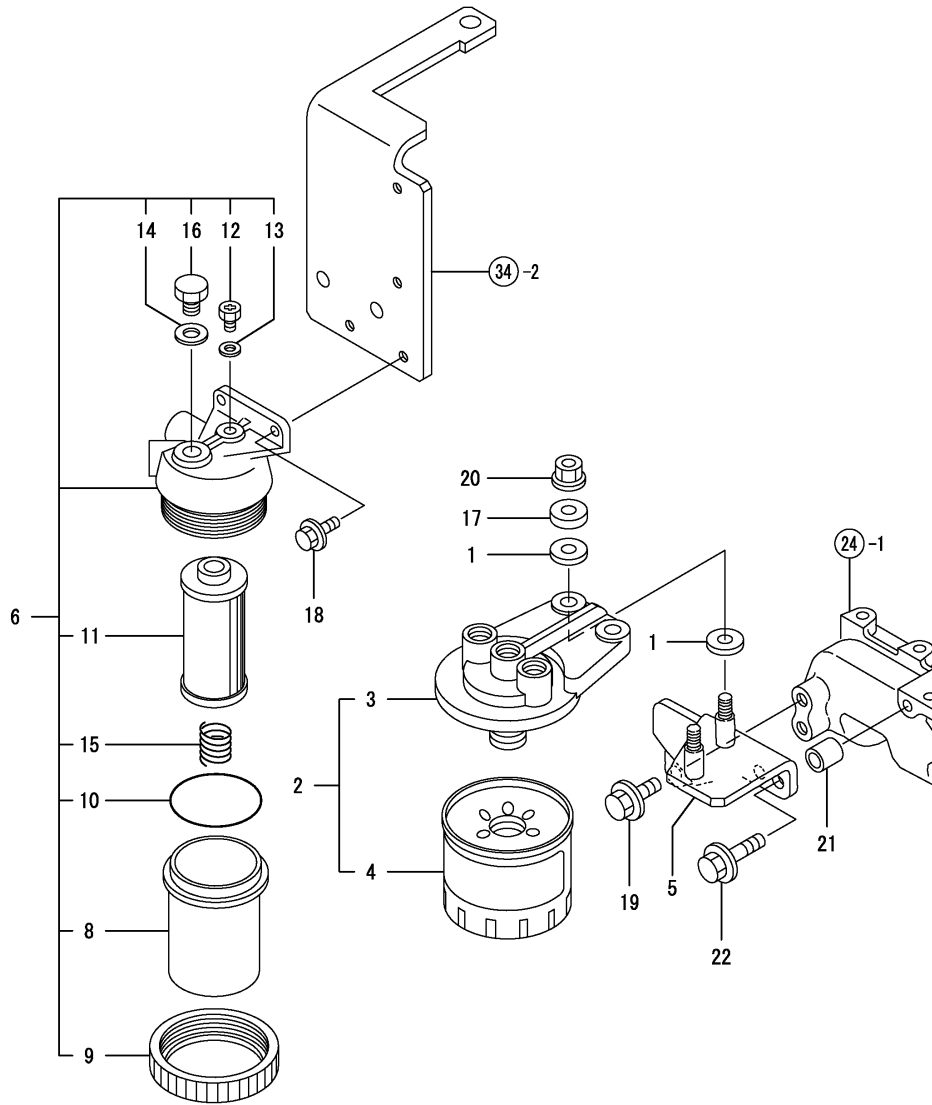


Fig.36. FUEL FILTER

(A)=3TNE84-GHN1  
(B)=4TNE84T-GHN1  
(C)=

(D)=  
(E)=  
(F)=

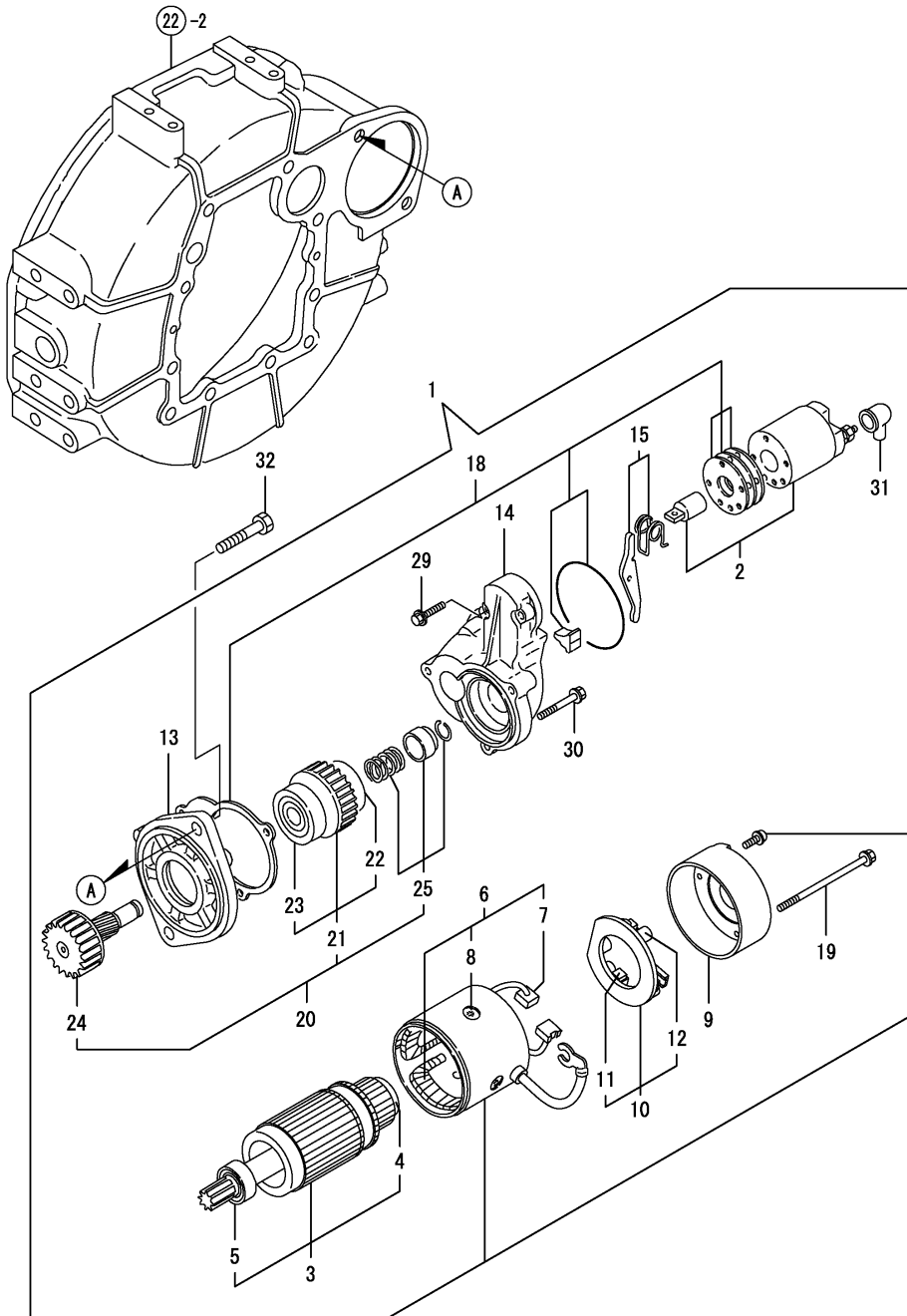


No.	Lev.	Parts No.	Description	Q'ty						I	R
				(A)	(B)	(C)	(D)	(E)	(F)		
1	1	160610-55460	INSULATOR		4						
2	1	129470-55601	FILTER ASSY, FUEL		1						
3	2	129470-55610	BODY, STRAINER		1						
4	2	129470-55703	FILTER, FUEL		1						
5	1	171375-55612	BRACKET, STRAINER		1						
6	1	171081-55900	FILTER ASSY, PRE		1						
8	2	121370-55730	CUP, STRAINER		1						
9	2	110250-55610	RING, RETAINING		1						
10	2	103854-32050	O-RING		1						
11	2	171081-55910	SCREEN		1						
12	2	101720-55750	PLUG, 6		1						
13	2	23418-060000	GASKET, 6X1.0		1						
14	2	23414-080012	GASKET, 8X1.0		1						
15	2	121257-55720	SPRING		1						
16	2	101720-55750	PLUG, 6		1						
17	1	121236-77340	SPACER		2						
18	1	26106-060142	BOLT, M6X 14 PLATED		2						
19	1	26106-080162	BOLT, M8X 16 PLATED		1						
20	1	26306-080002	NUT, M8		2						
21	1	129411-55690	SPACER		1						
22	1	26106-080302	BOLT, M8X 30 PLATED		1						

Fig.37. STARTING MOTOR

(A)=3TNE84-GHN1  
(B)=4TNE84T-GHN1  
(C)=

(D)=  
(E)=  
(F)=



No.	Lev.	Parts No.	Description	Q'ty						I	R
				(A)	(B)	(C)	(D)	(E)	(F)		
1	1	129136-77011	STARTER		1						
2	2	129136-77310	SWITCH ASSY		1						
3	2	129900-77400	ARMATURE ASSY		1						
4	3	X2130350900	BALL BEARING		1						
5	3	X2114255110	BEARING, BALL		1						
6	2	129900-77440	COIL ASSY, FIELD		1						
7	3	129900-77450	BRUSH (+)		2						
8	3	171008-77450	SCREW		4						
9	2	129900-77460	COVER, REAR		1						
10	2	129900-77480	HOLDER ASSY, BRASH		1						
11	3	129900-77450	BRUSH (+)		2						
12	3	129400-77490	SPRING, BRUSH		4						
13	2	171008-77510	HOUSING ASSY, GEAR		1						
14	2	129136-77520	CENTER HOUSING		1						
15	2	171008-77540	LEVER SET, SHIFT		1						
18	2	129400-77571	DUST COVER,(NON-ASB.		1						
19	2	129900-77640	BOLT, THROUGH		2						
20	2	171008-77650	PINION ASSY		1						
21	3	X2114555500	CLUTCH ASSY		1						
22	4	X2114955020	BALL BEARING		1						
23	4	X2240410100	BEARING, BALL		1						
24	3	171008-77660	SHAFT, PINION		1						
25	3	171008-77670	STOPPER SET, PINION		1						
29	2	26106-060322	BOLT, M6X 32 PLATED		2						
30	2	26106-060402	BOLT, M6X 40 PLATED		3						
31	2	171008-77750	COVER, M TERMINAL		1						
32	1	26116-120252	BOLT, M12X 25 PLATED		2						

Fig.38. TENSION PULLEY

(A)=3TNE84-GHN1  
 (B)=4TNE84T-GHN1  
 (C)=

(D)=  
 (E)=  
 (F)=

No.	Lev.	Parts No.	Description	Q'ty						I	R
				(A)	(B)	(C)	(D)	(E)	(F)		
1	1	129795-01900	STUD		1						
2	1	171375-44300	PULLEY ASSY, TENSION		1						
3	2	171011-44301	PULLEY, TENSION		1						
4	2	171375-44320	BRACKET, PULLEY		1						
5	2	26706-100002	NUT, M10		1						
6	1	26306-100002	NUT, M10		1						
7	1	129400-77330	ADJUSTER		1						
8	1	119810-77340	BOLT, ADJUSTER		1						

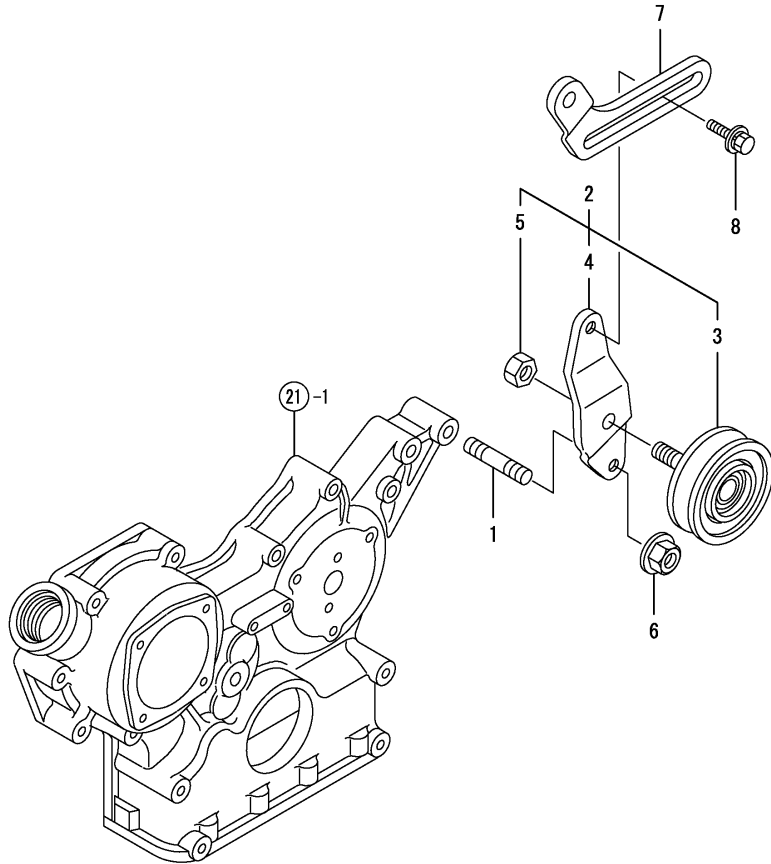


Fig.39. ELECTRIC PARTS

(A)=3TNE84-GHN1  
 (B)=4TNE84T-GHN1  
 (C)=

(D)=  
 (E)=  
 (F)=

No.	Lev.	Parts No.	Description	Q'ty						I	R
				(A)	(B)	(C)	(D)	(E)	(F)		
1	1	171010-77850	THERMOSTAT		2						
2	1	171014-91102	TACHOMETER		1						
3	1	124737-91420	CABLE, TACHOMETER		1						
4	1	46150-513400	GAUGE		1						

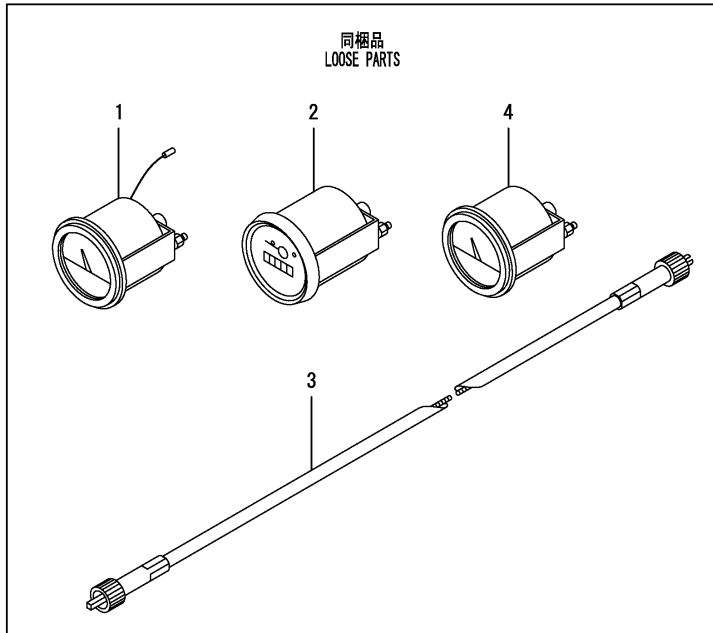
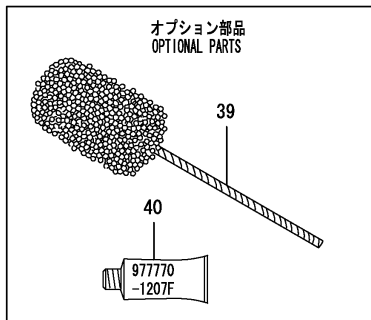
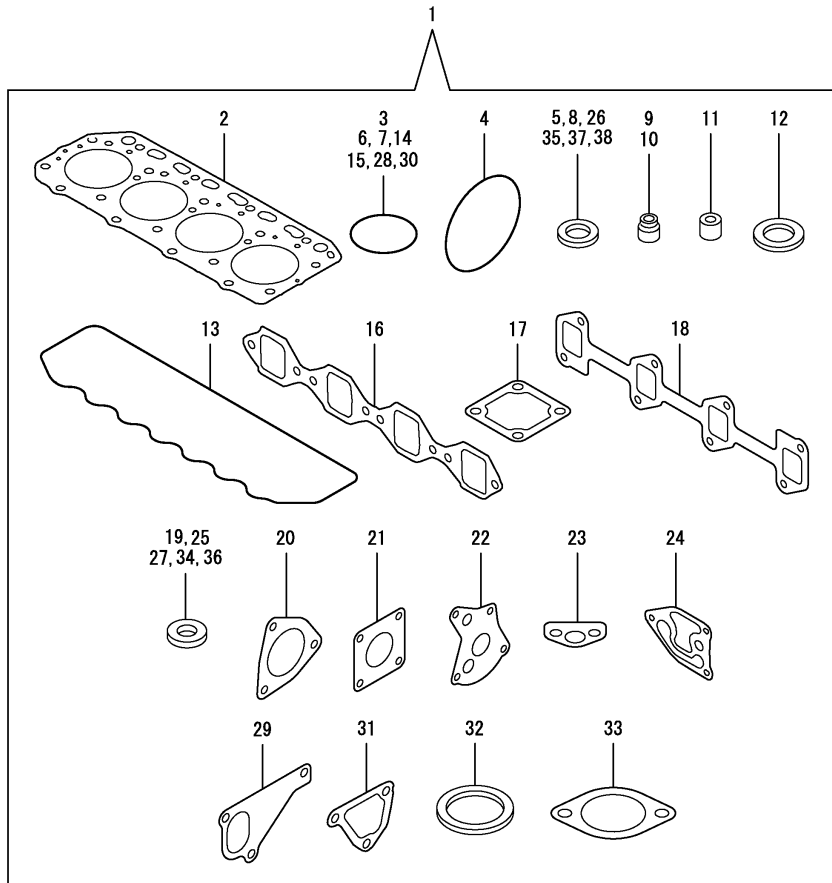


Fig.40. GASKET SET

(A)=3TNE84-GHN1  
(B)=4TNE84T-GHN1  
(C)=

(D)=  
(E)=  
(F)=



No.	Lev.	Parts No.	Description	Q'ty						I	R
				(A)	(B)	(C)	(D)	(E)	(F)		
1	1	729418-92650	GASKET SET		1						1
2	2	129408-01330	GASKET, HEAD		1						
3	2	119609-32040	O-RING, P16		2						
4	2	121850-51960	O-RING		1						
5	2	22190-080002	WASHER, SEAL 6		13						
6	2	24311-000320	O-RING, 1AP32.0		2						
7	2	24341-000240	O-RING, 1AS24.0		1						
8	2	22190-220002	WASHER, SEAL 22		1						
9	2	121400-11340	SEAL, VALVE STEM		4						
10	2	124460-11340	SEAL, VALVE STEM		4						
11	2	119625-11870	PROTECTOR, NOZZLE		4						
12	2	119625-11880	SEAT, NOZZLE		4						
13	2	129550-11310	GASKET, BONNET		1						
14	2	24341-000500	O-RING, 1AS50.0		1						
15	2	24311-000120	O-RING, 1AP12.0		3						
16	2	129550-12112	GASKET, MANIFOLD		1						
17	2	129150-77511	GASKET		1						
18	2	129550-13110	GASKET		1						
19	2	23414-170000	GASKET, 17X1.0		1						
20	2	129472-13520	GASKET		1						
21	2	129472-18090	GASKET		1						
22	2	129150-32020	GASKET, PUMP		1						
23	2	129150-35042	GASKET		1						
24	2	129103-35122	GASKET		1						
25	2	129150-49360	GASKET		2						
26	2	22190-100002	WASHER, SEAL 10		2						
27	2	23414-100000	GASKET, 10X1.0		2						
28	2	24316-000160	O-RING, 4DP16.0		1						
29	2	129486-42021	GASKET, WATER PUMP		1						
30	2	129486-42140	O-RING, G30		1						
31	2	124395-49840	GASKET		1						
32	2	129150-49811	GASKET, THERMOSTAT		1						
33	2	129795-49551	GASKET		1						
34	2	124465-44950	GASKET, 16		1						
35	2	22190-120002	WASHER, SEAL 12		10						
36	2	23414-120000	GASKET, 12X1.0		2						
37	2	22190-060002	WASHER, SEAL 6		8						
38	2	22190-140002	WASHER, SEAL 14		2						
39	1	129400-92420	FLEX HORN		1						1
40	1	977770-1207F	GASKET.LIQUID		1						1

Remarks  
(1) OPTIONAL PART.

## Parts No. Index

Parts No.	Fig. No.	Ref. No.
101720-55750	15	12
		16
	36	12
103854-32050		16
	15	10
	36	10
103854-39540	13	25
	34	25
105300-51300	11	44
	32	44
105582-59150	13	6
	34	6
110250-55610	15	9
	36	9
114250-39450	9	48
	30	23
114250-53080	14	5
	35	5
114250-53120	14	7
	35	7
114250-53130	14	8
	35	8
114250-53140	14	9
	35	9
114250-53210	14	10
	35	10
114250-53400	14	11
	35	11
118400-77170	16	11
119131-18320	6	5
	25	5
119226-07900	4	62
119255-44660	10	39
	31	41
119256-44760	10	22
	12	86
119600-66840	33	86
	2	10
119609-32040	19	3
	21	10
	40	3
119620-01750	3	3
	22	3
119625-11870	4	41
	19	11
	23	42
119625-11880	40	11
	4	42
	19	12
	23	43

Parts No.	Fig. No.	Ref. No.
119625-11880	40	12
119625-11900	4	43
	23	44
119629-49080	10	45
	31	47
119640-01640	3	8
	22	8
119660-61901	12	61
	33	61
119717-51420	11	55
	32	55
119717-51500	11	62
	9	50
119773-91501	30	25
	4	32
119802-11280	23	32
	25	3
119802-13650	25	4
119802-13670	25	6 -1
119802-13820	10	37
119802-44600	11	5
119810-51040	17	8
119810-77340	38	8
	14	56
119813-59950	35	60
	13	28
119822-59600	34	28
	8	14
119865-21600	28	14
119960-49010	10	40
119960-49020	10	41
120130-11860	4	27
120323-61470	23	27
	12	81
121111-21501	33	81
	8	11
121236-77340	28	11
	15	17
121250-44901	36	17
	10	30
121252-39150	31	30
	30	2
121257-55720	15	15
121370-55730	36	15
	15	8
121400-11340	36	8
	4	20
	19	9
	23	20
	40	9

Parts No.	Fig. No.	Ref. No.
121450-01560	2	5
	21	5
121520-34810	9	17
	29	17
	8	26
121550-23200	28	26
	10	29
121550-49111	29	49
	8	10
121850-21680	28	10
	10	8
121850-42410	31	8
	2	11
121850-51960	19	4
	21	11
	40	4
121952-39600	30	18
122710-51090	11	8
	32	8
123658-39320	35	44
123900-13610	6	3
123900-13630	6	4
124070-13300	30	17
124097-77900	1	10
	20	11
124160-01751	2	6
	4	63
	21	6
124160-01910	23	48
	1	5
	20	5
		6
124160-11360	4	46
	23	57
124160-39140	9	30
	30	1
124195-77770	16	23
124223-39900	30	9
124240-01871	2	7
124250-49351	21	7
	9	26
	10	33
	29	37
	31	33
124395-49840	10	16
	19	28
124460-11340	31	17
	40	31
	4	21
	19	10

Parts No.	Fig. No.	Ref. No.
124460-11340	23	21
	40	10
124465-44950	10	32
	19	31
	31	32
	40	34
	11	49
124550-51350	32	49
	9	36
124550-59820	30	11
	9	35
124550-59830	30	10
	39	3
124737-91420	10	49
	31	51
124766-59050	13	1
	34	1
124790-52201	11	12
124950-51190	32	12
	1	4
129001-01250	20	4
	1	28
129001-02931	20	30
129001-21100	8	1
129001-32001	9	1
129001-35300	9	24
129001-42004	10	1
	31	1
129001-42040	10	14
	31	14
	2	12
129001-91841	21	12
	1	27
129002-01331	19	2
129002-22090	8	15
	28	15
129002-22510	8	17
	28	17
129002-22910	8	32
	28	32
129002-22960	8	34
	28	34
129004-13200	6	7
	19	19
129004-44500	10	35
129006-44480	29	32
129030-44760	31	23
129033-01770	29	25
129052-61051	12	4
	33	4



## Parts No. Index

Parts No.	Fig. No.	Ref. No.
129052-61060	12	5
	33	5
129052-61071	12	6
	33	6
129052-61390	12	18
	33	18
129067-33011	29	21
129100-01580	3	1
		14
	8	2
	22	1
		14
	28	2
129100-01640	3	15
	22	15
129100-01730	3	6
129100-01760	3	7
129100-11100	4	16
	23	16
129100-11130	4	18
	23	18
129100-23910	8	29
	28	29
129100-25061	7	9
	26	9
129100-25900	7	15
129100-35301	9	19
129100-42051	10	3
	31	3
129100-42121	10	4
	31	4
129100-51560	11	67
	32	67
129100-51570	11	68
	32	68
129100-52200	11	93
	32	93
129100-53000	14	2
129100-59811	14	28
129100-59821	14	32
129100-59831	14	36
129100-61400	12	19
	33	19
129103-35122	29	30
	40	24
129103-49301	31	16
129103-53050	35	2
129107-44590	10	36
	31	37
129129-14580	7	3

Parts No.	Fig. No.	Ref. No.
129136-77011	37	1
129136-77310	37	2
129136-77520	37	14
129150-01200	1	26
	20	27
129150-02020	1	6
	20	7
129150-02450	7	4
	26	4
129150-02871	1	31
	20	33
129150-02931	1	23
	20	24
129150-02941	1	34
	20	36
129150-03020	4	49
	23	49
129150-03070	4	50
	23	50
129150-03080	4	51
	23	51
129150-03090	4	58
	23	59
129150-03100	2	9
	21	9
129150-11230	4	38
	23	38
129150-11280	4	33
	23	33
129150-11290	4	34
129150-11310	4	53
	19	13
	29	38
129150-11370	4	22
	23	22
129150-11750	4	40
	23	40
129150-11810	4	28
	23	28
129150-12100	5	1
129150-12111	5	2
	19	16
129150-13110	6	2
	19	18
129150-14101	7	6
	26	6
129150-14200	7	1
	26	1
129150-14400	7	2
	26	2
129150-21200	8	4

Parts No.	Fig. No.	Ref. No.
129150-21200	28	4
129150-23601	8	27
	28	27
129150-23611	8	30
	28	30
129150-25101	7	10
	26	10
129150-25900	26	15
129150-25920	7	13
	26	13
129150-32020	9	14
	19	20
	29	14
	40	22
129150-35042	9	18
	19	21
	29	18
	40	23
129150-35111	9	22
	19	22
129150-35153	9	23
	29	31
129150-35350	9	25
129150-39450	9	31
129150-49080	10	43
	31	45
129150-49100	10	42
	31	44
129150-49360	9	27
	10	34
	19	23
	29	38
	31	34
	40	25
129150-49811	10	25
	19	29
	31	26
	40	32
129150-59120	14	23
	35	23
129150-59131	14	26
	35	26
129150-77511	5	11
	19	17
	24	6
	40	17
129150-91400	2	23
	21	23
129155-11241	4	29
129155-11260	4	30

Parts No.	Fig. No.	Ref. No.
129155-11260	23	30
129155-11270	4	31
	23	31
129155-42350	10	19
129155-49801	10	24
	31	25
129155-51020	11	4
	32	4
129155-51051	11	6
	32	6
129155-51060	11	7
	32	7
129155-51140	11	9
	32	9
129155-51180	11	11
	32	11
129155-51200	11	13
	32	13
129155-51270	11	42
	32	42
129155-51280	11	43
	12	2
	32	43
	33	2
129155-51320	11	47
	32	47
129155-51340	11	48
	32	48
129155-51370	11	50
	32	50
129155-51380	11	51
	32	51
129155-51390	11	52
	32	52
129155-51400	11	53
129155-51450	11	57
	32	57
129155-51521	11	63
	32	63
129155-51530	11	64
	32	64
129155-51540	11	65
	32	65
129155-51550	11	66
	32	66
129155-51570	11	69
	32	69
129155-51580	11	70
	32	70
129155-51591	11	71

## Parts No. Index

Parts No.	Fig. No.	Ref. No.
129155-51591	32	71
129155-51600	11	20
	32	20
129155-51701	11	72
129155-51711	11	73
129155-51751	11	74
129155-51761	11	75
129155-51790	11	76
	32	76
129155-51930	11	78
	32	78
129155-51940	11	79
	32	79
129155-52051	11	92
	32	92
129155-61120	12	7
	33	7
129155-61130	12	8
	33	8
129155-61140	12	9
	33	9
129155-61202	12	10
	33	10
129155-61341	12	14
	33	14
129155-61350	12	15
	33	15
129155-61360	12	16
	33	16
129155-61430	12	22
	33	22
129155-61450	12	26
	33	26
129155-61460	12	27
	33	27
129155-61480	12	28
	33	28
129155-61830	12	60
	33	60
129155-61950	12	63
	33	63
129156-51910	11	77
	32	77
129165-49060	29	35
129202-22300	8	21
	28	21
129205-34801	9	16
129209-61370	12	17
	33	17
129209-61930	12	84

Parts No.	Fig. No.	Ref. No.
129209-61930	33	84
129209-61970	12	85
	33	85
129210-49280	10	47
	31	49
129242-77010	16	1
129242-77100	16	3
129242-77110	16	4
129242-77120	16	5
129242-77130	16	6
129242-77140	16	7
129242-77150	16	8
129242-77160	16	9
129242-77170	16	10
129242-77180	16	12
129242-77210	16	15
129242-77260	16	19
129242-77270	16	21
129242-77280	16	22
129255-61410	12	78
	33	78
129255-61420	12	79
	33	79
129271-77950	12	87
	33	87
129350-49530	10	26
	31	27
129400-01520	2	4
	21	4
129400-01730	22	6
129400-01770	22	7
129400-11350	23	47
129400-12100	24	1
129400-59810	35	28
129400-59820	35	32
129400-59830	35	36
129400-59840	35	40
129400-77330	17	7
	38	7
129400-77490	37	12
129400-77571	37	18
129400-92420	19	36
	40	39
129403-12090	24	10
129403-39460	30	3
129403-42380	31	21 -1
129403-51200	11	39
	32	39
129406-13100	25	1
129406-18030	27	2

Parts No.	Fig. No.	Ref. No.
129408-01330	20	28
	40	2
129411-55690	36	21
129411-59510	34	11
129411-59521	34	15
129411-59530	35	46
129411-59552	35	54
129412-12460	24	8
129412-18290	25	7
129412-18400	25	9
129417-33110	29	23
129417-35150	29	28
129418-18320	25	8
129418-21000	28	1
129418-32000	29	1
129432-44740	31	22
129436-35070	29	19 -1
129467-44580	31	36
129467-44590	31	38
129467-49040	29	33
129470-11080	4	7
	23	7
129470-11090	4	8
	23	8
129470-12210	5	4
129470-51040	32	5
129470-55601	15	2
	36	2
129470-55610	15	3
	36	3
129470-55703	15	4
	36	4
129472-13520	27	1
	40	20
129472-18090	27	3
	40	21
129486-01670	3	18
	22	18
129486-42021	10	13
	19	26
	31	13
	40	29
129486-42140	10	15
	19	27
	31	15
	40	30
129486-61501	12	34
	33	34
129486-61540	12	52

Parts No.	Fig. No.	Ref. No.
129486-61540	33	52
129491-59540	14	49
	35	53
129495-59300	14	41
	35	45
129500-61650	12	82
	33	82
129508-33050	29	22
129550-11290	23	34
129550-11310	23	53
	40	13
129550-12112	24	2
	40	16
129550-13110	25	2
	40	18
129553-39650	9	46
	29	47
129555-11241	23	29
129555-51400	32	53
129555-51500	32	62
129555-51701	32	72
129555-51711	32	73
129555-51751	32	74
129555-51761	32	75
129556-42350	31	21
129601-44600	31	39
129602-49010	31	42
129612-01600	3	2
	22	2
129612-42330	10	20
	31	20
129612-42350	31	20 -1
129612-49040	31	43
129615-34801	29	16
129615-35100	29	24
129615-39600	30	19
129615-39770	29	29
129615-44500	31	35
129615-49050	29	36
129688-01780	22	7 -1
129693-44310	25	6
129698-77020	16	2
129698-77190	16	13
129698-77200	16	14
129698-77220	16	16
129698-77230	16	17
129698-77250	16	18
129792-39410	9	40
	29	41
129795-01780	3	17

## Parts No. Index

Parts No.	Fig. No.	Ref. No.
129795-01780	22	17
129795-01800	2	3
	21	3
129795-01900	17	1
	38	1
129795-01950	2	8
	21	8
129795-02412	1	9
	20	10
129795-11120	4	17
	23	17
129795-11180	4	19
	23	19
129795-12501	5	7
129795-12520	5	8
129795-12530	5	9
129795-12540	5	10
129795-21661	8	9
	28	9
129795-49551	10	27
	19	30
	31	28
	40	33
129900-07900	4	1
		1 -1
	23	1
129900-77400	37	3
129900-77440	37	6
129900-77450	37	7
		11
129900-77460	37	9
129900-77480	37	10
129900-77640	37	19
129916-49740	10	10
	31	10
158552-61900	12	62
	33	62
158600-51410	11	54
	32	54
158600-51420	11	56
	32	56
160610-55460	15	1
	36	1
171008-77450	37	8
171008-77510	37	13
171008-77540	37	15
171008-77650	37	20
171008-77660	37	24
171008-77670	37	25
171008-77750	37	31

Parts No.	Fig. No.	Ref. No.
171010-77850	18	1
	39	1
171011-44301	17	3
	38	3
171014-91102	18	2
	39	2
171081-55900	15	6
	36	6
171081-55910	15	11
	36	11
171301-21650	28	8
171335-61710	12	83
	33	83
171340-21580	8	12
171340-21650	8	8
171340-44740	10	21
171350-13100	6	1
171375-35100	9	21
171375-39601	9	49
	30	24
171375-44300	17	2
	38	2
171375-44320	17	4
	38	4
171375-44900	10	31
	31	31
171375-52501	13	2
	34	2
171375-55612	15	5
	36	5
171375-59500	13	7
	34	7
171375-59511	13	11
171375-59521	13	15
171375-59530	14	42
171375-59551	14	50
171420-21580	28	12
171463-12581	24	5
171488-61440	12	80
	33	80
174307-51170	11	10
	32	10
174307-51700	12	35
	33	35
22117-040000	12	64
	33	64
22190-060002	14	62
	19	34
	35	66
	40	37

Parts No.	Fig. No.	Ref. No.
22190-060003	12	65
	33	65
22190-080002	2	13
		14
	9	37
		38
	13	18
	14	63
	19	5
	21	13
		14
	30	12
		13
	34	18
	35	67
	40	5
22190-100002	9	39
	12	66
	19	25
	30	14
	33	66
	40	26
22190-120002	12	67
	13	19
		20
		21
	14	40
	19	32
	33	67
	34	19
		20
		21
	35	68
	40	35
22190-140002	14	64
	19	35
	35	69
	40	38
22190-160002	11	80
	32	80
22190-220002	3	10
	19	8
	22	10
	40	8
22217-050000	11	81
	32	81
22217-060000	11	82
	32	82
22217-120000	7	16
	26	16

Parts No.	Fig. No.	Ref. No.
22252-000260	8	22
	28	22
22287-120000	12	68
	33	68
22351-030010	9	47
	29	48
22351-040010	8	7
	28	7
22351-050010	11	83
	32	83
22351-060012	4	23
	23	23
22372-040000	12	69
	33	69
22512-070140	7	7
	8	5
	26	7
	28	5
23000-022000	29	39
23000-025000	30	20
23000-054000	24	9
		11
23000-060000	5	12
	24	12
23010-038000	10	50
	31	52
23010-044000	31	53
23297-080081	35	70
23414-080012	15	14
	36	14
23414-100000	30	15
	40	27
23414-120000	13	26
	19	33
	34	26
	40	36
23414-120016	12	88
	33	88
23414-170000	25	10
	40	19
23414-220000	3	20
23418-060000	15	13
	36	13
23857-030000	14	65
	35	71
23857-060000	13	22
		23
		24
		27
	34	22

## Parts No. Index

Parts No.	Fig. No.	Ref. No.
23857-060000	34	23
		24
		27
23871-020000	23	11
23871-030000	23	12
23876-010000	1	11
		6
		11
		12
		11
23876-020000	4	11
		12
		12
		12
		11
23876-030000	4	12
		29
		3
23887-100002	12	70
		70
		11
23894-030002	25	11
24101-063034	11	84
		84
24311-000120	4	57
		15
		58
		15
		28
24311-000160	9	28
		24
24311-000320	2	15
		64
		6
		15
		54
		6
		85
		85
		21
		28
24341-000240	2	25
		7
		25
		7
		55
24341-000500	4	14
		55
		14
		14
26014-060122	10	38
26014-060202	31	40
26014-080202	25	12
26022-050122	11	86
		86

Parts No.	Fig. No.	Ref. No.
26022-060162	11	87
		87
26106-060102	12	71
		72
		3
		71
26106-060122	34	72
		3
		72
		72
		73
26106-060142	12	73
		18
		73
26106-060162	2	26
		26
		22
		22
		26
26106-060202	12	74
		74
26106-060322	37	29
26106-060402	37	30
26106-060502	31	24
26106-060552	10	23
26106-080102	30	16
26106-080122	2	16
		16
26106-080142	7	8
		8
26106-080162	2	17
		18
		11
		2
		56
		13
		17
		4
		19
		4
26106-080202	2	19
		29
		19
		28
		29
26106-080222	10	28
		29
		12
26106-080252	3	12

Parts No.	Fig. No.	Ref. No.
26106-080252	4	44
		3
		12
		45
		40
		22
26106-080302	36	22
26106-080352	3	19
		20
26106-080452	2	20
		4
		7
		20
		20
		13
		13
		14
		20
		13
26106-080502	3	21
		45
26106-080552	2	21
		21
		21
		20
		20
26106-080602	10	18
		19
26106-100162	13	5
		5
		88
26116-050302	11	88
26116-120252	16	24
		32
26206-100252	3	4
26206-100302	3	5
		5
26216-060202	4	13
26306-080002	2	22
		6
26306-100002	17	6
		20
		22
		13
		4
		20
		6
		6

Parts No.	Fig. No.	Ref. No.
26366-060002	4	24
		24
26450-060252	9	15
		15
		5
26706-100002	17	5
26716-060002	38	5
		89
26716-120002	7	17
		17
26736-120002	12	75
		75
26756-060002	12	76
		76
26756-080002	23	41
26776-120002	12	77
27241-120000	33	77
		12
27241-220000	4	14
		14
27241-300000	1	13
27241-400000	20	14
		15
27310-080001	4	25
		25
42130-502220	18	3
43551-001451	14	66
46150-513400	35	73
		4
719810-01500	2	1
		1
729012-92640	19	1
729100-53300	14	1
729103-53300	35	1
729132-11521	4	47
729202-11710	4	3
729205-51410	11	1
729215-01560	1	1
729402-11650	4	37
		37
729402-14580	26	3
729402-23100	8	23
		23
729418-11100	28	23
729418-92650	23	3
729418-92650	40	1
729615-01561	20	1
729615-51410	32	1

# Parts No. Index

Parts No.	Fig. No.	Ref. No.
977770-1207F	19	37
	40	40
X2114255110	37	5
X2114535200	16	20
X2114555500	37	21
X2114955020	37	22
X2130350900	37	4
X2240410100	37	23

Parts No.	Fig. No.	Ref. No.
-----------	----------	----------

Parts No.	Fig. No.	Ref. No.
-----------	----------	----------

Parts No.	Fig. No.	Ref. No.
-----------	----------	----------