

OCD10-M94500EN

# PREFACE

1. This parts catalog is the 1st edition of 4TNV88-GGB1B export engine for generator Model "YEG230DTLS"

Pub.No. : 000Y00D9450

Published : May,2007

2. Model name

Engine model	Vehicle		Vehicle made by
	Products	Model name	
4TNV88-GGB1B	Soundproof 4P Generator	YEG230DTLS	Toyo Denki Industrial Co.,Ltd.

## Directions for the Parts Catalog.

1. This Parts Catalog shows both standard and optional parts.
2. Parts may change without prior notice.
3. The following is an example of the Parts Catalog format.

REF.	LEV.	PARTS NO.	DESCRIPTION	Q'TY						I	R
				(A)	(B)	(C)	(D)	(E)	(F)		
1	1	729595-51390	FUEL INJECTION PUMP	1	1	1	1	1			1
1-1	1	729595-51391	FUEL INJECTION PUMP	1	1	1	1	1		N	1
		(A=E00185) (B=E00200)									
3	2	26022-060162	SCREW M 6X 16	9	9	9	9	9			
3-1	2	26022-060162	SCREW M 6X 16	4	4	4	4	4		K	
		(A=E00156) (B=E00156) (C=E00156) (D=E00156) (E=E00156)									
4	2	129470-51040	CAMSHAFT	1	1	1	1	1			
5	2	122710-51050	BEARING, ROLLER	2	2	2	2	2			
6	2	129470-51060	RETAINER	1	1	1	1	1			

Remarks
(1) BOOST COMPEMSATOR TYPE. OPTIONAL PART, TO E00155,(4JH-DT, 4JH-DTZ

### ① Ref. No.

The Ref. No. listed may not be in accordance with the illustration Ref. No.

(Ex.) Illustration No.

List Ref No.

1

1

(Before change)

1-1

(After change)

For interchangeable symbols N, R and K, illustrations for new parts may be abbreviated.

### ② Lev. (Level)

Level indication

The numbers below indicate the level of relativity towards the main part.

1 ----- Main parts (Assembly parts)

2 ----- Sub component included in " 1 ".

3 ----- Sub component included in " 2 ".

Note) Parts that are not for sale are partially illustrated but not listed.

### ③ Interchangeability Symbol

When a part change takes place, one of the following interchangeability symbols is indicated beside the part.

Symbol	Interchangeability	Contents note
N	Old $\begin{matrix} \leftarrow \text{Yes} \\ \text{No} \rightarrow \end{matrix}$ New	New Part is interchangeable for Old Part but Old Part is not interchangeable for New Part.
Q	Old $\begin{matrix} \leftarrow \text{No} \\ \text{Yes} \rightarrow \end{matrix}$ New	New Part is not interchangeable for Old Part but Old Part is interchangeable for New Part.
R	Old $\begin{matrix} \leftarrow \text{Yes} \\ \text{Yes} \rightarrow \end{matrix}$ New	New/ Old Parts are both interchangeable.
S	Old $\begin{matrix} \leftarrow \text{No} \\ \text{No} \rightarrow \end{matrix}$ New	New/ Old Parts are both not interchangeable.
W		Part newly added.
Z		Part discontinued.
F		Not interchangeable by a single part but interchangeable together with related parts.
K		Changes only for used parts quantities.

### ④ Effective Machine No.

When a part changes, the effective Machine No. will be indicated in the (A)-(F) column.

Product Symbol	Product No.	Product Symbol	Product No.
C	Clutch No. Compressor No.	F	Machine No. (Agricultural Equip.)
D	Drive No.	M	Machine No.
E	Engine No.		

Note 1) A date may follow the symbol. (Ex.) 1996.01

Note 2) "XXXXX" and "ZZZZZ" are for parts that could not be predicted or for engine models that could not be identified.

Note 3) (A=E00185) is the E (Engine Serial Number) for the column (A) model (in this case 4JH-DT) after the parts design change.

### ⑤ Remarks

Figures or alphabets (symbols) are entered in the remarks column.

The comments (remarks) on parts that are indicated at the bottom of the illustration are the same symbols as those stated above.

# Contents

OCD10-M94500

Fig. No. Fig. Name

4TNV88-GGB1B

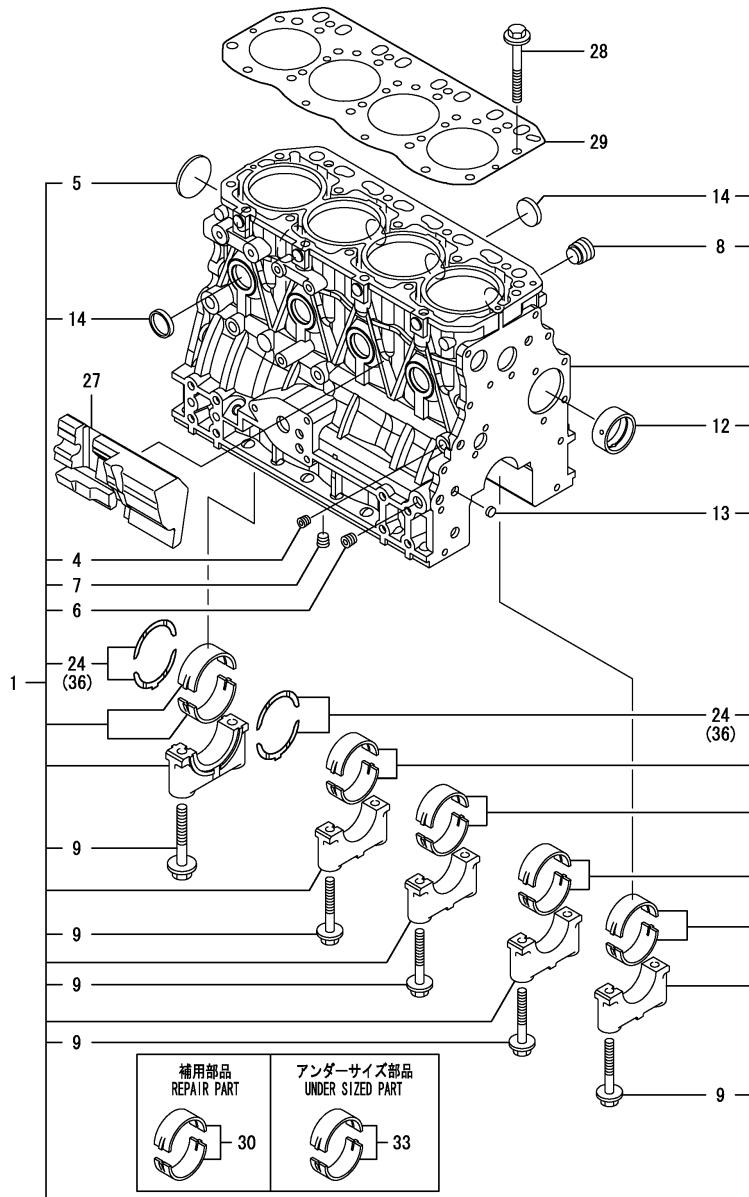
1. CYLINDER BLOCK
2. GEAR HOUSING
3. FLYWHEEL HOUSING & OIL SUMP
4. CYLINDER HEAD & BONNET
5. SUCTION MANIFOLD & AIR CLEANER
6. EXHAUST MANIFOLD & SILENCER
7. CAMSHAFT & DRIVING GEAR
8. CRANKSHAFT & PISTON
9. LUB.OIL SYSTEM
10. COOLING WATER SYSTEM
11. FUEL INJECTION PUMP
12. GOVERNOR
13. FUEL INJECTION VALVE
14. FUEL LINE
15. STARTING MOTOR
16. GENERATOR
17. GASKET SET

Fig. No. Fig. Name

Fig.1. CYLINDER BLOCK

(A)=4TNV88-GGB1B  
(B)=  
(C)=

(D)=  
(E)=  
(F)=

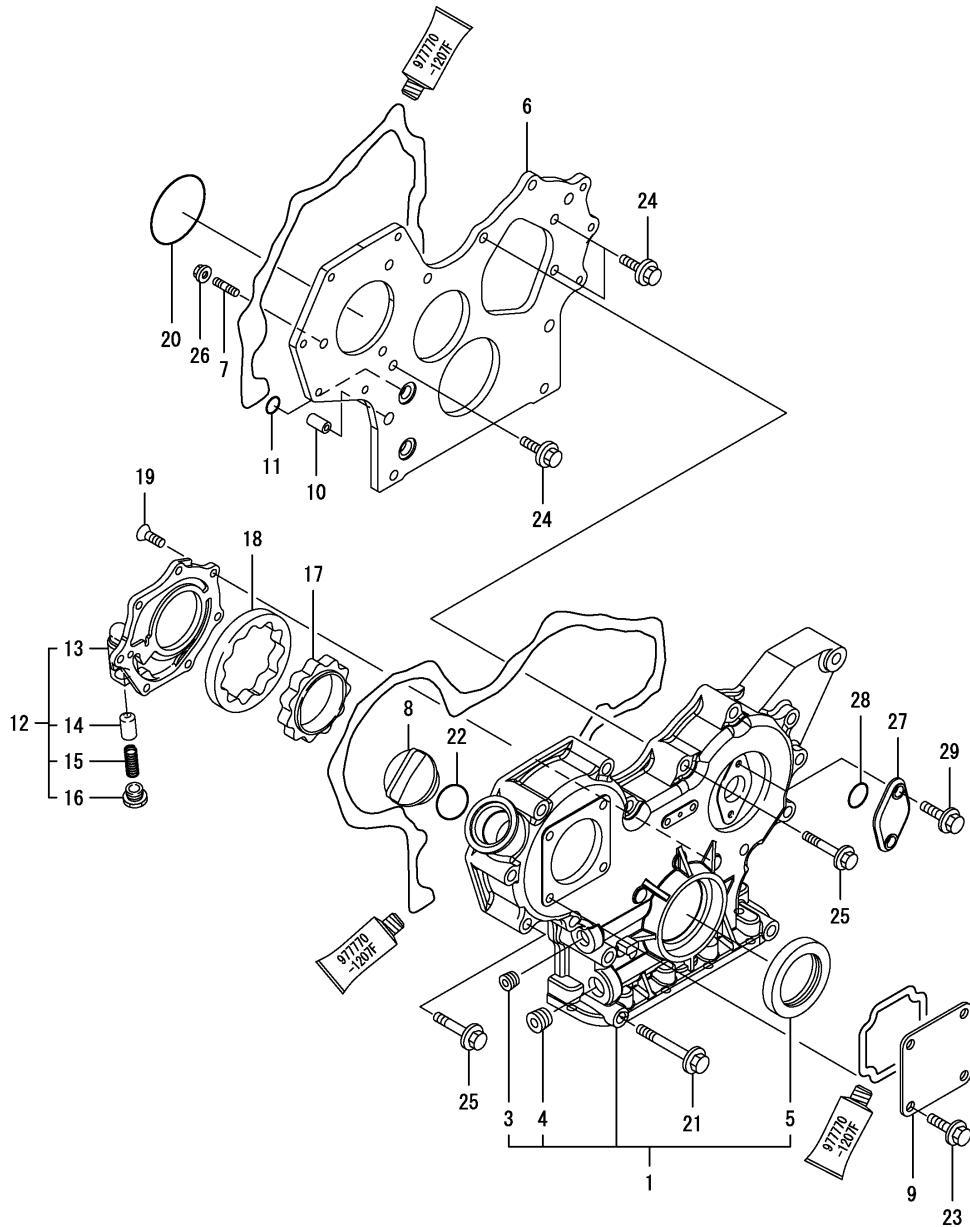


No.	Lev.	Parts No.	Description	Q'ty						I	R
				(A)	(B)	(C)	(D)	(E)	(F)		
1	1	729602-01560	BLOCK ASSY, CYLINDER	1							
4	2	124060-01050	PLUG, PT1/8	1							
5	2	129001-01250	PLUG, 50	1							
6	2	124160-01910	PLUG, PT1/4	2							
7	2	124160-01910	PLUG, PT1/4	1							
8	2	171051-01921	PLUG, NPTF1	1							
9	2	129150-02020	BOLT, METAL CAP	10							
12	2	129795-02412	BUSH, CAMSHAFT	1							
13	2	27241-120000	PLUG, 12	2							
14	2	27241-300000	PLUG 30	8							
24	2	129150-02931	BEARING, THRUST	2							
27	1	129004-01190	SPACER	1							
28	1	129150-01200	BOLT, HEAD	18							
29	1	129407-01340	GASKET, HEAD	1							
30	1	129001-02931	BEARING, MAIN	5							1
33	1	129150-02871	BEARING, 0.25 US	5							2
36	1	129150-02941	BEARING, THRUST 0.25	1							3

Remarks

- (1) REPAIR PART.
- (2) UNDER-SIZED(U.S=0.25)PART.
- (3) OVER-SIZED(O.S=0.25)PART.

Fig.2. GEAR HOUSING



(A)=4TNV88-GGB1B

(B)=

(C)=

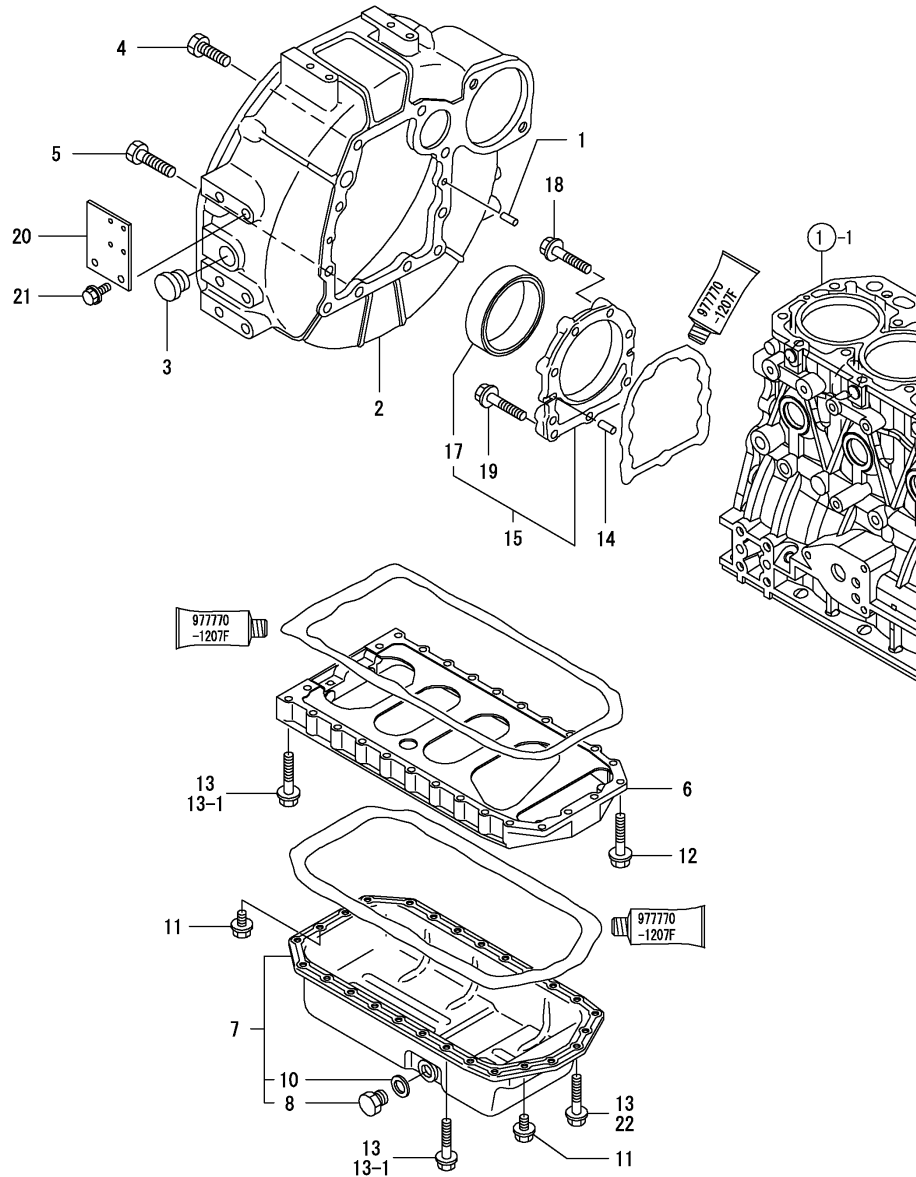
(D)=

(E)=

(F)=

No.	Lev.	Parts No.	Description	Q'ty						I	R
				(A)	(B)	(C)	(D)	(E)	(F)		
1	1	729233-01500	CASE ASSY, GEAR	1							
3	2	23876-030000	PLUG, R03	1							
4	2	23876-040000	PLUG, R04	1							
5	2	119934-01800	SEAL, OIL	1							
6	1	119802-01520	FLANGE, GEAR CASE	1							
7	1	119802-01561	STUD, M8X25	3							
8	1	124160-01751	COVER, FILLER	1							
9	1	124240-01871	COVER	1							
10	1	129795-01950	PIPE, KNOCK L=18	2							
11	1	119609-32040	O-RING, P16	4							
12	1	119802-32100	COVER ASSY	1							
13	2	119802-32070	COVER	1							
14	2	129900-32130	VALVE, RELIEF	1							
15	2	129418-32320	SPRING	1							
16	2	129001-32330	PLUG	1							
17	1	119802-32111	ROTOR, INNER	1							
18	1	119802-32120	ROTOR, OUTER	1							
19	1	119802-32130	SCREW, M6X16	7							
20	1	121850-51960	O-RING	1							
21	1	129001-91841	BOLT, M8X85	3							
22	1	24311-000320	O-RING, 1AP32.0	1							
23	1	26106-080162	BOLT, M8X 16 PLATED	4							
24	1	26106-080162	BOLT, M8X 16 PLATED	3							
25	1	26106-080552	BOLT, M8X 55 PLATED	12							
26	1	26306-080002	NUT, M8	3							
27	1	121023-01551	COVER	1							
28	1	24341-000240	O-RING, 1AS24.0	1							
29	1	26106-060162	BOLT, M6X 16 PLATED	2							

Fig.3. FLYWHEEL HOUSING & OIL SUMP



(A)=4TNV88-GGB1B

(B)=

(C)=

(D)=

(E)=

(F)=

No.	Lev.	Parts No.	Description	Q'ty						I	R
				(A)	(B)	(C)	(D)	(E)	(F)		
1	1	129100-01580	PIN, M8X16	2							
2	1	171420-01600	HOUSING, FLYWHEEL	1							
3	1	119620-01750	CAP	1							
4	1	26206-100252	BOLT, M10X 25 PLATED	6							
5	1	26206-100302	BOLT, M10X 30 PLATED	4							
6	1	129400-01730	SPACER, OIL SUMP	1							
7	1	129400-01770	SUMP ASSY, OIL	1							
7-1	1	129688-01780	OIL PAN ASSY, DEEP	1							N
(A=EP0614)											
8	2	119640-01640	PLUG, DRAIN M22	1							
10	2	22190-220002	WASHER, SEAL 22	1							
11	1	26106-080162	BOLT, M8X 16 PLATED	4							
12	1	26106-080252	BOLT, M8X 25 PLATED	2							
13	1	26106-080452	BOLT, M8X 45 PLATED	24							
13-1	1	26106-080452	BOLT, M8X 45 PLATED	20							K
(A=FROM 1ST)											
14	1	129100-01580	PIN, M8X16	2							
15	1	129648-01600	CASE ASSY, OIL SEAL	1							
17	2	129648-01780	SEAL, OIL	1							
18	1	129486-01670	BOLT, M8X30	6							
19	1	26106-080352	BOLT, M8X 35 PLATED	3							
20	1	129111-67010	SUPPORT, WIRE	1							
21	1	26106-080162	BOLT, M8X 16 PLATED	2							
22	1	26106-080502	BOLT, M8X 50 PLATED	4							W
(A=FROM 1ST)											

Fig.4. CYLINDER HEAD & BONNET

(A)=4TNV88-GGB1B

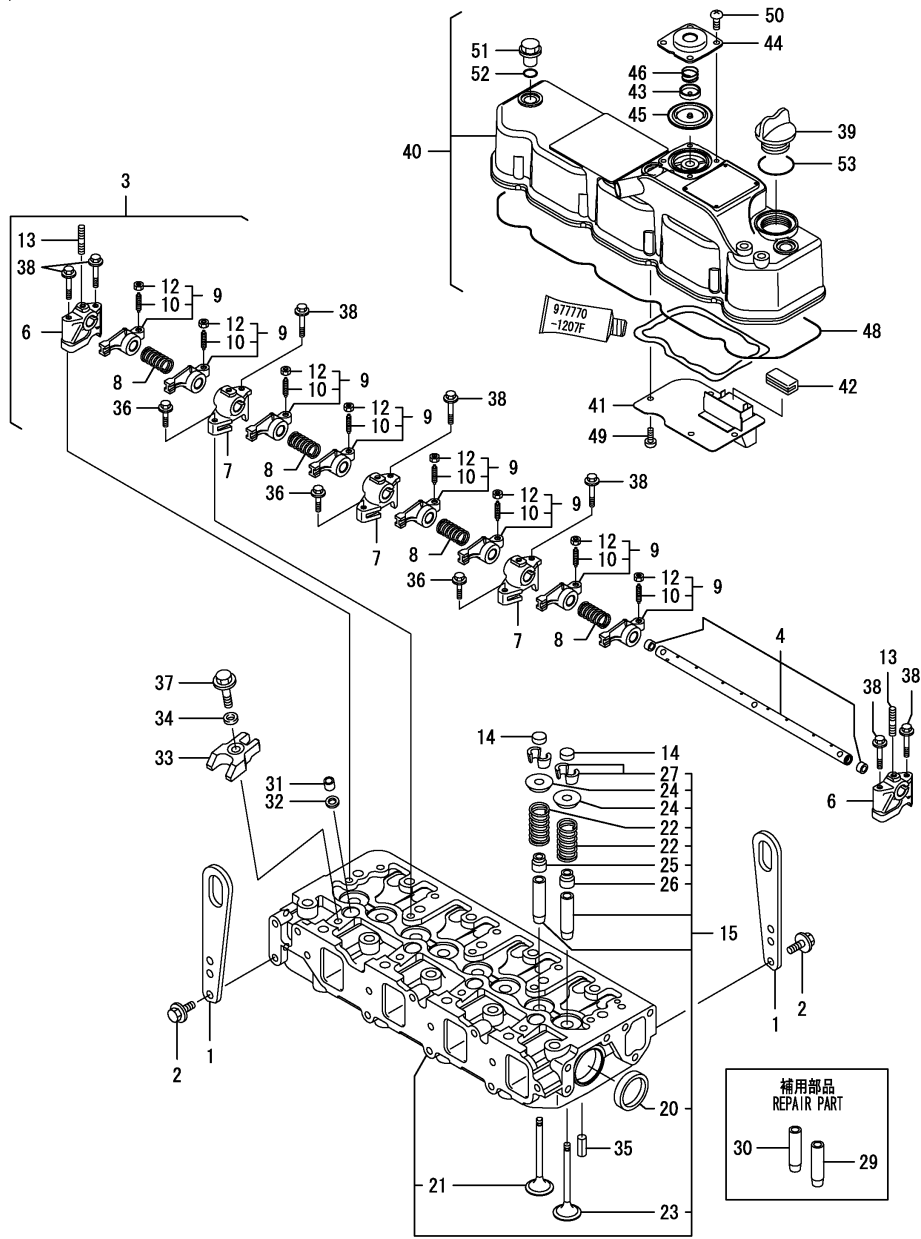
(B)=

(C)=

(D)=

(E)=

(F)=



No.	Lev.	Parts No.	Description	Q'ty						I	R
				(A)	(B)	(C)	(D)	(E)	(F)		
1	1	129900-07900	LIFTER	2							
2	1	26106-080162	BOLT, M8X 16 PLATED	4							
3	1	129601-11241	SHAFT ASSY, ROCKER	1							
4	2	129601-11251	SHAFT, ROCKER ARM	1							
6	2	119802-11260	SUPPORT, ROCKER ARM	2							
7	2	119802-11270	SUPPORT, ROCKER ARM	3							
8	2	129150-11280	SPRING	4							
9	2	129004-11650	ARM, ROCKER	8							
10	3	129150-11230	SCREW, VALVE ADJUST	8							
12	3	129150-11750	NUT, M8	8							
13	2	26226-080182	STUD, M8X 18	3							
14	1	129150-11370	CAP, VALVE	8							
15	1	129601-11700	HEAD ASSY, CYLINDER	1							
20	2	27241-400000	PLUG, 40	2							
21	2	129100-11112	VALVE, EXHAUST	4							
22	2	129795-11120	SPRING, VALVE	8							
23	2	129004-11130	VALVE, INTAKE	4							
24	2	129795-11180	RETAINER, SPRING	8							
25	2	121400-11340	SEAL, VALVE STEM	4							
26	2	124460-11340	SEAL, VALVE STEM	4							
27	2	27310-080001	COTTER, 8	8							
29	1	120130-11860	GUIDE, VALVE	4							1
30	1	129150-11810	GUIDE, VALVE	4							1
31	1	119802-11870	PROTECTOR, NOZZLE	4							
32	1	119625-11880	SEAT, NOZZLE	4							
33	1	129004-11900	RETAINER, NOZZLE	4							
34	1	120270-54410	WASHER, INJECTOR	4							
35	1	22351-060012	PIN, SPRING 6.0X12	2							
36	1	26106-080252	BOLT, M8X 25 PLATED	3							
37	1	26106-080352	BOLT, M8X 35 PLATED	4							
38	1	26106-080502	BOLT, M8X 50 PLATED	7							
39	1	124160-01751	COVER, FILLER	1							
40	1	129601-11350	BONNET ASSY, HEAD	1							
41	2	129004-03010	PLATE	1							
42	2	129150-03070	BAFFLE, BREATHER	1							
43	2	119802-03110	PLATE	1							
44	2	119802-03121	COVER, DIAPHRAGM	1							
45	2	119802-03130	DIAPHRAGM	1							
46	2	119802-03141	SPRING, DIAPHRAGM	1							
48	2	129601-11310	GASKET, BONNET	1							
49	2	22857-500100	SCREW, 5X10	4							
50	2	22857-500100	SCREW, 5X10	4							
51	1	124160-11360	KNOB	3							
52	1	24311-000120	O-RING, 1AP12.0	3							
53	1	24311-000320	O-RING, 1AP32.0	1							

Remarks  
(1) REPAIR PART.



Fig.5. SUCTION MANIFOLD & AIR CLEANER

(A)=4TNV88-GGB1B

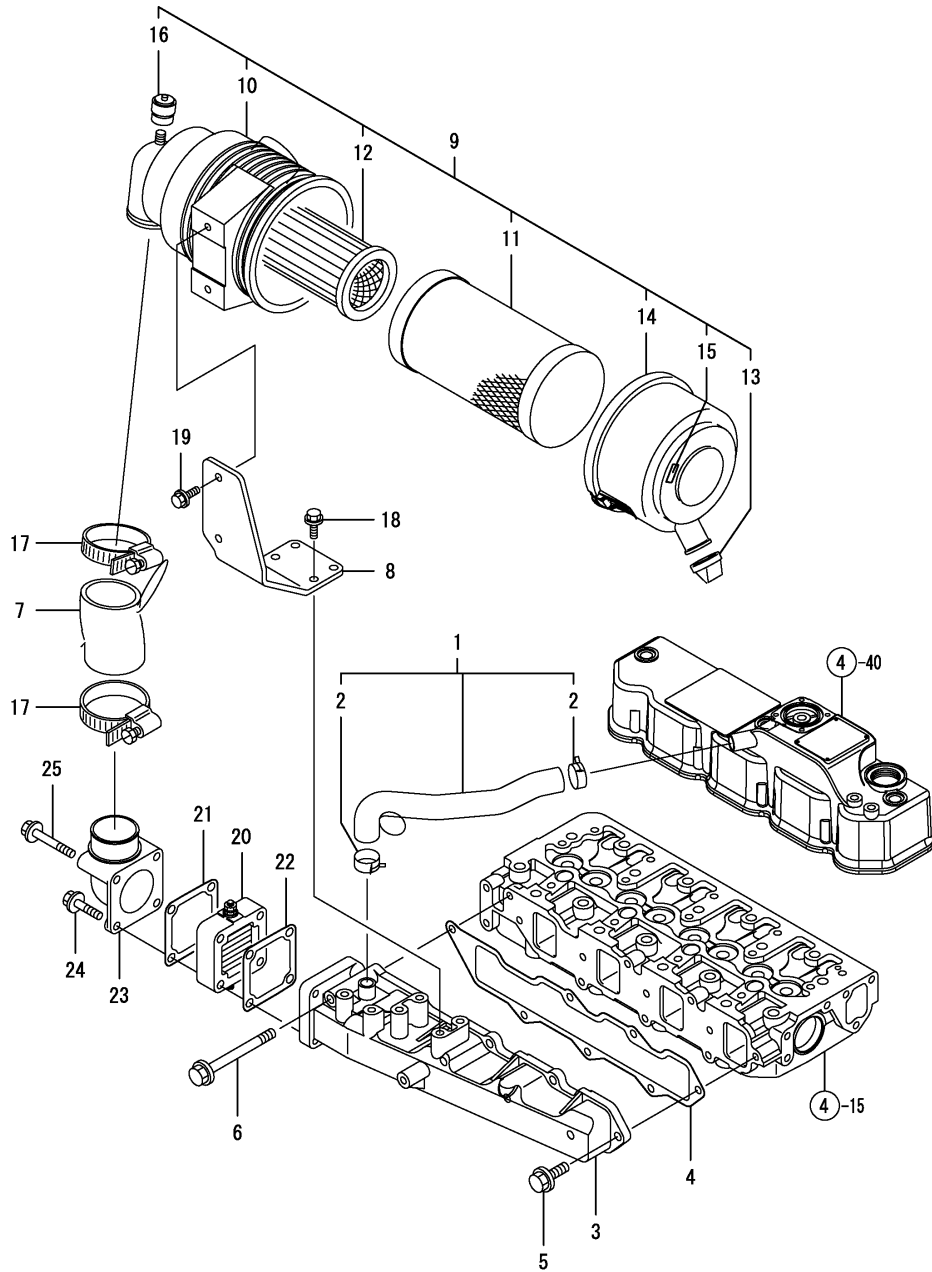
(B)=

(C)=

(D)=

(E)=

(F)=

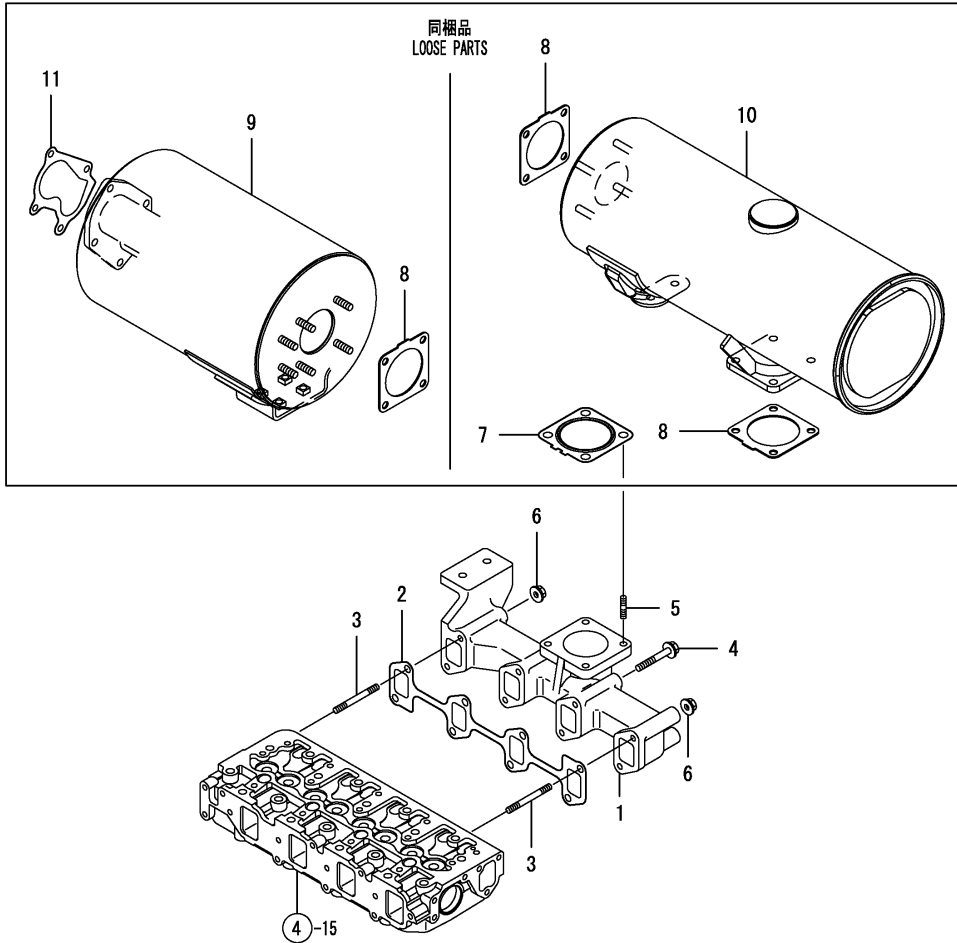


No.	Lev.	Parts No.	Description	Q'ty						I	R
				(A)	(B)	(C)	(D)	(E)	(F)		
1	1	129601-03080	PIPE , BREATHER	1							
2	2	129410-03990	CLAMP 22		2						
3	1	129601-12100	MANIFOLD, AIR INTAKE	1							
4	1	129407-12110	GASKET, MANIFOLD	1							
5	1	26106-080202	BOLT, M8X 20 PLATED	6							
6	1	26106-080802	BOLT, M8X 80 PLATED	1							
7	1	119910-12210	PIPE, AIR INTAKE	1							
8	1	119802-12560	BRACKET, AIR CLEANER	1							
9	1	119910-12601	CLEANER ASSY, AIR	1							
10	2	119910-12510	BODY, AIR CLEANER	1							
11	2	119808-12520	ELEMENT	1							
12	2	129051-12530	ELEMENT	1							
13	2	119808-12540	VALVE, UNLOADER	1							
14	2	119866-12541	COVER ASSY	1							
15	2	129612-12650	MARKING,(W)	1							
16	2	126650-12680	INDICATOR	1							
17	1	23000-060000	CLAMP, 60	2							
18	1	26013-080222	BOLT, M8X 22	4							
19	1	26013-080222	BOLT, M8X 22	2							
20	1	129100-77501	HEATER	1							
21	1	129100-77510	GASKET, AIR HEATER	1							
22	1	129150-77511	GASKET	1							
23	1	171340-77520	BEND	1							
24	1	26106-080402	BOLT, M8X 40 PLATED	2							
25	1	26106-080802	BOLT, M8X 80 PLATED	2							

Fig.6. EXHAUST MANIFOLD & SILENCER

(A)=4TNV88-GGB1B  
(B)=  
(C)=

(D)=  
(E)=  
(F)=



No.	Lev.	Parts No.	Description	Q'ty						I	R
				(A)	(B)	(C)	(D)	(E)	(F)		
1	1	129601-13109	MANIFOLD, EXHAUST	1							
2	1	129550-13110	GASKET	1							
3	1	123900-13610	STUD, M8X80	2							
4	1	123900-13630	BOLT, M8X80	6							
5	1	119131-18320	STUD, M8X22	4							
6	1	26306-080002	NUT, M8	2							
7	1	129004-13200	GASKET, SILENCER	1							
8	1	129930-13201	GASKET, SILENCER	5							
9	1	129908-13510	SILENCER	1							
10	1	129601-13550	SILENCER	1							
11	1	123901-18080	GASKET	1							

Fig.7. CAMSHAFT & DRIVING GEAR

(A)=4TNV88-GGB1B

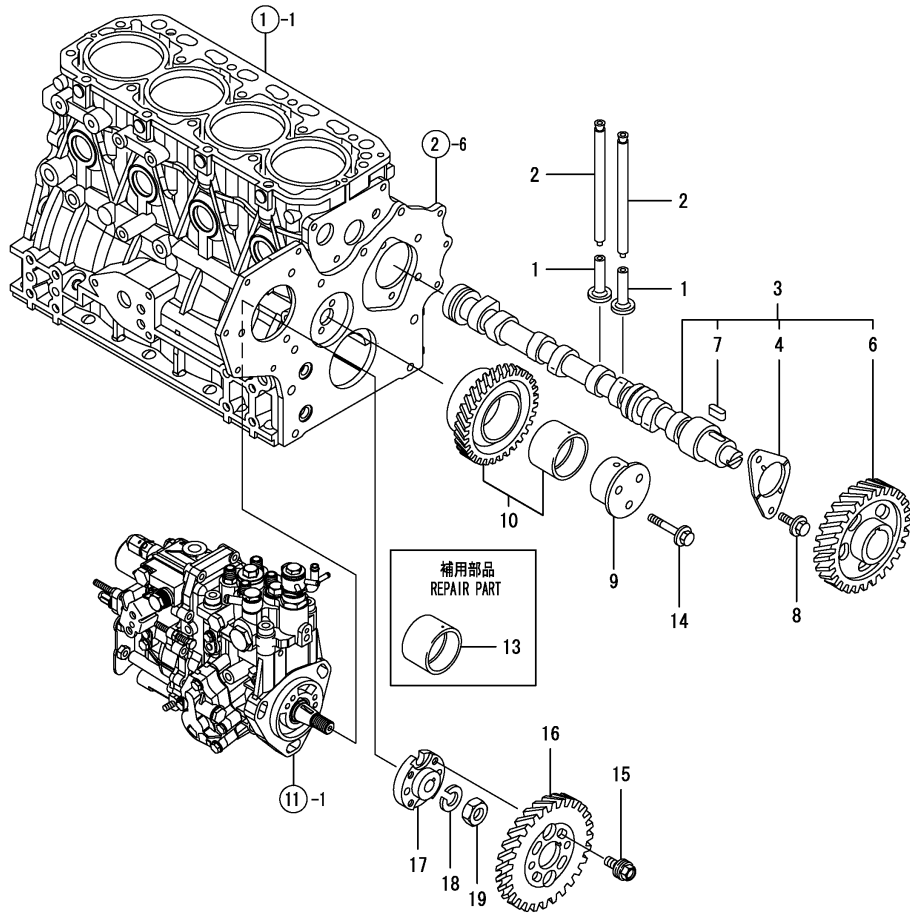
(B)=

(C)=

(D)=

(E)=

(F)=



No.	Lev.	Parts No.	Description	Q'ty						I	R
				(A)	(B)	(C)	(D)	(E)	(F)		
1	1	129150-14200	TAPPET	8							
2	1	129150-14400	ROD, PUSH L=178	8							
3	1	729601-14580	CAMSHAFT ASSY	1							
4	2	129150-02450	BEARING, THRUST	1							
6	2	129150-14101	GEAR, CAMSHAFT	1							
7	2	22512-070140	KEY, 7X 14	1							
8	1	26106-080142	BOLT, M8X 14 PLATED	2							
9	1	119802-25051	SHAFT, IDLE	1							
10	1	119802-25101	GEAR ASSY, IDLE	1							
13	1	119802-25071	BUSH, IDLE GEAR	1							1
14	1	26106-080402	BOLT, M8X 40 PLATED	3							
15	1	129150-25301	BOLT	4							
16	1	119802-25901	GEAR, PUMP	1							
17	1	158552-51151	FLANGE	1							
18	1	22217-140000	WASHER, SPRING 14	1							
19	1	26776-140002	NUT, LOCK M14	1							

Remarks  
(1) REPAIR PART.

Fig.8. CRANKSHAFT & PISTON

(A)=4TNV88-GGB1B

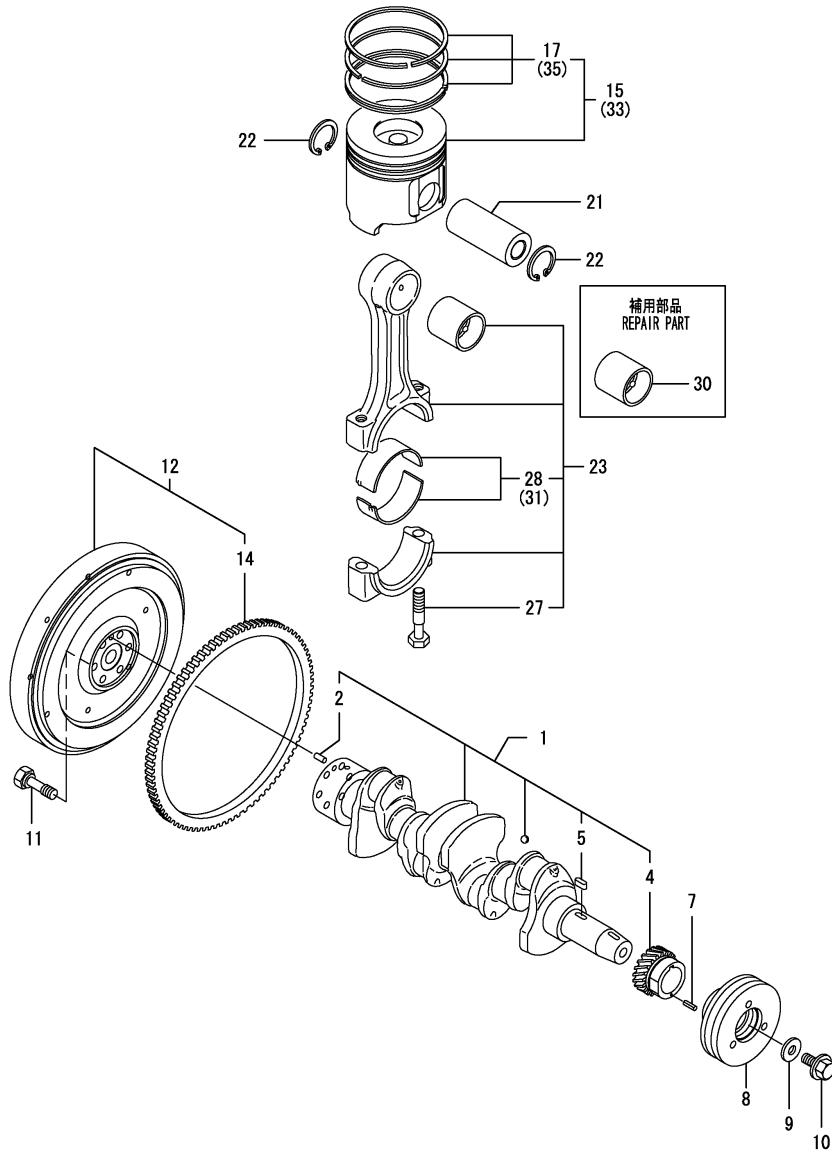
(B)=

(C)=

(D)=

(E)=

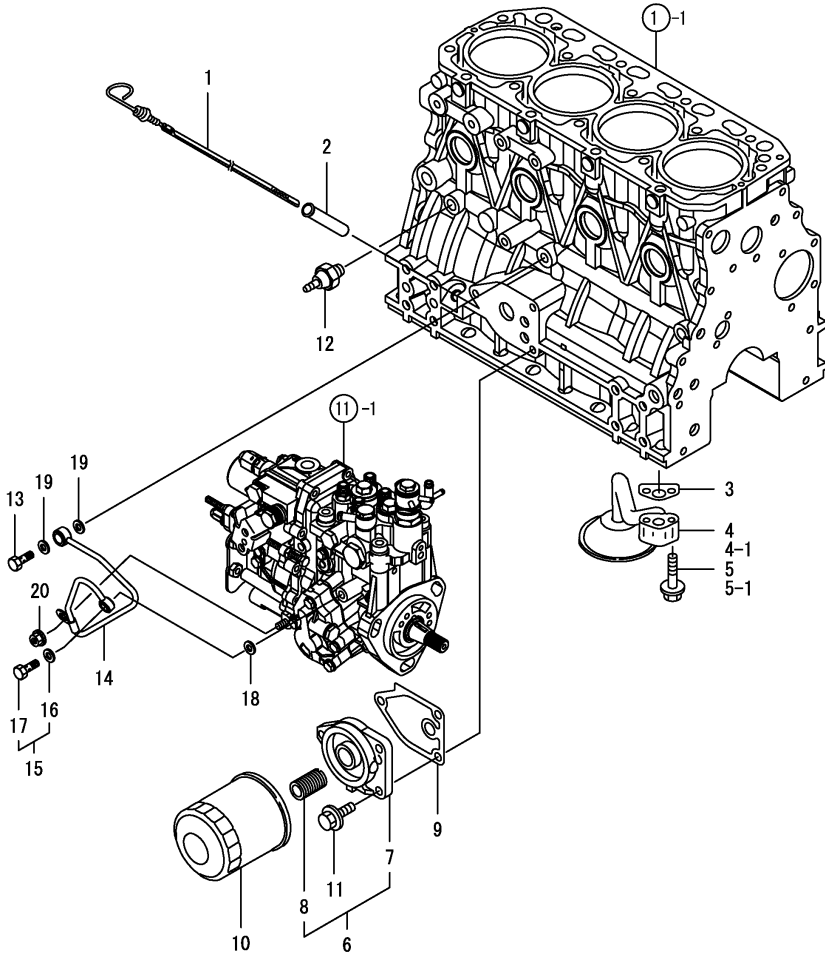
(F)=



No.	Lev.	Parts No.	Description	Q'ty						I	R
				(A)	(B)	(C)	(D)	(E)	(F)		
1	1	129601-21002	CRANKSHAFT ASSY	1							
2	2	129100-01580	PIN, M8X16	1							
4	2	119802-21202	GEAR, CRANKSHAFT	1							
5	2	22512-070140	KEY, 7X 14	1							
7	1	22351-030010	PIN, SPRING 3.0X10	1							
8	1	119802-21660	V-PULLEY, 120	1							
9	1	129795-21661	WASHER	1							
10	1	121850-21680	BOLT	1							
11	1	121111-21501	BOLT, FLYWHEEL	6							
12	1	171420-21590	FLYWHEEL ASSY	1							
14	2	124550-21600	GEAR, RING	1							
15	1	129005-22080	PISTON ASSY	4							
17	2	129005-22500	RING SET, PISTON	4							
21	1	129202-22300	PIN, PISTON D26 L70	4							
22	1	22252-000260	RING, 26	8							
23	1	729402-23100	ROD ASSY, CONNECTING	4							
27	2	121550-23200	BOLT, CONNECTING ROD	8							
28	2	129150-23601	BEARING, CRANK PIN	4							
30	1	129100-23910	BEARING, PISTON PIN	4							1
31	1	129150-23611	BEARING, 0.25 US	4							2
33	1	129005-22900	PISTON ASSY, 0.25 OS	4							3
35	2	129005-22950	RING SET, 0.25 OS	4							3

Remarks  
 (1) REPAIR PART.  
 (2) UNDER-SIZED(U.S=0.25)PART.  
 (3) OVER-SIZED(O.S=0.25)PART.

Fig.9. LUB.OIL SYSTEM



(A)=4TNV88-GGB1B

(B)=

(C)=

(D)=

(E)=

(F)=

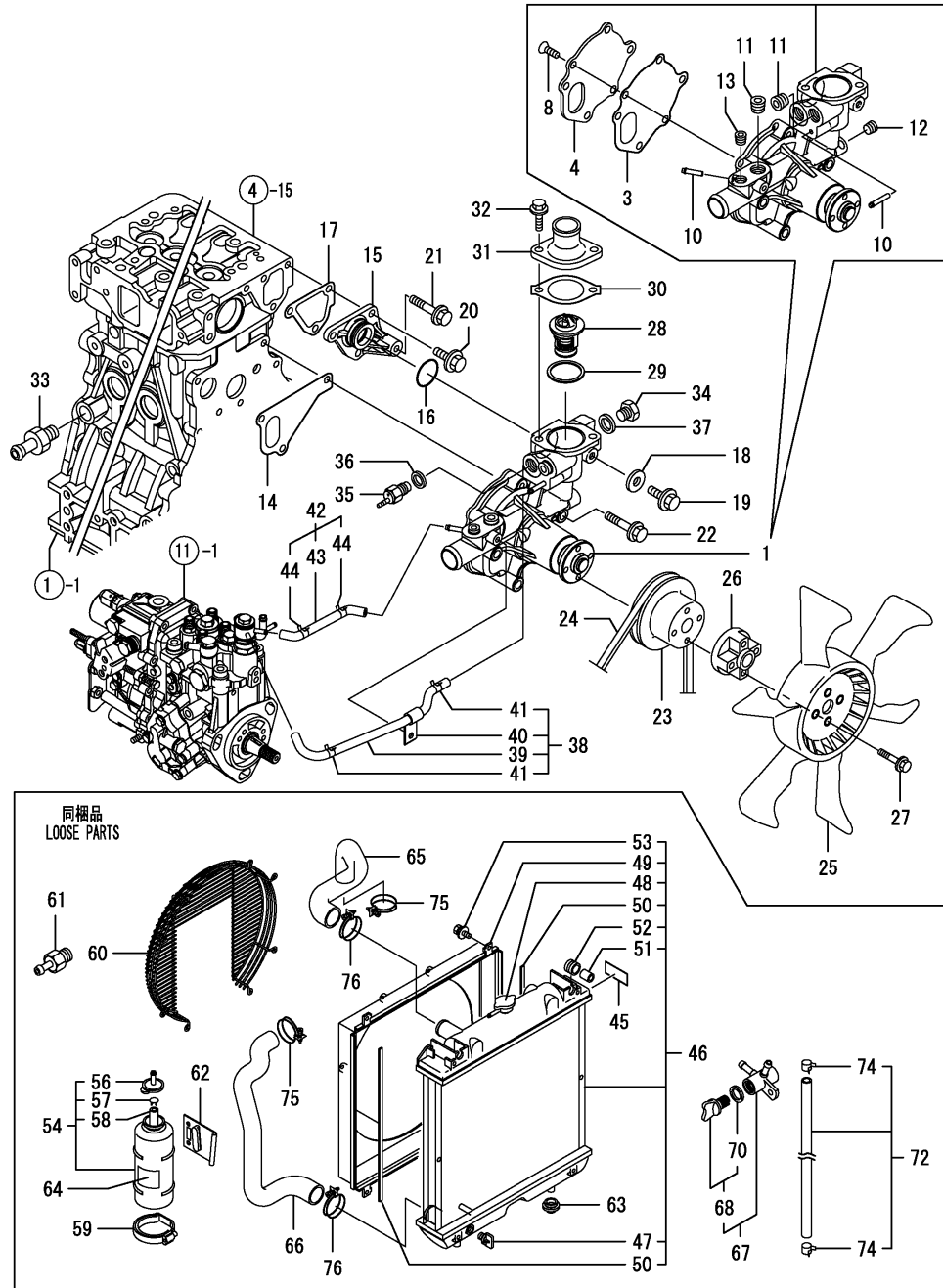
No.	Lev.	Parts No.	Description	Q'ty						I	R
				(A)	(B)	(C)	(D)	(E)	(F)		
1	1	129004-34802	DIPSTICK, OIL	1							
2	1	121520-34810	GUIDE, DIPSTICK	1							
3	1	129150-35042	GASKET	1							
4	1	129436-35091	PIPE ASSY, OIL INLET	1							
4-1	1	129436-35070	PIPE ASSY, LUB. OIL	1							S
(A=EZZZZZ)											
5	1	26106-080352	BOLT, M8X 35 PLATED	2							
5-1	1	26106-080552	BOLT, M8X 55 PLATED	2							S
(A=EZZZZZ)											
6	1	119802-35100	BRACKET ASSY, FILTER	1							
7	2	119802-35110	BRACKET, FILTER	1							
8	2	129100-35140	STUD	1							
9	1	129150-35111	GASKET	1							
10	1	119005-35151	FILTER, D80X100L	1							1
11	1	26106-080202	BOLT, M8X 20 PLATED	3							
12	1	114250-39450	SWITCH, 0.5KG	1							
13	1	124160-39140	BOLT, PIPE JOINT M10	1							
14	1	119802-39450	PIPE ASSY, OIL	1							
15	1	129005-59830	BOLT ASSY, JOINT M8	1							
16	2	22190-080002	WASHER, SEAL 6	1							
17	2	23857-030000	BOLT, JOINT 3	1							
18	1	22190-080002	WASHER, SEAL 6	1							
19	1	22190-100002	WASHER, SEAL 10	2							
20	1	26366-060002	NUT, M6	1							

Remarks

(1) REPAIR PART.

N:Old  $\xrightarrow{\text{Yes}}$  New, Q:Old  $\xrightarrow{\text{No}}$  New, R:Old  $\xrightarrow{\text{Yes}}$  New, S:Old  $\xrightarrow{\text{No}}$  New, W:Add, Z:Discontinued, F:Interchangeable by set, K:Q'ty Change

Fig.10. COOLING WATER SYSTEM



(A)=4TNV88-GGB1B

(B)=

(C)=

(D)=

(E)=

(F)=

No.	Lev.	Parts No.	Description	Q'ty						I	R
				(A)	(B)	(C)	(D)	(E)	(F)		
1	1	129004-42001	PUMP ASSY, WATER	1							
3	2	129100-42051	GASKET, WATER PUMP	1							
4	2	129100-42121	PLATE	1							
8	2	121850-42410	SCREW	3							
10	2	119802-49113	JOINT, PIPE	2							
11	2	129916-49740	PLUG, R03	2							
12	2	23876-010000	PLUG, R01	1							
13	2	23876-020000	PLUG, R02	1							
14	1	129486-42021	GASKET, WATER PUMP	1							
15	1	129004-42040	JOINT	1							
16	1	129486-42140	O-RING, G30	1							
17	1	124395-49840	GASKET	1							
18	1	23414-080000	GASKET, 8X1.0	1							
19	1	26106-080122	BOLT, M8X 12 PLATED	1							
20	1	26106-080162	BOLT, M8X 16 PLATED	3							
21	1	26106-080452	BOLT, M8X 45 PLATED	1							
22	1	26106-080602	BOLT, M8X 60 PLATED	3							
23	1	129403-42380	V-PULLEY, D=110	1							
24	1	129612-42350	V-BELT, A38	1							
25	1	129612-44700	FAN, COOLING	1							
26	1	121267-44760	SPACER	1							
27	1	26106-060302	BOLT, M6X 30 PLATED	4							
28	1	129155-49801	THERMOSTAT, 71	1							
29	1	129150-49811	GASKET, THERMOSTAT	1							
30	1	129795-49551	GASKET	1							
31	1	129350-49560	COVER, THERMOSTAT	1							
32	1	26106-080222	BOLT, M8X 22 PLATED	2							
33	1	121550-49111	JOINT, PT1/4	1							
34	1	121450-42450	PLUG, M16	1							
35	1	121250-44901	SWITCH, 110	1							
36	1	124465-44950	GASKET, 16	1							
37	1	124465-44950	GASKET, 16	1							
38	1	129004-49610	PIPE ASSY, WATER	1							
39	2	129004-49711	PIPE ASSY, WATER	1							
40	2	119802-49730	RETAINER, PIPE	1							
41	2	124722-59050	CLIP, HOSE 9	2							
42	1	129004-49620	PIPE ASSY, WATER	1							
43	2	129004-49721	PIPE ASSY, WATER	1							
44	2	124722-59050	CLIP, HOSE 9	1							
45	1	172437-03391	LABEL, RADIATOR US	1							
46	1	129601-44500	RADIATOR ASSY	1							
47	2	129508-44550	COCK ASSY	1							
48	2	129107-44590	CAP, RADIATOR	1							
49	2	129601-44600	SHROUD	1							
50	2	129601-44610	GASKET	2							
51	2	118400-44670	COLLAR	2							
52	2	118400-44720	MOUNT, RUBBER	2							
53	2	26014-060122	BOLT, M6X 12	4							
54	1	124450-44510	TANK ASSY, SUB	1							
56	2	124450-44530	CAP	1							
57	2	124450-44560	RETAINER	1							

Fig.10. COOLING WATER SYSTEM

(A)=4TNV88-GGB1B

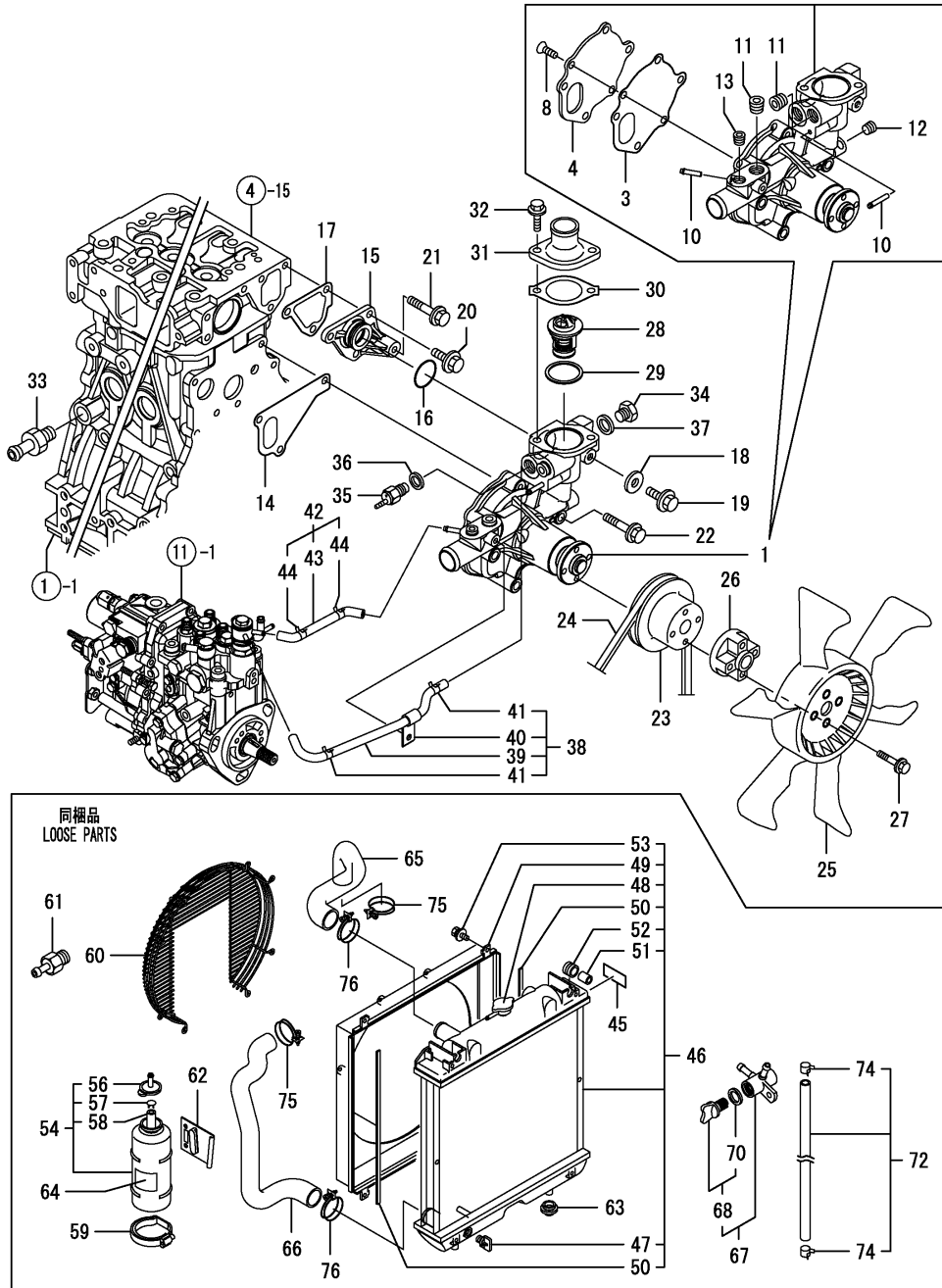
(B)=

(C)=

(D)=

(E)=

(F)=



No.	Lev.	Parts No.	Description	Q'ty						I	R
				(A)	(B)	(C)	(D)	(E)	(F)		
58	2	23061-070230	PIPE, 7X 230	1							
59	1	124450-44550	BAND	1							
60	1	129601-44560	GUARD	1							
61	1	119156-44600	COCK ASSY	1							
62	1	121256-44600	BRACKET, SUB TANK	1							
63	1	119255-44660	ABSORBER	2							
64	1	124764-44810	LABEL, SUB-TANK	1							
65	1	129612-49030	PIPE, WATER	1							
66	1	129612-49040	PIPE, WATER	1							
67	1	129150-49100	COCK ASSY, 3-WAY	1							
68	2	129150-49080	COCK, DRAIN	1							
70	3	119629-49080	GASKET	1							
72	1	129210-49280	PIPE ASSY, DRAIN	1							
74	2	124766-59050	CLIP, HOSE 12	2							
75	1	23010-038000	CLAMP, 38	2							
76	1	23010-044000	CLAMP, 44	2							

Fig.11. FUEL INJECTION PUMP

(A)=4TNV88-GGB1B

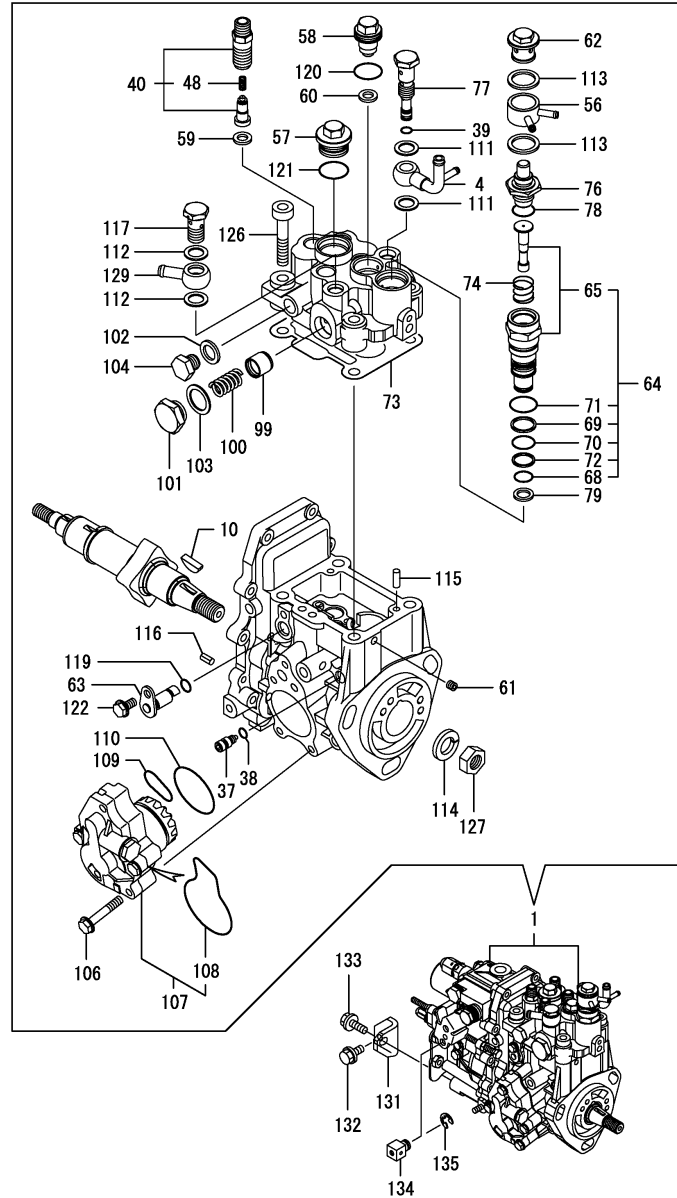
(B)=

(C)=

(D)=

(E)=

(F)=



No.	Lev.	Parts No.	Description	Q'ty						I	R
				(A)	(B)	(C)	(D)	(E)	(F)		
1	1	729647-51390	PUMP ASSY, INJECTION	1							1
4	2	158552-51670	JOINT, OVER FLOW	1							
10	2	119802-51090	KEY, 4X16	1							
37	2	158600-51270	STOPPER, TAPPET	1							
38	2	158563-51281	O-RING, 4D S6	1							
39	2	158563-51281	O-RING, 4D S6	1							
40	2	129509-51390	VALVE ASSY, DELIVERY	4							W
		(A=*2008.02.)									
48	3	158563-51330	SPRING, DELIVERY	4							
56	2	158553-51551	JOINT	1							
57	2	158601-51550	PLUG	1							
58	2	119802-51560	PLUG, BARREL	1							
59	2	158552-51570	GASKET	4							
60	2	158552-51570	GASKET	1							
61	2	158557-51570	PLUG	1							
62	2	158601-51570	PLUG	1							
63	2	158552-51580	LIFTER	1							
64	2	119802-51590	TIMER SET	1							
65	3	119802-51600	TIMER ASSY	1							
68	3	158553-51670	O-RING, 1011	1							
69	3	119802-51680	RING, BACK UP	1							
70	3	119802-51690	O-RING	1							
71	3	24356-010200	O-RING, 4D1020	1							
72	3	24372-000150	RING, BACK UP T2P15	1							
73	2	158552-51600	GASKET	1							
74	2	158553-51630	SPRING, TIMER	1							
76	2	158553-51640	ELEMENT	1							
77	2	158601-51650	JOINT, OVER FLOW	1							
78	2	158553-51660	O-RING, P14	1							
79	2	158553-51680	GASKET	1							
99	2	158601-51770	PISTON	1							
100	2	158552-51781	SPRING	1							
101	2	158601-51790	PLUG	1							
102	2	22190-120002	WASHER, SEAL 12	1							
103	2	22190-180002	WASHER, SEAL 18	1							
104	2	23887-120002	PLUG, 12	1							
106	2	158553-51770	BOLT	4							
107	2	158552-52100	PUMP ASSY, FUEL FEED	1							
108	3	158552-52500	O-RING	1							
109	2	158552-52310	O-RING	1							
110	2	158552-52400	O-RING, 4E S42	1							
111	2	22190-120002	WASHER, SEAL 12	2							
112	2	22190-120002	WASHER, SEAL 12	2							
113	2	22190-180002	WASHER, SEAL 18	2							
114	2	22217-140000	WASHER, SPRING 14	1							
115	2	22312-050140	PIN, PARALLEL M5X14	2							
116	2	22351-050010	PIN, SPRING 5.0X10	2							
117	2	23857-060000	BOLT, JOINT 6	1							
119	2	24311-000070	O-RING, 1AP7.0	1							
120	2	24356-010180	O-RING, 4D1018	1							
121	2	24356-010200	O-RING, 4D1020	1							

Remarks

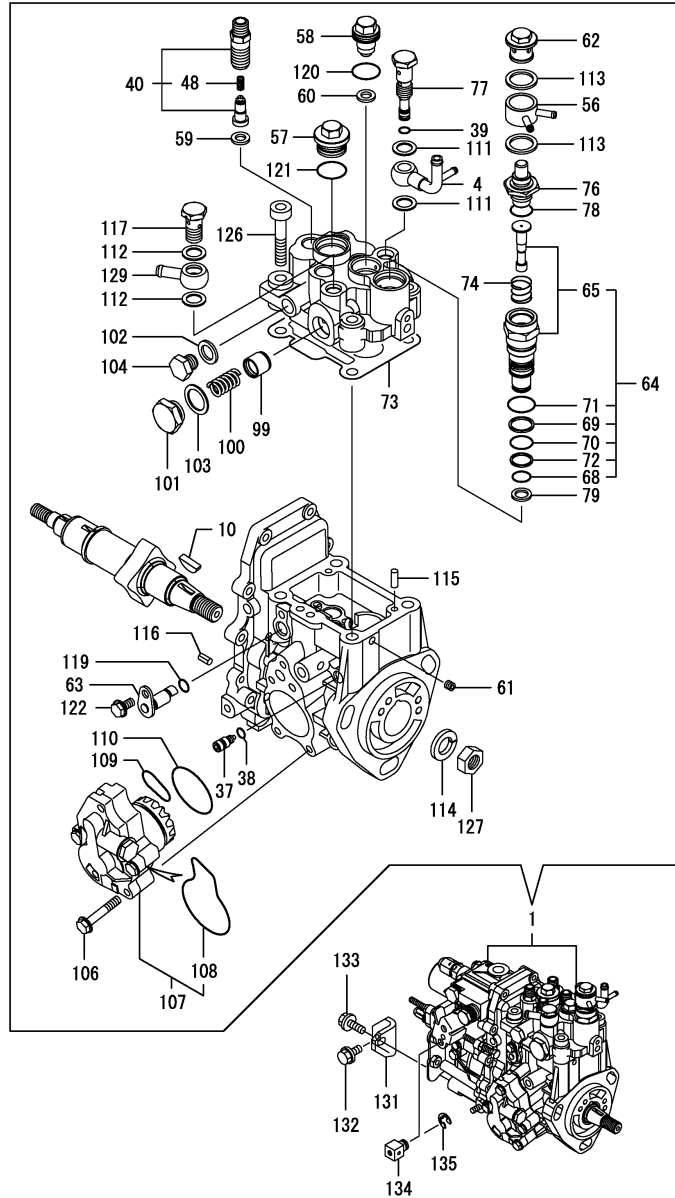
(1) GOVERNOR ASSY(FIG.12) IS INCORPORATED IN THIS FOP.CMP (REF.NO.1).



Fig.11. FUEL INJECTION PUMP

(A)=4TNV88-GGB1B  
(B)=  
(C)=

(D)=  
(E)=  
(F)=



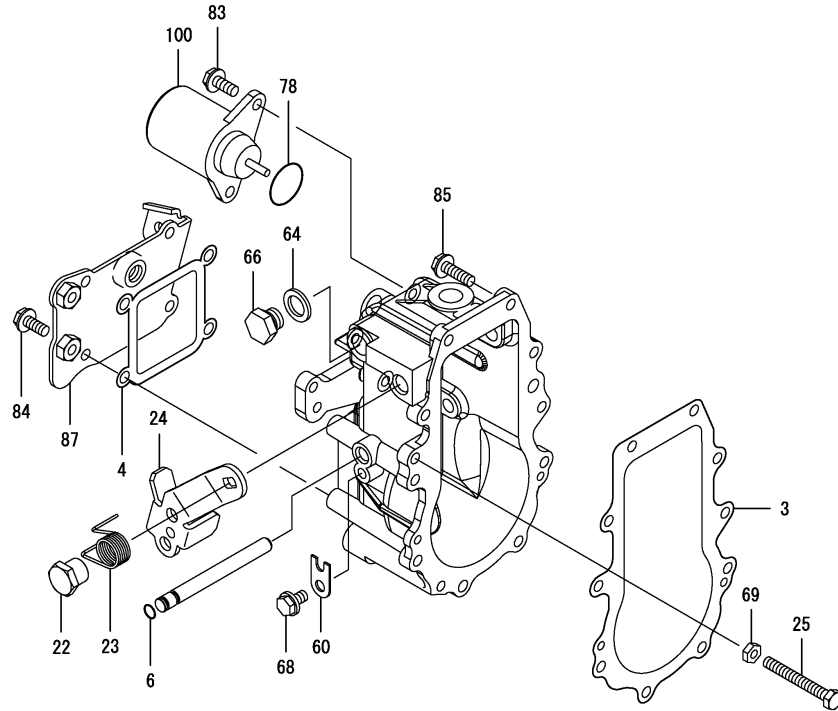
No.	Lev.	Parts No.	Description	Q'ty						I	R
				(A)	(B)	(C)	(D)	(E)	(F)		
122	2	26106-060102	BOLT, M6X 10 PLATED	1							
126	2	26450-080452	BOLT, M8X 45	4							
127	2	26776-140002	NUT, LOCK M14	1							
129	2	129916-59020	JOINT, PIPE 12	1							
131	1	129601-51250	RETAINER, PUMP	1							
132	1	26106-080162	BOLT, M8X 16 PLATED	1							
133	1	26106-080202	BOLT, M8X 20 PLATED	1							
134	1	124756-67510	RETAINER	1							
135	1	22272-000070	RING, E- 7	1							

Remarks  
(1) GOVERNOR ASSY(FIG.12) IS  
INCORPORATED IN THIS FOP.CMP  
(REF.NO.1).

Fig.12. GOVERNOR

(A)=4TNV88-GGB1B  
(B)=  
(C)=

(D)=  
(E)=  
(F)=

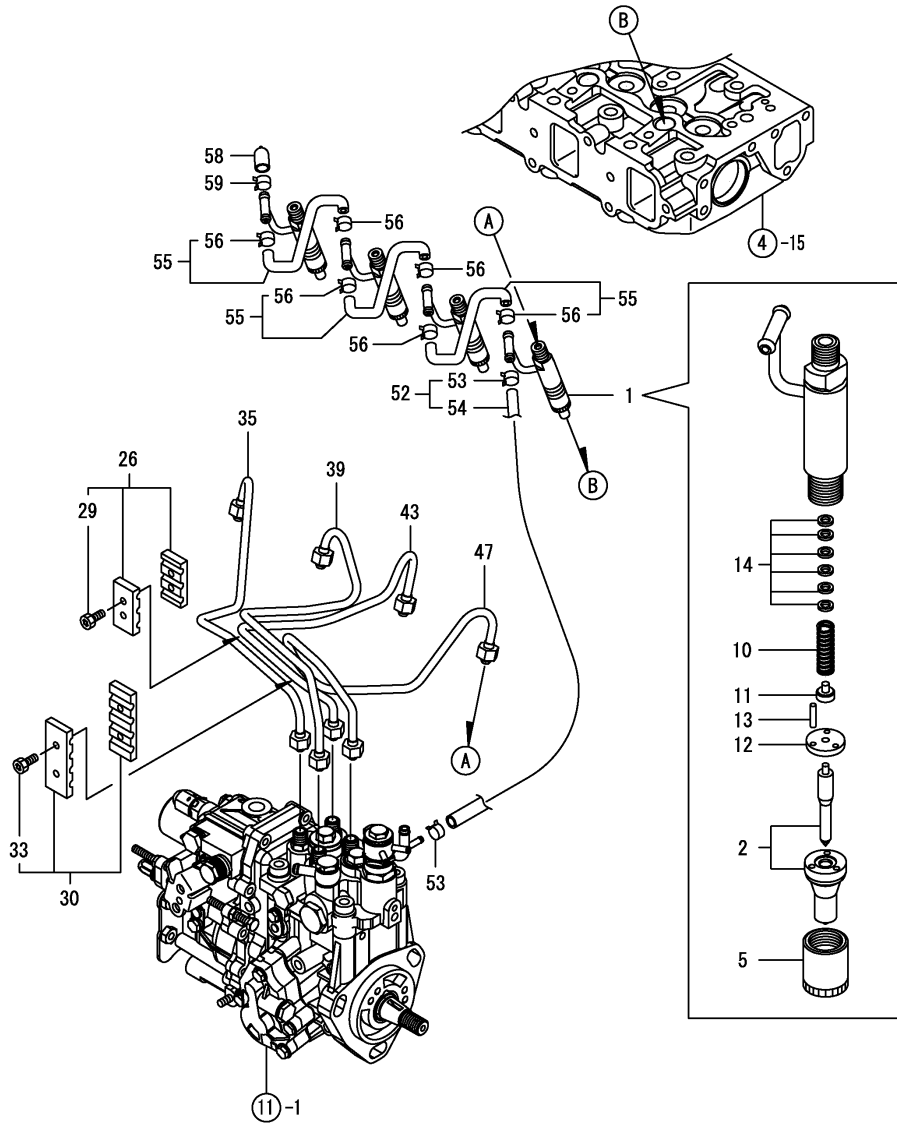


No.	Lev.	Parts No.	Description	Qty						I	R
				(A)	(B)	(C)	(D)	(E)	(F)		
3	2	158553-61050	GASKET	1							
4	2	158553-61070	GASKET	1							
6	2	129155-51280	O-RING, S6	1							
22	2	129255-61410	NUT, LOCK	1							
23	2	119807-61420	SPRING, RETURN	1							
24	2	129246-61441	LEVER, REGULATOR	1							
25	2	129155-61460	BOLT, IDLE	1							
60	2	119660-61901	RETAINER, SHAFT	1							
64	2	22190-120000	WASHER, SEAL 12	1							
66	2	23887-120002	PLUG, 12	1							
68	2	26106-060102	BOLT, M6X 10 PLATED	1							
69	2	26756-060002	NUT, LOCK M6	1							
78	2	158552-61900	O-RING	1							
83	2	26106-060142	BOLT, M6X 14 PLATED	2							
84	2	26106-060142	BOLT, M6X 14 PLATED	4							
85	2	26106-060202	BOLT, M6X 20 PLATED	10							
87	2	129246-61061	COVER, GOVERNOR CASE	1							
100	2	119653-77950	SOLENOID, STOP	1							

Remarks

\* THIS FIGURE(GOVERNOR ASSY)IS INCORPORATED IN THE FUEL INJECTION PUMP ASSY(FIG.11).

Fig.13. FUEL INJECTION VALVE



(A)=4TNV88-GGB1B

(B)=

(C)=

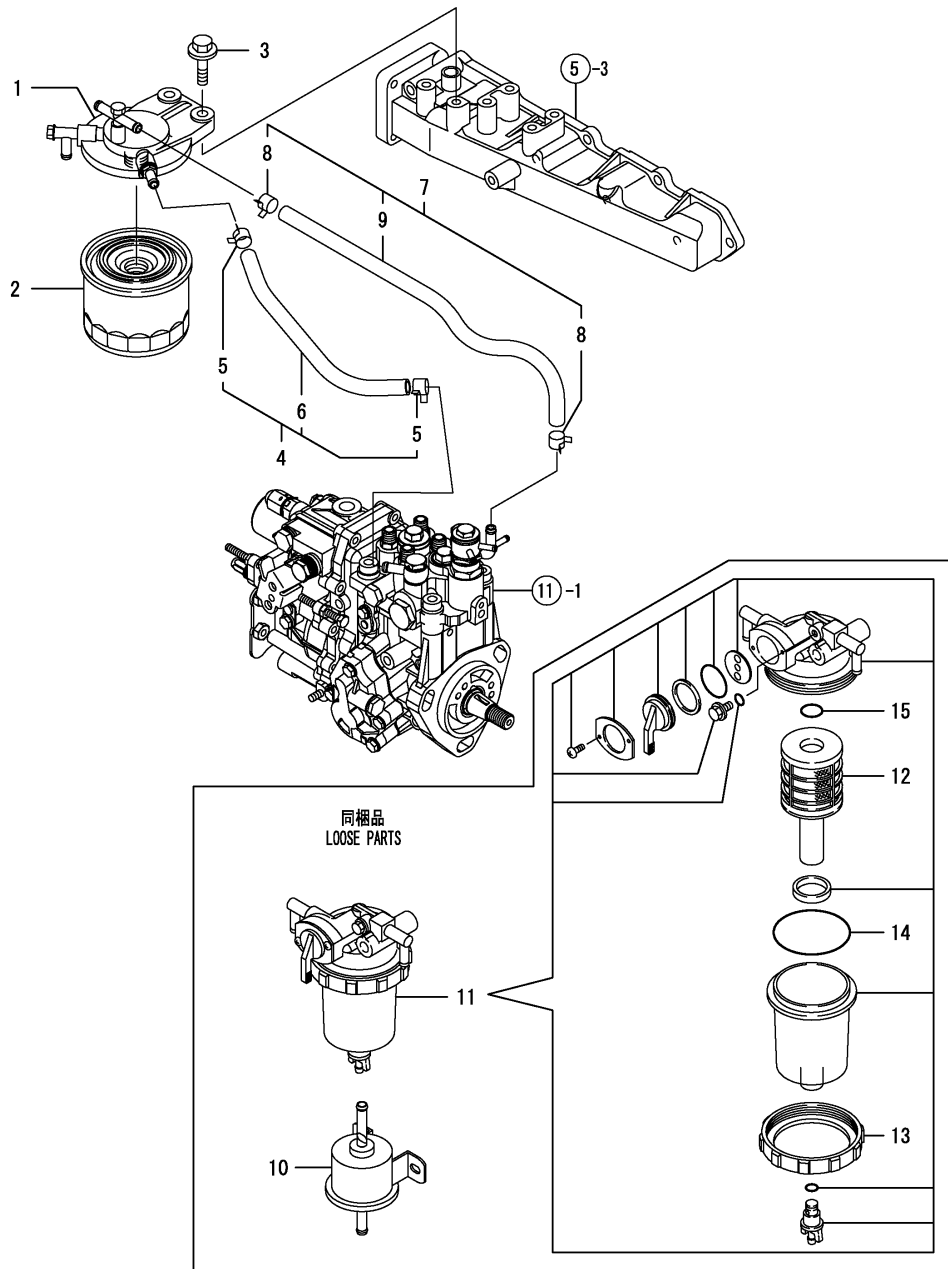
(D)=

(E)=

(F)=

No.	Lev.	Parts No.	Description	Q'ty						I	R
				(A)	(B)	(C)	(D)	(E)	(F)		
1	1	729246-53101	VALVE ASSY,INJECTION	4							
2	2	129246-53001	VALVE ASSY,INJECTION	4							
5	2	114250-53080	NUT, NOZZLE D16.95	4							
10	2	114250-53120	SPRING, NOZZLE	4							
11	2	114250-53130	SEAT, SPRING	4							
12	2	114250-53140	PLATE	4							
13	2	114250-53210	PIN	8							
14	2	114250-53400	SHIM SET	4							
26	1	129150-59120	RETAINER, PIPE	1							
29	2	129150-59131	BOLT, M4X14	2							
30	1	129550-59120	RETAINER, PIPE	1							
33	2	129150-59131	BOLT, M4X14	2							
35	1	129601-59810	PIPE ASSY, INJECTION	1							
39	1	129601-59820	PIPE ASSY, INJECTION	1							
43	1	129601-59830	PIPE ASSY, INJECTION	1							
47	1	129601-59840	PIPE ASSY, INJECTION	1							
52	1	119802-59550	PIPE ASSY, RETURN	1							
53	2	124722-59050	CLIP, HOSE 9	2							
54	2	119802-59560	PIPE, FUEL RETURN	1							
55	1	129486-59551	PIPE ASSY, RETURN	3							
56	2	124722-59050	CLIP, HOSE 9	6							
58	1	119593-59581	CAP	1							
59	1	124060-77680	CLIP, HOSE 10	1							

Fig.14. FUEL LINE



(A)=4TNV88-GGB1B  
(B)=  
(C)=

(D)=  
(E)=  
(F)=

No.	Lev.	Parts No.	Description	Q'ty						I	R
				(A)	(B)	(C)	(D)	(E)	(F)		
1	1	129004-55612	BRACKET, FILTER	1							
2	1	129907-55801	FILTER, FUEL	1							
3	1	26106-080302	BOLT, M8X 30 PLATED	2							
4	1	129210-59090	PIPE ASSY, FUEL	1							
5	2	124766-59050	CLIP, HOSE 12	2							
6	2	105325-59570	PIPE, FUEL	1							
7	1	129210-59150	PIPE ASSY, FUEL	1							
8	2	124766-59050	CLIP, HOSE 12	2							
9	2	105025-59530	PIPE, FUEL D13X400	1							
10	1	129612-52100	PUMP ASSY, FUEL FEED	1							
11	1	129906-55700	SEPARATOR ASSY	1							
12	2	119802-55710	ELEMENT	1							
13	2	129100-55690	RING, RETAINING	1							
14	2	24321-000650	O-RING, 1AG65.0	1							
15	2	24311-000160	O-RING, 1AP16.0	1							

Fig.15. STARTING MOTOR

(A)=4TNV88-GGB1B

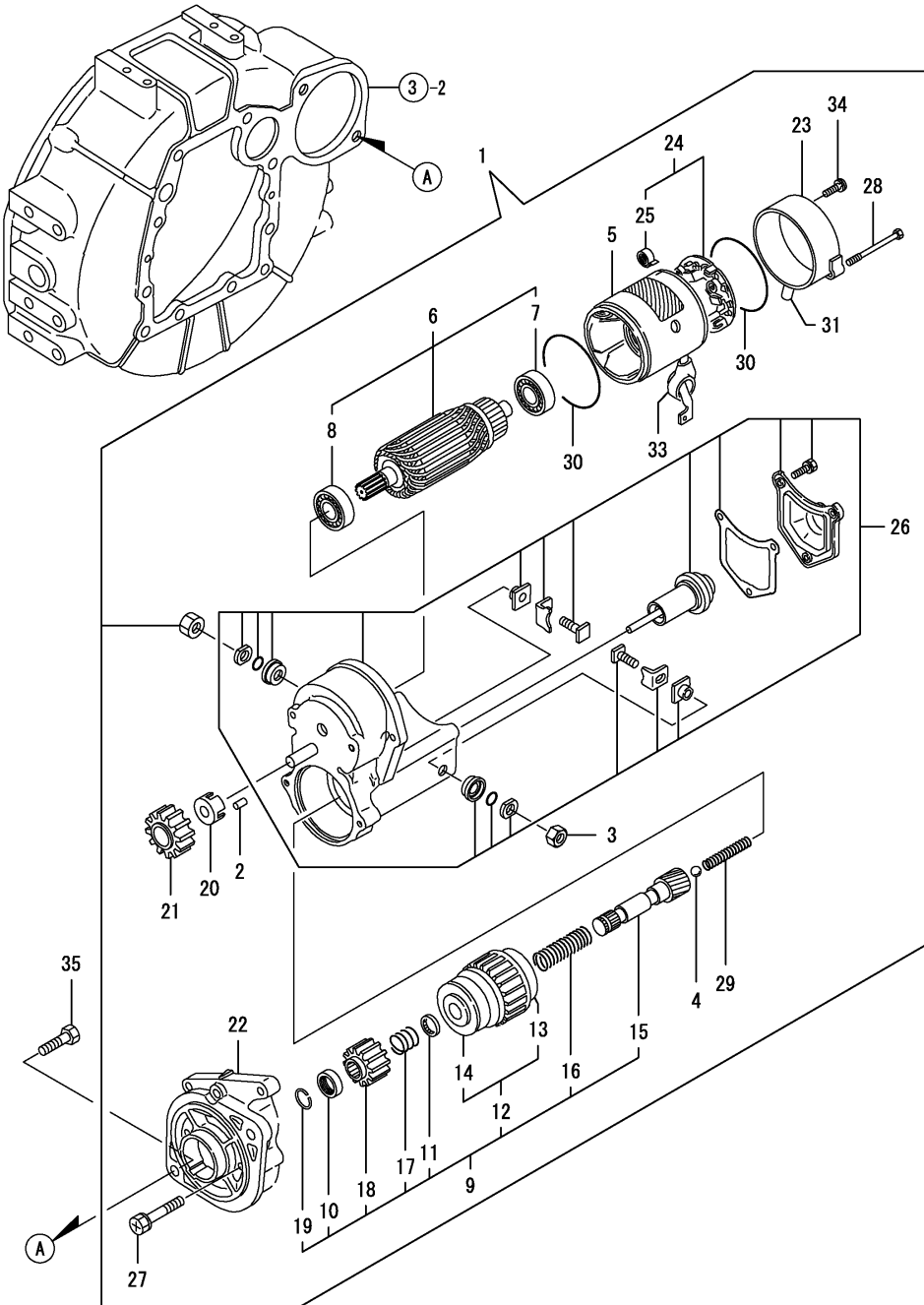
(B)=

(C)=

(D)=

(E)=

(F)=



No.	Lev.	Parts No.	Description	Q'ty						I	R
				(A)	(B)	(C)	(D)	(E)	(F)		
1	1	129407-77010	STARTER, RA1.4	1							
2	2	X0283060061	ROLLER	5							
3	2	X9490561370	NUT	1							
4	2	X9491200240	BALL	1							
5	2	129407-77210	YOKE ASSY	1							
6	2	129407-77220	ARMATURE ASSY	1							
7	3	129129-77230	BEARING	1							
8	3	129129-77240	BEARING	1							
9	2	129407-77250	STARTER	1							
10	3	X0280210230	NUT	1							
11	3	X0283270140	RETAINER	1							
12	3	129407-77390	CLUTCH ASSY	1							
13	4	129129-77440	BEARING	1							
14	4	129129-77450	BEARING	1							
15	3	129129-77400	SHAFT	1							
16	3	129129-77410	SPRING, COIL	1							
17	3	X9491703371	SPRING, COIL	1							
18	3	129129-77420	PINION	1							
19	3	129129-77430	RING	1							
20	2	129129-77260	RETAINER	1							
21	2	129129-77270	PINION	1							
22	2	129407-77280	HOUSING	1							
23	2	129407-77290	FRAME	1							
24	2	129407-77300	HOLDER ASSY	1							
25	3	X9491730461	SPRING	4							
26	2	129407-77310	SWITCH ASSY	1							
27	2	129129-77320	BOLT	2							
28	2	129407-77330	BOLT	2							
29	2	129129-77340	SPRING	1							
30	2	129129-77350	O-RING	2							
31	2	129129-77362	COVER	1							
33	2	129129-77380	CAP	1							
34	2	129129-77460	SCREW	2							
35	1	26116-120252	BOLT, M12X 25 PLATED	2							

Fig.16. GENERATOR

(A)=4TNV88-GGB1B

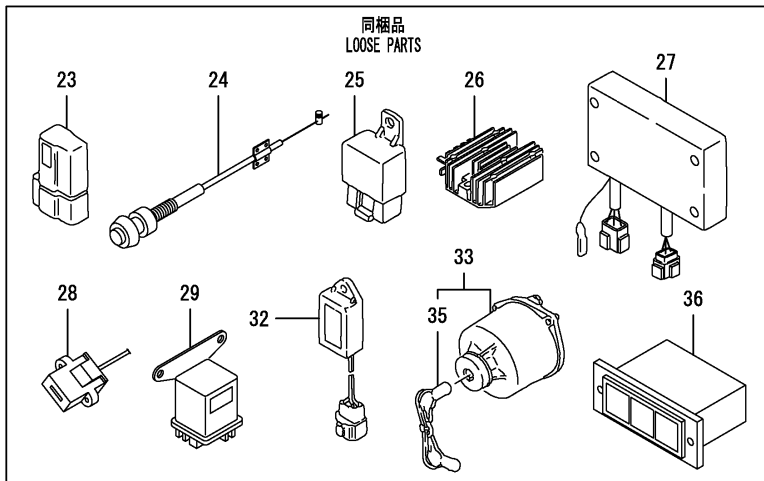
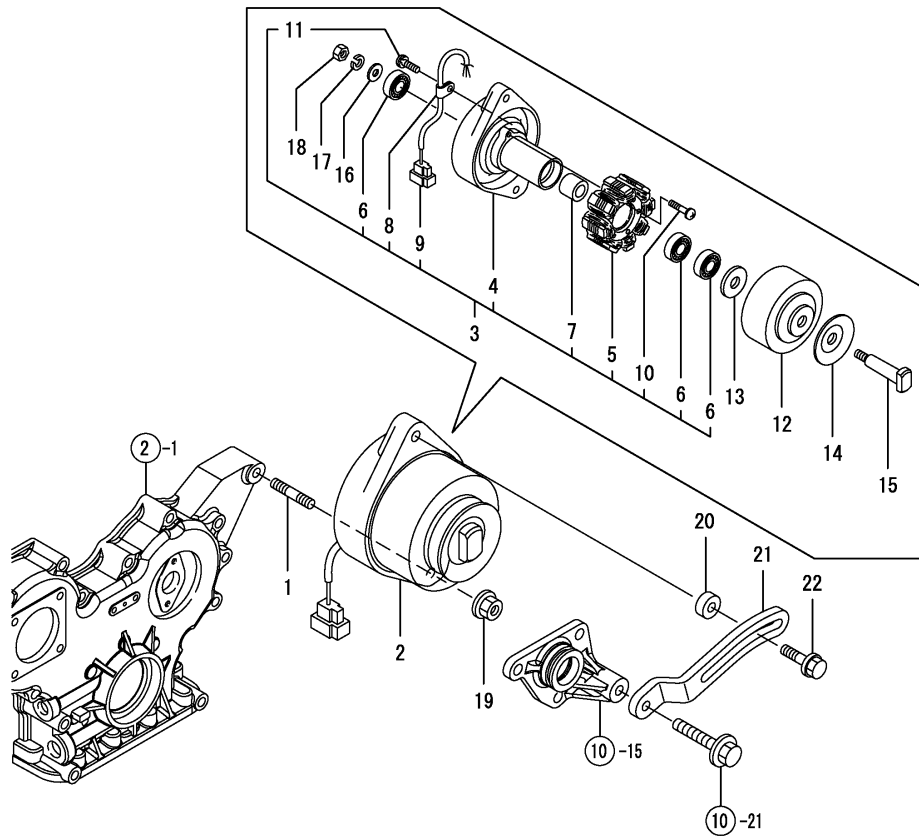
(B)=

(C)=

(D)=

(E)=

(F)=



No.	Lev.	Parts No.	Description	Qty						I	R
				(A)	(B)	(C)	(D)	(E)	(F)		
1	1	129795-01900	STUD	1							
2	1	171301-77201	DYNAMO ASSY, 15A	1							
3	2	XM08137	PLATE ASSY	1							
4	3	X2A07073KA	PLATE	1							
5	3	X4A07023KB	STATOR ASSY	1							
6	3	24104-062010	BEARING, 6201UUC3	3							
7	3	XM329830000	COLLAR	1							
8	3	XM069000000	CLAMP	1							
9	3	X417878	COUPLER	1							
10	3	XYSPS402400	SCREW	2							
11	3	XYSPS400800	SCREW	1							
12	2	X3A08877KA	FLYWHEEL	1							
13	2	XM67935	WASHER	1							
14	2	XM721740000	PULLEY	1							
15	2	X4A07403K01	SHAFT	1							
16	2	XM860250000	WASHER 10	1							
17	2	XM219230000	WASHER, SPRING	1							
18	2	XM863720000	NUT	1							
19	1	26306-100002	NUT, M10	1							
20	1	119940-77270	SPACER, GENERATOR	1							
21	1	129004-77330	ADJUSTER	1							
22	1	129972-77341	BOLT, ADJUSTER L=50	1							
23	1	119643-66900	DIODE	1							
24	1	170029-67100	CABLE, PUSH-PULL	1							
25	1	119247-77100	RELAY, SAFETY	2							
26	1	119233-77711	LIMITER, CURRENT	1							
27	1	171440-77801	RELAY, EMERGENCY	1							
28	1	119643-77900	CONNECTOR, STARTER	1							
29	1	119650-77910	RELAY ASSY, GLOW	1							
32	1	129211-77920	TIMER	1							
33	1	129115-91250	SWITCH ASSY	1							
35	2	129115-91270	KEY ASSY	1							
36	1	170038-91310	UNIT, LAMP (RED)	1							

Fig.17. GASKET SET

(A)=4TNV88-GGB1B

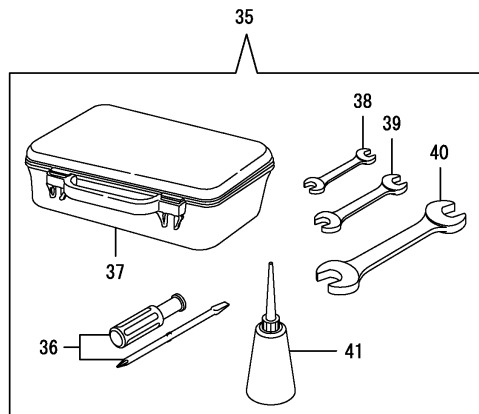
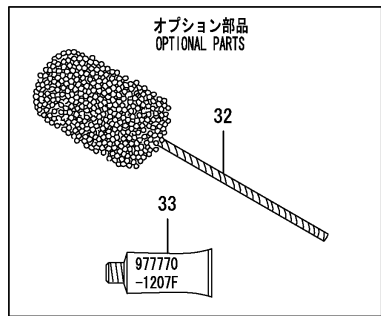
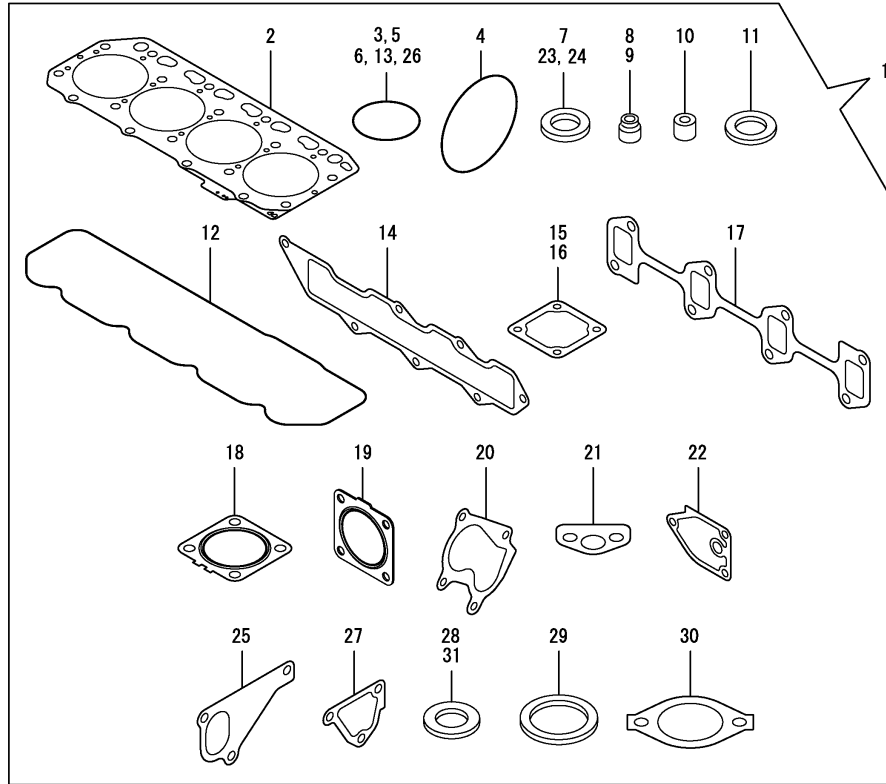
(B)=

(C)=

(D)=

(E)=

(F)=



No.	Lev.	Parts No.	Description	Q'ty						I	R
				(A)	(B)	(C)	(D)	(E)	(F)		
1	1	729602-92620	GASKET SET	1							1
2	2	129407-01340	GASKET, HEAD	1							
3	2	119609-32040	O-RING, P16	4							
4	2	121850-51960	O-RING	1							
5	2	24311-000320	O-RING, 1AP32.0	2							
6	2	24341-000240	O-RING, 1AS24.0	1							
7	2	22190-220002	WASHER, SEAL 22	1							
8	2	121400-11340	SEAL, VALVE STEM	4							
9	2	124460-11340	SEAL, VALVE STEM	4							
10	2	119802-11870	PROTECTOR, NOZZLE	4							
11	2	119625-11880	SEAT, NOZZLE	4							
12	2	129601-11310	GASKET, BONNET	1							
13	2	24311-000120	O-RING, 1AP12.0	3							
14	2	129407-12110	GASKET, MANIFOLD	1							
15	2	129100-77510	GASKET, AIR HEATER	1							
16	2	129150-77511	GASKET	1							
17	2	129550-13110	GASKET	1							
18	2	129004-13200	GASKET, SILENCER	1							
19	2	129930-13201	GASKET, SILENCER	5							
20	2	123901-18080	GASKET	1							
21	2	129150-35042	GASKET	1							
22	2	129150-35111	GASKET	1							
23	2	22190-080002	WASHER, SEAL 6	2							
24	2	22190-100002	WASHER, SEAL 10	2							
25	2	129486-42021	GASKET, WATER PUMP	1							
26	2	129486-42140	O-RING, G30	1							
27	2	124395-49840	GASKET	1							
28	2	23414-080000	GASKET, 8X1.0	1							
29	2	129150-49811	GASKET, THERMOSTAT	1							
30	2	129795-49551	GASKET	1							
31	2	124465-44950	GASKET, 16	2							
32	1	129400-92430	HONE	1							1
33	1	977770-1207F	GASKET.LIQUID	1							1
35	1	721400-92102	BOX ASSY, TOOL	1							
36	2	104200-92350	DRIVER, SCREW	1							
37	2	104200-92600	BOX, TOOL	1							
38	2	28110-100120	SPANNER, 10X12	1							
39	2	28110-140170	SPANNER, 14X17	1							
40	2	28110-190220	SPANNER, 19X22	1							
41	2	28210-000140	OILER	1							

Remarks

(1) OPTIONAL PARTS.

## Parts No. Index

Parts No.	Fig. No.	Ref. No.
104200-92350	17	36
104200-92600	17	37
105025-59530	14	9
105325-59570	14	6
114250-39450	9	12
114250-53080	13	5
114250-53120	13	10
114250-53130	13	11
114250-53140	13	12
114250-53210	13	13
114250-53400	13	14
118400-44670	10	51
118400-44720	10	52
119005-35151	9	10
119131-18320	6	5
119156-44600	10	61
119233-77711	16	26
119247-77100	16	25
119255-44660	10	63
119593-59581	13	58
119609-32040	2	11
	17	3
119620-01750	3	3
119625-11880	4	32
	17	11
119629-49080	10	70
119640-01640	3	8
119643-66900	16	23
119643-77900	16	28
119650-77910	16	29
119653-77950	12	100
119660-61901	12	60
119802-01520	2	6
119802-01561	2	7
119802-03110	4	43
119802-03121	4	44
119802-03130	4	45
119802-03141	4	46
119802-11260	4	6
119802-11270	4	7
119802-11870	4	31
	17	10
119802-12560	5	8
119802-21202	8	4
119802-21660	8	8
119802-25051	7	9
119802-25071	7	13
119802-25101	7	10
119802-25901	7	16
119802-32070	2	13

Parts No.	Fig. No.	Ref. No.
119802-32100	2	12
119802-32111	2	17
119802-32120	2	18
119802-32130	2	19
119802-35100	9	6
119802-35110	9	7
119802-39450	9	14
119802-49113	10	10
119802-49730	10	40
119802-51090	11	10
119802-51560	11	58
119802-51590	11	64
119802-51600	11	65
119802-51680	11	69
119802-51690	11	70
119802-55710	14	12
119802-59550	13	52
119802-59560	13	54
119807-61420	12	23
119808-12520	5	11
119808-12540	5	13
119866-12541	5	14
119910-12210	5	7
119910-12510	5	10
119910-12601	5	9
119934-01800	2	5
119940-77270	16	20
120130-11860	4	29
120270-54410	4	34
121023-01551	2	27
121111-21501	8	11
121250-44901	10	35
121256-44600	10	62
121267-44760	10	26
121400-11340	4	25
	17	8
121450-42450	10	34
121520-34810	9	2
121550-23200	8	27
121550-49111	10	33
121850-21680	8	10
121850-42410	10	8
121850-51960	2	20
	17	4
123900-13610	6	3
123900-13630	6	4
123901-18080	6	11
	17	20
124060-01050	1	4
124060-77680	13	59

Parts No.	Fig. No.	Ref. No.
124160-01751	2	8
	4	39
124160-01910	1	6
		7
124160-11360	4	51
124160-39140	9	13
124240-01871	2	9
124395-49840	10	17
	17	27
124450-44510	10	54
124450-44530	10	56
124450-44550	10	59
124450-44560	10	57
124460-11340	4	26
	17	9
124465-44950	10	36
		37
	17	31
124550-21600	8	14
124722-59050	10	41
		44
	13	53
		56
124756-67510	11	134
124764-44810	10	64
124766-59050	10	74
	14	5
		8
126650-12680	5	16
129001-01250	1	5
129001-02931	1	30
129001-32330	2	16
129001-91841	2	21
129004-01190	1	27
129004-03010	4	41
129004-11130	4	23
129004-11650	4	9
129004-11900	4	33
129004-13200	6	7
	17	18
129004-34802	9	1
129004-42001	10	1
129004-42040	10	15
129004-49610	10	38
129004-49620	10	42
129004-49711	10	39
129004-49721	10	43
129004-55612	14	1
129004-77330	16	21
129005-22080	8	15

Parts No.	Fig. No.	Ref. No.
129005-22500	8	17
129005-22900	8	33
129005-22950	8	35
129005-59830	9	15
129051-12530	5	12
129100-01580	3	1
		14
	8	2
129100-11112	4	21
129100-23910	8	30
129100-35140	9	8
129100-42051	10	3
129100-42121	10	4
129100-55690	14	13
129100-77501	5	20
129100-77510	5	21
	17	15
129107-44590	10	48
129111-67010	3	20
129115-91250	16	33
129115-91270	16	35
129129-77230	15	7
129129-77240	15	8
129129-77260	15	20
129129-77270	15	21
129129-77320	15	27
129129-77340	15	29
129129-77350	15	30
129129-77362	15	31
129129-77380	15	33
129129-77400	15	15
129129-77410	15	16
129129-77420	15	18
129129-77430	15	19
129129-77440	15	13
129129-77450	15	14
129129-77460	15	34
129150-01200	1	28
129150-02020	1	9
129150-02450	7	4
129150-02871	1	33
129150-02931	1	24
129150-02941	1	36
129150-03070	4	42
129150-11230	4	10
129150-11280	4	8
129150-11370	4	14
129150-11750	4	12
129150-11810	4	30
129150-14101	7	6



## Parts No. Index

Parts No.	Fig. No.	Ref. No.
129150-14200	7	1
129150-14400	7	2
129150-23601	8	28
129150-23611	8	31
129150-25301	7	15
129150-35042	9	3
	17	21
129150-35111	9	9
	17	22
129150-49080	10	68
129150-49100	10	67
129150-49811	10	29
	17	29
129150-59120	13	26
129150-59131	13	29
		33
129150-77511	5	22
	17	16
129155-49801	10	28
129155-51280	12	6
129155-61460	12	25
129202-22300	8	21
129210-49280	10	72
129210-59090	14	4
129210-59150	14	7
129211-77920	16	32
129246-53001	13	2
129246-61061	12	87
129246-61441	12	24
129255-61410	12	22
129350-49560	10	31
129400-01730	3	6
129400-01770	3	7
129400-92430	17	32
129403-42380	10	23
129407-01340	1	29
	17	2
129407-12110	5	4
	17	14
129407-77010	15	1
129407-77210	15	5
129407-77220	15	6
129407-77250	15	9
129407-77280	15	22
129407-77290	15	23
129407-77300	15	24
129407-77310	15	26
129407-77330	15	28
129407-77390	15	12
129410-03990	5	2

Parts No.	Fig. No.	Ref. No.
129418-32320	2	15
129436-35070	9	4 -1
129436-35091	9	4
129486-01670	3	18
129486-42021	10	14
	17	25
129486-42140	10	16
	17	26
129486-59551	13	55
129508-44550	10	47
129509-51390	11	40
129550-13110	6	2
	17	17
129550-59120	13	30
129601-03080	5	1
129601-11241	4	3
129601-11251	4	4
129601-11310	4	48
	17	12
129601-11350	4	40
129601-11700	4	15
129601-12100	5	3
129601-13109	6	1
129601-13550	6	10
129601-21002	8	1
129601-44500	10	46
129601-44560	10	60
129601-44600	10	49
129601-44610	10	50
129601-51250	11	131
129601-59810	13	35
129601-59820	13	39
129601-59830	13	43
129601-59840	13	47
129612-12650	5	15
129612-42350	10	24
129612-44700	10	25
129612-49030	10	65
129612-49040	10	66
129612-52100	14	10
129648-01600	3	15
129648-01780	3	17
129688-01780	3	7 -1
129795-01900	16	1
129795-01950	2	10
129795-02412	1	12
129795-11120	4	22
129795-11180	4	24
129795-21661	8	9
129795-49551	10	30

Parts No.	Fig. No.	Ref. No.
129795-49551	17	30
129900-07900	4	1
129900-32130	2	14
129906-55700	14	11
129907-55801	14	2
129908-13510	6	9
129916-49740	10	11
129916-59020	11	129
129930-13201	6	8
	17	19
129972-77341	16	22
158552-51151	7	17
158552-51570	11	59
		60
158552-51580	11	63
158552-51600	11	73
158552-51670	11	4
158552-51781	11	100
158552-52100	11	107
158552-52310	11	109
158552-52400	11	110
158552-52500	11	108
158552-61900	12	78
158553-51551	11	56
158553-51630	11	74
158553-51640	11	76
158553-51660	11	78
158553-51670	11	68
158553-51680	11	79
158553-51770	11	106
158553-61050	12	3
158553-61070	12	4
158557-51570	11	61
158563-51281	11	38
		39
158563-51330	11	48
158600-51270	11	37
158601-51550	11	57
158601-51570	11	62
158601-51650	11	77
158601-51770	11	99
158601-51790	11	101
170029-67100	16	24
170038-91310	16	36
171051-01921	1	8
171301-77201	16	2
171340-77520	5	23
171420-01600	3	2
171420-21590	8	12
171440-77801	16	27

Parts No.	Fig. No.	Ref. No.
172437-03391	10	45
22190-080002	9	16
		18
	17	23
22190-100002	9	19
	17	24
22190-120000	12	64
22190-120002	11	102
		111
		112
22190-180002	11	103
		113
22190-220002	3	10
	17	7
22217-140000	7	18
	11	114
22252-000260	8	22
22272-000070	11	135
22312-050140	11	115
22351-030010	8	7
22351-050010	11	116
22351-060012	4	35
22512-070140	7	7
	8	5
22857-500100	4	49
		50
23000-060000	5	17
23010-038000	10	75
23010-044000	10	76
23061-070230	10	58
23414-080000	10	18
	17	28
23857-030000	9	17
23857-060000	11	117
23876-010000	10	12
23876-020000	10	13
23876-030000	2	3
23876-040000	2	4
23887-120002	11	104
	12	66
24104-062010	16	6
24311-000070	11	119
24311-000120	4	52
	17	13
24311-000160	14	15
24311-000320	2	22
	4	53
	17	5
24321-000650	14	14
24341-000240	2	28

## Parts No. Index

Parts No.	Fig. No.	Ref. No.
24341-000240	17	6
24356-010180	11	120
24356-010200	11	71
		121
24372-000150	11	72
26013-080222	5	18
		19
26014-060122	10	53
26106-060102	11	122
	12	68
26106-060142	12	83
		84
26106-060162	2	29
26106-060202	12	85
26106-060302	10	27
26106-080122	10	19
26106-080142	7	8
26106-080162	2	23
		24
	3	11
		21
	4	2
	10	20
26106-080202	11	132
	5	5
	9	11
	11	133
26106-080222	10	32
26106-080252	3	12
	4	36
26106-080302	14	3
26106-080352	3	19
	4	37
	9	5
26106-080402	5	24
	7	14
26106-080452	3	13
		13 -1
	10	21
26106-080502	3	22
	4	38
26106-080552	2	25
	9	5 -1
26106-080602	10	22
26106-080802	5	6
		25
26116-120252	15	35
26206-100252	3	4
26206-100302	3	5
26226-080182	4	13

Parts No.	Fig. No.	Ref. No.
26306-080002	2	26
	6	6
26306-100002	16	19
26366-060002	9	20
26450-080452	11	126
26756-060002	12	69
26776-140002	7	19
	11	127
27241-120000	1	13
27241-300000	1	14
27241-400000	4	20
27310-080001	4	27
28110-100120	17	38
28110-140170	17	39
28110-190220	17	40
28210-000140	17	41
721400-92102	17	35
729233-01500	2	1
729246-53101	13	1
729402-23100	8	23
729601-14580	7	3
729602-01560	1	1
729602-92620	17	1
729647-51390	11	1
977770-1207F	17	33
X0280210230	15	10
X0283060061	15	2
X0283270140	15	11
X2A07073KA	16	4
X3A08877KA	16	12
X417878	16	9
X4A07023KB	16	5
X4A07403K01	16	15
X9490561370	15	3
X9491200240	15	4
X9491703371	15	17
X9491730461	15	25
XM069000000	16	8
XM08137	16	3
XM219230000	16	17
XM329830000	16	7
XM67935	16	13
XM721740000	16	14
XM860250000	16	16
XM863720000	16	18
XYSPS400800	16	11
XYSPS402400	16	10

Parts No.	Fig. No.	Ref. No.
-----------	----------	----------

Parts No.	Fig. No.	Ref. No.
-----------	----------	----------