

0CD10-M93300EN

Introduction

1. This parts catalog is a first edition of the L70V6HJ1C9GAYG, L100V6BJ1C9GAYG Diesel engine for KOKUSAN DENKI CO., LTD.

| | Parts catalog No. | Date of issue | Remarks |
|---------------|-------------------|---------------|---------|
| First edition | 000Y00D9330 | Dec. , 2006 | |

2. This parts catalog does not contain the technical data needed for maintenance service.

3. The illustrations used in this parts catalog have been simplified for clarity.

4. The contents of this parts catalog are subject to change without notice.

5. Be sure to use only Yanmar genuine parts for repairs. If imitation parts are used, it may cause engine defects.

Directions for the Parts Catalog.

1. This Parts Catalog shows both standard and optional parts.
2. Parts may change without prior notice.
3. The following is an example of the Parts Catalog format.

| REF. | LEV. | PARTS NO. | DESCRIPTION | Q'TY | | | | | | I | R |
|------|------|--|---------------------|------|-----|-----|-----|-----|-----|---|---|
| | | | | (A) | (B) | (C) | (D) | (E) | (F) | | |
| 1 | 1 | 729595-51390 | FUEL INJECTION PUMP | 1 | 1 | 1 | 1 | 1 | | | 1 |
| 1-1 | 1 | 729595-51391 | FUEL INJECTION PUMP | 1 | 1 | 1 | 1 | 1 | | N | 1 |
| | | (A=E00185) (B=E00200) | | | | | | | | | |
| 3 | 2 | 26022-060162 | SCREW M 6X 16 | 9 | 9 | 9 | 9 | 9 | | | |
| 3-1 | 2 | 26022-060162 | SCREW M 6X 16 | 4 | 4 | 4 | 4 | 4 | | K | |
| | | (A=E00156) (B=E00156) (C=E00156) (D=E00156) (E=E00156) | | | | | | | | | |
| 4 | 2 | 129470-51040 | CAMSHAFT | 1 | 1 | 1 | 1 | 1 | | | |
| 5 | 2 | 122710-51050 | BEARING, ROLLER | 2 | 2 | 2 | 2 | 2 | | | |
| 6 | 2 | 129470-51060 | RETAINER | 1 | 1 | 1 | 1 | 1 | | | |

| |
|---|
| Remarks |
| (1) BOOST COMPEMSATOR TYPE. OPTIONAL PART, TO E00155,(4JH-DT, 4JH-DTZ |

① Ref. No.

The Ref. No. listed may not be in accordance with the illustration Ref. No.

(Ex.) Illustration No.

List Ref No.

1

1

(Before change)

1-1

(After change)

For interchangeable symbols N, R and K, illustrations for new parts may be abbreviated.

② Lev. (Level)

Level indication

The numbers below indicate the level of relativity towards the main part.

1 ----- Main parts (Assembly parts)

2 ----- Sub component included in " 1 ".

3 ----- Sub component included in " 2 ".

Note) Parts that are not for sale are partially illustrated but not listed.

③ Interchangeability Symbol

When a part change takes place, one of the following interchangeability symbols is indicated beside the part.

| Symbol | Interchangeability | Contents note |
|--------|---|--|
| N | Old $\begin{matrix} \leftarrow \text{Yes} \\ \text{No} \rightarrow \end{matrix}$ New | New Part is interchangeable for Old Part but Old Part is not interchangeable for New Part. |
| Q | Old $\begin{matrix} \leftarrow \text{No} \\ \text{Yes} \rightarrow \end{matrix}$ New | New Part is not interchangeable for Old Part but Old Part is interchangeable for New Part. |
| R | Old $\begin{matrix} \leftarrow \text{Yes} \\ \text{Yes} \rightarrow \end{matrix}$ New | New/ Old Parts are both interchangeable. |
| S | Old $\begin{matrix} \leftarrow \text{No} \\ \text{No} \rightarrow \end{matrix}$ New | New/ Old Parts are both not interchangeable. |
| W | | Part newly added. |
| Z | | Part discontinued. |
| F | | Not interchangeable by a single part but interchangeable together with related parts. |
| K | | Changes only for used parts quantities. |

④ Effective Machine No.

When a part changes, the effective Machine No. will be indicated in the (A)-(F) column.

| Product Symbol | Product No. | Product Symbol | Product No. |
|----------------|---------------------------|----------------|-----------------------------------|
| C | Clutch No. Compressor No. | F | Machine No. (Agricultural Equip.) |
| D | Drive No. | M | Machine No. |
| E | Engine No. | | |

Note 1) A date may follow the symbol. (Ex.) 1996.01

Note 2) "XXXXX" and "ZZZZZ" are for parts that could not be predicted or for engine models that could not be identified.

Note 3) (A=E00185) is the E (Engine Serial Number) for the column (A) model (in this case 4JH-DT) after the parts design change.

⑤ Remarks

Figures or alphabets (symbols) are entered in the remarks column.

The comments (remarks) on parts that are indicated at the bottom of the illustration are the same symbols as those stated above.

Contents

Fig. No. Fig. Name

L70V6HJ1C9GAYG

1. CYLINDER BLOCK
2. CYLINDER HEAD & BONNET
3. AIR CLEANER
4. CRANKSHAFT,PISTON & CAMSHAFT
5. LUB.OIL PUMP & GOVERNOR
6. COOLING & STARTING DEVICE
7. FUEL INJECTION PUMP & FUEL INJECTION VALVE
21. (7A)FUEL INJECTION PUMP & FUEL INJECTION VALVE
8. STARTING MOTOR & DYNAMO
9. TOOL,LABEL & GASKET SET
10. ACCESSORIES

L100V6BJ1C9GAYG

11. CYLINDER BLOCK
12. CYLINDER HEAD & BONNET
13. AIR CLEANER
14. CRANKSHAFT,PISTON & CAMSHAFT
15. LUB.OIL PUMP & GOVERNOR
16. COOLING & STARTING DEVICE
17. FUEL INJECTION PUMP & FUEL INJECTION VALVE
22. (17A)FUEL INJECTION PUMP & FUEL INJECTION VALVE
18. STARTING MOTOR & DYNAMO
19. TOOL,LABEL & GASKET SET
20. ACCESSORIES

Fig. No. Fig. Name

Fig.1. CYLINDER BLOCK

(A)=L70V6HJ1C9GAYG

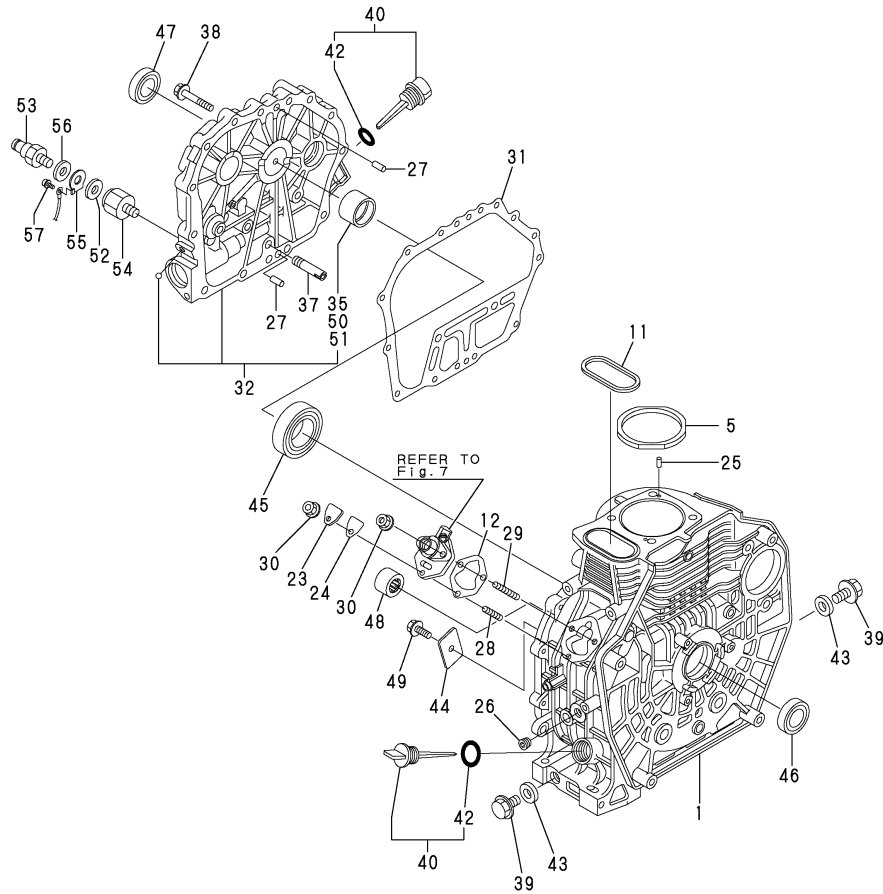
(B)=

(C)=

(D)=

(E)=

(F)=



| No. | Lev. | Parts No. | Description | Q'ty | | | | | | I | R |
|-----|------|--------------|----------------------|------|-----|-----|-----|-----|-----|---|---|
| | | | | (A) | (B) | (C) | (D) | (E) | (F) | | |
| 1 | 1 | 114210-01010 | BLOCK ASSY, CYLINDER | 1 | | | | | | | |
| 5 | 1 | 114395-01330 | GASKET, HEAD | 1 | | | | | | | |
| 11 | 1 | 114399-01380 | O-RING | 1 | | | | | | | |
| 12 | 1 | 114299-01800 | SHIM SET | 1 | | | | | | | |
| 23 | 1 | 114299-01830 | COVER | 1 | | | | | | | |
| 24 | 1 | 114250-01841 | GASKET | 1 | | | | | | | |
| 25 | 1 | 22312-040080 | PIN, PARALLEL M4X 8 | 2 | | | | | | | |
| 26 | 1 | 23875-020000 | PLUG, R02 | 1 | | | | | | | |
| 27 | 1 | 114299-01600 | PIN, 8X12 | 2 | | | | | | | |
| 28 | 1 | 26226-060182 | STUD, M6X 18 | 1 | | | | | | | |
| 29 | 1 | 26226-060222 | STUD, M6X 22 | 2 | | | | | | | |
| 30 | 1 | 26366-060002 | NUT, M6 | 3 | | | | | | | |
| 31 | 1 | 114399-01410 | GASKET, CRANK CASE | 1 | | | | | | | |
| 32 | 1 | 114210-01460 | COVER(D, CRANK CASE | 1 | | | | | | | |
| 35 | 2 | 114350-02100 | BEARING, MAIN | 1 | | | | | | | 1 |
| 37 | 1 | 114299-35150 | PIPE, OIL INLET | 1 | | | | | | | |
| 38 | 1 | 26106-080352 | BOLT, M8X 35 PLATED | 15 | | | | | | | |
| 39 | 1 | 114299-01690 | PLUG M16 | 2 | | | | | | | |
| 40 | 1 | 114699-01760 | CAP ASSY | 2 | | | | | | | |
| 42 | 2 | 114299-01950 | O-RING, 18 | 2 | | | | | | | |
| 43 | 1 | 22190-160002 | WASHER, SEAL 16 | 2 | | | | | | | |
| 44 | 1 | 114299-02030 | RETAINER, BEARING | 1 | | | | | | | |
| 45 | 1 | 114350-02113 | BEARING, B35-135G3C3 | 1 | | | | | | | |
| 46 | 1 | 160110-02220 | SEAL, OIL | 1 | | | | | | | |
| 47 | 1 | 160110-02220 | SEAL, OIL | 1 | | | | | | | |
| 48 | 1 | 24162-152116 | BEARING, 152116 | 1 | | | | | | | |
| 49 | 1 | 26106-080122 | BOLT, M8X 12 PLATED | 1 | | | | | | | |
| 50 | 1 | 114350-02200 | BEARING, 0.25 US | 1 | | | | | | | 2 |
| 51 | 1 | 114350-02210 | BEARING, 0.50 US | 1 | | | | | | | 3 |
| 52 | 1 | 183366-08290 | WASHER | 1 | | | | | | | |
| 53 | 1 | 183250-39450 | SWITCH, 1.0KG | 1 | | | | | | | |
| 54 | 1 | 183366-39460 | JOINT | 1 | | | | | | | |
| 55 | 1 | 171022-39470 | TERMINAL, EARTH | 1 | | | | | | | |
| 56 | 1 | 22117-100000 | WASHER, 10 | 1 | | | | | | | |
| 57 | 1 | 26557-040082 | SCREW, M4X 8 | 1 | | | | | | | |

Remarks

- (1)REPAIR PART.
- (2)UNDER SIZED(U.S.=0.25)PART.
- (3)UNDER SIZED(U.S.=0.50)PART.

Fig.2. CYLINDER HEAD & BONNET

(A)=L70V6HJ1C9GAYG

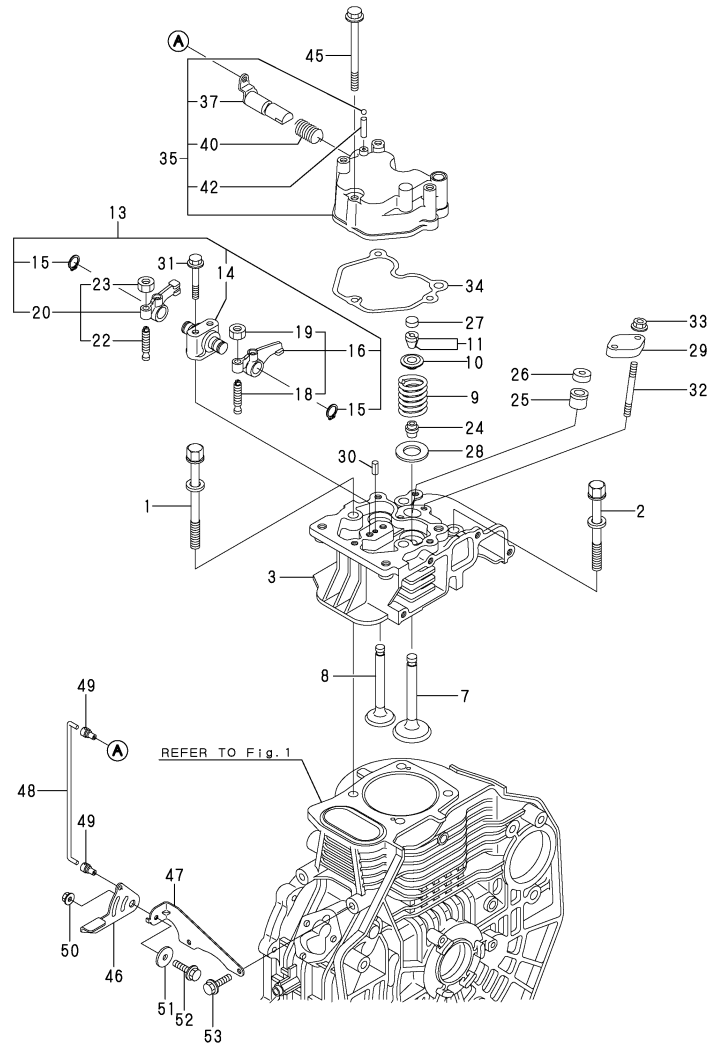
(B)=

(C)=

(D)=

(E)=

(F)=



| No. | Lev. | Parts No. | Description | Q'ty | | | | | | I | R |
|-----|------|--------------|----------------------|------|-----|-----|-----|-----|-----|---|---|
| | | | | (A) | (B) | (C) | (D) | (E) | (F) | | |
| 1 | 1 | 114210-01200 | BOLT, CYL.HEAD A | 2 | | | | | | | |
| 2 | 1 | 114210-01210 | BOLT, CYL.HEAD B | 2 | | | | | | | |
| 3 | 1 | 114210-11020 | HEAD ASSY, CYLINDER | 1 | | | | | | | |
| 7 | 1 | 114210-11100 | VALVE, INTAKE | 1 | | | | | | | |
| 8 | 1 | 114210-11110 | VALVE, EXHAUST | 1 | | | | | | | |
| 9 | 1 | 114210-11120 | SPRING, VALVE | 2 | | | | | | | |
| 10 | 1 | 114210-11180 | RETAINER, SPRING | 2 | | | | | | | |
| 11 | 1 | 114210-11930 | COTTER ASSY | 2 | | | | | | | |
| 13 | 1 | 114210-11250 | SUPPORT ASSY, ROCKER | 1 | | | | | | | |
| 14 | 2 | 114210-11260 | SUPPORT, ROCKER ARM | 1 | | | | | | | |
| 15 | 2 | 114210-11280 | C TYPE RETAINING RIN | 2 | | | | | | | |
| 16 | 2 | 114210-11650 | ARM ASSY, INTAKE | 1 | | | | | | | |
| 18 | 3 | 114299-11240 | SCREW, ADJUSTING | 1 | | | | | | | |
| 19 | 3 | 26856-060002 | NUT, M6 | 1 | | | | | | | |
| 20 | 2 | 114210-11660 | ARM ASSY, EXHAUST | 1 | | | | | | | |
| 22 | 3 | 114299-11240 | SCREW, ADJUSTING | 1 | | | | | | | |
| 23 | 3 | 26856-060002 | NUT, M6 | 1 | | | | | | | |
| 24 | 1 | 114350-11340 | SEAL, VALVE STEM | 2 | | | | | | | |
| 25 | 1 | 114771-11461 | GASKET, NOZZLE | 1 | | | | | | | 1 |
| 26 | 1 | 114295-11470 | SPACER, NOZZLE | 1 | | | | | | | 1 |
| 27 | 1 | 105010-11490 | CAP, VALVE | 2 | | | | | | | |
| 28 | 1 | 114299-11600 | WASHER, VALVE SPRING | 2 | | | | | | | |
| 29 | 1 | 114210-11900 | RETAINER, NOZZLE | 1 | | | | | | | |
| 30 | 1 | 22351-040008 | PIN, SPRING 4.0X 8 | 1 | | | | | | | |
| 31 | 1 | 26106-060402 | BOLT, M6X 40 PLATED | 2 | | | | | | | |
| 32 | 1 | 26226-060552 | STUD, M6X 55 | 2 | | | | | | | |
| 33 | 1 | 26366-060002 | NUT, M6 | 2 | | | | | | | |
| 34 | 1 | 114210-11310 | GASKET, BONNET | 1 | | | | | | | |
| 35 | 1 | 114210-11960 | BONNET ASSY, HEAD | 1 | | | | | | | |
| 37 | 2 | 114210-03580 | DECOMPRESSION ASSY | 1 | | | | | | | |
| 40 | 2 | 114299-03640 | SPRING,DECOMPRESSION | 1 | | | | | | | |
| 42 | 2 | 22312-030160 | PIN, PARALLEL M3X16 | 1 | | | | | | | |
| 45 | 1 | 26106-060552 | BOLT, M6X 55 PLATED | 3 | | | | | | | |
| 46 | 1 | 183250-03410 | LEVER, DECOMPRESSION | 1 | | | | | | | |
| 47 | 1 | 114210-03450 | BRACKET, LEVER | 1 | | | | | | | |
| 48 | 1 | 183350-03510 | LINK | 1 | | | | | | | |
| 49 | 1 | 183250-03550 | JOINT | 2 | | | | | | | |
| 50 | 1 | 114299-12300 | NUT | 1 | | | | | | | |
| 51 | 1 | 160670-66350 | COLLAR | 1 | | | | | | | |
| 52 | 1 | 26106-060142 | BOLT, M6X 14 PLATED | 1 | | | | | | | |
| 53 | 1 | 26106-060162 | BOLT, M6X 16 PLATED | 2 | | | | | | | |

Remarks

(1)This parts is applied up to the following engine number.

(A)=EM15176

Please refer to Fig.7A since above-mentioned engine number.

Interchangeable by simultaneous replacement with Fig.7A No1,27,57,61, 62 when changing to the new model.

Fig.3. AIR CLEANER

(A)=L70V6HJ1C9GAYG

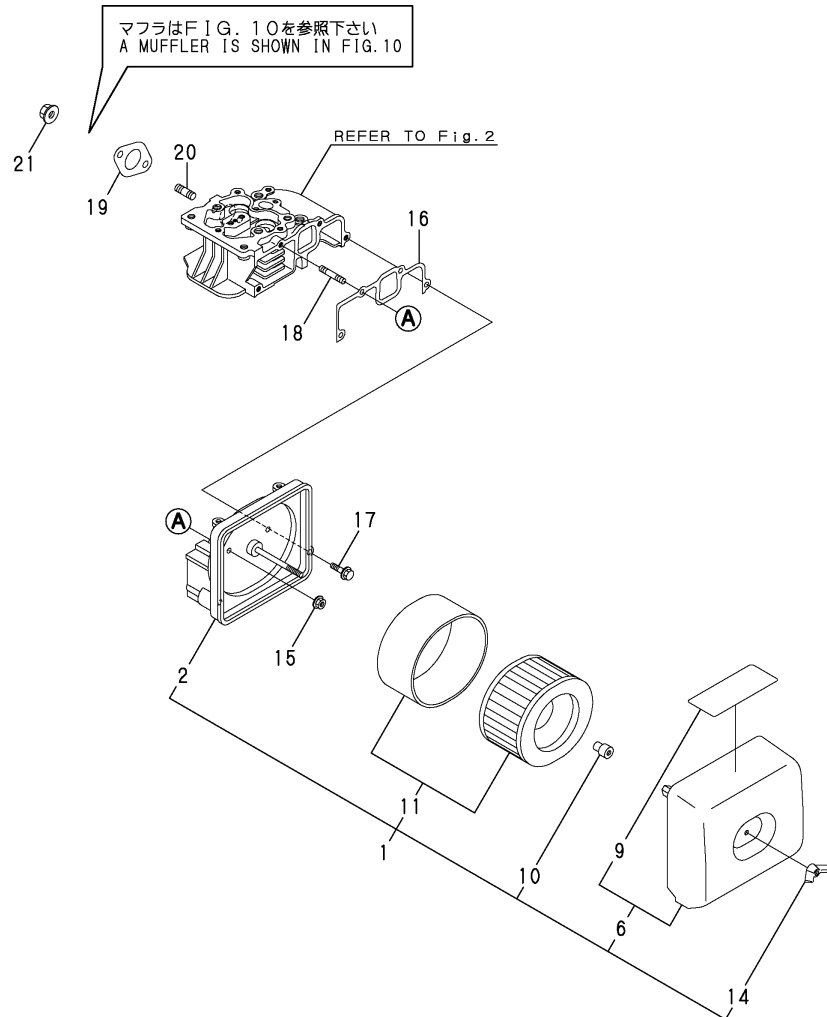
(B)=

(C)=

(D)=

(E)=

(F)=



| No. | Lev. | Parts No. | Description | Q'ty | | | | | | I | R |
|-----|------|--------------|----------------------|------|-----|-----|-----|-----|-----|---|---|
| | | | | (A) | (B) | (C) | (D) | (E) | (F) | | |
| 1 | 1 | 114210-12511 | CLEANER ASSY, AIR | 1 | | | | | | | |
| 2 | 2 | 114210-12010 | BODY ASSY, AIR CLNR | 1 | | | | | | | |
| 6 | 2 | 114210-12500 | COVER ASSY, AIR CLNR | 1 | | | | | | | |
| 9 | 3 | 114210-12610 | LABEL, AIR CLEANER | 1 | | | | | | | |
| 10 | 2 | 114210-12560 | NUT, WING | 1 | | | | | | | |
| 11 | 2 | 114210-12590 | ELEMENT ASSY | 1 | | | | | | | |
| 14 | 2 | 114210-12600 | LOCKING KNOB | 1 | | | | | | | |
| 15 | 1 | 114299-12300 | NUT | 3 | | | | | | | |
| 16 | 1 | 114210-12210 | GASKET, AIR CLEANER | 1 | | | | | | | |
| 17 | 1 | 26106-060202 | BOLT, M6X 20 PLATED | 1 | | | | | | | |
| 18 | 1 | 26226-060302 | STUD, M6X 30 | 3 | | | | | | | |
| 19 | 1 | 114299-13200 | GASKET, MUFFLER | 1 | | | | | | | |
| 20 | 1 | 26216-080182 | STUD, M8X 18 | 2 | | | | | | | |
| 21 | 1 | 26366-080002 | NUT, M8 | 2 | | | | | | | |

Fig.4. CRANKSHAFT,PISTON & CAMSHAFT

(A)=L70V6HJ1C9GAYG

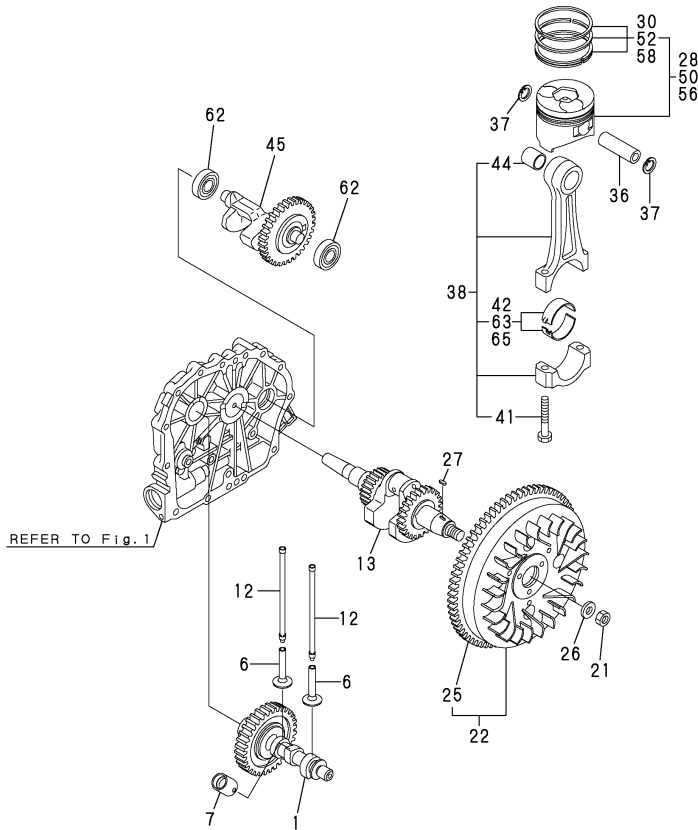
(B)=

(C)=

(D)=

(E)=

(F)=



| No. | Lev. | Parts No. | Description | Q'ty | | | | | | I | R |
|-----|------|--------------|-----------------------|------|-----|-----|-----|-----|-----|---|---|
| | | | | (A) | (B) | (C) | (D) | (E) | (F) | | |
| 1 | 1 | 714210-14580 | CAMSHAFT ASSY | 1 | | | | | | | |
| 6 | 1 | 114210-14200 | TAPPET | 2 | | | | | | | |
| 7 | 1 | 114210-14300 | TAPPET ASSY, ROLLER | 1 | | | | | | | |
| 12 | 1 | 114210-14400 | ROD ASSY, PUSH | 2 | | | | | | | |
| 13 | 1 | 714210-21730 | CRANKSHAFT ASSY | 1 | | | | | | | |
| 21 | 1 | 114299-21220 | NUT | 1 | | | | | | | |
| 22 | 1 | 114399-21590 | FLYWHEEL ASSY | 1 | | | | | | | |
| 25 | 2 | 114399-21600 | GEAR, RING | 1 | | | | | | | |
| 26 | 1 | 114299-21550 | WASHER | 1 | | | | | | | |
| 27 | 1 | 22512-040120 | KEY, 4X 12 | 1 | | | | | | | |
| 28 | 1 | 714210-22720 | PISTON W/RINGS (D) | 1 | | | | | | | |
| 30 | 2 | 714870-22502 | RING SET, PISTON | 1 | | | | | | | |
| 36 | 1 | 114399-22300 | PIN, PISTON D=21 | 1 | | | | | | | |
| 37 | 1 | 22252-000210 | RING, 21 | 2 | | | | | | | |
| 38 | 1 | 714210-23701 | ROD ASSY, CONNECTING | 1 | | | | | | | |
| 41 | 2 | 118200-23200 | BOLT, CONNECTING ROD | 2 | | | | | | | |
| 42 | 2 | 114210-23600 | BEARING, CRANK PIN | 1 | | | | | | | |
| 44 | 2 | 114380-23100 | BEARING, PISTON PIN | 1 | | | | | | | |
| 45 | 1 | 714210-28510 | SHAFT ASSY, BALANCER | 1 | | | | | | | |
| 50 | 1 | 714210-22620 | PISTON W/RING OS=.25 | 1 | | | | | | | 1 |
| 52 | 2 | 714870-22542 | RING SET, 0.25 OS | 1 | | | | | | | 1 |
| 56 | 1 | 714210-22580 | PISTON W/RING OS=0.5 | 1 | | | | | | | 2 |
| 58 | 2 | 714870-22552 | RING SET, 0.50 OS | 1 | | | | | | | 2 |
| 62 | 1 | 24101-062030 | BEARING, BALL 6203C3 | 2 | | | | | | | |
| 63 | 1 | 114210-23610 | BEARING,PIN(U.S.=0.25 | 1 | | | | | | | 3 |
| 65 | 1 | 114210-23620 | BEARING,PIN(U.S.=0.50 | 1 | | | | | | | 4 |

Remarks

- (1)OVER SIZED(O.S.=0.25)PART.
- (2)OVER SIZED(O.S.=0.50)PART.
- (3)UNDER SIZED(U.S.=0.25)PART.
- (4)UNDER SIZED(U.S.=0.50)PART.

Fig.5. LUB.OIL PUMP & GOVERNOR

(A)=L70V6HJ1C9GAYG

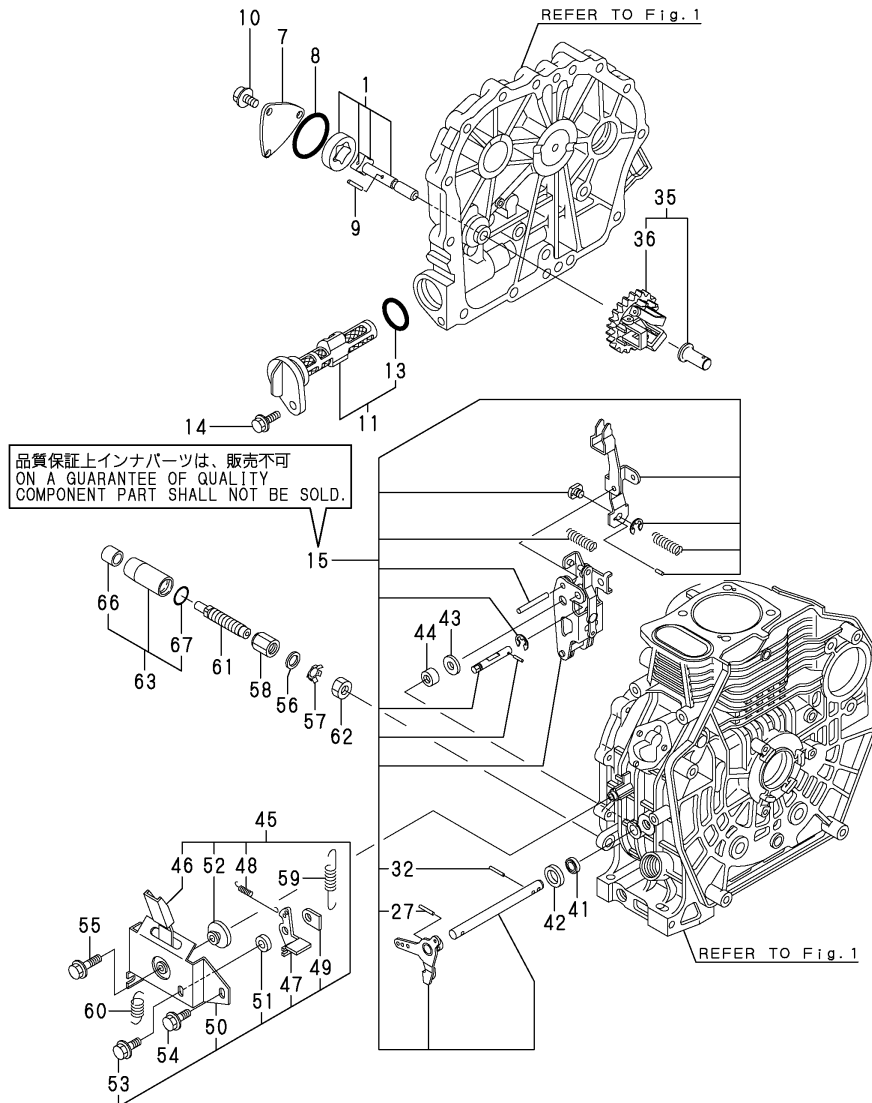
(B)=

(C)=

(D)=

(E)=

(F)=



| No. | Lev. | Parts No. | Description | Qty | | | | | | I | R |
|-----|------|--------------|-----------------------|-----|-----|-----|-----|-----|-----|---|---|
| | | | | (A) | (B) | (C) | (D) | (E) | (F) | | |
| 1 | 1 | 114250-32010 | PUMP ASSY, OIL | 1 | | | | | | | |
| 7 | 1 | 114299-32070 | COVER | 1 | | | | | | | |
| 8 | 1 | 114299-32570 | O-RING | 1 | | | | | | | |
| 9 | 1 | 22312-030160 | PIN, PARALLEL M3X16 | 1 | | | | | | | |
| 10 | 1 | 26106-060122 | BOLT, M6X 12 PLATED | 3 | | | | | | | |
| 11 | 1 | 114299-35110 | FILTER ASSY, OIL | 1 | | | | | | | |
| 13 | 2 | 24341-000224 | O-RING, 1AS22.4 | 1 | | | | | | | |
| 14 | 1 | 26106-060162 | BOLT, M6X 16 PLATED | 1 | | | | | | | |
| 15 | 1 | 114210-61550 | LEVER ASSY, GOVERNOR | 1 | | | | | | | |
| 27 | 2 | 22322-030200 | PIN, TAPER 3X20 | 1 | | | | | | | |
| 32 | 2 | 22322-030200 | PIN, TAPER 3X20 | 1 | | | | | | | |
| 35 | 1 | 714210-61700 | GOVERNOR ASSY | 1 | | | | | | | |
| 36 | 2 | 114210-61290 | WEIGHT ASSY, GOVERNOR | 1 | | | | | | | |
| 41 | 1 | 114299-61600 | SEAL, OIL | 1 | | | | | | | |
| 42 | 1 | 114770-61610 | WASHER, THRUST | 1 | | | | | | | |
| 43 | 1 | 114299-61190 | WASHER | 1 | | | | | | | |
| 44 | 1 | 114295-61520 | NEEDLE BEARING | 2 | | | | | | | |
| 45 | 1 | 114210-66510 | BRACKET, REGULATOR | 1 | | | | | | | |
| 46 | 2 | 114210-66300 | HANDLE | 1 | | | | | | | |
| 47 | 2 | 183250-66321 | LEVER, LOCK | 1 | | | | | | | |
| 48 | 2 | 183250-66331 | SPRING | 1 | | | | | | | |
| 49 | 2 | 183250-66341 | NUT, LOCK | 1 | | | | | | | |
| 50 | 2 | 114210-66350 | BRACKET | 1 | | | | | | | |
| 51 | 2 | 183250-66361 | COLLAR | 1 | | | | | | | |
| 52 | 2 | 183250-66371 | COLLAR | 1 | | | | | | | |
| 53 | 2 | 26106-060162 | BOLT, M6X 16 PLATED | 1 | | | | | | | |
| 54 | 1 | 26106-060142 | BOLT, M6X 14 PLATED | 1 | | | | | | | |
| 55 | 1 | 26106-060202 | BOLT, M6X 20 PLATED | 1 | | | | | | | |
| 56 | 1 | 114295-61810 | WASHER, PLAIN 14 | 1 | | | | | | | |
| 57 | 1 | 114771-61830 | PLATE | 1 | | | | | | | |
| 58 | 1 | 114295-61940 | NUT | 1 | | | | | | | |
| 59 | 1 | 114210-66010 | SPRING, REGULATOR | 1 | | | | | | | |
| 60 | 1 | 114299-66200 | SPRING, RETURN | 1 | | | | | | | |
| 61 | 1 | 114771-66600 | LIMITER ASSY, FUEL | 1 | | | | | | | |
| 62 | 1 | 114295-66690 | NUT, M14X1.25 | 1 | | | | | | | |
| 63 | 1 | 114295-61990 | PROTECTOR CMP | 1 | | | | | | | |
| 66 | 2 | 114295-61960 | SPACER | 1 | | | | | | | |
| 67 | 2 | 24311-000180 | O-RING, 1AP18.0 | 1 | | | | | | | |

Fig.6. COOLING & STARTING DEVICE

(A)=L70V6HJ1C9GAYG

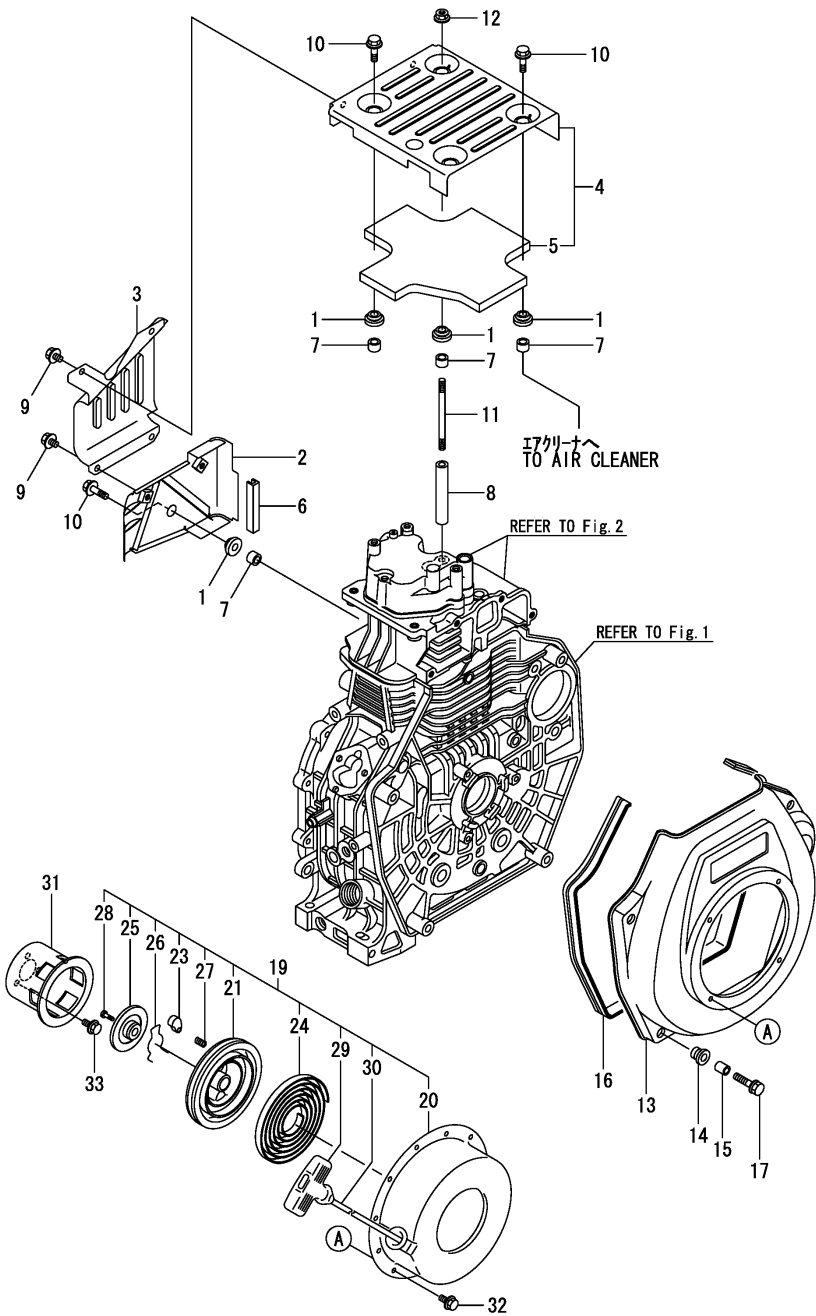
(B)=

(C)=

(D)=

(E)=

(F)=



| No. | Lev. | Parts No. | Description | Q'ty | | | | | | I | R |
|------------|------|--------------|-----------------------|------|-----|-----|-----|-----|-----|---|---|
| | | | | (A) | (B) | (C) | (D) | (E) | (F) | | |
| 1 | 1 | 114299-45220 | GROMMET | 5 | | | | | | | |
| 2 | 1 | 114210-45260 | COVER B, SIDE (13) | 1 | | | | | | | |
| 3 | 1 | 114210-45270 | COVER A, SIDE (13) | 1 | | | | | | | |
| 4 | 1 | 114210-45300 | COVER, TOP(BLACK)(13) | 1 | | | | | | | |
| 5 | 2 | 114210-45310 | DAMPER | 1 | | | | | | | |
| 6 | 1 | 114399-45320 | RUBBER, SEAL | 1 | | | | | | | |
| 7 | 1 | 114399-45340 | COLLAR | 5 | | | | | | | |
| 8 | 1 | 114210-45350 | SPACER, TOP COVER | 1 | | | | | | | |
| 9 | 1 | 26106-060082 | BOLT, M6X 8 PLATED | 4 | | | | | | | |
| 10 | 1 | 26106-060202 | BOLT, M6X 20 PLATED | 4 | | | | | | | |
| 11 | 1 | 114210-45360 | STUD BOLT, TOP COVER | 1 | | | | | | | |
| 12 | 1 | 26366-060002 | NUT, M6 | 1 | | | | | | | |
| 13 | 1 | 114210-45100 | FAN CASE(SILVER)(17) | 1 | | | | | | | |
| 13-1 | 1 | 114210-45150 | CASE, COOLING FAN | 1 | | | | | | | R |
| (A=EXXXXX) | | | | | | | | | | | |
| 14 | 1 | 114299-45301 | RUBBER, CUSHION | 4 | | | | | | | |
| 15 | 1 | 114299-45310 | COLLAR | 4 | | | | | | | |
| 16 | 1 | 114299-45330 | SEAL, FAN CASE | 1 | | | | | | | |
| 17 | 1 | 114299-45350 | BOLT, FAN CASE | 4 | | | | | | | |
| 19 | 1 | 114399-76251 | RECOIL STARTER(D)ASY | 1 | | | | | | | |
| 20 | 2 | 114399-76510 | CASE, STARTER | 1 | | | | | | | |
| 21 | 2 | 114399-76521 | REEL, RECOIL | 1 | | | | | | | |
| 23 | 2 | 114399-76531 | RATCHET | 1 | | | | | | | |
| 24 | 2 | 114399-76540 | SPRING, SPIRAL | 1 | | | | | | | |
| 25 | 2 | 114399-76550 | COVER | 1 | | | | | | | |
| 26 | 2 | 114399-76560 | SPRING | 1 | | | | | | | |
| 27 | 2 | 114399-76570 | SPRING, RETURN | 1 | | | | | | | |
| 28 | 2 | 114399-76580 | SCREW | 1 | | | | | | | |
| 29 | 2 | 114399-76620 | KNOB, STARTER | 1 | | | | | | | |
| 30 | 2 | 114399-76630 | ROPE, STARTER | 1 | | | | | | | |
| 31 | 1 | 114399-76590 | PULLEY, STARTER | 1 | | | | | | | |
| 32 | 1 | 26106-060082 | BOLT, M6X 8 PLATED | 4 | | | | | | | |
| 33 | 1 | 26106-060122 | BOLT, M6X 12 PLATED | 3 | | | | | | | |

Fig.7. FUEL INJECTION PUMP & FUEL INJECTION VALVE

(A)=L70V6HJ1C9GAYG

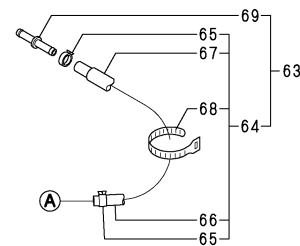
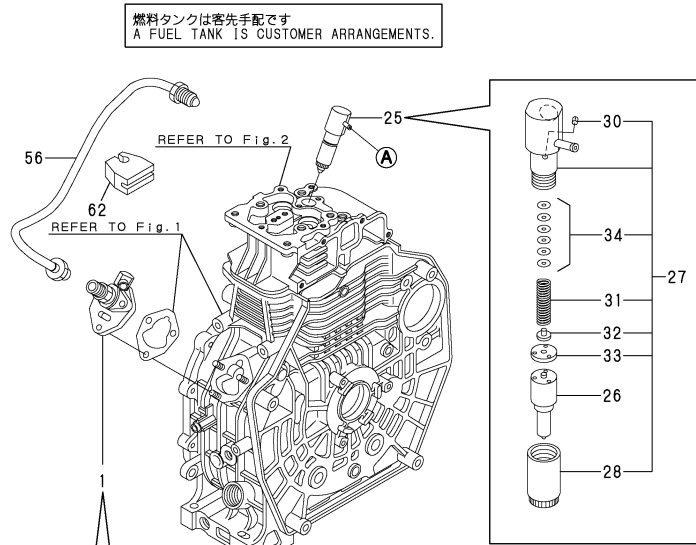
(B)=

(C)=

(D)=

(E)=

(F)=

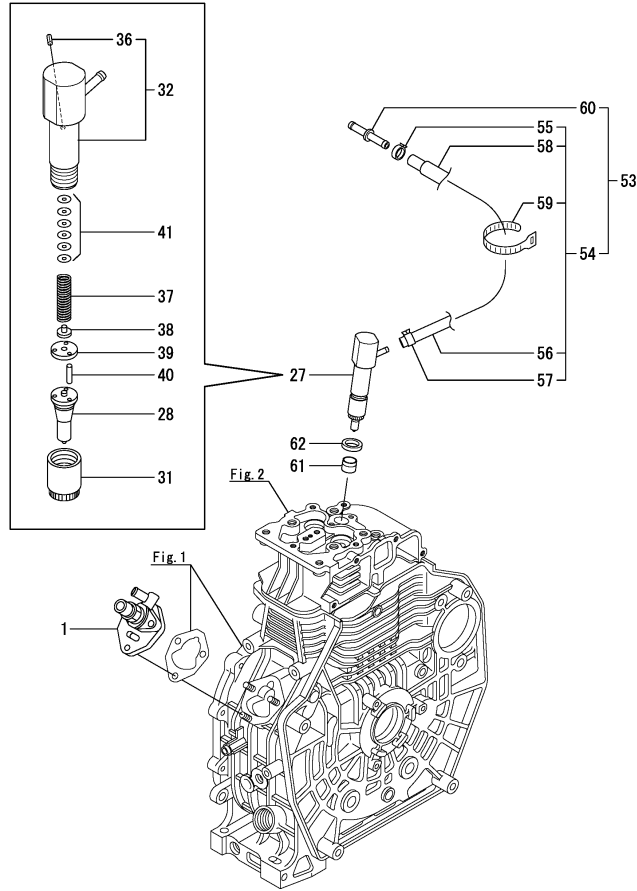


| No. | Lev. | Parts No. | Description | Q'ty | | | | | | I | R |
|-----|------|--------------|----------------------|------|-----|-----|-----|-----|-----|---|---|
| | | | | (A) | (B) | (C) | (D) | (E) | (F) | | |
| 1 | 1 | 714210-51110 | PUMP ASSY, F.INJECT. | 1 | | | | | | | 1 |
| 25 | 1 | 714210-53100 | VALVE ASSY,INJECTION | 1 | | | | | | | 1 |
| 26 | 2 | 114210-53000 | NOZZLE ASSY | 1 | | | | | | | |
| 27 | 2 | 114210-53100 | HOLDER ASSY,NOZZLE | 1 | | | | | | | |
| 28 | 3 | 114210-53080 | NUT,NOZZLE | 1 | | | | | | | |
| 30 | 3 | 114210-53330 | PIN | 1 | | | | | | | |
| 31 | 3 | 114210-53120 | SPRING,NOZZLE | 1 | | | | | | | |
| 32 | 3 | 114210-53130 | SEAT,SPRING | 1 | | | | | | | |
| 33 | 3 | 114210-53140 | SPACER ASSY,VALVE | 1 | | | | | | | |
| 34 | 3 | 114210-53400 | SHIM SET | 1 | | | | | | | |
| 56 | 1 | 114210-59800 | PIPE, FUEL INJECTION | 1 | | | | | | | |
| 62 | 1 | 114210-59850 | SUPPORT, INJ. PIPE | 1 | | | | | | | |
| 63 | 1 | 114210-59320 | PIPE ASSY(A. RETURN) | 1 | | | | | | | 1 |
| 64 | 2 | 114210-59300 | PIPE ASSY, RETURN | 1 | | | | | | | |
| 65 | 3 | 124722-59050 | CLIP, HOSE 9 | 2 | | | | | | | |
| 66 | 3 | 114650-59060 | PIPE, FUEL RETURN | 1 | | | | | | | |
| 67 | 3 | 114652-59310 | TUBE, PROTECT | 1 | | | | | | | |
| 68 | 3 | 121750-59890 | BAND, 140 | 1 | | | | | | | |
| 69 | 2 | 114210-59710 | JOINT,FUEL OIL | 1 | | | | | | | |

Remarks

(1) This parts is applied up to the following engine number.
 (A)=EM15176
 Please refer to Fig.7A since above-mentioned engine number.
 Interchangeable by simultaneous replacement with Fig.7A No1,27,57,61, 62 when changing to the new model.

Fig.21. (7A)FUEL INJECTION PUMP & FUEL INJECTION VALVE



(A)=L70V6HJ1C9GAYG

(B)=

(C)=

(D)=

(E)=

(F)=

| No. | Lev. | Parts No. | Description | Q'ty | | | | | | I | R | |
|-----|------|-----------------------------|----------------------|------|-----|-----|-----|-----|-----|---|---|---|
| | | | | (A) | (B) | (C) | (D) | (E) | (F) | | | |
| 1 | 1 | 714249-51420 (A=EM15177) | PUMP ASSY, INJECTION | 1 | | | | | | | W | 1 |
| 27 | 1 | 714249-53100 (A=EM15177) | VALVE ASSY,INJECTION | 1 | | | | | | | | W |
| 28 | 2 | 114249-53000 | NOZZLE ASSY | 1 | | | | | | | | |
| 31 | 2 | 114250-53080 | NUT, NOZZLE D16.95 | 1 | | | | | | | | |
| 32 | 2 | 114339-53100 | HOLDER ASSY, NOZZLE | 1 | | | | | | | | |
| 36 | 3 | 22351-025005 | PIN, SPRING 2.5X 6 | 1 | | | | | | | | |
| 37 | 2 | 114250-53120 | SPRING, NOZZLE | 1 | | | | | | | | |
| 38 | 2 | 114250-53130 | SEAT, SPRING | 1 | | | | | | | | |
| 39 | 2 | 114250-53140 | PLATE | 1 | | | | | | | | |
| 40 | 2 | 114250-53210 | PIN | 2 | | | | | | | | |
| 41 | 2 | 114250-53400 | SHIM SET | 1 | | | | | | | | |
| 53 | 1 | 114239-59350 (A=EM15177) | PIPE ASSY, RETURN | 1 | | | | | | | | W |
| 54 | 2 | 114239-59300 (A=EM15177) | PIPE ASSY, RETURN | 1 | | | | | | | | W |
| 55 | 3 | 124722-59050 | CLIP, HOSE 9 | 1 | | | | | | | | W |
| 56 | 3 | 114650-59060 (A=EM15177) | PIPE, FUEL RETURN | 1 | | | | | | | | W |
| 57 | 3 | 124066-59100 (A=EM15177) | CLIP, HOSE 8 | 1 | | | | | | | | W |
| 58 | 3 | 114652-59310 (A=EM15177) | TUBE, PROTECT | 1 | | | | | | | | W |
| 59 | 3 | 121750-59890 (A=EM15177) | BAND, 140 | 1 | | | | | | | | W |
| 60 | 2 | 114210-59710 (A=EM15177) | JOINT,FUEL OIL | 1 | | | | | | | | W |
| 61 | 1 | 114240-11450 (A=EM15177) | PROTECTOR, NOZZLE | 1 | | | | | | | | W |
| 62 | 1 | 114240-11550 (A=EM15177) | SEAT, NOZZLE | 1 | | | | | | | | W |

Remarks

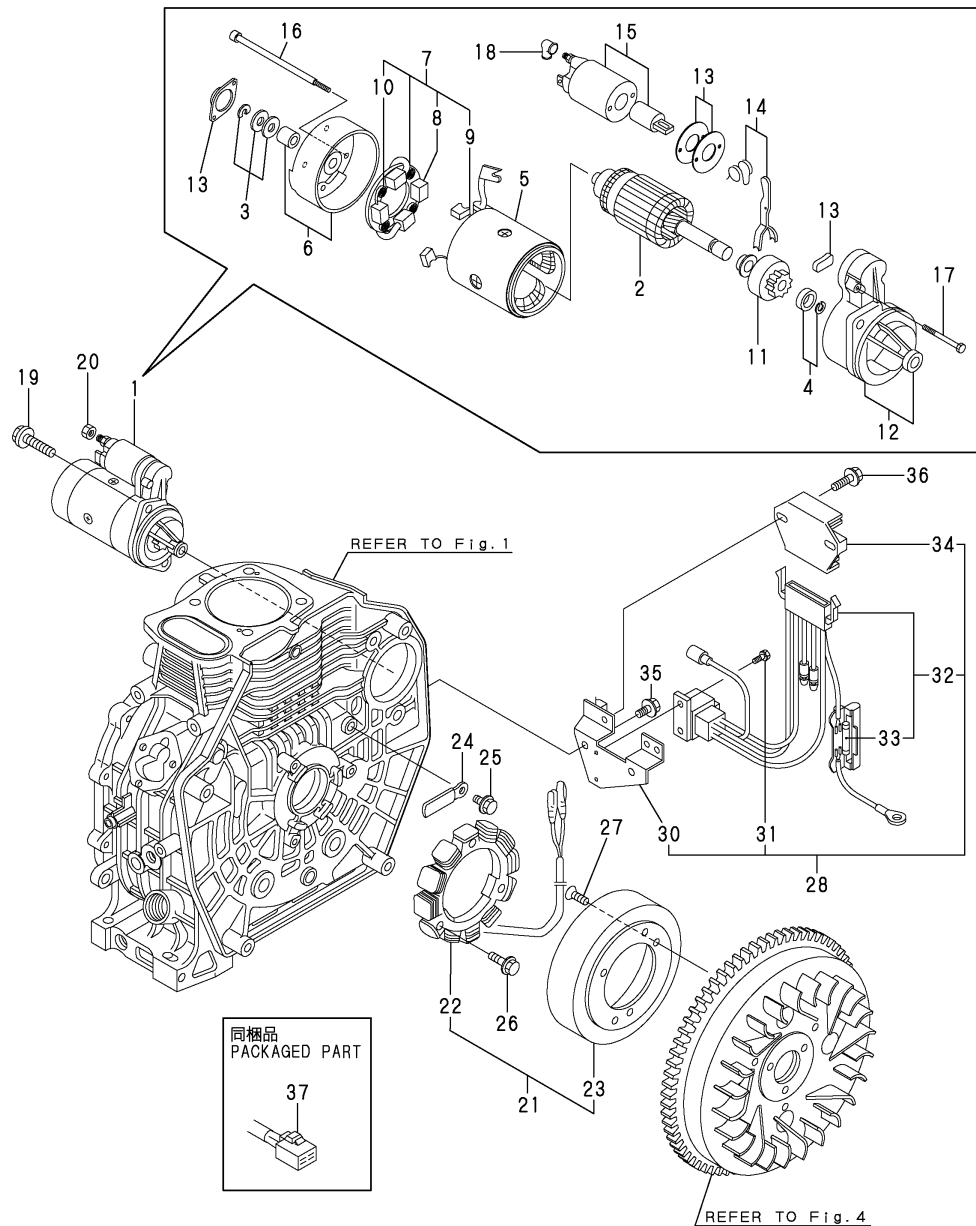
*Parts of this figure are executed since the following engine number.

*(A)=EM15177

*Please refer to Fig.7 before above-mentioned engine number.

(1)On a guarantee of quality component part shall not be sold.

Fig.8. STARTING MOTOR & DYNAMO



(A)=L70V6HJ1C9GAYG

(B)=

(C)=

(D)=

(E)=

(F)=

| No. | Lev. | Parts No. | Description | Qty | | | | | | I | R |
|-----|------|--------------|----------------------|-----|-----|-----|-----|-----|-----|---|---|
| | | | | (A) | (B) | (C) | (D) | (E) | (F) | | |
| 1 | 1 | 114362-77011 | STARTER | 1 | | | | | | | |
| 2 | 2 | 114381-77110 | ARMATURE | 1 | | | | | | | |
| 3 | 2 | X211481000 | WASHER KIT, THRUST | 1 | | | | | | | |
| 4 | 2 | X2114715500 | STOPPER SET | 1 | | | | | | | |
| 5 | 2 | 114381-77130 | COIL ASSY, FIELD | 1 | | | | | | | |
| 6 | 2 | 114381-77140 | COVER | 1 | | | | | | | |
| 7 | 2 | 114371-77160 | HOLDER ASSY, BRUSH | 1 | | | | | | | |
| 8 | 3 | 114371-79040 | BRUSH | 2 | | | | | | | |
| 9 | 3 | 114371-79050 | BRUSH | 1 | | | | | | | |
| 10 | 3 | 114371-79060 | SPRING | 4 | | | | | | | |
| 11 | 2 | X211485016 | PINION ASSY | 1 | | | | | | | |
| 12 | 2 | 114381-77151 | CASE ASSY | 1 | | | | | | | |
| 13 | 2 | 114371-77170 | COVER ASSY, DUST | 1 | | | | | | | |
| 14 | 2 | 114371-77180 | LEVER KIT, SHIFT | 1 | | | | | | | |
| 15 | 2 | 124298-77020 | SWITCH, MAGNETIC | 1 | | | | | | | |
| 16 | 2 | 124195-77770 | BOLT, THROUGH | 2 | | | | | | | |
| 17 | 2 | 114371-79070 | BOLT | 2 | | | | | | | |
| 18 | 2 | X2114274200 | COVER | 1 | | | | | | | |
| 19 | 1 | 26106-100302 | BOLT, M10X 30 PLATED | 2 | | | | | | | |
| 20 | 1 | 26716-080002 | NUT, M8 | 1 | | | | | | | |
| 21 | 1 | 114399-78260 | DYNAMO ASSY | 1 | | | | | | | |
| 22 | 2 | 114399-78730 | STATOR ASSY | 1 | | | | | | | |
| 23 | 2 | 114399-78740 | WHEEL, DYNAMO | 1 | | | | | | | |
| 24 | 1 | 160710-78710 | CLAMP, CORD | 1 | | | | | | | |
| 25 | 1 | 26106-060122 | BOLT, M6X 12 PLATED | 1 | | | | | | | |
| 26 | 1 | 26106-060202 | BOLT, M6X 20 PLATED | 3 | | | | | | | |
| 27 | 1 | 26577-060142 | SCREW M 6X 14 | 3 | | | | | | | |
| 28 | 1 | 114399-77550 | REG. & HARNESS ASSY | 1 | | | | | | | |
| 30 | 3 | 114399-77400 | BRACKET, HARNESS | 1 | | | | | | | |
| 31 | 3 | 26023-040102 | SCREW, M4X10 | 2 | | | | | | | |
| 32 | 3 | 114399-77540 | HARNESS, WIRE | 1 | | | | | | | |
| 33 | 4 | 114399-78000 | FUSE(20A | 2 | | | | | | | |
| 34 | 2 | 114399-77710 | REGULATOR | 1 | | | | | | | |
| 35 | 1 | 26106-060122 | BOLT, M6X 12 PLATED | 2 | | | | | | | |
| 36 | 1 | 26106-060202 | BOLT, M6X 20 PLATED | 2 | | | | | | | |
| 37 | 1 | 114351-77520 | COUPLER | 1 | | | | | | | |

Fig.9. TOOL,LABEL & GASKET SET

(A)=L70V6HJ1C9GAYG

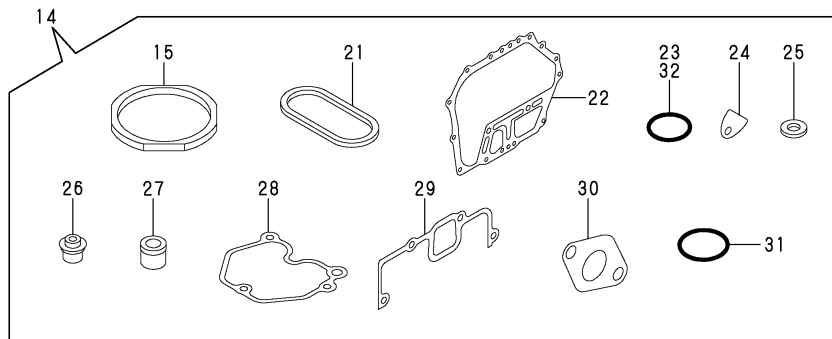
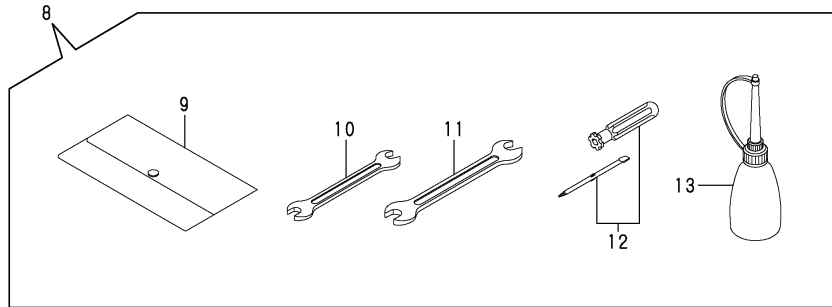
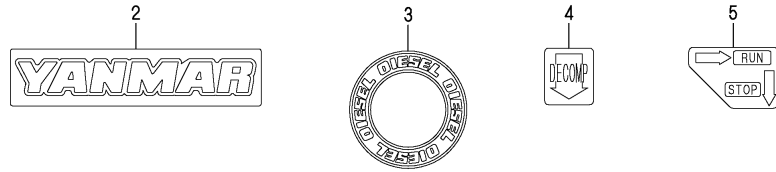
(B)=

(C)=

(D)=

(E)=

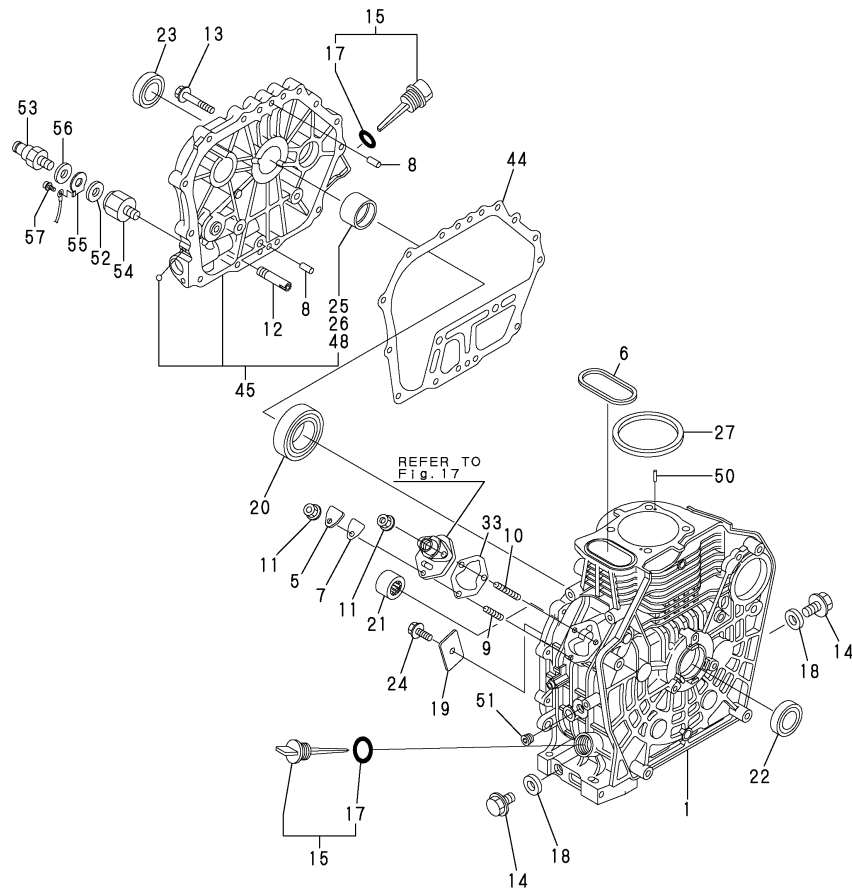
(F)=



| No. | Lev. | Parts No. | Description | Q'ty | | | | | | I | R |
|-----|------|--------------|----------------------|------|-----|-----|-----|-----|-----|---|---|
| | | | | (A) | (B) | (C) | (D) | (E) | (F) | | |
| 2 | 1 | 114299-07110 | LABEL, YANMAR | 1 | | | | | | | |
| 3 | 1 | 114299-07160 | LABEL, DIESEL | 1 | | | | | | | |
| 4 | 1 | 114210-07200 | LABEL, DECOMPRESSION | 1 | | | | | | | |
| 5 | 1 | 183250-07480 | LABEL, RUN-STOP | 1 | | | | | | | |
| 8 | 1 | 114299-92590 | BOX, TOOL | 1 | | | | | | | |
| 9 | 2 | 114299-92600 | BAG, TOOL | 1 | | | | | | | |
| 10 | 2 | 114299-92710 | WRENCH | 1 | | | | | | | |
| 11 | 2 | 114299-92720 | WRENCH | 1 | | | | | | | |
| 12 | 2 | 114299-92730 | DRIVER | 1 | | | | | | | |
| 13 | 2 | 114299-92740 | DIPSTICK | 1 | | | | | | | |
| 14 | 1 | 714210-92630 | GASKET SET | 1 | | | | | | | 1 |
| 15 | 2 | 114395-01330 | GASKET, HEAD | 1 | | | | | | | |
| 21 | 2 | 114399-01380 | O-RING | 1 | | | | | | | |
| 22 | 2 | 114399-01410 | GASKET, CRANK CASE | 1 | | | | | | | |
| 23 | 2 | 114299-01950 | O-RING, 18 | 2 | | | | | | | |
| 24 | 2 | 114250-01841 | GASKET | 1 | | | | | | | |
| 25 | 2 | 22190-160002 | WASHER, SEAL 16 | 2 | | | | | | | |
| 26 | 2 | 114350-11340 | SEAL, VALVE STEM | 2 | | | | | | | |
| 27 | 2 | 114771-11461 | GASKET, NOZZLE | 1 | | | | | | | |
| 28 | 2 | 114210-11310 | GASKET, BONNET | 1 | | | | | | | |
| 29 | 2 | 114210-12210 | GASKET, AIR CLEANER | 1 | | | | | | | |
| 30 | 2 | 114299-13200 | GASKET, MUFFLER | 1 | | | | | | | |
| 31 | 2 | 114299-32570 | O-RING | 1 | | | | | | | |
| 32 | 2 | 24341-000224 | O-RING, 1AS22.4 | 1 | | | | | | | |

Remarks
(1)OPTIONAL

Fig.11. CYLINDER BLOCK



(A)=
(B)=L100V6BJ1C9GAYG
(C)=

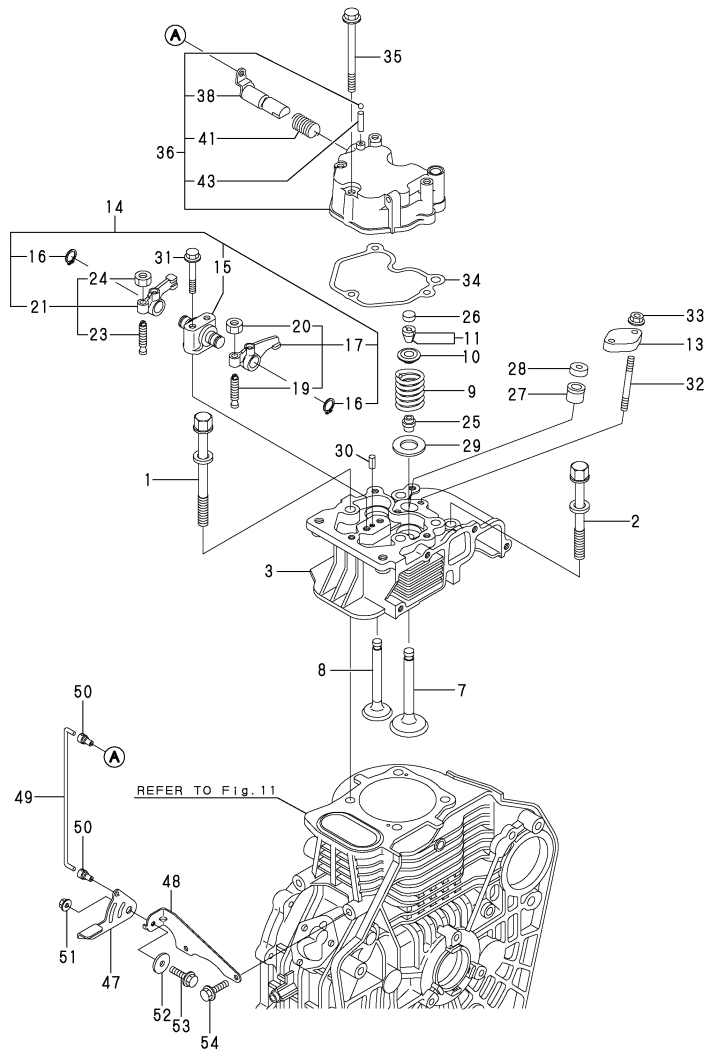
(D)=
(E)=
(F)=

| No. | Lev. | Parts No. | Description | Q'ty | | | | | | I | R |
|-----|------|--------------|----------------------|------|-----|-----|-----|-----|-----|---|---|
| | | | | (A) | (B) | (C) | (D) | (E) | (F) | | |
| 1 | 1 | 114310-01010 | BLOCK ASSY, CYLINDER | | 1 | | | | | | |
| 5 | 1 | 114299-01830 | COVER | | 1 | | | | | | |
| 6 | 1 | 114699-01380 | O-RING | | 1 | | | | | | |
| 7 | 1 | 114250-01841 | GASKET | | 1 | | | | | | |
| 8 | 1 | 114299-01600 | PIN, 8X12 | | 2 | | | | | | |
| 9 | 1 | 26226-060182 | STUD, M6X 18 | | 1 | | | | | | |
| 10 | 1 | 26226-060222 | STUD, M6X 22 | | 2 | | | | | | |
| 11 | 1 | 26366-060002 | NUT, M6 | | 3 | | | | | | |
| 12 | 1 | 114299-35150 | PIPE, OIL INLET | | 1 | | | | | | |
| 13 | 1 | 26106-080352 | BOLT, M8X 35 PLATED | | 16 | | | | | | |
| 14 | 1 | 114299-01690 | PLUG M16 | | 2 | | | | | | |
| 15 | 1 | 114699-01760 | CAP ASSY | | 2 | | | | | | |
| 17 | 2 | 114299-01950 | O-RING, 18 | | 2 | | | | | | |
| 18 | 1 | 22190-160002 | WASHER, SEAL 16 | | 2 | | | | | | |
| 19 | 1 | 114299-02030 | RETAINER, BEARING | | 1 | | | | | | |
| 20 | 1 | 114650-02150 | BEARING, HR6308G3C3 | | 1 | | | | | | |
| 21 | 1 | 24162-152220 | BEARING, 152220 | | 1 | | | | | | |
| 22 | 1 | 24423-355008 | SEAL, OIL TC355008 | | 1 | | | | | | |
| 23 | 1 | 24423-355008 | SEAL, OIL TC355008 | | 1 | | | | | | |
| 24 | 1 | 26106-080122 | BOLT, M8X 12 PLATED | | 1 | | | | | | |
| 25 | 1 | 114650-02200 | BEARING, 0.25 US | | 1 | | | | | | 2 |
| 26 | 1 | 114650-02210 | BEARING, 0.50 US | | 1 | | | | | | 3 |
| 27 | 1 | 114695-01330 | GASKET, HEAD | | 1 | | | | | | |
| 33 | 1 | 114299-01800 | SHIM SET | | 1 | | | | | | |
| 44 | 1 | 114699-01410 | GASKET, CRANK CASE | | 1 | | | | | | |
| 45 | 1 | 114310-01450 | COVER(D, CRANK CASE | | 1 | | | | | | |
| 48 | 2 | 114650-02100 | BEARING, MAIN | | 1 | | | | | | 1 |
| 50 | 1 | 22312-040080 | PIN, PARALLEL M4X 8 | | 2 | | | | | | |
| 51 | 1 | 23875-020000 | PLUG, R02 | | 1 | | | | | | |
| 52 | 1 | 183366-08290 | WASHER | | 1 | | | | | | |
| 53 | 1 | 183250-39450 | SWITCH, 1.0KG | | 1 | | | | | | |
| 54 | 1 | 183366-39460 | JOINT | | 1 | | | | | | |
| 55 | 1 | 171022-39470 | TERMINAL, EARTH | | 1 | | | | | | |
| 56 | 1 | 22117-100000 | WASHER, 10 | | 1 | | | | | | |
| 57 | 1 | 26557-040082 | SCREW, M4X 8 | | 1 | | | | | | |

Remarks

- (1)REPAIR PART.
- (2)UNDER SIZED(U.S.=0.25)PART.
- (3)UNDER SIZED(U.S.=0.50)PART.

Fig.12. CYLINDER HEAD & BONNET



(A)=
(B)=L100V6BJ1C9GAYG
(C)=

(D)=
(E)=
(F)=

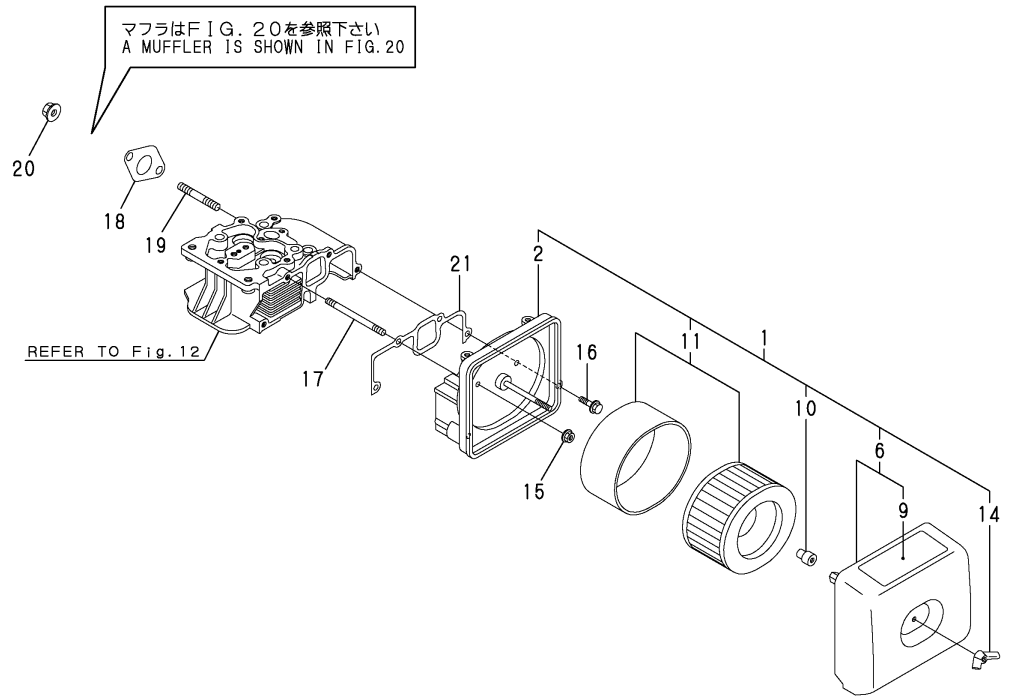
| No. | Lev. | Parts No. | Description | Qty | | | | | | I | R |
|-----|------|--------------|----------------------|-----|-----|-----|-----|-----|-----|---|---|
| | | | | (A) | (B) | (C) | (D) | (E) | (F) | | |
| 1 | 1 | 114310-01200 | BOLT, CYL.HEAD A | | 2 | | | | | | |
| 2 | 1 | 114310-01210 | BOLT, CYL.HEAD B | | 2 | | | | | | |
| 3 | 1 | 114310-11020 | HEAD ASSY, CYLINDER | | 1 | | | | | | |
| 7 | 1 | 114310-11100 | VALVE, INTAKE | | 1 | | | | | | |
| 8 | 1 | 114310-11110 | VALVE, EXHAUST | | 1 | | | | | | |
| 9 | 1 | 114310-11120 | SPRING, VALVE | | 2 | | | | | | |
| 10 | 1 | 114310-11180 | RETAINER, SPRING | | 2 | | | | | | |
| 11 | 1 | 114310-11930 | COTTER ASSY | | 2 | | | | | | |
| 13 | 1 | 114210-11900 | RETAINER, NOZZLE | | 1 | | | | | | |
| 14 | 1 | 114310-11250 | SUPPORT ASSY, ROCKER | | 1 | | | | | | |
| 15 | 2 | 114310-11260 | SUPPORT, ROCKER ARM | | 1 | | | | | | |
| 16 | 2 | 114310-11280 | C TYPE RETAINING RIN | | 2 | | | | | | |
| 17 | 2 | 114310-11650 | ARM ASSY, INTAKE | | 1 | | | | | | |
| 19 | 3 | 114299-11240 | SCREW, ADJUSTING | | 1 | | | | | | |
| 20 | 3 | 26856-060002 | NUT, M6 | | 1 | | | | | | |
| 21 | 2 | 114310-11660 | ARM ASSY, EXHAUST | | 1 | | | | | | |
| 23 | 3 | 114299-11240 | SCREW, ADJUSTING | | 1 | | | | | | |
| 24 | 3 | 26856-060002 | NUT, M6 | | 1 | | | | | | |
| 25 | 1 | 114650-11340 | SEAL, VALVE STEM | | 2 | | | | | | |
| 26 | 1 | 104211-11370 | CAP, VALVE | | 2 | | | | | | |
| 27 | 1 | 114771-11461 | GASKET, NOZZLE | | 1 | | | | | | 1 |
| 28 | 1 | 114295-11470 | SPACER, NOZZLE | | 1 | | | | | | 1 |
| 29 | 1 | 114699-11600 | WASHER | | 2 | | | | | | |
| 30 | 1 | 22351-040008 | PIN, SPRING 4.0X 8 | | 1 | | | | | | |
| 31 | 1 | 26106-080502 | BOLT, M8X 50 PLATED | | 2 | | | | | | |
| 32 | 1 | 26226-060552 | STUD, M6X 55 | | 2 | | | | | | |
| 33 | 1 | 26366-060002 | NUT, M6 | | 2 | | | | | | |
| 34 | 1 | 114310-11310 | GASKET, BONNET | | 1 | | | | | | |
| 35 | 1 | 26106-060652 | BOLT, M6X 65 PLATED | | 3 | | | | | | |
| 36 | 1 | 114310-11960 | BONNET ASSY, HEAD | | 1 | | | | | | |
| 38 | 2 | 114210-03580 | DECOMPRESSION ASSY | | 1 | | | | | | |
| 41 | 2 | 114299-03640 | SPRING,DECOMPRESSION | | 1 | | | | | | |
| 43 | 2 | 22312-030160 | PIN, PARALLEL M3X16 | | 1 | | | | | | |
| 47 | 1 | 183250-03410 | LEVER, DECOMPRESSION | | 1 | | | | | | |
| 48 | 1 | 114210-03450 | BRACKET, LEVER | | 1 | | | | | | |
| 49 | 1 | 183650-03510 | LINK | | 1 | | | | | | |
| 50 | 1 | 183250-03550 | JOINT | | 2 | | | | | | |
| 51 | 1 | 114299-12300 | NUT | | 1 | | | | | | |
| 52 | 1 | 160670-66350 | COLLAR | | 1 | | | | | | |
| 53 | 1 | 26106-060142 | BOLT, M6X 14 PLATED | | 1 | | | | | | |
| 54 | 1 | 26106-060162 | BOLT, M6X 16 PLATED | | 2 | | | | | | |

Remarks

(1)This parts is applied up to the following engine number.
(B)=EM22934
Please refer to Fig.17A since above-mentioned engine number.
Interchangeable by simultaneous replacement with Fig.17A No.1,27,57, 61,62 when changing to the new model.

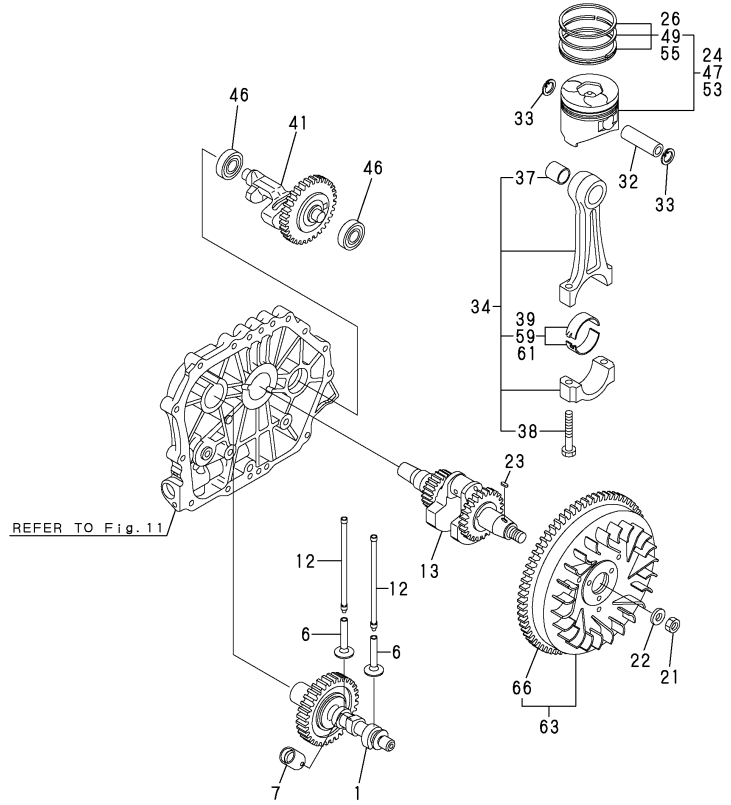
Fig.13. AIR CLEANER

(A)= (D)=
 (B)=L100V6BJ1C9GAYG (E)=
 (C)= (F)=



| No. | Lev. | Parts No. | Description | Q'ty | | | | | | I | R |
|-----|------|--------------|----------------------|------|-----|-----|-----|-----|-----|---|---|
| | | | | (A) | (B) | (C) | (D) | (E) | (F) | | |
| 1 | 1 | 114310-12511 | CLEANER ASSY, AIR | | 1 | | | | | | |
| 2 | 2 | 114310-12010 | BODY ASSY, AIR CLNR | | 1 | | | | | | |
| 6 | 2 | 114210-12500 | COVER ASSY, AIR CLNR | | 1 | | | | | | |
| 9 | 3 | 114210-12610 | LABEL, AIR CLEANER | | 1 | | | | | | |
| 10 | 2 | 114210-12560 | NUT, WING | | 1 | | | | | | |
| 11 | 2 | 114210-12590 | ELEMENT ASSY | | 1 | | | | | | |
| 14 | 2 | 114210-12600 | LOCKING KNOB | | 1 | | | | | | |
| 15 | 1 | 114299-12300 | NUT | | 3 | | | | | | |
| 16 | 1 | 26106-060402 | BOLT, M6X 40 PLATED | | 1 | | | | | | |
| 17 | 1 | 26226-060352 | STUD, M6X 35 | | 3 | | | | | | |
| 18 | 1 | 114310-13200 | GASKET, MUFFLER | | 1 | | | | | | |
| 19 | 1 | 26216-080182 | STUD, M8X 18 | | 2 | | | | | | |
| 20 | 1 | 26366-080002 | NUT, M8 | | 2 | | | | | | |
| 21 | 1 | 114310-12210 | GASKET, AIR CLEANER | | 1 | | | | | | |

Fig.14. CRANKSHAFT,PISTON & CAMSHAFT



(A)=
(B)=L100V6BJ1C9GAYG
(C)=

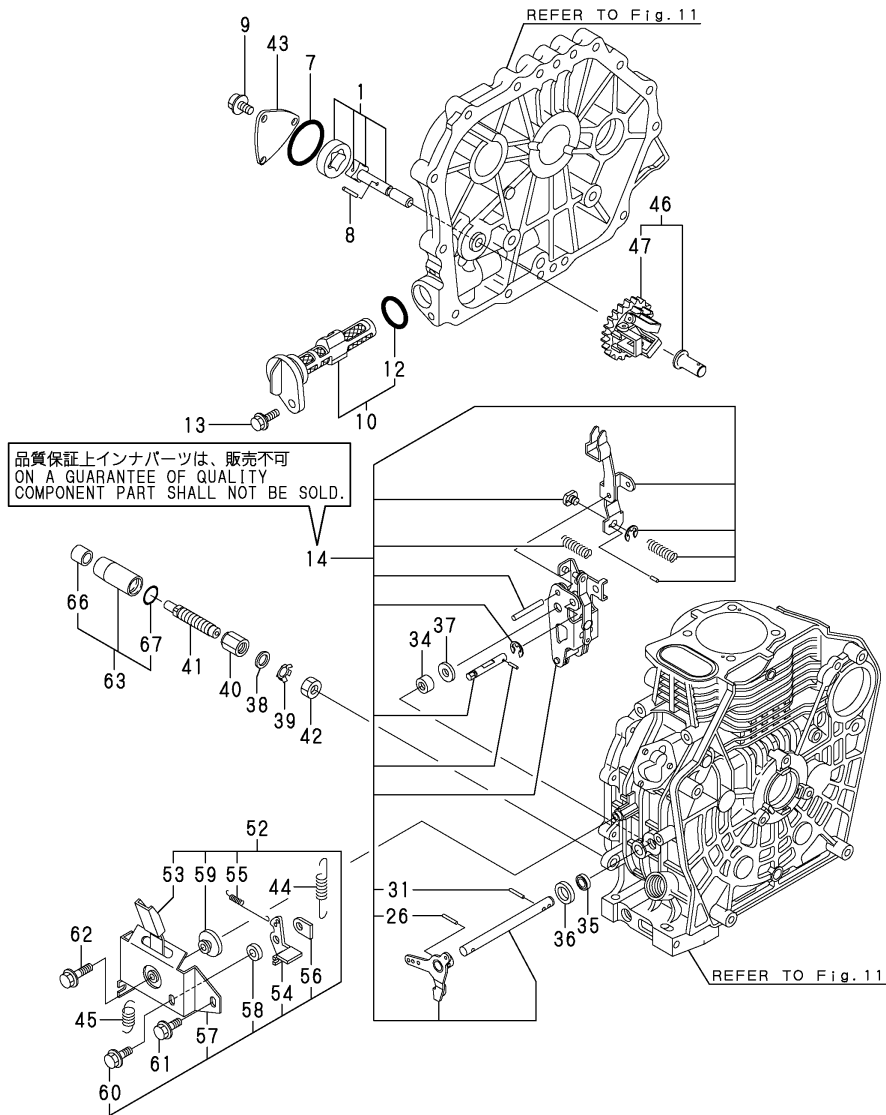
(D)=
(E)=
(F)=

| No. | Lev. | Parts No. | Description | Q'ty | | | | | | I | R |
|-----|------|--------------|----------------------|------|-----|-----|-----|-----|-----|---|---|
| | | | | (A) | (B) | (C) | (D) | (E) | (F) | | |
| 1 | 1 | 714310-14580 | CAMSHAFT ASSY | | 1 | | | | | | |
| 6 | 1 | 114310-14200 | TAPPET | | 2 | | | | | | |
| 7 | 1 | 114210-14300 | TAPPET ASSY, ROLLER | | 1 | | | | | | |
| 12 | 1 | 114310-14400 | ROD ASSY, PUSH | | 2 | | | | | | |
| 13 | 1 | 714310-21730 | CRANKSHAFT(DG ASSY) | | 1 | | | | | | |
| 21 | 1 | 114699-21220 | NUT | | 1 | | | | | | |
| 22 | 1 | 114699-21550 | WASHER | | 1 | | | | | | |
| 23 | 1 | 22512-050140 | KEY, 5X 14 | | 1 | | | | | | |
| 24 | 1 | 714310-22720 | PISTON W/RINGS (D) | | 1 | | | | | | |
| 26 | 2 | 714310-22500 | RING SET, PISTON | | 1 | | | | | | |
| 32 | 1 | 114699-22300 | PIN, PISTON D=23 | | 1 | | | | | | |
| 33 | 1 | 129792-22400 | CIRCLIP, 23 | | 2 | | | | | | |
| 34 | 1 | 714310-23701 | ROD ASSY, CONNECTING | | 1 | | | | | | |
| 37 | 2 | 124060-23100 | BEARING, PISTON PIN | | 1 | | | | | | |
| 38 | 2 | 119810-23200 | BOLT, CONNECTING ROD | | 2 | | | | | | |
| 39 | 2 | 714650-23600 | BEARING, CRANK PIN | | 1 | | | | | | |
| 41 | 1 | 714310-28510 | SHAFT ASSY, BALANCER | | 1 | | | | | | |
| 46 | 1 | 24101-063040 | BEARING, BALL 6304C3 | | 2 | | | | | | |
| 47 | 1 | 714310-22620 | PISTON W/RING OS=.25 | | 1 | | | | | | 1 |
| 49 | 2 | 714310-22540 | RING SET O.S.=0.25 | | 1 | | | | | | 1 |
| 53 | 1 | 714310-22580 | PISTON W/RING OS=0.5 | | 1 | | | | | | 2 |
| 55 | 2 | 714310-22550 | RING SET O.S.=0.50 | | 1 | | | | | | 2 |
| 59 | 1 | 714650-23610 | BEARING ASSY, 0.25 | | 1 | | | | | | 3 |
| 61 | 1 | 714650-23620 | BEARING, 0.50 US | | 1 | | | | | | 4 |
| 63 | 1 | 114699-21590 | FLYWHEEL ASSY | | 1 | | | | | | |
| 66 | 2 | 114662-21601 | GEAR, RING | | 1 | | | | | | |

Remarks

- (1)OVER SIZED(O.S.=0.25)PART.
- (2)OVER SIZED(O.S.=0.50)PART.
- (3)UNDER SIZED(U.S.=0.25)PART.
- (4)UNDER SIZED(U.S.=0.50)PART.

Fig.15. LUB.OIL PUMP & GOVERNOR

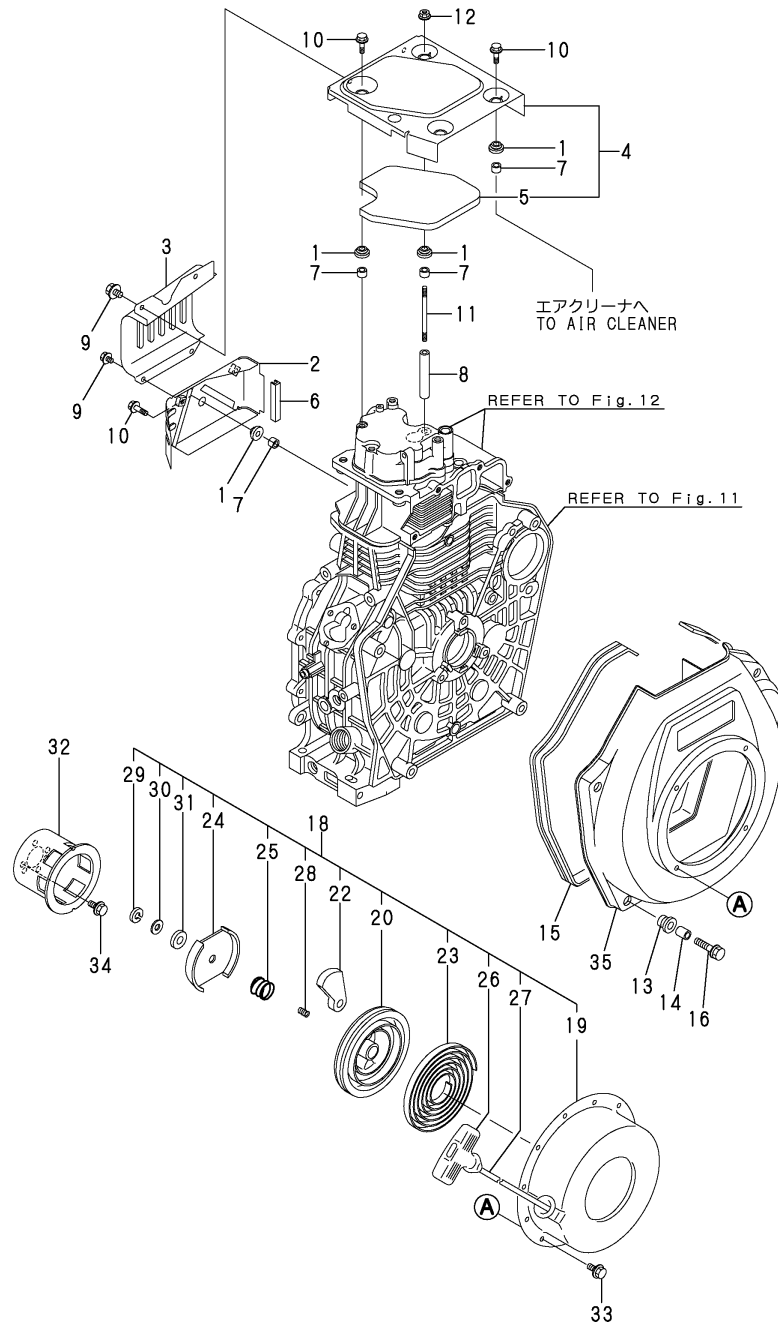


(A)=
(B)=L100V6BJ1C9GAYG
(C)=

(D)=
(E)=
(F)=

| No. | Lev. | Parts No. | Description | Qty | | | | | | I | R |
|-----|------|--------------|----------------------|-----|-----|-----|-----|-----|-----|---|---|
| | | | | (A) | (B) | (C) | (D) | (E) | (F) | | |
| 1 | 1 | 114650-32010 | PUMP ASSY, OIL | | 1 | | | | | | |
| 7 | 1 | 114299-32570 | O-RING | | 1 | | | | | | |
| 8 | 1 | 22312-030160 | PIN, PARALLEL M3X16 | | 1 | | | | | | |
| 9 | 1 | 26106-060122 | BOLT, M6X 12 PLATED | | 3 | | | | | | |
| 10 | 1 | 114299-35110 | FILTER ASSY, OIL | | 1 | | | | | | |
| 12 | 2 | 24341-000224 | O-RING, 1AS22.4 | | 1 | | | | | | |
| 13 | 1 | 26106-060162 | BOLT, M6X 16 PLATED | | 1 | | | | | | |
| 14 | 1 | 114310-61500 | LEVER ASSY, GOVERNOR | | 1 | | | | | | |
| 26 | 2 | 22322-030200 | PIN, TAPER 3X20 | | 1 | | | | | | |
| 31 | 2 | 22322-030200 | PIN, TAPER 3X20 | | 1 | | | | | | |
| 34 | 1 | 114295-61520 | NEEDLE BEARING | | 2 | | | | | | |
| 35 | 1 | 114299-61600 | SEAL, OIL | | 1 | | | | | | |
| 36 | 1 | 114770-61610 | WASHER, THRUST | | 1 | | | | | | |
| 37 | 1 | 114299-61190 | WASHER | | 1 | | | | | | |
| 38 | 1 | 114295-61810 | WASHER, PLAIN 14 | | 1 | | | | | | |
| 39 | 1 | 114771-61830 | PLATE | | 1 | | | | | | |
| 40 | 1 | 114295-61940 | NUT | | 1 | | | | | | |
| 41 | 1 | 114771-66600 | LIMITER ASSY, FUEL | | 1 | | | | | | |
| 42 | 1 | 114295-66690 | NUT, M14X1.25 | | 1 | | | | | | |
| 43 | 1 | 114299-32070 | COVER | | 1 | | | | | | |
| 44 | 1 | 114310-66010 | SPRING, REGULATOR | | 1 | | | | | | |
| 45 | 1 | 114299-66200 | SPRING, RETURN | | 1 | | | | | | |
| 46 | 1 | 714210-61700 | GOVERNOR ASSY | | 1 | | | | | | |
| 47 | 2 | 114210-61290 | WEIGHT ASSY,GOVERNOR | | 1 | | | | | | |
| 52 | 1 | 114210-66510 | BRACKET, REGULATOR | | 1 | | | | | | |
| 53 | 2 | 114210-66300 | HANDLE | | 1 | | | | | | |
| 54 | 2 | 183250-66321 | LEVER, LOCK | | 1 | | | | | | |
| 55 | 2 | 183250-66331 | SPRING | | 1 | | | | | | |
| 56 | 2 | 183250-66341 | NUT, LOCK | | 1 | | | | | | |
| 57 | 2 | 114210-66350 | BRACKET | | 1 | | | | | | |
| 58 | 2 | 183250-66361 | COLLAR | | 1 | | | | | | |
| 59 | 2 | 183250-66371 | COLLAR | | 1 | | | | | | |
| 60 | 2 | 26106-060162 | BOLT, M6X 16 PLATED | | 1 | | | | | | |
| 61 | 1 | 26106-060142 | BOLT, M6X 14 PLATED | | 1 | | | | | | |
| 62 | 1 | 26106-060202 | BOLT, M6X 20 PLATED | | 1 | | | | | | |
| 63 | 1 | 114295-61990 | PROTECTOR CMP | | 1 | | | | | | |
| 66 | 2 | 114295-61960 | SPACER | | 1 | | | | | | |
| 67 | 2 | 24311-000180 | O-RING, 1AP18.0 | | 1 | | | | | | |

Fig.16. COOLING & STARTING DEVICE



(A)=
(B)=L100V6BJ1C9GAYG
(C)=

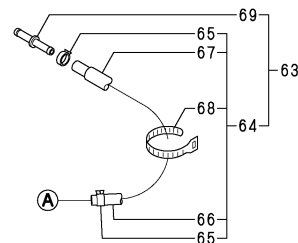
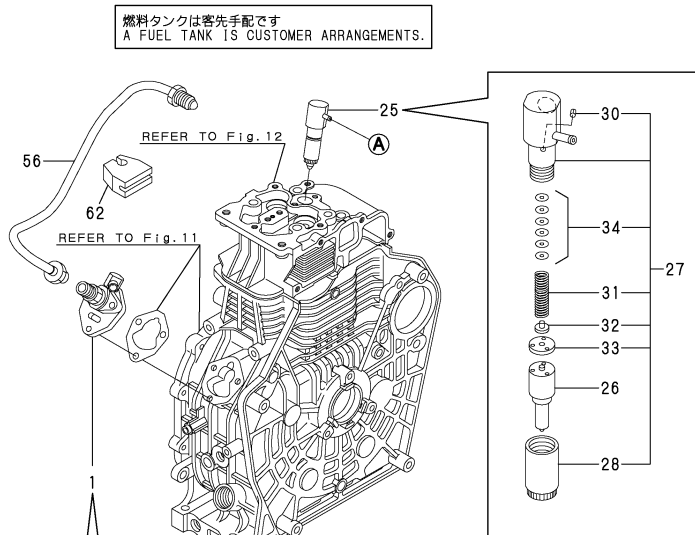
(D)=
(E)=
(F)=

| No. | Lev. | Parts No. | Description | Q'ty | | | | | | I | R |
|-----|------|--------------|-----------------------|------|-----|-----|-----|-----|-----|---|---|
| | | | | (A) | (B) | (C) | (D) | (E) | (F) | | |
| 1 | 1 | 114299-45220 | GROMMET | | 5 | | | | | | |
| 2 | 1 | 114310-45260 | COVER B, SIDE (13) | | 1 | | | | | | |
| 3 | 1 | 114310-45270 | COVER A, SIDE (13) | | 1 | | | | | | |
| 4 | 1 | 114310-45300 | COVER, TOP(BLACK)(13) | | 1 | | | | | | |
| 5 | 2 | 114310-45310 | DAMPER | | 1 | | | | | | |
| 6 | 1 | 114399-45320 | RUBBER, SEAL | | 1 | | | | | | |
| 7 | 1 | 114399-45340 | COLLAR | | 5 | | | | | | |
| 8 | 1 | 114310-45350 | SPACER, TOP COVER | | 1 | | | | | | |
| 9 | 1 | 26106-060082 | BOLT, M6X 8 PLATED | | 4 | | | | | | |
| 10 | 1 | 26106-060202 | BOLT, M6X 20 PLATED | | 4 | | | | | | |
| 11 | 1 | 114310-45360 | STUD BOLT, TOP COVER | | 1 | | | | | | |
| 12 | 1 | 26366-060002 | NUT, M6 | | 1 | | | | | | |
| 13 | 1 | 114299-45301 | RUBBER, CUSHION | | 4 | | | | | | |
| 14 | 1 | 114299-45310 | COLLAR | | 4 | | | | | | |
| 15 | 1 | 114699-45330 | SEAL, FAN CASE | | 1 | | | | | | |
| 16 | 1 | 114299-45350 | BOLT, FAN CASE | | 4 | | | | | | |
| 18 | 1 | 114699-76251 | RECOIL ASSY | | 1 | | | | | | |
| 19 | 2 | 114699-76510 | CASE, STARTER | | 1 | | | | | | |
| 20 | 2 | 114699-76521 | REEL, RECOIL | | 1 | | | | | | |
| 22 | 2 | 114699-76531 | RATCHET | | 2 | | | | | | |
| 23 | 2 | 114399-76540 | SPRING, SPIRAL | | 1 | | | | | | |
| 24 | 2 | 114699-76551 | GUIDE, RATCHET | | 1 | | | | | | |
| 25 | 2 | 114699-76560 | SPRING, FRICTION | | 1 | | | | | | |
| 26 | 2 | 114399-76620 | KNOB, STARTER | | 1 | | | | | | |
| 27 | 2 | 114699-76630 | ROPE, STARTER | | 1 | | | | | | |
| 28 | 2 | 114699-76650 | SPRING, RETURN | | 1 | | | | | | |
| 29 | 2 | 114699-76660 | CIRCLIP | | 1 | | | | | | |
| 30 | 2 | 114699-76670 | WASHER | | 1 | | | | | | |
| 31 | 2 | 114699-76680 | WASHER | | 1 | | | | | | |
| 32 | 1 | 114699-76592 | PULLEY, STARTER | | 1 | | | | | | |
| 33 | 1 | 26106-060082 | BOLT, M6X 8 PLATED | | 4 | | | | | | |
| 34 | 1 | 26106-060122 | BOLT, M6X 12 PLATED | | 3 | | | | | | |
| 35 | 1 | 114310-45100 | FAN CASE(SILVER)(17) | | 1 | | | | | | |

Fig.17. FUEL INJECTION PUMP & FUEL INJECTION VALVE

(A)=
(B)=L100V6BJ1C9GAYG
(C)=

(D)=
(E)=
(F)=

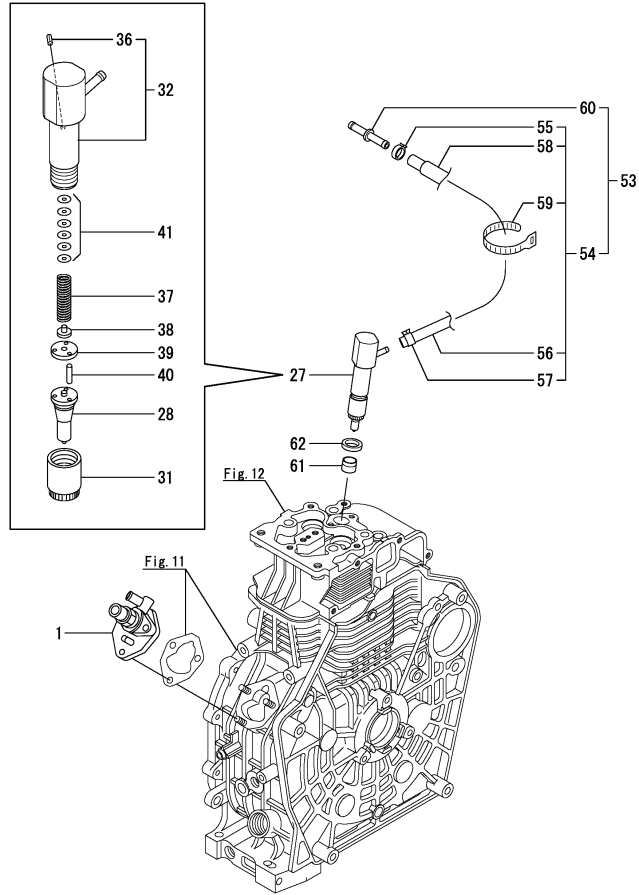


| No. | Lev. | Parts No. | Description | Q'ty | | | | | | I | R |
|-----|------|--------------|----------------------|------|-----|-----|-----|-----|-----|---|---|
| | | | | (A) | (B) | (C) | (D) | (E) | (F) | | |
| 1 | 1 | 714310-51120 | PUMP ASSY, F.INJECT. | | 1 | | | | | | 1 |
| 25 | 1 | 714310-53100 | VALVE ASSY,INJECTION | | 1 | | | | | | 1 |
| 26 | 2 | 114310-53000 | NOZZLE ASSY | | 1 | | | | | | |
| 27 | 2 | 114210-53100 | HOLDER ASSY,NOZZLE | | 1 | | | | | | |
| 28 | 3 | 114210-53080 | NUT,NOZZLE | | 1 | | | | | | |
| 30 | 3 | 114210-53330 | PIN | | 1 | | | | | | |
| 31 | 3 | 114210-53120 | SPRING,NOZZLE | | 1 | | | | | | |
| 32 | 3 | 114210-53130 | SEAT,SPRING | | 1 | | | | | | |
| 33 | 3 | 114210-53140 | SPACER ASSY,VALVE | | 1 | | | | | | |
| 34 | 3 | 114210-53400 | SHIM SET | | 1 | | | | | | |
| 56 | 1 | 114310-59800 | PIPE, FUEL INJECTION | | 1 | | | | | | |
| 62 | 1 | 114699-59850 | SUPPORT, PIPE | | 1 | | | | | | |
| 63 | 1 | 114310-59320 | PIPE ASSY, RETURN | | 1 | | | | | | 1 |
| 64 | 2 | 114310-59300 | PIPE ASSY, RETURN | | 1 | | | | | | |
| 65 | 3 | 124722-59050 | CLIP, HOSE 9 | | 2 | | | | | | |
| 66 | 3 | 114310-59060 | PIPE, FUEL RETURN | | 1 | | | | | | |
| 67 | 3 | 114310-59310 | TUBE, PROTECTOR | | 1 | | | | | | |
| 68 | 3 | 121750-59890 | BAND, 140 | | 1 | | | | | | |
| 69 | 2 | 114210-59710 | JOINT,FUEL OIL | | 1 | | | | | | |

Remarks

(1) This parts is applied up to the following engine number.
(B)=EM22934
Please refer to Fig.17A since above-mentioned engine number.
Interchangeable by simultaneous replacement with Fig.17A No.1,27,57, 61,62 when changing to the new model.

Fig.22. (17A)FUEL INJECTION PUMP & FUEL INJECTION VALVE



(A)=
(B)=L100V6BJ1C9GAYG
(C)=

(D)=
(E)=
(F)=

| No. | Lev. | Parts No. | Description | Q'ty | | | | | | I | R | |
|-----|------|-----------------------------|----------------------|------|-----|-----|-----|-----|-----|---|---|---|
| | | | | (A) | (B) | (C) | (D) | (E) | (F) | | | |
| 1 | 1 | 714349-51420 (B=EM22935) | PUMP ASSY, INJECTION | | 1 | | | | | | W | 1 |
| 27 | 1 | 714349-53100 (B=EM22935) | VALVE ASSY,INJECTION | | 1 | | | | | | | W |
| 28 | 2 | 114349-53000 | NOZZLE ASSY | | 1 | | | | | | | |
| 31 | 2 | 114250-53080 | NUT, NOZZLE D16.95 | | 1 | | | | | | | |
| 32 | 2 | 114339-53100 | HOLDER ASSY, NOZZLE | | 1 | | | | | | | |
| 36 | 3 | 22351-025005 | PIN, SPRING 2.5X 6 | | 1 | | | | | | | |
| 37 | 2 | 114250-53120 | SPRING, NOZZLE | | 1 | | | | | | | |
| 38 | 2 | 114250-53130 | SEAT, SPRING | | 1 | | | | | | | |
| 39 | 2 | 114250-53140 | PLATE | | 1 | | | | | | | |
| 40 | 2 | 114250-53210 | PIN | | 2 | | | | | | | |
| 41 | 2 | 114250-53400 | SHIM SET | | 1 | | | | | | | |
| 53 | 1 | 114339-59350 (B=EM22935) | PIPE ASSY, RETURN | | 1 | | | | | | | W |
| 54 | 2 | 114339-59300 (B=EM22935) | PIPE ASSY, RETURN | | 1 | | | | | | | W |
| 55 | 3 | 124722-59050 (B=EM22935) | CLIP, HOSE 9 | | 1 | | | | | | | W |
| 56 | 3 | 114310-59060 (B=EM22935) | PIPE, FUEL RETURN | | 1 | | | | | | | W |
| 57 | 3 | 124066-59100 (B=EM22935) | CLIP, HOSE 8 | | 1 | | | | | | | W |
| 58 | 3 | 114310-59310 (B=EM22935) | HOSE, PROTECT | | 1 | | | | | | | W |
| 59 | 3 | 121750-59890 (B=EM22935) | BAND, 140 | | 1 | | | | | | | W |
| 60 | 2 | 114210-59710 (B=EM22935) | JOINT,FUEL OIL | | 1 | | | | | | | W |
| 61 | 1 | 114240-11450 (B=EM22935) | PROTECTOR, NOZZLE | | 1 | | | | | | | W |
| 62 | 1 | 114240-11550 (B=EM22935) | SEAT, NOZZLE | | 1 | | | | | | | W |

Remarks

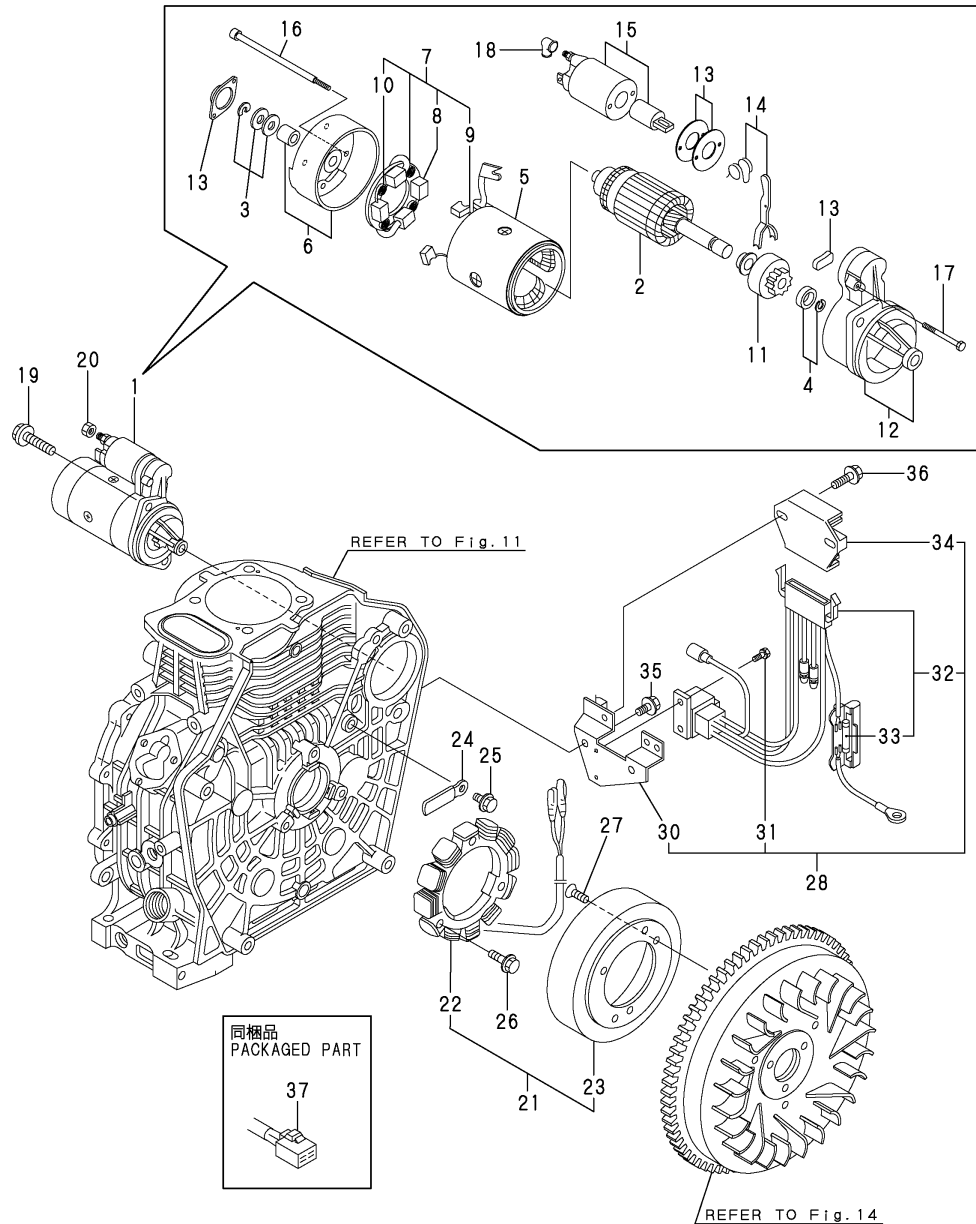
*Parts of this figure are executed since the following engine number.

*(B)=EM22935

*Please refer to Fig.17 before above-mentioned engine number.

(1)On a guarantee of quality component part shall not be sold.

Fig.18. STARTING MOTOR & DYNAMO



(A)=
(B)=L100V6BJ1C9GAYG
(C)=

(D)=
(E)=
(F)=

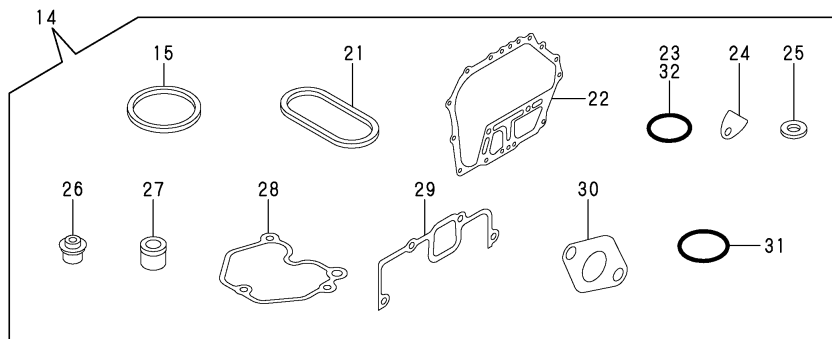
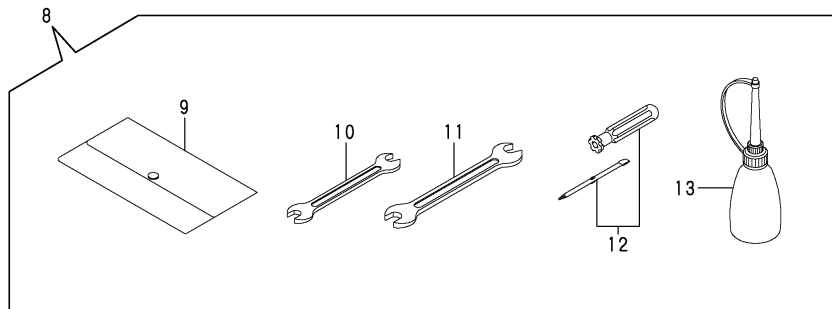
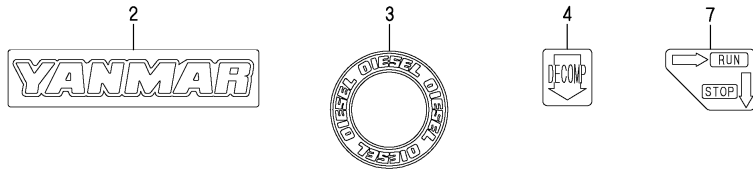
| No. | Lev. | Parts No. | Description | Q'ty | | | | | | I | R |
|-----|------|--------------|----------------------|------|-----|-----|-----|-----|-----|---|---|
| | | | | (A) | (B) | (C) | (D) | (E) | (F) | | |
| 1 | 1 | 114362-77011 | STARTER | 1 | | | | | | | |
| 2 | 2 | 114381-77110 | ARMATURE | 1 | | | | | | | |
| 3 | 2 | X2114811000 | WASHER KIT, THRUST | 1 | | | | | | | |
| 4 | 2 | X2114715500 | STOPPER SET | 1 | | | | | | | |
| 5 | 2 | 114381-77130 | COIL ASSY, FIELD | 1 | | | | | | | |
| 6 | 2 | 114381-77140 | COVER | 1 | | | | | | | |
| 7 | 2 | 114371-77160 | HOLDER ASSY, BRUSH | 1 | | | | | | | |
| 8 | 3 | 114371-79040 | BRUSH | 2 | | | | | | | |
| 9 | 3 | 114371-79050 | BRUSH | 1 | | | | | | | |
| 10 | 3 | 114371-79060 | SPRING | 4 | | | | | | | |
| 11 | 2 | X211485016 | PINION ASSY | 1 | | | | | | | |
| 12 | 2 | 114381-77151 | CASE ASSY | 1 | | | | | | | |
| 13 | 2 | 114371-77170 | COVER ASSY, DUST | 1 | | | | | | | |
| 14 | 2 | 114371-77180 | LEVER KIT, SHIFT | 1 | | | | | | | |
| 15 | 2 | 124298-77020 | SWITCH, MAGNETIC | 1 | | | | | | | |
| 16 | 2 | 124195-77770 | BOLT, THROUGH | 2 | | | | | | | |
| 17 | 2 | 114371-79070 | BOLT | 2 | | | | | | | |
| 18 | 2 | X2114274200 | COVER | 1 | | | | | | | |
| 19 | 1 | 26106-100302 | BOLT, M10X 30 PLATED | 2 | | | | | | | |
| 20 | 1 | 26716-080002 | NUT, M8 | 1 | | | | | | | |
| 21 | 1 | 114399-78260 | DYNAMO ASSY | 1 | | | | | | | |
| 22 | 2 | 114399-78730 | STATOR ASSY | 1 | | | | | | | |
| 23 | 2 | 114399-78740 | WHEEL, DYNAMO | 1 | | | | | | | |
| 24 | 1 | 160710-78710 | CLAMP, CORD | 1 | | | | | | | |
| 25 | 1 | 26106-060122 | BOLT, M6X 12 PLATED | 1 | | | | | | | |
| 26 | 1 | 26106-060202 | BOLT, M6X 20 PLATED | 3 | | | | | | | |
| 27 | 1 | 26577-060142 | SCREW M 6X 14 | 3 | | | | | | | |
| 28 | 1 | 114399-77550 | REG. & HARNESS ASSY | 1 | | | | | | | |
| 30 | 3 | 114399-77400 | BRACKET, HARNESS | 1 | | | | | | | |
| 31 | 3 | 26023-040102 | SCREW, M4X10 | 2 | | | | | | | |
| 32 | 3 | 114399-77540 | HARNESS, WIRE | 1 | | | | | | | |
| 33 | 4 | 114399-78000 | FUSE(20A | 2 | | | | | | | |
| 34 | 2 | 114399-77710 | REGULATOR | 1 | | | | | | | |
| 35 | 1 | 26106-060122 | BOLT, M6X 12 PLATED | 2 | | | | | | | |
| 36 | 1 | 26106-060202 | BOLT, M6X 20 PLATED | 2 | | | | | | | |
| 37 | 1 | 114351-77520 | COUPLER | 1 | | | | | | | |

Fig.19. TOOL,LABEL & GASKET SET

(A)=
(B)=L100V6BJ1C9GAYG
(C)=

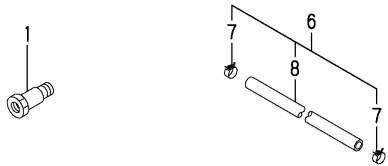
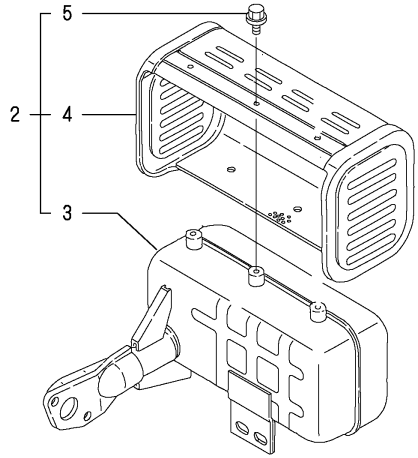
(D)=
(E)=
(F)=

| No. | Lev. | Parts No. | Description | Q'ty | | | | | | I | R |
|-----|------|--------------|----------------------|------|-----|-----|-----|-----|-----|---|---|
| | | | | (A) | (B) | (C) | (D) | (E) | (F) | | |
| 2 | 1 | 114299-07110 | LABEL, YANMAR | | 1 | | | | | | |
| 3 | 1 | 114299-07160 | LABEL, DIESEL | | 1 | | | | | | |
| 4 | 1 | 114210-07200 | LABEL, DECOMPRESSION | | 1 | | | | | | |
| 7 | 1 | 183250-07480 | LABEL, RUN-STOP | | 1 | | | | | | |
| 8 | 1 | 114299-92590 | BOX, TOOL | | 1 | | | | | | |
| 9 | 2 | 114299-92600 | BAG, TOOL | | 1 | | | | | | |
| 10 | 2 | 114299-92710 | WRENCH | | 1 | | | | | | |
| 11 | 2 | 114299-92720 | WRENCH | | 1 | | | | | | |
| 12 | 2 | 114299-92730 | DRIVER | | 1 | | | | | | |
| 13 | 2 | 114299-92740 | DIPSTICK | | 1 | | | | | | |
| 14 | 1 | 714310-92640 | GASKET SET | | 1 | | | | | | 1 |
| 15 | 2 | 114695-01330 | GASKET, HEAD | | 1 | | | | | | |
| 21 | 2 | 114699-01380 | O-RING | | 1 | | | | | | |
| 22 | 2 | 114699-01410 | GASKET, CRANK CASE | | 1 | | | | | | |
| 23 | 2 | 114299-01950 | O-RING, 18 | | 2 | | | | | | |
| 24 | 2 | 114250-01841 | GASKET | | 1 | | | | | | |
| 25 | 2 | 22190-160002 | WASHER, SEAL 16 | | 2 | | | | | | |
| 26 | 2 | 114650-11340 | SEAL, VALVE STEM | | 2 | | | | | | |
| 27 | 2 | 114771-11461 | GASKET, NOZZLE | | 1 | | | | | | |
| 28 | 2 | 114310-11310 | GASKET, BONNET | | 1 | | | | | | |
| 29 | 2 | 114310-12210 | GASKET, AIR CLEANER | | 1 | | | | | | |
| 30 | 2 | 114310-13200 | GASKET, MUFFLER | | 1 | | | | | | |
| 31 | 2 | 114299-32570 | O-RING | | 1 | | | | | | |
| 32 | 2 | 24341-000224 | O-RING, 1AS22.4 | | 1 | | | | | | |



Remarks
(1)OPTIONAL

Fig.20. ACCESSORIES



(A)=
(B)=L100V6BJ1C9GAYG
(C)=

(D)=
(E)=
(F)=

| No. | Lev. | Parts No. | Description | Q'ty | | | | | | I | R | |
|-----|------|--------------|--------------------|------|-----|-----|-----|-----|-----|---|---|--|
| | | | | (A) | (B) | (C) | (D) | (E) | (F) | | | |
| 1 | 1 | 183279-08350 | NIPPLE, DRAIN | | 1 | | | | | | | |
| 2 | 1 | 183650-13501 | MUFFLER ASSY | | 1 | | | | | | | |
| 3 | 2 | 183650-13511 | MUFFLER | | 1 | | | | | | | |
| 4 | 2 | 183650-13700 | COVER | | 1 | | | | | | | |
| 5 | 2 | 26106-060082 | BOLT, M6X 8 PLATED | | 6 | | | | | | | |
| 6 | 1 | 114288-59150 | PIPE ASSY, RETURN | | 1 | | | | | | | |
| 7 | 2 | 124722-59050 | CLIP, HOSE 9 | | 2 | | | | | | | |
| 8 | 2 | 114250-59060 | PIPE, FUEL RETURN | | 1 | | | | | | | |

Parts No. Index

| Parts No. | Fig. No. | Ref. No. |
|--------------|----------|----------|
| 104211-11370 | 12 | 26 |
| 105010-11490 | 2 | 27 |
| 114210-01010 | 1 | 1 |
| 114210-01200 | 2 | 1 |
| 114210-01210 | 2 | 2 |
| 114210-01460 | 1 | 32 |
| 114210-03450 | 2 | 47 |
| | 12 | 48 |
| 114210-03580 | 2 | 37 |
| | 12 | 38 |
| 114210-07200 | 9 | 4 |
| | 19 | 4 |
| 114210-11020 | 2 | 3 |
| 114210-11100 | 2 | 7 |
| 114210-11110 | 2 | 8 |
| 114210-11120 | 2 | 9 |
| 114210-11180 | 2 | 10 |
| 114210-11250 | 2 | 13 |
| 114210-11260 | 2 | 14 |
| 114210-11280 | 2 | 15 |
| 114210-11310 | 2 | 34 |
| | 9 | 28 |
| 114210-11650 | 2 | 16 |
| 114210-11660 | 2 | 20 |
| 114210-11900 | 2 | 29 |
| | 12 | 13 |
| 114210-11930 | 2 | 11 |
| 114210-11960 | 2 | 35 |
| 114210-12010 | 3 | 2 |
| 114210-12210 | 3 | 16 |
| | 9 | 29 |
| 114210-12500 | 3 | 6 |
| | 13 | 6 |
| 114210-12511 | 3 | 1 |
| 114210-12560 | 3 | 10 |
| | 13 | 10 |
| 114210-12590 | 3 | 11 |
| | 13 | 11 |
| 114210-12600 | 3 | 14 |
| | 13 | 14 |
| 114210-12610 | 3 | 9 |
| | 13 | 9 |
| 114210-14200 | 4 | 6 |
| 114210-14300 | 4 | 7 |
| | 14 | 7 |
| 114210-14400 | 4 | 12 |
| 114210-23600 | 4 | 42 |
| 114210-23610 | 4 | 63 |
| 114210-23620 | 4 | 65 |
| 114210-45100 | 6 | 13 |

| Parts No. | Fig. No. | Ref. No. |
|--------------|----------|----------|
| 114210-45150 | 6 | 13 -1 |
| 114210-45260 | 6 | 2 |
| 114210-45270 | 6 | 3 |
| 114210-45300 | 6 | 4 |
| 114210-45310 | 6 | 5 |
| 114210-45350 | 6 | 8 |
| 114210-45360 | 6 | 11 |
| 114210-53000 | 7 | 26 |
| 114210-53080 | 7 | 28 |
| | 17 | 28 |
| 114210-53100 | 7 | 27 |
| | 17 | 27 |
| 114210-53120 | 7 | 31 |
| | 17 | 31 |
| 114210-53130 | 7 | 32 |
| | 17 | 32 |
| 114210-53140 | 7 | 33 |
| | 17 | 33 |
| 114210-53330 | 7 | 30 |
| | 17 | 30 |
| 114210-53400 | 7 | 34 |
| | 17 | 34 |
| 114210-59300 | 7 | 64 |
| 114210-59320 | 7 | 63 |
| 114210-59710 | 7 | 69 |
| | 17 | 69 |
| | 21 | 60 |
| | 22 | 60 |
| 114210-59800 | 7 | 56 |
| 114210-59850 | 7 | 62 |
| 114210-61290 | 5 | 36 |
| | 15 | 47 |
| 114210-61550 | 5 | 15 |
| 114210-66010 | 5 | 59 |
| 114210-66300 | 5 | 46 |
| | 15 | 53 |
| 114210-66350 | 5 | 50 |
| | 15 | 57 |
| 114210-66510 | 5 | 45 |
| | 15 | 52 |
| 114239-59300 | 21 | 54 |
| 114239-59350 | 21 | 53 |
| 114240-11450 | 21 | 61 |
| | 22 | 61 |
| 114240-11550 | 21 | 62 |
| | 22 | 62 |
| 114249-53000 | 21 | 28 |
| 114250-01841 | 1 | 24 |
| | 9 | 24 |
| | 11 | 7 |

| Parts No. | Fig. No. | Ref. No. |
|--------------|----------|----------|
| 114250-01841 | 19 | 24 |
| 114250-32010 | 5 | 1 |
| 114250-53080 | 21 | 31 |
| | 22 | 31 |
| 114250-53120 | 21 | 37 |
| | 22 | 37 |
| 114250-53130 | 21 | 38 |
| | 22 | 38 |
| 114250-53140 | 21 | 39 |
| | 22 | 39 |
| 114250-53210 | 21 | 40 |
| | 22 | 40 |
| 114250-53400 | 21 | 41 |
| | 22 | 41 |
| 114250-59060 | 10 | 4 |
| | 20 | 8 |
| 114288-59150 | 10 | 2 |
| | 20 | 6 |
| 114295-11470 | 2 | 26 |
| | 12 | 28 |
| 114295-61520 | 5 | 44 |
| | 15 | 34 |
| 114295-61810 | 5 | 56 |
| | 15 | 38 |
| 114295-61940 | 5 | 58 |
| | 15 | 40 |
| 114295-61960 | 5 | 66 |
| | 15 | 66 |
| 114295-61990 | 5 | 63 |
| | 15 | 63 |
| 114295-66690 | 5 | 62 |
| | 15 | 42 |
| 114299-01600 | 1 | 27 |
| | 11 | 8 |
| 114299-01690 | 1 | 39 |
| | 11 | 14 |
| 114299-01800 | 1 | 12 |
| | 11 | 33 |
| 114299-01830 | 1 | 23 |
| | 11 | 5 |
| 114299-01950 | 1 | 42 |
| | 9 | 23 |
| | 11 | 17 |
| | 19 | 23 |
| 114299-02030 | 1 | 44 |
| | 11 | 19 |
| 114299-03640 | 2 | 40 |
| | 12 | 41 |
| 114299-07110 | 9 | 2 |
| | 19 | 2 |

| Parts No. | Fig. No. | Ref. No. |
|--------------|----------|----------|
| 114299-07160 | 9 | 3 |
| | 19 | 3 |
| 114299-11240 | 2 | 18 |
| | | 22 |
| | 12 | 19 |
| | | 23 |
| 114299-11600 | 2 | 28 |
| 114299-12300 | 2 | 50 |
| | 3 | 15 |
| | 12 | 51 |
| | 13 | 15 |
| 114299-13200 | 3 | 19 |
| | 9 | 30 |
| 114299-21220 | 4 | 21 |
| 114299-21550 | 4 | 26 |
| 114299-32070 | 5 | 7 |
| | 15 | 43 |
| 114299-32570 | 5 | 8 |
| | 9 | 31 |
| | 15 | 7 |
| | 19 | 31 |
| 114299-35110 | 5 | 11 |
| | 15 | 10 |
| 114299-35150 | 1 | 37 |
| | 11 | 12 |
| 114299-45220 | 6 | 1 |
| | 16 | 1 |
| 114299-45301 | 6 | 14 |
| | 16 | 13 |
| 114299-45310 | 6 | 15 |
| | 16 | 14 |
| 114299-45330 | 6 | 16 |
| 114299-45350 | 6 | 17 |
| | 16 | 16 |
| 114299-61190 | 5 | 43 |
| | 15 | 37 |
| 114299-61600 | 5 | 41 |
| | 15 | 35 |
| 114299-66200 | 5 | 60 |
| | 15 | 45 |
| 114299-92590 | 9 | 8 |
| | 19 | 8 |
| 114299-92600 | 9 | 9 |
| | 19 | 9 |
| 114299-92710 | 9 | 10 |
| | 19 | 10 |
| 114299-92720 | 9 | 11 |
| | 19 | 11 |
| 114299-92730 | 9 | 12 |
| | 19 | 12 |

Parts No. Index

| Parts No. | Fig. No. | Ref. No. |
|--------------|----------|----------|
| 114299-92740 | 9 | 13 |
| | 19 | 13 |
| 114310-01010 | 11 | 1 |
| 114310-01200 | 12 | 1 |
| 114310-01210 | 12 | 2 |
| 114310-01450 | 11 | 45 |
| 114310-11020 | 12 | 3 |
| 114310-11100 | 12 | 7 |
| 114310-11110 | 12 | 8 |
| 114310-11120 | 12 | 9 |
| 114310-11180 | 12 | 10 |
| 114310-11250 | 12 | 14 |
| 114310-11260 | 12 | 15 |
| 114310-11280 | 12 | 16 |
| 114310-11310 | 12 | 34 |
| | 19 | 28 |
| 114310-11650 | 12 | 17 |
| 114310-11660 | 12 | 21 |
| 114310-11930 | 12 | 11 |
| 114310-11960 | 12 | 36 |
| 114310-12010 | 13 | 2 |
| 114310-12210 | 13 | 21 |
| | 19 | 29 |
| 114310-12511 | 13 | 1 |
| 114310-13200 | 13 | 18 |
| | 19 | 30 |
| 114310-14200 | 14 | 6 |
| 114310-14400 | 14 | 12 |
| 114310-45100 | 16 | 35 |
| 114310-45260 | 16 | 2 |
| 114310-45270 | 16 | 3 |
| 114310-45300 | 16 | 4 |
| 114310-45310 | 16 | 5 |
| 114310-45350 | 16 | 8 |
| 114310-45360 | 16 | 11 |
| 114310-53000 | 17 | 26 |
| 114310-59060 | 17 | 66 |
| | 22 | 56 |
| 114310-59300 | 17 | 64 |
| 114310-59310 | 17 | 67 |
| | 22 | 58 |
| 114310-59320 | 17 | 63 |
| 114310-59800 | 17 | 56 |
| 114310-61500 | 15 | 14 |
| 114310-66010 | 15 | 44 |
| 114339-53100 | 21 | 32 |
| | 22 | 32 |
| 114339-59300 | 22 | 54 |
| 114339-59350 | 22 | 53 |
| 114349-53000 | 22 | 28 |

| Parts No. | Fig. No. | Ref. No. |
|--------------|----------|----------|
| 114350-02100 | 1 | 35 |
| 114350-02113 | 1 | 45 |
| 114350-02200 | 1 | 50 |
| 114350-02210 | 1 | 51 |
| 114350-11340 | 2 | 24 |
| | 9 | 26 |
| 114351-77520 | 8 | 37 |
| | 18 | 37 |
| 114362-77011 | 8 | 1 |
| | 18 | 1 |
| 114371-77160 | 8 | 7 |
| | 18 | 7 |
| 114371-77170 | 8 | 13 |
| | 18 | 13 |
| 114371-77180 | 8 | 14 |
| | 18 | 14 |
| 114371-79040 | 8 | 8 |
| | 18 | 8 |
| 114371-79050 | 8 | 9 |
| | 18 | 9 |
| 114371-79060 | 8 | 10 |
| | 18 | 10 |
| 114371-79070 | 8 | 17 |
| | 18 | 17 |
| 114380-23100 | 4 | 44 |
| 114381-77110 | 8 | 2 |
| | 18 | 2 |
| 114381-77130 | 8 | 5 |
| | 18 | 5 |
| 114381-77140 | 8 | 6 |
| | 18 | 6 |
| 114381-77151 | 8 | 12 |
| | 18 | 12 |
| 114395-01330 | 1 | 5 |
| | 9 | 15 |
| 114399-01380 | 1 | 11 |
| | 9 | 21 |
| 114399-01410 | 1 | 31 |
| | 9 | 22 |
| 114399-21590 | 4 | 22 |
| 114399-21600 | 4 | 25 |
| 114399-22300 | 4 | 36 |
| 114399-45320 | 6 | 6 |
| | 16 | 6 |
| 114399-45340 | 6 | 7 |
| | 16 | 7 |
| 114399-76251 | 6 | 19 |
| 114399-76510 | 6 | 20 |
| 114399-76521 | 6 | 21 |
| 114399-76531 | 6 | 23 |

| Parts No. | Fig. No. | Ref. No. |
|--------------|----------|----------|
| 114399-76540 | 6 | 24 |
| | 16 | 23 |
| 114399-76550 | 6 | 25 |
| 114399-76560 | 6 | 26 |
| 114399-76570 | 6 | 27 |
| 114399-76580 | 6 | 28 |
| 114399-76590 | 6 | 31 |
| 114399-76620 | 6 | 29 |
| | 16 | 26 |
| 114399-76630 | 6 | 30 |
| 114399-77400 | 8 | 30 |
| | 18 | 30 |
| 114399-77540 | 8 | 32 |
| | 18 | 32 |
| 114399-77550 | 8 | 28 |
| | 18 | 28 |
| 114399-77710 | 8 | 34 |
| | 18 | 34 |
| 114399-78000 | 8 | 33 |
| | 18 | 33 |
| 114399-78260 | 8 | 21 |
| | 18 | 21 |
| 114399-78730 | 8 | 22 |
| | 18 | 22 |
| 114399-78740 | 8 | 23 |
| | 18 | 23 |
| 114650-02100 | 11 | 48 |
| 114650-02150 | 11 | 20 |
| 114650-02200 | 11 | 25 |
| 114650-02210 | 11 | 26 |
| 114650-11340 | 12 | 25 |
| | 19 | 26 |
| 114650-32010 | 15 | 1 |
| 114650-59060 | 7 | 66 |
| | 21 | 56 |
| 114652-59310 | 7 | 67 |
| | 21 | 58 |
| 114662-21601 | 14 | 66 |
| 114695-01330 | 11 | 27 |
| | 19 | 15 |
| 114699-01380 | 11 | 6 |
| | 19 | 21 |
| 114699-01410 | 11 | 44 |
| | 19 | 22 |
| 114699-01760 | 1 | 40 |
| | 11 | 15 |
| 114699-11600 | 12 | 29 |
| 114699-21220 | 14 | 21 |
| 114699-21550 | 14 | 22 |
| 114699-21590 | 14 | 63 |

| Parts No. | Fig. No. | Ref. No. |
|--------------|----------|----------|
| 114699-22300 | 14 | 32 |
| 114699-45330 | 16 | 15 |
| 114699-59850 | 17 | 62 |
| 114699-76251 | 16 | 18 |
| 114699-76510 | 16 | 19 |
| 114699-76521 | 16 | 20 |
| 114699-76531 | 16 | 22 |
| 114699-76551 | 16 | 24 |
| 114699-76560 | 16 | 25 |
| 114699-76592 | 16 | 32 |
| 114699-76630 | 16 | 27 |
| 114699-76650 | 16 | 28 |
| 114699-76660 | 16 | 29 |
| 114699-76670 | 16 | 30 |
| 114699-76680 | 16 | 31 |
| 114770-61610 | 5 | 42 |
| | 15 | 36 |
| 114771-11461 | 2 | 25 |
| | 9 | 27 |
| | 12 | 27 |
| | 19 | 27 |
| 114771-61830 | 5 | 57 |
| | 15 | 39 |
| 114771-66600 | 5 | 61 |
| | 15 | 41 |
| 118200-23200 | 4 | 41 |
| 119810-23200 | 14 | 38 |
| 121750-59890 | 7 | 68 |
| | 17 | 68 |
| | 21 | 59 |
| | 22 | 59 |
| 124060-23100 | 14 | 37 |
| 124066-59100 | 21 | 57 |
| | 22 | 57 |
| 124195-77770 | 8 | 16 |
| | 18 | 16 |
| 124298-77020 | 8 | 15 |
| | 18 | 15 |
| 124722-59050 | 7 | 65 |
| | 10 | 3 |
| | 17 | 65 |
| | 20 | 7 |
| | 21 | 55 |
| | 22 | 55 |
| 129792-22400 | 14 | 33 |
| 160110-02220 | 1 | 46 |
| | 12 | 47 |
| 160670-66350 | 2 | 51 |
| | 12 | 52 |
| 160710-78710 | 8 | 24 |

Parts No. Index

| Parts No. | Fig. No. | Ref. No. |
|--------------|----------|----------|
| 160710-78710 | 18 | 24 |
| 171022-39470 | 1 | 55 |
| | 11 | 55 |
| 183250-03410 | 2 | 46 |
| | 12 | 47 |
| 183250-03550 | 2 | 49 |
| | 12 | 50 |
| 183250-07480 | 9 | 5 |
| | 19 | 7 |
| 183250-39450 | 1 | 53 |
| | 11 | 53 |
| 183250-66321 | 5 | 47 |
| | 15 | 54 |
| 183250-66331 | 5 | 48 |
| | 15 | 55 |
| 183250-66341 | 5 | 49 |
| | 15 | 56 |
| 183250-66361 | 5 | 51 |
| | 15 | 58 |
| 183250-66371 | 5 | 52 |
| | 15 | 59 |
| 183279-08350 | 20 | 1 |
| 183350-03510 | 2 | 48 |
| 183366-08290 | 1 | 52 |
| | 11 | 52 |
| 183366-39460 | 1 | 54 |
| | 11 | 54 |
| 183650-03510 | 12 | 49 |
| 183650-13501 | 20 | 2 |
| 183650-13511 | 20 | 3 |
| 183650-13700 | 20 | 4 |
| 183854-13510 | 10 | 1 |
| 22117-100000 | 1 | 56 |
| | 11 | 56 |
| 22190-160002 | 1 | 43 |
| | 9 | 25 |
| | 11 | 18 |
| | 19 | 25 |
| 22252-000210 | 4 | 37 |
| 22312-030160 | 2 | 42 |
| | 5 | 9 |
| | 12 | 43 |
| | 15 | 8 |
| 22312-040080 | 1 | 25 |
| | 11 | 50 |
| 22322-030200 | 5 | 27 |
| | | 32 |
| | 15 | 26 |
| | | 31 |
| 22351-025005 | 21 | 36 |

| Parts No. | Fig. No. | Ref. No. |
|--------------|----------|----------|
| 22351-025005 | 22 | 36 |
| 22351-040008 | 2 | 30 |
| | 12 | 30 |
| 22512-040120 | 4 | 27 |
| 22512-050140 | 14 | 23 |
| 23875-020000 | 1 | 26 |
| | 11 | 51 |
| 24101-062030 | 4 | 62 |
| 24101-063040 | 14 | 46 |
| 24162-152116 | 1 | 48 |
| 24162-152220 | 11 | 21 |
| 24311-000180 | 5 | 67 |
| | 15 | 67 |
| 24341-000224 | 5 | 13 |
| | 9 | 32 |
| | 15 | 12 |
| | 19 | 32 |
| 24423-355008 | 11 | 22 |
| | | 23 |
| 26023-040102 | 8 | 31 |
| | 18 | 31 |
| 26106-060082 | 6 | 9 |
| | | 32 |
| | 16 | 9 |
| | | 33 |
| | 20 | 5 |
| 26106-060122 | 5 | 10 |
| | 6 | 33 |
| | 8 | 25 |
| | | 35 |
| | 15 | 9 |
| | 16 | 34 |
| | 18 | 25 |
| | | 35 |
| 26106-060142 | 2 | 52 |
| | 5 | 54 |
| | 12 | 53 |
| | 15 | 61 |
| 26106-060162 | 2 | 53 |
| | 5 | 14 |
| | | 53 |
| | 12 | 54 |
| | 15 | 13 |
| | | 60 |
| 26106-060202 | 3 | 17 |
| | 5 | 55 |
| | 6 | 10 |
| | 8 | 26 |
| | | 36 |
| | 15 | 62 |

| Parts No. | Fig. No. | Ref. No. |
|--------------|----------|----------|
| 26106-060202 | 16 | 10 |
| | 18 | 26 |
| | | 36 |
| 26106-060402 | 2 | 31 |
| | 13 | 16 |
| 26106-060552 | 2 | 45 |
| 26106-060652 | 12 | 35 |
| 26106-080122 | 1 | 49 |
| | 11 | 24 |
| 26106-080352 | 1 | 38 |
| | 11 | 13 |
| 26106-080502 | 12 | 31 |
| 26106-100302 | 8 | 19 |
| | 18 | 19 |
| 26216-080182 | 3 | 20 |
| | 13 | 19 |
| 26226-060182 | 1 | 28 |
| | 11 | 9 |
| 26226-060222 | 1 | 29 |
| | 11 | 10 |
| 26226-060302 | 3 | 18 |
| 26226-060352 | 13 | 17 |
| 26226-060552 | 2 | 32 |
| | 12 | 32 |
| 26366-060002 | 1 | 30 |
| | 2 | 33 |
| | 6 | 12 |
| | 11 | 11 |
| | 12 | 33 |
| | 16 | 12 |
| 26366-080002 | 3 | 21 |
| | 13 | 20 |
| 26557-040082 | 1 | 57 |
| | 11 | 57 |
| 26577-060142 | 8 | 27 |
| | 18 | 27 |
| 26716-080002 | 8 | 20 |
| | 18 | 20 |
| 26856-060002 | 2 | 19 |
| | | 23 |
| | 12 | 20 |
| | | 24 |
| 714210-14580 | 4 | 1 |
| 714210-21730 | 4 | 13 |
| 714210-22580 | 4 | 56 |
| 714210-22620 | 4 | 50 |
| 714210-22720 | 4 | 28 |
| 714210-23701 | 4 | 38 |
| 714210-28510 | 4 | 45 |
| 714210-51110 | 7 | 1 |

| Parts No. | Fig. No. | Ref. No. |
|--------------|----------|----------|
| 714210-53100 | 7 | 25 |
| 714210-61700 | 5 | 35 |
| | 15 | 46 |
| 714210-92630 | 9 | 14 |
| 714249-51420 | 21 | 1 |
| 714249-53100 | 21 | 27 |
| 714310-14580 | 14 | 1 |
| 714310-21730 | 14 | 13 |
| 714310-22500 | 14 | 26 |
| 714310-22540 | 14 | 49 |
| 714310-22550 | 14 | 55 |
| 714310-22580 | 14 | 53 |
| 714310-22620 | 14 | 47 |
| 714310-22720 | 14 | 24 |
| 714310-23701 | 14 | 34 |
| 714310-28510 | 14 | 41 |
| 714310-51120 | 17 | 1 |
| 714310-53100 | 17 | 25 |
| 714310-92640 | 19 | 14 |
| 714349-51420 | 22 | 1 |
| 714349-53100 | 22 | 27 |
| 714650-23600 | 14 | 39 |
| 714650-23610 | 14 | 59 |
| 714650-23620 | 14 | 61 |
| 714870-22502 | 4 | 30 |
| 714870-22542 | 4 | 52 |
| 714870-22552 | 4 | 58 |
| X2114274200 | 8 | 18 |
| | 18 | 18 |
| X2114715500 | 8 | 4 |
| | 18 | 4 |
| X2114811000 | 8 | 3 |
| | 18 | 3 |
| X211485016 | 8 | 11 |
| | 18 | 11 |