

0CD10-M92700EN

# はじめに

1. 本パーツカタログは、酒井重工業株式会社殿向けL70V6GJ1R1AAS5形を掲載した新作版です。

|     | パーツカタログNo.  | 発行年月     | 備考 |
|-----|-------------|----------|----|
| 初 版 | 000Y00D9270 | 2006年11月 |    |

2. 本パーツカタログは、整備要領などを示した技術資料ではありません。
3. 本パーツカタログのイラストは、一部簡略化したものを使用しています。
4. 本パーツカタログの記載内容は、予告なく変更することがありますのでご了承ください。
5. ヤンマー製品の整備には、必ず『ヤンマー純正部品』をご使用ください。  
市販の類似品を使用して修理されますと、早期破損などの原因となりますのでご注意ください。

# Introduction

1. This parts catalog is a first edition of the L70V6GJ1R1AAS5 Diesel engine for SAKAI HEAVY INDUSTRIES, LTD.

|               | Parts catalog No. | Date of issue | Remarks |
|---------------|-------------------|---------------|---------|
| First edition | 000Y00D9270       | Nov., 2006    |         |

2. This parts catalog does not contain the technical data needed for maintenance service.
3. The illustrations used in this parts catalog have been simplified for clarity.
4. The contents of this parts catalog are subject to change without notice.
5. Be sure to use only Yanmar genuine parts for repairs. If imitation parts are used, it may cause engine defects.

## Directions for the Parts Catalog.

1. This Parts Catalog shows both standard and optional parts.
2. Parts may change without prior notice.
3. The following is an example of the Parts Catalog format.

| REF. | LEV. | PARTS NO.  | DESCRIPTION         | Q'TY |     |     |     |     |     | I | R |
|------|------|--|---------------------|------|-----|-----|-----|-----|-----|---|---|
|      |      |  |                     | (A)  | (B) | (C) | (D) | (E) | (F) |   |   |
| 1    | 1    | 729595-51390   | FUEL INJECTION PUMP | 1    | 1   | 1   | 1   | 1   |     |   | 1 |
| 1-1  | 1    | 729595-51391   | FUEL INJECTION PUMP | 1    | 1   | 1   | 1   | 1   |     | N | 1 |
|      |      | (A=E00185) (B=E00200)                                  |                     |      |     |     |     |     |     |   |   |
| 3    | 2    | 26022-060162   | SCREW M 6X 16       | 9    | 9   | 9   | 9   | 9   |     |   |   |
| 3-1  | 2    | 26022-060162   | SCREW M 6X 16       | 4    | 4   | 4   | 4   | 4   |     | K |   |
|      |      | (A=E00156) (B=E00156) (C=E00156) (D=E00156) (E=E00156) |                     |      |     |     |     |     |     |   |   |
| 4    | 2    | 129470-51040   | CAMSHAFT            | 1    | 1   | 1   | 1   | 1   |     |   |   |
| 5    | 2    | 122710-51050   | BEARING, ROLLER     | 2    | 2   | 2   | 2   | 2   |     |   |   |
| 6    | 2    | 129470-51060   | RETAINER            | 1    | 1   | 1   | 1   | 1   |     |   |   |

|   |
|---|
| Remarks   |
| (1) BOOST COMPEMSATOR TYPE. OPTIONAL PART, TO E00155,(4JH-DT, 4JH-DTZ |

### ① Ref. No.

The Ref. No. listed may not be in accordance with the illustration Ref. No.

(Ex.) Illustration No.

List Ref No.

1

1

(Before change)

1-1

(After change)

For interchangeable symbols N, R and K, illustrations for new parts may be abbreviated.

### ② Lev. (Level)

Level indication

The numbers below indicate the level of relativity towards the main part.

1 ----- Main parts (Assembly parts)

2 ----- Sub component included in " 1 ".

3 ----- Sub component included in " 2 ".

Note) Parts that are not for sale are partially illustrated but not listed.

### ③ Interchangeability Symbol

When a part change takes place, one of the following interchangeability symbols is indicated beside the part.

| Symbol | Interchangeability  | Contents note  |
|--------|---|--|
| N      | Old $\begin{matrix} \leftarrow \text{Yes} \\ \text{No} \rightarrow \end{matrix}$ New  | New Part is interchangeable for Old Part but Old Part is not interchangeable for New Part. |
| Q      | Old $\begin{matrix} \leftarrow \text{No} \\ \text{Yes} \rightarrow \end{matrix}$ New  | New Part is not interchangeable for Old Part but Old Part is interchangeable for New Part. |
| R      | Old $\begin{matrix} \leftarrow \text{Yes} \\ \text{Yes} \rightarrow \end{matrix}$ New | New/ Old Parts are both interchangeable.   |
| S      | Old $\begin{matrix} \leftarrow \text{No} \\ \text{No} \rightarrow \end{matrix}$ New   | New/ Old Parts are both not interchangeable.   |
| W      |   | Part newly added.  |
| Z      |   | Part discontinued.   |
| F      |   | Not interchangeable by a single part but interchangeable together with related parts.      |
| K      |   | Changes only for used parts quantities.  |

### ④ Effective Machine No.

When a part changes, the effective Machine No. will be indicated in the (A)-(F) column.

| Product Symbol | Product No.               | Product Symbol | Product No.                       |
|----------------|---------------------------|----------------|-----------------------------------|
| C              | Clutch No. Compressor No. | F              | Machine No. (Agricultural Equip.) |
| D              | Drive No.                 | M              | Machine No.                       |
| E              | Engine No.                |                |                                   |

Note 1) A date may follow the symbol. (Ex.) 1996.01

Note 2) "XXXXX" and "ZZZZZ" are for parts that could not be predicted or for engine models that could not be identified.

Note 3) (A=E00185) is the E (Engine Serial Number) for the column (A) model (in this case 4JH-DT) after the parts design change.

### ⑤ Remarks

Figures or alphabets (symbols) are entered in the remarks column.

The comments (remarks) on parts that are indicated at the bottom of the illustration are the same symbols as those stated above.

# Contents

Fig. No.    Fig. Name

L70V6GJ1R1AAS5

1. CYLINDER BLOCK
2. CYLINDER HEAD & BONNET
3. AIR CLEANER & MUFFLER
4. CRANKSHAFT,PISTON & CAMSHAFT
5. LUB.OIL PUMP & GOVERNOR
6. COOLING & STARTING DEVICE
7. FUEL INJECTION PUMP & FUEL INJECTION VALVE
11. (7A)FUEL INJECTION PUMP & FUEL INJECTION VALVE
8. FUEL TANK & FUEL PIPE
9. STARTING MOTOR & DYNAMO
10. TOOL,LABEL & GASKET SET

Fig. No.    Fig. Name

Fig.1. CYLINDER BLOCK

(A)=L70V6GJ1R1AAS5

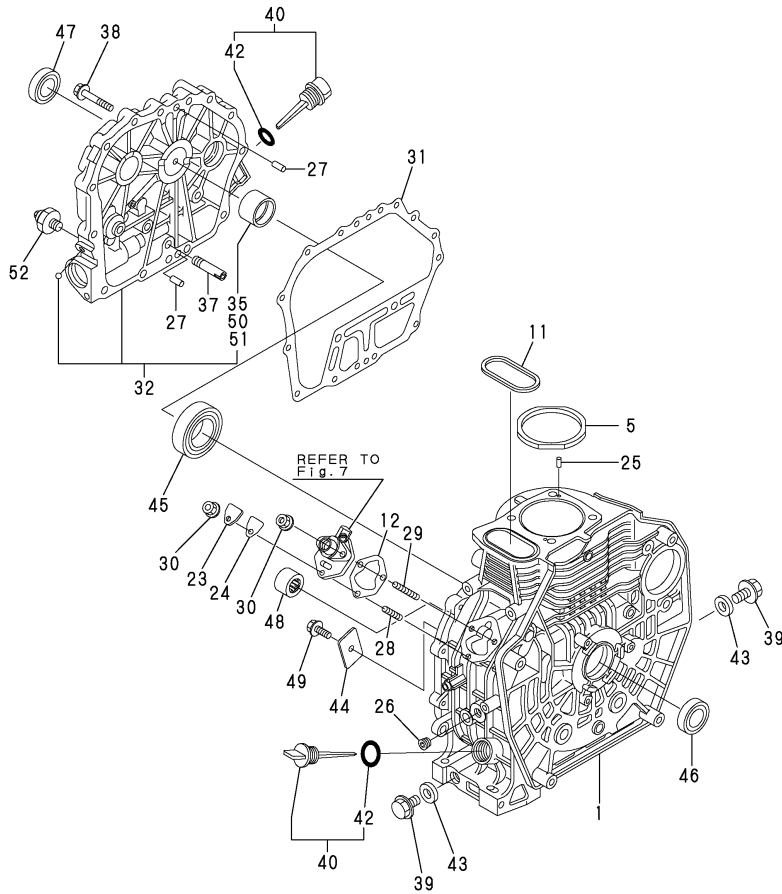
(B)=

(C)=

(D)=

(E)=

(F)=



| No. | Lev. | Parts No.    | Description          | Q'ty |     |     |     |     |     | I | R |
|-----|------|--------------|----------------------|------|-----|-----|-----|-----|-----|---|---|
|     |      |              |                      | (A)  | (B) | (C) | (D) | (E) | (F) |   |   |
| 1   | 1    | 114210-01010 | BLOCK ASSY, CYLINDER | 1    |     |     |     |     |     |   |   |
| 5   | 1    | 114395-01330 | GASKET, HEAD         | 1    |     |     |     |     |     |   |   |
| 11  | 1    | 114399-01380 | O-RING               | 1    |     |     |     |     |     |   |   |
| 12  | 1    | 114299-01800 | SHIM SET             | 1    |     |     |     |     |     |   |   |
| 23  | 1    | 114299-01830 | COVER                | 1    |     |     |     |     |     |   |   |
| 24  | 1    | 114250-01841 | GASKET               | 1    |     |     |     |     |     |   |   |
| 25  | 1    | 22312-040080 | PIN, PARALLEL M4X 8  | 2    |     |     |     |     |     |   |   |
| 26  | 1    | 23875-020000 | PLUG, R02            | 1    |     |     |     |     |     |   |   |
| 27  | 1    | 114299-01600 | PIN, 8X12            | 2    |     |     |     |     |     |   |   |
| 28  | 1    | 26226-060182 | STUD, M6X 18         | 1    |     |     |     |     |     |   |   |
| 29  | 1    | 26226-060222 | STUD, M6X 22         | 2    |     |     |     |     |     |   |   |
| 30  | 1    | 26366-060002 | NUT, M6              | 3    |     |     |     |     |     |   |   |
| 31  | 1    | 114399-01410 | GASKET, CRANK CASE   | 1    |     |     |     |     |     |   |   |
| 32  | 1    | 114210-01460 | COVER(D, CRANK CASE  | 1    |     |     |     |     |     |   |   |
| 35  | 2    | 114350-02100 | BEARING, MAIN        | 1    |     |     |     |     |     |   | 1 |
| 37  | 1    | 114299-35150 | PIPE, OIL INLET      | 1    |     |     |     |     |     |   |   |
| 38  | 1    | 26106-080352 | BOLT, M8X 35 PLATED  | 15   |     |     |     |     |     |   |   |
| 39  | 1    | 114299-01690 | PLUG M16             | 2    |     |     |     |     |     |   |   |
| 40  | 1    | 114699-01760 | CAP ASSY             | 2    |     |     |     |     |     |   |   |
| 42  | 2    | 114299-01950 | O-RING, 18           | 2    |     |     |     |     |     |   |   |
| 43  | 1    | 22190-160002 | WASHER, SEAL 16      | 2    |     |     |     |     |     |   |   |
| 44  | 1    | 114299-02030 | RETAINER, BEARING    | 1    |     |     |     |     |     |   |   |
| 45  | 1    | 114350-02113 | BEARING, B35-135G3C3 | 1    |     |     |     |     |     |   |   |
| 46  | 1    | 160110-02220 | SEAL, OIL            | 1    |     |     |     |     |     |   |   |
| 47  | 1    | 160110-02220 | SEAL, OIL            | 1    |     |     |     |     |     |   |   |
| 48  | 1    | 24162-152116 | BEARING, 152116      | 1    |     |     |     |     |     |   |   |
| 49  | 1    | 26106-080122 | BOLT, M8X 12 PLATED  | 1    |     |     |     |     |     |   |   |
| 50  | 1    | 114350-02200 | BEARING, 0.25 US     | 1    |     |     |     |     |     |   | 2 |
| 51  | 1    | 114350-02210 | BEARING, 0.50 US     | 1    |     |     |     |     |     |   | 3 |
| 52  | 1    | 121252-39450 | SWITCH, 0.5KG        | 1    |     |     |     |     |     |   |   |

Remarks

- (1)REPAIR PART.
- (2)UNDER SIZED(U.S.=0.25)PART.
- (3)UNDER SIZED(U.S.=0.50)PART.

Fig.2. CYLINDER HEAD & BONNET

(A)=L70V6GJ1R1AAS5

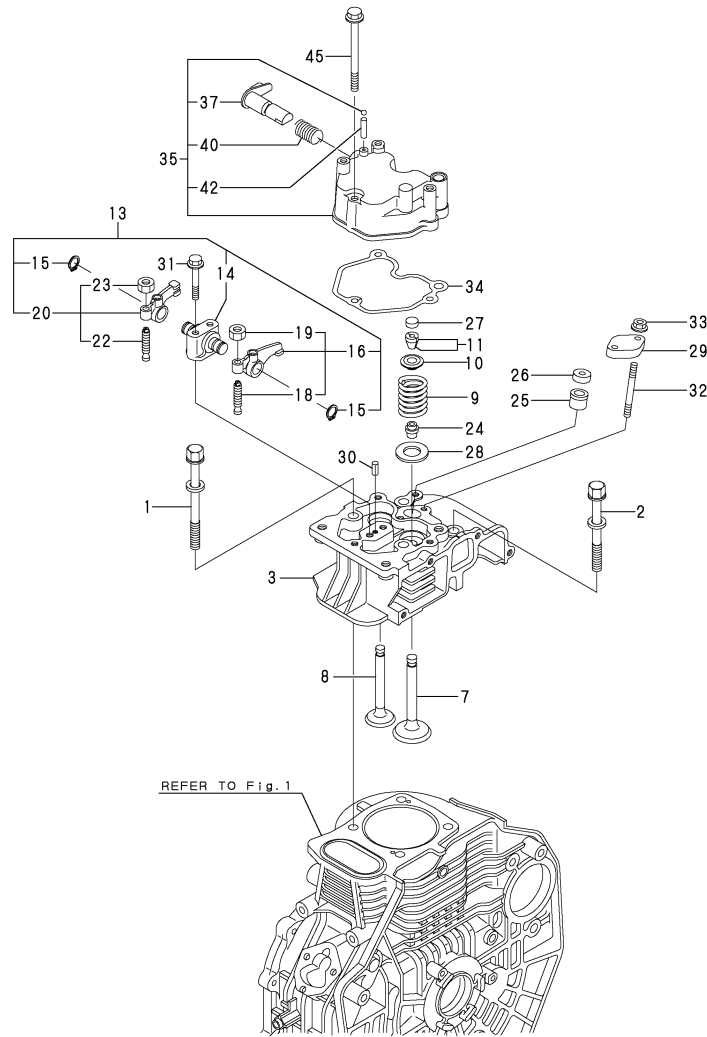
(B)=

(C)=

(D)=

(E)=

(F)=



| No. | Lev. | Parts No.    | Description           | Q'ty |     |     |     |     |     | I | R |
|-----|------|--------------|-----------------------|------|-----|-----|-----|-----|-----|---|---|
|     |      |              |                       | (A)  | (B) | (C) | (D) | (E) | (F) |   |   |
| 1   | 1    | 114210-01200 | BOLT, CYL.HEAD A      | 2    |     |     |     |     |     |   |   |
| 2   | 1    | 114210-01210 | BOLT, CYL.HEAD B      | 2    |     |     |     |     |     |   |   |
| 3   | 1    | 114210-11020 | HEAD ASSY, CYLINDER   | 1    |     |     |     |     |     |   |   |
| 7   | 1    | 114210-11100 | VALVE, INTAKE         | 1    |     |     |     |     |     |   |   |
| 8   | 1    | 114210-11110 | VALVE, EXHAUST        | 1    |     |     |     |     |     |   |   |
| 9   | 1    | 114210-11120 | SPRING, VALVE         | 2    |     |     |     |     |     |   |   |
| 10  | 1    | 114210-11180 | RETAINER, SPRING      | 2    |     |     |     |     |     |   |   |
| 11  | 1    | 114210-11930 | COTTER ASSY           | 2    |     |     |     |     |     |   |   |
| 13  | 1    | 114210-11250 | SUPPORT ASSY, ROCKER  | 1    |     |     |     |     |     |   |   |
| 14  | 2    | 114210-11260 | SUPPORT, ROCKER ARM   | 1    |     |     |     |     |     |   |   |
| 15  | 2    | 114210-11280 | C TYPE RETAINING RIN  | 2    |     |     |     |     |     |   |   |
| 16  | 2    | 114210-11650 | ARM ASSY, INTAKE      | 1    |     |     |     |     |     |   |   |
| 18  | 3    | 114299-11240 | SCREW, ADJUSTING      | 1    |     |     |     |     |     |   |   |
| 19  | 3    | 26856-060002 | NUT, M6               | 1    |     |     |     |     |     |   |   |
| 20  | 2    | 114210-11660 | ARM ASSY, EXHAUST     | 1    |     |     |     |     |     |   |   |
| 22  | 3    | 114299-11240 | SCREW, ADJUSTING      | 1    |     |     |     |     |     |   |   |
| 23  | 3    | 26856-060002 | NUT, M6               | 1    |     |     |     |     |     |   |   |
| 24  | 1    | 114350-11340 | SEAL, VALVE STEM      | 2    |     |     |     |     |     |   |   |
| 25  | 1    | 114771-11461 | GASKET, NOZZLE        | 1    |     |     |     |     |     |   | 1 |
| 26  | 1    | 114295-11470 | SPACER, NOZZLE        | 1    |     |     |     |     |     |   | 1 |
| 27  | 1    | 105010-11490 | CAP, VALVE            | 2    |     |     |     |     |     |   |   |
| 28  | 1    | 114299-11600 | WASHER, VALVE SPRING  | 2    |     |     |     |     |     |   |   |
| 29  | 1    | 114210-11900 | RETAINER, NOZZLE      | 1    |     |     |     |     |     |   |   |
| 30  | 1    | 22351-040008 | PIN, SPRING 4.0X 8    | 1    |     |     |     |     |     |   |   |
| 31  | 1    | 26106-060402 | BOLT, M6X 40 PLATED   | 2    |     |     |     |     |     |   |   |
| 32  | 1    | 26226-060552 | STUD, M6X 55          | 2    |     |     |     |     |     |   |   |
| 33  | 1    | 26366-060002 | NUT, M6               | 2    |     |     |     |     |     |   |   |
| 34  | 1    | 114210-11310 | GASKET, BONNET        | 1    |     |     |     |     |     |   |   |
| 35  | 1    | 114210-11950 | BONNET ASSY, HEAD     | 1    |     |     |     |     |     |   |   |
| 37  | 2    | 114210-03590 | SHAFT ASSY, DECOMP.   | 1    |     |     |     |     |     |   |   |
| 40  | 2    | 114299-03640 | SPRING, DECOMPRESSION | 1    |     |     |     |     |     |   |   |
| 42  | 2    | 22312-030160 | PIN, PARALLEL M3X16   | 1    |     |     |     |     |     |   |   |
| 45  | 1    | 26106-060552 | BOLT, M6X 55 PLATED   | 3    |     |     |     |     |     |   |   |

Remarks

(1) This parts is applied up to the following engine number.

(A)=EZZZZZ

Please refer to Fig.7A since above-mentioned engine number.

Interchangeable by simultaneous replacement with Fig.7A No1,27,56,59, 60 when changing to the new model.

Fig.3. AIR CLEANER & MUFFLER

(A)=L70V6GJ1R1AAS5

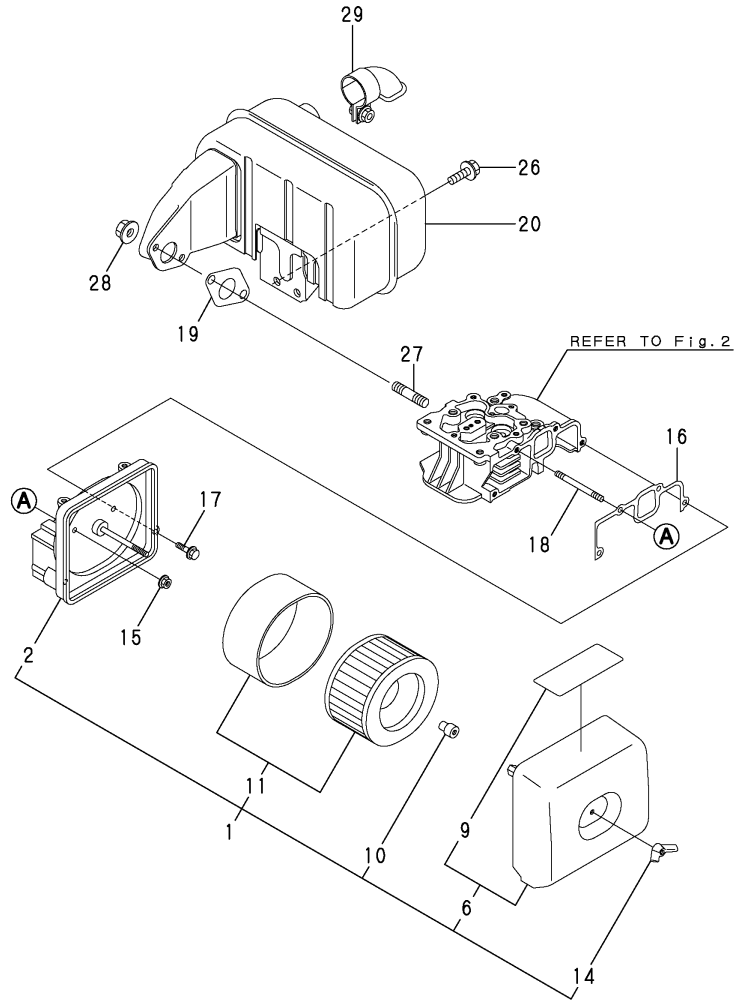
(B)=

(C)=

(D)=

(E)=

(F)=



| No. | Lev. | Parts No.    | Description          | Q'ty |     |     |     |     |     | I | R |
|-----|------|--------------|----------------------|------|-----|-----|-----|-----|-----|---|---|
|     |      |              |                      | (A)  | (B) | (C) | (D) | (E) | (F) |   |   |
| 1   | 1    | 114210-12511 | CLEANER ASSY, AIR    | 1    |     |     |     |     |     |   |   |
| 2   | 2    | 114210-12010 | BODY ASSY, AIR CLNR  | 1    |     |     |     |     |     |   |   |
| 6   | 2    | 114210-12500 | COVER ASSY, AIR CLNR | 1    |     |     |     |     |     |   |   |
| 9   | 3    | 114210-12610 | LABEL, AIR CLEANER   | 1    |     |     |     |     |     |   |   |
| 10  | 2    | 114210-12560 | NUT, WING            | 1    |     |     |     |     |     |   |   |
| 11  | 2    | 114210-12590 | ELEMENT ASSY         | 1    |     |     |     |     |     |   |   |
| 14  | 2    | 114210-12600 | LOCKING KNOB         | 1    |     |     |     |     |     |   |   |
| 15  | 1    | 114299-12300 | NUT                  | 3    |     |     |     |     |     |   |   |
| 16  | 1    | 114210-12210 | GASKET, AIR CLEANER  | 1    |     |     |     |     |     |   |   |
| 17  | 1    | 26106-060202 | BOLT, M6X 20 PLATED  | 1    |     |     |     |     |     |   |   |
| 18  | 1    | 26226-060302 | STUD, M6X 30         | 3    |     |     |     |     |     |   |   |
| 19  | 1    | 114299-13200 | GASKET, MUFFLER      | 1    |     |     |     |     |     |   |   |
| 20  | 1    | 114399-13520 | MUFFLER ASSY         | 1    |     |     |     |     |     |   |   |
| 26  | 1    | 26106-060142 | BOLT, M6X 14 PLATED  | 2    |     |     |     |     |     |   |   |
| 27  | 1    | 26216-080182 | STUD, M8X 18         | 2    |     |     |     |     |     |   |   |
| 28  | 1    | 26366-080002 | NUT, M8              | 2    |     |     |     |     |     |   |   |
| 29  | 1    | 114299-13800 | EXTENSION ASSY       | 1    |     |     |     |     |     |   |   |

Fig.4. CRANKSHAFT,PISTON & CAMSHAFT

(A)=L70V6GJ1R1AAS5

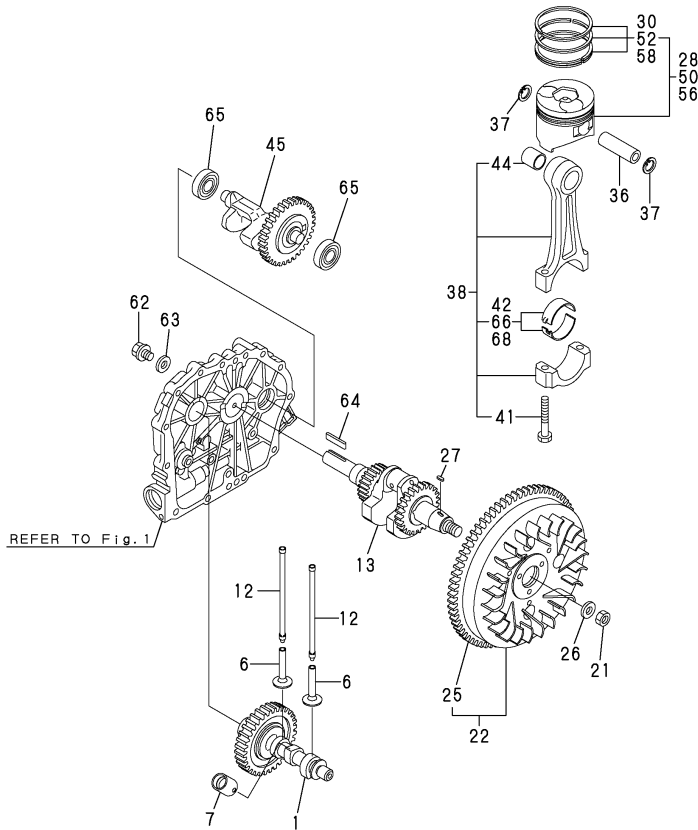
(B)=

(C)=

(D)=

(E)=

(F)=



| No. | Lev. | Parts No.    | Description           | Q'ty |     |     |     |     |     | I | R |
|-----|------|--------------|-----------------------|------|-----|-----|-----|-----|-----|---|---|
|     |      |              |                       | (A)  | (B) | (C) | (D) | (E) | (F) |   |   |
| 1   | 1    | 714210-14580 | CAMSHAFT ASSY         | 1    |     |     |     |     |     |   |   |
| 6   | 1    | 114210-14200 | TAPPET                | 2    |     |     |     |     |     |   |   |
| 7   | 1    | 114210-14300 | TAPPET ASSY, ROLLER   | 1    |     |     |     |     |     |   |   |
| 12  | 1    | 114210-14400 | ROD ASSY, PUSH        | 2    |     |     |     |     |     |   |   |
| 13  | 1    | 714210-21740 | CRANKSHAFT(D ASSY     | 1    |     |     |     |     |     |   |   |
| 21  | 1    | 114299-21220 | NUT                   | 1    |     |     |     |     |     |   |   |
| 22  | 1    | 114399-21590 | FLYWHEEL ASSY         | 1    |     |     |     |     |     |   |   |
| 25  | 2    | 114399-21600 | GEAR, RING            | 1    |     |     |     |     |     |   |   |
| 26  | 1    | 114299-21550 | WASHER                | 1    |     |     |     |     |     |   |   |
| 27  | 1    | 22512-040120 | KEY, 4X 12            | 1    |     |     |     |     |     |   |   |
| 28  | 1    | 714210-22720 | PISTON W/RINGS (D     | 1    |     |     |     |     |     |   |   |
| 30  | 2    | 714870-22502 | RING SET, PISTON      | 1    |     |     |     |     |     |   |   |
| 36  | 1    | 114399-22300 | PIN, PISTON D=21      | 1    |     |     |     |     |     |   |   |
| 37  | 1    | 22252-000210 | RING, 21              | 2    |     |     |     |     |     |   |   |
| 38  | 1    | 714210-23701 | ROD ASSY, CONNECTING  | 1    |     |     |     |     |     |   |   |
| 41  | 2    | 118200-23200 | BOLT, CONNECTING ROD  | 2    |     |     |     |     |     |   |   |
| 42  | 2    | 114210-23600 | BEARING, CRANK PIN    | 1    |     |     |     |     |     |   |   |
| 44  | 2    | 114380-23100 | BEARING, PISTON PIN   | 1    |     |     |     |     |     |   |   |
| 45  | 1    | 714210-28510 | SHAFT ASSY, BALANCER  | 1    |     |     |     |     |     |   |   |
| 50  | 1    | 714210-22620 | PISTON W/RING OS=.25  | 1    |     |     |     |     |     |   | 1 |
| 52  | 2    | 714870-22542 | RING SET, 0.25 OS     | 1    |     |     |     |     |     |   | 1 |
| 56  | 1    | 714210-22580 | PISTON W/RING OS=0.5  | 1    |     |     |     |     |     |   | 2 |
| 58  | 2    | 714870-22552 | RING SET, 0.50 OS     | 1    |     |     |     |     |     |   | 2 |
| 62  | 1    | 26106-080202 | BOLT, M8X 20 PLATED   | 1    |     |     |     |     |     |   |   |
| 63  | 1    | 160310-14550 | WASHER                | 1    |     |     |     |     |     |   |   |
| 64  | 1    | 22512-070360 | KEY, 7X 36            | 1    |     |     |     |     |     |   |   |
| 65  | 1    | 24101-062030 | BEARING, BALL 6203C3  | 2    |     |     |     |     |     |   |   |
| 66  | 1    | 114210-23610 | BEARING,PIN(U.S.=0.25 | 1    |     |     |     |     |     |   | 3 |
| 68  | 1    | 114210-23620 | BEARING,PIN(U.S.=0.50 | 1    |     |     |     |     |     |   | 4 |

Remarks

- (1) OVER SIZED(O.S.=0.25)PART.
- (2) OVER SIZED(O.S.=0.50)PART.
- (3) UNDER SIZED(U.S.=0.25)PART.
- (4) UNDER SIZED(U.S.=0.50)PART.



# Fig.5. LUB.OIL PUMP & GOVERNOR

(A)=L70V6GJ1R1AAS5

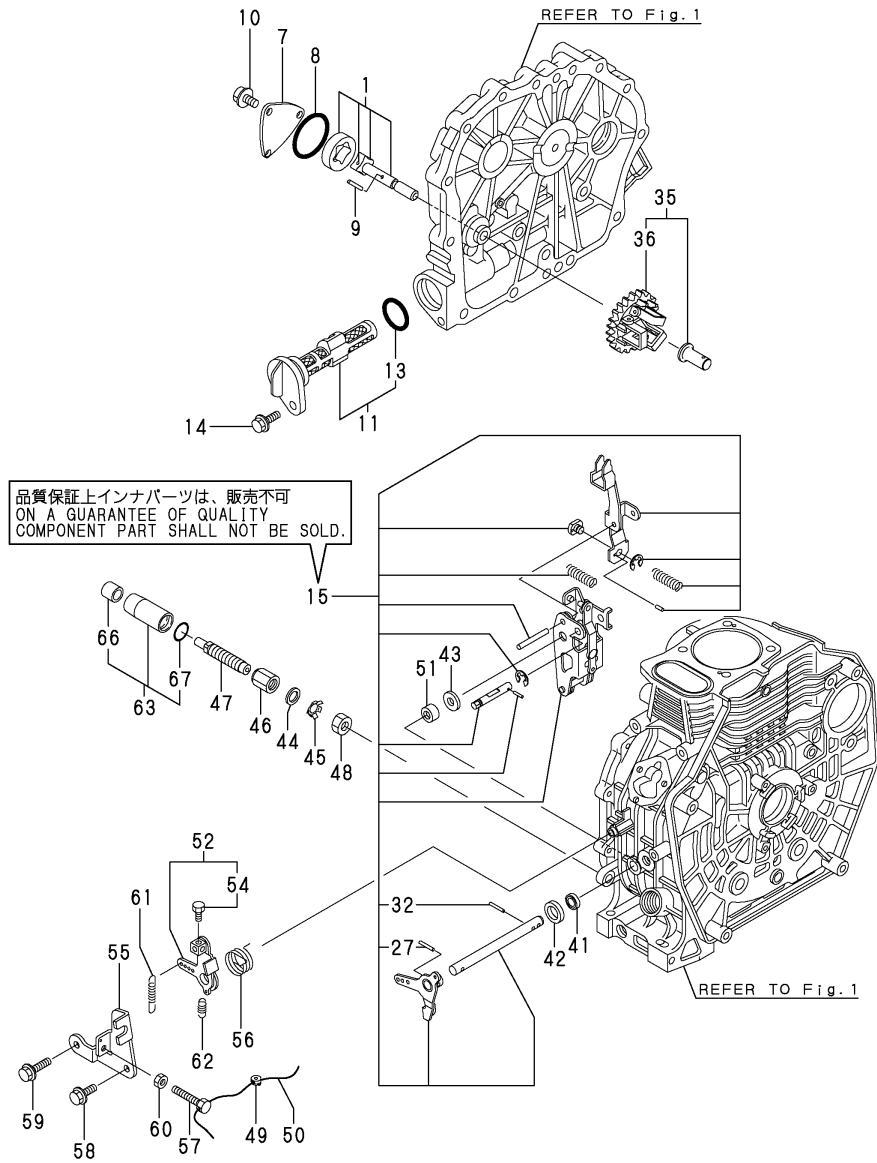
(B)=

(C)=

(D)=

(E)=

(F)=



| No. | Lev. | Parts No.    | Description           | Q'ty |     |     |     |     |     | I | R |
|-----|------|--------------|-----------------------|------|-----|-----|-----|-----|-----|---|---|
|     |      |              |                       | (A)  | (B) | (C) | (D) | (E) | (F) |   |   |
| 1   | 1    | 114250-32010 | PUMP ASSY, OIL        | 1    |     |     |     |     |     |   |   |
| 7   | 1    | 114299-32070 | COVER                 | 1    |     |     |     |     |     |   |   |
| 8   | 1    | 114299-32570 | O-RING                | 1    |     |     |     |     |     |   |   |
| 9   | 1    | 22312-030160 | PIN, PARALLEL M3X16   | 1    |     |     |     |     |     |   |   |
| 10  | 1    | 26106-060122 | BOLT, M6X 12 PLATED   | 3    |     |     |     |     |     |   |   |
| 11  | 1    | 114299-35110 | FILTER ASSY, OIL      | 1    |     |     |     |     |     |   |   |
| 13  | 2    | 24341-000224 | O-RING, 1AS22.4       | 1    |     |     |     |     |     |   |   |
| 14  | 1    | 26106-060162 | BOLT, M6X 16 PLATED   | 1    |     |     |     |     |     |   |   |
| 15  | 1    | 114210-61550 | LEVER ASSY, GOVERNOR  | 1    |     |     |     |     |     |   |   |
| 27  | 2    | 22322-030200 | PIN, TAPER 3X20       | 1    |     |     |     |     |     |   |   |
| 32  | 2    | 22322-030200 | PIN, TAPER 3X20       | 1    |     |     |     |     |     |   |   |
| 35  | 1    | 714210-61700 | GOVERNOR ASSY         | 1    |     |     |     |     |     |   |   |
| 36  | 2    | 114210-61290 | WEIGHT ASSY, GOVERNOR | 1    |     |     |     |     |     |   |   |
| 41  | 1    | 114299-61600 | SEAL, OIL             | 1    |     |     |     |     |     |   |   |
| 42  | 1    | 114770-61610 | WASHER, THRUST        | 1    |     |     |     |     |     |   |   |
| 43  | 1    | 114299-61190 | WASHER                | 1    |     |     |     |     |     |   |   |
| 44  | 1    | 114295-61810 | WASHER, PLAIN 14      | 1    |     |     |     |     |     |   |   |
| 45  | 1    | 114771-61830 | PLATE                 | 1    |     |     |     |     |     |   |   |
| 46  | 1    | 114295-61940 | NUT                   | 1    |     |     |     |     |     |   |   |
| 47  | 1    | 114771-66600 | LIMITER ASSY, FUEL    | 1    |     |     |     |     |     |   |   |
| 48  | 1    | 114295-66690 | NUT, M14X1.25         | 1    |     |     |     |     |     |   |   |
| 49  | 1    | 114780-61090 | TIN                   | 1    |     |     |     |     |     |   |   |
| 50  | 1    | 22451-060000 | WIRE, 0.6             | 1    |     |     |     |     |     |   |   |
| 51  | 1    | 114295-61520 | NEEDLE BEARING        | 2    |     |     |     |     |     |   |   |
| 52  | 1    | 114252-66051 | HANDLE, REGULATOR     | 1    |     |     |     |     |     |   |   |
| 54  | 2    | 105225-66990 | SCREW, M5X8.5         | 1    |     |     |     |     |     |   |   |
| 55  | 1    | 183360-66110 | BRACKET               | 1    |     |     |     |     |     |   |   |
| 56  | 1    | 114299-66250 | SPRING, RETURN        | 1    |     |     |     |     |     |   |   |
| 57  | 1    | 114299-66440 | BOLT, ADJUSTING       | 1    |     |     |     |     |     |   |   |
| 58  | 1    | 26106-060142 | BOLT, M6X 14 PLATED   | 1    |     |     |     |     |     |   |   |
| 59  | 1    | 26106-060202 | BOLT, M6X 20 PLATED   | 1    |     |     |     |     |     |   |   |
| 60  | 1    | 26757-060002 | NUT, LOCK M6          | 1    |     |     |     |     |     |   |   |
| 61  | 1    | 114210-66010 | SPRING, REGULATOR     | 1    |     |     |     |     |     |   |   |
| 62  | 1    | 114299-66200 | SPRING, RETURN        | 1    |     |     |     |     |     |   |   |
| 63  | 1    | 114295-61990 | PROTECTOR CMP         | 1    |     |     |     |     |     |   |   |
| 66  | 2    | 114295-61960 | SPACER                | 1    |     |     |     |     |     |   |   |
| 67  | 2    | 24311-000180 | O-RING, 1AP18.0       | 1    |     |     |     |     |     |   |   |

Fig.6. COOLING & STARTING DEVICE

(A)=L70V6GJ1R1AAS5

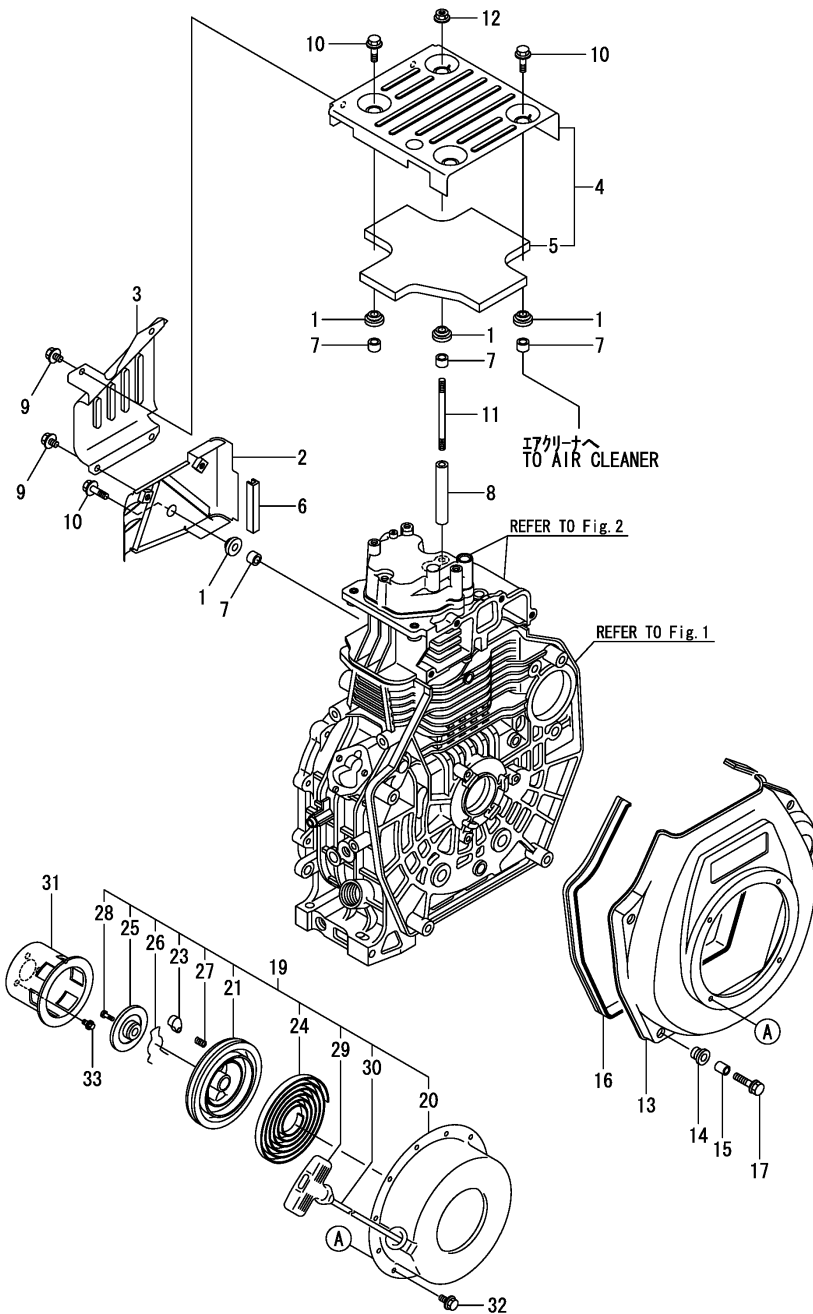
(B)=

(C)=

(D)=

(E)=

(F)=



| No.        | Lev. | Parts No.    | Description           | Q'ty |     |     |     |     |     | I | R |
|------------|------|--------------|-----------------------|------|-----|-----|-----|-----|-----|---|---|
|            |      |              |                       | (A)  | (B) | (C) | (D) | (E) | (F) |   |   |
| 1          | 1    | 114299-45220 | GROMMET               | 5    |     |     |     |     |     |   |   |
| 2          | 1    | 114210-45260 | COVER B, SIDE (13)    | 1    |     |     |     |     |     |   |   |
| 3          | 1    | 114210-45270 | COVER A, SIDE (13)    | 1    |     |     |     |     |     |   |   |
| 4          | 1    | 114210-45300 | COVER, TOP(BLACK)(13) | 1    |     |     |     |     |     |   |   |
| 5          | 2    | 114210-45310 | DAMPER                | 1    |     |     |     |     |     |   |   |
| 6          | 1    | 114399-45320 | RUBBER, SEAL          | 1    |     |     |     |     |     |   |   |
| 7          | 1    | 114399-45340 | COLLAR                | 5    |     |     |     |     |     |   |   |
| 8          | 1    | 114210-45350 | SPACER, TOP COVER     | 1    |     |     |     |     |     |   |   |
| 9          | 1    | 26106-060082 | BOLT, M6X 8 PLATED    | 4    |     |     |     |     |     |   |   |
| 10         | 1    | 26106-060202 | BOLT, M6X 20 PLATED   | 4    |     |     |     |     |     |   |   |
| 11         | 1    | 114210-45360 | STUD BOLT, TOP COVER  | 1    |     |     |     |     |     |   |   |
| 12         | 1    | 26366-060002 | NUT, M6               | 1    |     |     |     |     |     |   |   |
| 13         | 1    | 114210-45100 | FAN CASE(SILVER)(17)  | 1    |     |     |     |     |     |   |   |
| 13-1       | 1    | 114210-45150 | CASE, COOLING FAN     | 1    |     |     |     |     |     |   | R |
| (A=EXXXXX) |      |              |                       |      |     |     |     |     |     |   |   |
| 14         | 1    | 114299-45301 | RUBBER, CUSHION       | 4    |     |     |     |     |     |   |   |
| 15         | 1    | 114299-45310 | COLLAR                | 4    |     |     |     |     |     |   |   |
| 16         | 1    | 114299-45330 | SEAL, FAN CASE        | 1    |     |     |     |     |     |   |   |
| 17         | 1    | 114299-45350 | BOLT, FAN CASE        | 4    |     |     |     |     |     |   |   |
| 19         | 1    | 114399-76251 | RECOIL STARTER(D)ASY  | 1    |     |     |     |     |     |   |   |
| 20         | 2    | 114399-76510 | CASE, STARTER         | 1    |     |     |     |     |     |   |   |
| 21         | 2    | 114399-76521 | REEL, RECOIL          | 1    |     |     |     |     |     |   |   |
| 23         | 2    | 114399-76531 | RATCHET               | 1    |     |     |     |     |     |   |   |
| 24         | 2    | 114399-76540 | SPRING, SPIRAL        | 1    |     |     |     |     |     |   |   |
| 25         | 2    | 114399-76550 | COVER                 | 1    |     |     |     |     |     |   |   |
| 26         | 2    | 114399-76560 | SPRING                | 1    |     |     |     |     |     |   |   |
| 27         | 2    | 114399-76570 | SPRING, RETURN        | 1    |     |     |     |     |     |   |   |
| 28         | 2    | 114399-76580 | SCREW                 | 1    |     |     |     |     |     |   |   |
| 29         | 2    | 114399-76620 | KNOB, STARTER         | 1    |     |     |     |     |     |   |   |
| 30         | 2    | 114399-76630 | ROPE, STARTER         | 1    |     |     |     |     |     |   |   |
| 31         | 1    | 114399-76590 | PULLEY, STARTER       | 1    |     |     |     |     |     |   |   |
| 32         | 1    | 26106-060082 | BOLT, M6X 8 PLATED    | 4    |     |     |     |     |     |   |   |
| 33         | 1    | 26106-060122 | BOLT, M6X 12 PLATED   | 3    |     |     |     |     |     |   |   |

# Fig.7. FUEL INJECTION PUMP & FUEL INJECTION VALVE

(A)=L70V6GJ1R1AAS5

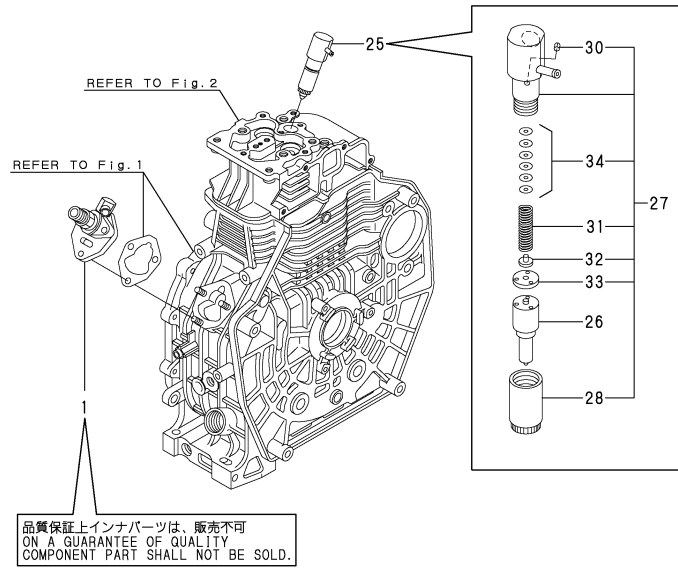
(B)=

(C)=

(D)=

(E)=

(F)=



| No. | Lev. | Parts No.    | Description          | Q'ty |     |     |     |     |     | I | R |
|-----|------|--------------|----------------------|------|-----|-----|-----|-----|-----|---|---|
|     |      |              |                      | (A)  | (B) | (C) | (D) | (E) | (F) |   |   |
| 1   | 1    | 714210-51100 | PUMP ASSY, F.INJECT. | 1    |     |     |     |     |     |   | 1 |
| 25  | 1    | 714210-53100 | FUEL INJECTOR        | 1    |     |     |     |     |     |   | 1 |
| 26  | 2    | 114210-53000 | NOZZLE ASSY          | 1    |     |     |     |     |     |   |   |
| 27  | 2    | 114210-53100 | HOLDER ASSY,NOZZLE   | 1    |     |     |     |     |     |   |   |
| 28  | 3    | 114210-53080 | NUT,NOZZLE           | 1    |     |     |     |     |     |   |   |
| 30  | 3    | 114210-53330 | PIN                  | 1    |     |     |     |     |     |   |   |
| 31  | 3    | 114210-53120 | SPRING,NOZZLE        | 1    |     |     |     |     |     |   |   |
| 32  | 3    | 114210-53130 | SEAT,SPRING          | 1    |     |     |     |     |     |   |   |
| 33  | 3    | 114210-53140 | SPACER ASSY,VALVE    | 1    |     |     |     |     |     |   |   |
| 34  | 3    | 114210-53400 | SHIM SET             | 1    |     |     |     |     |     |   |   |

**Remarks**

(1) This parts is applied up to the following engine number.

(A)=EZZZZZ

Please refer to Fig.7A since above-mentioned engine number.

Interchangeable by simultaneous replacement with Fig.7A No1,27,56,59, 60 when changing to the new model.

Fig.11. (7A)FUEL INJECTION PUMP & FUEL INJECTION VALVE

(A)=L70V6GJ1R1AAS5

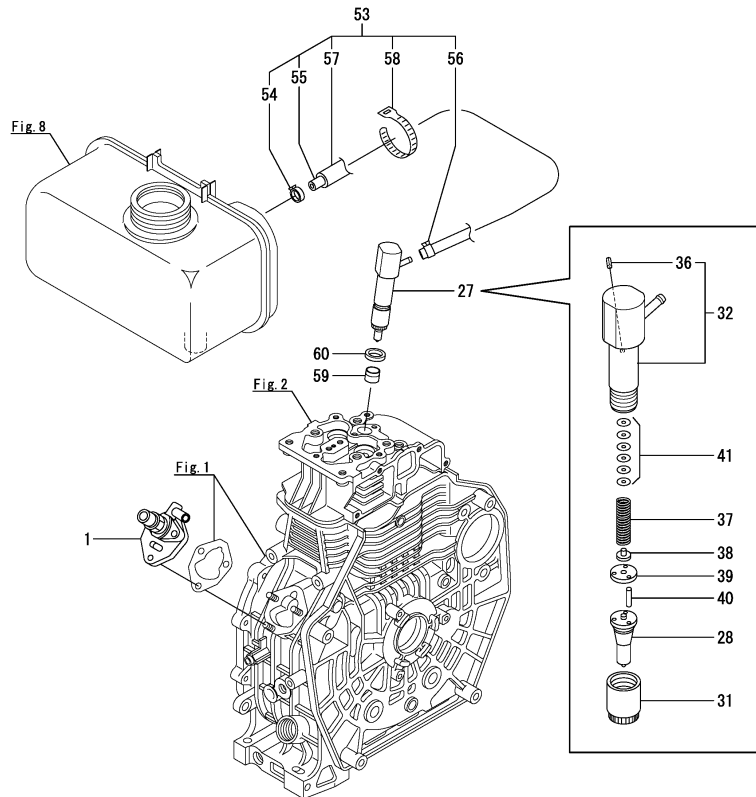
(B)=

(C)=

(D)=

(E)=

(F)=



| No. | Lev. | Parts No.                  | Description          | Q'ty |     |     |     |     |     | I | R |   |
|-----|------|----------------------------|----------------------|------|-----|-----|-----|-----|-----|---|---|---|
|     |      |                            |                      | (A)  | (B) | (C) | (D) | (E) | (F) |   |   |   |
| 1   | 1    | 714249-51400<br>(A=EZZZZZ) | PUMP ASSY, INJECTION | 1    |     |     |     |     |     |   | W | 1 |
| 27  | 1    | 714249-53100<br>(A=EZZZZZ) | VALVE ASSY,INJECTION | 1    |     |     |     |     |     |   |   | W |
| 28  | 2    | 114249-53000               | NOZZLE ASSY          | 1    |     |     |     |     |     |   |   |   |
| 31  | 2    | 114250-53080               | NUT, NOZZLE D16.95   | 1    |     |     |     |     |     |   |   |   |
| 32  | 2    | 114339-53100               | HOLDER ASSY, NOZZLE  | 1    |     |     |     |     |     |   |   |   |
| 36  | 3    | 22351-025005               | PIN, SPRING 2.5X 6   | 1    |     |     |     |     |     |   |   |   |
| 37  | 2    | 114250-53120               | SPRING, NOZZLE       | 1    |     |     |     |     |     |   |   |   |
| 38  | 2    | 114250-53130               | SEAT, SPRING         | 1    |     |     |     |     |     |   |   |   |
| 39  | 2    | 114250-53140               | PLATE                | 1    |     |     |     |     |     |   |   |   |
| 40  | 2    | 114250-53210               | PIN                  | 2    |     |     |     |     |     |   |   |   |
| 41  | 2    | 114250-53400               | SHIM SET             | 1    |     |     |     |     |     |   |   |   |
| 53  | 1    | 114239-59300<br>(A=EZZZZZ) | PIPE ASSY, RETURN    | 1    |     |     |     |     |     |   |   | W |
| 54  | 2    | 124722-59050<br>(A=EZZZZZ) | CLIP, HOSE 9         | 1    |     |     |     |     |     |   |   | W |
| 55  | 2    | 114650-59060<br>(A=EZZZZZ) | PIPE, FUEL RETURN    | 1    |     |     |     |     |     |   |   | W |
| 56  | 2    | 124066-59100<br>(A=EZZZZZ) | CLIP, HOSE 8         | 1    |     |     |     |     |     |   |   | W |
| 57  | 2    | 114652-59310<br>(A=EZZZZZ) | TUBE, PROTECT        | 1    |     |     |     |     |     |   |   | W |
| 58  | 2    | 121750-59890<br>(A=EZZZZZ) | BAND, 140            | 1    |     |     |     |     |     |   |   | W |
| 59  | 1    | 114240-11450<br>(A=EZZZZZ) | PROTECTOR, NOZZLE    | 1    |     |     |     |     |     |   |   | W |
| 60  | 1    | 114240-11550<br>(A=EZZZZZ) | SEAT, NOZZLE         | 1    |     |     |     |     |     |   |   | W |

Remarks

\*Parts of this figure are executed since the following engine number.

\*(A)=EZZZZZ

\*Please refer to Fig.7 before above-mentioned engine number.

(1)On a guarantee of quality component part shall not be sold.

Fig.8. FUEL TANK & FUEL PIPE

(A)=L70V6GJ1R1AAS5

(B)=

(C)=

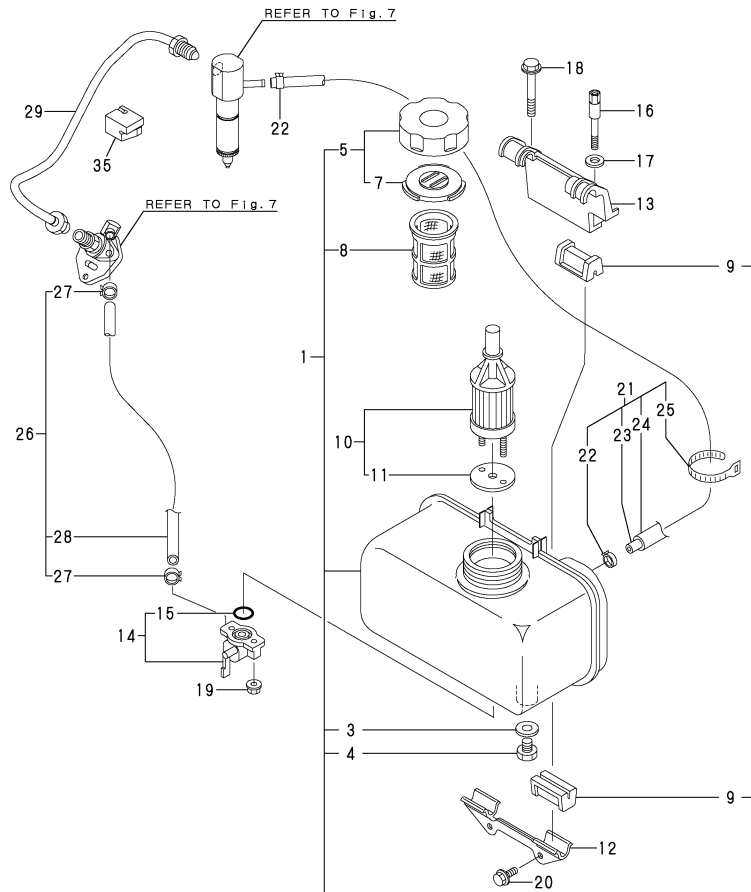
(D)=

(E)=

(F)=

Q'ty

| No.        | Lev. | Parts No.    | Description          | Q'ty |     |     |     |     |     | I | R |
|------------|------|--------------|----------------------|------|-----|-----|-----|-----|-----|---|---|
|            |      |              |                      | (A)  | (B) | (C) | (D) | (E) | (F) |   |   |
| 1          | 1    | 714210-55700 | TANK ASSY,FUEL(BLACK | 1    |     |     |     |     |     |   |   |
| 3          | 3    | 23414-080000 | GASKET, 8X1.0        | 1    |     |     |     |     |     |   |   |
| 4          | 3    | 114299-55080 | PLUG, DRAIN          | 1    |     |     |     |     |     |   |   |
| 5          | 2    | 114288-55041 | CAP ASSY             | 1    |     |     |     |     |     |   |   |
| 7          | 3    | 114288-55081 | VALVE                | 1    |     |     |     |     |     |   |   |
| 8          | 2    | 114299-55100 | FILTER, FUEL OIL     | 1    |     |     |     |     |     |   |   |
| 9          | 2    | 114250-55201 | DAMPER, FUEL TANK    | 4    |     |     |     |     |     |   |   |
| 10         | 1    | 114250-55121 | FILTER ASSY, FUEL    | 1    |     |     |     |     |     |   |   |
| 11         | 2    | 114250-55130 | GASKET               | 1    |     |     |     |     |     |   |   |
| 12         | 1    | 114210-55210 | STAY A, FUEL TANK    | 1    |     |     |     |     |     |   |   |
| 13         | 1    | 114210-55230 | STAY B, FUEL TANK    | 1    |     |     |     |     |     |   |   |
| 14         | 1    | 114250-55301 | COCK ASSY, FUEL      | 1    |     |     |     |     |     |   |   |
| 14-1       | 1    | 114240-55300 | COCK ASSY, FUEL      | 1    |     |     |     |     |     |   | N |
| (A=EXXXXX) |      |              |                      |      |     |     |     |     |     |   |   |
| 15         | 2    | 24341-000150 | O-RING, 1AS15.0      | 1    |     |     |     |     |     |   |   |
| 16         | 1    | 114210-55810 | BOLT, LIFTING        | 1    |     |     |     |     |     |   |   |
| 17         | 1    | 22117-080000 | WASHER, 8            | 1    |     |     |     |     |     |   |   |
| 18         | 1    | 26106-080452 | BOLT, M8X 45 PLATED  | 1    |     |     |     |     |     |   |   |
| 19         | 1    | 26366-060002 | NUT, M6              | 2    |     |     |     |     |     |   |   |
| 20         | 1    | 26106-060162 | BOLT, M6X 16 PLATED  | 2    |     |     |     |     |     |   |   |
| 21         | 1    | 114210-59300 | PIPE ASSY, RETURN    | 1    |     |     |     |     |     |   | 1 |
| 22         | 2    | 124722-59050 | CLIP, HOSE 9         | 2    |     |     |     |     |     |   |   |
| 23         | 2    | 114650-59060 | PIPE, FUEL RETURN    | 1    |     |     |     |     |     |   |   |
| 24         | 2    | 114652-59310 | TUBE, PROTECT        | 1    |     |     |     |     |     |   |   |
| 25         | 2    | 121750-59890 | BAND, 140            | 1    |     |     |     |     |     |   |   |
| 26         | 1    | 114770-59030 | PIPE ASSY, FUEL      | 1    |     |     |     |     |     |   |   |
| 26-1       | 1    | 114780-59010 | PIPE ASSY, FUEL L50  | 1    |     |     |     |     |     |   | N |
| (A=EXXXXX) |      |              |                      |      |     |     |     |     |     |   |   |
| 27         | 2    | 114270-59010 | CLIP, HOSE 12        | 2    |     |     |     |     |     |   |   |
| 27-1       | 2    | 23080-014000 | CLAMP, 14            | 2    |     |     |     |     |     |   | N |
| (A=EXXXXX) |      |              |                      |      |     |     |     |     |     |   |   |
| 28         | 2    | 114268-59061 | PIPE, FUEL L=50      | 1    |     |     |     |     |     |   |   |
| 28-1       | 2    | 114780-59060 | PIPE, FUEL L=50      | 1    |     |     |     |     |     |   | N |
| (A=EXXXXX) |      |              |                      |      |     |     |     |     |     |   |   |
| 29         | 1    | 114210-59800 | PIPE, FUEL INJECTION | 1    |     |     |     |     |     |   |   |
| 35         | 1    | 114210-59850 | SUPPORT, INJ. PIPE   | 1    |     |     |     |     |     |   |   |



Remarks

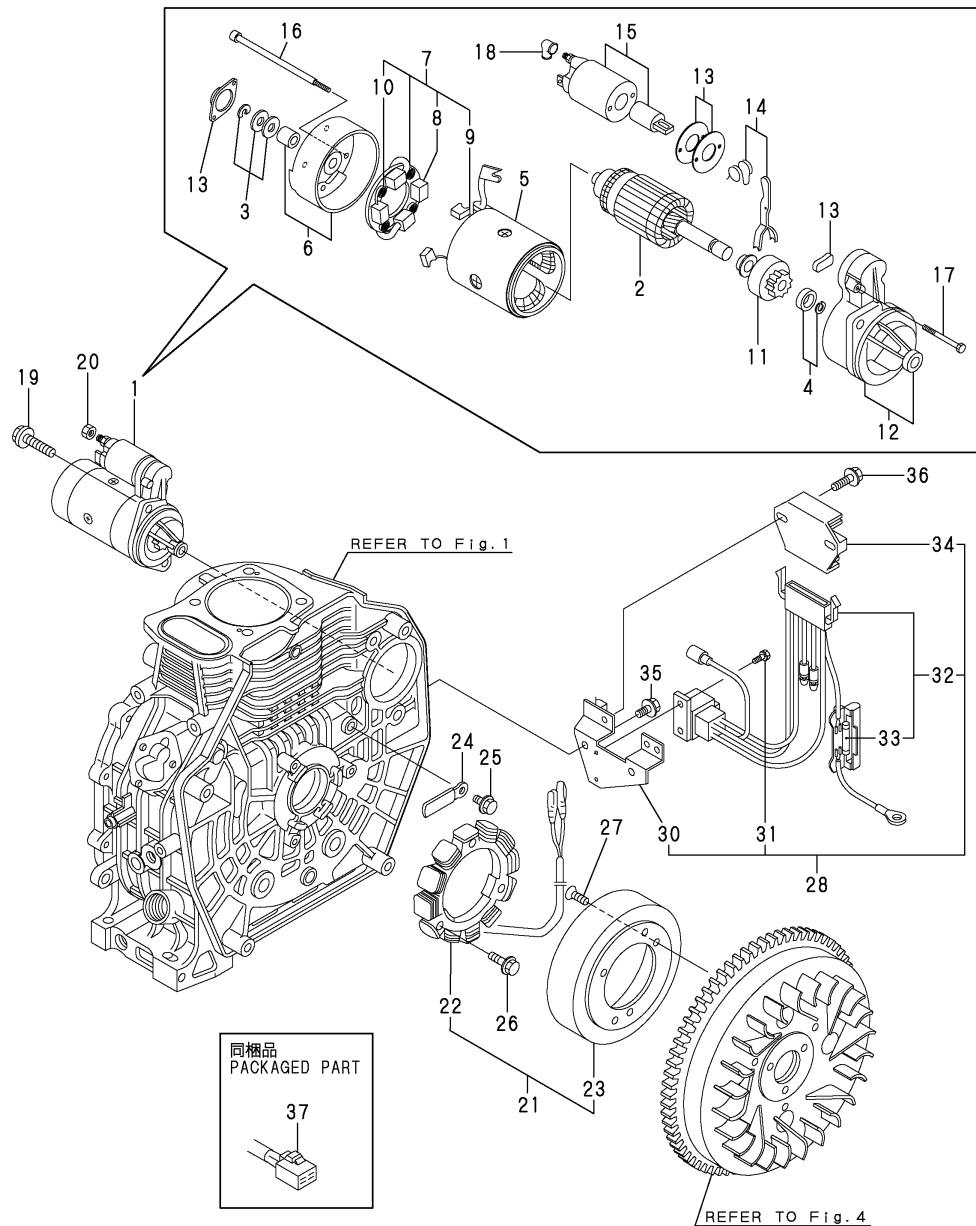
(1)This parts is applied up to the following engine number.

(A)=EZZZZZ

Please refer to Fig.7A since above-mentioned engine number.

Interchangeable by simultaneous replacement with Fig.7A No1,27,56,59, 60 when changing to the new model.

Fig.9. STARTING MOTOR & DYNAMO



(A)=L70V6GJ1R1AAS5

(B)=

(C)=

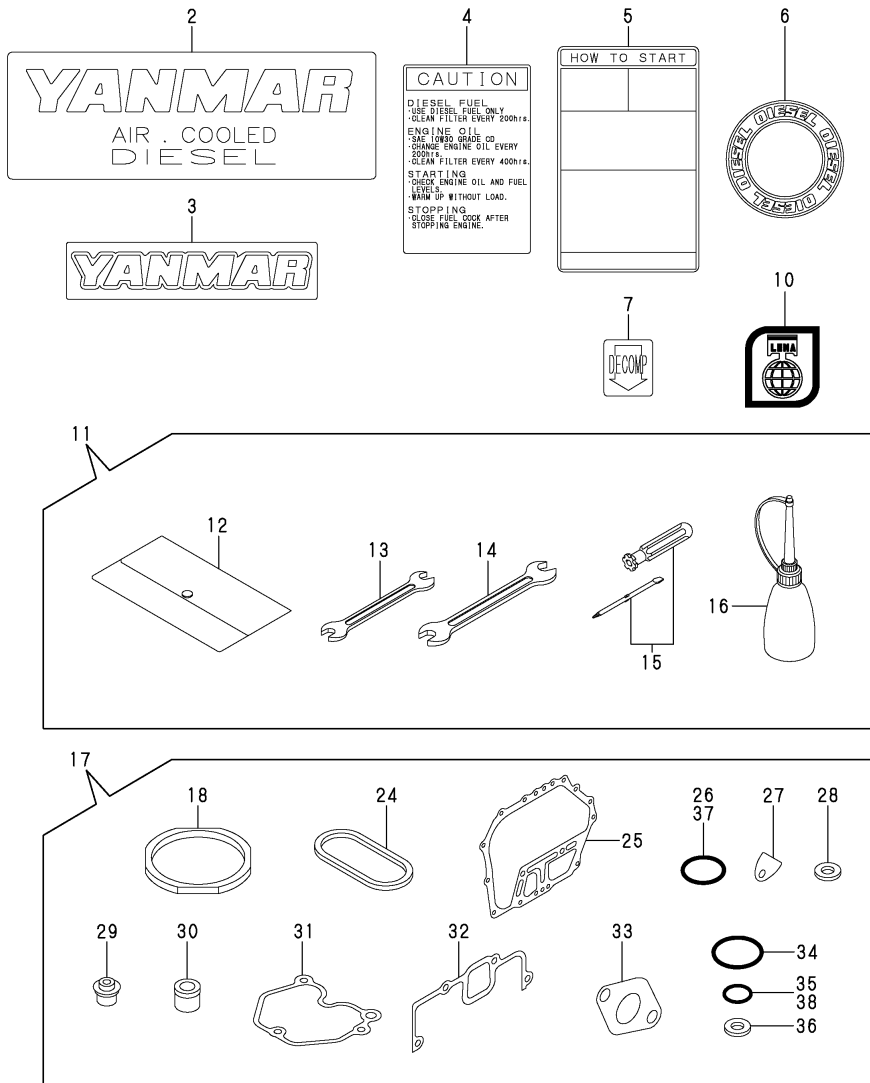
(D)=

(E)=

(F)=

| No. | Lev. | Parts No.    | Description          | Qty |     |     |     |     |     | I | R |
|-----|------|--------------|----------------------|-----|-----|-----|-----|-----|-----|---|---|
|     |      |              |                      | (A) | (B) | (C) | (D) | (E) | (F) |   |   |
| 1   | 1    | 114362-77011 | STARTER(HITACHI 12V  | 1   |     |     |     |     |     |   |   |
| 2   | 2    | 114381-77110 | ARMATURE             | 1   |     |     |     |     |     |   |   |
| 3   | 2    | X211481000   | WASHER KIT, THRUST   | 1   |     |     |     |     |     |   |   |
| 4   | 2    | X2114715500  | STOPPER SET, PINION  | 1   |     |     |     |     |     |   |   |
| 5   | 2    | 114381-77130 | COIL ASSY, FIELD     | 1   |     |     |     |     |     |   |   |
| 6   | 2    | 114381-77140 | COVER, REAR          | 1   |     |     |     |     |     |   |   |
| 7   | 2    | 114371-77160 | HOLDER ASSY, BRUSH   | 1   |     |     |     |     |     |   |   |
| 8   | 3    | 114371-79040 | BRUSH (-)            | 2   |     |     |     |     |     |   |   |
| 9   | 3    | 114371-79050 | BRUSH (+)            | 1   |     |     |     |     |     |   |   |
| 10  | 3    | 114371-79060 | SPRING, BRUSH        | 4   |     |     |     |     |     |   |   |
| 11  | 2    | X211485016   | PINION ASSY          | 1   |     |     |     |     |     |   |   |
| 12  | 2    | 114381-77151 | HOUSING ASSY, GEAR   | 1   |     |     |     |     |     |   |   |
| 13  | 2    | 114371-77170 | COVER KIT, DUST      | 1   |     |     |     |     |     |   |   |
| 14  | 2    | 114371-77180 | LEVER KIT, SHIFT     | 1   |     |     |     |     |     |   |   |
| 15  | 2    | 124298-77020 | SWITCH, MAGNETIC     | 1   |     |     |     |     |     |   |   |
| 16  | 2    | 124195-77770 | THROUGH BOLT         | 2   |     |     |     |     |     |   |   |
| 17  | 2    | 114371-79070 | BOLT M 6X 37         | 2   |     |     |     |     |     |   |   |
| 18  | 2    | X2114274200  | COVER, TERMINAL      | 1   |     |     |     |     |     |   |   |
| 19  | 1    | 26106-100302 | BOLT, M10X 30 PLATED | 2   |     |     |     |     |     |   |   |
| 20  | 1    | 26716-080002 | NUT, M8              | 1   |     |     |     |     |     |   |   |
| 21  | 1    | 114399-78260 | DYNAMO ASSY          | 1   |     |     |     |     |     |   |   |
| 22  | 2    | 114399-78730 | STATOR ASSY          | 1   |     |     |     |     |     |   |   |
| 23  | 2    | 114399-78740 | WHEEL, DYNAMO        | 1   |     |     |     |     |     |   |   |
| 24  | 1    | 160710-78710 | CLAMP, CORD          | 1   |     |     |     |     |     |   |   |
| 25  | 1    | 26106-060122 | BOLT, M6X 12 PLATED  | 1   |     |     |     |     |     |   |   |
| 26  | 1    | 26106-060202 | BOLT, M6X 20 PLATED  | 3   |     |     |     |     |     |   |   |
| 27  | 1    | 26577-060142 | SCREW M 6X 14        | 3   |     |     |     |     |     |   |   |
| 28  | 1    | 114399-77550 | REG. & HARNESS ASSY  | 1   |     |     |     |     |     |   |   |
| 30  | 3    | 114399-77400 | BRACKET, HARNESS     | 1   |     |     |     |     |     |   |   |
| 31  | 3    | 26023-040102 | SCREW, M4X10         | 2   |     |     |     |     |     |   |   |
| 32  | 3    | 114399-77540 | HARNESS, WIRE        | 1   |     |     |     |     |     |   |   |
| 33  | 4    | 114399-78000 | FUSE(20A             | 2   |     |     |     |     |     |   |   |
| 34  | 2    | 114399-77710 | REGULATOR            | 1   |     |     |     |     |     |   |   |
| 35  | 1    | 26106-060122 | BOLT, M6X 12 PLATED  | 2   |     |     |     |     |     |   |   |
| 36  | 1    | 26106-060202 | BOLT, M6X 20 PLATED  | 2   |     |     |     |     |     |   |   |
| 37  | 1    | 114351-77520 | COUPLER              | 1   |     |     |     |     |     |   |   |

Fig.10. TOOL,LABEL & GASKET SET



(A)=L70V6GJ1R1AAS5

(B)=

(C)=

(D)=

(E)=

(F)=

| No. | Lev. | Parts No.    | Description          | Q'ty |     |     |     |     |     | I | R |
|-----|------|--------------|----------------------|------|-----|-----|-----|-----|-----|---|---|
|     |      |              |                      | (A)  | (B) | (C) | (D) | (E) | (F) |   |   |
| 2   | 1    | 114299-07100 | LABEL, AIR COOLED    | 1    |     |     |     |     |     |   |   |
| 3   | 1    | 114299-07110 | LABEL, YANMAR        | 1    |     |     |     |     |     |   |   |
| 4   | 1    | 114210-07120 | LABEL, CAUTION       | 1    |     |     |     |     |     |   |   |
| 5   | 1    | 114210-07130 | LABEL HOW TO START-E | 1    |     |     |     |     |     |   |   |
| 6   | 1    | 114299-07160 | LABEL, DIESEL        | 1    |     |     |     |     |     |   |   |
| 7   | 1    | 114210-07200 | LABEL, DECOMPRESSION | 1    |     |     |     |     |     |   |   |
| 10  | 1    | 161690-07300 | LABEL                | 1    |     |     |     |     |     |   |   |
| 11  | 1    | 114299-92590 | BOX, TOOL            | 1    |     |     |     |     |     |   |   |
| 12  | 2    | 114299-92600 | BAG, TOOL            | 1    |     |     |     |     |     |   |   |
| 13  | 2    | 114299-92710 | WRENCH               | 1    |     |     |     |     |     |   |   |
| 14  | 2    | 114299-92720 | WRENCH               | 1    |     |     |     |     |     |   |   |
| 15  | 2    | 114299-92730 | DRIVER               | 1    |     |     |     |     |     |   |   |
| 16  | 2    | 114299-92740 | DIPSTICK             | 1    |     |     |     |     |     |   |   |
| 17  | 1    | 714210-92600 | GASKET SET           | 1    |     |     |     |     |     |   | 1 |
| 18  | 2    | 114395-01330 | GASKET, HEAD         | 1    |     |     |     |     |     |   |   |
| 24  | 2    | 114399-01380 | O-RING               | 1    |     |     |     |     |     |   |   |
| 25  | 2    | 114399-01410 | GASKET, CRANK CASE   | 1    |     |     |     |     |     |   |   |
| 26  | 2    | 114299-01950 | O-RING, 18           | 2    |     |     |     |     |     |   |   |
| 27  | 2    | 114250-01841 | GASKET               | 1    |     |     |     |     |     |   |   |
| 28  | 2    | 22190-160002 | WASHER, SEAL 16      | 2    |     |     |     |     |     |   |   |
| 29  | 2    | 114350-11340 | SEAL, VALVE STEM     | 2    |     |     |     |     |     |   |   |
| 30  | 2    | 114771-11461 | GASKET, NOZZLE       | 1    |     |     |     |     |     |   |   |
| 31  | 2    | 114210-11310 | GASKET, BONNET       | 1    |     |     |     |     |     |   |   |
| 32  | 2    | 114210-12210 | GASKET, AIR CLEANER  | 1    |     |     |     |     |     |   |   |
| 33  | 2    | 114299-13200 | GASKET, MUFFLER      | 1    |     |     |     |     |     |   |   |
| 34  | 2    | 114299-32570 | O-RING               | 1    |     |     |     |     |     |   |   |
| 35  | 2    | 24341-000100 | O-RING, 1AS10.0      | 1    |     |     |     |     |     |   |   |
| 36  | 2    | 23414-080000 | GASKET, 8X1.0        | 1    |     |     |     |     |     |   |   |
| 37  | 2    | 24341-000224 | O-RING, 1AS22.4      | 1    |     |     |     |     |     |   |   |
| 38  | 2    | 24341-000150 | O-RING, 1AS15.0      | 1    |     |     |     |     |     |   |   |

Remarks  
(1)OPTIONAL

## Parts No. Index

| Parts No.    | Fig. No. | Ref. No. |
|--------------|----------|----------|
| 105010-11490 | 2        | 27       |
| 105225-66990 | 5        | 54       |
| 114210-01010 | 1        | 1        |
| 114210-01200 | 2        | 1        |
| 114210-01210 | 2        | 2        |
| 114210-01460 | 1        | 32       |
| 114210-03590 | 2        | 37       |
| 114210-07120 | 10       | 4        |
| 114210-07130 | 10       | 5        |
| 114210-07200 | 10       | 7        |
| 114210-11020 | 2        | 3        |
| 114210-11100 | 2        | 7        |
| 114210-11110 | 2        | 8        |
| 114210-11120 | 2        | 9        |
| 114210-11180 | 2        | 10       |
| 114210-11250 | 2        | 13       |
| 114210-11260 | 2        | 14       |
| 114210-11280 | 2        | 15       |
| 114210-11310 | 2        | 34       |
|              | 10       | 31       |
| 114210-11650 | 2        | 16       |
| 114210-11660 | 2        | 20       |
| 114210-11900 | 2        | 29       |
| 114210-11930 | 2        | 11       |
| 114210-11950 | 2        | 35       |
| 114210-12010 | 3        | 2        |
| 114210-12210 | 3        | 16       |
|              | 10       | 32       |
| 114210-12500 | 3        | 6        |
| 114210-12511 | 3        | 1        |
| 114210-12560 | 3        | 10       |
| 114210-12590 | 3        | 11       |
| 114210-12600 | 3        | 14       |
| 114210-12610 | 3        | 9        |
| 114210-14200 | 4        | 6        |
| 114210-14300 | 4        | 7        |
| 114210-14400 | 4        | 12       |
| 114210-23600 | 4        | 42       |
| 114210-23610 | 4        | 66       |
| 114210-23620 | 4        | 68       |
| 114210-45100 | 6        | 13       |
| 114210-45150 | 6        | 13 -1    |
| 114210-45260 | 6        | 2        |
| 114210-45270 | 6        | 3        |
| 114210-45300 | 6        | 4        |
| 114210-45310 | 6        | 5        |
| 114210-45350 | 6        | 8        |
| 114210-45360 | 6        | 11       |
| 114210-53000 | 7        | 26       |
| 114210-53080 | 7        | 28       |

| Parts No.    | Fig. No. | Ref. No. |
|--------------|----------|----------|
| 114210-53100 | 7        | 27       |
| 114210-53120 | 7        | 31       |
| 114210-53130 | 7        | 32       |
| 114210-53140 | 7        | 33       |
| 114210-53330 | 7        | 30       |
| 114210-53400 | 7        | 34       |
| 114210-55210 | 8        | 12       |
| 114210-55230 | 8        | 13       |
| 114210-55810 | 8        | 16       |
| 114210-59300 | 8        | 21       |
| 114210-59800 | 8        | 29       |
| 114210-59850 | 8        | 35       |
| 114210-61290 | 5        | 36       |
| 114210-61550 | 5        | 15       |
| 114210-66010 | 5        | 61       |
| 114239-59300 | 11       | 53       |
| 114240-11450 | 11       | 59       |
| 114240-11550 | 11       | 60       |
| 114240-55300 | 8        | 14 -1    |
| 114249-53000 | 11       | 28       |
| 114250-01841 | 1        | 24       |
|              | 10       | 27       |
| 114250-32010 | 5        | 1        |
| 114250-53080 | 11       | 31       |
| 114250-53120 | 11       | 37       |
| 114250-53130 | 11       | 38       |
| 114250-53140 | 11       | 39       |
| 114250-53210 | 11       | 40       |
| 114250-53400 | 11       | 41       |
| 114250-55121 | 8        | 10       |
| 114250-55130 | 8        | 11       |
| 114250-55201 | 8        | 9        |
| 114250-55301 | 8        | 14       |
| 114252-66051 | 5        | 52       |
| 114268-59061 | 8        | 28       |
| 114270-59010 | 8        | 27       |
| 114288-55041 | 8        | 5        |
| 114288-55081 | 8        | 7        |
| 114295-11470 | 2        | 26       |
| 114295-61520 | 5        | 51       |
| 114295-61810 | 5        | 44       |
| 114295-61940 | 5        | 46       |
| 114295-61960 | 5        | 66       |
| 114295-61990 | 5        | 63       |
| 114295-66690 | 5        | 48       |
| 114299-01600 | 1        | 27       |
| 114299-01690 | 1        | 39       |
| 114299-01800 | 1        | 12       |
| 114299-01830 | 1        | 23       |
| 114299-01950 | 1        | 42       |

| Parts No.    | Fig. No. | Ref. No. |
|--------------|----------|----------|
| 114299-01950 | 10       | 26       |
| 114299-02030 | 1        | 44       |
| 114299-03640 | 2        | 40       |
| 114299-07100 | 10       | 2        |
| 114299-07110 | 10       | 3        |
| 114299-07160 | 10       | 6        |
| 114299-11240 | 2        | 18       |
|              |          | 22       |
| 114299-11600 | 2        | 28       |
| 114299-12300 | 3        | 15       |
| 114299-13200 | 3        | 19       |
|              | 10       | 33       |
| 114299-13800 | 3        | 29       |
| 114299-21220 | 4        | 21       |
| 114299-21550 | 4        | 26       |
| 114299-32070 | 5        | 7        |
| 114299-32570 | 5        | 8        |
|              | 10       | 34       |
| 114299-35110 | 5        | 11       |
| 114299-35150 | 1        | 37       |
| 114299-45220 | 6        | 1        |
| 114299-45301 | 6        | 14       |
| 114299-45310 | 6        | 15       |
| 114299-45330 | 6        | 16       |
| 114299-45350 | 6        | 17       |
| 114299-55080 | 8        | 4        |
| 114299-55100 | 8        | 8        |
| 114299-61190 | 5        | 43       |
| 114299-61600 | 5        | 41       |
| 114299-66200 | 5        | 62       |
| 114299-66250 | 5        | 56       |
| 114299-66440 | 5        | 57       |
| 114299-92590 | 10       | 11       |
| 114299-92600 | 10       | 12       |
| 114299-92710 | 10       | 13       |
| 114299-92720 | 10       | 14       |
| 114299-92730 | 10       | 15       |
| 114299-92740 | 10       | 16       |
| 114339-53100 | 11       | 32       |
| 114350-02100 | 1        | 35       |
| 114350-02113 | 1        | 45       |
| 114350-02200 | 1        | 50       |
| 114350-02210 | 1        | 51       |
| 114350-11340 | 2        | 24       |
|              | 10       | 29       |
| 114351-77520 | 9        | 37       |
| 114362-77011 | 9        | 1        |
| 114371-77160 | 9        | 7        |
| 114371-77170 | 9        | 13       |
| 114371-77180 | 9        | 14       |

| Parts No.    | Fig. No. | Ref. No. |
|--------------|----------|----------|
| 114371-79040 | 9        | 8        |
| 114371-79050 | 9        | 9        |
| 114371-79060 | 9        | 10       |
| 114371-79070 | 9        | 17       |
| 114380-23100 | 4        | 44       |
| 114381-77110 | 9        | 2        |
| 114381-77130 | 9        | 5        |
| 114381-77140 | 9        | 6        |
| 114381-77151 | 9        | 12       |
| 114395-01330 | 1        | 5        |
|              | 10       | 18       |
| 114399-01380 | 1        | 11       |
|              | 10       | 24       |
| 114399-01410 | 1        | 31       |
|              | 10       | 25       |
| 114399-13520 | 3        | 20       |
| 114399-21590 | 4        | 22       |
| 114399-21600 | 4        | 25       |
| 114399-22300 | 4        | 36       |
| 114399-45320 | 6        | 6        |
| 114399-45340 | 6        | 7        |
| 114399-76251 | 6        | 19       |
| 114399-76510 | 6        | 20       |
| 114399-76521 | 6        | 21       |
| 114399-76531 | 6        | 23       |
| 114399-76540 | 6        | 24       |
| 114399-76550 | 6        | 25       |
| 114399-76560 | 6        | 26       |
| 114399-76570 | 6        | 27       |
| 114399-76580 | 6        | 28       |
| 114399-76590 | 6        | 31       |
| 114399-76620 | 6        | 29       |
| 114399-76630 | 6        | 30       |
| 114399-77400 | 9        | 30       |
| 114399-77540 | 9        | 32       |
| 114399-77550 | 9        | 28       |
| 114399-77710 | 9        | 34       |
| 114399-78000 | 9        | 33       |
| 114399-78260 | 9        | 21       |
| 114399-78730 | 9        | 22       |
| 114399-78740 | 9        | 23       |
| 114650-59060 | 8        | 23       |
|              | 11       | 55       |
| 114652-59310 | 8        | 24       |
|              | 11       | 57       |
| 114699-01760 | 1        | 40       |
| 114770-59030 | 8        | 26       |
| 114770-61610 | 5        | 42       |
| 114771-11461 | 2        | 25       |
|              | 10       | 30       |



## Parts No. Index

| Parts No.    | Fig. No. | Ref. No. |
|--------------|----------|----------|
| 114771-61830 | 5        | 45       |
| 114771-66600 | 5        | 47       |
| 114780-59010 | 8        | 26 -1    |
| 114780-59060 | 8        | 28 -1    |
| 114780-61090 | 5        | 49       |
| 118200-23200 | 4        | 41       |
| 121252-39450 | 1        | 52       |
| 121750-59890 | 8        | 25       |
|              | 11       | 58       |
| 124066-59100 | 11       | 56       |
| 124195-77770 | 9        | 16       |
| 124298-77020 | 9        | 15       |
| 124722-59050 | 8        | 22       |
|              | 11       | 54       |
| 160110-02220 | 1        | 46       |
|              |          | 47       |
| 160310-14550 | 4        | 63       |
| 160710-78710 | 9        | 24       |
| 161690-07300 | 10       | 10       |
| 183360-66110 | 5        | 55       |
| 22117-080000 | 8        | 17       |
| 22190-160002 | 1        | 43       |
|              | 10       | 28       |
| 22252-000210 | 4        | 37       |
| 22312-030160 | 2        | 42       |
|              | 5        | 9        |
| 22312-040080 | 1        | 25       |
| 22322-030200 | 5        | 27       |
|              |          | 32       |
| 22351-025005 | 11       | 36       |
| 22351-040008 | 2        | 30       |
| 22451-060000 | 5        | 50       |
| 22512-040120 | 4        | 27       |
| 22512-070360 | 4        | 64       |
| 23080-014000 | 8        | 27 -1    |
| 23414-080000 | 8        | 3        |
|              | 10       | 36       |
| 23875-020000 | 1        | 26       |
| 24101-062030 | 4        | 65       |
| 24162-152116 | 1        | 48       |
| 24311-000180 | 5        | 67       |
| 24341-000100 | 10       | 35       |
| 24341-000150 | 8        | 15       |
|              | 10       | 38       |
| 24341-000224 | 5        | 13       |
|              | 10       | 37       |
| 26023-040102 | 9        | 31       |
| 26106-060082 | 6        | 9        |
|              |          | 32       |
| 26106-060122 | 5        | 10       |

| Parts No.    | Fig. No. | Ref. No. |
|--------------|----------|----------|
| 26106-060122 | 6        | 33       |
|              | 9        | 25       |
|              |          | 35       |
| 26106-060142 | 3        | 26       |
|              | 5        | 58       |
| 26106-060162 | 5        | 14       |
|              | 8        | 20       |
| 26106-060202 | 3        | 17       |
|              | 5        | 59       |
|              | 6        | 10       |
|              | 9        | 26       |
|              |          | 36       |
| 26106-060402 | 2        | 31       |
| 26106-060552 | 2        | 45       |
| 26106-080122 | 1        | 49       |
| 26106-080202 | 4        | 62       |
| 26106-080352 | 1        | 38       |
| 26106-080452 | 8        | 18       |
| 26106-100302 | 9        | 19       |
| 26216-080182 | 3        | 27       |
| 26226-060182 | 1        | 28       |
| 26226-060222 | 1        | 29       |
| 26226-060302 | 3        | 18       |
| 26226-060552 | 2        | 32       |
| 26366-060002 | 1        | 30       |
|              | 2        | 33       |
|              | 6        | 12       |
|              | 8        | 19       |
| 26366-080002 | 3        | 28       |
| 26577-060142 | 9        | 27       |
| 26716-080002 | 9        | 20       |
| 26757-060002 | 5        | 60       |
| 26856-060002 | 2        | 19       |
|              |          | 23       |
| 714210-14580 | 4        | 1        |
| 714210-21740 | 4        | 13       |
| 714210-22580 | 4        | 56       |
| 714210-22620 | 4        | 50       |
| 714210-22720 | 4        | 28       |
| 714210-23701 | 4        | 38       |
| 714210-28510 | 4        | 45       |
| 714210-51100 | 7        | 1        |
| 714210-53100 | 7        | 25       |
| 714210-55700 | 8        | 1        |
| 714210-61700 | 5        | 35       |
| 714210-92600 | 10       | 17       |
| 714249-51400 | 11       | 1        |
| 714249-53100 | 11       | 27       |
| 714870-22502 | 4        | 30       |
| 714870-22542 | 4        | 52       |

| Parts No.    | Fig. No. | Ref. No. |
|--------------|----------|----------|
| 714870-22552 | 4        | 58       |
| X2114274200  | 9        | 18       |
| X2114715500  | 9        | 4        |
| X2114811000  | 9        | 3        |
| X211485016   | 9        | 11       |

| Parts No. | Fig. No. | Ref. No. |
|-----------|----------|----------|
|-----------|----------|----------|