

0CD10-M92600EN

はじめに

1. 本パーツカタログは、酒井重工業株式会社殿向けL48V6AF3R4AAW4形を掲載した新作版です。

	パーツカタログNo.	発行年月	備考
初 版	000Y00D9260	2006年11月	

2. 本パーツカタログは、整備要領などを示した技術資料ではありません。
3. 本パーツカタログのイラストは、一部簡略化したものを使用しています。
4. 本パーツカタログの記載内容は、予告なく変更することがありますのでご了承ください。
5. ヤンマー製品の整備には、必ず『ヤンマー純正部品』をご使用ください。
市販の類似品を使用して修理されますと、早期破損などの原因となりますのでご注意ください。

Introduction

1. This parts catalog is a first edition of the L48V6AF3R4AAW4 Diesel engine for SAKAI HEAVY INDUSTRIES, LTD.

	Parts catalog No.	Date of issue	Remarks
First edition	000Y00D9260	Nov., 2006	

2. This parts catalog does not contain the technical data needed for maintenance service.
3. The illustrations used in this parts catalog have been simplified for clarity.
4. The contents of this parts catalog are subject to change without notice.
5. Be sure to use only Yanmar genuine parts for repairs. If imitation parts are used, it may cause engine defects.

Directions for the Parts Catalog.

- The parts stipulated in this Parts Catalog are not necessarily standard equipped parts.
- Parts may change without prior notice.
- The following is an example of the Parts Catalog format.

REF.	LEV.	PARTS NO.	DESCRIPTION	Q'TY						I	R
				(A)	(B)	(C)	(D)	(E)	(F)		
1	1	729595-51390	FUEL INJECTION PUMP	1	1	1	1	1			1
1-1	1	729595-51391	FUEL INJECTION PUMP	1	1	1	1	1		N	1
		(A=E00185) (B=E00200)									
3	2	26022-060162	SCREW M 6X 16	9	9	9	9	9			
3-1	2	26022-060162	SCREW M 6X 16	4	4	4	4	4		K	
		(A=E00156) (B=E00156) (C=E00156) (D=E00156) (E=E00156)									
4	2	129470-51040	CAMSHAFT	1	1	1	1	1			
5	2	122710-51050	BEARING, ROLLER	2	2	2	2	2			
6	2	129470-51060	RETAINER	1	1	1	1	1			

Remarks
(1) BOOST COMPEMSATOR TYPE. OPTIONAL PART, TO E00155,(4JH-DT, 4JH-DTZ

① Ref. No.

The Ref. No. listed may not be in accordance with the illustration Ref. No.

(Ex.) Illustration No.

List Ref No.

1

1

(Before change)

1-1

(After change)

For interchangeable symbols N, R and K, illustrations for new parts may be abbreviated.

② Lev. (Level)

Level indication

The numbers below indicate the level of relativity towards the main part.

1 ----- Main parts (Assembly parts)

2 ----- Sub component included in " 1 ".

3 ----- Sub component included in " 2 ".

Note) Parts that are not for sale are partially illustrated but not listed.

③ Interchangeability Mark

When a part change takes place, one of the following interchangeability symbols is indicated beside the part.

Symbol	Interchangeability	Contents note
N	Old $\begin{matrix} \leftarrow \text{Yes} \\ \text{No} \rightarrow \end{matrix}$ New	New Part is interchangeable for Old Part but Old Part is not interchangeable for New Part.
Q	Old $\begin{matrix} \leftarrow \text{No} \\ \text{Yes} \rightarrow \end{matrix}$ New	New Part is not interchangeable for Old Part but Old Part is interchangeable for New Part.
R	Old $\begin{matrix} \leftarrow \text{Yes} \\ \text{Yes} \rightarrow \end{matrix}$ New	New/ Old Parts are both interchangeable.
S	Old $\begin{matrix} \leftarrow \text{No} \\ \text{No} \rightarrow \end{matrix}$ New	New/ Old Parts are both not interchangeable.
W		Part newly added.
Z		Part discontinued.
F		Not interchangeable by a single part but interchangeable together with related parts.
K		Changes only for used parts quantities.

④ Effective Machine No.

When a part changes, the effective Machine No. will be indicated in the (A)-(F) column.

Product Symbol	Product No.	Product Symbol	Product No.
C	Clutch No. Compressor No.	F	Machine No. (Agricultural Equip.)
D	Drive No.	M	Machine No.
E	Engine No.		

Note 1) A date may follow the symbol. (Ex.) 1996.01

Note 2) "XXXXX" and "ZZZZZ" are for parts that could not be predicted or for engine models that could not be identified.

Note 3) (A=E00185) is the E (Engine Serial Number) for the column (A) model (in this case 4JH-DT) after the parts design change.

⑤ Remarks Mark

Figures or alphabets (symbols) are entered in the remarks column.

The comments (remarks) on parts that are indicated at the bottom of the illustration are the same symbols as those stated above.

Contents

Fig. No. Fig. Name

L48V6AF3R4AAW4

1. CYLINDER BLOCK
2. CYLINDER HEAD & BONNET
3. AIR CLEANER & MUFFLER
4. CRANKSHAFT,PISTON & CAMSHAFT
5. LUB.OIL PUMP & GOVERNOR
6. COOLING & STARTING DEVICE
7. FUEL INJECTION PUMP & FUEL INJECTION VALVE
8. FUEL TANK & FUEL PIPE
9. TOOL,LABEL & GASKET SET

Fig. No. Fig. Name

Fig.1. CYLINDER BLOCK

(A)=L48V6AF3R4AA

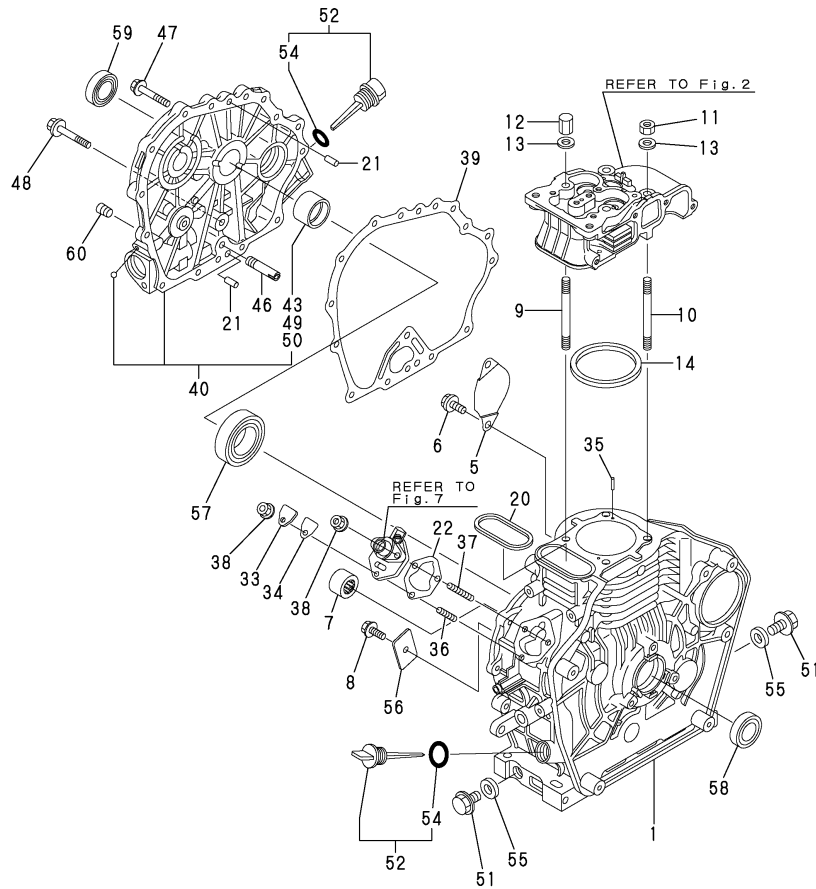
(B)=

(C)=

(D)=

(E)=

(F)=



No.	Lev.	Parts No.	Description	Q'ty						I	R
				(A)	(B)	(C)	(D)	(E)	(F)		
1	1	114295-01050	BLOCK ASSY, CYLINDER	1							
5	1	114399-01700	COVER, STARTER	1							
6	1	26106-100122	BOLT, M10X 12 PLATED	2							
7	1	24162-152112	BEARING, 152112	1							
8	1	26106-080122	BOLT, M8X 12 PLATED	1							
9	1	114299-01200	BOLT, HEAD	2							
10	1	114299-01210	BOLT, HEAD	2							
11	1	114299-01220	NUT, CYLINDER HEAD A	2							
12	1	114299-01230	NUT, CYLINDER HEAD B	2							
13	1	124950-01250	WASHER	4							
14	1	114295-01330	GASKET, HEAD	1							
20	1	114299-01380	O-RING	1							
21	1	114299-01600	PIN, 8X12	2							
22	1	114299-01800	SHIM SET	1							
33	1	114299-01830	COVER	1							
34	1	114250-01841	GASKET	1							
35	1	22312-040080	PIN, PARALLEL M4X 8	2							
36	1	26226-060182	STUD, M6X 18	1							
37	1	26226-060222	STUD, M6X 22	2							
38	1	26366-060002	NUT, M6	3							
39	1	114299-01410	GASKET, CRANK CASE	1							
40	1	114299-01450	COVER (D), CRANK CASE	1							
43	2	114250-02100	BEARING, MAIN	1							1
46	1	114299-35150	PIPE, OIL INLET	1							
47	1	26106-060252	BOLT, M6X 25 PLATED	14							
48	1	26106-080352	BOLT, M8X 35 PLATED	1							
49	1	114250-02200	BEARING, 0.25 US	1							2
50	1	114250-02210	BEARING, 0.50 US	1							3
51	1	114299-01690	PLUG M16	2							
52	1	114299-01760	CAP ASSY	2							
54	2	114299-01950	O-RING, 18	2							
55	1	22190-160002	WASHER, SEAL 16	2							
56	1	114299-02030	RETAINER, BEARING	1							
57	1	114250-02113	BEARING, HR6306G3C3	1							
58	1	114299-02220	SEAL, OIL	1							
59	1	160210-02220	SEAL, 25X41.2X8	1							
60	1	23876-010000	PLUG, R01	1							

Remarks

- (1)REPAIR PART.
- (2)UNDER SIZED(U.S.=0.25)PART.
- (3)UNDER SIZED(U.S.=0.50)PART.

Fig.2. CYLINDER HEAD & BONNET

(A)=L48V6AF3R4AA

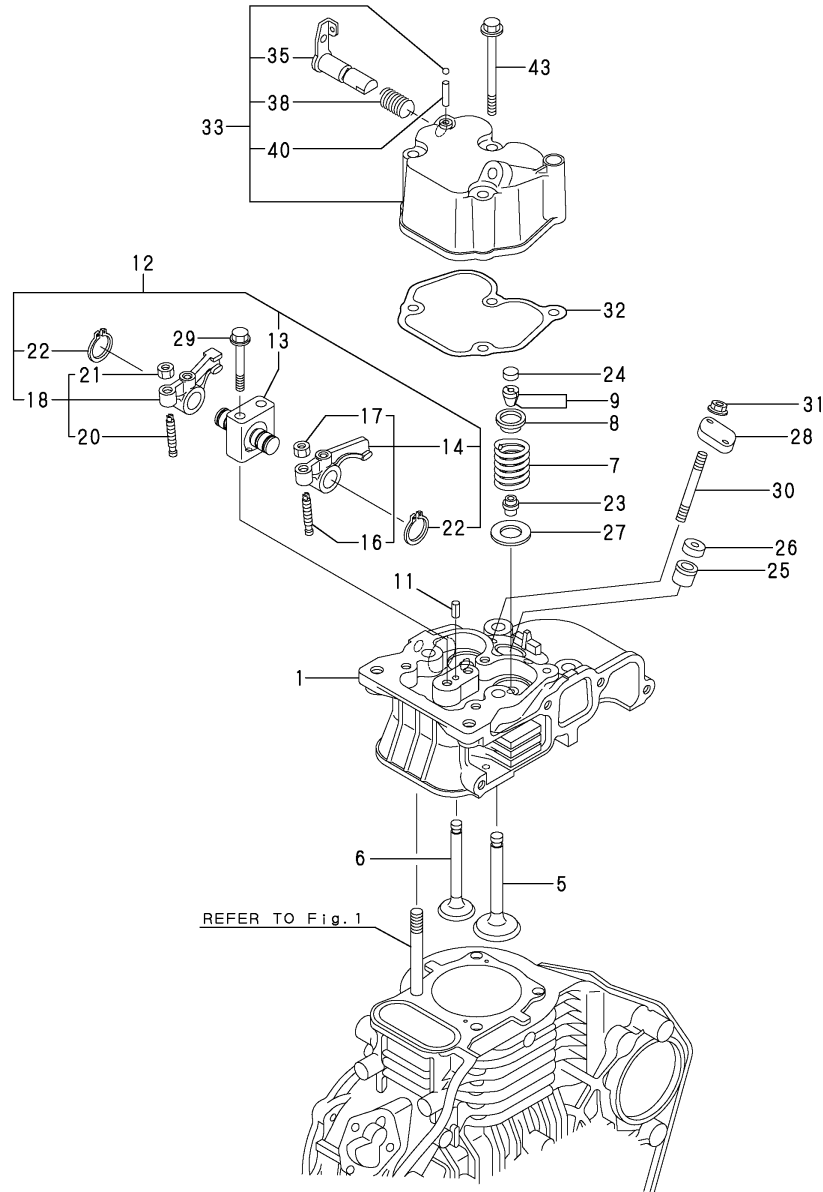
(B)=

(C)=

(D)=

(E)=

(F)=



No.	Lev.	Parts No.	Description	Qty						I	R
				(A)	(B)	(C)	(D)	(E)	(F)		
1	1	114771-11020	HEAD ASSY, CYLINDER	1							
5	1	114295-11100	VALVE, SUCTION	1							
6	1	114295-11110	VALVE, EXHAUST	1							
7	1	114299-11120	SPRING, VALVE	2							
8	1	114250-11180	RETAINER, SPRING	2							
9	1	27310-055001	COTTER, 5.5	2							
11	1	22351-040008	PIN, SPRING 4.0X 8	1							
12	1	114771-11250	SUPPORT ASSY, ARM	1							
13	2	114771-11260	SUPPORT, ROCKER ARM	1							
14	2	114771-11650	ARM, ROCKER	1							
16	3	114250-11240	SCREW, VALVE ADJUST	1							
17	3	26856-060002	NUT, M6	1							
18	2	114771-11660	ARM, ROCKER	1							
20	3	114250-11240	SCREW, VALVE ADJUST	1							
21	3	26856-060002	NUT, M6	1							
22	2	22242-000120	RING, 12	2							
23	1	114250-11340	SEAL, VALVE STEM	2							
24	1	119260-11370	CAP, VALVE	2							
25	1	114771-11461	GASKET, NOZZLE	1							
26	1	114295-11470	SPACER, NOZZLE	1							
27	1	114299-11600	WASHER, VALVE SPRING	2							
28	1	114299-11901	RETAINER, NOZZLE	1							
29	1	26106-060452	BOLT, M6X 45 PLATED	2							
30	1	114718-11910	STUD, M6X65	2							
31	1	26366-060002	NUT, M6	2							
32	1	114771-11310	GASKET, BONNET	1							
33	1	114295-11951	BONNET ASSY, HEAD	1							
35	2	114250-03591	LEVER ASSY	1							
38	2	114299-03640	SPRING, DECOMPRESSION	1							
40	2	22312-030160	PIN, PARALLEL M3X16	1							
43	1	26106-060552	BOLT, M6X 55 PLATED	3							

Fig.3. AIR CLEANER & MUFFLER

(A)=L48V6AF3R4AA

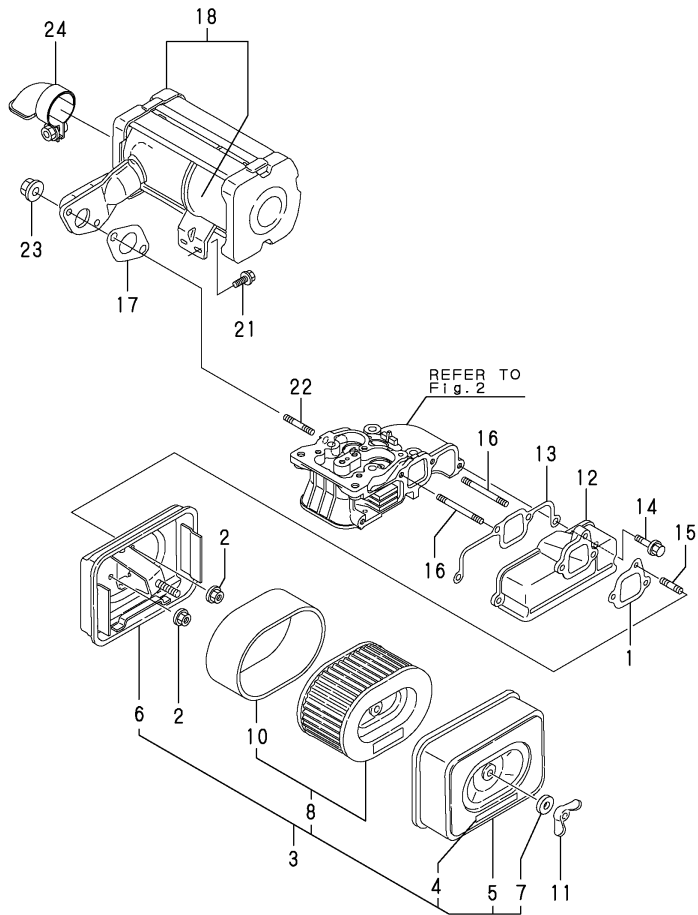
(B)=

(C)=

(D)=

(E)=

(F)=



No.	Lev.	Parts No.	Description	Q'ty						I	R
				(A)	(B)	(C)	(D)	(E)	(F)		
1	1	114299-12210	GASKET, AIR CLEANER	1							
2	1	114299-12300	NUT	3							
3	1	114288-12511	CLEANER ASSY, AIR	1							
4	2	114650-07450	LABEL, AIR CLEANER	1							
5	2	114288-12520	COVER ASSY	1							
6	2	114288-12532	CASE ASSY, CLEANER	1							
7	2	114252-12560	WASHER, SEAL M8	1							
8	2	114650-12590	ELEMENT ASSY	1							
10	3	114650-12550	FILTER, PRE	1							
11	1	114252-12550	NUT, WING M8	1							
12	1	114771-12010	PIPE, AIR INTAKE	1							
13	1	114771-12200	GASKET	1							
14	1	26106-060252	BOLT, M6X 25 PLATED	2							
15	1	26226-060142	STUD, M6X 14	1							
16	1	26226-060552	STUD, M6X 55	2							
17	1	114299-13200	GASKET, MUFFLER	1							
18	1	114288-13500	MUFFLER ASSY	1							
21	1	26106-060142	BOLT, M6X 14 PLATED	2							
22	1	26216-080182	STUD, M8X 18	2							
23	1	26366-080002	NUT, M8	2							
24	1	114299-13800	EXTENSION ASSY	1							

Fig.4. CRANKSHAFT,PISTON & CAMSHAFT

(A)=L48V6AF3R4AA

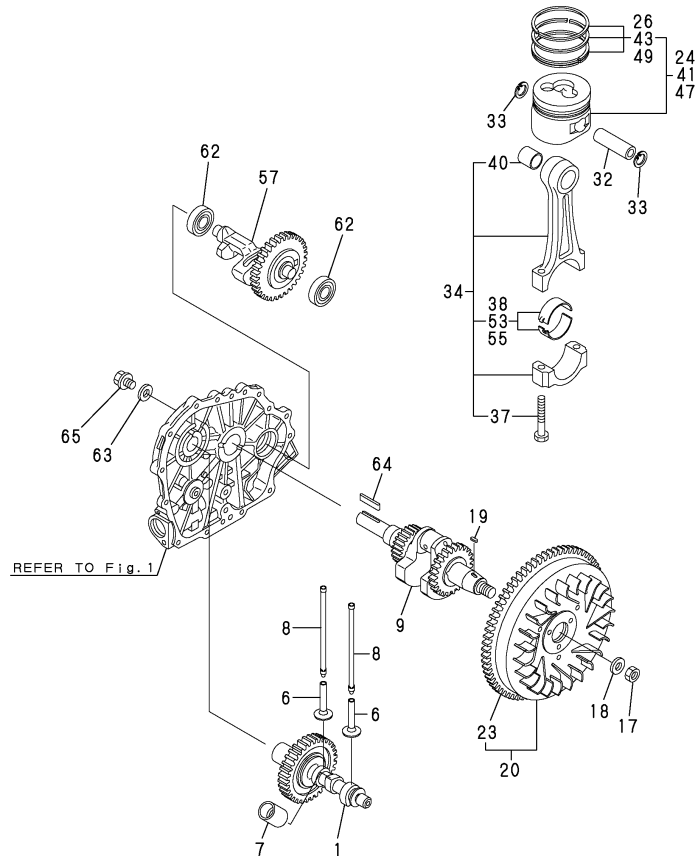
(B)=

(C)=

(D)=

(E)=

(F)=

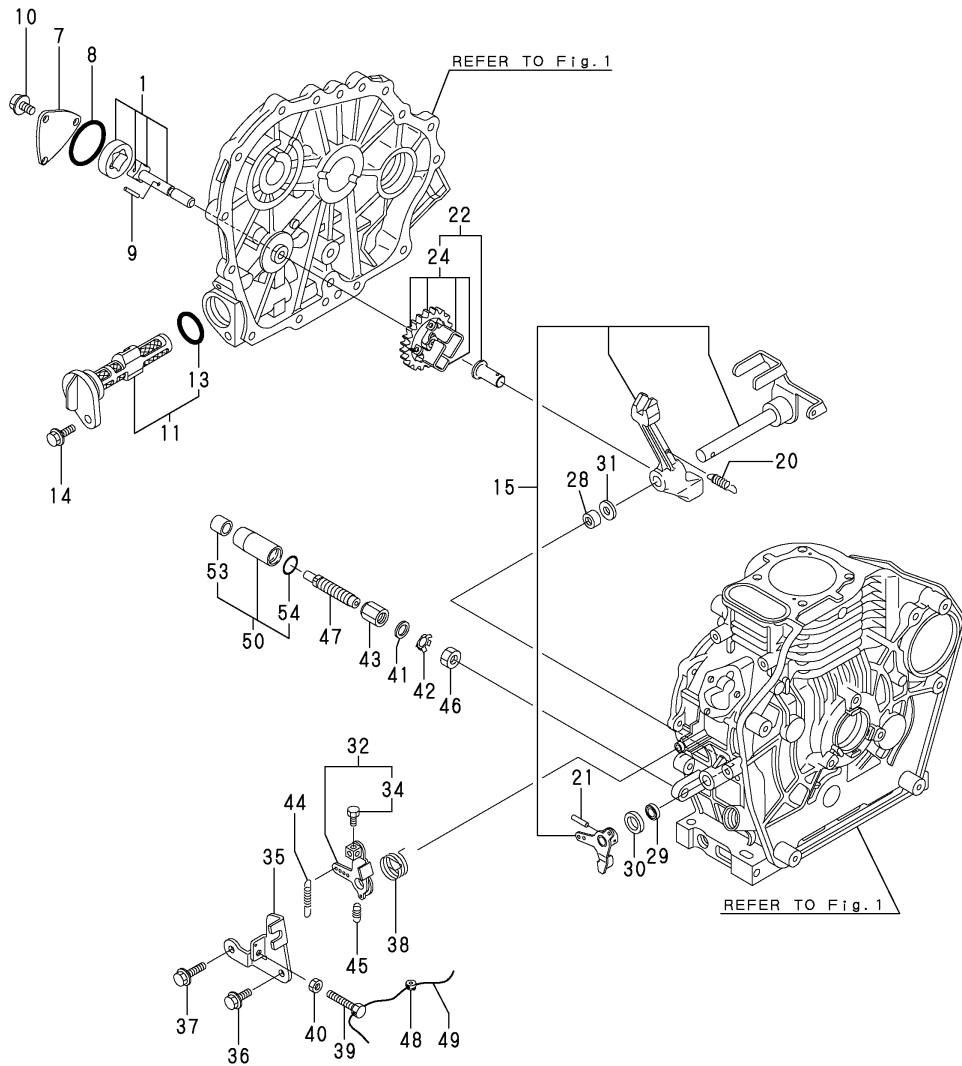


No.	Lev.	Parts No.	Description	Q'ty						I	R
				(A)	(B)	(C)	(D)	(E)	(F)		
1	1	714295-14580	CAMSHAFT (D) ASSY	1							
6	1	114299-14200	TAPPET	2							
7	1	114771-14260	TAPPET	1							
8	1	114250-14451	ROD ASSY, PUSH	2							
9	1	714772-21701	CRANKSHAFT ASSY	1							
17	1	114299-21220	NUT	1							
18	1	114299-21550	WASHER	1							
19	1	22512-040120	KEY, 4X 12	1							
20	1	114299-21590	FLYWHEEL ASSY	1							
23	2	114299-21600	GEAR, RING D	1							
24	1	714295-22720	PISTON W/RINGS (D)	1							
26	2	714295-22500	RING SET, PISTON	1							
32	1	114299-22300	PIN, PISTON D=19	1							
33	1	22252-000190	RING, 19	2							
34	1	714299-23700	ROD ASSY, CONNECTING	1							
37	2	119265-23200	BOLT, CONNECTING ROD	2							
38	2	714770-23600	BEARING, CRANK PIN	1							
40	2	114770-23100	BEARING, PISTON PIN	1							
41	1	714295-22620	PISTON W/RING OS=.25	1							1
43	2	714295-22540	RING SET O.S.=0.25	1							1
47	1	714295-22580	PISTON W/RING OS=0.5	1							2
49	2	714295-22550	RING SET O.S.=0.50	1							2
53	1	714770-23610	BEARING ASSY, 0.25	1							3
55	1	714770-23620	BEARING, 0.50 US	1							4
57	1	714770-28531	SHAFT ASSY, BALANCER	1							
62	1	24101-062020	BEARING, BALL 6202C3	2							
63	1	160310-14550	WASHER	1							
64	1	22512-050300	KEY, 5X 30	1							
65	1	26106-080202	BOLT, M8X 20 PLATED	1							

Remarks

- (1) OVER SIZED (O.S.=0.25) PART.
- (2) OVER SIZED (O.S.=0.50) PART.
- (3) UNDER SIZED (U.S.=0.25) PART.
- (4) UNDER SIZED (U.S.=0.50) PART.

Fig.5. LUB.OIL PUMP & GOVERNOR



(A)=L48V6AF3R4AA

(B)=

(C)=

(D)=

(E)=

(F)=

No.	Lev.	Parts No.	Description	Q'ty						I	R
				(A)	(B)	(C)	(D)	(E)	(F)		
1	1	114250-32010	PUMP ASSY, OIL	1							
7	1	114299-32070	COVER	1							
8	1	114299-32570	O-RING	1							
9	1	22312-030160	PIN, PARALLEL M3X16	1							
10	1	26106-060122	BOLT, M6X 12 PLATED	3							
11	1	114299-35110	FILTER ASSY, OIL	1							
13	2	24341-000224	O-RING, 1AS22.4	1							
14	1	26106-060162	BOLT, M6X 16 PLATED	1							
15	1	114295-61170	LEVER ASSY, GOVERNOR	1							
20	1	114771-61350	SPRING, START	1							
21	1	22322-030200	PIN, TAPER 3X20	1							
22	1	714770-61100	GOVERNOR ASSY	1							
24	2	114770-61220	WEIGHT ASSY,GOVERNOR	1							
28	1	114295-61520	NEEDLE BEARING	2							
29	1	114299-61600	SEAL, OIL	1							
30	1	114770-61610	WASHER, THRUST	1							
31	1	114299-61190	WASHER	1							
32	1	114252-66051	HANDLE, REGULATOR	1							
34	2	105225-66990	SCREW, M5X8.5	1							
35	1	183360-66110	BRACKET	1							
36	1	26106-060142	BOLT, M6X 14 PLATED	1							
37	1	26106-060202	BOLT, M6X 20 PLATED	1							
38	1	114299-66250	SPRING, RETURN	1							
39	1	114299-66440	BOLT, ADJUSTING	1							
40	1	26757-060002	NUT, LOCK M6	1							
41	1	114295-61810	WASHER, PLAIN 14	1							
42	1	114771-61830	PLATE	1							
43	1	114295-61940	NUT	1							
44	1	114770-66010	SPRING, REGULATOR	1							
45	1	114299-66200	SPRING, RETURN	1							
46	1	114295-66690	NUT, M14X1.25	1							
47	1	114818-66600	LIMITER ASSY, FUEL	1							
48	1	114780-61090	TIN	1							
49	1	22451-060000	WIRE, 0.6	1							
50	1	114295-61990	PROTECTOR CMP	1							
53	2	114295-61960	SPACER	1							
54	2	24311-000180	O-RING, 1AP18.0	1							

Fig.6. COOLING & STARTING DEVICE

(A)=L48V6AF3R4AA

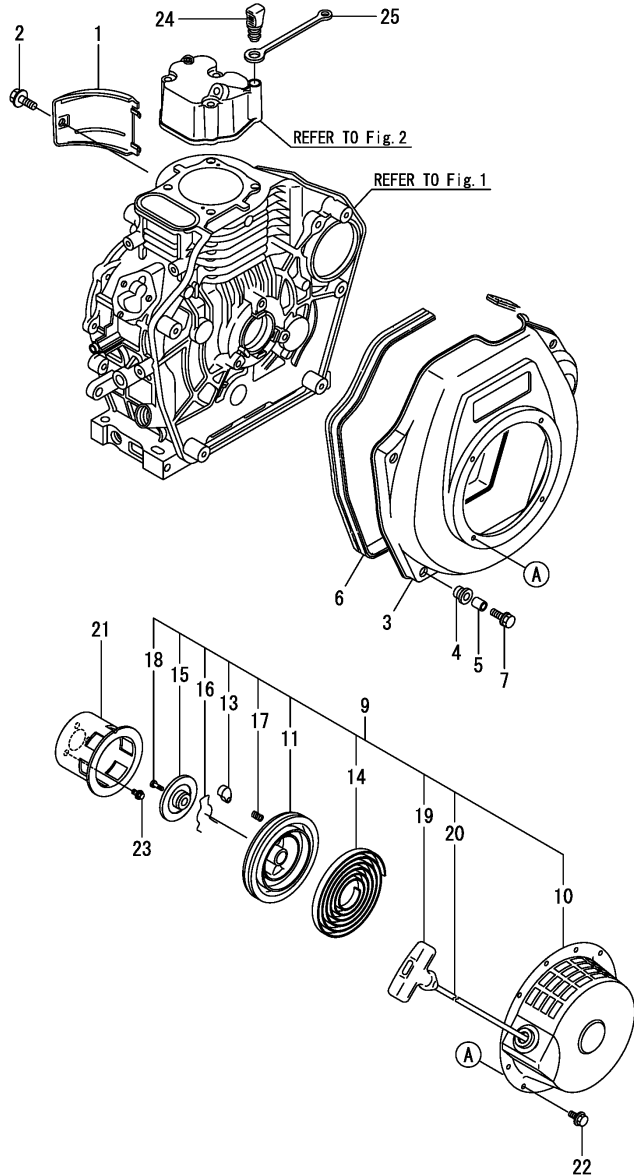
(B)=

(C)=

(D)=

(E)=

(F)=



No.	Lev.	Parts No.	Description	Q'ty						I	R
				(A)	(B)	(C)	(D)	(E)	(F)		
1	1	114299-45210	COVER	1							
2	1	26106-060122	BOLT, M6X 12 PLATED	1							
3	1	114295-45100	FAN CASE(SILVER)(17)	1							
4	1	114299-45301	RUBBER, CUSHION	4							
5	1	114299-45310	COLLAR	4							
6	1	114299-45330	SEAL, FAN CASE	1							
7	1	114299-45350	BOLT, FAN CASE	4							
9	1	114299-76250	STARTER ASSY, RECOIL	1							
10	2	114299-76500	CASE, STARTER	1							
11	2	114299-76521	REEL	1							
13	2	114399-76531	RATCHET	1							
14	2	114399-76540	SPRING, SPIRAL	1							
15	2	114399-76550	COVER	1							
16	2	114399-76560	SPRING	1							
17	2	114399-76570	SPRING, RETURN	1							
18	2	114399-76580	SCREW	1							
19	2	114399-76620	KNOB, STARTER	1							
20	2	114299-76630	ROPE,STARTER	1							
21	1	114299-76590	PULLEY, STARTER	1							
22	1	26106-060082	BOLT, M6X 8 PLATED	4							
23	1	26106-060122	BOLT, M6X 12 PLATED	3							
24	1	114299-76600	PLUNGER	1							
25	1	114299-76610	HOLDER, PLUNGER	1							

Fig.7. FUEL INJECTION PUMP & FUEL INJECTION VALVE

(A)=L48V6AF3R4AA

(B)=

(C)=

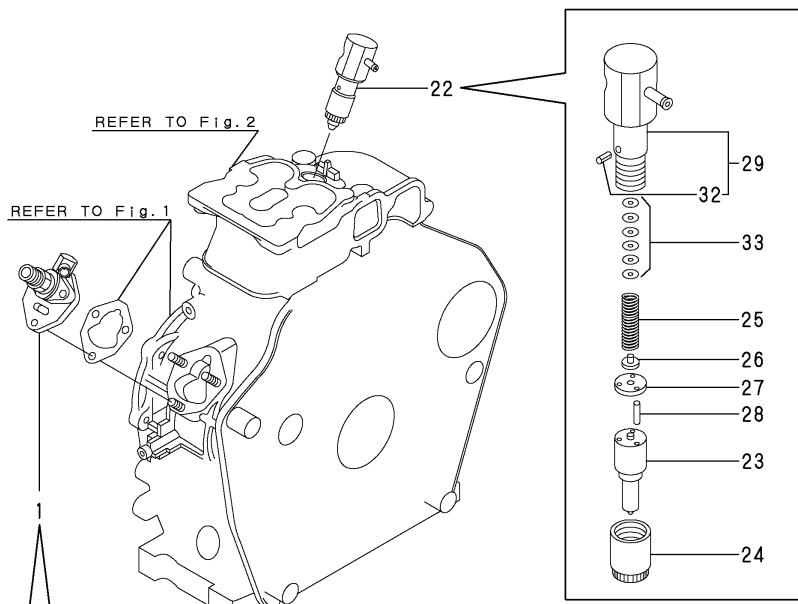
(D)=

(E)=

(F)=

Q'ty

No.	Lev.	Parts No.	Description	Q'ty						I	R
				(A)	(B)	(C)	(D)	(E)	(F)		
1	1	714775-51100	PUMP ASSY, INJECTION	1							
22	1	714775-53101	VALVE ASSY,INJECTION	1							
23	2	114771-53001	VALVE ASSY,INJECTION	1							
24	2	119593-53080	NUT, NOZZLE	1							
25	2	114250-53120	SPRING, NOZZLE	1							
26	2	119593-53130	SEAT, SPRING	1							
27	2	114775-53140	SPACER, VALVE STOP	1							
28	2	114775-53210	PIN	2							
29	2	114775-53100	HOLDER ASSY, NOZZLE	1							
32	3	114775-53330	PIN	1							
33	2	114250-53400	SHIM SET	1							

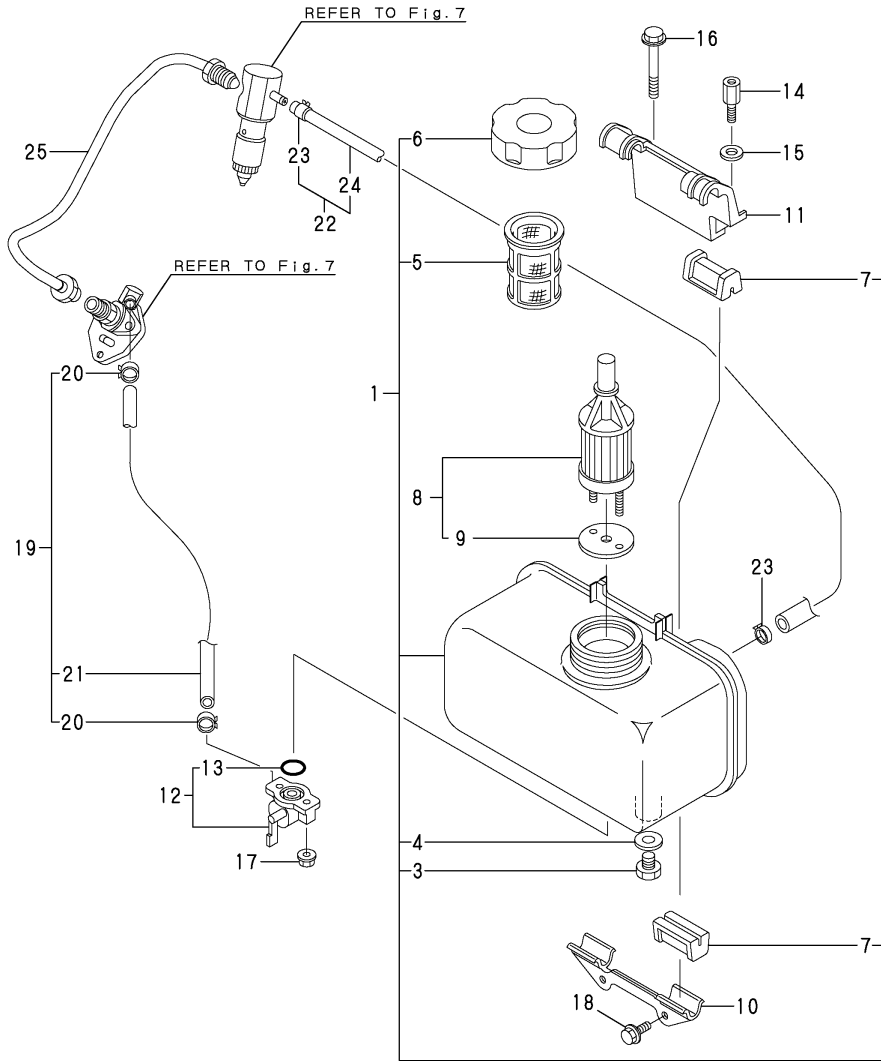


REFER TO Fig. 2

REFER TO Fig. 1

品質保証上インナパーツは、販売不可
ON A GUARANTEE OF QUALITY
COMPONENT PART SHALL NOT BE SOLD.

Fig.8. FUEL TANK & FUEL PIPE



(A)=L48V6AF3R4AA

(B)=

(C)=

(D)=

(E)=

(F)=

No.	Lev.	Parts No.	Description	Q'ty						I	R
				(A)	(B)	(C)	(D)	(E)	(F)		
1	1	714299-55721	TANK,FUEL(BLACK)(13)	1							
3	3	114299-55080	PLUG, DRAIN	1							
4	3	23414-080000	GASKET, 8X1.0	1							
5	2	114299-55100	FILTER, FUEL OIL	1							
6	2	114299-55040	CAP ASSY, FUEL TANK	1							
7	2	114250-55201	DAMPER, FUEL TANK	4							
8	1	114250-55121	FILTER ASSY, FUEL	1							
9	2	114250-55130	GASKET	1							
10	1	114299-55210	STAY, FUEL TANK	1							
11	1	114299-55230	STAY, FUEL TANK	1							
12	1	114250-55301	COCK ASSY, FUEL	1							
13	2	24341-000150	O-RING, 1AS15.0	1							
14	1	114299-55810	BOLT, LIFTING	1							
15	1	22117-080000	WASHER, 8	1							
16	1	26106-080452	BOLT, M8X 45 PLATED	1							
17	1	26366-060002	NUT, M6	2							
18	1	26106-060162	BOLT, M6X 16 PLATED	2							
19	1	114770-59030	PIPE ASSY, FUEL	1							
20	2	114270-59010	CLIP, HOSE 12	2							
21	2	114268-59061	PIPE, FUEL L=50	1							
22	1	714250-59060	PIPE ASSY, RETURN	1							
23	2	124722-59050	CLIP, HOSE 9	2							
24	2	114250-59060	PIPE, FUEL RETURN	1							
25	1	114771-59803	PIPE ASSY, INJECTION	1							

Fig.9. TOOL,LABEL & GASKET SET

(A)=L48V6AF3R4AA

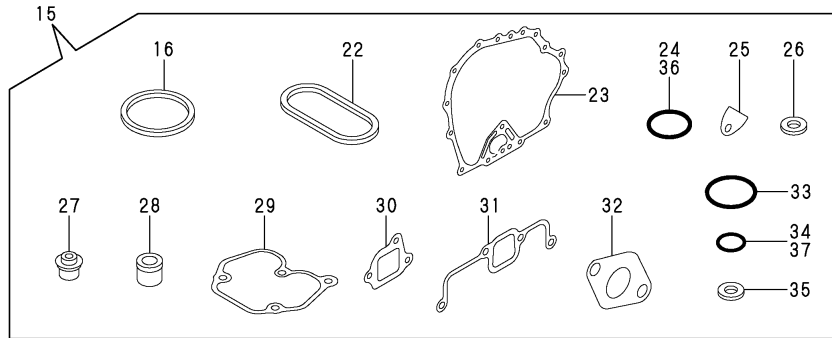
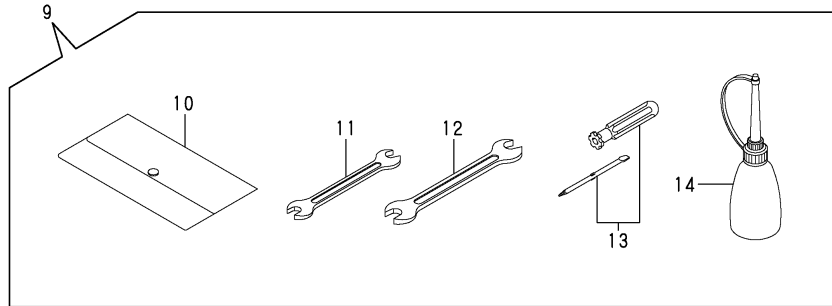
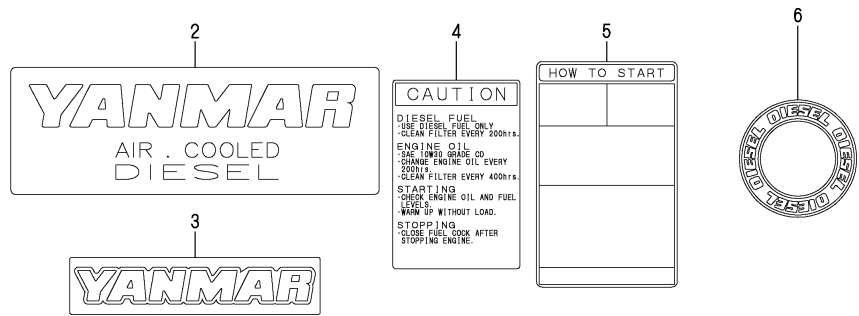
(B)=

(C)=

(D)=

(E)=

(F)=



No.	Lev.	Parts No.	Description	Qty						I	R
				(A)	(B)	(C)	(D)	(E)	(F)		
2	1	114299-07100	LABEL, AIR COOLED	1							
3	1	114299-07110	LABEL, YANMAR	1							
4	1	114210-07120	LABEL, CAUTION	1							
5	1	114210-07130	LABEL HOW TO START-E	1							
6	1	114299-07160	LABEL, DIESEL	1							
9	1	114299-92590	BOX, TOOL	1							
10	2	114299-92600	BAG, TOOL	1							
11	2	114299-92710	WRENCH	1							
12	2	114299-92720	WRENCH	1							
13	2	114299-92730	DRIVER	1							
14	2	114299-92740	DIPSTICK	1							
15	1	714110-92600	GASKET SET	1							1
16	2	114295-01330	GASKET, HEAD	1							
22	2	114299-01380	O-RING	1							
23	2	114299-01410	GASKET, CRANK CASE	1							
24	2	114299-01950	O-RING, 18	2							
25	2	114250-01841	GASKET	1							
26	2	22190-160002	WASHER, SEAL 16	2							
27	2	114250-11340	SEAL, VALVE STEM	2							
28	2	114771-11461	GASKET, NOZZLE	1							
29	2	114771-11310	GASKET, BONNET	1							
30	2	114299-12210	GASKET, AIR CLEANER	1							
31	2	114771-12200	GASKET	1							
32	2	114299-13200	GASKET, MUFFLER	1							
33	2	114299-32570	O-RING	1							
34	2	24341-000100	O-RING, 1AS10.0	1							
35	2	23414-080000	GASKET, 8X1.0	1							
36	2	24341-000224	O-RING, 1AS22.4	1							
37	2	24341-000150	O-RING, 1AS15.0	1							

Remarks
(1)OPTIONAL

Parts No. Index

Parts No.	Fig. No.	Ref. No.
105225-66990	5	34
114210-07120	9	4
114210-07130	9	5
114250-01841	1	34
	9	25
114250-02100	1	43
114250-02113	1	57
114250-02200	1	49
114250-02210	1	50
114250-03591	2	35
114250-11180	2	8
114250-11240	2	16
		20
114250-11340	2	23
	9	27
114250-14451	4	8
114250-32010	5	1
114250-53120	7	25
114250-53400	7	33
114250-55121	8	8
114250-55130	8	9
114250-55201	8	7
114250-55301	8	12
114250-59060	8	24
114252-12550	3	11
114252-12560	3	7
114252-66051	5	32
114268-59061	8	21
114270-59010	8	20
114288-12511	3	3
114288-12520	3	5
114288-12532	3	6
114288-13500	3	18
114295-01050	1	1
114295-01330	1	14
	9	16
114295-11100	2	5
114295-11110	2	6
114295-11470	2	26
114295-11951	2	33
114295-45100	6	3
114295-61170	5	15
114295-61520	5	28
114295-61810	5	41
114295-61940	5	43
114295-61960	5	53
114295-61990	5	50
114295-66690	5	46
114299-01200	1	9
114299-01210	1	10

Parts No.	Fig. No.	Ref. No.
114299-01220	1	11
114299-01230	1	12
114299-01380	1	20
	9	22
114299-01410	1	39
	9	23
114299-01450	1	40
114299-01600	1	21
114299-01690	1	51
114299-01760	1	52
114299-01800	1	22
114299-01830	1	33
114299-01950	1	54
	9	24
114299-02030	1	56
114299-02220	1	58
114299-03640	2	38
114299-07100	9	2
114299-07110	9	3
114299-07160	9	6
114299-11120	2	7
114299-11600	2	27
114299-11901	2	28
114299-12210	3	1
	9	30
114299-12300	3	2
114299-13200	3	17
	9	32
114299-13800	3	24
114299-14200	4	6
114299-21220	4	17
114299-21550	4	18
114299-21590	4	20
114299-21600	4	23
114299-22300	4	32
114299-32070	5	7
114299-32570	5	8
	9	33
114299-35110	5	11
114299-35150	1	46
114299-45210	6	1
114299-45301	6	4
114299-45310	6	5
114299-45330	6	6
114299-45350	6	7
114299-55040	8	6
114299-55080	8	3
114299-55100	8	5
114299-55210	8	10
114299-55230	8	11

Parts No.	Fig. No.	Ref. No.
114299-55810	8	14
114299-61190	5	31
114299-61600	5	29
114299-66200	5	45
114299-66250	5	38
114299-66440	5	39
114299-76250	6	9
114299-76500	6	10
114299-76521	6	11
114299-76590	6	21
114299-76600	6	24
114299-76610	6	25
114299-76630	6	20
114299-92590	9	9
114299-92600	9	10
114299-92710	9	11
114299-92720	9	12
114299-92730	9	13
114299-92740	9	14
114399-01700	1	5
114399-76531	6	13
114399-76540	6	14
114399-76550	6	15
114399-76560	6	16
114399-76570	6	17
114399-76580	6	18
114399-76620	6	19
114650-07450	3	4
114650-12550	3	10
114650-12590	3	8
114718-11910	2	30
114770-23100	4	40
114770-59030	8	19
114770-61220	5	24
114770-61610	5	30
114770-66010	5	44
114771-11020	2	1
114771-11250	2	12
114771-11260	2	13
114771-11310	2	32
	9	29
114771-11461	2	25
	9	28
114771-11650	2	14
114771-11660	2	18
114771-12010	3	12
114771-12200	3	13
	9	31
114771-14260	4	7
114771-53001	7	23

Parts No.	Fig. No.	Ref. No.
114771-59803	8	25
114771-61350	5	20
114771-61830	5	42
114775-53100	7	29
114775-53140	7	27
114775-53210	7	28
114775-53330	7	32
114780-61090	5	48
114818-66600	5	47
119260-11370	2	24
119265-23200	4	37
119593-53080	7	24
119593-53130	7	26
124722-59050	8	23
124950-01250	1	13
160210-02220	1	59
160310-14550	4	63
183360-66110	5	35
22117-080000	8	15
22190-160002	1	55
	9	26
22242-000120	2	22
22252-000190	4	33
22312-030160	2	40
	5	9
22312-040080	1	35
22322-030200	5	21
22351-040008	2	11
22451-060000	5	49
22512-040120	4	19
22512-050300	4	64
23414-080000	8	4
	9	35
23876-010000	1	60
24101-062020	4	62
24162-152112	1	7
24311-000180	5	54
24341-000100	9	34
24341-000150	8	13
	9	37
24341-000224	5	13
	9	36
26106-060082	6	22
26106-060122	5	10
	6	2
		23
26106-060142	3	21
	5	36
26106-060162	5	14
	8	18

Parts No. Index

Parts No.	Fig. No.	Ref. No.
26106-060202	5	37
26106-060252	1	47
	3	14
26106-060452	2	29
26106-060552	2	43
26106-080122	1	8
26106-080202	4	65
26106-080352	1	48
26106-080452	8	16
26106-100122	1	6
26216-080182	3	22
26226-060142	3	15
26226-060182	1	36
26226-060222	1	37
26226-060552	3	16
26366-060002	1	38
	2	31
	8	17
26366-080002	3	23
26757-060002	5	40
26856-060002	2	17
		21
27310-055001	2	9
714110-92600	9	15
714250-59060	8	22
714295-14580	4	1
714295-22500	4	26
714295-22540	4	43
714295-22550	4	49
714295-22580	4	47
714295-22620	4	41
714295-22720	4	24
714299-23700	4	34
714299-55721	8	1
714770-23600	4	38
714770-23610	4	53
714770-23620	4	55
714770-28531	4	57
714770-61100	5	22
714772-21701	4	9
714775-51100	7	1
714775-53101	7	22

Parts No.	Fig. No.	Ref. No.
-----------	----------	----------

Parts No.	Fig. No.	Ref. No.
-----------	----------	----------

Parts No.	Fig. No.	Ref. No.
-----------	----------	----------