

OCD10-M92300EN

Contents

OCD10-M92300

Fig. No. Fig. Name

3TNV76-NMB

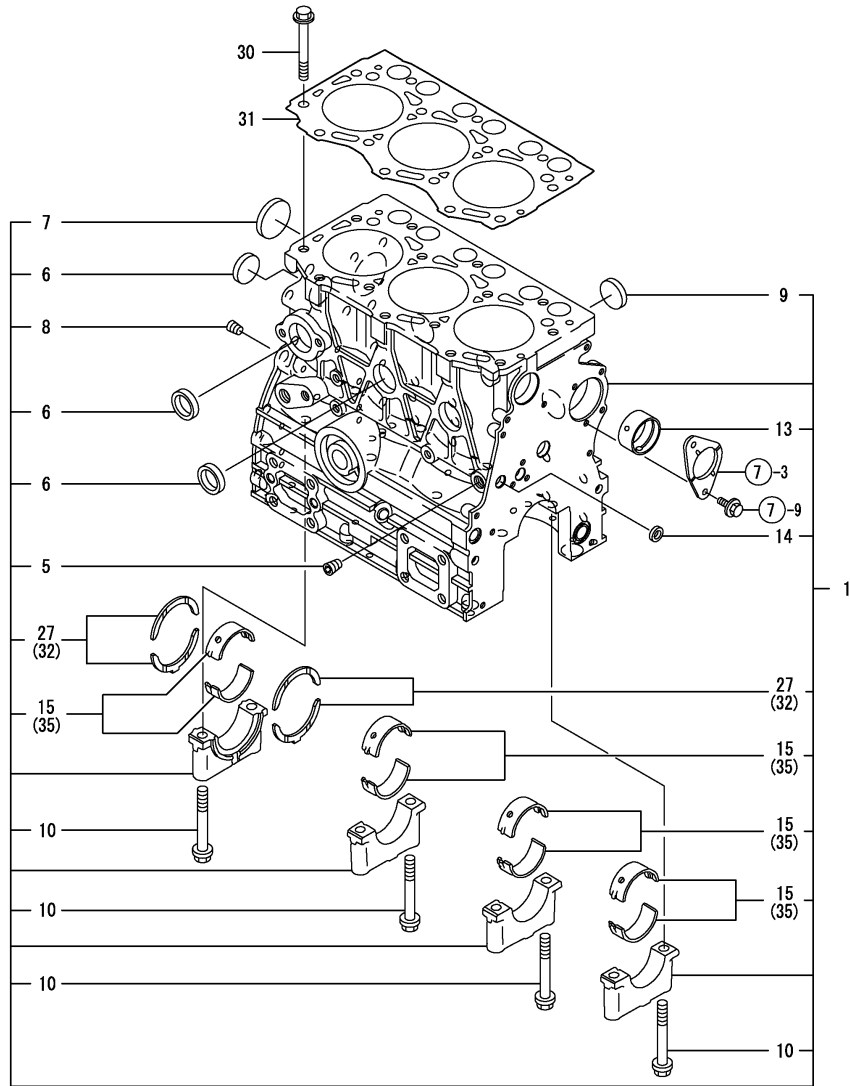
1. CYLINDER BLOCK
2. GEAR HOUSING
3. FLYWHEEL HOUSING & OIL SUMP
4. CYLINDER HEAD & BONNET
5. AIR CLEANER
6. EXHAUST MANIFOLD & SILENCER
7. CAMSHAFT & DRIVING GEAR
8. CRANKSHAFT & PISTON
9. LUB.OIL SYSTEM
10. COOLING WATER SYSTEM
11. FUEL INJECTION PUMP
12. GOVERNOR
13. FUEL INJECTION VALVE
14. STARTING MOTOR
15. GENERATOR
16. ELECTRIC PART
17. GASKET SET

Fig. No. Fig. Name

Fig.1. CYLINDER BLOCK

(A)=3TNV76-NMB
(B)=
(C)=

(D)=
(E)=
(F)=



No.	Lev.	Parts No.	Description	Q'ty						I	R
				(A)	(B)	(C)	(D)	(E)	(F)		
1	1	719717-01561	BLOCK ASSY, CYLINDER	1							
5	2	124060-01050	PLUG, PT1/8	1							
6	2	105311-01090	PLUG, 30	4							
7	2	119623-01250	PLUG, 45	1							
8	2	124160-01910	PLUG, PT1/4	1							
9	2	119285-01990	PLUG, 25	3							
10	2	119620-02020	BOLT, METAL CAP	8							
13	2	119717-02411	BUSH, CAMSHAFT	1							
14	2	27241-120000	PLUG, 12	1							
15	2	719717-02901	BEARING, MAIN	4							2
27	2	119717-02930	BEARING, THRUST	2							
30	1	119810-01200	BOLT, HEAD	14							
31	1	119717-01330	GASKET, HEAD	1							
32	1	119810-02941	BEARING, THRUST 0.25	2							1
35	1	719717-02911	BEARING, 0.25 US	4							3

Remarks

- (1) OVER-SIZE(O.S=0.25)PART.
- (2) REPAIR PART.
- (3) UNDER-SIZE(U.S=0.25)PART

Fig.2. GEAR HOUSING

(A)=3TNV76-NMB

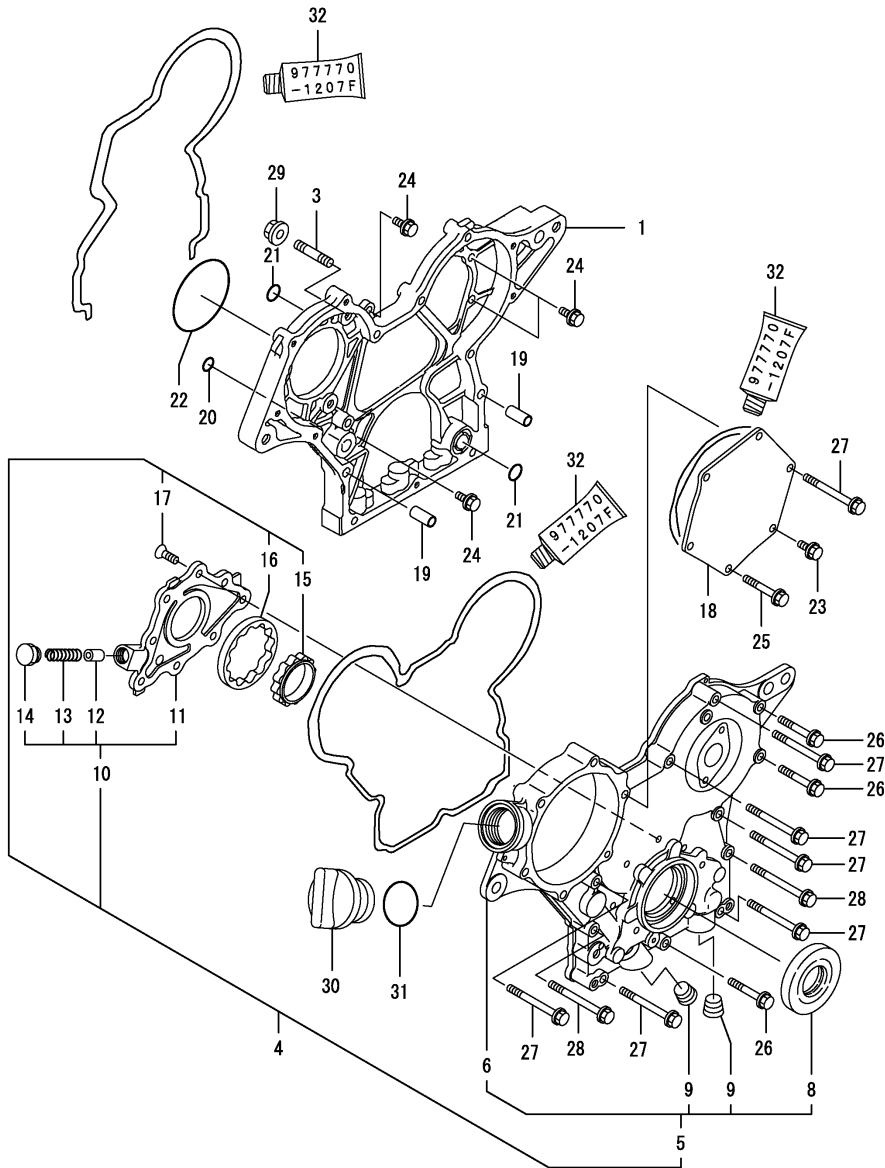
(B)=

(C)=

(D)=

(E)=

(F)=



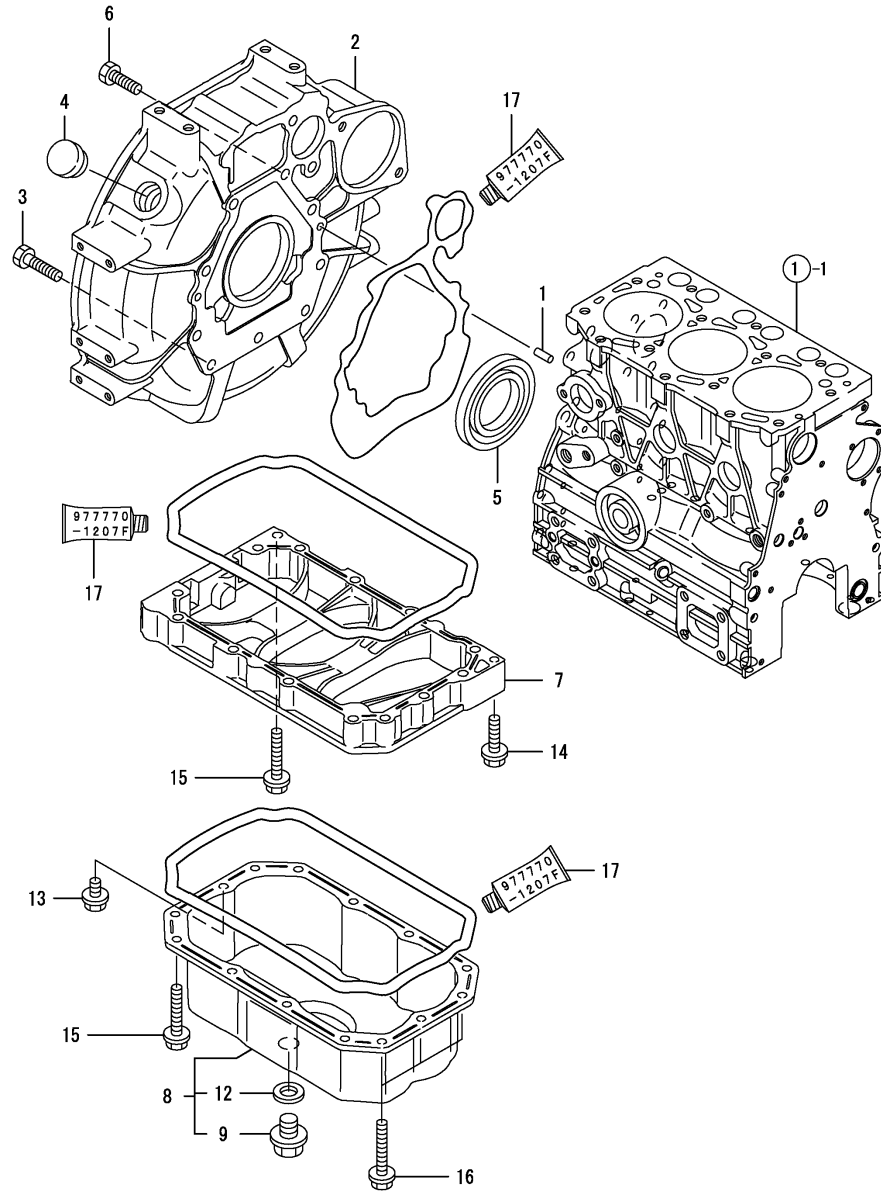
No.	Lev.	Parts No.	Description	Q'ty						I	R
				(A)	(B)	(C)	(D)	(E)	(F)		
1	1	119717-01501	CASE, GEAR	1							
3	1	119717-01570	STUD	3							
4	1	119717-01590	COVER ASSY, GEAR CASE	1							
5	2	719717-01500	COVER ASSY, GEAR CASE	1							
6	3	119717-01521	COVER, GEAR CASE	1							
8	3	119620-01800	SEAL, OIL	1							
9	3	23876-030000	PLUG, R03	2							
10	2	119717-32100	COVER ASSY	1							
11	3	119717-32080	COVER	1							
12	3	129900-32130	VALVE, RELIEF	1							
13	3	129001-32320	SPRING	1							
14	3	129001-32330	PLUG	1							
15	2	119717-32110	ROTOR, INNER	1							
16	2	119717-32120	ROTOR, OUTER	1							
17	2	119802-32130	SCREW, M6X16	8							
18	1	119717-01750	COVER	1							
19	1	119660-01911	PIPE, KNOCK	4							
20	1	119624-32040	O-RING, P12.0	1							
21	1	119717-32050	O-RING, P17.0	3							
22	1	121850-51960	O-RING	1							
23	1	26106-060122	BOLT, M6X 12 PLATED	1							
24	1	26106-060162	BOLT, M6X 16 PLATED	4							
25	1	26106-060402	BOLT, M6X 40 PLATED	4							
26	1	26106-060402	BOLT, M6X 40 PLATED	3							
27	1	26106-060602	BOLT, M6X 60 PLATED	7							
28	1	26106-060652	BOLT, M6X 65 PLATED	2							
29	1	26306-080002	NUT, M8	3							
30	1	124160-01751	COVER, FILLER	1							
31	1	24311-000320	O-RING, 1AP32.0	1							
32	1	977770-1207F	GASKET, LIQUID	1							1

Remarks

(1) OPTIONAL PART.

N:Old $\begin{matrix} \leftarrow \text{Yes} \\ \text{No} \end{matrix}$ New, Q:Old $\begin{matrix} \leftarrow \text{No} \\ \text{Yes} \end{matrix}$ New, R:Old $\begin{matrix} \leftarrow \text{Yes} \\ \text{No} \end{matrix}$ New, S:Old $\begin{matrix} \leftarrow \text{No} \\ \text{Yes} \end{matrix}$ New, W:Add, Z:Discontinued, F:Interchangeable by set, K:Q'ty Change

Fig.3. FLYWHEEL HOUSING & OIL SUMP



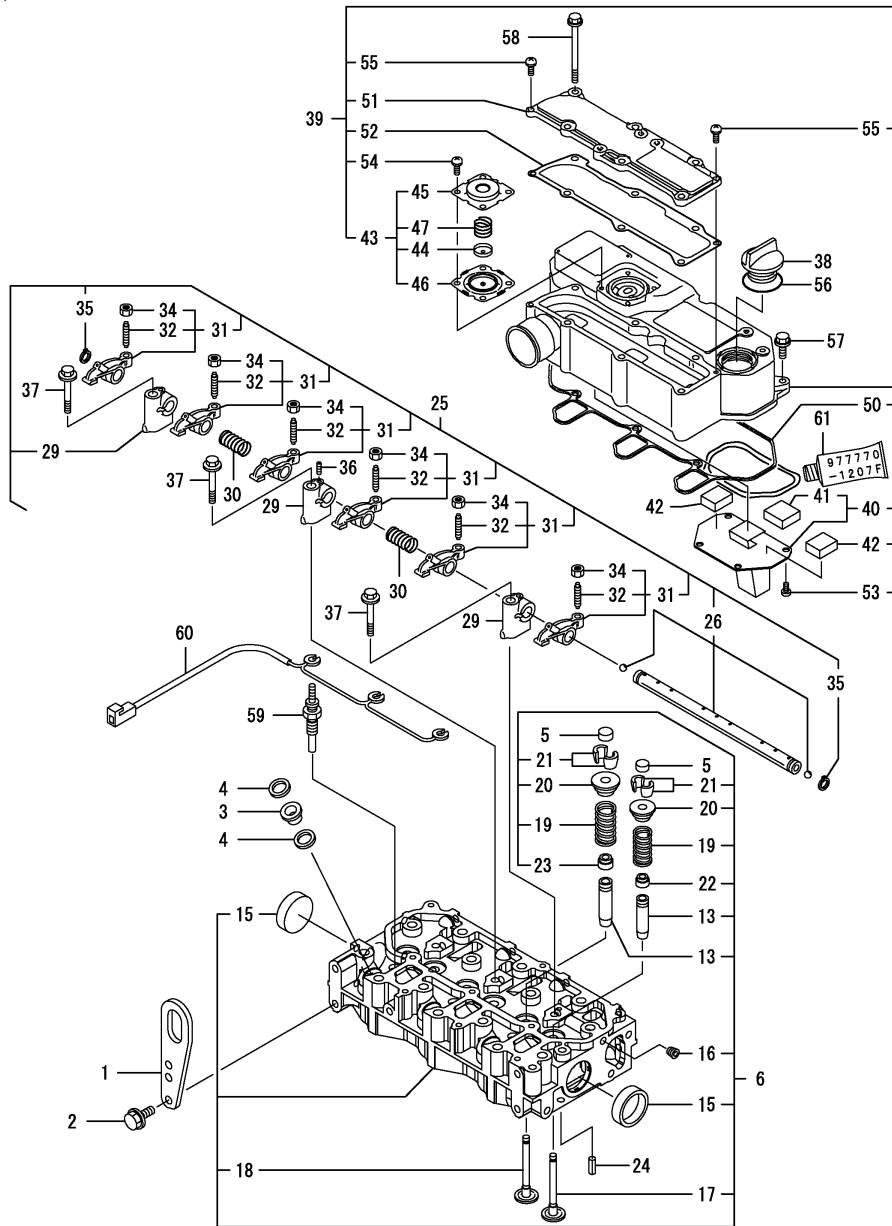
(A)=3TNV76-NMB
(B)=
(C)=

(D)=
(E)=
(F)=

No.	Lev.	Parts No.	Description	Qty						I	R
				(A)	(B)	(C)	(D)	(E)	(F)		
1	1	129100-01580	PIN, M8X16	2							
2	1	119717-01601	HOUSING, FLYWHEEL	1							
3	1	121120-01620	BOLT, M10X28	3							
4	1	119620-01750	CAP	1							
5	1	124085-02220	SEAL, OIL	1							
6	1	26206-100252	BOLT, M10X 25 PLATED	8							
7	1	119717-01720	SPACER, OIL SUMP	1							
8	1	119740-01770	SUMP ASSY, OIL	1							
9	2	105425-01690	PLUG, 16	1							
12	2	22190-160002	WASHER, SEAL 16	1							
13	1	26106-080122	BOLT, M8X 12 PLATED	1							
14	1	26106-080302	BOLT, M8X 30 PLATED	1							
15	1	26106-080452	BOLT, M8X 45 PLATED	11							
16	1	26106-080502	BOLT, M8X 50 PLATED	3							
17	1	977770-01212	GASKET, LIQUID	1							1

Remarks
(1) OPTIONAL PART.

Fig.4. CYLINDER HEAD & BONNET



(A)=3TNV76-NMB

(B)=

(C)=

(D)=

(E)=

(F)=

No.	Lev.	Parts No.	Description	Q'ty						I	R
				(A)	(B)	(C)	(D)	(E)	(F)		
1	1	119226-07900	LIFTER	1							
2	1	26106-080162	BOLT, M8X 16 PLATED	2							
3	1	129901-11450	PROTECTOR, NOZZLE	3							
4	1	119600-11460	GASKET, NOZZLE	6							
5	1	105010-11490	CAP, VALVE	6							
6	1	119717-11740	HEAD ASSY, CYLINDER	1							
13	2	119717-11800	GUIDE, VALVE	6							1
15	2	119285-11990	PLUG, 35	2							
16	2	23876-005000	PLUG, R005	1							
17	2	119717-11101	VALVE, INTAKE	3							
18	2	119717-11110	VALVE, EXHAUST	3							
19	2	119717-11131	SPRING, VALVE	6							
20	2	129508-11180	RETAINER, SPRING	6							
21	2	119717-11190	COTTER	12							
22	2	119717-11340	SEAL, VALVE STEM	3							
23	2	119717-11350	SEAL, VALVE STEM	3							
24	1	22351-060012	PIN, SPRING 6.0X12	2							
25	1	119717-11200	SUPPORT ASSY, ARM	1							
26	2	119717-11240	SHAFT ASSY, ROCKER	1							
29	2	119717-11260	SUPPORT, ROCKER ARM	3							
30	2	119620-11280	SPRING	2							
31	2	119717-11650	ARM, ROCKER	6							
32	3	129150-11230	SCREW, VALVE ADJUST	6							
34	3	129150-11750	NUT, M8	6							
35	2	22242-000120	RING, 12	2							
36	2	26979-050162	SCREW, M5X16	1							
37	1	26106-080402	BOLT, M8X 40 PLATED	3							
38	1	124160-01751	COVER, FILLER	1							
39	1	119717-11381	BONNET ASSY, HEAD	1							
40	2	119717-03031	PLATE	1							
41	3	119717-03070	BAFFLE, BREATHER	1							
42	2	119717-03070	BAFFLE, BREATHER	2							
43	2	119802-03100	DIAPHRAGM ASSY	1							
44	3	119802-03110	PLATE	1							
45	3	119802-03121	COVER, DIAPHRAGM	1							
46	3	119802-03131	DIAPHRAGM	1							
47	3	119802-03141	SPRING, DIAPHRAGM	1							
50	2	119718-11310	GASKET, BONNET	1							
51	2	119717-11320	COVER, BONNET	1							
52	2	119717-11331	GASKET	1							
53	2	22857-500100	SCREW, 5X10	4							
54	2	22857-500100	SCREW, 5X10	4							
55	2	22857-500160	SCREW, 5X16	2							
56	1	24311-000320	O-RING, 1AP32.0	1							
57	1	26106-060202	BOLT, M6X 20 PLATED	3							
58	1	26106-060752	BOLT, M6X 75 PLATED	6							
59	1	119717-77800	PLUG, GLOW	3							
60	1	119717-77820	CONNECTOR, GLOW PLUG	1							
61	1	97770-1207F	GASKET.LIQUID	1							2

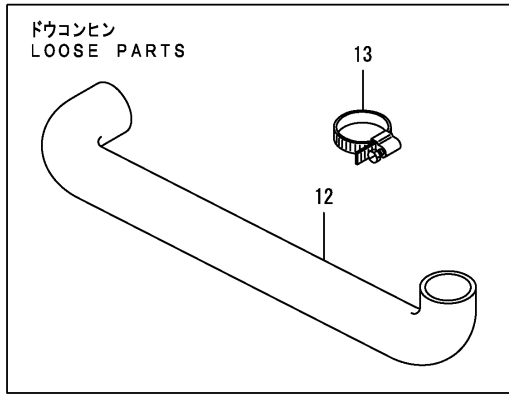
Remarks

- (1) REPAIR PART.
- (2) OPTIONAL PART.

Fig.5. AIR CLEANER

(A)=3TNV76-NMB
(B)=
(C)=

(D)=
(E)=
(F)=



No.	Lev.	Parts No.	Description	Q'ty						I	R
				(A)	(B)	(C)	(D)	(E)	(F)		
1	1	119761-12020	HOSE, AIR INTAKE	1							
2	1	119515-12501	AIR CLEANER ASSY	1							
3	2	119515-12520	ELEMENT, AIR CLEANER	1							
4	2	119808-12540	VALVE, UNLOAD	1							
5	2	119336-12570	COVER ASSY	1							
6	2	105027-12580	RING, VALVE	1							
7	1	119761-12540	SUPPORT, AIR CLEANER	1							
8	1	23000-054000	CLAMP, 54	2							
9	1	26013-080222	BOLT, SPRING M8X 22	2							
10	1	26106-060142	BOLT, M6X 14 PLATED	3							
11	1	26106-080162	BOLT, M8X 16 PLATED	1							
12	1	119632-12211	PIPE, AIR INTAKE	1							
13	1	23000-060000	CLAMP, 60	2							

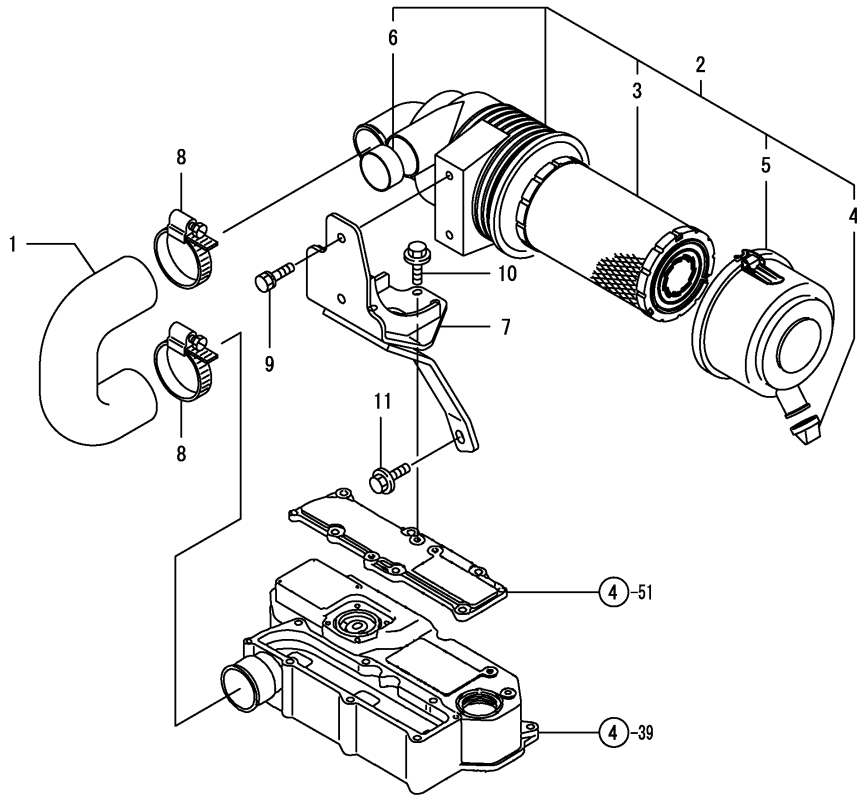


Fig.6. EXHAUST MANIFOLD & SILENCER

(A)=3TNV76-NMB
(B)=
(C)=

(D)=
(E)=
(F)=

No.	Lev.	Parts No.	Description	Q'ty						I	R
				(A)	(B)	(C)	(D)	(E)	(F)		
1	1	119717-13109	MANIFOLD, EXHAUST	1							
2	1	119717-13110	GASKET	1							
3	1	119717-13600	STUD, M8X50	2							
4	1	119802-13620	BOLT, M8X50	4							
5	1	119131-18320	STUD, M8X22	4							
6	1	26306-080002	NUT, M8	2							
7	1	119515-13200	GASKET, SILENCER	1							
8	1	119717-13550	SILENCER	1							
9	1	26306-080002	NUT, M8	4							
10	1	26106-080252	BOLT, M8X 25 PLATED	2							
11	1	119515-13200	GASKET, SILENCER	2							
12	1	119620-13550	BEND	1							

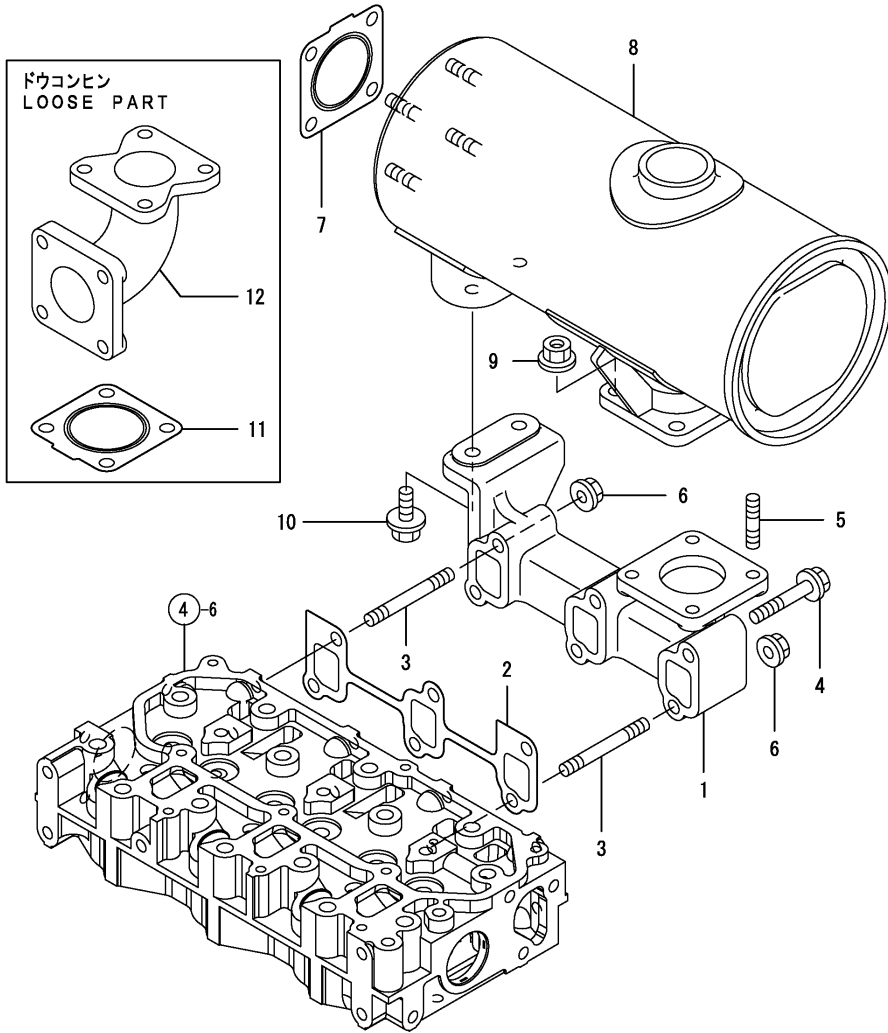
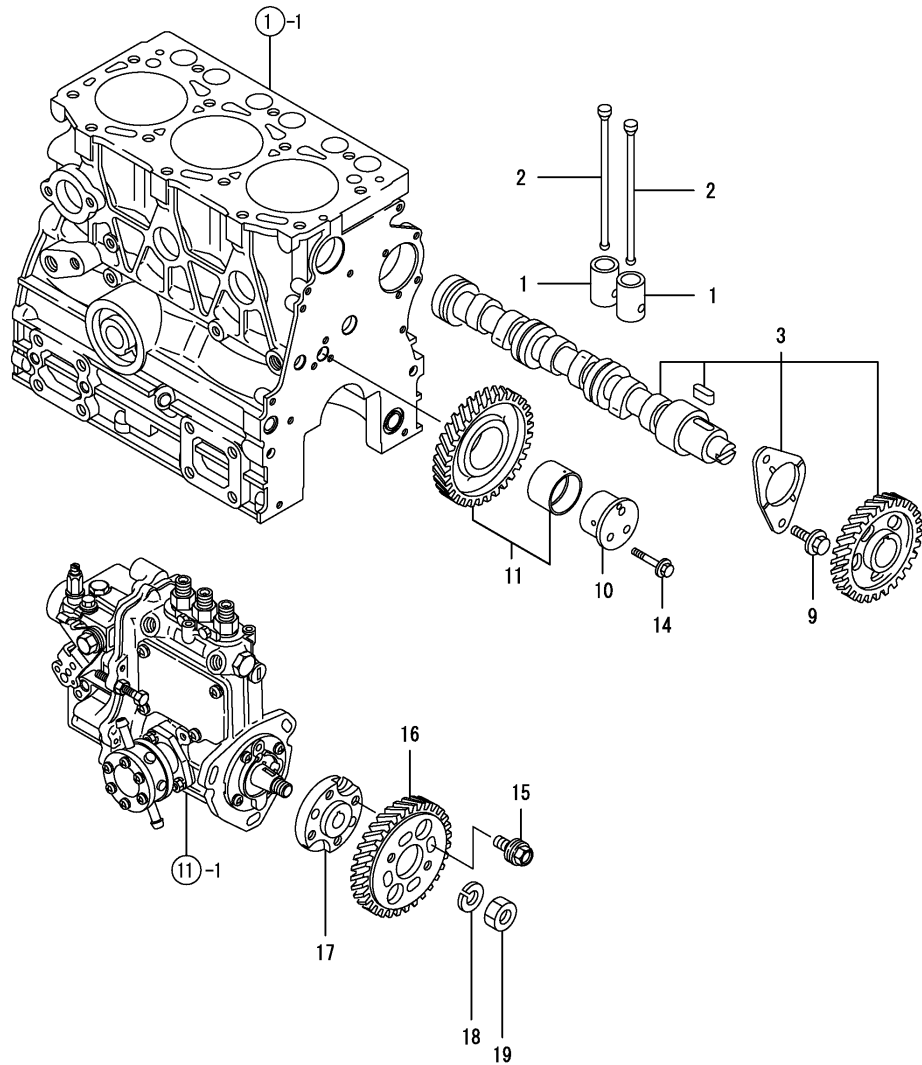


Fig.7. CAMSHAFT & DRIVING GEAR

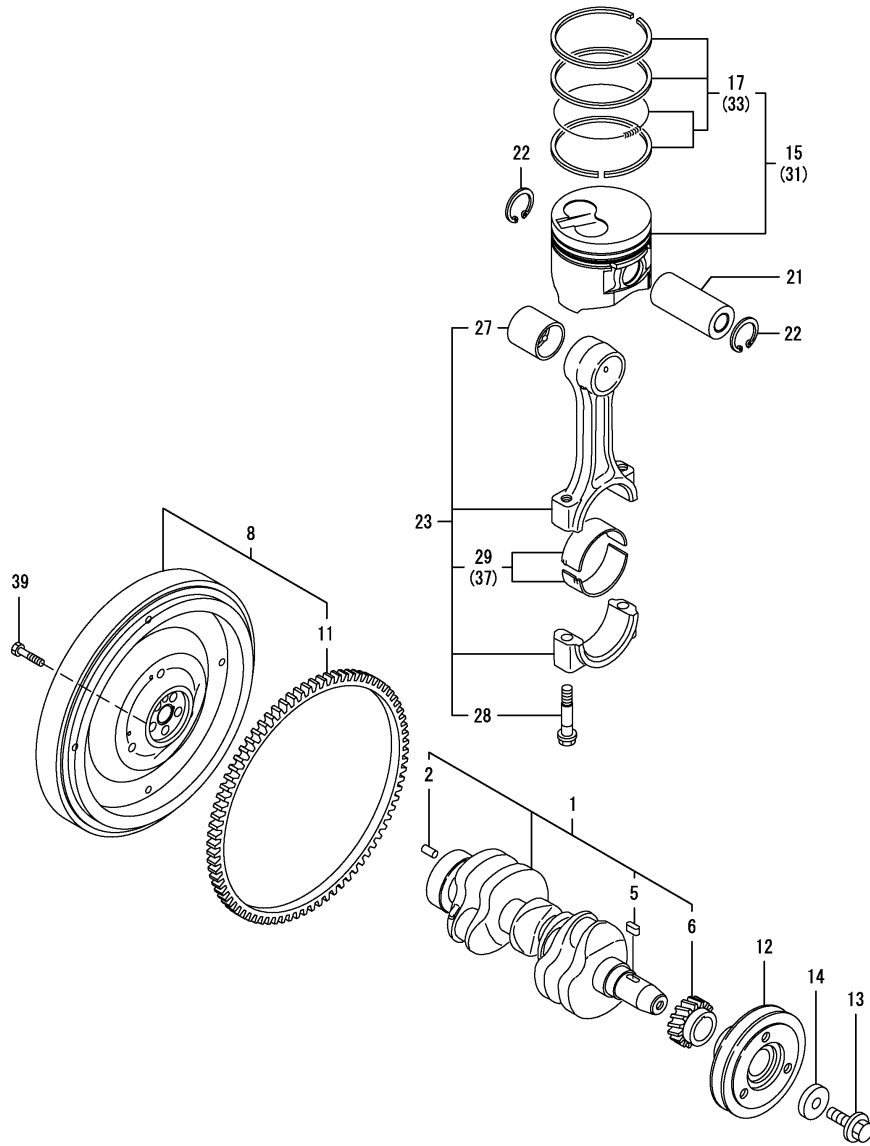


(A)=3TNV76-NMB
(B)=
(C)=

(D)=
(E)=
(F)=

No.	Lev.	Parts No.	Description	Q'ty						I	R
				(A)	(B)	(C)	(D)	(E)	(F)		
1	1	119620-14200	TAPPET	6							
2	1	119717-14400	ROD, PUSH	6							
3	1	119717-14581	CAMSHAFT ASSY	1							
9	1	26106-060122	BOLT, M6X 12 PLATED	2							
10	1	119717-25050	SHAFT, IDLE	1							
11	1	119717-25101	GEAR ASSY, IDLE	1							
14	1	26106-060352	BOLT, M6X 35 PLATED	3							
15	1	129150-25301	BOLT	4							
16	1	119717-25930	GEAR, PUMP	1							
17	1	119717-51150	FLANGE	1							
18	1	22217-120000	WASHER, SPRING 12	1							
19	1	26716-120002	NUT, M12	1							

Fig.8. CRANKSHAFT & PISTON



(A)=3TNV76-NMB
(B)=
(C)=

(D)=
(E)=
(F)=

No.	Lev.	Parts No.	Description	Q'ty						I	R
				(A)	(B)	(C)	(D)	(E)	(F)		
1	1	119717-21700	CRANKSHAFT ASSY	1							
2	2	129100-01580	PIN, M8X16	1							
5	2	22512-040120	KEY, 4X 12	1							
6	2	119717-21200	GEAR, CRANKSHAFT	1							
8	1	119740-21590	FLYWHEEL ASSY	1							
11	2	119865-21600	GEAR, RING	1							
12	1	119717-21650	V-PULLEY	1							
13	1	119621-21680	BOLT, FLANGE 12X1.25	1							
14	1	119620-21941	WASHER	1							
15	1	119717-22080	PISTON ASSY	3							
17	2	119717-22500	RING SET, PISTON	3							
21	1	119717-22300	PIN, PISTON	3							
22	1	22252-000220	RING, 22	6							
23	1	119717-23000	ROD ASSY, CONNECTING	3							
27	2	119717-23910	BEARING, PISTON PIN	3							2
28	2	119717-23200	BOLT, CONNECTING ROD	6							
29	2	119717-23601	BEARING, CRANK PIN	3							
31	1	119717-22090	PISTON ASSY, 0.25 OS	3							1
33	2	119717-22550	RING SET, 0.25 OS	3							1
37	1	119717-23611	METAL ASSY, 0.25	3							3
39	1	119620-21500	BOLT, FLYWHEEL	5							

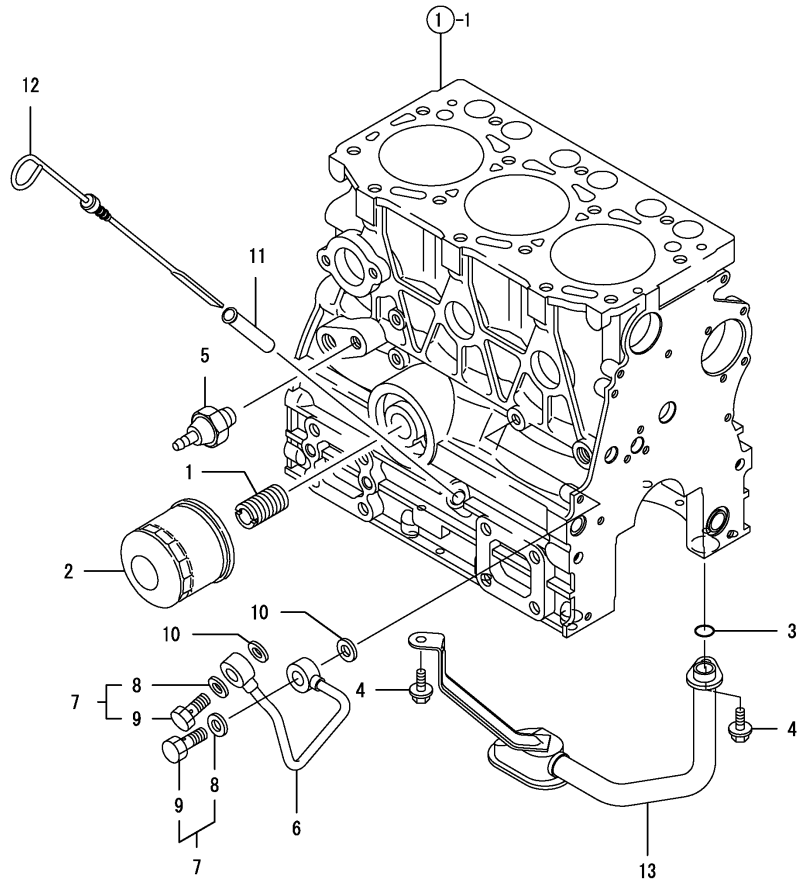
Remarks

- (1) OVER-SIZE(O.S=0.25)PART.
- (2) REPAIR PART.
- (3) UNDER-SIZE(U.S=0.25)PART.

Fig.9. LUB.OIL SYSTEM

(A)=3TNV76-NMB
(B)=
(C)=

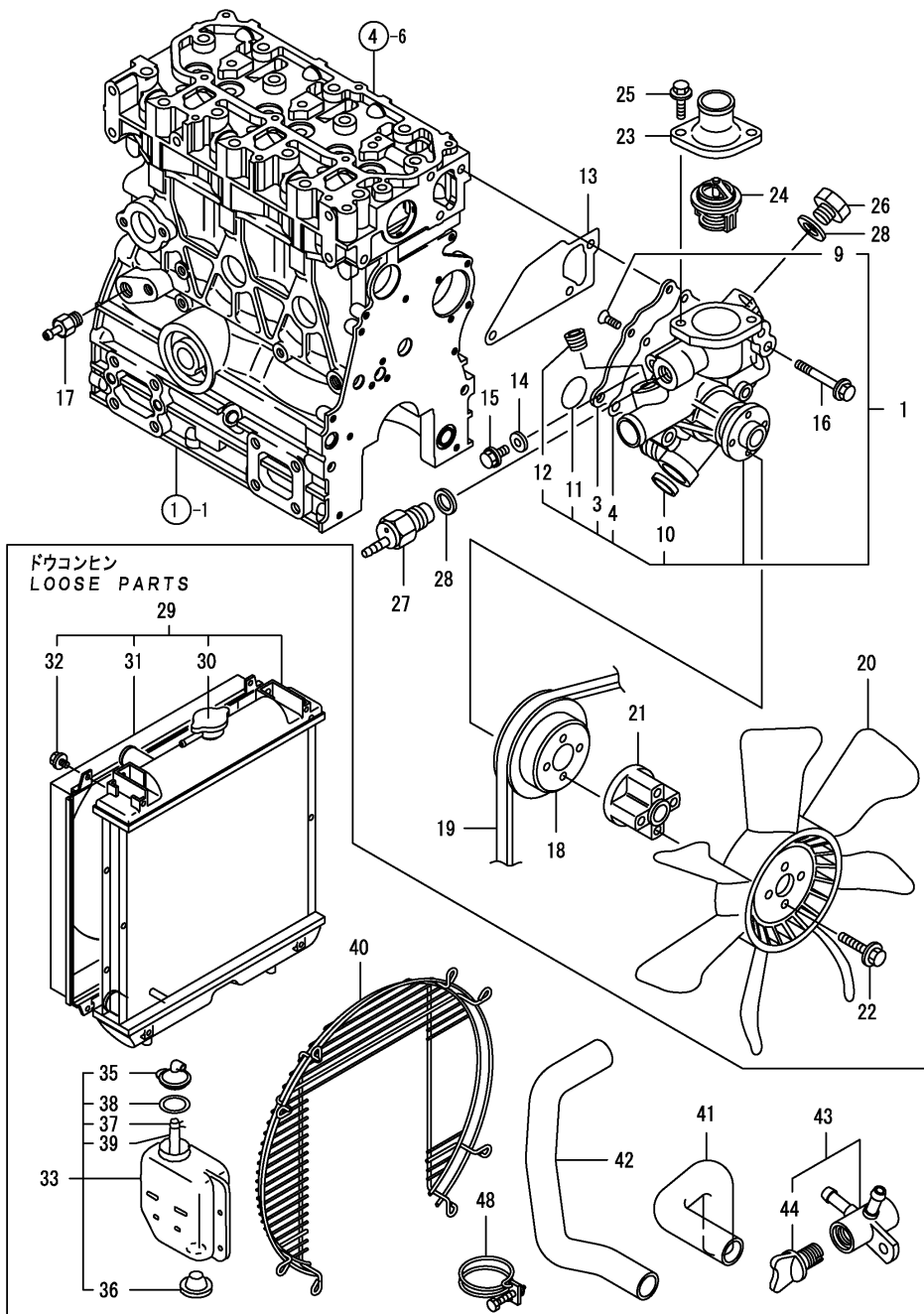
(D)=
(E)=
(F)=



No.	Lev.	Parts No.	Description	Q'ty						I	R
				(A)	(B)	(C)	(D)	(E)	(F)		
1	1	129100-35140	STUD	1							
2	1	119305-35151	FILTER ASSY, D68XL65	1							1
3	1	119717-32060	O-RING, P15.0	1							
4	1	26106-060102	BOLT, M6X 10 PLATED	2							
5	1	114250-39450	SWITCH, 0.5KG	1							
6	1	119717-39210	PIPE, OIL	1							
7	1	129005-59830	BOLT ASSY, JOINT M8	2							
8	2	22190-080002	WASHER, SEAL 6	2							
9	2	23857-030000	BOLT, JOINT 3	2							
10	1	22190-080002	WASHER, SEAL 6	2							
11	1	121520-34810	GUIDE, DIPSTICK	1							
12	1	119717-34801	DIPSTICK, OIL	1							
13	1	119717-35080	PIPE ASSY, OIL INLET	1							

Remarks
(1) REPAIR PART.

Fig.10. COOLING WATER SYSTEM



(A)=3TNV76-NMB
(B)=
(C)=

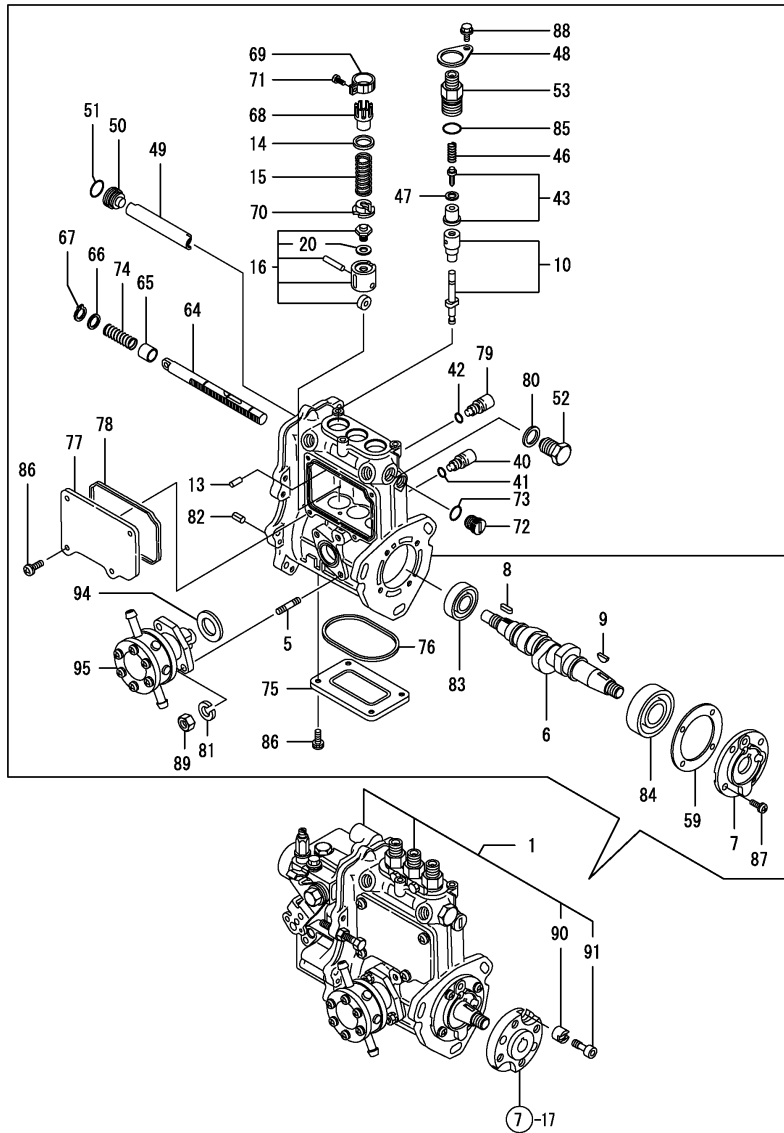
(D)=
(E)=
(F)=

No.	Lev.	Parts No.	Description	Qty						I	R
				(A)	(B)	(C)	(D)	(E)	(F)		
1	1	119717-42002	PUMP ASSY, WATER	1							
1-1	1	119E10-42000	PUMP ASSY, WATER	1							N
(A=E/ B0608)											
3	2	119717-42041	COVER	1							
4	2	119717-42031	GASKET	1							
9	2	26577-060122	SCREW, M6X12	4							
10	2	27241-250000	PLUG, 25	1							
11	2	119717-42320	O-RING, P26	1							
11-1	2	119C10-42320	O-RING, 2028	1							S
(A=E/ B0608)											
12	2	129916-49740	PLUG, R3/8	1							
13	1	119717-42020	GASKET, WATER PUMP	1							
14	1	23414-080000	GASKET, 8X1.0	1							
15	1	26106-080122	BOLT, M8X 12 PLATED	1							
16	1	26106-080502	BOLT, M8X 50 PLATED	3							
17	1	121550-49111	JOINT, PT1/4	1							
18	1	119717-42350	V-PULLEY, D=100	1							
19	1	25132-003600	V-BELT, A36	1							
20	1	119626-44741	FAN, COOLING D=320X7	1							
21	1	129030-44760	SPACER, FAN L38.5	1							
22	1	26106-060502	BOLT, M6X 50 PLATED	4							
23	1	129350-49530	COVER, THERMOSTAT	1							
24	1	119717-49800	THERMOSTAT, 71C	1							
25	1	26106-080202	BOLT, M8X 20 PLATED	2							
26	1	121450-42450	PLUG, M16	1							
27	1	121250-44901	SWITCH, THERMO 110	1							
28	1	124465-44950	GASKET, 16	2							
29	1	129004-44500	RADIATOR ASSY	1							
30	2	129107-44590	CAP, RADIATOR	1							
31	2	119802-44600	SHROUD	1							
32	2	26014-060122	BOLT, M6X 12	4							
33	1	121468-44510	TANK ASSY, SUB	1							
35	2	121450-44531	CAP	1							
36	2	121468-44540	PLUG	1							
37	2	124450-44560	CLAMP, HOSE	1							
38	2	121470-44581	GASKET	1							
39	2	23065-070130	PIPE, 7X 130	1							
40	1	119802-44570	GUARD, FAN	1							
41	1	119802-49010	HOSE, WATER	1							
42	1	119802-49020	PIPE, WATER	1							
42-1	1	119940-49020	PIPE, WATER	1							N
(A=E52374)											
43	1	129150-49100	COCK ASSY, 3-WAY	1							
44	2	129150-49080	COCK, DRAIN	1							
48	1	23010-035000	CLAMP, 35	4							

Fig.11. FUEL INJECTION PUMP

(A)=3TNV76-NMB
(B)=
(C)=

(D)=
(E)=
(F)=



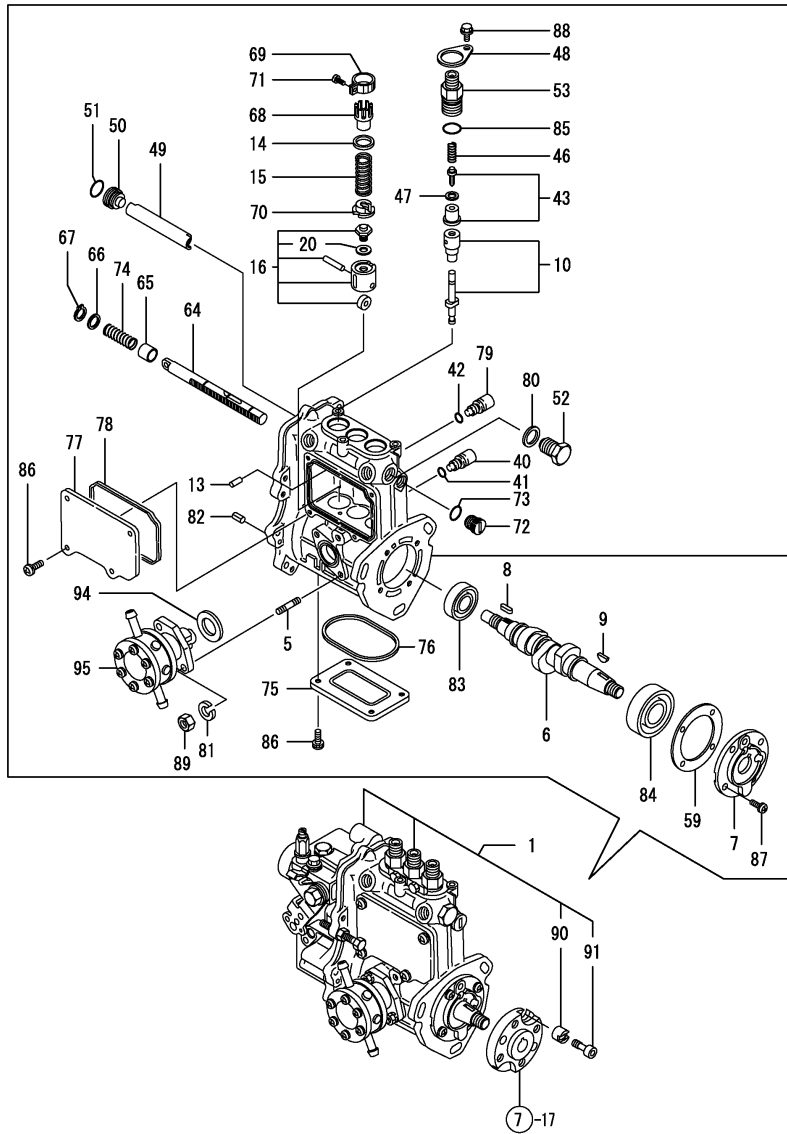
No.	Lev.	Parts No.	Description	Qty						I	R
				(A)	(B)	(C)	(D)	(E)	(F)		
1	1	719740-51420	PUMP ASSY, INJECTION	1							
5	2	129155-51020	STUD	2							
6	2	119717-51030	CAMSHAFT	1							
7	2	119717-51060	SUPPORT, CAMSHAFT	1							
8	2	119717-51070	KEY	1							
9	2	122710-51090	KEY	1							
10	2	119740-51100	PLUNGER ASSY	3							
13	2	129155-51140	PIN	3							
14	2	158600-51170	RETAINER, SPRING	3							
15	2	119717-51190	SPRING, PLUNGER	3							
16	2	119717-51200	TAPPET ASSY	3							
20	3	129155-51600	SHIM SET, ADJUSTING	1							
40	2	158600-51270	STOPPER, TAPPET	3							
41	2	129155-51280	O-RING, S6	3							
42	2	129155-51280	O-RING, S6	1							
43	2	119717-51300	VALVE ASSY, DELIVERY	3							
46	2	119717-51330	SPRING, DELIVERY	3							
47	2	124550-51350	GASKET, DELIVERY	3							
48	2	118400-51370	LOCKING	3							
49	2	129155-51400	DEFLECTOR	1							
50	2	158600-51410	PLUG, DEFLECTOR	1							
51	2	119717-51420	O-RING	1							
52	2	158600-51420	PLUG, DEFLECTOR	1							
53	2	158600-51442	VALVE ASSY, DELIVERY	3							
59	2	129155-51450	SHIM SET, ADJUSTING	1							
64	2	119717-51500	RACK, CONTROL	1							
65	2	129155-51521	BUSH, RACK	1							
66	2	129155-51530	SPACER	1							
67	2	129155-51540	CIRCLIP	1							
68	2	129155-51550	PINION, CONTROL	3							
69	2	129100-51560	PINION	3							
70	2	119717-51570	RETAINER, SPRING	3							
71	2	129100-51570	SCREW	3							
72	2	158600-51570	PLUG	1							
73	2	129155-51580	O-RING	1							
74	2	129155-51591	SPRING, RACK	1							
75	2	129155-51701	COVER	1							
76	2	119717-51711	GASKET	1							
77	2	119717-51750	COVER	1							
78	2	119717-51761	GASKET	1							
79	2	158600-51790	STOOPER, RACK	1							
80	2	22190-160002	WASHER, SEAL 16	1							
81	2	22217-060000	WASHER, SPRING 6	2							
82	2	22351-050010	PIN, SPRING 5.0X10	2							
83	2	24101-060034	BEARING, BALL 6003	1							
84	2	24101-063034	BEARING, BALL 6303	1							
85	2	24316-000150	O-RING, 4DP15.0	3							
86	2	26022-050122	SCREW, M5X12	8							
87	2	26022-060162	SCREW, M6X16	4							
88	2	26106-050102	BOLT, M5X 10 PLATED	3							
89	2	26716-060002	NUT, M6	2							

Remarks
(1) GOVERNOR ASSY(FIG.12) IS
INCORPORATED IN THIS FOP.CMP
(REF.NO.1).

Fig.11. FUEL INJECTION PUMP

(A)=3TNV76-NMB
(B)=
(C)=

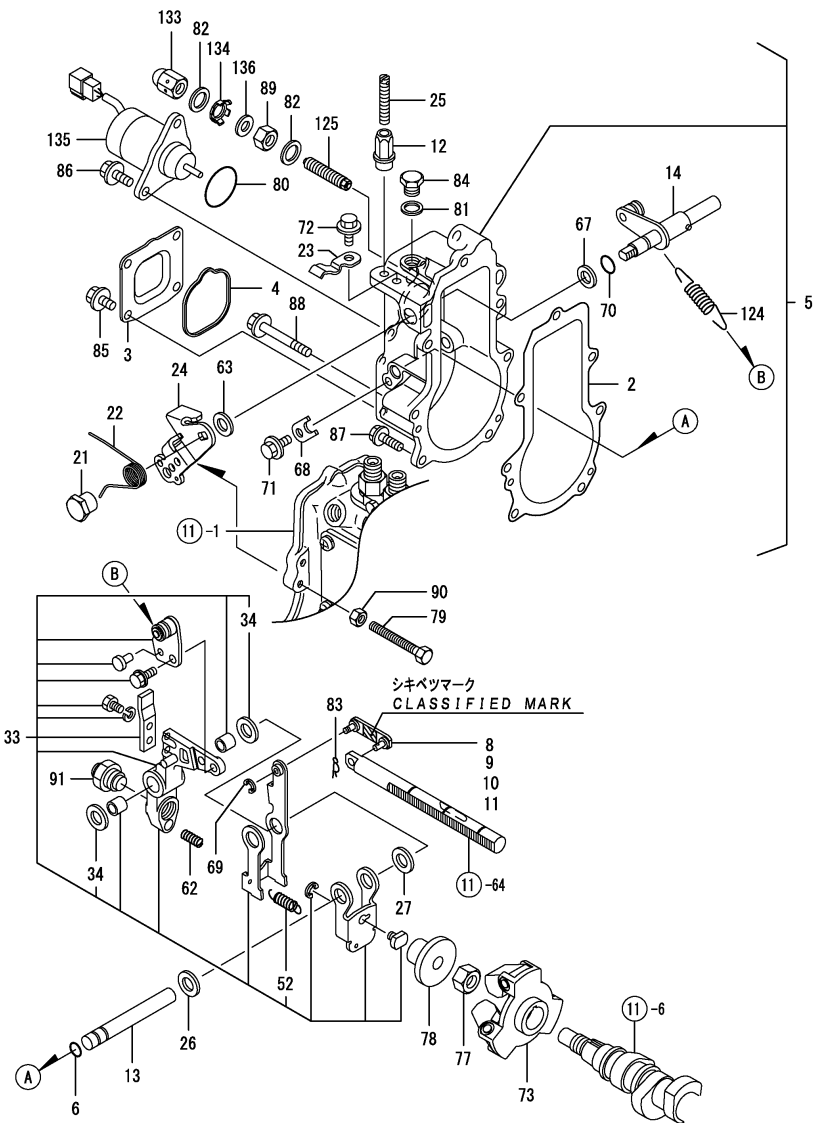
(D)=
(E)=
(F)=



No.	Lev.	Parts No.	Description	Q'ty						I	R
				(A)	(B)	(C)	(D)	(E)	(F)		
90	2	119717-51480	COLLAR	1							
91	2	119717-51490	BOLT	1							
94	2	129155-52051	GASKET	1							
95	2	129100-52101	PUMP ASSY, FUEL FEED	1							

Remarks
(1) GOVERNOR ASSY(FIG.12) IS
INCORPORATED IN THIS FOP.CMP
(REF.NO.1).

Fig.12. GOVERNOR



Remarks
 (1) SELECTIVE PARTS: CERTAIN THE CLASSIFICATION MARK, THEN PLACE YOUR ORDER.(REF. TO ILLUSTRATION)
 * THIS FIGURE(GOVERNOR ASSY)IS INCORPORATED IN THE FUEL INJECTION PUMP ASSY(FIG.11).

(A)=3TNV76-NMB
 (B)=
 (C)=

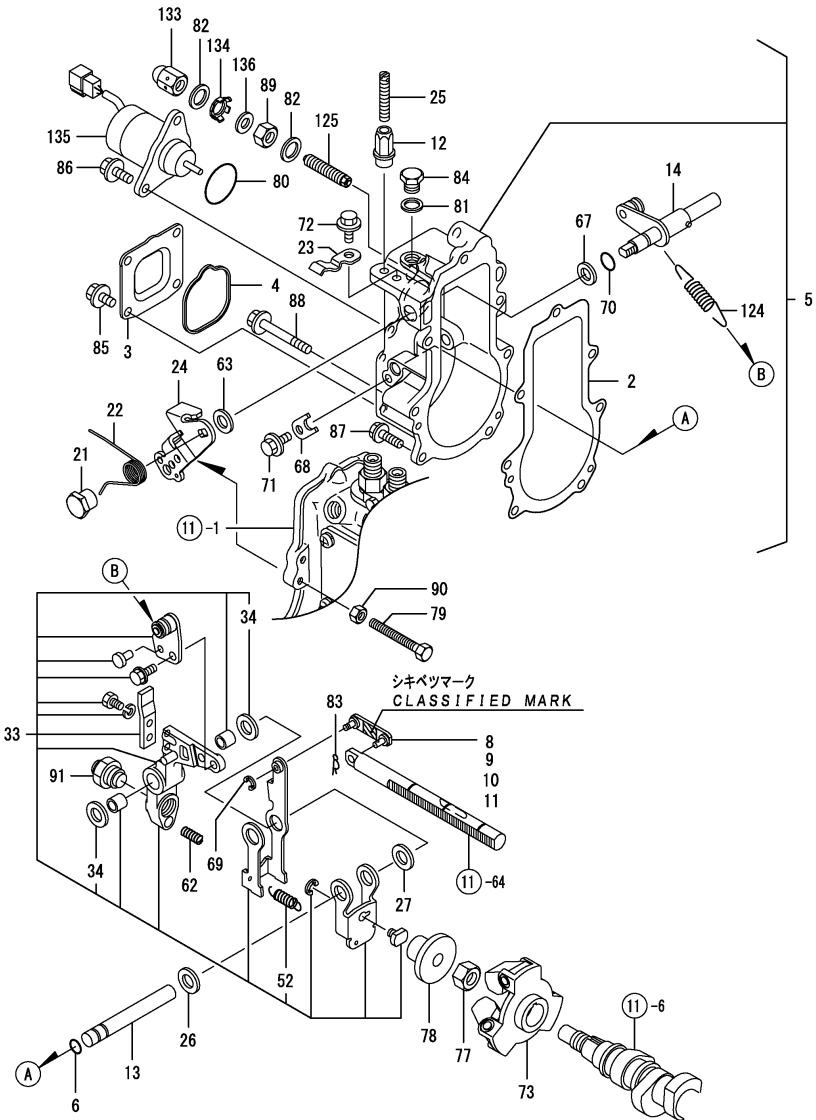
(D)=
 (E)=
 (F)=

No.	Lev.	Parts No.	Description	(A)	(B)	(C)	(D)	(E)	(F)	Q'ty	I	R
2	2	119717-61050	GASKET	1								
3	2	119717-61060	COVER, GOVERNOR CASE	1								
4	2	119717-61070	GASKET	1								
5	2	119744-61100	CASE ASSY, GOVERNOR	1								
6	3	129155-51280	O-RING, S6	1								
8	3	119717-61120	LINK, MARK :3	1								1
9	3	119717-61130	LINK, MARK 98	1								1
10	3	119717-61140	LINK, MARK 88	1								1
11	3	119717-61150	LINK, MARK 03	1								1
12	3	129209-61370	NUT, M6	1								
13	3	129052-61390	SHAFT	1								
14	3	119717-61400	SHAFT ASSY	1								
21	3	129255-61410	NUT, LOCK	1								
22	3	119534-61420	SPRING	1								
23	3	119534-61430	RETAINER	1								
24	3	119515-61440	LEVER, CONTROL	1								
25	3	129155-61450	BOLT, LIMITER	1								
26	3	129156-61460	SHIM, T=0.6	1								
27	3	129155-61480	SPACER ASSY	1								
33	3	119717-61500	LEVER ASSY, GOVERNOR	1								
34	4	174307-51700	SHIM SET	2								
52	4	129486-61540	SPRING, SET	1								
62	3	129100-61650	SPRING, CONTROLLER	1								
63	3	158552-61700	SHIM SET	1								
67	3	158552-61710	SHIM, T=1.0	1								
68	3	119660-61901	RETAINER, SHAFT	1								
69	3	22272-000030	RING, E-3	1								
70	3	24341-000070	O-RING, 1AS7.0	1								
71	3	26106-060102	BOLT, M6X 10 PLATED	1								
72	3	26106-060102	BOLT, M6X 10 PLATED	1								
73	2	119717-61200	WEIGHT ASSY,GOVERNOR	1								
77	2	119660-61300	NUT	1								
78	2	129155-61341	SLEEVE	1								
79	2	129155-61460	BOLT, IDLE	1								
80	2	158552-61900	O-RING	1								
81	2	22190-100002	WASHER, SEAL 10	1								
82	2	22190-120002	WASHER, SEAL 12	2								
83	2	22372-040000	PIN, SNAP 4	1								
84	2	23887-100002	PLUG, 10	1								
85	2	26106-060102	BOLT, M6X 10 PLATED	4								
86	2	26106-060142	BOLT, M6X 14 PLATED	2								
87	2	26106-060202	BOLT, M6X 20 PLATED	4								
88	2	26106-060452	BOLT, M6X 45 PLATED	3								
89	2	26736-120002	NUT, M12	1								
90	2	26756-060002	NUT, LOCK M6	1								
91	2	119544-61550	ANGLEICH ASSY	1								
124	2	171353-61700	SPRING, GOVERNOR	1								
125	2	158601-61710	LIMITER ASSY, FUEL	1								
133	2	129209-61930	NUT, CAP	1								
134	2	129209-61970	PLATE	1								
135	2	119233-77932	SOLENOID, STOP	1								

Fig.12. GOVERNOR

(A)=3TNV76-NMB
(B)=
(C)=

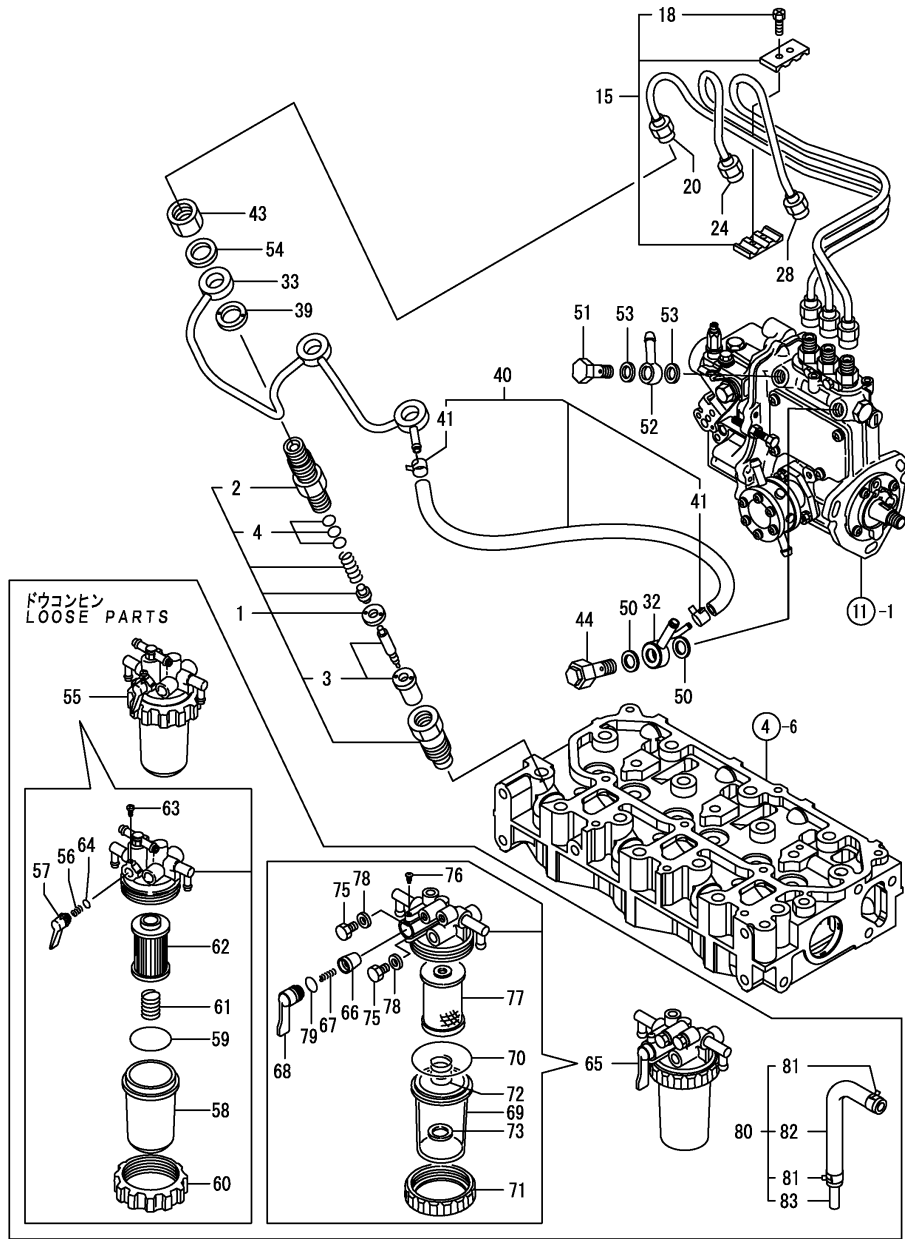
(D)=
(E)=
(F)=



No.	Lev.	Parts No.	Description	Q'ty						I	R
				(A)	(B)	(C)	(D)	(E)	(F)		
136	2	23414-120016	GASKET, 12X1.0	1							

Remarks
(1) SELECTIVE PARTS: CERTAIN THE CLASSIFICATION MARK, THEN PLACE YOUR ORDER.(REF. TO ILLUSTRATION)
* THIS FIGURE(GOVERNOR ASSY)IS INCORPORATED IN THE FUEL INJECTION PUMP ASSY(FIG.11).

Fig.13. FUEL INJECTION VALVE



(A)=3TNV76-NMB
(B)=
(C)=

(D)=
(E)=
(F)=

No.	Lev.	Parts No.	Description	Q'ty						I	R
				(A)	(B)	(C)	(D)	(E)	(F)		
1	1	119717-53001	VALVE ASSY,INJECTION	3							
2	2	118200-53010	HOLDER, NOZZLE	3							
3	2	119717-53010	VALVE ASSY,INJECTION	3							
4	2	129901-53800	SHIM SET, ADJUSTING	3							1
15	1	129150-59120	RETAINER, PIPE	1							
18	2	129150-59131	BOLT, M4X14	2							
20	1	119717-59810	PIPE ASSY, INJECTION	1							
24	1	119717-59820	PIPE ASSY, INJECTION	1							
28	1	119717-59830	PIPE ASSY, INJECTION	1							
32	1	119840-59570	JOINT	1							
33	1	119717-59510	PIPE ASSY, RETURN	1							
39	1	129901-59560	GASKET	3							
40	1	119540-59570	PIPE ASSY, RETURN	1							
41	2	124066-59100	CLIP, HOSE 8	2							
43	1	119620-59700	NUT, NOZZLE	3							
44	1	119813-59950	VALVE ASSY, CHECK	1							
50	1	22190-120002	WASHER, SEAL 12	2							
51	1	103854-39140	BOLT, PIPE JOINT	1							
52	1	101304-59020	JOINT, PIPE 12	1							
53	1	22190-120002	WASHER, SEAL 12	2							
54	1	22190-120002	WASHER, SEAL 12	3							
55	1	119833-55620	FILTER ASSY, FUEL	1							
56	2	104200-55330	SPRING, VALVE	1							
57	2	119810-55340	LEVER	1							
58	2	121254-55510	COVER	1							
59	2	102103-55520	O-RING	1							
60	2	110250-55610	RING, RETAINING	1							
61	2	121250-55620	SPRING	1							
62	2	119810-55650	ELEMENT	1							
63	2	104200-55750	SCREW, M4	1							
64	2	24311-240100	O-RING, 1AP10A	1							
65	1	129335-55700	SEPARATOR ASSY,WATER	1							
66	2	104200-55321	VALVE, TAPER	1							
67	2	104200-55330	SPRING, VALVE	1							
68	2	104200-55341	HANDLE	1							
69	2	124064-55510	COVER	1							
70	2	102103-55520	O-RING	1							
71	2	110250-55610	RING, RETAINING	1							
72	2	121257-55720	SPRING	1							
73	2	121257-55731	FLOAT	1							
75	2	101720-55750	PLUG, 6	2							
76	2	104200-55750	SCREW, M4	1							
77	2	171081-55910	SCREEN	1							
78	2	23418-060000	GASKET, 6X1.0	2							
79	2	24311-240100	O-RING, 1AP10A	1							
80	1	119840-59601	BEND	1							
81	2	124766-59050	CLIP, HOSE 12	2							
82	2	119840-59611	BEND	1							
83	2	119840-59621	JOINT	1							

Remarks
(1) REPAIR PART.

Fig.14. STARTING MOTOR

(A)=3TNV76-NMB

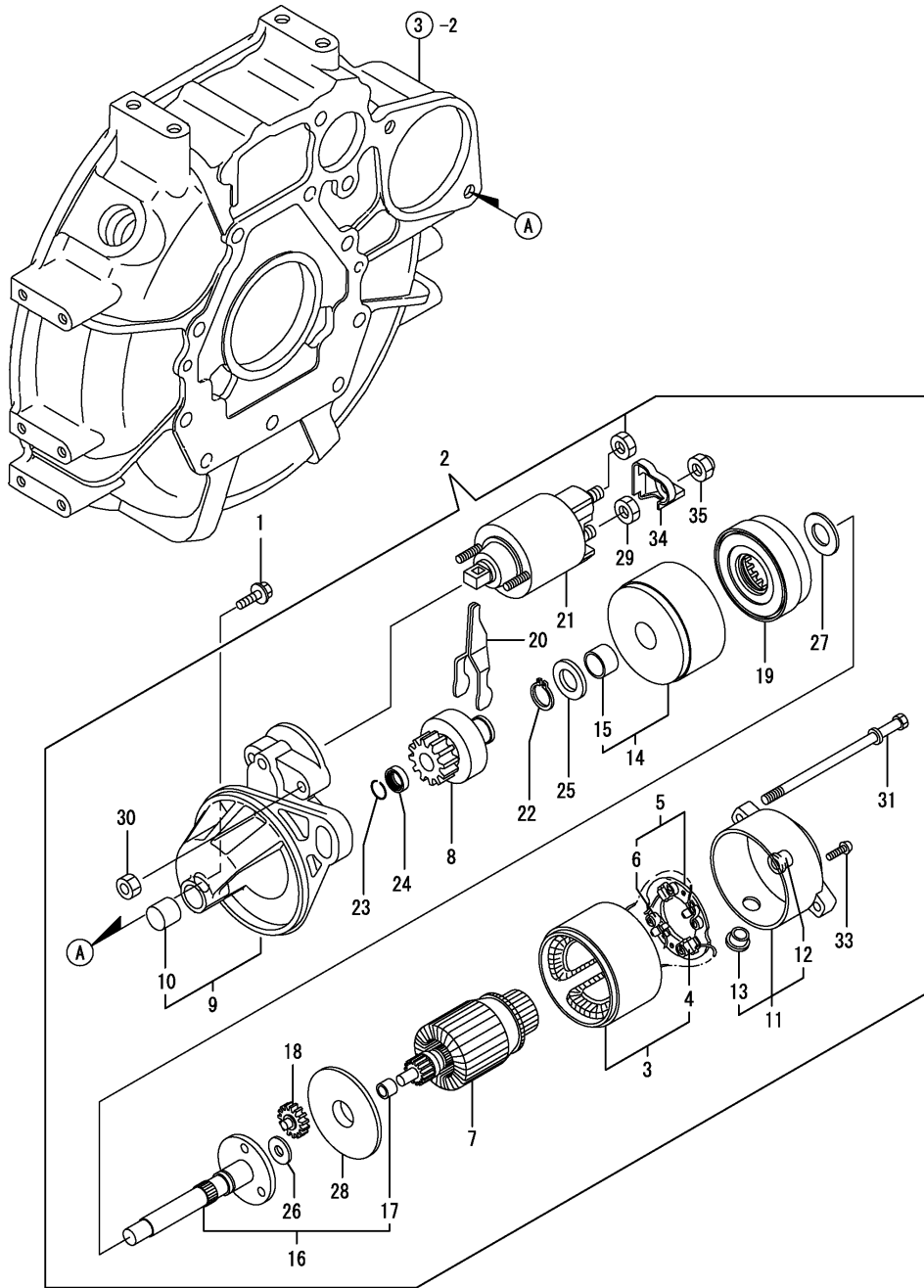
(B)=

(C)=

(D)=

(E)=

(F)=

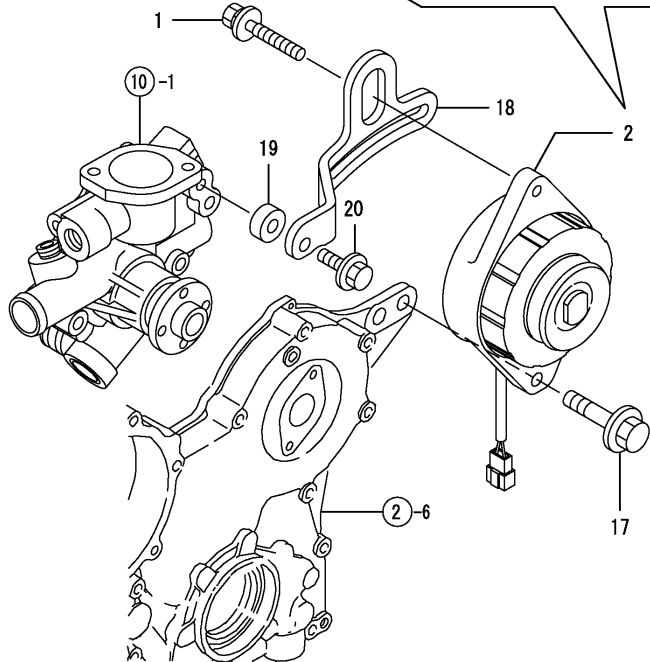
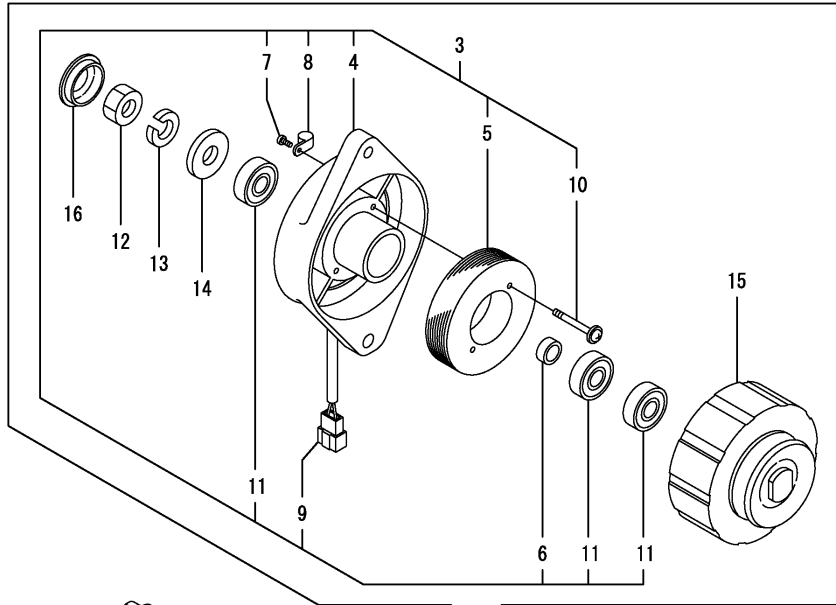


No.	Lev.	Parts No.	Description	Q'ty						I	R
				(A)	(B)	(C)	(D)	(E)	(F)		
1	1	26106-100252	BOLT, M10X 25 PLATED	2							
2	1	119717-77010	STARTER, P1.1	1							
3	2	X0281007750	YOKE ASSY	1							
4	3	X0280996180	STARTER KIT	2							
5	2	X0285105190	HOLDER ASSY	1							
6	3	X0285205030	SPRING	4							
7	2	X0282005991	ARMATURE ASSY	1							
8	2	X0283006960	CLUTCH ASSY	1							
9	2	X4284001590	HOUSING ASSY,STARTER	1							
10	3	X9491050100	BEARING, NEEDLE	1							
11	2	X0285007030	FRAME ASSY.	1							
12	3	X9491040990	BEARING	1							
13	3	X0280626010	COVER	1							
14	2	X0284105040	BEARING ASSY	1							
15	3	X9491034330	BEARING	1							
16	2	X0286105010	SHAFT ASSY	1							
17	3	X9491034320	BEARING	1							
18	2	X0286305010	GEAR	3							
19	2	X0286355010	GEAR	1							
20	2	X0287405140	LEVER	1							
21	2	X0534007800	SWITCH ASSY	1							
22	2	X9055715000	RING	1							
23	2	X9490721360	RING	1							
24	2	X0280210331	NUT	1							
25	2	X9490138110	WASHER	1							
26	2	X9490138090	WASHER	1							
27	2	X9490138100	WASHER	1							
28	2	X0284525010	PLATE	1							
29	2	X9490562360	NUT	1							
30	2	X9490560750	NUT	2							
31	2	X9490423420	BOLT, THROUGH	2							
33	2	X9490065670	SCREW, M4X6	2							
34	2	X0280335350	COVER, TERMINAL	1							
35	2	X1289510130	NUT	1							

Fig.15. GENERATOR

(A)=3TNV76-NMB
(B)=
(C)=

(D)=
(E)=
(F)=



No.	Lev.	Parts No.	Description	Q'ty						I	R
				(A)	(B)	(C)	(D)	(E)	(F)		
1	1	129972-77341	BOLT, ADJUSTER L=50	1							
2	1	119910-77200	DYNAMO ASSY	1							
3	2	X2A10592KA	PLATE ASSY	1							
4	3	X2A07075KB	PLATE, COIL	1							
5	3	X3A02982KC	STATOR ASSY	1							
6	3	X4A10092KA	COLLAR	1							
7	3	XYSPS400800	SCREW	1							
8	3	XM069000000	CLAMP	1							
9	3	XM771860000	COUPLER	1							
10	3	119259-77250	SCREW	2							
11	3	24104-062010	BEARING, 6201UUC3	3							
12	2	XM863720000	NUT	1							
13	2	XM219230000	WASHER, SPRING	1							
14	2	XM860250000	WASHER 10	1							
15	2	X3A08863KA	FLYWHEEL ASSY	1							
16	2	XM771870000	CAP	1							
17	1	26106-100452	BOLT, M10X 45 PLATED	1							
18	1	119540-77300	ADJUSTER	1							
19	1	119940-77270	SPACER, GENERATOR	1							
20	1	26106-080202	BOLT, M8X 20 PLATED	1							

Fig.16. ELECTRIC PART

(A)=3TNV76-NMB
(B)=
(C)=

(D)=
(E)=
(F)=

No.	Lev.	Parts No.	Description	Q'ty						I	R
				(A)	(B)	(C)	(D)	(E)	(F)		
1	1	119643-66900	DIODE	1							
2	1	119247-77100	RELAY, SAFETY	1							
3	1	119653-77710	LIMITER, CURRENT	1							
4	1	119650-77910	RELAY ASSY, GLOW	2							
7	1	129155-77925	TIMER	1							
8	1	129211-77920	TIMER	1							
9	1	129115-91250	SWITCH ASSY	1							
11	2	129115-91270	KEY ASSY	1							

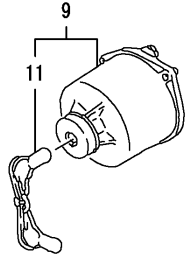
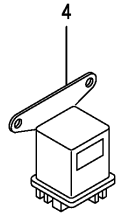
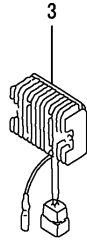
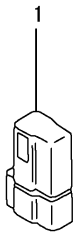


Fig.17. GASKET SET

(A)=3TNV76-NMB

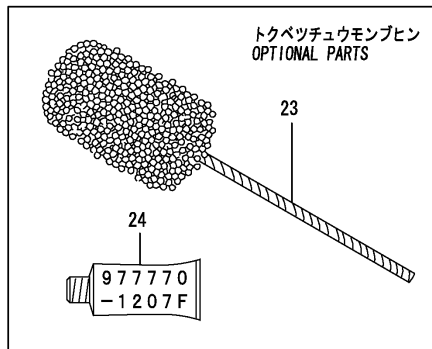
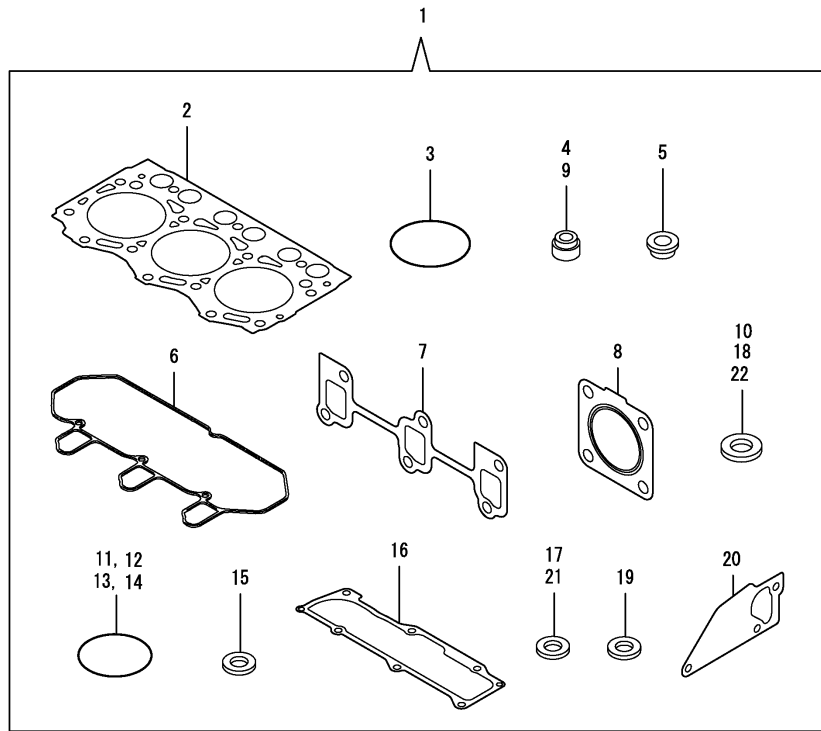
(B)=

(C)=

(D)=

(E)=

(F)=



No.	Lev.	Parts No.	Description	Q'ty						I	R
				(A)	(B)	(C)	(D)	(E)	(F)		
1	1	719717-92840	GASKET SET	1							1
2	2	119717-01330	GASKET, HEAD	1							
3	2	121850-51960	O-RING	1							
4	2	119717-11340	SEAL, VALVE STEM	3							
5	2	129901-11450	PROTECTOR, NOZZLE	3							
6	2	119718-11310	GASKET, BONNET	1							
7	2	119717-13110	GASKET	1							
8	2	119515-13200	GASKET, SILENCER	3							
9	2	119717-11350	SEAL, VALVE STEM	3							
10	2	22190-080002	WASHER, SEAL 6	4							
11	2	24311-000320	O-RING, 1AP32.0	2							
12	2	119717-32060	O-RING, P15.0	1							
13	2	119624-32040	O-RING, P12.0	1							
14	2	119717-32050	O-RING, P17.0	3							
15	2	119600-11460	GASKET, NOZZLE	6							
16	2	119717-11331	GASKET	1							
17	2	124465-44950	GASKET, 16	2							
18	2	22190-120002	WASHER, SEAL 12	7							
19	2	129901-59560	GASKET	3							
20	2	119717-42020	GASKET, WATER PUMP	1							
21	2	23414-080000	GASKET, 8X1.0	1							
22	2	22190-160002	WASHER, SEAL 16	1							
23	1	129400-92420	FLEX HORN	1							1
24	1	977770-1207F	GASKET.LIQUID	1							1

Remarks

(1) OPTIONAL PARTS.

Parts No. Index

Parts No.	Fig. No.	Ref. No.
101304-59020	13	52
101720-55750	13	75
102103-55520	13	59
		70
103854-39140	13	51
104200-55321	13	66
104200-55330	13	56
		67
104200-55341	13	68
104200-55750	13	63
		76
105010-11490	4	5
105027-12580	5	6
105311-01090	1	6
105425-01690	3	9
110250-55610	13	60
		71
114250-39450	9	5
118200-53010	13	2
118400-51370	11	48
119131-18320	6	5
119226-07900	4	1
119233-77932	12	135
119247-77100	16	2
119259-77250	15	10
119285-01990	1	9
119285-11990	4	15
119305-35151	9	2
119336-12570	5	5
119515-12501	5	2
119515-12520	5	3
119515-13200	6	7
		11
	17	8
119515-61440	12	24
119534-61420	12	22
119534-61430	12	23
119540-59570	13	40
119540-77300	15	18
119544-61550	12	91
119600-11460	4	4
	17	15
119620-01750	3	4
119620-01800	2	8
119620-02020	1	10
119620-11280	4	30
119620-13550	6	12
119620-14200	7	1
119620-21500	8	39
119620-21941	8	14

Parts No.	Fig. No.	Ref. No.
119620-59700	13	43
119621-21680	8	13
119623-01250	1	7
119624-32040	2	20
	17	13
119626-44741	10	20
119632-12211	5	12
119643-66900	16	1
119650-77910	16	4
119653-77710	16	3
119660-01911	2	19
119660-61300	12	77
119660-61901	12	68
119717-01330	1	31
	17	2
119717-01501	2	1
119717-01521	2	6
119717-01570	2	3
119717-01590	2	4
119717-01601	3	2
119717-01720	3	7
119717-01750	2	18
119717-02411	1	13
119717-02930	1	27
119717-03031	4	40
119717-03070	4	41
		42
119717-11101	4	17
119717-11110	4	18
119717-11131	4	19
119717-11190	4	21
119717-11200	4	25
119717-11240	4	26
119717-11260	4	29
119717-11320	4	51
119717-11331	4	52
	17	16
119717-11340	4	22
	17	4
119717-11350	4	23
	17	9
119717-11381	4	39
119717-11650	4	31
119717-11740	4	6
119717-11800	4	13
119717-13109	6	1
119717-13110	6	2
	17	7
119717-13550	6	8
119717-13600	6	3

Parts No.	Fig. No.	Ref. No.
119717-14400	7	2
119717-14581	7	3
119717-21200	8	6
119717-21650	8	12
119717-21700	8	1
119717-22080	8	15
119717-22090	8	31
119717-22300	8	21
119717-22500	8	17
119717-22550	8	33
119717-23000	8	23
119717-23200	8	28
119717-23601	8	29
119717-23611	8	37
119717-23910	8	27
119717-25050	7	10
119717-25101	7	11
119717-25930	7	16
119717-32050	2	21
	17	14
119717-32060	9	3
	17	12
119717-32080	2	11
119717-32100	2	10
119717-32110	2	15
119717-32120	2	16
119717-34801	9	12
119717-35080	9	13
119717-39210	9	6
119717-42002	10	1
119717-42020	10	13
	17	20
119717-42031	10	4
119717-42041	10	3
119717-42320	10	11
119717-42350	10	18
119717-49800	10	24
119717-51030	11	6
119717-51060	11	7
119717-51070	11	8
119717-51150	7	17
119717-51190	11	15
119717-51200	11	16
119717-51300	11	43
119717-51330	11	46
119717-51420	11	51
119717-51480	11	90
119717-51490	11	91
119717-51500	11	64
119717-51570	11	70

Parts No.	Fig. No.	Ref. No.
119717-51711	11	76
119717-51750	11	77
119717-51761	11	78
119717-53001	13	1
119717-53010	13	3
119717-59510	13	33
119717-59810	13	20
119717-59820	13	24
119717-59830	13	28
119717-61050	12	2
119717-61060	12	3
119717-61070	12	4
119717-61120	12	8
119717-61130	12	9
119717-61140	12	10
119717-61150	12	11
119717-61200	12	73
119717-61400	12	14
119717-61500	12	33
119717-77010	14	2
119717-77800	4	59
119717-77820	4	60
119718-11310	4	50
	17	6
119740-01770	3	8
119740-21590	8	8
119740-51100	11	10
119744-61100	12	5
119761-12020	5	1
119761-12540	5	7
119802-03100	4	43
119802-03110	4	44
119802-03121	4	45
119802-03131	4	46
119802-03141	4	47
119802-13620	6	4
119802-32130	2	17
119802-44570	10	40
119802-44600	10	31
119802-49010	10	41
119802-49020	10	42
119808-12540	5	4
119810-01200	1	30
119810-02941	1	32
119810-55340	13	57
119810-55650	13	62
119813-59950	13	44
119833-55620	13	55
119840-59570	13	32
119840-59601	13	80

Parts No. Index

Parts No.	Fig. No.	Ref. No.
119840-59611	13	82
119840-59621	13	83
119865-21600	8	11
119910-77200	15	2
119940-49020	10	42 -1
119940-77270	15	19
119C10-42320	10	11 -1
119E10-42000	10	1 -1
121120-01620	3	3
121250-44901	10	27
121250-55620	13	61
121254-55510	13	58
121257-55720	13	72
121257-55731	13	73
121450-42450	10	26
121450-44531	10	35
121468-44510	10	33
121468-44540	10	36
121470-44581	10	38
121520-34810	9	11
121550-49111	10	17
121850-51960	2	22
	17	3
122710-51090	11	9
124060-01050	1	5
124064-55510	13	69
124066-59100	13	41
124085-02220	3	5
124160-01751	2	30
	4	38
124160-01910	1	8
124450-44560	10	37
124465-44950	10	28
	17	17
124550-51350	11	47
124766-59050	13	81
129001-32320	2	13
129001-32330	2	14
129004-44500	10	29
129005-59830	9	7
129030-44760	10	21
129052-61390	12	13
129100-01580	3	1
	8	2
129100-35140	9	1
129100-51560	11	69
129100-51570	11	71
129100-52101	11	95
129100-61650	12	62
129107-44590	10	30

Parts No.	Fig. No.	Ref. No.
129115-91250	16	9
129115-91270	16	11
129150-11230	4	32
129150-11750	4	34
129150-25301	7	15
129150-49080	10	44
129150-49100	10	43
129150-59120	13	15
129150-59131	13	18
129155-51020	11	5
129155-51140	11	13
129155-51280	11	41
		42
	12	6
129155-51400	11	49
129155-51450	11	59
129155-51521	11	65
129155-51530	11	66
129155-51540	11	67
129155-51550	11	68
129155-51580	11	73
129155-51591	11	74
129155-51600	11	20
129155-51701	11	75
129155-52051	11	94
129155-61341	12	78
129155-61450	12	25
129155-61460	12	79
129155-61480	12	27
129155-77925	16	7
129156-61460	12	26
129209-61370	12	12
129209-61930	12	133
129209-61970	12	134
129211-77920	16	8
129255-61410	12	21
129335-55700	13	65
129350-49530	10	23
129400-92420	17	23
129486-61540	12	52
129508-11180	4	20
129900-32130	2	12
129901-11450	4	3
	17	5
129901-53800	13	4
129901-59560	13	39
	17	19
129916-49740	10	12
129972-77341	15	1
158552-61700	12	63

Parts No.	Fig. No.	Ref. No.
158552-61710	12	67
158552-61900	12	80
158600-51170	11	14
158600-51270	11	40
158600-51410	11	50
158600-51420	11	52
158600-51442	11	53
158600-51570	11	72
158600-51790	11	79
158601-61710	12	125
171081-55910	13	77
171353-61700	12	124
174307-51700	12	34
22190-080002	9	8
		10
	17	10
22190-100002	12	81
22190-120002	12	82
	13	50
		53
		54
	17	18
22190-160002	3	12
	11	80
	17	22
22217-060000	11	81
22217-120000	7	18
22242-000120	4	35
22252-000220	8	22
22272-000030	12	69
22351-050010	11	82
22351-060012	4	24
22372-040000	12	83
22512-040120	8	5
22857-500100	4	53
		54
22857-500160	4	55
23000-054000	5	8
23000-060000	5	13
23010-035000	10	48
23065-070130	10	39
23414-080000	10	14
	17	21
23414-120016	12	136
23418-060000	13	78
23857-030000	9	9
23876-005000	4	16
23876-030000	2	9
23887-100002	12	84
24101-060034	11	83

Parts No.	Fig. No.	Ref. No.
24101-063034	11	84
24104-062010	15	11
24311-000320	2	31
	4	56
	17	11
24311-240100	13	64
		79
24316-000150	11	85
24341-000070	12	70
25132-003600	10	19
26013-080222	5	9
26014-060122	10	32
26022-050122	11	86
26022-060162	11	87
26106-050102	11	88
26106-060102	9	4
	12	71
		72
		85
26106-060122	2	23
	7	9
26106-060142	5	10
	12	86
26106-060162	2	24
26106-060202	4	57
	12	87
26106-060352	7	14
26106-060402	2	25
		26
26106-060452	12	88
26106-060502	10	22
26106-060602	2	27
26106-060652	2	28
26106-060752	4	58
26106-080122	3	13
	10	15
26106-080162	4	2
	5	11
26106-080202	10	25
	15	20
26106-080252	6	10
26106-080302	3	14
26106-080402	4	37
26106-080452	3	15
26106-080502	3	16
	10	16
26106-100252	14	1
26106-100452	15	17
26206-100252	3	6
26306-080002	2	29

Parts No. Index

Parts No.	Fig. No.	Ref. No.
26306-080002	6	6
		9
26577-060122	10	9
26716-060002	11	89
26716-120002	7	19
26736-120002	12	89
26756-060002	12	90
26979-050162	4	36
27241-120000	1	14
27241-250000	10	10
719717-01500	2	5
719717-01561	1	1
719717-02901	1	15
719717-02911	1	35
719717-92840	17	1
719740-51420	11	1
977770-01212	3	17
977770-1207F	2	32
	4	61
	17	24
X0280210331	14	24
X0280335350	14	34
X0280626010	14	13
X0280996180	14	4
X0281007750	14	3
X0282005991	14	7
X0283006960	14	8
X0284105040	14	14
X0284525010	14	28
X0285007030	14	11
X0285105190	14	5
X0285205030	14	6
X0286105010	14	16
X0286305010	14	18
X0286355010	14	19
X0287405140	14	20
X0534007800	14	21
X1289510130	14	35
X2A07075KB	15	4
X2A10592KA	15	3
X3A02982KC	15	5
X3A08863KA	15	15
X4284001590	14	9
X4A10092KA	15	6
X9055715000	14	22
X9490065670	14	33
X9490138090	14	26
X9490138100	14	27
X9490138110	14	25
X9490423420	14	31

Parts No.	Fig. No.	Ref. No.
X9490560750	14	30
X9490562360	14	29
X9490721360	14	23
X9491034320	14	17
X9491034330	14	15
X9491040990	14	12
X9491050100	14	10
XM069000000	15	8
XM219230000	15	13
XM771860000	15	9
XM771870000	15	16
XM860250000	15	14
XM863720000	15	12
XYSPS400800	15	7

Parts No.	Fig. No.	Ref. No.
-----------	----------	----------

Parts No.	Fig. No.	Ref. No.
-----------	----------	----------