

OCD10-M92000EN

# PREFACE

1. This parts catalog is the 1st edition of 3TNV82A-BQIKA for IHI Construction Machinery Limited.

Pub.No. : 000Y00D9200

Published : February.,2007

2. Model name

Engine model	Vehicle		Vehicle made by
	Products	Model name	
3TNV82A-BQIKA	Excavator	28N	IHI Construction Machinery Ltd.

## Directions for the Parts Catalog.

1. This Parts Catalog shows both standard and optional parts.
2. Parts may change without prior notice.
3. The following is an example of the Parts Catalog format.

REF.	LEV.	PARTS NO.	DESCRIPTION	Q'TY						I	R
				(A)	(B)	(C)	(D)	(E)	(F)		
1	1	729595-51390	FUEL INJECTION PUMP	1	1	1	1	1			1
1-1	1	729595-51391	FUEL INJECTION PUMP	1	1	1	1	1		N	1
		(A=E00185) (B=E00200)									
3	2	26022-060162	SCREW M 6X 16	9	9	9	9	9			
3-1	2	26022-060162	SCREW M 6X 16	4	4	4	4	4		K	
		(A=E00156) (B=E00156) (C=E00156) (D=E00156) (E=E00156)									
4	2	129470-51040	CAMSHAFT	1	1	1	1	1			
5	2	122710-51050	BEARING, ROLLER	2	2	2	2	2			
6	2	129470-51060	RETAINER	1	1	1	1	1			

Remarks
(1) BOOST COMPEMSATOR TYPE. OPTIONAL PART, TO E00155,(4JH-DT, 4JH-DTZ

### ① Ref. No.

The Ref. No. listed may not be in accordance with the illustration Ref. No.

(Ex.) Illustration No.

List Ref No.

1

1

(Before change)

1-1

(After change)

For interchangeable symbols N, R and K, illustrations for new parts may be abbreviated.

### ② Lev. (Level)

Level indication

The numbers below indicate the level of relativity towards the main part.

1 ----- Main parts (Assembly parts)

2 ----- Sub component included in " 1 ".

3 ----- Sub component included in " 2 ".

Note) Parts that are not for sale are partially illustrated but not listed.

### ③ Interchangeability Symbol

When a part change takes place, one of the following interchangeability symbols is indicated beside the part.

Symbol	Interchangeability	Contents note
N	Old $\begin{matrix} \leftarrow \text{Yes} \\ \text{No} \rightarrow \end{matrix}$ New	New Part is interchangeable for Old Part but Old Part is not interchangeable for New Part.
Q	Old $\begin{matrix} \leftarrow \text{No} \\ \text{Yes} \rightarrow \end{matrix}$ New	New Part is not interchangeable for Old Part but Old Part is interchangeable for New Part.
R	Old $\begin{matrix} \leftarrow \text{Yes} \\ \text{Yes} \rightarrow \end{matrix}$ New	New/ Old Parts are both interchangeable.
S	Old $\begin{matrix} \leftarrow \text{No} \\ \text{No} \rightarrow \end{matrix}$ New	New/ Old Parts are both not interchangeable.
W		Part newly added.
Z		Part discontinued.
F		Not interchangeable by a single part but interchangeable together with related parts.
K		Changes only for used parts quantities.

### ④ Effective Machine No.

When a part changes, the effective Machine No. will be indicated in the (A)-(F) column.

Product Symbol	Product No.	Product Symbol	Product No.
C	Clutch No. Compressor No.	F	Machine No. (Agricultural Equip.)
D	Drive No.	M	Machine No.
E	Engine No.		

Note 1) A date may follow the symbol. (Ex.) 1996.01

Note 2) "XXXXX" and "ZZZZZ" are for parts that could not be predicted or for engine models that could not be identified.

Note 3) (A=E00185) is the E (Engine Serial Number) for the column (A) model (in this case 4JH-DT) after the parts design change.

### ⑤ Remarks

Figures or alphabets (symbols) are entered in the remarks column.

The comments (remarks) on parts that are indicated at the bottom of the illustration are the same symbols as those stated above.

# Contents

Fig. No.    Fig. Name

3TNV82A-BQIKA

1. CYLINDER BLOCK
2. GEAR HOUSING
3. FLYWHEEL HOUSING & OIL SUMP
4. CYLINDER HEAD & BONNET
5. SUCTION MANIFOLD & AIR CLEANER
6. EXHAUST MANIFOLD & SILENCER
7. CAMSHAFT & DRIVING GEAR
8. CRANKSHAFT & PISTON
9. LUB.OIL SYSTEM
10. COOLING WATER SYSTEM
11. FUEL INJECTION PUMP
12. GOVERNOR
13. FUEL INJECTION VALVE
14. FUEL LINE
15. STARTING MOTOR
16. GENERATOR
17. GASKET SET

Fig. No.    Fig. Name

Fig.1. CYLINDER BLOCK

(A)=3TNV82ABQIKA

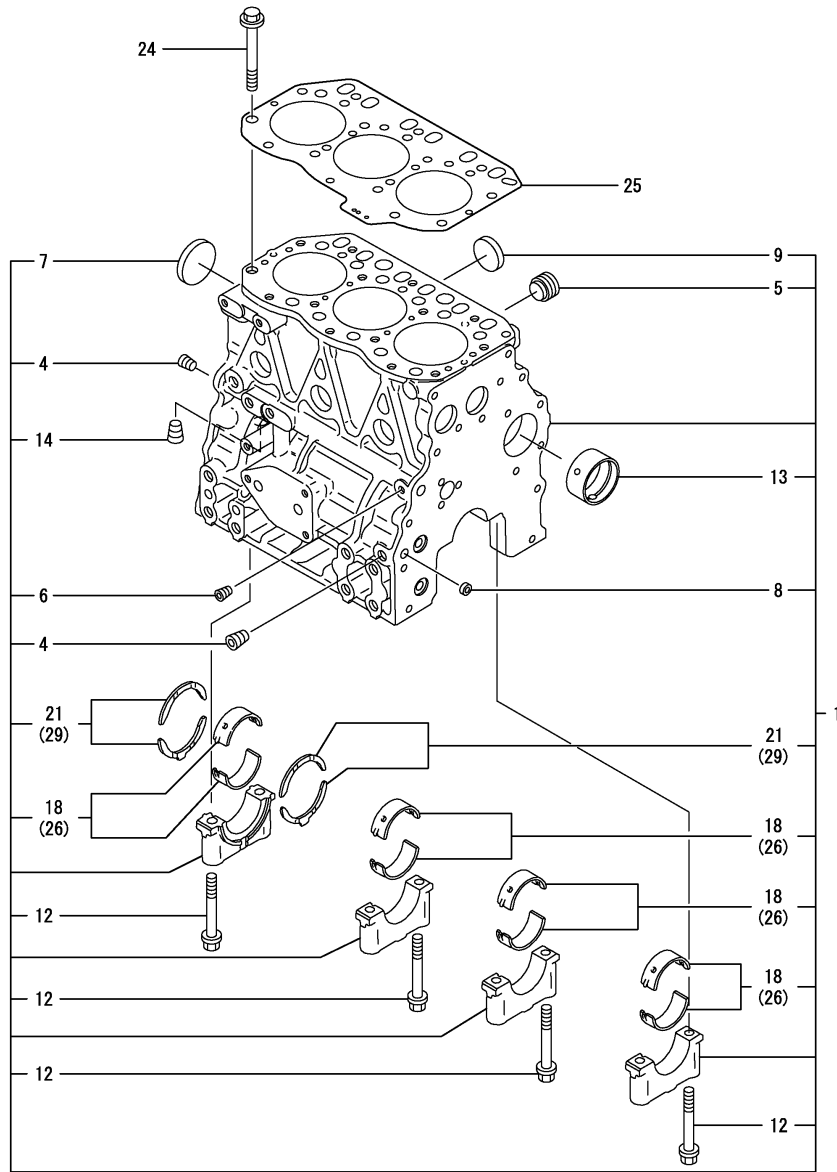
(B)=

(C)=

(D)=

(E)=

(F)=

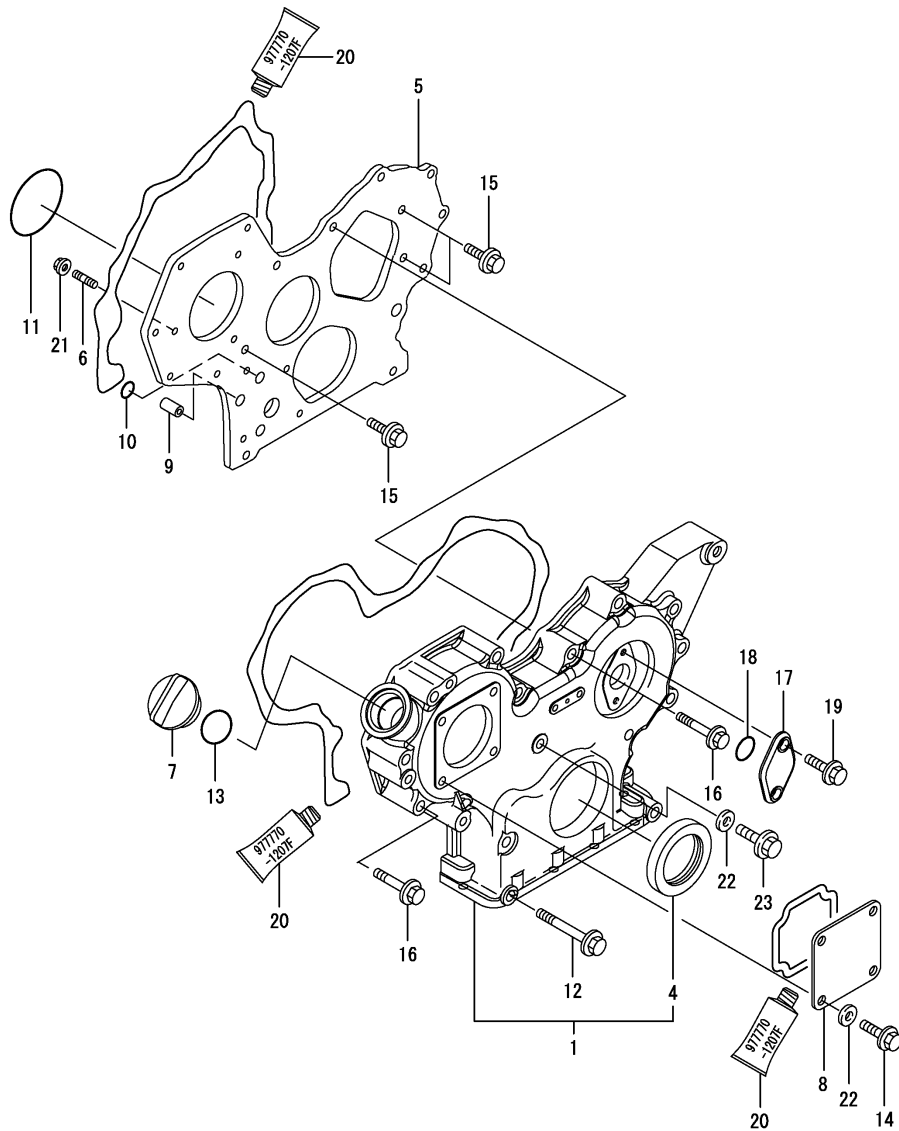


No.	Lev.	Parts No.	Description	Q'ty						I	R
				(A)	(B)	(C)	(D)	(E)	(F)		
1	1	719802-01560	BLOCK ASSY, CYLINDER	1							
4	2	124160-01910	PLUG, PT1/4	2							
5	2	171051-01921	PLUG, NPTF1	1							
6	2	124060-01050	PLUG, PT1/8	1							
7	2	129001-01250	PLUG, 50	1							
8	2	27241-120000	PLUG, 12	2							
9	2	27241-300000	PLUG 30	6							
12	2	119620-02020	BOLT, METAL CAP	8							
13	2	129795-02412	BUSH, CAMSHAFT	1							
14	2	124160-01910	PLUG, PT1/4	1							
18	2	719810-02981	BEARING, MAIN	4							3
21	2	119810-02931	BEARING, THRUST	1							
24	1	119810-01200	BOLT, HEAD	14							
25	1	119812-01330	GASKET, HEAD	1							
26	1	119810-02871	BEARING, 0.25 US	4							1
29	1	119810-02941	BEARING, THRUST 0.25	2							2

Remarks

- (1) UNDER-SIZE(U.S=0.25)PART.
- (2) OVER-SIZE(O.S=0.25)PART.
- (3) REPAIR PART.

# Fig.2. GEAR HOUSING



(A)=3TNV82ABQIKA

(B)=

(C)=

(D)=

(E)=

(F)=

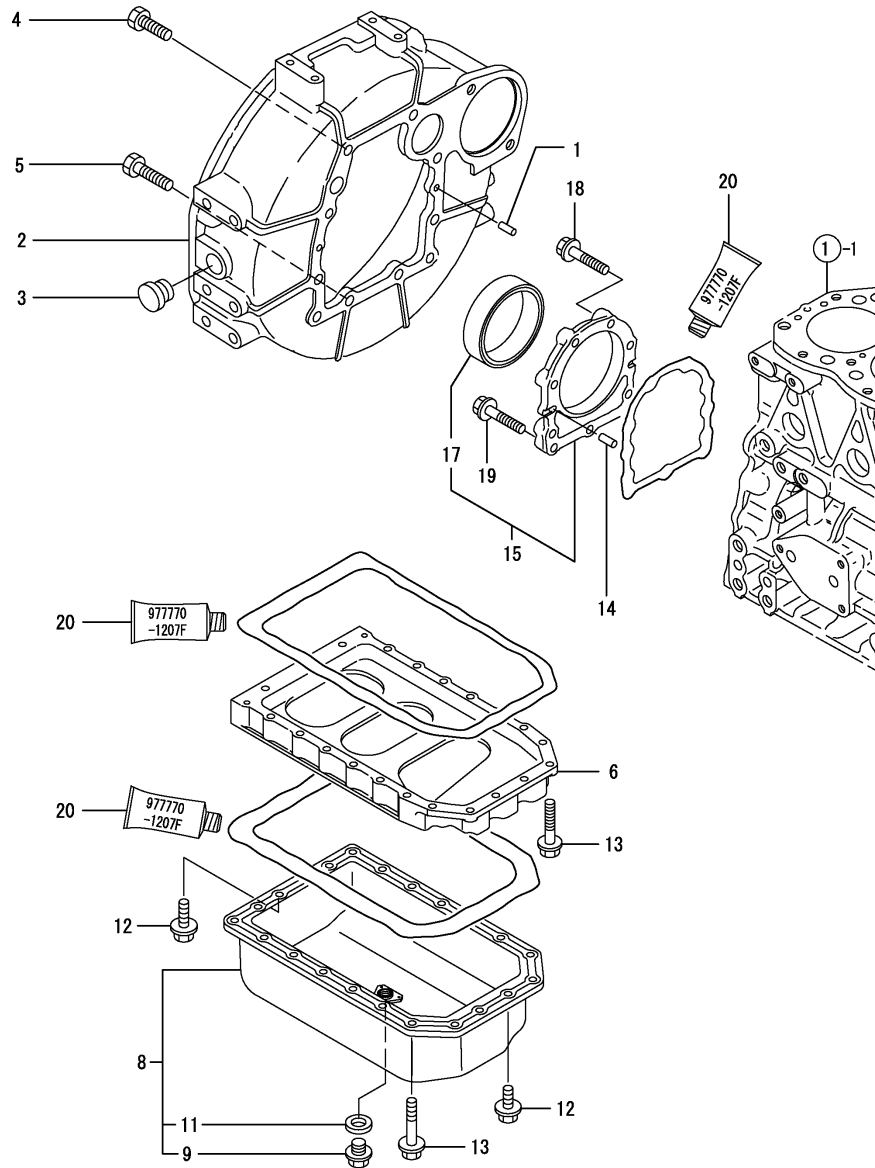
No.	Lev.	Parts No.	Description	Q'ty						I	R
				(A)	(B)	(C)	(D)	(E)	(F)		
1	1	719803-01500	CASE ASSY, GEAR	1							
4	2	129795-01800	SEAL, OIL	1							
5	1	119803-01520	FLANGE, GEAR CASE	1							
6	1	119802-01561	STUD, M8X25	3							
7	1	124160-01751	COVER, FILLER	1							
8	1	124240-01871	COVER	1							
9	1	129795-01950	PIPE, KNOCK L=18	2							
10	1	119609-32040	O-RING, P16	4							
11	1	121850-51960	O-RING	1							
12	1	129001-91841	BOLT, M8X85	3							
13	1	24311-000320	O-RING, 1AP32.0	1							
14	1	26106-080162	BOLT, M8X 16 PLATED	4							
15	1	26106-080162	BOLT, M8X 16 PLATED	3							
16	1	26106-080552	BOLT, M8X 55 PLATED	12							
17	1	121023-01551	COVER	1							
18	1	24341-000240	O-RING, 1AS24.0	1							
19	1	26106-060162	BOLT, M6X 16 PLATED	2							
20	1	977770-1207F	GASKET.LIQUID	1							1
21	1	26306-080002	NUT, M8	3							
22	1	22190-080002	WASHER, SEAL 6	5							
23	1	26106-080302	BOLT, M8X 30 PLATED	1							

Remarks

(1) OPTIONAL PART.

N:Old  $\xrightarrow{\text{Yes}}$  New, Q:Old  $\xrightarrow{\text{No}}$  New, R:Old  $\xrightarrow{\text{Yes}}$  New, S:Old  $\xrightarrow{\text{No}}$  New, W:Add, Z:Discontinued, F:Interchangeable by set, K:Q'ty Change

Fig.3. FLYWHEEL HOUSING & OIL SUMP



(A)=3TNV82ABQIKA

(B)=

(C)=

(D)=

(E)=

(F)=

No.	Lev.	Parts No.	Description	Q'ty						I	R
				(A)	(B)	(C)	(D)	(E)	(F)		
1	1	129100-01580	PIN, M8X16	2							
2	1	129612-01600	HOUSING, FLYWHEEL	1							
3	1	119620-01750	CAP	1							
4	1	26206-100252	BOLT, M10X 25 PLATED	6							
5	1	26206-100302	BOLT, M10X 30 PLATED	4							
6	1	119810-01730	SPACER, OIL SUMP	1							
8	1	119823-01770	SUMP ASSY, OIL	1							
9	2	119640-01640	PLUG, DRAIN M22	1							
11	2	22190-220002	WASHER, SEAL 22	1							
12	1	26106-080162	BOLT, M8X 16 PLATED	6							
13	1	26106-080452	BOLT, M8X 45 PLATED	22							
14	1	129100-01580	PIN, M8X16	2							
15	1	129100-01640	CASE ASSY, OIL SEAL	1							
17	2	129795-01780	SEAL, OIL	1							
18	1	129486-01670	BOLT, M8X30	6							
19	1	26106-080352	BOLT, M8X 35 PLATED	3							
20	1	977770-1207F	GASKET.LIQUID	1							1

Remarks  
(1) OPTIONAL PART.

Fig.4. CYLINDER HEAD & BONNET

(A)=3TNV82ABQIKA

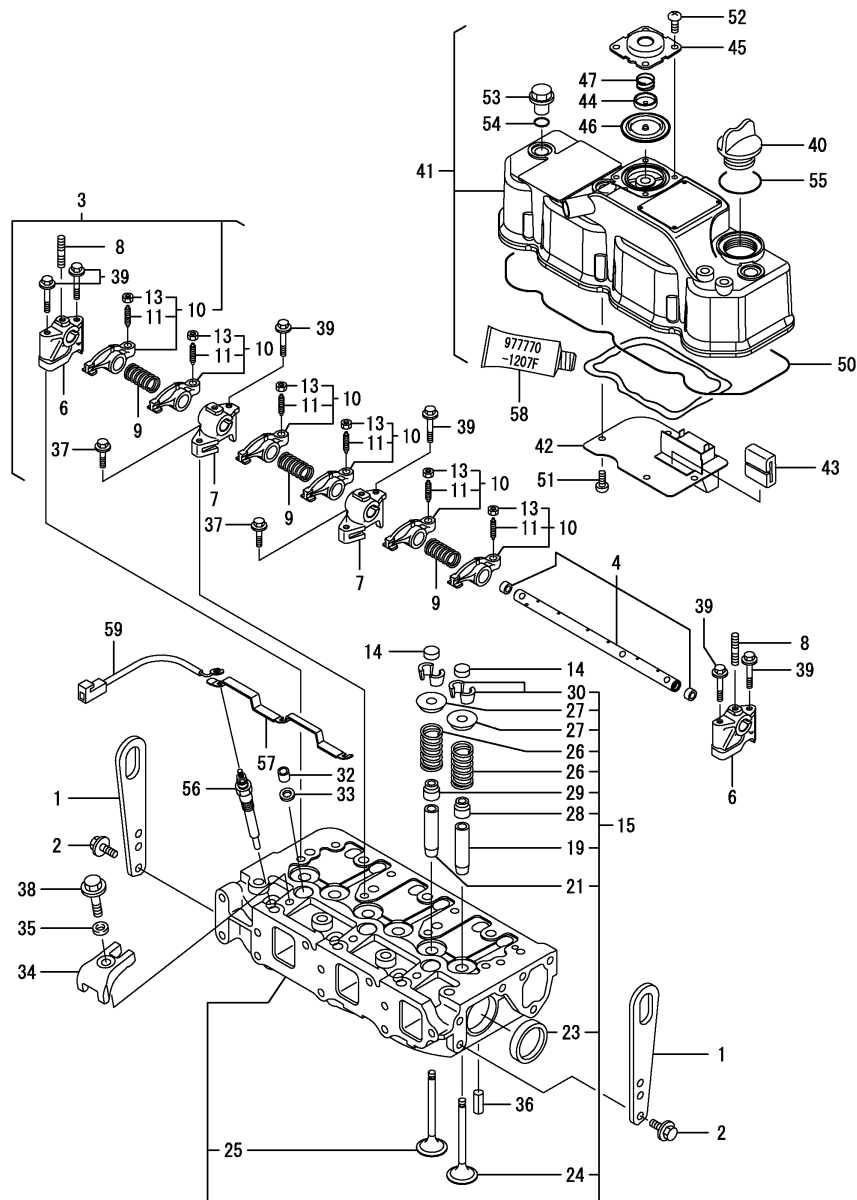
(B)=

(C)=

(D)=

(E)=

(F)=



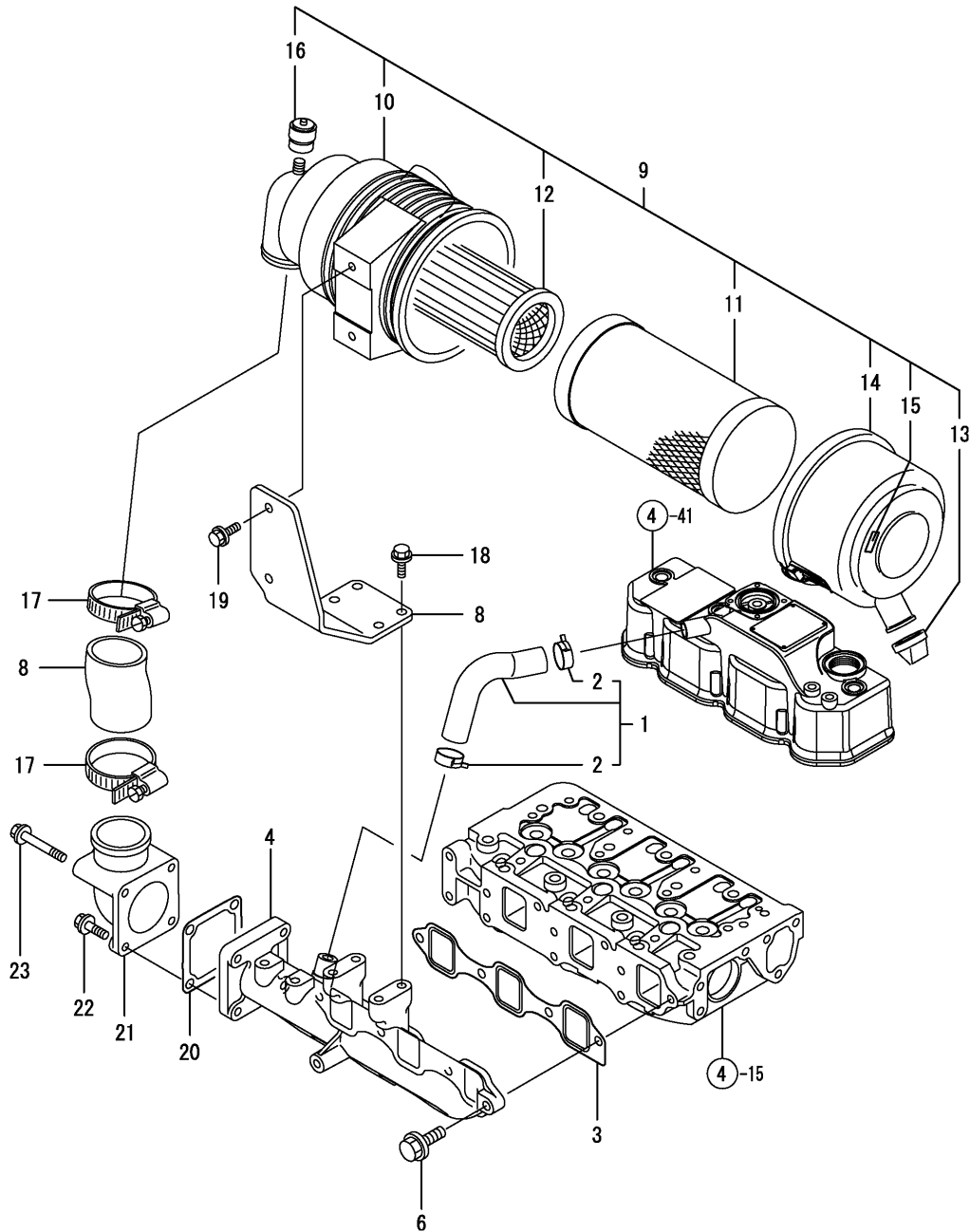
No.	Lev.	Parts No.	Description	Q'ty						I	R
				(A)	(B)	(C)	(D)	(E)	(F)		
1	1	129900-07900	LIFTER	2							
2	1	26106-080162	BOLT, M8X 16 PLATED	4							
3	1	119802-11241	SHAFT ASSY, ROCKER	1							
4	2	119802-11251	SHAFT, ROCKER ARM	1							
6	2	119802-11260	SUPPORT, ROCKER ARM	2							
7	2	119802-11270	SUPPORT, ROCKER ARM	2							
8	2	119802-11280	STUD	3							
9	2	129150-11280	SPRING	3							
10	2	119802-11650	ARM, ROCKER	6							
11	3	129150-11230	SCREW, VALVE ADJUST	6							
13	3	129150-11750	NUT, M8	6							
14	1	104211-11370	CAP, VALVE	6							
15	1	119803-11700	HEAD ASSY, CYLINDER	1							
19	2	124060-11800	GUIDE, VALVE	3							1
21	2	119802-11810	GUIDE, VALVE	3							1
23	2	27241-400000	PLUG, 40	2							
24	2	119802-11100	VALVE, INTAKE	3							
25	2	119802-11110	VALVE, EXHAUST	3							
26	2	119810-11120	SPRING, VALVE	6							
27	2	104211-11180	RETAINER, SPRING	6							
28	2	124160-11340	SEAL, VALVE STEM	3							
29	2	119803-11340	SEAL, VALVE STEM	3							
30	2	27310-070001	COTTER, 7	6							
32	1	119802-11870	PROTECTOR, NOZZLE	3							
33	1	119625-11880	SEAT, NOZZLE	3							
34	1	119802-11900	RETAINER, NOZZLE	3							
35	1	120270-54410	WASHER, INJECTOR	3							
36	1	22351-060012	PIN, SPRING 6.0X12	2							
37	1	26106-080252	BOLT, M8X 25 PLATED	2							
38	1	26106-080452	BOLT, M8X 45 PLATED	3							
39	1	26106-080502	BOLT, M8X 50 PLATED	6							
40	1	124160-01751	COVER, FILLER	1							
41	1	119802-11350	BONNET ASSY, HEAD	1							
42	2	119802-03010	PLATE	1							
43	2	129150-03070	BAFFLE, BREATHER	1							
44	2	119802-03110	PLATE	1							
45	2	119802-03121	COVER, DIAPHRAGM	1							
46	2	119802-03130	DIAPHRAGM	1							
47	2	119802-03141	SPRING, DIAPHRAGM	1							
50	2	119802-11310	GASKET, BONNET	1							
51	2	22857-500100	SCREW, 5X10	4							
52	2	22857-500100	SCREW, 5X10	4							
53	1	124160-11360	KNOB	3							
54	1	24311-000120	O-RING, 1AP12.0	3							
55	1	24311-000320	O-RING, 1AP32.0	1							
56	1	129008-77800	PLUG, GLOW	3							
57	1	119803-77821	CONNECTOR, GLOW PLUG	1							
58	1	977770-1207F	GASKET, LIQUID	1							2
59	1	119803-77830	HARNES, WIRE	1							

Remarks

- (1) REPAIR PART.
- (2) OPTIONAL PART.



Fig.5. SUCTION MANIFOLD & AIR CLEANER



(A)=3TNV82ABQIKA

(B)=

(C)=

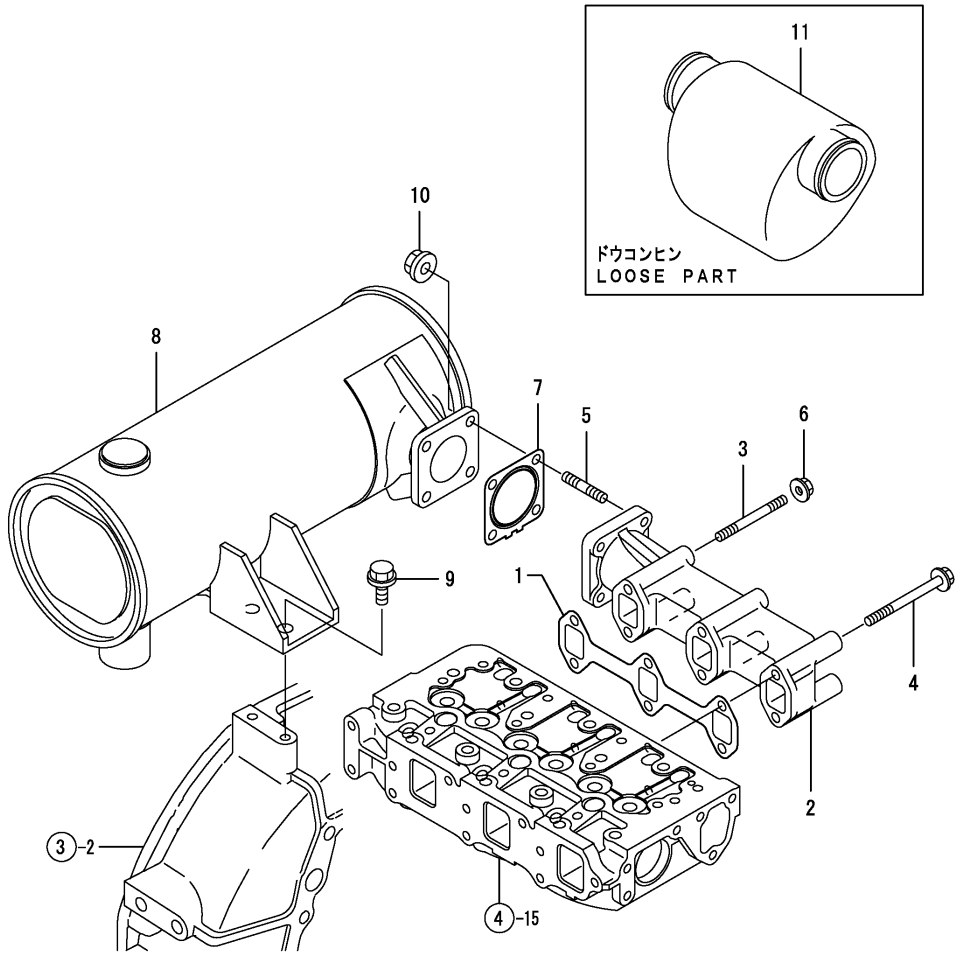
(D)=

(E)=

(F)=

No.	Lev.	Parts No.	Description	Q'ty						I	R
				(A)	(B)	(C)	(D)	(E)	(F)		
1	1	119802-03090	PIPE , BREATHER	1							
2	2	129410-03990	CLIP	2							
3	1	119810-12112	GASKET, MANIFOLD	1							
4	1	119802-12130	MANIFOLD, AIR INTAKE	1							
6	1	26106-080252	BOLT, M8X 25 PLATED	4							
7	1	119910-12210	PIPE, AIR INTAKE	1							
8	1	119802-12560	BRACKET, AIR CLEANER	1							
9	1	119910-12601	CLEANER ASSY, AIR	1							
10	2	119910-12510	BODY, AIR CLEANER	1							
11	2	119808-12520	ELEMENT	1							
12	2	129051-12530	ELEMENT	1							
13	2	119808-12540	VALVE, UNLOADER	1							
14	2	119866-12541	COVER ASSY	1							
15	2	129612-12650	LABEL, MARKING	1							
16	2	126650-12680	INDICATOR	1							
17	1	23000-060000	CLAMP, 60	2							
18	1	26013-080222	BOLT, M8X 22	4							
19	1	26013-080222	BOLT, M8X 22	2							
20	1	129150-77511	GASKET	1							
21	1	119803-77520	BEND, AIR HEATER	1							
22	1	26106-080202	BOLT, M8X 20 PLATED	2							
23	1	26106-080802	BOLT, M8X 80 PLATED	2							

Fig.6. EXHAUST MANIFOLD & SILENCER

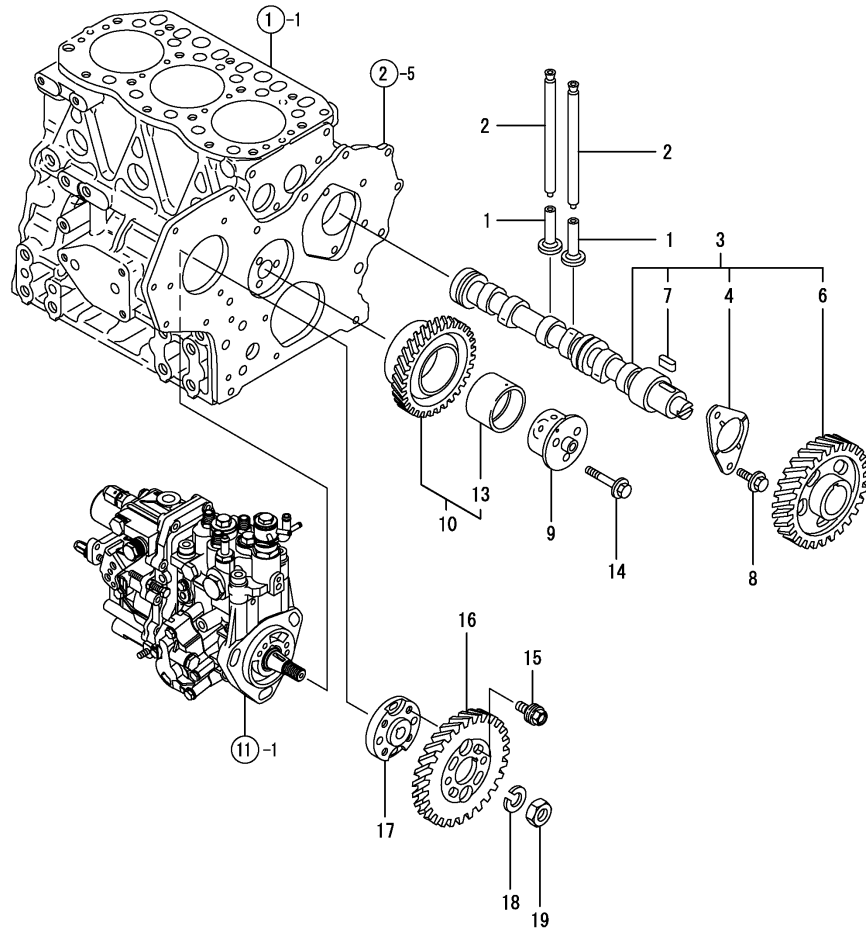


(A)=3TNV82ABQIKA  
(B)=  
(C)=

(D)=  
(E)=  
(F)=

No.	Lev.	Parts No.	Description	Q'ty						I	R
				(A)	(B)	(C)	(D)	(E)	(F)		
1	1	119810-13110	GASKET	1							
2	1	119802-13129	MANIFOLD, EXHAUST	1							
3	1	123900-13610	STUD, M8X80	2							
4	1	123900-13630	BOLT, M8X80	4							
5	1	119131-18320	STUD, M8X22	4							
6	1	26306-080002	NUT, M8	2							
7	1	129004-13200	GASKET, SILENCER	1							
8	1	129240-13550	SILENCER	1							
9	1	26106-100202	BOLT, M10X 20 PLATED	2							
10	1	26306-080002	NUT, M8	4							
11	1	121855-12060	SILENCER ASSY	1							

Fig.7. CAMSHAFT & DRIVING GEAR



(A)=3TNV82ABQIKA

(B)=

(C)=

(D)=

(E)=

(F)=

No.	Lev.	Parts No.	Description	Q'ty						I	R
				(A)	(B)	(C)	(D)	(E)	(F)		
1	1	129150-14200	TAPPET	6							
2	1	119810-14400	ROD, PUSH	6							
3	1	119802-14590	CAMSHAFT ASSY	1							
4	2	129150-02450	BEARING, THRUST	1							
6	2	129150-14101	GEAR, CAMSHAFT	1							
7	2	22512-070140	KEY, 7X 14	1							
8	1	26106-080142	BOLT, M8X 14 PLATED	2							
9	1	119803-25050	SHAFT, IDLE	1							
10	1	119802-25101	GEAR ASSY, IDLE	1							
13	2	119802-25071	BUSH, IDLE GEAR	1							1
14	1	26106-080402	BOLT, M8X 40 PLATED	3							
15	1	129150-25301	BOLT	4							
16	1	119802-25901	GEAR, PUMP	1							
17	1	158552-51151	FLANGE	1							
18	1	22217-140000	WASHER, SPRING 14	1							
19	1	26776-140002	NUT, LOCK M14	1							

Remarks

(1) REPAIR PART.

Fig.8. CRANKSHAFT & PISTON

(A)=3TNV82ABQIKA

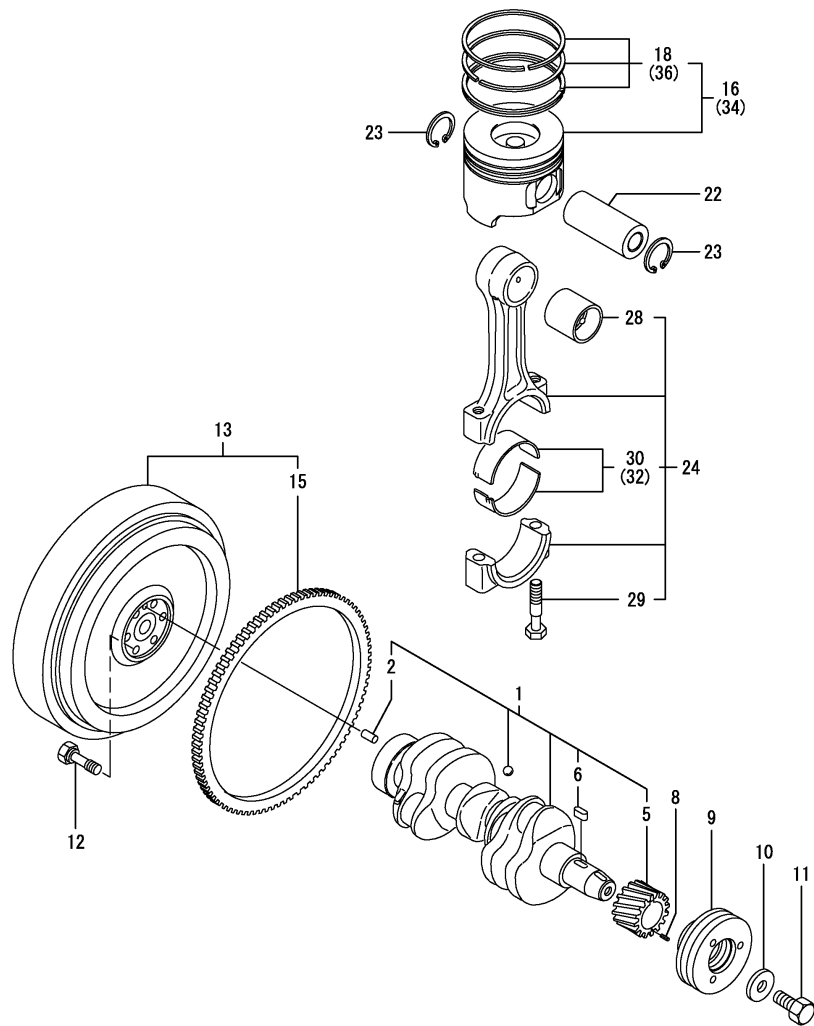
(B)=

(C)=

(D)=

(E)=

(F)=



No.	Lev.	Parts No.	Description	Q'ty						I	R
				(A)	(B)	(C)	(D)	(E)	(F)		
1	1	119803-21000	CRANKSHAFT ASSY	1							
2	2	129100-01580	PIN, M8X16	1							
5	2	119803-21200	GEAR, CRANKSHAFT	1							
6	2	22512-070140	KEY, 7X 14	1							
8	1	22351-030010	PIN, SPRING 3.0X10	1							
9	1	119802-21650	V-PULLEY, 110	1							
10	1	129795-21661	WASHER	1							
11	1	121850-21680	BOLT	1							
12	1	121111-21501	BOLT, FLYWHEEL	6							
13	1	129489-21590	FLYWHEEL ASSY	1							
15	2	119865-21600	GEAR, RING	1							
16	1	119803-22080	PISTON ASSY	3							
18	2	119802-22500	RING SET, PISTON	3							
22	1	119813-22300	PIN, PISTON	3							
23	1	129792-22400	CIRCLIP, 23	6							
24	1	719810-23100	ROD ASSY, CONNECTING	3							
28	2	119810-23910	BEARING, PISTON PIN	3							1
29	2	119810-23200	BOLT, CONNECTING ROD	6							
30	2	119810-23601	BEARING, CRANK PIN	3							
32	1	119810-23611	BEARING, 0.25 US	3							2
34	1	719803-22900	PISTON ASSY, 0.25 OS	3							3
36	2	719802-22950	RING SET, 0.25 OS	3							3

Remarks

- (1) REPAIR PART.
- (2) UNDER-SIZE(U.S=0.25)PART.
- (3) OVER-SIZE(O.S=0.25)PART.

# Fig.9. LUB.OIL SYSTEM

(A)=3TNV82ABQIKA

(B)=

(C)=

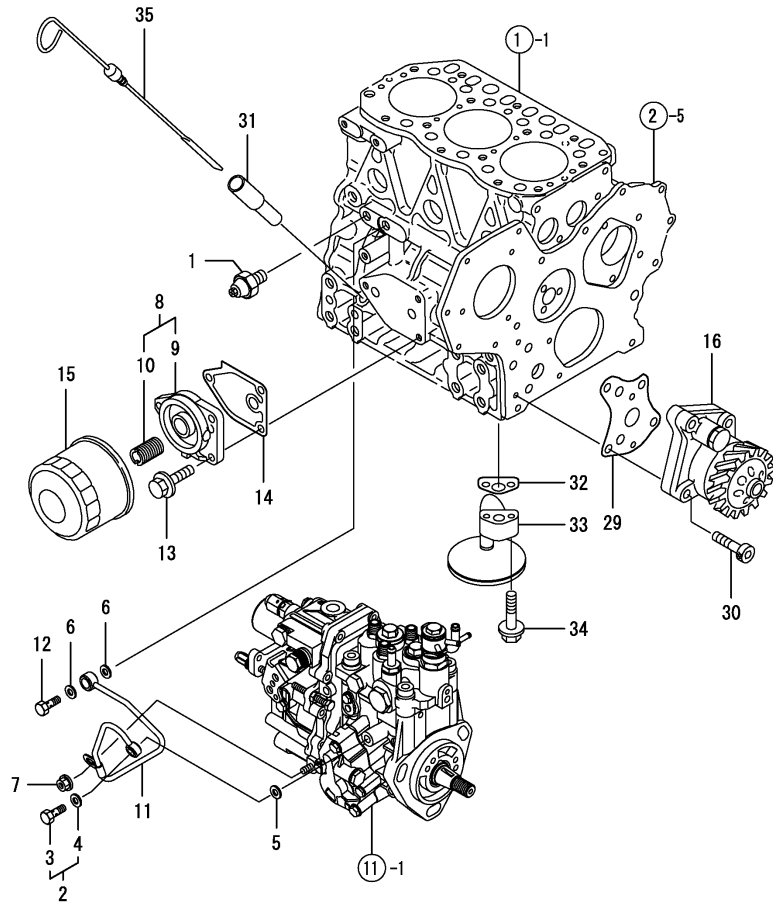
(D)=

(E)=

(F)=

Q'ty

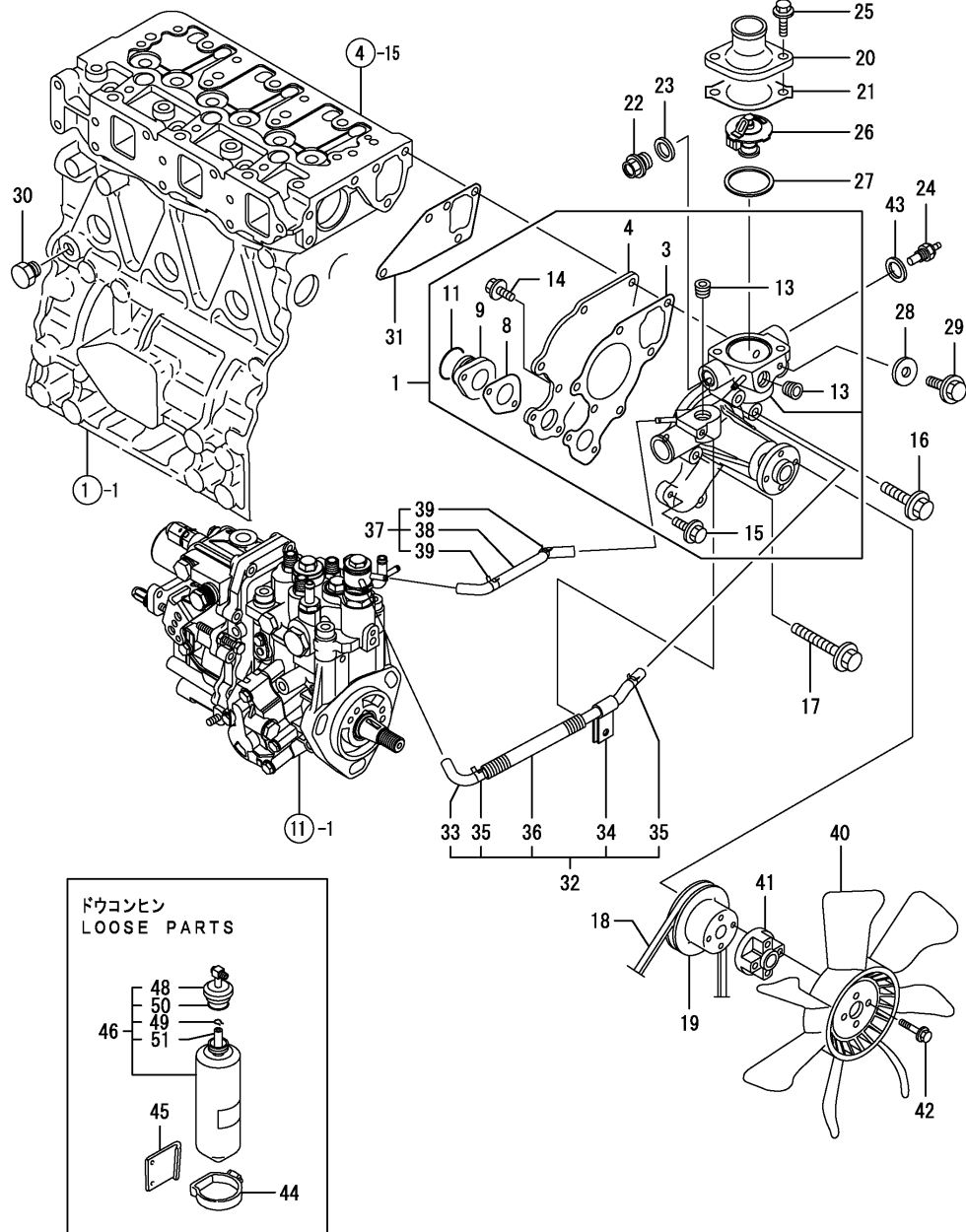
No.	Lev.	Parts No.	Description	Q'ty						I	R
				(A)	(B)	(C)	(D)	(E)	(F)		
1	1	121252-39450	SWITCH, 0.5KG	1							
2	1	129005-59830	BOLT ASSY, JOINT M8	1							
3	2	23857-030000	BOLT, JOINT 3	1							
4	2	22190-080002	WASHER, SEAL 6	1							
5	1	22190-080002	WASHER, SEAL 6	1							
6	1	22190-100002	WASHER, SEAL 10	2							
7	1	26366-060002	NUT, M6	1							
8	1	119802-35100	BRACKET ASSY, FILTER	1							
9	2	119802-35110	BRACKET, FILTER	1							
10	2	129100-35140	STUD	1							
11	1	119802-39450	PIPE ASSY, OIL	1							
12	1	124160-39140	BOLT, PIPE JOINT M10	1							
13	1	26106-080202	BOLT, M8X 20 PLATED	3							
14	1	129150-35111	GASKET	1							
15	1	129150-35153	FILTER	1							1
16	1	129001-32001	PUMP ASSY, OIL	1							
29	1	129150-32020	GASKET, PUMP	1							
30	1	26450-060252	BOLT, M6X 25	4							
31	1	121520-34810	GUIDE, DIPSTICK	1							
32	1	129150-35042	GASKET	1							
33	1	119810-35300	PIPE ASSY, OIL INLET	1							
34	1	26106-080352	BOLT, M8X 35 PLATED	2							
35	1	119802-34802	DIPSTICK, OIL	1							



Remarks

(1) REPAIR PART.

Fig.10. COOLING WATER SYSTEM



(A)=3TNV82ABQIKA

(B)=

(C)=

(D)=

(E)=

(F)=

No.	Lev.	Parts No.	Description	Q'ty						I	R
				(A)	(B)	(C)	(D)	(E)	(F)		
1	1	119802-42001	PUMP ASSY, WATER	1							
3	2	119810-42051	GASKET, WATER PUMP	1							
4	2	119810-42120	PLATE	1							
8	2	119810-42281	GASKET, WATER PUMP	1							
9	2	119810-42290	PIPE	1							
11	2	129054-42320	O-RING	1							
13	2	23876-030000	PLUG, R03	2							
14	2	26106-060142	BOLT, M6X 14 PLATED	2							
15	2	26106-060202	BOLT, M6X 20 PLATED	2							
16	1	26106-080352	BOLT, M8X 35 PLATED	1							
17	1	26106-080552	BOLT, M8X 55 PLATED	3							
18	1	25132-003900	V-BELT, A39	1							
19	1	129403-42380	V-PULLEY, D=110	1							
20	1	129350-49530	COVER, THERMOSTAT	1							
21	1	129795-49551	GASKET	1							
22	1	121450-42450	PLUG, M16	1							
23	1	124465-44950	GASKET, 16	1							
24	1	171056-49351	SENSOR	1							
25	1	26106-080222	BOLT, M8X 22 PLATED	2							
26	1	129155-49801	THERMOSTAT, 71	1							
27	1	129150-49811	GASKET, THERMOSTAT	1							
28	1	23414-080000	GASKET, 8X1.0	1							
29	1	26106-080122	BOLT, M8X 12 PLATED	1							
30	1	171056-49120	PLUG, DRAIN	1							
31	1	129486-42050	GASKET, WATER PUMP	1							
32	1	119802-49610	PIPE ASSY, WATER	1							
33	2	119802-49711	PIPE ASSY, WATER	1							
34	2	119802-49730	RETAINER, PIPE	1							
35	2	124722-59050	CLIP, HOSE 9	2							
36	2	119802-59320	TUBE, CORRUGATED	1							
37	1	119802-49620	PIPE ASSY, WATER	1							
38	2	119802-49721	PIPE ASSY, WATER	1							
39	2	124722-59050	CLIP, HOSE 9	2							
40	1	121267-44741	FAN, COOLING D=360	1							
41	1	121267-44760	SPACER	1							
42	1	26106-060302	BOLT, M6X 30 PLATED	4							
43	1	129150-49360	GASKET	1							
44	1	124450-44550	BAND	1							
45	1	121256-44600	BRACKET, SUB TANK	1							
46	1	171064-44510	TANK ASSY, SUB	1							
48	2	121450-44531	CAP	1							
49	2	124450-44560	RETAINER	1							
50	2	121470-44581	GASKET	1							
51	2	23065-070225	HOSE 7X 225	1							

Fig.11. FUEL INJECTION PUMP

(A)=3TNV82ABQIKA

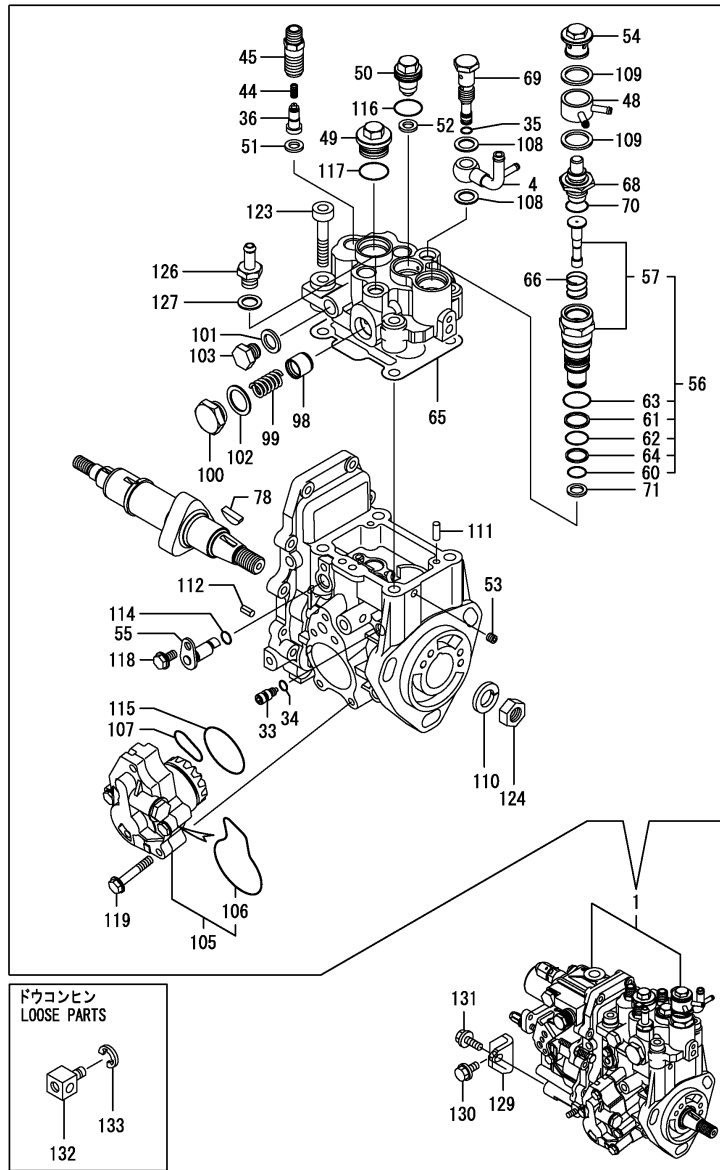
(B)=

(C)=

(D)=

(E)=

(F)=



No.	Lev.	Parts No.	Description	Q'ty						I	R
				(A)	(B)	(C)	(D)	(E)	(F)		
1	1	719935-51300	PUMP ASSY, INJECTION	1							1
4	2	158552-51670	JOINT, OVER FLOW	1							
33	2	158600-51270	STOPPER, TAPPET	1							
34	2	158563-51281	O-RING, 4D S6	1							
35	2	158563-51281	O-RING, 4D S6	1							
36	2	129008-51300	VALVE ASSY, DELIVERY	3							
44	2	158563-51330	SPRING, DELIVERY	3							
45	2	129008-51340	HOLDER, DELIVERY	3							
48	2	158553-51551	JOINT	1							
49	2	158601-51550	PLUG	1							
50	2	119802-51560	PLUG, BARREL	1							
51	2	158552-51570	GASKET	3							
52	2	158552-51570	GASKET	1							
53	2	158557-51570	PLUG	1							
54	2	158601-51570	PLUG	1							
55	2	158552-51580	LIFTER	1							
56	2	119802-51590	TIMER SET	1							
57	3	119802-51600	TIMER ASSY	1							
60	3	158553-51670	O-RING, 1011	1							
61	3	119802-51680	RING, BACK UP	1							
62	3	119802-51690	O-RING	1							
63	3	24356-010200	O-RING, 4D1020	1							
64	3	24372-000150	RING, BACK UP T2P15	1							
65	2	158552-51600	GASKET	1							
66	2	158553-51630	SPRING, TIMER	1							
68	2	158553-51640	ELEMENT	1							
69	2	158601-51650	JOINT, OVER FLOW	1							
70	2	158553-51660	O-RING, P14	1							
71	2	158553-51680	GASKET	1							
78	2	119802-51090	KEY, 4X16	1							
98	2	158601-51770	PISTON	1							
99	2	158552-51781	SPRING	1							
100	2	158601-51790	PLUG	1							
101	2	22190-120002	WASHER, SEAL 12	1							
102	2	22190-180002	WASHER, SEAL 18	1							
103	2	23887-120002	PLUG, 12	1							
105	2	158552-52100	PUMP ASSY, FUEL FEED	1							
106	3	158552-52500	O-RING	1							
107	2	158552-52310	O-RING	1							
108	2	22190-120002	WASHER, SEAL 12	2							
109	2	22190-180002	WASHER, SEAL 18	2							
110	2	22217-140000	WASHER, SPRING 14	1							
111	2	22312-050140	PIN, PARALLEL M5X14	2							
112	2	22351-050010	PIN, SPRING 5.0X10	2							
114	2	24311-000070	O-RING, 1AP7.0	1							
115	2	158552-52400	O-RING, 4E S42	1							
116	2	24356-010180	O-RING, 4D1018	1							
117	2	24356-010200	O-RING, 4D1020	1							
118	2	26106-060102	BOLT, M6X 10 PLATED	1							
119	2	158553-51770	BOLT	4							
123	2	26450-080452	BOLT, M8X 45	4							

Remarks

(1) GOVERNOR ASSY(FIG.12) IS INCORPORATED IN THIS FOP.CMP (REF.NO.1).

Fig.11. FUEL INJECTION PUMP

(A)=3TNV82ABQIKA

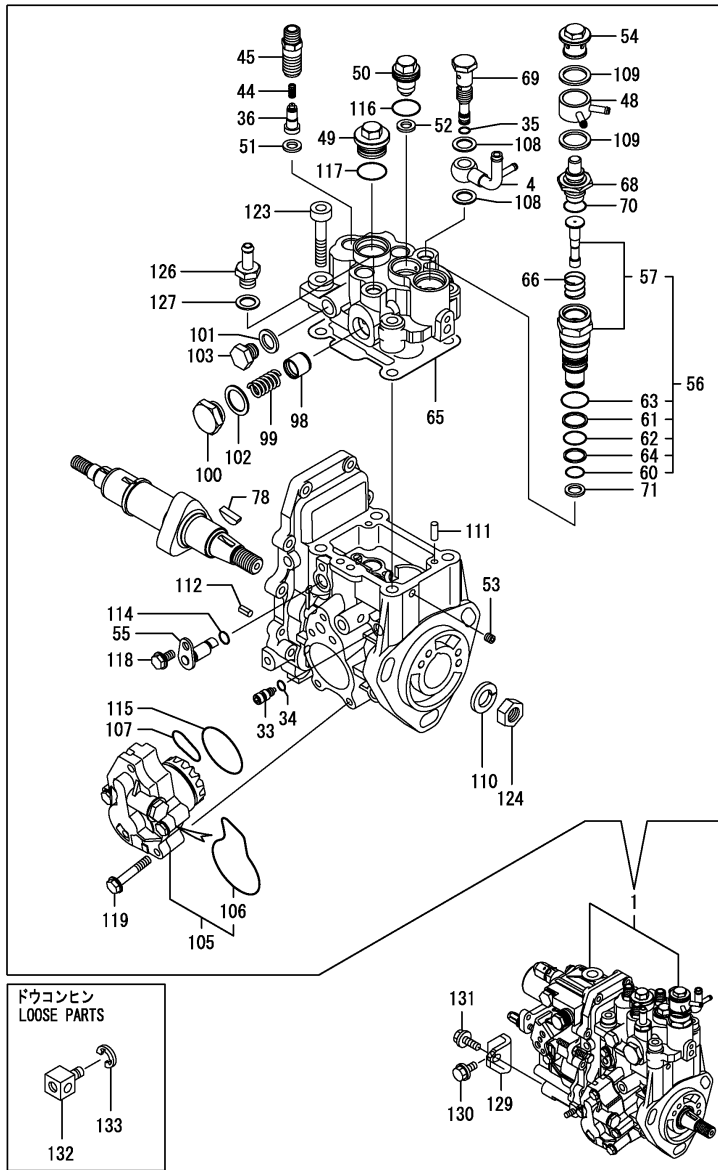
(B)=

(C)=

(D)=

(E)=

(F)=



No.	Lev.	Parts No.	Description	Q'ty						I	R
				(A)	(B)	(C)	(D)	(E)	(F)		
124	2	26776-140002	NUT, LOCK M14	1							
126	2	119934-59910	JOINT, PIPE	1							
127	2	22190-120002	WASHER, SEAL 12	1							
129	1	119802-51250	RETAINER, PUMP	1							
130	1	26106-080162	BOLT, M8X 16 PLATED	1							
131	1	26106-080202	BOLT, M8X 20 PLATED	1							
132	1	124756-67510	RETAINER	1							
133	1	22272-000070	RING, E- 7	1							

Remarks

(1) GOVERNOR ASSY(FIG.12) IS INCORPORATED IN THIS FOP.CMP (REF.NO.1).



Fig.12. GOVERNOR

(A)=3TNV82ABQIKA

(B)=

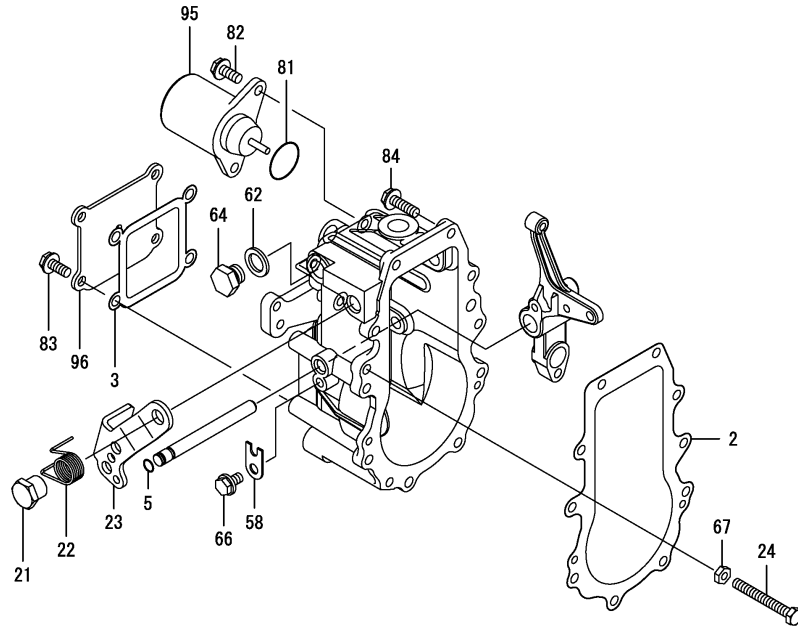
(C)=

(D)=

(E)=

(F)=

No.	Lev.	Parts No.	Description	Q'ty						I	R
				(A)	(B)	(C)	(D)	(E)	(F)		
2	2	158553-61050	GASKET	1							
3	2	158553-61070	GASKET	1							
5	2	129155-51280	O-RING, S6	1							
21	2	129255-61410	NUT, LOCK	1							
22	2	119807-61420	SPRING, RETURN	1							
23	2	158552-61441	LEVER, REGULATOR	1							
24	2	129155-61460	BOLT, IDLE	1							
58	2	119660-61901	RETAINER, SHAFT	1							
62	2	22190-120000	WASHER, SEAL 12	1							
64	2	23887-120002	PLUG, 12	1							
66	2	26106-060102	BOLT, M6X 10 PLATED	1							
67	2	26756-060002	NUT, LOCK M6	1							
81	2	158552-61900	O-RING	1							
82	2	26106-060142	BOLT, M6X 14 PLATED	2							
83	2	26106-060142	BOLT, M6X 14 PLATED	4							
84	2	26106-060202	BOLT, M6X 20 PLATED	10							
95	2	119233-77932	SOLENOID, STOP	1							
96	2	129642-61060	COVER, GOVERNOR CASE	1							



Remarks

\* THIS FIGURE(GOVERNOR ASSY)IS INCORPORATED IN THE FUEL INJECTION PUMP ASSY(FIG.11).

Fig.13. FUEL INJECTION VALVE

(A)=3TNV82ABQIKA

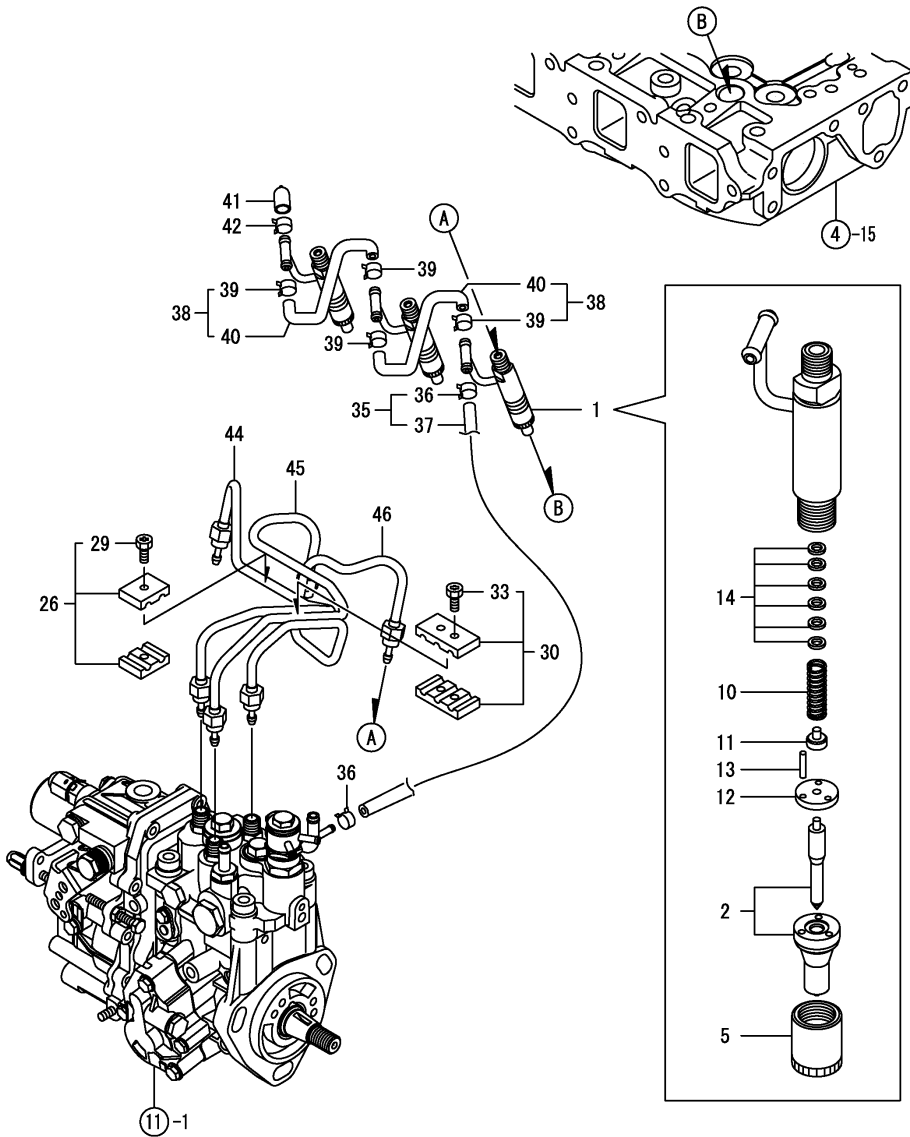
(B)=

(C)=

(D)=

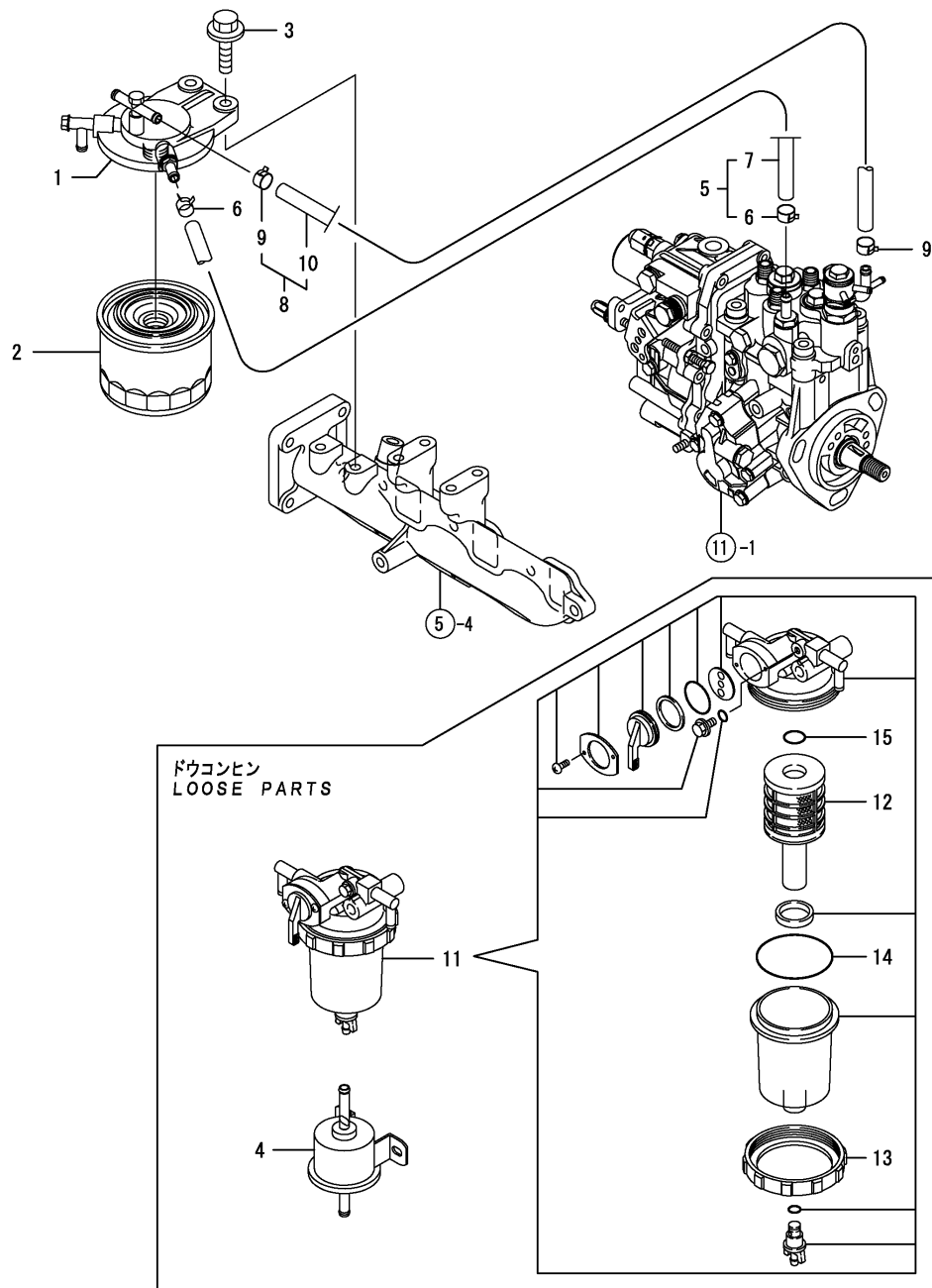
(E)=

(F)=



No.	Lev.	Parts No.	Description	Q'ty						I	R
				(A)	(B)	(C)	(D)	(E)	(F)		
1	1	719803-53100	VALVE ASSY,INJECTION	3							
2	2	119803-53000	VALVE ASSY,INJECTION	3							
5	2	114250-53080	NUT, NOZZLE D16.95	3							
10	2	114250-53120	SPRING, NOZZLE	3							
11	2	114250-53130	SEAT, SPRING	3							
12	2	114250-53140	PLATE	3							
13	2	114250-53210	PIN	6							
14	2	114250-53400	SHIM SET	3							
26	1	119305-59120	RETAINER, PIPE	1							
29	2	129150-59131	BOLT, M4X14	1							
30	1	129150-59120	RETAINER, PIPE	1							
33	2	129150-59131	BOLT, M4X14	2							
35	1	119802-59550	PIPE ASSY, RETURN	1							
36	2	124722-59050	CLIP, HOSE 9	2							
37	2	119802-59560	PIPE, FUEL RETURN	1							
38	1	129486-59551	PIPE ASSY, RETURN	2							
39	2	124722-59050	CLIP, HOSE 9	4							
40	2	129486-59510	PIPE, FUEL RETURN	2							
41	1	119593-59581	CAP	1							
42	1	124060-77680	CLIP, HOSE 10	1							
44	1	119803-59810	PIPE ASSY, INJECTION	1							
45	1	119803-59820	PIPE ASSY, INJECTION	1							
46	1	119803-59830	PIPE ASSY, INJECTION	1							

Fig.14. FUEL LINE



(A)=3TNV82ABQIKA

(B)=

(C)=

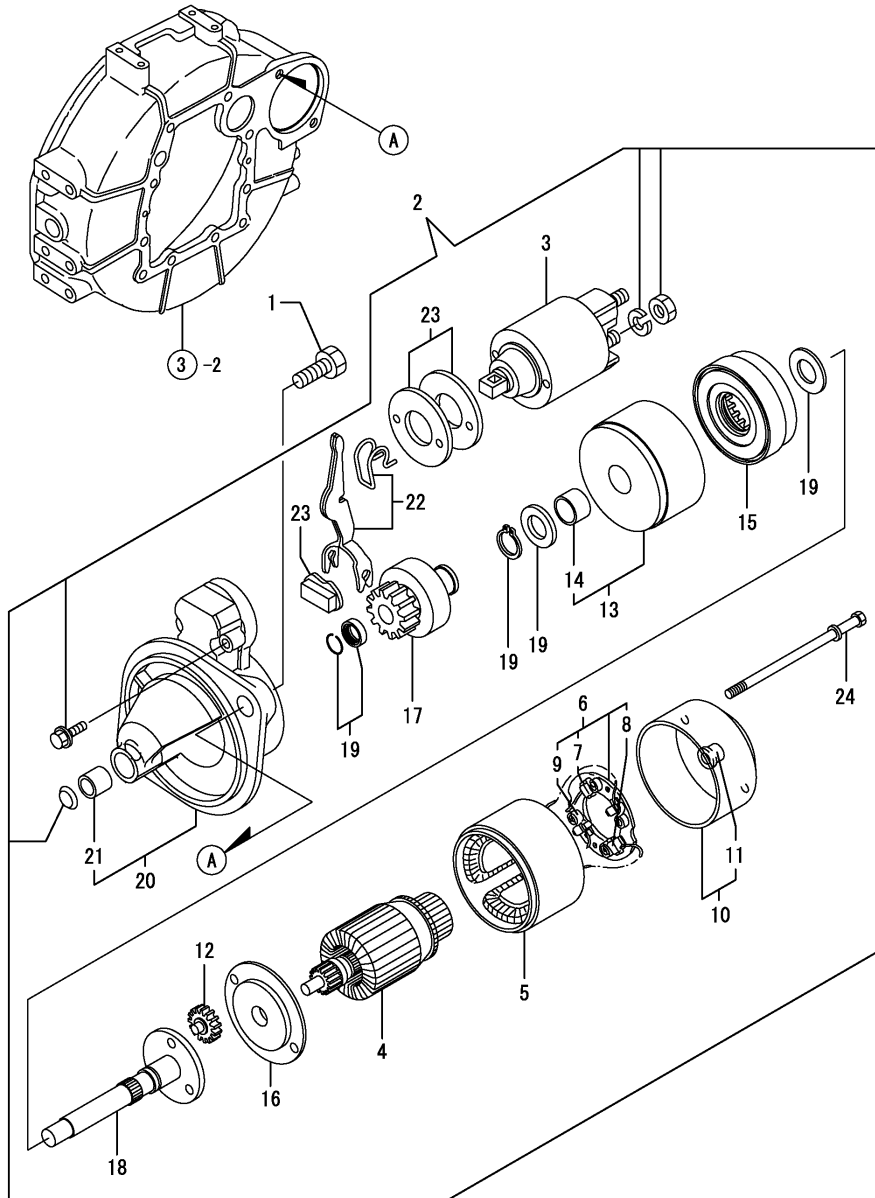
(D)=

(E)=

(F)=

No.	Lev.	Parts No.	Description	Q'ty						I	R
				(A)	(B)	(C)	(D)	(E)	(F)		
1	1	129004-55612	BRACKET, FILTER	1							
2	1	119802-55801	FILTER, FUEL	1							
3	1	26106-080302	BOLT, M8X 30 PLATED	2							
4	1	119225-52102	PUMP ASSY, FUEL FEED	1							
5	1	129210-59050	PIPE ASSY, FUEL	1							
6	2	124766-59050	CLIP, HOSE 12	2							
7	2	105312-59510	PIPE, FUEL	1							
8	1	129210-59110	PIPE ASSY, FUEL	1							
9	2	124766-59050	CLIP, HOSE 12	2							
10	2	105025-59560	PIPE, FUEL	1							
11	1	129906-55700	SEPARATOR ASSY	1							
12	2	119802-55710	ELEMENT	1							
13	2	129100-55690	RING, RETAINING	1							
14	2	24321-000650	O-RING, 1AG65.0	1							
15	2	24311-000160	O-RING, 1AP16.0	1							

Fig.15. STARTING MOTOR



(A)=3TNV82ABQIKA

(B)=

(C)=

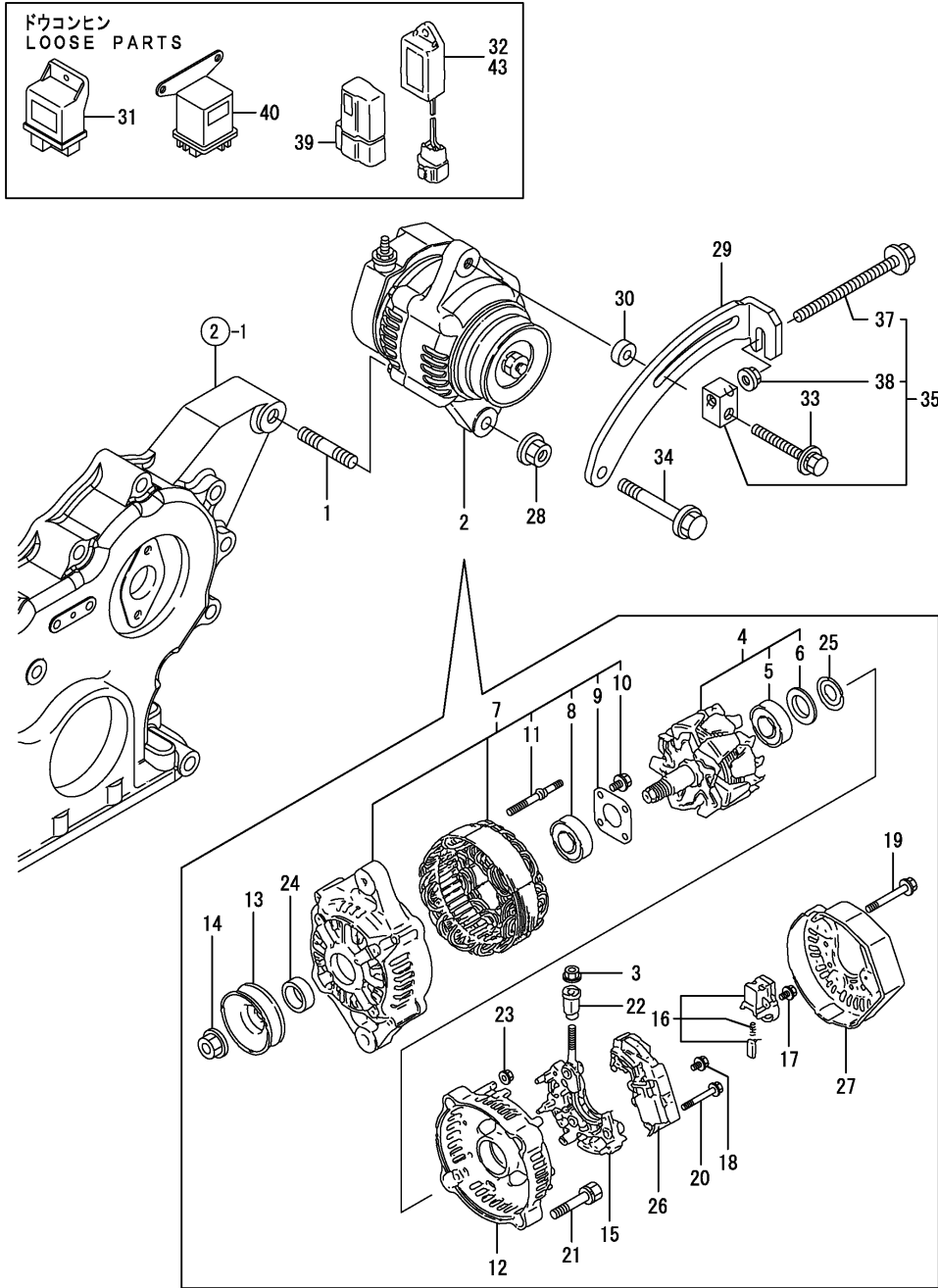
(D)=

(E)=

(F)=

No.	Lev.	Parts No.	Description	Q'ty						I	R
				(A)	(B)	(C)	(D)	(E)	(F)		
1	1	26116-120252	BOLT, M12X 25 PLATED	2							
2	1	129242-77010	STARTER	1							
3	2	129698-77020	SWITCH ASSY	1							
4	2	129242-77100	ARMATURE ASSY	1							
5	2	129242-77110	YOKE ASSY	1							
6	2	129242-77120	HOLDER ASSY, BRUSH	1							
7	3	129242-77130	BRUSH	2							
8	3	129242-77140	BRUSH SET	1							
9	3	129242-77150	SPRING	4							
10	2	129242-77160	COVER ASSY	1							
11	3	129242-77170	METAL	1							
12	2	118400-77170	GEAR	3							
13	2	129242-77180	BRACKET	1							
14	3	129698-77190	BRACKET	1							
15	2	129698-77200	GEAR, INTERNAL	1							
16	2	129242-77210	BRACKET	1							
17	2	129698-77220	PINION ASSY	1							
18	2	129698-77230	SHAFT	1							
19	2	129698-77250	WASHER SET	1							
20	2	129242-77260	CASE ASSY	1							
21	3	X2114535200	METAL, STARTER	1							
22	2	129242-77270	LEVER SET	1							
23	2	129242-77280	COVER ASSY, DUST	1							
24	2	124195-77770	BOLT, THROUGH	2							

Fig.16. GENERATOR



(A)=3TNV82ABQIKA

(B)=

(C)=

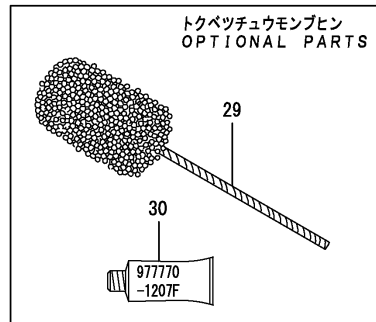
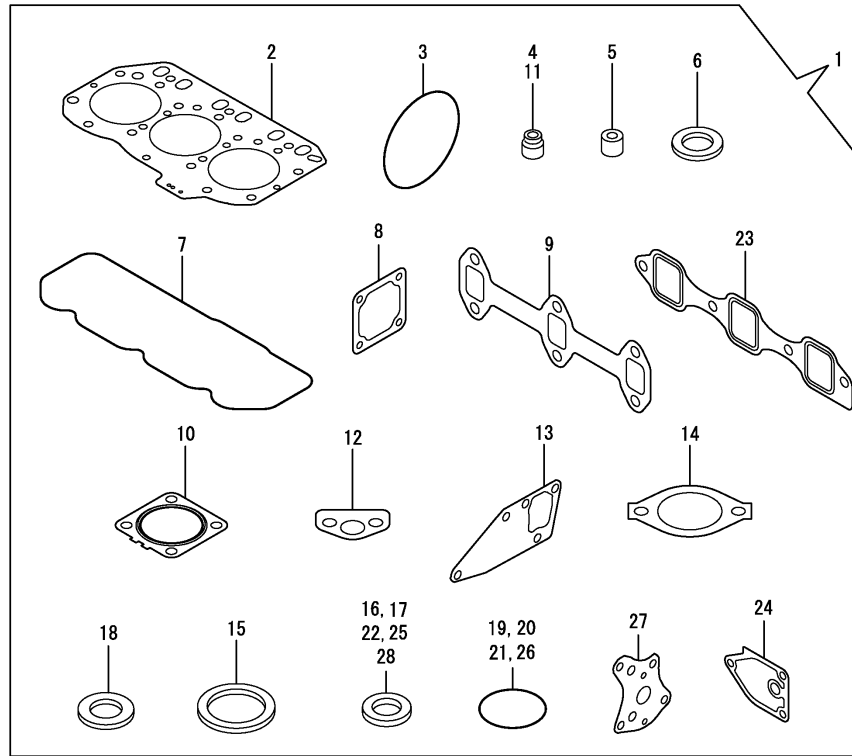
(D)=

(E)=

(F)=

No.	Lev.	Parts No.	Description	Qty						I	R
				(A)	(B)	(C)	(D)	(E)	(F)		
1	1	129795-01900	STUD	1							
2	1	129240-77200	ALTERNATOR	1							
3	2	X9490561001	NUT	1							
4	2	119620-77380	ROTOR ASSY	1							
5	3	126501-79240	BALL BEARING	1							
6	3	119620-79250	COVER	1							
7	2	119620-77421	FRAME ASSY, DRIVE	1							
8	3	119620-79200	BEARING, BALL	1							
9	3	119620-79210	PLATE, RETAINER	1							
10	3	119620-79220	SCREW	4							
11	3	119620-79230	STUD	2							
12	2	119620-77440	FRAME ASSY	1							
13	2	119620-77461	PULLEY	1							
14	2	119620-77471	NUT	1							
15	2	119620-79260	HOLDER	1							
16	2	129052-79270	HOLDER, BRUSH	1							
17	2	119620-79290	SCREW	6							
18	2	119620-79300	SCREW	1							
19	2	119620-79310	BOLT	3							
20	2	119620-79320	SCREW	2							
21	2	119620-79330	BOLT	2							
22	2	119620-79340	BUSH, INSULATION	1							
23	2	119620-79350	NUT	2							
24	2	119620-77490	COLLAR	1							
25	2	119620-79360	WASHER, THRUST	1							
26	2	129240-77710	REGULATOR ASSY	1							
27	2	129240-79300	COVER	1							
28	1	26306-100002	NUT, M10	1							
29	1	129240-77320	ADJUSTER	1							
30	1	119940-77270	SPACER, GENERATOR	1							
31	1	119802-77200	RELAY, SAFETY	1							
32	1	129211-77920	TIMER	1							
33	1	26106-080552	BOLT, M8X 55 PLATED	1							
34	1	26106-080452	BOLT, M8X 45 PLATED	1							
35	1	119624-77351	BLOCK ASSY, ADJUSTER	1							
37	2	26106-081004	BOLT, M8X100 PLATED	1							
38	2	26306-080002	NUT, M8	1							
39	1	119643-66900	DIODE	1							
40	1	119650-77910	RELAY ASSY, GLOW	1							
43	1	128300-77920	TIMER	1							

Fig.17. GASKET SET



(A)=3TNV82ABQIKA

(B)=

(C)=

(D)=

(E)=

(F)=

No.	Lev.	Parts No.	Description	Q'ty						I	R
				(A)	(B)	(C)	(D)	(E)	(F)		
1	1	719823-92910	GASKET SET	1							1
2	2	119812-01330	GASKET, HEAD	1							
3	2	121850-51960	O-RING	1							
4	2	119803-11340	SEAL, VALVE STEM	3							
5	2	119802-11870	PROTECTOR, NOZZLE	3							
6	2	119625-11880	SEAT, NOZZLE	3							
7	2	119802-11310	GASKET, BONNET	1							
8	2	129150-77511	GASKET	1							
9	2	119810-13110	GASKET	1							
10	2	129004-13200	GASKET, SILENCER	1							
11	2	124160-11340	SEAL, VALVE STEM	3							
12	2	129150-35042	GASKET	1							
13	2	129486-42050	GASKET, WATER PUMP	1							
14	2	129795-49551	GASKET	1							
15	2	129150-49811	GASKET, THERMOSTAT	1							
16	2	23414-080000	GASKET, 8X1.0	1							
17	2	22190-080002	WASHER, SEAL 6	8							
18	2	124465-44950	GASKET, 16	1							
19	2	24311-000120	O-RING, 1AP12.0	3							
20	2	24311-000320	O-RING, 1AP32.0	2							
21	2	24341-000240	O-RING, 1AS24.0	1							
22	2	22190-100002	WASHER, SEAL 10	2							
23	2	119810-12112	GASKET, MANIFOLD	1							
24	2	129150-35111	GASKET	1							
25	2	22190-220002	WASHER, SEAL 22	1							
26	2	119609-32040	O-RING, P16	4							
27	2	129150-32020	GASKET, PUMP	1							
28	2	129150-49360	GASKET	1							
29	1	129400-92420	HONE	1							1
30	1	977770-1207F	GASKET.LIQUID	1							1

Remarks

(1) OPTIONAL PARTS.

N:Old  $\begin{matrix} \text{Yes} \\ \text{No} \end{matrix}$  New, Q:Old  $\begin{matrix} \text{No} \\ \text{Yes} \end{matrix}$  New, R:Old  $\begin{matrix} \text{Yes} \\ \text{No} \end{matrix}$  New, S:Old  $\begin{matrix} \text{No} \\ \text{Yes} \end{matrix}$  New, W:Add, Z:Discontinued, F:Interchangeable by set, K:Q'ty Change

## Parts No. Index

Parts No.	Fig. No.	Ref. No.
104211-11180	4	27
104211-11370	4	14
105025-59560	14	10
105312-59510	14	7
114250-53080	13	5
114250-53120	13	10
114250-53130	13	11
114250-53140	13	12
114250-53210	13	13
114250-53400	13	14
118400-77170	15	12
119131-18320	6	5
119225-52102	14	4
119233-77932	12	95
119305-59120	13	26
119593-59581	13	41
119609-32040	2	10
	17	26
119620-01750	3	3
119620-02020	1	12
119620-77380	16	4
119620-77421	16	7
119620-77440	16	12
119620-77461	16	13
119620-77471	16	14
119620-77490	16	24
119620-79200	16	8
119620-79210	16	9
119620-79220	16	10
119620-79230	16	11
119620-79250	16	6
119620-79260	16	15
119620-79290	16	17
119620-79300	16	18
119620-79310	16	19
119620-79320	16	20
119620-79330	16	21
119620-79340	16	22
119620-79350	16	23
119620-79360	16	25
119624-77351	16	35
119625-11880	4	33
	17	6
119640-01640	3	9
119643-66900	16	39
119650-77910	16	40
119660-61901	12	58
119802-01561	2	6
119802-03010	4	42
119802-03090	5	1

Parts No.	Fig. No.	Ref. No.
119802-03110	4	44
119802-03121	4	45
119802-03130	4	46
119802-03141	4	47
119802-11100	4	24
119802-11110	4	25
119802-11241	4	3
119802-11251	4	4
119802-11260	4	6
119802-11270	4	7
119802-11280	4	8
119802-11310	4	50
	17	7
119802-11350	4	41
119802-11650	4	10
119802-11810	4	21
119802-11870	4	32
	17	5
119802-11900	4	34
119802-12130	5	4
119802-12560	5	8
119802-13129	6	2
119802-14590	7	3
119802-21650	8	9
119802-22500	8	18
119802-25071	7	13
119802-25101	7	10
119802-25901	7	16
119802-34802	9	35
119802-35100	9	8
119802-35110	9	9
119802-39450	9	11
119802-42001	10	1
119802-49610	10	32
119802-49620	10	37
119802-49711	10	33
119802-49721	10	38
119802-49730	10	34
119802-51090	11	78
119802-51250	11	129
119802-51560	11	50
119802-51590	11	56
119802-51600	11	57
119802-51680	11	61
119802-51690	11	62
119802-55710	14	12
119802-55801	14	2
119802-59320	10	36
119802-59550	13	35
119802-59560	13	37

Parts No.	Fig. No.	Ref. No.
119802-77200	16	31
119803-01520	2	5
119803-11340	4	29
	17	4
119803-11700	4	15
119803-21000	8	1
119803-21200	8	5
119803-22080	8	16
119803-25050	7	9
119803-53000	13	2
119803-59810	13	44
119803-59820	13	45
119803-59830	13	46
119803-77520	5	21
119803-77821	4	57
119803-77830	4	59
119807-61420	12	22
119808-12520	5	11
119808-12540	5	13
119810-01200	1	24
119810-01730	3	6
119810-02871	1	26
119810-02931	1	21
119810-02941	1	29
119810-11120	4	26
119810-12112	5	3
	17	23
119810-13110	6	1
	17	9
119810-14400	7	2
119810-23200	8	29
119810-23601	8	30
119810-23611	8	32
119810-23910	8	28
119810-35300	9	33
119810-42051	10	3
119810-42120	10	4
119810-42281	10	8
119810-42290	10	9
119812-01330	1	25
	17	2
119813-22300	8	22
119823-01770	3	8
119865-21600	8	15
119866-12541	5	14
119910-12210	5	7
119910-12510	5	10
119910-12601	5	9
119934-59910	11	126
119940-77270	16	30

Parts No.	Fig. No.	Ref. No.
120270-54410	4	35
121023-01551	2	17
121111-21501	8	12
121252-39450	9	1
121256-44600	10	45
121267-44741	10	40
121267-44760	10	41
121450-42450	10	22
121450-44531	10	48
121470-44581	10	50
121520-34810	9	31
121850-21680	8	11
121850-51960	2	11
	17	3
121855-12060	6	11
123900-13610	6	3
123900-13630	6	4
124060-01050	1	6
124060-11800	4	19
124060-77680	13	42
124160-01751	2	7
	4	40
124160-01910	1	4
		14
124160-11340	4	28
	17	11
124160-11360	4	53
124160-39140	9	12
124195-77770	15	24
124240-01871	2	8
124450-44550	10	44
124450-44560	10	49
124465-44950	10	23
	17	18
124722-59050	10	35
		39
	13	36
		39
124756-67510	11	132
124766-59050	14	6
		9
126501-79240	16	5
126650-12680	5	16
128300-77920	16	43
129001-01250	1	7
129001-32001	9	16
129001-91841	2	12
129004-13200	6	7
	17	10
129004-55612	14	1

## Parts No. Index

Parts No.	Fig. No.	Ref. No.
129005-59830	9	2
129008-51300	11	36
129008-51340	11	45
129008-77800	4	56
129051-12530	5	12
129052-79270	16	16
129054-42320	10	11
129100-01580	3	1
		14
	8	2
129100-01640	3	15
129100-35140	9	10
129100-55690	14	13
129150-02450	7	4
129150-03070	4	43
129150-11230	4	11
129150-11280	4	9
129150-11750	4	13
129150-14101	7	6
129150-14200	7	1
129150-25301	7	15
129150-32020	9	29
	17	27
129150-35042	9	32
	17	12
129150-35111	9	14
	17	24
129150-35153	9	15
129150-49360	10	43
	17	28
129150-49811	10	27
	17	15
129150-59120	13	30
129150-59131	13	29
		33
129150-77511	5	20
	17	8
129155-49801	10	26
129155-51280	12	5
129155-61460	12	24
129210-59050	14	5
129210-59110	14	8
129211-77920	16	32
129240-13550	6	8
129240-77200	16	2
129240-77320	16	29
129240-77710	16	26
129240-79300	16	27
129242-77010	15	2
129242-77100	15	4

Parts No.	Fig. No.	Ref. No.
129242-77110	15	5
129242-77120	15	6
129242-77130	15	7
129242-77140	15	8
129242-77150	15	9
129242-77160	15	10
129242-77170	15	11
129242-77180	15	13
129242-77210	15	16
129242-77260	15	20
129242-77270	15	22
129242-77280	15	23
129255-61410	12	21
129350-49530	10	20
129400-92420	17	29
129403-42380	10	19
129410-03990	5	2
129486-01670	3	18
129486-42050	10	31
	17	13
129486-59510	13	40
129486-59551	13	38
129489-21590	8	13
129612-01600	3	2
129612-12650	5	15
129642-61060	12	96
129698-77020	15	3
129698-77190	15	14
129698-77200	15	15
129698-77220	15	17
129698-77230	15	18
129698-77250	15	19
129792-22400	8	23
129795-01780	3	17
129795-01800	2	4
129795-01900	16	1
129795-01950	2	9
129795-02412	1	13
129795-21661	8	10
129795-49551	10	21
	17	14
129900-07900	4	1
129906-55700	14	11
158552-51151	7	17
158552-51570	11	51
		52
158552-51580	11	55
158552-51600	11	65
158552-51670	11	4
158552-51781	11	99

Parts No.	Fig. No.	Ref. No.
158552-52100	11	105
158552-52310	11	107
158552-52400	11	115
158552-52500	11	106
158552-61441	12	23
158552-61900	12	81
158553-51551	11	48
158553-51630	11	66
158553-51640	11	68
158553-51660	11	70
158553-51670	11	60
158553-51680	11	71
158553-51770	11	119
158553-61050	12	2
158553-61070	12	3
158557-51570	11	53
158563-51281	11	34
		35
158563-51330	11	44
158600-51270	11	33
158601-51550	11	49
158601-51570	11	54
158601-51650	11	69
158601-51770	11	98
158601-51790	11	100
171051-01921	1	5
171056-49120	10	30
171056-49351	10	24
171064-44510	10	46
22190-080002	2	22
	9	4
		5
	17	17
22190-100002	9	6
	17	22
22190-120000	12	62
22190-120002	11	101
		108
		127
22190-180002	11	102
		109
22190-220002	3	11
	17	25
22217-140000	7	18
	11	110
22272-000070	11	133
22312-050140	11	111
22351-030010	8	8
22351-050010	11	112
22351-060012	4	36

Parts No.	Fig. No.	Ref. No.
22512-070140	7	7
	8	6
22857-500100	4	51
		52
23000-060000	5	17
23065-070225	10	51
23414-080000	10	28
	17	16
23857-030000	9	3
23876-030000	10	13
23887-120002	11	103
	12	64
24311-000070	11	114
24311-000120	4	54
	17	19
24311-000160	14	15
24311-000320	2	13
	4	55
	17	20
24321-000650	14	14
24341-000240	2	18
	17	21
24356-010180	11	116
24356-010200	11	63
		117
24372-000150	11	64
25132-003900	10	18
26013-080222	5	18
		19
26106-060102	11	118
	12	66
26106-060142	10	14
	12	82
		83
26106-060162	2	19
26106-060202	10	15
	12	84
26106-060302	10	42
26106-080122	10	29
26106-080142	7	8
26106-080162	2	14
		15
	3	12
	4	2
	11	130
26106-080202	5	22
	9	13
	11	131
26106-080222	10	25
26106-080252	4	37



# Parts No. Index

Parts No.	Fig. No.	Ref. No.
26106-080252	5	6
26106-080302	2	23
	14	3
26106-080352	3	19
	9	34
	10	16
26106-080402	7	14
26106-080452	3	13
	4	38
	16	34
26106-080502	4	39
26106-080552	2	16
	10	17
	16	33
26106-080802	5	23
26106-081004	16	37
26106-100202	6	9
26116-120252	15	1
26206-100252	3	4
26206-100302	3	5
26306-080002	2	21
	6	6
		10
	16	38
26306-100002	16	28
26366-060002	9	7
26450-060252	9	30
26450-080452	11	123
26756-060002	12	67
26776-140002	7	19
	11	124
27241-120000	1	8
27241-300000	1	9
27241-400000	4	23
27310-070001	4	30
719802-01560	1	1
719802-22950	8	36
719803-01500	2	1
719803-22900	8	34
719803-53100	13	1
719810-02981	1	18
719810-23100	8	24
719823-92910	17	1
719935-51300	11	1
977770-1207F	2	20
	3	20
	4	58
	17	30
X2114535200	15	21
X9490561001	16	3

Parts No.	Fig. No.	Ref. No.
-----------	----------	----------

Parts No.	Fig. No.	Ref. No.
-----------	----------	----------

Parts No.	Fig. No.	Ref. No.
-----------	----------	----------