

OCD10-M90700EN

PREFACE

1. This parts catalog is the first edition of 4TNV88-QTBC for Takeuchi Mfg. Co., Ltd.

Pub. No.: 000 Y00D9070

Published: Jun.,2006

2. Model name

Engine model	Vehicle		Vehicle Made by
	Products	Model name	
4TNV88-QTBC	EXCAVATOR	A9C (Chinese spec.)	Takeuchi Mfg. Co., Ltd.

Directions for the Parts Catalog.

1. This Parts Catalog shows both standard and optional parts.
2. Parts may change without prior notice.
3. The following is an example of the Parts Catalog format.

REF.	LEV.	PARTS NO.	DESCRIPTION	Q'TY						I	R
				(A)	(B)	(C)	(D)	(E)	(F)		
1	1	729595-51390	FUEL INJECTION PUMP	1	1	1	1	1			1
1-1	1	729595-51391	FUEL INJECTION PUMP	1	1	1	1	1		N	1
		(A=E00185) (B=E00200)									
3	2	26022-060162	SCREW M 6X 16	9	9	9	9	9			
3-1	2	26022-060162	SCREW M 6X 16	4	4	4	4	4		K	
		(A=E00156) (B=E00156) (C=E00156) (D=E00156) (E=E00156)									
4	2	129470-51040	CAMSHAFT	1	1	1	1	1			
5	2	122710-51050	BEARING, ROLLER	2	2	2	2	2			
6	2	129470-51060	RETAINER	1	1	1	1	1			

Remarks
(1) BOOST COMPEMSATOR TYPE. OPTIONAL PART, TO E00155,(4JH-DT, 4JH-DTZ

① Ref. No.

The Ref. No. listed may not be in accordance with the illustration Ref. No.

(Ex.) Illustration No.

List Ref No.

1

1

(Before change)

1-1

(After change)

For interchangeable symbols N, R and K, illustrations for new parts may be abbreviated.

② Lev. (Level)

Level indication

The numbers below indicate the level of relativity towards the main part.

1 ----- Main parts (Assembly parts)

2 ----- Sub component included in " 1 ".

3 ----- Sub component included in " 2 ".

Note) Parts that are not for sale are partially illustrated but not listed.

③ Interchangeability Symbol

When a part change takes place, one of the following interchangeability symbols is indicated beside the part.

Symbol	Interchangeability	Contents note
N	Old $\begin{matrix} \leftarrow \text{Yes} \\ \text{No} \rightarrow \end{matrix}$ New	New Part is interchangeable for Old Part but Old Part is not interchangeable for New Part.
Q	Old $\begin{matrix} \leftarrow \text{No} \\ \text{Yes} \rightarrow \end{matrix}$ New	New Part is not interchangeable for Old Part but Old Part is interchangeable for New Part.
R	Old $\begin{matrix} \leftarrow \text{Yes} \\ \text{Yes} \rightarrow \end{matrix}$ New	New/ Old Parts are both interchangeable.
S	Old $\begin{matrix} \leftarrow \text{No} \\ \text{No} \rightarrow \end{matrix}$ New	New/ Old Parts are both not interchangeable.
W		Part newly added.
Z		Part discontinued.
F		Not interchangeable by a single part but interchangeable together with related parts.
K		Changes only for used parts quantities.

④ Effective Machine No.

When a part changes, the effective Machine No. will be indicated in the (A)-(F) column.

Product Symbol	Product No.	Product Symbol	Product No.
C	Clutch No. Compressor No.	F	Machine No. (Agricultural Equip.)
D	Drive No.	M	Machine No.
E	Engine No.		

Note 1) A date may follow the symbol. (Ex.) 1996.01

Note 2) "XXXXX" and "ZZZZZ" are for parts that could not be predicted or for engine models that could not be identified.

Note 3) (A=E00185) is the E (Engine Serial Number) for the column (A) model (in this case 4JH-DT) after the parts design change.

⑤ Remarks

Figures or alphabets (symbols) are entered in the remarks column.

The comments (remarks) on parts that are indicated at the bottom of the illustration are the same symbols as those stated above.

Contents

OCD10-M90700

Fig. No. Fig. Name

4TNV88-QTBC

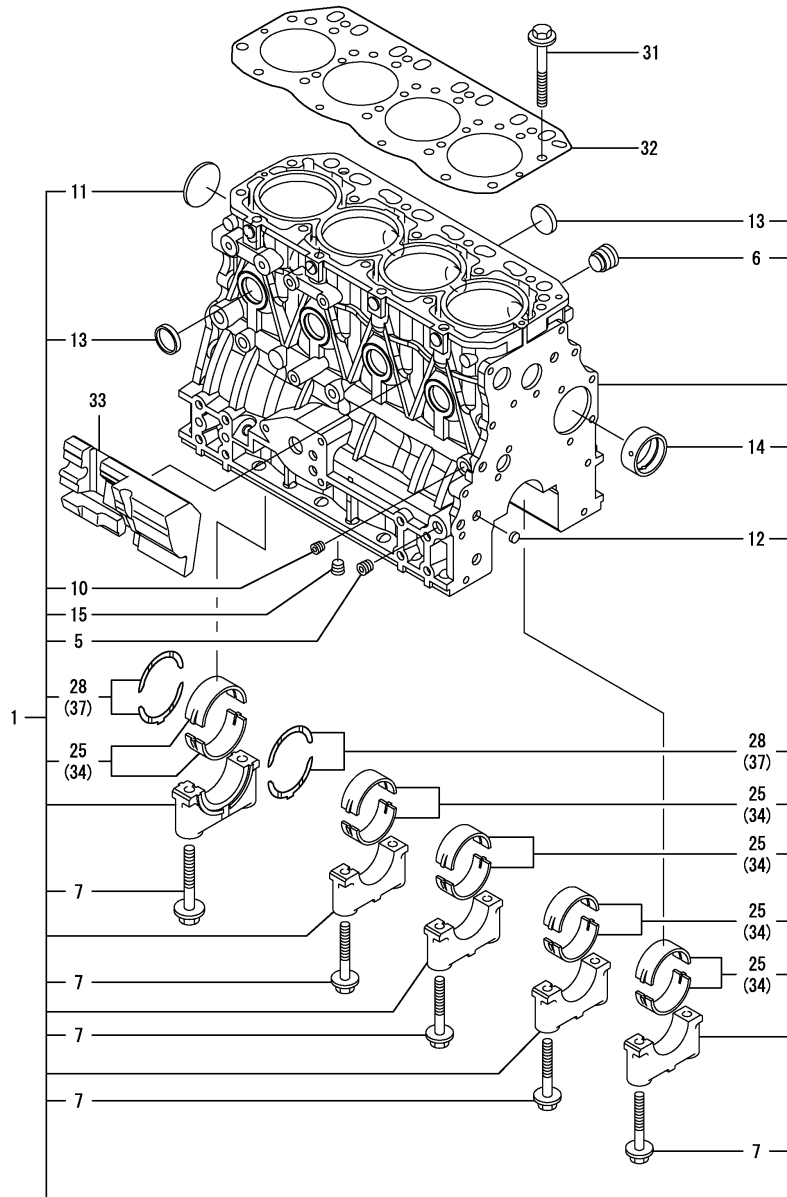
1. CYLINDER BLOCK
2. GEAR HOUSING
3. FYLWHEEL HOUSING & OIL SUMP
4. CYLINDER HEAD & BONNET
5. SUCTION MANIFOLD & AIR CLEANER
6. EXHAUST MANIFOLD & SILENCER
7. CAMSHAFT & DRIVING GEAR
8. CRANKSHAFT & PISTON
9. LUB.OIL SYSTEM
10. COOLING WATER SYSTEM
11. FUEL INJECTION PUMP
12. GOVERNOR
13. FUEL INJECTION VALVE
14. FUEL LINE
15. STARTING MOTOR
16. GENERATOR
17. TOOLS & GASKET SET

Fig. No. Fig. Name

Fig.1. CYLINDER BLOCK

(A)=4TNV88-QTBC
(B)=
(C)=

(D)=
(E)=
(F)=

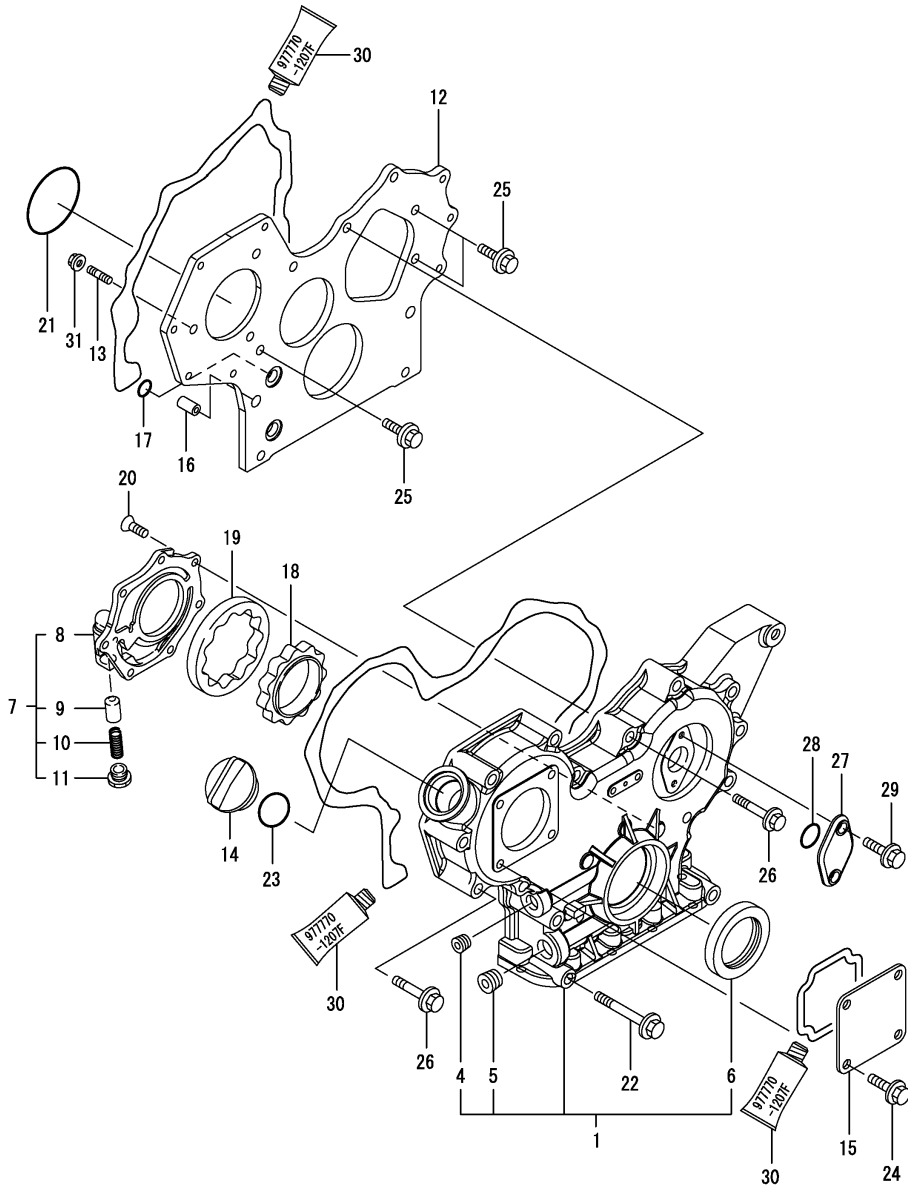


No.	Lev.	Parts No.	Description	Q'ty						I	R
				(A)	(B)	(C)	(D)	(E)	(F)		
1	1	729602-01560	BLOCK ASSY, CYLINDER	1							
5	2	124160-01910	PLUG, PT1/4	2							
6	2	171051-01921	PLUG, NPTF1	1							
7	2	129150-02020	BOLT, METAL CAP	10							
10	2	124060-01050	PLUG, PT1/8	1							
11	2	129001-01250	PLUG, 50	1							
12	2	27241-120000	PLUG, 12	2							
13	2	27241-300000	PLUG 30	8							
14	2	129795-02412	BUSH, CAMSHAFT	1							
15	2	124160-01910	PLUG, PT1/4	1							
25	2	129001-02931	BEARING, MAIN	5							3
28	2	129150-02931	BEARING, THRUST	2							
31	1	129150-01200	BOLT, HEAD	18							
32	1	129407-01340	GASKET, HEAD	1							
33	1	129004-01190	SPACER	1							
34	1	129150-02871	BEARING, 0.25 US	5							1
37	1	129150-02941	BEARING, THRUST 0.25	1							2

Remarks

- (1) UNDER-SIZE(U.S=0.25)PART.
- (2) OVER-SIZE(O.S=0.25)PART.
- (3) REPAIR PART.

Fig.2. GEAR HOUSING



(A)=4TNV88-QTBC
(B)=
(C)=

(D)=
(E)=
(F)=

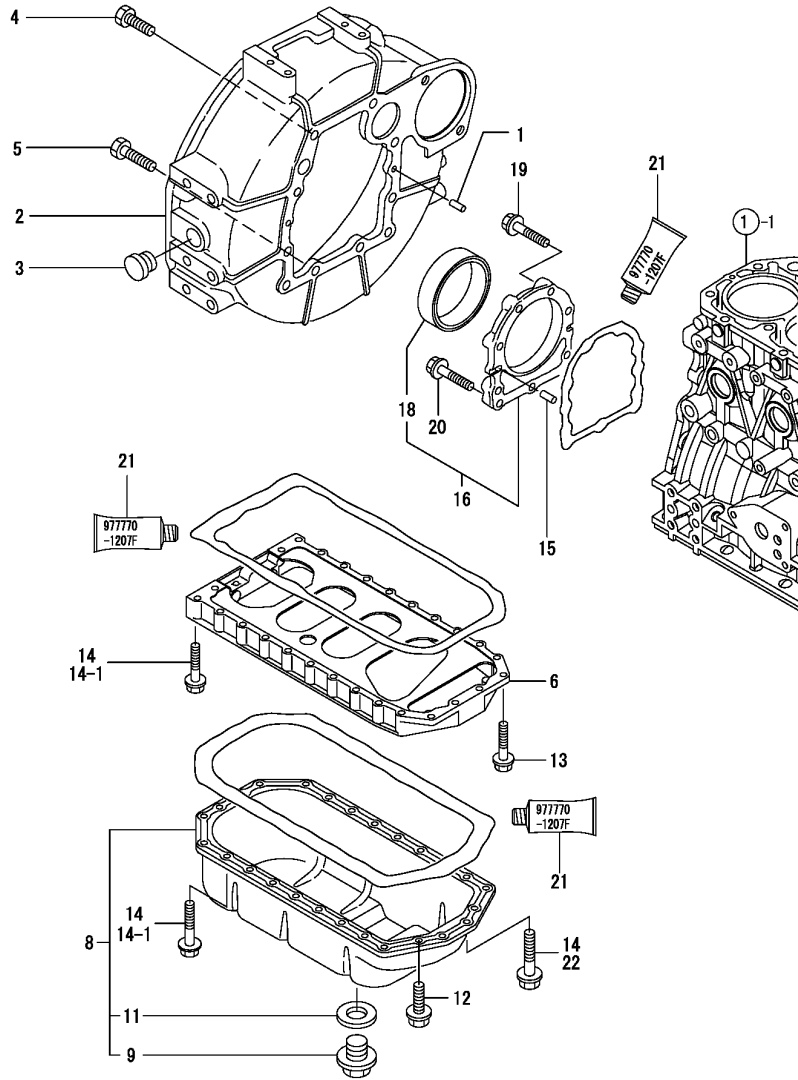
No.	Lev.	Parts No.	Description	Q'ty						I	R
				(A)	(B)	(C)	(D)	(E)	(F)		
1	1	729240-01500	CASE ASSY, GEAR	1							
4	2	23876-030000	PLUG, R03	1							
5	2	23876-040000	PLUG, R04	1							
6	2	119934-01800	SEAL, OIL	1							
7	1	119802-32100	COVER ASSY	1							
8	2	119802-32070	COVER	1							
9	2	129900-32130	VALVE, RELIEF	1							
10	2	129418-32320	SPRING	1							
11	2	129001-32330	PLUG	1							
12	1	119802-01520	FLANGE, GEAR CASE	1							
13	1	119802-01561	STUD, M8X25	3							
14	1	124160-01751	COVER, FILLER	1							
15	1	124240-01871	COVER	1							
16	1	129795-01950	PIPE, KNOCK L=18	2							
17	1	119609-32040	O-RING, P16	4							
18	1	119802-32111	ROTOR, INNER	1							
19	1	119802-32120	ROTOR, OUTER	1							
20	1	119802-32130	SCREW, M6X16	7							
21	1	121850-51960	O-RING	1							
22	1	129001-91841	BOLT, M8X85	3							
23	1	24311-000320	O-RING, 1AP32.0	1							
24	1	26106-080162	BOLT, M8X 16 PLATED	4							
25	1	26106-080162	BOLT, M8X 16 PLATED	3							
26	1	26106-080552	BOLT, M8X 55 PLATED	12							
27	1	121023-01551	COVER	1							
28	1	24341-000240	O-RING, 1AS24.0	1							
29	1	26106-060162	BOLT, M6X 16 PLATED	2							
30	1	977770-1207F	GASKET.LIQUID	1							1
31	1	26306-080002	NUT, M8	3							

Remarks
(1) OPTIONAL PART.

Fig.3. FYLWHEEL HOUSING & OIL SUMP

(A)=4TNV88-QTBC
(B)=
(C)=

(D)=
(E)=
(F)=



No.	Lev.	Parts No.	Description	Q'ty						I	R
				(A)	(B)	(C)	(D)	(E)	(F)		
1	1	129100-01580	PIN, M8X16	2							
2	1	129612-01600	HOUSING, FLYWHEEL	1							
3	1	119620-01750	CAP	1							
4	1	26206-100252	BOLT, M10X 25 PLATED	6							
5	1	26206-100302	BOLT, M10X 30 PLATED	4							
6	1	129400-01730	SPACER, OIL SUMP	1							
8	1	129400-01770	SUMP ASSY, OIL	1							
8-1	1	129688-01780	OIL PAN ASSY, DEEP	1							N
(A=EN0246)											
9	2	119640-01640	PLUG, DRAIN M22	1							
11	2	22190-220002	WASHER, SEAL 22	1							
12	1	26106-080162	BOLT, M8X 16 PLATED	4							
13	1	26106-080252	BOLT, M8X 25 PLATED	2							
14	1	26106-080452	BOLT, M8X 45 PLATED	24							
14-1	1	26106-080452	BOLT, M8X 45 PLATED	20							K
(A=FROM 1ST)											
15	1	129100-01580	PIN, M8X16	2							
16	1	129100-01640	CASE ASSY, OIL SEAL	1							
18	2	129795-01780	SEAL, OIL	1							
19	1	129486-01670	BOLT, M8X30	6							
20	1	26106-080352	BOLT, M8X 35 PLATED	3							
21	1	977770-1207F	GASKET.LIQUID	1							1
22	1	26106-080502	BOLT, M8X 50 PLATED	4							W
(A=FROM 1ST)											

Remarks

(1) OPTIONAL PART.

Fig.4. CYLINDER HEAD & BONNET

(A)=4TNV88-QTBC

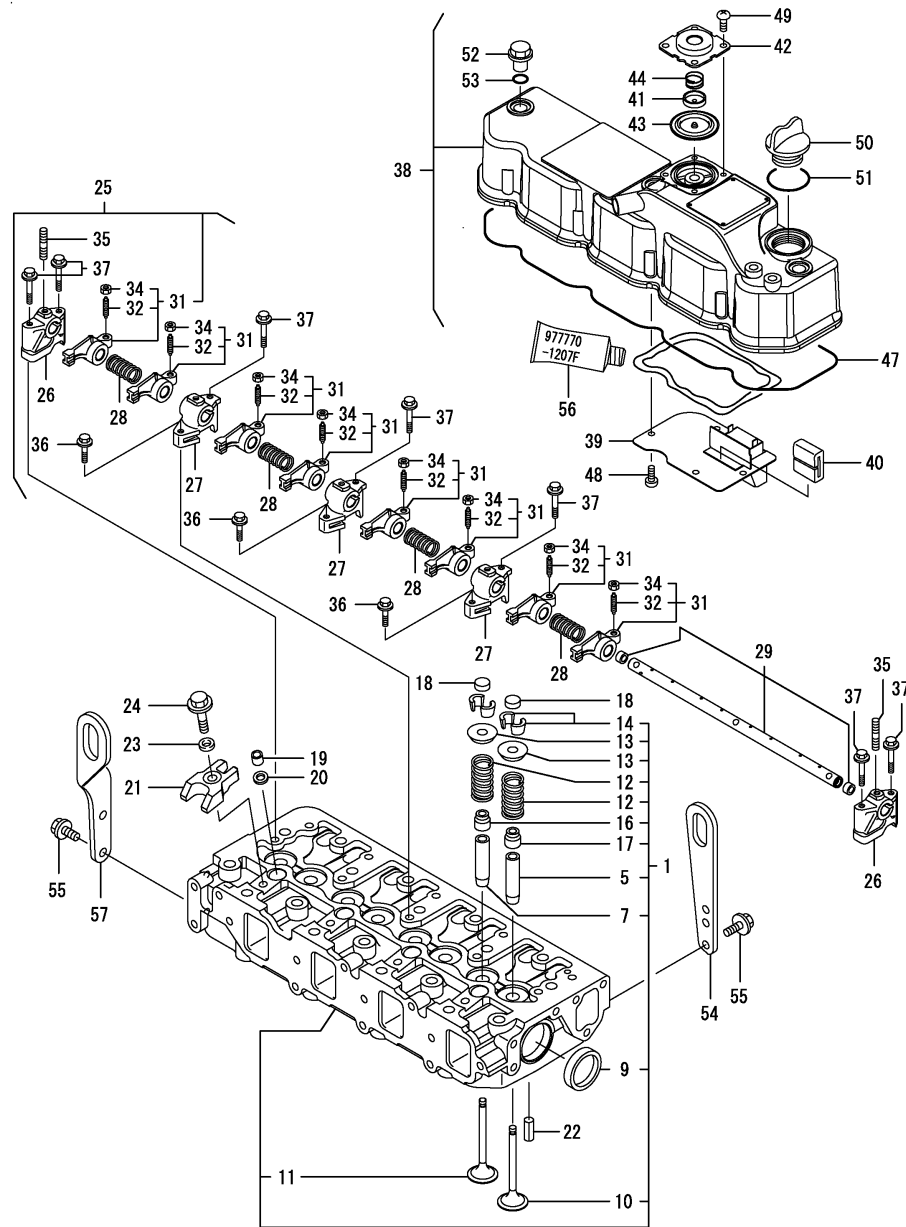
(B)=

(C)=

(D)=

(E)=

(F)=



No.	Lev.	Parts No.	Description	Q'ty						I	R
				(A)	(B)	(C)	(D)	(E)	(F)		
1	1	129601-11700	HEAD ASSY, CYLINDER	1							
5	2	120130-11860	GUIDE, VALVE	4							1
7	2	129150-11810	GUIDE, VALVE	4							1
9	2	27241-400000	PLUG, 40	2							
10	2	129004-11130	VALVE, INTAKE	4							
11	2	129100-11112	VALVE, EXHAUST	4							
12	2	129795-11120	SPRING, VALVE	8							
13	2	129795-11180	RETAINER, SPRING	8							
14	2	27310-080001	COTTER, 8	8							
16	2	121400-11340	SEAL, VALVE STEM	4							
17	2	124460-11340	SEAL, VALVE STEM	4							
18	1	129150-11370	CAP, VALVE	8							
19	1	119802-11870	PROTECTOR, NOZZLE	4							
20	1	119625-11880	SEAT, NOZZLE	4							
21	1	129004-11900	RETAINER, NOZZLE	4							
22	1	22351-060012	PIN, SPRING 6.0X12	2							
23	1	120270-54410	WASHER, INJECTOR	4							
24	1	26106-080352	BOLT, M8X 35 PLATED	4							
25	1	129601-11241	SHAFT ASSY, ROCKER	1							
26	2	119802-11260	SUPPORT, ROCKER ARM	2							
27	2	119802-11270	SUPPORT, ROCKER ARM	3							
28	2	129150-11280	SPRING	4							
29	2	129601-11251	SHAFT, ROCKER ARM	1							
31	2	129004-11650	ARM, ROCKER	8							
32	3	129150-11230	SCREW, VALVE ADJUST	8							
34	3	129150-11750	NUT, M8	8							
35	2	26226-080182	STUD, M8X 18	3							
36	1	26106-080252	BOLT, M8X 25 PLATED	3							
37	1	26106-080502	BOLT, M8X 50 PLATED	7							
38	1	129601-11350	BONNET ASSY, HEAD	1							
39	2	129004-03010	PLATE	1							
40	2	129150-03070	BAFFLE, BREATHER	1							
41	2	119802-03110	PLATE	1							
42	2	119802-03121	COVER, DIAPHRAGM	1							
43	2	119802-03130	DIAPHRAGM	1							
44	2	119802-03141	SPRING, DIAPHRAGM	1							
47	2	129601-11310	GASKET, BONNET	1							
48	2	22857-500100	SCREW, 5X10	4							
49	2	22857-500100	SCREW, 5X10	4							
50	1	124160-01751	COVER, FILLER	1							
51	1	24311-000320	O-RING, 1AP32.0	1							
52	1	124160-11360	KNOB	3							
53	1	24311-000120	O-RING, 1AP12.0	3							
54	1	129900-07900	LIFTER	1							
55	1	26106-080142	BOLT, M8X 14 PLATED	4							
56	1	977770-1207F	GASKET.LIQUID	1							2
57	1	129910-07900	LIFTER	1							

Remarks

- (1) REPAIR PARTS.
- (2) OPTIONAL PART.

Fig.5. SUCTION MANIFOLD & AIR CLEANER

(A)=4TNV88-QTBC

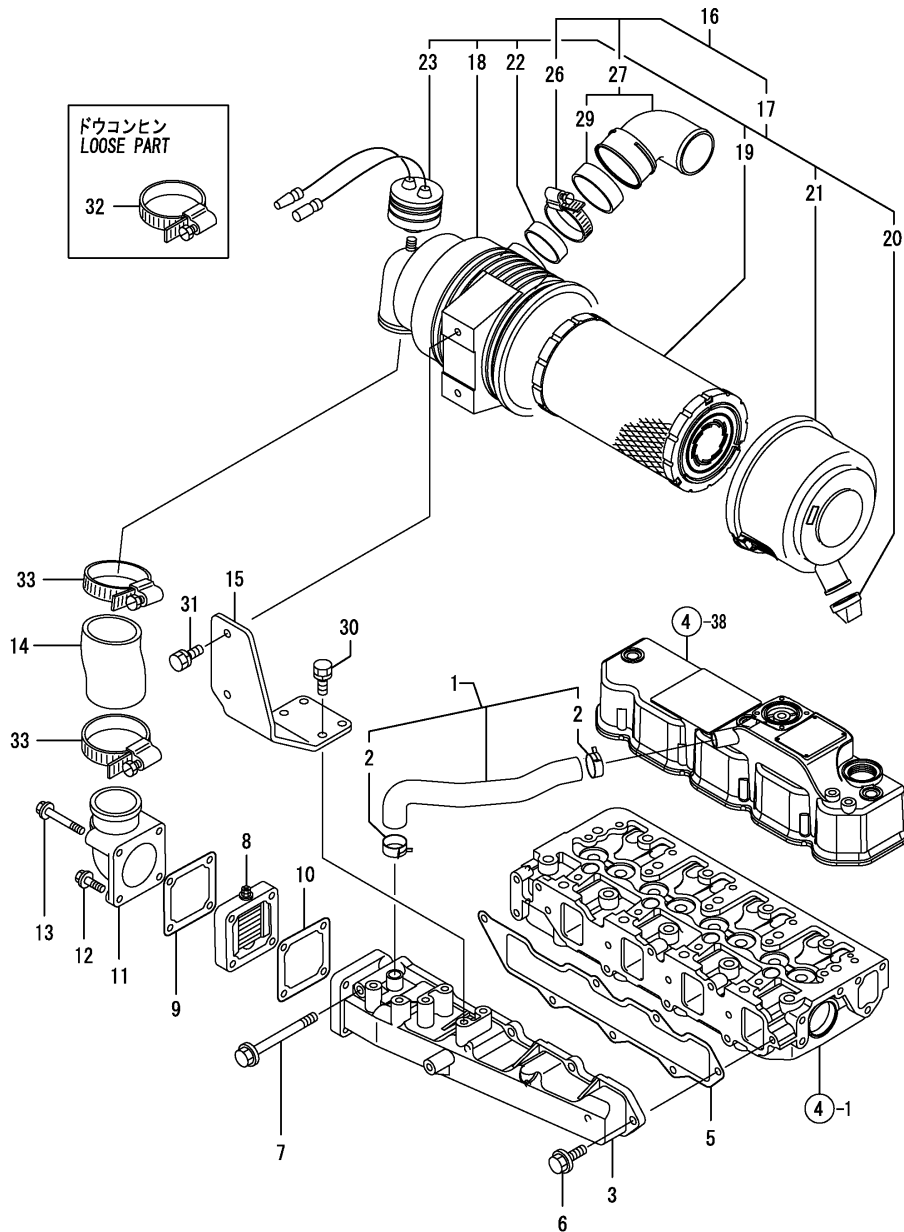
(B)=

(C)=

(D)=

(E)=

(F)=

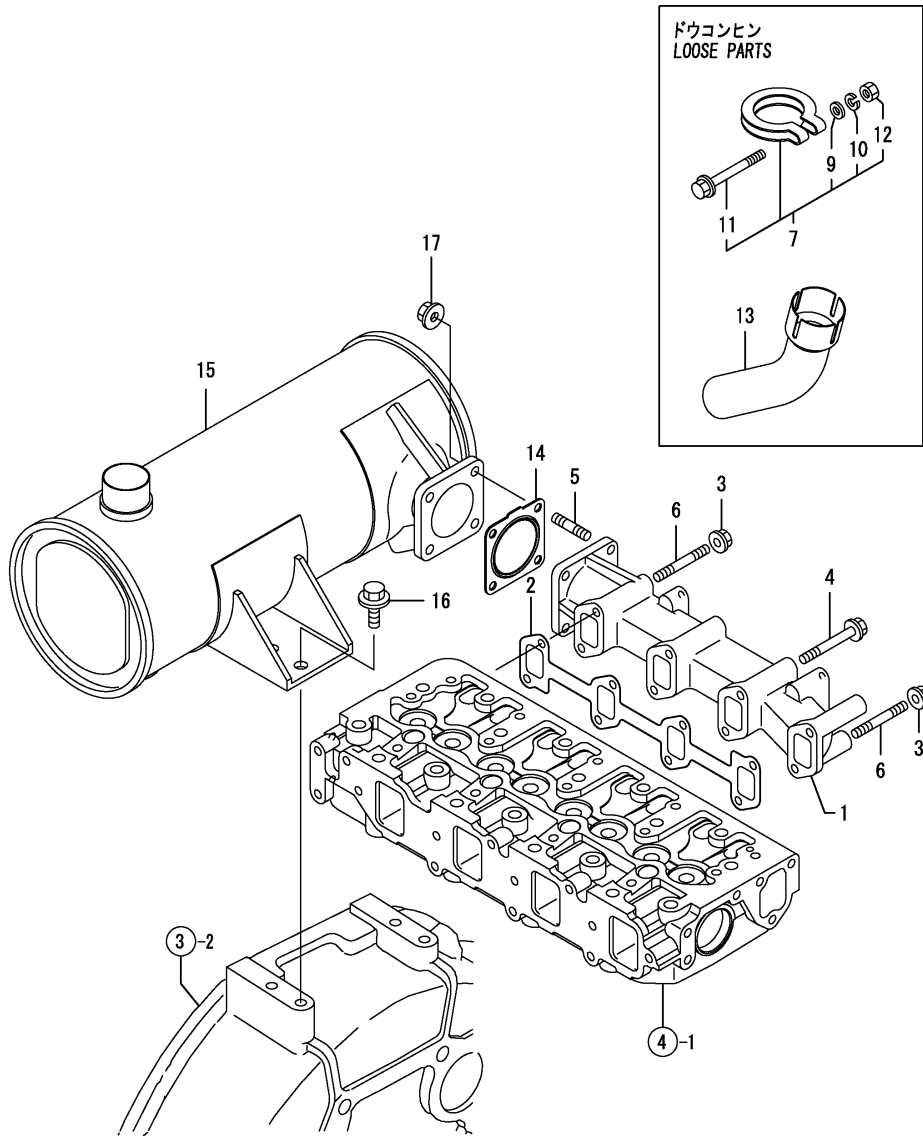


No.	Lev.	Parts No.	Description	Q'ty						I	R
				(A)	(B)	(C)	(D)	(E)	(F)		
1	1	129601-03080	PIPE , BREATHER	1							
2	2	129410-03990	CLAMP 22	2							
3	1	129601-12100	MANIFOLD, AIR INTAKE	1							
5	1	129407-12110	GASKET, MANIFOLD	1							
6	1	26106-080202	BOLT, M8X 20 PLATED	6							
7	1	26106-080802	BOLT, M8X 80 PLATED	1							
8	1	129100-77500	HEATER, AIR 12V	1							
9	1	129100-77510	GASKET, AIR HEATER	1							
10	1	129150-77511	GASKET	1							
11	1	171340-77520	BEND	1							
12	1	26106-080402	BOLT, M8X 40 PLATED	2							
13	1	26106-080802	BOLT, M8X 80 PLATED	2							
14	1	119910-12210	PIPE, AIR INTAKE	1							
15	1	119802-12560	BRACKET, AIR CLEANER	1							
16	1	129612-12681	CLEANER ASSY, AIR	1							
17	2	129612-12691	CLEANER ASSY, AIR	1							
18	3	119910-12510	BODY, AIR CLEANER	1							
19	3	119808-12520	ELEMENT	1							
20	3	119808-12540	VALVE, UNLOADER	1							
21	3	119866-12541	COVER ASSY	1							
22	3	129259-12570	RING	1							
23	3	129953-12620	INDICATOR ASSY	1							
26	2	23000-060000	CLAMP, 60	1							
27	2	129612-12560	ELBOW	1							
29	3	129612-12590	GASKET	1							
30	1	26013-080222	BOLT, M8X 22	4							
31	1	26013-080222	BOLT, M8X 22	2							
32	1	23000-060000	CLAMP, 60	1							
33	1	23000-060000	CLAMP, 60	2							

Fig.6. EXHAUST MANIFOLD & SILENCER

(A)=4TNV88-QTBC
(B)=
(C)=

(D)=
(E)=
(F)=

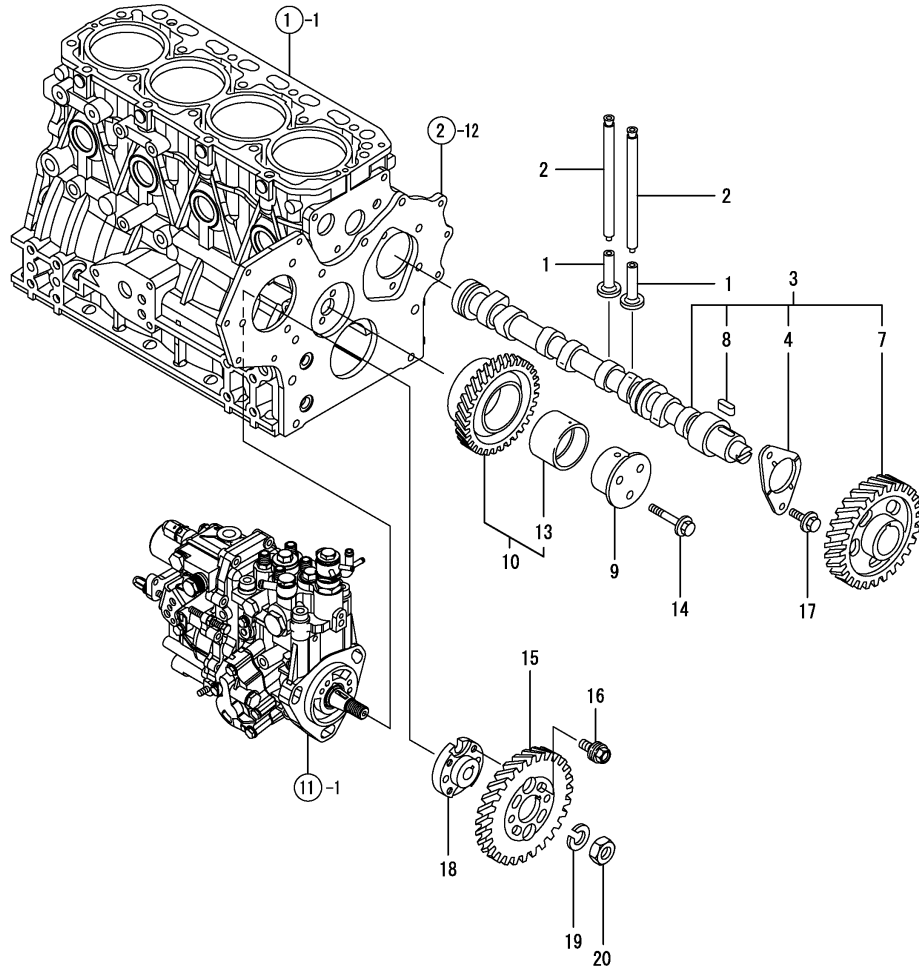


No.	Lev.	Parts No.	Description	Q'ty						I	R
				(A)	(B)	(C)	(D)	(E)	(F)		
1	1	129640-13109	MANIFOLD, EXHAUST	1							
2	1	129550-13110	GASKET	1							
3	1	26306-080002	NUT, M8	2							
4	1	123900-13630	BOLT, M8X80	6							
5	1	119131-18320	STUD, M8X22	4							
6	1	123900-13610	STUD, M8X80	2							
7	1	129642-13590	CLAMP ASSY	1							
9	2	22117-100000	WASHER, 10	1							
10	2	22217-100000	WASHER, SPRING 10	1							
11	2	26106-100652	BOLT, M10X 65 PLATED	1							
12	2	26706-100002	NUT, M10	1							
13	1	129642-13650	PIPE	1							
14	1	129930-13201	GASKET, SILENCER	1							
15	1	129642-13520	SILENCER	1							
16	1	26106-100202	BOLT, M10X 20 PLATED	2							
17	1	26306-080002	NUT, M8	4							

Fig.7. CAMSHAFT & DRIVING GEAR

(A)=4TNV88-QTBC
(B)=
(C)=

(D)=
(E)=
(F)=



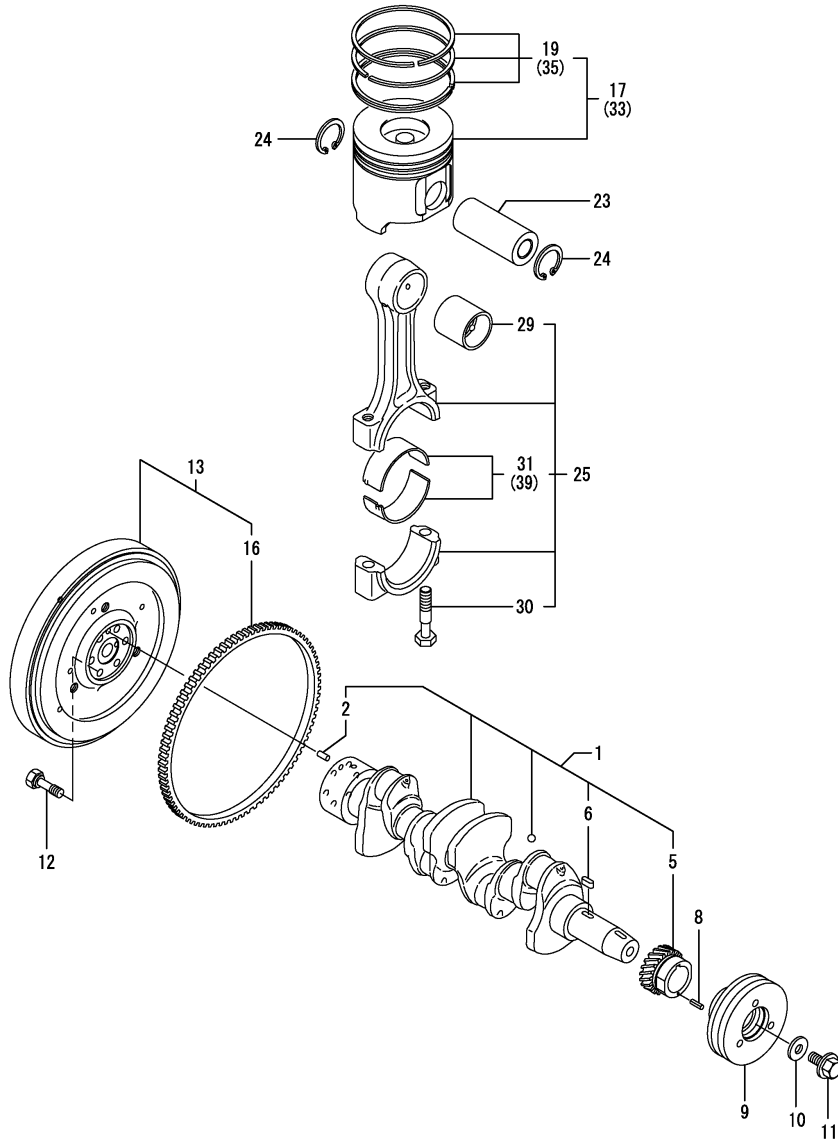
No.	Lev.	Parts No.	Description	Q'ty						I	R
				(A)	(B)	(C)	(D)	(E)	(F)		
1	1	129150-14200	TAPPET	8							
2	1	129150-14400	ROD, PUSH L=178	8							
3	1	729402-14580	CAMSHAFT ASSY	1							
4	2	129150-02450	BEARING, THRUST	1							
7	2	129150-14101	GEAR, CAMSHAFT	1							
8	2	22512-070140	KEY, 7X 14	1							
9	1	119802-25051	SHAFT, IDLE	1							
10	1	119802-25101	GEAR ASSY, IDLE	1							
13	2	119802-25071	BUSH, IDLE GEAR	1							1
14	1	26106-080402	BOLT, M8X 40 PLATED	3							
15	1	119802-25901	GEAR, PUMP	1							
16	1	129150-25301	BOLT	4							
17	1	26106-080142	BOLT, M8X 14 PLATED	2							
18	1	158552-51151	FLANGE	1							
19	1	22217-140000	WASHER, SPRING 14	1							
20	1	26776-140002	NUT, LOCK M14	1							

Remarks
(1) REPAIR PART.

Fig.8. CRANKSHAFT & PISTON

(A)=4TNV88-QTBC
(B)=
(C)=

(D)=
(E)=
(F)=



No.	Lev.	Parts No.	Description	Q'ty						I	R
				(A)	(B)	(C)	(D)	(E)	(F)		
1	1	129601-21002	CRANKSHAFT ASSY	1							
2	2	129100-01580	PIN, M8X16	1							
5	2	119802-21202	GEAR, CRANKSHAFT	1							
6	2	22512-070140	KEY, 7X 14	1							
8	1	22351-030010	PIN, SPRING 3.0X10	1							
9	1	119802-21660	V-PULLEY, 120	1							
10	1	129795-21661	WASHER	1							
11	1	121850-21680	BOLT	1							
12	1	121111-21501	BOLT, FLYWHEEL	6							
13	1	129642-21590	FLYWHEEL ASSY	1							
16	2	119865-21600	GEAR, RING	1							
17	1	129005-22080	PISTON ASSY	4							
19	2	129005-22500	RING SET, PISTON	4							
23	1	129202-22300	PIN, PISTON D26 L70	4							
24	1	22252-000260	RING, 26	8							
25	1	729402-23100	ROD ASSY, CONNECTING	4							
29	2	129100-23910	BEARING, PISTON PIN	4							1
30	2	121550-23200	BOLT, CONNECTING ROD	8							
31	2	129150-23601	BEARING, CRANK PIN	4							
33	1	129005-22900	PISTON ASSY, 0.25 OS	4							2
35	2	129005-22950	RING SET, 0.25 OS	4							2
39	1	129150-23611	BEARING, 0.25 US	4							3

Remarks

- (1) REPAIR PART.
- (2) OVER-SIZE(O.S=0.25)PART.
- (3) UNDER-SIZE(U.S=0.25)PART.

Fig.9. LUB.OIL SYSTEM

(A)=4TNV88-QTBC

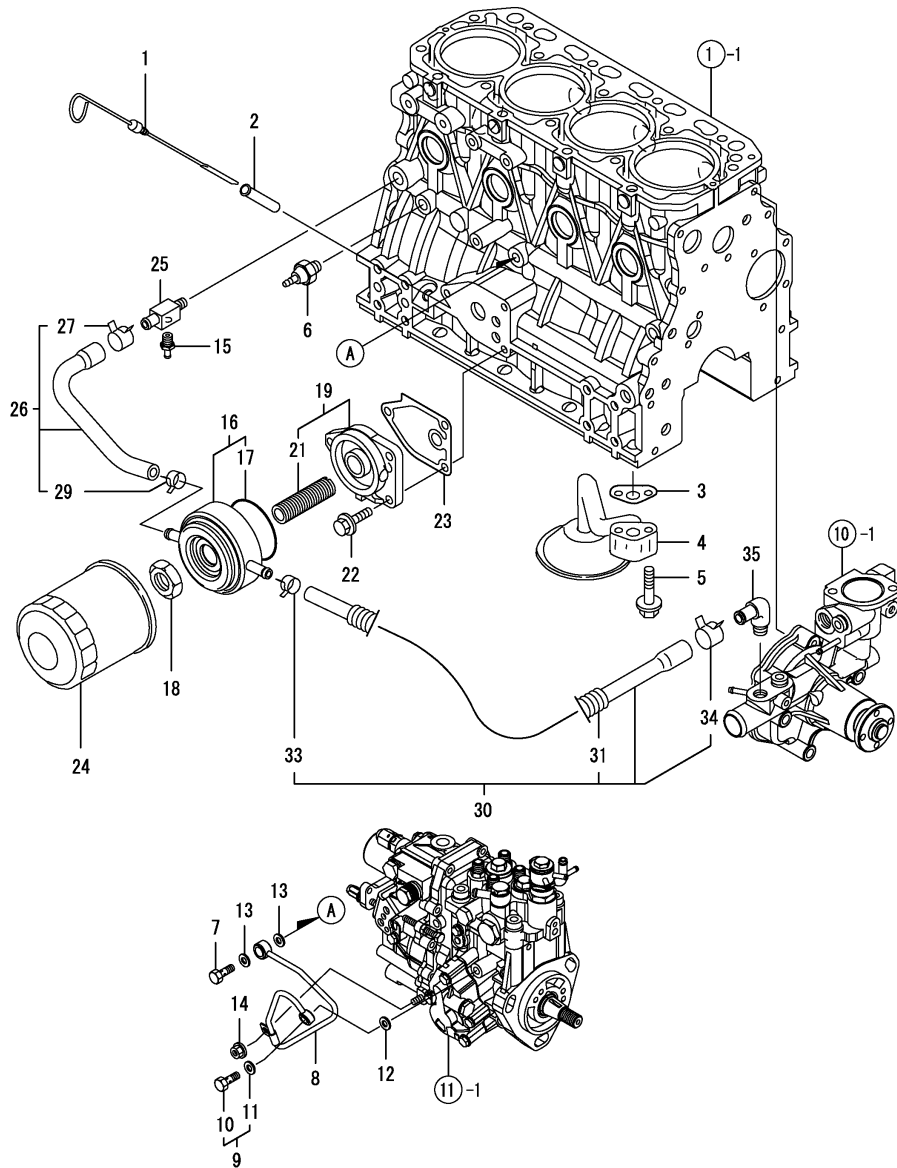
(B)=

(C)=

(D)=

(E)=

(F)=



No.	Lev.	Parts No.	Description	Q'ty						I	R
				(A)	(B)	(C)	(D)	(E)	(F)		
1	1	129004-34802	DIPSTICK, OIL	1							
2	1	121520-34810	GUIDE, DIPSTICK	1							
3	1	129150-35042	GASKET	1							
4	1	129436-35091	PIPE ASSY, OIL INLET	1							
5	1	26106-080352	BOLT, M8X 35 PLATED	2							
6	1	114250-39450	SWITCH, 0.5KG	1							
7	1	124160-39140	BOLT, PIPE JOINT M10	1							
8	1	119802-39450	PIPE ASSY, OIL	1							
9	1	129005-59830	BOLT ASSY, JOINT M8	1							
10	2	23857-030000	BOLT, JOINT 3	1							
11	2	22190-080002	WASHER, SEAL 6	1							
12	1	22190-080002	WASHER, SEAL 6	1							
13	1	22190-100002	WASHER, SEAL 10	2							
14	1	26366-060002	NUT, M6	1							
15	1	121550-49111	JOINT, PT1/4	1							
16	1	129508-33010	COOLER ASSY, OIL	1							
17	2	129508-33050	O-RING	1							
18	1	129417-33110	NUT	1							
19	1	129006-35100	BRACKET ASSY, FILTER	1							
21	2	129417-35150	STUD, L=67	1							
22	1	26106-080202	BOLT, M8X 20 PLATED	3							
23	1	129150-35111	GASKET	1							
24	1	119005-35151	FILTER, D80X100L	1							1
25	1	129006-44480	JOINT	1							
26	1	129508-49030	PIPE ASSY, WATER	1							
27	2	171008-03990	CLIP, HOSE 18.5	1							
29	2	23080-015000	CLAMP, 15	1							
30	1	129508-49040	PIPE ASSY, WATER	1							
31	2	119940-59130	TUBE, CORRUGATED	1							
33	2	23080-015000	CLAMP, 15	1							
34	2	23080-018000	CLAMP, 18	1							
35	1	129103-49301	ELBOW, PT1/4	1							

Remarks

(1) REPAIR PART.

N:Old $\begin{matrix} \leftarrow \text{Yes} \\ \text{No} \end{matrix}$ New, Q:Old $\begin{matrix} \leftarrow \text{No} \\ \text{Yes} \end{matrix}$ New, R:Old $\begin{matrix} \leftarrow \text{Yes} \\ \text{Yes} \end{matrix}$ New, S:Old $\begin{matrix} \leftarrow \text{No} \\ \text{No} \end{matrix}$ New, W:Add, Z:Discontinued, F:Interchangeable by set, K:Q'ty Change

Fig.10. COOLING WATER SYSTEM

(A)=4TNV88-QTBC

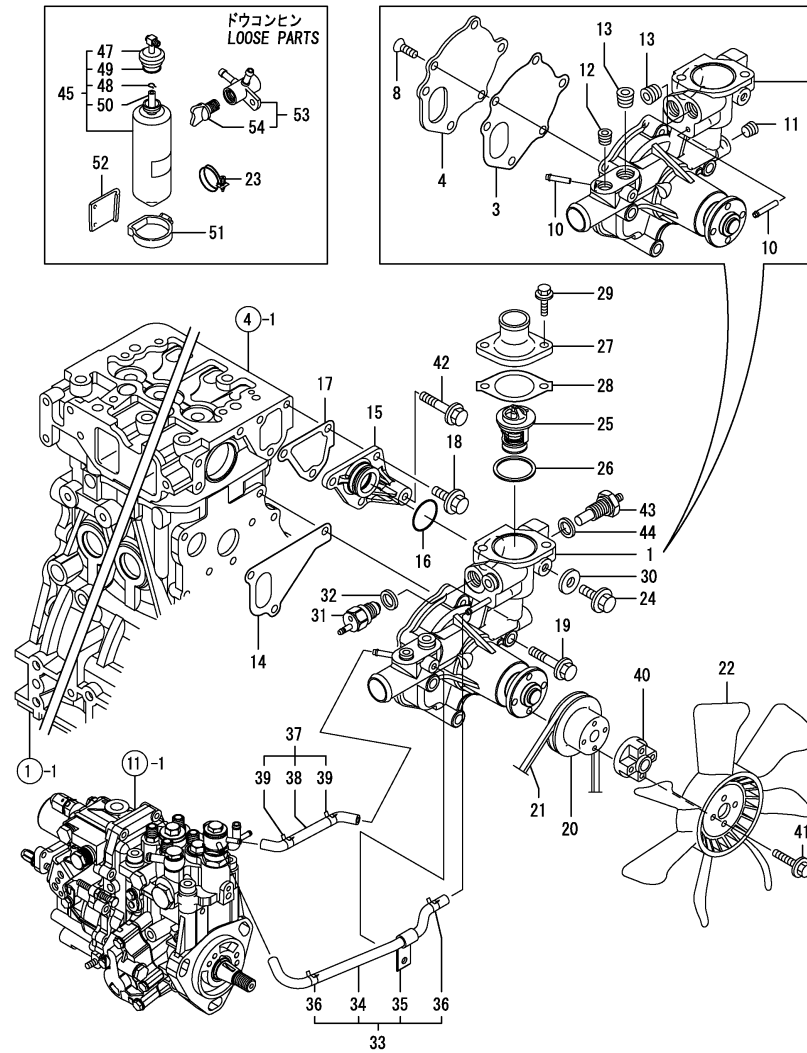
(B)=

(C)=

(D)=

(E)=

(F)=



No.	Lev.	Parts No.	Description	(A)	(B)	(C)	(D)	(E)	(F)	Q'ty	I	R
1	1	129004-42001	PUMP ASSY, WATER	1								
3	2	129100-42051	GASKET, WATER PUMP	1								
4	2	129100-42121	PLATE	1								
8	2	121850-42410	SCREW	3								
10	2	119802-49113	JOINT, PIPE	2								
11	2	23876-010000	PLUG, R01	1								
12	2	23876-020000	PLUG, R02	1								
13	2	129916-49740	PLUG, R03	2								
14	1	129486-42021	GASKET, WATER PUMP	1								
15	1	129004-42040	JOINT	1								
16	1	129486-42140	O-RING, G30	1								
17	1	124395-49840	GASKET	1								
18	1	26106-080162	BOLT, M8X 16 PLATED	3								
19	1	26106-080602	BOLT, M8X 60 PLATED	3								
20	1	129155-42350	V-PULLEY	1								
20-1	1	129403-42380	V-PULLEY, D=110	1							S	1
		(A=EZZZZZ)										
20-2	1	129556-42350	V-PULLEY, 96	1							S	2
		(A=EZZZZZ)										
21	1	25152-003700	V-BELT, A37	1								
21-1	1	129612-42290	V-BELT, A37.5	1							S	1
		(A=EZZZZZ)										
21-2	1	25152-003700	V-BELT, A37	1							S	2
		(A=EZZZZZ)										
22	1	129655-44740	FAN, COOLING D380	1								
23	1	23010-038000	CLAMP, 38	2								
24	1	26106-080122	BOLT, M8X 12 PLATED	1								
25	1	129457-49801	THERMOSTAT, 82	1								
26	1	129150-49811	GASKET, THERMOSTAT	1								
27	1	129350-49530	COVER, THERMOSTAT	1								
28	1	129795-49551	GASKET	1								
29	1	26106-080222	BOLT, M8X 22 PLATED	2								
30	1	23414-080000	GASKET, 8X1.0	1								
31	1	121250-44901	SWITCH, 110	1								
32	1	124465-44950	GASKET, 16	1								
33	1	129004-49610	PIPE ASSY, WATER	1								
34	2	129004-49711	PIPE ASSY, WATER	1								
35	2	119802-49730	RETAINER, PIPE	1								
36	2	124722-59050	CLIP, HOSE 9	2								
37	1	129004-49620	PIPE ASSY, WATER	1								
38	2	129004-49721	PIPE ASSY, WATER	1								
39	2	124722-59050	CLIP, HOSE 9	2								
40	1	121267-44760	SPACER	1								
41	1	26106-060302	BOLT, M6X 30 PLATED	4								
42	1	26106-080452	BOLT, M8X 45 PLATED	1								
43	1	119266-49350	SWITCH	1								
44	1	129150-49360	GASKET	1								
45	1	171064-44510	TANK ASSY, SUB	1								
47	2	121450-44531	CAP	1								
48	2	124450-44560	RETAINER	1								
49	2	121470-44581	GASKET	1								

Remarks

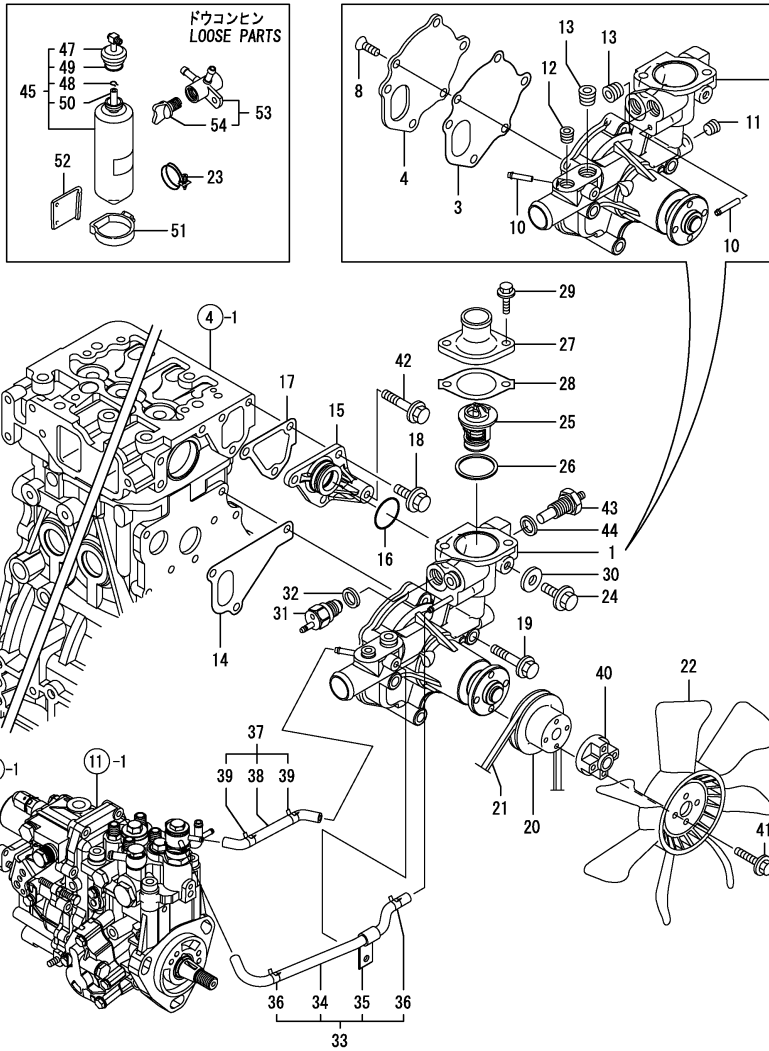
(1)Interchangeable by simultaneous replacement with No.20-1 and No.21-1.

(1)Interchangeable by simultaneous replacement with No.20-2 and No.21-2.

Fig.10. COOLING WATER SYSTEM

(A)=4TNV88-QTBC
(B)=
(C)=

(D)=
(E)=
(F)=



No.	Lev.	Parts No.	Description	Q'ty						I	R
				(A)	(B)	(C)	(D)	(E)	(F)		
50	2	23065-070225	HOSE 7X 225	1							
51	1	124450-44550	BAND	1							
52	1	121256-44600	BRACKET, SUB TANK	1							
53	1	129150-49100	COCK ASSY, 3-WAY	1							
54	2	129150-49080	COCK, DRAIN	1							

Remarks

(1)Interchangeable by simultaneous replacement with No.20-1 and No.21-1.

(1)Interchangeable by simultaneous replacement with No.20-2 and No.21-2.

Fig.11. FUEL INJECTION PUMP

(A)=4TNV88-QTBC

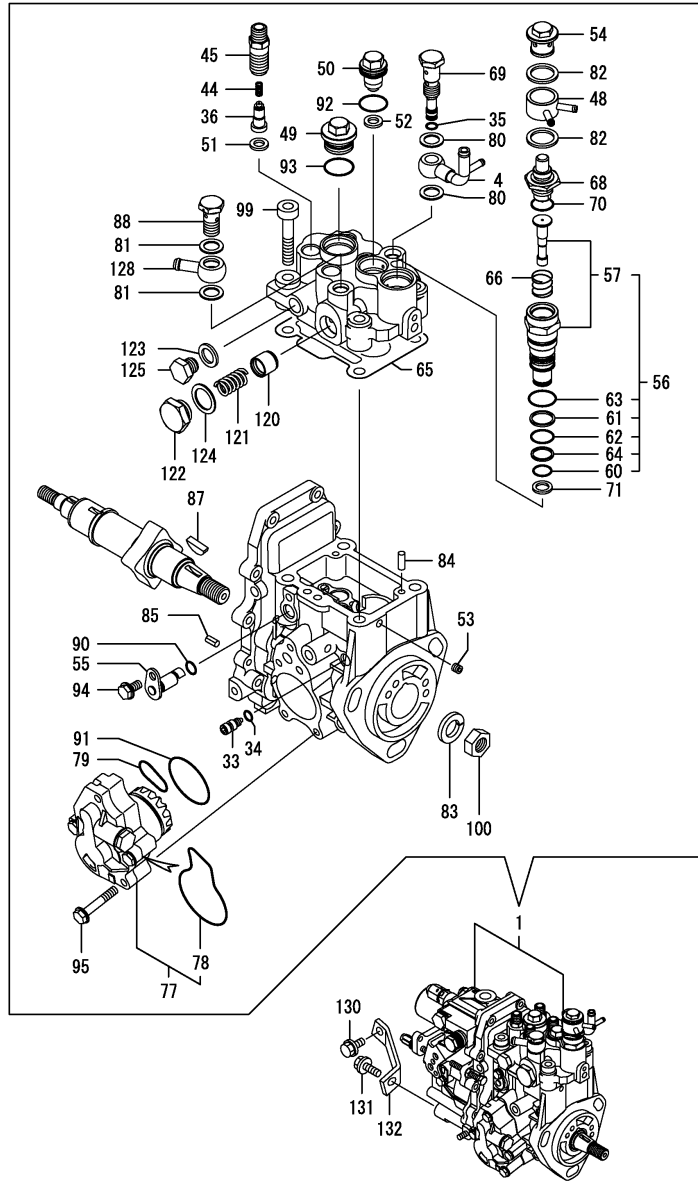
(B)=

(C)=

(D)=

(E)=

(F)=



No.	Lev.	Parts No.	Description	Q'ty						I	R
				(A)	(B)	(C)	(D)	(E)	(F)		
1	1	729642-51410	PUMP ASSY, INJECTION	1							1
4	2	158552-51670	JOINT, OVER FLOW	1							
33	2	158600-51270	STOPPER, TAPPET	1							
34	2	158563-51281	O-RING, 4D S6	1							
35	2	158563-51281	O-RING, 4D S6	1							
36	2	158560-51300	VALVE ASSY, DELIVERY	4							
44	2	158563-51330	SPRING, DELIVERY	4							
45	2	158601-51340	HOLDER, DELIVERY	4							
48	2	158553-51551	JOINT	1							
49	2	158601-51550	PLUG	1							
50	2	119802-51560	PLUG, BARREL	1							
51	2	158552-51570	GASKET	4							
52	2	158552-51570	GASKET	1							
53	2	158557-51570	PLUG	1							
54	2	158601-51570	PLUG	1							
55	2	158552-51580	LIFTER	1							
56	2	119802-51590	TIMER SET	1							
57	3	119802-51600	TIMER ASSY	1							
60	3	158553-51670	O-RING, 1011	1							
61	3	119802-51680	RING, BACK UP	1							
62	3	119802-51690	O-RING	1							
63	3	24356-010200	O-RING, 4D1020	1							
64	3	24372-000150	RING, BACK UP T2P15	1							
65	2	158552-51600	GASKET	1							
66	2	158553-51630	SPRING, TIMER	1							
68	2	158553-51640	ELEMENT	1							
69	2	158601-51650	JOINT, OVER FLOW	1							
70	2	158553-51660	O-RING, P14	1							
71	2	158553-51680	GASKET	1							
77	2	158552-52100	PUMP ASSY, FUEL FEED	1							
78	3	158552-52500	O-RING	1							
79	2	158552-52310	O-RING	1							
80	2	22190-120002	WASHER, SEAL 12	2							
81	2	22190-120002	WASHER, SEAL 12	2							
82	2	22190-180002	WASHER, SEAL 18	2							
83	2	22217-140000	WASHER, SPRING 14	1							
84	2	22312-050140	PIN, PARALLEL M5X14	2							
85	2	22351-050010	PIN, SPRING 5.0X10	2							
87	2	119802-51090	KEY, 4X16	1							
88	2	23857-060000	BOLT, JOINT 6	1							
90	2	24311-000070	O-RING, 1AP7.0	1							
91	2	158552-52400	O-RING, 4E S42	1							
92	2	24356-010180	O-RING, 4D1018	1							
93	2	24356-010200	O-RING, 4D1020	1							
94	2	26106-060102	BOLT, M6X 10 PLATED	1							
95	2	158553-51770	BOLT	4							
99	2	26450-080452	BOLT, M8X 45	4							
100	2	26776-140002	NUT, LOCK M14	1							
120	2	158601-51770	PISTON	1							
121	2	158552-51780	SPRING	1							
122	2	158601-51790	PLUG	1							

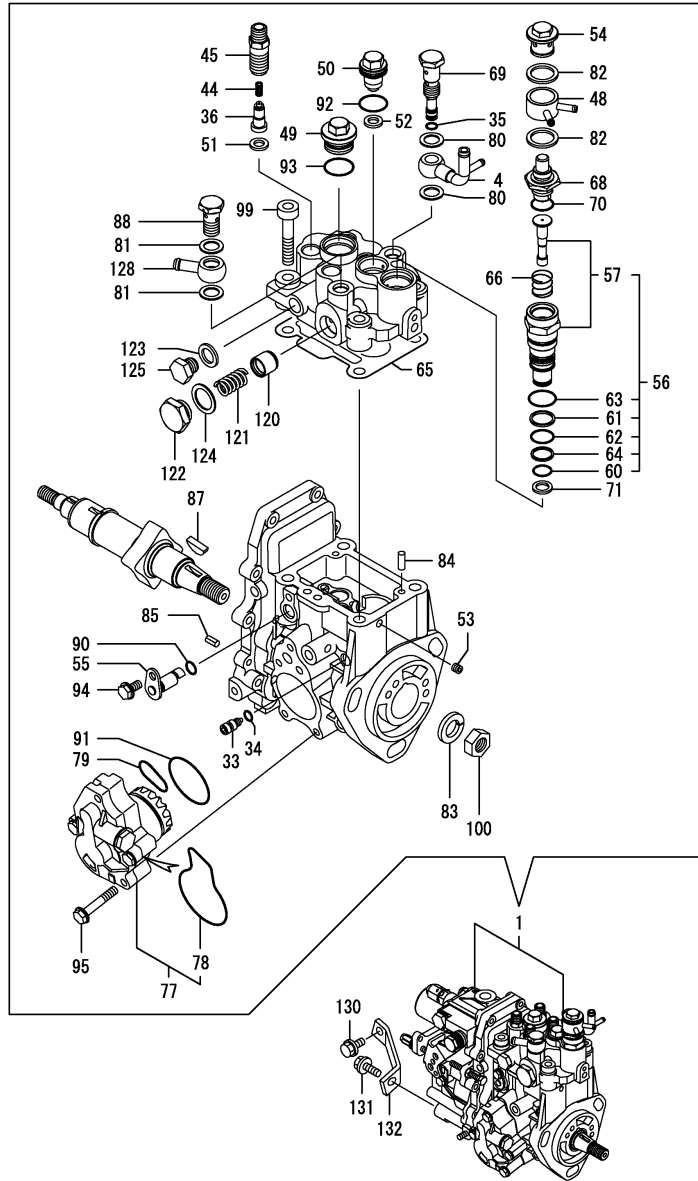
Remarks

(1) GOVERNOR ASSY(FIG.12) IS INCORPORATED IN THIS FOP.CMP (REF.NO.1).

Fig.11. FUEL INJECTION PUMP

(A)=4TNV88-QTBC
(B)=
(C)=

(D)=
(E)=
(F)=



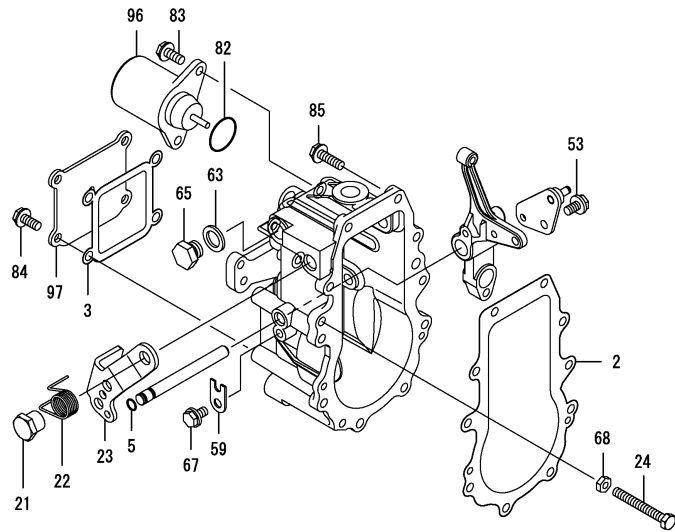
No.	Lev.	Parts No.	Description	Q'ty						I	R
				(A)	(B)	(C)	(D)	(E)	(F)		
123	2	22190-120002	WASHER, SEAL 12	1							
124	2	22190-180002	WASHER, SEAL 18	1							
125	2	23887-120002	PLUG, 12	1							
128	2	129916-59020	JOINT, PIPE 12	1							
130	1	26106-080162	BOLT, M8X 16 PLATED	1							
131	1	26106-080202	BOLT, M8X 20 PLATED	1							
132	1	129601-51250	RETAINER, PUMP	1							

Remarks
(1) GOVERNOR ASSY(FIG.12) IS
INCORPORATED IN THIS FOP.CMP
(REF.NO.1).

Fig.12. GOVERNOR

(A)=4TNV88-QTBC
(B)=
(C)=

(D)=
(E)=
(F)=

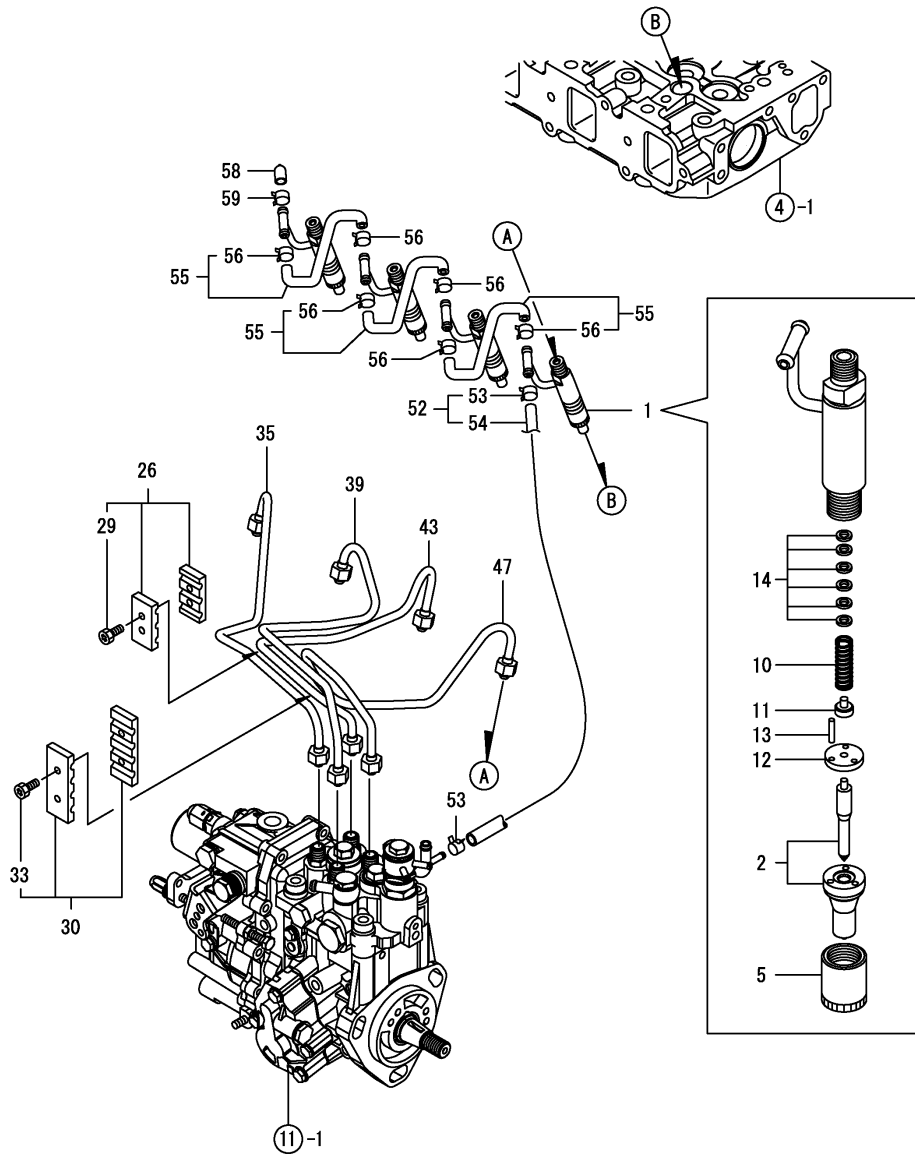


No.	Lev.	Parts No.	Description	Q'ty						I	R
				(A)	(B)	(C)	(D)	(E)	(F)		
2	2	158553-61050	GASKET	1							
3	2	158553-61070	GASKET	1							
5	2	129155-51280	O-RING, S6	1							
21	2	129255-61410	NUT, LOCK	1							
22	2	119807-61420	SPRING, RETURN	1							
23	2	158552-61441	LEVER, REGULATOR	1							
24	2	129155-61460	BOLT, IDLE	1							
53	2	26106-060102	BOLT, M6X 10 PLATED	1							
59	2	119660-61901	RETAINER, SHAFT	1							
63	2	22190-120000	WASHER, SEAL 12	1							
65	2	23887-120002	PLUG, 12	1							
67	2	26106-060102	BOLT, M6X 10 PLATED	1							
68	2	26756-060002	NUT, LOCK M6	1							
82	2	158552-61900	O-RING	1							
83	2	26106-060142	BOLT, M6X 14 PLATED	2							
84	2	26106-060142	BOLT, M6X 14 PLATED	4							
85	2	26106-060202	BOLT, M6X 20 PLATED	10							
96	2	119233-77932	SOLENOID, STOP	1							
97	2	129642-61060	COVER, GOVERNOR CASE	1							

Remarks

(1) SELECTIVE PARTS; CERTAIN THE CLASSIFICATION MARK, THEN PLACE YOUR ORDER. (REF. TO ILLUSTRATION).
* THIS FIGURE (GOVERNOR ASSY) IS INCORPORATED IN THE FUEL INJECTION PUMP ASSY (FIG. 11).

Fig.13. FUEL INJECTION VALVE

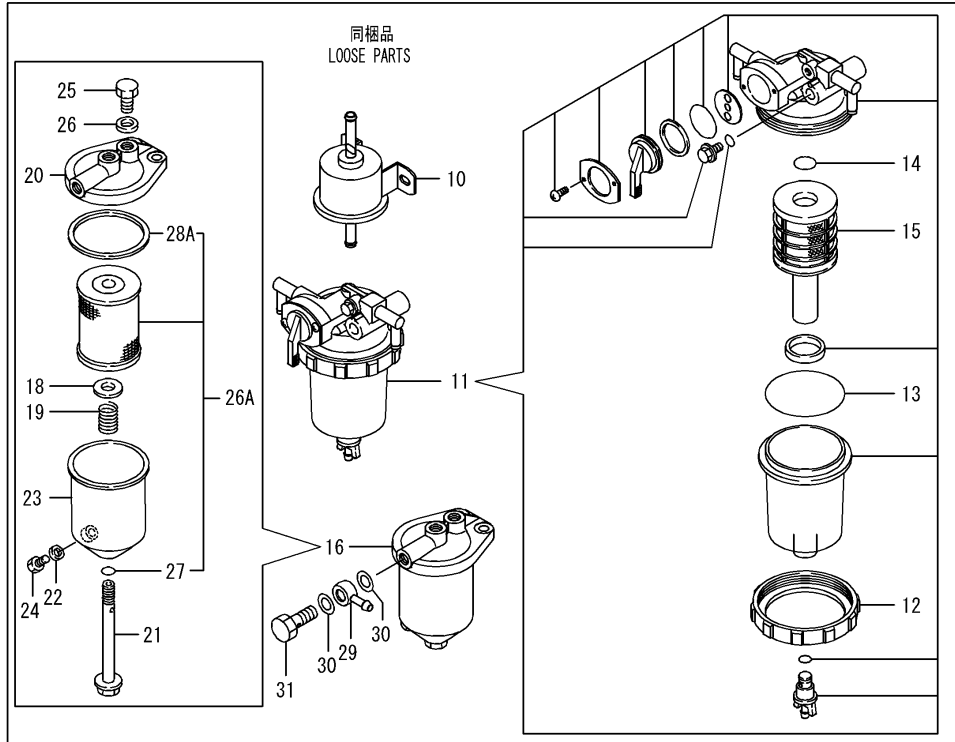
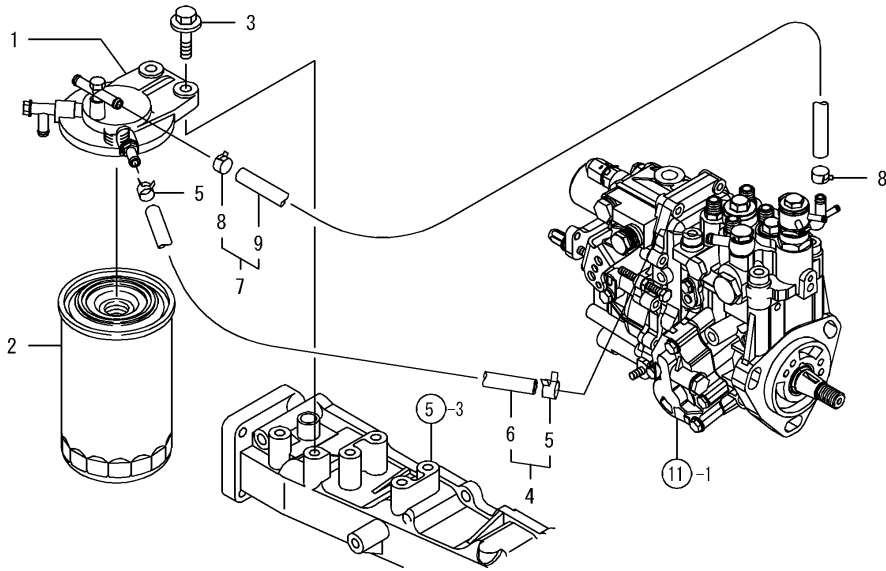


(A)=4TNV88-QTBC
(B)=
(C)=

(D)=
(E)=
(F)=

No.	Lev.	Parts No.	Description	Q'ty						I	R
				(A)	(B)	(C)	(D)	(E)	(F)		
1	1	729642-53100	VALVE ASSY,INJECTION	4							
2	2	129640-53001	VALVE ASSY,INJECTION	4							
5	2	114250-53080	NUT, NOZZLE D16.95	4							
10	2	114250-53120	SPRING, NOZZLE	4							
11	2	114250-53130	SEAT, SPRING	4							
12	2	114250-53140	PLATE	4							
13	2	114250-53210	PIN	8							
14	2	114250-53400	SHIM SET	4							
26	1	129150-59120	RETAINER, PIPE	1							
29	2	129150-59131	BOLT, M4X14	2							
30	1	129550-59120	RETAINER, PIPE	1							
33	2	129150-59131	BOLT, M4X14	2							
35	1	129601-59810	PIPE ASSY, INJECTION	1							
39	1	129601-59820	PIPE ASSY, INJECTION	1							
43	1	129601-59830	PIPE ASSY, INJECTION	1							
47	1	129601-59840	PIPE ASSY, INJECTION	1							
52	1	119802-59550	PIPE ASSY, RETURN	1							
53	2	124722-59050	CLIP, HOSE 9	2							
54	2	119802-59560	PIPE, FUEL RETURN	1							
55	1	129486-59551	PIPE ASSY, RETURN	3							
56	2	124722-59050	CLIP, HOSE 9	6							
58	1	119593-59581	CAP	1							
59	1	124060-77680	CLIP, HOSE 10	1							

Fig.14. FUEL LINE

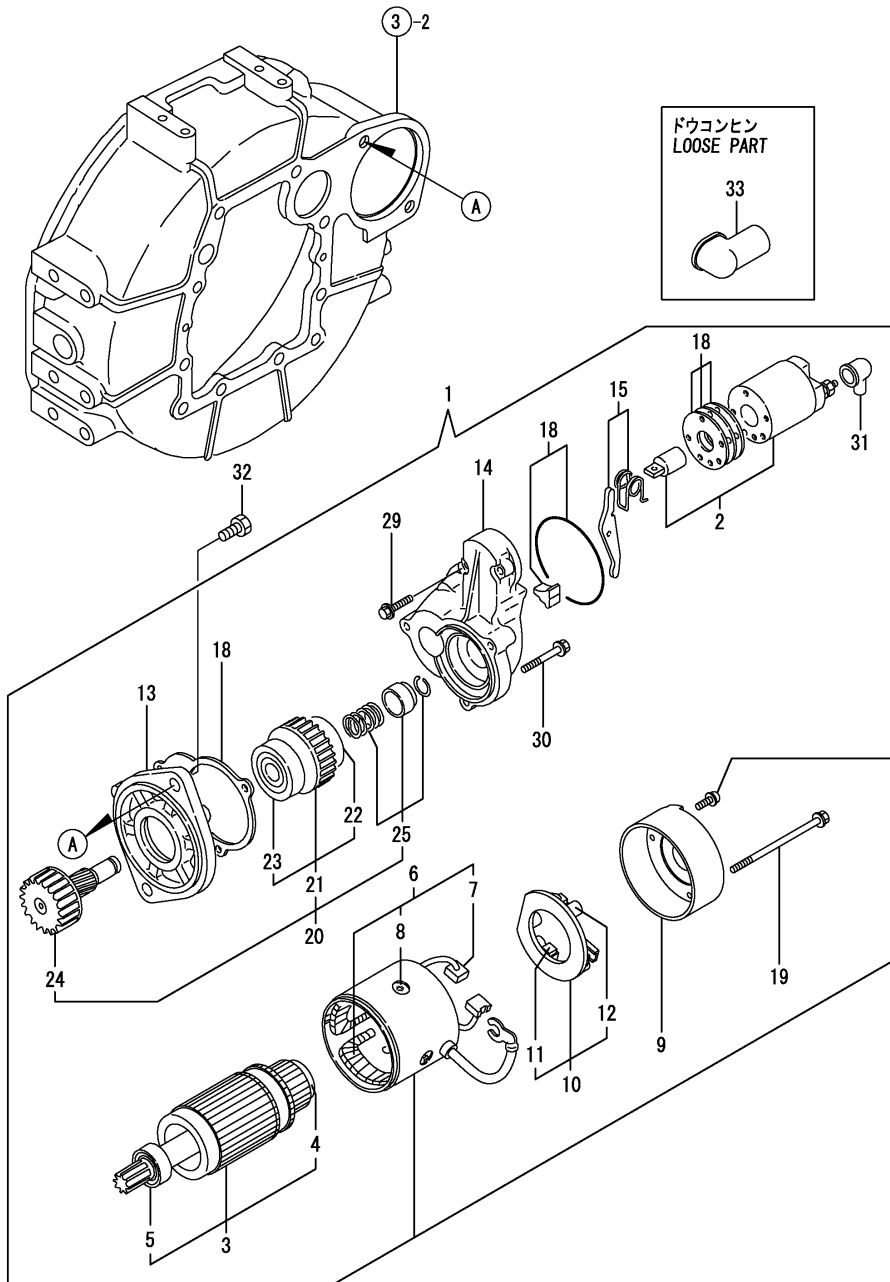


(A)=4TNV88-QTBC
(B)=
(C)=

(D)=
(E)=
(F)=

No.	Lev.	Parts No.	Description	Q'ty						I	R
				(A)	(B)	(C)	(D)	(E)	(F)		
1	1	129004-55612	BRACKET, FILTER	1							
2	1	129907-55801	FILTER, FUEL	1							
3	1	26106-080302	BOLT, M8X 30 PLATED	2							
4	1	129210-59090	PIPE ASSY, FUEL	1							
5	2	124766-59050	CLIP, HOSE 12	2							
6	2	105325-59570	PIPE, FUEL	1							
7	1	129210-59150	PIPE ASSY, FUEL	1							
8	2	124766-59050	CLIP, HOSE 12	2							
9	2	105025-59530	PIPE, FUEL D13X400	1							
10	1	129612-52100	PUMP ASSY, FUEL FEED	1							
11	1	129906-55700	SEPARATOR ASSY	1							
12	2	129100-55690	RING, RETAINING	1							
13	2	24321-000650	O-RING, 1AG65.0	1							
14	2	24311-000160	O-RING, 1AP16.0	1							
15	2	119802-55710	ELEMENT	1							
16	1	129065-55750	SEPARATOR ASSY	1							W
		(A=*2009.05.)									
17	2	123325-35140	GASKET	1							W
		(A=*2009.05.)									
17-1	2	123325-35140	GASKET	1							Z
18	2	123325-35160	WASHER	1							W
		(A=*2009.05.)									
19	2	123325-35170	SPRING	1							W
		(A=*2009.05.)									
20	2	129495-55610	BODY, STRAINER	1							W
		(A=*2009.05.)									
21	2	129495-55620	BOLT	1							W
		(A=*2009.05.)									
22	2	123672-55760	GASKET	1							W
		(A=*2009.05.)									
23	2	129065-55760	CASE	1							W
		(A=*2009.05.)									
24	2	129065-55770	PLUG, DRAIN M8	1							W
		(A=*2009.05.)									
25	2	123678-55880	PLUG, M14	1							W
		(A=*2009.05.)									
26	2	123678-55890	GASKET	1							W
		(A=*2009.05.)									
26A	2	41650-502320	ELEMENT ASSY(D72XL90)	1							W
		(A=2013.11.)									
27	3	24311-000120	O-RING, 1AP12.0	1							W
		(A=*2009.05.)									
28A	3	123325-35140	GASKET	1							W
		(A=2013.11.)									
29	1	121750-59910	JOINT	2							W
		(A=*2009.05.)									
30	1	22190-140002	WASHER, SEAL 14	4							W
		(A=*2009.05.)									
31	1	23857-080000	BOLT, JOINT 8	2							W
		(A=*2009.05.)									

Fig.15. STARTING MOTOR



(A)=4TNV88-QTBC

(B)=

(C)=

(D)=

(E)=

(F)=

No.	Lev.	Parts No.	Description	Q'ty						I	R
				(A)	(B)	(C)	(D)	(E)	(F)		
1	1	129136-77011	STARTER	1							
2	2	129136-77310	SWITCH ASSY	1							
3	2	129900-77400	ARMATURE ASSY	1							
4	3	X2130350900	BALL BEARING	1							
5	3	X2114255110	BEARING, BALL	1							
6	2	129900-77440	COIL ASSY, FIELD	1							
7	3	129900-77450	BRUSH (+)	2							
8	3	171008-77450	SCREW	4							
9	2	129900-77460	COVER, REAR	1							
10	2	129900-77480	HOLDER ASSY, BRASH	1							
11	3	129900-77450	BRUSH (+)	2							
12	3	129400-77490	SPRING, BRUSH	4							
13	2	171008-77510	HOUSING ASSY, GEAR	1							
14	2	129136-77520	CENTER HOUSING	1							
15	2	171008-77540	LEVER SET, SHIFT	1							
18	2	129400-77571	DUST COVER,(NON-ASB.	1							
19	2	129900-77640	BOLT, THROUGH	2							
20	2	171008-77650	PINION ASSY	1							
21	3	X2114555500	CLUTCH ASSY	1							
22	4	X2114955020	BALL BEARING	1							
23	4	X2240410100	BEARING, BALL	1							
24	3	171008-77660	SHAFT, PINION	1							
25	3	171008-77670	STOPPER SET, PINION	1							
29	2	26106-060322	BOLT, M6X 32 PLATED	2							
30	2	26106-060402	BOLT, M6X 40 PLATED	3							
31	2	171008-77750	COVER, M TERMINAL	1							
32	1	26116-120252	BOLT, M12X 25 PLATED	2							
33	1	124550-77030	COVER, TERMINAL	1							

Fig.16. GENERATOR

(A)=4TNV88-QTBC

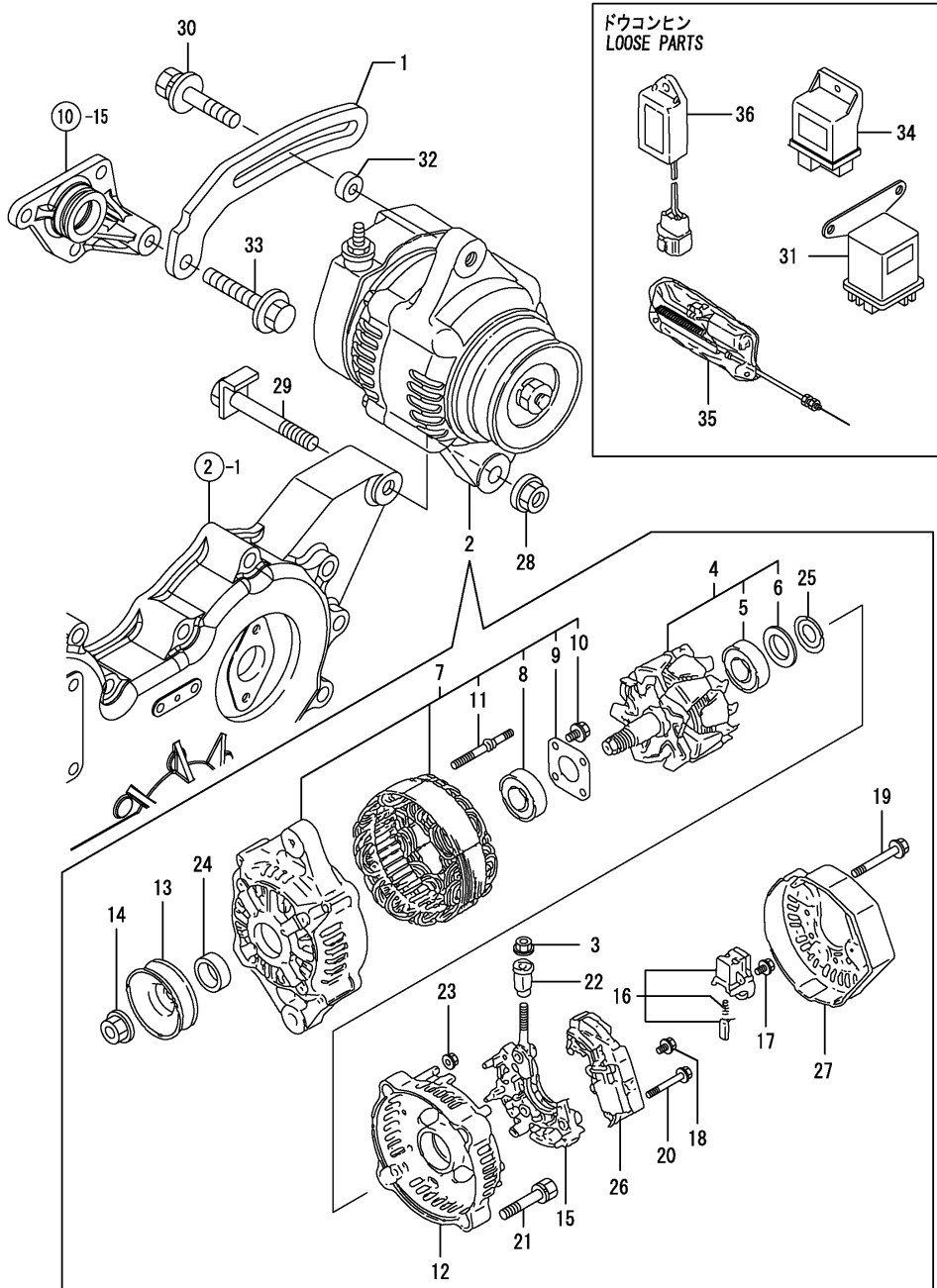
(B)=

(C)=

(D)=

(E)=

(F)=

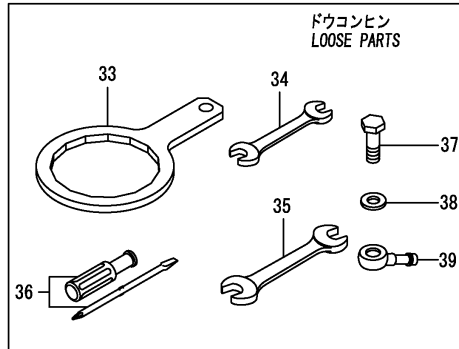
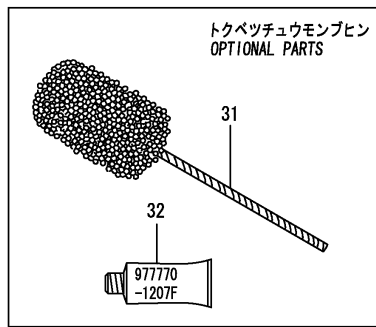
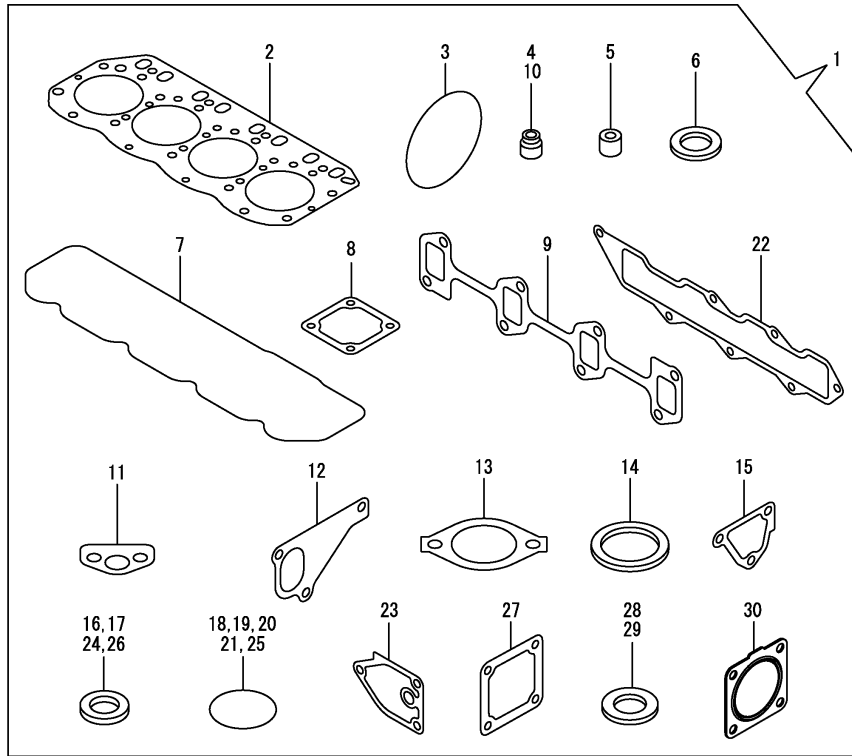


No.	Lev.	Parts No.	Description	Q'ty						I	R
				(A)	(B)	(C)	(D)	(E)	(F)		
1	1	119940-77330	ADJUSTER	1							
2	1	129240-77200	ALTERNATOR	1							
3	2	129240-79310	NUT	1							
4	2	119620-77380	ROTOR ASSY	1							
5	3	126501-79240	BALL BEARING	1							
6	3	119620-79250	COVER, BEARING	1							
7	2	119620-77421	FRAME ASSY, DRIVE	1							
8	3	119620-79200	BALL BEARING	1							
9	3	119620-79210	PLATE	1							
10	3	119620-79220	SCREW	4							
11	3	119620-79230	BOLT, STUD	2							
12	2	119620-77440	FLAME ASSY, REAR	1							
13	2	119620-77461	PULLEY	1							
14	2	119620-77471	NUT	1							
15	2	119620-79260	HOLDER	1							
16	2	129052-79270	HOLDER, BRUSH	1							
17	2	119620-79290	SCREW	6							
18	2	119620-79300	SCREW	1							
19	2	119620-79310	BOLT	3							
20	2	119620-79320	SCREW W/WASHER	2							
21	2	119620-79330	BOLT	2							
22	2	119620-79340	INSULATION BUSH	1							
23	2	119620-79350	NUT	2							
24	2	119620-77490	COLLAR	1							
25	2	119620-79360	WASHER, THRUST	1							
26	2	129240-77710	REGULATOR ASSY	1							
27	2	129240-79300	COVER	1							
28	1	26306-100002	NUT, M10	1							
29	1	119740-77250	BOLT, M10X76	1							
30	1	129972-77341	BOLT, ADJUSTER L=50	1							
31	1	119646-77900	RELAY, POWER	3							
32	1	119940-77270	SPACER, GENERATOR	1							
33	1	26106-080452	BOLT, M8X 45 PLATED	1							
34	1	119802-77200	RELAY, SAFETY	1							
35	1	119032-77910	MOTOR ASSY	1							
36	1	129211-77920	TIMER	1							

Fig.17. TOOLS & GASKET SET

(A)=4TNV88-QTBC
(B)=
(C)=

(D)=
(E)=
(F)=



No.	Lev.	Parts No.	Description	Q'ty						I	R
				(A)	(B)	(C)	(D)	(E)	(F)		
1	1	729601-92970	GASKET SET	1							1
2	2	129407-01340	GASKET, HEAD	1							
3	2	121850-51960	O-RING	1							
4	2	124460-11340	SEAL, VALVE STEM	4							
5	2	119802-11870	PROTECTOR, NOZZLE	4							
6	2	119625-11880	SEAT, NOZZLE	4							
7	2	129601-11310	GASKET, BONNET	1							
8	2	129150-77511	GASKET	1							
9	2	129550-13110	GASKET	1							
10	2	121400-11340	SEAL, VALVE STEM	4							
11	2	129150-35042	GASKET	1							
12	2	129486-42021	GASKET, WATER PUMP	1							
13	2	129795-49551	GASKET	1							
14	2	129150-49811	GASKET, THERMOSTAT	1							
15	2	124395-49840	GASKET	1							
16	2	22190-080002	WASHER, SEAL 6	2							
17	2	124465-44950	GASKET, 16	1							
18	2	24311-000120	O-RING, 1AP12.0	3							
19	2	24311-000320	O-RING, 1AP32.0	2							
20	2	24341-000240	O-RING, 1AS24.0	1							
21	2	129486-42140	O-RING, G30	1							
22	2	129407-12110	GASKET, MANIFOLD	1							
23	2	129150-35111	GASKET	1							
24	2	22190-220002	WASHER, SEAL 22	1							
25	2	119609-32040	O-RING, P16	4							
26	2	22190-100002	WASHER, SEAL 10	2							
27	2	129100-77510	GASKET, AIR HEATER	1							
28	2	23414-080000	GASKET, 8X1.0	1							
29	2	129150-49360	GASKET	1							
30	2	129930-13201	GASKET, SILENCER	1							
31	1	129400-92430	HONE	1							1
32	1	977770-1207F	GASKET, LIQUID	1							1
33	1	119640-92750	WRENCH, FILTER 80	1							
34	1	28110-100120	SPANNER, 10X12	1							
35	1	28110-140170	SPANNER, 14X17	1							
36	1	104200-92350	DRIVER, SCREW	1							
37	1	23857-080000	BOLT, JOINT 8	2							W
38	1	22190-140002	WASHER, SEAL 14	4							W
39	1	121750-59910	JOINT	2							W

Remarks
(1) OPTIONAL PARTS.

Parts No. Index

Parts No.	Fig. No.	Ref. No.
104200-92350	17	36
105025-59530	14	9
105325-59570	14	6
114250-39450	9	6
114250-53080	13	5
114250-53120	13	10
114250-53130	13	11
114250-53140	13	12
114250-53210	13	13
114250-53400	13	14
119005-35151	9	24
119032-77910	16	35
119131-18320	6	5
119233-77932	12	96
119266-49350	10	43
119593-59581	13	58
119609-32040	2	17
	17	25
119620-01750	3	3
119620-77380	16	4
119620-77421	16	7
119620-77440	16	12
119620-77461	16	13
119620-77471	16	14
119620-77490	16	24
119620-79200	16	8
119620-79210	16	9
119620-79220	16	10
119620-79230	16	11
119620-79250	16	6
119620-79260	16	15
119620-79290	16	17
119620-79300	16	18
119620-79310	16	19
119620-79320	16	20
119620-79330	16	21
119620-79340	16	22
119620-79350	16	23
119620-79360	16	25
119625-11880	4	20
	17	6
119640-01640	3	9
119640-92750	17	33
119646-77900	16	31
119660-61901	12	59
119740-77250	16	29
119802-01520	2	12
119802-01561	2	13
119802-03110	4	41
119802-03121	4	42

Parts No.	Fig. No.	Ref. No.
119802-03130	4	43
119802-03141	4	44
119802-11260	4	26
119802-11270	4	27
119802-11870	4	19
	17	5
119802-12560	5	15
119802-21202	8	5
119802-21660	8	9
119802-25051	7	9
119802-25071	7	13
119802-25101	7	10
119802-25901	7	15
119802-32070	2	8
119802-32100	2	7
119802-32111	2	18
119802-32120	2	19
119802-32130	2	20
119802-39450	9	8
119802-49113	10	10
119802-49730	10	35
119802-51090	11	87
119802-51560	11	50
119802-51590	11	56
119802-51600	11	57
119802-51680	11	61
119802-51690	11	62
119802-55710	14	15
119802-59550	13	52
119802-59560	13	54
119802-77200	16	34
119807-61420	12	22
119808-12520	5	19
119808-12540	5	20
119865-21600	8	16
119866-12541	5	21
119910-12210	5	14
119910-12510	5	18
119934-01800	2	6
119940-59130	9	31
119940-77270	16	32
119940-77330	16	1
120130-11860	4	5
120270-54410	4	23
121023-01551	2	27
121111-21501	8	12
121250-44901	10	31
121256-44600	10	52
121267-44760	10	40
121400-11340	4	16

Parts No.	Fig. No.	Ref. No.
121400-11340	17	10
121450-44531	10	47
121470-44581	10	49
121520-34810	9	2
121550-23200	8	30
121550-49111	9	15
121750-59910	14	29
	17	39
121850-21680	8	11
121850-42410	10	8
121850-51960	2	21
	17	3
123325-35140	14	17
		17 -1
		28 A
123325-35160	14	18
123325-35170	14	19
123672-55760	14	22
123678-55880	14	25
123678-55890	14	26
123900-13610	6	6
123900-13630	6	4
124060-01050	1	10
124060-77680	13	59
124160-01751	2	14
	4	50
124160-01910	1	5
		15
124160-11360	4	52
124160-39140	9	7
124240-01871	2	15
124395-49840	10	17
	17	15
124450-44550	10	51
124450-44560	10	48
124460-11340	4	17
	17	4
124465-44950	10	32
	17	17
124550-77030	15	33
124722-59050	10	36
		39
	13	53
		56
124766-59050	14	5
		8
126501-79240	16	5
129001-01250	1	11
129001-02931	1	25
129001-32330	2	11

Parts No.	Fig. No.	Ref. No.
129001-91841	2	22
129004-01190	1	33
129004-03010	4	39
129004-11130	4	10
129004-11650	4	31
129004-11900	4	21
129004-34802	9	1
129004-42001	10	1
129004-42040	10	15
129004-49610	10	33
129004-49620	10	37
129004-49711	10	34
129004-49721	10	38
129004-55612	14	1
129005-22080	8	17
129005-22500	8	19
129005-22900	8	33
129005-22950	8	35
129005-59830	9	9
129006-35100	9	19
129006-44480	9	25
129052-79270	16	16
129065-55750	14	16
129065-55760	14	23
129065-55770	14	24
129100-01580	3	1
		15
	8	2
129100-01640	3	16
129100-11112	4	11
129100-23910	8	29
129100-42051	10	3
129100-42121	10	4
129100-55690	14	12
129100-77500	5	8
129100-77510	5	9
	17	27
129103-49301	9	35
129136-77011	15	1
129136-77310	15	2
129136-77520	15	14
129150-01200	1	31
129150-02020	1	7
129150-02450	7	4
129150-02871	1	34
129150-02931	1	28
129150-02941	1	37
129150-03070	4	40
129150-11230	4	32
129150-11280	4	28

Parts No. Index

Parts No.	Fig. No.	Ref. No.
129150-11370	4	18
129150-11750	4	34
129150-11810	4	7
129150-14101	7	7
129150-14200	7	1
129150-14400	7	2
129150-23601	8	31
129150-23611	8	39
129150-25301	7	16
129150-35042	9	3
	17	11
129150-35111	9	23
	17	23
129150-49080	10	54
129150-49100	10	53
129150-49360	10	44
	17	29
129150-49811	10	26
	17	14
129150-59120	13	26
129150-59131	13	29
		33
129150-77511	5	10
	17	8
129155-42350	10	20
129155-51280	12	5
129155-61460	12	24
129202-22300	8	23
129210-59090	14	4
129210-59150	14	7
129211-77920	16	36
129240-77200	16	2
129240-77710	16	26
129240-79300	16	27
129240-79310	16	3
129255-61410	12	21
129259-12570	5	22
129350-49530	10	27
129400-01730	3	6
129400-01770	3	8
129400-77490	15	12
129400-77571	15	18
129400-92430	17	31
129403-42380	10	20 -1
129407-01340	1	32
	17	2
129407-12110	5	5
	17	22
129410-03990	5	2
129417-33110	9	18

Parts No.	Fig. No.	Ref. No.
129417-35150	9	21
129418-32320	2	10
129436-35091	9	4
129457-49801	10	25
129486-01670	3	19
129486-42021	10	14
	17	12
129486-42140	10	16
	17	21
129486-59551	13	55
129495-55610	14	20
129495-55620	14	21
129508-33010	9	16
129508-33050	9	17
129508-49030	9	26
129508-49040	9	30
129550-13110	6	2
	17	9
129550-59120	13	30
129556-42350	10	20 -2
129601-03080	5	1
129601-11241	4	25
129601-11251	4	29
129601-11310	4	47
	17	7
129601-11350	4	38
129601-11700	4	1
129601-12100	5	3
129601-21002	8	1
129601-51250	11	132
129601-59810	13	35
129601-59820	13	39
129601-59830	13	43
129601-59840	13	47
129612-01600	3	2
129612-12560	5	27
129612-12590	5	29
129612-12681	5	16
129612-12691	5	17
129612-42290	10	21 -1
129612-52100	14	10
129640-13109	6	1
129640-53001	13	2
129642-13520	6	15
129642-13590	6	7
129642-13650	6	13
129642-21590	8	13
129642-61060	12	97
129655-44740	10	22
129688-01780	3	8 -1

Parts No.	Fig. No.	Ref. No.
129795-01780	3	18
129795-01950	2	16
129795-02412	1	14
129795-11120	4	12
129795-11180	4	13
129795-21661	8	10
129795-49551	10	28
	17	13
129900-07900	4	54
129900-32130	2	9
129900-77400	15	3
129900-77440	15	6
129900-77450	15	7
		11
129900-77460	15	9
129900-77480	15	10
129900-77640	15	19
129906-55700	14	11
129907-55801	14	2
129910-07900	4	57
129916-49740	10	13
129916-59020	11	128
129930-13201	6	14
	17	30
129953-12620	5	23
129972-77341	16	30
158552-51151	7	18
158552-51570	11	51
		52
158552-51580	11	55
158552-51600	11	65
158552-51670	11	4
158552-51780	11	121
158552-52100	11	77
158552-52310	11	79
158552-52400	11	91
158552-52500	11	78
158552-61441	12	23
158552-61900	12	82
158553-51551	11	48
158553-51630	11	66
158553-51640	11	68
158553-51660	11	70
158553-51670	11	60
158553-51680	11	71
158553-51770	11	95
158553-61050	12	2
158553-61070	12	3
158557-51570	11	53
158560-51300	11	36

Parts No.	Fig. No.	Ref. No.
158563-51281	11	34
		35
158563-51330	11	44
158600-51270	11	33
158601-51340	11	45
158601-51550	11	49
158601-51570	11	54
158601-51650	11	69
158601-51770	11	120
158601-51790	11	122
171008-03990	9	27
171008-77450	15	8
171008-77510	15	13
171008-77540	15	15
171008-77650	15	20
171008-77660	15	24
171008-77670	15	25
171008-77750	15	31
171051-01921	1	6
171064-44510	10	45
171340-77520	5	11
22117-100000	6	9
22190-080002	9	11
		12
	17	16
22190-100002	9	13
	17	26
22190-120000	12	63
22190-120002	11	80
		81
		123
22190-140002	14	30
	17	38
22190-180002	11	82
		124
22190-220002	3	11
	17	24
22217-100000	6	10
22217-140000	7	19
	11	83
22252-000260	8	24
22312-050140	11	84
22351-030010	8	8
22351-050010	11	85
22351-060012	4	22
22512-070140	7	8
	8	6
22857-500100	4	48
		49
23000-060000	5	26

Parts No. Index

Parts No.	Fig. No.	Ref. No.
23000-060000	5	32
		33
23010-038000	10	23
23065-070225	10	50
23080-015000	9	29
		33
23080-018000	9	34
23414-080000	10	30
	17	28
23857-030000	9	10
23857-060000	11	88
23857-080000	14	31
	17	37
23876-010000	10	11
23876-020000	10	12
23876-030000	2	4
23876-040000	2	5
23887-120002	11	125
	12	65
24311-000070	11	90
24311-000120	4	53
	14	27
	17	18
24311-000160	14	14
24311-000320	2	23
	4	51
	17	19
24321-000650	14	13
24341-000240	2	28
	17	20
24356-010180	11	92
24356-010200	11	63
		93
24372-000150	11	64
25152-003700	10	21
		21 -2
26013-080222	5	30
		31
26106-060102	11	94
	12	53
		67
26106-060142	12	83
		84
26106-060162	2	29
26106-060202	12	85
26106-060302	10	41
26106-060322	15	29
26106-060402	15	30
26106-080122	10	24
26106-080142	4	55

Parts No.	Fig. No.	Ref. No.
26106-080142	7	17
26106-080162	2	24
		25
	3	12
	10	18
	11	130
26106-080202	5	6
	9	22
	11	131
26106-080222	10	29
26106-080252	3	13
	4	36
26106-080302	14	3
26106-080352	3	20
	4	24
	9	5
26106-080402	5	12
	7	14
26106-080452	3	14
		14 -1
	10	42
	16	33
26106-080502	3	22
	4	37
26106-080552	2	26
26106-080602	10	19
26106-080802	5	7
		13
26106-100202	6	16
26106-100652	6	11
26116-120252	15	32
26206-100252	3	4
26206-100302	3	5
26226-080182	4	35
26306-080002	2	31
	6	3
		17
26306-100002	16	28
26366-060002	9	14
26450-080452	11	99
26706-100002	6	12
26756-060002	12	68
26776-140002	7	20
	11	100
27241-120000	1	12
27241-300000	1	13
27241-400000	4	9
27310-080001	4	14
28110-100120	17	34
28110-140170	17	35

Parts No.	Fig. No.	Ref. No.
41650-502320	14	26 A
729240-01500	2	1
729402-14580	7	3
729402-23100	8	25
729601-92970	17	1
729602-01560	1	1
729642-51410	11	1
729642-53100	13	1
977770-1207F	2	30
	3	21
	4	56
	17	32
X2114255110	15	5
X2114555500	15	21
X2114955020	15	22
X2130350900	15	4
X2240410100	15	23

Parts No.	Fig. No.	Ref. No.
-----------	----------	----------