

OCD10-M90601EN

P R E F A C E

1. This Parts catalog is the 1st edition of 4TNV98-VTBZC1 for Takeuchi Mfg.Co.,Ltd.

Pub.No. : 000Y00D9061

Published : June, 2008

2. Model name

Engine model	Vehicle	Vehicle made by
4TNV98-VTBZC1	EXCAVATOR	Takeuchi Mfg.Co.,Ltd

Directions for the Parts Catalog.

1. This Parts Catalog shows both standard and optional parts.
2. Parts may change without prior notice.
3. The following is an example of the Parts Catalog format.

REF.	LEV.	PARTS NO.	DESCRIPTION	Q'TY						I	R
				(A)	(B)	(C)	(D)	(E)	(F)		
1	1	729595-51390	FUEL INJECTION PUMP	1	1	1	1	1			1
1-1	1	729595-51391	FUEL INJECTION PUMP	1	1	1	1	1		N	1
		(A=E00185) (B=E00200)									
3	2	26022-060162	SCREW M 6X 16	9	9	9	9	9			
3-1	2	26022-060162	SCREW M 6X 16	4	4	4	4	4		K	
		(A=E00156) (B=E00156) (C=E00156) (D=E00156) (E=E00156)									
4	2	129470-51040	CAMSHAFT	1	1	1	1	1			
5	2	122710-51050	BEARING, ROLLER	2	2	2	2	2			
6	2	129470-51060	RETAINER	1	1	1	1	1			

Remarks
(1) BOOST COMPEMSATOR TYPE. OPTIONAL PART, TO E00155,(4JH-DT, 4JH-DTZ

① Ref. No.

The Ref. No. listed may not be in accordance with the illustration Ref. No.

(Ex.) Illustration No.

List Ref No.

1

1

(Before change)

1-1

(After change)

For interchangeable symbols N, R and K, illustrations for new parts may be abbreviated.

② Lev. (Level)

Level indication

The numbers below indicate the level of relativity towards the main part.

1 ----- Main parts (Assembly parts)

2 ----- Sub component included in " 1 ".

3 ----- Sub component included in " 2 ".

Note) Parts that are not for sale are partially illustrated but not listed.

③ Interchangeability Symbol

When a part change takes place, one of the following interchangeability symbols is indicated beside the part.

Symbol	Interchangeability	Contents note
N	Old $\begin{matrix} \leftarrow \text{Yes} \\ \text{No} \rightarrow \end{matrix}$ New	New Part is interchangeable for Old Part but Old Part is not interchangeable for New Part.
Q	Old $\begin{matrix} \leftarrow \text{No} \\ \text{Yes} \rightarrow \end{matrix}$ New	New Part is not interchangeable for Old Part but Old Part is interchangeable for New Part.
R	Old $\begin{matrix} \leftarrow \text{Yes} \\ \text{Yes} \rightarrow \end{matrix}$ New	New/ Old Parts are both interchangeable.
S	Old $\begin{matrix} \leftarrow \text{No} \\ \text{No} \rightarrow \end{matrix}$ New	New/ Old Parts are both not interchangeable.
W		Part newly added.
Z		Part discontinued.
F		Not interchangeable by a single part but interchangeable together with related parts.
K		Changes only for used parts quantities.

④ Effective Machine No.

When a part changes, the effective Machine No. will be indicated in the (A)-(F) column.

Product Symbol	Product No.	Product Symbol	Product No.
C	Clutch No. Compressor No.	F	Machine No. (Agricultural Equip.)
D	Drive No.	M	Machine No.
E	Engine No.		

Note 1) A date may follow the symbol. (Ex.) 1996.01

Note 2) "XXXXX" and "ZZZZZ" are for parts that could not be predicted or for engine models that could not be identified.

Note 3) (A=E00185) is the E (Engine Serial Number) for the column (A) model (in this case 4JH-DT) after the parts design change.

⑤ Remarks

Figures or alphabets (symbols) are entered in the remarks column.

The comments (remarks) on parts that are indicated at the bottom of the illustration are the same symbols as those stated above.

Contents

Fig. No. Fig. Name

4TNV98-VTBZC(1)

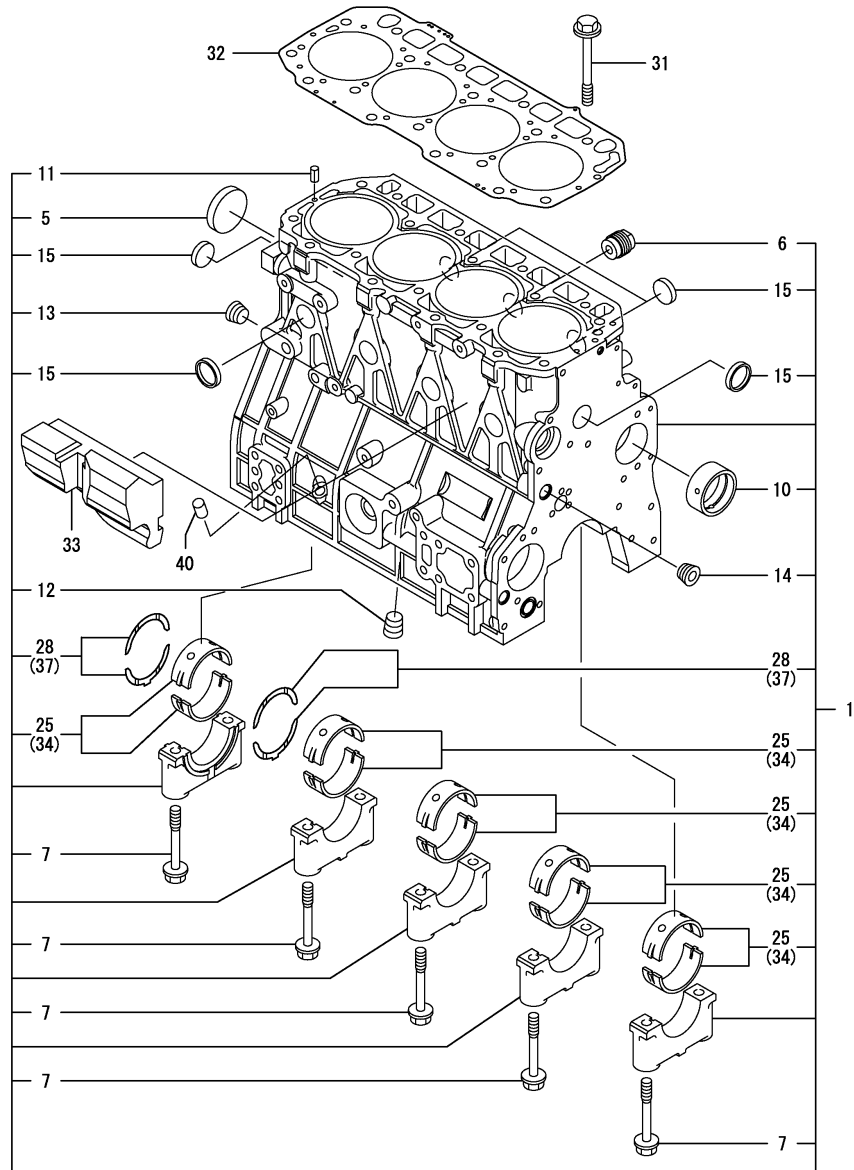
1. CYLINDER BLOCK
2. GEAR HOUSING
3. FLYWHEEL HOUSING & OIL SUMP
4. CYLINDER HEAD & BONNET
5. SUCTION MANIFOLD & AIR CLEANER
6. EXHAUST MANIFOLD & SILENCER
7. CAMSHAFT & DRIVING GEAR
8. CRANKSHAFT & PISTON
9. LUB.OIL SYSTEM
10. COOLING WATER SYSTEM
11. FUEL INJECTION PUMP
12. GOVERNOR
13. FUEL INJECTION VALVE
14. FUEL LINE
15. STARTING MOTOR
16. GENERATOR
17. TOOLS & GASKET SET

Fig. No. Fig. Name

Fig.1. CYLINDER BLOCK

(A)=4TNV98-VTBZC
 (B)=4TNV98-VTBZC1
 (C)=

(D)=
 (E)=
 (F)=



No.	Lev.	Parts No.	Description	Q'ty						I	R
				(A)	(B)	(C)	(D)	(E)	(F)		
1	1	729905-01561	BLOCK ASSY, CYLINDER	1	1						
5	2	129900-01250	PLUG, 55	1	1						
6	2	129953-01920	JOINT	1	1						
7	2	129900-02020	BOLT, METAL CAP	10	10						
10	2	129900-02410	BUSH, CAMSHAFT	1	1						
11	2	22351-060012	PIN, SPRING 6.0X12	2	2						
12	2	23876-030000	PLUG, R03	1	1						
13	2	23876-030000	PLUG, R03	1	1						
14	2	23876-030000	PLUG, R03	1	1						
15	2	27241-300000	PLUG 30	8	8						
25	2	729900-02801	BEARING, MAIN	5	5						3
28	2	129900-02931	BEARING, THRUST	2	2						
31	1	129900-01200	BOLT, HEAD	18	18						
32	1	129907-01331	GASKET, HEAD	1	1						
33	1	129907-01190	SPACER	1	1						
34	1	129900-02341	BEARING, 0.25 US	5	5						1
37	1	129900-02941	BEARING, THRUST 0.25	2	2						2
40	1	119309-01810	PLUG	1	1						

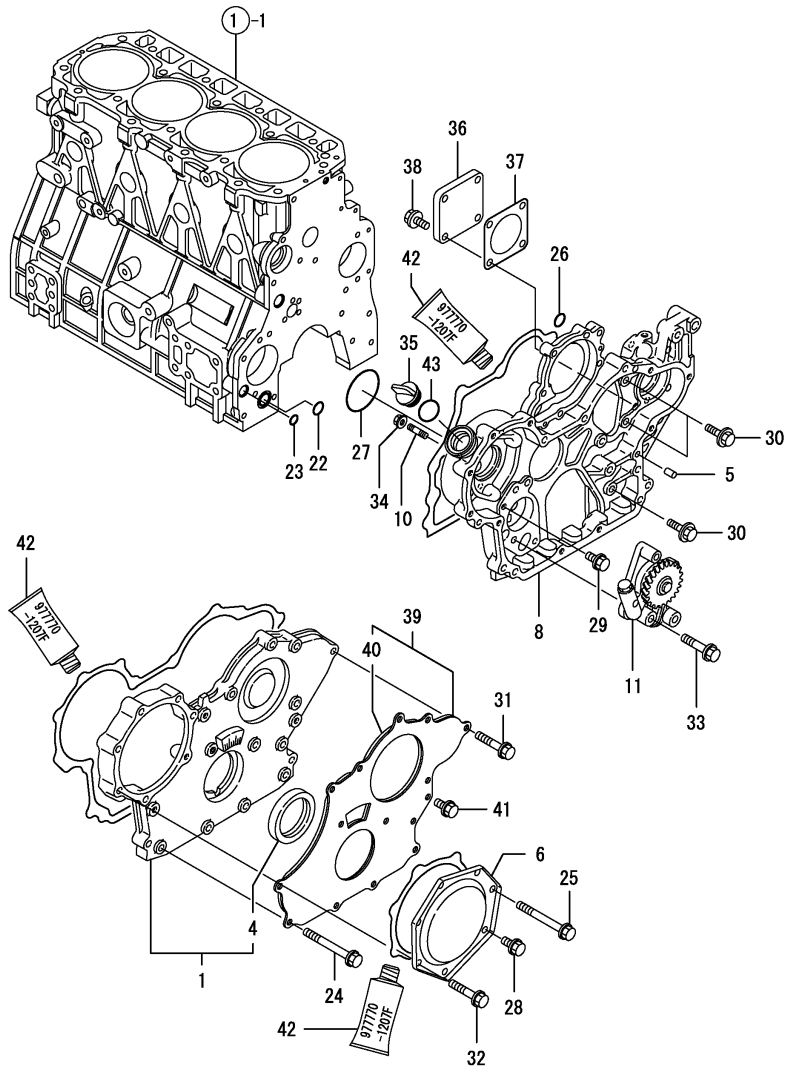
Remarks

- (1) UNDER-SIZE(U.S=0.25)PART.
- (2) OVER-SIZE(O.S=0.25)PART.
- (3) REPAIR PART.

Fig.2. GEAR HOUSING

(A)=4TNV98-VTBZC
(B)=4TNV98-VTBZC1
(C)=

(D)=
(E)=
(F)=



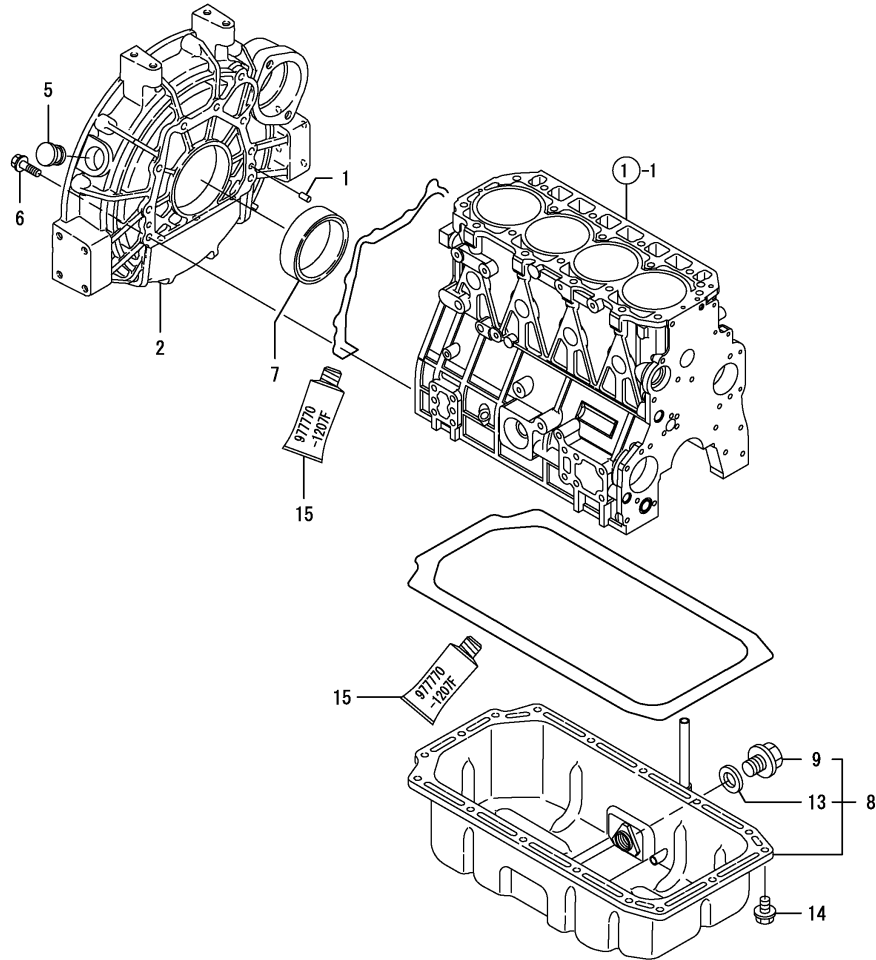
No.	Lev.	Parts No.	Description	Q'ty						I	R
				(A)	(B)	(C)	(D)	(E)	(F)		
1	1	729906-01550	COVER ASSY,GEAR CASE	1	1						
4	2	129916-01800	SEAL, OIL	1	1						
5	1	129100-01580	PIN, M8X16	4	4						
6	1	129900-01740	COVER	1	1						
8	1	129907-01500	CASE, GEAR	1	1						
10	1	26216-100302	STUD, M10X 30	4	4						
11	1	129900-32001	PUMP ASSY, OIL	1	1						
22	1	129900-32030	O-RING, P20	1	1						
23	1	129900-32040	O-RING, P14	1	1						
24	1	129001-91810	BOLT, M8X70	6	6						
25	1	129001-91810	BOLT, M8X70	1	1						
26	1	24311-000070	O-RING, 1AP7.0	1	1						
27	1	24351-030750	O-RING, 1A3075	1	1						
28	1	26106-080162	BOLT, M8X 16 PLATED	1	1						
29	1	26106-080162	BOLT, M8X 16 PLATED	1	1						
30	1	26106-080202	BOLT, M8X 20 PLATED	3	3						
31	1	26106-080402	BOLT, M8X 40 PLATED	5	5						
32	1	26106-080402	BOLT, M8X 40 PLATED	5	5						
33	1	26106-080452	BOLT, M8X 45 PLATED	3	3						
34	1	26306-100002	NUT, M10	4	4						
35	1	124160-01751	COVER, FILLER	1	1						
36	1	124240-01871	COVER	1	1						
37	1	124240-01883	GASKET	1	1						
38	1	26106-080162	BOLT, M8X 16 PLATED	4	4						
39	1	129900-01850	COVER ASSY,GEAR CASE	1	1						
40	2	129900-01870	SPONGE	1	1						
41	1	26106-080162	BOLT, M8X 16 PLATED	3	3						
42	1	977770-1207F	GASKET.LIQUID	1	1						1
43	1	24311-000320	O-RING, 1AP32.0	1	1						

Remarks
(1) OPTIONAL PART.

Fig.3. FLYWHEEL HOUSING & OIL SUMP

(A)=4TNV98-VTBZC
 (B)=4TNV98-VTBZC1
 (C)=

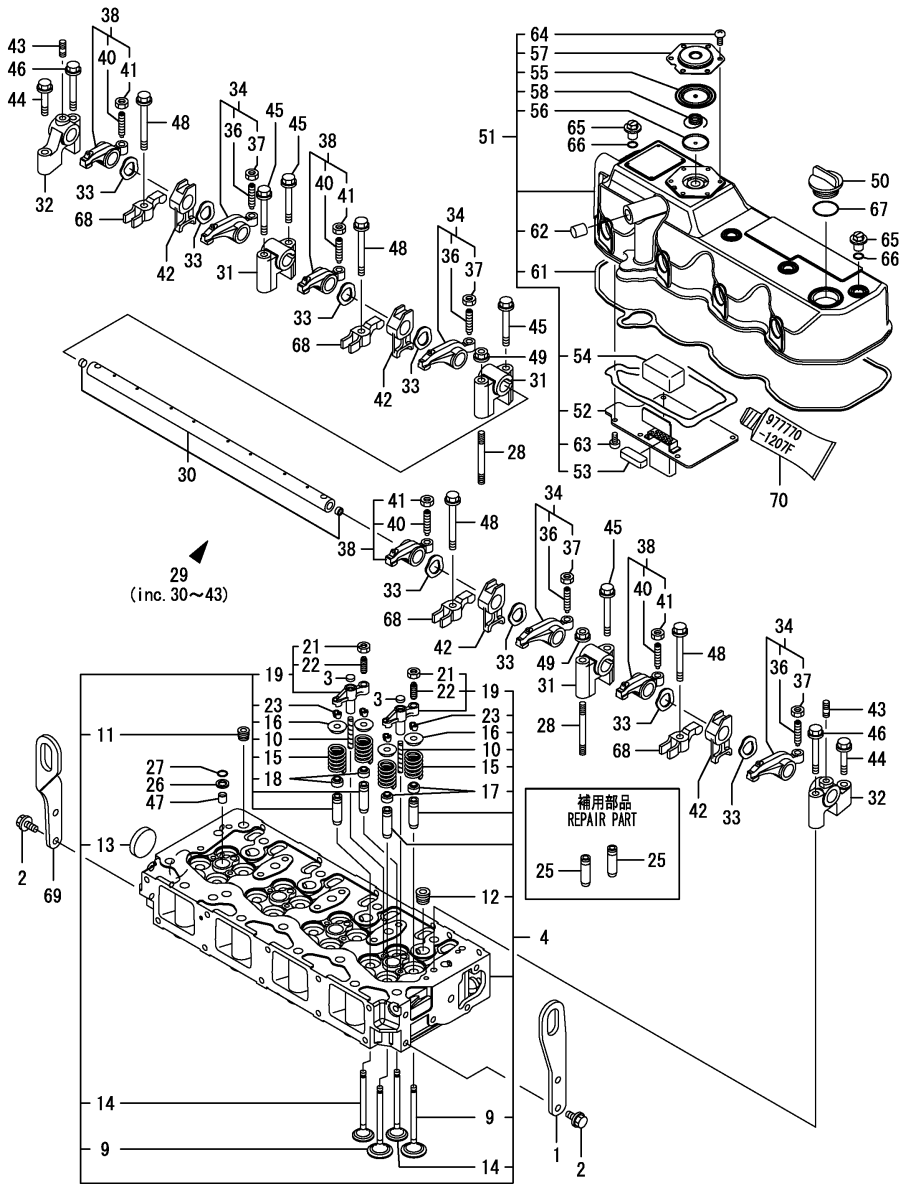
(D)=
 (E)=
 (F)=



No.	Lev.	Parts No.	Description	Q'ty						I	R
				(A)	(B)	(C)	(D)	(E)	(F)		
1	1	129100-01580	PIN, M8X16	2	2						
2	1	129951-01620	HOUSING, FLYWHEEL	1	1						
5	1	119000-01840	PLUG, RUBBER	1	1						
6	1	26206-100352	BOLT, M10X 35 PLATED	9	9						
7	1	129916-01790	SEAL, D115/95XT11	1	1						
8	1	129953-01730	SUMP ASSY, OIL	1	1						
9	2	119640-01640	PLUG, DRAIN M22	1	1						
13	2	22190-220002	WASHER, SEAL 22	1	1						
14	1	26106-080122	BOLT, M8X 12 PLATED	16	16						
15	1	977770-1207F	GASKET.LIQUID	1	1						1

Remarks
 (1) OPTIONAL PART.

Fig.4. CYLINDER HEAD & BONNET



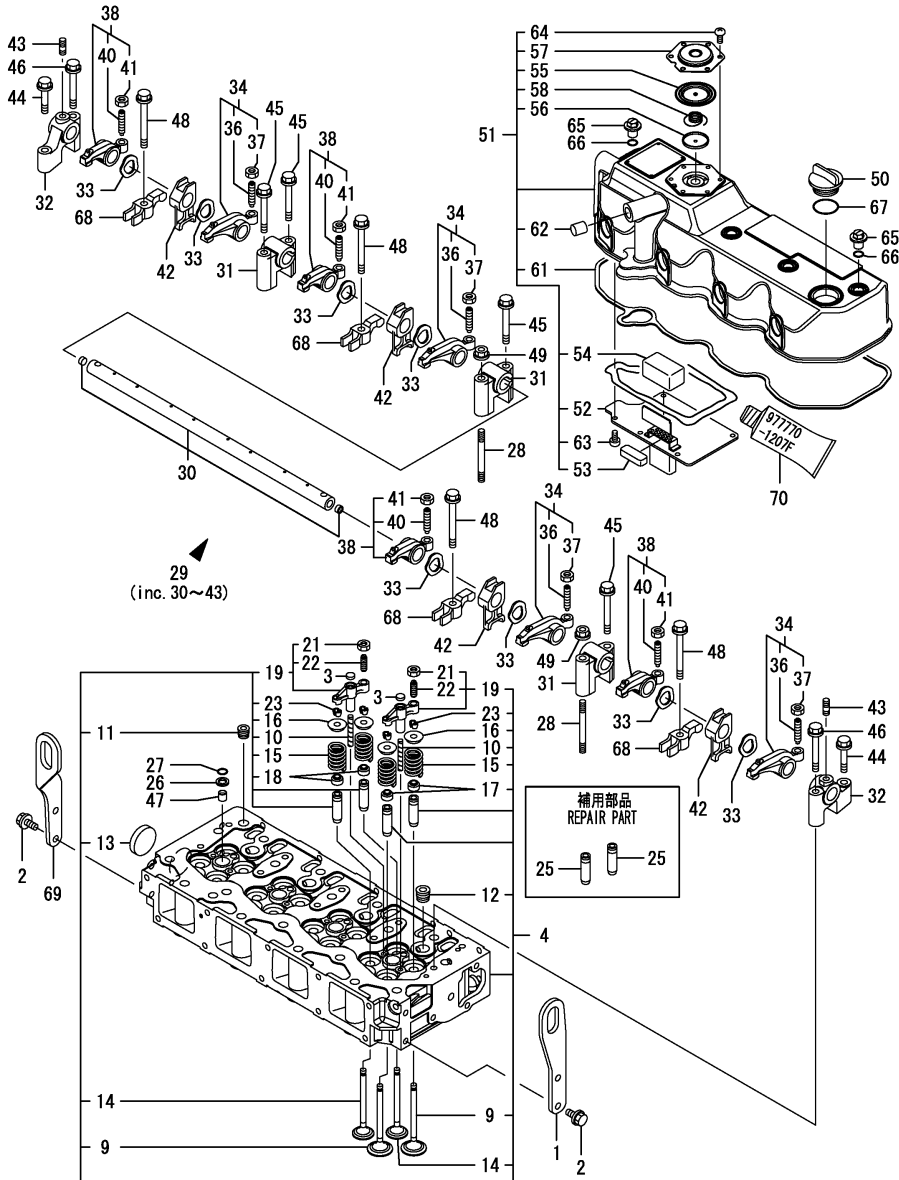
(A)=4TNV98-VTBZC
(B)=4TNV98-VTBZC1
(C)=

(D)=
(E)=
(F)=

No.	Lev.	Parts No.	Description	Q'ty						I	R
				(A)	(B)	(C)	(D)	(E)	(F)		
1	1	129907-07900	LIFTER	1	1						
2	1	26106-080162	BOLT, M8X 16 PLATED	4	4						
3	1	123907-11550	SEAT, VALVE BRIDGE	8	8						
4	1	129907-11700	HEAD ASSY, CYLINDER	1	1						
9	2	129907-11100	VALVE, INTAKE	8	8						
10	2	123907-11820	GUIDE	8	8						
11	2	23876-020000	PLUG, R02	1	1						
12	2	23876-030000	PLUG, R03	4	4						
13	2	27241-400000	PLUG, 40	1	1						
14	2	129907-11110	VALVE, EXHAUST	8	8						
15	2	129907-11120	SPRING, VALVE	16	16						
16	2	119620-11180	RETAINER, SPRING	16	16						
17	2	124160-11340	SEAL, VALVE STEM	8	8						
18	2	124950-11340	SEAL, VALVE STEM	8	8						
18-1	2	119803-11340	SEAL, VALVE STEM	8	8						N
(A=E45202)											
19	2	129907-11510	BRIDGE ASSY, VALVE	8	8						
21	3	129150-11750	NUT, M8	8	8						
22	3	123907-11830	ADJUSTER	8	8						
23	2	27310-070001	COTTER, 7	16	16						
25	1	129907-11800	GUIDE, VALVE	16	16						1
26	1	119625-11880	SEAT, NOZZLE	4	4						
27	1	24311-000120	O-RING, 1AP12.0	4	4						
28	1	119593-11301	STUD, M8X80	2	2						
29	1	129907-11341	SHAFT ASSY, ROCKER	1	1						
30	2	129907-11250	SHAFT, ROCKER ARM	1	1						
31	2	129907-11260	SUPPORT, ROCKER ARM	3	3						
32	2	129907-11270	SUPPORT, ROCKER ARM	2	2						
33	2	123907-11280	WASHER	8	8						
34	2	129907-11650	ARM, ROCKER	4	4						
36	3	129150-11230	SCREW, VALVE ADJUST	4	4						
37	3	129150-11750	NUT, M8	4	4						
38	2	129907-11660	ARM, ROCKER	4	4						
40	3	129150-11230	SCREW, VALVE ADJUST	4	4						
41	3	129150-11750	NUT, M8	4	4						
42	2	129907-11920	RETAINER	4	4						
43	2	26226-080222	STUD, M8X 22	2	2						
44	1	26106-080402	BOLT, M8X 40 PLATED	2	2						
45	1	26106-080602	BOLT, M8X 60 PLATED	4	4						
46	1	26106-080602	BOLT, M8X 60 PLATED	2	2						
47	1	119802-11870	PROTECTOR, NOZZLE	4	4						
48	1	129907-11950	BOLT, M8X75	4	4						
49	1	26306-080002	NUT, M8	2	2						
50	1	124160-01751	COVER, FILLER	1	1						
51	1	129907-11320	BONNET ASSY, HEAD	1	1						
51-1	1	129907-11321	BONNET ASSY, HEAD	1	1						N
(A=E45202)											
52	2	129907-03011	PLATE	1	1						
53	2	129907-03061	BAFFLE, BREATHER	1	1						
54	2	129907-03070	BAFFLE, BREATHER	1	1						
55	2	123907-03100	DIAPHRAGM	1	1						

Remarks
(1) REPAIR PART.
(2) OPTIONAL PART.

Fig.4. CYLINDER HEAD & BONNET



(A)=4TNV98-VTBZC
(B)=4TNV98-VTBZC1
(C)=

(D)=
(E)=
(F)=

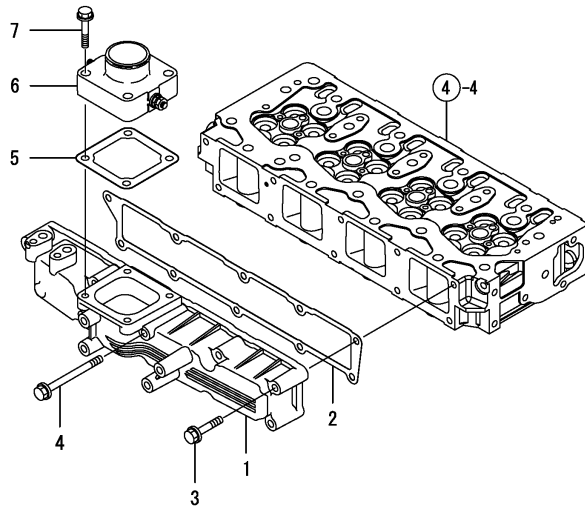
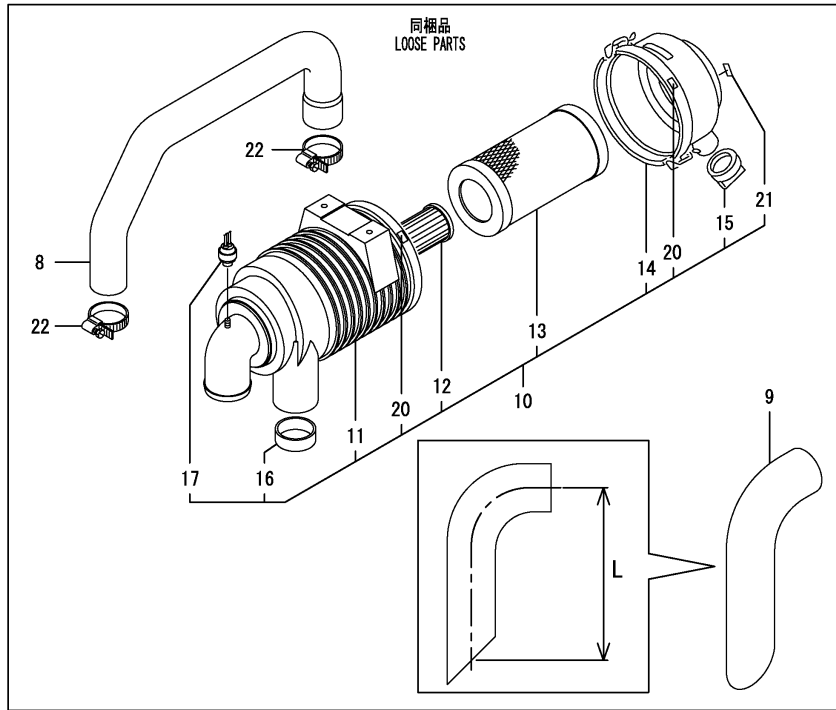
No.	Lev.	Parts No.	Description	Q'ty						I	R
				(A)	(B)	(C)	(D)	(E)	(F)		
56	2	123907-03110	PLATE	1	1						
57	2	123907-03120	PLATE, BREATHER	1	1						
58	2	123907-03140	SPRING, DIAPHRAGM	1	1						
61	2	129907-11310	GASKET, BONNET	1							
61-1	2	129933-11310	GASKET, BONNET	1	1						N
(A=E45202)											
62	2	119640-61400	PLUG	1	1						
63	2	22857-500100	SCREW, 5X10	6	6						
64	2	22857-500100	SCREW, 5X10	6	6						
65	1	124160-11360	KNOB	4	4						
66	1	24311-000120	O-RING, 1AP12.0	4	4						
67	1	24311-000320	O-RING, 1AP32.0	1	1						
68	1	129907-11910	RETAINER, NOZZLE	4	4						
69	1	129910-07900	LIFTER	1	1						
70	1	97770-1207F	GASKET, LIQUID	1	1						2

Remarks
(1) REPAIR PART.
(2) OPTIONAL PART.

Fig.5. SUCTION MANIFOLD & AIR CLEANER

(A)=4TNV98-VTBZC
 (B)=4TNV98-VTBZC1
 (C)=

(D)=
 (E)=
 (F)=



No.	Lev.	Parts No.	Description	Q'ty						I	R
				(A)	(B)	(C)	(D)	(E)	(F)		
1	1	129907-12100	MANIFOLD, AIR INTAKE	1	1						
2	1	129907-12110	GASKET, MANIFOLD	1	1						
3	1	26106-080552	BOLT, M8X 55 PLATED	9	9						
4	1	26106-080852	BOLT, M8X 85 PLATED	1	1						
5	1	121850-77021	GASKET	1	1						
6	1	129953-77050	HEATER	1							
6-1	1	129953-77051	HEATER	1	1						N
(A=*2008.06.)											
7	1	26106-080352	BOLT, M8X 35 PLATED	4	4						
8	1	129953-12210	PIPE, AIR INTAKE	1	1						
9	1	129953-12250	PIPE, AIR INTAKE	1							1
9-1	1	129953-12251	PIPE	1	1						S 1
(A=E69360)											
10	1	129953-12502	CLEANER ASSY, AIR	1	1						
11	2	129953-12570	BODY, AIR CLEANER	1	1						
12	2	119005-12571	ELEMENT	1	1						
13	2	129062-12560	ELEMENT	1	1						
14	2	129900-12530	COVER ASSY	1	1						
15	2	119808-12540	VALVE, UNLOADER	1	1						
16	2	129418-12540	RING	1	1						
17	2	129953-12610	INDICATOR ASSY	1	1						
20	2	129418-12530	MARK	2	2						
21	2	129612-12650	MARKING,(W)	1	1						
22	1	23000-080000	CLAMP, 80	3	3						

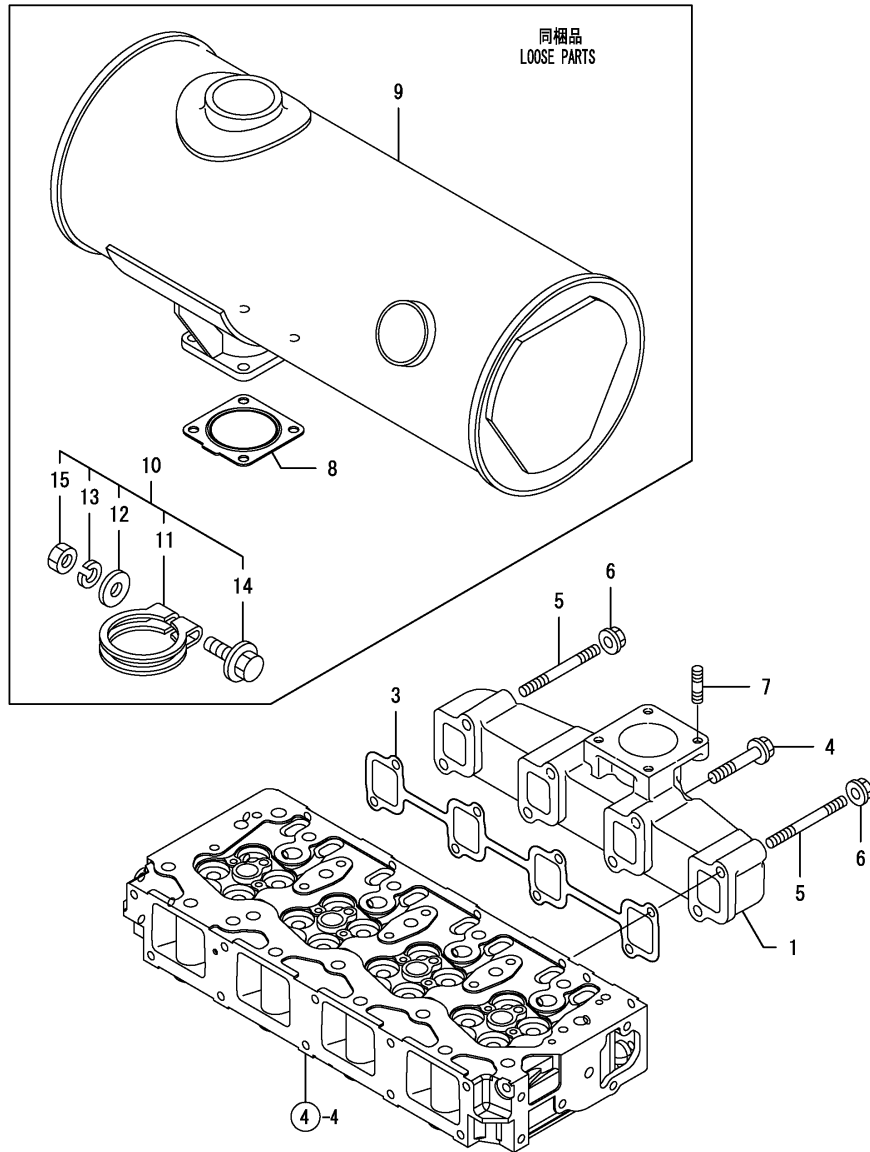
Remarks

(1) L=REF.NO.9 300M/M, NO.9-1 270M/M.

Fig.6. EXHAUST MANIFOLD & SILENCER

(A)=4TNV98-VTBZC
 (B)=4TNV98-VTBZC1
 (C)=

(D)=
 (E)=
 (F)=

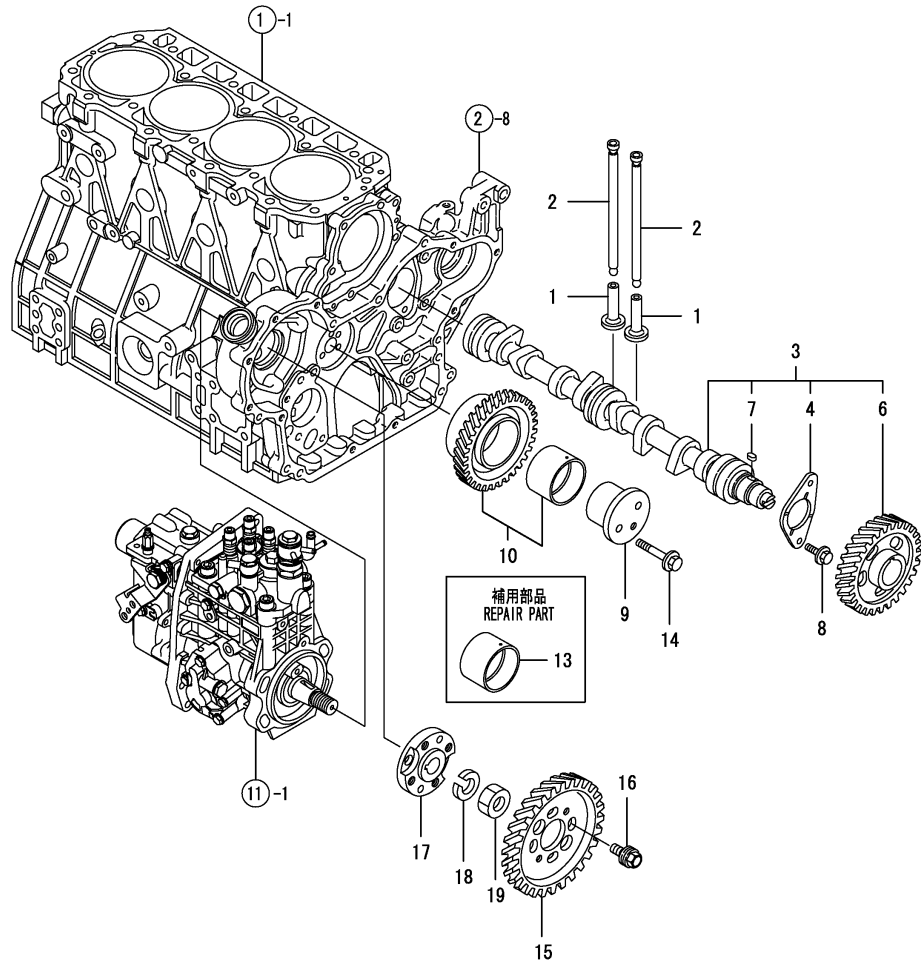


No.	Lev.	Parts No.	Description	Q'ty						I	R
				(A)	(B)	(C)	(D)	(E)	(F)		
1	1	129900-13200	MANIFOLD, EXHAUST	1	1						
3	1	129900-13251	GASKET	1	1						
4	1	123900-13630	BOLT, M8X80	6	6						
5	1	123900-13610	STUD, M8X80	2	2						
6	1	26306-080002	NUT, M8	2	2						
7	1	119131-18320	STUD, M8X22	4	4						
8	1	129930-13201	GASKET, SILENCER	2	2						
9	1	129940-13500	SILENCER	1	1						
10	1	129640-13590	CLAMP ASSY	1	1						
11	2	129640-13580	CLAMP	1	1						
12	2	22117-100000	WASHER, 10	1	1						
13	2	22217-100000	WASHER, SPRING 10	1	1						
14	2	26106-100652	BOLT, M10X 65 PLATED	1	1						
15	2	26706-100002	NUT, M10	1	1						

Fig.7. CAMSHAFT & DRIVING GEAR

(A)=4TNV98-VTBZC
 (B)=4TNV98-VTBZC1
 (C)=

(D)=
 (E)=
 (F)=



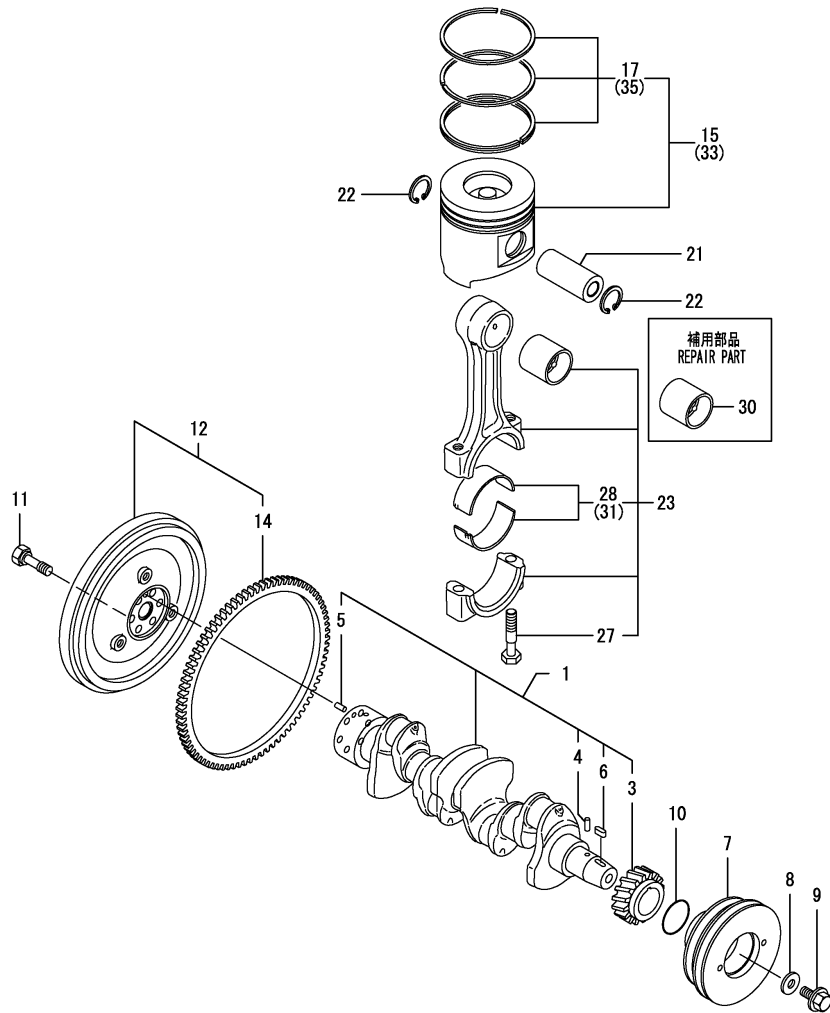
No.	Lev.	Parts No.	Description	Q'ty						I	R
				(A)	(B)	(C)	(D)	(E)	(F)		
1	1	129150-14200	TAPPET	8	8						
2	1	129907-14400	ROD, PUSH	8	8						
3	1	129907-14581	CAMSHAFT ASSY	1	1						
3-1	1	129908-14581	CAMSHAFT ASSY	1	1						N
4	2	129150-02450	BEARING, THRUST	1	1						
6	2	129900-14100	GEAR, CAMSHAFT	1	1						
7	2	22512-070140	KEY, 7X 14	1	1						
8	1	26106-080162	BOLT, M8X 16 PLATED	2	2						
9	1	123900-25060	SHAFT, IDLE GEAR	1	1						
10	1	129900-25100	GEAR ASSY, IDLE	1	1						
13	1	129150-25920	BUSH, IDLE GEAR	1	1						1
14	1	26106-080552	BOLT, M8X 55 PLATED	3	3						
15	1	129907-25900	GEAR, PUMP	1	1						
16	1	129953-25300	BOLT	4	4						
17	1	158563-51150	FLANGE	1	1						
18	1	22217-180000	WASHER, SPRING 18	1	1						
19	1	26776-180002	NUT, LOCK M18	1	1						

Remarks
 (1) REPAIR PART.

Fig.8. CRANKSHAFT & PISTON

(A)=4TNV98-VTBZC
 (B)=4TNV98-VTBZC1
 (C)=

(D)=
 (E)=
 (F)=

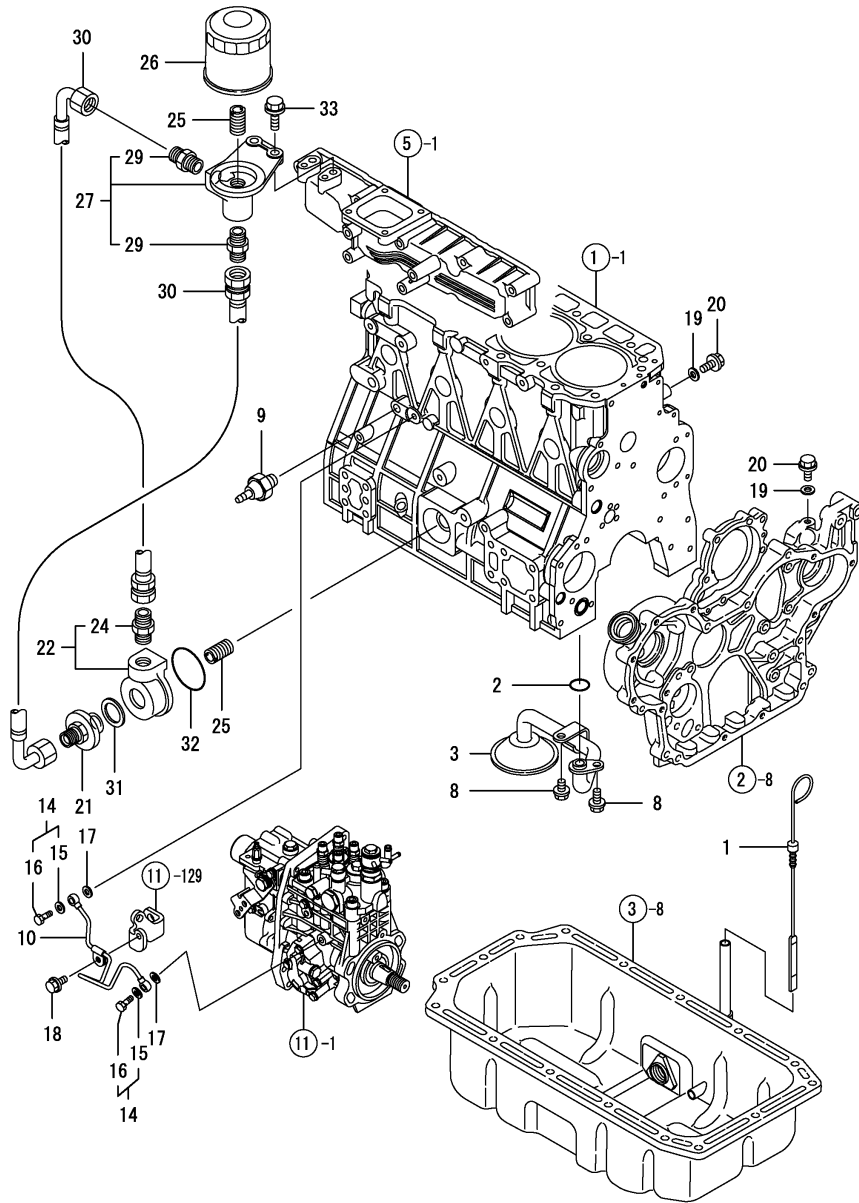


No.	Lev.	Parts No.	Description	Q'ty						I	R
				(A)	(B)	(C)	(D)	(E)	(F)		
1	1	129902-21000	CRANKSHAFT ASSY	1	1						
3	2	129900-21200	GEAR, CRANKSHAFT	1	1						
4	2	121850-21290	PIN	1	1						
5	2	121850-21920	PIN, M10X22	1	1						
6	2	22512-070140	KEY, 7X 14	1	1						
7	1	129916-21680	V-PULLEY	1	1						
8	1	129960-21640	WASHER	1	1						
9	1	129916-21610	BOLT	1	1						
10	1	24341-000530	O-RING, 1AS53.0	1	1						
11	1	121850-21130	BOLT, FLYWHEEL	6	6						
12	1	129902-21580	FLYWHEEL ASSY	1	1						
14	2	127410-21480	GEAR, RING Z=129	1	1						
15	1	129907-22090	PISTON ASSY, 18.5	4	4						
17	2	129907-22050	RING SET, PISTON	4	4						
21	1	120130-22301	PIN, PISTON	4	4						
22	1	22252-000300	RING, 30	8	8						
23	1	129900-23001	ROD ASSY, CONNECTING	4	4						
27	2	129900-23200	BOLT, CONNECTING ROD	8	8						
28	2	129900-23601	BEARING, CRANK PIN	4	4						
30	1	129900-23911	BEARING, PISTON PIN	4	4						1
31	1	129900-23611	BEARING, 0.25 US	4	4						2
33	1	729907-22910	PISTON ASSY, 0.25 OS	4	4						3
35	2	729907-22950	RING SET, 0.25 OS	4	4						3

Remarks

- (1) REPAIR PART.
- (2) UNDER-SIZE(U.S=0.25)PART.
- (3) OVER-SIZE(O.S=0.25)PART.

Fig.9. LUB.OIL SYSTEM



(A)=4TNV98-VTBZC
(B)=4TNV98-VTBZC1
(C)=

(D)=
(E)=
(F)=

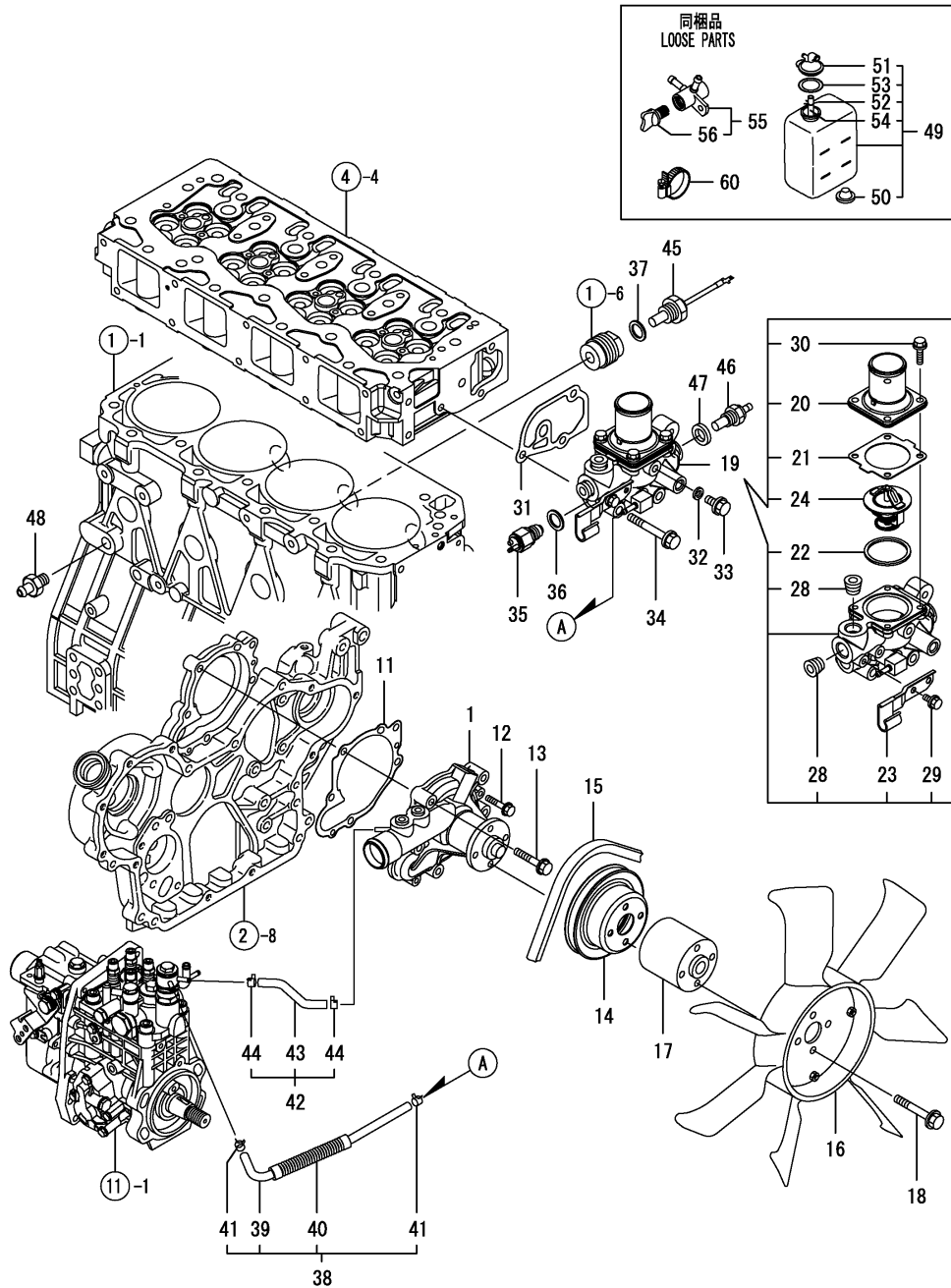
No.	Lev.	Parts No.	Description	Q'ty						I	R
				(A)	(B)	(C)	(D)	(E)	(F)		
1	1	119812-34800	DIPSTICK, OIL	1	1						
2	1	129900-32030	O-RING, P20	1	1						
3	1	129900-35000	PIPE ASSY, OIL INLET	1	1						
8	1	26106-080122	BOLT, M8X 12 PLATED	2	2						
9	1	114250-39450	SWITCH, 0.5KG	1	1						
10	1	129907-39061	PIPE ASSY, OIL	1	1						
14	1	129005-59830	BOLT ASSY, JOINT M8	2	2						
15	2	22190-080002	WASHER, SEAL 6	2	2						
16	2	23857-030000	BOLT, JOINT 3	2	2						
17	1	22190-080002	WASHER, SEAL 6	2	2						
18	1	26106-080122	BOLT, M8X 12 PLATED	1	1						
19	1	22190-080002	WASHER, SEAL 6	2	2						
20	1	26106-080122	BOLT, M8X 12 PLATED	2	2						
21	1	129953-35110	RETAINER	1	1						
22	1	129953-35121	CASE ASSY	1	1						
24	2	129953-39500	ADAPTER, R-G1/2	1	1						
25	1	119000-35140	BOLT, FILTER	2	2						
26	1	119005-35151	FILTER, D80X100L	1	1						1
27	1	129953-35210	BRACKET ASSY	1	1						
29	2	129953-39500	ADAPTER, R-G1/2	2	2						
30	1	129953-39101	PIPE ASSY, OIL	2	2						
31	1	22190-300002	WASHER, SEAL 30	1	1						
32	1	24321-000600	O-RING, 1AG60.0	1	1						
33	1	26106-100252	BOLT, M10X 25 PLATED	2	2						

Remarks
(1) REPAIR PART.

Fig.10. COOLING WATER SYSTEM

(A)=4TNV98-VTBZC
(B)=4TNV98-VTBZC1
(C)=

(D)=
(E)=
(F)=



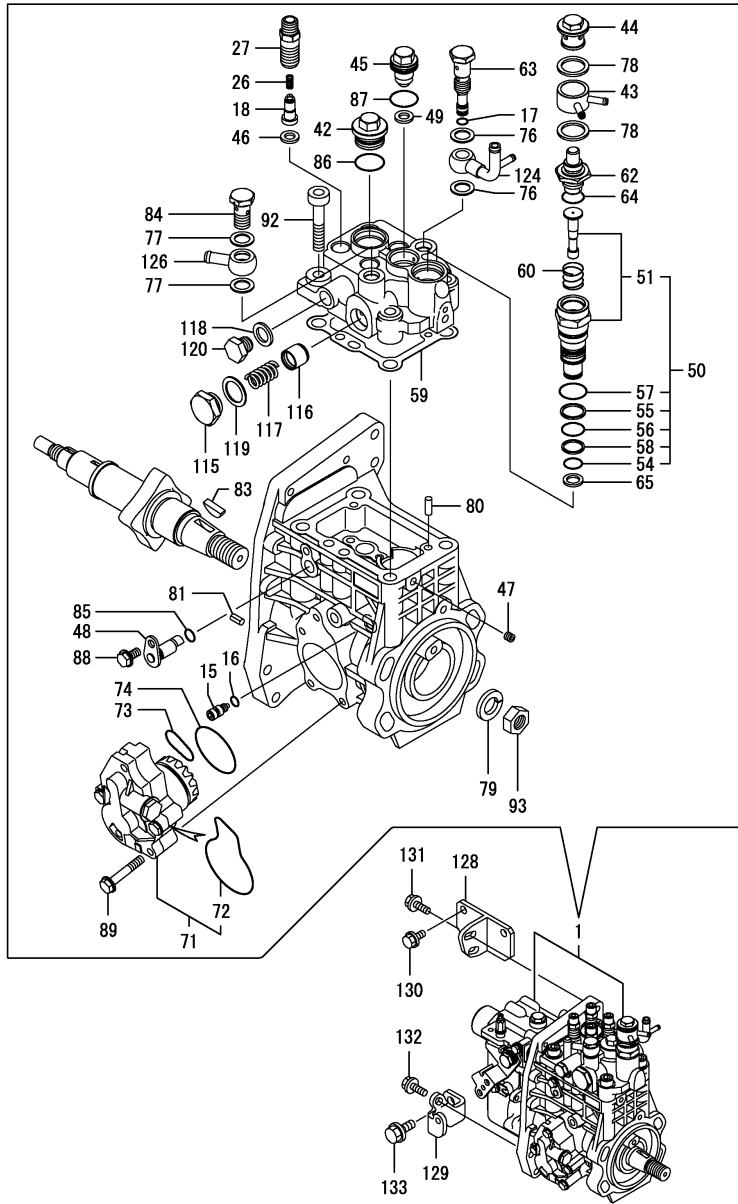
No.	Lev.	Parts No.	Description	Q'ty						I	R
				(A)	(B)	(C)	(D)	(E)	(F)		
1	1	129907-42000	PUMP ASSY, WATER	1	1						
11	1	129900-42020	GASKET, WATER PUMP	1	1						
12	1	26106-060302	BOLT, M6X 30 PLATED	2	2						
13	1	26106-080552	BOLT, M8X 55 PLATED	5	5						
14	1	129900-42450	V-PULLEY	1							
14-1	1	129930-42450	V-PULLEY	1							N
(A=E45202)											
14-2	1	129900-42461	V-PULLEY	1	1						N
(A=E51555)											
15	1	129953-42290	V-BELT, A45	1							
15-1	1	129940-42310	V-BELT, A44	1	1						N
(A=E45202)											
16	1	129981-44740	FAN, COOLING D=450	1	1						
17	1	129900-44760	SPACER	1	1						
18	1	26106-080852	BOLT, M8X 85 PLATED	4	4						
19	1	129946-49810	CASE ASSY, THERMOSTAT	1	1						
20	2	129916-49530	COVER, THERMOSTAT	1	1						
21	2	121850-49540	GASKET, THERMOSTAT	1	1						
22	2	121850-49550	GASKET, THERMOSTAT	1	1						
23	2	129907-49730	RETAINER, PIPE	1	1						
24	2	121850-49800	THERMOSTAT, 82	1	1						
28	2	23875-030000	PLUG, R03	2	2						
29	2	26106-060122	BOLT, M6X 12 PLATED	1	1						
30	2	26106-060202	BOLT, M6X 20 PLATED	4	4						
31	1	129900-49870	GASKET	1	1						
32	1	23414-080000	GASKET, 8X1.0	1	1						
33	1	26106-080122	BOLT, M8X 12 PLATED	1	1						
34	1	26106-080602	BOLT, M8X 60 PLATED	3	3						
35	1	121250-44901	SWITCH, 110	1	1						
36	1	124465-44950	GASKET, 16	1	1						
37	1	124465-44950	GASKET, 16	1	1						
38	1	129907-49610	HOSE ASSY, WATER	1	1						
39	2	129907-49710	PIPE ASSY, WATER	1	1						
40	2	129907-49750	TUBE, CORRUGATED	1	1						
41	2	124722-59050	CLIP, HOSE 9	2	2						
42	1	129907-49620	HOSE ASSY, WATER	1	1						
43	2	129907-49720	PIPE ASSY, WATER	1	1						
44	2	124722-59050	CLIP, HOSE 9	2	2						
45	1	129107-44901	SENSOR	1	1						
46	1	171056-49351	SENSOR	1	1						
47	1	129150-49360	GASKET	1	1						
48	1	121550-49111	JOINT, PT1/4	1	1						
49	1	129466-44510	TANK ASSY, SUB	1	1						
50	2	121468-44540	PLUG, SUB-TANK	1	1						
51	2	121450-44531	CAP	1	1						
52	2	124450-44560	RETAINER	1	1						
53	2	121470-44581	GASKET	1	1						
54	2	121267-44590	PIPE	1	1						
55	1	129150-49100	COCK ASSY, 3-WAY	1	1						
56	2	129150-49080	COCK, DRAIN	1	1						
60	1	23000-054000	CLAMP, 54	4	4						

N:Old $\xrightarrow{\text{Yes}}$ New, Q:Old $\xrightarrow{\text{No}}$ New, R:Old $\xrightarrow{\text{Yes}}$ New, S:Old $\xrightarrow{\text{No}}$ New, W:Add, Z:Discontinued, F:Interchangeable by set, K:Q'ty Change
Copyright (C) YANMAR CO., LTD. All Rights Reserved.

Fig.11. FUEL INJECTION PUMP

(A)=4TNV98-VTBZC
 (B)=4TNV98-VTBZC1
 (C)=

(D)=
 (E)=
 (F)=



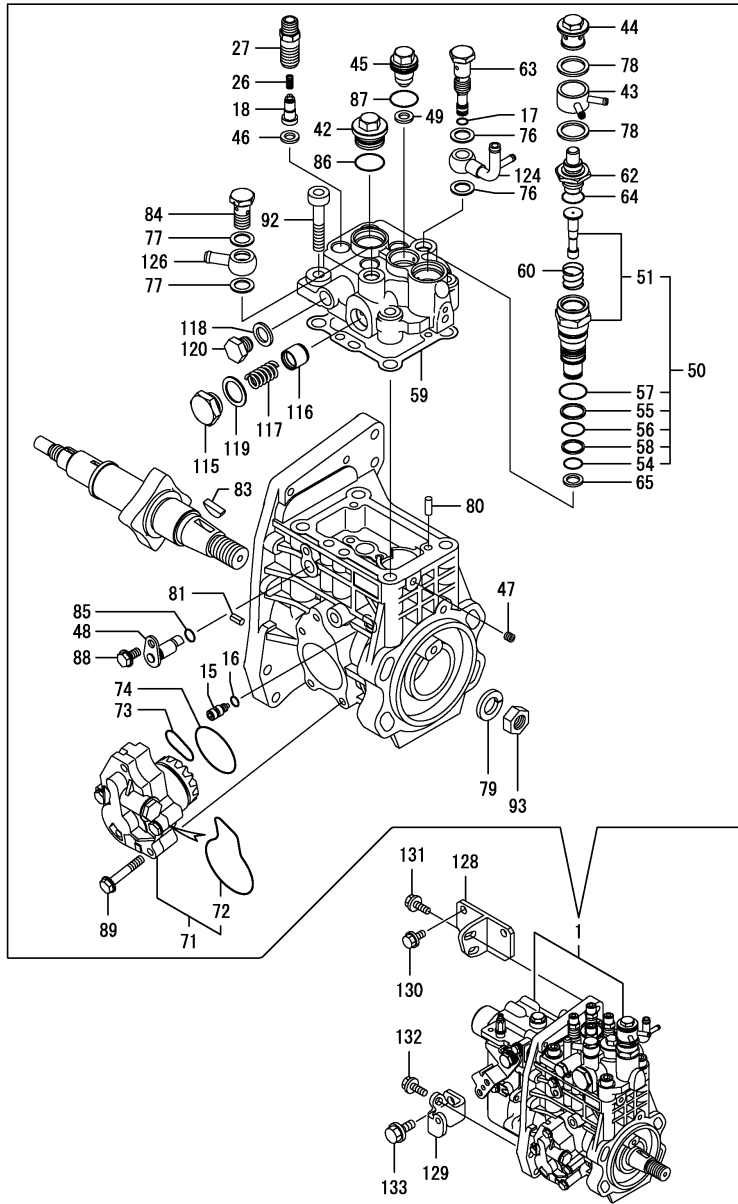
No.	Lev.	Parts No.	Description	Q'ty						I	R
				(A)	(B)	(C)	(D)	(E)	(F)		
1	1	729940-51350	PUMP ASSY, INJECTION	1	1						1
15	2	158600-51270	STOPPER, TAPPET	1	1						
16	2	158563-51281	O-RING, 4D S6	1	1						
17	2	158563-51281	O-RING, 4D S6	1	1						
17A	2	129509-51390	VALVE ASSY, DELIVERY	4	4						W
		(A="2008.04.) (B="2008.04.)									
26	3	158563-51330	SPRING, DELIVERY	4	4						
42	2	158601-51550	PLUG	1	1						
43	2	158553-51551	JOINT	1	1						
44	2	158601-51570	PLUG	1	1						
45	2	129907-51560	PLUG, BARREL	1	1						
46	2	158552-51570	GASKET	4	4						
47	2	158557-51570	PLUG	1	1						
48	2	158552-51580	LIFTER	1	1						
49	2	129906-51580	GASKET	1	1						
50	2	119802-51590	TIMER SET	1	1						
51	3	119802-51600	TIMER ASSY	1	1						
54	3	158553-51670	O-RING, 1011	1	1						
55	3	119802-51680	RING, BACK UP	1	1						
56	3	119802-51690	O-RING	1	1						
57	3	24356-010200	O-RING, 4D1020	1	1						
58	3	24372-000150	RING, BACK UP T2P15	1	1						
59	2	158560-51600	GASKET	1	1						
60	2	158553-51630	SPRING, TIMER	1	1						
62	2	158553-51640	ELEMENT	1	1						
63	2	158601-51650	JOINT, OVER FLOW	1	1						
64	2	158553-51660	O-RING, P14	1	1						
65	2	158553-51680	GASKET	1	1						
71	2	158552-52100	PUMP ASSY, FUEL FEED	1	1						
72	3	158552-52500	O-RING	1	1						
73	2	158552-52310	O-RING	1	1						
74	2	158552-52400	O-RING, 4E S42	1	1						
76	2	22190-120002	WASHER, SEAL 12	2	2						
77	2	22190-120002	WASHER, SEAL 12	2	2						
78	2	22190-180002	WASHER, SEAL 18	2	2						
79	2	22217-180000	WASHER, SPRING 18	1	1						
80	2	22312-050140	PIN, PARALLEL M5X14	2	2						
81	2	22351-050010	PIN, SPRING 5.0X10	2	2						
83	2	144626-51090	KEY, 5X19	1	1						
84	2	23857-060000	BOLT, JOINT 6	1	1						
85	2	24311-000070	O-RING, 1AP7.0	1	1						
86	2	24356-010200	O-RING, 4D1020	1	1						
87	2	24356-020210	O-RING, 4D2021	1	1						
88	2	26106-060102	BOLT, M6X 10 PLATED	1	1						
89	2	26106-060352	BOLT, M6X 35 PLATED	4	4						
92	2	26450-100452	BOLT, M10X 45	4	4						
93	2	26776-180002	NUT, LOCK M18	1	1						
115	2	158601-51790	PLUG	1	1						
116	2	158601-51770	PISTON	1	1						
117	2	158552-51780	SPRING	1							
117-1	2	158552-51781	SPRING	1	1						R

Remarks
 (1) GOVERNOR ASSY(FIG.12) IS
 INCORPORATED IN THIS FOP.CMP
 (REF.NO.1).

Fig.11. FUEL INJECTION PUMP

(A)=4TNV98-VTBZC
 (B)=4TNV98-VTBZC1
 (C)=

(D)=
 (E)=
 (F)=



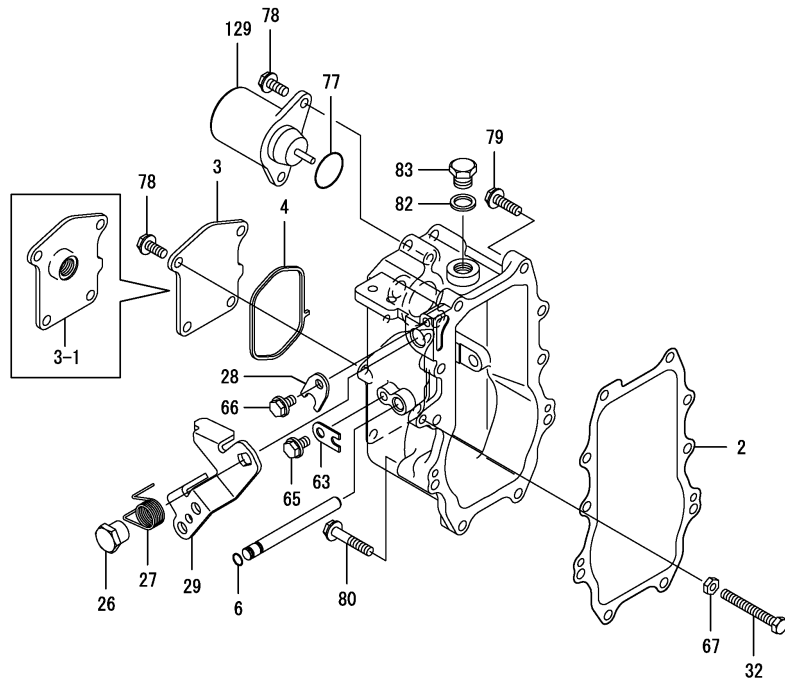
No.	Lev.	Parts No.	Description	Q'ty						I	R
				(A)	(B)	(C)	(D)	(E)	(F)		
(A=E45202)											
118	2	22190-120002	WASHER, SEAL 12	1	1						
119	2	22190-180002	WASHER, SEAL 18	1	1						
120	2	23887-120002	PLUG, 12	1	1						
124	2	158552-51670	JOINT, OVER FLOW	1	1						
126	2	129916-59020	JOINT, PIPE 12	1	1						
128	1	129907-01950	RETAINER	1	1						
129	1	129907-01960	RETAINER	1	1						
130	1	26106-080162	BOLT, M8X 16 PLATED	2	2						
131	1	26106-080222	BOLT, M8X 22 PLATED	2	2						
132	1	26106-080222	BOLT, M8X 22 PLATED	1	1						
133	1	26106-100202	BOLT, M10X 20 PLATED	1	1						

Remarks
 (1) GOVERNOR ASSY(FIG.12) IS
 INCORPORATED IN THIS FOP.CMP
 (REF.NO.1).

Fig.12. GOVERNOR

(A)=4TNV98-VTBZC
(B)=4TNV98-VTBZC1
(C)=

(D)=
(E)=
(F)=

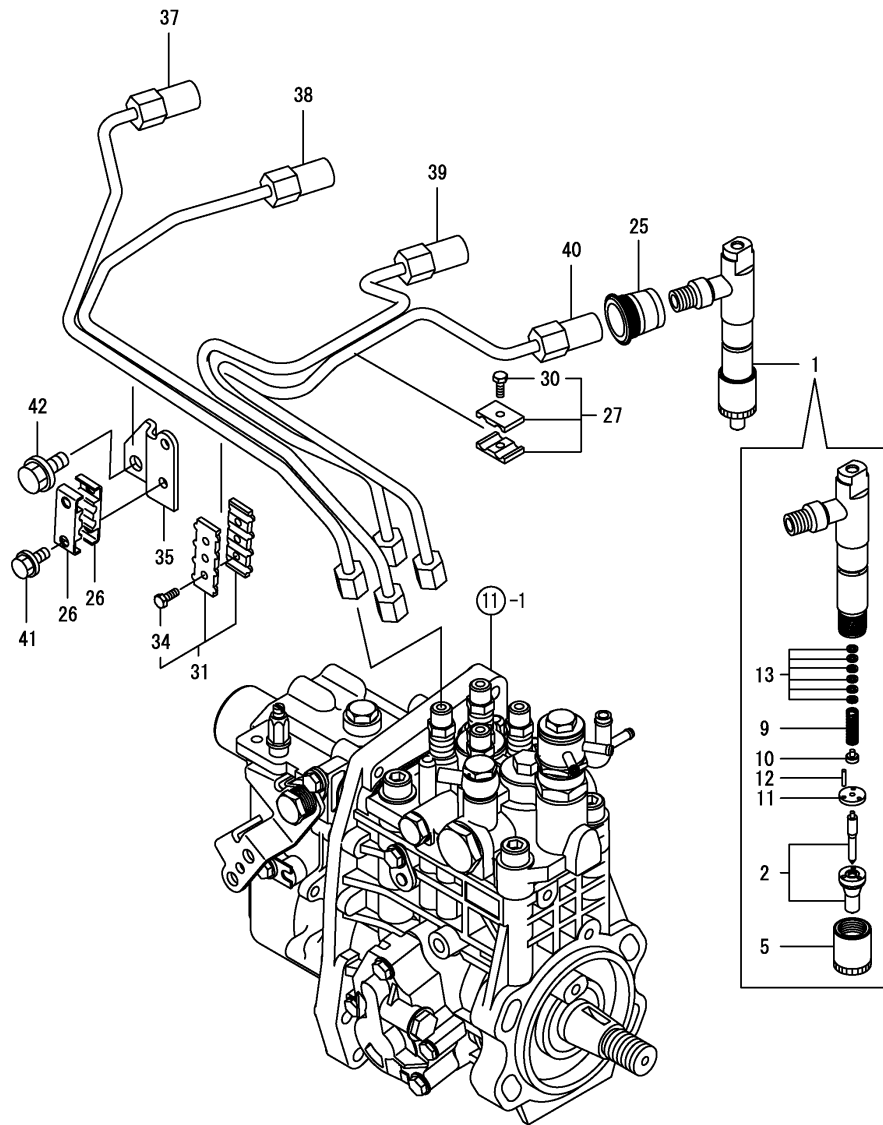


No.	Lev.	Parts No.	Description	Q'ty						I	R
				(A)	(B)	(C)	(D)	(E)	(F)		
2	2	158560-61050	GASKET	1	1						
3	2	158560-61061	COVER, GOVERNOR CASE	1							
3-1	2	129906-61060	COVER, GOVERNOR CASE	1	1						S
(A=E45202)											
4	2	158560-61071	GASKET	1	1						
6	2	129155-51280	O-RING, S6	1	1						
26	2	129255-61410	NUT, LOCK	1	1						
27	2	119807-61420	SPRING, RETURN	1	1						
28	2	158560-61430	RETAINER, SHAFT	1	1						
29	2	158560-61442	LEVER, REGULATOR	1	1						
32	2	129155-61460	BOLT, IDLE	1	1						
63	2	119660-61901	RETAINER, SHAFT	1	1						
65	2	26106-060102	BOLT, M6X 10 PLATED	1	1						
66	2	26106-060102	BOLT, M6X 10 PLATED	1	1						
67	2	26756-060002	NUT, LOCK M6	1	1						
77	2	158552-61900	O-RING	1	1						
78	2	26106-060142	BOLT, M6X 14 PLATED	6	6						
79	2	26106-060252	BOLT, M6X 25 PLATED	8	8						
80	2	26106-060402	BOLT, M6X 40 PLATED	2	2						
82	2	22190-160002	WASHER, SEAL 16	1	1						
83	2	23887-160002	PLUG, 16	1	1						
129	2	129612-77930	SOLENOID, STOP	1							
129-1	2	129612-77940	SOLENOID, STOP	1	1						N
(A=E51555)											

Remarks

* THIS FIGURE(GOVERNOR ASSY)IS INCORPORATED IN THE FUEL INJECTION PUMP ASSY(FIG.11).

Fig.13. FUEL INJECTION VALVE

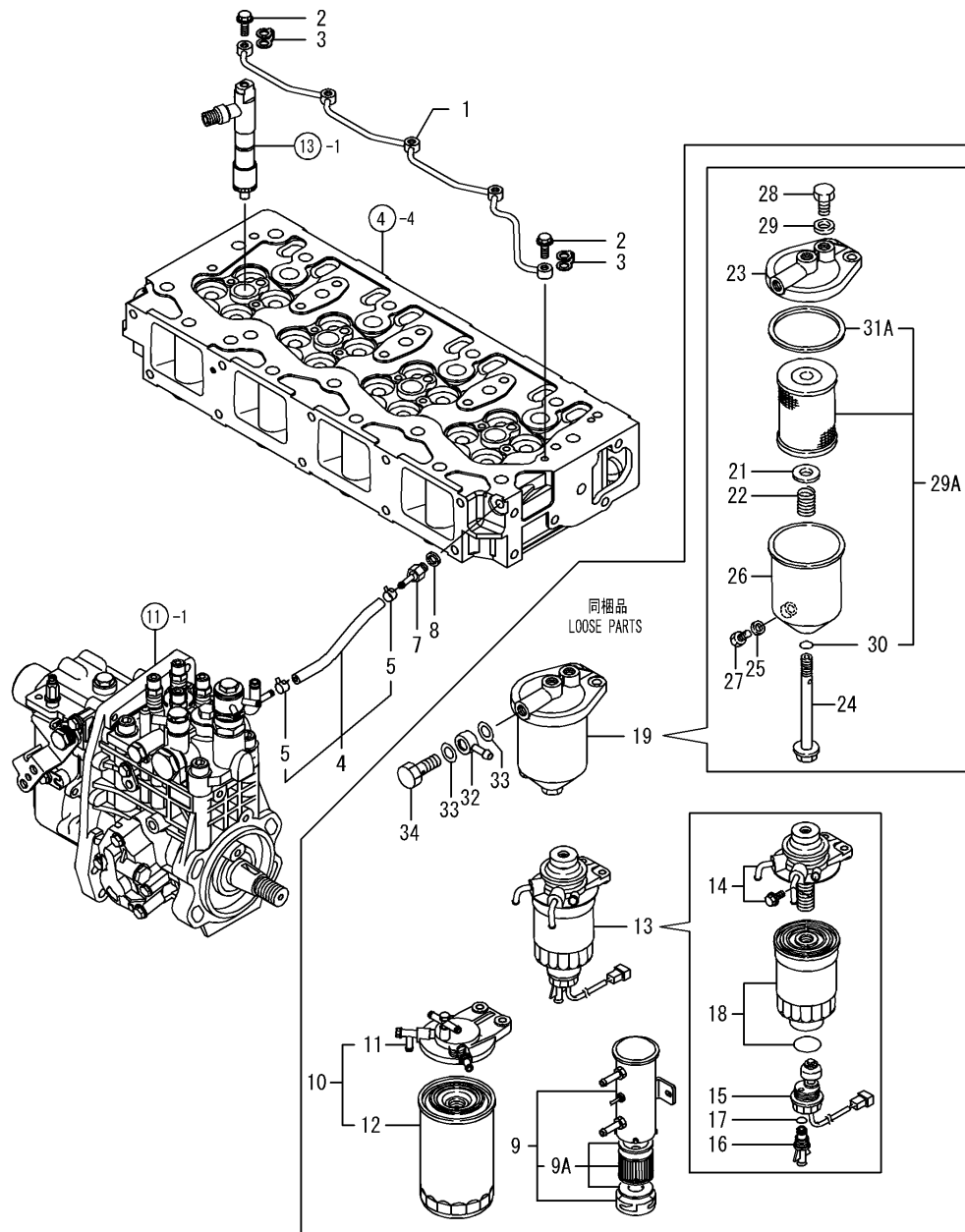


(A)=4TNV98-VTBZC
(B)=4TNV98-VTBZC1
(C)=

(D)=
(E)=
(F)=

No.	Lev.	Parts No.	Description	Q'ty						I	R
				(A)	(B)	(C)	(D)	(E)	(F)		
1	1	729907-53100	VALVE ASSY,INJECTION	4	4						
2	2	129907-53000	VALVE ASSY,INJECTION	4	4						
5	2	114250-53080	NUT, NOZZLE D16.95	4	4						
9	2	114250-53120	SPRING, NOZZLE	4	4						
10	2	114250-53130	SEAT, SPRING	4	4						
11	2	114250-53140	PLATE	4	4						
12	2	114250-53210	PIN	8	8						
13	2	114250-53400	SHIM SET	4	4						
25	1	123907-11601	SEAL	4	4						
26	1	122780-59100	RETAINER	2	2						
27	1	119305-59120	RETAINER, PIPE	1	1						
30	2	129150-59131	BOLT, M4X14	1	1						
31	1	129550-59120	RETAINER, PIPE	1	1						
34	2	129150-59131	BOLT, M4X14	2	2						
35	1	129907-59710	SUPPORT	1	1						
37	1	129907-59810	PIPE ASSY, INJECTION	1	1						
38	1	129907-59820	PIPE ASSY, INJECTION	1	1						
39	1	129907-59830	PIPE ASSY, INJECTION	1	1						
40	1	129907-59840	PIPE ASSY, INJECTION	1	1						
41	1	26106-060162	BOLT, M6X 16 PLATED	2	2						
42	1	26106-080182	BOLT, M8X 18 PLATED	1	1						

Fig.14. FUEL LINE



(A)=4TNV98-VTBZC
(B)=4TNV98-VTBZC1
(C)=

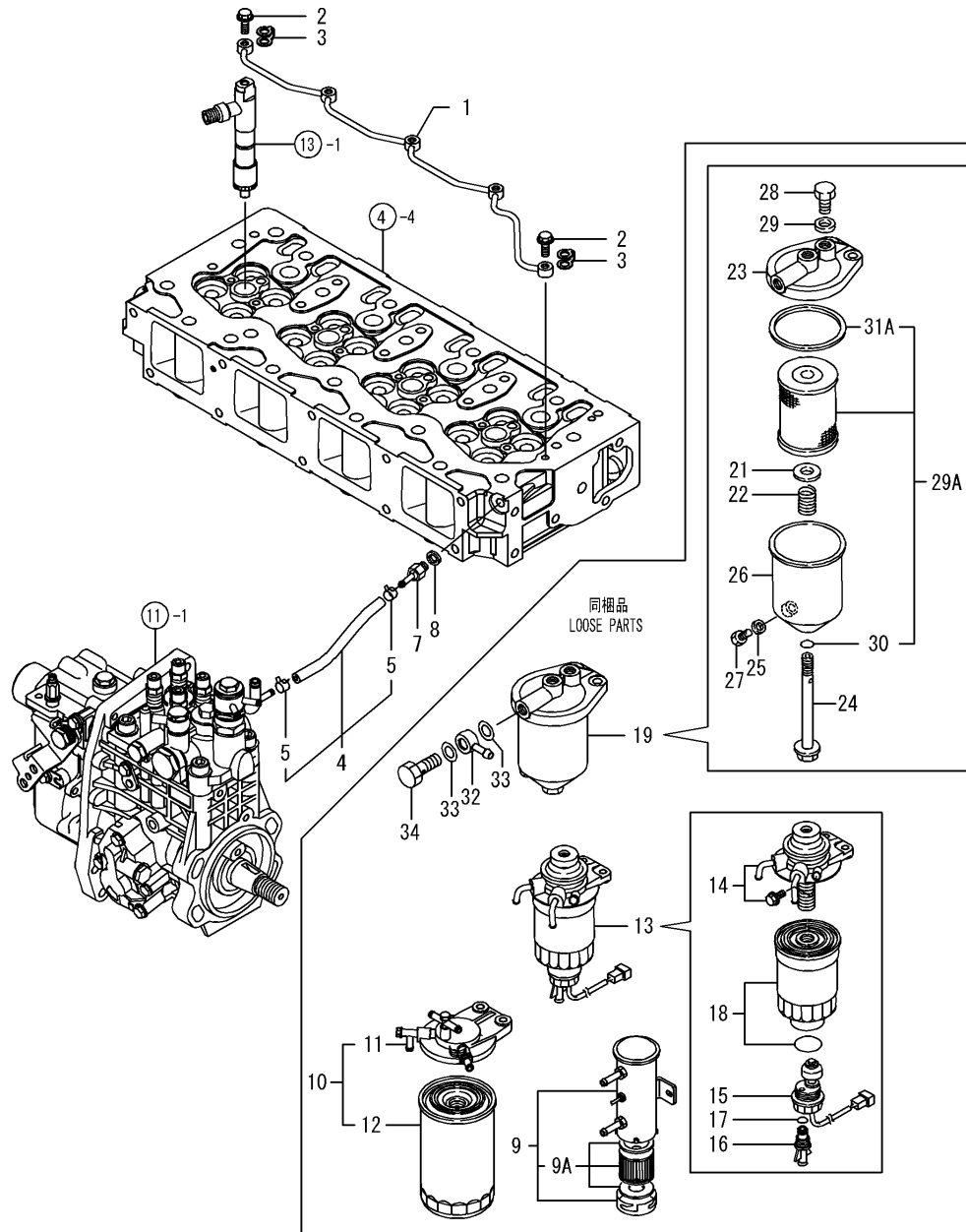
(D)=
(E)=
(F)=

No.	Lev.	Parts No.	Description	Q'ty						I	R
				(A)	(B)	(C)	(D)	(E)	(F)		
1	1	129907-59140	PIPE ASSY, RETURN	1	1						
2	1	123907-59540	BOLT, PIPE JOINT M6	5	5						
3	1	123907-59550	GASKET	5	5						
4	1	129486-59551	PIPE ASSY, RETURN	1	1						
5	2	124722-59050	CLIP, HOSE 9	2	2						
7	1	123907-59560	JOINT	1	1						
8	1	22190-080002	WASHER, SEAL 6	1	1						
9	1	129953-52100	PUMP ASSY, FUEL FEED	1	1						
9A	2	129535-52150	FILTER ASSY	1	1						W
(A=E49756)											
10	1	129940-55610	FILTER ASSY, FUEL	1	1						
11	2	129004-55612	BRACKET, FILTER	1	1						
12	2	129907-55801	FILTER, FUEL	1	1						
13	1	129917-55800	FILTER ASSY, FUEL	1	1						
13-1	1	129917-55801	FILTER ASSY, FUEL	1	1						R
(A=E49756)											
14	2	129917-55810	BODY	1	1						
15	2	129917-55820	SENSOR ASSY	1	1						
15-1	2	129917-55821	SENSOR ASSY	1	1						R
(A=E49756)											
16	2	129917-55830	PLUG, DRAIN	1	1						
17	2	129917-55840	O-RING	1	1						
18	2	129917-55850	ELEMENT KIT	1	1						
19	1	129065-55750	SEPARATOR ASSY	1	1						W
(A=*2009.05.) (B=*2009.05.)											
20	2	123325-35140	GASKET	1	1						W
(A=*2009.05.) (B=*2009.05.)											
20-1	2	123325-35140	GASKET	1	1						Z
(A=2013.11.) (B=2013.11.)											
21	2	123325-35160	WASHER	1	1						W
(A=*2009.05.) (B=*2009.05.)											
22	2	123325-35170	SPRING	1	1						W
(A=*2009.05.) (B=*2009.05.)											
23	2	129495-55610	BODY, STRAINER	1	1						W
(A=*2009.05.) (B=*2009.05.)											
24	2	129495-55620	BOLT	1	1						W
(A=*2009.05.) (B=*2009.05.)											
25	2	123672-55760	GASKET	1	1						W
(A=*2009.05.) (B=*2009.05.)											
26	2	129065-55760	CASE	1	1						W
(A=*2009.05.) (B=*2009.05.)											
27	2	129065-55770	PLUG, DRAIN M8	1	1						W
(A=*2009.05.) (B=*2009.05.)											
28	2	123678-55880	PLUG, M14	1	1						W
(A=*2009.05.) (B=*2009.05.)											
29	2	123678-55890	GASKET	1	1						W
(A=*2009.05.) (B=*2009.05.)											
29A	2	41650-502320	ELEMENT ASSY(D72XL90)	1	1						W
(A=2013.11) (B=2013.11)											
30	3	24311-000120	O-RING, 1AP12.0	1	1						W
(A=*2009.05.) (B=*2009.05.)											

Fig.14. FUEL LINE

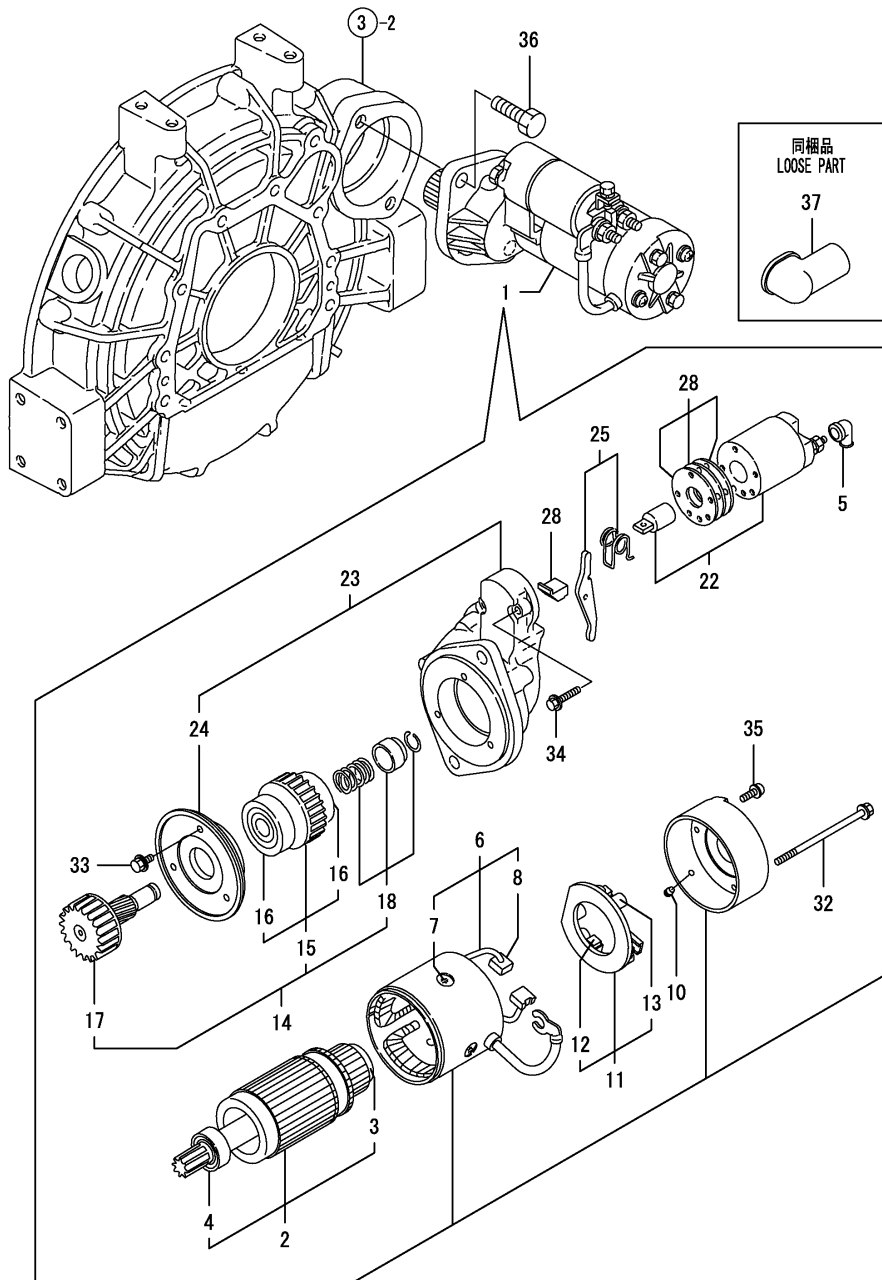
(A)=4TNV98-VTBZC
 (B)=4TNV98-VTBZC1
 (C)=

(D)=
 (E)=
 (F)=



No.	Lev.	Parts No.	Description	Q'ty						I	R
				(A)	(B)	(C)	(D)	(E)	(F)		
31A	3	123325-35140	GASKET	1	1						W
		(A=2013.11.) (B=2013.11.)									
32	1	121750-59910	JOINT	2	2						W
		(A=*2009.05.) (B=*2009.05.)									
33	1	22190-140002	WASHER, SEAL 14	4	4						W
		(A=*2009.05.) (B=*2009.05.)									
34	1	23857-080000	BOLT, JOINT 8	2	2						W
		(A=*2009.05.) (B=*2009.05.)									

Fig.15. STARTING MOTOR



(A)=4TNV98-VTBZC
(B)=4TNV98-VTBZC1
(C)=

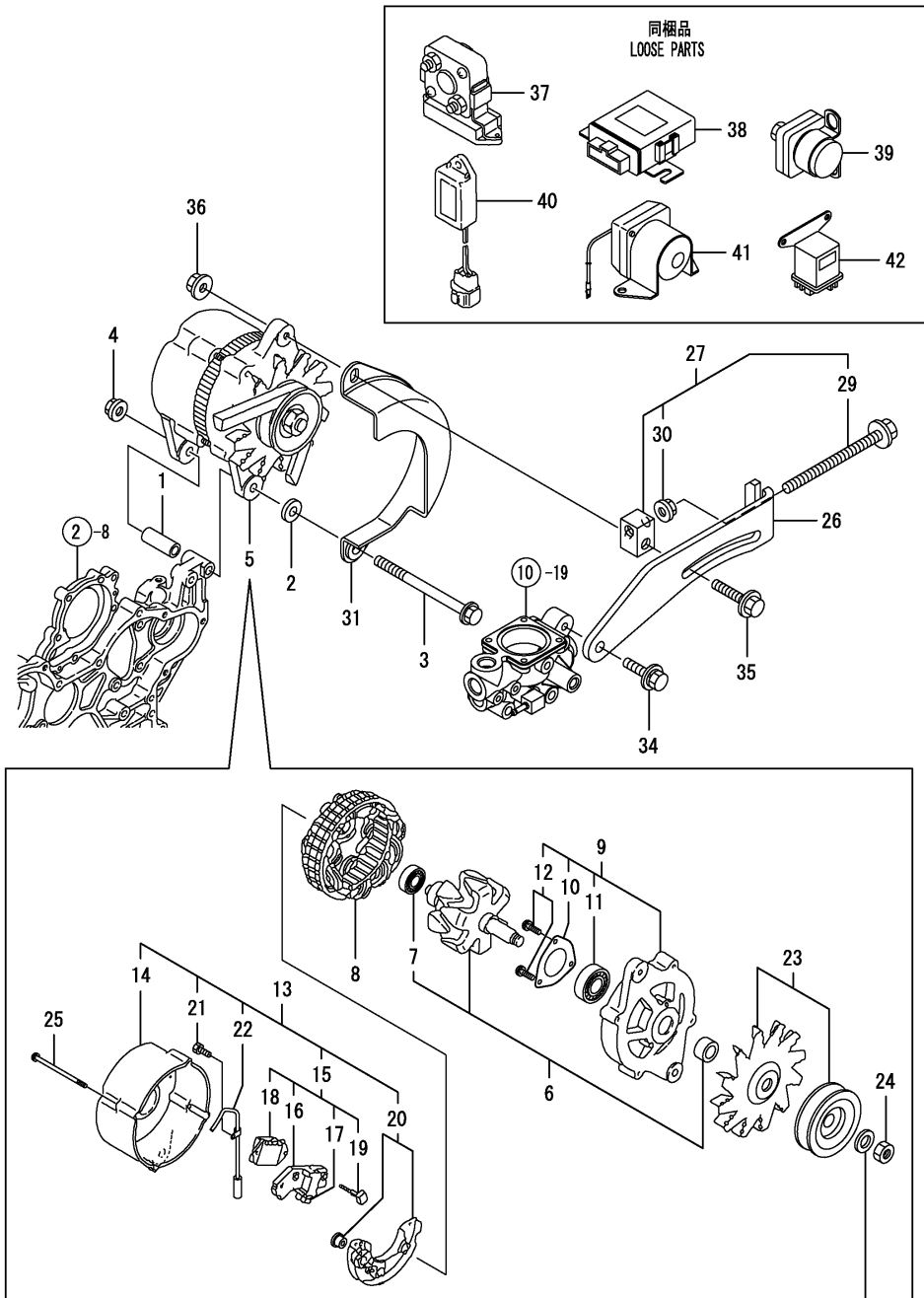
(D)=
(E)=
(F)=

No.	Lev.	Parts No.	Description	Q'ty						I	R
				(A)	(B)	(C)	(D)	(E)	(F)		
1	1	119131-77010	STARTING MOTOR	1	1						
2	2	119131-77400	ARMATURE ASSY	1	1						
3	3	X2130350900	BALL BEARING	1	1						
4	3	119131-77420	BALL BEARING	1	1						
5	2	121254-77810	COVER, TERMINAL	1	1						
6	2	119131-77440	COIL ASSY, FIELD	1	1						
7	3	171008-77450	SCREW	4	4						
8	3	119131-77450	BRUSH (+)	2	2						
10	2	119131-77470	BUSH	1	1						
11	2	119131-77480	HOLDER ASSY, BRUSH	1	1						
12	3	119131-77500	BRUSH (-)	2	2						
13	3	119131-77490	SPRING, BRUSH	4	4						
14	2	119131-77510	PINION	1	1						
15	3	119131-77520	CLUTCH ASSY	1	1						
16	4	X2240610100	BALL BEARING (3)	2	2						
17	3	119131-77540	PINION SHAFT	1	1						
18	3	119131-77550	STOPPER KIT, PINION	1	1						
22	2	119131-77590	SWITCH, MAGNETIC	1	1						
23	2	119131-77600	CASE ASSY, GEAR	1	1						
24	3	119131-77610	METAL, GEAR CASE	1	1						
25	2	119131-77620	LEVER SET, SHIFT	1	1						
28	2	119131-77650	COVER SET, DUST	1	1						
32	2	129400-77640	BOLT, THROUGH	2	2						
33	2	26014-060162	BOLT, M6X 16	3	3						
34	2	119131-77690	BOLT M 6X 45 PLATED	2	2						
35	2	26557-040102	SCREW, M4X10	2	2						
36	1	26116-120302	BOLT, M12X 30 PLATED	2	2						
37	1	124550-77030	COVER, TERMINAL	1	1						

Fig.16. GENERATOR

(A)=4TNV98-VTBZC
(B)=4TNV98-VTBZC1
(C)=

(D)=
(E)=
(F)=

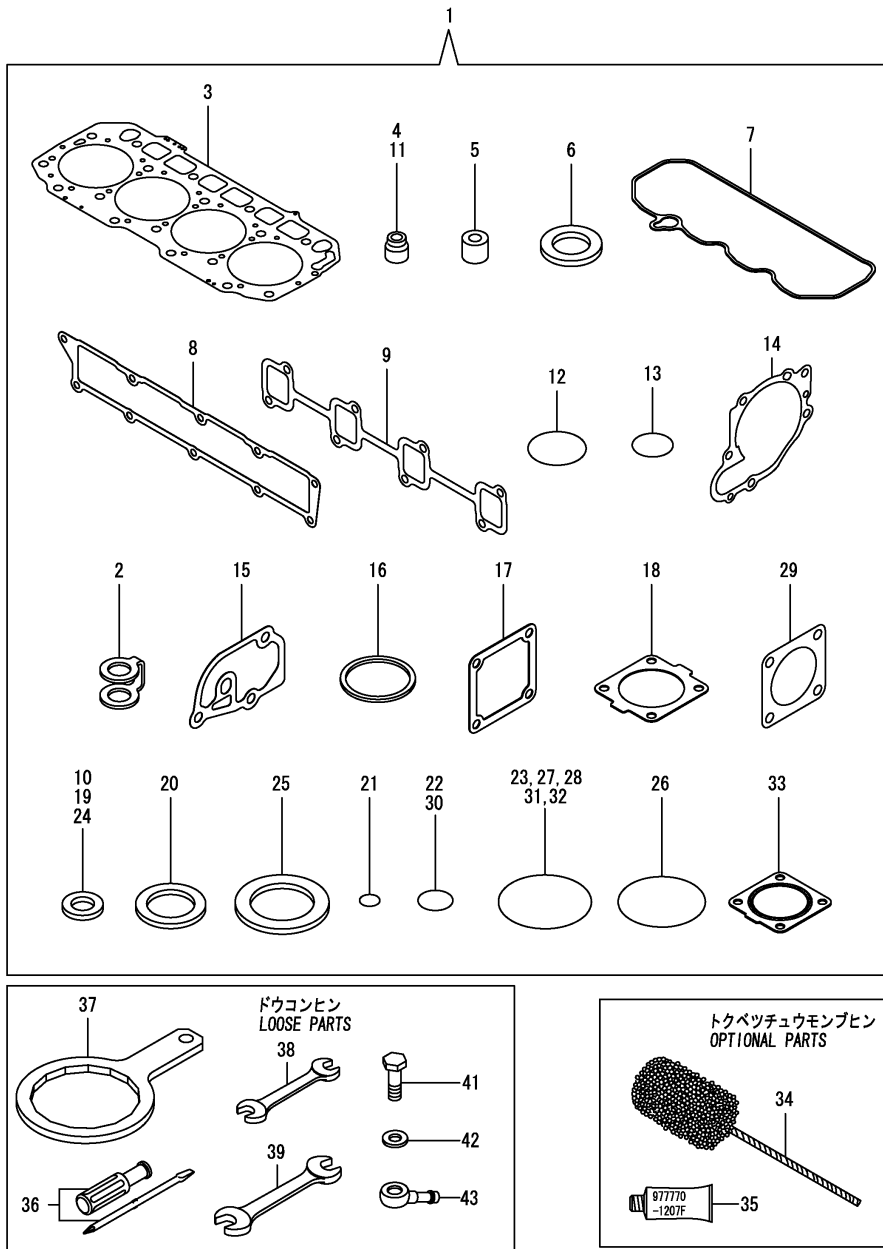


No.	Lev.	Parts No.	Description	Qty						I	R
				(A)	(B)	(C)	(D)	(E)	(F)		
1	1	129470-77340	PIECE, DISTANCE	1	1						
2	1	22137-100000	WASHER, 10	1	1						
3	1	26116-101302	BOLT, M10X130 PLATED	1	1						
4	1	26306-100002	NUT, M10	1	1						
5	1	129953-77210	ALTERNATOR ASSY	1	1						
6	2	XL240G5100	ROTOR ASSY	1	1						
7	3	119129-77320	BALL BEARING	1	1						
8	2	XL24092001	STATOR ASSY	1	1						
9	2	XL2351400	COVER ASSY, FRONT	1	1						
10	3	119129-77870	RETAINER, BEARING	1	1						
11	3	119129-77850	BALL BEARING	1	1						
12	3	119129-77930	SCREW KIT	1	1						
13	2	XL240G23001	REAR COVER ASSY	1	1						
14	3	XL240G4301	REAR COVER	1	1						
15	3	XL23513151	BRUSH REGULATOR ASSY	1	1						
16	4	XL17093201	DIODE ASSY	1	1						
17	4	XL15023252	BRUSH SET	1	1						
18	4	119129-77820	REGULATOR ASSY, I.C.	1	1						
19	4	XL1501313	BOLT(M5)	2	2						
20	3	XL17093201	DIODE ASSY	1	1						
21	3	26116-050122	BOLT, M5X 12 PLATED	1	1						
22	3	119129-77250	WIRE, LEAD	1	1						
23	2	129535-77880	PULLEY	1	1						
24	2	XL2252805	NUT ASSY, PULLEY	1	1						
25	2	119129-77890	BOLT, THROUGH	4	4						
26	1	129940-77310	ADJUSTER	1	1						
27	1	119624-77351	BLOCK ASSY, ADJUSTER	1	1						
29	2	26106-081004	BOLT, M8X100 PLATED	1	1						
30	2	26306-080002	NUT, M8	1	1						
31	1	129953-77410	COVER	1	1						
34	1	26014-080252	BOLT, M8X 25	1	1						
35	1	26106-080502	BOLT, M8X 50 PLATED	1	1						
36	1	26306-080002	NUT, M8	1	1						
37	1	129900-77100	RELAY, SAFETY	1	1						
38	1	119503-77520	CONTROLLER	1	1						
39	1	127488-77530	RELAY, GROW	1	1						
40	1	129612-77920	TIMER	1	1						
41	1	119129-77910	RELAY, MAGNETIC	1	1						
42	1	129612-77910	RELAY, GROW	1	1						

Fig.17. TOOLS & GASKET SET

(A)=4TNV98-VTBZC
(B)=4TNV98-VTBZC1
(C)=

(D)=
(E)=
(F)=



No.	Lev.	Parts No.	Description	Q'ty						I	R
				(A)	(B)	(C)	(D)	(E)	(F)		
1	1	729907-92990	GASKET SET	1							1
1-1	1	729907-92991	GASKET SET	1	1						N 1
(A=E45202)											
2	2	123907-59550	GASKET	5	5						
3	2	129907-01331	GASKET, HEAD	1	1						
4	2	124160-11340	SEAL, VALVE STEM	8	8						
5	2	119802-11870	PROTECTOR, NOZZLE	4	4						
6	2	119625-11880	SEAT, NOZZLE	4	4						
7	2	129907-11310	GASKET, BONNET	1							
7-1	2	129933-11310	GASKET, BONNET	1	1						N
(A=E45202)											
8	2	129907-12110	GASKET, MANIFOLD	1	1						
9	2	129900-13251	GASKET	1	1						
10	2	129150-49360	GASKET	1	1						
11	2	124950-11340	SEAL, VALVE STEM	8							
11-1	2	119803-11340	SEAL, VALVE STEM	8	8						N
(A=E45202)											
12	2	129900-32030	O-RING, P20	2	2						
13	2	129900-32040	O-RING, P14	1	1						
14	2	129900-42020	GASKET, WATER PUMP	1	1						
15	2	129900-49870	GASKET	1	1						
16	2	121850-49550	GASKET, THERMOSTAT	1	1						
17	2	121850-77021	GASKET	1	1						
18	2	121850-49540	GASKET, THERMOSTAT	1	1						
19	2	23414-080000	GASKET, 8X1.0	3	3						
20	2	124465-44950	GASKET, 16	2	2						
21	2	24311-000070	O-RING, 1AP7.0	1	1						
22	2	24311-000120	O-RING, 1AP12.0	8	8						
23	2	24311-000320	O-RING, 1AP32.0	3	3						
24	2	22190-080002	WASHER, SEAL 6	9	9						
25	2	22190-220002	WASHER, SEAL 22	1	1						
26	2	24351-030750	O-RING, 1A3075	1	1						
27	2	24321-000850	O-RING, 1AG85.0	1	1						
28	2	24341-000530	O-RING, 1AS53.0	1	1						
29	2	124240-01883	GASKET	1	1						
30	2	24311-240100	O-RING, 1AP10A	1	1						
31	2	24321-000600	O-RING, 1AG60.0	2	2						
32	2	24321-000700	O-RING, 1AG70.0	1	1						
33	2	129930-13201	GASKET, SILENCER	2	2						
34	1	129400-92450	HONE	1	1						1
35	1	977770-1207F	GASKET.LIQUID	1	1						1
36	1	104200-92350	DRIVER, SCREW	1	1						
37	1	119640-92750	WRENCH, FILTER 80	1	1						
38	1	28110-100120	SPANNER, 10X12	1	1						
39	1	28110-140170	SPANNER, 14X17	1	1						
41	1	23857-080000	BOLT, JOINT 8	2	2						W
42	1	22190-140002	WASHER, SEAL 14	4	4						W
43	1	121750-59910	JOINT	2	2						W

Remarks
(1) OPTIONAL PARTS.

Parts No. Index

Parts No.	Fig. No.	Ref. No.
104200-92350	17	36
114250-39450	9	9
114250-53080	13	5
114250-53120	13	9
114250-53130	13	10
114250-53140	13	11
114250-53210	13	12
114250-53400	13	13
119000-01840	3	5
119000-35140	9	25
119005-12571	5	12
119005-35151	9	26
119129-77250	16	22
119129-77320	16	7
119129-77820	16	18
119129-77850	16	11
119129-77870	16	10
119129-77890	16	25
119129-77910	16	41
119129-77930	16	12
119131-18320	6	7
119131-77010	15	1
119131-77400	15	2
119131-77420	15	4
119131-77440	15	6
119131-77450	15	8
119131-77470	15	10
119131-77480	15	11
119131-77490	15	13
119131-77500	15	12
119131-77510	15	14
119131-77520	15	15
119131-77540	15	17
119131-77550	15	18
119131-77590	15	22
119131-77600	15	23
119131-77610	15	24
119131-77620	15	25
119131-77650	15	28
119131-77690	15	34
119305-59120	13	27
119309-01810	1	40
119503-77520	16	38
119593-11301	4	28
119620-11180	4	16
119624-77351	16	27
119625-11880	4	26
	17	6
119640-01640	3	9
119640-61400	4	62

Parts No.	Fig. No.	Ref. No.
119640-92750	17	37
119660-61901	12	63
119802-11870	4	47
	17	5
119802-51590	11	50
119802-51600	11	51
119802-51680	11	55
119802-51690	11	56
119803-11340	4	18 -1
	17	11 -1
119807-61420	12	27
119808-12540	5	15
119812-34800	9	1
120130-22301	8	21
121250-44901	10	35
121254-77810	15	5
121267-44590	10	54
121450-44531	10	51
121468-44540	10	50
121470-44581	10	53
121550-49111	10	48
121750-59910	14	32
	17	43
121850-21130	8	11
121850-21290	8	4
121850-21920	8	5
121850-49540	10	21
	17	18
121850-49550	10	22
	17	16
121850-49800	10	24
121850-77021	5	5
	17	17
122780-59100	13	26
123325-35140	14	20
		20 -1
		31 A
123325-35160	14	21
123325-35170	14	22
123672-55760	14	25
123678-55880	14	28
123678-55890	14	29
123900-13610	6	5
123900-13630	6	4
123900-25060	7	9
123907-03100	4	55
123907-03110	4	56
123907-03120	4	57
123907-03140	4	58
123907-11280	4	33

Parts No.	Fig. No.	Ref. No.
123907-11550	4	3
123907-11601	13	25
123907-11820	4	10
123907-11830	4	22
123907-59540	14	2
123907-59550	14	3
	17	2
123907-59560	14	7
124160-01751	2	35
	4	50
124160-11340	4	17
	17	4
124160-11360	4	65
124240-01871	2	36
124240-01883	2	37
	17	29
124450-44560	10	52
124465-44950	10	36
	37	
	17	20
124550-77030	15	37
124722-59050	10	41
		44
	14	5
124950-11340	4	18
	17	11
127410-21480	8	14
127488-77530	16	39
129001-91810	2	24
		25
129004-55612	14	11
129005-59830	9	14
129062-12560	5	13
129065-55750	14	19
129065-55760	14	26
129065-55770	14	27
129100-01580	2	5
	3	1
129107-44901	10	45
129150-02450	7	4
129150-11230	4	36
		40
129150-11750	4	21
		37
		41
129150-14200	7	1
129150-25920	7	13
129150-49080	10	56
129150-49100	10	55
129150-49360	10	47

Parts No.	Fig. No.	Ref. No.
129150-49360	17	10
129150-59131	13	30
		34
129155-51280	12	6
129155-61460	12	32
129255-61410	12	26
129400-77640	15	32
129400-92450	17	34
129418-12530	5	20
129418-12540	5	16
129466-44510	10	49
129470-77340	16	1
129486-59551	14	4
129495-55610	14	23
129495-55620	14	24
129509-51390	11	17 A
129535-52150	14	9 A
129535-77880	16	23
129550-59120	13	31
129612-12650	5	21
129612-77910	16	42
129612-77920	16	40
129612-77930	12	129
129612-77940	12	129 -1
129640-13580	6	11
129640-13590	6	10
129900-01200	1	31
129900-01250	1	5
129900-01740	2	6
129900-01850	2	39
129900-01870	2	40
129900-02020	1	7
129900-02341	1	34
129900-02410	1	10
129900-02931	1	28
129900-02941	1	37
129900-12530	5	14
129900-13200	6	1
129900-13251	6	3
	17	9
129900-14100	7	6
129900-21200	8	3
129900-23001	8	23
129900-23200	8	27
129900-23601	8	28
129900-23611	8	31
129900-23911	8	30
129900-25100	7	10
129900-32001	2	11
129900-32030	2	22

Parts No. Index

Parts No.	Fig. No.	Ref. No.
129900-32030	9	2
	17	12
129900-32040	2	23
	17	13
129900-35000	9	3
129900-42020	10	11
	17	14
129900-42450	10	14
129900-42461	10	14 -2
129900-44760	10	17
129900-49870	10	31
	17	15
129900-77100	16	37
129902-21000	8	1
129902-21580	8	12
129906-51580	11	49
129906-61060	12	3 -1
129907-01190	1	33
129907-01331	1	32
	17	3
129907-01500	2	8
129907-01950	11	128
129907-01960	11	129
129907-03011	4	52
129907-03061	4	53
129907-03070	4	54
129907-07900	4	1
129907-11100	4	9
129907-11110	4	14
129907-11120	4	15
129907-11250	4	30
129907-11260	4	31
129907-11270	4	32
129907-11310	4	61
	17	7
129907-11320	4	51
129907-11321	4	51 -1
129907-11341	4	29
129907-11510	4	19
129907-11650	4	34
129907-11660	4	38
129907-11700	4	4
129907-11800	4	25
129907-11910	4	68
129907-11920	4	42
129907-11950	4	48
129907-12100	5	1
129907-12110	5	2
	17	8
129907-14400	7	2

Parts No.	Fig. No.	Ref. No.
129907-14581	7	3
129907-22050	8	17
129907-22090	8	15
129907-25900	7	15
129907-39061	9	10
129907-42000	10	1
129907-49610	10	38
129907-49620	10	42
129907-49710	10	39
129907-49720	10	43
129907-49730	10	23
129907-49750	10	40
129907-51560	11	45
129907-53000	13	2
129907-55801	14	12
129907-59140	14	1
129907-59710	13	35
129907-59810	13	37
129907-59820	13	38
129907-59830	13	39
129907-59840	13	40
129908-14581	7	3 -1
129910-07900	4	69
129916-01790	3	7
129916-01800	2	4
129916-21610	8	9
129916-21680	8	7
129916-49530	10	20
129916-59020	11	126
129917-55800	14	13
129917-55801	14	13 -1
129917-55810	14	14
129917-55820	14	15
129917-55821	14	15 -1
129917-55830	14	16
129917-55840	14	17
129917-55850	14	18
129930-13201	6	8
	17	33
129930-42450	10	14 -1
129933-11310	4	61 -1
	17	7 -1
129940-13500	6	9
129940-42310	10	15 -1
129940-55610	14	10
129940-77310	16	26
129946-49810	10	19
129951-01620	3	2
129953-01730	3	8
129953-01920	1	6

Parts No.	Fig. No.	Ref. No.
129953-12210	5	8
129953-12250	5	9
129953-12251	5	9 -1
129953-12502	5	10
129953-12570	5	11
129953-12610	5	17
129953-25300	7	16
129953-35110	9	21
129953-35121	9	22
129953-35210	9	27
129953-39101	9	30
129953-39500	9	24
		29
129953-42290	10	15
129953-52100	14	9
129953-77050	5	6
129953-77051	5	6 -1
129953-77210	16	5
129953-77410	16	31
129960-21640	8	8
129981-44740	10	16
144626-51090	11	83
158552-51570	11	46
158552-51580	11	48
158552-51670	11	124
158552-51780	11	117
158552-51781	11	117 -1
158552-52100	11	71
158552-52310	11	73
158552-52400	11	74
158552-52500	11	72
158552-61900	12	77
158553-51551	11	43
158553-51630	11	60
158553-51640	11	62
158553-51660	11	64
158553-51670	11	54
158553-51680	11	65
158557-51570	11	47
158560-51600	11	59
158560-61050	12	2
158560-61061	12	3
158560-61071	12	4
158560-61430	12	28
158560-61442	12	29
158563-51150	7	17
158563-51281	11	16
		17
158563-51330	11	26
158600-51270	11	15

Parts No.	Fig. No.	Ref. No.
158601-51550	11	42
158601-51570	11	44
158601-51650	11	63
158601-51770	11	116
158601-51790	11	115
171008-77450	15	7
171056-49351	10	46
22117-100000	6	12
22137-100000	16	2
22190-080002	9	15
		17
		19
	14	8
	17	24
22190-120002	11	76
		77
		118
22190-140002	14	33
	17	42
22190-160002	12	82
22190-180002	11	78
		119
22190-220002	3	13
	17	25
22190-300002	9	31
22217-100000	6	13
22217-180000	7	18
	11	79
22252-000300	8	22
22312-050140	11	80
22351-050010	11	81
22351-060012	1	11
22512-070140	7	7
	8	6
22857-500100	4	63
		64
23000-054000	10	60
23000-080000	5	22
23414-080000	10	32
	17	19
23857-030000	9	16
23857-060000	11	84
23857-080000	14	34
	17	41
23875-030000	10	28
23876-020000	4	11
23876-030000	1	12
		13
		14
	4	12

Parts No. Index

Parts No.	Fig. No.	Ref. No.
23887-120002	11	120
23887-160002	12	83
24311-000070	2	26
	11	85
	17	21
24311-000120	4	27
		66
	14	30
	17	22
24311-000320	2	43
	4	67
	17	23
24311-240100	17	30
24321-000600	9	32
	17	31
24321-000700	17	32
24321-000850	17	27
24341-000530	8	10
	17	28
24351-030750	2	27
	17	26
24356-010200	11	57
		86
24356-020210	11	87
24372-000150	11	58
26014-060162	15	33
26014-080252	16	34
26106-060102	11	88
	12	65
		66
26106-060122	10	29
26106-060142	12	78
26106-060162	13	41
26106-060202	10	30
26106-060252	12	79
26106-060302	10	12
26106-060352	11	89
26106-060402	12	80
26106-080122	3	14
	9	8
		18
		20
	10	33
26106-080162	2	28
		29
		38
		41
	4	2
	7	8
	11	130

Parts No.	Fig. No.	Ref. No.
26106-080182	13	42
26106-080202	2	30
26106-080222	11	131
		132
26106-080352	5	7
26106-080402	2	31
		32
	4	44
26106-080452	2	33
26106-080502	16	35
26106-080552	5	3
	7	14
	10	13
26106-080602	4	45
		46
	10	34
26106-080852	5	4
	10	18
26106-081004	16	29
26106-100202	11	133
26106-100252	9	33
26106-100652	6	14
26116-050122	16	21
26116-101302	16	3
26116-120302	15	36
26206-100352	3	6
26216-100302	2	10
26226-080222	4	43
26306-080002	4	49
	6	6
	16	30
		36
26306-100002	2	34
	16	4
26450-100452	11	92
26557-040102	15	35
26706-100002	6	15
26756-060002	12	67
26776-180002	7	19
	11	93
27241-300000	1	15
27241-400000	4	13
27310-070001	4	23
28110-100120	17	38
28110-140170	17	39
41650-502320	14	29 A
729900-02801	1	25
729905-01561	1	1
729906-01550	2	1
729907-22910	8	33

Parts No.	Fig. No.	Ref. No.
729907-22950	8	35
729907-53100	13	1
729907-92990	17	1
729907-92991	17	1 -1
729940-51350	11	1
977770-1207F	2	42
	3	15
	4	70
	17	35
X2130350900	15	3
X2240610100	15	16
XL1501313	16	19
XL15023252	16	17
XL17093201	16	16
		20
XL2252805	16	24
XL23513151	16	15
XL2351400	16	9
XL24092001	16	8
XL240G23001	16	13
XL240G4301	16	14
XL240G5100	16	6

Parts No.	Fig. No.	Ref. No.
-----------	----------	----------