

OCD10-M90300EN

PREFACE

1. This parts catalog is the first edition of 4TNV98-YTBL2 for Takeuchi Mfg. Co., Ltd.

Pub. No.: 000 Y00D9030

Published: May.,2006

2. Model name

Engine model	Vehicle		Vehicle Made by
	Products	Model name	
4TNV98-YTBL2	CRAWLER LOADER	L6A	Takeuchi Mfg. Co., Ltd.

How to read this Parts Catalog.

1. Parts mentioned in Parts Catalog may not necessarily be standard equipping parts
2. Parts change may be made without prior notice.
3. Form of this Parts Catalog.

Y00F2161 29. FUEL INJECTION PUMP (W/BOOST)													
①	②	REF.	LEV.	PARTS No.	DESCRIPTION	QTY						I	R
						(A)	(B)	(C)	(D)	(E)	(F)		
		1		729595-51390	FUEL INJECTION PUMP	1	1	1	1	1			
		1-1		729595-51391	FUEL INJECTION PUMP	1	1	1	1	1		N	1
		3	⑤	(A=E00185) (B=E00200) 26022-060162	SCREW M 6X16	9	9	9	9	9			
		I 3-1		26022-060162	SCREW M 6X16	4	4	4	4	4			K
		4		(A=E00156) (B=E00156) (C=E00156) (D=E00156) (E=E00156) 129470-51040	CAMSHFT	9	9	9	9	9			
		5		122710-51050	BEARING. ROLLER	9	9	9	9	9			
		6		129470-51060	RETAINER	9	9	9	9	9			

Remarks
 (1) BOOST COMPEMSATOR TYPE.
 OPTIONAL PART. TO E#00155
 (4JH-DT, 4JH-DTZ)

① Ref. No,

The Ref. No, in the list may not be in accordance with the Ref. No, on illustration.

(Ex.) illustration No, List heed No,
 1 1 (Before change) → 1-1 (After change)

When interchangeable symbol N, and k, illustrations for the new parts are sometimes omitted.

② Lev. (Level)

Indication and Meaning of Level

Level Hereunder is given the relation among the number of number (1,2,3) the level and the nominal parent-child relationship.

1 ---- Parent parts (Assembly parts)

2 ---- Child parts included in " 1 " (Semi-Assembly parts, component parts of Assembly parts.)

3 ---- Child parts included in " 2 ", Grand-child parts in terms of " 1 ".

(Component parts of Semi-Assembly parts.)

Note) A parts of non-sale parts are illustrated but not listed.

③ Change Mark

Change Mark " I " is given to the part for which a design change was made at this time.

The design change was not shown in the last published Parts Catalog.

④ Interchangeability Mark

In the case where a part change took place, one of the following interchangeability marks is indicated for that part

Symbol	Interchangeability	Contents note
N	Old ← → New	New Part is interchangeable for Old Part but not interchangeable conversely.
Q	Old ← → New	New Part is not interchangeable for Old Part but interchangeable conversely.
R	Old ← → New	New Part is interchangeable for Old Part and vice versa.
S	Old ← → New	New Part is not interchangeable for Old Part and vice versa.
W		Part newly added.
Z		Part discontinued.
F		Not interchangeable single part but interchangeable by set of the related parts.
K		Changed only in quantity used.

⑤ Effective Machine No,

When a part is changed, Effective Machine No, of a Model for which the part is applicable is indication

In each column of (A)-(F).

Product Symbol	Product No,	Product Symbol	Product No,
C	Clutch No, Compressor No,	M	Machine No,
D	Drive No,	T	Tractor No,
E	Engine No,	Note 1)※	Date

Note 1) Date may follow the symbol in some cases.(Ex.) ※1996.01

Note 2) As far as engine models shown by " XXX " are concerned, the modification of the parts could not be Predicted or the engine models themselves could not be identified.

Note 3) (A=E/#00185) means that the design change on the part has been effective for the model at the, column (A) (in the case, for 4JH-DT) on and from E#(Engine Serial Number) 00185

⑥ Remarks Mark

Figures or alphabets (Symbols) are entered in the remark column.

The comments (remarks) on the pertinent parts are indicated in the lower part of the list by the same symbols a those stated above.

Contents

Fig. No. Fig. Name

4TNV98-YTBL2

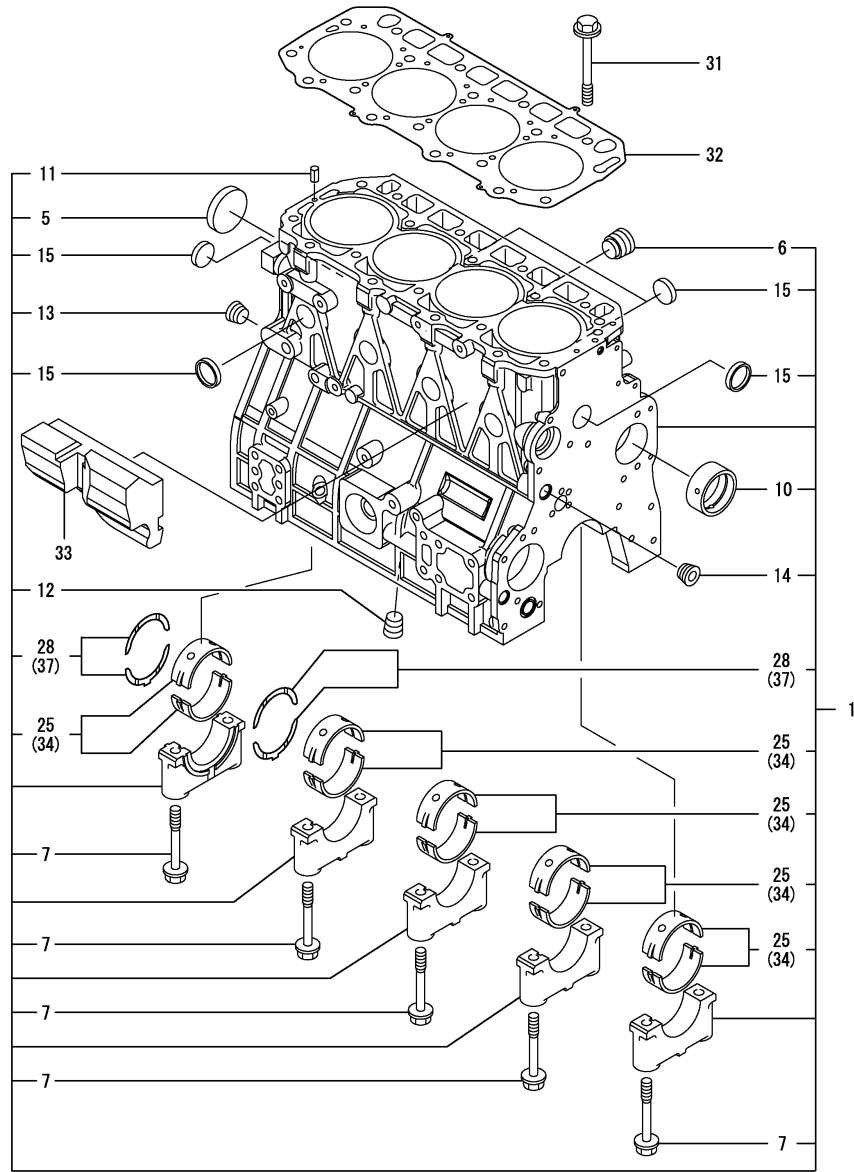
1. CYLINDER BLOCK
2. GEAR HOUSING
3. FLYWHEEL HOUSING & OIL SUMP
4. CYLINDER HEAD & BONNET
5. SUCTION MANIFOLD
6. EXHAUST MANIFOLD & SILENCER
7. CAMSHAFT & DRIVING GEAR
8. CRANKSHAFT & PISTON
9. LUB.OIL SYSTEM
10. COOLING WATER SYSTEM
11. FUEL INJECTION PUMP
12. GOVERNOR
13. FUEL INJECTION VALVE
14. FUEL LINE
15. STARTING MOTOR
16. GENERATOR
17. GASKET SET

Fig. No. Fig. Name

Fig.1. CYLINDER BLOCK

(A)=4TNV98-YTBL2
(B)=
(C)=

(D)=
(E)=
(F)=

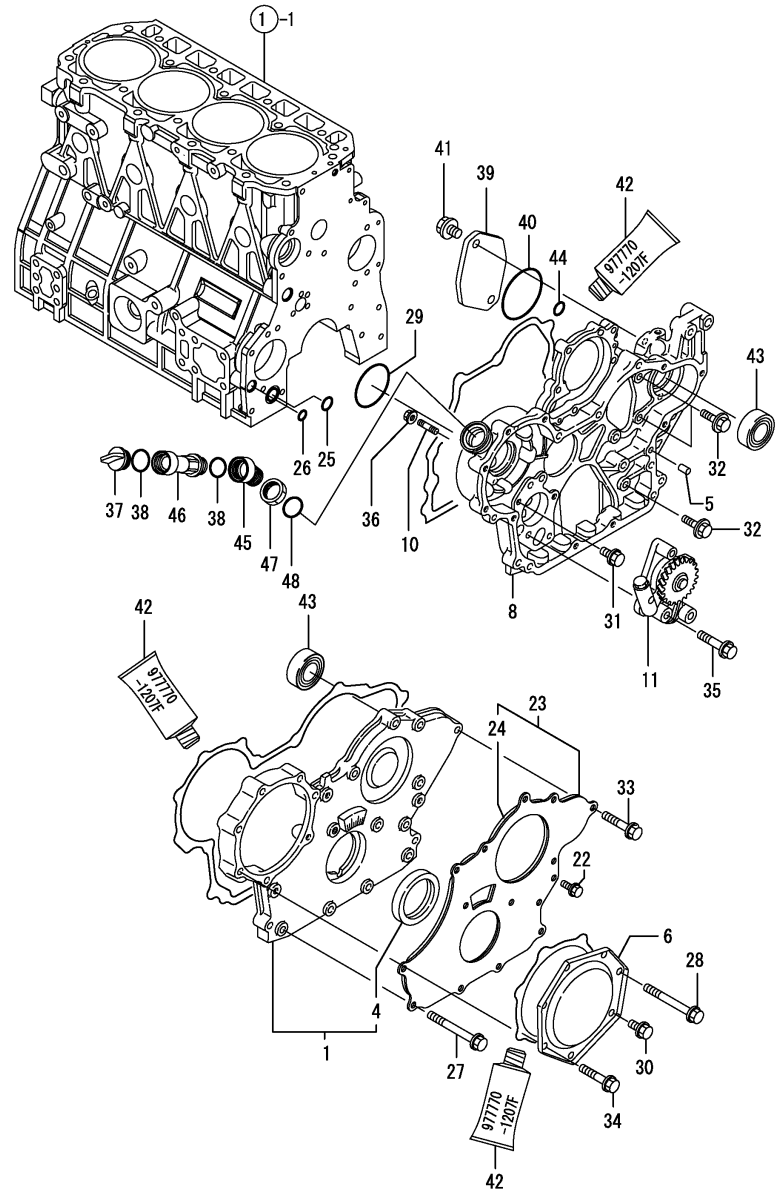


No.	Lev.	Parts No.	Description	Q'ty						I	R
				(A)	(B)	(C)	(D)	(E)	(F)		
1	1	729907-01561	BLOCK ASSY, CYLINDER	1							
5	2	129900-01250	PLUG, 55	1							
6	2	171051-01921	PLUG, NPTF1	1							
7	2	129900-02020	BOLT, METAL CAP	10							
10	2	129900-02410	BUSH, CAMSHAFT	1							
11	2	22351-060012	PIN, SPRING 6.0X12	2							
12	2	23876-030000	PLUG, R03	1							
13	2	23876-030000	PLUG, R03	1							
14	2	23876-030000	PLUG, R03	1							
15	2	27241-300000	PLUG 30	8							
25	2	729900-02801	BEARING, MAIN	5							3
28	2	129900-02931	BEARING, THRUST	2							
31	1	129900-01200	BOLT, HEAD	18							
32	1	129907-01331	GASKET, HEAD	1							
33	1	129907-01190	SPACER	1							
34	1	129900-02341	BEARING, 0.25 US	5							1
37	1	129900-02941	BEARING, THRUST 0.25	2							2

Remarks

- (1) UNDER-SIZE(U.S=0.25)PART.
- (2) OVER-SIZE(O.S=0.25)PART.
- (3) REPAIR PART.

Fig.2. GEAR HOUSING



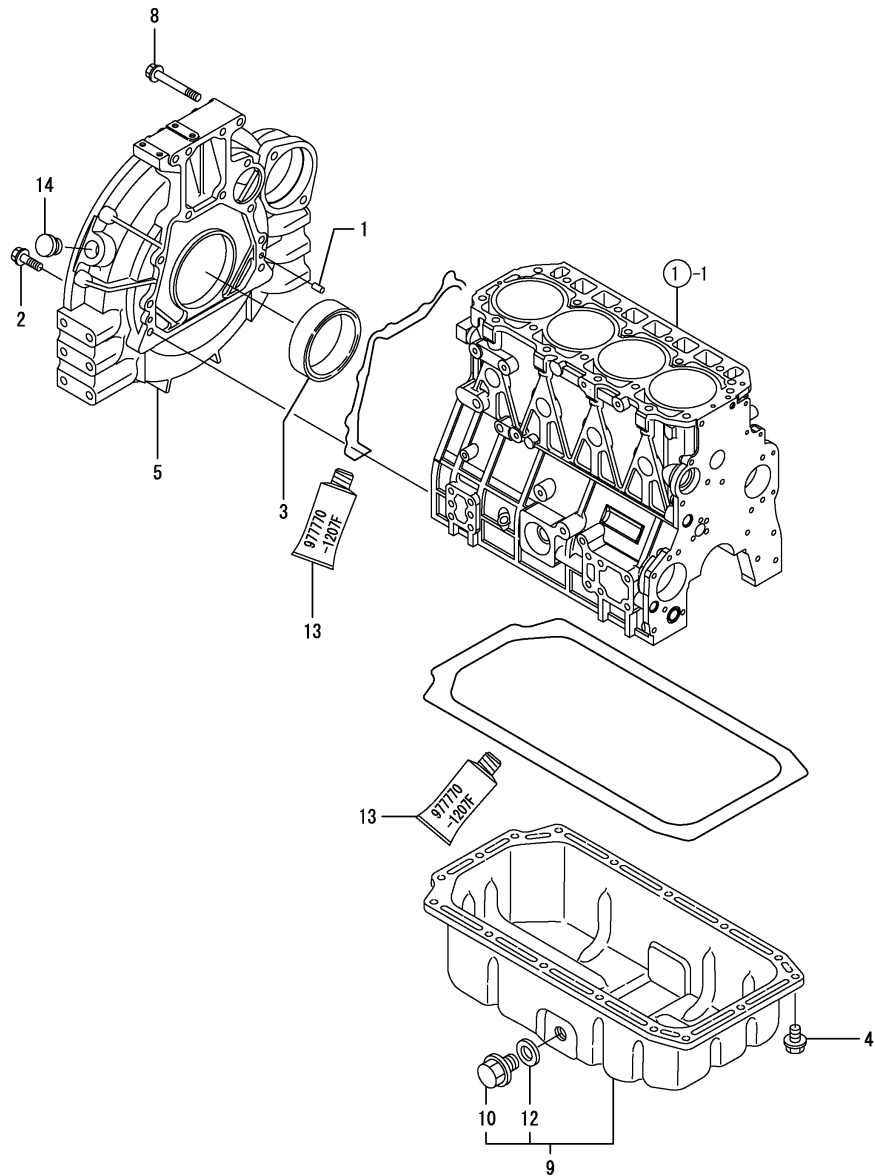
(A)=4TNV98-YTBL2
(B)=
(C)=

(D)=
(E)=
(F)=

No.	Lev.	Parts No.	Description	Q'ty						I	R
				(A)	(B)	(C)	(D)	(E)	(F)		
1	1	729906-01550	COVER ASSY,GEAR CASE	1							
4	2	129916-01800	SEAL, OIL	1							
5	1	129100-01580	PIN, M8X16	4							
6	1	129900-01740	COVER	1							
8	1	129962-01500	CASE, GEAR	1							
10	1	26216-100302	STUD, M10X 30	4							
11	1	129900-32001	PUMP ASSY, OIL	1							
22	1	26106-080162	BOLT, M8X 16 PLATED	3							
23	1	129900-01850	COVER ASSY,GEAR CASE	1							
24	2	129900-01870	SPONGE	1							
25	1	129900-32030	O-RING, P20	1							
26	1	129900-32040	O-RING, P14	1							
27	1	129001-91810	BOLT, M8X70	6							
28	1	129001-91810	BOLT, M8X70	1							
29	1	24351-030750	O-RING, 1A3075	1							
30	1	26106-080162	BOLT, M8X 16 PLATED	1							
31	1	26106-080162	BOLT, M8X 16 PLATED	1							
32	1	26106-080202	BOLT, M8X 20 PLATED	3							
33	1	26106-080402	BOLT, M8X 40 PLATED	5							
34	1	26106-080402	BOLT, M8X 40 PLATED	5							
35	1	26106-080452	BOLT, M8X 45 PLATED	3							
36	1	26306-100002	NUT, M10	4							
37	1	124160-01751	COVER, FILLER	1							
38	1	24311-000320	O-RING, 1AP32.0	2							
39	1	121023-26070	COVER	1							
40	1	24321-000850	O-RING, 1AG85.0	1							
41	1	26106-100202	BOLT, M10X 20 PLATED	2							
42	1	977770-1207F	GASKET.LIQUID	1							1
43	1	129900-26250	BEARING, BALL 6206C3	2							
44	1	24311-000070	O-RING, 1AP7.0	1							
45	1	119225-11740	ADAPTER	1							
46	1	121027-11743	PIPE	1							
47	1	119225-11750	NUT	1							
48	1	24311-000300	O-RING, 1AP30.0	1							

Remarks
(1) OPTIONAL PART.

Fig.3. FLYWHEEL HOUSING & OIL SUMP



(A)=4TNV98-YTBL2

(B)=

(C)=

(D)=

(E)=

(F)=

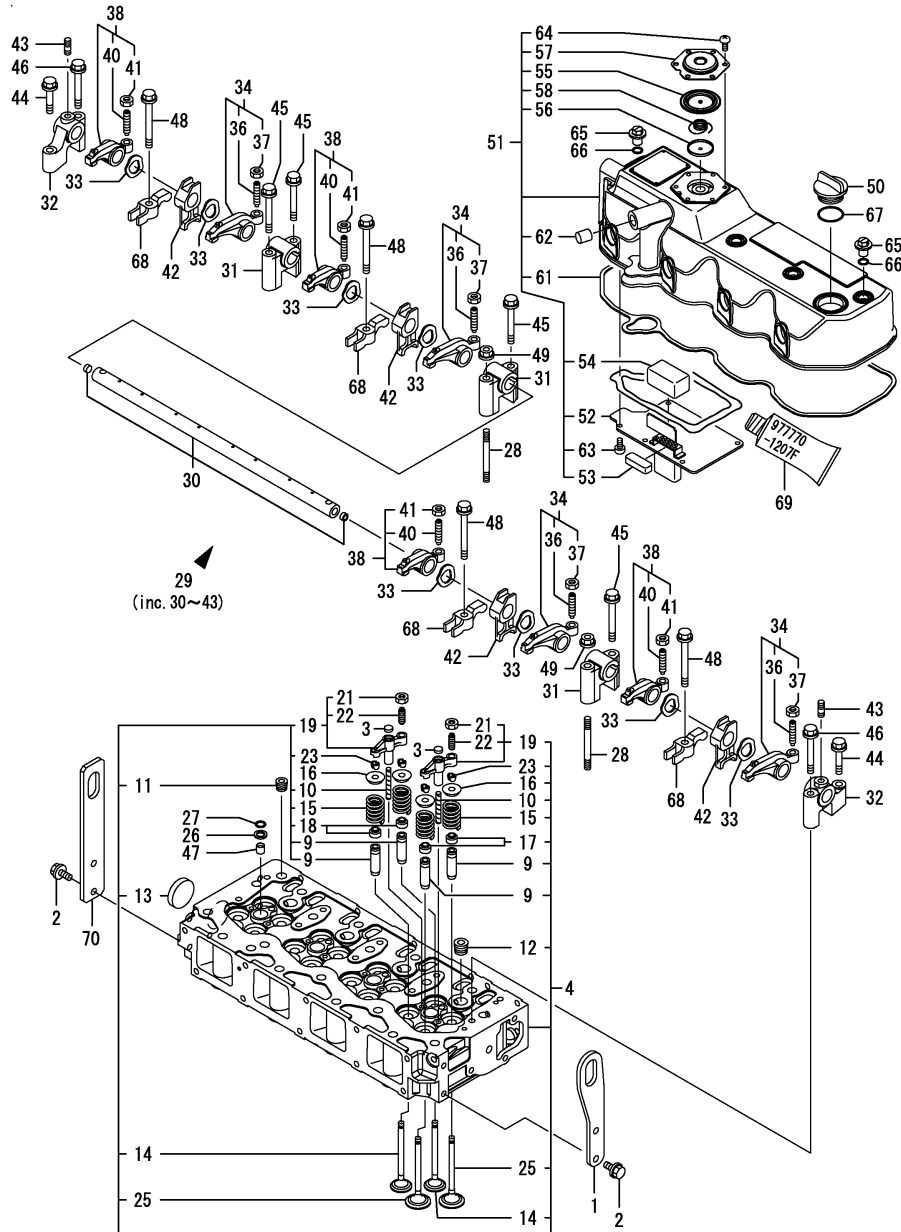
No.	Lev.	Parts No.	Description	Q'ty						I	R
				(A)	(B)	(C)	(D)	(E)	(F)		
1	1	129100-01580	PIN, M8X16	2							
2	1	26206-100352	BOLT, M10X 35 PLATED	9							
3	1	124411-01780	SEAL, HTC95X115X12	1							
4	1	26106-080122	BOLT, M8X 12 PLATED	16							
5	1	129953-01620	HOUSING, FLYWHEEL	1							
8	1	26206-100702	BOLT, M10X 70 PLATED	4							
9	1	129902-01710	SUMP ASSY, OIL	1							
10	2	119640-01640	PLUG, DRAIN M22	1							
12	2	22190-220002	WASHER, SEAL 22	1							
13	1	977770-1207F	GASKET.LIQUID	1							1
14	1	119620-01750	CAP	1							

Remarks

(1) OPTIONAL PART.

N:Old $\xrightarrow{\text{Yes}}$ New, Q:Old $\xrightarrow{\text{No}}$ New, R:Old $\xrightarrow{\text{Yes}}$ New, S:Old $\xrightarrow{\text{No}}$ New, W:Add, Z:Discontinued, F:Interchangeable by set, K:Q'ty Change

Fig.4. CYLINDER HEAD & BONNET



(A)=4TNV98-YTBL2

(B)=

(C)=

(D)=

(E)=

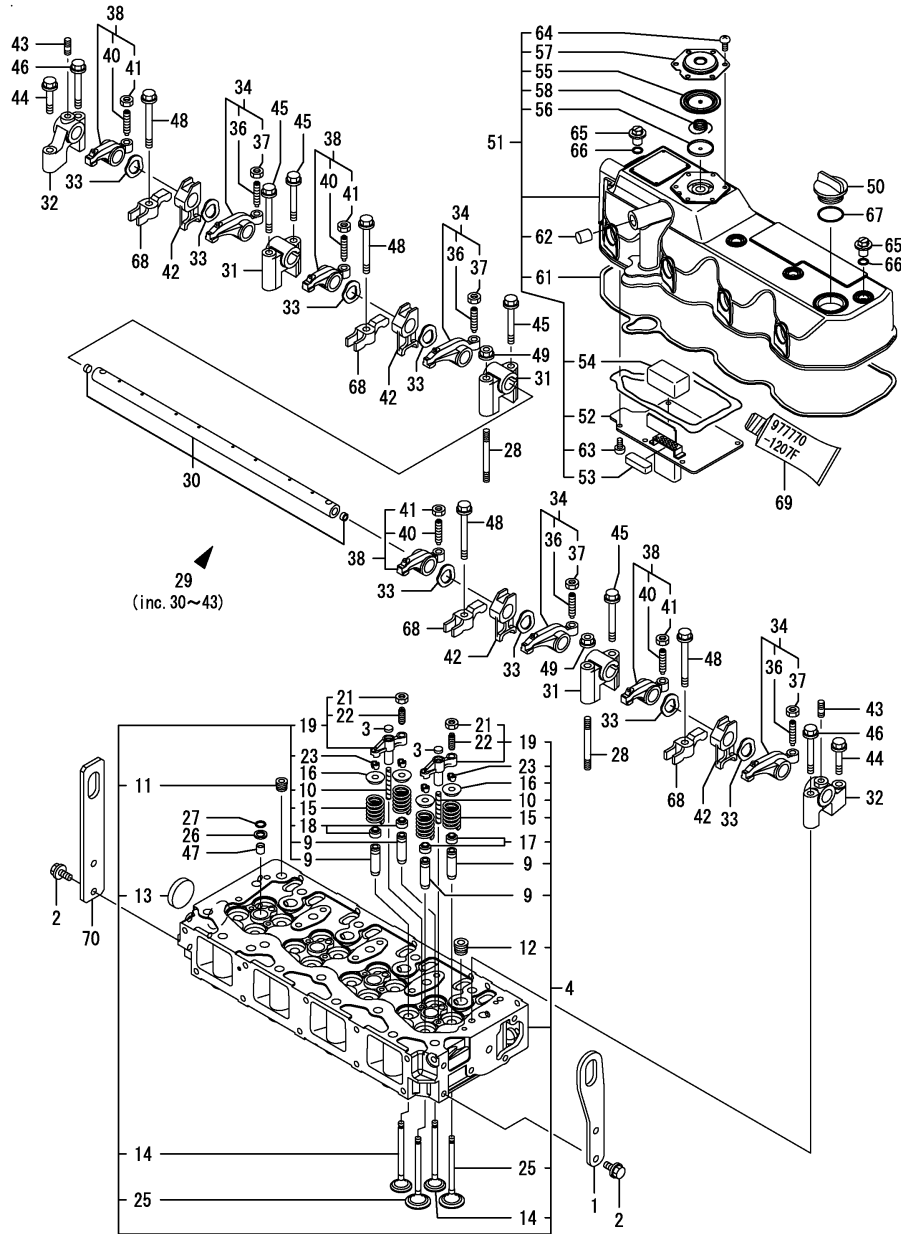
(F)=

No.	Lev.	Parts No.	Description	Q'ty						I	R
				(A)	(B)	(C)	(D)	(E)	(F)		
1	1	129907-07900	LIFTER	1							
2	1	26106-080162	BOLT, M8X 16 PLATED	4							
3	1	123907-11550	SEAT, VALVE BRIDGE	8							
4	1	129907-11700	HEAD ASSY, CYLINDER	1							
9	2	129907-11800	GUIDE, VALVE	16							1
10	2	123907-11820	GUIDE	8							
11	2	23876-020000	PLUG, R02	1							
12	2	23876-030000	PLUG, R03	4							
13	2	27241-400000	PLUG, 40	1							
14	2	129907-11110	VALVE, EXHAUST	8							
15	2	129907-11120	SPRING, VALVE	16							
16	2	119620-11180	RETAINER, SPRING	16							
17	2	124160-11340	SEAL, VALVE STEM	8							
18	2	124950-11340	SEAL, VALVE STEM	8							
19	2	129907-11510	BRIDGE ASSY, VALVE	8							
21	3	129150-11750	NUT, M8	8							
22	3	123907-11830	ADJUSTER	8							
23	2	27310-070001	COTTER, 7	16							
25	2	129907-11100	VALVE, INTAKE	8							
26	1	119625-11880	SEAT, NOZZLE	4							
27	1	24311-000120	O-RING, 1AP12.0	4							
28	1	119593-11301	STUD, M8X80	2							
29	1	129907-11341	SHAFT ASSY, ROCKER	1							
30	2	129907-11250	SHAFT, ROCKER ARM	1							
31	2	129907-11260	SUPPORT, ROCKER ARM	3							
32	2	129907-11270	SUPPORT, ROCKER ARM	2							
33	2	123907-11280	WASHER	8							
34	2	129907-11650	ARM, ROCKER	4							
36	3	129150-11230	SCREW, VALVE ADJUST	4							
37	3	129150-11750	NUT, M8	4							
38	2	129907-11660	ARM, ROCKER	4							
40	3	129150-11230	SCREW, VALVE ADJUST	4							
41	3	129150-11750	NUT, M8	4							
42	2	129907-11920	RETAINER	4							
43	2	26226-080222	STUD, M8X 22	2							
44	1	26106-080402	BOLT, M8X 40 PLATED	2							
45	1	26106-080602	BOLT, M8X 60 PLATED	4							
46	1	26106-080602	BOLT, M8X 60 PLATED	2							
47	1	119802-11870	PROTECTOR, NOZZLE	4							
48	1	129907-11950	BOLT, M8X75	4							
49	1	26306-080002	NUT, M8	2							
50	1	124160-01751	COVER, FILLER	1							
51	1	129907-11320	BONNET ASSY, HEAD	1							
52	2	129907-03011	PLATE	1							
53	2	129907-03061	BAFFLE, BREATHER	1							
54	2	129907-03070	BAFFLE, BREATHER	1							
55	2	123907-03100	DIAPHRAGM	1							
56	2	123907-03110	PLATE	1							
57	2	123907-03120	PLATE, BREATHER	1							
58	2	123907-03140	SPRING, DIAPHRAGM	1							
61	2	129907-11310	GASKET, BONNET	1							

Remarks

- (1) REPAIR PART.
- (2) OPTIONAL PART.

Fig.4. CYLINDER HEAD & BONNET



(A)=4TNV98-YTBL2
(B)=
(C)=

(D)=
(E)=
(F)=

No.	Lev.	Parts No.	Description	Q'ty						I	R
				(A)	(B)	(C)	(D)	(E)	(F)		
62	2	119640-61400	PLUG	1							
63	2	22857-500100	SCREW, 5X10	6							
64	2	22857-500100	SCREW, 5X10	6							
65	1	124160-11360	KNOB	4							
66	1	24311-000120	O-RING, 1AP12.0	4							
67	1	24311-000320	O-RING, 1AP32.0	1							
68	1	129907-11910	RETAINER, NOZZLE	4							
69	1	97770-1207F	GASKET.LIQUID	1							2
70	1	129944-07910	LIFTER	1							

Remarks
(1) REPAIR PART.
(2) OPTIONAL PART.

Fig.5. SUCTION MANIFOLD

(A)=4TNV98-YTBL2
(B)=
(C)=

(D)=
(E)=
(F)=

No.	Lev.	Parts No.	Description	Q'ty						I	R
				(A)	(B)	(C)	(D)	(E)	(F)		
1	1	129907-12100	MANIFOLD, AIR INTAKE	1							
2	1	129907-12110	GASKET, MANIFOLD	1							
3	1	26106-080552	BOLT, M8X 55 PLATED	9							
4	1	26106-080852	BOLT, M8X 85 PLATED	1							
5	1	121850-77021	GASKET	1							
6	1	129915-77050	HEATER	1							
7	1	26106-080352	BOLT, M8X 35 PLATED	4							

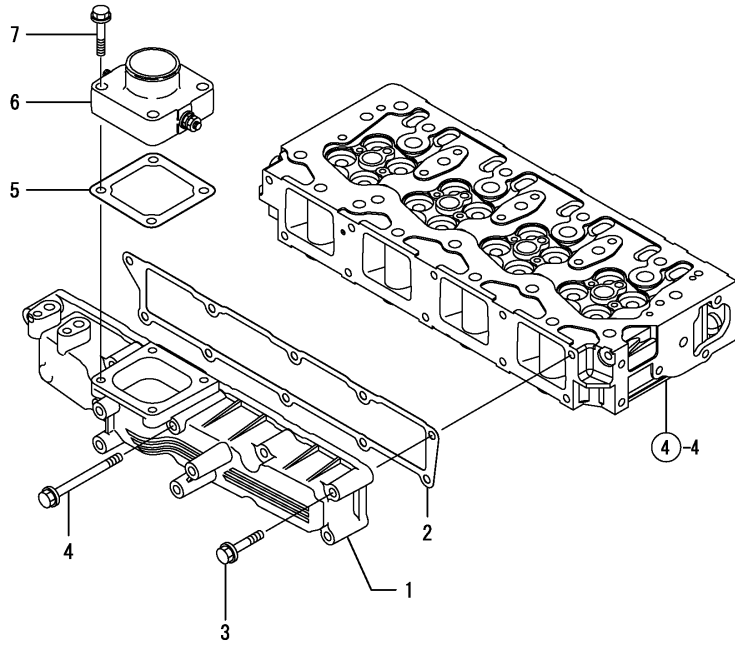
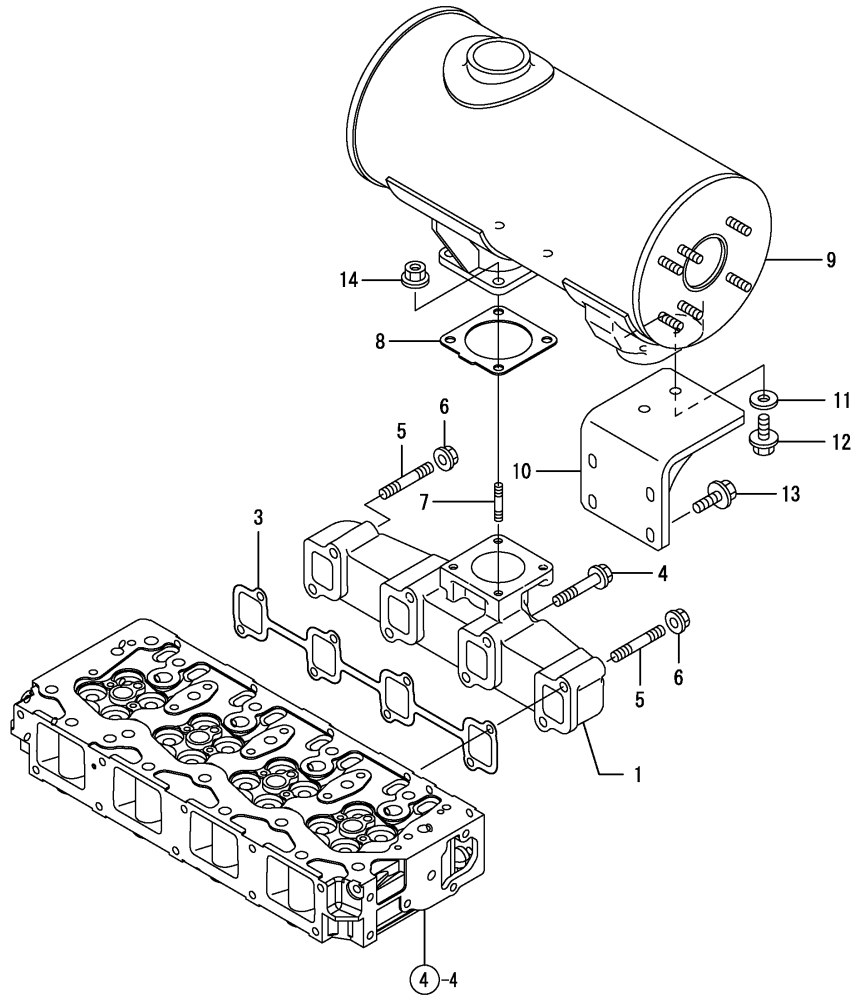


Fig.6. EXHAUST MANIFOLD & SILENCER

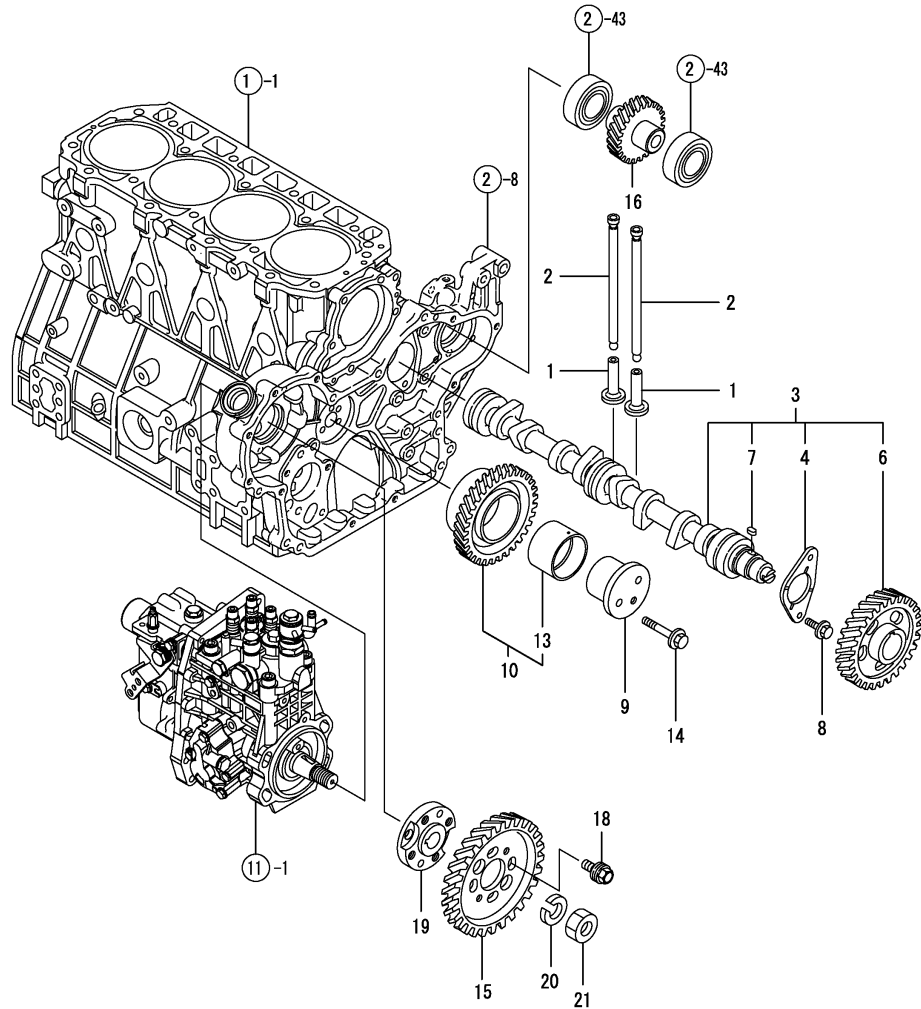
(A)=4TNV98-YTBL2
(B)=
(C)=

(D)=
(E)=
(F)=



No.	Lev.	Parts No.	Description	Q'ty						I	R
				(A)	(B)	(C)	(D)	(E)	(F)		
1	1	129900-13200	MANIFOLD, EXHAUST	1							
3	1	129900-13251	GASKET	1							
4	1	123900-13630	BOLT, M8X80	6							
5	1	123900-13610	STUD, M8X80	2							
6	1	26306-080002	NUT, M8	2							
7	1	119131-18320	STUD, M8X22	4							
8	1	129930-13201	GASKET, SILENCER	1							
9	1	129944-13520	SILENCER	1							
10	1	129944-13660	STAY, SILENCER	1							
11	1	22157-080000	WASHER, 8	2							
12	1	26106-080162	BOLT, M8X 16 PLATED	2							
13	1	26106-080202	BOLT, M8X 20 PLATED	4							
14	1	26306-080002	NUT, M8	4							

Fig.7. CAMSHAFT & DRIVING GEAR



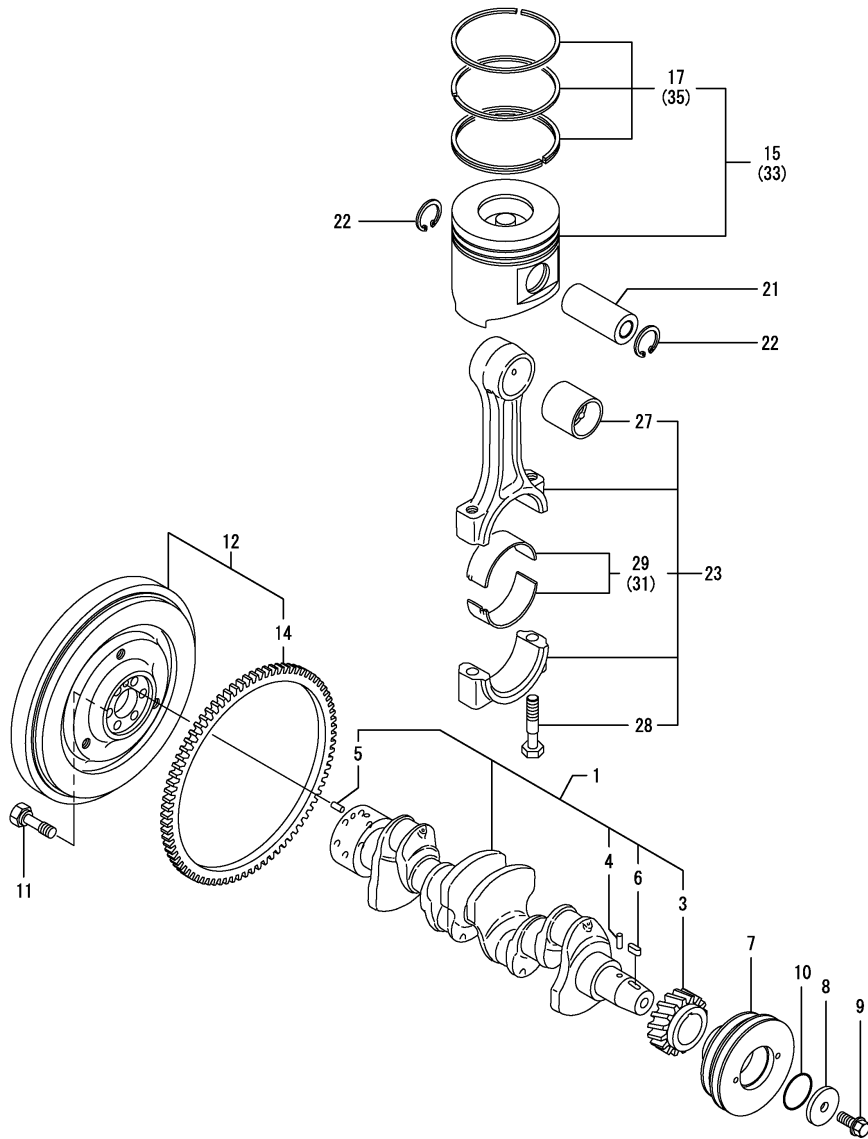
(A)=4TNV98-YTBL2
(B)=
(C)=

(D)=
(E)=
(F)=

No.	Lev.	Parts No.	Description	Q'ty						I	R
				(A)	(B)	(C)	(D)	(E)	(F)		
1	1	129150-14200	TAPPET	8							
2	1	129907-14400	ROD, PUSH	8							
3	1	129907-14590	CAMSHAFT ASSY	1							
3-1	1	129908-14590 (A=EZZZZZ)	CAMSHAFT ASSY	1							N
4	2	129150-02450	BEARING, THRUST	1							
6	2	129900-14110	GEAR, CAMSHAFT	1							
7	2	22512-070140	KEY, 7X 14	1							
8	1	26106-080162	BOLT, M8X 16 PLATED	2							
9	1	123900-25060	SHAFT, IDLE GEAR	1							
10	1	129900-25110	GEAR ASSY, IDLE	1							
13	2	129150-25920	BUSH, IDLE GEAR	1							1
14	1	26106-080552	BOLT, M8X 55 PLATED	3							
15	1	129907-25900	GEAR, PUMP	1							
16	1	129900-26020	GEAR ASSY, PUMP	1							
18	1	129953-25300	BOLT	4							
19	1	158563-51150	FLANGE	1							
20	1	22217-180000	WASHER, SPRING 18	1							
21	1	26776-180002	NUT, LOCK M18	1							

Remarks
(1) REPAIR PART.

Fig.8. CRANKSHAFT & PISTON



(A)=4TNV98-YTBL2
(B)=
(C)=

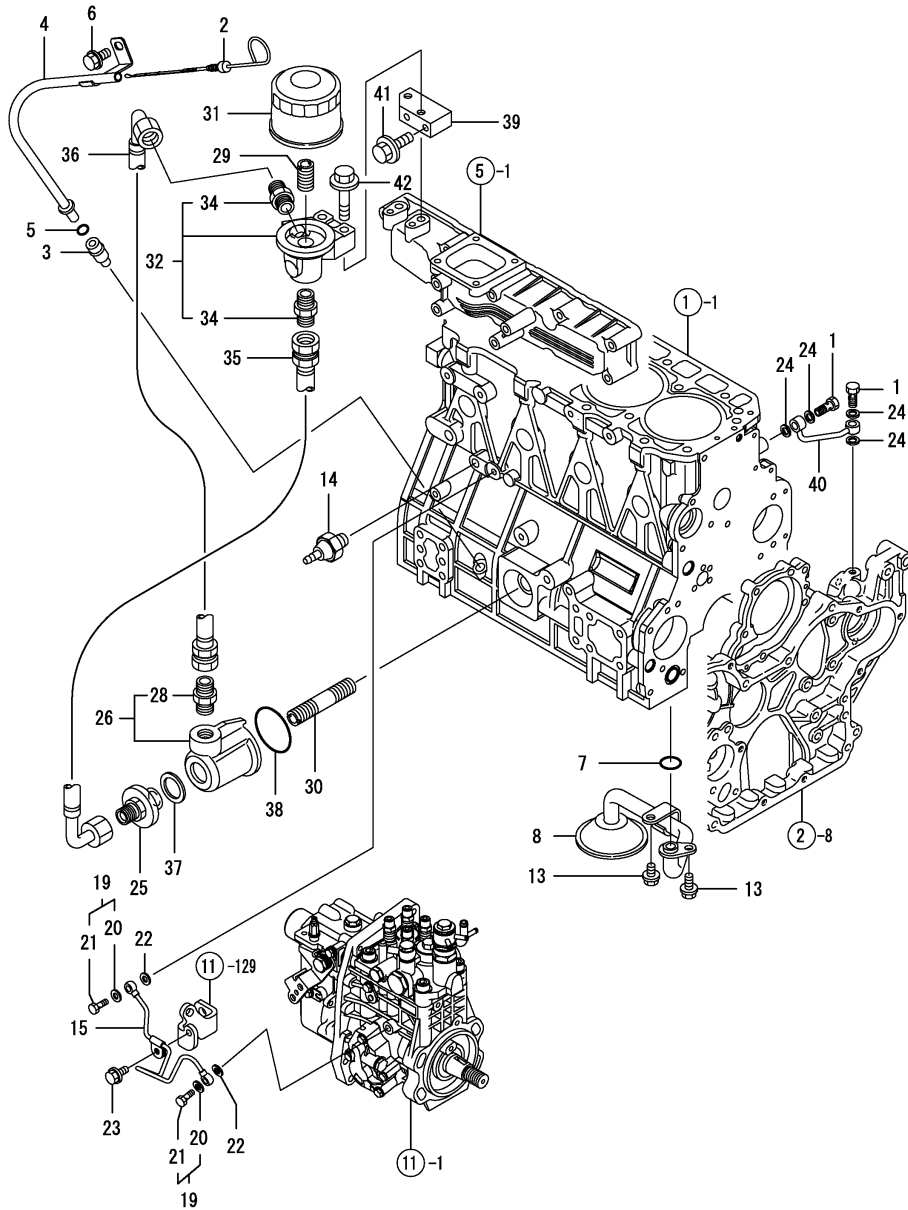
(D)=
(E)=
(F)=

No.	Lev.	Parts No.	Description	Q'ty						I	R
				(A)	(B)	(C)	(D)	(E)	(F)		
1	1	129902-21050	CRANKSHAFT ASSY	1							
3	2	129900-21220	GEAR, CRANKSHAFT	1							
4	2	121850-21290	PIN	1							
5	2	121850-21920	PIN, M10X22	1							
6	2	22512-070140	KEY, 7X 14	1							
7	1	129916-21680	V-PULLEY	1							
8	1	129960-21640	WASHER	1							
9	1	129916-21610	BOLT	1							
10	1	24341-000530	O-RING, 1AS53.0	1							
11	1	121850-21130	BOLT, FLYWHEEL	6							
12	1	129953-21570	FLYWHEEL ASSY	1							
14	2	129900-21600	GEAR, RING	1							
15	1	129907-22090	PISTON ASSY, 18.5	4							
17	2	129907-22050	RING SET, PISTON	4							
21	1	120130-22301	PIN, PISTON	4							
22	1	22252-000300	RING, 30	8							
23	1	129900-23001	ROD ASSY, CONNECTING	4							
27	2	129900-23911	BEARING, PISTON PIN	4							1
28	2	129900-23200	BOLT, CONNECTING ROD	8							
29	2	129900-23601	BEARING, CRANK PIN	4							
31	1	129900-23611	BEARING, 0.25 US	4							2
33	1	729907-22910	PISTON ASSY, 0.25 OS	4							3
35	2	729907-22950	RING SET, 0.25 OS	4							3

Remarks

- (1) REPAIR PART.
- (2) UNDER-SIZE(U.S=0.25)PART.
- (3) OVER-SIZE(O.S=0.25)PART.

Fig.9. LUB.OIL SYSTEM



(A)=4TNV98-YTBL2

(B)=

(C)=

(D)=

(E)=

(F)=

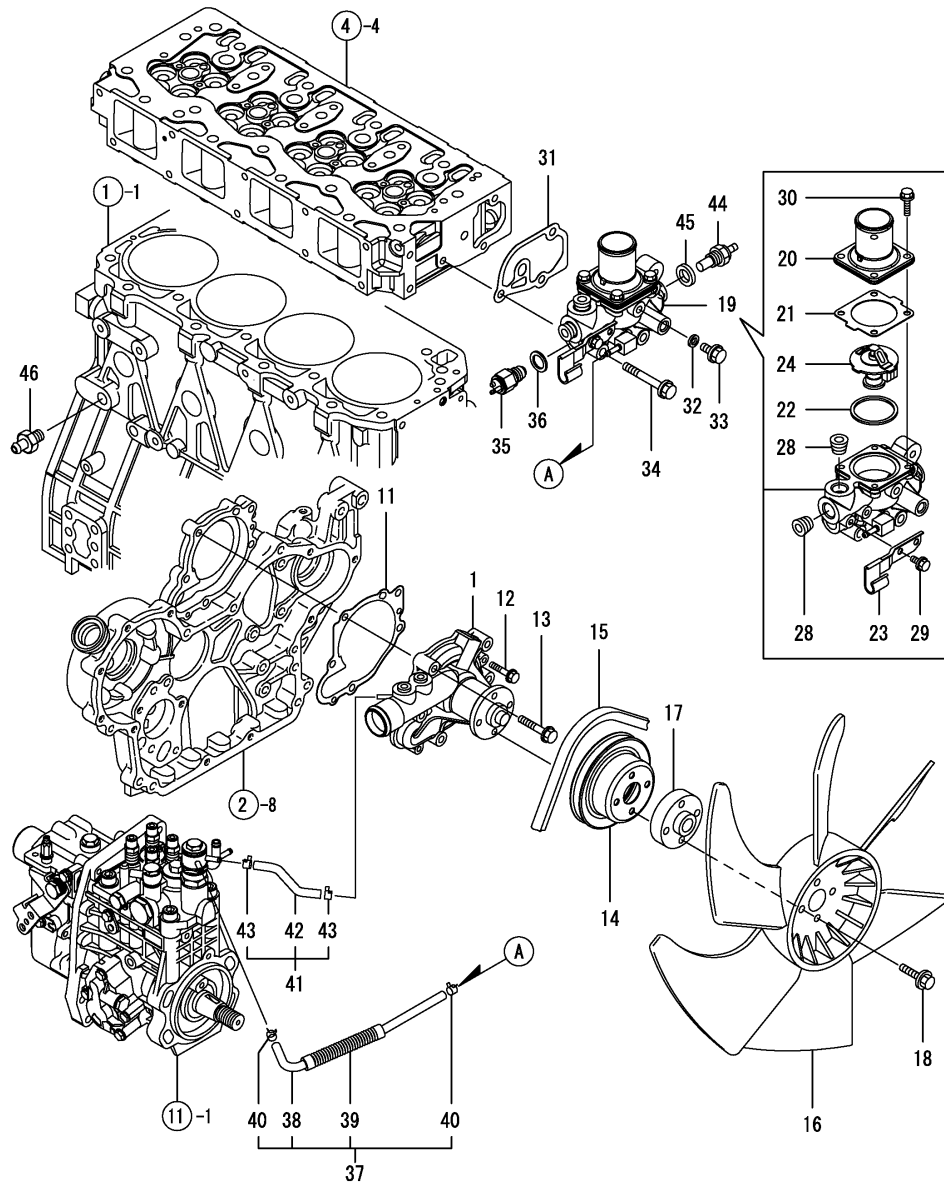
No.	Lev.	Parts No.	Description	Qty						I	R
				(A)	(B)	(C)	(D)	(E)	(F)		
1	1	105010-39140	BOLT, PIPE JOINT	2							
2	1	129951-34801	DIPSTICK, OIL	1							
3	1	119260-34810	GUIDE, DIPSTICK	1							
4	1	129951-34812	GUIDE, DIPSTICK	1							
5	1	24311-240100	O-RING, 1AP10A	1							
6	1	26106-080162	BOLT, M8X 16 PLATED	1							
7	1	129900-32030	O-RING, P20	1							
8	1	129900-35000	PIPE ASSY, OIL INLET	1							
13	1	26106-080122	BOLT, M8X 12 PLATED	2							
14	1	114250-39450	SWITCH, 0.5KG	1							
15	1	129907-39061	PIPE ASSY, OIL	1							
19	1	129005-59830	BOLT ASSY, JOINT M8	2							
20	2	22190-080002	WASHER, SEAL 6	2							
21	2	23857-030000	BOLT, JOINT 3	2							
22	1	22190-080002	WASHER, SEAL 6	2							
23	1	26106-080122	BOLT, M8X 12 PLATED	1							
24	1	22190-080002	WASHER, SEAL 6	4							
25	1	129953-35110	RETAINER	1							
26	1	129944-35110	CASE ASSY	1							
28	2	129953-39500	ADAPTER, R-G1/2	1							
29	1	119000-35140	BOLT, FILTER	1							
30	1	129970-35140	BOLT, FILTER	1							
31	1	129150-35153	FILTER 80X80L	1							1
32	1	129944-35210	BRACKET ASSY	1							
34	2	129953-39500	ADAPTER, R-G1/2	2							
35	1	129953-39101	PIPE ASSY, OIL	1							
36	1	129944-39101	PIPE, OIL	1							
37	1	22190-300002	WASHER, SEAL 30	1							
38	1	24321-000600	O-RING, 1AG60.0	1							
39	1	129944-35150	SPACER	1							
40	1	129930-39050	PIPE, OIL	1							
41	1	26106-080502	BOLT, M8X 50 PLATED	2							
42	1	26106-100452	BOLT, M10X 45 PLATED	2							

Remarks

(1) REPAIR PART.

N:Old $\begin{matrix} \leftarrow \text{Yes} \\ \text{No} \end{matrix}$ New, Q:Old $\begin{matrix} \leftarrow \text{No} \\ \text{Yes} \end{matrix}$ New, R:Old $\begin{matrix} \leftarrow \text{Yes} \\ \text{Yes} \end{matrix}$ New, S:Old $\begin{matrix} \leftarrow \text{No} \\ \text{No} \end{matrix}$ New, W:Add, Z:Discontinued, F:Interchangeable by set, K:Qty Change

Fig.10. COOLING WATER SYSTEM



(A)=4TNV98-YTBL2

(B)=

(C)=

(D)=

(E)=

(F)=

No.	Lev.	Parts No.	Description	Q'ty						I	R
				(A)	(B)	(C)	(D)	(E)	(F)		
1	1	129907-42000	PUMP ASSY, WATER	1							
11	1	129900-42020	GASKET, WATER PUMP	1							
12	1	26106-060302	BOLT, M6X 30 PLATED	2							
13	1	26106-080552	BOLT, M8X 55 PLATED	5							
14	1	129900-42461	V-PULLEY	1							
15	1	129940-42320	V-BELT, A41	1							
16	1	129916-44740	FAN, COOLING D=430	1							
17	1	119130-44760	SPACER, FAN	1							
18	1	26106-080352	BOLT, M8X 35 PLATED	4							
19	1	129946-49810	CASE ASSY, THERMOSTAT	1							
20	2	129916-49530	COVER, THERMOSTAT	1							
21	2	121850-49540	GASKET, THERMOSTAT	1							
22	2	121850-49550	GASKET, THERMOSTAT	1							
23	2	129907-49730	RETAINER, PIPE	1							
24	2	121850-49800	THERMOSTAT, 82	1							
28	2	23875-030000	PLUG, R03	2							
29	2	26106-060122	BOLT, M6X 12 PLATED	1							
30	2	26106-060202	BOLT, M6X 20 PLATED	4							
31	1	129900-49870	GASKET	1							
32	1	23414-080000	GASKET, 8X1.0	1							
33	1	26106-080122	BOLT, M8X 12 PLATED	1							
34	1	26106-080602	BOLT, M8X 60 PLATED	3							
35	1	121250-44901	SWITCH, 110	1							
36	1	124465-44950	GASKET, 16	1							
37	1	129907-49610	HOSE ASSY, WATER	1							
38	2	129907-49710	PIPE ASSY, WATER	1							
39	2	129907-49750	TUBE, CORRUGATED	1							
40	2	124722-59050	CLIP, HOSE 9	2							
41	1	129907-49620	HOSE ASSY, WATER	1							
42	2	129907-49720	PIPE ASSY, WATER	1							
43	2	124722-59050	CLIP, HOSE 9	2							
44	1	119266-49350	SWITCH	1							
45	1	129150-49360	GASKET	1							
46	1	121550-49111	JOINT, PT1/4	1							

Fig.11. FUEL INJECTION PUMP

(A)=4TNV98-YTBL2

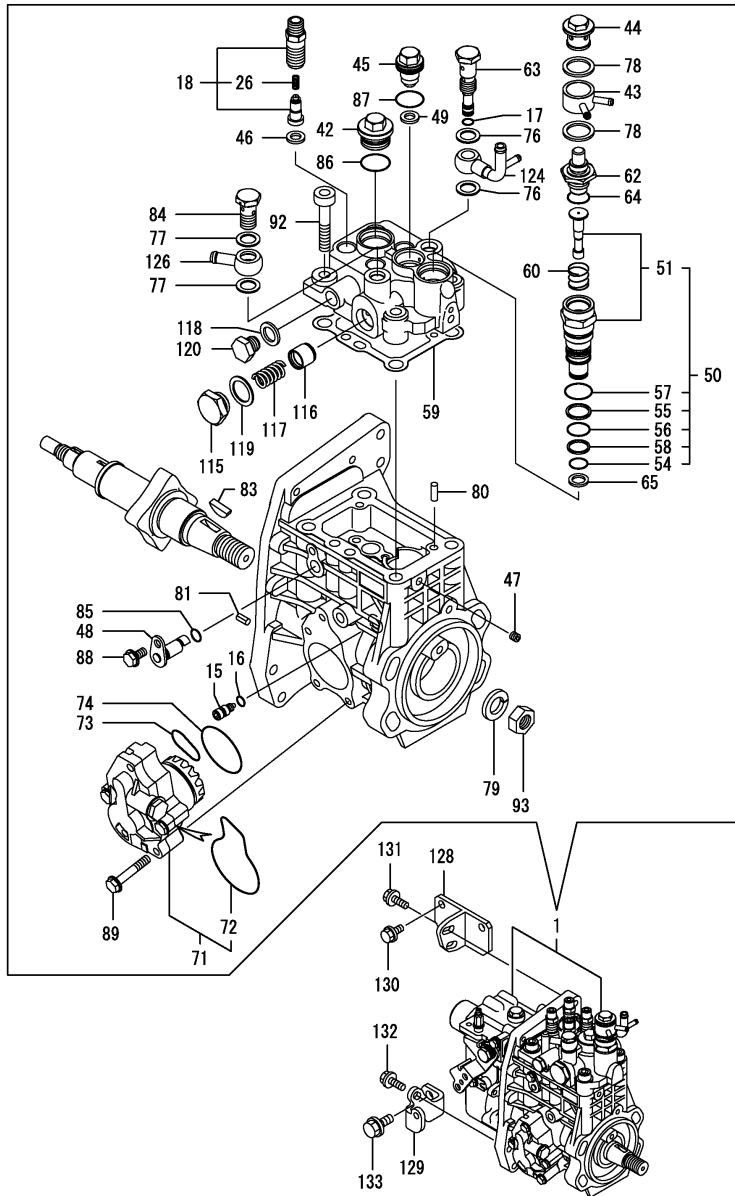
(B)=

(C)=

(D)=

(E)=

(F)=



No.	Lev.	Parts No.	Description	Q'ty						I	R
				(A)	(B)	(C)	(D)	(E)	(F)		
1	1	729944-51310	PUMP ASSY, INJECTION	1							1
15	2	158600-51270	STOPPER, TAPPET	1							
16	2	158563-51281	O-RING, 4D S6	1							
17	2	158563-51281	O-RING, 4D S6	1							
18	2	129509-51390	VALVE ASSY, DELIVERY	4							W
(A=*2008.02.)											
26	3	158563-51330	SPRING, DELIVERY	4							
42	2	158601-51550	PLUG	1							
43	2	158553-51551	JOINT	1							
44	2	158601-51570	PLUG	1							
45	2	129907-51560	PLUG, BARREL	1							
46	2	158552-51570	GASKET	4							
47	2	158557-51570	PLUG	1							
48	2	158552-51580	LIFTER	1							
49	2	129906-51580	GASKET	1							
50	2	119802-51590	TIMER SET	1							
51	3	119802-51600	TIMER ASSY	1							
54	3	158553-51670	O-RING, 1011	1							
55	3	119802-51680	RING, BACK UP	1							
56	3	119802-51690	O-RING	1							
57	3	24356-010200	O-RING, 4D1020	1							
58	3	24372-000150	RING, BACK UP T2P15	1							
59	2	158560-51600	GASKET	1							
60	2	158553-51630	SPRING, TIMER	1							
62	2	158553-51640	ELEMENT	1							
63	2	158601-51650	JOINT, OVER FLOW	1							
64	2	158553-51660	O-RING, P14	1							
65	2	158553-51680	GASKET	1							
71	2	158552-52100	PUMP ASSY, FUEL FEED	1							
72	3	158552-52500	O-RING	1							
73	2	158552-52310	O-RING	1							
74	2	158552-52400	O-RING, 4E S42	1							
76	2	22190-120002	WASHER, SEAL 12	2							
77	2	22190-120002	WASHER, SEAL 12	2							
78	2	22190-180002	WASHER, SEAL 18	2							
79	2	22217-180000	WASHER, SPRING 18	1							
80	2	22312-050140	PIN, PARALLEL M5X14	2							
81	2	22351-050010	PIN, SPRING 5.0X10	2							
83	2	144626-51090	KEY, 5X19	1							
84	2	23857-060000	BOLT, JOINT 6	1							
85	2	24311-000070	O-RING, 1AP7.0	1							
86	2	24356-010200	O-RING, 4D1020	1							
87	2	24356-020210	O-RING, 4D2021	1							
88	2	26106-060102	BOLT, M6X 10 PLATED	1							
89	2	26106-060352	BOLT, M6X 35 PLATED	4							
92	2	26450-100452	BOLT, M10X 45	4							
93	2	26776-180002	NUT, LOCK M18	1							
115	2	158601-51790	PLUG	1							
116	2	158601-51770	PISTON	1							
117	2	158552-51780	SPRING	1							
118	2	22190-120002	WASHER, SEAL 12	1							

Remarks

(1) GOVERNOR ASSY(FIG.12) IS INCORPORATED IN THIS FOP.CMP (REF.NO.1).

Fig.11. FUEL INJECTION PUMP

(A)=4TNV98-YTBL2

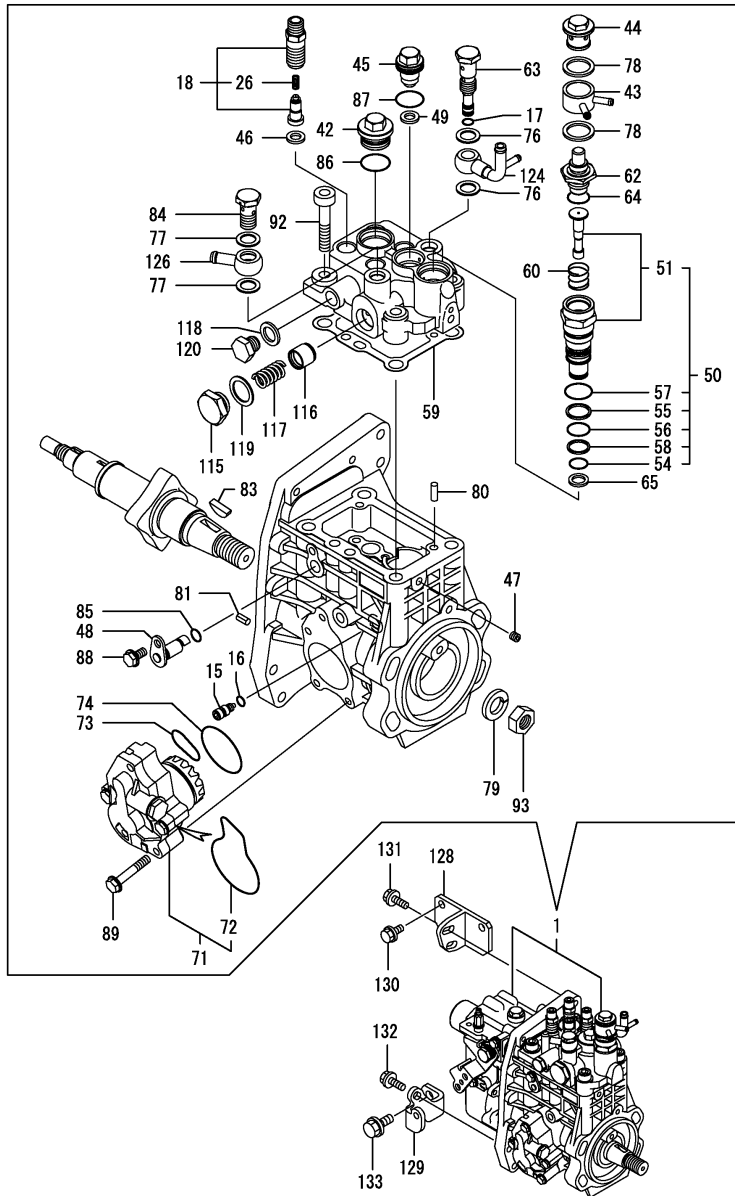
(B)=

(C)=

(D)=

(E)=

(F)=



No.	Lev.	Parts No.	Description	Q'ty						I	R
				(A)	(B)	(C)	(D)	(E)	(F)		
119	2	22190-180002	WASHER, SEAL 18	1							
120	2	23887-120002	PLUG, 12	1							
124	2	158552-51670	JOINT, OVER FLOW	1							
126	2	129916-59020	JOINT, PIPE 12	1							
128	1	129907-01950	RETAINER	1							
129	1	129907-01960	RETAINER	1							
130	1	26106-080162	BOLT, M8X 16 PLATED	2							
131	1	26106-080222	BOLT, M8X 22 PLATED	2							
132	1	26106-080222	BOLT, M8X 22 PLATED	1							
133	1	26106-100202	BOLT, M10X 20 PLATED	1							

Remarks

(1) GOVERNOR ASSY(FIG.12) IS INCORPORATED IN THIS FOP.CMP (REF.NO.1).

Fig.12. GOVERNOR

(A)=4TNV98-YTBL2

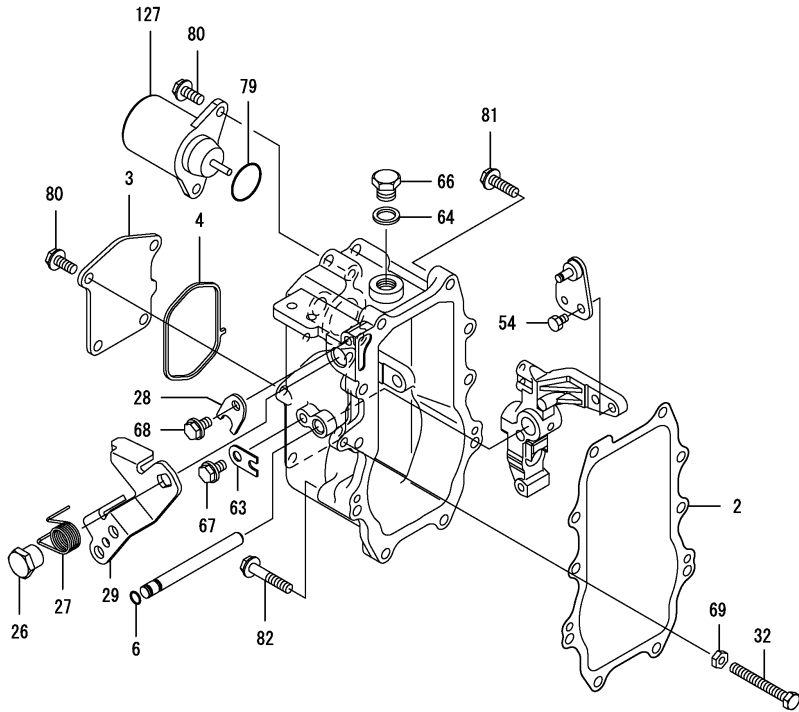
(B)=

(C)=

(D)=

(E)=

(F)=



No.	Lev.	Parts No.	Description	Q'ty						I	R
				(A)	(B)	(C)	(D)	(E)	(F)		
2	2	158560-61050	GASKET	1							
3	2	158560-61061	COVER, GOVERNOR CASE	1							
4	2	158560-61071	GASKET	1							
6	2	129155-51280	O-RING, S6	1							
26	2	129255-61410	NUT, LOCK	1							
27	2	119807-61420	SPRING, RETURN	1							
28	2	158560-61430	RETAINER, SHAFT	1							
29	2	158560-61442	LEVER, REGULATOR	1							
32	2	129155-61460	BOLT, IDLE	1							
54	2	26116-060102	BOLT, M6X 10 PLATED	1							
63	2	119660-61901	RETAINER, SHAFT	1							
64	2	22190-160002	WASHER, SEAL 16	1							
66	2	23887-160002	PLUG, 16	1							
67	2	26106-060102	BOLT, M6X 10 PLATED	1							
68	2	26106-060102	BOLT, M6X 10 PLATED	1							
69	2	26756-060002	NUT, LOCK M6	1							
79	2	158552-61900	O-RING	1							
80	2	26106-060142	BOLT, M6X 14 PLATED	6							
81	2	26106-060252	BOLT, M6X 25 PLATED	8							
82	2	26106-060402	BOLT, M6X 40 PLATED	2							
127	2	119233-77932	SOLENOID, STOP	1							

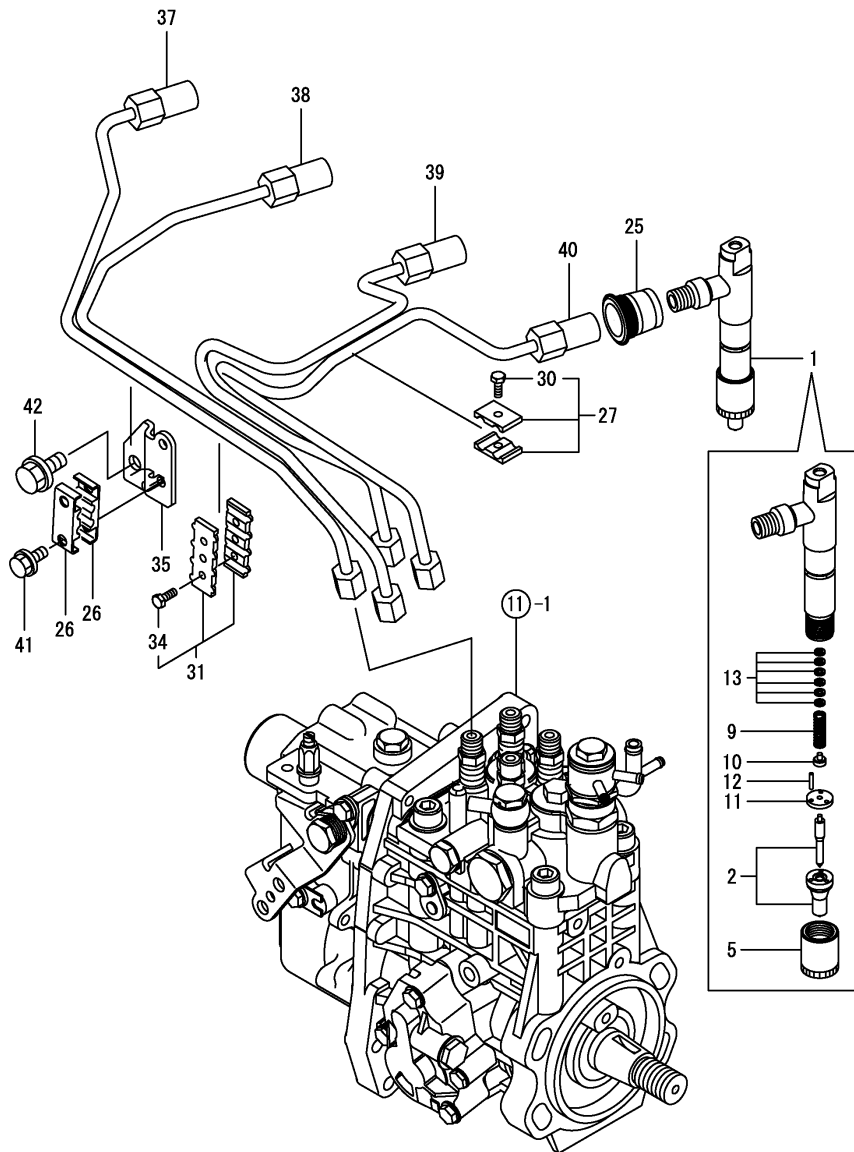
Remarks

* THIS FIGURE(GOVERNOR ASSY)IS INCORPORATED IN THE FUEL INJECTION PUMP ASSY(FIG.11).

Fig.13. FUEL INJECTION VALVE

(A)=4TNV98-YTBL2
(B)=
(C)=

(D)=
(E)=
(F)=

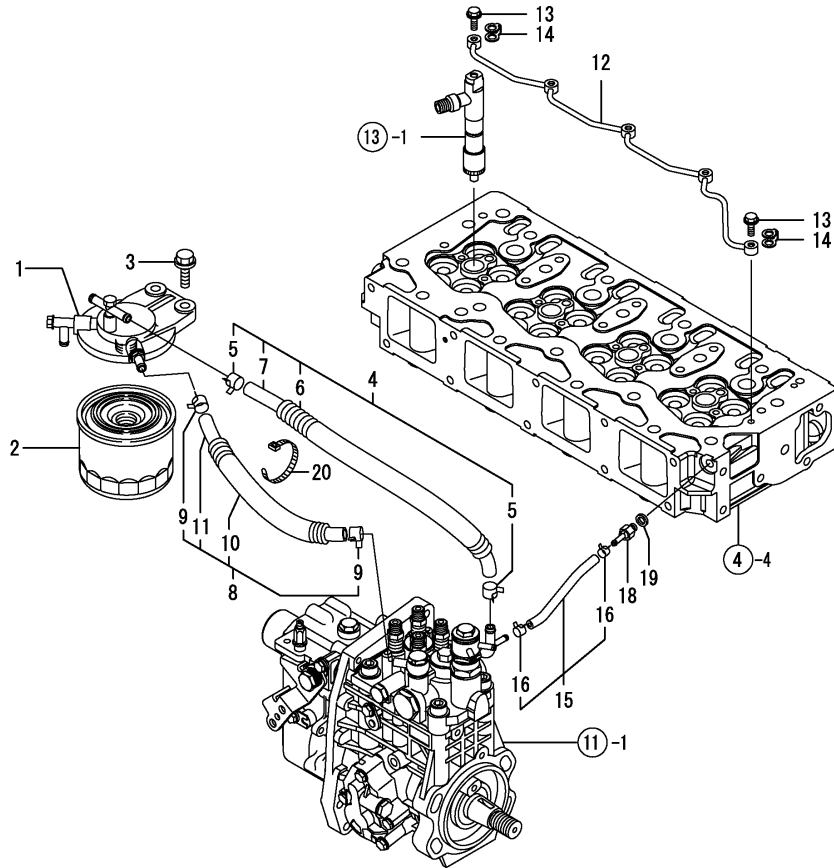


No.	Lev.	Parts No.	Description	Q'ty						I	R
				(A)	(B)	(C)	(D)	(E)	(F)		
1	1	729907-53100	VALVE ASSY,INJECTION	4							
2	2	129907-53000	VALVE ASSY,INJECTION	4							
5	2	114250-53080	NUT, NOZZLE D16.95	4							
9	2	114250-53120	SPRING, NOZZLE	4							
10	2	114250-53130	SEAT, SPRING	4							
11	2	114250-53140	PLATE	4							
12	2	114250-53210	PIN	8							
13	2	114250-53400	SHIM SET	4							
25	1	123907-11601	SEAL	4							
26	1	122780-59100	RETAINER	2							
27	1	119305-59120	RETAINER, PIPE	1							
30	2	129150-59131	BOLT, M4X14	1							
31	1	129550-59120	RETAINER, PIPE	1							
34	2	129150-59131	BOLT, M4X14	2							
35	1	129907-59710	SUPPORT	1							
37	1	129907-59810	PIPE ASSY, INJECTION	1							
38	1	129907-59820	PIPE ASSY, INJECTION	1							
39	1	129907-59830	PIPE ASSY, INJECTION	1							
40	1	129907-59840	PIPE ASSY, INJECTION	1							
41	1	26106-060162	BOLT, M6X 16 PLATED	2							
42	1	26106-080182	BOLT, M8X 18 PLATED	1							

Fig.14. FUEL LINE

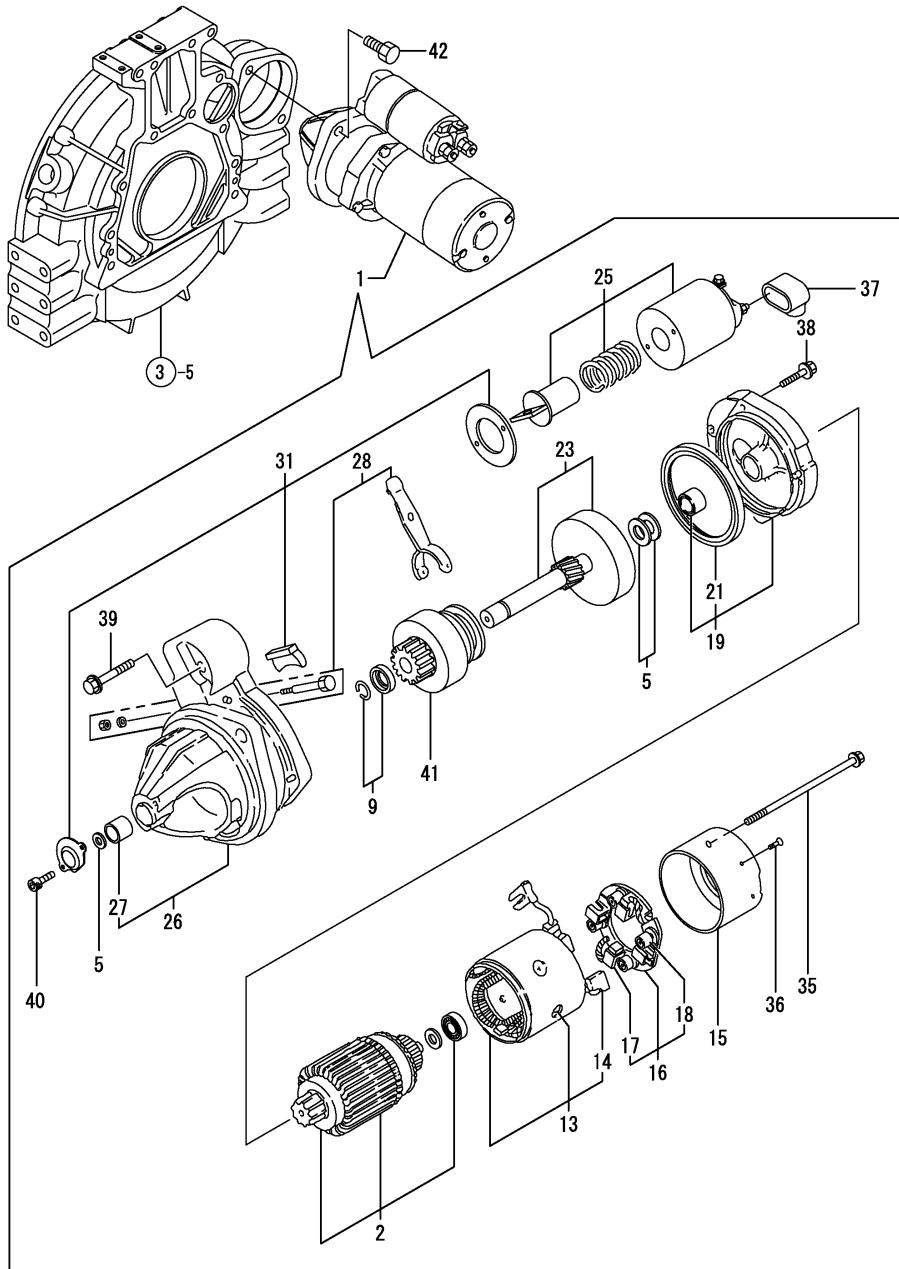
(A)=4TNV98-YTBL2
(B)=
(C)=

(D)=
(E)=
(F)=



No.	Lev.	Parts No.	Description	Q'ty						I	R
				(A)	(B)	(C)	(D)	(E)	(F)		
1	1	129004-55612	BRACKET, FILTER	1							
2	1	119802-55801	FILTER, FUEL	1							
3	1	26106-080302	BOLT, M8X 30 PLATED	2							
4	1	129457-59010	PIPE ASSY, FUEL	1							
5	2	124766-59050	CLIP, HOSE 12	2							
6	2	129957-59120	TUBE, CORRUGATED	1							
7	2	105025-59750	PIPE, FUEL	1							
8	1	129981-59010	PIPE ASSY, FUEL	1							
9	2	124766-59050	CLIP, HOSE 12	2							
10	2	129950-59221	TUBE, CORRUGATED	1							
11	2	129980-59510	PIPE, FUEL	1							
12	1	129907-59140	PIPE ASSY, RETURN	1							
13	1	123907-59540	BOLT, PIPE JOINT M6	5							
14	1	123907-59550	GASKET	5							
15	1	129486-59551	PIPE ASSY, RETURN	1							
16	2	124722-59050	CLIP, HOSE 9	2							
18	1	123907-59560	JOINT	1							
19	1	22190-080002	WASHER, SEAL 6	1							
20	1	121750-59890	BAND, 140	1							

Fig.15. STARTING MOTOR



(A)=4TNV98-YTBL2
(B)=
(C)=

(D)=
(E)=
(F)=

No.	Lev.	Parts No.	Description	Q'ty						I	R
				(A)	(B)	(C)	(D)	(E)	(F)		
1	1	129953-77019	STARTING MOTOR	1							
2	2	121254-77402	ARMATURE ASSY	1							
5	2	121254-77430	WASHER KIT, THRUST	1							
9	2	121254-77480	STOPPER KIT, PINION	1							
13	2	121254-77521	COIL ASSY, FIELD	1							
14	3	121254-77541	BRUSH (+)	2							
15	2	121254-77550	COVER ASSY, REAR	1							
16	2	121254-77571	HOLDER ASSY	1							
17	3	121254-77581	BRUSH, -	2							
18	3	121254-77590	SPRING	4							
19	2	121254-77600	BEARING ASSY, CENTER	1							
21	3	121254-77610	SEAL, OIL	1							
23	2	121254-77640	SHAFT ASSY, GEAR	1							
25	2	129953-77670	SWITCH	1							
26	2	121254-77681	CASE ASSY, GEAR	1							
27	3	121254-77690	METAL, GEAR CASE	1							
28	2	121254-77700	LEVER SET, SHIFT	1							
31	2	121254-77730	DUST COVER SET	1							
35	2	121254-77770	BOLT, THROUGH	2							
36	2	121254-77790	SCREW 4	2							
37	2	121254-77810	COVER, TERMINAL	1							
38	2	26106-060302	BOLT, M6X 30 PLATED	3							
39	2	26106-060452	BOLT, M6X 45 PLATED	2							
40	2	121254-77780	SCREW 5	2							
41	2	129953-77660	PINION ASSY	1							
42	1	26116-120252	BOLT, M12X 25 PLATED	2							

Fig.16. GENERATOR

(A)=4TNV98-YTBL2

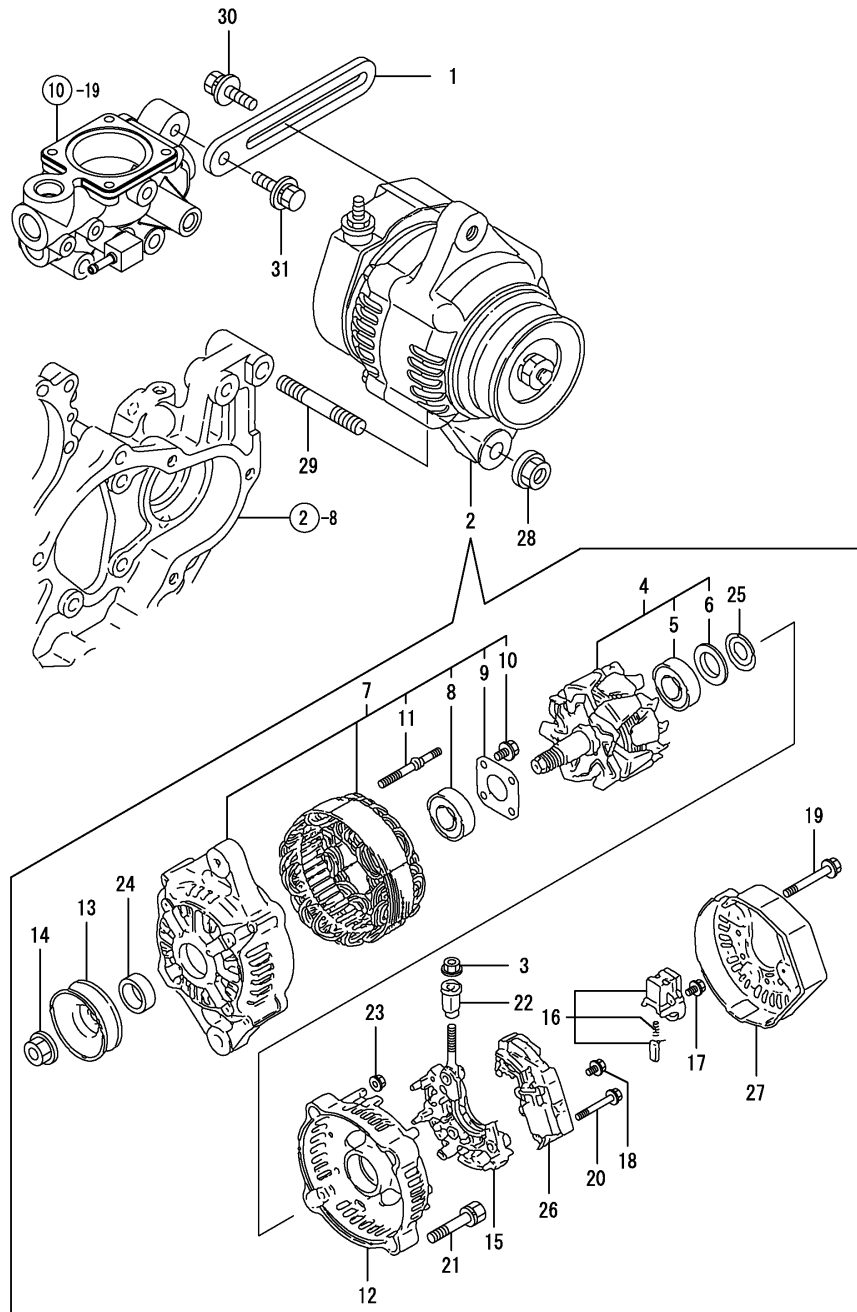
(B)=

(C)=

(D)=

(E)=

(F)=



No.	Lev.	Parts No.	Description	Q'ty						I	R
				(A)	(B)	(C)	(D)	(E)	(F)		
1	1	129900-77330	ADJUSTER	1							
2	1	129240-77200	ALTERNATOR	1							
3	2	129240-79310	NUT	1							
4	2	119620-77380	ROTOR ASSY	1							
5	3	126501-79240	BALL BEARING	1							
6	3	119620-79250	COVER, BEARING	1							
7	2	119620-77421	FRAME ASSY, DRIVE	1							
8	3	119620-79200	BALL BEARING	1							
9	3	119620-79210	PLATE	1							
10	3	119620-79220	SCREW	4							
11	3	119620-79230	BOLT, STUD	2							
12	2	119620-77440	FLAME ASSY, REAR	1							
13	2	119620-77461	PULLEY	1							
14	2	119620-77471	NUT	1							
15	2	119620-79260	HOLDER	1							
16	2	129052-79270	HOLDER, BRUSH	1							
17	2	119620-79290	SCREW	6							
18	2	119620-79300	SCREW	1							
19	2	119620-79310	BOLT	3							
20	2	119620-79320	SCREW W/WASHER	2							
21	2	119620-79330	BOLT	2							
22	2	119620-79340	INSULATION BUSH	1							
23	2	119620-79350	NUT	2							
24	2	119620-77490	COLLAR	1							
25	2	119620-79360	WASHER, THRUST	1							
26	2	129240-77710	REGULATOR ASSY	1							
27	2	129240-79300	COVER	1							
28	1	26306-100002	NUT, M10	1							
29	1	129795-01900	STUD	1							
30	1	119810-77340	BOLT, ADJUSTER	1							
31	1	26014-080252	BOLT, M8X 25	1							

Fig.17. GASKET SET

(A)=4TNV98-YTBL2

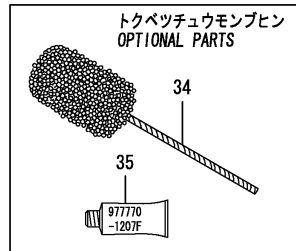
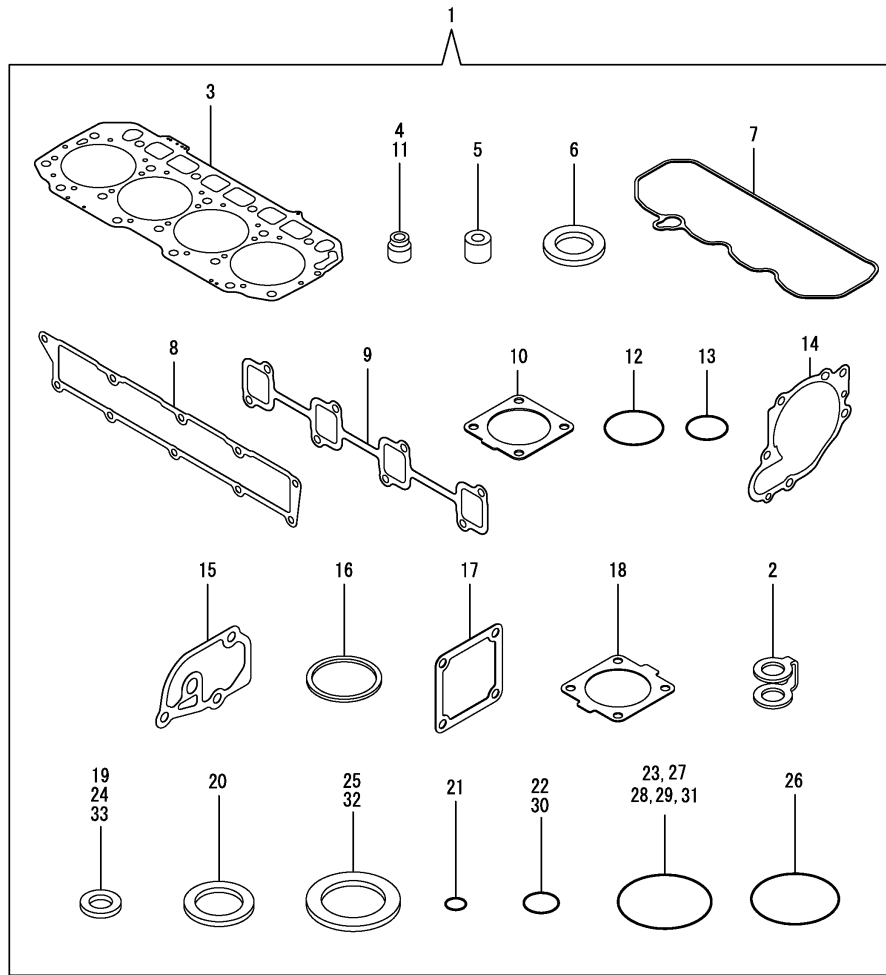
(B)=

(C)=

(D)=

(E)=

(F)=



No.	Lev.	Parts No.	Description	Q'ty						I	R
				(A)	(B)	(C)	(D)	(E)	(F)		
1	1	729907-92980	GASKET SET	1							1
2	2	123907-59550	GASKET	5							
3	2	129907-01331	GASKET, HEAD	1							
4	2	124160-11340	SEAL, VALVE STEM	8							
5	2	119802-11870	PROTECTOR, NOZZLE	4							
6	2	119625-11880	SEAT, NOZZLE	4							
7	2	129907-11310	GASKET, BONNET	1							
8	2	129907-12110	GASKET, MANIFOLD	1							
9	2	129900-13251	GASKET	1							
10	2	129930-13201	GASKET, SILENCER	1							
11	2	124950-11340	SEAL, VALVE STEM	8							
12	2	129900-32030	O-RING, P20	2							
13	2	129900-32040	O-RING, P14	1							
14	2	129900-42020	GASKET, WATER PUMP	1							
15	2	129900-49870	GASKET	1							
16	2	121850-49550	GASKET, THERMOSTAT	1							
17	2	121850-77021	GASKET	1							
18	2	121850-49540	GASKET, THERMOSTAT	1							
19	2	23414-08000	GASKET, 8X1.0	1							
20	2	124465-44950	GASKET, 16	1							
21	2	24311-000070	O-RING, 1AP7.0	1							
22	2	24311-000120	O-RING, 1AP12.0	8							
23	2	24311-000320	O-RING, 1AP32.0	3							
24	2	22190-080002	WASHER, SEAL 6	9							
25	2	22190-220002	WASHER, SEAL 22	1							
26	2	24351-030750	O-RING, 1A3075	1							
27	2	24321-000850	O-RING, 1AG85.0	1							
28	2	24341-000530	O-RING, 1AS53.0	1							
29	2	24311-000300	O-RING, 1AP30.0	1							
30	2	24311-240100	O-RING, 1AP10A	1							
31	2	24321-000600	O-RING, 1AG60.0	1							
32	2	22190-300002	WASHER, SEAL 30	1							
33	2	129150-49360	GASKET	1							
34	1	129400-92450	HONE	1							1
35	1	977770-1207F	GASKET.LIQUID	1							1

Remarks

(1) OPTIONAL PARTS.

Parts No. Index

Parts No.	Fig. No.	Ref. No.
105010-39140	9	1
105025-59750	14	7
114250-39450	9	14
114250-53080	13	5
114250-53120	13	9
114250-53130	13	10
114250-53140	13	11
114250-53210	13	12
114250-53400	13	13
119000-35140	9	29
119130-44760	10	17
119131-18320	6	7
119225-11740	2	45
119225-11750	2	47
119233-77932	12	127
119260-34810	9	3
119266-49350	10	44
119305-59120	13	27
119593-11301	4	28
119620-01750	3	14
119620-11180	4	16
119620-77380	16	4
119620-77421	16	7
119620-77440	16	12
119620-77461	16	13
119620-77471	16	14
119620-77490	16	24
119620-79200	16	8
119620-79210	16	9
119620-79220	16	10
119620-79230	16	11
119620-79250	16	6
119620-79260	16	15
119620-79290	16	17
119620-79300	16	18
119620-79310	16	19
119620-79320	16	20
119620-79330	16	21
119620-79340	16	22
119620-79350	16	23
119620-79360	16	25
119625-11880	4	26
	17	6
119640-01640	3	10
119640-61400	4	62
119660-61901	12	63
119802-11870	4	47
	17	5
119802-51590	11	50
119802-51600	11	51

Parts No.	Fig. No.	Ref. No.
119802-51680	11	55
119802-51690	11	56
119802-55801	14	2
119807-61420	12	27
119810-77340	16	30
120130-22301	8	21
121023-26070	2	39
121027-11743	2	46
121250-44901	10	35
121254-77402	15	2
121254-77430	15	5
121254-77480	15	9
121254-77521	15	13
121254-77541	15	14
121254-77550	15	15
121254-77571	15	16
121254-77581	15	17
121254-77590	15	18
121254-77600	15	19
121254-77610	15	21
121254-77640	15	23
121254-77681	15	26
121254-77690	15	27
121254-77700	15	28
121254-77730	15	31
121254-77770	15	35
121254-77780	15	40
121254-77790	15	36
121254-77810	15	37
121550-49111	10	46
121750-59890	14	20
121850-21130	8	11
121850-21290	8	4
121850-21920	8	5
121850-49540	10	21
	17	18
121850-49550	10	22
	17	16
121850-49800	10	24
121850-77021	5	5
	17	17
122780-59100	13	26
123900-13610	6	5
123900-13630	6	4
123900-25060	7	9
123907-03100	4	55
123907-03110	4	56
123907-03120	4	57
123907-03140	4	58
123907-11280	4	33

Parts No.	Fig. No.	Ref. No.
123907-11550	4	3
123907-11601	13	25
123907-11820	4	10
123907-11830	4	22
123907-59540	14	13
123907-59550	14	14
	17	2
123907-59560	14	18
124160-01751	2	37
	4	50
124160-11340	4	17
	17	4
124160-11360	4	65
124411-01780	3	3
124465-44950	10	36
	17	20
124722-59050	10	40
		43
	14	16
124766-59050	14	5
		9
124950-11340	4	18
	17	11
126501-79240	16	5
129001-91810	2	27
		28
129004-55612	14	1
129005-59830	9	19
129052-79270	16	16
129100-01580	2	5
	3	1
129150-02450	7	4
129150-11230	4	36
		40
129150-11750	4	21
		37
		41
129150-14200	7	1
129150-25920	7	13
129150-35153	9	31
129150-49360	10	45
	17	33
129150-59131	13	30
		34
129155-51280	12	6
129155-61460	12	32
129240-77200	16	2
129240-77710	16	26
129240-79300	16	27
129240-79310	16	3

Parts No.	Fig. No.	Ref. No.
129255-61410	12	26
129400-92450	17	34
129457-59010	14	4
129486-59551	14	15
129509-51390	11	18
129550-59120	13	31
129795-01900	16	29
129900-01200	1	31
129900-01250	1	5
129900-01740	2	6
129900-01850	2	23
129900-01870	2	24
129900-02020	1	7
129900-02341	1	34
129900-02410	1	10
129900-02931	1	28
129900-02941	1	37
129900-13200	6	1
129900-13251	6	3
	17	9
129900-14110	7	6
129900-21220	8	3
129900-21600	8	14
129900-23001	8	23
129900-23200	8	28
129900-23601	8	29
129900-23611	8	31
129900-23911	8	27
129900-25110	7	10
129900-26020	7	16
129900-26250	2	43
129900-32001	2	11
129900-32030	2	25
	9	7
	17	12
129900-32040	2	26
	17	13
129900-35000	9	8
129900-42020	10	11
	17	14
129900-42461	10	14
129900-49870	10	31
	17	15
129900-77330	16	1
129902-01710	3	9
129902-21050	8	1
129906-51580	11	49
129907-01190	1	33
129907-01331	1	32
	17	3

Parts No. Index

Parts No.	Fig. No.	Ref. No.
129907-01950	11	128
129907-01960	11	129
129907-03011	4	52
129907-03061	4	53
129907-03070	4	54
129907-07900	4	1
129907-11100	4	25
129907-11110	4	14
129907-11120	4	15
129907-11250	4	30
129907-11260	4	31
129907-11270	4	32
129907-11310	4	61
	17	7
129907-11320	4	51
129907-11341	4	29
129907-11510	4	19
129907-11650	4	34
129907-11660	4	38
129907-11700	4	4
129907-11800	4	9
129907-11910	4	68
129907-11920	4	42
129907-11950	4	48
129907-12100	5	1
129907-12110	5	2
	17	8
	7	2
129907-14400	7	2
129907-14590	7	3
129907-22050	8	17
129907-22090	8	15
129907-25900	7	15
129907-39061	9	15
129907-42000	10	1
129907-49610	10	37
129907-49620	10	41
129907-49710	10	38
129907-49720	10	42
129907-49730	10	23
129907-49750	10	39
129907-51560	11	45
129907-53000	13	2
129907-59140	14	12
129907-59710	13	35
129907-59810	13	37
129907-59820	13	38
129907-59830	13	39
129907-59840	13	40
129908-14590	7	3 -1
129915-77050	5	6

Parts No.	Fig. No.	Ref. No.
129916-01800	2	4
129916-21610	8	9
129916-21680	8	7
129916-44740	10	16
129916-49530	10	20
129916-59020	11	126
129930-13201	6	8
	17	10
129930-39050	9	40
129940-42320	10	15
129944-07910	4	70
129944-13520	6	9
129944-13660	6	10
129944-35110	9	26
129944-35150	9	39
129944-35210	9	32
129944-39101	9	36
129946-49810	10	19
129950-59221	14	10
129951-34801	9	2
129951-34812	9	4
129953-01620	3	5
129953-21570	8	12
129953-25300	7	18
129953-35110	9	25
129953-39101	9	35
129953-39500	9	28
		34
129953-77019	15	1
129953-77660	15	41
129953-77670	15	25
129957-59120	14	6
129960-21640	8	8
129962-01500	2	8
129970-35140	9	30
129980-59510	14	11
129981-59010	14	8
144626-51090	11	83
158552-51570	11	46
158552-51580	11	48
158552-51670	11	124
158552-51780	11	117
158552-52100	11	71
158552-52310	11	73
158552-52400	11	74
158552-52500	11	72
158552-61900	12	79
158553-51551	11	43
158553-51630	11	60
158553-51640	11	62

Parts No.	Fig. No.	Ref. No.
158553-51660	11	64
158553-51670	11	54
158553-51680	11	65
158557-51570	11	47
158560-51600	11	59
158560-61050	12	2
158560-61061	12	3
158560-61071	12	4
158560-61430	12	28
158560-61442	12	29
158563-51150	7	19
158563-51281	11	16
		17
158563-51330	11	26
158600-51270	11	15
158601-51550	11	42
158601-51570	11	44
158601-51650	11	63
158601-51770	11	116
158601-51790	11	115
171051-01921	1	6
22157-080000	6	11
22190-080002	9	20
		22
		24
	14	19
	17	24
22190-120002	11	76
		77
		118
22190-160002	12	64
22190-180002	11	78
		119
22190-220002	3	12
	17	25
22190-300002	9	37
	17	32
22217-180000	7	20
	11	79
22252-000300	8	22
22312-050140	11	80
22351-050010	11	81
22351-060012	1	11
22512-070140	7	7
	8	6
22857-500100	4	63
		64
23414-080000	10	32
	17	19
23857-030000	9	21

Parts No.	Fig. No.	Ref. No.
23857-060000	11	84
23875-030000	10	28
23876-020000	4	11
23876-030000	1	12
		13
		14
	4	12
23887-120002	11	120
23887-160002	12	66
24311-000070	2	44
		11
		17
		21
24311-000120	4	27
		66
	17	22
24311-000300	2	48
	17	29
24311-000320	2	38
	4	67
	17	23
24311-240100	9	5
	17	30
24321-000600	9	38
	17	31
24321-000850	2	40
	17	27
24341-000530	8	10
	17	28
24351-030750	2	29
	17	26
24356-010200	11	57
		86
24356-020210	11	87
24372-000150	11	58
26014-080252	16	31
26106-060102	11	88
	12	67
		68
26106-060122	10	29
26106-060142	12	80
26106-060162	13	41
26106-060202	10	30
26106-060252	12	81
26106-060302	10	12
	15	38
26106-060352	11	89
26106-060402	12	82
26106-060452	15	39
26106-080122	3	4
	9	13

Parts No. Index

Parts No.	Fig. No.	Ref. No.	
26106-080122	9	23	
	10	33	
26106-080162	2	22	
		30	
		31	
	4	2	
	6	12	
	7	8	
	9	6	
	11	130	
	26106-080182	13	42
	26106-080202	2	32
		6	13
26106-080222	11	131	
		132	
26106-080302	14	3	
26106-080352	5	7	
	10	18	
26106-080402	2	33	
		34	
	4	44	
26106-080452	2	35	
26106-080502	9	41	
26106-080552	5	3	
	7	14	
	10	13	
	4	45	
26106-080602		46	
	10	34	
26106-080852	5	4	
26106-100202	2	41	
	11	133	
26106-100452	9	42	
26116-060102	12	54	
26116-120252	15	42	
26206-100352	3	2	
26206-100702	3	8	
26216-100302	2	10	
26226-080222	4	43	
26306-080002	4	49	
	6	6	
		14	
26306-100002	2	36	
	16	28	
26450-100452	11	92	
26756-060002	12	69	
26776-180002	7	21	
	11	93	
27241-300000	1	15	
27241-400000	4	13	

Parts No.	Fig. No.	Ref. No.
27310-070001	4	23
729900-02801	1	25
729906-01550	2	1
729907-01561	1	1
729907-22910	8	33
729907-22950	8	35
729907-53100	13	1
729907-92980	17	1
729944-51310	11	1
977770-1207F	2	42
	3	13
	4	69
	17	35

Parts No.	Fig. No.	Ref. No.
-----------	----------	----------

Parts No.	Fig. No.	Ref. No.
-----------	----------	----------