

OCD10-M90000EN

# PREFACE

1. This parts catalog is the 1st edition of 4TNE84T-GB2C export engine for generator Model "YEG500DTHC"

Pub.No. : 000Y00D9000

Published : May,2006

2. Model name

Engine model	Vehicle		Vehicle made by
	Products	Model name	
4TNE84T-GB2C	CANOPY 2P GENERATOR	YEG500DTHC	TOYO DENKI INDUSTRIAL CO.,LTD.

## Directions for the Parts Catalog.

1. This Parts Catalog shows both standard and optional parts.
2. Parts may change without prior notice.
3. The following is an example of the Parts Catalog format.

REF.	LEV.	PARTS NO.	DESCRIPTION	Q'TY						I	R
				(A)	(B)	(C)	(D)	(E)	(F)		
1	1	729595-51390	FUEL INJECTION PUMP	1	1	1	1	1			1
1-1	1	729595-51391	FUEL INJECTION PUMP	1	1	1	1	1		N	1
		(A=E00185) (B=E00200)									
3	2	26022-060162	SCREW M 6X 16	9	9	9	9	9			
3-1	2	26022-060162	SCREW M 6X 16	4	4	4	4	4		K	
		(A=E00156) (B=E00156) (C=E00156) (D=E00156) (E=E00156)									
4	2	129470-51040	CAMSHAFT	1	1	1	1	1			
5	2	122710-51050	BEARING, ROLLER	2	2	2	2	2			
6	2	129470-51060	RETAINER	1	1	1	1	1			

Remarks
(1) BOOST COMPEMSATOR TYPE. OPTIONAL PART, TO E00155,(4JH-DT, 4JH-DTZ

### ① Ref. No.

The Ref. No. listed may not be in accordance with the illustration Ref. No.

(Ex.) Illustration No.

List Ref No.

1

1

(Before change) → 1-1 (After change)

For interchangeable symbols N, R and K, illustrations for new parts may be abbreviated.

### ② Lev. (Level)

Level indication

The numbers below indicate the level of relativity towards the main part.

1 ----- Main parts (Assembly parts)

2 ----- Sub component included in " 1 ".

3 ----- Sub component included in " 2 ".

Note) Parts that are not for sale are partially illustrated but not listed.

### ③ Interchangeability Symbol

When a part change takes place, one of the following interchangeability symbols is indicated beside the part.

Symbol	Interchangeability	Contents note
N	Old $\begin{matrix} \leftarrow \text{Yes} \\ \text{No} \rightarrow \end{matrix}$ New	New Part is interchangeable for Old Part but Old Part is not interchangeable for New Part.
Q	Old $\begin{matrix} \leftarrow \text{No} \\ \text{Yes} \rightarrow \end{matrix}$ New	New Part is not interchangeable for Old Part but Old Part is interchangeable for New Part.
R	Old $\begin{matrix} \leftarrow \text{Yes} \\ \text{Yes} \rightarrow \end{matrix}$ New	New/ Old Parts are both interchangeable.
S	Old $\begin{matrix} \leftarrow \text{No} \\ \text{No} \rightarrow \end{matrix}$ New	New/ Old Parts are both not interchangeable.
W		Part newly added.
Z		Part discontinued.
F		Not interchangeable by a single part but interchangeable together with related parts.
K		Changes only for used parts quantities.

### ④ Effective Machine No.

When a part changes, the effective Machine No. will be indicated in the (A)-(F) column.

Product Symbol	Product No.	Product Symbol	Product No.
C	Clutch No. Compressor No.	F	Machine No. (Agricultural Equip.)
D	Drive No.	M	Machine No.
E	Engine No.		

Note 1) A date may follow the symbol. (Ex.) 1996.01

Note 2) "XXXXX" and "ZZZZZ" are for parts that could not be predicted or for engine models that could not be identified.

Note 3) (A=E00185) is the E (Engine Serial Number) for the column (A) model (in this case 4JH-DT) after the parts design change.

### ⑤ Remarks

Figures or alphabets (symbols) are entered in the remarks column.

The comments (remarks) on parts that are indicated at the bottom of the illustration are the same symbols as those stated above.

# Contents

OCD10-M90000

Fig. No. Fig. Name

Fig. No. Fig. Name

## 4TNE84T-GB2C

1. CYLINDER BLOCK
2. GEAR HOUSING
3. FLYWHEEL HOUSING & OIL SUMP
4. CYLINDER HEAD & BONNET
5. SUCTION MANIFOLD & AIR CLEANER
6. EXHAUST MANIFOLD & SILENCER
7. CAMSHAFT & DRIVING GEAR
8. TURBO CHARGER
9. CRANKSHAFT & PISTON
10. LUB.OIL SYSTEM
11. LUB.OIL LINE
12. COOLING WATER SYSTEM
13. FUEL INJECTION PUMP
14. GOVERNOR
15. FUEL INJECTION VALVE
16. FUEL LINE
17. STARTING MOTOR
18. GENERATOR
19. ELECTRICAL PARTS
20. GASKET SET & TOOLS

Fig.1. CYLINDER BLOCK

(A)=4TNE84T-GB2C

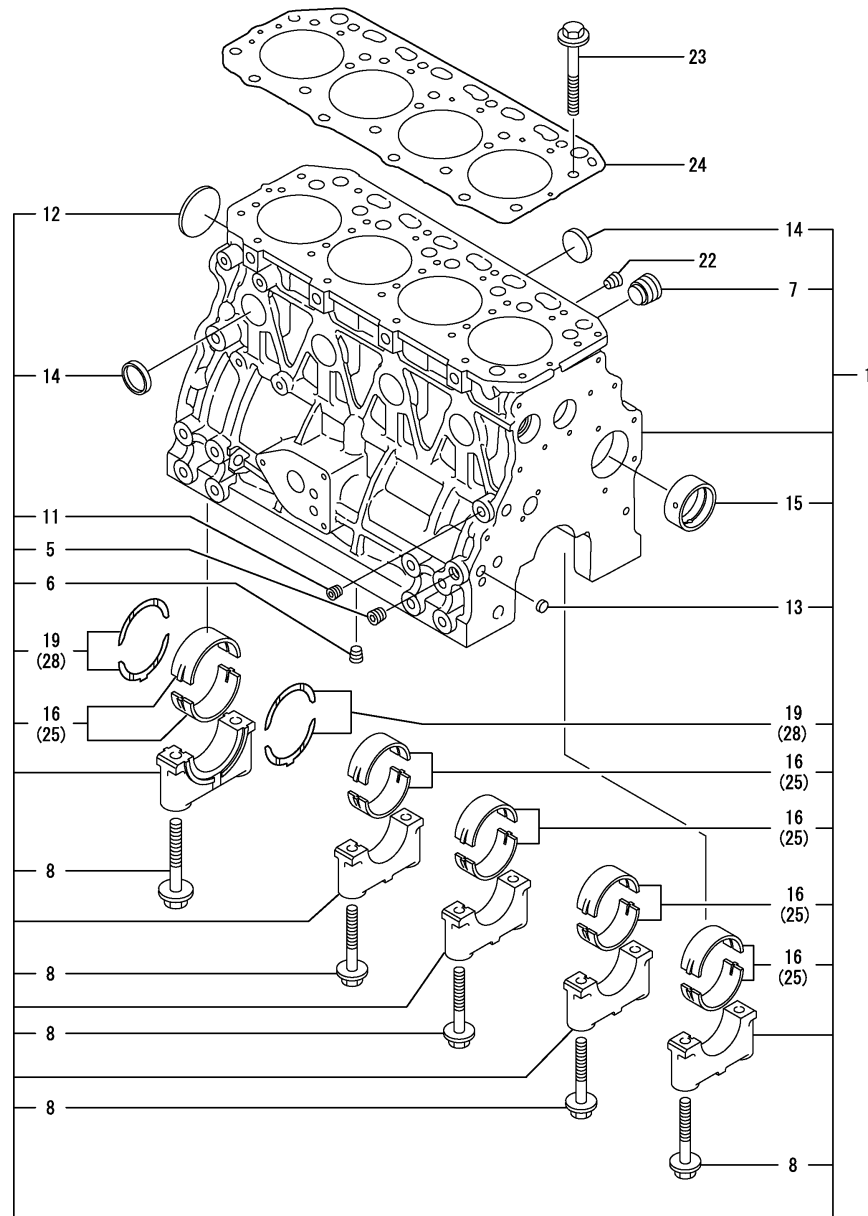
(B)=

(C)=

(D)=

(E)=

(F)=



No.	Lev.	Parts No.	Description	Q'ty						I	R
				(A)	(B)	(C)	(D)	(E)	(F)		
1	1	729638-01561	BLOCK ASSY, CYLINDER	1							
1-1	1	729638-01560	BLOCK ASSY, CYLINDER	1							N
(A=FROM 1ST)											
5	2	124160-01910	PLUG, PT1/4	2							
6	2	124160-01910	PLUG, PT1/4	1							
7	2	171051-01921	PLUG, NPTF1	1							
8	2	129150-02020	BOLT, METAL CAP	10							
11	2	23876-010000	PLUG, R01	1							
12	2	129001-01250	PLUG, 50	1							
13	2	27241-120000	PLUG, 12	2							
14	2	27241-300000	PLUG 30	8							
15	2	129795-02412	BUSH, CAMSHAFT	1							
16	2	129001-02800	BEARING, MAIN	5							
19	2	129150-02931	BEARING, THRUST	2							
22	1	23876-030000	PLUG, R03	1							
23	1	129150-01200	BOLT, HEAD	18							
24	1	129408-01330	GASKET, HEAD	1							
25	1	129150-02871	BEARING, 0.25 US	5							1
28	1	129150-02941	BEARING, THRUST 0.25	2							2

Remarks

- (1) UNDER-SIZE(U.S=0.25)PART.
- (2) OVER-SIZE(O.S=0.25)PART.

Fig.2. GEAR HOUSING

(A)=4TNE84T-GB2C

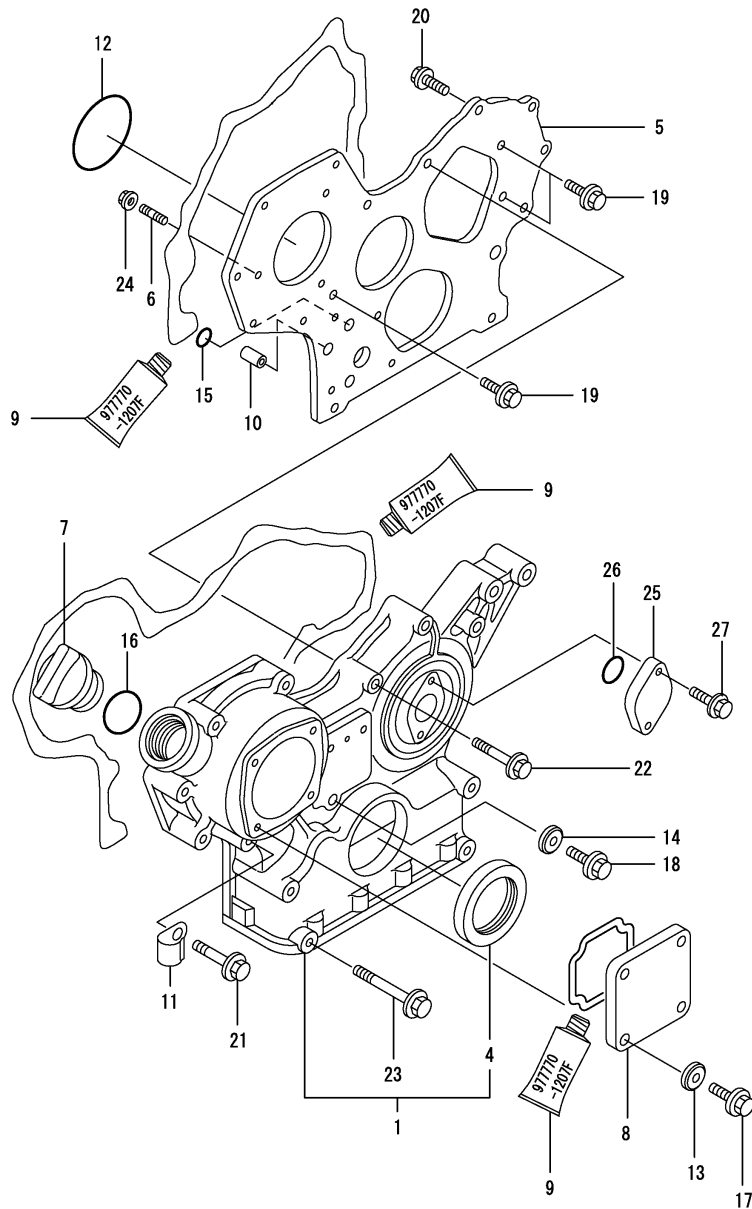
(B)=

(C)=

(D)=

(E)=

(F)=



No.	Lev.	Parts No.	Description	Q'ty						I	R
				(A)	(B)	(C)	(D)	(E)	(F)		
1	1	719810-01500	CASE ASSY, GEAR	1							
4	2	129795-01800	SEAL, OIL	1							
5	1	129400-01520	FLANGE, GEAR CASE	1							
6	1	121450-01560	STUD, M8X22	3							
7	1	124160-01751	COVER, FILLER	1							
8	1	124240-01871	COVER	1							
9	1	977770-1207F	GASKET.LIQUID	1							1
10	1	129795-01950	PIPE, KNOCK L=18	2							
11	1	129150-03100	RETAINER, PIPE	1							
12	1	121850-51960	O-RING	1							
13	1	22190-080002	WASHER, SEAL 6	4							
14	1	22190-080002	WASHER, SEAL 6	1							
15	1	119609-32040	O-RING, P16	2							
16	1	24311-000320	O-RING, 1AP32.0	1							
17	1	26106-080122	BOLT, M8X 12 PLATED	4							
18	1	26106-080162	BOLT, M8X 16 PLATED	1							
19	1	26106-080162	BOLT, M8X 16 PLATED	3							
20	1	26106-080202	BOLT, M8X 20 PLATED	2							
21	1	26106-080452	BOLT, M8X 45 PLATED	6							
22	1	26106-080552	BOLT, M8X 55 PLATED	3							
23	1	129001-91841	BOLT, M8X85	4							
24	1	26366-080002	NUT, M8	3							
25	1	121023-01551	COVER	1							
26	1	24341-000240	O-RING, 1AS24.0	1							
27	1	26106-060162	BOLT, M6X 16 PLATED	2							

Remarks

(1) OPTIONAL PART.

N:Old  $\xrightarrow{\text{Yes}}$  New, Q:Old  $\xrightarrow{\text{No}}$  New, R:Old  $\xrightarrow{\text{Yes}}$  New, S:Old  $\xrightarrow{\text{No}}$  New, W:Add, Z:Discontinued, F:Interchangeable by set, K:Q'ty Change

Fig.3. FLYWHEEL HOUSING & OIL SUMP

(A)=4TNE84T-GB2C

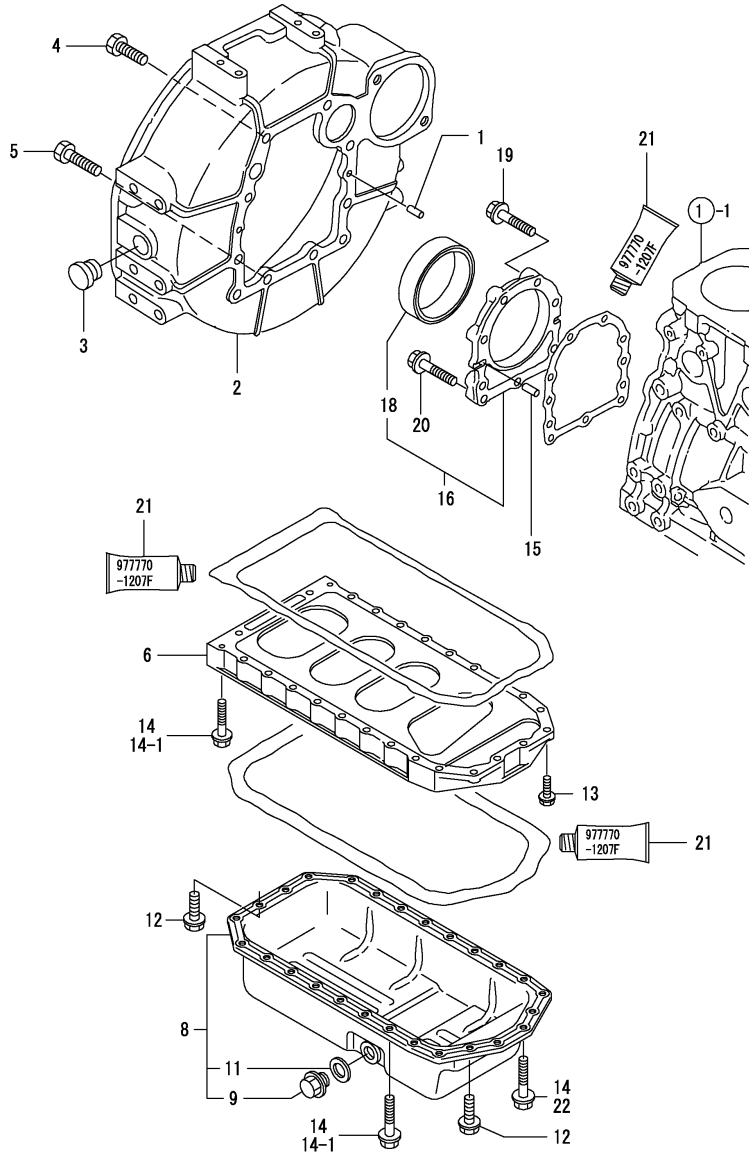
(B)=

(C)=

(D)=

(E)=

(F)=



No.	Lev.	Parts No.	Description	Q'ty						I	R
				(A)	(B)	(C)	(D)	(E)	(F)		
1	1	129100-01580	PIN, M8X16	2							
2	1	129612-01600	HOUSING, FLYWHEEL	1							
3	1	119620-01750	CAP	1							
4	1	26206-100252	BOLT, M10X 25 PLATED	6							
5	1	26206-100302	BOLT, M10X 30 PLATED	4							
6	1	129400-01730	SPACER, OIL SUMP	1							
8	1	129400-01770	SUMP ASSY, OIL	1							
8-1	1	129688-01780	OIL PAN ASSY, DEEP	1							N
(A=E06494)											
9	2	171301-01640	PLUG, 22	1							
11	2	22190-220002	WASHER, SEAL 22	1							
12	1	26106-080162	BOLT, M8X 16 PLATED	4							
13	1	26106-080252	BOLT, M8X 25 PLATED	2							
14	1	26106-080452	BOLT, M8X 45 PLATED	24							
14-1	1	26106-080452	BOLT, M8X 45 PLATED	20							K
(A=FROM 1ST)											
15	1	129100-01580	PIN, M8X16	2							
16	1	129100-01640	CASE ASSY, OIL SEAL	1							
18	2	129795-01780	SEAL, OIL	1							
19	1	129486-01670	BOLT, M8X30	6							
20	1	26106-080352	BOLT, M8X 35 PLATED	3							
21	1	977770-1207F	GASKET.LIQUID	1							1
22	1	26106-080502	BOLT, M8X 50 PLATED	4							W
(A=FROM 1ST)											

Remarks

(1) OPTIONAL PART.

N:Old  $\begin{matrix} \leftarrow \text{Yes} \\ \text{No} \end{matrix}$  New, Q:Old  $\begin{matrix} \leftarrow \text{No} \\ \text{Yes} \end{matrix}$  New, R:Old  $\begin{matrix} \leftarrow \text{Yes} \\ \text{Yes} \end{matrix}$  New, S:Old  $\begin{matrix} \leftarrow \text{No} \\ \text{No} \end{matrix}$  New, W:Add, Z:Discontinued, F:Interchangeable by set, K:Q'ty Change

Fig.4. CYLINDER HEAD & BONNET

(A)=4TNE84T-GB2C

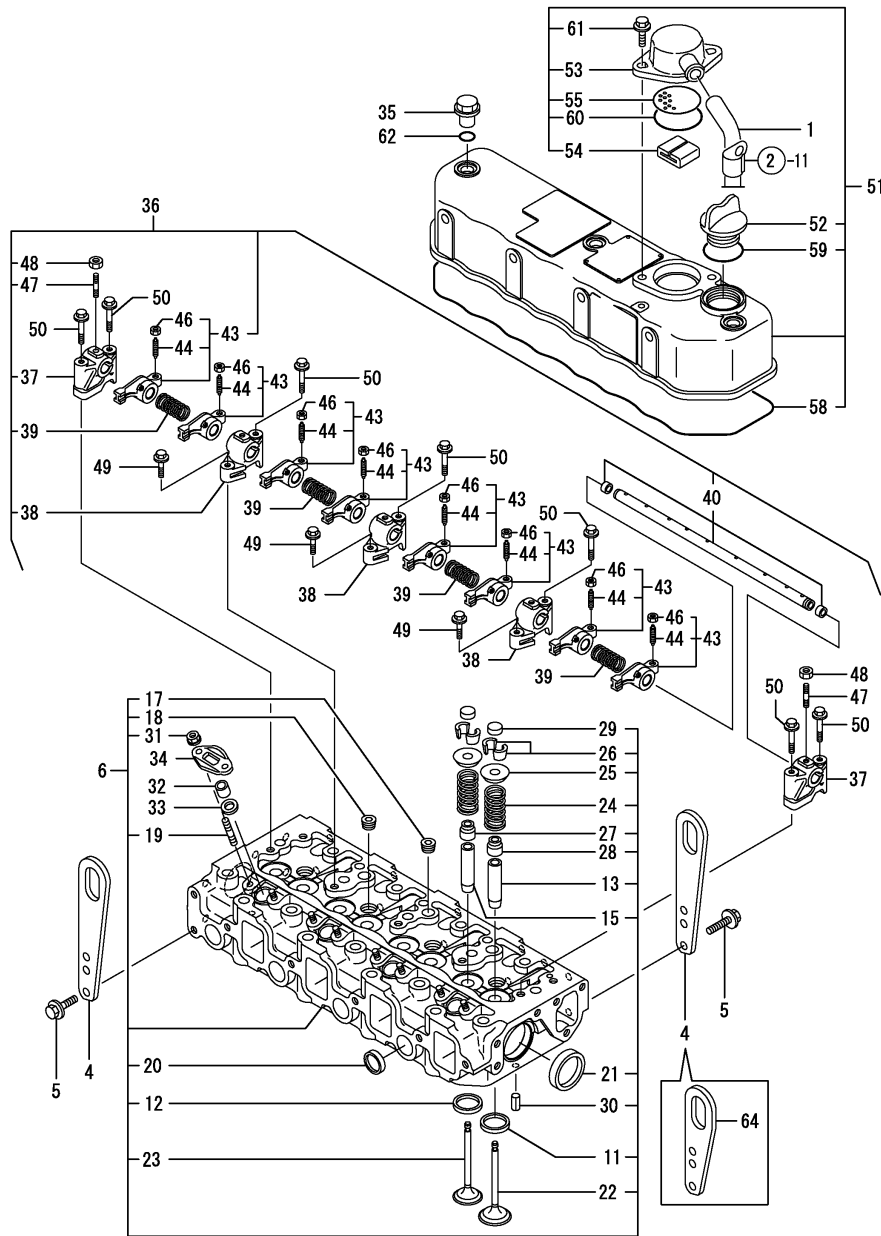
(B)=

(C)=

(D)=

(E)=

(F)=



No.	Lev.	Parts No.	Description	Q'ty						I	R
				(A)	(B)	(C)	(D)	(E)	(F)		
1	1	171350-03090	PIPE , BREATHER 900	1							
4	1	129900-07900	LIFTER	2							
4-1	1	129900-07900	LIFTER	1							K
(A=*2009.08)											
5	1	26106-080162	BOLT, M8X 16 PLATED	4							
6	1	729408-11700	HEAD ASSY, CYLINDER	1							
11	2	129470-11080	SEAT, INTAKE VALVE	4							
12	2	129470-11090	SEAT, EXHAUST VALVE	4							
13	2	120130-11860	GUIDE, VALVE	4							1
15	2	129150-11810	GUIDE, VALVE	4							1
17	2	23871-020000	PLUG, R02	3							
18	2	23871-030000	PLUG, R03	4							
19	2	26216-060202	STUD, M6X 20	8							
20	2	27241-220000	PLUG, 22	4							
21	2	27241-400000	PLUG, 40	2							
22	2	129100-11100	VALVE, INTAKE	4							
23	2	129100-11130	VALVE, EXHAUST	4							
24	2	129795-11120	SPRING, VALVE	8							
25	2	129795-11180	RETAINER, SPRING	8							
26	2	27310-080001	COTTER, 8	8							
27	2	121400-11340	SEAL, VALVE STEM	4							
28	2	124460-11340	SEAL, VALVE STEM	4							
29	2	129150-11370	CAP, VALVE	8							
30	2	22351-060012	PIN, SPRING 6.0X12	2							
31	2	26366-060002	NUT, M6	8							
32	1	119625-11870	PROTECTOR, NOZZLE	4							
33	1	119625-11880	SEAT, NOZZLE	4							
34	1	119625-11900	RETAINER, NOZZLE	4							
35	1	124160-11360	KNOB	3							
36	1	129555-11241	SHAFT ASSY, ROCKER	1							
37	2	129155-11260	SUPPORT, ROCKER ARM	2							
38	2	129155-11270	SUPPORT, ROCKER ARM	3							
39	2	129150-11280	SPRING	4							
40	2	129550-11290	SHAFT, ROCKER ARM	1							
43	2	729402-11650	ARM ASSY, ROCKER	8							
44	3	129150-11230	SCREW, VALVE ADJUST	8							
46	3	129150-11750	NUT, M8	8							
47	2	119802-11280	STUD	3							
48	2	26756-080002	NUT, LOCK M8	3							
49	1	26106-080252	BOLT, M8X 25 PLATED	3							
50	1	26106-080502	BOLT, M8X 50 PLATED	7							
51	1	129400-11350	BONNET ASSY, HEAD	1							
52	2	124160-01751	COVER, FILLER	1							
53	2	129150-03020	COVER, BREATHER	1							
54	2	129150-03070	BAFFLE, BREATHER	1							
55	2	129150-03080	PLATE, BAFFLE	1							
58	2	129550-11310	GASKET, BONNET	1							
59	2	24311-000320	O-RING, 1AP32.0	1							
60	2	24341-000500	O-RING, 1AS50.0	1							
61	2	26106-080162	BOLT, M8X 16 PLATED	2							
62	1	24311-000120	O-RING, 1AP12.0	3							

Remarks  
(1) REPAIR PART.



Fig.4. CYLINDER HEAD & BONNET

(A)=4TNE84T-GB2C

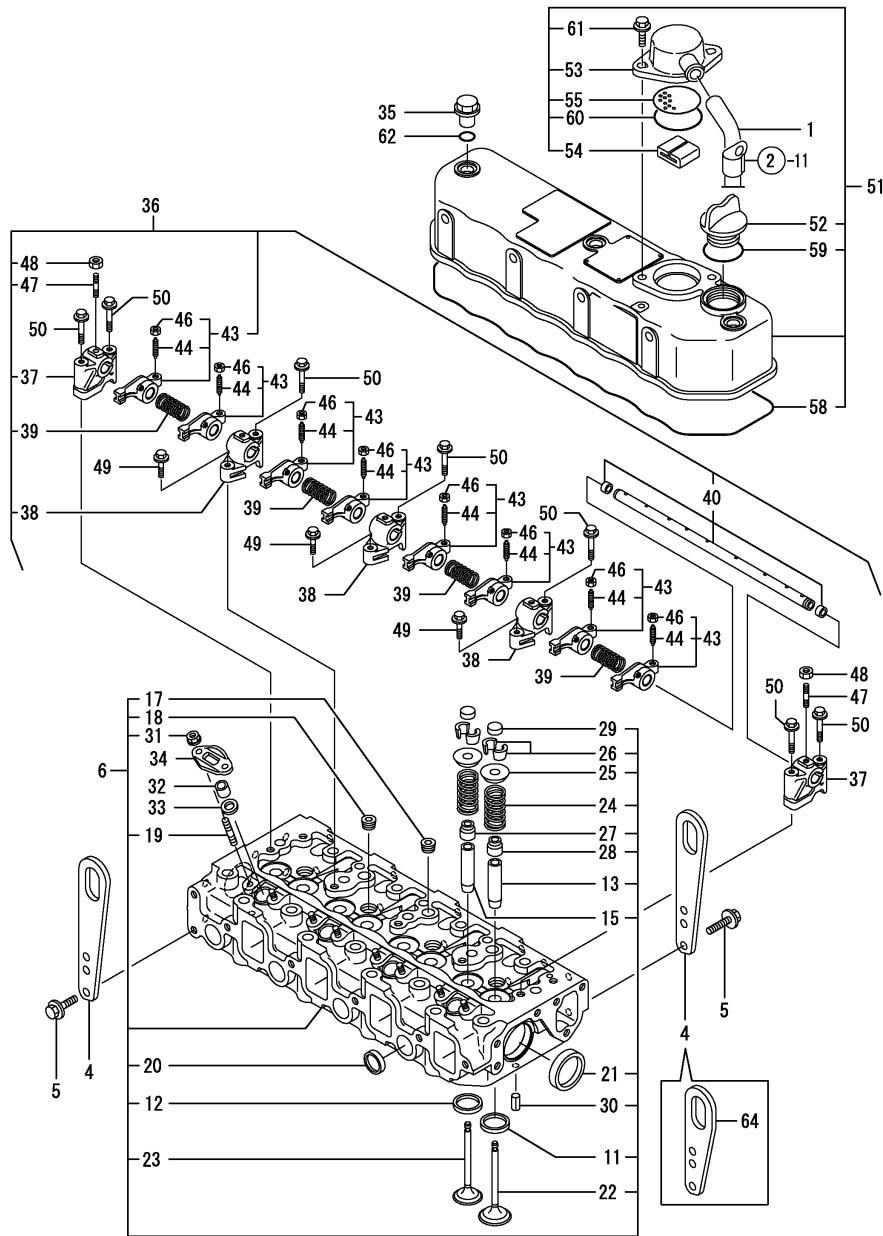
(B)=

(C)=

(D)=

(E)=

(F)=



No.	Lev.	Parts No.	Description	Q'ty						I	R
				(A)	(B)	(C)	(D)	(E)	(F)		
64	1	119226-07900 (A=*2009.06)	LIFTER	1							W

Remarks  
(1) REPAIR PART.

Fig.5. SUCTION MANIFOLD & AIR CLEANER

(A)=4TNE84T-GB2C

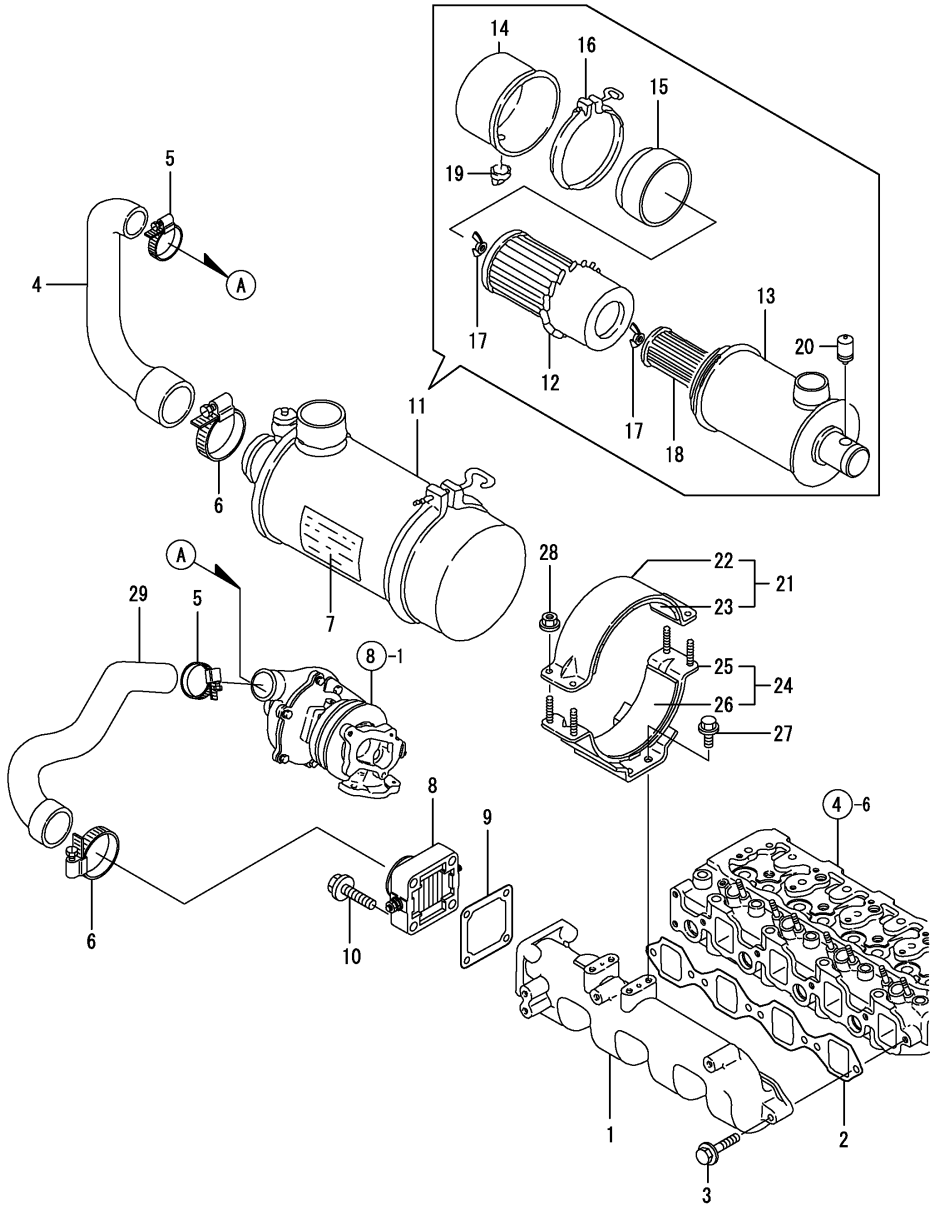
(B)=

(C)=

(D)=

(E)=

(F)=



No.	Lev.	Parts No.	Description	Q'ty						I	R
				(A)	(B)	(C)	(D)	(E)	(F)		
1	1	129488-12100	MANIFOLD, AIR INTAKE	1							
2	1	129550-12112	GASKET, MANIFOLD	1							
3	1	26106-080352	BOLT, M8X 35 PLATED	5							
4	1	129488-12070	PIPE, AIR INTAKE	1							
5	1	23000-060000	CLAMP, 60	2							
6	1	23000-070000	CLAMP, 70	2							
7	1	171064-12600	LABEL, AIR CLEANER	1							
8	1	129120-77501	HEATER	1							
9	1	129150-77511	GASKET	1							
10	1	26106-080352	BOLT, M8X 35 PLATED	4							
11	1	121521-12500	CLEANER ASSY, AIR	1							
12	2	121420-12511	ELEMENT	1							
13	2	171061-12520	BODY, CLEANER	1							
14	2	121422-12530	CUP	1							
15	2	121420-12540	SCARF, BAFFLE	1							
16	2	121420-12550	CLAMP ASSY	1							
17	2	121420-12561	NUT, WING	2							
18	2	121422-12570	ELEMENT	1							
19	2	121422-12580	VALVE, UNLOADER	1							
20	2	126650-12680	INDICATOR	1							
21	1	121400-12540	BAND ASSY, CLEANER	1							
22	2	121400-12560	BAND, AIR CLEANER	1							
23	2	121400-12570	SEAT, RUBBER B	1							
24	1	171351-12580	SUPPORT ASSY,CLEANER	1							
25	2	171351-12560	SUPPORT, AIR CLEANER	1							
26	2	171351-12570	SEAT, RUBBER	1							
27	1	26106-080142	BOLT, M8X 14 PLATED	4							
28	1	26366-060002	NUT, M6	4							
29	1	129488-12080	PIPE, AIR INTAKE	1							

Fig.6. EXHAUST MANIFOLD & SILENCER

(A)=4TNE84T-GB2C  
(B)=  
(C)=

(D)=  
(E)=  
(F)=

No.	Lev.	Parts No.	Description	Q'ty						I	R
				(A)	(B)	(C)	(D)	(E)	(F)		
1	1	129550-13110	GASKET	1							
2	1	119131-18320	STUD, M8X22	4							
3	1	129403-13120	MANIFOLD, EXHAUST	1							
4	1	119802-13650	BOLT, M8X65	3							
5	1	119802-13670	BOLT, M8X85	1							
6	1	129693-44310	BOLT	4							
6-1	1	119802-13820	BOLT, M8X100 9.8T	4							N
		(A=*2009.12)									
7	1	129488-13500	SILENCER	1							
8	1	129403-13540	SUPPORT, SILENCER	1							
9	1	26106-080142	BOLT, M8X 14 PLATED	2							
10	1	26106-080202	BOLT, M8X 20 PLATED	2							
11	1	26106-080202	BOLT, M8X 20 PLATED	4							

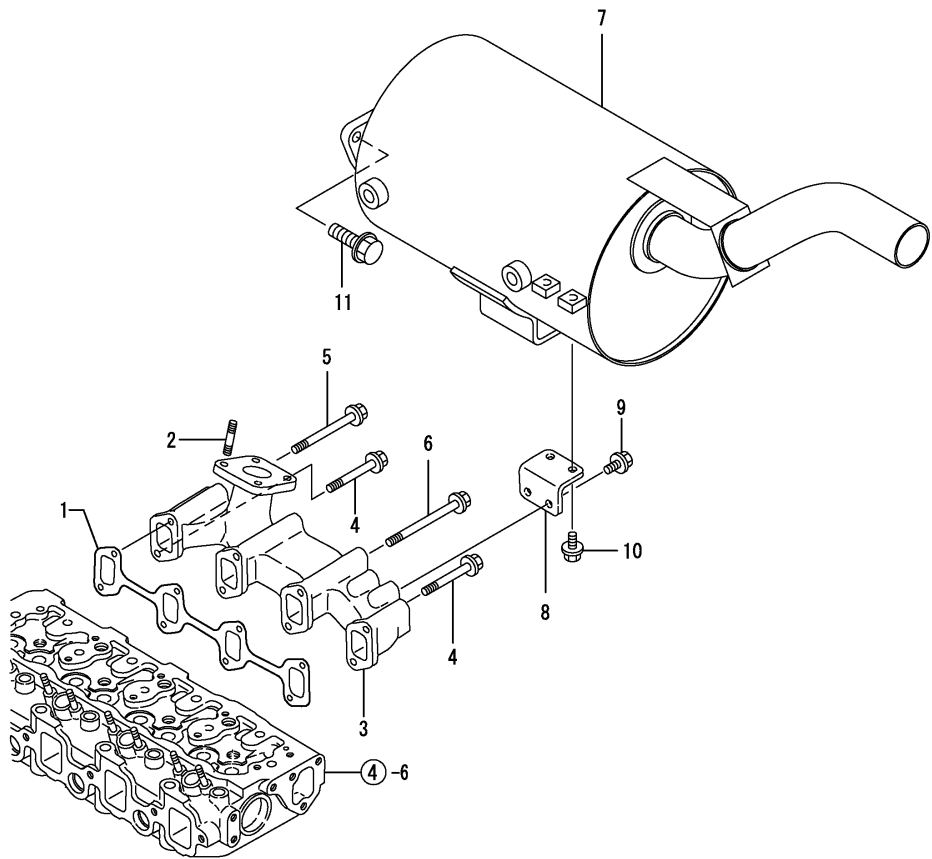


Fig.7. CAMSHAFT & DRIVING GEAR

(A)=4TNE84T-GB2C

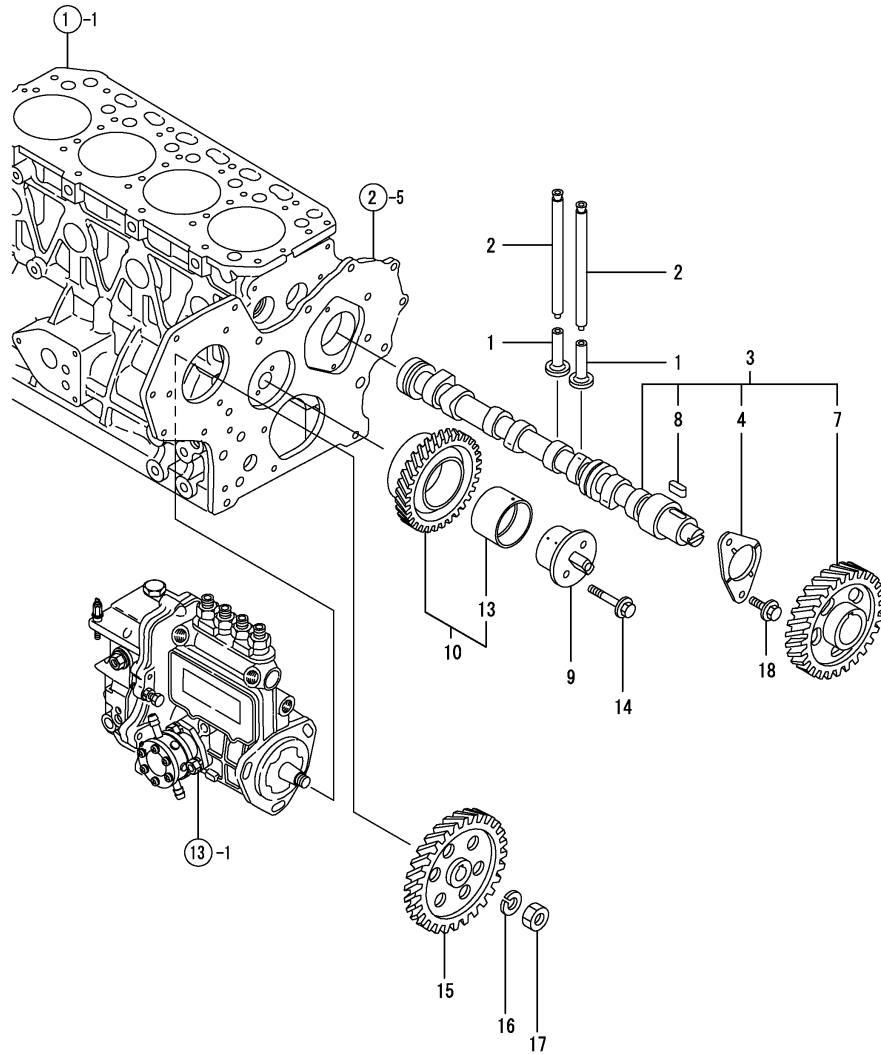
(B)=

(C)=

(D)=

(E)=

(F)=



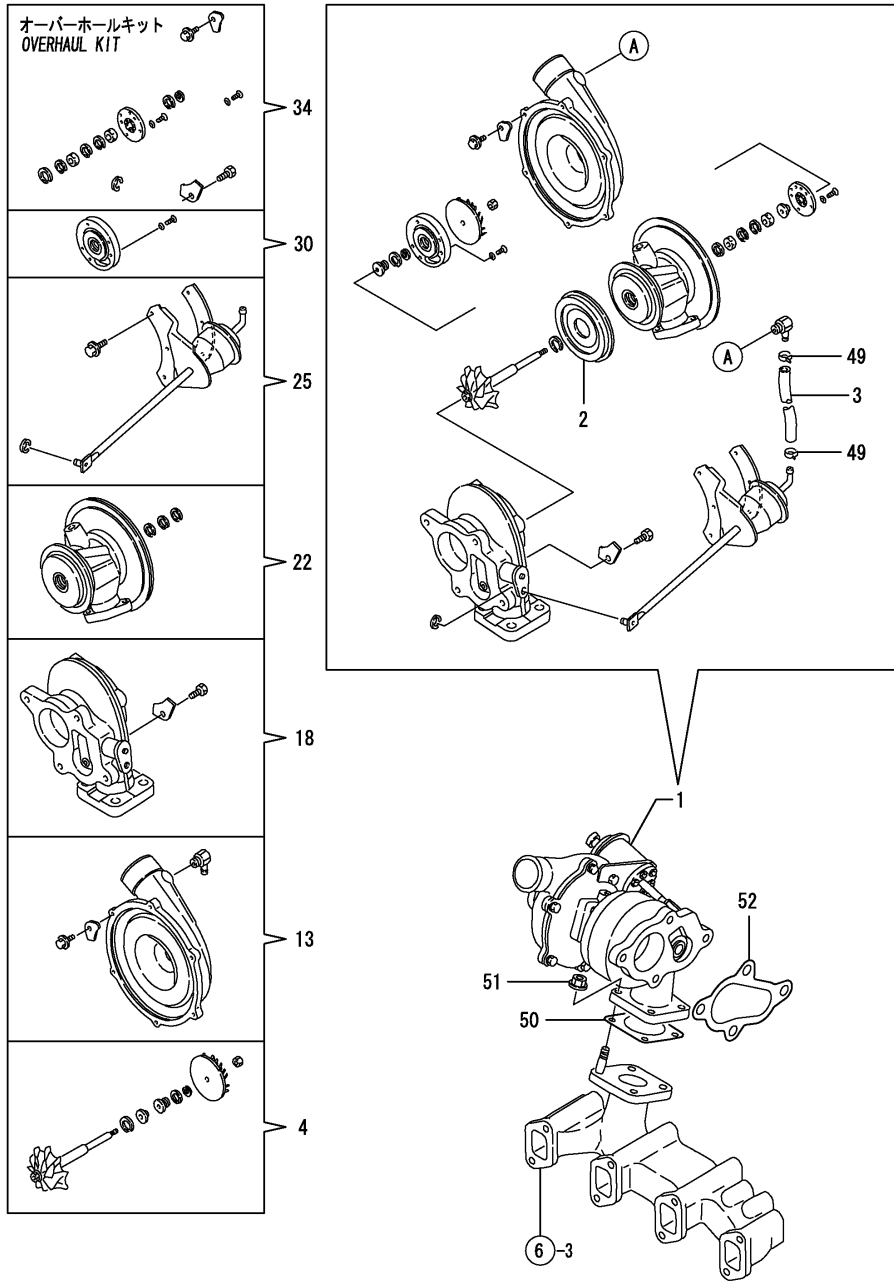
No.	Lev.	Parts No.	Description	Q'ty						I	R
				(A)	(B)	(C)	(D)	(E)	(F)		
1	1	129150-14200	TAPPET	8							
2	1	129150-14400	ROD, PUSH L=178	8							
3	1	729402-14580	CAMSHAFT ASSY	1							
4	2	129150-02450	BEARING, THRUST	1							
7	2	129150-14101	GEAR, CAMSHAFT	1							
8	2	22512-070140	KEY, 7X 14	1							
9	1	129100-25061	SHAFT, IDLE	1							
10	1	129150-25101	GEAR ASSY, IDLE	1							
13	2	129150-25920	BUSH, IDLE GEAR	1							1
14	1	26106-080452	BOLT, M8X 45 PLATED	2							
15	1	129150-25900	GEAR, PUMP	1							
16	1	22217-120000	WASHER, SPRING 12	1							
17	1	26716-120002	NUT, M12	1							
18	1	26106-080142	BOLT, M8X 14 PLATED	2							

Remarks  
(1) REPAIR PART.

Fig.8. TURBO CHARGER

(A)=4TNE84T-GB2C  
(B)=  
(C)=

(D)=  
(E)=  
(F)=



No.	Lev.	Parts No.	Description	Q'ty						I	R
				(A)	(B)	(C)	(D)	(E)	(F)		
1	1	129404-18020	TURBINE, RHB51	1							
2	2	129404-18720	PROTECTOR, HEAT	1							
3	2	129404-18750	HOSE	1							
4	2	129404-18770	ROTOR SET	1							
13	2	129404-18780	HOUSING SET, BLOWER	1							
18	2	129404-18790	HOUSING ASSY	1							
22	2	129404-18800	HOUSING SET	1							
25	2	129404-18811	CONTROLLER ASSY	1							
30	2	129404-18820	PLATE	1							
34	2	129404-18830	OVERHAUL KIT	1							
49	2	23080-012000	CLAMP, 12	2							
50	1	129322-18101	GASKET	1							
51	1	26306-080002	NUT, M8	4							
52	1	129403-18081	GASKET	1							

Fig.9. CRANKSHAFT & PISTON

(A)=4TNE84T-GB2C

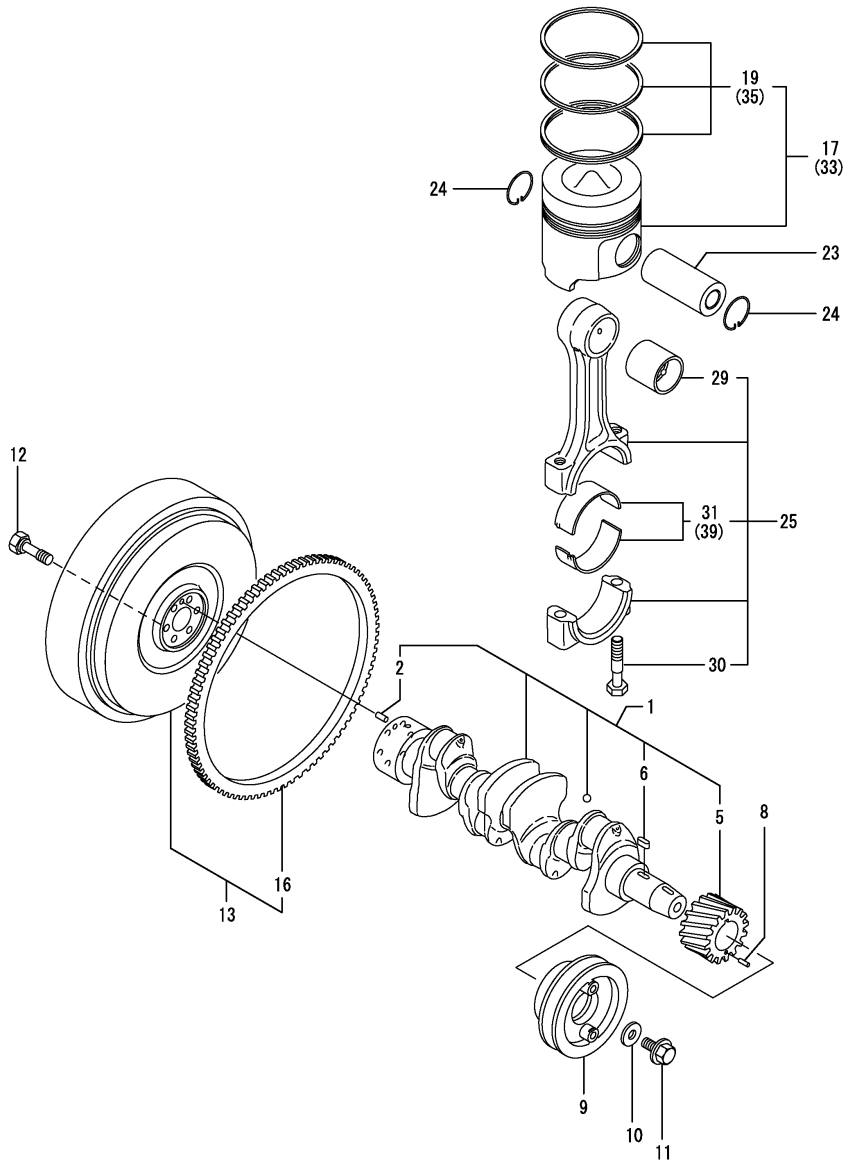
(B)=

(C)=

(D)=

(E)=

(F)=



No.	Lev.	Parts No.	Description	Q'ty						I	R
				(A)	(B)	(C)	(D)	(E)	(F)		
1	1	129418-21000	CRANKSHAFT ASSY	1							
2	2	129100-01580	PIN, M8X16	1							
5	2	129150-21200	GEAR, CRANKSHAFT	1							
6	2	22512-070140	KEY, 7X 14	1							
8	1	22351-040010	PIN, SPRING 4.0X10	1							
9	1	171301-21650	V-PULLEY	1							
10	1	129795-21661	WASHER	1							
11	1	121850-21680	BOLT	1							
12	1	121111-21501	BOLT, FLYWHEEL	6							
13	1	171420-21580	FLYWHEEL ASSY	1							
16	2	119865-21600	GEAR, RING	1							
17	1	129002-22090	PISTON ASSY	4							
19	2	129002-22510	RING SET, PISTON	4							
23	1	129202-22300	PIN, PISTON D26 L70	4							
24	1	22252-000260	RING, 26	8							
25	1	729402-23100	ROD ASSY, CONNECTING	4							
29	2	129100-23910	BEARING, PISTON PIN	4							1
30	2	121550-23200	BOLT, CONNECTING ROD	8							
31	2	129150-23601	BEARING, CRANK PIN	4							
33	1	129002-22910	PISTON ASSY, 0.25 OS	4							2
35	2	129002-22960	RING SET, 0.25 OS	4							2
39	1	129150-23611	BEARING, 0.25 US	4							3

Remarks

(1) REPAIR PART.

(2) OVER-SIZE(O.S=0.25)PART.

(3) UNDER-SIZE(U.S=0.25)PART.

Fig.10. LUB.OIL SYSTEM

(A)=4TNE84T-GB2C

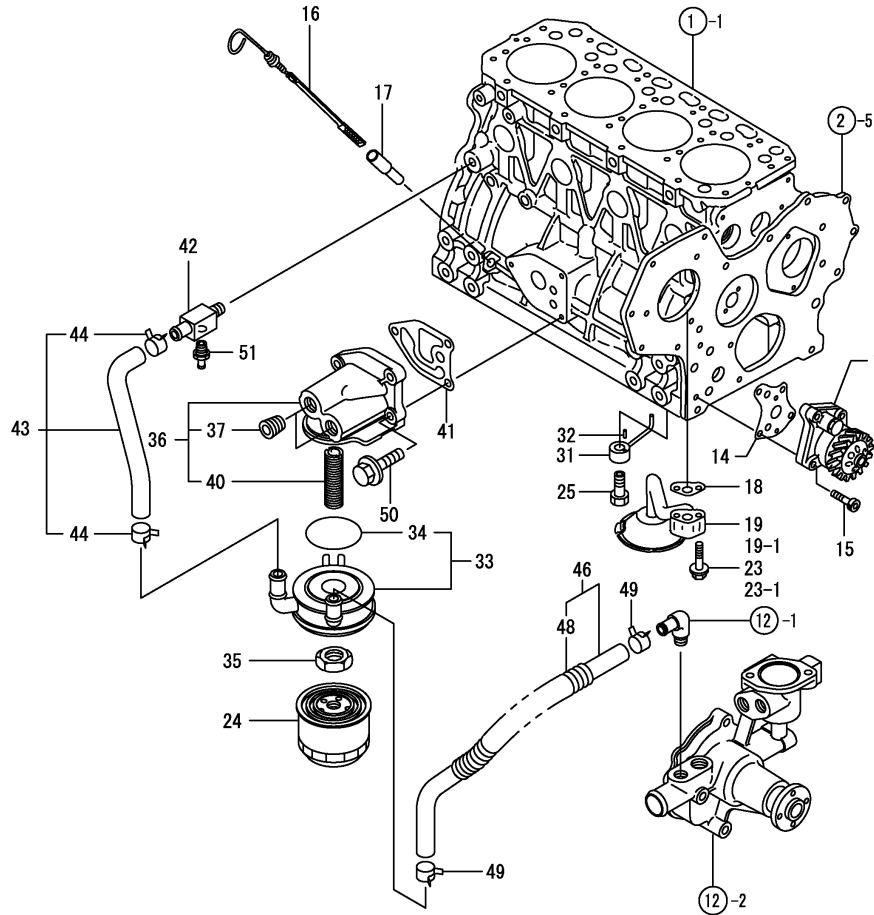
(B)=

(C)=

(D)=

(E)=

(F)=



No.	Lev.	Parts No.	Description	Q'ty						I	R
				(A)	(B)	(C)	(D)	(E)	(F)		
1	1	129418-32000	PUMP ASSY, OIL	1							
14	1	129150-32020	GASKET, PUMP	1							
15	1	26450-060252	BOLT, M6X 25	4							
16	1	129403-34800	DIPSTICK, OIL	1							
17	1	121520-34810	GUIDE, DIPSTICK	1							
18	1	129150-35042	GASKET	1							
19	1	129436-35091	PIPE ASSY, OIL INLET	1							
19-1	1	129436-35070	PIPE ASSY, LUB. OIL	1							S
(A=EZZZZZ)											
23	1	26106-080352	BOLT, M8X 35 PLATED	2							
23-1	1	26106-080552	BOLT, M8X 55 PLATED	2							S
(A=EZZZZZ)											
24	1	129150-35153	FILTER 80X80L	1							1
25	1	129792-39410	VALVE ASSY, CHECK	4							
31	1	129553-39650	NOZZLE	4							
32	1	22351-030010	PIN, SPRING 3.0X10	4							
33	1	129067-33011	COOLER ASSY, OIL	1							
34	2	129508-33050	O-RING	1							
35	1	129417-33110	NUT	1							
36	1	129033-35100	BRACKET ASSY	1							
37	2	129033-01770	PLUG, NPT1/2	2							
40	2	129417-35150	STUD, L=67	1							
41	1	129103-35122	GASKET	1							
42	1	129006-44480	JOINT	1							
43	1	129033-49030	PIPE ASSY, WATER	1							
44	2	171008-03990	CLIP, HOSE 18.5	2							
46	1	129467-49040	PIPE, WATER	1							
48	2	129165-49060	TUBE, CORRUGATED	1							
49	1	23080-018000	CLAMP, 18	2							
50	1	26106-080252	BOLT, M8X 25 PLATED	3							
51	1	121550-49111	JOINT, PT1/4	1							

Remarks

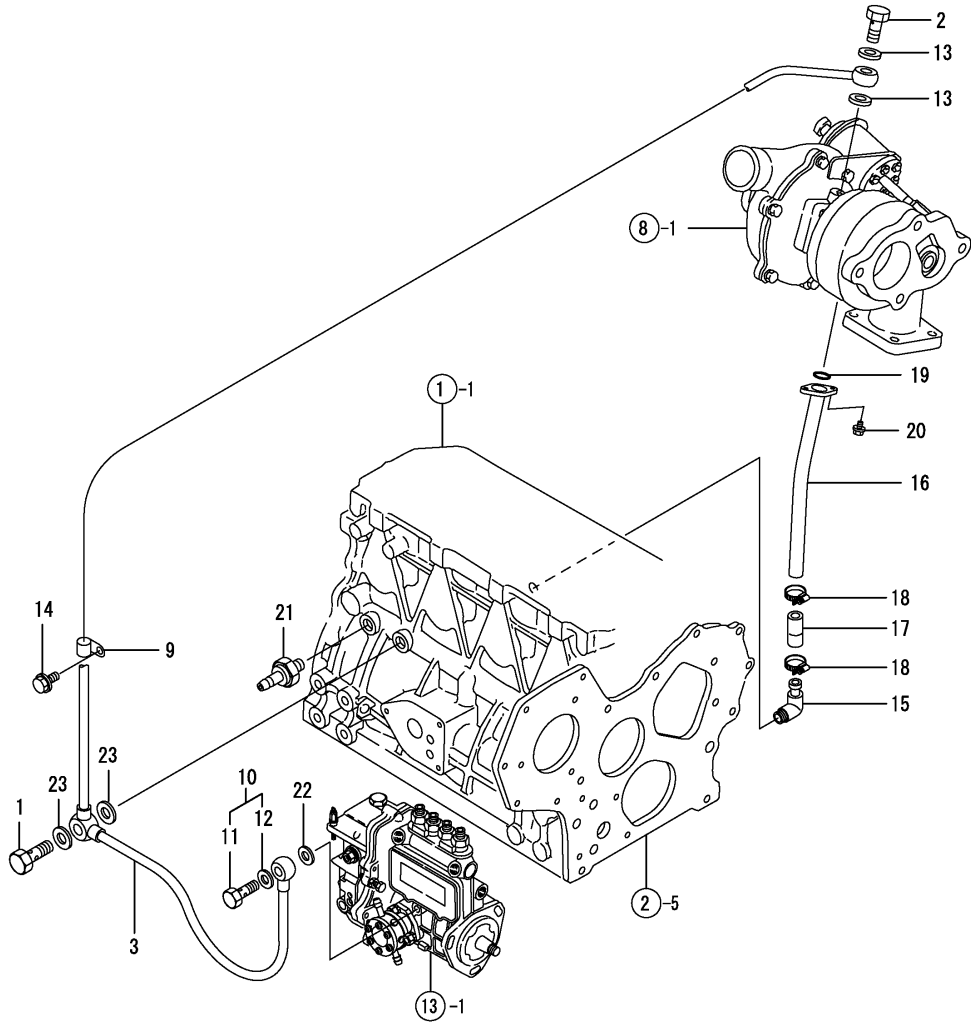
(1) REPAIR PART.

N:Old  $\xrightarrow{\text{Yes}}$  New, Q:Old  $\xrightarrow{\text{No}}$  New, R:Old  $\xrightarrow{\text{Yes}}$  New, S:Old  $\xrightarrow{\text{No}}$  New, W:Add, Z:Discontinued, F:Interchangeable by set, K:Q'ty Change

Fig.11. LUB.OIL LINE

(A)=4TNE84T-GB2C  
(B)=  
(C)=

(D)=  
(E)=  
(F)=



No.	Lev.	Parts No.	Description	Q'ty						I	R
				(A)	(B)	(C)	(D)	(E)	(F)		
1	1	124160-39140	BOLT, PIPE JOINT M10	1							
2	1	121252-39150	BOLT, JOINT M10X1.5	1							
3	1	129403-39460	PIPE ASSY, OIL	1							
9	1	124223-39900	RETAINER	1							
10	1	124550-59830	BOLT ASSY, JOINT M8	1							
11	2	124550-59820	BOLT, PIPE JOINT M8	1							
12	2	22190-080002	WASHER, SEAL 6	1							
13	1	23414-100000	GASKET, 10X1.0	2							
14	1	26106-080102	BOLT, M8X 10 PLATED	1							
15	1	124070-13300	ELBOW, PT3/8	1							
16	1	129503-39600	PIPE, OIL	1							
17	1	129506-39610	JOINT, RUBBER	1							
18	1	23000-025000	CLAMP, 25	2							
19	1	24316-000160	O-RING, 4DP16.0	1							
20	1	26106-060162	BOLT, M6X 16 PLATED	2							
21	1	114250-39450	SWITCH, 0.5KG	1							
22	1	22190-080002	WASHER, SEAL 6	1							
23	1	22190-100002	WASHER, SEAL 10	2							



Fig.12. COOLING WATER SYSTEM

(A)=4TNE84T-GB2C

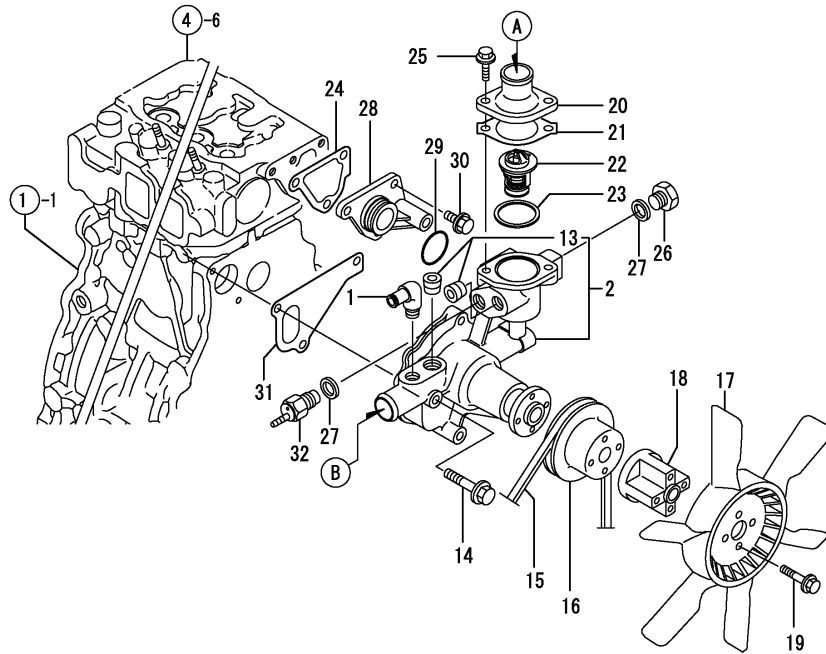
(B)=

(C)=

(D)=

(E)=

(F)=



No.	Lev.	Parts No.	Description	Q'ty						I	R
				(A)	(B)	(C)	(D)	(E)	(F)		
1	1	129103-49301	ELBOW, PT1/4	1							
2	1	129001-42004	PUMP ASSY, WATER	1							
13	2	129916-49740	PLUG, R03	2							
14	1	26106-080602	BOLT, M8X 60 PLATED	3							
15	1	129612-42330	V-BELT, A37.5	1							
16	1	129403-42380	V-PULLEY, D=110	1							
17	1	129403-44740	FAN, COOLING 370	1							
18	1	171353-44760	SPACER, FAN	1							
19	1	26106-060352	BOLT, M6X 35 PLATED	4							
20	1	129350-49560	COVER, THERMOSTAT	1							
21	1	129795-49551	GASKET	1							
22	1	129155-49801	THERMOSTAT, 71	1							
23	1	129150-49811	GASKET, THERMOSTAT	1							
24	1	124395-49840	GASKET	1							
25	1	26106-080202	BOLT, M8X 20 PLATED	2							
26	1	121450-42450	PLUG, M16	1							
27	1	124465-44950	GASKET, 16	2							
28	1	129001-42040	JOINT	1							
29	1	129486-42140	O-RING, G30	1							
30	1	26106-080162	BOLT, M8X 16 PLATED	3							
31	1	129486-42021	GASKET, WATER PUMP	1							
32	1	121250-44901	SWITCH, 110	1							
33	1	129601-44560	GUARD	1							
34	1	124450-44510	TANK ASSY, SUB	1							
36	2	124450-44530	CAP	1							
37	2	124450-44560	RETAINER	1							
38	2	23061-070230	PIPE, 7X 230	1							
39	1	124450-44550	BAND	1							
40	1	121256-44600	BRACKET, SUB TANK	1							
41	1	129612-49030	PIPE, WATER	1							
42	1	129612-49040	PIPE, WATER	1							
43	1	23010-038000	CLAMP, 38	2							
44	1	124764-44810	LABEL, SUB-TANK	1							
45	1	121400-44910	LABEL	1							
46	1	23010-044000	CLAMP, 44	2							
47	1	129508-44501	RADIATOR ASSY	1							
48	2	129508-44550	COCK ASSY	1							
49	2	129467-44580	MOUNT, RUBBER	2							
50	2	129107-44590	CAP, RADIATOR	1							
51	2	129467-44590	COLLAR	2							
52	2	129601-44600	SHROUD	1							
53	2	26014-060122	BOLT, M6X 12	4							
54	1	119255-44660	ABSORBER	2							
55	1	129150-49100	COCK ASSY, 3-WAY	1							
56	2	129150-49080	COCK, DRAIN	1							
60	1	129210-49280	PIPE ASSY, DRAIN	1							
62	2	124766-59050	CLIP, HOSE 12	2							

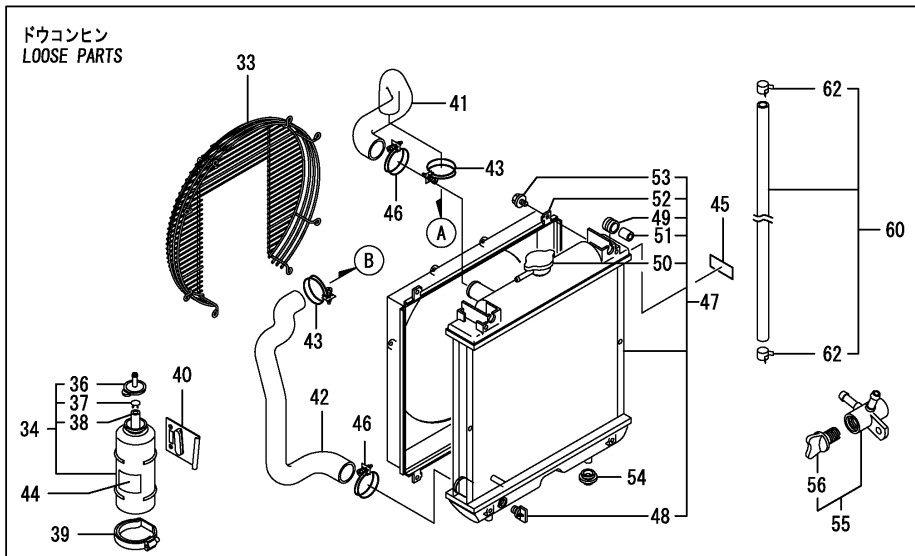


Fig.13. FUEL INJECTION PUMP

(A)=4TNE84T-GB2C

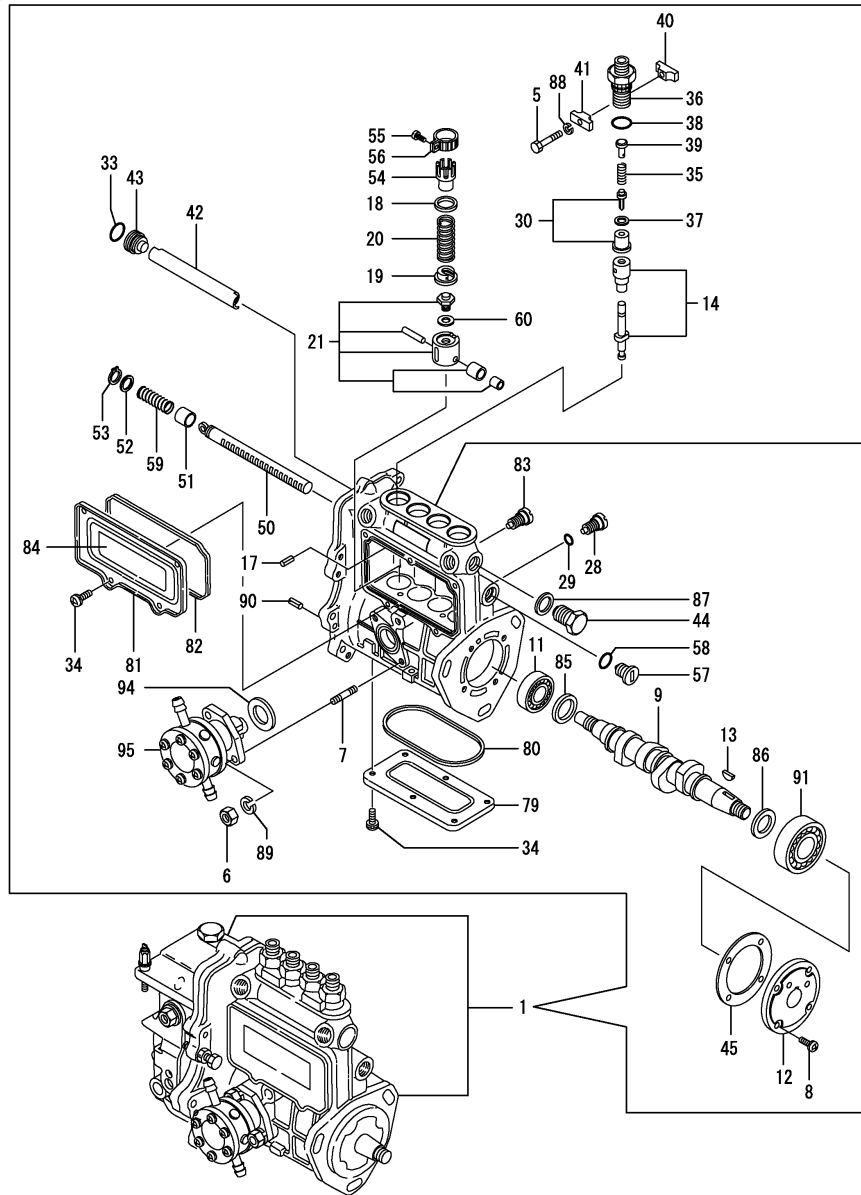
(B)=

(C)=

(D)=

(E)=

(F)=



No.	Lev.	Parts No.	Description	Qty						I	R
				(A)	(B)	(C)	(D)	(E)	(F)		
1	1	729613-51410	PUMP ASSY, INJECTION	1							1
5	2	26116-050302	BOLT, M5X 30 PLATED	2							
6	2	26716-060002	NUT, M6	2							
7	2	129155-51020	STUD	2							
8	2	26022-060162	SCREW, M6X16	4							
9	2	129470-51040	CAMSHAFT	1							
11	2	129155-51051	BEARING	2							
12	2	129155-51060	SUPPORT, CAMSHAFT	1							
13	2	122710-51090	KEY	1							
14	2	129412-51200	PLUNGER ASSY	4							
17	2	129155-51140	PIN	4							
18	2	174307-51170	RETAINER, SPRING A	4							
19	2	129155-51180	RETAINER, SPRING	4							
20	2	124950-51190	SPRING, PLUNGER	4							
21	2	129155-51200	TAPPET ASSY	4							
28	2	129155-51270	STOPPER, TAPPET	4							
29	2	129155-51280	O-RING, S6	4							
30	2	105300-51300	VALVE ASSY, DELIVERY	4							
33	2	119717-51420	O-RING	1							
34	2	26022-050122	SCREW, M5X12	11							
35	2	129155-51320	SPRING, DELIVERY	4							
36	2	129155-51340	RETAINER	4							
37	2	124550-51350	GASKET, DELIVERY	4							
38	2	24316-000150	O-RING, 4DP15.0	4							
39	2	129155-51370	STOPPER, VALVE	4							
40	2	129155-51380	STOPPER	2							
41	2	129155-51390	STOPPER	2							
42	2	129555-51400	DEFLECTOR	1							
43	2	129155-51410	BOLT	1							
44	2	129155-51420	PLUG, M16	1							
45	2	129155-51450	SHIM SET, ADJUSTING	1							
50	2	129555-51500	RACK, CONTROL	1							
51	2	129155-51521	BUSH, RACK	1							
52	2	129155-51530	SPACER	1							
53	2	129155-51540	CIRCLIP	1							
54	2	129155-51550	PINION, CONTROL	4							
55	2	129100-51570	SCREW	4							
56	2	129100-51560	PINION	4							
57	2	129155-51570	PLUG, M12	1							
58	2	129155-51580	O-RING	1							
59	2	129155-51591	SPRING, RACK	1							
60	2	129155-51600	SHIM SET, ADJUSTING	4							
79	2	129555-51701	COVER	1							
80	2	129555-51711	GASKET	1							
81	2	129555-51751	COVER	1							
82	2	129555-51761	GASKET	1							
83	2	129155-51790	STOOPER, RACK	1							
84	2	129156-51910	LABEL, CAUTION	1							
85	2	129155-51930	SPACER, T=3.25	1							
86	2	129155-51940	SPACER, T=1.5	1							
87	2	22190-160002	WASHER, SEAL 16	1							

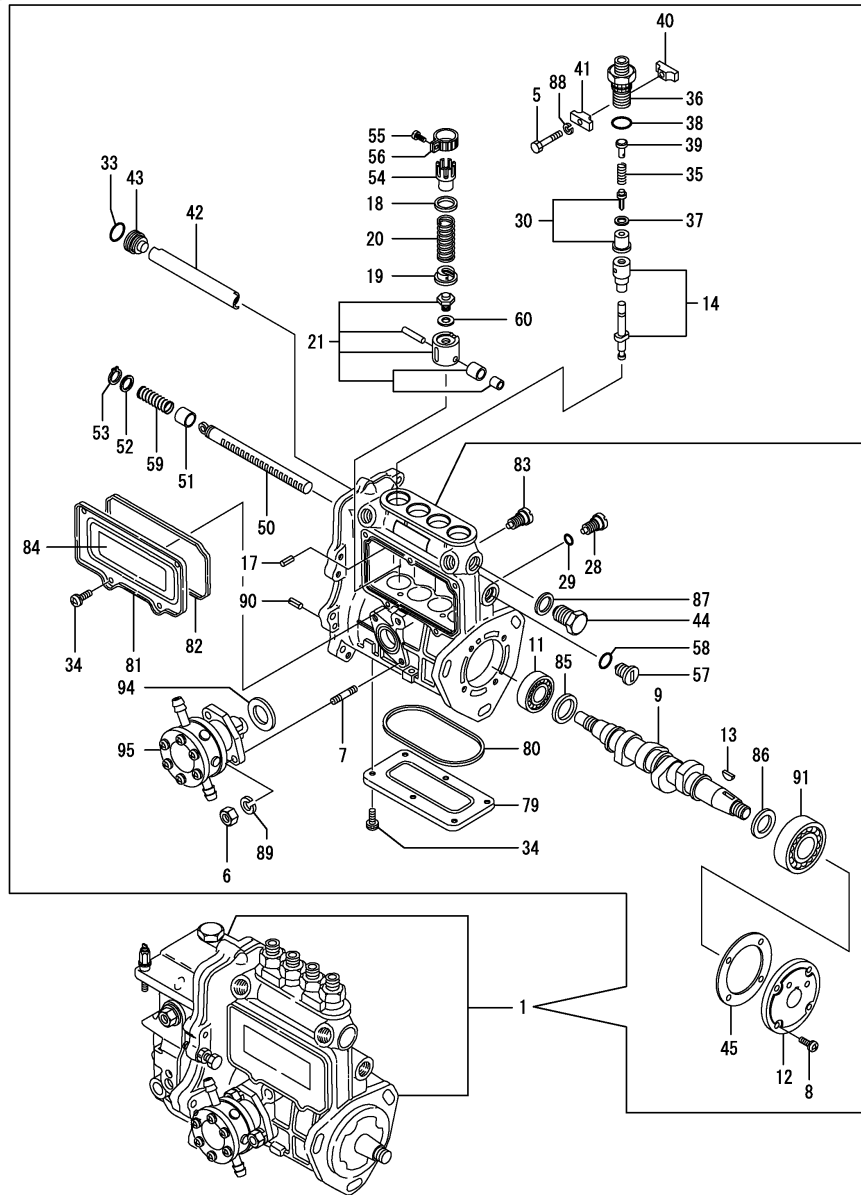
Remarks

(1) GOVERNOR ASSY(FIG.14) IS INCORPORATED IN THIS FOP.CMP (REF.NO.1).

Fig.13. FUEL INJECTION PUMP

(A)=4TNE84T-GB2C  
(B)=  
(C)=

(D)=  
(E)=  
(F)=



No.	Lev.	Parts No.	Description	Q'ty						I	R
				(A)	(B)	(C)	(D)	(E)	(F)		
88	2	22217-050000	WASHER, SPRING 5	2							
89	2	22217-060000	WASHER, SPRING 6	2							
90	2	22351-050010	PIN, SPRING 5.0X10	2							
91	2	24101-063034	BEARING, BALL 6303	1							
94	2	129155-52051	GASKET	1							
95	2	129100-52101	PUMP ASSY, FUEL FEED	1							

Remarks  
(1) GOVERNOR ASSY(FIG.14) IS  
INCORPORATED IN THIS FOP.CMP  
(REF.NO.1).

Fig.14. GOVERNOR

(A)=4TNE84T-GB2C

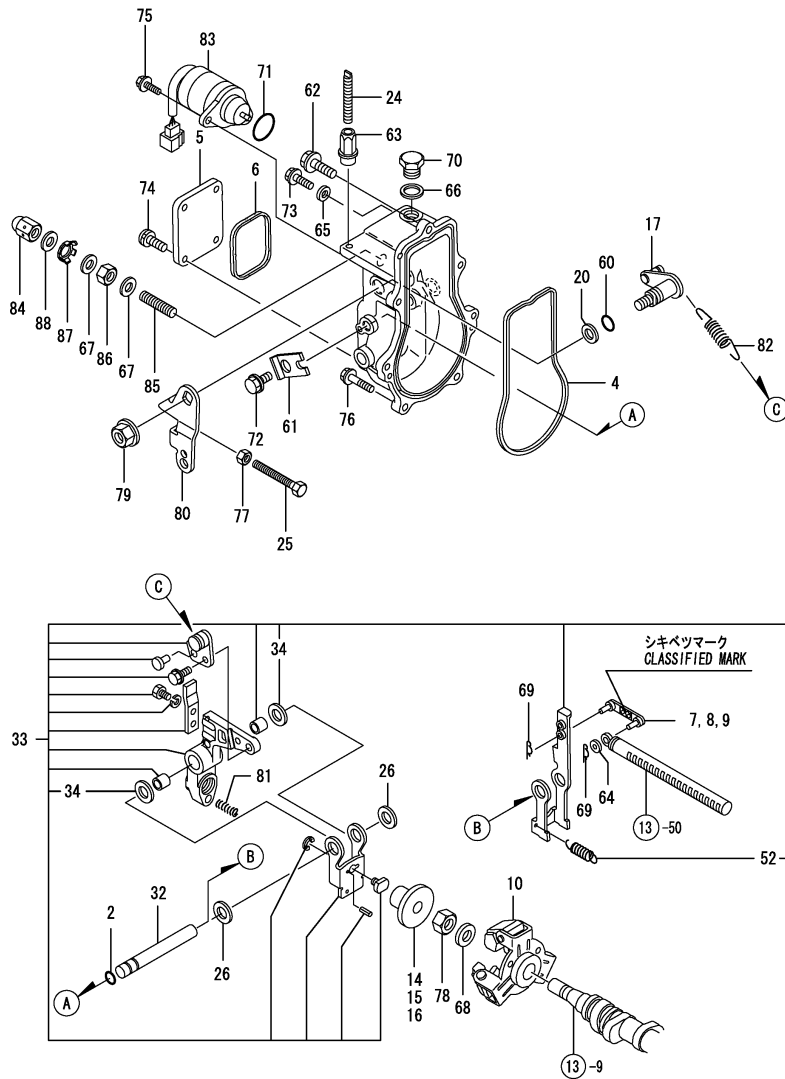
(B)=

(C)=

(D)=

(E)=

(F)=



No.	Lev.	Parts No.	Description	Q'ty						I	R
				(A)	(B)	(C)	(D)	(E)	(F)		
2	2	129155-51280	O-RING, S6	1							
4	2	129052-61051	GASKET	1							
5	2	129052-61060	COVER, GOVERNOR CASE	1							
6	2	129052-61071	GASKET	1							
7	2	129155-61120	LINK, L=30 MARK 0	1							1
8	2	129155-61130	LINK, L=31 MARK 1	1							1
9	2	129155-61140	LINK, L=30.5 MARK 05	1							1
10	2	129155-61202	WEIGHT ASSY,GOVERNOR	1							
14	2	129155-61341	SLEEVE	1							2
15	2	129155-61350	SLEEVE, L=24.9	1							2
16	2	129155-61360	SLEEVE, L=25.2	1							2
17	2	129100-61400	SHAFT ASSY	1							
20	2	129155-61430	SPACER	1							
24	2	129155-61450	BOLT, LIMITER	1							
25	2	129155-61460	BOLT, IDLE	1							
26	2	129155-61480	SPACER ASSY	2							
32	2	129052-61390	SHAFT	1							
33	2	129486-61501	LEVER ASSY, GOVERNOR	1							
34	3	174307-51700	SHIM SET	2							
52	3	129486-61540	SPRING, SET	1							
60	2	129155-61830	O-RING, S10	1							
61	2	119660-61901	RETAINER, SHAFT	1							
62	2	129155-61950	BOLT	1							
63	2	129209-61370	NUT, M6	1							
64	2	22117-040000	WASHER, 4	1							
65	2	22190-060003	SEAL WASER 6	1							
66	2	22190-100002	WASHER, SEAL 10	1							
67	2	22190-120002	WASHER, SEAL 12	2							
68	2	22287-120000	WASHER, 12	2							
69	2	22372-040000	PIN, SNAP 4	2							
70	2	23887-100002	PLUG, 10	1							
71	2	158552-61900	O-RING	1							
72	2	26106-060102	BOLT, M6X 10 PLATED	1							
73	2	26106-060102	BOLT, M6X 10 PLATED	1							
74	2	26106-060102	BOLT, M6X 10 PLATED	4							
75	2	26106-060142	BOLT, M6X 14 PLATED	2							
76	2	26106-060202	BOLT, M6X 20 PLATED	6							
77	2	26756-060002	NUT, LOCK M6	1							
78	2	26776-120002	NUT, LOCK M12	1							
79	2	26366-080002	NUT, M8	1							
80	2	171488-61440	LEVER, CONTROL	1							
81	2	129500-61650	SPRING, FUEL CONTROL	1							
82	2	129500-61700	SPRING, GOVERNOR	1							
83	2	119653-77950	SOLENOID, STOP	1							
84	2	129209-61930	NUT, CAP	1							
85	2	129155-61470	BOLT, CONTROL	1							
86	2	26736-120002	NUT, M12	1							
87	2	129209-61970	PLATE	1							
88	2	23414-120016	GASKET, 12X1.0	1							

Remarks

(1) SELECTIVE PARTS;CERTAIN THE CLASSIFICATION MARK, THEN PLACE YOUR ORDER. (REF. TO ILLUSTRATION).

(2) SELECTIVE PART.

\* THIS FIGURE(GOVERNOR ASSY) IS INCORPORATED IN THE FUEL INJECTION PUMP ASSY(FIG.13).

Fig.15. FUEL INJECTION VALVE

(A)=4TNE84T-GB2C

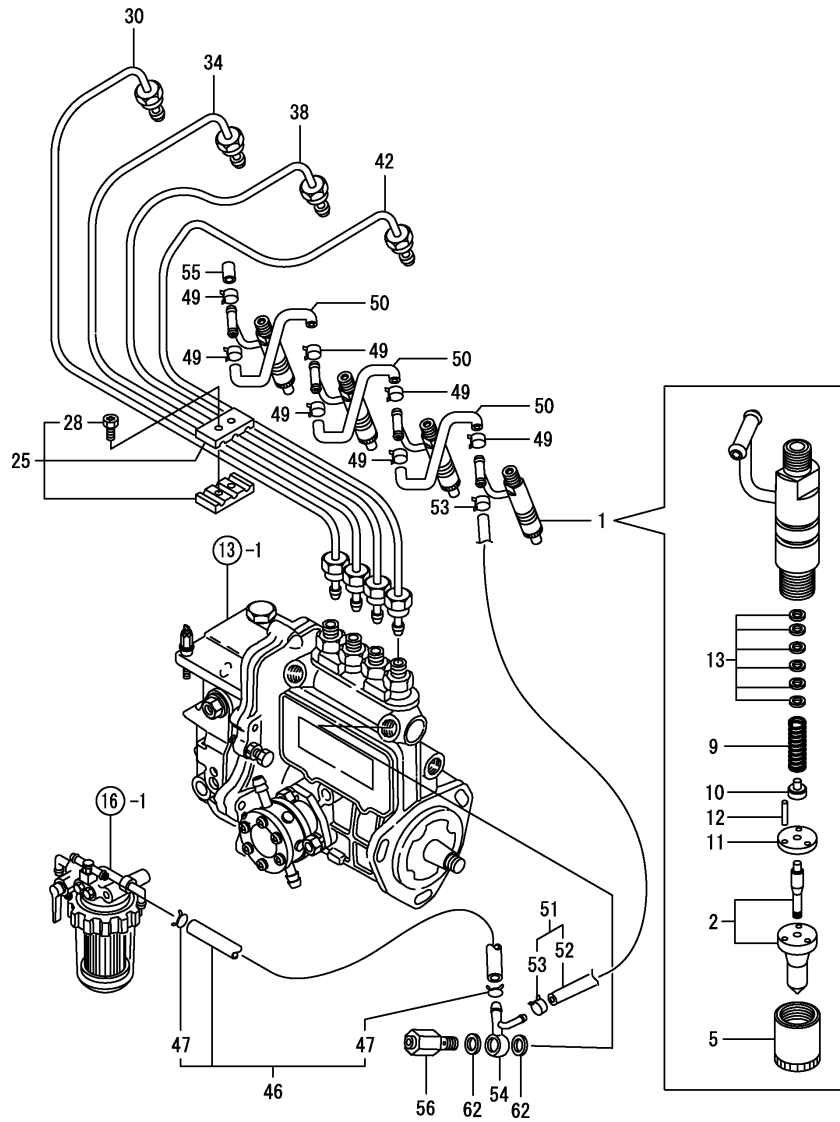
(B)=

(C)=

(D)=

(E)=

(F)=



No.	Lev.	Parts No.	Description	Q'ty						I	R
				(A)	(B)	(C)	(D)	(E)	(F)		
1	1	729503-53200	VALVE ASSY,INJECTION	4							
2	2	129503-53050	VALVE ASSY,INJECTION	4							
5	2	114250-53080	NUT, NOZZLE D16.95	4							
9	2	114250-53120	SPRING, NOZZLE	4							
10	2	114250-53130	SEAT, SPRING	4							
11	2	114250-53140	PLATE	4							
12	2	114250-53210	PIN	8							
13	2	114250-53400	SHIM SET	4							
25	1	129150-59120	RETAINER, PIPE	2							
28	2	129150-59131	BOLT, M4X14	4							
30	1	129400-59810	PIPE ASSY, INJECTION	1							
34	1	129400-59820	PIPE ASSY, INJECTION	1							
38	1	129400-59830	PIPE ASSY, INJECTION	1							
42	1	129400-59840	PIPE ASSY, INJECTION	1							
46	1	129210-59150	PIPE ASSY, FUEL	1							
47	2	124766-59050	CLIP, HOSE 12	2							
49	1	124066-59100	CLIP, HOSE 8	9							
50	1	121250-59550	PIPE, FUEL D8X120	3							
51	1	119840-59500	PIPE ASSY, RETURN	1							
52	2	119840-59560	PIPE, FUEL RETURN	1							
53	2	124066-59100	CLIP, HOSE 8	2							
54	1	119840-59570	JOINT	1							
55	1	129150-59580	CAP	1							
56	1	119813-59950	VALVE ASSY, CHECK	1							
62	1	22190-120002	WASHER, SEAL 12	2							

Fig.16. FUEL LINE

(A)=4TNE84T-GB2C

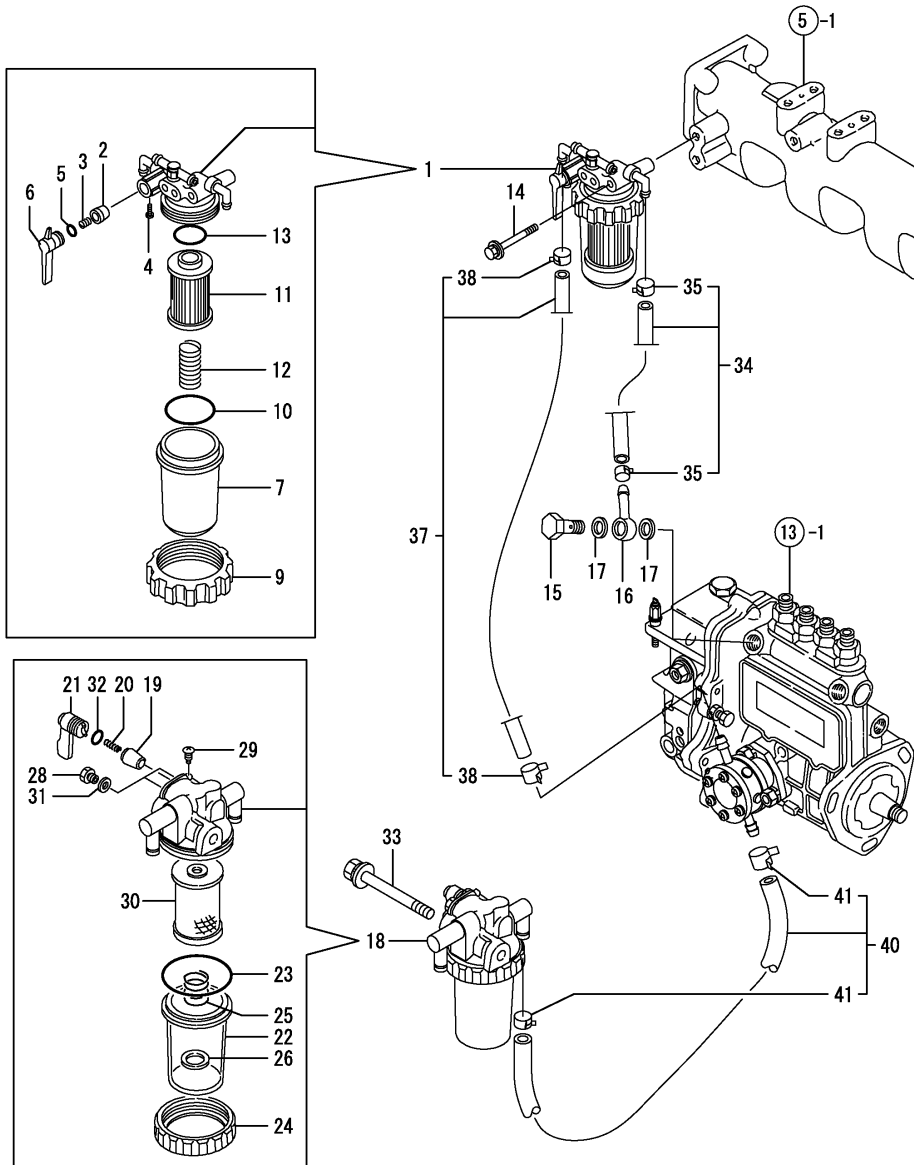
(B)=

(C)=

(D)=

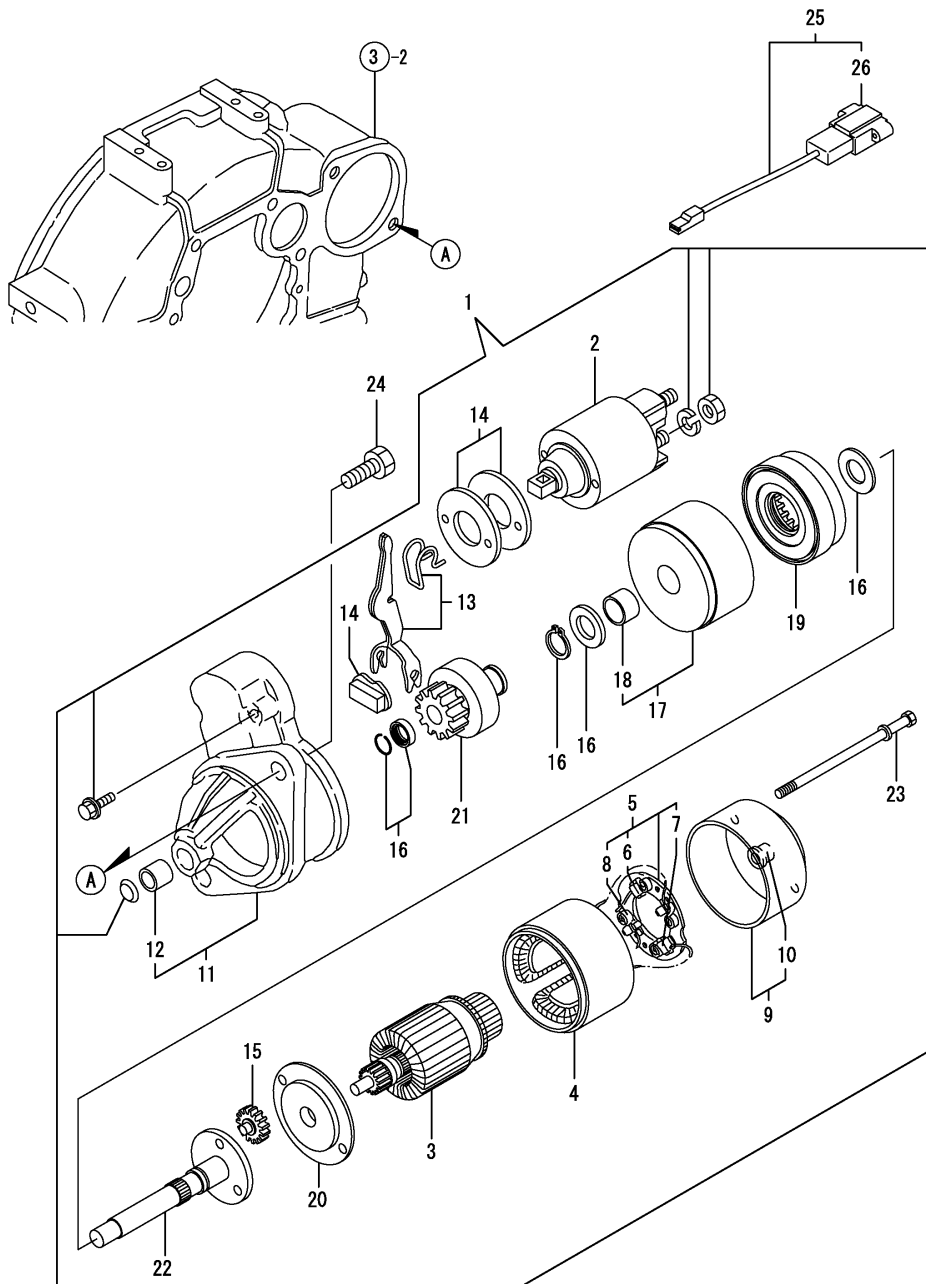
(E)=

(F)=



No.	Lev.	Parts No.	Description	Q'ty						I	R
				(A)	(B)	(C)	(D)	(E)	(F)		
1	1	129052-55620	FILTER ASSY, FUEL	1							
2	2	104200-55321	VALVE, TAPER	1							
3	2	104200-55330	SPRING, VALVE	1							
4	2	104200-55750	SCREW, M4	1							
5	2	24311-240100	O-RING, 1AP10A	1							
6	2	129100-55670	LEVER	1							
7	2	129100-55680	CUP, STRAINER	1							
9	2	129100-55690	RING, RETAINING	1							
10	2	24321-000650	O-RING, 1AG65.0	1							
11	2	129100-55650	ELEMENT	1							
12	2	129100-55700	SPRING	1							
13	2	24311-000160	O-RING, 1AP16.0	1							
14	1	26014-080702	BOLT, M8X 70	1							
15	1	103854-39140	BOLT, PIPE JOINT	1							
16	1	101304-59020	JOINT, PIPE 12	1							
17	1	22190-120002	WASHER, SEAL 12	2							
18	1	129335-55700	SEPARATOR ASSY,WATER	1							
19	2	104200-55321	VALVE, TAPER	1							
20	2	104200-55330	SPRING, VALVE	1							
21	2	104200-55341	HANDLE	1							
22	2	124064-55510	COVER	1							
23	2	102103-55520	O-RING	1							
24	2	110250-55610	RING, RETAINING	1							
25	2	121257-55720	SPRING	1							
26	2	121257-55731	FLOAT	1							
28	2	101720-55750	PLUG, 6	2							
29	2	104200-55750	SCREW, M4	1							
30	2	171081-55910	SCREEN	1							
31	2	23418-060000	GASKET, 6X1.0	2							
32	2	24311-240100	O-RING, 1AP10A	1							
33	1	26014-080702	BOLT, M8X 70	1							
34	1	129210-59040	PIPE ASSY, FUEL	1							
35	2	124766-59050	CLIP, HOSE 12	2							
37	1	129210-59150	PIPE ASSY, FUEL	1							
38	2	124766-59050	CLIP, HOSE 12	2							
40	1	129210-59200	PIPE ASSY, FUEL	1							
41	2	124766-59050	CLIP, HOSE 12	2							

Fig.17. STARTING MOTOR



(A)=4TNE84T-GB2C

(B)=

(C)=

(D)=

(E)=

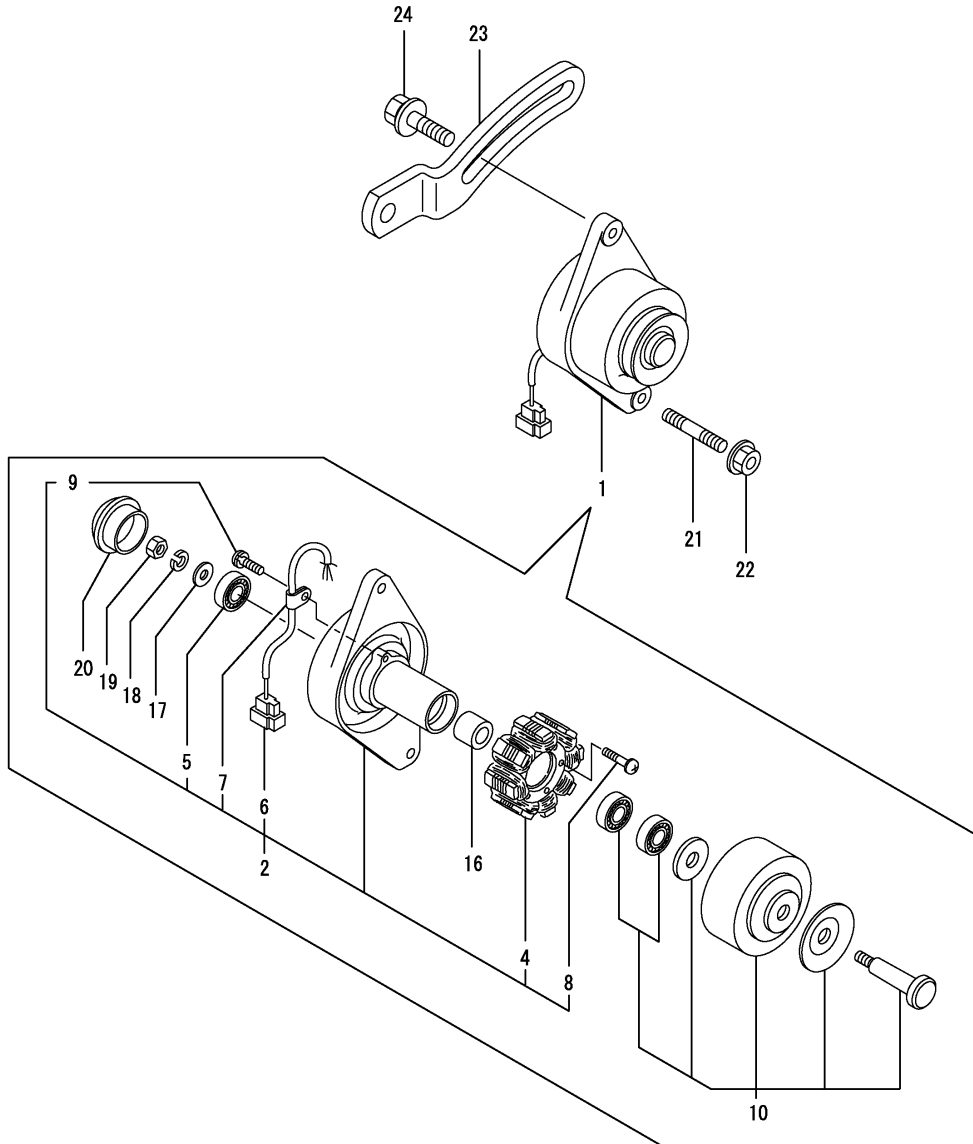
(F)=

No.	Lev.	Parts No.	Description	Q'ty						I	R
				(A)	(B)	(C)	(D)	(E)	(F)		
1	1	129608-77010	STARTER, S114-817A	1							
2	2	129698-77020	MAGNETIC SWITCH ASSY	1							
3	2	129698-77101	ARMATURE ASSY	1							
4	2	129608-77110	YOKE ASSY	1							
5	2	129698-77120	HOLDER ASSY, BRUSH	1							
6	3	129698-77140	BRUSH(+) SET	1							
7	3	129698-77130	BRUSH (-)	2							
8	3	129698-77150	SPRING, BRUSH	4							
9	2	129698-77161	COVER ASSY	1							
10	3	129698-77170	BEARING	1							
11	2	129698-77260	HOUSING ASSY, GEARS	1							
12	3	X2114535200	METAL, STARTER	1							
13	2	129698-77270	LEVER SET, SHIFT	1							
14	2	129698-77280	COVER KIT	1							
15	2	129698-77240	GEAR	3							
16	2	129698-77250	WASHER SET	1							
17	2	129698-77180	BRACKET	1							
18	3	129698-77190	BRACKET	1							
19	2	129698-77200	GEAR, INTERNAL	1							
20	2	129698-77210	BRACKET	1							
21	2	129698-77220	PINION ASSY	1							
22	2	129698-77230	SHAFT(PINION	1							
23	2	124195-77770	THROUGH BOLT	2							
24	1	26116-120252	BOLT, M12X 25 PLATED	2							
25	1	129052-77951	CONNECTOR, STARTER	1							
26	2	129052-77960	HOUSING	1							

Fig.18. GENERATOR

(A)=4TNE84T-GB2C  
(B)=  
(C)=

(D)=  
(E)=  
(F)=



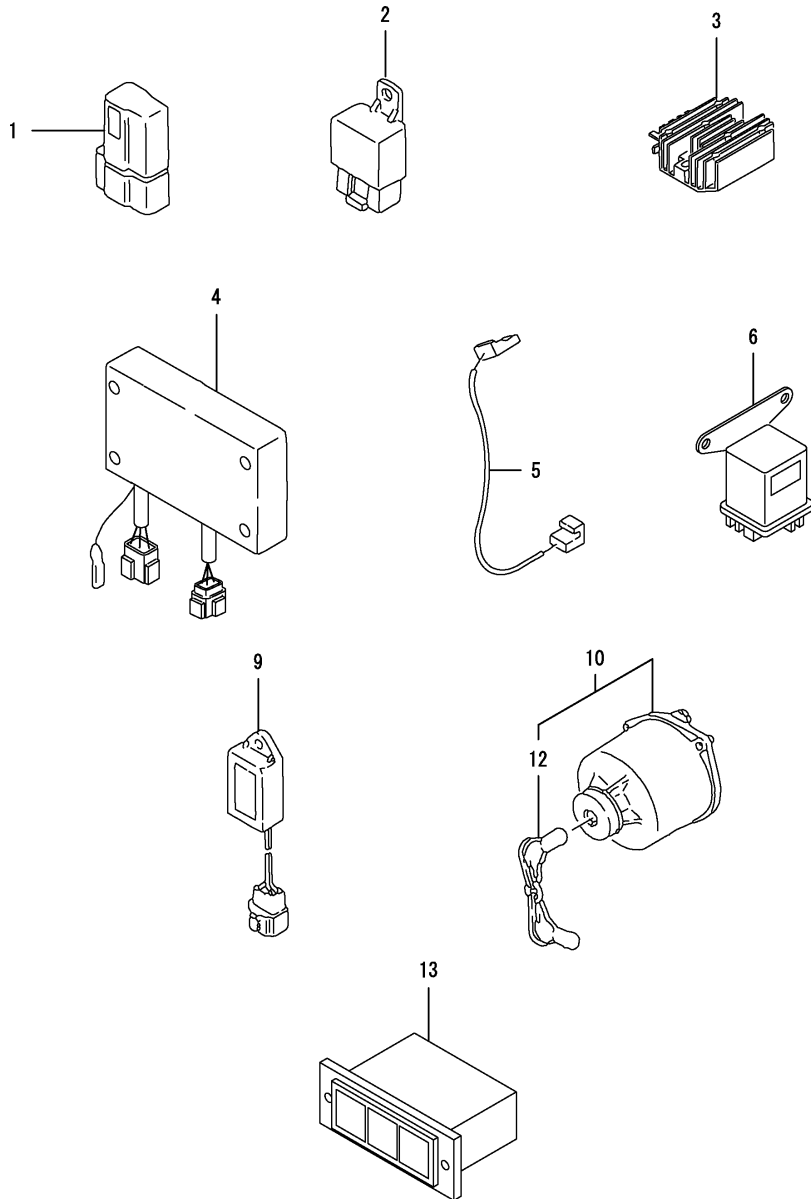
No.	Lev.	Parts No.	Description	Q'ty						I	R
				(A)	(B)	(C)	(D)	(E)	(F)		
1	1	171301-77201	DYNAMO ASSY, 15A	1							
2	2	XM08137	PLATE ASSY	1							
4	3	XM08180	STATOR ASSY	1							
5	3	XM27436	BALL BEARING	1							
6	3	XM17878	COUPLER	1							
7	3	XM36410	CLAMP	1							
8	3	26022-040252	SCREW, M4X25	2							
9	3	XYSPS4008	SCREW	1							
10	2	XM82184	FLYWHEEL ASSY	1							
16	2	106383-44720	SPACER	1							
17	2	106383-44730	WASHER	1							
18	2	22212-100000	SPRING WASHER 10	1							
19	2	26716-100002	NUT, M10	1							
20	2	XM61014	CAP	1							
21	1	129795-01900	STUD	1							
22	1	26306-100002	NUT, M10	1							
23	1	129619-77330	ADJUSTER	1							
24	1	119810-77340	BOLT, ADJUSTER	1							



Fig.19. ELECTRICAL PARTS

(A)=4TNE84T-GB2C  
(B)=  
(C)=

(D)=  
(E)=  
(F)=



No.	Lev.	Parts No.	Description	Q'ty						I	R
				(A)	(B)	(C)	(D)	(E)	(F)		
1	1	119643-66900	DIODE	1							
2	1	119247-77100	RELAY, SAFETY	2							
3	1	119233-77711	LIMITER, CURRENT	1							
4	1	171440-77801	RELAY, EMERGENCY	1							
5	1	119643-77900	CONNECTOR, STARTER	1							
6	1	119650-77910	RELAY ASSY, GLOW	1							
9	1	129211-77920	TIMER	1							
10	1	129115-91250	SWITCH ASSY	1							
12	2	129115-91270	KEY ASSY	1							
13	1	170038-91310	UNIT, LAMP (RED)	1							

Fig.20. GASKET SET & TOOLS

(A)=4TNE84T-GB2C

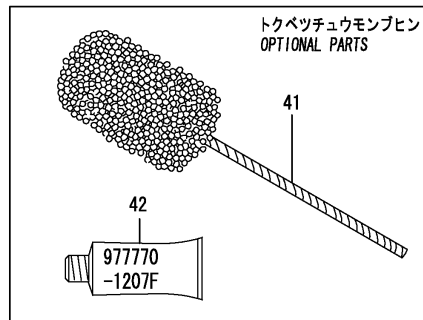
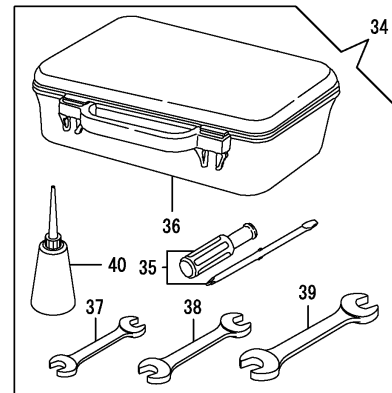
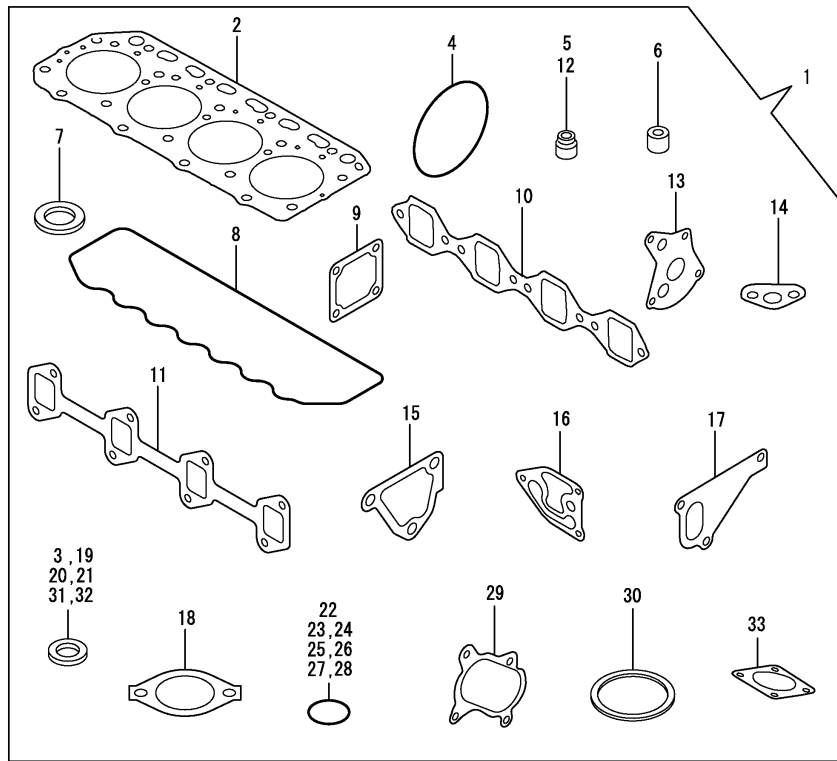
(B)=

(C)=

(D)=

(E)=

(F)=



No.	Lev.	Parts No.	Description	Q'ty						I	R
				(A)	(B)	(C)	(D)	(E)	(F)		
1	1	729418-92640	GASKET SET	1							1
2	2	129408-01330	GASKET, HEAD	1							
3	2	22190-080002	WASHER, SEAL 6	7							
4	2	121850-51960	O-RING	1							
5	2	124460-11340	SEAL, VALVE STEM	4							
6	2	119625-11870	PROTECTOR, NOZZLE	4							
7	2	119625-11880	SEAT, NOZZLE	4							
8	2	129550-11310	GASKET, BONNET	1							
9	2	129150-77511	GASKET	1							
10	2	129550-12112	GASKET, MANIFOLD	1							
11	2	129550-13110	GASKET	1							
12	2	121400-11340	SEAL, VALVE STEM	4							
13	2	129150-32020	GASKET, PUMP	1							
14	2	129150-35042	GASKET	1							
15	2	124395-49840	GASKET	1							
16	2	129103-35122	GASKET	1							
17	2	129486-42021	GASKET, WATER PUMP	1							
18	2	129795-49551	GASKET	1							
19	2	124465-44950	GASKET, 16	2							
20	2	22190-120002	WASHER, SEAL 12	4							
21	2	23414-100000	GASKET, 10X1.0	2							
22	2	24311-000120	O-RING, 1AP12.0	3							
23	2	119609-32040	O-RING, P16	2							
24	2	24316-000160	O-RING, 4DP16.0	1							
25	2	129486-42140	O-RING, G30	1							
26	2	24311-000320	O-RING, 1AP32.0	1							
27	2	24341-000500	O-RING, 1AS50.0	1							
28	2	24341-000240	O-RING, 1AS24.0	1							
29	2	129403-18081	GASKET	1							
30	2	129150-49811	GASKET, THERMOSTAT	1							
31	2	22190-220002	WASHER, SEAL 22	1							
32	2	22190-100002	WASHER, SEAL 10	2							
33	2	129322-18101	GASKET	1							
34	1	721400-92102	BOX ASSY, TOOL	1							
35	2	104200-92350	DRIVER, SCREW	1							
36	2	104200-92600	BOX, TOOL	1							
37	2	28110-100120	SPANNER, 10X12	1							
38	2	28110-140170	SPANNER, 14X17	1							
39	2	28110-190220	SPANNER, 19X22	1							
40	2	28210-000140	OILER	1							
41	1	129400-92420	FLEX HORN	1							1
42	1	977770-1207F	GASKET.LIQUID	1							1

Remarks

(1) OPTIONAL PARTS.

## Parts No. Index

Parts No.	Fig. No.	Ref. No.
101304-59020	16	16
101720-55750	16	28
102103-55520	16	23
103854-39140	16	15
104200-55321	16	2
		19
104200-55330	16	3
		20
104200-55341	16	21
104200-55750	16	4
		29
104200-92350	20	35
104200-92600	20	36
105300-51300	13	30
106383-44720	18	16
106383-44730	18	17
110250-55610	16	24
114250-39450	11	21
114250-53080	15	5
114250-53120	15	9
114250-53130	15	10
114250-53140	15	11
114250-53210	15	12
114250-53400	15	13
119131-18320	6	2
119226-07900	4	64
119233-77711	19	3
119247-77100	19	2
119255-44660	12	54
119609-32040	2	15
	20	23
119620-01750	3	3
119625-11870	4	32
	20	6
119625-11880	4	33
	20	7
119625-11900	4	34
119643-66900	19	1
119643-77900	19	5
119650-77910	19	6
119653-77950	14	83
119660-61901	14	61
119717-51420	13	33
119802-11280	4	47
119802-13650	6	4
119802-13670	6	5
119802-13820	6	6 -1
119810-77340	18	24
119813-59950	15	56
119840-59500	15	51

Parts No.	Fig. No.	Ref. No.
119840-59560	15	52
119840-59570	15	54
119865-21600	9	16
120130-11860	4	13
121023-01551	2	25
121111-21501	9	12
121250-44901	12	32
121250-59550	15	50
121252-39150	11	2
121256-44600	12	40
121257-55720	16	25
121257-55731	16	26
121400-11340	4	27
	20	12
121400-12540	5	21
121400-12560	5	22
121400-12570	5	23
121400-44910	12	45
121420-12511	5	12
121420-12540	5	15
121420-12550	5	16
121420-12561	5	17
121422-12530	5	14
121422-12570	5	18
121422-12580	5	19
121450-01560	2	6
121450-42450	12	26
121520-34810	10	17
121521-12500	5	11
121550-23200	9	30
121550-49111	10	51
121850-21680	9	11
121850-51960	2	12
	20	4
122710-51090	13	13
124064-55510	16	22
124066-59100	15	49
		53
124070-13300	11	15
124160-01751	2	7
	4	52
124160-01910	1	5
		6
124160-11360	4	35
124160-39140	11	1
124195-77770	17	23
124223-39900	11	9
124240-01871	2	8
124395-49840	12	24
	20	15

Parts No.	Fig. No.	Ref. No.
124450-44510	12	34
124450-44530	12	36
124450-44550	12	39
124450-44560	12	37
124460-11340	4	28
	20	5
124465-44950	12	27
	20	19
124550-51350	13	37
124550-59820	11	11
124550-59830	11	10
124764-44810	12	44
124766-59050	12	62
	15	47
	16	35
		38
		41
124950-51190	13	20
126650-12680	5	20
129001-01250	1	12
129001-02800	1	16
129001-42004	12	2
129001-42040	12	28
129001-91841	2	23
129002-22090	9	17
129002-22510	9	19
129002-22910	9	33
129002-22960	9	35
129006-44480	10	42
129033-01770	10	37
129033-35100	10	36
129033-49030	10	43
129052-55620	16	1
129052-61051	14	4
129052-61060	14	5
129052-61071	14	6
129052-61390	14	32
129052-77951	17	25
129052-77960	17	26
129067-33011	10	33
129100-01580	3	1
		15
	9	2
129100-01640	3	16
129100-11100	4	22
129100-11130	4	23
129100-23910	9	29
129100-25061	7	9
129100-51560	13	56
129100-51570	13	55

Parts No.	Fig. No.	Ref. No.
129100-52101	13	95
129100-55650	16	11
129100-55670	16	6
129100-55680	16	7
129100-55690	16	9
129100-55700	16	12
129100-61400	14	17
129103-35122	10	41
	20	16
129103-49301	12	1
129107-44590	12	50
129115-91250	19	10
129115-91270	19	12
129120-77501	5	8
129150-01200	1	23
129150-02020	1	8
129150-02450	7	4
129150-02871	1	25
129150-02931	1	19
129150-02941	1	28
129150-03020	4	53
129150-03070	4	54
129150-03080	4	55
129150-03100	2	11
129150-11230	4	44
129150-11280	4	39
129150-11370	4	29
129150-11750	4	46
129150-11810	4	15
129150-14101	7	7
129150-14200	7	1
129150-14400	7	2
129150-21200	9	5
129150-23601	9	31
129150-23611	9	39
129150-25101	7	10
129150-25900	7	15
129150-25920	7	13
129150-32020	10	14
	20	13
129150-35042	10	18
	20	14
129150-35153	10	24
129150-49080	12	56
129150-49100	12	55
129150-49811	12	23
	20	30
129150-59120	15	25
129150-59131	15	28
129150-59580	15	55

## Parts No. Index

Parts No.	Fig. No.	Ref. No.
129150-77511	5	9
	20	9
129155-11260	4	37
129155-11270	4	38
129155-49801	12	22
129155-51020	13	7
129155-51051	13	11
129155-51060	13	12
129155-51140	13	17
129155-51180	13	19
129155-51200	13	21
129155-51270	13	28
129155-51280	13	29
	14	2
129155-51320	13	35
129155-51340	13	36
129155-51370	13	39
129155-51380	13	40
129155-51390	13	41
129155-51410	13	43
129155-51420	13	44
129155-51450	13	45
129155-51521	13	51
129155-51530	13	52
129155-51540	13	53
129155-51550	13	54
129155-51570	13	57
129155-51580	13	58
129155-51591	13	59
129155-51600	13	60
129155-51790	13	83
129155-51930	13	85
129155-51940	13	86
129155-52051	13	94
129155-61120	14	7
129155-61130	14	8
129155-61140	14	9
129155-61202	14	10
129155-61341	14	14
129155-61350	14	15
129155-61360	14	16
129155-61430	14	20
129155-61450	14	24
129155-61460	14	25
129155-61470	14	85
129155-61480	14	26
129155-61830	14	60
129155-61950	14	62
129156-51910	13	84
129165-49060	10	48

Parts No.	Fig. No.	Ref. No.
129202-22300	9	23
129209-61370	14	63
129209-61930	14	84
129209-61970	14	87
129210-49280	12	60
129210-59040	16	34
129210-59150	15	46
	16	37
129210-59200	16	40
129211-77920	19	9
129322-18101	8	50
	20	33
129335-55700	16	18
129350-49560	12	20
129400-01520	2	5
129400-01730	3	6
129400-01770	3	8
129400-11350	4	51
129400-59810	15	30
129400-59820	15	34
129400-59830	15	38
129400-59840	15	42
129400-92420	20	41
129403-13120	6	3
129403-13540	6	8
129403-18081	8	52
	20	29
129403-34800	10	16
129403-39460	11	3
129403-42380	12	16
129403-44740	12	17
129404-18020	8	1
129404-18720	8	2
129404-18750	8	3
129404-18770	8	4
129404-18780	8	13
129404-18790	8	18
129404-18800	8	22
129404-18811	8	25
129404-18820	8	30
129404-18830	8	34
129408-01330	1	24
	20	2
129412-51200	13	14
129417-33110	10	35
129417-35150	10	40
129418-21000	9	1
129418-32000	10	1
129436-35070	10	19 -1
129436-35091	10	19

Parts No.	Fig. No.	Ref. No.
129467-44580	12	49
129467-44590	12	51
129467-49040	10	46
129470-11080	4	11
129470-11090	4	12
129470-51040	13	9
129486-01670	3	19
129486-42021	12	31
	20	17
129486-42140	12	29
	20	25
129486-61501	14	33
129486-61540	14	52
129488-12070	5	4
129488-12080	5	29
129488-12100	5	1
129488-13500	6	7
129500-61650	14	81
129500-61700	14	82
129503-39600	11	16
129503-53050	15	2
129506-39610	11	17
129508-33050	10	34
129508-44501	12	47
129508-44550	12	48
129550-11290	4	40
129550-11310	4	58
	20	8
129550-12112	5	2
	20	10
129550-13110	6	1
	20	11
129553-39650	10	31
129555-11241	4	36
129555-51400	13	42
129555-51500	13	50
129555-51701	13	79
129555-51711	13	80
129555-51751	13	81
129555-51761	13	82
129601-44560	12	33
129601-44600	12	52
129608-77010	17	1
129608-77110	17	4
129612-01600	3	2
129612-42330	12	15
129612-49030	12	41
129612-49040	12	42
129619-77330	18	23
129688-01780	3	8 -1

Parts No.	Fig. No.	Ref. No.
129693-44310	6	6
129698-77020	17	2
129698-77101	17	3
129698-77120	17	5
129698-77130	17	7
129698-77140	17	6
129698-77150	17	8
129698-77161	17	9
129698-77170	17	10
129698-77180	17	17
129698-77190	17	18
129698-77200	17	19
129698-77210	17	20
129698-77220	17	21
129698-77230	17	22
129698-77240	17	15
129698-77250	17	16
129698-77260	17	11
129698-77270	17	13
129698-77280	17	14
129792-39410	10	25
129795-01780	3	18
129795-01800	2	4
129795-01900	18	21
129795-01950	2	10
129795-02412	1	15
129795-11120	4	24
129795-11180	4	25
129795-21661	9	10
129795-49551	12	21
	20	18
129900-07900	4	4
	4	-1
129916-49740	12	13
158552-61900	14	71
170038-91310	19	13
171008-03990	10	44
171051-01921	1	7
171061-12520	5	13
171064-12600	5	7
171081-55910	16	30
171301-01640	3	9
171301-21650	9	9
171301-77201	18	1
171350-03090	4	1
171351-12560	5	25
171351-12570	5	26
171351-12580	5	24
171353-44760	12	18
171420-21580	9	13

## Parts No. Index

Parts No.	Fig. No.	Ref. No.
171440-77801	19	4
171488-61440	14	80
174307-51170	13	18
174307-51700	14	34
22117-040000	14	64
22190-060003	14	65
22190-080002	2	13
		14
	11	12
		22
	20	3
22190-100002	11	23
	14	66
	20	32
22190-120002	14	67
	15	62
	16	17
	20	20
22190-160002	13	87
22190-220002	3	11
	20	31
22212-100000	18	18
22217-050000	13	88
22217-060000	13	89
22217-120000	7	16
22252-000260	9	24
22287-120000	14	68
22351-030010	10	32
22351-040010	9	8
22351-050010	13	90
22351-060012	4	30
22372-040000	14	69
22512-070140	7	8
	9	6
23000-025000	11	18
23000-060000	5	5
23000-070000	5	6
23010-038000	12	43
23010-044000	12	46
23061-070230	12	38
23080-012000	8	49
23080-018000	10	49
23414-100000	11	13
	20	21
23414-120016	14	88
23418-060000	16	31
23871-020000	4	17
23871-030000	4	18
23876-010000	1	11
23876-030000	1	22

Parts No.	Fig. No.	Ref. No.
23887-100002	14	70
24101-063034	13	91
24311-000120	4	62
	20	22
24311-000160	16	13
24311-000320	2	16
	4	59
	20	26
24311-240100	16	5
		32
24316-000150	13	38
24316-000160	11	19
	20	24
24321-000650	16	10
24341-000240	2	26
	20	28
24341-000500	4	60
	20	27
26014-060122	12	53
26014-080702	16	14
		33
26022-040252	18	8
26022-050122	13	34
26022-060162	13	8
26106-060102	14	72
		73
		74
26106-060142	14	75
26106-060162	2	27
	11	20
26106-060202	14	76
26106-060352	12	19
26106-080102	11	14
26106-080122	2	17
26106-080142	5	27
	6	9
	7	18
26106-080162	2	18
		19
	3	12
	4	5
		61
	12	30
26106-080202	2	20
	6	10
		11
	12	25
26106-080252	3	13
	4	49
	10	50

Parts No.	Fig. No.	Ref. No.
26106-080352	3	20
	5	3
		10
	10	23
26106-080452	2	21
	3	14
		14 -1
	7	14
26106-080502	3	22
	4	50
26106-080552	2	22
	10	23 -1
26106-080602	12	14
26116-050302	13	5
26116-120252	17	24
26206-100252	3	4
26206-100302	3	5
26216-060202	4	19
26306-080002	8	51
26306-100002	18	22
26366-060002	4	31
	5	28
26366-080002	2	24
	14	79
26450-060252	10	15
26716-060002	13	6
26716-100002	18	19
26716-120002	7	17
26736-120002	14	86
26756-060002	14	77
26756-080002	4	48
26776-120002	14	78
27241-120000	1	13
27241-220000	4	20
27241-300000	1	14
27241-400000	4	21
27310-080001	4	26
28110-100120	20	37
28110-140170	20	38
28110-190220	20	39
28210-000140	20	40
719810-01500	2	1
721400-92102	20	34
729402-11650	4	43
729402-14580	7	3
729402-23100	9	25
729408-11700	4	6
729418-92640	20	1
729503-53200	15	1
729613-51410	13	1

Parts No.	Fig. No.	Ref. No.
729638-01560	1	1 -1
729638-01561	1	1
977770-1207F	2	9
	3	21
	20	42
X2114535200	17	12
XM08137	18	2
XM08180	18	4
XM17878	18	6
XM27436	18	5
XM36410	18	7
XM61014	18	20
XM82184	18	10
XYSPS4008	18	9