

OCD10-M89500EN

PREFACE

1. This parts catalog is the first edition of 4TNV106-NTB1 for Takeuchi Mfg. Co., Ltd.

Pub. No.: 000Y00D8950

Published: May.,2006

2. Model name

Engine model	Vehicle		Vehicle Made by
	Products	Model name	
4TNV106-NTB1	CARRIER	C9	Takeuchi Mfg. Co., Ltd.

Directions for the Parts Catalog.

1. This Parts Catalog shows both standard and optional parts.
2. Parts may change without prior notice.
3. The following is an example of the Parts Catalog format.

REF.	LEV.	PARTS NO.	DESCRIPTION	Q'TY						I	R
				(A)	(B)	(C)	(D)	(E)	(F)		
1	1	729595-51390	FUEL INJECTION PUMP	1	1	1	1	1			1
1-1	1	729595-51391	FUEL INJECTION PUMP	1	1	1	1	1		N	1
		(A=E00185) (B=E00200)									
3	2	26022-060162	SCREW M 6X 16	9	9	9	9	9			
3-1	2	26022-060162	SCREW M 6X 16	4	4	4	4	4		K	
		(A=E00156) (B=E00156) (C=E00156) (D=E00156) (E=E00156)									
4	2	129470-51040	CAMSHAFT	1	1	1	1	1			
5	2	122710-51050	BEARING, ROLLER	2	2	2	2	2			
6	2	129470-51060	RETAINER	1	1	1	1	1			

Remarks
(1) BOOST COMPEMSATOR TYPE. OPTIONAL PART, TO E00155,(4JH-DT, 4JH-DTZ

① Ref. No.

The Ref. No. listed may not be in accordance with the illustration Ref. No.

(Ex.) Illustration No.

List Ref No.

1

1

(Before change)

1-1

(After change)

For interchangeable symbols N, R and K, illustrations for new parts may be abbreviated.

② Lev. (Level)

Level indication

The numbers below indicate the level of relativity towards the main part.

1 ----- Main parts (Assembly parts)

2 ----- Sub component included in " 1 ".

3 ----- Sub component included in " 2 ".

Note) Parts that are not for sale are partially illustrated but not listed.

③ Interchangeability Symbol

When a part change takes place, one of the following interchangeability symbols is indicated beside the part.

Symbol	Interchangeability	Contents note
N	Old $\begin{matrix} \leftarrow \text{Yes} \\ \text{No} \rightarrow \end{matrix}$ New	New Part is interchangeable for Old Part but Old Part is not interchangeable for New Part.
Q	Old $\begin{matrix} \leftarrow \text{No} \\ \text{Yes} \rightarrow \end{matrix}$ New	New Part is not interchangeable for Old Part but Old Part is interchangeable for New Part.
R	Old $\begin{matrix} \leftarrow \text{Yes} \\ \text{Yes} \rightarrow \end{matrix}$ New	New/ Old Parts are both interchangeable.
S	Old $\begin{matrix} \leftarrow \text{No} \\ \text{No} \rightarrow \end{matrix}$ New	New/ Old Parts are both not interchangeable.
W		Part newly added.
Z		Part discontinued.
F		Not interchangeable by a single part but interchangeable together with related parts.
K		Changes only for used parts quantities.

④ Effective Machine No.

When a part changes, the effective Machine No. will be indicated in the (A)-(F) column.

Product Symbol	Product No.	Product Symbol	Product No.
C	Clutch No. Compressor No.	F	Machine No. (Agricultural Equip.)
D	Drive No.	M	Machine No.
E	Engine No.		

Note 1) A date may follow the symbol. (Ex.) 1996.01

Note 2) "XXXXX" and "ZZZZZ" are for parts that could not be predicted or for engine models that could not be identified.

Note 3) (A=E00185) is the E (Engine Serial Number) for the column (A) model (in this case 4JH-DT) after the parts design change.

⑤ Remarks

Figures or alphabets (symbols) are entered in the remarks column.

The comments (remarks) on parts that are indicated at the bottom of the illustration are the same symbols as those stated above.

Contents

Fig. No. Fig. Name

4TNV106-NTB1

1. CYLINDER BLOCK
2. GEAR HOUSING
3. FLYWHEEL HOUSING & OIL SUMP
4. CYLINDER HEAD & BONNET
5. SUCTION MANIFOLD & AIR CLEANER
6. EXHAUST MANIFOLD & SILENCER
7. CAMSHAFT & DRIVING GEAR
8. CRANKSHAFT & PISTON
9. LUB.OIL SYSTEM
10. LUB.OIL LINE
11. COOLING WATER SYSTEM
12. FUEL INJECTION PUMP
13. GOVERNOR
14. FUEL INJECTION VALVE
15. FUEL LINE
16. STARTING MOTOR
17. GENERATOR
18. GASKET SET

Fig. No. Fig. Name

Fig.1. CYLINDER BLOCK

(A)=4TNV106-NTB1

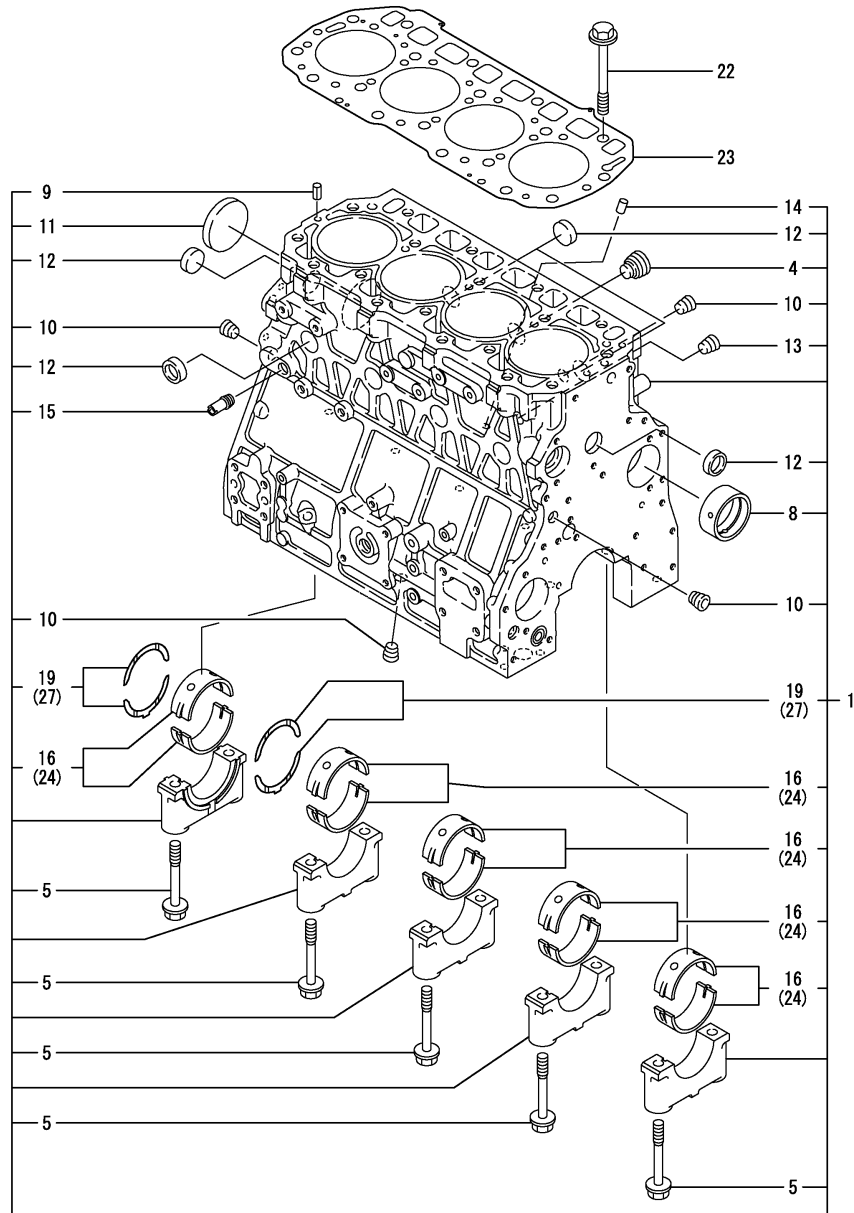
(B)=

(C)=

(D)=

(E)=

(F)=

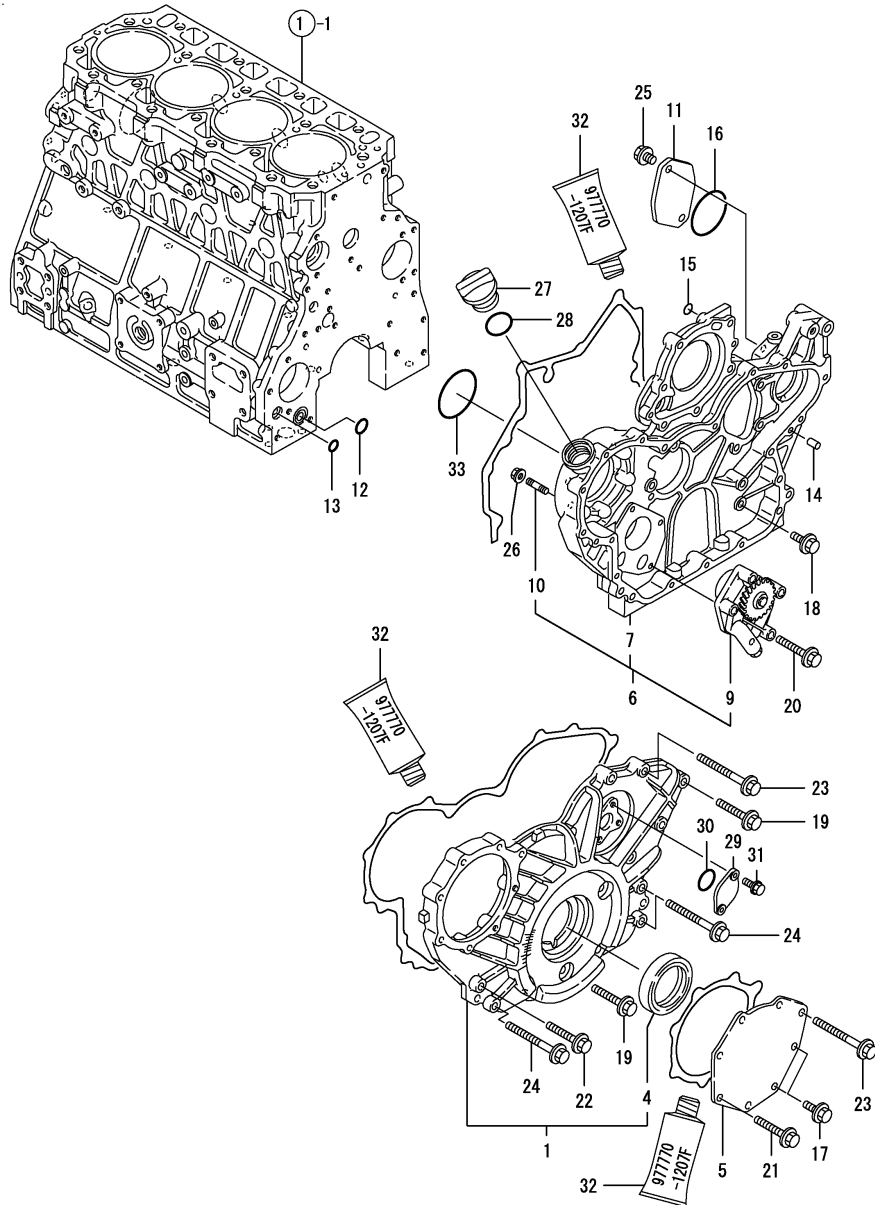


No.	Lev.	Parts No.	Description	Q'ty						I	R
				(A)	(B)	(C)	(D)	(E)	(F)		
1	1	723907-01560	BLOCK ASSY, CYLINDER	1							
4	2	171051-01921	PLUG, NPTF1	1							
5	2	123900-02020	BOLT, METAL CAP	10							
8	2	123900-02410	BUSH	1							
9	2	22351-060012	PIN, SPRING 6.0X12	2							
10	2	23875-030000	PLUG, R03	4							
11	2	27231-700000	PLUG, 70	1							
12	2	27241-300000	PLUG 30	8							
13	2	23875-030000	PLUG, R03	1							
14	2	27225-120160	PLUG, 12X16	1							
15	2	121851-11970	JOINT, PIPE	1							
16	2	123900-02800	BEARING, MAIN	5							
19	2	123900-02930	BEARING, THRUST	2							
22	1	119174-01200	BOLT, HEAD	18							
23	1	123907-01350	GASKET, HEAD	1							
24	1	123900-02340	BEARING, 0.25 US	5							1
27	1	123900-02940	BEARING, THRUST 0.25	2							2

Remarks

- (1) UNDER-SIZED(U.S=0.25)PART.
- (2) OVER-SIZED(O.S=0.25)PART.

Fig.2. GEAR HOUSING



(A)=4TNV106-NTB1

(B)=

(C)=

(D)=

(E)=

(F)=

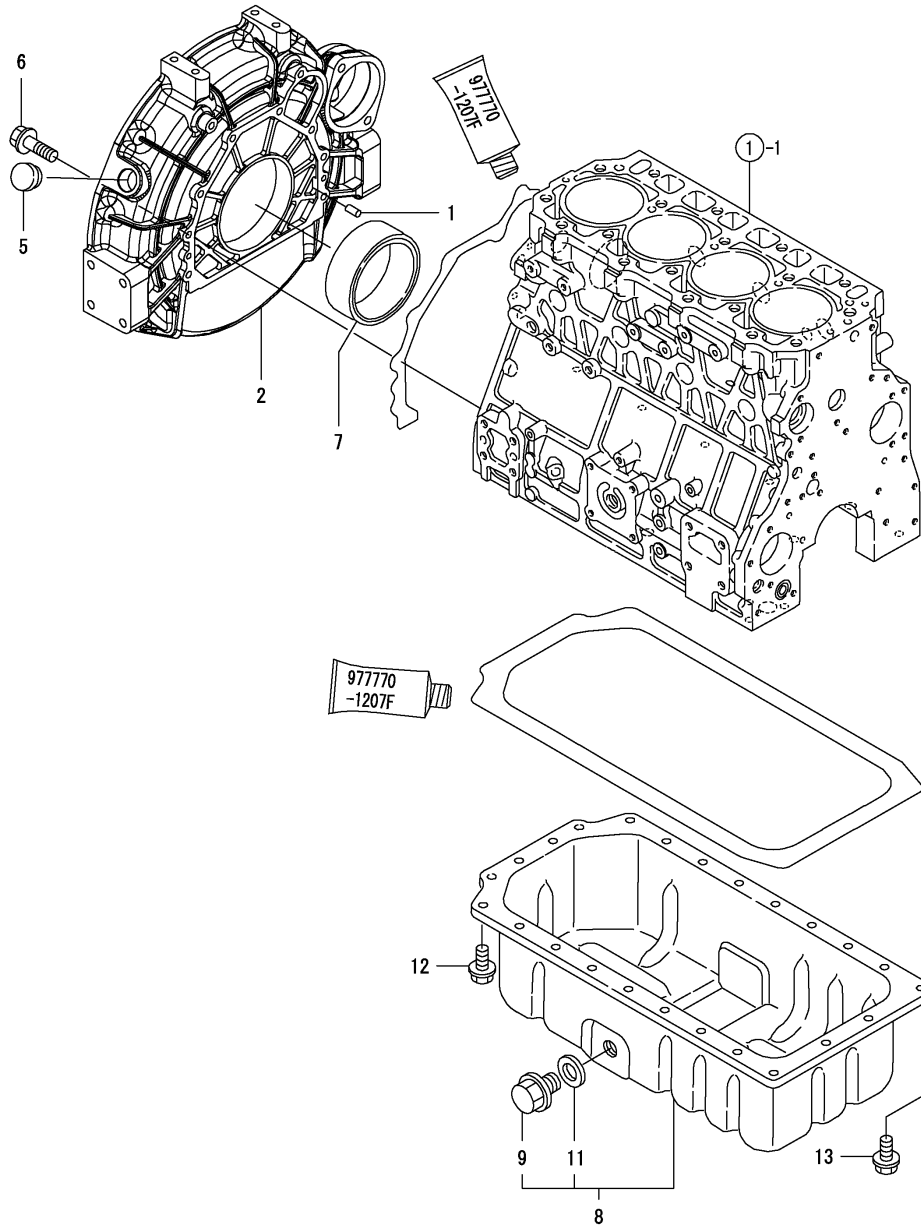
No.	Lev.	Parts No.	Description	Q'ty						I	R
				(A)	(B)	(C)	(D)	(E)	(F)		
1	1	723900-01570	COVER ASSY,GEAR CASE	1							
1-1	1	723900-01580	COVER ASSY,GEAR CASE	1						F	2
(A=EV15753)											
4	2	123900-01780	SEAL, OIL	1							
4-1	2	123946-01780	SEAL, OIL	1						F	2
(A=EV15753)											
5	1	123900-01740	COVER	1							
6	1	123907-01800	CASE ASSY, GEAR	1							
7	2	123907-01500	CASE, GEAR	1							
9	2	123900-32001	PUMP ASSY, OIL	1							
10	2	26226-100322	STUD, M10X 32	4							
11	1	121023-26070	COVER	1							
12	1	129900-32030	O-RING, P20	1							
13	1	129900-32040	O-RING, P14	1							
14	1	22312-080160	PIN, PARALLEL M8X16	4							
15	1	24311-000110	O-RING, 1AP11.0	1							
16	1	24321-000850	O-RING, 1AG85.0	1							
17	1	26106-080202	BOLT, M8X 20 PLATED	2							
18	1	26106-080202	BOLT, M8X 20 PLATED	5							
19	1	26106-080402	BOLT, M8X 40 PLATED	6							
20	1	26106-080452	BOLT, M8X 45 PLATED	4							
21	1	26106-080452	BOLT, M8X 45 PLATED	5							
22	1	26106-080502	BOLT, M8X 50 PLATED	1							
23	1	26106-080702	BOLT, M8X 70 PLATED	5							
24	1	26106-080802	BOLT, M8X 80 PLATED	3							
25	1	26106-100222	BOLT, M10X 22 PLATED	2							
26	1	26306-100002	NUT, M10	4							
27	1	124160-01751	COVER, FILLER	1							
28	1	24311-000320	O-RING, 1AP32.0	1							
29	1	121023-01551	COVER	1							
30	1	24341-000240	O-RING, 1AS24.0	1							
31	1	26106-060162	BOLT, M6X 16 PLATED	2							
32	1	977770-1207F	GASKET.LIQUID	1							
33	1	24351-030750	O-RING, 1A3075	1							1

Remarks

(1) OPTIONAL PART.

(2) FIG.NO.8 REF.NO.7-1,8-1,9-1 & 39 INTERCHANGEABLE BY SET.

Fig.3. FLYWHEEL HOUSING & OIL SUMP



(A)=4TNV106-NTB1

(B)=

(C)=

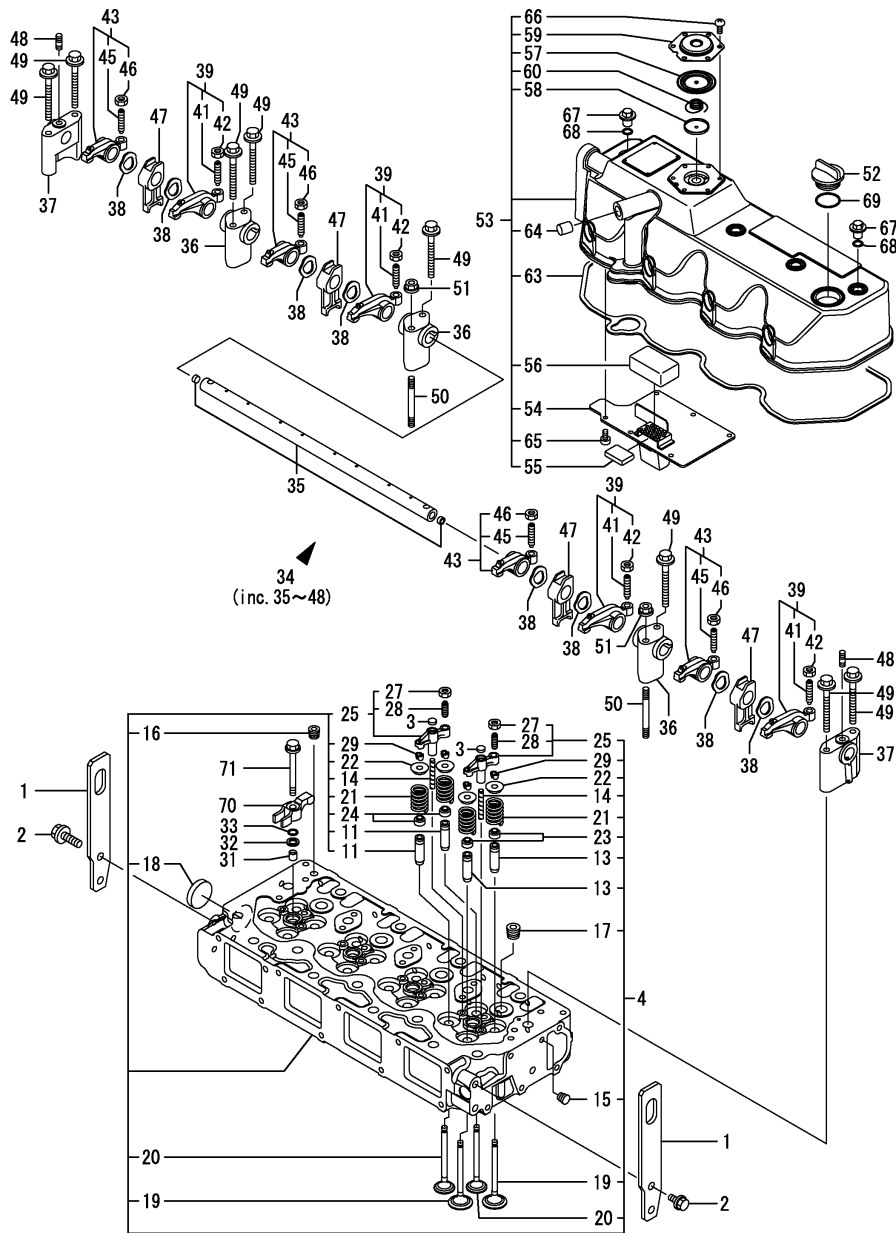
(D)=

(E)=

(F)=

No.	Lev.	Parts No.	Description	Q'ty						I	R
				(A)	(B)	(C)	(D)	(E)	(F)		
1	1	129100-01580	PIN, M8X16	2							
2	1	123900-01620	HOUSING, FLYWHEEL	1							
5	1	119575-01750	CAP	1							
5-1	1	119620-01750	CAP	1							R
		(A=*2009.11)									
6	1	26106-100352	BOLT, M10X 35 PLATED	10							
7	1	123672-01782	SEAL, SD105X135X14L	1							
8	1	123900-01710	SUMP ASSY, OIL	1							
9	2	119640-01640	PLUG, DRAIN M22	1							
11	2	22190-220002	WASHER, SEAL 22	1							
12	1	26106-080122	BOLT, M8X 12 PLATED	22							
13	1	26106-080162	BOLT, M8X 16 PLATED	4							

Fig.4. CYLINDER HEAD & BONNET



(A)=4TNV106-NTB1

(B)=

(C)=

(D)=

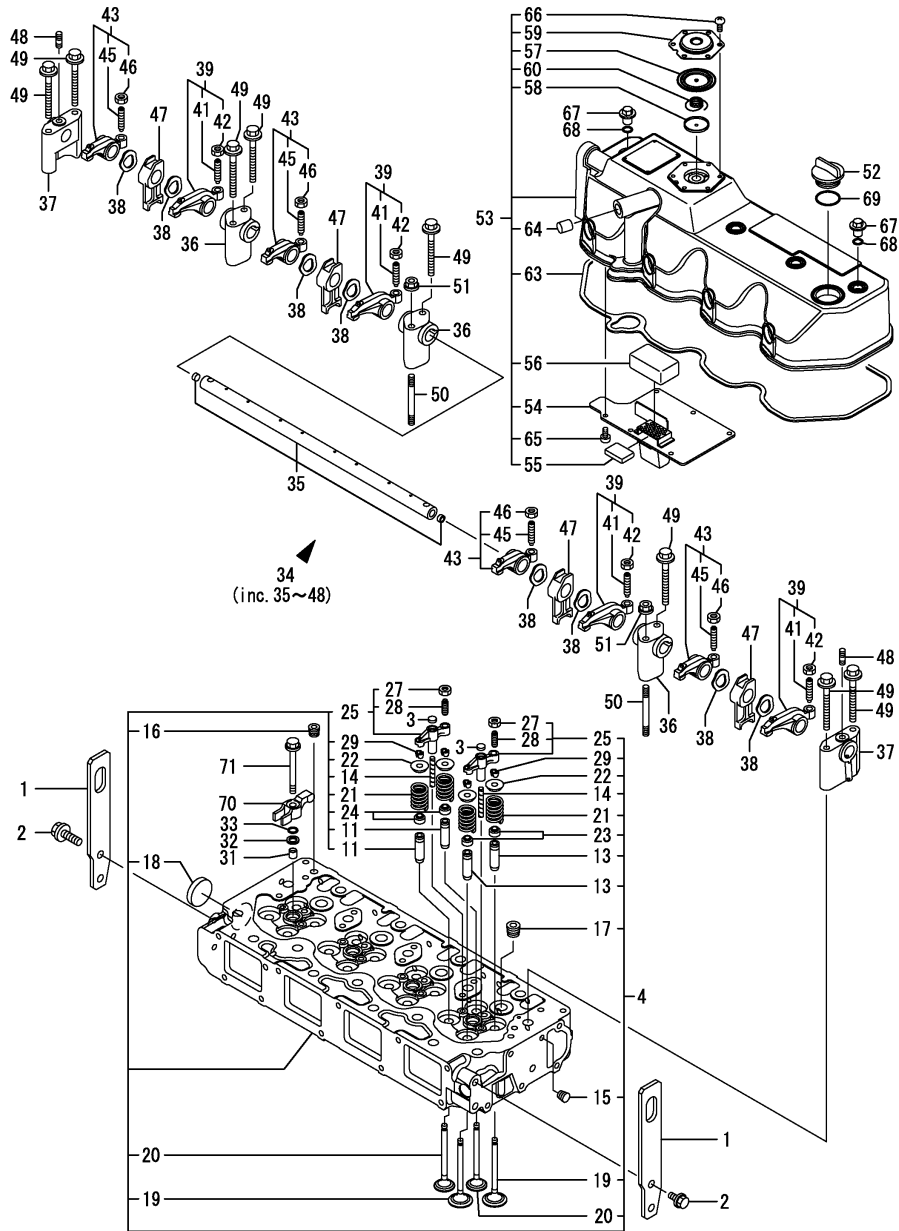
(E)=

(F)=

No.	Lev.	Parts No.	Description	Qty						I	R
				(A)	(B)	(C)	(D)	(E)	(F)		
1	1	123907-07900	LIFTER	2							
2	1	26106-100202	BOLT, M10X 20 PLATED	4							
3	1	123907-11550	SEAT, VALVE BRIDGE	8							
4	1	723907-11100	HEAD ASSY, CYLINDER	1							
11	2	123907-11810	GUIDE, VALVE	8							1
13	2	123907-11800	GUIDE, VALVE	8							1
14	2	123907-11820	GUIDE	8							
15	2	23876-005000	PLUG, R005	1							
16	2	23876-020000	PLUG, R02	1							
17	2	23876-030000	PLUG, R03	4							
18	2	27241-400000	PLUG, 40	1							
19	2	123907-11100	VALVE, INTAKE	8							
20	2	123907-11110	VALVE, EXHAUST	8							
21	2	123907-11120	SPRING, VALVE	16							
22	2	123907-11180	RETAINER, SPRING	16							
23	2	124160-11340	SEAL, VALVE STEM	8							
24	2	124950-11340	SEAL, VALVE STEM	8							
25	2	123907-11510	BRIDGE ASSY, VALVE	8							
27	3	129150-11750	NUT, M8	8							
28	3	123907-11830	ADJUSTER	8							
29	2	27310-070001	COTTER, 7	16							
31	1	119802-11870	PROTECTOR, NOZZLE	4							
32	1	119625-11880	SEAT, NOZZLE	4							
33	1	24311-000120	O-RING, 1AP12.0	4							
34	1	123907-11341	SUPPORT ASSY, ARM	1							
35	2	123907-11250	SHAFT, ROCKER ARM	1							
36	2	123907-11260	SUPPORT, ROCKER ARM	3							
37	2	123907-11270	SUPPORT, ROCKER ARM	2							
38	2	123907-11280	WASHER	8							
39	2	123907-11650	ARM, ROCKER	4							
41	3	129150-11230	SCREW, VALVE ADJUST	4							
42	3	129150-11750	NUT, M8	4							
43	2	123907-11660	ARM, ROCKER	4							
45	3	129150-11230	SCREW, VALVE ADJUST	4							
46	3	129150-11750	NUT, M8	4							
47	2	123907-11920	RETAINER	4							
48	2	26226-080302	STUD, M8X 30	2							
49	1	26106-080752	BOLT, M8X 75 PLATED	8							
50	1	123907-11390	STUD, M8X95	2							
51	1	26306-080002	NUT, M8	2							
52	1	124160-01751	COVER, FILLER	1							
53	1	123907-11320	BONNET ASSY, HEAD	1							
54	2	123907-03010	PLATE	1							
55	2	123907-03060	BAFFLE, BREATHER	1							
56	2	123907-03070	BAFFLE, BREATHER	1							
57	2	123907-03100	DIAPHRAGM	1							
58	2	123907-03110	PLATE	1							
59	2	123907-03120	PLATE, BREATHER	1							
60	2	123907-03140	SPRING, DIAPHRAGM	1							
63	2	123907-11310	GASKET, BONNET	1							
64	2	119640-61400	PLUG	1							

Remarks
(1) REPAIR PART.

Fig.4. CYLINDER HEAD & BONNET



(A)=4TNV106-NTB1

(B)=

(C)=

(D)=

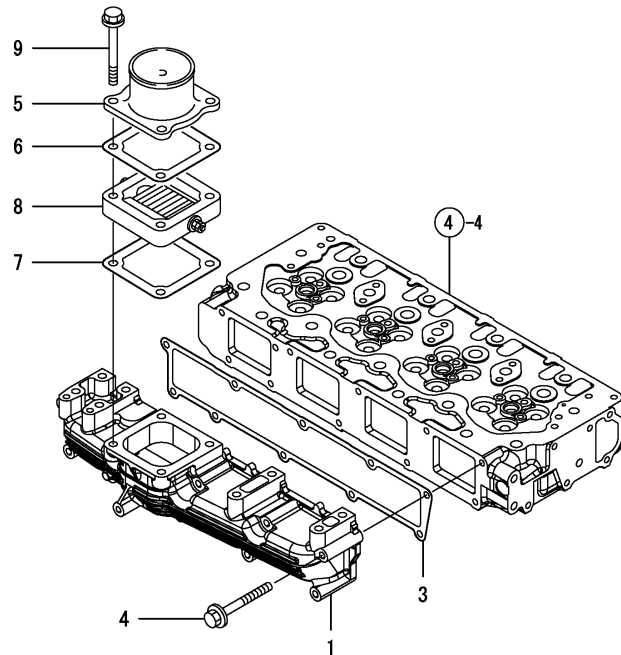
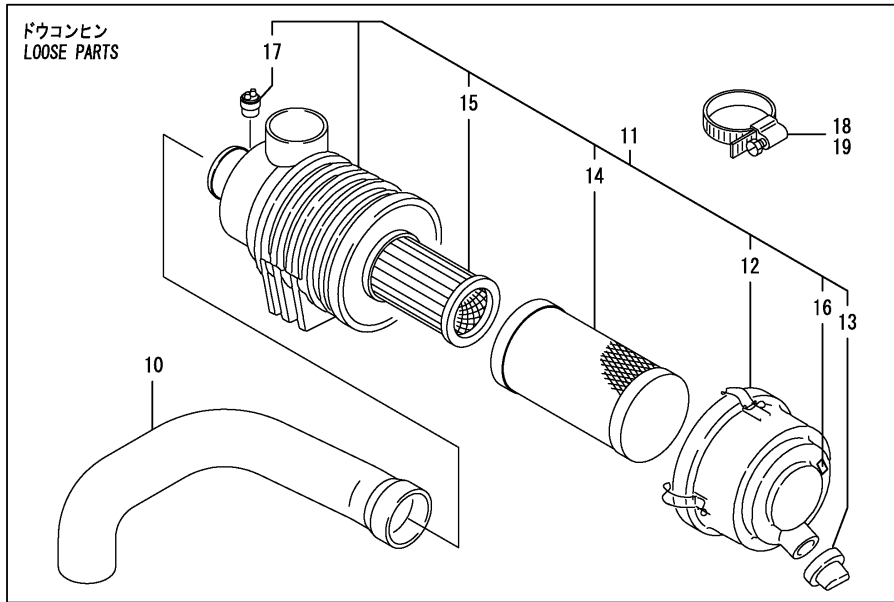
(E)=

(F)=

No.	Lev.	Parts No.	Description	Q'ty						I	R
				(A)	(B)	(C)	(D)	(E)	(F)		
65	2	22857-500100	SCREW, 5X10	6							
66	2	22857-500100	SCREW, 5X10	6							
67	1	124160-11360	KNOB	4							
68	1	24311-000120	O-RING, 1AP12.0	4							
69	1	24311-000320	O-RING, 1AP32.0	1							
70	1	123907-11910	RETAINER, NOZZLE	4							
71	1	123907-11950	BOLT, M8X80	4							

Remarks
(1) REPAIR PART.

Fig.5. SUCTION MANIFOLD & AIR CLEANER



(A)=4TNV106-NTB1

(B)=

(C)=

(D)=

(E)=

(F)=

No.	Lev.	Parts No.	Description	Qty						I	R
				(A)	(B)	(C)	(D)	(E)	(F)		
1	1	123907-12100	MANIFOLD, AIR INTAKE	1							
3	1	123907-12110	GASKET, MANIFOLD	1							
4	1	26106-080702	BOLT, M8X 70 PLATED	10							
5	1	124610-12580	JOINT, AIR HEATER	1							
6	1	123900-77020	GASKET	1							
7	1	123900-77030	GASKET	1							
8	1	123915-77500	HEATER	1							
9	1	26106-100452	BOLT, M10X 45 PLATED	4							
10	1	123911-12040	PIPE, AIR INTAKE	1							
11	1	123944-12500	CLEANER ASSY, AIR	1							
12	2	119117-12530	COVER	1							
13	2	119160-12540	VALVE	1							
14	2	119117-12560	ELEMENT	1							
15	2	119117-12570	ELEMENT	1							
16	2	129612-12650	MARKING,(W)	1							
17	2	119140-12680	INDICATOR	1							
18	1	23000-102000	CLAMP, 102	1							
19	1	23000-115000	CLAMP, 115	1							

Fig.6. EXHAUST MANIFOLD & SILENCER

(A)=4TNV106-NTB1

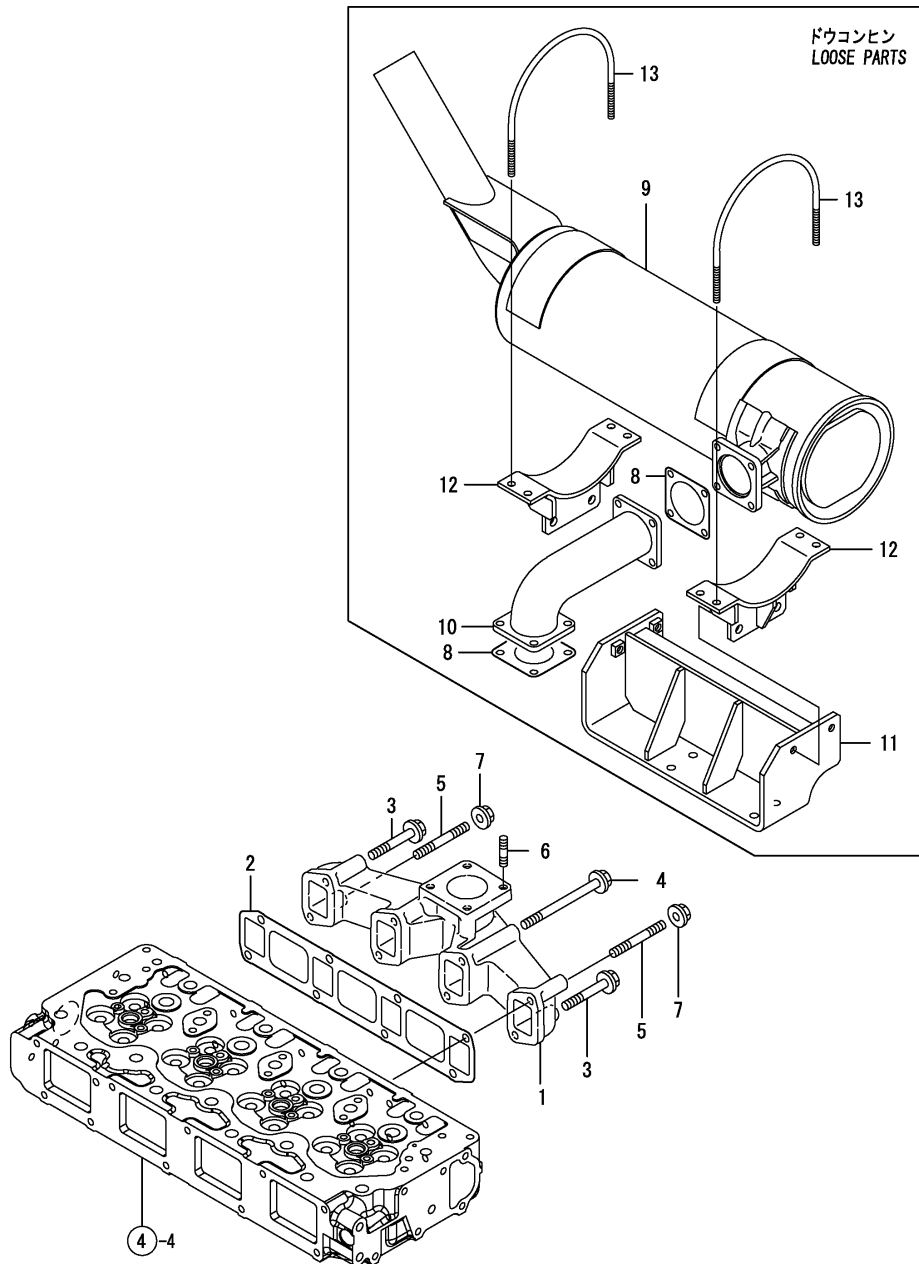
(B)=

(C)=

(D)=

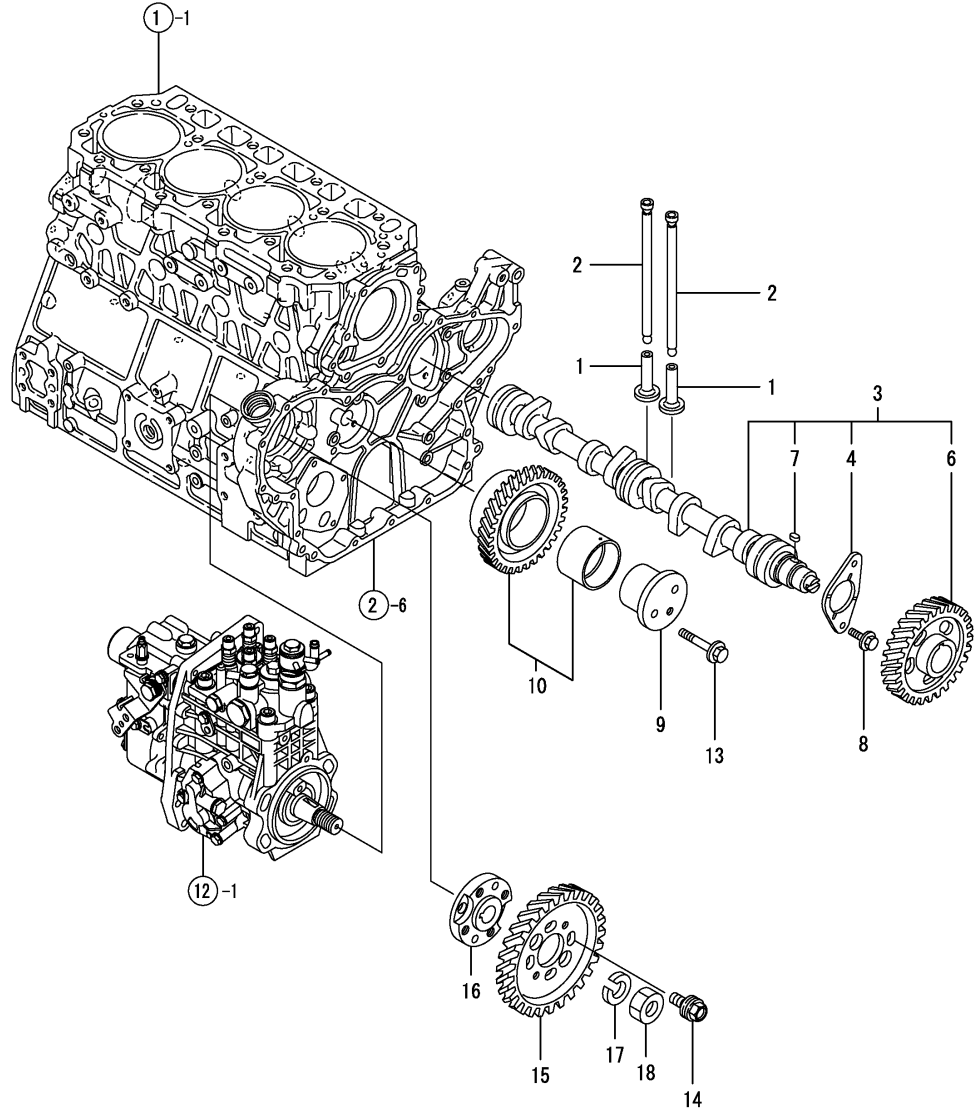
(E)=

(F)=



No.	Lev.	Parts No.	Description	Q'ty						I	R
				(A)	(B)	(C)	(D)	(E)	(F)		
1	1	123907-13100	MANIFOLD, EXHAUST	1							
2	1	123907-13110	GASKET	1							
3	1	123907-13700	BOLT, M10X75 10.9	2							
4	1	123907-13730	BOLT, M10X105 10.9	4							
5	1	123907-13800	STUD, M10X70	2							
6	1	119131-18320	STUD, M8X22	4							
7	1	26306-100002	NUT, M10	2							
8	1	129400-13201	GASKET, SILENCER	2							
9	1	123911-13510	SILENCER	1							
10	1	123911-13550	BEND, EXHAUST	1							
11	1	123911-13650	BRACKET, SILENCER	1							
12	1	123911-13660	STAY, SILENCER	2							
13	1	123911-13670	BOLT	2							

Fig.7. CAMSHAFT & DRIVING GEAR



(A)=4TNV106-NTB1

(B)=

(C)=

(D)=

(E)=

(F)=

No.	Lev.	Parts No.	Description	Q'ty						I	R
				(A)	(B)	(C)	(D)	(E)	(F)		
1	1	123900-14200	TAPPET	8							
2	1	123907-14400	ROD, PUSH	8							
3	1	123907-14580	CAMSHAFT ASSY	1							
4	2	129150-02450	BEARING, THRUST	1							
6	2	129900-14100	GEAR, CAMSHAFT	1							
7	2	22512-070140	KEY, 7X 14	1							
8	1	26106-080142	BOLT, M8X 14 PLATED	2							
9	1	123900-25060	SHAFT, IDLE GEAR	1							
10	1	123900-25120	GEAR ASSY, IDLE	1							
13	1	26106-080552	BOLT, M8X 55 PLATED	3							
14	1	129953-25300	BOLT	4							
15	1	123907-25909	GEAR, PUMP	1							
16	1	158563-51150	FLANGE	1							
17	1	22217-180000	WASHER, SPRING 18	1							
18	1	26776-180002	NUT, LOCK M18	1							

Fig.8. CRANKSHAFT & PISTON

(A)=4TNV106-NTB1

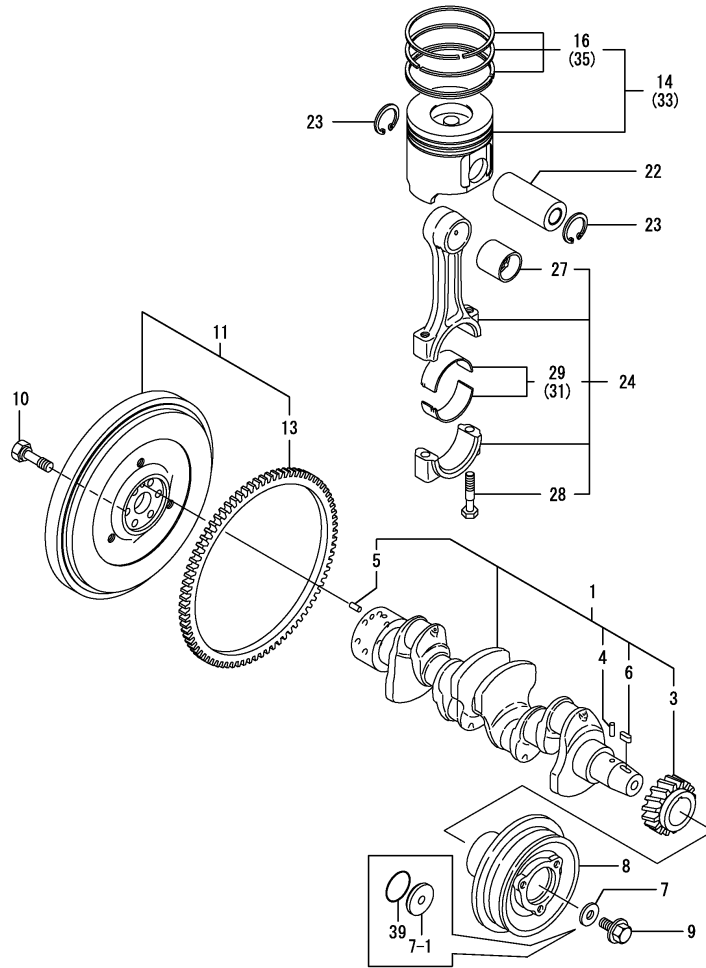
(B)=

(C)=

(D)=

(E)=

(F)=

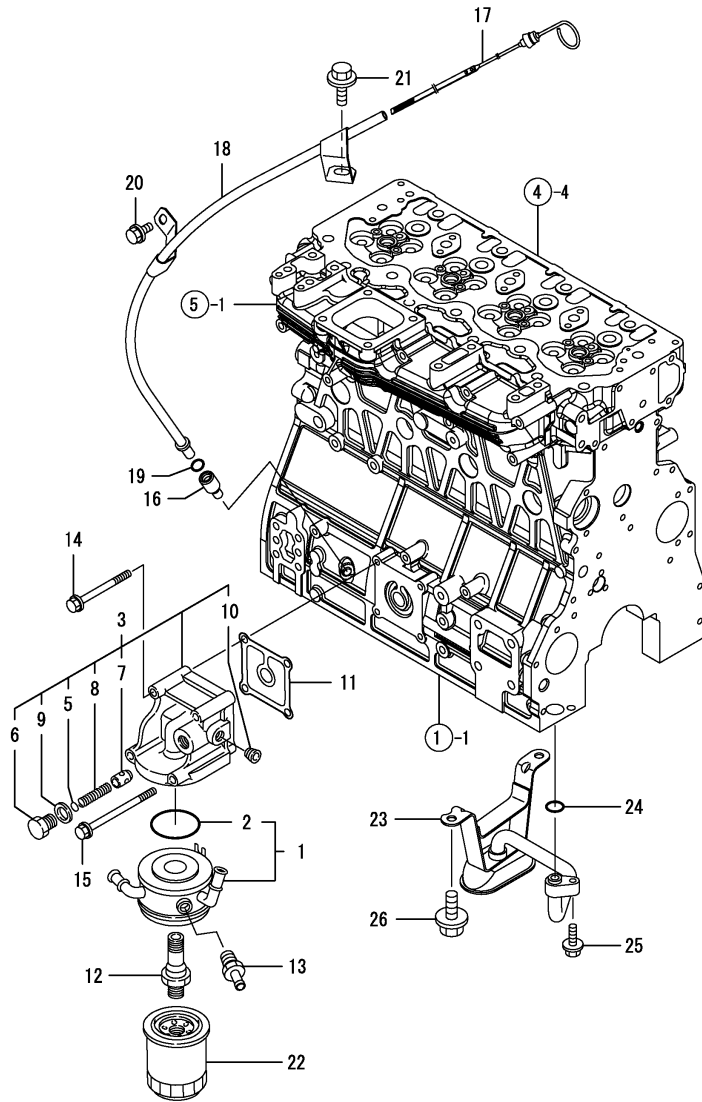


No.	Lev.	Parts No.	Description	Q'ty						I	R
				(A)	(B)	(C)	(D)	(E)	(F)		
1	1	123900-21000	CRANKSHAFT ASSY	1							
3	2	129900-21200	GEAR, CRANKSHAFT	1							
4	2	121850-21290	PIN	1							
5	2	121850-21920	PIN, M10X22	1							
6	2	22512-070140	KEY, 7X 14	1							
7	1	129900-21640	WASHER	1							
7-1	1	129960-21640	WASHER	1						F	4
		(A=EV15753)									
8	1	123900-21650	V-PULLEY	1							
8-1	1	123946-21660	V-PULLEY, 150	1						F	4
		(A=EV15753)									
9	1	121850-21680	BOLT	1							
9-1	1	129916-21610	BOLT	1						F	4
		(A=EV15753)									
10	1	121850-21130	BOLT, FLYWHEEL	6							
11	1	123900-21580	FLYWHEEL ASSY	1							
13	2	127410-21480	GEAR, RING Z=129	1							
14	1	123907-22090	PISTON ASSY, 18.5	4							
16	2	123907-22050	RING SET, PISTON	4							
22	1	119173-22300	PIN, PISTON	4							
23	1	22252-000370	RING, 37	8							
24	1	123900-23000	ROD ASSY, CONNECTING	4							
27	2	123900-23910	BEARING, PISTON PIN	4							1
28	2	123900-23200	BOLT, CONNECTING ROD	8							
29	2	123900-23600	BEARING, CRANK PIN	4							
31	1	123900-23610	BEARING, 0.25 US	4							2
33	1	723907-22910	PISTON ASSY, 0.25 OS	4							3
35	2	723907-22950	RING SET, 0.25 OS	4							3
39	1	24341-000530	O-RING, 1AS53.0	1							W 4
		(A=EV15753)									

Remarks

- (1) REPAIR PART.
- (2) UNDER-SIZE (U.S=0.25) PART.
- (3) OVER-SIZE (O.S=0.25) PART.
- (4) REF.NO.7-1,8-1,9-1 & 39 FIG.NO.2
- REF.NO.4-1 INTERCHANGEABLE BY SET

Fig.9. LUB.OIL SYSTEM



(A)=4TNV106-NTB1

(B)=

(C)=

(D)=

(E)=

(F)=

No.	Lev.	Parts No.	Description	Q'ty						I	R
				(A)	(B)	(C)	(D)	(E)	(F)		
1	1	123910-33011	COOLER ASSY, OIL	1							
2	2	123912-33050	O-RING	1							
3	1	123910-33041	BRACKET ASSY, COOLER	1							
5	2	121850-35230	SHIM, T=1.0	1							
6	2	124223-35510	RETAINER, SPRING	1							
7	2	121850-35531	VALVE, CONTROL	1							
8	2	121952-39830	SPRING	1							
9	2	23414-180000	GASKET, 18X1.0	1							
10	2	23876-020000	PLUG, R02	1							
11	1	123900-33060	GASKET	1							
12	1	123910-33100	BOLT	1							
13	1	121550-49111	JOINT, PT1/4	1							
14	1	26106-080752	BOLT, M8X 75 PLATED	2							
15	1	26106-081002	BOLT, M8X100 PLATED	2							
16	1	119260-34810	GUIDE, DIPSTICK	1							
17	1	123900-34810	DIPSTICK, OIL	1							
18	1	123900-34820	GUIDE, DIPSTICK	1							
19	1	24311-240100	O-RING, 1AP10A	1							
20	1	26106-080182	BOLT, M8X 18 PLATED	1							
21	1	26106-100182	BOLT, M10X 18 PLATED	1							
22	1	119005-35151	FILTER, D80X100L	1							1
23	1	123900-35004	PIPE ASSY, OIL INLET	1							
24	1	24314-000180	O-RING, 4CP18.0	1							
25	1	26106-080302	BOLT, M8X 30 PLATED	1							
26	1	26106-120162	BOLT, M12X 16 PLATED	2							

Remarks

(1) REPAIR PART.

N:Old $\begin{matrix} \leftarrow \text{Yes} \\ \text{No} \end{matrix}$ New, Q:Old $\begin{matrix} \leftarrow \text{No} \\ \text{Yes} \end{matrix}$ New, R:Old $\begin{matrix} \leftarrow \text{Yes} \\ \text{Yes} \end{matrix}$ New, S:Old $\begin{matrix} \leftarrow \text{No} \\ \text{No} \end{matrix}$ New, W:Add, Z:Discontinued, F:Interchangeable by set, K:Q'ty Change

Fig.10. LUB.OIL LINE

(A)=4TNV106-NTB1

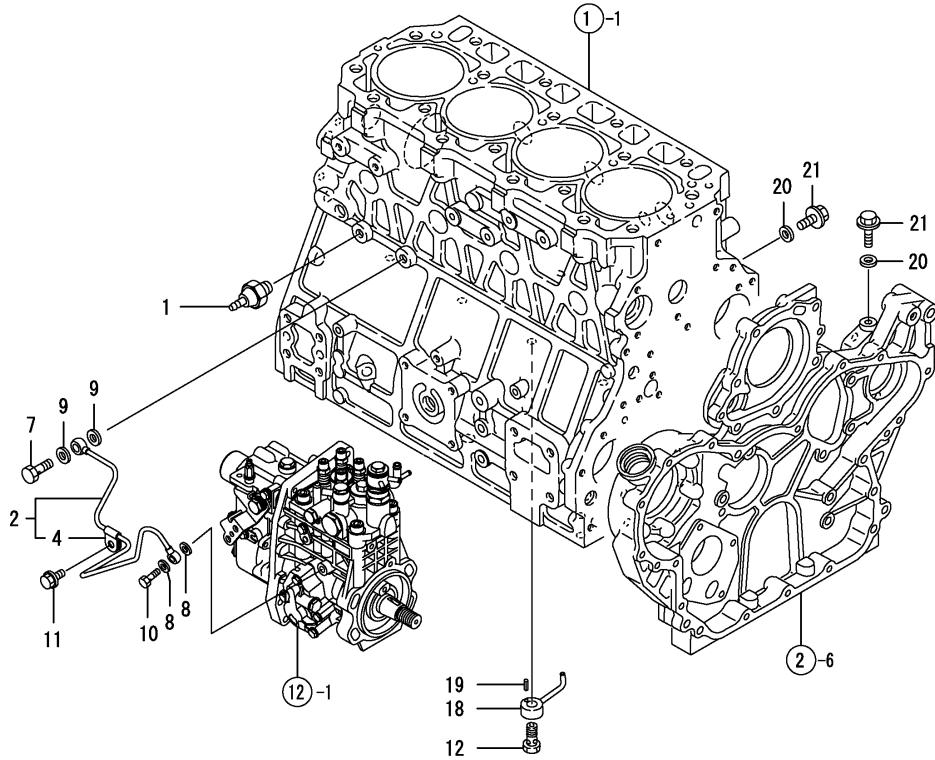
(B)=

(C)=

(D)=

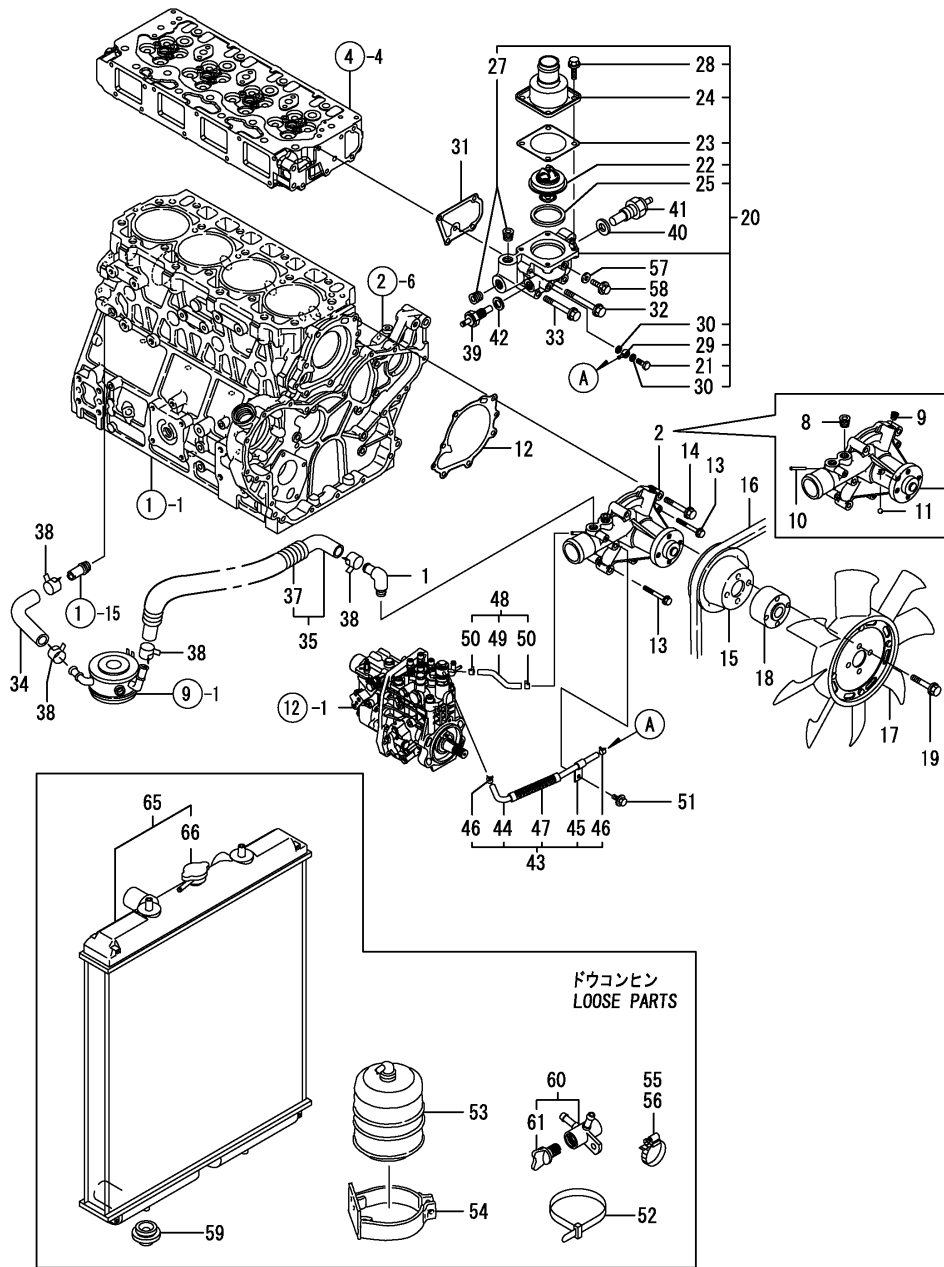
(E)=

(F)=



No.	Lev.	Parts No.	Description	Q'ty						I	R
				(A)	(B)	(C)	(D)	(E)	(F)		
1	1	114250-39450	SWITCH, 0.5KG	1							
2	1	123907-39061	PIPE ASSY, OIL	1							
4	2	123907-39500	RETAINER	1							
7	1	124160-39140	BOLT, PIPE JOINT M10	1							
8	1	23414-080000	GASKET, 8X1.0	2							
9	1	23414-100000	GASKET, 10X1.0	2							
10	1	23857-030000	BOLT, JOINT 3	1							
11	1	26106-080122	BOLT, M8X 12 PLATED	1							
12	1	129792-39410	VALVE ASSY, CHECK	4							
18	1	123900-39650	NOZZLE	4							
19	1	22351-030010	PIN, SPRING 3.0X10	4							
20	1	22190-080002	WASHER, SEAL 6	2							
21	1	26106-080122	BOLT, M8X 12 PLATED	2							

Fig.11. COOLING WATER SYSTEM



(A)=4TNV106-NTB1

(B)=

(C)=

(D)=

(E)=

(F)=

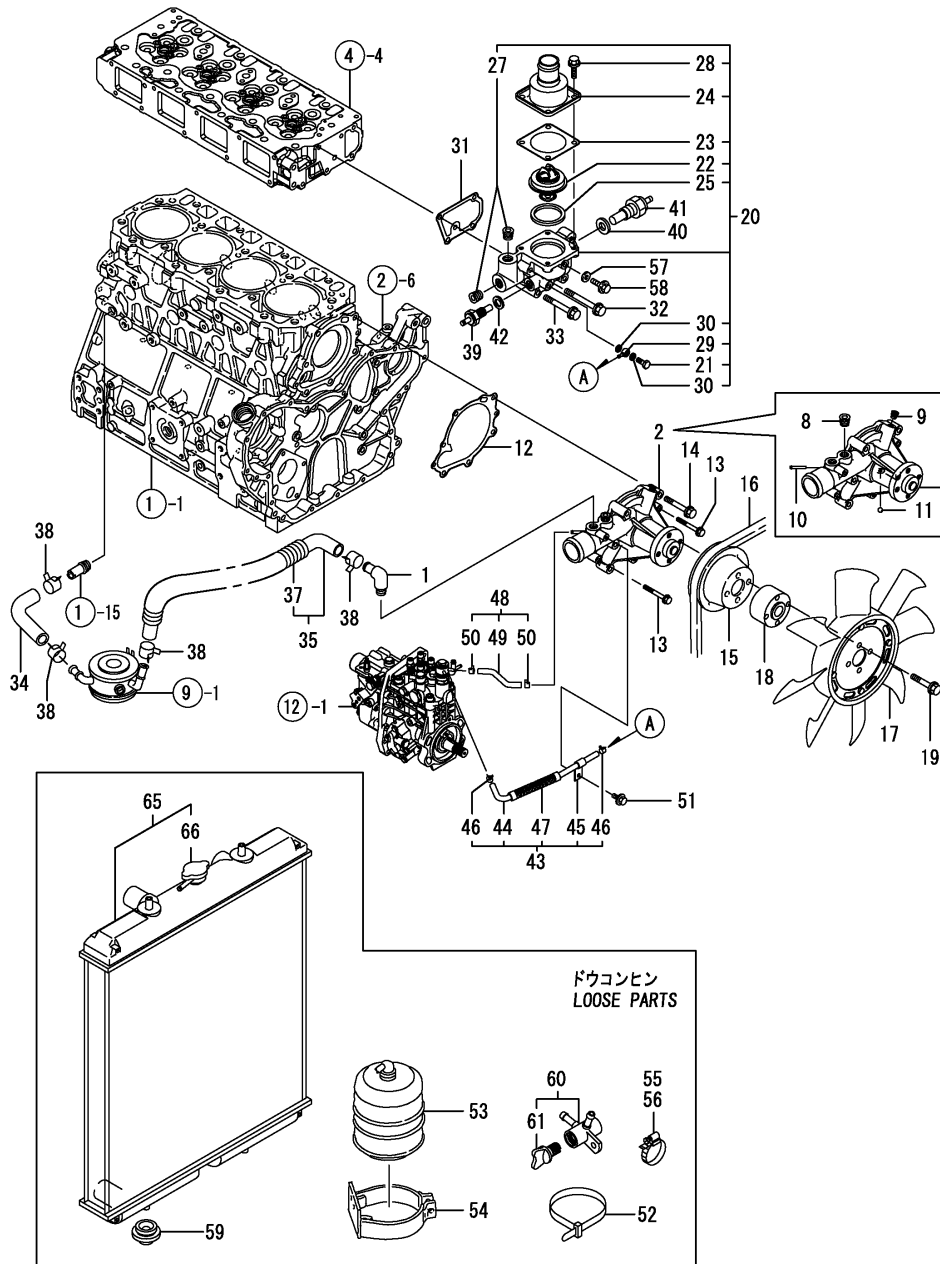
No.	Lev.	Parts No.	Description	Q'ty						I	R
				(A)	(B)	(C)	(D)	(E)	(F)		
1	1	129466-49300	ELBOW, PT3/8	1							
2	1	123945-42000	PUMP ASSY, WATER	1							
8	2	129916-49740	PLUG, R03	1							
9	2	23875-02000	PLUG, R02	1							
10	2	119802-49113	JOINT, PIPE	1							
11	2	24190-080001	BALL, STEEL 1/4	1							
12	1	123900-42050	GASKET, WATER PUMP	1							
13	1	26106-060502	BOLT, M6X 50 PLATED	2							
14	1	26106-080552	BOLT, M8X 55 PLATED	4							
15	1	123900-42460	V-PULLEY, B 160	1							
16	1	123946-42480	V-BELT, B49	1							
17	1	123944-44750	FAN, COOLING D=430	1							
18	1	123911-44781	SPACER, FAN 40	1							
19	1	26106-100602	BOLT, M10X 60 PLATED	4							
20	1	123946-49810	CASE ASSY,THERMOSTAT	1							
21	2	105010-39140	BOLT, PIPE JOINT	1							
22	2	124610-48620	THERMOSTAT, 82	1							
23	2	124610-49291	GASKET	1							
24	2	123962-49500	COVER, THERMOSTAT	1							
25	2	123500-49550	GASKET	1							
27	2	23876-030000	PLUG, R03	2							
28	2	26106-080252	BOLT, M8X 25 PLATED	4							
29	2	23387-040800	JOINT, HOSE 4-8	1							
30	2	23414-080000	GASKET, 8X1.0	2							
31	1	123900-49820	GASKET	1							
32	1	26106-080602	BOLT, M8X 60 PLATED	4							
33	1	26106-080702	BOLT, M8X 70 PLATED	2							
34	1	123910-49050	PIPE, WATER	1							
35	1	123946-49040	PIPE ASSY, WATER	1							
37	2	123946-49660	TUBE, CORRUGATED	1							
38	1	23000-025000	CLAMP, 25	4							
39	1	121250-44901	SWITCH, 110	1							
40	1	124465-44950	GASKET, 16	1							
41	1	124250-49351	SENSOR	1							
42	1	129150-49360	GASKET	1							
43	1	123945-49610	PIPE ASSY, WATER	1							
44	2	123907-49710	PIPE, WATER	1							
45	2	123945-49700	RETAINER, PIPE	1							
46	2	124722-59050	CLIP, HOSE 9	2							
47	2	129486-59320	TUBE, CORRUGATED	1							
48	1	123907-49620	PIPE ASSY, WATER	1							
49	2	123907-49720	PIPE, WATER	1							
50	2	124722-59050	CLIP, HOSE 9	2							
51	1	26106-060122	BOLT, M6X 12 PLATED	1							
52	1	121750-59890	BAND, 140	1							
53	1	148616-44510	TANK, SUB	1							
54	1	148616-44551	BRACKET	1							
55	1	23000-054000	CLAMP, 54	3							
56	1	23000-060000	CLAMP, 60	1							
57	1	23414-080000	GASKET, 8X1.0	1							
58	1	26106-080122	BOLT, M8X 12 PLATED	1							

N:Old $\begin{matrix} \text{Yes} \\ \text{No} \end{matrix}$ New, Q:Old $\begin{matrix} \text{No} \\ \text{Yes} \end{matrix}$ New, R:Old $\begin{matrix} \text{Yes} \\ \text{No} \end{matrix}$ New, S:Old $\begin{matrix} \text{No} \\ \text{Yes} \end{matrix}$ New, W:Add, Z:Discontinued, F:Interchangeable by set, K:Q'ty Change

++ CONTINUE ++

Copyright (C) YANMAR CO., LTD. All Rights Reserved.

Fig.11. COOLING WATER SYSTEM



(A)=4TNV106-NTB1

(B)=

(C)=

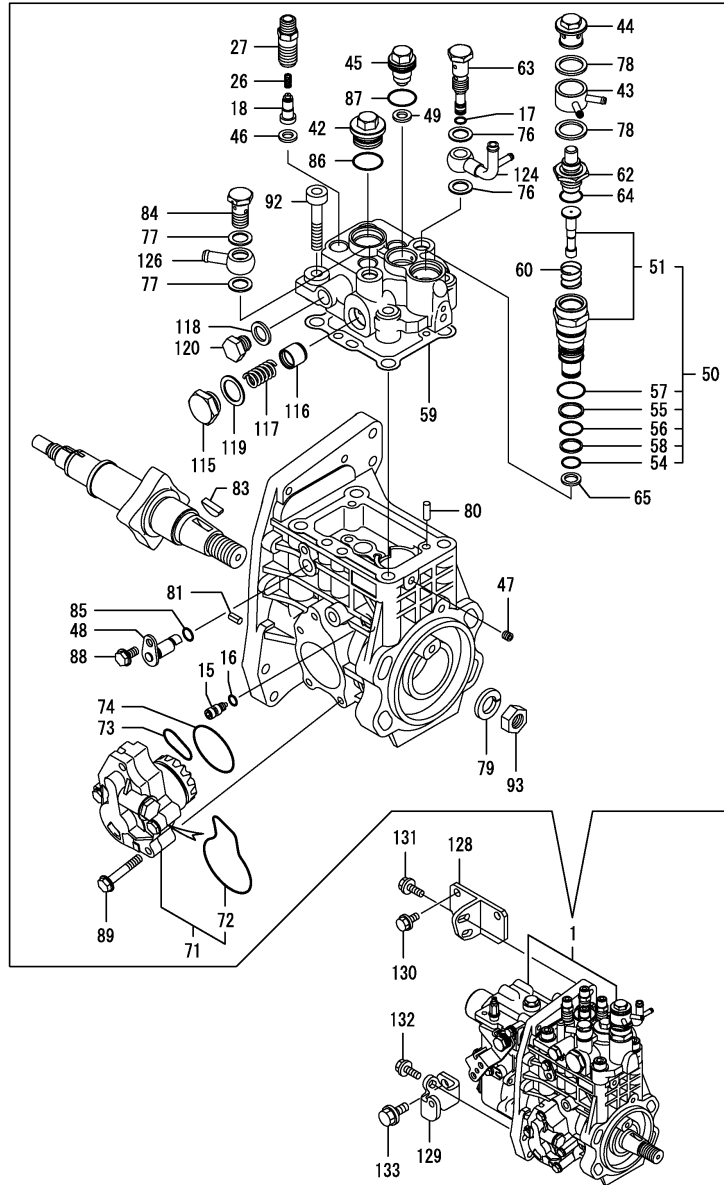
(D)=

(E)=

(F)=

No.	Lev.	Parts No.	Description	Q'ty						I	R
				(A)	(B)	(C)	(D)	(E)	(F)		
59	1	119255-44660	ABSORBER	4							
60	1	129150-49100	COCK ASSY, 3-WAY	1							
61	2	129150-49080	COCK, DRAIN	1							
65	1	123944-44500	RADIATOR ASSY	1							
66	2	129107-44590	CAP, RADIATOR	1							

Fig.12. FUEL INJECTION PUMP



No.	Lev.	Parts No.	Description	Q'ty						I	R
				(A)	(B)	(C)	(D)	(E)	(F)		
1	1	723944-51300	PUMP ASSY, INJECTION	1							1
15	2	158600-51270	STOPPER, TAPPET	1							
16	2	158563-51281	O-RING, 4D S6	1							
17	2	158563-51281	O-RING, 4D S6	1							
18	2	158560-51300	VALVE ASSY, DELIVERY	4							
26	2	158563-51330	SPRING, DELIVERY	4							
27	2	129907-51340	HOLDER, DELIVERY	4							
42	2	158601-51550	PLUG	1							
43	2	158553-51551	JOINT	1							
44	2	158601-51570	PLUG	1							
45	2	129907-51560	PLUG, BARREL	1							
46	2	158552-51570	GASKET	4							
47	2	158557-51570	PLUG	1							
48	2	158552-51580	LIFTER	1							
49	2	129906-51580	GASKET	1							
50	2	119802-51590	TIMER SET	1							
51	3	119802-51600	TIMER ASSY	1							
54	3	158553-51670	O-RING, 1011	1							
55	3	119802-51680	RING, BACK UP	1							
56	3	119802-51690	O-RING	1							
57	3	24356-010200	O-RING, 4D1020	1							
58	3	24372-000150	RING, BACK UP T2P15	1							
59	2	158560-51600	GASKET	1							
60	2	158553-51630	SPRING, TIMER	1							
62	2	158553-51640	ELEMENT	1							
63	2	158601-51650	JOINT, OVER FLOW	1							
64	2	158553-51660	O-RING, P14	1							
65	2	158553-51680	GASKET	1							
71	2	158552-52100	PUMP ASSY, FUEL FEED	1							
72	3	158552-52500	O-RING	1							
73	2	158552-52310	O-RING	1							
74	2	158552-52400	O-RING, 4E S42	1							
76	2	22190-120002	WASHER, SEAL 12	2							
77	2	22190-120002	WASHER, SEAL 12	2							
78	2	22190-180002	WASHER, SEAL 18	2							
79	2	22217-180000	WASHER, SPRING 18	1							
80	2	22312-050140	PIN, PARALLEL M5X14	2							
81	2	22351-050010	PIN, SPRING 5.0X10	2							
83	2	144626-51090	KEY, 5X19	1							
84	2	23857-060000	BOLT, JOINT 6	1							
85	2	24311-000070	O-RING, 1AP7.0	1							
86	2	24356-010200	O-RING, 4D1020	1							
87	2	24356-020210	O-RING, 4D2021	1							
88	2	26106-060102	BOLT, M6X 10 PLATED	1							
89	2	26106-060352	BOLT, M6X 35 PLATED	4							
92	2	26450-100452	BOLT, M10X 45	4							
93	2	26776-180002	NUT, LOCK M18	1							
115	2	158601-51790	PLUG	1							
116	2	158601-51770	PISTON	1							
117	2	158552-51780	SPRING	1							
118	2	22190-120002	WASHER, SEAL 12	1							

Remarks
 (1) GOVERNOR ASSY(FIG.13) IS
 INCORPORATED IN THIS FOP.CMP
 (REF.NO.1).

Fig.12. FUEL INJECTION PUMP

(A)=4TNV106-NTB1

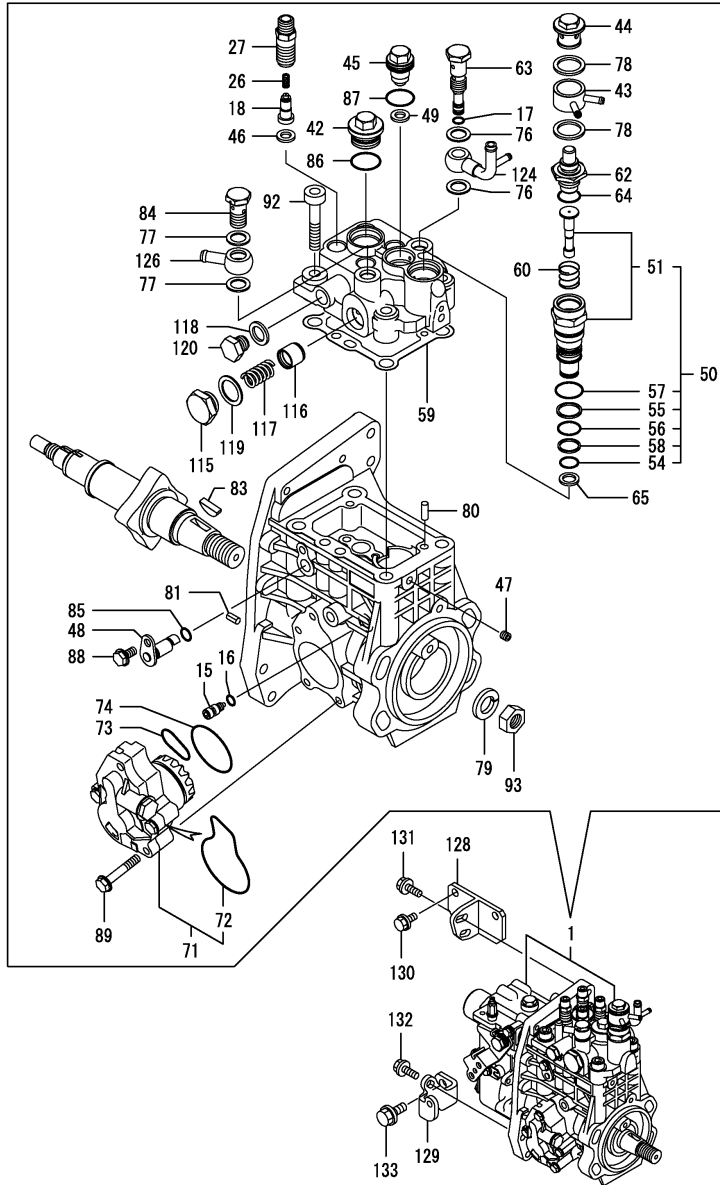
(B)=

(C)=

(D)=

(E)=

(F)=



No.	Lev.	Parts No.	Description	Q'ty						I	R
				(A)	(B)	(C)	(D)	(E)	(F)		
119	2	22190-180002	WASHER, SEAL 18	1							
120	2	23887-120002	PLUG, 12	1							
124	2	158552-51670	JOINT, OVER FLOW	1							
126	2	129916-59020	JOINT, PIPE 12	1							
128	1	129907-01950	RETAINER	1							
129	1	129907-01960	RETAINER	1							
130	1	26106-080162	BOLT, M8X 16 PLATED	2							
131	1	26106-080202	BOLT, M8X 20 PLATED	2							
132	1	26106-080202	BOLT, M8X 20 PLATED	1							
133	1	26106-100162	BOLT, M10X 16 PLATED	1							

Remarks

(1) GOVERNOR ASSY(FIG.13) IS INCORPORATED IN THIS FOP.CMP (REF.NO.1).

Fig.13. GOVERNOR

(A)=4TNV106-NTB1

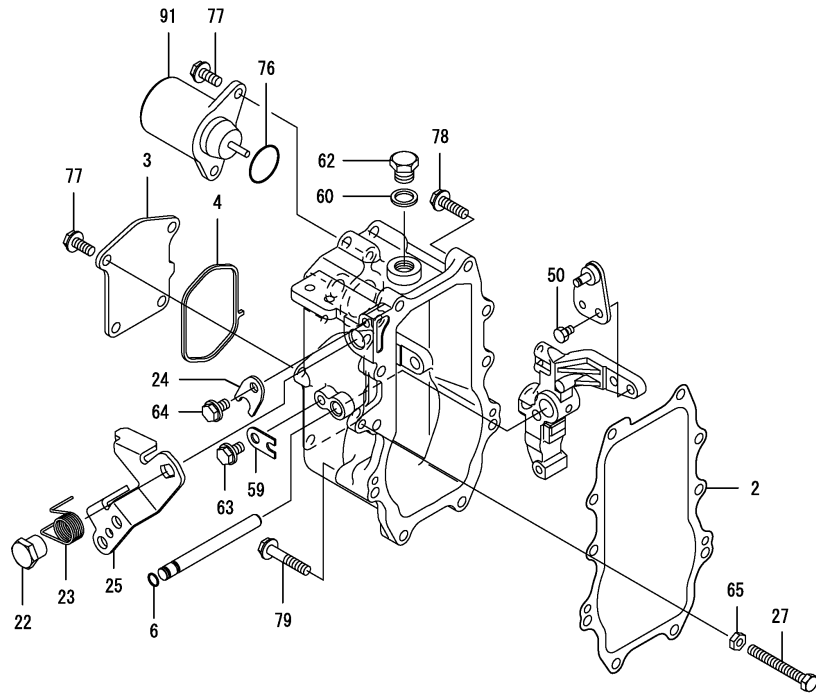
(B)=

(C)=

(D)=

(E)=

(F)=

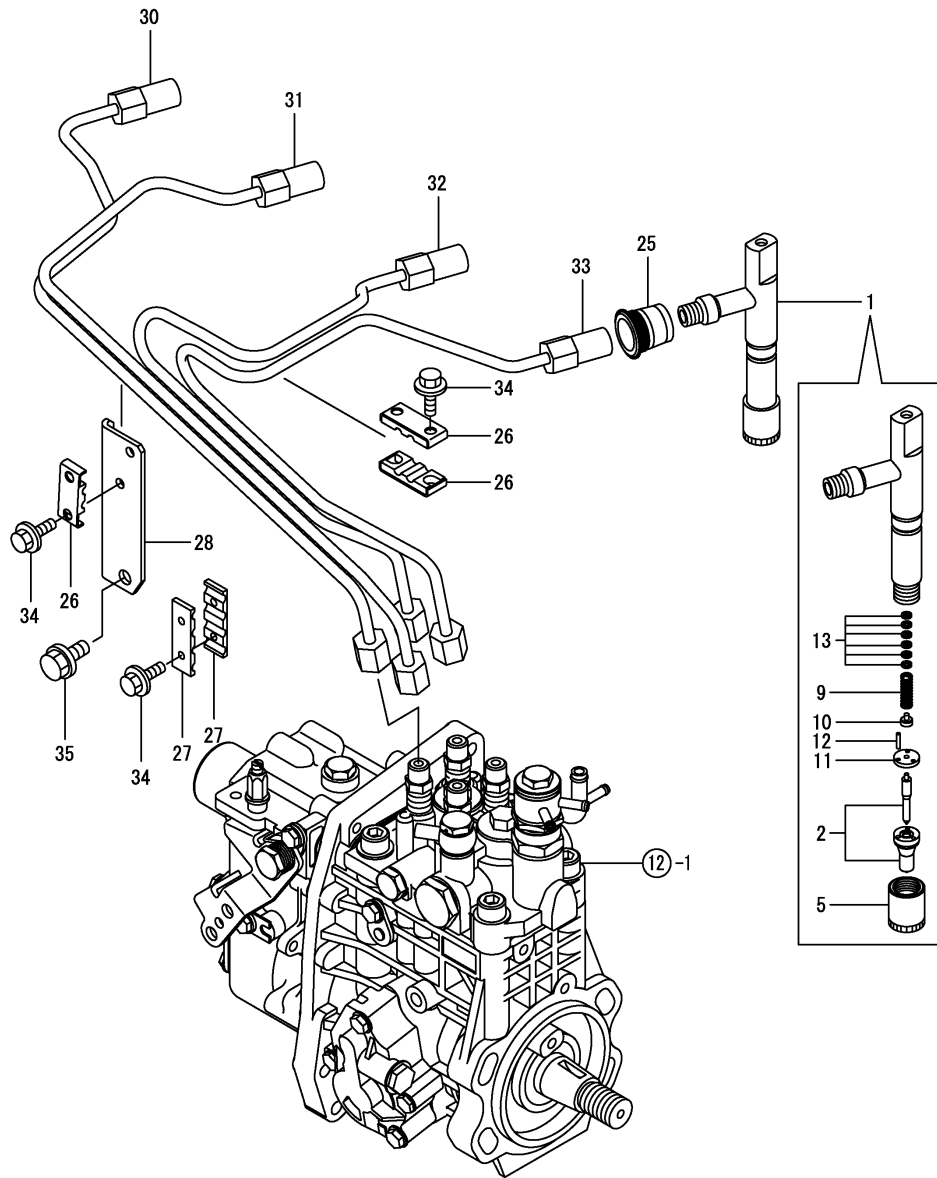


No.	Lev.	Parts No.	Description	Q'ty						I	R
				(A)	(B)	(C)	(D)	(E)	(F)		
2	2	158560-61050	GASKET	1							
3	2	158560-61061	COVER, GOVERNOR CASE	1							
4	2	158560-61071	GASKET	1							
6	2	129155-51280	O-RING, S6	1							
22	2	129255-61410	NUT, LOCK	1							
23	2	119807-61420	SPRING, RETURN	1							
24	2	158560-61430	RETAINER, SHAFT	1							
25	2	158560-61442	LEVER, REGULATOR	1							
27	2	129155-61460	BOLT, IDLE	1							
50	2	26116-060102	BOLT, M6X 10 PLATED	1							
59	2	119660-61901	RETAINER, SHAFT	1							
60	2	22190-160002	WASHER, SEAL 16	1							
62	2	23887-160002	PLUG, 16	1							
63	2	26106-060102	BOLT, M6X 10 PLATED	1							
64	2	26106-060102	BOLT, M6X 10 PLATED	1							
65	2	26756-060002	NUT, LOCK M6	1							
76	2	158552-61900	O-RING	1							
77	2	26106-060142	BOLT, M6X 14 PLATED	6							
78	2	26106-060252	BOLT, M6X 25 PLATED	8							
79	2	26106-060402	BOLT, M6X 40 PLATED	2							
91	2	129612-77930	SOLENOID, STOP	1							

Remarks

* THIS FIGURE(GOVERNOR ASSY)IS INCORPORATED IN THE FUEL INJECTION PUMP ASSY(FIG.12).

Fig.14. FUEL INJECTION VALVE



(A)=4TNV106-NTB1

(B)=

(C)=

(D)=

(E)=

(F)=

No.	Lev.	Parts No.	Description	Q'ty						I	R
				(A)	(B)	(C)	(D)	(E)	(F)		
1	1	723907-53100	VALVE ASSY,INJECTION	4							
2	2	123907-53000	VALVE ASSY,INJECTION	4							
5	2	114250-53080	NUT, NOZZLE D16.95	4							
9	2	114250-53120	SPRING, NOZZLE	4							
10	2	114250-53130	SEAT, SPRING	4							
11	2	114250-53140	PLATE	4							
12	2	114250-53210	PIN	8							
13	2	114250-53400	SHIM SET	4							
25	1	123907-11601	SEAL	4							
26	1	122780-59100	RETAINER	4							
27	1	123472-59120	RETAINER, PIPE	2							
28	1	123907-59729	SUPPORT	1							
30	1	123907-59810	PIPE ASSY, INJECTION	1							
31	1	123907-59820	PIPE ASSY, INJECTION	1							
32	1	123907-59830	PIPE ASSY, INJECTION	1							
33	1	123907-59840	PIPE ASSY, INJECTION	1							
34	1	26106-060202	BOLT, M6X 20 PLATED	6							
35	1	26106-080202	BOLT, M8X 20 PLATED	1							

Fig.15. FUEL LINE

(A)=4TNV106-NTB1

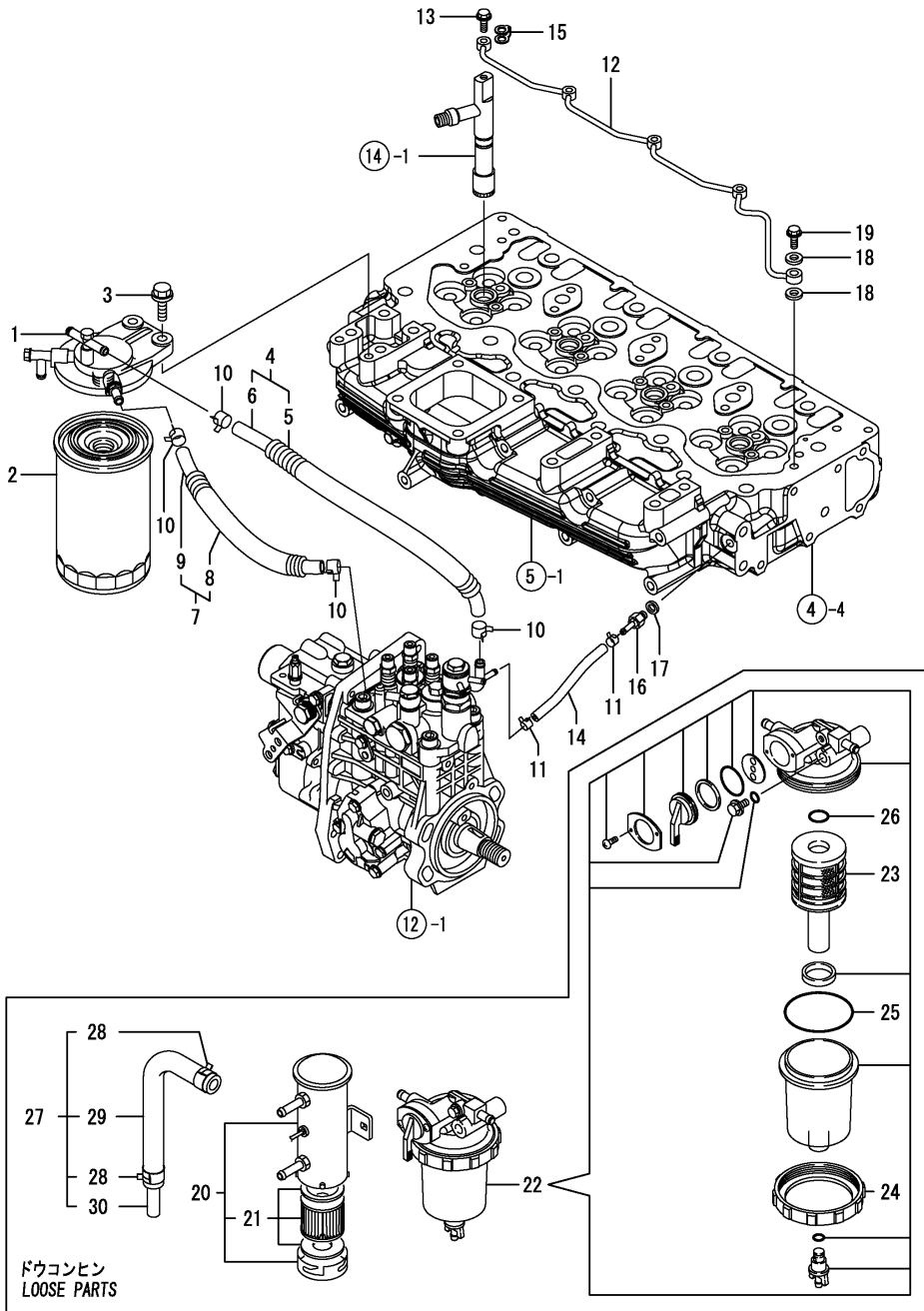
(B)=

(C)=

(D)=

(E)=

(F)=



No.	Lev.	Parts No.	Description	Q'ty						I	R
				(A)	(B)	(C)	(D)	(E)	(F)		
1	1	129004-55612	BRACKET, FILTER	1							
2	1	123907-55801	FILTER, FUEL	1							
3	1	26106-080302	BOLT, M8X 30 PLATED	2							
4	1	129957-59040	PIPE, FUEL	1							
5	2	119560-59110	TUBE, CORRUGATED	1							
6	2	129335-59090	PIPE, FUEL D13X500	1							
7	1	119160-59010	PIPE ASSY, FUEL	1							
8	2	129950-59221	TUBE, CORRUGATED	1							
9	2	105025-59530	PIPE, FUEL D13X400	1							
10	1	23000-013000	CLAMP, 13	4							
11	1	124066-59100	CLIP, HOSE 8	2							
12	1	123907-59140	PIPE ASSY, RETURN	1							
13	1	123907-59540	BOLT, PIPE JOINT M6	4							
14	1	121250-59550	PIPE, FUEL D8X120	1							
15	1	123907-59550	GASKET	4							
16	1	123907-59560	JOINT	1							
17	1	22190-080002	WASHER, SEAL 6	1							
18	1	23414-080000	GASKET, 8X1.0	2							
19	1	23857-030000	BOLT, JOINT 3	1							
20	1	129535-52100	PUMP ASSY, FUEL FEED	1							
21	2	129535-52150	FILTER ASSY	1							
22	1	119802-55700	SEPARATOR ASSY	1							
23	2	119802-55710	ELEMENT	1							
24	2	129100-55690	RING, RETAINING	1							
25	2	24321-000650	O-RING, 1AG65.0	1							
26	2	24311-000160	O-RING, 1AP16.0	1							
27	1	119840-59601	BEND	1							
28	2	124766-59050	CLIP, HOSE 12	2							
29	2	119840-59611	BEND	1							
30	2	119840-59621	JOINT	1							

Fig.16. STARTING MOTOR

(A)=4TNV106-NTB1

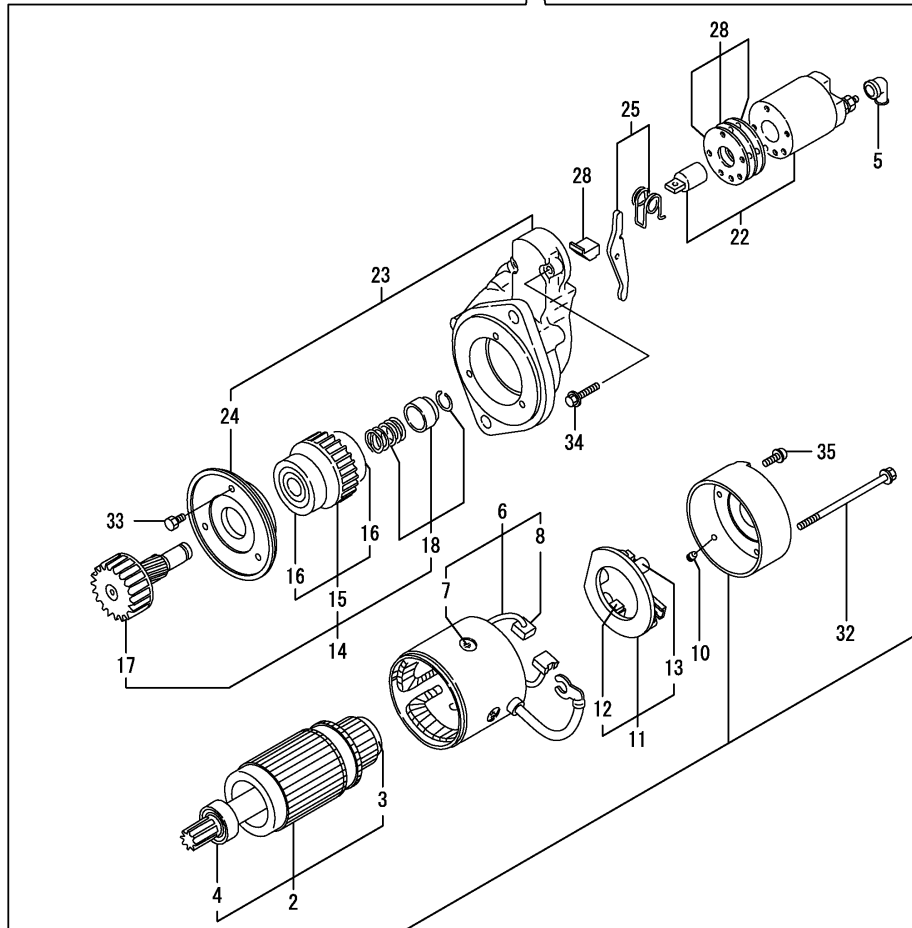
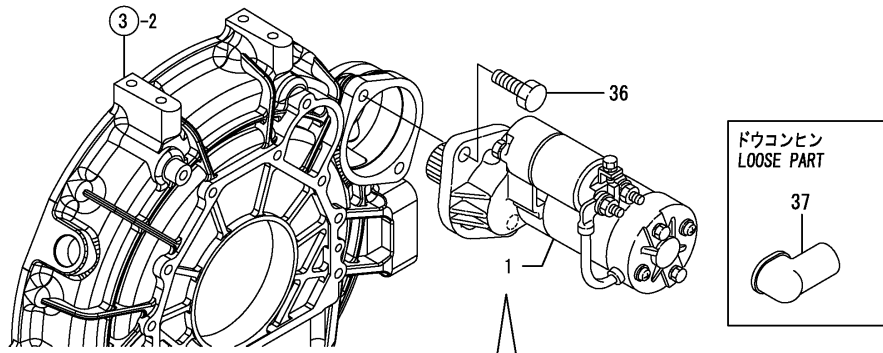
(B)=

(C)=

(D)=

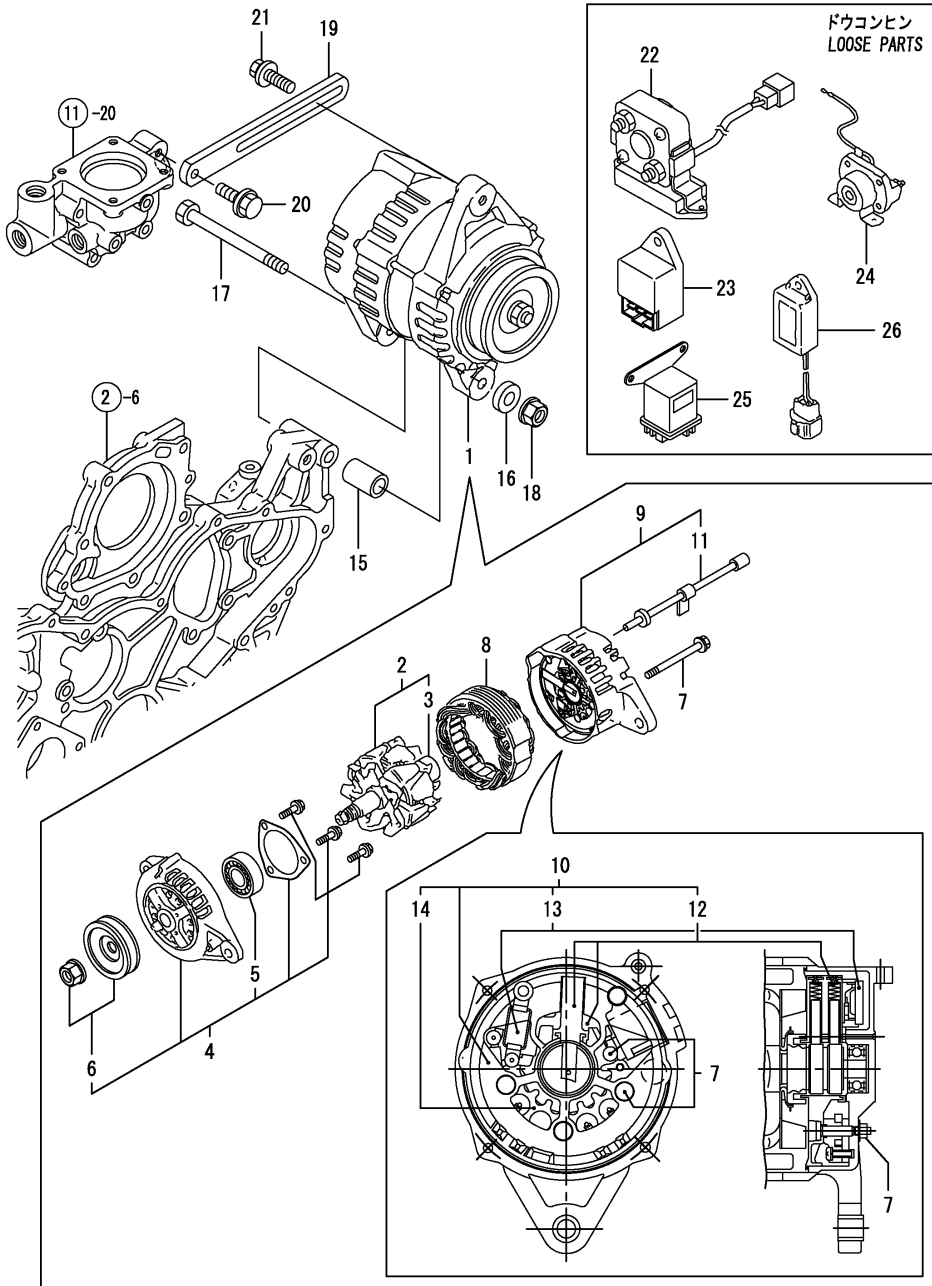
(E)=

(F)=



No.	Lev.	Parts No.	Description	Qty						I	R
				(A)	(B)	(C)	(D)	(E)	(F)		
1	1	119131-77010	STARTING MOTOR	1							
2	2	119131-77400	ARMATURE ASSY	1							
3	3	X2130350900	BALL BEARING	1							
4	3	119131-77420	BALL BEARING	1							
5	2	121254-77810	COVER, TERMINAL	1							
6	2	119131-77440	COIL ASSY, FIELD	1							
7	3	171008-77450	SCREW	4							
8	3	119131-77450	BRUSH (+)	2							
10	2	119131-77470	BUSH	1							
11	2	119131-77480	HOLDER ASSY, BRUSH	1							
12	3	119131-77500	BRUSH (-)	2							
13	3	119131-77490	SPRING, BRUSH	4							
14	2	119131-77510	PINION	1							
15	3	119131-77520	CLUTCH ASSY	1							
16	4	X2240610100	BALL BEARING (3)	2							
17	3	119131-77540	PINION SHAFT	1							
18	3	119131-77550	STOPPER KIT, PINION	1							
22	2	119131-77590	SWITCH, MAGNETIC	1							
23	2	119131-77600	CASE ASSY, GEAR	1							
24	3	119131-77610	METAL, GEAR CASE	1							
25	2	119131-77620	LEVER SET, SHIFT	1							
28	2	119131-77650	COVER SET, DUST	1							
32	2	129400-77640	BOLT, THROUGH	2							
33	2	26014-060162	BOLT, M6X 16	3							
34	2	119131-77690	BOLT M 6X 45 PLATED	2							
35	2	26557-040102	SCREW, M4X10	2							
36	1	26116-120302	BOLT, M12X 30 PLATED	2							
37	1	124550-77030	COVER, TERMINAL	1							

Fig.17. GENERATOR



(A)=4TNV106-NTB1

(B)=

(C)=

(D)=

(E)=

(F)=

No.	Lev.	Parts No.	Description	Q'ty						I	R
				(A)	(B)	(C)	(D)	(E)	(F)		
1	1	123900-77220	GENERATOR	1							
1-1	1	123900-77221	ALTERNATOR, 24V-35A	1							N
(A=EXXXXX)											
2	2	129900-77800	ROTOR ASSY	1							
3	3	129900-77810	BEARING, BALL	1							
4	2	129900-77890	BRACKET ASSY	1							
5	3	129900-77900	BEARING, BALL	1							
6	2	123910-77910	PULLEY	1							
7	2	129900-77920	SCREW KIT	1							
8	2	129900-77930	STATOR ASSY	1							
9	2	129900-77980	BRACKET ASSY, REAR	1							
9-1	2	123900-77820	BRACKET ASY	1							N
(A=EXXXXX)											
10	3	129900-77970	RECTIFIER ASSY	1							
11	4	129900-77860	LEAD WIRE ASSY	1							
12	4	129900-77940	HOLDER, BRUSH	1							
13	4	129900-77950	REGURATOR	1							
14	4	129900-77960	DIODE ASSY	1							
15	1	123900-77340	PIECE, DISTANCE	1							
16	1	22137-100000	WASHER, 10	1							
17	1	123945-77200	BOLT, M10X120	1							
18	1	26306-100002	NUT, M10	1							
19	1	123900-77330	ADJUSTER	1							
20	1	119005-77350	BOLT, M8X25	1							
21	1	119810-77340	BOLT, ADJUSTER	1							
22	1	129900-77100	RELAY, SAFETY	1							
23	1	119129-77920	TIMER	1							
24	1	124612-77920	SWITCH	1							
25	1	129612-77910	RELAY, GROW	1							
26	1	129612-77920	TIMER	1							

Fig.18. GASKET SET

(A)=4TNV106-NTB1

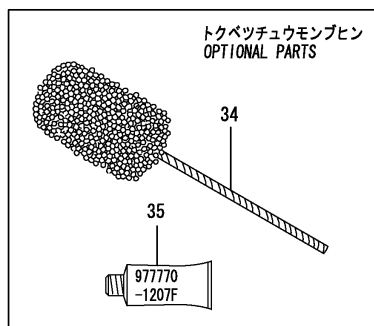
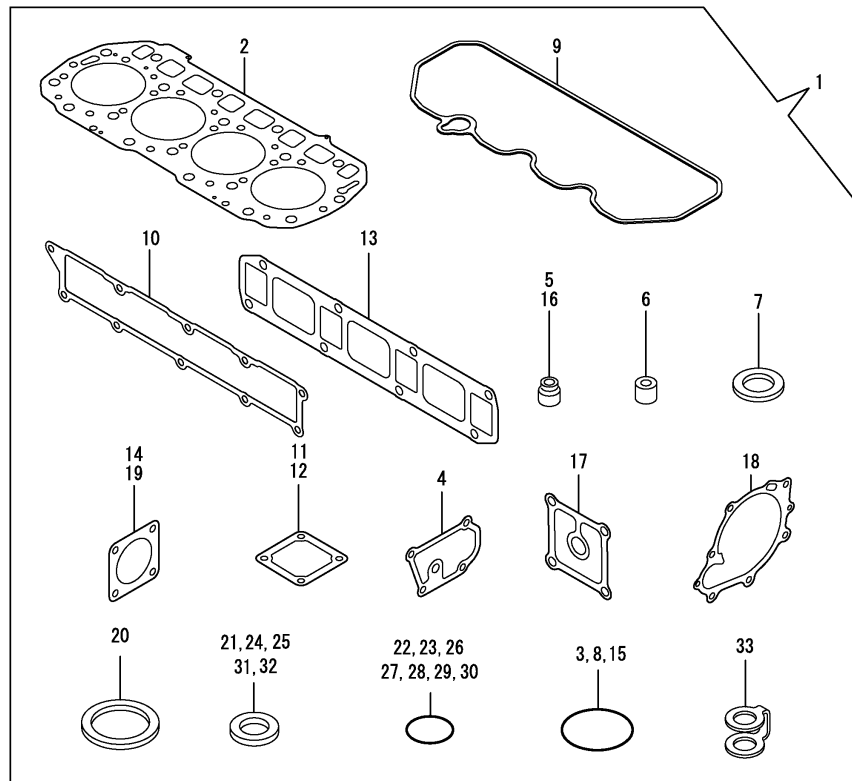
(B)=

(C)=

(D)=

(E)=

(F)=



No.	Lev.	Parts No.	Description	Q'ty						I	R
				(A)	(B)	(C)	(D)	(E)	(F)		
1	1	723907-92680	GASKET SET	1							1
2	2	123907-01350	GASKET, HEAD	1							
3	2	24311-000320	O-RING, 1AP32.0	2							
4	2	123900-49820	GASKET	1							
5	2	124160-11340	SEAL, VALVE STEM	8							
6	2	119802-11870	PROTECTOR, NOZZLE	4							
7	2	119625-11880	SEAT, NOZZLE	4							
8	2	24351-030750	O-RING, 1A3075	1							
9	2	123907-11310	GASKET, BONNET	1							
10	2	123907-12110	GASKET, MANIFOLD	1							
11	2	123900-77020	GASKET	1							
12	2	123900-77030	GASKET	1							
13	2	123907-13110	GASKET	1							
14	2	129400-13201	GASKET, SILENCER	2							
15	2	24321-000850	O-RING, 1AG85.0	1							
16	2	124950-11340	SEAL, VALVE STEM	8							
17	2	123900-33060	GASKET	1							
18	2	123900-42050	GASKET, WATER PUMP	1							
19	2	124610-49291	GASKET	1							
20	2	123500-49550	GASKET	1							
21	2	22190-080002	WASHER, SEAL 6	1							
22	2	24311-240100	O-RING, 1AP10A	1							
23	2	24341-000240	O-RING, 1AS24.0	1							
24	2	23414-100000	GASKET, 10X1.0	2							
25	2	124465-44950	GASKET, 16	1							
26	2	129900-32030	O-RING, P20	1							
27	2	129900-32040	O-RING, P14	1							
28	2	24311-000110	O-RING, 1AP11.0	1							
29	2	24311-000120	O-RING, 1AP12.0	8							
30	2	24314-000180	O-RING, 4CP18.0	1							
31	2	23414-080000	GASKET, 8X1.0	7							
32	2	129150-49360	GASKET	1							
33	2	123907-59550	GASKET	4							
34	1	129400-92450	HONE	1							1
35	1	977770-1207F	GASKET.LIQUID	1							1

Remarks

(1) OPTIONAL PARTS.

Parts No. Index

Parts No.	Fig. No.	Ref. No.
105010-39140	11	21
105025-59530	15	9
114250-39450	10	1
114250-53080	14	5
114250-53120	14	9
114250-53130	14	10
114250-53140	14	11
114250-53210	14	12
114250-53400	14	13
119005-35151	9	22
119005-77350	17	20
119117-12530	5	12
119117-12560	5	14
119117-12570	5	15
119129-77920	17	23
119131-18320	6	6
119131-77010	16	1
119131-77400	16	2
119131-77420	16	4
119131-77440	16	6
119131-77450	16	8
119131-77470	16	10
119131-77480	16	11
119131-77490	16	13
119131-77500	16	12
119131-77510	16	14
119131-77520	16	15
119131-77540	16	17
119131-77550	16	18
119131-77590	16	22
119131-77600	16	23
119131-77610	16	24
119131-77620	16	25
119131-77650	16	28
119131-77690	16	34
119140-12680	5	17
119160-12540	5	13
119160-59010	15	7
119173-22300	8	22
119174-01200	1	22
119255-44660	11	59
119260-34810	9	16
119560-59110	15	5
119575-01750	3	5
119620-01750	3	5 -1
119625-11880	4	32
	18	7
119640-01640	3	9
119640-61400	4	64
119660-61901	13	59

Parts No.	Fig. No.	Ref. No.
119802-11870	4	31
	18	6
119802-49113	11	10
119802-51590	12	50
119802-51600	12	51
119802-51680	12	55
119802-51690	12	56
119802-55700	15	22
119802-55710	15	23
119807-61420	13	23
119810-77340	17	21
119840-59601	15	27
119840-59611	15	29
119840-59621	15	30
121023-01551	2	29
121023-26070	2	11
121250-44901	11	39
121250-59550	15	14
121254-77810	16	5
121550-49111	9	13
121750-59890	11	52
121850-21130	8	10
121850-21290	8	4
121850-21680	8	9
121850-21920	8	5
121850-35230	9	5
121850-35531	9	7
121851-11970	1	15
121952-39830	9	8
122780-59100	14	26
123472-59120	14	27
123500-49550	11	25
	18	20
123672-01782	3	7
123900-01620	3	2
123900-01710	3	8
123900-01740	2	5
123900-01780	2	4
123900-02020	1	5
123900-02340	1	24
123900-02410	1	8
123900-02800	1	16
123900-02930	1	19
123900-02940	1	27
123900-14200	7	1
123900-21000	8	1
123900-21580	8	11
123900-21650	8	8
123900-23000	8	24
123900-23200	8	28

Parts No.	Fig. No.	Ref. No.
123900-23600	8	29
123900-23610	8	31
123900-23910	8	27
123900-25060	7	9
123900-25120	7	10
123900-32001	2	9
123900-33060	9	11
	18	17
123900-34810	9	17
123900-34820	9	18
123900-35004	9	23
123900-39650	10	18
123900-42050	11	12
	18	18
123900-42460	11	15
123900-49820	11	31
	18	4
123900-77020	5	6
	18	11
123900-77030	5	7
	18	12
123900-77220	17	1
123900-77221	17	1 -1
123900-77330	17	19
123900-77340	17	15
123900-77820	17	9 -1
123907-01350	1	23
	18	2
123907-01500	2	7
123907-01800	2	6
123907-03010	4	54
123907-03060	4	55
123907-03070	4	56
123907-03100	4	57
123907-03110	4	58
123907-03120	4	59
123907-03140	4	60
123907-07900	4	1
123907-11100	4	19
123907-11110	4	20
123907-11120	4	21
123907-11180	4	22
123907-11250	4	35
123907-11260	4	36
123907-11270	4	37
123907-11280	4	38
123907-11310	4	63
	18	9
123907-11320	4	53
123907-11341	4	34

Parts No.	Fig. No.	Ref. No.
123907-11390	4	50
123907-11510	4	25
123907-11550	4	3
123907-11601	14	25
123907-11650	4	39
123907-11660	4	43
123907-11800	4	13
123907-11810	4	11
123907-11820	4	14
123907-11830	4	28
123907-11910	4	70
123907-11920	4	47
123907-11950	4	71
123907-12100	5	1
123907-12110	5	3
	18	10
123907-13100	6	1
123907-13110	6	2
	18	13
123907-13700	6	3
123907-13730	6	4
123907-13800	6	5
123907-14400	7	2
123907-14580	7	3
123907-22050	8	16
123907-22090	8	14
123907-25909	7	15
123907-39061	10	2
123907-39500	10	4
123907-49620	11	48
123907-49710	11	44
123907-49720	11	49
123907-53000	14	2
123907-55801	15	2
123907-59140	15	12
123907-59540	15	13
123907-59550	15	15
	18	33
123907-59560	15	16
123907-59729	14	28
123907-59810	14	30
123907-59820	14	31
123907-59830	14	32
123907-59840	14	33
123910-33011	9	1
123910-33041	9	3
123910-33100	9	12
123910-49050	11	34
123910-77910	17	6
123911-12040	5	10

Parts No. Index

Parts No.	Fig. No.	Ref. No.
123911-13510	6	9
123911-13550	6	10
123911-13650	6	11
123911-13660	6	12
123911-13670	6	13
123911-44781	11	18
123912-33050	9	2
123915-77500	5	8
123944-12500	5	11
123944-44500	11	65
123944-44750	11	17
123945-42000	11	2
123945-49610	11	43
123945-49700	11	45
123945-77200	17	17
123946-01780	2	4 -1
123946-21660	8	8 -1
123946-42480	11	16
123946-49040	11	35
123946-49660	11	37
123946-49810	11	20
123962-49500	11	24
124066-59100	15	11
124160-01751	2	27
	4	52
124160-11340	4	23
	18	5
124160-11360	4	67
124160-39140	10	7
124223-35510	9	6
124250-49351	11	41
124465-44950	11	40
	18	25
124550-77030	16	37
124610-12580	5	5
124610-48620	11	22
124610-49291	11	23
	18	19
124612-77920	17	24
124722-59050	11	46
		50
124766-59050	15	28
124950-11340	4	24
	18	16
127410-21480	8	13
129004-55612	15	1
129100-01580	3	1
129100-55690	15	24
129107-44590	11	66
129150-02450	7	4

Parts No.	Fig. No.	Ref. No.
129150-11230	4	41
		45
129150-11750	4	27
		42
		46
129150-49080	11	61
129150-49100	11	60
129150-49360	11	42
	18	32
129155-51280	13	6
129155-61460	13	27
129255-61410	13	22
129335-59090	15	6
129400-13201	6	8
	18	14
129400-77640	16	32
129400-92450	18	34
129466-49300	11	1
129486-59320	11	47
129535-52100	15	20
129535-52150	15	21
129612-12650	5	16
129612-77910	17	25
129612-77920	17	26
129612-77930	13	91
129792-39410	10	12
129900-14100	7	6
129900-21200	8	3
129900-21640	8	7
129900-32030	2	12
	18	26
129900-32040	2	13
	18	27
129900-77100	17	22
129900-77800	17	2
129900-77810	17	3
129900-77860	17	11
129900-77890	17	4
129900-77900	17	5
129900-77920	17	7
129900-77930	17	8
129900-77940	17	12
129900-77950	17	13
129900-77960	17	14
129900-77970	17	10
129900-77980	17	9
129906-51580	12	49
129907-01950	12	128
129907-01960	12	129
129907-51340	12	27

Parts No.	Fig. No.	Ref. No.
129907-51560	12	45
129916-21610	8	9 -1
129916-49740	11	8
129916-59020	12	126
129950-59221	15	8
129953-25300	7	14
129957-59040	15	4
129960-21640	8	7 -1
144626-51090	12	83
148616-44510	11	53
148616-44551	11	54
158552-51570	12	46
158552-51580	12	48
158552-51670	12	124
158552-51780	12	117
158552-52100	12	71
158552-52310	12	73
158552-52400	12	74
158552-52500	12	72
158552-61900	13	76
158553-51551	12	43
158553-51630	12	60
158553-51640	12	62
158553-51660	12	64
158553-51670	12	54
158553-51680	12	65
158557-51570	12	47
158560-51300	12	18
158560-51600	12	59
158560-61050	13	2
158560-61061	13	3
158560-61071	13	4
158560-61430	13	24
158560-61442	13	25
158563-51150	7	16
158563-51281	12	16
		17
158563-51330	12	26
158600-51270	12	15
158601-51550	12	42
158601-51570	12	44
158601-51650	12	63
158601-51770	12	116
158601-51790	12	115
171008-77450	16	7
171051-01921	1	4
22137-100000	17	16
22190-080002	10	20
	15	17
	18	21

Parts No.	Fig. No.	Ref. No.
22190-120002	12	76
		77
		118
22190-160002	13	60
22190-180002	12	78
		119
22190-220002	3	11
22217-180000	7	17
	12	79
22252-000370	8	23
22312-050140	12	80
22312-080160	2	14
22351-030010	10	19
22351-050010	12	81
22351-060012	1	9
22512-070140	7	7
	8	6
22857-500100	4	65
		66
23000-013000	15	10
23000-025000	11	38
23000-054000	11	55
23000-060000	11	56
23000-102000	5	18
23000-115000	5	19
23387-040800	11	29
23414-080000	10	8
	11	30
		57
	15	18
	18	31
23414-100000	10	9
	18	24
23414-180000	9	9
23857-030000	10	10
	15	19
23857-060000	12	84
23875-020000	11	9
23875-030000	1	10
		13
23876-005000	4	15
23876-020000	4	16
	9	10
23876-030000	4	17
	11	27
23887-120002	12	120
23887-160002	13	62
24190-080001	11	11
24311-000070	12	85
24311-000110	2	15

Parts No. Index

Parts No.	Fig. No.	Ref. No.
24311-000110	18	28
24311-000120	4	33
		68
	18	29
24311-000160	15	26
24311-000320	2	28
	4	69
	18	3
24311-240100	9	19
	18	22
24314-000180	9	24
	18	30
24321-000650	15	25
24321-000850	2	16
	18	15
24341-000240	2	30
	18	23
24341-000530	8	39
24351-030750	2	33
	18	8
24356-010200	12	57
		86
24356-020210	12	87
24372-000150	12	58
26014-060162	16	33
26106-060102	12	88
	13	63
		64
26106-060122	11	51
26106-060142	13	77
26106-060162	2	31
26106-060202	14	34
26106-060252	13	78
26106-060352	12	89
26106-060402	13	79
26106-060502	11	13
26106-080122	3	12
	10	11
		21
	11	58
26106-080142	7	8
26106-080162	3	13
	12	130
26106-080182	9	20
26106-080202	2	17
		18
	12	131
		132
	14	35
26106-080252	11	28

Parts No.	Fig. No.	Ref. No.
26106-080302	9	25
	15	3
26106-080402	2	19
26106-080452	2	20
		21
26106-080502	2	22
26106-080552	7	13
	11	14
26106-080602	11	32
26106-080702	2	23
	5	4
	11	33
26106-080752	4	49
	9	14
26106-080802	2	24
26106-081002	9	15
26106-100162	12	133
26106-100182	9	21
26106-100202	4	2
26106-100222	2	25
26106-100352	3	6
26106-100452	5	9
26106-100602	11	19
26106-120162	9	26
26116-060102	13	50
26116-120302	16	36
26226-080302	4	48
26226-100322	2	10
26306-080002	4	51
26306-100002	2	26
	6	7
	17	18
26450-100452	12	92
26557-040102	16	35
26756-060002	13	65
26776-180002	7	18
	12	93
27225-120160	1	14
27231-700000	1	11
27241-300000	1	12
27241-400000	4	18
27310-070001	4	29
723900-01570	2	1
723900-01580	2	1 -1
723907-01560	1	1
723907-11100	4	4
723907-22910	8	33
723907-22950	8	35
723907-53100	14	1
723907-92680	18	1

Parts No.	Fig. No.	Ref. No.
723944-51300	12	1
977770-1207F	2	32
	18	35
X2130350900	16	3
X2240610100	16	16

Parts No.	Fig. No.	Ref. No.
-----------	----------	----------