

OCD10-M89400EN

PREFACE

1. This parts catalog is the first edition of 4TNV84T-XTBL for Takeuchi Mfg. Co., Ltd.

Pub. No.: 000Y00D8940

Published: May.,2006

2. Model name

Engine model	Vehicle		Vehicle Made by
	Products	Model name	
4TNV84T-XTBL	CRAWLER LOADER	L5A	Takeuchi Mfg. Co., Ltd.

Directions for the Parts Catalog.

1. This Parts Catalog shows both standard and optional parts.
2. Parts may change without prior notice.
3. The following is an example of the Parts Catalog format.

REF.	LEV.	PARTS NO.	DESCRIPTION	Q'TY						I	R
				(A)	(B)	(C)	(D)	(E)	(F)		
1	1	729595-51390	FUEL INJECTION PUMP	1	1	1	1	1			1
1-1	1	729595-51391	FUEL INJECTION PUMP	1	1	1	1	1		N	1
		(A=E00185) (B=E00200)									
3	2	26022-060162	SCREW M 6X 16	9	9	9	9	9			
3-1	2	26022-060162	SCREW M 6X 16	4	4	4	4	4		K	
		(A=E00156) (B=E00156) (C=E00156) (D=E00156) (E=E00156)									
4	2	129470-51040	CAMSHAFT	1	1	1	1	1			
5	2	122710-51050	BEARING, ROLLER	2	2	2	2	2			
6	2	129470-51060	RETAINER	1	1	1	1	1			

Remarks
(1) BOOST COMPEMSATOR TYPE. OPTIONAL PART, TO E00155,(4JH-DT, 4JH-DTZ

① Ref. No.

The Ref. No. listed may not be in accordance with the illustration Ref. No.

(Ex.) Illustration No.

List Ref No.

1

1

(Before change)

1-1

(After change)

For interchangeable symbols N, R and K, illustrations for new parts may be abbreviated.

② Lev. (Level)

Level indication

The numbers below indicate the level of relativity towards the main part.

1 ----- Main parts (Assembly parts)

2 ----- Sub component included in " 1 ".

3 ----- Sub component included in " 2 ".

Note) Parts that are not for sale are partially illustrated but not listed.

③ Interchangeability Symbol

When a part change takes place, one of the following interchangeability symbols is indicated beside the part.

Symbol	Interchangeability	Contents note
N	Old $\begin{matrix} \leftarrow \text{Yes} \\ \text{No} \rightarrow \end{matrix}$ New	New Part is interchangeable for Old Part but Old Part is not interchangeable for New Part.
Q	Old $\begin{matrix} \leftarrow \text{No} \\ \text{Yes} \rightarrow \end{matrix}$ New	New Part is not interchangeable for Old Part but Old Part is interchangeable for New Part.
R	Old $\begin{matrix} \leftarrow \text{Yes} \\ \text{Yes} \rightarrow \end{matrix}$ New	New/ Old Parts are both interchangeable.
S	Old $\begin{matrix} \leftarrow \text{No} \\ \text{No} \rightarrow \end{matrix}$ New	New/ Old Parts are both not interchangeable.
W		Part newly added.
Z		Part discontinued.
F		Not interchangeable by a single part but interchangeable together with related parts.
K		Changes only for used parts quantities.

④ Effective Machine No.

When a part changes, the effective Machine No. will be indicated in the (A)-(F) column.

Product Symbol	Product No.	Product Symbol	Product No.
C	Clutch No. Compressor No.	F	Machine No. (Agricultural Equip.)
D	Drive No.	M	Machine No.
E	Engine No.		

Note 1) A date may follow the symbol. (Ex.) 1996.01

Note 2) "XXXXX" and "ZZZZZ" are for parts that could not be predicted or for engine models that could not be identified.

Note 3) (A=E00185) is the E (Engine Serial Number) for the column (A) model (in this case 4JH-DT) after the parts design change.

⑤ Remarks

Figures or alphabets (symbols) are entered in the remarks column.

The comments (remarks) on parts that are indicated at the bottom of the illustration are the same symbols as those stated above.

Contents

OCD10-M89400

Fig. No. Fig. Name

Fig. No. Fig. Name

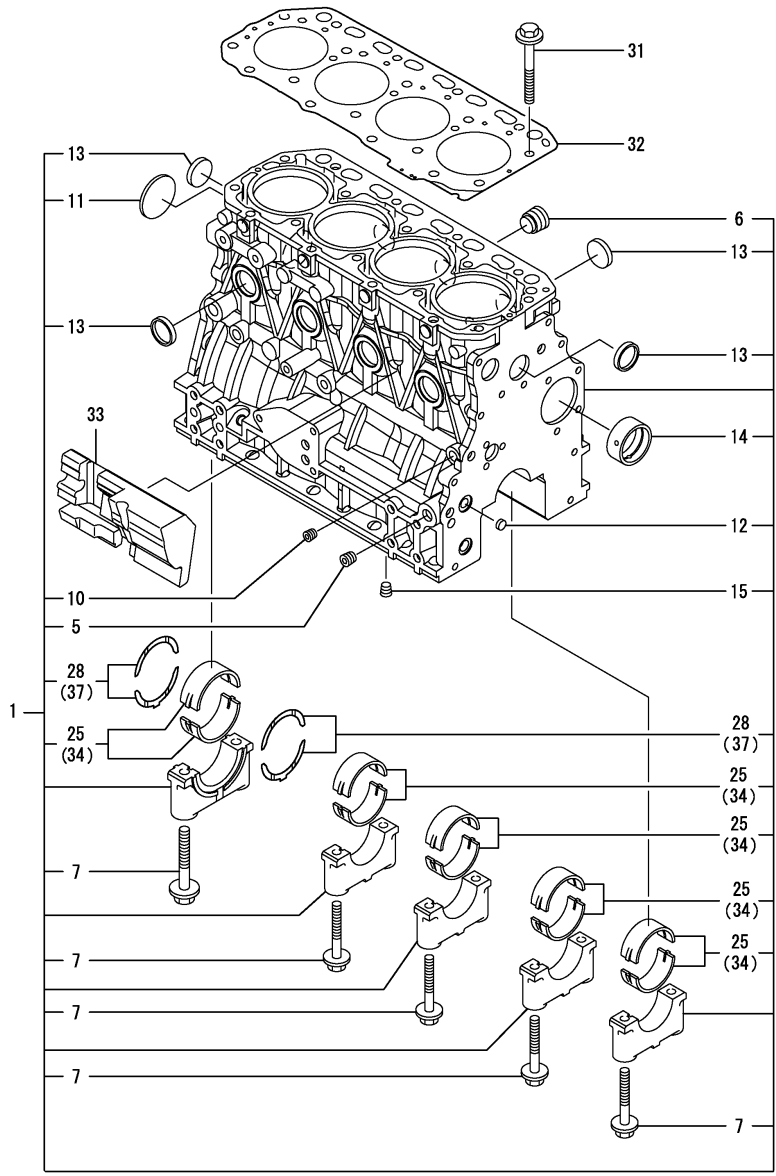
4TNV84T-XTBL

1. CYLINDER BLOCK
2. GEAR HOUSING
3. FLYWHEEL HOUSING & OIL SUMP
4. CYLINDER HEAD & BONNET
5. SUCTION MANIFOLD & AIR CLEANER
6. EXHAUST MANIFOLD & SILENCER
7. CAMSHAFT & DRIVING GEAR
8. TURBINE
9. CRANKSHAFT & PISTON
10. LUB.OIL SYSTEM
11. LUB.OIL LINE
12. COOLING WATER SYSTEM
13. FUEL INJECTION PUMP
14. GOVERNOR
15. FUEL INJECTION VALVE
16. FUEL LINE
17. STARTING MOTOR
18. GENERATOR
19. GASKET SET

Fig.1. CYLINDER BLOCK

(A)=4TNV84T-XTBL
(B)=
(C)=

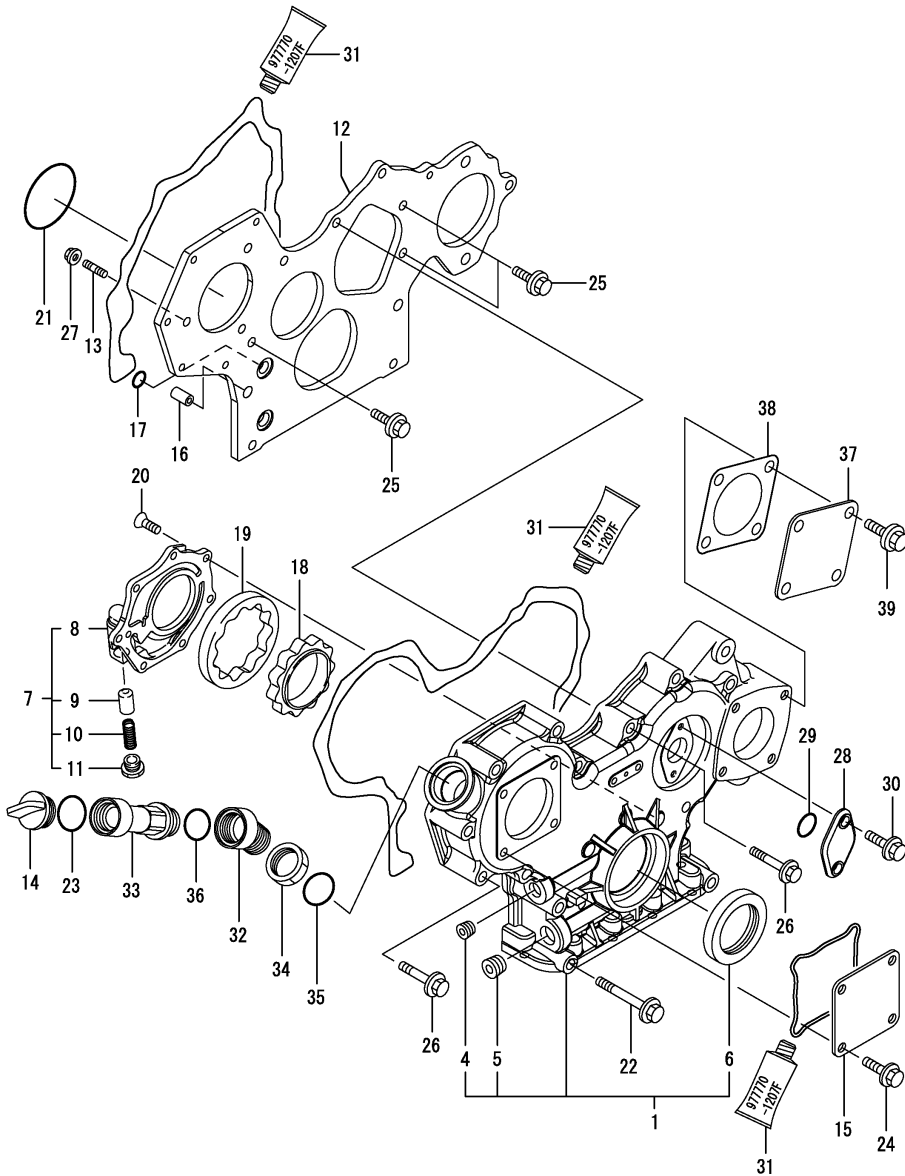
(D)=
(E)=
(F)=



No.	Lev.	Parts No.	Description	Q'ty						I	R
				(A)	(B)	(C)	(D)	(E)	(F)		
1	1	729508-01560	BLOCK ASSY, CYLINDER	1							
5	2	124160-01910	PLUG, PT1/4	2							
6	2	171051-01921	PLUG, NPTF1	1							
7	2	129150-02020	BOLT, METAL CAP	10							
10	2	124060-01050	PLUG, PT1/8	1							
11	2	129001-01250	PLUG, 50	1							
12	2	27241-120000	PLUG, 12	2							
13	2	27241-300000	PLUG 30	8							
14	2	129795-02412	BUSH, CAMSHAFT	1							
15	2	124160-01910	PLUG, PT1/4	1							
25	2	129001-02931	BEARING, MAIN	5							3
28	2	129150-02931	BEARING, THRUST	2							
31	1	129150-01200	BOLT, HEAD	18							
32	1	129508-01330	GASKET, HEAD	1							
33	1	129004-01190	SPACER	1							
34	1	129150-02871	BEARING, 0.25 US	5							1
37	1	129150-02941	BEARING, THRUST 0.25	1							2

Remarks
 (1) UNDER-SIZE(U.S=0.25)PART.
 (2) OVER-SIZE(O.S=0.25)PART.
 (3) REPAIR PART.

Fig.2. GEAR HOUSING



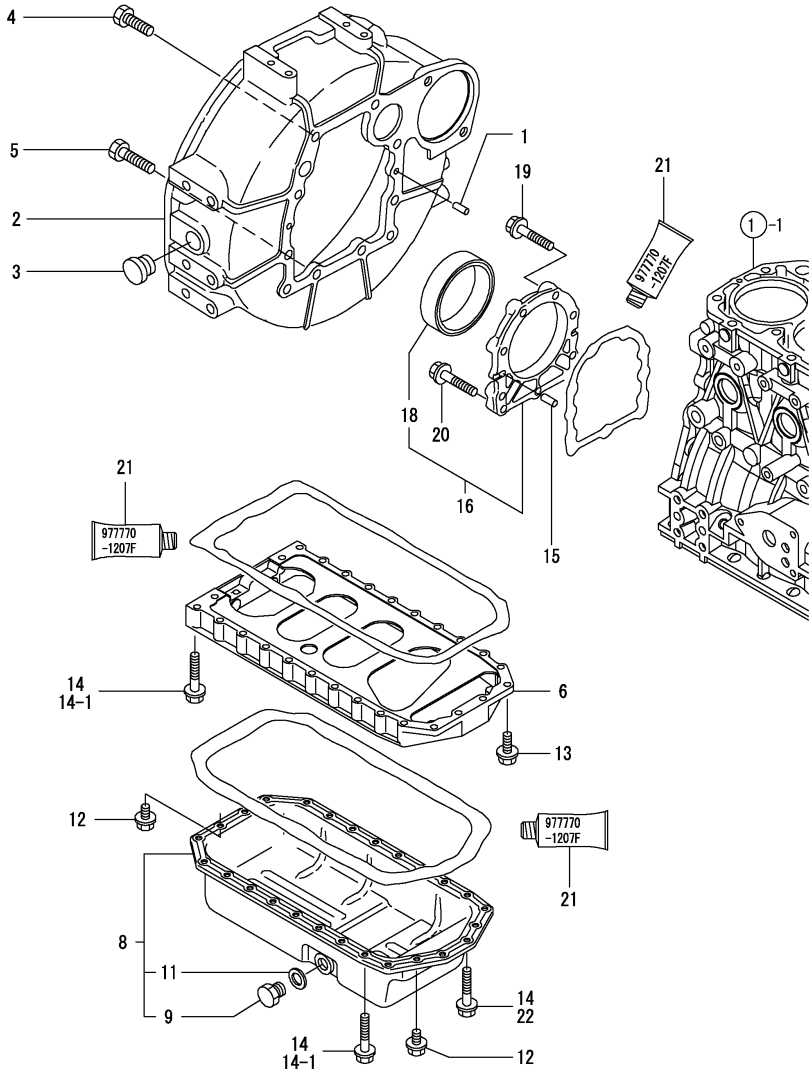
(A)=4TNV84T-XTBL
(B)=
(C)=

(D)=
(E)=
(F)=

No.	Lev.	Parts No.	Description	Q'ty						I	R
				(A)	(B)	(C)	(D)	(E)	(F)		
1	1	729648-01520	CASE ASSY, GEAR	1							
4	2	23876-030000	PLUG, R03	1							
5	2	23876-040000	PLUG, R04	1							
6	2	119934-01800	SEAL, OIL	1							
7	1	119802-32100	COVER ASSY	1							
8	2	119802-32070	COVER	1							
9	2	129900-32130	VALVE, RELIEF	1							
10	2	129418-32320	SPRING	1							
11	2	129001-32330	PLUG	1							
12	1	129005-01520	FLANGE, GEAR CASE	1							
13	1	119802-01561	STUD, M8X25	3							
14	1	124160-01751	COVER, FILLER	1							
15	1	124240-01871	COVER	1							
16	1	129795-01950	PIPE, KNOCK L=18	2							
17	1	119609-32040	O-RING, P16	4							
18	1	129508-32111	ROTOR, INNER	1							
19	1	129508-32120	ROTOR, OUTER	1							
20	1	119802-32130	SCREW, M6X16	7							
21	1	121850-51960	O-RING	1							
22	1	129001-91841	BOLT, M8X85	3							
23	1	24311-000320	O-RING, 1AP32.0	1							
24	1	26106-080162	BOLT, M8X 16 PLATED	4							
25	1	26106-080162	BOLT, M8X 16 PLATED	3							
26	1	26106-080552	BOLT, M8X 55 PLATED	12							
27	1	26306-080002	NUT, M8	3							
28	1	121023-01551	COVER	1							
29	1	24341-000240	O-RING, 1AS24.0	1							
30	1	26106-060162	BOLT, M6X 16 PLATED	2							
31	1	977770-1207F	GASKET,LIQUID	1							1
32	1	119225-11740	ADAPTER	1							
33	1	171031-11741	PIPE	1							
34	1	119225-11750	NUT	1							
35	1	24311-000300	O-RING, 1AP30.0	1							
36	1	24311-000320	O-RING, 1AP32.0	1							
37	1	124240-01871	COVER	1							
38	1	124240-01883	GASKET	1							
39	1	26106-080122	BOLT, M8X 12 PLATED	4							

Remarks
(1) OPTIONAL PART.

Fig.3. FLYWHEEL HOUSING & OIL SUMP



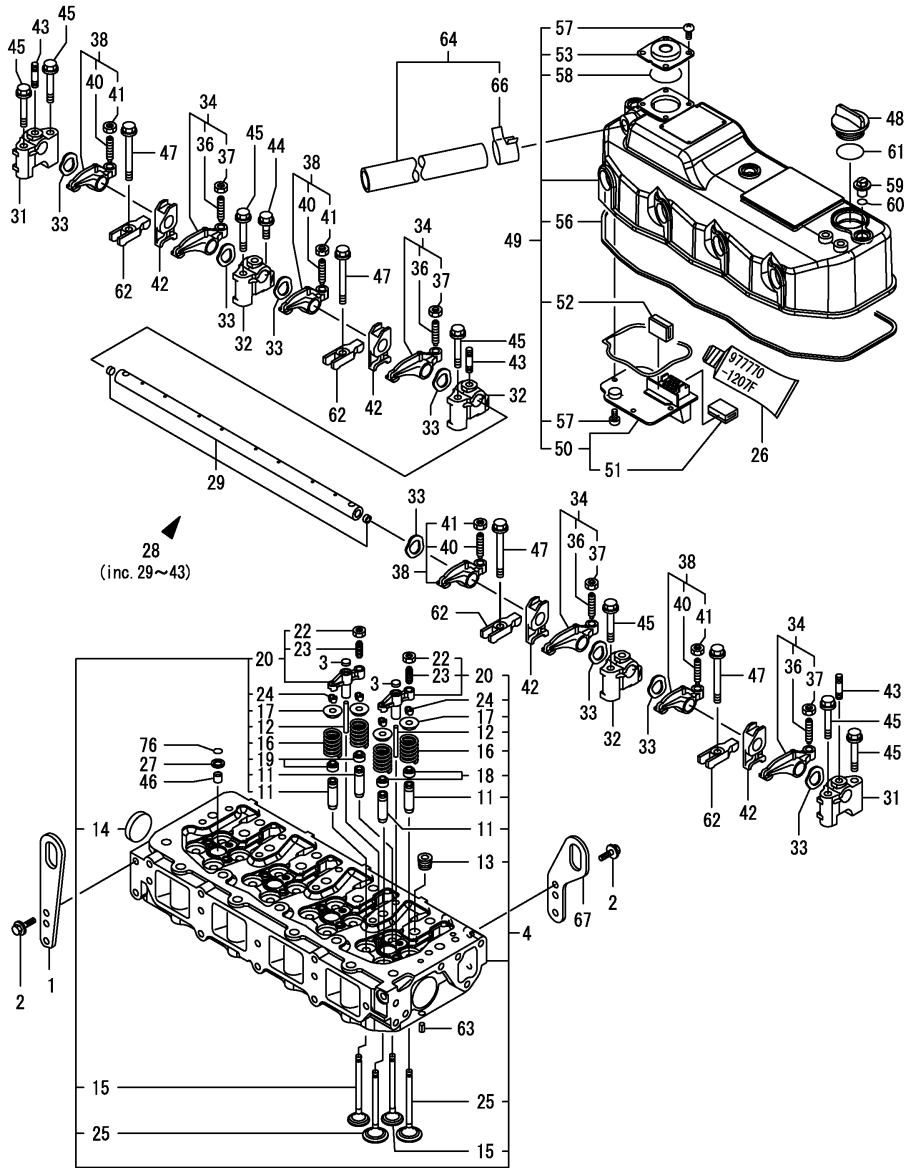
(A)=4TNV84T-XTBL
(B)=
(C)=

(D)=
(E)=
(F)=

No.	Lev.	Parts No.	Description	Q'ty						I	R
				(A)	(B)	(C)	(D)	(E)	(F)		
1	1	129100-01580	PIN, M8X16	2							
2	1	129612-01600	HOUSING, FLYWHEEL	1							
3	1	119620-01750	CAP	1							
4	1	26206-100252	BOLT, M10X 25 PLATED	6							
5	1	26206-100302	BOLT, M10X 30 PLATED	4							
6	1	129400-01730	SPACER, OIL SUMP	1							
8	1	129400-01770	SUMP ASSY, OIL	1							
8-1	1	129688-01780	OIL PAN ASSY, DEEP	1							N
(A=E24769)											
9	2	119640-01640	PLUG, DRAIN M22	1							
11	2	22190-220002	WASHER, SEAL 22	1							
12	1	26106-080162	BOLT, M8X 16 PLATED	4							
13	1	26106-080252	BOLT, M8X 25 PLATED	2							
14	1	26106-080452	BOLT, M8X 45 PLATED	24							
14-1	1	26106-080452	BOLT, M8X 45 PLATED	20							K
(A=FROM 1ST)											
15	1	129100-01580	PIN, M8X16	2							
16	1	129100-01640	CASE ASSY, OIL SEAL	1							
18	2	129795-01780	SEAL, OIL	1							
19	1	129486-01670	BOLT, M8X30	6							
20	1	26106-080352	BOLT, M8X 35 PLATED	3							
21	1	977770-1207F	GASKET.LIQUID	1							1
22	1	26106-080502	BOLT, M8X 50 PLATED	4							W
(A=FROM 1ST)											

Remarks
(1)Optional parts.

Fig.4. CYLINDER HEAD & BONNET



(A)=4TNV84T-XTBL

(B)=

(C)=

(D)=

(E)=

(F)=

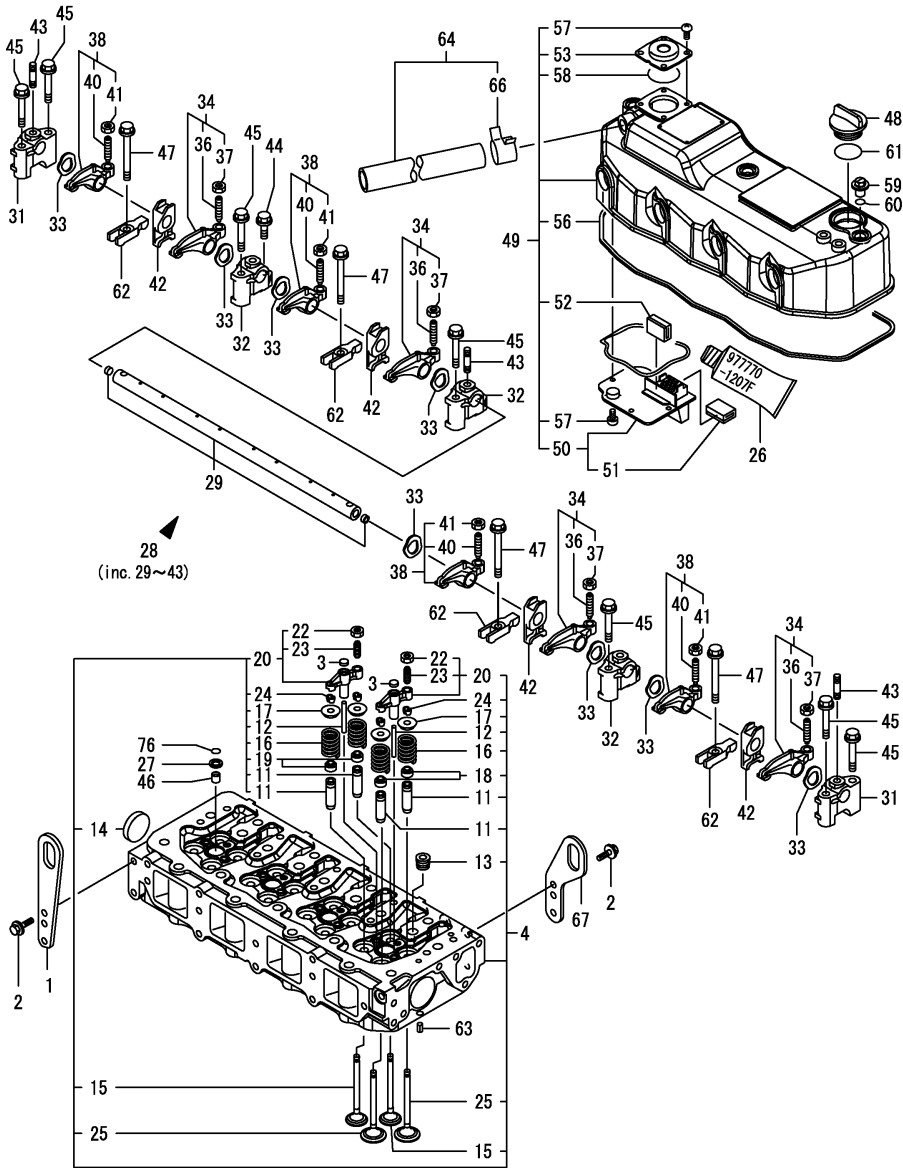
No.	Lev.	Parts No.	Description	Q'ty						I	R
				(A)	(B)	(C)	(D)	(E)	(F)		
1	1	129900-07900	LIFTER	1							
2	1	26106-080162	BOLT, M8X 16 PLATED	4							
3	1	123907-11550	SEAT, VALVE BRIDGE	8							
4	1	129508-11700	HEAD ASSY, CYLINDER	1							1
11	2	119717-11800	GUIDE, VALVE	16							
12	2	129508-11820	GUIDE	8							
13	2	23876-020000	PLUG, R02	4							
14	2	27241-400000	PLUG, 40	2							
15	2	129508-11110	VALVE, EXHAUST	8							
16	2	129508-11130	SPRING, VALVE	16							
17	2	129508-11180	RETAINER, SPRING	16							
18	2	119717-11340	SEAL, VALVE STEM	8							
19	2	119717-11350	SEAL, VALVE STEM	8							
20	2	129672-11510	BRIDGE ASSY, VALVE	8							
22	3	129150-11750	NUT, M8	8							
23	3	123907-11830	ADJUSTER	8							
24	2	119717-11190	COTTER	32							
25	2	129508-11100	VALVE, INTAKE	8							
26	1	97770-1207F	GASKET, LIQUID	1							2
27	1	119625-11880	SEAT, NOZZLE	4							
28	1	129508-11241	SHAFT ASSY, ROCKER	1							
29	2	129508-11250	SHAFT, ROCKER ARM	1							
31	2	129508-11260	SUPPORT, ROCKER ARM	2							
32	2	129508-11270	SUPPORT, ROCKER ARM	3							
33	2	129508-11280	WASHER	8							
34	2	129508-11650	ARM, ROCKER	4							
36	3	129150-11230	SCREW, VALVE ADJUST	4							
37	3	129150-11750	NUT, M8	4							
38	2	129508-11660	ARM, ROCKER	4							
40	3	129150-11230	SCREW, VALVE ADJUST	4							
41	3	129150-11750	NUT, M8	4							
42	2	129508-11920	RETAINER	4							
43	2	26226-080352	STUD, M8X 35	3							
44	1	26106-080252	BOLT, M8X 25 PLATED	3							
45	1	26106-080502	BOLT, M8X 50 PLATED	7							
46	1	119802-11870	PROTECTOR, NOZZLE	4							
47	1	129907-11950	BOLT, M8X75	4							
48	1	124160-01751	COVER, FILLER	1							
49	1	129508-11350	BONNET ASSY, HEAD	1							
50	2	129508-03010	PLATE	1							
51	3	119802-03070	BAFFLE, BREATHER	1							
52	2	129150-03070	BAFFLE, BREATHER	1							
53	2	129006-03120	COVER, DIAPHRAGM	1							
56	2	129508-11310	GASKET, BONNET	1							
57	2	22857-500100	SCREW, 5X10	8							
58	2	24341-000400	O-RING, 1AS40.0	1							
59	1	124160-11360	KNOB	3							
60	1	24311-000120	O-RING, 1AP12.0	3							
61	1	24311-000320	O-RING, 1AP32.0	1							
62	1	129508-11900	RETAINER, NOZZLE	4							
63	1	22351-060012	PIN, SPRING 6.0X12	2							

Remarks

(1) REPAIR PART.

(2) OPTIONAL PART.

Fig.4. CYLINDER HEAD & BONNET



(A)=4TNV84T-XTBL
(B)=
(C)=

(D)=
(E)=
(F)=

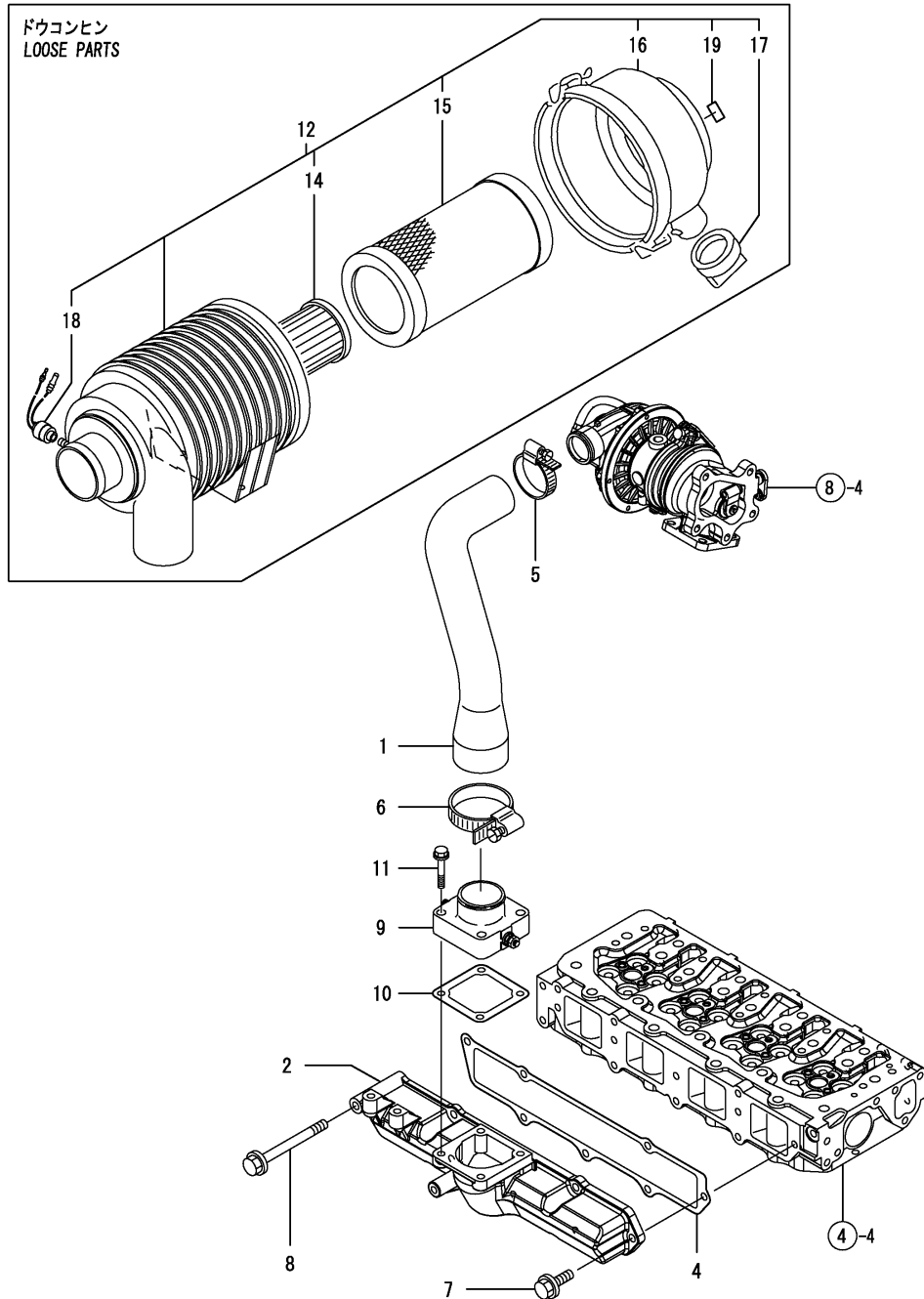
No.	Lev.	Parts No.	Description	Q'ty						I	R
				(A)	(B)	(C)	(D)	(E)	(F)		
64	1	129916-03100	HOSE ASSY, BREATHER	1							
66	2	129960-03990	CLIP, HOSE 22	1							
67	1	129486-07901	LIFTER	1							
76	1	24311-000120	O-RING, 1AP12.0	4							

Remarks
(1) REPAIR PART.
(2) OPTIONAL PART.

Fig.5. SUCTION MANIFOLD & AIR CLEANER

(A)=4TNV84T-XTBL
(B)=
(C)=

(D)=
(E)=
(F)=



No.	Lev.	Parts No.	Description	Q'ty						I	R
				(A)	(B)	(C)	(D)	(E)	(F)		
1	1	129508-12070	PIPE, AIR INTAKE	1							
2	1	129508-12120	MANIFOLD, AIR INTAKE	1							
2-1	1	129508-12121	MANIFOLD,INTAKE	1							R
(A=EZZZZZ)											
4	1	129508-12110	GASKET, MANIFOLD	1							
5	1	23000-048000	CLAMP, 48	1							
6	1	23000-060000	CLAMP, 60	1							
7	1	26106-080202	BOLT, M8X 20 PLATED	6							
8	1	26106-080802	BOLT, M8X 80 PLATED	1							
9	1	129120-77501	HEATER	1							
10	1	129150-77511	GASKET	1							
11	1	26106-080352	BOLT, M8X 35 PLATED	4							
12	1	129953-12530	CLEANER ASSY, AIR	1							
14	2	119005-12571	ELEMENT	1							
15	2	129062-12560	ELEMENT	1							
16	2	129900-12530	COVER ASSY	1							
17	2	119808-12540	VALVE, UNLOADER	1							
18	2	119140-12680	INDICATOR	1							
19	2	129612-12650	MARKING,(W)	1							

Fig.6. EXHAUST MANIFOLD & SILENCER

(A)=4TNV84T-XTBL
(B)=
(C)=

(D)=
(E)=
(F)=

No.	Lev.	Parts No.	Description	Q'ty						I	R
				(A)	(B)	(C)	(D)	(E)	(F)		
1	1	129550-13110	GASKET	1							
2	1	129403-13120	MANIFOLD, EXHAUST	1							
3	1	119131-18320	STUD, M8X22	4							
4	1	119802-13650	BOLT, M8X65	3							
5	1	119802-13670	BOLT, M8X85	1							
6	1	129693-44310	BOLT	4							
6-1	1	119802-13820	BOLT, M8X100 9.8T	4							N
		(A=*2009.12)									
7	1	129648-13520	SILENCER	1							
8	1	129648-13570	SUPPORT, SILENCER	1							
9	1	129508-18090	GASKET	1							
10	1	26106-080202	BOLT, M8X 20 PLATED	2							
11	1	26106-080142	BOLT, M8X 14 PLATED	2							
12	1	26306-080002	NUT, M8	5							
13	1	121120-13590	CLAMP	1							
15	2	22117-100000	WASHER, 10	1							
16	2	22217-100000	WASHER, SPRING 10	1							
17	2	26106-100652	BOLT, M10X 65 PLATED	1							
18	2	26706-100002	NUT, M10	1							

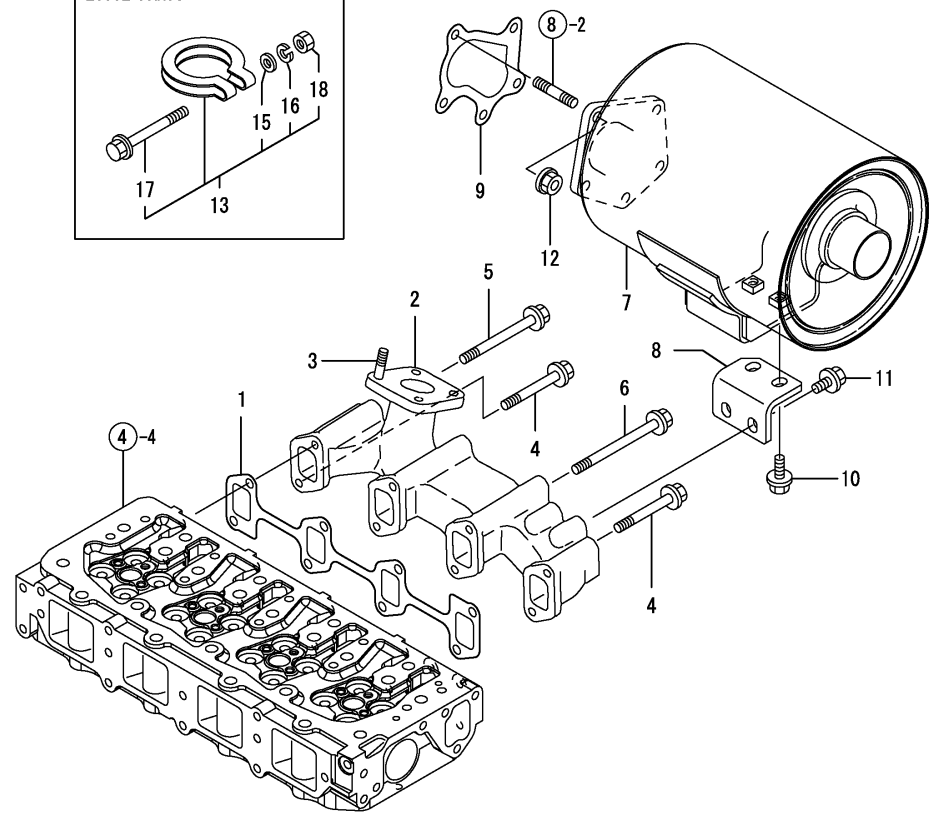
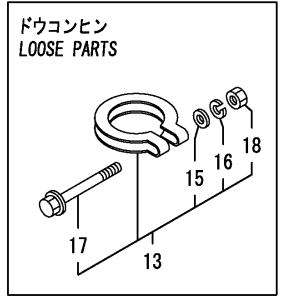
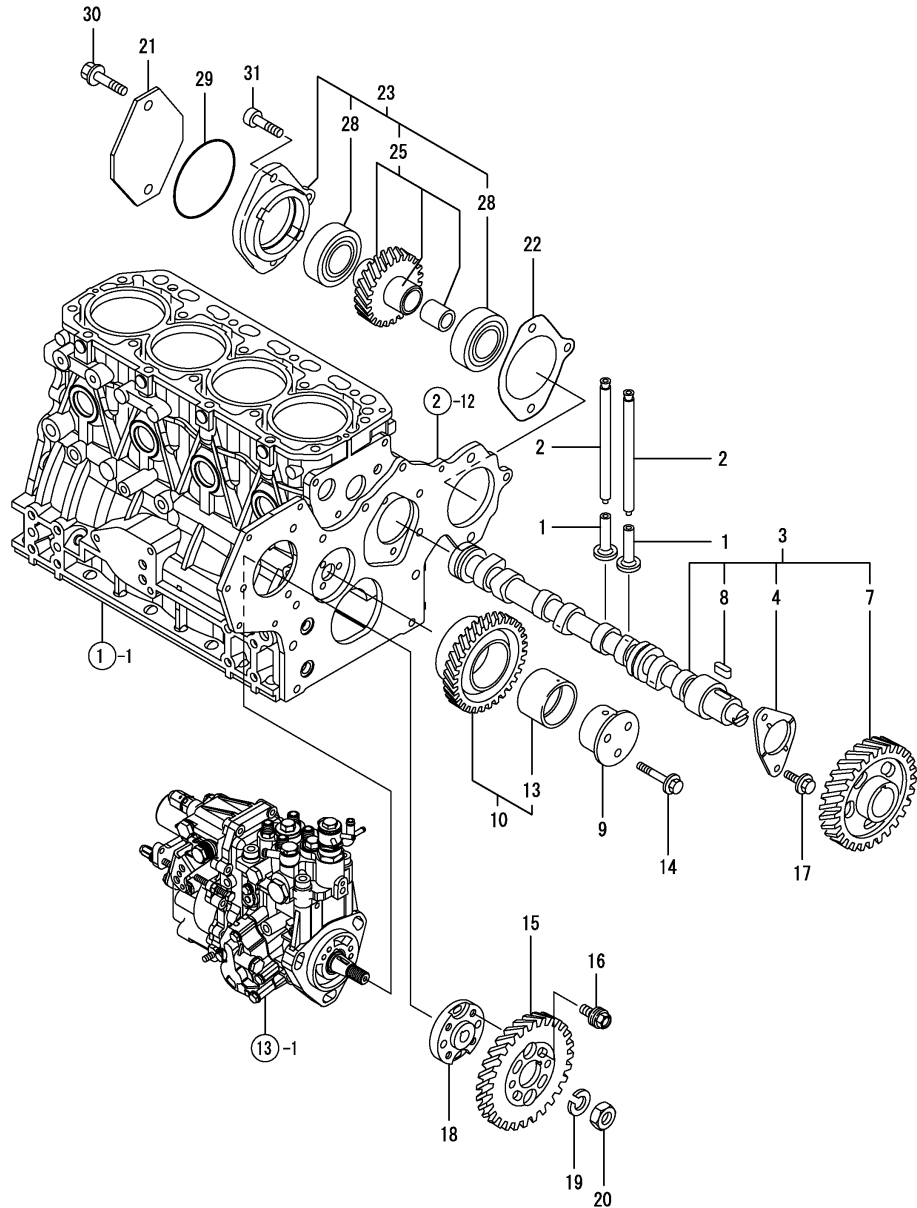


Fig.7. CAMSHAFT & DRIVING GEAR



(A)=4TNV84T-XTBL
(B)=
(C)=

(D)=
(E)=
(F)=

No.	Lev.	Parts No.	Description	Q'ty						I	R
				(A)	(B)	(C)	(D)	(E)	(F)		
1	1	129150-14200	TAPPET	8							
2	1	129150-14400	ROD, PUSH L=178	8							
3	1	129508-14580	CAMSHAFT ASSY	1							
4	2	129150-02450	BEARING, THRUST	1							
7	2	129150-14101	GEAR, CAMSHAFT	1							
8	2	22512-070140	KEY, 7X 14	1							
9	1	119802-25051	SHAFT, IDLE	1							
10	1	119802-25101	GEAR ASSY, IDLE	1							
13	2	119802-25071	BUSH, IDLE GEAR	1							1
14	1	26106-080402	BOLT, M8X 40 PLATED	3							
15	1	119802-25901	GEAR, PUMP	1							
16	1	129150-25301	BOLT	4							
17	1	26106-080142	BOLT, M8X 14 PLATED	2							
18	1	158552-51151	FLANGE	1							
19	1	22217-140000	WASHER, SPRING 14	1							
20	1	26776-140002	NUT, LOCK M14	1							
21	1	121023-26070	COVER	1							
22	1	171353-26081	GASKET	1							
23	1	129484-26200	DRIVE ASSY, PUMP	1							
25	2	129484-26210	GEAR ASSY	1							
28	2	24105-060064	BEARING, BALL 6006Z	2							
29	1	24321-000850	O-RING, 1AG85.0	1							
30	1	26106-100452	BOLT, M10X 45 PLATED	2							
31	1	26450-080282	BOLT, M8X 28	1							

Remarks
(1) REPAIR PART.

Fig.8. TURBINE

(A)=4TNV84T-XTBL
(B)=
(C)=

(D)=
(E)=
(F)=

No.	Lev.	Parts No.	Description	Q'ty						I	R
				(A)	(B)	(C)	(D)	(E)	(F)		
1	1	129508-18080	GASKET	1							
2	1	129418-18320	STUD, M8X20	5							
3	1	26306-080002	NUT, M8	4							
4	1	129508-18010	TURBINE, RHF4	1							

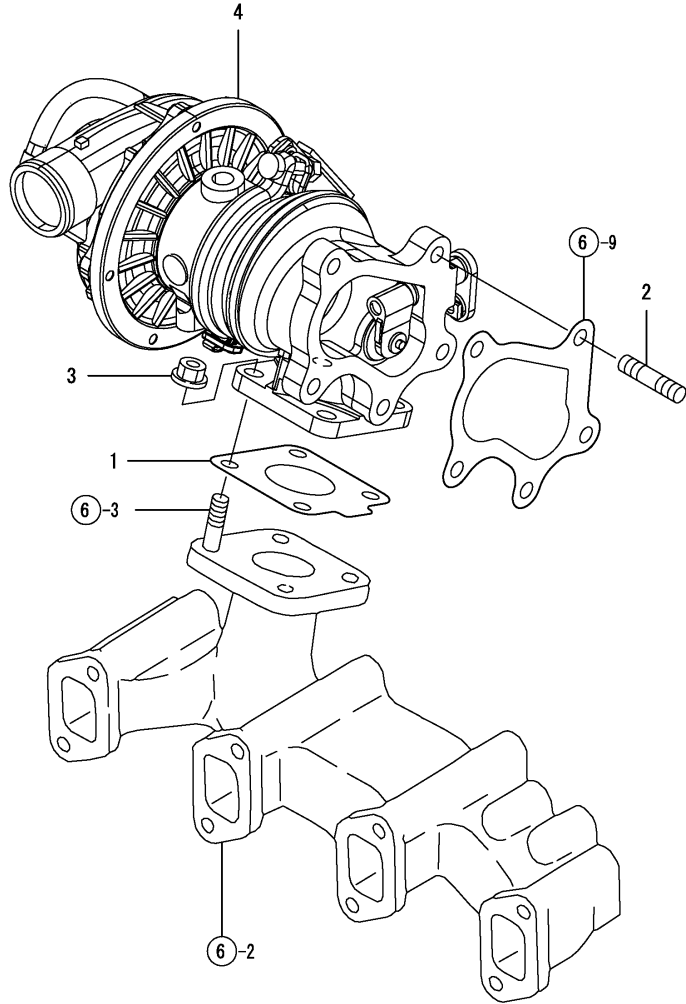
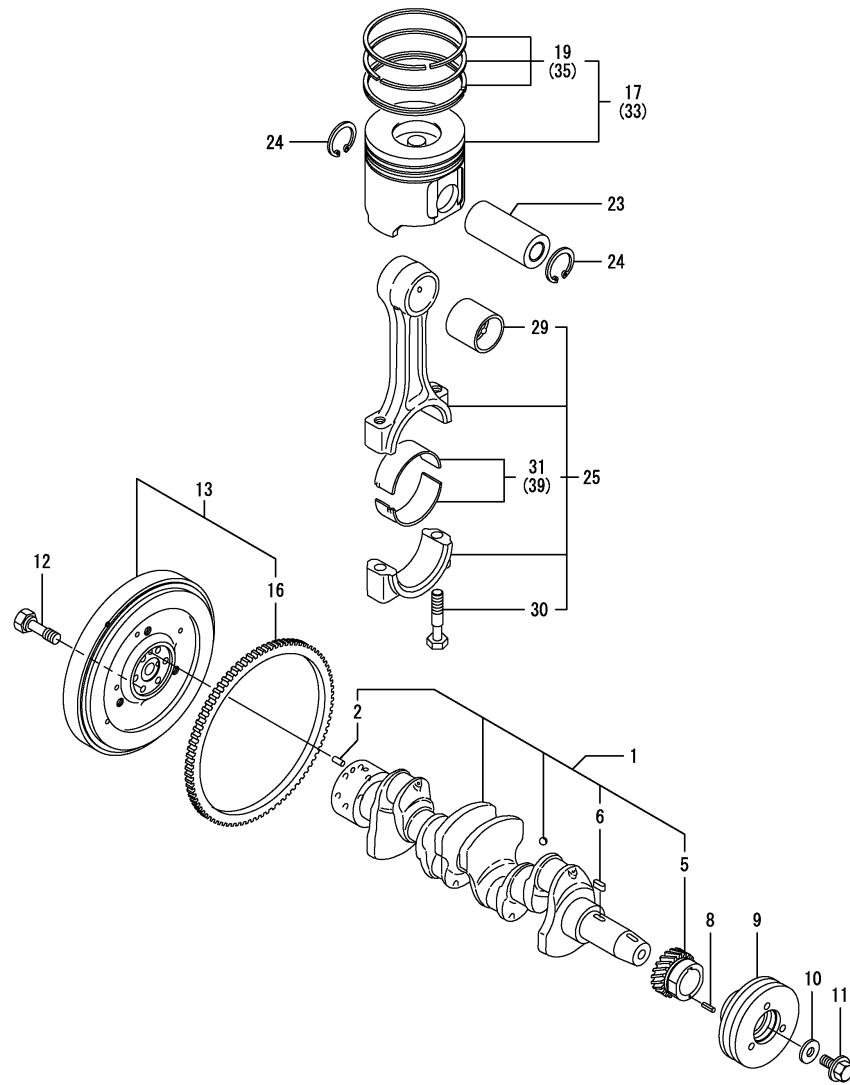


Fig.9. CRANKSHAFT & PISTON

(A)=4TNV84T-XTBL
(B)=
(C)=

(D)=
(E)=
(F)=



No.	Lev.	Parts No.	Description	Q'ty						I	R
				(A)	(B)	(C)	(D)	(E)	(F)		
1	1	129508-21002	CRANKSHAFT ASSY	1							
2	2	129100-01580	PIN, M8X16	1							
5	2	119802-21202	GEAR, CRANKSHAFT	1							
6	2	22512-070140	KEY, 7X 14	1							
8	1	22351-030010	PIN, SPRING 3.0X10	1							
9	1	119802-21650	V-PULLEY, 110	1							
10	1	129795-21661	WASHER	1							
11	1	121850-21680	BOLT	1							
12	1	121111-21501	BOLT, FLYWHEEL	6							
13	1	129642-21590	FLYWHEEL ASSY	1							
16	2	119865-21600	GEAR, RING	1							
17	1	129508-22080	PISTON ASSY	4							
19	2	129004-22500	RING SET, PISTON	4							
23	1	129202-22300	PIN, PISTON D26 L70	4							
24	1	22252-000260	RING, 26	8							
25	1	729402-23100	ROD ASSY, CONNECTING	4							
29	2	129100-23910	BEARING, PISTON PIN	4							1
30	2	121550-23200	BOLT, CONNECTING ROD	8							
31	2	129150-23601	BEARING, CRANK PIN	4							
33	1	129508-22900	PISTON ASSY, 0.25 OS	4							2
35	2	129004-22950	RING SET, 0.25 OS	4							2
39	1	129150-23611	BEARING, 0.25 US	4							3

Remarks

- (1) REPAIR PART.
- (2) OVER-SIZE(O.S=0.25)PART.
- (3) UNDER-SIZE(U.S=0.25)PART.

Fig.10. LUB.OIL SYSTEM

(A)=4TNV84T-XTBL

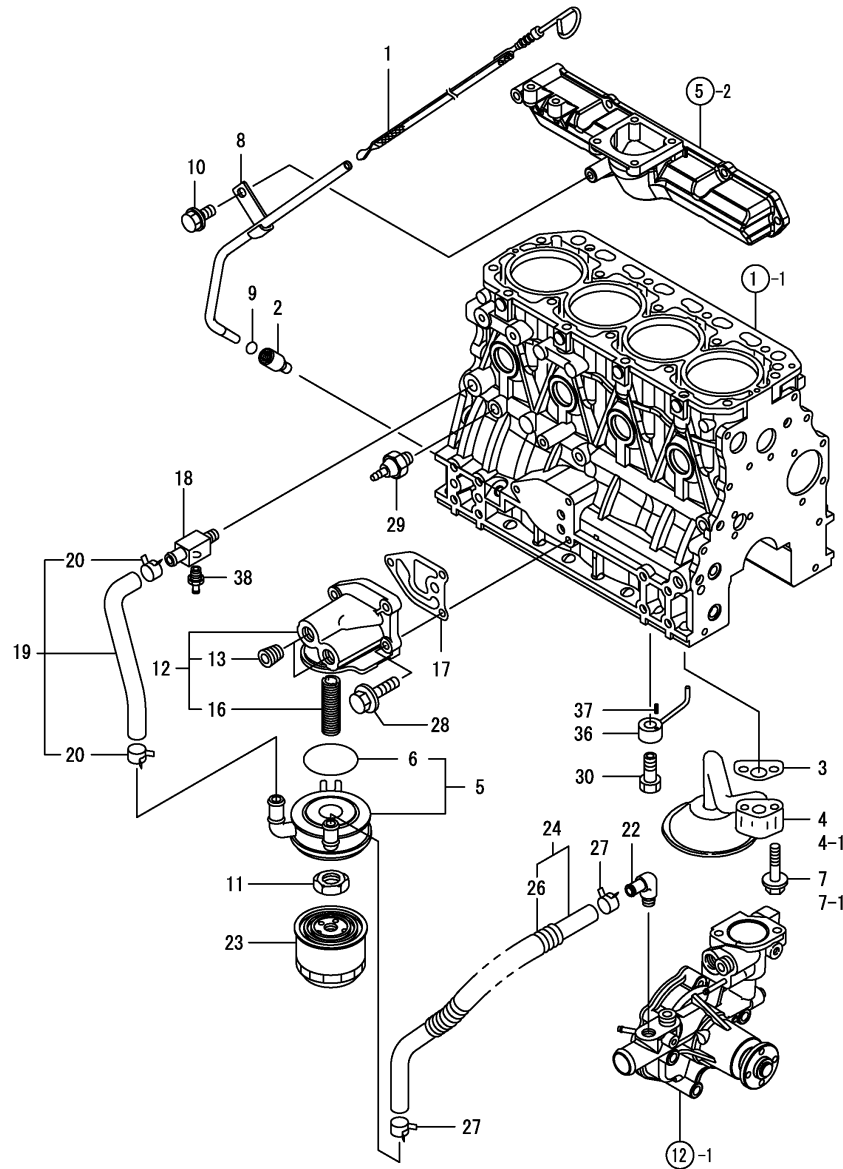
(B)=

(C)=

(D)=

(E)=

(F)=



No.	Lev.	Parts No.	Description	Q'ty						I	R
				(A)	(B)	(C)	(D)	(E)	(F)		
1	1	129244-34802	DIPSTICK, OIL	1							
2	1	119260-34810	GUIDE, DIPSTICK	1							
3	1	129150-35042	GASKET	1							
4	1	129436-35091	PIPE ASSY, OIL INLET	1							
4-1	1	129436-35070	PIPE ASSY, LUB. OIL	1							S
(A=EZZZZZ)											
5	1	129067-33011	COOLER ASSY, OIL	1							
6	2	129508-33050	O-RING	1							
7	1	26106-080352	BOLT, M8X 35 PLATED	2							
7-1	1	26106-080552	BOLT, M8X 55 PLATED	2							S
(A=EZZZZZ)											
8	1	129648-34850	GUIDE, DIPSTICK	1							
9	1	24311-240100	O-RING, 1AP10A	1							
10	1	26106-080162	BOLT, M8X 16 PLATED	1							
11	1	129417-33110	NUT	1							
12	1	129033-35100	BRACKET ASSY	1							
13	2	129033-01770	PLUG, NPT1/2	2							
16	2	129417-35150	STUD, L=67	1							
17	1	129103-35122	GASKET	1							
18	1	129006-44480	JOINT	1							
19	1	129033-49030	PIPE ASSY, WATER	1							
20	2	171008-03990	CLIP, HOSE 18.5	2							
22	1	129103-49301	ELBOW, PT1/4	1							
23	1	129150-35153	FILTER 80X80L	1							1
24	1	129467-49040	PIPE, WATER	1							
26	2	129165-49060	TUBE, CORRUGATED	1							
27	1	23080-018000	CLAMP, 18	2							
28	1	26106-080252	BOLT, M8X 25 PLATED	3							
29	1	114250-39450	SWITCH, 0.5KG	1							
30	1	129792-39410	VALVE ASSY, CHECK	4							
36	1	129553-39650	NOZZLE	4							
37	1	22351-030010	PIN, SPRING 3.0X10	4							
38	1	121550-49111	JOINT, PT1/4	1							

Remarks

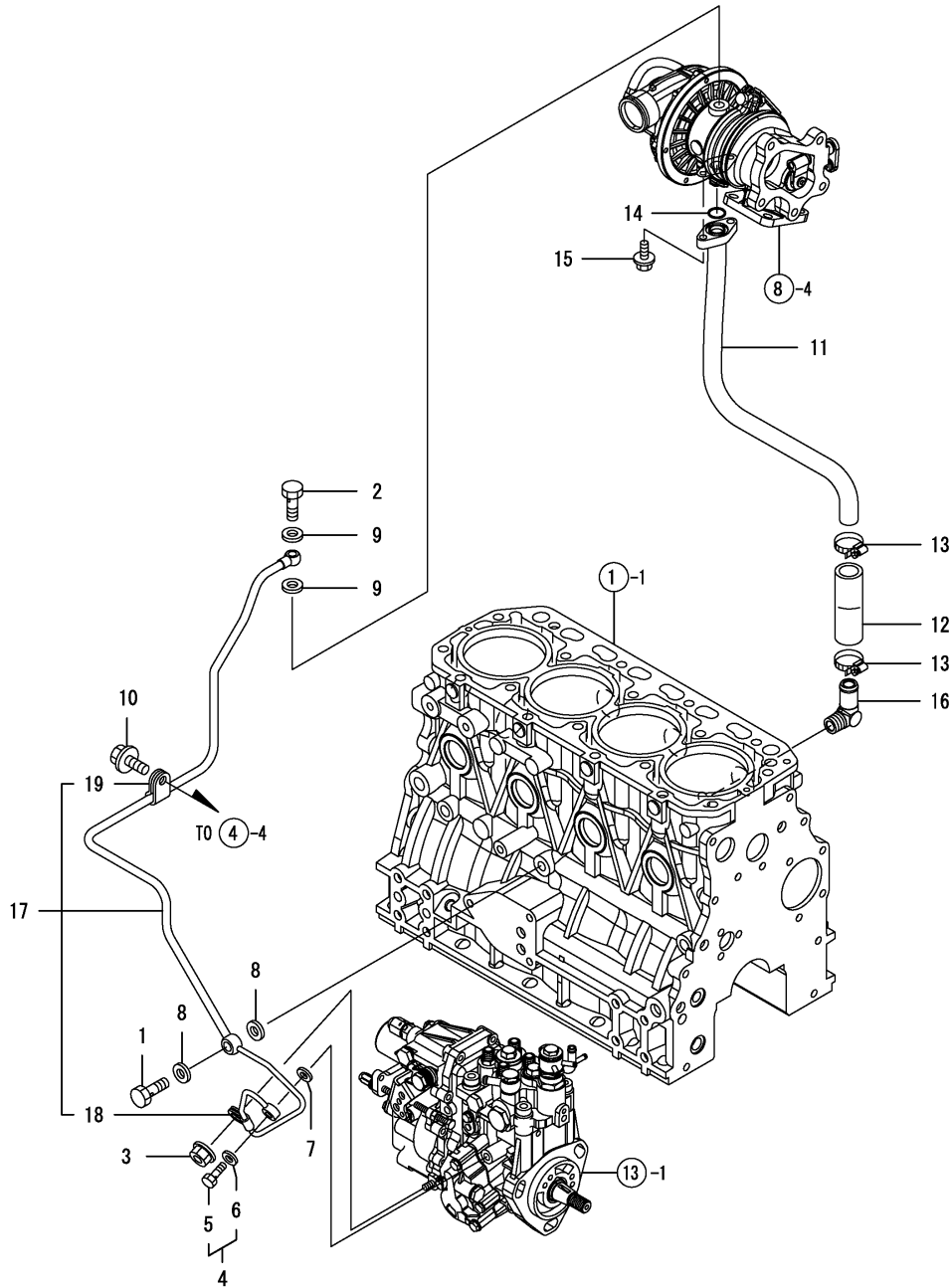
(1) REPAIR PART.

N:Old $\begin{matrix} \leftarrow \text{Yes} \\ \text{No} \end{matrix}$ New, Q:Old $\begin{matrix} \leftarrow \text{No} \\ \text{Yes} \end{matrix}$ New, R:Old $\begin{matrix} \leftarrow \text{Yes} \\ \text{Yes} \end{matrix}$ New, S:Old $\begin{matrix} \leftarrow \text{No} \\ \text{No} \end{matrix}$ New, W:Add, Z:Discontinued, F:Interchangeable by set, K:Q'ty Change

Fig.11. LUB.OIL LINE

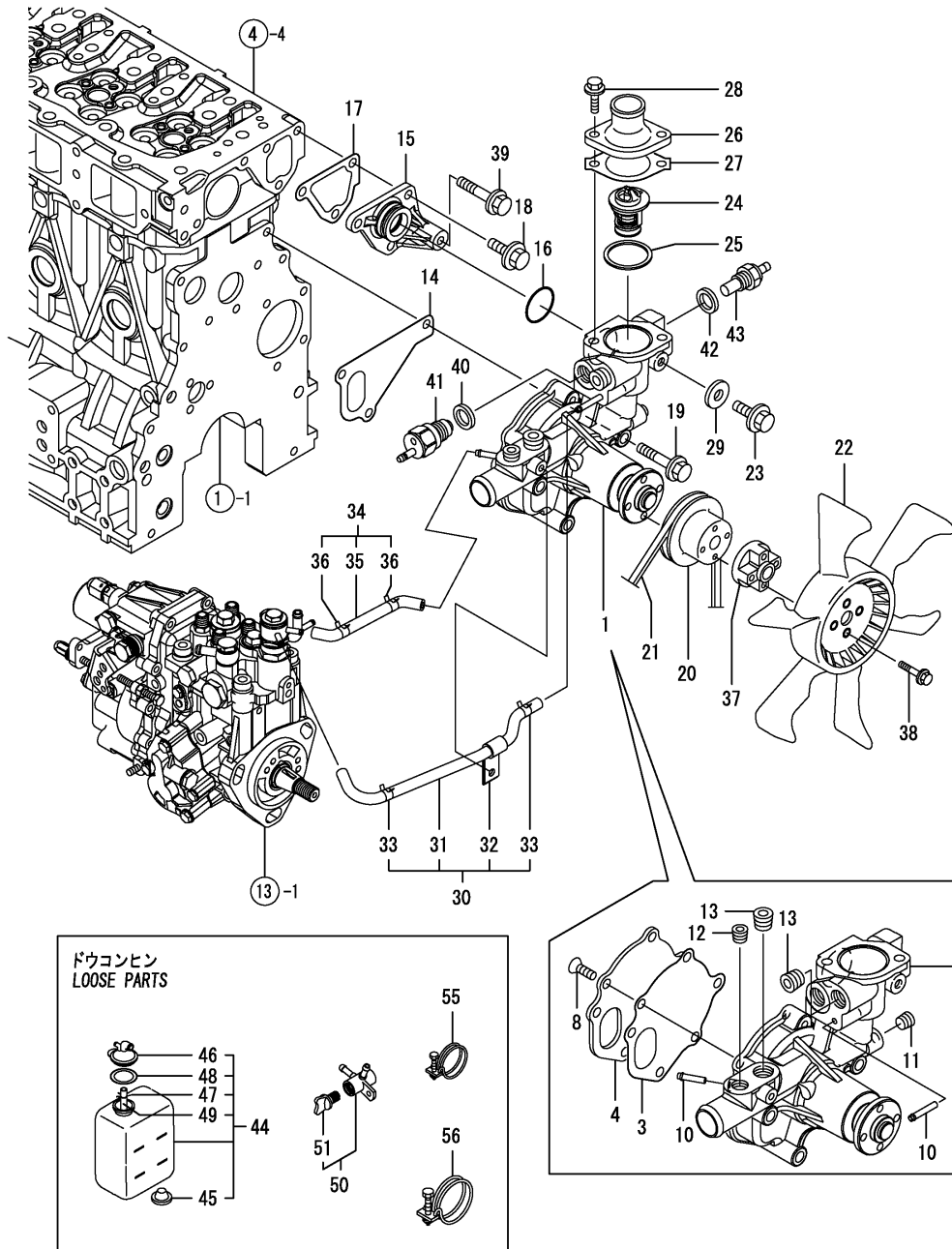
(A)=4TNV84T-XTBL
(B)=
(C)=

(D)=
(E)=
(F)=



No.	Lev.	Parts No.	Description	Q'ty						I	R
				(A)	(B)	(C)	(D)	(E)	(F)		
1	1	124160-39140	BOLT, PIPE JOINT M10	1							
2	1	121252-39150	BOLT, JOINT M10X1.5	1							
3	1	26366-060002	NUT, M6	1							
4	1	129005-59830	BOLT ASSY, JOINT M8	1							
5	2	23857-030000	BOLT, JOINT 3	1							
6	2	22190-080002	WASHER, SEAL 6	1							
7	1	22190-080002	WASHER, SEAL 6	1							
8	1	22190-100002	WASHER, SEAL 10	2							
9	1	23414-100000	GASKET, 10X1.0	2							
10	1	26106-080122	BOLT, M8X 12 PLATED	1							
11	1	129508-39600	PIPE, OIL	1							
12	1	123901-39820	HOSE	1							
13	1	23000-025000	CLAMP, 25	2							
14	1	24316-000160	O-RING, 4DP16.0	1							
15	1	26106-060162	BOLT, M6X 16 PLATED	2							
16	1	124070-13300	ELBOW, PT3/8	1							
17	1	129508-39450	PIPE ASSY, OIL	1							
18	2	119802-39500	RETAINER, PIPE	1							
19	2	124223-39900	RETAINER	1							

Fig.12. COOLING WATER SYSTEM



(A)=4TNV84T-XTBL
(B)=
(C)=

(D)=
(E)=
(F)=

No.	Lev.	Parts No.	Description	Q'ty						I	R
				(A)	(B)	(C)	(D)	(E)	(F)		
1	1	129508-42001	PUMP ASSY, WATER	1							
3	2	129100-42051	GASKET, WATER PUMP	1							
4	2	129100-42121	PLATE	1							
8	2	121850-42410	SCREW	3							
10	2	119802-49113	JOINT, PIPE	2							
11	2	23876-010000	PLUG, R01	1							
12	2	23876-020000	PLUG, R02	1							
13	2	129916-49740	PLUG, R03	2							
14	1	129486-42021	GASKET, WATER PUMP	1							
15	1	129004-42040	JOINT	1							
16	1	129486-42140	O-RING, G30	1							
17	1	124395-49840	GASKET	1							
18	1	26106-080162	BOLT, M8X 16 PLATED	3							
19	1	26106-080602	BOLT, M8X 60 PLATED	3							
20	1	129403-42380	V-PULLEY, D=110	1							
21	1	25152-003600	V-BELT, A36	1							
22	1	129612-44700	FAN, COOLING	1							
23	1	26106-080122	BOLT, M8X 12 PLATED	1							
24	1	129457-49801	THERMOSTAT, 82	1							
25	1	129150-49811	GASKET, THERMOSTAT	1							
26	1	129350-49530	COVER, THERMOSTAT	1							
27	1	129795-49551	GASKET	1							
28	1	26106-080222	BOLT, M8X 22 PLATED	2							
29	1	23414-080000	GASKET, 8X1.0	1							
30	1	129004-49610	PIPE ASSY, WATER	1							
31	2	129004-49711	PIPE ASSY, WATER	1							
32	2	119802-49730	RETAINER, PIPE	1							
33	2	124722-59050	CLIP, HOSE 9	2							
34	1	129004-49620	PIPE ASSY, WATER	1							
35	2	129004-49721	PIPE ASSY, WATER	1							
36	2	124722-59050	CLIP, HOSE 9	2							
37	1	121267-44760	SPACER	1							
38	1	26106-060302	BOLT, M6X 30 PLATED	4							
39	1	26106-080452	BOLT, M8X 45 PLATED	1							
40	1	124465-44950	GASKET, 16	1							
41	1	121250-44901	SWITCH, 110	1							
42	1	129150-49360	GASKET	1							
43	1	119266-49350	SWITCH	1							
44	1	129466-44510	TANK ASSY, SUB	1							
45	2	121468-44540	PLUG, SUB-TANK	1							
46	2	121450-44531	CAP	1							
47	2	124450-44560	RETAINER	1							
48	2	121470-44581	GASKET	1							
49	2	121267-44590	PIPE	1							
50	1	129150-49100	COCK ASSY, 3-WAY	1							
51	2	129150-49080	COCK, DRAIN	1							
55	1	23010-038000	CLAMP, 38	1							
56	1	23010-044000	CLAMP, 44	3							

Fig.13. FUEL INJECTION PUMP

(A)=4TNV84T-XTBL

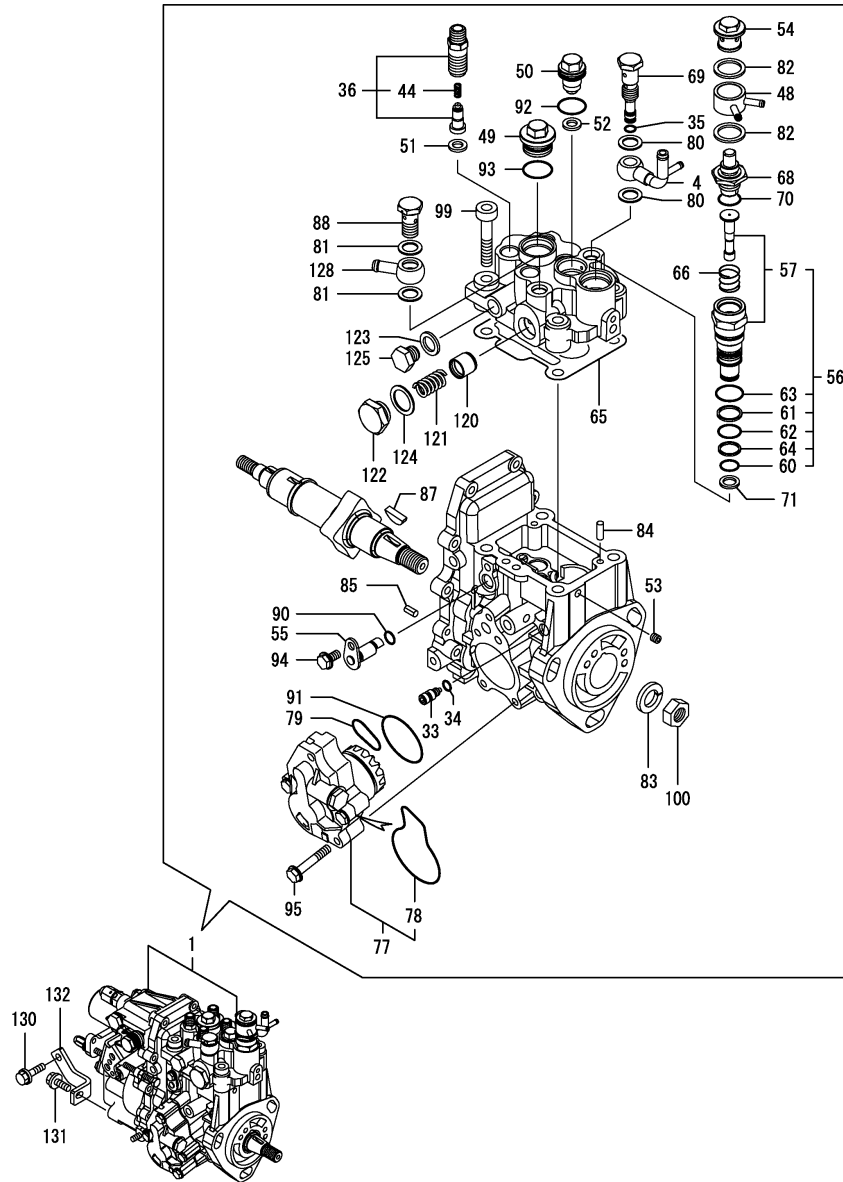
(B)=

(C)=

(D)=

(E)=

(F)=



No.	Lev.	Parts No.	Description	Q'ty						I	R
				(A)	(B)	(C)	(D)	(E)	(F)		
1	1	729648-51370	PUMP ASSY, INJECTION	1							1
4	2	158552-51670	JOINT, OVER FLOW	1							
33	2	158600-51270	STOPPER, TAPPET	1							
34	2	158563-51281	O-RING, 4D S6	1							
35	2	158563-51281	O-RING, 4D S6	1							
36	2	129009-51390	VALVE ASSY, DELIVERY	4							W
(A=*2008.02.)											
44	3	158563-51330	SPRING, DELIVERY	4							
48	2	158553-51551	JOINT	1							
49	2	158601-51550	PLUG	1							
50	2	119802-51560	PLUG, BARREL	1							
51	2	158552-51570	GASKET	4							
52	2	158552-51570	GASKET	1							
53	2	158557-51570	PLUG	1							
54	2	158601-51570	PLUG	1							
55	2	158552-51580	LIFTER	1							
56	2	119802-51590	TIMER SET	1							
57	3	119802-51600	TIMER ASSY	1							
60	3	158553-51670	O-RING, 1011	1							
61	3	119802-51680	RING, BACK UP	1							
62	3	119802-51690	O-RING	1							
63	3	24356-010200	O-RING, 4D1020	1							
64	3	24372-000150	RING, BACK UP T2P15	1							
65	2	158552-51600	GASKET	1							
66	2	158553-51630	SPRING, TIMER	1							
68	2	158553-51640	ELEMENT	1							
69	2	158601-51650	JOINT, OVER FLOW	1							
70	2	158553-51660	O-RING, P14	1							
71	2	158553-51680	GASKET	1							
77	2	158552-52100	PUMP ASSY, FUEL FEED	1							
78	3	158552-52500	O-RING	1							
79	2	158552-52310	O-RING	1							
80	2	22190-120002	WASHER, SEAL 12	2							
81	2	22190-120002	WASHER, SEAL 12	2							
82	2	22190-180002	WASHER, SEAL 18	2							
83	2	22217-140000	WASHER, SPRING 14	1							
84	2	22312-050140	PIN, PARALLEL M5X14	2							
85	2	22351-050010	PIN, SPRING 5.0X10	2							
87	2	119802-51090	KEY, 4X16	1							
88	2	23857-060000	BOLT, JOINT 6	1							
90	2	24311-000070	O-RING, 1AP7.0	1							
91	2	158552-52400	O-RING, 4E S42	1							
92	2	24356-010180	O-RING, 4D1018	1							
93	2	24356-010200	O-RING, 4D1020	1							
94	2	26106-060102	BOLT, M6X 10 PLATED	1							
95	2	158553-51770	BOLT	4							
99	2	26450-080452	BOLT, M8X 45	4							
100	2	26776-140002	NUT, LOCK M14	1							
120	2	158601-51770	PISTON	1							
121	2	158552-51780	SPRING	1							
122	2	158601-51790	PLUG	1							

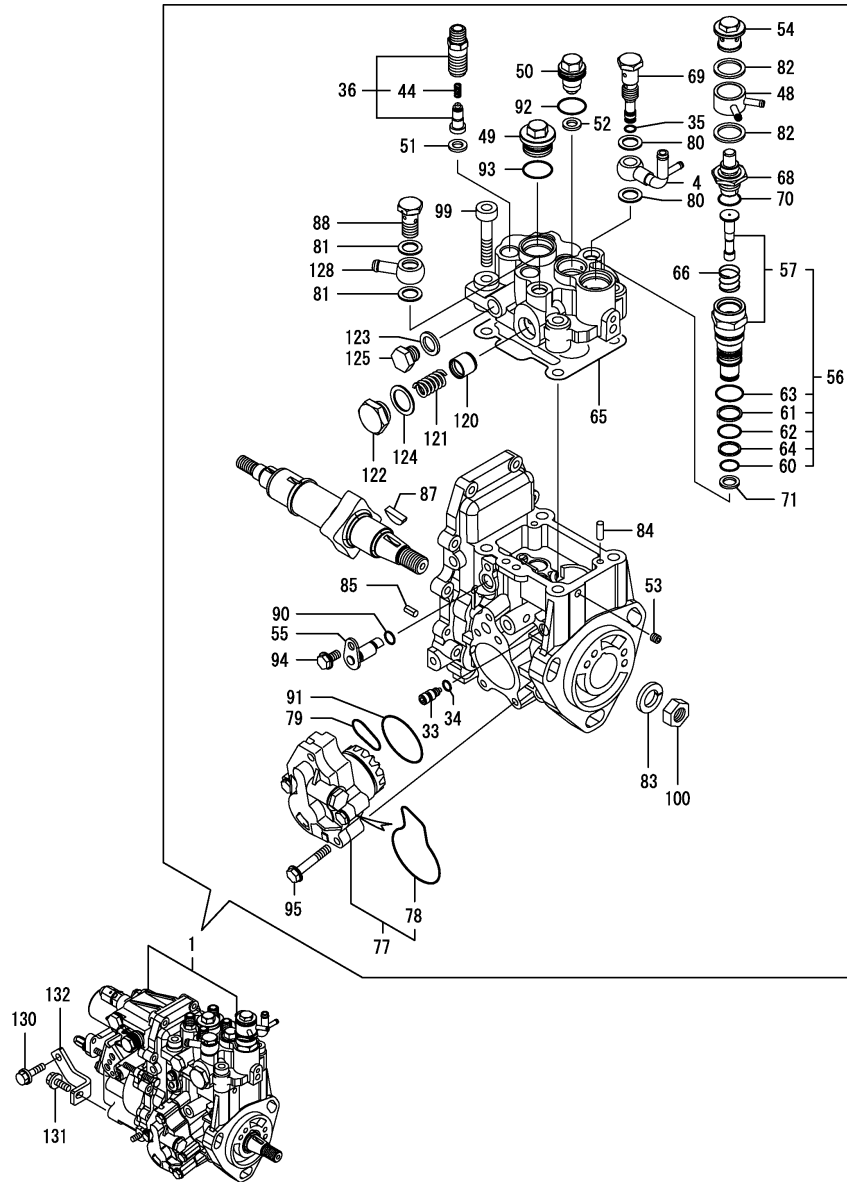
Remarks

(1) GOVERNOR ASSY(FIG.14) IS INCORPORATED IN THIS FOP.CMP (REF.NO.1).

Fig.13. FUEL INJECTION PUMP

(A)=4TNV84T-XTBL
(B)=
(C)=

(D)=
(E)=
(F)=



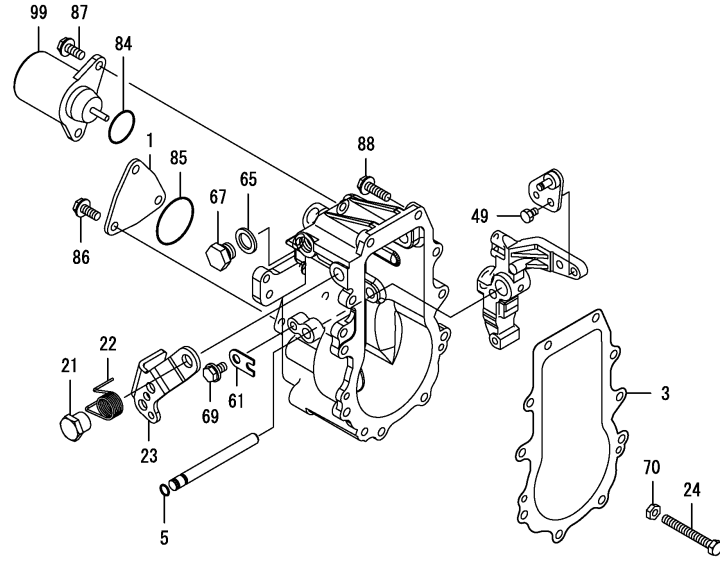
No.	Lev.	Parts No.	Description	Q'ty						I	R
				(A)	(B)	(C)	(D)	(E)	(F)		
123	2	22190-120002	WASHER, SEAL 12	1							
124	2	22190-180002	WASHER, SEAL 18	1							
125	2	23887-120002	PLUG, 12	1							
128	2	129916-59020	JOINT, PIPE 12	1							
130	1	26106-080302	BOLT, M8X 30 PLATED	1							
131	1	26106-080202	BOLT, M8X 20 PLATED	1							
132	1	129508-51250	RETAINER, PUMP	1							

Remarks
(1) GOVERNOR ASSY(FIG.14) IS
INCORPORATED IN THIS FOP.CMP
(REF.NO.1).

Fig.14. GOVERNOR

(A)=4TNV84T-XTBL
(B)=
(C)=

(D)=
(E)=
(F)=



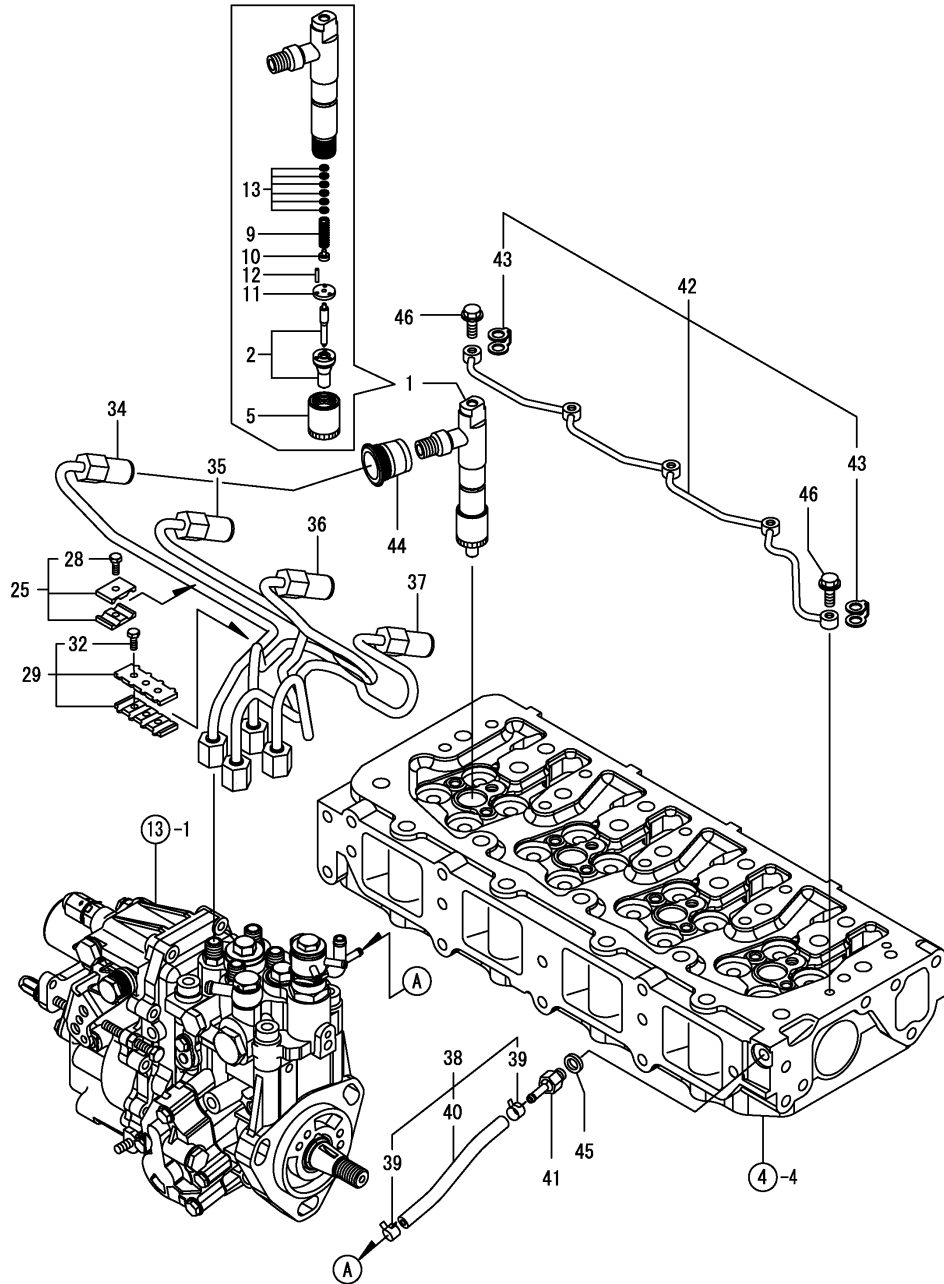
No.	Lev.	Parts No.	Description	Q'ty						I	R
				(A)	(B)	(C)	(D)	(E)	(F)		
1	2	158563-61060	COVER, GOVERNOR CASE	1							
3	2	158553-61050	GASKET	1							
5	2	129155-51280	O-RING, S6	1							
21	2	129255-61410	NUT, LOCK	1							
22	2	119807-61420	SPRING, RETURN	1							
23	2	158552-61441	LEVER, REGULATOR	1							
24	2	129155-61460	BOLT, IDLE	1							
49	2	26116-060102	BOLT, M6X 10 PLATED	1							
61	2	119660-61901	RETAINER, SHAFT	1							
65	2	22190-120000	WASHER, SEAL 12	1							
67	2	23887-120002	PLUG, 12	1							
69	2	26106-060102	BOLT, M6X 10 PLATED	1							
70	2	26756-060002	NUT, LOCK M6	1							
84	2	158552-61900	O-RING	1							
85	2	24341-000360	O-RING, 1AS36.0	1							
86	2	26106-060102	BOLT, M6X 10 PLATED	3							
87	2	26106-060142	BOLT, M6X 14 PLATED	2							
88	2	26106-060202	BOLT, M6X 20 PLATED	10							
99	2	119233-77932	SOLENOID, STOP	1							

Remarks
* THIS FIGURE(GOVERNOR ASSY)IS
INCORPORATED IN THE FUEL INJECTION
PUMP ASSY(FIG.13).

Fig.15. FUEL INJECTION VALVE

(A)=4TNV84T-XTBL
(B)=
(C)=

(D)=
(E)=
(F)=

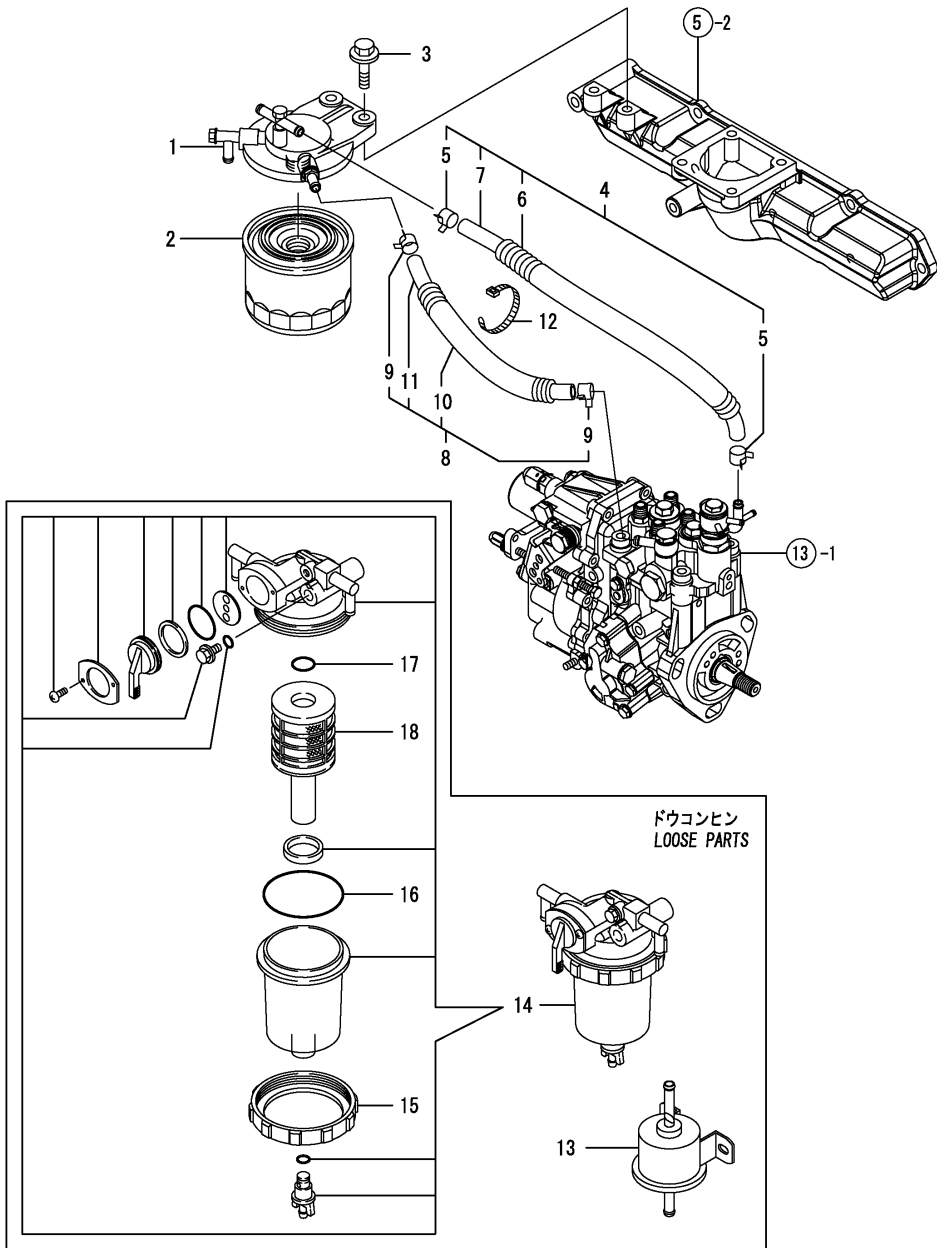


No.	Lev.	Parts No.	Description	Q'ty						I	R
				(A)	(B)	(C)	(D)	(E)	(F)		
1	1	729648-53100	VALVE ASSY,INJECTION	4							
2	2	129508-53000	VALVE ASSY,INJECTION	4							
5	2	114250-53080	NUT, NOZZLE D16.95	4							
9	2	114250-53120	SPRING, NOZZLE	4							
10	2	114250-53130	SEAT, SPRING	4							
11	2	114250-53140	PLATE	4							
12	2	114250-53210	PIN	8							
13	2	114250-53400	SHIM SET	4							
25	1	119305-59120	RETAINER, PIPE	2							
28	2	129150-59131	BOLT, M4X14	2							
29	1	129550-59120	RETAINER, PIPE	1							
32	2	129150-59131	BOLT, M4X14	2							
34	1	129508-59910	PIPE ASSY, INJECTION	1							
35	1	129508-59920	PIPE ASSY, INJECTION	1							
36	1	129508-59930	PIPE ASSY, INJECTION	1							
37	1	129508-59940	PIPE ASSY, INJECTION	1							
38	1	129508-59570	PIPE ASSY, RETURN	1							
39	2	124722-59050	CLIP, HOSE 9	2							
40	2	129508-59510	PIPE, FUEL RETURN	1							
41	1	123907-59560	JOINT	1							
42	1	129508-59550	PIPE ASSY, RETURN	1							
43	2	123907-59550	GASKET	5							
44	1	123907-11601	SEAL	4							
45	1	22190-080002	WASHER, SEAL 6	1							
46	1	123907-59540	BOLT, PIPE JOINT M6	5							

Fig.16. FUEL LINE

(A)=4TNV84T-XTBL
(B)=
(C)=

(D)=
(E)=
(F)=



No.	Lev.	Parts No.	Description	Qty						I	R
				(A)	(B)	(C)	(D)	(E)	(F)		
1	1	129004-55612	BRACKET, FILTER	1							
2	1	119802-55801	FILTER, FUEL	1							
3	1	26106-080302	BOLT, M8X 30 PLATED	2							
4	1	129981-59010	PIPE ASSY, FUEL	1							
5	2	124766-59050	CLIP, HOSE 12	2							
6	2	129950-59221	TUBE, CORRUGATED	1							
7	2	129980-59510	PIPE, FUEL	1							
8	1	129950-59311	PIPE, FUEL	1							
9	2	124766-59050	CLIP, HOSE 12	2							
10	2	129961-59110	TUBE, CORRUGATED	1							
11	2	105025-59580	PIPE, FUEL	1							
12	1	121750-59890	BAND, 140	1							
13	1	129612-52100	PUMP ASSY, FUEL FEED	1							
14	1	129906-55700	SEPARATOR ASSY	1							
15	2	129100-55690	RING, RETAINING	1							
16	2	24321-000650	O-RING, 1AG65.0	1							
17	2	24311-000160	O-RING, 1AP16.0	1							
18	2	119802-55710	ELEMENT	1							

Fig.17. STARTING MOTOR

(A)=4TNV84T-XTBL

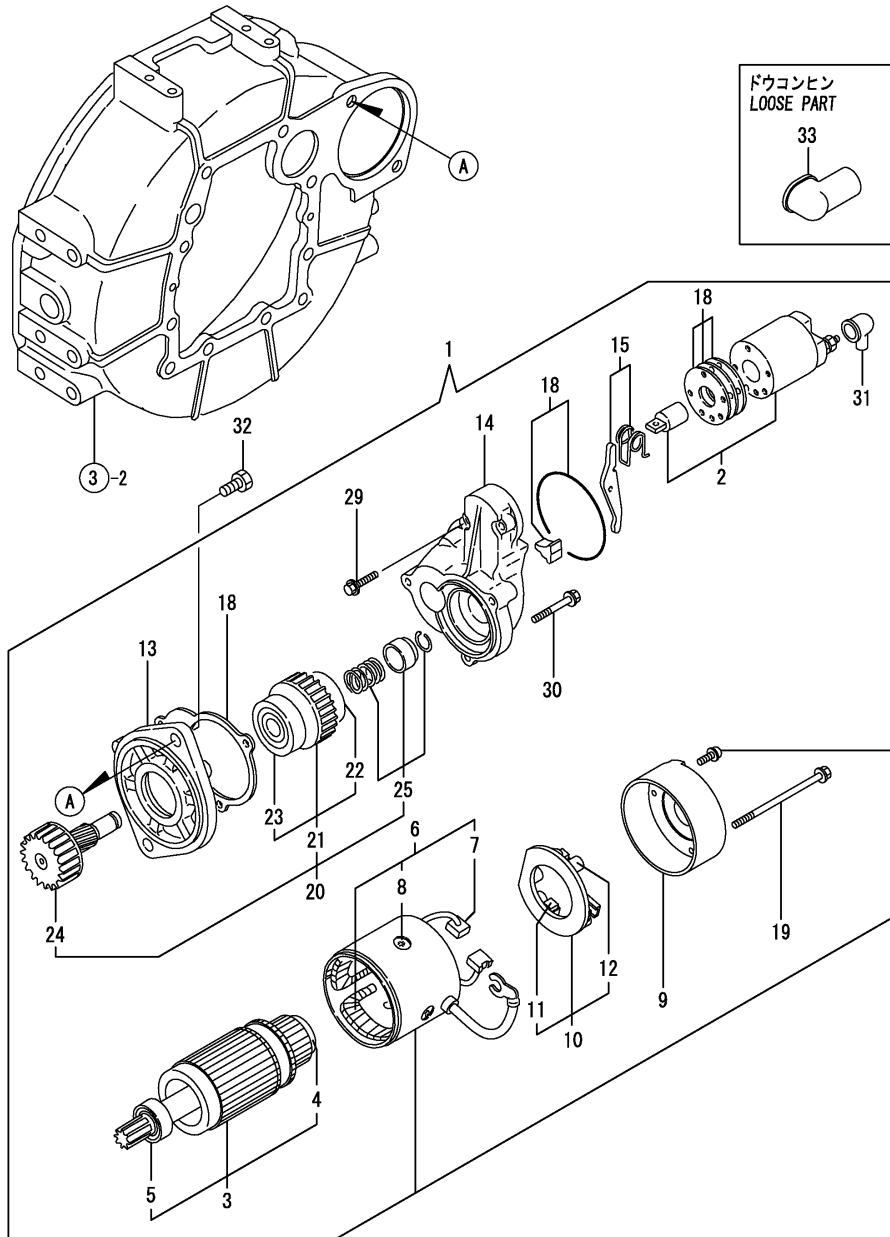
(B)=

(C)=

(D)=

(E)=

(F)=



No.	Lev.	Parts No.	Description	Q'ty						I	R
				(A)	(B)	(C)	(D)	(E)	(F)		
1	1	129136-77011	STARTER	1							
2	2	129136-77310	SWITCH ASSY	1							
3	2	129900-77400	ARMATURE ASSY	1							
4	3	X2130350900	BALL BEARING	1							
5	3	X2114255110	BEARING, BALL	1							
6	2	129900-77440	COIL ASSY, FIELD	1							
7	3	129900-77450	BRUSH (+)	2							
8	3	171008-77450	SCREW	4							
9	2	129900-77460	COVER, REAR	1							
10	2	129900-77480	HOLDER ASSY, BRASH	1							
11	3	129900-77450	BRUSH (+)	2							
12	3	129400-77490	SPRING, BRUSH	4							
13	2	171008-77510	HOUSING ASSY, GEAR	1							
14	2	129136-77520	CENTER HOUSING	1							
15	2	171008-77540	LEVER SET, SHIFT	1							
18	2	129400-77571	DUST COVER,(NON-ASB.	1							
19	2	129900-77640	BOLT, THROUGH	2							
20	2	171008-77650	PINION ASSY	1							
21	3	X2114555500	CLUTCH ASSY	1							
22	4	X2114955020	BALL BEARING	1							
23	4	X2240410100	BEARING, BALL	1							
24	3	171008-77660	SHAFT, PINION	1							
25	3	171008-77670	STOPPER SET, PINION	1							
29	2	26106-060322	BOLT, M6X 32 PLATED	2							
30	2	26106-060402	BOLT, M6X 40 PLATED	3							
31	2	171008-77750	COVER, M TERMINAL	1							
32	1	26116-120252	BOLT, M12X 25 PLATED	2							
33	1	124550-77030	COVER, TERMINAL	1							

Fig.18. GENERATOR

(A)=4TNV84T-XTBL

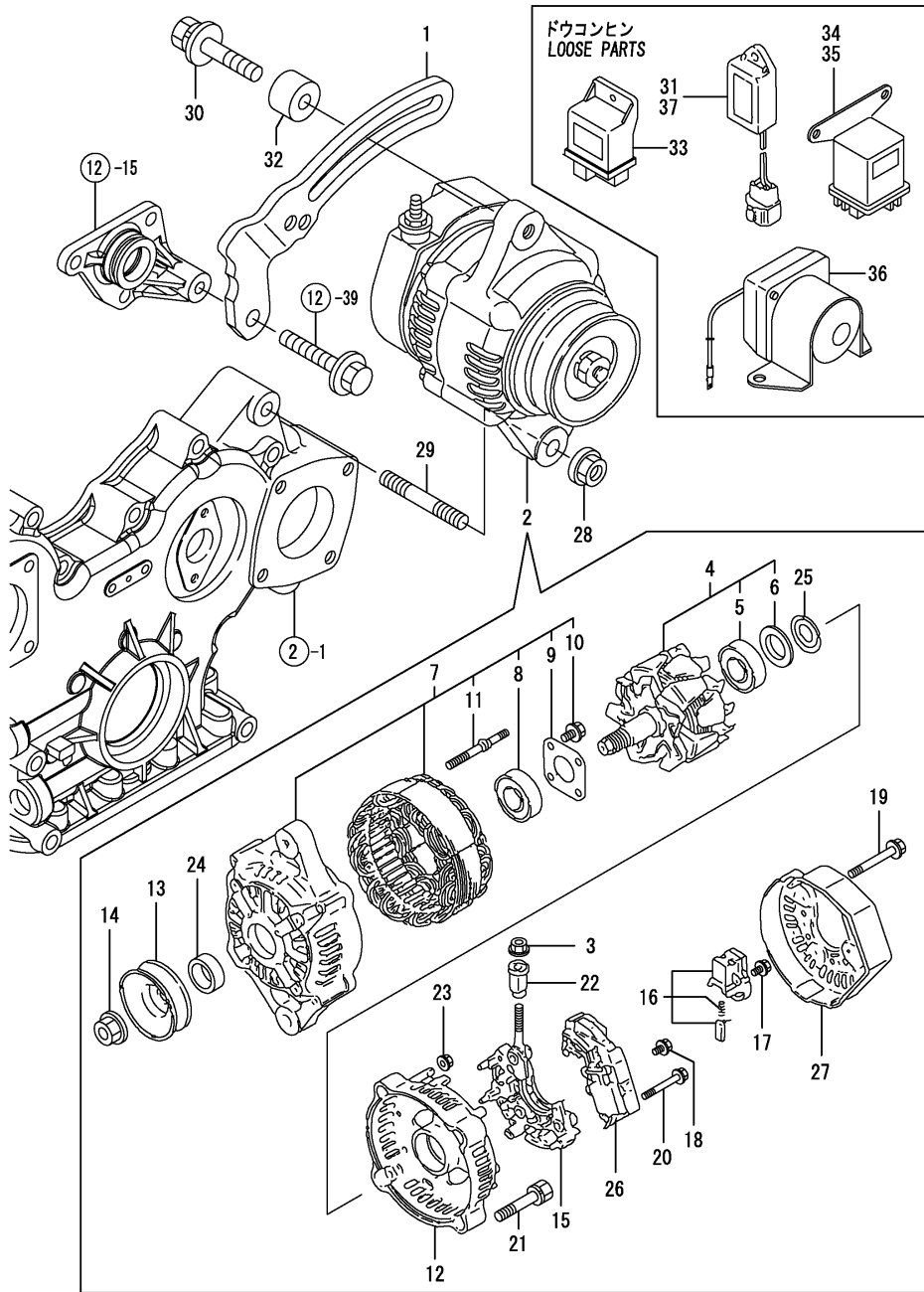
(B)=

(C)=

(D)=

(E)=

(F)=

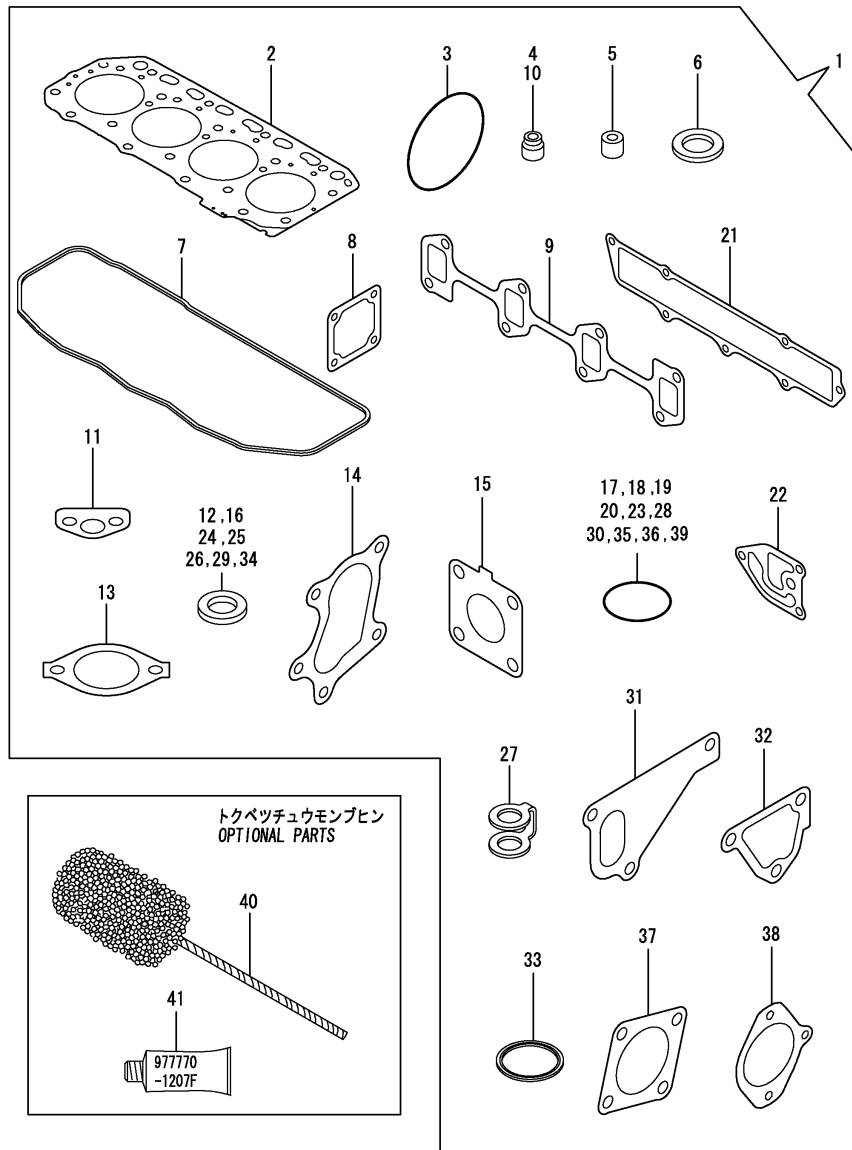


No.	Lev.	Parts No.	Description	Q'ty						I	R
				(A)	(B)	(C)	(D)	(E)	(F)		
1	1	129064-77330	ADJUSTER	1							
2	1	129240-77200	ALTERNATOR	1							
3	2	129240-79310	NUT	1							
4	2	119620-77380	ROTOR ASSY	1							
5	3	126501-79240	BALL BEARING	1							
6	3	119620-79250	COVER, BEARING	1							
7	2	119620-77421	FRAME ASSY, DRIVE	1							
8	3	119620-79200	BALL BEARING	1							
9	3	119620-79210	PLATE	1							
10	3	119620-79220	SCREW	4							
11	3	119620-79230	BOLT, STUD	2							
12	2	119620-77440	FLAME ASSY, REAR	1							
13	2	119620-77461	PULLEY	1							
14	2	119620-77471	NUT	1							
15	2	119620-79260	HOLDER	1							
16	2	129052-79270	HOLDER, BRUSH	1							
17	2	119620-79290	SCREW	6							
18	2	119620-79300	SCREW	1							
19	2	119620-79310	BOLT	3							
20	2	119620-79320	SCREW W/WASHER	2							
21	2	119620-79330	BOLT	2							
22	2	119620-79340	INSULATION BUSH	1							
23	2	119620-79350	NUT	2							
24	2	119620-77490	COLLAR	1							
25	2	119620-79360	WASHER, THRUST	1							
26	2	129240-77710	REGULATOR ASSY	1							
27	2	129240-79300	COVER	1							
28	1	26306-100002	NUT, M10	1							
29	1	129795-01900	STUD	1							
30	1	129972-77341	BOLT, ADJUSTER L=50	1							
31	1	129211-77920	TIMER	1							
32	1	129067-77340	SPACER	1							
33	1	119802-77200	RELAY, SAFETY	1							
34	1	119646-77900	RELAY, POWER	1							
35	1	119646-77900	RELAY, POWER	2							
36	1	129100-77910	RELAY, MAGNETIC	1							
37	1	128300-77920	TIMER	1							

Fig.19. GASKET SET

(A)=4TNV84T-XTBL
(B)=
(C)=

(D)=
(E)=
(F)=



No.	Lev.	Parts No.	Description	Q'ty						I	R
				(A)	(B)	(C)	(D)	(E)	(F)		
1	1	729508-92730	GASKET SET	1							1
2	2	129508-01330	GASKET, HEAD	1							
3	2	121850-51960	O-RING	1							
4	2	119717-11340	SEAL, VALVE STEM	8							
5	2	119802-11870	PROTECTOR, NOZZLE	4							
6	2	119625-11880	SEAT, NOZZLE	4							
7	2	129508-11310	GASKET, BONNET	1							
8	2	129150-77511	GASKET	1							
9	2	129550-13110	GASKET	1							
10	2	119717-11350	SEAL, VALVE STEM	8							
11	2	129150-35042	GASKET	1							
12	2	124465-44950	GASKET, 16	1							
13	2	129795-49551	GASKET	1							
14	2	129508-18090	GASKET	1							
15	2	129508-18080	GASKET	1							
16	2	22190-080002	WASHER, SEAL 6	3							
17	2	24311-000120	O-RING, 1AP12.0	3							
18	2	24311-000320	O-RING, 1AP32.0	3							
19	2	24341-000240	O-RING, 1AS24.0	1							
20	2	24316-000160	O-RING, 4DP16.0	1							
21	2	129508-12110	GASKET, MANIFOLD	1							
22	2	129103-35122	GASKET	1							
23	2	119609-32040	O-RING, P16	4							
24	2	22190-100002	WASHER, SEAL 10	2							
25	2	23414-080000	GASKET, 8X1.0	1							
26	2	22190-220002	WASHER, SEAL 22	1							
27	2	123907-59550	GASKET	5							
28	2	24341-000400	O-RING, 1AS40.0	1							
29	2	23414-100000	GASKET, 10X1.0	2							
30	2	129486-42140	O-RING, G30	1							
31	2	129486-42021	GASKET, WATER PUMP	1							
32	2	124395-49840	GASKET	1							
33	2	129150-49811	GASKET, THERMOSTAT	1							
34	2	129150-49360	GASKET	1							
35	2	24311-000300	O-RING, 1AP30.0	1							
36	2	24321-000850	O-RING, 1AG85.0	1							
37	2	124240-01883	GASKET	1							
38	2	171353-26081	GASKET	1							
39	2	24311-240100	O-RING, 1AP10A	1							
40	1	129400-92420	FLEX HORN	1							1
41	1	977770-1207F	GASKET.LIQUID	1							1

Remarks
(1) OPTIONAL PARTS.

Parts No. Index

Parts No.	Fig. No.	Ref. No.
105025-59580	16	11
114250-39450	10	29
114250-53080	15	5
114250-53120	15	9
114250-53130	15	10
114250-53140	15	11
114250-53210	15	12
114250-53400	15	13
119005-12571	5	14
119131-18320	6	3
119140-12680	5	18
119225-11740	2	32
119225-11750	2	34
119233-77932	14	99
119260-34810	10	2
119266-49350	12	43
119305-59120	15	25
119609-32040	2	17
	19	23
119620-01750	3	3
119620-77380	18	4
119620-77421	18	7
119620-77440	18	12
119620-77461	18	13
119620-77471	18	14
119620-77490	18	24
119620-79200	18	8
119620-79210	18	9
119620-79220	18	10
119620-79230	18	11
119620-79250	18	6
119620-79260	18	15
119620-79290	18	17
119620-79300	18	18
119620-79310	18	19
119620-79320	18	20
119620-79330	18	21
119620-79340	18	22
119620-79350	18	23
119620-79360	18	25
119625-11880	4	27
	19	6
119640-01640	3	9
119646-77900	18	34
		35
119660-61901	14	61
119717-11190	4	24
119717-11340	4	18
	19	4
119717-11350	4	19

Parts No.	Fig. No.	Ref. No.
119717-11350	19	10
119717-11800	4	11
119802-01561	2	13
119802-03070	4	51
119802-11870	4	46
	19	5
119802-13650	6	4
119802-13670	6	5
119802-13820	6	6 -1
119802-21202	9	5
119802-21650	9	9
119802-25051	7	9
119802-25071	7	13
119802-25101	7	10
119802-25901	7	15
119802-32070	2	8
119802-32100	2	7
119802-32130	2	20
119802-39500	11	18
119802-49113	12	10
119802-49730	12	32
119802-51090	13	87
119802-51560	13	50
119802-51590	13	56
119802-51600	13	57
119802-51680	13	61
119802-51690	13	62
119802-55710	16	18
119802-55801	16	2
119802-77200	18	33
119807-61420	14	22
119808-12540	5	17
119865-21600	9	16
119934-01800	2	6
121023-01551	2	28
121023-26070	7	21
121111-21501	9	12
121120-13590	6	13
121250-44901	12	41
121252-39150	11	2
121267-44590	12	49
121267-44760	12	37
121450-44531	12	46
121468-44540	12	45
121470-44581	12	48
121550-23200	9	30
121550-49111	10	38
121750-59890	16	12
121850-21680	9	11
121850-42410	12	8

Parts No.	Fig. No.	Ref. No.
121850-51960	2	21
	19	3
123901-39820	11	12
123907-11550	4	3
123907-11601	15	44
123907-11830	4	23
123907-59540	15	46
123907-59550	15	43
	19	27
123907-59560	15	41
124060-01050	1	10
124070-13300	11	16
124160-01751	2	14
	4	48
124160-01910	1	5
		15
124160-11360	4	59
124160-39140	11	1
124223-39900	11	19
124240-01871	2	15
		37
124240-01883	2	38
	19	37
124395-49840	12	17
	19	32
124450-44560	12	47
124465-44950	12	40
	19	12
124550-77030	17	33
124722-59050	12	33
		36
	15	39
124766-59050	16	5
		9
126501-79240	18	5
128300-77920	18	37
129001-01250	1	11
129001-02931	1	25
129001-32330	2	11
129001-91841	2	22
129004-01190	1	33
129004-22500	9	19
129004-22950	9	35
129004-42040	12	15
129004-49610	12	30
129004-49620	12	34
129004-49711	12	31
129004-49721	12	35
129004-55612	16	1
129005-01520	2	12

Parts No.	Fig. No.	Ref. No.
129005-59830	11	4
129006-03120	4	53
129006-44480	10	18
129009-51390	13	36
129033-01770	10	13
129033-35100	10	12
129033-49030	10	19
129052-79270	18	16
129062-12560	5	15
129064-77330	18	1
129067-33011	10	5
129067-77340	18	32
129100-01580	3	1
		15
	9	2
129100-01640	3	16
129100-23910	9	29
129100-42051	12	3
129100-42121	12	4
129100-55690	16	15
129100-77910	18	36
129103-35122	10	17
	19	22
129103-49301	10	22
129120-77501	5	9
129136-77011	17	1
129136-77310	17	2
129136-77520	17	14
129150-01200	1	31
129150-02020	1	7
129150-02450	7	4
129150-02871	1	34
129150-02931	1	28
129150-02941	1	37
129150-03070	4	52
129150-11230	4	36
		40
129150-11750	4	22
		37
		41
129150-14101	7	7
129150-14200	7	1
129150-14400	7	2
129150-23601	9	31
129150-23611	9	39
129150-25301	7	16
129150-35042	10	3
	19	11
129150-35153	10	23
129150-49080	12	51

Parts No. Index

Parts No.	Fig. No.	Ref. No.
129150-49100	12	50
129150-49360	12	42
	19	34
129150-49811	12	25
	19	33
129150-59131	15	28
		32
129150-77511	5	10
	19	8
129155-51280	14	5
129155-61460	14	24
129165-49060	10	26
129202-22300	9	23
129211-77920	18	31
129240-77200	18	2
129240-77710	18	26
129240-79300	18	27
129240-79310	18	3
129244-34802	10	1
129255-61410	14	21
129350-49530	12	26
129400-01730	3	6
129400-01770	3	8
129400-77490	17	12
129400-77571	17	18
129400-92420	19	40
129403-13120	6	2
129403-42380	12	20
129417-33110	10	11
129417-35150	10	16
129418-18320	8	2
129418-32320	2	10
129436-35070	10	4 -1
129436-35091	10	4
129457-49801	12	24
129466-44510	12	44
129467-49040	10	24
129484-26200	7	23
129484-26210	7	25
129486-01670	3	19
129486-07901	4	67
129486-42021	12	14
	19	31
129486-42140	12	16
	19	30
129508-01330	1	32
	19	2
129508-03010	4	50
129508-11100	4	25
129508-11110	4	15

Parts No.	Fig. No.	Ref. No.
129508-11130	4	16
129508-11180	4	17
129508-11241	4	28
129508-11250	4	29
129508-11260	4	31
129508-11270	4	32
129508-11280	4	33
129508-11310	4	56
	19	7
129508-11350	4	49
129508-11650	4	34
129508-11660	4	38
129508-11700	4	4
129508-11820	4	12
129508-11900	4	62
129508-11920	4	42
129508-12070	5	1
129508-12110	5	4
	19	21
129508-12120	5	2
129508-12121	5	2 -1
129508-14580	7	3
129508-18010	8	4
129508-18080	8	1
	19	15
129508-18090	6	9
	19	14
129508-21002	9	1
129508-22080	9	17
129508-22900	9	33
129508-32111	2	18
129508-32120	2	19
129508-33050	10	6
129508-39450	11	17
129508-39600	11	11
129508-42001	12	1
129508-51250	13	132
129508-53000	15	2
129508-59510	15	40
129508-59550	15	42
129508-59570	15	38
129508-59910	15	34
129508-59920	15	35
129508-59930	15	36
129508-59940	15	37
129550-13110	6	1
	19	9
129550-59120	15	29
129553-39650	10	36
129612-01600	3	2

Parts No.	Fig. No.	Ref. No.
129612-12650	5	19
129612-44700	12	22
129612-52100	16	13
129642-21590	9	13
129648-13520	6	7
129648-13570	6	8
129648-34850	10	8
129672-11510	4	20
129688-01780	3	8 -1
129693-44310	6	6
129792-39410	10	30
129795-01780	3	18
129795-01900	18	29
129795-01950	2	16
129795-02412	1	14
129795-21661	9	10
129795-49551	12	27
	19	13
129900-07900	4	1
129900-12530	5	16
129900-32130	2	9
129900-77400	17	3
129900-77440	17	6
129900-77450	17	7
		11
129900-77460	17	9
129900-77480	17	10
129900-77640	17	19
129906-55700	16	14
129907-11950	4	47
129916-03100	4	64
129916-49740	12	13
129916-59020	13	128
129950-59221	16	6
129950-59311	16	8
129953-12530	5	12
129960-03990	4	66
129961-59110	16	10
129972-77341	18	30
129980-59510	16	7
129981-59010	16	4
158552-51151	7	18
158552-51570	13	51
		52
158552-51580	13	55
158552-51600	13	65
158552-51670	13	4
158552-51780	13	121
158552-52100	13	77
158552-52310	13	79

Parts No.	Fig. No.	Ref. No.
158552-52400	13	91
158552-52500	13	78
158552-61441	14	23
158552-61900	14	84
158553-51551	13	48
158553-51630	13	66
158553-51640	13	68
158553-51660	13	70
158553-51670	13	60
158553-51680	13	71
158553-51770	13	95
158553-61050	14	3
158557-51570	13	53
158563-51281	13	34
		35
158563-51330	13	44
158563-61060	14	1
158600-51270	13	33
158601-51550	13	49
158601-51570	13	54
158601-51650	13	69
158601-51770	13	120
158601-51790	13	122
171008-03990	10	20
171008-77450	17	8
171008-77510	17	13
171008-77540	17	15
171008-77650	17	20
171008-77660	17	24
171008-77670	17	25
171008-77750	17	31
171031-11741	2	33
171051-01921	1	6
171353-26081	7	22
	19	38
22117-100000	6	15
22190-080002	11	6
		7
		15
		45
		19
		16
22190-100002	11	8
		19
		24
22190-120000	14	65
22190-120002	13	80
		81
		123
22190-180002	13	82
		124
22190-220002	3	11
	19	26

Parts No. Index

Parts No.	Fig. No.	Ref. No.
22217-100000	6	16
22217-140000	7	19
	13	83
22252-000260	9	24
22312-050140	13	84
22351-030010	9	8
	10	37
22351-050010	13	85
22351-060012	4	63
22512-070140	7	8
	9	6
22857-500100	4	57
23000-025000	11	13
23000-048000	5	5
23000-060000	5	6
23010-038000	12	55
23010-044000	12	56
23080-018000	10	27
23414-080000	12	29
	19	25
23414-100000	11	9
	19	29
23857-030000	11	5
23857-060000	13	88
23876-010000	12	11
23876-020000	4	13
	12	12
23876-030000	2	4
23876-040000	2	5
23887-120002	13	125
	14	67
24105-060064	7	28
24311-000070	13	90
24311-000120	4	60
		76
	19	17
24311-000160	16	17
24311-000300	2	35
	19	35
24311-000320	2	23
		36
	4	61
	19	18
24311-240100	10	9
	19	39
24316-000160	11	14
	19	20
24321-000650	16	16
24321-000850	7	29
	19	36

Parts No.	Fig. No.	Ref. No.
24341-000240	2	29
	19	19
24341-000360	14	85
24341-000400	4	58
	19	28
24356-010180	13	92
24356-010200	13	63
		93
24372-000150	13	64
25152-003600	12	21
26106-060102	13	94
	14	69
		86
26106-060142	14	87
26106-060162	2	30
	11	15
26106-060202	14	88
26106-060302	12	38
26106-060322	17	29
26106-060402	17	30
26106-080122	2	39
	11	10
	12	23
26106-080142	6	11
	7	17
26106-080162	2	24
		25
	3	12
	4	2
	10	10
	12	18
26106-080202	5	7
	6	10
	13	131
26106-080222	12	28
26106-080252	3	13
	4	44
	10	28
26106-080302	13	130
	16	3
26106-080352	3	20
	5	11
	10	7
26106-080402	7	14
26106-080452	3	14
		14 -1
	12	39
26106-080502	3	22
	4	45
26106-080552	2	26

Parts No.	Fig. No.	Ref. No.
26106-080552	10	7 -1
26106-080602	12	19
26106-080802	5	8
26106-100452	7	30
26106-100652	6	17
26116-060102	14	49
26116-120252	17	32
26206-100252	3	4
26206-100302	3	5
26226-080352	4	43
26306-080002	2	27
	6	12
	8	3
26306-100002	18	28
26366-060002	11	3
26450-080282	7	31
26450-080452	13	99
26706-100002	6	18
26756-060002	14	70
26776-140002	7	20
	13	100
27241-120000	1	12
27241-300000	1	13
27241-400000	4	14
729402-23100	9	25
729508-01560	1	1
729508-92730	19	1
729648-01520	2	1
729648-51370	13	1
729648-53100	15	1
977770-1207F	2	31
	3	21
	4	26
	19	41
X2114255110	17	5
X2114555500	17	21
X2114955020	17	22
X2130350900	17	4
X2240410100	17	23

Parts No.	Fig. No.	Ref. No.
-----------	----------	----------