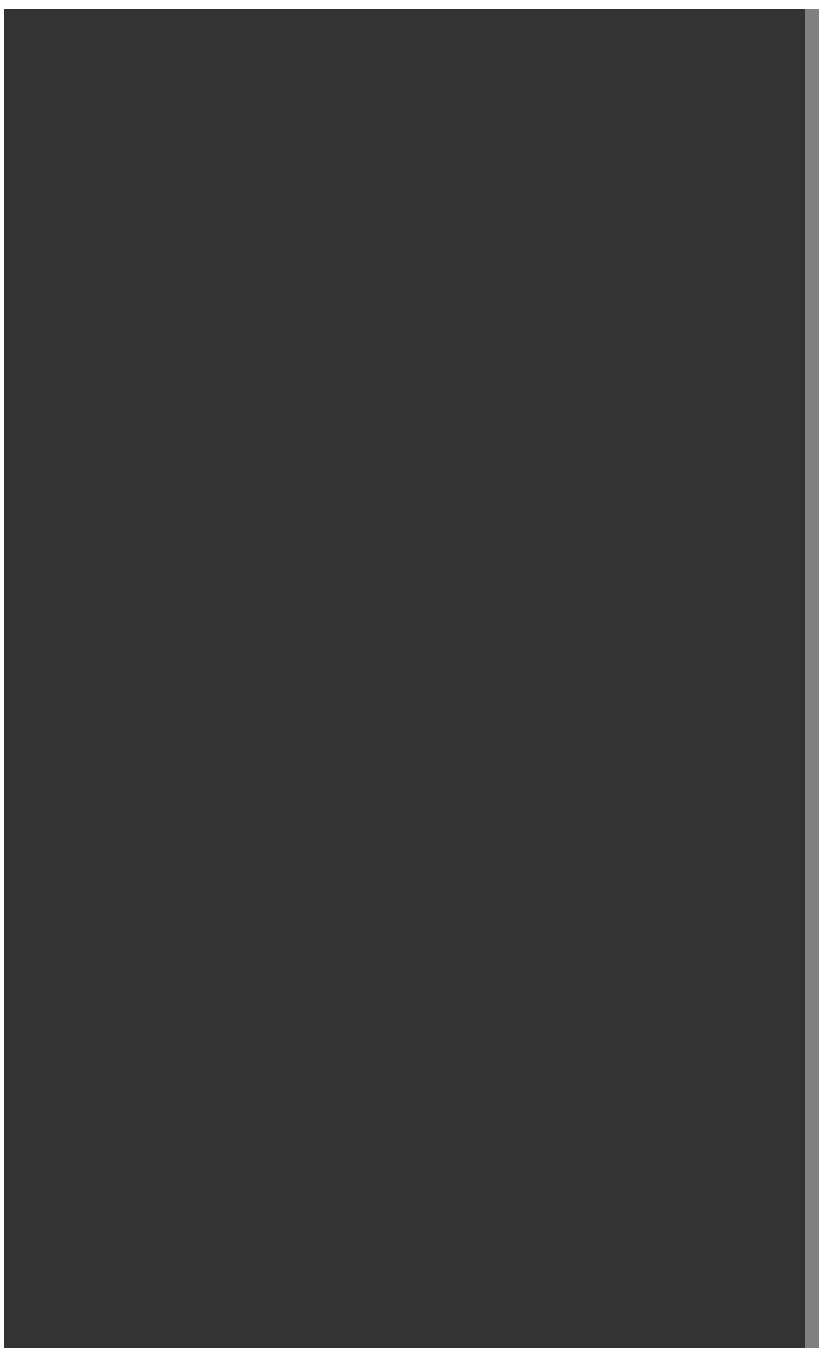


OCD10-M86700EN



PREFACE

- 1.This parts catalog is the Second edition of 4TNNV98-YTBL1 for Takeuchi Mfg. Co., Ltd.
- 2.This parts catalog dose not contains the technical data needed for maintenance service.
- 3.The illustrations used in this parts catalog have been simplified for clarity.

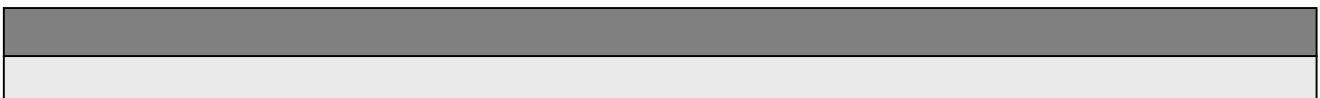
Pub. No.: 000Y00D8670

Published: June.,2005

4. Model name

| Engine model | Vehicle | | Vehicle made by |
|---------------|-----------|------------|-------------------------|
| | Products | Model name | |
| 4TNNV98-YTBL1 | EXCAVATOR | A6L | Takeuchi Mfg. Co., Ltd. |

- 5.The contents of this parts catalog are subject to change without prior notice.



Directions for the Parts Catalog.

1. This Parts Catalog shows both standard and optional parts.
2. Parts may change without prior notice.
3. The following is an example of the Parts Catalog format.

| REF. | LEV. | PARTS NO. | DESCRIPTION | Q'TY | | | | | | I | R |
|------|------|--|---------------------|------|-----|-----|-----|-----|-----|---|---|
| | | | | (A) | (B) | (C) | (D) | (E) | (F) | | |
| 1 | 1 | 729595-51390 | FUEL INJECTION PUMP | 1 | 1 | 1 | 1 | 1 | | | 1 |
| 1-1 | 1 | 729595-51391 | FUEL INJECTION PUMP | 1 | 1 | 1 | 1 | 1 | | N | 1 |
| | | (A=E00185) (B=E00200) | | | | | | | | | |
| 3 | 2 | 26022-060162 | SCREW M 6X 16 | 9 | 9 | 9 | 9 | 9 | | | |
| 3-1 | 2 | 26022-060162 | SCREW M 6X 16 | 4 | 4 | 4 | 4 | 4 | | K | |
| | | (A=E00156) (B=E00156) (C=E00156) (D=E00156) (E=E00156) | | | | | | | | | |
| 4 | 2 | 129470-51040 | CAMSHAFT | 1 | 1 | 1 | 1 | 1 | | | |
| 5 | 2 | 122710-51050 | BEARING, ROLLER | 2 | 2 | 2 | 2 | 2 | | | |
| 6 | 2 | 129470-51060 | RETAINER | 1 | 1 | 1 | 1 | 1 | | | |

| |
|---|
| Remarks |
| (1) BOOST COMPEMSATOR TYPE. OPTIONAL PART, TO E00155,(4JH-DT, 4JH-DTZ |

① Ref. No.

The Ref. No. listed may not be in accordance with the illustration Ref. No.

(Ex.) Illustration No.

List Ref No.

1

1

(Before change)

1-1

(After change)

For interchangeable symbols N, R and K, illustrations for new parts may be abbreviated.

② Lev. (Level)

Level indication

The numbers below indicate the level of relativity towards the main part.

1 ----- Main parts (Assembly parts)

2 ----- Sub component included in " 1 ".

3 ----- Sub component included in " 2 ".

Note) Parts that are not for sale are partially illustrated but not listed.

③ Interchangeability Symbol

When a part change takes place, one of the following interchangeability symbols is indicated beside the part.

| Symbol | Interchangeability | Contents note |
|--------|---|--|
| N | Old $\begin{matrix} \leftarrow \text{Yes} \\ \text{No} \rightarrow \end{matrix}$ New | New Part is interchangeable for Old Part but Old Part is not interchangeable for New Part. |
| Q | Old $\begin{matrix} \leftarrow \text{No} \\ \text{Yes} \rightarrow \end{matrix}$ New | New Part is not interchangeable for Old Part but Old Part is interchangeable for New Part. |
| R | Old $\begin{matrix} \leftarrow \text{Yes} \\ \text{Yes} \rightarrow \end{matrix}$ New | New/ Old Parts are both interchangeable. |
| S | Old $\begin{matrix} \leftarrow \text{No} \\ \text{No} \rightarrow \end{matrix}$ New | New/ Old Parts are both not interchangeable. |
| W | | Part newly added. |
| Z | | Part discontinued. |
| F | | Not interchangeable by a single part but interchangeable together with related parts. |
| K | | Changes only for used parts quantities. |

④ Effective Machine No.

When a part changes, the effective Machine No. will be indicated in the (A)-(F) column.

| Product Symbol | Product No. | Product Symbol | Product No. |
|----------------|---------------------------|----------------|-----------------------------------|
| C | Clutch No. Compressor No. | F | Machine No. (Agricultural Equip.) |
| D | Drive No. | M | Machine No. |
| E | Engine No. | | |

Note 1) A date may follow the symbol. (Ex.) 1996.01

Note 2) "XXXXX" and "ZZZZZ" are for parts that could not be predicted or for engine models that could not be identified.

Note 3) (A=E00185) is the E (Engine Serial Number) for the column (A) model (in this case 4JH-DT) after the parts design change.

⑤ Remarks

Figures or alphabets (symbols) are entered in the remarks column.

The comments (remarks) on parts that are indicated at the bottom of the illustration are the same symbols as those stated above.

Contents

Fig. No. Fig. Name

4TNV98-YTBL1

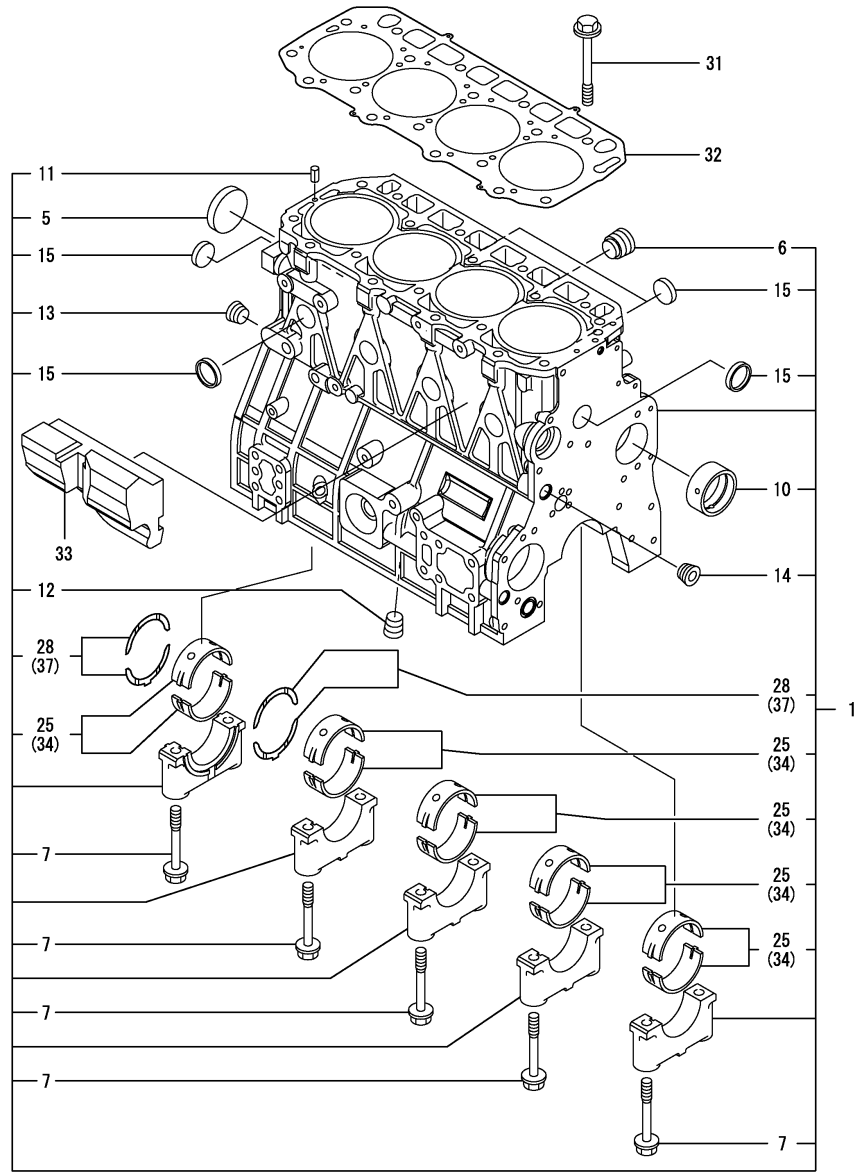
1. CYLINDER BLOCK
2. GEAR HOUSING
3. FLYWHEEL HOUSING & OIL SUMP
4. CYLINDER HEAD & BONNET
5. SUCTION MANIFOLD & AIR CLEANER
6. EXHAUST MANIFOLD & SILENCER
7. CAMSHAFT & DRIVING GEAR
8. CRANKSHAFT & PISTON
9. LUB.OIL SYSTEM
10. COOLING WATER SYSTEM
11. FUEL INJECTION PUMP
12. GOVERNOR
13. FUEL INJECTION VALVE
14. FUEL LINE
15. STARTING MOTOR
16. GENERATOR
17. GASKET SET

Fig. No. Fig. Name

Fig.1. CYLINDER BLOCK

(A)=4TNV98-YTBL1
(B)=
(C)=

(D)=
(E)=
(F)=

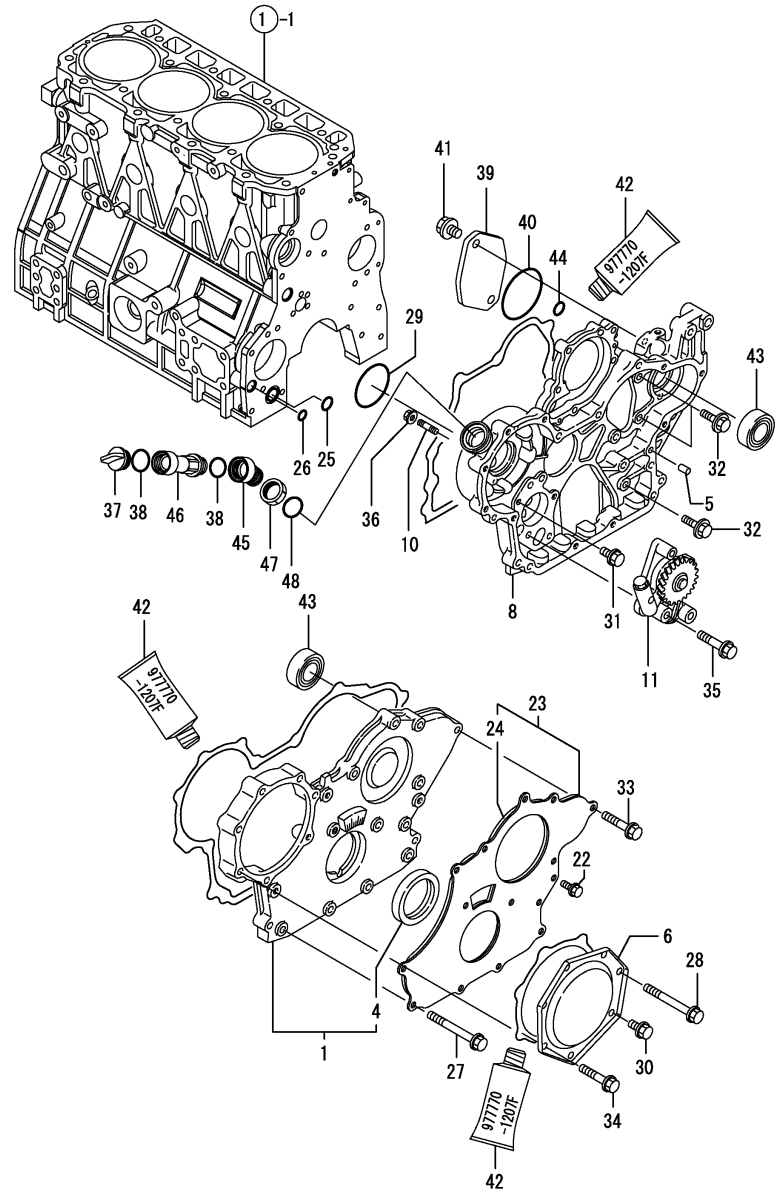


| No. | Lev. | Parts No. | Description | Q'ty | | | | | | I | R |
|-----|------|--------------|----------------------|------|-----|-----|-----|-----|-----|---|---|
| | | | | (A) | (B) | (C) | (D) | (E) | (F) | | |
| 1 | 1 | 729907-01560 | BLOCK ASSY, CYLINDER | 1 | | | | | | | |
| 5 | 2 | 129900-01250 | PLUG, 55 | 1 | | | | | | | |
| 6 | 2 | 171051-01921 | PLUG, NPTF1 | 1 | | | | | | | |
| 7 | 2 | 129900-02020 | BOLT, METAL CAP | 10 | | | | | | | |
| 10 | 2 | 129900-02410 | BUSH, CAMSHAFT | 1 | | | | | | | |
| 11 | 2 | 22351-060012 | PIN, SPRING 6.0X12 | 2 | | | | | | | |
| 12 | 2 | 23876-030000 | PLUG, R03 | 1 | | | | | | | |
| 13 | 2 | 23876-030000 | PLUG, R03 | 1 | | | | | | | |
| 14 | 2 | 23876-030000 | PLUG, R03 | 1 | | | | | | | |
| 15 | 2 | 27241-300000 | PLUG 30 | 8 | | | | | | | |
| 25 | 2 | 729900-02800 | BEARING, MAIN | 5 | | | | | | | 3 |
| 28 | 2 | 129900-02930 | BEARING, THRUST | 2 | | | | | | | |
| 31 | 1 | 129900-01200 | BOLT, HEAD | 18 | | | | | | | |
| 32 | 1 | 129907-01331 | GASKET, HEAD | 1 | | | | | | | |
| 33 | 1 | 129907-01190 | SPACER | 1 | | | | | | | |
| 34 | 1 | 129900-02340 | BEARING, 0.25 US | 5 | | | | | | | 1 |
| 37 | 1 | 129900-02940 | BEARING, THRUST 0.25 | 2 | | | | | | | 2 |

Remarks

- (1) UNDER-SIZE(U.S=0.25)PART.
- (2) OVER-SIZE(O.S=0.25)PART.
- (3) REPAIR PART.

Fig.2. GEAR HOUSING



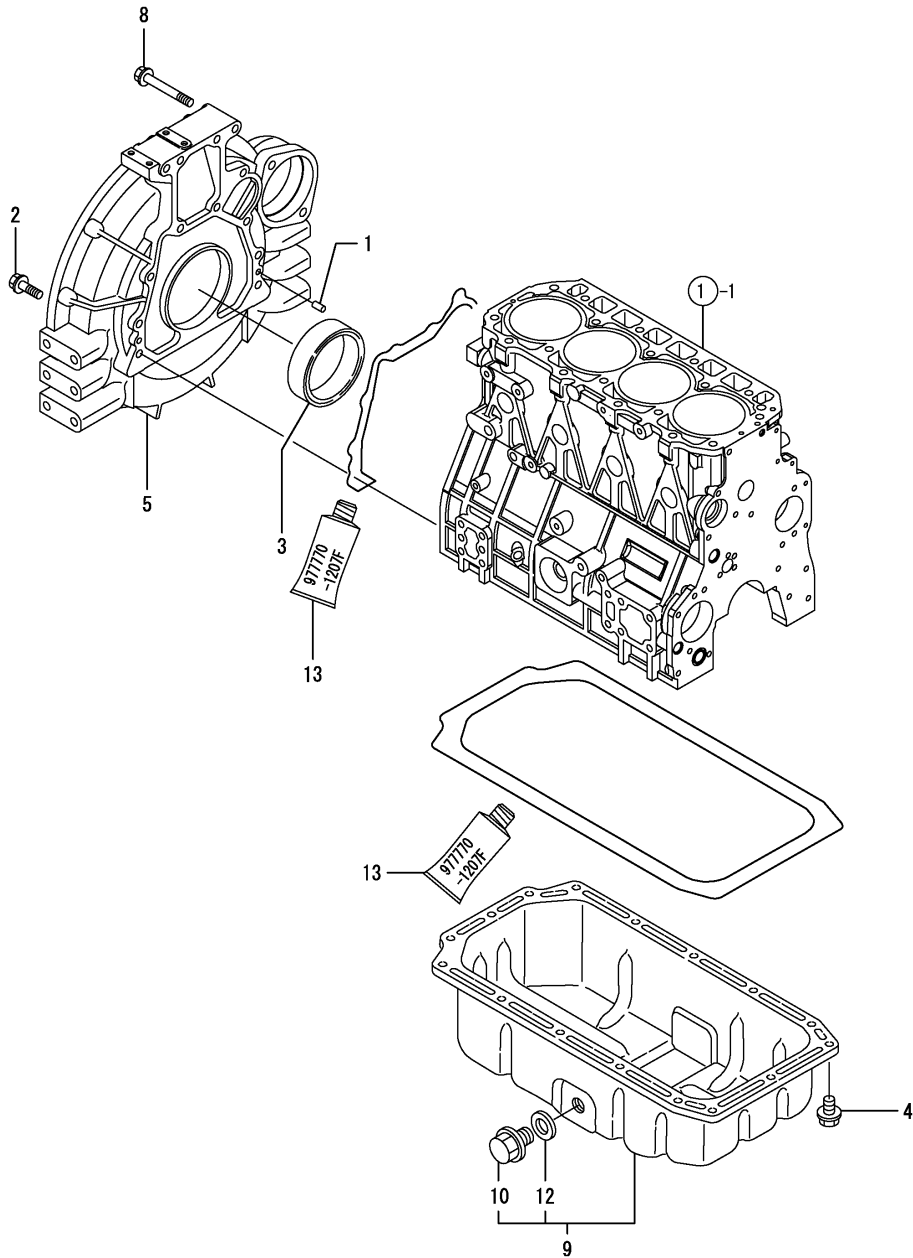
(A)=4TNV98-YTBL1
(B)=
(C)=

(D)=
(E)=
(F)=

| No. | Lev. | Parts No. | Description | Q'ty | | | | | | I | R |
|-----|------|------------------------------|----------------------|------|-----|-----|-----|-----|-----|---|---|
| | | | | (A) | (B) | (C) | (D) | (E) | (F) | | |
| 1 | 1 | 729906-01550 | COVER ASSY,GEAR CASE | 1 | | | | | | | |
| 4 | 2 | 129916-01800 | SEAL, OIL | 1 | | | | | | | |
| 5 | 1 | 129100-01580 | PIN, M8X16 | 4 | | | | | | | |
| 6 | 1 | 129900-01740 | COVER | 1 | | | | | | | |
| 8 | 1 | 129962-01500 | CASE, GEAR | 1 | | | | | | | |
| 10 | 1 | 26216-100302 | STUD, M10X 30 | 4 | | | | | | | |
| 11 | 1 | 129900-32001 | PUMP ASSY, OIL | 1 | | | | | | | |
| 22 | 1 | 26106-080162 (A=*2009.01) | BOLT, M8X 16 PLATED | 3 | | | | | | | Z |
| 23 | 1 | 129900-01850 (A=*2009.01) | COVER ASSY,GEAR CASE | 1 | | | | | | | Z |
| 24 | 2 | 129900-01870 (A=*2009.01) | SPONGE | 1 | | | | | | | Z |
| 25 | 1 | 129900-32030 | O-RING, P20 | 1 | | | | | | | |
| 26 | 1 | 129900-32040 | O-RING, P14 | 1 | | | | | | | |
| 27 | 1 | 129001-91810 | BOLT, M8X70 | 6 | | | | | | | |
| 28 | 1 | 129001-91810 | BOLT, M8X70 | 1 | | | | | | | |
| 29 | 1 | 24351-030750 | O-RING, 1A3075 | 1 | | | | | | | |
| 30 | 1 | 26106-080162 | BOLT, M8X 16 PLATED | 1 | | | | | | | |
| 31 | 1 | 26106-080162 | BOLT, M8X 16 PLATED | 1 | | | | | | | |
| 32 | 1 | 26106-080202 | BOLT, M8X 20 PLATED | 3 | | | | | | | |
| 33 | 1 | 26106-080402 | BOLT, M8X 40 PLATED | 5 | | | | | | | |
| 34 | 1 | 26106-080402 | BOLT, M8X 40 PLATED | 5 | | | | | | | |
| 35 | 1 | 26106-080452 | BOLT, M8X 45 PLATED | 3 | | | | | | | |
| 36 | 1 | 26306-100002 | NUT, M10 | 4 | | | | | | | |
| 37 | 1 | 124160-01751 | COVER, FILLER | 1 | | | | | | | |
| 38 | 1 | 24311-000320 | O-RING, 1AP32.0 | 2 | | | | | | | |
| 39 | 1 | 121023-26070 | COVER | 1 | | | | | | | |
| 40 | 1 | 24321-000850 | O-RING, 1AG85.0 | 1 | | | | | | | |
| 41 | 1 | 26106-100202 | BOLT, M10X 20 PLATED | 2 | | | | | | | |
| 42 | 1 | 977770-1207F | GASKET.LIQUID | 1 | | | | | | | 1 |
| 43 | 1 | 129900-26250 | BEARING, BALL 6206C3 | 2 | | | | | | | |
| 44 | 1 | 24311-000070 | O-RING, 1AP7.0 | 1 | | | | | | | |
| 45 | 1 | 119225-11740 | ADAPTER | 1 | | | | | | | |
| 46 | 1 | 121027-11743 | PIPE | 1 | | | | | | | |
| 47 | 1 | 119225-11750 | NUT | 1 | | | | | | | |
| 48 | 1 | 24311-000300 | O-RING, 1AP30.0 | 1 | | | | | | | |

Remarks
(1) OPTIONAL PART.

Fig.3. FLYWHEEL HOUSING & OIL SUMP



(A)=4TNV98-YTBL1
(B)=
(C)=

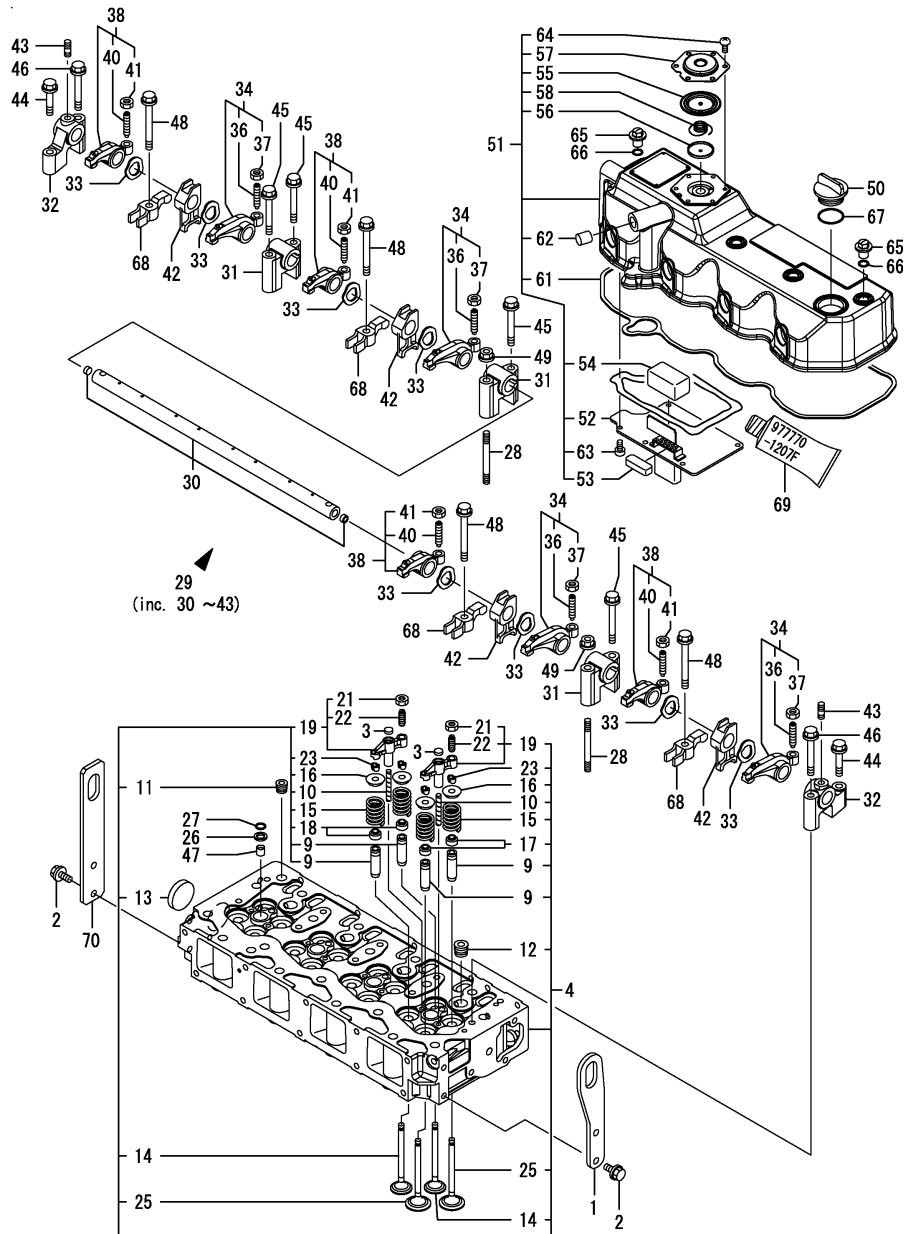
(D)=
(E)=
(F)=

| No. | Lev. | Parts No. | Description | Qty | | | | | | I | R |
|-----|------|--------------|----------------------|-----|-----|-----|-----|-----|-----|---|---|
| | | | | (A) | (B) | (C) | (D) | (E) | (F) | | |
| 1 | 1 | 129100-01580 | PIN, M8X16 | 2 | | | | | | | |
| 2 | 1 | 26206-100352 | BOLT, M10X 35 PLATED | 9 | | | | | | | |
| 3 | 1 | 124411-01780 | SEAL, HTC95X115X12 | 1 | | | | | | | |
| 4 | 1 | 26106-080122 | BOLT, M8X 12 PLATED | 16 | | | | | | | |
| 5 | 1 | 129953-01620 | HOUSING, FLYWHEEL | 1 | | | | | | | |
| 8 | 1 | 26206-100702 | BOLT, M10X 70 PLATED | 4 | | | | | | | |
| 9 | 1 | 129902-01710 | SUMP ASSY, OIL | 1 | | | | | | | |
| 10 | 2 | 119640-01640 | PLUG, DRAIN M22 | 1 | | | | | | | |
| 12 | 2 | 22190-220002 | WASHER, SEAL 22 | 1 | | | | | | | |
| 13 | 1 | 977770-1207F | GASKET.LIQUID | 1 | | | | | | | 1 |

Remarks

(1) OPTIONAL PART.

Fig.4. CYLINDER HEAD & BONNET



(A)=4TNV98-YTBL1

(B)=

(C)=

(D)=

(E)=

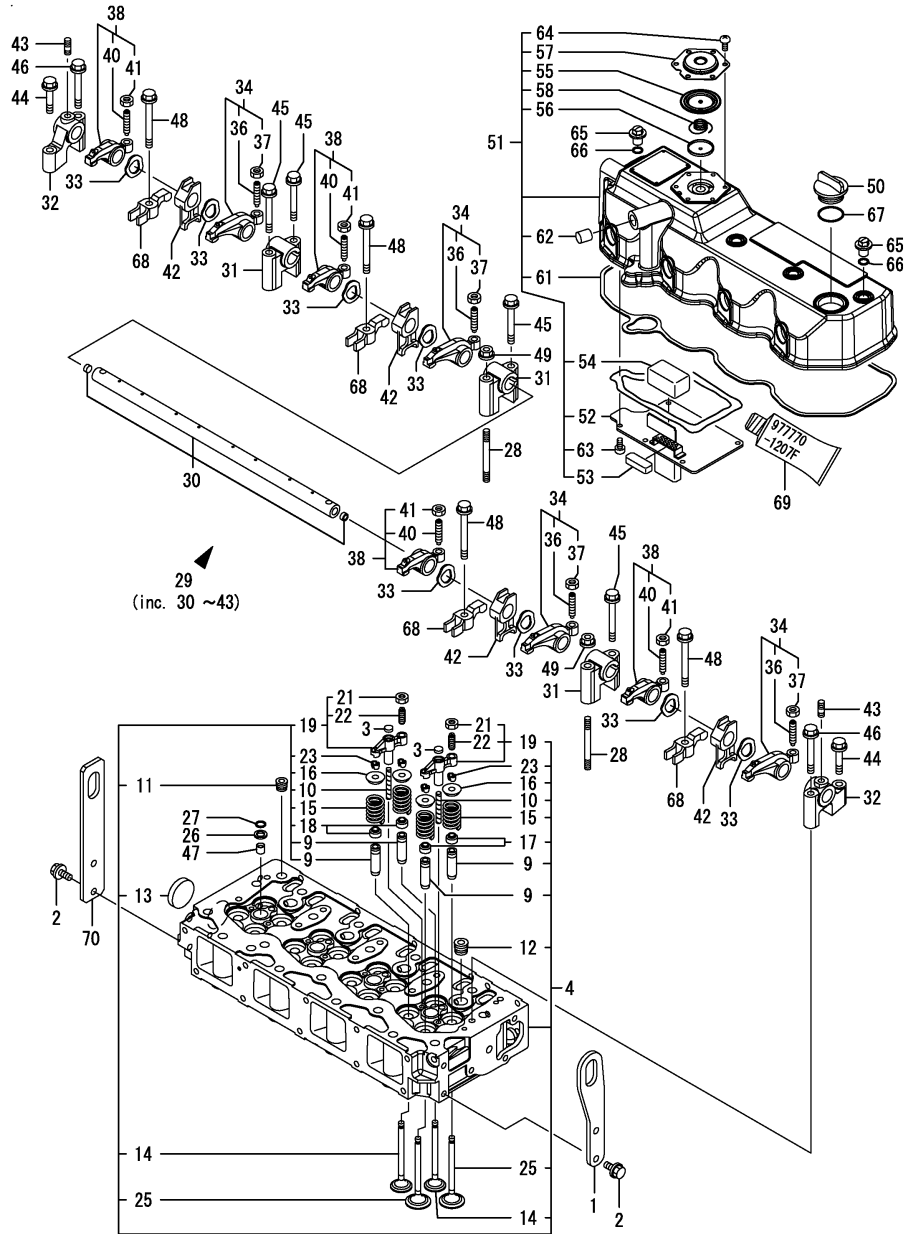
(F)=

| No. | Lev. | Parts No. | Description | Q'ty | | | | | | I | R |
|-----|------|--------------|---------------------|------|-----|-----|-----|-----|-----|---|---|
| | | | | (A) | (B) | (C) | (D) | (E) | (F) | | |
| 1 | 1 | 129907-07900 | LIFTER | 1 | | | | | | | |
| 2 | 1 | 26106-080162 | BOLT, M8X 16 PLATED | 4 | | | | | | | |
| 3 | 1 | 123907-11550 | SEAT, VALVE BRIDGE | 8 | | | | | | | |
| 4 | 1 | 129907-11700 | HEAD ASSY, CYLINDER | 1 | | | | | | | |
| 9 | 2 | 129907-11800 | GUIDE, VALVE | 16 | | | | | | | 1 |
| 10 | 2 | 123907-11820 | GUIDE | 8 | | | | | | | |
| 11 | 2 | 23876-020000 | PLUG, R02 | 1 | | | | | | | |
| 12 | 2 | 23876-030000 | PLUG, R03 | 4 | | | | | | | |
| 13 | 2 | 27241-400000 | PLUG, 40 | 1 | | | | | | | |
| 14 | 2 | 129907-11110 | VALVE, EXHAUST | 8 | | | | | | | |
| 15 | 2 | 129907-11120 | SPRING, VALVE | 16 | | | | | | | |
| 16 | 2 | 119620-11180 | RETAINER, SPRING | 16 | | | | | | | |
| 17 | 2 | 124160-11340 | SEAL, VALVE STEM | 8 | | | | | | | |
| 18 | 2 | 124950-11340 | SEAL, VALVE STEM | 8 | | | | | | | |
| 19 | 2 | 129907-11510 | BRIDGE ASSY, VALVE | 8 | | | | | | | |
| 21 | 3 | 129150-11750 | NUT, M8 | 8 | | | | | | | |
| 22 | 3 | 123907-11830 | ADJUSTER | 8 | | | | | | | |
| 23 | 2 | 27310-070001 | COTTER, 7 | 16 | | | | | | | |
| 25 | 2 | 129907-11100 | VALVE, INTAKE | 8 | | | | | | | |
| 26 | 1 | 119625-11880 | SEAT, NOZZLE | 4 | | | | | | | |
| 27 | 1 | 24311-000120 | O-RING, 1AP12.0 | 4 | | | | | | | |
| 28 | 1 | 119593-11301 | STUD, M8X80 | 2 | | | | | | | |
| 29 | 1 | 129907-11341 | SHAFT ASSY, ROCKER | 1 | | | | | | | |
| 30 | 2 | 129907-11250 | SHAFT, ROCKER ARM | 1 | | | | | | | |
| 31 | 2 | 129907-11260 | SUPPORT, ROCKER ARM | 3 | | | | | | | |
| 32 | 2 | 129907-11270 | SUPPORT, ROCKER ARM | 2 | | | | | | | |
| 33 | 2 | 123907-11280 | WASHER | 8 | | | | | | | |
| 34 | 2 | 129907-11650 | ARM, ROCKER | 4 | | | | | | | |
| 36 | 3 | 129150-11230 | SCREW, VALVE ADJUST | 4 | | | | | | | |
| 37 | 3 | 129150-11750 | NUT, M8 | 4 | | | | | | | |
| 38 | 2 | 129907-11660 | ARM, ROCKER | 4 | | | | | | | |
| 40 | 3 | 129150-11230 | SCREW, VALVE ADJUST | 4 | | | | | | | |
| 41 | 3 | 129150-11750 | NUT, M8 | 4 | | | | | | | |
| 42 | 2 | 129907-11920 | RETAINER | 4 | | | | | | | |
| 43 | 2 | 26226-080222 | STUD, M8X 22 | 2 | | | | | | | |
| 44 | 1 | 26106-080402 | BOLT, M8X 40 PLATED | 2 | | | | | | | |
| 45 | 1 | 26106-080602 | BOLT, M8X 60 PLATED | 4 | | | | | | | |
| 46 | 1 | 26106-080602 | BOLT, M8X 60 PLATED | 2 | | | | | | | |
| 47 | 1 | 119802-11870 | PROTECTOR, NOZZLE | 4 | | | | | | | |
| 48 | 1 | 129907-11950 | BOLT, M8X75 | 4 | | | | | | | |
| 49 | 1 | 26306-080002 | NUT, M8 | 2 | | | | | | | |
| 50 | 1 | 124160-01751 | COVER, FILLER | 1 | | | | | | | |
| 51 | 1 | 129907-11320 | BONNET ASSY, HEAD | 1 | | | | | | | |
| 52 | 2 | 129907-03011 | PLATE | 1 | | | | | | | |
| 53 | 2 | 129907-03061 | BAFFLE, BREATHER | 1 | | | | | | | |
| 54 | 2 | 129907-03070 | BAFFLE, BREATHER | 1 | | | | | | | |
| 55 | 2 | 123907-03100 | DIAPHRAGM | 1 | | | | | | | |
| 56 | 2 | 123907-03110 | PLATE | 1 | | | | | | | |
| 57 | 2 | 123907-03120 | PLATE, BREATHER | 1 | | | | | | | |
| 58 | 2 | 123907-03140 | SPRING, DIAPHRAGM | 1 | | | | | | | |
| 61 | 2 | 129907-11310 | GASKET, BONNET | 1 | | | | | | | |

Remarks

- (1) REPAIR PART.
- (2) OPTIONAL PART.

Fig.4. CYLINDER HEAD & BONNET



(A)=4TNV98-YTBL1
(B)=
(C)=

(D)=
(E)=
(F)=

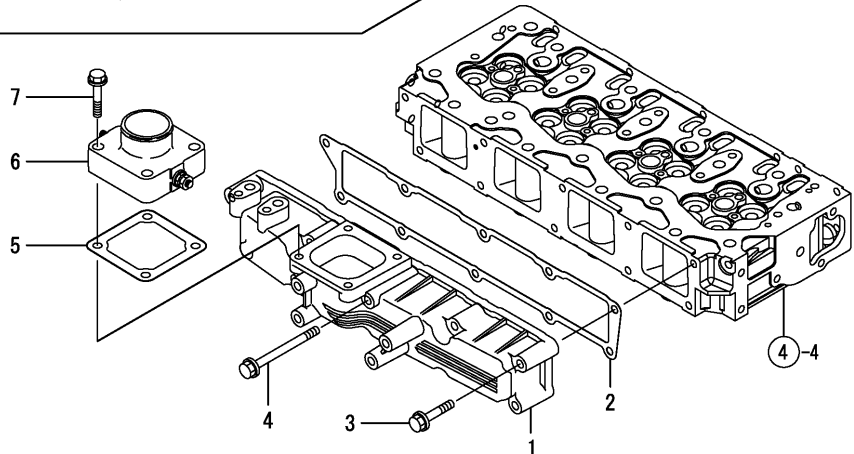
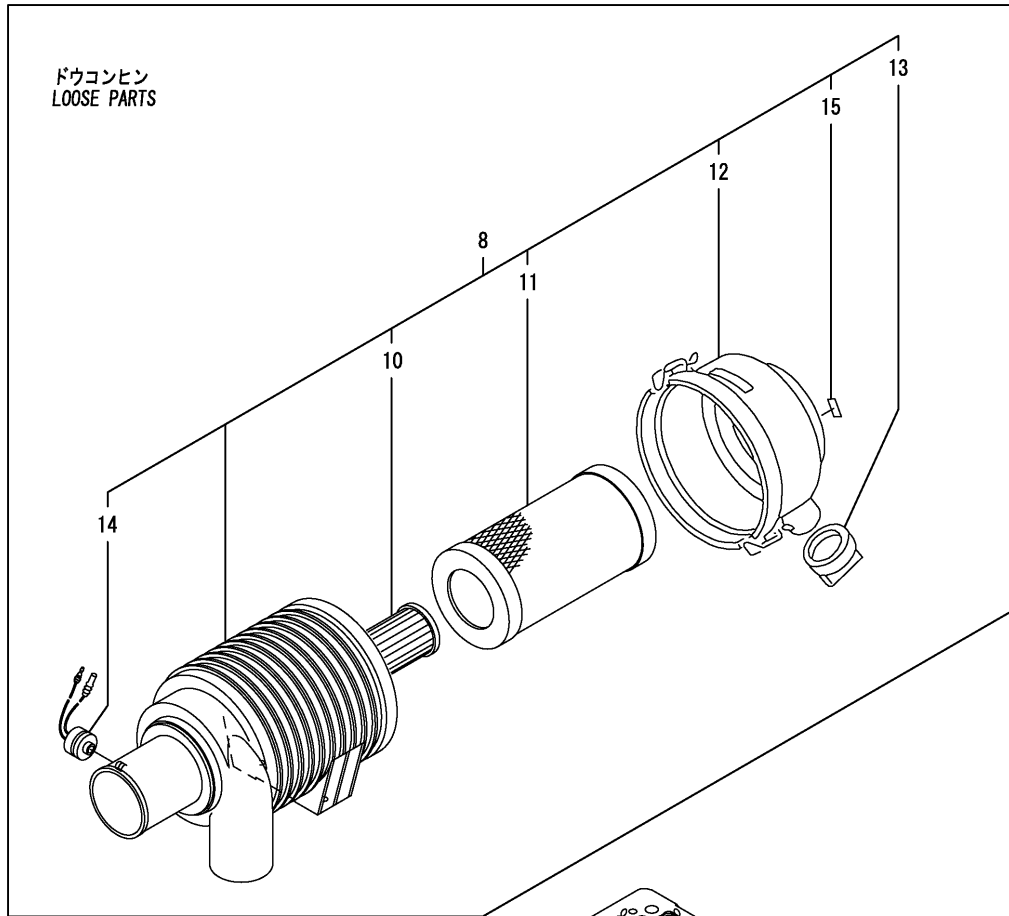
| No. | Lev. | Parts No. | Description | Q'ty | | | | | | I | R |
|-----|------|--------------|------------------|------|-----|-----|-----|-----|-----|---|---|
| | | | | (A) | (B) | (C) | (D) | (E) | (F) | | |
| 62 | 2 | 119640-61400 | PLUG | 1 | | | | | | | |
| 63 | 2 | 22857-500100 | SCREW, 5X10 | 6 | | | | | | | |
| 64 | 2 | 22857-500100 | SCREW, 5X10 | 6 | | | | | | | |
| 65 | 1 | 124160-11360 | KNOB | 4 | | | | | | | |
| 66 | 1 | 24311-000120 | O-RING, 1AP12.0 | 4 | | | | | | | |
| 67 | 1 | 24311-000320 | O-RING, 1AP32.0 | 1 | | | | | | | |
| 68 | 1 | 129907-11910 | RETAINER, NOZZLE | 4 | | | | | | | |
| 69 | 1 | 97770-1207F | GASKET LIQUID | 1 | | | | | | | 2 |
| 70 | 1 | 129944-07910 | LIFTER | 1 | | | | | | | |

Remarks
(1) REPAIR PART.
(2) OPTIONAL PART.

Fig.5. SUCTION MANIFOLD & AIR CLEANER

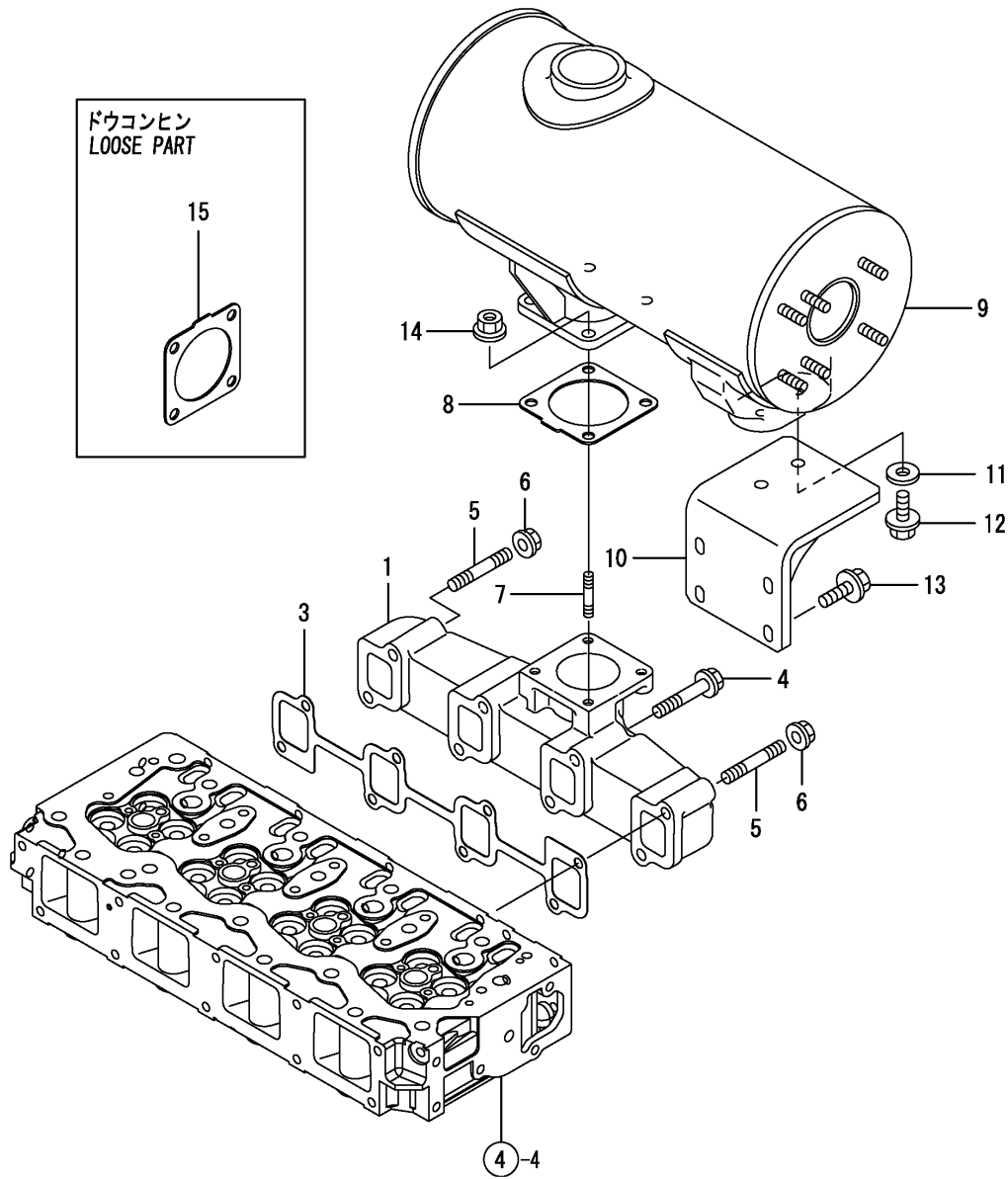
(A)=4TNV98-YTBL1
(B)=
(C)=

(D)=
(E)=
(F)=



| No. | Lev. | Parts No. | Description | Q'ty | | | | | | I | R |
|-----|------|--------------|----------------------|------|-----|-----|-----|-----|-----|---|---|
| | | | | (A) | (B) | (C) | (D) | (E) | (F) | | |
| 1 | 1 | 129907-12100 | MANIFOLD, AIR INTAKE | 1 | | | | | | | |
| 2 | 1 | 129907-12110 | GASKET, MANIFOLD | 1 | | | | | | | |
| 3 | 1 | 26106-080552 | BOLT, M8X 55 PLATED | 9 | | | | | | | |
| 4 | 1 | 26106-080852 | BOLT, M8X 85 PLATED | 1 | | | | | | | |
| 5 | 1 | 121850-77021 | GASKET | 1 | | | | | | | |
| 6 | 1 | 129915-77050 | HEATER | 1 | | | | | | | |
| 7 | 1 | 26106-080352 | BOLT, M8X 35 PLATED | 4 | | | | | | | |
| 8 | 1 | 129944-12520 | CLEANER ASSY, AIR | 1 | | | | | | | |
| 10 | 2 | 119160-12570 | ELEMENT | 1 | | | | | | | |
| 11 | 2 | 129935-12520 | ELEMENT | 1 | | | | | | | |
| 12 | 2 | 119160-12530 | COVER ASSY | 1 | | | | | | | |
| 13 | 2 | 119160-12540 | VALVE | 1 | | | | | | | |
| 14 | 2 | 119140-12680 | INDICATOR | 1 | | | | | | | |
| 15 | 2 | 129612-12650 | MARKING,(W) | 1 | | | | | | | |

Fig.6. EXHAUST MANIFOLD & SILENCER



(A)=4TNV98-YTBL1
(B)=
(C)=

(D)=
(E)=
(F)=

| No. | Lev. | Parts No. | Description | Q'ty | | | | | | I | R |
|-----|------|--------------|---------------------|------|-----|-----|-----|-----|-----|---|---|
| | | | | (A) | (B) | (C) | (D) | (E) | (F) | | |
| 1 | 1 | 129900-13200 | MANIFOLD, EXHAUST | 1 | | | | | | | |
| 3 | 1 | 129900-13251 | GASKET | 1 | | | | | | | |
| 4 | 1 | 123900-13630 | BOLT, M8X80 | 6 | | | | | | | |
| 5 | 1 | 123900-13610 | STUD, M8X80 | 2 | | | | | | | |
| 6 | 1 | 26306-080002 | NUT, M8 | 2 | | | | | | | |
| 7 | 1 | 119131-18320 | STUD, M8X22 | 4 | | | | | | | |
| 8 | 1 | 129930-13201 | GASKET, SILENCER | 1 | | | | | | | |
| 9 | 1 | 129944-13520 | SILENCER | 1 | | | | | | | |
| 10 | 1 | 129944-13660 | STAY, SILENCER | 1 | | | | | | | |
| 11 | 1 | 22157-080000 | WASHER, 8 | 2 | | | | | | | |
| 12 | 1 | 26106-080162 | BOLT, M8X 16 PLATED | 2 | | | | | | | |
| 13 | 1 | 26106-080202 | BOLT, M8X 20 PLATED | 4 | | | | | | | |
| 14 | 1 | 26306-080002 | NUT, M8 | 4 | | | | | | | |
| 15 | 1 | 129930-13201 | GASKET, SILENCER | 1 | | | | | | | |

Fig.7. CAMSHAFT & DRIVING GEAR

(A)=4TNV98-YTBL1

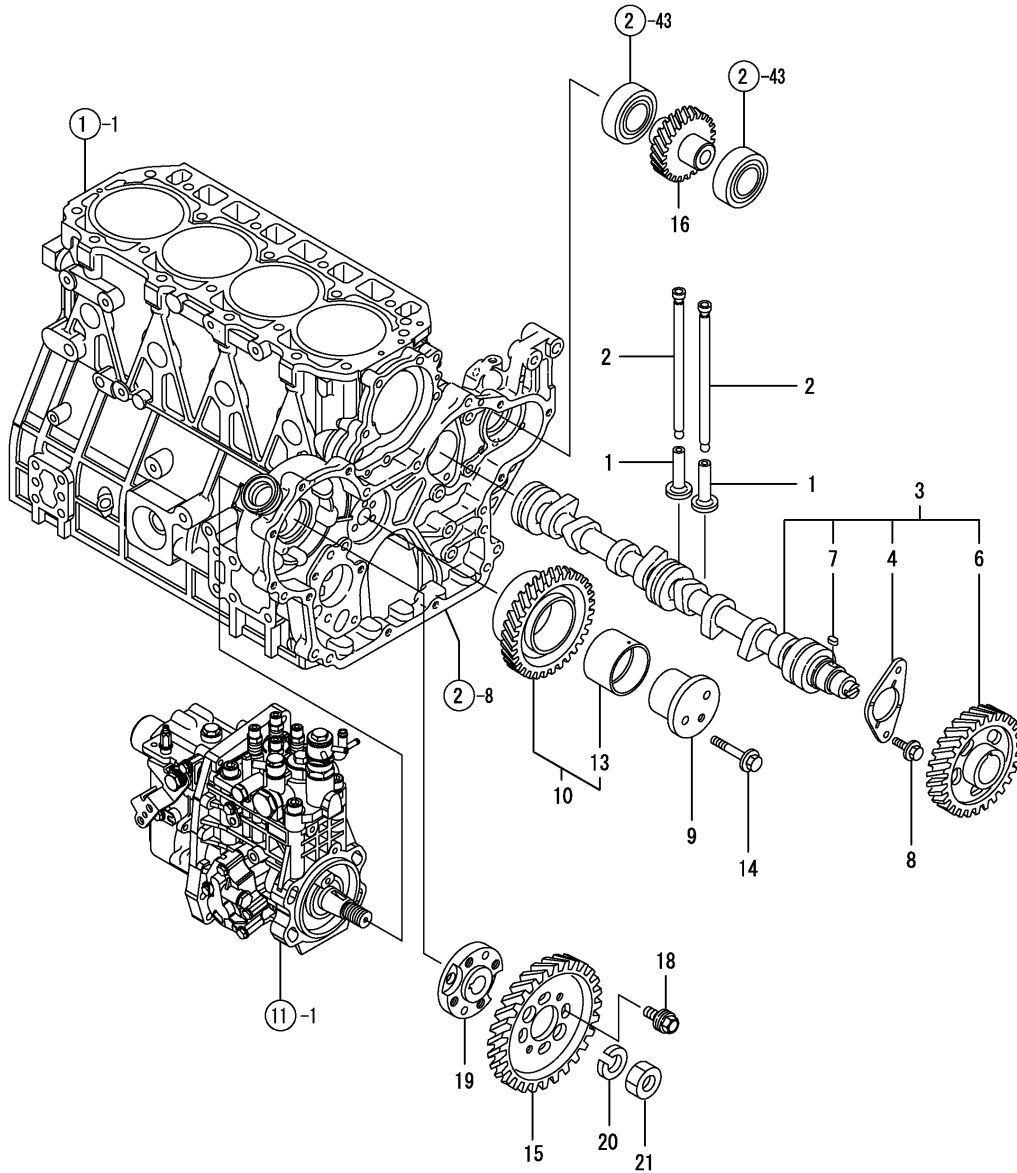
(B)=

(C)=

(D)=

(E)=

(F)=



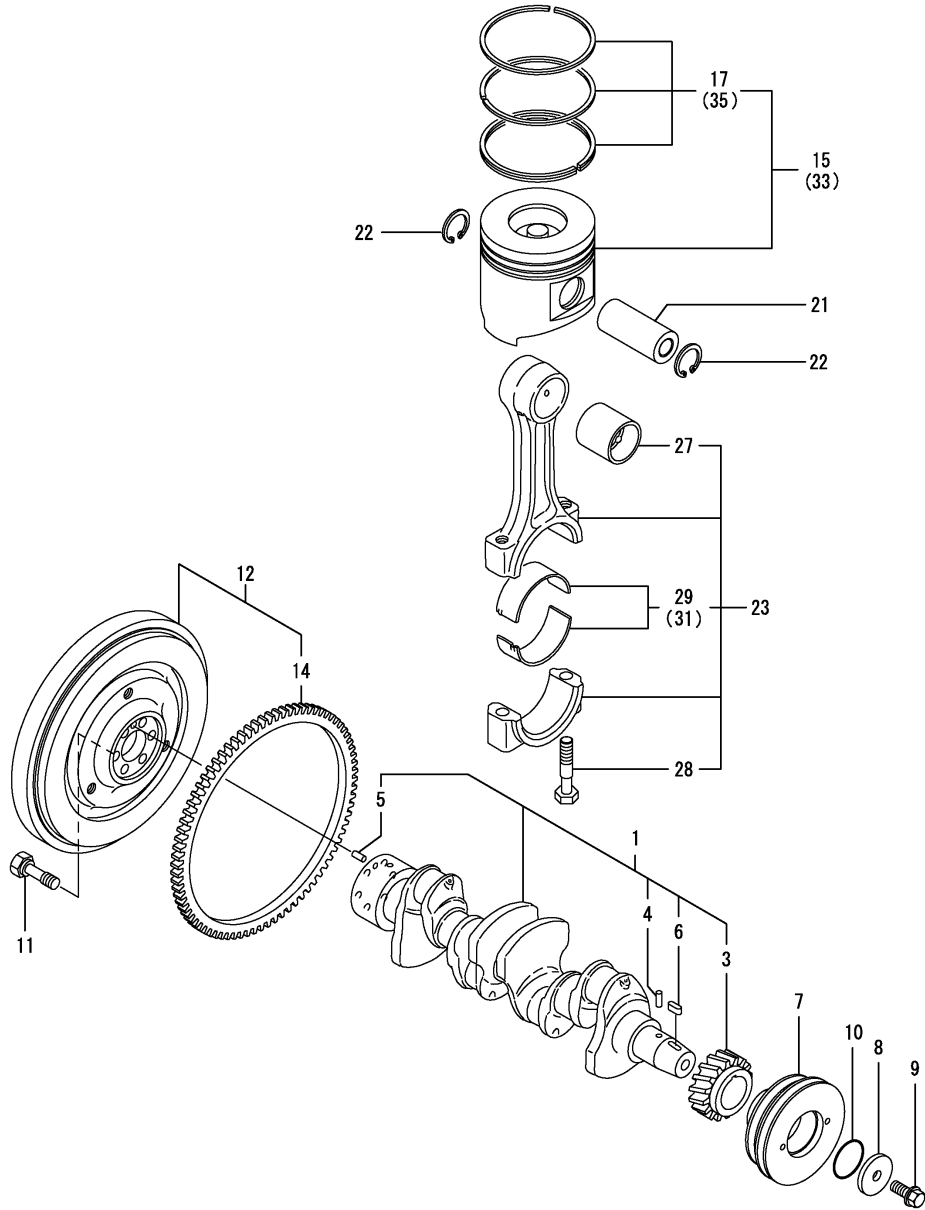
| No. | Lev. | Parts No. | Description | Q'ty | | | | | | I | R |
|-----|------|----------------------------|---------------------|------|-----|-----|-----|-----|-----|---|---|
| | | | | (A) | (B) | (C) | (D) | (E) | (F) | | |
| 1 | 1 | 129150-14200 | TAPPET | 8 | | | | | | | |
| 2 | 1 | 129907-14400 | ROD, PUSH | 8 | | | | | | | |
| 3 | 1 | 129907-14590 | CAMSHAFT ASSY | 1 | | | | | | | |
| 3-1 | 1 | 129908-14590 (A=EZZZZZ) | CAMSHAFT ASSY | 1 | | | | | | | N |
| 4 | 2 | 129150-02450 | BEARING, THRUST | 1 | | | | | | | |
| 6 | 2 | 129900-14110 | GEAR, CAMSHAFT | 1 | | | | | | | |
| 7 | 2 | 22512-070140 | KEY, 7X 14 | 1 | | | | | | | |
| 8 | 1 | 26106-080162 | BOLT, M8X 16 PLATED | 2 | | | | | | | |
| 9 | 1 | 123900-25060 | SHAFT, IDLE GEAR | 1 | | | | | | | |
| 10 | 1 | 129900-25110 | GEAR ASSY, IDLE | 1 | | | | | | | |
| 13 | 2 | 129150-25920 | BUSH, IDLE GEAR | 1 | | | | | | | 1 |
| 14 | 1 | 26106-080552 | BOLT, M8X 55 PLATED | 3 | | | | | | | |
| 15 | 1 | 129907-25900 | GEAR, PUMP | 1 | | | | | | | |
| 16 | 1 | 129900-26020 | GEAR ASSY, PUMP | 1 | | | | | | | |
| 18 | 1 | 129953-25300 | BOLT | 4 | | | | | | | |
| 19 | 1 | 158563-51150 | FLANGE | 1 | | | | | | | |
| 20 | 1 | 22217-180000 | WASHER, SPRING 18 | 1 | | | | | | | |
| 21 | 1 | 26776-180002 | NUT, LOCK M18 | 1 | | | | | | | |

Remarks

(1) REPAIR PART.

N:Old $\xrightarrow{\text{Yes}}$ New, Q:Old $\xrightarrow{\text{No}}$ New, R:Old $\xrightarrow{\text{Yes}}$ New, S:Old $\xrightarrow{\text{No}}$ New, W:Add, Z:Discontinued, F:Interchangeable by set, K:Q'ty Change

Fig.8. CRANKSHAFT & PISTON



(A)=4TNV98-YTBL1
(B)=
(C)=

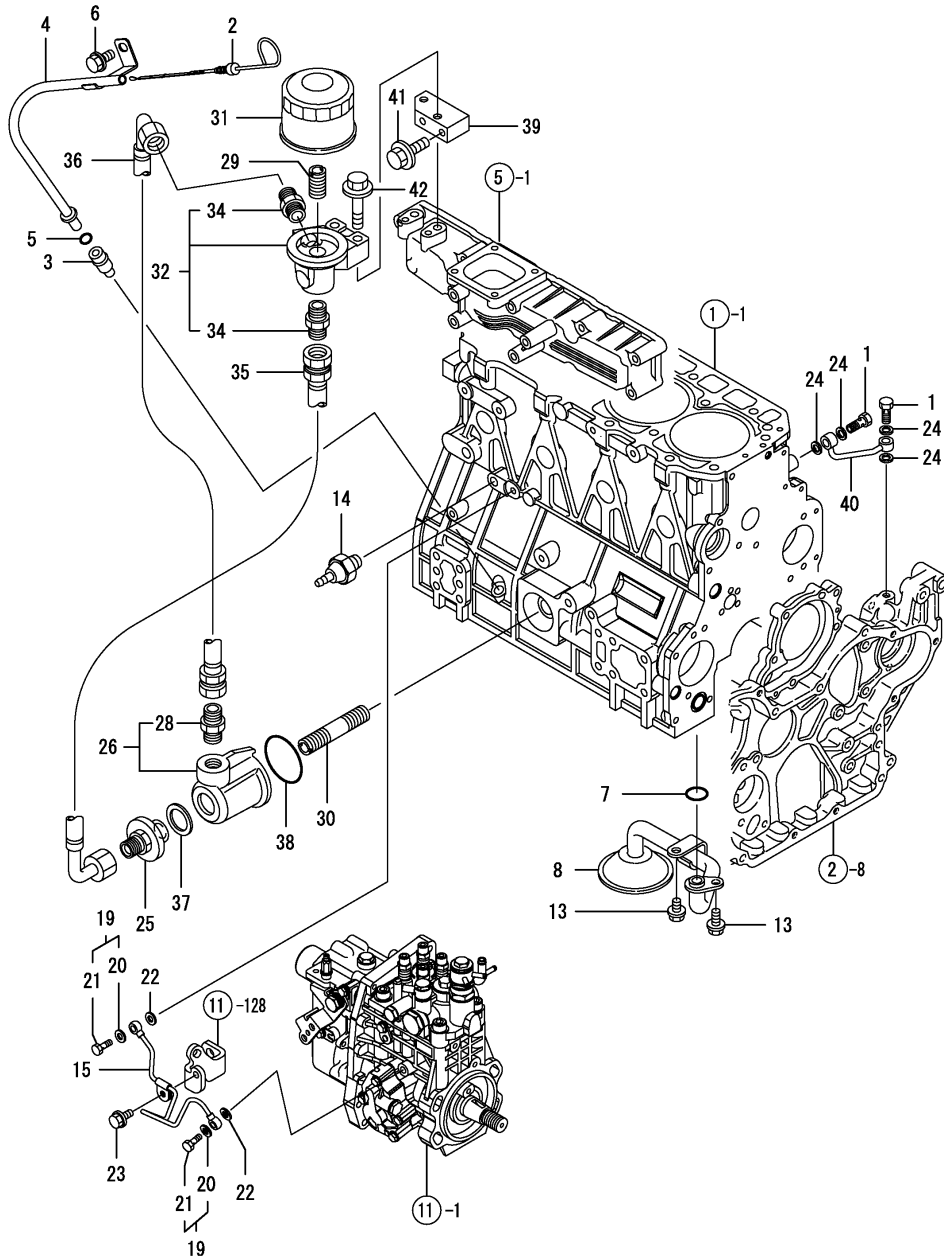
(D)=
(E)=
(F)=

| No. | Lev. | Parts No. | Description | Q'ty | | | | | | I | R |
|-----|------|--------------|----------------------|------|-----|-----|-----|-----|-----|---|---|
| | | | | (A) | (B) | (C) | (D) | (E) | (F) | | |
| 1 | 1 | 129902-21050 | CRANKSHAFT ASSY | 1 | | | | | | | |
| 3 | 2 | 129900-21220 | GEAR, CRANKSHAFT | 1 | | | | | | | |
| 4 | 2 | 121850-21290 | PIN | 1 | | | | | | | |
| 5 | 2 | 121850-21920 | PIN, M10X22 | 1 | | | | | | | |
| 6 | 2 | 22512-070140 | KEY, 7X 14 | 1 | | | | | | | |
| 7 | 1 | 129916-21680 | V-PULLEY | 1 | | | | | | | |
| 8 | 1 | 129960-21640 | WASHER | 1 | | | | | | | |
| 9 | 1 | 129916-21610 | BOLT | 1 | | | | | | | |
| 10 | 1 | 24341-000530 | O-RING, 1AS53.0 | 1 | | | | | | | |
| 11 | 1 | 121850-21130 | BOLT, FLYWHEEL | 6 | | | | | | | |
| 12 | 1 | 129953-21570 | FLYWHEEL ASSY | 1 | | | | | | | |
| 14 | 2 | 129900-21600 | GEAR, RING | 1 | | | | | | | |
| 15 | 1 | 129907-22090 | PISTON ASSY, 18.5 | 4 | | | | | | | |
| 17 | 2 | 129907-22050 | RING SET, PISTON | 4 | | | | | | | |
| 21 | 1 | 120130-22301 | PIN, PISTON | 4 | | | | | | | |
| 22 | 1 | 22252-000300 | RING, 30 | 8 | | | | | | | |
| 23 | 1 | 129900-23001 | ROD ASSY, CONNECTING | 4 | | | | | | | |
| 27 | 2 | 129900-23911 | BEARING, PISTON PIN | 4 | | | | | | | 1 |
| 28 | 2 | 129900-23200 | BOLT, CONNECTING ROD | 8 | | | | | | | |
| 29 | 2 | 129900-23600 | BEARING, CRANK PIN | 4 | | | | | | | |
| 31 | 1 | 129900-23610 | BEARING, 0.25 US | 4 | | | | | | | 2 |
| 33 | 1 | 729907-22910 | PISTON ASSY, 0.25 OS | 4 | | | | | | | 3 |
| 35 | 2 | 729907-22950 | RING SET, 0.25 OS | 4 | | | | | | | 3 |

Remarks

- (1) REPAIR PART.
- (2) UNDER-SIZE(U.S=0.25)PART.
- (3) OVER-SIZE(O.S=0.25)PART.

Fig.9. LUB.OIL SYSTEM



(A)=4TNV98-YTBL1

(B)=

(C)=

(D)=

(E)=

(F)=

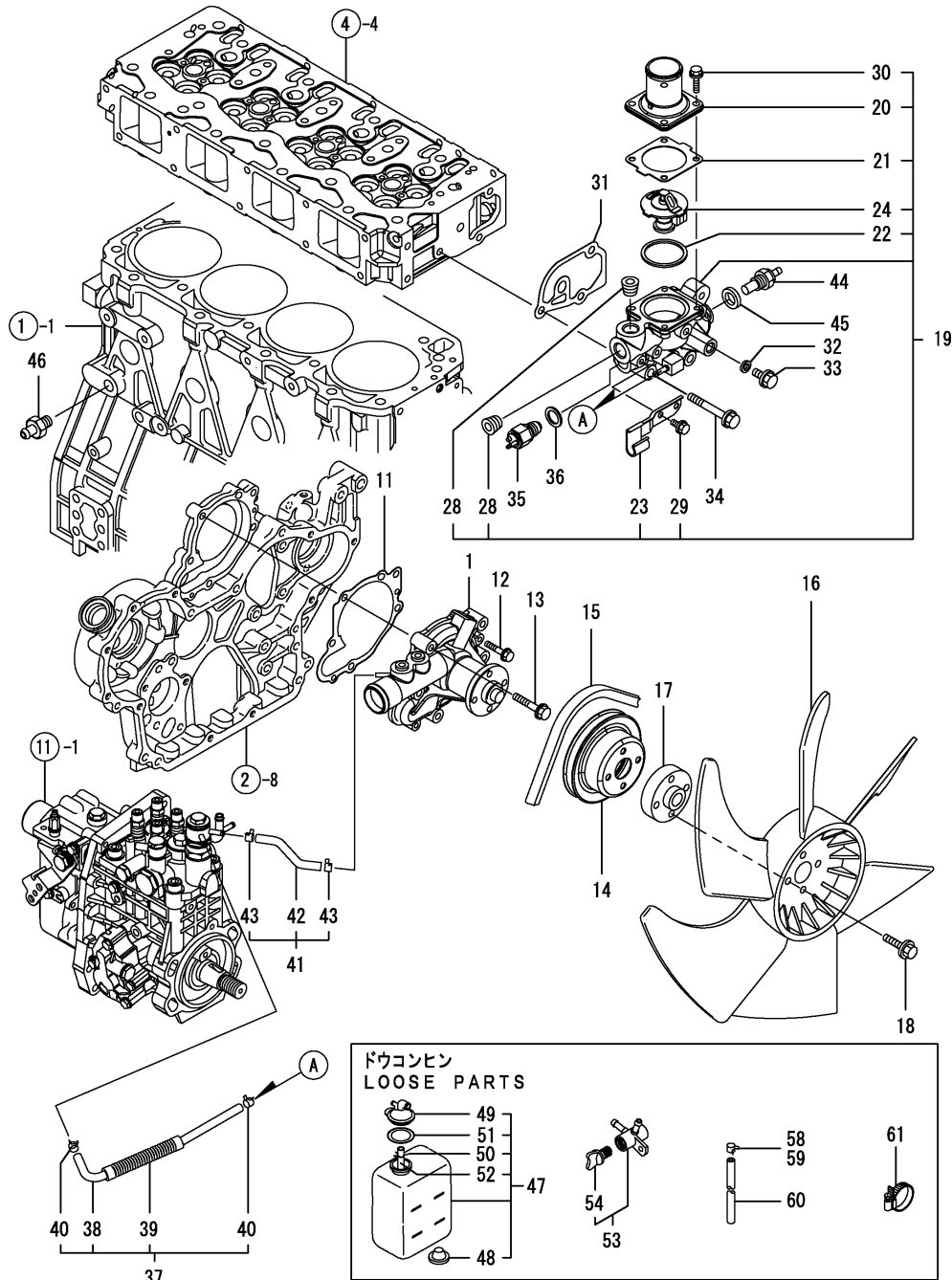
| No. | Lev. | Parts No. | Description | Qty | | | | | | I | R |
|-----|------|--------------|----------------------|-----|-----|-----|-----|-----|-----|---|---|
| | | | | (A) | (B) | (C) | (D) | (E) | (F) | | |
| 1 | 1 | 105010-39140 | BOLT, PIPE JOINT | 2 | | | | | | | |
| 2 | 1 | 129951-34801 | DIPSTICK, OIL | 1 | | | | | | | |
| 3 | 1 | 119260-34810 | GUIDE, DIPSTICK | 1 | | | | | | | |
| 4 | 1 | 129951-34812 | GUIDE, DIPSTICK | 1 | | | | | | | |
| 5 | 1 | 24311-240100 | O-RING, 1AP10A | 1 | | | | | | | |
| 6 | 1 | 26106-080162 | BOLT, M8X 16 PLATED | 1 | | | | | | | |
| 7 | 1 | 129900-32030 | O-RING, P20 | 1 | | | | | | | |
| 8 | 1 | 129900-35000 | PIPE ASSY, OIL INLET | 1 | | | | | | | |
| 13 | 1 | 26106-080122 | BOLT, M8X 12 PLATED | 2 | | | | | | | |
| 14 | 1 | 114250-39450 | SWITCH, 0.5KG | 1 | | | | | | | |
| 15 | 1 | 129907-39061 | PIPE ASSY, OIL | 1 | | | | | | | |
| 19 | 1 | 129005-59830 | BOLT ASSY, JOINT M8 | 2 | | | | | | | |
| 20 | 2 | 22190-080002 | WASHER, SEAL 6 | 2 | | | | | | | |
| 21 | 2 | 23857-030000 | BOLT, JOINT 3 | 2 | | | | | | | |
| 22 | 1 | 22190-080002 | WASHER, SEAL 6 | 2 | | | | | | | |
| 23 | 1 | 26106-080122 | BOLT, M8X 12 PLATED | 1 | | | | | | | |
| 24 | 1 | 22190-080002 | WASHER, SEAL 6 | 4 | | | | | | | |
| 25 | 1 | 129953-35110 | RETAINER | 1 | | | | | | | |
| 26 | 1 | 129944-35110 | CASE ASSY | 1 | | | | | | | |
| 28 | 2 | 129953-39500 | ADAPTER, R-G1/2 | 1 | | | | | | | |
| 29 | 1 | 119000-35140 | BOLT, FILTER | 1 | | | | | | | |
| 30 | 1 | 129970-35140 | BOLT, FILTER | 1 | | | | | | | |
| 31 | 1 | 129150-35153 | FILTER 80X80L | 1 | | | | | | | 1 |
| 32 | 1 | 129944-35210 | BRACKET ASSY | 1 | | | | | | | |
| 34 | 2 | 129953-39500 | ADAPTER, R-G1/2 | 2 | | | | | | | |
| 35 | 1 | 129953-39100 | PIPE ASSY, OIL | 1 | | | | | | | |
| 36 | 1 | 129944-39100 | PIPE, OIL | 1 | | | | | | | |
| 37 | 1 | 22190-300002 | WASHER, SEAL 30 | 1 | | | | | | | |
| 38 | 1 | 24321-000600 | O-RING, 1AG60.0 | 1 | | | | | | | |
| 39 | 1 | 129944-35150 | SPACER | 1 | | | | | | | |
| 40 | 1 | 129930-39050 | PIPE, OIL | 1 | | | | | | | |
| 41 | 1 | 26106-080502 | BOLT, M8X 50 PLATED | 2 | | | | | | | |
| 42 | 1 | 26106-100452 | BOLT, M10X 45 PLATED | 2 | | | | | | | |

Remarks

(1) REPAIR PART.

N:Old $\xrightarrow{\text{Yes}}$ New, Q:Old $\xrightarrow{\text{No}}$ New, R:Old $\xrightarrow{\text{Yes}}$ New, S:Old $\xrightarrow{\text{No}}$ New, W:Add, Z:Discontinued, F:Interchangeable by set, K:Qty Change

Fig.10. COOLING WATER SYSTEM



(A)=4TNV98-YTBL1

(B)=

(C)=

(D)=

(E)=

(F)=

| No. | Lev. | Parts No. | Description | Q'ty | | | | | | I | R |
|-----|------|--------------|-----------------------|------|-----|-----|-----|-----|-----|---|---|
| | | | | (A) | (B) | (C) | (D) | (E) | (F) | | |
| 1 | 1 | 129907-42000 | PUMP ASSY, WATER | 1 | | | | | | | |
| 11 | 1 | 129900-42020 | GASKET, WATER PUMP | 1 | | | | | | | |
| 12 | 1 | 26106-060302 | BOLT, M6X 30 PLATED | 2 | | | | | | | |
| 13 | 1 | 26106-080552 | BOLT, M8X 55 PLATED | 5 | | | | | | | |
| 14 | 1 | 129900-42461 | V-PULLEY | 1 | | | | | | | |
| 15 | 1 | 129940-42320 | V-BELT, A41 | 1 | | | | | | | |
| 16 | 1 | 129916-44740 | FAN, COOLING D=430 | 1 | | | | | | | |
| 17 | 1 | 119130-44760 | SPACER, FAN | 1 | | | | | | | |
| 18 | 1 | 26106-080352 | BOLT, M8X 35 PLATED | 4 | | | | | | | |
| 19 | 1 | 129946-49810 | CASE ASSY, THERMOSTAT | 1 | | | | | | | |
| 20 | 2 | 129916-49530 | COVER, THERMOSTAT | 1 | | | | | | | |
| 21 | 2 | 121850-49540 | GASKET, THERMOSTAT | 1 | | | | | | | |
| 22 | 2 | 121850-49550 | GASKET, THERMOSTAT | 1 | | | | | | | |
| 23 | 2 | 129907-49730 | RETAINER, PIPE | 1 | | | | | | | |
| 24 | 2 | 121850-49800 | THERMOSTAT, 82 | 1 | | | | | | | |
| 28 | 2 | 23875-030000 | PLUG, R03 | 2 | | | | | | | |
| 29 | 2 | 26106-060122 | BOLT, M6X 12 PLATED | 1 | | | | | | | |
| 30 | 2 | 26106-060202 | BOLT, M6X 20 PLATED | 4 | | | | | | | |
| 31 | 1 | 129900-49870 | GASKET | 1 | | | | | | | |
| 32 | 1 | 23414-080000 | GASKET, 8X1.0 | 1 | | | | | | | |
| 33 | 1 | 26106-080122 | BOLT, M8X 12 PLATED | 1 | | | | | | | |
| 34 | 1 | 26106-080602 | BOLT, M8X 60 PLATED | 3 | | | | | | | |
| 35 | 1 | 121250-44901 | SWITCH, 110 | 1 | | | | | | | |
| 36 | 1 | 124465-44950 | GASKET, 16 | 1 | | | | | | | |
| 37 | 1 | 129907-49610 | HOSE ASSY, WATER | 1 | | | | | | | |
| 38 | 2 | 129907-49710 | PIPE ASSY, WATER | 1 | | | | | | | |
| 39 | 2 | 129907-49750 | TUBE, CORRUGATED | 1 | | | | | | | |
| 40 | 2 | 124722-59050 | CLIP, HOSE 9 | 2 | | | | | | | |
| 41 | 1 | 129907-49620 | HOSE ASSY, WATER | 1 | | | | | | | |
| 42 | 2 | 129907-49720 | PIPE ASSY, WATER | 1 | | | | | | | |
| 43 | 2 | 124722-59050 | CLIP, HOSE 9 | 2 | | | | | | | |
| 44 | 1 | 119266-49350 | SWITCH | 1 | | | | | | | |
| 45 | 1 | 129150-49360 | GASKET | 1 | | | | | | | |
| 46 | 1 | 121550-49111 | JOINT, PT1/4 | 1 | | | | | | | |
| 47 | 1 | 129466-44510 | TANK ASSY, SUB | 1 | | | | | | | |
| 48 | 2 | 121468-44540 | PLUG, SUB-TANK | 1 | | | | | | | |
| 49 | 2 | 121450-44531 | CAP | 1 | | | | | | | |
| 50 | 2 | 124450-44560 | RETAINER | 1 | | | | | | | |
| 51 | 2 | 121470-44581 | GASKET | 1 | | | | | | | |
| 52 | 2 | 121267-44590 | PIPE | 1 | | | | | | | |
| 53 | 1 | 129150-49100 | COCK ASSY, 3-WAY | 1 | | | | | | | |
| 54 | 2 | 129150-49080 | COCK, DRAIN | 1 | | | | | | | |
| 58 | 1 | 121250-44590 | CLAMP | 2 | | | | | | | |
| 59 | 1 | 124722-59050 | CLIP, HOSE 9 | 1 | | | | | | | |
| 60 | 1 | 105840-59100 | PIPE | 1 | | | | | | | |
| 61 | 1 | 23000-054000 | CLAMP, 54 | 4 | | | | | | | |

Fig.11. FUEL INJECTION PUMP

(A)=4TNV98-YTBL1

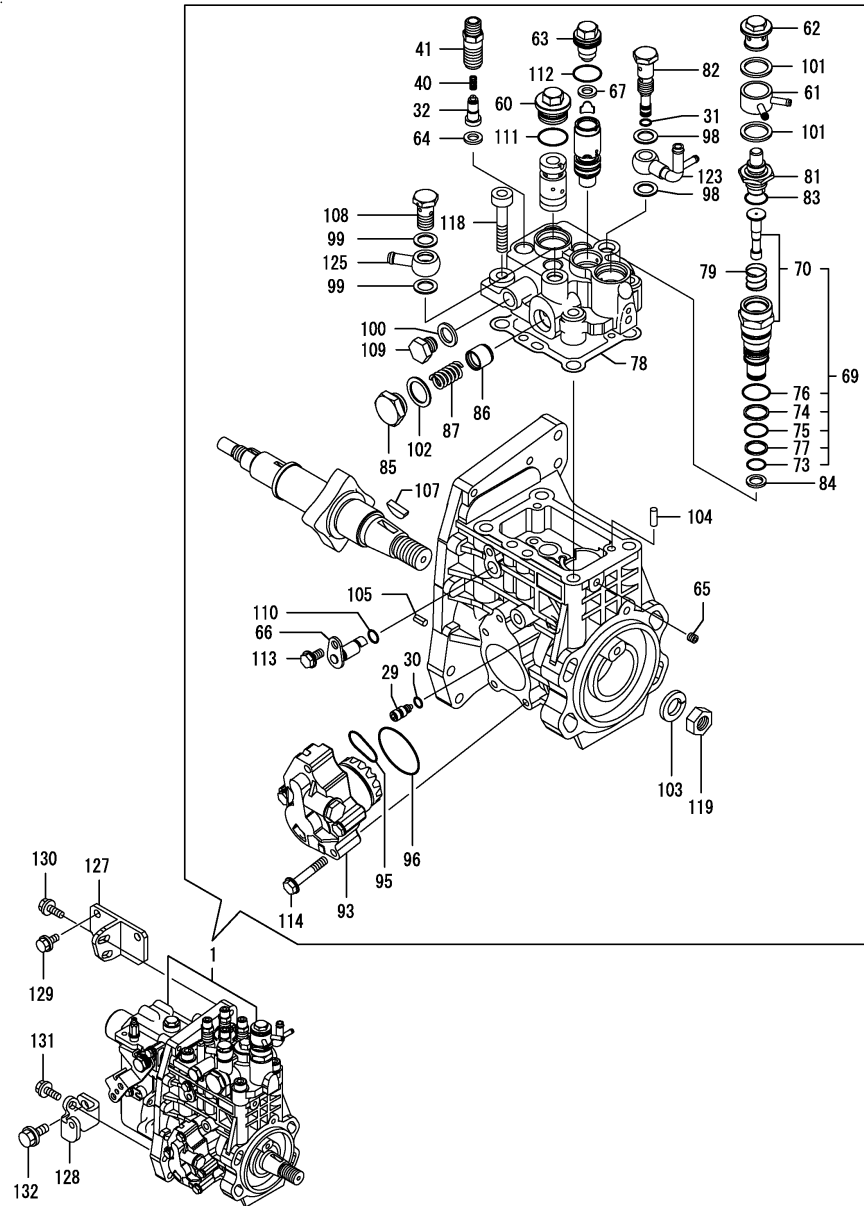
(B)=

(C)=

(D)=

(E)=

(F)=



| No. | Lev. | Parts No. | Description | Q'ty | | | | | | I | R |
|-----|------|--------------|----------------------|------|-----|-----|-----|-----|-----|---|---|
| | | | | (A) | (B) | (C) | (D) | (E) | (F) | | |
| 1 | 1 | 729944-51310 | PUMP ASSY, INJECTION | 1 | | | | | | | 1 |
| 29 | 2 | 158600-51270 | STOPPER, TAPPET | 1 | | | | | | | |
| 30 | 2 | 158563-51281 | O-RING, 4D S6 | 1 | | | | | | | |
| 31 | 2 | 158563-51281 | O-RING, 4D S6 | 1 | | | | | | | |
| 32 | 2 | 158560-51300 | VALVE ASSY, DELIVERY | 4 | | | | | | | |
| 40 | 2 | 158563-51330 | SPRING, DELIVERY | 4 | | | | | | | |
| 41 | 2 | 129907-51340 | HOLDER, DELIVERY | 4 | | | | | | | |
| 60 | 2 | 158601-51550 | PLUG | 1 | | | | | | | |
| 61 | 2 | 158553-51551 | JOINT | 1 | | | | | | | |
| 62 | 2 | 158601-51570 | PLUG | 1 | | | | | | | |
| 63 | 2 | 129907-51560 | PLUG, BARREL | 1 | | | | | | | |
| 64 | 2 | 158552-51570 | GASKET | 4 | | | | | | | |
| 65 | 2 | 158557-51570 | PLUG | 1 | | | | | | | |
| 66 | 2 | 158552-51580 | LIFTER | 1 | | | | | | | |
| 67 | 2 | 129906-51580 | GASKET | 1 | | | | | | | |
| 69 | 2 | 119802-51590 | TIMER SET | 1 | | | | | | | |
| 70 | 3 | 119802-51600 | TIMER ASSY | 1 | | | | | | | |
| 73 | 3 | 158553-51670 | O-RING, 1011 | 1 | | | | | | | |
| 74 | 3 | 119802-51680 | RING, BACK UP | 1 | | | | | | | |
| 75 | 3 | 119802-51690 | O-RING | 1 | | | | | | | |
| 76 | 3 | 24356-010200 | O-RING, 4D1020 | 1 | | | | | | | |
| 77 | 3 | 24372-000150 | RING, BACK UP T2P15 | 1 | | | | | | | |
| 78 | 2 | 158560-51600 | GASKET | 1 | | | | | | | |
| 79 | 2 | 158553-51630 | SPRING, TIMER | 1 | | | | | | | |
| 81 | 2 | 158553-51640 | ELEMENT | 1 | | | | | | | |
| 82 | 2 | 158601-51650 | JOINT, OVER FLOW | 1 | | | | | | | |
| 83 | 2 | 158553-51660 | O-RING, P14 | 1 | | | | | | | |
| 84 | 2 | 158553-51680 | GASKET | 1 | | | | | | | |
| 85 | 2 | 158601-51790 | PLUG | 1 | | | | | | | |
| 86 | 2 | 158601-51770 | PISTON | 1 | | | | | | | |
| 87 | 2 | 158552-51780 | SPRING | 1 | | | | | | | |
| 93 | 2 | 158552-52100 | PUMP ASSY, FUEL FEED | 1 | | | | | | | |
| 95 | 2 | 158552-52310 | O-RING | 1 | | | | | | | |
| 96 | 2 | 158552-52400 | O-RING, 4E S42 | 1 | | | | | | | |
| 98 | 2 | 22190-120002 | WASHER, SEAL 12 | 2 | | | | | | | |
| 99 | 2 | 22190-120002 | WASHER, SEAL 12 | 2 | | | | | | | |
| 100 | 2 | 22190-120002 | WASHER, SEAL 12 | 1 | | | | | | | |
| 101 | 2 | 22190-180002 | WASHER, SEAL 18 | 2 | | | | | | | |
| 102 | 2 | 22190-180002 | WASHER, SEAL 18 | 2 | | | | | | | |
| 103 | 2 | 22217-180000 | WASHER, SPRING 18 | 1 | | | | | | | |
| 104 | 2 | 22312-050140 | PIN, PARALLEL M5X14 | 2 | | | | | | | |
| 105 | 2 | 22351-050010 | PIN, SPRING 5.0X10 | 2 | | | | | | | |
| 107 | 2 | 144626-51090 | KEY, 5X19 | 1 | | | | | | | |
| 108 | 2 | 23857-060000 | BOLT, JOINT 6 | 1 | | | | | | | |
| 109 | 2 | 23887-120002 | PLUG, 12 | 1 | | | | | | | |
| 110 | 2 | 24311-000070 | O-RING, 1AP7.0 | 1 | | | | | | | |
| 111 | 2 | 24356-010200 | O-RING, 4D1020 | 1 | | | | | | | |
| 112 | 2 | 24356-020210 | O-RING, 4D2021 | 1 | | | | | | | |
| 113 | 2 | 26106-060102 | BOLT, M6X 10 PLATED | 1 | | | | | | | |
| 114 | 2 | 26106-060352 | BOLT, M6X 35 PLATED | 4 | | | | | | | |
| 118 | 2 | 26450-100452 | BOLT, M10X 45 | 4 | | | | | | | |

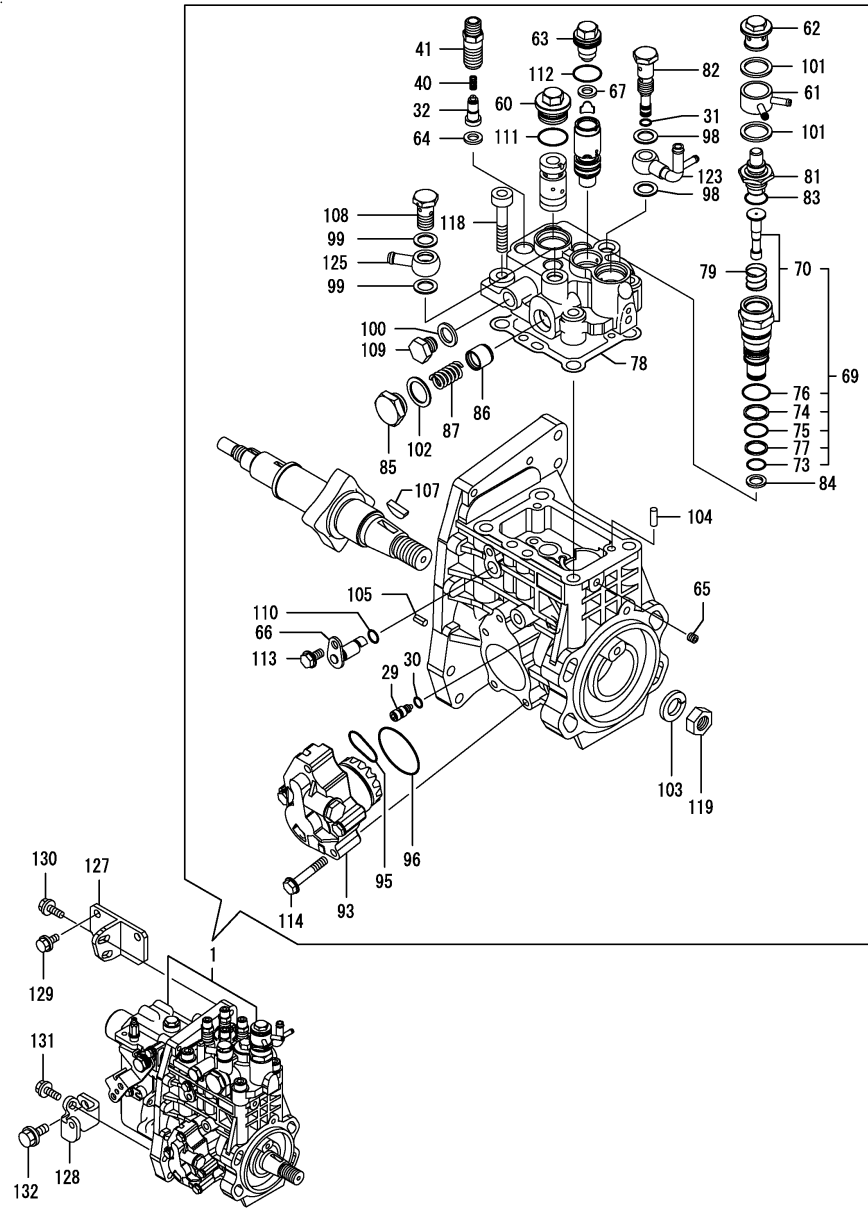
Remarks

(1) GOVERNOR ASSY(FIG.12) IS INCORPORATED IN THIS FOP.CMP (REF.NO.1).

Fig.11. FUEL INJECTION PUMP

(A)=4TNV98-YTBL1
(B)=
(C)=

(D)=
(E)=
(F)=



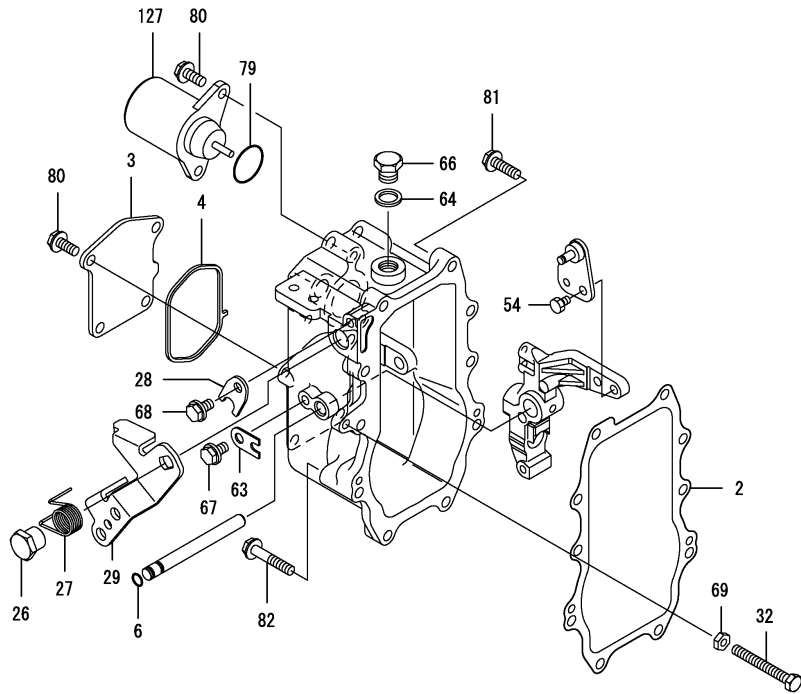
| No. | Lev. | Parts No. | Description | Q'ty | | | | | | I | R |
|-----|------|--------------|----------------------|------|-----|-----|-----|-----|-----|---|---|
| | | | | (A) | (B) | (C) | (D) | (E) | (F) | | |
| 119 | 2 | 26776-180002 | NUT, LOCK M18 | 1 | | | | | | | |
| 123 | 2 | 158552-51670 | JOINT, OVER FLOW | 1 | | | | | | | |
| 125 | 2 | 129916-59020 | JOINT, PIPE 12 | 1 | | | | | | | |
| 127 | 1 | 129907-01950 | RETAINER | 1 | | | | | | | |
| 128 | 1 | 129907-01960 | RETAINER | 1 | | | | | | | |
| 129 | 1 | 26106-080162 | BOLT, M8X 16 PLATED | 2 | | | | | | | |
| 130 | 1 | 26106-080222 | BOLT, M8X 22 PLATED | 2 | | | | | | | |
| 131 | 1 | 26106-080222 | BOLT, M8X 22 PLATED | 1 | | | | | | | |
| 132 | 1 | 26106-100202 | BOLT, M10X 20 PLATED | 1 | | | | | | | |

Remarks
(1) GOVERNOR ASSY(FIG.12) IS
INCORPORATED IN THIS FOP.CMP
(REF.NO.1).

Fig.12. GOVERNOR

(A)=4TNV98-YTBL1
(B)=
(C)=

(D)=
(E)=
(F)=



| No. | Lev. | Parts No. | Description | Q'ty | | | | | | I | R |
|------------|------|--------------|----------------------|------|-----|-----|-----|-----|-----|---|---|
| | | | | (A) | (B) | (C) | (D) | (E) | (F) | | |
| 2 | 2 | 158560-61050 | GASKET | 1 | | | | | | | |
| 3 | 2 | 158560-61061 | COVER, GOVERNOR CASE | 1 | | | | | | | |
| 4 | 2 | 158560-61071 | GASKET | 1 | | | | | | | |
| 6 | 2 | 129155-51280 | O-RING, S6 | 1 | | | | | | | |
| 26 | 2 | 129255-61410 | NUT, LOCK | 1 | | | | | | | |
| 27 | 2 | 119807-61420 | SPRING, RETURN | 1 | | | | | | | |
| 28 | 2 | 158560-61430 | RETAINER, SHAFT | 1 | | | | | | | |
| 29 | 2 | 158560-61441 | LEVER, REGULATOR | 1 | | | | | | | |
| 32 | 2 | 129155-61460 | BOLT, IDLE | 1 | | | | | | | |
| 54 | 2 | 26116-060102 | BOLT, M6X 10 PLATED | 1 | | | | | | | |
| 63 | 2 | 119660-61901 | RETAINER, SHAFT | 1 | | | | | | | |
| 64 | 2 | 22190-160002 | WASHER, SEAL 16 | 1 | | | | | | | |
| 66 | 2 | 23887-160002 | PLUG, 16 | 1 | | | | | | | |
| 67 | 2 | 26106-060102 | BOLT, M6X 10 PLATED | 1 | | | | | | | |
| 68 | 2 | 26106-060102 | BOLT, M6X 10 PLATED | 1 | | | | | | | |
| 69 | 2 | 26756-060002 | NUT, LOCK M6 | 1 | | | | | | | |
| 79 | 2 | 24341-000280 | O-RING, 1AS28.0 | 1 | | | | | | | |
| 79-1 | 2 | 158552-61900 | O-RING | 1 | | | | | | | N |
| (A=EXXXXX) | | | | | | | | | | | |
| 80 | 2 | 26106-060142 | BOLT, M6X 14 PLATED | 6 | | | | | | | |
| 81 | 2 | 26106-060252 | BOLT, M6X 25 PLATED | 8 | | | | | | | |
| 82 | 2 | 26106-060402 | BOLT, M6X 40 PLATED | 2 | | | | | | | |
| 127 | 2 | 119233-77932 | SOLENOID, STOP | 1 | | | | | | | |

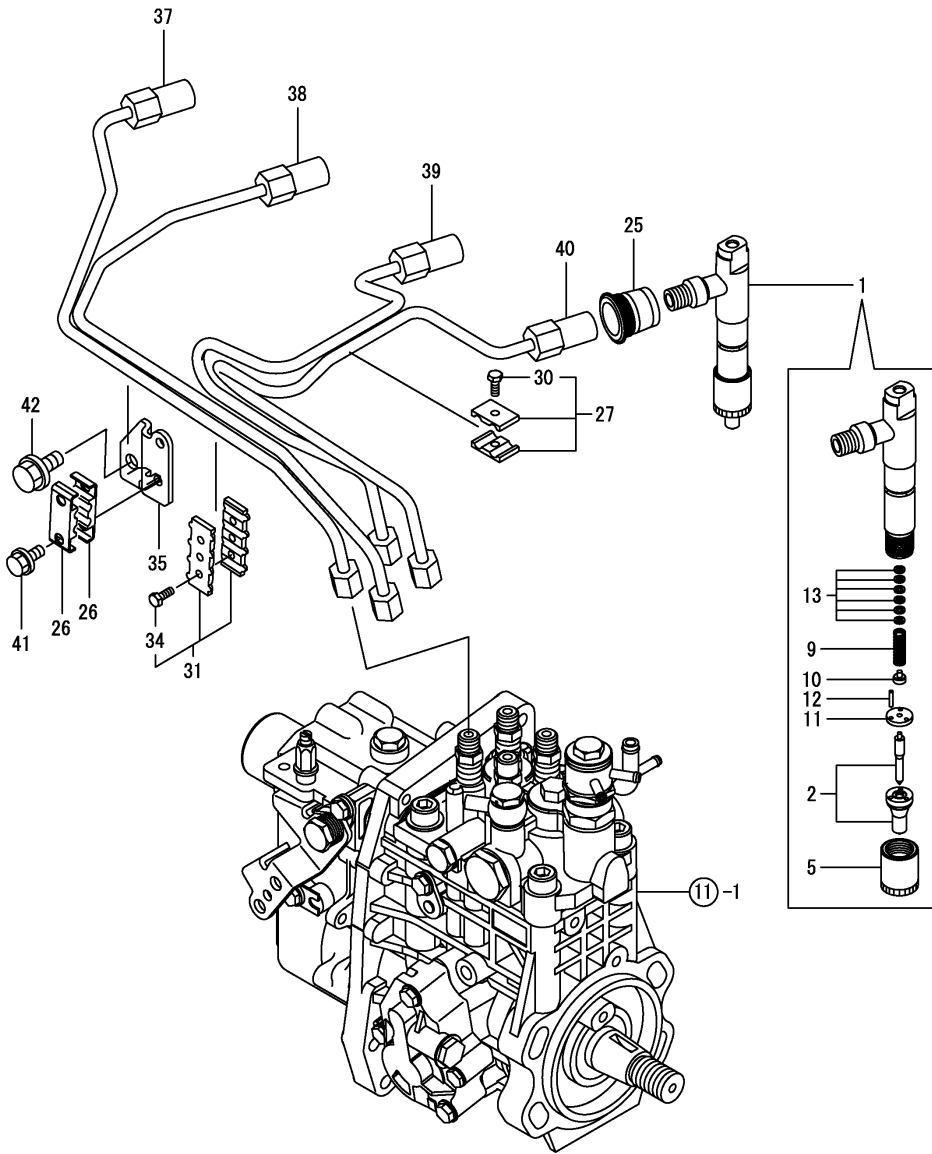
Remarks

* THIS FIGURE(GOVERNOR ASSY)IS INCORPORATED IN THE FUEL INJECTION PUMP ASSY(FIG.11).

Fig.13. FUEL INJECTION VALVE

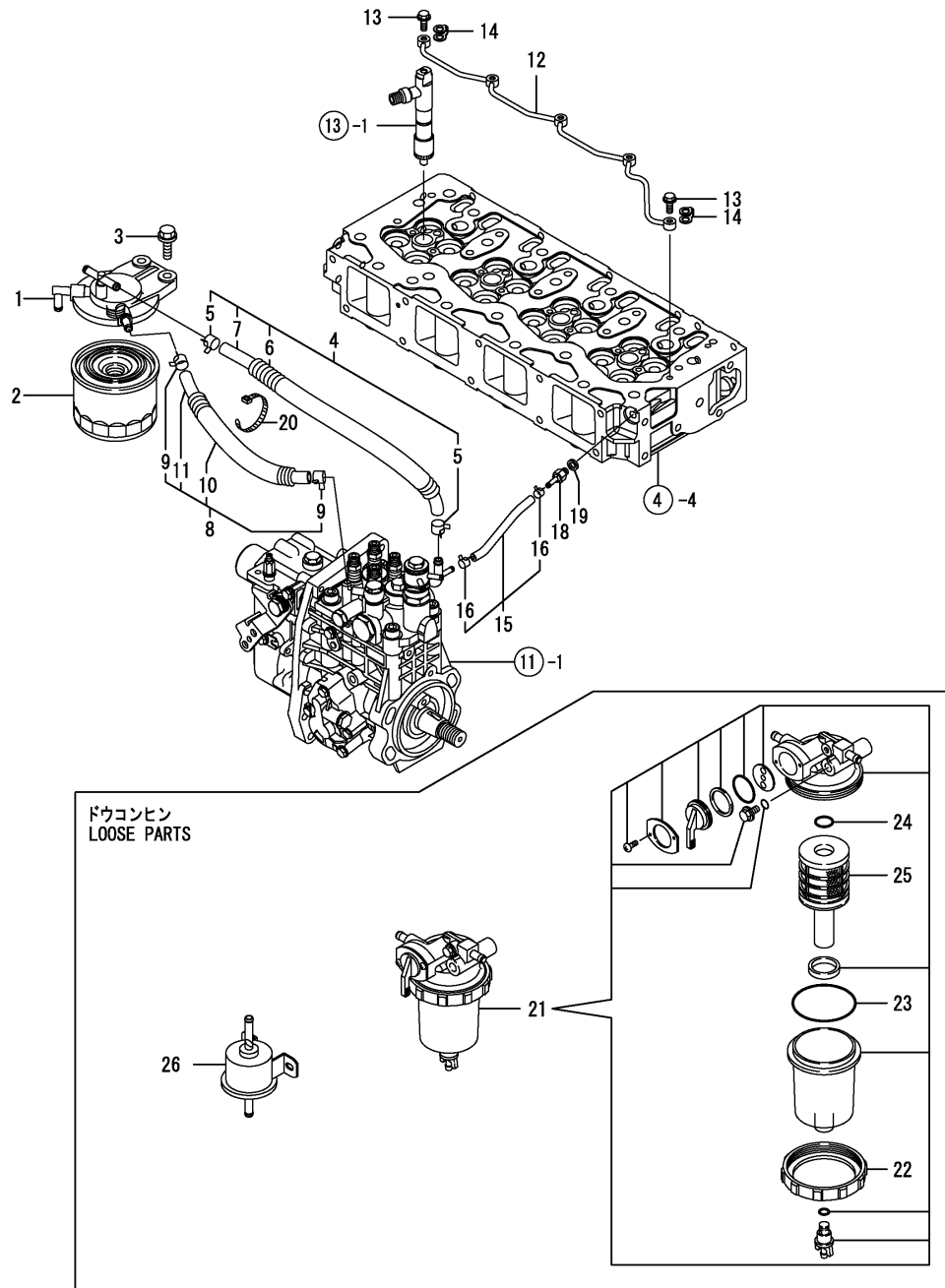
(A)=4TNV98-YTBL1
(B)=
(C)=

(D)=
(E)=
(F)=



| No. | Lev. | Parts No. | Description | Q'ty | | | | | | I | R |
|-----|------|--------------|----------------------|------|-----|-----|-----|-----|-----|---|---|
| | | | | (A) | (B) | (C) | (D) | (E) | (F) | | |
| 1 | 1 | 729907-53100 | VALVE ASSY,INJECTION | 4 | | | | | | | |
| 2 | 2 | 129907-53000 | VALVE ASSY,INJECTION | 4 | | | | | | | |
| 5 | 2 | 114250-53080 | NUT, NOZZLE D16.95 | 4 | | | | | | | |
| 9 | 2 | 114250-53120 | SPRING, NOZZLE | 4 | | | | | | | |
| 10 | 2 | 114250-53130 | SEAT, SPRING | 4 | | | | | | | |
| 11 | 2 | 114250-53140 | PLATE | 4 | | | | | | | |
| 12 | 2 | 114250-53210 | PIN | 8 | | | | | | | |
| 13 | 2 | 114250-53400 | SHIM SET | 4 | | | | | | | |
| 25 | 1 | 123907-11601 | SEAL | 4 | | | | | | | |
| 26 | 1 | 122780-59100 | RETAINER | 2 | | | | | | | |
| 27 | 1 | 119305-59120 | RETAINER, PIPE | 1 | | | | | | | |
| 30 | 2 | 129150-59131 | BOLT, M4X14 | 1 | | | | | | | |
| 31 | 1 | 129550-59120 | RETAINER, PIPE | 1 | | | | | | | |
| 34 | 2 | 129150-59131 | BOLT, M4X14 | 2 | | | | | | | |
| 35 | 1 | 129907-59710 | SUPPORT | 1 | | | | | | | |
| 37 | 1 | 129907-59810 | PIPE ASSY, INJECTION | 1 | | | | | | | |
| 38 | 1 | 129907-59820 | PIPE ASSY, INJECTION | 1 | | | | | | | |
| 39 | 1 | 129907-59830 | PIPE ASSY, INJECTION | 1 | | | | | | | |
| 40 | 1 | 129907-59840 | PIPE ASSY, INJECTION | 1 | | | | | | | |
| 41 | 1 | 26106-060162 | BOLT, M6X 16 PLATED | 2 | | | | | | | |
| 42 | 1 | 26106-080182 | BOLT, M8X 18 PLATED | 1 | | | | | | | |

Fig.14. FUEL LINE



(A)=4TNV98-YTBL1

(B)=

(C)=

(D)=

(E)=

(F)=

| No. | Lev. | Parts No. | Description | Q'ty | | | | | | I | R |
|-----|------|--------------|----------------------|------|-----|-----|-----|-----|-----|---|---|
| | | | | (A) | (B) | (C) | (D) | (E) | (F) | | |
| 1 | 1 | 129004-55611 | BRACKET, FILTER | 1 | | | | | | | |
| 2 | 1 | 119802-55800 | FILTER, FUEL | 1 | | | | | | | |
| 3 | 1 | 26106-080302 | BOLT, M8X 30 PLATED | 2 | | | | | | | |
| 4 | 1 | 129457-59010 | PIPE ASSY, FUEL | 1 | | | | | | | |
| 5 | 2 | 124766-59050 | CLIP, HOSE 12 | 2 | | | | | | | |
| 6 | 2 | 129957-59120 | TUBE, CORRUGATED | 1 | | | | | | | |
| 7 | 2 | 105025-59750 | PIPE, FUEL | 1 | | | | | | | |
| 8 | 1 | 129981-59010 | PIPE ASSY, FUEL | 1 | | | | | | | |
| 9 | 2 | 124766-59050 | CLIP, HOSE 12 | 2 | | | | | | | |
| 10 | 2 | 129950-59221 | TUBE, CORRUGATED | 1 | | | | | | | |
| 11 | 2 | 129980-59510 | PIPE, FUEL | 1 | | | | | | | |
| 12 | 1 | 129907-59140 | PIPE ASSY, RETURN | 1 | | | | | | | |
| 13 | 1 | 123907-59540 | BOLT, PIPE JOINT M6 | 5 | | | | | | | |
| 14 | 1 | 123907-59550 | GASKET | 5 | | | | | | | |
| 15 | 1 | 129486-59551 | PIPE ASSY, RETURN | 1 | | | | | | | |
| 16 | 2 | 124722-59050 | CLIP, HOSE 9 | 2 | | | | | | | |
| 18 | 1 | 123907-59560 | JOINT | 1 | | | | | | | |
| 19 | 1 | 22190-080002 | WASHER, SEAL 6 | 1 | | | | | | | |
| 20 | 1 | 121750-59890 | BAND, 140 | 1 | | | | | | | |
| 21 | 1 | 129906-55700 | SEPARATOR ASSY | 1 | | | | | | | |
| 22 | 2 | 129100-55690 | RING, RETAINING | 1 | | | | | | | |
| 23 | 2 | 24321-000650 | O-RING, 1AG65.0 | 1 | | | | | | | |
| 24 | 2 | 24311-000160 | O-RING, 1AP16.0 | 1 | | | | | | | |
| 25 | 2 | 119802-55710 | ELEMENT | 1 | | | | | | | |
| 26 | 1 | 129612-52100 | PUMP ASSY, FUEL FEED | 1 | | | | | | | |

Fig.15. STARTING MOTOR

(A)=4TNV98-YTBL1

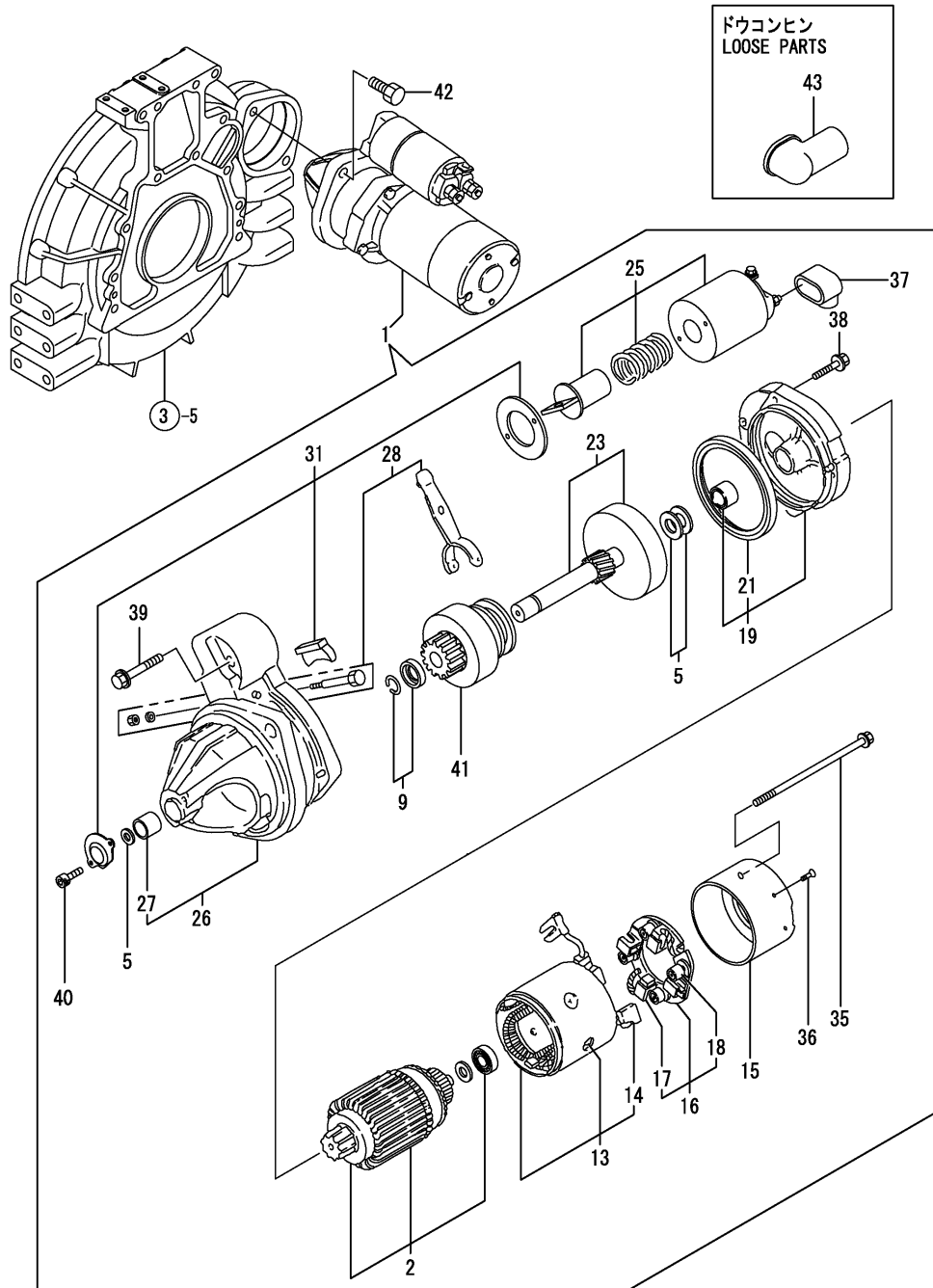
(B)=

(C)=

(D)=

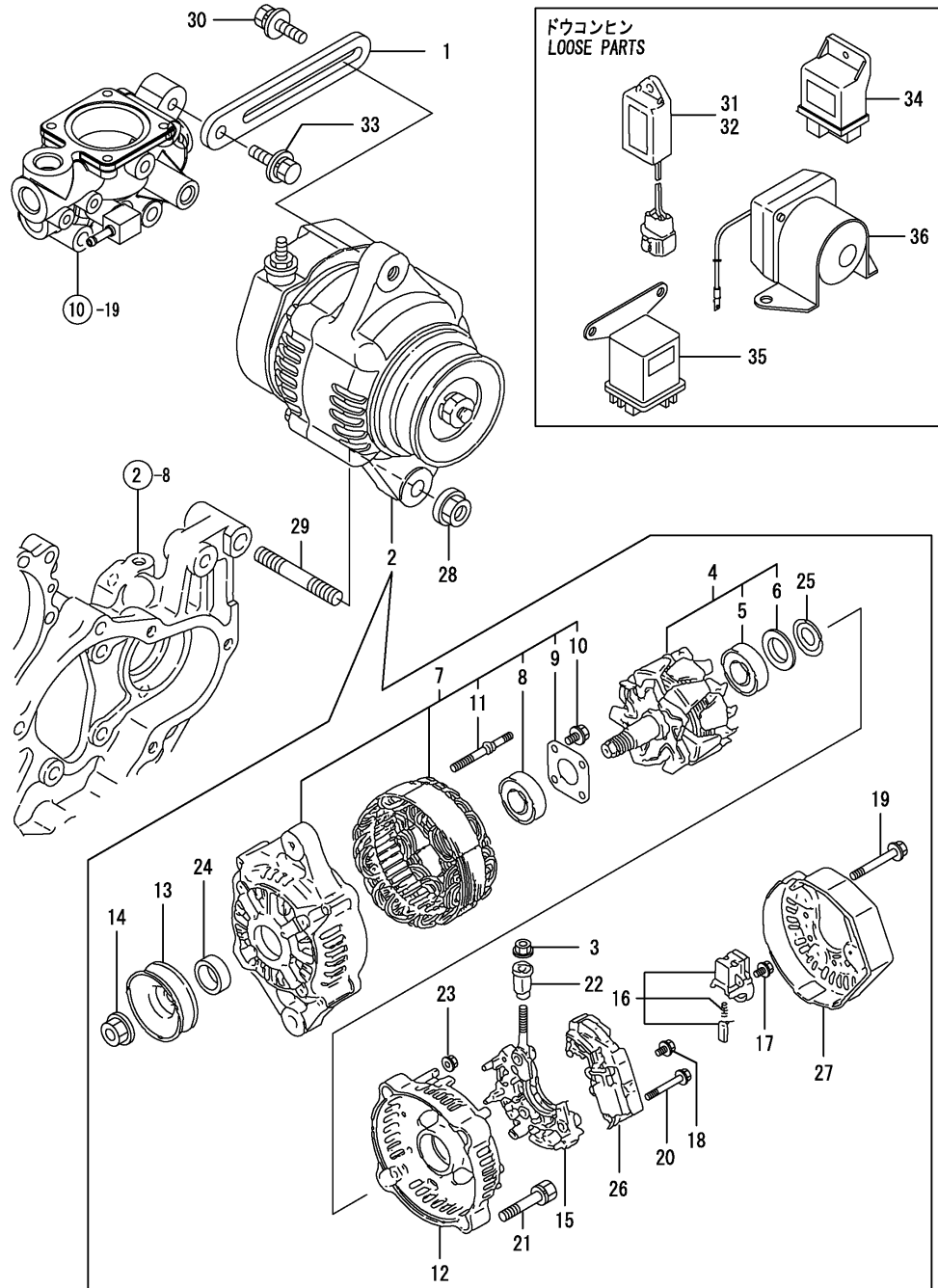
(E)=

(F)=



| No. | Lev. | Parts No. | Description | Q'ty | | | | | | I | R |
|-----|------|--------------|----------------------|------|-----|-----|-----|-----|-----|---|---|
| | | | | (A) | (B) | (C) | (D) | (E) | (F) | | |
| 1 | 1 | 129953-77019 | STARTING MOTOR | 1 | | | | | | | |
| 2 | 2 | 121254-77402 | ARMATURE ASSY | 1 | | | | | | | |
| 5 | 2 | 121254-77430 | WASHER KIT, THRUST | 1 | | | | | | | |
| 9 | 2 | 121254-77480 | STOPPER KIT, PINION | 1 | | | | | | | |
| 13 | 2 | 121254-77521 | COIL ASSY, FIELD | 1 | | | | | | | |
| 14 | 3 | 121254-77541 | BRUSH (+) | 2 | | | | | | | |
| 15 | 2 | 121254-77550 | COVER ASSY, REAR | 1 | | | | | | | |
| 16 | 2 | 121254-77571 | HOLDER ASSY | 1 | | | | | | | |
| 17 | 3 | 121254-77581 | BRUSH, - | 2 | | | | | | | |
| 18 | 3 | 121254-77590 | SPRING | 4 | | | | | | | |
| 19 | 2 | 121254-77600 | BEARING ASSY, CENTER | 1 | | | | | | | |
| 21 | 3 | 121254-77610 | SEAL, OIL | 1 | | | | | | | |
| 23 | 2 | 121254-77640 | SHAFT ASSY, GEAR | 1 | | | | | | | |
| 25 | 2 | 129953-77670 | SWITCH | 1 | | | | | | | |
| 26 | 2 | 121254-77681 | CASE ASSY, GEAR | 1 | | | | | | | |
| 27 | 3 | 121254-77690 | METAL, GEAR CASE | 1 | | | | | | | |
| 28 | 2 | 121254-77700 | LEVER SET, SHIFT | 1 | | | | | | | |
| 31 | 2 | 121254-77730 | DUST COVER SET | 1 | | | | | | | |
| 35 | 2 | 121254-77770 | BOLT, THROUGH | 2 | | | | | | | |
| 36 | 2 | 121254-77790 | SCREW 4 | 2 | | | | | | | |
| 37 | 2 | 121254-77810 | COVER, TERMINAL | 1 | | | | | | | |
| 38 | 2 | 26106-060302 | BOLT, M6X 30 PLATED | 3 | | | | | | | |
| 39 | 2 | 26106-060452 | BOLT, M6X 45 PLATED | 2 | | | | | | | |
| 40 | 2 | 121254-77780 | SCREW 5 | 2 | | | | | | | |
| 41 | 2 | 129953-77660 | PINION ASSY | 1 | | | | | | | |
| 42 | 1 | 26116-120252 | BOLT, M12X 25 PLATED | 2 | | | | | | | |
| 43 | 1 | 124550-77030 | COVER, TERMINAL | 1 | | | | | | | |

Fig.16. GENERATOR



(A)=4TNV98-YTBL1

(B)=

(C)=

(D)=

(E)=

(F)=

| No. | Lev. | Parts No. | Description | Qty | | | | | | I | R |
|-----|------|--------------|-------------------|-----|-----|-----|-----|-----|-----|---|---|
| | | | | (A) | (B) | (C) | (D) | (E) | (F) | | |
| 1 | 1 | 129900-77330 | ADJUSTER | 1 | | | | | | | |
| 2 | 1 | 129240-77200 | ALTERNATOR | 1 | | | | | | | |
| 3 | 2 | 129240-79310 | NUT | 1 | | | | | | | |
| 4 | 2 | 119620-77380 | ROTOR ASSY | 1 | | | | | | | |
| 5 | 3 | 126501-79240 | BALL BEARING | 1 | | | | | | | |
| 6 | 3 | 119620-79250 | COVER, BEARING | 1 | | | | | | | |
| 7 | 2 | 119620-77421 | FRAME ASSY, DRIVE | 1 | | | | | | | |
| 8 | 3 | 119620-79200 | BALL BEARING | 1 | | | | | | | |
| 9 | 3 | 119620-79210 | PLATE | 1 | | | | | | | |
| 10 | 3 | 119620-79220 | SCREW | 4 | | | | | | | |
| 11 | 3 | 119620-79230 | BOLT, STUD | 2 | | | | | | | |
| 12 | 2 | 119620-77440 | FLAME ASSY, REAR | 1 | | | | | | | |
| 13 | 2 | 119620-77461 | PULLEY | 1 | | | | | | | |
| 14 | 2 | 119620-77471 | NUT | 1 | | | | | | | |
| 15 | 2 | 119620-79260 | HOLDER | 1 | | | | | | | |
| 16 | 2 | 129052-79270 | HOLDER, BRUSH | 1 | | | | | | | |
| 17 | 2 | 119620-79290 | SCREW | 6 | | | | | | | |
| 18 | 2 | 119620-79300 | SCREW | 1 | | | | | | | |
| 19 | 2 | 119620-79310 | BOLT | 3 | | | | | | | |
| 20 | 2 | 119620-79320 | SCREW W/WASHER | 2 | | | | | | | |
| 21 | 2 | 119620-79330 | BOLT | 2 | | | | | | | |
| 22 | 2 | 119620-79340 | INSULATION BUSH | 1 | | | | | | | |
| 23 | 2 | 119620-79350 | NUT | 2 | | | | | | | |
| 24 | 2 | 119620-77490 | COLLAR | 1 | | | | | | | |
| 25 | 2 | 119620-79360 | WASHER, THRUST | 1 | | | | | | | |
| 26 | 2 | 129240-77710 | REGULATOR ASSY | 1 | | | | | | | |
| 27 | 2 | 129240-79300 | COVER | 1 | | | | | | | |
| 28 | 1 | 26306-100002 | NUT, M10 | 1 | | | | | | | |
| 29 | 1 | 129795-01900 | STUD | 1 | | | | | | | |
| 30 | 1 | 119810-77340 | BOLT, ADJUSTER | 1 | | | | | | | |
| 31 | 1 | 129211-77920 | TIMER | 1 | | | | | | | |
| 32 | 1 | 128300-77920 | TIMER | 1 | | | | | | | |
| 33 | 1 | 26014-080252 | BOLT, M8X 25 | 1 | | | | | | | |
| 34 | 1 | 119802-77200 | RELAY, SAFETY | 1 | | | | | | | |
| 35 | 1 | 119646-77900 | RELAY, POWER | 2 | | | | | | | |
| 36 | 1 | 129100-77910 | RELAY, MAGNETIC | 1 | | | | | | | |

Fig.17. GASKET SET

(A)=4TNV98-YTBL1

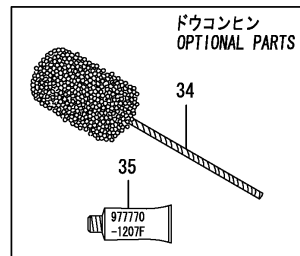
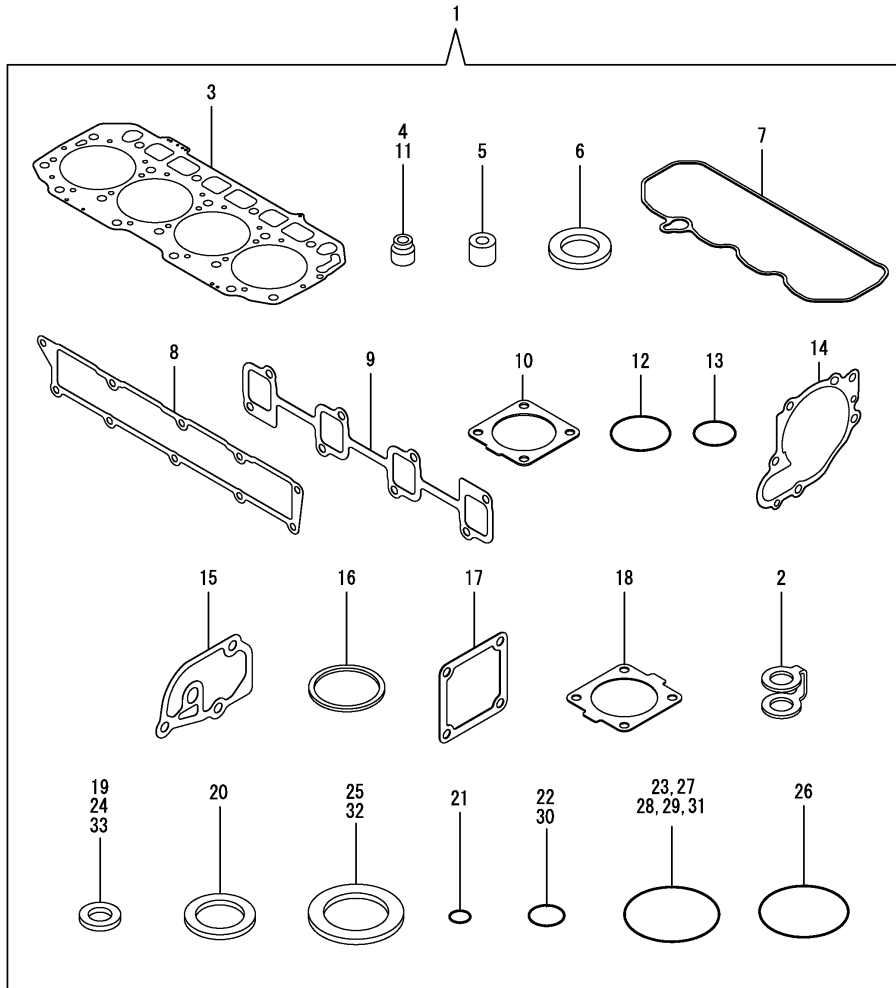
(B)=

(C)=

(D)=

(E)=

(F)=



| No. | Lev. | Parts No. | Description | Q'ty | | | | | | I | R |
|-----|------|--------------|--------------------|------|-----|-----|-----|-----|-----|---|---|
| | | | | (A) | (B) | (C) | (D) | (E) | (F) | | |
| 1 | 1 | 729907-92910 | GASKET SET | 1 | | | | | | | 1 |
| 2 | 2 | 123907-59550 | GASKET | 5 | | | | | | | |
| 3 | 2 | 129907-01331 | GASKET, HEAD | 1 | | | | | | | |
| 4 | 2 | 124160-11340 | SEAL, VALVE STEM | 8 | | | | | | | |
| 5 | 2 | 119802-11870 | PROTECTOR, NOZZLE | 4 | | | | | | | |
| 6 | 2 | 119625-11880 | SEAT, NOZZLE | 4 | | | | | | | |
| 7 | 2 | 129907-11310 | GASKET, BONNET | 1 | | | | | | | |
| 8 | 2 | 129907-12110 | GASKET, MANIFOLD | 1 | | | | | | | |
| 9 | 2 | 129900-13251 | GASKET | 1 | | | | | | | |
| 10 | 2 | 129930-13200 | GASKET, SILENCER | 2 | | | | | | | |
| 11 | 2 | 124950-11340 | SEAL, VALVE STEM | 8 | | | | | | | |
| 12 | 2 | 129900-32030 | O-RING, P20 | 2 | | | | | | | |
| 13 | 2 | 129900-32040 | O-RING, P14 | 1 | | | | | | | |
| 14 | 2 | 129900-42020 | GASKET, WATER PUMP | 1 | | | | | | | |
| 15 | 2 | 129900-49870 | GASKET | 1 | | | | | | | |
| 16 | 2 | 121850-49550 | GASKET, THERMOSTAT | 1 | | | | | | | |
| 17 | 2 | 121850-77021 | GASKET | 1 | | | | | | | |
| 18 | 2 | 121850-49540 | GASKET, THERMOSTAT | 1 | | | | | | | |
| 19 | 2 | 23414-080000 | GASKET, 8X1.0 | 1 | | | | | | | |
| 20 | 2 | 124465-44950 | GASKET, 16 | 1 | | | | | | | |
| 21 | 2 | 24311-000070 | O-RING, 1AP7.0 | 1 | | | | | | | |
| 22 | 2 | 24311-000120 | O-RING, 1AP12.0 | 8 | | | | | | | |
| 23 | 2 | 24311-000320 | O-RING, 1AP32.0 | 3 | | | | | | | |
| 24 | 2 | 22190-080002 | WASHER, SEAL 6 | 9 | | | | | | | |
| 25 | 2 | 22190-220002 | WASHER, SEAL 22 | 1 | | | | | | | |
| 26 | 2 | 24351-030750 | O-RING, 1A3075 | 1 | | | | | | | |
| 27 | 2 | 24321-000850 | O-RING, 1AG85.0 | 1 | | | | | | | |
| 28 | 2 | 24341-000530 | O-RING, 1AS53.0 | 1 | | | | | | | |
| 29 | 2 | 24311-000300 | O-RING, 1AP30.0 | 1 | | | | | | | |
| 30 | 2 | 24311-240100 | O-RING, 1AP10A | 1 | | | | | | | |
| 31 | 2 | 24321-000600 | O-RING, 1AG60.0 | 1 | | | | | | | |
| 32 | 2 | 22190-300002 | WASHER, SEAL 30 | 1 | | | | | | | |
| 33 | 2 | 129150-49360 | GASKET | 1 | | | | | | | |
| 34 | 1 | 129400-92450 | HONE | 1 | | | | | | | 1 |
| 35 | 1 | 977770-1207F | GASKET.LIQUID | 1 | | | | | | | 1 |

Remarks

(1) OPTIONAL PART.

N:Old $\begin{matrix} \text{Yes} \\ \text{No} \end{matrix}$ New, Q:Old $\begin{matrix} \text{No} \\ \text{Yes} \end{matrix}$ New, R:Old $\begin{matrix} \text{Yes} \\ \text{No} \end{matrix}$ New, S:Old $\begin{matrix} \text{No} \\ \text{Yes} \end{matrix}$ New, W:Add, Z:Discontinued, F:Interchangeable by set, K:Q'ty Change

Parts No. Index

| Parts No. | Fig. No. | Ref. No. |
|--------------|----------|----------|
| 105010-39140 | 9 | 1 |
| 105025-59750 | 14 | 7 |
| 105840-59100 | 10 | 60 |
| 114250-39450 | 9 | 14 |
| 114250-53080 | 13 | 5 |
| 114250-53120 | 13 | 9 |
| 114250-53130 | 13 | 10 |
| 114250-53140 | 13 | 11 |
| 114250-53210 | 13 | 12 |
| 114250-53400 | 13 | 13 |
| 119000-35140 | 9 | 29 |
| 119130-44760 | 10 | 17 |
| 119131-18320 | 6 | 7 |
| 119140-12680 | 5 | 14 |
| 119160-12530 | 5 | 12 |
| 119160-12540 | 5 | 13 |
| 119160-12570 | 5 | 10 |
| 119225-11740 | 2 | 45 |
| 119225-11750 | 2 | 47 |
| 119233-77932 | 12 | 127 |
| 119260-34810 | 9 | 3 |
| 119266-49350 | 10 | 44 |
| 119305-59120 | 13 | 27 |
| 119593-11301 | 4 | 28 |
| 119620-11180 | 4 | 16 |
| 119620-77380 | 16 | 4 |
| 119620-77421 | 16 | 7 |
| 119620-77440 | 16 | 12 |
| 119620-77461 | 16 | 13 |
| 119620-77471 | 16 | 14 |
| 119620-77490 | 16 | 24 |
| 119620-79200 | 16 | 8 |
| 119620-79210 | 16 | 9 |
| 119620-79220 | 16 | 10 |
| 119620-79230 | 16 | 11 |
| 119620-79250 | 16 | 6 |
| 119620-79260 | 16 | 15 |
| 119620-79290 | 16 | 17 |
| 119620-79300 | 16 | 18 |
| 119620-79310 | 16 | 19 |
| 119620-79320 | 16 | 20 |
| 119620-79330 | 16 | 21 |
| 119620-79340 | 16 | 22 |
| 119620-79350 | 16 | 23 |
| 119620-79360 | 16 | 25 |
| 119625-11880 | 4 | 26 |
| | 17 | 6 |
| 119640-01640 | 3 | 10 |
| 119640-61400 | 4 | 62 |
| 119646-77900 | 16 | 35 |

| Parts No. | Fig. No. | Ref. No. |
|--------------|----------|----------|
| 119660-61901 | 12 | 63 |
| 119802-11870 | 4 | 47 |
| | 17 | 5 |
| 119802-51590 | 11 | 69 |
| 119802-51600 | 11 | 70 |
| 119802-51680 | 11 | 74 |
| 119802-51690 | 11 | 75 |
| 119802-55710 | 14 | 25 |
| 119802-55800 | 14 | 2 |
| 119802-77200 | 16 | 34 |
| 119807-61420 | 12 | 27 |
| 119810-77340 | 16 | 30 |
| 120130-22301 | 8 | 21 |
| 121023-26070 | 2 | 39 |
| 121027-11743 | 2 | 46 |
| 121250-44590 | 10 | 58 |
| 121250-44901 | 10 | 35 |
| 121254-77402 | 15 | 2 |
| 121254-77430 | 15 | 5 |
| 121254-77480 | 15 | 9 |
| 121254-77521 | 15 | 13 |
| 121254-77541 | 15 | 14 |
| 121254-77550 | 15 | 15 |
| 121254-77571 | 15 | 16 |
| 121254-77581 | 15 | 17 |
| 121254-77590 | 15 | 18 |
| 121254-77600 | 15 | 19 |
| 121254-77610 | 15 | 21 |
| 121254-77640 | 15 | 23 |
| 121254-77681 | 15 | 26 |
| 121254-77690 | 15 | 27 |
| 121254-77700 | 15 | 28 |
| 121254-77730 | 15 | 31 |
| 121254-77770 | 15 | 35 |
| 121254-77780 | 15 | 40 |
| 121254-77790 | 15 | 36 |
| 121254-77810 | 15 | 37 |
| 121267-44590 | 10 | 52 |
| 121450-44531 | 10 | 49 |
| 121468-44540 | 10 | 48 |
| 121470-44581 | 10 | 51 |
| 121550-49111 | 10 | 46 |
| 121750-59890 | 14 | 20 |
| 121850-21130 | 8 | 11 |
| 121850-21290 | 8 | 4 |
| 121850-21920 | 8 | 5 |
| 121850-49540 | 10 | 21 |
| | 17 | 18 |
| 121850-49550 | 10 | 22 |
| | 17 | 16 |

| Parts No. | Fig. No. | Ref. No. |
|--------------|----------|----------|
| 121850-49800 | 10 | 24 |
| 121850-77021 | 5 | 5 |
| | 17 | 17 |
| 122780-59100 | 13 | 26 |
| 123900-13610 | 6 | 5 |
| 123900-13630 | 6 | 4 |
| 123900-25060 | 7 | 9 |
| 123907-03100 | 4 | 55 |
| 123907-03110 | 4 | 56 |
| 123907-03120 | 4 | 57 |
| 123907-03140 | 4 | 58 |
| 123907-11280 | 4 | 33 |
| 123907-11550 | 4 | 3 |
| 123907-11601 | 13 | 25 |
| 123907-11820 | 4 | 10 |
| 123907-11830 | 4 | 22 |
| 123907-59540 | 14 | 13 |
| 123907-59550 | 14 | 14 |
| | 17 | 2 |
| 123907-59560 | 14 | 18 |
| 124160-01751 | 2 | 37 |
| | 4 | 50 |
| 124160-11340 | 4 | 17 |
| | 17 | 4 |
| 124160-11360 | 4 | 65 |
| 124411-01780 | 3 | 3 |
| 124450-44560 | 10 | 50 |
| 124465-44950 | 10 | 36 |
| | 17 | 20 |
| 124550-77030 | 15 | 43 |
| 124722-59050 | 10 | 40 |
| | | 43 |
| | | 59 |
| | 14 | 16 |
| 124766-59050 | 14 | 5 |
| | | 9 |
| 124950-11340 | 4 | 18 |
| | 17 | 11 |
| 126501-79240 | 16 | 5 |
| 128300-77920 | 16 | 32 |
| 129001-91810 | 2 | 27 |
| | | 28 |
| 129004-55611 | 14 | 1 |
| 129005-59830 | 9 | 19 |
| 129052-79270 | 16 | 16 |
| 129100-01580 | 2 | 5 |
| | 3 | 1 |
| 129100-55690 | 14 | 22 |
| 129100-77910 | 16 | 36 |
| 129150-02450 | 7 | 4 |

| Parts No. | Fig. No. | Ref. No. |
|--------------|----------|----------|
| 129150-11230 | 4 | 36 |
| | | 40 |
| 129150-11750 | 4 | 21 |
| | | 37 |
| | | 41 |
| 129150-14200 | 7 | 1 |
| 129150-25920 | 7 | 13 |
| 129150-35153 | 9 | 31 |
| 129150-49080 | 10 | 54 |
| 129150-49100 | 10 | 53 |
| 129150-49360 | 10 | 45 |
| | 17 | 33 |
| 129150-59131 | 13 | 30 |
| | | 34 |
| 129155-51280 | 12 | 6 |
| 129155-61460 | 12 | 32 |
| 129211-77920 | 16 | 31 |
| 129240-77200 | 16 | 2 |
| 129240-77710 | 16 | 26 |
| 129240-79300 | 16 | 27 |
| 129240-79310 | 16 | 3 |
| 129255-61410 | 12 | 26 |
| 129400-92450 | 17 | 34 |
| 129457-59010 | 14 | 4 |
| 129466-44510 | 10 | 47 |
| 129486-59551 | 14 | 15 |
| 129550-59120 | 13 | 31 |
| 129612-12650 | 5 | 15 |
| 129612-52100 | 14 | 26 |
| 129795-01900 | 16 | 29 |
| 129900-01200 | 1 | 31 |
| 129900-01250 | 1 | 5 |
| 129900-01740 | 2 | 6 |
| 129900-01850 | 2 | 23 |
| 129900-01870 | 2 | 24 |
| 129900-02020 | 1 | 7 |
| 129900-02340 | 1 | 34 |
| 129900-02410 | 1 | 10 |
| 129900-02930 | 1 | 28 |
| 129900-02940 | 1 | 37 |
| 129900-13200 | 6 | 1 |
| 129900-13251 | 6 | 3 |
| | 17 | 9 |
| 129900-14110 | 7 | 6 |
| 129900-21220 | 8 | 3 |
| 129900-21600 | 8 | 14 |
| 129900-23001 | 8 | 23 |
| 129900-23200 | 8 | 28 |
| 129900-23600 | 8 | 29 |
| 129900-23610 | 8 | 31 |

Parts No. Index

| Parts No. | Fig. No. | Ref. No. |
|--------------|----------|----------|
| 129900-23911 | 8 | 27 |
| 129900-25110 | 7 | 10 |
| 129900-26020 | 7 | 16 |
| 129900-26250 | 2 | 43 |
| 129900-32001 | 2 | 11 |
| 129900-32030 | 2 | 25 |
| | 9 | 7 |
| | 17 | 12 |
| 129900-32040 | 2 | 26 |
| | 17 | 13 |
| 129900-35000 | 9 | 8 |
| 129900-42020 | 10 | 11 |
| | 17 | 14 |
| 129900-42461 | 10 | 14 |
| 129900-49870 | 10 | 31 |
| | 17 | 15 |
| 129900-77330 | 16 | 1 |
| 129902-01710 | 3 | 9 |
| 129902-21050 | 8 | 1 |
| 129906-51580 | 11 | 67 |
| 129906-55700 | 14 | 21 |
| 129907-01190 | 1 | 33 |
| 129907-01331 | 1 | 32 |
| | 17 | 3 |
| 129907-01950 | 11 | 127 |
| 129907-01960 | 11 | 128 |
| 129907-03011 | 4 | 52 |
| 129907-03061 | 4 | 53 |
| 129907-03070 | 4 | 54 |
| 129907-07900 | 4 | 1 |
| 129907-11100 | 4 | 25 |
| 129907-11110 | 4 | 14 |
| 129907-11120 | 4 | 15 |
| 129907-11250 | 4 | 30 |
| 129907-11260 | 4 | 31 |
| 129907-11270 | 4 | 32 |
| 129907-11310 | 4 | 61 |
| | 17 | 7 |
| 129907-11320 | 4 | 51 |
| 129907-11341 | 4 | 29 |
| 129907-11510 | 4 | 19 |
| 129907-11650 | 4 | 34 |
| 129907-11660 | 4 | 38 |
| 129907-11700 | 4 | 4 |
| 129907-11800 | 4 | 9 |
| 129907-11910 | 4 | 68 |
| 129907-11920 | 4 | 42 |
| 129907-11950 | 4 | 48 |
| 129907-12100 | 5 | 1 |
| 129907-12110 | 5 | 2 |

| Parts No. | Fig. No. | Ref. No. |
|--------------|----------|----------|
| 129907-12110 | 17 | 8 |
| 129907-14400 | 7 | 2 |
| 129907-14590 | 7 | 3 |
| 129907-22050 | 8 | 17 |
| 129907-22090 | 8 | 15 |
| 129907-25900 | 7 | 15 |
| 129907-39061 | 9 | 15 |
| 129907-42000 | 10 | 1 |
| 129907-49610 | 10 | 37 |
| 129907-49620 | 10 | 41 |
| 129907-49710 | 10 | 38 |
| 129907-49720 | 10 | 42 |
| 129907-49730 | 10 | 23 |
| 129907-49750 | 10 | 39 |
| 129907-51340 | 11 | 41 |
| 129907-51560 | 11 | 63 |
| 129907-53000 | 13 | 2 |
| 129907-59140 | 14 | 12 |
| 129907-59710 | 13 | 35 |
| 129907-59810 | 13 | 37 |
| 129907-59820 | 13 | 38 |
| 129907-59830 | 13 | 39 |
| 129907-59840 | 13 | 40 |
| 129908-14590 | 7 | 3 -1 |
| 129915-77050 | 5 | 6 |
| 129916-01800 | 2 | 4 |
| 129916-21610 | 8 | 9 |
| 129916-21680 | 8 | 7 |
| 129916-44740 | 10 | 16 |
| 129916-49530 | 10 | 20 |
| 129916-59020 | 11 | 125 |
| 129930-13200 | 17 | 10 |
| 129930-13201 | 6 | 8 |
| | | 15 |
| 129930-39050 | 9 | 40 |
| 129935-12520 | 5 | 11 |
| 129940-42320 | 10 | 15 |
| 129944-07910 | 4 | 70 |
| 129944-12520 | 5 | 8 |
| 129944-13520 | 6 | 9 |
| 129944-13660 | 6 | 10 |
| 129944-35110 | 9 | 26 |
| 129944-35150 | 9 | 39 |
| 129944-35210 | 9 | 32 |
| 129944-39100 | 9 | 36 |
| 129946-49810 | 10 | 19 |
| 129950-59221 | 14 | 10 |
| 129951-34801 | 9 | 2 |
| 129951-34812 | 9 | 4 |
| 129953-01620 | 3 | 5 |

| Parts No. | Fig. No. | Ref. No. |
|--------------|----------|----------|
| 129953-21570 | 8 | 12 |
| 129953-25300 | 7 | 18 |
| 129953-35110 | 9 | 25 |
| 129953-39100 | 9 | 35 |
| 129953-39500 | 9 | 28 |
| | | 34 |
| 129953-77019 | 15 | 1 |
| 129953-77660 | 15 | 41 |
| 129953-77670 | 15 | 25 |
| 129957-59120 | 14 | 6 |
| 129960-21640 | 8 | 8 |
| 129962-01500 | 2 | 8 |
| 129970-35140 | 9 | 30 |
| 129980-59510 | 14 | 11 |
| 129981-59010 | 14 | 8 |
| 144626-51090 | 11 | 107 |
| 158552-51570 | 11 | 64 |
| 158552-51580 | 11 | 66 |
| 158552-51670 | 11 | 123 |
| 158552-51780 | 11 | 87 |
| 158552-52100 | 11 | 93 |
| 158552-52310 | 11 | 95 |
| 158552-52400 | 11 | 96 |
| 158552-61900 | 12 | 79 -1 |
| 158553-51551 | 11 | 61 |
| 158553-51630 | 11 | 79 |
| 158553-51640 | 11 | 81 |
| 158553-51660 | 11 | 83 |
| 158553-51670 | 11 | 73 |
| 158553-51680 | 11 | 84 |
| 158557-51570 | 11 | 65 |
| 158560-51300 | 11 | 32 |
| 158560-51600 | 11 | 78 |
| 158560-61050 | 12 | 2 |
| 158560-61061 | 12 | 3 |
| 158560-61071 | 12 | 4 |
| 158560-61430 | 12 | 28 |
| 158560-61441 | 12 | 29 |
| 158563-51150 | 7 | 19 |
| 158563-51281 | 11 | 30 |
| | | 31 |
| 158563-51330 | 11 | 40 |
| 158600-51270 | 11 | 29 |
| 158601-51550 | 11 | 60 |
| 158601-51570 | 11 | 62 |
| 158601-51650 | 11 | 82 |
| 158601-51770 | 11 | 86 |
| 158601-51790 | 11 | 85 |
| 171051-01921 | 1 | 6 |
| 22157-080000 | 6 | 11 |

| Parts No. | Fig. No. | Ref. No. |
|--------------|----------|----------|
| 22190-080002 | 9 | 20 |
| | | 22 |
| | | 24 |
| | 14 | 19 |
| | 17 | 24 |
| 22190-120002 | 11 | 98 |
| | | 99 |
| | | 100 |
| 22190-160002 | 12 | 64 |
| 22190-180002 | 11 | 101 |
| | | 102 |
| 22190-220002 | 3 | 12 |
| | 17 | 25 |
| 22190-300002 | 9 | 37 |
| | 17 | 32 |
| 22217-180000 | 7 | 20 |
| | 11 | 103 |
| 22252-000300 | 8 | 22 |
| 22312-050140 | 11 | 104 |
| 22351-050010 | 11 | 105 |
| 22351-060012 | 1 | 11 |
| 22512-070140 | 7 | 7 |
| | 8 | 6 |
| 22857-500100 | 4 | 63 |
| | | 64 |
| 23000-054000 | 10 | 61 |
| 23414-080000 | 10 | 32 |
| | 17 | 19 |
| 23857-030000 | 9 | 21 |
| 23857-060000 | 11 | 108 |
| 23875-030000 | 10 | 28 |
| 23876-020000 | 4 | 11 |
| 23876-030000 | 1 | 12 |
| | | 13 |
| | | 14 |
| | 4 | 12 |
| 23887-120002 | 11 | 109 |
| 23887-160002 | 12 | 66 |
| 24311-000070 | 2 | 44 |
| | 11 | 110 |
| | 17 | 21 |
| 24311-000120 | 4 | 27 |
| | | 66 |
| | 17 | 22 |
| 24311-000160 | 14 | 24 |
| 24311-000300 | 2 | 48 |
| | 17 | 29 |
| 24311-000320 | 2 | 38 |
| | 4 | 67 |
| | 17 | 23 |

Parts No. Index

| Parts No. | Fig. No. | Ref. No. |
|--------------|----------|----------|
| 24311-240100 | 9 | 5 |
| | 17 | 30 |
| 24321-000600 | 9 | 38 |
| | 17 | 31 |
| 24321-000650 | 14 | 23 |
| 24321-000850 | 2 | 40 |
| | 17 | 27 |
| 24341-000280 | 12 | 79 |
| 24341-000530 | 8 | 10 |
| | 17 | 28 |
| 24351-030750 | 2 | 29 |
| | 17 | 26 |
| 24356-010200 | 11 | 76 |
| | | 111 |
| 24356-020210 | 11 | 112 |
| 24372-000150 | 11 | 77 |
| 26014-080252 | 16 | 33 |
| 26106-060102 | 11 | 113 |
| | 12 | 67 |
| | | 68 |
| 26106-060122 | 10 | 29 |
| 26106-060142 | 12 | 80 |
| 26106-060162 | 13 | 41 |
| 26106-060202 | 10 | 30 |
| 26106-060252 | 12 | 81 |
| 26106-060302 | 10 | 12 |
| | 15 | 38 |
| 26106-060352 | 11 | 114 |
| 26106-060402 | 12 | 82 |
| 26106-060452 | 15 | 39 |
| 26106-080122 | 3 | 4 |
| | 9 | 13 |
| | | 23 |
| | 10 | 33 |
| 26106-080162 | 2 | 22 |
| | | 30 |
| | | 31 |
| | 4 | 2 |
| | 6 | 12 |
| | 7 | 8 |
| | 9 | 6 |
| | 11 | 129 |
| 26106-080182 | 13 | 42 |
| 26106-080202 | 2 | 32 |
| | 6 | 13 |
| 26106-080222 | 11 | 130 |
| | | 131 |
| 26106-080302 | 14 | 3 |
| 26106-080352 | 5 | 7 |
| | 10 | 18 |

| Parts No. | Fig. No. | Ref. No. |
|--------------|----------|----------|
| 26106-080402 | 2 | 33 |
| | | 34 |
| | 4 | 44 |
| 26106-080452 | 2 | 35 |
| 26106-080502 | 9 | 41 |
| 26106-080552 | 5 | 3 |
| | 7 | 14 |
| | 10 | 13 |
| 26106-080602 | 4 | 45 |
| | | 46 |
| | 10 | 34 |
| 26106-080852 | 5 | 4 |
| 26106-100202 | 2 | 41 |
| | 11 | 132 |
| 26106-100452 | 9 | 42 |
| 26116-060102 | 12 | 54 |
| 26116-120252 | 15 | 42 |
| 26206-100352 | 3 | 2 |
| 26206-100702 | 3 | 8 |
| 26216-100302 | 2 | 10 |
| 26226-080222 | 4 | 43 |
| 26306-080002 | 4 | 49 |
| | 6 | 6 |
| | | 14 |
| 26306-100002 | 2 | 36 |
| | 16 | 28 |
| 26450-100452 | 11 | 118 |
| 26756-060002 | 12 | 69 |
| 26776-180002 | 7 | 21 |
| | 11 | 119 |
| 27241-300000 | 1 | 15 |
| 27241-400000 | 4 | 13 |
| 27310-070001 | 4 | 23 |
| 729900-02800 | 1 | 25 |
| 729906-01550 | 2 | 1 |
| 729907-01560 | 1 | 1 |
| 729907-22910 | 8 | 33 |
| 729907-22950 | 8 | 35 |
| 729907-53100 | 13 | 1 |
| 729907-92910 | 17 | 1 |
| 729944-51310 | 11 | 1 |
| 977770-1207F | 2 | 42 |
| | 3 | 13 |
| | 4 | 69 |
| | 17 | 35 |

| Parts No. | Fig. No. | Ref. No. |
|-----------|----------|----------|
|-----------|----------|----------|

| Parts No. | Fig. No. | Ref. No. |
|-----------|----------|----------|
|-----------|----------|----------|