

OCD10-M84400EN

# PREFACE

1. This parts catalog is the Second edition of 4TNV106T-XTBL1 for Takeuchi Mfg. Co., Ltd.

2. This parts catalog does not contain the technical data needed for maintenance service.

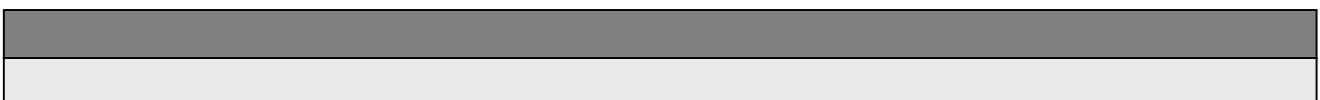
3. The illustrations used in this parts catalog have been simplified for clarity.

Pub. No.: 000Y00D8440  
Published: December.,2004

4. Model name

Engine model	Vehicle		Vehicle made by
	Products	Model name	
4TNV106T-XTBL1	CRAWLER LOADER	L9A (TL150)	Takeuchi Mfg. Co., Ltd.

5. The contents of this parts catalog are subject to change without prior notice.



## Directions for the Parts Catalog.

1. This Parts Catalog shows both standard and optional parts.
2. Parts may change without prior notice.
3. The following is an example of the Parts Catalog format.

REF.	LEV.	PARTS NO.	DESCRIPTION	Q'TY						I	R
				(A)	(B)	(C)	(D)	(E)	(F)		
1	1	729595-51390	FUEL INJECTION PUMP	1	1	1	1	1			1
1-1	1	729595-51391	FUEL INJECTION PUMP	1	1	1	1	1		N	1
		(A=E00185) (B=E00200)									
3	2	26022-060162	SCREW M 6X 16	9	9	9	9	9			
3-1	2	26022-060162	SCREW M 6X 16	4	4	4	4	4		K	
		(A=E00156) (B=E00156) (C=E00156) (D=E00156) (E=E00156)									
4	2	129470-51040	CAMSHAFT	1	1	1	1	1			
5	2	122710-51050	BEARING, ROLLER	2	2	2	2	2			
6	2	129470-51060	RETAINER	1	1	1	1	1			

Remarks
(1) BOOST COMPEMSATOR TYPE. OPTIONAL PART, TO E00155,(4JH-DT, 4JH-DTZ

### ① Ref. No.

The Ref. No. listed may not be in accordance with the illustration Ref. No.

(Ex.) Illustration No.

List Ref No.

1

1

(Before change)

1-1

(After change)

For interchangeable symbols N, R and K, illustrations for new parts may be abbreviated.

### ② Lev. (Level)

Level indication

The numbers below indicate the level of relativity towards the main part.

1 ----- Main parts (Assembly parts)

2 ----- Sub component included in " 1 ".

3 ----- Sub component included in " 2 ".

Note) Parts that are not for sale are partially illustrated but not listed.

### ③ Interchangeability Symbol

When a part change takes place, one of the following interchangeability symbols is indicated beside the part.

Symbol	Interchangeability	Contents note
N	Old $\begin{matrix} \leftarrow \text{Yes} \\ \text{No} \rightarrow \end{matrix}$ New	New Part is interchangeable for Old Part but Old Part is not interchangeable for New Part.
Q	Old $\begin{matrix} \leftarrow \text{No} \\ \text{Yes} \rightarrow \end{matrix}$ New	New Part is not interchangeable for Old Part but Old Part is interchangeable for New Part.
R	Old $\begin{matrix} \leftarrow \text{Yes} \\ \text{Yes} \rightarrow \end{matrix}$ New	New/ Old Parts are both interchangeable.
S	Old $\begin{matrix} \leftarrow \text{No} \\ \text{No} \rightarrow \end{matrix}$ New	New/ Old Parts are both not interchangeable.
W		Part newly added.
Z		Part discontinued.
F		Not interchangeable by a single part but interchangeable together with related parts.
K		Changes only for used parts quantities.

### ④ Effective Machine No.

When a part changes, the effective Machine No. will be indicated in the (A)-(F) column.

Product Symbol	Product No.	Product Symbol	Product No.
C	Clutch No. Compressor No.	F	Machine No. (Agricultural Equip.)
D	Drive No.	M	Machine No.
E	Engine No.		

Note 1) A date may follow the symbol. (Ex.) 1996.01

Note 2) "XXXXX" and "ZZZZZ" are for parts that could not be predicted or for engine models that could not be identified.

Note 3) (A=E00185) is the E (Engine Serial Number) for the column (A) model (in this case 4JH-DT) after the parts design change.

### ⑤ Remarks

Figures or alphabets (symbols) are entered in the remarks column.

The comments (remarks) on parts that are indicated at the bottom of the illustration are the same symbols as those stated above.

# Contents

Fig. No.    Fig. Name

4TNV106T-XTBL1

1. CYLINDER BLOCK
2. GEAR HOUSING
3. FLYWHEEL HOUSING & OIL SUMP
4. CYLINDER HEAD & BONNET
5. SUCTION MANIFOLD & AIR CLEANER
6. EXHAUST MANIFOLD & SILENCER
7. CAMSHAFT & DRIVING GEAR
8. TURBINE
9. CRANKSHAFT & PISTON
10. LUB.OIL SYSTEM
11. LUB.OIL LINE
12. COOLING WATER SYSTEM
13. FUEL INJECTION PUMP
14. GOVERNOR
15. FUEL INJECTION VALVE
16. FUEL LINE
17. STARTING MOTOR
18. GENERATOR
19. GASKET SET

Fig. No.    Fig. Name

Fig.1. CYLINDER BLOCK

(A)=4TNV106TXTBL

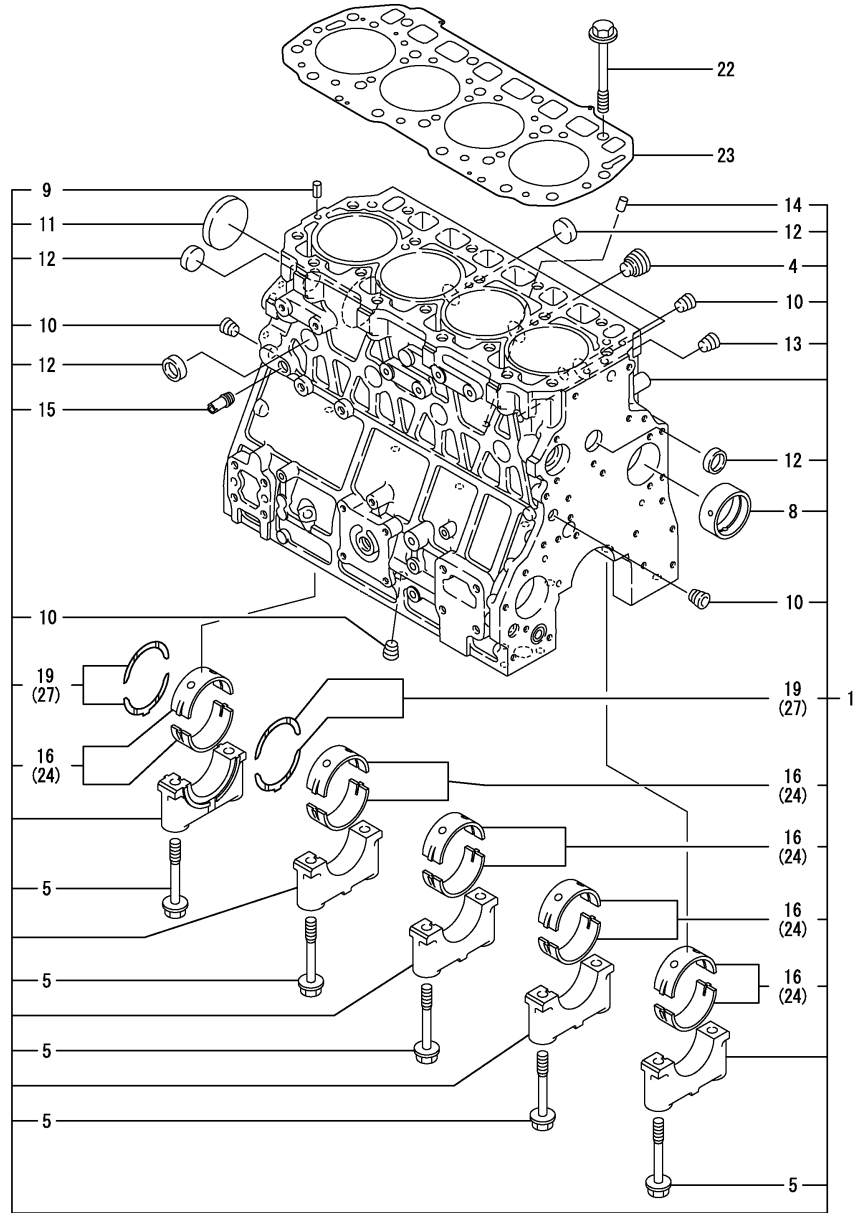
(B)=

(C)=

(D)=

(E)=

(F)=

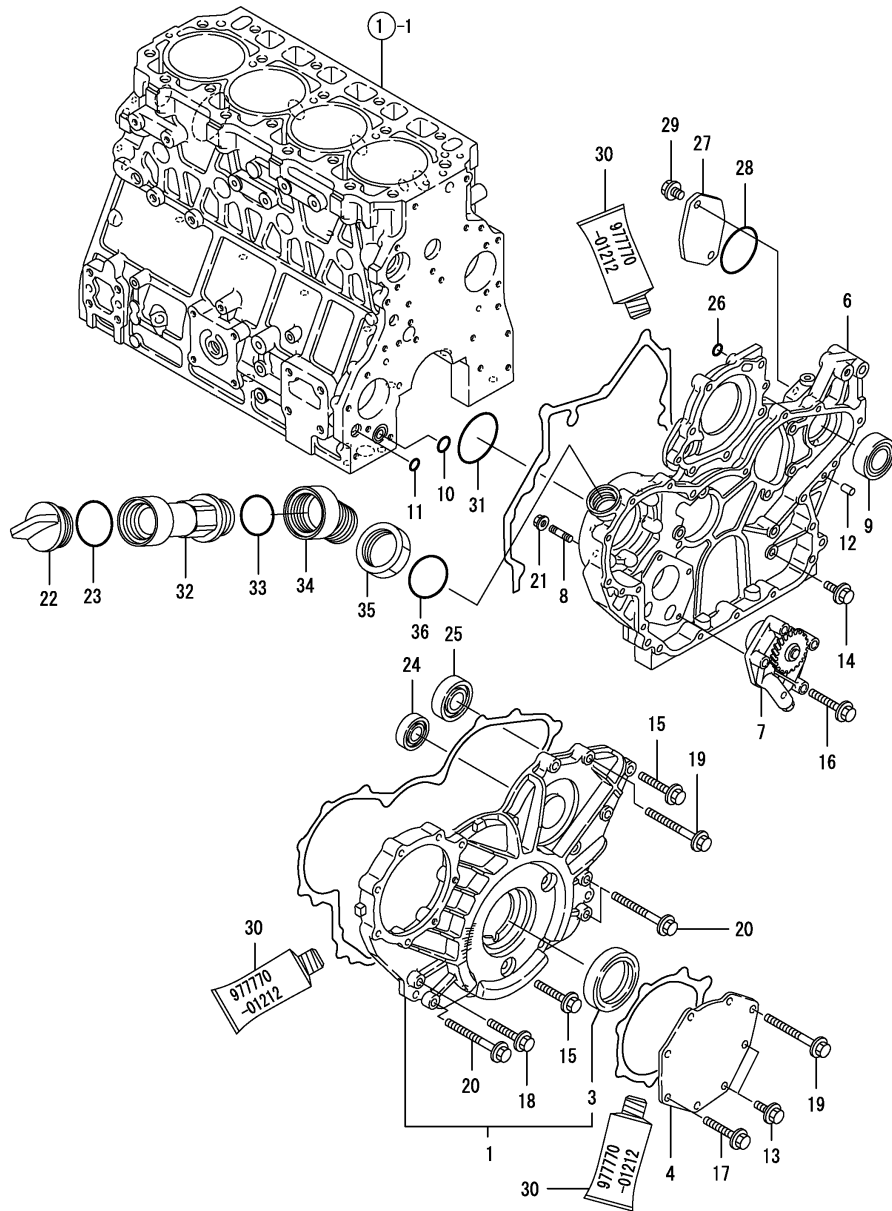


No.	Lev.	Parts No.	Description	Q'ty						I	R
				(A)	(B)	(C)	(D)	(E)	(F)		
1	1	723907-01560	BLOCK ASSY, CYLINDER	1							
4	2	171051-01921	PLUG, NPTF1	1							
5	2	123900-02020	BOLT, METAL CAP	10							
8	2	123900-02410	BUSH	1							
9	2	22351-060012	PIN, SPRING 6.0X12	2							
10	2	23875-030000	PLUG, R03	4							
11	2	27231-700000	PLUG, 70	1							
12	2	27241-300000	PLUG 30	8							
13	2	23875-030000	PLUG, R03	1							
14	2	27225-120160	PLUG, 12X16	1							
15	2	121851-11970	JOINT, PIPE	1							
16	2	123900-02800	BEARING, MAIN	5							
19	2	123900-02930	BEARING, THRUST	2							
22	1	119174-01200	BOLT, HEAD	18							
23	1	123907-01350	GASKET, HEAD	1							
24	1	123900-02340	BEARING, 0.25 US	5							1
27	1	123900-02940	BEARING, THRUST 0.25	2							2

Remarks

- (1) UNDER-SIZED(U.S=0.25)PART.
- (2) OVER-SIZED(O.S=0.25)PART.

Fig.2. GEAR HOUSING



(A)=4TNV106TXTBL

(B)=

(C)=

(D)=

(E)=

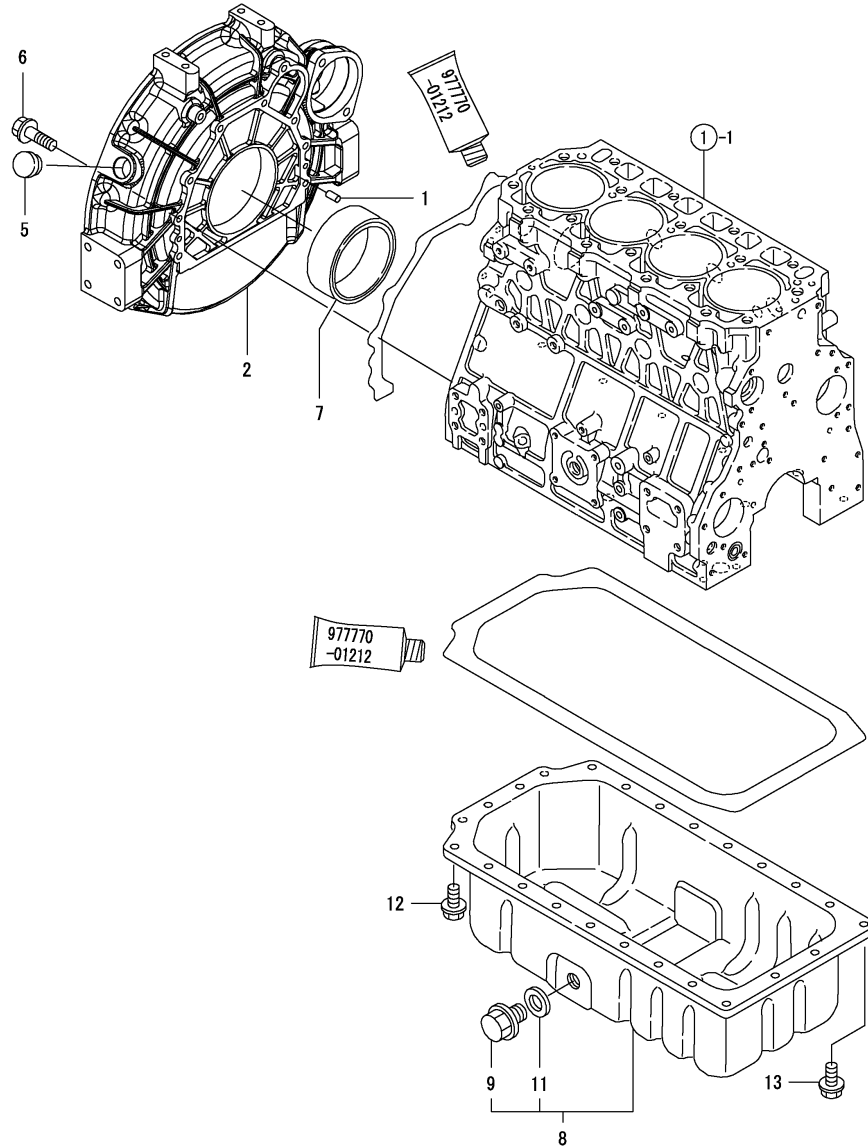
(F)=

No.	Lev.	Parts No.	Description	Q'ty						I	R
				(A)	(B)	(C)	(D)	(E)	(F)		
1	1	723900-01590	COVER ASSY,GEAR CASE	1							
3	2	123900-01780	SEAL, OIL	1							
4	1	123900-01740	COVER	1							
6	1	123907-01500	CASE, GEAR	1							
7	1	123900-32001	PUMP ASSY, OIL	1							
8	1	26226-100322	STUD, M10X 32	4							
9	1	24101-062060	BEARING, BALL 6206C3	1							
10	1	129900-32030	O-RING, P20	1							
11	1	129900-32040	O-RING, P14	1							
12	1	22312-080160	PIN, PARALLEL M8X16	4							
13	1	26106-080202	BOLT, M8X 20 PLATED	2							
14	1	26106-080202	BOLT, M8X 20 PLATED	5							
15	1	26106-080402	BOLT, M8X 40 PLATED	6							
16	1	26106-080452	BOLT, M8X 45 PLATED	4							
17	1	26106-080452	BOLT, M8X 45 PLATED	5							
18	1	26106-080502	BOLT, M8X 50 PLATED	1							
19	1	26106-080702	BOLT, M8X 70 PLATED	5							
20	1	26106-080802	BOLT, M8X 80 PLATED	3							
21	1	26306-100002	NUT, M10	4							
22	1	124160-01751	COVER, FILLER	1							
23	1	24311-000320	O-RING, 1AP32.0	1							
24	1	24101-062054	BEARING, BALL 6205	1							
25	1	24101-062060	BEARING, BALL 6206C3	1							
26	1	24311-000110	O-RING, 1AP11.0	1							
27	1	121023-26070	COVER	1							
28	1	24321-000850	O-RING, 1AG85.0	1							
29	1	26106-100222	BOLT, M10X 22 PLATED	2							
30	1	977770-01212	GASKET, LIQUID	1							1
31	1	24351-030750	O-RING, 1A3075	1							
32	1	171031-11741	PIPE	1							
33	1	24311-000320	O-RING, 1AP32.0	1							
34	1	119225-11740	ADAPTER	1							
35	1	119225-11750	NUT	1							
36	1	24311-000300	O-RING, 1AP30.0	1							

Remarks

(1) OPTIONAL PART.

Fig.3. FLYWHEEL HOUSING & OIL SUMP



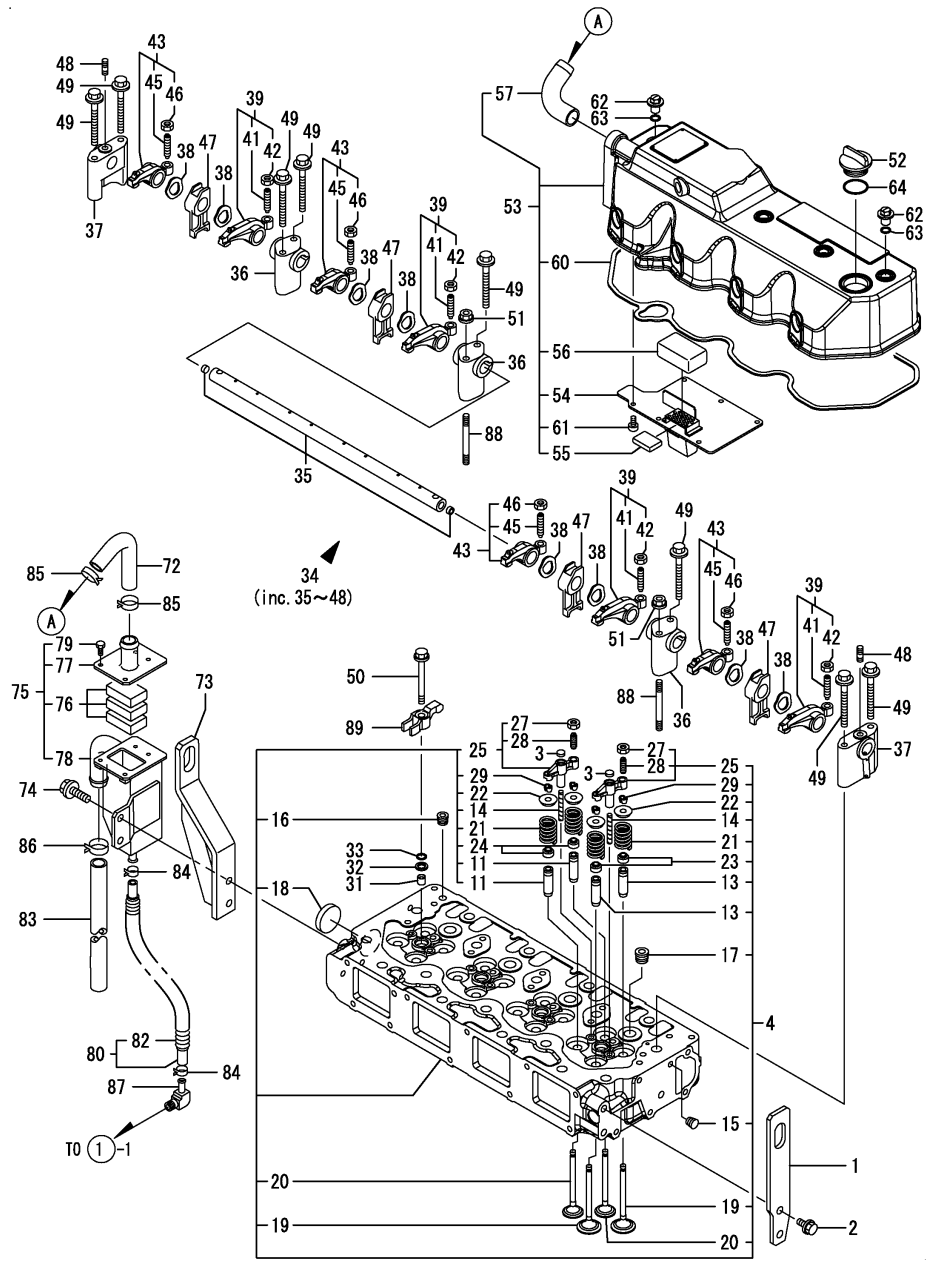
(A)=4TNV106TXTBL  
 (B)=  
 (C)=

(D)=  
 (E)=  
 (F)=

No.	Lev.	Parts No.	Description	Q'ty						I	R
				(A)	(B)	(C)	(D)	(E)	(F)		
1	1	129100-01580	PIN, M8X16	2							
2	1	123900-01620	HOUSING, FLYWHEEL	1							
5	1	119575-01750	CAP	1							
6	1	26106-100352	BOLT, M10X 35 PLATED	10							
7	1	123672-01782	SEAL, SD105X135X14L	1							
8	1	123900-01710	SUMP ASSY, OIL	1							
9	2	119640-01640	PLUG, DRAIN M22	1							
11	2	22190-220002	WASHER, SEAL 22	1							
12	1	26106-080122	BOLT, M8X 12 PLATED	22							
13	1	26106-080162	BOLT, M8X 16 PLATED	4							
14	1	97770-01212	GASKET, LIQUID	1							1

Remarks  
 (1) OPTIONAL PART.

Fig.4. CYLINDER HEAD & BONNET



(A)=4TNV106TXTBL

(B)=

(C)=

(D)=

(E)=

(F)=

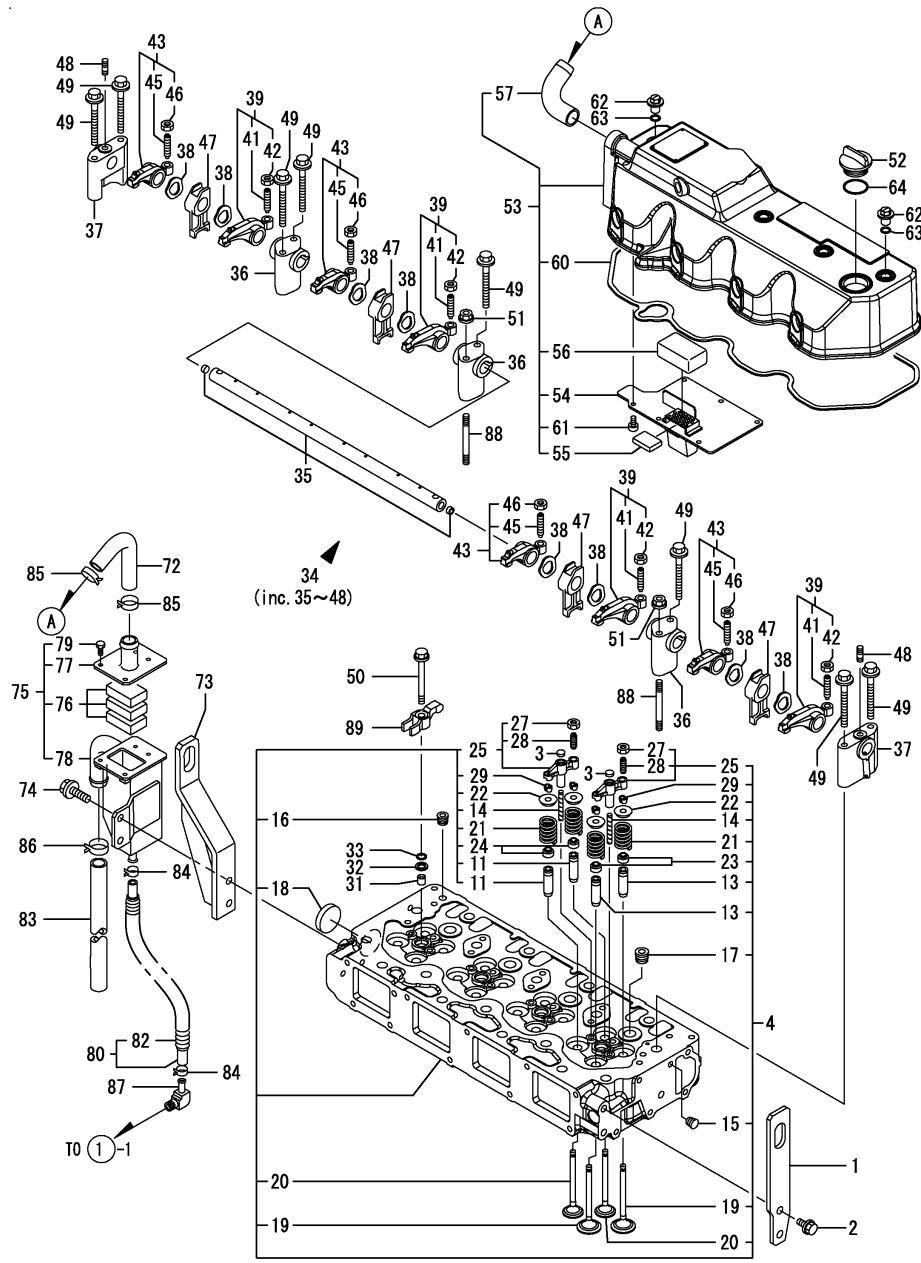
No.	Lev.	Parts No.	Description	Qty						I	R
				(A)	(B)	(C)	(D)	(E)	(F)		
1	1	123907-07900	LIFTER	1							
2	1	26106-100202	BOLT, M10X 20 PLATED	2							
3	1	123907-11550	SEAT, VALVE BRIDGE	8							
4	1	723907-11100	HEAD ASSY, CYLINDER	1							
11	2	123907-11810	GUIDE, VALVE	8							1
13	2	123907-11800	GUIDE, VALVE	8							1
14	2	123907-11820	GUIDE	8							
15	2	23876-005000	PLUG, R005	1							
16	2	23876-020000	PLUG, R02	1							
17	2	23876-030000	PLUG, R03	4							
18	2	27241-400000	PLUG, 40	1							
19	2	123907-11100	VALVE, INTAKE	8							
20	2	123907-11110	VALVE, EXHAUST	8							
21	2	123907-11120	SPRING, VALVE	16							
22	2	123907-11180	RETAINER, SPRING	16							
23	2	124160-11340	SEAL, VALVE STEM	8							
24	2	124950-11340	SEAL, VALVE STEM	8							
25	2	123907-11510	BRIDGE ASSY, VALVE	8							
27	3	129150-11750	NUT, M8	8							
28	3	123907-11830	ADJUSTER	8							
29	2	27310-070001	COTTER, 7	16							
31	1	119802-11870	PROTECTOR, NOZZLE	4							
32	1	119625-11880	SEAT, NOZZLE	4							
33	1	24311-000120	O-RING, 1AP12.0	4							
34	1	123907-11341	SUPPORT ASSY, ARM	1							
35	2	123907-11250	SHAFT, ROCKER ARM	1							
36	2	123907-11260	SUPPORT, ROCKER ARM	3							
37	2	123907-11270	SUPPORT, ROCKER ARM	2							
38	2	123907-11280	WASHER	8							
39	2	123907-11650	ARM, ROCKER	4							
41	3	129150-11230	SCREW, VALVE ADJUST	4							
42	3	129150-11750	NUT, M8	4							
43	2	123907-11660	ARM, ROCKER	4							
45	3	129150-11230	SCREW, VALVE ADJUST	4							
46	3	129150-11750	NUT, M8	4							
47	2	123907-11920	RETAINER	4							
48	2	26226-080302	STUD, M8X 30	2							
49	1	26106-080752	BOLT, M8X 75 PLATED	8							
50	1	123907-11950	BOLT, M8X80	4							
51	1	26306-080002	NUT, M8	2							
52	1	124160-01751	COVER, FILLER	1							
53	1	123908-11320	BONNET ASSY, HEAD	1							
54	2	123907-03010	PLATE	1							
55	2	123907-03060	BAFFLE, BREATHER	1							
56	2	123907-03070	BAFFLE, BREATHER	1							
57	2	123900-03220	JOINT	1							
60	2	123907-11310	GASKET, BONNET	1							
61	2	22857-500100	SCREW, 5X10	6							
62	1	124160-11360	KNOB	4							
63	1	24311-000120	O-RING, 1AP12.0	4							
64	1	24311-000320	O-RING, 1AP32.0	1							

Remarks

(1) REPAIR PART.



Fig.4. CYLINDER HEAD & BONNET



(A)=4TNV106TXTBL

(B)=

(C)=

(D)=

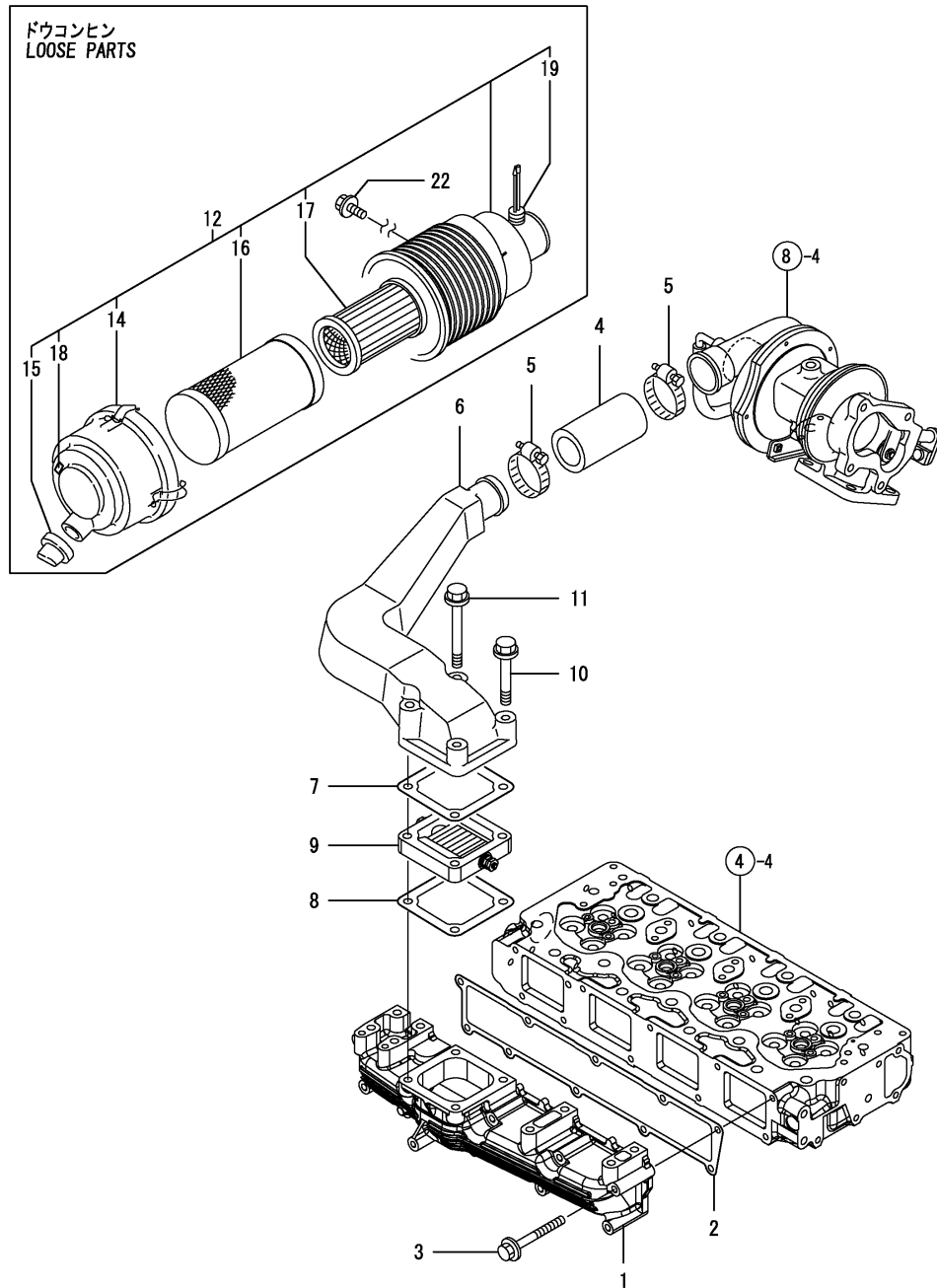
(E)=

(F)=

No.	Lev.	Parts No.	Description	Qty						I	R
				(A)	(B)	(C)	(D)	(E)	(F)		
72	1	123901-03090	HOSE, BREATHER	1							
73	1	123912-07900	LIFTER	1							
74	1	26106-100252	BOLT, M10X 25 PLATED	2							
75	1	123901-03270	BREATHER ASSY	1							
76	2	123901-03240	FILTER	3							
77	2	123901-03250	COVER, BREATHER	1							
78	2	123901-03260	BREATHER	1							
79	2	26116-050102	BOLT, M5X 10 PLATED	4							
80	1	123912-03300	HOSE ASSY, RETURN	1							
82	2	123912-03270	TUBE, CORRUGATED	1							
83	1	123951-03090	HOSE, BREATHER	1							
84	1	23000-016000	CLAMP, 16	2							
85	1	23000-035000	CLAMP, 35	2							
86	1	23000-035000	CLAMP, 35	1							
87	1	123901-03280	ELBOW, PT3/8-10	1							
88	1	123907-11390	STUD, M8X95	2							
89	1	123907-11910	RETAINER, NOZZLE	4							

Remarks  
(1) REPAIR PART.

Fig.5. SUCTION MANIFOLD & AIR CLEANER



(A)=4TNV106TXTBL

(B)=

(C)=

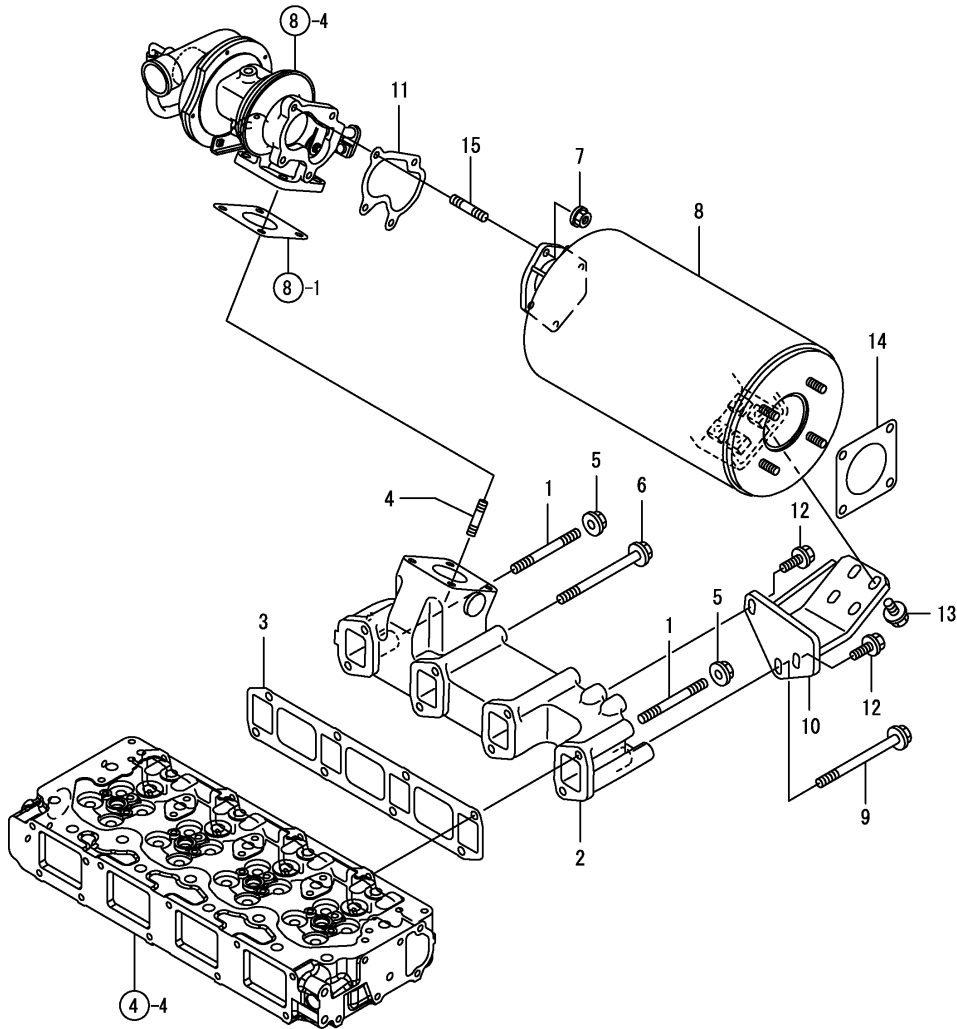
(D)=

(E)=

(F)=

No.	Lev.	Parts No.	Description	Q'ty						I	R
				(A)	(B)	(C)	(D)	(E)	(F)		
1	1	123907-12100	MANIFOLD, AIR INTAKE	1							
2	1	123907-12110	GASKET, MANIFOLD	1							
3	1	26106-080702	BOLT, M8X 70 PLATED	10							
4	1	129595-18141	JOINT, RUBBER	1							
5	1	23000-054000	CLAMP, 54	2							
6	1	123912-18350	BEND, INTAKE	1							
7	1	123900-77020	GASKET	1							
8	1	123900-77030	GASKET	1							
9	1	123900-77500	HEATER	1							
10	1	26106-100752	BOLT, M10X 75 PLATED	2							
11	1	26106-100952	BOLT, M10X 95 PLATED	2							
12	1	123945-12500	CLEANER ASSY, AIR	1							
14	2	123950-12520	COVER	1							
15	2	119160-12540	VALVE	1							
16	2	119117-12560	ELEMENT	1							
17	2	119117-12570	ELEMENT	1							
18	2	129612-12650	MARKING,(W)	1							
19	2	129953-12620	INDICATOR ASSY	1							
22	1	26106-080202	BOLT, M8X 20 PLATED	4							

Fig.6. EXHAUST MANIFOLD & SILENCER

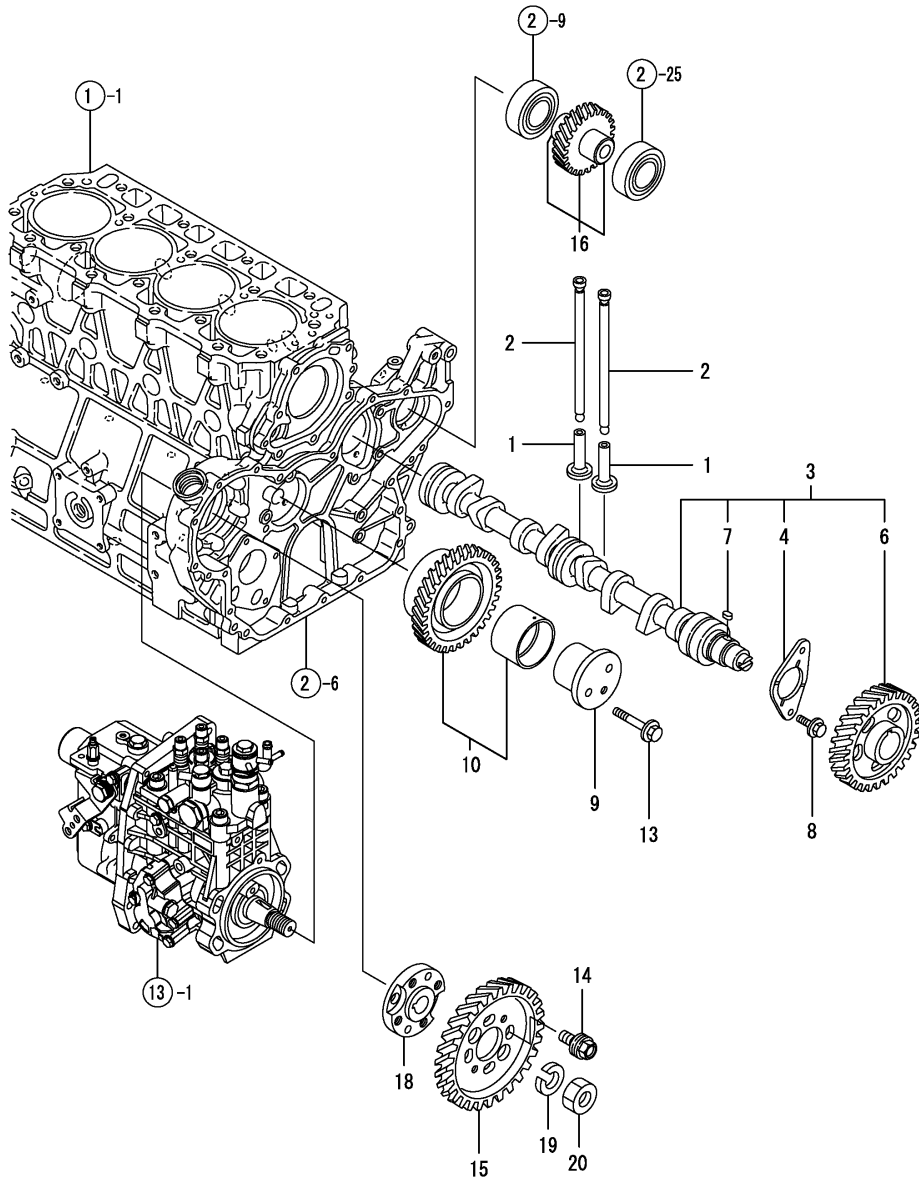


(A)=4TNV106TXTBL  
(B)=  
(C)=

(D)=  
(E)=  
(F)=

No.	Lev.	Parts No.	Description	Q'ty						I	R
				(A)	(B)	(C)	(D)	(E)	(F)		
1	1	123907-13820	STUD, M10X85	2							
2	1	123908-13120	MANIFOLD, EXHAUST	1							
3	1	123907-13110	GASKET	1							
4	1	129418-18320	STUD, M8X20	4							
5	1	26306-100002	NUT, M10	2							
6	1	123907-13730	BOLT, M10X105 10.9	6							
7	1	26306-080002	NUT, M8	4							
8	1	123908-13510	SILENCER	1							
9	1	123907-13740	BOLT, M10X110 10.9	1							
10	1	123908-13650	STAY, SILENCER	1							
11	1	123901-18080	GASKET	1							
12	1	26106-080222	BOLT, M8X 22 PLATED	2							
13	1	26106-080222	BOLT, M8X 22 PLATED	4							
14	1	128300-13230	GASKET, SILENCER	1							
15	1	119131-18320	STUD, M8X22	4							W

Fig.7. CAMSHAFT & DRIVING GEAR



(A)=4TNV106TXTBL

(B)=

(C)=

(D)=

(E)=

(F)=

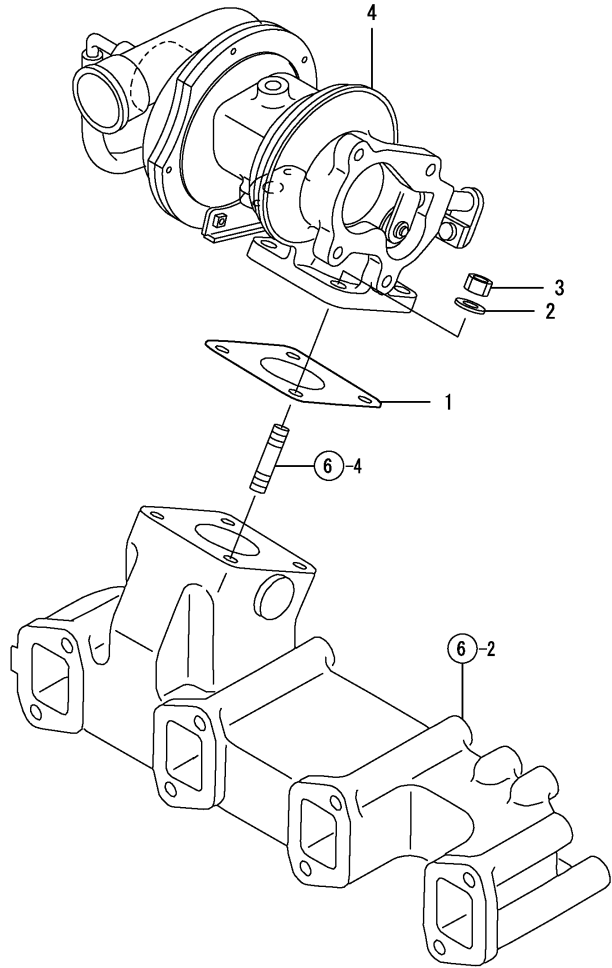
No.	Lev.	Parts No.	Description	Q'ty						I	R
				(A)	(B)	(C)	(D)	(E)	(F)		
1	1	123900-14200	TAPPET	8							
2	1	123907-14400	ROD, PUSH	8							
3	1	123907-14590	CAMSHAFT ASSY	1							
4	2	129150-02450	BEARING, THRUST	1							
6	2	129900-14110	GEAR, CAMSHAFT	1							
7	2	22512-070140	KEY, 7X 14	1							
8	1	26106-080142	BOLT, M8X 14 PLATED	2							
9	1	123900-25060	SHAFT, IDLE GEAR	1							
10	1	123900-25130	GEAR ASSY, IDLE	1							
13	1	26106-080552	BOLT, M8X 55 PLATED	3							
14	1	129953-25300	BOLT	4							
15	1	123907-25909	GEAR, PUMP	1							
16	1	129900-26020	GEAR ASSY, PUMP	1							
18	1	158563-51150	FLANGE	1							
19	1	22217-180000	WASHER, SPRING 18	1							
20	1	26776-180002	NUT, LOCK M18	1							

Fig.8. TURBINE

(A)=4TNV106XTBL  
 (B)=  
 (C)=

(D)=  
 (E)=  
 (F)=

No.	Lev.	Parts No.	Description	Q'ty						I	R
				(A)	(B)	(C)	(D)	(E)	(F)		
1	1	123901-18090	GASKET	1							
2	1	22117-080000	WASHER, 8	4							
3	1	26703-080002	NUT, M8	4							
4	1	123908-18010	TURBINE, RHF5	1							



# Fig.9. CRANKSHAFT & PISTON

(A)=4TNV106TXTBL

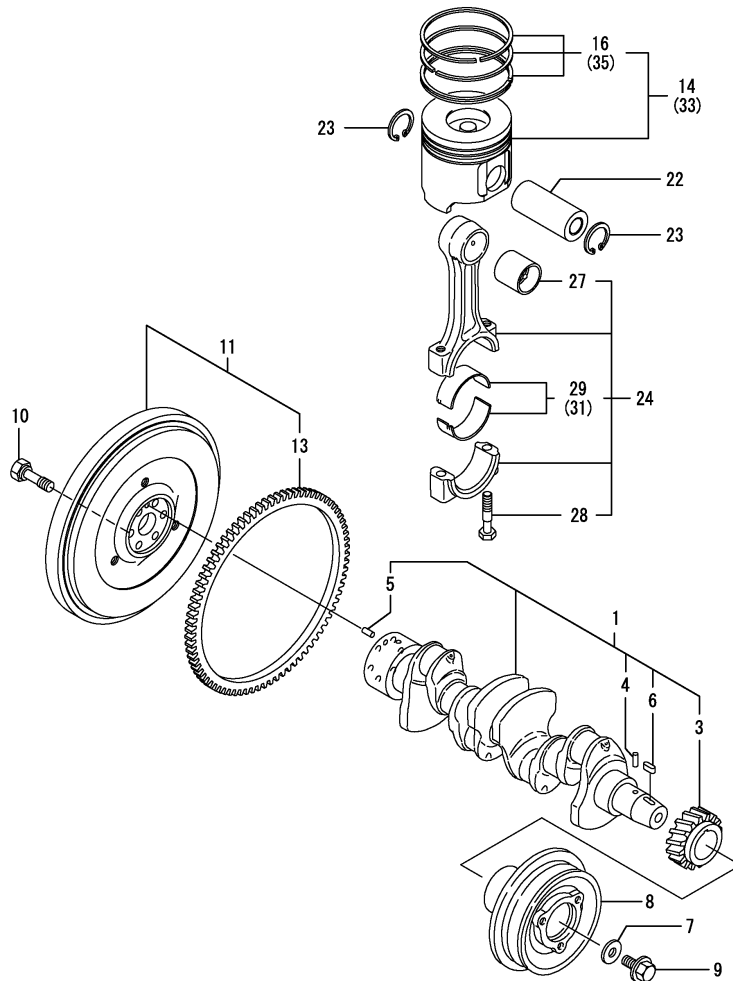
(B)=

(C)=

(D)=

(E)=

(F)=



No.	Lev.	Parts No.	Description	Q'ty						I	R
				(A)	(B)	(C)	(D)	(E)	(F)		
1	1	123900-21050	CRANKSHAFT ASSY	1							
3	2	129900-21220	GEAR, CRANKSHAFT	1							
4	2	121850-21290	PIN	1							
5	2	121850-21920	PIN, M10X22	1							
6	2	22512-070140	KEY, 7X 14	1							
7	1	129900-21640	WASHER	1							
8	1	123900-21650	V-PULLEY	1							
9	1	121850-21680	BOLT	1							
10	1	121850-21130	BOLT, FLYWHEEL	6							
11	1	123900-21580	FLYWHEEL ASSY	1							
13	2	127410-21480	GEAR, RING Z=129	1							
14	1	123907-22081	PISTON ASSY	4							
16	2	123907-22050	RING SET, PISTON	4							
22	1	119173-22300	PIN, PISTON	4							
23	1	22252-000370	RING, 37	8							
24	1	123900-23000	ROD ASSY, CONNECTING	4							
27	2	123900-23910	BEARING, PISTON PIN	4							1
28	2	123900-23200	BOLT, CONNECTING ROD	8							
29	2	123900-23600	BEARING, CRANK PIN	4							
31	1	123900-23610	BEARING, 0.25 US	4							2
33	1	723907-22900	PISTON ASSY, 0.25 OS	4							3
35	2	723907-22950	RING SET, 0.25 OS	4							3

Remarks

- (1) REPAIR PART.
- (2) UNDER-SIZE (U.S=0.25) PART.
- (3) OVER-SIZE (O.S=0.25) PART.

Fig.10. LUB.OIL SYSTEM

(A)=4TNV106TXTBL

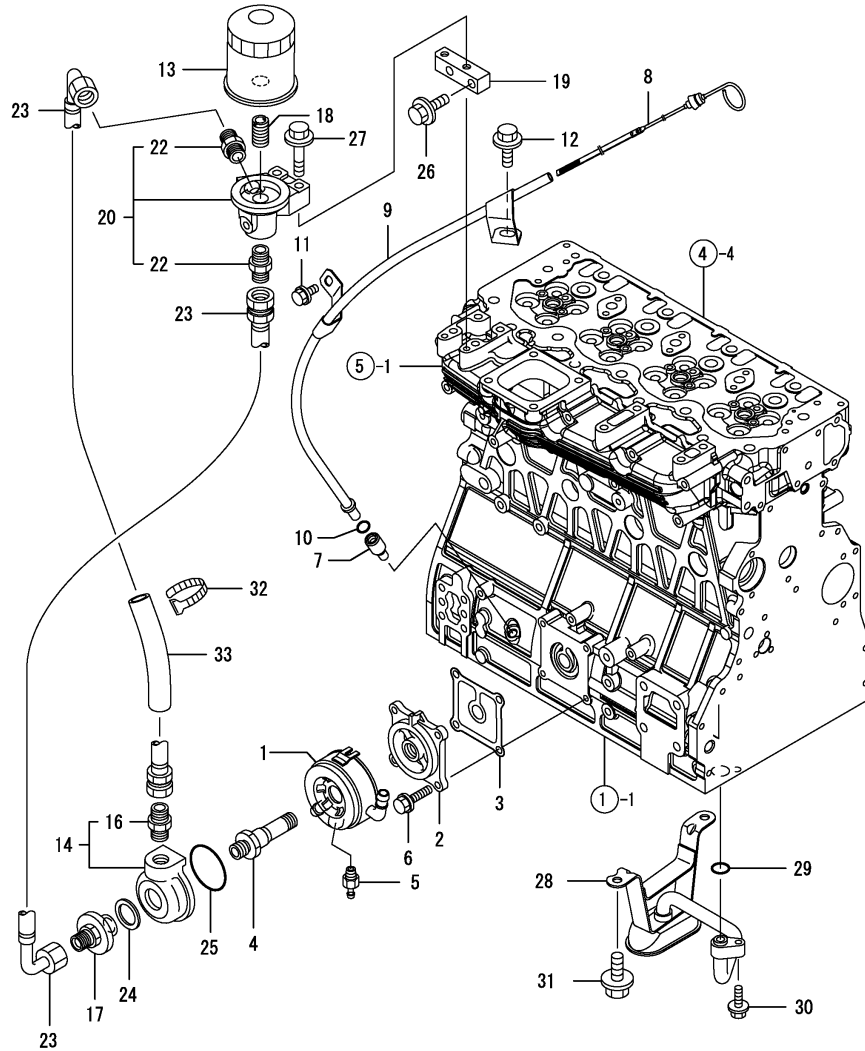
(B)=

(C)=

(D)=

(E)=

(F)=



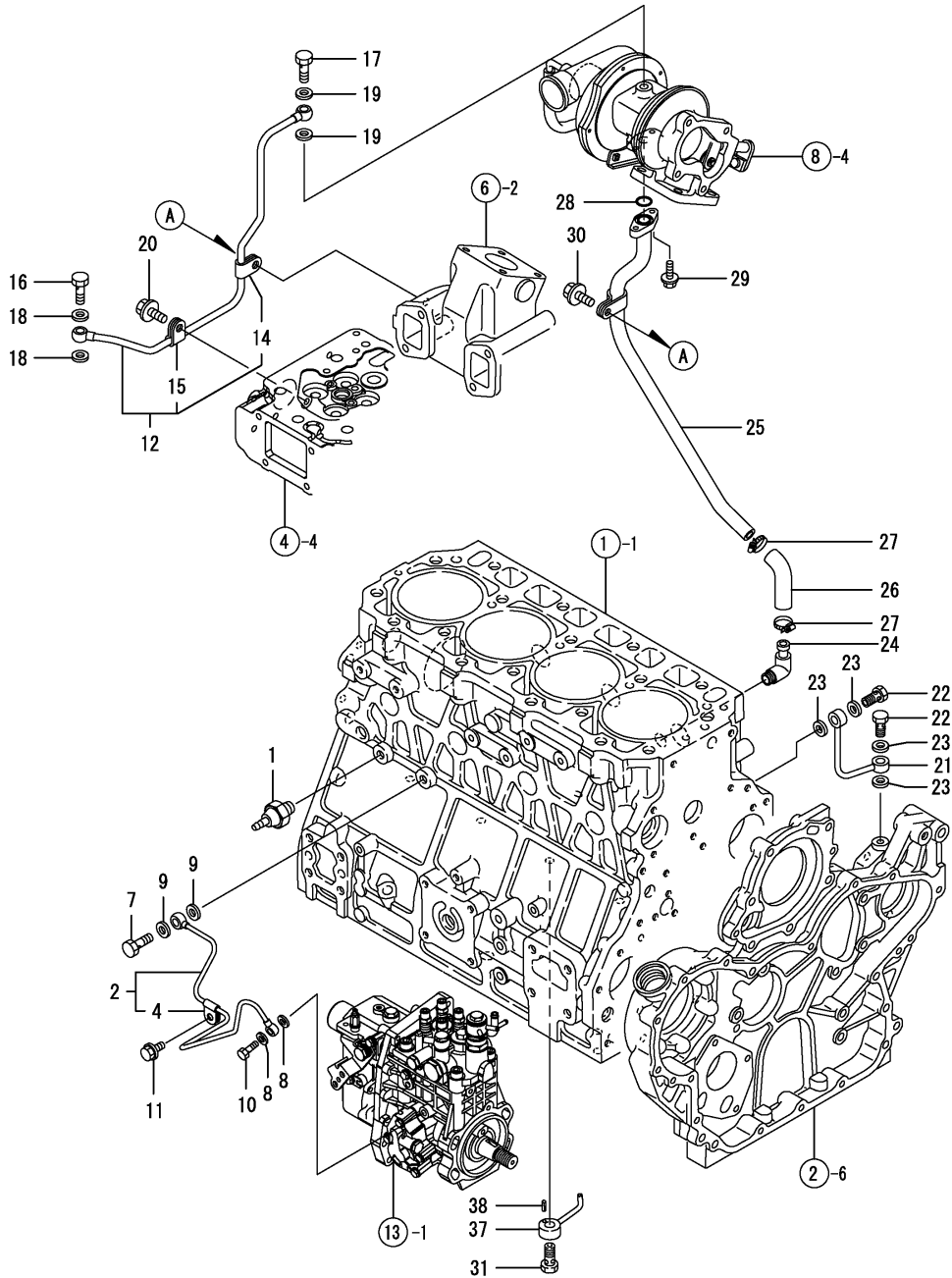
No.	Lev.	Parts No.	Description	Q'ty						I	R
				(A)	(B)	(C)	(D)	(E)	(F)		
1	1	123912-33011	COOLER ASSY, OIL	1							
2	1	123912-33040	BRACKET ASSY, COOLER	1							
3	1	123900-33060	GASKET	1							
4	1	123912-33100	BOLT, COOLER	1							
5	1	121550-49111	JOINT, PT1/4	1							
6	1	26106-080202	BOLT, M8X 20 PLATED	4							
7	1	119260-34810	GUIDE, DIPSTICK	1							
8	1	123900-34810	DIPSTICK, OIL	1							
9	1	123900-34820	GUIDE, DIPSTICK	1							
10	1	24311-240100	O-RING, 1AP10A	1							
11	1	26106-080182	BOLT, M8X 18 PLATED	1							
12	1	26106-100182	BOLT, M10X 18 PLATED	1							
13	1	119005-35151	FILTER, D80X100L	1							1
14	1	123945-35110	CASE ASSY	1							
16	2	129953-39500	ADAPTER, R-G1/2	1							
17	1	129953-35110	RETAINER	1							
18	1	119000-35140	BOLT, FILTER	1							
19	1	123945-35150	SPACER	1							
20	1	123945-35210	BRACKET ASSY	1							
22	2	129953-39500	ADAPTER, R-G1/2	2							
23	1	123945-39100	PIPE, OIL	2							
24	1	22190-300002	WASHER, SEAL 30	1							
25	1	24321-000700	O-RING, 1AG70.0	1							
26	1	26106-100352	BOLT, M10X 35 PLATED	2							
27	1	26106-100452	BOLT, M10X 45 PLATED	2							
28	1	123900-35004	PIPE ASSY, OIL INLET	1							
29	1	24314-000180	O-RING, 4CP18.0	1							
30	1	26106-080302	BOLT, M8X 30 PLATED	1							
31	1	26106-120162	BOLT, M12X 16 PLATED	2							
32	1	198220-51870	BAND, NYLON 200	1							
33	1	119595-59300	PROTECTOR	1							

Remarks

(1) REPAIR PART.

N:Old  $\begin{matrix} \text{Yes} \\ \text{No} \end{matrix}$  New, Q:Old  $\begin{matrix} \text{No} \\ \text{Yes} \end{matrix}$  New, R:Old  $\begin{matrix} \text{Yes} \\ \text{No} \end{matrix}$  New, S:Old  $\begin{matrix} \text{No} \\ \text{Yes} \end{matrix}$  New, W:Add, Z:Discontinued, F:Interchangeable by set, K:Q'ty Change

Fig.11. LUB.OIL LINE



(A)=4TNV106TXTBL

(B)=

(C)=

(D)=

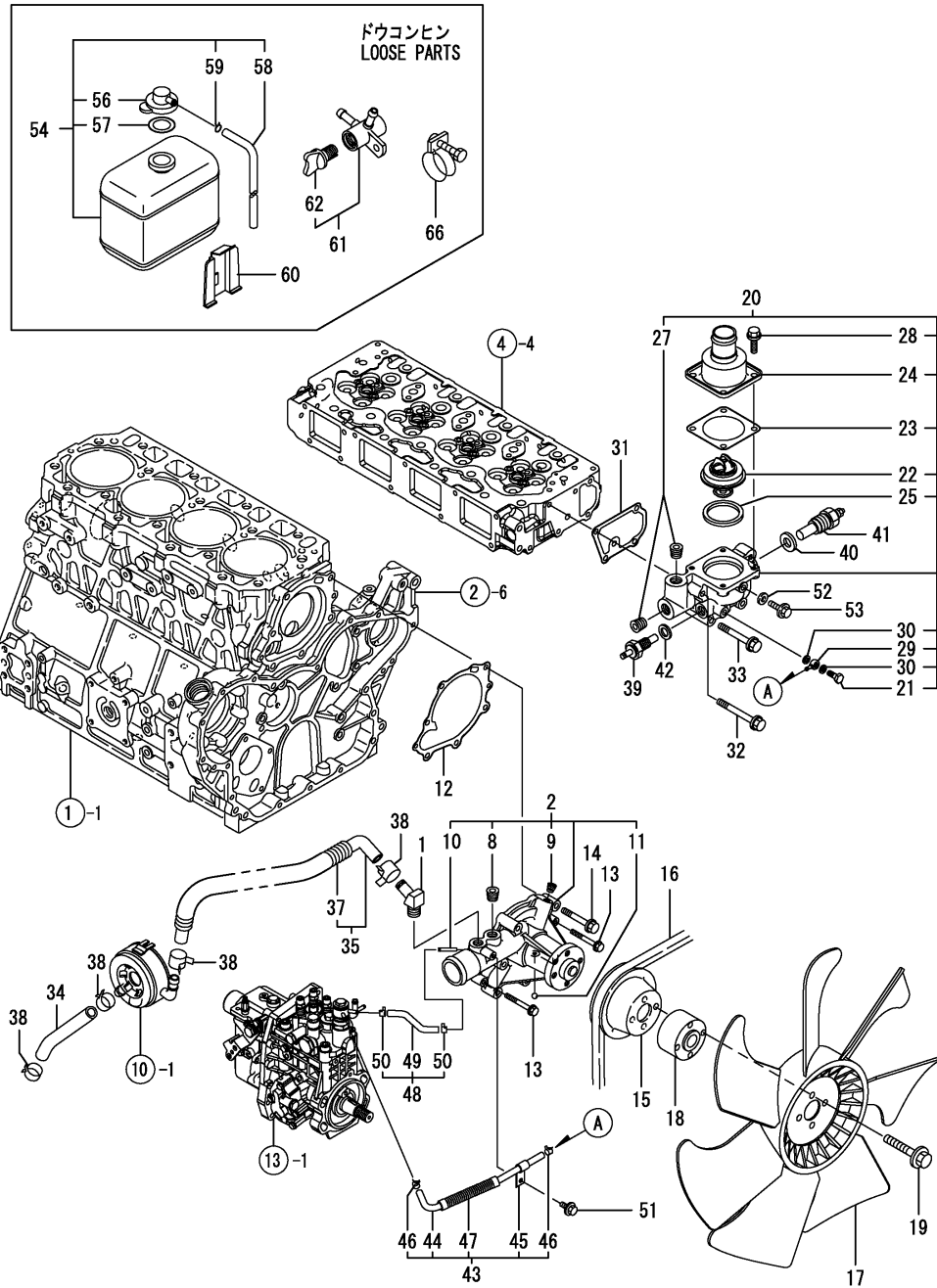
(E)=

(F)=

No.	Lev.	Parts No.	Description	Q'ty						I	R
				(A)	(B)	(C)	(D)	(E)	(F)		
1	1	114250-39450	SWITCH, 0.5KG	1							
2	1	123907-39061	PIPE ASSY, OIL	1							
4	2	123907-39500	RETAINER	1							
7	1	124160-39140	BOLT, PIPE JOINT M10	1							
8	1	23414-080000	GASKET, 8X1.0	2							
9	1	23414-100000	GASKET, 10X1.0	2							
10	1	23857-030000	BOLT, JOINT 3	1							
11	1	26106-080122	BOLT, M8X 12 PLATED	1							
12	1	123945-39030	PIPE ASSY, OIL	1							
14	2	123912-39900	RETAINER, PIPE	1							
15	2	124223-39900	RETAINER	1							
16	1	124160-39140	BOLT, PIPE JOINT M10	1							
17	1	121252-39150	BOLT, JOINT M10X1.5	1							
18	1	23414-100000	GASKET, 10X1.0	2							
19	1	23414-100000	GASKET, 10X1.0	2							
20	1	26106-080122	BOLT, M8X 12 PLATED	1							
21	1	123950-39050	PIPE ASSY, OIL	1							
22	1	105010-39140	BOLT, PIPE JOINT	2							
23	1	22190-080002	WASHER, SEAL 6	4							
24	1	124070-13300	ELBOW, PT3/8	1							
25	1	123912-39600	PIPE, OIL	1							
26	1	123901-39820	HOSE	1							
27	1	23000-025000	CLAMP, 25	2							
28	1	24316-000180	O-RING, 4DP18.0	1							
29	1	26106-060162	BOLT, M6X 16 PLATED	2							
30	1	26106-080142	BOLT, M8X 14 PLATED	1							
31	1	129792-39410	VALVE ASSY, CHECK	4							
37	1	123900-39650	NOZZLE	4							
38	1	22351-030010	PIN, SPRING 3.0X10	4							



Fig.12. COOLING WATER SYSTEM



(A)=4TNV106TXTBL

(B)=

(C)=

(D)=

(E)=

(F)=

No.	Lev.	Parts No.	Description	Q'ty						I	R
				(A)	(B)	(C)	(D)	(E)	(F)		
1	1	129054-49320	ELBOW, R3/8	1							
2	1	123945-42000	PUMP ASSY, WATER	1							
8	2	129916-49740	PLUG, R03	1							
9	2	23875-020000	PLUG, R02	1							
10	2	119802-49113	JOINT, PIPE	1							
11	2	24190-080001	BALL, STEEL 1/4	1							
12	1	123900-42050	GASKET, WATER PUMP	1							
13	1	26106-060502	BOLT, M6X 50 PLATED	2							
14	1	26106-080552	BOLT, M8X 55 PLATED	4							
151		123900-42470	V-PULLEY, B 130	1							
16	1	25163-004701	V-BELT, B47H	1							
17	1	123915-44741	FAN, COOLING	1							
18	1	123911-44781	SPACER, FAN 40	1							
19	1	26106-100602	BOLT, M10X 60 PLATED	4							
20	1	123946-49810	CASE ASSY,THERMOSTAT	1							
21	2	105010-39140	BOLT, PIPE JOINT	1							
22	2	124610-48620	THERMOSTAT, 82	1							
23	2	124610-49291	GASKET	1							
24	2	123962-49500	COVER, THERMOSTAT	1							
25	2	123500-49550	GASKET	1							
27	2	23876-030000	PLUG, R03	2							
28	2	26106-080252	BOLT, M8X 25 PLATED	4							
29	2	23387-040800	JOINT, HOSE 4-8	1							
30	2	23414-080000	GASKET, 8X1.0	2							
31	1	123900-49820	GASKET	1							
32	1	26106-080602	BOLT, M8X 60 PLATED	4							
33	1	26106-080702	BOLT, M8X 70 PLATED	2							
34	1	123912-49031	PIPE, WATER	1							
35	1	123910-49600	PIPE, WATER	1							
37	2	123910-49610	TUBE, CORRUGATED	1							
38	1	23000-025000	CLAMP, 25	4							
39	1	121250-44901	SWITCH, 110	1							
40	1	124465-44950	GASKET, 16	1							
41	1	119266-49350	SWITCH	1							
42	1	129150-49360	GASKET	1							
43	1	123945-49610	PIPE ASSY, WATER	1							
44	2	123907-49710	PIPE, WATER	1							
45	2	123945-49700	RETAINER, PIPE	1							
46	2	124722-59050	CLIP, HOSE 9	2							
47	2	129486-59320	TUBE, CORRUGATED	1							
48	1	123907-49620	PIPE ASSY, WATER	1							
49	2	123907-49720	PIPE, WATER	1							
50	2	124722-59050	CLIP, HOSE 9	2							
51	1	26106-060122	BOLT, M6X 12 PLATED	1							
52	1	23414-080000	GASKET, 8X1.0	1							
53	1	26106-080122	BOLT, M8X 12 PLATED	1							
54	1	121820-44800	TANK ASSY, RESERVE	1							
56	2	121850-44850	CAP	1							
57	2	121850-44860	GASKET	1							
58	2	121850-44870	HOSE	1							
59	2	121850-44880	CLAMP	1							

Fig.12. COOLING WATER SYSTEM

(A)=4TNV106TXTBL

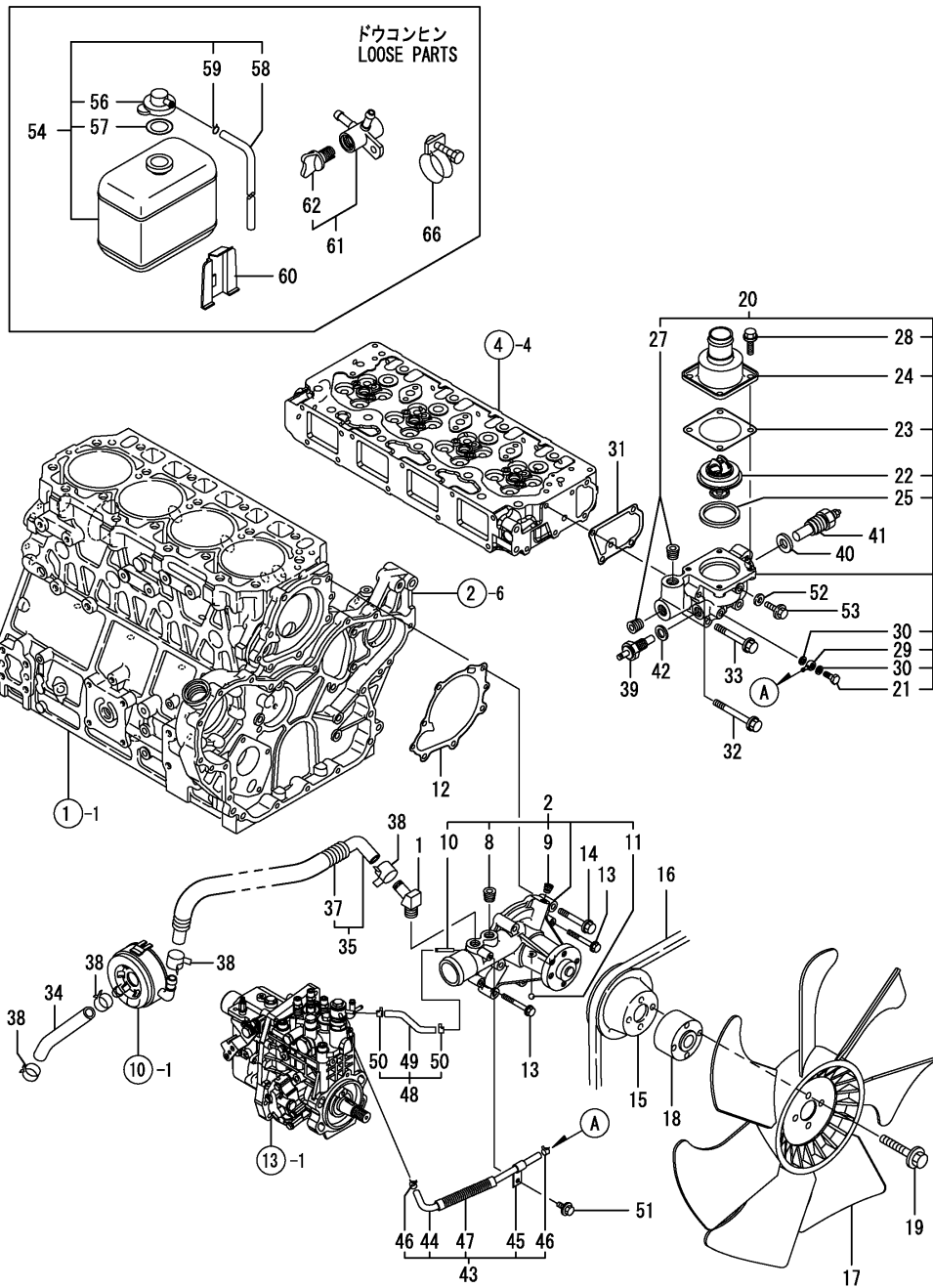
(B)=

(C)=

(D)=

(E)=

(F)=



No.	Lev.	Parts No.	Description	Q'ty						I	R
				(A)	(B)	(C)	(D)	(E)	(F)		
60	1	120147-44810	BRACKET	1							
61	1	129150-49100	COCK ASSY, 3-WAY	1							
62	2	129150-49080	COCK, DRAIN	1							
66	1	23000-060000	CLAMP, 60	4							

Fig.13. FUEL INJECTION PUMP

(A)=4TNV106TXTBL

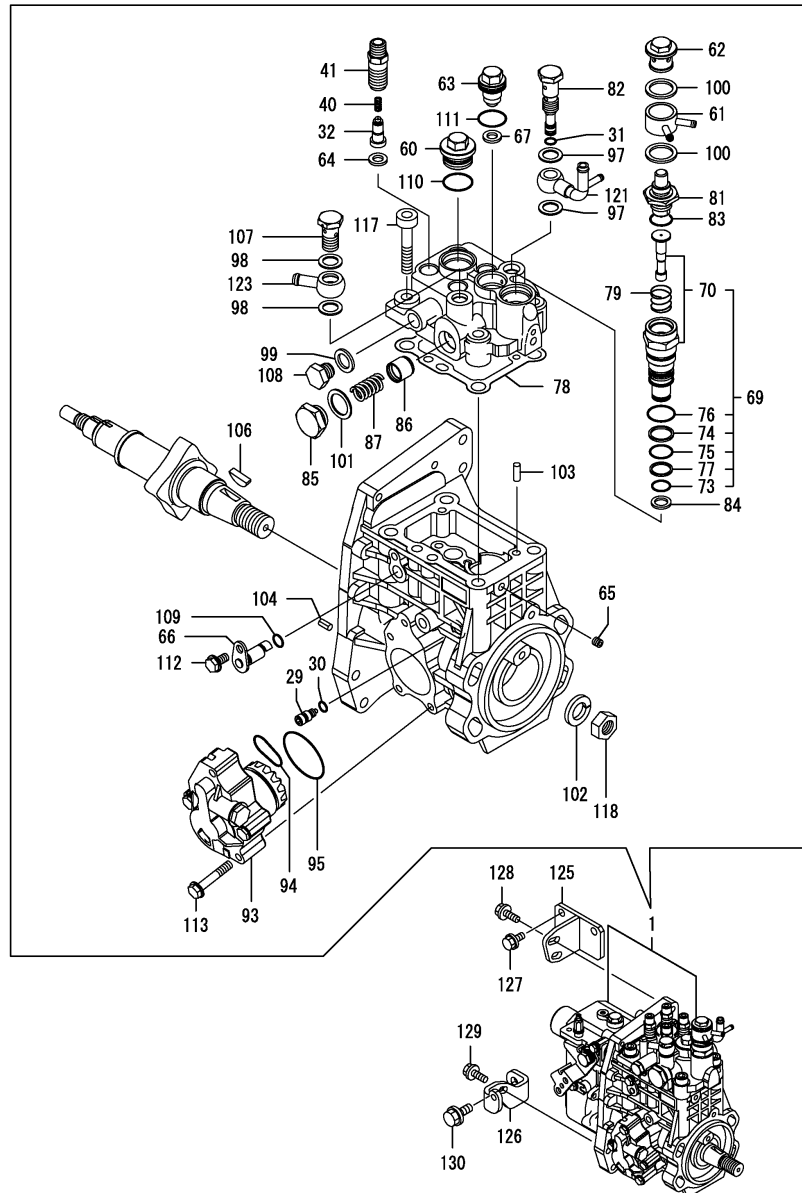
(B)=

(C)=

(D)=

(E)=

(F)=



No.	Lev.	Parts No.	Description	Q'ty						I	R
				(A)	(B)	(C)	(D)	(E)	(F)		
1	1	723945-51300	PUMP ASSY, INJECTION	1							1
29	2	158600-51270	STOPPER, TAPPET	1							
30	2	158563-51281	O-RING, 4D S6	1							
31	2	158563-51281	O-RING, 4D S6	1							
32	2	158560-51300	VALVE ASSY, DELIVERY	4							
40	2	158563-51330	SPRING, DELIVERY	4							
41	2	158560-51340	HOLDER, DELIVERY	4							
60	2	158601-51550	PLUG	1							
61	2	158553-51551	JOINT	1							
62	2	158601-51570	PLUG	1							
63	2	129906-51560	PLUG, BARREL	1							
64	2	158552-51570	GASKET	4							
65	2	158557-51570	PLUG	1							
66	2	158552-51580	LIFTER	1							
67	2	129906-51580	GASKET	1							
69	2	119802-51590	TIMER SET	1							
70	3	119802-51600	TIMER ASSY	1							
73	3	158553-51670	O-RING, 1011	1							
74	3	119802-51680	RING, BACK UP	1							
75	3	119802-51690	O-RING	1							
76	3	24356-010200	O-RING, 4D1020	1							
77	3	24372-000150	RING, BACK UP T2P15	1							
78	2	158560-51600	GASKET	1							
79	2	158553-51630	SPRING, TIMER	1							
81	2	158553-51640	ELEMENT	1							
82	2	158601-51650	JOINT, OVER FLOW	1							
83	2	158553-51660	O-RING, P14	1							
84	2	158553-51680	GASKET	1							
85	2	158601-51790	PLUG	1							
86	2	158601-51770	PISTON	1							
87	2	158552-51780	SPRING	1							
93	2	158552-52100	PUMP ASSY, FUEL FEED	1							
94	2	158552-52310	O-RING	1							
95	2	158552-52400	O-RING, 4E S42	1							
97	2	22190-120002	WASHER, SEAL 12	2							
98	2	22190-120002	WASHER, SEAL 12	2							
99	2	22190-120002	WASHER, SEAL 12	1							
100	2	22190-180002	WASHER, SEAL 18	2							
101	2	22190-180002	WASHER, SEAL 18	1							
102	2	22217-180000	WASHER, SPRING 18	1							
103	2	22312-050140	PIN, PARALLEL M5X14	2							
104	2	22351-050010	PIN, SPRING 5.0X10	2							
106	2	144626-51090	KEY, 5X19	1							
107	2	23857-060000	BOLT, JOINT 6	1							
108	2	23887-120002	PLUG, 12	1							
109	2	24311-000070	O-RING, 1AP7.0	1							
110	2	24356-010200	O-RING, 4D1020	1							
111	2	24356-020210	O-RING, 4D2021	1							
112	2	26106-060102	BOLT, M6X 10 PLATED	1							
113	2	26106-060352	BOLT, M6X 35 PLATED	4							
117	2	26450-100452	BOLT, M10X 45	4							

Remarks

(1) GOVERNOR ASSY(FIG.14) IS INCORPORATED IN THIS FOP.CMP (REF.NO.1).

Fig.13. FUEL INJECTION PUMP

(A)=4TNV106TXTBL

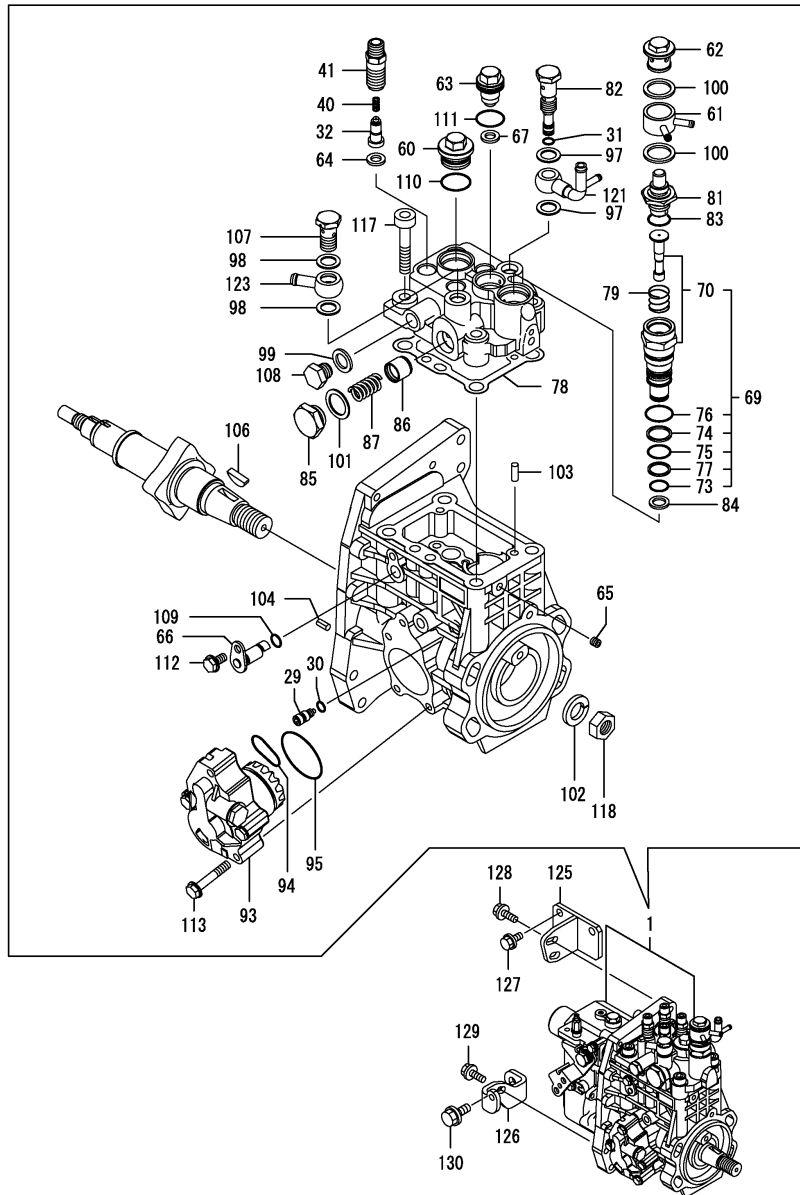
(B)=

(C)=

(D)=

(E)=

(F)=



No.	Lev.	Parts No.	Description	Q'ty						I	R
				(A)	(B)	(C)	(D)	(E)	(F)		
118	2	26776-180002	NUT, LOCK M18	1							
121	2	158552-51670	JOINT, OVER FLOW	1							
123	2	129916-59020	JOINT, PIPE 12	1							
125	1	123907-01950	RETAINER	1							
126	1	123907-01960	RETAINER	1							
127	1	26106-080162	BOLT, M8X 16 PLATED	2							
128	1	26106-080202	BOLT, M8X 20 PLATED	2							
129	1	26106-080202	BOLT, M8X 20 PLATED	1							
130	1	26106-100162	BOLT, M10X 16 PLATED	1							

Remarks

(1) GOVERNOR ASSY(FIG.14) IS INCORPORATED IN THIS FOP.CMP (REF.NO.1).

### Fig.14. GOVERNOR

(A)=4TNV106TXTBL

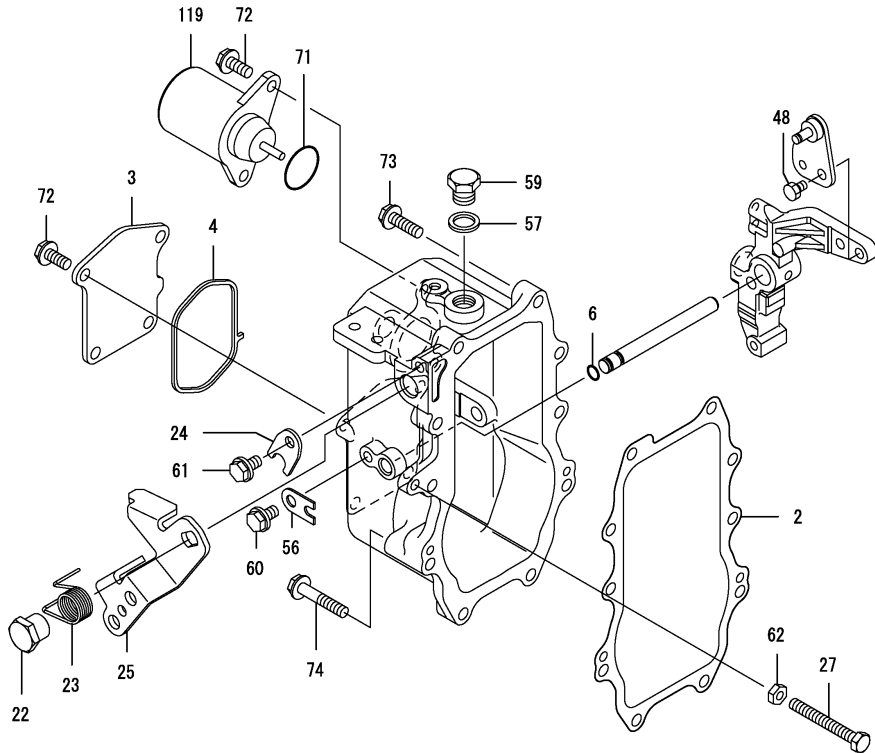
(B)=

(C)=

(D)=

(E)=

(F)=

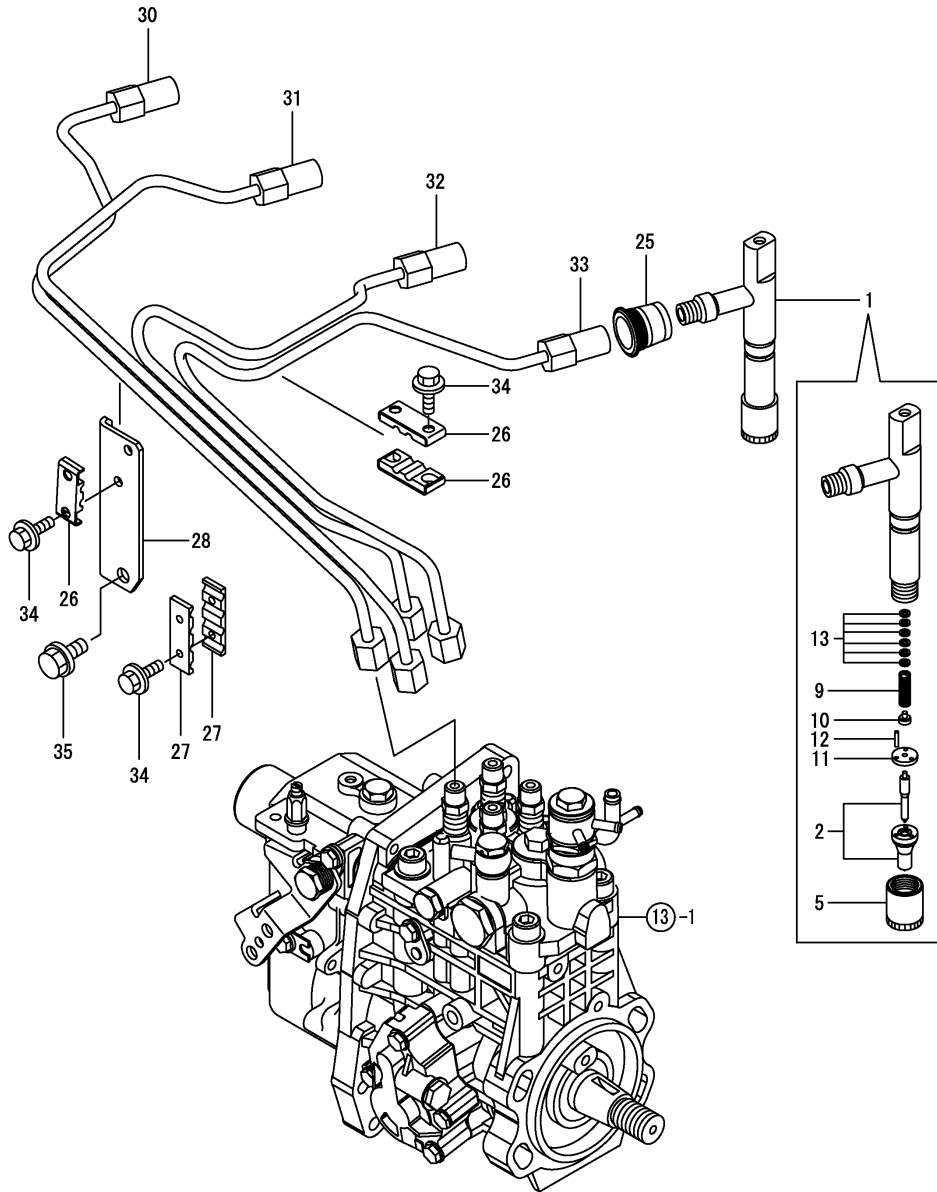


No.	Lev.	Parts No.	Description	Q'ty						I	R
				(A)	(B)	(C)	(D)	(E)	(F)		
2	2	158560-61050	GASKET	1							
3	2	158560-61061	COVER, GOVERNOR CASE	1							
4	2	158560-61071	GASKET	1							
6	2	129155-51280	O-RING, S6	1							
22	2	129255-61410	NUT, LOCK	1							
23	2	119807-61420	SPRING, RETURN	1							
24	2	158560-61430	RETAINER, SHAFT	1							
25	2	158560-61441	LEVER, REGULATOR	1							
27	2	129155-61460	BOLT, IDLE	1							
48	2	26116-060102	BOLT, M6X 10 PLATED	1							
56	2	119660-61901	RETAINER, SHAFT	1							
57	2	22190-120002	WASHER, SEAL 12	1							
59	2	23887-120002	PLUG, 12	1							
60	2	26106-060102	BOLT, M6X 10 PLATED	1							
61	2	26106-060102	BOLT, M6X 10 PLATED	1							
62	2	26756-060002	NUT, LOCK M6	1							
71	2	24341-000280	O-RING, 1AS28.0	1							
72	2	26106-060142	BOLT, M6X 14 PLATED	6							
73	2	26106-060252	BOLT, M6X 25 PLATED	8							
74	2	26106-060402	BOLT, M6X 40 PLATED	2							
119	2	119233-77932	SOLENOID, STOP	1							

Remarks

\* THIS FIGURE(GOVERNOR ASSY)IS INCORPORATED IN THE FUEL INJECTION PUMP ASSY(FIG.13).

Fig.15. FUEL INJECTION VALVE



(A)=4TNV106TXTBL

(B)=

(C)=

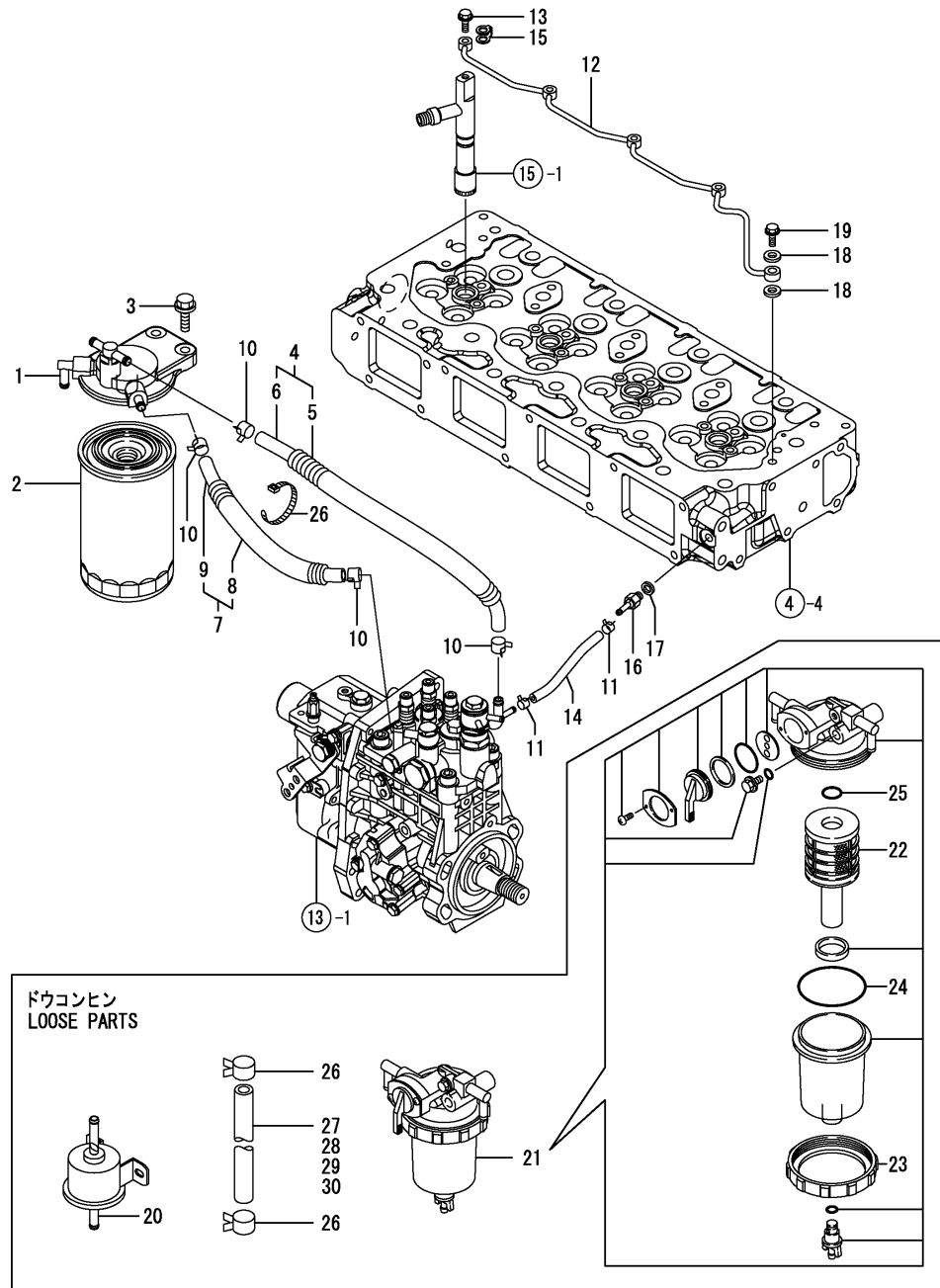
(D)=

(E)=

(F)=

No.	Lev.	Parts No.	Description	Q'ty						I	R
				(A)	(B)	(C)	(D)	(E)	(F)		
1	1	723908-53100	VALVE ASSY,INJECTION	4							
2	2	123908-53000	VALVE ASSY,INJECTION	4							
5	2	114250-53080	NUT, NOZZLE D16.95	4							
9	2	114250-53120	SPRING, NOZZLE	4							
10	2	114250-53130	SEAT, SPRING	4							
11	2	114250-53140	PLATE	4							
12	2	114250-53210	PIN	8							
13	2	114250-53400	SHIM SET	4							
25	1	123907-11601	SEAL	4							
26	1	122780-59100	RETAINER	4							
27	1	123472-59120	RETAINER, PIPE	2							
28	1	123907-59729	SUPPORT	1							
30	1	123908-59810	PIPE ASSY, INJECTION	1							
31	1	123908-59820	PIPE ASSY, INJECTION	1							
32	1	123908-59830	PIPE ASSY, INJECTION	1							
33	1	123908-59840	PIPE ASSY, INJECTION	1							
34	1	26106-060202	BOLT, M6X 20 PLATED	6							
35	1	26106-080202	BOLT, M8X 20 PLATED	1							

Fig.16. FUEL LINE



(A)=4TNV106TXTBL

(B)=

(C)=

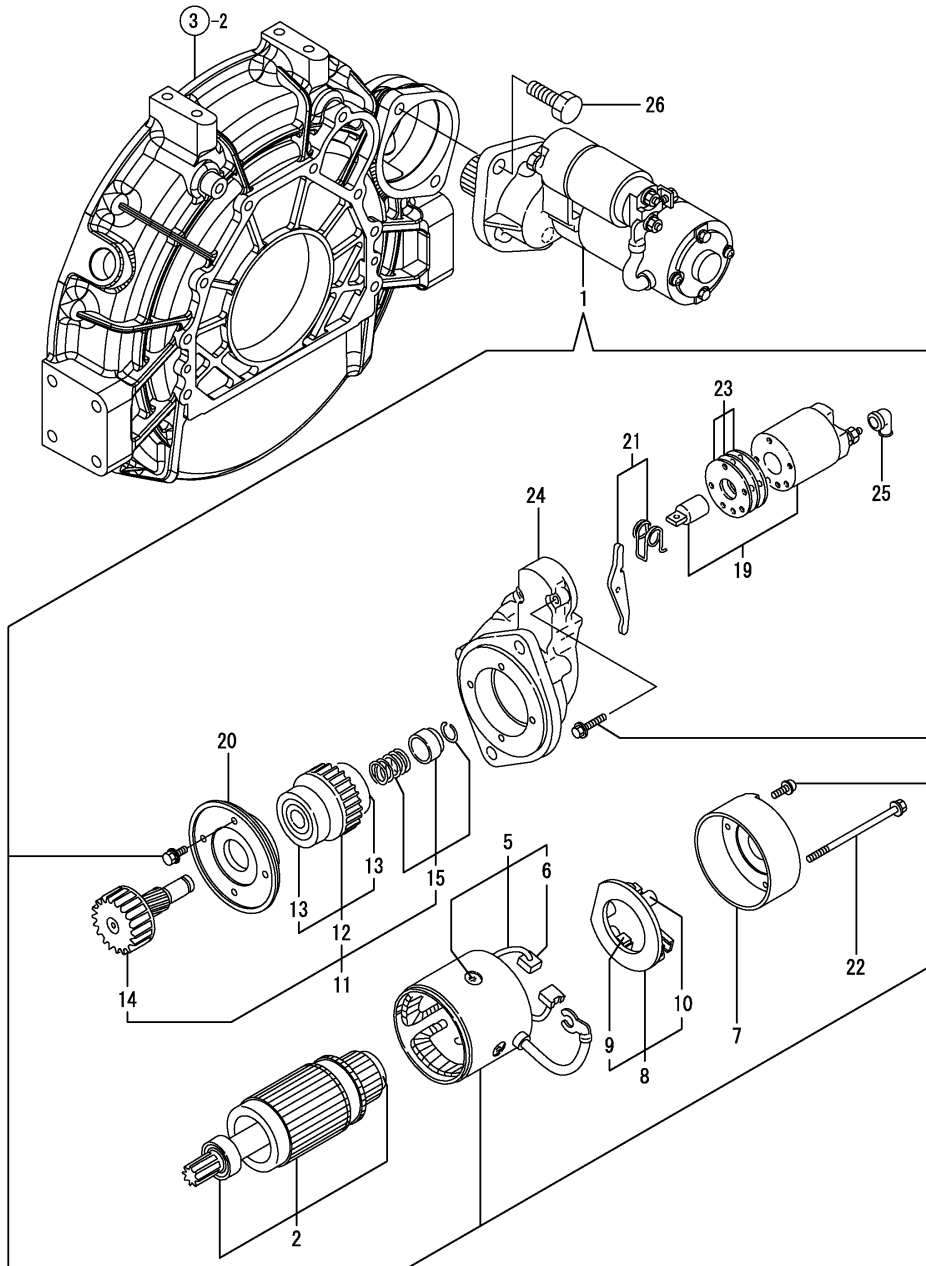
(D)=

(E)=

(F)=

No.	Lev.	Parts No.	Description	Q'ty						I	R
				(A)	(B)	(C)	(D)	(E)	(F)		
1	1	129004-55610	BRACKET, FILTER	1							
2	1	123907-55800	FILTER, FUEL	1							
3	1	26106-080302	BOLT, M8X 30 PLATED	2							
4	1	119160-59010	PIPE ASSY, FUEL	1							
5	2	129950-59221	TUBE, CORRUGATED	1							
6	2	105025-59530	PIPE, FUEL D13X400	1							
7	1	129957-59040	PIPE, FUEL	1							
8	2	119560-59110	TUBE, CORRUGATED	1							
9	2	129335-59090	PIPE, FUEL D13X500	1							
10	1	23000-013000	CLAMP, 13	4							
11	1	124066-59100	CLIP, HOSE 8	2							
12	1	123907-59140	PIPE ASSY, RETURN	1							
13	1	123907-59540	BOLT, PIPE JOINT M6	4							
14	1	119000-59550	PIPE, FUEL RETURN	1							
15	1	123907-59550	GASKET	4							
16	1	123907-59560	JOINT	1							
17	1	22190-080002	WASHER, SEAL 6	1							
18	1	23414-080000	GASKET, 8X1.0	2							
19	1	23857-030000	BOLT, JOINT 3	1							
20	1	119225-52102	PUMP ASSY, FUEL FEED	1							
21	1	129906-55700	SEPARATOR ASSY	1							
22	2	119802-55710	ELEMENT	1							
23	2	129100-55690	RING, RETAINING	1							
24	2	24321-000650	O-RING, 1AG65.0	1							
25	2	24311-000160	O-RING, 1AP16.0	1							
26	1	124722-59050	CLIP, HOSE 9	6							
27	1	121137-59080	PIPE, FUEL D12X1150	1							
28	1	121522-59080	PIPE, FUEL	1							
29	1	124520-59080	PIPE, FUEL D7/12X580	1							
30	1	121522-59090	PIPE, FUEL D12X900	1							

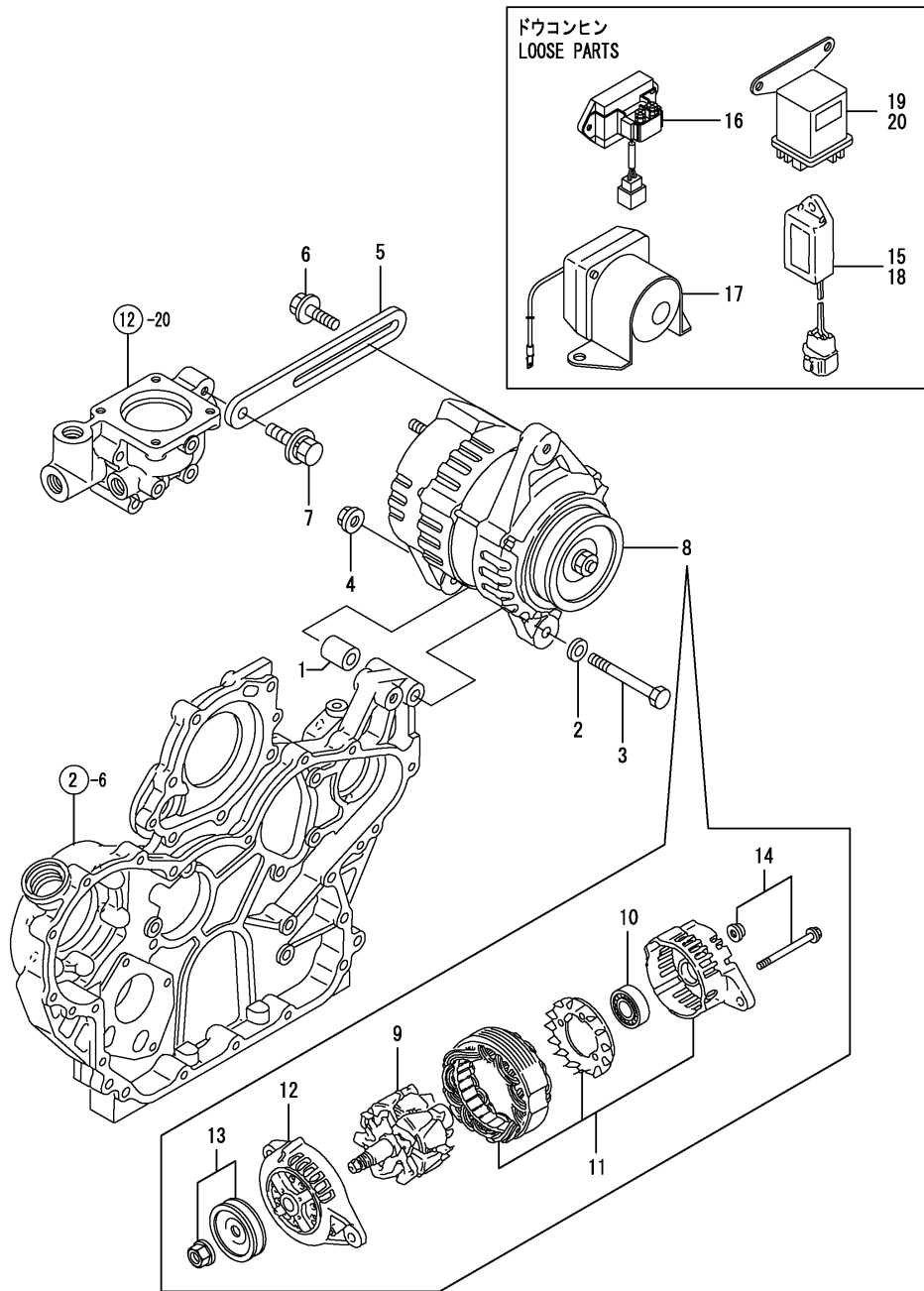
Fig.17. STARTING MOTOR



No.	Lev.	Parts No.	Description	Q'ty						I	R
				(A)	(B)	(C)	(D)	(E)	(F)		
1	1	123900-77010	STARTER	1							
2	2	123900-77400	ARMATURE ASSY	1							
5	2	123900-77440	COIL ASSY, FIELD	1							
6	3	123900-77450	BRUSH (+)	2							
7	2	123900-77460	COVER, REAR	1							
8	2	123900-77480	HOLDER, BRUSH	1							
9	3	123900-77450	BRUSH (+)	2							
10	3	121254-77590	SPRING, BRUSH	4							
11	2	123900-77510	PINION ASSY	1							
12	3	123900-77520	CLUTCH ASSY	1							
13	4	X2240610100	BALL BEARING (3	2							
14	3	123900-77540	SHAFT, PINION	1							
15	3	119131-77550	STOPPER KIT, PINION	1							
19	2	129900-77591	SWITCH ASSY,MAGNETIC	1							
20	2	123900-77610	RETAINER, BEARING	1							
21	2	129900-77620	SHIFT LEVER SET	1							
22	2	123900-77640	THROUGHT BOLT	2							
23	2	123900-77650	COVER ASSY, DUST	1							
24	2	123900-77710	HOUSING, GEARS	1							
25	2	171008-77750	COVER, M TERMINAL	1							
26	1	26116-120252	BOLT, M12X 25 PLATED	2							



Fig.18. GENERATOR



(A)=4TNV106TXTBL

(B)=

(C)=

(D)=

(E)=

(F)=

No.	Lev.	Parts No.	Description	Q'ty						I	R
				(A)	(B)	(C)	(D)	(E)	(F)		
1	1	123900-77340	PIECE, DISTANCE	1							
2	1	22137-100000	WASHER, 10	1							
3	1	123945-77200	BOLT, M10X120	1							
4	1	26306-100002	NUT, M10	1							
5	1	123900-77330	ADJUSTER	1							
6	1	119810-77340	BOLT, ADJUSTER	1							
7	1	26014-080252	BOLT, M8X 25	1							
8	1	123900-77210	GENERATOR(12V-60A	1							
9	2	123900-77700	ROTOR ASSY	1							
10	2	129612-77710	BEARING, BALL	1							
11	2	123900-77720	REAR BRACKET ASSY	1							
12	2	123900-77730	FRONT BRACKET ASSY	1							
13	2	123900-77740	PULLEY	1							
14	2	123900-77750	SCREW KIT	1							
15	1	129211-77920	TIMER	1							
16	1	129136-77200	RELAY, SAFETY	1							
17	1	129100-77910	RELAY, MAGNETIC	1							
18	1	128300-77920	TIMER	1							
19	1	119646-77900	RELAY, POWER	2							
20	1	119646-77900	RELAY, POWER	1							

Fig.19. GASKET SET

(A)=4TNV106TXTBL

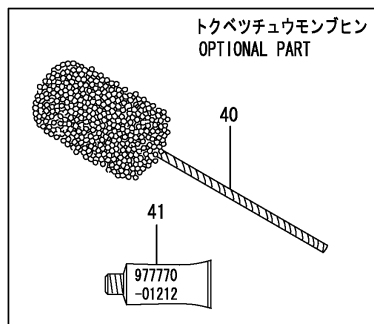
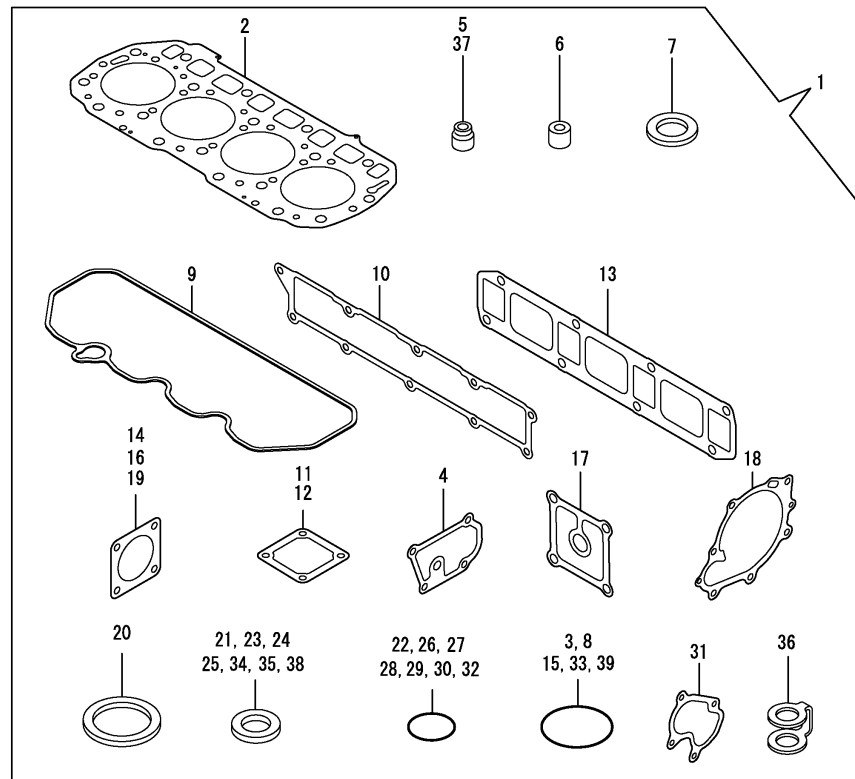
(B)=

(C)=

(D)=

(E)=

(F)=



No.	Lev.	Parts No.	Description	Q'ty						I	R
				(A)	(B)	(C)	(D)	(E)	(F)		
1	1	723907-92670	GASKET SET	1							1
2	2	123907-01350	GASKET, HEAD	1							
3	2	24311-000320	O-RING, 1AP32.0	3							
4	2	123900-49820	GASKET	1							
5	2	124160-11340	SEAL, VALVE STEM	8							
6	2	119802-11870	PROTECTOR, NOZZLE	4							
7	2	119625-11880	SEAT, NOZZLE	4							
8	2	24351-030750	O-RING, 1A3075	1							
9	2	123907-11310	GASKET, BONNET	1							
10	2	123907-12110	GASKET, MANIFOLD	1							
11	2	123900-77020	GASKET	1							
12	2	123900-77030	GASKET	1							
13	2	123907-13110	GASKET	1							
14	2	128300-13230	GASKET, SILENCER	1							
15	2	24321-000850	O-RING, 1AG85.0	1							
16	2	123901-18090	GASKET	1							
17	2	123900-33060	GASKET	1							
18	2	123900-42050	GASKET, WATER PUMP	1							
19	2	124610-49291	GASKET	1							
20	2	123500-49550	GASKET	1							
21	2	22190-080002	WASHER, SEAL 6	5							
22	2	24311-240100	O-RING, 1AP10A	1							
23	2	22190-300002	WASHER, SEAL 30	1							
24	2	23414-100000	GASKET, 10X1.0	6							
25	2	124465-44950	GASKET, 16	1							
26	2	129900-32030	O-RING, P20	1							
27	2	129900-32040	O-RING, P14	1							
28	2	24311-000110	O-RING, 1AP11.0	1							
29	2	24311-000120	O-RING, 1AP12.0	8							
30	2	24314-000180	O-RING, 4CP18.0	1							
31	2	123901-18080	GASKET	1							
32	2	24316-000180	O-RING, 4DP18.0	1							
33	2	24321-000700	O-RING, 1AG70.0	1							
34	2	23414-080000	GASKET, 8X1.0	7							
35	2	129150-49360	GASKET	1							
36	2	123907-59550	GASKET	4							
37	2	124950-11340	SEAL, VALVE STEM	8							
38	2	22190-220002	WASHER, SEAL 22	1							
39	2	24311-000300	O-RING, 1AP30.0	1							
40	1	129400-92450	HONE	1							1
41	1	977770-01212	GASKET, LIQUID	1							1

Remarks

(1) OPTIONAL PART.

## Parts No. Index

Parts No.	Fig. No.	Ref. No.
105010-39140	11	22
	12	21
105025-59530	16	6
114250-39450	11	1
114250-53080	15	5
114250-53120	15	9
114250-53130	15	10
114250-53140	15	11
114250-53210	15	12
114250-53400	15	13
119000-35140	10	18
119000-59550	16	14
119005-35151	10	13
119117-12560	5	16
119117-12570	5	17
119131-18320	6	15
119131-77550	17	15
119160-12540	5	15
119160-59010	16	4
119173-22300	9	22
119174-01200	1	22
119225-11740	2	34
119225-11750	2	35
119225-52102	16	20
119233-77932	14	119
119260-34810	10	7
119266-49350	12	41
119560-59110	16	8
119575-01750	3	5
119595-59300	10	33
119625-11880	4	32
	19	7
119640-01640	3	9
119646-77900	18	19
		20
119660-61901	14	56
119802-11870	4	31
	19	6
119802-49113	12	10
119802-51590	13	69
119802-51600	13	70
119802-51680	13	74
119802-51690	13	75
119802-55710	16	22
119807-61420	14	23
119810-77340	18	6
120147-44810	12	60
121023-26070	2	27
121137-59080	16	27
121250-44901	12	39

Parts No.	Fig. No.	Ref. No.
121252-39150	11	17
121254-77590	17	10
121522-59080	16	28
121522-59090	16	30
121550-49111	10	5
121820-44800	12	54
121850-21130	9	10
121850-21290	9	4
121850-21680	9	9
121850-21920	9	5
121850-44850	12	56
121850-44860	12	57
121850-44870	12	58
121850-44880	12	59
121851-11970	1	15
122780-59100	15	26
123472-59120	15	27
123500-49550	12	25
	19	20
123672-01782	3	7
123900-01620	3	2
123900-01710	3	8
123900-01740	2	4
123900-01780	2	3
123900-02020	1	5
123900-02340	1	24
123900-02410	1	8
123900-02800	1	16
123900-02930	1	19
123900-02940	1	27
123900-03220	4	57
123900-14200	7	1
123900-21050	9	1
123900-21580	9	11
123900-21650	9	8
123900-23000	9	24
123900-23200	9	28
123900-23600	9	29
123900-23610	9	31
123900-23910	9	27
123900-25060	7	9
123900-25130	7	10
123900-32001	2	7
123900-33060	10	3
	19	17
123900-34810	10	8
123900-34820	10	9
123900-35004	10	28
123900-39650	11	37
123900-42050	12	12

Parts No.	Fig. No.	Ref. No.
123900-42050	19	18
123900-42470	12	151
123900-49820	12	31
	19	4
123900-77010	17	1
123900-77020	5	7
	19	11
123900-77030	5	8
	19	12
123900-77210	18	8
123900-77330	18	5
123900-77340	18	1
123900-77400	17	2
123900-77440	17	5
123900-77450	17	6
		9
123900-77460	17	7
123900-77480	17	8
123900-77500	5	9
123900-77510	17	11
123900-77520	17	12
123900-77540	17	14
123900-77610	17	20
123900-77640	17	22
123900-77650	17	23
123900-77700	18	9
123900-77710	17	24
123900-77720	18	11
123900-77730	18	12
123900-77740	18	13
123900-77750	18	14
123901-03090	4	72
123901-03240	4	76
123901-03250	4	77
123901-03260	4	78
123901-03270	4	75
123901-03280	4	87
123901-18080	6	11
	19	31
123901-18090	8	1
	19	16
123901-39820	11	26
123907-01350	1	23
	19	2
123907-01500	2	6
123907-01950	13	125
123907-01960	13	126
123907-03010	4	54
123907-03060	4	55
123907-03070	4	56

Parts No.	Fig. No.	Ref. No.
123907-07900	4	1
123907-11100	4	19
123907-11110	4	20
123907-11120	4	21
123907-11180	4	22
123907-11250	4	35
123907-11260	4	36
123907-11270	4	37
123907-11280	4	38
123907-11310	4	60
	19	9
123907-11341	4	34
123907-11390	4	88
123907-11510	4	25
123907-11550	4	3
123907-11601	15	25
123907-11650	4	39
123907-11660	4	43
123907-11800	4	13
123907-11810	4	11
123907-11820	4	14
123907-11830	4	28
123907-11910	4	89
123907-11920	4	47
123907-11950	4	50
123907-12100	5	1
123907-12110	5	2
	19	10
123907-13110	6	3
	19	13
123907-13730	6	6
123907-13740	6	9
123907-13820	6	1
123907-14400	7	2
123907-14590	7	3
123907-22050	9	16
123907-22081	9	14
123907-25909	7	15
123907-39061	11	2
123907-39500	11	4
123907-49620	12	48
123907-49710	12	44
123907-49720	12	49
123907-55800	16	2
123907-59140	16	12
123907-59540	16	13
123907-59550	16	15
	19	36
123907-59560	16	16
123907-59729	15	28

## Parts No. Index

Parts No.	Fig. No.	Ref. No.
123908-11320	4	53
123908-13120	6	2
123908-13510	6	8
123908-13650	6	10
123908-18010	8	4
123908-53000	15	2
123908-59810	15	30
123908-59820	15	31
123908-59830	15	32
123908-59840	15	33
123910-49600	12	35
123910-49610	12	37
123911-44781	12	18
123912-03270	4	82
123912-03300	4	80
123912-07900	4	73
123912-18350	5	6
123912-33011	10	1
123912-33040	10	2
123912-33100	10	4
123912-39600	11	25
123912-39900	11	14
123912-49031	12	34
123915-44741	12	17
123945-12500	5	12
123945-35110	10	14
123945-35150	10	19
123945-35210	10	20
123945-39030	11	12
123945-39100	10	23
123945-42000	12	2
123945-49610	12	43
123945-49700	12	45
123945-77200	18	3
123946-49810	12	20
123950-12520	5	14
123950-39050	11	21
123951-03090	4	83
123962-49500	12	24
124066-59100	16	11
124070-13300	11	24
124160-01751	2	22
	4	52
124160-11340	4	23
	19	5
124160-11360	4	62
124160-39140	11	7
		16
124223-39900	11	15
124465-44950	12	40

Parts No.	Fig. No.	Ref. No.
124465-44950	19	25
124520-59080	16	29
124610-48620	12	22
124610-49291	12	23
	19	19
124722-59050	12	46
		50
	16	26
124950-11340	4	24
	19	37
127410-21480	9	13
128300-13230	6	14
	19	14
128300-77920	18	18
129004-55610	16	1
129054-49320	12	1
129100-01580	3	1
129100-55690	16	23
129100-77910	18	17
129136-77200	18	16
129150-02450	7	4
129150-11230	4	41
		45
129150-11750	4	27
		42
		46
129150-49080	12	62
129150-49100	12	61
129150-49360	12	42
	19	35
129155-51280	14	6
129155-61460	14	27
129211-77920	18	15
129255-61410	14	22
129335-59090	16	9
129400-92450	19	40
129418-18320	6	4
129486-59320	12	47
129595-18141	5	4
129612-12650	5	18
129612-77710	18	10
129792-39410	11	31
129900-14110	7	6
129900-21220	9	3
129900-21640	9	7
129900-26020	7	16
129900-32030	2	10
	19	26
129900-32040	2	11
	19	27

Parts No.	Fig. No.	Ref. No.
129900-77591	17	19
129900-77620	17	21
129906-51560	13	63
129906-51580	13	67
129906-55700	16	21
129916-49740	12	8
129916-59020	13	123
129950-59221	16	5
129953-12620	5	19
129953-25300	7	14
129953-35110	10	17
129953-39500	10	16
		22
129957-59040	16	7
144626-51090	13	106
158552-51570	13	64
158552-51580	13	66
158552-51670	13	121
158552-51780	13	87
158552-52100	13	93
158552-52310	13	94
158552-52400	13	95
158553-51551	13	61
158553-51630	13	79
158553-51640	13	81
158553-51660	13	83
158553-51670	13	73
158553-51680	13	84
158557-51570	13	65
158560-51300	13	32
158560-51340	13	41
158560-51600	13	78
158560-61050	14	2
158560-61061	14	3
158560-61071	14	4
158560-61430	14	24
158560-61441	14	25
158563-51150	7	18
158563-51281	13	30
		31
158563-51330	13	40
158600-51270	13	29
158601-51550	13	60
158601-51570	13	62
158601-51650	13	82
158601-51770	13	86
158601-51790	13	85
171008-77750	17	25
171031-11741	2	32
171051-01921	1	4

Parts No.	Fig. No.	Ref. No.
198220-51870	10	32
221117-080000	8	2
22137-100000	18	2
22190-080002	11	23
	16	17
	19	21
22190-120002	13	97
		98
		99
	14	57
22190-180002	13	100
		101
22190-220002	3	11
	19	38
22190-300002	10	24
	19	23
22217-180000	7	19
	13	102
22252-000370	9	23
22312-050140	13	103
22312-080160	2	12
22351-030010	11	38
22351-050010	13	104
22351-060012	1	9
22512-070140	7	7
	9	6
22857-500100	4	61
23000-013000	16	10
23000-016000	4	84
23000-025000	11	27
	12	38
23000-035000	4	85
		86
23000-054000	5	5
23000-060000	12	66
23387-040800	12	29
23414-080000	11	8
	12	30
		52
	16	18
	19	34
23414-100000	11	9
		18
		19
	19	24
23857-030000	11	10
	16	19
23857-060000	13	107
23875-020000	12	9
23875-030000	1	10

## Parts No. Index

Parts No.	Fig. No.	Ref. No.
23875-030000	1	13
23876-005000	4	15
23876-020000	4	16
23876-030000	4	17
	12	27
23887-120002	13	108
	14	59
24101-062054	2	24
24101-062060	2	9
		25
24190-080001	12	11
24311-000070	13	109
24311-000110	2	26
	19	28
24311-000120	4	33
		63
	19	29
24311-000160	16	25
24311-000300	2	36
	19	39
24311-000320	2	23
		33
	4	64
	19	3
24311-240100	10	10
	19	22
24314-000180	10	29
	19	30
24316-000180	11	28
	19	32
24321-000650	16	24
24321-000700	10	25
	19	33
24321-000850	2	28
	19	15
24341-000280	14	71
24351-030750	2	31
	19	8
24356-010200	13	76
		110
24356-020210	13	111
24372-000150	13	77
25163-004701	12	16
26014-080252	18	7
26106-060102	13	112
	14	60
		61
26106-060122	12	51
26106-060142	14	72
26106-060162	11	29

Parts No.	Fig. No.	Ref. No.
26106-060202	15	34
26106-060252	14	73
26106-060352	13	113
26106-060402	14	74
26106-060502	12	13
26106-080122	3	12
	11	11
		20
	12	53
26106-080142	7	8
	11	30
26106-080162	3	13
	13	127
26106-080182	10	11
26106-080202	2	13
		14
	5	22
	10	6
	13	128
		129
	15	35
26106-080222	6	12
		13
26106-080252	12	28
26106-080302	10	30
	16	3
26106-080402	2	15
26106-080452	2	16
		17
26106-080502	2	18
26106-080552	7	13
	12	14
26106-080602	12	32
26106-080702	2	19
	5	3
	12	33
26106-080752	4	49
26106-080802	2	20
26106-100162	13	130
26106-100182	10	12
26106-100202	4	2
26106-100222	2	29
26106-100252	4	74
26106-100352	3	6
	10	26
26106-100452	10	27
26106-100602	12	19
26106-100752	5	10
26106-100952	5	11
26106-120162	10	31

Parts No.	Fig. No.	Ref. No.
26116-050102	4	79
26116-060102	14	48
26116-120252	17	26
26226-080302	4	48
26226-100322	2	8
26306-080002	4	51
	6	7
26306-100002	2	21
	6	5
	18	4
26450-100452	13	117
26703-080002	8	3
26756-060002	14	62
26776-180002	7	20
	13	118
27225-120160	1	14
27231-700000	1	11
27241-300000	1	12
27241-400000	4	18
27310-070001	4	29
723900-01590	2	1
723907-01560	1	1
723907-11100	4	4
723907-22900	9	33
723907-22950	9	35
723907-92670	19	1
723908-53100	15	1
723945-51300	13	1
977770-01212	2	30
	3	14
	19	41
X2240610100	17	13

Parts No.	Fig. No.	Ref. No.
-----------	----------	----------