

OCD10-M83700EN

# PREFACE

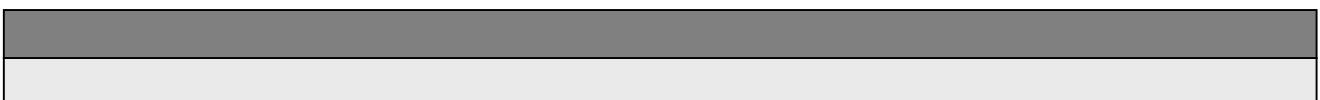
1. This parts catalog is the Second edition of 3TNV82A-QTB(1) for Takeuchi Mfg. Co., Ltd.
2. This parts catalog does not contain the technical data needed for maintenance service.
3. The illustrations used in this parts catalog have been simplified for clarity.

Pub. No.: 000Y00D8370  
Published: October.,2004

#### 4. Model name

Engine model	Vehicle		Vehicle made by
	Products	Model name	
3TNV82A-QTB	EXCAVATOR	TB125 (A5C) CABIN SPEC.	Takeuchi Mfg. Co., Ltd.
3TNV82A-QTB1		TB125 (A5C) CANOPY SPEC.	

5. The contents of this parts catalog are subject to change without prior notice.



## Directions for the Parts Catalog.

1. This Parts Catalog shows both standard and optional parts.
2. Parts may change without prior notice.
3. The following is an example of the Parts Catalog format.

REF.	LEV.	PARTS NO.	DESCRIPTION	Q'TY						I	R
				(A)	(B)	(C)	(D)	(E)	(F)		
1	1	729595-51390	FUEL INJECTION PUMP	1	1	1	1	1			1
1-1	1	729595-51391	FUEL INJECTION PUMP	1	1	1	1	1		N	1
		(A=E00185) (B=E00200)									
3	2	26022-060162	SCREW M 6X 16	9	9	9	9	9			
3-1	2	26022-060162	SCREW M 6X 16	4	4	4	4	4		K	
		(A=E00156) (B=E00156) (C=E00156) (D=E00156) (E=E00156)									
4	2	129470-51040	CAMSHAFT	1	1	1	1	1			
5	2	122710-51050	BEARING, ROLLER	2	2	2	2	2			
6	2	129470-51060	RETAINER	1	1	1	1	1			

Remarks
(1) BOOST COMPEMSATOR TYPE. OPTIONAL PART, TO E00155,(4JH-DT, 4JH-DTZ

### ① Ref. No.

The Ref. No. listed may not be in accordance with the illustration Ref. No.

(Ex.) Illustration No.

List Ref No.

1

1

(Before change)

1-1

(After change)

For interchangeable symbols N, R and K, illustrations for new parts may be abbreviated.

### ② Lev. (Level)

Level indication

The numbers below indicate the level of relativity towards the main part.

1 ----- Main parts (Assembly parts)

2 ----- Sub component included in " 1 ".

3 ----- Sub component included in " 2 ".

Note) Parts that are not for sale are partially illustrated but not listed.

### ③ Interchangeability Symbol

When a part change takes place, one of the following interchangeability symbols is indicated beside the part.

Symbol	Interchangeability	Contents note
N	Old $\begin{matrix} \leftarrow \text{Yes} \\ \text{No} \rightarrow \end{matrix}$ New	New Part is interchangeable for Old Part but Old Part is not interchangeable for New Part.
Q	Old $\begin{matrix} \leftarrow \text{No} \\ \text{Yes} \rightarrow \end{matrix}$ New	New Part is not interchangeable for Old Part but Old Part is interchangeable for New Part.
R	Old $\begin{matrix} \leftarrow \text{Yes} \\ \text{Yes} \rightarrow \end{matrix}$ New	New/ Old Parts are both interchangeable.
S	Old $\begin{matrix} \leftarrow \text{No} \\ \text{No} \rightarrow \end{matrix}$ New	New/ Old Parts are both not interchangeable.
W		Part newly added.
Z		Part discontinued.
F		Not interchangeable by a single part but interchangeable together with related parts.
K		Changes only for used parts quantities.

### ④ Effective Machine No.

When a part changes, the effective Machine No. will be indicated in the (A)-(F) column.

Product Symbol	Product No.	Product Symbol	Product No.
C	Clutch No. Compressor No.	F	Machine No. (Agricultural Equip.)
D	Drive No.	M	Machine No.
E	Engine No.		

Note 1) A date may follow the symbol. (Ex.) 1996.01

Note 2) "XXXXX" and "ZZZZZ" are for parts that could not be predicted or for engine models that could not be identified.

Note 3) (A=E00185) is the E (Engine Serial Number) for the column (A) model (in this case 4JH-DT) after the parts design change.

### ⑤ Remarks

Figures or alphabets (symbols) are entered in the remarks column.

The comments (remarks) on parts that are indicated at the bottom of the illustration are the same symbols as those stated above.

# Contents

Fig. No.    Fig. Name

3TNV82A-QTB(1)

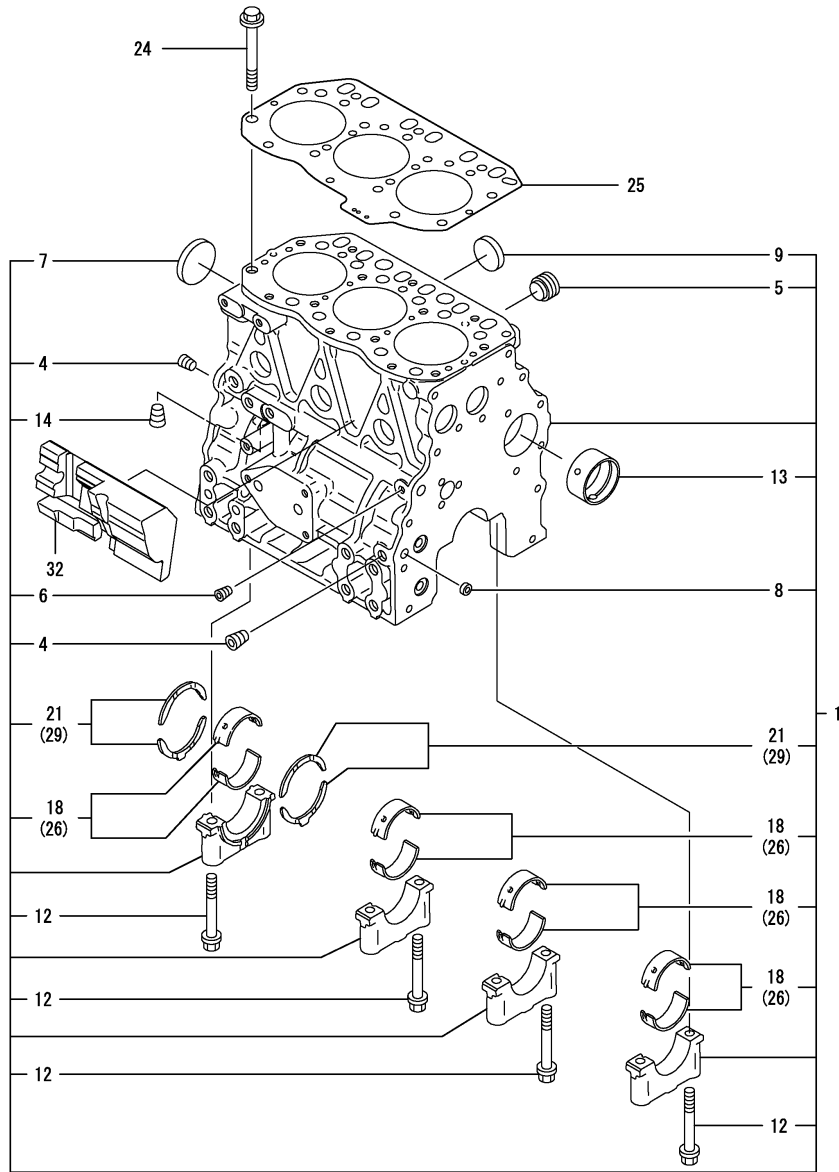
1. CYLINDER BLOCK
2. GEAR HOUSING
3. FLYWHEEL HOUSING & OIL SUMP
4. CYLINDER HEAD & BONNET
5. SUCTION MANIFOLD & AIR CLEANER
6. EXHAUST MANIFOLD & SILENCER
7. CAMSHAFT & DRIVING GEAR
8. CRANKSHAFT & PISTON
9. LUB.OIL SYSTEM
10. COOLING WATER SYSTEM
11. FUEL INJECTION PUMP
12. GOVERNOR
13. FUEL INJECTION VALVE
14. FUEL LINE
15. STARTING MOTOR
16. GENERATOR
17. GASKET SET

Fig. No.    Fig. Name

# Fig.1. CYLINDER BLOCK

(A)=3TNV82A-QTB  
(B)=3TNV82A-QTB1  
(C)=

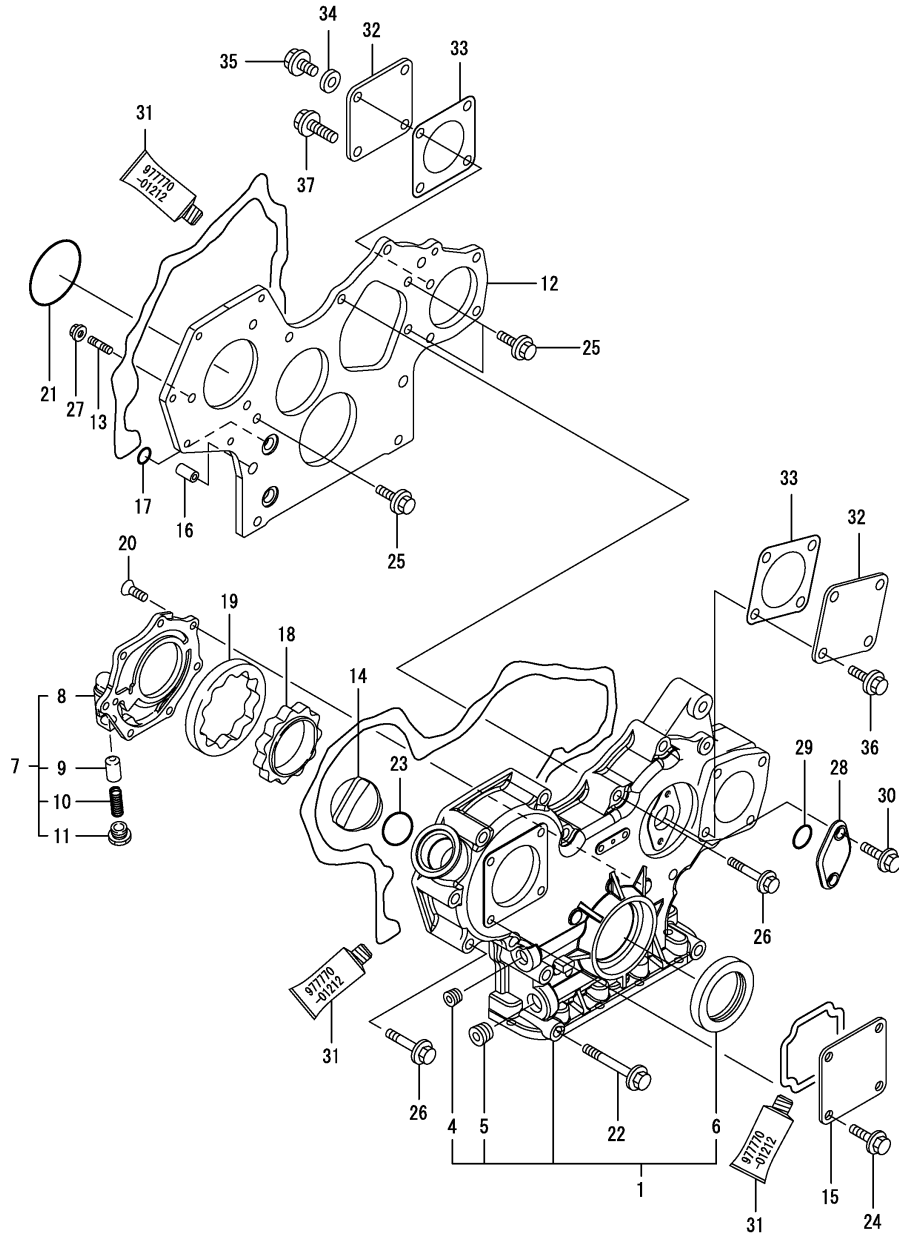
(D)=  
(E)=  
(F)=



No.	Lev.	Parts No.	Description	Q'ty						I	R
				(A)	(B)	(C)	(D)	(E)	(F)		
1	1	719802-01560	BLOCK ASSY, CYLINDER	1	1						
4	2	124160-01910	PLUG, PT1/4	2	2						
5	2	171051-01921	PLUG, NPTF1	1	1						
6	2	124060-01050	PLUG, PT1/8	1	1						
7	2	129001-01250	PLUG, 50	1	1						
8	2	27241-120000	PLUG, 12	2	2						
9	2	27241-300000	PLUG 30	6	6						
12	2	119620-02020	BOLT, METAL CAP	8	8						
13	2	129795-02411	BUSH, CAMSHAFT	1	1						
14	2	124160-01910	PLUG, PT1/4	1	1						
18	2	719810-02980	BEARING, MAIN	4	4						3
21	2	119810-02930	BEARING, THRUST	1	1						
24	1	119810-01200	BOLT, HEAD	14	14						
25	1	119812-01330	GASKET, HEAD	1	1						
26	1	119810-02870	BEARING, 0.25 US	4	4						1
29	1	119810-02940	BEARING, THRUST 0.25	2	2						2
32	1	119802-01190	SPACER	1	1						

Remarks  
 (1) UNDER-SIZE(U.S=0.25)PART.  
 (2) OVER-SIZE(O.S=0.25)PART.  
 (3) REPAIR PART.

Fig.2. GEAR HOUSING



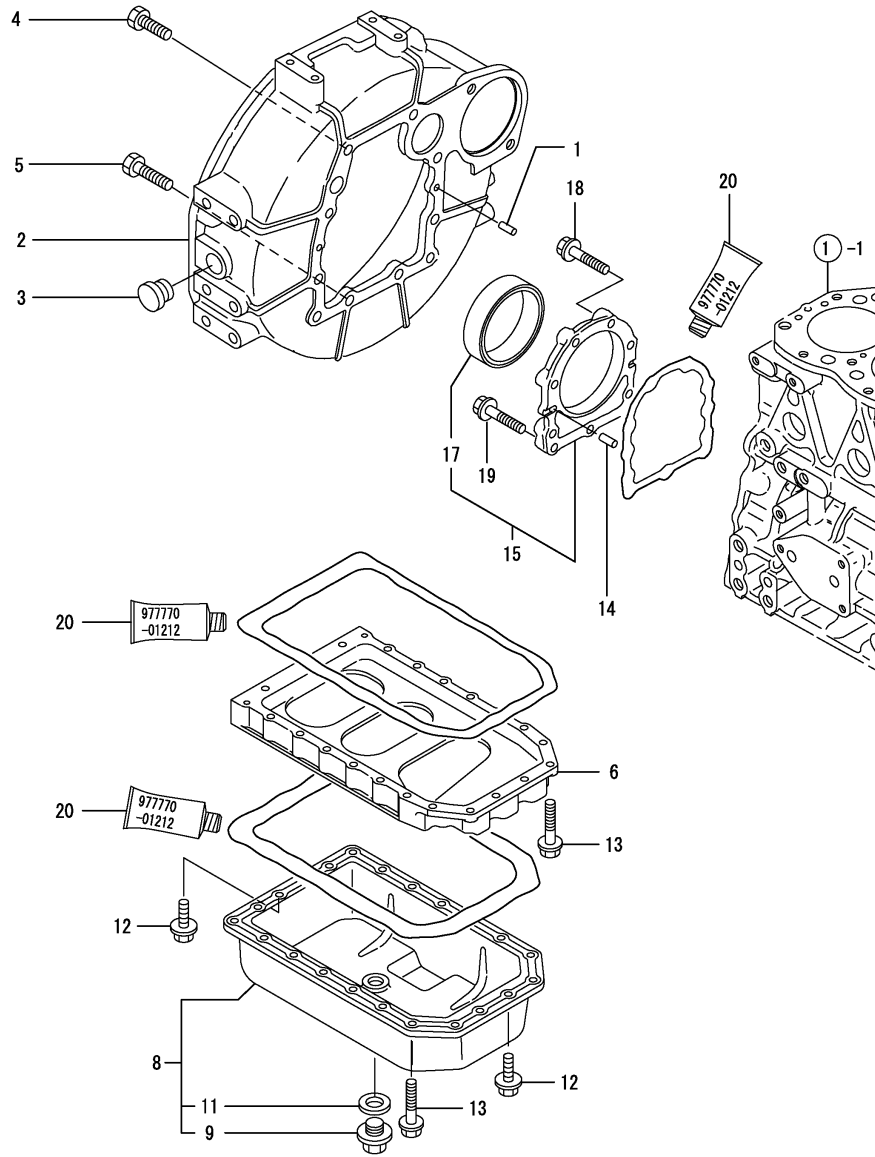
(A)=3TNV82A-QTB  
 (B)=3TNV82A-QTB1  
 (C)=

(D)=  
 (E)=  
 (F)=

No.	Lev.	Parts No.	Description	Q'ty						I	R
				(A)	(B)	(C)	(D)	(E)	(F)		
1	1	729235-01500	CASE ASSY, GEAR	1	1						
4	2	23876-030000	PLUG, R03	1	1						
5	2	23876-040000	PLUG, R04	1	1						
6	2	119934-01800	SEAL, OIL	1	1						
7	1	119802-32100	COVER ASSY	1	1						
8	2	119802-32070	COVER	1	1						
9	2	129900-32130	VALVE, RELIEF	1	1						
10	2	129418-32320	SPRING	1	1						
11	2	129001-32330	PLUG	1	1						
12	1	129004-01520	FLANGE, GEAR CASE	1	1						
13	1	119802-01560	STUD, M8X25	3	3						
14	1	124160-01751	COVER, FILLER	1	1						
15	1	124240-01871	COVER	1	1						
16	1	129795-01950	PIPE, KNOCK L=18	2	2						
17	1	119609-32040	O-RING, P16	4	4						
18	1	119802-32111	ROTOR, INNER	1	1						
19	1	119802-32120	ROTOR, OUTER	1	1						
20	1	119802-32130	SCREW, M6X16	7	7						
21	1	121850-51960	O-RING	1	1						
22	1	129001-91841	BOLT, M8X85	3	3						
23	1	24311-000320	O-RING, 1AP32.0	1	1						
24	1	26106-080162	BOLT, M8X 16 PLATED	4	4						
25	1	26106-080162	BOLT, M8X 16 PLATED	3	3						
26	1	26106-080552	BOLT, M8X 55 PLATED	11	11						
27	1	26306-080002	NUT, M8	3	3						
28	1	121023-01550	COVER	1	1						
29	1	24341-000240	O-RING, 1AS24.0	1	1						
30	1	26106-060162	BOLT, M6X 16 PLATED	2	2						
31	1	977770-01212	GASKET, LIQUID	1	1						1
32	1	124240-01871	COVER	2	2						
33	1	124240-01883	GASKET	2	2						
34	1	22190-080002	WASHER, SEAL 6	1	1						
35	1	26106-080122	BOLT, M8X 12 PLATED	1	1						
36	1	26106-080162	BOLT, M8X 16 PLATED	4	4						
37	1	26106-080202	BOLT, M8X 20 PLATED	3	3						

Remarks  
 (1) OPTIONAL PART.

Fig.3. FLYWHEEL HOUSING & OIL SUMP



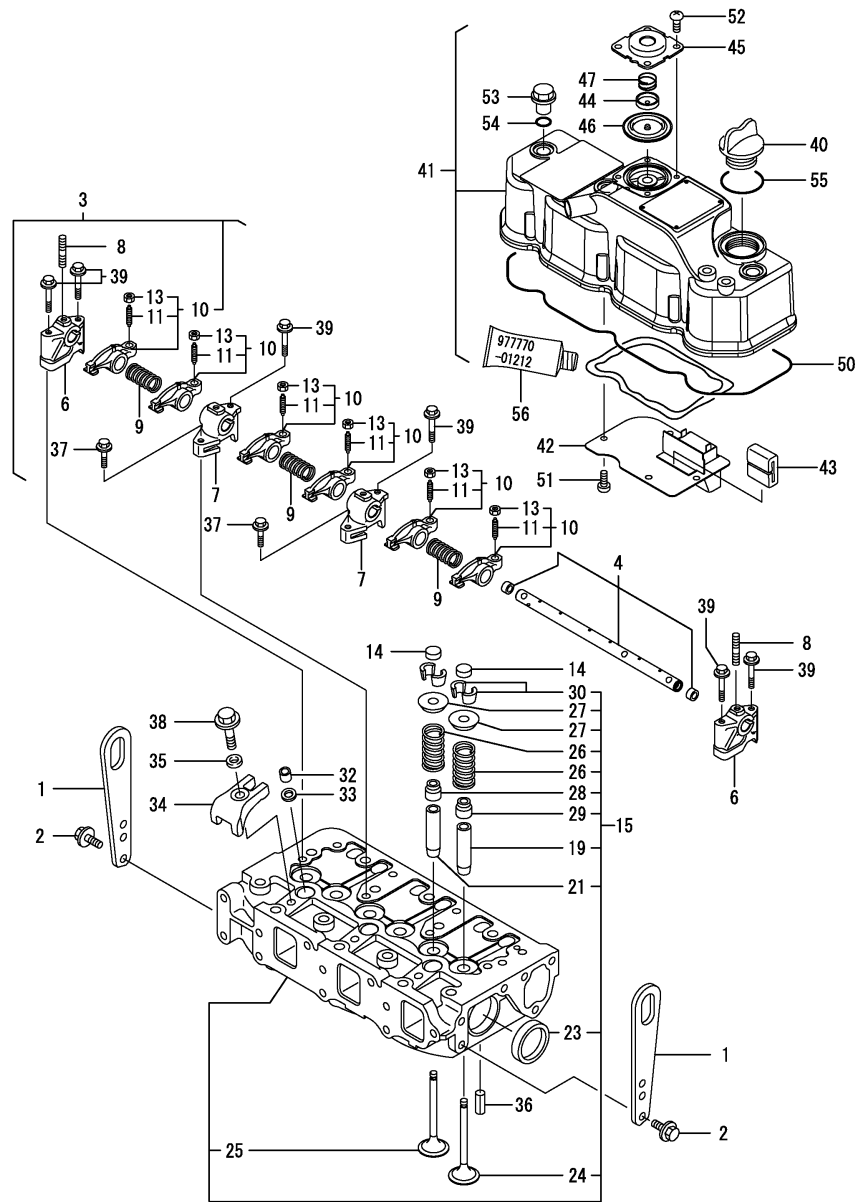
(A)=3TNV82A-QTB  
(B)=3TNV82A-QTB1  
(C)=

(D)=  
(E)=  
(F)=

No.	Lev.	Parts No.	Description	Q'ty						I	R
				(A)	(B)	(C)	(D)	(E)	(F)		
1	1	129100-01580	PIN, M8X16	2	2						
2	1	129612-01600	HOUSING, FLYWHEEL	1	1						
3	1	119620-01750	CAP	1	1						
4	1	26206-100252	BOLT, M10X 25 PLATED	6	6						
5	1	26206-100302	BOLT, M10X 30 PLATED	4	4						
6	1	119810-01730	SPACER, OIL SUMP	1	1						
8	1	119810-01790	SUMP ASSY, OIL	1	1						
9	2	119640-01640	PLUG, DRAIN M22	1	1						
11	2	22190-220002	WASHER, SEAL 22	1	1						
12	1	26106-080162	BOLT, M8X 16 PLATED	6	6						
13	1	26106-080452	BOLT, M8X 45 PLATED	22	22						
14	1	129100-01580	PIN, M8X16	2	2						
15	1	129100-01640	CASE ASSY, OIL SEAL	1	1						
17	2	129795-01780	SEAL, OIL	1	1						
18	1	129486-01670	BOLT, M8X30	6	6						
19	1	26106-080352	BOLT, M8X 35 PLATED	3	3						
20	1	977770-01212	GASKET, LIQUID	1	1						1

Remarks  
(1) OPTIONAL PART.

Fig.4. CYLINDER HEAD & BONNET



(A)=3TNV82A-QTB  
(B)=3TNV82A-QTB1  
(C)=

(D)=  
(E)=  
(F)=

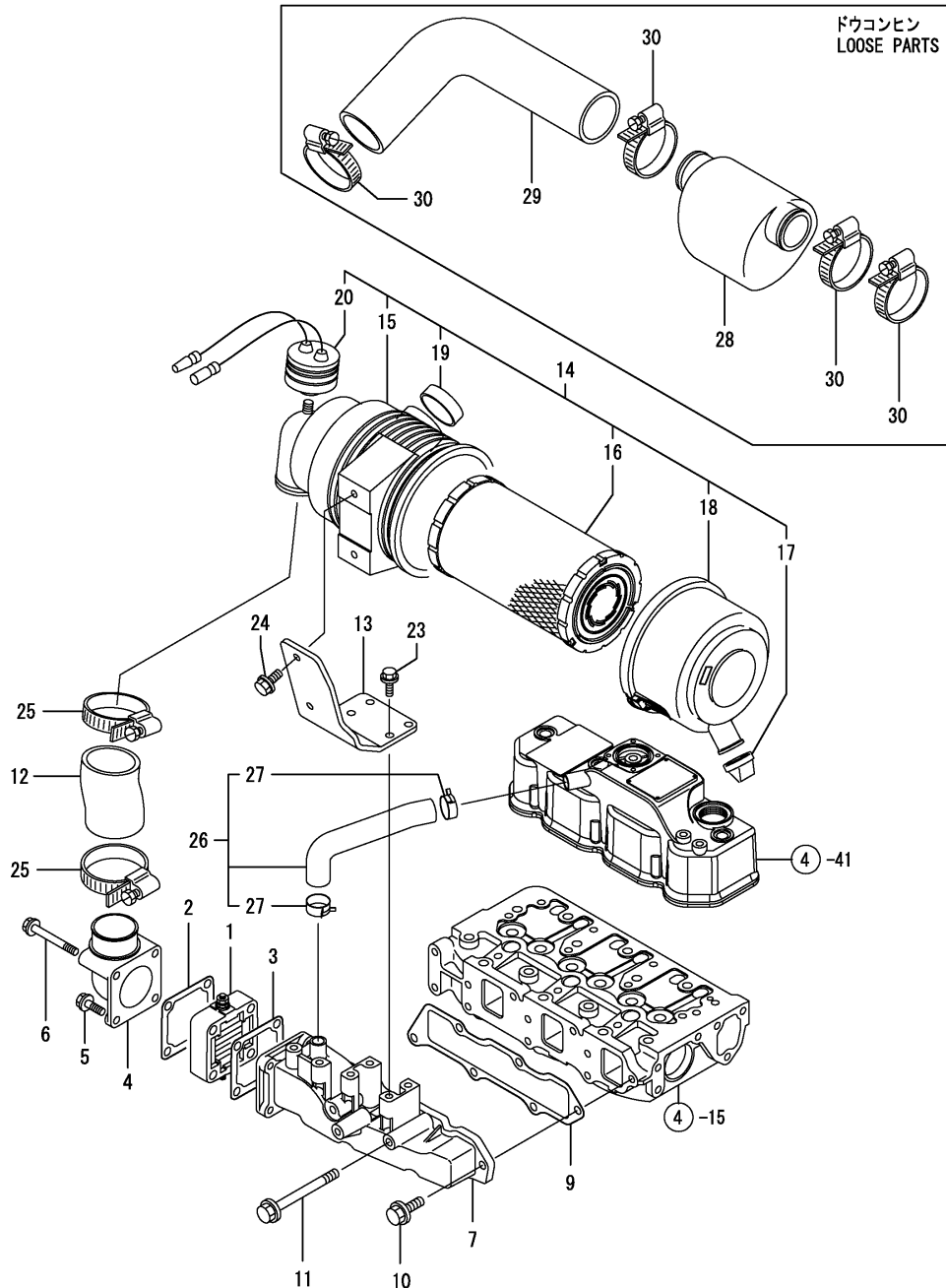
No.	Lev.	Parts No.	Description	Q'ty						I	R
				(A)	(B)	(C)	(D)	(E)	(F)		
1	1	129900-07900	LIFTER	2	2						
2	1	26106-080142	BOLT, M8X 14 PLATED	4	4						
3	1	119802-11241	SHAFT ASSY, ROCKER	1	1						
4	2	119802-11251	SHAFT, ROCKER ARM	1	1						
6	2	119802-11260	SUPPORT, ROCKER ARM	2	2						
7	2	119802-11270	SUPPORT, ROCKER ARM	2	2						
8	2	119802-11280	STUD	3	3						
9	2	129150-11280	SPRING	3	3						
10	2	119802-11650	ARM, ROCKER	6	6						
11	3	129150-11230	SCREW, VALVE ADJUST	6	6						
13	3	129150-11750	NUT, M8	6	6						
14	1	104211-11370	CAP, VALVE	6	6						
15	1	119802-11700	HEAD ASSY, CYLINDER	1	1						
19	2	124060-11800	GUIDE, VALVE	3	3						1
21	2	119802-11810	GUIDE, VALVE	3	3						1
23	2	27241-400000	PLUG, 40	2	2						
24	2	119802-11100	VALVE, INTAKE	3	3						
25	2	119802-11110	VALVE, EXHAUST	3	3						
26	2	119810-11120	SPRING, VALVE	6	6						
27	2	104211-11180	RETAINER, SPRING	6	6						
28	2	124160-11340	SEAL, VALVE STEM	3	3						
29	2	124950-11340	SEAL, VALVE STEM	3	3						
30	2	27310-070001	COTTER, 7	6	6						
32	1	119802-11870	PROTECTOR, NOZZLE	3	3						
33	1	119625-11880	SEAT, NOZZLE	3	3						
34	1	119802-11900	RETAINER, NOZZLE	3	3						
35	1	120270-54410	WASHER, INJECTOR	3	3						
36	1	22351-060012	PIN, SPRING 6.0X12	2	2						
37	1	26106-080252	BOLT, M8X 25 PLATED	2	2						
38	1	26106-080452	BOLT, M8X 45 PLATED	3	3						
39	1	26106-080502	BOLT, M8X 50 PLATED	6	6						
40	1	124160-01751	COVER, FILLER	1	1						
41	1	119802-11350	BONNET ASSY, HEAD	1	1						
42	2	119802-03010	PLATE	1	1						
43	2	129150-03070	BAFFLE, BREATHER	1	1						
44	2	119802-03110	PLATE	1	1						
45	2	119802-03121	COVER, DIAPHRAGM	1	1						
46	2	119802-03130	DIAPHRAGM	1	1						
47	2	119802-03141	SPRING, DIAPHRAGM	1	1						
50	2	119802-11310	GASKET, BONNET	1	1						
51	2	22857-500100	SCREW, 5X10	4	4						
52	2	22857-500100	SCREW, 5X10	4	4						
53	1	124160-11360	KNOB	3	3						
54	1	24311-000120	O-RING, 1AP12.0	3	3						
55	1	24311-000320	O-RING, 1AP32.0	1	1						
56	1	977770-01212	GASKET, LIQUID	1	1						2

Remarks

- (1) REPAIR PART.
- (2) OPTIONAL PART.



Fig.5. SUCTION MANIFOLD & AIR CLEANER

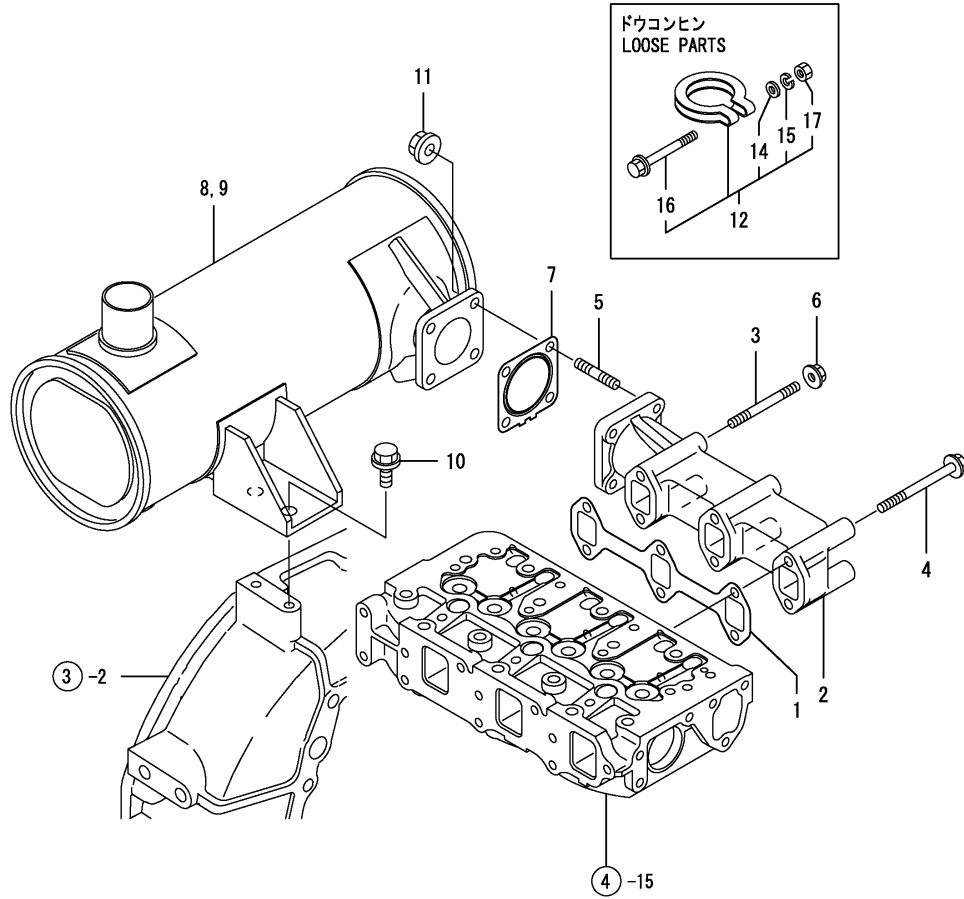


(A)=3TNV82A-QTB  
(B)=3TNV82A-QTB1  
(C)=

(D)=  
(E)=  
(F)=

No.	Lev.	Parts No.	Description	Q'ty						I	R
				(A)	(B)	(C)	(D)	(E)	(F)		
1	1	129100-77500	HEATER, AIR 12V	1	1						
2	1	129100-77510	GASKET, AIR HEATER	1	1						
3	1	129150-77511	GASKET	1	1						
4	1	171340-77520	BEND	1	1						
5	1	26106-080402	BOLT, M8X 40 PLATED	2	2						
6	1	26106-080802	BOLT, M8X 80 PLATED	2	2						
7	1	119802-12100	MANIFOLD, AIR INTAKE	1	1						
9	1	119813-12110	GASKET, MANIFOLD	1	1						
10	1	26106-080202	BOLT, M8X 20 PLATED	4	4						
11	1	26106-080802	BOLT, M8X 80 PLATED	2	2						
12	1	119910-12210	PIPE, AIR INTAKE	1	1						
13	1	119802-12560	BRACKET, AIR CLEANER	1	1						
14	1	129612-12691	CLEANER ASSY, AIR	1	1						
15	2	119910-12510	BODY, AIR CLEANER	1	1						
16	2	119808-12520	ELEMENT	1	1						
17	2	119808-12540	VALVE, UNLOADER	1	1						
18	2	119866-12541	COVER ASSY	1	1						
19	2	129259-12570	RING	1	1						
20	2	129953-12620	INDICATOR ASSY	1	1						
23	1	26013-080222	BOLT, M8X 22	4	4						
24	1	26013-080222	BOLT, M8X 22	2	2						
25	1	23000-060000	CLAMP, 60	2	2						
26	1	119802-03080	PIPE, BREATHER	1	1						
27	2	129410-03990	CLAMP 22	2	2						
28	1	121855-12060	SILENCER ASSY	1	1						
29	1	129030-12201	PIPE, AIR INTAKE	1	1						
30	1	23000-060000	CLAMP, 60	4	4						

Fig.6. EXHAUST MANIFOLD & SILENCER

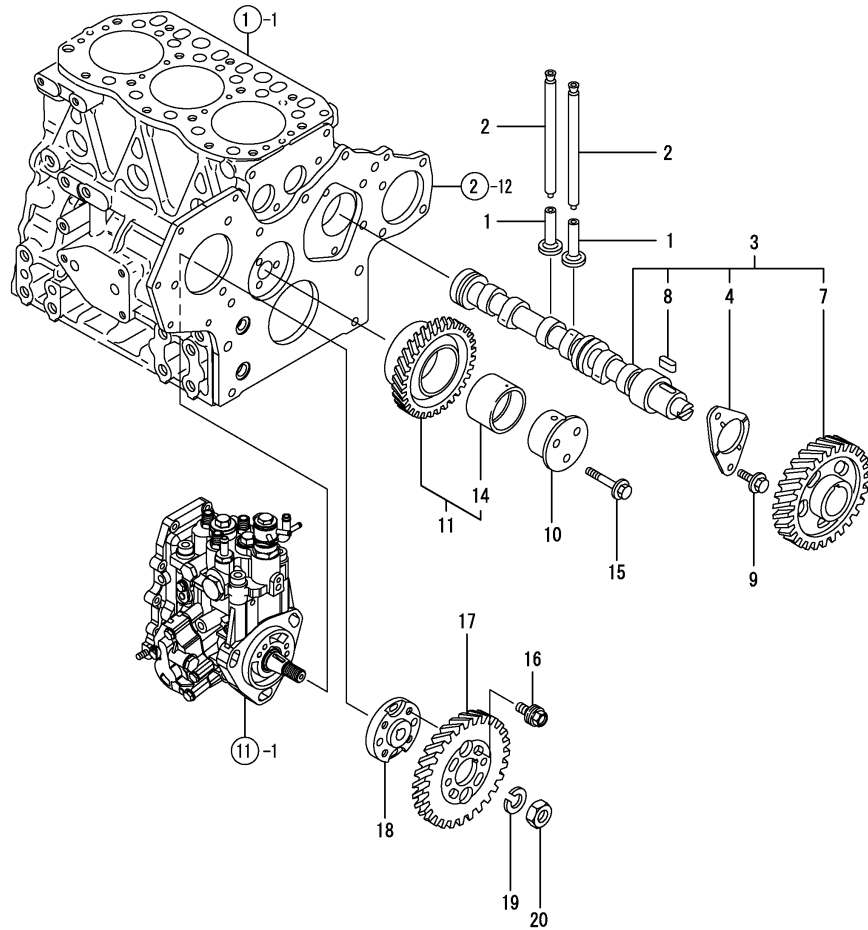


(A)=3TNV82A-QTB  
 (B)=3TNV82A-QTB1  
 (C)=

(D)=  
 (E)=  
 (F)=

No.	Lev.	Parts No.	Description	Q'ty						I	R
				(A)	(B)	(C)	(D)	(E)	(F)		
1	1	119810-13110	GASKET	1	1						
2	1	119802-13129	MANIFOLD, EXHAUST	1	1						
3	1	123900-13610	STUD, M8X80	2	2						
4	1	123900-13630	BOLT, M8X80	4	4						
5	1	119131-18320	STUD, M8X22	4	4						
6	1	26306-080002	NUT, M8	2	2						
7	1	129004-13200	GASKET, SILENCER	1	1						
8	1	129242-13510	SILENCER	1							
9	1	129242-13520	SILENCER		1						
10	1	26106-100202	BOLT, M10X 20 PLATED	2	2						
11	1	26306-080002	NUT, M8	4	4						
12	1	121120-13590	CLAMP	1	1						
14	2	22117-100000	WASHER, 10	1	1						
15	2	22217-100000	WASHER, SPRING 10	1	1						
16	2	26106-100652	BOLT, M10X 65 PLATED	1	1						
17	2	26706-100002	NUT, M10	1	1						

# Fig.7. CAMSHAFT & DRIVING GEAR



(A)=3TNV82A-QTB  
 (B)=3TNV82A-QTB1  
 (C)=

(D)=  
 (E)=  
 (F)=

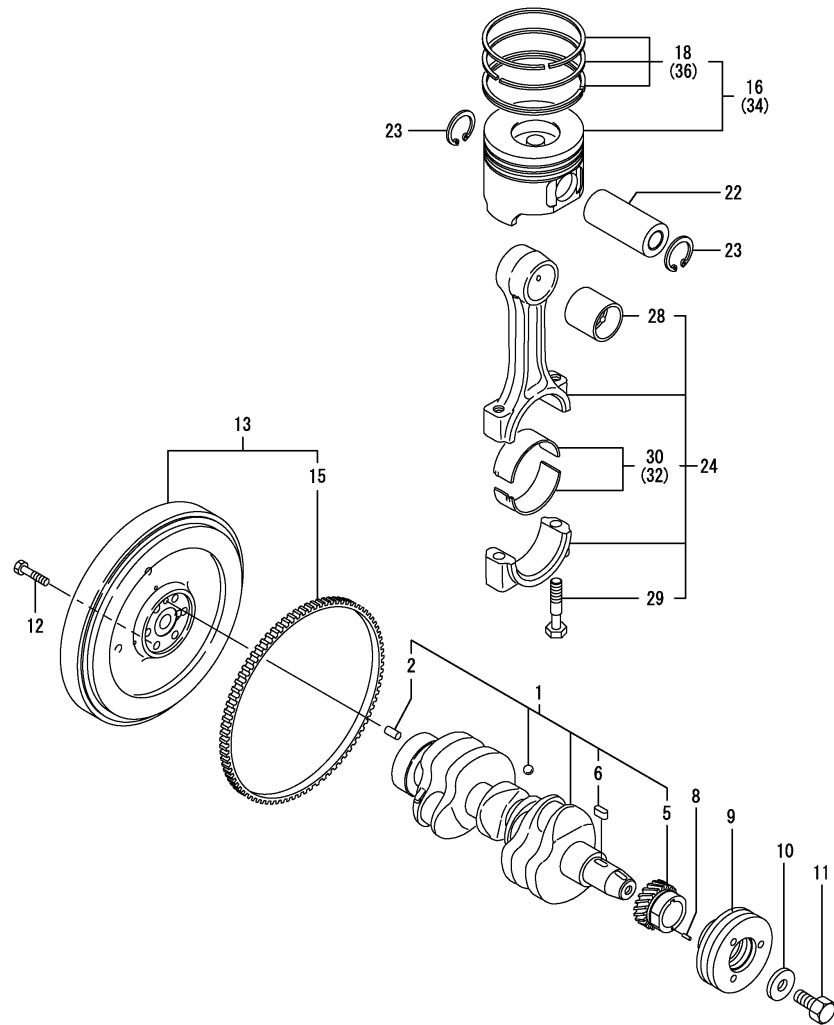
No.	Lev.	Parts No.	Description	Q'ty						I	R
				(A)	(B)	(C)	(D)	(E)	(F)		
1	1	129150-14200	TAPPET	6	6						
2	1	119810-14400	ROD, PUSH	6	6						
3	1	119802-14580	CAMSHAFT ASSY	1	1						
4	2	129150-02450	BEARING, THRUST	1	1						
7	2	129150-14101	GEAR, CAMSHAFT	1	1						
8	2	22512-070140	KEY, 7X 14	1	1						
9	1	26106-080142	BOLT, M8X 14 PLATED	2	2						
10	1	119802-25051	SHAFT, IDLE	1	1						
11	1	119802-25100	GEAR ASSY, IDLE	1	1						
14	2	119802-25070	BUSH, IDLE GEAR	1	1						1
15	1	26106-080402	BOLT, M8X 40 PLATED	3	3						
16	1	129150-25301	BOLT	4	4						
17	1	119802-25901	GEAR, PUMP	1	1						
18	1	158552-51151	FLANGE	1	1						
19	1	22217-140000	WASHER, SPRING 14	1	1						
20	1	26776-140002	NUT, LOCK M14	1	1						

Remarks  
 (1) REPAIR PART.

Fig.8. CRANKSHAFT & PISTON

(A)=3TNV82A-QTB  
 (B)=3TNV82A-QTB1  
 (C)=

(D)=  
 (E)=  
 (F)=

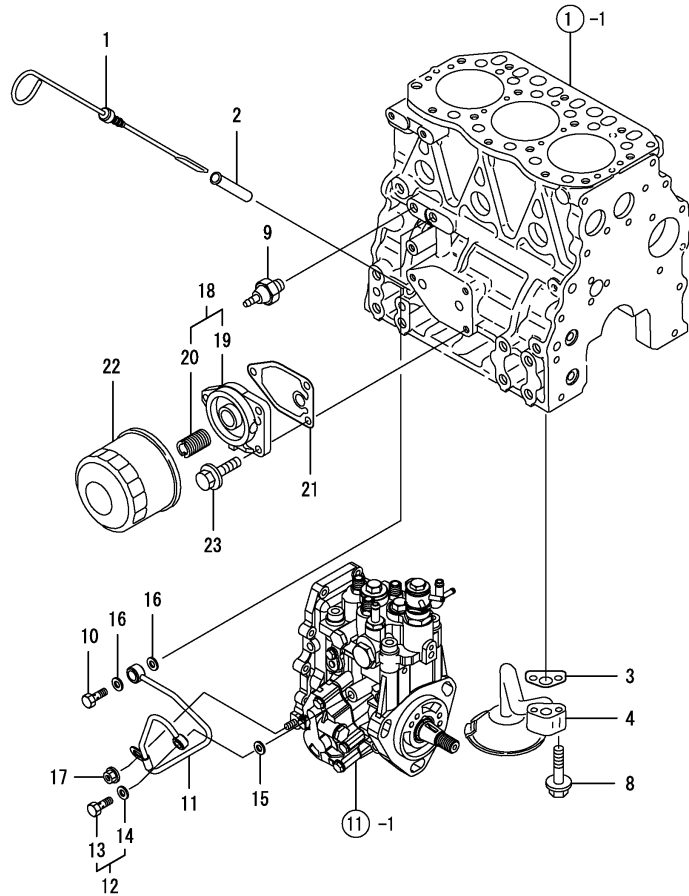


No.	Lev.	Parts No.	Description	Q'ty						I	R
				(A)	(B)	(C)	(D)	(E)	(F)		
1	1	119802-21002	CRANKSHAFT ASSY	1	1						
2	2	129100-01580	PIN, M8X16	1	1						
5	2	119802-21202	GEAR, CRANKSHAFT	1	1						
6	2	22512-070140	KEY, 7X 14	1	1						
8	1	22351-030010	PIN, SPRING 3.0X10	1	1						
9	1	119802-21650	V-PULLEY, 110	1	1						
10	1	129795-21661	WASHER	1	1						
11	1	121850-21680	BOLT	1	1						
12	1	121111-21501	BOLT, FLYWHEEL	6	6						
13	1	119940-21590	FLYWHEEL ASSY	1	1						
15	2	119865-21600	GEAR, RING	1	1						
16	1	119802-22080	PISTON ASSY	3	3						
18	2	119802-22500	RING SET, PISTON	3	3						
22	1	119813-22300	PIN, PISTON	3	3						
23	1	129792-22400	CIRCLIP, 23	6	6						
24	1	719810-23100	ROD ASSY, CONNECTING	3	3						
28	2	119810-23910	BEARING, PISTON PIN	3	3						1
29	2	119810-23200	BOLT, CONNECTING ROD	6	6						
30	2	119810-23600	BEARING, CRANK PIN	3	3						
32	1	119810-23610	BEARING, 0.25 US	3	3						2
34	1	719802-22900	PISTON ASSY, 0.25 OS	3	3						3
36	2	719802-22950	RING SET, 0.25 OS	3	3						3

Remarks

- (1) REPAIR PART.
- (2) UNDER-SIZE(U.S=0.25)PART.
- (3) OVER-SIZE(O.S=0.25)PART.

Fig.9. LUB.OIL SYSTEM



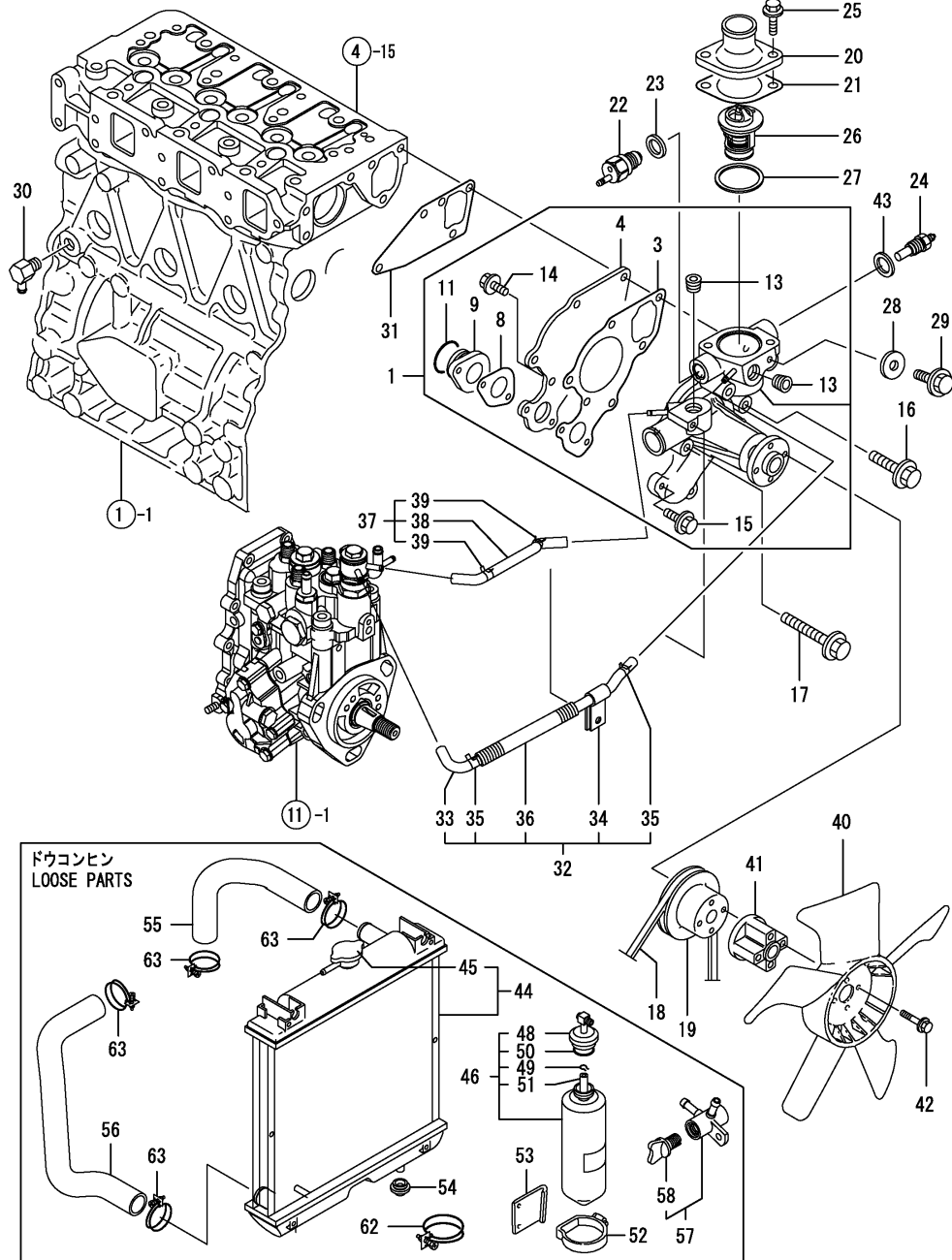
(A)=3TNV82A-QTB  
(B)=3TNV82A-QTB1  
(C)=

(D)=  
(E)=  
(F)=

No.	Lev.	Parts No.	Description	Q'ty						I	R
				(A)	(B)	(C)	(D)	(E)	(F)		
1	1	119802-34812	DIPSTICK, OIL	1	1						
2	1	121520-34810	GUIDE, DIPSTICK	1	1						
3	1	129150-35042	GASKET	1	1						
4	1	119810-35401	PIPE ASSY, OIL INLET	1	1						
8	1	26106-080352	BOLT, M8X 35 PLATED	2	2						
9	1	114250-39450	SWITCH, 0.5KG	1	1						
10	1	124160-39140	BOLT, PIPE JOINT M10	1	1						
11	1	119802-39450	PIPE ASSY, OIL	1	1						
12	1	129005-59830	BOLT ASSY, JOINT M8	1	1						
13	2	23857-030000	BOLT, JOINT 3	1	1						
14	2	22190-080002	WASHER, SEAL 6	1	1						
15	1	22190-080002	WASHER, SEAL 6	1	1						
16	1	22190-100002	WASHER, SEAL 10	2	2						
17	1	26366-060002	NUT, M6	1	1						
18	1	119802-35100	BRACKET ASSY, FILTER	1	1						
19	2	119802-35110	BRACKET, FILTER	1	1						
20	2	129100-35140	STUD	1	1						
21	1	129150-35111	GASKET	1	1						
22	1	129150-35153	FILTER 80X80L	1	1						1
23	1	26106-080202	BOLT, M8X 20 PLATED	3	3						

Remarks  
(1) REPAIR PART.

Fig.10. COOLING WATER SYSTEM

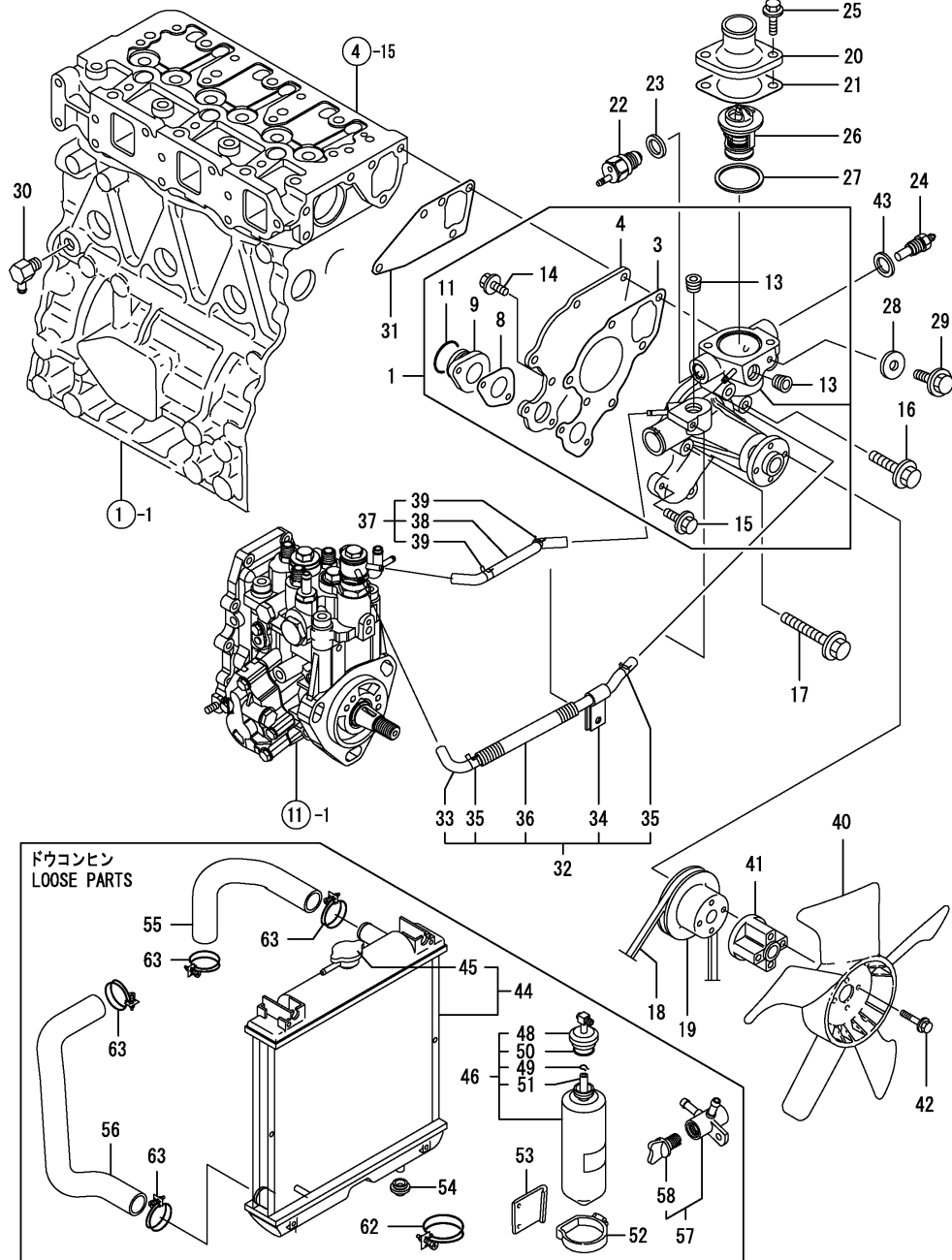


(A)=3TNV82A-QTB  
(B)=3TNV82A-QTB1  
(C)=

(D)=  
(E)=  
(F)=

No.	Lev.	Parts No.	Description	Qty						I	R
				(A)	(B)	(C)	(D)	(E)	(F)		
1	1	119802-42000	PUMP ASSY, WATER	1	1						
3	2	119810-42051	GASKET, WATER PUMP	1	1						
4	2	119810-42120	PLATE	1	1						
8	2	119810-42281	GASKET, WATER PUMP	1	1						
9	2	119810-42290	PIPE	1	1						
11	2	129054-42320	O-RING	1	1						
13	2	23876-030000	PLUG, R03	2	2						
14	2	26106-060142	BOLT, M6X 14 PLATED	2	2						
15	2	26106-060202	BOLT, M6X 20 PLATED	2	2						
16	1	26106-080352	BOLT, M8X 35 PLATED	1	1						
17	1	26106-080552	BOLT, M8X 55 PLATED	3	3						
18	1	129258-42290	V-BELT, A36.5	1	1						
19	1	129556-42350	V-PULLEY, 96	1	1						
20	1	129350-49530	COVER, THERMOSTAT	1	1						
21	1	129795-49551	GASKET	1	1						
22	1	121250-44901	SWITCH, 110	1	1						
23	1	124465-44950	GASKET, 16	1	1						
24	1	119266-49350	SWITCH	1	1						
25	1	26106-080222	BOLT, M8X 22 PLATED	2	2						
26	1	129457-49801	THERMOSTAT, 82	1	1						
27	1	129150-49811	GASKET, THERMOSTAT	1	1						
28	1	23414-080000	GASKET, 8X1.0	1	1						
29	1	26106-080122	BOLT, M8X 12 PLATED	1	1						
30	1	121750-49110	JOINT	1	1						
31	1	129486-42050	GASKET, WATER PUMP	1	1						
32	1	119802-49610	PIPE ASSY, WATER	1	1						
33	2	119802-49711	PIPE ASSY, WATER	1	1						
34	2	119802-49730	RETAINER, PIPE	1	1						
35	2	124722-59050	CLIP, HOSE 9	2	2						
36	2	119802-59320	TUBE, CORRUGATED	1	1						
37	1	119802-49620	PIPE ASSY, WATER	1	1						
38	2	119802-49721	PIPE ASSY, WATER	1	1						
39	2	124722-59050	CLIP, HOSE 9	2	2						
40	1	129335-44740	FAN, COOLING D335	1	1						
41	1	129030-44760	SPACER, FAN L38.5	1	1						
42	1	26106-060502	BOLT, M6X 50 PLATED	4	4						
43	1	129150-49360	GASKET	1	1						
44	1	119940-44510	RADIATOR ASSY	1	1						
45	2	129107-44590	CAP, RADIATOR	1	1						
46	1	171064-44510	TANK ASSY, SUB	1	1						
48	2	121450-44531	CAP	1	1						
49	2	124450-44560	RETAINER	1	1						
50	2	121470-44581	GASKET	1	1						
51	2	23065-070225	HOSE 7X 225	1	1						
52	1	124450-44550	BAND	1	1						
53	1	121256-44600	BRACKET, SUB TANK	1	1						
54	1	119255-44660	ABSORBER	2	2						
55	1	119940-49010	PIPE, WATER	1	1						
56	1	119940-49020	PIPE, WATER	1	1						
57	1	129150-49100	COCK ASSY, 3-WAY	1	1						
58	2	129150-49080	COCK, DRAIN	1	1						

Fig.10. COOLING WATER SYSTEM



(A)=3TNV82A-QTB  
 (B)=3TNV82A-QTB1  
 (C)=

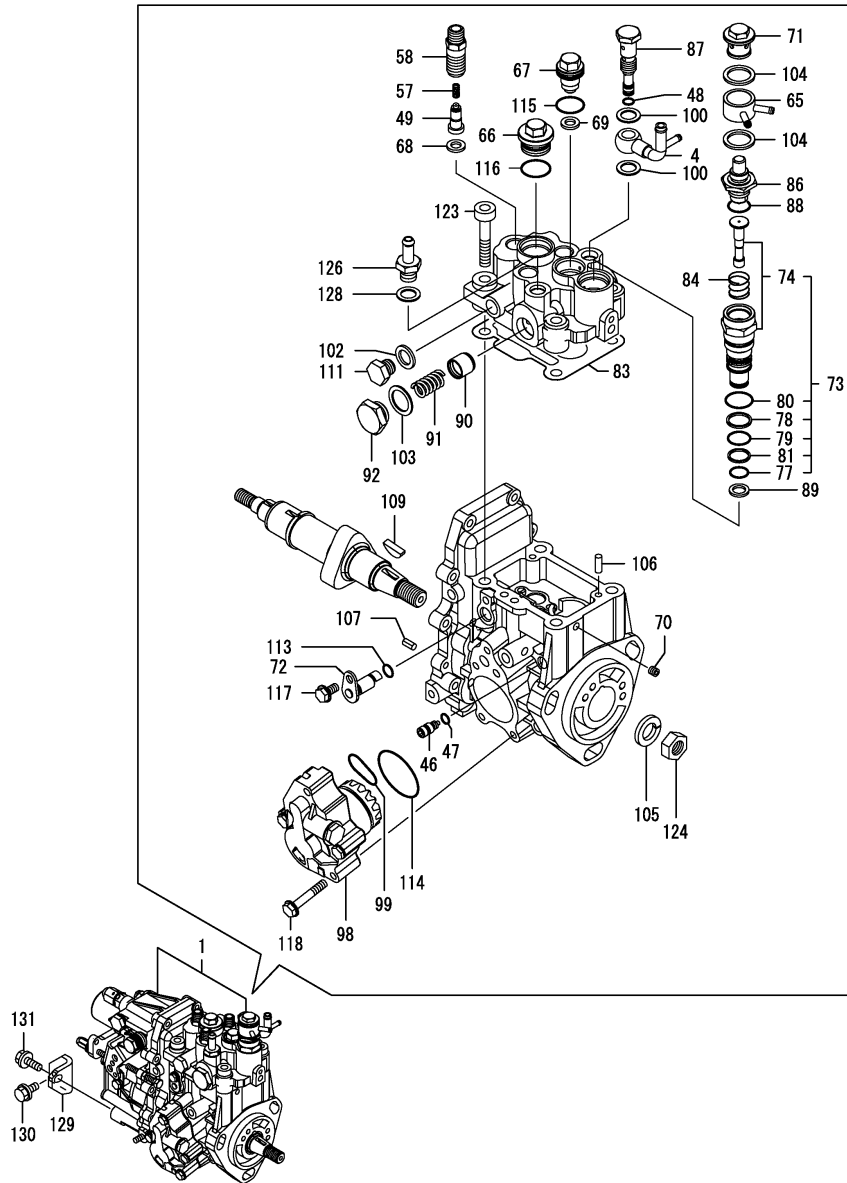
(D)=  
 (E)=  
 (F)=

No.	Lev.	Parts No.	Description	Qty						I	R
				(A)	(B)	(C)	(D)	(E)	(F)		
62	1	23000-041000	CLAMP, 41	1	1						
63	1	23010-038000	CLAMP, 38	4	4						

Fig.11. FUEL INJECTION PUMP

(A)=3TNV82A-QTB  
 (B)=3TNV82A-QTB1  
 (C)=

(D)=  
 (E)=  
 (F)=



No.	Lev.	Parts No.	Description	Q'ty						I	R
				(A)	(B)	(C)	(D)	(E)	(F)		
1	1	719944-51330	PUMP ASSY, INJECTION	1	1						1
4	2	158552-51670	JOINT, OVER FLOW	1	1						
46	2	158600-51270	STOPPER, TAPPET	1	1						
47	2	158563-51281	O-RING, 4D S6	1	1						
48	2	158563-51281	O-RING, 4D S6	1	1						
49	2	158560-51300	VALVE ASSY, DELIVERY	3	3						
57	2	158563-51330	SPRING, DELIVERY	3	3						
58	2	158601-51340	HOLDER, DELIVERY	3	3						
65	2	158553-51551	JOINT	1	1						
66	2	158601-51550	PLUG	1	1						
67	2	119802-51560	PLUG, BARREL	1	1						
68	2	158552-51570	GASKET	3	3						
69	2	158552-51570	GASKET	1	1						
70	2	158557-51570	PLUG	1	1						
71	2	158601-51570	PLUG	1	1						
72	2	158552-51580	LIFTER	1	1						
73	2	119802-51590	TIMER SET	1	1						
74	3	119802-51600	TIMER ASSY	1	1						
77	3	158553-51670	O-RING, 1011	1	1						
78	3	119802-51680	RING, BACK UP	1	1						
79	3	119802-51690	O-RING	1	1						
80	3	24356-010200	O-RING, 4D1020	1	1						
81	3	24372-000150	RING, BACK UP T2P15	1	1						
83	2	158552-51600	GASKET	1	1						
84	2	158553-51630	SPRING, TIMER	1	1						
86	2	158553-51640	ELEMENT	1	1						
87	2	158601-51650	JOINT, OVER FLOW	1	1						
88	2	158553-51660	O-RING, P14	1	1						
89	2	158553-51680	GASKET	1	1						
90	2	158601-51770	PISTON	1	1						
91	2	158552-51780	SPRING	1	1						
92	2	158601-51790	PLUG	1	1						
98	2	158552-52100	PUMP ASSY, FUEL FEED	1	1						
99	2	158552-52310	O-RING	1	1						
100	2	22190-120002	WASHER, SEAL 12	2	2						
102	2	22190-120002	WASHER, SEAL 12	1	1						
103	2	22190-180002	WASHER, SEAL 18	1	1						
104	2	22190-180002	WASHER, SEAL 18	2	2						
105	2	22217-140000	WASHER, SPRING 14	1	1						
106	2	22312-050140	PIN, PARALLEL M5X14	2	2						
107	2	22351-050010	PIN, SPRING 5.0X10	2	2						
109	2	119802-51090	KEY, 4X16	1	1						
111	2	23887-120002	PLUG, 12	1	1						
113	2	24311-000070	O-RING, 1AP7.0	1	1						
114	2	158552-52400	O-RING, 4E S42	1	1						
115	2	24356-010180	O-RING, 4D1018	1	1						
116	2	24356-010200	O-RING, 4D1020	1	1						
117	2	26106-060102	BOLT, M6X 10 PLATED	1	1						
118	2	158553-51770	BOLT	4	4						
123	2	26450-080452	BOLT, M8X 45	4	4						
124	2	26776-140002	NUT, LOCK M14	1	1						

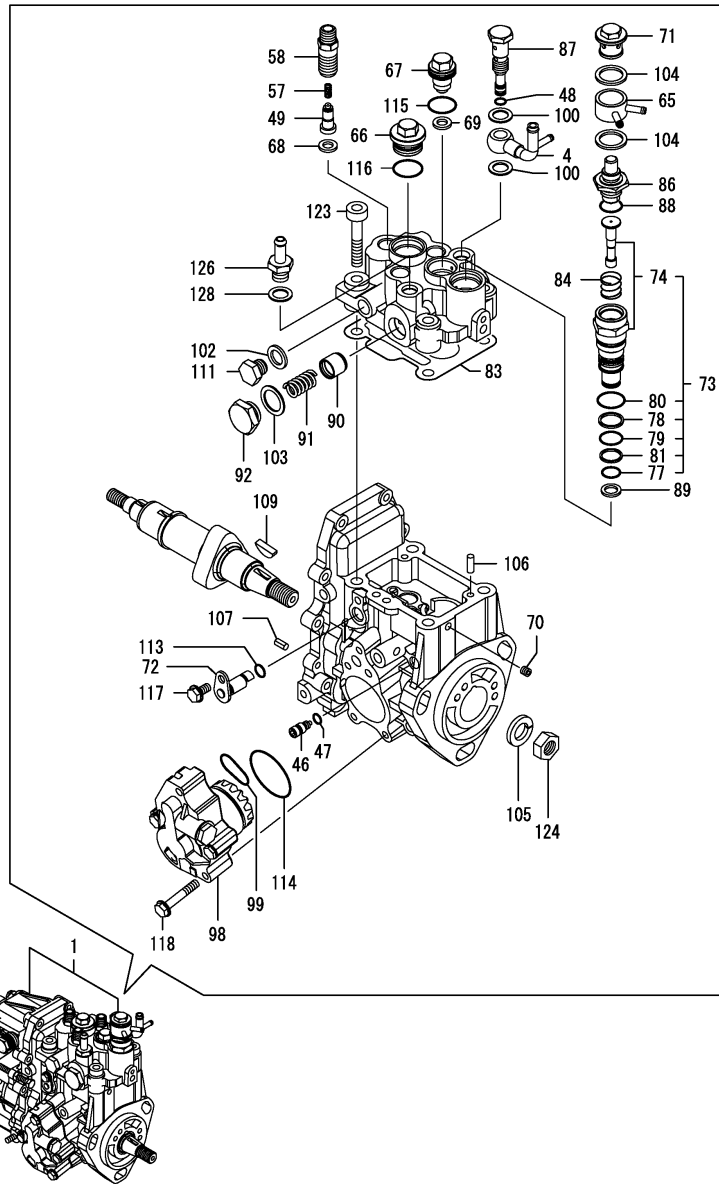
Remarks  
 (1) GOVERNOR ASSY(FIG.12) IS  
 INCORPORATED IN THIS FOP.CMP  
 (REF.NO.1).



Fig.11. FUEL INJECTION PUMP

(A)=3TNV82A-QTB  
 (B)=3TNV82A-QTB1  
 (C)=

(D)=  
 (E)=  
 (F)=



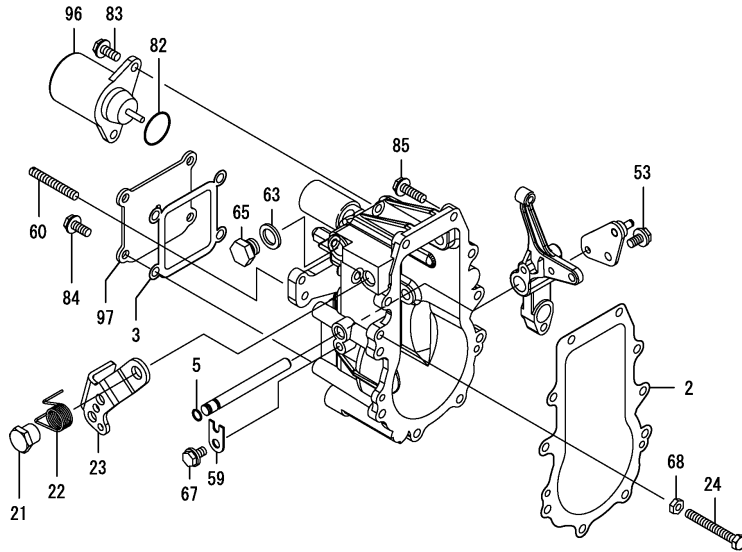
No.	Lev.	Parts No.	Description	Q'ty						I	R
				(A)	(B)	(C)	(D)	(E)	(F)		
126	2	119934-59910	JOINT, PIPE	1	1						
128	2	22190-120002	WASHER, SEAL 12	1	1						
129	1	119802-51250	RETAINER, PUMP	1	1						
130	1	26106-080162	BOLT, M8X 16 PLATED	1	1						
131	1	26106-080202	BOLT, M8X 20 PLATED	1	1						

Remarks  
 (1) GOVERNOR ASSY(FIG.12) IS INCORPORATED IN THIS FOP.CMP (REF.NO.1).

# Fig.12. GOVERNOR

(A)=3TNV82A-QTB  
 (B)=3TNV82A-QTB1  
 (C)=

(D)=  
 (E)=  
 (F)=

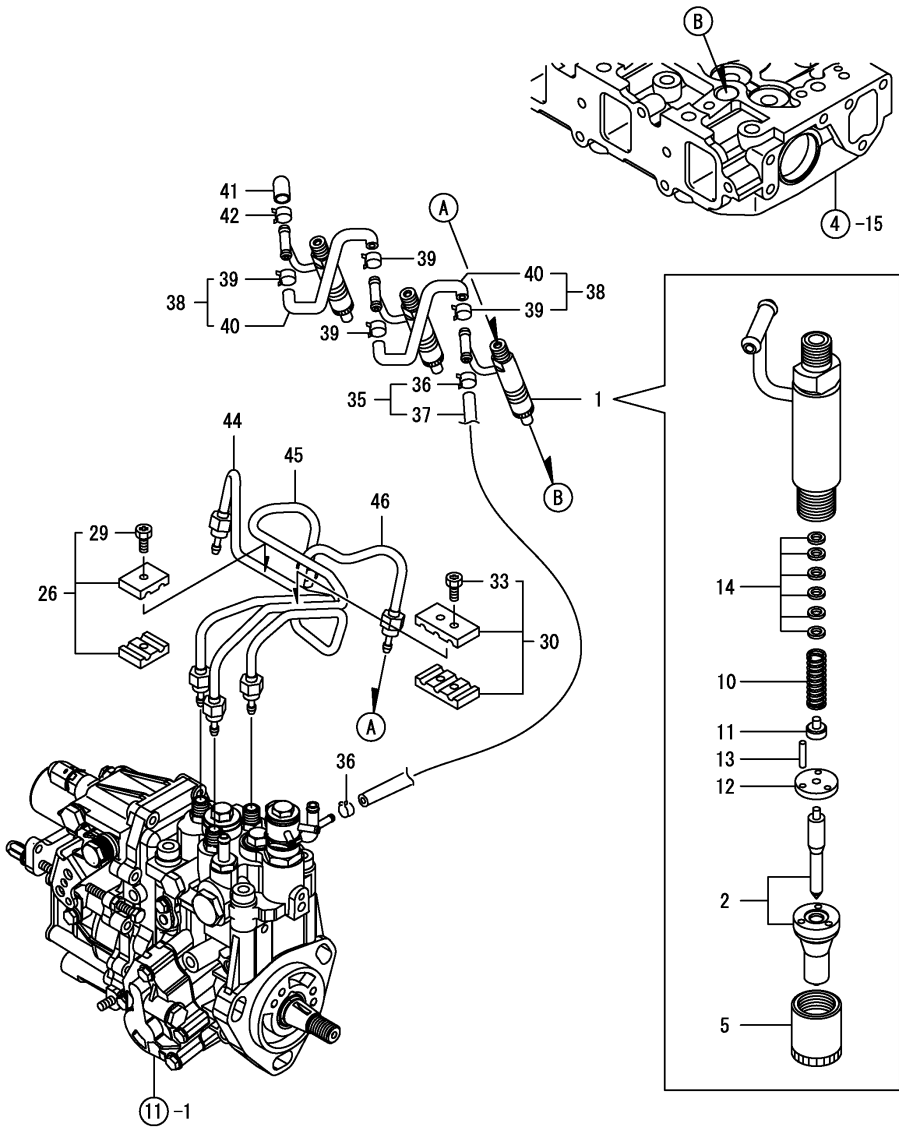


No.	Lev.	Parts No.	Description	Q'ty						I	R
				(A)	(B)	(C)	(D)	(E)	(F)		
2	2	158553-61050	GASKET	1	1						
3	2	158553-61070	GASKET	1	1						
5	2	129155-51280	O-RING, S6	1	1						
21	2	129255-61410	NUT, LOCK	1	1						
22	2	119807-61420	SPRING, RETURN	1	1						
23	2	158552-61441	LEVER, REGULATOR	1	1						
24	2	129155-61460	BOLT, IDLE	1	1						
53	2	26106-060102	BOLT, M6X 10 PLATED	1	1						
59	2	119660-61901	RETAINER, SHAFT	1	1						
60	2	171002-66830	SCREW	1	1						
63	2	22190-120000	WASHER, SEAL 12	1	1						
65	2	23887-120002	PLUG, 12	1	1						
67	2	26106-060102	BOLT, M6X 10 PLATED	1	1						
68	2	26756-060002	NUT, LOCK M6	1	1						
82	2	24341-000280	O-RING, 1AS28.0	1	1						
82-1	2	158552-61900	O-RING	1	1						N
		(A=EXXXXX) (B=EXXXXX)									
83	2	26106-060142	BOLT, M6X 14 PLATED	2	2						
84	2	26106-060142	BOLT, M6X 14 PLATED	4	4						
85	2	26106-060202	BOLT, M6X 20 PLATED	10	10						
96	2	119233-77932	SOLENOID, STOP	1	1						
97	2	129642-61060	COVER, GOVERNOR CASE	1	1						

Remarks

\* THIS FIGURE(GOVERNOR ASSY)IS INCORPORATED IN THE FUEL INJECTION PUMP ASSY(FIG.1).

Fig.13. FUEL INJECTION VALVE

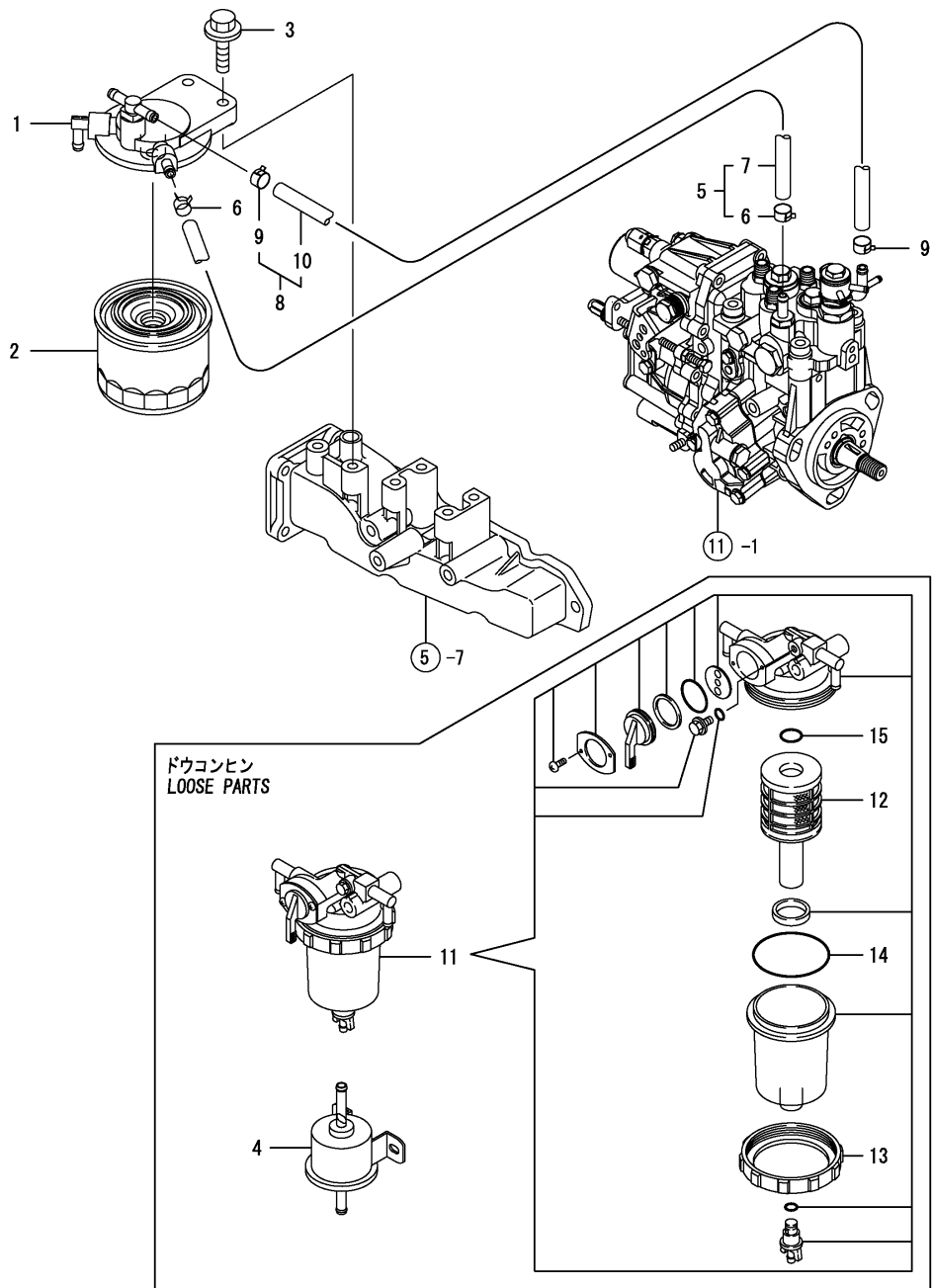


(A)=3TNV82A-QTB  
(B)=3TNV82A-QTB1  
(C)=

(D)=  
(E)=  
(F)=

No.	Lev.	Parts No.	Description	Q'ty						I	R
				(A)	(B)	(C)	(D)	(E)	(F)		
1	1	729240-53200	VALVE ASSY,INJECTION	3	3						
2	2	129240-53001	VALVE ASSY,INJECTION	3	3						
5	2	114250-53080	NUT, NOZZLE D16.95	3	3						
10	2	114250-53120	SPRING, NOZZLE	3	3						
11	2	114250-53130	SEAT, SPRING	3	3						
12	2	114250-53140	PLATE	3	3						
13	2	114250-53210	PIN	6	6						
14	2	114250-53400	SHIM SET	3	3						
26	1	119305-59120	RETAINER, PIPE	1	1						
29	2	129150-59131	BOLT, M4X14	1	1						
30	1	129150-59120	RETAINER, PIPE	1	1						
33	2	129150-59131	BOLT, M4X14	2	2						
35	1	119802-59550	PIPE ASSY, RETURN	1	1						
36	2	124722-59050	CLIP, HOSE 9	2	2						
37	2	119802-59560	PIPE, FUEL RETURN	1	1						
38	1	129486-59551	PIPE ASSY, RETURN	2	2						
39	2	124722-59050	CLIP, HOSE 9	4	4						
40	2	129486-59510	PIPE, FUEL RETURN	2	2						
41	1	119593-59580	CAP	1	1						
42	1	124060-77680	CLIP, HOSE 10	1	1						
44	1	119802-59810	PIPE ASSY, INJECTION	1	1						
45	1	119802-59820	PIPE ASSY, INJECTION	1	1						
46	1	119802-59830	PIPE ASSY, INJECTION	1	1						

Fig.14. FUEL LINE

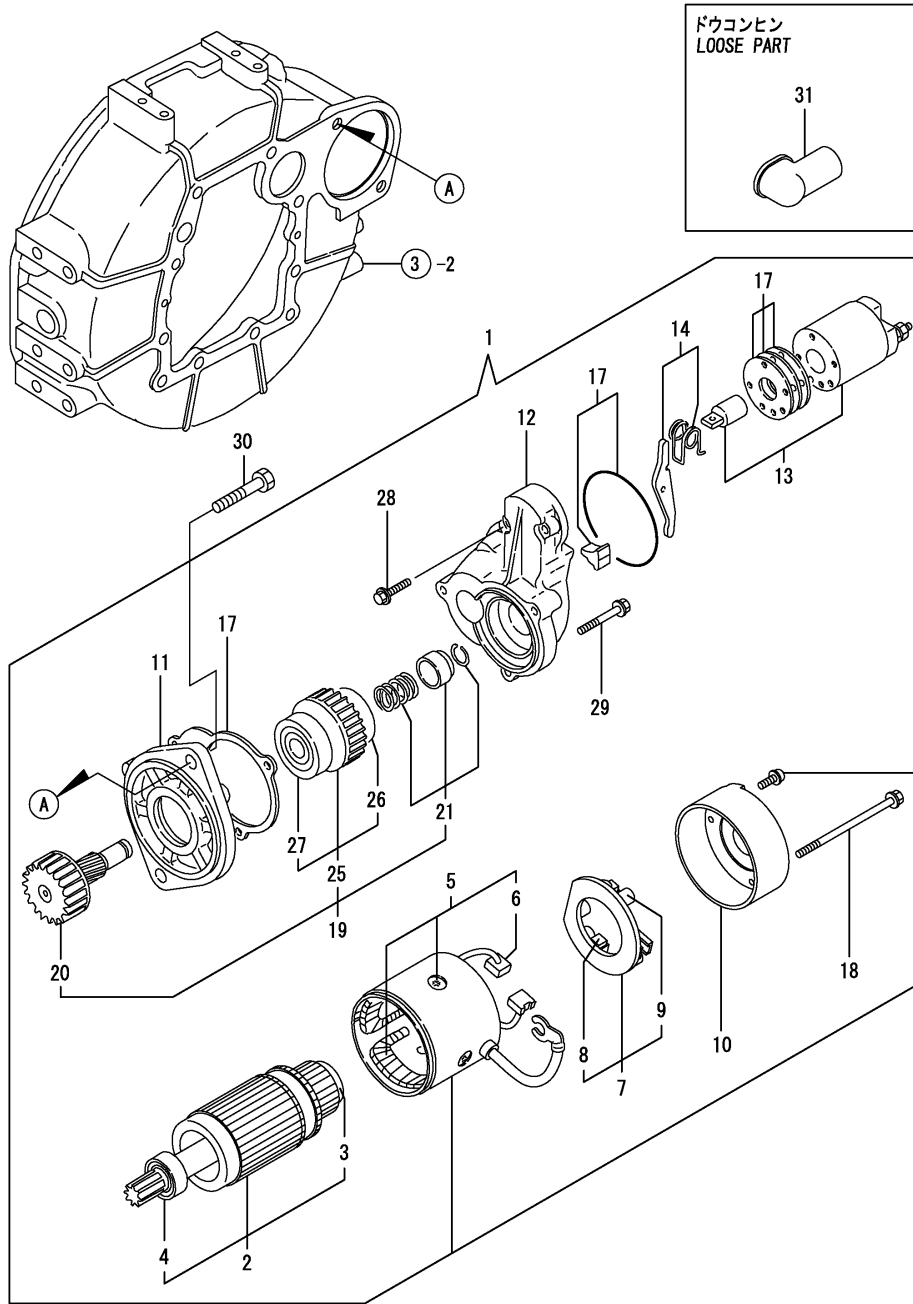


(A)=3TNV82A-QTB  
(B)=3TNV82A-QTB1  
(C)=

(D)=  
(E)=  
(F)=

No.	Lev.	Parts No.	Description	Q'ty						I	R
				(A)	(B)	(C)	(D)	(E)	(F)		
1	1	129004-55610	BRACKET, FILTER	1	1						
2	1	119802-55800	FILTER, FUEL	1	1						
3	1	26106-080302	BOLT, M8X 30 PLATED	2	2						
4	1	129612-52100	PUMP ASSY, FUEL FEED	1	1						
5	1	129210-59230	PIPE ASSY, FUEL	1	1						
6	2	124766-59050	CLIP, HOSE 12	2	2						
7	2	129555-59511	PIPE, FUEL	1	1						
8	1	129210-59100	PIPE ASSY, FUEL	1	1						
9	2	124766-59050	CLIP, HOSE 12	2	2						
10	2	105025-59580	PIPE, FUEL	1	1						
11	1	129906-55700	SEPARATOR ASSY	1	1						
12	2	119802-55710	ELEMENT	1	1						
13	2	129100-55690	RING, RETAINING	1	1						
14	2	24321-000650	O-RING, 1AG65.0	1	1						
15	2	24311-000160	O-RING, 1AP16.0	1	1						

Fig.15. STARTING MOTOR

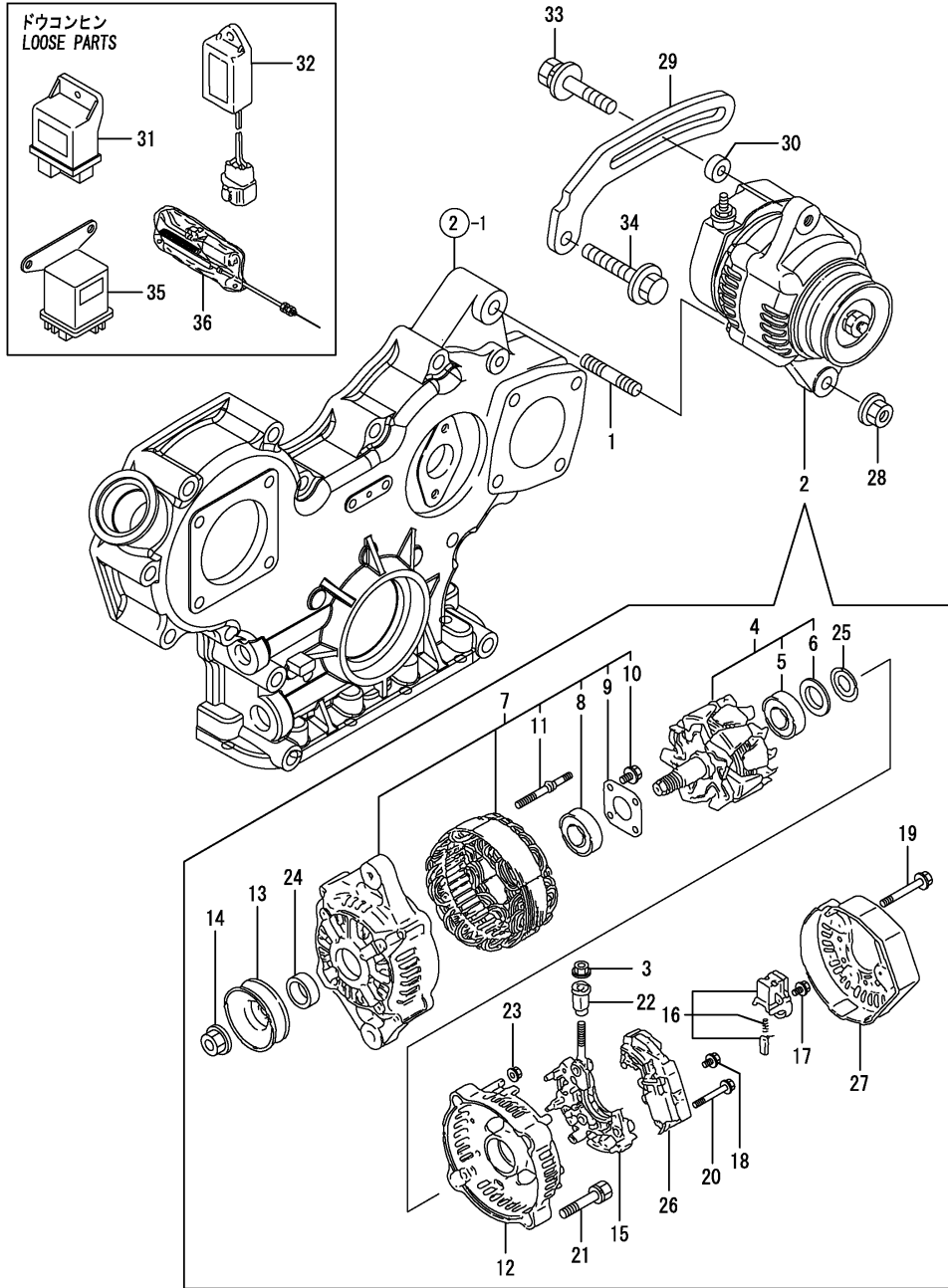


(A)=3TNV82A-QTB  
(B)=3TNV82A-QTB1  
(C)=

(D)=  
(E)=  
(F)=

No.	Lev.	Parts No.	Description	Q'ty						I	R
				(A)	(B)	(C)	(D)	(E)	(F)		
1	1	129400-77012	STARTING MOTOR	1	1						
2	2	129486-77400	ARMATUER	1	1						
3	3	171008-77410	BEARING(1)	1	1						
4	3	171008-77420	BEARING(2)	1	1						
5	2	129400-77441	COIL ASSY, FIELD	1	1						
6	3	129486-77460	BRUSH	2	2						
7	2	129486-77470	HOLDER ASSY, BRUSH	1	1						
8	3	129486-77460	BRUSH	2	2						
9	3	129486-77490	SPRING, START BRUSH	4	4						
10	2	129900-77460	COVER, REAR	1	1						
11	2	171008-77510	HOUSING ASSY, GEAR	1	1						
12	2	129400-77520	HOUSING, CENTER	1	1						
13	2	129400-77531	SWITCH ASSY, MAGNETIC	1	1						
14	2	171008-77540	LEVER SET, SHIFT	1	1						
17	2	129400-77571	COVER KIT, DUST	1	1						
18	2	129900-77640	BOLT, THROUGHT	2	2						
19	2	171008-77650	PINION ASSY	1	1						
20	3	171008-77660	SHAFT, PINION	1	1						
21	3	171008-77670	STOPPER SET, PINION	1	1						
25	3	X2114555500	CLUTCH ASSY	1	1						
26	4	X2114955020	BALL BEARING	1	1						
27	4	X2240410100	BEARING, BALL	1	1						
28	2	26106-060322	BOLT, M6X 32 PLATED	2	2						
29	2	26106-060402	BOLT, M6X 40 PLATED	3	3						
30	1	26116-120252	BOLT, M12X 25 PLATED	2	2						
31	1	124550-77030	COVER, TERMINAL	1	1						

Fig.16. GENERATOR



(A)=3TNV82A-QTB  
 (B)=3TNV82A-QTB1  
 (C)=

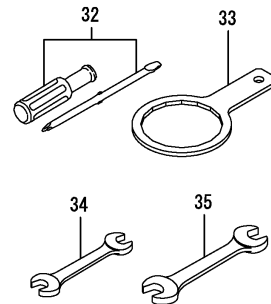
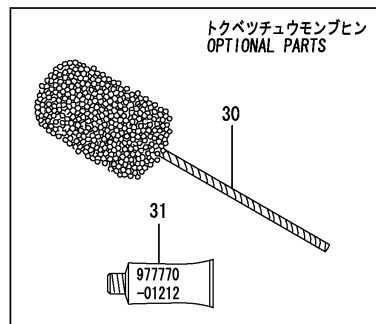
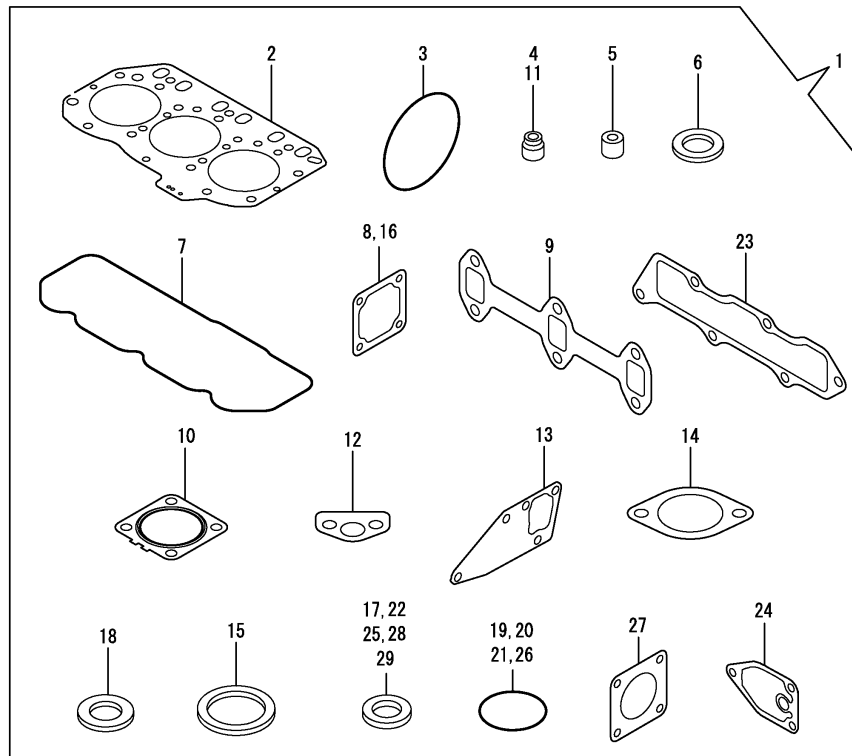
(D)=  
 (E)=  
 (F)=

No.	Lev.	Parts No.	Description	Q'ty						I	R
				(A)	(B)	(C)	(D)	(E)	(F)		
1	1	129795-01900	STUD	1	1						
2	1	129240-77200	ALTERNATOR	1	1						
3	2	X9490561001	NUT	1	1						
4	2	119620-77380	ROTOR ASSY	1	1						
5	3	126501-79240	BALL BEARING	1	1						
6	3	119620-79250	COVER, BEARING	1	1						
7	2	119620-77421	FRAME ASSY, DRIVE	1	1						
8	3	119620-79200	BALL BEARING	1	1						
9	3	119620-79210	PLATE	1	1						
10	3	119620-79220	SCREW	4	4						
11	3	119620-79230	BOLT, STUD	2	2						
12	2	119620-77440	FLAME ASSY, REAR	1	1						
13	2	119620-77461	PULLEY	1	1						
14	2	119620-77471	NUT	1	1						
15	2	119620-79260	HOLDER	1	1						
16	2	129052-79270	HOLDER, BRUSH	1	1						
17	2	119620-79290	SCREW	6	6						
18	2	119620-79300	SCREW	1	1						
19	2	119620-79310	BOLT	3	3						
20	2	119620-79320	SCREW W/WASHER	2	2						
21	2	119620-79330	BOLT	2	2						
22	2	119620-79340	INSULATION BUSH	1	1						
23	2	119620-79350	NUT	2	2						
24	2	119620-77490	COLLAR	1	1						
25	2	119620-79360	WASHER, THRUST	1	1						
26	2	129240-77710	REGULATOR ASSY	1	1						
27	2	129240-79300	COVER	1	1						
28	1	26306-100002	NUT, M10	1	1						
29	1	119940-77330	ADJUSTER	1	1						
30	1	119940-77270	SPACER, GENERATOR	1	1						
31	1	119802-77200	RELAY, SAFETY	1	1						
32	1	129211-77920	TIMER	1	1						
33	1	119802-77340	BOLT, ADJUSTER	1	1						
34	1	26106-080452	BOLT, M8X 45 PLATED	1	1						
35	1	119646-77900	RELAY, POWER	2	2						
36	1	119032-77910	MOTOR ASSY	1	1						

Fig.17. GASKET SET

(A)=3TNV82A-QTB  
 (B)=3TNV82A-QTB1  
 (C)=

(D)=  
 (E)=  
 (F)=



No.	Lev.	Parts No.	Description	Q'ty						I	R
				(A)	(B)	(C)	(D)	(E)	(F)		
1	1	719823-92840	GASKET SET	1	1						1
2	2	119812-01330	GASKET, HEAD	1	1						
3	2	121850-51960	O-RING	1	1						
4	2	124950-11340	SEAL, VALVE STEM	3	3						
5	2	119802-11870	PROTECTOR, NOZZLE	3	3						
6	2	119625-11880	SEAT, NOZZLE	3	3						
7	2	119802-11310	GASKET, BONNET	1	1						
8	2	129150-77511	GASKET	1	1						
9	2	119810-13110	GASKET	1	1						
10	2	129004-13200	GASKET, SILENCER	1	1						
11	2	124160-11340	SEAL, VALVE STEM	3	3						
12	2	129150-35042	GASKET	1	1						
13	2	129486-42050	GASKET, WATER PUMP	1	1						
14	2	129795-49551	GASKET	1	1						
15	2	129150-49811	GASKET, THERMOSTAT	1	1						
16	2	129100-77510	GASKET, AIR HEATER	1	1						
17	2	22190-080002	WASHER, SEAL 6	3	3						
18	2	124465-44950	GASKET, 16	1	1						
19	2	24311-000120	O-RING, 1AP12.0	3	3						
20	2	24311-000320	O-RING, 1AP32.0	2	2						
21	2	24341-000240	O-RING, 1AS24.0	1	1						
22	2	22190-100002	WASHER, SEAL 10	2	2						
23	2	119813-12110	GASKET, MANIFOLD	1	1						
24	2	129150-35111	GASKET	1	1						
25	2	22190-220002	WASHER, SEAL 22	1	1						
26	2	119609-32040	O-RING, P16	4	4						
27	2	124240-01883	GASKET	2	2						
28	2	23414-080000	GASKET, 8X1.0	1	1						
29	2	129150-49360	GASKET	1	1						
30	1	129400-92420	FLEX HORN	1	1						1
31	1	977770-01212	GASKET, LIQUID	1	1						1
32	1	104200-92350	DRIVER, SCREW	1	1						
33	1	119640-92750	WRENCH, FILTER 80	1	1						
34	1	28110-100120	SPANNER, 10X12	1	1						
35	1	28110-140170	SPANNER, 14X17	1	1						

Remarks  
 (1) OPTIONAL PART.

## Parts No. Index

Parts No.	Fig. No.	Ref. No.
104200-92350	17	32
104211-11180	4	27
104211-11370	4	14
105025-59580	14	10
114250-39450	9	9
114250-53080	13	5
114250-53120	13	10
114250-53130	13	11
114250-53140	13	12
114250-53210	13	13
114250-53400	13	14
119032-77910	16	36
119131-18320	6	5
119233-77932	12	96
119255-44660	10	54
119266-49350	10	24
119305-59120	13	26
119593-59580	13	41
119609-32040	2	17
	17	26
119620-01750	3	3
119620-02020	1	12
119620-77380	16	4
119620-77421	16	7
119620-77440	16	12
119620-77461	16	13
119620-77471	16	14
119620-77490	16	24
119620-79200	16	8
119620-79210	16	9
119620-79220	16	10
119620-79230	16	11
119620-79250	16	6
119620-79260	16	15
119620-79290	16	17
119620-79300	16	18
119620-79310	16	19
119620-79320	16	20
119620-79330	16	21
119620-79340	16	22
119620-79350	16	23
119620-79360	16	25
119625-11880	4	33
	17	6
119640-01640	3	9
119640-92750	17	33
119646-77900	16	35
119660-61901	12	59
119802-01190	1	32
119802-01560	2	13

Parts No.	Fig. No.	Ref. No.
119802-03010	4	42
119802-03080	5	26
119802-03110	4	44
119802-03121	4	45
119802-03130	4	46
119802-03141	4	47
119802-11100	4	24
119802-11110	4	25
119802-11241	4	3
119802-11251	4	4
119802-11260	4	6
119802-11270	4	7
119802-11280	4	8
119802-11310	4	50
	17	7
119802-11350	4	41
119802-11650	4	10
119802-11700	4	15
119802-11810	4	21
119802-11870	4	32
	17	5
119802-11900	4	34
119802-12100	5	7
119802-12560	5	13
119802-13129	6	2
119802-14580	7	3
119802-21002	8	1
119802-21202	8	5
119802-21650	8	9
119802-22080	8	16
119802-22500	8	18
119802-25051	7	10
119802-25070	7	14
119802-25100	7	11
119802-25901	7	17
119802-32070	2	8
119802-32100	2	7
119802-32111	2	18
119802-32120	2	19
119802-32130	2	20
119802-34812	9	1
119802-35100	9	18
119802-35110	9	19
119802-39450	9	11
119802-42000	10	1
119802-49610	10	32
119802-49620	10	37
119802-49711	10	33
119802-49721	10	38
119802-49730	10	34

Parts No.	Fig. No.	Ref. No.
119802-51090	11	109
119802-51250	11	129
119802-51560	11	67
119802-51590	11	73
119802-51600	11	74
119802-51680	11	78
119802-51690	11	79
119802-55710	14	12
119802-55800	14	2
119802-59320	10	36
119802-59550	13	35
119802-59560	13	37
119802-59810	13	44
119802-59820	13	45
119802-59830	13	46
119802-77200	16	31
119802-77340	16	33
119807-61420	12	22
119808-12520	5	16
119808-12540	5	17
119810-01200	1	24
119810-01730	3	6
119810-01790	3	8
119810-02870	1	26
119810-02930	1	21
119810-02940	1	29
119810-11120	4	26
119810-13110	6	1
	17	9
119810-14400	7	2
119810-23200	8	29
119810-23600	8	30
119810-23610	8	32
119810-23910	8	28
119810-35401	9	4
119810-42051	10	3
119810-42120	10	4
119810-42281	10	8
119810-42290	10	9
119812-01330	1	25
	17	2
119813-12110	5	9
	17	23
119813-22300	8	22
119865-21600	8	15
119866-12541	5	18
119910-12210	5	12
119910-12510	5	15
119934-01800	2	6
119934-59910	11	126

Parts No.	Fig. No.	Ref. No.
119940-21590	8	13
119940-44510	10	44
119940-49010	10	55
119940-49020	10	56
119940-77270	16	30
119940-77330	16	29
120270-54410	4	35
121023-01550	2	28
121111-21501	8	12
121120-13590	6	12
121250-44901	10	22
121256-44600	10	53
121450-44531	10	48
121470-44581	10	50
121520-34810	9	2
121750-49110	10	30
121850-21680	8	11
121850-51960	2	21
	17	3
121855-12060	5	28
123900-13610	6	3
123900-13630	6	4
124060-01050	1	6
124060-11800	4	19
124060-77680	13	42
124160-01751	2	14
	4	40
124160-01910	1	4
	17	14
124160-11340	4	28
	17	11
124160-11360	4	53
124160-39140	9	10
124240-01871	2	15
	2	32
124240-01883	2	33
	17	27
124450-44550	10	52
124450-44560	10	49
124465-44950	10	23
	17	18
124550-77030	15	31
124722-59050	10	35
	13	39
	13	36
	13	39
124766-59050	14	6
		9
124950-11340	4	29
	17	4



## Parts No. Index

Parts No.	Fig. No.	Ref. No.
126501-79240	16	5
129001-01250	1	7
129001-32330	2	11
129001-91841	2	22
129004-01520	2	12
129004-13200	6	7
	17	10
129004-55610	14	1
129005-59830	9	12
129030-12201	5	29
129030-44760	10	41
129052-79270	16	16
129054-42320	10	11
129100-01580	3	1
		14
	8	2
129100-01640	3	15
129100-35140	9	20
129100-55690	14	13
129100-77500	5	1
129100-77510	5	2
	17	16
129107-44590	10	45
129150-02450	7	4
129150-03070	4	43
129150-11230	4	11
129150-11280	4	9
129150-11750	4	13
129150-14101	7	7
129150-14200	7	1
129150-25301	7	16
129150-35042	9	3
	17	12
129150-35111	9	21
	17	24
129150-35153	9	22
129150-49080	10	58
129150-49100	10	57
129150-49360	10	43
	17	29
129150-49811	10	27
	17	15
129150-59120	13	30
129150-59131	13	29
		33
129150-77511	5	3
	17	8
129155-51280	12	5
129155-61460	12	24
129210-59100	14	8

Parts No.	Fig. No.	Ref. No.
129210-59230	14	5
129211-77920	16	32
129240-53001	13	2
129240-77200	16	2
129240-77710	16	26
129240-79300	16	27
129242-13510	6	8
129242-13520	6	9
129255-61410	12	21
129258-42290	10	18
129259-12570	5	19
129335-44740	10	40
129350-49530	10	20
129400-77012	15	1
129400-77441	15	5
129400-77520	15	12
129400-77531	15	13
129400-77571	15	17
129400-92420	17	30
129410-03990	5	27
129418-32320	2	10
129457-49801	10	26
129486-01670	3	18
129486-42050	10	31
	17	13
129486-59510	13	40
129486-59551	13	38
129486-77400	15	2
129486-77460	15	6
		8
129486-77470	15	7
129486-77490	15	9
129555-59511	14	7
129556-42350	10	19
129612-01600	3	2
129612-12691	5	14
129612-52100	14	4
129642-61060	12	97
129792-22400	8	23
129795-01780	3	17
129795-01900	16	1
129795-01950	2	16
129795-02411	1	13
129795-21661	8	10
129795-49551	10	21
	17	14
129900-07900	4	1
129900-32130	2	9
129900-77460	15	10
129900-77640	15	18

Parts No.	Fig. No.	Ref. No.
129906-55700	14	11
129953-12620	5	20
158552-51151	7	18
158552-51570	11	68
		69
158552-51580	11	72
158552-51600	11	83
158552-51670	11	4
158552-51780	11	91
158552-52100	11	98
158552-52310	11	99
158552-52400	11	114
158552-61441	12	23
158552-61900	12	82
158553-51551	11	65
158553-51630	11	84
158553-51640	11	86
158553-51660	11	88
158553-51670	11	77
158553-51680	11	89
158553-51770	11	118
158553-61050	12	2
158553-61070	12	3
158557-51570	11	70
158560-51300	11	49
158563-51281	11	47
		48
158563-51330	11	57
158600-51270	11	46
158601-51340	11	58
158601-51550	11	66
158601-51570	11	71
158601-51650	11	87
158601-51770	11	90
158601-51790	11	92
171002-66830	12	60
171008-77410	15	3
171008-77420	15	4
171008-77510	15	11
171008-77540	15	14
171008-77650	15	19
171008-77660	15	20
171008-77670	15	21
171051-01921	1	5
171064-44510	10	46
171340-77520	5	4
22117-100000	6	14
22190-080002	2	34
	9	14
		15

Parts No.	Fig. No.	Ref. No.
22190-080002	17	17
22190-100002	9	16
	17	22
22190-120000	12	63
22190-120002	11	100
		102
		128
22190-180002	11	103
		104
22190-220002	3	11
	17	25
22217-100000	6	15
22217-140000	7	19
	11	105
22312-050140	11	106
22351-030010	8	8
22351-050010	11	107
22351-060012	4	36
22512-070140	7	8
	8	6
22857-500100	4	51
		52
23000-041000	10	62
23000-060000	5	25
		30
23010-038000	10	63
23065-070225	10	51
23414-080000	10	28
	17	28
23857-030000	9	13
23876-030000	2	4
	10	13
23876-040000	2	5
23887-120002	11	111
	12	65
24311-000070	11	113
24311-000120	4	54
	17	19
24311-000160	14	15
24311-000320	2	23
	4	55
	17	20
24321-000650	14	14
24341-000240	2	29
	17	21
24341-000280	12	82
24356-010180	11	115
24356-010200	11	80
		116
24372-000150	11	81

## Parts No. Index

Parts No.	Fig. No.	Ref. No.
26013-080222	5	23 24
26106-060102	11 12	117 53 67
26106-060142	10 12	14 83 84
26106-060162	2	30
26106-060202	10 12	15 85
26106-060322	15	28
26106-060402	15	29
26106-060502	10	42
26106-080122	2 10	35 29
26106-080142	4 7	2 9
26106-080162	2	24 25 36
	3 11	12 130
26106-080202	2 5 9 11	37 10 23 131
26106-080222	10	25
26106-080252	4	37
26106-080302	14	3
26106-080352	3 9 10	19 8 16
26106-080402	5 7	5 15
26106-080452	3 4 16	13 38 34
26106-080502	4	39
26106-080552	2 10	26 17
26106-080802	5	6 11
26106-100202	6	10
26106-100652	6	16
26116-120252	15	30
26206-100252	3	4
26206-100302	3	5
26306-080002	2 6	27 6

Parts No.	Fig. No.	Ref. No.
26306-080002	6	11
26306-100002	16	28
26366-060002	9	17
26450-080452	11	123
26706-100002	6	17
26756-060002	12	68
26776-140002	7 11	20 124
27241-120000	1	8
27241-300000	1	9
27241-400000	4	23
27310-070001	4	30
28110-100120	17	34
28110-140170	17	35
719802-01560	1	1
719802-22900	8	34
719802-22950	8	36
719810-02980	1	18
719810-23100	8	24
719823-92840	17	1
719944-51330	11	1
729235-01500	2	1
729240-53200	13	1
977770-01212	2 3 4 17	31 20 56 31
X2114555500	15	25
X2114955020	15	26
X2240410100	15	27
X9490561001	16	3

Parts No.	Fig. No.	Ref. No.
-----------	----------	----------

Parts No.	Fig. No.	Ref. No.
-----------	----------	----------