

OCD10-M82001EN

PREFACE

1. This parts catalog is the 2nd edition of 3TNV84-QIK & 3TNV84-QIKA for IHI Construction Machinery Limited.

Pub.No. : 000Y00D8201

Published : November.,2006

2. Model name

| Engine model | Vehicle | | Vehicle made by |
|--------------|-----------|------------|---------------------------------|
| | Products | Model name | |
| 3TNV84-QIK | Excavator | 35NX2 | IHI Construction Machinery Ltd. |
| 3TNV84-QIKA | | 35N2 | |

Directions for the Parts Catalog.

1. This Parts Catalog shows both standard and optional parts.
2. Parts may change without prior notice.
3. The following is an example of the Parts Catalog format.

| REF. | LEV. | PARTS NO. | DESCRIPTION | Q'TY | | | | | | I | R |
|------|------|--|---------------------|------|-----|-----|-----|-----|-----|---|---|
| | | | | (A) | (B) | (C) | (D) | (E) | (F) | | |
| 1 | 1 | 729595-51390 | FUEL INJECTION PUMP | 1 | 1 | 1 | 1 | 1 | | | 1 |
| 1-1 | 1 | 729595-51391 | FUEL INJECTION PUMP | 1 | 1 | 1 | 1 | 1 | | N | 1 |
| | | (A=E00185) (B=E00200) | | | | | | | | | |
| 3 | 2 | 26022-060162 | SCREW M 6X 16 | 9 | 9 | 9 | 9 | 9 | | | |
| 3-1 | 2 | 26022-060162 | SCREW M 6X 16 | 4 | 4 | 4 | 4 | 4 | | K | |
| | | (A=E00156) (B=E00156) (C=E00156) (D=E00156) (E=E00156) | | | | | | | | | |
| 4 | 2 | 129470-51040 | CAMSHAFT | 1 | 1 | 1 | 1 | 1 | | | |
| 5 | 2 | 122710-51050 | BEARING, ROLLER | 2 | 2 | 2 | 2 | 2 | | | |
| 6 | 2 | 129470-51060 | RETAINER | 1 | 1 | 1 | 1 | 1 | | | |

| |
|---|
| Remarks |
| (1) BOOST COMPEMSATOR TYPE. OPTIONAL PART, TO E00155,(4JH-DT, 4JH-DTZ |

① Ref. No.

The Ref. No. listed may not be in accordance with the illustration Ref. No.

(Ex.) Illustration No.

List Ref No.

1

1

(Before change)

1-1

(After change)

For interchangeable symbols N, R and K, illustrations for new parts may be abbreviated.

② Lev. (Level)

Level indication

The numbers below indicate the level of relativity towards the main part.

1 ----- Main parts (Assembly parts)

2 ----- Sub component included in " 1 ".

3 ----- Sub component included in " 2 ".

Note) Parts that are not for sale are partially illustrated but not listed.

③ Interchangeability Symbol

When a part change takes place, one of the following interchangeability symbols is indicated beside the part.

| Symbol | Interchangeability | Contents note |
|--------|---|--|
| N | Old $\begin{matrix} \leftarrow \text{Yes} \\ \text{No} \rightarrow \end{matrix}$ New | New Part is interchangeable for Old Part but Old Part is not interchangeable for New Part. |
| Q | Old $\begin{matrix} \leftarrow \text{No} \\ \text{Yes} \rightarrow \end{matrix}$ New | New Part is not interchangeable for Old Part but Old Part is interchangeable for New Part. |
| R | Old $\begin{matrix} \leftarrow \text{Yes} \\ \text{Yes} \rightarrow \end{matrix}$ New | New/ Old Parts are both interchangeable. |
| S | Old $\begin{matrix} \leftarrow \text{No} \\ \text{No} \rightarrow \end{matrix}$ New | New/ Old Parts are both not interchangeable. |
| W | | Part newly added. |
| Z | | Part discontinued. |
| F | | Not interchangeable by a single part but interchangeable together with related parts. |
| K | | Changes only for used parts quantities. |

④ Effective Machine No.

When a part changes, the effective Machine No. will be indicated in the (A)-(F) column.

| Product Symbol | Product No. | Product Symbol | Product No. |
|----------------|---------------------------|----------------|-----------------------------------|
| C | Clutch No. Compressor No. | F | Machine No. (Agricultural Equip.) |
| D | Drive No. | M | Machine No. |
| E | Engine No. | | |

Note 1) A date may follow the symbol. (Ex.) 1996.01

Note 2) "XXXXX" and "ZZZZZ" are for parts that could not be predicted or for engine models that could not be identified.

Note 3) (A=E00185) is the E (Engine Serial Number) for the column (A) model (in this case 4JH-DT) after the parts design change.

⑤ Remarks

Figures or alphabets (symbols) are entered in the remarks column.

The comments (remarks) on parts that are indicated at the bottom of the illustration are the same symbols as those stated above.

Contents

Fig. No. Fig. Name

Fig. No. Fig. Name

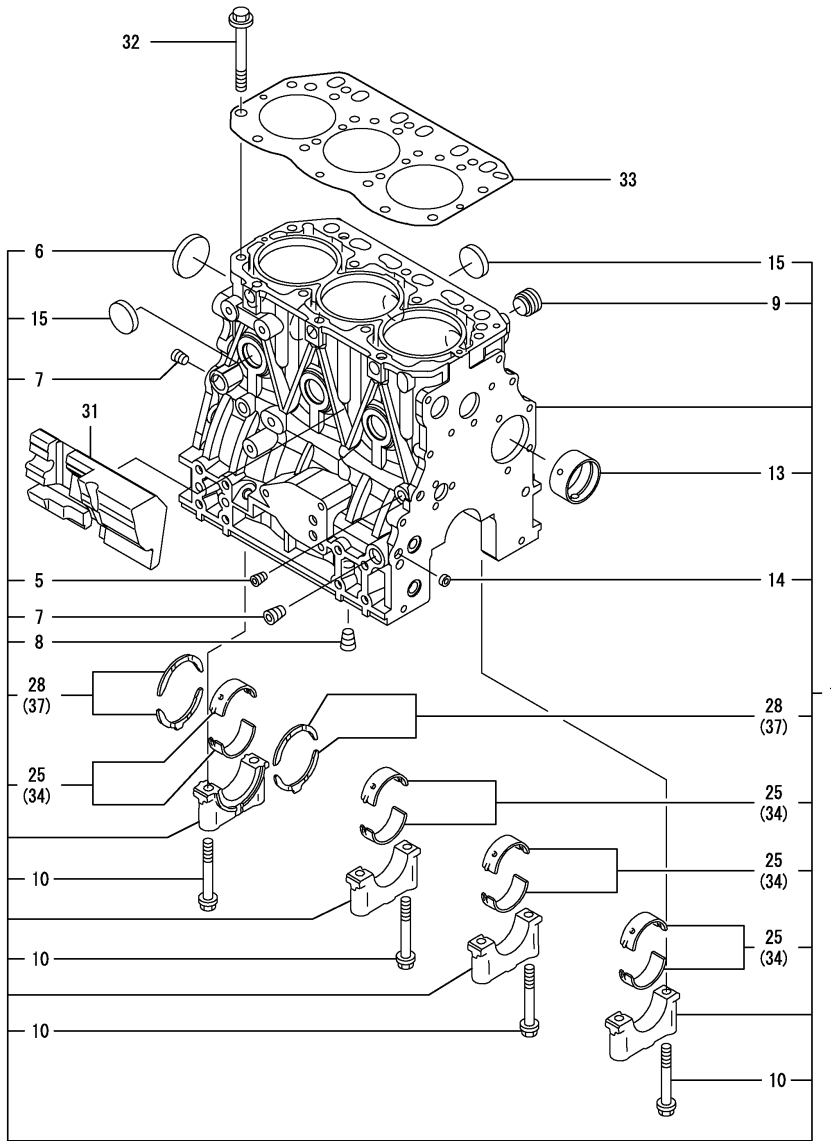
ENGINE SECTION

1. CYLINDER BLOCK
2. GEAR HOUSING
3. FLYWHEEL HOUSING & OIL SUMP
4. CYLINDER HEAD & BONNET
5. SUCTION MANIFOLD & AIR CLAENER
6. EXHAUST MANIFOLD & SILENCER
7. CAMSHAFT & DRIVING GEAR
8. CRANKSHAFT & PISTON
9. LUB.OIL SYSTEM
10. COOLING WATER SYSTEM
11. FUEL INJECTION PUMP
12. FUEL INJECTION VALVE
13. FUEL LINE
14. STARTING MOTOR
15. GENERATOR
16. GASKET SET
17. FUEL INJECTION PUMP(INNER PART
18. GOVERNOR(INNER PARTS)

Fig.1. CYLINDER BLOCK

(A)=3TNV84-QIK
 (B)=3TNV84-QIKA
 (C)=

(D)=
 (E)=
 (F)=

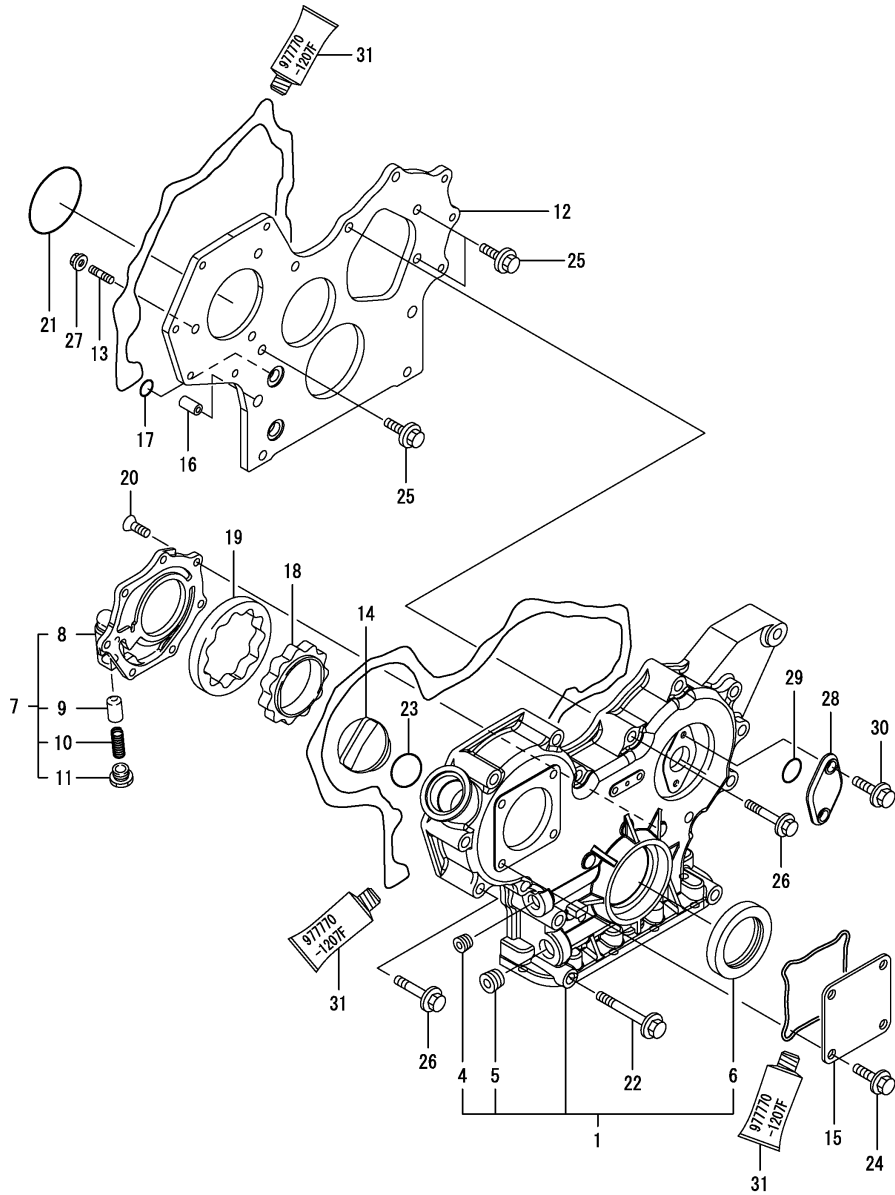


| No. | Lev. | Parts No. | Description | Q'ty | | | | | | I | R |
|------|------|-----------------------|----------------------|------|-----|-----|-----|-----|-----|---|-----|
| | | | | (A) | (B) | (C) | (D) | (E) | (F) | | |
| 1 | 1 | 729004-01560 | BLOCK ASSY, CYLINDER | 1 | 1 | | | | | | |
| 5 | 2 | 124060-01050 | PLUG, PT1/8 | 1 | 1 | | | | | | |
| 6 | 2 | 129001-01250 | PLUG, 50 | 1 | 1 | | | | | | |
| 7 | 2 | 124160-01910 | PLUG, PT1/4 | 2 | 2 | | | | | | |
| 8 | 2 | 124160-01910 | PLUG, PT1/4 | 1 | 1 | | | | | | |
| 9 | 2 | 171051-01921 | PLUG, NPTF1 | 1 | 1 | | | | | | |
| 10 | 2 | 129150-02020 | BOLT, METAL CAP | 8 | 8 | | | | | | |
| 13 | 2 | 129795-02411 | BUSH, CAMSHAFT | 1 | 1 | | | | | | |
| 13-1 | 2 | 129795-02412 | BUSH, CAMSHAFT | 1 | 1 | | | | | | N |
| | | (A=E28114) (B=E28108) | | | | | | | | | |
| 14 | 2 | 27241-120000 | PLUG, 12 | 2 | 2 | | | | | | |
| 15 | 2 | 27241-300000 | PLUG 30 | 6 | 6 | | | | | | |
| 25 | 2 | 129001-02930 | BEARING, MAIN | 4 | 4 | | | | | | 3 |
| 25-1 | 2 | 129001-02931 | BEARING, MAIN | 4 | 4 | | | | | | N 3 |
| | | (A=E28114) (B=E28108) | | | | | | | | | |
| 28 | 2 | 129150-02930 | BEARING, THRUST | 2 | 2 | | | | | | |
| 28-1 | 2 | 129150-02931 | BEARING, THRUST | 2 | 2 | | | | | | N |
| | | (A=E28114) (B=E28108) | | | | | | | | | |
| 31 | 1 | 129004-01190 | SPACER | 1 | 1 | | | | | | |
| 32 | 1 | 129150-01200 | BOLT, HEAD | 14 | 14 | | | | | | |
| 33 | 1 | 129002-01331 | GASKET, HEAD | 1 | 1 | | | | | | |
| 34 | 1 | 129150-02870 | BEARING, 0.25 US | 4 | 4 | | | | | | 1 |
| 34-1 | 1 | 129150-02871 | BEARING, 0.25 US | 4 | 4 | | | | | | N 1 |
| | | (A=E28114) (B=E28108) | | | | | | | | | |
| 37 | 1 | 129150-02940 | BEARING, THRUST 0.25 | 1 | 1 | | | | | | 2 |
| 37-1 | 1 | 129150-02941 | BEARING, THRUST 0.25 | 1 | 1 | | | | | | N 2 |
| | | (A=E28114) (B=E28108) | | | | | | | | | |

Remarks

- (1) UNDER-SIZE(U.S=0.25)PART.
- (2) OVER-SIZE(O.S=0.25)PART.
- (3) REPAIR PART.

Fig.2. GEAR HOUSING



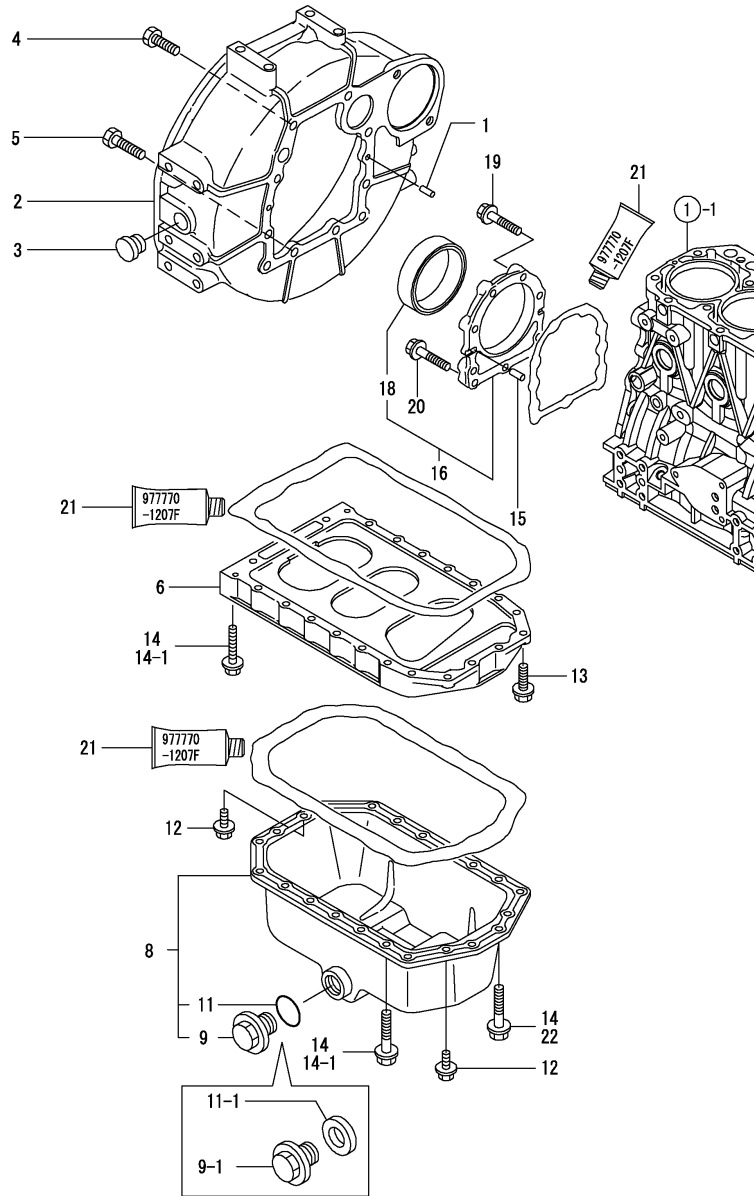
(A)=3TNV84-QIK
 (B)=3TNV84-QIKA
 (C)=

(D)=
 (E)=
 (F)=

| No. | Lev. | Parts No. | Description | Q'ty | | | | | | I | R |
|-----------------------|------|--------------|---------------------|------|-----|-----|-----|-----|-----|---|---|
| | | | | (A) | (B) | (C) | (D) | (E) | (F) | | |
| 1 | 1 | 719802-01500 | CASE ASSY, GEAR | 1 | 1 | | | | | | |
| 4 | 2 | 23876-030000 | PLUG, R03 | 1 | 1 | | | | | | |
| 5 | 2 | 23876-040000 | PLUG, R04 | 1 | 1 | | | | | | |
| 6 | 2 | 129795-01800 | SEAL, OIL | 1 | 1 | | | | | | |
| 7 | 1 | 119802-32100 | COVER ASSY | 1 | 1 | | | | | | |
| 8 | 2 | 119802-32070 | COVER | 1 | 1 | | | | | | |
| 9 | 2 | 129900-32130 | VALVE, RELIEF | 1 | 1 | | | | | | |
| 10 | 2 | 129418-32320 | SPRING | 1 | 1 | | | | | | |
| 11 | 2 | 129001-32330 | PLUG | 1 | 1 | | | | | | |
| 12 | 1 | 119802-01520 | FLANGE, GEAR CASE | 1 | 1 | | | | | | |
| 13 | 1 | 119802-01560 | STUD, M8X25 | 3 | 3 | | | | | | |
| 13-1 | 1 | 119802-01561 | STUD, M8X25 | 3 | 3 | | | | | | R |
| (A=E21533) (B=E21540) | | | | | | | | | | | |
| 14 | 1 | 124160-01751 | COVER, FILLER | 1 | 1 | | | | | | |
| 15 | 1 | 124240-01871 | COVER | 1 | 1 | | | | | | |
| 16 | 1 | 129795-01950 | PIPE, KNOCK L=18 | 2 | 2 | | | | | | |
| 17 | 1 | 119609-32040 | O-RING, P16 | 4 | 4 | | | | | | |
| 18 | 1 | 119802-32111 | ROTOR, INNER | 1 | 1 | | | | | | |
| 19 | 1 | 119802-32120 | ROTOR, OUTER | 1 | 1 | | | | | | |
| 20 | 1 | 119802-32130 | SCREW, M6X16 | 7 | 7 | | | | | | |
| 21 | 1 | 121850-51960 | O-RING | 1 | 1 | | | | | | |
| 22 | 1 | 129001-91841 | BOLT, M8X85 | 3 | 3 | | | | | | |
| 23 | 1 | 24311-000320 | O-RING, 1AP32.0 | 1 | 1 | | | | | | |
| 24 | 1 | 26106-080162 | BOLT, M8X 16 PLATED | 4 | 4 | | | | | | |
| 25 | 1 | 26106-080162 | BOLT, M8X 16 PLATED | 3 | 3 | | | | | | |
| 26 | 1 | 26106-080552 | BOLT, M8X 55 PLATED | 12 | 12 | | | | | | |
| 27 | 1 | 26306-080002 | NUT, M8 | 3 | 3 | | | | | | |
| 28 | 1 | 121023-01550 | COVER | 1 | 1 | | | | | | |
| 28-1 | 1 | 121023-01551 | COVER | 1 | 1 | | | | | | R |
| (A=E23145) (B=E22976) | | | | | | | | | | | |
| 29 | 1 | 24341-000240 | O-RING, 1AS24.0 | 1 | 1 | | | | | | |
| 30 | 1 | 26106-060162 | BOLT, M6X 16 PLATED | 2 | 2 | | | | | | |
| 31 | 1 | 977770-1207F | GASKET.LIQUID | 1 | 1 | | | | | | 1 |

Remarks
 (1) OPTIONAL PART.

Fig.3. FLYWHEEL HOUSING & OIL SUMP



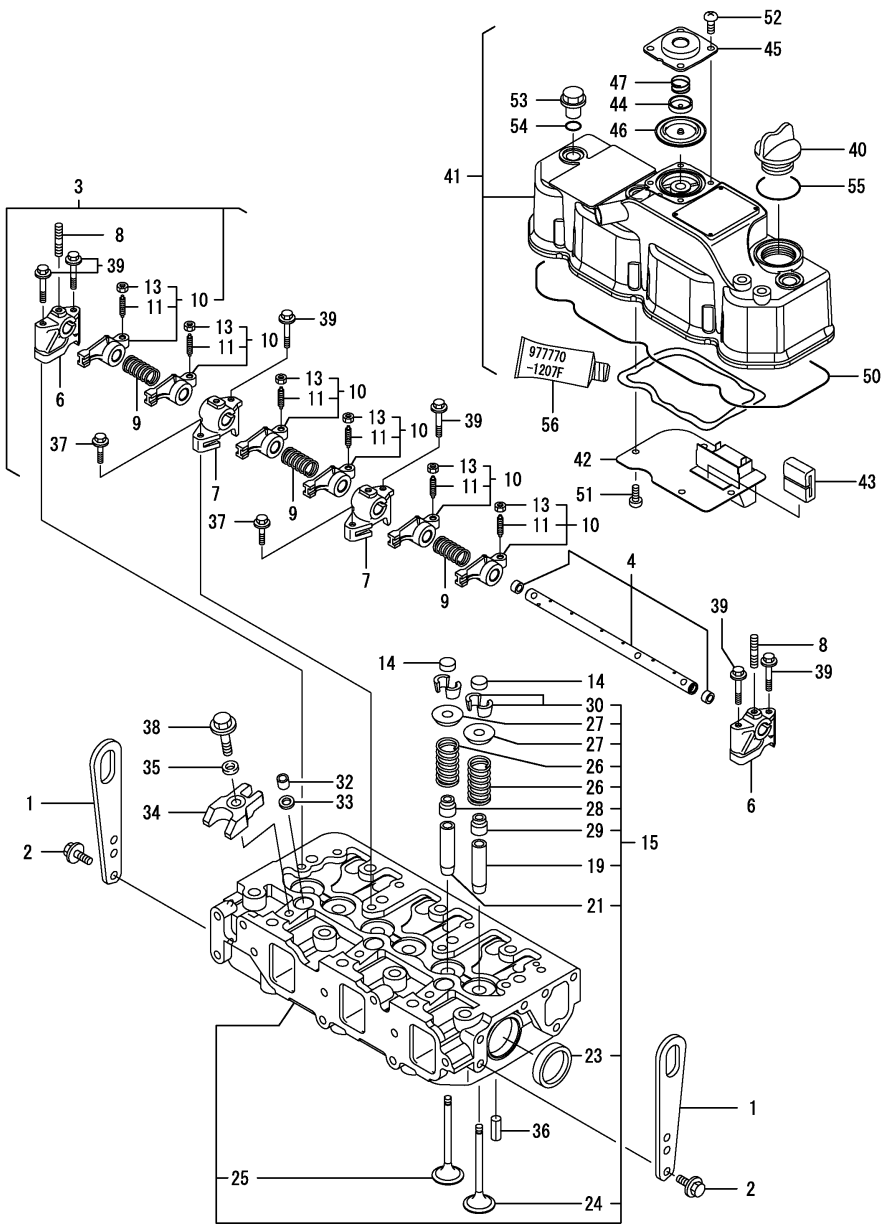
(A)=3TNV84-QIK
(B)=3TNV84-QIKA
(C)=

(D)=
(E)=
(F)=

| No. | Lev. | Parts No. | Description | Q'ty | | | | | | I | R |
|------|------|---------------------------|----------------------|------|-----|-----|-----|-----|-----|---|---|
| | | | | (A) | (B) | (C) | (D) | (E) | (F) | | |
| 1 | 1 | 129100-01580 | PIN, M8X16 | 2 | 2 | | | | | | |
| 2 | 1 | 129612-01600 | HOUSING, FLYWHEEL | 1 | 1 | | | | | | |
| 3 | 1 | 119620-01750 | CAP | 1 | 1 | | | | | | |
| 4 | 1 | 26206-100252 | BOLT, M10X 25 PLATED | 6 | 6 | | | | | | |
| 5 | 1 | 26206-100302 | BOLT, M10X 30 PLATED | 4 | 4 | | | | | | |
| 6 | 1 | 129100-01730 | SPACER, OIL SUMP | 1 | 1 | | | | | | |
| 8 | 1 | 129100-01760 | SUMP ASSY, OIL | 1 | 1 | | | | | | |
| 9 | 2 | 171301-01640 | PLUG, 22 | 1 | 1 | | | | | | |
| 9-1 | 2 | 119640-01640 | PLUG, DRAIN M22 | 1 | 1 | | | | | | S |
| | | (A=E15723) (B=E15265) | | | | | | | | | |
| 11 | 2 | 24341-000250 | O-RING, 1AS25.0 | 1 | 1 | | | | | | |
| 11-1 | 2 | 22190-220002 | WASHER, SEAL 22 | 1 | 1 | | | | | | S |
| | | (A=E15723) (B=E15265) | | | | | | | | | |
| 12 | 1 | 26106-080162 | BOLT, M8X 16 PLATED | 4 | 4 | | | | | | |
| 13 | 1 | 26106-080252 | BOLT, M8X 25 PLATED | 2 | 2 | | | | | | |
| 14 | 1 | 26106-080452 | BOLT, M8X 45 PLATED | 20 | 20 | | | | | | |
| 14-1 | 1 | 26106-080452 | BOLT, M8X 45 PLATED | 16 | 16 | | | | | | K |
| | | (A=FROM 1ST) (B=FROM 1ST) | | | | | | | | | |
| 15 | 1 | 129100-01580 | PIN, M8X16 | 2 | 2 | | | | | | |
| 16 | 1 | 129100-01640 | CASE ASSY, OIL SEAL | 1 | 1 | | | | | | |
| 18 | 2 | 129795-01780 | SEAL, OIL | 1 | 1 | | | | | | |
| 19 | 1 | 129486-01670 | BOLT, M8X30 | 6 | 6 | | | | | | |
| 20 | 1 | 26106-080352 | BOLT, M8X 35 PLATED | 3 | 3 | | | | | | |
| 21 | 1 | 977770-1207F | GASKET,LIQUID | 1 | 1 | | | | | | 1 |
| 22 | 1 | 26106-080502 | BOLT, M8X 50 PLATED | 4 | 4 | | | | | | W |
| | | (A=FROM 1ST) (B=FROM 1ST) | | | | | | | | | |

Remarks
(1) OPTIONAL PART.

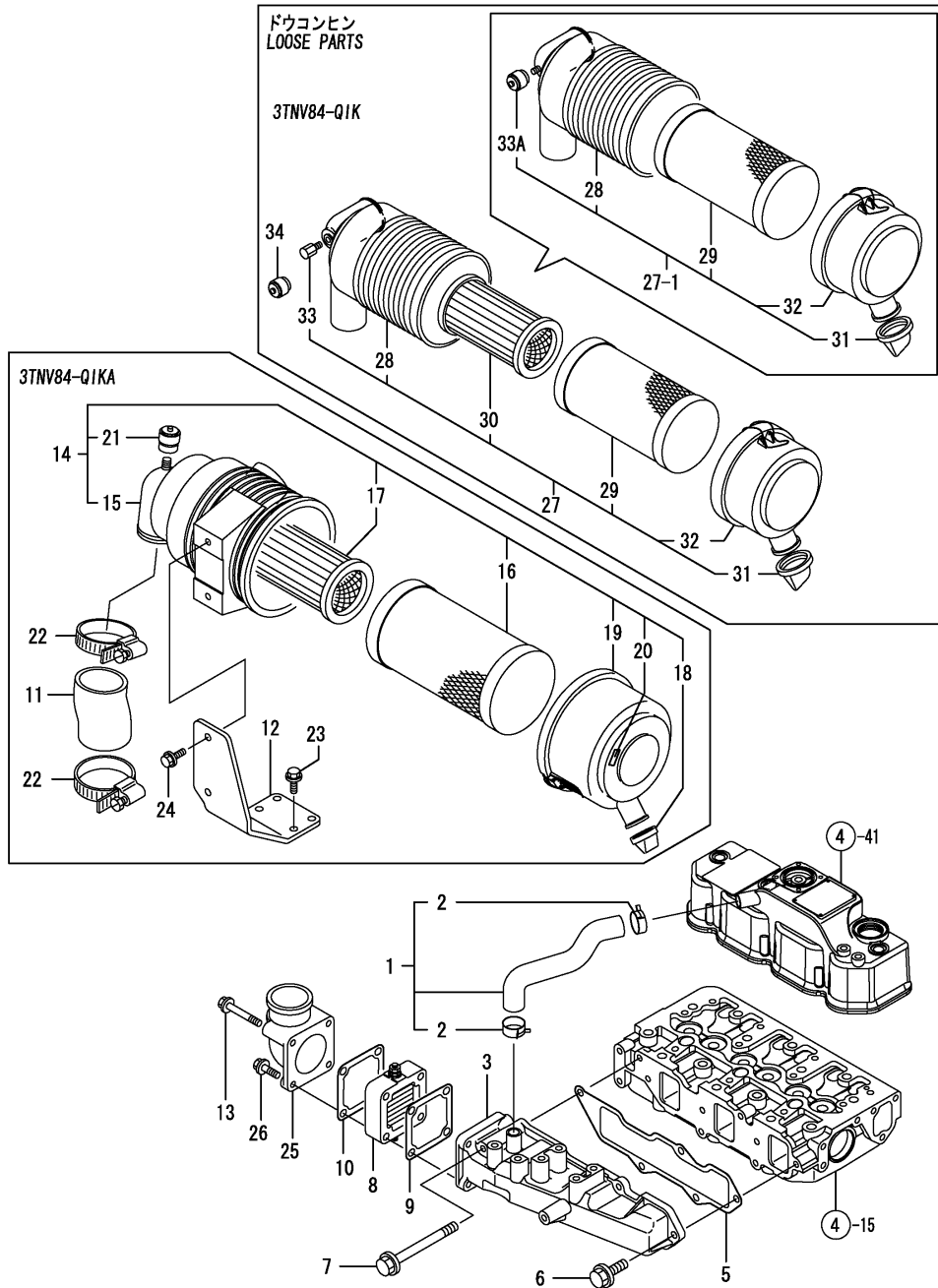
Fig.4. CYLINDER HEAD & BONNET



| No. | Lev. | Parts No. | Description | Q'ty | | | | | | I | R |
|------|------|-----------------------|---------------------|------|-----|-----|-----|-----|-----|---|---|
| | | | | (A) | (B) | (C) | (D) | (E) | (F) | | |
| 1 | 1 | 129900-07900 | LIFTER | 2 | 2 | | | | | | |
| 2 | 1 | 26106-080142 | BOLT, M8X 14 PLATED | 4 | 4 | | | | | | |
| 2-1 | 1 | 26106-080162 | BOLT, M8X 16 PLATED | 4 | 4 | | | | | | N |
| | | (A=E16617) (B=E16804) | | | | | | | | | |
| 3 | 1 | 129004-11241 | SHAFT ASSY, ROCKER | 1 | 1 | | | | | | |
| 4 | 2 | 129004-11251 | SHAFT, ROCKER ARM | 1 | 1 | | | | | | |
| 6 | 2 | 119802-11260 | SUPPORT, ROCKER ARM | 2 | 2 | | | | | | |
| 7 | 2 | 119802-11270 | SUPPORT, ROCKER ARM | 2 | 2 | | | | | | |
| 8 | 2 | 119802-11280 | STUD | 3 | 3 | | | | | | |
| 9 | 2 | 129150-11280 | SPRING | 3 | 3 | | | | | | |
| 10 | 2 | 129004-11650 | ARM, ROCKER | 6 | 6 | | | | | | |
| 11 | 3 | 129150-11230 | SCREW, VALVE ADJUST | 6 | 6 | | | | | | |
| 13 | 3 | 129150-11750 | NUT, M8 | 6 | 6 | | | | | | |
| 14 | 1 | 129150-11370 | CAP, VALVE | 6 | 6 | | | | | | |
| 15 | 1 | 129004-11700 | HEAD ASSY, CYLINDER | 1 | 1 | | | | | | |
| 19 | 2 | 120130-11860 | GUIDE, VALVE | 3 | 3 | | | | | | 1 |
| 21 | 2 | 129150-11810 | GUIDE, VALVE | 3 | 3 | | | | | | 1 |
| 23 | 2 | 27241-400000 | PLUG, 40 | 2 | 2 | | | | | | |
| 24 | 2 | 129004-11100 | VALVE, INTAKE | 3 | 3 | | | | | | |
| 24-1 | 2 | 129004-11130 | VALVE, INTAKE | 3 | 3 | | | | | | R |
| | | (A=E23145) (B=E22976) | | | | | | | | | |
| 25 | 2 | 129100-11110 | VALVE, EXHAUST | 3 | 3 | | | | | | |
| 25-1 | 2 | 129100-11111 | VALVE, EXHAUST | 3 | 3 | | | | | | R |
| | | (A=E15723) (B=E15265) | | | | | | | | | |
| 25-2 | 2 | 129100-11112 | VALVE, EXHAUST | 3 | 3 | | | | | | R |
| | | (A=E23145) (B=E22976) | | | | | | | | | |
| 26 | 2 | 129795-11120 | SPRING, VALVE | 6 | 6 | | | | | | |
| 27 | 2 | 129795-11180 | RETAINER, SPRING | 6 | 6 | | | | | | |
| 28 | 2 | 121400-11340 | SEAL, VALVE STEM | 3 | 3 | | | | | | |
| 29 | 2 | 124460-11340 | SEAL, VALVE STEM | 3 | 3 | | | | | | |
| 30 | 2 | 27310-080001 | COTTER, 8 | 6 | 6 | | | | | | |
| 32 | 1 | 119802-11870 | PROTECTOR, NOZZLE | 3 | 3 | | | | | | |
| 33 | 1 | 119625-11880 | SEAT, NOZZLE | 3 | 3 | | | | | | |
| 34 | 1 | 129004-11900 | RETAINER, NOZZLE | 3 | 3 | | | | | | |
| 35 | 1 | 120270-54410 | WASHER, INJECTOR | 3 | 3 | | | | | | |
| 36 | 1 | 22351-060012 | PIN, SPRING 6.0X12 | 2 | 2 | | | | | | |
| 37 | 1 | 26106-080252 | BOLT, M8X 25 PLATED | 2 | 2 | | | | | | |
| 38 | 1 | 26106-080352 | BOLT, M8X 35 PLATED | 3 | 3 | | | | | | |
| 39 | 1 | 26106-080502 | BOLT, M8X 50 PLATED | 6 | 6 | | | | | | |
| 40 | 1 | 124160-01751 | COVER, FILLER | 1 | 1 | | | | | | |
| 41 | 1 | 129004-11350 | BONNET ASSY, HEAD | 1 | 1 | | | | | | |
| 42 | 2 | 129004-03010 | PLATE | 1 | 1 | | | | | | |
| 43 | 2 | 129150-03070 | BAFFLE, BREATHER | 1 | 1 | | | | | | |
| 44 | 2 | 119802-03110 | PLATE | 1 | 1 | | | | | | |
| 45 | 2 | 119802-03120 | COVER, DIAPHRAGM | 1 | 1 | | | | | | |
| 45-1 | 2 | 119802-03121 | COVER, DIAPHRAGM | 1 | 1 | | | | | | N |
| | | (A=E15723) (B=E15265) | | | | | | | | | |
| 46 | 2 | 119802-03130 | DIAPHRAGM | 1 | 1 | | | | | | |
| 47 | 2 | 119802-03140 | SPRING, DIAPHRAGM | 1 | 1 | | | | | | |
| 47-1 | 2 | 119802-03141 | SPRING, DIAPHRAGM | 1 | 1 | | | | | | N |
| | | (A=E15723) (B=E15265) | | | | | | | | | |

Remarks
 (1) REPAIR PART.
 (2) OPTIONAL PART.

Fig.5. SUCTION MANIFOLD & AIR CLAENER

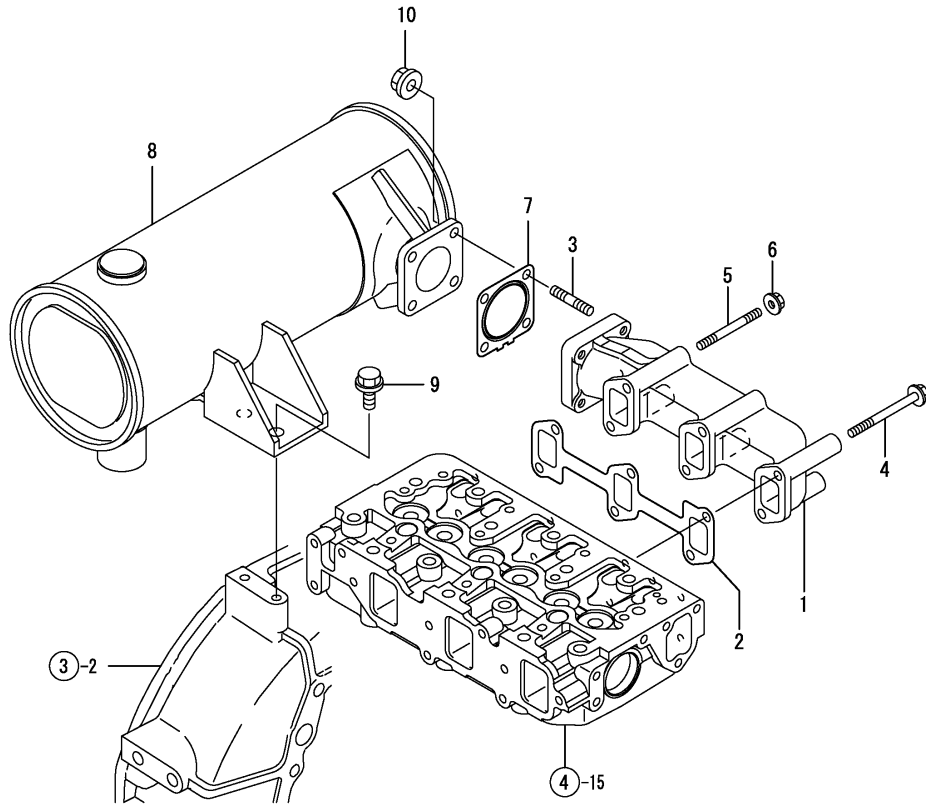


(A)=3TNV84-Q1K
(B)=3TNV84-Q1KA
(C)=

(D)=
(E)=
(F)=

| No. | Lev. | Parts No. | Description | Qty | | | | | | I | R |
|------|------|-----------------------|----------------------|-----|-----|-----|-----|-----|-----|---|---|
| | | | | (A) | (B) | (C) | (D) | (E) | (F) | | |
| 1 | 1 | 129004-03080 | PIPE , BREATHER | 1 | 1 | | | | | | |
| 2 | 2 | 129410-03990 | CLAMP 22 | 2 | 2 | | | | | | |
| 3 | 1 | 129004-12100 | MANIFOLD, AIR INTAKE | 1 | 1 | | | | | | |
| 5 | 1 | 129001-12110 | GASKET, MANIFOLD | 1 | 1 | | | | | | |
| 6 | 1 | 26106-080202 | BOLT, M8X 20 PLATED | 4 | 4 | | | | | | |
| 7 | 1 | 26106-080802 | BOLT, M8X 80 PLATED | 1 | 1 | | | | | | |
| 8 | 1 | 129100-77500 | HEATER, AIR 12V | 1 | 1 | | | | | | |
| 8-1 | 1 | 129100-77501 | HEATER | 1 | 1 | | | | | | N |
| | | (A=E27376) (B=E27343) | | | | | | | | | |
| 9 | 1 | 129150-77511 | GASKET | 1 | 1 | | | | | | |
| 10 | 1 | 129100-77510 | GASKET, AIR HEATER | 1 | 1 | | | | | | |
| 11 | 1 | 119910-12210 | PIPE, AIR INTAKE | | | 1 | | | | | |
| 12 | 1 | 119802-12560 | BRACKET, AIR CLEANER | | | 1 | | | | | |
| 13 | 1 | 26106-080802 | BOLT, M8X 80 PLATED | 2 | 2 | | | | | | |
| 14 | 1 | 119910-12601 | CLEANER ASSY, AIR | | | 1 | | | | | |
| 15 | 2 | 119910-12510 | BODY, AIR CLEANER | | | 1 | | | | | |
| 16 | 2 | 119808-12520 | ELEMENT | | | 1 | | | | | |
| 17 | 2 | 129051-12530 | ELEMENT | | | 1 | | | | | |
| 18 | 2 | 119808-12540 | VALVE, UNLOADER | | | 1 | | | | | |
| 19 | 2 | 119866-12541 | COVER ASSY | | | 1 | | | | | |
| 20 | 2 | 129612-12650 | MARKING,(W) | | | 1 | | | | | |
| 21 | 2 | 126650-12680 | INDICATOR | | | 1 | | | | | |
| 22 | 1 | 23000-060000 | CLAMP, 60 | | | 2 | | | | | |
| 23 | 1 | 26013-080222 | BOLT, M8X 22 | | | 4 | | | | | |
| 24 | 1 | 26013-080222 | BOLT, M8X 22 | | | 2 | | | | | |
| 25 | 1 | 171340-77520 | BEND | 1 | 1 | | | | | | |
| 26 | 1 | 26106-080402 | BOLT, M8X 40 PLATED | 2 | 2 | | | | | | |
| 27 | 1 | 129051-12500 | CLEANER ASSY, AIR | | | 1 | | | | | |
| 27-1 | 1 | 129240-12540 | CLEANER ASSY, AIR | | | 1 | | | | | S |
| | | (A=FROM 1ST) | | | | | | | | | |
| 28 | 2 | 129051-12510 | BODY, AIR CLEANER | | | 1 | | | | | |
| 29 | 2 | 119808-12520 | ELEMENT | | | 1 | | | | | |
| 30 | 2 | 129051-12530 | ELEMENT | | | 1 | | | | | Z |
| | | (A=FROM 1ST) | | | | | | | | | |
| 31 | 2 | 119808-12540 | VALVE, UNLOADER | | | 1 | | | | | |
| 32 | 2 | 129051-12540 | COVER, AIR CLEANER | | | 1 | | | | | |
| 33 | 2 | 121820-12590 | NIPPLE | | | 1 | | | | | Z |
| | | (A=FROM 1ST) | | | | | | | | | |
| 33A | 2 | 126650-12680 | INDICATOR | | | 1 | | | | | W |
| | | (A=FROM 1ST) | | | | | | | | | |
| 34 | 1 | 126650-12680 | INDICATOR | | | 1 | | | | | Z |
| | | (A=FROM 1ST) | | | | | | | | | |

Fig.6. EXHAUST MANIFOLD & SILENCER

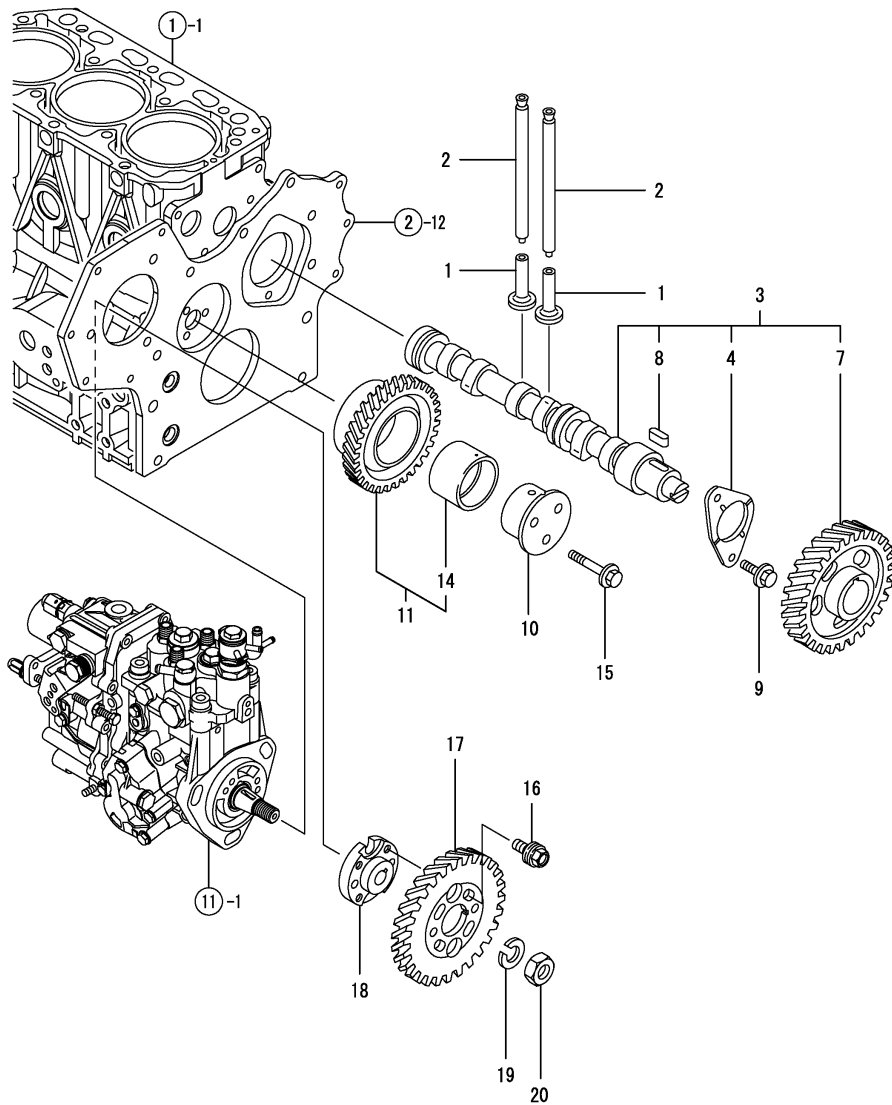


(A)=3TNV84-QIK
(B)=3TNV84-QIKA
(C)=

(D)=
(E)=
(F)=

| No. | Lev. | Parts No. | Description | Q'ty | | | | | | I | R |
|-----|------|--------------|----------------------|------|-----|-----|-----|-----|-----|---|---|
| | | | | (A) | (B) | (C) | (D) | (E) | (F) | | |
| 1 | 1 | 129004-13129 | MANIFOLD, EXHAUST | 1 | 1 | | | | | | |
| 2 | 1 | 129150-13110 | GASKET | 1 | 1 | | | | | | |
| 3 | 1 | 119131-18320 | STUD, M8X22 | 4 | 4 | | | | | | |
| 4 | 1 | 123900-13630 | BOLT, M8X80 | 4 | 4 | | | | | | |
| 5 | 1 | 123900-13610 | STUD, M8X80 | 2 | 2 | | | | | | |
| 6 | 1 | 26306-080002 | NUT, M8 | 2 | 2 | | | | | | |
| 7 | 1 | 129004-13200 | GASKET, SILENCER | 1 | 1 | | | | | | |
| 8 | 1 | 129240-13550 | SILENCER | 1 | 1 | | | | | | |
| 9 | 1 | 26106-100202 | BOLT, M10X 20 PLATED | 2 | 2 | | | | | | |
| 10 | 1 | 26306-080002 | NUT, M8 | 4 | 4 | | | | | | |

Fig.7. CAMSHAFT & DRIVING GEAR



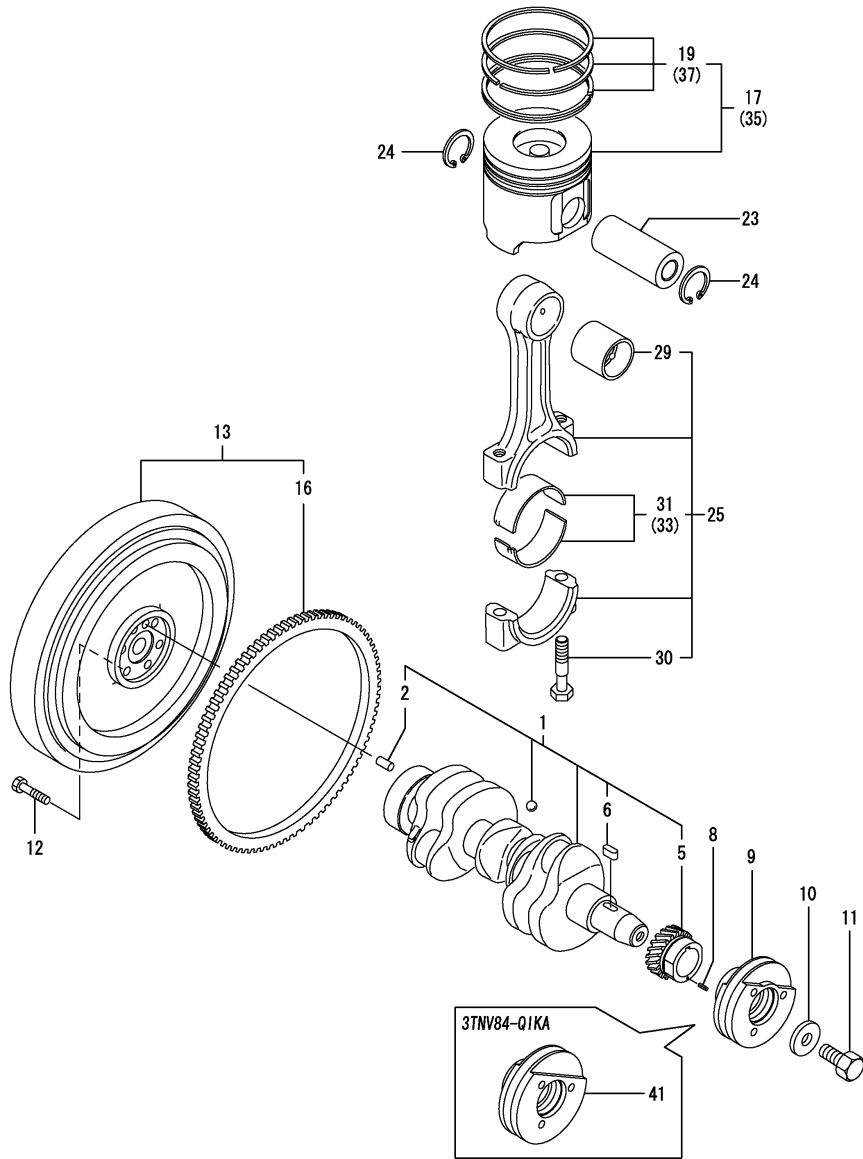
(A)=3TNV84-QIK
(B)=3TNV84-QIKA
(C)=

(D)=
(E)=
(F)=

| No. | Lev. | Parts No. | Description | Q'ty | | | | | | I | R |
|------|------|-----------------------|---------------------|------|-----|-----|-----|-----|-----|---|-----|
| | | | | (A) | (B) | (C) | (D) | (E) | (F) | | |
| 1 | 1 | 129150-14200 | TAPPET | 6 | 6 | | | | | | |
| 2 | 1 | 129150-14400 | ROD, PUSH L=178 | 6 | 6 | | | | | | |
| 3 | 1 | 129129-14580 | CAMSHAFT ASSY | 1 | 1 | | | | | | |
| 4 | 2 | 129150-02450 | BEARING, THRUST | 1 | 1 | | | | | | |
| 7 | 2 | 129150-14101 | GEAR, CAMSHAFT | 1 | 1 | | | | | | |
| 8 | 2 | 22512-070140 | KEY, 7X 14 | 1 | 1 | | | | | | |
| 9 | 1 | 26106-080142 | BOLT, M8X 14 PLATED | 2 | 2 | | | | | | |
| 10 | 1 | 119802-25051 | SHAFT, IDLE | 1 | 1 | | | | | | |
| 11 | 1 | 119802-25100 | GEAR ASSY, IDLE | 1 | 1 | | | | | | |
| 11-1 | 1 | 119802-25101 | GEAR ASSY, IDLE | 1 | 1 | | | | | | N |
| | | (A=E28114) (B=E28108) | | | | | | | | | |
| 14 | 2 | 119802-25070 | BUSH, IDLE GEAR | 1 | 1 | | | | | | 1 |
| 14-1 | 2 | 119802-25071 | BUSH, IDLE GEAR | 1 | 1 | | | | | | N 1 |
| | | (A=E28114) (B=E28108) | | | | | | | | | |
| 15 | 1 | 26106-080402 | BOLT, M8X 40 PLATED | 3 | 3 | | | | | | |
| 16 | 1 | 129150-25301 | BOLT | 4 | 4 | | | | | | |
| 17 | 1 | 119802-25901 | GEAR, PUMP | 1 | 1 | | | | | | |
| 18 | 1 | 158552-51151 | FLANGE | 1 | 1 | | | | | | |
| 19 | 1 | 22217-140000 | WASHER, SPRING 14 | 1 | 1 | | | | | | |
| 20 | 1 | 26776-140002 | NUT, LOCK M14 | 1 | 1 | | | | | | |

Remarks
(1) REPAIR PART.

Fig.8. CRANKSHAFT & PISTON



(A)=3TNV84-Q1K
(B)=3TNV84-Q1KA
(C)=

(D)=
(E)=
(F)=

| No. | Lev. | Parts No. | Description | Q'ty | | | | | | I | R |
|------|------|-----------------------|----------------------|------|-----|-----|-----|-----|-----|---|-----|
| | | | | (A) | (B) | (C) | (D) | (E) | (F) | | |
| 1 | 1 | 129004-21001 | CRANKSHAFT ASSY | 1 | 1 | | | | | | |
| 1-1 | 1 | 129004-21002 | CRANKSHAFT ASSY | 1 | 1 | | | | | | N |
| | | (A=E15723) (B=E15265) | | | | | | | | | |
| 2 | 2 | 129100-01580 | PIN, M8X16 | 1 | 1 | | | | | | |
| 5 | 2 | 119802-21201 | GEAR, CRANKSHAFT | 1 | 1 | | | | | | |
| 5-1 | 2 | 119802-21202 | GEAR, CRANKSHAFT | 1 | 1 | | | | | | N |
| | | (A=E15723) (B=E15265) | | | | | | | | | |
| 6 | 2 | 22512-070140 | KEY, 7X 14 | 1 | 1 | | | | | | |
| 8 | 1 | 22351-030010 | PIN, SPRING 3.0X10 | 1 | 1 | | | | | | |
| 9 | 1 | 129004-21650 | V-PULLEY, 110 | 1 | | | | | | | |
| 10 | 1 | 129795-21661 | WASHER | 1 | 1 | | | | | | |
| 11 | 1 | 121850-21680 | BOLT | 1 | 1 | | | | | | |
| 12 | 1 | 121111-21501 | BOLT, FLYWHEEL | 6 | 6 | | | | | | |
| 13 | 1 | 129211-21590 | FLYWHEEL ASSY | 1 | 1 | | | | | | |
| 16 | 2 | 119865-21600 | GEAR, RING | 1 | 1 | | | | | | |
| 17 | 1 | 129004-22080 | PISTON ASSY | 3 | 3 | | | | | | |
| 19 | 2 | 129004-22500 | RING SET, PISTON | 3 | 3 | | | | | | |
| 23 | 1 | 129202-22300 | PIN, PISTON D26 L70 | 3 | 3 | | | | | | |
| 24 | 1 | 22252-000260 | RING, 26 | 6 | 6 | | | | | | |
| 25 | 1 | 729402-23100 | ROD ASSY, CONNECTING | 3 | 3 | | | | | | |
| 29 | 2 | 129100-23910 | BEARING, PISTON PIN | 3 | 3 | | | | | | 1 |
| 30 | 2 | 121550-23200 | BOLT, CONNECTING ROD | 6 | 6 | | | | | | |
| 31 | 2 | 129150-23600 | BEARING, CRANK PIN | 3 | 3 | | | | | | |
| 31-1 | 2 | 129150-23601 | BEARING, CRANK PIN | 3 | 3 | | | | | | N |
| | | (A=E28114) (B=E28108) | | | | | | | | | |
| 33 | 1 | 129150-23610 | BEARING, 0.25 US | 3 | 3 | | | | | | 2 |
| 33-1 | 1 | 129150-23611 | BEARING, 0.25 US | 3 | 3 | | | | | | N 2 |
| | | (A=E28114) (B=E28108) | | | | | | | | | |
| 35 | 1 | 129004-22900 | PISTON ASSY, 0.25 OS | 3 | 3 | | | | | | 3 |
| 37 | 2 | 129004-22950 | RING SET, 0.25 OS | 3 | 3 | | | | | | 3 |
| 41 | 1 | 129005-21650 | V-PULLEY, 120 | 1 | | | | | | | |

Remarks

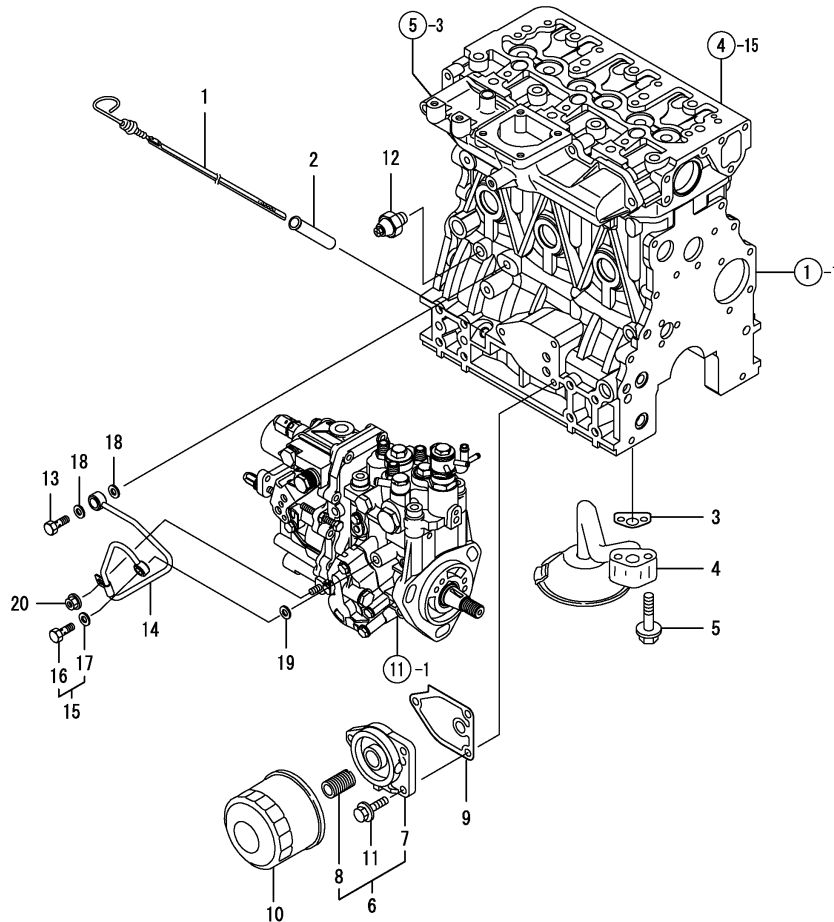
- (1) REPAIR PART.
- (2) UNDER-SIZE(U.S=0.25)PART.
- (3) OVER-SIZE(O.S=0.25)PART.

Fig.9. LUB.OIL SYSTEM

(A)=3TNV84-QIK
(B)=3TNV84-QIKA
(C)=

(D)=
(E)=
(F)=

| No. | Lev. | Parts No. | Description | Q'ty | | | | | | I | R |
|-----|------|-----------------------|----------------------|------|-----|-----|-----|-----|-----|---|---|
| | | | | (A) | (B) | (C) | (D) | (E) | (F) | | |
| 1 | 1 | 129004-34801 | DIPSTICK, OIL | 1 | 1 | | | | | | |
| 1-1 | 1 | 129004-34802 | DIPSTICK, OIL | 1 | 1 | | | | | | N |
| | | (A=E15723) (B=E15265) | | | | | | | | | |
| 2 | 1 | 121520-34810 | GUIDE, DIPSTICK | 1 | 1 | | | | | | |
| 3 | 1 | 129150-35041 | GASKET | 1 | 1 | | | | | | |
| 3-1 | 1 | 129150-35042 | GASKET | 1 | 1 | | | | | | N |
| | | (A=E15723) (B=E15265) | | | | | | | | | |
| 4 | 1 | 129100-35301 | PIPE ASSY, OIL INLET | 1 | 1 | | | | | | |
| 5 | 1 | 26106-080352 | BOLT, M8X 35 PLATED | 2 | 2 | | | | | | |
| 6 | 1 | 119802-35100 | BRACKET ASSY, FILTER | 1 | 1 | | | | | | |
| 7 | 2 | 119802-35110 | BRACKET, FILTER | 1 | 1 | | | | | | |
| 8 | 2 | 129100-35140 | STUD | 1 | 1 | | | | | | |
| 9 | 1 | 129150-35111 | GASKET | 1 | 1 | | | | | | |
| 10 | 1 | 129150-35153 | FILTER 80X80L | 1 | 1 | | | | | | 1 |
| 11 | 1 | 26106-080202 | BOLT, M8X 20 PLATED | 3 | 3 | | | | | | |
| 12 | 1 | 121252-39450 | SWITCH, 0.5KG | 1 | 1 | | | | | | |
| 13 | 1 | 124160-39140 | BOLT, PIPE JOINT M10 | 1 | 1 | | | | | | |
| 14 | 1 | 119802-39450 | PIPE ASSY, OIL | 1 | 1 | | | | | | |
| 15 | 1 | 129005-59830 | BOLT ASSY, JOINT M8 | 1 | 1 | | | | | | |
| 16 | 2 | 23857-030000 | BOLT, JOINT 3 | 1 | 1 | | | | | | |
| 17 | 2 | 22190-080002 | WASHER, SEAL 6 | 1 | 1 | | | | | | |
| 18 | 1 | 22190-100002 | WASHER, SEAL 10 | 2 | 2 | | | | | | |
| 19 | 1 | 22190-080002 | WASHER, SEAL 6 | 1 | 1 | | | | | | |
| 20 | 1 | 26366-060002 | NUT, M6 | 1 | 1 | | | | | | |

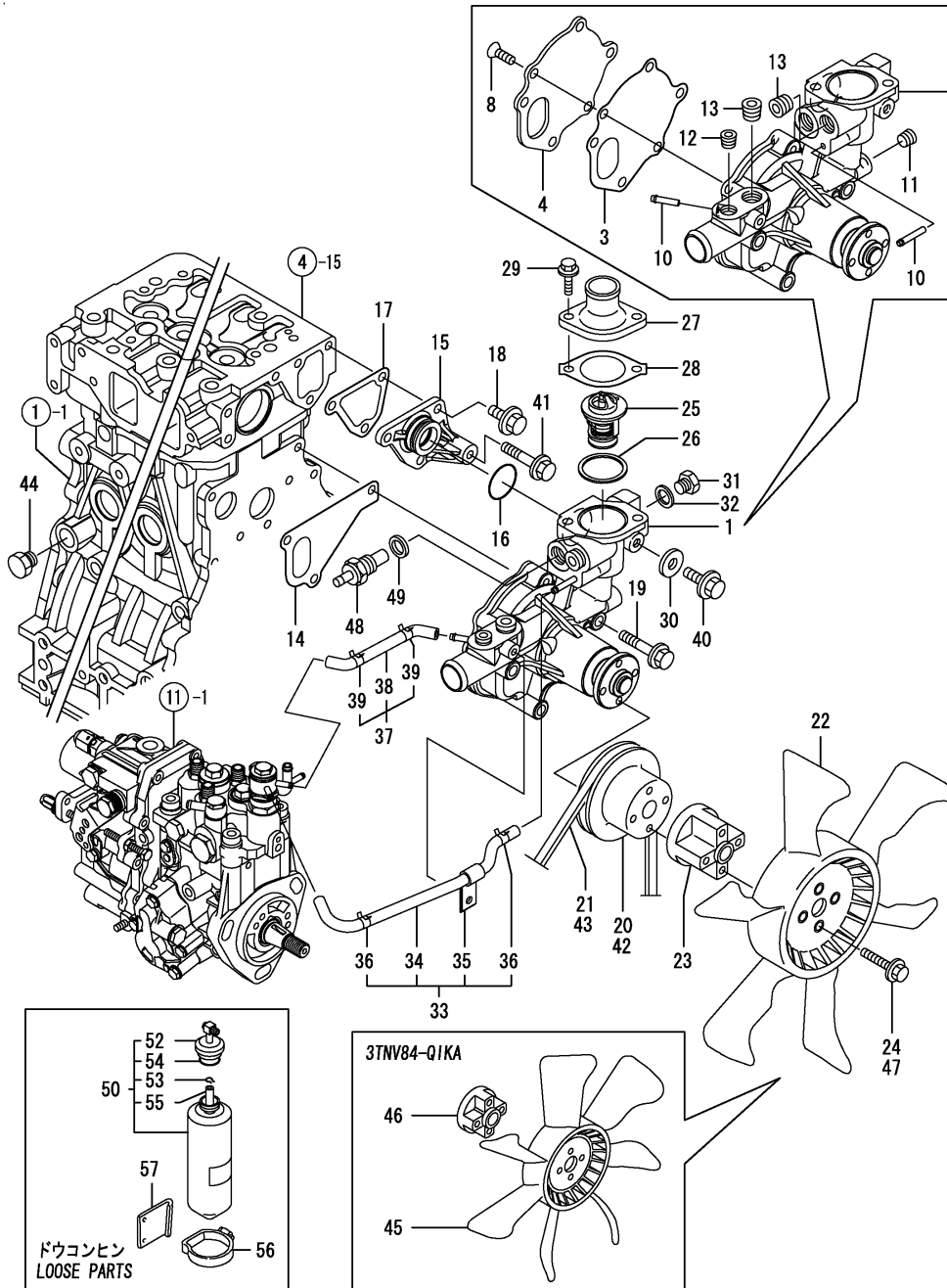


Remarks
(1) REPAIR PART.

Fig.10. COOLING WATER SYSTEM

(A)=3TNV84-QIK
 (B)=3TNV84-QIKA
 (C)=

(D)=
 (E)=
 (F)=



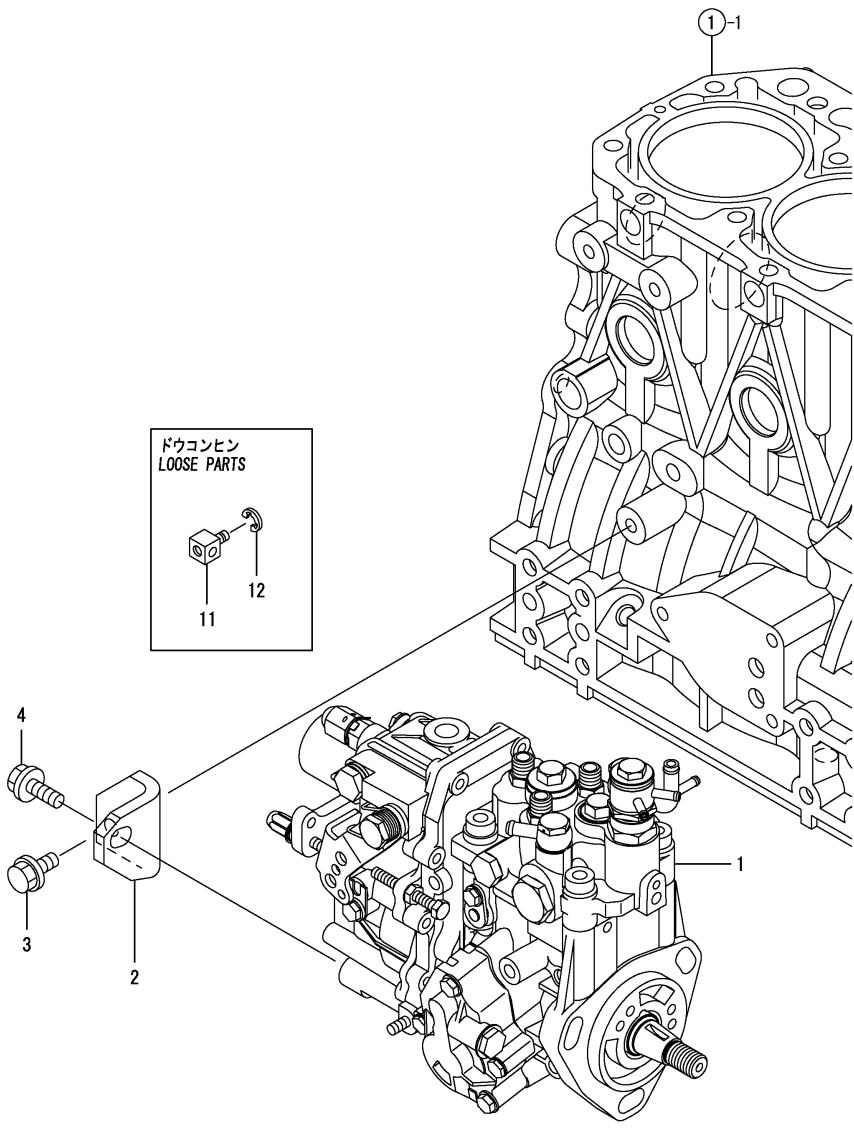
| No. | Lev. | Parts No. | Description | Q'ty | | | | | | I | R |
|-----|------|--------------|----------------------|------|-----|-----|-----|-----|-----|---|---|
| | | | | (A) | (B) | (C) | (D) | (E) | (F) | | |
| 1 | 1 | 129004-42001 | PUMP ASSY, WATER | 1 | 1 | | | | | | |
| 3 | 2 | 129100-42051 | GASKET, WATER PUMP | 1 | 1 | | | | | | |
| 4 | 2 | 129100-42121 | PLATE | 1 | 1 | | | | | | |
| 8 | 2 | 121850-42410 | SCREW | 3 | 3 | | | | | | |
| 10 | 2 | 119802-49113 | JOINT, PIPE | 2 | 2 | | | | | | |
| 11 | 2 | 23876-010000 | PLUG, R01 | 1 | 1 | | | | | | |
| 12 | 2 | 23876-020000 | PLUG, R02 | 1 | 1 | | | | | | |
| 13 | 2 | 129916-49740 | PLUG, R03 | 2 | 2 | | | | | | |
| 14 | 1 | 129486-42021 | GASKET, WATER PUMP | 1 | 1 | | | | | | |
| 15 | 1 | 129004-42040 | JOINT | 1 | 1 | | | | | | |
| 16 | 1 | 129486-42140 | O-RING, G30 | 1 | 1 | | | | | | |
| 17 | 1 | 124395-49840 | GASKET | 1 | 1 | | | | | | |
| 18 | 1 | 26106-080162 | BOLT, M8X 16 PLATED | 3 | 3 | | | | | | |
| 19 | 1 | 26106-080602 | BOLT, M8X 60 PLATED | 3 | 3 | | | | | | |
| 20 | 1 | 129556-42350 | V-PULLEY, 96 | | 1 | | | | | | |
| 21 | 1 | 119831-42290 | V-BELT, A37.5 | 1 | | | | | | | |
| 22 | 1 | 171340-44740 | FAN, COOLING D335XNF | 1 | | | | | | | |
| 23 | 1 | 171353-44760 | SPACER, FAN | 1 | | | | | | | |
| 24 | 1 | 26106-060402 | BOLT, M6X 40 PLATED | 4 | | | | | | | |
| 25 | 1 | 129155-49801 | THERMOSTAT, 71 | 1 | 1 | | | | | | |
| 26 | 1 | 129150-49811 | GASKET, THERMOSTAT | 1 | 1 | | | | | | |
| 27 | 1 | 129350-49530 | COVER, THERMOSTAT | 1 | 1 | | | | | | |
| 28 | 1 | 129795-49551 | GASKET | 1 | 1 | | | | | | |
| 29 | 1 | 26106-080222 | BOLT, M8X 22 PLATED | 2 | 2 | | | | | | |
| 30 | 1 | 23414-080000 | GASKET, 8X1.0 | 1 | 1 | | | | | | |
| 31 | 1 | 121450-42450 | PLUG, M16 | 1 | 1 | | | | | | |
| 32 | 1 | 124465-44950 | GASKET, 16 | 1 | 1 | | | | | | |
| 33 | 1 | 129004-49610 | PIPE ASSY, WATER | 1 | 1 | | | | | | |
| 34 | 2 | 129004-49711 | PIPE ASSY, WATER | 1 | 1 | | | | | | |
| 35 | 2 | 119802-49730 | RETAINER, PIPE | 1 | 1 | | | | | | |
| 36 | 2 | 124722-59050 | CLIP, HOSE 9 | 2 | 2 | | | | | | |
| 37 | 1 | 129004-49620 | PIPE ASSY, WATER | 1 | 1 | | | | | | |
| 38 | 2 | 129004-49721 | PIPE ASSY, WATER | 1 | 1 | | | | | | |
| 39 | 2 | 124722-59050 | CLIP, HOSE 9 | 2 | 2 | | | | | | |
| 40 | 1 | 26106-080122 | BOLT, M8X 12 PLATED | 1 | 1 | | | | | | |
| 41 | 1 | 26106-080452 | BOLT, M8X 45 PLATED | 1 | 1 | | | | | | |
| 42 | 1 | 129155-42350 | V-PULLEY | 1 | | | | | | | |
| 43 | 1 | 25132-003800 | V-BELT, A38 | | 1 | | | | | | |
| 44 | 1 | 171056-49120 | PLUG, DRAIN | 1 | 1 | | | | | | |
| 45 | 1 | 121267-44741 | FAN, COOLING D=360 | | 1 | | | | | | |
| 46 | 1 | 121267-44760 | SPACER | | 1 | | | | | | |
| 47 | 1 | 26106-060302 | BOLT, M6X 30 PLATED | | 4 | | | | | | |
| 48 | 1 | 171056-49351 | SENSOR | 1 | 1 | | | | | | |
| 49 | 1 | 129150-49360 | GASKET | 1 | 1 | | | | | | |
| 50 | 1 | 171064-44510 | TANK ASSY, SUB | 1 | 1 | | | | | | |
| 52 | 2 | 121450-44531 | CAP | 1 | 1 | | | | | | |
| 53 | 2 | 124450-44560 | RETAINER | 1 | 1 | | | | | | |
| 54 | 2 | 121470-44581 | GASKET | 1 | 1 | | | | | | |
| 55 | 2 | 23065-070225 | HOSE 7X 225 | 1 | 1 | | | | | | |
| 56 | 1 | 124450-44550 | BAND | 1 | 1 | | | | | | |
| 57 | 1 | 121256-44600 | BRACKET, SUB TANK | 1 | 1 | | | | | | |

Fig.11. FUEL INJECTION PUMP

(A)=3TNV84-QIK
 (B)=3TNV84-QIKA
 (C)=

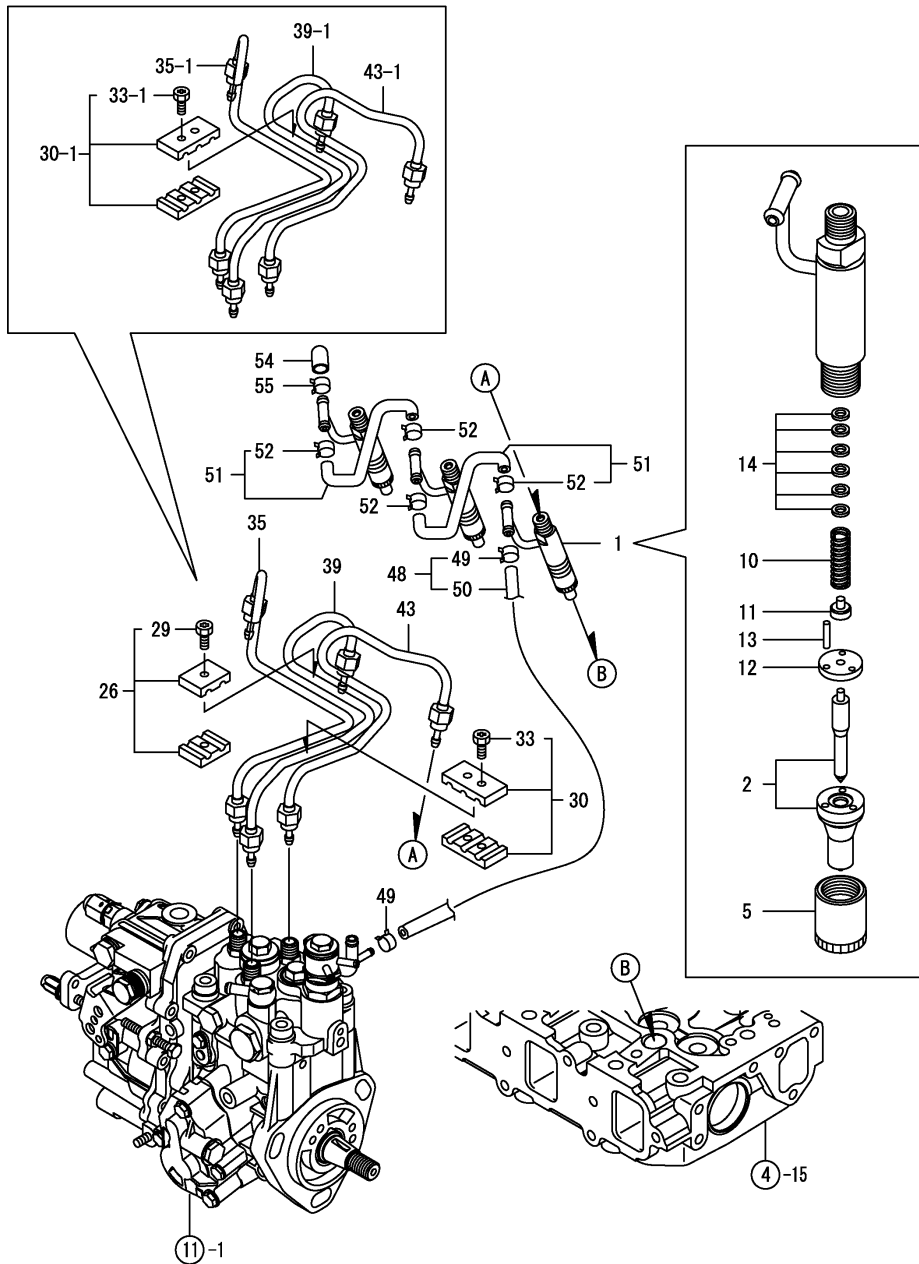
(D)=
 (E)=
 (F)=

| No. | Lev. | Parts No. | Description | Qty | | | | | | I | R |
|-----|------|---------------------------|----------------------|-----|-----|-----|-----|-----|-----|---|---|
| | | | | (A) | (B) | (C) | (D) | (E) | (F) | | |
| 1 | 1 | 729240-51350 | PUMP ASSY, INJECTION | 1 | 1 | | | | | | 1 |
| 2 | 1 | 119802-51250 | RETAINER, PUMP | 1 | 1 | | | | | | |
| 3 | 1 | 26106-080162 | BOLT, M8X 16 PLATED | 1 | 1 | | | | | | |
| 4 | 1 | 26106-080202 | BOLT, M8X 20 PLATED | 1 | 1 | | | | | | |
| 11 | 1 | 124756-67510 | RETAINER | 1 | 1 | | | | | | W |
| | | (A=FROM 1ST) (B=FROM 1ST) | | | | | | | | | |
| 12 | 1 | 22272-000070 | RING, E- 7 | 1 | 1 | | | | | | W |
| | | (A=FROM 1ST) (B=FROM 1ST) | | | | | | | | | |



Remarks
 (1) REFER TO FIG.17 & 18 FOR INNER PARTS.

Fig.12. FUEL INJECTION VALVE

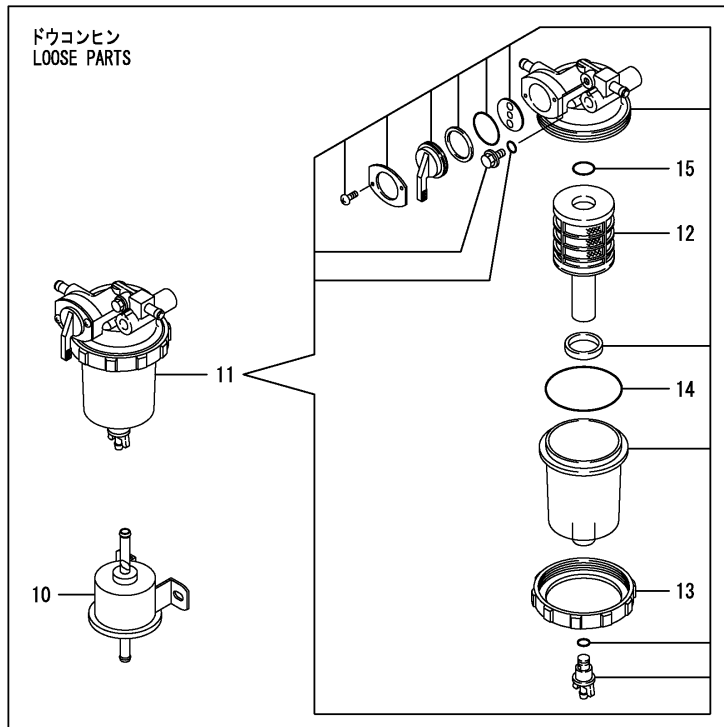
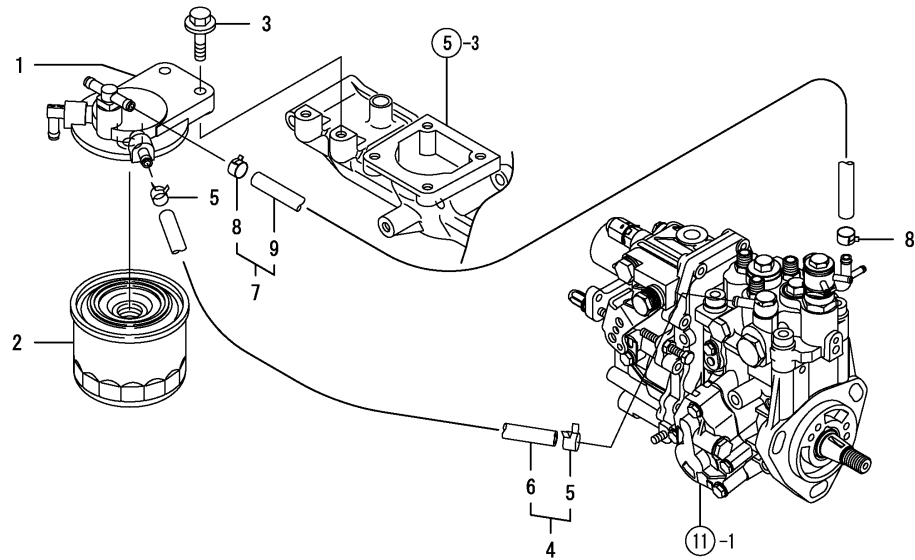


(A)=3TNV84-QIK
(B)=3TNV84-QIKA
(C)=

(D)=
(E)=
(F)=

| No. | Lev. | Parts No. | Description | Q'ty | | | | | | I | R |
|------|------|-----------------------|----------------------|------|-----|-----|-----|-----|-----|---|---|
| | | | | (A) | (B) | (C) | (D) | (E) | (F) | | |
| 1 | 1 | 729244-53100 | VALVE ASSY,INJECTION | 3 | 3 | | | | | | |
| 2 | 2 | 129234-53001 | VALVE ASSY,INJECTION | 3 | 3 | | | | | | |
| 5 | 2 | 114250-53080 | NUT, NOZZLE D16.95 | 3 | 3 | | | | | | |
| 10 | 2 | 114250-53120 | SPRING, NOZZLE | 3 | 3 | | | | | | |
| 11 | 2 | 114250-53130 | SEAT, SPRING | 3 | 3 | | | | | | |
| 12 | 2 | 114250-53140 | PLATE | 3 | 3 | | | | | | |
| 13 | 2 | 114250-53210 | PIN | 6 | 6 | | | | | | |
| 14 | 2 | 114250-53400 | SHIM SET | 3 | 3 | | | | | | |
| 26 | 1 | 119305-59120 | RETAINER, PIPE | 1 | 1 | | | | | | Z |
| | | (A=E21533) (B=E21540) | | | | | | | | | |
| 29 | 2 | 129150-59131 | BOLT, M4X14 | 1 | 1 | | | | | | Z |
| | | (A=E21533) (B=E21540) | | | | | | | | | |
| 30 | 1 | 129150-59120 | RETAINER, PIPE | 1 | 1 | | | | | | |
| 30-1 | 1 | 129150-59120 | RETAINER, PIPE | 2 | 2 | | | | | | K |
| | | (A=E21533) (B=E21540) | | | | | | | | | |
| 33 | 2 | 129150-59131 | BOLT, M4X14 | 2 | 2 | | | | | | |
| 33-1 | 2 | 129150-59131 | BOLT, M4X14 | 4 | 4 | | | | | | K |
| | | (A=E21533) (B=E21540) | | | | | | | | | |
| 35 | 1 | 129004-59810 | PIPE ASSY, INJECTION | 1 | 1 | | | | | | |
| 35-1 | 1 | 129004-59811 | PIPE ASSY, INJECTION | 1 | 1 | | | | | | S |
| | | (A=E21533) (B=E21540) | | | | | | | | | |
| 39 | 1 | 129004-59820 | PIPE ASSY, INJECTION | 1 | 1 | | | | | | |
| 39-1 | 1 | 129004-59821 | PIPE ASSY, INJECTION | 1 | 1 | | | | | | S |
| | | (A=E21533) (B=E21540) | | | | | | | | | |
| 43 | 1 | 129004-59830 | PIPE ASSY, INJECTION | 1 | 1 | | | | | | |
| 43-1 | 1 | 129004-59831 | PIPE ASSY, INJECTION | 1 | 1 | | | | | | S |
| | | (A=E21533) (B=E21540) | | | | | | | | | |
| 48 | 1 | 119802-59550 | PIPE ASSY, RETURN | 1 | 1 | | | | | | |
| 49 | 2 | 124722-59050 | CLIP, HOSE 9 | 2 | 2 | | | | | | |
| 50 | 2 | 119802-59560 | PIPE, FUEL RETURN | 1 | 1 | | | | | | |
| 51 | 1 | 129486-59551 | PIPE ASSY, RETURN | 2 | 2 | | | | | | |
| 52 | 2 | 124722-59050 | CLIP, HOSE 9 | 4 | 4 | | | | | | |
| 54 | 1 | 119593-59580 | CAP | 1 | 1 | | | | | | |
| 54-1 | 1 | 119593-59581 | CAP | 1 | 1 | | | | | | N |
| | | (A=E22217) (B=E22209) | | | | | | | | | |
| 55 | 1 | 124060-77680 | CLIP, HOSE 10 | 1 | 1 | | | | | | |

Fig.13. FUEL LINE



(A)=3TNV84-QIK
(B)=3TNV84-QIKA
(C)=

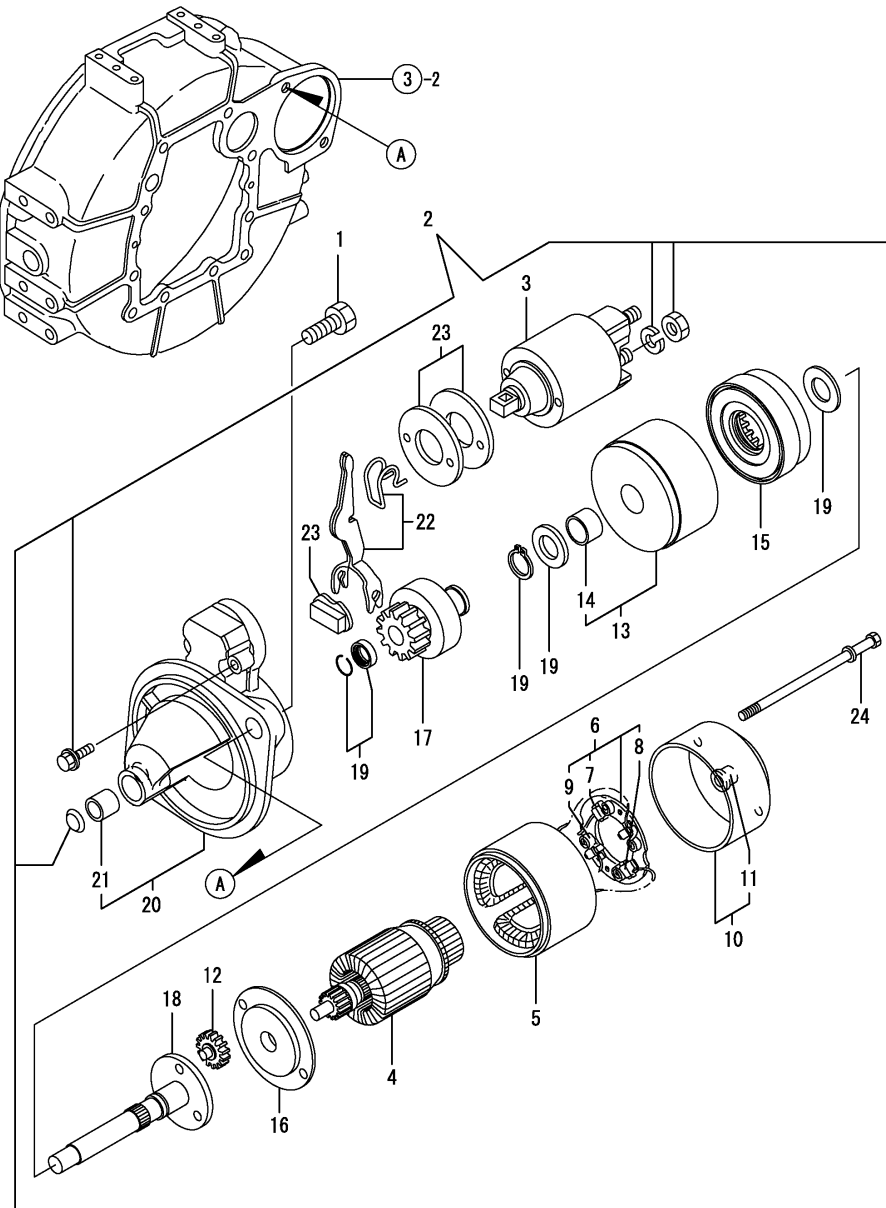
(D)=
(E)=
(F)=

| No. | Lev. | Parts No. | Description | Q'ty | | | | | | I | R |
|-----|------|-----------------------|----------------------|------|-----|-----|-----|-----|-----|---|---|
| | | | | (A) | (B) | (C) | (D) | (E) | (F) | | |
| 1 | 1 | 129004-55610 | BRACKET, FILTER | 1 | 1 | | | | | | |
| 1-1 | 1 | 129004-55611 | BRACKET, FILTER | 1 | 1 | | | | | | R |
| | | (A=E17995) (B=E17763) | | | | | | | | | |
| 1-2 | 1 | 129004-55612 | BRACKET, FILTER | 1 | 1 | | | | | | R |
| | | (A=E26768) (B=E26760) | | | | | | | | | |
| 2 | 1 | 119802-55800 | FILTER, FUEL | 1 | 1 | | | | | | |
| 2-1 | 1 | 119802-55801 | FILTER, FUEL | 1 | 1 | | | | | | R |
| | | (A=E28114) (B=E28108) | | | | | | | | | |
| 3 | 1 | 26106-080302 | BOLT, M8X 30 PLATED | 2 | 2 | | | | | | |
| 4 | 1 | 129210-59100 | PIPE ASSY, FUEL | 1 | 1 | | | | | | |
| 5 | 2 | 124766-59050 | CLIP, HOSE 12 | 2 | 2 | | | | | | |
| 6 | 2 | 105025-59580 | PIPE, FUEL | 1 | 1 | | | | | | |
| 7 | 1 | 129210-59230 | PIPE ASSY, FUEL | 1 | 1 | | | | | | |
| 8 | 2 | 124766-59050 | CLIP, HOSE 12 | 2 | 2 | | | | | | |
| 9 | 2 | 129555-59511 | PIPE, FUEL | 1 | 1 | | | | | | |
| 10 | 1 | 119225-52102 | PUMP ASSY, FUEL FEED | 1 | 1 | | | | | | |
| 11 | 1 | 119802-55700 | SEPARATOR ASSY | 1 | 1 | | | | | | |
| 12 | 2 | 119802-55710 | ELEMENT | 1 | 1 | | | | | | |
| 13 | 2 | 129100-55690 | RING, RETAINING | 1 | 1 | | | | | | |
| 14 | 2 | 24321-000650 | O-RING, 1AG65.0 | 1 | 1 | | | | | | |
| 15 | 2 | 24311-000160 | O-RING, 1AP16.0 | 1 | 1 | | | | | | |

Fig.14. STARTING MOTOR

(A)=3TNV84-QIK
 (B)=3TNV84-QIKA
 (C)=

(D)=
 (E)=
 (F)=

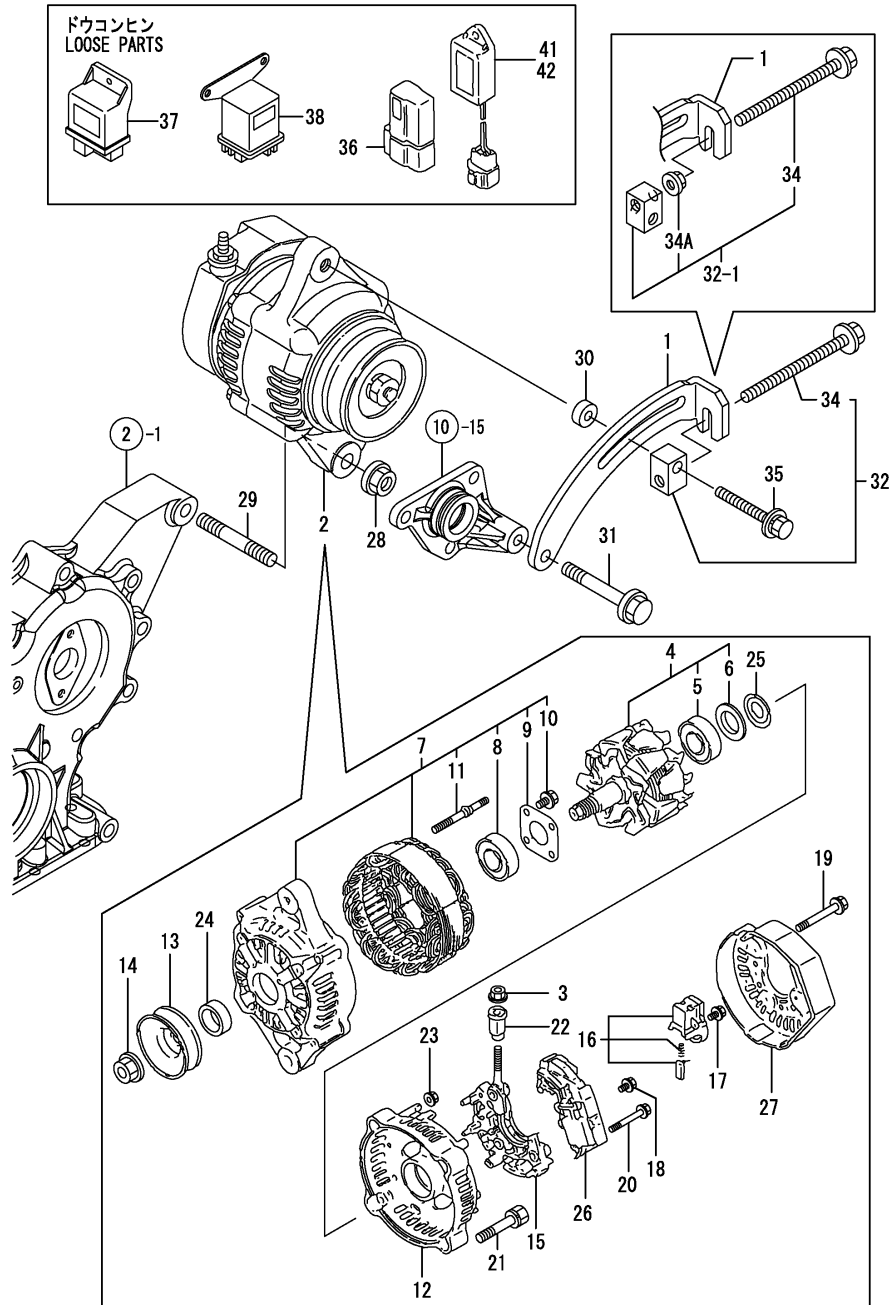


| No. | Lev. | Parts No. | Description | Q'ty | | | | | | I | R |
|-----|------|--------------|----------------------|------|-----|-----|-----|-----|-----|---|---|
| | | | | (A) | (B) | (C) | (D) | (E) | (F) | | |
| 1 | 1 | 26116-120252 | BOLT, M12X 25 PLATED | 2 | 2 | | | | | | |
| 2 | 1 | 129242-77010 | STARTER | 1 | 1 | | | | | | |
| 3 | 2 | 129698-77020 | MAGNETIC SWITCH ASSY | 1 | 1 | | | | | | |
| 4 | 2 | 129242-77100 | ARMATURE ASSY | 1 | 1 | | | | | | |
| 5 | 2 | 129242-77110 | YOKE ASSY | 1 | 1 | | | | | | |
| 6 | 2 | 129242-77120 | BRUSH HOLDER ASSY | 1 | 1 | | | | | | |
| 7 | 3 | 129242-77130 | BRUSH(-) | 2 | 2 | | | | | | |
| 8 | 3 | 129242-77140 | BRUSH(+) SET | 1 | 1 | | | | | | |
| 9 | 3 | 129242-77150 | BRUSH SPRING | 4 | 4 | | | | | | |
| 10 | 2 | 129242-77160 | REAR COVER ASSY | 1 | 1 | | | | | | |
| 11 | 3 | 129242-77170 | REAR COVER METAL | 1 | 1 | | | | | | |
| 12 | 2 | 118400-77170 | GEAR | 3 | 3 | | | | | | |
| 13 | 2 | 129242-77180 | CENTER BRACKET(P) | 1 | 1 | | | | | | |
| 14 | 3 | 129698-77190 | BRACKET | 1 | 1 | | | | | | |
| 15 | 2 | 129698-77200 | GEAR, INTERNAL | 1 | 1 | | | | | | |
| 16 | 2 | 129242-77210 | CENTER BRACKET(A) | 1 | 1 | | | | | | |
| 17 | 2 | 129698-77220 | PINION ASSY | 1 | 1 | | | | | | |
| 18 | 2 | 129698-77230 | SHAFT(PINION) | 1 | 1 | | | | | | |
| 19 | 2 | 129698-77250 | WASHER SET | 1 | 1 | | | | | | |
| 20 | 2 | 129242-77260 | GEAR CASE ASSY | 1 | 1 | | | | | | |
| 21 | 3 | X2114535200 | METAL, STARTER | 1 | 1 | | | | | | |
| 22 | 2 | 129242-77270 | SHIFT LEVER SET | 1 | 1 | | | | | | |
| 23 | 2 | 129242-77280 | DUST COVER KIT | 1 | 1 | | | | | | |
| 24 | 2 | 124195-77770 | THROUGH BOLT | 2 | 2 | | | | | | |

Fig.15. GENERATOR

(A)=3TNV84-QIK
 (B)=3TNV84-QIKA
 (C)=

(D)=
 (E)=
 (F)=

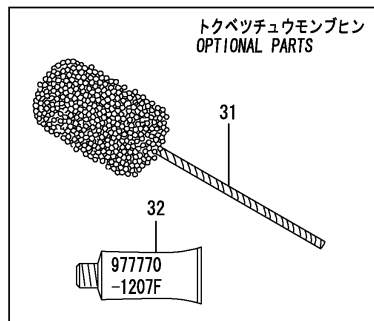
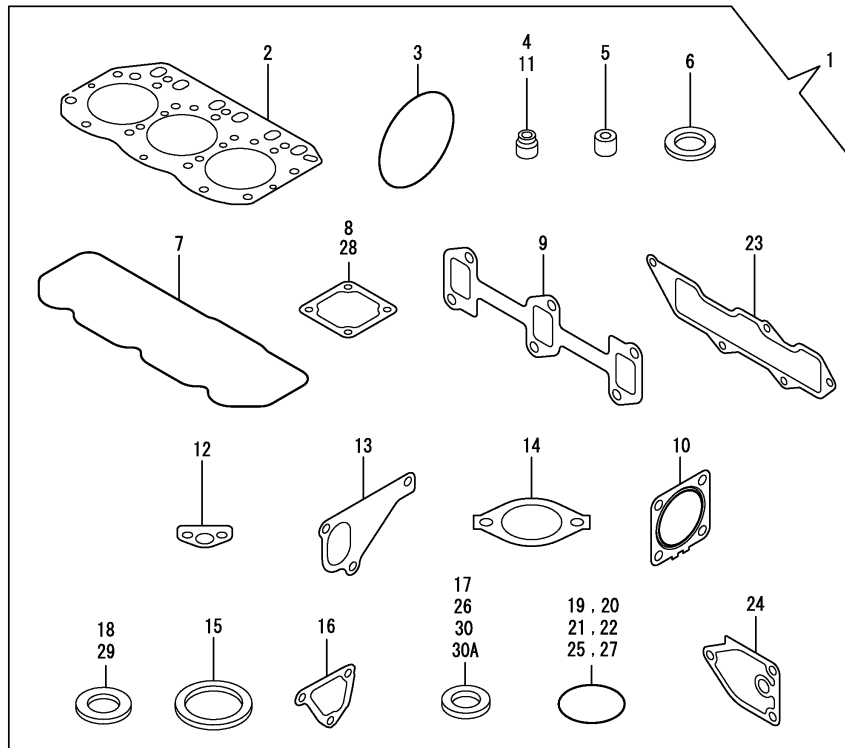


| No. | Lev. | Parts No. | Description | Qty | | | | | | I | R |
|------|------|-----------------------|----------------------|-----|-----|-----|-----|-----|-----|---|---|
| | | | | (A) | (B) | (C) | (D) | (E) | (F) | | |
| 1 | 1 | 129240-77320 | ADJUSTER | 1 | 1 | | | | | | |
| 2 | 1 | 129240-77200 | ALTERNATOR | 1 | 1 | | | | | | |
| 3 | 2 | 129240-79310 | NUT | 1 | 1 | | | | | | |
| 4 | 2 | 119620-77380 | ROTOR ASSY | 1 | 1 | | | | | | |
| 5 | 3 | 126501-79240 | BALL BEARING | 1 | 1 | | | | | | |
| 5-1 | 3 | 123501-79240 | BEARING, BALL | 1 | 1 | | | | | | N |
| | | (A=E15723) (B=E15265) | | | | | | | | | |
| 6 | 3 | 119620-79250 | COVER, BEARING | 1 | 1 | | | | | | |
| 7 | 2 | 119620-77421 | FRAME ASSY, DRIVE | 1 | 1 | | | | | | |
| 8 | 3 | 119620-79200 | BALL BEARING | 1 | 1 | | | | | | |
| 9 | 3 | 119620-79210 | PLATE | 1 | 1 | | | | | | |
| 10 | 3 | 119620-79220 | SCREW | 4 | 4 | | | | | | |
| 11 | 3 | 119620-79230 | BOLT, STUD | 2 | 2 | | | | | | |
| 12 | 2 | 119620-77440 | FLAME ASSY, REAR | 1 | 1 | | | | | | |
| 13 | 2 | 119620-77461 | PULLEY | 1 | 1 | | | | | | |
| 14 | 2 | 119620-77471 | NUT | 1 | 1 | | | | | | |
| 15 | 2 | 119620-79260 | HOLDER | 1 | 1 | | | | | | |
| 16 | 2 | 129052-79270 | HOLDER, BRUSH | 1 | 1 | | | | | | |
| 17 | 2 | 119620-79290 | SCREW | 6 | 6 | | | | | | |
| 18 | 2 | 119620-79300 | SCREW | 1 | 1 | | | | | | |
| 19 | 2 | 119620-79310 | BOLT | 3 | 3 | | | | | | |
| 20 | 2 | 119620-79320 | SCREW W/WASHER | 2 | 2 | | | | | | |
| 21 | 2 | 119620-79330 | BOLT | 2 | 2 | | | | | | |
| 22 | 2 | 119620-79340 | INSULATION BUSH | 1 | 1 | | | | | | |
| 23 | 2 | 119620-79350 | NUT | 2 | 2 | | | | | | |
| 24 | 2 | 119620-77490 | COLLAR | 1 | 1 | | | | | | |
| 25 | 2 | 119620-79360 | WASHER, THRUST | 1 | 1 | | | | | | |
| 26 | 2 | 129240-77710 | REGULATOR ASSY | 1 | 1 | | | | | | |
| 27 | 2 | 129240-79300 | COVER | 1 | 1 | | | | | | |
| 28 | 1 | 26306-100002 | NUT, M10 | 1 | 1 | | | | | | |
| 29 | 1 | 129795-01900 | STUD | 1 | 1 | | | | | | |
| 30 | 1 | 119940-77270 | SPACER, GENERATOR | 1 | 1 | | | | | | |
| 31 | 1 | 26106-080452 | BOLT, M8X 45 PLATED | 1 | 1 | | | | | | |
| 32 | 1 | 129616-77350 | BLOCK ASSY, ADJUSTER | 1 | 1 | | | | | | |
| 32-1 | 1 | 119624-77351 | BLOCK ASSY, ADJUSTER | 1 | 1 | | | | | | N |
| | | (A=E15723) (B=E15265) | | | | | | | | | |
| 34 | 2 | 26106-081004 | BOLT, M8X100 PLATED | 1 | 1 | | | | | | |
| 34A | 2 | 26306-080002 | NUT, M8 | 1 | 1 | | | | | | W |
| | | (A=E15723) (B=E15265) | | | | | | | | | |
| 35 | 1 | 26106-080502 | BOLT, M8X 50 PLATED | 1 | 1 | | | | | | |
| 35-1 | 1 | 26106-080552 | BOLT, M8X 55 PLATED | 1 | 1 | | | | | | N |
| | | (A=E15723) (B=E15265) | | | | | | | | | |
| 36 | 1 | 119643-66900 | DIODE | 1 | 1 | | | | | | |
| 37 | 1 | 119802-77200 | RELAY, SAFETY | 1 | 1 | | | | | | |
| 38 | 1 | 119650-77910 | RELAY ASSY, GLOW | 1 | 1 | | | | | | |
| 41 | 1 | 129211-77920 | TIMER | 1 | 1 | | | | | | |
| 42 | 1 | 128300-77920 | TIMER | 1 | 1 | | | | | | |

Fig.16. GASKET SET

(A)=3TNV84-QIK
 (B)=3TNV84-QIKA
 (C)=

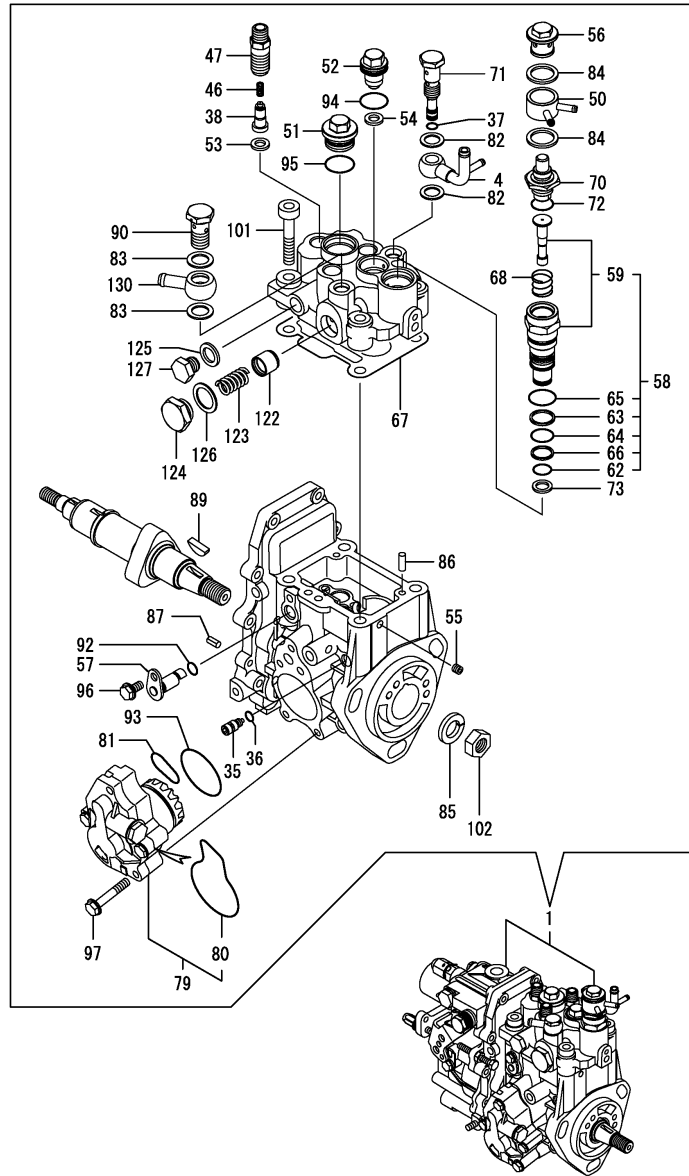
(D)=
 (E)=
 (F)=



| No. | Lev. | Parts No. | Description | Q'ty | | | | | | I | R | |
|------|------|-----------------------|--------------------|------|-----|-----|-----|-----|-----|---|---|-----|
| | | | | (A) | (B) | (C) | (D) | (E) | (F) | | | |
| 1 | 1 | 729246-92700 | GASKET SET | 1 | 1 | | | | | | | |
| 1-1 | 1 | 729246-92701 | GASKET SET | 1 | 1 | | | | | | | N 1 |
| | | (A=EXXXXX) (B=EXXXXX) | | | | | | | | | | |
| 2 | 2 | 129002-01331 | GASKET, HEAD | 1 | 1 | | | | | | | |
| 3 | 2 | 121850-51960 | O-RING | 1 | 1 | | | | | | | |
| 4 | 2 | 124460-11340 | SEAL, VALVE STEM | 3 | 3 | | | | | | | |
| 5 | 2 | 119802-11870 | PROTECTOR, NOZZLE | 3 | 3 | | | | | | | |
| 6 | 2 | 119625-11880 | SEAT, NOZZLE | 3 | 3 | | | | | | | |
| 7 | 2 | 129004-11310 | GASKET, BONNET | 1 | 1 | | | | | | | |
| 8 | 2 | 129150-77511 | GASKET | 1 | 1 | | | | | | | |
| 9 | 2 | 129150-13110 | GASKET | 1 | 1 | | | | | | | |
| 10 | 2 | 129004-13200 | GASKET, SILENCER | 1 | 1 | | | | | | | |
| 11 | 2 | 121400-11340 | SEAL, VALVE STEM | 3 | 3 | | | | | | | |
| 12 | 2 | 129150-35041 | GASKET | 1 | 1 | | | | | | | |
| 12-1 | 2 | 129150-35042 | GASKET | 1 | 1 | | | | | | | N |
| | | (A=E15723) (B=E15265) | | | | | | | | | | |
| 13 | 2 | 129486-42021 | GASKET, WATER PUMP | 1 | 1 | | | | | | | |
| 14 | 2 | 129795-49551 | GASKET | 1 | 1 | | | | | | | |
| 15 | 2 | 129150-49811 | GASKET, THERMOSTAT | 1 | 1 | | | | | | | |
| 16 | 2 | 124395-49840 | GASKET | 1 | 1 | | | | | | | |
| 17 | 2 | 22190-080002 | WASHER, SEAL 6 | 2 | 2 | | | | | | | |
| 18 | 2 | 124465-44950 | GASKET, 16 | 1 | 1 | | | | | | | |
| 19 | 2 | 24311-000120 | O-RING, 1AP12.0 | 3 | 3 | | | | | | | |
| 20 | 2 | 24311-000320 | O-RING, 1AP32.0 | 2 | 2 | | | | | | | |
| 21 | 2 | 24341-000240 | O-RING, 1AS24.0 | 1 | 1 | | | | | | | |
| 22 | 2 | 129486-42140 | O-RING, G30 | 1 | 1 | | | | | | | |
| 23 | 2 | 129001-12110 | GASKET, MANIFOLD | 1 | 1 | | | | | | | |
| 24 | 2 | 129150-35111 | GASKET | 1 | 1 | | | | | | | |
| 25 | 2 | 119609-32040 | O-RING, P16 | 4 | 4 | | | | | | | |
| 26 | 2 | 22190-100002 | WASHER, SEAL 10 | 2 | 2 | | | | | | | |
| 27 | 2 | 24341-000250 | O-RING, 1AS25.0 | 1 | 1 | | | | | | | |
| 28 | 2 | 129100-77510 | GASKET, AIR HEATER | 1 | 1 | | | | | | | |
| 29 | 2 | 23414-080000 | GASKET, 8X1.0 | 1 | 1 | | | | | | | |
| 30 | 2 | 129150-49360 | GASKET | 1 | 1 | | | | | | | |
| 30A | 2 | 22190-220002 | WASHER, SEAL 22 | 1 | 1 | | | | | | | W |
| | | (A=E15723) (B=E15265) | | | | | | | | | | |
| 31 | 1 | 129400-92420 | FLEX HORN | 1 | 1 | | | | | | | 1 |
| 32 | 1 | 977770-1207F | GASKET.LIQUID | 1 | 1 | | | | | | | 1 |

Remarks
 (1) OPTIONAL PARTS.

Fig.17. FUEL INJECTION PUMP(INNER PART)



(A)=3TNV84-QIK
(B)=3TNV84-QIKA
(C)=

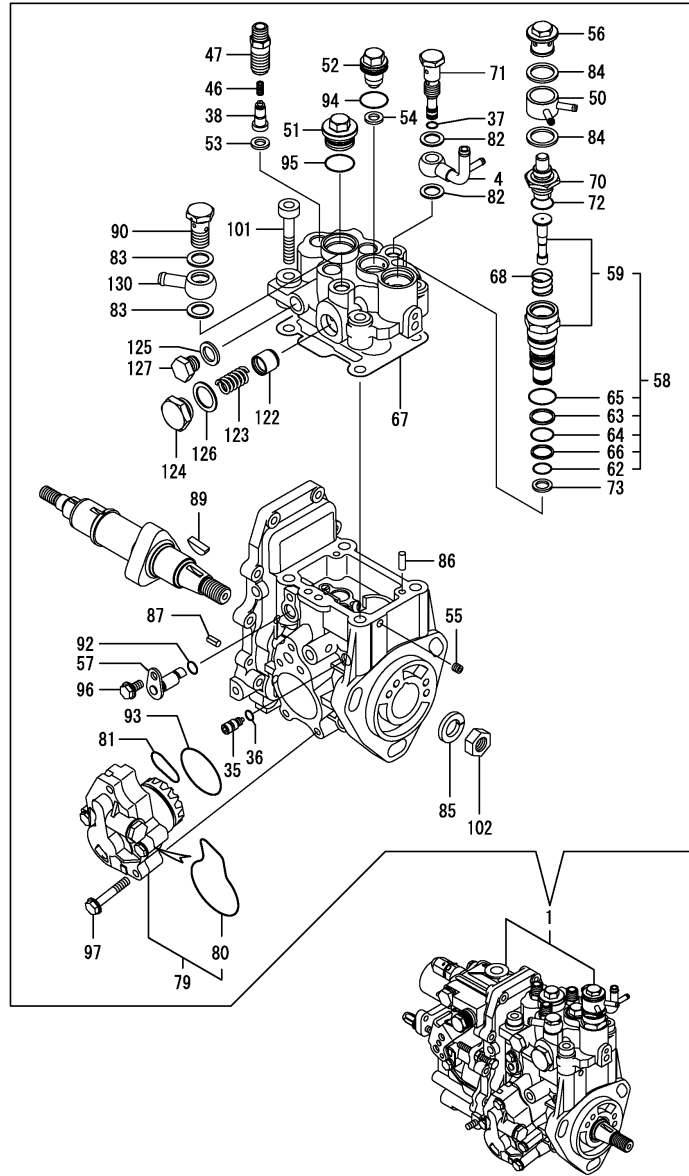
(D)=
(E)=
(F)=

| No. | Lev. | Parts No. | Description | Q'ty | | | | | | I | R |
|-------|------|--------------|----------------------|------|-----|-----|-----|-----|-----|---|---|
| | | | | (A) | (B) | (C) | (D) | (E) | (F) | | |
| 1 | 1 | 729240-51350 | PUMP ASSY, INJECTION | 1 | 1 | | | | | | 1 |
| 4 | 2 | 158552-51670 | JOINT, OVER FLOW | 1 | 1 | | | | | | |
| 35 | 2 | 158600-51270 | STOPPER, TAPPET | 1 | 1 | | | | | | |
| 36 | 2 | 158563-51281 | O-RING, 4D S6 | 1 | 1 | | | | | | |
| 37 | 2 | 158563-51281 | O-RING, 4D S6 | 1 | 1 | | | | | | |
| 38 | 2 | 158560-51300 | VALVE ASSY, DELIVERY | 3 | 3 | | | | | | |
| 46 | 2 | 158563-51330 | SPRING, DELIVERY | 3 | 3 | | | | | | |
| 47 | 2 | 158601-51340 | HOLDER, DELIVERY | 3 | 3 | | | | | | |
| 50 | 2 | 158553-51551 | JOINT | 1 | 1 | | | | | | |
| 51 | 2 | 158601-51550 | PLUG | 1 | 1 | | | | | | |
| 52 | 2 | 119802-51560 | PLUG, BARREL | 1 | 1 | | | | | | |
| 53 | 2 | 158552-51570 | GASKET | 3 | 3 | | | | | | |
| 54 | 2 | 158552-51570 | GASKET | 1 | 1 | | | | | | |
| 55 | 2 | 158557-51570 | PLUG | 1 | 1 | | | | | | |
| 56 | 2 | 158601-51570 | PLUG | 1 | 1 | | | | | | |
| 57 | 2 | 158552-51580 | LIFTER | 1 | 1 | | | | | | |
| 58 | 2 | 119802-51590 | TIMER SET | 1 | 1 | | | | | | |
| 59 | 3 | 119802-51600 | TIMER ASSY | 1 | 1 | | | | | | |
| 62 | 3 | 158553-51670 | O-RING, 1011 | 1 | 1 | | | | | | |
| 63 | 3 | 119802-51680 | RING, BACK UP | 1 | 1 | | | | | | |
| 64 | 3 | 119802-51690 | O-RING | 1 | 1 | | | | | | |
| 65 | 3 | 24356-010200 | O-RING, 4D1020 | 1 | 1 | | | | | | |
| 66 | 3 | 24372-000150 | RING, BACK UP T2P15 | 1 | 1 | | | | | | |
| 67 | 2 | 158552-51600 | GASKET | 1 | 1 | | | | | | |
| 68 | 2 | 158553-51630 | SPRING, TIMER | 1 | 1 | | | | | | |
| 70 | 2 | 158553-51640 | ELEMENT | 1 | 1 | | | | | | |
| 71 | 2 | 158601-51650 | JOINT, OVER FLOW | 1 | 1 | | | | | | |
| 72 | 2 | 158553-51660 | O-RING, P14 | 1 | 1 | | | | | | |
| 73 | 2 | 158553-51680 | GASKET | 1 | 1 | | | | | | |
| 79 | 2 | 158552-52100 | PUMP ASSY, FUEL FEED | 1 | 1 | | | | | | |
| 80 | 3 | 158552-52500 | O-RING | 1 | 1 | | | | | | |
| 81 | 2 | 158552-52310 | O-RING | 1 | 1 | | | | | | |
| 82 | 2 | 22190-120002 | WASHER, SEAL 12 | 2 | 2 | | | | | | |
| 83 | 2 | 22190-120002 | WASHER, SEAL 12 | 2 | 2 | | | | | | |
| 84 | 2 | 22190-180002 | WASHER, SEAL 18 | 2 | 2 | | | | | | |
| 85 | 2 | 22217-140000 | WASHER, SPRING 14 | 1 | 1 | | | | | | |
| 86 | 2 | 22312-050140 | PIN, PARALLEL M5X14 | 2 | 2 | | | | | | |
| 87 | 2 | 22351-050010 | PIN, SPRING 5.0X10 | 2 | 2 | | | | | | |
| 89 | 2 | 119802-51090 | KEY, 4X16 | 1 | 1 | | | | | | |
| 90 | 2 | 23857-060000 | BOLT, JOINT 6 | 1 | 1 | | | | | | |
| 92 | 2 | 24311-000070 | O-RING, 1AP7.0 | 1 | 1 | | | | | | |
| 93 | 2 | 158552-52400 | O-RING, 4E S42 | 1 | 1 | | | | | | |
| 94 | 2 | 24356-010180 | O-RING, 4D1018 | 1 | 1 | | | | | | |
| 95 | 2 | 24356-010200 | O-RING, 4D1020 | 1 | 1 | | | | | | |
| 96 | 2 | 26106-060102 | BOLT, M6X 10 PLATED | 1 | 1 | | | | | | |
| 97 | 2 | 158553-51770 | BOLT | 4 | 4 | | | | | | |
| 101 | 2 | 26450-080452 | BOLT, M8X 45 | 4 | 4 | | | | | | |
| 102 | 2 | 26776-140002 | NUT, LOCK M14 | 1 | 1 | | | | | | |
| 122 | 2 | 158601-51770 | PISTON | 1 | 1 | | | | | | |
| 123 | 2 | 158552-51780 | SPRING | 1 | 1 | | | | | | |
| 123-1 | 2 | 158552-51781 | SPRING | 1 | 1 | | | | | | N |

Remarks

(1) GOVERNOR ASSY(FIG.18) IS INCORPORATED IN THIS FOP.CMP (REF.NO.1).

Fig.17. FUEL INJECTION PUMP(INNER PART)



(A)=3TNV84-QIK
(B)=3TNV84-QIKA
(C)=

(D)=
(E)=
(F)=

| No. | Lev. | Parts No. | Description | Q'ty | | | | | | I | R |
|-----|------|--------------|-----------------|------|-----|-----|-----|-----|-----|---|---|
| | | | | (A) | (B) | (C) | (D) | (E) | (F) | | |
| | | (A=EXXXXX) | (B=EXXXXX) | | | | | | | | |
| 124 | 2 | 158601-51790 | PLUG | 1 | 1 | | | | | | |
| 125 | 2 | 22190-120002 | WASHER, SEAL 12 | 1 | 1 | | | | | | |
| 126 | 2 | 22190-180002 | WASHER, SEAL 18 | 1 | 1 | | | | | | |
| 127 | 2 | 23887-120002 | PLUG, 12 | 1 | 1 | | | | | | |
| 130 | 2 | 129916-59020 | JOINT, PIPE 12 | 1 | 1 | | | | | | |

Remarks

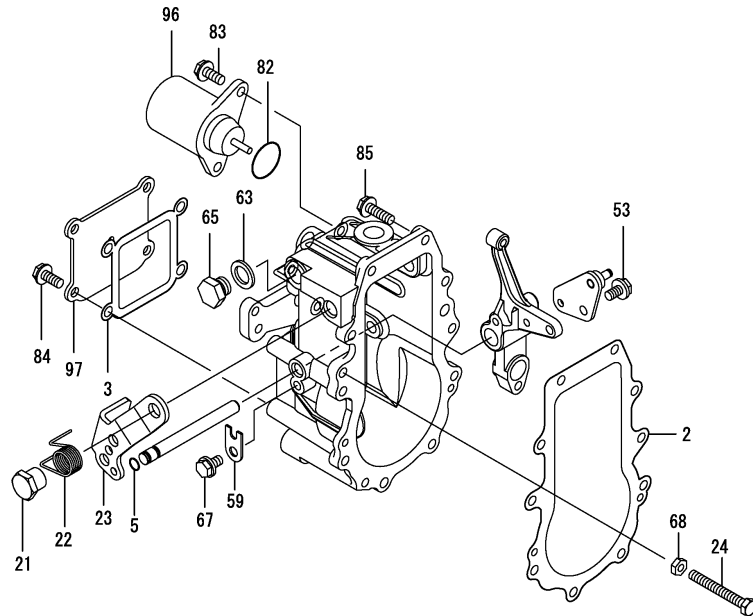
(1) GOVERNOR ASSY(FIG.18) IS
INCORPORATED IN THIS FOP.CMP
(REF.NO.1).

Fig.18. GOVERNOR(INNER PARTS)

(A)=3TNV84-QIK
 (B)=3TNV84-QIKA
 (C)=

(D)=
 (E)=
 (F)=

| No. | Lev. | Parts No. | Description | Q'ty | | | | | | I | R |
|-----|------|--------------|----------------------|------|-----|-----|-----|-----|-----|---|---|
| | | | | (A) | (B) | (C) | (D) | (E) | (F) | | |
| 2 | 2 | 158553-61050 | GASKET | 1 | 1 | | | | | | |
| 3 | 2 | 158553-61070 | GASKET | 1 | 1 | | | | | | |
| 5 | 2 | 129155-51280 | O-RING, S6 | 1 | 1 | | | | | | |
| 21 | 2 | 129255-61410 | NUT, LOCK | 1 | 1 | | | | | | |
| 22 | 2 | 119807-61420 | SPRING, RETURN | 1 | 1 | | | | | | |
| 23 | 2 | 158552-61441 | LEVER, REGULATOR | 1 | 1 | | | | | | |
| 24 | 2 | 129155-61460 | BOLT, IDLE | 1 | 1 | | | | | | |
| 53 | 2 | 26106-060102 | BOLT, M6X 10 PLATED | 1 | 1 | | | | | | |
| 59 | 2 | 119660-61901 | RETAINER, SHAFT | 1 | 1 | | | | | | |
| 63 | 2 | 22190-120000 | WASHER, SEAL 12 | 1 | 1 | | | | | | |
| 65 | 2 | 23887-120002 | PLUG, 12 | 1 | 1 | | | | | | |
| 67 | 2 | 26106-060102 | BOLT, M6X 10 PLATED | 1 | 1 | | | | | | |
| 68 | 2 | 26756-060002 | NUT, LOCK M6 | 1 | 1 | | | | | | |
| 82 | 2 | 158552-61900 | O-RING | 1 | 1 | | | | | | |
| 83 | 2 | 26106-060142 | BOLT, M6X 14 PLATED | 2 | 2 | | | | | | |
| 84 | 2 | 26106-060142 | BOLT, M6X 14 PLATED | 4 | 4 | | | | | | |
| 85 | 2 | 26106-060202 | BOLT, M6X 20 PLATED | 10 | 10 | | | | | | |
| 96 | 2 | 119233-77932 | SOLENOID, STOP | 1 | 1 | | | | | | |
| 97 | 2 | 129642-61060 | COVER, GOVERNOR CASE | 1 | 1 | | | | | | |



Remarks
 * THIS FIGURE(GOVERNOR ASSY)IS
 INCORPORATED IN THE FUEL INJECTION
 PUMP ASSY(FIG.17).

Parts No. Index

| Parts No. | Fig. No. | Ref. No. |
|--------------|----------|----------|
| 105025-59580 | 13 | 6 |
| 114250-53080 | 12 | 5 |
| 114250-53120 | 12 | 10 |
| 114250-53130 | 12 | 11 |
| 114250-53140 | 12 | 12 |
| 114250-53210 | 12 | 13 |
| 114250-53400 | 12 | 14 |
| 118400-77170 | 14 | 12 |
| 119131-18320 | 6 | 3 |
| 119225-52102 | 13 | 10 |
| 119233-77932 | 18 | 96 |
| 119305-59120 | 12 | 26 |
| 119593-59580 | 12 | 54 |
| 119593-59581 | 12 | 54 -1 |
| 119609-32040 | 2 | 17 |
| | 16 | 25 |
| 119620-01750 | 3 | 3 |
| 119620-77380 | 15 | 4 |
| 119620-77421 | 15 | 7 |
| 119620-77440 | 15 | 12 |
| 119620-77461 | 15 | 13 |
| 119620-77471 | 15 | 14 |
| 119620-77490 | 15 | 24 |
| 119620-79200 | 15 | 8 |
| 119620-79210 | 15 | 9 |
| 119620-79220 | 15 | 10 |
| 119620-79230 | 15 | 11 |
| 119620-79250 | 15 | 6 |
| 119620-79260 | 15 | 15 |
| 119620-79290 | 15 | 17 |
| 119620-79300 | 15 | 18 |
| 119620-79310 | 15 | 19 |
| 119620-79320 | 15 | 20 |
| 119620-79330 | 15 | 21 |
| 119620-79340 | 15 | 22 |
| 119620-79350 | 15 | 23 |
| 119620-79360 | 15 | 25 |
| 119624-77351 | 15 | 32 -1 |
| 119625-11880 | 4 | 33 |
| | 16 | 6 |
| 119640-01640 | 3 | 9 -1 |
| 119643-66900 | 15 | 36 |
| 119650-77910 | 15 | 38 |
| 119660-61901 | 18 | 59 |
| 119802-01520 | 2 | 12 |
| 119802-01560 | 2 | 13 |
| 119802-01561 | 2 | 13 -1 |
| 119802-03110 | 4 | 44 |
| 119802-03120 | 4 | 45 |
| 119802-03121 | 4 | 45 -1 |

| Parts No. | Fig. No. | Ref. No. |
|--------------|----------|----------|
| 119802-03130 | 4 | 46 |
| 119802-03140 | 4 | 47 |
| 119802-03141 | 4 | 47 -1 |
| 119802-11260 | 4 | 6 |
| 119802-11270 | 4 | 7 |
| 119802-11280 | 4 | 8 |
| 119802-11870 | 4 | 32 |
| | 16 | 5 |
| 119802-12560 | 5 | 12 |
| 119802-21201 | 8 | 5 |
| 119802-21202 | 8 | 5 -1 |
| 119802-25051 | 7 | 10 |
| 119802-25070 | 7 | 14 |
| 119802-25071 | 7 | 14 -1 |
| 119802-25100 | 7 | 11 |
| 119802-25101 | 7 | 11 -1 |
| 119802-25901 | 7 | 17 |
| 119802-32070 | 2 | 8 |
| 119802-32100 | 2 | 7 |
| 119802-32111 | 2 | 18 |
| 119802-32120 | 2 | 19 |
| 119802-32130 | 2 | 20 |
| 119802-35100 | 9 | 6 |
| 119802-35110 | 9 | 7 |
| 119802-39450 | 9 | 14 |
| 119802-49113 | 10 | 10 |
| 119802-49730 | 10 | 35 |
| 119802-51090 | 17 | 89 |
| 119802-51250 | 11 | 2 |
| 119802-51560 | 17 | 52 |
| 119802-51590 | 17 | 58 |
| 119802-51600 | 17 | 59 |
| 119802-51680 | 17 | 63 |
| 119802-51690 | 17 | 64 |
| 119802-55700 | 13 | 11 |
| 119802-55710 | 13 | 12 |
| 119802-55800 | 13 | 2 |
| 119802-55801 | 13 | 2 -1 |
| 119802-59550 | 12 | 48 |
| 119802-59560 | 12 | 50 |
| 119802-77200 | 15 | 37 |
| 119807-61420 | 18 | 22 |
| 119808-12520 | 5 | 16 |
| | | 29 |
| 119808-12540 | 5 | 18 |
| | | 31 |
| 119831-42290 | 10 | 21 |
| 119865-21600 | 8 | 16 |
| 119866-12541 | 5 | 19 |
| 119910-12210 | 5 | 11 |

| Parts No. | Fig. No. | Ref. No. |
|--------------|----------|----------|
| 119910-12510 | 5 | 15 |
| 119910-12601 | 5 | 14 |
| 119940-77270 | 15 | 30 |
| 120130-11860 | 4 | 19 |
| 120270-54410 | 4 | 35 |
| 121023-01550 | 2 | 28 |
| 121023-01551 | 2 | 28 -1 |
| 121111-21501 | 8 | 12 |
| 121252-39450 | 9 | 12 |
| 121256-44600 | 10 | 57 |
| 121267-44741 | 10 | 45 |
| 121267-44760 | 10 | 46 |
| 121400-11340 | 4 | 28 |
| | 16 | 11 |
| 121450-42450 | 10 | 31 |
| 121450-44531 | 10 | 52 |
| 121470-44581 | 10 | 54 |
| 121520-34810 | 9 | 2 |
| 121550-23200 | 8 | 30 |
| 121820-12590 | 5 | 33 |
| 121850-21680 | 8 | 11 |
| 121850-42410 | 10 | 8 |
| 121850-51960 | 2 | 21 |
| | 16 | 3 |
| 123501-79240 | 15 | 5 -1 |
| 123900-13610 | 6 | 5 |
| 123900-13630 | 6 | 4 |
| 124060-01050 | 1 | 5 |
| 124060-77680 | 12 | 55 |
| 124160-01751 | 2 | 14 |
| | 4 | 40 |
| 124160-01910 | 1 | 7 |
| | | 8 |
| 124160-11360 | 4 | 53 |
| 124160-39140 | 9 | 13 |
| 124195-77770 | 14 | 24 |
| 124240-01871 | 2 | 15 |
| 124395-49840 | 10 | 17 |
| | 16 | 16 |
| 124450-44550 | 10 | 56 |
| 124450-44560 | 10 | 53 |
| 124460-11340 | 4 | 29 |
| | 16 | 4 |
| 124465-44950 | 10 | 32 |
| | 16 | 18 |
| 124722-59050 | 10 | 36 |
| | | 39 |
| | | 49 |
| | | 52 |
| 124756-67510 | 11 | 11 |

| Parts No. | Fig. No. | Ref. No. |
|--------------|----------|----------|
| 124766-59050 | 13 | 5 |
| | | 8 |
| 126501-79240 | 15 | 5 |
| 126650-12680 | 5 | 21 |
| | | 33 A |
| | | 34 |
| 128300-77920 | 15 | 42 |
| 129001-01250 | 1 | 6 |
| 129001-02930 | 1 | 25 |
| 129001-02931 | 1 | 25 -1 |
| 129001-12110 | 5 | 5 |
| | 16 | 23 |
| 129001-32330 | 2 | 11 |
| 129001-91841 | 2 | 22 |
| 129002-01331 | 1 | 33 |
| | 16 | 2 |
| 129004-01190 | 1 | 31 |
| 129004-03010 | 4 | 42 |
| 129004-03080 | 5 | 1 |
| 129004-11100 | 4 | 24 |
| 129004-11130 | 4 | 24 -1 |
| 129004-11241 | 4 | 3 |
| 129004-11251 | 4 | 4 |
| 129004-11310 | 4 | 50 |
| | 16 | 7 |
| 129004-11350 | 4 | 41 |
| 129004-11650 | 4 | 10 |
| 129004-11700 | 4 | 15 |
| 129004-11900 | 4 | 34 |
| 129004-12100 | 5 | 3 |
| 129004-13129 | 6 | 1 |
| 129004-13200 | 6 | 7 |
| | 16 | 10 |
| 129004-21001 | 8 | 1 |
| 129004-21002 | 8 | 1 -1 |
| 129004-21650 | 8 | 9 |
| 129004-22080 | 8 | 17 |
| 129004-22500 | 8 | 19 |
| 129004-22900 | 8 | 35 |
| 129004-22950 | 8 | 37 |
| 129004-34801 | 9 | 1 |
| 129004-34802 | 9 | 1 -1 |
| 129004-42001 | 10 | 1 |
| 129004-42040 | 10 | 15 |
| 129004-49610 | 10 | 33 |
| 129004-49620 | 10 | 37 |
| 129004-49711 | 10 | 34 |
| 129004-49721 | 10 | 38 |
| 129004-55610 | 13 | 1 |
| 129004-55611 | 13 | 1 -1 |

Parts No. Index

| Parts No. | Fig. No. | Ref. No. |
|--------------|----------|----------|
| 129004-55612 | 13 | 1 -2 |
| 129004-59810 | 12 | 35 |
| 129004-59811 | 12 | 35 -1 |
| 129004-59820 | 12 | 39 |
| 129004-59821 | 12 | 39 -1 |
| 129004-59830 | 12 | 43 |
| 129004-59831 | 12 | 43 -1 |
| 129005-21650 | 8 | 41 |
| 129005-59830 | 9 | 15 |
| 129051-12500 | 5 | 27 |
| 129051-12510 | 5 | 28 |
| 129051-12530 | 5 | 17 |
| | | 30 |
| 129051-12540 | 5 | 32 |
| 129052-79270 | 15 | 16 |
| 129100-01580 | 3 | 1 |
| | | 15 |
| | 8 | 2 |
| 129100-01640 | 3 | 16 |
| 129100-01730 | 3 | 6 |
| 129100-01760 | 3 | 8 |
| 129100-11110 | 4 | 25 |
| 129100-11111 | 4 | 25 -1 |
| 129100-11112 | 4 | 25 -2 |
| 129100-23910 | 8 | 29 |
| 129100-35140 | 9 | 8 |
| 129100-35301 | 9 | 4 |
| 129100-42051 | 10 | 3 |
| 129100-42121 | 10 | 4 |
| 129100-55690 | 13 | 13 |
| 129100-77500 | 5 | 8 |
| 129100-77501 | 5 | 8 -1 |
| 129100-77510 | 5 | 10 |
| | 16 | 28 |
| 129129-14580 | 7 | 3 |
| 129150-01200 | 1 | 32 |
| 129150-02020 | 1 | 10 |
| 129150-02450 | 7 | 4 |
| 129150-02870 | 1 | 34 |
| 129150-02871 | 1 | 34 -1 |
| 129150-02930 | 1 | 28 |
| 129150-02931 | 1 | 28 -1 |
| 129150-02940 | 1 | 37 |
| 129150-02941 | 1 | 37 -1 |
| 129150-03070 | 4 | 43 |
| 129150-11230 | 4 | 11 |
| 129150-11280 | 4 | 9 |
| 129150-11370 | 4 | 14 |
| 129150-11750 | 4 | 13 |
| 129150-11810 | 4 | 21 |

| Parts No. | Fig. No. | Ref. No. |
|--------------|----------|----------|
| 129150-13110 | 6 | 2 |
| | 16 | 9 |
| 129150-14101 | 7 | 7 |
| 129150-14200 | 7 | 1 |
| 129150-14400 | 7 | 2 |
| 129150-23600 | 8 | 31 |
| 129150-23601 | 8 | 31 -1 |
| 129150-23610 | 8 | 33 |
| 129150-23611 | 8 | 33 -1 |
| 129150-25301 | 7 | 16 |
| 129150-35041 | 9 | 3 |
| | 16 | 12 |
| 129150-35042 | 9 | 3 -1 |
| | 16 | 12 -1 |
| 129150-35111 | 9 | 9 |
| | 16 | 24 |
| 129150-35153 | 9 | 10 |
| 129150-49360 | 10 | 49 |
| | 16 | 30 |
| 129150-49811 | 10 | 26 |
| | 16 | 15 |
| 129150-59120 | 12 | 30 |
| | | 30 -1 |
| 129150-59131 | 12 | 29 |
| | | 33 |
| | | 33 -1 |
| 129150-77511 | 5 | 9 |
| | 16 | 8 |
| 129155-42350 | 10 | 42 |
| 129155-49801 | 10 | 25 |
| 129155-51280 | 18 | 5 |
| 129155-61460 | 18 | 24 |
| 129202-22300 | 8 | 23 |
| 129210-59100 | 13 | 4 |
| 129210-59230 | 13 | 7 |
| 129211-21590 | 8 | 13 |
| 129211-77920 | 15 | 41 |
| 129234-53001 | 12 | 2 |
| 129240-12540 | 5 | 27 -1 |
| 129240-13550 | 6 | 8 |
| 129240-77200 | 15 | 2 |
| 129240-77320 | 15 | 1 |
| 129240-77710 | 15 | 26 |
| 129240-79300 | 15 | 27 |
| 129240-79310 | 15 | 3 |
| 129242-77010 | 14 | 2 |
| 129242-77100 | 14 | 4 |
| 129242-77110 | 14 | 5 |
| 129242-77120 | 14 | 6 |
| 129242-77130 | 14 | 7 |

| Parts No. | Fig. No. | Ref. No. |
|--------------|----------|----------|
| 129242-77140 | 14 | 8 |
| 129242-77150 | 14 | 9 |
| 129242-77160 | 14 | 10 |
| 129242-77170 | 14 | 11 |
| 129242-77180 | 14 | 13 |
| 129242-77210 | 14 | 16 |
| 129242-77260 | 14 | 20 |
| 129242-77270 | 14 | 22 |
| 129242-77280 | 14 | 23 |
| 129255-61410 | 18 | 21 |
| 129350-49530 | 10 | 27 |
| 129400-92420 | 16 | 31 |
| 129410-03990 | 5 | 2 |
| 129418-32320 | 2 | 10 |
| 129486-01670 | 3 | 19 |
| 129486-42021 | 10 | 14 |
| | 16 | 13 |
| 129486-42140 | 10 | 16 |
| | 16 | 22 |
| 129486-59551 | 12 | 51 |
| 129555-59511 | 13 | 9 |
| 129556-42350 | 10 | 20 |
| 129612-01600 | 3 | 2 |
| 129612-12650 | 5 | 20 |
| 129616-77350 | 15 | 32 |
| 129642-61060 | 18 | 97 |
| 129698-77020 | 14 | 3 |
| 129698-77190 | 14 | 14 |
| 129698-77200 | 14 | 15 |
| 129698-77220 | 14 | 17 |
| 129698-77230 | 14 | 18 |
| 129698-77250 | 14 | 19 |
| 129795-01780 | 3 | 18 |
| 129795-01800 | 2 | 6 |
| 129795-01900 | 15 | 29 |
| 129795-01950 | 2 | 16 |
| 129795-02411 | 1 | 13 |
| 129795-02412 | 1 | 13 -1 |
| 129795-11120 | 4 | 26 |
| 129795-11180 | 4 | 27 |
| 129795-21661 | 8 | 10 |
| 129795-49551 | 10 | 28 |
| | 16 | 14 |
| 129900-07900 | 4 | 1 |
| 129900-32130 | 2 | 9 |
| 129916-49740 | 10 | 13 |
| 129916-59020 | 17 | 130 |
| 158552-51151 | 7 | 18 |
| 158552-51570 | 17 | 53 |
| | | 54 |

| Parts No. | Fig. No. | Ref. No. |
|--------------|----------|----------|
| 158552-51580 | 17 | 57 |
| 158552-51600 | 17 | 67 |
| 158552-51670 | 17 | 4 |
| 158552-51780 | 17 | 123 |
| 158552-51781 | 17 | 123 -1 |
| 158552-52100 | 17 | 79 |
| 158552-52310 | 17 | 81 |
| 158552-52400 | 17 | 93 |
| 158552-52500 | 17 | 80 |
| 158552-61441 | 18 | 23 |
| 158552-61900 | 18 | 82 |
| 158553-51551 | 17 | 50 |
| 158553-51630 | 17 | 68 |
| 158553-51640 | 17 | 70 |
| 158553-51660 | 17 | 72 |
| 158553-51670 | 17 | 62 |
| 158553-51680 | 17 | 73 |
| 158553-51770 | 17 | 97 |
| 158553-61050 | 18 | 2 |
| 158553-61070 | 18 | 3 |
| 158557-51570 | 17 | 55 |
| 158560-51300 | 17 | 38 |
| 158563-51281 | 17 | 36 |
| | | 37 |
| 158563-51330 | 17 | 46 |
| 158600-51270 | 17 | 35 |
| 158601-51340 | 17 | 47 |
| 158601-51550 | 17 | 51 |
| 158601-51570 | 17 | 56 |
| 158601-51650 | 17 | 71 |
| 158601-51770 | 17 | 122 |
| 158601-51790 | 17 | 124 |
| 171051-01921 | 1 | 9 |
| 171056-49120 | 10 | 44 |
| 171056-49351 | 10 | 48 |
| 171064-44510 | 10 | 50 |
| 171301-01640 | 3 | 9 |
| 171340-44740 | 10 | 22 |
| 171340-77520 | 5 | 25 |
| 171353-44760 | 10 | 23 |
| 22190-080002 | 9 | 17 |
| | | 19 |
| | 16 | 17 |
| 22190-100002 | 9 | 18 |
| | 16 | 26 |
| 22190-120000 | 18 | 63 |
| 22190-120002 | 17 | 82 |
| | | 83 |
| | | 125 |
| 22190-180002 | 17 | 84 |

Parts No. Index

| Parts No. | Fig. No. | Ref. No. |
|--------------|----------|----------|
| 22190-180002 | 17 | 126 |
| 22190-220002 | 3 | 11 -1 |
| | 16 | 30 A |
| 22217-140000 | 7 | 19 |
| | 17 | 85 |
| 22252-000260 | 8 | 24 |
| 22272-000070 | 11 | 12 |
| 22312-050140 | 17 | 86 |
| 22351-030010 | 8 | 8 |
| 22351-050010 | 17 | 87 |
| 22351-060012 | 4 | 36 |
| 22512-070140 | 7 | 8 |
| | 8 | 6 |
| 22857-500100 | 4 | 51 |
| | | 52 |
| 23000-060000 | 5 | 22 |
| 23065-070225 | 10 | 55 |
| 23414-080000 | 10 | 30 |
| | 16 | 29 |
| 23857-030000 | 9 | 16 |
| 23857-060000 | 17 | 90 |
| 23876-010000 | 10 | 11 |
| 23876-020000 | 10 | 12 |
| 23876-030000 | 2 | 4 |
| 23876-040000 | 2 | 5 |
| 23887-120002 | 17 | 127 |
| | 18 | 65 |
| 24311-000070 | 17 | 92 |
| 24311-000120 | 4 | 54 |
| | 16 | 19 |
| 24311-000160 | 13 | 15 |
| 24311-000320 | 2 | 23 |
| | 4 | 55 |
| | 16 | 20 |
| 24321-000650 | 13 | 14 |
| 24341-000240 | 2 | 29 |
| | 16 | 21 |
| 24341-000250 | 3 | 11 |
| | 16 | 27 |
| 24356-010180 | 17 | 94 |
| 24356-010200 | 17 | 65 |
| | | 95 |
| 24372-000150 | 17 | 66 |
| 25132-003800 | 10 | 43 |
| 26013-080222 | 5 | 23 |
| | | 24 |
| 26106-060102 | 17 | 96 |
| | 18 | 53 |
| | | 67 |
| 26106-060142 | 18 | 83 |

| Parts No. | Fig. No. | Ref. No. |
|--------------|----------|----------|
| 26106-060142 | 18 | 84 |
| 26106-060162 | 2 | 30 |
| 26106-060202 | 18 | 85 |
| 26106-060302 | 10 | 47 |
| 26106-060402 | 10 | 24 |
| 26106-080122 | 10 | 40 |
| 26106-080142 | 4 | 2 |
| | 7 | 9 |
| 26106-080162 | 2 | 24 |
| | | 25 |
| | 3 | 12 |
| | 4 | 2 -1 |
| | 10 | 18 |
| | 11 | 3 |
| 26106-080202 | 5 | 6 |
| | 9 | 11 |
| | 11 | 4 |
| 26106-080222 | 10 | 29 |
| 26106-080252 | 3 | 13 |
| | 4 | 37 |
| 26106-080302 | 13 | 3 |
| 26106-080352 | 3 | 20 |
| | 4 | 38 |
| | 9 | 5 |
| 26106-080402 | 5 | 26 |
| | 7 | 15 |
| 26106-080452 | 3 | 14 |
| | | 14 -1 |
| | 10 | 41 |
| | 15 | 31 |
| 26106-080502 | 3 | 22 |
| | 4 | 39 |
| | 15 | 35 |
| 26106-080552 | 2 | 26 |
| | 15 | 35 -1 |
| 26106-080602 | 10 | 19 |
| 26106-080802 | 5 | 7 |
| | | 13 |
| 26106-081004 | 15 | 34 |
| 26106-100202 | 6 | 9 |
| 26116-120252 | 14 | 1 |
| 26206-100252 | 3 | 4 |
| 26206-100302 | 3 | 5 |
| 26306-080002 | 2 | 27 |
| | 6 | 6 |
| | | 10 |
| | 15 | 34 A |
| 26306-100002 | 15 | 28 |
| 26366-060002 | 9 | 20 |
| 26450-080452 | 17 | 101 |

| Parts No. | Fig. No. | Ref. No. |
|--------------|----------|----------|
| 26756-060002 | 18 | 68 |
| 26776-140002 | 7 | 20 |
| | 17 | 102 |
| 27241-120000 | 1 | 14 |
| 27241-300000 | 1 | 15 |
| 27241-400000 | 4 | 23 |
| 27310-080001 | 4 | 30 |
| 719802-01500 | 2 | 1 |
| 729004-01560 | 1 | 1 |
| 729240-51350 | 11 | 1 |
| | 17 | 1 |
| 729244-53100 | 12 | 1 |
| 729246-92700 | 16 | 1 |
| 729246-92701 | 16 | 1 -1 |
| 729402-23100 | 8 | 25 |
| 977770-1207F | 2 | 31 |
| | 3 | 21 |
| | 4 | 56 |
| | 16 | 32 |
| X2114535200 | 14 | 21 |

| Parts No. | Fig. No. | Ref. No. |
|-----------|----------|----------|
|-----------|----------|----------|