

0CD10-M81202EN

# P R E F A C E

This parts catalog is the 3rd edition of 3TNV82A-SYB, 3TNV82A-SYBT for KOBELCO CONSTRUCTION MACHINERY CO., LTD..

Published : November, 2015

# Contents

OCD10-M81202

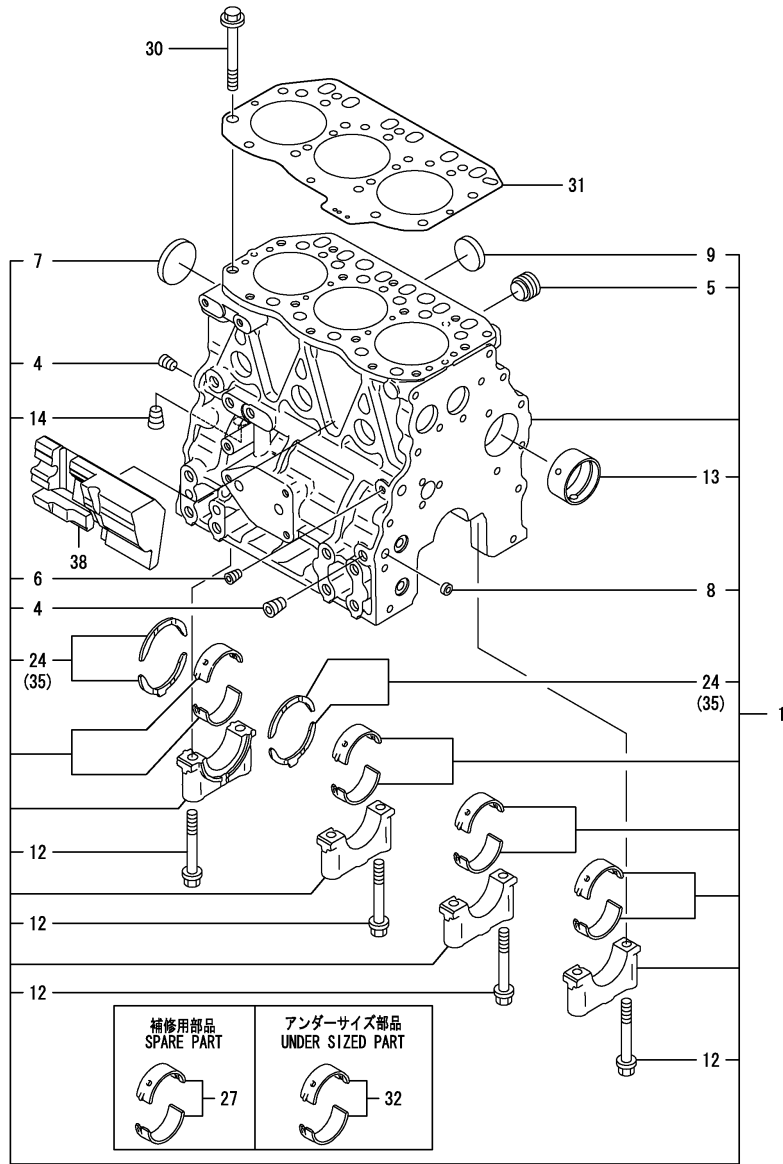
Fig. No.	Fig. Name
3TNV82A-SYB/3TNV82A-SYBT	
1.	CYLINDER BLOCK
2.	GEAR HOUSING
3.	FLYWHEEL HOUSING & OIL SUMP
4.	CYLINDER HEAD & BONNET
5.	SUCTION MANIFOLD
6.	EXHAUST MANIFOLD
7.	CAMSHAFT & DRIVING GEAR
8.	CRANKSHAFT & PISTON
9.	LUB. OIL SYSTEM
10.	COOLING WATER SYSTEM
11.	FUEL INJECTION PUMP
12.	FUEL INJECTION VALVE
13.	FUEL PIPE
14.	STARTER MOTOR
15.	GENERATOR
16.	GASKET SET
17.	FUEL INJECTION PUMP(INNER PARTS)
18.	GOVERNOR(INNER PARTS)

Fig. No.	Fig. Name
----------	-----------

Fig.1. CYLINDER BLOCK

(A)=3TNV82A-SYB  
(B)=3TNV82A-SYBT  
(C)=

(D)=  
(E)=  
(F)=

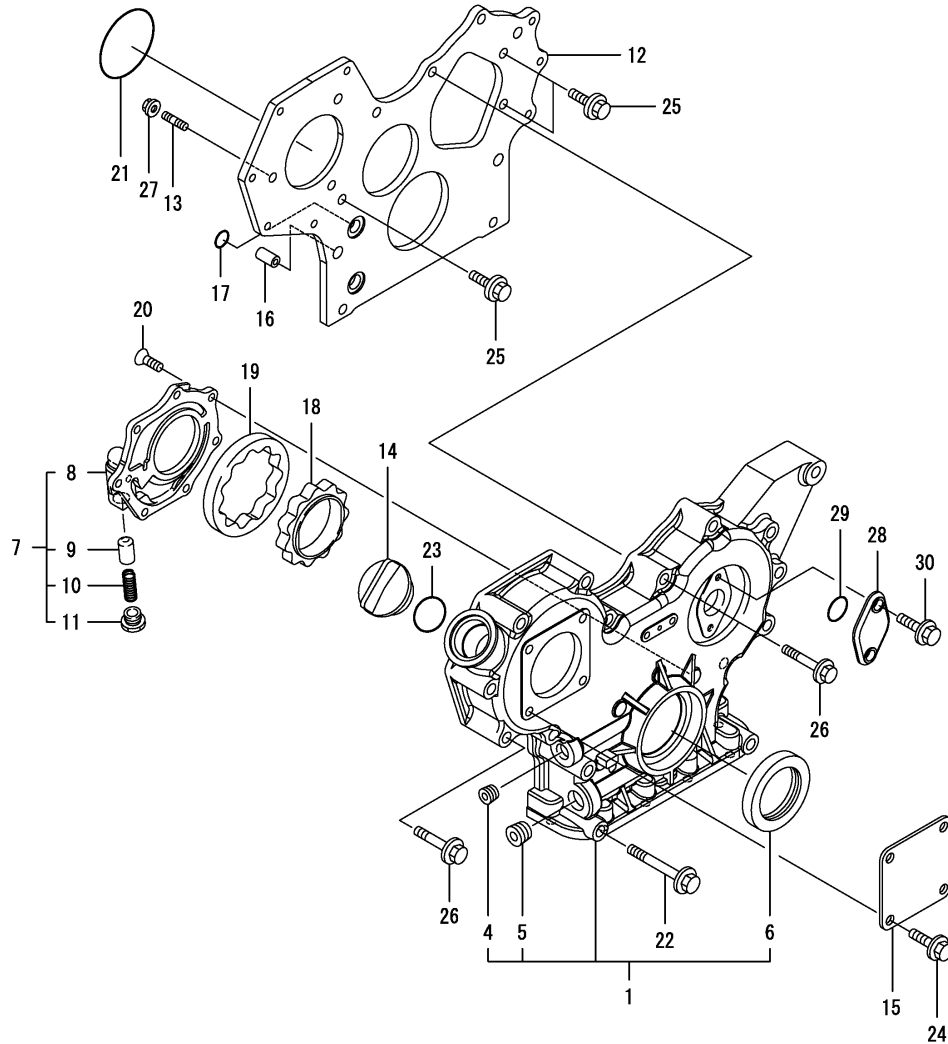


No.	Lev.	Parts No.	Description	Q'ty						I	R
				(A)	(B)	(C)	(D)	(E)	(F)		
1	1	719802-01560	BLOCK ASSY, CYLINDER	1	1						
4	2	124160-01910	PLUG, PT1/4	2	2						
5	2	171051-01921	PLUG, NPTF1	1	1						
6	2	124060-01050	PLUG, PT1/8	1	1						
7	2	129001-01250	PLUG, DISH TYPE 50	1	1						
8	2	27241-120000	PLUG, 12	2	2						
9	2	27241-300000	PLUG 30	6	6						
12	2	119620-02020	BOLT, METAL CAP	8	8						
13	2	129795-02411	BUSH, CAMSHAFT	1							
13-1	2	129795-02412	BUSH, CAMSHAFT	1	1						N
		(A=E33736)									
14	2	124160-01910	PLUG, PT1/4	1	1						
24	2	119810-02930	BEARING ASSY, THRUST	1							
24-1	2	119717-02930	BEARING ASSY, THRUST	2	2						N
		(A=E33736)									
27	1	719810-02980	BEARING ASSY, MAIN	4							3
27-1	1	719810-02981	BEARING ASSY, MAIN	4	4						N 3
		(A=E33736)									
30	1	119810-01200	BOLT, CYLINDER HEAD	14	14						
31	1	119812-01330	GASKET, HEAD	1	1						
32	1	119810-02870	BEARING ASSY, MAIN	4							1
32-1	1	119810-02871	BEARING ASSY, MAIN	4	4						N 1
		(A=E33736)									
35	1	119810-02940	BEARING, THRUST 0.25	2							2
35-1	1	119810-02941	BEARING, THRUST 0.25	2	2						N 2
		(A=E33736)									
38	1	119802-01190	SPACER	1	1						

Remarks

- (1) Under-sized (U.S.=0.25) parts.
- (2) Over-sized (O.S.=0.25) parts.
- (3) Spare parts.

Fig.2. GEAR HOUSING

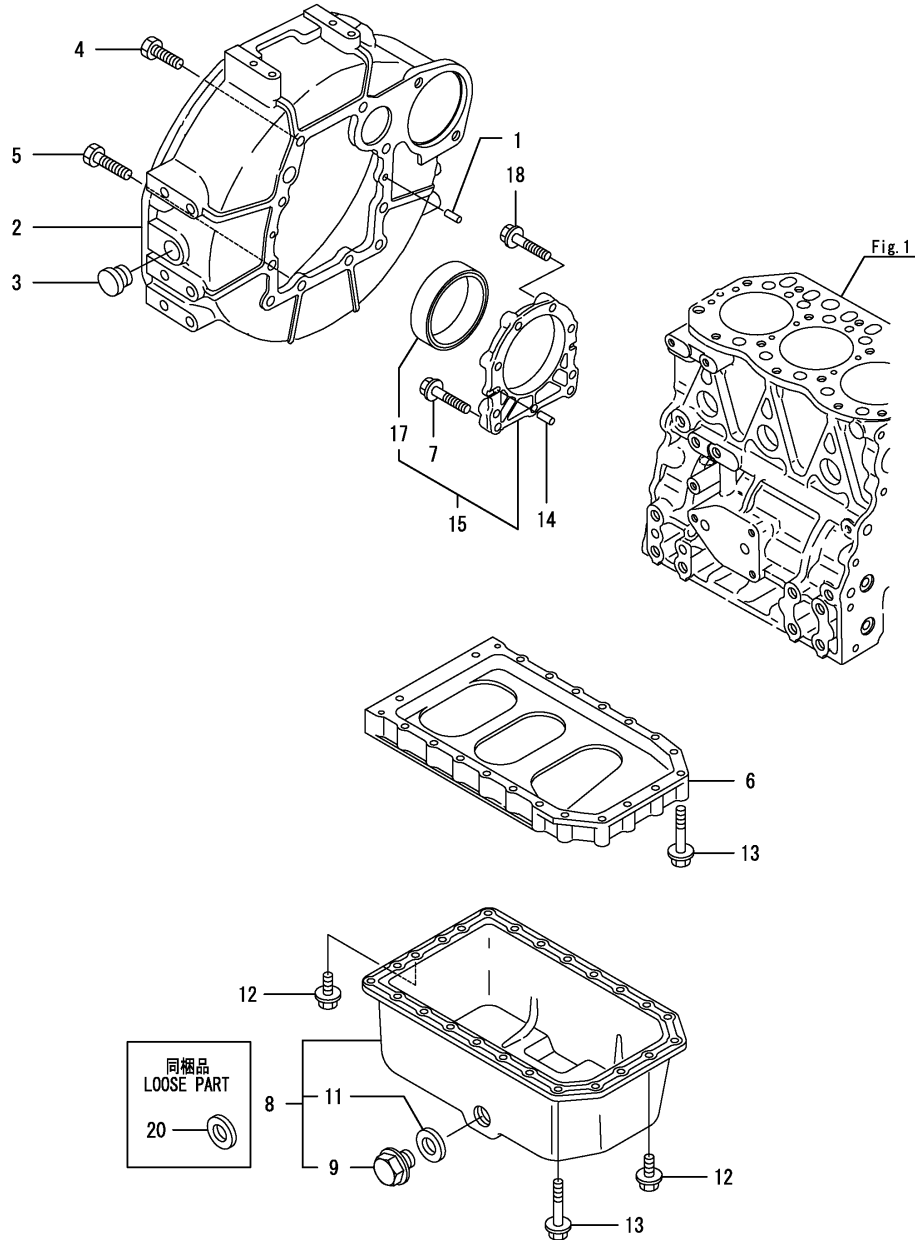


(A)=3TNV82A-SYB  
(B)=3TNV82A-SYBT  
(C)=

(D)=  
(E)=  
(F)=

No.	Lev.	Parts No.	Description	Q'ty						I	R
				(A)	(B)	(C)	(D)	(E)	(F)		
1	1	719802-01500	CASE ASSY, GEAR	1	1						
4	2	23876-030000	PLUG, R03	1	1						
5	2	23876-040000	PLUG, R04	1	1						
6	2	129795-01800	SEAL, OIL	1							
6-1	2	119934-01800	SEAL, OIL	1	1						N
(A=E42820)											
7	1	119802-32100	COVER ASSY	1	1						
8	2	119802-32070	COVER, PUMP	1	1						
9	2	129900-32130	VALVE, RELIEF	1	1						
10	2	129418-32320	SPRING	1	1						
11	2	129001-32330	PLUG	1	1						
12	1	119802-01520	FLANGE, GEAR CASE	1	1						
13	1	119802-01560	BOLT, STUD M8X25	3							
13-1	1	119802-01561	BOLT, STUD M8X25	3	3						R
(A=E23456)											
14	1	124160-01751	CAP, FILLER	1	1						
15	1	124240-01871	COVER, PUMP	1	1						
16	1	129795-01950	PIPE, DOWEL L=18	2	2						
17	1	119609-32040	O-RING, P16	4	4						
18	1	119802-32111	ROTOR, INNER	1	1						
19	1	119802-32120	ROTOR, OUTER	1	1						
20	1	119802-32130	SCREW, M6X16	7	7						
21	1	121850-51960	O-RING	1	1						
22	1	129001-91841	BOLT, M8X87	3							
22-1	1	26106-080852	BOLT, M8X 85 PLATED	3	3						R
(A=E67877)											
23	1	24311-000320	O-RING, 1AP32.0	1	1						
24	1	26106-080162	BOLT, M8X 16 PLATED	4	4						
25	1	26106-080162	BOLT, M8X 16 PLATED	3	3						
26	1	26106-080552	BOLT, M8X 55 PLATED	12	12						
27	1	26306-080002	NUT, M8	3	3						
28	1	121023-01550	COVER	1							
28-1	1	121023-01551	COVER	1	1						R
(A=E26638)											
29	1	24341-000240	O-RING, 1AS24.0	1	1						
30	1	26106-060162	BOLT, M6X 16 PLATED	2	2						

Fig.3. FLYWHEEL HOUSING & OIL SUMP



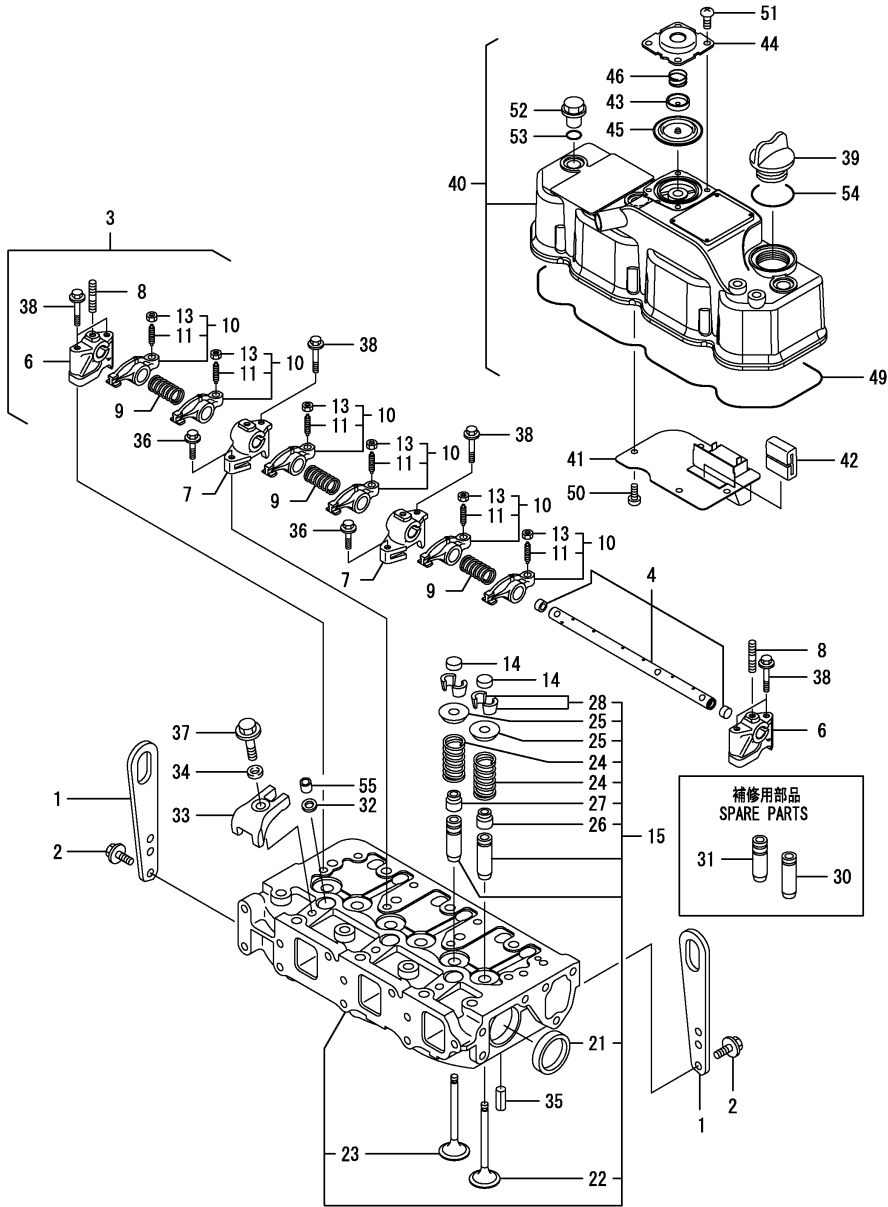
(A)=3TNV82A-SYB  
(B)=3TNV82A-SYBT  
(C)=

(D)=  
(E)=  
(F)=

No.	Lev.	Parts No.	Description	Q'ty						I	R
				(A)	(B)	(C)	(D)	(E)	(F)		
1	1	129100-01580	PIN, PARALLEL 8X16	2	2						
2	1	129612-01600	HOUSING, FLYWHEEL	1	1						
3	1	119620-01750	CAP	1	1						
4	1	26206-100252	BOLT, M10X 25 PLATED	6	6						
5	1	26206-100302	BOLT, M10X 30 PLATED	4	4						
6	1	119810-01730	SPACER, OIL-PAN	1	1						
7	1	26106-080352	BOLT, M8X 35 PLATED	3	3						
8	1	119810-01770	OIL PAN ASSY	1	1						
9	2	119640-01640	PLUG, DRAIN M22	1	1						
11	2	22190-220002	WASHER, SEAL 22	1	1						
12	1	26106-080162	BOLT, M8X 16 PLATED	6	6						
13	1	26106-080452	BOLT, M8X 45 PLATED	22	22						
14	1	129100-01580	PIN, PARALLEL 8X16	2	2						
15	1	129100-01640	CASE ASSY, OIL SEAL	1	1						
17	2	129795-01780	SEAL, OIL	1	1						
18	1	129486-01670	BOLT, M8X30	6	6						
20	1	22190-220002	WASHER, SEAL 22	1							
20-1	1	22190-220002	WASHER, SEAL 22	1							Z

(A=E71083)

Fig.4. CYLINDER HEAD & BONNET



(A)=3TNV82A-SYB  
(B)=3TNV82A-SYBT  
(C)=

(D)=  
(E)=  
(F)=

No.	Lev.	Parts No.	Description	Q'ty						I	R
				(A)	(B)	(C)	(D)	(E)	(F)		
1	1	129900-07900	LIFTER, ENGINE	2	2						
2	1	26106-080162	BOLT, M8X 16 PLATED	4	4						
3	1	119802-11241	SHAFT ASSY, ROCKER	1	1						
4	2	119802-11251	SHAFT, ROCKER ARM	1	1						
6	2	119802-11260	SUPPORT, ROCKER ARM	2	2						
7	2	119802-11270	SUPPORT, ROCKER ARM	2	2						
8	2	119802-11280	BOLT, STUD	3	3						
9	2	129150-11280	SPRING, ROCKER	3	3						
10	2	119802-11650	ARM ASSY, ROCKER	6	6						
11	3	129150-11230	SCREW, VALVE ADJUST	6	6						
13	3	129150-11750	NUT, M8	6	6						
14	1	104211-11370	CAP, VALVE	6	6						
15	1	119802-11700	HEAD ASSY, CYLINDER	1							
15-1	1	119802-11730	HEAD ASSY, CYLINDER	1	1						N
(A=E91810)											
21	2	27241-400000	PLUG, 40	2	2						
22	2	119802-11100	VALVE, SUCTION	3	3						
23	2	119802-11110	VALVE, EXHAUST	3	3						
24	2	119810-11120	SPRING, VALVE	6	6						
25	2	104211-11180	RETAINER, SPRING	6	6						
26	2	124160-11340	SEAL, VALVE STEM	3	3						
27	2	124950-11340	SEAL, VALVE STEM	3							
27-1	2	119803-11340	SEAL, VALVE STEM	3	3						N
(A=E40843)											
28	2	27310-070001	COTTER, 7	6	6						
30	1	124060-11800	GUIDE, INTAKE VALVE	3	3						1
31	1	119802-11810	GUIDE, VALVE	3	3						1
32	1	119625-11880	SEAT, NOZZLE	3	3						
33	1	119802-11900	RETAINER, NOZZLE	3	3						
34	1	120270-54410	WASHER, INJECTOR	3	3						
35	1	22351-060012	PIN, SPRING 6.0X12	2	2						
36	1	26106-080252	BOLT, M8X 25 PLATED	2	2						
37	1	26106-080452	BOLT, M8X 45 PLATED	3	3						
38	1	26106-080502	BOLT, M8X 50 PLATED	6	6						
39	1	124160-01751	CAP, FILLER	1	1						
40	1	119802-11350	BONNET ASSY, HEAD	1	1						
41	2	119802-03010	PLATE, BAFFLE	1	1						
42	2	129150-03070	BAFFLE, BREATHER	1	1						
43	2	119802-03110	PLATE, DIAPHRAGM	1	1						
44	2	119802-03120	COVER, DIAPHRAGM	1							
44-1	2	119802-03121	COVER, DIAPHRAGM	1	1						N
(A=E08431)											
45	2	119802-03130	DIAPHRAGM	1	1						
46	2	119802-03140	SPRING, DIAPHRAGM	1							
46-1	2	119802-03141	SPRING, DIAPHRAGM	1	1						R
(A=E08431)											
49	2	119802-11310	GASKET, BONNET	1	1						
50	2	22857-500100	SCREW, 5X10	4	4						
51	2	22857-500100	SCREW, 5X10	4	4						
52	1	124160-11360	KNOB	3	3						
53	1	24311-000120	O-RING, 1AP12.0	3	3						

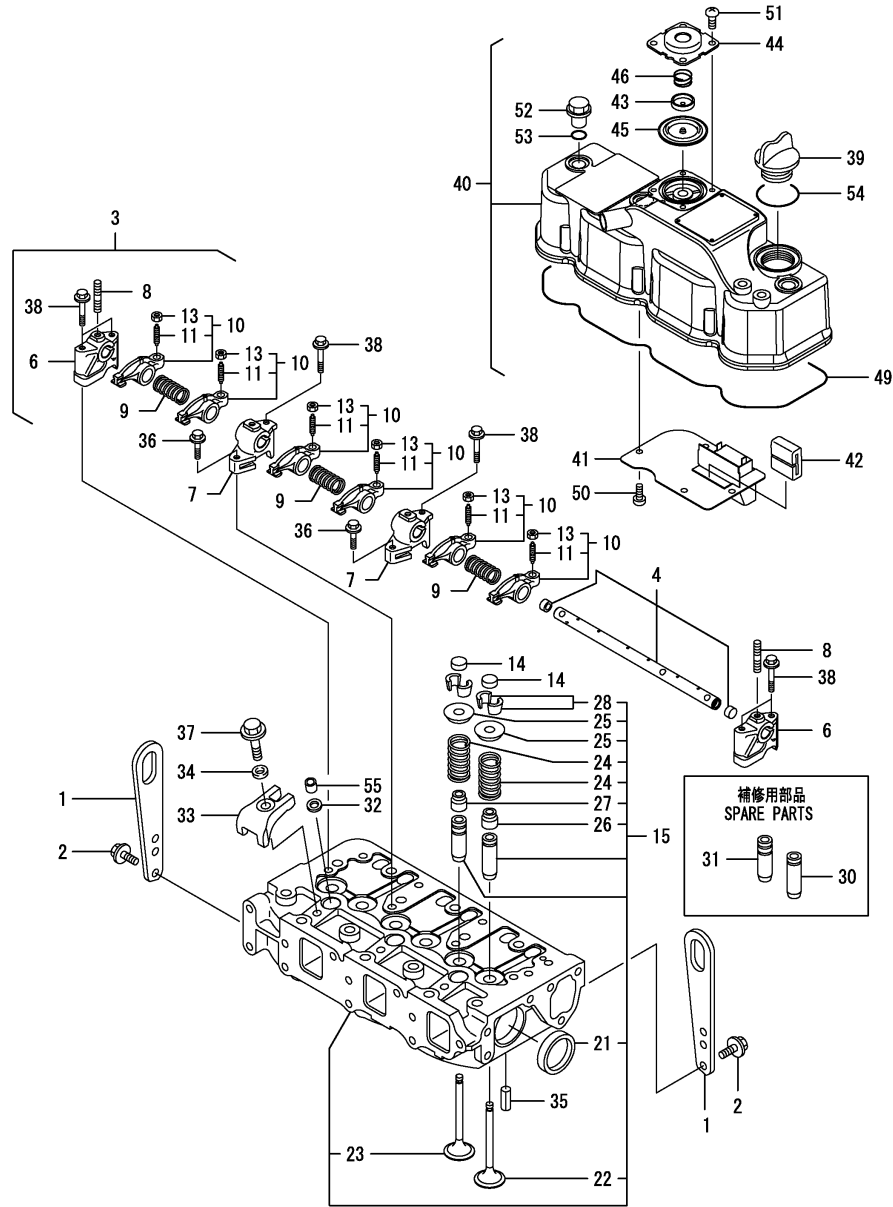
Remarks

(1) Spare parts.

Fig.4. CYLINDER HEAD & BONNET

(A)=3TNV82A-SYB  
 (B)=3TNV82A-SYBT  
 (C)=

(D)=  
 (E)=  
 (F)=



No.	Lev.	Parts No.	Description	Q'ty						I	R
				(A)	(B)	(C)	(D)	(E)	(F)		
54	1	24311-000320	O-RING, 1AP32.0	1	1						
55	1	119802-11870	PROTECTOR, NOZZLE	3	3						

Remarks

(1) Spare parts.

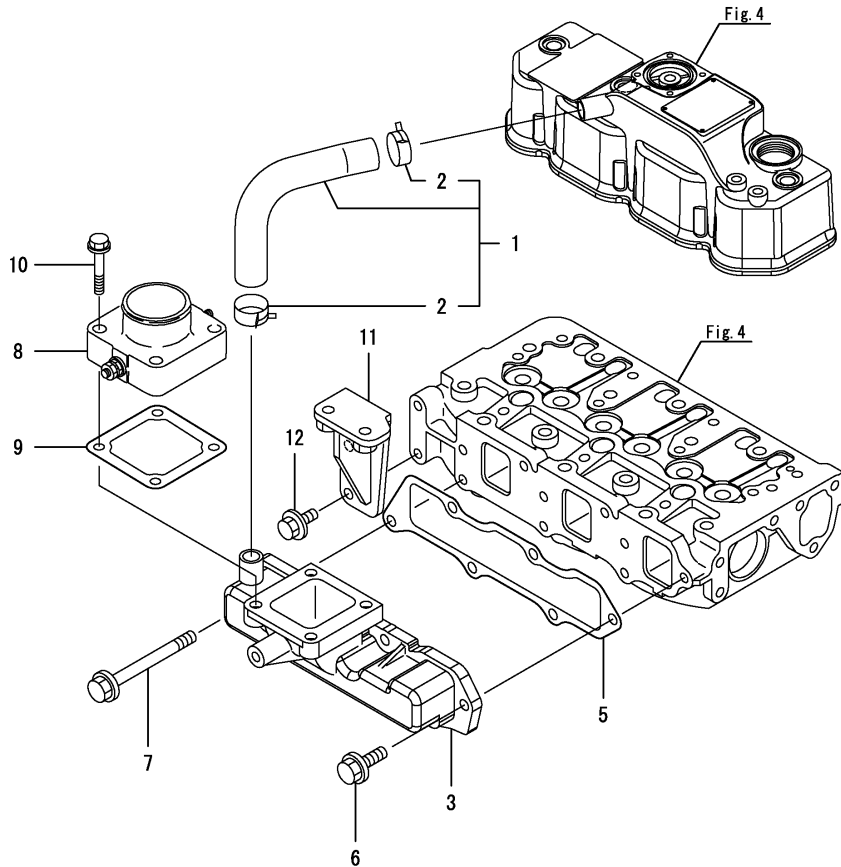
N:Old  $\xrightarrow{\text{Yes}}$  New, Q:Old  $\xrightarrow{\text{No}}$  New, R:Old  $\xrightarrow{\text{Yes}}$  New, S:Old  $\xrightarrow{\text{No}}$  New, W:Add, Z:Discontinued, F:Interchangeable by set, K:Q'ty Change



Fig.5. SUCTION MANIFOLD

(A)=3TNV82A-SYB  
 (B)=3TNV82A-SYBT  
 (C)=

(D)=  
 (E)=  
 (F)=



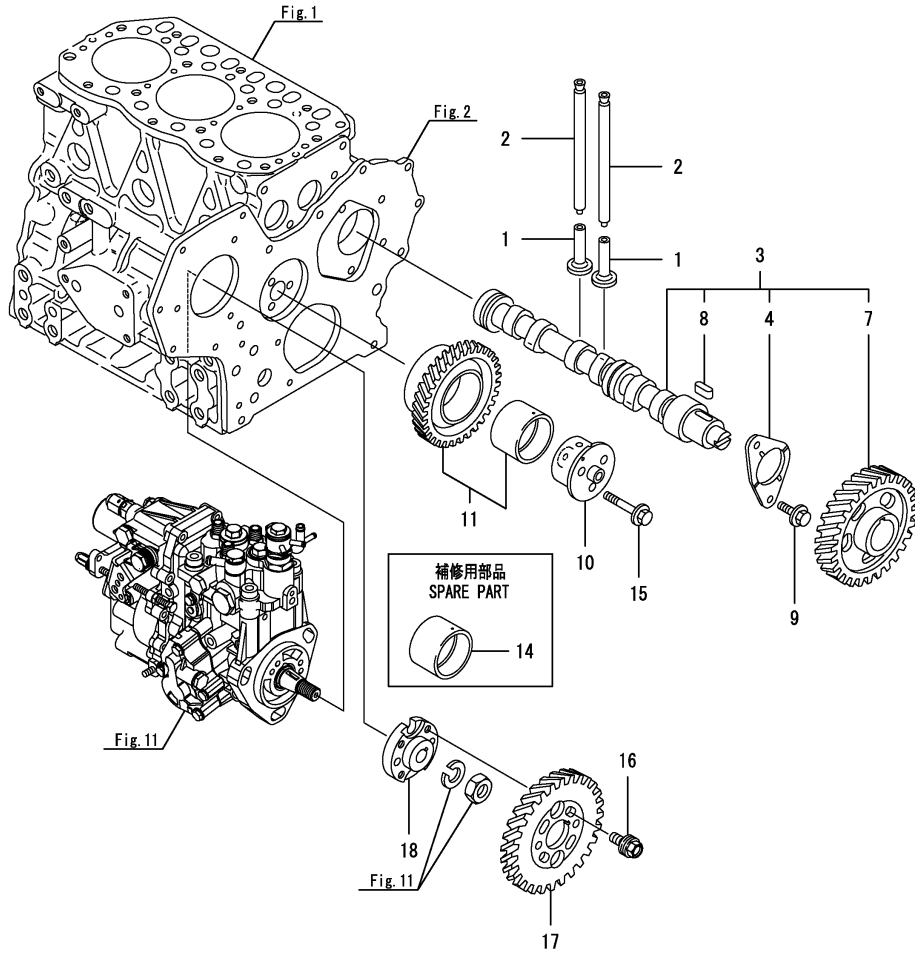
No.	Lev.	Parts No.	Description	Q'ty						I	R
				(A)	(B)	(C)	(D)	(E)	(F)		
1	1	129005-03080	HOSE ASSY, BREATHER	1	1						
2	2	129410-03990	CLAMP, HOSE 21.5	2	2						
3	1	119802-12120	MANIFOLD, AIR INTAKE	1	1						
5	1	119813-12110	GASKET, MANIFOLD	1	1						
6	1	26106-080202	BOLT, M8X 20 PLATED	4	4						
7	1	26106-080802	BOLT, M8X 80 PLATED	2	2						
8	1	129120-77501	HEATER, AIR	1							
8-1	1	129120-77502	HEATER, AIR	1	1						N
(A=E41723)											
9	1	129150-77511	GASKET, AIR HEATER	1	1						
10	1	26106-080352	BOLT, M8X 35 PLATED	4	4						
11	1	119802-55620	BRACKET, FILTER	1	1						
12	1	26106-080162	BOLT, M8X 16 PLATED	2	2						



Fig.7. CAMSHAFT & DRIVING GEAR

(A)=3TNV82A-SYB  
(B)=3TNV82A-SYBT  
(C)=

(D)=  
(E)=  
(F)=



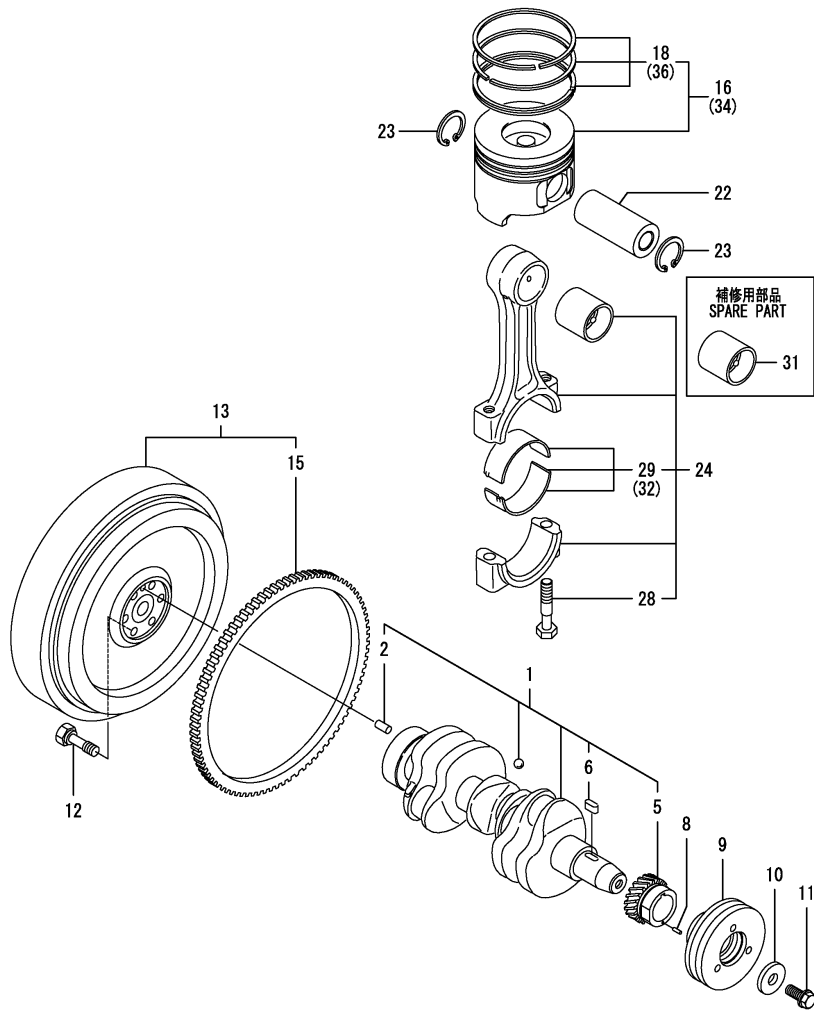
No.	Lev.	Parts No.	Description	Q'ty						I	R
				(A)	(B)	(C)	(D)	(E)	(F)		
1	1	129150-14200	TAPPET	6	6						
2	1	119810-14400	PUSH-ROD	6	6						
3	1	119802-14580	CAMSHAFT ASSY	1	1						
4	2	129150-02450	BEARING, THRUST	1	1						
7	2	129150-14101	GEAR, CAMSHAFT	1	1						
8	2	22512-070140	KEY, 7X 14	1	1						
9	1	26106-080142	BOLT, M8X 14 PLATED	2	2						
10	1	119802-25051	SHAFT, IDLE	1	1						
11	1	119802-25100	GEAR ASSY, IDLE	1							
11-1	1	119802-25101	GEAR ASSY, IDLE	1	1						N
		(A=E33736)									
14	1	119802-25070	BUSH, IDLE GEAR	1							1
14-1	1	119802-25071	BUSH, IDLE GEAR	1	1						N 1
		(A=E33736)									
15	1	26106-080402	BOLT, M8X 40 PLATED	3	3						
16	1	129150-25301	BOLT	4	4						
17	1	119802-25901	GEAR, PUMP	1	1						
18	1	158552-51151	FLANGE	1	1						

Remarks  
(1)Spare parts.

Fig.8. CRANKSHAFT & PISTON

(A)=3TNV82A-SYB  
(B)=3TNV82A-SYBT  
(C)=

(D)=  
(E)=  
(F)=



No.	Lev.	Parts No.	Description	Q'ty						I	R
				(A)	(B)	(C)	(D)	(E)	(F)		
1	1	119802-21001	CRANKSHAFT ASSY	1							
1-1	1	119802-21002	CRANKSHAFT ASSY	1	1						N
(A=E07945)											
2	2	129100-01580	PIN, PARALLEL 8X16	1	1						
5	2	119802-21201	GEAR, CRANKSHAFT	1							
5-1	2	119802-21202	GEAR, CRANKSHAFT	1	1						N
(A=E07945)											
6	2	22512-070140	KEY, 7X 14	1	1						
8	1	22351-030010	PIN, SPRING 3.0X10	1	1						
9	1	119802-21660	V-PULLEY, CRANK 120	1	1						
10	1	129795-21661	WASHER	1	1						
11	1	121850-21680	BOLT	1	1						
12	1	121111-21501	BOLT, FLYWHEEL	6	6						
13	1	129489-21590	FLYWHEEL ASSY	1	1						
15	2	119865-21600	GEAR, RING Z=116	1	1						
16	1	119802-22080	PISTON ASSY	3	3						
18	2	119802-22500	RING SET, PISTON	3	3						
22	1	119813-22300	PIN, PISTON	3	3						
23	1	129792-22400	CIRCLIP, 23	6	6						
24	1	719810-23100	ROD ASSY, CONNECTING	3	3						
28	2	119810-23200	BOLT, CONNECTING ROD	6	6						
29	2	119810-23600	BEARING, CRANK PIN	3							
29-1	2	119810-23601	BEARING, CRANK PIN	3	3						N
(A=E33736)											
31	1	119810-23910	BEARING, PISTON PIN	3	3						1
32	1	119810-23610	BEARING, 0.25 US	3							2
32-1	1	119810-23611	BEARING, 0.25 US	3	3						N 2
(A=E33736)											
34	1	119802-22900	PISTON ASSY, 0.25 OS	3	3						3
36	2	119802-22950	RING SET, 0.25 OS	3	3						3

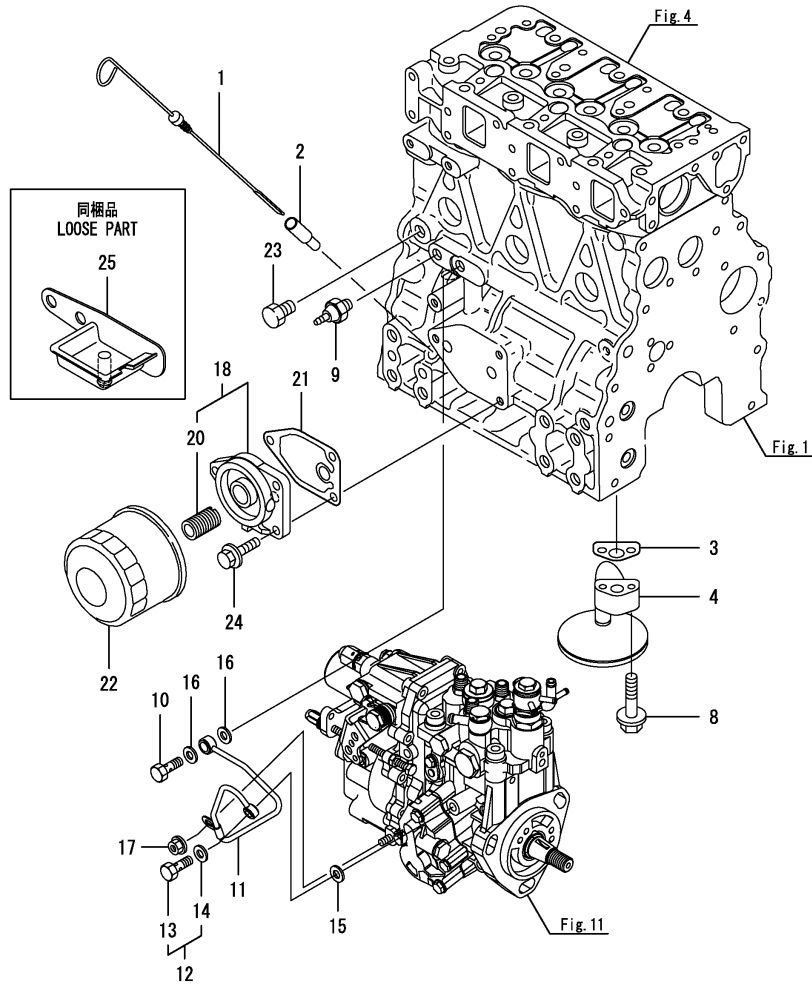
Remarks

- (1) Spare parts.
- (2) Under-sized (U.S.=0.25) parts.
- (3) Over-sized (O.S.=0.25) parts.

Fig.9. LUB. OIL SYSTEM

(A)=3TNV82A-SYB  
(B)=3TNV82A-SYBT  
(C)=

(D)=  
(E)=  
(F)=



No.	Lev.	Parts No.	Description	Q'ty						I	R
				(A)	(B)	(C)	(D)	(E)	(F)		
1	1	119802-34801	DIPSTICK	1							
1-1	1	119802-34802	DIPSTICK	1	1						N
(A=E08633)											
2	1	121520-34810	GUIDE, DIPSTICK	1	1						
3	1	129150-35041	GASKET	1							
3-1	1	129150-35042	GASKET	1	1						N
(A=E08633)											
4	1	119810-35300	PIPE ASSY, OIL INLET	1	1						
8	1	26106-080352	BOLT, M8X 35 PLATED	2	2						
9	1	114250-39450	SWITCH, HYDRAULIC	1	1						
10	1	124160-39140	BOLT, PIPE JOINT M10	1	1						
11	1	119802-39450	PIPE ASSY, OIL	1	1						
12	1	129005-59830	BOLT ASSY, JOINT M8	1	1						
13	2	23857-030000	BOLT, JOINT 3	1	1						
14	2	22190-080002	WASHER, SEAL 8	1	1						
15	1	22190-080002	WASHER, SEAL 8	1	1						
16	1	22190-100002	WASHER, SEAL 10	2	2						
17	1	26366-060002	NUT, M6	1	1						
18	1	119802-35100	BRACKET ASSY, FILTER	1	1						
20	2	129100-35140	BOLT, STUD	1	1						
21	1	129150-35111	GASKET	1	1						
22	1	129150-35153	FILTER ASSY, D80X80L	1	1						1
23	1	171056-49120	PLUG, DRAIN R1/4	1	1						
24	1	26106-080202	BOLT, M8X 20 PLATED	3	3						
25	1	119940-35800	SUMP, OIL	1	1						

Remarks

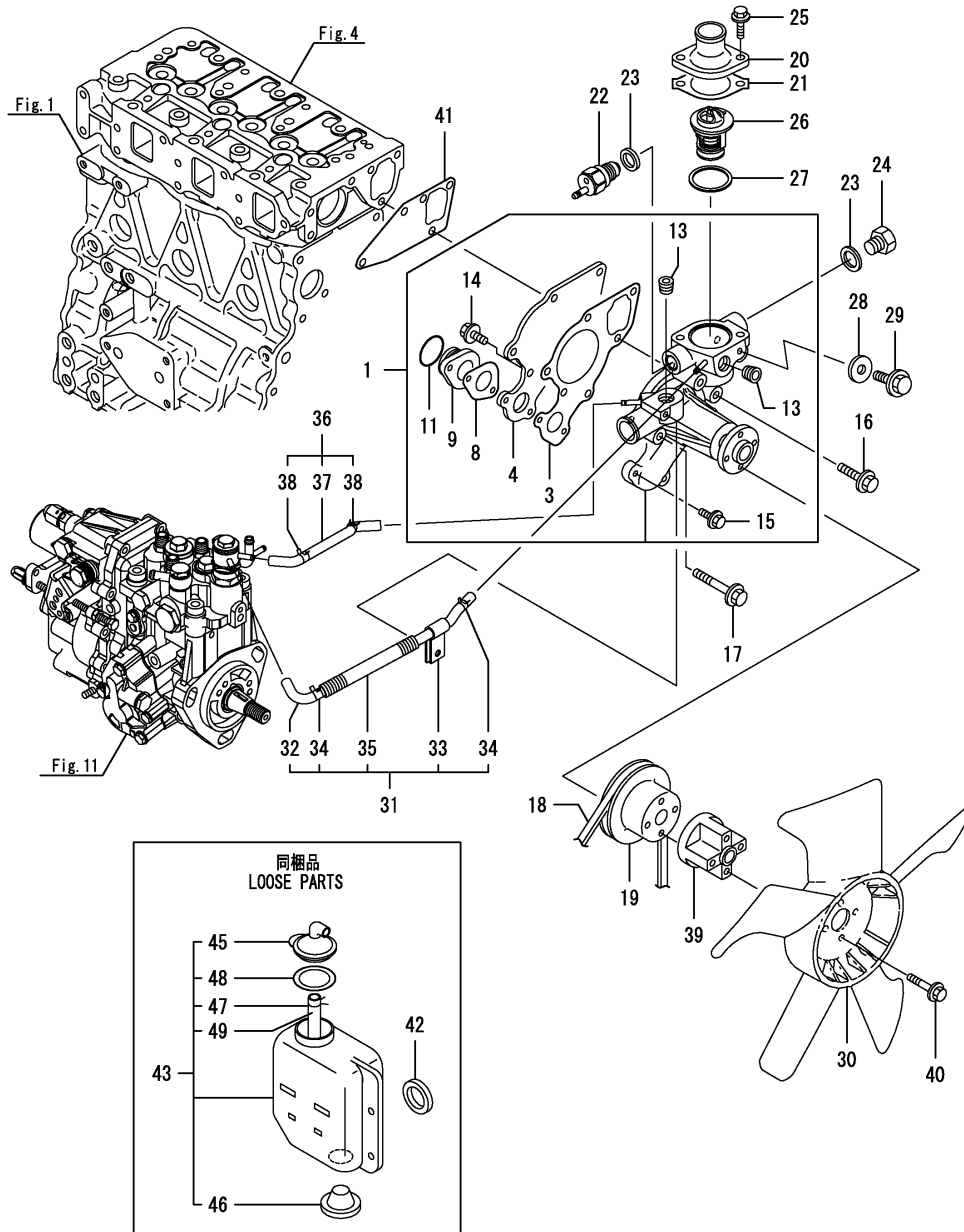
(1) Spare parts.

N:Old  $\begin{matrix} \leftarrow \text{Yes} \\ \text{No} \end{matrix}$  New, Q:Old  $\begin{matrix} \leftarrow \text{No} \\ \text{Yes} \end{matrix}$  New, R:Old  $\begin{matrix} \leftarrow \text{Yes} \\ \text{Yes} \end{matrix}$  New, S:Old  $\begin{matrix} \leftarrow \text{No} \\ \text{No} \end{matrix}$  New, W:Add, Z:Discontinued, F:Interchangeable by set, K:Q'ty Change

Fig.10. COOLING WATER SYSTEM

(A)=3TNV82A-SYB  
(B)=3TNV82A-SYBT  
(C)=

(D)=  
(E)=  
(F)=



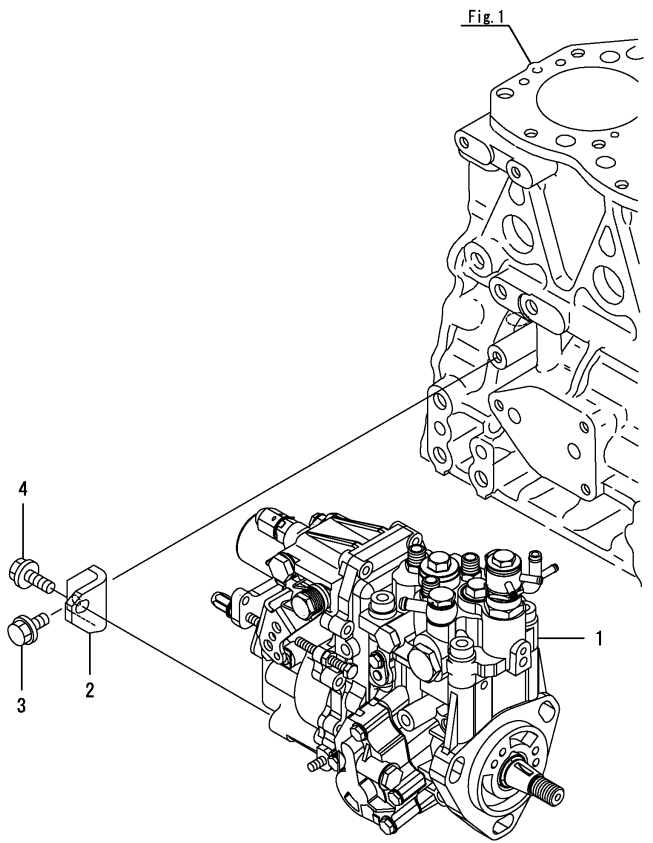
No.	Lev.	Parts No.	Description	Q'ty						I	R
				(A)	(B)	(C)	(D)	(E)	(F)		
1	1	119802-42000	PUMP ASSY, WATER	1							
1-1	1	119802-42001	PUMP ASSY, WATER	1	1						N
(A=E45290)											
3	2	119810-42051	GASKET, WATER PUMP	1	1						
4	2	119810-42120	PLATE, PUMP	1	1						
8	2	119810-42281	GASKET, WATER PUMP	1	1						
9	2	119810-42290	PIPE, PUMP	1	1						
11	2	129054-42320	O-RING	1	1						
13	2	23876-030000	PLUG, R03	2	2						
14	2	26106-060142	BOLT, M6X 14 PLATED	2	2						
15	2	26106-060202	BOLT, M6X 20 PLATED	2	2						
16	1	26106-080352	BOLT, M8X 35 PLATED	1	1						
17	1	26106-080552	BOLT, M8X 55 PLATED	3	3						
18	1	129612-42380	V-BELT, A38.5	1	1						
19	1	129556-42350	V-PULLEY, 96	1	1						
20	1	129350-49530	COVER, THERMOSTAT	1	1						
21	1	129795-49551	GASKET	1	1						
22	1	121250-44901	SWITCH, THERMO 110	1	1						
23	1	124465-44950	GASKET, 16	2	2						
24	1	121450-42450	PLUG, M16	1	1						
25	1	26106-080222	BOLT, M8X 22 PLATED	2	2						
26	1	129155-49801	THERMOSTAT, 71C	1	1						
27	1	129150-49811	GASKET, THERMOSTAT	1	1						
28	1	23414-080000	GASKET, 8X1.0	1	1						
29	1	26106-080122	BOLT, M8X 12 PLATED	1	1						
30	1	119265-44740	FAN, D=310X5F	1	1						
31	1	119802-49610	HOSE ASSY, WATER	1	1						
32	2	119802-49711	HOSE ASSY, WATER	1	1						
33	2	119802-49730	RETAINER, PIPE	1	1						
34	2	124722-59050	CLAMP, HOSE 9	2	2						
35	2	119802-59320	TUBE, CORRUGATED	1	1						
36	1	119802-49620	HOSE ASSY, WATER	1	1						
37	2	119802-49721	HOSE ASSY, WATER	1	1						
38	2	124722-59050	CLAMP, HOSE 9	2	2						
39	1	171353-44760	SPACER, FAN	1	1						
40	1	26106-060402	BOLT, M6X 40 PLATED	4	4						
41	1	129486-42050	GASKET, WATER PUMP	1	1						
42	1	129150-49360	GASKET	1	1						
43	1	121468-44510	TANK ASSY, SUB	1							
43-1	1	121468-44520	TANK ASSY, SUB	1	1						R
(A=E46118)											
45	2	121450-44531	CAP	1	1						
46	2	121468-44540	PLUG	1							Z
(A=E46118)											
47	2	124450-44560	CLAMP, HOSE	1	1						
48	2	121470-44581	GASKET	1	1						
49	2	23065-070130	PIPE, 7X 130	1	1						

Fig.11. FUEL INJECTION PUMP

(A)=3TNV82A-SYB  
 (B)=3TNV82A-SYBT  
 (C)=

(D)=  
 (E)=  
 (F)=

No.	Lev.	Parts No.	Description	Q'ty						I	R
				(A)	(B)	(C)	(D)	(E)	(F)		
1	1	719940-51340	FIE ASSY	1	1						1
2	1	119802-51250	RETAINER, PUMP	1	1						
3	1	26106-080162	BOLT, M8X 16 PLATED	1	1						
4	1	26106-080202	BOLT, M8X 20 PLATED	1	1						

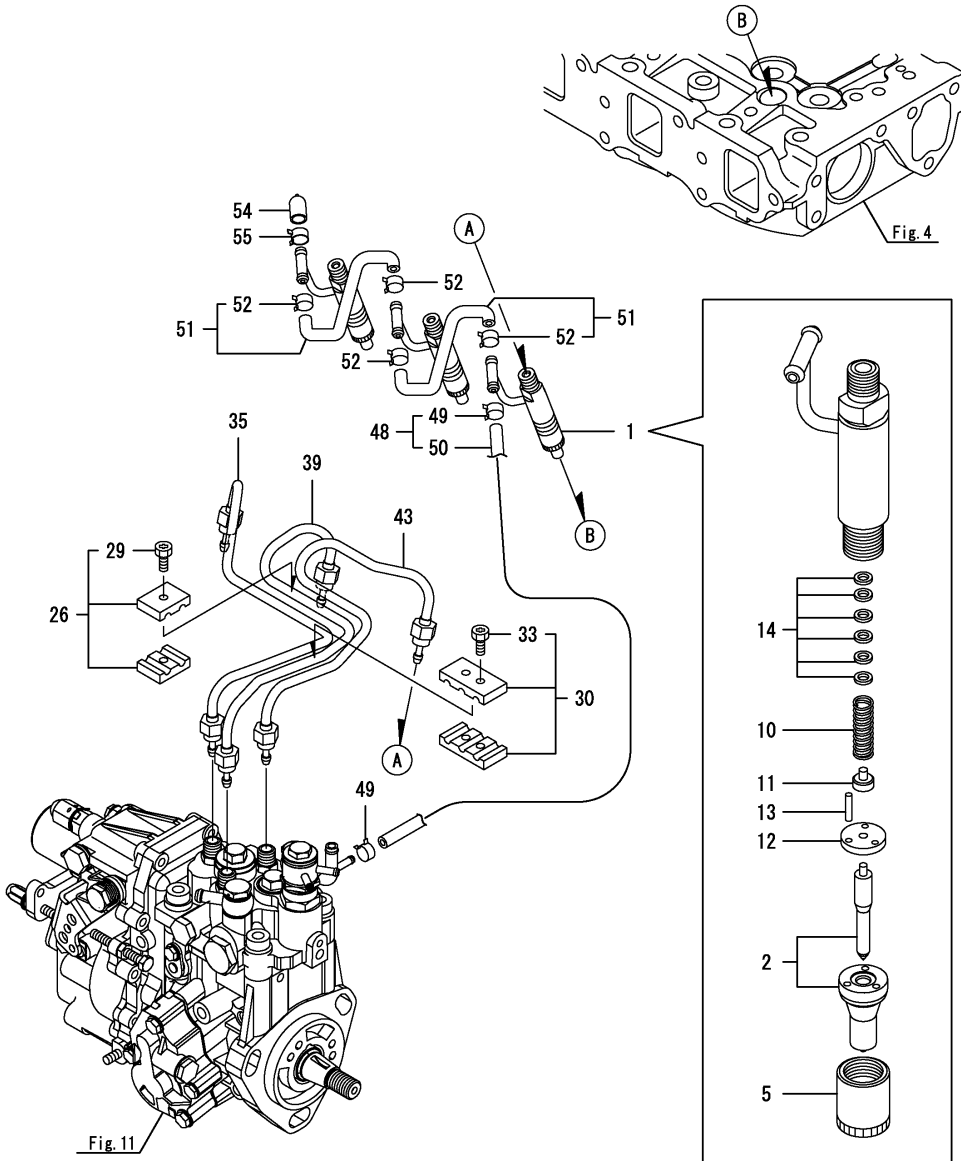


Remarks  
 (1) Inner parts are shown in Fig.17 & 18.

Fig.12. FUEL INJECTION VALVE

(A)=3TNV82A-SYB  
(B)=3TNV82A-SYBT  
(C)=

(D)=  
(E)=  
(F)=



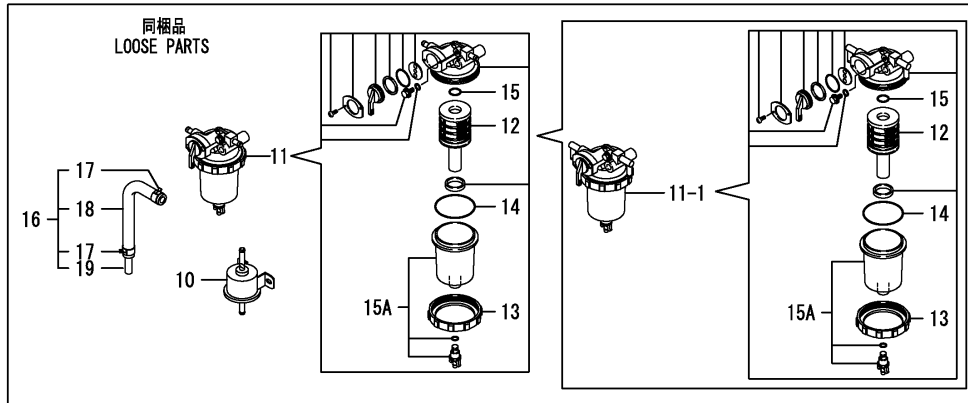
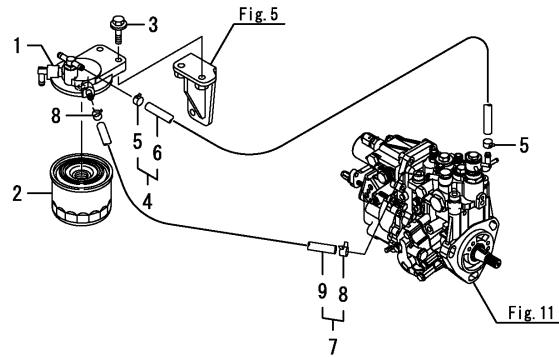
No.	Lev.	Parts No.	Description	Q'ty						I	R
				(A)	(B)	(C)	(D)	(E)	(F)		
1	1	729646-53100	FUEL INJECTOR ASSY	3	3						
2	2	129646-53000	NOZZLE ASSY, F.I.	3	3						
5	2	114250-53080	NUT, NOZZLE	3	3						
10	2	114250-53120	SPRING, NOZZLE	3	3						
11	2	114250-53130	SEAT, SPRING	3	3						
12	2	114250-53140	SPACER	3	3						
13	2	114250-53210	PIN	6	6						
14	2	114250-53400	SHIM SET	3							
14-1	2	119803-53400	SHIM SET	3	3						R
(A=E54056)											
26	1	119305-59120	RETAINER, PIPE	1	1						
29	2	129150-59131	BOLT, M4X14	1	1						
30	1	129150-59120	RETAINER, PIPE	1	1						
33	2	129150-59131	BOLT, M4X14	2	2						
35	1	119802-59810	PIPE ASSY, INJECTION	1	1						
39	1	119802-59820	PIPE ASSY, INJECTION	1	1						
43	1	119802-59830	PIPE ASSY, INJECTION	1	1						
48	1	119802-59550	HOSE ASSY, RETURN	1	1						
49	2	124722-59050	CLAMP, HOSE 9	2	2						
50	2	119802-59560	HOSE, FUEL RETURN	1	1						
51	1	129486-59551	HOSE ASSY, RETURN	2	2						
52	2	124722-59050	CLAMP, HOSE 9	4	4						
54	1	119593-59580	CAP	1							
54-1	1	119593-59581	CAP	1	1						R
(A=E28983)											
55	1	124060-77680	CLAMP, HOSE 10	1	1						



Fig.13. FUEL PIPE

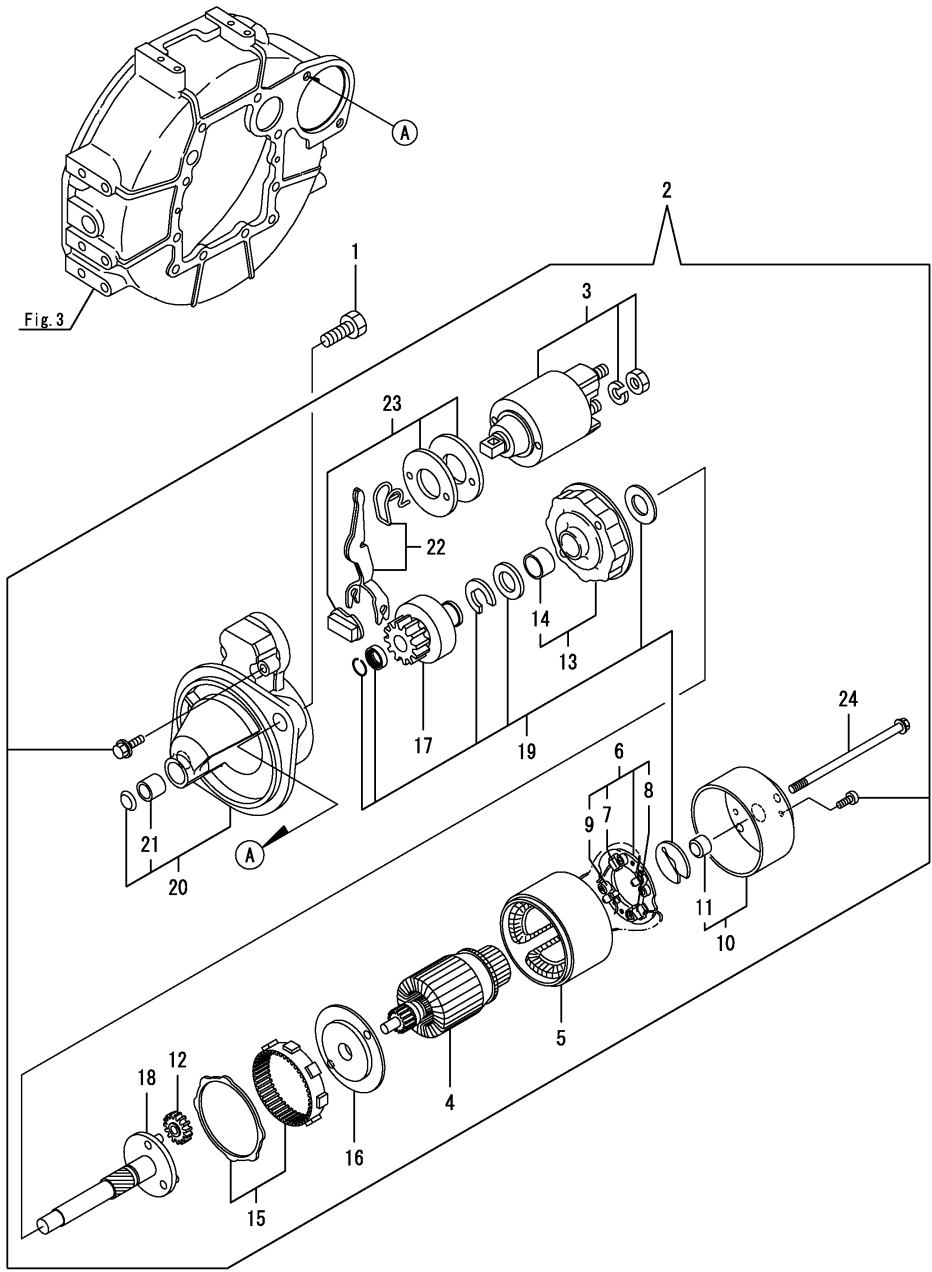
(A)=3TNV82A-SYB  
(B)=3TNV82A-SYBT  
(C)=

(D)=  
(E)=  
(F)=



No.	Lev.	Parts No.	Description	Q'ty						I	R
				(A)	(B)	(C)	(D)	(E)	(F)		
1	1	129004-55610	BRACKET, FILTER	1							
1-1	1	129004-55611	BRACKET, FILTER	1							R
(A=E22463)											
1-2	1	129004-55612	BRACKET, FILTER	1	1						R
(A=E33152)											
2	1	119802-55800	FILTER, FUEL	1							
2-1	1	119802-55801	FILTER, FUEL	1	1						R
(A=E34373)											
3	1	26106-080302	BOLT, M8X 30 PLATED	2	2						
4	1	129210-59060	HOSE ASSY, FUEL L240	1	1						
5	2	124766-59050	CLAMP, HOSE 11.5	2	2						
6	2	171051-59050	HOSE, FUEL L=240	1	1						
7	1	129210-59120	HOSE ASSY, FUEL	1	1						
8	2	124766-59050	CLAMP, HOSE 11.5	2	2						
9	2	129211-59510	HOSE, FUEL L=330	1	1						
10	1	129612-52100	PUMP, FUEL FEED	1	1						
11	1	119802-55700	SEPARATOR ASSY,WATER	1							
11-1	1	129906-55700	SEPARATOR ASSY,WATER	1							S
(A=E52623)											
11-2	1	129906-55711	SEPARATOR ASSY,WATER	1	1						N
(A=E88472)											
12	2	119802-55710	ELEMENT	1	1						
13	2	129100-55690	RING, CUP RETAINING	1	1						
14	2	24321-000650	O-RING, 1AG65.0	1	1						
15	2	24311-000160	O-RING, 1AP16.0	1	1						
15A	2	119802-55730	CUP ASSY, SEPARATOR	1	1						
16	1	119840-59601	BEND	1							Z
(A=E52623)											
17	2	124766-59050	CLAMP, HOSE 11.5	2							Z
(A=E52623)											
18	2	119840-59611	BEND	1							Z
(A=E52623)											
19	2	119840-59621	JOINT	1							Z
(A=E52623)											

Fig.14. STARTER MOTOR



(A)=3TNV82A-SYB  
(B)=3TNV82A-SYBT  
(C)=

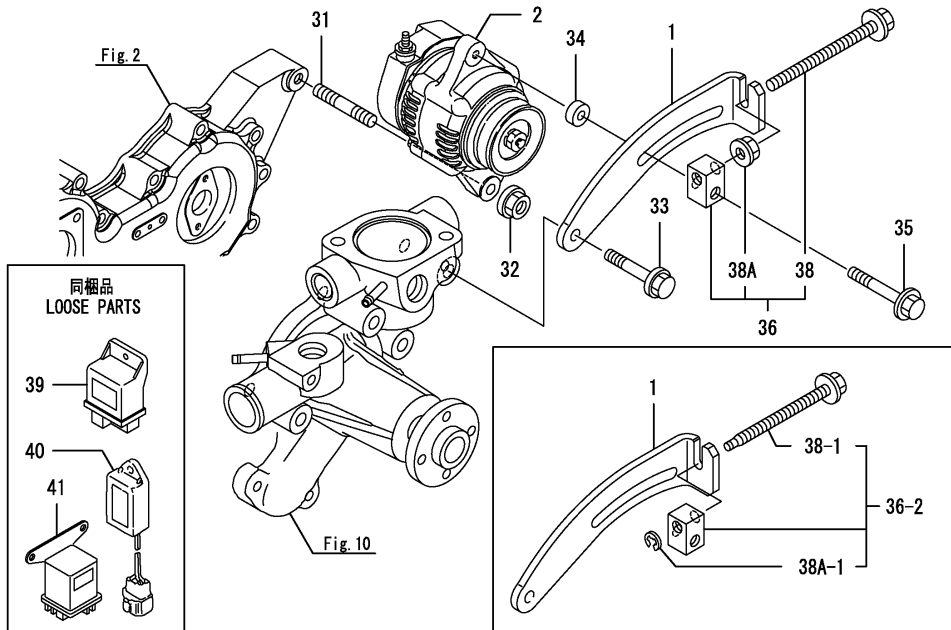
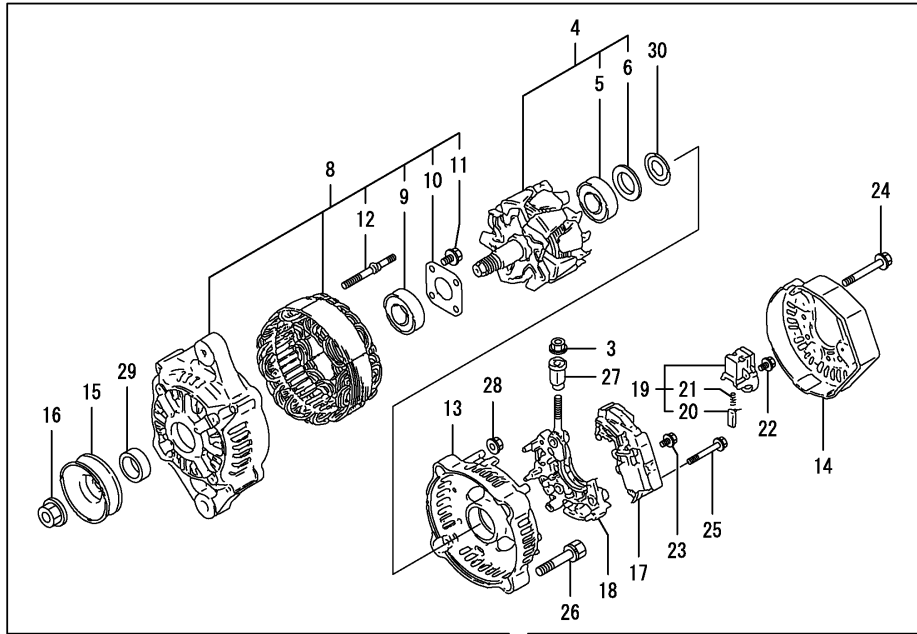
(D)=  
(E)=  
(F)=

No.	Lev.	Parts No.	Description	Q'ty						I	R
				(A)	(B)	(C)	(D)	(E)	(F)		
1	1	26116-120252	BOLT, M12X 25 PLATED	2							
1-1	1	26106-120252	BOLT, M12X 25 PLATED	2	2						R
(A=E82380)											
2	1	129242-77010	STARTER ASSY	1	1						
3	2	129698-77020	SWITCH ASSY, MAGNET	1	1						
4	2	129242-77100	ARMATURE ASSY	1	1						
5	2	129242-77110	YOKE ASSY	1	1						
6	2	129242-77120	HOLDER ASSY, BRUSH	1	1						
7	3	129242-77130	BRUSH	2	2						
8	3	129242-77140	BRUSH SET	1	1						
9	3	129242-77150	SPRING, BRUSH	4	4						
10	2	129242-77160	COVER ASSY	1	1						
11	3	129242-77170	BEARING, COVER	1	1						
12	2	118400-77170	GEAR, PLANETARY	3	3						
13	2	129242-77180	BRACKET, CENTER	1	1						
14	3	129698-77190	BRACKET, CENTER	1	1						
15	2	129698-77200	GEAR, INTERNAL	1	1						
16	2	129242-77210	BRACKET, CENTER	1	1						
17	2	129698-77220	PINION ASSY	1	1						
18	2	129698-77230	SHAFT, PINION	1	1						
19	2	129698-77250	WASHER SET	1	1						
20	2	129242-77260	CASE ASSY, GEAR	1	1						
21	3	X2114535200	BEARING, STARTER	1	1						
22	2	129242-77270	LEVER SET	1	1						
23	2	129242-77280	COVER KIT, DUST	1	1						
24	2	124195-77770	BOLT, THROUGH	2	2						

Fig.15. GENERATOR

(A)=3TNV82A-SYB  
(B)=3TNV82A-SYBT  
(C)=

(D)=  
(E)=  
(F)=

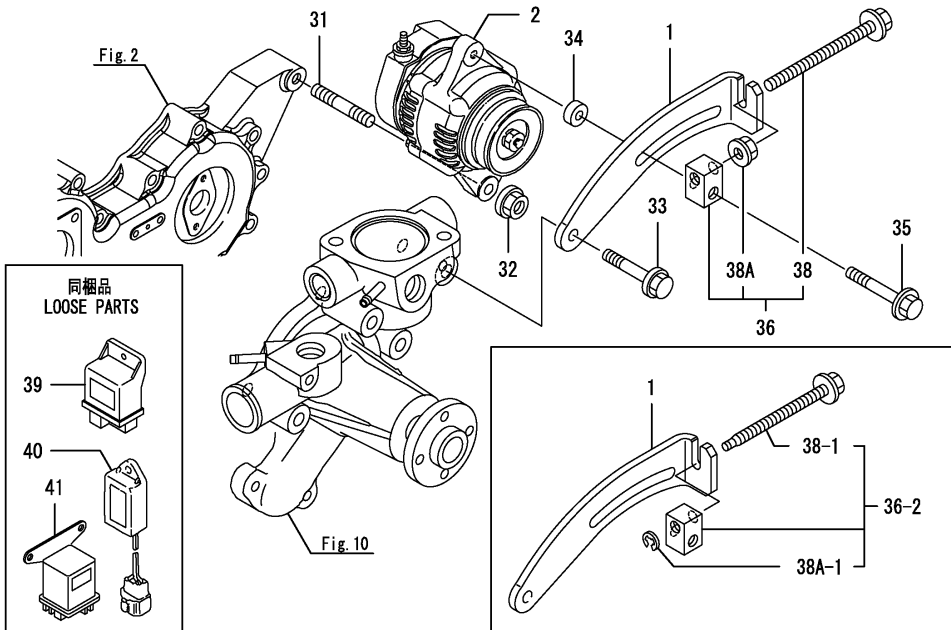
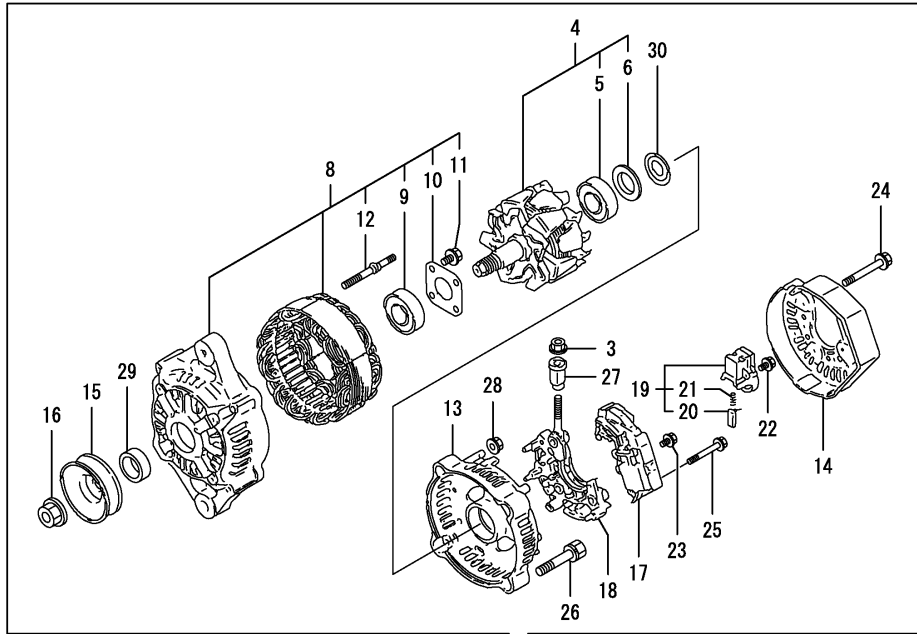


No.	Lev.	Parts No.	Description	Q'ty						I	R
				(A)	(B)	(C)	(D)	(E)	(F)		
1	1	119940-77310	ADJUSTER, BELT	1	1						
2	1	129423-77200	GENERATOR ASSY, 40A	1	1						
3	2	X9490561001	NUT	1	1						
4	2	119620-77380	ROTOR ASSY	1	1						
5	3	123501-79240	BEARING, BALL	1	1						
6	3	119620-79250	COVER, BEARING	1	1						
8	2	119620-77421	FRAME ASSY,GENERATOR	1	1						
9	3	119620-79200	BEARING, BALL	1	1						
10	3	119620-79210	RETAINER	1	1						
11	3	119620-79220	SCREW	4	4						
12	3	119620-79230	BOLT, STUD	2	2						
13	2	119620-77440	FRAME ASSY	1	1						
14	2	129240-79300	COVER	1	1						
15	2	119620-77461	PULLEY, GENERATOR	1	1						
16	2	119620-77471	NUT	1	1						
17	2	129423-77710	REGULATOR ASSY	1	1						
18	2	119620-79260	HOLDER	1	1						
19	2	129052-79270	HOLDER, BRUSH	1	1						
20	3	119620-77480	BRUSH	2	2						
21	3	119620-79280	SPRING	2	2						
22	2	119620-79290	SCREW	6	6						
23	2	119620-79300	SCREW	1	1						
24	2	119620-79310	BOLT	3	3						
25	2	119620-79320	SCREW	2	2						
26	2	119620-79330	BOLT	2	2						
27	2	119620-79340	BUSH, INSULATION	1	1						
28	2	119620-79350	NUT	2	2						
29	2	119620-77490	COLLAR	1	1						
30	2	119620-79360	WASHER, THRUST	1	1						
31	1	129795-01900	BOLT, STUD M10X33	1	1						
32	1	26306-100002	NUT, M10	1	1						
33	1	26106-080452	BOLT, M8X 45 PLATED	1	1						
34	1	119940-77270	SPACER	1	1						
35	1	26106-080502	BOLT, M8X 50 PLATED	1							
35-1	1	26106-080552	BOLT, M8X 55 PLATED	1	1						N
		(A=E13023)									
36	1	119624-77350	BLOCK, ADJUSTER	1							
36-1	1	119624-77351	BLOCK ASSY, ADJUSTER	1							N
		(A=E13023)									
36-2	1	129630-77350	BLOCK ASSY, ADJUSTER	1	1						N
		(A=E72370)									
38	2	26106-081004	BOLT, M8X100 PLATED	1							
38-1	2	129630-77380	BOLT, M8X100	1	1						S
		(A=E72370)									
38A	2	26306-080002	NUT, M8	1							W
		(A=E30416)									
38A-1	2	22272-000050	RING, E-5	1	1						S
		(A=E72370)									
39	1	119802-77200	RELAY, SAFETY	1	1						
40	1	129211-77920	TIMER	1	1						
41	1	119650-77910	RELAY ASSY, GLOW	1							W

Fig.15. GENERATOR

(A)=3TNV82A-SYB  
(B)=3TNV82A-SYBT  
(C)=

(D)=  
(E)=  
(F)=

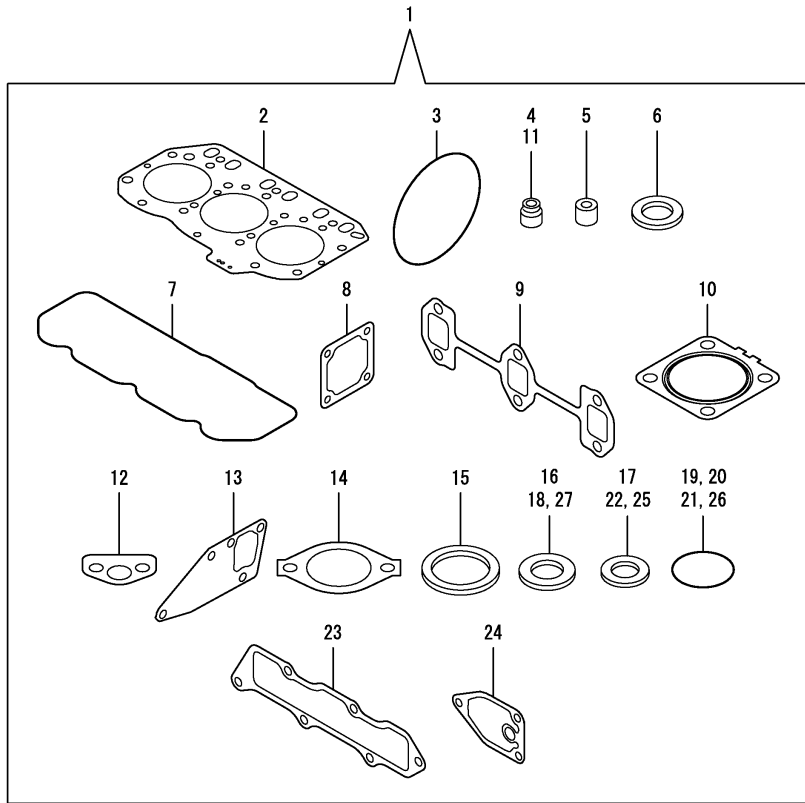


No.	Lev.	Parts No.	Description	Q'ty						I	R
				(A)	(B)	(C)	(D)	(E)	(F)		
		(A=E71264)									
41-1	1	119650-77911	RELAY ASSY, GLOW	1	1						N
		(A=E86001)									

Fig.16. GASKET SET

(A)=3TNV82A-SYB  
(B)=3TNV82A-SYBT  
(C)=

(D)=  
(E)=  
(F)=



No.	Lev.	Parts No.	Description	Q'ty						I	R
				(A)	(B)	(C)	(D)	(E)	(F)		
1	1	719802-92620	GASKET SET	1							1
1-1	1	719802-92621	GASKET SET	1	1						N 1
(A=E06293)											
2	2	119812-01330	GASKET, HEAD	1	1						
3	2	121850-51960	O-RING	1	1						
4	2	124950-11340	SEAL, VALVE STEM	3							
4-1	2	119803-11340	SEAL, VALVE STEM	3	3						N
(A=E40843)											
5	2	119802-11870	PROTECTOR, NOZZLE	3	3						
6	2	119625-11880	SEAT, NOZZLE	3	3						
7	2	119802-11310	GASKET, BONNET	1	1						
8	2	129150-77511	GASKET, AIR HEATER	1	1						
9	2	119810-13110	GASKET, EXH.MANIFOLD	1	1						
10	2	129004-13200	GASKET, SILENCER	1	1						
11	2	124160-11340	SEAL, VALVE STEM	3	3						
12	2	129150-35041	GASKET	1							
12-1	2	129150-35042	GASKET	1	1						N
(A=E08633)											
13	2	129486-42050	GASKET, WATER PUMP	1	1						
14	2	129795-49551	GASKET	1	1						
15	2	129150-49811	GASKET, THERMOSTAT	1	1						
16	2	129150-49360	GASKET	1	1						
17	2	22190-080002	WASHER, SEAL 8	2	2						
18	2	124465-44950	GASKET, 16	2	2						
19	2	24311-000120	O-RING, 1AP12.0	3	3						
20	2	24311-000320	O-RING, 1AP32.0	2	2						
21	2	24341-000240	O-RING, 1AS24.0	1	1						
22	2	22190-100002	WASHER, SEAL 10	2	2						
23	2	119813-12110	GASKET, MANIFOLD	1	1						
24	2	129150-35111	GASKET	1	1						
25	2	22190-220002	WASHER, SEAL 22	1							
25-1	2	22190-220002	WASHER, SEAL 22	2	2						K
(A=E06293)											
26	2	119609-32040	O-RING, P16	4	4						
27	2	23414-080000	GASKET, 8X1.0	1	1						

Remarks

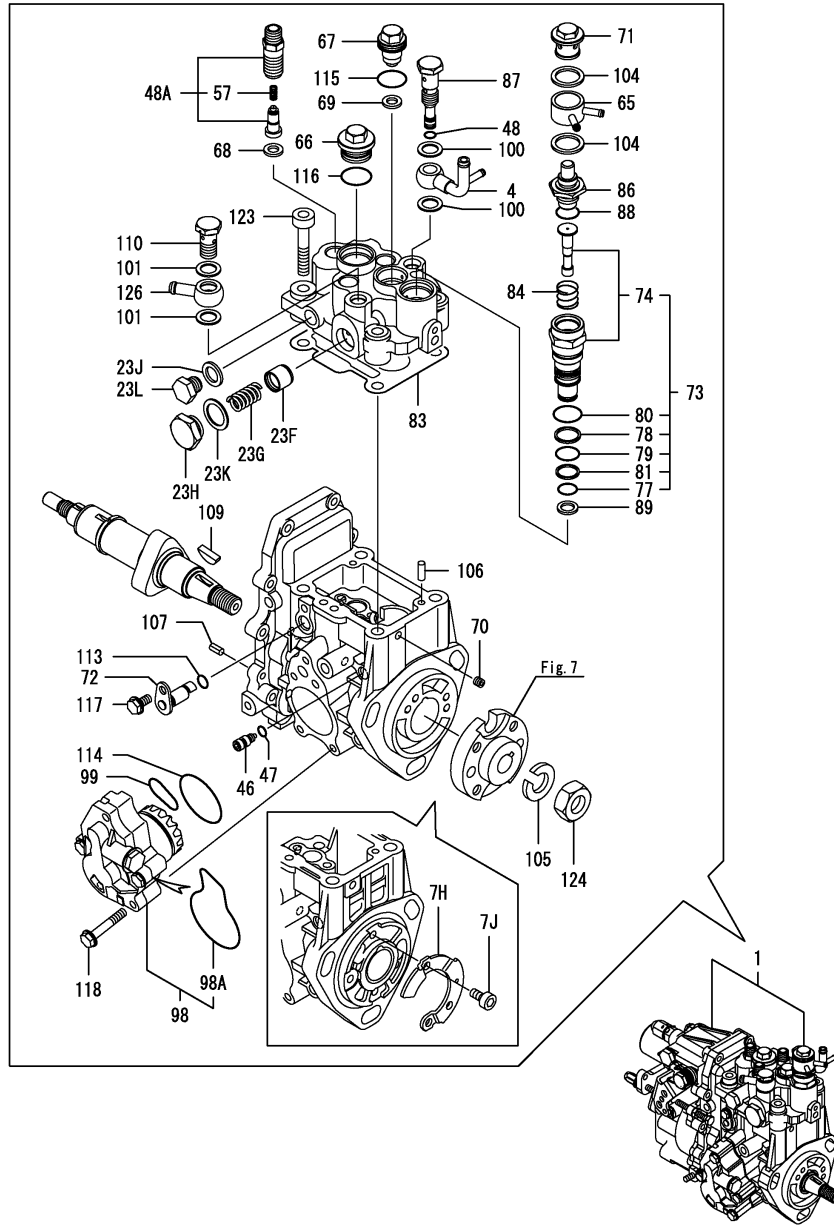
(1)Optional parts.

N:Old  $\begin{matrix} \leftarrow \text{Yes} \\ \text{No} \end{matrix}$  New, Q:Old  $\begin{matrix} \leftarrow \text{No} \\ \text{Yes} \end{matrix}$  New, R:Old  $\begin{matrix} \leftarrow \text{Yes} \\ \text{Yes} \end{matrix}$  New, S:Old  $\begin{matrix} \leftarrow \text{No} \\ \text{No} \end{matrix}$  New, W:Add, Z:Discontinued, F:Interchangeable by set, K:Q'ty Change

Fig.17. FUEL INJECTION PUMP(INNER PARTS)

(A)=3TNV82A-SYB  
(B)=3TNV82A-SYBT  
(C)=

(D)=  
(E)=  
(F)=



No.	Lev.	Parts No.	Description	Q'ty						I	R
				(A)	(B)	(C)	(D)	(E)	(F)		
1	1	719940-51340	FIE ASSY	1	1						1
4	2	158552-51670	JOINT, OVER FLOW	1	1						
7H	2	129008-51900	COVER, PUMP	1	1						W
		(A=E72370)									
7J	2	129008-51920	BOLT, SOCKET M6X10	2	2						W
		(A=E72370)									
23F	2	158601-51770	PISTON, ACCUMLATOR	1	1						
23G	2	158552-51780	SPRING, ACCUMULATOR	1	1						
23G-1	2	158552-51781	SPRING, ACCUMULATOR	1	1						N
		(A=E40251)									
23H	2	158601-51790	PLUG	1	1						
23J	2	22190-120002	WASHER, SEAL 12	1	1						
23K	2	22190-180002	WASHER, SEAL 18	1	1						
23L	2	23887-120002	PLUG, 12	1	1						
23L-1	2	158553-51930	PLUG, M12	1	1						R
		(A=E69576)									
46	2	158600-51270	STOPPER, TAPPET	1	1						
47	2	158563-51281	O-RING, 4D S6	1	1						
48	2	158563-51281	O-RING, 4D S6	1	1						
48A	2	129509-51390	VALVE ASSY, DELIVERY	3	3						
57	3	158563-51330	SPRING, DELIVERY	3	3						
65	2	158553-51551	JOINT, COOLING WATER	1	1						
66	2	158601-51550	PLUG, M22	1	1						
67	2	119802-51560	PLUG, M14	1	1						
68	2	158552-51570	GASKET, PLUG	3	3						
68-1	2	158552-51571	GASKET, PLUG	3	3						R
		(A=E61442)									
69	2	158552-51570	GASKET, PLUG	1	1						
69-1	2	158552-51571	GASKET, PLUG	1	1						R
		(A=E61442)									
70	2	158557-51570	PLUG, RACK	1	1						
71	2	158601-51570	PLUG	1	1						
72	2	158552-51580	LIFTER, LINK	1	1						
73	2	119802-51590	TIMER ASSY	1	1						
74	3	119802-51600	TIMER ASSY	1	1						
77	3	158553-51670	O-RING	1	1						
78	3	119802-51680	RING, BACKUP	1	1						
79	3	119802-51690	O-RING	1	1						
80	3	24356-190200	O-RING, 4D19020	1	1						
81	3	24372-000150	RING, BACK UP T2P15	1	1						
83	2	158552-51600	GASKET	1	1						
84	2	158553-51630	SPRING, TIMER	1	1						
86	2	158553-51640	THERMOELEMENT	1	1						
87	2	158601-51650	JOINT, OVER FLOW	1	1						
88	2	158553-51660	O-RING, P14	1	1						
89	2	158553-51680	GASKET, TIMER	1	1						
98	2	158552-52100	PUMP ASSY, FUEL FEED	1	1						
98A	3	158552-52500	O-RING	1	1						
99	2	158552-52310	O-RING	1	1						
99-1	2	158552-52311	O-RING	1	1						R
		(A=E73475)									

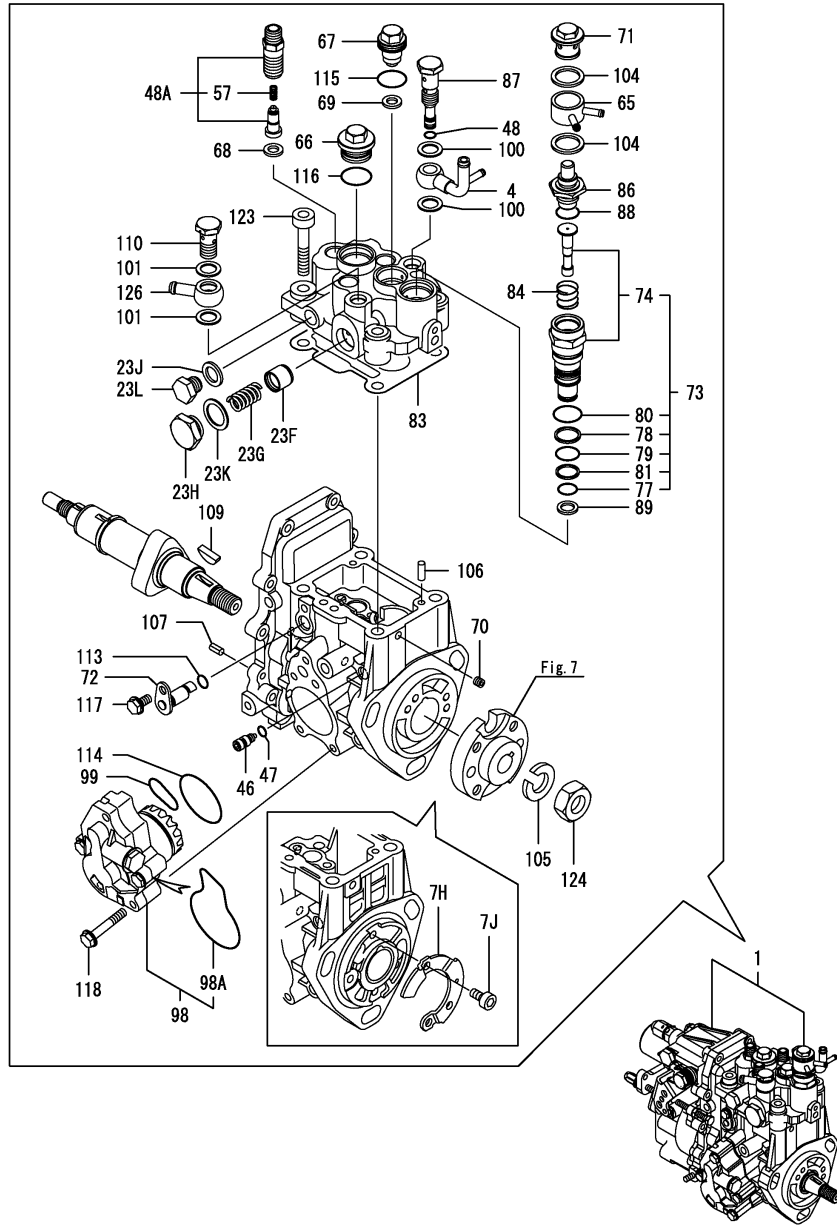
Remarks

(1)Governor(Fig.18) is incorporated in this Fuel Injection Pump(No.1).

Fig.17. FUEL INJECTION PUMP(INNER PARTS)

(A)=3TNV82A-SYB  
(B)=3TNV82A-SYBT  
(C)=

(D)=  
(E)=  
(F)=



No.	Lev.	Parts No.	Description	Q'ty						I	R
				(A)	(B)	(C)	(D)	(E)	(F)		
100	2	22190-120002	WASHER, SEAL 12	2	2						
101	2	22190-120002	WASHER, SEAL 12	2	2						
104	2	22190-180002	WASHER, SEAL 18	2	2						
105	2	22217-140000	WASHER, SPRING 14	1	1						
106	2	22312-050140	PIN, PARALLEL 5X14	2	2						
107	2	22351-050010	PIN, SPRING 5.0X10	2	2						
109	2	119802-51090	FEATHER KEY, 4X16	1	1						
110	2	23857-060000	BOLT, JOINT 6	1	1						
113	2	24311-000070	O-RING, 1AP7.0	1	1						
114	2	158552-52400	O-RING, 4E S42	1	1						
115	2	24356-190180	O-RING, 4D19018	1	1						
116	2	24356-190200	O-RING, 4D19020	1	1						
117	2	26106-060102	BOLT, M6X 10 PLATED	1	1						
118	2	158553-51770	BOLT	4	4						
123	2	26450-080452	BOLT, M8X 45	4	4						
124	2	26776-140002	NUT, LOCK M14	1	1						
126	2	129916-59020	JOINT, PIPE 12	1	1						

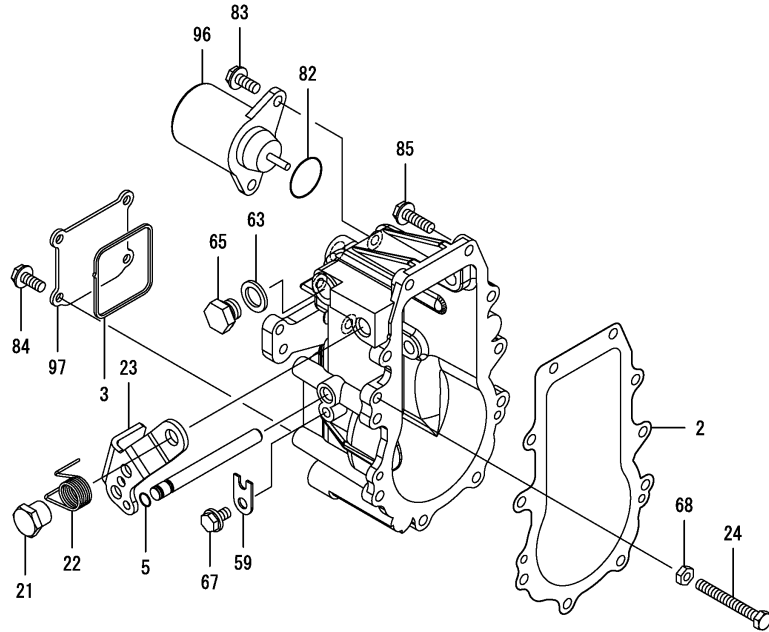
Remarks

(1)Governor(Fig.18) is incorporated in this Fuel Injection Pump(No.1).

Fig.18. GOVERNOR(INNER PARTS)

(A)=3TNV82A-SYB  
(B)=3TNV82A-SYBT  
(C)=

(D)=  
(E)=  
(F)=



No.	Lev.	Parts No.	Description	Q'ty						I	R
				(A)	(B)	(C)	(D)	(E)	(F)		
2	2	158553-61050	GASKET	1	1						
3	2	158553-61070	GASKET	1	1						
5	2	129155-51280	O-RING, S6	1	1						
21	2	129255-61410	NUT, M8	1	1						
22	2	119807-61420	SPRING, RETURN	1	1						
23	2	158552-61441	LEVER, REGULATOR	1	1						
24	2	129155-61460	BOLT, LIMITING	1	1						
59	2	119660-61901	STOPPER, SHAFT	1	1						
63	2	22190-120002	WASHER, SEAL 12	1	1						
65	2	23887-120002	PLUG, 12	1							
65-1	2	158553-51930	PLUG, M12	1	1						R
(A=E69576)											
67	2	26106-060102	BOLT, M6X 10 PLATED	1	1						
68	2	26756-060002	NUT, LOCK M6	1	1						
82	2	24341-000280	O-RING, 1AS28.0	1							
82-1	2	158552-61900	O-RING	1	1						N
(A=E33152)											
83	2	26106-060142	BOLT, M6X 14 PLATED	2	2						
84	2	26106-060142	BOLT, M6X 14 PLATED	4	4						
85	2	26106-060202	BOLT, M6X 20 PLATED	10	10						
96	2	119233-77932	SOLENOID, STOP	1	1						
97	2	129642-61060	COVER, GOVERNOR CASE	1	1						

Remarks

\* This figure(Governor) is incorporated in the Fuel Injection Pump(Fig.17).



## Parts No. Index

Parts No.	Fig. No.	Ref. No.
104211-11180	4	25
104211-11370	4	14
114250-39450	9	9
114250-53080	12	5
114250-53120	12	10
114250-53130	12	11
114250-53140	12	12
114250-53210	12	13
114250-53400	12	14
118400-77170	14	12
119131-18320	6	4
119233-77932	18	96
119265-44740	10	30
119305-59120	12	26
119593-59580	12	54
119593-59581	12	54 -1
119609-32040	2	17
	16	26
119620-01750	3	3
119620-02020	1	12
119620-77380	15	4
119620-77421	15	8
119620-77440	15	13
119620-77461	15	15
119620-77471	15	16
119620-77480	15	20
119620-77490	15	29
119620-79200	15	9
119620-79210	15	10
119620-79220	15	11
119620-79230	15	12
119620-79250	15	6
119620-79260	15	18
119620-79280	15	21
119620-79290	15	22
119620-79300	15	23
119620-79310	15	24
119620-79320	15	25
119620-79330	15	26
119620-79340	15	27
119620-79350	15	28
119620-79360	15	30
119624-77350	15	36
119624-77351	15	36 -1
119625-11880	4	32
	16	6
119640-01640	3	9
119650-77910	15	41
119650-77911	15	41 -1
119660-61901	18	59

Parts No.	Fig. No.	Ref. No.
119717-02930	1	24 -1
119802-01190	1	38
119802-01520	2	12
119802-01560	2	13
119802-01561	2	13 -1
119802-03010	4	41
119802-03110	4	43
119802-03120	4	44
119802-03121	4	44 -1
119802-03130	4	45
119802-03140	4	46
119802-03141	4	46 -1
119802-11100	4	22
119802-11110	4	23
119802-11241	4	3
119802-11251	4	4
119802-11260	4	6
119802-11270	4	7
119802-11280	4	8
119802-11310	4	49
	16	7
119802-11350	4	40
119802-11650	4	10
119802-11700	4	15
119802-11730	4	15 -1
119802-11810	4	31
119802-11870	4	55
	16	5
119802-11900	4	33
119802-12120	5	3
119802-13129	6	1
119802-14580	7	3
119802-21001	8	1
119802-21002	8	1 -1
119802-21201	8	5
119802-21202	8	5 -1
119802-21660	8	9
119802-22080	8	16
119802-22500	8	18
119802-22900	8	34
119802-22950	8	36
119802-25051	7	10
119802-25070	7	14
119802-25071	7	14 -1
119802-25100	7	11
119802-25101	7	11 -1
119802-25901	7	17
119802-32070	2	8
119802-32100	2	7
119802-32111	2	18

Parts No.	Fig. No.	Ref. No.
119802-32120	2	19
119802-32130	2	20
119802-34801	9	1
119802-34802	9	1 -1
119802-35100	9	18
119802-39450	9	11
119802-42000	10	1
119802-42001	10	1 -1
119802-49610	10	31
119802-49620	10	36
119802-49711	10	32
119802-49721	10	37
119802-49730	10	33
119802-51090	17	109
119802-51250	11	2
119802-51560	17	67
119802-51590	17	73
119802-51600	17	74
119802-51680	17	78
119802-51690	17	79
119802-55620	5	11
119802-55700	13	11
119802-55710	13	12
119802-55730	13	15 A
119802-55800	13	2
119802-55801	13	2 -1
119802-59320	10	35
119802-59550	12	48
119802-59560	12	50
119802-59810	12	35
119802-59820	12	39
119802-59830	12	43
119802-77200	15	39
119803-11340	4	27 -1
	16	4 -1
119803-53400	12	14 -1
119807-61420	18	22
119810-01200	1	30
119810-01730	3	6
119810-01770	3	8
119810-02870	1	32
119810-02871	1	32 -1
119810-02930	1	24
119810-02940	1	35
119810-02941	1	35 -1
119810-11120	4	24
119810-13110	6	2
	16	9
119810-14400	7	2
119810-23200	8	28

Parts No.	Fig. No.	Ref. No.
119810-23600	8	29
119810-23601	8	29 -1
119810-23610	8	32
119810-23611	8	32 -1
119810-23910	8	31
119810-35300	9	4
119810-42051	10	3
119810-42120	10	4
119810-42281	10	8
119810-42290	10	9
119812-01330	1	31
	16	2
119813-12110	5	5
	16	23
119813-22300	8	22
119840-59601	13	16
119840-59611	13	18
119840-59621	13	19
119865-21600	8	15
119934-01800	2	6 -1
119940-35800	9	25
119940-77270	15	34
119940-77310	15	1
120270-54410	4	34
121023-01550	2	28
121023-01551	2	28 -1
121111-21501	8	12
121250-44901	10	22
121450-42450	10	24
121450-44531	10	45
121468-44510	10	43
121468-44520	10	43 -1
121468-44540	10	46
121470-44581	10	48
121520-34810	9	2
121850-21680	8	11
121850-51960	2	21
	16	3
123501-79240	15	5
123900-13610	6	6
123900-13630	6	3
124060-01050	1	6
124060-11800	4	30
124060-77680	12	55
124160-01751	2	14
	4	39
124160-01910	1	4
		14
124160-11340	4	26
	16	11

## Parts No. Index

Parts No.	Fig. No.	Ref. No.
124160-11360	4	52
124160-39140	9	10
124195-77770	14	24
124240-01871	2	15
124450-44560	10	47
124465-44950	10	23
	16	18
124722-59050	10	34
		38
	12	49
		52
124766-59050	13	5
		8
		17
124950-11340	4	27
	16	4
129001-01250	1	7
129001-32330	2	11
129001-91841	2	22
129004-13200	6	7
	16	10
129004-55610	13	1
129004-55611	13	1 -1
129004-55612	13	1 -2
129005-03080	5	1
129005-59830	9	12
129008-51900	17	7 H
129008-51920	17	7 J
129052-79270	15	19
129054-42320	10	11
129100-01580	3	1
		14
	8	2
129100-01640	3	15
129100-35140	9	20
129100-55690	13	13
129120-77501	5	8
129120-77502	5	8 -1
129150-02450	7	4
129150-03070	4	42
129150-11230	4	11
129150-11280	4	9
129150-11750	4	13
129150-14101	7	7
129150-14200	7	1
129150-25301	7	16
129150-35041	9	3
	16	12
129150-35042	9	3 -1
	16	12 -1

Parts No.	Fig. No.	Ref. No.
129150-35111	9	21
	16	24
129150-35153	9	22
129150-49360	10	42
	16	16
129150-49811	10	27
	16	15
129150-59120	12	30
129150-59131	12	29
		33
129150-77511	5	9
	16	8
129155-49801	10	26
129155-51280	18	5
129155-61460	18	24
129210-59060	13	4
129210-59120	13	7
129211-59510	13	9
129211-77920	15	40
129240-79300	15	14
129242-77010	14	2
129242-77100	14	4
129242-77110	14	5
129242-77120	14	6
129242-77130	14	7
129242-77140	14	8
129242-77150	14	9
129242-77160	14	10
129242-77170	14	11
129242-77180	14	13
129242-77210	14	16
129242-77260	14	20
129242-77270	14	22
129242-77280	14	23
129255-61410	18	21
129350-49530	10	20
129410-03990	5	2
129418-32320	2	10
129423-77200	15	2
129423-77710	15	17
129486-01670	3	18
129486-42050	10	41
	16	13
129486-59551	12	51
129489-21590	8	13
129509-51390	17	48 A
129556-42350	10	19
129612-01600	3	2
129612-42380	10	18
129612-52100	13	10

Parts No.	Fig. No.	Ref. No.
129630-77350	15	36 -2
129630-77380	15	38 -1
129642-61060	18	97
129646-53000	12	2
129698-77020	14	3
129698-77190	14	14
129698-77200	14	15
129698-77220	14	17
129698-77230	14	18
129698-77250	14	19
129792-22400	8	23
129795-01780	3	17
129795-01800	2	6
129795-01900	15	31
129795-01950	2	16
129795-02411	1	13
129795-02412	1	13 -1
129795-21661	8	10
129795-49551	10	21
	16	14
129900-07900	4	1
129900-32130	2	9
129906-55700	13	11 -1
129906-55711	13	11 -2
129916-59020	17	126
129E00-13640	6	3 -1
158552-51151	7	18
158552-51570	17	68
		69
158552-51571	17	68 -1
		69 -1
158552-51580	17	72
158552-51600	17	83
158552-51670	17	4
158552-51780	17	23 G
158552-51781	17	23 G-1
158552-52100	17	98
158552-52310	17	99
158552-52311	17	99 -1
158552-52400	17	114
158552-52500	17	98 A
158552-61441	18	23
158552-61900	18	82 -1
158553-51551	17	65
158553-51630	17	84
158553-51640	17	86
158553-51660	17	88
158553-51670	17	77
158553-51680	17	89
158553-51770	17	118

Parts No.	Fig. No.	Ref. No.
158553-51930	17	23 L-1
	18	65 -1
158553-61050	18	2
158553-61070	18	3
158557-51570	17	70
158563-51281	17	47
		48
158563-51330	17	57
158600-51270	17	46
158601-51550	17	66
158601-51570	17	71
158601-51650	17	87
158601-51770	17	23 F
158601-51790	17	23 H
171051-01921	1	5
171051-59050	13	6
171056-49120	9	23
171353-44760	10	39
22190-080002	9	14
		15
	16	17
22190-100002	9	16
	16	22
22190-120002	17	23 J
		100
		101
	18	63
22190-180002	17	23 K
		104
22190-220002	3	11
		20
		20 -1
	16	25
		25 -1
22217-140000	17	105
22272-000050	15	38 A-1
22312-050140	17	106
22351-030010	8	8
22351-050010	17	107
22351-060012	4	35
22512-070140	7	8
	8	6
22857-500100	4	50
		51
23065-070130	10	49
23414-080000	10	28
	16	27
23857-030000	9	13
23857-060000	17	110
23876-030000	2	4

## Parts No. Index

Parts No.	Fig. No.	Ref. No.
23876-030000	10	13
23876-040000	2	5
23887-120002	17	23 L
	18	65
24311-000070	17	113
24311-000120	4	53
	16	19
24311-000160	13	15
24311-000320	2	23
	4	54
	16	20
24321-000650	13	14
24341-000240	2	29
	16	21
24341-000280	18	82
24356-190180	17	115
24356-190200	17	80
		116
24372-000150	17	81
26106-060102	17	117
	18	67
26106-060142	10	14
	18	83
		84
26106-060162	2	30
26106-060202	10	15
	18	85
26106-060402	10	40
26106-080122	10	29
26106-080142	7	9
26106-080162	2	24
		25
	3	12
	4	2
	5	12
	11	3
26106-080202	5	6
	9	24
	11	4
26106-080222	10	25
26106-080252	4	36
26106-080302	13	3
26106-080352	3	7
	5	10
	9	8
	10	16
26106-080402	7	15
26106-080452	3	13
	4	37
	15	33

Parts No.	Fig. No.	Ref. No.
26106-080502	4	38
	15	35
26106-080552	2	26
	10	17
	15	35 -1
26106-080802	5	7
26106-080852	2	22 -1
26106-081004	15	38
26106-120252	14	1 -1
26116-120252	14	1
26206-100252	3	4
26206-100302	3	5
26306-080002	2	27
	6	5
	15	38 A
26306-100002	15	32
26366-060002	9	17
26450-080452	17	123
26756-060002	18	68
26776-140002	17	124
27241-120000	1	8
27241-300000	1	9
27241-400000	4	21
27310-070001	4	28
719802-01500	2	1
719802-01560	1	1
719802-92620	16	1
719802-92621	16	1 -1
719810-02980	1	27
719810-02981	1	27 -1
719810-23100	8	24
719940-51340	11	1
	17	1
729646-53100	12	1
X2114535200	14	21
X9490561001	15	3

Parts No.	Fig. No.	Ref. No.
-----------	----------	----------

Parts No.	Fig. No.	Ref. No.
-----------	----------	----------