

OCD10-M80900EN

PREFACE

1. This parts catalog is the Second edition of 4TNV98-WTB YTB for Takeuchi Mfg. Co., Ltd.

2. This parts catalog does not contain the technical data needed for maintenance service.

3. The illustrations used in this parts catalog have been simplified for clarity.

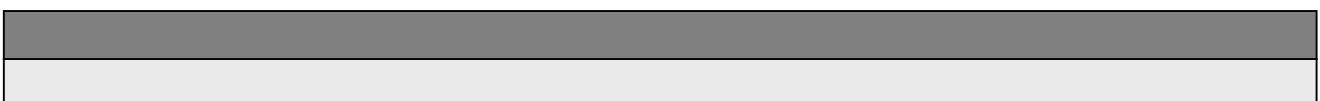
Pub. No.: 000Y00D8090

Published: January.,2004

4. Model name

Engine model	Vehicle		Vehicle made by
	Products	Model name	
4TNV98-WTB	EXCAVATOR	TB75FB F14B	Takeuchi Mfg. Co., Ltd.

5. The contents of this parts catalog are subject to change without prior notice.



Directions for the Parts Catalog.

1. This Parts Catalog shows both standard and optional parts.
2. Parts may change without prior notice.
3. The following is an example of the Parts Catalog format.

REF.	LEV.	PARTS NO.	DESCRIPTION	Q'TY						I	R
				(A)	(B)	(C)	(D)	(E)	(F)		
1	1	729595-51390	FUEL INJECTION PUMP	1	1	1	1	1			1
1-1	1	729595-51391	FUEL INJECTION PUMP	1	1	1	1	1		N	1
		(A=E00185) (B=E00200)									
3	2	26022-060162	SCREW M 6X 16	9	9	9	9	9			
3-1	2	26022-060162	SCREW M 6X 16	4	4	4	4	4		K	
		(A=E00156) (B=E00156) (C=E00156) (D=E00156) (E=E00156)									
4	2	129470-51040	CAMSHAFT	1	1	1	1	1			
5	2	122710-51050	BEARING, ROLLER	2	2	2	2	2			
6	2	129470-51060	RETAINER	1	1	1	1	1			

Remarks
(1) BOOST COMPEMSATOR TYPE. OPTIONAL PART, TO E00155,(4JH-DT, 4JH-DTZ

① Ref. No.

The Ref. No. listed may not be in accordance with the illustration Ref. No.

(Ex.) Illustration No.

List Ref No.

1

1

(Before change)

1-1

(After change)

For interchangeable symbols N, R and K, illustrations for new parts may be abbreviated.

② Lev. (Level)

Level indication

The numbers below indicate the level of relativity towards the main part.

1 ----- Main parts (Assembly parts)

2 ----- Sub component included in " 1 ".

3 ----- Sub component included in " 2 ".

Note) Parts that are not for sale are partially illustrated but not listed.

③ Interchangeability Symbol

When a part change takes place, one of the following interchangeability symbols is indicated beside the part.

Symbol	Interchangeability	Contents note
N	Old $\begin{matrix} \leftarrow \text{Yes} \\ \text{No} \rightarrow \end{matrix}$ New	New Part is interchangeable for Old Part but Old Part is not interchangeable for New Part.
Q	Old $\begin{matrix} \leftarrow \text{No} \\ \text{Yes} \rightarrow \end{matrix}$ New	New Part is not interchangeable for Old Part but Old Part is interchangeable for New Part.
R	Old $\begin{matrix} \leftarrow \text{Yes} \\ \text{Yes} \rightarrow \end{matrix}$ New	New/ Old Parts are both interchangeable.
S	Old $\begin{matrix} \leftarrow \text{No} \\ \text{No} \rightarrow \end{matrix}$ New	New/ Old Parts are both not interchangeable.
W		Part newly added.
Z		Part discontinued.
F		Not interchangeable by a single part but interchangeable together with related parts.
K		Changes only for used parts quantities.

④ Effective Machine No.

When a part changes, the effective Machine No. will be indicated in the (A)-(F) column.

Product Symbol	Product No.	Product Symbol	Product No.
C	Clutch No. Compressor No.	F	Machine No. (Agricultural Equip.)
D	Drive No.	M	Machine No.
E	Engine No.		

Note 1) A date may follow the symbol. (Ex.) 1996.01

Note 2) "XXXXX" and "ZZZZZ" are for parts that could not be predicted or for engine models that could not be identified.

Note 3) (A=E00185) is the E (Engine Serial Number) for the column (A) model (in this case 4JH-DT) after the parts design change.

⑤ Remarks

Figures or alphabets (symbols) are entered in the remarks column.

The comments (remarks) on parts that are indicated at the bottom of the illustration are the same symbols as those stated above.

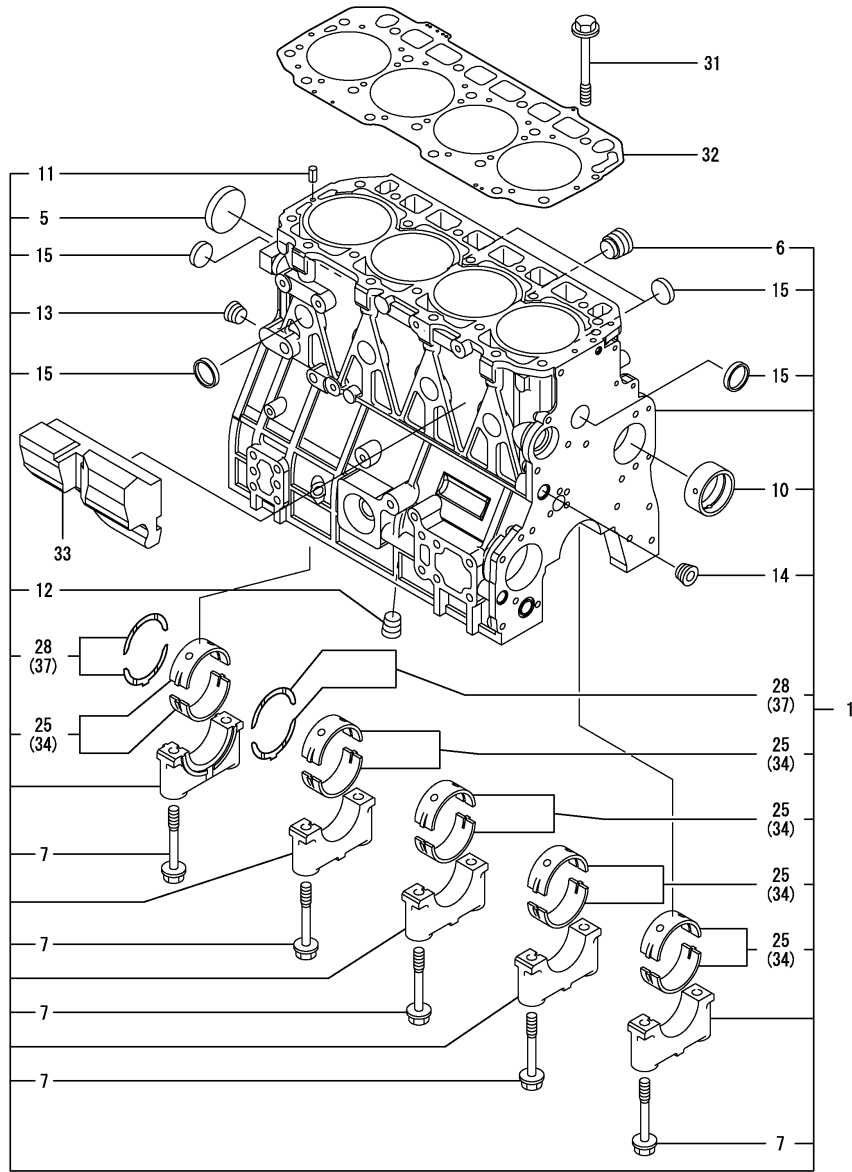
Contents

Fig. No.	Fig. Name	Fig. No.	Fig. Name
4TNV98-WTB			
1.	CYLINDER BLOCK		
2.	GEAR HOUSING		
3.	FLYWHEEL HOUSING & OIL SUMP		
4.	CYLINDER HEAD & BONNET		
5.	SUCTION MANIFOLD & AIR CLEANER		
6.	EXHAUST MANIFOLD & SILENCER		
7.	CAMSHAFT & DRIVING GEAR		
8.	CRANKSHAFT & PISTON		
9.	LUB.OIL SYSTEM		
10.	COOLING WATER SYSTEM		
11.	FUEL INJECTION PUMP		
12.	FUEL INJECTION VALVE		
13.	FUEL LINE		
14.	STARTING MOTOR		
15.	GENERATOR		
16.	TOOL & GASKET SET		
17.	FUEL INJECTION PUMP(INNER PARTS)		
18.	GOVERNOR(INNER PARTS)		

Fig.1. CYLINDER BLOCK

(A)=4TNV98-WTB
(B)=
(C)=

(D)=
(E)=
(F)=

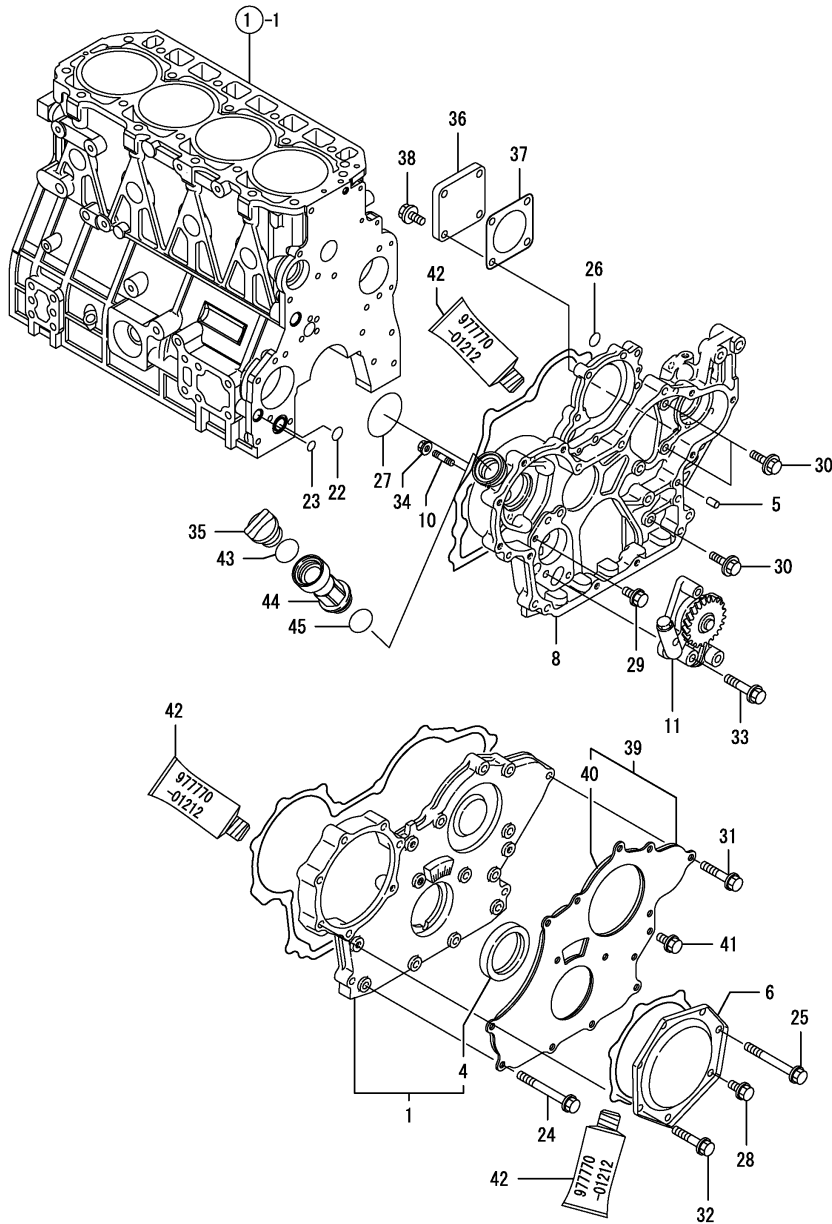


No.	Lev.	Parts No.	Description	Q'ty						I	R
				(A)	(B)	(C)	(D)	(E)	(F)		
1	1	729907-01560	BLOCK ASSY, CYLINDER	1							
5	2	129900-01250	PLUG, 55	1							
6	2	171051-01921	PLUG, NPTF1	1							
7	2	129900-02020	BOLT, METAL CAP	10							
10	2	129900-02410	BUSH, CAMSHAFT	1							
11	2	22351-060012	PIN, SPRING 6.0X12	2							
12	2	23876-030000	PLUG, R03	1							
13	2	23876-030000	PLUG, R03	1							
14	2	23876-030000	PLUG, R03	1							
15	2	27241-300000	PLUG 30	8							
25	2	729900-02800	BEARING, MAIN	5							3
28	2	129900-02930	BEARING, THRUST	2							
31	1	129900-01200	BOLT, HEAD	18							
32	1	129907-01331	GASKET, HEAD	1							
33	1	129907-01190	SPACER	1							
34	1	129900-02340	BEARING, 0.25 US	5							1
37	1	129900-02940	BEARING, THRUST 0.25	2							2

Remarks

- (1) UNDER-SIZE(U.S=0.25)PART.
- (2) OVER-SIZE(O.S=0.25)PART.
- (3) REPAIR PART.

Fig.2. GEAR HOUSING



(A)=4TNV98-WTB
(B)=
(C)=

(D)=
(E)=
(F)=

No.	Lev.	Parts No.	Description	Q'ty						I	R
				(A)	(B)	(C)	(D)	(E)	(F)		
1	1	729907-01550	COVER ASSY,GEAR CASE	1							
4	2	129900-01780	SEAL, OIL	1							Z
4-1	2	129916-01800	SEAL, OIL	1							W
(A=EZZZZZ)											
5	1	129100-01580	PIN, M8X16	4							
6	1	129900-01740	COVER	1							
8	1	129907-01500	CASE, GEAR	1							
10	1	26216-100302	STUD, M10X 30	4							
11	1	129900-32001	PUMP ASSY, OIL	1							
22	1	129900-32030	O-RING, P20	1							
23	1	129900-32040	O-RING, P14	1							
24	1	129001-91810	BOLT, M8X70	6							
25	1	129001-91810	BOLT, M8X70	1							
26	1	24311-000070	O-RING, 1AP7.0	1							
27	1	24351-030750	O-RING, 1A3075	1							
28	1	26106-080162	BOLT, M8X 16 PLATED	1							
29	1	26106-080162	BOLT, M8X 16 PLATED	1							
30	1	26106-080202	BOLT, M8X 20 PLATED	3							
31	1	26106-080402	BOLT, M8X 40 PLATED	5							
32	1	26106-080402	BOLT, M8X 40 PLATED	5							
33	1	26106-080452	BOLT, M8X 45 PLATED	3							
34	1	26306-100002	NUT, M10	4							
35	1	124160-01751	COVER, FILLER	1							
36	1	124240-01871	COVER	1							
37	1	124240-01883	GASKET	1							
38	1	26106-080162	BOLT, M8X 16 PLATED	4							
39	1	129900-01850	COVER ASSY,GEAR CASE	1							
40	2	129900-01870	SPONGE	1							
41	1	26106-080162	BOLT, M8X 16 PLATED	3							
42	1	977770-01212	GASKET, LIQUID	1							1
43	1	24311-000320	O-RING, 1AP32.0	1							
44	1	171031-11741	PIPE	1							
45	1	24311-000320	O-RING, 1AP32.0	1							

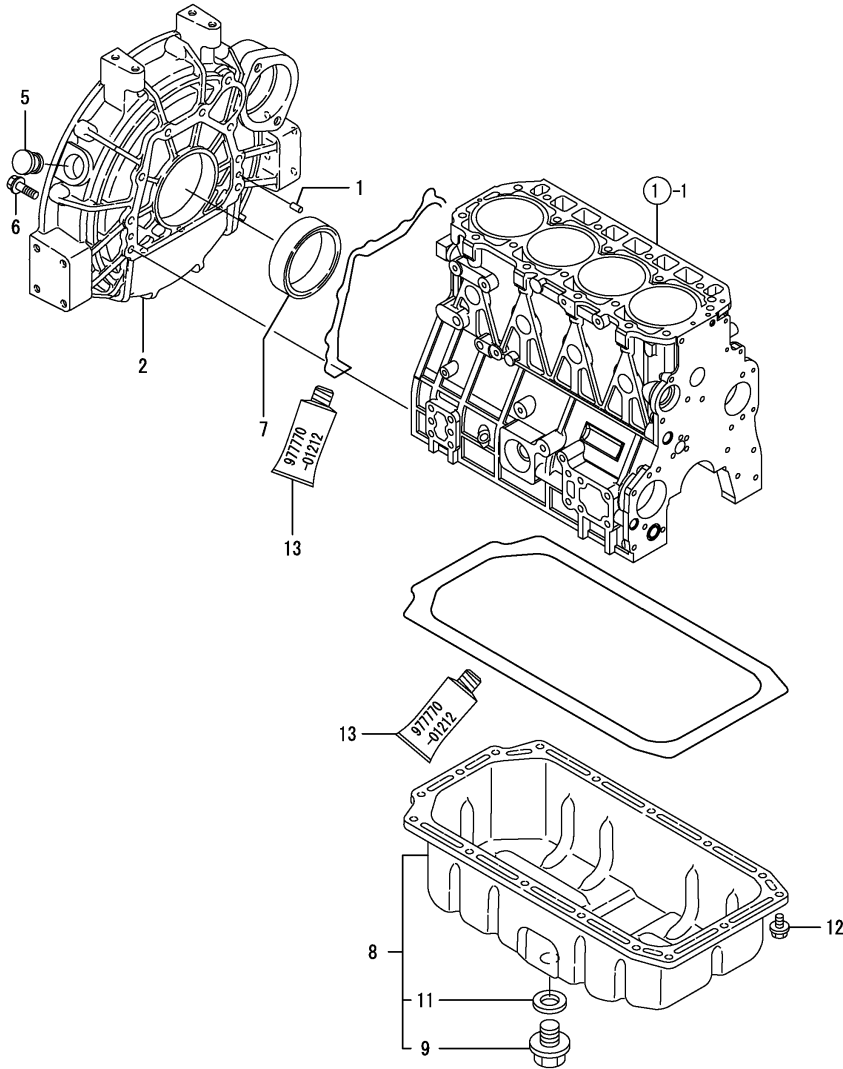
Remarks

(1) OPTIONAL PART.

Fig.3. FLYWHEEL HOUSING & OIL SUMP

(A)=4TNV98-WTB
(B)=
(C)=

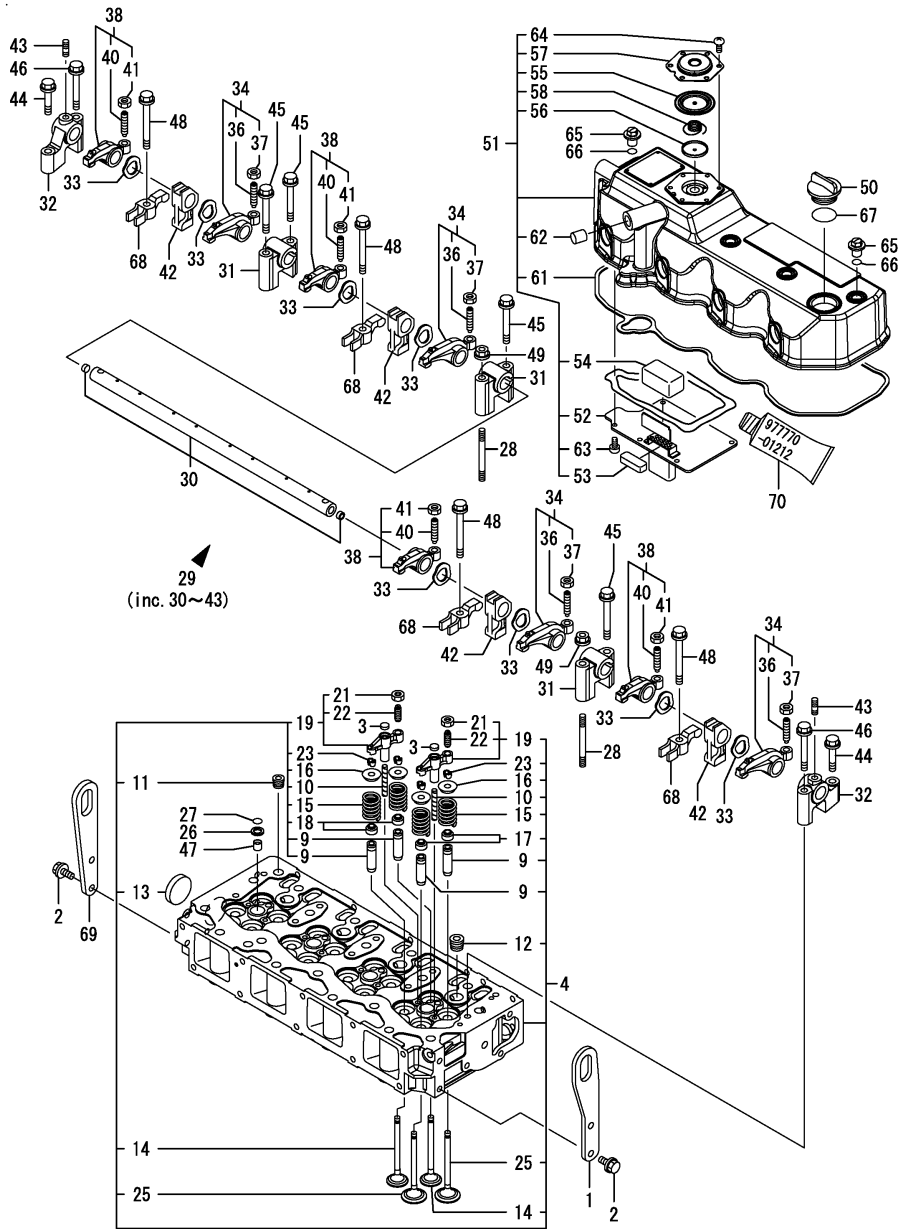
(D)=
(E)=
(F)=



No.	Lev.	Parts No.	Description	Q'ty						I	R
				(A)	(B)	(C)	(D)	(E)	(F)		
1	1	129100-01580	PIN, M8X16	2							
2	1	129951-01620	HOUSING, FLYWHEEL	1							
5	1	119000-01840	PLUG, RUBBER	1							
6	1	26206-100352	BOLT, M10X 35 PLATED	9							
7	1	124411-01780	SEAL, HTC95X115X12	1							
8	1	129953-01710	SUMP ASSY, OIL	1							
9	2	119640-01640	PLUG, DRAIN M22	1							
11	2	22190-220002	WASHER, SEAL 22	1							
12	1	26106-080122	BOLT, M8X 12 PLATED	16							
13	1	977770-01212	GASKET, LIQUID	1							1

Remarks
(1) OPTIONAL PART.

Fig.4. CYLINDER HEAD & BONNET



(A)=4TNV98-WTB

(B)=

(C)=

(D)=

(E)=

(F)=

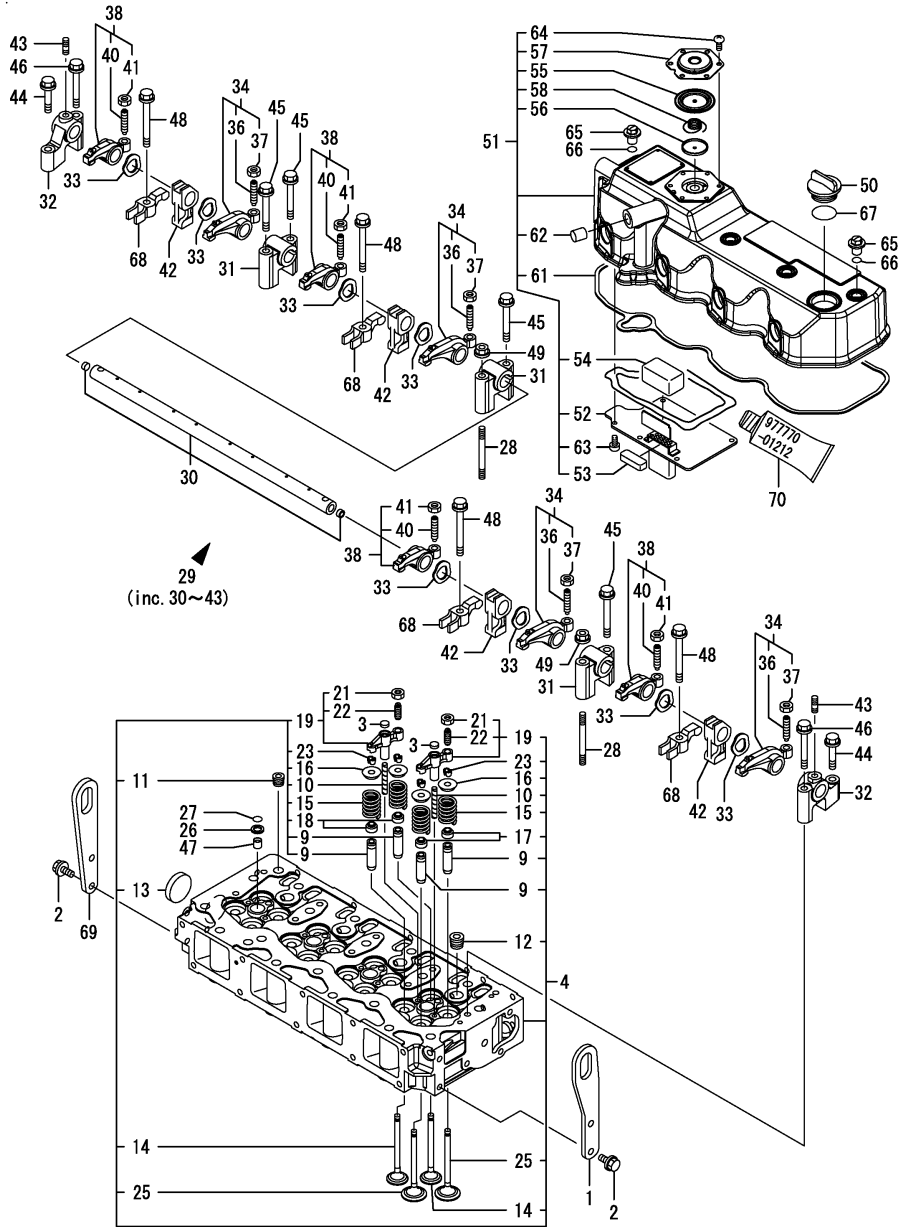
No.	Lev.	Parts No.	Description	Q'ty						I	R
				(A)	(B)	(C)	(D)	(E)	(F)		
1	1	129907-07900	LIFTER	1							
2	1	26106-080162	BOLT, M8X 16 PLATED	4							
3	1	123907-11550	SEAT, VALVE BRIDGE	8							
4	1	129907-11700	HEAD ASSY, CYLINDER	1							
9	2	129907-11800	GUIDE, VALVE	16							1
10	2	123907-11820	GUIDE	8							
11	2	23876-020000	PLUG, R02	1							
12	2	23876-030000	PLUG, R03	4							
13	2	27241-400000	PLUG, 40	1							
14	2	129907-11110	VALVE, EXHAUST	8							
15	2	129907-11120	SPRING, VALVE	16							
16	2	119620-11180	RETAINER, SPRING	16							
17	2	124160-11340	SEAL, VALVE STEM	8							
18	2	124950-11340	SEAL, VALVE STEM	8							
19	2	129907-11510	BRIDGE ASSY, VALVE	8							
21	3	129150-11750	NUT, M8	8							
22	3	123907-11830	ADJUSTER	8							
23	2	27310-070001	COTTER, 7	16							
25	2	129907-11100	VALVE, INTAKE	8							
26	1	119625-11880	SEAT, NOZZLE	4							
27	1	24311-000120	O-RING, 1AP12.0	4							
28	1	119593-11301	STUD, M8X80	2							
29	1	129907-11341	SHAFT ASSY, ROCKER	1							
30	2	129907-11250	SHAFT, ROCKER ARM	1							
31	2	129907-11260	SUPPORT, ROCKER ARM	3							
32	2	129907-11270	SUPPORT, ROCKER ARM	2							
33	2	123907-11280	WASHER	8							
34	2	129907-11650	ARM, ROCKER	4							
36	3	129150-11230	SCREW, VALVE ADJUST	4							
37	3	129150-11750	NUT, M8	4							
38	2	129907-11660	ARM, ROCKER	4							
40	3	129150-11230	SCREW, VALVE ADJUST	4							
41	3	129150-11750	NUT, M8	4							
42	2	129907-11920	RETAINER	4							
43	2	26226-080222	STUD, M8X 22	2							
44	1	26106-080402	BOLT, M8X 40 PLATED	2							
45	1	26106-080602	BOLT, M8X 60 PLATED	4							
46	1	26106-080602	BOLT, M8X 60 PLATED	2							
47	1	119802-11870	PROTECTOR, NOZZLE	4							
48	1	129907-11950	BOLT, M8X75	4							
49	1	26306-080002	NUT, M8	2							
50	1	124160-01751	COVER, FILLER	1							
51	1	129907-11320	BONNET ASSY, HEAD	1							
52	2	129907-03010	PLATE	1							
53	2	129907-03060	BAFFLE, BREATHER	1							
54	2	129907-03070	BAFFLE, BREATHER	1							
55	2	123907-03100	DIAPHRAGM	1							
56	2	123907-03110	PLATE	1							
57	2	123907-03120	PLATE, BREATHER	1							
58	2	123907-03140	SPRING, DIAPHRAGM	1							
61	2	129907-11310	GASKET, BONNET	1							

Remarks

(1) REPAIR PART.

(2) OPTIONAL PART.

Fig.4. CYLINDER HEAD & BONNET



(A)=4TNV98-WTB
(B)=
(C)=

(D)=
(E)=
(F)=

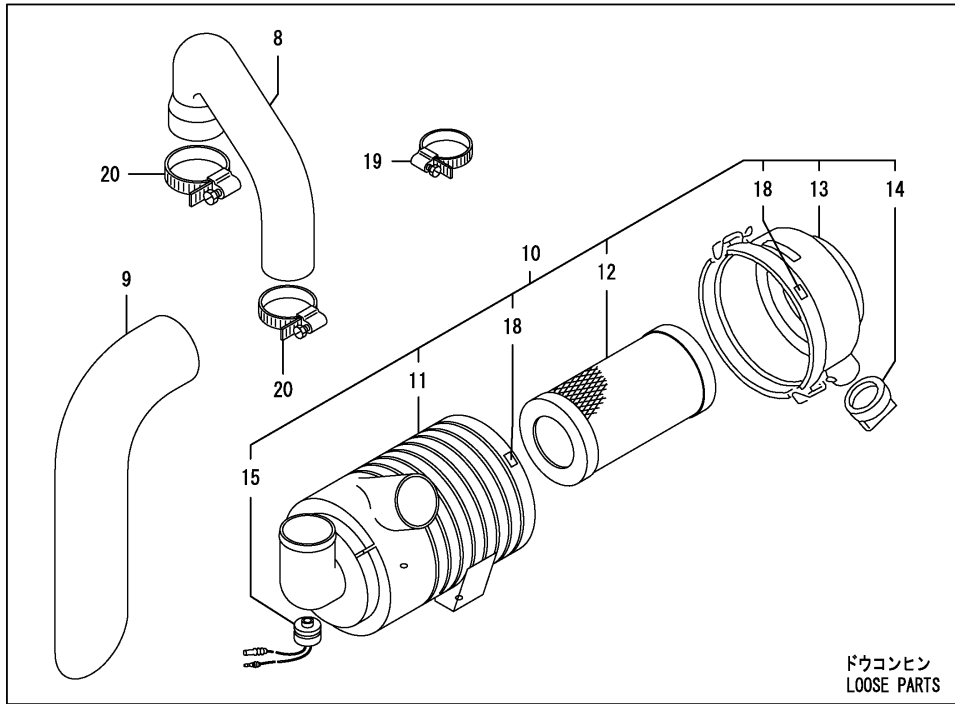
No.	Lev.	Parts No.	Description	Q'ty						I	R
				(A)	(B)	(C)	(D)	(E)	(F)		
62	2	119640-61400	PLUG	1							
63	2	22857-500100	SCREW, 5X10	6							
64	2	22857-500100	SCREW, 5X10	6							
65	1	124160-11360	KNOB	4							
66	1	24311-000120	O-RING, 1AP12.0	4							
67	1	24311-000320	O-RING, 1AP32.0	1							
68	1	129907-11910	RETAINER, NOZZLE	4							
69	1	129910-07900	LIFTER	1							
70	1	97770-01212	GASKET, LIQUID	1							2

Remarks
(1) REPAIR PART.
(2) OPTIONAL PART.

Fig.5. SUCTION MANIFOLD & AIR CLEANER

(A)=4TNV98-WTB
(B)=
(C)=

(D)=
(E)=
(F)=



No.	Lev.	Parts No.	Description	Qty						I	R
				(A)	(B)	(C)	(D)	(E)	(F)		
1	1	129907-12100	MANIFOLD, AIR INTAKE	1							
2	1	129907-12110	GASKET, MANIFOLD	1							
3	1	26106-080552	BOLT, M8X 55 PLATED				9				
4	1	26106-080852	BOLT, M8X 85 PLATED	1							
5	1	121850-77021	GASKET	1							
6	1	129915-77050	HEATER	1							
7	1	26106-080352	BOLT, M8X 35 PLATED	4							
8	1	129953-12200	PIPE, AIR INTAKE	1							
9	1	129953-12250	PIPE, AIR INTAKE	1							
10	1	129953-12521	CLEANER ASSY, AIR	1							
11	2	129953-12560	BODY	1							
12	2	129062-12560	ELEMENT	1							
13	2	129457-12530	COVER	1							
14	2	119808-12540	VALVE, UNLOADER	1							
15	2	129953-12610	INDICATOR ASSY	1							
18	2	129418-12530	MARK	2							
19	1	23000-080000	CLAMP, 80	3							
20	1	23000-080000	CLAMP, 80	2							

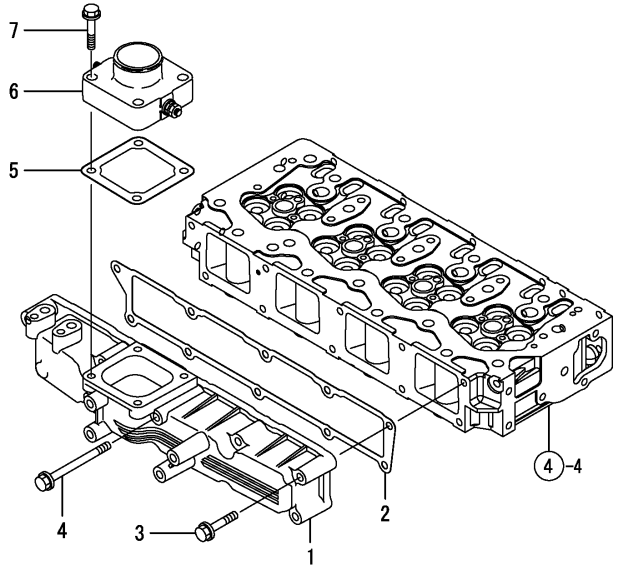
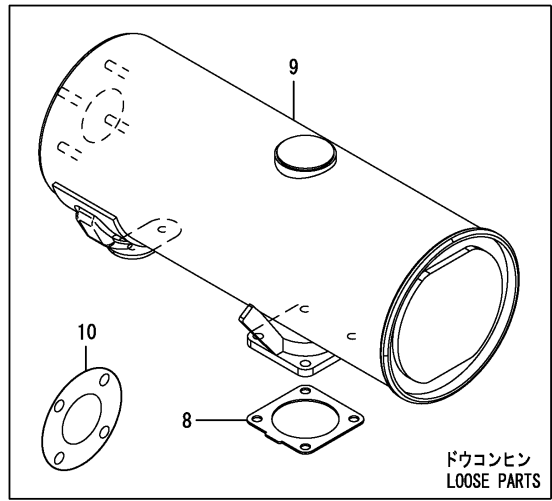


Fig.6. EXHAUST MANIFOLD & SILENCER

(A)=4TNV98-WTB
(B)=
(C)=

(D)=
(E)=
(F)=



No.	Lev.	Parts No.	Description	Q'ty						I	R
				(A)	(B)	(C)	(D)	(E)	(F)		
1	1	129900-13200	MANIFOLD, EXHAUST	1							
3	1	129900-13251	GASKET	1							
4	1	123900-13630	BOLT, M8X80	6							
5	1	123900-13610	STUD, M8X80	2							
6	1	26306-080002	NUT, M8	2							
7	1	119131-18320	STUD, M8X22	4							
8	1	129930-13200	GASKET, SILENCER	3							
9	1	129907-13550	SILENCER	1							
10	1	23446-050000	GASKET 50	1							

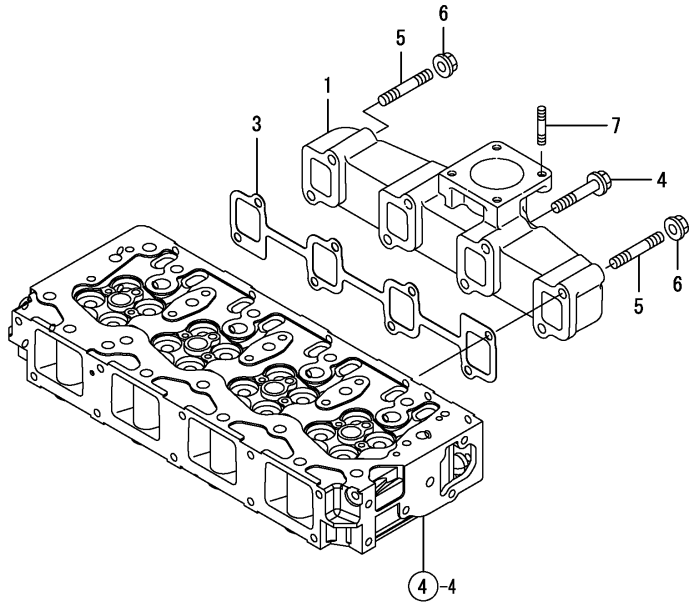


Fig.7. CAMSHAFT & DRIVING GEAR

(A)=4TNV98-WTB

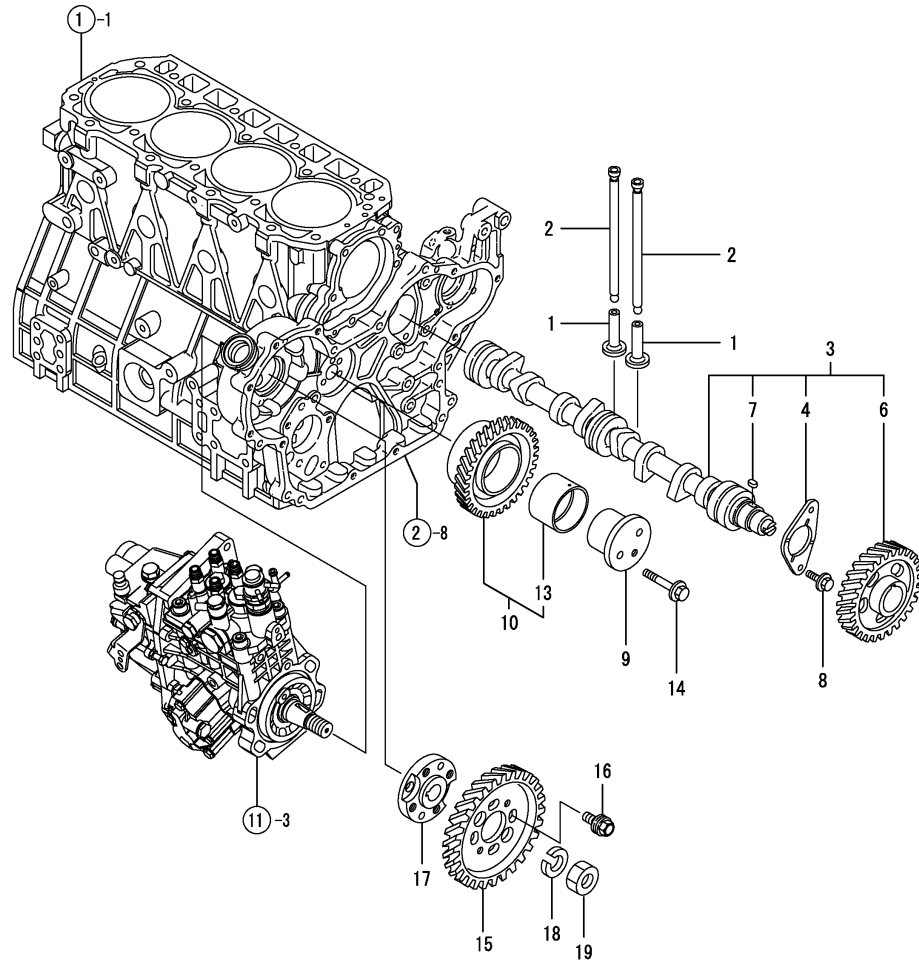
(B)=

(C)=

(D)=

(E)=

(F)=



No.	Lev.	Parts No.	Description	Q'ty						I	R
				(A)	(B)	(C)	(D)	(E)	(F)		
1	1	129150-14200	TAPPET	8							
2	1	129907-14400	ROD, PUSH	8							
3	1	129907-14581	CAMSHAFT ASSY	1							
3-1	1	129908-14581 (A=EZZZZZ)	CAMSHAFT ASSY	1							N
4	2	129150-02450	BEARING, THRUST	1							
6	2	129900-14100	GEAR, CAMSHAFT	1							
7	2	22512-070140	KEY, 7X 14	1							
8	1	26106-080162	BOLT, M8X 16 PLATED	2							
9	1	123900-25060	SHAFT, IDLE GEAR	1							
10	1	129900-25100	GEAR ASSY, IDLE	1							
13	2	129150-25920	BUSH, IDLE GEAR	1							1
14	1	26106-080552	BOLT, M8X 55 PLATED	3							
15	1	123907-25909	GEAR, PUMP	1							
16	1	129953-25300	BOLT	4							
17	1	158563-51150	FLANGE	1							
18	1	22217-180000	WASHER, SPRING 18	1							
19	1	26776-180002	NUT, LOCK M18	1							

Remarks

(1) REPAIR PART.

N:Old $\xrightarrow{\text{Yes}}$ New, Q:Old $\xrightarrow{\text{No}}$ New, R:Old $\xrightarrow{\text{Yes}}$ New, S:Old $\xrightarrow{\text{No}}$ New, W:Add, Z:Discontinued, F:Interchangeable by set, K:Q'ty Change

Fig.8. CRANKSHAFT & PISTON

(A)=4TNV98-WTB

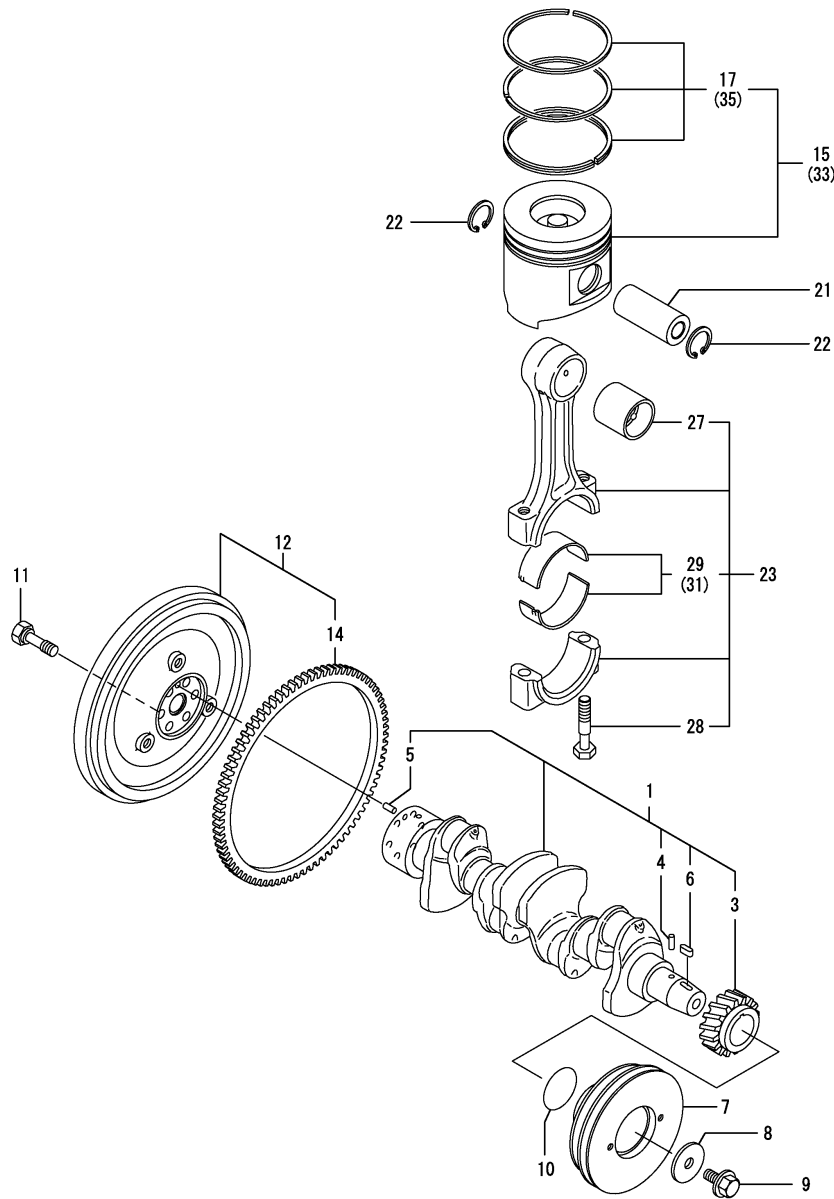
(B)=

(C)=

(D)=

(E)=

(F)=



No.	Lev.	Parts No.	Description	Q'ty						I	R
				(A)	(B)	(C)	(D)	(E)	(F)		
1	1	129902-21000	CRANKSHAFT ASSY	1							
3	2	129900-21200	GEAR, CRANKSHAFT	1							
4	2	121850-21290	PIN	1							
5	2	121850-21920	PIN, M10X22	1							
6	2	22512-070140	KEY, 7X 14	1							
7	1	129953-21610	V-PULLEY	1							
7-1	1	129953-21611	V-PULLEY	1							N
(A=EXXXXX)											
8	1	129960-21640	WASHER	1							
9	1	121850-21680	BOLT	1							
10	1	24341-000530	O-RING, 1AS53.0	1							
11	1	121850-21130	BOLT, FLYWHEEL	6							
12	1	129902-21580	FLYWHEEL ASSY	1							
14	2	127410-21480	GEAR, RING Z=129	1							
15	1	129907-22090	PISTON ASSY, 18.5	4							
17	2	129907-22050	RING SET, PISTON	4							
21	1	120130-22301	PIN, PISTON	4							
22	1	22252-000300	RING, 30	8							
23	1	129900-23000	ROD ASSY, CONNECTING	4							
27	2	129900-23910	BEARING, PISTON PIN	4							1
28	2	129900-23200	BOLT, CONNECTING ROD	8							
29	2	129900-23600	BEARING, CRANK PIN	4							
31	1	129900-23610	BEARING, 0.25 US	4							2
33	1	729907-22910	PISTON ASSY, 0.25 OS	4							3
35	2	729907-22950	RING SET, 0.25 OS	4							3

Remarks

(1) REPAIR PART.

(2) UNDER-SIZE(U.S=0.25)PART.

(3) OVER-SIZE(O.S=0.25)PART.

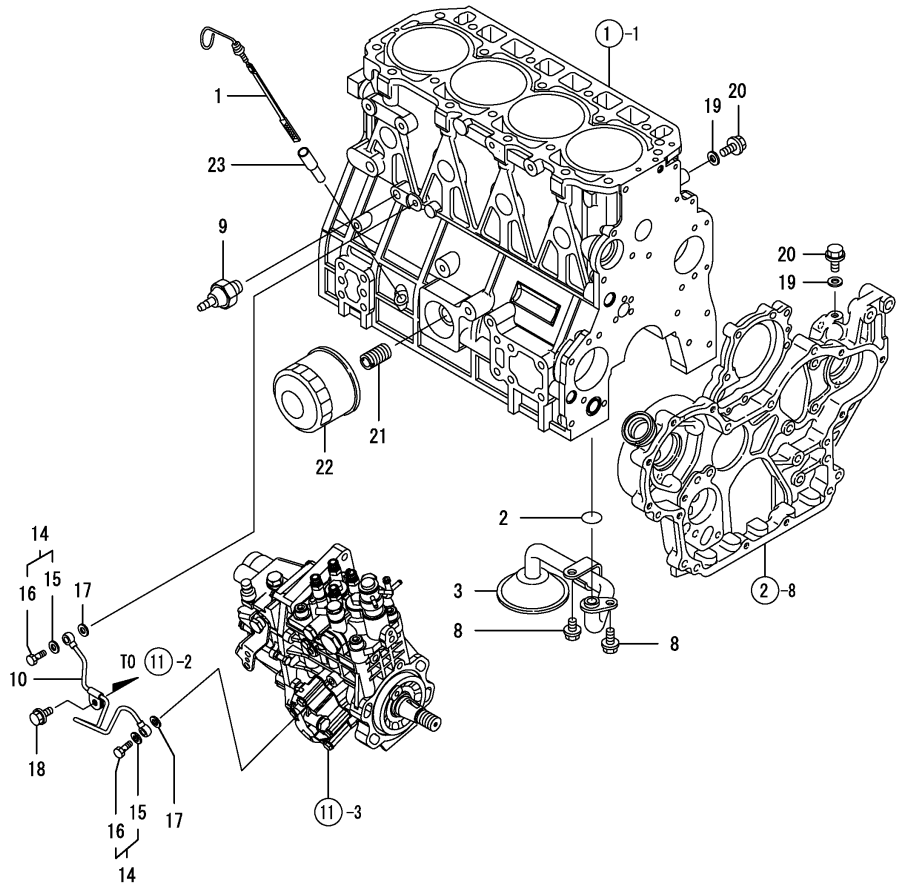
N:Old $\xrightarrow{\text{Yes}}$ New, Q:Old $\xrightarrow{\text{No}}$ New, R:Old $\xrightarrow{\text{Yes}}$ New, S:Old $\xrightarrow{\text{No}}$ New, W:Add, Z:Discontinued, F:Interchangeable by set, K:Q'ty Change

Fig.9. LUB.OIL SYSTEM

(A)=4TNV98-WTB
(B)=
(C)=

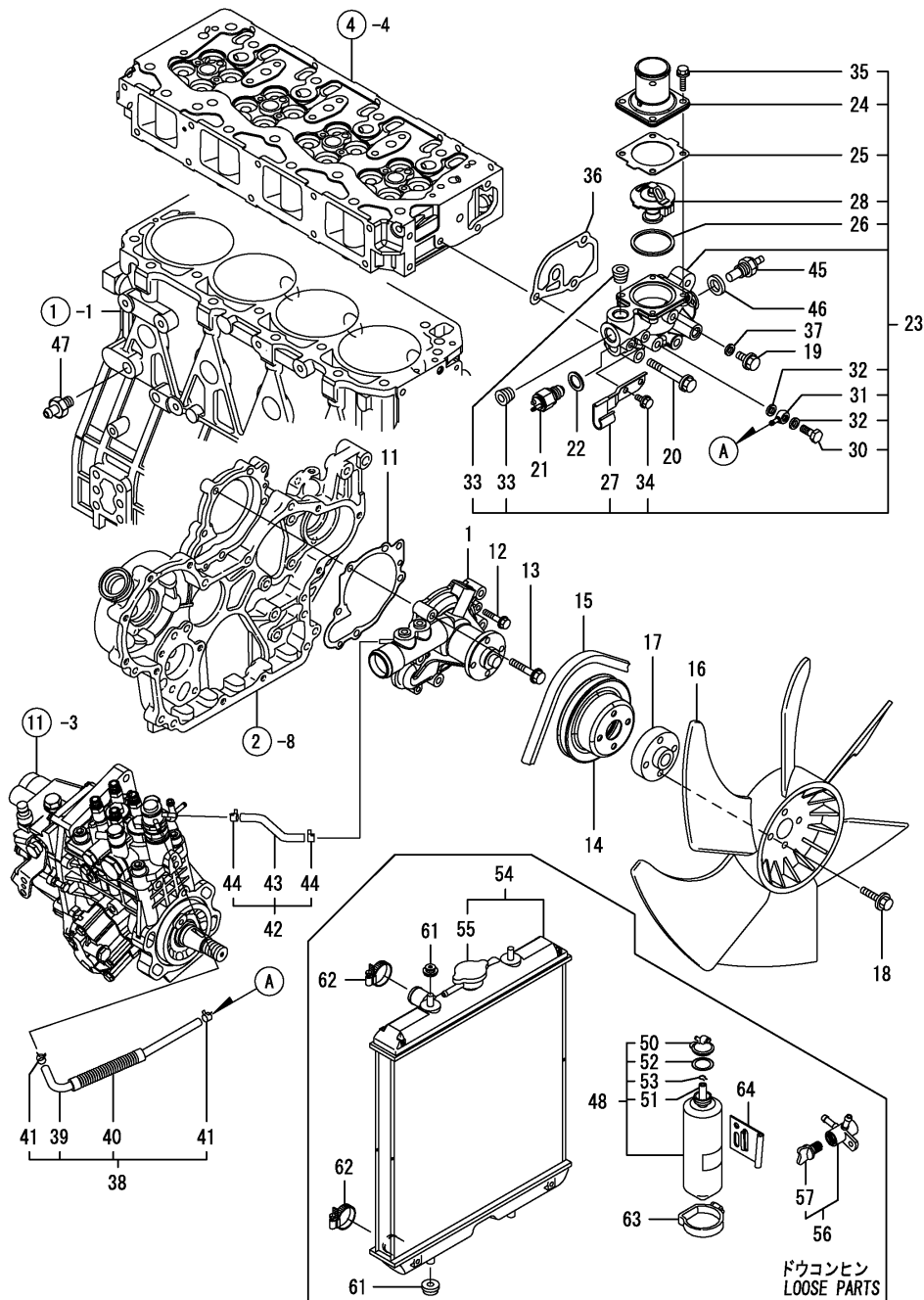
(D)=
(E)=
(F)=

No.	Lev.	Parts No.	Description	Q'ty						I	R
				(A)	(B)	(C)	(D)	(E)	(F)		
1	1	129953-34800	DIPSTICK, OIL	1							
2	1	129900-32030	O-RING, P20	1							
3	1	129900-35000	PIPE ASSY, OIL INLET	1							
8	1	26106-080122	BOLT, M8X 12 PLATED	2							
9	1	114250-39450	SWITCH, 0.5KG	1							
10	1	129907-39061	PIPE ASSY, OIL	1							
14	1	129005-59830	BOLT ASSY, JOINT M8	2							
15	2	22190-080002	WASHER, SEAL 6	2							
16	2	23857-030000	BOLT, JOINT 3	2							
17	1	22190-080002	WASHER, SEAL 6	2							
18	1	26106-080122	BOLT, M8X 12 PLATED	1							
19	1	22190-080002	WASHER, SEAL 6	2							
20	1	26106-080122	BOLT, M8X 12 PLATED	2							
21	1	119000-35140	BOLT, FILTER	1							
22	1	129150-35153	FILTER 80X80L	1							1
23	1	121520-34810	GUIDE, DIPSTICK	1							



Remarks
(1) REPAIR PART.

Fig.10. COOLING WATER SYSTEM



(A)=4TNV98-WTB

(B)=

(C)=

(D)=

(E)=

(F)=

No.	Lev.	Parts No.	Description	Q'ty						I	R
				(A)	(B)	(C)	(D)	(E)	(F)		
1	1	129907-42000	PUMP ASSY, WATER	1							
11	1	129900-42020	GASKET, WATER PUMP	1							
12	1	26106-060302	BOLT, M6X 30 PLATED	2							
13	1	26106-080552	BOLT, M8X 55 PLATED	5							
14	1	129900-42461	V-PULLEY	1							
15	1	25152-004150	V-BELT, A41.5	1							
16	1	129916-44740	FAN, COOLING D=430	1							
17	1	119130-44760	SPACER, FAN	1							
18	1	26106-080352	BOLT, M8X 35 PLATED	4							
19	1	26106-080122	BOLT, M8X 12 PLATED	1							
20	1	26106-080602	BOLT, M8X 60 PLATED	3							
21	1	121250-44901	SWITCH, 110	1							
22	1	124465-44950	GASKET, 16	1							
23	1	129946-49810	CASE ASSY, THERMOSTAT	1							
24	2	129916-49530	COVER, THERMOSTAT	1							
25	2	121850-49540	GASKET, THERMOSTAT	1							
26	2	121850-49550	GASKET, THERMOSTAT	1							
27	2	129907-49730	RETAINER, PIPE	1							
28	2	121850-49800	THERMOSTAT, 82	1							
30	2	105582-59150	BOLT, PIPE JOINT	1							
31	2	23387-040800	JOINT, HOSE 4-8	1							
32	2	23414-080000	GASKET, 8X1.0	2							
33	2	23875-030000	PLUG, R03	2							
34	2	26106-060122	BOLT, M6X 12 PLATED	2							
35	2	26106-060202	BOLT, M6X 20 PLATED	4							
36	1	129900-49870	GASKET	1							
37	1	23414-080000	GASKET, 8X1.0	1							
38	1	129907-49610	HOSE ASSY, WATER	1							
39	2	129907-49710	PIPE ASSY, WATER	1							
40	2	129907-49750	TUBE, CORRUGATED	1							
41	2	124722-59050	CLIP, HOSE 9	2							
42	1	129907-49620	HOSE ASSY, WATER	1							
43	2	129907-49720	PIPE ASSY, WATER	1							
44	2	124722-59050	CLIP, HOSE 9	2							
45	1	119266-49350	SWITCH	1							
46	1	129150-49360	GASKET	1							
47	1	121550-49111	JOINT, PT1/4	1							
48	1	171064-44510	TANK ASSY, SUB	1							
50	2	121450-44531	CAP	1							
51	2	124450-44560	RETAINER	1							
52	2	121470-44581	GASKET	1							
53	2	23065-070225	HOSE 7X 225	1							
54	1	129944-44500	RADIATOR ASSY	1							
55	2	129107-44590	CAP, RADIATOR	1							
56	1	129150-49100	COCK ASSY, 3-WAY	1							
57	2	129150-49080	COCK, DRAIN	1							
61	1	119255-44660	ABSORBER	4							
62	1	23000-054000	CLAMP, 54	4							
63	1	124450-44550	BAND	1							
64	1	121256-44600	BRACKET, SUB TANK	1							

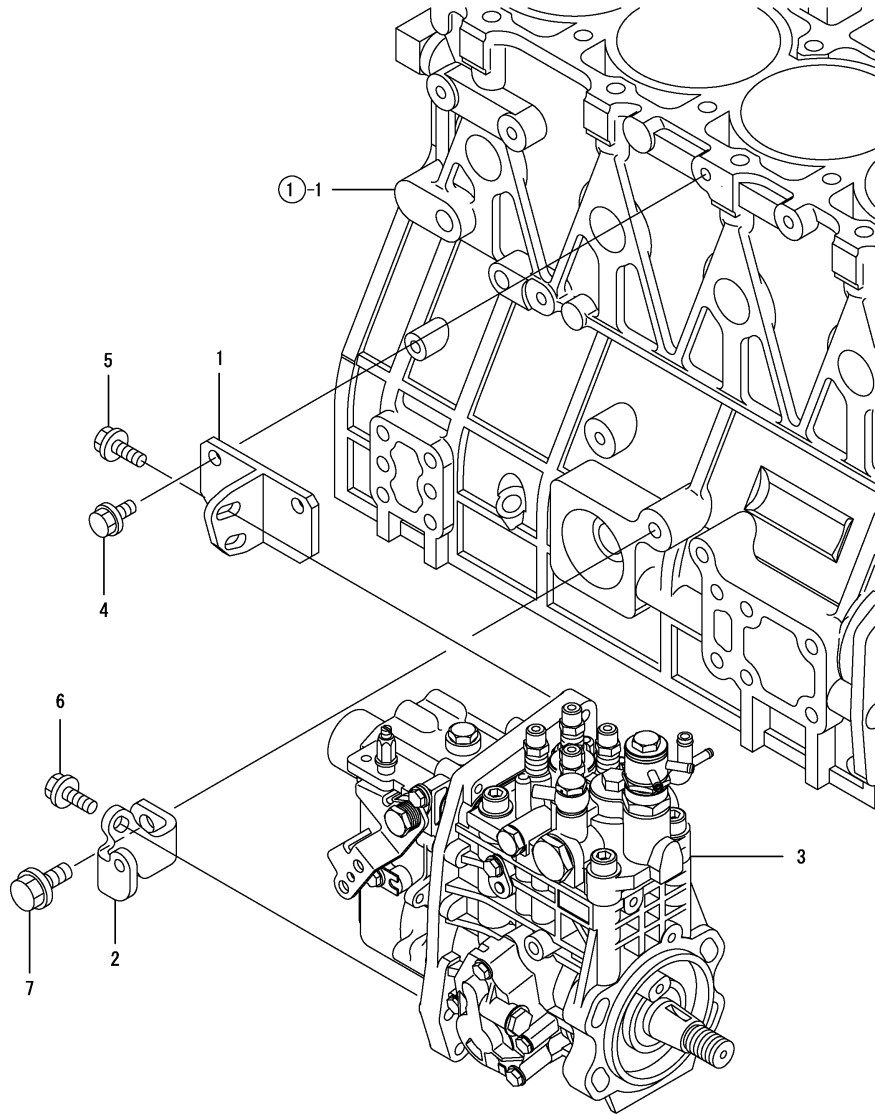
N:Old $\xrightarrow{\text{Yes}}$ New, Q:Old $\xrightarrow{\text{No}}$ New, R:Old $\xrightarrow{\text{Yes}}$ New, S:Old $\xrightarrow{\text{No}}$ New, W:Add, Z:Discontinued, F:Interchangeable by set, K:Q'ty Change

Fig.11. FUEL INJECTION PUMP

(A)=4TNV98-WTB
(B)=
(C)=

(D)=
(E)=
(F)=

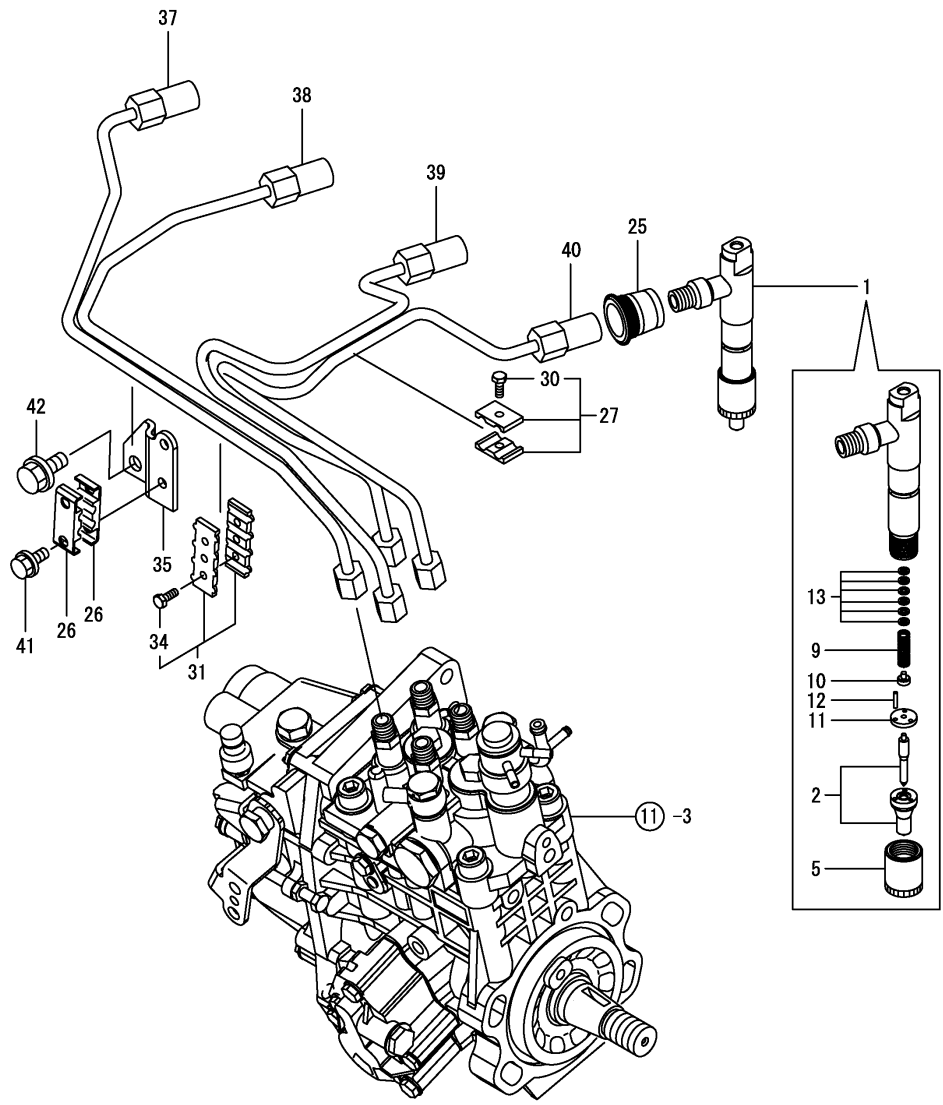
発行No. 000Y00D8090-1
更新年月: 2005.11
REVISED: Novem, 2005



No.	Lev.	Parts No.	Description	Q'ty						I	R
				(A)	(B)	(C)	(D)	(E)	(F)		
1	1	129907-01950	RETAINER	1							
2	1	129907-01960	RETAINER	1							
3	1	729940-51370	PUMP ASSY, INJECTION	1							1
4	1	26106-080162	BOLT, M8X 16 PLATED	2							
5	1	26106-080222	BOLT, M8X 22 PLATED	2							
6	1	26106-080222	BOLT, M8X 22 PLATED	1							
7	1	26106-100202	BOLT, M10X 20 PLATED	1							

Remarks
(1) REFER TO FI.17 & 18 FOR INNER PARTS.

Fig.12. FUEL INJECTION VALVE

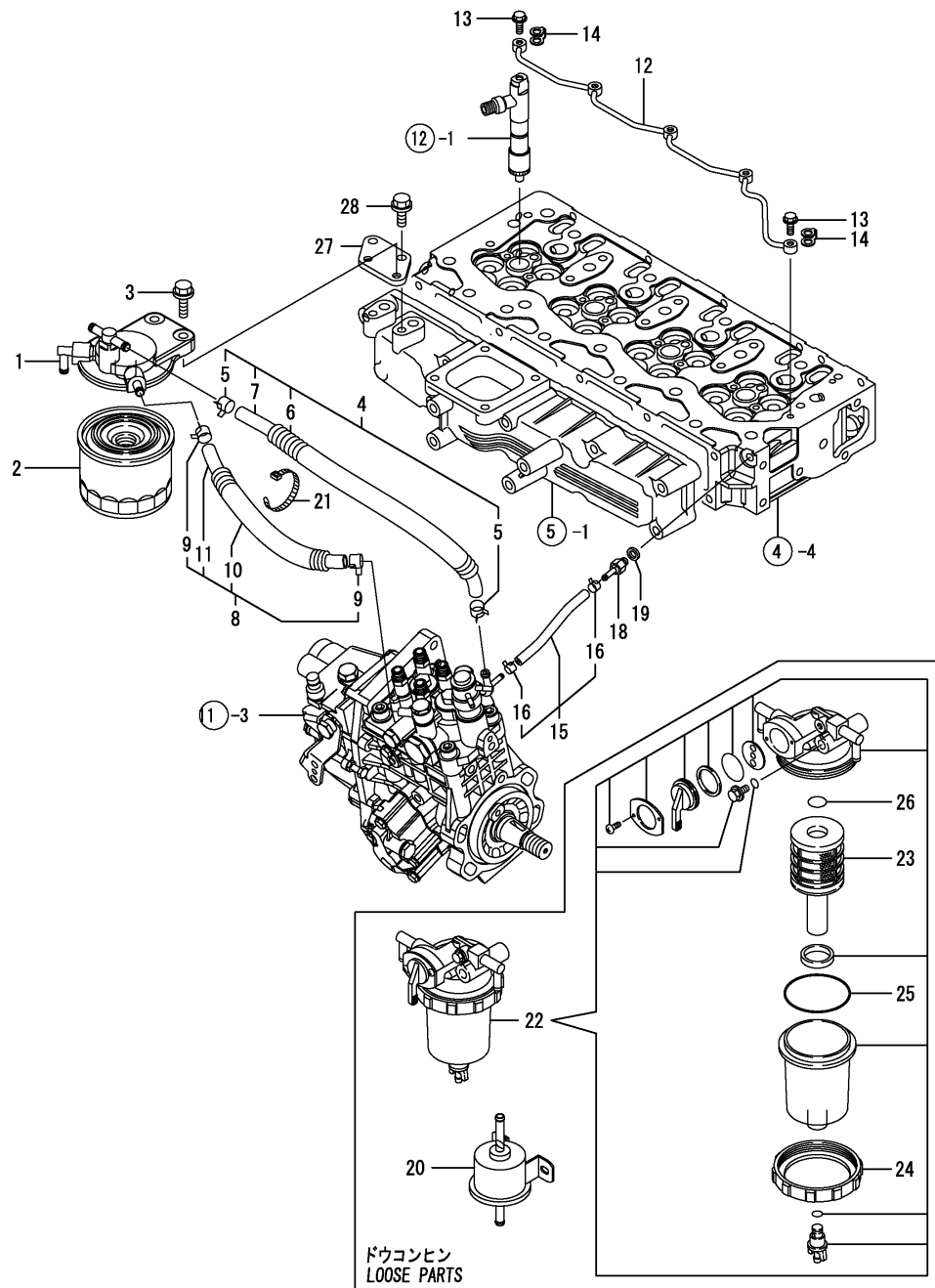


(A)=4TNV98-WTB
(B)=
(C)=

(D)=
(E)=
(F)=

No.	Lev.	Parts No.	Description	Q'ty						I	R
				(A)	(B)	(C)	(D)	(E)	(F)		
1	1	729907-53100	VALVE ASSY,INJECTION	4							
2	2	129907-53000	VALVE ASSY,INJECTION	4							
5	2	114250-53080	NUT, NOZZLE D16.95	4							
9	2	114250-53120	SPRING, NOZZLE	4							
10	2	114250-53130	SEAT, SPRING	4							
11	2	114250-53140	PLATE	4							
12	2	114250-53210	PIN	8							
13	2	114250-53400	SHIM SET	4							
25	1	123907-11601	SEAL	4							
26	1	122780-59100	RETAINER	2							
27	1	119305-59120	RETAINER, PIPE	1							
30	2	129150-59131	BOLT, M4X14	1							
31	1	129550-59120	RETAINER, PIPE	1							
34	2	129150-59131	BOLT, M4X14	2							
35	1	129907-59710	SUPPORT	1							
37	1	129907-59810	PIPE ASSY, INJECTION	1							
38	1	129907-59820	PIPE ASSY, INJECTION	1							
39	1	129907-59830	PIPE ASSY, INJECTION	1							
40	1	129907-59840	PIPE ASSY, INJECTION	1							
41	1	26106-060162	BOLT, M6X 16 PLATED	2							
42	1	26106-080182	BOLT, M8X 18 PLATED	1							

Fig.13. FUEL LINE



(A)=4TNV98-WTB

(B)=

(C)=

(D)=

(E)=

(F)=

No.	Lev.	Parts No.	Description	Q'ty						I	R
				(A)	(B)	(C)	(D)	(E)	(F)		
1	1	129004-55610	BRACKET, FILTER	1							
2	1	119802-55800	FILTER, FUEL	1							
3	1	26106-080302	BOLT, M8X 30 PLATED	2							
4	1	129457-59010	PIPE ASSY, FUEL	1							
5	2	124766-59050	CLIP, HOSE 12	2							
6	2	129957-59120	TUBE, CORRUGATED	1							
7	2	105025-59750	PIPE, FUEL	1							
8	1	129981-59010	PIPE ASSY, FUEL	1							
9	2	124766-59050	CLIP, HOSE 12	2							
10	2	129950-59221	TUBE, CORRUGATED	1							
11	2	129980-59510	PIPE, FUEL	1							
12	1	129907-59140	PIPE ASSY, RETURN	1							
13	1	123907-59540	BOLT, PIPE JOINT M6	5							
14	1	123907-59550	GASKET	5							
15	1	129486-59551	PIPE ASSY, RETURN	1							
16	2	124722-59050	CLIP, HOSE 9	2							
18	1	123907-59560	JOINT	1							
19	1	22190-080002	WASHER, SEAL 6	1							
20	1	129612-52100	PUMP ASSY, FUEL FEED	1							
21	1	121750-59890	BAND, 140	1							
22	1	129906-55700	SEPARATOR ASSY	1							
23	2	119802-55710	ELEMENT	1							
24	2	129100-55690	RING, RETAINING	1							
25	2	24321-000650	O-RING, 1AG65.0	1							
26	2	24311-000160	O-RING, 1AP16.0	1							
27	1	129940-55650	BRACKET, FILTER	1							
28	1	26106-080222	BOLT, M8X 22 PLATED	2							

Fig.14. STARTING MOTOR

(A)=4TNV98-WTB

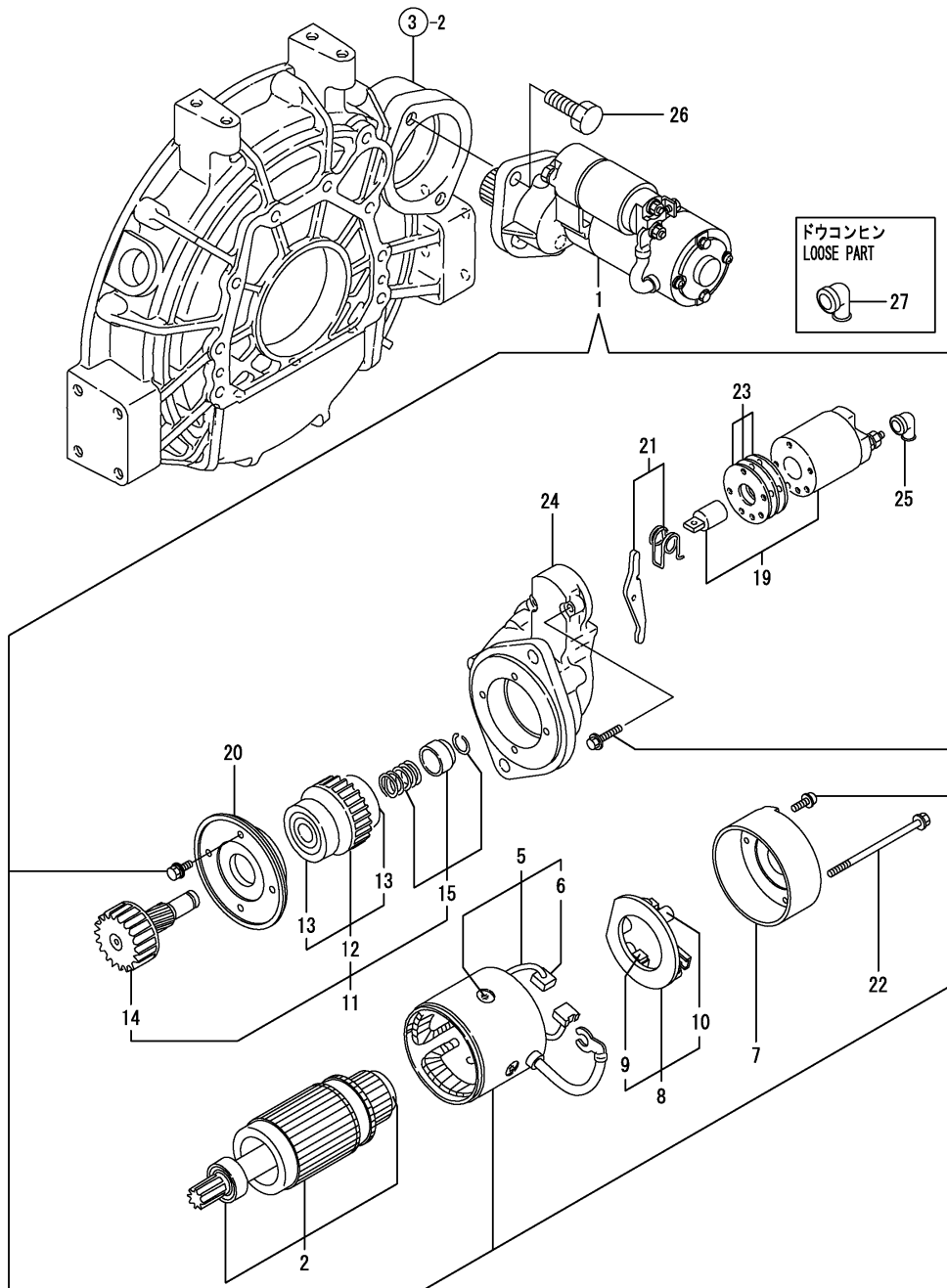
(B)=

(C)=

(D)=

(E)=

(F)=



No.	Lev.	Parts No.	Description	Q'ty						I	R
				(A)	(B)	(C)	(D)	(E)	(F)		
1	1	123900-77010	STARTER	1							
2	2	123900-77400	ARMATURE ASSY	1							
5	2	123900-77440	COIL ASSY, FIELD	1							
6	3	123900-77450	BRUSH (+)	2							
7	2	123900-77460	COVER, REAR	1							
8	2	123900-77480	HOLDER, BRUSH	1							
9	3	123900-77450	BRUSH (+)	2							
10	3	121254-77590	SPRING, BRUSH	4							
11	2	123900-77510	PINION ASSY	1							
12	3	123900-77520	CLUTCH ASSY	1							
13	4	X2240610100	BALL BEARING (3	2							
14	3	123900-77540	SHAFT, PINION	1							
15	3	119131-77550	STOPPER KIT, PINION	1							
19	2	129900-77591	SWITCH ASSY,MAGNETIC	1							
20	2	123900-77610	RETAINER, BEARING	1							
21	2	129900-77620	SHIFT LEVER SET	1							
22	2	123900-77640	THROUGHT BOLT	2							
23	2	123900-77650	COVER ASSY, DUST	1							
24	2	123900-77710	HOUSING, GEARS	1							
25	2	171008-77750	COVER, M TERMINAL	1							
26	1	26116-120252	BOLT, M12X 25 PLATED	2							
27	1	124550-77030	COVER, TERMINAL	1							

Fig.15. GENERATOR

(A)=4TNV98-WTB

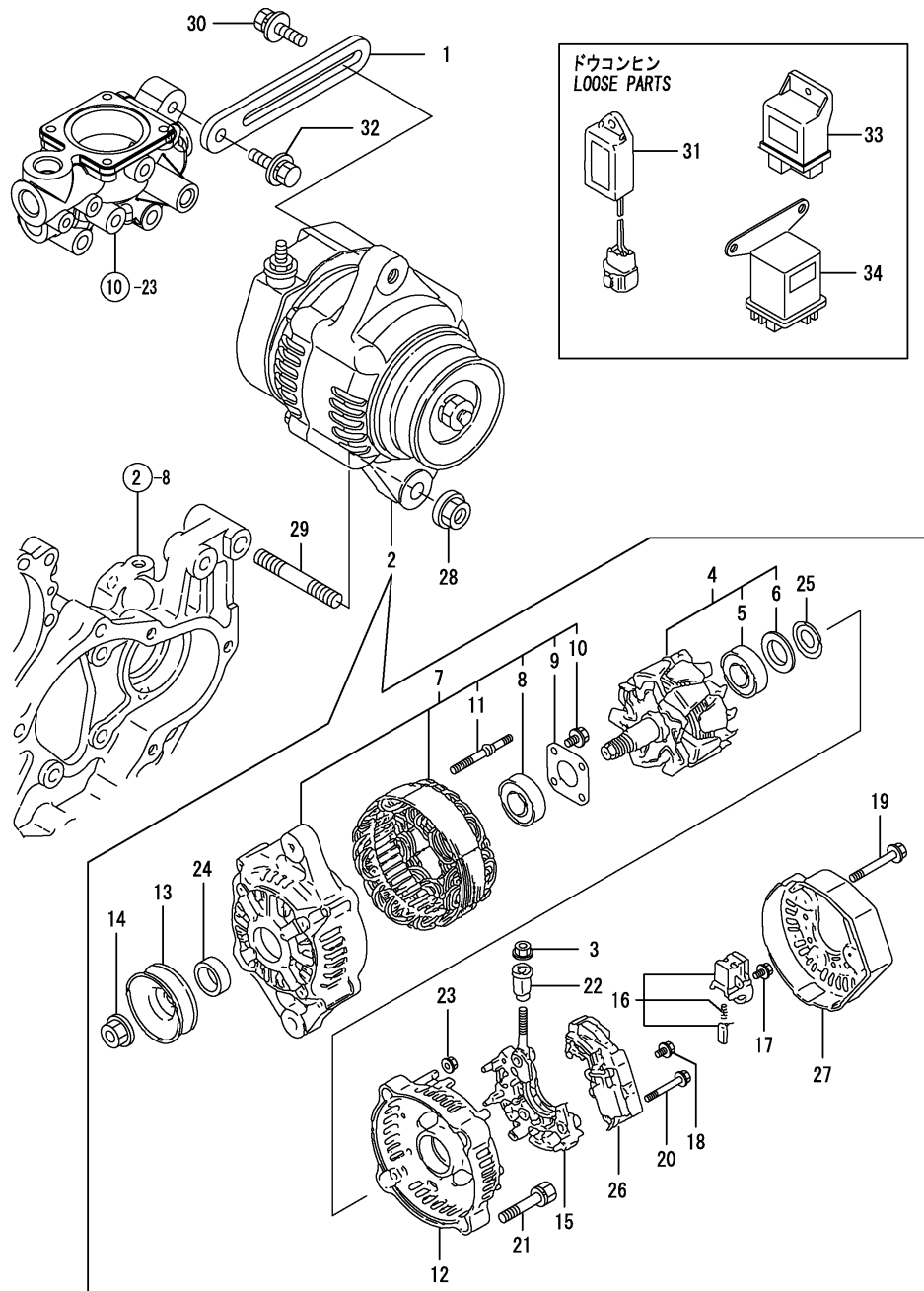
(B)=

(C)=

(D)=

(E)=

(F)=



No.	Lev.	Parts No.	Description	Q'ty						I	R
				(A)	(B)	(C)	(D)	(E)	(F)		
1	1	129900-77330	ADJUSTER	1							
2	1	129240-77200	ALTERNATOR	1							
3	2	129240-79310	NUT	1							
4	2	119620-77380	ROTOR ASSY	1							
5	3	126501-79240	BALL BEARING	1							
6	3	119620-79250	COVER, BEARING	1							
7	2	119620-77421	FRAME ASSY, DRIVE	1							
8	3	119620-79200	BALL BEARING	1							
9	3	119620-79210	PLATE	1							
10	3	119620-79220	SCREW	4							
11	3	119620-79230	BOLT, STUD	2							
12	2	119620-77440	FRAME ASSY, REAR	1							
13	2	119620-77461	PULLEY	1							
14	2	119620-77471	NUT	1							
15	2	119620-79260	HOLDER	1							
16	2	129052-79270	HOLDER, BRUSH	1							
17	2	119620-79290	SCREW	6							
18	2	119620-79300	SCREW	1							
19	2	119620-79310	BOLT	3							
20	2	119620-79320	SCREW W/WASHER	2							
21	2	119620-79330	BOLT	2							
22	2	119620-79340	INSULATION BUSH	1							
23	2	119620-79350	NUT	2							
24	2	119620-77490	COLLAR	1							
25	2	119620-79360	WASHER, THRUST	1							
26	2	129240-77710	REGULATOR ASSY	1							
27	2	129240-79300	COVER	1							
28	1	26306-100002	NUT, M10	1							
29	1	129795-01900	STUD	1							
30	1	119810-77340	BOLT, ADJUSTER	1							
31	1	129211-77920	TIMER	1							
32	1	26014-080252	BOLT, M8X 25	1							
33	1	119802-77200	RELAY, SAFETY	1							
34	1	119646-77900	RELAY, POWER	1							

Fig.16. TOOL & GASKET SET

(A)=4TNV98-WTB

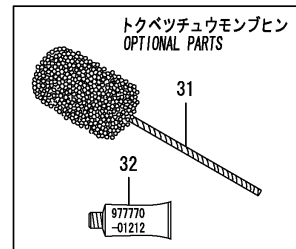
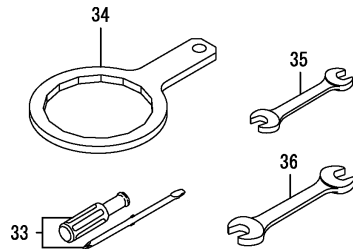
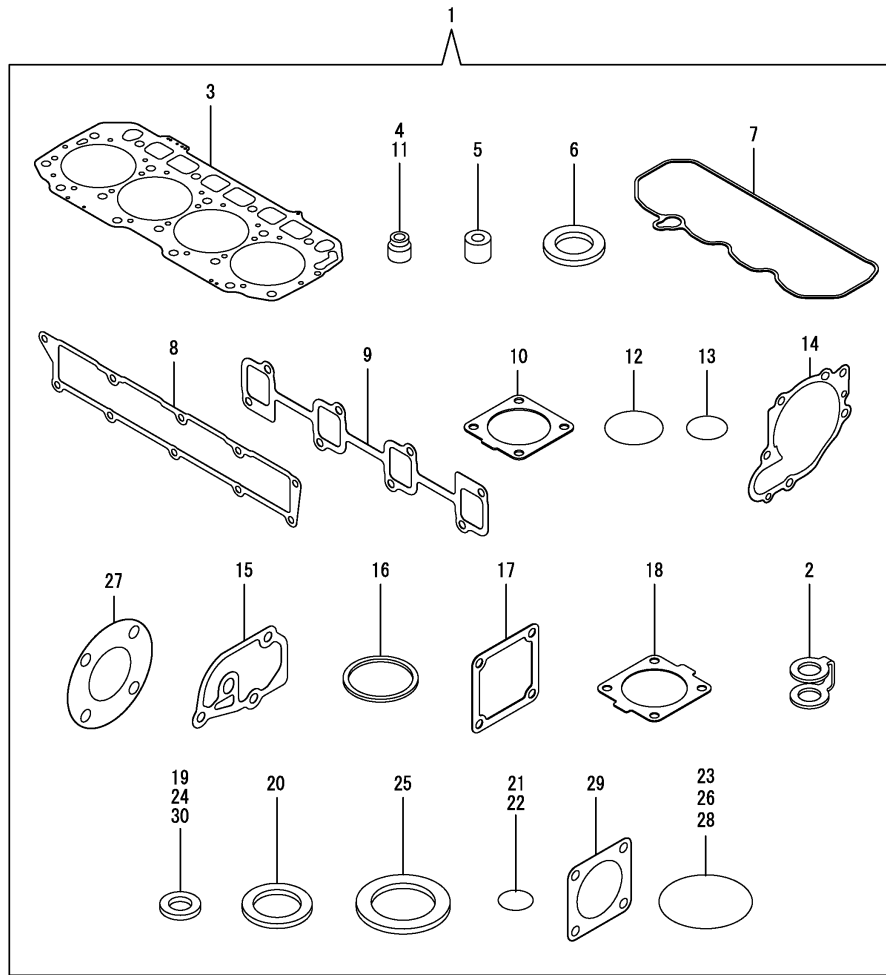
(B)=

(C)=

(D)=

(E)=

(F)=



No.	Lev.	Parts No.	Description	Q'ty						I	R
				(A)	(B)	(C)	(D)	(E)	(F)		
1	1	729907-92660	GASKET SET	1							1
2	2	123907-59550	GASKET	5							
3	2	129907-01331	GASKET, HEAD	1							
4	2	124160-11340	SEAL, VALVE STEM	8							
5	2	119802-11870	PROTECTOR, NOZZLE	4							
6	2	119625-11880	SEAT, NOZZLE	4							
7	2	129907-11310	GASKET, BONNET	1							
8	2	129907-12110	GASKET, MANIFOLD	1							
9	2	129900-13251	GASKET	1							
10	2	129930-13200	GASKET, SILENCER	3							
11	2	124950-11340	SEAL, VALVE STEM	8							
12	2	129900-32030	O-RING, P20	2							
13	2	129900-32040	O-RING, P14	1							
14	2	129900-42020	GASKET, WATER PUMP	1							
15	2	129900-49870	GASKET	1							
16	2	121850-49550	GASKET, THERMOSTAT	1							
17	2	121850-77021	GASKET	1							
18	2	121850-49540	GASKET, THERMOSTAT	1							
19	2	23414-080000	GASKET, 8X1.0	3							
20	2	124465-44950	GASKET, 16	1							
21	2	24311-000070	O-RING, 1AP7.0	1							
22	2	24311-000120	O-RING, 1AP12.0	8							
23	2	24311-000320	O-RING, 1AP32.0	3							
24	2	22190-080002	WASHER, SEAL 6	7							
25	2	22190-220002	WASHER, SEAL 22	1							
26	2	24351-030750	O-RING, 1A3075	1							
27	2	23446-050000	GASKET 50	1							
28	2	24341-000530	O-RING, 1AS53.0	1							
29	2	124240-01883	GASKET	1							
30	2	129150-49360	GASKET	1							
31	1	129400-92450	HONE	1							1
32	1	977770-01212	GASKET, LIQUID	1							1
33	1	104200-92350	DRIVER, SCREW	1							
34	1	119640-92750	WRENCH, FILTER 80	1							
35	1	28110-100120	SPANNER, 10X12	1							
36	1	28110-140170	SPANNER, 14X17	1							

Remarks

(1) OPTIONAL PART.

N:Old $\xrightarrow{\text{Yes}}$ New, Q:Old $\xrightarrow{\text{No}}$ New, R:Old $\xrightarrow{\text{Yes}}$ New, S:Old $\xrightarrow{\text{No}}$ New, W:Add, Z:Discontinued, F:Interchangeable by set, K:Q'ty Change

Fig.17. FUEL INJECTION PUMP(INNER PARTS)

(A)=4TNV98-WTB

(B)=

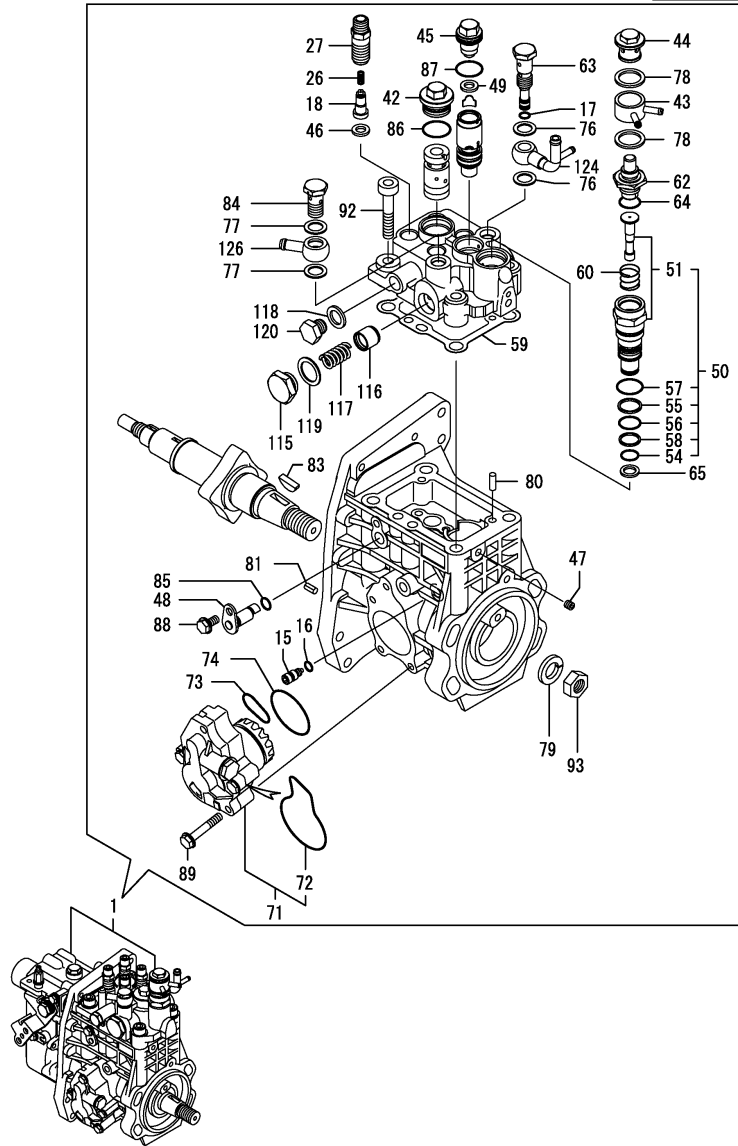
(C)=

(D)=

(E)=

(F)=

発行No. 000Y00D8090-1
更新年月: 2005.11
REVISED: Novem, 2005



No.	Lev.	Parts No.	Description	Q'ty						I	R
				(A)	(B)	(C)	(D)	(E)	(F)		
1	1	729940-51370	PUMP ASSY, INJECTION	1							1
15	2	158600-51270	STOPPER, TAPPET	1							
16	2	158563-51281	O-RING, 4D S6	1							
17	2	158563-51281	O-RING, 4D S6	1							
18	2	158560-51300	VALVE ASSY, DELIVERY	4							
26	2	158563-51330	SPRING, DELIVERY	4							
27	2	129907-51340	HOLDER, DELIVERY	4							
42	2	158601-51550	PLUG	1							
43	2	158553-51551	JOINT	1							
44	2	158601-51570	PLUG	1							
45	2	129907-51560	PLUG, BARREL	1							
46	2	158552-51570	GASKET	4							
47	2	158557-51570	PLUG	1							
48	2	158552-51580	LIFTER	1							
49	2	129906-51580	GASKET	1							
50	2	119802-51590	TIMER SET	1							
51	3	119802-51600	TIMER ASSY	1							
54	3	158553-51670	O-RING, 1011	1							
55	3	119802-51680	RING, BACK UP	1							
56	3	119802-51690	O-RING	1							
57	3	24356-010200	O-RING, 4D1020	1							
58	3	24372-000150	RING, BACK UP T2P15	1							
59	2	158560-51600	GASKET	1							
60	2	158553-51630	SPRING, TIMER	1							
62	2	158553-51640	ELEMENT	1							
63	2	158601-51650	JOINT, OVER FLOW	1							
64	2	158553-51660	O-RING, P14	1							
65	2	158553-51680	GASKET	1							
71	2	158552-52100	PUMP ASSY, FUEL FEED	1							
72	3	158552-52500	O-RING	1							
73	2	158552-52310	O-RING	1							
74	2	158552-52400	O-RING, 4E S42	1							
76	2	22190-120002	WASHER, SEAL 12	2							
77	2	22190-120002	WASHER, SEAL 12	2							
78	2	22190-180002	WASHER, SEAL 18	2							
79	2	22217-180000	WASHER, SPRING 18	1							
80	2	22312-050140	PIN, PARALLEL M5X14	2							
81	2	22351-050010	PIN, SPRING 5.0X10	2							
83	2	144626-51090	KEY, 5X19	1							
84	2	23857-060000	BOLT, JOINT 6	1							
85	2	24311-000070	O-RING, 1AP7.0	1							
86	2	24356-010200	O-RING, 4D1020	1							
87	2	24356-020210	O-RING, 4D2021	1							
88	2	26106-060102	BOLT, M6X 10 PLATED	1							
89	2	26106-060352	BOLT, M6X 35 PLATED	4							
92	2	26450-100452	BOLT, M10X 45	4							
93	2	26776-180002	NUT, LOCK M18	1							
115	2	158601-51790	PLUG	1							
116	2	158601-51770	PISTON	1							
117	2	158552-51780	SPRING	1							
118	2	22190-120002	WASHER, SEAL 12	1							

Remarks

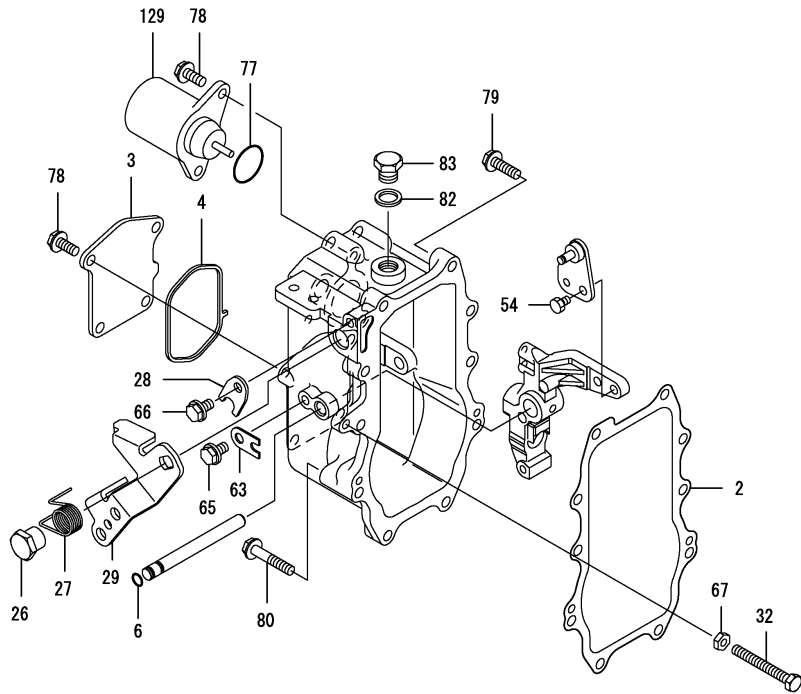
(1) GOVERNOR ASSY(FIG.18) IS INCORPORATED IN THIS FOP.CMP (REF.NO.1).

Fig.18. GOVERNOR(INNER PARTS)

(A)=4TNV98-WTB
(B)=
(C)=

(D)=
(E)=
(F)=

発行No. 000Y00D8090-1
更新年月: 2005.11
REVISED: Novem, 2005



No.	Lev.	Parts No.	Description	Q'ty						I	R
				(A)	(B)	(C)	(D)	(E)	(F)		
2	2	158560-61050	GASKET	1							
3	2	158560-61061	COVER, GOVERNOR CASE	1							
4	2	158560-61071	GASKET	1							
6	2	129155-51280	O-RING, S6	1							
26	2	129255-61410	NUT, LOCK	1							
27	2	119807-61420	SPRING, RETURN	1							
28	2	158560-61430	RETAINER, SHAFT	1							
29	2	158560-61441	LEVER, REGULATOR	1							
32	2	129155-61460	BOLT, IDLE	1							
54	2	26116-060102	BOLT, M6X 10 PLATED	1							
63	2	119660-61901	RETAINER, SHAFT	1							
65	2	26106-060102	BOLT, M6X 10 PLATED	1							
66	2	26106-060102	BOLT, M6X 10 PLATED	1							
67	2	26756-060002	NUT, LOCK M6	1							
77	2	24341-000280	O-RING, 1AS28.0	1							
77-1	2	158552-61900	O-RING	1							N
(A=EXXXXX)											
78	2	26106-060142	BOLT, M6X 14 PLATED	6							
79	2	26106-060252	BOLT, M6X 25 PLATED	8							
80	2	26106-060402	BOLT, M6X 40 PLATED	2							
82	2	22190-160002	WASHER, SEAL 16	1							
83	2	23887-160002	PLUG, 16	1							
129	2	119233-77932	SOLENOID, STOP	1							

Remarks

* THIS FIGURE(GOVERNOR ASSY)IS
INCORPORATED IN THE FUEL INJECTION
PUMP ASSY(FIG.17).

Parts No. Index

Parts No.	Fig. No.	Ref. No.
104200-92350	16	33
105025-59750	13	7
105582-59150	10	30
114250-39450	9	9
114250-53080	12	5
114250-53120	12	9
114250-53130	12	10
114250-53140	12	11
114250-53210	12	12
114250-53400	12	13
119000-01840	3	5
119000-35140	9	21
119130-44760	10	17
119131-18320	6	7
119131-77550	14	15
119233-77932	18	129
119255-44660	10	61
119266-49350	10	45
119305-59120	12	27
119593-11301	4	28
119620-11180	4	16
119620-77380	15	4
119620-77421	15	7
119620-77440	15	12
119620-77461	15	13
119620-77471	15	14
119620-77490	15	24
119620-79200	15	8
119620-79210	15	9
119620-79220	15	10
119620-79230	15	11
119620-79250	15	6
119620-79260	15	15
119620-79290	15	17
119620-79300	15	18
119620-79310	15	19
119620-79320	15	20
119620-79330	15	21
119620-79340	15	22
119620-79350	15	23
119620-79360	15	25
119625-11880	4	26
	16	6
119640-01640	3	9
119640-61400	4	62
119640-92750	16	34
119646-77900	15	34
119660-61901	18	63
119802-11870	4	47
	16	5

Parts No.	Fig. No.	Ref. No.
119802-51590	17	50
119802-51600	17	51
119802-51680	17	55
119802-51690	17	56
119802-55710	13	23
119802-55800	13	2
119802-77200	15	33
119807-61420	18	27
119808-12540	5	14
119810-77340	15	30
120130-22301	8	21
121250-44901	10	21
121254-77590	14	10
121256-44600	10	64
121450-44531	10	50
121470-44581	10	52
121520-34810	9	23
121550-49111	10	47
121750-59890	13	21
121850-21130	8	11
121850-21290	8	4
121850-21680	8	9
121850-21920	8	5
121850-49540	10	25
	16	18
121850-49550	10	26
	16	16
121850-49800	10	28
121850-77021	5	5
	16	17
122780-59100	12	26
123900-13610	6	5
123900-13630	6	4
123900-25060	7	9
123900-77010	14	1
123900-77400	14	2
123900-77440	14	5
123900-77450	14	6
	9	
123900-77460	14	7
123900-77480	14	8
123900-77510	14	11
123900-77520	14	12
123900-77540	14	14
123900-77610	14	20
123900-77640	14	22
123900-77650	14	23
123900-77710	14	24
123907-03100	4	55
123907-03110	4	56

Parts No.	Fig. No.	Ref. No.
123907-03120	4	57
123907-03140	4	58
123907-11280	4	33
123907-11550	4	3
123907-11601	12	25
123907-11820	4	10
123907-11830	4	22
123907-25909	7	15
123907-59540	13	13
123907-59550	13	14
	16	2
123907-59560	13	18
124160-01751	2	35
	4	50
124160-11340	4	17
	16	4
124160-11360	4	65
124240-01871	2	36
124240-01883	2	37
	16	29
124411-01780	3	7
124450-44550	10	63
124450-44560	10	51
124465-44950	10	22
	16	20
124550-77030	14	27
124722-59050	10	41
	44	
	13	16
124766-59050	13	5
	9	
124950-11340	4	18
	16	11
126501-79240	15	5
127410-21480	8	14
129001-91810	2	24
	25	
129004-55610	13	1
129005-59830	9	14
129052-79270	15	16
129062-12560	5	12
129100-01580	2	5
	3	1
129100-55690	13	24
129107-44590	10	55
129150-02450	7	4
129150-11230	4	36
	40	
129150-11750	4	21
	37	

Parts No.	Fig. No.	Ref. No.
129150-11750	4	41
129150-14200	7	1
129150-25920	7	13
129150-35153	9	22
129150-49080	10	57
129150-49100	10	56
129150-49360	10	46
	16	30
129150-59131	12	30
	34	
129155-51280	18	6
129155-61460	18	32
129211-77920	15	31
129240-77200	15	2
129240-77710	15	26
129240-79300	15	27
129240-79310	15	3
129255-61410	18	26
129400-92450	16	31
129418-12530	5	18
129457-12530	5	13
129457-59010	13	4
129486-59551	13	15
129550-59120	12	31
129612-52100	13	20
129795-01900	15	29
129900-01200	1	31
129900-01250	1	5
129900-01740	2	6
129900-01780	2	4
129900-01850	2	39
129900-01870	2	40
129900-02020	1	7
129900-02340	1	34
129900-02410	1	10
129900-02930	1	28
129900-02940	1	37
129900-13200	6	1
129900-13251	6	3
	16	9
129900-14100	7	6
129900-21200	8	3
129900-23000	8	23
129900-23200	8	28
129900-23600	8	29
129900-23610	8	31
129900-23910	8	27
129900-25100	7	10
129900-32001	2	11
129900-32030	2	22

Parts No. Index

Parts No.	Fig. No.	Ref. No.
129900-32030	9	2
	16	12
129900-32040	2	23
	16	13
129900-35000	9	3
129900-42020	10	11
	16	14
129900-42461	10	14
129900-49870	10	36
	16	15
129900-77330	15	1
129900-77591	14	19
129900-77620	14	21
129902-21000	8	1
129902-21580	8	12
129906-51580	17	49
129906-55700	13	22
129907-01190	1	33
129907-01331	1	32
	16	3
129907-01500	2	8
129907-01950	11	1
129907-01960	11	2
129907-03010	4	52
129907-03060	4	53
129907-03070	4	54
129907-07900	4	1
129907-11100	4	25
129907-11110	4	14
129907-11120	4	15
129907-11250	4	30
129907-11260	4	31
129907-11270	4	32
129907-11310	4	61
	16	7
129907-11320	4	51
129907-11341	4	29
129907-11510	4	19
129907-11650	4	34
129907-11660	4	38
129907-11700	4	4
129907-11800	4	9
129907-11910	4	68
129907-11920	4	42
129907-11950	4	48
129907-12100	5	1
129907-12110	5	2
	16	8
129907-13550	6	9
129907-14400	7	2

Parts No.	Fig. No.	Ref. No.
129907-14581	7	3
129907-22050	8	17
129907-22090	8	15
129907-39061	9	10
129907-42000	10	1
129907-49610	10	38
129907-49620	10	42
129907-49710	10	39
129907-49720	10	43
129907-49730	10	27
129907-49750	10	40
129907-51340	17	27
129907-51560	17	45
129907-53000	12	2
129907-59140	13	12
129907-59710	12	35
129907-59810	12	37
129907-59820	12	38
129907-59830	12	39
129907-59840	12	40
129908-14581	7	3 -1
129910-07900	4	69
129915-77050	5	6
129916-01800	2	4 -1
129916-44740	10	16
129916-49530	10	24
129916-59020	17	126
129930-13200	6	8
	16	10
129940-55650	13	27
129944-44500	10	54
129946-49810	10	23
129950-59221	13	10
129951-01620	3	2
129953-01710	3	8
129953-12200	5	8
129953-12250	5	9
129953-12521	5	10
129953-12560	5	11
129953-12610	5	15
129953-21610	8	7
129953-21611	8	7 -1
129953-25300	7	16
129953-34800	9	1
129957-59120	13	6
129960-21640	8	8
129980-59510	13	11
129981-59010	13	8
144626-51090	17	83
158552-51570	17	46

Parts No.	Fig. No.	Ref. No.
158552-51580	17	48
158552-51670	17	124
158552-51780	17	117
158552-52100	17	71
158552-52310	17	73
158552-52400	17	74
158552-52500	17	72
158552-61900	18	77 -1
158553-51551	17	43
158553-51630	17	60
158553-51640	17	62
158553-51660	17	64
158553-51670	17	54
158553-51680	17	65
158557-51570	17	47
158560-51300	17	18
158560-51600	17	59
158560-61050	18	2
158560-61061	18	3
158560-61071	18	4
158560-61430	18	28
158560-61441	18	29
158563-51150	7	17
158563-51281	17	16
		17
158563-51330	17	26
158600-51270	17	15
158601-51550	17	42
158601-51570	17	44
158601-51650	17	63
158601-51770	17	116
158601-51790	17	115
171008-77750	14	25
171031-11741	2	44
171051-01921	1	6
171064-44510	10	48
22190-080002	9	15
		17
		19
	13	19
	16	24
22190-120002	17	76
		77
		118
22190-160002	18	82
22190-180002	17	78
		119
22190-220002	3	11
	16	25
22217-180000	7	18

Parts No.	Fig. No.	Ref. No.
22217-180000	17	79
22252-000300	8	22
22312-050140	17	80
22351-050010	17	81
22351-060012	1	11
22512-070140	7	7
	8	6
22857-500100	4	63
		64
23000-054000	10	62
23000-080000	5	19
		20
23065-070225	10	53
23387-040800	10	31
23414-080000	10	32
		37
	16	19
23446-050000	6	10
	16	27
23857-030000	9	16
23857-060000	17	84
23875-030000	10	33
23876-020000	4	11
23876-030000	1	12
		13
	4	12
23887-120002	17	120
23887-160002	18	83
24311-000070	2	26
	16	21
	17	85
24311-000120	4	27
		66
	16	22
24311-000160	13	26
24311-000320	2	43
		45
	4	67
	16	23
24321-000650	13	25
24341-000280	18	77
24341-000530	8	10
	16	28
24351-030750	2	27
	16	26
24356-010200	17	57
		86
24356-020210	17	87
24372-000150	17	58

Parts No. Index

Parts No.	Fig. No.	Ref. No.
25152-004150	10	15
26014-080252	15	32
26106-060102	17	88
	18	65
		66
26106-060122	10	34
26106-060142	18	78
26106-060162	12	41
26106-060202	10	35
26106-060252	18	79
26106-060302	10	12
26106-060352	17	89
26106-060402	18	80
26106-080122	3	12
	9	8
		18
		20
	10	19
26106-080162	2	28
		29
		38
		41
	4	2
	7	8
	11	4
26106-080182	12	42
26106-080202	2	30
26106-080222	11	5
		6
	13	28
26106-080302	13	3
26106-080352	5	7
	10	18
26106-080402	2	31
		32
	4	44
26106-080452	2	33
26106-080552	5	3
	7	14
	10	13
26106-080602	4	45
		46
	10	20
26106-080852	5	4
26106-100202	11	7
26116-060102	18	54
26116-120252	14	26
26206-100352	3	6
26216-100302	2	10
26226-080222	4	43

Parts No.	Fig. No.	Ref. No.
26306-080002	4	49
	6	6
26306-100002	2	34
	15	28
26450-100452	17	92
26756-060002	18	67
26776-180002	7	19
	17	93
27241-300000	1	15
27241-400000	4	13
27310-070001	4	23
28110-100120	16	35
28110-140170	16	36
729900-02800	1	25
729907-01550	2	1
729907-01560	1	1
729907-22910	8	33
729907-22950	8	35
729907-53100	12	1
729907-92660	16	1
729940-51370	11	3
	17	1
977770-01212	2	42
	3	13
	4	70
	16	32
X2240610100	14	13

Parts No.	Fig. No.	Ref. No.
-----------	----------	----------

Parts No.	Fig. No.	Ref. No.
-----------	----------	----------