

OCD10-M80800EN

# PREFACE

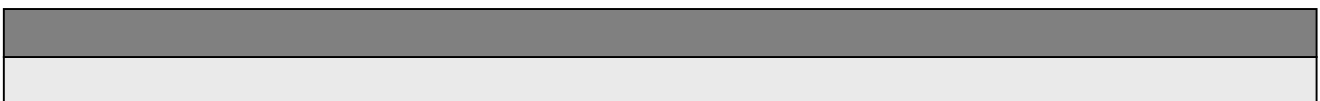
1. This parts catalog is the Second edition of 3TNV88-QTB(1) for Takeuchi Mfg. Co., Ltd.
2. This parts catalog does not contain the technical data needed for maintenance service.
3. The illustrations used in this parts catalog have been simplified for clarity.

Pub. No.: 000Y00D8080  
Published: January.,2004

#### 4. Model name

Engine model	Vehicle		Vehicle made by
	Products	Model name	
3TNV88-QTB	EXCAVATOR	TB135 (A7C) CABIN SPEC.	Takeuchi Mfg. Co., Ltd.
3TNV88-QTB1		TB135 (A7C) CANOPY SPEC.	

5. The contents of this parts catalog are subject to change without prior notice.



## Directions for the Parts Catalog.

1. This Parts Catalog shows both standard and optional parts.
2. Parts may change without prior notice.
3. The following is an example of the Parts Catalog format.

REF.	LEV.	PARTS NO.	DESCRIPTION	Q'TY						I	R
				(A)	(B)	(C)	(D)	(E)	(F)		
1	1	729595-51390	FUEL INJECTION PUMP	1	1	1	1	1			1
1-1	1	729595-51391	FUEL INJECTION PUMP	1	1	1	1	1		N	1
		(A=E00185) (B=E00200)									
3	2	26022-060162	SCREW M 6X 16	9	9	9	9	9			
3-1	2	26022-060162	SCREW M 6X 16	4	4	4	4	4		K	
		(A=E00156) (B=E00156) (C=E00156) (D=E00156) (E=E00156)									
4	2	129470-51040	CAMSHAFT	1	1	1	1	1			
5	2	122710-51050	BEARING, ROLLER	2	2	2	2	2			
6	2	129470-51060	RETAINER	1	1	1	1	1			

Remarks
(1) BOOST COMPEMSATOR TYPE. OPTIONAL PART, TO E00155,(4JH-DT, 4JH-DTZ

### ① Ref. No.

The Ref. No. listed may not be in accordance with the illustration Ref. No.

(Ex.) Illustration No.

List Ref No.

1

1

(Before change)

1-1

(After change)

For interchangeable symbols N, R and K, illustrations for new parts may be abbreviated.

### ② Lev. (Level)

Level indication

The numbers below indicate the level of relativity towards the main part.

1 ----- Main parts (Assembly parts)

2 ----- Sub component included in " 1 ".

3 ----- Sub component included in " 2 ".

Note) Parts that are not for sale are partially illustrated but not listed.

### ③ Interchangeability Symbol

When a part change takes place, one of the following interchangeability symbols is indicated beside the part.

Symbol	Interchangeability	Contents note
N	Old $\begin{matrix} \leftarrow \text{Yes} \\ \text{No} \rightarrow \end{matrix}$ New	New Part is interchangeable for Old Part but Old Part is not interchangeable for New Part.
Q	Old $\begin{matrix} \leftarrow \text{No} \\ \text{Yes} \rightarrow \end{matrix}$ New	New Part is not interchangeable for Old Part but Old Part is interchangeable for New Part.
R	Old $\begin{matrix} \leftarrow \text{Yes} \\ \text{Yes} \rightarrow \end{matrix}$ New	New/ Old Parts are both interchangeable.
S	Old $\begin{matrix} \leftarrow \text{No} \\ \text{No} \rightarrow \end{matrix}$ New	New/ Old Parts are both not interchangeable.
W		Part newly added.
Z		Part discontinued.
F		Not interchangeable by a single part but interchangeable together with related parts.
K		Changes only for used parts quantities.

### ④ Effective Machine No.

When a part changes, the effective Machine No. will be indicated in the (A)-(F) column.

Product Symbol	Product No.	Product Symbol	Product No.
C	Clutch No. Compressor No.	F	Machine No. (Agricultural Equip.)
D	Drive No.	M	Machine No.
E	Engine No.		

Note 1) A date may follow the symbol. (Ex.) 1996.01

Note 2) "XXXXX" and "ZZZZZ" are for parts that could not be predicted or for engine models that could not be identified.

Note 3) (A=E00185) is the E (Engine Serial Number) for the column (A) model (in this case 4JH-DT) after the parts design change.

### ⑤ Remarks

Figures or alphabets (symbols) are entered in the remarks column.

The comments (remarks) on parts that are indicated at the bottom of the illustration are the same symbols as those stated above.

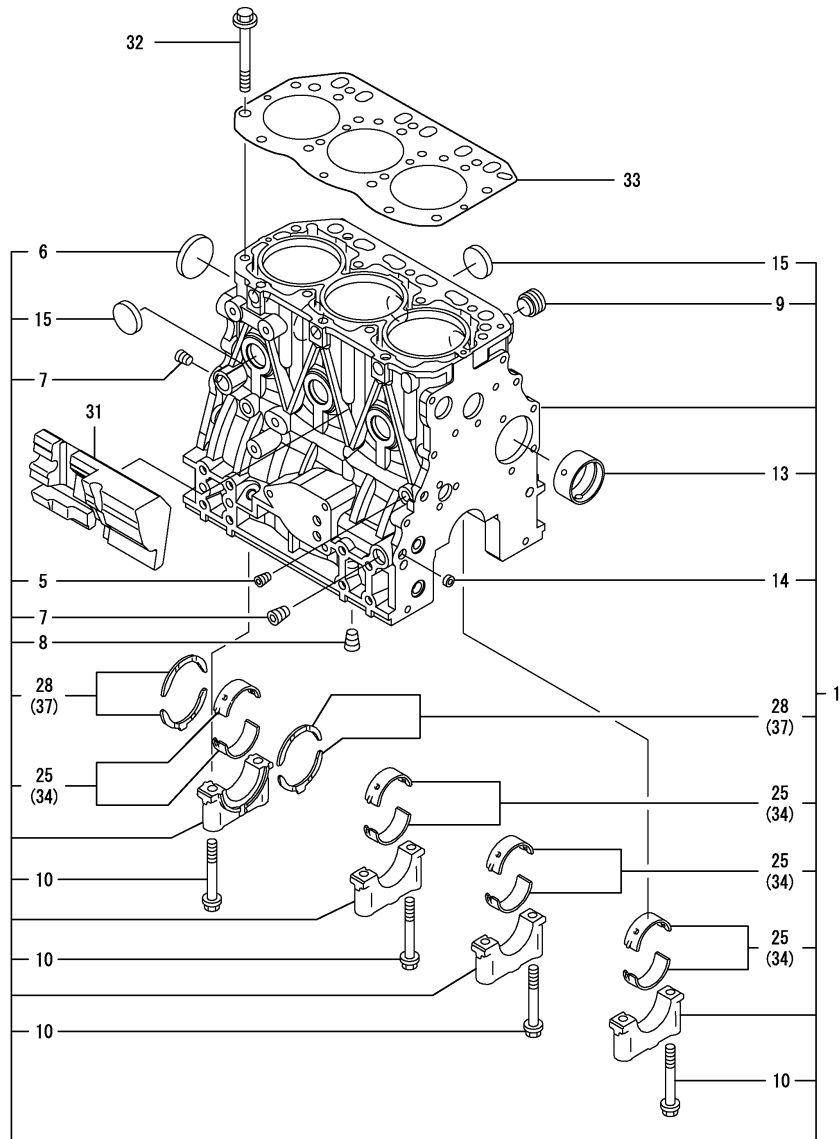
# Contents

Fig. No.	Fig. Name	Fig. No.	Fig. Name
3TNV88-QTB(1)			
1.	CYLINDER BLOCK		
2.	GEAR HOUSING		
3.	FLYWHEEL HOUSING & OIL SUMP		
4.	CYLINDER HEAD & BONNET		
5.	SUCTION MANIFOLD & AIR CLEANER		
6.	EXHAUST MANIFOLD & SILENCER		
7.	CAMSHAFT & DRIVING GEAR		
8.	CRANKSHAFT & PISTON		
9.	LUB.OIL SYSTEM		
10.	COOLING WATER SYSTEM		
11.	FUEL INJECTION PUMP		
12.	FUEL INJECTION VALVE		
13.	FUEL LINE		
14.	STARTING MOTOR		
15.	GENERATOR		
16.	TOOL & GASKET SET		
17.	FUEL INJECTION PUMP (INNER PARTS)		
18.	GOVERNOR (INNER PARTS)		

# Fig.1. CYLINDER BLOCK

(A)=3TNV88-QTB  
 (B)=3TNV88-QTB1  
 (C)=

(D)=  
 (E)=  
 (F)=

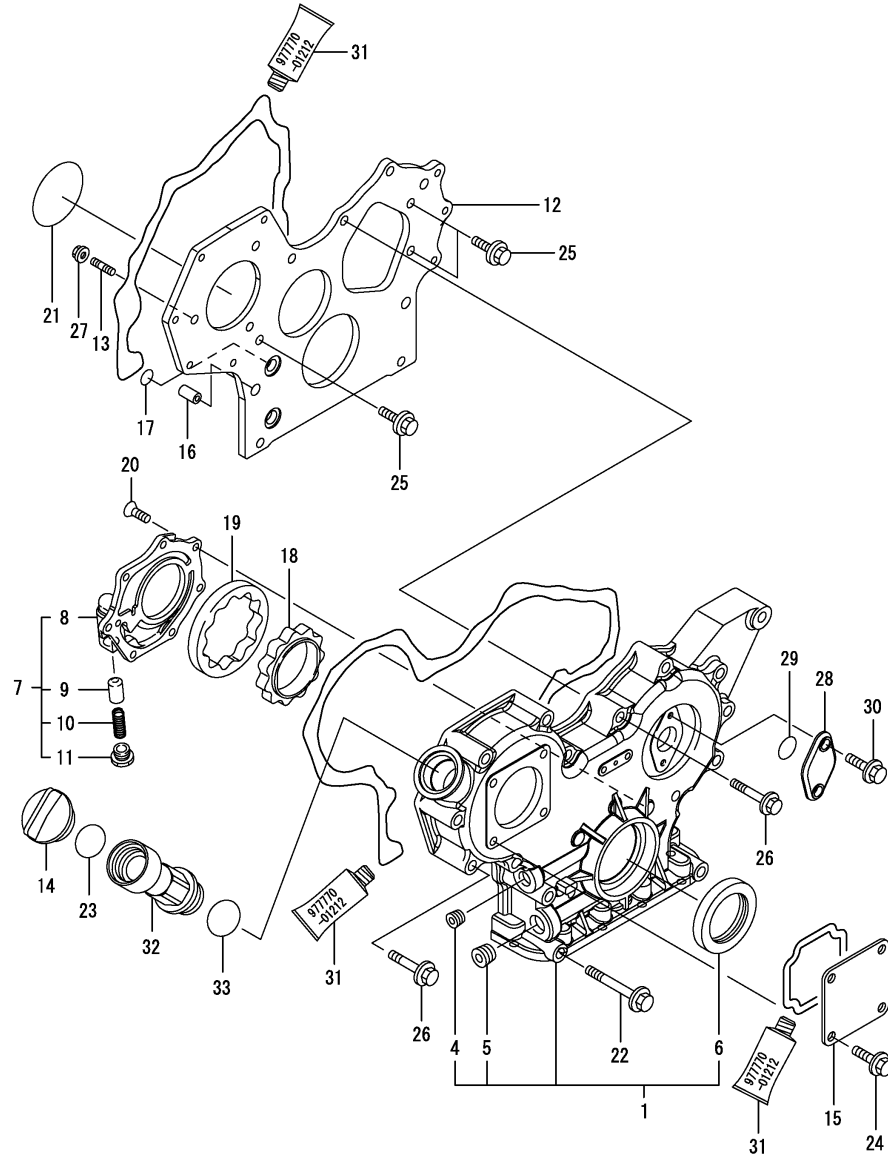


No.	Lev.	Parts No.	Description	Q'ty						I	R
				(A)	(B)	(C)	(D)	(E)	(F)		
1	1	729005-01560	BLOCK ASSY, CYLINDER	1	1						
5	2	124060-01050	PLUG, PT1/8	1	1						
6	2	129001-01250	PLUG, 50	1	1						
7	2	124160-01910	PLUG, PT1/4	2	2						
8	2	124160-01910	PLUG, PT1/4	1	1						
9	2	171051-01921	PLUG, NPTF1	1	1						
10	2	129150-02020	BOLT, METAL CAP	8	8						
13	2	129795-02411	BUSH, CAMSHAFT	1	1						
14	2	27241-120000	PLUG, 12	2	2						
15	2	27241-300000	PLUG 30	6	6						
25	2	129001-02930	BEARING, MAIN	4	4						3
28	2	129150-02930	BEARING, THRUST	2	2						
31	1	129004-01190	SPACER	1	1						
32	1	129150-01200	BOLT, HEAD	14	14						
33	1	129001-01340	GASKET, HEAD	1	1						
34	1	129150-02870	BEARING, 0.25 US	4	4						1
37	1	129150-02940	BEARING, THRUST 0.25	1	1						2

Remarks

- (1) UNDER-SIZE(U.S=0.25)PART.
- (2) OVER-SIZE(O.S=0.25)PART.
- (3) REPAIR PART.

# Fig.2. GEAR HOUSING



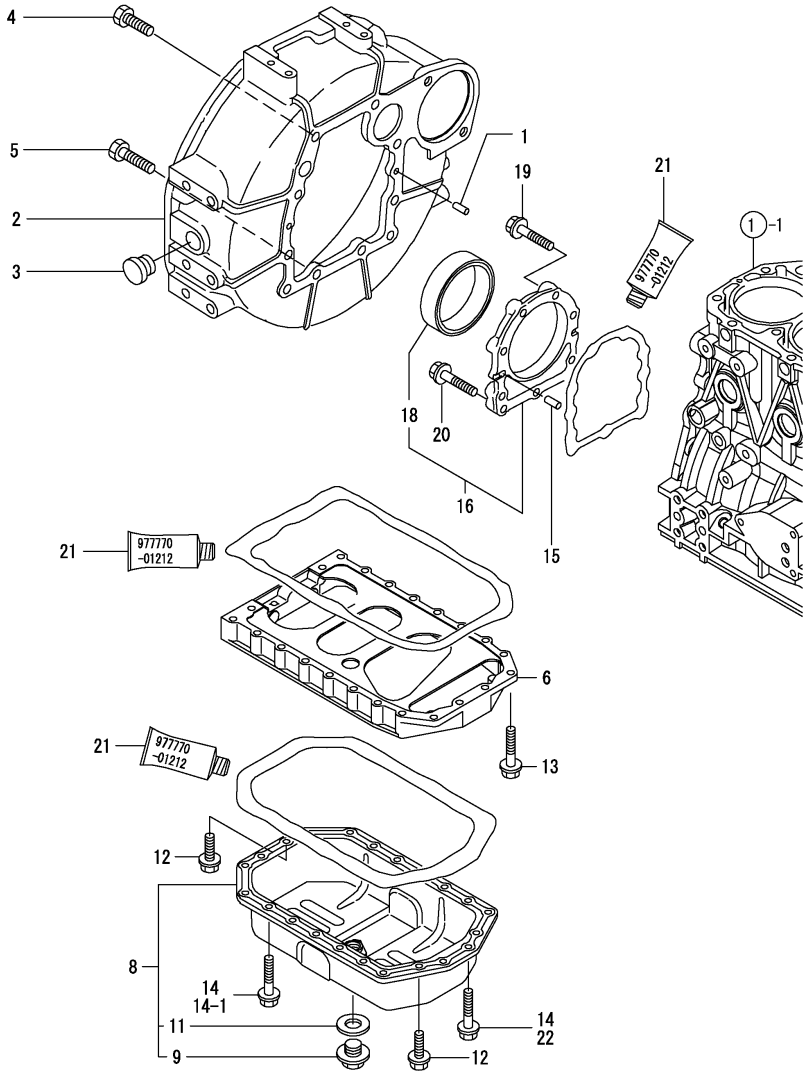
(A)=3TNV88-QTB  
 (B)=3TNV88-QTB1  
 (C)=

(D)=  
 (E)=  
 (F)=

No.	Lev.	Parts No.	Description	Q'ty						I	R
				(A)	(B)	(C)	(D)	(E)	(F)		
1	1	729233-01500	CASE ASSY, GEAR	1	1						
4	2	23876-030000	PLUG, R03	1	1						
5	2	23876-040000	PLUG, R04	1	1						
6	2	119934-01800	SEAL, OIL	1	1						
7	1	119802-32100	COVER ASSY	1	1						
8	2	119802-32070	COVER	1	1						
9	2	129900-32130	VALVE, RELIEF	1	1						
10	2	129418-32320	SPRING	1	1						
11	2	129001-32330	PLUG	1	1						
12	1	119802-01520	FLANGE, GEAR CASE	1	1						
13	1	119802-01560	STUD, M8X25	3	3						
14	1	124160-01751	COVER, FILLER	1	1						
15	1	124240-01871	COVER	1	1						
16	1	129795-01950	PIPE, KNOCK L=18	2	2						
17	1	119609-32040	O-RING, P16	4	4						
18	1	119802-32111	ROTOR, INNER	1	1						
19	1	119802-32120	ROTOR, OUTER	1	1						
20	1	119802-32130	SCREW, M6X16	7	7						
21	1	121850-51960	O-RING	1	1						
22	1	129001-91841	BOLT, M8X85	3	3						
23	1	24311-000320	O-RING, 1AP32.0	1	1						
24	1	26106-080162	BOLT, M8X 16 PLATED	4	4						
25	1	26106-080162	BOLT, M8X 16 PLATED	3	3						
26	1	26106-080552	BOLT, M8X 55 PLATED	12	12						
27	1	26306-080002	NUT, M8	3	3						
28	1	121023-01550	COVER	1	1						
29	1	24341-000240	O-RING, 1AS24.0	1	1						
30	1	26106-060162	BOLT, M6X 16 PLATED	2	2						
31	1	977770-01212	GASKET, LIQUID	1	1						1
32	1	171031-11741	PIPE	1	1						
33	1	24311-000320	O-RING, 1AP32.0	1	1						

Remarks  
 (1) OPTIONAL PART.

Fig.3. FLYWHEEL HOUSING & OIL SUMP



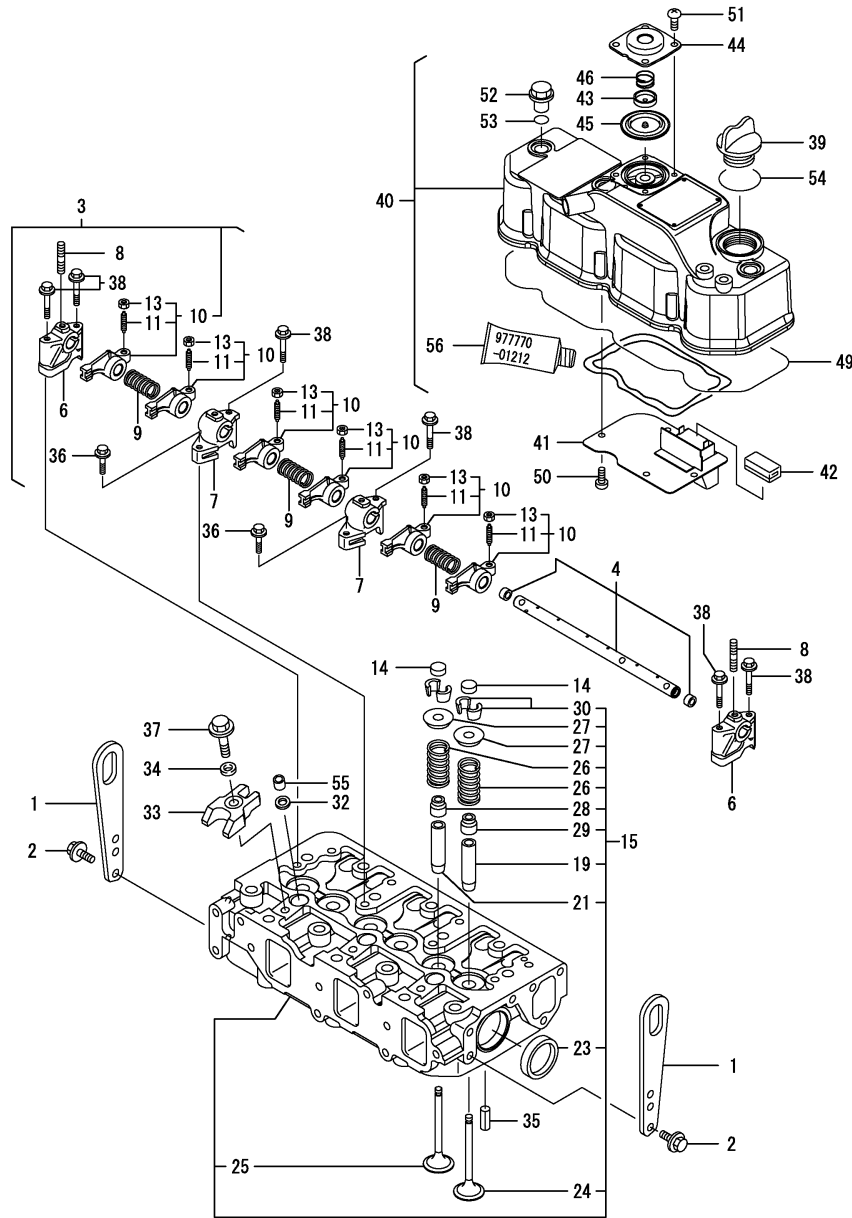
(A)=3TNV88-QTB  
(B)=3TNV88-QTB1  
(C)=

(D)=  
(E)=  
(F)=

No.	Lev.	Parts No.	Description	Q'ty						I	R
				(A)	(B)	(C)	(D)	(E)	(F)		
1	1	129100-01580	PIN, M8X16	2	2						
2	1	129612-01600	HOUSING, FLYWHEEL	1	1						
3	1	119620-01750	CAP	1	1						
4	1	26206-100252	BOLT, M10X 25 PLATED	6	6						
5	1	26206-100302	BOLT, M10X 30 PLATED	4	4						
6	1	129100-01730	SPACER, OIL SUMP	1	1						
8	1	729102-01540	SUMP ASSY, OIL	1	1						
9	2	119640-01640	PLUG, DRAIN M22	1	1						
11	2	22190-220002	WASHER, SEAL 22	1	1						
12	1	26106-080162	BOLT, M8X 16 PLATED	4	4						
13	1	26106-080252	BOLT, M8X 25 PLATED	2	2						
14	1	26106-080452	BOLT, M8X 45 PLATED	20	20						
14-1	1	26106-080452	BOLT, M8X 45 PLATED	16	16						K
		(A=FROM 1ST) (B=FROM 1ST)									
15	1	129100-01580	PIN, M8X16	2	2						
16	1	129100-01640	CASE ASSY, OIL SEAL	1	1						
18	2	129795-01780	SEAL, OIL	1	1						
19	1	129486-01670	BOLT, M8X30	6	6						
20	1	26106-080352	BOLT, M8X 35 PLATED	3	3						
21	1	977770-01212	GASKET, LIQUID	1	1						1
22	1	26106-080502	BOLT, M8X 50 PLATED	4	4						W
		(A=FROM 1ST) (B=FROM 1ST)									

Remarks  
(1) OPTIONAL PART.

Fig.4. CYLINDER HEAD & BONNET



(A)=3TNV88-QTB  
(B)=3TNV88-QTB1  
(C)=

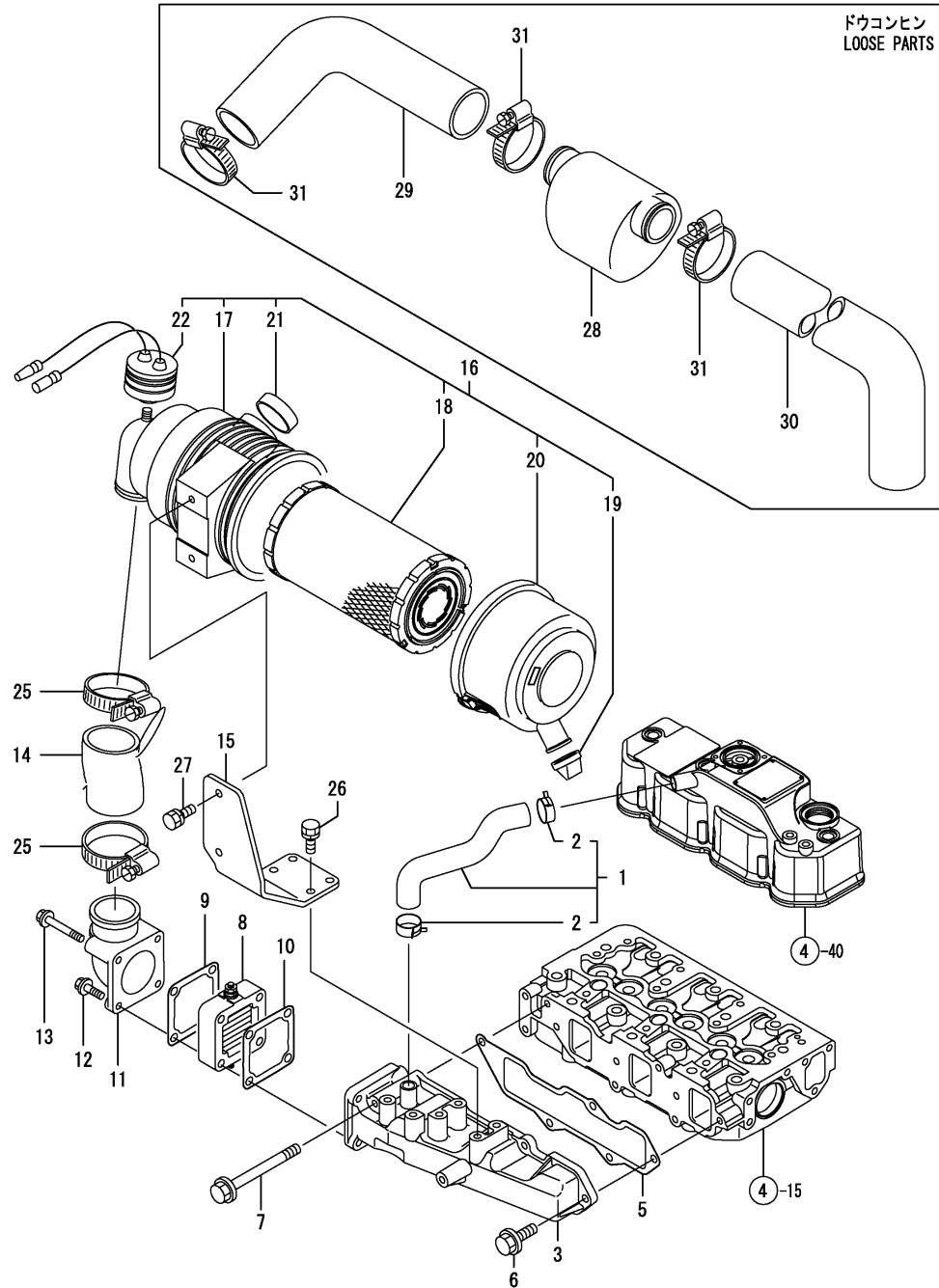
(D)=  
(E)=  
(F)=

No.	Lev.	Parts No.	Description	Q'ty						I	R
				(A)	(B)	(C)	(D)	(E)	(F)		
1	1	129900-07900	LIFTER	2	2						
2	1	26106-080142	BOLT, M8X 14 PLATED	4	4						
3	1	129004-11241	SHAFT ASSY, ROCKER	1	1						
4	2	129004-11251	SHAFT, ROCKER ARM	1	1						
6	2	119802-11260	SUPPORT, ROCKER ARM	2	2						
7	2	119802-11270	SUPPORT, ROCKER ARM	2	2						
8	2	119802-11280	STUD	3	3						
9	2	129150-11280	SPRING	3	3						
10	2	129004-11650	ARM, ROCKER	6	6						
11	3	129150-11230	SCREW, VALVE ADJUST	6	6						
13	3	129150-11750	NUT, M8	6	6						
14	1	129150-11370	CAP, VALVE	6	6						
15	1	129004-11700	HEAD ASSY, CYLINDER	1	1						
19	2	120130-11860	GUIDE, VALVE	3	3						1
21	2	129150-11810	GUIDE, VALVE	3	3						1
23	2	27241-400000	PLUG, 40	2	2						
24	2	129004-11100	VALVE, INTAKE	3	3						
25	2	129100-11110	VALVE, EXHAUST	3	3						
26	2	129795-11120	SPRING, VALVE	6	6						
27	2	129795-11180	RETAINER, SPRING	6	6						
28	2	121400-11340	SEAL, VALVE STEM	3	3						
29	2	124460-11340	SEAL, VALVE STEM	3	3						
30	2	27310-080001	COTTER, 8	6	6						
32	1	119625-11880	SEAT, NOZZLE	3	3						
33	1	129004-11900	RETAINER, NOZZLE	3	3						
34	1	120270-54410	WASHER, INJECTOR	3	3						
35	1	22351-060012	PIN, SPRING 6.0X12	2	2						
36	1	26106-080252	BOLT, M8X 25 PLATED	2	2						
37	1	26106-080352	BOLT, M8X 35 PLATED	3	3						
38	1	26106-080502	BOLT, M8X 50 PLATED	6	6						
39	1	124160-01751	COVER, FILLER	1	1						
40	1	129004-11350	BONNET ASSY, HEAD	1	1						
41	2	129004-03010	PLATE	1	1						
42	2	129150-03070	BAFFLE, BREATHER	1	1						
43	2	119802-03110	PLATE	1	1						
44	2	119802-03120	COVER, DIAPHRAGM	1	1						
45	2	119802-03130	DIAPHRAGM	1	1						
46	2	119802-03140	SPRING, DIAPHRAGM	1	1						
49	2	129004-11310	GASKET, BONNET	1	1						
50	2	22857-500100	SCREW, 5X10	4	4						
51	2	22857-500100	SCREW, 5X10	4	4						
52	1	124160-11360	KNOB	3	3						
53	1	24311-000120	O-RING, 1AP12.0	3	3						
54	1	24311-000320	O-RING, 1AP32.0	1	1						
55	1	119802-11870	PROTECTOR, NOZZLE	3	3						
56	1	977770-01212	GASKET, LIQUID	1	1						2

Remarks  
(1) REPAIR PART.  
(2) OPTIONAL PART.



Fig.5. SUCTION MANIFOLD & AIR CLEANER



(A)=3TNV88-QTB  
(B)=3TNV88-QTB1  
(C)=

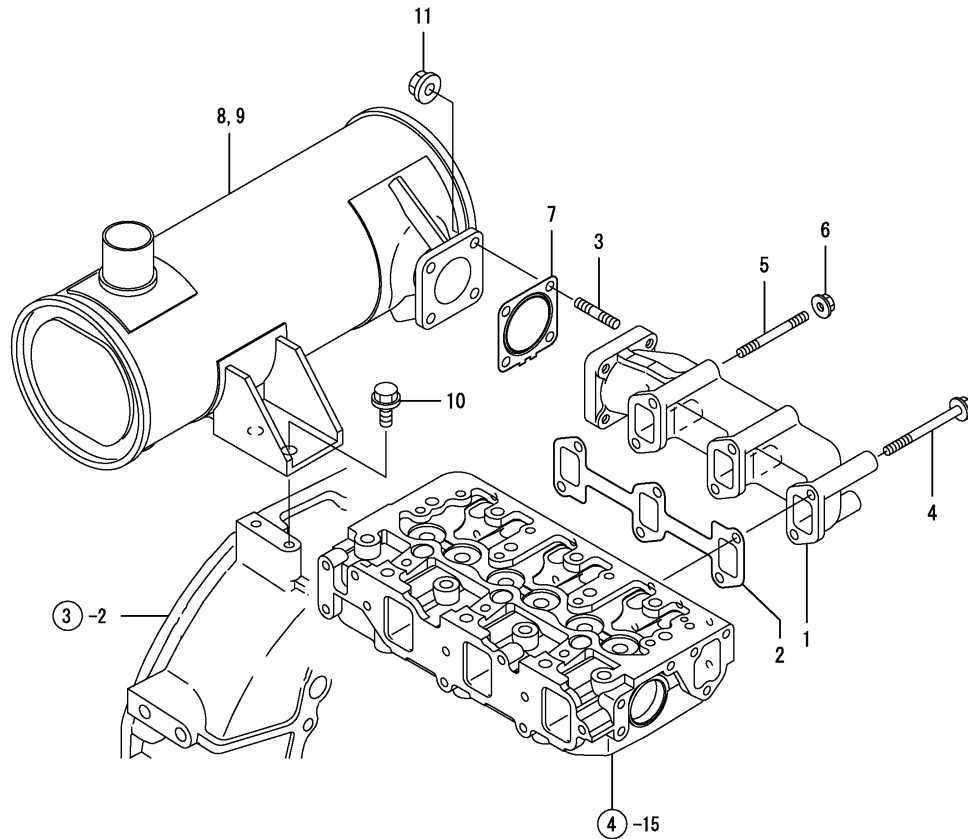
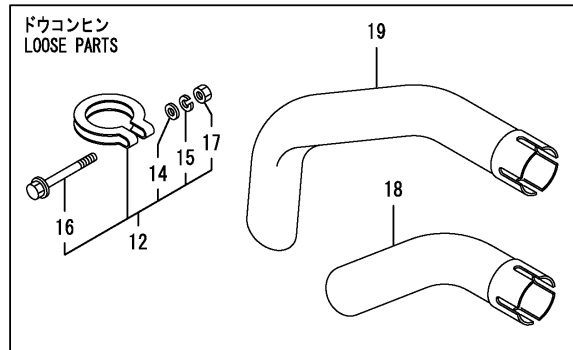
(D)=  
(E)=  
(F)=

No.	Lev.	Parts No.	Description	Q'ty						I	R
				(A)	(B)	(C)	(D)	(E)	(F)		
1	1	129004-03080	PIPE , BREATHER	1	1						
2	2	129410-03990	CLAMP 22	2	2						
3	1	129004-12100	MANIFOLD, AIR INTAKE	1	1						
5	1	129001-12110	GASKET, MANIFOLD	1	1						
6	1	26106-080202	BOLT, M8X 20 PLATED	4	4						
7	1	26106-080802	BOLT, M8X 80 PLATED	1	1						
8	1	129100-77500	HEATER, AIR 12V	1	1						
9	1	129100-77510	GASKET, AIR HEATER	1	1						
10	1	129150-77511	GASKET	1	1						
11	1	171340-77520	BEND	1	1						
12	1	26106-080402	BOLT, M8X 40 PLATED	2	2						
13	1	26106-080802	BOLT, M8X 80 PLATED	2	2						
14	1	119910-12210	PIPE, AIR INTAKE	1	1						
15	1	119802-12560	BRACKET, AIR CLEANER	1	1						
16	1	129612-12691	CLEANER ASSY, AIR	1	1						
17	2	119910-12510	BODY, AIR CLEANER	1	1						
18	2	119808-12520	ELEMENT	1	1						
19	2	119808-12540	VALVE, UNLOADER	1	1						
20	2	119866-12541	COVER ASSY	1	1						
21	2	129259-12570	RING	1	1						
22	2	129953-12620	INDICATOR ASSY	1	1						
25	1	23000-060000	CLAMP, 60	2	2						
26	1	26013-080222	BOLT, M8X 22	4	4						
27	1	26013-080222	BOLT, M8X 22	2	2						
28	1	121855-12060	SILENCER ASSY	1	1						Z
29	1	129030-12201	PIPE, AIR INTAKE	1	1						Z
30	1	119823-12210	PIPE, AIR INTAKE	1	1						Z
31	1	23000-060000	CLAMP, 60	3	3						
31-1	1	23000-060000	CLAMP, 60	2	2						K

Fig.6. EXHAUST MANIFOLD & SILENCER

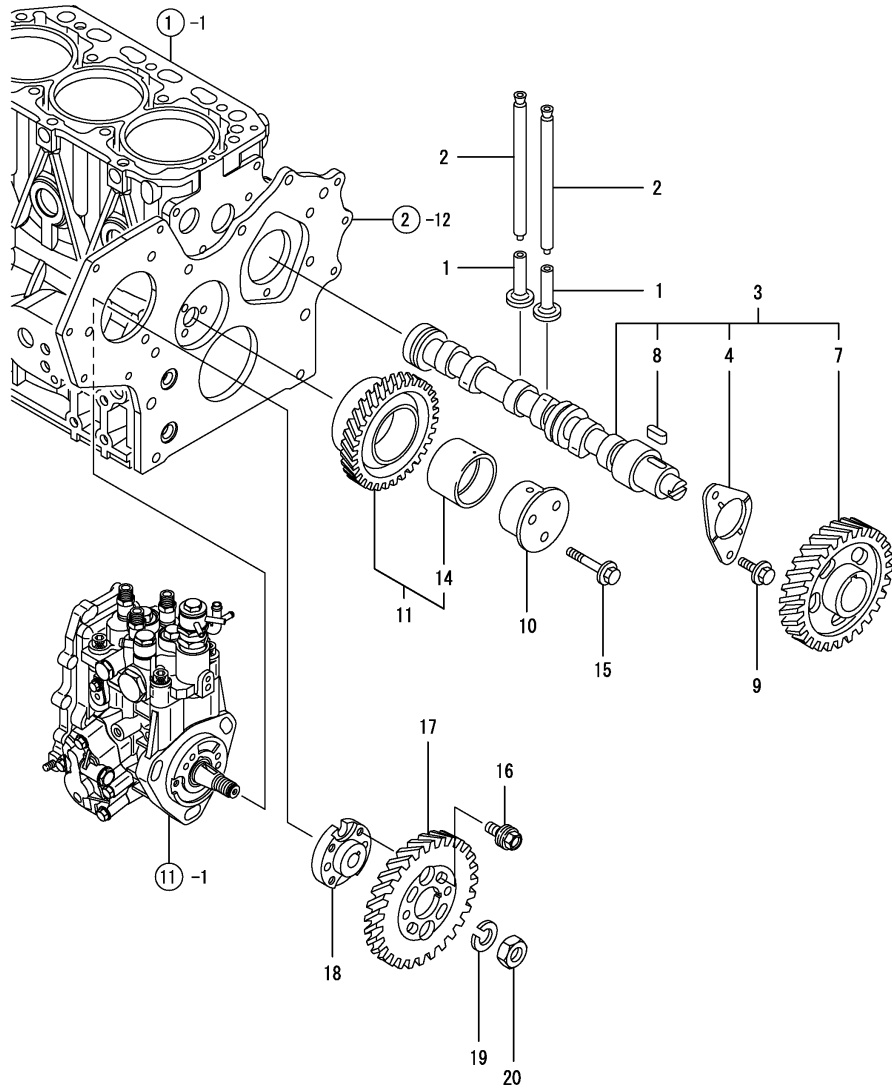
(A)=3TNV88-QTB  
 (B)=3TNV88-QTB1  
 (C)=

(D)=  
 (E)=  
 (F)=



No.	Lev.	Parts No.	Description	Q'ty						I	R
				(A)	(B)	(C)	(D)	(E)	(F)		
1	1	129004-13129	MANIFOLD, EXHAUST	1	1						
2	1	129150-13110	GASKET	1	1						
3	1	119131-18320	STUD, M8X22	4	4						
4	1	123900-13630	BOLT, M8X80	4	4						
5	1	123900-13610	STUD, M8X80	2	2						
6	1	26306-080002	NUT, M8	2	2						
7	1	129004-13200	GASKET, SILENCER	1	1						
8	1	129242-13510	SILENCER	1							
9	1	129242-13520	SILENCER		1						
10	1	26106-100202	BOLT, M10X 20 PLATED	2	2						
11	1	26306-080002	NUT, M8	4	4						
12	1	121120-13590	CLAMP	1	1						
14	2	22117-100000	WASHER, 10	1	1						
15	2	22217-100000	WASHER, SPRING 10	1	1						
16	2	26106-100652	BOLT, M10X 65 PLATED	1	1						
17	2	26706-100002	NUT, M10	1	1						
18	1	129242-13650	PIPE	1							
19	1	129242-13660	PIPE		1						

Fig.7. CAMSHAFT & DRIVING GEAR



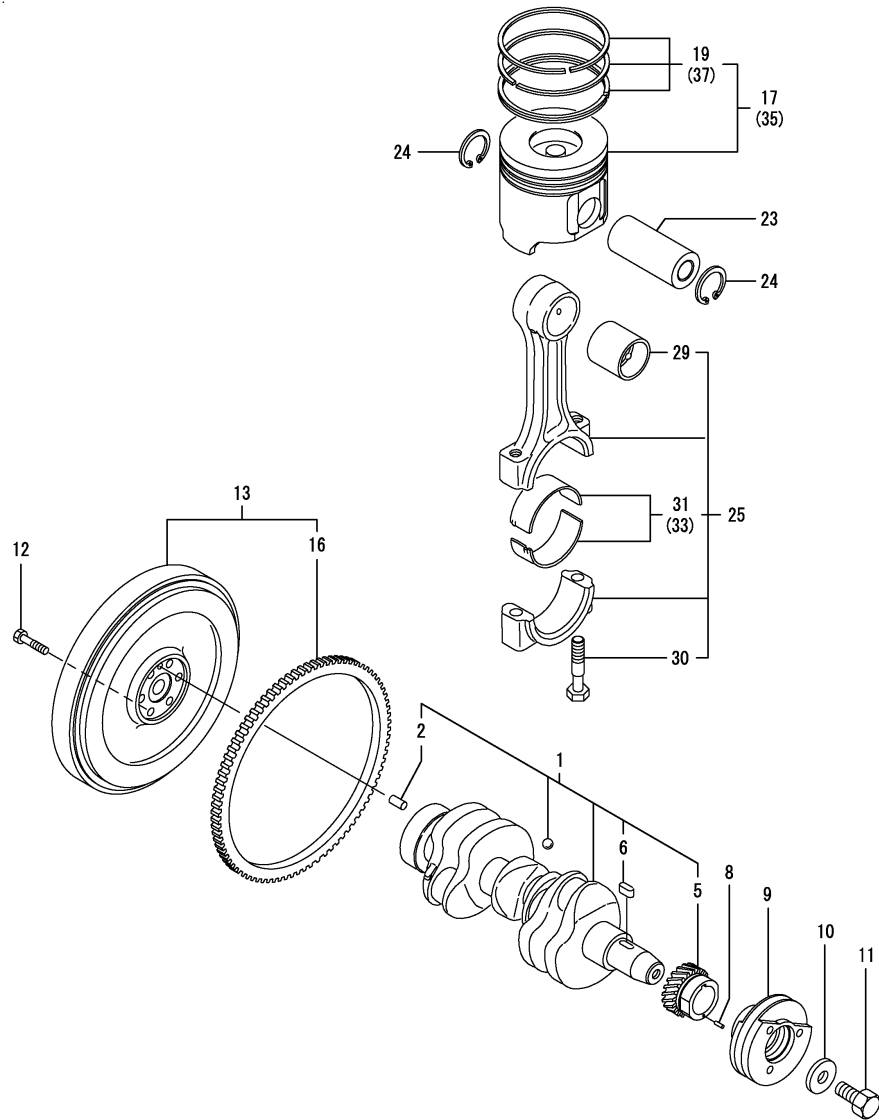
(A)=3TNV88-QTB  
(B)=3TNV88-QTB1  
(C)=

(D)=  
(E)=  
(F)=

No.	Lev.	Parts No.	Description	Q'ty						I	R
				(A)	(B)	(C)	(D)	(E)	(F)		
1	1	129150-14200	TAPPET	6	6						
2	1	129150-14400	ROD, PUSH L=178	6	6						
3	1	129129-14580	CAMSHAFT ASSY	1	1						
4	2	129150-02450	BEARING, THRUST	1	1						
7	2	129150-14101	GEAR, CAMSHAFT	1	1						
8	2	22512-070140	KEY, 7X 14	1	1						
9	1	26106-080142	BOLT, M8X 14 PLATED	2	2						
10	1	119802-25051	SHAFT, IDLE	1	1						
11	1	119802-25100	GEAR ASSY, IDLE	1	1						
14	2	119802-25070	BUSH, IDLE GEAR	1	1						1
15	1	26106-080402	BOLT, M8X 40 PLATED	3	3						
16	1	129150-25301	BOLT	4	4						
17	1	119802-25901	GEAR, PUMP	1	1						
18	1	158552-51151	FLANGE	1	1						
19	1	22217-140000	WASHER, SPRING 14	1	1						
20	1	26776-140002	NUT, LOCK M14	1	1						

Remarks  
(1) REPAIR PART.

# Fig.8. CRANKSHAFT & PISTON



(A)=3TNV88-QTB  
 (B)=3TNV88-QTB1  
 (C)=

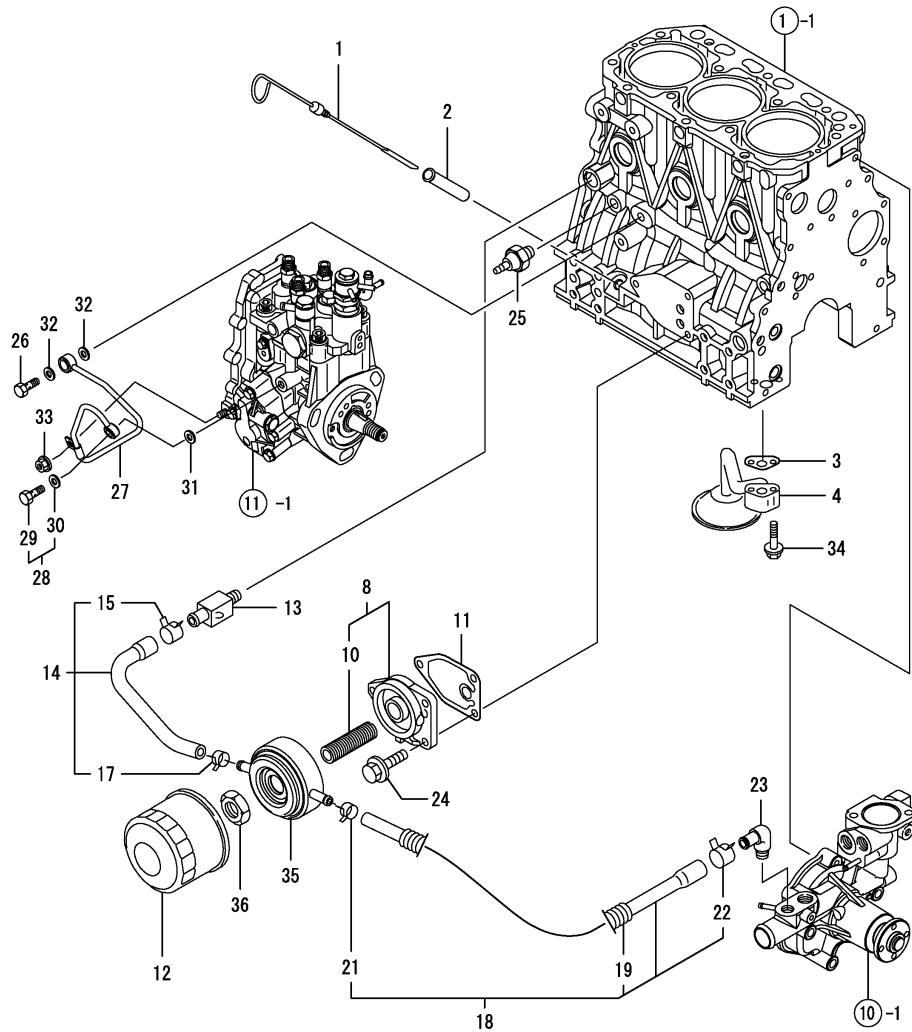
(D)=  
 (E)=  
 (F)=

No.	Lev.	Parts No.	Description	Q'ty						I	R
				(A)	(B)	(C)	(D)	(E)	(F)		
1	1	129004-21001	CRANKSHAFT ASSY	1	1						
2	2	129100-01580	PIN, M8X16	1	1						
5	2	119802-21201	GEAR, CRANKSHAFT	1	1						
6	2	22512-070140	KEY, 7X 14	1	1						
8	1	22351-030010	PIN, SPRING 3.0X10	1	1						
9	1	129004-21650	V-PULLEY, 110	1	1						
10	1	129795-21661	WASHER	1	1						
11	1	121850-21680	BOLT	1	1						
12	1	121111-21501	BOLT, FLYWHEEL	6	6						
13	1	129002-21590	FLYWHEEL ASSY	1	1						
16	2	119865-21600	GEAR, RING	1	1						
17	1	129005-22080	PISTON ASSY	3	3						
19	2	129005-22500	RING SET, PISTON	3	3						
23	1	129202-22300	PIN, PISTON D26 L70	3	3						
24	1	22252-000260	RING, 26	6	6						
25	1	729402-23100	ROD ASSY, CONNECTING	3	3						
29	2	129100-23910	BEARING, PISTON PIN	3	3						1
30	2	121550-23200	BOLT, CONNECTING ROD	6	6						
31	2	129150-23600	BEARING, CRANK PIN	3	3						
33	1	129150-23610	BEARING, 0.25 US	3	3						2
35	1	129005-22900	PISTON ASSY, 0.25 OS	3	3						3
37	2	129005-22950	RING SET, 0.25 OS	3	3						3

Remarks

- (1) REPAIR PART.
- (2) UNDER-SIZE(U.S=0.25)PART.
- (3) OVER-SIZE(O.S=0.25)PART.

Fig.9. LUB.OIL SYSTEM



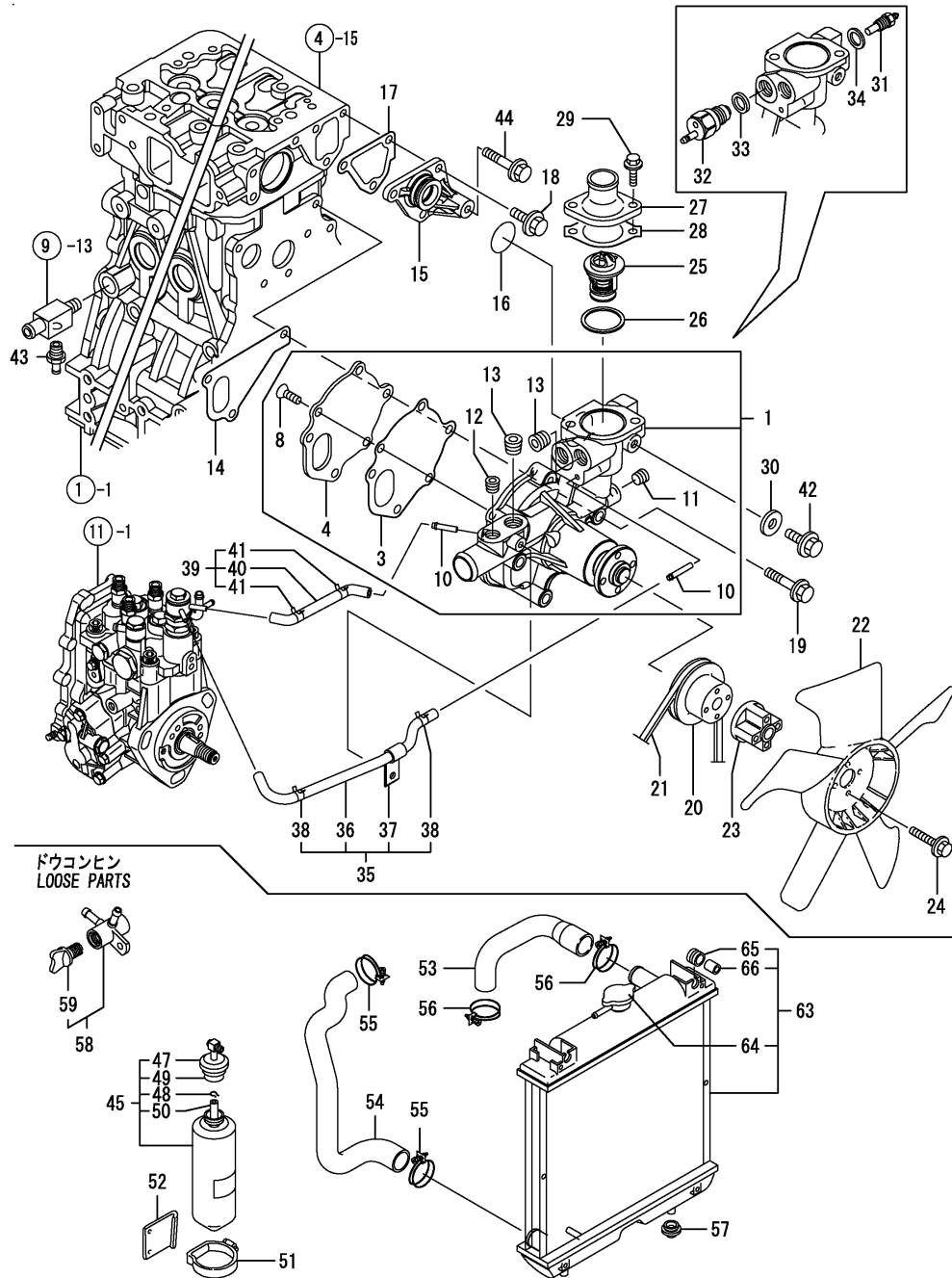
(A)=3TNV88-QTB  
(B)=3TNV88-QTB1  
(C)=

(D)=  
(E)=  
(F)=

No.	Lev.	Parts No.	Description	Q'ty						I	R
				(A)	(B)	(C)	(D)	(E)	(F)		
1	1	129005-34801	DIPSTICK, OIL	1	1						
2	1	121520-34810	GUIDE, DIPSTICK	1	1						
3	1	129150-35041	GASKET	1	1						
4	1	129150-35091	PIPE ASSY, OIL INLET	1	1						
8	1	129006-35100	BRACKET ASSY, FILTER	1	1						
10	2	129417-35150	STUD, L=67	1	1						
11	1	129150-35111	GASKET	1	1						
12	1	129150-35153	FILTER 80X80L	1	1						1
13	1	129006-44480	JOINT	1	1						
14	1	129508-49030	PIPE ASSY, WATER	1	1						
15	2	171008-03990	CLIP, HOSE 18.5	1	1						
17	2	23080-015000	CLAMP, 15	1	1						
18	1	129006-49040	PIPE ASSY, WATER	1	1						
19	2	123951-03330	TUBE, CORRUGATED	1	1						
21	2	23080-015000	CLAMP, 15	1	1						
22	2	23080-018000	CLAMP, 18	1	1						
23	1	129103-49301	ELBOW, PT1/4	1	1						
24	1	26106-080202	BOLT, M8X 20 PLATED	3	3						
25	1	114250-39450	SWITCH, 0.5KG	1	1						
26	1	124160-39140	BOLT, PIPE JOINT M10	1	1						
27	1	119802-39450	PIPE ASSY, OIL	1	1						
28	1	129005-59830	BOLT ASSY, JOINT M8	1	1						
29	2	23857-030000	BOLT, JOINT 3	1	1						
30	2	22190-080002	WASHER, SEAL 6	1	1						
31	1	22190-080002	WASHER, SEAL 6	1	1						
32	1	22190-100002	WASHER, SEAL 10	2	2						
33	1	26366-060002	NUT, M6	1	1						
34	1	26106-080352	BOLT, M8X 35 PLATED	2	2						
35	1	129508-33010	COOLER ASSY, OIL	1	1						
36	1	129417-33110	NUT	1	1						

Remarks  
(1) REPAIR PART.

Fig.10. COOLING WATER SYSTEM

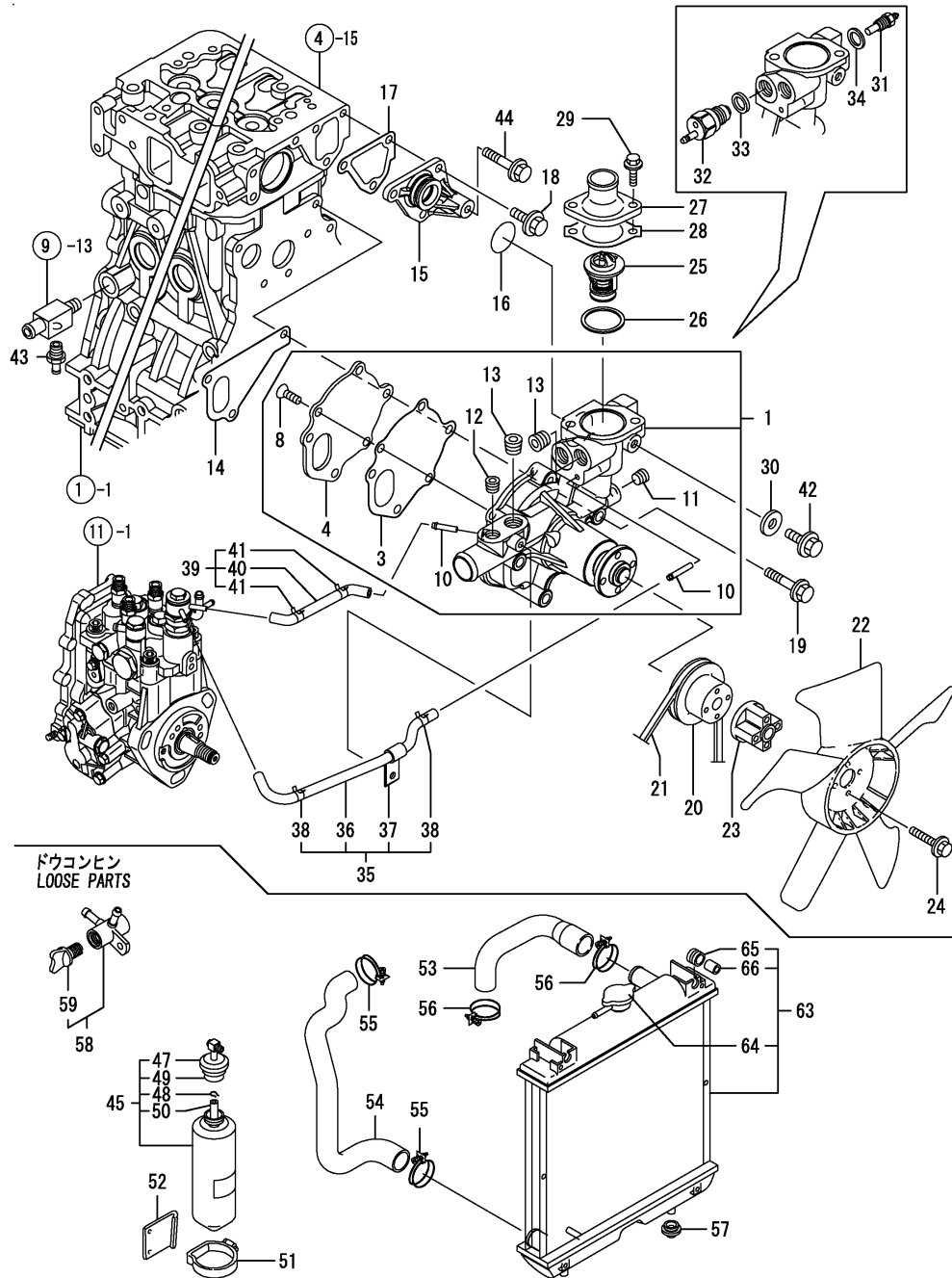


(A)=3TNV88-QTB  
(B)=3TNV88-QTB1  
(C)=

(D)=  
(E)=  
(F)=

No.	Lev.	Parts No.	Description	Q'ty						I	R
				(A)	(B)	(C)	(D)	(E)	(F)		
1	1	129004-42001	PUMP ASSY, WATER	1	1						
3	2	129100-42051	GASKET, WATER PUMP	1	1						
4	2	129100-42121	PLATE	1	1						
8	2	121850-42410	SCREW	3	3						
10	2	119802-49113	JOINT, PIPE	2	2						
11	2	23876-010000	PLUG, R01	1	1						
12	2	23876-020000	PLUG, R02	1	1						
13	2	129916-49740	PLUG, R03	2	2						
14	1	129486-42021	GASKET, WATER PUMP	1	1						
15	1	129004-42040	JOINT	1	1						
16	1	129486-42140	O-RING, G30	1	1						
17	1	124395-49840	GASKET	1	1						
18	1	26106-080162	BOLT, M8X 16 PLATED	3	3						
19	1	26106-080602	BOLT, M8X 60 PLATED	3	3						
20	1	129155-42350	V-PULLEY	1	1						
21	1	25152-003700	V-BELT, A37	1	1						
22	1	129335-44740	FAN, COOLING D335	1	1						
23	1	129030-44760	SPACER, FAN L38.5	1	1						
24	1	26106-060502	BOLT, M6X 50 PLATED	4	4						
25	1	129457-49801	THERMOSTAT, 82	1	1						
26	1	129150-49811	GASKET, THERMOSTAT	1	1						
27	1	129350-49530	COVER, THERMOSTAT	1	1						
28	1	129795-49551	GASKET	1	1						
29	1	26106-080222	BOLT, M8X 22 PLATED	2	2						
30	1	23414-080000	GASKET, 8X1.0	1	1						
31	1	119266-49350	SWITCH	1	1						
32	1	121250-44901	SWITCH, 110	1	1						
33	1	124465-44950	GASKET, 16	1	1						
34	1	129150-49360	GASKET	1	1						
35	1	129004-49610	PIPE ASSY, WATER	1	1						
36	2	129004-49711	PIPE ASSY, WATER	1	1						
37	2	119802-49730	RETAINER, PIPE	1	1						
38	2	124722-59050	CLIP, HOSE 9	2	2						
39	1	129004-49620	PIPE ASSY, WATER	1	1						
40	2	129004-49721	PIPE ASSY, WATER	1	1						
41	2	124722-59050	CLIP, HOSE 9	2	2						
42	1	26106-080122	BOLT, M8X 12 PLATED	1	1						
43	1	121550-49111	JOINT, PT1/4	1	1						
44	1	26106-080452	BOLT, M8X 45 PLATED	1	1						
45	1	171064-44510	TANK ASSY, SUB	1	1						
47	2	121450-44531	CAP	1	1						
48	2	124450-44560	RETAINER	1	1						
49	2	121470-44581	GASKET	1	1						
50	2	23065-070225	HOSE 7X 225	1	1						
51	1	124450-44550	BAND	1	1						
52	1	121256-44600	BRACKET, SUB TANK	1	1						
53	1	129242-49010	PIPE, WATER	1	1						
54	1	129612-49040	PIPE, WATER	1	1						
55	1	23010-038000	CLAMP, 38	2	2						
56	1	23010-044000	CLAMP, 44	2	2						
57	1	119255-44660	ABSORBER	2	2						

Fig.10. COOLING WATER SYSTEM



(A)=3TNV88-QTB  
(B)=3TNV88-QTB1  
(C)=

(D)=  
(E)=  
(F)=

No.	Lev.	Parts No.	Description	Q'ty						I	R
				(A)	(B)	(C)	(D)	(E)	(F)		
58	1	129150-49100	COCK ASSY, 3-WAY	1	1						
59	2	129150-49080	COCK, DRAIN	1	1						
63	1	129242-44500	RADIATOR ASSY	1	1						
63-1	1	129642-44520 (A=EZZZZZ) (B=EZZZZZ)	RADIATOR ASSY	1	1						N
64	2	129107-44590	CAP, RADIATOR	1	1						
65	2	129467-44580	MOUNT, RUBBER	2	2						
66	2	129467-44590	COLLAR	2	2						

Fig.11. FUEL INJECTION PUMP

(A)=3TNV88-QTB  
 (B)=3TNV88-QTB1  
 (C)=

(D)=  
 (E)=  
 (F)=

No.	Lev.	Parts No.	Description	Q'ty						I	R
				(A)	(B)	(C)	(D)	(E)	(F)		
1	1	729242-51340	PUMP ASSY, INJECTION	1	1						
2	1	119802-51250	RETAINER, PUMP	1	1						
3	1	26106-080162	BOLT, M8X 16 PLATED	1	1						
4	1	26106-080202	BOLT, M8X 20 PLATED	1	1						

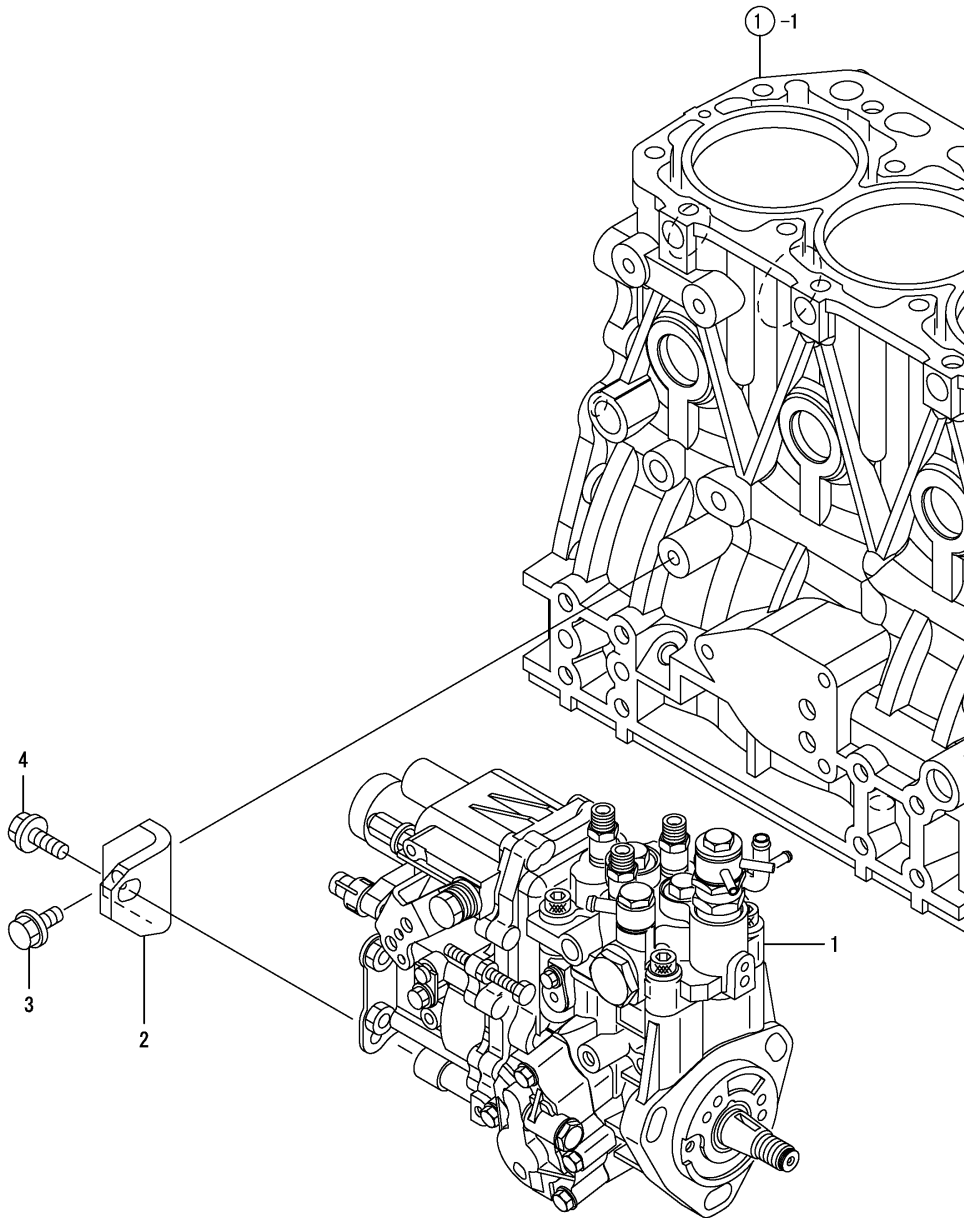
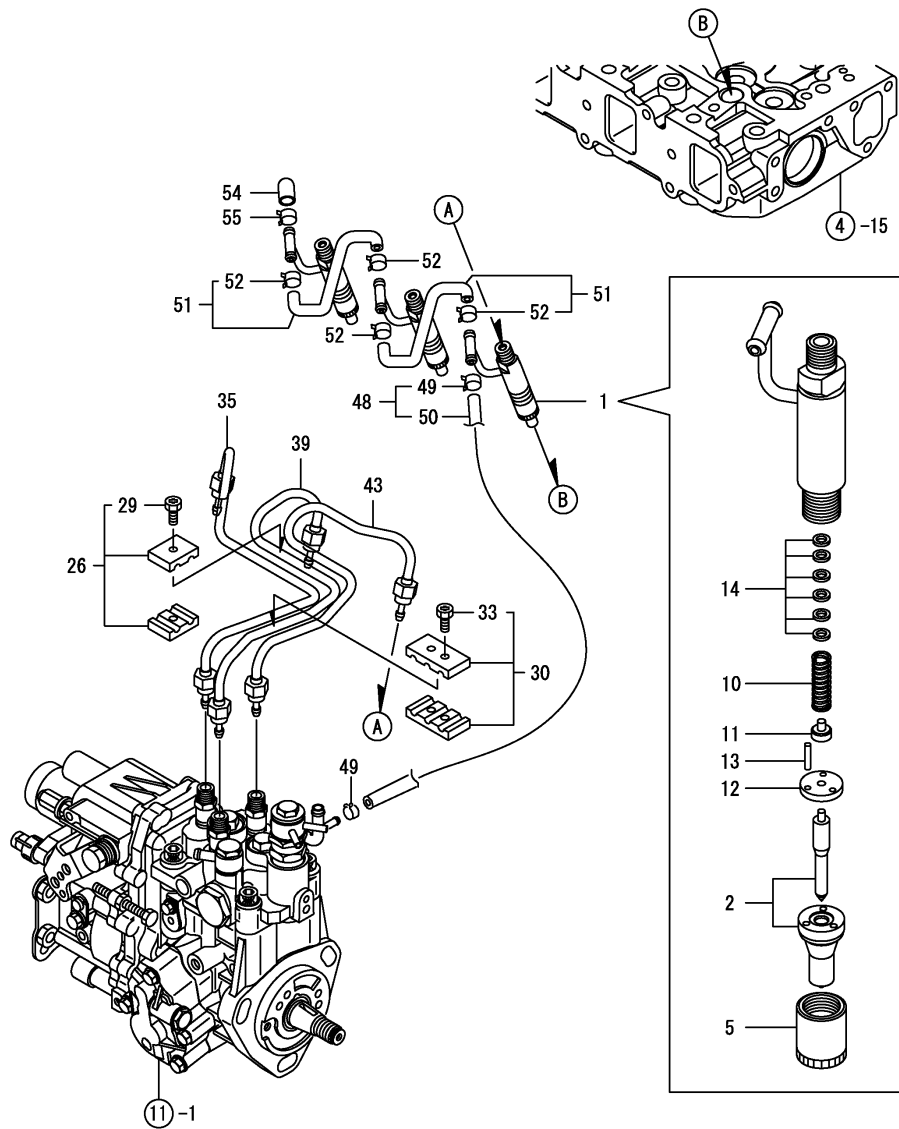




Fig.12. FUEL INJECTION VALVE

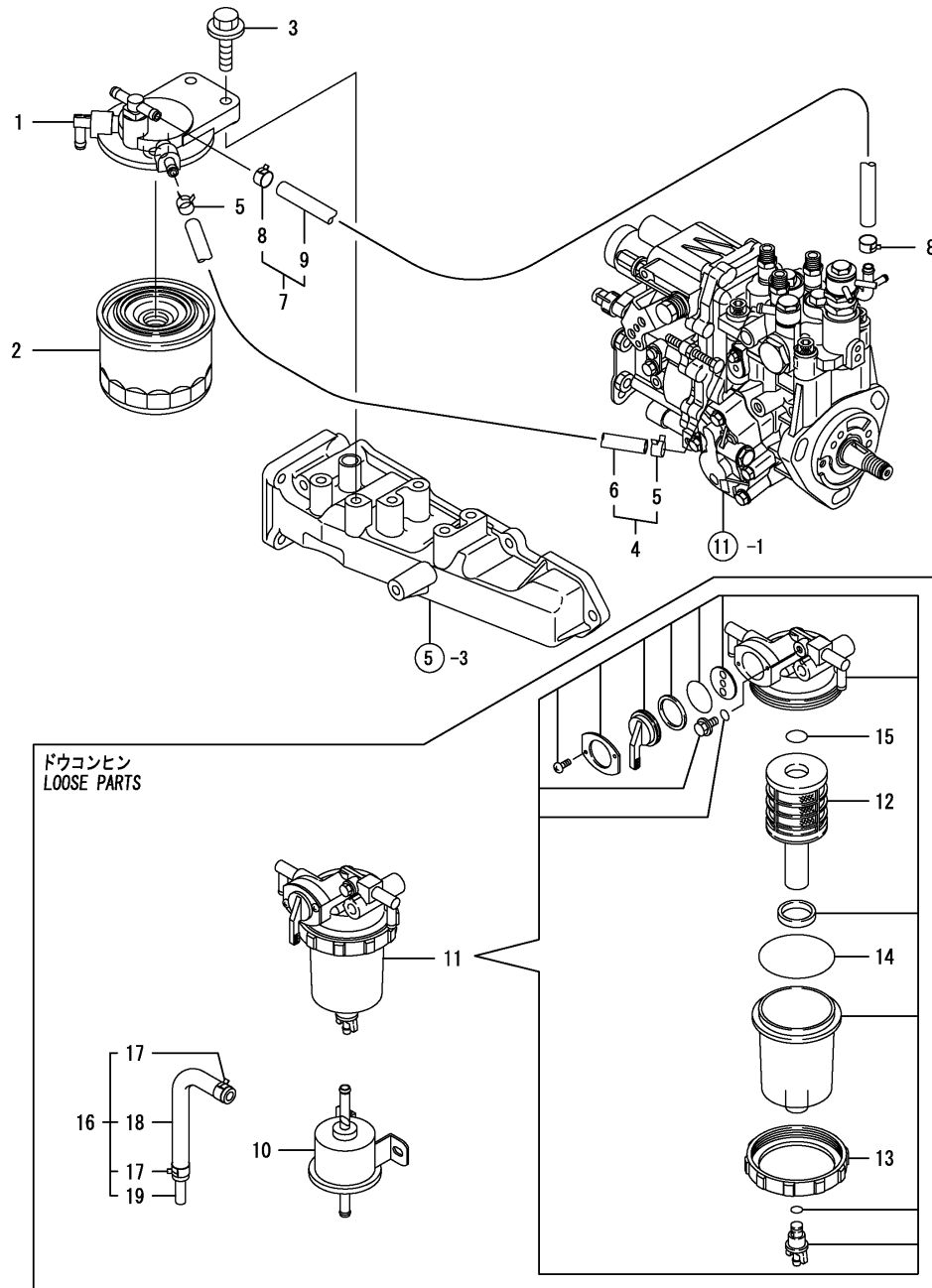


(A)=3TNV88-QTB  
(B)=3TNV88-QTB1  
(C)=

(D)=  
(E)=  
(F)=

No.	Lev.	Parts No.	Description	Q'ty						I	R
				(A)	(B)	(C)	(D)	(E)	(F)		
1	1	729245-53100	VALVE ASSY,INJECTION	3	3						
2	2	129004-53001	VALVE ASSY,INJECTION	3	3						
5	2	114250-53080	NUT, NOZZLE D16.95	3	3						
10	2	114250-53120	SPRING, NOZZLE	3	3						
11	2	114250-53130	SEAT, SPRING	3	3						
12	2	114250-53140	PLATE	3	3						
13	2	114250-53210	PIN	6	6						
14	2	114250-53400	SHIM SET	3	3						
26	1	119305-59120	RETAINER, PIPE	1	1						
29	2	129150-59131	BOLT, M4X14	1	1						
30	1	129150-59120	RETAINER, PIPE	1	1						
33	2	129150-59131	BOLT, M4X14	2	2						
35	1	129004-59810	PIPE ASSY, INJECTION	1	1						
39	1	129004-59820	PIPE ASSY, INJECTION	1	1						
43	1	129004-59830	PIPE ASSY, INJECTION	1	1						
48	1	119802-59550	PIPE ASSY, RETURN	1	1						
49	2	124722-59050	CLIP, HOSE 9	2	2						
50	2	119802-59560	PIPE, FUEL RETURN	1	1						
51	1	129486-59551	PIPE ASSY, RETURN	2	2						
52	2	124722-59050	CLIP, HOSE 9	4	4						
54	1	119593-59580	CAP	1	1						
55	1	124060-77680	CLIP, HOSE 10	1	1						

Fig.13. FUEL LINE

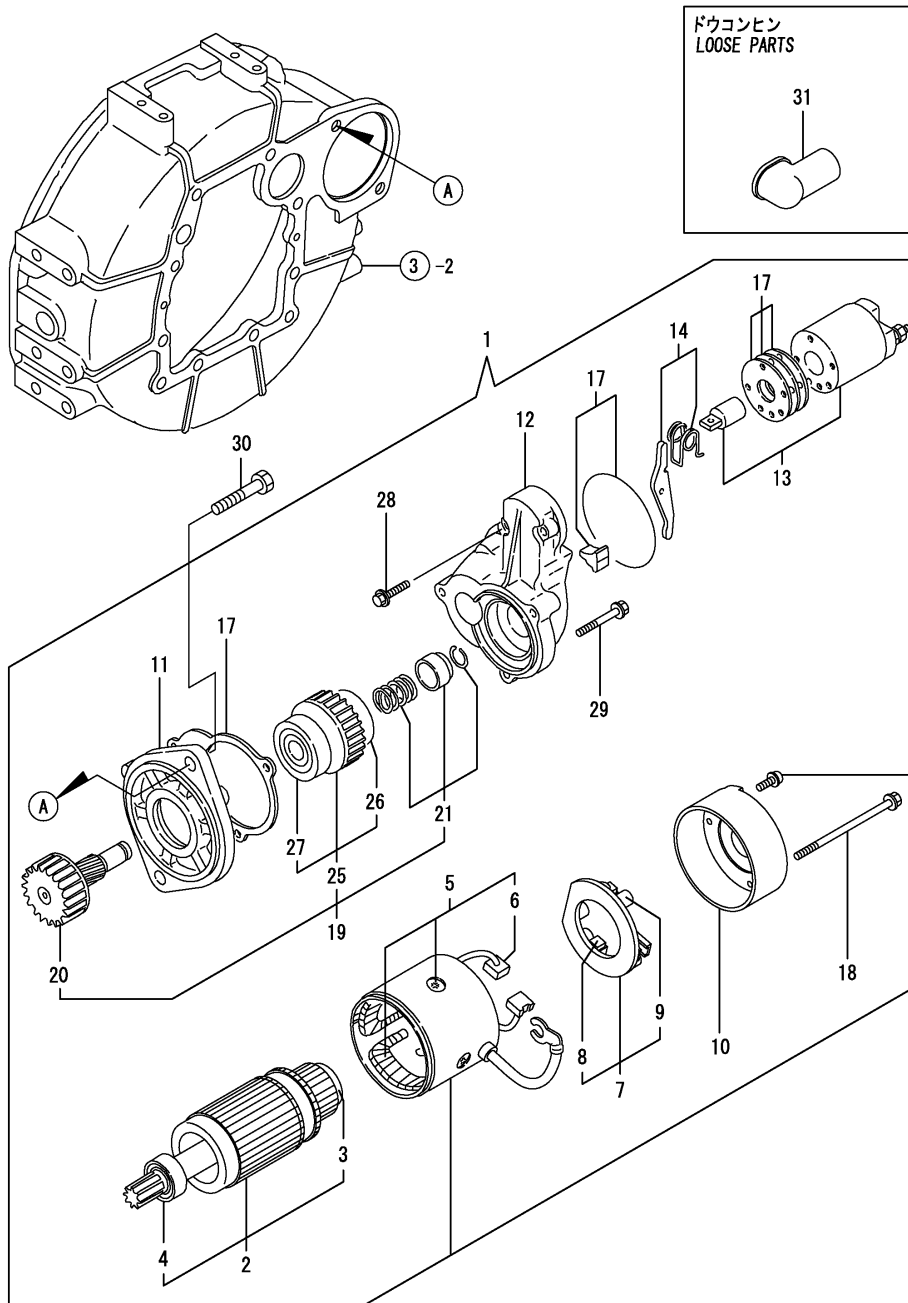


(A)=3TNV88-QTB  
(B)=3TNV88-QTB1  
(C)=

(D)=  
(E)=  
(F)=

No.	Lev.	Parts No.	Description	Q'ty						I	R
				(A)	(B)	(C)	(D)	(E)	(F)		
1	1	129004-55610	BRACKET, FILTER	1	1						
2	1	119802-55800	FILTER, FUEL	1	1						
3	1	26106-080302	BOLT, M8X 30 PLATED	2	2						
4	1	129210-59230	PIPE ASSY, FUEL	1	1						
5	2	124766-59050	CLIP, HOSE 12	2	2						
6	2	129555-59511	PIPE, FUEL	1	1						
7	1	129210-59100	PIPE ASSY, FUEL	1	1						
8	2	124766-59050	CLIP, HOSE 12	2	2						
9	2	105025-59580	PIPE, FUEL	1	1						
10	1	129612-52100	PUMP ASSY, FUEL FEED	1	1						
11	1	129906-55700	SEPARATOR ASSY	1	1						
12	2	119802-55710	ELEMENT	1	1						
13	2	129100-55690	RING, RETAINING	1	1						
14	2	24321-000650	O-RING, 1AG65.0	1	1						
15	2	24311-000160	O-RING, 1AP16.0	1	1						
16	1	119840-59601	BEND	1	1						
17	2	124766-59050	CLIP, HOSE 12	2	2						
18	2	119840-59611	BEND	1	1						
19	2	119840-59621	JOINT	1	1						

Fig.14. STARTING MOTOR

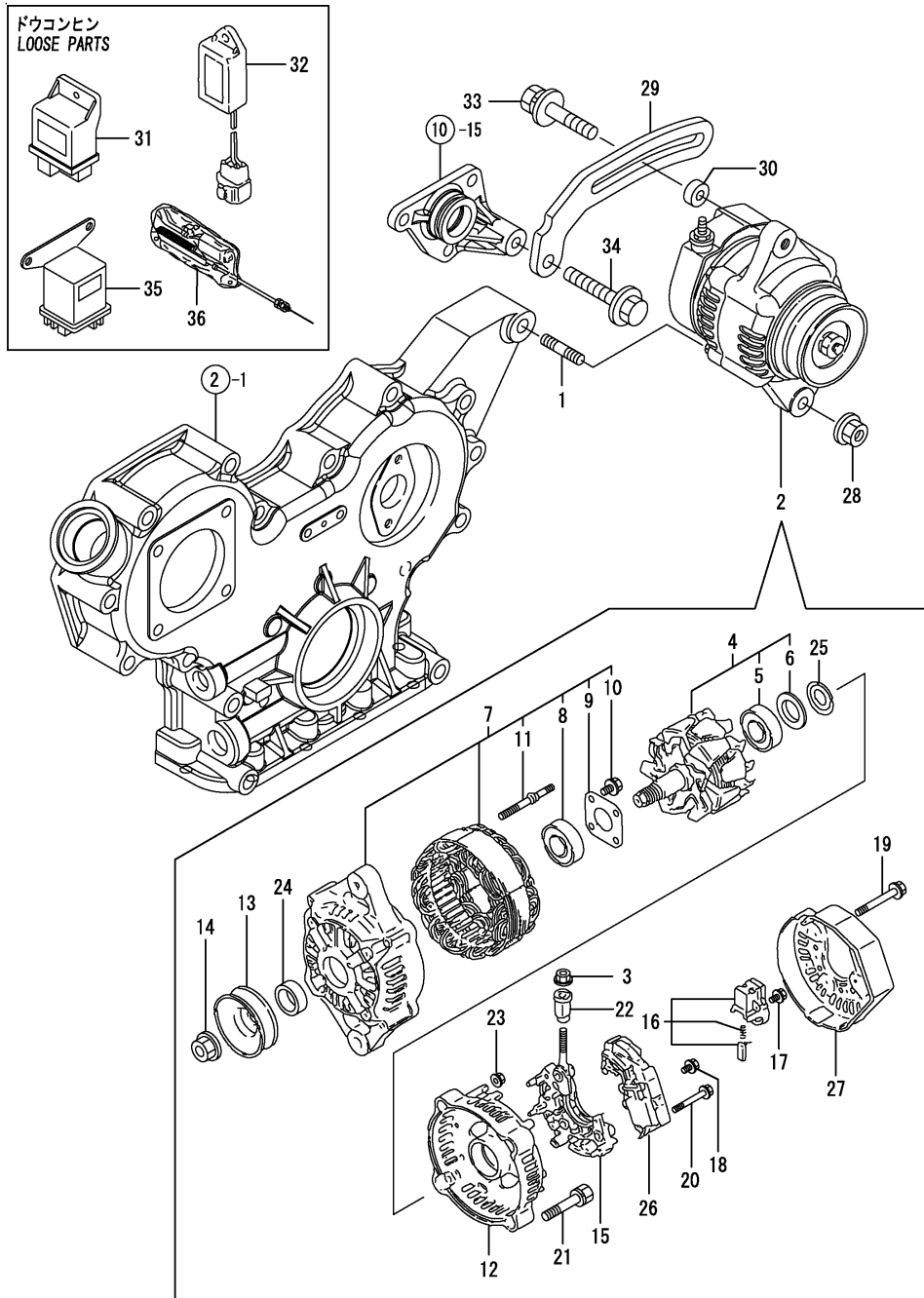


(A)=3TNV88-QTB  
(B)=3TNV88-QTB1  
(C)=

(D)=  
(E)=  
(F)=

No.	Lev.	Parts No.	Description	Qty						I	R
				(A)	(B)	(C)	(D)	(E)	(F)		
1	1	129400-77012	STARTING MOTOR	1	1						
2	2	129486-77400	ARMATUER	1	1						
3	3	171008-77410	BEARING(1)	1	1						
4	3	171008-77420	BEARING(2)	1	1						
5	2	129400-77441	COIL ASSY, FIELD	1	1						
6	3	129486-77460	BRUSH	2	2						
7	2	129486-77470	HOLDER ASSY, BRUSH	1	1						
8	3	129486-77460	BRUSH	2	2						
9	3	129486-77490	SPRING,START BRUSH	4	4						
10	2	129900-77460	COVER, REAR	1	1						
11	2	171008-77510	HOUSING ASSY, GEAR	1	1						
12	2	129400-77520	HOUSING, CENTER	1	1						
13	2	129400-77531	SWITCH ASSY,MAGNETIC	1	1						
14	2	171008-77540	LEVER SET, SHIFT	1	1						
17	2	129400-77571	DUST COVER,(NON-ASB.	1	1						
18	2	129900-77640	BOLT, THROUGHT	2	2						
19	2	171008-77650	PINION ASSY	1	1						
20	3	171008-77660	SHAFT, PINION	1	1						
21	3	171008-77670	STOPPER SET, PINION	1	1						
25	3	X2114555500	CLUTCH ASSY	1	1						
26	4	X2114955020	BALL BEARING	1	1						
27	4	X2240410100	BEARING, BALL	1	1						
28	2	26106-060322	BOLT, M6X 32 PLATED	2	2						
29	2	26106-060402	BOLT, M6X 40 PLATED	3	3						
30	1	26116-120252	BOLT, M12X 25 PLATED	2	2						
31	1	124550-77030	COVER, TERMINAL	1	1						

Fig.15. GENERATOR



(A)=3TNV88-QTB  
(B)=3TNV88-QTB1  
(C)=

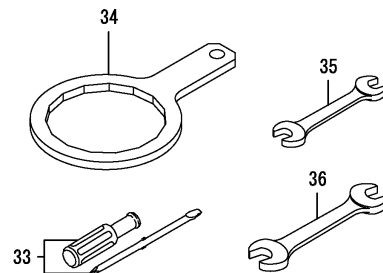
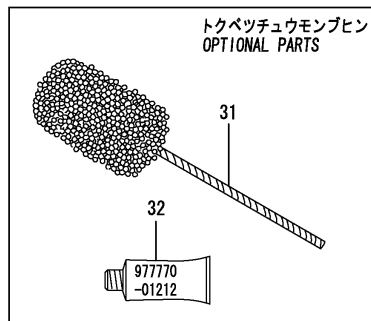
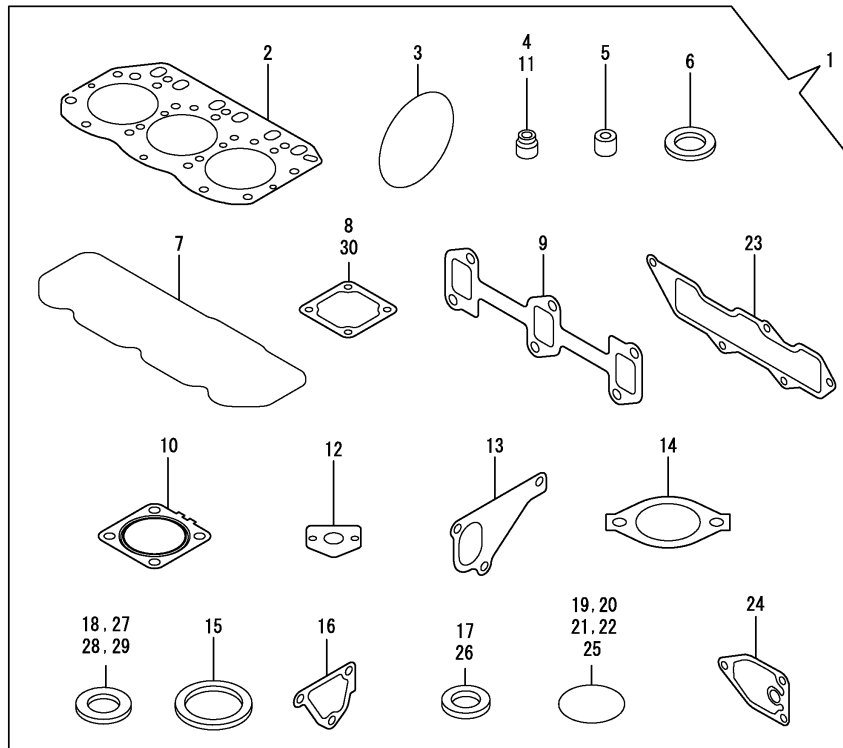
(D)=  
(E)=  
(F)=

No.	Lev.	Parts No.	Description	Q'ty						I	R
				(A)	(B)	(C)	(D)	(E)	(F)		
1	1	129795-01900	STUD	1	1						
2	1	129240-77200	ALTERNATOR	1	1						
3	2	129240-79310	NUT	1	1						
4	2	119620-77380	ROTOR ASSY	1	1						
5	3	126501-79240	BALL BEARING	1	1						
6	3	119620-79250	COVER, BEARING	1	1						
7	2	119620-77421	FRAME ASSY, DRIVE	1	1						
8	3	119620-79200	BALL BEARING	1	1						
9	3	119620-79210	PLATE	1	1						
10	3	119620-79220	SCREW	4	4						
11	3	119620-79230	BOLT, STUD	2	2						
12	2	119620-77440	FLAME ASSY, REAR	1	1						
13	2	119620-77461	PULLEY	1	1						
14	2	119620-77471	NUT	1	1						
15	2	119620-79260	HOLDER	1	1						
16	2	129052-79270	HOLDER, BRUSH	1	1						
17	2	119620-79290	SCREW	6	6						
18	2	119620-79300	SCREW	1	1						
19	2	119620-79310	BOLT	3	3						
20	2	119620-79320	SCREW W/WASHER	2	2						
21	2	119620-79330	BOLT	2	2						
22	2	119620-79340	INSULATION BUSH	1	1						
23	2	119620-79350	NUT	2	2						
24	2	119620-77490	COLLAR	1	1						
25	2	119620-79360	WASHER, THRUST	1	1						
26	2	129240-77710	REGULATOR ASSY	1	1						
27	2	129240-79300	COVER	1	1						
28	1	26306-100002	NUT, M10	1	1						
29	1	119940-77330	ADJUSTER	1	1						
30	1	119940-77270	SPACER, GENERATOR	1	1						
31	1	119802-77200	RELAY, SAFETY	1	1						
32	1	129211-77920	TIMER	1	1						
33	1	119802-77340	BOLT, ADJUSTER	1	1						
34	1	26106-080452	BOLT, M8X 45 PLATED	1	1						
35	1	119646-77900	RELAY, POWER	2	2						
36	1	119032-77910	MOTOR ASSY	1	1						

Fig.16. TOOL & GASKET SET

(A)=3TNV88-QTB  
 (B)=3TNV88-QTB1  
 (C)=

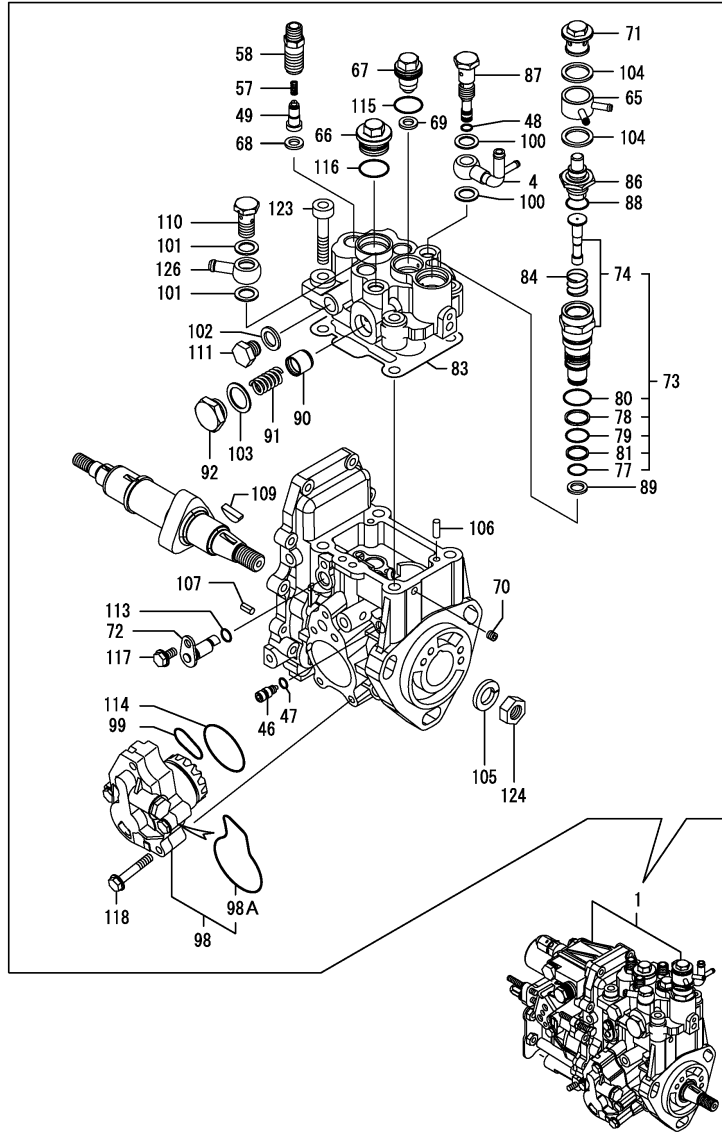
(D)=  
 (E)=  
 (F)=



No.	Lev.	Parts No.	Description	Q'ty						I	R
				(A)	(B)	(C)	(D)	(E)	(F)		
1	1	729001-92690	GASKET SET	1	1						1
2	2	129001-01340	GASKET, HEAD	1	1						
3	2	121850-51960	O-RING	1	1						
4	2	124460-11340	SEAL, VALVE STEM	3	3						
5	2	119802-11870	PROTECTOR, NOZZLE	3	3						
6	2	119625-11880	SEAT, NOZZLE	3	3						
7	2	129004-11310	GASKET, BONNET	1	1						
8	2	129150-77511	GASKET	1	1						
9	2	129150-13110	GASKET	1	1						
10	2	129004-13200	GASKET, SILENCER	1	1						
11	2	121400-11340	SEAL, VALVE STEM	3	3						
12	2	129150-35041	GASKET	1	1						
13	2	129486-42021	GASKET, WATER PUMP	1	1						
14	2	129795-49551	GASKET	1	1						
15	2	129150-49811	GASKET, THERMOSTAT	1	1						
16	2	124395-49840	GASKET	1	1						
17	2	22190-080002	WASHER, SEAL 6	2	2						
18	2	124465-44950	GASKET, 16	1	1						
19	2	24311-000120	O-RING, 1AP12.0	3	3						
20	2	24311-000320	O-RING, 1AP32.0	3	3						
21	2	24341-000240	O-RING, 1AS24.0	1	1						
22	2	129486-42140	O-RING, G30	1	1						
23	2	129001-12110	GASKET, MANIFOLD	1	1						
24	2	129150-35111	GASKET	1	1						
25	2	119609-32040	O-RING, P16	4	4						
26	2	22190-100002	WASHER, SEAL 10	2	2						
27	2	23414-080000	GASKET, 8X1.0	1	1						
28	2	129150-49360	GASKET	1	1						
29	2	22190-220002	WASHER, SEAL 22	1	1						
30	2	129100-77510	GASKET, AIR HEATER	1	1						
31	1	129400-92430	HONE	1	1						1
32	1	977770-01212	GASKET, LIQUID	1	1						1
33	1	104200-92350	DRIVER, SCREW	1	1						
34	1	119640-92750	WRENCH, FILTER 80	1	1						
35	1	28110-100120	SPANNER, 10X12	1	1						
36	1	28110-140170	SPANNER, 14X17	1	1						

Remarks  
 (1) OPTIONAL PART.

Fig.17. FUEL INJECTION PUMP (INNER PARTS)



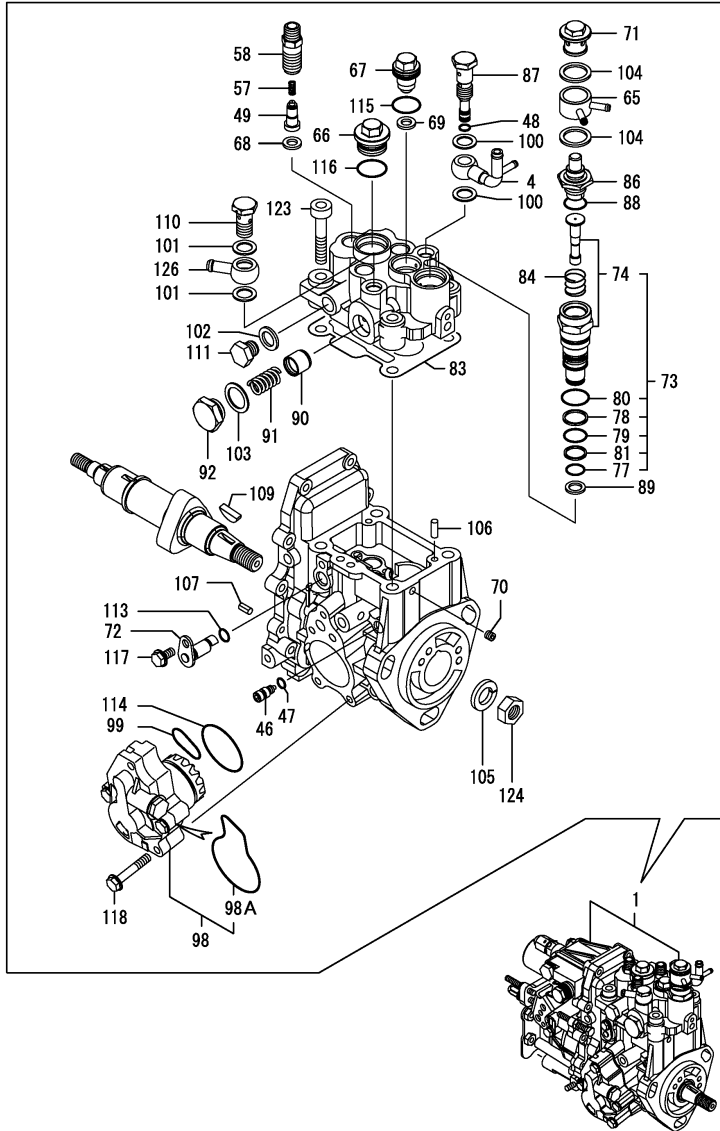
No.	Lev.	Parts No.	Description	Q'ty						I	R
				(A)	(B)	(C)	(D)	(E)	(F)		
1	1	729242-51340	PUMP ASSY, INJECTION	1	1						1
4	2	158552-51670	JOINT, OVER FLOW	1	1						
46	3	158600-51270	STOPPER, TAPPET	1	1						
47	3	158563-51281	O-RING, 4D S6	1	1						
48	3	158563-51281	O-RING, 4D S6	1	1						
49	3	158560-51300	VALVE ASSY, DELIVERY	3	3						
57	3	158563-51330	SPRING, DELIVERY	3	3						
58	3	158601-51340	HOLDER, DELIVERY	3	3						
65	3	158553-51551	JOINT	1	1						
66	3	158601-51550	PLUG	1	1						
67	3	119802-51560	PLUG, BARREL	1	1						
68	3	158552-51570	GASKET	3	3						
69	3	158552-51570	GASKET	1	1						
70	3	158557-51570	PLUG	1	1						
71	3	158601-51570	PLUG	1	1						
72	3	158552-51580	LIFTER	1	1						
73	3	119802-51590	TIMER SET	1	1						
74	4	119802-51600	TIMER ASSY	1	1						
77	4	158553-51670	O-RING, 1011	1	1						
78	4	119802-51680	RING, BACK UP	1	1						
79	4	119802-51690	O-RING	1	1						
80	4	24356-010200	O-RING, 4D1020	1	1						
81	4	24372-000150	RING, BACK UP T2P15	1	1						
83	3	158552-51600	GASKET	1	1						
84	3	158553-51630	SPRING, TIMER	1	1						
86	3	158553-51640	ELEMENT	1	1						
87	3	158601-51650	JOINT, OVER FLOW	1	1						
88	3	158553-51660	O-RING, P14	1	1						
89	3	158553-51680	GASKET	1	1						
90	3	158601-51770	PISTON	1	1						
91	3	158552-51780	SPRING	1	1						
92	3	158601-51790	PLUG	1	1						
98	3	158552-52100	PUMP ASSY, FUEL FEED	1	1						
98A	4	158552-52500	O-RING	1	1						
99	3	158552-52310	O-RING	1	1						
100	3	22190-120002	WASHER, SEAL 12	2	2						
101	3	22190-120002	WASHER, SEAL 12	2	2						
102	3	22190-120002	WASHER, SEAL 12	1	1						
103	3	22190-180002	WASHER, SEAL 18	1	1						
104	3	22190-180002	WASHER, SEAL 18	2	2						
		(A=EXXXXX)									
105	3	22217-140000	WASHER, SPRING 14	1	1						
106	3	22312-050140	PIN, PARALLEL M5X14	2	2						
107	3	22351-050010	PIN, SPRING 5.0X10	2	2						
109	3	119802-51090	KEY, 4X16	1	1						
110	3	23857-060000	BOLT, JOINT 6	1	1						
111	3	23887-120002	PLUG, 12	1	1						
113	3	24311-000070	O-RING, 1AP7.0	1	1						
114	3	158552-52400	O-RING, 4E S42	1	1						
115	3	24356-010180	O-RING, 4D1018	1	1						
116	3	24356-010200	O-RING, 4D1020	1	1						

Remarks  
 (1) GOVERNOR ASSY(FIG.18) IS  
 INCORPORATED IN THIS FOP.CMP  
 (REF.NO.1).

Fig.17. FUEL INJECTION PUMP (INNER PARTS)

(A)=3TNV88-QTB  
 (B)=3TNV88-QTB1  
 (C)=

(D)=  
 (E)=  
 (F)=



No.	Lev.	Parts No.	Description	Q'ty						I	R
				(A)	(B)	(C)	(D)	(E)	(F)		
117	3	26106-060102	BOLT, M6X 10 PLATED	1	1						
118	3	158553-51770	BOLT	4	4						
123	3	26450-080452	BOLT, M8X 45	4	4						
(A=E02010)											
124	3	26776-140002	NUT, LOCK M14	1	1						
126	2	129916-59020	JOINT, PIPE 12	1	1						

---

---

---

---

---

---

---

---

---

---

---

---

---

---

---

---

---

---

---

---

---

---

---

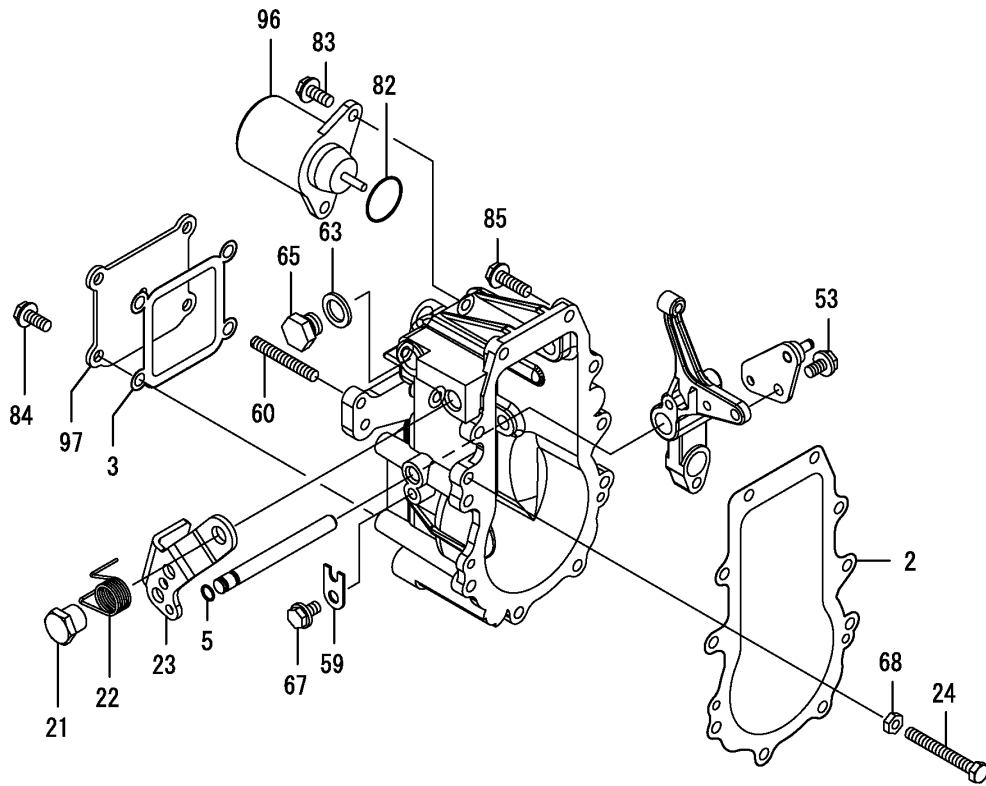
---

---

---

Remarks  
 (1) GOVERNOR ASSY(FIG.18) IS INCORPORATED IN THIS FOP.CMP (REF.NO.1).

Fig.18. GOVERNOR (INNER PARTS)



(A)=3TNV88-QTB

(B)=

(C)=

(D)=

(E)=

(F)=

No.	Lev.	Parts No.	Description	Q'ty						I	R
				(A)	(B)	(C)	(D)	(E)	(F)		
2	3	158553-61050	GASKET	1	1						
3	3	158553-61070	GASKET	1	1						
5	4	129155-51280	O-RING, S6	1	1						
21	4	129255-61410	NUT, LOCK	1	1						
22	4	119807-61420	SPRING, RETURN	1	1						
23	4	158552-61441	LEVER, REGULATOR	1	1						
24	4	129155-61460	BOLT, IDLE	1	1						
53	4	26106-060102	BOLT, M6X 10 PLATED	1	1						
59	4	119660-61901	RETAINER, SHAFT	1	1						
60	4	171002-66830	SCREW	1	1						
63	4	22190-120000	WASHER, SEAL 12	1	1						
65	4	23887-120002	PLUG, 12	1	1						
67	4	26106-060102	BOLT, M6X 10 PLATED	1	1						
68	4	26756-060002	NUT, LOCK M6	1	1						
82	3	24341-000280	O-RING, 1AS28.0	1	1						
(A=E03990)											
83	3	26106-060142	BOLT, M6X 14 PLATED	2	2						
84	3	26106-060142	BOLT, M6X 14 PLATED	4	4						
85	3	26106-060202	BOLT, M6X 20 PLATED	10	10						
96	2	119233-77932	SOLENOID, STOP	1	1						
97	2	129642-61060	COVER, GOVERNOR CASE	1	1						

Remarks

\* THIS FIGURE(GOVERNOR ASSY)IS INCORPORATED IN THE FUEL INJECTION PUMP ASSY(FIG.17).



## Parts No. Index

Parts No.	Fig. No.	Ref. No.
104200-92350	16	33
105025-59580	13	9
114250-39450	9	25
114250-53080	12	5
114250-53120	12	10
114250-53130	12	11
114250-53140	12	12
114250-53210	12	13
114250-53400	12	14
119032-77910	15	36
119131-18320	6	3
119233-77932	18	96
119255-44660	10	57
119266-49350	10	31
119305-59120	12	26
119593-59580	12	54
119609-32040	2	17
	16	25
119620-01750	3	3
119620-77380	15	4
119620-77421	15	7
119620-77440	15	12
119620-77461	15	13
119620-77471	15	14
119620-77490	15	24
119620-79200	15	8
119620-79210	15	9
119620-79220	15	10
119620-79230	15	11
119620-79250	15	6
119620-79260	15	15
119620-79290	15	17
119620-79300	15	18
119620-79310	15	19
119620-79320	15	20
119620-79330	15	21
119620-79340	15	22
119620-79350	15	23
119620-79360	15	25
119625-11880	4	32
	16	6
119640-01640	3	9
119640-92750	16	34
119646-77900	15	35
119660-61901	18	59
119802-01520	2	12
119802-01560	2	13
119802-03110	4	43
119802-03120	4	44
119802-03130	4	45

Parts No.	Fig. No.	Ref. No.
119802-03140	4	46
119802-11260	4	6
119802-11270	4	7
119802-11280	4	8
119802-11870	4	55
	16	5
119802-12560	5	15
119802-21201	8	5
119802-25051	7	10
119802-25070	7	14
119802-25100	7	11
119802-25901	7	17
119802-32070	2	8
119802-32100	2	7
119802-32111	2	18
119802-32120	2	19
119802-32130	2	20
119802-39450	9	27
119802-49113	10	10
119802-49730	10	37
119802-51090	17	109
119802-51250	11	2
119802-51560	17	67
119802-51590	17	73
119802-51600	17	74
119802-51680	17	78
119802-51690	17	79
119802-55710	13	12
119802-55800	13	2
119802-59550	12	48
119802-59560	12	50
119802-77200	15	31
119802-77340	15	33
119807-61420	18	22
119808-12520	5	18
119808-12540	5	19
119823-12210	5	30
119840-59601	13	16
119840-59611	13	18
119840-59621	13	19
119865-21600	8	16
119866-12541	5	20
119910-12210	5	14
119910-12510	5	17
119934-01800	2	6
119940-77270	15	30
119940-77330	15	29
120130-11860	4	19
120270-54410	4	34
121023-01550	2	28

Parts No.	Fig. No.	Ref. No.
121111-21501	8	12
121120-13590	6	12
121250-44901	10	32
121256-44600	10	52
121400-11340	4	28
	16	11
121450-44531	10	47
121470-44581	10	49
121520-34810	9	2
121550-23200	8	30
121550-49111	10	43
121850-21680	8	11
121850-42410	10	8
121850-51960	2	21
	16	3
121855-12060	5	28
123900-13610	6	5
123900-13630	6	4
123951-03330	9	19
124060-01050	1	5
124060-77680	12	55
124160-01751	2	14
	4	39
124160-01910	1	7
		8
124160-11360	4	52
124160-39140	9	26
124240-01871	2	15
124395-49840	10	17
	16	16
124450-44550	10	51
124450-44560	10	48
124460-11340	4	29
	16	4
124465-44950	10	33
	16	18
124550-77030	14	31
124722-59050	10	38
		41
	12	49
		52
124766-59050	13	5
		8
		17
126501-79240	15	5
129001-01250	1	6
129001-01340	1	33
	16	2
129001-02930	1	25
129001-12110	5	5

Parts No.	Fig. No.	Ref. No.
129001-12110	16	23
129001-32330	2	11
129001-91841	2	22
129002-21590	8	13
129004-01190	1	31
129004-03010	4	41
129004-03080	5	1
129004-11100	4	24
129004-11241	4	3
129004-11251	4	4
129004-11310	4	49
	16	7
129004-11350	4	40
129004-11650	4	10
129004-11700	4	15
129004-11900	4	33
129004-12100	5	3
129004-13129	6	1
129004-13200	6	7
	16	10
129004-21001	8	1
129004-21650	8	9
129004-42001	10	1
129004-42040	10	15
129004-49610	10	35
129004-49620	10	39
129004-49711	10	36
129004-49721	10	40
129004-53001	12	2
129004-55610	13	1
129004-59810	12	35
129004-59820	12	39
129004-59830	12	43
129005-22080	8	17
129005-22500	8	19
129005-22900	8	35
129005-22950	8	37
129005-34801	9	1
129005-59830	9	28
129006-35100	9	8
129006-44480	9	13
129006-49040	9	18
129030-12201	5	29
129030-44760	10	23
129052-79270	15	16
129100-01580	3	1
		15
	8	2
129100-01640	3	16
129100-01730	3	6

## Parts No. Index

Parts No.	Fig. No.	Ref. No.
129100-11110	4	25
129100-23910	8	29
129100-42051	10	3
129100-42121	10	4
129100-55690	13	13
129100-77500	5	8
129100-77510	5	9
	16	30
129103-49301	9	23
129107-44590	10	64
129129-14580	7	3
129150-01200	1	32
129150-02020	1	10
129150-02450	7	4
129150-02870	1	34
129150-02930	1	28
129150-02940	1	37
129150-03070	4	42
129150-11230	4	11
129150-11280	4	9
129150-11370	4	14
129150-11750	4	13
129150-11810	4	21
129150-13110	6	2
	16	9
129150-14101	7	7
129150-14200	7	1
129150-14400	7	2
129150-23600	8	31
129150-23610	8	33
129150-25301	7	16
129150-35041	9	3
	16	12
129150-35091	9	4
129150-35111	9	11
	16	24
129150-35153	9	12
129150-49080	10	59
129150-49100	10	58
129150-49360	10	34
	16	28
129150-49811	10	26
	16	15
129150-59120	12	30
129150-59131	12	29
		33
129150-77511	5	10
	16	8
129155-42350	10	20
129155-51280	18	5

Parts No.	Fig. No.	Ref. No.
129155-61460	18	24
129202-22300	8	23
129210-59100	13	7
129210-59230	13	4
129211-77920	15	32
129240-77200	15	2
129240-77710	15	26
129240-79300	15	27
129240-79310	15	3
129242-13510	6	8
129242-13520	6	9
129242-13650	6	18
129242-13660	6	19
129242-44500	10	63
129242-49010	10	53
129255-61410	18	21
129259-12570	5	21
129335-44740	10	22
129350-49530	10	27
129400-77012	14	1
129400-77441	14	5
129400-77520	14	12
129400-77531	14	13
129400-77571	14	17
129400-92430	16	31
129410-03990	5	2
129417-33110	9	36
129417-35150	9	10
129418-32320	2	10
129457-49801	10	25
129467-44580	10	65
129467-44590	10	66
129486-01670	3	19
129486-42021	10	14
	16	13
129486-42140	10	16
	16	22
129486-59551	12	51
129486-77400	14	2
129486-77460	14	6
		8
129486-77470	14	7
129486-77490	14	9
129508-33010	9	35
129508-49030	9	14
129555-59511	13	6
129612-01600	3	2
129612-12691	5	16
129612-49040	10	54
129612-52100	13	10

Parts No.	Fig. No.	Ref. No.
129642-44520	10	63 -1
129642-61060	18	97
129795-01780	3	18
129795-01900	15	1
129795-01950	2	16
129795-02411	1	13
129795-11120	4	26
129795-11180	4	27
129795-21661	8	10
129795-49551	10	28
	16	14
129900-07900	4	1
129900-32130	2	9
129900-77460	14	10
129900-77640	14	18
129906-55700	13	11
129916-49740	10	13
129916-59020	17	126
129953-12620	5	22
158552-51151	7	18
158552-51570	17	68
		69
158552-51580	17	72
158552-51600	17	83
158552-51670	17	4
158552-51780	17	91
158552-52100	17	98
158552-52310	17	99
158552-52400	17	114
158552-52500	17	98 A
158552-61441	18	23
158553-51551	17	65
158553-51630	17	84
158553-51640	17	86
158553-51660	17	88
158553-51670	17	77
158553-51680	17	89
158553-51770	17	118
158553-61050	18	2
158553-61070	18	3
158557-51570	17	70
158560-51300	17	49
158563-51281	17	47
		48
158563-51330	17	57
158600-51270	17	46
158601-51340	17	58
158601-51550	17	66
158601-51570	17	71
158601-51650	17	87

Parts No.	Fig. No.	Ref. No.
158601-51770	17	90
158601-51790	17	92
171002-66830	18	60
171008-03990	9	15
171008-77410	14	3
171008-77420	14	4
171008-77510	14	11
171008-77540	14	14
171008-77650	14	19
171008-77660	14	20
171008-77670	14	21
171031-11741	2	32
171051-01921	1	9
171064-44510	10	45
171340-77520	5	11
22117-100000	6	14
22190-080002	9	30
		31
	16	17
22190-100002	9	32
	16	26
22190-120000	18	63
22190-120002	17	100
		101
		102
22190-180002	17	103
		104
22190-220002	3	11
	16	29
22217-100000	6	15
22217-140000	7	19
	17	105
22252-000260	8	24
22312-050140	17	106
22351-030010	8	8
22351-050010	17	107
22351-060012	4	35
22512-070140	7	8
	8	6
22857-500100	4	50
		51
23000-060000	5	25
		31
		31 -1
23010-038000	10	55
23010-044000	10	56
23065-070225	10	50
23080-015000	9	17
		21
23080-018000	9	22

## Parts No. Index

Parts No.	Fig. No.	Ref. No.
23414-080000	10	30
	16	27
23857-030000	9	29
23857-060000	17	110
23876-010000	10	11
23876-020000	10	12
23876-030000	2	4
23876-040000	2	5
23887-120002	17	111
	18	65
24311-000070	17	113
24311-000120	4	53
	16	19
24311-000160	13	15
24311-000320	2	23
		33
	4	54
	16	20
24321-000650	13	14
24341-000240	2	29
	16	21
24341-000280	18	82
24356-010180	17	115
24356-010200	17	80
		116
24372-000150	17	81
25152-003700	10	21
26013-080222	5	26
		27
26106-060102	17	117
	18	53
		67
26106-060142	18	83
		84
26106-060162	2	30
26106-060202	18	85
26106-060322	14	28
26106-060402	14	29
26106-060502	10	24
26106-080122	10	42
26106-080142	4	2
	7	9
26106-080162	2	24
		25
	3	12
	10	18
	11	3
26106-080202	5	6
	9	24
	11	4

Parts No.	Fig. No.	Ref. No.
26106-080222	10	29
26106-080252	3	13
	4	36
26106-080302	13	3
26106-080352	3	20
	4	37
	9	34
26106-080402	5	12
	7	15
26106-080452	3	14
		14 -1
	10	44
	15	34
26106-080502	3	22
	4	38
26106-080552	2	26
26106-080602	10	19
26106-080802	5	7
		13
26106-100202	6	10
26106-100652	6	16
26116-120252	14	30
26206-100252	3	4
26206-100302	3	5
26306-080002	2	27
	6	6
		11
26306-100002	15	28
26366-060002	9	33
26450-080452	17	123
26706-100002	6	17
26756-060002	18	68
26776-140002	7	20
	17	124
27241-120000	1	14
27241-300000	1	15
27241-400000	4	23
27310-080001	4	30
28110-100120	16	35
28110-140170	16	36
729001-92690	16	1
729005-01560	1	1
729102-01540	3	8
729233-01500	2	1
729242-51340	11	1
	17	1
729245-53100	12	1
729402-23100	8	25
977770-01212	2	31
	3	21

Parts No.	Fig. No.	Ref. No.
977770-01212	4	56
	16	32
X2114555500	14	25
X2114955020	14	26
X2240410100	14	27

Parts No.	Fig. No.	Ref. No.
-----------	----------	----------