

0CD10-M80501EN

# PREFACE

1. This parts catalog is the 2nd edition of 4TNV94L-PIK & 4TNV94L-PIKA for IHI Construction Machinery Limited.

Pub.No. : 000Y00D8051

Published : November.,2006

## 2. Model name

Engine model	Vehicle		Vehicle made by
	Products	Model name	
4TNV94L-PIK	Excavator	65VX	IHI Construction Machinery Ltd.
4TNV94L-PIKA		55N2	

## Directions for the Parts Catalog.

1. This Parts Catalog shows both standard and optional parts.
2. Parts may change without prior notice.
3. The following is an example of the Parts Catalog format.

REF.	LEV.	PARTS NO.	DESCRIPTION	Q'TY						I	R
				(A)	(B)	(C)	(D)	(E)	(F)		
1	1	729595-51390	FUEL INJECTION PUMP	1	1	1	1	1			1
1-1	1	729595-51391	FUEL INJECTION PUMP	1	1	1	1	1		N	1
		(A=E00185) (B=E00200)									
3	2	26022-060162	SCREW M 6X 16	9	9	9	9	9			
3-1	2	26022-060162	SCREW M 6X 16	4	4	4	4	4		K	
		(A=E00156) (B=E00156) (C=E00156) (D=E00156) (E=E00156)									
4	2	129470-51040	CAMSHAFT	1	1	1	1	1			
5	2	122710-51050	BEARING, ROLLER	2	2	2	2	2			
6	2	129470-51060	RETAINER	1	1	1	1	1			

Remarks
(1) BOOST COMPEMSATOR TYPE. OPTIONAL PART, TO E00155,(4JH-DT, 4JH-DTZ

### ① Ref. No.

The Ref. No. listed may not be in accordance with the illustration Ref. No.

(Ex.) Illustration No.

List Ref No.

1

1

(Before change)

1-1

(After change)

For interchangeable symbols N, R and K, illustrations for new parts may be abbreviated.

### ② Lev. (Level)

Level indication

The numbers below indicate the level of relativity towards the main part.

1 ----- Main parts (Assembly parts)

2 ----- Sub component included in " 1 ".

3 ----- Sub component included in " 2 ".

Note) Parts that are not for sale are partially illustrated but not listed.

### ③ Interchangeability Symbol

When a part change takes place, one of the following interchangeability symbols is indicated beside the part.

Symbol	Interchangeability	Contents note
N	Old $\begin{matrix} \leftarrow \text{Yes} \\ \text{No} \rightarrow \end{matrix}$ New	New Part is interchangeable for Old Part but Old Part is not interchangeable for New Part.
Q	Old $\begin{matrix} \leftarrow \text{No} \\ \text{Yes} \rightarrow \end{matrix}$ New	New Part is not interchangeable for Old Part but Old Part is interchangeable for New Part.
R	Old $\begin{matrix} \leftarrow \text{Yes} \\ \text{Yes} \rightarrow \end{matrix}$ New	New/ Old Parts are both interchangeable.
S	Old $\begin{matrix} \leftarrow \text{No} \\ \text{No} \rightarrow \end{matrix}$ New	New/ Old Parts are both not interchangeable.
W		Part newly added.
Z		Part discontinued.
F		Not interchangeable by a single part but interchangeable together with related parts.
K		Changes only for used parts quantities.

### ④ Effective Machine No.

When a part changes, the effective Machine No. will be indicated in the (A)-(F) column.

Product Symbol	Product No.	Product Symbol	Product No.
C	Clutch No. Compressor No.	F	Machine No. (Agricultural Equip.)
D	Drive No.	M	Machine No.
E	Engine No.		

Note 1) A date may follow the symbol. (Ex.) 1996.01

Note 2) "XXXXX" and "ZZZZZ" are for parts that could not be predicted or for engine models that could not be identified.

Note 3) (A=E00185) is the E (Engine Serial Number) for the column (A) model (in this case 4JH-DT) after the parts design change.

### ⑤ Remarks

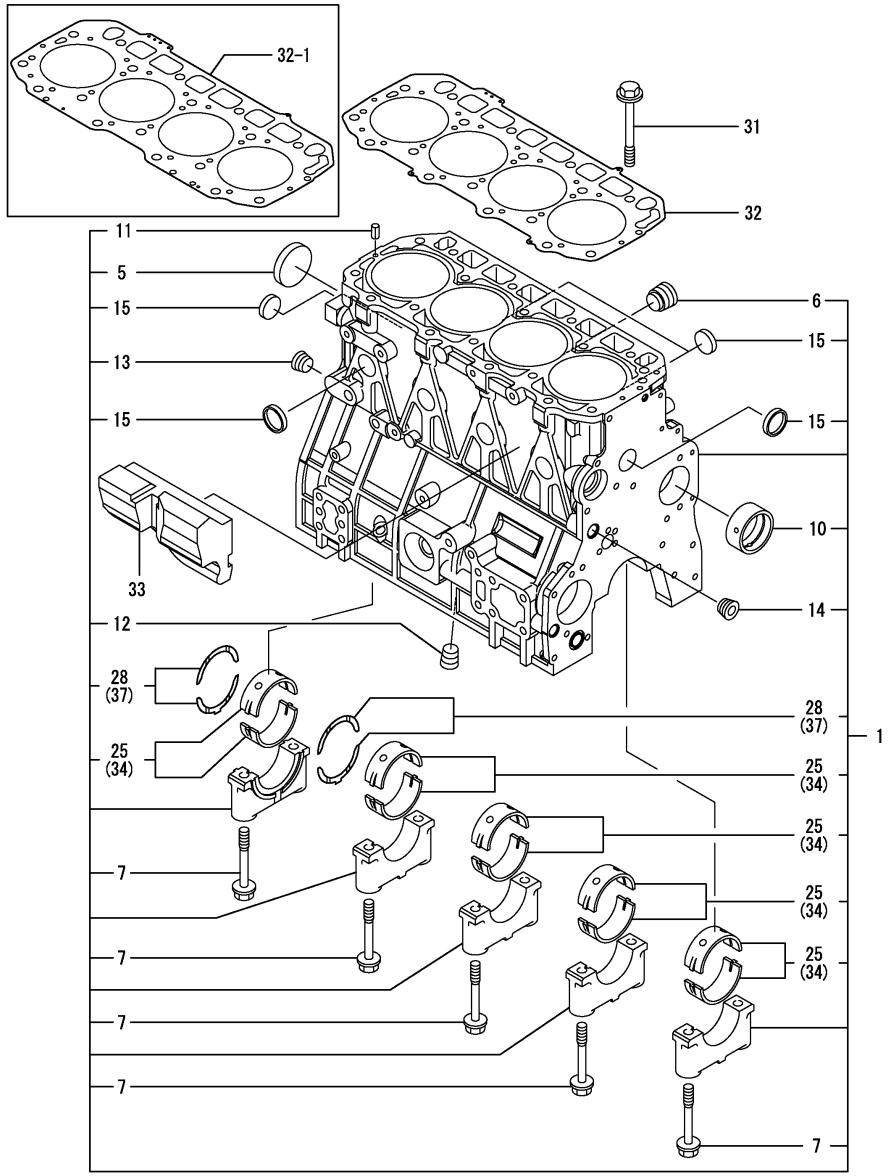
Figures or alphabets (symbols) are entered in the remarks column.

The comments (remarks) on parts that are indicated at the bottom of the illustration are the same symbols as those stated above.

# Contents

Fig. No.	Fig. Name	Fig. No.	Fig. Name
4	TNV94L-PIK,PIKA		
1.	CYLINDER BLOCK		
2.	GEAR HOUSING		
3.	FLYWHEEL HOUSING & OIL SUMP		
4.	CYLINDER HEAD & BONNET		
5.	SUCTION MANIFOLD & AIR CLEANER		
6.	EXHAUST MANIFOLD & SILENCER		
7.	CAMSHAFT & DRIVING GEAR		
8.	CRANKSHAFT & PISTON		
9.	LUB. OIL SYSTEM		
10.	COOLING WATER SYSTEM		
11.	FUEL INJECTION PUMP		
12.	FUEL INJECTION VALVE		
13.	FUEL LINE		
14.	STARTING MOTOR		
15.	STARTING MOTOR		
16.	GENERATOR		
17.	GASKET SET		
18.	FUEL INJECTION PUMP(INNER PART		
19.	GOVERNOR(INNER PARTS)		

Fig.1. CYLINDER BLOCK



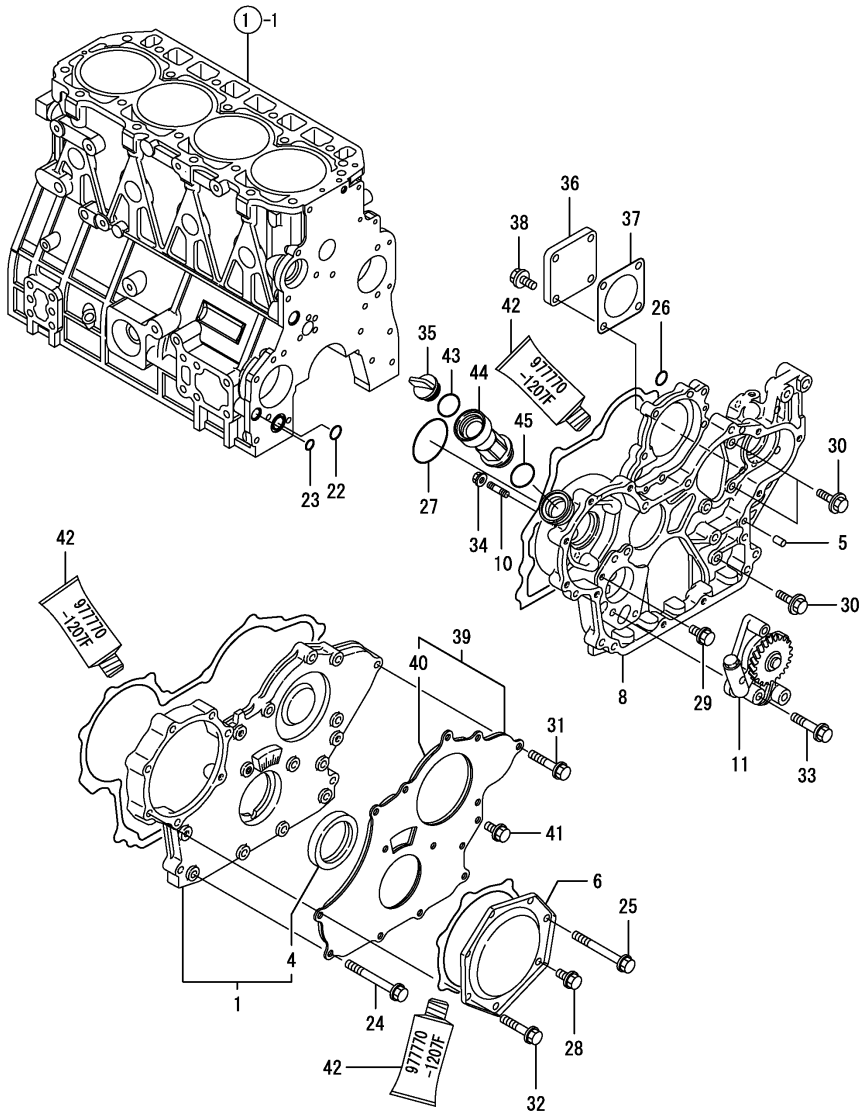
(A)=4TNV94L-PIK  
(B)=4TNV94L-PIKA  
(C)=

(D)=  
(E)=  
(F)=

No.	Lev.	Parts No.	Description	Q'ty						I	R
				(A)	(B)	(C)	(D)	(E)	(F)		
1	1	729906-01560	BLOCK ASSY, CYLINDER	1	1						
5	2	129900-01250	PLUG, 55	1	1						
6	2	171051-01921	PLUG, NPTF1	1	1						
7	2	129900-02020	BOLT, METAL CAP	10	10						
10	2	129900-02410	BUSH, CAMSHAFT	1	1						
11	2	22351-060012	PIN, SPRING 6.0X12	2	2						
12	2	23876-030000	PLUG, R03	1	1						
13	2	23876-030000	PLUG, R03	1	1						
14	2	23876-030000	PLUG, R03	1	1						
15	2	27241-300000	PLUG 30	8	8						
25	2	729900-02800	BEARING, MAIN	5	5						3
25-1	2	729900-02801	BEARING, MAIN	5	5						N 3
(A=E25091) (B=E25093)											
28	2	129900-02930	BEARING, THRUST	2	2						
28-1	2	129900-02931	BEARING, THRUST	2	2						N
(A=E25091) (B=E25093)											
31	1	129900-01200	BOLT, HEAD	18	18						
32	1	129906-01340	GASKET, HEAD	1	1						
32-1	1	129906-01350	GASKET, HEAD	1	1						S
(A=*2009.12) (B=*2009.12)											
33	1	129907-01190	SPACER	1	1						
34	1	129900-02340	BEARING, 0.25 US	5	5						1
34-1	1	129900-02341	BEARING, 0.25 US	5	5						N 1
(A=E25091) (B=E25093)											
37	1	129900-02940	BEARING, THRUST 0.25	2	2						2
37-1	1	129900-02941	BEARING, THRUST 0.25	2	2						N 2
(A=E25091) (B=E25093)											

Remarks  
 (1) UNDER-SIZE(U.S=0.25)PART.  
 (2) OVER-SIZE(O.S=0.25)PART.  
 (3) REPAIR PART.

Fig.2. GEAR HOUSING



(A)=4TNV94L-PIK  
(B)=4TNV94L-PIKA  
(C)=

(D)=  
(E)=  
(F)=

No.	Lev.	Parts No.	Description	Q'ty						I	R
				(A)	(B)	(C)	(D)	(E)	(F)		
1	1	729907-01550	COVER ASSY,GEAR CASE	1	1						
4	2	129900-01780	SEAL, OIL	1	1						
5	1	129100-01580	PIN, M8X16	4	4						
6	1	129900-01740	COVER	1	1						
8	1	129907-01500	CASE, GEAR	1	1						
10	1	26216-100302	STUD, M10X 30	4	4						
11	1	129900-32001	PUMP ASSY, OIL	1	1						
22	1	129900-32030	O-RING, P20	1	1						
23	1	129900-32040	O-RING, P14	1	1						
24	1	129001-91810	BOLT, M8X70	6	6						
25	1	129001-91810	BOLT, M8X70	1	1						
26	1	24311-000070	O-RING, 1AP7.0	1	1						
27	1	24351-030750	O-RING, 1A3075	1	1						
28	1	26106-080162	BOLT, M8X 16 PLATED	1	1						
29	1	26106-080162	BOLT, M8X 16 PLATED	1	1						
30	1	26106-080202	BOLT, M8X 20 PLATED	3	3						
31	1	26106-080402	BOLT, M8X 40 PLATED	5	5						
32	1	26106-080402	BOLT, M8X 40 PLATED	5	5						
33	1	26106-080452	BOLT, M8X 45 PLATED	3	3						
34	1	26306-100002	NUT, M10	4	4						
35	1	124160-01751	COVER, FILLER	1	1						
36	1	124240-01871	COVER	1	1						
37	1	124240-01883	GASKET	1	1						
38	1	26106-080162	BOLT, M8X 16 PLATED	4	4						
39	1	129900-01850	COVER ASSY,GEAR CASE	1	1						
40	2	129900-01870	SPONGE	1	1						
41	1	26106-080162	BOLT, M8X 16 PLATED	3	3						
42	1	97770-1207F	GASKET.LIQUID	1	1						1
43	1	24311-000320	O-RING, 1AP32.0	1	1						
44	1	171031-11741	PIPE	1	1						
45	1	24311-000320	O-RING, 1AP32.0	1	1						

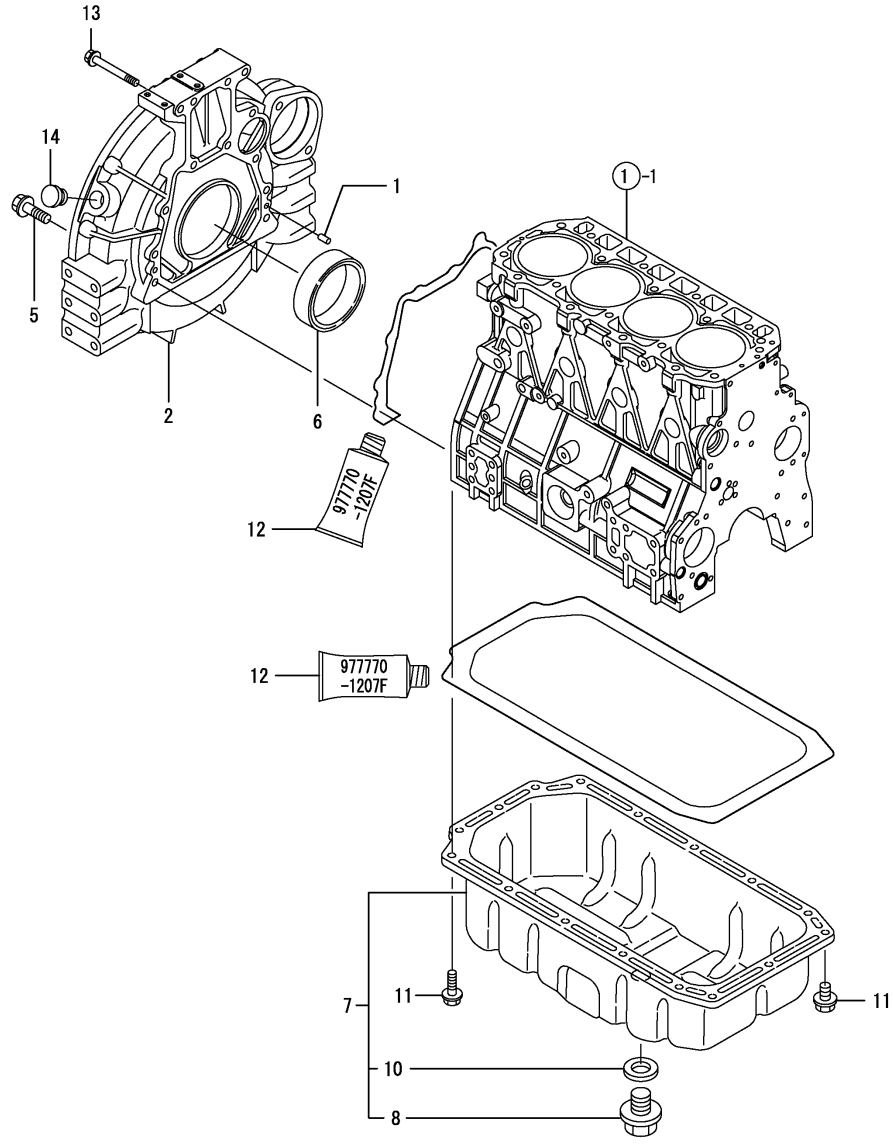
Remarks  
(1) OPTIONAL PART.

Fig.3. FLYWHEEL HOUSING & OIL SUMP

(A)=4TNV94L-PIK  
 (B)=4TNV94L-PIKA  
 (C)=

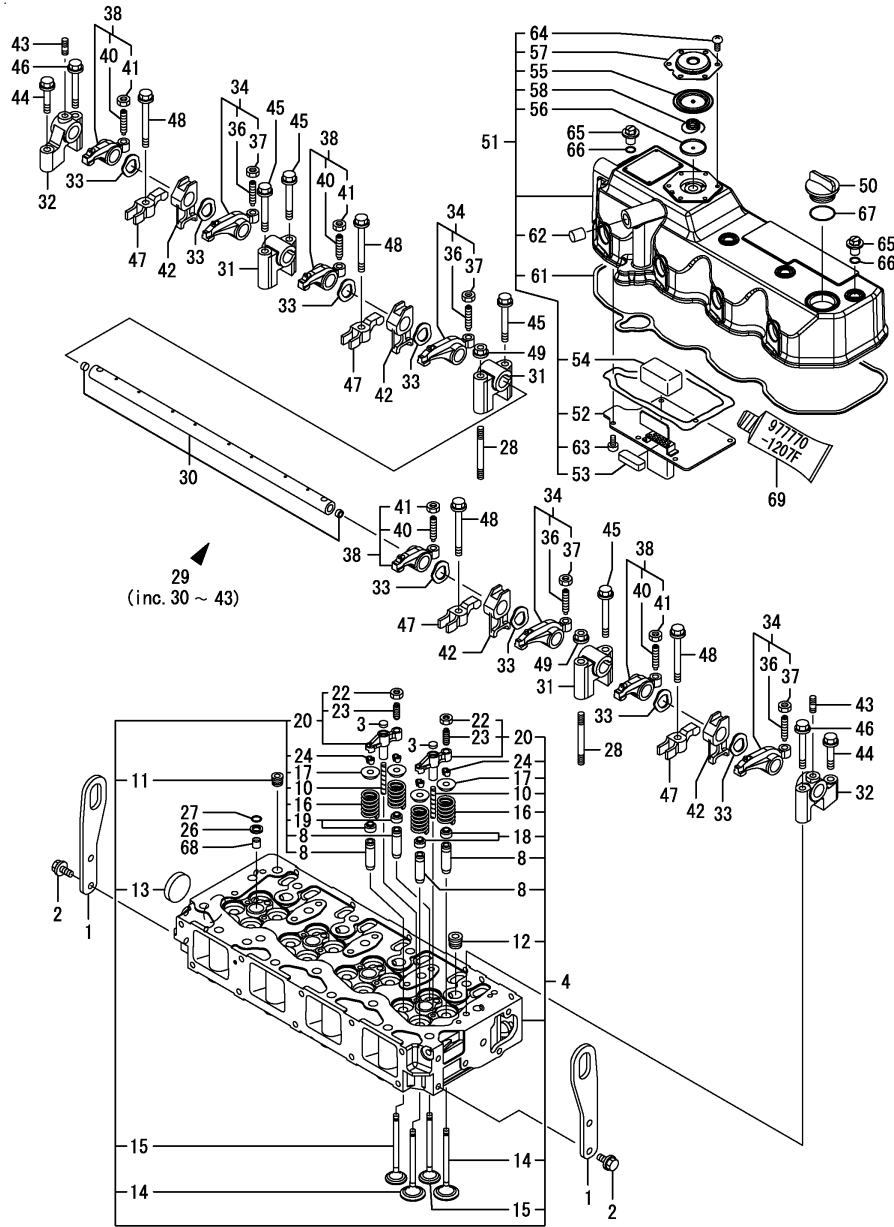
(D)=  
 (E)=  
 (F)=

No.	Lev.	Parts No.	Description	Q'ty						I	R
				(A)	(B)	(C)	(D)	(E)	(F)		
1	1	129100-01580	PIN, M8X16	2	2						
2	1	129953-01620	HOUSING, FLYWHEEL	1	1						
5	1	26206-100352	BOLT, M10X 35 PLATED	9	9						
6	1	124411-01780	SEAL, HTC95X115X12	1	1						
7	1	129916-01710	SUMP ASSY, OIL	1	1						
8	2	119640-01640	PLUG, DRAIN M22	1	1						
10	2	22190-220002	WASHER, SEAL 22	1	1						
11	1	26106-080122	BOLT, M8X 12 PLATED	16	16						
12	1	977770-1207F	GASKET.LIQUID	1	1						1
13	1	26206-100702	BOLT, M10X 70 PLATED	4	4						
14	1	119620-01750	CAP	1	1						W
(A=E24174) (B=E23040)											



Remarks  
 (1) OPTIONAL PART.

Fig.4. CYLINDER HEAD & BONNET



(A)=4TNV94L-PIK  
(B)=4TNV94L-PIKA  
(C)=

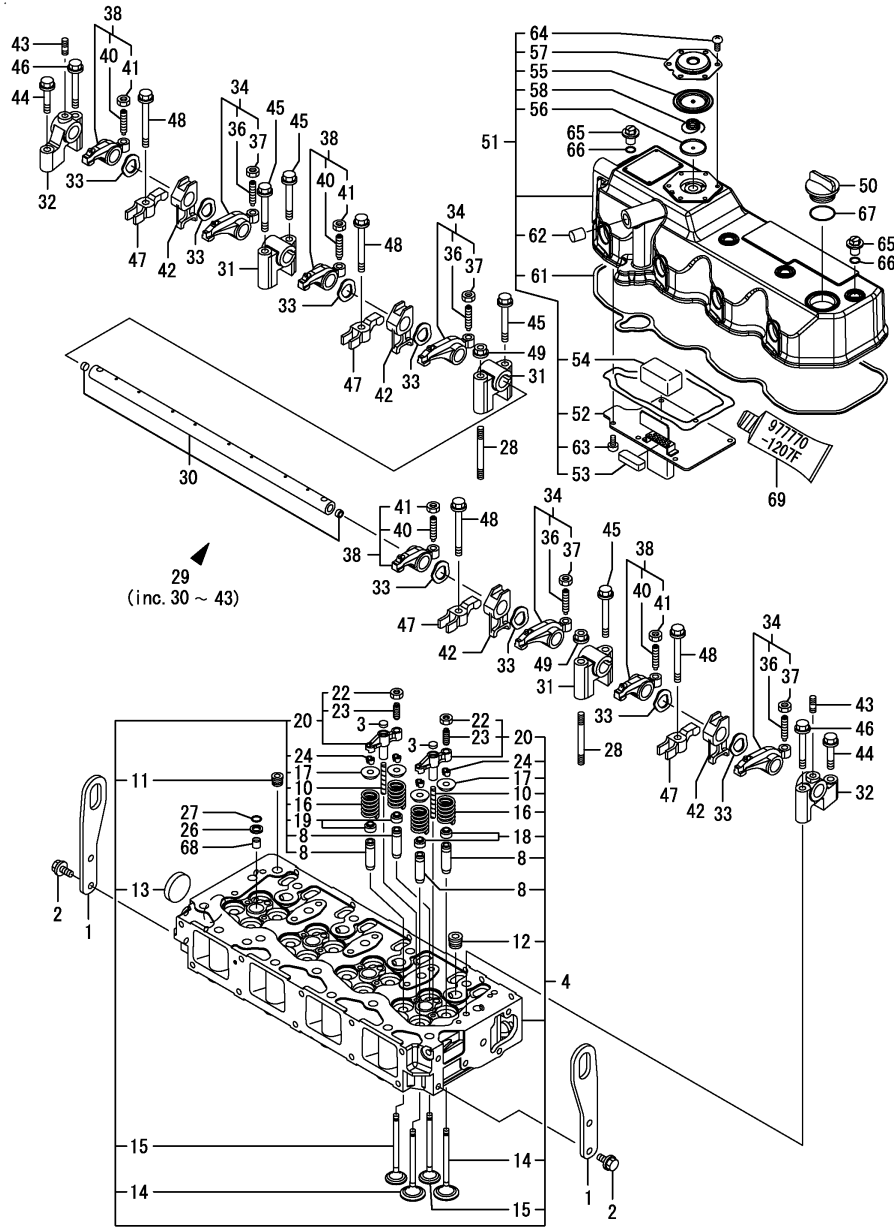
(D)=  
(E)=  
(F)=

No.	Lev.	Parts No.	Description	Q'ty						I	R
				(A)	(B)	(C)	(D)	(E)	(F)		
1	1	129907-07900	LIFTER	2	2						
2	1	26106-080162	BOLT, M8X 16 PLATED	4	4						
3	1	123907-11550	SEAT, VALVE BRIDGE	8	8						
4	1	129907-11700	HEAD ASSY, CYLINDER	1	1						
8	2	129907-11800	GUIDE, VALVE	16	16						1
10	2	123907-11820	GUIDE	8	8						
11	2	23876-020000	PLUG, R02	1	1						
12	2	23876-030000	PLUG, R03	4	4						
13	2	27241-400000	PLUG, 40	1	1						
14	2	129907-11100	VALVE, INTAKE	8	8						
15	2	129907-11110	VALVE, EXHAUST	8	8						
16	2	129907-11120	SPRING, VALVE	16	16						
17	2	119620-11180	RETAINER, SPRING	16	16						
18	2	124160-11340	SEAL, VALVE STEM	8	8						
19	2	124950-11340	SEAL, VALVE STEM	8	8						
19-1	2	119803-11340	SEAL, VALVE STEM	8	8						N
		(A=E27022) (B=E26896)									
20	2	129907-11510	BRIDGE ASSY, VALVE	8	8						
22	3	129150-11750	NUT, M8	8	8						
23	3	123907-11830	ADJUSTER	8	8						
24	2	27310-070001	COTTER, 7	16	16						
26	1	119625-11880	SEAT, NOZZLE	4	4						
27	1	24311-000120	O-RING, 1AP12.0	4	4						
28	1	119593-11301	STUD, M8X80	2	2						
29	1	129907-11341	SHAFT ASSY, ROCKER	1	1						
30	2	129907-11250	SHAFT, ROCKER ARM	1	1						
31	2	129907-11260	SUPPORT, ROCKER ARM	3	3						
32	2	129907-11270	SUPPORT, ROCKER ARM	2	2						
33	2	123907-11280	WASHER	8	8						
34	2	129907-11650	ARM, ROCKER	4	4						
36	3	129150-11230	SCREW, VALVE ADJUST	4	4						
37	3	129150-11750	NUT, M8	4	4						
38	2	129907-11660	ARM, ROCKER	4	4						
40	3	129150-11230	SCREW, VALVE ADJUST	4	4						
41	3	129150-11750	NUT, M8	4	4						
42	2	129907-11920	RETAINER	4	4						
43	2	26226-080222	STUD, M8X 22	2	2						
44	1	26106-080402	BOLT, M8X 40 PLATED	2	2						
45	1	26106-080602	BOLT, M8X 60 PLATED	4	4						
46	1	26106-080602	BOLT, M8X 60 PLATED	2	2						
47	1	129907-11910	RETAINER, NOZZLE	4	4						
48	1	129907-11950	BOLT, M8X75	4	4						
49	1	26306-080002	NUT, M8	2	2						
50	1	124160-01751	COVER, FILLER	1	1						
51	1	129907-11320	BONNET ASSY, HEAD	1	1						
52	2	129907-03010	PLATE	1	1						
53	2	129907-03060	BAFFLE, BREATHER	1	1						
53-1	2	129907-03061	BAFFLE, BREATHER	1	1						N
		(A=E06832) (B=E06833)									
54	2	129907-03070	BAFFLE, BREATHER	1	1						
55	2	123907-03100	DIAPHRAGM	1	1						

Remarks  
(1) REPAIR PART.  
(2) OPTIONAL PART.



Fig.4. CYLINDER HEAD & BONNET



(A)=4TNV94L-PIK  
(B)=4TNV94L-PIKA  
(C)=

(D)=  
(E)=  
(F)=

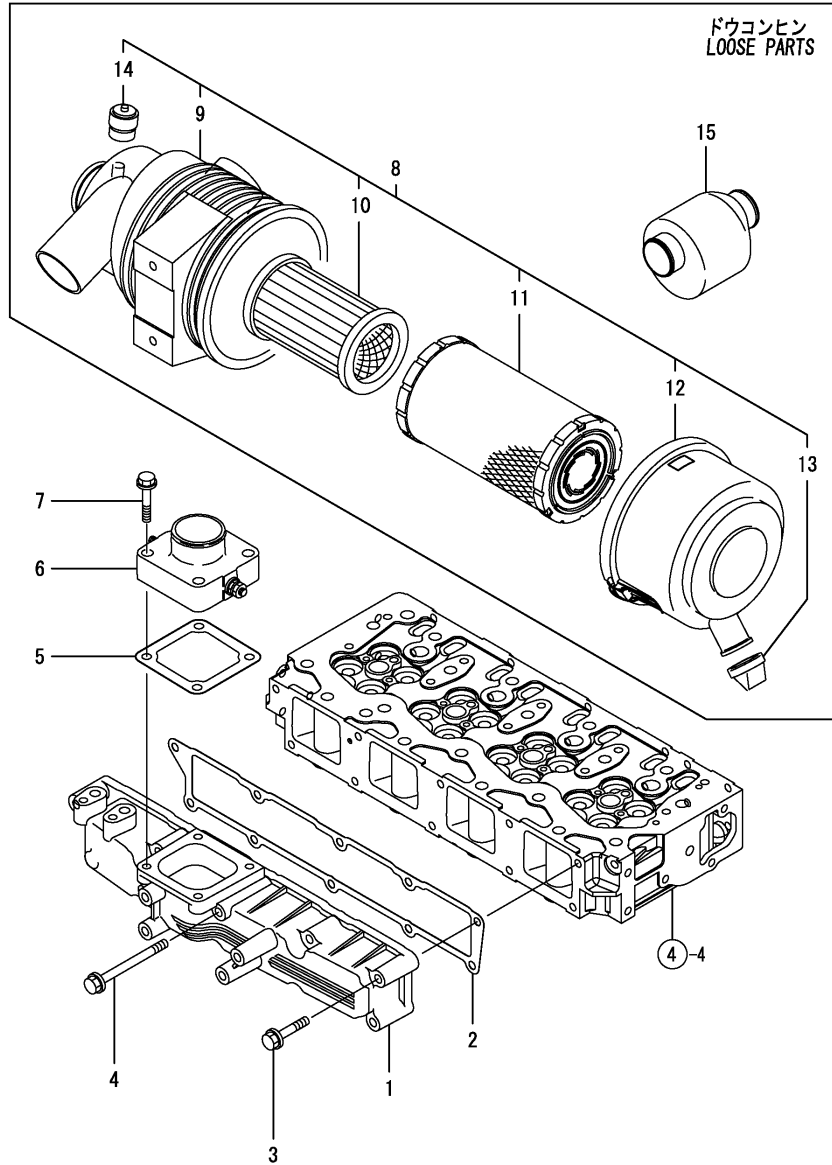
No.	Lev.	Parts No.	Description	Q'ty						I	R
				(A)	(B)	(C)	(D)	(E)	(F)		
56	2	123907-03110	PLATE	1	1						
57	2	123907-03120	PLATE, BREATHER	1	1						
58	2	123907-03140	SPRING, DIAPHRAGM	1	1						
61	2	129907-11310	GASKET, BONNET	1	1						
62	2	119640-61400	PLUG	1	1						
63	2	22857-500100	SCREW, 5X10	6	6						
64	2	22857-500100	SCREW, 5X10	6	6						
65	1	124160-11360	KNOB	4	4						
66	1	24311-000120	O-RING, 1AP12.0	4	4						
67	1	24311-000320	O-RING, 1AP32.0	1	1						
68	1	119802-11870	PROTECTOR, NOZZLE	4	4						
69	1	977770-1207F	GASKET.LIQUID	1	1						2

Remarks  
(1) REPAIR PART.  
(2) OPTIONAL PART.

Fig.5. SUCTION MANIFOLD & AIR CLEANER

(A)=4TNV94L-PIK  
 (B)=4TNV94L-PIKA  
 (C)=

(D)=  
 (E)=  
 (F)=

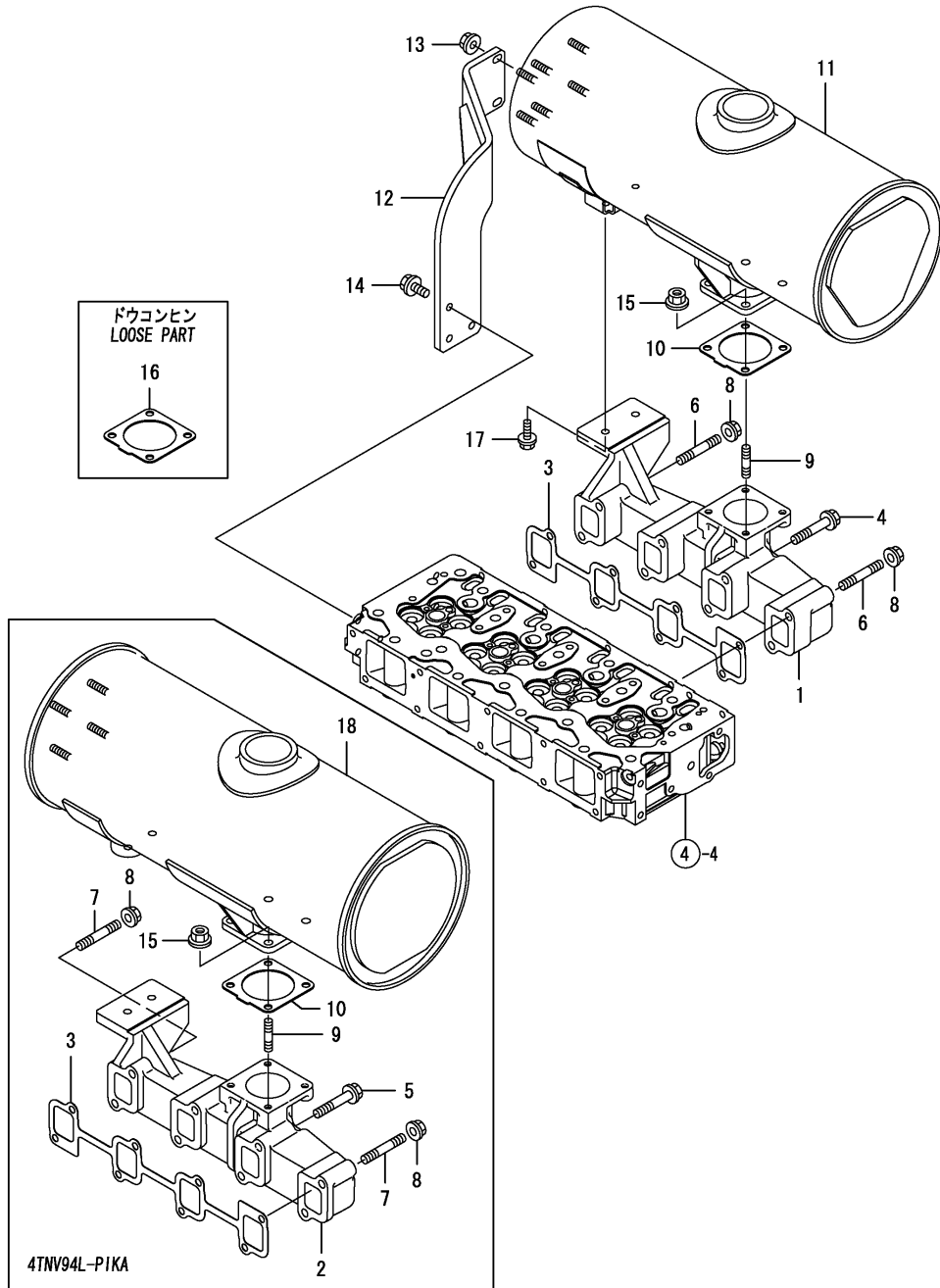


No.	Lev.	Parts No.	Description	Q'ty						I	R
				(A)	(B)	(C)	(D)	(E)	(F)		
1	1	129907-12100	MANIFOLD, AIR INTAKE	1	1						
2	1	129907-12110	GASKET, MANIFOLD	1	1						
3	1	26106-080552	BOLT, M8X 55 PLATED	9	9						
4	1	26106-080852	BOLT, M8X 85 PLATED	1	1						
5	1	121850-77021	GASKET	1	1						
6	1	129915-77050	HEATER	1	1						
7	1	26106-080352	BOLT, M8X 35 PLATED	4	4						
8	1	129916-12500	CLEANER ASSY, AIR	1	1						
9	2	129916-12510	BODY ASSY	1	1						
10	2	119005-12571	ELEMENT	1	1						
11	2	129062-12560	ELEMENT	1	1						
12	2	129900-12530	COVER ASSY	1	1						
13	2	119808-12540	VALVE, UNLOADER	1	1						
14	2	126650-12680	INDICATOR	1	1						
15	1	119160-12060	SILENCER ASSY	1							

Fig.6. EXHAUST MANIFOLD & SILENCER

(A)=4TNV94L-PIK  
(B)=4TNV94L-PIKA  
(C)=

(D)=  
(E)=  
(F)=

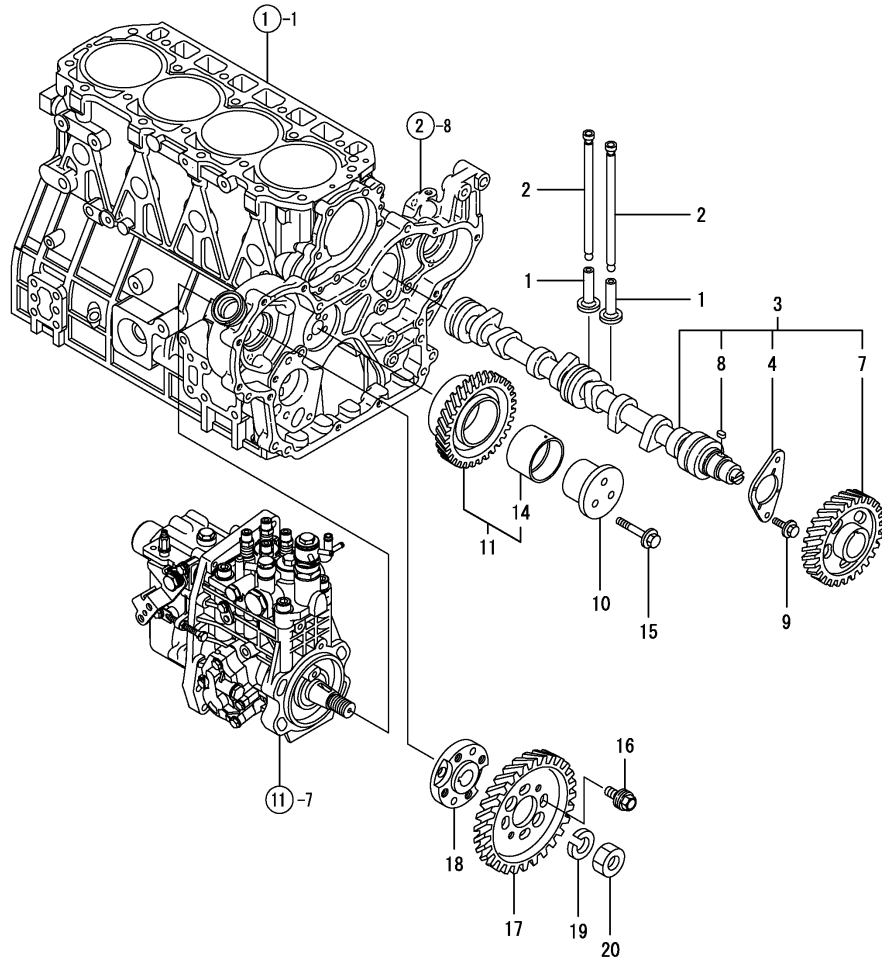


No.	Lev.	Parts No.	Description	Q'ty						I	R
				(A)	(B)	(C)	(D)	(E)	(F)		
1	1	129907-13210	MANIFOLD, EXHAUST	1							
2	1	129907-13200	MANIFOLD, EXHAUST		1						
3	1	129900-13251	GASKET	1	1						
4	1	123900-13640	BOLT, M8X95		6						
5	1	123900-13630	BOLT, M8X80		6						
6	1	129263-13220	STUD, M8X95		2						
7	1	123900-13610	STUD, M8X80		2						
8	1	26306-080002	NUT, M8		2	2					
9	1	119131-18320	STUD, M8X22		4	4					
10	1	129930-13200	GASKET, SILENCER	1	1						
10-1	1	129930-13201	GASKET, SILENCER	1	1						N
		(A=E08415) (B=E07916)									
11	1	129907-13510	SILENCER	1							
12	1	129907-13690	STAY, SILENCER	1							
13	1	26306-080002	NUT, M8	2							
14	1	26106-080202	BOLT, M8X 20 PLATED	3							
15	1	26306-080002	NUT, M8	4	4						
16	1	129930-13200	GASKET, SILENCER	1	1						
16-1	1	129930-13201	GASKET, SILENCER	1	1						N
		(A=E08415) (B=E07916)									
17	1	26106-080252	BOLT, M8X 25 PLATED	2	2						
18	1	129907-13500	SILENCER		1						

# Fig.7. CAMSHAFT & DRIVING GEAR

(A)=4TNV94L-PIK  
 (B)=4TNV94L-PIKA  
 (C)=

(D)=  
 (E)=  
 (F)=



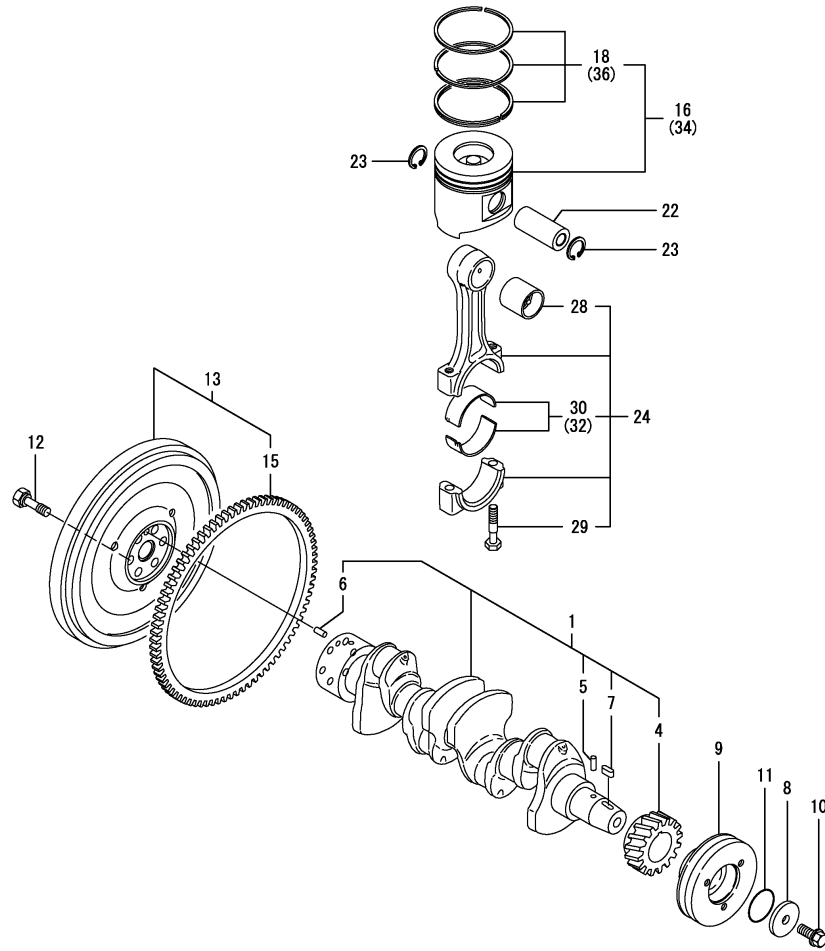
No.	Lev.	Parts No.	Description	Q'ty						I	R
				(A)	(B)	(C)	(D)	(E)	(F)		
1	1	129150-14200	TAPPET	8	8						
2	1	129907-14400	ROD, PUSH	8	8						
3	1	129907-14581	CAMSHAFT ASSY	1	1						
3-1	1	129908-14581	CAMSHAFT ASSY	1	1						N
		(A=EZZZZZ) (B=EZZZZZ)									
4	2	129150-02450	BEARING, THRUST	1	1						
7	2	129900-14100	GEAR, CAMSHAFT	1	1						
8	2	22512-070140	KEY, 7X 14	1	1						
9	1	26106-080162	BOLT, M8X 16 PLATED	2	2						
10	1	123900-25060	SHAFT, IDLE GEAR	1	1						
11	1	129900-25100	GEAR ASSY, IDLE	1	1						
14	2	129150-25920	BUSH, IDLE GEAR	1	1						1
15	1	26106-080552	BOLT, M8X 55 PLATED	3	3						
16	1	129953-25300	BOLT	4	4						
17	1	123907-25909	GEAR, PUMP	1	1						
17-1	1	129907-25900	GEAR, PUMP	1	1						N
		(A=E08415) (B=E07916)									
18	1	158563-51150	FLANGE	1	1						
19	1	22217-180000	WASHER, SPRING 18	1	1						
20	1	26776-180002	NUT, LOCK M18	1	1						

Remarks  
 (1) REPAIR PART.

# Fig.8. CRANKSHAFT & PISTON

(A)=4TNV94L-PIK  
(B)=4TNV94L-PIKA  
(C)=

(D)=  
(E)=  
(F)=



No.	Lev.	Parts No.	Description	Q'ty						I	R
				(A)	(B)	(C)	(D)	(E)	(F)		
1	1	129902-21000	CRANKSHAFT ASSY	1	1						
4	2	129900-21200	GEAR, CRANKSHAFT	1	1						
5	2	121850-21290	PIN	1	1						
6	2	121850-21920	PIN, M10X22	1	1						
7	2	22512-070140	KEY, 7X 14	1	1						
8	1	129960-21640	WASHER	1	1						
9	1	129907-21650	V-PULLEY, 130	1	1						
10	1	121850-21680	BOLT	1	1						
10-1	1	129916-21610	BOLT	1	1						N
		(A=E27022) (B=E26896)									
11	1	24341-000530	O-RING, 1AS53.0	1	1						
12	1	121850-21130	BOLT, FLYWHEEL	6	6						
13	1	129916-21590	FLYWHEEL ASSY	1	1						
15	2	129900-21600	GEAR, RING	1	1						
16	1	129906-22080	PISTON ASSY	4	4						
16-1	1	129906-22090	PISTON ASSY	4	4						F 4
		(A=*2009.12) (B=*2009.12)									
18	2	129906-22050	RING SET, PISTON	4	4						
22	1	120130-22301	PIN, PISTON	4	4						
23	1	22252-000300	RING, 30	8	8						
24	1	129900-23000	ROD ASSY, CONNECTING	4	4						
24-1	1	129900-23001	ROD ASSY, CONNECTING	4	4						N
		(A=E05919) (B=E05409)									
28	2	129900-23910	BEARING, PISTON PIN	4	4						1
28-1	2	129900-23911	BEARING, PISTON PIN	4	4						N 1
		(A=E25091) (B=E25093)									
29	2	129900-23200	BOLT, CONNECTING ROD	8	8						
30	2	129900-23600	BEARING, CRANK PIN	4	4						
30-1	2	129900-23601	BEARING, CRANK PIN	4	4						N
		(A=E25091) (B=E25093)									
32	1	129900-23610	BEARING, 0.25 US	4	4						2
32-1	1	129900-23611	BEARING, 0.25 US	4	4						N 2
		(A=E25091) (B=E25093)									
34	1	729906-22900	PISTON ASSY, 0.25 OS	4	4						3
34-1	1	129906-22900	PISTON ASSY, 0.25 OS	4	4						R 3
		(A=EXXXXX) (B=EXXXXX)									
34-2	1	129906-22910	PISTON ASSY, 0.25 OS	4	4						F 3
		(A=*2009.12) (B=*2009.12)									
36	2	729906-22950	RING SET, 0.25 OS	4	4						3
36-1	2	129916-22950	RING SET, 0.25 OS	4	4						R 3
		(A=EXXXXX) (B=EXXXXX)									

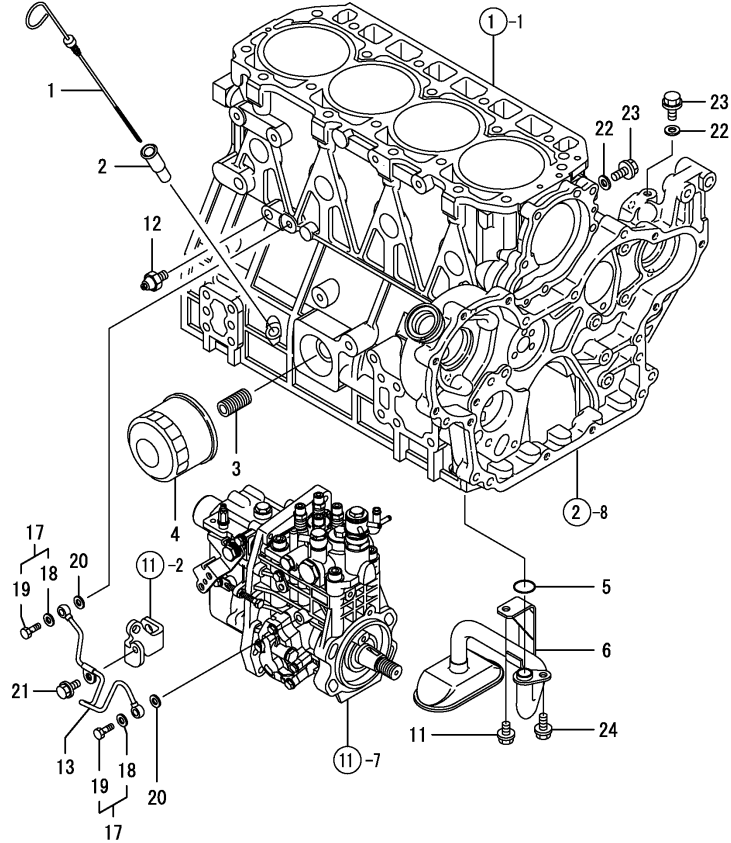
**Remarks**

- (1) Repair part.
- (2) Under-sized (U.S.=0.25) part.
- (3) Over-sized (O.S.=0.25) part.
- (4) Ref. No.16 is interchangeable with a set of Ref. No.16-1 and Fig.1 Ref. No.32-1.

# Fig.9. LUB. OIL SYSTEM

(A)=4TNV94L-PIK  
 (B)=4TNV94L-PIKA  
 (C)=

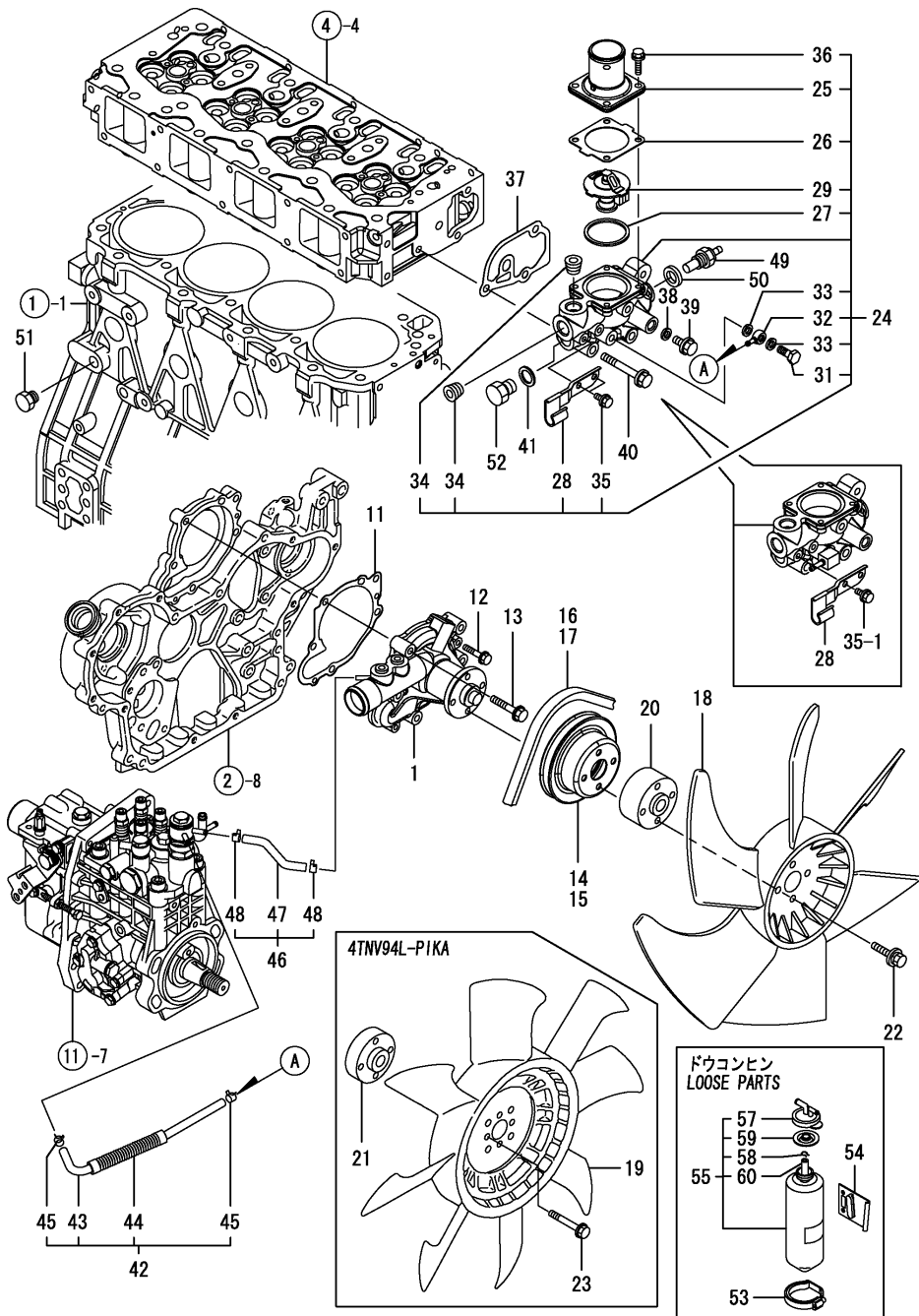
(D)=  
 (E)=  
 (F)=



No.	Lev.	Parts No.	Description	Q'ty						I	R
				(A)	(B)	(C)	(D)	(E)	(F)		
1	1	129953-34830	DIPSTICK, OIL	1	1						
2	1	121520-34810	GUIDE, DIPSTICK	1	1						
3	1	119000-35140	BOLT, FILTER	1	1						
4	1	129150-35153	FILTER 80X80L	1	1						1
5	1	129900-32030	O-RING, P20	1	1						
6	1	129953-35000	PIPE ASSY, OIL INLET	1	1						
11	1	26106-080122	BOLT, M8X 12 PLATED	1	1						
12	1	121252-39450	SWITCH, 0.5KG	1	1						
13	1	129907-39061	PIPE ASSY, OIL	1	1						
17	1	129005-59830	BOLT ASSY, JOINT M8	2	2						
18	2	22190-080002	WASHER, SEAL 6	2	2						
19	2	23857-030000	BOLT, JOINT 3	2	2						
20	1	22190-080002	WASHER, SEAL 6	2	2						
21	1	26106-080122	BOLT, M8X 12 PLATED	1	1						
22	1	22190-080002	WASHER, SEAL 6	2	2						
23	1	26106-080122	BOLT, M8X 12 PLATED	2	2						
24	1	26106-080162	BOLT, M8X 16 PLATED	1	1						

Remarks  
 (1) REPAIR PART.

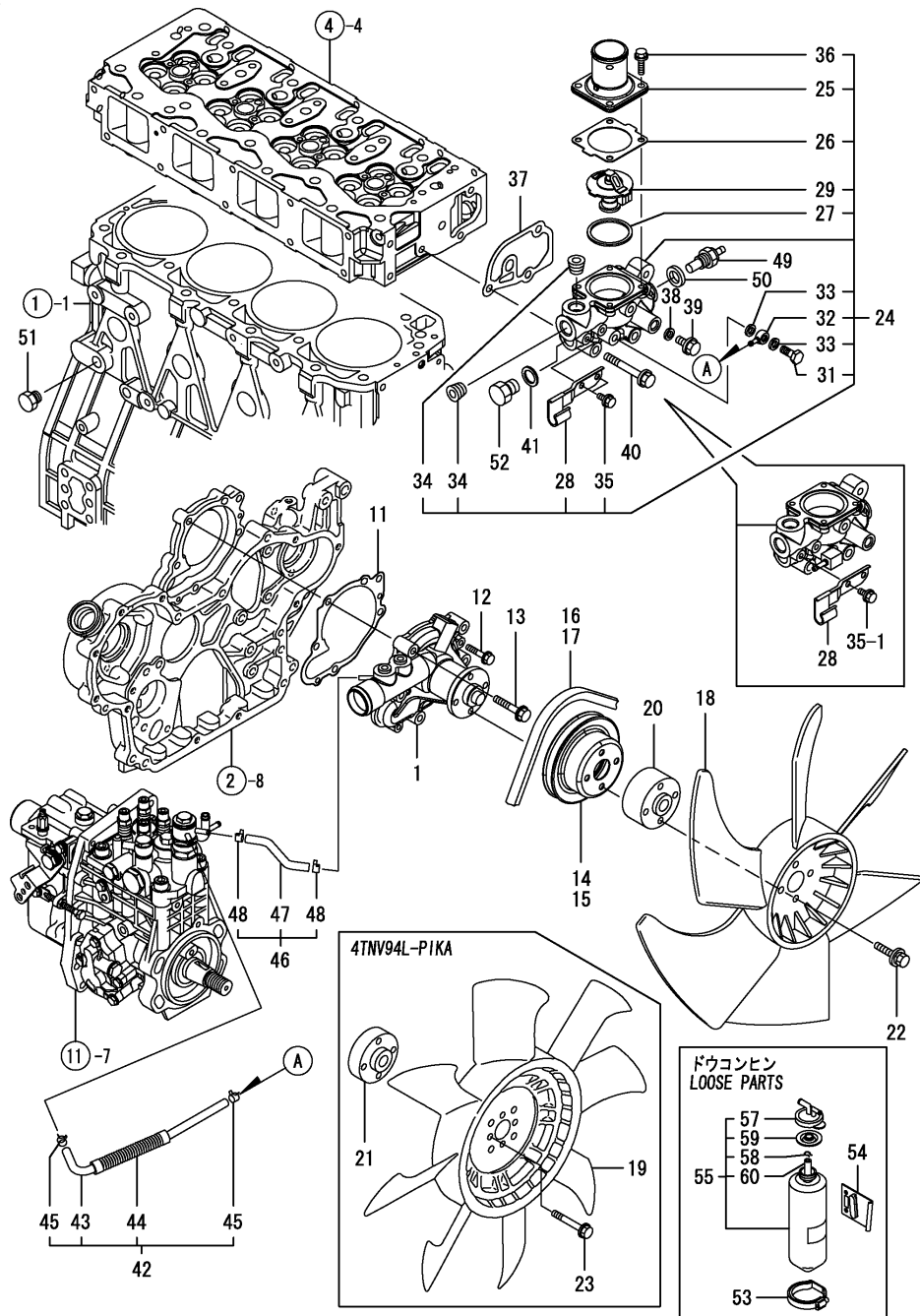
Fig.10. COOLING WATER SYSTEM



No.	Lev.	Parts No.	Description	Q'ty						I	R
				(A)	(B)	(C)	(D)	(E)	(F)		
1	1	129907-42000	PUMP ASSY, WATER	1	1						
11	1	129900-42020	GASKET, WATER PUMP	1	1						
12	1	26106-060302	BOLT, M6X 30 PLATED	2	2						
13	1	26106-080552	BOLT, M8X 55 PLATED	5	5						
14	1	129930-42450	V-PULLEY	1							
15	1	129900-42461	V-PULLEY		1						
16	1	25132-004150	V-BELT, A41.5	1							
17	1	25132-004100	V-BELT, A41		1						
18	1	129916-44740	FAN, COOLING D=430	1							
19	1	119130-44740	FAN, COOLING D=410		1						
20	1	119005-44761	SPACER, FAN	1							
21	1	119130-44760	SPACER, FAN		1						
22	1	26106-080452	BOLT, M8X 45 PLATED	4							
23	1	26106-080302	BOLT, M8X 30 PLATED		4						
24	1	129907-49800	CASE ASSY, THERMOSTAT	1	1						
25	2	129916-49530	COVER, THERMOSTAT	1	1						
26	2	121850-49540	GASKET, THERMOSTAT	1	1						
27	2	121850-49550	GASKET, THERMOSTAT	1	1						
28	2	129907-49730	RETAINER, PIPE	1	1						
29	2	121850-49810	THERMOSTAT, 71	1	1						
31	2	105582-59150	BOLT, PIPE JOINT	1	1						Z
		(A=E05919) (B=E05409)									
32	2	23387-040800	JOINT, HOSE 4-8	1	1						Z
		(A=E05919) (B=E05409)									
33	2	23414-080000	GASKET, 8X1.0	2	2						Z
		(A=E05919) (B=E05409)									
34	2	23875-030000	PLUG, R03	2	2						
35	2	26106-060122	BOLT, M6X 12 PLATED	2	2						
35-1	2	26106-060122	BOLT, M6X 12 PLATED	1	1						K
		(A=E05919) (B=E05409)									
36	2	26106-060202	BOLT, M6X 20 PLATED	4	4						
37	1	129900-49870	GASKET	1	1						
38	1	23414-080000	GASKET, 8X1.0	1	1						
39	1	26106-080122	BOLT, M8X 12 PLATED	1	1						
40	1	26106-080602	BOLT, M8X 60 PLATED	3	3						
41	1	124465-44950	GASKET, 16	1	1						
42	1	129907-49610	HOSE ASSY, WATER	1	1						
43	2	129907-49710	PIPE ASSY, WATER	1	1						
44	2	129907-49750	TUBE, CORRUGATED	1	1						
45	2	124722-59050	CLIP, HOSE 9	2	2						
46	1	129907-49620	HOSE ASSY, WATER	1	1						
47	2	129907-49720	PIPE ASSY, WATER	1	1						
48	2	124722-59050	CLIP, HOSE 9	2	2						
49	1	171056-49351	SENSOR	1	1						
50	1	129150-49360	GASKET	1	1						
51	1	171056-49120	PLUG, DRAIN	1	1						
52	1	121450-42450	PLUG, M16	1	1						
53	1	124450-44550	BAND	1	1						
54	1	121256-44600	BRACKET, SUB TANK	1	1						
55	1	171064-44510	TANK ASSY, SUB	1	1						
57	2	121450-44531	CAP	1	1						

N:Old  $\xrightarrow{\text{Yes}}$  New, Q:Old  $\xrightarrow{\text{No}}$  New, R:Old  $\xrightarrow{\text{Yes}}$  New, S:Old  $\xrightarrow{\text{No}}$  New, W:Add, Z:Discontinued, F:Interchangeable by set, K:Q'ty Change  
 ++ CONTINUE ++  
 Copyright (C) YANMAR CO., LTD. All Rights Reserved.

Fig.10. COOLING WATER SYSTEM



(A)=4TNV94L-PIK  
(B)=4TNV94L-PIKA  
(C)=

(D)=  
(E)=  
(F)=

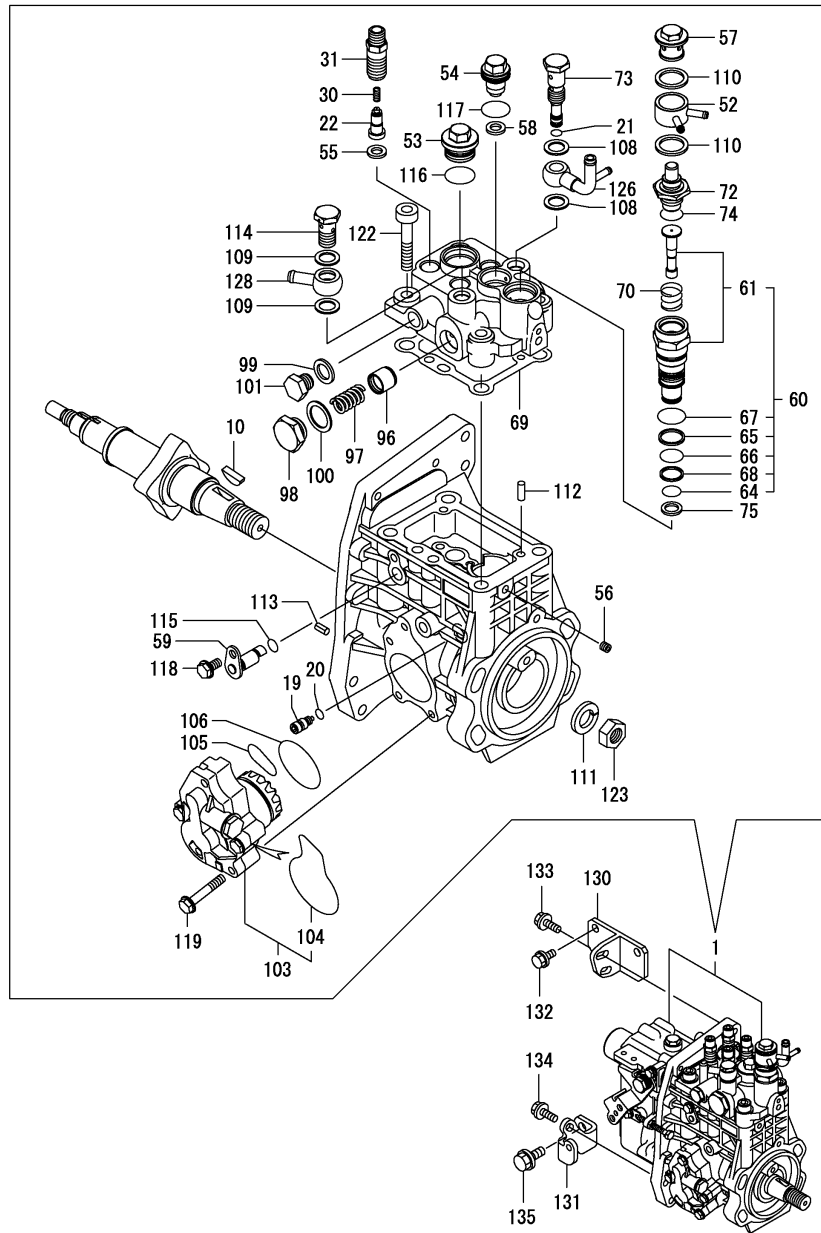
No.	Lev.	Parts No.	Description	Q'ty						I	R
				(A)	(B)	(C)	(D)	(E)	(F)		
58	2	124450-44560	RETAINER	1	1						
59	2	121470-44581	GASKET	1	1						
60	2	23065-070225	HOSE 7X 225	1	1						



# Fig.11. FUEL INJECTION PUMP

(A)=4TNV94L-PIK  
(B)=4TNV94L-PIKA  
(C)=

(D)=  
(E)=  
(F)=



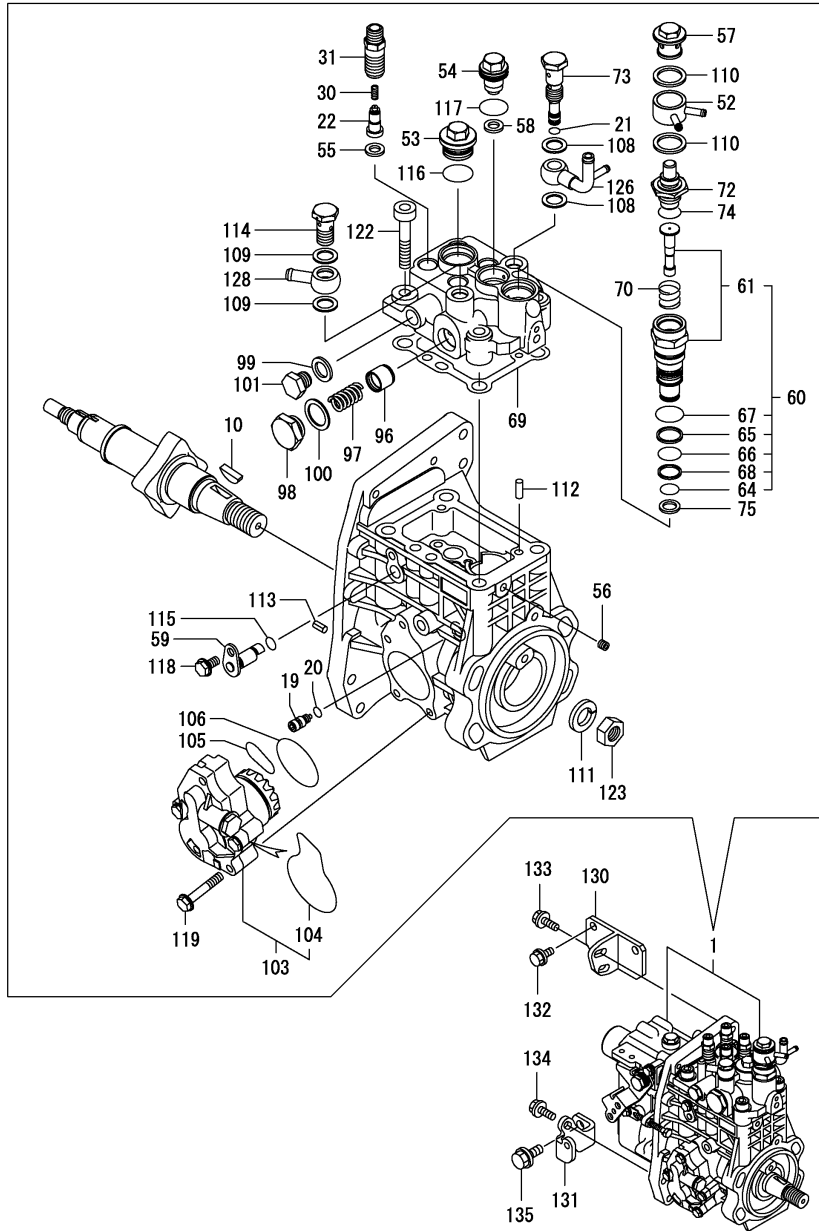
No.	Lev.	Parts No.	Description	Q'ty						I	R
				(A)	(B)	(C)	(D)	(E)	(F)		
1	1	729932-51330	PUMP ASSY, INJECTION	1	1						1
10	2	144626-51090	KEY, 5X19	1	1						
19	2	158600-51270	STOPPER, TAPPET	1	1						
20	2	158563-51281	O-RING, 4D S6	1	1						
21	2	158563-51281	O-RING, 4D S6	1	1						
22	2	158560-51300	VALVE ASSY, DELIVERY	4	4						
30	2	158563-51330	SPRING, DELIVERY	4	4						
31	2	129907-51340	HOLDER, DELIVERY	4	4						
52	2	158553-51551	JOINT	1	1						
53	2	158601-51550	PLUG	1	1						
54	2	129907-51560	PLUG, BARREL	1	1						
55	2	158552-51570	GASKET	4	4						
56	2	158557-51570	PLUG	1	1						
57	2	158601-51570	PLUG	1	1						
58	2	129906-51580	GASKET	1	1						
59	2	158552-51580	LIFTER	1	1						
60	2	119802-51590	TIMER SET	1	1						
61	3	119802-51600	TIMER ASSY	1	1						
64	3	158553-51670	O-RING, 1011	1	1						
65	3	119802-51680	RING, BACK UP	1	1						
66	3	119802-51690	O-RING	1	1						
67	3	24356-010200	O-RING, 4D1020	1	1						
68	3	24372-000150	RING, BACK UP T2P15	1	1						
69	2	158560-51600	GASKET	1	1						
70	2	158553-51630	SPRING, TIMER	1	1						
72	2	158553-51640	ELEMENT	1	1						
73	2	158601-51650	JOINT, OVER FLOW	1	1						
74	2	158553-51660	O-RING, P14	1	1						
75	2	158553-51680	GASKET	1	1						
96	2	158601-51770	PISTON	1	1						
97	2	158552-51781	SPRING	1	1						
98	2	158601-51790	PLUG	1	1						
99	2	22190-120002	WASHER, SEAL 12	1	1						
100	2	22190-180002	WASHER, SEAL 18	1	1						
101	2	23887-120002	PLUG, 12	1	1						
103	2	158552-52100	PUMP ASSY, FUEL FEED	1	1						
104	3	158552-52500	O-RING	1	1						
105	2	158552-52310	O-RING	1	1						
106	2	158552-52400	O-RING, 4E S42	1	1						
108	2	22190-120002	WASHER, SEAL 12	2	2						
109	2	22190-120002	WASHER, SEAL 12	2	2						
110	2	22190-180002	WASHER, SEAL 18	2	2						
111	2	22217-180000	WASHER, SPRING 18	1	1						
112	2	22312-050140	PIN, PARALLEL M5X14	2	2						
113	2	22351-050010	PIN, SPRING 5.0X10	2	2						
114	2	23857-060000	BOLT, JOINT 6	1	1						
115	2	24311-000070	O-RING, 1AP7.0	1	1						
116	2	24356-010200	O-RING, 4D1020	1	1						
117	2	24356-020210	O-RING, 4D2021	1	1						
118	2	26106-060102	BOLT, M6X 10 PLATED	1	1						
119	2	26106-060352	BOLT, M6X 35 PLATED	4	4						

Remarks  
(1) REFER TO FIG.18 & 19 FOR INNER PARTS.

# Fig.11. FUEL INJECTION PUMP

(A)=4TNV94L-PIK  
 (B)=4TNV94L-PIKA  
 (C)=

(D)=  
 (E)=  
 (F)=



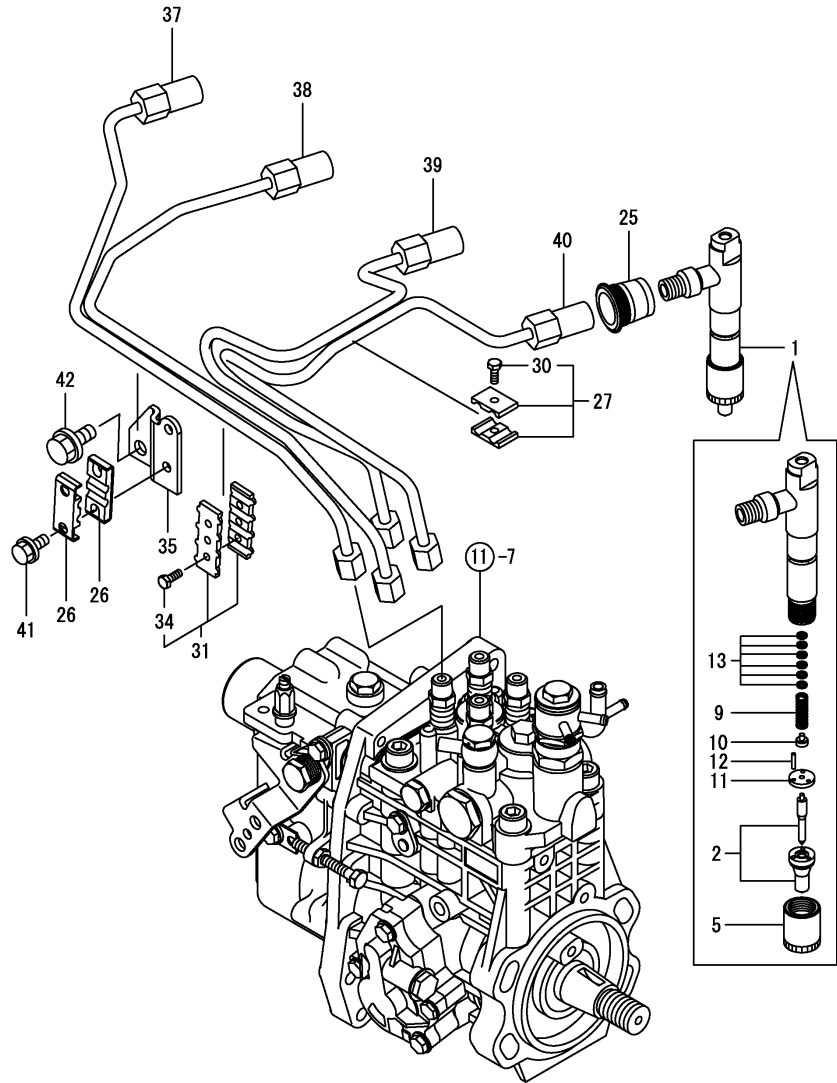
No.	Lev.	Parts No.	Description	Q'ty						I	R
				(A)	(B)	(C)	(D)	(E)	(F)		
122	2	26450-100452	BOLT, M10X 45	4	4						
123	2	26776-180002	NUT, LOCK M18	1	1						
126	2	158552-51670	JOINT, OVER FLOW	1	1						
128	2	129916-59020	JOINT, PIPE 12	1	1						
130	1	129907-01950	RETAINER	1	1						
131	1	129907-01960	RETAINER	1	1						
132	1	26106-080162	BOLT, M8X 16 PLATED	2	2						
133	1	26106-080222	BOLT, M8X 22 PLATED	2	2						
134	1	26106-080222	BOLT, M8X 22 PLATED	1	1						
135	1	26106-100202	BOLT, M10X 20 PLATED	1	1						

Remarks  
 (1) REFER TO FIG.18 & 19 FOR INNER PARTS.

Fig.12. FUEL INJECTION VALVE

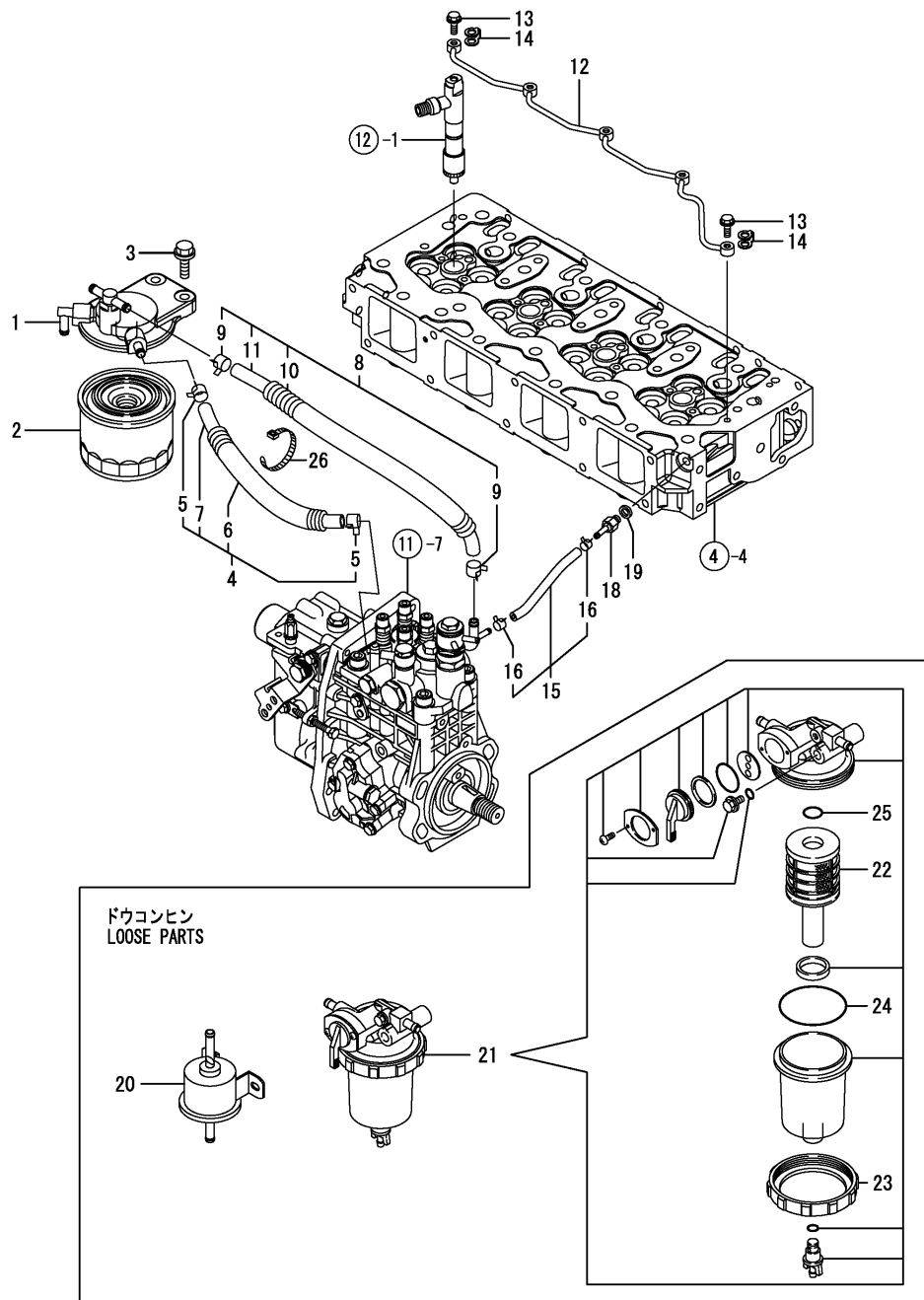
(A)=4TNV94L-PIK  
(B)=4TNV94L-PIKA  
(C)=

(D)=  
(E)=  
(F)=



No.	Lev.	Parts No.	Description	Q'ty						I	R
				(A)	(B)	(C)	(D)	(E)	(F)		
1	1	729906-53100	VALVE ASSY,INJECTION	4	4						
2	2	129906-53000	VALVE ASSY,INJECTION	4	4						
5	2	114250-53080	NUT, NOZZLE D16.95	4	4						
9	2	114250-53120	SPRING, NOZZLE	4	4						
10	2	114250-53130	SEAT, SPRING	4	4						
11	2	114250-53140	PLATE	4	4						
12	2	114250-53210	PIN	8	8						
13	2	114250-53400	SHIM SET	4	4						
25	1	123907-11601	SEAL	4	4						
26	1	122780-59100	RETAINER	2	2						
27	1	119305-59120	RETAINER, PIPE	1	1						
30	2	129150-59131	BOLT, M4X14	1	1						
31	1	129550-59120	RETAINER, PIPE	1	1						
34	2	129150-59131	BOLT, M4X14	2	2						
35	1	129907-59710	SUPPORT	1	1						
37	1	129907-59810	PIPE ASSY, INJECTION	1	1						
38	1	129907-59820	PIPE ASSY, INJECTION	1	1						
39	1	129907-59830	PIPE ASSY, INJECTION	1	1						
40	1	129907-59840	PIPE ASSY, INJECTION	1	1						
41	1	26106-060162	BOLT, M6X 16 PLATED	2	2						
42	1	26106-080182	BOLT, M8X 18 PLATED	1	1						

Fig.13. FUEL LINE

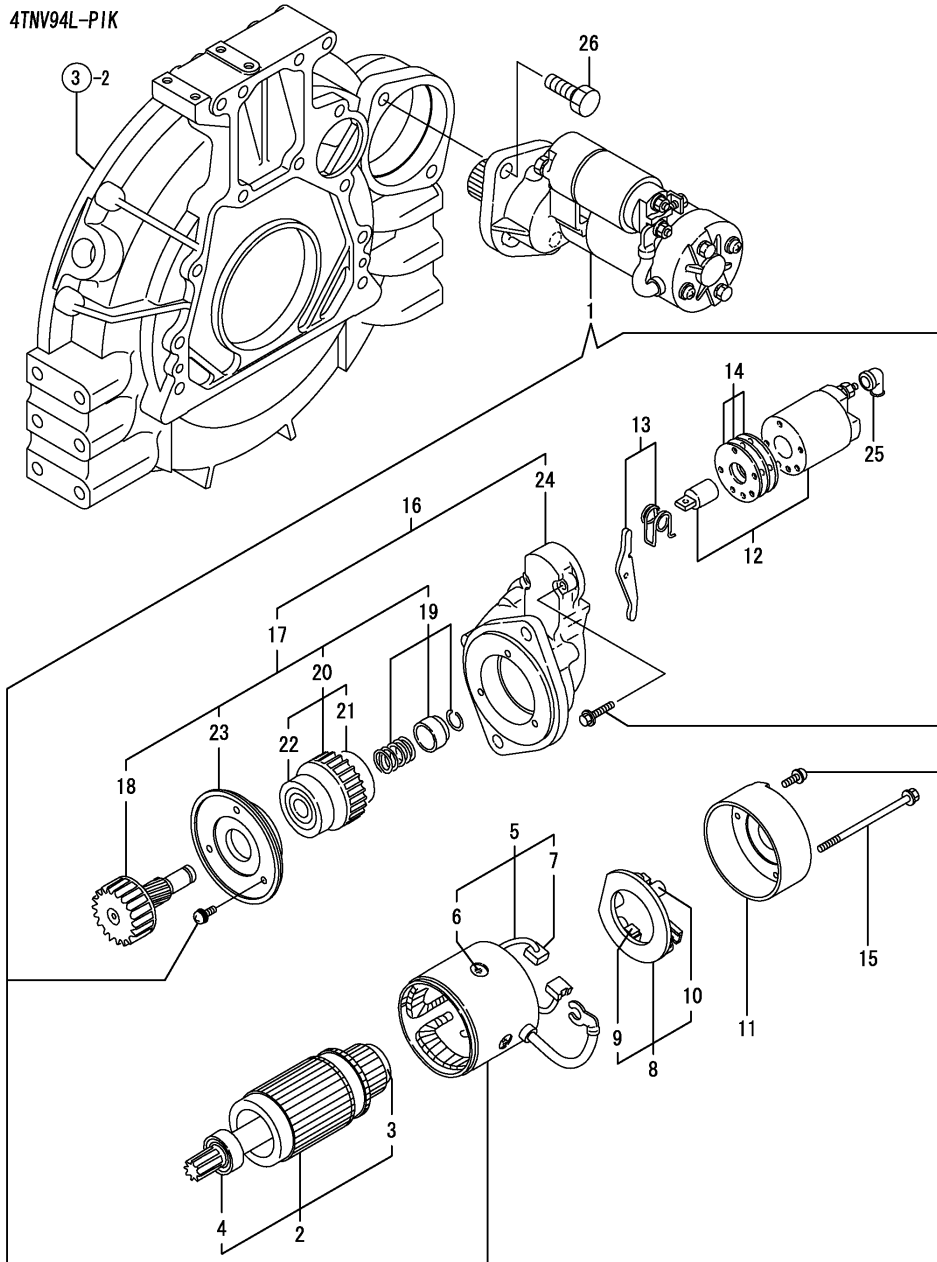


(A)=4TNV94L-PIK  
(B)=4TNV94L-PIKA  
(C)=

(D)=  
(E)=  
(F)=

No.	Lev.	Parts No.	Description	Q'ty						I	R
				(A)	(B)	(C)	(D)	(E)	(F)		
1	1	129004-55610	BRACKET, FILTER	1	1						
1-1	1	129004-55611	BRACKET, FILTER	1	1						R
		(A=E10449) (B=E10875)									
1-2	1	129004-55612	BRACKET, FILTER	1	1						R
		(A=E24174) (B=E23040)									
2	1	119802-55800	FILTER, FUEL	1	1						
2-1	1	119802-55801	FILTER, FUEL	1	1						R
		(A=E25091) (B=E25093)									
3	1	26106-080302	BOLT, M8X 30 PLATED	2	2						
4	1	129457-59010	PIPE ASSY, FUEL	1	1						
5	2	124766-59050	CLIP, HOSE 12	2	2						
6	2	129957-59120	TUBE, CORRUGATED	1	1						
7	2	105025-59750	PIPE, FUEL	1	1						
8	1	129981-59010	PIPE ASSY, FUEL	1	1						
9	2	124766-59050	CLIP, HOSE 12	2	2						
10	2	129950-59221	TUBE, CORRUGATED	1	1						
11	2	129980-59510	PIPE, FUEL	1	1						
12	1	129907-59140	PIPE ASSY, RETURN	1	1						
13	1	123907-59540	BOLT, PIPE JOINT M6	5	5						
14	1	123907-59550	GASKET	5	5						
15	1	129486-59551	PIPE ASSY, RETURN	1	1						
16	2	124722-59050	CLIP, HOSE 9	2	2						
18	1	123907-59560	JOINT	1	1						
19	1	22190-080002	WASHER, SEAL 6	1	1						
20	1	119225-52102	PUMP ASSY, FUEL FEED	1	1						
21	1	119802-55700	SEPARATOR ASSY	1	1						
22	2	119802-55710	ELEMENT	1	1						
23	2	129100-55690	RING, RETAINING	1	1						
24	2	24321-000650	O-RING, 1AG65.0	1	1						
25	2	24311-000160	O-RING, 1AP16.0	1	1						
26	1	121750-59890	BAND, 140	1	1						

Fig.14. STARTING MOTOR



(A)=4TNV94L-PIK  
 (B)=4TNV94L-PIKA  
 (C)=

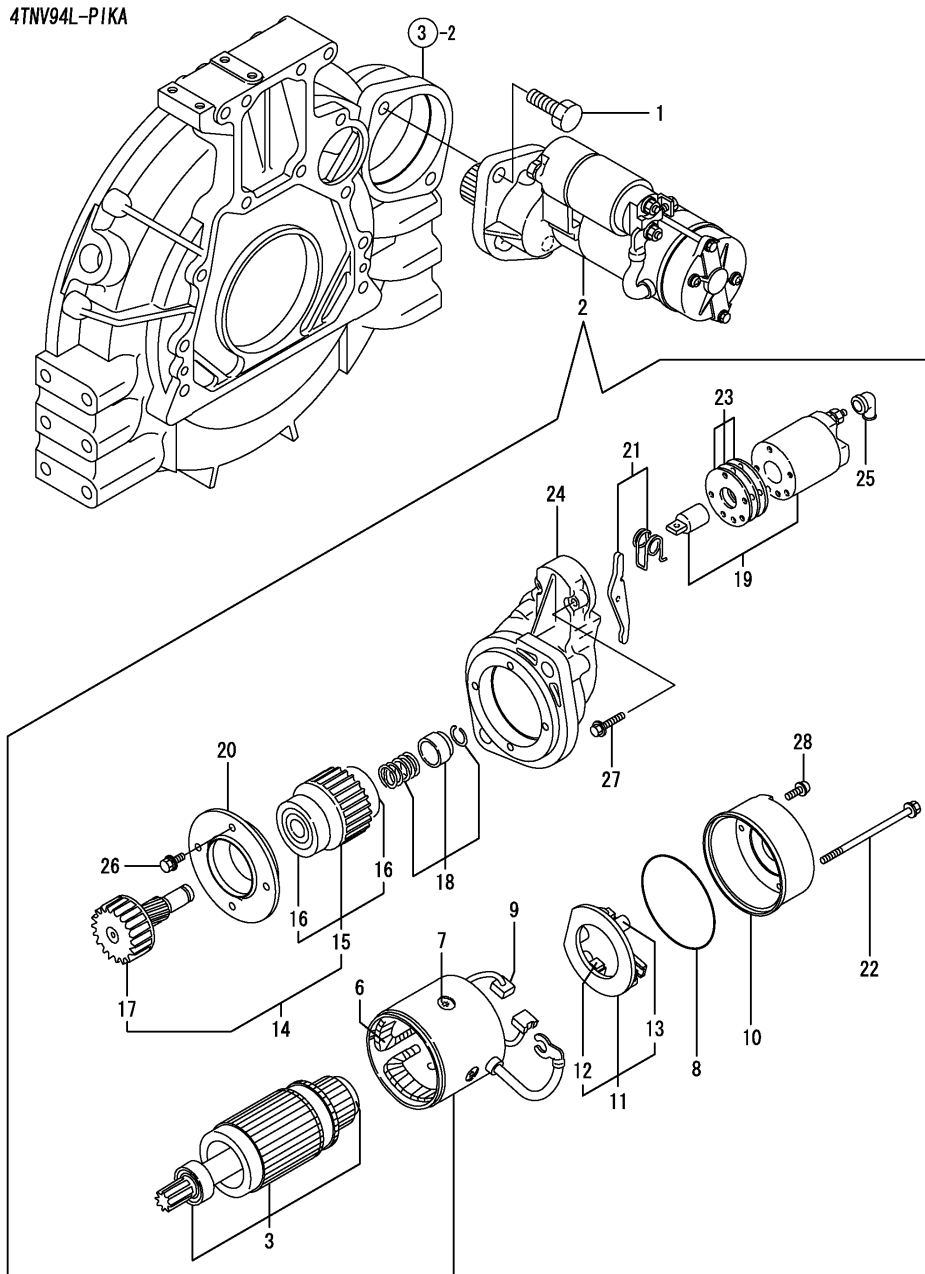
(D)=  
 (E)=  
 (F)=

No.	Lev.	Parts No.	Description	Q'ty						I	R
				(A)	(B)	(C)	(D)	(E)	(F)		
1	1	129900-77010	STARTER(2.3KW	1							
2	2	129900-77400	ARMATURE ASSY	1							
3	3	X2114155110	BEARING, BALL	1							
4	3	X2114255110	BEARING, BALL	1							
5	2	129900-77440	COIL ASSY, FIELD	1							
6	3	171008-77450	SCREW	4							
7	3	129900-77450	BRUSH (+)	2							
8	2	129900-77480	HOLDER ASSY, BRASH	1							
9	3	129900-77450	BRUSH (+)	2							
10	3	X2130631300	SPRING, BRUSH	4							
11	2	129900-77460	COVER, REAR	1							
12	2	129900-77591	SWITCH ASSY,MAGNETIC	1							
13	2	129900-77620	SHIFT LEVER SET	1							
14	2	129900-77650	COVER ASSY, DUST	1							
15	2	129900-77640	BOLT, THROUGH	2							
16	2	129900-77700	GEAR CASE ASY	1							
17	3	129900-77510	PINION ASSY	1							
18	4	129900-77540	SHAFT, PINION	1							
19	4	129900-77550	STOPPER SET	1							
20	4	129900-77520	CLUTCH ASSY	1							
21	4	171008-77730	BALL BEARING (3)	1							
22	4	171008-77740	BALL BEARING (4)	1							
23	4	129900-77610	RETAINER, BEARING	1							
24	3	129900-77710	HOUSING, GEARS	1							
25	2	171008-77750	COVER, M TERMINAL	1							
26	1	26116-120302	BOLT, M12X 30 PLATED	2							

Fig.15. STARTING MOTOR

(A)=4TNV94L-PIK  
 (B)=4TNV94L-PIKA  
 (C)=

(D)=  
 (E)=  
 (F)=

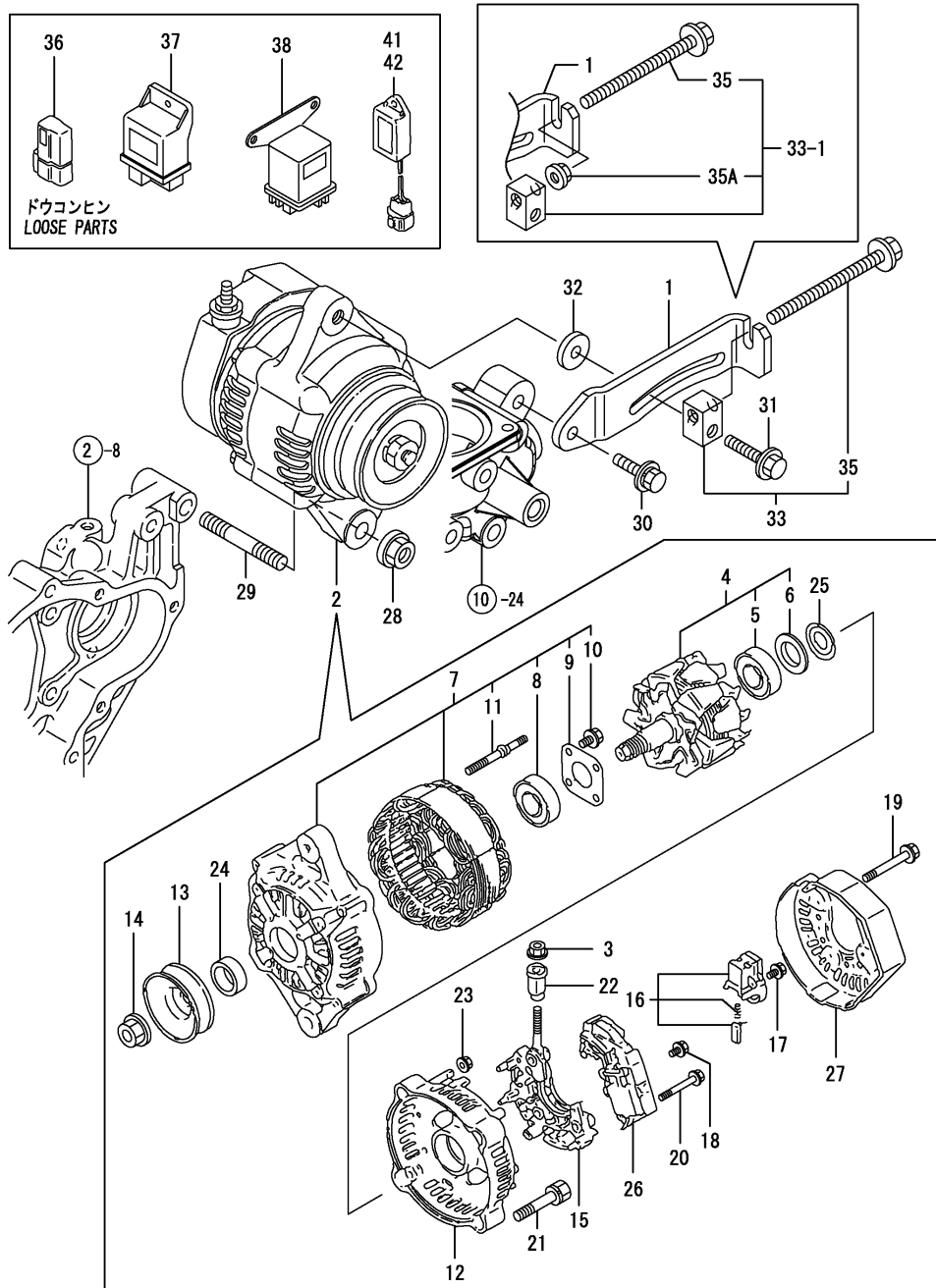


No.	Lev.	Parts No.	Description	Q'ty						I	R
				(A)	(B)	(C)	(D)	(E)	(F)		
1	1	26116-120302	BOLT, M12X 30 PLATED		2						
2	1	129940-77010	STARTER 12V,3KW		1						
3	2	129940-77100	ARMATURE ASSY		1						
6	2	129940-77130	COIL ASSY, FIELD		1						
7	2	129940-77140	SCREW, POLE CORE SET		4						
8	2	129940-77150	O-RING		1						
9	2	129940-77160	BRUSH (+)		2						
10	2	129940-77170	COVER, REAR		1						
11	2	129940-77180	HOLDER, BRUSH		1						
12	3	129940-77200	BRUSH (-)		2						
13	3	129940-77190	SPRING, BRUSH		1						
14	2	123900-77510	PINION ASSY		1						
15	3	123900-77520	CLUTCH ASSY		1						
16	4	X2240610100	BALL BEARING (3)		2						
17	3	123900-77540	SHAFT, PINION		1						
18	2	119131-77550	STOPPER KIT, PINION		1						
19	2	129940-77210	SWITCH ASSY,MAGNETIC		1						
20	2	129940-77230	RETAINER, BEARING		1						
21	2	129940-77240	SHIFT LEVER SET		1						
22	2	129940-77260	THROUGHT BOLT		2						
23	2	129940-77250	COVER ASSY, DUST		1						
24	2	129940-77220	HOUSING, GEARS		1						
25	2	121254-77810	COVER, TERMINAL		1						
26	2	129940-77270	BOLT M6X 20		4						
27	2	114371-79070	BOLT M 6X 37		2						
28	2	129940-77280	SCREW M4X 10		2						

Fig.16. GENERATOR

(A)=4TNV94L-PIK  
(B)=4TNV94L-PIKA  
(C)=

(D)=  
(E)=  
(F)=

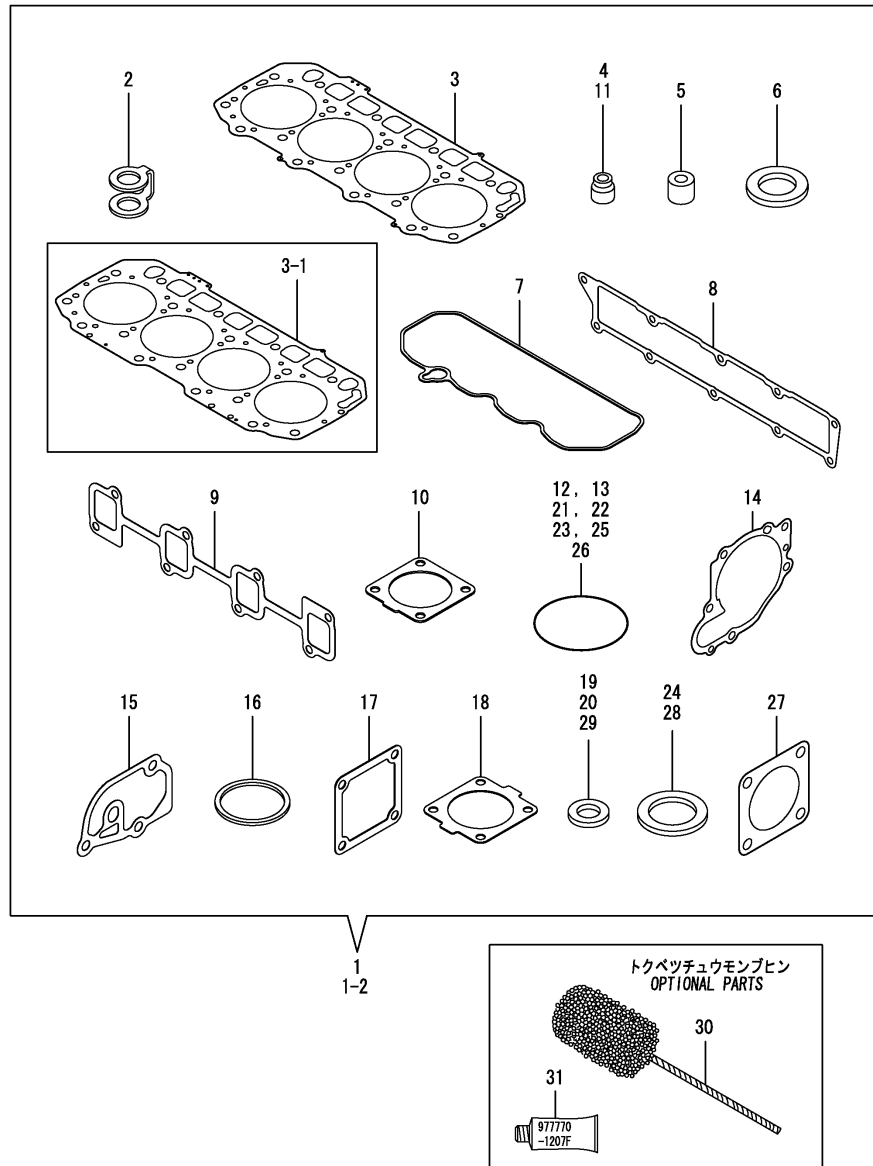


No.	Lev.	Parts No.	Description	Q'ty						I	R
				(A)	(B)	(C)	(D)	(E)	(F)		
1	1	129906-77300	ADJUSTER	1	1						
2	1	129240-77200	ALTERNATOR	1	1						
3	2	129240-79310	NUT	1	1						
4	2	119620-77380	ROTOR ASSY	1	1						
5	3	126501-79240	BALL BEARING	1	1						
5-1	3	123501-79240	BEARING, BALL	1	1						N
		(A=E06832) (B=E06833)									
6	3	119620-79250	COVER, BEARING	1	1						
7	2	119620-77421	FRAME ASSY, DRIVE	1	1						
8	3	119620-79200	BALL BEARING	1	1						
9	3	119620-79210	PLATE	1	1						
10	3	119620-79220	SCREW	4	4						
11	3	119620-79230	BOLT, STUD	2	2						
12	2	119620-77440	FLAME ASSY, REAR	1	1						
13	2	119620-77461	PULLEY	1	1						
14	2	119620-77471	NUT	1	1						
15	2	119620-79260	HOLDER	1	1						
16	2	129052-79270	HOLDER, BRUSH	1	1						
17	2	119620-79290	SCREW	6	6						
18	2	119620-79300	SCREW	1	1						
19	2	119620-79310	BOLT	3	3						
20	2	119620-79320	SCREW W/WASHER	2	2						
21	2	119620-79330	BOLT	2	2						
22	2	119620-79340	INSULATION BUSH	1	1						
23	2	119620-79350	NUT	2	2						
24	2	119620-77490	COLLAR	1	1						
25	2	119620-79360	WASHER, THRUST	1	1						
26	2	129240-77710	REGULATOR ASSY	1	1						
27	2	129240-79300	COVER	1	1						
28	1	26306-100002	NUT, M10	1	1						
29	1	129795-01900	STUD	1	1						
30	1	26014-080252	BOLT, M8X 25	1	1						
31	1	26106-080452	BOLT, M8X 45 PLATED	1	1						
31-1	1	26106-080552	BOLT, M8X 55 PLATED	1	1						N
		(A=E06726) (B=E05698)									
32	1	121236-77340	SPACER	1	1						
33	1	119624-77350	BLOCK, ADJUSTER	1	1						
33-1	1	119624-77351	BLOCK ASSY, ADJUSTER	1	1						N
		(A=E06726) (B=E05698)									
35	2	26106-081004	BOLT, M8X100 PLATED	1	1						
35A	2	26306-080002	NUT, M8	1	1						W
		(A=E06726) (B=E05698)									
36	1	119643-66900	DIODE	1	1						
37	1	119802-77200	RELAY, SAFETY	1	1						
38	1	119650-77910	RELAY ASSY, GLOW	1	1						
41	1	128300-77920	TIMER	1	1						
42	1	129211-77920	TIMER	1	1						

Fig.17. GASKET SET

(A)=4TNV94L-PIK  
(B)=4TNV94L-PIKA  
(C)=

(D)=  
(E)=  
(F)=



No.	Lev.	Parts No.	Description	Q'ty						I	R
				(A)	(B)	(C)	(D)	(E)	(F)		
1	1	729906-92640	GASKET SET	1	1						1
1-1	1	729906-92641	GASKET SET	1	1						N 1
(A=EXXXXX)											
1-2	1	129932-92610	GASKET SET	1	1						S 1
(A=*2009.12) (B=*2009.12)											
2	2	123907-59550	GASKET	5	5						
3	2	129906-01340	GASKET, HEAD	1	1						
3-1	2	129906-01350	GASKET, HEAD	1	1						S
(A=*2009.12) (B=*2009.12)											
4	2	124160-11340	SEAL, VALVE STEM	8	8						
5	2	119802-11870	PROTECTOR, NOZZLE	4	4						
6	2	119625-11880	SEAT, NOZZLE	4	4						
7	2	129907-11310	GASKET, BONNET	1	1						
8	2	129907-12110	GASKET, MANIFOLD	1	1						
9	2	129900-13251	GASKET	1	1						
10	2	129930-13200	GASKET, SILENCER	2	2						
10-1	2	129930-13201	GASKET, SILENCER	2	2						N
(A=E08415) (B=E07916)											
11	2	124950-11340	SEAL, VALVE STEM	8	8						
11-1	2	119803-11340	SEAL, VALVE STEM	8	8						N
(A=E27022) (B=E26896)											
12	2	129900-32030	O-RING, P20	2	2						
13	2	129900-32040	O-RING, P14	1	1						
14	2	129900-42020	GASKET, WATER PUMP	1	1						
15	2	129900-49870	GASKET	1	1						
16	2	121850-49550	GASKET, THERMOSTAT	1	1						
17	2	121850-77021	GASKET	1	1						
18	2	121850-49540	GASKET, THERMOSTAT	1	1						
19	2	23414-080000	GASKET, 8X1.0	3	3						
20	2	124465-44950	GASKET, 16	1	1						
21	2	24311-000070	O-RING, 1AP7.0	1	1						
22	2	24311-000120	O-RING, 1AP12.0	8	8						
23	2	24311-000320	O-RING, 1AP32.0	3	3						
24	2	22190-080002	WASHER, SEAL 6	7	7						
25	2	24341-000530	O-RING, 1AS53.0	1	1						
26	2	24351-030750	O-RING, 1A3075	1	1						
27	2	124240-01883	GASKET	1	1						
28	2	22190-220002	WASHER, SEAL 22	1	1						
29	2	129150-49360	GASKET	1	1						
30	1	129400-92440	HONE	1	1						1
31	1	977770-1207F	GASKET.LIQUID	1	1						1

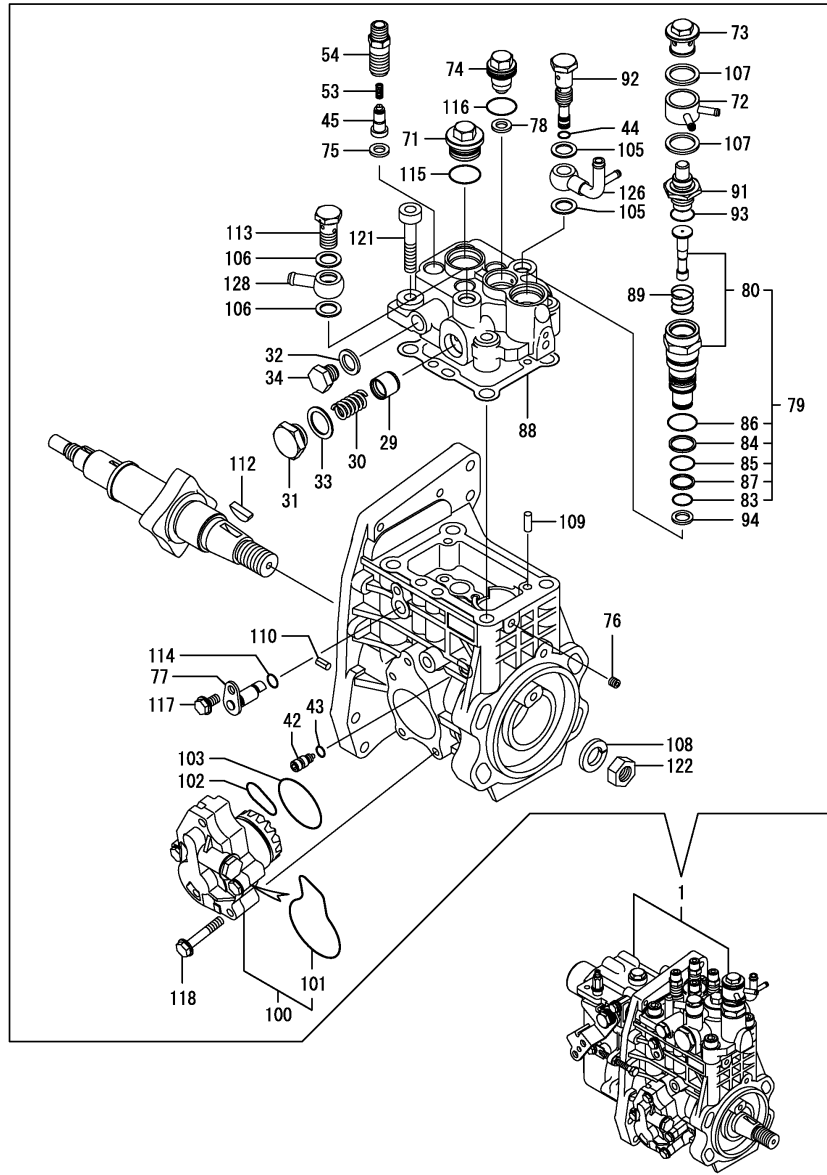
Remarks  
(1) OPTIONAL PARTS.



Fig.18. FUEL INJECTION PUMP(INNER PART)

(A)=4TNV94L-PIK  
(B)=4TNV94L-PIKA  
(C)=

(D)=  
(E)=  
(F)=



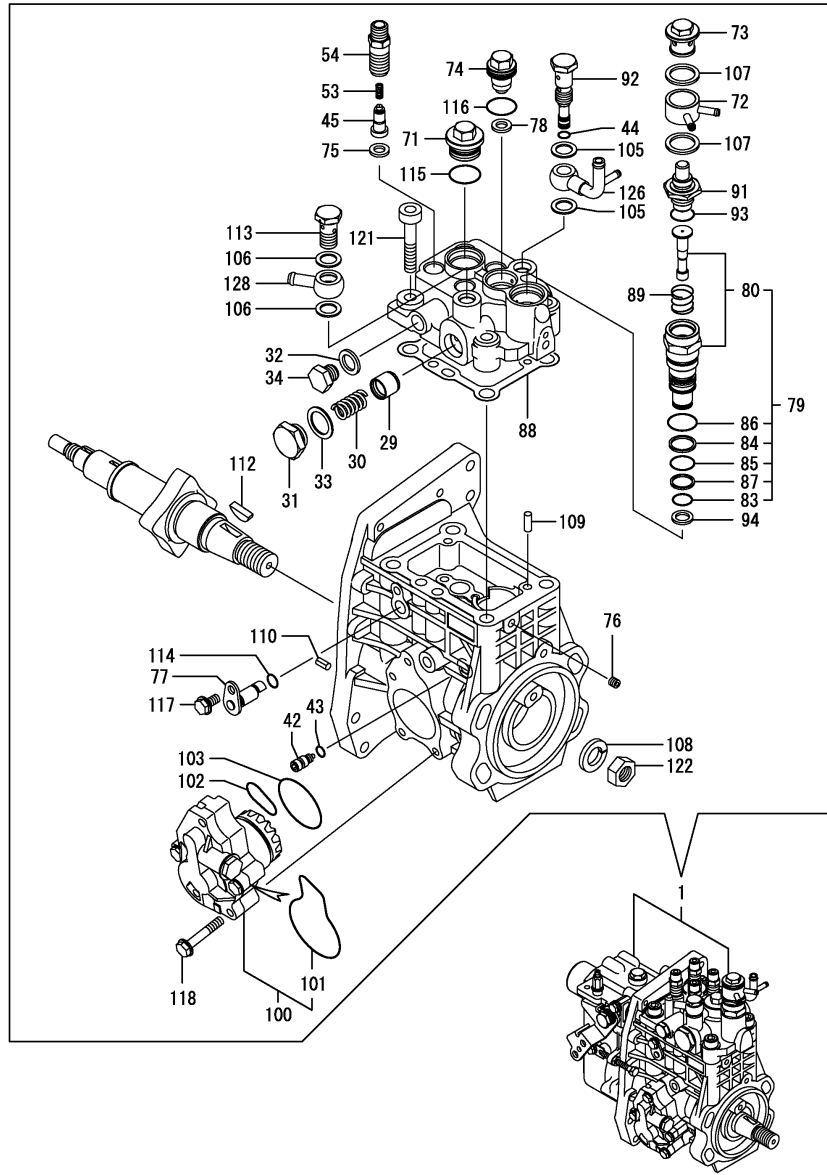
No.	Lev.	Parts No.	Description	Qty						I	R
				(A)	(B)	(C)	(D)	(E)	(F)		
1	1	729932-51330	PUMP ASSY, INJECTION	1	1						1
29	2	158601-51770	PISTON	1	1						
30	2	158552-51780	SPRING	1	1						
30-1	2	158552-51781	SPRING	1	1						N
		(A=EXXXXX) (B=EXXXXX)									
31	2	158601-51790	PLUG	1	1						
32	2	22190-120002	WASHER, SEAL 12	1	1						
33	2	22190-180002	WASHER, SEAL 18	1	1						
34	2	23887-120002	PLUG, 12	1	1						
42	2	158600-51270	STOPPER, TAPPET	1	1						
43	2	158563-51281	O-RING, 4D S6	1	1						
44	2	158563-51281	O-RING, 4D S6	1	1						
45	2	158560-51300	VALVE ASSY, DELIVERY	4	4						
53	2	158563-51330	SPRING, DELIVERY	4	4						
54	2	129907-51340	HOLDER, DELIVERY	4	4						
71	2	158601-51550	PLUG	1	1						
72	2	158553-51551	JOINT	1	1						
73	2	158601-51570	PLUG	1	1						
74	2	129907-51560	PLUG, BARREL	1	1						
75	2	158552-51570	GASKET	4	4						
76	2	158557-51570	PLUG	1	1						
77	2	158552-51580	LIFTER	1	1						
78	2	129906-51580	GASKET	1	1						
79	2	119802-51590	TIMER SET	1	1						
80	3	119802-51600	TIMER ASSY	1	1						
83	3	158553-51670	O-RING, 1011	1	1						
84	3	119802-51680	RING, BACK UP	1	1						
85	3	119802-51690	O-RING	1	1						
86	3	24356-010200	O-RING, 4D1020	1	1						
87	3	24372-000150	RING, BACK UP T2P15	1	1						
88	2	158560-51600	GASKET	1	1						
89	2	158553-51630	SPRING, TIMER	1	1						
91	2	158553-51640	ELEMENT	1	1						
92	2	158601-51650	JOINT, OVER FLOW	1	1						
93	2	158553-51660	O-RING, P14	1	1						
94	2	158553-51680	GASKET	1	1						
100	2	158552-52100	PUMP ASSY, FUEL FEED	1	1						
101	3	158552-52500	O-RING	1	1						
102	2	158552-52310	O-RING	1	1						
103	2	158552-52400	O-RING, 4E S42	1	1						
105	2	22190-120002	WASHER, SEAL 12	2	2						
106	2	22190-120002	WASHER, SEAL 12	2	2						
107	2	22190-180002	WASHER, SEAL 18	2	2						
108	2	22217-180000	WASHER, SPRING 18	1	1						
109	2	22312-050140	PIN, PARALLEL M5X14	2	2						
110	2	22351-050010	PIN, SPRING 5.0X10	2	2						
112	2	144626-51090	KEY, 5X19	1	1						
113	2	23857-060000	BOLT, JOINT 6	1	1						
114	2	24311-000070	O-RING, 1AP7.0	1	1						
115	2	24356-010200	O-RING, 4D1020	1	1						
116	2	24356-020210	O-RING, 4D2021	1	1						

Remarks  
(1) GOVERNOR ASSY(FIG.19) IS  
INCORPORATED IN THIS FOP.CMP  
(REF.NO.1).

Fig.18. FUEL INJECTION PUMP(INNER PART)

(A)=4TNV94L-PIK  
 (B)=4TNV94L-PIKA  
 (C)=

(D)=  
 (E)=  
 (F)=



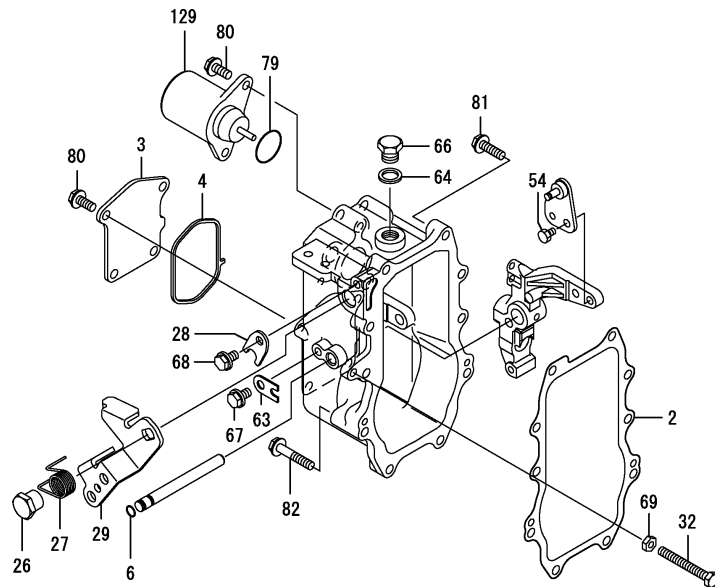
No.	Lev.	Parts No.	Description	Q'ty						I	R
				(A)	(B)	(C)	(D)	(E)	(F)		
117	2	26106-060102	BOLT, M6X 10 PLATED	1	1						
118	2	26106-060352	BOLT, M6X 35 PLATED	4	4						
121	2	26450-100452	BOLT, M10X 45	4	4						
122	2	26776-180002	NUT, LOCK M18	1	1						
126	2	158552-51670	JOINT, OVER FLOW	1	1						
128	2	129916-59020	JOINT, PIPE 12	1	1						

Remarks  
 (1) GOVERNOR ASSY(FIG.19) IS  
 INCORPORATED IN THIS FOP.CMP  
 (REF.NO.1).

# Fig.19. GOVERNOR(INNER PARTS)

(A)=4TNV94L-PIK  
(B)=4TNV94L-PIKA  
(C)=

(D)=  
(E)=  
(F)=



No.	Lev.	Parts No.	Description	Q'ty						I	R
				(A)	(B)	(C)	(D)	(E)	(F)		
2	2	158560-61050	GASKET	1	1						
3	2	158560-61061	COVER, GOVERNOR CASE	1	1						
4	2	158560-61071	GASKET	1	1						
6	2	129155-51280	O-RING, S6	1	1						
26	2	129255-61410	NUT, LOCK	1	1						
27	2	119807-61420	SPRING, RETURN	1	1						
28	2	158560-61430	RETAINER, SHAFT	1	1						
29	2	158560-61442	LEVER, REGULATOR	1	1						
32	2	129155-61460	BOLT, IDLE	1	1						
54	2	26116-060102	BOLT, M6X 10 PLATED	1	1						
63	2	119660-61901	RETAINER, SHAFT	1	1						
64	2	22190-160002	WASHER, SEAL 16	1	1						
66	2	23887-160002	PLUG, 16	1	1						
67	2	26106-060102	BOLT, M6X 10 PLATED	1	1						
68	2	26106-060102	BOLT, M6X 10 PLATED	1	1						
69	2	26756-060002	NUT, LOCK M6	1	1						
79	2	158552-61900	O-RING	1	1						
80	2	26106-060142	BOLT, M6X 14 PLATED	6	6						
81	2	26106-060252	BOLT, M6X 25 PLATED	8	8						
82	2	26106-060402	BOLT, M6X 40 PLATED	2	2						
129	2	119233-77932	SOLENOID, STOP	1	1						

Remarks

\* THIS FIGURE(GOVERNOR ASSY)IS  
INCORPORATED IN THE FUEL INJECTION  
PUMP ASSY(FIG.18).

## Parts No. Index

Parts No.	Fig. No.	Ref. No.
105025-59750	13	7
105582-59150	10	31
114250-53080	12	5
114250-53120	12	9
114250-53130	12	10
114250-53140	12	11
114250-53210	12	12
114250-53400	12	13
114371-79070	15	27
119000-35140	9	3
119005-12571	5	10
119005-44761	10	20
119130-44740	10	19
119130-44760	10	21
119131-18320	6	9
119131-77550	15	18
119160-12060	5	15
119225-52102	13	20
119233-77932	19	129
119305-59120	12	27
119593-11301	4	28
119620-01750	3	14
119620-11180	4	17
119620-77380	16	4
119620-77421	16	7
119620-77440	16	12
119620-77461	16	13
119620-77471	16	14
119620-77490	16	24
119620-79200	16	8
119620-79210	16	9
119620-79220	16	10
119620-79230	16	11
119620-79250	16	6
119620-79260	16	15
119620-79290	16	17
119620-79300	16	18
119620-79310	16	19
119620-79320	16	20
119620-79330	16	21
119620-79340	16	22
119620-79350	16	23
119620-79360	16	25
119624-77350	16	33
119624-77351	16	33 -1
119625-11880	4	26
	17	6
119640-01640	3	8
119640-61400	4	62
119643-66900	16	36

Parts No.	Fig. No.	Ref. No.
119650-77910	16	38
119660-61901	19	63
119802-11870	4	68
	17	5
119802-51590	11	60
	18	79
119802-51600	11	61
	18	80
119802-51680	11	65
	18	84
119802-51690	11	66
	18	85
119802-55700	13	21
119802-55710	13	22
119802-55800	13	2
119802-55801	13	2 -1
119802-77200	16	37
119803-11340	4	19 -1
	17	11 -1
119807-61420	19	27
119808-12540	5	13
120130-22301	8	22
121236-77340	16	32
121252-39450	9	12
121254-77810	15	25
121256-44600	10	54
121450-42450	10	52
121450-44531	10	57
121470-44581	10	59
121520-34810	9	2
121750-59890	13	26
121850-21130	8	12
121850-21290	8	5
121850-21680	8	10
121850-21920	8	6
121850-49540	10	26
	17	18
121850-49550	10	27
	17	16
121850-49810	10	29
121850-77021	5	5
	17	17
122780-59100	12	26
123501-79240	16	5 -1
123900-13610	6	7
123900-13630	6	5
123900-13640	6	4
123900-25060	7	10
123900-77510	15	14
123900-77520	15	15

Parts No.	Fig. No.	Ref. No.
123900-77540	15	17
123907-03100	4	55
123907-03110	4	56
123907-03120	4	57
123907-03140	4	58
123907-11280	4	33
123907-11550	4	3
123907-11601	12	25
123907-11820	4	10
123907-11830	4	23
123907-25909	7	17
123907-59540	13	13
123907-59550	13	14
	17	2
123907-59560	13	18
124160-01751	2	35
	4	50
124160-11340	4	18
	17	4
124160-11360	4	65
124240-01871	2	36
124240-01883	2	37
	17	27
124411-01780	3	6
124450-44550	10	53
124450-44560	10	58
124465-44950	10	41
	17	20
124722-59050	10	45
		48
	13	16
124766-59050	13	5
		9
124950-11340	4	19
	17	11
126501-79240	16	5
126650-12680	5	14
128300-77920	16	41
129001-91810	2	24
		25
129004-55610	13	1
129004-55611	13	1 -1
129004-55612	13	1 -2
129005-59830	9	17
129052-79270	16	16
129062-12560	5	11
129100-01580	2	5
	3	1
129100-55690	13	23
129150-02450	7	4

Parts No.	Fig. No.	Ref. No.
129150-11230	4	36
		40
129150-11750	4	22
		37
		41
129150-14200	7	1
129150-25920	7	14
129150-35153	9	4
129150-49360	10	50
	17	29
129150-59131	12	30
		34
129155-51280	19	6
129155-61460	19	32
129211-77920	16	42
129240-77200	16	2
129240-77710	16	26
129240-79300	16	27
129240-79310	16	3
129255-61410	19	26
129263-13220	6	6
129400-92440	17	30
129457-59010	13	4
129486-59551	13	15
129550-59120	12	31
129795-01900	16	29
129900-01200	1	31
129900-01250	1	5
129900-01740	2	6
129900-01780	2	4
129900-01850	2	39
129900-01870	2	40
129900-02020	1	7
129900-02340	1	34
129900-02341	1	34 -1
129900-02410	1	10
129900-02930	1	28
129900-02931	1	28 -1
129900-02940	1	37
129900-02941	1	37 -1
129900-12530	5	12
129900-13251	6	3
	17	9
129900-14100	7	7
129900-21200	8	4
129900-21600	8	15
129900-23000	8	24
129900-23001	8	24 -1
129900-23200	8	29
129900-23600	8	30

## Parts No. Index

Parts No.	Fig. No.	Ref. No.
129900-23601	8	30 -1
129900-23610	8	32
129900-23611	8	32 -1
129900-23910	8	28
129900-23911	8	28 -1
129900-25100	7	11
129900-32001	2	11
129900-32030	2	22
	9	5
	17	12
129900-32040	2	23
	17	13
129900-42020	10	11
	17	14
129900-42461	10	15
129900-49870	10	37
	17	15
129900-77010	14	1
129900-77400	14	2
129900-77440	14	5
129900-77450	14	7
		9
129900-77460	14	11
129900-77480	14	8
129900-77510	14	17
129900-77520	14	20
129900-77540	14	18
129900-77550	14	19
129900-77591	14	12
129900-77610	14	23
129900-77620	14	13
129900-77640	14	15
129900-77650	14	14
129900-77700	14	16
129900-77710	14	24
129902-21000	8	1
129906-01340	1	32
	17	3
129906-01350	1	32 -1
	17	3 -1
129906-22050	8	18
129906-22080	8	16
129906-22090	8	16 -1
129906-22900	8	34 -1
129906-22910	8	34 -2
129906-51580	11	58
	18	78
129906-53000	12	2
129906-77300	16	1
129907-01190	1	33

Parts No.	Fig. No.	Ref. No.
129907-01500	2	8
129907-01950	11	130
129907-01960	11	131
129907-03010	4	52
129907-03060	4	53
129907-03061	4	53 -1
129907-03070	4	54
129907-07900	4	1
129907-11100	4	14
129907-11110	4	15
129907-11120	4	16
129907-11250	4	30
129907-11260	4	31
129907-11270	4	32
129907-11310	4	61
	17	7
129907-11320	4	51
129907-11341	4	29
129907-11510	4	20
129907-11650	4	34
129907-11660	4	38
129907-11700	4	4
129907-11800	4	8
129907-11910	4	47
129907-11920	4	42
129907-11950	4	48
129907-12100	5	1
129907-12110	5	2
	17	8
129907-13200	6	2
129907-13210	6	1
129907-13500	6	18
129907-13510	6	11
129907-13690	6	12
129907-14400	7	2
129907-14581	7	3
129907-21650	8	9
129907-25900	7	17 -1
129907-39061	9	13
129907-42000	10	1
129907-49610	10	42
129907-49620	10	46
129907-49710	10	43
129907-49720	10	47
129907-49730	10	28
129907-49750	10	44
129907-49800	10	24
129907-51340	11	31
	18	54
129907-51560	11	54

Parts No.	Fig. No.	Ref. No.
129907-51560	18	74
129907-59140	13	12
129907-59710	12	35
129907-59810	12	37
129907-59820	12	38
129907-59830	12	39
129907-59840	12	40
129908-14581	7	3 -1
129915-77050	5	6
129916-01710	3	7
129916-12500	5	8
129916-12510	5	9
129916-21590	8	13
129916-21610	8	10 -1
129916-22950	8	36 -1
129916-44740	10	18
129916-49530	10	25
129916-59020	11	128
	18	128
129930-13200	6	10
		16
	17	10
129930-13201	6	10 -1
		16 -1
	17	10 -1
129930-42450	10	14
129932-92610	17	1 -2
129940-77010	15	2
129940-77100	15	3
129940-77130	15	6
129940-77140	15	7
129940-77150	15	8
129940-77160	15	9
129940-77170	15	10
129940-77180	15	11
129940-77190	15	13
129940-77200	15	12
129940-77210	15	19
129940-77220	15	24
129940-77230	15	20
129940-77240	15	21
129940-77250	15	23
129940-77260	15	22
129940-77270	15	26
129940-77280	15	28
129950-59221	13	10
129953-01620	3	2
129953-25300	7	16
129953-34830	9	1
129953-35000	9	6

Parts No.	Fig. No.	Ref. No.
129957-59120	13	6
129960-21640	8	8
129980-59510	13	11
129981-59010	13	8
144626-51090	11	10
	18	112
158552-51570	11	55
	18	75
158552-51580	11	59
	18	77
158552-51670	11	126
	18	126
158552-51780	18	30
158552-51781	11	97
	18	30 -1
158552-52100	11	103
	18	100
158552-52310	11	105
	18	102
158552-52400	11	106
	18	103
158552-52500	11	104
	18	101
158552-61900	19	79
158553-51551	11	52
	18	72
158553-51630	11	70
	18	89
158553-51640	11	72
	18	91
158553-51660	11	74
	18	93
158553-51670	11	64
	18	83
158553-51680	11	75
	18	94
158557-51570	11	56
	18	76
158560-51300	11	22
	18	45
158560-51600	11	69
	18	88
158560-61050	19	2
158560-61061	19	3
158560-61071	19	4
158560-61430	19	28
158560-61442	19	29
158563-51150	7	18
158563-51281	11	20
		21

## Parts No. Index

Parts No.	Fig. No.	Ref. No.
158563-51281	18	43
		44
158563-51330	11	30
	18	53
158600-51270	11	19
	18	42
158601-51550	11	53
	18	71
158601-51570	11	57
	18	73
158601-51650	11	73
	18	92
158601-51770	11	96
	18	29
158601-51790	11	98
	18	31
171008-77450	14	6
171008-77730	14	21
171008-77740	14	22
171008-77750	14	25
171031-11741	2	44
171051-01921	1	6
171056-49120	10	51
171056-49351	10	49
171064-44510	10	55
22190-080002	9	18
		20
		22
	13	19
	17	24
22190-120002	11	99
		108
		109
	18	32
		105
		106
22190-160002	19	64
22190-180002	11	100
		110
	18	33
		107
22190-220002	3	10
	17	28
22217-180000	7	19
	11	111
	18	108
22252-000300	8	23
22312-050140	11	112
	18	109
22351-050010	11	113

Parts No.	Fig. No.	Ref. No.
22351-050010	18	110
22351-060012	1	11
22512-070140	7	8
	8	7
22857-500100	4	63
		64
23065-070225	10	60
23387-040800	10	32
23414-080000	10	33
		38
	17	19
23857-030000	9	19
23857-060000	11	114
	18	113
23875-030000	10	34
23876-020000	4	11
23876-030000	1	12
		13
		14
	4	12
23887-120002	11	101
	18	34
23887-160002	19	66
24311-000070	2	26
	11	115
	17	21
	18	114
24311-000120	4	27
		66
	17	22
24311-000160	13	25
24311-000320	2	43
		45
	4	67
	17	23
24321-000650	13	24
24341-000530	8	11
	17	25
24351-030750	2	27
	17	26
24356-010200	11	67
		116
	18	86
		115
24356-020210	11	117
	18	116
24372-000150	11	68
	18	87
25132-004100	10	17
25132-004150	10	16

Parts No.	Fig. No.	Ref. No.
26014-080252	16	30
26106-060102	11	118
	18	117
	19	67
		68
26106-060122	10	35
		35 -1
26106-060142	19	80
26106-060162	12	41
26106-060202	10	36
26106-060252	19	81
26106-060302	10	12
26106-060352	11	119
	18	118
26106-060402	19	82
26106-080122	3	11
	9	11
		21
		23
	10	39
26106-080162	2	28
		29
		38
		41
	4	2
	7	9
	9	24
	11	132
26106-080182	12	42
26106-080202	2	30
	6	14
26106-080222	11	133
		134
26106-080252	6	17
26106-080302	10	23
	13	3
26106-080352	5	7
26106-080402	2	31
		32
	4	44
26106-080452	2	33
	10	22
	16	31
26106-080552	5	3
	7	15
	10	13
	16	31 -1
26106-080602	4	45
		46
	10	40

Parts No.	Fig. No.	Ref. No.
26106-080852	5	4
26106-081004	16	35
26106-100202	11	135
26116-060102	19	54
26116-120302	14	26
	15	1
26206-100352	3	5
26206-100702	3	13
26216-100302	2	10
26226-080222	4	43
26306-080002	4	49
	6	8
		13
		15
	16	35 A
26306-100002	2	34
	16	28
26450-100452	11	122
	18	121
26756-060002	19	69
26776-180002	7	20
	11	123
	18	122
27241-300000	1	15
27241-400000	4	13
27310-070001	4	24
729900-02800	1	25
729900-02801	1	25 -1
729906-01560	1	1
729906-22900	8	34
729906-22950	8	36
729906-53100	12	1
729906-92640	17	1
729906-92641	17	1 -1
729907-01550	2	1
729932-51330	11	1
	18	1
977770-1207F	2	42
	3	12
	4	69
	17	31
X2114155110	14	3
X2114255110	14	4
X2130631300	14	10
X2240610100	15	16