

OCD10-M80400EN

PREFACE

- 1.This Parts Catalog carries all parts incorporated in YANMAR Model L70ADEVMMK, L70AE-DEVMMK, L70EE-DEVMMK engine manufactured since October, 2003.
- 2.Each illustration corresponds to the parts list on the following page.
- 3.When ordering parts,clearly write down the engine model and serial number,as well as the name and number of each part in your order sheet. This will help insure reliable delivery of the parts you have ordered.

The following models are described in the parts catalog.

Model	Manufacturer's name	Product equipped with the Model	Note
L70ADEVMMK	MIKASA SANGYO CO., LTD.	MVH300X	HYDRAULIC REVERSIBLE SOIL COMPACTOR
L70AE-DEVMMK		MVH300X	
L70EE-DEVMMK		MVH300X	

How to read this Parts Catalog.

1. Parts mentioned in Parts Catalog may not necessarily be standard equipping parts
2. Parts change may be made without prior notice.
3. Form of this Parts Catalog.

REF.	LEV.	PARTS No.	DESCRIPTION	QTY						I	R
				(A)	(B)	(C)	(D)	(E)	(F)		
1		729595-51390	FUEL INJECTION PUMP		1	1	1	1			
1-1	1	729595-51391	FUEL INJECTION PUMP	1	1	1	1	1		N	1
3	2	26022-060162	SCREW M 6X16		9	9	9	9	9		
1 3-1	2	26022-060162	SCREW M 6X16		4	4	4	4	4		K
4	2	129470-51040	CAMSHFT		9	9	9	9	9		
5	2	122710-51050	BEARING. ROLLER		9	9	9	9	9		
6	2	129470-51060	RETAINER		9	9	9	9	9		

Remarks	(1) BOOST COMPENSATOR TYPE. OPTIONAL PART. TO E#00155 (4JH-DT, 4JH-DTZ)
---------	---

① Ref. No.

The Ref. No. in the list may not be in accordance with the Ref. No. on illustration.

(Ex.) illustration No, List head No,

1 1 (Before change) → 1-1 (After change)

When interchangeable symbol N, and k, illustrations for the new parts are sometimes omitted.

② Lev. (Level)

Indication and Meaning of Level

Level Hereunder is given the relation among the number of number (1,2,3) the level and the nominal parent-child relationship.

1 ---- Parent parts (Assembly parts)

2 ---- Child parts included in " 1 " (Semi-Assembly parts, component parts of Assembly parts.)

3 ---- Child parts included in " 2 ", Grand-child parts in terms of " 1 ".

(Component parts of Semi-Assembly parts.)

Note) A parts of non-sale parts are illustrated but not listed.




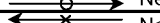
③ Change Mark

Change Mark " I " is given to the part for which a design change was made at this time.

The design change was not shown in the last published Parts Catalog.

④ Interchangeability Mark

In the case where a part change took place, one of the following interchangeability marks is indicated for that part

Symbol	Interchangeability	Contents note
N	Old ←  New	New Part is interchangeable for Old Part but not interchangeable conversely.
Q	Old ←  New	New Part is not interchangeable for Old Part but interchangeable conversely.
R	Old ←  New	New Part is interchangeable for Old Part and vice versa.
S	Old ←  New	New Part is not interchangeable for Old Part and vice versa.
W		Part newly added.
Z		Part discontinued.
F		Not interchangeable single part but interchangeable by set of the related parts.
K		Changed only in quantity used.

⑤ Effective Machine No.

When a part is changed, Effective Machine No. of a Model for which the part is applicable is indication

In each column of (A)-(F).

Product Symbol	Product No.	Product Symbol	Product No.
C	Clutch No, Compressor No,	M	Machine No,
D	Drive No,	T	Tractor No,
E	Engine No,	Note 1)※	Date

Note 1) Date may follow the symbol in some cases. (Ex.) ※1996.01

Note 2) As far as engine models shown by " XXX " are concerned, the modification of the parts could not be Predicted or the engine models themselves could not be identified.

Note 3) (A=E/#00185) means that the design change on the part has been effective for the model at the, column (A) (in the case, for 4JH-DT) on and from E/(Engine Serial Number) 00185

⑥ Remarks Mark

Figures or alphabets (Symbols) are entered in the remark column.

The comments (remarks) on the pertinent parts are indicated in the lower part of the list by the same symbols a those stated above.

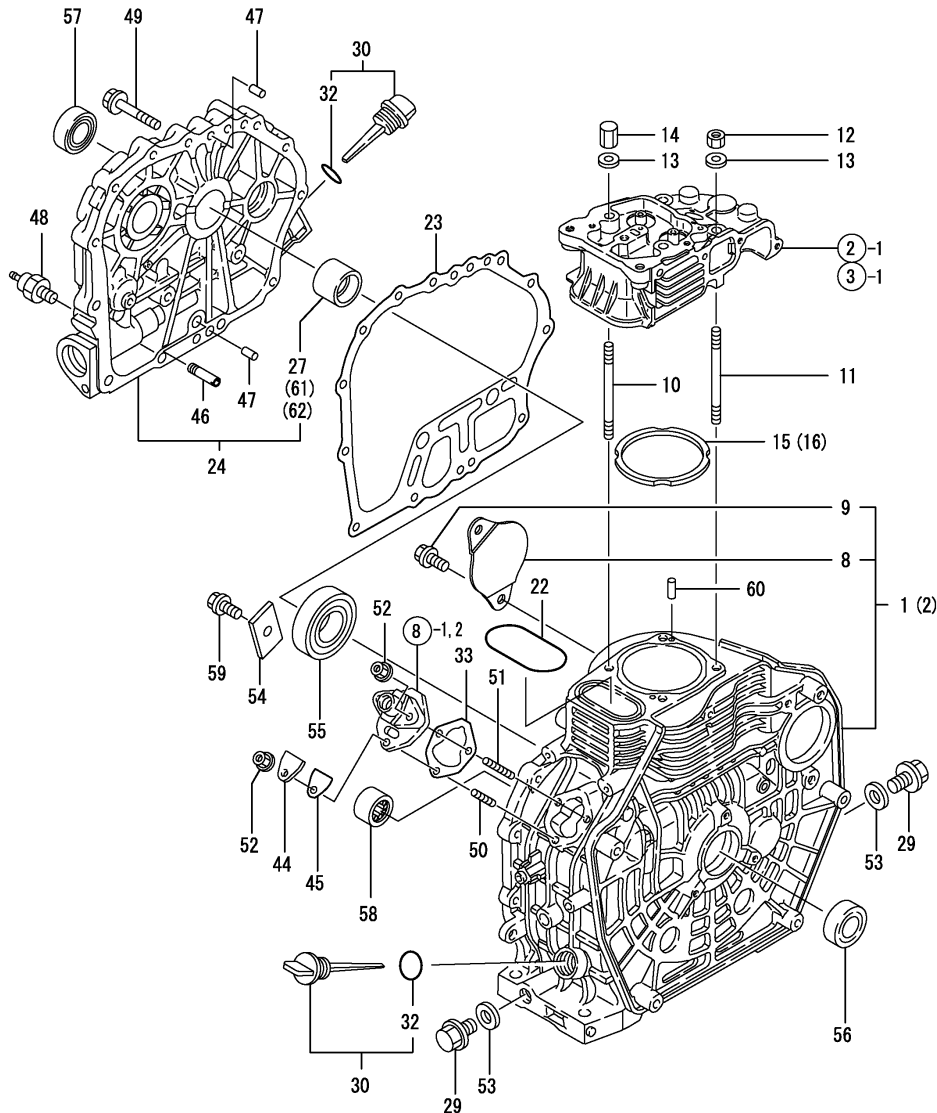
Contents

Fig. No. Fig. Name
ENGINE (L70A,AE,EE-DEVMK)

Fig. No. Fig. Name

1. CYLINDER BLOCK
2. CYLINDER HEAD & BONNET
3. CYLINDER HEAD & BONNET
4. AIR CLEANER & MUFFLER
5. CRANKSHAFT,PISTON & CAMSHAFT
6. LUB.OIL PUMP & GOVERNOR
7. COOLING & STARTING DEVICE
8. FUEL INJECTION PUMP
9. FUEL TANK & FUEL LINE
10. STARTING MOTOR & DYNAMO
11. TOOL,LABEL & GASKET SET
12. SAFETY LABEL

Fig.1. CYLINDER BLOCK



(A)=L70ADEVMK
(B)=L70AE-DEVMK
(C)=L70EE-DEVMK

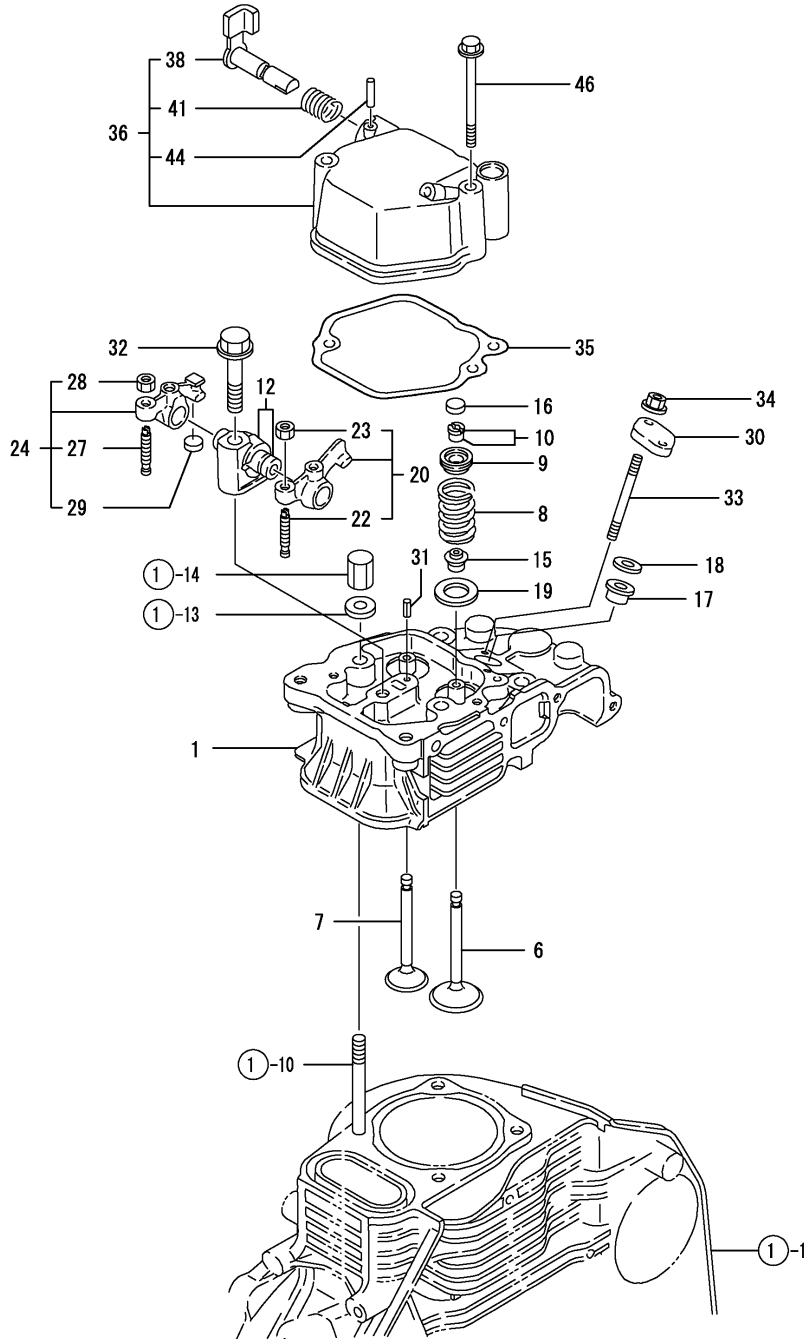
(D)=
(E)=
(F)=

No.	Lev.	Parts No.	Description	Q'ty						I	R
				(A)	(B)	(C)	(D)	(E)	(F)		
1	1	714888-01560	BLOCK ASSY, CYLINDER	1	1						
2	1	714875-01560	BLOCK ASSY, CYLINDER								
8	2	114350-01700	COVER	1	1	1					
9	2	26106-100122	BOLT, M10X 12 PLATED	2	2	2					
10	1	114350-01200	BOLT, HEAD	2	2	2					
11	1	114350-01210	BOLT, HEAD	2	2	2					
12	1	114350-01220	NUT, CYLINDER HEAD	2	2	2					
13	1	105225-01240	WASHER	4	4	4					
14	1	114350-01250	NUT, CYLINDER HEAD	2	2	2					
15	1	114870-01340	GASKET, HEAD	1	1						
16	1	114871-01330	GASKET SET, HEAD								1
22	1	114350-01380	O-RING	1	1	1					
23	1	114350-01412	GASKET, CRANK CASE	1	1	1					
24	1	114360-01454	COVER, CRANK CASE	1	1	1					
27	2	114350-02100	BEARING, MAIN	1	1	1					1
29	1	105425-01690	PLUG, 16	2	2	2					
30	1	114699-01760	CAP ASSY	2	2	2					
32	2	114299-01950	O-RING, 18	2	2	2					
33	1	114250-01800	SHIM SET	1	1	1					
44	1	114250-01830	COVER	1	1	1					
45	1	114250-01841	GASKET	1	1	1					
46	1	114250-35150	PIPE, OIL INLET	1	1	1					
47	1	114270-01600	PIN, M8X12	2	2	2					
48	1	121252-39450	SWITCH, 0.5KG	1	1	1					
49	1	26106-080352	BOLT, M8X 35 PLATED	15	15	15					
50	1	26226-060182	STUD, M6X 18	1	1	1					
51	1	26226-060222	STUD, M6X 22	2	2	2					
52	1	26366-060002	NUT, M6	3	3	3					
53	1	22190-160002	WASHER, SEAL 16	2	2	2					
54	1	114299-02030	RETAINER, BEARING	1	1	1					
55	1	114350-02113	BEARING, B35-135G3C3	1	1	1					
56	1	160110-02220	SEAL, OIL	1	1	1					
57	1	160110-02220	SEAL, OIL	1	1	1					
58	1	24162-152112	BEARING, 152112	1	1	1					
59	1	26106-080122	BOLT, M8X 12 PLATED	1	1	1					
60	1	22312-040080	PIN, PARALLEL M4X 8			2					
61	1	114350-02200	BEARING, 0.25 US	1	1	1					2
62	1	114350-02210	BEARING, 0.50 US	1	1	1					3

Remarks

- (1) REPAIR PART.
- (2) UNDER-SIZE(U.S=0.25)PART.
- (3) UNDER-SIZE(U.S=0.50)PART.

Fig.2. CYLINDER HEAD & BONNET

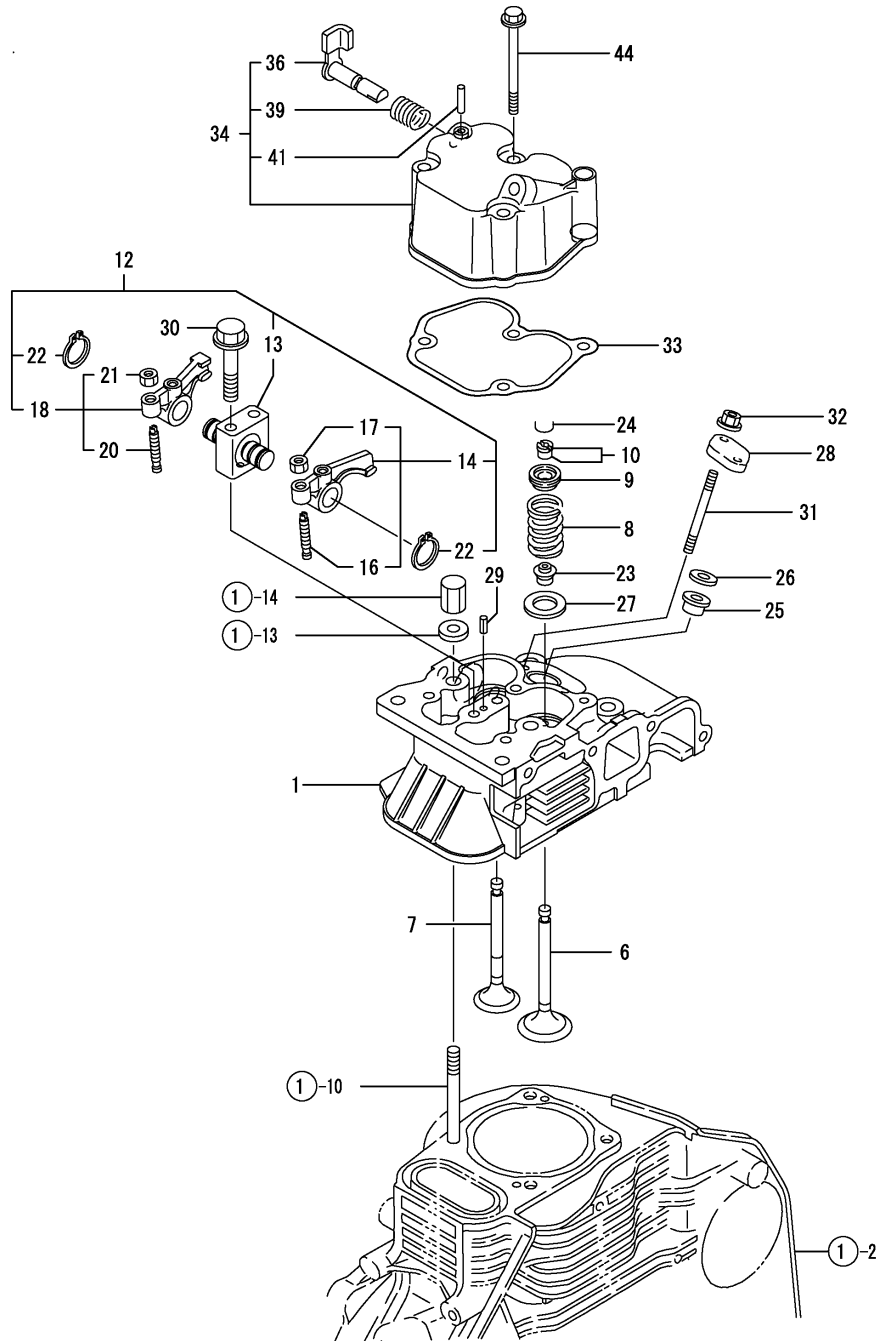


(A)=L70ADEVMK
 (B)=L70AE-DEVMK
 (C)=L70EE-DEVMK

(D)=
 (E)=
 (F)=

No.	Lev.	Parts No.	Description	Q'ty						I	R
				(A)	(B)	(C)	(D)	(E)	(F)		
1	1	114870-11021	HEAD ASSY, CYLINDER	1	1						
6	1	114350-11101	VALVE, INTAKE	1	1						
7	1	114350-11113	VALVE, EXHAUST	1	1						
8	1	114350-11120	SPRING, VALVE	2	2						
9	1	101158-11180	RETAINER, SPRING	2	2						
10	1	27310-060001	COTTER, 6	2	2						
12	1	114250-11290	SUPPORT, ROCKER ARM	1	1						
15	1	114350-11340	SEAL, VALVE STEM	2	2						
16	1	105010-11490	CAP, VALVE	1	1						
17	1	114250-11460	GASKET, NOZZLE	1	1						
18	1	114350-11470	SPACER, NOZZLE	1	1						
19	1	114250-11600	WASHER	2	2						
20	1	114250-11651	ARM, ROCKER	1	1						
22	2	114250-11240	SCREW, VALVE ADJUST	1	1						
23	2	26856-060002	NUT, M6	1	1						
24	1	714370-11660	ARM ASSY, ROCKER	1	1						
27	2	114250-11240	SCREW, VALVE ADJUST	1	1						
28	2	26856-060002	NUT, M6	1	1						
29	2	105010-11490	CAP, VALVE	1	1						
30	1	114250-11901	RETAINER, NOZZLE	1	1						
31	1	22351-040008	PIN, SPRING 4.0X 8	1	1						
32	1	26106-080452	BOLT, M8X 45 PLATED	1	1						
33	1	26226-060502	STUD, M6X 50	2	2						
34	1	26366-060002	NUT, M6	2	2						
35	1	114250-11311	GASKET, BONNET	1	1						
36	1	114250-11951	BONNET ASSY, HEAD	1	1						
38	2	114250-03591	LEVER ASSY	1	1						
41	2	114250-03640	SPRING, DECOMPRESSION	1	1						
44	2	22312-030160	PIN, PARALLEL M3X16	1	1						
46	1	26106-060552	BOLT, M6X 55 PLATED	2	2						

Fig.3. CYLINDER HEAD & BONNET



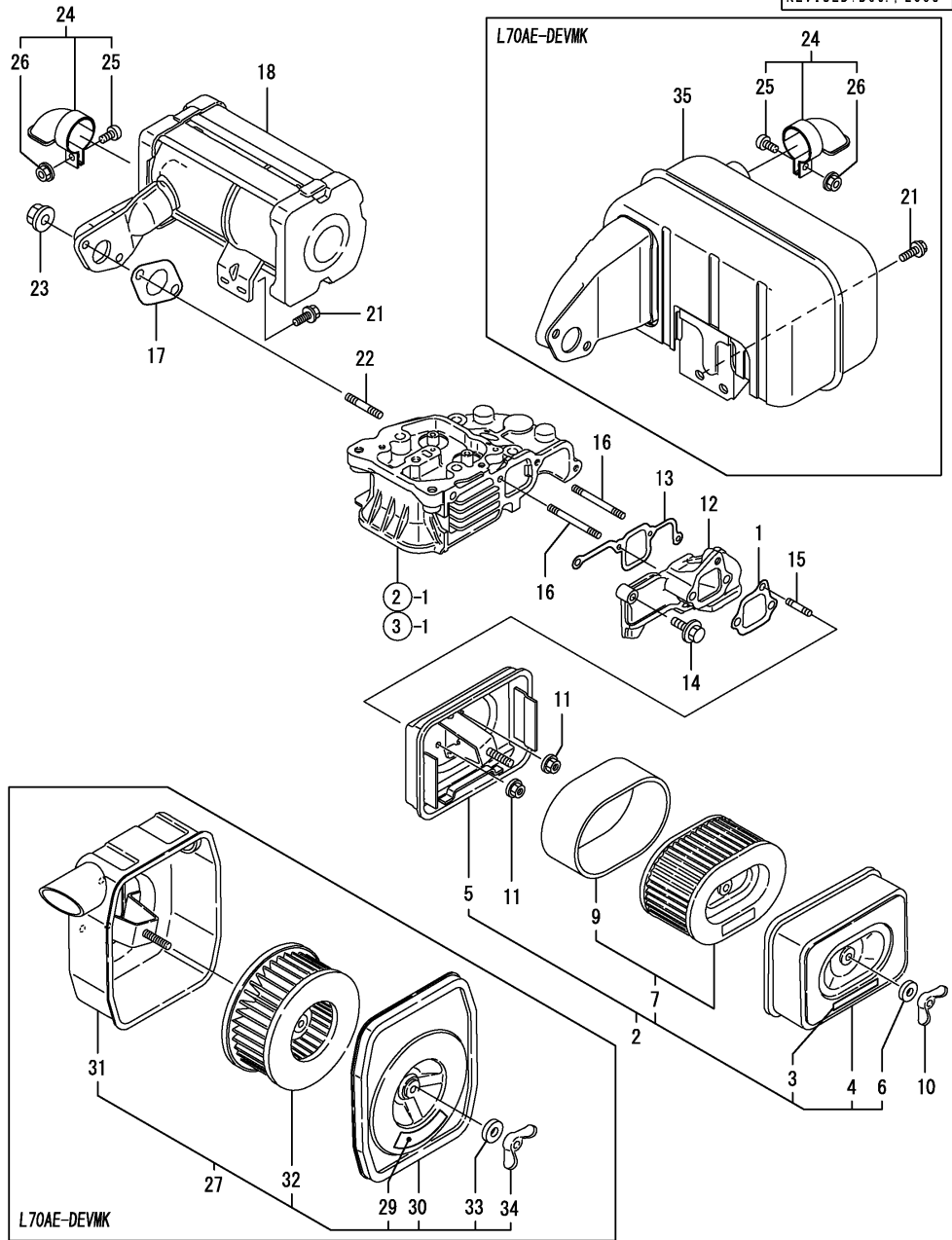
(A)=L70ADEVK
 (B)=L70AE-DEVK
 (C)=L70EE-DEVK

(D)=
 (E)=
 (F)=

No.	Lev.	Parts No.	Description	Qty						I	R
				(A)	(B)	(C)	(D)	(E)	(F)		
1	1	114871-11020	HEAD ASSY, CYLINDER			1					
6	1	114871-11100	VALVE, INTAKE			1					
7	1	114871-11110	VALVE, EXHAUST			1					
8	1	114350-11120	SPRING, VALVE			2					
9	1	101158-11180	RETAINER, SPRING			2					
10	1	27310-060001	COTTER, 6			2					
12	1	114771-11250	SUPPORT ASSY, ARM			1					
13	2	114771-11260	SUPPORT, ROCKER ARM			1					
14	2	114771-11650	ARM, ROCKER			1					
16	3	114250-11240	SCREW, VALVE ADJUST			1					
17	3	26856-060002	NUT, M6			1					
18	2	114771-11660	ARM, ROCKER			1					
20	3	114250-11240	SCREW, VALVE ADJUST			1					
21	3	26856-060002	NUT, M6			1					
22	2	22242-000120	RING, 12			2					
23	1	114350-11340	SEAL, VALVE STEM			2					
24	1	105010-11490	CAP, VALVE			2					
25	1	114771-11461	GASKET, NOZZLE			1					
26	1	114771-11470	SPACER, NOZZLE			1					
27	1	114250-11600	WASHER			2					
28	1	114250-11901	RETAINER, NOZZLE			1					
29	1	22351-040008	PIN, SPRING 4.0X 8			1					
30	1	26106-060452	BOLT, M6X 45 PLATED			2					
31	1	26226-060552	STUD, M6X 55			2					
32	1	26366-060002	NUT, M6			2					
33	1	114771-11310	GASKET, BONNET			1					
34	1	114771-11950	BONNET ASSY, HEAD			1					
36	2	114250-03591	LEVER ASSY			1					
39	2	114250-03640	SPRING, DECOMPRESSION			1					
41	2	22312-030160	PIN, PARALLEL M3X16			1					
44	1	26106-060552	BOLT, M6X 55 PLATED			3					

Fig.4. AIR CLEANER & MUFFLER

発行No. 000Y00D8040-1
更新年月: 2003. 12
REVISED: Dec., 2003

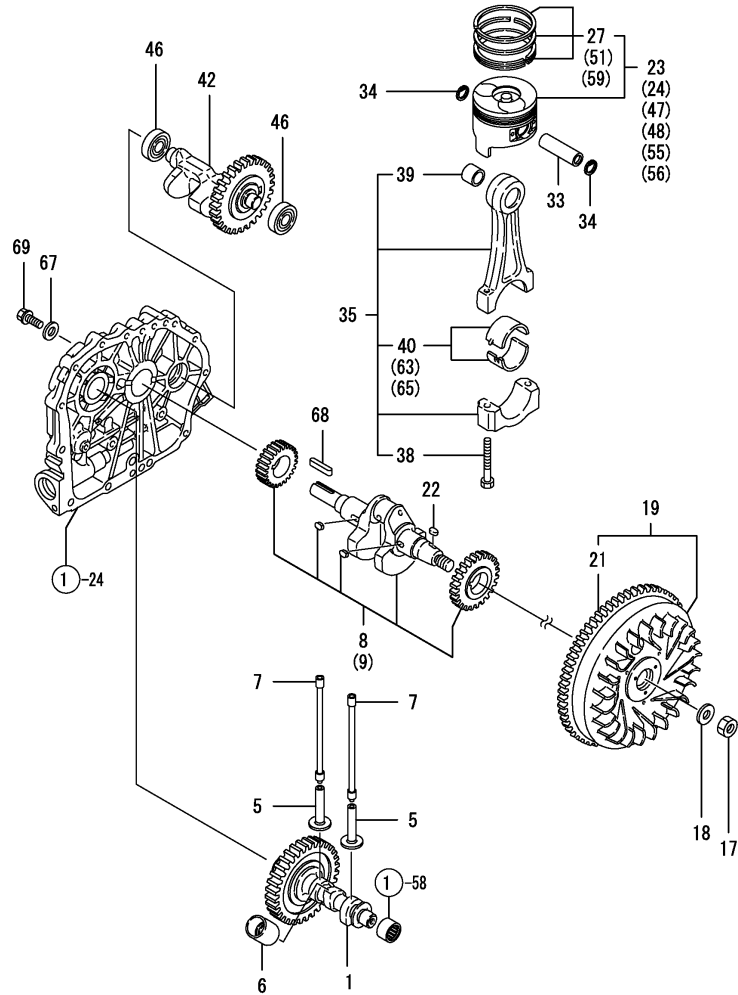


(A)=L70AEDEVMK
(B)=L70AE-DEVMK
(C)=L70EE-DEVMK

(D)=
(E)=
(F)=

No.	Lev.	Parts No.	Description	Qty						I	R
				(A)	(B)	(C)	(D)	(E)	(F)		
1	1	114250-12211	GASKET, AIR CLEANER	1	1	1					
2	1	114288-12511	CLEANER ASSY, AIR	1		1					
3	2	114650-07450	LABEL, AIR CLEANER	1		1					
4	2	114288-12520	COVER ASSY	1		1					
5	2	114288-12532	CASE ASSY, CLEANER	1		1					
6	2	114252-12560	WASHER, SEAL M8	1		1					
7	2	114650-12590	ELEMENT ASSY	1		1					
9	3	114650-12550	FILTER, PRE	1		1					
10	1	114252-12550	NUT, WING M8	1		1					
11	1	114250-12300	NUT	3	3	3					
12	1	114399-12010	PIPE, AIR INTAKE	1	1	1					
13	1	114350-12202	GASKET, AIR INTAKE	1	1	1					
14	1	26106-060252	BOLT, M6X 25 PLATED	2	2	2					
15	1	26226-060142	STUD, M6X 14	1	1	1					
16	1	26226-060552	STUD, M6X 55	2	2	2					
17	1	114250-13201	GASKET, MUFFLER	1	1	1					
18	1	114388-13600	MUFFLER ASSY	1		1					
21	1	26106-060122	BOLT, M6X 12 PLATED	2	2	2					
22	1	26216-080182	STUD, M8X 18	2	2	2					
23	1	26306-080002	NUT, M8	2	2	2					
24	1	114288-13800	EXTENSION ASSY	1	1	1					
25	2	26554-060182	SCREW, M6X18	1	1	1					
26	2	26367-060002	NUT, M6	1	1	1					
27	1	714250-12590	CLEANER ASSY, AIR			1					
29	2	114770-07450	LABEL, AIR CLEANER			1					
30	2	114250-12520	COVER, AIR CLEANER			1					
31	2	114250-12980	CASE ASSY, CLEANER			1					
32	2	114250-12581	ELEMENT			1					
33	2	114250-12560	WASHER, SEAL M6			1					
34	2	114250-12550	NUT, WING M6			1					
35	1	114870-13551	MUFFLER ASSY			1					

Fig.5. CRANKSHAFT,PISTON & CAMSHAFT



(A)=L70ADEVMK
(B)=L70AE-DEVMK
(C)=L70EE-DEVMK

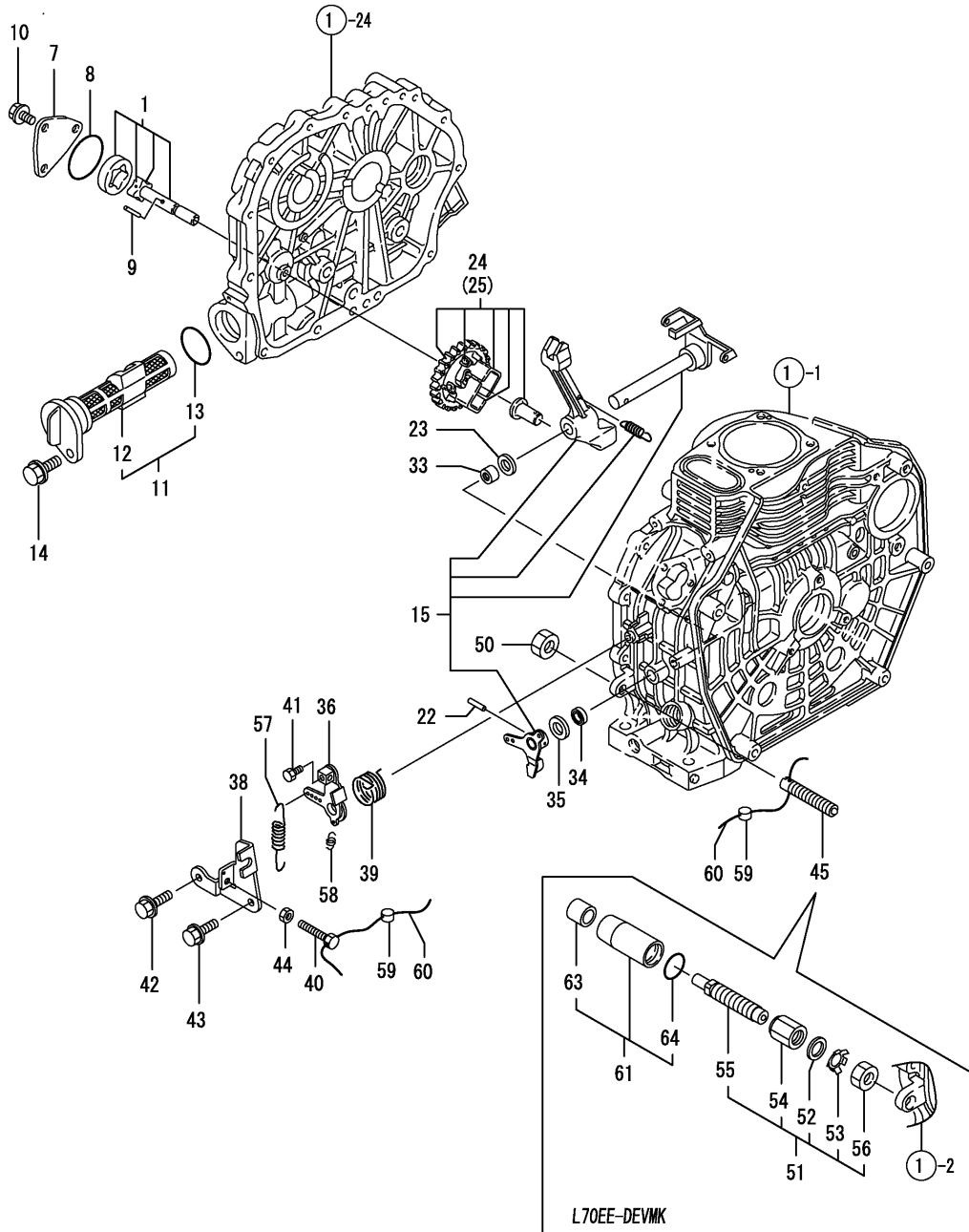
(D)=
(E)=
(F)=

No.	Lev.	Parts No.	Description	Q'ty						I	R
				(A)	(B)	(C)	(D)	(E)	(F)		
1	1	714880-14580	CAMSHAFT ASSY	1	1	1					
5	1	114250-14200	TAPPET	2	2	2					
6	1	114771-14260	TAPPET	1	1	1					
7	1	114350-14451	ROD ASSY, PUSH	2	2	2					
8	1	714360-21721	CRANKSHAFT ASSY	1	1						
9	1	714873-21730	CRANKSHAFT ASSY				1				
17	1	103854-01221	NUT, CYLINDER HEAD	1	1	1					
18	1	114250-21550	WASHER	1	1	1					
19	1	114399-21590	FLYWHEEL ASSY	1	1	1					
21	2	114362-21600	GEAR, RING	1	1	1					
22	1	22512-040120	KEY, 4X 12	1	1	1					
23	1	714880-22722	PISTON ASSY, D	1	1						
24	1	714872-22721	PISTON ASSY, D				1				
27	2	714870-22502	RING SET, PISTON	1	1	1					
33	1	114399-22300	PIN, PISTON D=21	1	1	1					
34	1	22252-000210	RING, 21	2	2	2					
35	1	71438G-23701	ROD ASSY, CONNECTING	1	1	1					
38	2	118200-23200	BOLT, CONNECTING ROD	2	2	2					
39	2	114380-23100	BEARING, PISTON PIN	1	1	1					
40	2	714380-23600	BEARING, CRANK PIN	1	1	1					
42	1	714870-28511	SHAFT ASSY, BALANCER	1	1	1					
46	1	24101-062024	BEARING, BALL 6202	2	2	2					
47	1	714880-22622	PISTON ASSY, 0.25 OS	1	1						1
48	1	114872-22040	PISTON ASSY, 0.25 OS				1				1
51	2	714870-22542	RING SET, 0.25 OS	1	1	1					1
55	1	714880-22582	PISTON ASSY, 0.50 OS	1	1						2
56	1	114872-22050	PISTON ASSY, 0.50 OS				1				2
59	2	714870-22552	RING SET, 0.50 OS	1	1	1					2
63	1	714380-23610	METAL ASSY, 0.25	1	1	1					3
65	1	714380-23620	BEARING, 0.50 US	1	1	1					4
67	1	160310-14550	WASHER	1	1	1					
68	1	22512-070360	KEY, 7X 36	1	1	1					
69	1	26106-080202	BOLT, M8X 20 PLATED	1	1	1					

Remarks

- (1) OVER-SIZE (O.S.=0.25) PART.
- (2) OVER-SIZE (O.S.=0.50) PART.
- (3) UNDER-SIZE (U.S.=0.25) PART.
- (4) UNDER-SIZE (U.S.=0.50) PART.

Fig.6. LUB.OIL PUMP & GOVERNOR

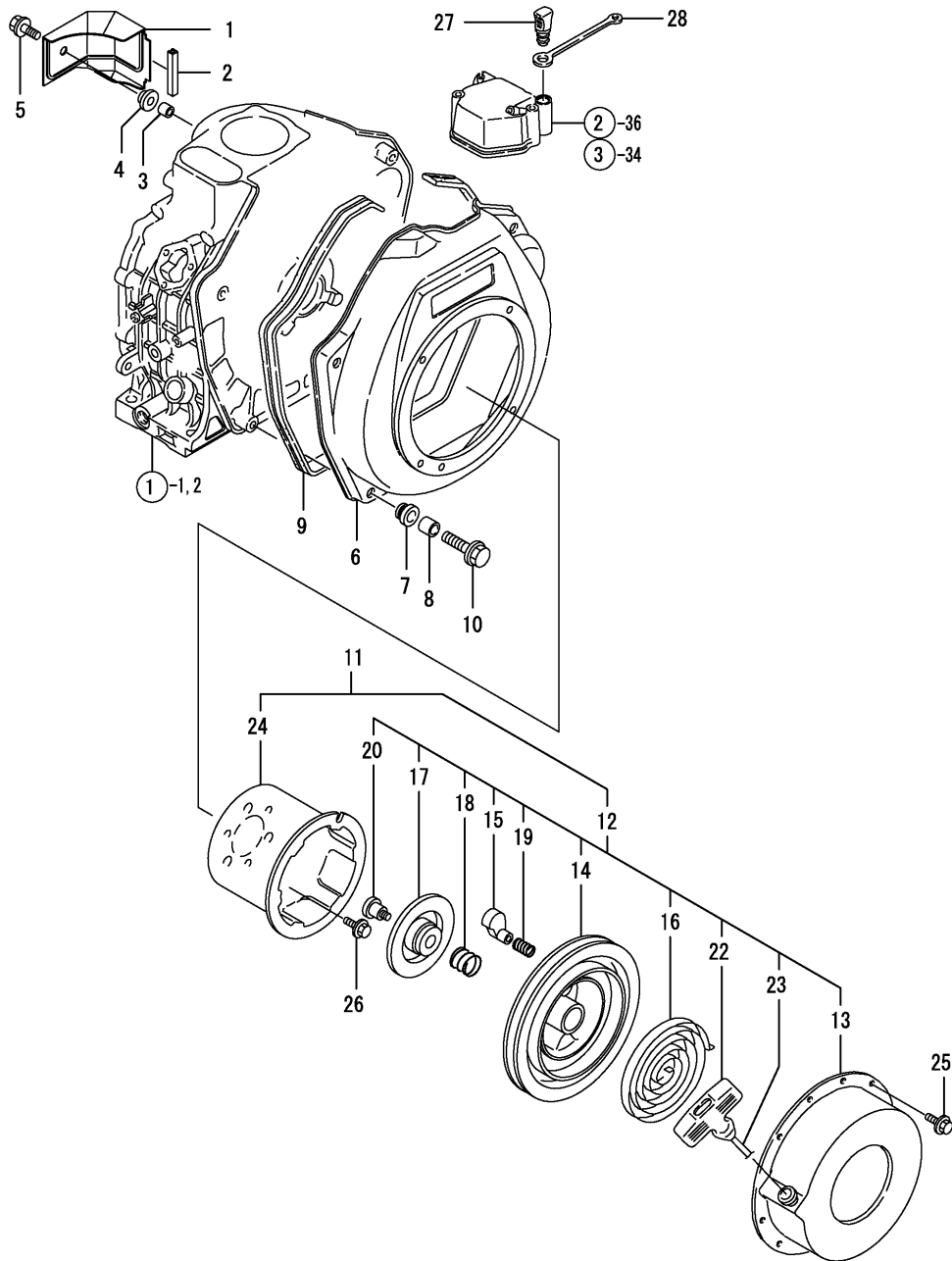


(A)=L70ADEVMK
(B)=L70AE-DEVMK
(C)=L70EE-DEVMK

(D)=
(E)=
(F)=

No.	Lev.	Parts No.	Description	Q'ty						I	R
				(A)	(B)	(C)	(D)	(E)	(F)		
1	1	114250-32010	PUMP ASSY, OIL	1	1	1					
7	1	114250-32070	COVER	1	1	1					
8	1	103338-32570	O-RING	1	1	1					
9	1	22312-030160	PIN, PARALLEL M3X16	1	1	1					
10	1	26106-060122	BOLT, M6X 12 PLATED	3	3	3					
11	1	114250-35110	FILTER ASSY, OIL	1	1	1					
12	2	114250-35070	FILTER, OIL	1	1	1					
13	2	24341-000224	O-RING, 1AS22.4	1	1	1					
14	1	26106-060162	BOLT, M6X 16 PLATED	1	1	1					
15	1	114350-61190	LEVER ASSY, GOVERNOR	1	1	1					
22	1	22322-030200	PIN, TAPER 3X20	1	1	1					
23	1	114770-61190	WASHER	1	1	1					
24	1	714770-61700	GOVERNOR ASSY	1	1						
25	1	714770-61100	GOVERNOR ASSY				1				
33	1	114770-61520	BEARING, NEEDLE	2	2	2					
34	1	114770-61600	SEAL, OIL	1	1	1					
35	1	114770-61610	WASHER, THRUST	1	1	1					
36	1	114252-66051	HANDLE, REGULATOR	1	1	1					
38	1	183360-66110	BRACKET	1	1	1					
39	1	114252-66252	SPRING, RETURN	1	1	1					
40	1	114250-66440	BOLT, ADJUSTING	1	1	1					
41	1	105225-66990	SCREW, M5X8.5	1	1	1					
42	1	26106-060202	BOLT, M6X 20 PLATED	1	1	1					
43	1	26106-060142	BOLT, M6X 14 PLATED	1	1	1					
44	1	26757-060002	NUT, LOCK M6	1	1	1					
45	1	114250-66550	LIMITER ASSY, FUEL	1	1						
50	1	26776-100002	NUT, LOCK M10	1	1						
51	1	114818-61700	LIMITER ASSY, FUEL							1	
52	2	114771-61810	WASHER, 14							1	
53	2	114771-61830	PLATE							1	
54	2	114771-61940	NUT, M14							1	
55	2	114818-66600	LIMITER ASSY, FUEL							1	
56	2	114771-66690	NUT, M14							1	
57	1	114870-66010	SPRING, REGULATOR	1	1	1					
58	1	114250-66200	SPRING, RETURN	1	1	1					
59	1	135210-61090	LEAD	2	2	1					
60	1	22451-060000	WIRE, 0.6	2	2	1					
61	1	114771-61890	PROTECTOR ASSY							1	
63	2	114771-61960	SPACER							1	
64	2	24311-000180	O-RING, 1AP18.0							1	

Fig.7. COOLING & STARTING DEVICE

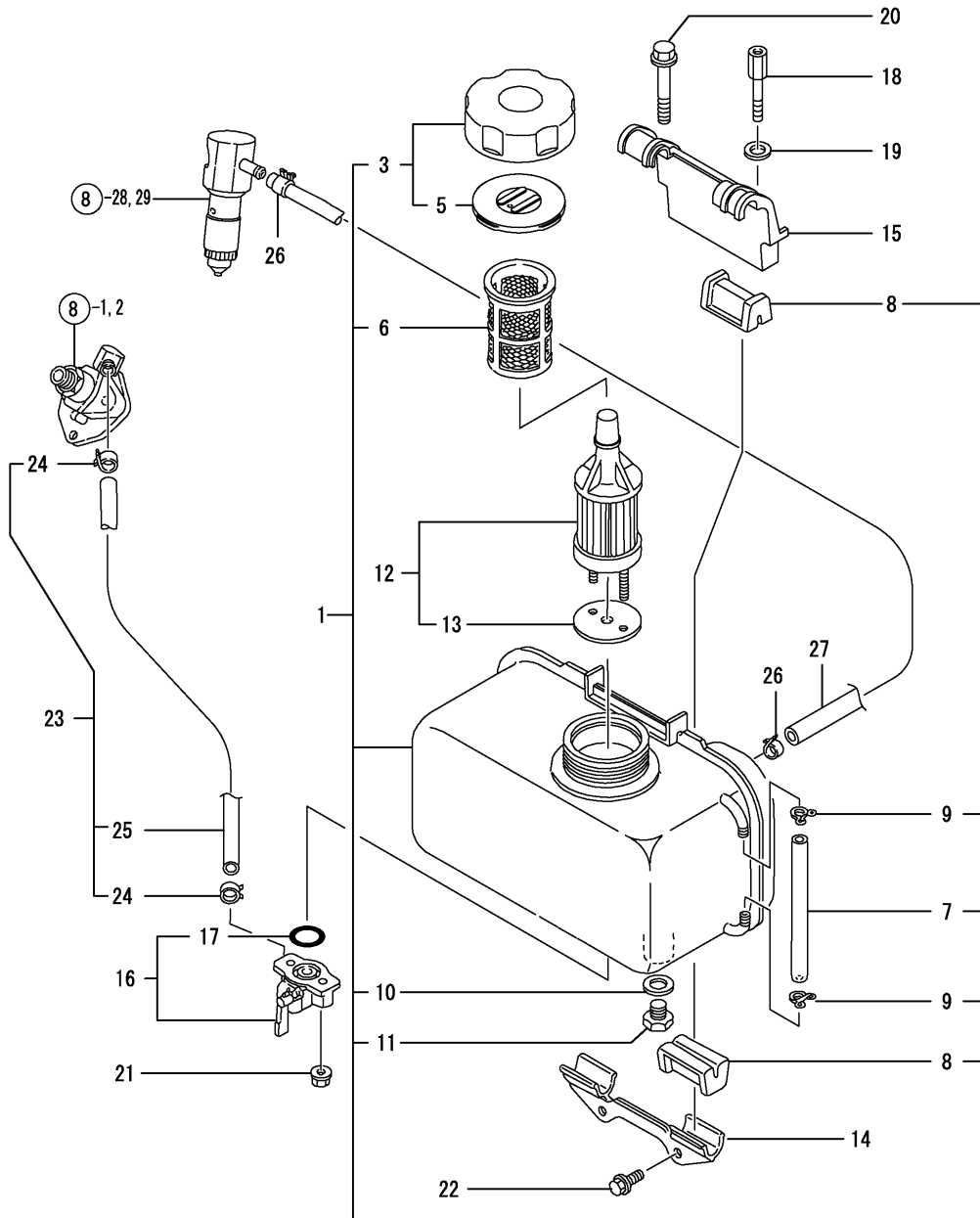


(A)=L70ADEVMK
 (B)=L70AE-DEVMK
 (C)=L70EE-DEVMK

(D)=
 (E)=
 (F)=

No.	Lev.	Parts No.	Description	Qty						I	R
				(A)	(B)	(C)	(D)	(E)	(F)		
1	1	114870-45201	COVER	1	1	1					
2	1	114350-45320	RUBBER, SEAL	1	1	1					
3	1	114350-45340	COLLAR	1	1	1					
4	1	183720-55210	GROMMET	1	1	1					
5	1	26106-060202	BOLT, M6X 20 PLATED	1	1	1					
6	1	114360-45101	CASE, COOLING FAN	1	1	1					
7	1	114250-45301	ABSORBER	4	4	4					
8	1	114250-45310	COLLAR	4	4	4					
9	1	114250-45330	SEAL, FAN CASE L=875	1	1	1					
10	1	114370-45351	BOLT	4	4	4					
11	1	114880-76051	STARTER ASSY, RECOIL	1	1	1					
12	2	114880-76251	STARTER ASSY, RECOIL	1	1	1					
13	3	114880-76511	CASE, STARTER	1	1	1					
14	3	114880-76520	REEL	1	1	1					
15	3	114870-76530	RATCHET	2	2	2					
16	3	114870-76540	SPRING, SPIRAL	1	1	1					
17	3	114880-76550	GUIDE, RATCHET	1	1	1					
18	3	114870-76560	SPRING, FRICTION	1	1	1					
19	3	114870-76570	SPRING, RETURN	2	2	2					
20	3	114870-76580	SCREW	1	1	1					
22	3	114870-76620	KNOB, STARTER	1	1	1					
23	3	114870-76630	ROPE, STARTER	1	1	1					
24	2	114350-76591	PULLEY, STARTER	1	1	1					
25	1	26106-060082	BOLT, M6X 8 PLATED	4	4	4					
26	1	26106-060122	BOLT, M6X 12 PLATED	3	3	3					
27	1	114250-76600	PLUNGER	1	1	1					
28	1	114250-76610	HOLDER, PLUNGER	1	1	1					

Fig.9. FUEL TANK & FUEL LINE

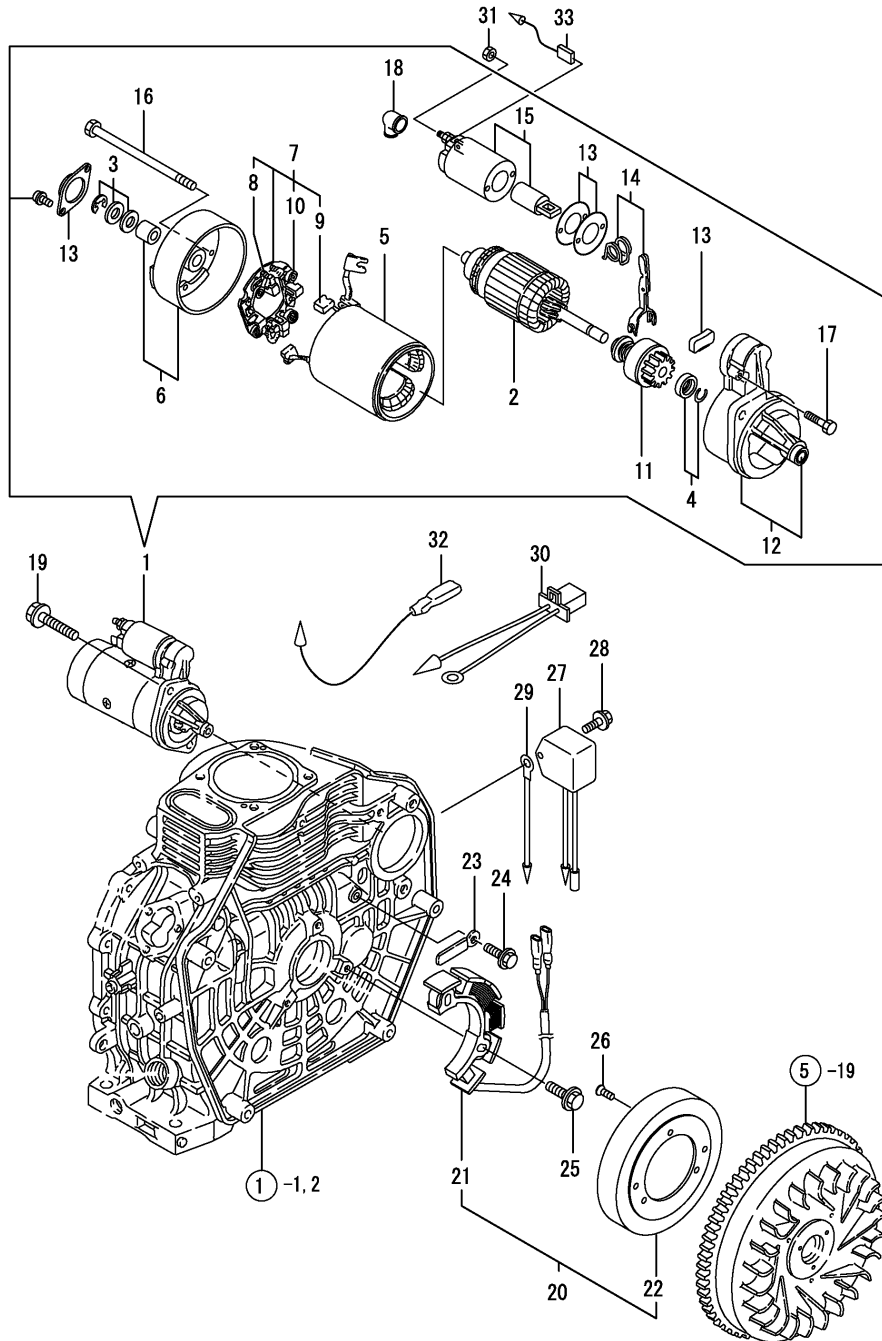


(A)=L70ADEVMK
 (B)=L70AE-DEVMK
 (C)=L70EE-DEVMK

(D)=
 (E)=
 (F)=

No.	Lev.	Parts No.	Description	Q'ty						I	R
				(A)	(B)	(C)	(D)	(E)	(F)		
1	1	714350-55711	TANK ASSY, FUEL	1	1	1					
3	2	114288-55041	CAP ASSY	1	1	1					
5	3	114288-55081	VALVE	1	1	1					
6	2	114250-55100	FILTER, FUEL	1	1	1					
7	2	114350-55150	GAUGE, LEVEL	1	1	1					
8	2	114250-55201	DAMPER, FUEL TANK	4	4	4					
9	2	103854-55220	RETAINER	2	2	2					
10	2	23414-080000	GASKET, 8X1.0	1	1	1					
11	2	105300-55080	PLUG, 8	1	1	1					
12	1	114250-55121	FILTER ASSY, FUEL	1	1	1					
13	2	114250-55130	GASKET	1	1	1					
14	1	114299-55210	STAY, FUEL TANK	1	1	1					
15	1	114399-55230	STAY, FUEL TANK	1	1	1					
16	1	114250-55301	COCK ASSY, FUEL	1	1	1					
17	2	24341-000150	O-RING, 1AS15.0	1	1	1					
18	1	114650-55810	BOLT	1	1	1					
19	1	22117-080000	WASHER, 8	1	1	1					
20	1	26106-080452	BOLT, M8X 45 PLATED	1	1	1					
21	1	26366-060002	NUT, M6	2	2	2					
22	1	26476-060142	SCREW, TAPPING M6X14	2	2	2					
23	1	114770-59030	PIPE ASSY, FUEL	1	1	1					
24	2	114270-59010	CLIP, HOSE 12	2	2	2					
25	2	114268-59061	PIPE, FUEL L=50	1	1	1					
26	1	124722-59050	CLIP, HOSE 9	2	2	2					
27	1	114250-59060	PIPE, FUEL RETURN	1	1	1					

Fig.10. STARTING MOTOR & DYNAMO

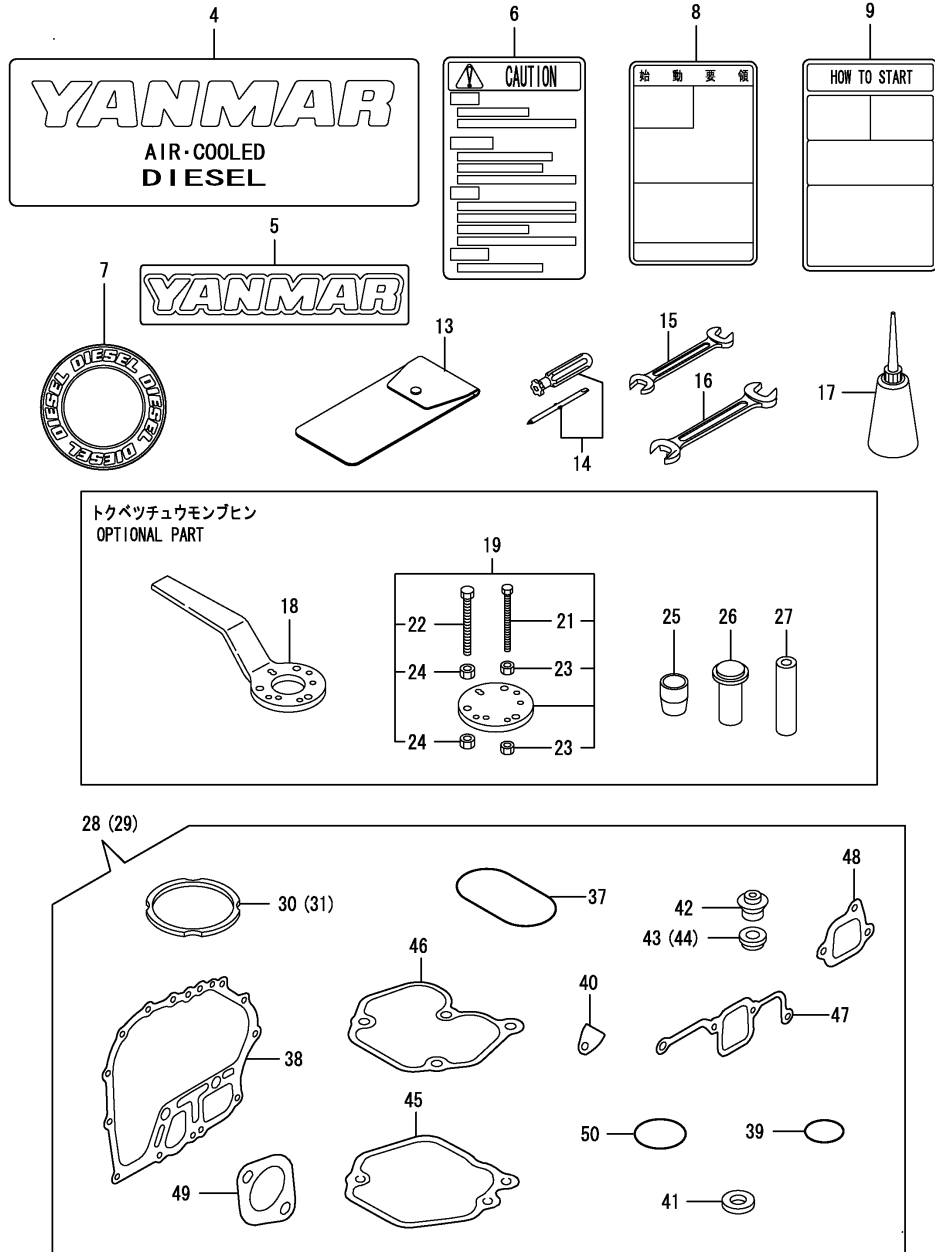


(A)=L70ADEVK
(B)=L70AE-DEVK
(C)=L70EE-DEVK

(D)=
(E)=
(F)=

No.	Lev.	Parts No.	Description	Qty						I	R
				(A)	(B)	(C)	(D)	(E)	(F)		
1	1	114362-77011	STARTER(S114-651A)	1	1	1					
2	2	114381-77110	ARMATURE	1	1	1					
3	2	X2114811000	WASHER KIT, THRUST	1	1	1					
4	2	X2114715500	STOPPER SET, PINION	1	1	1					
5	2	114381-77130	COIL ASSY, FIELD	1	1	1					
6	2	114381-77140	COVER, REAR	1	1	1					
7	2	114371-77160	HOLDER ASSY, BRUSH	1	1	1					
8	3	114371-79040	BRUSH (-)	2	2	2					
9	3	114371-79050	BRUSH (+)	1	1	1					
10	3	114371-79060	SPRING, BRUSH	4	4	4					
11	2	X211485016	PINION ASSY	1	1	1					
12	2	114381-77151	HOUSING ASSY, GEAR	1	1	1					
13	2	114371-77170	COVER KIT, DUST	1	1	1					
14	2	114371-77180	LEVER KIT, SHIFT	1	1	1					
15	2	124298-77020	SWITCH, MAGNETIC	1	1	1					
16	2	124195-77770	THROUGH BOLT	2	2	2					
17	2	114371-79070	BOLT M 6X 37	2	2	2					
18	2	X2114274200	COVER, TERMINAL	1	1	1					
19	1	26106-100302	BOLT, M10X 30 PLATED	2	2	2					
20	1	114351-78251	DYNAMO ASSY	1	1	1					
21	2	114351-78751	STATOR ASSY	1	1	1					
22	2	114351-78761	WHEEL, DYNAMO	1	1	1					
23	1	160710-78710	CLAMP, CORD	1	1	1					
24	1	26106-060122	BOLT, M6X 12 PLATED	1	1	1					
25	1	26106-060202	BOLT, M6X 20 PLATED	3	3	3					
26	1	26577-060142	SCREW M 6X 14	3	3	3					
27	1	160970-77350	RECTIFIER, ZR2117	1	1	1					
28	1	26106-060122	BOLT, M6X 12 PLATED	1	1	1					
29	1	183350-77400	WIRE, LEAD	1	1	1					
30	1	105198-78570	HARNES, WIRE	1	1	1					
31	1	26716-080002	NUT, M8	1	1	1					
32	1	160671-78200	WIRE, LEAD	1	1	1					
33	1	114685-78560	HARNES, WIRE	1	1	1					

Fig.11. TOOL,LABEL & GASKET SET



(A)=L70ADEVMK
(B)=L70AE-DEVMK
(C)=L70EE-DEVMK

(D)=
(E)=
(F)=

No.	Lev.	Parts No.	Description	Q'ty						I	R
				(A)	(B)	(C)	(D)	(E)	(F)		
4	1	114250-07090	LABEL, AIR COOLED	1	1	1					
5	1	114250-07111	LABEL, YANMAR	1	1	1					
6	1	114268-07240	LABEL, CAUTION		1	1					
7	1	114261-07350	LABEL	1	1	1					
8	1	114250-07250	LABEL, HOW TO START	1							
9	1	114268-07350	LABEL, HOW TO START		1	1					
13	1	114250-92600	BAG, TOOL	1	1	1					
14	1	160330-92730	DRIVE, SCREW	1	1	1					
15	1	28110-100120	SPANNER, 10X12	1	1	1					
16	1	28110-140170	SPANNER, 14X17	1	1	1					
17	1	28210-000150	OILER	1	1	1					
18	1	114250-92101	F.W. LOCKING HANDLE	1	1	1					1
19	1	114250-92130	REMOVER, FLYWHEEL	1	1	1					1
21	2	26116-060454	BOLT M 6X 45 PLATED	4	4	4					1
22	2	26116-080454	BOLT, M8X 45 PLATED	3	3	3					1
23	2	26716-060002	NUT, M6	8	8	8					1
24	2	26716-080002	NUT, M8	6	6	6					1
25	1	114350-92301	GUIDE, OIL SEAL	1	1	1					1
26	1	114350-92311	INSTALLING TOOL	1	1	1					1
27	1	114350-92350	INSTALLING TOOL	1	1	1					1
28	1	714888-92601	GASKET SET	1	1						1
29	1	714871-92600	GASKET SET			1					1
30	2	114870-01340	GASKET, HEAD	1	1						
31	2	114871-01330	GASKET SET, HEAD			1					
37	2	114350-01380	O-RING	1	1	1					
38	2	114350-01412	GASKET, CRANK CASE	1	1	1					
39	2	114299-01950	O-RING, 18	2	2	2					
40	2	114250-01841	GASKET	1	1	1					
41	2	22190-160002	WASHER, SEAL 16	2	2	2					
42	2	114350-11340	SEAL, VALVE STEM	2	2	2					
43	2	114250-11460	GASKET, NOZZLE	1	1						
44	2	114771-11461	GASKET, NOZZLE			1					
45	2	114250-11311	GASKET, BONNET	1	1						
46	2	114771-11310	GASKET, BONNET			1					
47	2	114350-12202	GASKET, AIR INTAKE	1	1	1					
48	2	114250-12211	GASKET, AIR CLEANER	1	1	1					
49	2	114250-13201	GASKET, MUFFLER	1	1	1					
50	2	103338-32570	O-RING	1	1	1					

Remarks
(1) OPTIONAL PART.

Fig.12. SAFETY LABEL

(A)=L70ADEVMK
 (B)=L70AE-DEVMK
 (C)=L70EE-DEVMK

(D)=
 (E)=
 (F)=

No.	Lev.	Parts No.	Description	Q'ty						I	R
				(A)	(B)	(C)	(D)	(E)	(F)		
1	1	1D1831-91200	DANGER,NO FIRE	1							
2	1	1A2260-87100	WARNING,EXH.GAS	1							



※貼付位置は取扱説明書を参照ください。

Parts No. Index

Parts No.	Fig. No.	Ref. No.
101158-11180	2	9
	3	9
103338-32570	6	8
	11	50
103854-01221	5	17
103854-55220	9	9
105010-11490	2	16
		29
	3	24
105198-78570	10	30
105225-01240	1	13
105225-66990	6	41
105300-55080	9	11
105425-01690	1	29
105546-51020	8	3
105546-51330	8	20
114250-01800	1	33
114250-01830	1	44
114250-01841	1	45
	11	40
114250-03591	2	38
	3	36
114250-03640	2	41
	3	39
114250-07090	11	4
114250-07111	11	5
114250-07250	11	8
114250-11240	2	22
		27
	3	16
		20
114250-11290	2	12
114250-11311	2	35
	11	45
114250-11460	2	17
	11	43
114250-11600	2	19
	3	27
114250-11651	2	20
114250-11901	2	30
	3	28
114250-11951	2	36
114250-12211	4	1
	11	48
114250-12300	4	11
114250-12520	4	30
114250-12550	4	34
114250-12560	4	33
114250-12581	4	32
114250-12980	4	31

Parts No.	Fig. No.	Ref. No.
114250-13201	4	17
	11	49
114250-14200	5	5
114250-21550	5	18
114250-32010	6	1
114250-32070	6	7
114250-35070	6	12
114250-35110	6	11
114250-35150	1	46
114250-45301	7	7
114250-45310	7	8
114250-45330	7	9
114250-51080	8	4
114250-51160	8	14
114250-51300	8	15
114250-51340	8	21
114250-51600	8	23
114250-51640	8	24
114250-51650	8	25
114250-53080	8	34
114250-53120	8	36
114250-53130	8	37
114250-53140	8	39
114250-53210	8	41
114250-53300	8	43
114250-53331	8	48
114250-53400	8	49
114250-55100	9	6
114250-55121	9	12
114250-55130	9	13
114250-55201	9	8
114250-55301	9	16
114250-59060	9	27
114250-66200	6	58
114250-66440	6	40
114250-66550	6	45
114250-76600	7	27
114250-76610	7	28
114250-92101	11	18
114250-92130	11	19
114250-92600	11	13
114252-12550	4	10
114252-12560	4	6
114252-66051	6	36
114252-66252	6	39
114261-07350	11	7
114268-07240	11	6
114268-07350	11	9
114268-59061	9	25
114270-01600	1	47

Parts No.	Fig. No.	Ref. No.
114270-59010	9	24
114288-12511	4	2
114288-12520	4	4
114288-12532	4	5
114288-13800	4	24
114288-55041	9	3
114288-55081	9	5
114299-01950	1	32
	11	39
114299-02030	1	54
114299-55210	9	14
114350-01200	1	10
114350-01210	1	11
114350-01220	1	12
114350-01250	1	14
114350-01380	1	22
	11	37
114350-01412	1	23
	11	38
114350-01700	1	8
114350-02100	1	27
114350-02113	1	55
114350-02200	1	61
114350-02210	1	62
114350-11101	2	6
114350-11113	2	7
114350-11120	2	8
	3	8
114350-11340	2	15
	3	23
	11	42
114350-11470	2	18
114350-12202	4	13
	11	47
114350-14451	5	7
114350-45320	7	2
114350-45340	7	3
114350-51200	8	5
114350-55150	9	7
114350-59800	8	61
114350-61190	6	15
114350-76591	7	24
114350-92301	11	25
114350-92311	11	26
114350-92350	11	27
114351-78251	10	20
114351-78751	10	21
114351-78761	10	22
114360-01454	1	24
114360-45101	7	6

Parts No.	Fig. No.	Ref. No.
114362-21600	5	21
114362-77011	10	1
114370-45351	7	10
114371-77160	10	7
114371-77170	10	13
114371-77180	10	14
114371-79040	10	8
114371-79050	10	9
114371-79060	10	10
114371-79070	10	17
114380-23100	5	39
114381-77110	10	2
114381-77130	10	5
114381-77140	10	6
114381-77151	10	12
114388-13600	4	18
114399-12010	4	12
114399-21590	5	19
114399-22300	5	33
114399-55230	9	15
114650-07450	4	3
114650-12550	4	9
114650-12590	4	7
114650-51100	8	6
114650-51300	8	16
114650-55810	9	18
114685-78560	10	33
114699-01760	1	30
114770-07450	4	29
114770-59030	9	23
114770-61190	6	23
114770-61520	6	33
114770-61600	6	34
114770-61610	6	35
114771-11250	3	12
114771-11260	3	13
114771-11310	3	33
	11	46
114771-11461	3	25
	11	44
114771-11470	3	26
114771-11650	3	14
114771-11660	3	18
114771-11950	3	34
114771-14260	5	6
114771-61810	6	52
114771-61830	6	53
114771-61890	6	61
114771-61940	6	54
114771-61960	6	63

Parts No. Index

Parts No.	Fig. No.	Ref. No.
114771-66690	6	56
114775-53140	8	40
114775-53210	8	42
114818-61700	6	51
114818-66600	6	55
114870-01340	1	15
	11	30
114870-11021	2	1
114870-13551	4	35
114870-45201	7	1
114870-53100	8	30
114870-66010	6	57
114870-76530	7	15
114870-76540	7	16
114870-76560	7	18
114870-76570	7	19
114870-76580	7	20
114870-76620	7	22
114870-76630	7	23
114871-01330	1	16
	11	31
114871-11020	3	1
114871-11100	3	6
114871-11110	3	7
114871-53001	8	31
114871-59804	8	67
114872-22040	5	48
114872-22050	5	56
114875-53100	8	44
114880-76051	7	11
114880-76251	7	12
114880-76511	7	13
114880-76520	7	14
114880-76550	7	17
118200-23200	5	38
119593-53080	8	35
119593-53130	8	38
121252-39450	1	48
124195-77770	10	16
124298-77020	10	15
124550-51350	8	22
124722-59050	9	26
135210-61090	6	59
160110-02220	1	56
		57
160310-14550	5	67
160330-92730	11	14
160671-78200	10	32
160710-78710	10	23
160970-77350	10	27

Parts No.	Fig. No.	Ref. No.
183350-77400	10	29
183360-66110	6	38
183720-55210	7	4
1A2260-87100	12	2
1D1831-91200	12	1
22117-080000	9	19
22190-160002	1	53
	11	41
22242-000120	3	22
22252-000210	5	34
22312-030160	2	44
	3	41
	6	9
22312-040080	1	60
22322-030200	6	22
22351-020006	8	26
22351-030008	8	27
22351-040008	2	31
	3	29
22451-060000	6	60
22512-040120	5	22
22512-070360	5	68
23414-080000	9	10
24101-062024	5	46
24162-152112	1	58
24311-000180	6	64
24341-000150	9	17
24341-000224	6	13
26106-060082	7	25
26106-060122	4	21
	6	10
	7	26
	10	24
		28
26106-060142	6	43
26106-060162	6	14
26106-060202	6	42
	7	5
	10	25
26106-060252	4	14
26106-060452	3	30
26106-060552	2	46
	3	44
26106-080122	1	59
26106-080202	5	69
26106-080352	1	49
26106-080452	2	32
	9	20
26106-100122	1	9
26106-100302	10	19

Parts No.	Fig. No.	Ref. No.
26116-060454	11	21
26116-080454	11	22
26216-080182	4	22
26226-060142	4	15
26226-060182	1	50
26226-060222	1	51
26226-060502	2	33
26226-060552	3	31
	4	16
26306-080002	4	23
26366-060002	1	52
	2	34
	3	32
	9	21
26367-060002	4	26
26476-060142	9	22
26554-060182	4	25
26577-060142	10	26
26716-060002	11	23
26716-080002	10	31
	11	24
26757-060002	6	44
26776-100002	6	50
26856-060002	2	23
		28
	3	17
		21
27310-060001	2	10
	3	10
28110-100120	11	15
28110-140170	11	16
28210-000150	11	17
714250-12590	4	27
714350-55711	9	1
714360-21721	5	8
714370-11660	2	24
714380-23600	5	40
714380-23610	5	63
714380-23620	5	65
71438G-23701	5	35
714770-61100	6	25
714770-61700	6	24
714870-22502	5	27
714870-22542	5	51
714870-22552	5	59
714870-28511	5	42
714870-51100	8	1
714870-53200	8	28
714871-92600	11	29
714872-22721	5	24

Parts No.	Fig. No.	Ref. No.
714873-21730	5	9
714875-01560	1	2
714875-51100	8	2
714875-53102	8	29
714880-14580	5	1
714880-22582	5	55
714880-22622	5	47
714880-22722	5	23
714888-01560	1	1
714888-92601	11	28
X2114274200	10	18
X2114715500	10	4
X2114811000	10	3
X211485016	10	11