

OCD10-M80300EN

# PREFACE

1. This parts catalog is the 1st edition of 4TNV98T-NSV for Ohara Corporation.

Pub. No. : 000Y00D8030

Published : Jan. , 2004

2. Model name

Engine model	Vehicle		Vehicle made by
	Products	Model name	
4TNV98T-NSV	Snow Cat	MM02	Ohara Corporation

## Directions for the Parts Catalog.

1. This Parts Catalog shows both standard and optional parts.
2. Parts may change without prior notice.
3. The following is an example of the Parts Catalog format.

REF.	LEV.	PARTS NO.	DESCRIPTION	Q'TY						I	R
				(A)	(B)	(C)	(D)	(E)	(F)		
1	1	729595-51390	FUEL INJECTION PUMP	1	1	1	1	1			1
1-1	1	729595-51391	FUEL INJECTION PUMP	1	1	1	1	1		N	1
		(A=E00185) (B=E00200)									
3	2	26022-060162	SCREW M 6X 16	9	9	9	9	9			
3-1	2	26022-060162	SCREW M 6X 16	4	4	4	4	4		K	
		(A=E00156) (B=E00156) (C=E00156) (D=E00156) (E=E00156)									
4	2	129470-51040	CAMSHAFT	1	1	1	1	1			
5	2	122710-51050	BEARING, ROLLER	2	2	2	2	2			
6	2	129470-51060	RETAINER	1	1	1	1	1			

Remarks
(1) BOOST COMPEMSATOR TYPE. OPTIONAL PART, TO E00155,(4JH-DT, 4JH-DTZ

### ① Ref. No.

The Ref. No. listed may not be in accordance with the illustration Ref. No.

(Ex.) Illustration No.

List Ref No.

1

1

(Before change)

1-1

(After change)

For interchangeable symbols N, R and K, illustrations for new parts may be abbreviated.

### ② Lev. (Level)

Level indication

The numbers below indicate the level of relativity towards the main part.

1 ----- Main parts (Assembly parts)

2 ----- Sub component included in " 1 ".

3 ----- Sub component included in " 2 ".

Note) Parts that are not for sale are partially illustrated but not listed.

### ③ Interchangeability Symbol

When a part change takes place, one of the following interchangeability symbols is indicated beside the part.

Symbol	Interchangeability	Contents note
N	Old $\begin{matrix} \leftarrow \text{Yes} \\ \text{No} \rightarrow \end{matrix}$ New	New Part is interchangeable for Old Part but Old Part is not interchangeable for New Part.
Q	Old $\begin{matrix} \leftarrow \text{No} \\ \text{Yes} \rightarrow \end{matrix}$ New	New Part is not interchangeable for Old Part but Old Part is interchangeable for New Part.
R	Old $\begin{matrix} \leftarrow \text{Yes} \\ \text{Yes} \rightarrow \end{matrix}$ New	New/ Old Parts are both interchangeable.
S	Old $\begin{matrix} \leftarrow \text{No} \\ \text{No} \rightarrow \end{matrix}$ New	New/ Old Parts are both not interchangeable.
W		Part newly added.
Z		Part discontinued.
F		Not interchangeable by a single part but interchangeable together with related parts.
K		Changes only for used parts quantities.

### ④ Effective Machine No.

When a part changes, the effective Machine No. will be indicated in the (A)-(F) column.

Product Symbol	Product No.	Product Symbol	Product No.
C	Clutch No. Compressor No.	F	Machine No. (Agricultural Equip.)
D	Drive No.	M	Machine No.
E	Engine No.		

Note 1) A date may follow the symbol. (Ex.) 1996.01

Note 2) "XXXXX" and "ZZZZZ" are for parts that could not be predicted or for engine models that could not be identified.

Note 3) (A=E00185) is the E (Engine Serial Number) for the column (A) model (in this case 4JH-DT) after the parts design change.

### ⑤ Remarks

Figures or alphabets (symbols) are entered in the remarks column.

The comments (remarks) on parts that are indicated at the bottom of the illustration are the same symbols as those stated above.

# Contents

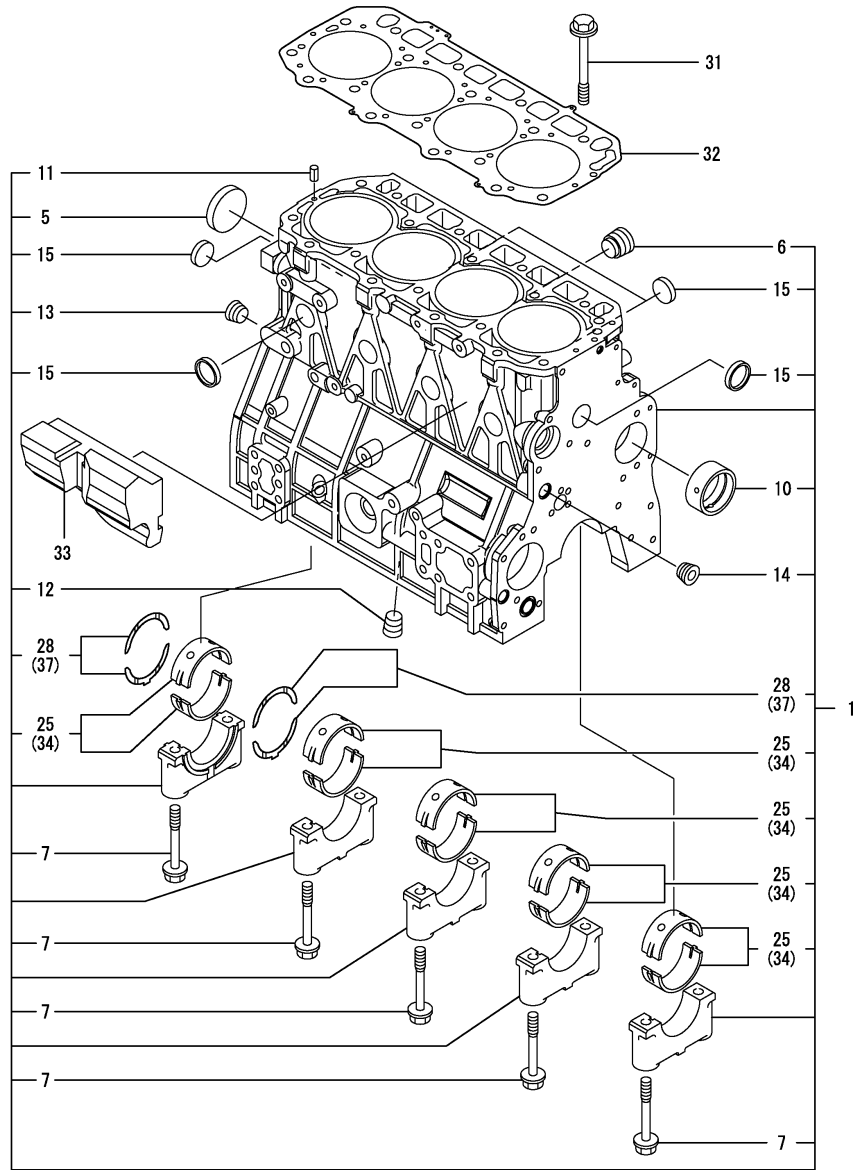
OCD10-M80300

Fig. No.	Fig. Name	Fig. No.	Fig. Name
ENGINE SECTION (4TNV98T-NSV)			
1.	CYLINDER BLOCK		
2.	GEAR HOUSING		
3.	FLYWHEEL HOUSING & OIL SUMP		
4.	CYLINDER HEAD & BONNET		
5.	SUCTION MANIFOLD & AIR CLEANER		
6.	EXHAUST MANIFOLD & SILENCER		
7.	CAMSHAFT & DRIVING GEAR		
8.	TURBINE		
9.	CRANKSHAFT & PISTON		
10.	LUB.OIL SYSTEM		
11.	LUB.OIL LINE		
12.	COOLING WATER SYSTEM		
13.	FUEL INJECTION PUMP		
14.	FUEL INJECTION VALVE		
15.	FUEL LINE		
16.	STARTING MOTOR		
17.	GENERATOR		
18.	ELECTRIC PART		
19.	GASKET SET		

Fig.1. CYLINDER BLOCK

(A)=4TNV98T-NSV  
(B)=  
(C)=

(D)=  
(E)=  
(F)=



No.	Lev.	Parts No.	Description	Q'ty						I	R
				(A)	(B)	(C)	(D)	(E)	(F)		
1	1	729908-01560	BLOCK ASSY, CYLINDER	1							
5	2	129900-01250	PLUG, 55	1							
6	2	171051-01921	PLUG, NPTF1	1							
7	2	129900-02020	BOLT, METAL CAP	10							
10	2	129900-02410	BUSH, CAMSHAFT	1							
11	2	22351-060012	PIN, SPRING 6.0X12	2							
12	2	23876-030000	PLUG, R03	1							
13	2	23876-030000	PLUG, R03	1							
14	2	23876-030000	PLUG, R03	1							
15	2	27241-300000	PLUG 30	8							
25	2	729900-02800	BEARING, MAIN	5							3
28	2	129900-02930	BEARING, THRUST	2							
31	1	129900-01200	BOLT, HEAD	18							
32	1	129907-01331	GASKET, HEAD	1							
33	1	129907-01190	SPACER	1							
34	1	129900-02340	BEARING, 0.25 US	5							1
37	1	129900-02940	BEARING, THRUST 0.25	2							2

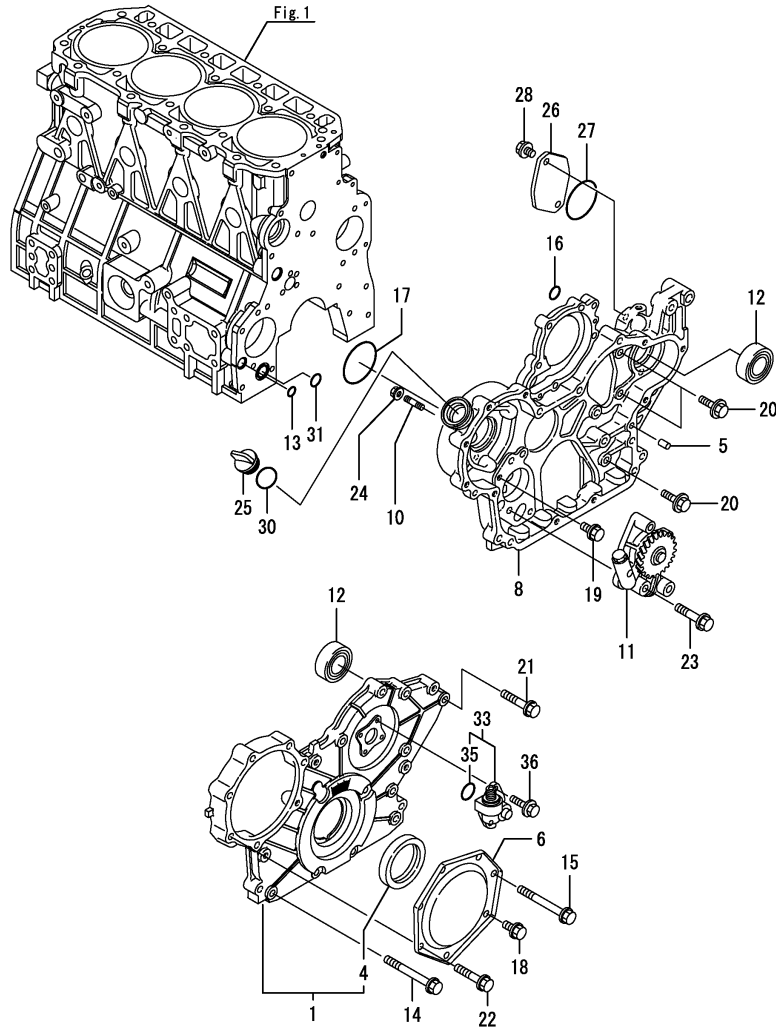
Remarks

- (1) UNDER-SIZE(U.S=0.25)PART.
- (2) OVER-SIZE(O.S=0.25)PART.
- (3) REPAIR PART.

Fig.2. GEAR HOUSING

(A)=4TNV98T-NSV  
(B)=  
(C)=

(D)=  
(E)=  
(F)=



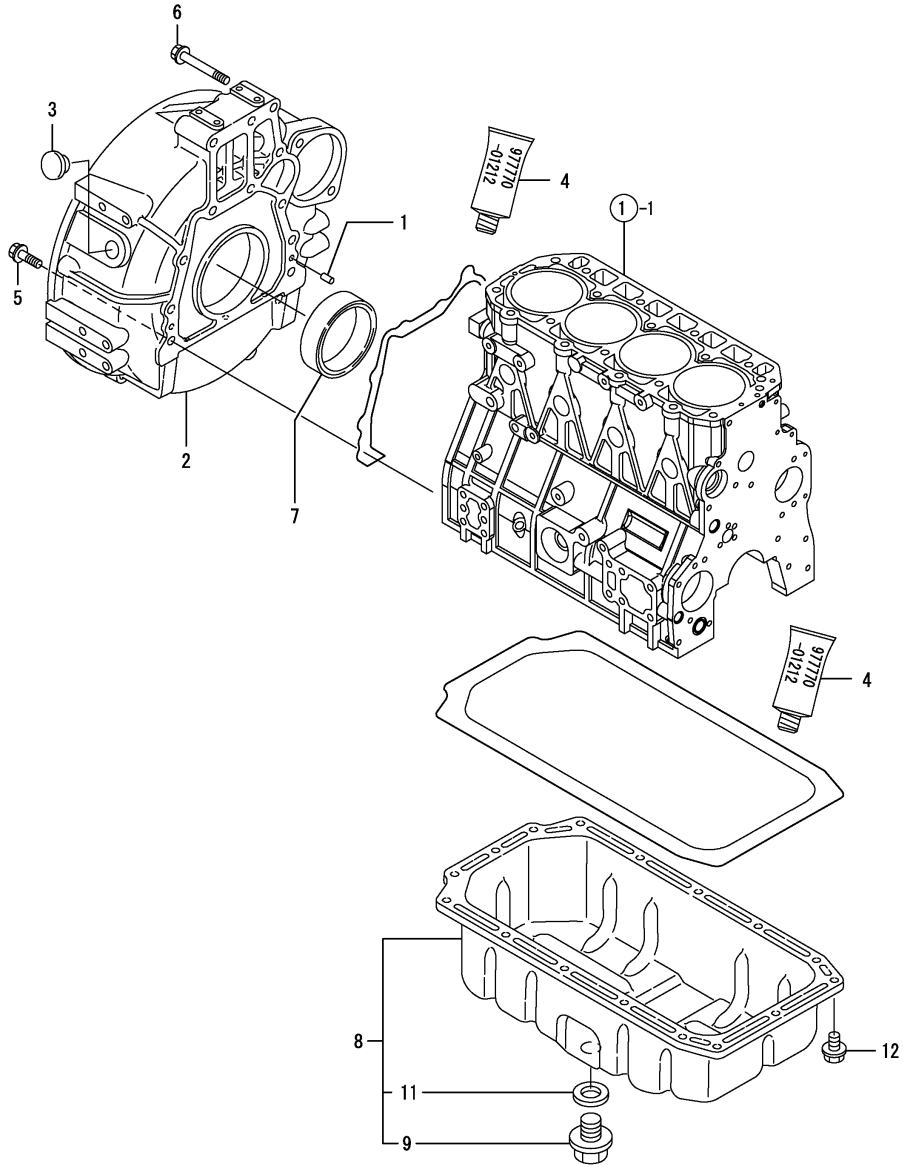
No.	Lev.	Parts No.	Description	Q'ty						I	R
				(A)	(B)	(C)	(D)	(E)	(F)		
1	1	729907-01580	COVER ASSY, GEAR CASE	1							
4	2	129900-01780	SEAL, OIL	1							
4-1	2	129916-01800	SEAL, OIL	1							F 1
(A=REF. TO R)											
5	1	129100-01580	PIN, M8X16	4							
6	1	129900-01740	COVER	1							
8	1	129933-01500	CASE, GEAR	1							
10	1	26216-100302	STUD, M10X 30	4							
11	1	129908-32060	PUMP ASSY, OIL	1							
12	1	129900-26250	BEARING, BALL 6206C3	2							
13	1	129900-32040	O-RING, P14	1							
14	1	129001-91810	BOLT, M8X70	6							
15	1	129001-91810	BOLT, M8X70	1							
16	1	24311-000070	O-RING, 1AP7.0	1							
17	1	24351-030750	O-RING, 1A3075	1							
18	1	26106-080162	BOLT, M8X 16 PLATED	1							
19	1	26106-080162	BOLT, M8X 16 PLATED	1							
20	1	26106-080202	BOLT, M8X 20 PLATED	3							
21	1	26106-080402	BOLT, M8X 40 PLATED	5							
22	1	26106-080402	BOLT, M8X 40 PLATED	5							
23	1	26106-080452	BOLT, M8X 45 PLATED	3							
24	1	26306-100002	NUT, M10	4							
25	1	124160-01751	COVER, FILLER	1							
26	1	121023-26070	COVER	1							
27	1	24321-000850	O-RING, 1AG85.0	1							
28	1	26106-100202	BOLT, M10X 20 PLATED	2							
30	1	24311-000320	O-RING, 1AP32.0	1							
31	1	129900-32030	O-RING, P20	1							
33	1	129150-91400	GEAR	1							
35	2	24341-000240	O-RING, 1AS24.0	1							
36	1	26106-060162	BOLT, M6X 16 PLATED	2							

Remarks

(1)No.4-1 & Fig.9 No.9-1, 10-1 interchangeable by set. For repair.

N:Old  $\begin{matrix} \leftarrow \text{Yes} \\ \text{No} \end{matrix}$  New, Q:Old  $\begin{matrix} \leftarrow \text{No} \\ \text{Yes} \end{matrix}$  New, R:Old  $\begin{matrix} \leftarrow \text{Yes} \\ \text{Yes} \end{matrix}$  New, S:Old  $\begin{matrix} \leftarrow \text{No} \\ \text{No} \end{matrix}$  New, W:Add, Z:Discontinued, F:Interchangeable by set, K:Q'ty Change

Fig.3. FLYWHEEL HOUSING & OIL SUMP



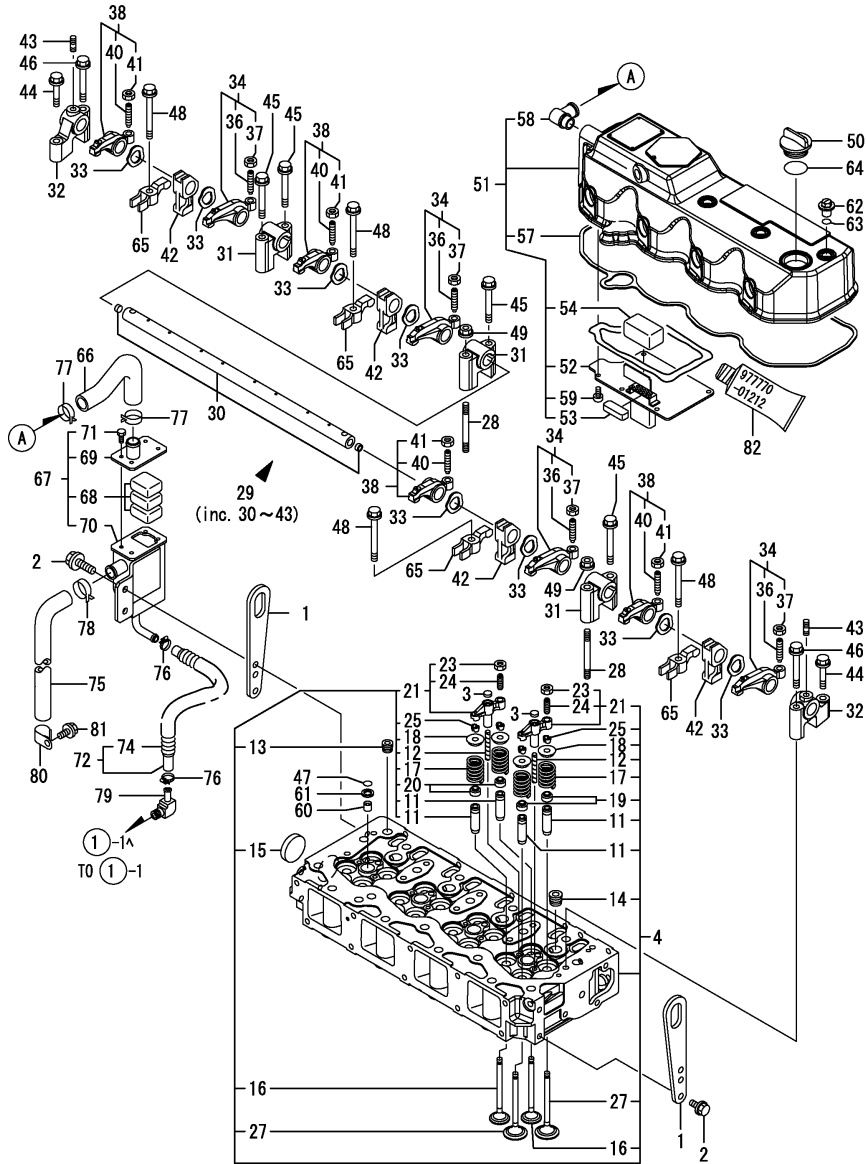
(A)=4TNV98T-NSV  
(B)=  
(C)=

(D)=  
(E)=  
(F)=

No.	Lev.	Parts No.	Description	Q'ty						I	R
				(A)	(B)	(C)	(D)	(E)	(F)		
1	1	129100-01580	PIN, M8X16	2							
2	1	129955-01600	HOUSING, FLYWHEEL	1							
3	1	119620-01750	CAP	1							
4	1	977770-01212	GASKET, LIQUID	1							1
5	1	26206-100352	BOLT, M10X 35 PLATED	9							
6	1	26206-100702	BOLT, M10X 70 PLATED	3							
7	1	124411-01780	SEAL, HTC95X115X12	1							
8	1	129953-01710	SUMP ASSY, OIL	1							
9	2	119640-01640	PLUG, DRAIN M22	1							
11	2	22190-220002	WASHER, SEAL 22	1							
12	1	26106-080122	BOLT, M8X 12 PLATED	16							

Remarks  
(1) OPTIONAL PART.

Fig.4. CYLINDER HEAD & BONNET



(A)=4TNV98T-NSV

(B)=

(C)=

(D)=

(E)=

(F)=

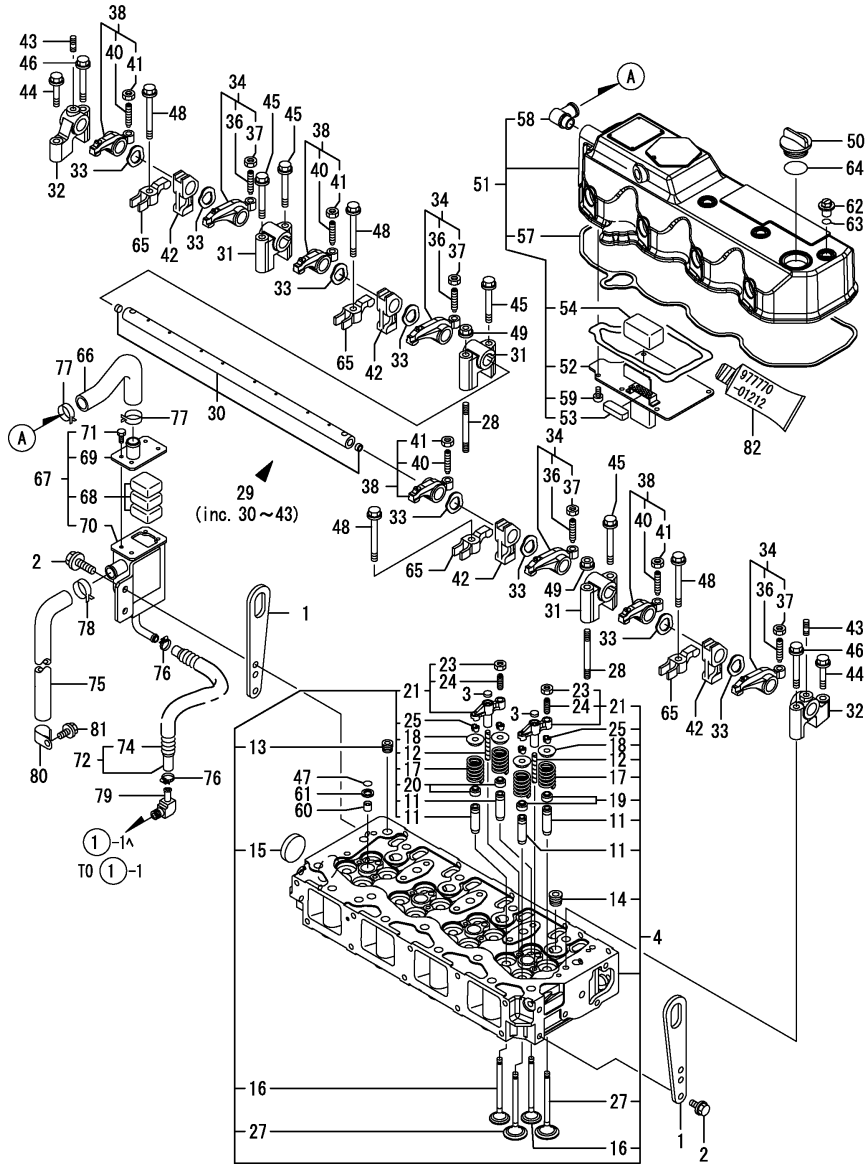
No.	Lev.	Parts No.	Description	Q'ty						I	R
				(A)	(B)	(C)	(D)	(E)	(F)		
1	1	129907-07900	LIFTER	2							
2	1	26106-080162	BOLT, M8X 16 PLATED	4							
3	1	123907-11550	SEAT, VALVE BRIDGE	8							
4	1	129908-11700	HEAD ASSY, CYLINDER	1							
11	2	129907-11800	GUIDE, VALVE	16							1
12	2	123907-11820	GUIDE	8							
13	2	23876-020000	PLUG, R02	1							
14	2	23876-030000	PLUG, R03	4							
15	2	27241-400000	PLUG, 40	1							
16	2	129907-11110	VALVE, EXHAUST	8							
17	2	129907-11120	SPRING, VALVE	16							
18	2	119620-11180	RETAINER, SPRING	16							
19	2	124160-11340	SEAL, VALVE STEM	8							
20	2	124950-11340	SEAL, VALVE STEM	8							
21	2	129907-11510	BRIDGE ASSY, VALVE	8							
23	3	129150-11750	NUT, M8	8							
24	3	123907-11830	ADJUSTER	8							
25	2	27310-070001	COTTER, 7	16							
27	2	129907-11100	VALVE, INTAKE	8							
28	1	119593-11301	STUD, M8X80	2							
29	1	129907-11341	SHAFT ASSY, ROCKER	1							
30	2	129907-11250	SHAFT, ROCKER ARM	1							
31	2	129907-11260	SUPPORT, ROCKER ARM	3							
32	2	129907-11270	SUPPORT, ROCKER ARM	2							
33	2	123907-11280	WASHER	8							
34	2	129907-11650	ARM, ROCKER	4							
36	3	129150-11230	SCREW, VALVE ADJUST	4							
37	3	129150-11750	NUT, M8	4							
38	2	129907-11660	ARM, ROCKER	4							
40	3	129150-11230	SCREW, VALVE ADJUST	4							
41	3	129150-11750	NUT, M8	4							
42	2	129907-11920	RETAINER	4							
43	2	26226-080222	STUD, M8X 22	2							
44	1	26106-080402	BOLT, M8X 40 PLATED	2							
45	1	26106-080602	BOLT, M8X 60 PLATED	4							
46	1	26106-080602	BOLT, M8X 60 PLATED	2							
47	1	24311-000120	O-RING, 1AP12.0	4							
48	1	129907-11950	BOLT, M8X75	4							
49	1	26306-080002	NUT, M8	2							
50	1	124160-01751	COVER, FILLER	1							
51	1	129908-11320	BONNET ASSY, HEAD	1							
52	2	129907-03010	PLATE	1							
53	2	129907-03060	BAFFLE, BREATHER	1							
54	2	129907-03070	BAFFLE, BREATHER	1							
57	2	129907-11310	GASKET, BONNET	1							
58	2	119100-11330	ELBOW	1							
59	2	22857-500100	SCREW, 5X10	6							
60	1	119802-11870	PROTECTOR, NOZZLE	4							
61	1	119625-11880	SEAT, NOZZLE	4							
62	1	124160-11360	KNOB	4							
63	1	24311-000120	O-RING, 1AP12.0	4							

Remarks

- (1) REPAIR PART.
- (2) OPTIONAL PART.



Fig.4. CYLINDER HEAD & BONNET



(A)=4TNV98T-NSV

(B)=

(C)=

(D)=

(E)=

(F)=

No.	Lev.	Parts No.	Description	Q'ty						I	R
				(A)	(B)	(C)	(D)	(E)	(F)		
64	1	24311-000320	O-RING, 1AP32.0	1							
65	1	129907-11910	RETAINER, NOZZLE	4							
66	1	129908-03099	HOSE, BREATHER	1							
67	1	129908-03209	BREATHER ASSY	1							
68	2	123901-03240	FILTER	3							
69	2	129908-03219	COVER, BREATHER	1							
70	2	129908-03229	BREATHER	1							
71	2	26116-050102	BOLT, M5X 10 PLATED	4							
72	1	129935-03260	HOSE ASSY, RETURN	1							
74	2	129935-03270	TUBE, CORRUGATED	1							
75	1	119006-03090	HOSE, BREATHER	1							
76	1	23000-022000	CLAMP, 22	2							
77	1	129410-03990	CLIP	2							
78	1	129960-03990	CLIP, HOSE 22	1							
79	1	123901-03280	ELBOW, PT3/8-10	1							
80	1	129150-03100	RETAINER, PIPE	1							
81	1	26106-080122	BOLT, M8X 12 PLATED	1							
82	1	97770-01212	GASKET, LIQUID	1							2

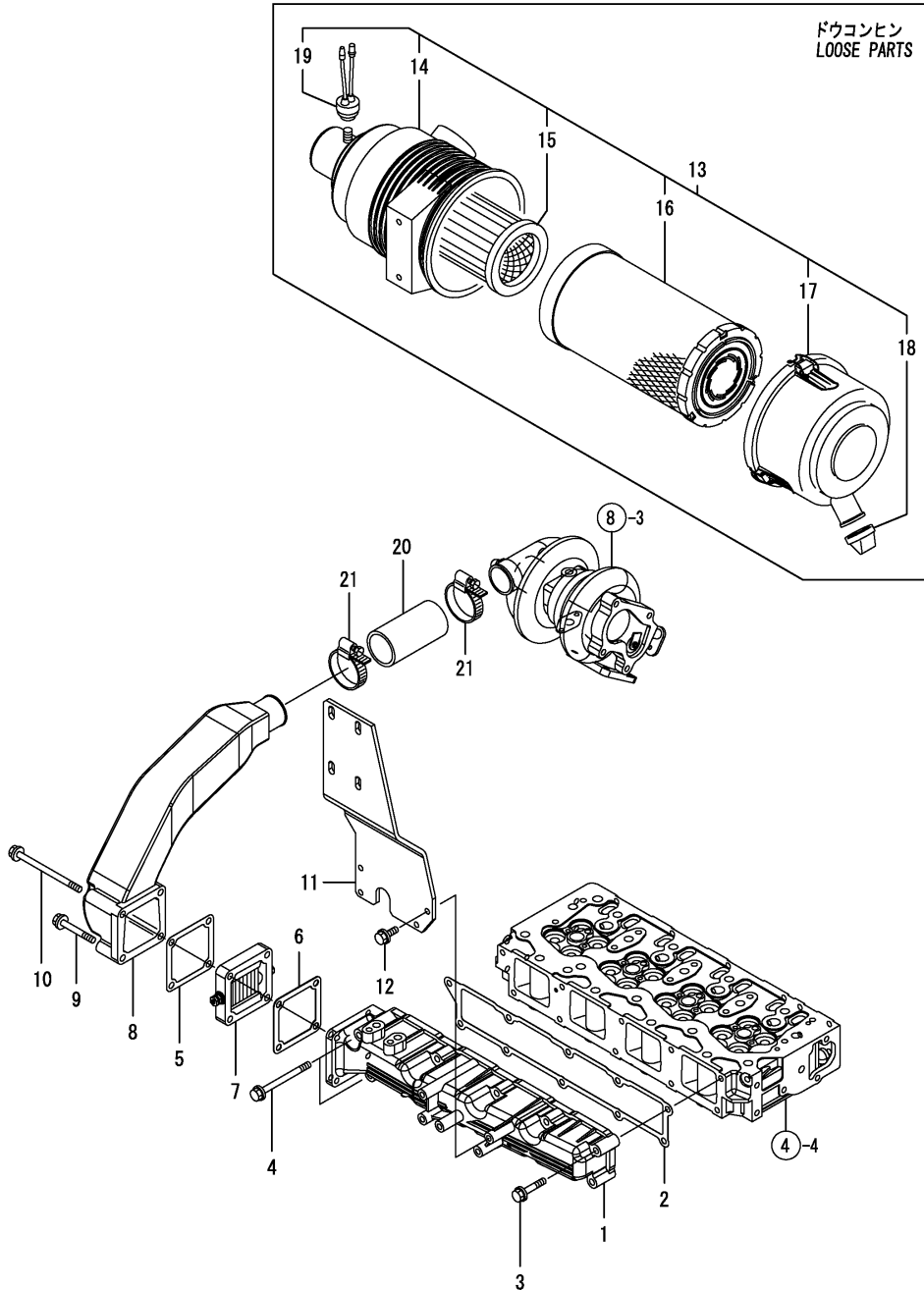
Remarks

- (1) REPAIR PART.
- (2) OPTIONAL PART.

Fig.5. SUCTION MANIFOLD & AIR CLEANER

(A)=4TNV98T-NSV  
(B)=  
(C)=

(D)=  
(E)=  
(F)=

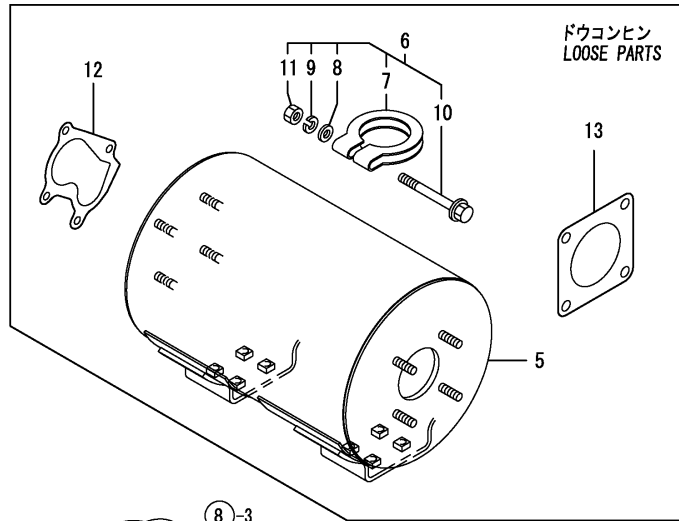


No.	Lev.	Parts No.	Description	Q'ty						I	R
				(A)	(B)	(C)	(D)	(E)	(F)		
1	1	129944-12110	MANIFOLD, AIR INTAKE	1							
2	1	129907-12110	GASKET, MANIFOLD	1							
3	1	26106-080452	BOLT, M8X 45 PLATED	8							
4	1	26106-080802	BOLT, M8X 80 PLATED	2							
5	1	119129-77020	GASKET	1							
6	1	121850-77021	GASKET	1							
7	1	119005-77050	HEATER	1							
8	1	129935-18350	DUCT, AIR	1							
9	1	26106-080752	BOLT, M8X 75 PLATED	2							
10	1	26106-080952	BOLT, M8X 95 PLATED	2							
11	1	129944-12620	BRACKET, AIR CLEANER	1							
12	1	26013-080222	BOLT, M8X 22	4							
13	1	129935-12500	CLEANER ASSY, AIR	1							
14	2	129935-12510	BODY	1							
15	2	119160-12570	ELEMENT	1							
16	2	129935-12520	ELEMENT	1							
17	2	119160-12530	COVER ASSY	1							
18	2	119160-12540	VALVE	1							
19	2	119140-12680	INDICATOR	1							
20	1	123951-18220	JOINT, RUBBER	1							
21	1	23000-054000	CLAMP, 54	2							

Fig.6. EXHAUST MANIFOLD & SILENCER

(A)=4TNV98T-NSV  
(B)=  
(C)=

(D)=  
(E)=  
(F)=



No.	Lev.	Parts No.	Description	Q'ty						I	R
				(A)	(B)	(C)	(D)	(E)	(F)		
1	1	129935-13100	MANIFOLD, EXHAUST	1							
2	1	129900-13251	GASKET	1							
3	1	123900-13630	BOLT, M8X80	8							
4	1	129418-18320	STUD, M8X20	4							
5	1	129935-13510	SILENCER	1							
6	1	121470-13590	CLAMP	1							
7	2	121470-13580	CLAMP	1							
8	2	22137-100000	WASHER, 10	1							
9	2	22217-100000	WASHER, SPRING 10	1							
10	2	26106-100702	BOLT, M10X 70 PLATED	1							
11	2	26706-100002	NUT, M10	1							
12	1	123901-18080	GASKET	1							
13	1	129400-13201	GASKET, SILENCER	2							

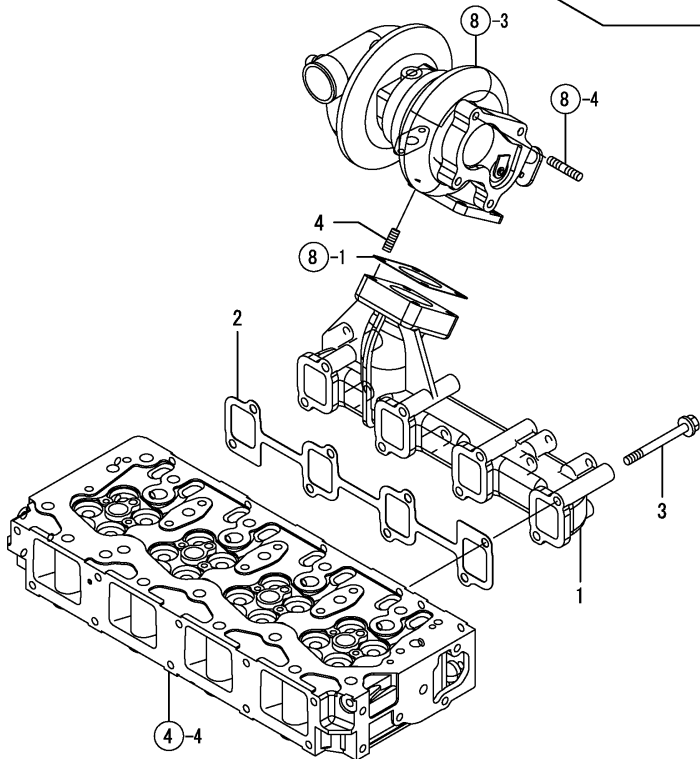
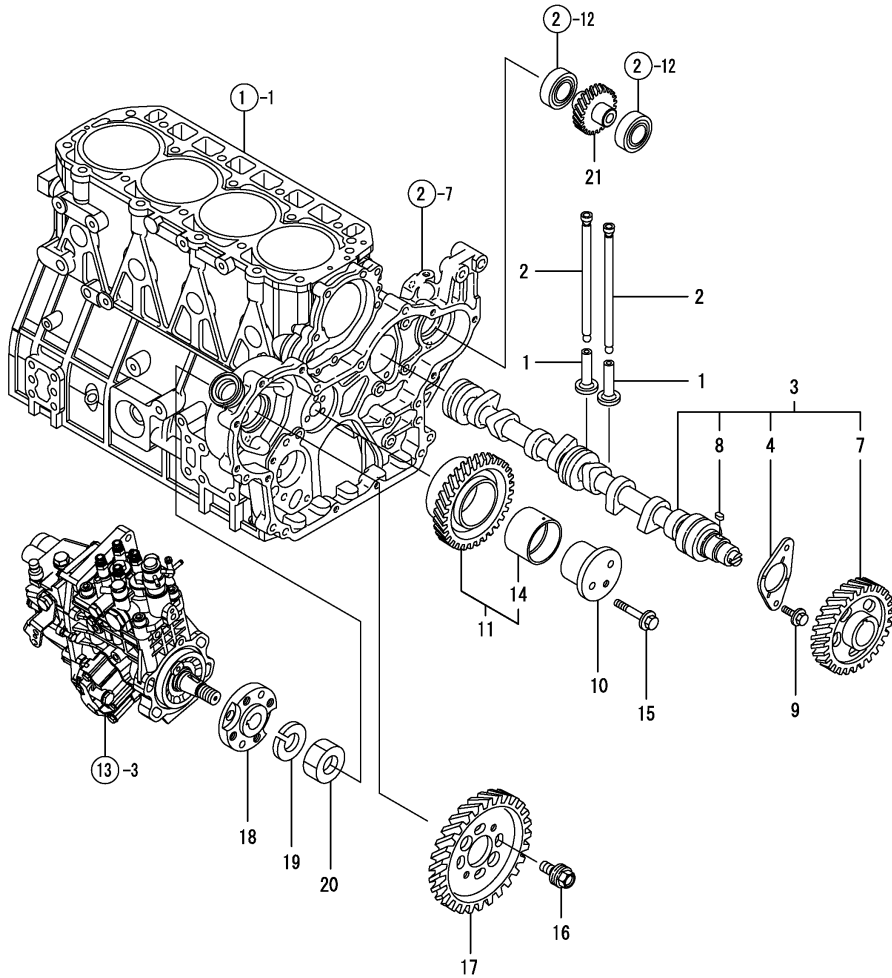


Fig.7. CAMSHAFT & DRIVING GEAR

(A)=4TNV98T-NSV  
(B)=  
(C)=

(D)=  
(E)=  
(F)=



No.	Lev.	Parts No.	Description	Q'ty						I	R
				(A)	(B)	(C)	(D)	(E)	(F)		
1	1	129150-14200	TAPPET	8							
2	1	129907-14400	ROD, PUSH	8							
3	1	129908-14581	CAMSHAFT ASSY	1							
4	2	129150-02450	BEARING, THRUST	1							
7	2	129900-14100	GEAR, CAMSHAFT	1							
8	2	22512-070140	KEY, 7X 14	1							
9	1	26106-080162	BOLT, M8X 16 PLATED	2							
10	1	123900-25060	SHAFT, IDLE GEAR	1							
11	1	129900-25100	GEAR ASSY, IDLE	1							
14	2	129150-25920	BUSH, IDLE GEAR	1							1
15	1	26106-080552	BOLT, M8X 55 PLATED	3							
16	1	129953-25300	BOLT	4							
17	1	123907-25909	GEAR, PUMP	1							
18	1	158563-51150	FLANGE	1							
19	1	22217-180000	WASHER, SPRING 18	1							
20	1	26776-180002	NUT, LOCK M18	1							
21	1	129900-26000	GEAR ASSY, PUMP	1							

Remarks  
(1) REPAIR PART.

Fig.8. TURBINE

(A)=4TNV98T-NSV  
(B)=  
(C)=

(D)=  
(E)=  
(F)=

No.	Lev.	Parts No.	Description	Q'ty						I	R
				(A)	(B)	(C)	(D)	(E)	(F)		
1	1	129472-18090	GASKET	1							
2	1	26306-080002	NUT, M8	4							
3	1	129935-18010	TURBINE, RHF5	1							
4	1	119131-18320	STUD, M8X22	4							

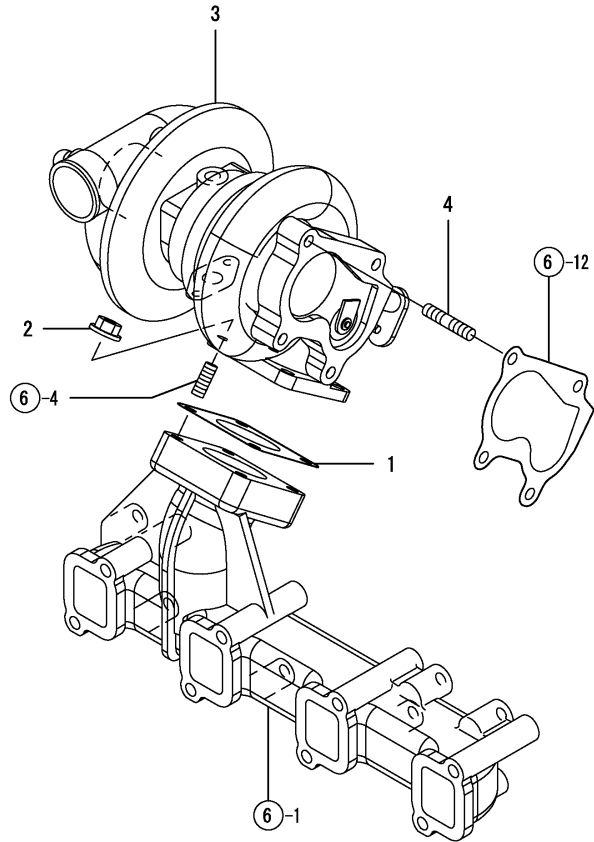


Fig.9. CRANKSHAFT & PISTON

(A)=4TNV98T-NSV

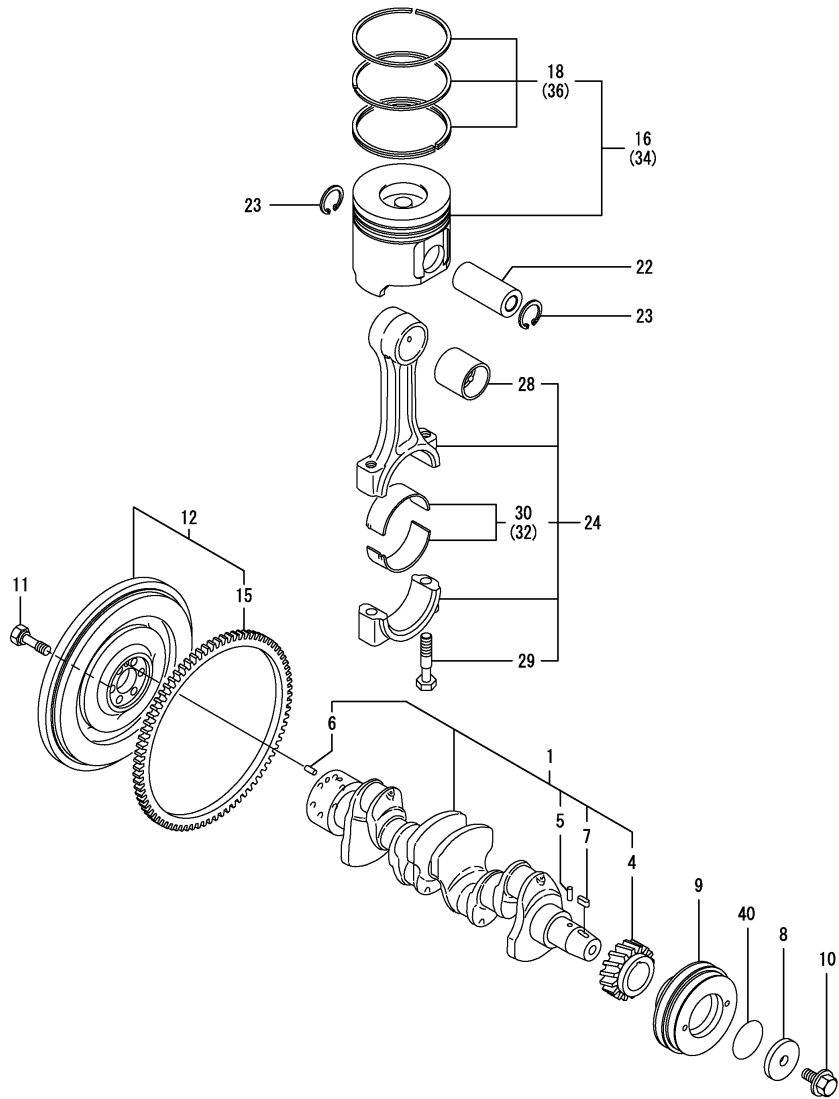
(B)=

(C)=

(D)=

(E)=

(F)=

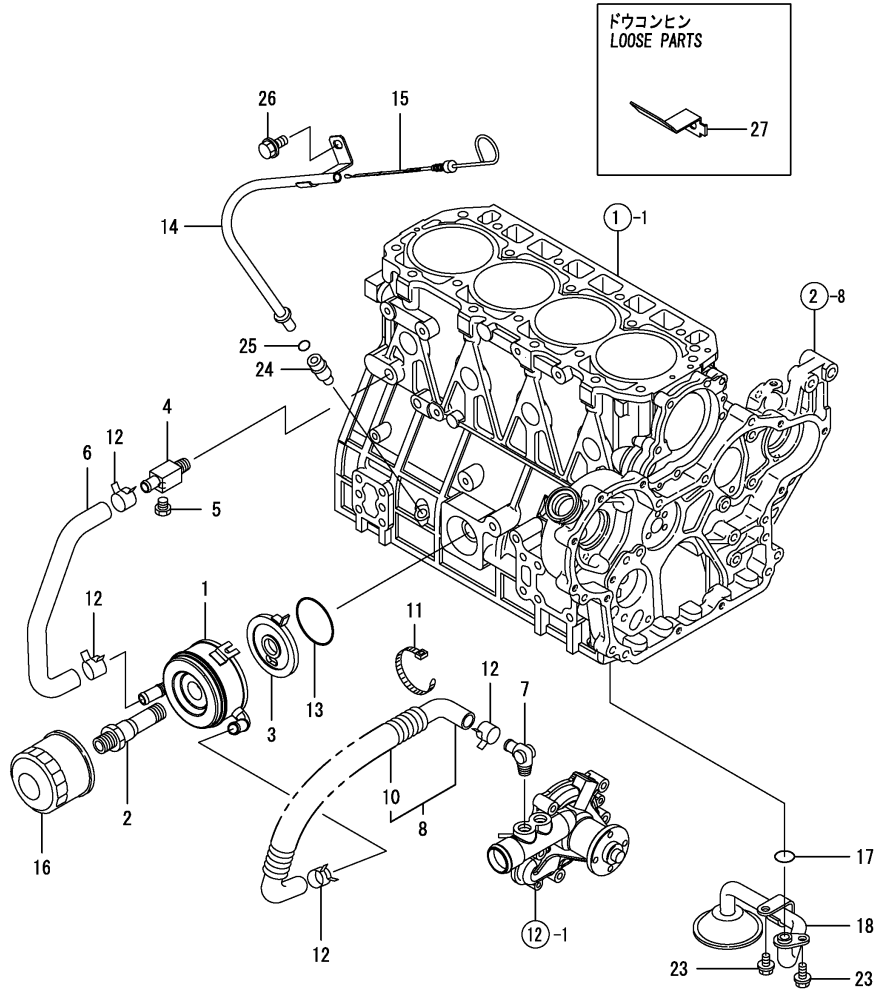


No.	Lev.	Parts No.	Description	Q'ty						I	R
				(A)	(B)	(C)	(D)	(E)	(F)		
1	1	129908-21000	CRANKSHAFT ASSY	1							
4	2	129900-21200	GEAR, CRANKSHAFT	1							
5	2	121850-21290	PIN	1							
6	2	121850-21920	PIN, M10X22	1							
7	2	22512-070140	KEY, 7X 14	1							
8	1	129960-21640	WASHER	1							
9	1	129957-21650	V-PULLEY	1							
9-1	1	129957-21651	V-PULLEY	1						F	4
(A=REF. TO R)											
10	1	121850-21680	BOLT	1							
10-1	1	129916-21610	BOLT	1						F	4
(A=REF. TO R)											
11	1	121850-21130	BOLT, FLYWHEEL	6							
12	1	129900-21580	FLYWHEEL ASSY	1							
15	2	129900-21600	GEAR, RING	1							
16	1	129908-22080	PISTON ASSY	4							
18	2	129907-22050	RING SET, PISTON	4							
22	1	120130-22301	PIN, PISTON	4							
23	1	22252-000300	RING, 30	8							
24	1	129900-23000	ROD ASSY, CONNECTING	4							
28	2	129900-23910	BEARING, PISTON PIN	4							1
29	2	129900-23200	BOLT, CONNECTING ROD	8							
30	2	129900-23600	BEARING, CRANK PIN	4							
32	1	129900-23610	BEARING, 0.25 US	4							2
34	1	729908-22900	PISTON ASSY, 0.25 OS	4							3
36	2	729907-22950	RING SET, 0.25 OS	4							3
40	1	24341-000530	O-RING, 1AS53.0	1							

Remarks

- (1) Spare parts.
- (2) Under-sized (U.S.=0.25) parts.
- (3) Over-sized (O.S.=0.25) parts.
- (4) No.9-1, 10-1 & Fig.2 No.4-1 interchangeable by set. For repair.

Fig.10. LUB.OIL SYSTEM



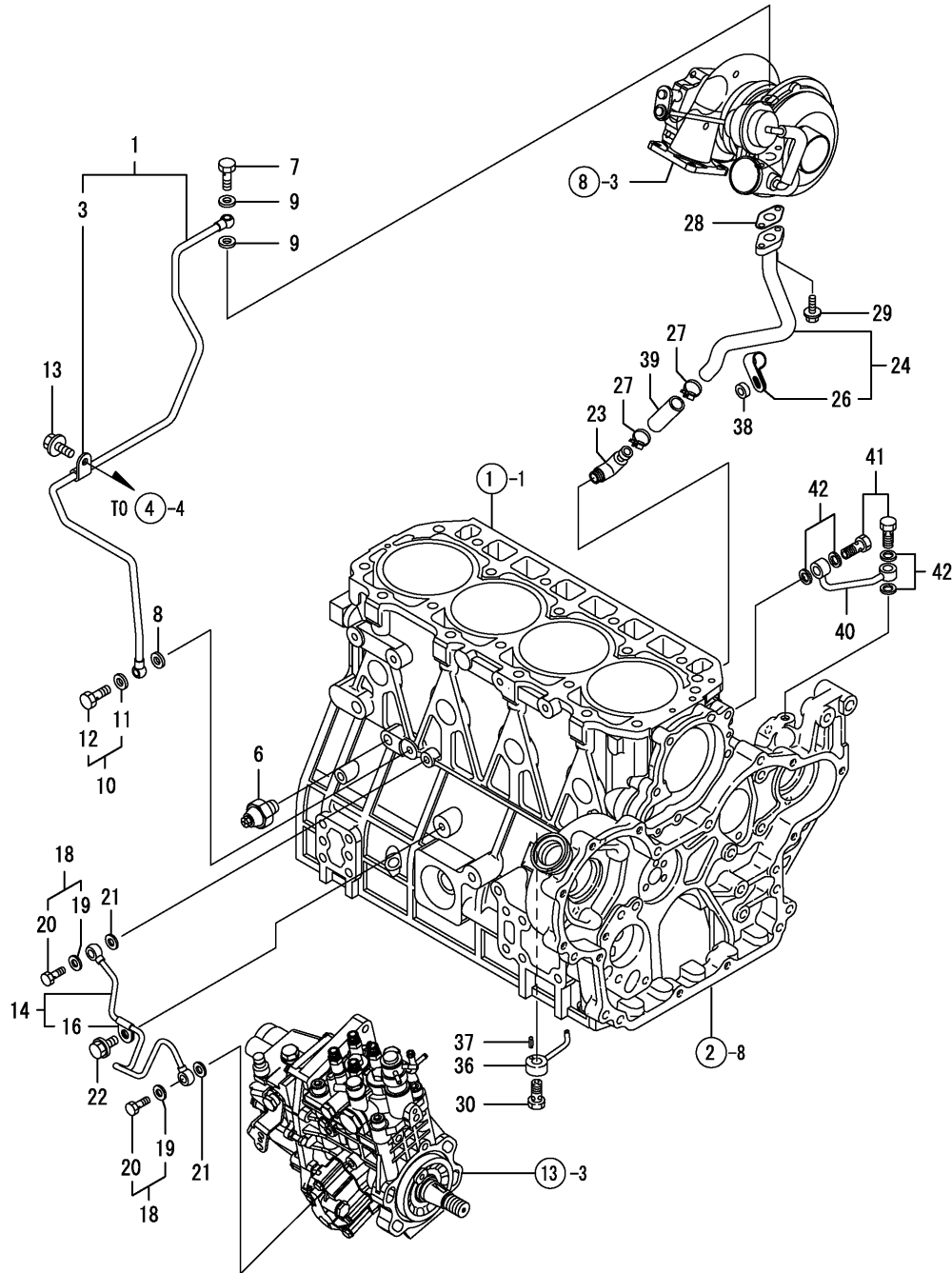
(A)=4TNV98T-NSV  
(B)=  
(C)=

(D)=  
(E)=  
(F)=

No.	Lev.	Parts No.	Description	Q'ty						I	R
				(A)	(B)	(C)	(D)	(E)	(F)		
1	1	129908-33010	COOLER ASSY, OIL	1							
2	1	123912-33100	BOLT, COOLER	1							
3	1	129908-33100	BRACKET	1							
4	1	129006-44480	JOINT	1							
5	1	171056-49120	PLUG, DRAIN	1							
6	1	129944-49059	PIPE, WATER	1							
7	1	129466-49300	ELBOW, PT3/8	1							
8	1	123910-49600	PIPE, WATER	1							
10	2	123910-49610	TUBE, CORRUGATED	1							
11	1	121750-59890	BAND, 140	1							
12	1	23000-025000	CLAMP, 25	4							
13	1	24321-000600	O-RING, 1AG60.0	1							
14	1	129951-34812	GUIDE, DIPSTICK	1							
15	1	129951-34801	DIPSTICK, OIL	1							
16	1	129150-35153	FILTER	1							1
17	1	129900-32030	O-RING, P20	1							
18	1	129900-35000	PIPE ASSY, OIL INLET	1							
23	1	26106-080122	BOLT, M8X 12 PLATED	2							
24	1	119260-34810	GUIDE, DIPSTICK	1							
25	1	24311-240100	O-RING, 1AP10A	1							
26	1	26106-080162	BOLT, M8X 16 PLATED	1							
27	1	129136-66852	SUPPORT	1							

Remarks  
(1) REPAIR PART.

Fig.11. LUB.OIL LINE



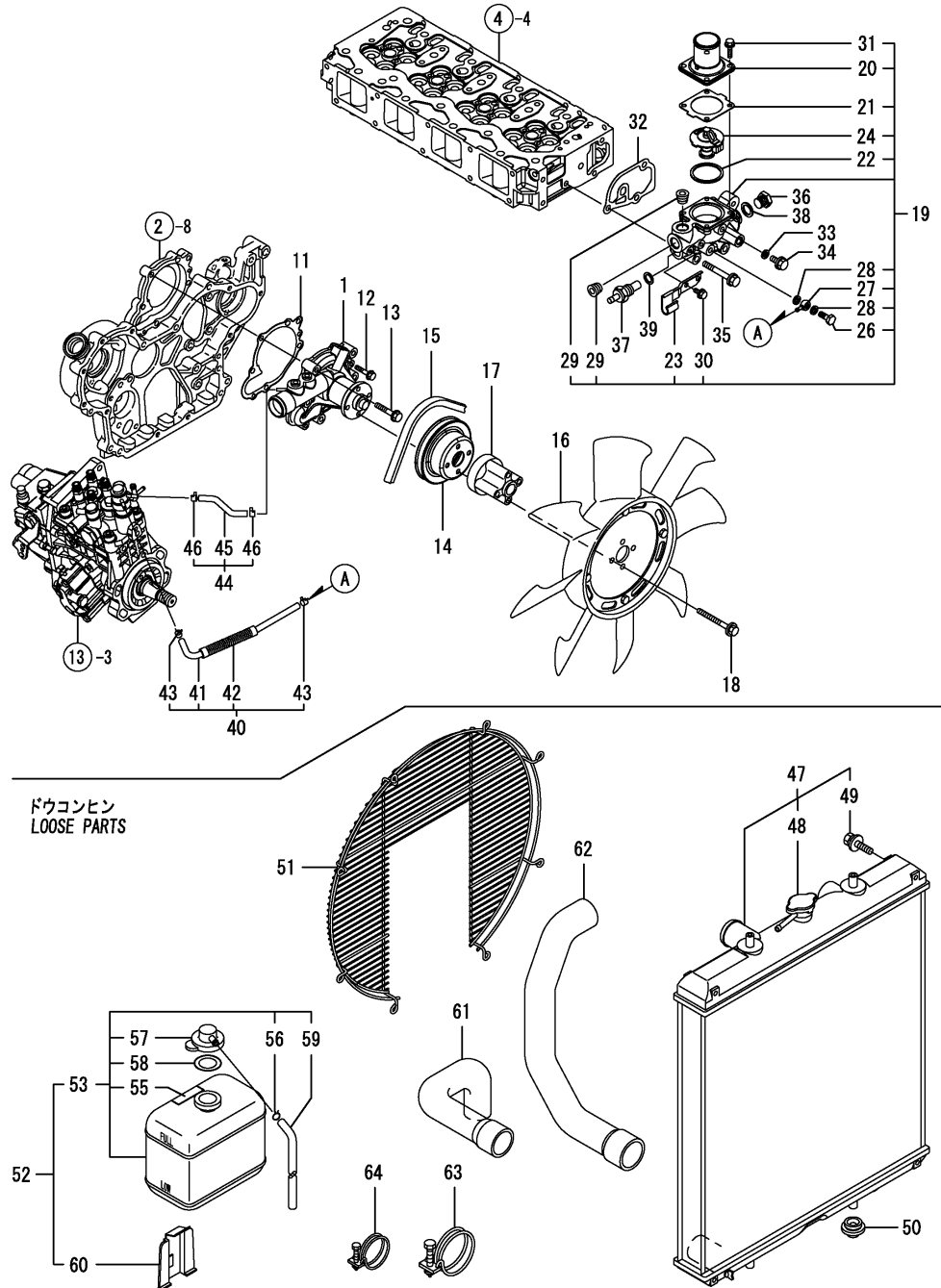
(A)=4TNV98T-NSV  
(B)=  
(C)=

(D)=  
(E)=  
(F)=

No.	Lev.	Parts No.	Description	Qty						I	R
				(A)	(B)	(C)	(D)	(E)	(F)		
1	1	129935-39040	PIPE ASSY, OIL	1							
3	2	124223-39900	RETAINER	1							
6	1	121252-39450	SWITCH, 0.5KG	1							
7	1	121252-39150	BOLT, JOINT M10X1.5	1							
8	1	22190-080002	WASHER, SEAL 6	1							
9	1	23414-100000	GASKET, 10X1.0	2							
10	1	129005-59830	BOLT ASSY, JOINT M8	1							
11	2	22190-080002	WASHER, SEAL 6	1							
12	2	23857-030000	BOLT, JOINT 3	1							
13	1	26106-080122	BOLT, M8X 12 PLATED	1							
14	1	129907-39061	PIPE ASSY, OIL	1							
16	2	123907-39500	RETAINER	1							
18	1	129005-59830	BOLT ASSY, JOINT M8	2							
19	2	22190-080002	WASHER, SEAL 6	2							
20	2	23857-030000	BOLT, JOINT 3	2							
21	1	22190-080002	WASHER, SEAL 6	2							
22	1	26106-080122	BOLT, M8X 12 PLATED	1							
23	1	124070-13300	ELBOW, PT3/8	1							
24	1	129935-39610	PIPE, OIL	1							
26	2	123910-39850	RETAINER	1							
27	1	23000-025000	CLAMP, 25	2							
28	1	129908-39690	GASKET	1							
29	1	26106-060162	BOLT, M6X 16 PLATED	2							
30	1	129908-39410	VALVE ASSY, CHECK	4							
36	1	119000-39650	NOZZLE	4							
37	1	22351-030010	PIN, SPRING 3.0X10	4							
38	1	106500-44810	SPACER	1							
39	1	123901-39820	HOSE	1							
40	1	129930-39050	PIPE, OIL	1							
41	1	105010-39140	BOLT, PIPE JOINT	2							
42	1	22190-080002	WASHER, SEAL 6	4							



Fig.12. COOLING WATER SYSTEM

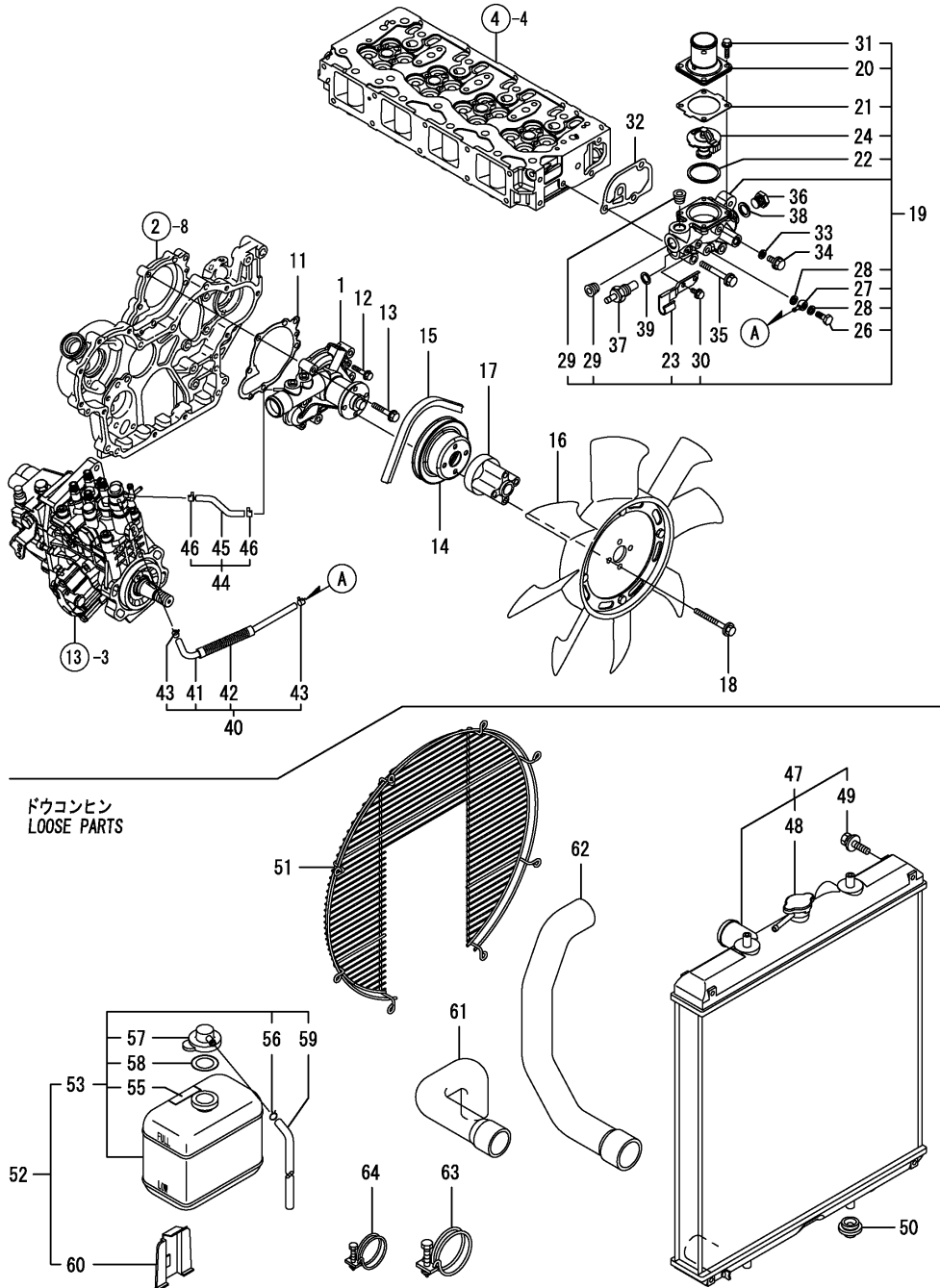


(A)=4TNV98T-NSV  
(B)=  
(C)=

(D)=  
(E)=  
(F)=

No.	Lev.	Parts No.	Description	Q'ty						I	R
				(A)	(B)	(C)	(D)	(E)	(F)		
1	1	129907-42000	PUMP ASSY, WATER	1							
11	1	129900-42020	GASKET, WATER PUMP	1							
12	1	26106-060302	BOLT, M6X 30 PLATED	2							
13	1	26106-080552	BOLT, M8X 55 PLATED	5							
14	1	129900-42450	V-PULLEY	1							
15	1	119006-42290	V-BELT, A 2 INCH	1							
16	1	129920-44740	FAN, COOLING	1							
17	1	119117-44760	SPACER, FAN	1							
18	1	129916-44770	BOLT, M8X78	4							
19	1	129946-49810	CASE ASSY, THERMOSTAT	1							
20	2	129916-49530	COVER, THERMOSTAT	1							
21	2	121850-49540	GASKET, THERMOSTAT	1							
22	2	121850-49550	GASKET, THERMOSTAT	1							
23	2	129907-49730	RETAINER, PIPE	1							
24	2	121850-49800	THERMOSTAT, 82	1							
26	2	105582-59150	BOLT, PIPE JOINT	1							
27	2	23387-040800	JOINT, HOSE 4-8	1							
28	2	23414-080000	GASKET, 8X1.0	2							
29	2	23875-030000	PLUG, R03	2							
30	2	26106-060122	BOLT, M6X 12 PLATED	2							
31	2	26106-060202	BOLT, M6X 20 PLATED	4							
32	1	129900-49870	GASKET	1							
33	1	23414-080000	GASKET, 8X1.0	1							
34	1	26106-080122	BOLT, M8X 12 PLATED	1							
35	1	26106-080602	BOLT, M8X 60 PLATED	3							
36	1	121450-42450	PLUG, M16	1							
37	1	124250-49351	SENSOR	1							
38	1	124465-44950	GASKET, 16	1							
39	1	129150-49360	GASKET	1							
40	1	129907-49610	HOSE ASSY, WATER	1							
41	2	129907-49710	PIPE ASSY, WATER	1							
42	2	129907-49750	TUBE, CORRUGATED	1							
43	2	124722-59050	CLIP, HOSE 9	2							
44	1	129907-49620	HOSE ASSY, WATER	1							
45	2	129907-49720	PIPE ASSY, WATER	1							
46	2	124722-59050	CLIP, HOSE 9	2							
47	1	129940-44500	RADIATOR ASSY	1							
48	2	129107-44590	CAP, RADIATOR	1							
49	2	26014-060122	BOLT, M6X 12	4							
50	1	119255-44660	ABSORBER	4							
51	1	129907-44570	GUARD	1							
52	1	120147-44800	TANK ASSY, SUB	1							
53	2	121857-44800	TANK ASSY, RESERVE	1							
55	3	121850-44830	LABEL, RESERVE TANK	1							
56	3	121850-44880	CLAMP	1							
57	3	121850-44850	CAP	1							
58	3	121850-44860	GASKET	1							
59	3	121850-44870	HOSE	1							
60	2	120147-44810	BRACKET	1							
61	1	129981-49050	PIPE, WATER	1							
62	1	129981-49060	PIPE, WATER	1							

Fig.12. COOLING WATER SYSTEM



(A)=4TNV98T-NSV  
(B)=  
(C)=

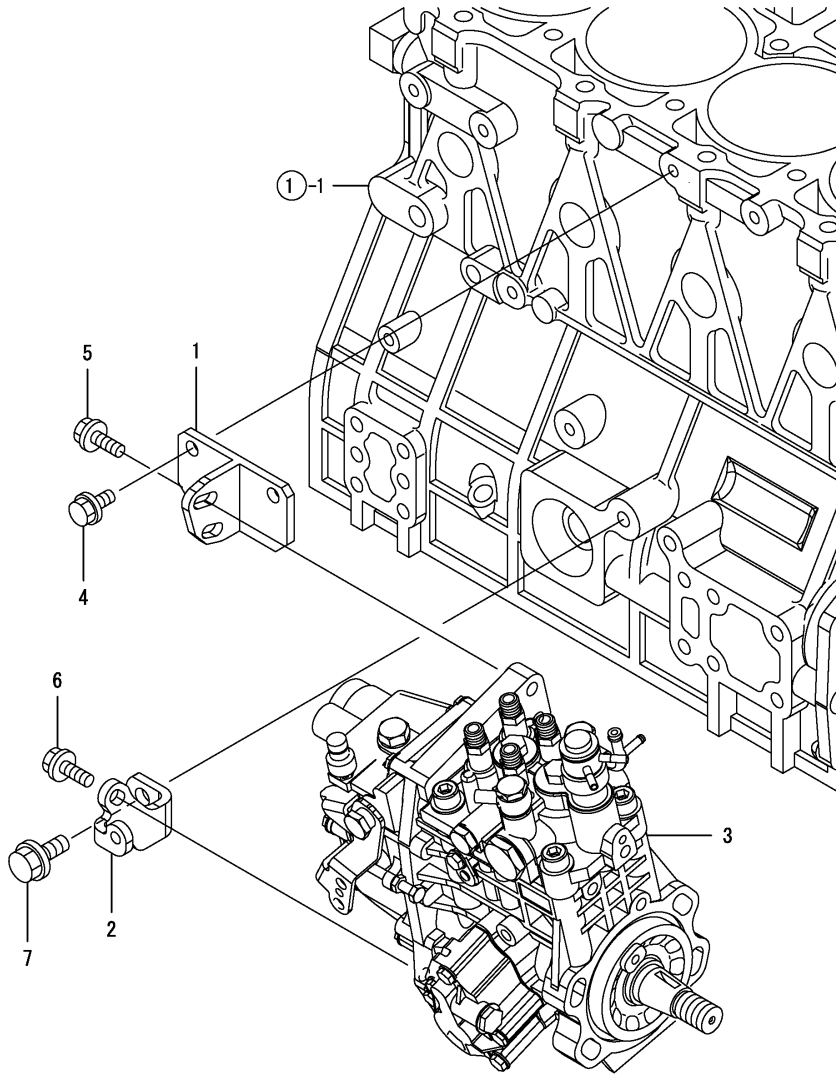
(D)=  
(E)=  
(F)=

No.	Lev.	Parts No.	Description	Q'ty						I	R
				(A)	(B)	(C)	(D)	(E)	(F)		
63	1	23000-090000	CLAMP, 90	1							
64	1	23000-060000	CLAMP, 60	1							

Fig.13. FUEL INJECTION PUMP

(A)=4TNV98T-NSV  
(B)=  
(C)=

(D)=  
(E)=  
(F)=

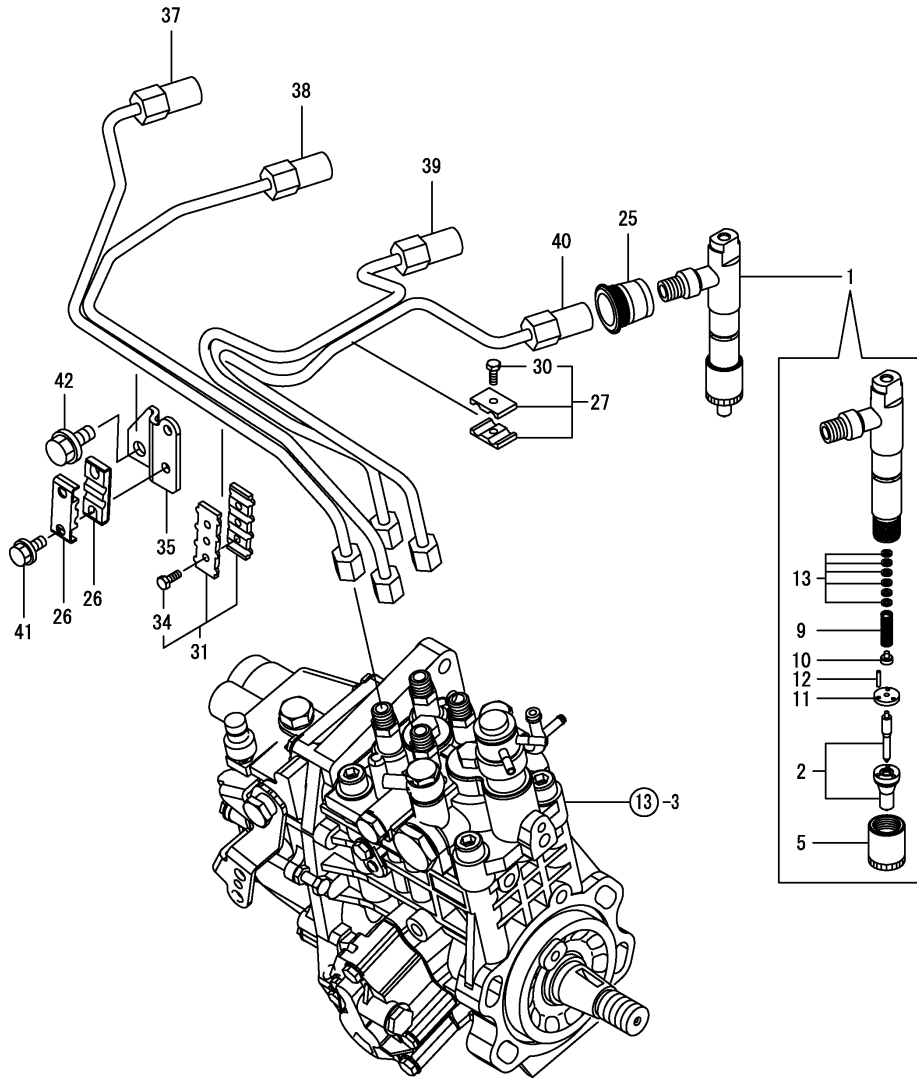


No.	Lev.	Parts No.	Description	Q'ty						I	R
				(A)	(B)	(C)	(D)	(E)	(F)		
1	1	129907-01950	RETAINER	1							
2	1	129907-01960	RETAINER	1							
3	1	729935-51310	INJECTON PUMP ASSY	1							
4	1	26106-080162	BOLT, M8X 16 PLATED	2							
5	1	26106-080222	BOLT, M8X 22 PLATED	2							
6	1	26106-080222	BOLT, M8X 22 PLATED	1							
7	1	26106-100202	BOLT, M10X 20 PLATED	1							

Fig.14. FUEL INJECTION VALVE

(A)=4TNV98T-NSV  
(B)=  
(C)=

(D)=  
(E)=  
(F)=



No.	Lev.	Parts No.	Description	Q'ty						I	R
				(A)	(B)	(C)	(D)	(E)	(F)		
1	1	729908-53100	VALVE ASSY,INJECTION	4							
2	2	129908-53000	VALVE ASSY,INJECTION	4							
5	2	114250-53080	NUT, NOZZLE D16.95	4							
9	2	114250-53120	SPRING, NOZZLE	4							
10	2	114250-53130	SEAT, SPRING	4							
11	2	114250-53140	PLATE	4							
12	2	114250-53210	PIN	8							
13	2	114250-53400	SHIM SET	4							
25	1	123907-11601	SEAL	4							
26	1	122780-59100	RETAINER	2							
27	1	119305-59120	RETAINER, PIPE	1							
30	2	129150-59131	BOLT, M4X14	1							
31	1	129550-59120	RETAINER, PIPE	1							
34	2	129150-59131	BOLT, M4X14	2							
35	1	129907-59720	SUPPORT	1							
37	1	129908-59810	PIPE ASSY, INJECTION	1							
38	1	129908-59820	PIPE ASSY, INJECTION	1							
39	1	129908-59830	PIPE ASSY, INJECTION	1							
40	1	129908-59840	PIPE ASSY, INJECTION	1							
41	1	26106-060162	BOLT, M6X 16 PLATED	2							
42	1	26106-080182	BOLT, M8X 18 PLATED	1							

Fig.15. FUEL LINE

(A)=4TNV98T-NSV

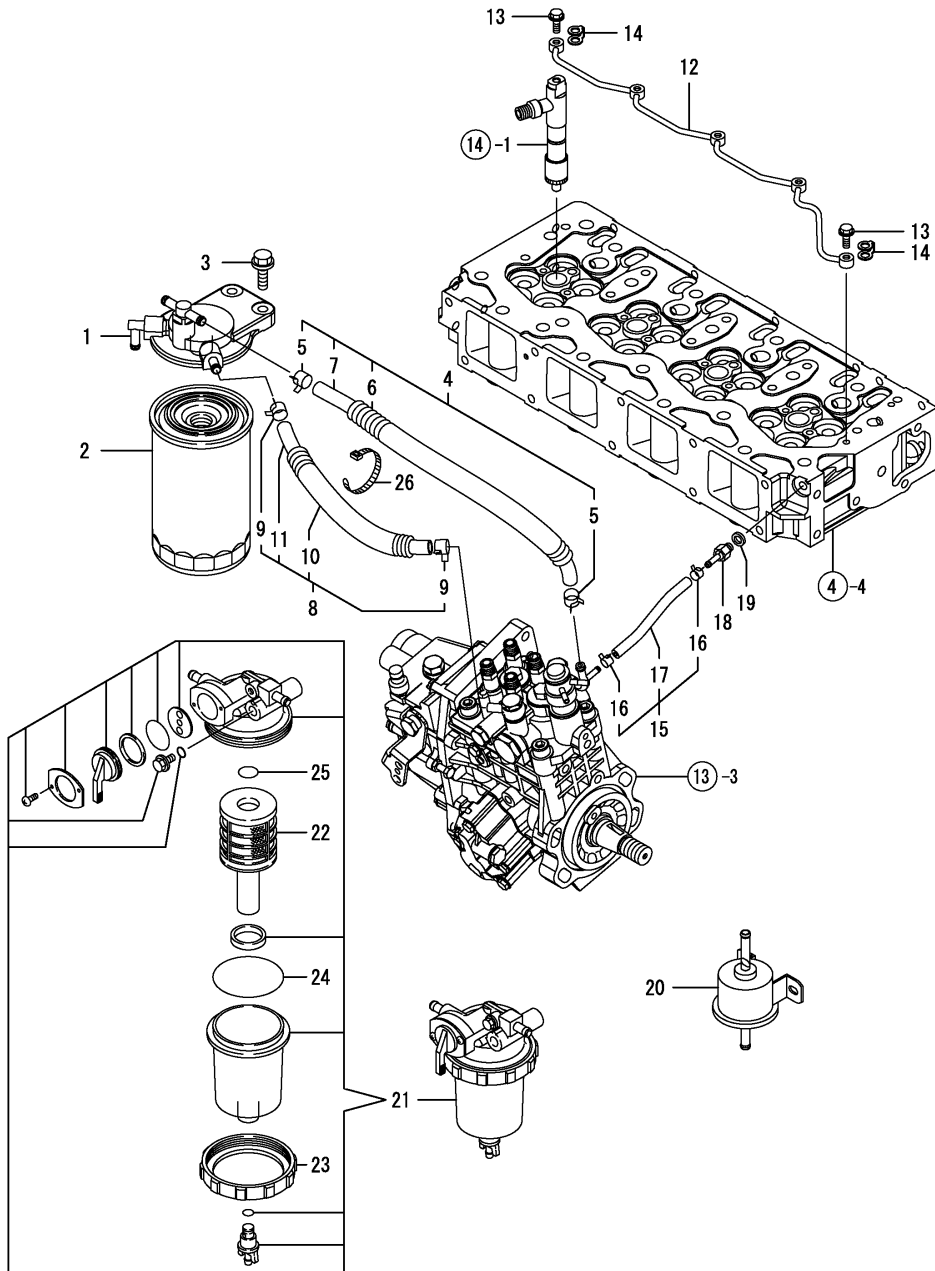
(B)=

(C)=

(D)=

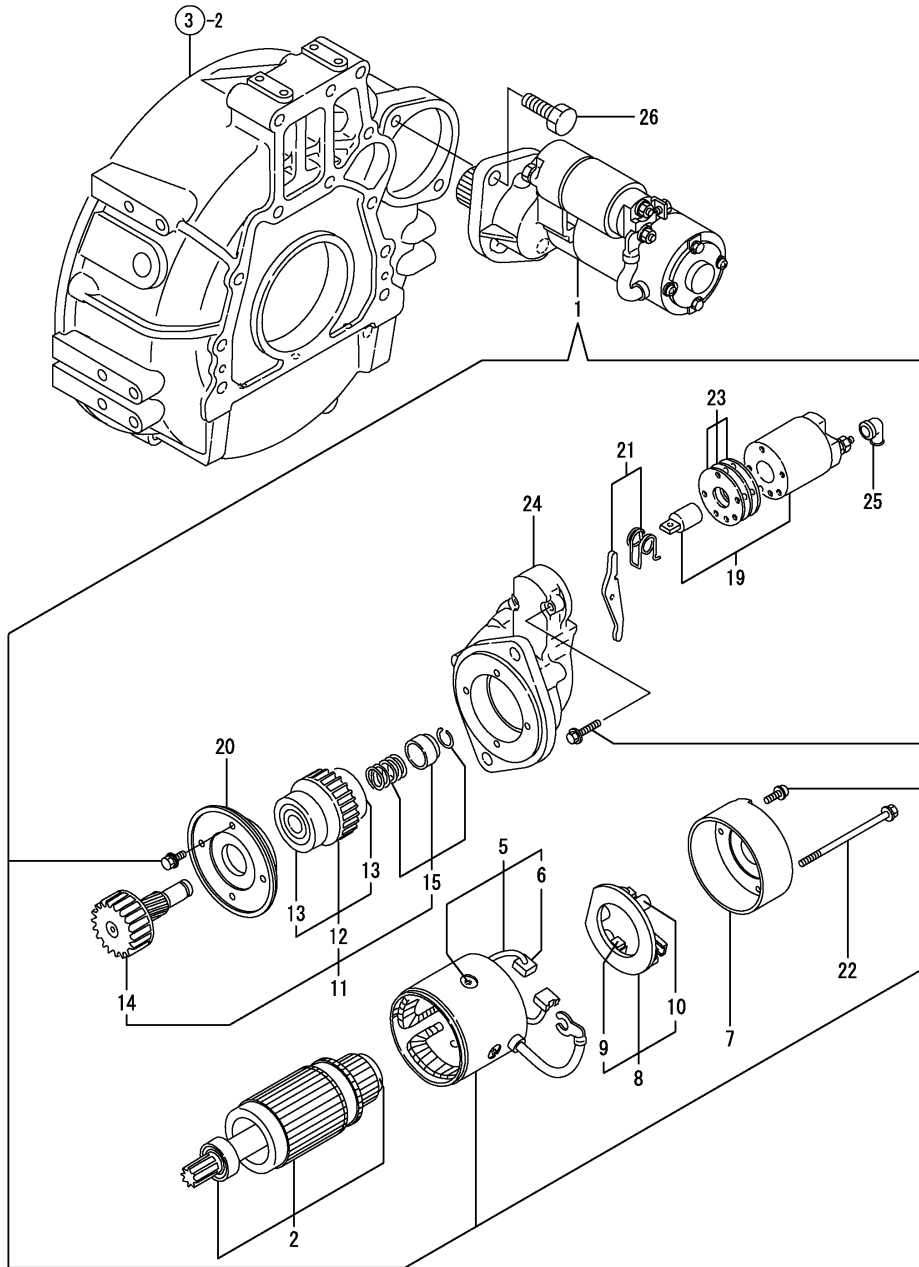
(E)=

(F)=



No.	Lev.	Parts No.	Description	Q'ty						I	R
				(A)	(B)	(C)	(D)	(E)	(F)		
1	1	129004-55610	BRACKET, FILTER	1							
2	1	123907-55800	FILTER, FUEL	1							
3	1	26106-080302	BOLT, M8X 30 PLATED	2							
4	1	129457-59010	PIPE ASSY, FUEL	1							
5	2	124766-59050	CLIP, HOSE 12	2							
6	2	129957-59120	TUBE, CORRUGATED	1							
7	2	105025-59750	PIPE, FUEL	1							
8	1	129981-59010	PIPE ASSY, FUEL	1							
9	2	124766-59050	CLIP, HOSE 12	2							
10	2	129950-59221	TUBE, CORRUGATED	1							
11	2	129980-59510	PIPE, FUEL	1							
12	1	129907-59140	PIPE ASSY, RETURN	1							
13	1	123907-59540	BOLT, PIPE JOINT M6	5							
14	1	123907-59550	GASKET	5							
15	1	129486-59551	PIPE ASSY, RETURN	1							
16	2	124722-59050	CLIP, HOSE 9	2							
17	2	129486-59510	PIPE, FUEL RETURN	1							
18	1	123907-59560	JOINT	1							
19	1	22190-080002	WASHER, SEAL 6	1							
20	1	129612-52100	PUMP ASSY, FUEL FEED	1							
21	1	119802-55700	SEPARATOR ASSY	1							
22	2	119802-55710	ELEMENT	1							
23	2	129100-55690	RING, RETAINING	1							
24	2	24321-000650	O-RING, 1AG65.0	1							
25	2	24311-000160	O-RING, 1AP16.0	1							
26	1	121750-59890	BAND, 140	1							

Fig.16. STARTING MOTOR

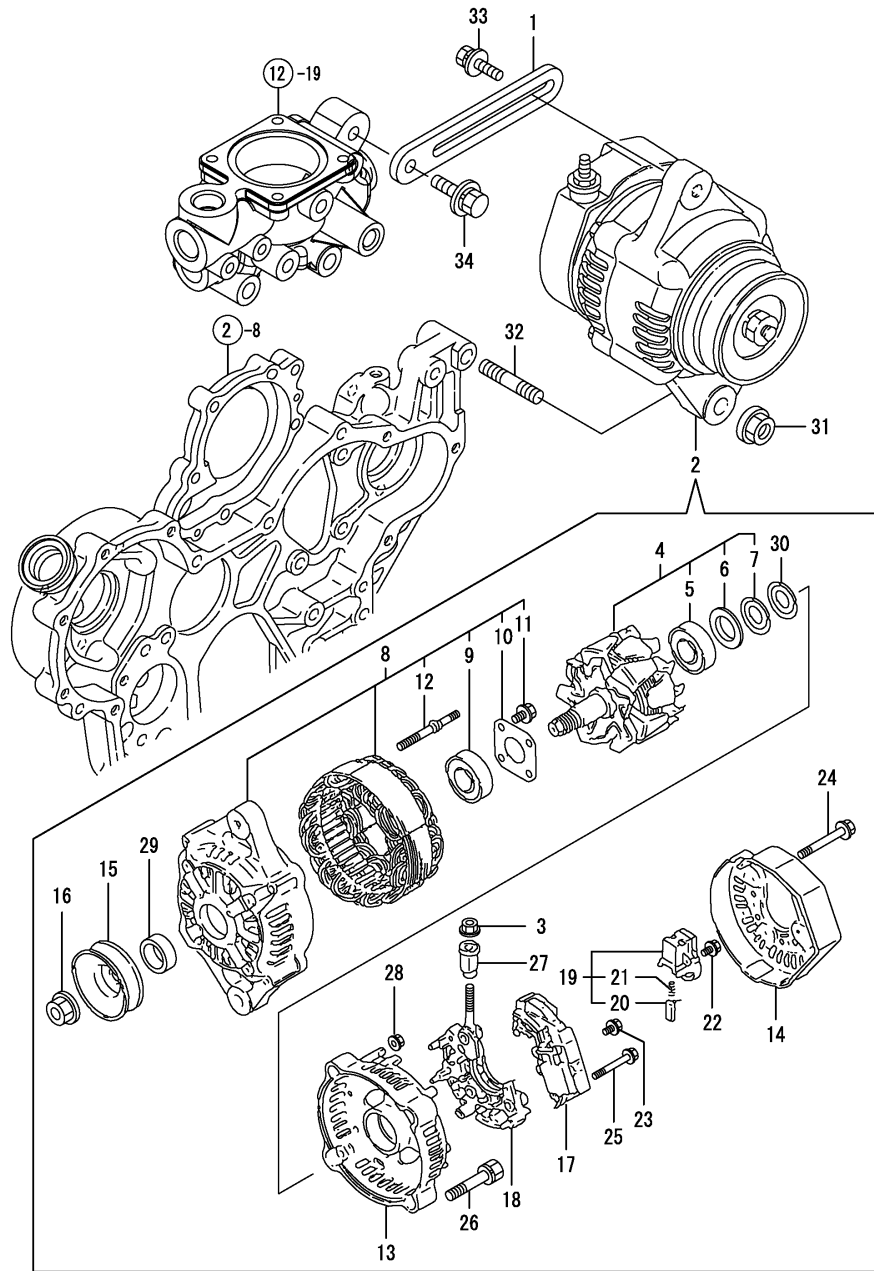


(A)=4TNV98T-NSV  
(B)=  
(C)=

(D)=  
(E)=  
(F)=

No.	Lev.	Parts No.	Description	Q'ty						I	R
				(A)	(B)	(C)	(D)	(E)	(F)		
1	1	123900-77010	STARTER	1							
2	2	123900-77400	ARMATURE ASSY	1							
5	2	123900-77440	COIL ASSY, FIELD	1							
6	3	123900-77450	BRUSH	2							
7	2	123900-77460	COVER	1							
8	2	123900-77480	HOLDER ASSY, BRUSH	1							
9	3	123900-77450	BRUSH	2							
10	3	121254-77590	SPRING	4							
11	2	123900-77510	PINION ASSY	1							
12	3	123900-77520	CLUTCH ASSY	1							
13	4	X2240610100	BEARING, BALL	2							
14	3	123900-77540	SHAFT	1							
15	3	119131-77550	STOPPER KIT	1							
19	2	129900-77591	SWITCH ASSY	1							
20	2	123900-77610	RETAINER	1							
21	2	129900-77620	LEVER SET	1							
22	2	123900-77640	BOLT, THROUGH	2							
23	2	123900-77650	COVER ASSY, DUST	1							
24	2	123900-77710	CASE, GEAR	1							
25	2	171008-77750	COVER	1							
26	1	26116-120252	BOLT, M12X 25 PLATED	2							

Fig.17. GENERATOR



(A)=4TNV98T-NSV  
(B)=  
(C)=

(D)=  
(E)=  
(F)=

No.	Lev.	Parts No.	Description	Q'ty						I	R
				(A)	(B)	(C)	(D)	(E)	(F)		
1	1	129900-77330	ADJUSTER	1							
2	1	129423-77200	GENERATOR, 12V-40A	1							
3	2	X9490561001	NUT	1							
4	2	119620-77380	ROTOR ASSY	1							
5	3	119620-79240	BEARING, BALL	1							
6	3	119620-79250	COVER	1							
7	3	119620-79360	WASHER, THRUST	1							
8	2	119620-77421	FRAME ASSY, DRIVE	1							
9	3	119620-79200	BEARING, BALL	1							
10	3	119620-79210	PLATE, RETAINER	1							
11	3	119620-79220	SCREW	4							
12	3	119620-79230	STUD	2							
13	2	119620-77440	FRAME ASSY	1							
14	2	129240-79300	COVER	1							
15	2	119620-77461	PULLEY	1							
16	2	119620-77471	NUT	1							
17	2	129423-77710	REGULATOR ASSY	1							
18	2	119620-79260	HOLDER	1							
19	2	119620-79270	HOLDER, BRUSH	1							
20	3	119620-77480	BRUSH ASSY	2							
21	3	119620-79280	SPRING	2							
22	2	119620-79290	SCREW	1							
23	2	119620-79300	SCREW	1							
24	2	119620-79310	BOLT	3							
25	2	119620-79320	SCREW	2							
26	2	119620-79330	BOLT	2							
27	2	119620-79340	BUSH, INSULATION	1							
28	2	119620-79350	NUT	2							
29	2	119620-77490	COLLAR	1							
30	2	119620-79360	WASHER, THRUST	1							
31	1	26306-100002	NUT, M10	1							
32	1	129795-01900	STUD	1							
33	1	119810-77340	BOLT, ADJUSTER	1							
34	1	26014-080252	BOLT, M8X 25	1							

Fig.18. ELECTRIC PART

(A)=4TNV98T-NSV  
(B)=  
(C)=

(D)=  
(E)=  
(F)=

No.	Lev.	Parts No.	Description	Q'ty						I	R
				(A)	(B)	(C)	(D)	(E)	(F)		
1	1	194697-56110	METER ASSY, FUEL OIL	1							
2	1	119643-66900	DIODE	1							
3	1	119802-77200	RELAY, SAFETY	1							
4	1	119650-77910	RELAY ASSY, GLOW	1							
7	1	128300-77920	TIMER	1							
8	1	129211-77920	TIMER	1							
9	1	129137-91160	CABLE, TACHOMETER	1							
10	1	129115-91250	SWITCH ASSY	1							
12	2	129115-91270	KEY ASSY	1							

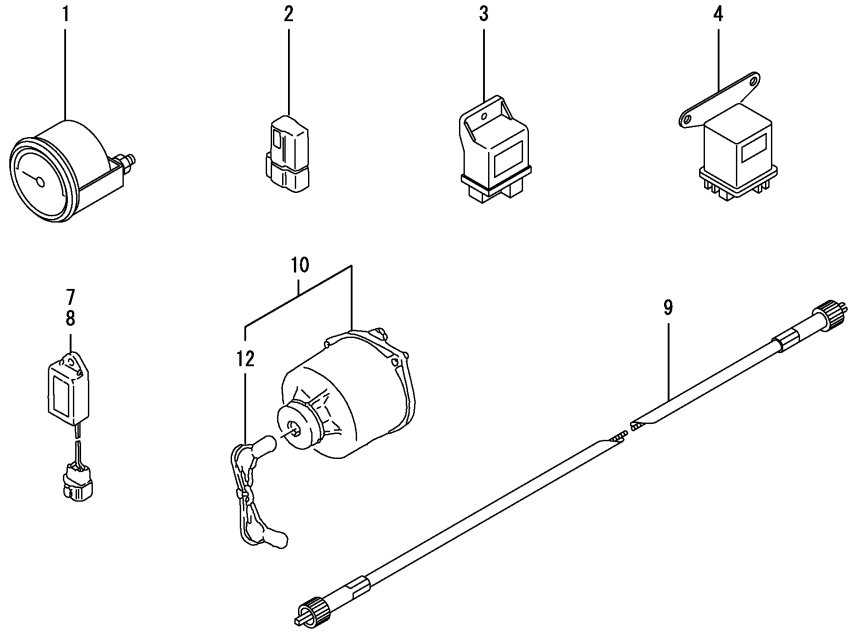




Fig.19. GASKET SET

(A)=4TNV98T-NSV

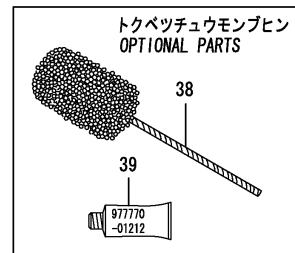
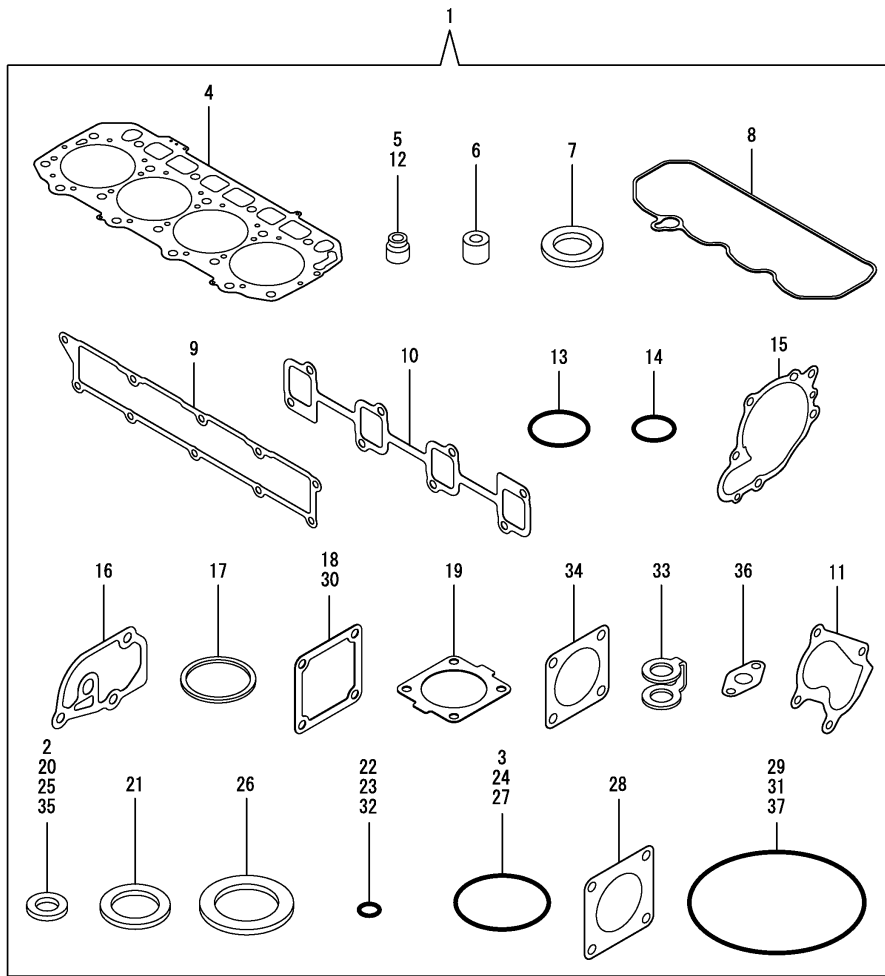
(B)=

(C)=

(D)=

(E)=

(F)=



No.	Lev.	Parts No.	Description	Q'ty						I	R
				(A)	(B)	(C)	(D)	(E)	(F)		
1	1	729907-92700	GASKET SET	1							1
2	2	129150-49360	GASKET	1							
3	2	24341-000240	O-RING, 1AS24.0	1							
4	2	129907-01331	GASKET, HEAD	1							
5	2	124160-11340	SEAL, VALVE STEM	8							
6	2	119802-11870	PROTECTOR, NOZZLE	4							
7	2	119625-11880	SEAT, NOZZLE	4							
8	2	129907-11310	GASKET, BONNET	1							
9	2	129907-12110	GASKET, MANIFOLD	1							
10	2	129900-13251	GASKET	1							
11	2	123901-18080	GASKET	1							
12	2	124950-11340	SEAL, VALVE STEM	8							
13	2	129900-32030	O-RING, P20	2							
14	2	129900-32040	O-RING, P14	1							
15	2	129900-42020	GASKET, WATER PUMP	1							
16	2	129900-49870	GASKET	1							
17	2	121850-49550	GASKET, THERMOSTAT	1							
18	2	121850-77021	GASKET	1							
19	2	121850-49540	GASKET, THERMOSTAT	1							
20	2	23414-080000	GASKET, 8X1.0	3							
21	2	124465-44950	GASKET, 16	1							
22	2	24311-000070	O-RING, 1AP7.0	1							
23	2	24311-000120	O-RING, 1AP12.0	8							
24	2	24311-000320	O-RING, 1AP32.0	2							
25	2	22190-080002	WASHER, SEAL 6	11							
26	2	22190-220002	WASHER, SEAL 22	1							
27	2	24351-030750	O-RING, 1A3075	1							
28	2	129400-13201	GASKET, SILENCER	2							
29	2	24321-000850	O-RING, 1AG85.0	1							
30	2	119129-77020	GASKET	1							
31	2	24321-000600	O-RING, 1AG60.0	1							
32	2	24311-240100	O-RING, 1AP10A	1							
33	2	123907-59550	GASKET	5							
34	2	129472-18090	GASKET	1							
35	2	23414-100000	GASKET, 10X1.0	2							
36	2	129908-39690	GASKET	1							
37	2	24341-000530	O-RING, 1AS53.0	1							
38	1	129400-92450	HONE	1							1
39	1	977770-01212	GASKET, LIQUID	1							1

Remarks

(1) OPTIONAL PART.

## Parts No. Index

Parts No.	Fig. No.	Ref. No.
105010-39140	11	41
105025-59750	15	7
105582-59150	12	26
106500-44810	11	38
114250-53080	14	5
114250-53120	14	9
114250-53130	14	10
114250-53140	14	11
114250-53210	14	12
114250-53400	14	13
119000-39650	11	36
119005-77050	5	7
119006-03090	4	75
119006-42290	12	15
119100-11330	4	58
119117-44760	12	17
119129-77020	5	5
	19	30
119131-18320	8	4
119131-77550	16	15
119140-12680	5	19
119160-12530	5	17
119160-12540	5	18
119160-12570	5	15
119255-44660	12	50
119260-34810	10	24
119305-59120	14	27
119593-11301	4	28
119620-01750	3	3
119620-11180	4	18
119620-77380	17	4
119620-77421	17	8
119620-77440	17	13
119620-77461	17	15
119620-77471	17	16
119620-77480	17	20
119620-77490	17	29
119620-79200	17	9
119620-79210	17	10
119620-79220	17	11
119620-79230	17	12
119620-79240	17	5
119620-79250	17	6
119620-79260	17	18
119620-79270	17	19
119620-79280	17	21
119620-79290	17	22
119620-79300	17	23
119620-79310	17	24
119620-79320	17	25

Parts No.	Fig. No.	Ref. No.
119620-79330	17	26
119620-79340	17	27
119620-79350	17	28
119620-79360	17	7
		30
119625-11880	4	61
	19	7
119640-01640	3	9
119643-66900	18	2
119650-77910	18	4
119802-11870	4	60
	19	6
119802-55700	15	21
119802-55710	15	22
119802-77200	18	3
119810-77340	17	33
120130-22301	9	22
120147-44800	12	52
120147-44810	12	60
121023-26070	2	26
121252-39150	11	7
121252-39450	11	6
121254-77590	16	10
121450-42450	12	36
121470-13580	6	7
121470-13590	6	6
121750-59890	10	11
	15	26
121850-21130	9	11
121850-21290	9	5
121850-21680	9	10
121850-21920	9	6
121850-44830	12	55
121850-44850	12	57
121850-44860	12	58
121850-44870	12	59
121850-44880	12	56
121850-49540	12	21
	19	19
121850-49550	12	22
	19	17
121850-49800	12	24
121850-77021	5	6
	19	18
121857-44800	12	53
122780-59100	14	26
123900-13630	6	3
123900-25060	7	10
123900-77010	16	1
123900-77400	16	2

Parts No.	Fig. No.	Ref. No.
123900-77440	16	5
123900-77450	16	6
		9
123900-77460	16	7
123900-77480	16	8
123900-77510	16	11
123900-77520	16	12
123900-77540	16	14
123900-77610	16	20
123900-77640	16	22
123900-77650	16	23
123900-77710	16	24
123901-03240	4	68
123901-03280	4	79
123901-18080	6	12
	19	11
123901-39820	11	39
123907-11280	4	33
123907-11550	4	3
123907-11601	14	25
123907-11820	4	12
123907-11830	4	24
123907-25909	7	17
123907-39500	11	16
123907-55800	15	2
123907-59540	15	13
123907-59550	15	14
	19	33
123907-59560	15	18
123910-39850	11	26
123910-49600	10	8
123910-49610	10	10
123912-33100	10	2
123951-18220	5	20
124070-13300	11	23
124160-01751	2	25
	4	50
124160-11340	4	19
	19	5
124160-11360	4	62
124223-39900	11	3
124250-49351	12	37
124411-01780	3	7
124465-44950	12	38
	19	21
124722-59050	12	43
		46
	15	16
124766-59050	15	5
		9

Parts No.	Fig. No.	Ref. No.
124950-11340	4	20
	19	12
128300-77920	18	7
129001-91810	2	14
		15
129004-55610	15	1
129005-59830	11	10
		18
129006-44480	10	4
129100-01580	2	5
	3	1
129100-55690	15	23
129107-44590	12	48
129115-91250	18	10
129115-91270	18	12
129136-66852	10	27
129137-91160	18	9
129150-02450	7	4
129150-03100	4	80
129150-11230	4	36
		40
129150-11750	4	23
		37
		41
129150-14200	7	1
129150-25920	7	14
129150-35153	10	16
129150-49360	12	39
	19	2
129150-59131	14	30
		34
129150-91400	2	33
129211-77920	18	8
129240-79300	17	14
129400-13201	6	13
	19	28
129400-92450	19	38
129410-03990	4	77
129418-18320	6	4
129423-77200	17	2
129423-77710	17	17
129457-59010	15	4
129466-49300	10	7
129472-18090	8	1
	19	34
129486-59510	15	17
129486-59551	15	15
129550-59120	14	31
129612-52100	15	20
129795-01900	17	32

## Parts No. Index

Parts No.	Fig. No.	Ref. No.
129900-01200	1	31
129900-01250	1	5
129900-01740	2	6
129900-01780	2	4
129900-02020	1	7
129900-02340	1	34
129900-02410	1	10
129900-02930	1	28
129900-02940	1	37
129900-13251	6	2
	19	10
129900-14100	7	7
129900-21200	9	4
129900-21580	9	12
129900-21600	9	15
129900-23000	9	24
129900-23200	9	29
129900-23600	9	30
129900-23610	9	32
129900-23910	9	28
129900-25100	7	11
129900-26000	7	21
129900-26250	2	12
129900-32030	2	31
	10	17
	19	13
129900-32040	2	13
	19	14
129900-35000	10	18
129900-42020	12	11
	19	15
129900-42450	12	14
129900-49870	12	32
	19	16
129900-77330	17	1
129900-77591	16	19
129900-77620	16	21
129907-01190	1	33
129907-01331	1	32
	19	4
129907-01950	13	1
129907-01960	13	2
129907-03010	4	52
129907-03060	4	53
129907-03070	4	54
129907-07900	4	1
129907-11100	4	27
129907-11110	4	16
129907-11120	4	17
129907-11250	4	30

Parts No.	Fig. No.	Ref. No.
129907-11260	4	31
129907-11270	4	32
129907-11310	4	57
	19	8
129907-11341	4	29
129907-11510	4	21
129907-11650	4	34
129907-11660	4	38
129907-11800	4	11
129907-11910	4	65
129907-11920	4	42
129907-11950	4	48
129907-12110	5	2
	19	9
129907-14400	7	2
129907-22050	9	18
129907-39061	11	14
129907-42000	12	1
129907-44570	12	51
129907-49610	12	40
129907-49620	12	44
129907-49710	12	41
129907-49720	12	45
129907-49730	12	23
129907-49750	12	42
129907-59140	15	12
129907-59720	14	35
129908-03099	4	66
129908-03209	4	67
129908-03219	4	69
129908-03229	4	70
129908-11320	4	51
129908-11700	4	4
129908-14581	7	3
129908-21000	9	1
129908-22080	9	16
129908-32060	2	11
129908-33010	10	1
129908-33100	10	3
129908-39410	11	30
129908-39690	11	28
	19	36
129908-53000	14	2
129908-59810	14	37
129908-59820	14	38
129908-59830	14	39
129908-59840	14	40
129916-01800	2	4 -1
129916-21610	9	10 -1
129916-44770	12	18

Parts No.	Fig. No.	Ref. No.
129916-49530	12	20
129920-44740	12	16
129930-39050	11	40
129933-01500	2	8
129935-03260	4	72
129935-03270	4	74
129935-12500	5	13
129935-12510	5	14
129935-12520	5	16
129935-13100	6	1
129935-13510	6	5
129935-18010	8	3
129935-18350	5	8
129935-39040	11	1
129935-39610	11	24
129940-44500	12	47
129944-12110	5	1
129944-12620	5	11
129944-49059	10	6
129946-49810	12	19
129950-59221	15	10
129951-34801	10	15
129951-34812	10	14
129953-01710	3	8
129953-25300	7	16
129955-01600	3	2
129957-21650	9	9
129957-21651	9	9 -1
129957-59120	15	6
129960-03990	4	78
129960-21640	9	8
129980-59510	15	11
129981-49050	12	61
129981-49060	12	62
129981-59010	15	8
158563-51150	7	18
171008-77750	16	25
171051-01921	1	6
171056-49120	10	5
194697-56110	18	1
22137-100000	6	8
22190-080002	11	8
		11
		19
		21
		42
	15	19
	19	25
22190-220002	3	11
	19	26

Parts No.	Fig. No.	Ref. No.
22217-100000	6	9
22217-180000	7	19
22252-000300	9	23
22351-030010	11	37
22351-060012	1	11
22512-070140	7	8
	9	7
22857-500100	4	59
23000-022000	4	76
23000-025000	10	12
	11	27
23000-054000	5	21
23000-060000	12	64
23000-090000	12	63
23387-040800	12	27
23414-080000	12	28
		33
	19	20
23414-100000	11	9
	19	35
23857-030000	11	12
		20
23875-030000	12	29
23876-020000	4	13
23876-030000	1	12
		13
		14
	4	14
24311-000070	2	16
	19	22
24311-000120	4	47
		63
	19	23
24311-000160	15	25
24311-000320	2	30
	4	64
	19	24
24311-240100	10	25
	19	32
24321-000600	10	13
	19	31
24321-000650	15	24
24321-000850	2	27
	19	29
24341-000240	2	35
	19	3
24341-000530	9	40
	19	37
24351-030750	2	17
	19	27

## Parts No. Index

Parts No.	Fig. No.	Ref. No.
26013-080222	5	12
26014-060122	12	49
26014-080252	17	34
26106-060122	12	30
26106-060162	2	36
	11	29
	14	41
26106-060202	12	31
26106-060302	12	12
26106-080122	3	12
	4	81
	10	23
	11	13
		22
	12	34
26106-080162	2	18
		19
	4	2
	7	9
	10	26
	13	4
26106-080182	14	42
26106-080202	2	20
26106-080222	13	5
		6
26106-080302	15	3
26106-080402	2	21
		22
	4	44
26106-080452	2	23
	5	3
26106-080552	7	15
	12	13
26106-080602	4	45
		46
	12	35
26106-080752	5	9
26106-080802	5	4
26106-080952	5	10
26106-100202	2	28
	13	7
26106-100702	6	10
26116-050102	4	71
26116-120252	16	26
26206-100352	3	5
26206-100702	3	6
26216-100302	2	10
26226-080222	4	43
26306-080002	4	49
	8	2

Parts No.	Fig. No.	Ref. No.
26306-100002	2	24
	17	31
26706-100002	6	11
26776-180002	7	20
27241-300000	1	15
27241-400000	4	15
27310-070001	4	25
729900-02800	1	25
729907-01580	2	1
729907-22950	9	36
729907-92700	19	1
729908-01560	1	1
729908-22900	9	34
729908-53100	14	1
729935-51310	13	3
977770-01212	3	4
	4	82
	19	39
X2240610100	16	13
X9490561001	17	3

Parts No.	Fig. No.	Ref. No.
-----------	----------	----------

Parts No.	Fig. No.	Ref. No.
-----------	----------	----------