

0CD10-M79300EN

# PREFACE

1. This parts catalog is the Second edition of 3TNV76-XTB for Takeuchi Mfg. Co., Ltd.
2. This parts catalog does not contain the technical data needed for maintenance service.
3. The illustrations used in this parts catalog have been simplified for clarity.

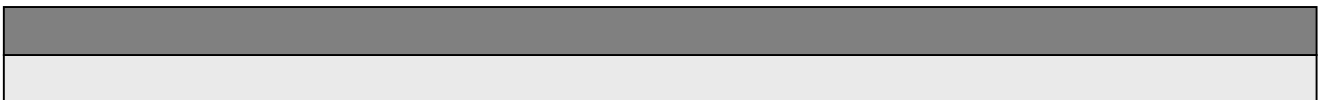
Pub. No.: 000Y00D7930

Published: August.,2003

#### 4. Model name

Engine model	Vehicle		Vehicle made by
	Products	Model name	
3TNV76-XTB	EXCAVATOR	TB20R (J4)	Takeuchi Mfg. Co., Ltd.

5. The contents of this parts catalog are subject to change without prior notice.



# Contents

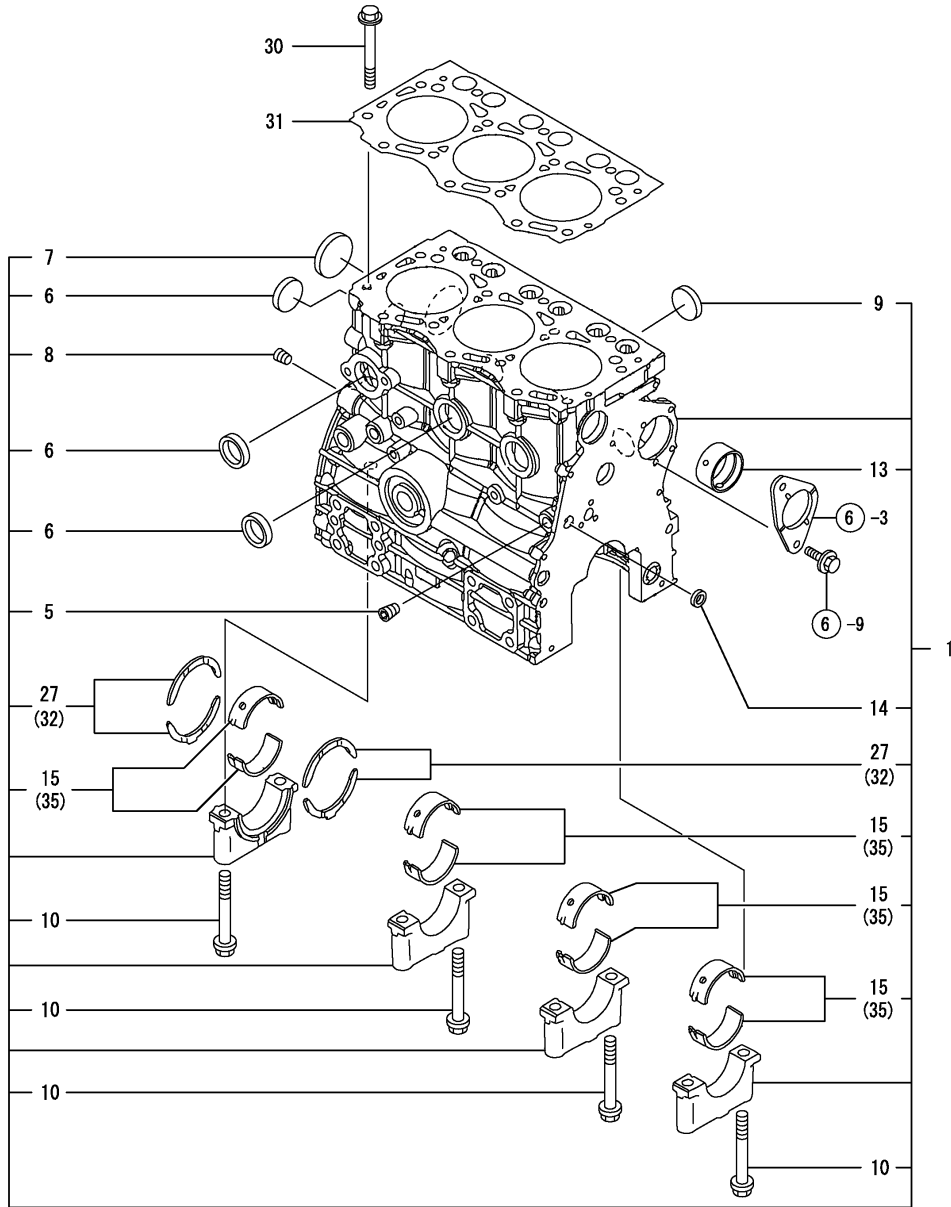
Fig. No.    Fig. Name

3TNV76-XTB

1. CYLINDER BLOCK
2. GEAR HOUSING
3. FLYWHEEL HOUSING & OIL SUMP
4. CYLINDER HEAD & BONNET
5. EXHAUST MANIFOLD & SILENCER
6. CAMSHAFT & DRIVING GEAR
7. CRANKSHAFT & PISTON
8. HYDRAULIC PUMP
9. LUB.OIL SYSTEM
10. COOLING WATER SYSTEM
11. RADIATOR
12. FUEL INJECTION PUMP
13. GOVERNOR
14. FUEL INJECTION VALVE
15. FUEL LINE
16. STARTING MOTOR
17. GENERATOR
18. GASKET SET

Fig. No.    Fig. Name

Fig.1. CYLINDER BLOCK



(A)=3TNV76-XTB

(B)=

(C)=

(D)=

(E)=

(F)=

No.	Lev.	Parts No.	Description	Q'ty						I	R
				(A)	(B)	(C)	(D)	(E)	(F)		
1	1	719717-01560	BLOCK ASSY, CYLINDER	1							
5	2	124060-01050	PLUG, PT1/8	1							
6	2	105311-01090	PLUG, 30	4							
7	2	119623-01250	PLUG, 45	1							
8	2	124160-01910	PLUG, PT1/4	1							
9	2	119285-01990	PLUG, 25	3							
10	2	119620-02020	BOLT, METAL CAP	8							
13	2	119717-02410	BUSH, CAMSHAFT	1							
14	2	27241-120000	PLUG, 12	1							
15	2	719717-02900	BEARING, MAIN	4							2
27	2	119717-02930	BEARING, THRUST	2							
30	1	119810-01200	BOLT, HEAD	14							
31	1	119717-01330	GASKET, HEAD	1							
32	1	119810-02940	BEARING, THRUST 0.25	2							1
35	1	719717-02910	BEARING, 0.25 US	4							3

Remarks

- (1) OVER-SIZE(O.S=0.25)PART.
- (2) REPAIR PART.
- (3) UNDER-SIZE(U.S=0.25)PART.

Fig.2. GEAR HOUSING

(A)=3TNV76-XTB

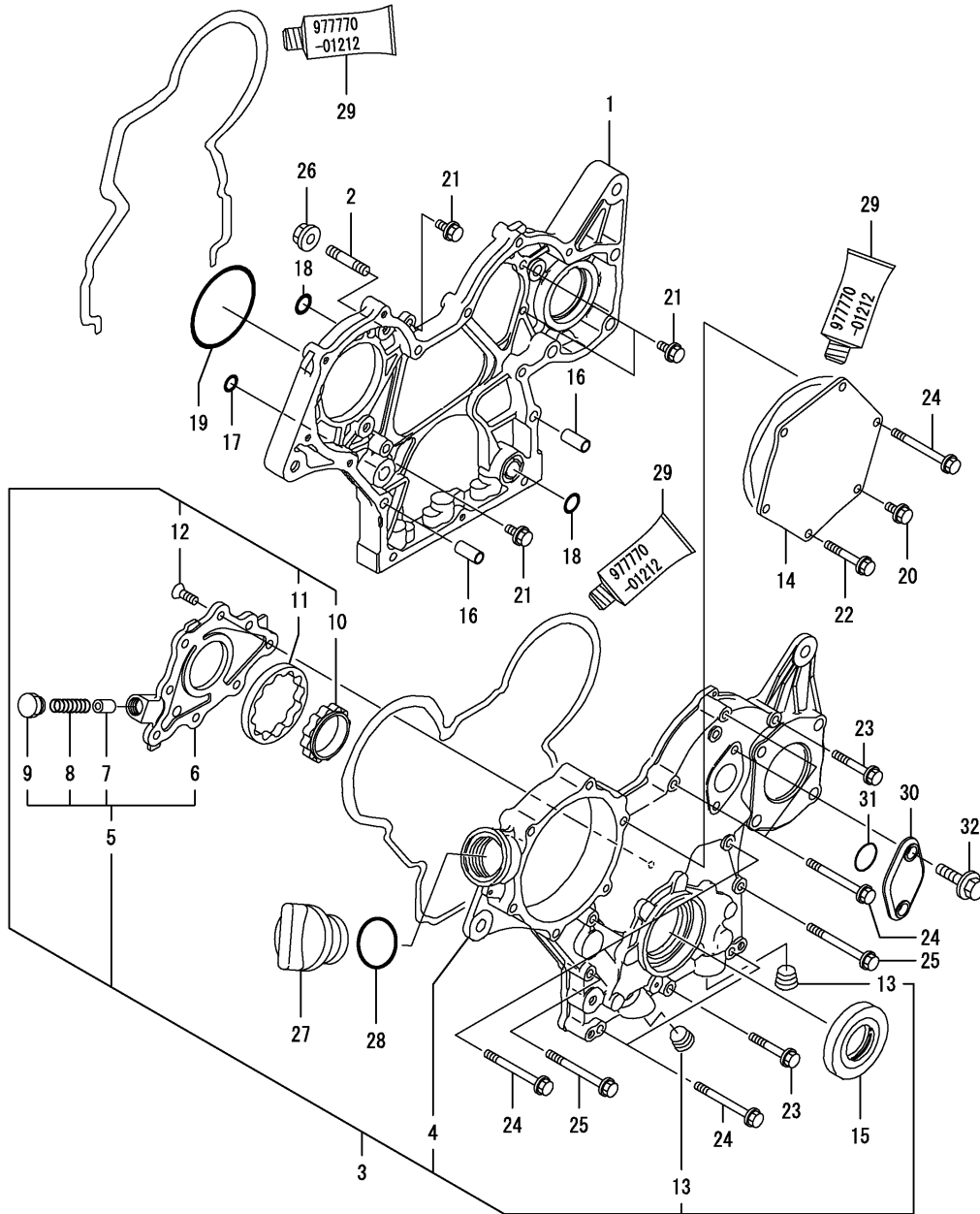
(B)=

(C)=

(D)=

(E)=

(F)=



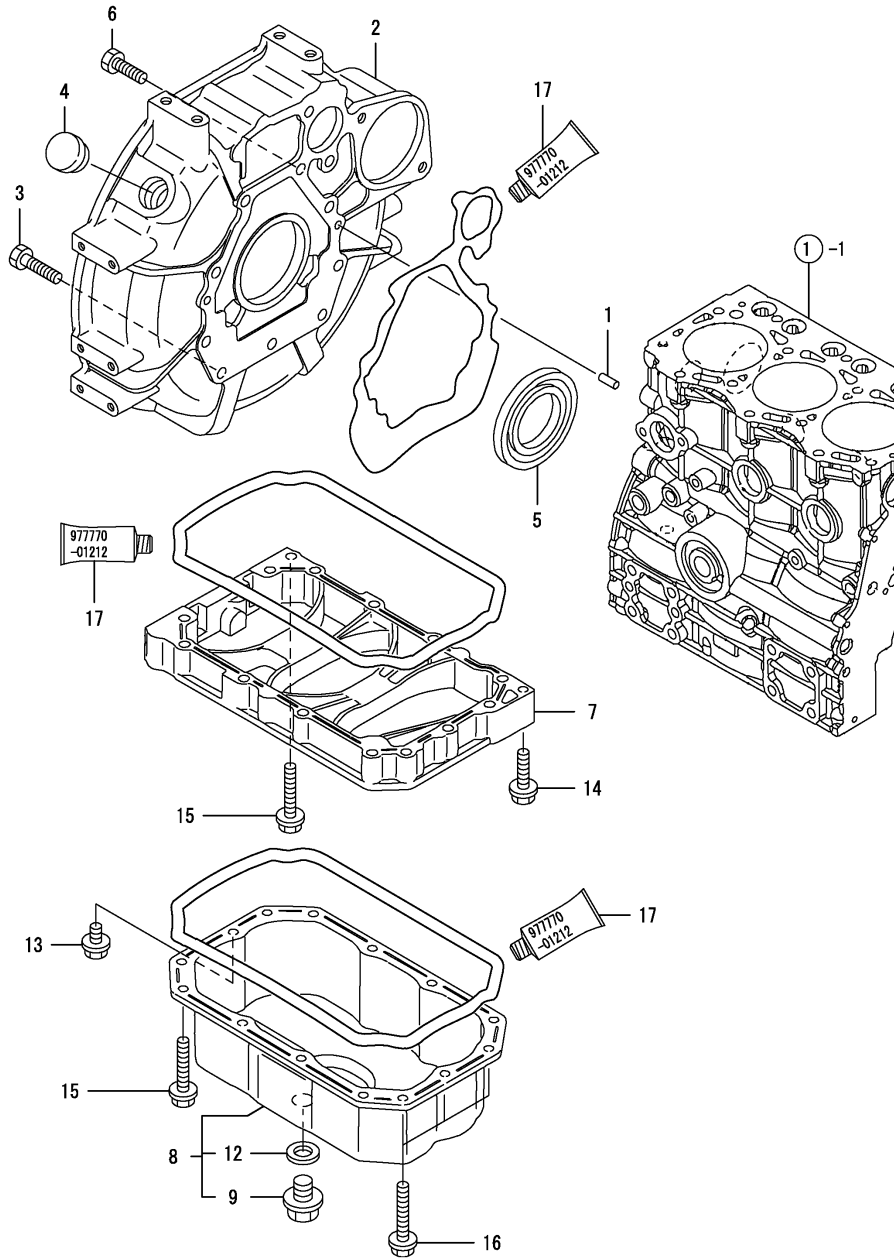
No.	Lev.	Parts No.	Description	Qty						I	R
				(A)	(B)	(C)	(D)	(E)	(F)		
1	1	119740-01501	CASE, GEAR	1							
2	1	119717-01570	STUD	3							
3	1	119740-01590	COVER ASSY,GEAR CASE	1							
4	2	119740-01521	COVER, GEAR CASE	1							
5	2	119717-32100	COVER ASSY	1							
6	3	119717-32080	COVER	1							
7	3	129900-32130	VALVE, RELIEF	1							
8	3	129001-32320	SPRING	1							
9	3	129001-32330	PLUG	1							
10	2	119717-32110	ROTOR, INNER	1							
11	2	119717-32120	ROTOR, OUTER	1							
12	2	119802-32130	SCREW, M6X16	8							
13	2	23876-030000	PLUG, R03	2							
14	1	119717-01750	COVER	1							
15	1	119620-01800	SEAL, OIL	1							
16	1	119660-01911	PIPE, KNOCK	4							
17	1	119624-32040	O-RING, P12.0	1							
18	1	119717-32050	O-RING, P17.0	3							
19	1	121850-51960	O-RING	1							
20	1	26106-060122	BOLT, M6X 12 PLATED	1							
21	1	26106-060162	BOLT, M6X 16 PLATED	4							
22	1	26106-060402	BOLT, M6X 40 PLATED	4							
23	1	26106-060402	BOLT, M6X 40 PLATED	2							
24	1	26106-060602	BOLT, M6X 60 PLATED	7							
25	1	26106-060652	BOLT, M6X 65 PLATED	2							
26	1	26306-080002	NUT, M8	3							
27	1	124160-01751	COVER, FILLER	1							
28	1	24311-000320	O-RING, 1AP32.0	1							
29	1	977770-01212	GASKET, LIQUID	1							1
30	1	121023-01550	COVER	1							
31	1	24341-000240	O-RING, 1AS24.0	1							
32	1	26106-060162	BOLT, M6X 16 PLATED	2							

Remarks

(1) OPTIONAL PART.

N:Old  $\begin{matrix} \leftarrow \text{Yes} \\ \text{No} \end{matrix}$  New, Q:Old  $\begin{matrix} \leftarrow \text{No} \\ \text{Yes} \end{matrix}$  New, R:Old  $\begin{matrix} \leftarrow \text{Yes} \\ \text{No} \end{matrix}$  New, S:Old  $\begin{matrix} \leftarrow \text{No} \\ \text{Yes} \end{matrix}$  New, W:Add, Z:Discontinued, F:Interchangeable by set, K:Qty Change

Fig.3. FLYWHEEL HOUSING & OIL SUMP



(A)=3TNV76-XTB

(B)=

(C)=

(D)=

(E)=

(F)=

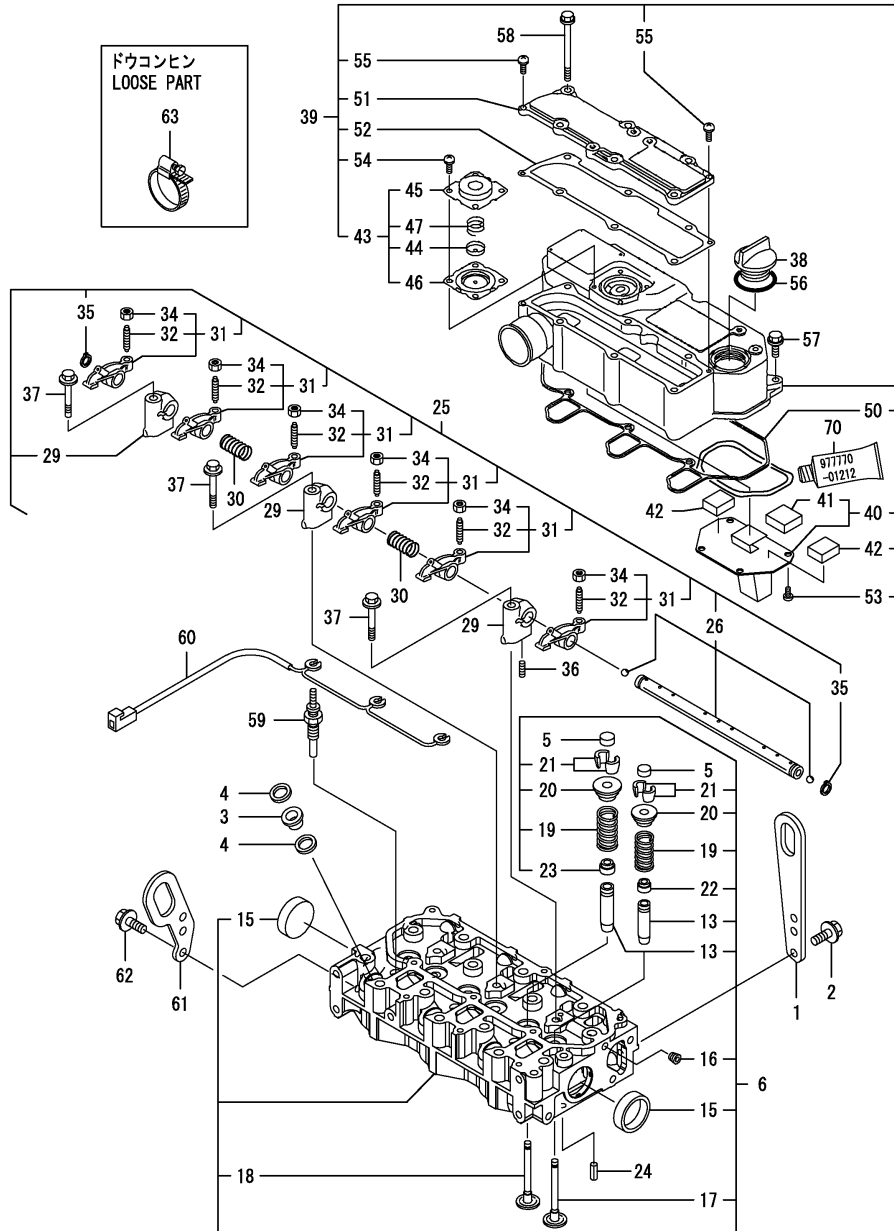
No.	Lev.	Parts No.	Description	Qty						I	R
				(A)	(B)	(C)	(D)	(E)	(F)		
1	1	129100-01580	PIN, M8X16	2							
2	1	119717-01600	HOUSING, FLYWHEEL	1							
3	1	121120-01620	BOLT, M10X28	3							
4	1	119620-01750	CAP	1							
5	1	124085-02220	SEAL, OIL	1							
6	1	26206-100252	BOLT, M10X 25 PLATED	7							
7	1	119717-01720	SPACER, OIL SUMP	1							
8	1	119740-01770	SUMP ASSY, OIL	1							
9	2	105425-01690	PLUG, 16	1							
12	2	22190-160002	WASHER, SEAL 16	1							
13	1	26106-080122	BOLT, M8X 12 PLATED	1							
14	1	26106-080302	BOLT, M8X 30 PLATED	1							
15	1	26106-080452	BOLT, M8X 45 PLATED	11							
16	1	26106-080502	BOLT, M8X 50 PLATED	3							
17	1	977770-01212	GASKET, LIQUID	1							1

Remarks

(1) OPTIONAL PART.

N:Old  $\xrightarrow{\text{Yes}}$  New, Q:Old  $\xrightarrow{\text{No}}$  New, R:Old  $\xrightarrow{\text{Yes}}$  New, S:Old  $\xrightarrow{\text{No}}$  New, W:Add, Z:Discontinued, F:Interchangeable by set, K:Qty Change

Fig.4. CYLINDER HEAD & BONNET



(A)=3TNV76-XTB

(B)=

(C)=

(D)=

(E)=

(F)=

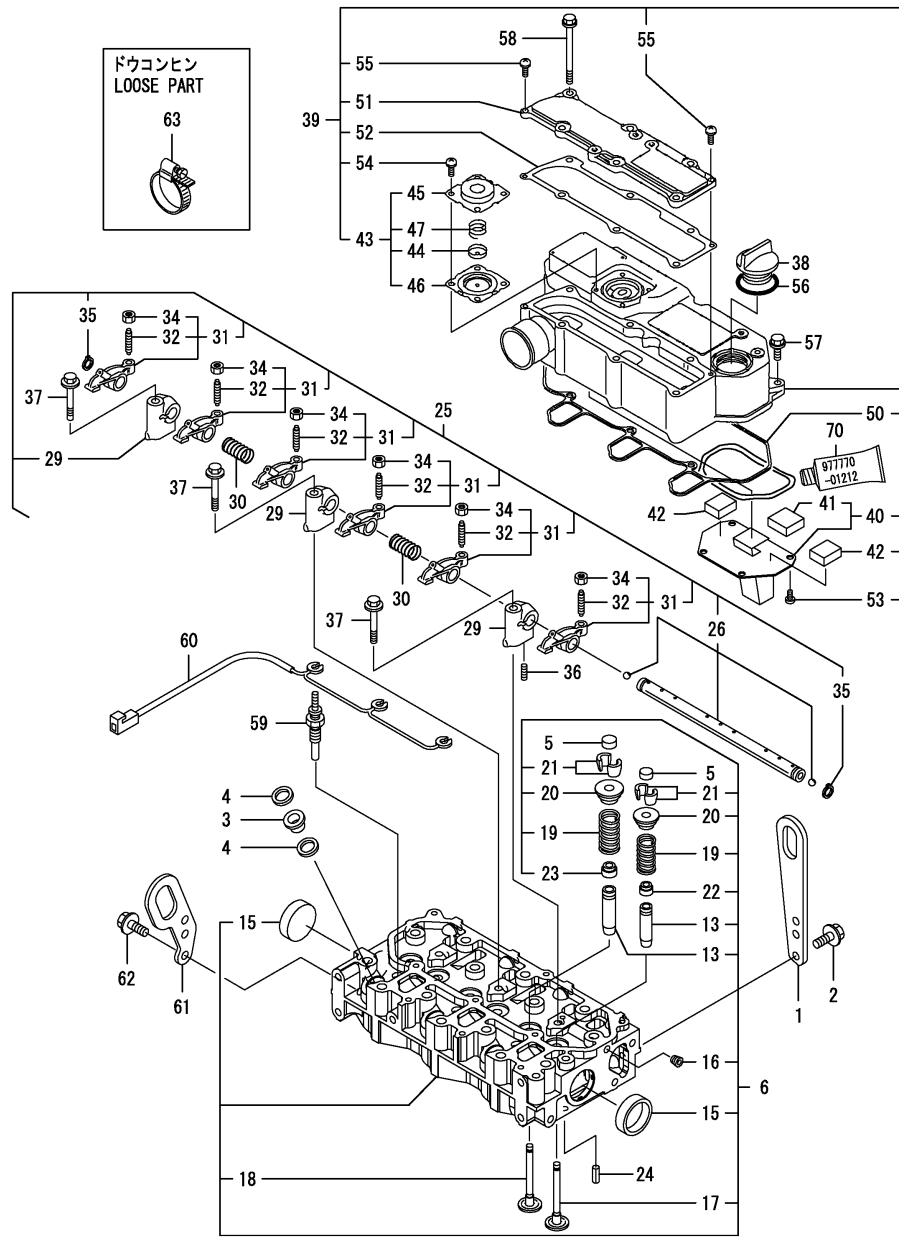
No.	Lev.	Parts No.	Description	Q'ty						I	R
				(A)	(B)	(C)	(D)	(E)	(F)		
1	1	129900-07900	LIFTER	1							
2	1	26106-080162	BOLT, M8X 16 PLATED	2							
3	1	129901-11450	PROTECTOR, NOZZLE	3							
4	1	119600-11460	GASKET, NOZZLE	6							
5	1	105010-11490	CAP, VALVE	6							
6	1	119717-11740	HEAD ASSY, CYLINDER	1							
13	2	119717-11800	GUIDE, VALVE	6							1
15	2	119285-11990	PLUG, 35	2							
16	2	23876-005000	PLUG, R005	1							
17	2	119717-11100	VALVE, INTAKE	3							
18	2	119717-11110	VALVE, EXHAUST	3							
19	2	119717-11131	SPRING, VALVE	6							
20	2	129508-11180	RETAINER, SPRING	6							
21	2	119717-11190	COTTER	12							
22	2	119717-11340	SEAL, VALVE STEM	3							
23	2	119717-11350	SEAL, VALVE STEM	3							
24	1	22351-060012	PIN, SPRING 6.0X12	2							
25	1	119717-11200	SUPPORT ASSY, ARM	1							
26	2	119717-11240	SHAFT ASSY, ROCKER	1							
29	2	119717-11260	SUPPORT, ROCKER ARM	3							
30	2	119620-11280	SPRING	2							
31	2	119717-11650	ARM, ROCKER	6							
32	3	129150-11230	SCREW, VALVE ADJUST	6							
34	3	129150-11750	NUT, M8	6							
35	2	22242-000120	RING, 12	2							
36	2	26979-050162	SCREW, M5X16	1							
37	1	26106-080402	BOLT, M8X 40 PLATED	3							
38	1	124160-01751	COVER, FILLER	1							
39	1	119717-11381	BONNET ASSY, HEAD	1							
40	2	119717-03031	PLATE	1							
41	3	119717-03070	BAFFLE, BREATHER	1							
42	2	119717-03070	BAFFLE, BREATHER	2							
43	2	119802-03100	DIAPHRAGM ASSY	1							
44	3	119802-03110	PLATE	1							
45	3	119802-03121	COVER, DIAPHRAGM	1							
46	3	119802-03131	DIAPHRAGM	1							
47	3	119802-03141	SPRING, DIAPHRAGM	1							
50	2	119718-11310	GASKET, BONNET	1							
51	2	119717-11320	COVER, BONNET	1							
52	2	119717-11331	GASKET	1							
53	2	22857-500100	SCREW, 5X10	4							
54	2	22857-500100	SCREW, 5X10	4							
55	2	22857-500160	SCREW, 5X16	2							
56	1	24311-000320	O-RING, 1AP32.0	1							
57	1	26106-060202	BOLT, M6X 20 PLATED	3							
58	1	26106-060752	BOLT, M6X 75 PLATED	6							
59	1	119717-77800	PLUG, GLOW	3							
60	1	119717-77820	CONNECTOR, GLOW PLUG	1							
61	1	119260-07900	LIFTER	1							
62	1	26106-080142	BOLT, M8X 14 PLATED	2							
63	1	23000-054000	CLAMP, 54	5							

Remarks

(1) REPAIR PART.

(2) OPTIONAL PART.

Fig.4. CYLINDER HEAD & BONNET



(A)=3TNV76-XTB  
(B)=  
(C)=

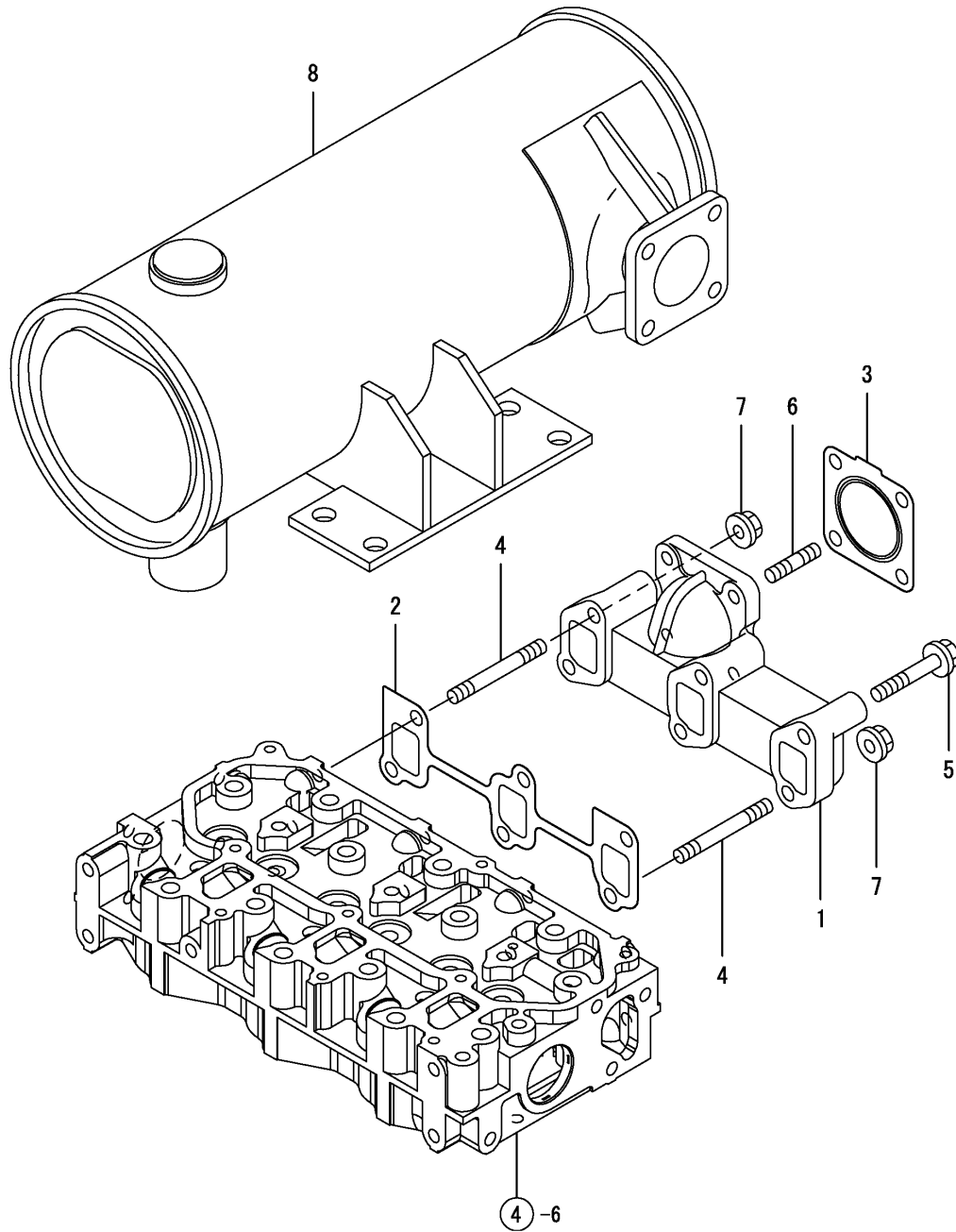
(D)=  
(E)=  
(F)=

No.	Lev.	Parts No.	Description	Q'ty						I	R
				(A)	(B)	(C)	(D)	(E)	(F)		
70	1	977770-01212	GASKET, LIQUID	1							2

Remarks  
(1) REPAIR PART.  
(2) OPTIONAL PART.



Fig.5. EXHAUST MANIFOLD & SILENCER

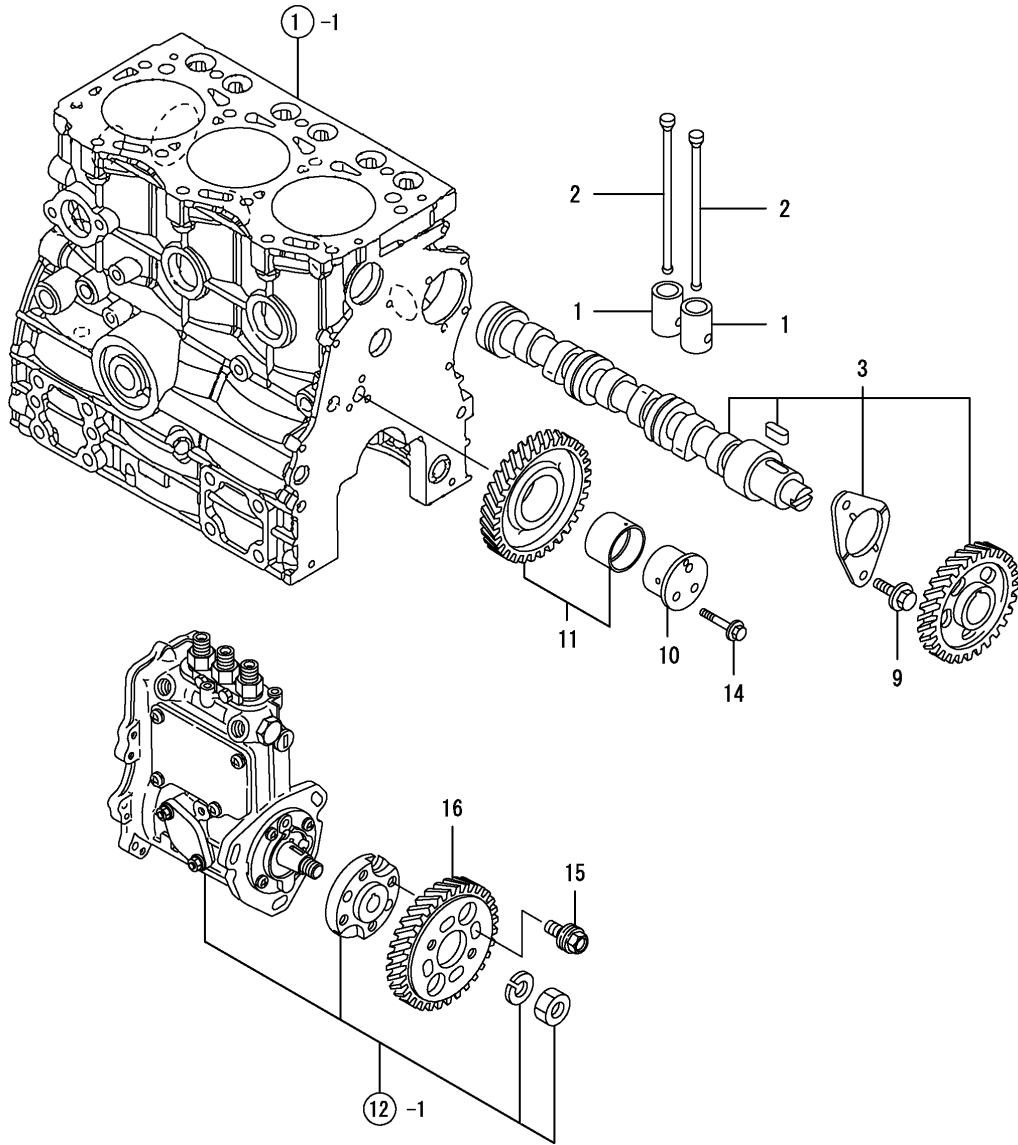


(A)=3TNV76-XTB  
(B)=  
(C)=

(D)=  
(E)=  
(F)=

No.	Lev.	Parts No.	Description	Q'ty						I	R
				(A)	(B)	(C)	(D)	(E)	(F)		
1	1	119718-13100	MANIFOLD, EXHAUST	1							
2	1	119717-13110	GASKET	1							
3	1	119515-13200	GASKET, SILENCER	2							
4	1	119717-13600	STUD, M8X50	2							
5	1	119802-13620	BOLT, M8X50	4							
6	1	119131-18320	STUD, M8X22	4							
7	1	26306-080002	NUT, M8	2							
8	1	119740-13520	SILENCER	1							

Fig.6. CAMSHAFT & DRIVING GEAR

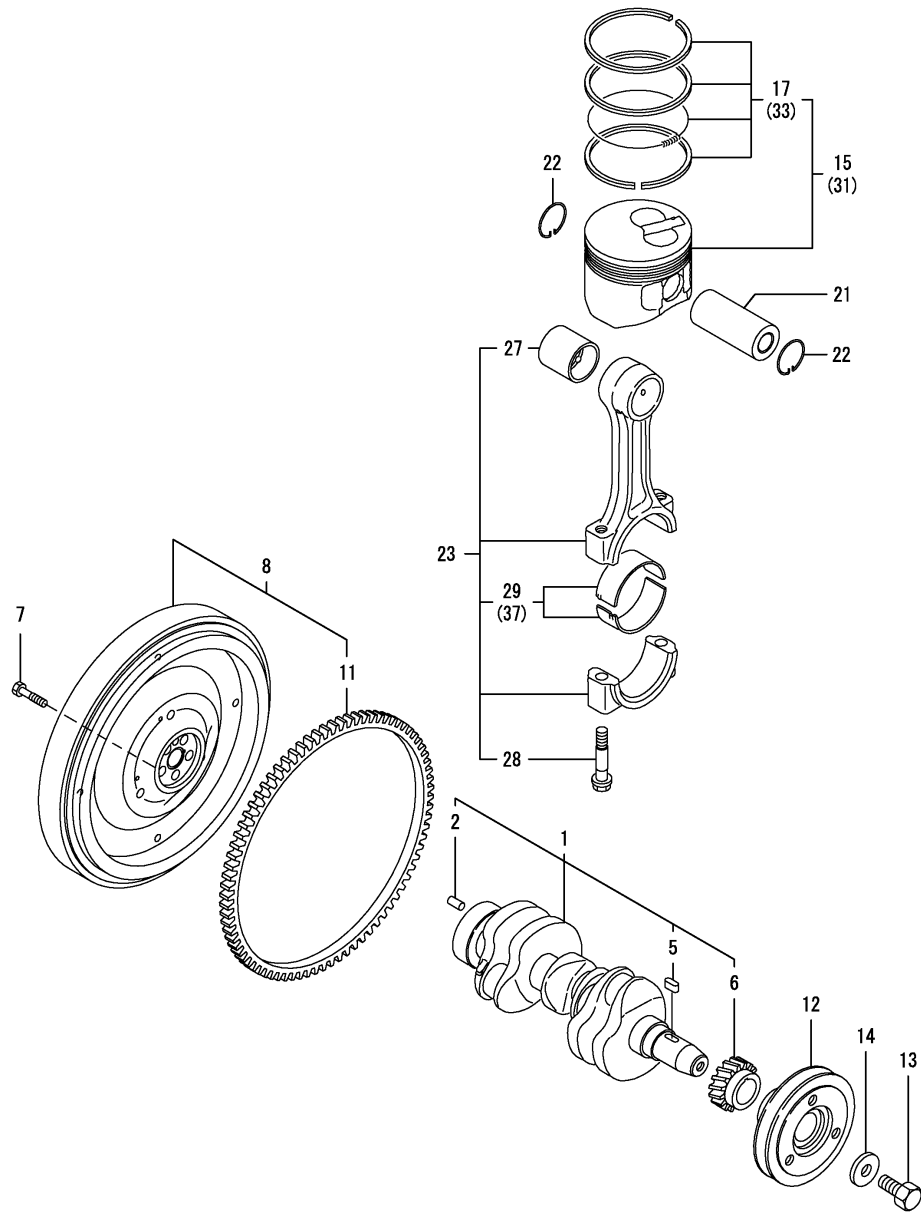


(A)=3TNV76-XTB  
(B)=  
(C)=

(D)=  
(E)=  
(F)=

No.	Lev.	Parts No.	Description	Q'ty						I	R
				(A)	(B)	(C)	(D)	(E)	(F)		
1	1	119620-14200	TAPPET	6							
2	1	119717-14400	ROD, PUSH	6							
3	1	119717-14580	CAMSHAFT ASSY	1							
9	1	26106-060122	BOLT, M6X 12 PLATED	2							
10	1	119717-25050	SHAFT, IDLE	1							
11	1	119717-25100	GEAR ASSY, IDLE	1							
14	1	26106-060352	BOLT, M6X 35 PLATED	3							
15	1	129150-25301	BOLT	4							
16	1	119717-25930	GEAR, PUMP	1							

# Fig.7. CRANKSHAFT & PISTON



(A)=3TNV76-XTB

(B)=

(C)=

(D)=

(E)=

(F)=

No.	Lev.	Parts No.	Description	Q'ty						I	R	
				(A)	(B)	(C)	(D)	(E)	(F)			
1	1	119717-21700	CRANKSHAFT ASSY	1								
2	2	129100-01580	PIN, M8X16	1								
5	2	22512-040120	KEY, 4X 12	1								
6	2	119717-21200	GEAR, CRANKSHAFT	1								
7	1	119620-21500	BOLT, FLYWHEEL	5								
8	1	119740-21590	FLYWHEEL ASSY	1								
11	2	119865-21600	GEAR, RING	1								
12	1	119717-21650	V-PULLEY	1								
13	1	119621-21680	BOLT, FLANGE 12X1.25	1								
14	1	119620-21941	WASHER	1								
15	1	119717-22080	PISTON ASSY	3								
17	2	119717-22500	RING SET, PISTON	3								
21	1	119717-22300	PIN, PISTON	3								
22	1	22252-000220	RING, 22	6								
23	1	119717-23000	ROD ASSY, CONNECTING	3								
27	2	119717-23910	BEARING, PISTON PIN	3								2
28	2	119717-23200	BOLT, CONNECTING ROD	6								
29	2	119717-23600	BEARING, CRANK PIN	3								
31	1	119717-22090	PISTON ASSY, 0.25 OS	3								1
33	2	119717-22550	RING SET, 0.25 OS	3								1
37	1	119717-23610	METAL ASSY, 0.25	3								3

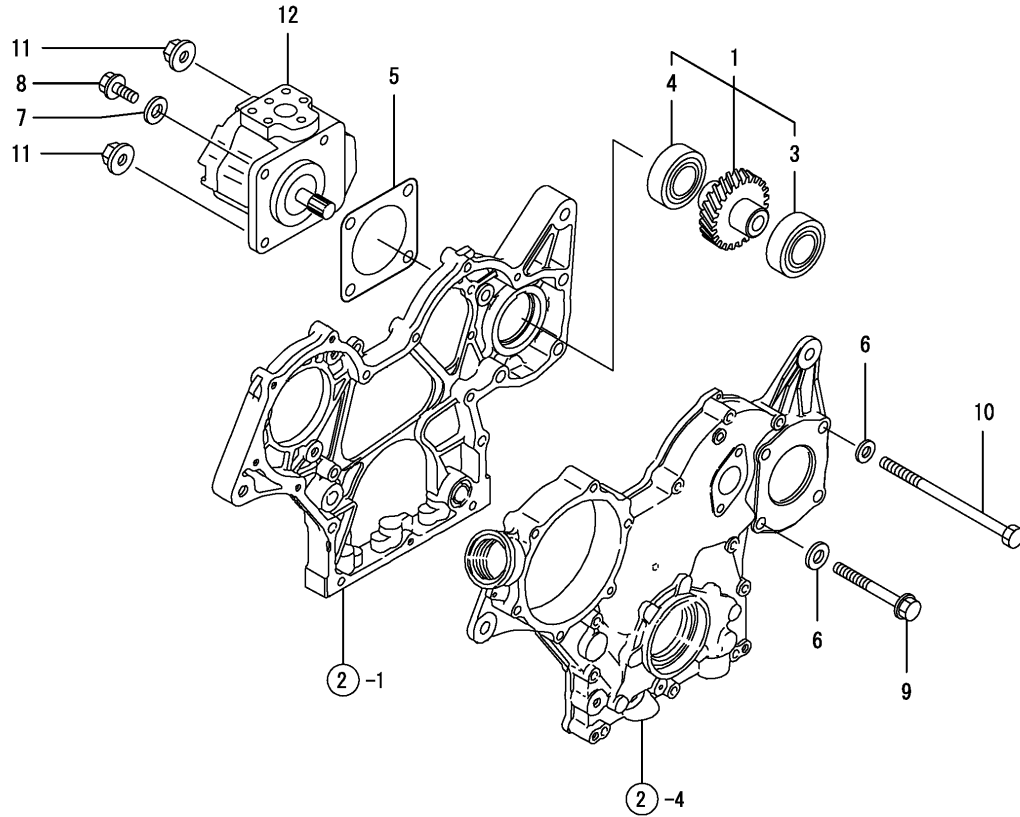
Remarks

(1) OVER-SIZE(O.S=0.25)PART.

(2) REPAIR PART.

(3) UNDER-SIZE(U.S=0.25)PART.

Fig.8. HYDRAULIC PUMP

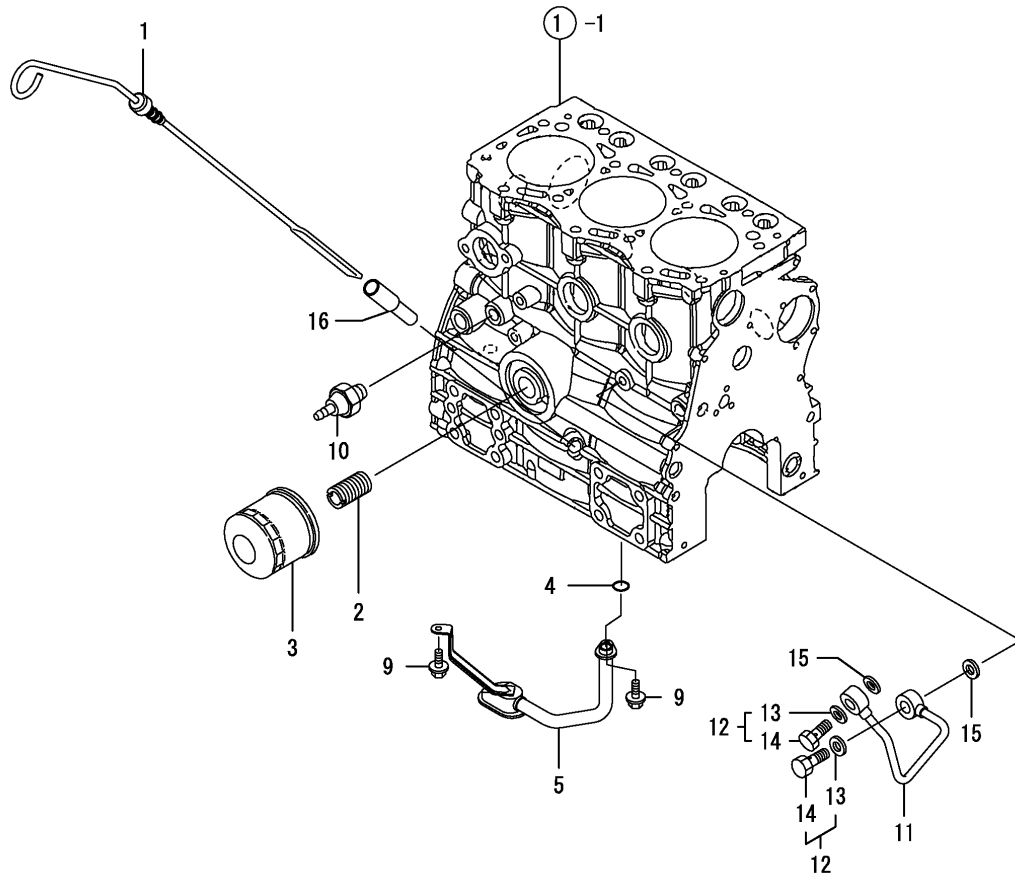


(A)=3TNV76-XTB  
(B)=  
(C)=

(D)=  
(E)=  
(F)=

No.	Lev.	Parts No.	Description	Q'ty						I	R
				(A)	(B)	(C)	(D)	(E)	(F)		
1	1	119717-26000	GEAR ASSY, PUMP	1							
3	2	129350-26490	BEARING, BALL 16005	1							
4	2	24104-060054	BEARING, BALL 6005UU	1							
5	1	124240-01883	GASKET	1							
6	1	22137-080000	WASHER, 8	3							
7	1	22190-080002	WASHER, SEAL 6	1							
8	1	26106-080202	BOLT, M8X 20 PLATED	1							
9	1	26106-080752	BOLT, M8X 75 PLATED	1							
10	1	26116-081302	BOLT, M8X130 PLATED	2							
11	1	26306-080002	NUT, M8	3							
12	1	119641-26010	PUMP ASSY, HYDRAULIC	1							

Fig.9. LUB.OIL SYSTEM

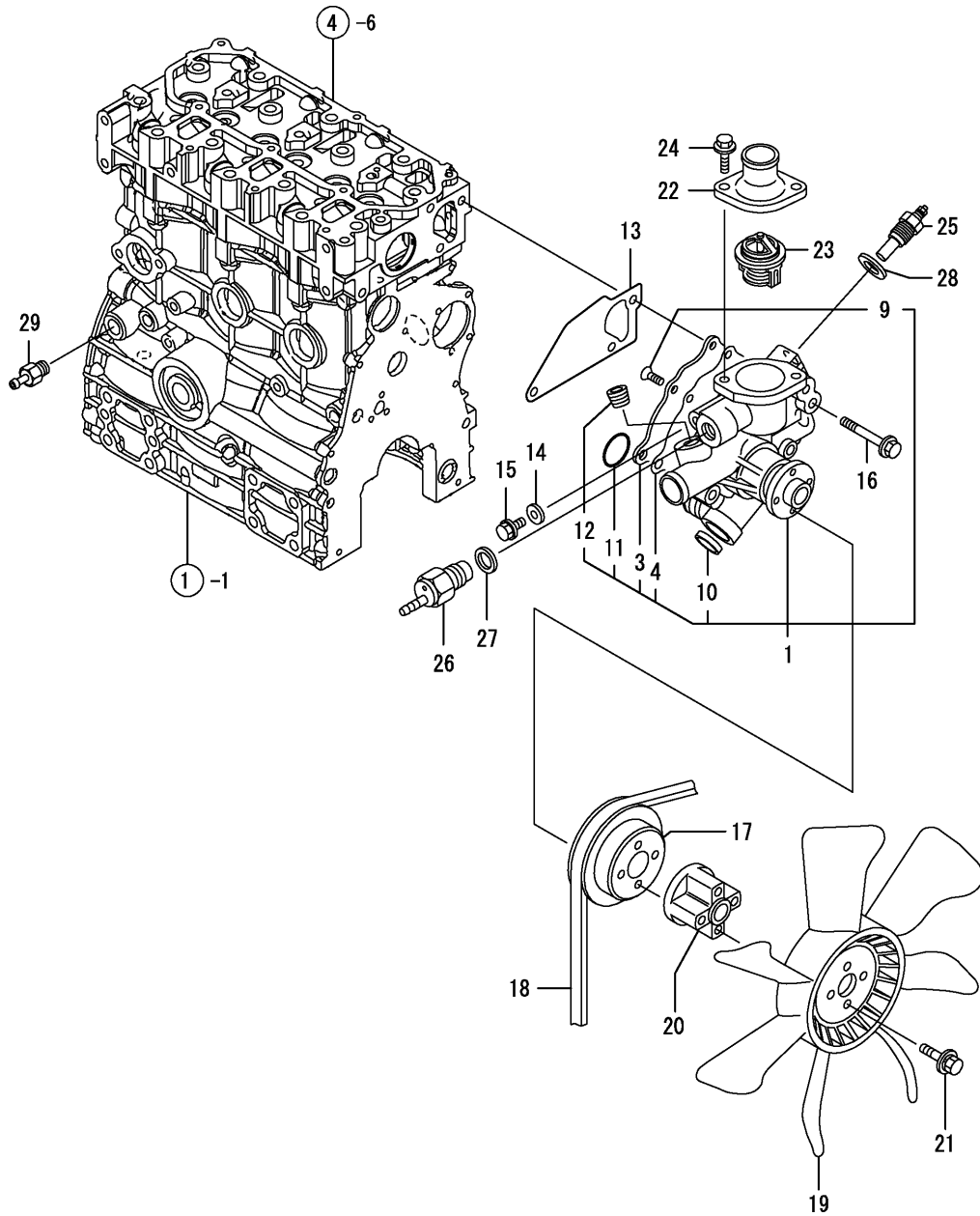


(A)=3TNV76-XTB  
(B)=  
(C)=

(D)=  
(E)=  
(F)=

No.	Lev.	Parts No.	Description	Q'ty						I	R
				(A)	(B)	(C)	(D)	(E)	(F)		
1	1	119740-34800	DIPSTICK, OIL	1							
2	1	129100-35140	STUD	1							
3	1	119305-35150	FILTER, OIL	1							
4	1	119717-32060	O-RING, P15.0	1							
5	1	119717-35080	PIPE ASSY, OIL INLET	1							
9	1	26106-060102	BOLT, M6X 10 PLATED	2							
10	1	114250-39450	SWITCH, 0.5KG	1							
11	1	119717-39210	PIPE, OIL	1							
12	1	129005-59830	BOLT ASSY, JOINT M8	2							
13	2	22190-080002	WASHER, SEAL 6	2							
14	2	23857-030000	BOLT, JOINT 3	2							
15	1	22190-080002	WASHER, SEAL 6	2							
16	1	121520-34810	GUIDE, DIPSTICK	1							

Fig.10. COOLING WATER SYSTEM



(A)=3TNV76-XTB

(B)=

(C)=

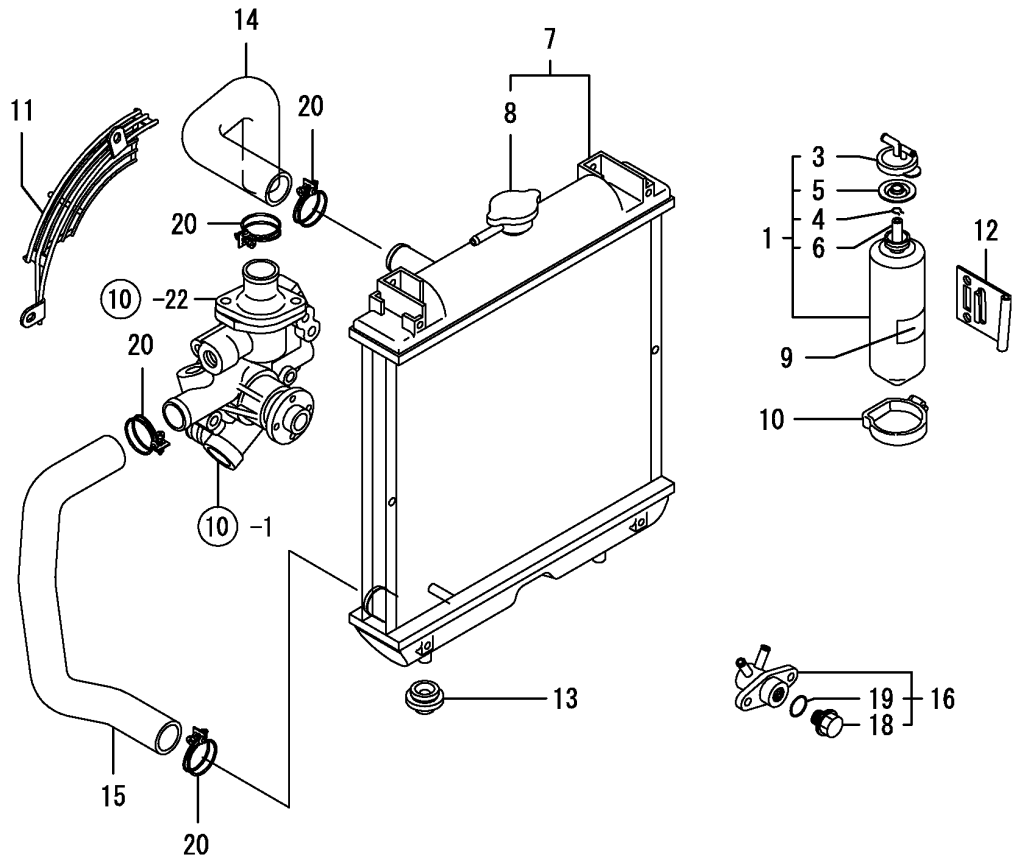
(D)=

(E)=

(F)=

No.	Lev.	Parts No.	Description	Q'ty						I	R
				(A)	(B)	(C)	(D)	(E)	(F)		
1	1	119717-42002	PUMP ASSY, WATER	1							
3	2	119717-42041	COVER	1							
4	2	119717-42031	GASKET	1							
9	2	26577-060122	SCREW, M6X12	4							
10	2	27241-250000	PLUG, 25	1							
11	2	119717-42320	O-RING, P26	1							
12	2	129916-49740	PLUG, R03	1							
13	1	119717-42020	GASKET, WATER PUMP	1							
14	1	23414-080000	GASKET, 8X1.0	1							
15	1	26106-080122	BOLT, M8X 12 PLATED	1							
16	1	26106-080502	BOLT, M8X 50 PLATED	3							
17	1	119515-42350	V-PULLEY, D=110	1							
18	1	25152-003700	V-BELT, A37	1							
19	1	119626-44741	FAN, COOLING D=320X7	1							
20	1	129030-44760	SPACER, FAN L38.5	1							
21	1	26106-060502	BOLT, M6X 50 PLATED	4							
22	1	129350-49530	COVER, THERMOSTAT	1							
23	1	119718-49800	THERMOSTAT, 82	1							
24	1	26106-080202	BOLT, M8X 20 PLATED	2							
25	1	119266-49350	SWITCH	1							
26	1	121250-44901	SWITCH, 110	1							
27	1	124465-44950	GASKET, 16	1							
28	1	129150-49360	GASKET	1							
29	1	121550-49111	JOINT, PT1/4	1							

Fig.11. RADIATOR

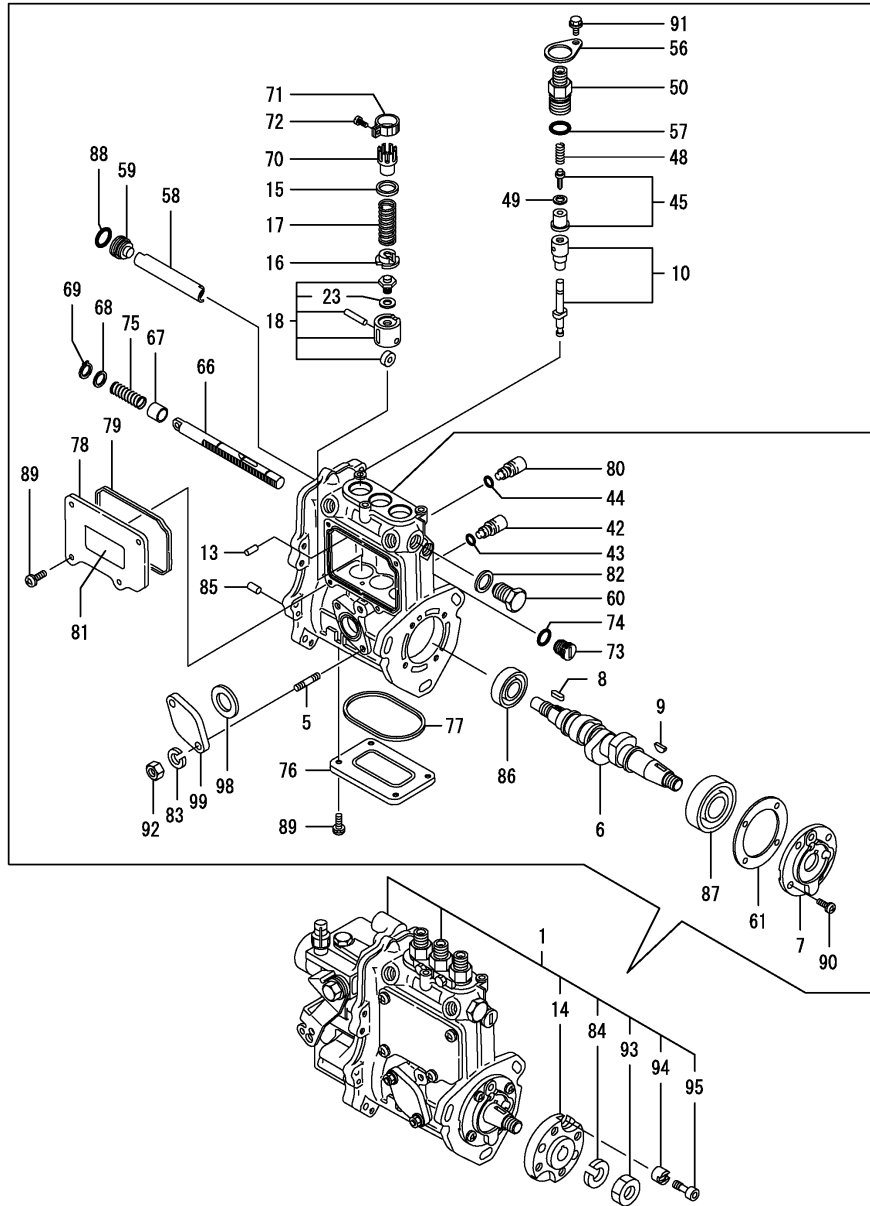


(A)=3TNV76-XTB  
(B)=  
(C)=

(D)=  
(E)=  
(F)=

No.	Lev.	Parts No.	Description	Qty						I	R
				(A)	(B)	(C)	(D)	(E)	(F)		
1	1	171064-44510	TANK ASSY, SUB	1							
3	2	121450-44531	CAP	1							
4	2	124450-44560	RETAINER	1							
5	2	121470-44581	GASKET	1							
6	2	23065-070225	HOSE 7X 225	1							
7	1	119515-44520	RADIATOR ASSY	1							
8	2	129107-44590	CAP, RADIATOR	1							
9	1	121470-44540	LABEL, SUB-TANK	1							
10	1	124450-44550	BAND	1							
11	1	129132-44590	NET, WIRE	1							
12	1	121256-44600	BRACKET, SUB TANK	1							
13	1	119255-44660	ABSORBER	2							
14	1	119802-49010	PIPE, WATER	1							
15	1	119802-49020	PIPE, WATER	1							
16	1	121450-49110	COCK ASSY, 3-WAY	1							
18	2	121250-49121	PLUG, DRAIN	1							
19	2	24311-000160	O-RING, 1AP16.0	1							
20	1	23010-038000	CLAMP, 38	4							

Fig.12. FUEL INJECTION PUMP



(A)=3TNV76-XTB

(B)=

(C)=

(D)=

(E)=

(F)=

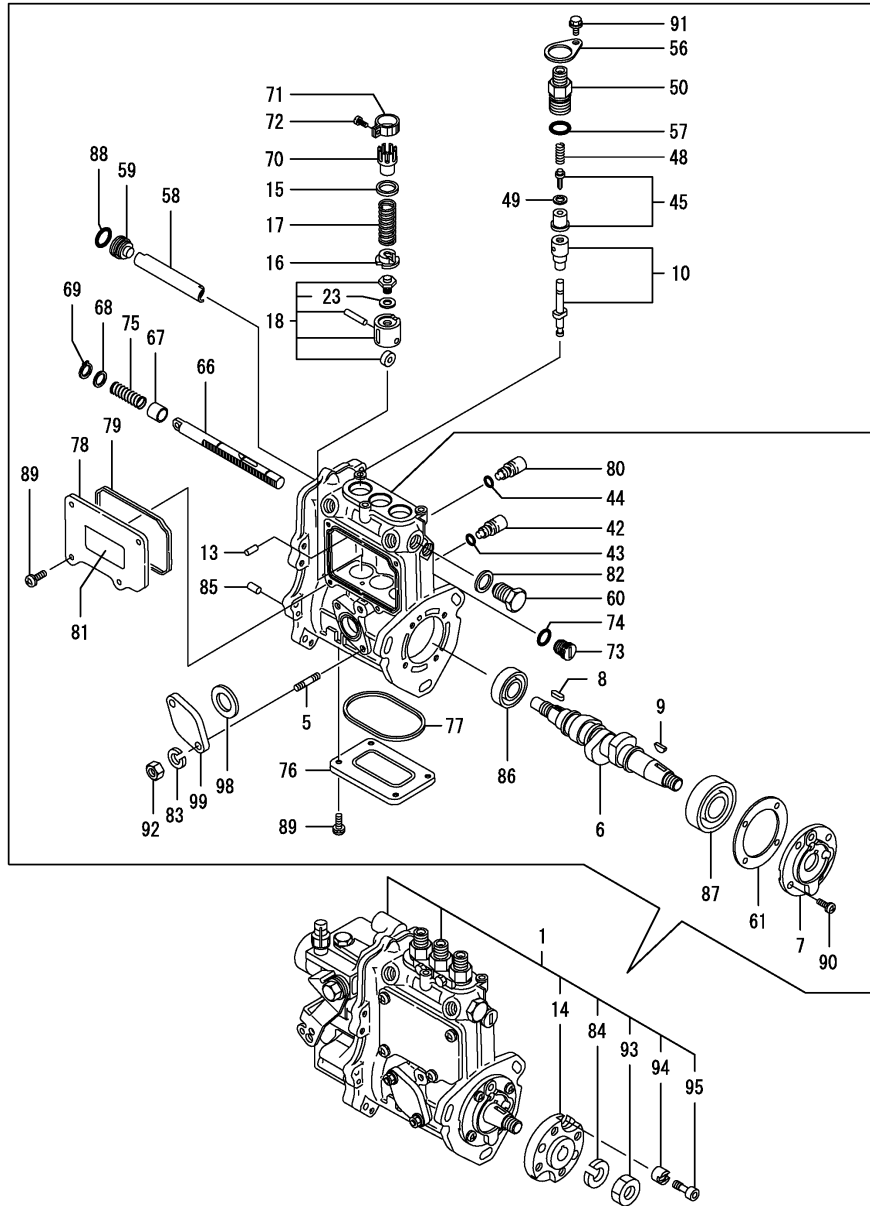
No.	Lev.	Parts No.	Description	Q'ty						I	R
				(A)	(B)	(C)	(D)	(E)	(F)		
1	1	719740-51370	PUMP ASSY, INJECTION	1							
5	2	129155-51020	STUD	2							
6	2	119717-51030	CAMSHAFT	1							
7	2	119717-51060	SUPPORT, CAMSHAFT	1							
8	2	119717-51070	KEY	1							
9	2	122710-51090	KEY	1							
10	2	119740-51100	PLUNGER ASSY	3							
13	2	129155-51140	PIN	3							
14	2	119717-51150	FLANGE	1							
15	2	158600-51170	RETAINER, SPRING	3							
16	2	119717-51180	RETAINER, SPRING	3							
17	2	119717-51190	SPRING, PLUNGER	3							
18	2	119717-51200	TAPPET ASSY	3							
23	3	129155-51600	SHIM SET, ADJUSTING	3							
42	2	158600-51270	STOPPER, TAPPET	3							
43	2	129155-51280	O-RING, S6	3							
44	2	129155-51280	O-RING, S6	1							
45	2	118400-51300	VALVE ASSY, DELIVERY	3							
48	2	119717-51330	SPRING, DELIVERY	3							
49	2	124550-51350	GASKET, DELIVERY	3							
50	2	158600-51340	VALVE ASSY, DELIVERY	3							
56	2	118400-51370	LOCKING	3							
57	2	24316-000150	O-RING, 4DP15.0	3							
58	2	129155-51400	DEFLECTOR	1							
59	2	158600-51410	PLUG, DEFLECTOR	1							
60	2	158600-51420	PLUG, DEFLECTOR	1							
61	2	129155-51450	SHIM SET, ADJUSTING	1							
66	2	119717-51500	RACK, CONTROL	1							
67	2	129155-51521	BUSH, RACK	1							
68	2	129155-51530	SPACER	1							
69	2	129155-51540	CIRCLIP	1							
70	2	129155-51550	PINION, CONTROL	3							
71	2	129100-51560	PINION	3							
72	2	129100-51570	SCREW	3							
73	2	158600-51570	PLUG	1							
74	2	129155-51580	O-RING	1							
75	2	129155-51591	SPRING, RACK	1							
76	2	129155-51701	COVER	1							
77	2	119717-51710	GASKET	1							
78	2	119717-51750	COVER	1							
79	2	119717-51760	GASKET	1							
80	2	158600-51790	STOOPER, RACK	1							
81	2	129156-51910	LABEL, CAUTION	1							
82	2	22190-160002	WASHER, SEAL 16	1							
83	2	22217-060000	WASHER, SPRING 6	2							
84	2	22217-120000	WASHER, SPRING 12	1							
85	2	22351-050010	PIN, SPRING 5.0X10	2							
86	2	24101-060034	BEARING, BALL 6003	1							
87	2	24101-063034	BEARING, BALL 6303	1							
88	2	119717-51420	O-RING	1							
89	2	26022-050122	SCREW, M5X12	8							

Remarks

(1) GOVERNOR ASSY(FIG.13) IS INCORPORATED IN THIS FOP.CMP (REF.NO.1).



# Fig.12. FUEL INJECTION PUMP



(A)=3TNV76-XTB

(B)=

(C)=

(D)=

(E)=

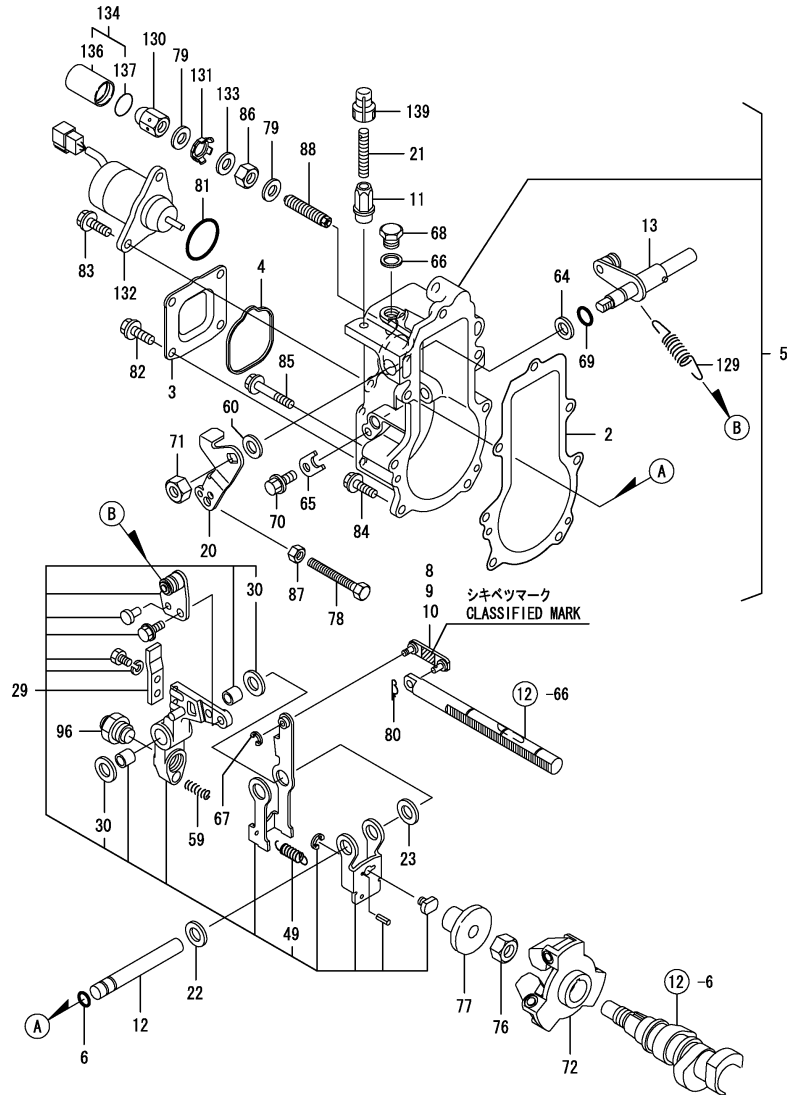
(F)=

No.	Lev.	Parts No.	Description	Q'ty						I	R
				(A)	(B)	(C)	(D)	(E)	(F)		
90	2	26022-060162	SCREW, M6X16	4							
91	2	26106-050102	BOLT, M5X 10 PLATED	3							
92	2	26716-060002	NUT, M6	2							
93	2	26716-120002	NUT, M12	1							
94	2	119717-51480	COLLAR	1							
95	2	119717-51490	BOLT	1							
98	2	129155-52051	GASKET	1							
99	2	129100-52200	COVER	1							

Remarks

(1) GOVERNOR ASSY(FIG.13) IS INCORPORATED IN THIS FOP.CMP (REF.NO.1).

Fig.13. GOVERNOR



Remarks

(1) SELECTIVE PARTS: CERTAIN THE CLASSIFICATION MARK, THEN PLACE YOUR ORDER.(REFER TO ILLUSTRATION).

(2) REPAIR PART.

\* THIS FIGURE(GOVERNOR ASSY)IS INCORPORATED IN THE FUEL INJECTION PUMP ASSY(FIG.12).

(A)=3TNV76-XTB

(B)=

(C)=

(D)=

(E)=

(F)=

No.	Lev.	Parts No.	Description	Q'ty						I	R
				(A)	(B)	(C)	(D)	(E)	(F)		
2	2	119717-61050	GASKET	1							
3	2	119717-61060	COVER, GOVERNOR CASE	1							
4	2	119717-61070	GASKET	1							
5	2	119717-61100	CASE ASSY, GOVERNOR	1							
6	3	129155-51280	O-RING, S6	1							
8	3	119717-61120	LINK, MARK :3	1							1
9	3	119717-61130	LINK, MARK 98	1							1
10	3	119717-61140	LINK, MARK 88	1							1
11	3	129209-61370	NUT, M6	1							
12	3	129052-61390	SHAFT	1							
13	3	119717-61400	SHAFT ASSY	1							
20	3	119717-61440	LEVER, CONTROL	1							
21	3	129155-61450	BOLT, LIMITER	1							
22	3	129156-61460	SHIM, T=0.6	1							
23	3	129155-61480	SPACER ASSY	1							
29	3	119717-61500	LEVER ASSY, GOVERNOR	1							
30	4	174307-51700	SHIM SET	2							
49	4	129486-61540	SPRING, SET	1							
59	3	129100-61650	SPRING, CONTROLLER	1							
60	3	158552-61700	SHIM SET	1							
64	3	158552-61710	SHIM, T=1.0	1							
65	3	119660-61901	RETAINER, SHAFT	1							
66	3	22190-100002	WASHER, SEAL 10	1							
67	3	22272-000030	RING, E- 3	1							
68	3	23887-100002	PLUG, 10	1							
69	3	24341-000070	O-RING, 1AS7.0	1							
70	3	26106-060102	BOLT, M6X 10 PLATED	1							
71	3	26366-080002	NUT, M8	1							
72	2	119717-61200	WEIGHT ASSY,GOVERNOR	1							
76	2	119660-61300	NUT	1							
77	2	129155-61341	SLEEVE	1							
78	2	129155-61460	BOLT, IDLE	1							
79	2	22190-120002	WASHER, SEAL 12	2							
80	2	22372-040000	PIN, SNAP 4	1							
81	2	24341-000280	O-RING, 1AS28.0	1							
81-1	2	158552-61900	O-RING	1							N
(A=EXXXXX)											
82	2	26106-060102	BOLT, M6X 10 PLATED	4							
83	2	26106-060142	BOLT, M6X 14 PLATED	2							
84	2	26106-060202	BOLT, M6X 20 PLATED	4							
85	2	26106-060452	BOLT, M6X 45 PLATED	3							
86	2	26736-120002	NUT, M12	1							
87	2	26756-060002	NUT, LOCK M6	1							
88	2	158601-61710	LIMITER ASSY, FUEL	1							
96	2	119717-61550	ANGLEICH ASSY	1							
129	2	171353-61700	SPRING, GOVERNOR	1							
130	2	129209-61930	NUT, CAP	1							
131	2	129209-61970	PLATE	1							
132	2	119233-77932	SOLENOID, STOP	1							
133	2	23414-120016	GASKET, 12X1.0	1							
134	1	129209-61940	CASE ASSY	1							

Fig.13. GOVERNOR

(A)=3TNV76-XTB

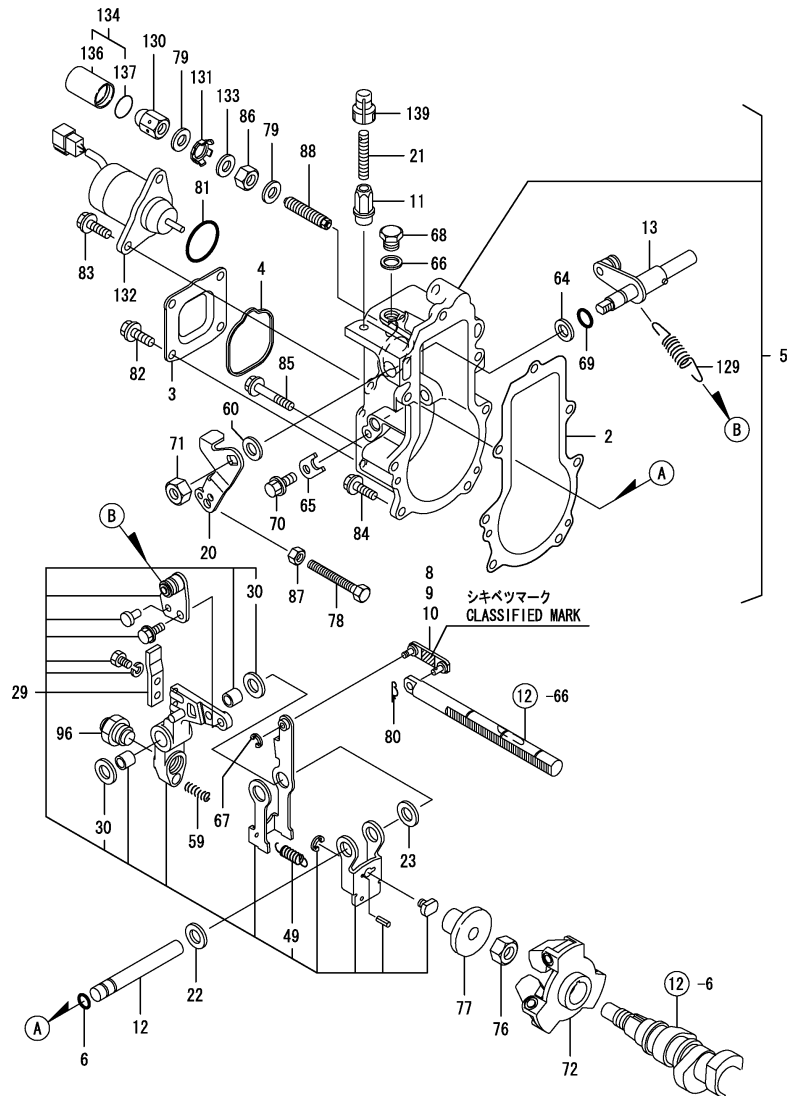
(B)=

(C)=

(D)=

(E)=

(F)=



No.	Lev.	Parts No.	Description	Q'ty						I	R
				(A)	(B)	(C)	(D)	(E)	(F)		
136	2	129209-61960	CASE	1							2
137	2	24311-000150	O-RING, 1AP15.0	1							
139	1	119285-66650	CAP, HIGH-IDLE	1							2

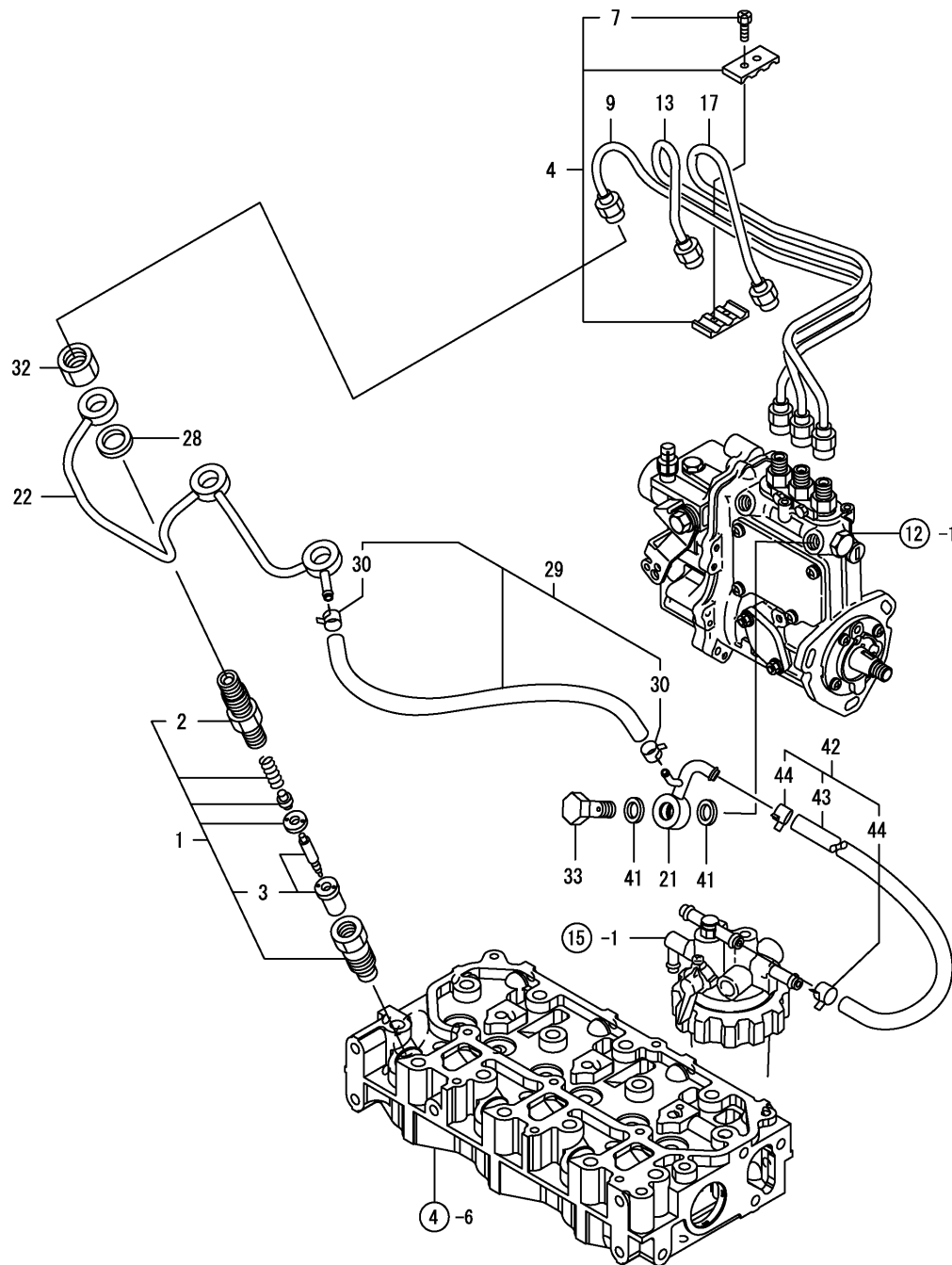
Remarks

(1) SELECTIVE PARTS: CERTAIN THE CLASSIFICATION MARK, THEN PLACE YOUR ORDER.(REFER TO ILLUSTRATION).

(2) REPAIR PART.

\* THIS FIGURE(GOVERNOR ASSY)IS INCORPORATED IN THE FUEL INJECTION PUMP ASSY(FIG.12).

Fig.14. FUEL INJECTION VALVE



(A)=3TNV76-XTB

(B)=

(C)=

(D)=

(E)=

(F)=

No.	Lev.	Parts No.	Description	Q'ty						I	R
				(A)	(B)	(C)	(D)	(E)	(F)		
1	1	119717-53000	VALVE ASSY,INJECTION	3							
2	2	118200-53010	HOLDER, NOZZLE	3							
3	2	119717-53010	VALVE ASSY,INJECTION	3							
4	1	129150-59120	RETAINER, PIPE	1							
7	2	129150-59131	BOLT, M4X14	2							
9	1	119717-59810	PIPE ASSY, INJECTION	1							
13	1	119717-59820	PIPE ASSY, INJECTION	1							
17	1	119717-59830	PIPE ASSY, INJECTION	1							
21	1	119515-59580	JOINT, OVER FLOW	1							
22	1	119717-59510	PIPE ASSY, RETURN	1							
28	1	129901-59560	GASKET	3							
29	1	119717-59570	PIPE ASSY, RETURN	1							
30	2	124066-59100	CLIP, HOSE 8	2							
32	1	119620-59700	NUT, NOZZLE	3							
33	1	129100-59951	VALVE ASSY, CHECK	1							
41	1	22190-120002	WASHER, SEAL 12	2							
42	1	129210-59060	PIPE ASSY, FUEL L240	1							
43	2	171051-59050	PIPE, FUEL L=240	1							
44	2	124766-59050	CLIP, HOSE 12	2							

Fig.15. FUEL LINE

(A)=3TNV76-XTB

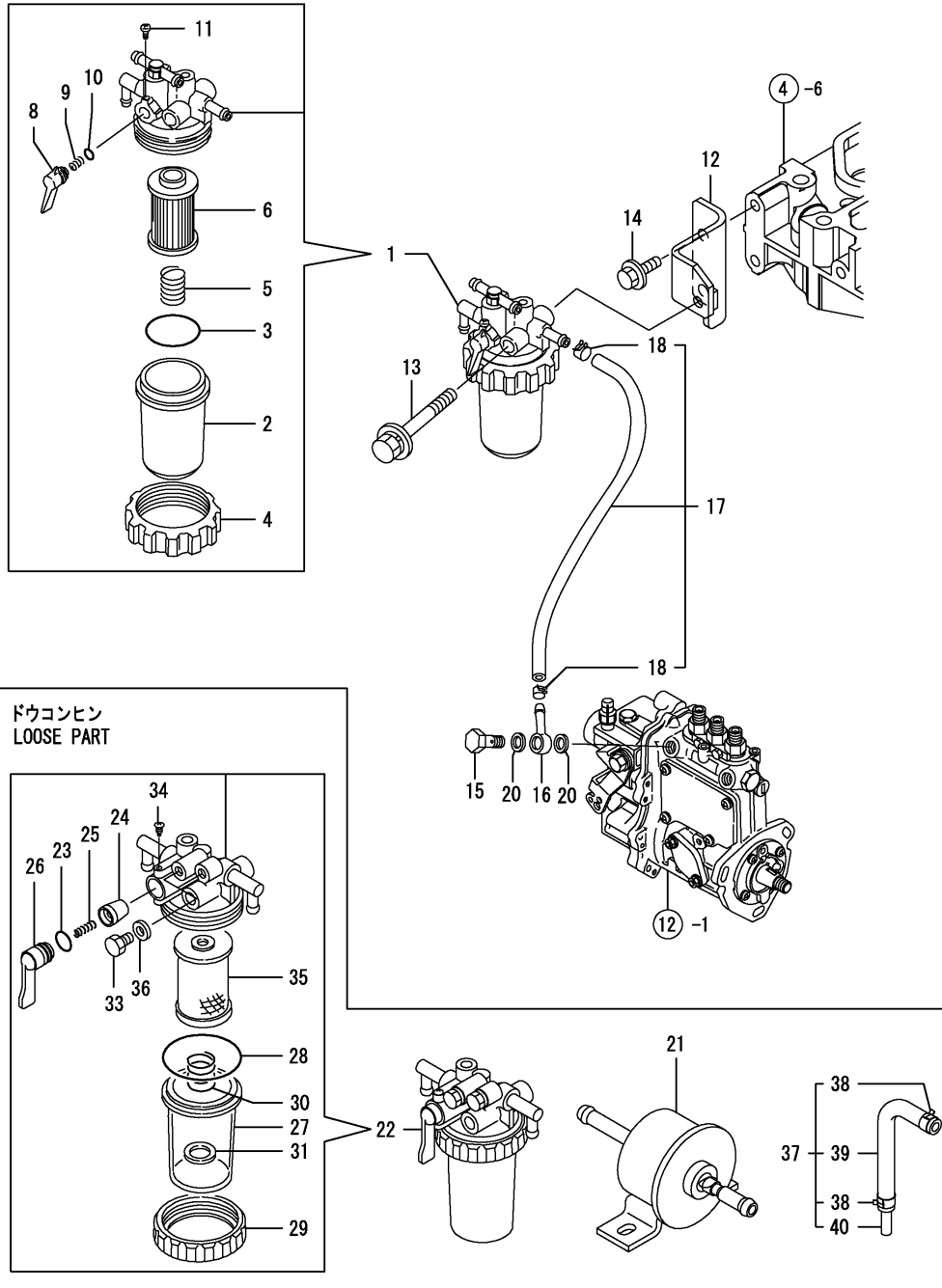
(B)=

(C)=

(D)=

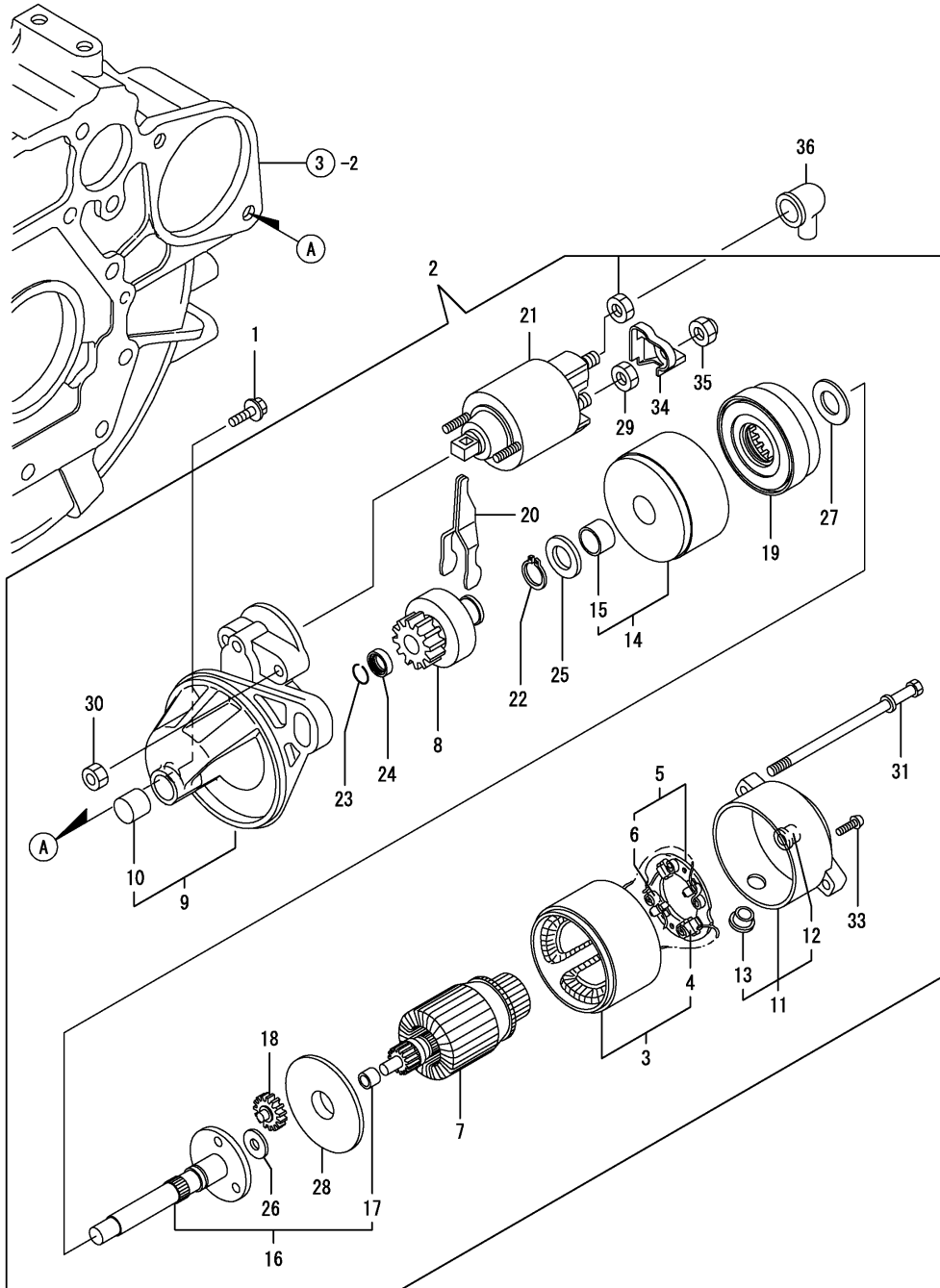
(E)=

(F)=



No.	Lev.	Parts No.	Description	Q'ty						I	R
				(A)	(B)	(C)	(D)	(E)	(F)		
1	1	119740-55600	FILTER ASSY, FUEL	1							
2	2	121254-55510	COVER	1							
3	2	102103-55520	O-RING	1							
4	2	110250-55610	RING, RETAINING	1							
5	2	121250-55620	SPRING	1							
6	2	119810-55650	ELEMENT	1							
8	2	119810-55340	LEVER	1							
9	2	104200-55330	SPRING, VALVE	1							
10	2	24311-240100	O-RING, 1AP10A	1							
11	2	104200-55750	SCREW, M4	1							
12	1	119740-55660	BRACKET, FILTER	1							
13	1	26014-080702	BOLT, M8X 70	1							
14	1	26106-080142	BOLT, M8X 14 PLATED	2							
15	1	103854-39140	BOLT, PIPE JOINT	1							
16	1	101304-59020	JOINT, PIPE 12	1							
17	1	129210-59030	PIPE ASSY, FUEL	1							
18	2	124766-59050	CLIP, HOSE 12	2							
20	1	22190-120002	WASHER, SEAL 12	2							
21	1	119225-52102	PUMP ASSY, FUEL FEED	1							
22	1	129335-55700	SEPARATOR ASSY, WATER	1							
23	2	24311-240100	O-RING, 1AP10A	1							
24	2	104200-55321	VALVE, TAPER	1							
25	2	104200-55330	SPRING, VALVE	1							
26	2	104200-55341	HANDLE	1							
27	2	124064-55510	COVER	1							
28	2	102103-55520	O-RING	1							
29	2	110250-55610	RING, RETAINING	1							
30	2	121257-55720	SPRING	1							
31	2	121257-55731	FLOAT	1							
33	2	101720-55750	PLUG, 6	2							
34	2	104200-55750	SCREW, M4	1							
35	2	171081-55910	SCREEN	1							
36	2	23418-060000	GASKET, 6X1.0	2							
37	1	119840-59601	BEND	1							
38	2	124766-59050	CLIP, HOSE 12	2							
39	2	119840-59611	BEND	1							
40	2	119840-59621	JOINT	1							

Fig.16. STARTING MOTOR



(A)=3TNV76-XTB

(B)=

(C)=

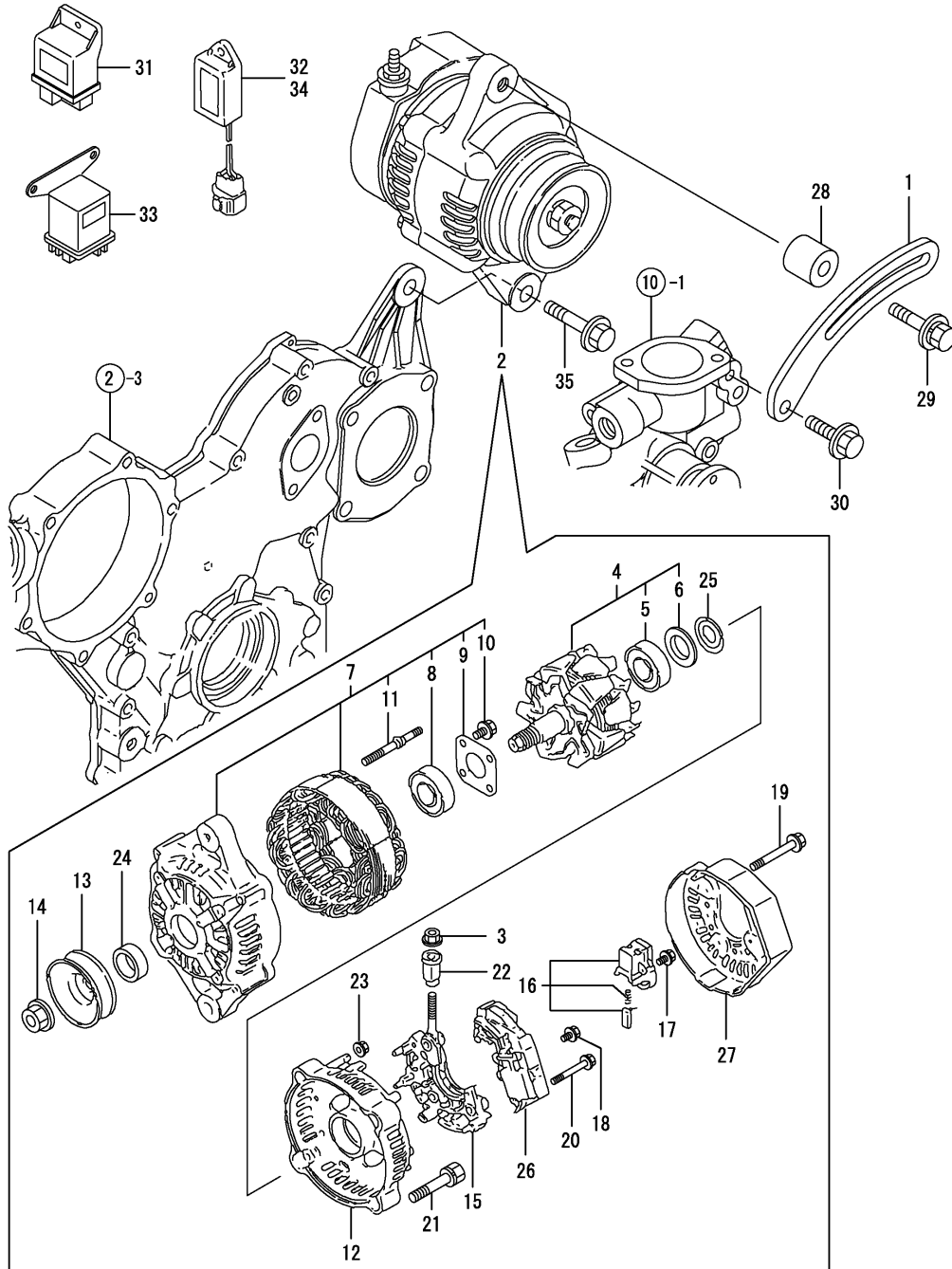
(D)=

(E)=

(F)=

No.	Lev.	Parts No.	Description	Q'ty						I	R
				(A)	(B)	(C)	(D)	(E)	(F)		
1	1	26106-100252	BOLT, M10X 25 PLATED	2							
2	1	119717-77010	STARTER, P1.1	1							
3	2	X0281007750	YOKE ASSY	1							
4	3	X0280996180	STARTER KIT	2							
5	2	X0285105190	HOLDER ASSY	1							
6	3	X0285205030	SPRING	4							
7	2	X0282005991	ARMATURE ASSY	1							
8	2	X0283006960	CLUTCH ASSY	1							
9	2	X4284001590	HOUSING ASSY	1							
10	3	X9491050100	BEARING, NEEDLE	1							
11	2	X0285007030	FRAME ASSY	1							
12	3	X9491040990	BEARING	1							
13	3	X0280626010	COVER	1							
14	2	X0284105040	BEARING ASSY	1							
15	3	X9491034330	BEARING	1							
16	2	X0286105010	SHAFT ASSY	1							
17	3	X9491034320	BEARING	1							
18	2	X0286305010	GEAR	3							
19	2	X0286355010	GEAR	1							
20	2	X0287405140	LEVER	1							
21	2	X0534007800	SWITCH ASSY	1							
22	2	X9055715000	RING	1							
23	2	X9490721360	RING	1							
24	2	X0280210331	NUT	1							
25	2	X9490138110	WASHER	1							
26	2	X9490138090	WASHER	1							
27	2	X9490138100	WASHER	1							
28	2	X0284525010	PLATE	1							
29	2	X9490562360	NUT	1							
30	2	X9490560750	NUT	2							
31	2	X9490423420	BOLT, THROUGH	2							
33	2	X9490065670	SCREW, M4X6	2							
34	2	X0280335350	COVER, TERMINAL	1							
35	2	X1289510130	NUT	1							
36	1	124550-77030	COVER, TERMINAL	1							

Fig.17. GENERATOR



(A)=3TNV76-XTB

(B)=

(C)=

(D)=

(E)=

(F)=

No.	Lev.	Parts No.	Description	Q'ty						I	R
				(A)	(B)	(C)	(D)	(E)	(F)		
1	1	119515-77330	ADJUSTER	1							
2	1	129240-77200	ALTERNATOR	1							
3	2	129240-79310	NUT	1							
4	2	119620-77380	ROTOR ASSY	1							
5	3	126501-79240	BALL BEARING	1							
6	3	119620-79250	COVER	1							
7	2	119620-77421	FRAME ASSY, DRIVE	1							
8	3	119620-79200	BEARING, BALL	1							
9	3	119620-79210	PLATE, RETAINER	1							
10	3	119620-79220	SCREW	4							
11	3	119620-79230	STUD	2							
12	2	119620-77440	FRAME ASSY	1							
13	2	119620-77461	PULLEY	1							
14	2	119620-77471	NUT	1							
15	2	119620-79260	HOLDER	1							
16	2	129052-79270	HOLDER, BRUSH	1							
17	2	119620-79290	SCREW	6							
18	2	119620-79300	SCREW	1							
19	2	119620-79310	BOLT	3							
20	2	119620-79320	SCREW	2							
21	2	119620-79330	BOLT	2							
22	2	119620-79340	BUSH, INSULATION	1							
23	2	119620-79350	NUT	2							
24	2	119620-77490	COLLAR	1							
25	2	119620-79360	WASHER, THRUST	1							
26	2	129240-77710	REGULATOR ASSY	1							
27	2	129240-79300	COVER	1							
28	1	124732-77340	SPACER	1							
29	1	26014-080452	BOLT, M8X 45	1							
30	1	26106-080202	BOLT, M8X 20 PLATED	1							
31	1	119802-77200	RELAY, SAFETY	1							
32	1	129211-77920	TIMER	1							
33	1	119646-77900	RELAY, POWER	1							
34	1	129155-77925	TIMER	1							
35	1	26106-100502	BOLT, M10X 50 PLATED	1							

Fig.18. GASKET SET

(A)=3TNV76-XTB

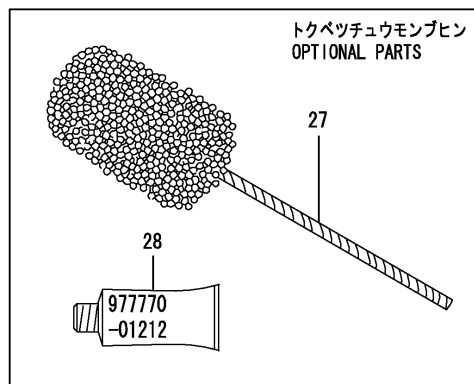
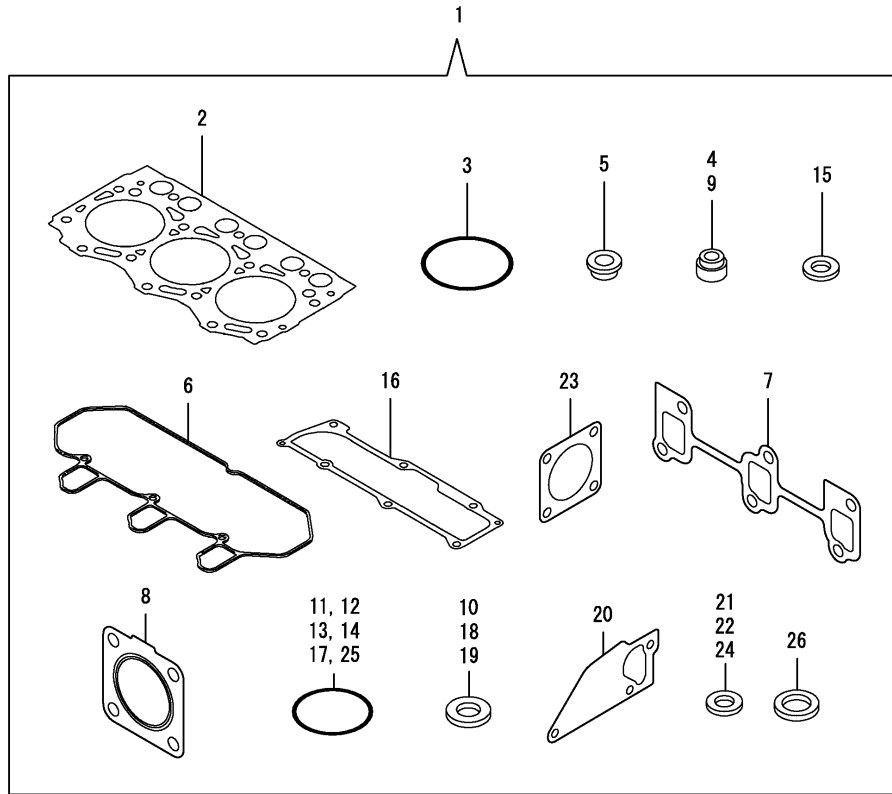
(B)=

(C)=

(D)=

(E)=

(F)=



No.	Lev.	Parts No.	Description	Q'ty						I	R
				(A)	(B)	(C)	(D)	(E)	(F)		
1	1	719717-92610	GASKET SET	1							1
2	2	119717-01330	GASKET, HEAD	1							
3	2	121850-51960	O-RING	1							
4	2	119717-11340	SEAL, VALVE STEM	3							
5	2	129901-11450	PROTECTOR, NOZZLE	3							
6	2	119718-11310	GASKET, BONNET	1							
7	2	119717-13110	GASKET	1							
8	2	119515-13200	GASKET, SILENCER	2							
9	2	119717-11350	SEAL, VALVE STEM	3							
10	2	22190-080002	WASHER, SEAL 6	5							
11	2	24311-000320	O-RING, 1AP32.0	2							
12	2	119717-32060	O-RING, P15.0	1							
13	2	119624-32040	O-RING, P12.0	1							
14	2	119717-32050	O-RING, P17.0	3							
15	2	119600-11460	GASKET, NOZZLE	6							
16	2	119717-11331	GASKET	1							
17	2	24341-000240	O-RING, 1AS24.0	1							
18	2	22190-120002	WASHER, SEAL 12	4							
19	2	22190-160002	WASHER, SEAL 16	1							
20	2	119717-42020	GASKET, WATER PUMP	1							
21	2	23414-080000	GASKET, 8X1.0	1							
22	2	124465-44950	GASKET, 16	1							
23	2	124240-01883	GASKET	1							
24	2	129150-49360	GASKET	1							
25	2	24311-000150	O-RING, 1AP15.0	1							
26	2	129901-59560	GASKET	3							
27	1	129400-92420	HONE	1							1
28	1	977770-01212	GASKET, LIQUID	1							1

Remarks

(1) OPTIONAL PART.



## Parts No. Index

Parts No.	Fig. No.	Ref. No.
101304-59020	15	16
101720-55750	15	33
102103-55520	15	3
		28
103854-39140	15	15
104200-55321	15	24
104200-55330	15	9
		25
104200-55341	15	26
104200-55750	15	11
		34
105010-11490	4	5
105311-01090	1	6
105425-01690	3	9
110250-55610	15	4
		29
114250-39450	9	10
118200-53010	14	2
118400-51300	12	45
118400-51370	12	56
119131-18320	5	6
119225-52102	15	21
119233-77932	13	132
119255-44660	11	13
119260-07900	4	61
119266-49350	10	25
119285-01990	1	9
119285-11990	4	15
119285-66650	13	139
119305-35150	9	3
119515-13200	5	3
	18	8
119515-42350	10	17
119515-44520	11	7
119515-59580	14	21
119515-77330	17	1
119600-11460	4	4
	18	15
119620-01750	3	4
119620-01800	2	15
119620-02020	1	10
119620-11280	4	30
119620-14200	6	1
119620-21500	7	7
119620-21941	7	14
119620-59700	14	32
119620-77380	17	4
119620-77421	17	7
119620-77440	17	12
119620-77461	17	13

Parts No.	Fig. No.	Ref. No.
119620-77471	17	14
119620-77490	17	24
119620-79200	17	8
119620-79210	17	9
119620-79220	17	10
119620-79230	17	11
119620-79250	17	6
119620-79260	17	15
119620-79290	17	17
119620-79300	17	18
119620-79310	17	19
119620-79320	17	20
119620-79330	17	21
119620-79340	17	22
119620-79350	17	23
119620-79360	17	25
119621-21680	7	13
119623-01250	1	7
119624-32040	2	17
	18	13
119626-44741	10	19
119641-26010	8	12
119646-77900	17	33
119660-01911	2	16
119660-61300	13	76
119660-61901	13	65
119717-01330	1	31
	18	2
119717-01570	2	2
119717-01600	3	2
119717-01720	3	7
119717-01750	2	14
119717-02410	1	13
119717-02930	1	27
119717-03031	4	40
119717-03070	4	41
		42
119717-11100	4	17
119717-11110	4	18
119717-11131	4	19
119717-11190	4	21
119717-11200	4	25
119717-11240	4	26
119717-11260	4	29
119717-11320	4	51
119717-11331	4	52
	18	16
119717-11340	4	22
	18	4
119717-11350	4	23

Parts No.	Fig. No.	Ref. No.
119717-11350	18	9
119717-11381	4	39
119717-11650	4	31
119717-11740	4	6
119717-11800	4	13
119717-13110	5	2
	18	7
119717-13600	5	4
119717-14400	6	2
119717-14580	6	3
119717-21200	7	6
119717-21650	7	12
119717-21700	7	1
119717-22080	7	15
119717-22090	7	31
119717-22300	7	21
119717-22500	7	17
119717-22550	7	33
119717-23000	7	23
119717-23200	7	28
119717-23600	7	29
119717-23610	7	37
119717-23910	7	27
119717-25050	6	10
119717-25100	6	11
119717-25930	6	16
119717-26000	8	1
119717-32050	2	18
	18	14
119717-32060	9	4
	18	12
119717-32080	2	6
119717-32100	2	5
119717-32110	2	10
119717-32120	2	11
119717-35080	9	5
119717-39210	9	11
119717-42002	10	1
119717-42020	10	13
	18	20
119717-42031	10	4
119717-42041	10	3
119717-42320	10	11
119717-51030	12	6
119717-51060	12	7
119717-51070	12	8
119717-51150	12	14
119717-51180	12	16
119717-51190	12	17
119717-51200	12	18

Parts No.	Fig. No.	Ref. No.
119717-51330	12	48
119717-51420	12	88
119717-51480	12	94
119717-51490	12	95
119717-51500	12	66
119717-51710	12	77
119717-51750	12	78
119717-51760	12	79
119717-53000	14	1
119717-53010	14	3
119717-59510	14	22
119717-59570	14	29
119717-59810	14	9
119717-59820	14	13
119717-59830	14	17
119717-61050	13	2
119717-61060	13	3
119717-61070	13	4
119717-61100	13	5
119717-61120	13	8
119717-61130	13	9
119717-61140	13	10
119717-61200	13	72
119717-61400	13	13
119717-61440	13	20
119717-61500	13	29
119717-61550	13	96
119717-77010	16	2
119717-77800	4	59
119717-77820	4	60
119718-11310	4	50
	18	6
119718-13100	5	1
119718-49800	10	23
119740-01501	2	1
119740-01521	2	4
119740-01590	2	3
119740-01770	3	8
119740-13520	5	8
119740-21590	7	8
119740-34800	9	1
119740-51100	12	10
119740-55600	15	1
119740-55660	15	12
119802-03100	4	43
119802-03110	4	44
119802-03121	4	45
119802-03131	4	46
119802-03141	4	47
119802-13620	5	5

## Parts No. Index

Parts No.	Fig. No.	Ref. No.
119802-32130	2	12
119802-49010	11	14
119802-49020	11	15
119802-77200	17	31
119810-01200	1	30
119810-02940	1	32
119810-55340	15	8
119810-55650	15	6
119840-59601	15	37
119840-59611	15	39
119840-59621	15	40
119865-21600	7	11
121023-01550	2	30
121120-01620	3	3
121250-44901	10	26
121250-49121	11	18
121250-55620	15	5
121254-55510	15	2
121256-44600	11	12
121257-55720	15	30
121257-55731	15	31
121450-44531	11	3
121450-49110	11	16
121470-44540	11	9
121470-44581	11	5
121520-34810	9	16
121550-49111	10	29
121850-51960	2	19
	18	3
122710-51090	12	9
124060-01050	1	5
124064-55510	15	27
124066-59100	14	30
124085-02220	3	5
124160-01751	2	27
	4	38
124160-01910	1	8
124240-01883	8	5
	18	23
124450-44550	11	10
124450-44560	11	4
124465-44950	10	27
	18	22
124550-51350	12	49
124550-77030	16	36
124732-77340	17	28
124766-59050	14	44
	15	18
		38
126501-79240	17	5

Parts No.	Fig. No.	Ref. No.
129001-32320	2	8
129001-32330	2	9
129005-59830	9	12
129030-44760	10	20
129052-61390	13	12
129052-79270	17	16
129100-01580	3	1
	7	2
129100-35140	9	2
129100-51560	12	71
129100-51570	12	72
129100-52200	12	99
129100-59951	14	33
129100-61650	13	59
129107-44590	11	8
129132-44590	11	11
129150-11230	4	32
129150-11750	4	34
129150-25301	6	15
129150-49360	10	28
	18	24
129150-59120	14	4
129150-59131	14	7
129155-51020	12	5
129155-51140	12	13
129155-51280	12	43
		44
	13	6
129155-51400	12	58
129155-51450	12	61
129155-51521	12	67
129155-51530	12	68
129155-51540	12	69
129155-51550	12	70
129155-51580	12	74
129155-51591	12	75
129155-51600	12	23
129155-51701	12	76
129155-52051	12	98
129155-61341	13	77
129155-61450	13	21
129155-61460	13	78
129155-61480	13	23
129155-77925	17	34
129156-51910	12	81
129156-61460	13	22
129209-61370	13	11
129209-61930	13	130
129209-61940	13	134
129209-61960	13	136

Parts No.	Fig. No.	Ref. No.
129209-61970	13	131
129210-59030	15	17
129210-59060	14	42
129211-77920	17	32
129240-77200	17	2
129240-77710	17	26
129240-79300	17	27
129240-79310	17	3
129335-55700	15	22
129350-26490	8	3
129350-49530	10	22
129400-92420	18	27
129486-61540	13	49
129508-11180	4	20
129900-07900	4	1
129900-32130	2	7
129901-11450	4	3
	18	5
129901-59560	14	28
	18	26
129916-49740	10	12
158552-61700	13	60
158552-61710	13	64
158552-61900	13	81 -1
158600-51170	12	15
158600-51270	12	42
158600-51340	12	50
158600-51410	12	59
158600-51420	12	60
158600-51570	12	73
158600-51790	12	80
158601-61710	13	88
171051-59050	14	43
171064-44510	11	1
171081-55910	15	35
171353-61700	13	129
174307-51700	13	30
22137-080000	8	6
22190-080002	8	7
	9	13
		15
	18	10
22190-100002	13	66
22190-120002	13	79
	14	41
	15	20
	18	18
22190-160002	3	12
	12	82
	18	19

Parts No.	Fig. No.	Ref. No.
22217-060000	12	83
22217-120000	12	84
22242-000120	4	35
22252-000220	7	22
22272-000030	13	67
22351-050010	12	85
22351-060012	4	24
22372-040000	13	80
22512-040120	7	5
22857-500100	4	53
		54
22857-500160	4	55
23000-054000	4	63
23010-038000	11	20
23065-070225	11	6
23414-080000	10	14
	18	21
23414-120016	13	133
23418-060000	15	36
23857-030000	9	14
23876-005000	4	16
23876-030000	2	13
23887-100002	13	68
24101-060034	12	86
24101-063034	12	87
24104-060054	8	4
24311-000150	13	137
	18	25
24311-000160	11	19
24311-000320	2	28
	4	56
	18	11
24311-240100	15	10
		23
24316-000150	12	57
24341-000070	13	69
24341-000240	2	31
	18	17
24341-000280	13	81
25152-003700	10	18
26014-080452	17	29
26014-080702	15	13
26022-050122	12	89
26022-060162	12	90
26106-050102	12	91
26106-060102	9	9
	13	70
		82
26106-060122	2	20
	6	9

## Parts No. Index

Parts No.	Fig. No.	Ref. No.
26106-060142	13	83
26106-060162	2	21
		32
26106-060202	4	57
	13	84
26106-060352	6	14
26106-060402	2	22
		23
26106-060452	13	85
26106-060502	10	21
26106-060602	2	24
26106-060652	2	25
26106-060752	4	58
26106-080122	3	13
	10	15
26106-080142	4	62
	15	14
26106-080162	4	2
26106-080202	8	8
	10	24
	17	30
26106-080302	3	14
26106-080402	4	37
26106-080452	3	15
26106-080502	3	16
	10	16
26106-080752	8	9
26106-100252	16	1
26106-100502	17	35
26116-081302	8	10
26206-100252	3	6
26306-080002	2	26
	5	7
	8	11
26366-080002	13	71
26577-060122	10	9
26716-060002	12	92
26716-120002	12	93
26736-120002	13	86
26756-060002	13	87
26979-050162	4	36
27241-120000	1	14
27241-250000	10	10
719717-01560	1	1
719717-02900	1	15
719717-02910	1	35
719717-92610	18	1
719740-51370	12	1
977770-01212	2	29
	3	17

Parts No.	Fig. No.	Ref. No.
977770-01212	4	70
	18	28
X0280210331	16	24
X0280335350	16	34
X0280626010	16	13
X0280996180	16	4
X0281007750	16	3
X0282005991	16	7
X0283006960	16	8
X0284105040	16	14
X0284525010	16	28
X0285007030	16	11
X0285105190	16	5
X0285205030	16	6
X0286105010	16	16
X0286305010	16	18
X0286355010	16	19
X0287405140	16	20
X0534007800	16	21
X1289510130	16	35
X4284001590	16	9
X9055715000	16	22
X9490065670	16	33
X9490138090	16	26
X9490138100	16	27
X9490138110	16	25
X9490423420	16	31
X9490560750	16	30
X9490562360	16	29
X9490721360	16	23
X9491034320	16	17
X9491034330	16	15
X9491040990	16	12
X9491050100	16	10

Parts No.	Fig. No.	Ref. No.
-----------	----------	----------

Parts No.	Fig. No.	Ref. No.
-----------	----------	----------