

0CD10-M78900EN

はじめに

1. 本パーツカタログは、(株)ダイシン殿向エンジン L70EE-DPTNAの初版パーツカタログです。

パーツカタログNo. : 000Y00D7890
発行時期 : 2003年 3月

2. 記載対象機種

機種名	搭載作業機		作業機メーカー
	商品名	形名	
L70EE-DPTNA	ポンプ	SWT-80YD	(株)ダイシン

PREFACE

- 1.This Parts Catalog is a first edition of the L70EE-DPTNA Diesel engine for DAISHIN INDUSTRIES LTD.

Parts Catalog No. : 000Y00D7890
Date of issue : Mar.,2003

2. Model Indication in Parts Catalog

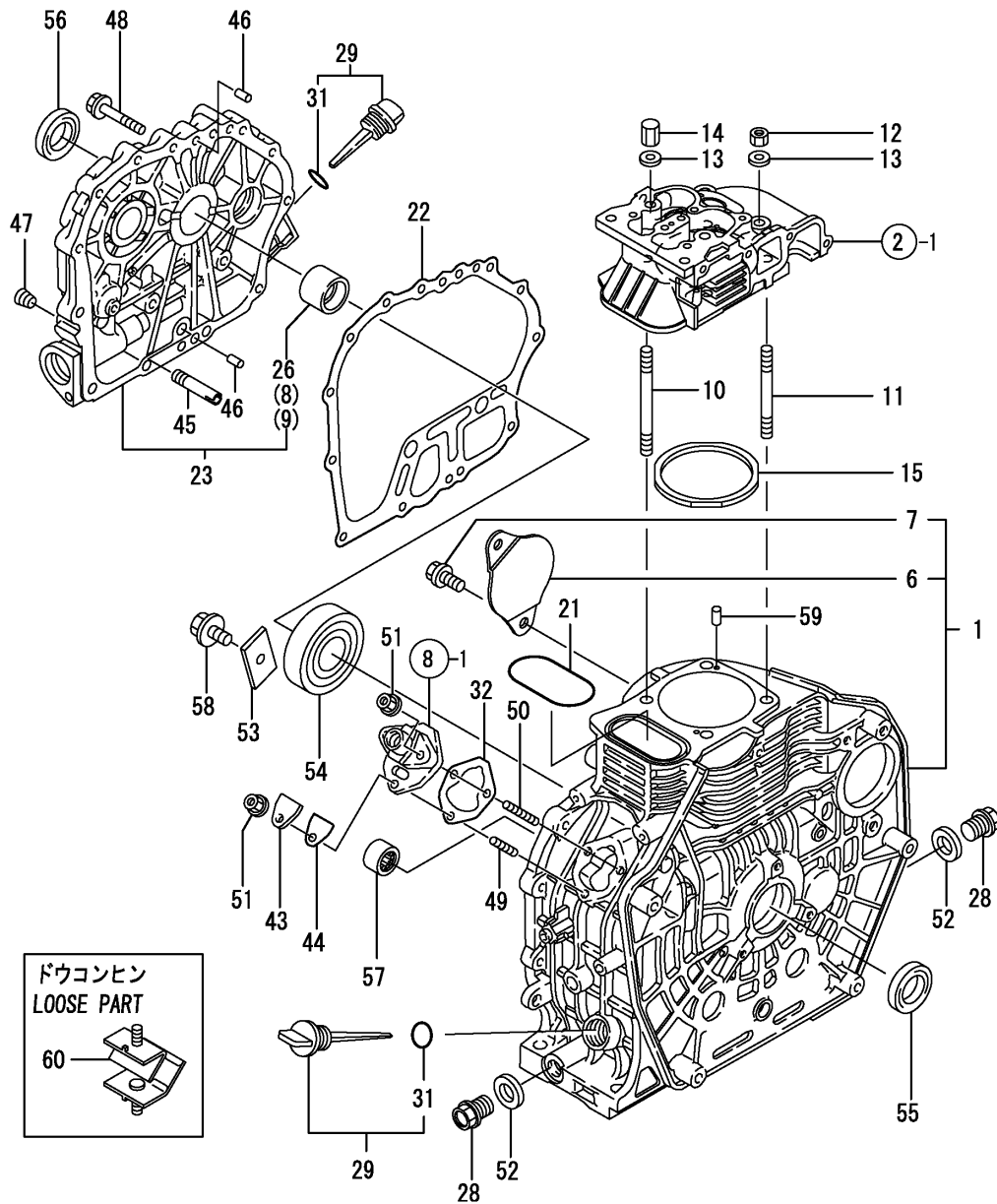
Model	Product equipped		Manufacturer's name
	Trade name	Model	
L70EE-DPTNA	Pump	SWT-80YD	DAISHIN INDUSTRIES LTD.

Contents

Fig. No.	Fig. Name
ENGINE SECTION L70EE-DPTNA	
1.	CYLINDER BLOCK
2.	CYLINDER HEAD & BONNET
3.	AIR CLEANER
4.	MUFFLER
5.	CRANKSHAFT,PISTON & CAMSHAFT
6.	LUB.OIL PUMP & GOVERNOR
7.	COOLING & STARTING DEVICE
8.	FUEL INJECTION PUMP
9.	FUEL TANK & FUEL LINE
10.	TOOL,LABEL & GASKET SET

Fig. No.	Fig. Name
----------	-----------

Fig.1. CYLINDER BLOCK



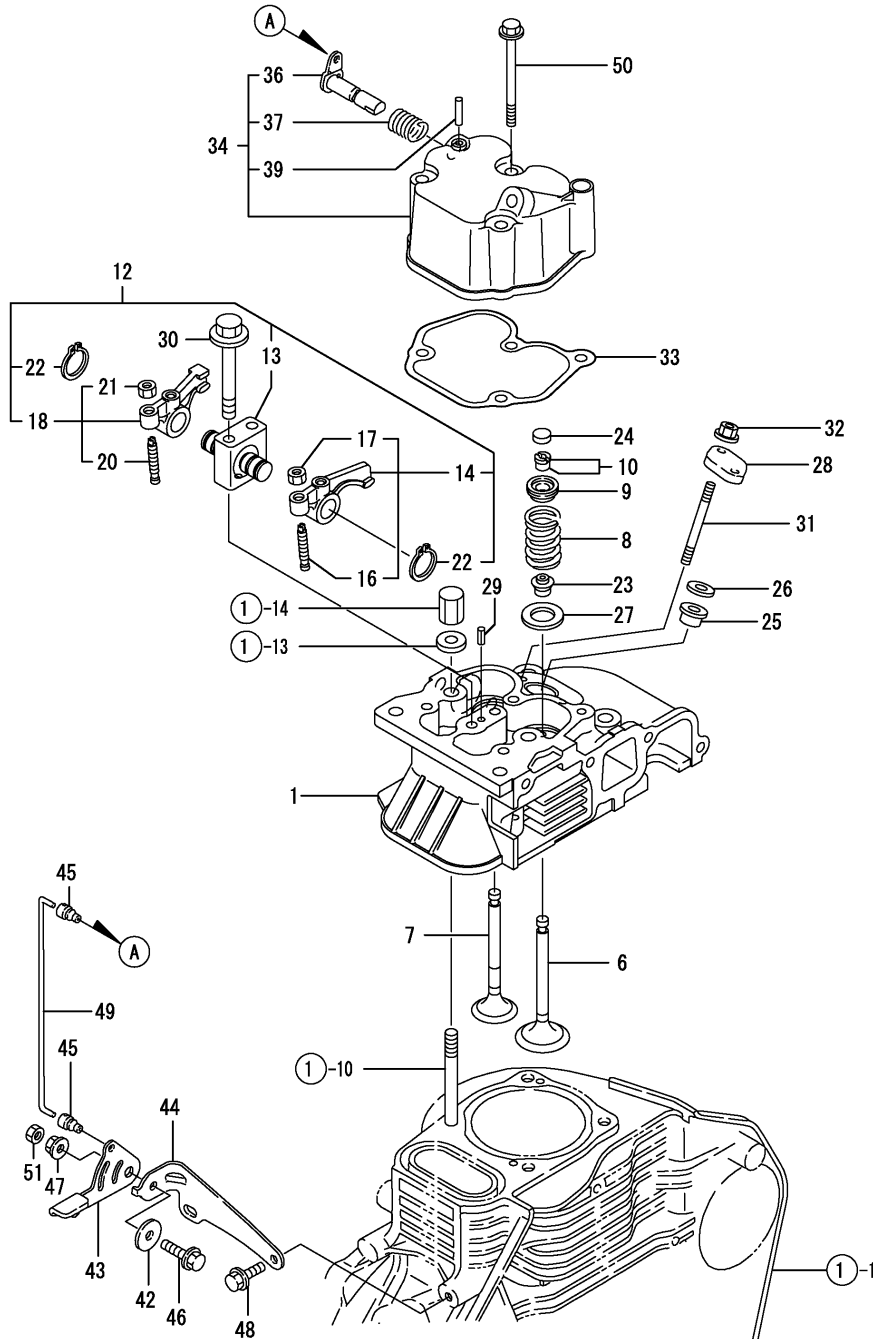
(A)=L70EE-DPTNA
(B)=
(C)=

(D)=
(E)=
(F)=

No.	Lev.	Parts No.	Description	Q'ty						I	R
				(A)	(B)	(C)	(D)	(E)	(F)		
1	1	714874-01560	BLOCK ASSY, CYLINDER	1							
6	2	114350-01700	COVER	1							
7	2	26106-100122	BOLT, M10X 12 PLATED	2							
8	1	114350-02200	BEARING, 0.25 US	1							2
9	1	114350-02210	BEARING, 0.50 US	1							2
10	1	114350-01200	BOLT, HEAD	2							
11	1	114350-01210	BOLT, HEAD	2							
12	1	114350-01220	NUT, CYLINDER HEAD	2							
13	1	105225-01240	WASHER	4							
14	1	114350-01250	NUT, CYLINDER HEAD	2							
15	1	114871-01330	GASKET SET, HEAD	1							
21	1	114350-01380	O-RING	1							
22	1	114350-01412	GASKET, CRANK CASE	1							
23	1	114360-01454	COVER, CRANK CASE	1							
26	2	114350-02100	BEARING, MAIN	1							1
28	1	105425-01690	PLUG, 16	2							
29	1	114699-01760	CAP ASSY	2							
31	2	114299-01950	O-RING, 18	2							
32	1	114250-01800	SHIM SET	1							
43	1	114250-01830	COVER	1							
44	1	114250-01841	GASKET	1							
45	1	114250-35150	PIPE, OIL INLET	1							
46	1	114270-01600	PIN, M8X12	2							
47	1	23876-010000	PLUG, R01	1							
48	1	26106-080352	BOLT, M8X 35 PLATED	15							
49	1	26226-060182	STUD, M6X 18	1							
50	1	26226-060222	STUD, M6X 22	2							
51	1	26366-060002	NUT, M6	3							
52	1	22190-160002	WASHER, SEAL 16	2							
53	1	114299-02030	RETAINER, BEARING	1							
54	1	114350-02113	BEARING, B35-135G3C3	1							
55	1	160110-02220	SEAL, OIL	1							
56	1	160110-02220	SEAL, OIL	1							
57	1	24162-152112	BEARING, 152112	1							
58	1	26106-080122	BOLT, M8X 12 PLATED	1							
59	1	22312-040080	PIN, PARALLEL M4X 8	2							
60	1	183279-08210	DAMPER	4							

Remarks
(1) REPAIR PART.
(2) UNDER-SIZED PART.

Fig.2. CYLINDER HEAD & BONNET



(A)=L70EE-DPTNA

(B)=

(C)=

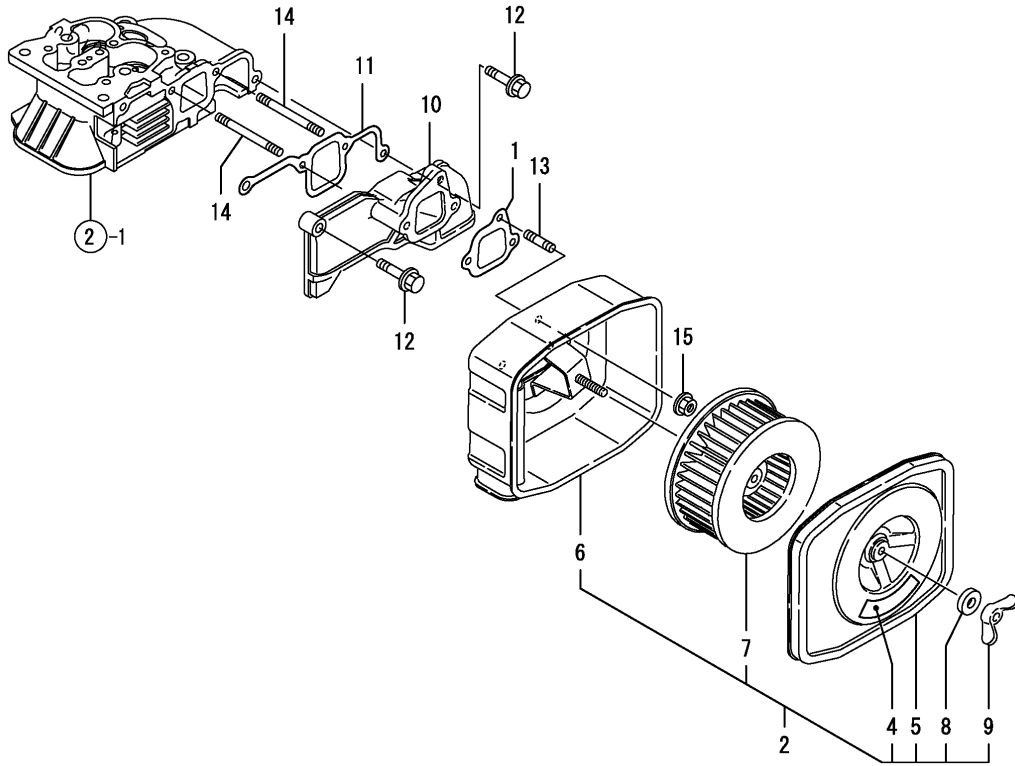
(D)=

(E)=

(F)=

No.	Lev.	Parts No.	Description	Q'ty						I	R
				(A)	(B)	(C)	(D)	(E)	(F)		
1	1	114871-11020	HEAD ASSY, CYLINDER	1							
6	1	114871-11100	VALVE, INTAKE	1							
7	1	114871-11110	VALVE, EXHAUST	1							
8	1	114350-11120	SPRING, VALVE	2							
9	1	101158-11180	RETAINER, SPRING	2							
10	1	27310-060001	COTTER, 6	2							
12	1	114771-11250	SUPPORT ASSY, ARM	1							
13	2	114771-11260	SUPPORT, ROCKER ARM	1							
14	2	114771-11650	ARM, ROCKER	1							
16	3	114250-11240	SCREW, VALVE ADJUST	1							
17	3	26856-060002	NUT, M6	1							
18	2	114771-11660	ARM, ROCKER	1							
20	3	114250-11240	SCREW, VALVE ADJUST	1							
21	3	26856-060002	NUT, M6	1							
22	2	22242-000120	RING, 12	2							
23	1	114350-11340	SEAL, VALVE STEM	2							
24	1	105010-11490	CAP, VALVE	2							
25	1	114771-11461	GASKET, NOZZLE	1							
26	1	114771-11470	SPACER, NOZZLE	1							
27	1	114250-11600	WASHER	2							
28	1	114250-11901	RETAINER, NOZZLE	1							
29	1	22351-040008	PIN, SPRING 4.0X 8	1							
30	1	26106-060452	BOLT, M6X 45 PLATED	2							
31	1	26226-060552	STUD, M6X 55	2							
32	1	26366-060002	NUT, M6	2							
33	1	114771-11310	GASKET, BONNET	1							
34	1	114771-11980	BONNET ASSY, HEAD	1							
36	2	183250-03601	SHAFT, DECOMPRESSION	1							
37	2	114250-03640	SPRING, DECOMPRESSION	1							
39	2	22312-030160	PIN, PARALLEL M3X16	1							
42	1	160670-66350	COLLAR	1							
43	1	183250-03410	LEVER, DECOMPRESSION	1							
44	1	183250-03450	BRACKET, LEVER	1							
45	1	183250-03550	JOINT	2							
46	1	26106-060202	BOLT, M6X 20 PLATED	1							
47	1	26366-060002	NUT, M6	1							
48	1	26476-060142	SCREW, TAPPING M6X14	2							
49	1	183350-03510	LINK	1							
50	1	26106-060552	BOLT, M6X 55 PLATED	3							
51	1	26756-060002	NUT, LOCK M6	1							

Fig.3. AIR CLEANER

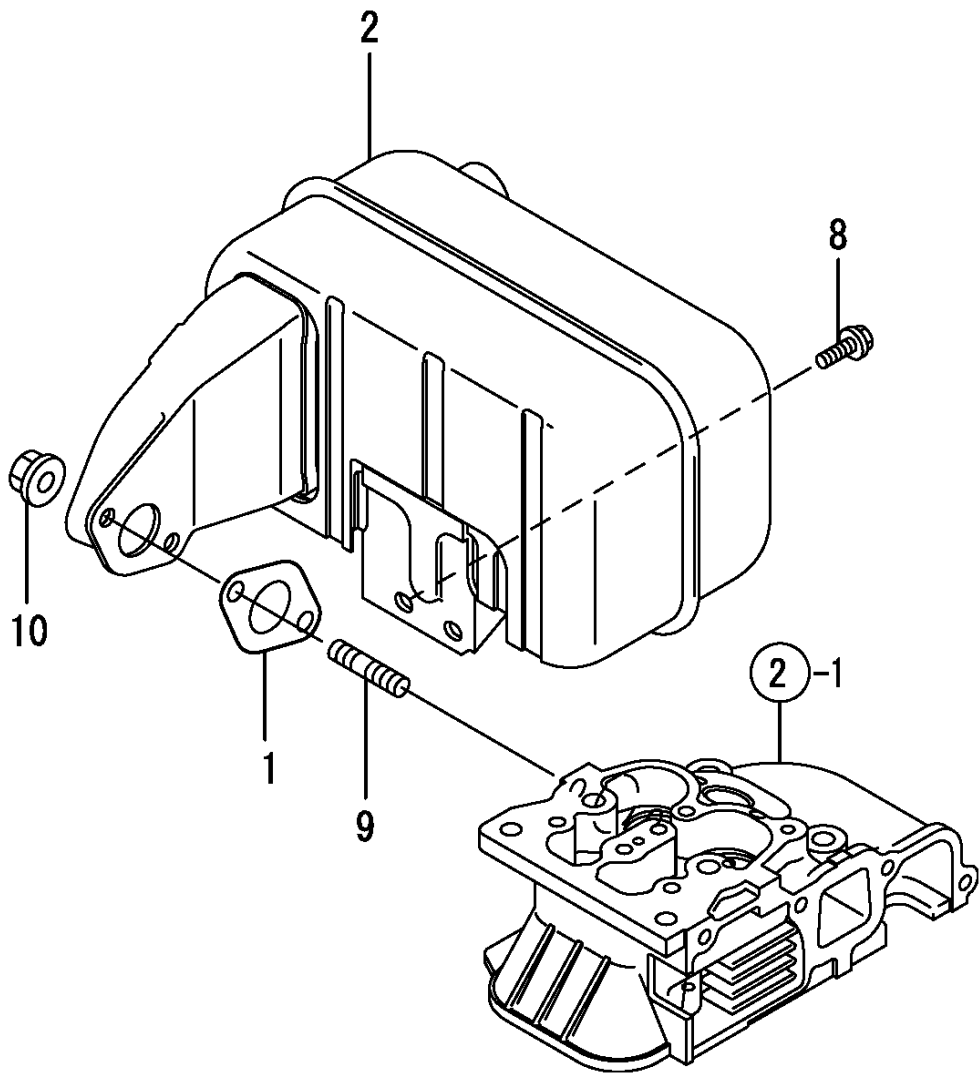


(A)=L70EE-DPTNA
(B)=
(C)=

(D)=
(E)=
(F)=

No.	Lev.	Parts No.	Description	Q'ty						I	R
				(A)	(B)	(C)	(D)	(E)	(F)		
1	1	114250-12211	GASKET, AIR CLEANER	1							
2	1	714250-12560	CLEANER ASSY, AIR	1							
4	2	114770-07450	LABEL, AIR CLEANER	1							
5	2	114250-12520	COVER, AIR CLEANER	1							
6	2	114250-12530	CASE ASSY, CLEANER	1							
7	2	114250-12581	ELEMENT	1							
8	2	114250-12560	WASHER, SEAL M6	1							
9	2	114250-12550	NUT, WING M6	1							
10	1	114399-12010	PIPE, AIR INTAKE	1							
11	1	114350-12202	GASKET, AIR INTAKE	1							
12	1	26106-060252	BOLT, M6X 25 PLATED	2							
13	1	26226-060142	STUD, M6X 14	1							
14	1	26226-060552	STUD, M6X 55	2							
15	1	114250-12300	NUT	3							

Fig.4. MUFFLER

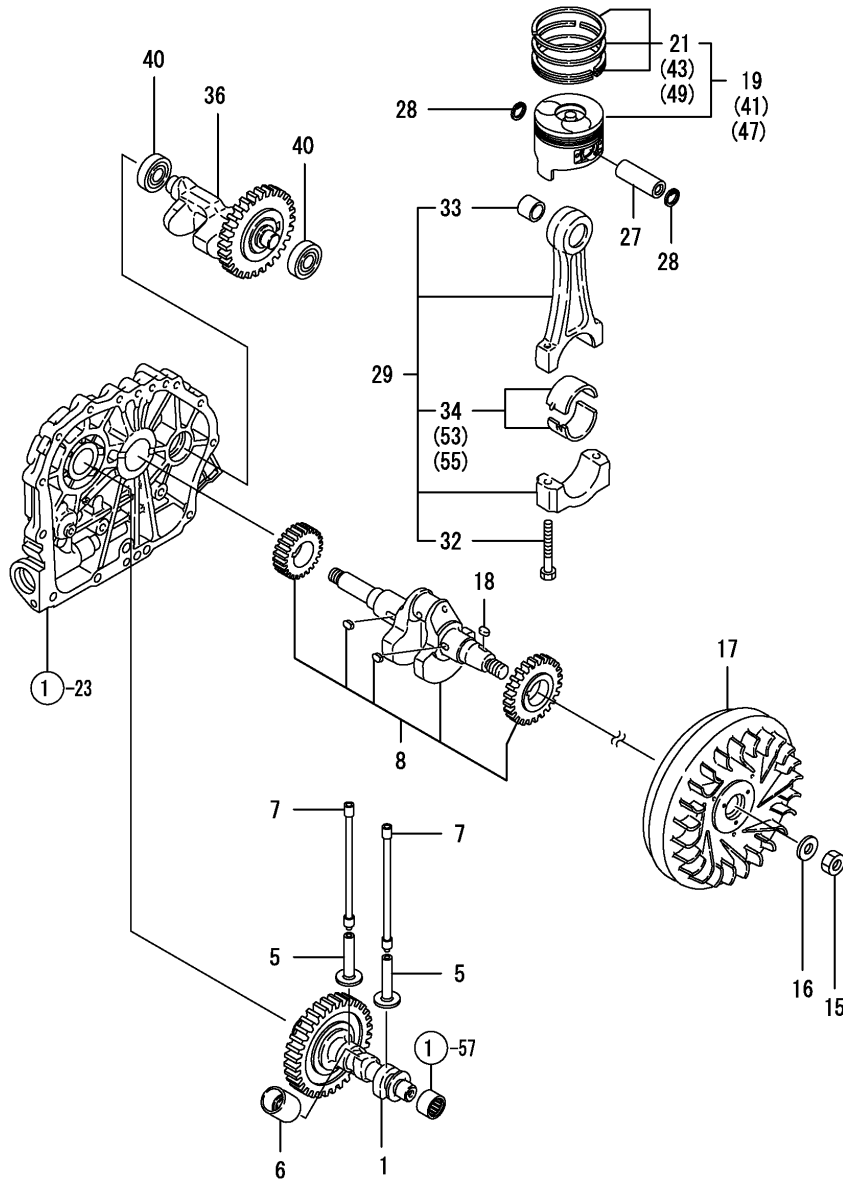


(A)=L70EE-DPTNA
(B)=
(C)=

(D)=
(E)=
(F)=

No.	Lev.	Parts No.	Description	Q'ty						I	R
				(A)	(B)	(C)	(D)	(E)	(F)		
1	1	114250-13201	GASKET, MUFFLER	1							
2	1	114870-13551	MUFFLER ASSY	1							
8	1	26106-060122	BOLT, M6X 12 PLATED	2							
9	1	26216-080182	STUD, M8X 18	2							
10	1	26306-080002	NUT, M8	2							

Fig.5. CRANKSHAFT,PISTON & CAMSHAFT



(A)=L70EE-DPTNA
(B)=
(C)=

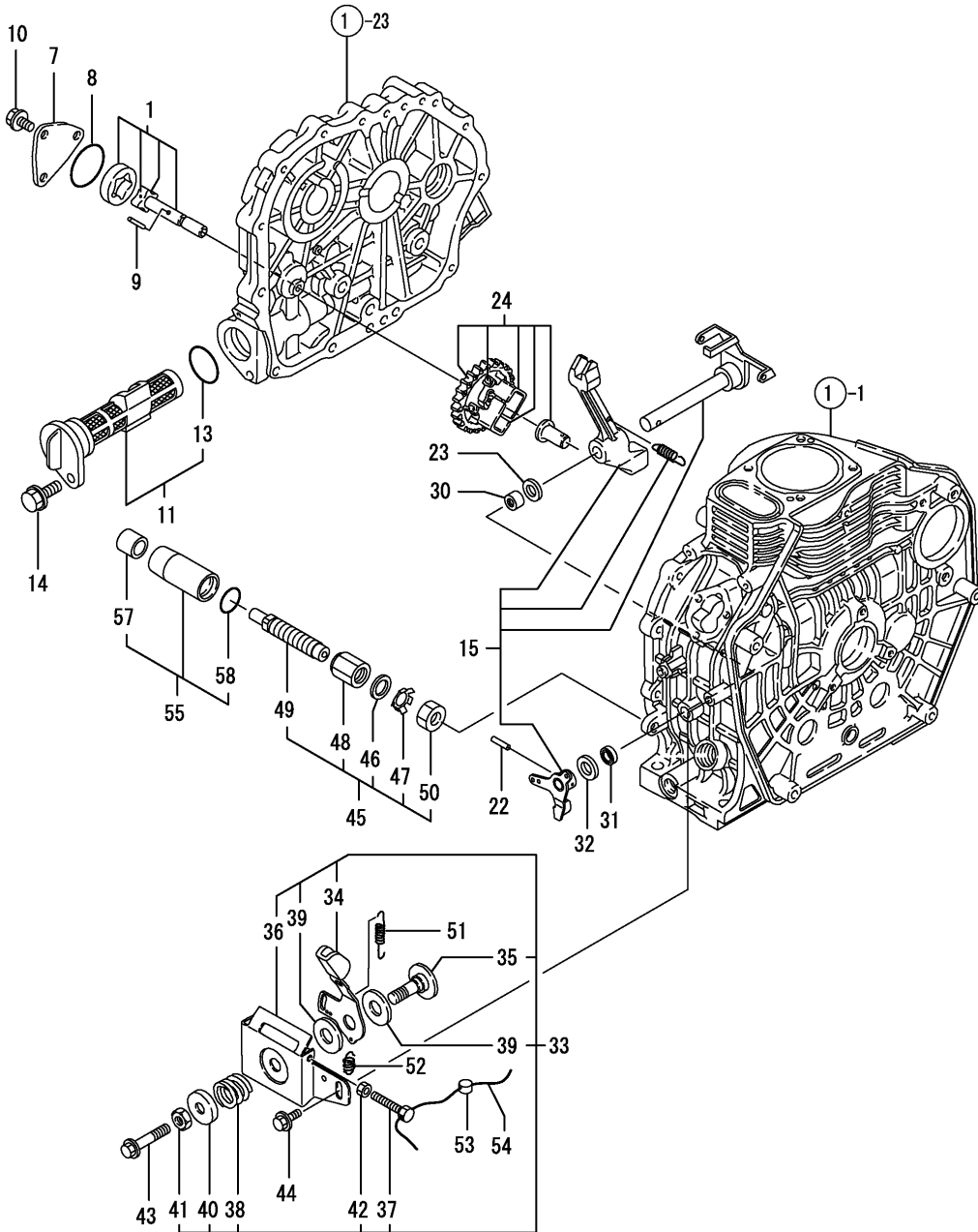
(D)=
(E)=
(F)=

No.	Lev.	Parts No.	Description	Q'ty						I	R
				(A)	(B)	(C)	(D)	(E)	(F)		
1	1	714880-14580	CAMSHAFT ASSY	1							
5	1	114250-14200	TAPPET	2							
6	1	114771-14260	TAPPET	1							
7	1	114350-14451	ROD ASSY, PUSH	2							
8	1	714874-21730	CRANKSHAFT ASSY	1							
15	1	103854-01221	NUT, CYLINDER HEAD	1							
16	1	114250-21550	WASHER	1							
17	1	114399-21420	FLYWHEEL	1							
18	1	22512-040120	KEY, 4X 12	1							
19	1	714872-22721	PISTON ASSY, D	1							
21	2	714870-22502	RING SET, PISTON	1							
27	1	114399-22300	PIN, PISTON D=21	1							
28	1	22252-000210	RING, 21	2							
29	1	71438G-23701	ROD ASSY, CONNECTING	1							
32	2	118200-23200	BOLT, CONNECTING ROD	2							
33	2	114380-23100	BEARING, PISTON PIN	1							
34	2	714380-23600	BEARING, CRANK PIN	1							
36	1	714870-28511	SHAFT ASSY, BALANCER	1							
40	1	24101-062024	BEARING, BALL 6202	2							
41	1	114872-22040	PISTON ASSY, 0.25 OS	1							1
43	2	714870-22542	RING SET, 0.25 OS	1							1
47	1	114872-22050	PISTON ASSY, 0.50 OS	1							2
49	2	714870-22552	RING SET, 0.50 OS	1							2
53	1	714380-23610	METAL ASSY, 0.25	1							3
55	1	714380-23620	BEARING, 0.50 US	1							4

Remarks

- (1) OVER-SIZE (O.S.=0.25) PART.
- (2) OVER-SIZE (O.S.=0.50) PART.
- (3) UNDER-SIZE (U.S.=0.25) PART.
- (4) UNDER-SIZE (U.S.=0.50) PART.

Fig.6. LUB.OIL PUMP & GOVERNOR



(A)=L70EE-DPTNA

(B)=

(C)=

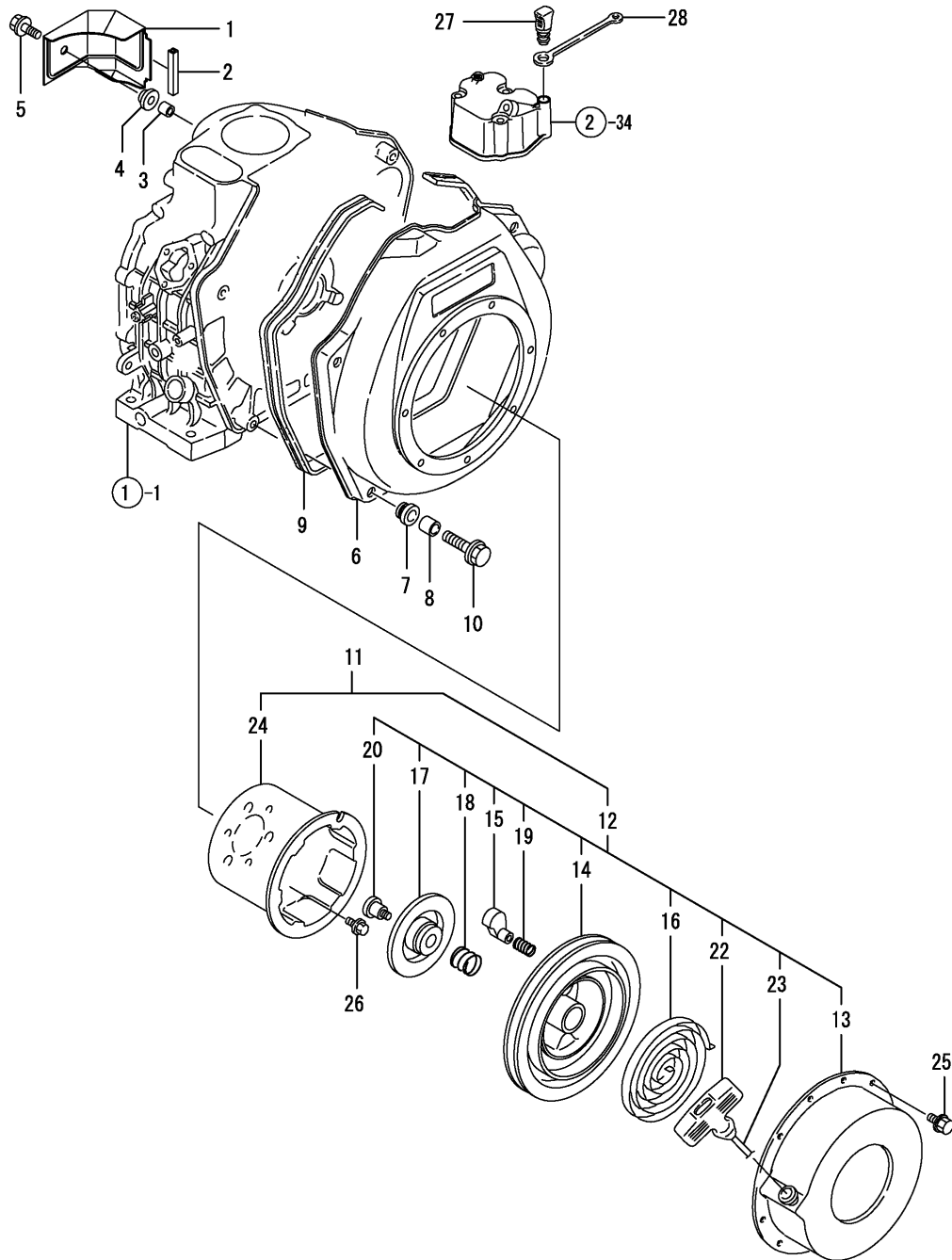
(D)=

(E)=

(F)=

No.	Lev.	Parts No.	Description	Q'ty						I	R
				(A)	(B)	(C)	(D)	(E)	(F)		
1	1	114250-32010	PUMP ASSY, OIL	1							
7	1	114250-32070	COVER	1							
8	1	103338-32570	O-RING	1							
9	1	22312-030160	PIN, PARALLEL M3X16	1							
10	1	26106-060122	BOLT, M6X 12 PLATED	3							
11	1	114250-35110	FILTER ASSY, OIL	1							
13	2	24341-000224	O-RING, 1AS22.4	1							
14	1	26106-060162	BOLT, M6X 16 PLATED	1							
15	1	114350-61190	LEVER ASSY, GOVERNOR	1							
22	1	22322-030200	PIN, TAPER 3X20	1							
23	1	114770-61190	WASHER	1							
24	1	714770-61100	GOVERNOR ASSY	1							
30	1	114770-61520	BEARING, NEEDLE	2							
31	1	114770-61600	SEAL, OIL	1							
32	1	114770-61610	WASHER, THRUST	1							
33	1	183250-66500	BRACKET ASSY	1							
34	2	183250-66050	HANDLE, REGULATOR	1							
35	2	183250-66070	SHAFT, HANDLE	1							
36	2	183250-66100	BRACKET, RADIATOR	1							
37	2	114250-66440	BOLT, ADJUSTING	1							
38	2	104200-66820	SPRING	1							
39	2	104200-66831	PLATE, FRICTION	2							
40	2	104200-66850	WASHER	1							
41	2	26696-100002	NUT, LOCK M10	1							
42	2	26757-060002	NUT, LOCK M6	1							
43	1	26106-060452	BOLT, M6X 45 PLATED	1							
44	1	26106-060142	BOLT, M6X 14 PLATED	1							
45	1	114771-61700	LIMITER ASSY, FUEL	1							
46	2	114771-61810	WASHER, 14	1							
47	2	114771-61830	PLATE	1							
48	2	114771-61940	NUT, M14	1							
49	2	114771-66600	LIMITER ASSY, FUEL	1							
50	2	114771-66690	NUT, M14	1							
51	1	114870-66010	SPRING, REGULATOR	1							
52	1	114250-66200	SPRING, RETURN	1							
53	1	135210-61090	LEAD	1							
54	1	22451-060000	WIRE, 0.6	1							
55	1	114771-61890	PROTECTOR ASSY	1							
57	2	114771-61960	SPACER	1							
58	2	24311-000180	O-RING, 1AP18.0	1							

Fig.7. COOLING & STARTING DEVICE



(A)=L70EE-DPTNA

(B)=

(C)=

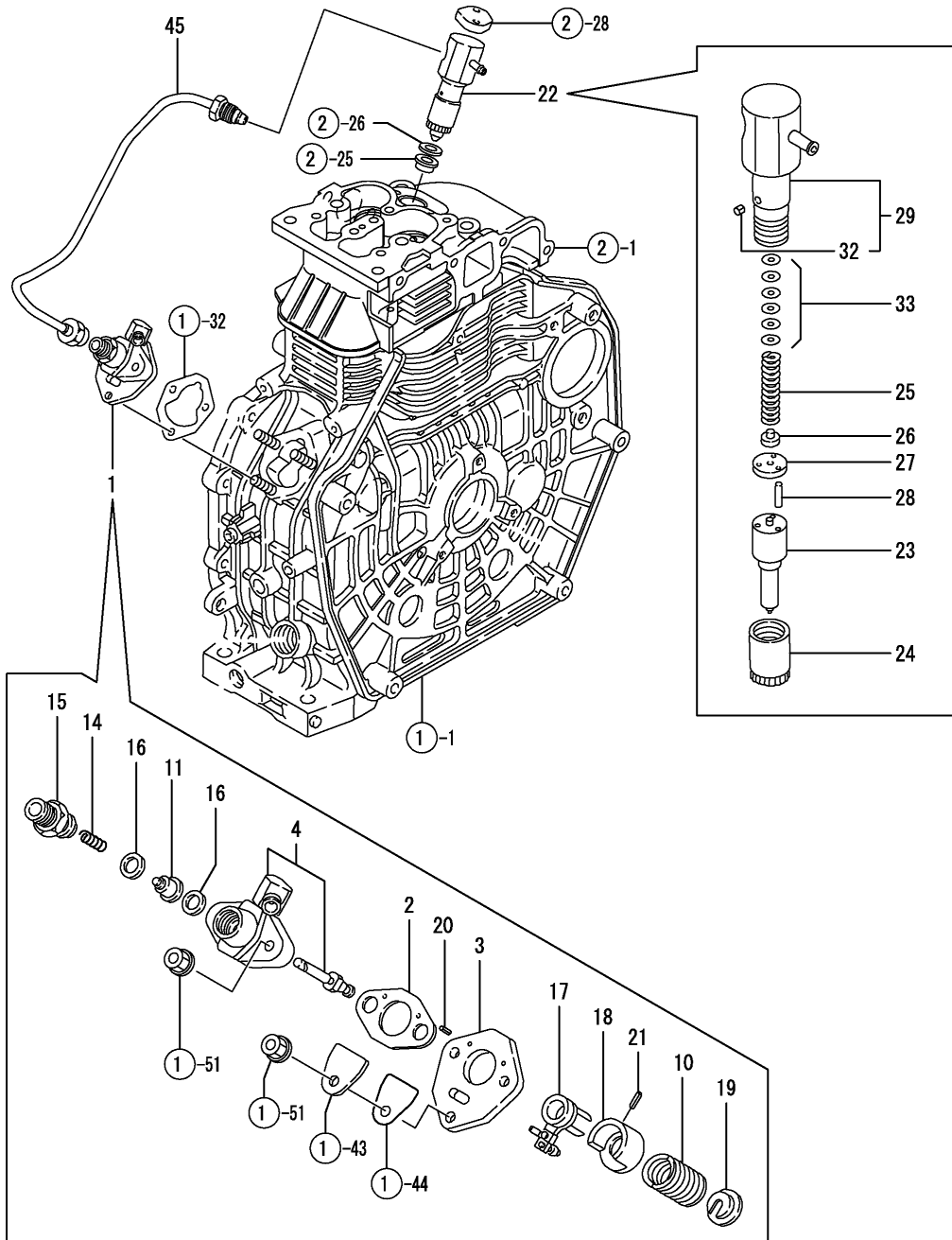
(D)=

(E)=

(F)=

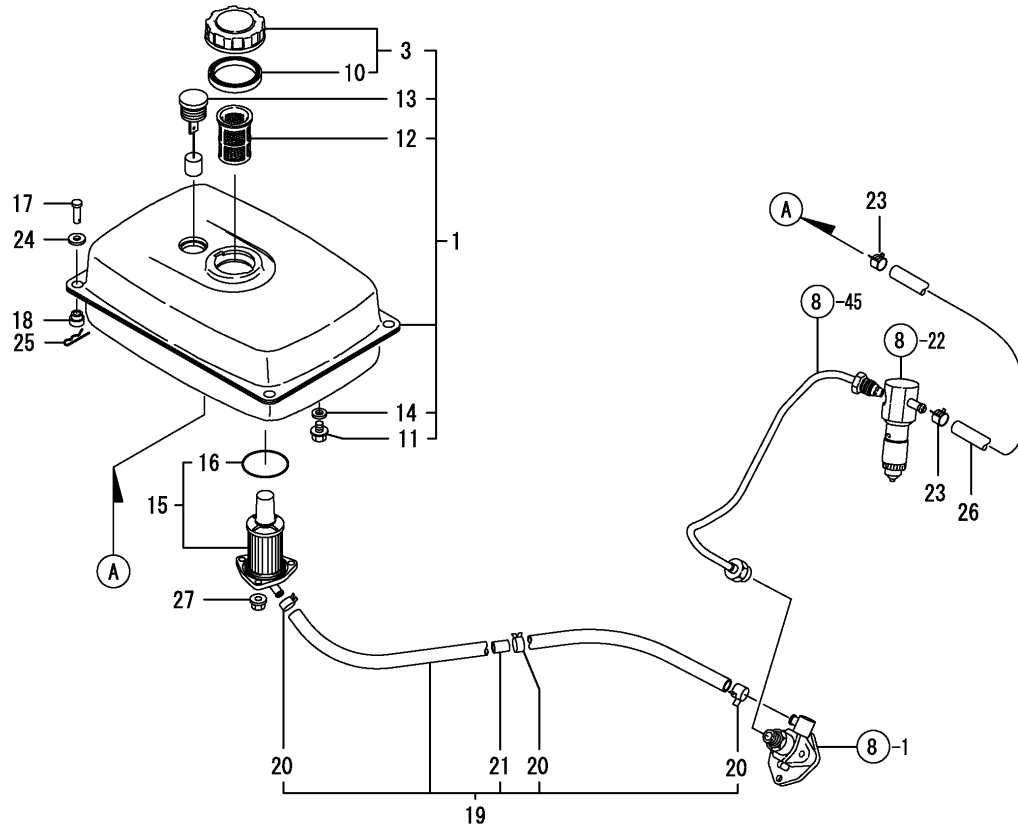
No.	Lev.	Parts No.	Description	Q'ty						I	R
				(A)	(B)	(C)	(D)	(E)	(F)		
1	1	114870-45201	COVER	1							
2	1	114350-45320	RUBBER, SEAL	1							
3	1	114350-45340	COLLAR	1							
4	1	183720-55210	GROMMET	1							
5	1	26106-060202	BOLT, M6X 20 PLATED	1							
6	1	114360-45101	CASE, COOLING FAN	1							
7	1	114250-45301	ABSORBER	4							
8	1	114250-45310	COLLAR	4							
9	1	114250-45330	SEAL, FAN CASE L=875	1							
10	1	114370-45351	BOLT	4							
11	1	114880-76051	STARTER ASSY, RECOIL	1							
12	2	114880-76251	STARTER ASSY, RECOIL	1							
13	3	114880-76511	CASE, STARTER	1							
14	3	114880-76520	REEL	1							
15	3	114870-76530	RATCHET	2							
16	3	114870-76540	SPRING, SPIRAL	1							
17	3	114880-76550	GUIDE, RATCHET	1							
18	3	114870-76560	SPRING, FRICTION	1							
19	3	114870-76570	SPRING, RETURN	2							
20	3	114870-76580	SCREW	1							
22	3	114870-76620	KNOB, STARTER	1							
23	3	114870-76630	ROPE, STARTER	1							
24	2	114350-76591	PULLEY, STARTER	1							
25	1	26106-060082	BOLT, M6X 8 PLATED	4							
26	1	26106-060122	BOLT, M6X 12 PLATED	3							
27	1	114250-76600	PLUNGER	1							
28	1	114250-76610	HOLDER, PLUNGER	1							

Fig.8. FUEL INJECTION PUMP



No.	Lev.	Parts No.	Description	Q'ty						I	R
				(A)	(B)	(C)	(D)	(E)	(F)		
1	1	714875-51100	PUMP ASSY, INJECTION	1							
2	2	105546-51020	GASKET	1							
3	2	114250-51080	PLATE	1							
4	2	114650-51100	BODY ASSY, PUMP	1							
10	2	114250-51160	SPRING, PLUNGER	1							
11	2	114650-51300	VALVE ASSY, DELIVERY	1							
14	2	105546-51330	SPRING, DELIVERY	1							
15	2	114250-51340	HOLDER, DELIVERY	1							
16	2	124550-51350	GASKET, DELIVERY	2							
17	2	114250-51600	LEVER ASSY, CONTROL	1							
18	2	114250-51640	SEAT, SPRING A	1							
19	2	114250-51650	SEAT, SPRING B	1							
20	2	22351-020006	PIN, SPRING 2.0X 6	2							
21	2	22351-030008	PIN, SPRING 3.0X 8	1							
22	1	714875-53102	VALVE ASSY,INJECTION	1							
23	2	114871-53001	VALVE ASSY,INJECTION	1							
24	2	119593-53080	NUT, NOZZLE	1							
25	2	114250-53120	SPRING, NOZZLE	1							
26	2	119593-53130	SEAT, SPRING	1							
27	2	114775-53140	SPACER, VALVE STOP	1							
28	2	114775-53210	PIN	2							
29	2	114875-53100	HOLDER ASSY, NOZZLE	1							
32	3	114250-53331	PIN	1							
33	2	114250-53400	SHIM SET	1							
45	1	114872-59802	PIPE ASSY, INJECTION	1							

Fig.9. FUEL TANK & FUEL LINE

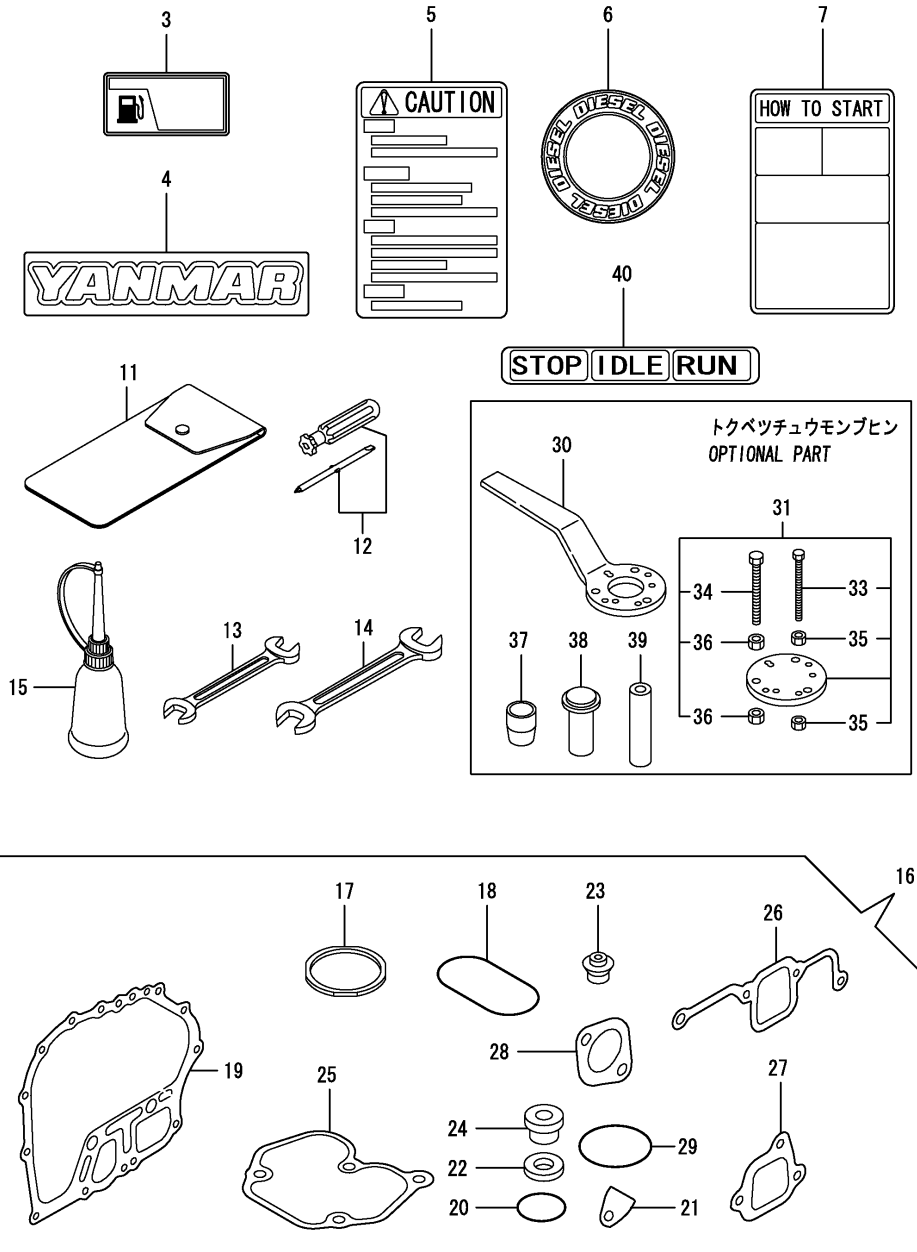


(A)=L70EE-DPTNA
(B)=
(C)=

(D)=
(E)=
(F)=

No.	Lev.	Parts No.	Description	Q'ty						I	R
				(A)	(B)	(C)	(D)	(E)	(F)		
1	1	783377-55710-1	TANK ASSY, FUEL	1							
3	2	160710-55061	CAP ASSY	1							
10	3	160393-55050	GASKET	1							
11	2	104200-55080	PLUG, DRAIN	1							
12	2	160710-55100	FILTER, FUEL	1							
13	2	183621-55150	GAUGE	1							
14	2	22190-120002	WASHER, SEAL 12	1							
15	1	183254-55120	FILTER, FUEL	1							
16	2	24341-000450	O-RING, 1AS45.0	1							
17	1	183350-55120	PIN, 6X14	4							
18	1	183720-55210	GROMMET	4							
19	1	114360-59011	PIPE ASSY, FUEL	1							
20	2	106990-44660	CLIP, HOSE 12.5	3							
21	2	183250-59040	PIECE	1							
23	1	124722-59050	CLIP, HOSE 9	2							
24	1	183350-55130	WASHER	4							
25	1	22360-060000	PIN, SNAP 6	4							
26	1	183984-59060	PIPE, FUEL RETURN	1							
27	1	26366-060002	NUT, M6	3							

Fig.10. TOOL,LABEL & GASKET SET



(A)=L70EE-DPTNA

(B)=

(C)=

(D)=

(E)=

(F)=

No.	Lev.	Parts No.	Description	Q'ty						I	R
				(A)	(B)	(C)	(D)	(E)	(F)		
3	1	183251-07190	LABEL, DIESEL FUEL	1							
4	1	114250-07111	LABEL, YANMAR	1							
5	1	114268-07240	LABEL, CAUTION	1							
6	1	114261-07350	LABEL	1							
7	1	114268-07350	LABEL, HOW TO START	1							
11	1	114250-92600	BAG, TOOL	1							
12	1	160330-92730	DRIVE, SCREW	1							
13	1	28110-100120	SPANNER, 10X12	1							
14	1	28110-140170	SPANNER, 14X17	1							
15	1	28210-000150	OILER	1							
16	1	714871-92600	GASKET SET	1							1
17	2	114871-01330	GASKET SET, HEAD	1							
18	2	114350-01380	O-RING	1							
19	2	114350-01412	GASKET, CRANK CASE	1							
20	2	114299-01950	O-RING, 18	2							
21	2	114250-01841	GASKET	1							
22	2	22190-160002	WASHER, SEAL 16	2							
23	2	114350-11340	SEAL, VALVE STEM	2							
24	2	114771-11461	GASKET, NOZZLE	1							
25	2	114771-11310	GASKET, BONNET	1							
26	2	114350-12202	GASKET, AIR INTAKE	1							
27	2	114250-12211	GASKET, AIR CLEANER	1							
28	2	114250-13201	GASKET, MUFFLER	1							
29	2	103338-32570	O-RING	1							
30	1	114250-92101	F.W. LOCKING HANDLE	1							1
31	1	114250-92130	REMOVER, FLYWHEEL	1							1
33	2	26116-060454	BOLT M 6X 45 PLATED	4							1
34	2	26116-080454	BOLT, M8X 45 PLATED	3							1
35	2	26716-060002	NUT, M6	8							1
36	2	26716-080002	NUT, M8	6							1
37	1	114368-92300	GUIDE, OIL SEAL	1							1
38	1	114350-92311	INSTALLING TOOL	1							1
39	1	114350-92350	INSTALLING TOOL	1							1
40	1	183250-07230	LABEL, OPERATION	1							

Remarks

(1) OPTIONAL PART.

Parts No. Index

Parts No.	Fig. No.	Ref. No.
101158-11180	2	9
103338-32570	6	8
	10	29
103854-01221	5	15
104200-55080	9	11
104200-66820	6	38
104200-66831	6	39
104200-66850	6	40
105010-11490	2	24
105225-01240	1	13
105425-01690	1	28
105546-51020	8	2
105546-51330	8	14
106990-44660	9	20
114250-01800	1	32
114250-01830	1	43
114250-01841	1	44
	10	21
114250-03640	2	37
114250-07111	10	4
114250-11240	2	16
		20
114250-11600	2	27
114250-11901	2	28
114250-12211	3	1
	10	27
114250-12300	3	15
114250-12520	3	5
114250-12530	3	6
114250-12550	3	9
114250-12560	3	8
114250-12581	3	7
114250-13201	4	1
	10	28
114250-14200	5	5
114250-21550	5	16
114250-32010	6	1
114250-32070	6	7
114250-35110	6	11
114250-35150	1	45
114250-45301	7	7
114250-45310	7	8
114250-45330	7	9
114250-51080	8	3
114250-51160	8	10
114250-51340	8	15
114250-51600	8	17
114250-51640	8	18
114250-51650	8	19
114250-53120	8	25

Parts No.	Fig. No.	Ref. No.
114250-53331	8	32
114250-53400	8	33
114250-66200	6	52
114250-66440	6	37
114250-76600	7	27
114250-76610	7	28
114250-92101	10	30
114250-92130	10	31
114250-92600	10	11
114261-07350	10	6
114268-07240	10	5
114268-07350	10	7
114270-01600	1	46
114299-01950	1	31
	10	20
114299-02030	1	53
114350-01200	1	10
114350-01210	1	11
114350-01220	1	12
114350-01250	1	14
114350-01380	1	21
	10	18
114350-01412	1	22
	10	19
114350-01700	1	6
114350-02100	1	26
114350-02113	1	54
114350-02200	1	8
114350-02210	1	9
114350-11120	2	8
114350-11340	2	23
	10	23
114350-12202	3	11
	10	26
114350-14451	5	7
114350-45320	7	2
114350-45340	7	3
114350-61190	6	15
114350-76591	7	24
114350-92311	10	38
114350-92350	10	39
114360-01454	1	23
114360-45101	7	6
114360-59011	9	19
114368-92300	10	37
114370-45351	7	10
114380-23100	5	33
114399-12010	3	10
114399-21420	5	17
114399-22300	5	27

Parts No.	Fig. No.	Ref. No.
114650-51100	8	4
114650-51300	8	11
114699-01760	1	29
114770-07450	3	4
114770-61190	6	23
114770-61520	6	30
114770-61600	6	31
114770-61610	6	32
114771-11250	2	12
114771-11260	2	13
114771-11310	2	33
	10	25
114771-11461	2	25
	10	24
114771-11470	2	26
114771-11650	2	14
114771-11660	2	18
114771-11980	2	34
114771-14260	5	6
114771-61700	6	45
114771-61810	6	46
114771-61830	6	47
114771-61890	6	55
114771-61940	6	48
114771-61960	6	57
114771-66600	6	49
114771-66690	6	50
114775-53140	8	27
114775-53210	8	28
114870-13551	4	2
114870-45201	7	1
114870-66010	6	51
114870-76530	7	15
114870-76540	7	16
114870-76560	7	18
114870-76570	7	19
114870-76580	7	20
114870-76620	7	22
114870-76630	7	23
114871-01330	1	15
	10	17
114871-11020	2	1
114871-11100	2	6
114871-11110	2	7
114871-53001	8	23
114872-22040	5	41
114872-22050	5	47
114872-59802	8	45
114875-53100	8	29
114880-76051	7	11

Parts No.	Fig. No.	Ref. No.
114880-76251	7	12
114880-76511	7	13
114880-76520	7	14
114880-76550	7	17
118200-23200	5	32
119593-53080	8	24
119593-53130	8	26
124550-51350	8	16
124722-59050	9	23
135210-61090	6	53
160110-02220	1	55
		56
160330-92730	10	12
160393-55050	9	10
160670-66350	2	42
160710-55061	9	3
160710-55100	9	12
183250-03410	2	43
183250-03450	2	44
183250-03550	2	45
183250-03601	2	36
183250-07230	10	40
183250-59040	9	21
183250-66050	6	34
183250-66070	6	35
183250-66100	6	36
183250-66500	6	33
183251-07190	10	3
183254-55120	9	15
183279-08210	1	60
183350-03510	2	49
183350-55120	9	17
183350-55130	9	24
183621-55150	9	13
183720-55210	7	4
	9	18
183984-59060	9	26
22190-120002	9	14
22190-160002	1	52
	10	22
22242-000120	2	22
22252-000210	5	28
22312-030160	2	39
	6	9
22312-040080	1	59
22322-030200	6	22
22351-020006	8	20
22351-030008	8	21
22351-040008	2	29
22360-060000	9	25

Parts No. Index

Parts No.	Fig. No.	Ref. No.
22451-060000	6	54
22512-040120	5	18
23876-010000	1	47
24101-062024	5	40
24162-152112	1	57
24311-000180	6	58
24341-000224	6	13
24341-000450	9	16
26106-060082	7	25
26106-060122	4	8
	6	10
	7	26
26106-060142	6	44
26106-060162	6	14
26106-060202	2	46
	7	5
26106-060252	3	12
26106-060452	2	30
	6	43
26106-060552	2	50
26106-080122	1	58
26106-080352	1	48
26106-100122	1	7
26116-060454	10	33
26116-080454	10	34
26216-080182	4	9
26226-060142	3	13
26226-060182	1	49
26226-060222	1	50
26226-060552	2	31
	3	14
26306-080002	4	10
26366-060002	1	51
	2	32
		47
	9	27
26476-060142	2	48
26696-100002	6	41
26716-060002	10	35
26716-080002	10	36
26756-060002	2	51
26757-060002	6	42
26856-060002	2	17
		21
27310-060001	2	10
28110-100120	10	13
28110-140170	10	14
28210-000150	10	15
714250-12560	3	2
714380-23600	5	34

Parts No.	Fig. No.	Ref. No.
714380-23610	5	53
714380-23620	5	55
71438G-23701	5	29
714770-61100	6	24
714870-22502	5	21
714870-22542	5	43
714870-22552	5	49
714870-28511	5	36
714871-92600	10	16
714872-22721	5	19
714874-01560	1	1
714874-21730	5	8
714875-51100	8	1
714875-53102	8	22
714880-14580	5	1
783377-55710-1	9	1

Parts No.	Fig. No.	Ref. No.
-----------	----------	----------

Parts No.	Fig. No.	Ref. No.
-----------	----------	----------