

OCD10-M78800EN

# はじめに

1. 本パーツカタログは、(株)ダイシン殿向エンジン L48EE-DPNAの初版パーツカタログです。

パーツカタログNo. : 000Y00D7880  
発行時期 : 2003年 3月

2. 記載対象機種

機種名	搭載作業機		作業機メーカー
	商品名	形名	
L48EE-DPNA	ポンプ	SCR-50YD	(株)ダイシン

# PREFACE

- 1.This Parts Catalog is a first edition of the L48EE-DPNA Diesel engine for DAISHIN INDUSTRIES LTD.

Parts Catalog No. : 000Y00D7880  
Date of issue : Mar.,2003

2. Model Indication in Parts Catalog

Model	Product equipped		Manufacturer's name
	Trade name	Model	
L48EE-DPNA	Pump	SCR-50YD	DAISHIN INDUSTRIES LTD.

# Contents

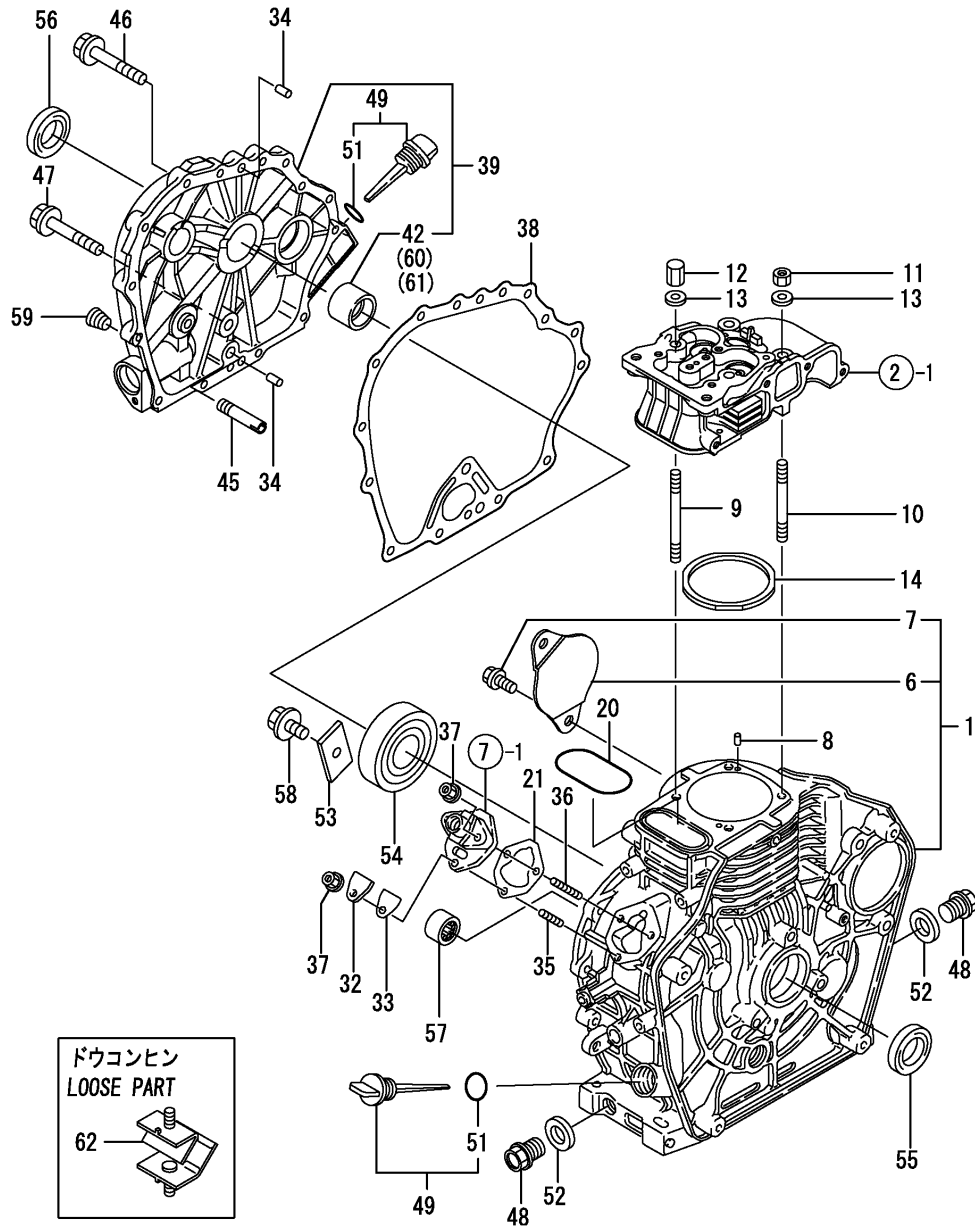
Fig. No. Fig. Name

## ENGINE SECTION (L48EE-DPNA)

1. CYLINDER BLOCK
2. CYLINDER HEAD & BONNET
3. AIR CLEANER & MUFFLER
4. CRANKSHAFT,PISTON & CAMSHAFT
5. LUB.OIL PUMP & GOVERNOR
6. COOLING & STARTING DEVICE
7. FUEL INJECTION PUMP
8. FUEL TANK & FUEL LINE
9. TOOL,LABEL & GASKET SET

Fig. No. Fig. Name

Fig.1. CYLINDER BLOCK



(A)=L48EE-DPNA

(B)=

(C)=

(D)=

(E)=

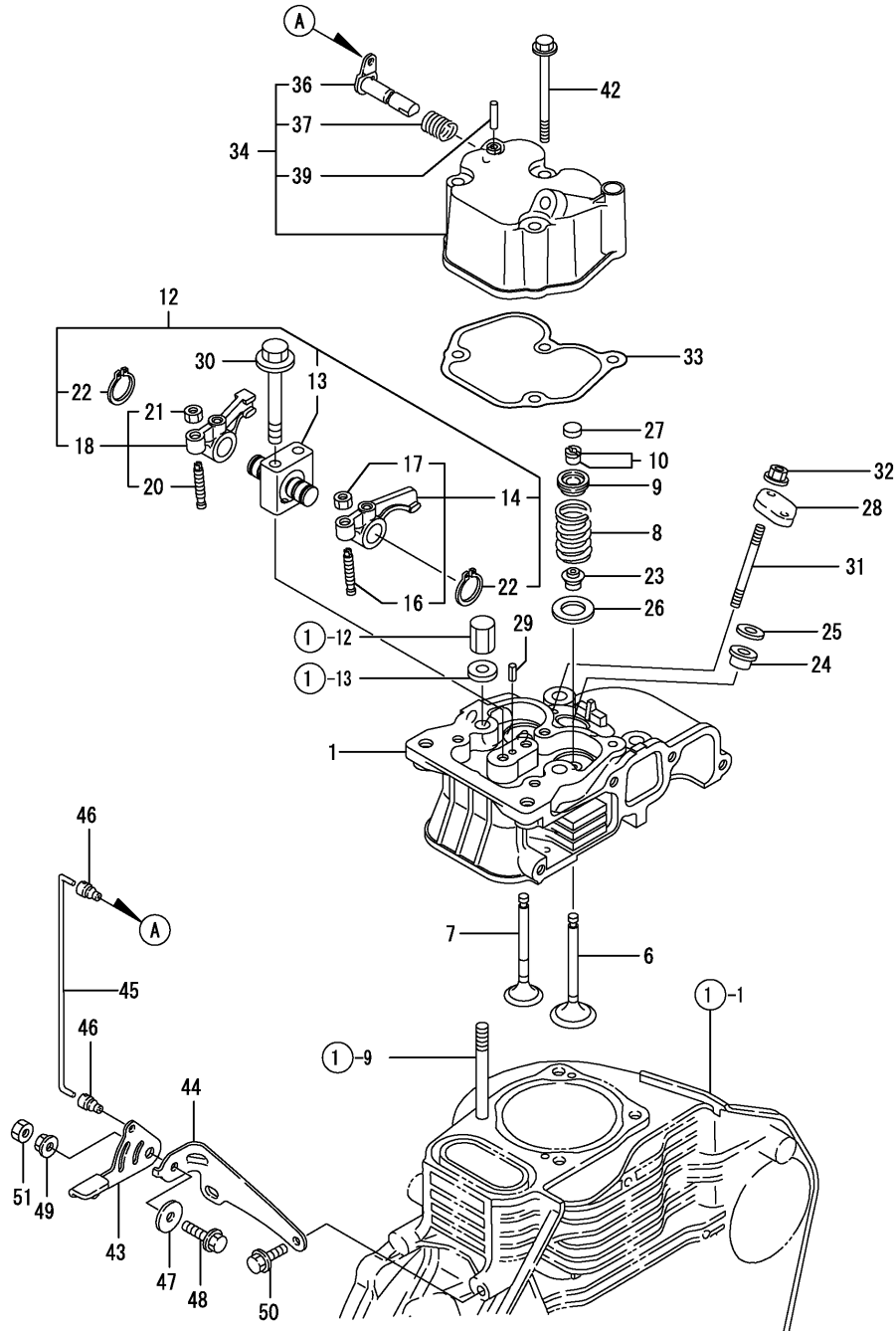
(F)=

No.	Lev.	Parts No.	Description	Q'ty						I	R
				(A)	(B)	(C)	(D)	(E)	(F)		
1	1	714774-01560	BLOCK ASSY, CYLINDER	1							
6	2	114350-01700	COVER	1							
7	2	26106-100122	BOLT, M10X 12 PLATED	2							
8	1	22312-040080	PIN, PARALLEL M4X 8	2							
9	1	114250-01200	BOLT, HEAD	2							
10	1	114250-01210	BOLT, HEAD	2							
11	1	114250-01221	NUT, CYLINDER HEAD	2							
12	1	114250-01251	NUT, CAP	2							
13	1	124950-01250	WASHER	4							
14	1	114771-01330	GASKET SET, HEAD	1							
20	1	114250-01380	O-RING	1							
21	1	114250-01800	SHIM SET	1							
32	1	114250-01830	COVER	1							
33	1	114250-01841	GASKET	1							
34	1	114270-01600	PIN, M8X12	2							
35	1	26226-060182	STUD, M6X 18	1							
36	1	26226-060222	STUD, M6X 22	2							
37	1	26366-060002	NUT, M6	3							
38	1	114250-01412	GASKET, CRANK CASE	1							
39	1	114260-01455	COVER, CRANK CASE	1							
42	2	114250-02100	BEARING, MAIN	1							1
45	1	114250-35150	PIPE, OIL INLET	1							
46	1	26106-060252	BOLT, M6X 25 PLATED	14							
47	1	26106-080352	BOLT, M8X 35 PLATED	1							
48	1	105425-01690	PLUG, 16	2							
49	1	114299-01760	CAP ASSY	2							
51	2	114299-01950	O-RING, 18	2							
52	1	22190-160002	WASHER, SEAL 16	2							
53	1	114299-02030	RETAINER, BEARING	1							
54	1	114250-02113	BEARING, HR6306G3C3	1							
55	1	160110-02220	SEAL, OIL	1							
56	1	160210-02220	SEAL, 25X41.2X8	1							
57	1	24162-152112	BEARING, 152112	1							
58	1	26106-080122	BOLT, M8X 12 PLATED	1							
59	1	23876-010000	PLUG, R01	1							
60	1	114250-02200	BEARING, 0.25 US	1							2
61	1	114250-02210	BEARING, 0.50 US	1							2
62	1	183279-08210	DAMPER	4							

Remarks

- (1) REPAIR PART.
- (2) UNDER-SIZED PART.

Fig.2. CYLINDER HEAD & BONNET



(A)=L48EE-DPNA

(B)=

(C)=

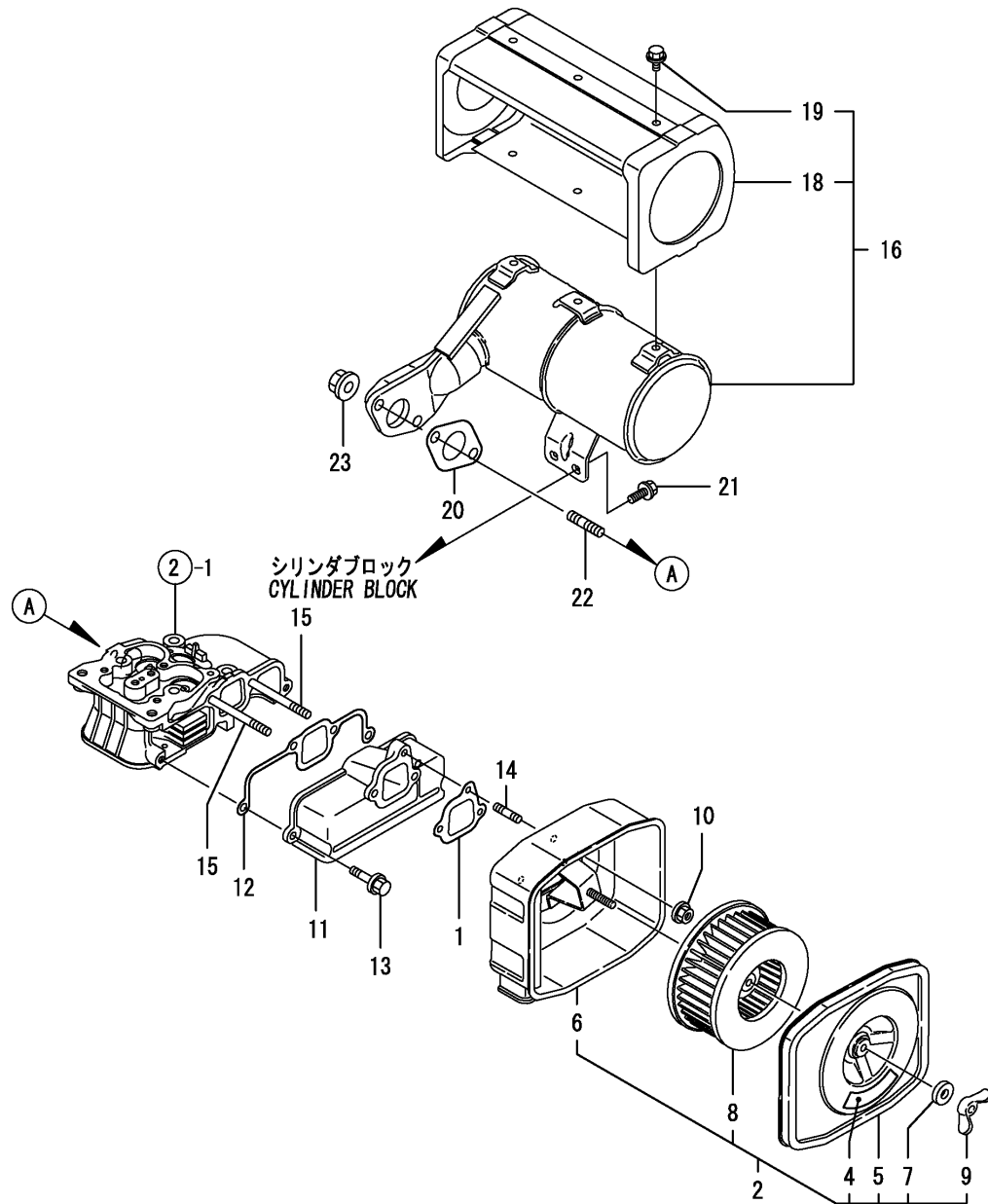
(D)=

(E)=

(F)=

No.	Lev.	Parts No.	Description	Q'ty						I	R
				(A)	(B)	(C)	(D)	(E)	(F)		
1	1	114771-11020	HEAD ASSY, CYLINDER	1							
6	1	114771-11100	VALVE, INTAKE	1							
7	1	114771-11110	VALVE, EXHAUST	1							
8	1	114250-11120	SPRING, VALVE	2							
9	1	114250-11180	RETAINER, SPRING	2							
10	1	714250-11570	COTTER ASSY	2							
12	1	114771-11250	SUPPORT ASSY, ARM	1							
13	2	114771-11260	SUPPORT, ROCKER ARM	1							
14	2	114771-11650	ARM, ROCKER	1							
16	3	114250-11240	SCREW, VALVE ADJUST	1							
17	3	26856-060002	NUT, M6	1							
18	2	114771-11660	ARM, ROCKER	1							
20	3	114250-11240	SCREW, VALVE ADJUST	1							
21	3	26856-060002	NUT, M6	1							
22	2	22242-000120	RING, 12	2							
23	1	114250-11340	SEAL, VALVE STEM	2							
24	1	114771-11461	GASKET, NOZZLE	1							
25	1	114771-11470	SPACER, NOZZLE	1							
26	1	114250-11600	WASHER	2							
27	1	119260-11370	CAP, VALVE	2							
28	1	114250-11901	RETAINER, NOZZLE	1							
29	1	22351-040008	PIN, SPRING 4.0X 8	1							
30	1	26106-060452	BOLT, M6X 45 PLATED	2							
31	1	114718-11910	STUD, M6X65	2							
32	1	26366-060002	NUT, M6	2							
33	1	114771-11310	GASKET, BONNET	1							
34	1	114771-11980	BONNET ASSY, HEAD	1							
36	2	183250-03601	SHAFT, DECOMPRESSION	1							
37	2	114250-03640	SPRING, DECOMPRESSION	1							
39	2	22312-030160	PIN, PARALLEL M3X16	1							
42	1	26106-060552	BOLT, M6X 55 PLATED	3							
43	1	183250-03410	LEVER, DECOMPRESSION	1							
44	1	183250-03450	BRACKET, LEVER	1							
45	1	183350-03510	LINK	1							
46	1	183250-03550	JOINT	2							
47	1	160670-66350	COLLAR	1							
48	1	26106-060202	BOLT, M6X 20 PLATED	1							
49	1	26366-060002	NUT, M6	1							
50	1	26476-060142	SCREW, TAPPING M6X14	2							
51	1	26756-060002	NUT, LOCK M6	1							

Fig.3. AIR CLEANER & MUFFLER



(A)=L48EE-DPNA

(B)=

(C)=

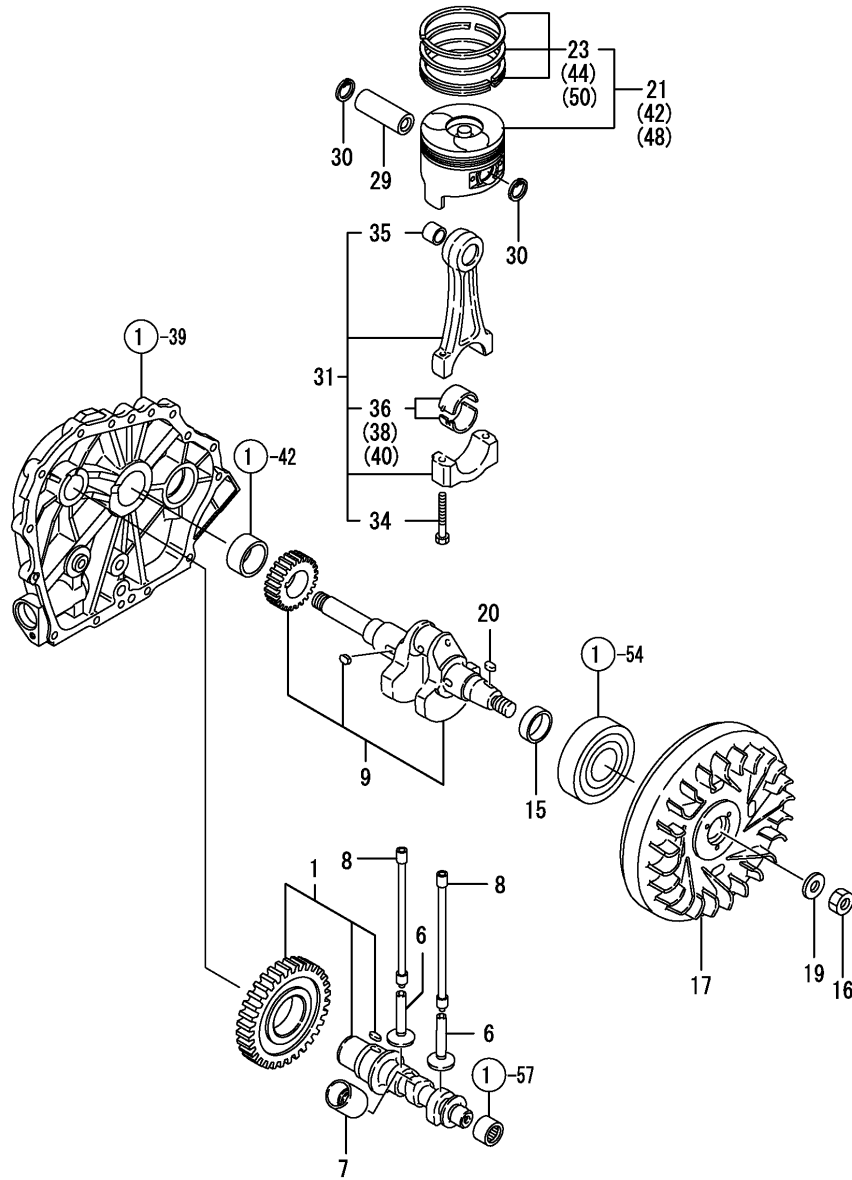
(D)=

(E)=

(F)=

No.	Lev.	Parts No.	Description	Q'ty						I	R
				(A)	(B)	(C)	(D)	(E)	(F)		
1	1	114250-12211	GASKET, AIR CLEANER	1							
2	1	714250-12560	CLEANER ASSY, AIR	1							
4	2	114770-07450	LABEL, AIR CLEANER	1							
5	2	114250-12520	COVER, AIR CLEANER	1							
6	2	114250-12530	CASE ASSY, CLEANER	1							
7	2	114250-12560	WASHER, SEAL M6	1							
8	2	114250-12581	ELEMENT	1							
9	2	114250-12550	NUT, WING M6	1							
10	1	114250-12300	NUT	3							
11	1	114771-12010	PIPE, AIR INTAKE	1							
12	1	114771-12200	GASKET	1							
13	1	26106-060252	BOLT, M6X 25 PLATED	2							
14	1	26226-060142	STUD, M6X 14	1							
15	1	26226-060552	STUD, M6X 55	2							
16	1	114250-13521	MUFFLER ASSY	1							
18	2	114250-13701	COVER, SILENCER	1							
19	2	26106-060082	BOLT, M6X 8 PLATED	6							
20	1	114250-13201	GASKET, MUFFLER	1							
21	1	26106-060122	BOLT, M6X 12 PLATED	2							
22	1	26216-080182	STUD, M8X 18	2							
23	1	26306-080002	NUT, M8	2							

Fig.4. CRANKSHAFT,PISTON & CAMSHAFT

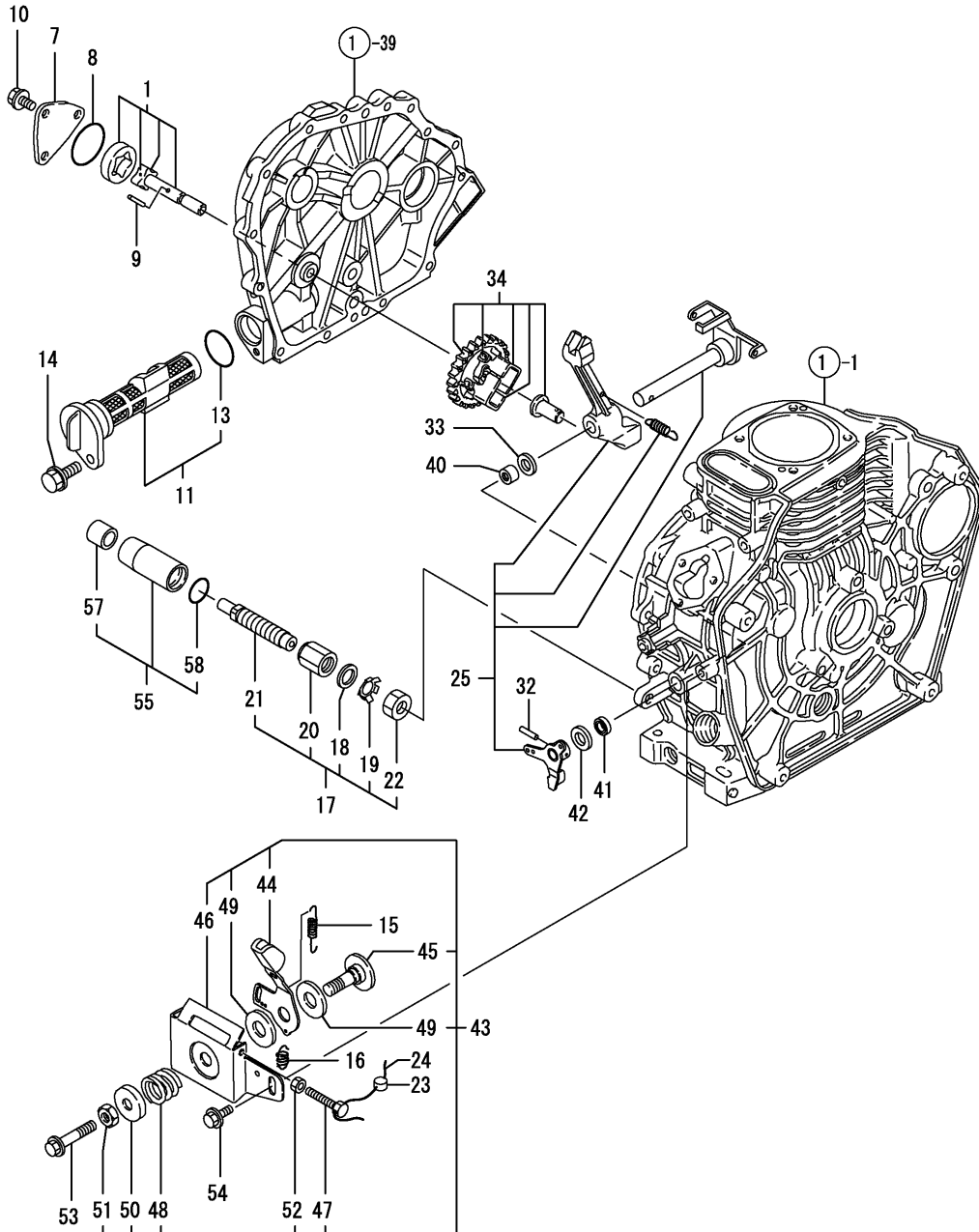


No.	Lev.	Parts No.	Description	Q'ty						I	R
				(A)	(B)	(C)	(D)	(E)	(F)		
1	1	714471-14580	CAMSHAFT ASSY	1							
1-1	1	714471-14581	CAMSHAFT ASSY, D	1							R
(A=EZZZZZ)											
6	1	114250-14200	TAPPET		2						
7	1	114771-14260	TAPPET		1						
8	1	114250-14451	ROD ASSY, PUSH		2						
9	1	714773-21700	CRANKSHAFT ASSY		1						
9-1	1	714773-21701	CRANKSHAFT ASSY		1						R
(A=EZZZZZ)											
15	1	183250-21350	SPACER, CRANKSHAFT		1						
16	1	103854-01221	NUT, CYLINDER HEAD		1						
17	1	114299-21420	FLYWHEEL		1						
19	1	114250-21550	WASHER		1						
20	1	22512-040120	KEY, 4X 12		1						
21	1	714772-22720	PISTON ASSY, D		1						
23	2	714770-22500	RING SET, PISTON		1						
29	1	114299-22300	PIN, PISTON D=19		1						
30	1	22252-000190	RING, 19		2						
31	1	71477G-23700	ROD ASSY, CONNECTING		1						
34	2	119265-23200	BOLT, CONNECTING ROD		2						
35	2	114770-23100	BEARING, PISTON PIN		1						
36	2	714770-23600	BEARING, CRANK PIN		1						
38	1	714770-23610	BEARING ASSY, 0.25		1						1
40	1	714770-23620	BEARING, 0.50 US		1						2
42	1	114772-22040	PISTON ASSY, 0.25 OS		1						3
44	2	114772-22140	RING SET, 0.25 OS		1						3
48	1	114772-22050	PISTON ASSY, 0.50 OS		1						4
50	2	114772-22150	RING SET, 0.50 OS		1						4

Remarks

- (1) UNDER-SIZE(U.S=0.25)PART.
- (2) UNDER-SIZE(U.S=0.50)PART.
- (3) OVER-SIZE(O.S=0.25)PART.
- (4) OVER-SIZE(O.S=0.50)PART.

Fig.5. LUB.OIL PUMP & GOVERNOR



(A)=L48EE-DPNA

(B)=

(C)=

(D)=

(E)=

(F)=

No.	Lev.	Parts No.	Description	Q'ty						I	R
				(A)	(B)	(C)	(D)	(E)	(F)		
1	1	114250-32010	PUMP ASSY, OIL	1							
7	1	114250-32070	COVER	1							
8	1	103338-32570	O-RING	1							
9	1	22312-030160	PIN, PARALLEL M3X16	1							
10	1	26106-060122	BOLT, M6X 12 PLATED	3							
11	1	114250-35110	FILTER ASSY, OIL	1							
13	2	24341-000224	O-RING, 1AS22.4	1							
14	1	26106-060162	BOLT, M6X 16 PLATED	1							
15	1	114770-66010	SPRING, REGULATOR	1							
16	1	114250-66200	SPRING, RETURN	1							
17	1	114771-61700	LIMITER ASSY, FUEL	1							
18	2	114771-61810	WASHER, 14	1							
19	2	114771-61830	PLATE	1							
20	2	114771-61940	NUT, M14	1							
21	2	114771-66600	LIMITER ASSY, FUEL	1							
22	2	114771-66690	NUT, M14	1							
23	1	135210-61090	LEAD	1							
24	1	22451-060000	WIRE, 0.6	1							
25	1	114771-61170	LEVER ASSY, GOVERNOR	1							
32	1	22322-030200	PIN, TAPER 3X20	1							
33	1	114770-61190	WASHER	1							
34	1	714770-61100	GOVERNOR ASSY	1							
40	1	114770-61520	BEARING, NEEDLE	2							
41	1	114770-61600	SEAL, OIL	1							
42	1	114770-61610	WASHER, THRUST	1							
43	1	183250-66920	BRACKET ASSY, HANDLE	1							
44	2	183250-66050	HANDLE, REGULATOR	1							
45	2	183250-66070	SHAFT, HANDLE	1							
46	2	183250-66100	BRACKET, RADIATOR	1							
47	2	114250-66440	BOLT, ADJUSTING	1							
48	2	104200-66820	SPRING	1							
49	2	104200-66831	PLATE, FRICTION	2							
50	2	104200-66850	WASHER	1							
51	2	26696-100002	NUT, LOCK M10	1							
52	2	26757-060002	NUT, LOCK M6	1							
53	1	26106-060452	BOLT, M6X 45 PLATED	1							
54	1	26106-060142	BOLT, M6X 14 PLATED	1							
55	1	114771-61890	PROTECTOR ASSY	1							
57	2	114771-61960	SPACER	1							
58	2	24311-000180	O-RING, 1AP18.0	1							



Fig.6. COOLING & STARTING DEVICE

(A)=L48EE-DPNA

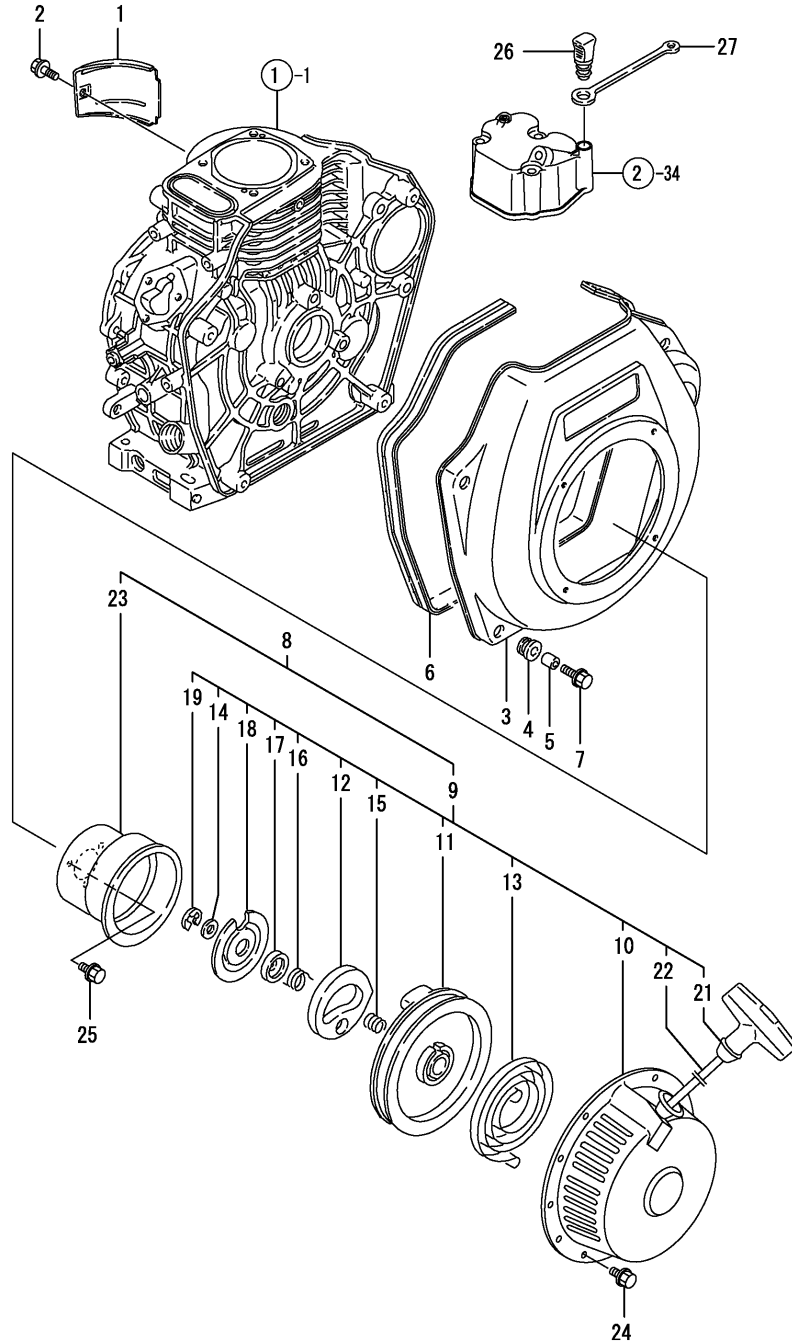
(B)=

(C)=

(D)=

(E)=

(F)=



No.	Lev.	Parts No.	Description	Q'ty						I	R
				(A)	(B)	(C)	(D)	(E)	(F)		
1	1	114299-45210	COVER	1							
2	1	26106-060122	BOLT, M6X 12 PLATED	1							
3	1	114771-45100	CASE, COOLING FAN	1							
4	1	114250-45301	ABSORBER	4							
5	1	114250-45310	COLLAR	4							
6	1	114250-45330	SEAL, FAN CASE L=875	1							
7	1	114370-45351	BOLT	4							
8	1	114260-76051	STARTER ASSY, RECOIL	1							
9	2	114260-76251	STARTER ASSY, RECOIL	1							
10	3	114260-76520	CASE, STARTER	1							
11	3	160260-76520	REEL	1							
12	3	160260-76530	RATCHET	1							
13	3	160260-76540	SPRING, SPIRAL	1							
14	3	160260-76550	WASHER, THRUST	1							
15	3	160260-76560	SPRING, FRICTION	1							
16	3	160290-76570	SPRING, RETURN	1							
17	3	160260-76580	COVER	1							
18	3	160260-76590	PLATE, FRICTION	1							
19	3	160260-76600	CIRCLIP	1							
21	3	114250-76620	KNOB, STARTER	1							
22	3	160260-76630	ROPE, STARTER	1							
23	2	114250-76590	PULLEY, STARTER	1							
24	1	26106-060082	BOLT, M6X 8 PLATED	4							
25	1	26106-060122	BOLT, M6X 12 PLATED	3							
26	1	114250-76600	PLUNGER	1							
27	1	114250-76610	HOLDER, PLUNGER	1							

Fig.7. FUEL INJECTION PUMP

(A)=L48EE-DPNA

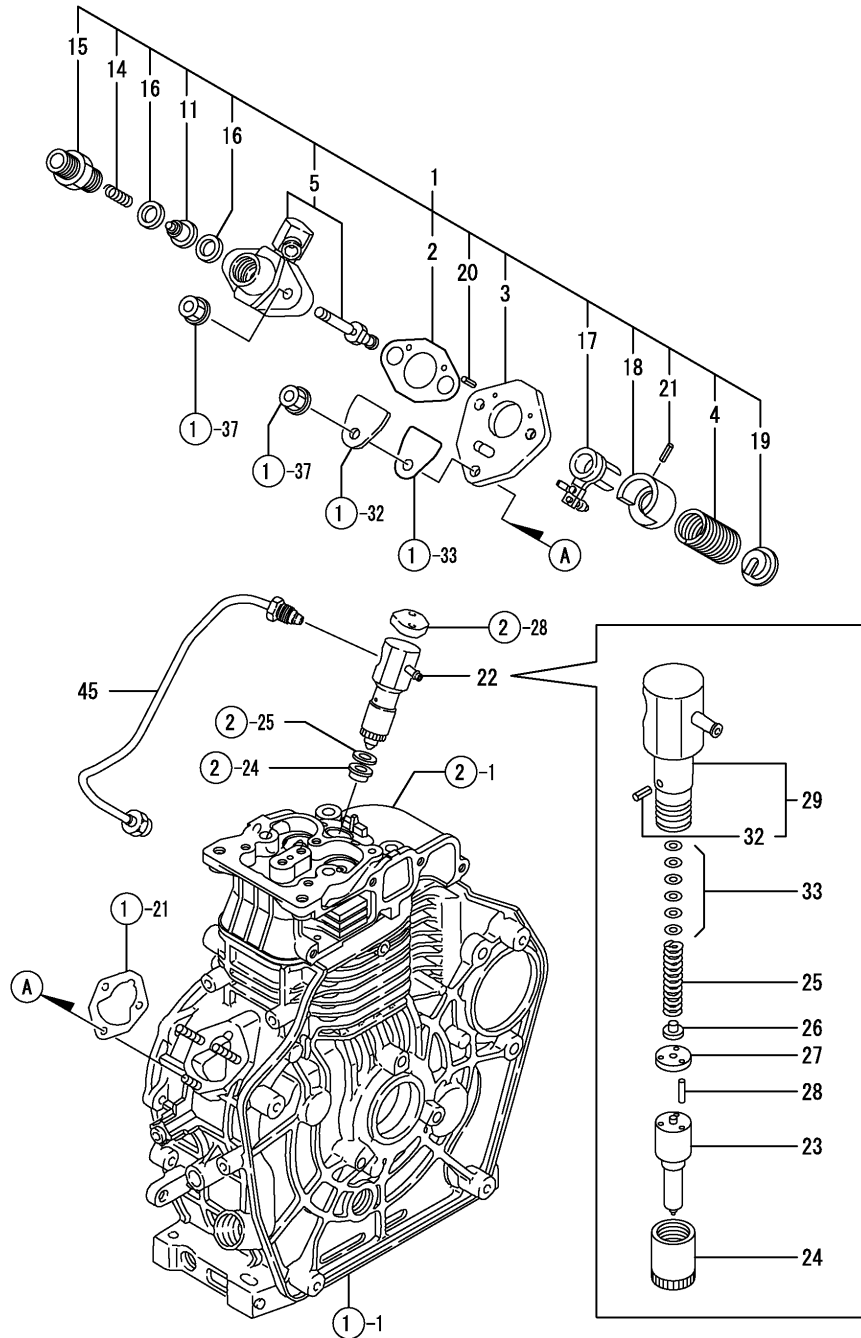
(B)=

(C)=

(D)=

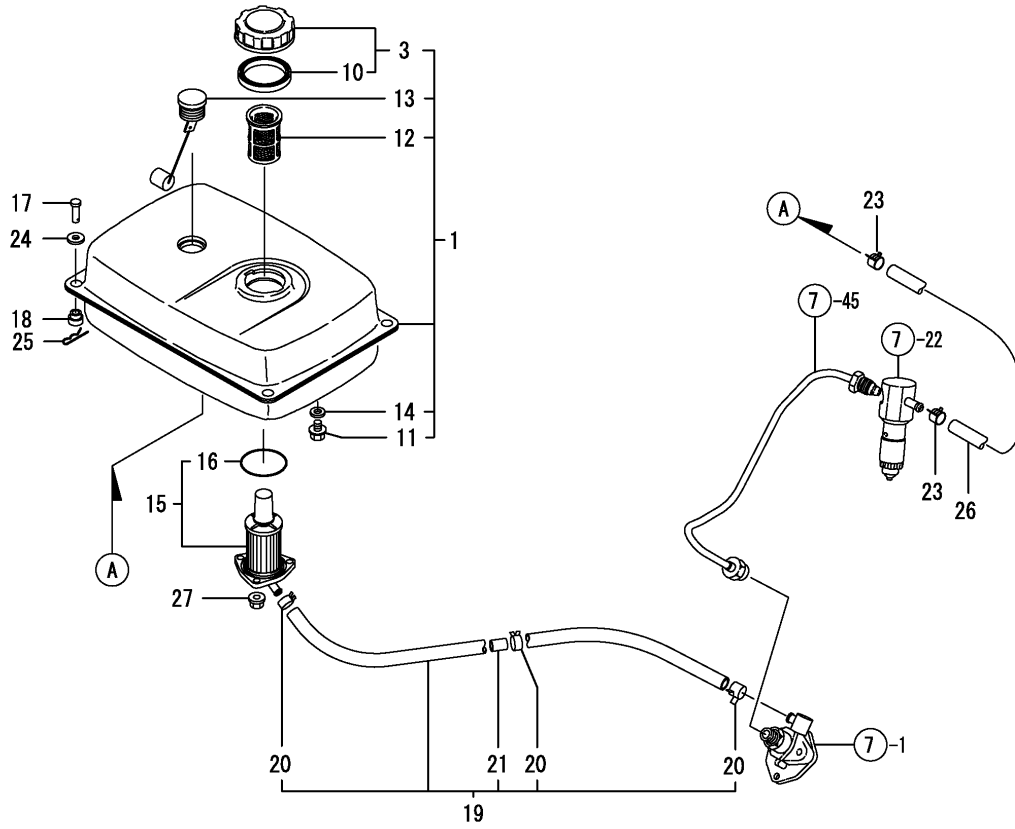
(E)=

(F)=



No.	Lev.	Parts No.	Description	Q'ty						I	R
				(A)	(B)	(C)	(D)	(E)	(F)		
1	1	714775-51100	PUMP ASSY, INJECTION	1							
2	2	105546-51020	GASKET	1							
3	2	114250-51080	PLATE	1							
4	2	114250-51160	SPRING, PLUNGER	1							
5	2	114350-51200	BODY ASSY, PUMP	1							
11	2	114250-51300	VALVE ASSY, DELIVERY	1							
14	2	105546-51330	SPRING, DELIVERY	1							
15	2	114250-51340	HOLDER, DELIVERY	1							
16	2	124550-51350	GASKET, DELIVERY	2							
17	2	114250-51600	LEVER ASSY, CONTROL	1							
18	2	114250-51640	SEAT, SPRING A	1							
19	2	114250-51650	SEAT, SPRING B	1							
20	2	22351-020006	PIN, SPRING 2.0X 6	2							
21	2	22351-030008	PIN, SPRING 3.0X 8	1							
22	1	714775-53101	VALVE ASSY,INJECTION	1							
23	2	114771-53001	VALVE ASSY,INJECTION	1							
24	2	119593-53080	NUT, NOZZLE	1							
25	2	114250-53120	SPRING, NOZZLE	1							
26	2	119593-53130	SEAT, SPRING	1							
27	2	114775-53140	SPACER, VALVE STOP	1							
28	2	114775-53210	PIN	2							
29	2	114775-53100	HOLDER ASSY, NOZZLE	1							
32	3	114775-53330	PIN	1							
33	2	114250-53400	SHIM SET	1							
45	1	114772-59801	PIPE ASSY, INJECTION	1							

Fig.8. FUEL TANK & FUEL LINE

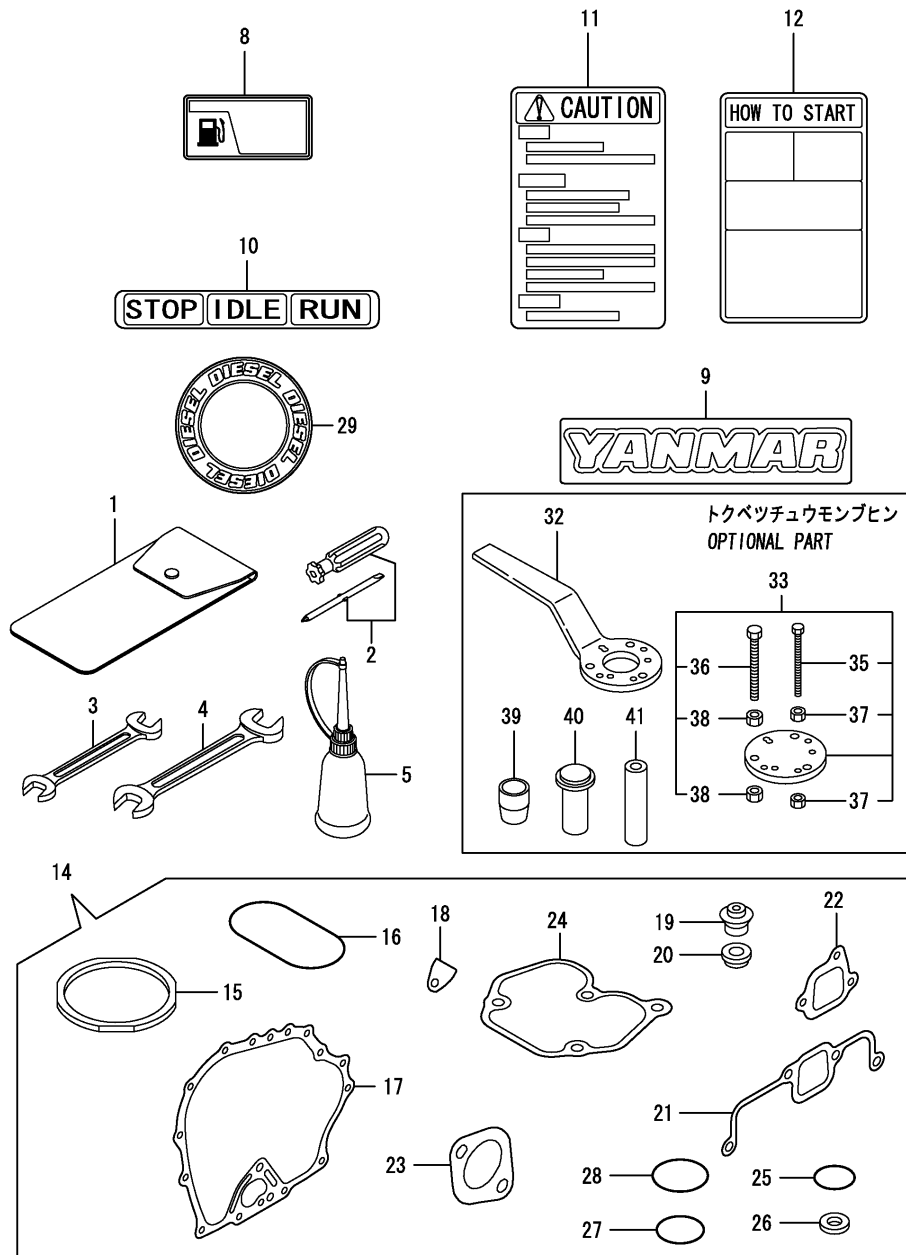


(A)=L48EE-DPNA  
(B)=  
(C)=

(D)=  
(E)=  
(F)=

No.	Lev.	Parts No.	Description	Q'ty						I	R
				(A)	(B)	(C)	(D)	(E)	(F)		
1	1	783277-55701-R	TANK ASSY, FUEL	1							
3	2	160710-55061	CAP ASSY	1							
10	3	160393-55050	GASKET	1							
11	2	104200-55080	PLUG, DRAIN	1							
12	2	160710-55100	FILTER, FUEL	1							
13	2	183925-55150	GAUGE	1							
14	2	22190-120002	WASHER, SEAL 12	1							
15	1	183254-55120	FILTER, FUEL	1							
16	2	24341-000450	O-RING, 1AS45.0	1							
17	1	183350-55120	PIN, 6X14	4							
18	1	183720-55210	GROMMET	4							
19	1	183366-59011	PIPE ASSY, FUEL	1							
20	2	106990-44660	CLIP, HOSE 12.5	3							
21	2	183250-59040	PIECE	1							
23	1	124722-59050	CLIP, HOSE 9	2							
24	1	183350-55130	WASHER	4							
25	1	22360-060000	PIN, SNAP 6	4							
26	1	114286-59060	PIPE, FUEL RETURN	1							
27	1	26366-060002	NUT, M6	3							

Fig.9. TOOL,LABEL & GASKET SET



Remarks  
(1) OPTIONAL PART.

(A)=L48EE-DPNA  
(B)=  
(C)=

(D)=  
(E)=  
(F)=

No.	Lev.	Parts No.	Description	Qty						I	R
				(A)	(B)	(C)	(D)	(E)	(F)		
1	1	114250-92600	BAG, TOOL	1							
2	1	160330-92730	DRIVE, SCREW	1							
3	1	28110-100120	SPANNER, 10X12	1							
4	1	28110-140170	SPANNER, 14X17	1							
5	1	28210-000150	OILER	1							
8	1	183251-07190	LABEL, DIESEL FUEL	1							
9	1	114250-07111	LABEL, YANMAR	1							
10	1	183250-07230	LABEL, OPERATION	1							
11	1	114268-07240	LABEL, CAUTION	1							
12	1	114268-07350	LABEL, HOW TO START	1							
14	1	714771-92600	GASKET SET	1							1
15	2	114771-01330	GASKET SET, HEAD	1							
16	2	114250-01380	O-RING	1							
17	2	114250-01412	GASKET, CRANK CASE	1							
18	2	114250-01841	GASKET	1							
19	2	114250-11340	SEAL, VALVE STEM	2							
20	2	114771-11461	GASKET, NOZZLE	1							
21	2	114771-12200	GASKET	1							
22	2	114250-12211	GASKET, AIR CLEANER	1							
23	2	114250-13201	GASKET, MUFFLER	1							
24	2	114771-11310	GASKET, BONNET	1							
25	2	114299-01950	O-RING, 18	2							
26	2	22190-160002	WASHER, SEAL 16	2							
27	2	24341-000224	O-RING, 1AS22.4	1							
28	2	103338-32570	O-RING	1							
29	1	114261-07350	LABEL	1							
32	1	114250-92101	F.W. LOCKING HANDLE	1							1
33	1	114250-92130	REMOVER, FLYWHEEL	1							1
35	2	26116-060454	BOLT M 6X 45 PLATED	4							1
36	2	26116-080454	BOLT, M8X 45 PLATED	3							1
37	2	26716-060002	NUT, M6	8							1
38	2	26716-080002	NUT, M8	6							1
39	1	114250-92301	GUIDE	1							1
40	1	114250-92311	INSTALLING TOOL	1							1
41	1	114250-92350	INSTALLING TOOL	1							1

## Parts No. Index

Parts No.	Fig. No.	Ref. No.
103338-32570	5	8
	9	28
103854-01221	4	16
104200-55080	8	11
104200-66820	5	48
104200-66831	5	49
104200-66850	5	50
105425-01690	1	48
105546-51020	7	2
105546-51330	7	14
106990-44660	8	20
114250-01200	1	9
114250-01210	1	10
114250-01221	1	11
114250-01251	1	12
114250-01380	1	20
	9	16
114250-01412	1	38
	9	17
114250-01800	1	21
114250-01830	1	32
114250-01841	1	33
	9	18
114250-02100	1	42
114250-02113	1	54
114250-02200	1	60
114250-02210	1	61
114250-03640	2	37
114250-07111	9	9
114250-11120	2	8
114250-11180	2	9
114250-11240	2	16
		20
114250-11340	2	23
	9	19
114250-11600	2	26
114250-11901	2	28
114250-12211	3	1
	9	22
114250-12300	3	10
114250-12520	3	5
114250-12530	3	6
114250-12550	3	9
114250-12560	3	7
114250-12581	3	8
114250-13201	3	20
	9	23
114250-13521	3	16
114250-13701	3	18
114250-14200	4	6

Parts No.	Fig. No.	Ref. No.
114250-14451	4	8
114250-21550	4	19
114250-32010	5	1
114250-32070	5	7
114250-35110	5	11
114250-35150	1	45
114250-45301	6	4
114250-45310	6	5
114250-45330	6	6
114250-51080	7	3
114250-51160	7	4
114250-51300	7	11
114250-51340	7	15
114250-51600	7	17
114250-51640	7	18
114250-51650	7	19
114250-53120	7	25
114250-53400	7	33
114250-66200	5	16
114250-66440	5	47
114250-76590	6	23
114250-76600	6	26
114250-76610	6	27
114250-76620	6	21
114250-92101	9	32
114250-92130	9	33
114250-92301	9	39
114250-92311	9	40
114250-92350	9	41
114250-92600	9	1
114260-01455	1	39
114260-76051	6	8
114260-76251	6	9
114260-76520	6	10
114261-07350	9	29
114268-07240	9	11
114268-07350	9	12
114270-01600	1	34
114286-59060	8	26
114299-01760	1	49
114299-01950	1	51
	9	25
114299-02030	1	53
114299-21420	4	17
114299-22300	4	29
114299-45210	6	1
114350-01700	1	6
114350-51200	7	5
114370-45351	6	7
114718-11910	2	31

Parts No.	Fig. No.	Ref. No.
114770-07450	3	4
114770-23100	4	35
114770-61190	5	33
114770-61520	5	40
114770-61600	5	41
114770-61610	5	42
114770-66010	5	15
114771-01330	1	14
	9	15
114771-11020	2	1
114771-11100	2	6
114771-11110	2	7
114771-11250	2	12
114771-11260	2	13
114771-11310	2	33
	9	24
114771-11461	2	24
	9	20
114771-11470	2	25
114771-11650	2	14
114771-11660	2	18
114771-11980	2	34
114771-12010	3	11
114771-12200	3	12
	9	21
114771-14260	4	7
114771-45100	6	3
114771-53001	7	23
114771-61170	5	25
114771-61700	5	17
114771-61810	5	18
114771-61830	5	19
114771-61890	5	55
114771-61940	5	20
114771-61960	5	57
114771-66600	5	21
114771-66690	5	22
114772-22040	4	42
114772-22050	4	48
114772-22140	4	44
114772-22150	4	50
114772-59801	7	45
114775-53100	7	29
114775-53140	7	27
114775-53210	7	28
114775-53330	7	32
119260-11370	2	27
119265-23200	4	34
119593-53080	7	24
119593-53130	7	26

Parts No.	Fig. No.	Ref. No.
124550-51350	7	16
124722-59050	8	23
124950-01250	1	13
135210-61090	5	23
160110-02220	1	55
160210-02220	1	56
160260-76520	6	11
160260-76530	6	12
160260-76540	6	13
160260-76550	6	14
160260-76560	6	15
160260-76580	6	17
160260-76590	6	18
160260-76600	6	19
160260-76630	6	22
160290-76570	6	16
160330-92730	9	2
160393-55050	8	10
160670-66350	2	47
160710-55061	8	3
160710-55100	8	12
183250-03410	2	43
183250-03450	2	44
183250-03550	2	46
183250-03601	2	36
183250-07230	9	10
183250-21350	4	15
183250-59040	8	21
183250-66050	5	44
183250-66070	5	45
183250-66100	5	46
183250-66920	5	43
183251-07190	9	8
183254-55120	8	15
183279-08210	1	62
183350-03510	2	45
183350-55120	8	17
183350-55130	8	24
183366-59011	8	19
183720-55210	8	18
183925-55150	8	13
22190-120002	8	14
22190-160002	1	52
	9	26
22242-000120	2	22
22252-000190	4	30
22312-030160	2	39
	5	9
22312-040080	1	8
22322-030200	5	32

## Parts No. Index

Parts No.	Fig. No.	Ref. No.
22351-020006	7	20
22351-030008	7	21
22351-040008	2	29
22360-060000	8	25
22451-060000	5	24
22512-040120	4	20
23876-010000	1	59
24162-152112	1	57
24311-000180	5	58
24341-000224	5	13
	9	27
24341-000450	8	16
26106-060082	3	19
	6	24
26106-060122	3	21
	5	10
	6	2
		25
26106-060142	5	54
26106-060162	5	14
26106-060202	2	48
26106-060252	1	46
	3	13
26106-060452	2	30
	5	53
26106-060552	2	42
26106-080122	1	58
26106-080352	1	47
26106-100122	1	7
26116-060454	9	35
26116-080454	9	36
26216-080182	3	22
26226-060142	3	14
26226-060182	1	35
26226-060222	1	36
26226-060552	3	15
26306-080002	3	23
26366-060002	1	37
	2	32
		49
	8	27
26476-060142	2	50
26696-100002	5	51
26716-060002	9	37
26716-080002	9	38
26756-060002	2	51
26757-060002	5	52
26856-060002	2	17
		21
28110-100120	9	3

Parts No.	Fig. No.	Ref. No.
28110-140170	9	4
28210-000150	9	5
714250-11570	2	10
714250-12560	3	2
714471-14580	4	1
714471-14581	4	1 -1
714770-22500	4	23
714770-23600	4	36
714770-23610	4	38
714770-23620	4	40
714770-61100	5	34
714771-92600	9	14
714772-22720	4	21
714773-21700	4	9
714773-21701	4	9 -1
714774-01560	1	1
714775-51100	7	1
714775-53101	7	22
71477G-23700	4	31
783277-55701-R	8	1

Parts No.	Fig. No.	Ref. No.
-----------	----------	----------

Parts No.	Fig. No.	Ref. No.
-----------	----------	----------