

0CD10-M78701EN

PREFACE

1. This parts catalog is the 2nd edition of 2TNE68-EIK for IHI Construction Machinery Limited.

Pub.No. : 000Y00D7871

Published : November,2006

2.Model name

Engine model	Vehicle		Vehicle made by
	Products	Model name	
2TNE68-EIK	Excavator	8NX	IHI Construction Machinery Ltd.

Directions for the Parts Catalog.

1. The parts stipulated in this Parts Catalog are not necessarily standard equipped parts.
2. Parts may change without prior notice.
3. The following is an example of the Parts Catalog format.

REF.	LEV.	PARTS NO.	DESCRIPTION	Q'TY						I	R
				(A)	(B)	(C)	(D)	(E)	(F)		
1	1	729595-51390	FUEL INJECTION PUMP	1	1	1	1	1			1
1-1	1	729595-51391	FUEL INJECTION PUMP	1	1	1	1	1		N	1
		(A=E00185) (B=E00200)									
3	2	26022-060162	SCREW M 6X 16	9	9	9	9	9			
3-1	2	26022-060162	SCREW M 6X 16	4	4	4	4	4		K	
		(A=E00156) (B=E00156) (C=E00156) (D=E00156) (E=E00156)									
4	2	129470-51040	CAMSHAFT	1	1	1	1	1			
5	2	122710-51050	BEARING, ROLLER	2	2	2	2	2			
6	2	129470-51060	RETAINER	1	1	1	1	1			

Remarks
(1) BOOST COMPEMSATOR TYPE. OPTIONAL PART, TO E00155,(4JH-DT, 4JH-DTZ

① Ref. No.

The Ref. No. listed may not be in accordance with the illustration Ref. No.

(Ex.) Illustration No.

List Ref No.

1

1

(Before change)

1-1

(After change)

For interchangeable symbols N, R and K, illustrations for new parts may be abbreviated.

② Lev. (Level)

Level indication

The numbers below indicate the level of relativity towards the main part.

1 ----- Main parts (Assembly parts)

2 ----- Sub component included in " 1 ".

3 ----- Sub component included in " 2 ".

Note) Parts that are not for sale are partially illustrated but not listed.

③ Interchangeability Mark

When a part change takes place, one of the following interchangeability symbols is indicated beside the part.

Symbol	Interchangeability	Contents note
N	Old $\begin{matrix} \leftarrow \text{Yes} \\ \text{No} \rightarrow \end{matrix}$ New	New Part is interchangeable for Old Part but Old Part is not interchangeable for New Part.
Q	Old $\begin{matrix} \leftarrow \text{No} \\ \text{Yes} \rightarrow \end{matrix}$ New	New Part is not interchangeable for Old Part but Old Part is interchangeable for New Part.
R	Old $\begin{matrix} \leftarrow \text{Yes} \\ \text{Yes} \rightarrow \end{matrix}$ New	New/ Old Parts are both interchangeable.
S	Old $\begin{matrix} \leftarrow \text{No} \\ \text{No} \rightarrow \end{matrix}$ New	New/ Old Parts are both not interchangeable.
W		Part newly added.
Z		Part discontinued.
F		Not interchangeable by a single part but interchangeable together with related parts.
K		Changes only for used parts quantities.

④ Effective Machine No.

When a part changes, the effective Machine No. will be indicated in the (A)-(F) column.

Product Symbol	Product No.	Product Symbol	Product No.
C	Clutch No. Compressor No.	F	Machine No. (Agricultural Equip.)
D	Drive No.	M	Machine No.
E	Engine No.		

Note 1) A date may follow the symbol. (Ex.) 1996.01

Note 2) " XXXXX " and " ZZZZZ " are for parts that could not be predicted or for engine models that could not be identified.

Note 3) (A=E00185) is the E (Engine Serial Number) for the column (A) model (in this case 4JH-DT) after the parts design change.

⑤ Remarks Mark

Figures or alphabets (symbols) are entered in the remarks column.

The comments (remarks) on parts that are indicated at the bottom of the illustration are the same symbols as those stated above.

Contents

OCD10-M78701

Fig. No. Fig. Name

2TNE68-EIK

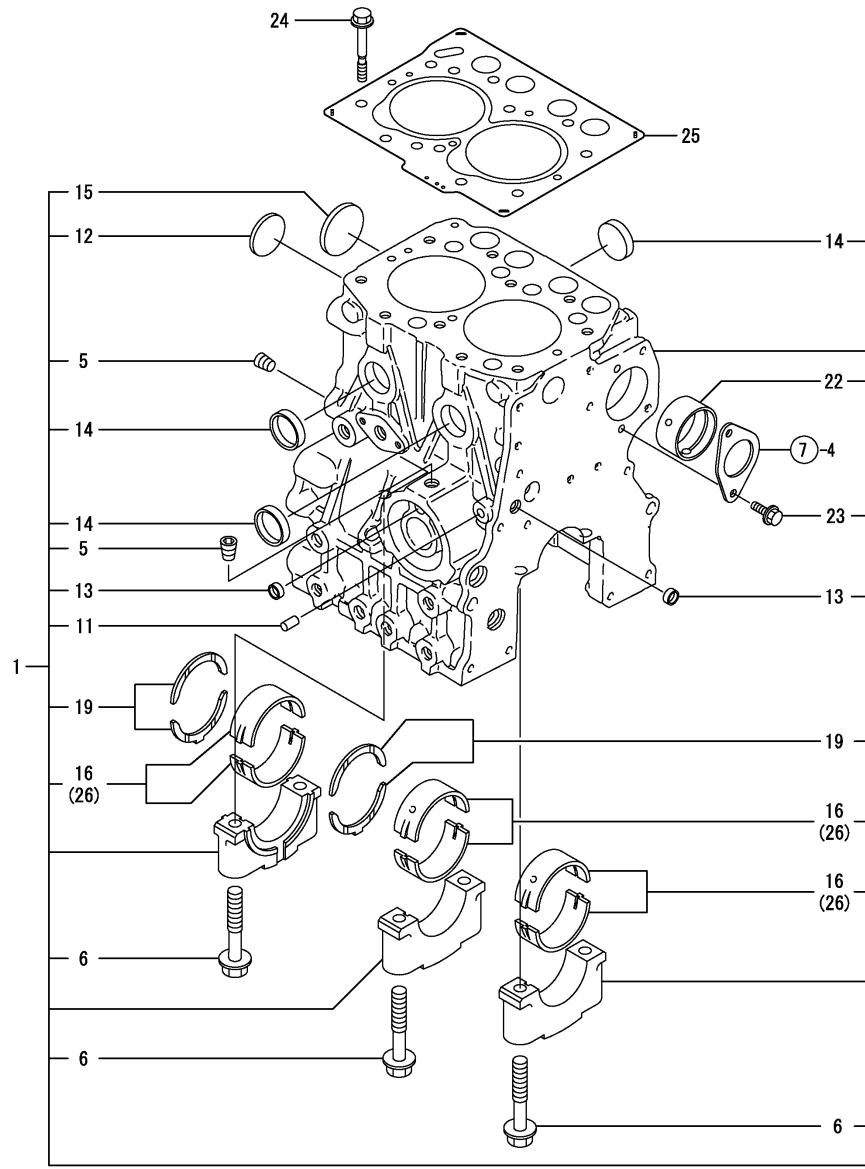
1. CYLINDER BLOCK
2. GEAR HOUSING
3. FLYWHEEL HOUSING & OIL SUMP
4. CYLINDER HEAD & BONNET
5. SUCTION MANIFOLD & AIR CLEANER
6. EXHAUST MANIFOLD & SILENCER
7. CAMSHAFT & DRIVING GEAR
8. CRANKSHAFT & PISTON
9. LUB.OIL SYSTEM
10. COOLING WATER SYSTEM
11. FUEL INJECTION PUMP
12. GOVERNOR
13. FUEL INJECTION VALVE
14. FUEL LINE
15. STARTING MOTOR
16. GENERATOR
17. GASKET SET

Fig. No. Fig. Name

Fig.1. CYLINDER BLOCK

(A)=2TNE68-EIK
(B)=
(C)=

(D)=
(E)=
(F)=



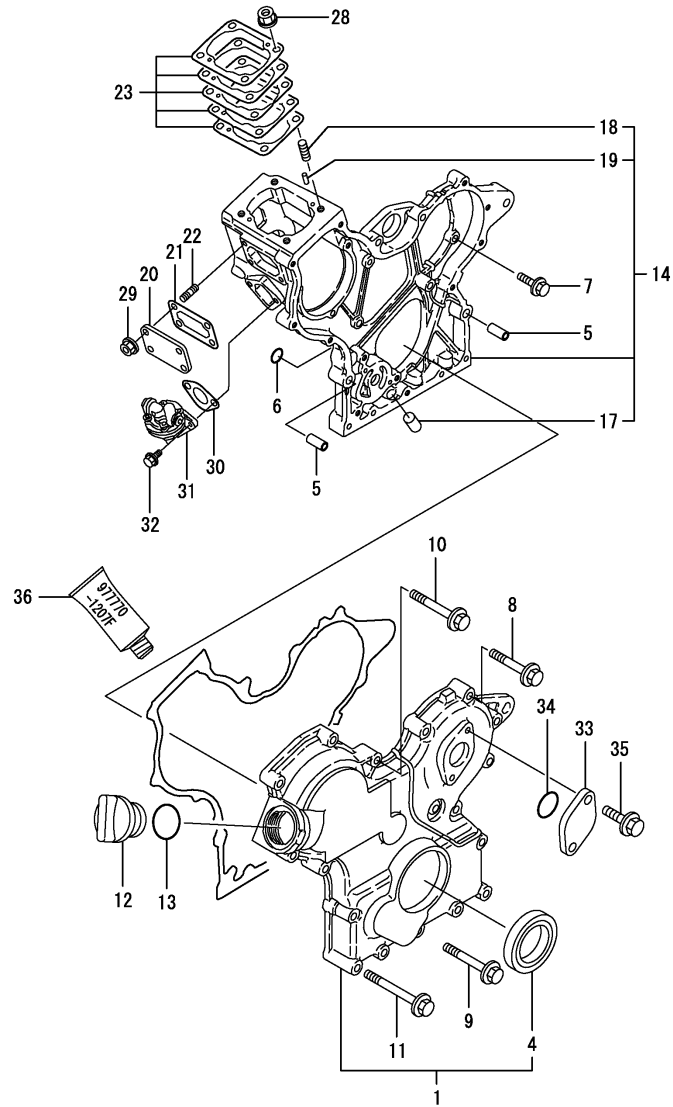
No.	Lev.	Parts No.	Description	Q'ty						I	R
				(A)	(B)	(C)	(D)	(E)	(F)		
1	1	719325-01560	BLOCK ASSY, CYLINDER	1							
5	2	124060-01050	PLUG, PT1/8	2							
6	2	119260-02020	BOLT, METAL CAP	6							
11	2	27221-060100	PLUG, 6X10	1							
12	2	119265-01250	PLUG, 40	1							
13	2	27241-100000	PLUG, 10	2							
14	2	27241-250000	PLUG, 25	3							
15	2	27241-300000	PLUG 30	1							
16	2	119260-02800	BEARING, MAIN	3							
19	2	119260-02930	BEARING, THRUST	2							
22	2	119266-02410	BUSH	1							
23	2	26106-060122	BOLT, M6X 12 PLATED	2							
24	1	119266-01200	BOLT, HEAD	10							
25	1	119309-01330	GASKET, CYL. HEAD	1							
26	1	719260-02870	BEARING, 0.25 US	3							1

Remarks
(1) UNDER-SIZE(U.S=0.25)PART.

Fig.2. GEAR HOUSING

(A)=2TNE68-EIK
(B)=
(C)=

(D)=
(E)=
(F)=



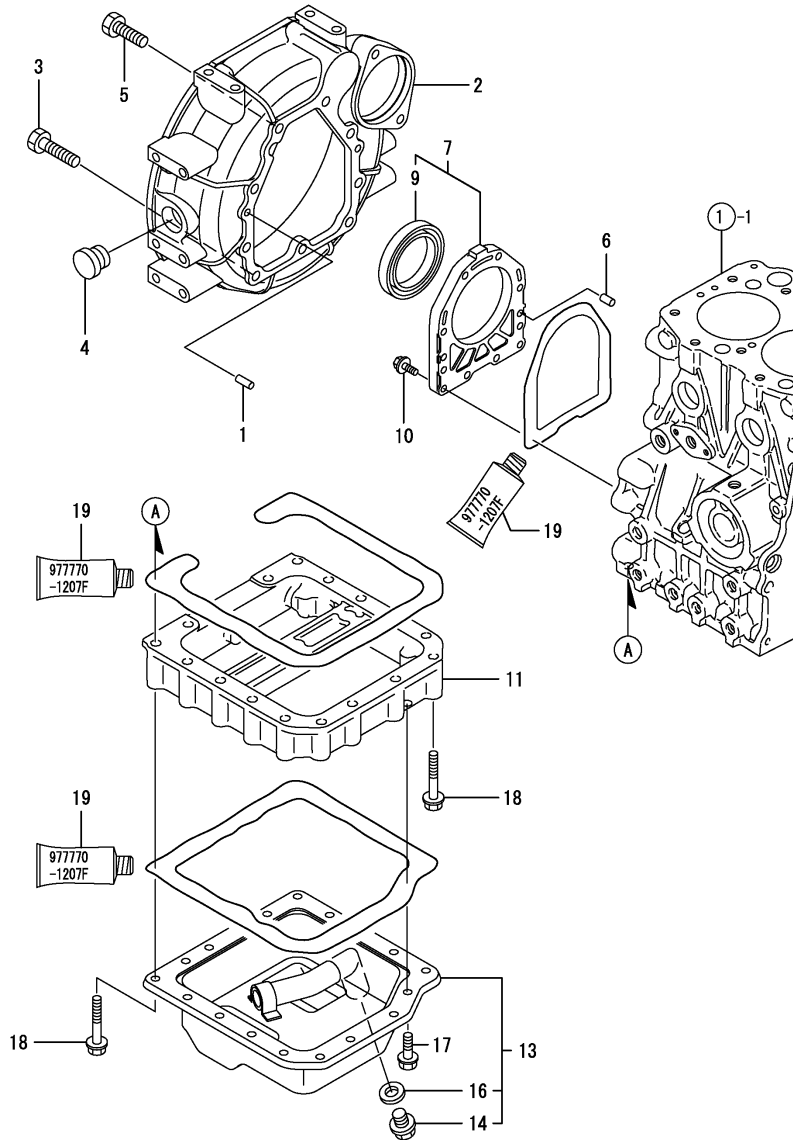
No.	Lev.	Parts No.	Description	Q'ty						I	R
				(A)	(B)	(C)	(D)	(E)	(F)		
1	1	119260-01590	COVER ASSY,GEAR CASE	1							
4	2	119620-01800	SEAL, OIL	1							
5	1	119660-01911	PIPE, KNOCK	4							
6	1	119624-32040	O-RING, P12.0	2							
7	1	26106-060162	BOLT, M6X 16 PLATED	5							
8	1	26106-060302	BOLT, M6X 30 PLATED	5							
9	1	26106-060402	BOLT, M6X 40 PLATED	3							
10	1	26106-060502	BOLT, M6X 50 PLATED	4							
11	1	26106-060652	BOLT, M6X 65 PLATED	6							
12	1	124160-01751	COVER, FILLER	1							
13	1	24311-000320	O-RING, 1AP32.0	1							
14	1	119305-01490	CASE ASSY, GEAR	1							
17	2	119260-01510	PLUG	1							
18	2	121450-01560	STUD, M8X22	4							
19	2	22351-040010	PIN, SPRING 4.0X10	2							
20	1	119660-01551	COVER	1							
21	1	119660-01562	GASKET	1							
22	1	119660-01570	STUD, M6X12	4							
23	1	119305-01950	SHIM SET, ADJUSTING	1							
28	1	194990-22050	NUT, M8	4							
29	1	26366-060002	NUT, M6	4							
30	1	121520-01851	GASKET	1							
31	1	119600-52021	PUMP ASSY, FUEL FEED	1							
32	1	26106-060162	BOLT, M6X 16 PLATED	2							
33	1	121023-01550	COVER	1							
33-1	1	121023-01551	COVER	1							R
(A=E56189)											
34	1	24341-000240	O-RING, 1AS24.0	1							
35	1	26106-060162	BOLT, M6X 16 PLATED	2							
36	1	977770-1207F	GASKET.LIQUID	1							1

Remarks
(1) OPTIONAL PART.

Fig.3. FLYWHEEL HOUSING & OIL SUMP

(A)=2TNE68-EIK
(B)=
(C)=

(D)=
(E)=
(F)=



No.	Lev.	Parts No.	Description	Q'ty						I	R
				(A)	(B)	(C)	(D)	(E)	(F)		
1	1	129100-01580	PIN, M8X16	2							
2	1	119230-01600	HOUSING, FLYWHEEL	1							
3	1	121120-01620	BOLT, M10X28	3							
4	1	119620-01750	CAP	1							
5	1	26206-100252	BOLT, M10X 25 PLATED	6							
6	1	119620-01620	PIN, M6X10	2							
7	1	119660-01640	CASE ASSY, OIL SEAL	1							
9	2	124085-02220	SEAL, OIL	1							
10	1	26106-060222	BOLT, M6X 22 PLATED	10							
11	1	119305-01760	SPACER, OIL SUMP	1							
13	1	119325-01791	SUMP ASSY, OIL	1							
14	2	105425-01690	PLUG, 16	1							
16	2	22190-160002	WASHER, SEAL 16	1							
17	1	26106-060102	BOLT, M6X 10 PLATED	3							
18	1	26106-060452	BOLT, M6X 45 PLATED	16							
19	1	977770-1207F	GASKET.LIQUID	1							1

Remarks

(1) OPTIONAL PART.

N:Old $\xrightarrow{\text{Yes}}$ New, Q:Old $\xrightarrow{\text{No}}$ New, R:Old $\xrightarrow{\text{Yes}}$ New, S:Old $\xrightarrow{\text{No}}$ New, W:Add, Z:Discontinued, F:Interchangeable by set, K:Q'ty Change

Fig.4. CYLINDER HEAD & BONNET

(A)=2TNE68-EIK

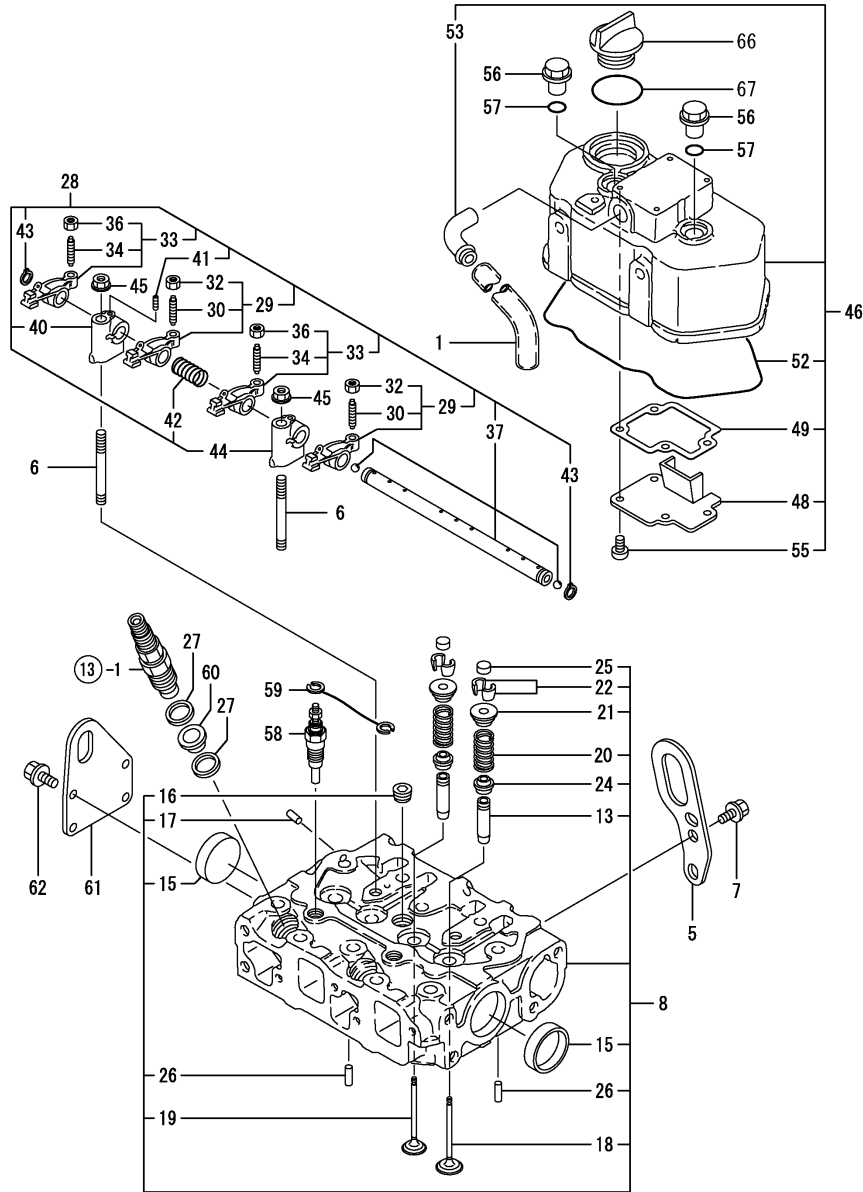
(B)=

(C)=

(D)=

(E)=

(F)=



No.	Lev.	Parts No.	Description	Q'ty						I	R
				(A)	(B)	(C)	(D)	(E)	(F)		
1	1	23065-120800	PIPE, 12X 800	1							
5	1	119260-07900	LIFTER	1							
5-1	1	119626-07900	LIFTER	1							N
(A=E56189)											
6	1	119620-11350	STUD	2							
7	1	26106-080142	BOLT, M8X 14 PLATED	1							
8	1	719325-11700	HEAD ASSY, CYLINDER	1							
13	2	119260-11800	GUIDE, VALVE	4							1
15	2	27241-350000	PLUG, 35	2							
16	2	23876-020000	PLUG, R02	1							
17	2	27221-050080	PLUG, 5X 8	1							
18	2	119260-11100	VALVE, INTAKE	2							
19	2	119260-11110	VALVE, EXHAUST	2							
20	2	114250-11120	SPRING, VALVE	4							
21	2	114250-11180	RETAINER, SPRING	4							
22	2	27310-055001	COTTER, 5.5	4							
24	2	119260-11340	SEAL, VALVE STEM	4							
25	2	119260-11370	CAP, VALVE	4							
26	2	22351-060012	PIN, SPRING 6.0X12	2							
27	1	119600-11460	GASKET, NOZZLE	4							
28	1	119305-11200	SUPPORT ASSY, ARM	1							
29	2	719260-11650	ARM ASSY, ROCKER	2							
30	3	105010-11230	SCREW, VALVE ADJUST	2							
32	3	26856-060002	NUT, M6	2							
33	2	719260-11660	ARM ASSY, ROCKER	2							
34	3	105010-11230	SCREW, VALVE ADJUST	2							
36	3	26856-060002	NUT, M6	2							
37	2	119305-11240	SHAFT ASSY, ROCKER	1							
40	2	119260-11260	SUPPORT, ROCKER ARM	1							
41	2	119260-11270	SCREW	1							
42	2	119260-11280	SPRING	1							
43	2	22242-000100	RING, 10	2							
44	2	119265-11260	SUPPORT, ROCKER ARM	1							
45	1	26306-080002	NUT, M8	2							
46	1	119325-11350	BONNET ASSY, HEAD	1							
48	2	119305-03020	PLATE, SHELTER	1							
49	2	119305-03031	GASKET	1							
52	2	119305-11310	GASKET, BONNET	1							
53	2	119266-11390	JOINT	1							
55	2	22857-500100	SCREW, 5X10	4							
56	1	124160-11360	KNOB	2							
57	1	24311-000120	O-RING, 1AP12.0	2							
58	1	129155-77801	PLUG, GLOW	2							
59	1	119305-77820	CONNECTOR, GLOW PLUG	1							
60	1	119600-11450	PROTECTOR, NOZZLE	2							
61	1	119632-07900	LIFTER	1							
62	1	26106-060122	BOLT, M6X 12 PLATED	4							
66	1	124160-01751	COVER, FILLER	1							
67	1	24311-000320	O-RING, 1AP32.0	1							

Remarks

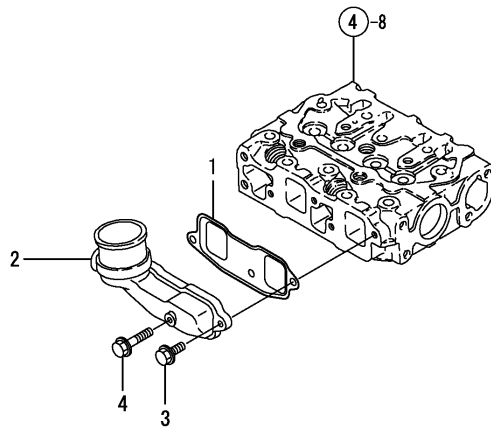
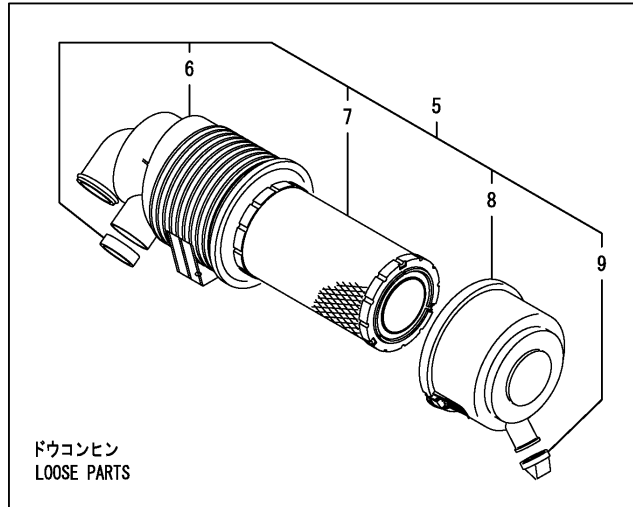
(1) REPAIR PART.

N:Old $\begin{matrix} \text{Yes} \\ \text{No} \end{matrix}$ New, Q:Old $\begin{matrix} \text{No} \\ \text{Yes} \end{matrix}$ New, R:Old $\begin{matrix} \text{Yes} \\ \text{No} \end{matrix}$ New, S:Old $\begin{matrix} \text{No} \\ \text{Yes} \end{matrix}$ New, W:Add, Z:Discontinued, F:Interchangeable by set, K:Q'ty Change

Fig.5. SUCTION MANIFOLD & AIR CLEANER

(A)=2TNE68-EIK
(B)=
(C)=

(D)=
(E)=
(F)=

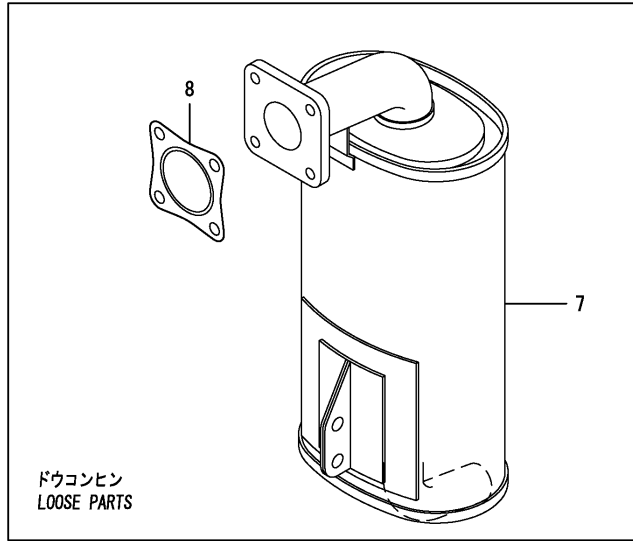


No.	Lev.	Parts No.	Description	Q'ty						I	R
				(A)	(B)	(C)	(D)	(E)	(F)		
1	1	119326-12111	GASKET, MANIFOLD	1							
2	1	119305-12150	MANIFOLD, AIR INTAKE	1							
3	1	26106-060162	BOLT, M6X 16 PLATED								
4	1	26106-060282	BOLT, M6X 28 PLATED	1							
5	1	119325-12530	CLEANER ASSY, AIR	1							
6	2	105027-12550	BODY, AIR CLEANER	1							
7	2	119655-12560	ELEMENT	1							
8	2	119655-12570	COVER ASSY	1							
9	2	119808-12540	VALVE, UNLOADER	1							

Fig.6. EXHAUST MANIFOLD & SILENCER

(A)=2TNE68-EIK
(B)=
(C)=

(D)=
(E)=
(F)=



No.	Lev.	Parts No.	Description	Q'ty						I	R
				(A)	(B)	(C)	(D)	(E)	(F)		
1	1	119305-13100	MANIFOLD, EXHAUST	1							
2	1	119305-13110	GASKET	1							
3	1	119265-13840	BOLT, M6X40	2							
4	1	119265-13810	STUD, M6X40	2							
5	1	119131-18320	STUD, M8X22	4							Z
(A=E37866)											
6	1	119265-13800	NUT, M6	2							
7	1	119325-13530	SILENCER	1							
8	1	121000-13201	GASKET, SILENCER	1							

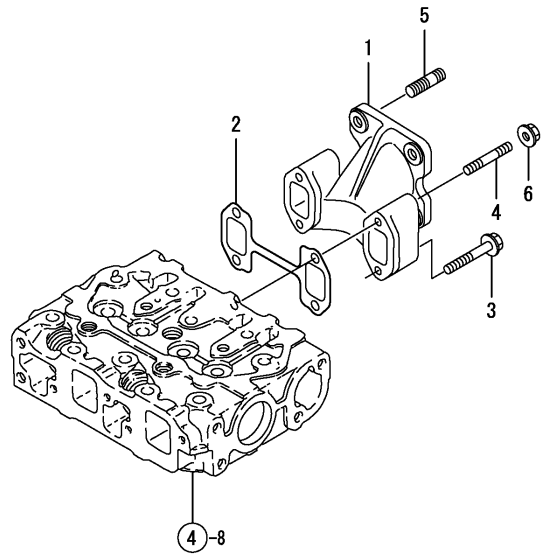
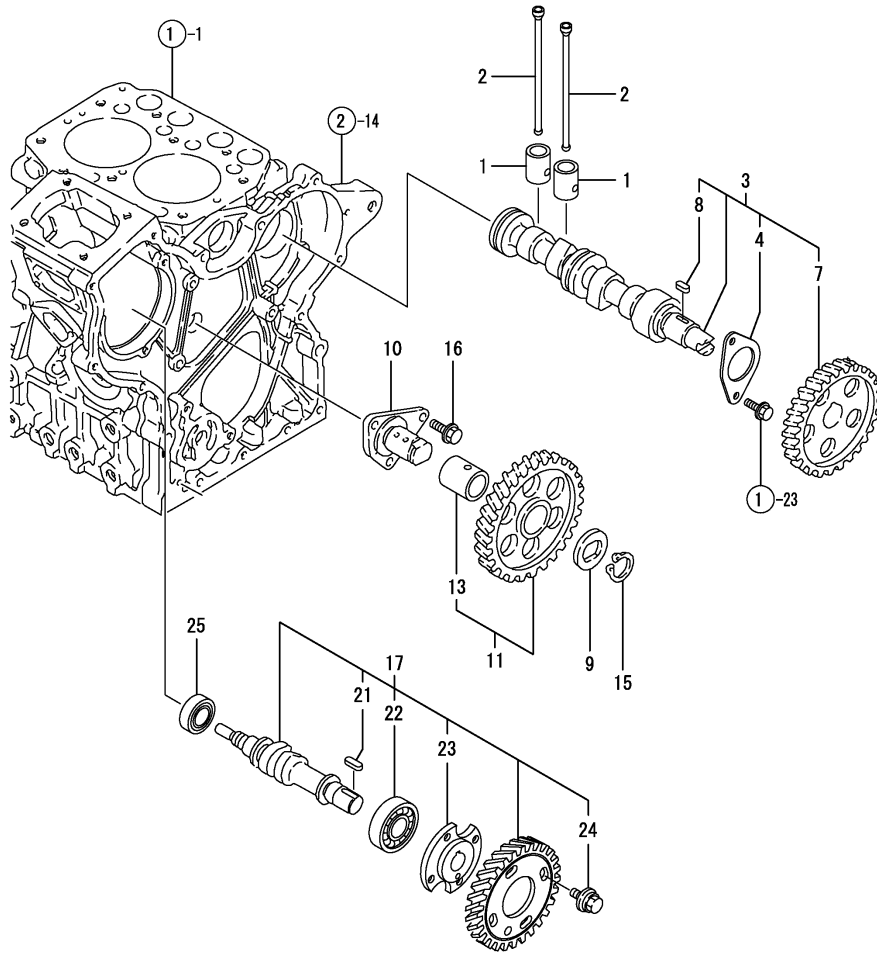


Fig.7. CAMSHAFT & DRIVING GEAR

(A)=2TNE68-EIK
(B)=
(C)=

(D)=
(E)=
(F)=



No.	Lev.	Parts No.	Description	Q'ty						I	R
				(A)	(B)	(C)	(D)	(E)	(F)		
1	1	119260-14200	TAPPET	4							
2	1	119260-14400	ROD, PUSH	4							
3	1	119305-14580	CAMSHAFT ASSY	1							
4	2	119620-02450	BEARING, THRUST	1							
7	2	119260-14100	GEAR, CAMSHAFT	1							
8	2	22512-040120	KEY, 4X 12	1							
9	1	119660-25022	RETAINER	1							
10	1	119660-25052	SHAFT, IDLE	1							
11	1	119260-25100	GEAR ASSY, IDLE	1							
13	2	119620-25912	BUSH	1							1
15	1	22242-000200	RING, 20	1							
16	1	26106-060122	BOLT, M6X 12 PLATED	3							
17	1	119305-14210	CAM ASSY	1							
21	2	22512-040120	KEY, 4X 12	1							
22	2	24102-063034	BEARING, BALL 6303U	1							
23	2	119660-25920	FLANGE	1							
24	2	119660-25930	BOLT	4							
25	1	24101-062034	BEARING, BALL 6203	1							W

(A=FROM 1ST)

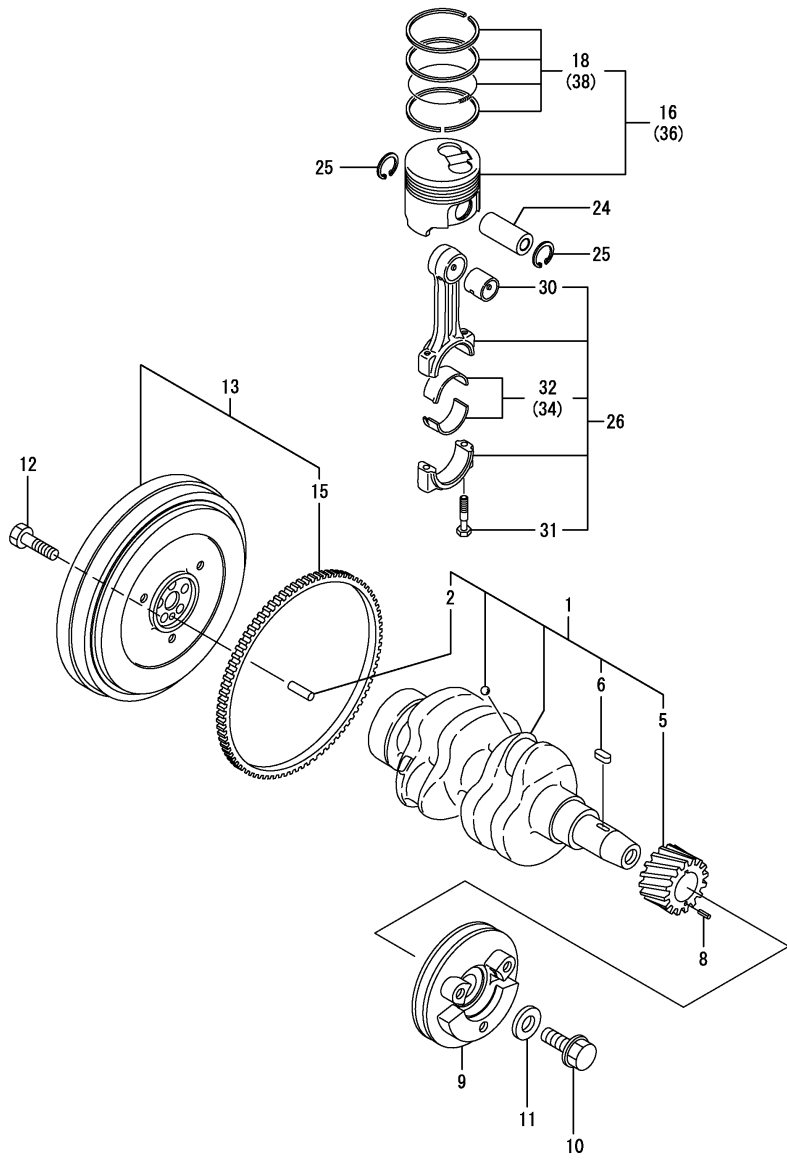
Remarks

(1) REPAIR PART.

Fig.8. CRANKSHAFT & PISTON

(A)=2TNE68-EIK
(B)=
(C)=

(D)=
(E)=
(F)=



No.	Lev.	Parts No.	Description	Q'ty						I	R
				(A)	(B)	(C)	(D)	(E)	(F)		
1	1	119309-21700	CRANKSHAFT ASSY	1							
2	2	129100-01580	PIN, M8X16	1							
5	2	119260-21200	GEAR, CRANKSHAFT	1							
6	2	22512-040120	KEY, 4X 12	1							
8	1	22351-030012	PIN, SPRING 3.0X12	1							
9	1	119325-21670	V-PULLEY	1							
10	1	119621-21680	BOLT, FLANGE 12X1.25	1							
11	1	119620-21941	WASHER	1							
12	1	119620-21500	BOLT, FLYWHEEL	5							
13	1	119325-21580	FLYWHEEL ASSY	1							
15	2	124950-21600	GEAR, RING	1							
16	1	119265-22601	PISTON ASSY	2							
18	2	119265-22500	RING SET, PISTON	2							
24	1	119265-22300	PIN, PISTON	2							
25	1	22252-000200	RING, 20	4							
26	1	119265-23100	ROD ASSY, CONNECTING	2							
30	2	119260-23910	BEARING, PISTON PIN	2							1
31	2	119265-23200	BOLT, CONNECTING ROD	4							
32	2	719260-23600	BEARING, CRANK PIN	2							
34	1	719260-23610	BEARING ASSY, 0.25	2							2
36	1	119265-22930	PISTON ASSY, 0.25 OS	2							3
38	2	119265-22950	RING SET, 0.25 OS	2							3

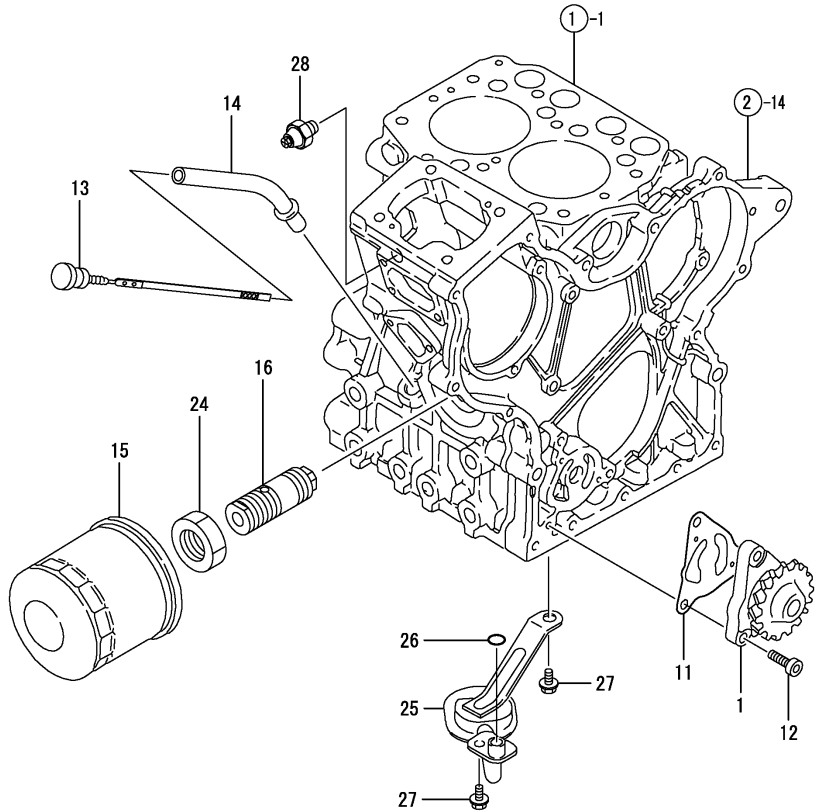
Remarks
 (1) REPAIR PART.
 (2) UNDER-SIZE(U.S=0.25)PART.
 (3) OVER-SIZE(O.S=0.25)PART.

Fig.9. LUB.OIL SYSTEM

(A)=2TNE68-EIK
(B)=
(C)=

(D)=
(E)=
(F)=

No.	Lev.	Parts No.	Description	Qty						I	R
				(A)	(B)	(C)	(D)	(E)	(F)		
1	1	119260-32000	PUMP ASSY, OIL	1							
11	1	119660-32020	GASKET, PUMP	1							
12	1	26450-060202	BOLT, M6X 20	3							
13	1	119325-34840	DIPSTICK, OIL	1							
13-1	1	119332-34880	DIPSTICK, OIL	1							F
(A=E37161)											
14	1	119325-34890	GUIDE, DIPSTICK	1							
14-1	1	119332-34890	GUIDE, DIPSTICK	1							F
(A=E37161)											
15	1	119305-35151	FILTER ASSY, D68XL65	1							1
16	1	119225-35300	VALVE ASSY,OIL PRESS	1							
24	1	129150-35350	NUT	1							
25	1	119332-35080	PIPE ASSY, OIL INLET	1							
26	1	119209-35030	O-RING, P11	1							
27	1	26106-060122	BOLT, M6X 12 PLATED	2							
27-1	1	26106-060102	BOLT, M6X 10 PLATED	2							N
(A=E37161)											
28	1	121252-39450	SWITCH, 0.5KG	1							



Remarks
(1) REPAIR PART.

Fig.10. COOLING WATER SYSTEM

(A)=2TNE68-EIK

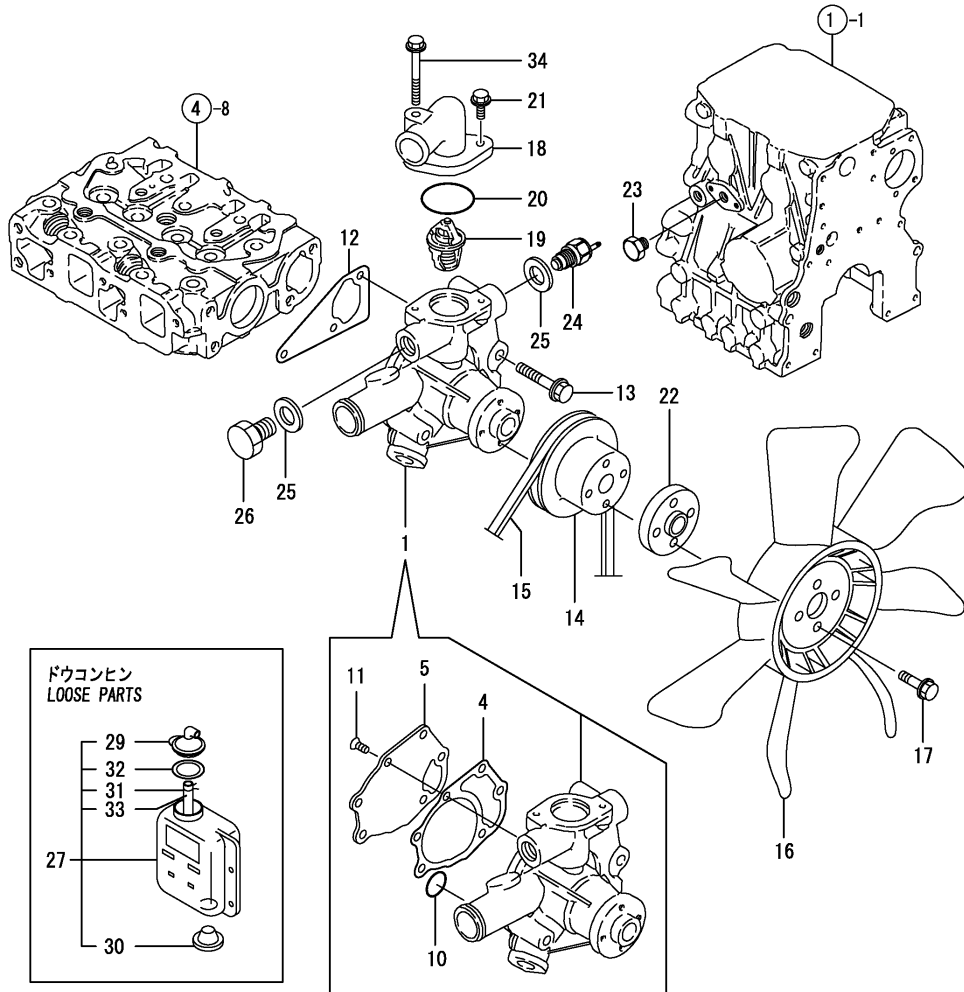
(B)=

(C)=

(D)=

(E)=

(F)=

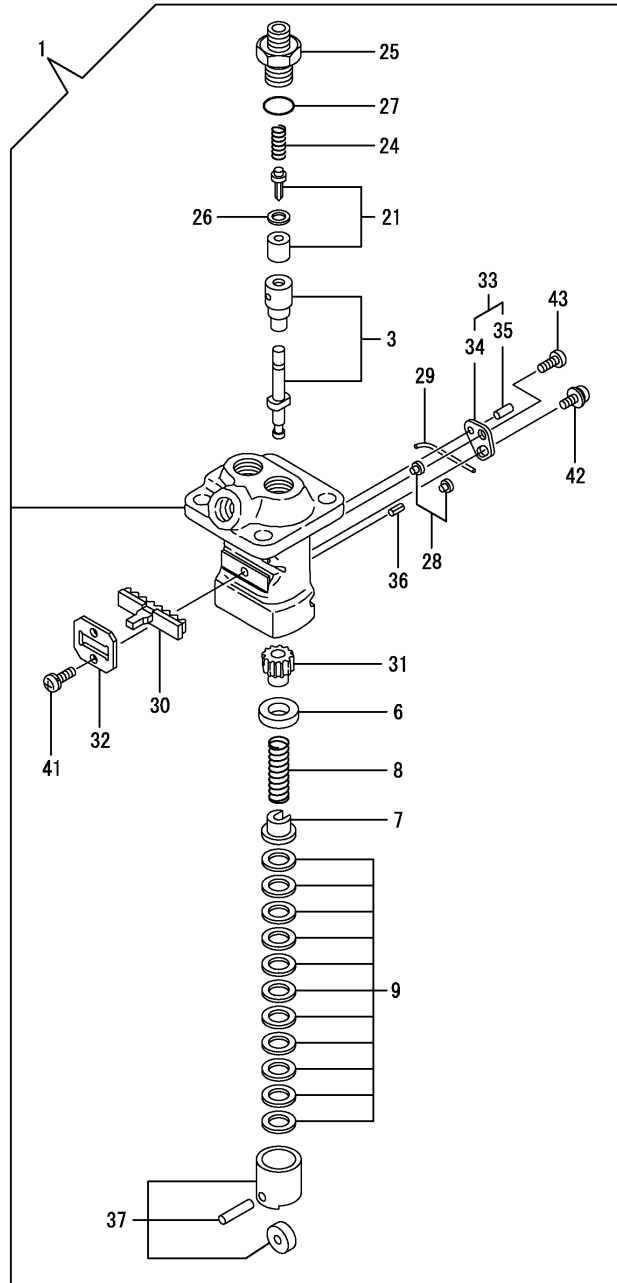


No.	Lev.	Parts No.	Description	Q'ty						I	R
				(A)	(B)	(C)	(D)	(E)	(F)		
1	1	119260-42003	PUMP ASSY, WATER	1							
1-1	1	119260-42004	PUMP ASSY, WATER	1							R
(A=EXXX)											
4	2	119285-42051	GASKET, WATER PUMP	1							
5	2	119285-42120	PLATE	1							
10	2	119209-42320	O-RING, P21 EPDM	1							
11	2	26577-060122	SCREW, M6X12	3							
12	1	119260-42021	GASKET, WATER PUMP	1							
13	1	26106-080452	BOLT, M8X 45 PLATED	3							
14	1	119620-42350	V-PULLEY	1							
15	1	129430-42290	V-BELT, FM32.5	1							
16	1	119325-44740	FAN, COOLING D230X7	1							
17	1	26106-060202	BOLT, M6X 20 PLATED	4							
18	1	119256-49531	COVER, THERMOSTAT	1							
19	1	119260-49801	THERMOSTAT, 71	1							
20	1	119209-42140	O-RING, G 35	1							
21	1	26106-060162	BOLT, M6X 16 PLATED	1							
22	1	124574-44761	SPACER, FAN	1							
23	1	171056-49120	PLUG, DRAIN	1							
24	1	121250-44901	SWITCH, 110	1							
25	1	124465-44950	GASKET, 16	2							
26	1	121450-42450	PLUG, M16	1							
27	1	121468-44510	SUB-TANK ASSY	1							
29	2	121450-44531	CAP	1							
30	2	121468-44540	PLUG, SUB-TANK	1							
31	2	124450-44560	RETAINER	1							
32	2	121470-44581	GASKET	1							
33	2	23065-070130	PIPE, 7X 130	1							
34	1	26106-060552	BOLT, M6X 55 PLATED	1							

Fig.11. FUEL INJECTION PUMP

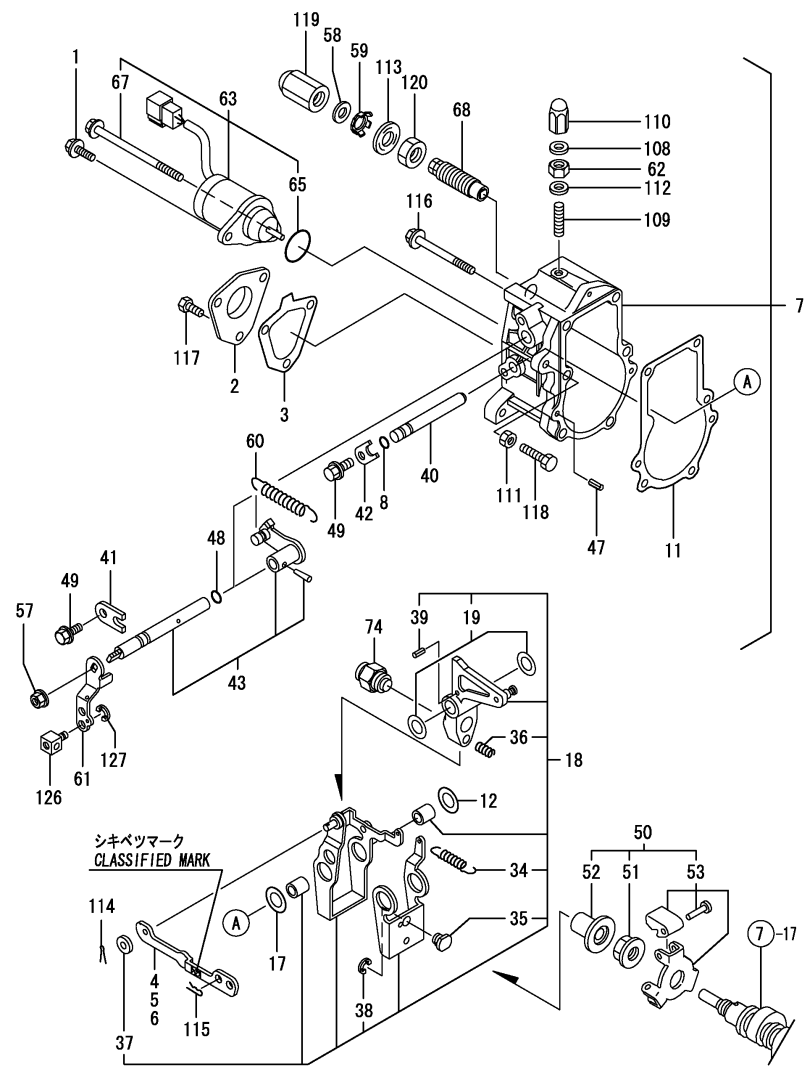
(A)=2TNE68-EIK
(B)=
(C)=

(D)=
(E)=
(F)=



No.	Lev.	Parts No.	Description	Q'ty						I	R
				(A)	(B)	(C)	(D)	(E)	(F)		
1	1	719305-51100	PUMP ASSY, INJECTION	1							
3	2	119225-51100	PLUNGER ASSY	2							
6	2	119620-51170	RETAINER, SPRING A	2							
7	2	119620-51180	RETAINER, SPRING B	2							
8	2	119620-51190	SPRING, PLUNGER	2							
9	2	119620-51250	SHIM SET	2							
21	2	119225-51300	VALVE ASSY, DELIVERY	2							
24	2	105546-51330	SPRING, DELIVERY	2							
25	2	119620-51340	HOLDER, DELIVERY	2							
26	2	119620-51350	GASKET	2							
27	2	119620-51370	O-RING	2							
27-1	2	24316-000125	O-RING, 4DP12.5	2							N
(A=E56189)											
28	2	119620-51450	PIECE	2							
29	2	174307-51460	PIN, LOCK	1							
30	2	119305-51500	RACK, CONTROL	1							
31	2	119620-51510	PINION	2							
32	2	119305-51530	RETAINER, RACK	1							
33	2	119620-51640	PLATE ASSY, ADJUST	1							
34	3	119620-51650	PLATE	1							
35	3	119620-51670	PIN	1							
36	2	119620-51680	PIN	1							
37	2	119620-51700	TAPPET ASSY	2							
41	2	26022-040082	SCREW, M4X 8	2							
42	2	26033-040102	SCREW, M4X10	1							
43	2	119620-51660	SCREW	1							

Fig.12. GOVERNOR



(A)=2TNE68-EIK
(B)=
(C)=

(D)=
(E)=
(F)=

No.	Lev.	Parts No.	Description	Q'ty						I	R
				(A)	(B)	(C)	(D)	(E)	(F)		
1	1	121465-59950	BOLT, M6X16	1							
2	1	119660-61060	COVER, GOVERNOR CASE	1							
3	1	119660-61071	GASKET	1							
4	1	119285-61121	LINK, NO MARK	1							1
4-1	1	119660-61122	LINK, NO MARK	1							N 1
(A=FROM 1ST)											
5	1	119285-61131	LINK, MARK A	1							1
5-1	1	119660-61141	LINK, MARK A	1							N 1
(A=FROM 1ST)											
6	1	119285-61141	LINK, MARK B	1							1
6-1	1	119660-61151	LINK, MARK :B	1							N 1
(A=FROM 1ST)											
7	1	119632-61200	CASE ASSY, GOVERNOR	1							
8	2	129155-51280	O-RING, S6	1							
11	2	119660-61053	GASKET	1							
11-1	2	119660-61054	GASKET	1							R
(A=E44585)											
12	2	119632-61500	SHIM SET	1							
17	2	129156-61500	SHIM, T=0.5	1							
18	2	119232-61510	LEVER ASSY, GOVERNOR	1							
19	3	174307-51700	SHIM SET	2							
34	3	119232-61540	SPRING	1							
35	3	119600-61541	SHIFTER	1							
36	3	119660-61651	SPRING, STARTING	1							
37	3	22117-040000	WASHER, 4	1							
38	3	22272-000040	RING, E- 4	1							
39	3	22351-030014	PIN, SPRING 3.0X14	1							
40	2	119660-61590	SHAFT	1							
41	2	119600-61900	RETAINER, SHAFT	1							
42	2	119660-61901	RETAINER, SHAFT	1							
43	2	119285-66080	SHAFT ASSY	1							
47	2	22351-040010	PIN, SPRING 4.0X10	2							
48	2	24341-000070	O-RING, 1AS7.0	1							
49	2	26106-060102	BOLT, M6X 10 PLATED	2							
50	1	119600-61300	DRIVE ASSY	1							
51	2	119660-61300	NUT	1							
52	2	119660-61341	SLEEVE	1							
53	2	119600-61400	WEIGHT ASSY,GOVERNOR	1							
57	1	26366-080002	NUT, M8	1							
58	1	23414-120016	GASKET, 12X1.0	1							
59	1	129209-61970	PLATE	1							
60	1	119600-66020	SPRING, REGULATOR	1							
61	1	119621-66051	LEVER, REGULATOR	1							
62	1	26857-060002	NUT, M6	1							
63	1	119233-66511	STOPPER ASSY	1							
65	2	24341-000280	O-RING, 1AS28.0	1							
65-1	2	158552-61900	O-RING	1							R
(A=E56189)											
67	2	119620-01530	BOLT	1							
68	1	119600-66530	LIMITER ASSY, FUEL	1							
74	1	119654-66700	ANGLEICH ASSY	1							

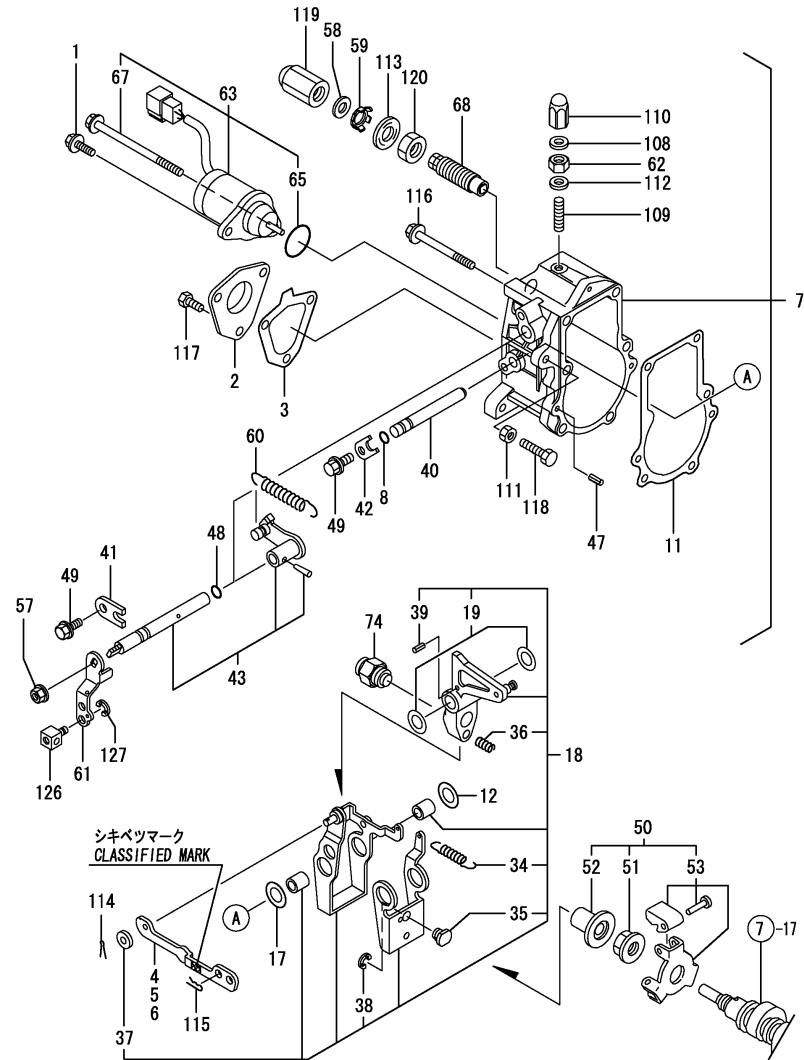
Remarks

(1) SELECTIVE PARTS: CERTAIN THE CLASSIFICATION MARK, THEN PLACE YOUR ORDER(REFER TO ILLUSTRATION)

Fig.12. GOVERNOR

(A)=2TNE68-EIK
(B)=
(C)=

(D)=
(E)=
(F)=

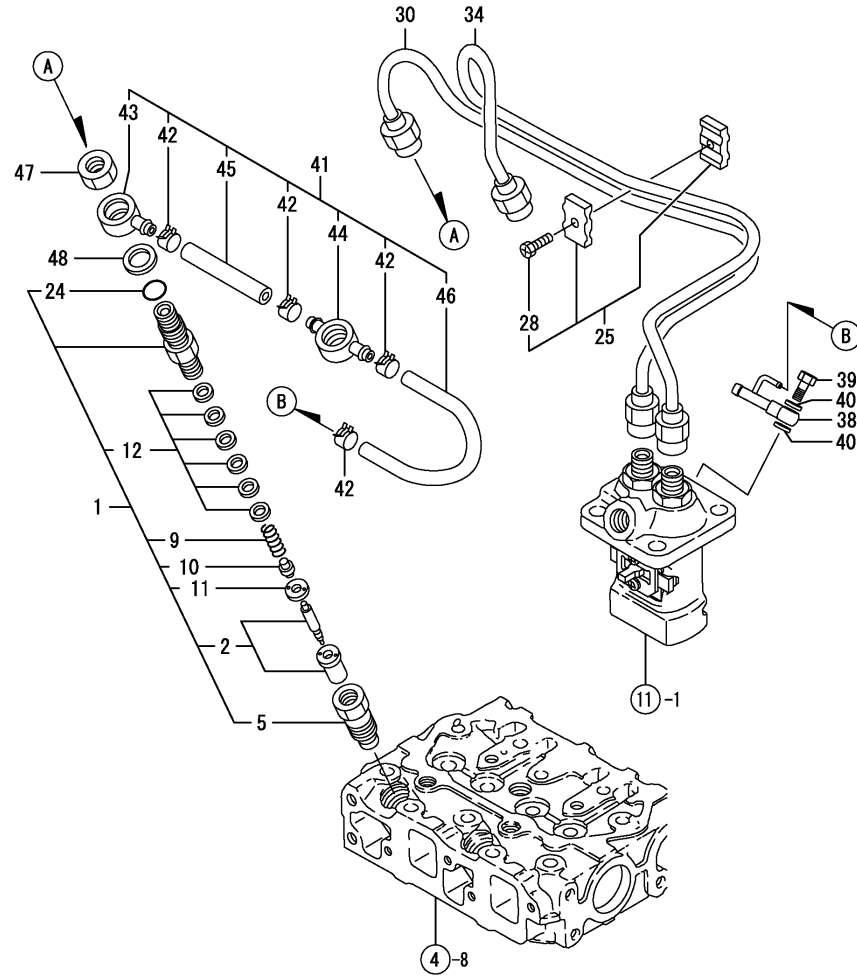


No.	Lev.	Parts No.	Description	Q'ty						I	R
				(A)	(B)	(C)	(D)	(E)	(F)		
108	1	119285-66620	GASKET	1							
109	1	121575-66830	SCREW	1							
110	1	119285-66600	NUT, CAP M6	1							
111	1	26756-060002	NUT, LOCK M6	1							
112	1	22190-060003	WASHER,SEAL 6	1							
113	1	22190-120002	WASHER, SEAL 12	2							
114	1	22360-040000	PIN, SNAP 4	1							
115	1	22360-060000	PIN, SNAP 6	1							
116	1	26106-060702	BOLT, M6X 70 PLATED	5							
117	1	26116-050102	BOLT, M5X 10 PLATED	3							
117-1	1	26106-050102	BOLT, M5X 10 PLATED	3							N
(A=E41979)											
118	1	119266-61460	BOLT	1							
119	1	129100-61930	NUT, CAP	1							
120	1	26736-120002	NUT, M12	1							
126	1	124756-67510	RETAINER	1							
127	1	22272-000070	RING, E- 7	1							

Remarks

(1) SELECTIVE PARTS: CERTAIN THE CLASSIFICATION MARK, THEN PLACE YOUR ORDER(REFER TO ILLUSTRATION)

Fig.13. FUEL INJECTION VALVE



(A)=2TNE68-EIK
(B)=
(C)=

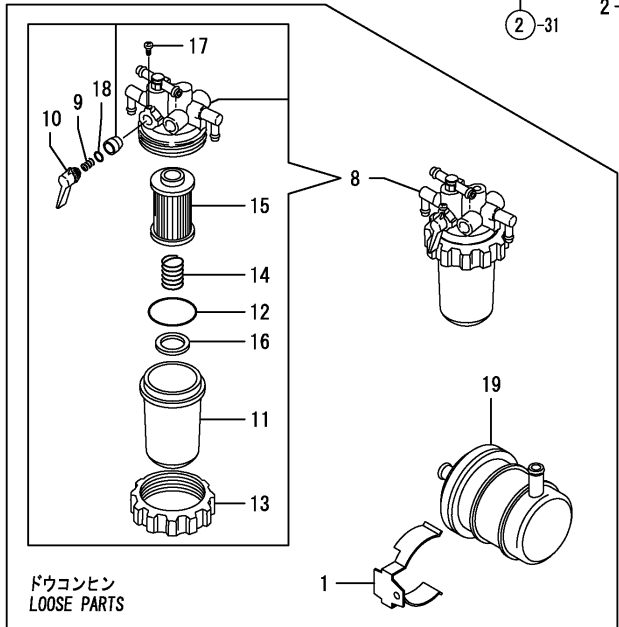
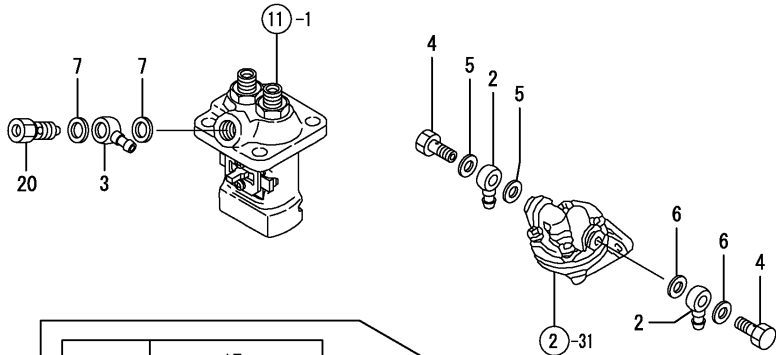
(D)=
(E)=
(F)=

No.	Lev.	Parts No.	Description	Q'ty						I	R
				(A)	(B)	(C)	(D)	(E)	(F)		
1	1	719255-53100	VALVE ASSY,INJECTION	2							
2	2	119620-53000	VALVE ASSY,INJECTION	2							
5	2	119620-53080	NUT, NOZZLE	2							
9	2	119620-53120	SPRING, NOZZLE	2							
10	2	114250-53130	SEAT, SPRING	2							
11	2	119620-53140	SPACER, VALVE STOP	2							
12	2	114250-53400	SHIM SET	2							
24	2	129155-61830	O-RING, S10	2							
24-1	2	158552-51930	O-RING, 4D S10	2							N
(A=EXXX)											
25	1	119305-59120	RETAINER, PIPE	1							
28	2	129150-59131	BOLT, M4X14	1							
30	1	119309-59810	PIPE ASSY, INJECTION	1							
34	1	119309-59820	PIPE ASSY, INJECTION	1							
38	1	119266-59570	JOINT, OVER FLOW	1							
39	1	119266-59580	BOLT, PIPE JOINT M8	1							
40	1	22190-080002	WASHER, SEAL 6	2							
41	1	119520-59540	PIPE ASSY, RETURN	1							
42	2	124066-59100	CLIP, HOSE 8	4							
43	2	119260-59520	JOINT	1							
44	2	119260-59530	JOINT	1							
45	2	105025-59550	PIPE, FUEL RETURN	1							
46	2	119000-59560	PIPE, FUEL RETURN	1							
47	1	119620-59700	NUT, NOZZLE	2							
48	1	22190-140002	WASHER, SEAL 14	2							

Fig.14. FUEL LINE

(A)=2TNE68-EIK
(B)=
(C)=

(D)=
(E)=
(F)=



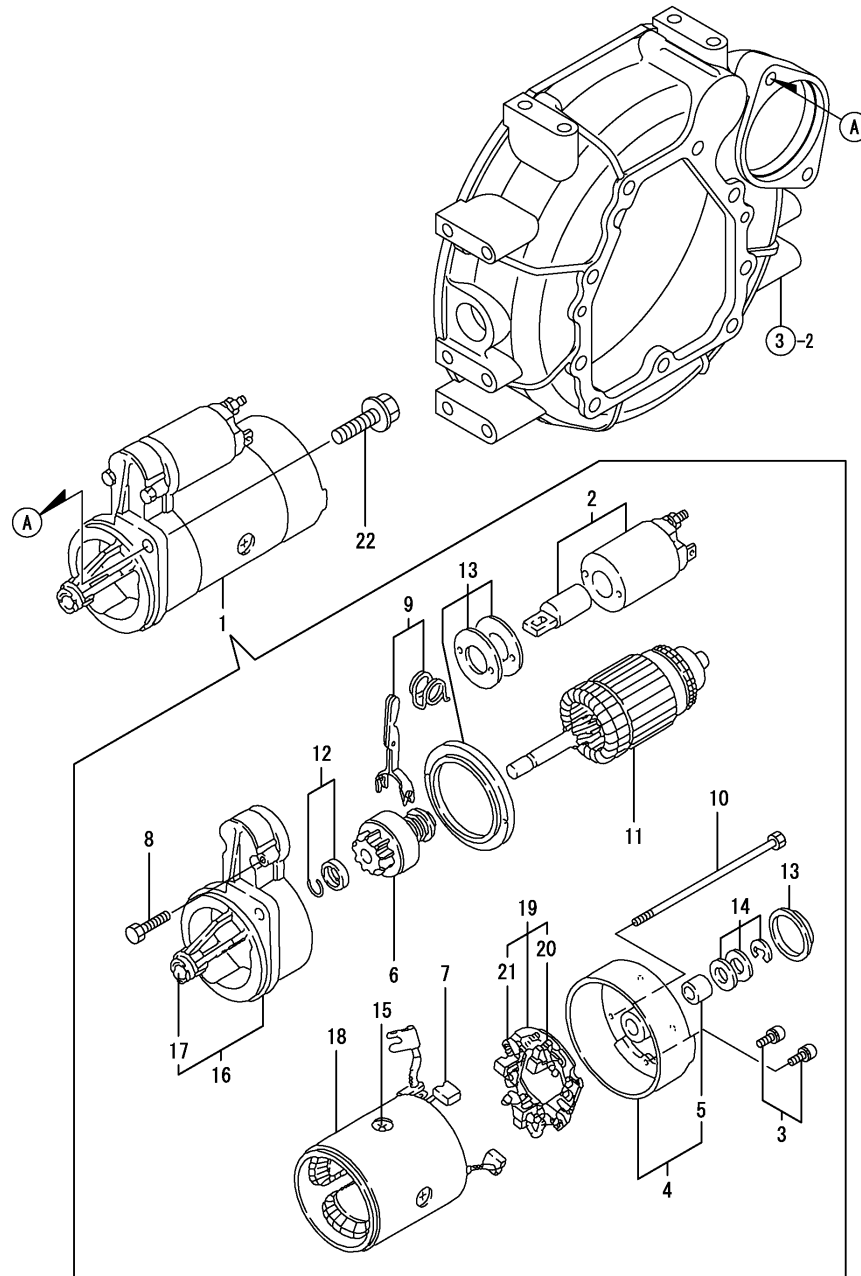
No.	Lev.	Parts No.	Description	Q'ty						I	R
				(A)	(B)	(C)	(D)	(E)	(F)		
1	1	198072-04320	CLAMP, FILTER	1							
2	1	104264-59030	JOINT, PIPE 8	2							
3	1	101304-59020	JOINT, PIPE 12	1							
4	1	105582-59150	BOLT, PIPE JOINT	2							
5	1	22190-080002	WASHER, SEAL 6	2							
6	1	22190-080002	WASHER, SEAL 6	2							
7	1	22190-120002	WASHER, SEAL 12	2							
8	1	129053-55620	FILTER ASSY, FUEL	1							
9	2	104200-55330	SPRING, VALVE	1							
10	2	119810-55340	LEVER	1							
11	2	129107-55510	CUP, STRAINER	1							
12	2	102103-55520	O-RING	1							
13	2	110250-55610	RING, RETAINING	1							
14	2	121257-55720	SPRING	1							
15	2	119810-55650	ELEMENT	1							
16	2	121257-55731	FLOAT	1							
17	2	104200-55750	SCREW, M4	1							
18	2	24311-240100	O-RING, 1AP10A	1							
19	1	129052-55630	FILTER, FUEL	1							
20	1	119462-59190	BOLT ASSY, JOINT	1							
20-1	1	105340-59190	BOLT ASSY, JOINT	1							N

(A=FROM 1ST)

Fig.15. STARTING MOTOR

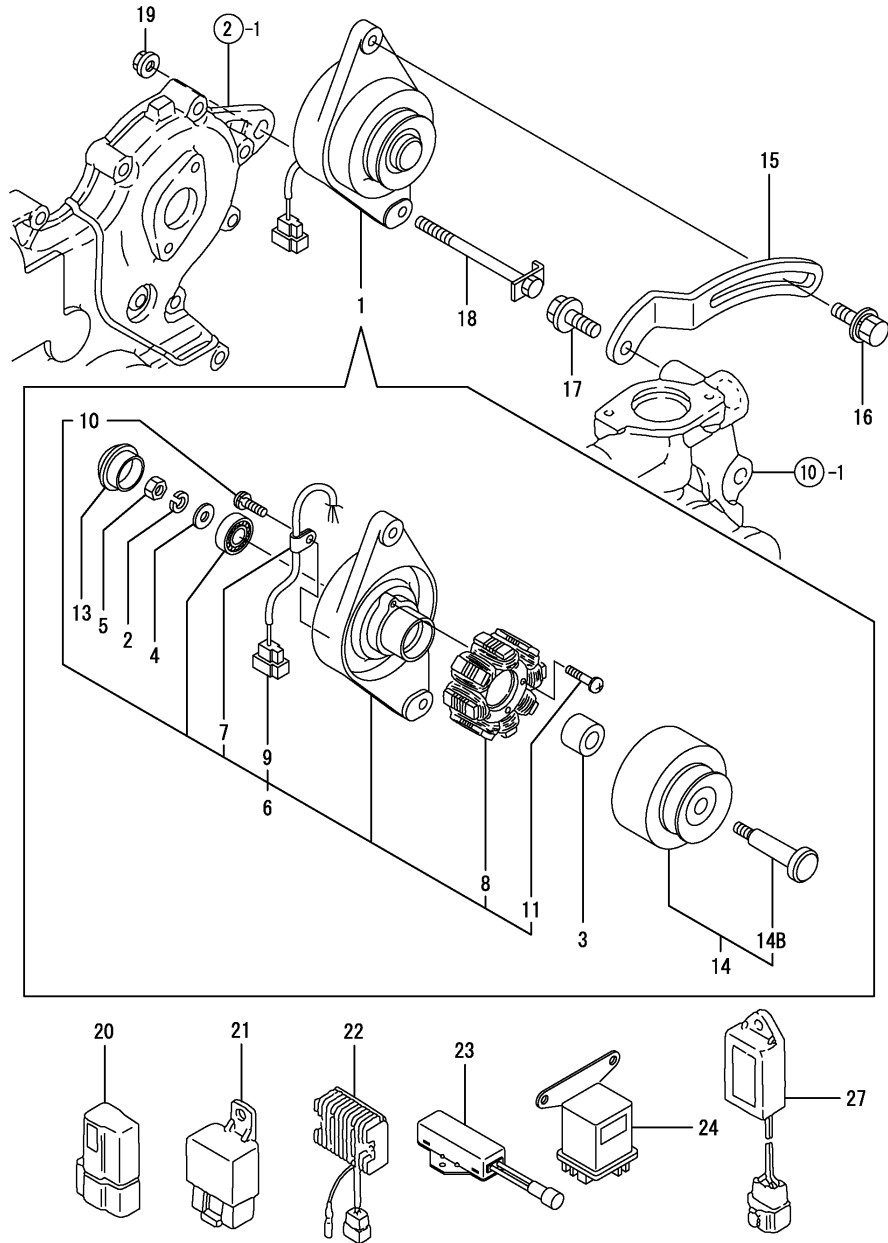
(A)=2TNE68-EIK
(B)=
(C)=

(D)=
(E)=
(F)=



No.	Lev.	Parts No.	Description	Q'ty						I	R
				(A)	(B)	(C)	(D)	(E)	(F)		
1	1	119225-77011	STARTER	1							
2	2	X2114275070	SWITCH, MAGNETIC	1							
3	2	X2114283500	SCREW SET	1							
4	2	X2114430010	COVER ASSY, REAR	1							
5	3	X2114535200	METAL, STARTER	1							
6	2	X2114455040	PINION ASSY	1							
7	2	X2114531200	BRUSH (+)	2							
8	2	X2114586700	BOLT M6X 37	2							
9	2	X2114660130	LEVER KIT, SHIFT	1							
10	2	X2114680050	BOLT, THROUGH	2							
11	2	X2114710080	ARMATURE ASSY	1							
12	2	X2114715500	STOPPER SET, PINION	1							
13	2	X2114780060	COVER ASSY, DUST	1							
14	2	X2114811000	WASHER KIT, THRUST	1							
15	2	X2114821500	SCREW SET	4							
16	2	X2114866060	HOUSING, GEAR	1							
17	3	X2114535200	METAL, STARTER	1							
18	2	X2114921040	COIL ASSY, FIELD	1							
19	2	X2114990010	HOLDER ASSY, BRUSH	1							
20	3	X2114831300	BRUSH (-)	1							
21	3	X2114931400	SPRING, BRUSH	3							
22	1	26106-100252	BOLT, M10X 25 PLATED	2							

Fig.16. GENERATOR



(A)=2TNE68-EIK
(B)=
(C)=

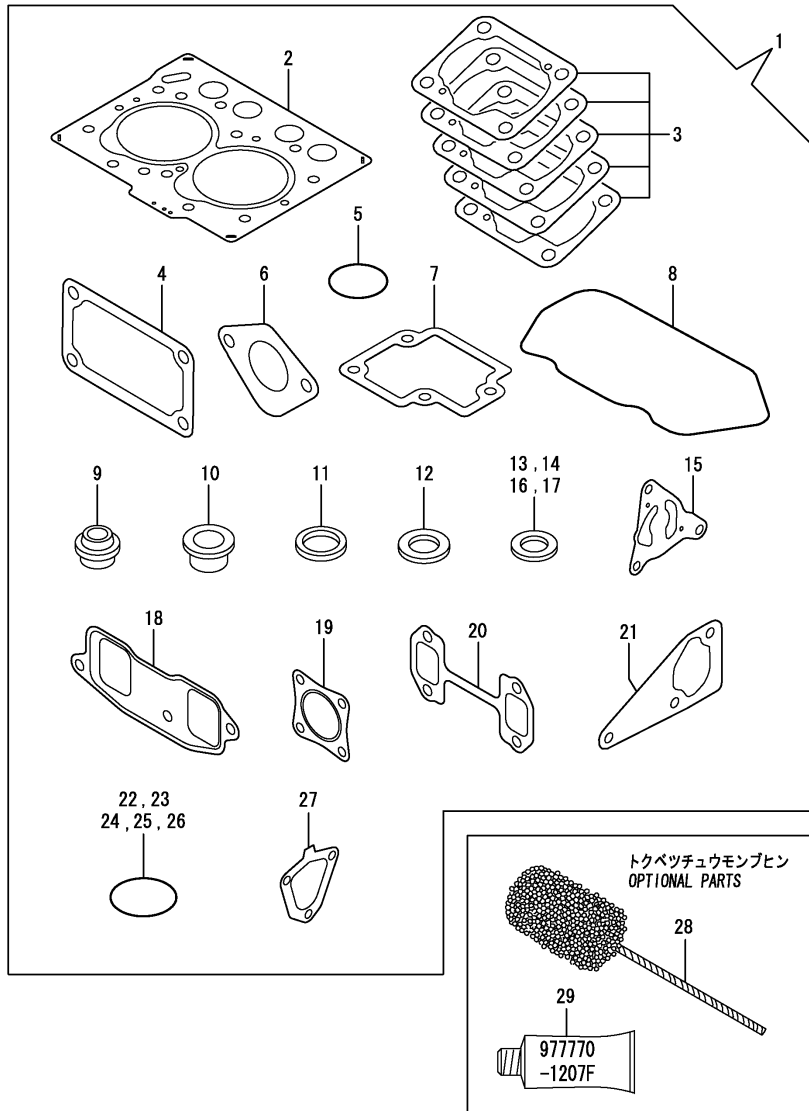
(D)=
(E)=
(F)=

No.	Lev.	Parts No.	Description	Q'ty						I	R
				(A)	(B)	(C)	(D)	(E)	(F)		
1	1	119626-77200	DYNAMO ASSY	1							
2	2	XM219230000	WASHER, SPRING	1							
2-1	2	129188-77200	WASHER, SPRING	1							R
(A=EXXX)											
3	2	XM329830000	COLLAR	1							
3-1	2	129118-77230	COLLAR	1							R
(A=EXXX)											
4	2	XM860250000	WASHER 10	1							
4-1	2	129118-77240	WASHER, 10	1							R
(A=EXXX)											
5	2	XM863720000	NUT	1							
5-1	2	129118-77250	NUT	1							R
(A=EXXX)											
6	2	129118-77210	PLATE ASSY	1							
7	3	XM069000000	CLAMP	1							
7-1	3	129118-77220	CLAMP	1							R
(A=EXXX)											
8	3	X3A02982KA0	STATOR ASSY	1							
9	3	XM771860000	COUPLER	1							
10	3	XYSPS400800	SCREW	1							
10-1	3	129118-77260	SCREW	1							R
(A=EXXX)											
11	3	119259-77250	SCREW	2							
13	2	XM771870000	CAP	1							
14	2	129150-77230	FLYWHEEL ASSY	1							
14B	3	129150-77250	BOLT, FLYWHEEL	1							W
(A=FROM 1ST)											
15	1	119650-77330	ADJUSTER	1							
16	1	26014-080252	BOLT, M8X 25	1							
17	1	26106-080202	BOLT, M8X 20 PLATED	1							
18	1	119325-77250	BOLT, M8X56	1							
19	1	26306-080002	NUT, M8	1							
20	1	119643-66900	DIODE	1							
21	1	119247-77100	RELAY, SAFETY	2							
22	1	119653-77710	LIMITER, CURRENT	1							
23	1	129155-77810	REGISTER	1							
24	1	119650-77910	RELAY ASSY, GLOW	1							
27	1	129211-77920	TIMER	1							

Fig.17. GASKET SET

(A)=2TNE68-EIK
(B)=
(C)=

(D)=
(E)=
(F)=



No.	Lev.	Parts No.	Description	Q'ty						I	R
				(A)	(B)	(C)	(D)	(E)	(F)		
1	1	719325-92650	GASKET SET	1							1
2	2	119309-01330	GASKET, CYL. HEAD	1							
3	2	119305-01950	SHIM SET, ADJUSTING	1							
4	2	119660-01562	GASKET	1							
5	2	24311-000320	O-RING, 1AP32.0	2							
6	2	121520-01851	GASKET	1							
7	2	119305-03031	GASKET	1							
8	2	119305-11310	GASKET, BONNET	1							
9	2	119260-11340	SEAL, VALVE STEM	4							
10	2	119600-11450	PROTECTOR, NOZZLE	2							
11	2	119600-11460	GASKET, NOZZLE	4							
12	2	124465-44950	GASKET, 16	2							
13	2	22190-060003	SEAL WASHER 6	1							
14	2	22190-120002	WASHER, SEAL 12	4							
15	2	119660-32020	GASKET, PUMP	1							
16	2	22190-080002	WASHER, SEAL 6	6							
17	2	22190-140002	WASHER, SEAL 14	2							
18	2	119326-12111	GASKET, MANIFOLD	1							
19	2	121000-13201	GASKET, SILENCER	1							
20	2	119305-13110	GASKET	1							
21	2	119260-42021	GASKET, WATER PUMP	1							
22	2	119209-42140	O-RING, G 35	1							
23	2	24311-000120	O-RING, 1AP12.0	2							
24	2	24341-000240	O-RING, 1AS24.0	1							
25	2	119209-35030	O-RING, P11	1							
26	2	119624-32040	O-RING, P12.0	2							
27	2	119660-61071	GASKET	1							
28	1	129400-92400	FLEX HORN	1							1
29	1	977770-1207F	GASKET.LIQUID	1							1

Remarks
(1) OPTIONAL PART.

Parts No. Index

Parts No.	Fig. No.	Ref. No.
101304-59020	14	3
102103-55520	14	12
104200-55330	14	9
104200-55750	14	17
104264-59030	14	2
105010-11230	4	30
		34
105025-59550	13	45
105027-12550	5	6
105340-59190	14	20 -1
105425-01690	3	14
105546-51330	11	24
105582-59150	14	4
110250-55610	14	13
114250-11120	4	20
114250-11180	4	21
114250-53130	13	10
114250-53400	13	12
119000-59560	13	46
119131-18320	6	5
119209-35030	9	26
	17	25
119209-42140	10	20
	17	22
119209-42320	10	10
119225-35300	9	16
119225-51100	11	3
119225-51300	11	21
119225-77011	15	1
119230-01600	3	2
119232-61510	12	18
119232-61540	12	34
119233-66511	12	63
119247-77100	16	21
119256-49531	10	18
119259-77250	16	11
119260-01510	2	17
119260-01590	2	1
119260-02020	1	6
119260-02800	1	16
119260-02930	1	19
119260-07900	4	5
119260-11100	4	18
119260-11110	4	19
119260-11260	4	40
119260-11270	4	41
119260-11280	4	42
119260-11340	4	24
	17	9
119260-11370	4	25

Parts No.	Fig. No.	Ref. No.
119260-11800	4	13
119260-14100	7	7
119260-14200	7	1
119260-14400	7	2
119260-21200	8	5
119260-23910	8	30
119260-25100	7	11
119260-32000	9	1
119260-42003	10	1
119260-42004	10	1 -1
119260-42021	10	12
	17	21
119260-49801	10	19
119260-59520	13	43
119260-59530	13	44
119265-01250	1	12
119265-11260	4	44
119265-13800	6	6
119265-13810	6	4
119265-13840	6	3
119265-22300	8	24
119265-22500	8	18
119265-22601	8	16
119265-22930	8	36
119265-22950	8	38
119265-23100	8	26
119265-23200	8	31
119266-01200	1	24
119266-02410	1	22
119266-11390	4	53
119266-59570	13	38
119266-59580	13	39
119266-61460	12	118
119285-42051	10	4
119285-42120	10	5
119285-61121	12	4
119285-61131	12	5
119285-61141	12	6
119285-66080	12	43
119285-66600	12	110
119285-66620	12	108
119305-01490	2	14
119305-01760	3	11
119305-01950	2	23
	17	3
119305-03020	4	48
119305-03031	4	49
	17	7
119305-11200	4	28
119305-11240	4	37

Parts No.	Fig. No.	Ref. No.
119305-11310	4	52
	17	8
119305-12150	5	2
119305-13100	6	1
119305-13110	6	2
	17	20
119305-14210	7	17
119305-14580	7	3
119305-35151	9	15
119305-51500	11	30
119305-51530	11	32
119305-59120	13	25
119305-77820	4	59
119309-01330	1	25
	17	2
119309-21700	8	1
119309-59810	13	30
119309-59820	13	34
119325-01791	3	13
119325-11350	4	46
119325-12530	5	5
119325-13530	6	7
119325-21580	8	13
119325-21670	8	9
119325-34840	9	13
119325-34890	9	14
119325-44740	10	16
119325-77250	16	18
119326-12111	5	1
	17	18
119332-34880	9	13 -1
119332-34890	9	14 -1
119332-35080	9	25
119462-59190	14	20
119520-59540	13	41
119600-11450	4	60
	17	10
119600-11460	4	27
	17	11
119600-52021	2	31
119600-61300	12	50
119600-61400	12	53
119600-61541	12	35
119600-61900	12	41
119600-66020	12	60
119600-66530	12	68
119620-01530	12	67
119620-01620	3	6
119620-01750	3	4
119620-01800	2	4

Parts No.	Fig. No.	Ref. No.
119620-02450	7	4
119620-11350	4	6
119620-21500	8	12
119620-21941	8	11
119620-25912	7	13
119620-42350	10	14
119620-51170	11	6
119620-51180	11	7
119620-51190	11	8
119620-51250	11	9
119620-51340	11	25
119620-51350	11	26
119620-51370	11	27
119620-51450	11	28
119620-51510	11	31
119620-51640	11	33
119620-51650	11	34
119620-51660	11	43
119620-51670	11	35
119620-51680	11	36
119620-51700	11	37
119620-53000	13	2
119620-53080	13	5
119620-53120	13	9
119620-53140	13	11
119620-59700	13	47
119621-21680	8	10
119621-66051	12	61
119624-32040	2	6
	17	26
119626-07900	4	5 -1
119626-77200	16	1
119632-07900	4	61
119632-61200	12	7
119632-61500	12	12
119643-66900	16	20
119650-77330	16	15
119650-77910	16	24
119653-77710	16	22
119654-66700	12	74
119655-12560	5	7
119655-12570	5	8
119660-01551	2	20
119660-01562	2	21
	17	4
119660-01570	2	22
119660-01640	3	7
119660-01911	2	5
119660-25022	7	9
119660-25052	7	10

Parts No. Index

Parts No.	Fig. No.	Ref. No.
119660-25920	7	23
119660-25930	7	24
119660-32020	9	11
	17	15
119660-61053	12	11
119660-61054	12	11 -1
119660-61060	12	2
119660-61071	12	3
	17	27
119660-61122	12	4 -1
119660-61141	12	5 -1
119660-61151	12	6 -1
119660-61300	12	51
119660-61341	12	52
119660-61590	12	40
119660-61651	12	36
119660-61901	12	42
119808-12540	5	9
119810-55340	14	10
119810-55650	14	15
121000-13201	6	8
	17	19
121023-01550	2	33
121023-01551	2	33 -1
121120-01620	3	3
121250-44901	10	24
121252-39450	9	28
121257-55720	14	14
121257-55731	14	16
121450-01560	2	18
121450-42450	10	26
121450-44531	10	29
121465-59950	12	1
121468-44510	10	27
121468-44540	10	30
121470-44581	10	32
121520-01851	2	30
	17	6
121575-66830	12	109
124060-01050	1	5
124066-59100	13	42
124085-02220	3	9
124160-01751	2	12
	4	66
	4	56
124160-11360	4	56
124450-44560	10	31
124465-44950	10	25
	17	12
124574-44761	10	22
124756-67510	12	126

Parts No.	Fig. No.	Ref. No.
124950-21600	8	15
129052-55630	14	19
129053-55620	14	8
129100-01580	3	1
	8	2
129100-61930	12	119
129107-55510	14	11
129118-77210	16	6
129118-77220	16	7 -1
129118-77230	16	3 -1
129118-77240	16	4 -1
129118-77250	16	5 -1
129118-77260	16	10 -1
129150-35350	9	24
129150-59131	13	28
129150-77230	16	14
129150-77250	16	14 B
129155-51280	12	8
129155-61830	13	24
129155-77801	4	58
129155-77810	16	23
129156-61500	12	17
129188-77200	16	2 -1
129209-61970	12	59
129211-77920	16	27
129400-92400	17	28
129430-42290	10	15
158552-51930	13	24 -1
158552-61900	12	65 -1
171056-49120	10	23
174307-51460	11	29
174307-51700	12	19
194990-22050	2	28
198072-04320	14	1
22117-040000	12	37
22190-060003	12	112
	17	13
22190-080002	13	40
	14	5
	17	6
	17	16
22190-120002	12	113
	14	7
	17	14
22190-140002	13	48
	17	17
22190-160002	3	16
22242-000100	4	43
22242-000200	7	15
22252-000200	8	25

Parts No.	Fig. No.	Ref. No.
22272-000040	12	38
22272-000070	12	127
22351-030012	8	8
22351-030014	12	39
22351-040010	2	19
	12	47
22351-060012	4	26
22360-040000	12	114
22360-060000	12	115
22512-040120	7	8
		21
	8	6
22857-500100	4	55
23065-070130	10	33
23065-120800	4	1
23414-120016	12	58
23876-020000	4	16
24101-062034	7	25
24102-063034	7	22
24311-000120	4	57
	17	23
24311-000320	2	13
	4	67
	17	5
24311-240100	14	18
24316-000125	11	27 -1
24341-000070	12	48
24341-000240	2	34
	17	24
24341-000280	12	65
26014-080252	16	16
26022-040082	11	41
26033-040102	11	42
26106-050102	12	117 -1
26106-060102	3	17
	9	27 -1
	12	49
26106-060122	1	23
	4	62
	7	16
	9	27
26106-060162	2	7
		32
		35
	5	3
	10	21
26106-060202	10	17
26106-060222	3	10
26106-060282	5	4
26106-060302	2	8

Parts No.	Fig. No.	Ref. No.
26106-060402	2	9
26106-060452	3	18
26106-060502	2	10
26106-060552	10	34
26106-060652	2	11
26106-060702	12	116
26106-080142	4	7
26106-080202	16	17
26106-080452	10	13
26106-100252	15	22
26116-050102	12	117
26206-100252	3	5
26306-080002	4	45
	16	19
26366-060002	2	29
26366-080002	12	57
26450-060202	9	12
26577-060122	10	11
26736-120002	12	120
26756-060002	12	111
26856-060002	4	32
		36
26857-060002	12	62
27221-050080	4	17
27221-060100	1	11
27241-100000	1	13
27241-250000	1	14
27241-300000	1	15
27241-350000	4	15
27310-055001	4	22
719255-53100	13	1
719260-02870	1	26
719260-11650	4	29
719260-11660	4	33
719260-23600	8	32
719260-23610	8	34
719305-51100	11	1
719325-01560	1	1
719325-11700	4	8
719325-92650	17	1
977770-1207F	2	36
	3	19
	17	29
X2114275070	15	2
X2114283500	15	3
X2114430010	15	4
X2114455040	15	6
X2114531200	15	7
X2114535200	15	5
		17

Parts No. Index

Parts No.	Fig. No.	Ref. No.
X2114586700	15	8
X2114660130	15	9
X2114680050	15	10
X2114710080	15	11
X2114715500	15	12
X2114780060	15	13
X2114811000	15	14
X2114821500	15	15
X2114831300	15	20
X2114866060	15	16
X2114921040	15	18
X2114931400	15	21
X2114990010	15	19
X3A02982KA0	16	8
XM069000000	16	7
XM219230000	16	2
XM329830000	16	3
XM771860000	16	9
XM771870000	16	13
XM860250000	16	4
XM863720000	16	5
XYSPS400800	16	10

Parts No.	Fig. No.	Ref. No.
-----------	----------	----------

Parts No.	Fig. No.	Ref. No.
-----------	----------	----------

Parts No.	Fig. No.	Ref. No.
-----------	----------	----------