

OCD10-M78400EN

PREFACE

1. This parts catalog is the Second edition of 4TNV106T-XTBL for Takeuchi Mfg. Co., Ltd.
2. This parts catalog does not contain the technical data needed for maintenance service.
3. The illustrations used in this parts catalog have been simplified for clarity.

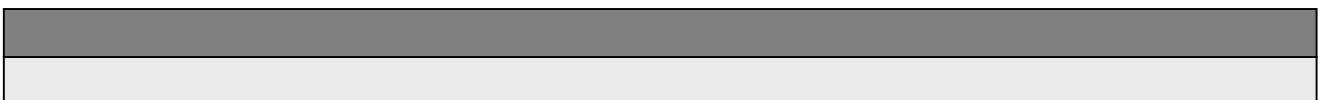
Pub. No.: 000Y00D7840

Published: March.,2003

4. Model name

Engine model	Vehicle		Vehicle made by
	Products	Model name	
4TNV106T-XTBL	CRAWLER LOADER	TL150 (L9A)	Takeuchi Mfg. Co., Ltd.

5. The contents of this parts catalog are subject to change without prior notice.



Directions for the Parts Catalog.

1. This Parts Catalog shows both standard and optional parts.
2. Parts may change without prior notice.
3. The following is an example of the Parts Catalog format.

REF.	LEV.	PARTS NO.	DESCRIPTION	Q'TY						I	R
				(A)	(B)	(C)	(D)	(E)	(F)		
1	1	729595-51390	FUEL INJECTION PUMP	1	1	1	1	1			1
1-1	1	729595-51391	FUEL INJECTION PUMP	1	1	1	1	1		N	1
		(A=E00185) (B=E00200)									
3	2	26022-060162	SCREW M 6X 16	9	9	9	9	9			
3-1	2	26022-060162	SCREW M 6X 16	4	4	4	4	4		K	
		(A=E00156) (B=E00156) (C=E00156) (D=E00156) (E=E00156)									
4	2	129470-51040	CAMSHAFT	1	1	1	1	1			
5	2	122710-51050	BEARING, ROLLER	2	2	2	2	2			
6	2	129470-51060	RETAINER	1	1	1	1	1			

Remarks
(1) BOOST COMPEMSATOR TYPE. OPTIONAL PART, TO E00155,(4JH-DT, 4JH-DTZ

① Ref. No.

The Ref. No. listed may not be in accordance with the illustration Ref. No.

(Ex.) Illustration No.

List Ref No.

1

1

(Before change)

1-1

(After change)

For interchangeable symbols N, R and K, illustrations for new parts may be abbreviated.

② Lev. (Level)

Level indication

The numbers below indicate the level of relativity towards the main part.

1 ----- Main parts (Assembly parts)

2 ----- Sub component included in " 1 ".

3 ----- Sub component included in " 2 ".

Note) Parts that are not for sale are partially illustrated but not listed.

③ Interchangeability Symbol

When a part change takes place, one of the following interchangeability symbols is indicated beside the part.

Symbol	Interchangeability	Contents note
N	Old $\begin{matrix} \leftarrow \text{Yes} \\ \text{No} \rightarrow \end{matrix}$ New	New Part is interchangeable for Old Part but Old Part is not interchangeable for New Part.
Q	Old $\begin{matrix} \leftarrow \text{No} \\ \text{Yes} \rightarrow \end{matrix}$ New	New Part is not interchangeable for Old Part but Old Part is interchangeable for New Part.
R	Old $\begin{matrix} \leftarrow \text{Yes} \\ \text{Yes} \rightarrow \end{matrix}$ New	New/ Old Parts are both interchangeable.
S	Old $\begin{matrix} \leftarrow \text{No} \\ \text{No} \rightarrow \end{matrix}$ New	New/ Old Parts are both not interchangeable.
W		Part newly added.
Z		Part discontinued.
F		Not interchangeable by a single part but interchangeable together with related parts.
K		Changes only for used parts quantities.

④ Effective Machine No.

When a part changes, the effective Machine No. will be indicated in the (A)-(F) column.

Product Symbol	Product No.	Product Symbol	Product No.
C	Clutch No. Compressor No.	F	Machine No. (Agricultural Equip.)
D	Drive No.	M	Machine No.
E	Engine No.		

Note 1) A date may follow the symbol. (Ex.) 1996.01

Note 2) "XXXXX" and "ZZZZZ" are for parts that could not be predicted or for engine models that could not be identified.

Note 3) (A=E00185) is the E (Engine Serial Number) for the column (A) model (in this case 4JH-DT) after the parts design change.

⑤ Remarks

Figures or alphabets (symbols) are entered in the remarks column.

The comments (remarks) on parts that are indicated at the bottom of the illustration are the same symbols as those stated above.

Contents

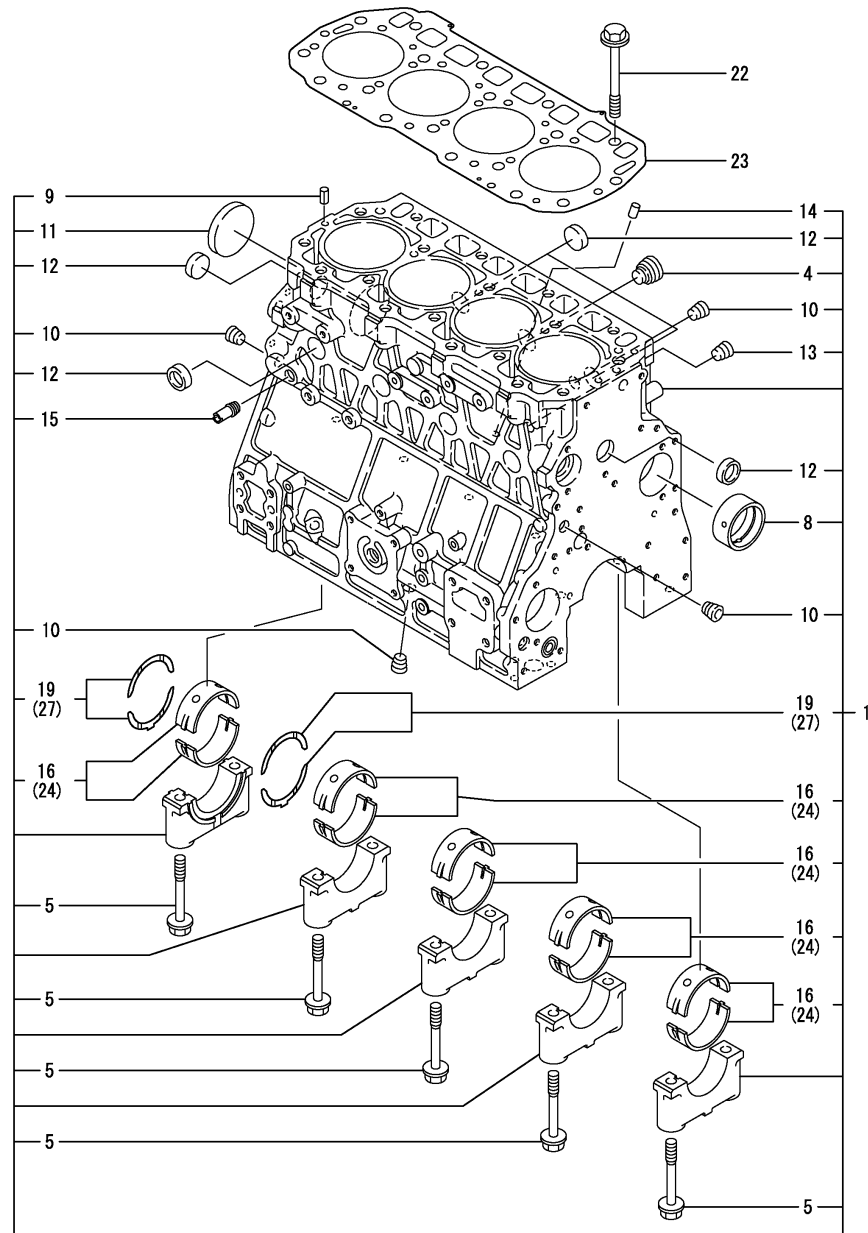
Fig. No. Fig. Name

4TNV106T-XTBL

1. CYLINDER BLOCK
2. GEAR HOUSING
3. FLYWHEEL HOUSING & OIL SUMP
4. CYLINDER HEAD & BONNET
5. SUCTION MANIFOLD & AIR CLEANER
6. EXHAUST MANIFOLD & SILENCER
7. CAMSHAFT & DRIVING GEAR
8. TURBINE
9. CRANKSHAFT & PISTON
10. LUB.OIL SYSTEM
11. LUB.OIL LINE
12. COOLING WATER SYSTEM
13. FUEL INJECTION PUMP
14. FUEL INJECTION VALVE
15. FUEL LINE
16. STARTING MOTOR
17. GENERATOR
18. GASKET SET

Fig. No. Fig. Name

Fig.1. CYLINDER BLOCK



(A)=4TNV106TXTBL

(B)=

(C)=

(D)=

(E)=

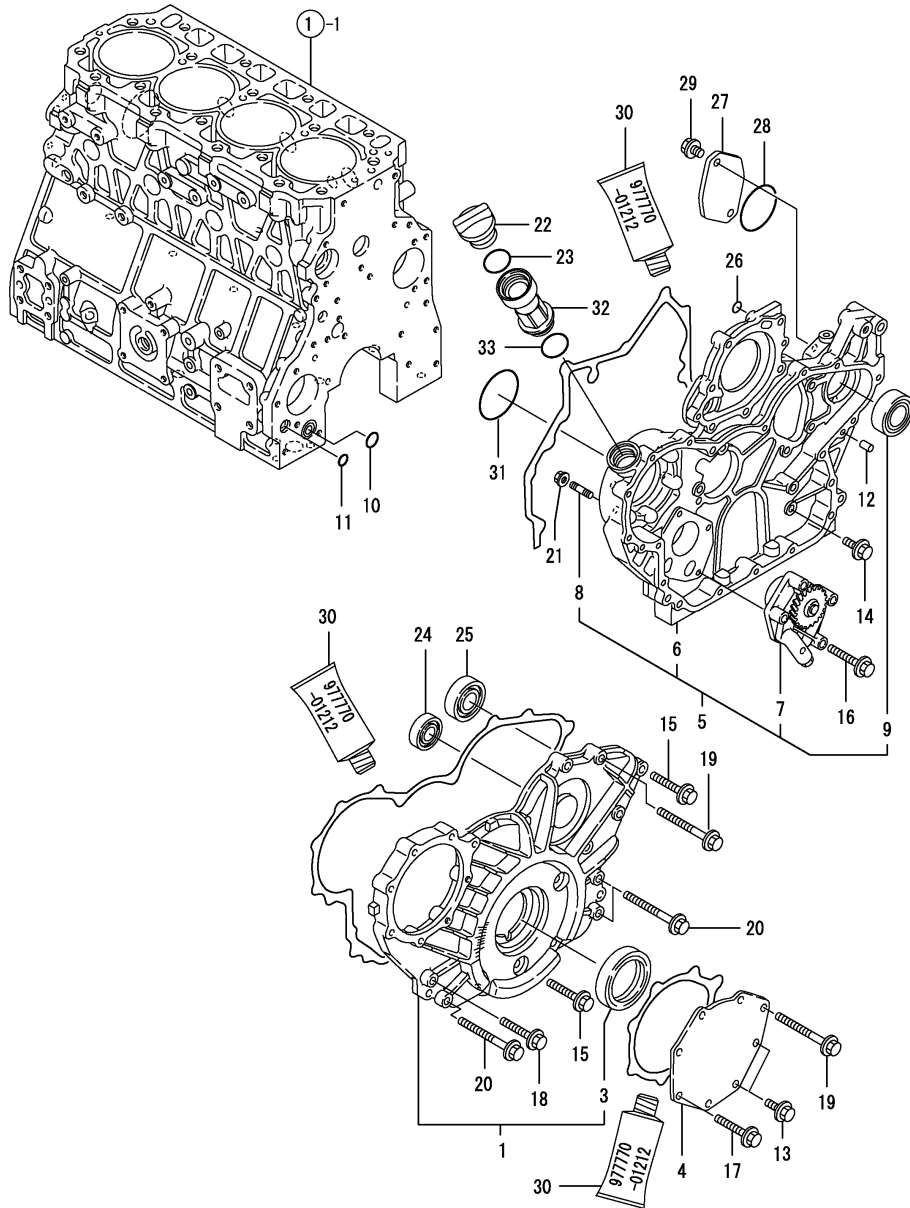
(F)=

No.	Lev.	Parts No.	Description	Q'ty						I	R
				(A)	(B)	(C)	(D)	(E)	(F)		
1	1	723907-01560	BLOCK ASSY, CYLINDER	1							
4	2	171051-01921	PLUG, NPTF1	1							
5	2	123900-02020	BOLT, METAL CAP	10							
8	2	123900-02410	BUSH	1							
9	2	22351-060012	PIN, SPRING 6.0X12	2							
10	2	23875-030000	PLUG, R03	4							
11	2	27231-700000	PLUG, 70	1							
12	2	27241-300000	PLUG 30	8							
13	2	23875-030000	PLUG, R03	1							
14	2	27225-120160	PLUG, 12X16	1							
15	2	121851-11970	JOINT, PIPE	1							
16	2	123900-02800	BEARING, MAIN	5							
19	2	123900-02930	BEARING, THRUST	2							
22	1	119174-01200	BOLT, HEAD	18							
23	1	123907-01349	GASKET, HEAD	1							
24	1	123900-02340	BEARING, 0.25 US	5							1
27	1	123900-02940	BEARING, THRUST 0.25	2							2

Remarks

- (1) UNDER-SIZED(U.S=0.25)PART.
- (2) OVER-SIZED(O.S=0.25)PART.

Fig.2. GEAR HOUSING



(A)=4TNV106TXTBL

(B)=

(C)=

(D)=

(E)=

(F)=

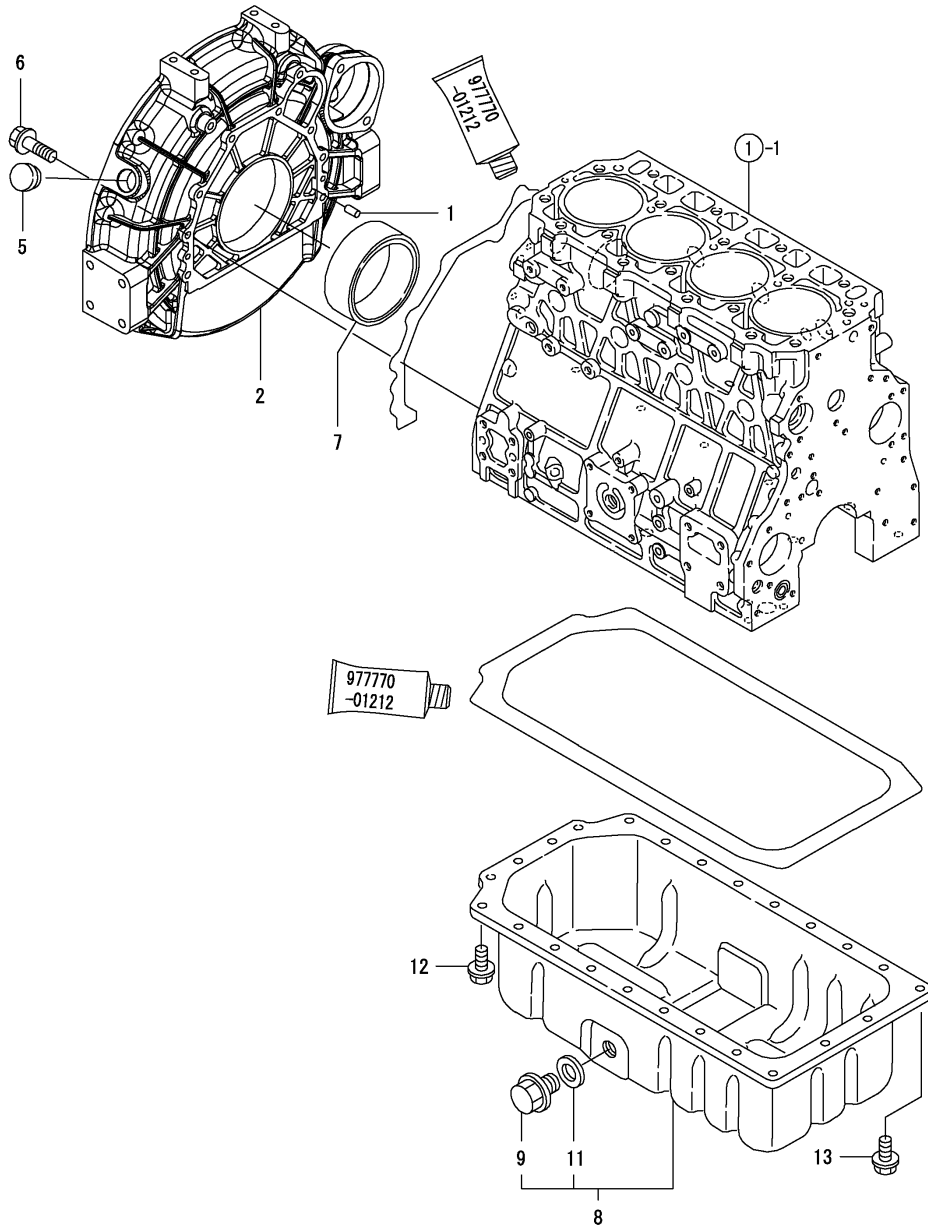
No.	Lev.	Parts No.	Description	Q'ty						I	R
				(A)	(B)	(C)	(D)	(E)	(F)		
1	1	723900-01590	COVER ASSY,GEAR CASE	1							
1-1	1	723900-01591	COVER ASSY,GEAR CASE	1							F 2
(A=EV15955)											
3	2	123900-01780	SEAL, OIL	1							
3-1	2	123946-01780	SEAL, OIL	1							F 2
(A=EV15955)											
4	1	123900-01740	COVER	1							
5	1	123907-01810	CASE ASSY, GEAR	1							
6	2	123907-01500	CASE, GEAR	1							
7	2	123900-32001	PUMP ASSY, OIL	1							
8	2	121850-01900	STUD, SB10X32	4							
9	2	24101-062060	BEARING, BALL 6206C3	1							
10	1	129900-32030	O-RING, P20	1							
11	1	129900-32040	O-RING, P14	1							
12	1	22312-080160	PIN, PARALLEL M8X16	4							
13	1	26106-080202	BOLT, M8X 20 PLATED	2							
14	1	26106-080202	BOLT, M8X 20 PLATED	5							
15	1	26106-080402	BOLT, M8X 40 PLATED	6							
16	1	26106-080452	BOLT, M8X 45 PLATED	4							
17	1	26106-080452	BOLT, M8X 45 PLATED	5							
18	1	26106-080502	BOLT, M8X 50 PLATED	1							
19	1	26106-080702	BOLT, M8X 70 PLATED	5							
20	1	26106-080802	BOLT, M8X 80 PLATED	3							
21	1	26306-100002	NUT, M10	4							
22	1	124160-01751	COVER, FILLER	1							
23	1	24311-000320	O-RING, 1AP32.0	1							
24	1	24101-062054	BEARING, BALL 6205	1							
25	1	24101-062060	BEARING, BALL 6206C3	1							
26	1	24311-000110	O-RING, 1AP11.0	1							
27	1	121023-26070	COVER	1							
28	1	24321-000850	O-RING, 1AG85.0	1							
29	1	26106-100222	BOLT, M10X 22 PLATED	2							
30	1	977770-01212	GASKET, LIQUID	1							1
31	1	24351-030750	O-RING, 1A3075	1							
32	1	171031-11741	PIPE	1							
33	1	24311-000320	O-RING, 1AP32.0	1							

Remarks

(1) OPTIONAL PART.

(2) FIG.NO.9 REF.NO.7-1,8-1,9-1 & 39 INTERCHANGEABLE BY SET.

Fig.3. FLYWHEEL HOUSING & OIL SUMP



(A)=4TNV106TXTBL

(B)=

(C)=

(D)=

(E)=

(F)=

No.	Lev.	Parts No.	Description	Qty						I	R
				(A)	(B)	(C)	(D)	(E)	(F)		
1	1	129100-01580	PIN, M8X16	2							
2	1	123900-01620	HOUSING, FLYWHEEL	1							
5	1	119575-01750	CAP	1							
5-1	1	119620-01750	CAP	1							R
		(A=*2009.11)									
6	1	26106-100352	BOLT, M10X 35 PLATED	10							
7	1	123672-01782	SEAL, SD105X135X14L	1							
8	1	123900-01710	SUMP ASSY, OIL	1							
9	2	119640-01640	PLUG, DRAIN M22	1							
11	2	22190-220002	WASHER, SEAL 22	1							
12	1	26106-080122	BOLT, M8X 12 PLATED	22							
13	1	26106-080162	BOLT, M8X 16 PLATED	4							

Fig.4. CYLINDER HEAD & BONNET

(A)=4TNV106TXTBL

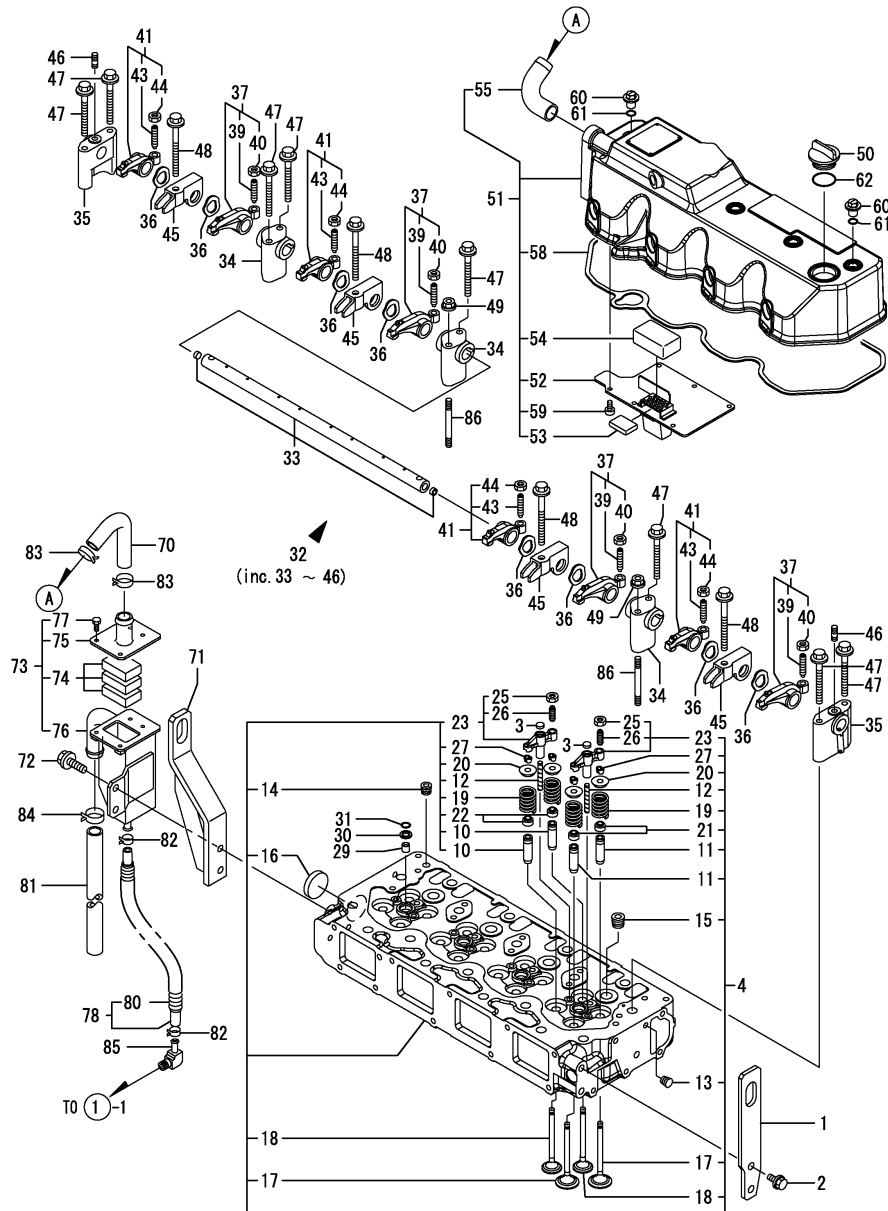
(B)=

(C)=

(D)=

(E)=

(F)=

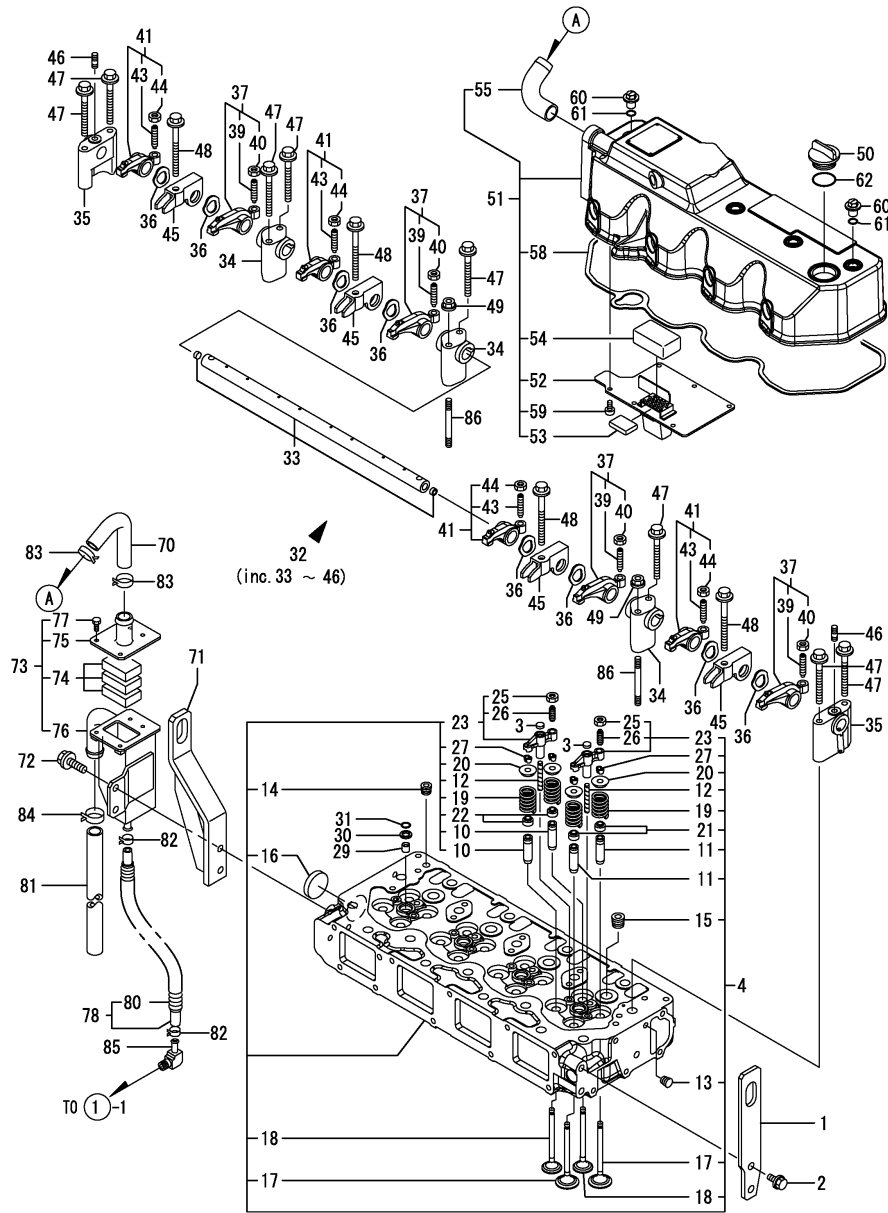


No.	Lev.	Parts No.	Description	Q'ty						I	R
				(A)	(B)	(C)	(D)	(E)	(F)		
1	1	123907-07900	LIFTER	1							
2	1	26106-100202	BOLT, M10X 20 PLATED	2							
3	1	123907-11550	SEAT, VALVE BRIDGE	8							
4	1	723907-11100	HEAD ASSY, CYLINDER	1							1
10	2	120325-11160	GUIDE, VALVE	8							
11	2	123907-11160	GUIDE, VALVE	8							
12	2	123907-11820	GUIDE	8							
13	2	23876-005000	PLUG, R005	1							
14	2	23876-020000	PLUG, R02	1							
15	2	23876-030000	PLUG, R03	4							
16	2	27241-400000	PLUG, 40	1							
17	2	123907-11100	VALVE, INTAKE	8							
18	2	123907-11110	VALVE, EXHAUST	8							
19	2	123907-11120	SPRING, VALVE	16							
20	2	123907-11180	RETAINER, SPRING	16							
21	2	124160-11340	SEAL, VALVE STEM	8							
22	2	124950-11340	SEAL, VALVE STEM	8							
23	2	123907-11510	BRIDGE ASSY, VALVE	8							
25	3	129150-11750	NUT, M8	8							
26	3	123907-11830	ADJUSTER	8							
27	2	27310-070001	COTTER, 7	16							
29	1	119802-11870	PROTECTOR, NOZZLE	4							
30	1	119625-11880	SEAT, NOZZLE	4							
31	1	24311-000120	O-RING, 1AP12.0	4							
32	1	123907-11340	SUPPORT ASSY, ARM	1							
33	2	123907-11250	SHAFT, ROCKER ARM	1							
34	2	123907-11260	SUPPORT, ROCKER ARM	3							
35	2	123907-11270	SUPPORT, ROCKER ARM	2							
36	2	123907-11280	WASHER	8							
37	2	123907-11650	ARM, ROCKER	4							
39	3	129150-11230	SCREW, VALVE ADJUST	4							
40	3	129150-11750	NUT, M8	4							
41	2	123907-11660	ARM, ROCKER	4							
43	3	129150-11230	SCREW, VALVE ADJUST	4							
44	3	129150-11750	NUT, M8	4							
45	2	123907-11900	RETAINER, NOZZLE	4							
46	2	26226-080302	STUD, M8X 30	2							
47	1	26106-080752	BOLT, M8X 75 PLATED	8							
48	1	26106-080902	BOLT, M8X 90 PLATED	4							
49	1	26306-080002	NUT, M8	2							
50	1	124160-01751	COVER, FILLER	1							
51	1	123908-11320	BONNET ASSY, HEAD	1							
52	2	123907-03010	PLATE	1							
53	2	123907-03060	BAFFLE, BREATHER	1							
54	2	123907-03070	BAFFLE, BREATHER	1							
55	2	123900-03220	JOINT	1							
58	2	123907-11310	GASKET, BONNET	1							
59	2	22857-500100	SCREW, 5X10	6							
60	1	124160-11360	KNOB	4							
61	1	24311-000120	O-RING, 1AP12.0	4							
62	1	24311-000320	O-RING, 1AP32.0	1							

Remarks

(1) Model Label to EV00872 Fig.6
 Ref.No.1-1,2-1,3-1,5-1,6-1,9-1,
 10-1 interchangeable by set.

Fig.4. CYLINDER HEAD & BONNET



(A)=4TNV106TXTBL

(B)=

(C)=

(D)=

(E)=

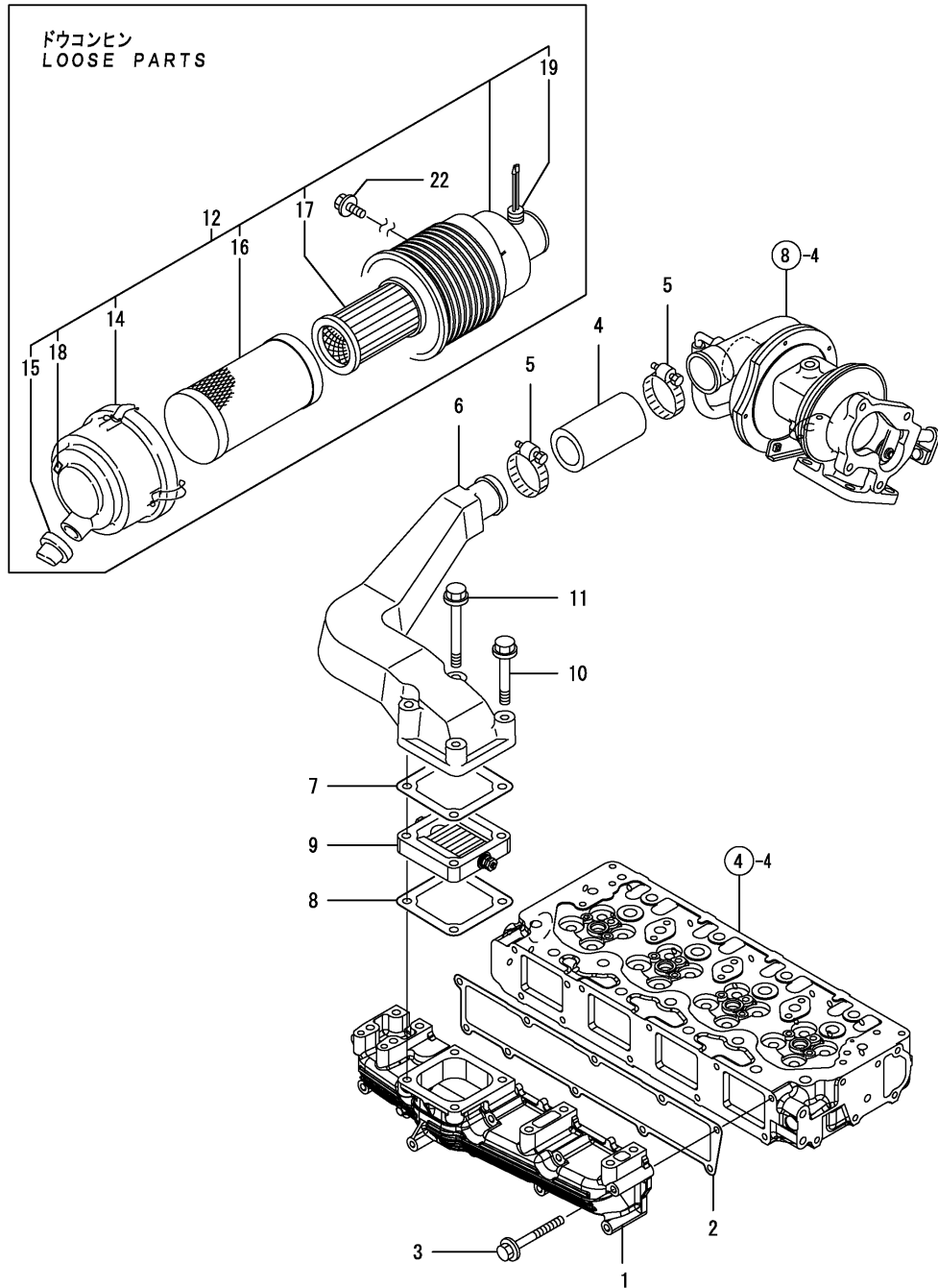
(F)=

No.	Lev.	Parts No.	Description	Qty						I	R
				(A)	(B)	(C)	(D)	(E)	(F)		
70	1	123901-03090	HOSE, BREATHER	1							
71	1	123912-07900	LIFTER	1							
72	1	26106-100252	BOLT, M10X 25 PLATED	2							
73	1	123901-03270	BREATHER ASSY	1							
74	2	123901-03240	FILTER	3							
75	2	123901-03250	COVER, BREATHER	1							
76	2	123901-03260	BREATHER	1							
77	2	26116-050102	BOLT, M5X 10 PLATED	4							
78	1	123912-03300	HOSE ASSY, RETURN	1							
80	2	123912-03270	TUBE, CORRUGATED	1							
81	1	123951-03090	HOSE, BREATHER	1							
82	1	23000-016000	CLAMP, 16	2							
83	1	23000-041000	CLAMP, 41	2							
84	1	23000-041000	CLAMP, 41	1							
85	1	123901-03280	ELBOW, PT3/8-10	1							
86	1	123907-11390	STUD, M8X95	2							

Remarks

(1) Model Label to EV00872 Fig.6
 Ref.No.1-1,2-1,3-1,5-1,6-1,9-1,
 10-1 interchangeable by set.

Fig.5. SUCTION MANIFOLD & AIR CLEANER



(A)=4TNV106TXTBL

(B)=

(C)=

(D)=

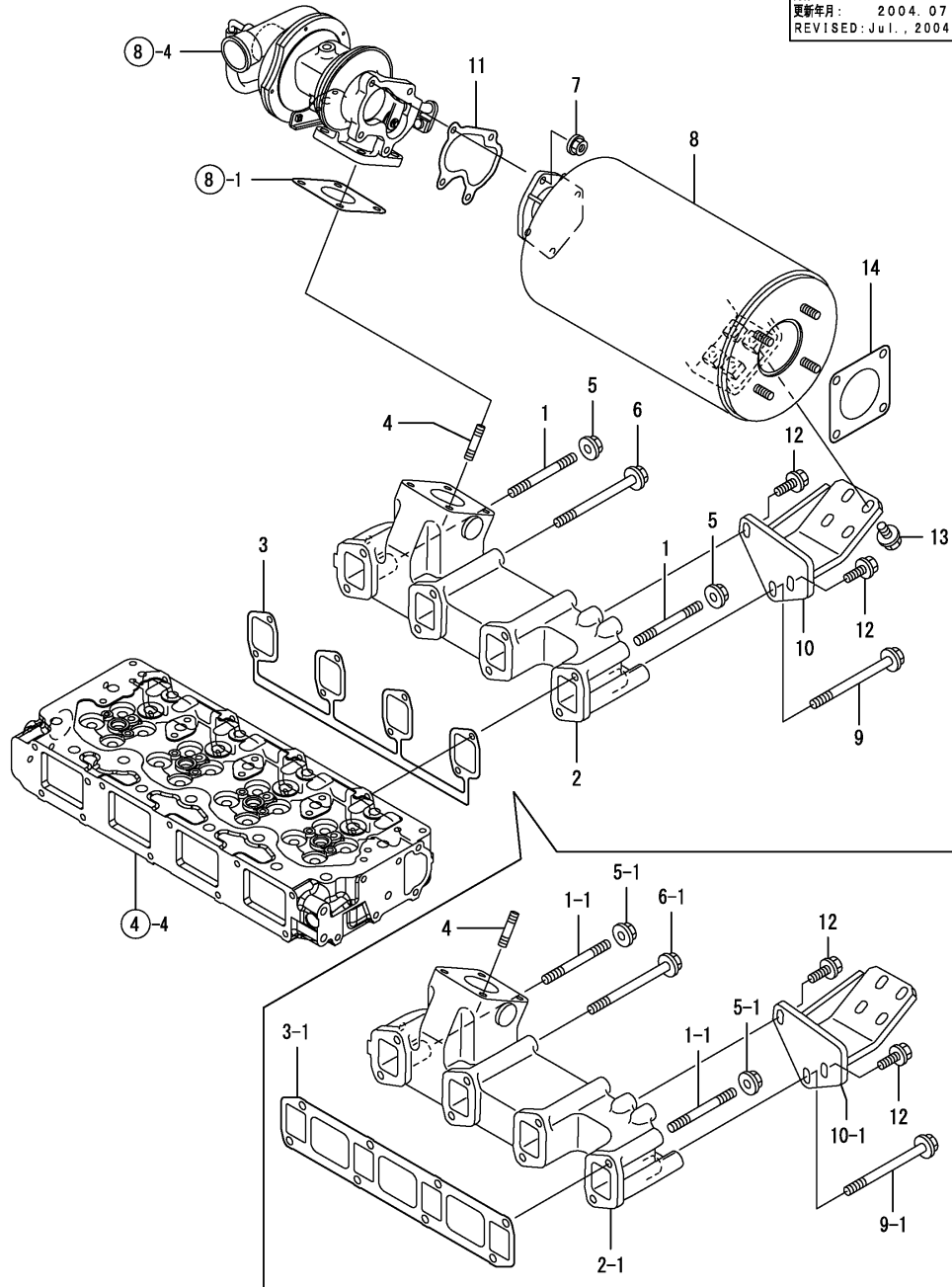
(E)=

(F)=

No.	Lev.	Parts No.	Description	Q'ty						I	R
				(A)	(B)	(C)	(D)	(E)	(F)		
1	1	123907-12100	MANIFOLD, AIR INTAKE	1							
2	1	123907-12110	GASKET, MANIFOLD	1							
3	1	26106-080702	BOLT, M8X 70 PLATED	10							
4	1	129595-18141	JOINT, RUBBER	1							
5	1	23000-054000	CLAMP, 54	2							
6	1	123912-18350	BEND, INTAKE	1							
7	1	123900-77020	GASKET	1							
8	1	123900-77030	GASKET	1							
9	1	123900-77500	HEATER	1							
10	1	26106-100752	BOLT, M10X 75 PLATED	2							
11	1	26106-100952	BOLT, M10X 95 PLATED	2							
12	1	123945-12500	CLEANER ASSY, AIR	1							
14	2	123950-12520	COVER	1							
15	2	119160-12540	VALVE	1							
16	2	119117-12560	ELEMENT	1							
17	2	119117-12570	ELEMENT	1							
18	2	129612-12650	MARKING,(W)	1							
19	2	129953-12620	INDICATOR ASSY	1							
22	1	26106-080162	BOLT, M8X 16 PLATED	4							

Fig.6. EXHAUST MANIFOLD & SILENCER

発行No. 000Y00D7840-1
 更新年月: 2004. 07
 REVISED: Jul., 2004



(A)=4TNV106TXTBL

(B)=

(C)=

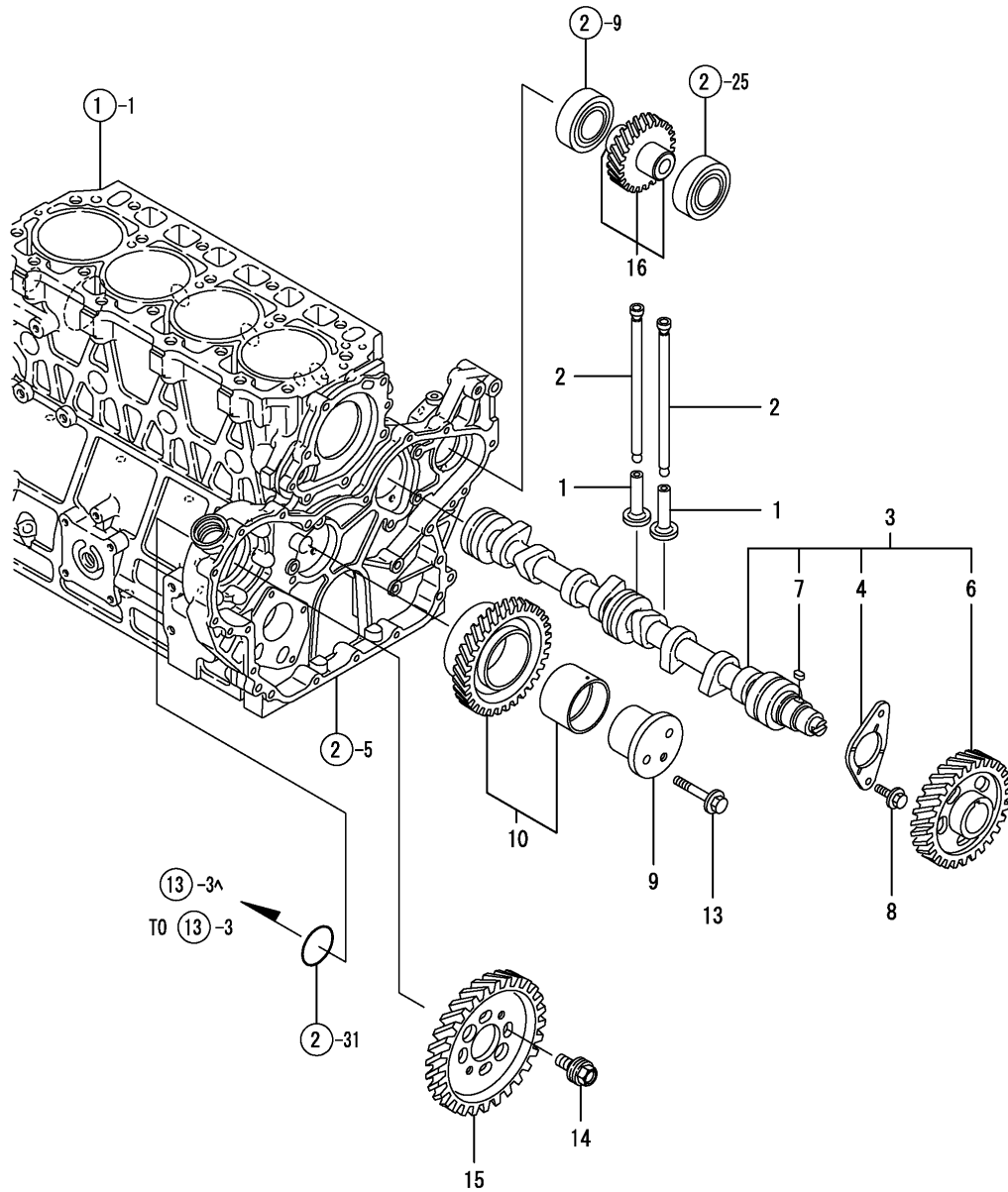
(D)=

(E)=

(F)=

No.	Lev.	Parts No.	Description	Q'ty						I	R
				(A)	(B)	(C)	(D)	(E)	(F)		
1	1	123900-13610	STUD, M8X80	2							
1-1	1	123907-13820	STUD, M10X85	2							S
(A=EV00873)											
2	1	123901-13200	MANIFOLD, EXHAUST	1							S
2-1	1	123908-13120	MANIFOLD, EXHAUST	1							S
(A=EV00873)											
3	1	123900-13111	GASKET	1							
3-1	1	123907-13110	GASKET	1							S
(A=EV00873)											
4	1	129418-18320	STUD, M8X20	4							
5	1	26306-080002	NUT, M8	2							
5-1	1	26306-100002	NUT, M10	2							S
(A=EV00873)											
6	1	129693-44310	BOLT	6							
6-1	1	123907-13730	BOLT, M10X105 10.9	6							S
(A=EV00873)											
7	1	26306-080002	NUT, M8	4							
8	1	123908-13510	SILENCER	1							
9	1	123900-13650	BOLT, M8X110	1							
9-1	1	123907-13740	BOLT, M10X110 10.9	1							S
(A=EV00873)											
10	1	123912-13650	STAY, SILENCER	1							
10-1	1	123908-13650	STAY, SILENCER	1							S
(A=EV00873)											
11	1	123901-18080	GASKET	1							
12	1	26106-080222	BOLT, M8X 22 PLATED	2							
13	1	26106-080222	BOLT, M8X 22 PLATED	4							
14	1	128300-13230	GASKET, SILENCER	1							

Fig.7. CAMSHAFT & DRIVING GEAR



(A)=4TNV106TXTBL

(B)=

(C)=

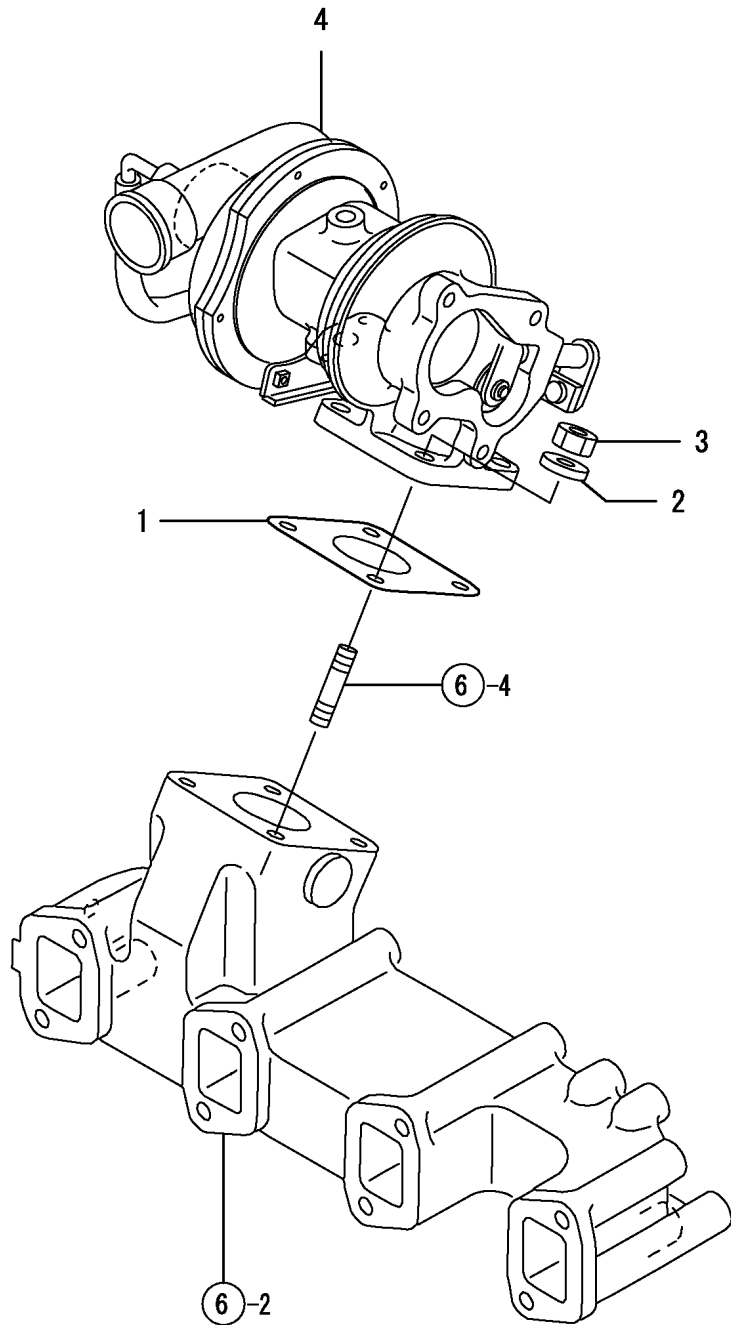
(D)=

(E)=

(F)=

No.	Lev.	Parts No.	Description	Q'ty						I	R
				(A)	(B)	(C)	(D)	(E)	(F)		
1	1	123900-14200	TAPPET	8							
2	1	123907-14400	ROD, PUSH	8							
3	1	123907-14590	CAMSHAFT ASSY	1							
4	2	129150-02450	BEARING, THRUST	1							
6	2	129900-14110	GEAR, CAMSHAFT	1							
7	2	22512-070140	KEY, 7X 14	1							
8	1	26106-080142	BOLT, M8X 14 PLATED	2							
9	1	123900-25060	SHAFT, IDLE GEAR	1							
10	1	123900-25130	GEAR ASSY, IDLE	1							
13	1	26106-080552	BOLT, M8X 55 PLATED	3							
14	1	129953-25300	BOLT	4							
15	1	123907-25909	GEAR, PUMP	1							
16	1	129900-26020	GEAR ASSY, PUMP	1							

Fig.8. TURBINE

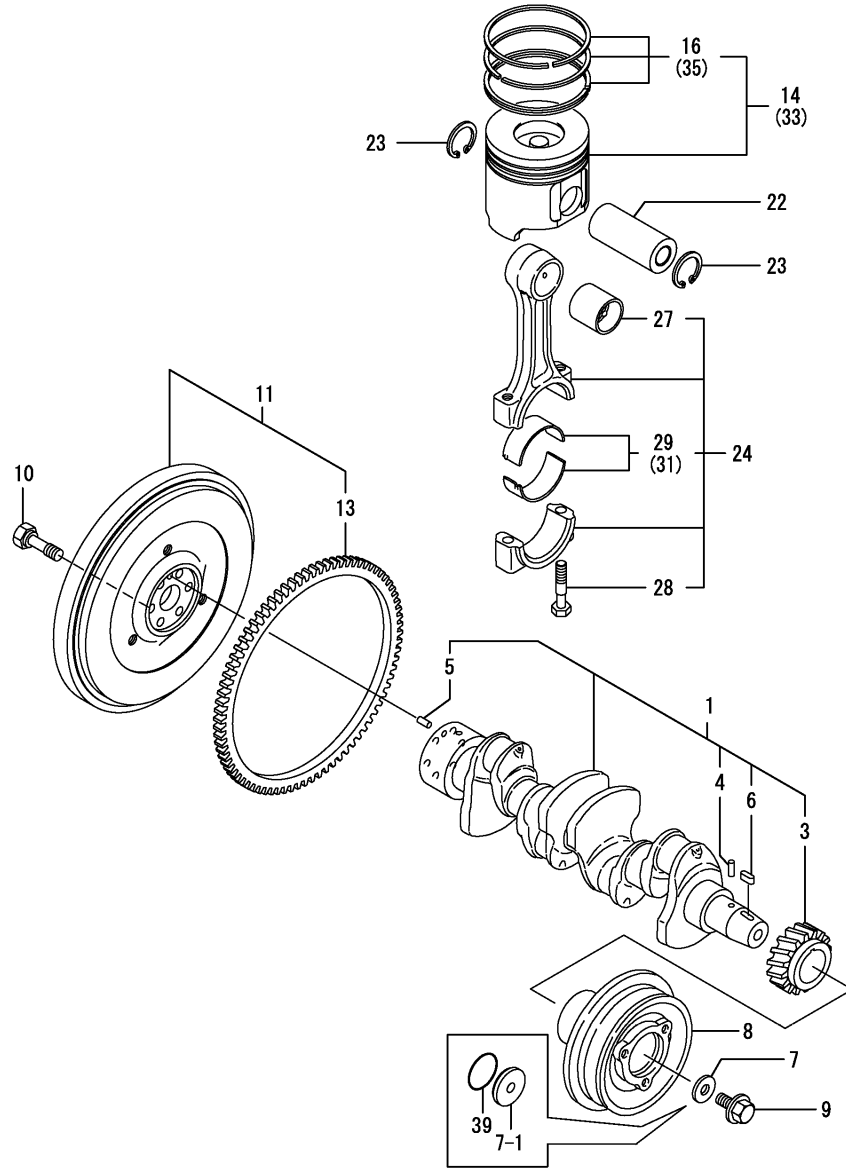


(A)=4TNV106TXTBL
(B)=
(C)=

(D)=
(E)=
(F)=

No.	Lev.	Parts No.	Description	Q'ty						I	R
				(A)	(B)	(C)	(D)	(E)	(F)		
1	1	123901-18090	GASKET	1							
2	1	22117-080000	WASHER, 8	4							
3	1	26703-080002	NUT, M8	4							
4	1	123908-18010	TURBINE, RHF5	1							

Fig.9. CRANKSHAFT & PISTON



(A)=4TNV106TXTBL

(B)=

(C)=

(D)=

(E)=

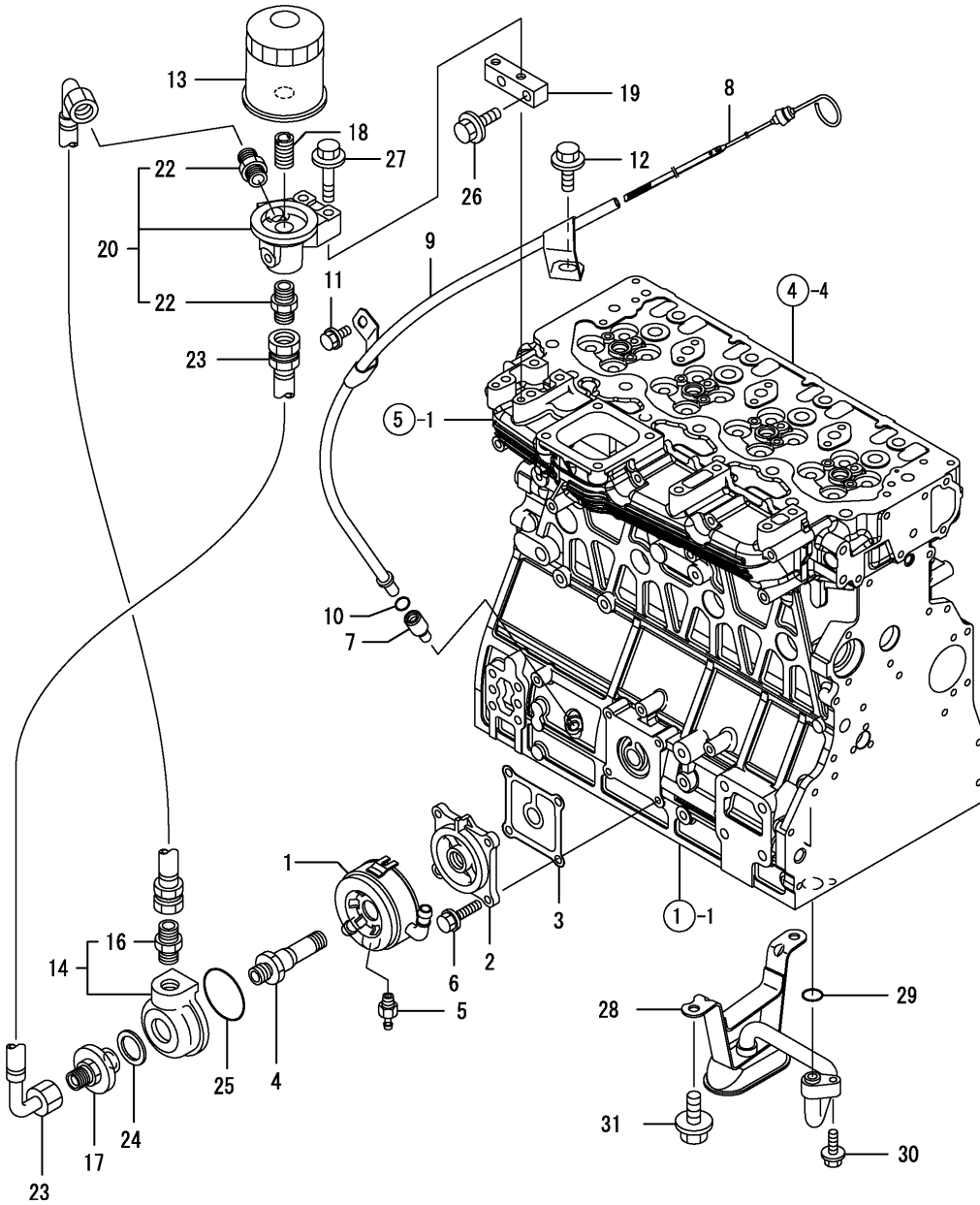
(F)=

No.	Lev.	Parts No.	Description	Q'ty						I	R
				(A)	(B)	(C)	(D)	(E)	(F)		
1	1	123900-21050	CRANKSHAFT ASSY	1							
3	2	129900-21220	GEAR, CRANKSHAFT	1							
4	2	121850-21290	PIN	1							
5	2	121850-21920	PIN, M10X22	1							
6	2	22512-070140	KEY, 7X 14	1							
7	1	129900-21640	WASHER	1							
7-1	1	129960-21640	WASHER	1						F	4
(A=EV15955)											
8	1	123900-21650	V-PULLEY	1							
8-1	1	123946-21660	V-PULLEY, 150	1						F	4
(A=EV15955)											
9	1	121850-21680	BOLT	1							
9-1	1	129916-21610	BOLT	1						F	4
(A=EV15955)											
10	1	121850-21130	BOLT, FLYWHEEL	6							
11	1	123900-21580	FLYWHEEL ASSY	1							
13	2	127410-21480	GEAR, RING Z=129	1							
14	1	123907-22081	PISTON ASSY	4							
16	2	123907-22050	RING SET, PISTON	4							
22	1	119173-22300	PIN, PISTON	4							
23	1	22252-000370	RING, 37	8							
24	1	123900-23000	ROD ASSY, CONNECTING	4							
27	2	123900-23910	BEARING, PISTON PIN	4							1
28	2	123900-23200	BOLT, CONNECTING ROD	8							
29	2	123900-23600	BEARING, CRANK PIN	4							
31	1	123900-23610	BEARING, 0.25 US	4							2
33	1	723907-22900	PISTON ASSY, 0.25 OS	4							3
35	2	723907-22950	RING SET, 0.25 OS	4							3
39	1	24341-000530	O-RING, 1AS53.0	1							W 4
(A=EV15955)											

Remarks

- (1) REPAIR PART.
- (2) UNDER-SIZE (U.S=0.25) PART.
- (3) OVER-SIZE (O.S=0.25) PART.
- (4) REF.NO.7-1,8-1,9-1 & 39 FIG.NO.2
REF.NO.3-1 INTERCHANGEABLE BY SET

Fig.10. LUB.OIL SYSTEM



(A)=4TNV106TXTBL

(B)=

(C)=

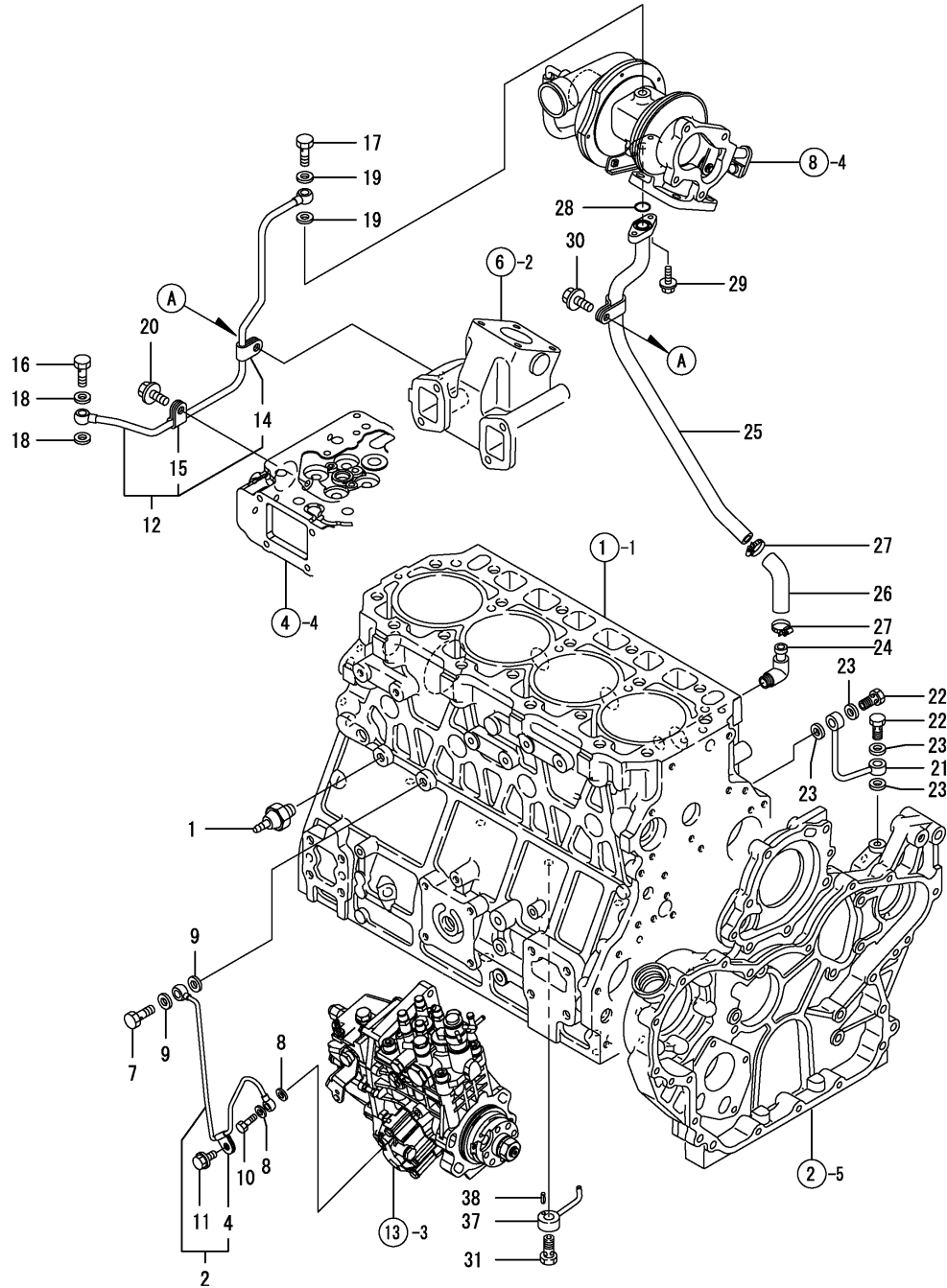
(D)=

(E)=

(F)=

No.	Lev.	Parts No.	Description	Q'ty						I	R
				(A)	(B)	(C)	(D)	(E)	(F)		
1	1	123912-33011	COOLER ASSY, OIL	1							
2	1	123912-33040	BRACKET ASSY, COOLER	1							
3	1	123900-33060	GASKET	1							
4	1	123912-33100	BOLT, COOLER	1							
5	1	121550-49111	JOINT, PT1/4	1							
6	1	26106-080202	BOLT, M8X 20 PLATED	4							
7	1	119260-34810	GUIDE, DIPSTICK	1							
8	1	123900-34810	DIPSTICK, OIL	1							
9	1	123900-34820	GUIDE, DIPSTICK	1							
10	1	24311-240100	O-RING, 1AP10A	1							
11	1	26106-080182	BOLT, M8X 18 PLATED	1							
12	1	26106-100182	BOLT, M10X 18 PLATED	1							
13	1	119005-35100	FILTER, D80X100L	1							
14	1	123945-35110	CASE ASSY	1							
16	2	129953-39500	ADAPTER, R-G1/2	1							
17	1	129953-35110	RETAINER	1							
18	1	119000-35140	BOLT, FILTER	1							
19	1	123945-35150	SPACER	1							
20	1	123945-35210	BRACKET ASSY	1							
22	2	129953-39500	ADAPTER, R-G1/2	2							
23	1	123945-39100	PIPE, OIL	2							
24	1	22190-300002	WASHER, SEAL 30	1							
25	1	24321-000700	O-RING, 1AG70.0	1							
26	1	26106-100352	BOLT, M10X 35 PLATED	2							
27	1	26106-100452	BOLT, M10X 45 PLATED	2							
28	1	123900-35004	PIPE ASSY, OIL INLET	1							
29	1	24314-000180	O-RING, 4CP18.0	1							
30	1	26106-080302	BOLT, M8X 30 PLATED	1							
31	1	26106-120162	BOLT, M12X 16 PLATED	2							

Fig.11. LUB.OIL LINE



(A)=4TNNV106TXTBL

(B)=

(C)=

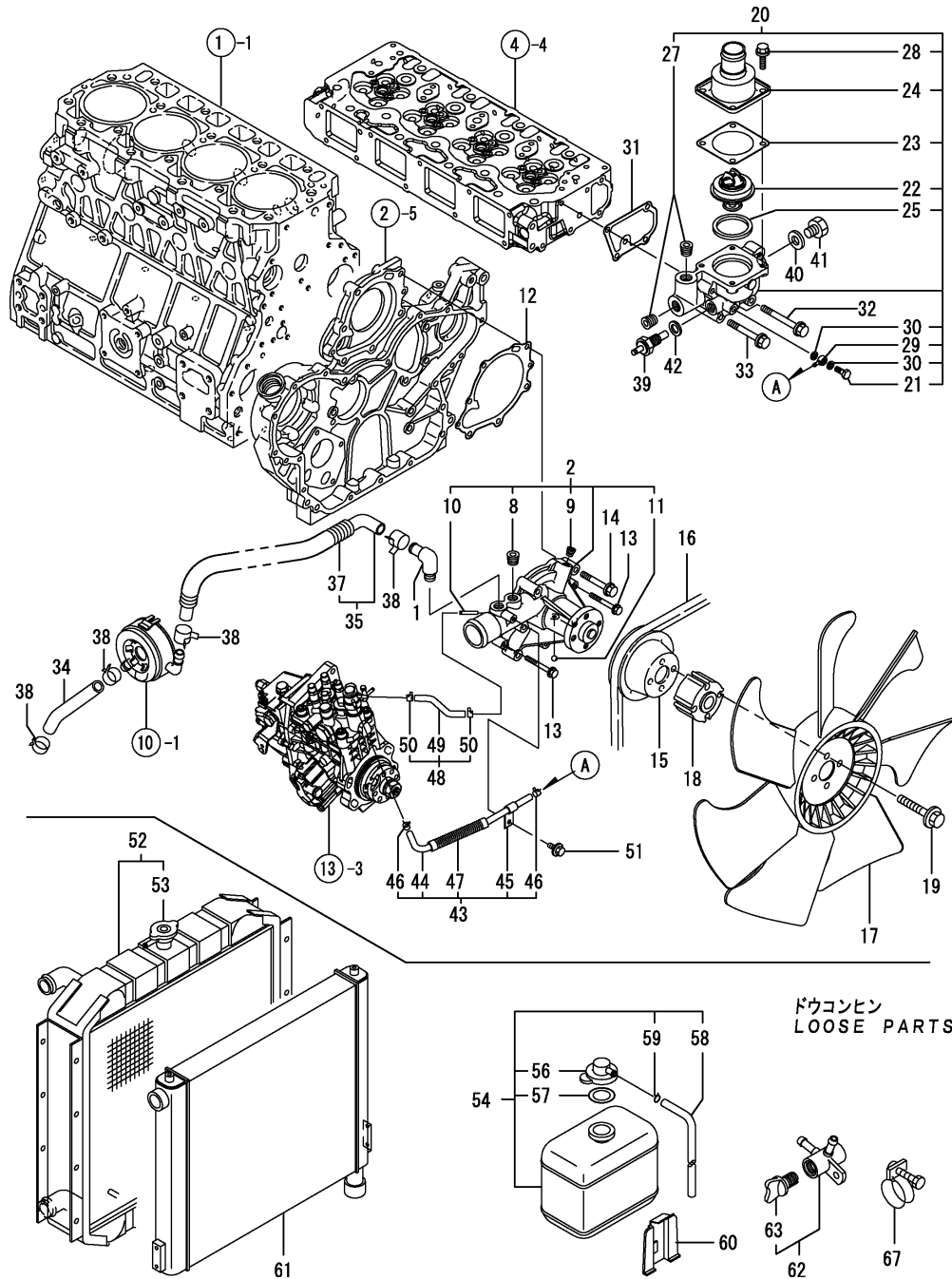
(D)=

(E)=

(F)=

No.	Lev.	Parts No.	Description	Q'ty						I	R
				(A)	(B)	(C)	(D)	(E)	(F)		
1	1	114250-39450	SWITCH, 0.5KG	1							
2	1	123907-39060	PIPE, OIL	1							
4	2	123907-39500	RETAINER	1							
7	1	124160-39140	BOLT, PIPE JOINT M10	1							
8	1	23414-080000	GASKET, 8X1.0	2							
9	1	23414-100000	GASKET, 10X1.0	2							
10	1	23857-030000	BOLT, JOINT 3	1							
11	1	26106-080122	BOLT, M8X 12 PLATED	1							
12	1	123945-39030	PIPE ASSY, OIL	1							
14	2	123912-39900	RETAINER, PIPE	1							
15	2	124223-39900	RETAINER	1							
16	1	124160-39140	BOLT, PIPE JOINT M10	1							
17	1	121252-39150	BOLT, JOINT M10X1.5	1							
18	1	23414-100000	GASKET, 10X1.0	2							
19	1	23414-100000	GASKET, 10X1.0	2							
20	1	26106-080122	BOLT, M8X 12 PLATED	1							
21	1	123950-39050	PIPE ASSY, OIL	1							
22	1	105010-39140	BOLT, PIPE JOINT	2							
23	1	22190-080002	WASHER, SEAL 6	4							
24	1	124070-13300	ELBOW, PT3/8	1							
25	1	123912-39600	PIPE, OIL	1							
26	1	123901-39820	HOSE	1							
27	1	23000-025000	CLAMP, 25	2							
28	1	24316-000180	O-RING, 4DP18.0	1							
29	1	26106-060162	BOLT, M6X 16 PLATED	2							
30	1	26106-080142	BOLT, M8X 14 PLATED	1							
31	1	129792-39410	VALVE ASSY, CHECK	4							
37	1	123900-39650	NOZZLE	4							
38	1	22351-030010	PIN, SPRING 3.0X10	4							

Fig.12. COOLING WATER SYSTEM



(A)=4TNV106TXTBL

(B)=

(C)=

(D)=

(E)=

(F)=

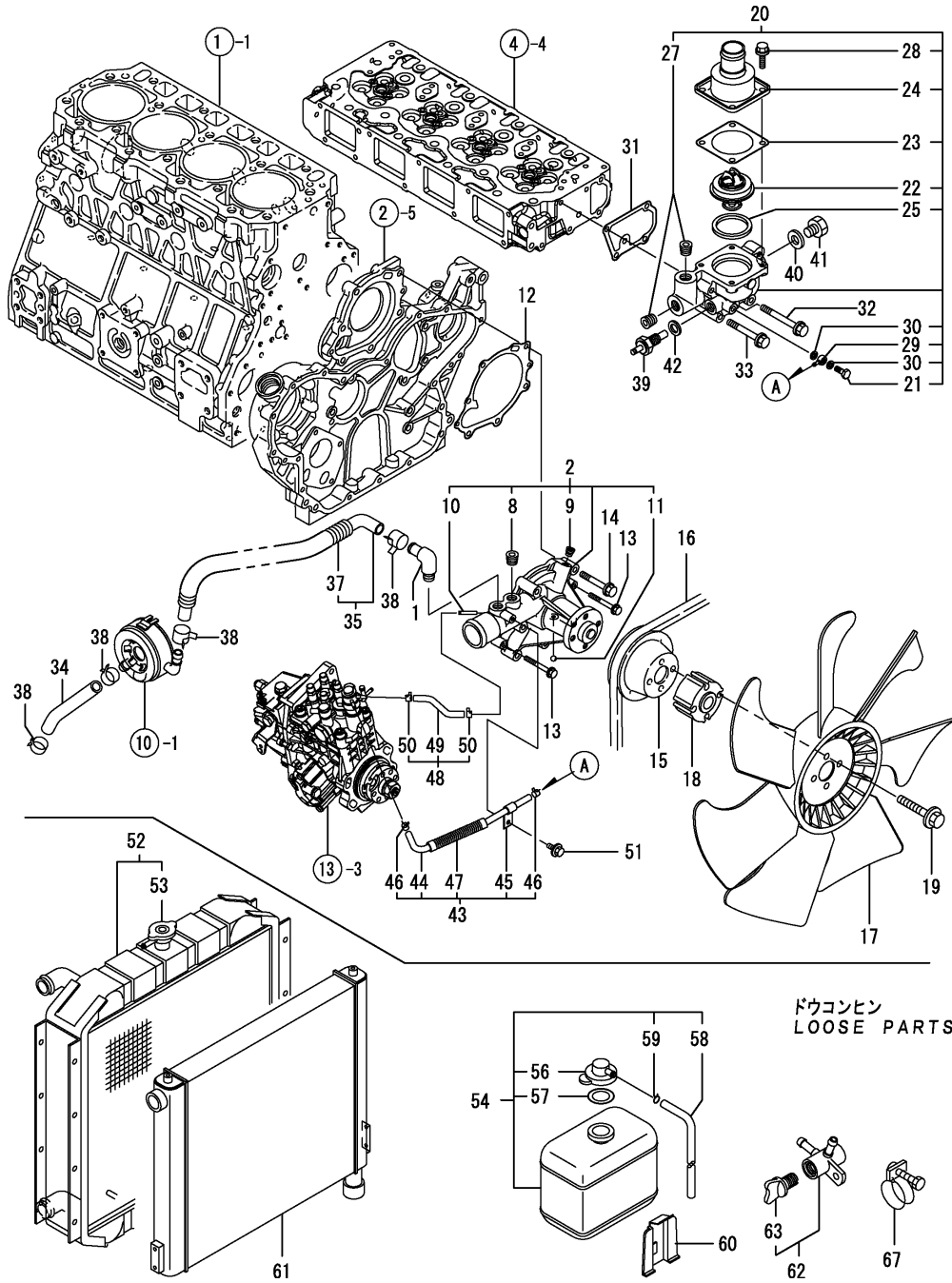
No.	Lev.	Parts No.	Description	Q'ty						I	R
				(A)	(B)	(C)	(D)	(E)	(F)		
1	1	123907-49300	ELBOW, R3/8	1							
2	1	123907-42000	PUMP ASSY, WATER	1							
8	2	23875-030000	PLUG, R03	1							
9	2	23875-020000	PLUG, R02	1							
10	2	119802-49112	PIPE, WATER	1							
11	2	24190-080001	BALL, STEEL 1/4	1							
12	1	123900-42050	GASKET, WATER PUMP	1							
13	1	26106-060502	BOLT, M6X 50 PLATED	2							
14	1	26106-080552	BOLT, M8X 55 PLATED	4							
15	1	123900-42470	V-PULLEY, B 130	1							
16	1	25163-004701	V-BELT, B47H	1							
17	1	123915-44740	FAN, COOLING	1							
18	1	123911-44780	SPACER, FAN	1							
19	1	26106-100602	BOLT, M10X 60 PLATED	4							
20	1	123946-49810	CASE ASSY,THERMOSTAT	1							
21	2	105010-39140	BOLT, PIPE JOINT	1							
22	2	124610-48620	THERMOSTAT, 82	1							
23	2	124610-49291	GASKET	1							
24	2	123962-49500	COVER, THERMOSTAT	1							
25	2	123500-49550	GASKET	1							
27	2	23876-030000	PLUG, R03	2							
28	2	26106-080252	BOLT, M8X 25 PLATED	4							
29	2	23387-040800	JOINT, HOSE 4-8	1							
30	2	23414-080000	GASKET, 8X1.0	2							
31	1	123900-49820	GASKET	1							
32	1	26106-080602	BOLT, M8X 60 PLATED	4							
33	1	26106-080702	BOLT, M8X 70 PLATED	2							
34	1	123912-49031	PIPE, WATER	1							
35	1	123910-49600	PIPE, WATER	1							
37	2	123910-49610	TUBE, CORRUGATED	1							
38	1	23000-025000	CLAMP, 25	4							
39	1	121250-44901	SWITCH, 110	1							
40	1	124465-44950	GASKET, 16	1							
41	1	119266-49350	SWITCH	1							
42	1	129150-49360	GASKET	1							
43	1	123907-49610	PIPE ASSY, WATER	1							
44	2	123907-49710	PIPE, WATER	1							
45	2	119802-49730	RETAINER, PIPE	1							
46	2	124722-59050	CLIP, HOSE 9	2							
47	2	129486-59320	TUBE, CORRUGATED	1							
48	1	123907-49620	PIPE ASSY, WATER	1							
49	2	123907-49720	PIPE, WATER	1							
50	2	124722-59050	CLIP, HOSE 9	2							
51	1	26106-060122	BOLT, M6X 12 PLATED	1							
52	1	123912-44500	RADIATOR ASSY	1							
53	2	119259-44570	CAP, RADIATOR	1							
54	1	121820-44800	TANK ASSY, RESERVE	1							
56	2	121850-44850	CAP	1							
57	2	121850-44860	GASKET	1							
58	2	121850-44870	HOSE	1							
59	2	121850-44880	CLAMP	1							

N:Old $\xrightarrow{\text{Yes}}$ New, Q:Old $\xrightarrow{\text{No}}$ New, R:Old $\xrightarrow{\text{Yes}}$ New, S:Old $\xrightarrow{\text{No}}$ New, W:Add, Z:Discontinued, F:Interchangeable by set, K:Q'ty Change

++ CONTINUE ++

Copyright (C) YANMAR CO., LTD. All Rights Reserved.

Fig.12. COOLING WATER SYSTEM



(A)=4TNV106TXTBL
(B)=
(C)=

(D)=
(E)=
(F)=

No.	Lev.	Parts No.	Description	Q'ty						I	R
				(A)	(B)	(C)	(D)	(E)	(F)		
60	1	120147-44810	BRACKET	1							
61	1	123912-44900	COOLER ASSY, OIL	1							
62	1	129150-49100	COCK ASSY, 3-WAY	1							
63	2	129150-49080	COCK, DRAIN	1							
67	1	23000-060000	CLAMP, 60	4							

Fig.13. FUEL INJECTION PUMP

(A)=4TNV106TXTBL

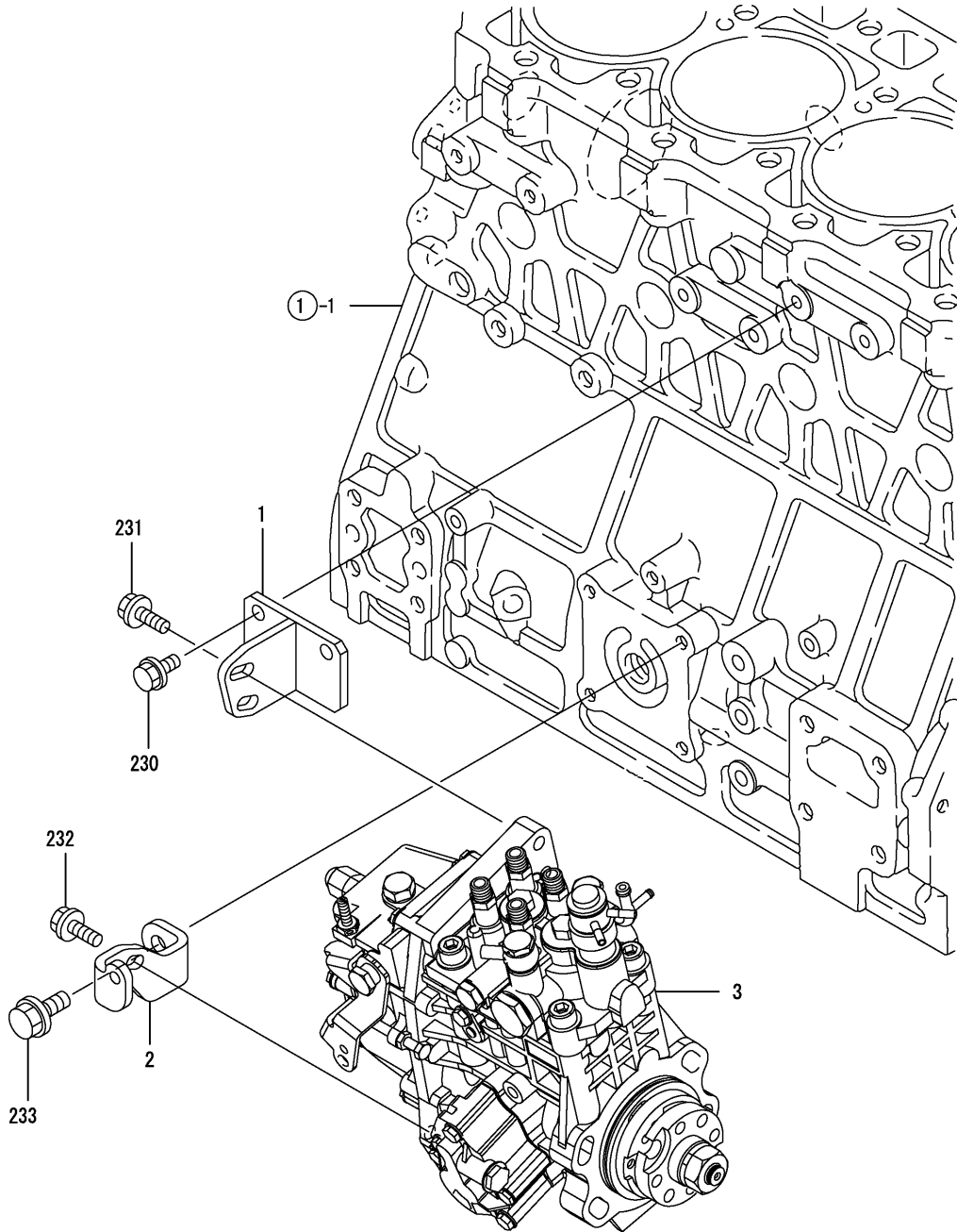
(B)=

(C)=

(D)=

(E)=

(F)=



No.	Lev.	Parts No.	Description	Q'ty						I	R
				(A)	(B)	(C)	(D)	(E)	(F)		
1	1	123907-01950	RETAINER	1							
2	1	123907-01960	RETAINER	1							
3	1	723945-51300	PUMP ASSY, INJECTION	1							
230	1	26106-080162	BOLT, M8X 16 PLATED	2							
231	1	26106-080202	BOLT, M8X 20 PLATED	2							
232	1	26106-080202	BOLT, M8X 20 PLATED	1							
233	1	26106-100162	BOLT, M10X 16 PLATED	1							

Fig.14. FUEL INJECTION VALVE

(A)=4TNV106TXTBL

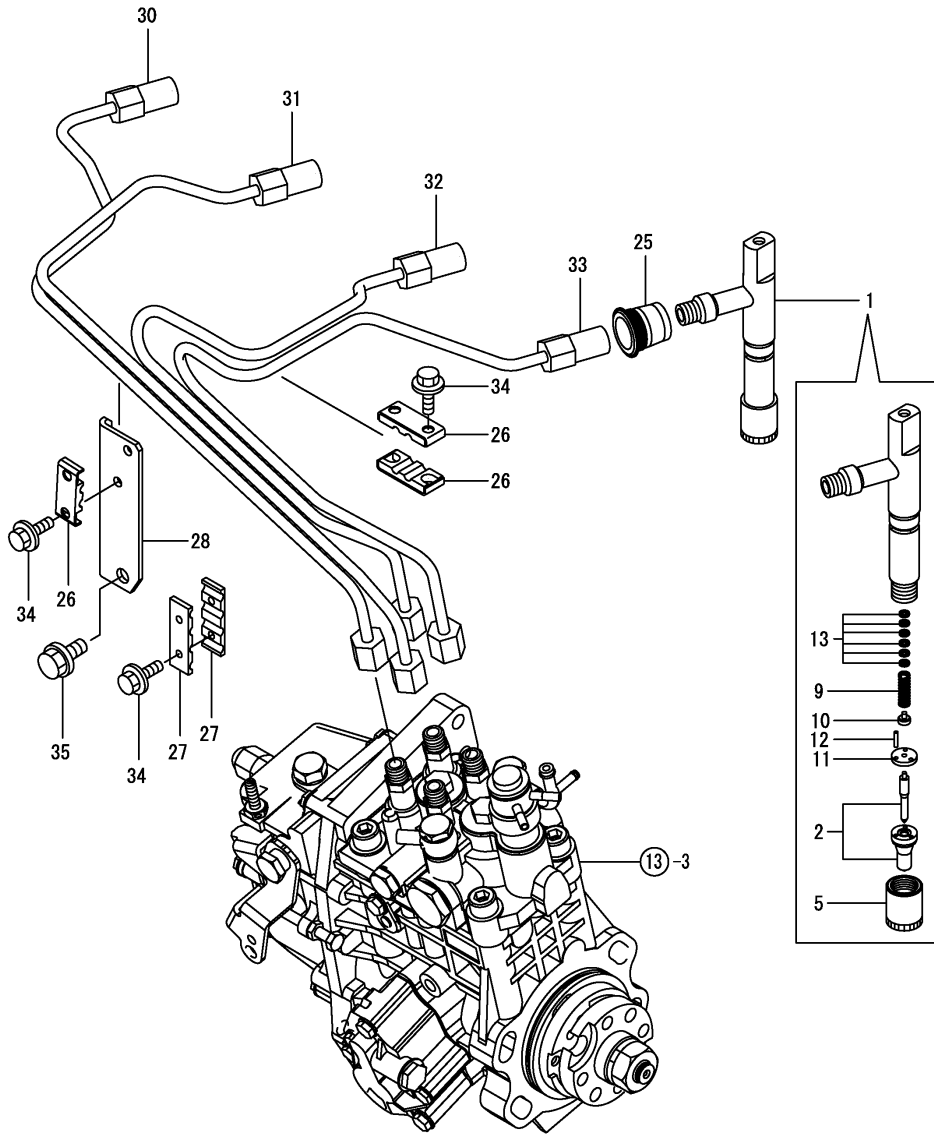
(B)=

(C)=

(D)=

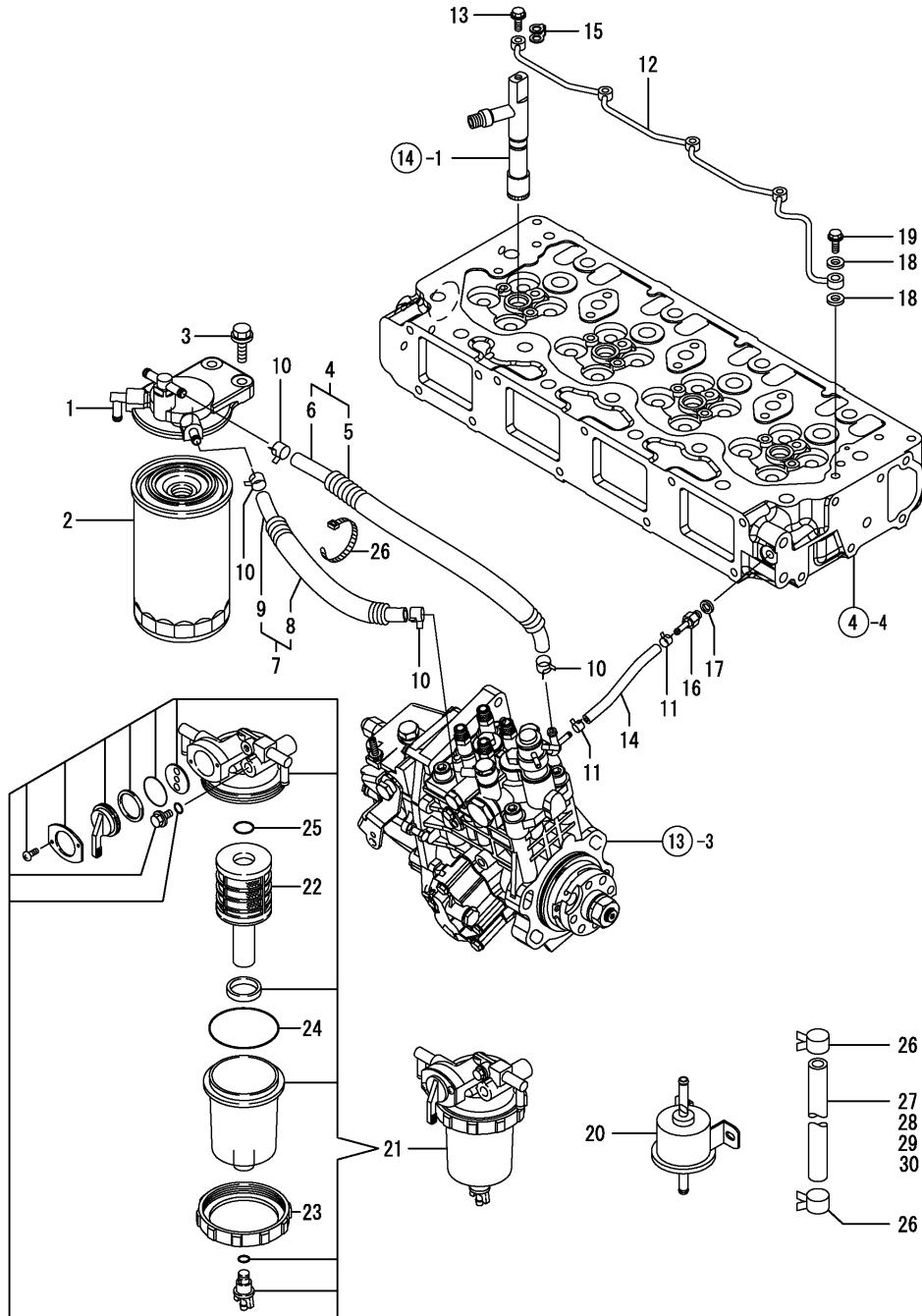
(E)=

(F)=



No.	Lev.	Parts No.	Description	Q'ty						I	R
				(A)	(B)	(C)	(D)	(E)	(F)		
1	1	723908-53100	VALVE ASSY,INJECTION	4							
2	2	123908-53000	VALVE ASSY,INJECTION	4							
5	2	114250-53080	NUT, NOZZLE D16.95	4							
9	2	114250-53120	SPRING, NOZZLE	4							
10	2	114250-53130	SEAT, SPRING	4							
11	2	114250-53140	PLATE	4							
12	2	114250-53210	PIN	8							
13	2	114250-53400	SHIM SET	4							
25	1	123907-11601	SEAL	4							
26	1	122780-59100	RETAINER	4							
27	1	123472-59120	RETAINER, PIPE	2							
28	1	123907-59729	SUPPORT	1							
30	1	123908-59810	PIPE ASSY, INJECTION	1							
31	1	123908-59820	PIPE ASSY, INJECTION	1							
32	1	123908-59830	PIPE ASSY, INJECTION	1							
33	1	123908-59840	PIPE ASSY, INJECTION	1							
34	1	26106-060202	BOLT, M6X 20 PLATED	6							
35	1	26106-080202	BOLT, M8X 20 PLATED	1							

Fig.15. FUEL LINE



(A)=4TNV106TXTBL

(B)=

(C)=

(D)=

(E)=

(F)=

No.	Lev.	Parts No.	Description	Q'ty						I	R
				(A)	(B)	(C)	(D)	(E)	(F)		
1	1	129004-55610	BRACKET, FILTER	1							
2	1	123907-55800	FILTER, FUEL	1							
3	1	26106-080302	BOLT, M8X 30 PLATED	2							
4	1	129957-59040	PIPE, FUEL	1							
5	2	119560-59110	TUBE, CORRUGATED	1							
6	2	129335-59090	PIPE, FUEL D13X500	1							
7	1	119160-59010	PIPE ASSY, FUEL	1							
8	2	129950-59221	TUBE, CORRUGATED	1							
9	2	105025-59530	PIPE, FUEL D13X400	1							
10	1	23000-013000	CLAMP, 13	4							
11	1	124066-59100	CLIP, HOSE 8	2							
12	1	123907-59140	PIPE ASSY, RETURN	1							
13	1	123907-59540	BOLT, PIPE JOINT M6	4							
14	1	121250-59550	PIPE, FUEL D8X120	1							
15	1	123907-59550	GASKET	4							
16	1	123907-59560	JOINT	1							
17	1	22190-080002	WASHER, SEAL 6	1							
18	1	23414-080000	GASKET, 8X1.0	2							
19	1	23857-030000	BOLT, JOINT 3	1							
20	1	119225-52102	PUMP ASSY, FUEL FEED	1							
21	1	129906-55700	SEPARATOR ASSY	1							
22	2	119802-55710	ELEMENT	1							
23	2	129100-55690	RING, RETAINING	1							
24	2	24321-000650	O-RING, 1AG65.0	1							
25	2	24311-000160	O-RING, 1AP16.0	1							
26	1	124722-59050	CLIP, HOSE 9	6							
27	1	121137-59080	PIPE, FUEL D12X1150	1							
28	1	121522-59080	PIPE, FUEL	1							
29	1	124520-59080	PIPE, FUEL D7/12X580	1							
30	1	121522-59090	PIPE, FUEL D12X900	1							

Fig.16. STARTING MOTOR

(A)=4TNV106TXTBL

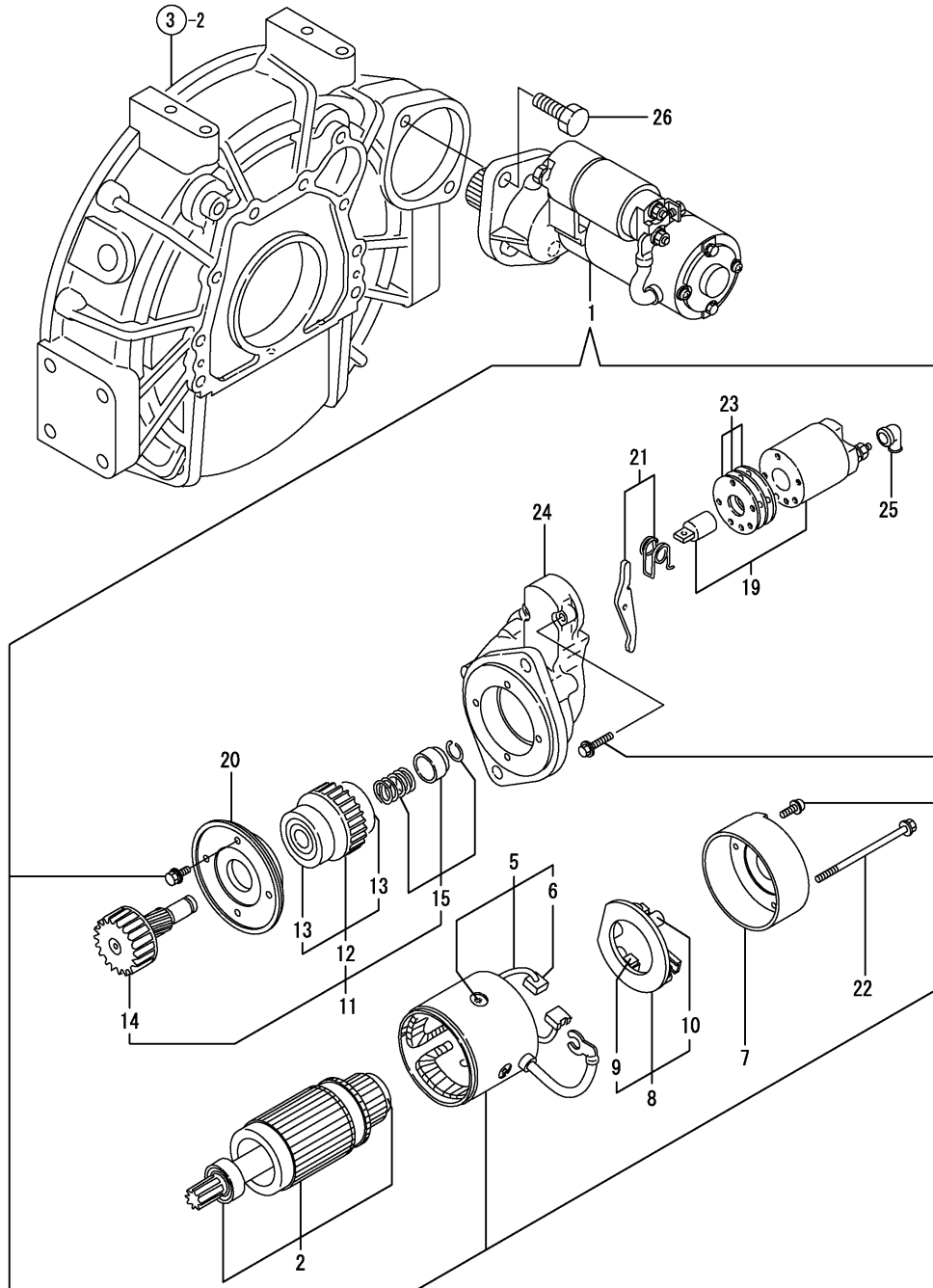
(B)=

(C)=

(D)=

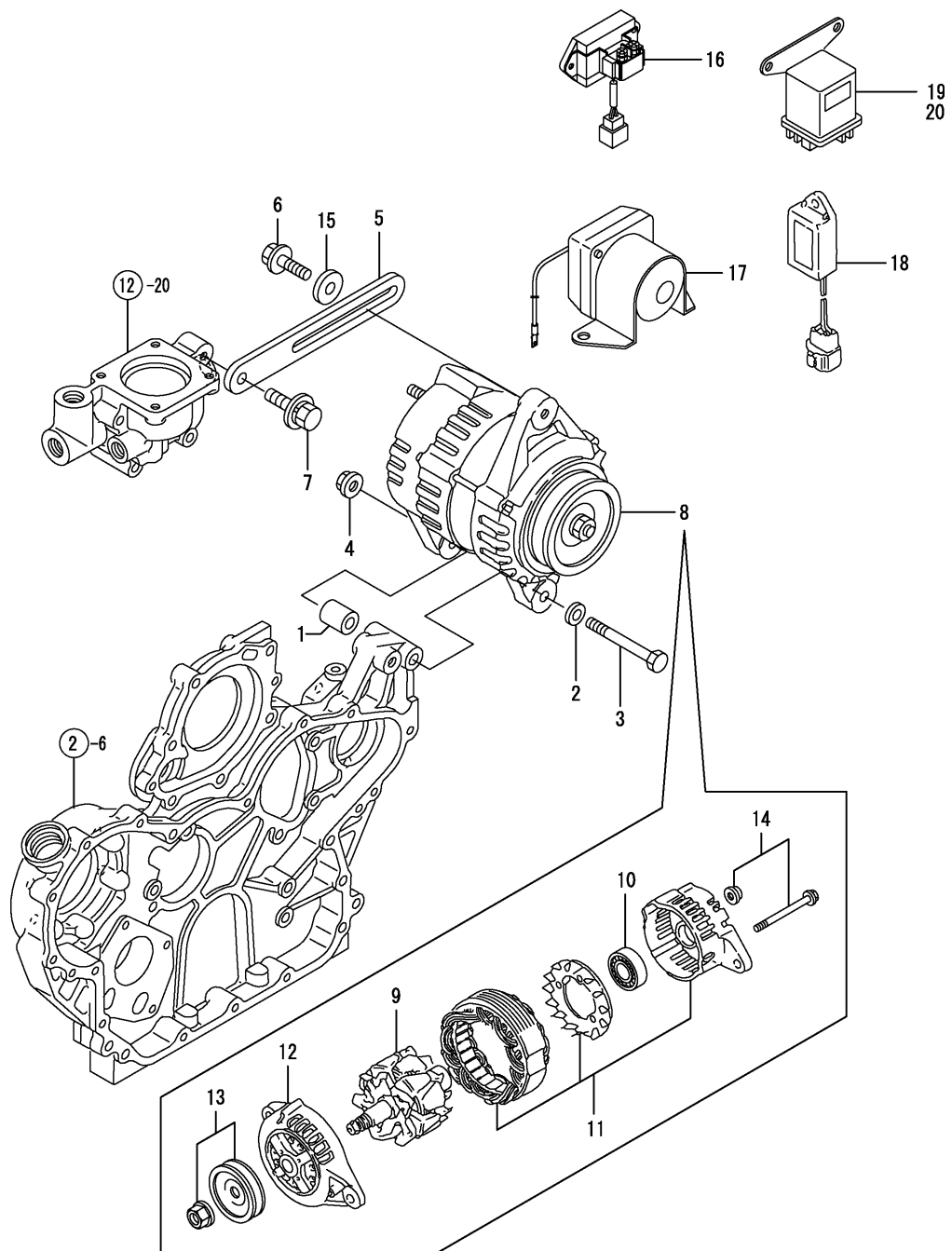
(E)=

(F)=



No.	Lev.	Parts No.	Description	Q'ty						I	R
				(A)	(B)	(C)	(D)	(E)	(F)		
1	1	123900-77010	STARTER	1							
2	2	123900-77400	ARMATURE ASSY	1							
5	2	123900-77440	COIL ASSY, FIELD	1							
6	3	123900-77450	BRUSH (+)	2							
7	2	123900-77460	COVER, REAR	1							
8	2	123900-77480	HOLDER, BRUSH	1							
9	3	123900-77450	BRUSH (+)	2							
10	3	121254-77590	SPRING, BRUSH	4							
11	2	123900-77510	PINION ASSY	1							
12	3	123900-77520	CLUTCH ASSY	1							
13	4	X2240610100	BALL BEARING (3	2							
14	3	123900-77540	SHAFT, PINION	1							
15	3	119131-77550	STOPPER KIT, PINION	1							
19	2	129900-77591	SWITCH ASSY,MAGNETIC	1							
20	2	123900-77610	RETAINER, BEARING	1							
21	2	129900-77620	SHIFT LEVER SET	1							
22	2	123900-77640	THROUGHT BOLT	2							
23	2	123900-77650	COVER ASSY, DUST	1							
24	2	123900-77710	HOUSING, GEARS	1							
25	2	171008-77750	COVER, M TERMINAL	1							
26	1	26116-120302	BOLT, M12X 30 PLATED	2							

Fig.17. GENERATOR



(A)=4TNV106TXTBL

(B)=

(C)=

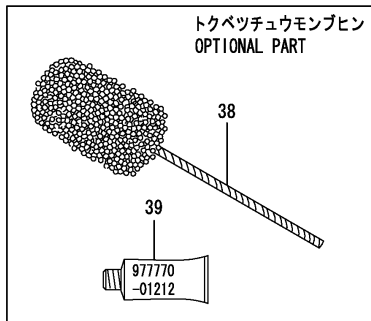
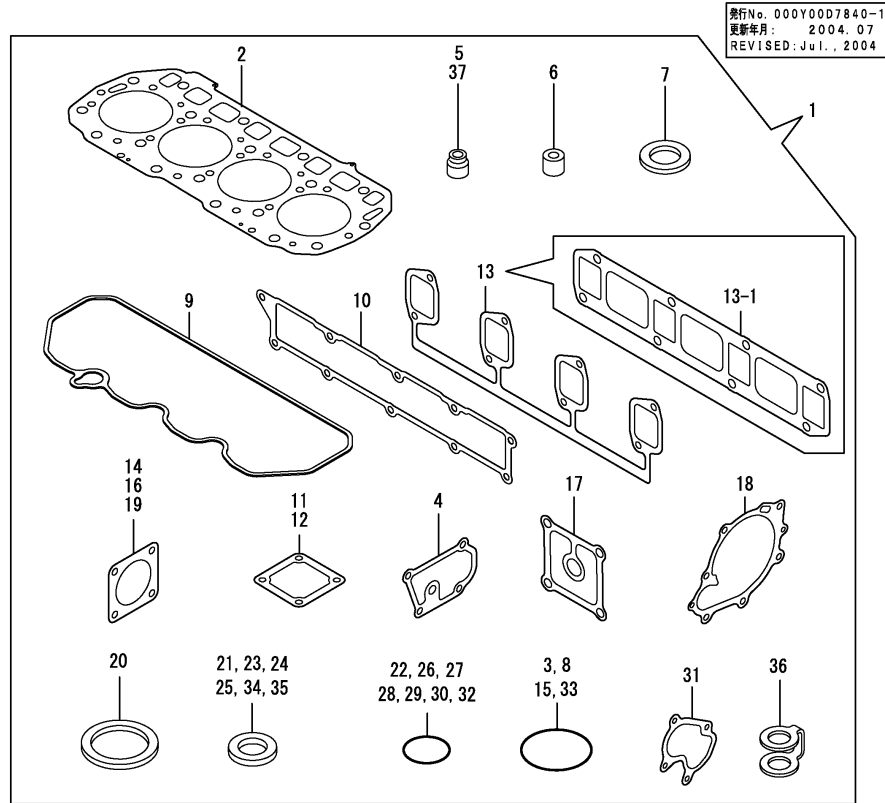
(D)=

(E)=

(F)=

No.	Lev.	Parts No.	Description	Q'ty						I	R
				(A)	(B)	(C)	(D)	(E)	(F)		
1	1	123900-77340	PIECE, DISTANCE	1							
2	1	22137-100000	WASHER, 10	1							
3	1	26116-101202	BOLT, M10X120 PLATED	1							
4	1	26306-100002	NUT, M10	1							
5	1	123900-77330	ADJUSTER	1							
6	1	119005-77350	BOLT, M8X25	1							
7	1	26014-080252	BOLT, M8X 25	1							
8	1	123900-77210	GENERATOR(12V-60A	1							
9	2	123900-77700	ROTOR ASSY	1							
10	2	129612-77710	BEARING, BALL	1							
11	2	123900-77720	REAR BRACKET ASSY	1							
12	2	123900-77730	FRONT BRACKET ASSY	1							
13	2	123900-77740	PULLEY	1							
14	2	123900-77750	SCREW KIT	1							
15	1	121236-77340	SPACER	1							
16	1	129136-77200	RELAY, SAFETY	1							
17	1	129100-77910	RELAY, MAGNETIC	1							
18	1	128300-77920	TIMER	1							
19	1	119646-77900	RELAY, POWER	2							
20	1	119646-77900	RELAY, POWER	1							

Fig.18. GASKET SET



No.	Lev.	Parts No.	Description	Q'ty						I	R
				(A)	(B)	(C)	(D)	(E)	(F)		
1	1	723907-92600	GASKET SET	1							1
1-1	1	723907-92601	GASKET SET	1							S 1
(A=EV00873)											
2	2	123907-01349	GASKET, HEAD	1							
3	2	24311-000320	O-RING, 1AP32.0	3							
4	2	123900-49820	GASKET	1							
5	2	124160-11340	SEAL, VALVE STEM	8							
6	2	119802-11870	PROTECTOR, NOZZLE	4							
7	2	119625-11880	SEAT, NOZZLE	4							
8	2	24351-030750	O-RING, 1A3075	1							
9	2	123907-11310	GASKET, BONNET	1							
10	2	123907-12110	GASKET, MANIFOLD	1							
11	2	123900-77020	GASKET	1							
12	2	123900-77030	GASKET	1							
13	2	123900-13111	GASKET	1							
13-1	2	123907-13110	GASKET	1							S
(A=EV00873)											
14	2	128300-13230	GASKET, SILENCER	1							
15	2	24321-000850	O-RING, 1AG85.0	1							
16	2	123901-18090	GASKET	1							
17	2	123900-33060	GASKET	1							
18	2	123900-42050	GASKET, WATER PUMP	1							
19	2	124610-49291	GASKET	1							
20	2	123500-49550	GASKET	1							
21	2	22190-080002	WASHER, SEAL 6	5							
22	2	24311-240100	O-RING, 1AP10A	1							
23	2	22190-300002	WASHER, SEAL 30	1							
24	2	23414-100000	GASKET, 10X1.0	6							
25	2	124465-44950	GASKET, 16	1							
26	2	129900-32030	O-RING, P20	1							
27	2	129900-32040	O-RING, P14	1							
28	2	24311-000110	O-RING, 1AP11.0	1							
29	2	24311-000120	O-RING, 1AP12.0	8							
30	2	24314-000180	O-RING, 4CP18.0	1							
31	2	123901-18080	GASKET	1							
32	2	24316-000180	O-RING, 4DP18.0	1							
33	2	24321-000700	O-RING, 1AG70.0	1							
34	2	23414-080000	GASKET, 8X1.0	6							
35	2	129150-49360	GASKET	1							
36	2	123907-59550	GASKET	4							
37	2	124950-11340	SEAL, VALVE STEM	8							
38	1	129400-92450	HONE	1							1
39	1	977770-01212	GASKET, LIQUID	1							1

Remarks
(1) OPTIONAL PART.

Parts No. Index

Parts No.	Fig. No.	Ref. No.
105010-39140	11	22
	12	21
105025-59530	15	9
114250-39450	11	1
114250-53080	14	5
114250-53120	14	9
114250-53130	14	10
114250-53140	14	11
114250-53210	14	12
114250-53400	14	13
119000-35140	10	18
119005-35100	10	13
119005-77350	17	6
119117-12560	5	16
119117-12570	5	17
119131-77550	16	15
119160-12540	5	15
119160-59010	15	7
119173-22300	9	22
119174-01200	1	22
119225-52102	15	20
119259-44570	12	53
119260-34810	10	7
119266-49350	12	41
119560-59110	15	5
119575-01750	3	5
119620-01750	3	5 -1
119625-11880	4	30
	18	7
119640-01640	3	9
119646-77900	17	19
		20
119802-11870	4	29
	18	6
119802-49112	12	10
119802-49730	12	45
119802-55710	15	22
120147-44810	12	60
120325-11160	4	10
121023-26070	2	27
121137-59080	15	27
121236-77340	17	15
121250-44901	12	39
121250-59550	15	14
121252-39150	11	17
121254-77590	16	10
121522-59080	15	28
121522-59090	15	30
121550-49111	10	5
121820-44800	12	54

Parts No.	Fig. No.	Ref. No.
121850-01900	2	8
121850-21130	9	10
121850-21290	9	4
121850-21680	9	9
121850-21920	9	5
121850-44850	12	56
121850-44860	12	57
121850-44870	12	58
121850-44880	12	59
121851-11970	1	15
122780-59100	14	26
123472-59120	14	27
123500-49550	12	25
	18	20
123672-01782	3	7
123900-01620	3	2
123900-01710	3	8
123900-01740	2	4
123900-01780	2	3
123900-02020	1	5
123900-02340	1	24
123900-02410	1	8
123900-02800	1	16
123900-02930	1	19
123900-02940	1	27
123900-03220	4	55
123900-13111	6	3
	18	13
123900-13610	6	1
123900-13650	6	9
123900-14200	7	1
123900-21050	9	1
123900-21580	9	11
123900-21650	9	8
123900-23000	9	24
123900-23200	9	28
123900-23600	9	29
123900-23610	9	31
123900-23910	9	27
123900-25060	7	9
123900-25130	7	10
123900-32001	2	7
123900-33060	10	3
	18	17
123900-34810	10	8
123900-34820	10	9
123900-35004	10	28
123900-39650	11	37
123900-42050	12	12
	18	18

Parts No.	Fig. No.	Ref. No.
123900-42470	12	15
123900-49820	12	31
	18	4
123900-77010	16	1
123900-77020	5	7
	18	11
123900-77030	5	8
	18	12
123900-77210	17	8
123900-77330	17	5
123900-77340	17	1
123900-77400	16	2
123900-77440	16	5
123900-77450	16	6
		9
123900-77460	16	7
123900-77480	16	8
123900-77500	5	9
123900-77510	16	11
123900-77520	16	12
123900-77540	16	14
123900-77610	16	20
123900-77640	16	22
123900-77650	16	23
123900-77700	17	9
123900-77710	16	24
123900-77720	17	11
123900-77730	17	12
123900-77740	17	13
123900-77750	17	14
123901-03090	4	70
123901-03240	4	74
123901-03250	4	75
123901-03260	4	76
123901-03270	4	73
123901-03280	4	85
123901-13200	6	2
123901-18080	6	11
	18	31
123901-18090	8	1
	18	16
123901-39820	11	26
123907-01349	1	23
	18	2
123907-01500	2	6
123907-01810	2	5
123907-01950	13	1
123907-01960	13	2
123907-03010	4	52
123907-03060	4	53

Parts No.	Fig. No.	Ref. No.
123907-03070	4	54
123907-07900	4	1
123907-11100	4	17
123907-11110	4	18
123907-11120	4	19
123907-11160	4	11
123907-11180	4	20
123907-11250	4	33
123907-11260	4	34
123907-11270	4	35
123907-11280	4	36
123907-11310	4	58
	18	9
123907-11340	4	32
123907-11390	4	86
123907-11510	4	23
123907-11550	4	3
123907-11601	14	25
123907-11650	4	37
123907-11660	4	41
123907-11820	4	12
123907-11830	4	26
123907-11900	4	45
123907-12100	5	1
123907-12110	5	2
	18	10
123907-13110	6	3 -1
	18	13 -1
123907-13730	6	6 -1
123907-13740	6	9 -1
123907-13820	6	1 -1
123907-14400	7	2
123907-14590	7	3
123907-22050	9	16
123907-22081	9	14
123907-25909	7	15
123907-39060	11	2
123907-39500	11	4
123907-42000	12	2
123907-49300	12	1
123907-49610	12	43
123907-49620	12	48
123907-49710	12	44
123907-49720	12	49
123907-55800	15	2
123907-59140	15	12
123907-59540	15	13
123907-59550	15	15
	18	36
123907-59560	15	16

Parts No. Index

Parts No.	Fig. No.	Ref. No.
123907-59729	14	28
123908-11320	4	51
123908-13120	6	2 -1
123908-13510	6	8
123908-13650	6	10 -1
123908-18010	8	4
123908-53000	14	2
123908-59810	14	30
123908-59820	14	31
123908-59830	14	32
123908-59840	14	33
123910-49600	12	35
123910-49610	12	37
123911-44780	12	18
123912-03270	4	80
123912-03300	4	78
123912-07900	4	71
123912-13650	6	10
123912-18350	5	6
123912-33011	10	1
123912-33040	10	2
123912-33100	10	4
123912-39600	11	25
123912-39900	11	14
123912-44500	12	52
123912-44900	12	61
123912-49031	12	34
123915-44740	12	17
123945-12500	5	12
123945-35110	10	14
123945-35150	10	19
123945-35210	10	20
123945-39030	11	12
123945-39100	10	23
123946-01780	2	3 -1
123946-21660	9	8 -1
123946-49810	12	20
123950-12520	5	14
123950-39050	11	21
123951-03090	4	81
123962-49500	12	24
124066-59100	15	11
124070-13300	11	24
124160-01751	2	22
	4	50
124160-11340	4	21
	18	5
124160-11360	4	60
124160-39140	11	7
		16

Parts No.	Fig. No.	Ref. No.
124223-39900	11	15
124465-44950	12	40
	18	25
124520-59080	15	29
124610-48620	12	22
124610-49291	12	23
	18	19
124722-59050	12	46
		50
	15	26
124950-11340	4	22
	18	37
127410-21480	9	13
128300-13230	6	14
	18	14
128300-77920	17	18
129004-55610	15	1
129100-01580	3	1
129100-55690	15	23
129100-77910	17	17
129136-77200	17	16
129150-02450	7	4
129150-11230	4	39
		43
129150-11750	4	25
		40
		44
129150-49080	12	63
129150-49100	12	62
129150-49360	12	42
	18	35
129335-59090	15	6
129400-92450	18	38
129418-18320	6	4
129486-59320	12	47
129595-18141	5	4
129612-12650	5	18
129612-77710	17	10
129693-44310	6	6
129792-39410	11	31
129900-14110	7	6
129900-21220	9	3
129900-21640	9	7
129900-26020	7	16
129900-32030	2	10
	18	26
129900-32040	2	11
	18	27
129900-77591	16	19
129900-77620	16	21

Parts No.	Fig. No.	Ref. No.
129906-55700	15	21
129916-21610	9	9 -1
129950-59221	15	8
129953-12620	5	19
129953-25300	7	14
129953-35110	10	17
129953-39500	10	16
		22
129957-59040	15	4
129960-21640	9	7 -1
171008-77750	16	25
171031-11741	2	32
171051-01921	1	4
22117-080000	8	2
22137-100000	17	2
22190-080002	11	23
	15	17
	18	21
22190-220002	3	11
22190-300002	10	24
	18	23
22252-000370	9	23
22312-080160	2	12
22351-030010	11	38
22351-060012	1	9
22512-070140	7	7
	9	6
22857-500100	4	59
23000-013000	15	10
23000-016000	4	82
23000-025000	11	27
	12	38
23000-041000	4	83
		84
23000-054000	5	5
23000-060000	12	67
23387-040800	12	29
23414-080000	11	8
	12	30
	15	18
	18	34
23414-100000	11	9
		18
		19
	18	24
23857-030000	11	10
	15	19
23875-020000	12	9
23875-030000	1	10
		13

Parts No.	Fig. No.	Ref. No.
23875-030000	12	8
23876-005000	4	13
23876-020000	4	14
23876-030000	4	15
	12	27
24101-062054	2	24
24101-062060	2	9
		25
24190-080001	12	11
24311-000110	2	26
	18	28
24311-000120	4	31
		61
	18	29
24311-000160	15	25
24311-000320	2	23
		33
	4	62
	18	3
24311-240100	10	10
	18	22
24314-000180	10	29
	18	30
24316-000180	11	28
	18	32
24321-000650	15	24
24321-000700	10	25
	18	33
24321-000850	2	28
	18	15
24341-000530	9	39
24351-030750	2	31
	18	8
25163-004701	12	16
26014-080252	17	7
26106-060122	12	51
26106-060162	11	29
26106-060202	14	34
26106-060502	12	13
26106-080122	3	12
	11	11
		20
26106-080142	7	8
	11	30
26106-080162	3	13
	5	22
	13	230
26106-080182	10	11
26106-080202	2	13
		14

Parts No. Index

Parts No.	Fig. No.	Ref. No.
26106-080202	10	6
	13	231 232
26106-080222	14	35
	6	12 13
26106-080252	12	28
26106-080302	10	30
	15	3
26106-080402	2	15
26106-080452	2	16 17
	2	18
26106-080502	2	18
26106-080552	7	13
	12	14
26106-080602	12	32
26106-080702	2	19
	5	3
26106-080752	12	33
	4	47
26106-080802	2	20
26106-080902	4	48
26106-100162	13	233
26106-100182	10	12
26106-100202	4	2
26106-100222	2	29
26106-100252	4	72
26106-100352	3	6
	10	26
26106-100452	10	27
26106-100602	12	19
26106-100752	5	10
26106-100952	5	11
26106-120162	10	31
26116-050102	4	77
26116-101202	17	3
26116-120302	16	26
26226-080302	4	46
26306-080002	4	49
	6	5 7
26306-100002	2	21
	6	5 -1
26703-080002	17	4
	8	3
27225-120160	1	14
27231-700000	1	11
27241-300000	1	12
27241-400000	4	16
27310-070001	4	27

Parts No.	Fig. No.	Ref. No.
723900-01590	2	1
723900-01591	2	1 -1
723907-01560	1	1
723907-11100	4	4
723907-22900	9	33
723907-22950	9	35
723907-92600	18	1
723907-92601	18	1 -1
723908-53100	14	1
723945-51300	13	3
977770-01212	2	30
	18	39
X2240610100	16	13

Parts No.	Fig. No.	Ref. No.
-----------	----------	----------

Parts No.	Fig. No.	Ref. No.
-----------	----------	----------