

0CD10-M77900EN

## 記載対象機種

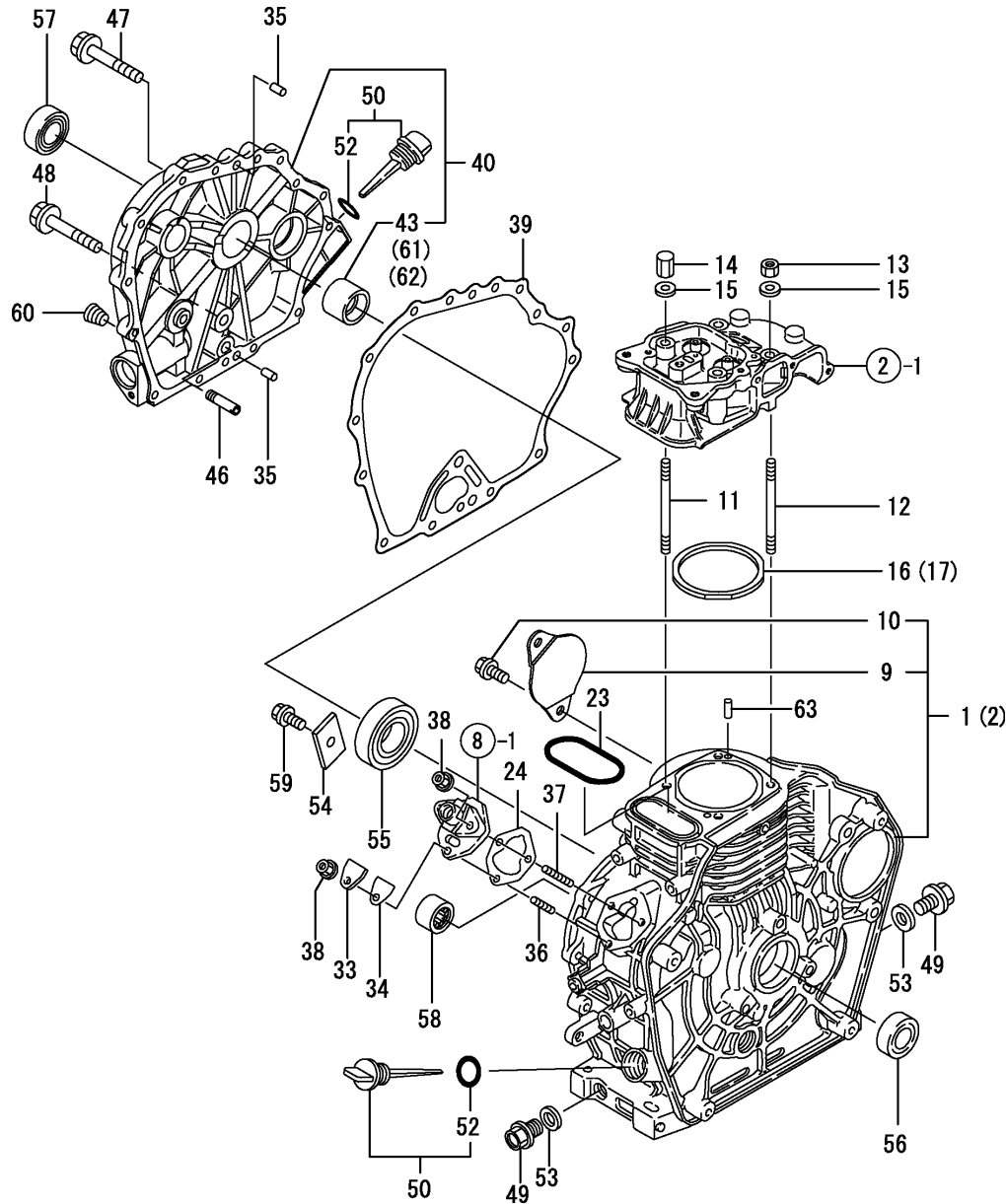
The following models are described in the parts catalog.

機種名 Model	作業機メーカー Manufacturer's name	搭載商品名 Product equipped with the Model	備考 Note
L48ADV MK	三笠産業株式会社 MIKASA SANGYO CO,LTD.	MVH-150D	前後進バイブロ Reversible Compactor
L48EE-DV MK		MVH-150D	
L70ADV MK		MVH-200D	
L70EE-DV MK		MVH-200D	

# Contents

Fig. No.	Fig. Name	Fig. No.	Fig. Name
ENGINE L48(EE)ADVMK			
1.	CYLINDER BLOCK		
2.	CYLINDER HEAD & BONNET		
3.	CYLINDER HEAD & BONNET		
4.	AIR CLEANER & MUFFLER		
5.	CRANKSHAFT,PISTON & CAMSHAFT		
6.	LUB.OIL PUMP & GOVERNOR		
7.	COOLING & STARTING DEVICE		
8.	FUEL INJECTION PUMP		
9.	FUEL TANK & FUEL LINE		
10.	TOOL,LABEL & GASKET SET		
ENGINE L70(EE)ADVMK			
11.	CYLINDER BLOCK		
12.	CYLINDER HEAD & BONNET		
13.	CYLINDER HEAD & BONNET		
14.	AIR CLEANER & MUFFLER		
15.	CRANKSHAFT,PISTON & CAMSHAFT		
16.	LUB.OIL PUMP & GOVERNOR		
17.	COOLING & STARTING DEVICE		
18.	FUEL INJECTION PUMP		
19.	FUEL TANK & FUEL LINE		
20.	TOOL,LABEL & GASKET SET		

Fig.1. CYLINDER BLOCK



(A)=L48ADVMK  
(B)=L48EE-DVMK  
(C)=L70ADVMK

(D)=L70EE-DVMK  
(E)=  
(F)=

No.	Lev.	Parts No.	Description	Q'ty						I	R
				(A)	(B)	(C)	(D)	(E)	(F)		
1	1	714770-01560	BLOCK ASSY, CYLINDER	1							
2	1	714774-01560	BLOCK ASSY, CYLINDER		1						
9	2	114350-01700	COVER	1	1						
10	2	26106-100122	BOLT, M10X 12 PLATED	2	2						
11	1	114250-01200	BOLT, HEAD	2	2						
12	1	114250-01210	BOLT, HEAD	2	2						
13	1	114250-01221	NUT, CYLINDER HEAD	2	2						
14	1	114250-01251	NUT, CAP	2	2						
15	1	124950-01250	WASHER	4	4						
16	1	114770-01340	GASKET, HEAD	1							
17	1	114771-01330	GASKET SET, HEAD		1						
23	1	114250-01380	O-RING	1	1						
24	1	114250-01800	SHIM SET	1	1						
33	1	114250-01830	COVER	1	1						
34	1	114250-01841	GASKET	1	1						
35	1	114270-01600	PIN, M8X12	2	2						
36	1	26226-060182	STUD, M6X 18	1	1						
37	1	26226-060222	STUD, M6X 22	2	2						
38	1	26366-060002	NUT, M6	3	3						
39	1	114250-01412	GASKET, CRANK CASE	1	1						
40	1	114260-01455	COVER, CRANK CASE	1	1						
43	2	114250-02100	BEARING, MAIN	1	1						1
46	1	114250-35150	PIPE, OIL INLET	1	1						
47	1	26106-060252	BOLT, M6X 25 PLATED	14	14						
48	1	26106-080352	BOLT, M8X 35 PLATED	1	1						
49	1	105425-01690	PLUG, 16	2	2						
50	1	114299-01760	CAP ASSY	2	2						
52	2	114299-01950	O-RING, 18	2	2						
53	1	22190-160002	WASHER, SEAL 16	2	2						
54	1	114299-02030	RETAINER, BEARING	1	1						
55	1	114250-02113	BEARING, HR6306G3C3	1	1						
56	1	160110-02220	SEAL, OIL	1	1						
57	1	160210-02220	SEAL, 25X41.2X8	1	1						
58	1	24162-152112	BEARING, 152112	1	1						
59	1	26106-080122	BOLT, M8X 12 PLATED	1	1						
60	1	23876-010000	PLUG, R01	1	1						
61	1	114250-02200	BEARING, 0.25 US	1	1						2
62	1	114250-02210	BEARING, 0.50 US	1	1						2
63	1	22312-040080	PIN, PARALLEL M4X 8	2							

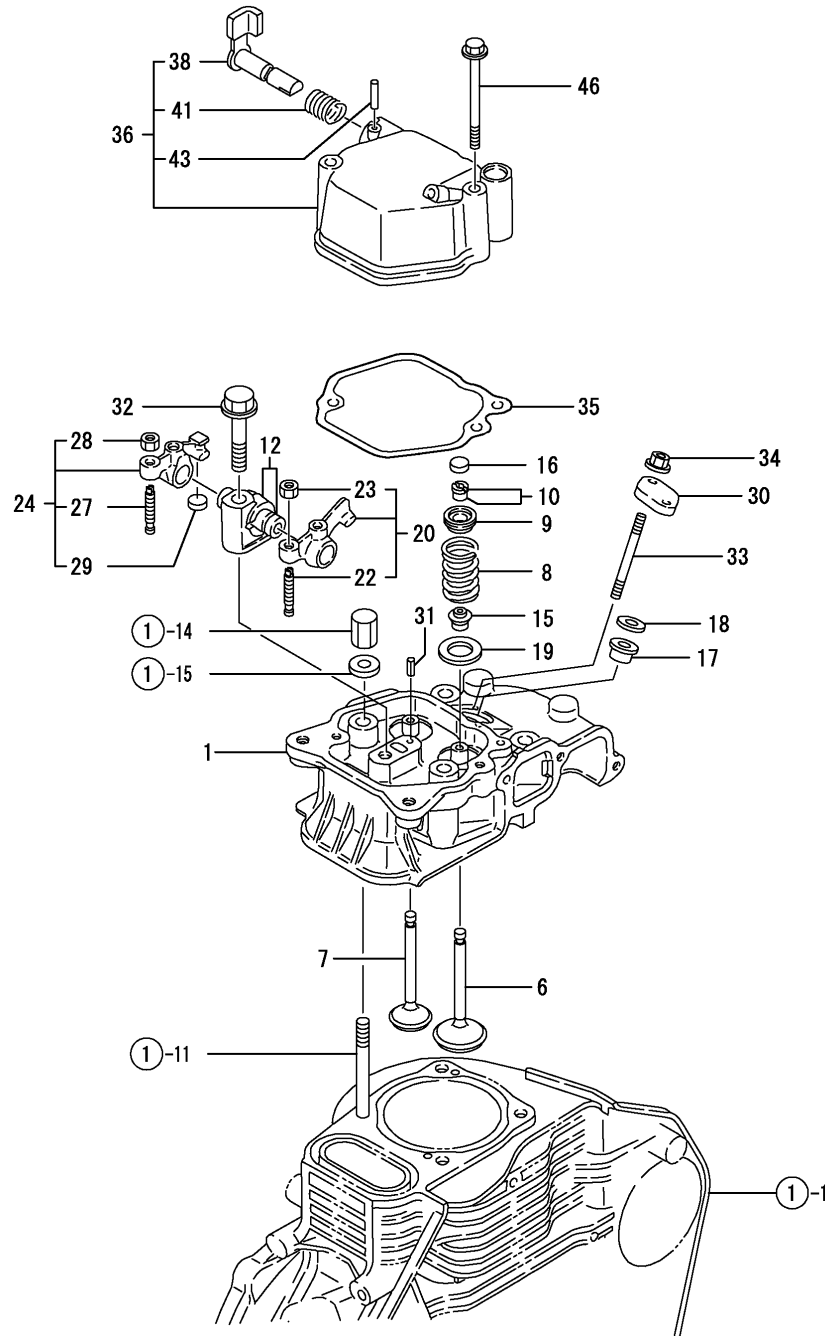
Remarks

- (1) REPAIR PART.
- (2) UNDER-SIZED PART.

Fig.2. CYLINDER HEAD & BONNET

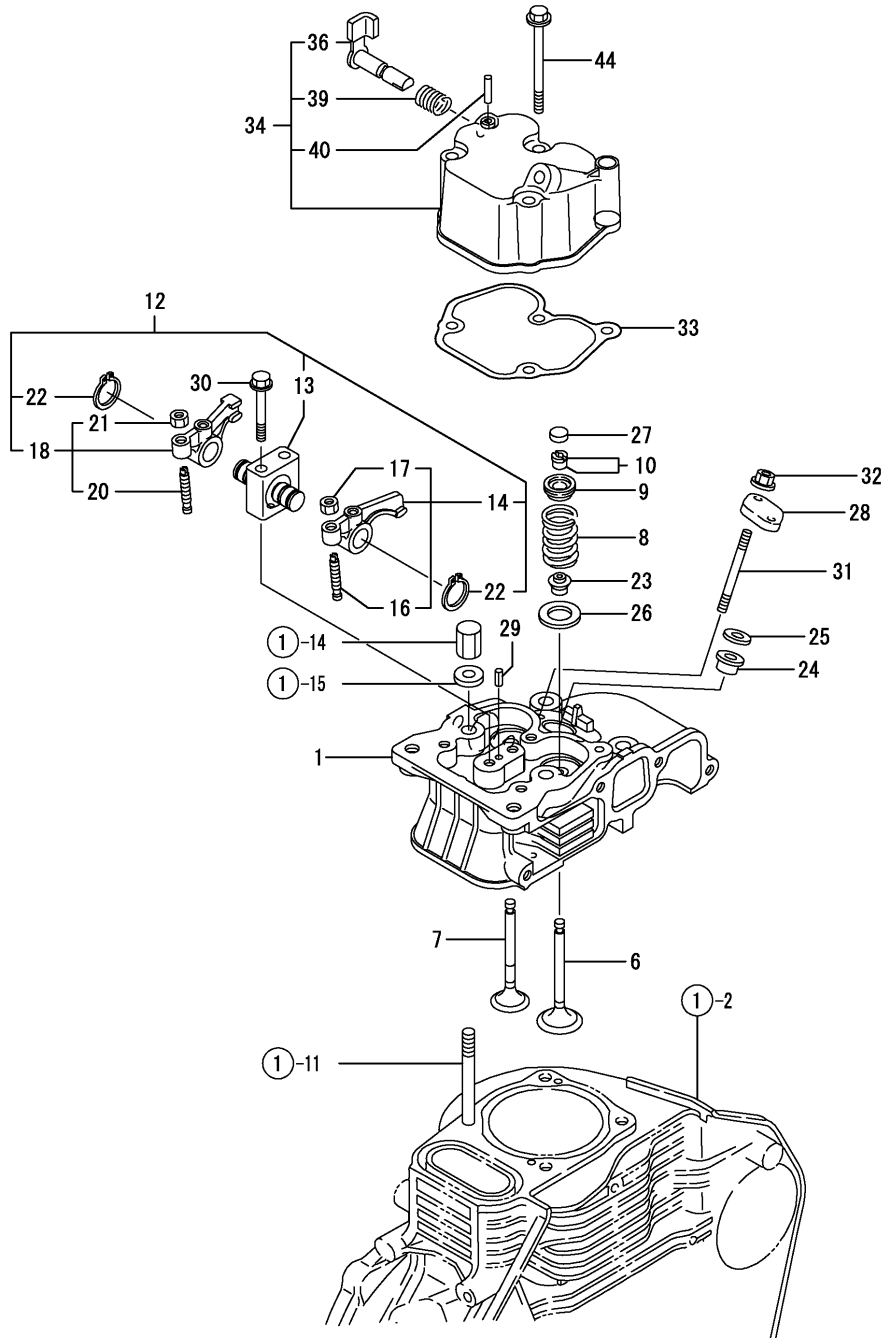
(A)=L48ADVMK  
 (B)=L48EE-DVMK  
 (C)=L70ADVMK

(D)=L70EE-DVMK  
 (E)=  
 (F)=



No.	Lev.	Parts No.	Description	Q'ty						I	R
				(A)	(B)	(C)	(D)	(E)	(F)		
1	1	114770-11020	HEAD ASSY, CYLINDER	1							
6	1	114250-11101	VALVE, INTAKE	1							
7	1	114250-11113	VALVE, EXHAUST	1							
8	1	114250-11120	SPRING, VALVE	2							
9	1	114250-11180	RETAINER, SPRING	2							
10	1	714250-11570	COTTER ASSY	2							
12	1	114250-11290	SUPPORT, ROCKER ARM	1							
15	1	114250-11340	SEAL, VALVE STEM	2							
16	1	119260-11370	CAP, VALVE	1							
17	1	114250-11460	GASKET, NOZZLE	1							
18	1	114350-11470	SPACER, NOZZLE	1							
19	1	114250-11600	WASHER	2							
20	1	114250-11651	ARM, ROCKER	1							
22	2	114250-11240	SCREW, VALVE ADJUST	1							
23	2	26856-060002	NUT, M6	1							
24	1	714270-11660	ARM ASSY, ROCKER	1							
27	2	114250-11240	SCREW, VALVE ADJUST	1							
28	2	26856-060002	NUT, M6	1							
29	2	119260-11370	CAP, VALVE	1							
30	1	114250-11901	RETAINER, NOZZLE	1							
31	1	22351-040008	PIN, SPRING 4.0X 8	1							
32	1	26106-080452	BOLT, M8X 45 PLATED	1							
33	1	26226-060502	STUD, M6X 50	2							
34	1	26366-060002	NUT, M6	2							
35	1	114250-11311	GASKET, BONNET	1							
36	1	114250-11951	BONNET ASSY, HEAD	1							
38	2	114250-03591	LEVER ASSY	1							
41	2	114250-03640	SPRING, DECOMPRESSION	1							
43	2	22312-030160	PIN, PARALLEL M3X16	1							
46	1	26106-060552	BOLT, M6X 55 PLATED	2							

Fig.3. CYLINDER HEAD & BONNET

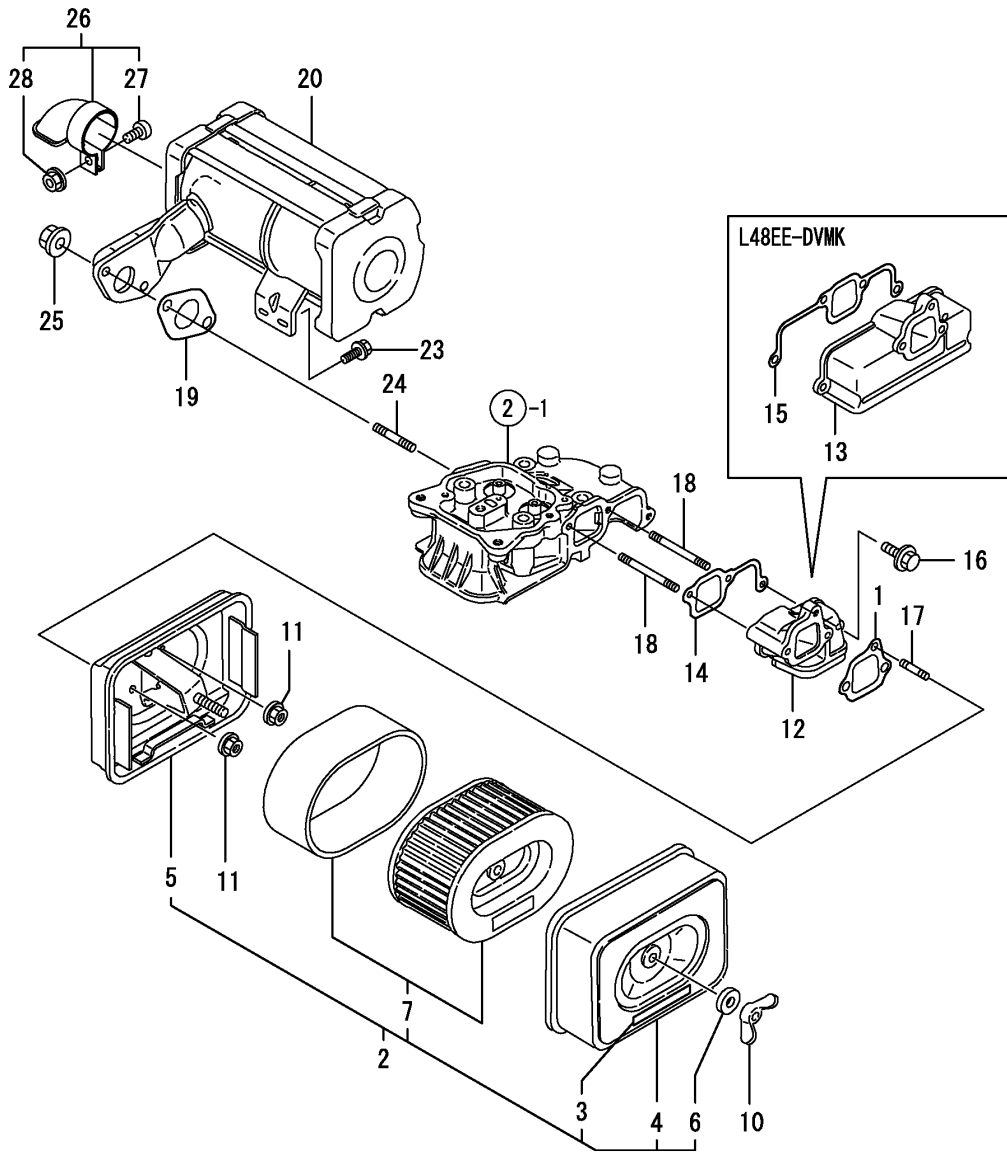


(A)=L48ADVMK  
(B)=L48EE-DVMK  
(C)=L70ADVMK

(D)=L70EE-DVMK  
(E)=  
(F)=

No.	Lev.	Parts No.	Description	Q'ty						I	R
				(A)	(B)	(C)	(D)	(E)	(F)		
1	1	114771-11020	HEAD ASSY, CYLINDER		1						
6	1	114771-11100	VALVE, INTAKE		1						
7	1	114771-11110	VALVE, EXHAUST		1						
8	1	114250-11120	SPRING, VALVE		2						
9	1	114250-11180	RETAINER, SPRING		2						
10	1	714250-11570	COTTER ASSY		2						
12	1	114771-11250	SUPPORT ASSY, ARM		1						
13	2	114771-11260	SUPPORT, ROCKER ARM		1						
14	2	114771-11650	ARM, ROCKER		1						
16	3	114250-11240	SCREW, VALVE ADJUST		1						
17	3	26856-060002	NUT, M6		1						
18	2	114771-11660	ARM, ROCKER		1						
20	3	114250-11240	SCREW, VALVE ADJUST		1						
21	3	26856-060002	NUT, M6		1						
22	2	22242-000120	RING, 12		2						
23	1	114250-11340	SEAL, VALVE STEM		2						
24	1	114771-11461	GASKET, NOZZLE		1						
25	1	114771-11470	SPACER, NOZZLE		1						
26	1	114250-11600	WASHER		2						
27	1	119260-11370	CAP, VALVE		2						
28	1	114250-11901	RETAINER, NOZZLE		1						
29	1	22351-040008	PIN, SPRING 4.0X 8		1						
30	1	26106-060452	BOLT, M6X 45 PLATED		2						
31	1	114718-11910	STUD, M6X65		2						
32	1	26366-060002	NUT, M6		2						
33	1	114771-11310	GASKET, BONNET		1						
34	1	114771-11950	BONNET ASSY, HEAD		1						
36	2	114250-03591	LEVER ASSY		1						
39	2	114250-03640	SPRING, DECOMPRESSION		1						
40	2	22312-030160	PIN, PARALLEL M3X16		1						
44	1	26106-060552	BOLT, M6X 55 PLATED		3						

Fig.4. AIR CLEANER & MUFFLER

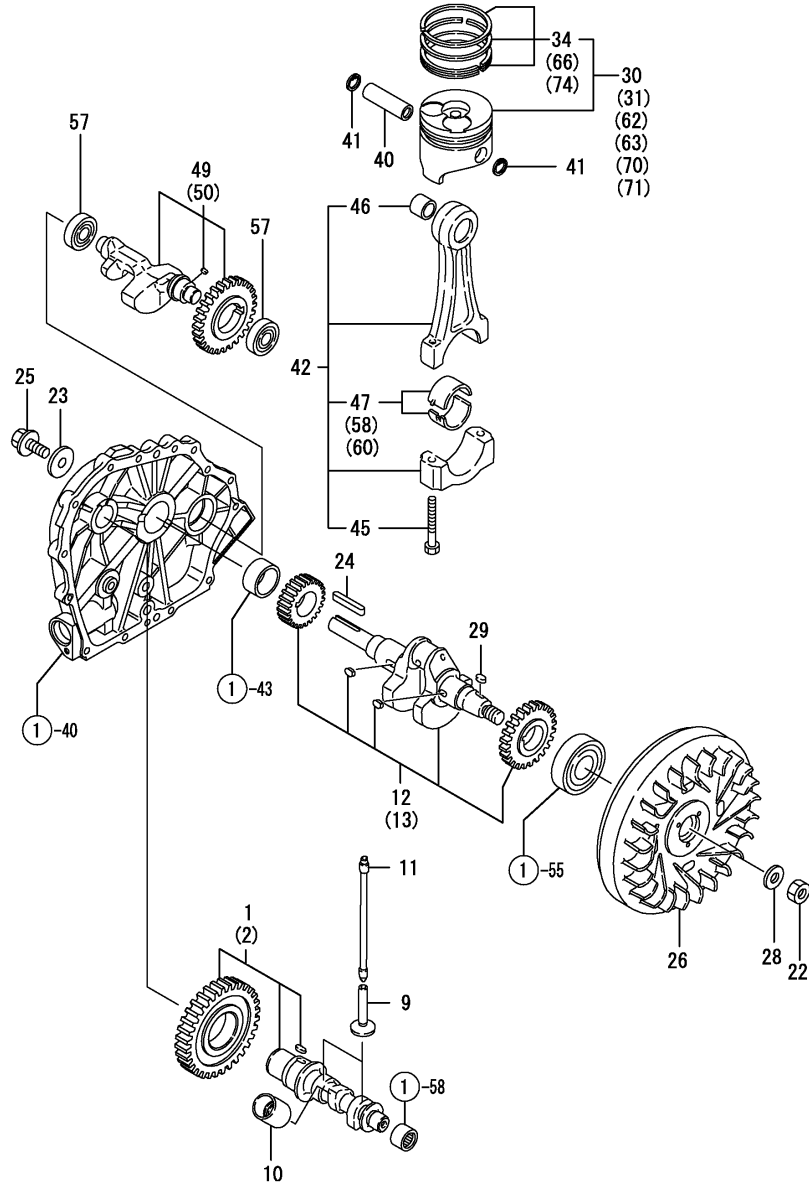


(A)=L48ADVMK  
(B)=L48EE-DVMK  
(C)=L70ADVMK

(D)=L70EE-DVMK  
(E)=  
(F)=

No.	Lev.	Parts No.	Description	Q'ty						I	R
				(A)	(B)	(C)	(D)	(E)	(F)		
1	1	114250-12211	GASKET, AIR CLEANER	1	1						
2	1	114288-12511	CLEANER ASSY, AIR	1	1						
3	2	114650-07450	LABEL, AIR CLEANER	1	1						
4	2	114288-12520	COVER ASSY	1	1						
5	2	114288-12531	CASE ASSY, CLEANER	1	1						
6	2	114252-12560	WASHER, SEAL M8	1	1						
7	2	114650-12591	ELEMENT ASSY	1	1						
10	1	114252-12550	NUT, WING M8	1	1						
11	1	114250-12300	NUT	3	3						
12	1	114299-12010	PIPE, AIR INTAKE	1							
13	1	114771-12010	PIPE, AIR INTAKE		1						
14	1	114250-12201	GASKET	1							
15	1	114771-12200	GASKET		1						
16	1	26106-060252	BOLT, M6X 25 PLATED	1	2						
17	1	26226-060142	STUD, M6X 14	1	1						
18	1	26226-060552	STUD, M6X 55	2	2						
19	1	114250-13201	GASKET, MUFFLER	1	1						
20	1	114288-13500	MUFFLER ASSY	1	1						
23	1	26106-060122	BOLT, M6X 12 PLATED	2	2						
24	1	26216-080182	STUD, M8X 18	2	2						
25	1	26306-080002	NUT, M8	2	2						
26	1	114288-13800	EXTENSION ASSY	1	1						
27	2	26554-060182	SCREW, M6X18	1	1						
28	2	26367-060002	NUT, M6	1	1						

Fig.5. CRANKSHAFT,PISTON & CAMSHAFT



Remarks

- (1) UNDER-SIZE(U.S=0.25)PART.
- (2) UNDER-SIZE(U.S=0.50)PART.
- (3) OVER-SIZE(O.S=0.25)PART.
- (4) OVER-SIZE(O.S=0.50)PART.

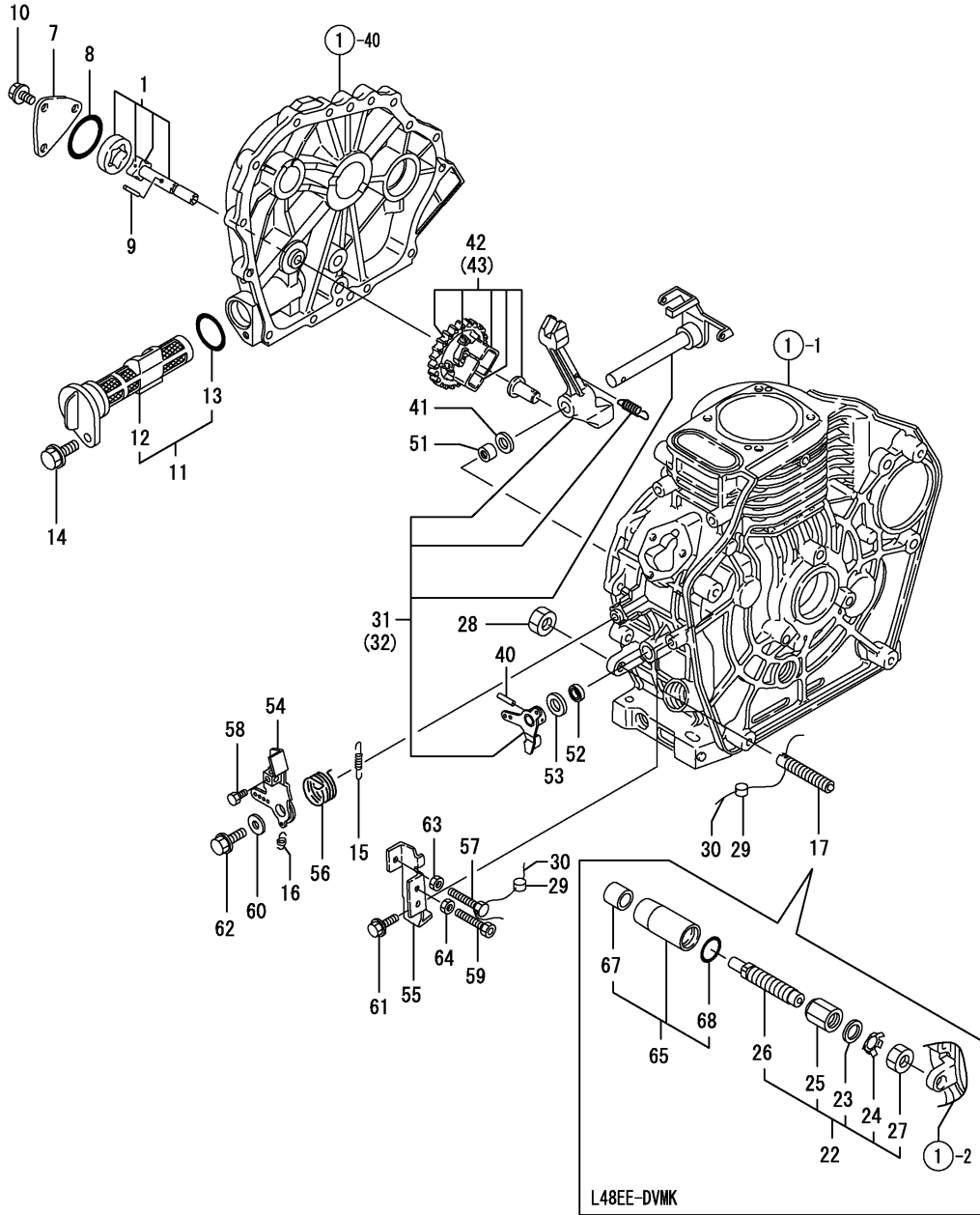
(A)=L48ADVMK  
(B)=L48EE-DVMK  
(C)=L70ADVMK

(D)=L70EE-DVMK  
(E)=  
(F)=

No.	Lev.	Parts No.	Description	Qty						I	R
				(A)	(B)	(C)	(D)	(E)	(F)		
1	1	714780-14580	CAMSHAFT ASSY	1							
1-1	1	714780-14581	CAMSHAFT ASSY, D	1							R
(A=EZZZZZ)											
2	1	714471-14580	CAMSHAFT ASSY		1						
2-1	1	714471-14581	CAMSHAFT ASSY, D		1						R
(B=EZZZZZ)											
9	1	114250-14200	TAPPET	2	2						
10	1	114771-14260	TAPPET	1	1						
11	1	114250-14451	ROD ASSY, PUSH	2	2						
12	1	714260-21741	CRANKSHAFT ASSY	1							
13	1	714772-21701	CRANKSHAFT ASSY		1						
22	1	103854-01221	NUT, CYLINDER HEAD	1	1						
23	1	160310-14550	WASHER	1	1						
24	1	22512-050300	KEY, 5X 30	1	1						
25	1	26106-080202	BOLT, M8X 20 PLATED	1	1						
26	1	114299-21420	FLYWHEEL	1	1						
28	1	114250-21550	WASHER	1	1						
29	1	22512-040120	KEY, 4X 12	1	1						
30	1	714780-22721	PISTON ASSY, D	1							
31	1	714772-22721	PISTON ASSY, D		1						
34	2	714770-22501	RING SET, PISTON	1	1						
40	1	114299-22300	PIN, PISTON D=19	1	1						
41	1	22252-000190	RING, 19	2	2						
42	1	71477G-23700	ROD ASSY, CONNECTING	1	1						
45	2	119265-23200	BOLT, CONNECTING ROD	2	2						
46	2	114770-23100	BEARING, PISTON PIN	1	1						
47	2	714770-23600	BEARING, CRANK PIN	1	1						
49	1	714770-28511	SHAFT ASSY, BALANCER	1							
49-1	1	714770-28512	SHAFT ASSY, BALANCER	1							R
(A=EZZZZZ)											
50	1	714770-28531	SHAFT ASSY, BALANCER		1						
57	1	24101-062024	BEARING, BALL 6202	2	2						
58	1	714770-23610	BEARING ASSY, 0.25	1	1						1
60	1	714770-23620	BEARING, 0.50 US	1	1						2
62	1	714780-22621	PISTON ASSY, 0.25 OS	1							3
63	1	714772-22621	PISTON ASSY, 0.25 OS		1						3
66	2	714770-22541	RING SET, 0.25 OS	1	1						3
70	1	714780-22581	PISTON ASSY, 0.50 OS	1							4
71	1	714772-22581	PISTON ASSY, 0.50 OS		1						4
74	2	714770-22551	RING SET, 0.50 OS	1	1						4



Fig.6. LUB.OIL PUMP & GOVERNOR

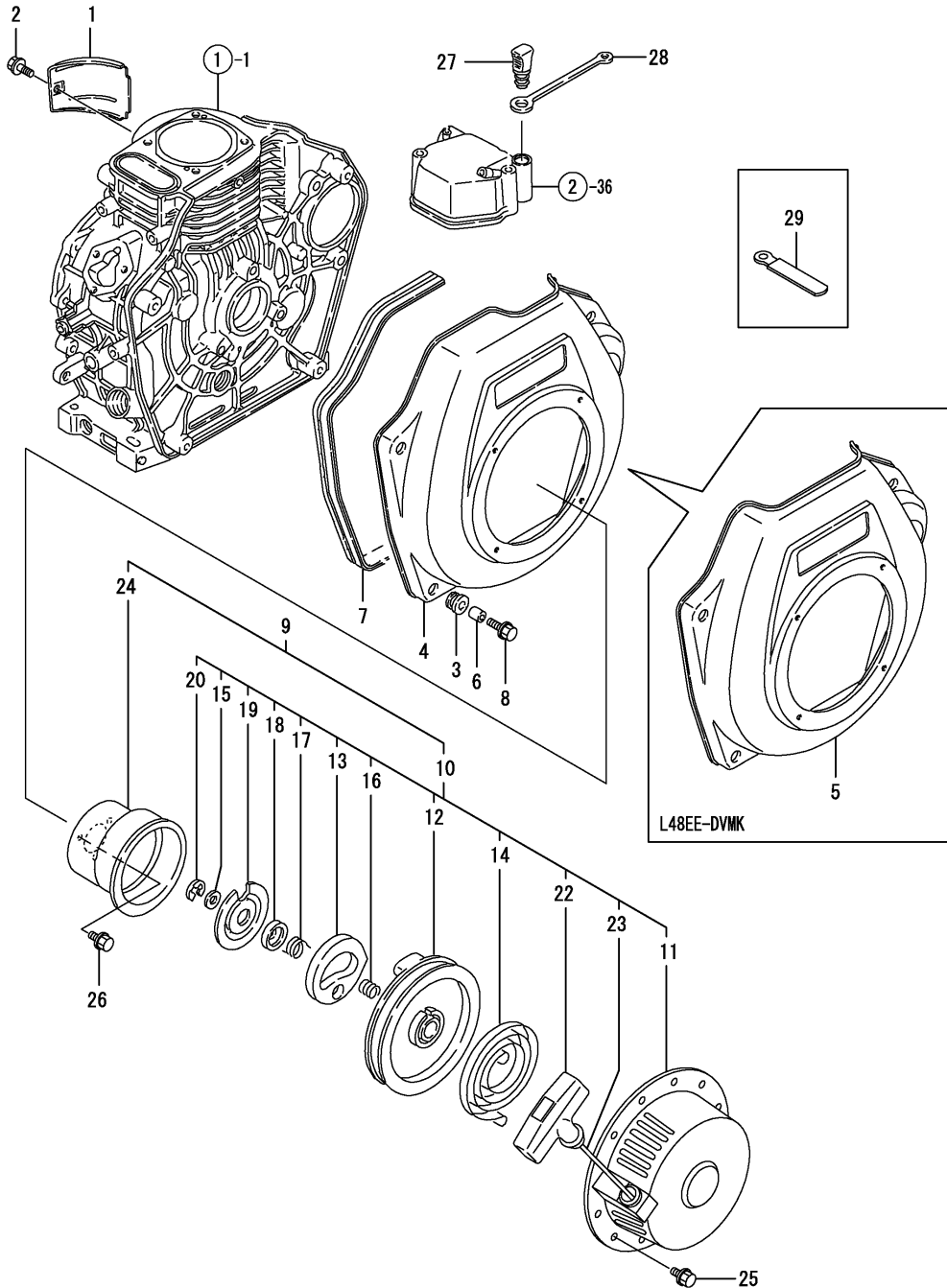


(A)=L48ADVMK  
(B)=L48EE-DVMK  
(C)=L70ADVMK

(D)=L70EE-DVMK  
(E)=  
(F)=

No.	Lev.	Parts No.	Description	Q'ty						I	R
				(A)	(B)	(C)	(D)	(E)	(F)		
1	1	114250-32010	PUMP ASSY, OIL	1	1						
7	1	114250-32070	COVER	1	1						
8	1	103338-32570	O-RING	1	1						
9	1	22312-030160	PIN, PARALLEL M3X16	1	1						
10	1	26476-060142	SCREW, TAPPING M6X14	3	3						
11	1	114250-35110	FILTER ASSY, OIL	1	1						
12	2	114250-35070	FILTER, OIL	1	1						
13	2	24341-000224	O-RING, 1AS22.4	1	1						
14	1	26106-060162	BOLT, M6X 16 PLATED	1	1						
15	1	114770-66010	SPRING, REGULATOR	1	1						
16	1	114250-66200	SPRING, RETURN	1	1						
17	1	114250-66550	LIMITER ASSY, FUEL	1							
22	1	114818-61700	LIMITER ASSY, FUEL		1						
23	2	114771-61810	WASHER, 14		1						
24	2	114771-61830	PLATE		1						
25	2	114771-61940	NUT, M14		1						
26	2	114818-66600	LIMITER ASSY, FUEL		1						
27	2	114771-66690	NUT, M14		1						
28	1	26776-100002	NUT, LOCK M10		1						
29	1	135210-61090	LEAD		2	1					
30	1	22451-060000	WIRE, 0.6		2	1					
31	1	114250-61230	LEVER ASSY, GOVERNOR		1						
32	1	114771-61170	LEVER ASSY, GOVERNOR		1						
40	1	22322-030200	PIN, TAPER 3X20		1	1					
41	1	114770-61190	WASHER		1	1					
42	1	714770-61700	GOVERNOR ASSY		1						
43	1	714770-61100	GOVERNOR ASSY			1					
51	1	114770-61520	BEARING, NEEDLE		2	2					
52	1	114770-61600	SEAL, OIL		1	1					
53	1	114770-61610	WASHER, THRUST		1	1					
54	1	114883-66060	HANDLE, REGULATOR		1	1					
55	1	114252-66120	BRACKET		1	1					
56	1	114252-66252	SPRING, RETURN		1	1					
57	1	114250-66440	BOLT, ADJUSTING		1	1					
58	1	105225-66990	SCREW, M5X8.5		1	1					
59	1	102100-67080	BOLT, ADJUSTING		1	1					
60	1	160120-76940	WASHER		1	1					
61	1	26106-060202	BOLT, M6X 20 PLATED		1	1					
62	1	26476-060142	SCREW, TAPPING M6X14		1	1					
63	1	26757-060002	NUT, LOCK M6		1	1					
64	1	26757-060002	NUT, LOCK M6		1	1					
65	1	114771-61890	PROTECTOR ASSY			1					
67	2	114771-61960	SPACER			1					
68	2	24311-000180	O-RING, 1AP18.0			1					

Fig.7. COOLING & STARTING DEVICE

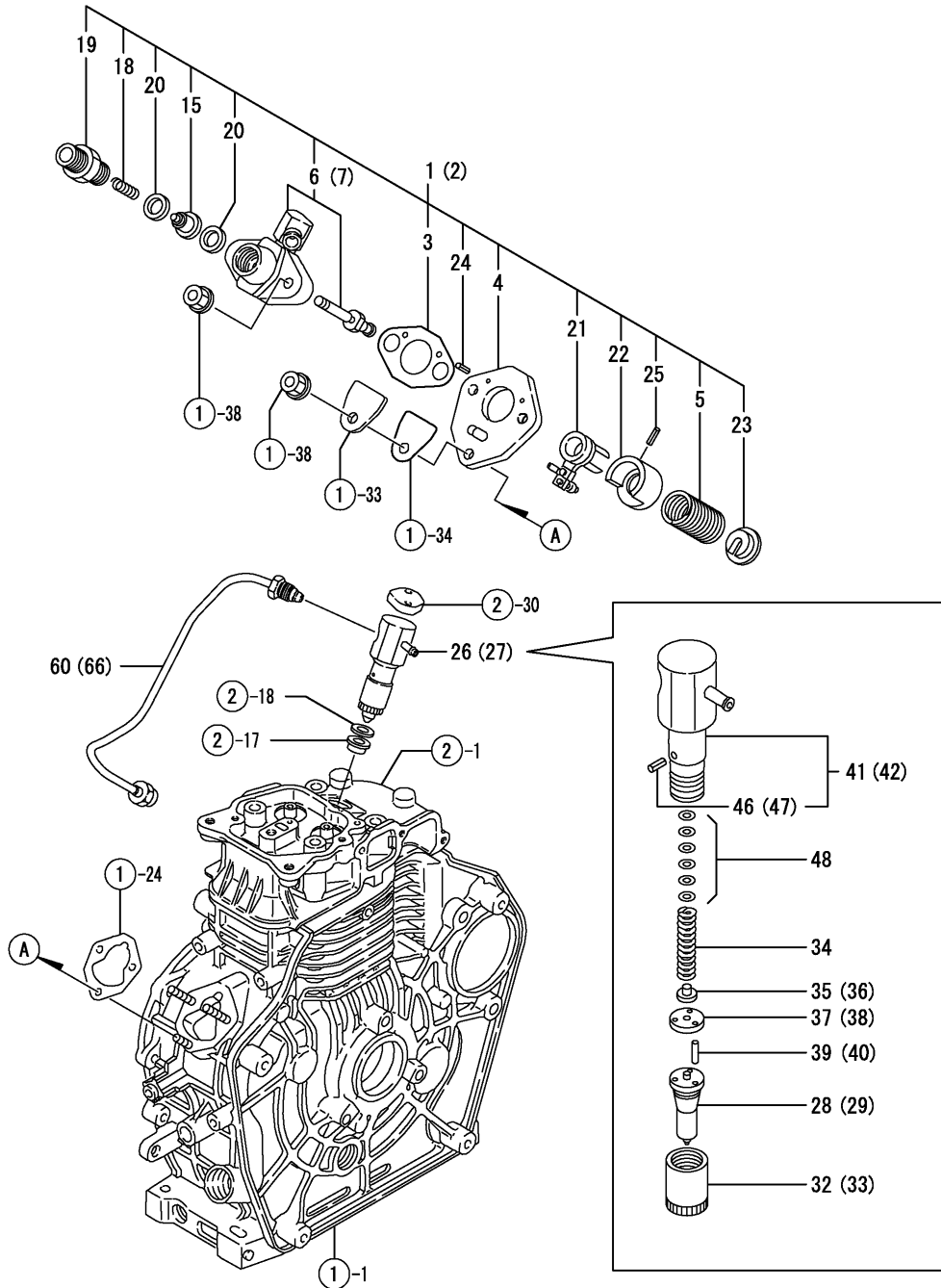


(A)=L48ADVMK  
(B)=L48EE-DVMK  
(C)=L70ADVMK

(D)=L70EE-DVMK  
(E)=  
(F)=

No.	Lev.	Parts No.	Description	Q'ty						I	R
				(A)	(B)	(C)	(D)	(E)	(F)		
1	1	114299-45210	COVER	1	1						
2	1	26106-060122	BOLT, M6X 12 PLATED	1	1						
3	1	114250-45301	ABSORBER	4	4						
4	1	114780-45100	CASE, COOLING FAN		1						
5	1	114771-45100	CASE, COOLING FAN			1					
6	1	114250-45310	COLLAR	4	4						
7	1	114250-45330	SEAL, FAN CASE L=875	1	1						
8	1	114370-45351	BOLT	4	4						
9	1	114260-76051	STARTER ASSY, RECOIL	1	1						
10	2	114260-76251	STARTER ASSY, RECOIL	1	1						
11	3	114260-76520	CASE, STARTER	1	1						
12	3	160260-76520	REEL	1	1						
13	3	160260-76530	RATCHET	1	1						
14	3	160260-76540	SPRING, SPIRAL	1	1						
15	3	160260-76550	WASHER, THRUST	1	1						
16	3	160260-76560	SPRING, FRICTION	1	1						
17	3	160290-76570	SPRING, RETURN	1	1						
18	3	160260-76580	COVER	1	1						
19	3	160260-76590	PLATE, FRICTION	1	1						
20	3	160260-76600	CIRCLIP	1	1						
22	3	114250-76620	KNOB, STARTER	1	1						
23	3	160260-76630	ROPE, STARTER	1	1						
24	2	114250-76590	PULLEY, STARTER	1	1						
25	1	26106-060082	BOLT, M6X 8 PLATED	4	4						
26	1	26106-060122	BOLT, M6X 12 PLATED	3	3						
27	1	114250-76600	PLUNGER	1	1						
28	1	114250-76610	HOLDER, PLUNGER	1	1						
29	1	160802-78260	CLAMP, CORD	1	1						

Fig.8. FUEL INJECTION PUMP



(A)=L48ADVMK  
(B)=L48EE-DVMK  
(C)=L70ADVMK

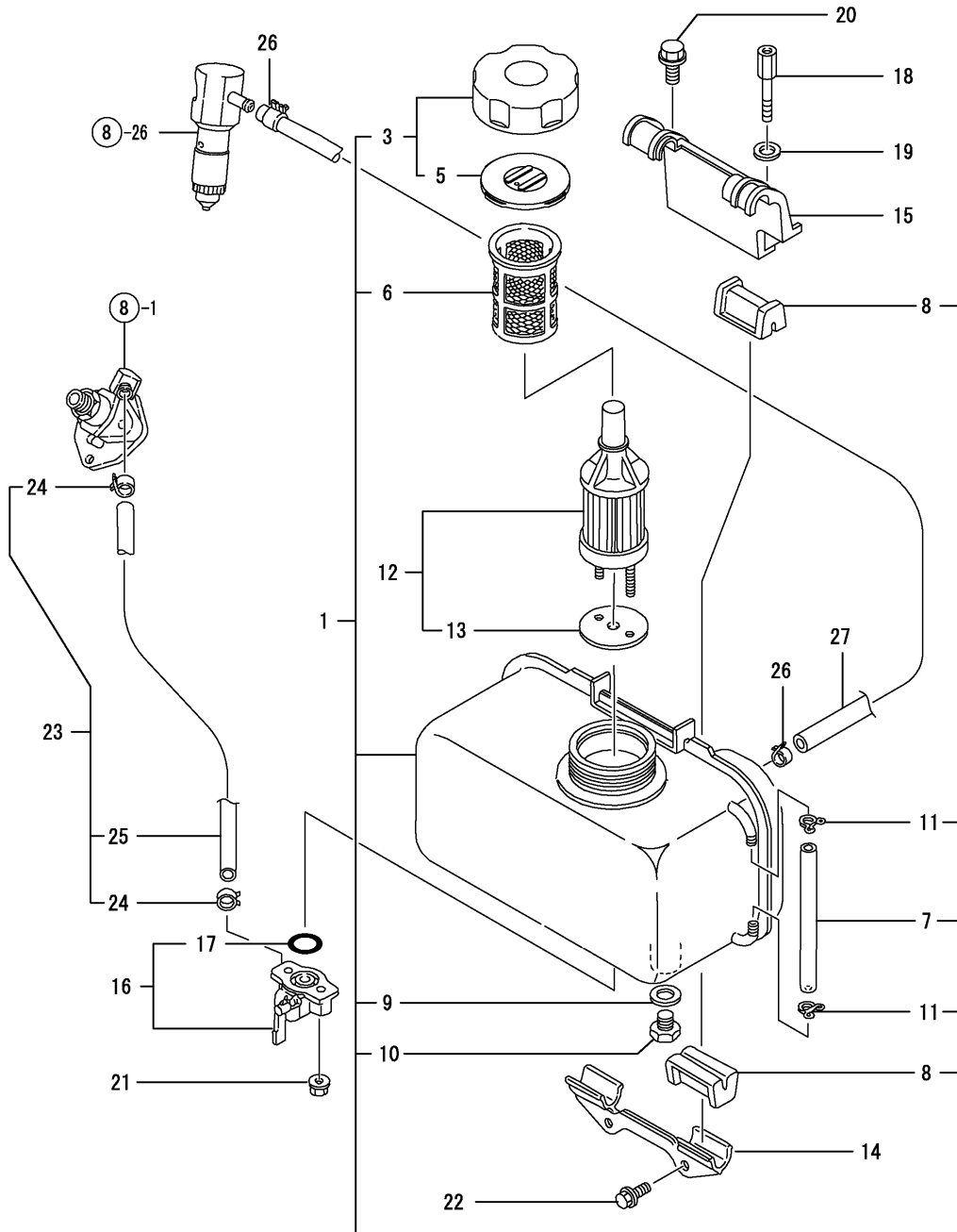
(D)=L70EE-DVMK  
(E)=  
(F)=

No.	Lev.	Parts No.	Description	Q'ty						I	R
				(A)	(B)	(C)	(D)	(E)	(F)		
1	1	714770-51100	PUMP ASSY, INJECTION	1							
2	1	714775-51100	PUMP ASSY, INJECTION		1						
3	2	105546-51020	GASKET	1	1						
4	2	114250-51080	PLATE	1	1						
5	2	114250-51160	SPRING, PLUNGER	1	1						
6	2	114250-51200	BODY ASSY, PUMP	1							
7	2	114350-51200	BODY ASSY, PUMP		1						
15	2	114250-51300	VALVE ASSY, DELIVERY	1	1						
18	2	105546-51330	SPRING, DELIVERY	1	1						
19	2	114250-51340	HOLDER, DELIVERY	1	1						
20	2	124550-51350	GASKET, DELIVERY	2	2						
21	2	114250-51600	LEVER ASSY, CONTROL	1	1						
22	2	114250-51640	SEAT, SPRING A	1	1						
23	2	114250-51650	SEAT, SPRING B	1	1						
24	2	22351-020006	PIN, SPRING 2.0X 6	2	2						
25	2	22351-030008	PIN, SPRING 3.0X 8	1	1						
26	1	714250-53101	VALVE ASSY,INJECTION	1							
27	1	714775-53101	VALVE ASSY,INJECTION		1						
28	2	114250-53001	VALVE ASSY,INJECTION	1							
29	2	114771-53001	VALVE ASSY,INJECTION		1						
32	2	114250-53080	NUT, NOZZLE D16.95	1							
33	2	119593-53080	NUT, NOZZLE		1						
34	2	114250-53120	SPRING, NOZZLE	1	1						
35	2	114250-53130	SEAT, SPRING	1							
36	2	119593-53130	SEAT, SPRING		1						
37	2	114250-53140	PLATE	1							
38	2	114775-53140	SPACER, VALVE STOP		1						
39	2	114250-53210	PIN	2							
40	2	114775-53210	PIN		2						
41	2	114250-53300	HOLDER ASSY, NOZZLE	1							
42	2	114775-53100	HOLDER ASSY, NOZZLE		1						
46	3	114250-53331	PIN	1							
47	3	114775-53330	PIN		1						
48	2	114250-53400	SHIM SET	1	1						
60	1	114250-59800	PIPE ASSY, INJECTION	1							
66	1	114771-59803	PIPE ASSY, INJECTION		1						

Fig.9. FUEL TANK & FUEL LINE

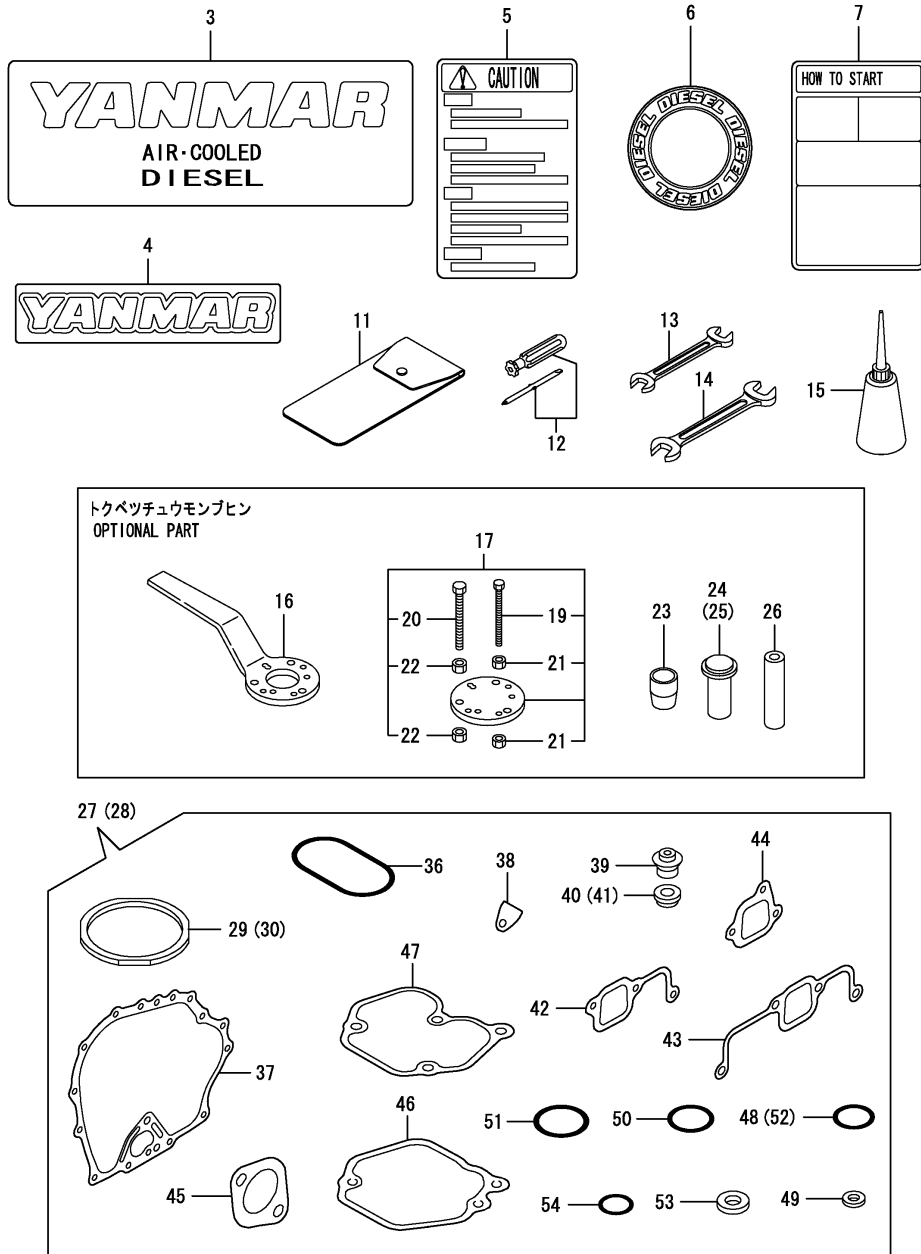
(A)=L48ADVMK  
(B)=L48EE-DVMK  
(C)=L70ADVMK

(D)=L70EE-DVMK  
(E)=  
(F)=



No.	Lev.	Parts No.	Description	Q'ty						I	R
				(A)	(B)	(C)	(D)	(E)	(F)		
1	1	714250-55702	TANK ASSY, FUEL	1	1						
3	2	114288-55041	CAP ASSY	1	1						
5	3	114288-55081	VALVE	1	1						
6	2	114250-55100	FILTER, FUEL	1	1						
7	2	114250-55150	GAUGE, LEVEL	1	1						
8	2	114250-55201	DAMPER, FUEL TANK	4	4						
9	2	23414-080000	GASKET, 8X1.0	1	1						
10	2	105300-55080	PLUG, 8	1	1						
11	2	103854-55220	RETAINER	2	2						
12	1	114250-55121	FILTER ASSY, FUEL	1	1						
13	2	114250-55130	GASKET	1	1						
14	1	114299-55210	STAY, FUEL TANK	1	1						
15	1	114299-55230	STAY, FUEL TANK	1	1						
16	1	114250-55301	COCK ASSY, FUEL	1	1						
17	2	24341-000150	O-RING, 1AS15.0	1	1						
18	1	114650-55810	BOLT	1	1						
19	1	22117-080000	WASHER, 8	1	1						
20	1	26106-080452	BOLT, M8X 45 PLATED	1	1						
21	1	26366-060002	NUT, M6	2	2						
22	1	26476-060142	SCREW, TAPPING M6X14	2	2						
23	1	114770-59030	PIPE ASSY, FUEL	1	1						
24	2	114270-59010	CLIP, HOSE 12	2	2						
25	2	114268-59061	PIPE, FUEL L=50	1	1						
26	1	124722-59050	CLIP, HOSE 9	2	2						
27	1	114250-59060	PIPE, FUEL RETURN	1	1						

Fig.10. TOOL,LABEL & GASKET SET



(A)=L48ADVMK  
(B)=L48EE-DVMK  
(C)=L70ADVMK

(D)=L70EE-DVMK  
(E)=  
(F)=

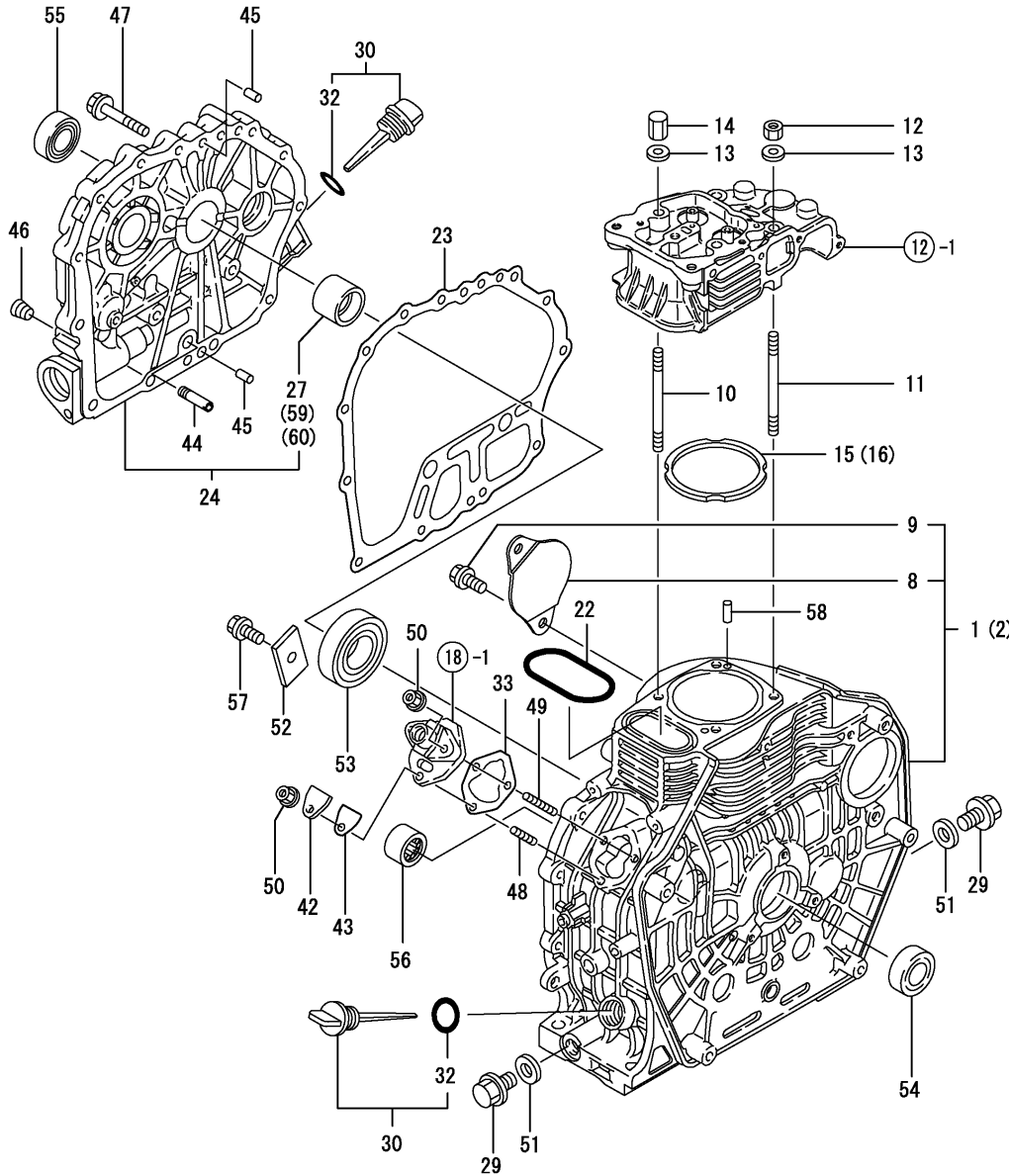
No.	Lev.	Parts No.	Description	Qty						I	R
				(A)	(B)	(C)	(D)	(E)	(F)		
3	1	114250-07090	LABEL, AIR COOLED	1	1						
4	1	114250-07111	LABEL, YANMAR	1	1						
5	1	114268-07240	LABEL, CAUTION	1	1						
6	1	114261-07350	LABEL	1	1						
7	1	114268-07350	LABEL, HOW TO START	1	1						
11	1	114250-92600	BAG, TOOL	1	1						
12	1	160330-92730	DRIVE, SCREW	1	1						
13	1	28110-100120	SPANNER, 10X12	1	1						
14	1	28110-140170	SPANNER, 14X17	1	1						
15	1	28210-000150	OILER	1	1						
16	1	114250-92101	F.W. LOCKING HANDLE	1	1						1
17	1	114250-92130	REMOVER, FLYWHEEL	1	1						1
19	2	26116-060454	BOLT M 6X 45 PLATED	4	4						1
20	2	26116-080454	BOLT, M8X 45 PLATED	3	3						1
21	2	26716-060002	NUT, M6	8	8						1
22	2	26716-080002	NUT, M8	6	6						1
23	1	114250-92301	GUIDE	1	1						1
24	1	114250-92311	INSTALLING TOOL	1	1						1
25	1	114350-92311	INSTALLING TOOL	1	1						1
26	1	114250-92350	INSTALLING TOOL	1	1						1
27	1	714770-92604	GASKET SET	1							1
28	1	714771-92600	GASKET SET		1						1
29	2	114770-01340	GASKET, HEAD	1							
30	2	114771-01330	GASKET SET, HEAD		1						
36	2	114250-01380	O-RING	1	1						
37	2	114250-01412	GASKET, CRANK CASE	1	1						
38	2	114250-01841	GASKET	1	1						
39	2	114250-11340	SEAL, VALVE STEM	2	2						
40	2	114250-11460	GASKET, NOZZLE	1							
41	2	114771-11461	GASKET, NOZZLE		1						
42	2	114250-12201	GASKET	1							
43	2	114771-12200	GASKET		1						
44	2	114250-12211	GASKET, AIR CLEANER	1	1						
45	2	114250-13201	GASKET, MUFFLER	1	1						
46	2	114250-11311	GASKET, BONNET	1							
47	2	114771-11310	GASKET, BONNET		1						
48	2	114299-01950	O-RING, 18	2	2						
49	2	22190-160002	WASHER, SEAL 16	2	2						
50	2	24341-000224	O-RING, 1AS22.4	1	1						
51	2	103338-32570	O-RING	1	1						
52	2	24311-000180	O-RING, 1AP18.0		1						
53	2	23414-080000	GASKET, 8X1.0	1	1						
54	2	24341-000150	O-RING, 1AS15.0	1	1						

Remarks  
(1) OPTIONAL PART.

Fig.11. CYLINDER BLOCK

(A)=L48ADVMK  
(B)=L48EE-DVMK  
(C)=L70ADVMK

(D)=L70EE-DVMK  
(E)=  
(F)=

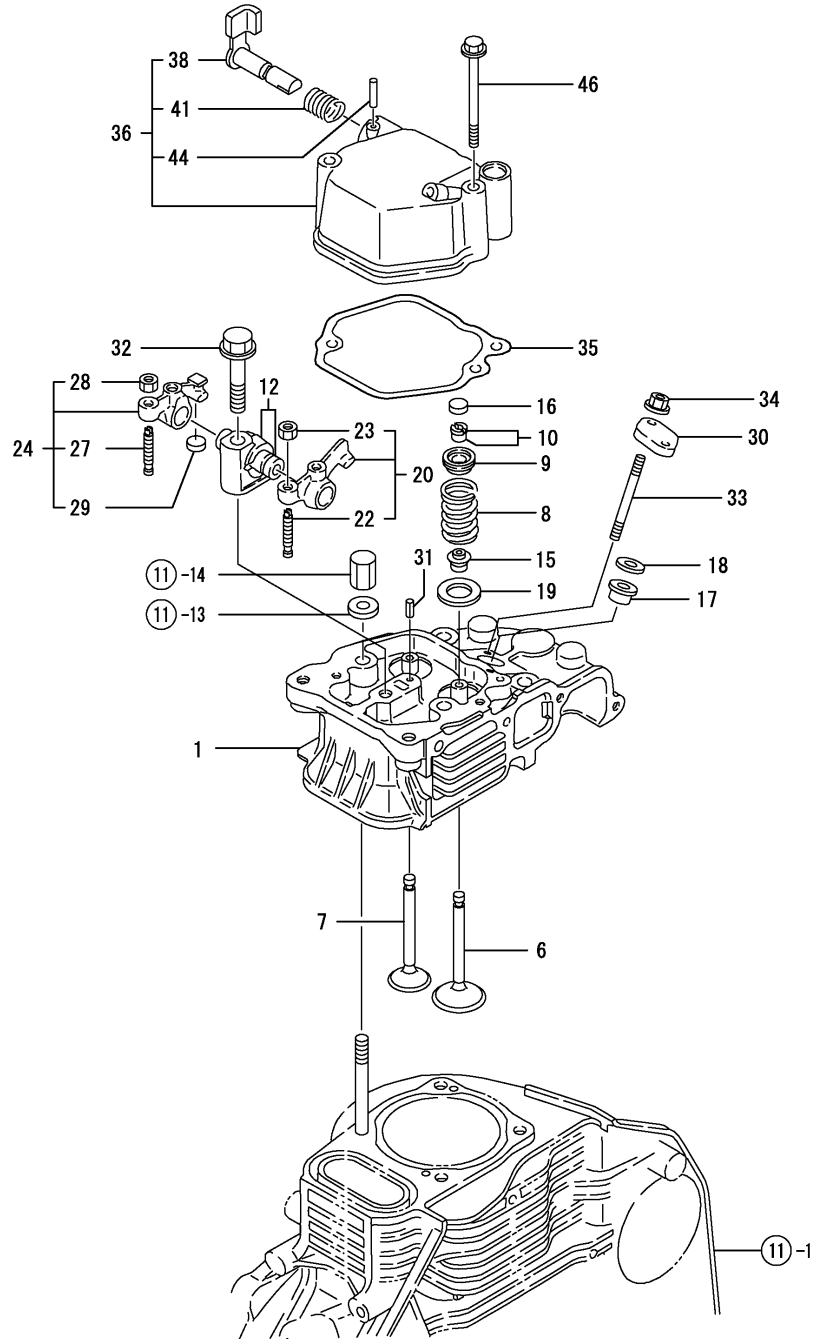


No.	Lev.	Parts No.	Description	Q'ty						I	R
				(A)	(B)	(C)	(D)	(E)	(F)		
1	1	714870-01561	BLOCK ASSY, CYLINDER			1					
2	1	714874-01560	BLOCK ASSY, CYLINDER COVER						1		
8	2	114350-01700	COVER			1	1				
9	2	26106-100122	BOLT, M10X 12 PLATED			2	2				
10	1	114350-01200	BOLT, HEAD			2	2				
11	1	114350-01210	BOLT, HEAD			2	2				
12	1	114350-01220	NUT, CYLINDER HEAD			2	2				
13	1	105225-01240	WASHER			4	4				
14	1	114350-01250	NUT, CYLINDER HEAD			2	2				
15	1	114870-01340	GASKET, HEAD			1					
16	1	114871-01330	GASKET SET, HEAD						1		
22	1	114350-01380	O-RING			1	1				
23	1	114350-01412	GASKET, CRANK CASE			1	1				
24	1	114360-01454	COVER, CRANK CASE			1	1				
27	2	114350-02100	BEARING, MAIN			1	1				1
29	1	105425-01690	PLUG, 16			2	2				
30	1	114699-01760	CAP ASSY			2	2				
32	2	114299-01950	O-RING, 18			2	2				
33	1	114250-01800	SHIM SET			1	1				
42	1	114250-01830	COVER			1	1				
43	1	114250-01841	GASKET			1	1				
44	1	114250-35150	PIPE, OIL INLET			1	1				
45	1	114270-01600	PIN, M8X12			2	2				
46	1	23876-010000	PLUG, R01			1	1				
47	1	26106-080352	BOLT, M8X 35 PLATED			15	15				
48	1	26226-060182	STUD, M6X 18			1	1				
49	1	26226-060222	STUD, M6X 22			2	2				
50	1	26366-060002	NUT, M6			3	3				
51	1	22190-160002	WASHER, SEAL 16			2	2				
52	1	114299-02030	RETAINER, BEARING			1	1				
53	1	114350-02113	BEARING, B35-135G3C3			1	1				
54	1	160110-02220	SEAL, OIL			1	1				
55	1	160110-02220	SEAL, OIL			1	1				
56	1	24162-152112	BEARING, 152112			1	1				
57	1	26106-080122	BOLT, M8X 12 PLATED			1	1				
58	1	22312-040080	PIN, PARALLEL M4X 8				2				
59	1	114350-02200	BEARING, 0.25 US			1	1				2
60	1	114350-02210	BEARING, 0.50 US			1	1				2

Remarks

- (1) REPAIR PART.
- (2) UNDER-SIZED PART.

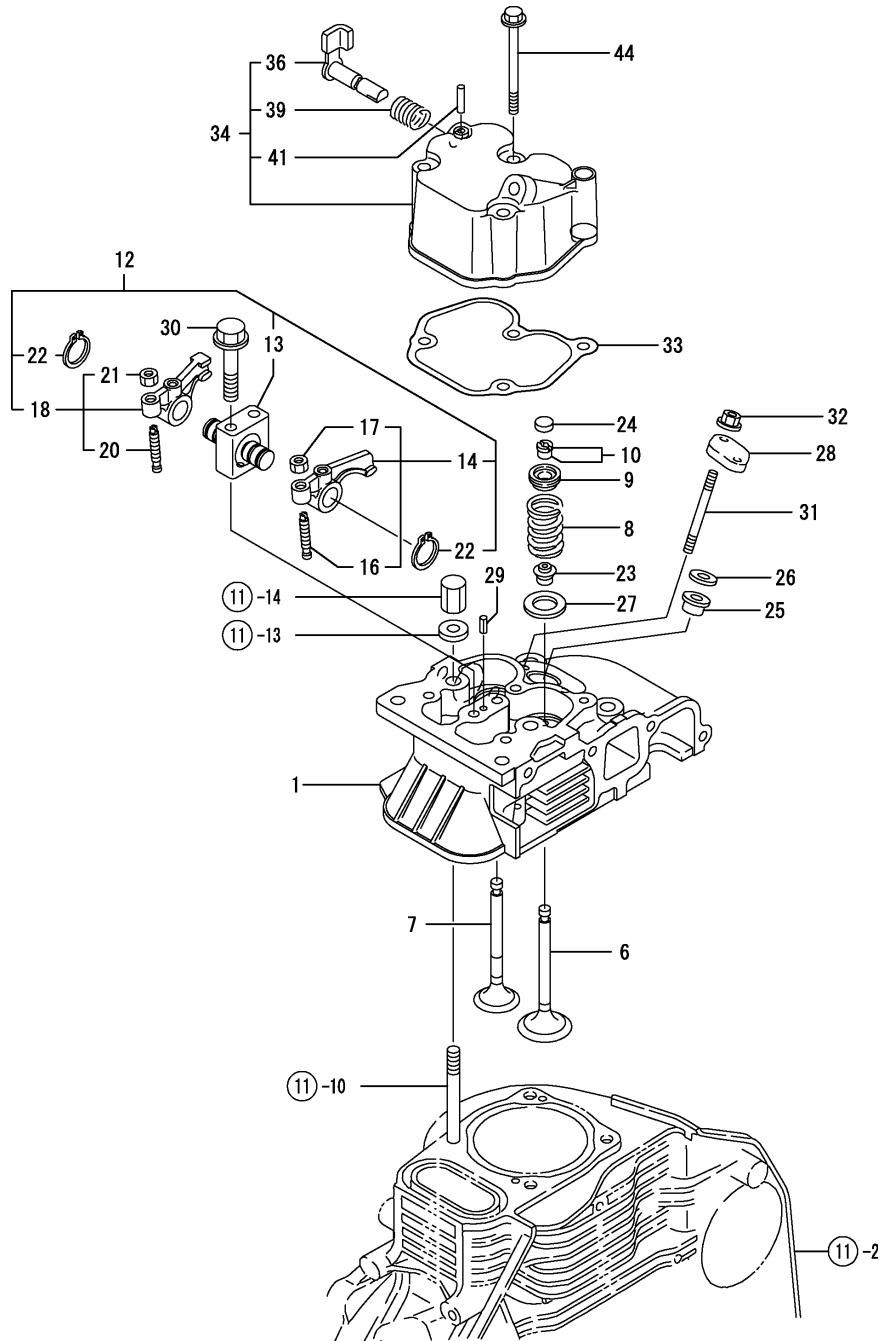
Fig.12. CYLINDER HEAD & BONNET



(A)=L48ADVMK  
 (B)=L48EE-DVMK  
 (C)=L70ADVMK  
 (D)=L70EE-DVMK  
 (E)=  
 (F)=

No.	Lev.	Parts No.	Description	Qty						I	R
				(A)	(B)	(C)	(D)	(E)	(F)		
1	1	114870-11021	HEAD ASSY, CYLINDER			1					
6	1	114350-11101	VALVE, INTAKE			1					
7	1	114350-11113	VALVE, EXHAUST			1					
8	1	114350-11120	SPRING, VALVE			2					
9	1	101158-11180	RETAINER, SPRING			2					
10	1	27310-060001	COTTER, 6			2					
12	1	114250-11290	SUPPORT, ROCKER ARM			1					
15	1	114350-11340	SEAL, VALVE STEM			2					
16	1	105010-11490	CAP, VALVE			1					
17	1	114250-11460	GASKET, NOZZLE			1					
18	1	114350-11470	SPACER, NOZZLE			1					
19	1	114250-11600	WASHER			2					
20	1	114250-11651	ARM, ROCKER			1					
22	2	114250-11240	SCREW, VALVE ADJUST			1					
23	2	26856-060002	NUT, M6			1					
24	1	714370-11660	ARM ASSY, ROCKER			1					
27	2	114250-11240	SCREW, VALVE ADJUST			1					
28	2	26856-060002	NUT, M6			1					
29	2	105010-11490	CAP, VALVE			1					
30	1	114250-11901	RETAINER, NOZZLE			1					
31	1	22351-040008	PIN, SPRING 4.0X 8			1					
32	1	26106-080452	BOLT, M8X 45 PLATED			1					
33	1	26226-060502	STUD, M6X 50			2					
34	1	26366-060002	NUT, M6			2					
35	1	114250-11311	GASKET, BONNET			1					
36	1	114250-11951	BONNET ASSY, HEAD			1					
38	2	114250-03591	LEVER ASSY			1					
41	2	114250-03640	SPRING, DECOMPRESSION			1					
44	2	22312-030160	PIN, PARALLEL M3X16			1					
46	1	26106-060552	BOLT, M6X 55 PLATED			2					

Fig.13. CYLINDER HEAD & BONNET



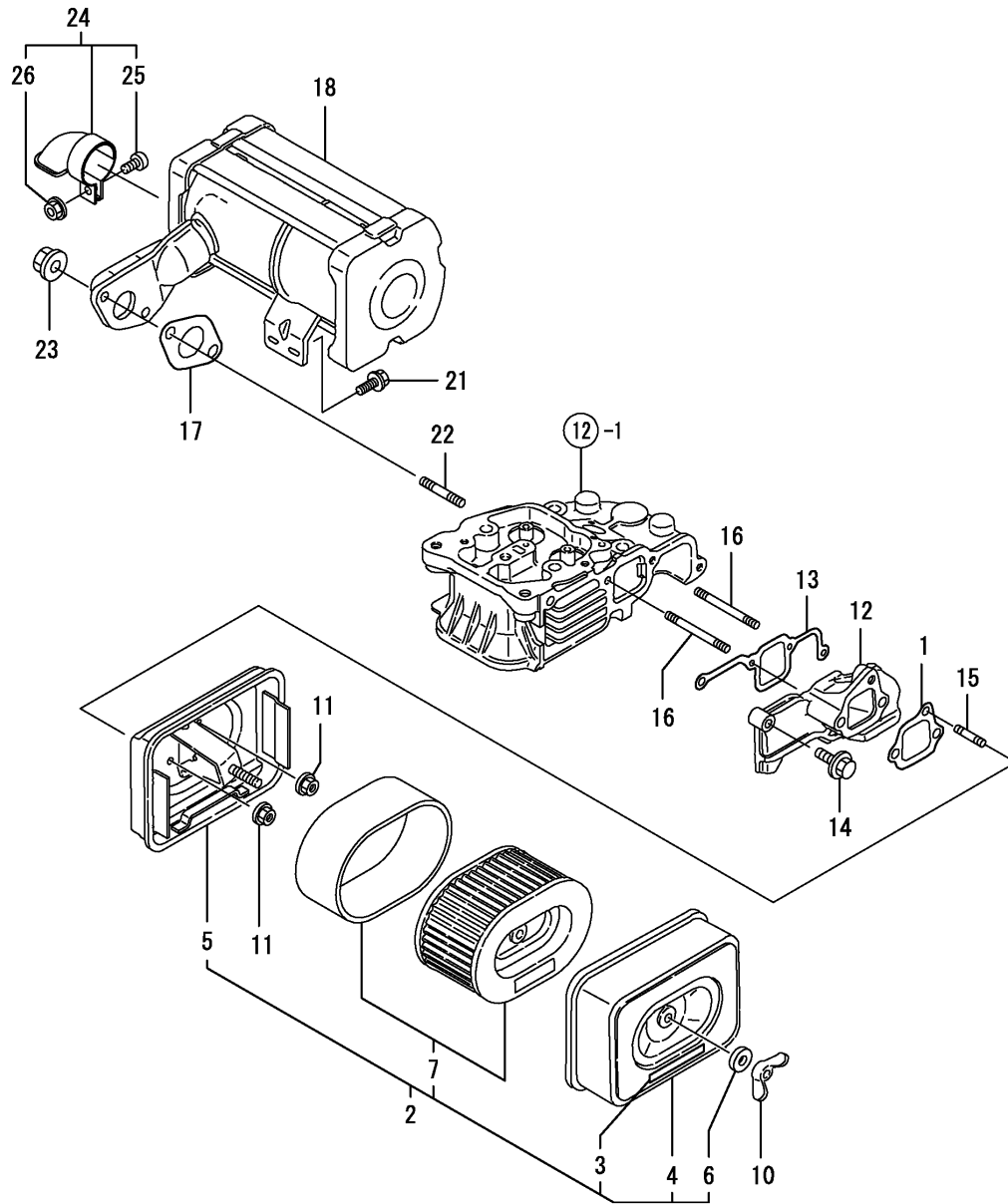
(A)=L48ADVMK  
(B)=L48EE-DVMK  
(C)=L70ADVMK

(D)=L70EE-DVMK  
(E)=  
(F)=

No.	Lev.	Parts No.	Description	Q'ty						I	R
				(A)	(B)	(C)	(D)	(E)	(F)		
1	1	114871-11020	HEAD ASSY, CYLINDER				1				
6	1	114871-11100	VALVE, INTAKE				1				
7	1	114871-11110	VALVE, EXHAUST				1				
8	1	114350-11120	SPRING, VALVE				2				
9	1	101158-11180	RETAINER, SPRING				2				
10	1	27310-060001	COTTER, 6				2				
12	1	114771-11250	SUPPORT ASSY, ARM				1				
13	2	114771-11260	SUPPORT, ROCKER ARM				1				
14	2	114771-11650	ARM, ROCKER				1				
16	3	114250-11240	SCREW, VALVE ADJUST				1				
17	3	26856-060002	NUT, M6				1				
18	2	114771-11660	ARM, ROCKER				1				
20	3	114250-11240	SCREW, VALVE ADJUST				1				
21	3	26856-060002	NUT, M6				1				
22	2	22242-000120	RING, 12				2				
23	1	114350-11340	SEAL, VALVE STEM				2				
24	1	105010-11490	CAP, VALVE				2				
25	1	114771-11461	GASKET, NOZZLE				1				
26	1	114771-11470	SPACER, NOZZLE				1				
27	1	114250-11600	WASHER				2				
28	1	114250-11901	RETAINER, NOZZLE				1				
29	1	22351-040008	PIN, SPRING 4.0X 8				1				
30	1	26106-060452	BOLT, M6X 45 PLATED				2				
31	1	26226-060552	STUD, M6X 55				2				
32	1	26366-060002	NUT, M6				2				
33	1	114771-11310	GASKET, BONNET				1				
34	1	114771-11950	BONNET ASSY, HEAD				1				
36	2	114250-03591	LEVER ASSY				1				
39	2	114250-03640	SPRING, DECOMPRESSION				1				
41	2	22312-030160	PIN, PARALLEL M3X16				1				
44	1	26106-060552	BOLT, M6X 55 PLATED				3				



Fig.14. AIR CLEANER & MUFFLER

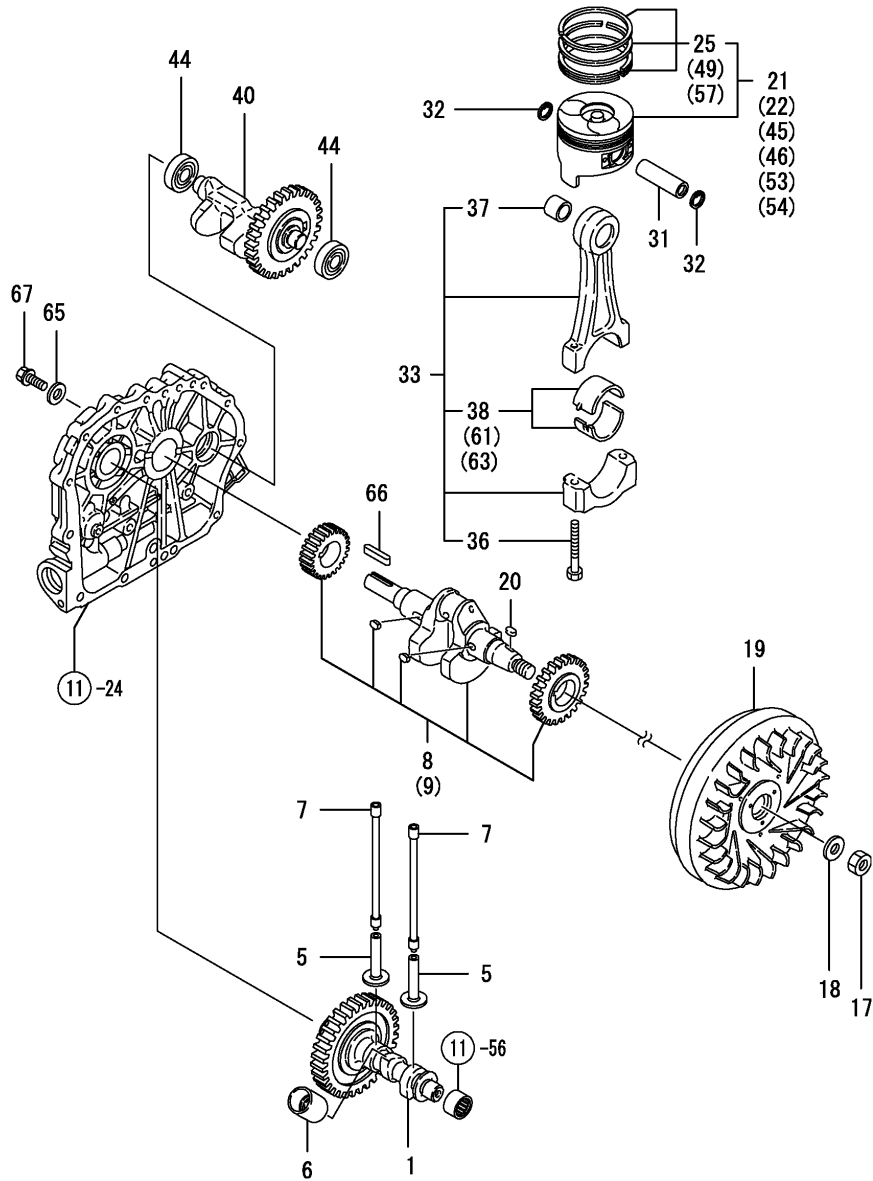


(A)=L48ADVMK  
(B)=L48EE-DVMK  
(C)=L70ADVMK

(D)=L70EE-DVMK  
(E)=  
(F)=

No.	Lev.	Parts No.	Description	Q'ty						I	R
				(A)	(B)	(C)	(D)	(E)	(F)		
1	1	114250-12211	GASKET, AIR CLEANER			1	1				
2	1	114288-12511	CLEANER ASSY, AIR			1	1				
3	2	114650-07450	LABEL, AIR CLEANER			1	1				
4	2	114288-12520	COVER ASSY			1	1				
5	2	114288-12531	CASE ASSY, CLEANER			1	1				
6	2	114252-12560	WASHER, SEAL M8			1	1				
7	2	114650-12591	ELEMENT ASSY			1	1				
10	1	114252-12550	NUT, WING M8			1	1				
11	1	114250-12300	NUT			3	3				
12	1	114399-12010	PIPE, AIR INTAKE			1	1				
13	1	114350-12202	GASKET, AIR INTAKE			1	1				
14	1	26106-060252	BOLT, M6X 25 PLATED			2	2				
15	1	26226-060142	STUD, M6X 14			1	1				
16	1	26226-060552	STUD, M6X 55			2	2				
17	1	114250-13201	GASKET, MUFFLER			1	1				
18	1	114388-13600	MUFFLER ASSY			1	1				
21	1	26106-060122	BOLT, M6X 12 PLATED			2	2				
22	1	26216-080182	STUD, M8X 18			2	2				
23	1	26306-080002	NUT, M8			2	2				
24	1	114288-13800	EXTENSION ASSY			1	1				
25	2	26554-060182	SCREW, M6X18			1	1				
26	2	26367-060002	NUT, M6			1	1				

Fig.15. CRANKSHAFT,PISTON & CAMSHAFT



(A)=L48ADVMK  
(B)=L48EE-DVMK  
(C)=L70ADVMK

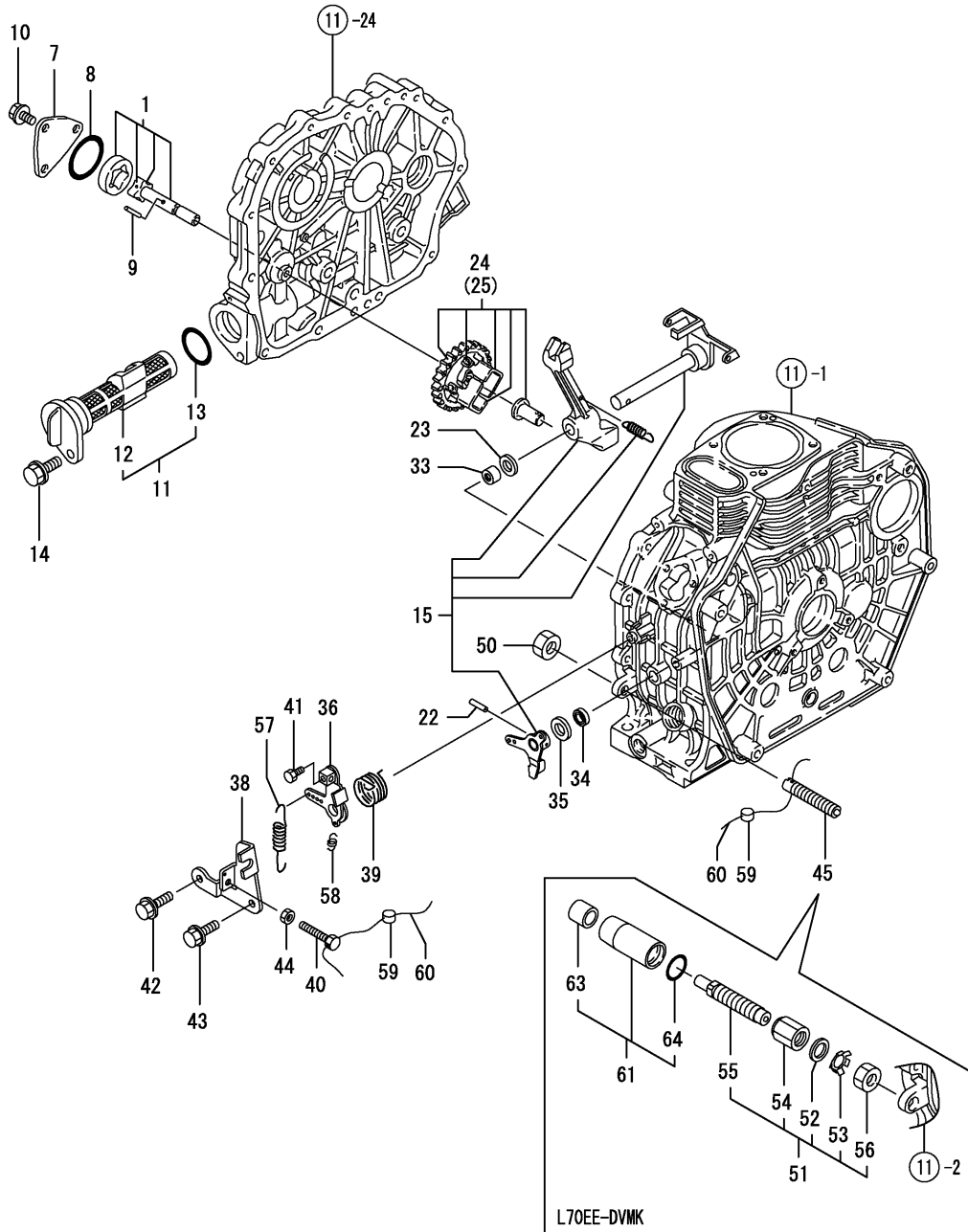
(D)=L70EE-DVMK  
(E)=  
(F)=

No.	Lev.	Parts No.	Description	Qty						I	R
				(A)	(B)	(C)	(D)	(E)	(F)		
1	1	714880-14580	CAMSHAFT ASSY			1	1				
5	1	114250-14200	TAPPET			2	2				
6	1	114771-14260	TAPPET			1	1				
7	1	114350-14451	ROD ASSY, PUSH			2	2				
8	1	714360-21721	CRANKSHAFT ASSY			1					
9	1	714873-21730	CRANKSHAFT ASSY				1				
17	1	103854-01221	NUT, CYLINDER HEAD			1	1				
18	1	114250-21550	WASHER			1	1				
19	1	114399-21420	FLYWHEEL			1	1				
20	1	22512-040120	KEY, 4X 12			1	1				
21	1	714880-22722	PISTON ASSY, D			1					
22	1	714872-22721	PISTON ASSY, D				1				
25	2	714870-22502	RING SET, PISTON			1	1				
31	1	114399-22300	PIN, PISTON D=21			1	1				
32	1	22252-000210	RING, 21			2	2				
33	1	71438G-23700	ROD ASSY, CONNECTING			1	1				
36	2	118200-23200	BOLT, CONNECTING ROD			2	2				
37	2	114380-23100	BEARING, PISTON PIN			1	1				
38	2	714380-23600	BEARING, CRANK PIN			1	1				
40	1	714870-28511	SHAFT ASSY, BALANCER			1	1				
44	1	24101-062024	BEARING, BALL 6202			2	2				
45	1	714880-22622	PISTON ASSY, 0.25 OS			1					1
46	1	114872-22040	PISTON ASSY, 0.25 OS				1				1
49	2	714870-22542	RING SET, 0.25 OS			1	1				1
53	1	714880-22582	PISTON ASSY, 0.50 OS			1					2
54	1	114872-22050	PISTON ASSY, 0.50 OS				1				2
57	2	714870-22552	RING SET, 0.50 OS			1	1				2
61	1	714380-23610	METAL ASSY, 0.25			1	1				3
63	1	714380-23620	BEARING, 0.50 US			1	1				4
65	1	160310-14550	WASHER			1	1				
66	1	22512-070360	KEY, 7X 36			1	1				
67	1	26106-080202	BOLT, M8X 20 PLATED			1	1				

Remarks

- (1) OVER-SIZE (O.S.=0.25) PART.
- (2) OVER-SIZE (O.S.=0.50) PART.
- (3) UNDER-SIZE (U.S.=0.25) PART.
- (4) UNDER-SIZE (U.S.=0.50) PART.

Fig.16. LUB.OIL PUMP & GOVERNOR

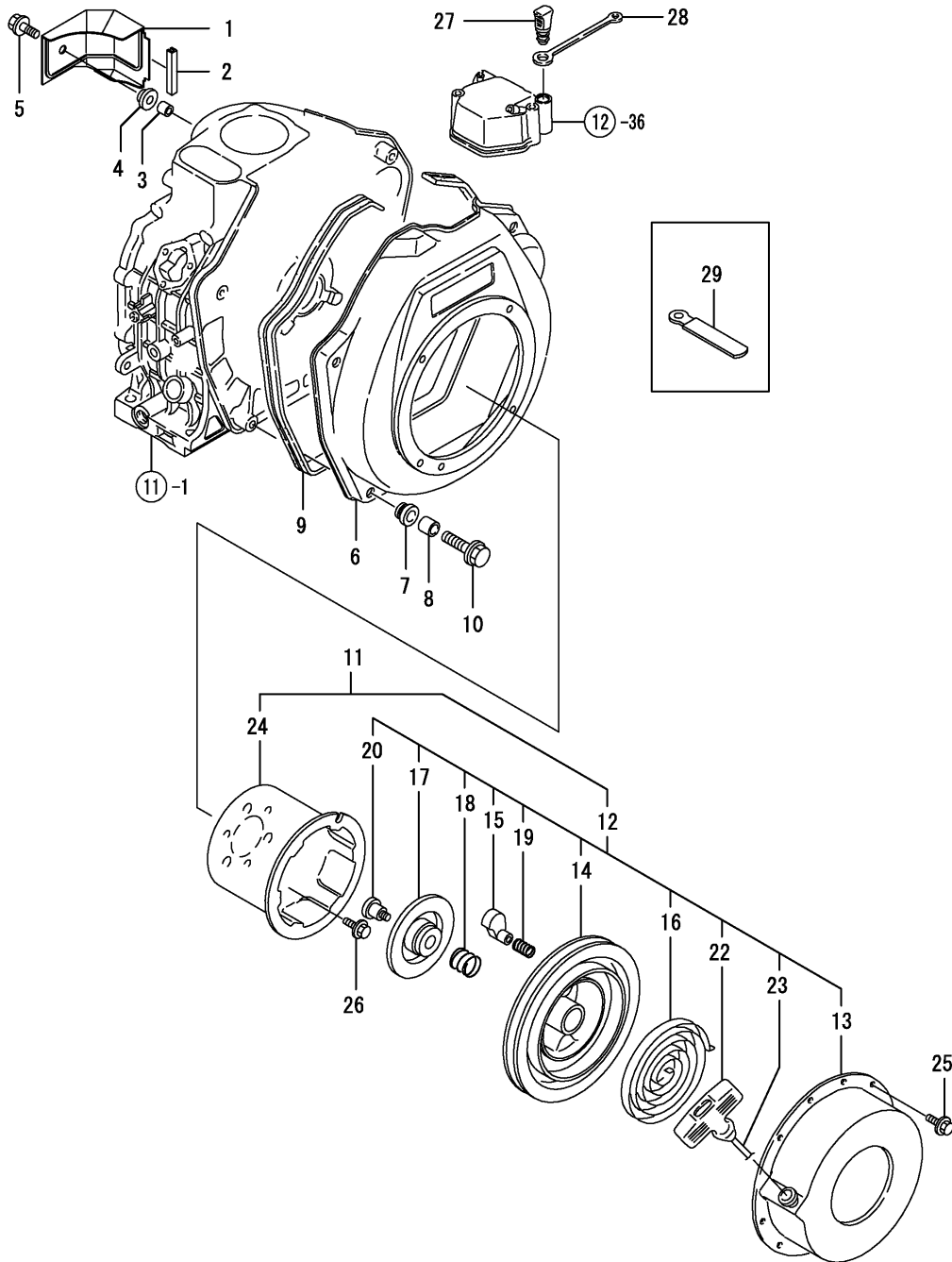


(A)=L48ADVMK  
(B)=L48EE-DVMK  
(C)=L70ADVMK

(D)=L70EE-DVMK  
(E)=  
(F)=

No.	Lev.	Parts No.	Description	Q'ty						I	R
				(A)	(B)	(C)	(D)	(E)	(F)		
1	1	114250-32010	PUMP ASSY, OIL			1	1				
7	1	114250-32070	COVER			1	1				
8	1	103338-32570	O-RING			1	1				
9	1	22312-030160	PIN, PARALLEL M3X16			1	1				
10	1	26476-060142	SCREW, TAPPING M6X14			3	3				
11	1	114250-35110	FILTER ASSY, OIL			1	1				
12	2	114250-35070	FILTER, OIL			1	1				
13	2	24341-000224	O-RING, 1AS22.4			1	1				
14	1	26106-060162	BOLT, M6X 16 PLATED			1	1				
15	1	114350-61190	LEVER ASSY, GOVERNOR			1	1				
22	1	22322-030200	PIN, TAPER 3X20			1	1				
23	1	114770-61190	WASHER			1	1				
24	1	714770-61700	GOVERNOR ASSY			1					
25	1	714770-61100	GOVERNOR ASSY				1				
33	1	114770-61520	BEARING, NEEDLE			2	2				
34	1	114770-61600	SEAL, OIL			1	1				
35	1	114770-61610	WASHER, THRUST			1	1				
36	1	114252-66051	HANDLE, REGULATOR			1	1				
38	1	183360-66110	BRACKET			1	1				
39	1	114252-66252	SPRING, RETURN			1	1				
40	1	114250-66440	BOLT, ADJUSTING			1	1				
41	1	105225-66990	SCREW, M5X8.5			1	1				
42	1	26106-060202	BOLT, M6X 20 PLATED			1	1				
43	1	26476-060142	SCREW, TAPPING M6X14			1	1				
44	1	26757-060002	NUT, LOCK M6			1	1				
45	1	114250-66550	LIMITER ASSY, FUEL			1					
50	1	26776-100002	NUT, LOCK M10			1					
51	1	114818-61700	LIMITER ASSY, FUEL				1				
52	2	114771-61810	WASHER, 14				1				
53	2	114771-61830	PLATE				1				
54	2	114771-61940	NUT, M14				1				
55	2	114818-66600	LIMITER ASSY, FUEL				1				
56	2	114771-66690	NUT, M14				1				
57	1	114870-66010	SPRING, REGULATOR			1	1				
58	1	114250-66200	SPRING, RETURN			1	1				
59	1	135210-61090	LEAD			2	1				
60	1	22451-060000	WIRE, 0.6			2	1				
61	1	114771-61890	PROTECTOR ASSY				1				
63	2	114771-61960	SPACER				1				
64	2	24311-000180	O-RING, 1AP18.0				1				

Fig.17. COOLING & STARTING DEVICE

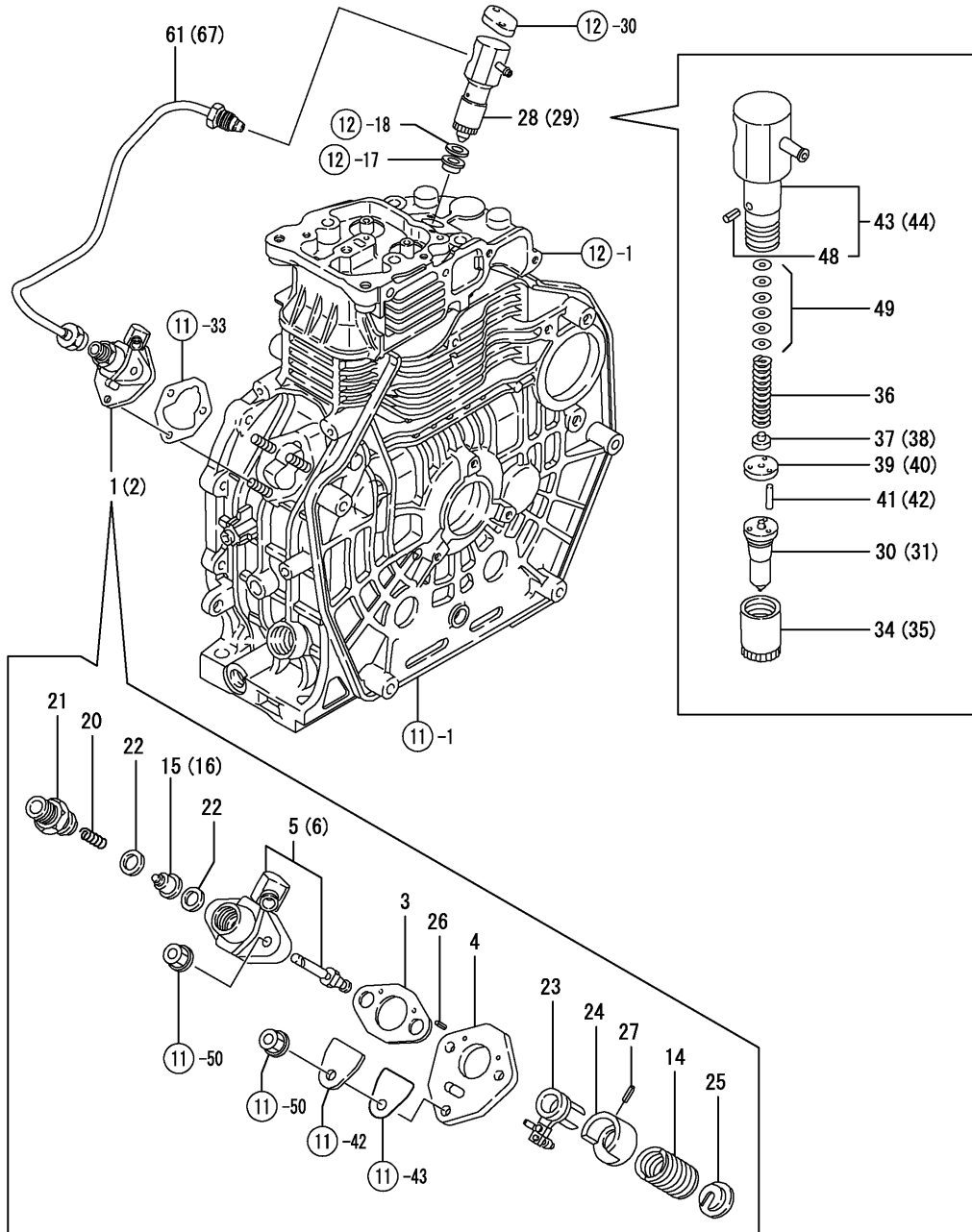


(A)=L48ADVMK  
(B)=L48EE-DVMK  
(C)=L70ADVMK

(D)=L70EE-DVMK  
(E)=  
(F)=

No.	Lev.	Parts No.	Description	Q'ty						I	R
				(A)	(B)	(C)	(D)	(E)	(F)		
1	1	114870-45201	COVER			1	1				
2	1	114350-45320	RUBBER, SEAL			1	1				
3	1	114350-45340	COLLAR			1	1				
4	1	183720-55210	GROMMET			1	1				
5	1	26106-060202	BOLT, M6X 20 PLATED			1	1				
6	1	114360-45101	CASE, COOLING FAN			1	1				
7	1	114250-45301	ABSORBER			4	4				
8	1	114250-45310	COLLAR			4	4				
9	1	114250-45330	SEAL, FAN CASE L=875			1	1				
10	1	114370-45351	BOLT			4	4				
11	1	114880-76051	STARTER ASSY, RECOIL			1	1				
12	2	114880-76251	STARTER ASSY, RECOIL			1	1				
13	3	114880-76511	CASE, STARTER			1	1				
14	3	114880-76520	REEL			1	1				
15	3	114870-76530	RATCHET			2	2				
16	3	114870-76540	SPRING, SPIRAL			1	1				
17	3	114880-76550	GUIDE, RATCHET			1	1				
18	3	114870-76560	SPRING, FRICTION			1	1				
19	3	114870-76570	SPRING, RETURN			2	2				
20	3	114870-76580	SCREW			1	1				
22	3	114870-76620	KNOB, STARTER			1	1				
23	3	114870-76630	ROPE, STARTER			1	1				
24	2	114350-76591	PULLEY, STARTER			1	1				
25	1	26106-060082	BOLT, M6X 8 PLATED			4	4				
26	1	26106-060122	BOLT, M6X 12 PLATED			3	3				
27	1	114250-76600	PLUNGER			1	1				
28	1	114250-76610	HOLDER, PLUNGER			1	1				
29	1	160802-78260	CLAMP, CORD			2	2				

Fig.18. FUEL INJECTION PUMP

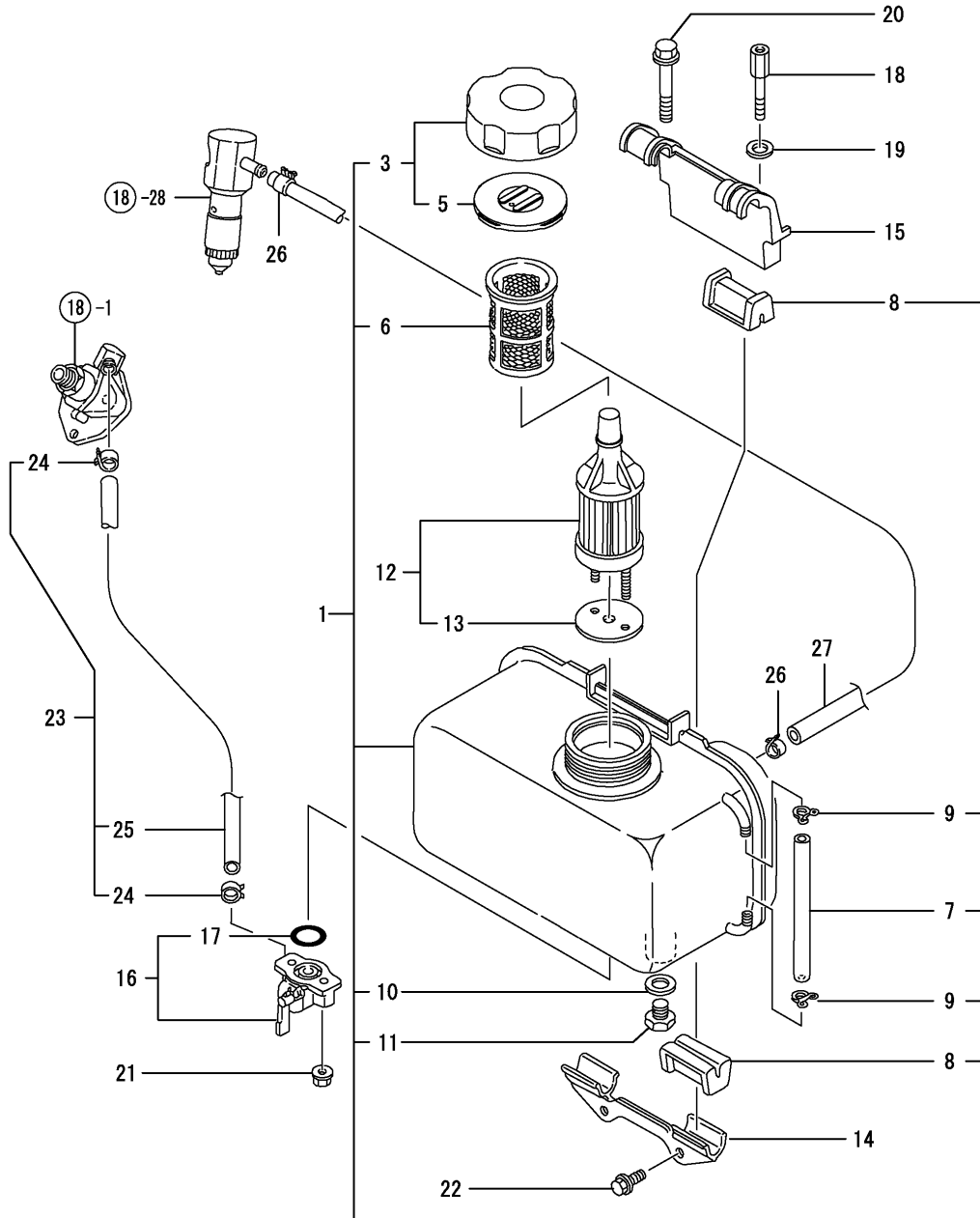


(A)=L48ADVMK  
(B)=L48EE-DVMK  
(C)=L70ADVMK

(D)=L70EE-DVMK  
(E)=  
(F)=

No.	Lev.	Parts No.	Description	Qty						I	R
				(A)	(B)	(C)	(D)	(E)	(F)		
1	1	714870-51100	PUMP ASSY, INJECTION			1					
2	1	714875-51100	PUMP ASSY, INJECTION					1			
3	2	105546-51020	GASKET			1	1				
4	2	114250-51080	PLATE			1	1				
5	2	114350-51200	BODY ASSY, PUMP			1					
6	2	114650-51100	BODY ASSY, PUMP					1			
14	2	114250-51160	SPRING, PLUNGER			1	1				
15	2	114250-51300	VALVE ASSY, DELIVERY			1					
16	2	114650-51300	VALVE ASSY, DELIVERY					1			
20	2	105546-51330	SPRING, DELIVERY			1	1				
21	2	114250-51340	HOLDER, DELIVERY			1	1				
22	2	124550-51350	GASKET, DELIVERY			2	2				
23	2	114250-51600	LEVER ASSY, CONTROL			1	1				
24	2	114250-51640	SEAT, SPRING A			1	1				
25	2	114250-51650	SEAT, SPRING B			1	1				
26	2	22351-020006	PIN, SPRING 2.0X 6			2	2				
27	2	22351-030008	PIN, SPRING 3.0X 8			1	1				
28	1	714870-53200	VALVE ASSY,INJECTION			1					
29	1	714875-53100	VALVE ASSY,INJECTION					1			
30	2	114870-53100	VALVE ASSY,INJECTION			1					
31	2	114871-53001	VALVE ASSY,INJECTION					1			
34	2	114250-53080	NUT, NOZZLE D16.95			1					
35	2	119593-53080	NUT, NOZZLE					1			
36	2	114250-53120	SPRING, NOZZLE			1	1				
37	2	114250-53130	SEAT, SPRING			1					
38	2	119593-53130	SEAT, SPRING					1			
39	2	114250-53140	PLATE			1					
40	2	114775-53140	SPACER, VALVE STOP					1			
41	2	114250-53210	PIN			2					
42	2	114775-53210	PIN					2			
43	2	114250-53300	HOLDER ASSY, NOZZLE			1					
44	2	114875-53100	HOLDER ASSY, NOZZLE					1			
48	3	114250-53331	PIN			1	1				
49	2	114250-53400	SHIM SET			1	1				
61	1	114350-59800	PIPE ASSY, INJECTION			1					
67	1	114871-59804	PIPE ASSY, INJECTION					1			

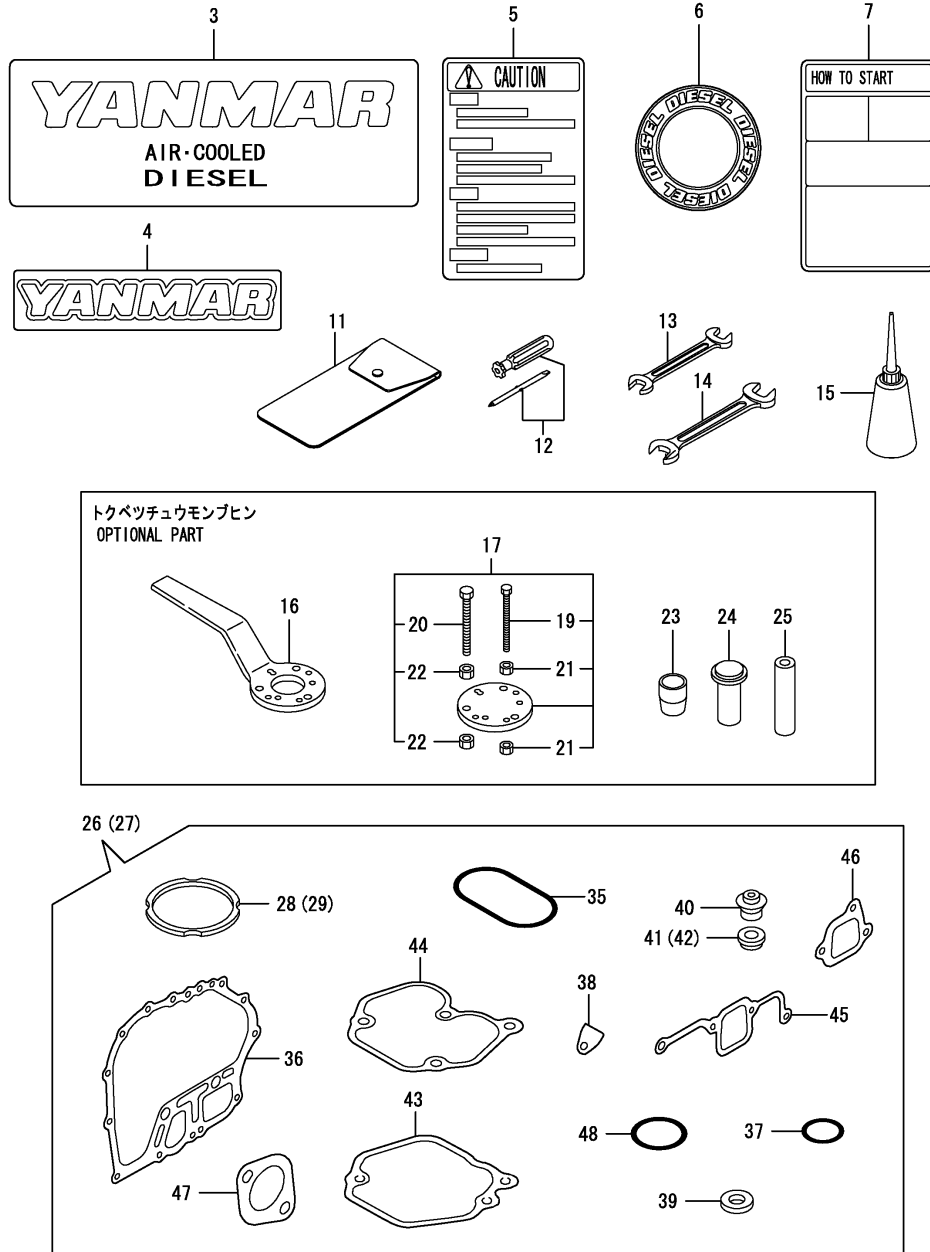
Fig.19. FUEL TANK & FUEL LINE



(A)=L48ADVMK (D)=L70EE-DVMK  
 (B)=L48EE-DVMK (E)=  
 (C)=L70ADVMK (F)=

No.	Lev.	Parts No.	Description	Q'ty						I	R
				(A)	(B)	(C)	(D)	(E)	(F)		
1	1	714350-55711	TANK ASSY, FUEL			1	1				
3	2	114288-55041	CAP ASSY			1	1				
5	3	114288-55081	VALVE			1	1				
6	2	114250-55100	FILTER, FUEL			1	1				
7	2	114350-55150	GAUGE, LEVEL			1	1				
8	2	114250-55201	DAMPER, FUEL TANK			4	4				
9	2	103854-55220	RETAINER			2	2				
10	2	23414-080000	GASKET, 8X1.0			1	1				
11	2	105300-55080	PLUG, 8			1	1				
12	1	114250-55121	FILTER ASSY, FUEL			1	1				
13	2	114250-55130	GASKET			1	1				
14	1	114299-55210	STAY, FUEL TANK			1	1				
15	1	114399-55230	STAY, FUEL TANK			1	1				
16	1	114250-55301	COCK ASSY, FUEL			1	1				
17	2	24341-000150	O-RING, 1AS15.0			1	1				
18	1	114650-55810	BOLT			1	1				
19	1	22117-080000	WASHER, 8			1	1				
20	1	26106-080452	BOLT, M8X 45 PLATED			1	1				
21	1	26366-060002	NUT, M6			2	2				
22	1	26476-060142	SCREW, TAPPING M6X14			2	2				
23	1	114770-59030	PIPE ASSY, FUEL			1	1				
24	2	114270-59010	CLIP, HOSE 12			2	2				
25	2	114268-59061	PIPE, FUEL L=50			1	1				
26	1	124722-59050	CLIP, HOSE 9			2	2				
27	1	114250-59060	PIPE, FUEL RETURN			1	1				

Fig.20. TOOL,LABEL & GASKET SET



(A)=L48ADVMK  
(B)=L48EE-DVMK  
(C)=L70ADVMK

(D)=L70EE-DVMK  
(E)=  
(F)=

No.	Lev.	Parts No.	Description	Qty						I	R
				(A)	(B)	(C)	(D)	(E)	(F)		
3	1	114250-07090	LABEL, AIR COOLED			1	1				
4	1	114250-07111	LABEL, YANMAR			1	1				
5	1	114268-07240	LABEL, CAUTION			1	1				
6	1	114261-07350	LABEL			1	1				
7	1	114268-07350	LABEL, HOW TO START			1	1				
11	1	114250-92600	BAG, TOOL			1	1				
12	1	160330-92730	DRIVE, SCREW			1	1				
13	1	28110-100120	SPANNER, 10X12			1	1				
14	1	28110-140170	SPANNER, 14X17			1	1				
15	1	28210-000150	OILER			1	1				
16	1	114250-92101	F.W. LOCKING HANDLE			1	1				1
17	1	114250-92130	REMOVER, FLYWHEEL			1	1				1
19	2	26116-060454	BOLT M 6X 45 PLATED			4	4				1
20	2	26116-080454	BOLT, M8X 45 PLATED			3	3				1
21	2	26716-060002	NUT, M6			8	8				1
22	2	26716-080002	NUT, M8			6	6				1
23	1	114350-92301	GUIDE, OIL SEAL			1	1				1
24	1	114350-92311	INSTALLING TOOL			1	1				1
25	1	114350-92350	INSTALLING TOOL			1	1				1
26	1	714888-92601	GASKET SET			1					1
27	1	714871-92600	GASKET SET				1				1
28	2	114870-01340	GASKET, HEAD			1					
29	2	114871-01330	GASKET SET, HEAD				1				
35	2	114350-01380	O-RING			1	1				
36	2	114350-01412	GASKET, CRANK CASE			1	1				
37	2	114299-01950	O-RING, 18			2	2				
38	2	114250-01841	GASKET			1	1				
39	2	22190-160002	WASHER, SEAL 16			2	2				
40	2	114350-11340	SEAL, VALVE STEM			2	2				
41	2	114250-11460	GASKET, NOZZLE			1					
42	2	114771-11461	GASKET, NOZZLE				1				
43	2	114250-11311	GASKET, BONNET			1					
44	2	114771-11310	GASKET, BONNET				1				
45	2	114350-12202	GASKET, AIR INTAKE			1	1				
46	2	114250-12211	GASKET, AIR CLEANER			1	1				
47	2	114250-13201	GASKET, MUFFLER			1	1				
48	2	103338-32570	O-RING			1	1				

Remarks  
(1) OPTIONAL PART.

## Parts No. Index

Parts No.	Fig. No.	Ref. No.
101158-11180	12	9
	13	9
102100-67080	6	59
103338-32570	6	8
	10	51
	16	8
	20	48
103854-01221	5	22
	15	17
103854-55220	9	11
	19	9
105010-11490	12	16
		29
	13	24
105225-01240	11	13
105225-66990	6	58
	16	41
105300-55080	9	10
	19	11
105425-01690	1	49
	11	29
105546-51020	8	3
	18	3
105546-51330	8	18
	18	20
114250-01200	1	11
114250-01210	1	12
114250-01221	1	13
114250-01251	1	14
114250-01380	1	23
	10	36
114250-01412	1	39
	10	37
114250-01800	1	24
	11	33
114250-01830	1	33
	11	42
114250-01841	1	34
	10	38
	11	43
	20	38
114250-02100	1	43
114250-02113	1	55
114250-02200	1	61
114250-02210	1	62
114250-03591	2	38
	3	36
	12	38
	13	36
114250-03640	2	41

Parts No.	Fig. No.	Ref. No.
114250-03640	3	39
	12	41
	13	39
114250-07090	10	3
	20	3
114250-07111	10	4
	20	4
114250-11101	2	6
114250-11113	2	7
114250-11120	2	8
	3	8
114250-11180	2	9
	3	9
114250-11240	2	22
		27
	3	16
		20
	12	22
		27
	13	16
		20
114250-11290	2	12
	12	12
114250-11311	2	35
	10	46
	12	35
	20	43
114250-11340	2	15
	3	23
	10	39
114250-11460	2	17
	10	40
	12	17
	20	41
114250-11600	2	19
	3	26
	12	19
	13	27
114250-11651	2	20
	12	20
114250-11901	2	30
	3	28
	12	30
	13	28
114250-11951	2	36
	12	36
114250-12201	4	14
	10	42
114250-12211	4	1
	10	44

Parts No.	Fig. No.	Ref. No.
114250-12211	14	1
	20	46
114250-12300	4	11
	14	11
114250-13201	4	19
	10	45
	14	17
	20	47
114250-14200	5	9
	15	5
114250-14451	5	11
114250-21550	5	28
	15	18
114250-32010	6	1
	16	1
114250-32070	6	7
	16	7
114250-35070	6	12
	16	12
114250-35110	6	11
	16	11
114250-35150	1	46
	11	44
114250-45301	7	3
	17	7
114250-45310	7	6
	17	8
114250-45330	7	7
	17	9
114250-51080	8	4
	18	4
114250-51160	8	5
	18	14
114250-51200	8	6
114250-51300	8	15
	18	15
114250-51340	8	19
	18	21
114250-51600	8	21
	18	23
114250-51640	8	22
	18	24
114250-51650	8	23
	18	25
114250-53001	8	28
114250-53080	8	32
	18	34
114250-53120	8	34
	18	36
114250-53130	8	35

Parts No.	Fig. No.	Ref. No.
114250-53130	18	37
114250-53140	8	37
	18	39
114250-53210	8	39
	18	41
114250-53300	8	41
	18	43
114250-53331	8	46
	18	48
114250-53400	8	48
	18	49
114250-55100	9	6
	19	6
114250-55121	9	12
	19	12
114250-55130	9	13
	19	13
114250-55150	9	7
114250-55201	9	8
	19	8
114250-55301	9	16
	19	16
114250-59060	9	27
	19	27
114250-59800	8	60
114250-61230	6	31
114250-66200	6	16
	16	58
114250-66440	6	57
	16	40
114250-66550	6	17
	16	45
114250-76590	7	24
114250-76600	7	27
	17	27
114250-76610	7	28
	17	28
114250-76620	7	22
114250-92101	10	16
	20	16
114250-92130	10	17
	20	17
114250-92301	10	23
114250-92311	10	24
114250-92350	10	26
114250-92600	10	11
	20	11
114252-12550	4	10
	14	10
114252-12560	4	6



## Parts No. Index

Parts No.	Fig. No.	Ref. No.
114252-12560	14	6
114252-66051	16	36
114252-66120	6	55
114252-66252	6	56
	16	39
114260-01455	1	40
114260-76051	7	9
114260-76251	7	10
114260-76520	7	11
114261-07350	10	6
	20	6
114268-07240	10	5
	20	5
114268-07350	10	7
	20	7
114268-59061	9	25
	19	25
114270-01600	1	35
	11	45
114270-59010	9	24
	19	24
114288-12511	4	2
	14	2
114288-12520	4	4
	14	4
114288-12531	4	5
	14	5
114288-13500	4	20
114288-13800	4	26
	14	24
114288-55041	9	3
	19	3
114288-55081	9	5
	19	5
114299-01760	1	50
114299-01950	1	52
	10	48
	11	32
	20	37
114299-02030	1	54
	11	52
114299-12010	4	12
114299-21420	5	26
114299-22300	5	40
114299-45210	7	1
114299-55210	9	14
	19	14
114299-55230	9	15
114350-01200	11	10
114350-01210	11	11

Parts No.	Fig. No.	Ref. No.
114350-01220	11	12
114350-01250	11	14
114350-01380	11	22
	20	35
114350-01412	11	23
	20	36
114350-01700	1	9
	11	8
114350-02100	11	27
114350-02113	11	53
114350-02200	11	59
114350-02210	11	60
114350-11101	12	6
114350-11113	12	7
114350-11120	12	8
	13	8
114350-11340	12	15
	13	23
	20	40
114350-11470	2	18
	12	18
114350-12202	14	13
	20	45
114350-14451	15	7
114350-45320	17	2
114350-45340	17	3
114350-51200	8	7
	18	5
114350-55150	19	7
114350-59800	18	61
114350-61190	16	15
114350-76591	17	24
114350-92301	20	23
114350-92311	10	25
	20	24
114350-92350	20	25
114360-01454	11	24
114360-45101	17	6
114370-45351	7	8
	17	10
114380-23100	15	37
114388-13600	14	18
114399-12010	14	12
114399-21420	15	19
114399-22300	15	31
114399-55230	19	15
114650-07450	4	3
	14	3
114650-12591	4	7
	14	7

Parts No.	Fig. No.	Ref. No.
114650-51100	18	6
114650-51300	18	16
114650-55810	9	18
	19	18
114699-01760	11	30
114718-11910	3	31
114770-01340	1	16
	10	29
114770-11020	2	1
114770-23100	5	46
114770-59030	9	23
	19	23
114770-61190	6	41
	16	23
114770-61520	6	51
	16	33
114770-61600	6	52
	16	34
114770-61610	6	53
	16	35
114770-66010	6	15
114771-01330	1	17
	10	30
114771-11020	3	1
114771-11100	3	6
114771-11110	3	7
114771-11250	3	12
	13	12
114771-11260	3	13
	13	13
114771-11310	3	33
	10	47
	13	33
	20	44
114771-11461	3	24
	10	41
	13	25
	20	42
114771-11470	3	25
	13	26
114771-11650	3	14
	13	14
114771-11660	3	18
	13	18
114771-11950	3	34
	13	34
114771-12010	4	13
114771-12200	4	15
	10	43
114771-14260	5	10

Parts No.	Fig. No.	Ref. No.
114771-14260	15	6
114771-45100	7	5
114771-53001	8	29
114771-59803	8	66
114771-61170	6	32
114771-61810	6	23
	16	52
114771-61830	6	24
	16	53
114771-61890	6	65
	16	61
114771-61940	6	25
	16	54
114771-61960	6	67
	16	63
114771-66690	6	27
	16	56
114775-53100	8	42
114775-53140	8	38
	18	40
114775-53210	8	40
	18	42
114775-53330	8	47
114780-45100	7	4
114818-61700	6	22
	16	51
114818-66600	6	26
	16	55
114870-01340	11	15
	20	28
114870-11021	12	1
114870-45201	17	1
114870-53100	18	30
114870-66010	16	57
114870-76530	17	15
114870-76540	17	16
114870-76560	17	18
114870-76570	17	19
114870-76580	17	20
114870-76620	17	22
114870-76630	17	23
114871-01330	11	16
	20	29
114871-11020	13	1
114871-11100	13	6
114871-11110	13	7
114871-53001	18	31
114871-59804	18	67
114872-22040	15	46
114872-22050	15	54

## Parts No. Index

Parts No.	Fig. No.	Ref. No.
114875-53100	18	44
114880-76051	17	11
114880-76251	17	12
114880-76511	17	13
114880-76520	17	14
114880-76550	17	17
114883-66060	6	54
118200-23200	15	36
119260-11370	2	16
		29
	3	27
119265-23200	5	45
119593-53080	8	33
	18	35
119593-53130	8	36
	18	38
124550-51350	8	20
	18	22
124722-59050	9	26
	19	26
124950-01250	1	15
135210-61090	6	29
	16	59
160110-02220	1	56
	11	54
		55
160120-76940	6	60
160210-02220	1	57
160260-76520	7	12
160260-76530	7	13
160260-76540	7	14
160260-76550	7	15
160260-76560	7	16
160260-76580	7	18
160260-76590	7	19
160260-76600	7	20
160260-76630	7	23
160290-76570	7	17
160310-14550	5	23
	15	65
160330-92730	10	12
	20	12
160802-78260	7	29
	17	29
183360-66110	16	38
183720-55210	17	4
22117-080000	9	19
	19	19
22190-160002	1	53
	10	49

Parts No.	Fig. No.	Ref. No.
22190-160002	11	51
	20	39
22242-000120	3	22
	13	22
22252-000190	5	41
22252-000210	15	32
22312-030160	2	43
	3	40
	6	9
	12	44
	13	41
	16	9
22312-040080	1	63
	11	58
22322-030200	6	40
	16	22
22351-020006	8	24
	18	26
22351-030008	8	25
	18	27
22351-040008	2	31
	3	29
	12	31
	13	29
22451-060000	6	30
	16	60
22512-040120	5	29
	15	20
22512-050300	5	24
22512-070360	15	66
23414-080000	9	9
	10	53
	19	10
23876-010000	1	60
	11	46
24101-062024	5	57
	15	44
24162-152112	1	58
	11	56
24311-000180	6	68
	10	52
	16	64
24341-000150	9	17
	10	54
	19	17
24341-000224	6	13
	10	50
	16	13
26106-060082	7	25
	17	25

Parts No.	Fig. No.	Ref. No.
26106-060122	4	23
	7	2
		26
	14	21
	17	26
26106-060162	6	14
	16	14
26106-060202	6	61
	16	42
	17	5
26106-060252	1	47
	4	16
	14	14
26106-060452	3	30
	13	30
26106-060552	2	46
	3	44
	12	46
	13	44
26106-080122	1	59
	11	57
26106-080202	5	25
	15	67
26106-080352	1	48
	11	47
26106-080452	2	32
	9	20
	12	32
	19	20
26106-100122	1	10
	11	9
26116-060454	10	19
	20	19
26116-080454	10	20
	20	20
26216-080182	4	24
	14	22
26226-060142	4	17
	14	15
26226-060182	1	36
	11	48
26226-060222	1	37
	11	49
26226-060502	2	33
	12	33
26226-060552	4	18
	13	31
	14	16
26306-080002	4	25
	14	23

Parts No.	Fig. No.	Ref. No.
26366-060002	1	38
	2	34
	3	32
	9	21
	11	50
	12	34
	13	32
	19	21
26367-060002	4	28
	14	26
26476-060142	6	10
		62
	9	22
	16	10
		43
	19	22
26554-060182	4	27
	14	25
26716-060002	10	21
	20	21
26716-080002	10	22
	20	22
26757-060002	6	63
		64
	16	44
26776-100002	6	28
	16	50
26856-060002	2	23
		28
	3	17
		21
	12	23
		28
	13	17
		21
27310-060001	12	10
	13	10
28110-100120	10	13
	20	13
28110-140170	10	14
	20	14
28210-000150	10	15
	20	15
714250-11570	2	10
	3	10
714250-53101	8	26
714250-55702	9	1
714260-21741	5	12
714270-11660	2	24
714350-55711	19	1

## Parts No. Index

Parts No.	Fig. No.	Ref. No.
714360-21721	15	8
714370-11660	12	24
714380-23600	15	38
714380-23610	15	61
714380-23620	15	63
71438G-23700	15	33
714471-14580	5	2
714471-14581	5	2 -1
714770-01560	1	1
714770-22501	5	34
714770-22541	5	66
714770-22551	5	74
714770-23600	5	47
714770-23610	5	58
714770-23620	5	60
714770-28511	5	49
714770-28512	5	49 -1
714770-28531	5	50
714770-51100	8	1
714770-61100	6	43
	16	25
714770-61700	6	42
	16	24
714770-92604	10	27
714771-92600	10	28
714772-21701	5	13
714772-22581	5	71
714772-22621	5	63
714772-22721	5	31
714774-01560	1	2
714775-51100	8	2
714775-53101	8	27
71477G-23700	5	42
714780-14580	5	1
714780-14581	5	1 -1
714780-22581	5	70
714780-22621	5	62
714780-22721	5	30
714870-01561	11	1
714870-22502	15	25
714870-22542	15	49
714870-22552	15	57
714870-28511	15	40
714870-51100	18	1
714870-53200	18	28
714871-92600	20	27
714872-22721	15	22
714873-21730	15	9
714874-01560	11	2
714875-51100	18	2

Parts No.	Fig. No.	Ref. No.
714875-53100	18	29
714880-14580	15	1
714880-22582	15	53
714880-22622	15	45
714880-22722	15	21
714888-92601	20	26

Parts No.	Fig. No.	Ref. No.
-----------	----------	----------

Parts No.	Fig. No.	Ref. No.
-----------	----------	----------