

OCD10-M77700EN

PREFACE

1. This parts catalog is the 1st edition of 3TNE74-ENYBC for Kobelco Construction Machinery Co.,Ltd.

Pub.No. : 000Y00D7770

Published : Mar.,2003

2. Model name

Engine model	Vehicle		Vehicle made by
	Products	Model name	
3TNE74-ENYBC	Excavator	FK15	Kobelco Construction Machinery Co.,Ltd.

Directions for the Parts Catalog.

1. This Parts Catalog shows both standard and optional parts.
2. Parts may change without prior notice.
3. The following is an example of the Parts Catalog format.

REF.	LEV.	PARTS NO.	DESCRIPTION	Q'TY						I	R
				(A)	(B)	(C)	(D)	(E)	(F)		
1	1	729595-51390	FUEL INJECTION PUMP	1	1	1	1	1			1
1-1	1	729595-51391	FUEL INJECTION PUMP	1	1	1	1	1		N	1
		(A=E00185) (B=E00200)									
3	2	26022-060162	SCREW M 6X 16	9	9	9	9	9			
3-1	2	26022-060162	SCREW M 6X 16	4	4	4	4	4		K	
		(A=E00156) (B=E00156) (C=E00156) (D=E00156) (E=E00156)									
4	2	129470-51040	CAMSHAFT	1	1	1	1	1			
5	2	122710-51050	BEARING, ROLLER	2	2	2	2	2			
6	2	129470-51060	RETAINER	1	1	1	1	1			

Remarks
(1) BOOST COMPEMSATOR TYPE. OPTIONAL PART, TO E00155,(4JH-DT, 4JH-DTZ

① Ref. No.

The Ref. No. listed may not be in accordance with the illustration Ref. No.

(Ex.) Illustration No.

List Ref No.

1

1

(Before change)

1-1

(After change)

For interchangeable symbols N, R and K, illustrations for new parts may be abbreviated.

② Lev. (Level)

Level indication

The numbers below indicate the level of relativity towards the main part.

1 ----- Main parts (Assembly parts)

2 ----- Sub component included in " 1 ".

3 ----- Sub component included in " 2 ".

Note) Parts that are not for sale are partially illustrated but not listed.

③ Interchangeability Symbol

When a part change takes place, one of the following interchangeability symbols is indicated beside the part.

Symbol	Interchangeability	Contents note
N	Old $\begin{matrix} \leftarrow \text{Yes} \\ \text{No} \rightarrow \end{matrix}$ New	New Part is interchangeable for Old Part but Old Part is not interchangeable for New Part.
Q	Old $\begin{matrix} \leftarrow \text{No} \\ \text{Yes} \rightarrow \end{matrix}$ New	New Part is not interchangeable for Old Part but Old Part is interchangeable for New Part.
R	Old $\begin{matrix} \leftarrow \text{Yes} \\ \text{Yes} \rightarrow \end{matrix}$ New	New/ Old Parts are both interchangeable.
S	Old $\begin{matrix} \leftarrow \text{No} \\ \text{No} \rightarrow \end{matrix}$ New	New/ Old Parts are both not interchangeable.
W		Part newly added.
Z		Part discontinued.
F		Not interchangeable by a single part but interchangeable together with related parts.
K		Changes only for used parts quantities.

④ Effective Machine No.

When a part changes, the effective Machine No. will be indicated in the (A)-(F) column.

Product Symbol	Product No.	Product Symbol	Product No.
C	Clutch No. Compressor No.	F	Machine No. (Agricultural Equip.)
D	Drive No.	M	Machine No.
E	Engine No.		

Note 1) A date may follow the symbol. (Ex.) 1996.01

Note 2) "XXXXX" and "ZZZZZ" are for parts that could not be predicted or for engine models that could not be identified.

Note 3) (A=E00185) is the E (Engine Serial Number) for the column (A) model (in this case 4JH-DT) after the parts design change.

⑤ Remarks

Figures or alphabets (symbols) are entered in the remarks column.

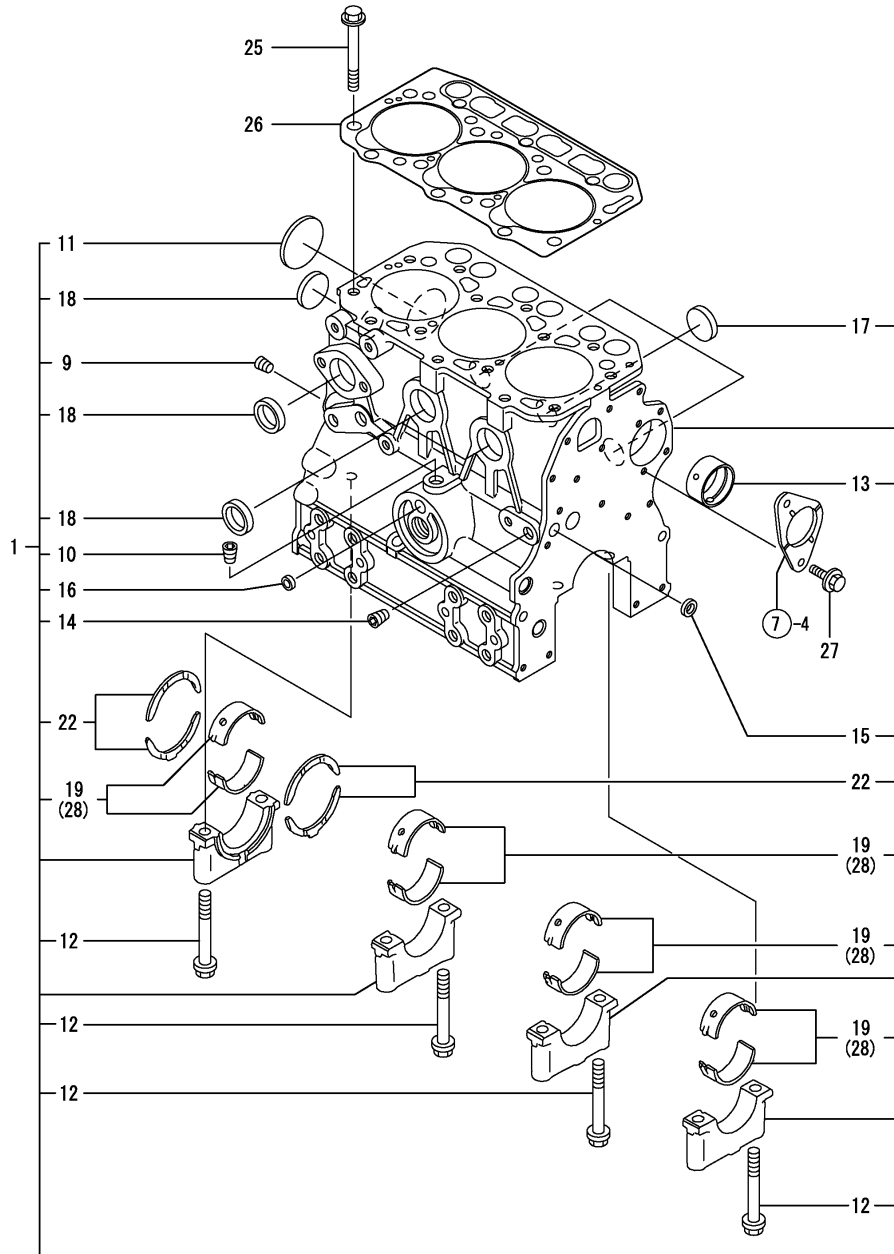
The comments (remarks) on parts that are indicated at the bottom of the illustration are the same symbols as those stated above.

Contents

OCD10-M77700

Fig. No.	Fig. Name	Fig. No.	Fig. Name
ENGINE 3TNE74-ENYBC			
1.	CYLINDER BLOCK		
2.	GEAR HOUSING		
3.	FLYWHEEL HOUSING & OIL SUMP		
4.	CYLINDER HEAD & BONNET		
5.	SUCTION MANIFOLD		
6.	EXHAUST MANIFOLD		
7.	CAMSHAFT & DRIVING GEAR		
8.	CRANKSHAFT & PISTON		
9.	LUB.OIL SYSTEM		
10.	COOLING WATER SYSTEM		
11.	FUEL INJECTION PUMP		
12.	GOVERNOR		
13.	FUEL INJECTION VALVE		
14.	FUEL LINE		
15.	STARTING MOTOR		
16.	GENERATOR		
17.	GASKET SET		

Fig.1. CYLINDER BLOCK



(A)=3TNE74-ENYBC
(B)=
(C)=

(D)=
(E)=
(F)=

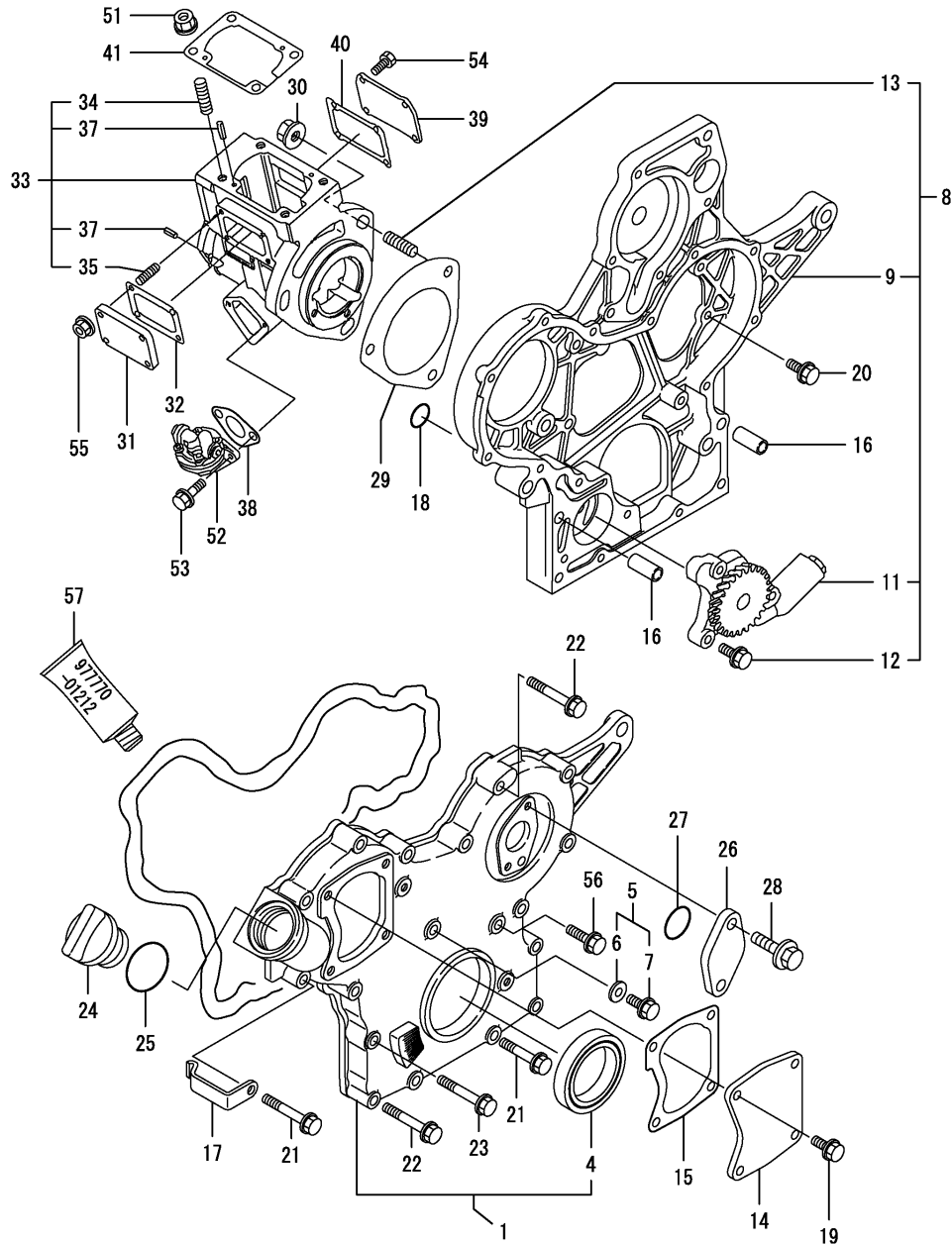
No.	Lev.	Parts No.	Description	Q'ty						I	R
				(A)	(B)	(C)	(D)	(E)	(F)		
1	1	719624-01561	BLOCK ASSY, CYLINDER	1							
9	2	119600-01050	PLUG, PT1/4	1							
10	2	119600-01050	PLUG, PT1/4	1							
11	2	119623-01250	PLUG, 45	1							
12	2	119620-02020	BOLT, METAL CAP	8							
13	2	119624-02410	BUSH	1							
14	2	23876-010000	PLUG, R01	1							
15	2	27241-120000	PLUG, 12	1							
16	2	27241-120000	PLUG, 12	1							
17	2	27241-250000	PLUG, 25	3							
18	2	27241-300000	PLUG 30	4							
19	2	719620-02800	BEARING, MAIN	4							
22	2	719620-02930	BEARING, THRUST	2							
25	1	119620-01200	BOLT, HEAD	14							
26	1	119636-01330	GASKET, HEAD	1							
27	1	26106-060122	BOLT, M6X 12 PLATED	2							
28	1	719620-02870	BEARING, 0.25 US	4							1

Remarks

(1)UNDER-SIZE(U.S=0.25)PART.

N:Old $\xrightarrow{\text{Yes}}$ New, Q:Old $\xrightarrow{\text{No}}$ New, R:Old $\xrightarrow{\text{Yes}}$ New, S:Old $\xrightarrow{\text{No}}$ New, W:Add, Z:Discontinued, F:Interchangeable by set, K:Q'ty Change

Fig.2. GEAR HOUSING



(A)=3TNE74-ENYBC
(B)=
(C)=

(D)=
(E)=
(F)=

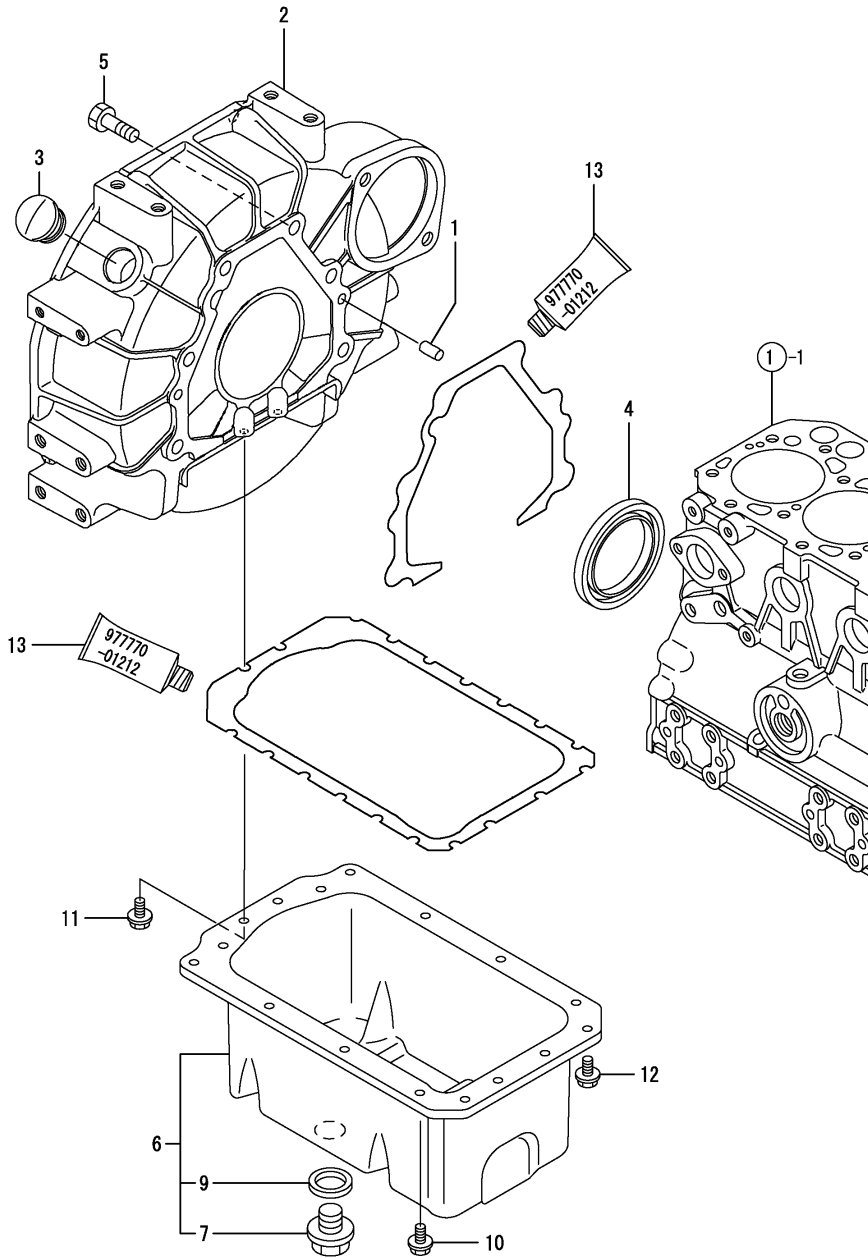
No.	Lev.	Parts No.	Description	Q'ty						I	R
				(A)	(B)	(C)	(D)	(E)	(F)		
1	1	719624-01610	COVER ASSY,GEAR CASE	1							
4	2	119620-01800	SEAL, OIL	1							
5	1	119623-01550	BOLT, M6X20	1							
6	2	22190-060003	WASHER,SEAL 6	1							
7	2	26106-060202	BOLT, M6X 20 PLATED	1							
8	1	119624-01591	CASE ASSY, GEAR	1							
9	2	119624-01511	CASE, GEAR	1							
11	2	119624-32000	PUMP ASSY, OIL	1							
12	2	26106-060252	BOLT, M6X 25 PLATED	3							
13	2	26216-080202	STUD, M8X 20	3							
14	1	119636-01740	COVER	1							
15	1	119636-01750	GASKET	1							
16	1	119266-01910	PIPE, KNOCK	2							
17	1	119624-03100	RETAINER, PIPE	1							
18	1	119624-32040	O-RING, P12.0	2							
19	1	26106-060122	BOLT, M6X 12 PLATED	4							
20	1	26106-060162	BOLT, M6X 16 PLATED	5							
21	1	26106-060402	BOLT, M6X 40 PLATED	8							
22	1	26106-060652	BOLT, M6X 65 PLATED	6							
23	1	26106-060702	BOLT, M6X 70 PLATED	2							
24	1	124160-01751	COVER, FILLER	1							
25	1	24311-000320	O-RING, 1AP32.0	1							
26	1	121023-01550	COVER	1							
27	1	24341-000240	O-RING, 1AS24.0	1							
28	1	26106-060162	BOLT, M6X 16 PLATED	2							
29	1	119266-01871	GASKET	1							
30	1	26306-080002	NUT, M8	3							
31	1	119660-01551	COVER	1							
32	1	119660-01562	GASKET	1							
33	1	119266-01840	COVER	1							
34	2	121450-01560	STUD, M8X22	4							
35	2	119660-01570	STUD, M6X12	4							
37	2	22351-040010	PIN, SPRING 4.0X10	4							
38	1	121520-01851	GASKET	1							
39	1	119266-01880	COVER	1							
40	1	119266-01890	GASKET	1							
41	1	119623-01950	SHIM SET, ADJUSTING	1							
51	1	194990-22050	NUT, M8	4							
52	1	119600-52021	PUMP ASSY, FUEL FEED	1							
53	1	26106-060162	BOLT, M6X 16 PLATED	2							
54	1	26116-050082	BOLT, M5X 8 PLATED	4							
55	1	26366-060002	NUT, M6	4							
56	1	26106-060282	BOLT, M6X 28 PLATED	1							
57	1	977770-01212	GASKET, LIQUID	1							1

Remarks

(1) OPTIONAL PART.

N:Old $\begin{matrix} \text{Yes} \\ \text{No} \end{matrix}$ New, Q:Old $\begin{matrix} \text{No} \\ \text{Yes} \end{matrix}$ New, R:Old $\begin{matrix} \text{Yes} \\ \text{Yes} \end{matrix}$ New, S:Old $\begin{matrix} \text{No} \\ \text{No} \end{matrix}$ New, W:Add, Z:Discontinued, F:Interchangeable by set, K:Q'ty Change

Fig.3. FLYWHEEL HOUSING & OIL SUMP



(A)=3TNE74-ENYBC
(B)=
(C)=

(D)=
(E)=
(F)=

No.	Lev.	Parts No.	Description	Q'ty						I	R
				(A)	(B)	(C)	(D)	(E)	(F)		
1	1	129100-01580	PIN, M8X16	2							
2	1	119624-01600	HOUSING, FLYWHEEL	1							
3	1	119620-01750	CAP	1							
4	1	124085-02220	SEAL, OIL	1							
5	1	26206-100252	BOLT, M10X 25 PLATED	6							
6	1	119636-01780	SUMP ASSY, OIL	1							
7	2	119640-01640	PLUG, DRAIN M22	1							
9	2	22190-220002	WASHER, SEAL 22	1							
10	1	26106-060102	BOLT, M6X 10 PLATED	10							
11	1	26106-060102	BOLT, M6X 10 PLATED	2							
12	1	26106-060122	BOLT, M6X 12 PLATED	4							
13	1	97770-01212	GASKET, LIQUID	1							1

Remarks
(1) OPTIONAL PART.

Fig.4. CYLINDER HEAD & BONNET

(A)=3TNE74-ENYBC

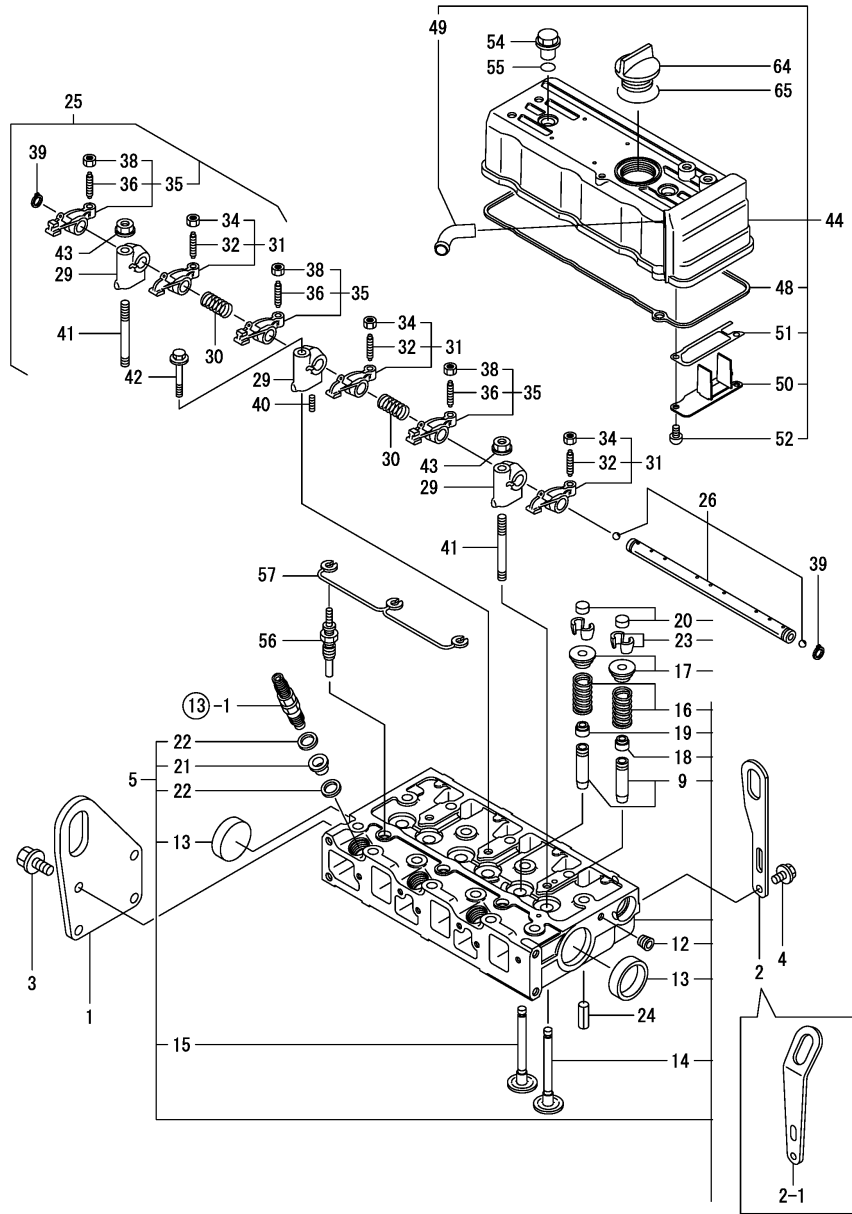
(B)=

(C)=

(D)=

(E)=

(F)=



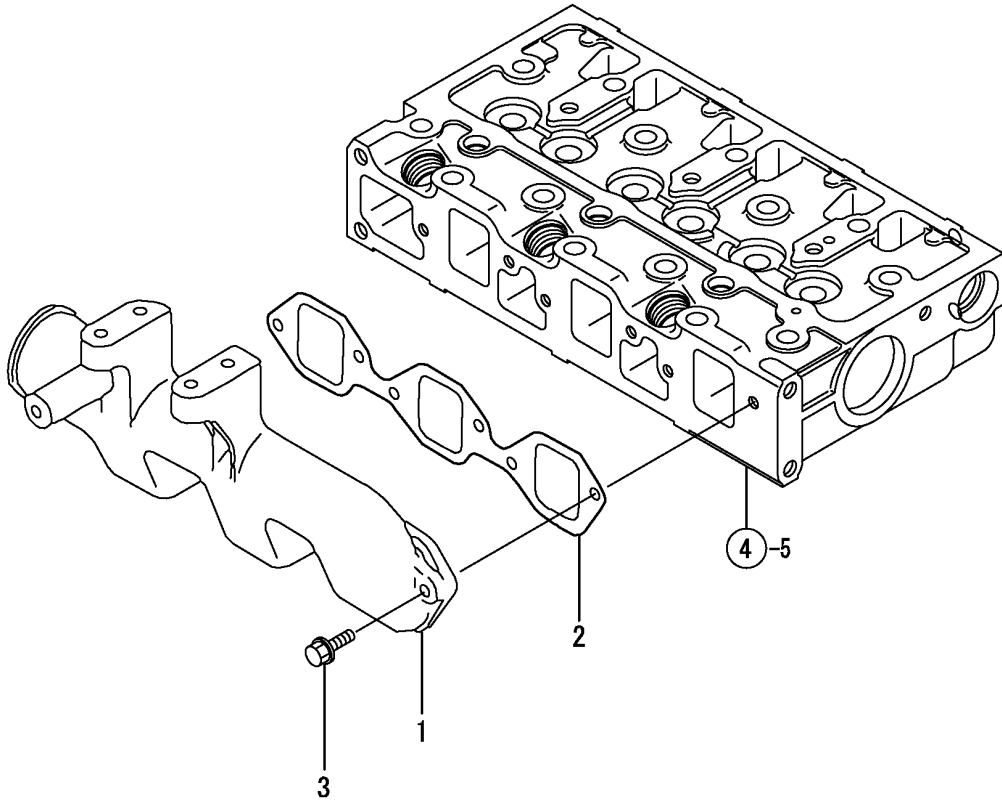
No.	Lev.	Parts No.	Description	Q'ty						I	R
				(A)	(B)	(C)	(D)	(E)	(F)		
1	1	119624-07900	LIFTER	1							
2	1	124736-07900	LIFTER	1							
2-1	1	119266-07900	LIFTER	1							N
(A=EXXXXX)											
3	1	26106-060122	BOLT, M6X 12 PLATED	4							
4	1	26106-080142	BOLT, M8X 14 PLATED	2							
5	1	119624-11741	HEAD ASSY, CYLINDER	1							
9	2	119620-11801	GUIDE, VALVE	6							1
12	2	23876-005000	PLUG, R005	1							
13	2	27241-400000	PLUG, 40	2							
14	2	119623-11100	VALVE, INTAKE	3							
15	2	119620-11110	VALVE, EXHAUST	3							
16	2	119620-11120	SPRING, VALVE	6							
17	2	119620-11180	RETAINER, SPRING	6							
18	2	124160-11340	SEAL, VALVE STEM	3							
19	2	124950-11340	SEAL, VALVE STEM	3							
20	2	104211-11370	CAP, VALVE	6							
21	2	119600-11450	PROTECTOR, NOZZLE	3							
22	2	119600-11460	GASKET, NOZZLE	6							
23	2	27310-070001	COTTER, 7	6							
24	1	22351-060012	PIN, SPRING 6.0X12	2							
25	1	119624-11200	SUPPORT ASSY, ARM	1							
26	2	119620-11240	SHAFT ASSY, ROCKER	1							
29	2	124295-11260	SUPPORT, ROCKER ARM	3							
30	2	119620-11280	SPRING	2							
31	2	124295-11650	ARM, ROCKER	3							
32	3	105010-11230	SCREW, VALVE ADJUST	3							
34	3	26856-060002	NUT, M6	3							
35	2	124295-11660	ARM, ROCKER	3							
36	3	105010-11230	SCREW, VALVE ADJUST	3							
38	3	26856-060002	NUT, M6	3							
39	2	22242-000120	RING, 12	2							
40	2	26979-050162	SCREW, M5X16	1							
41	1	119620-11350	STUD	2							
42	1	26106-080502	BOLT, M8X 50 PLATED	1							
43	1	26306-080002	NUT, M8	2							
44	1	119624-11331	BONNET ASSY, HEAD	1							
48	2	119624-11311	GASKET, BONNET	1							
49	2	119266-11390	JOINT	1							
50	2	119624-11600	PLATE, BAFFLE	1							
51	2	119624-11610	GASKET	1							
52	2	22857-500100	SCREW, 5X10	2							
54	1	124160-11360	KNOB	2							
55	1	24311-000120	O-RING, 1AP12.0	2							
56	1	129155-77801	PLUG, GLOW	3							
57	1	119620-77820	CONNECTOR, GLOW PLUG	1							
64	1	124160-01751	COVER, FILLER	1							
65	1	24311-000320	O-RING, 1AP32.0	1							

Remarks

(1) REPAIR PART.

N:Old $\begin{matrix} \leftarrow \text{Yes} \\ \text{No} \end{matrix}$ New, Q:Old $\begin{matrix} \leftarrow \text{No} \\ \text{Yes} \end{matrix}$ New, R:Old $\begin{matrix} \leftarrow \text{Yes} \\ \text{Yes} \end{matrix}$ New, S:Old $\begin{matrix} \leftarrow \text{No} \\ \text{No} \end{matrix}$ New, W:Add, Z:Discontinued, F:Interchangeable by set, K:Q'ty Change

Fig.5. SUCTION MANIFOLD



(A)=3TNE74-ENYBC
(B)=
(C)=

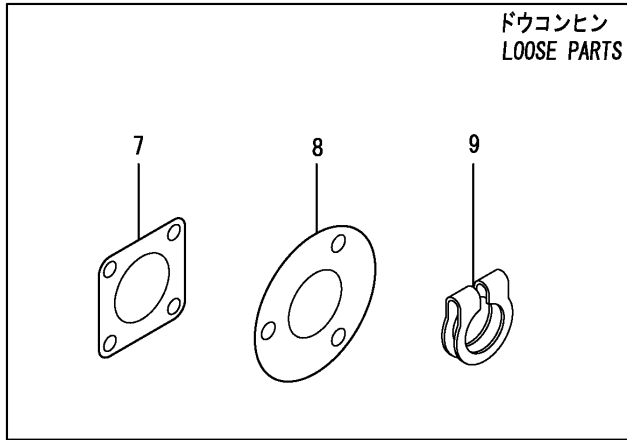
(D)=
(E)=
(F)=

No.	Lev.	Parts No.	Description	Q'ty						I	R
				(A)	(B)	(C)	(D)	(E)	(F)		
1	1	119645-12100	MANIFOLD, AIR INTAKE	1							
2	1	119620-12111	GASKET, MANIFOLD	1							
3	1	26106-060202	BOLT, M6X 20 PLATED	6							

Fig.6. EXHAUST MANIFOLD

(A)=3TNE74-ENYBC
(B)=
(C)=

(D)=
(E)=
(F)=



No.	Lev.	Parts No.	Description	Q'ty						I	R
				(A)	(B)	(C)	(D)	(E)	(F)		
1	1	119600-13100	MANIFOLD, EXHAUST	1							
2	1	119620-13110	GASKET	1							
3	1	119131-18320	STUD, M8X22	4							
4	1	119802-13600	BOLT, M8X40	4							
5	1	129054-13210	STUD, M8X55	2							
6	1	26306-080002	NUT, M8	2							
7	1	124701-11911	GASKET, SILENCER	1							
8	1	103954-13201	GASKET, SILENCER	1							
9	1	119831-13580	CLAMP	1							
10	1	26306-080002	NUT, M8	4							

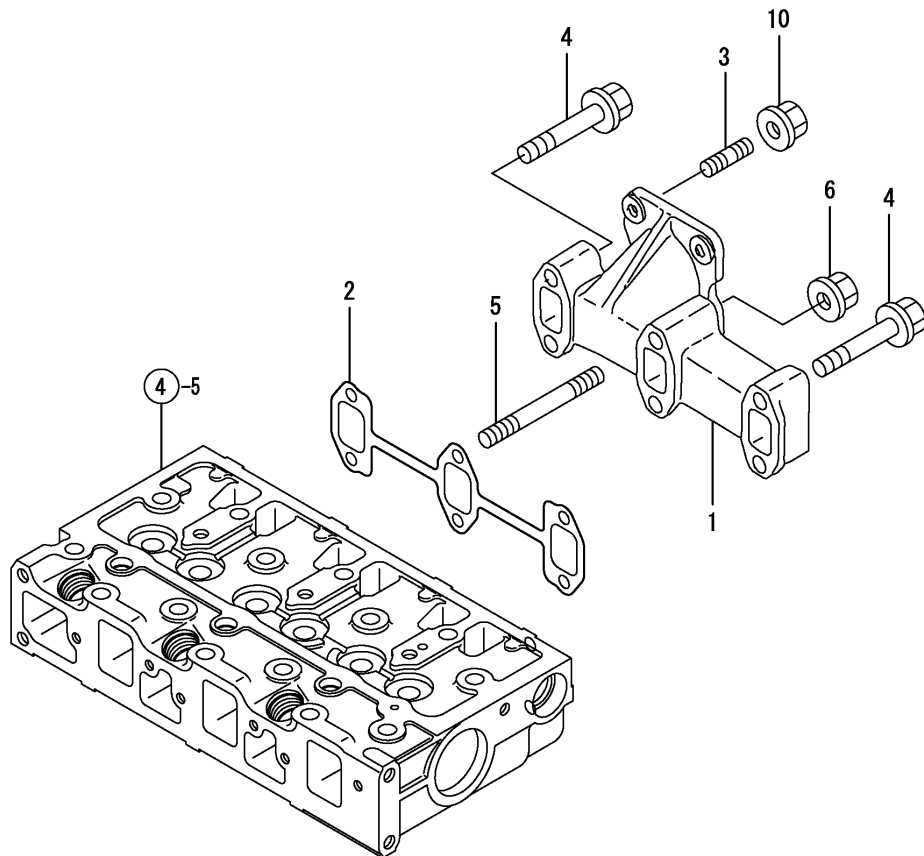


Fig.7. CAMSHAFT & DRIVING GEAR

(A)=3TNE74-ENYBC

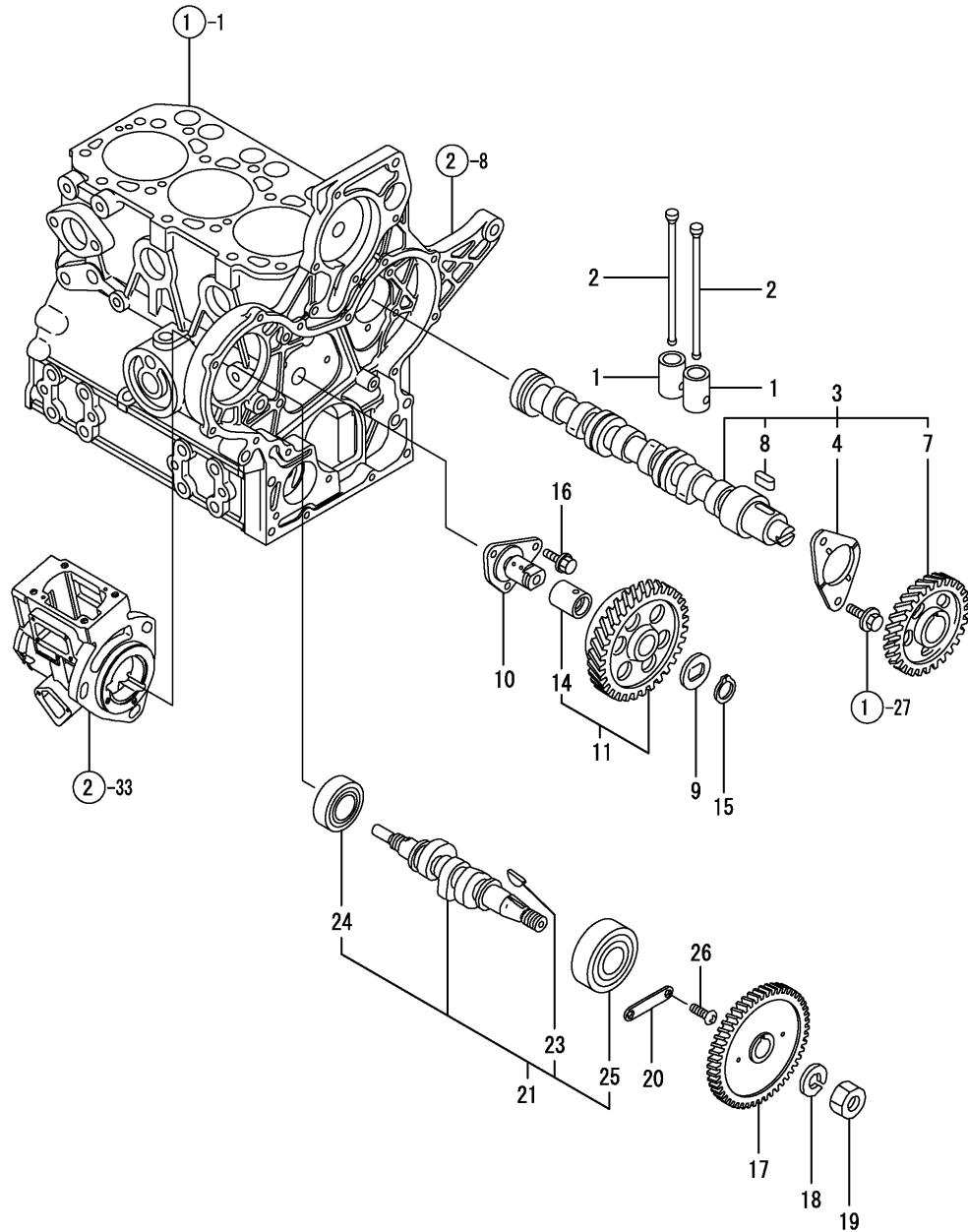
(B)=

(C)=

(D)=

(E)=

(F)=



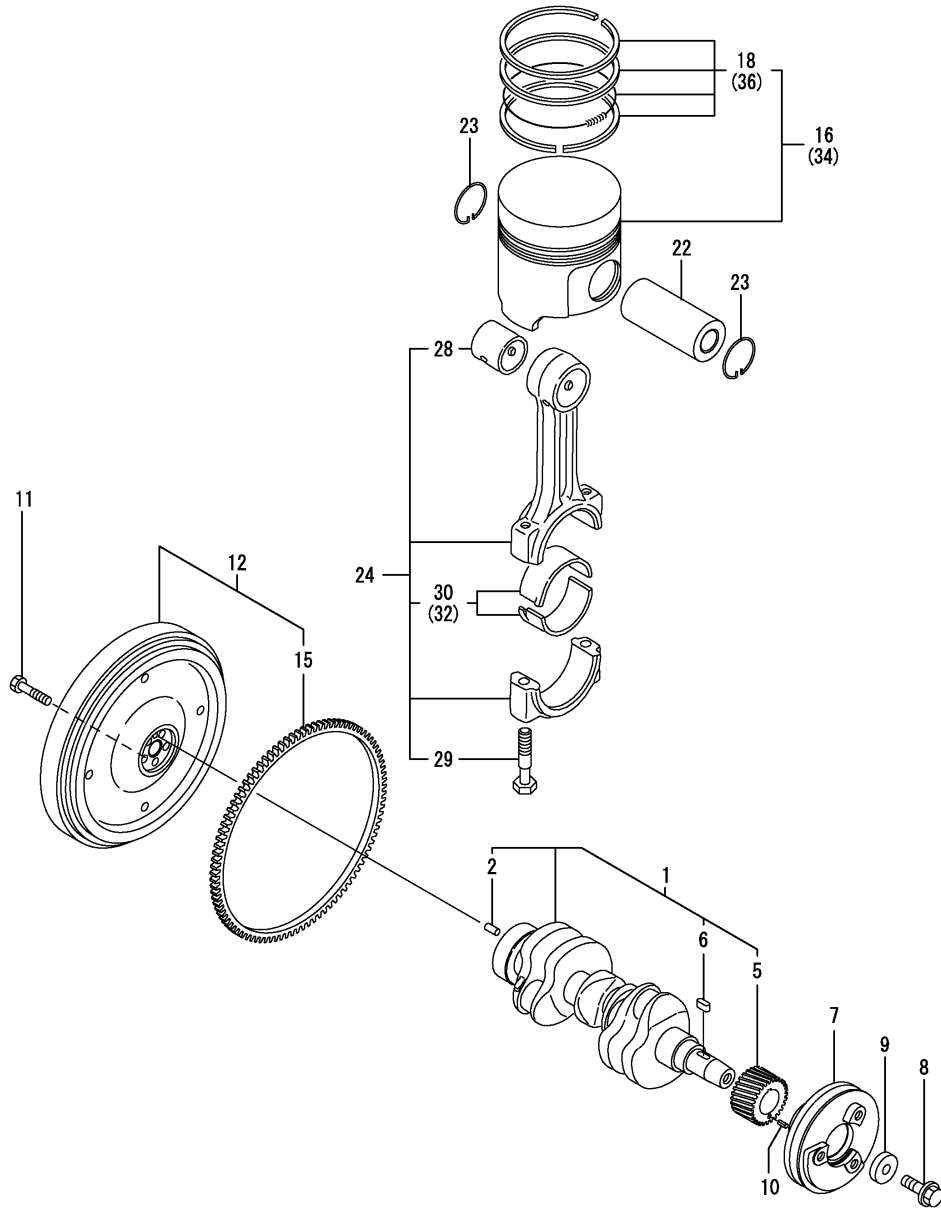
No.	Lev.	Parts No.	Description	Q'ty						I	R
				(A)	(B)	(C)	(D)	(E)	(F)		
1	1	119620-14200	TAPPET	6							
2	1	119620-14401	ROD, PUSH	6							
3	1	119629-14580	CAMSHAFT ASSY	1							
4	2	119620-02450	BEARING, THRUST	1							
7	2	119620-14100	GEAR, CAMSHAFT	1							
8	2	22512-040120	KEY, 4X 12	1							
9	1	119660-25022	RETAINER	1							
10	1	119266-25050	SHAFT, IDLE GEAR	1							
11	1	119620-25102	GEAR ASSY, IDLE	1							
14	2	119620-25912	BUSH	1							1
15	1	22242-000200	RING, 20	1							
16	1	26106-060122	BOLT, M6X 12 PLATED	3							
17	1	119624-25900	GEAR, PUMP	1							
18	1	22217-120000	WASHER, SPRING 12	1							
19	1	26716-120002	NUT, M12	1							
20	1	119266-01900	RETAINER, BEARING	1							
21	1	119266-14200	CAM ASSY	1							
23	2	122710-51090	KEY	1							
24	2	24101-060034	BEARING, BALL 6003	1							
25	2	24102-063034	BEARING, BALL 6303U	1							
26	1	26557-060102	SCREW, M6X10	2							

Remarks

(1) REPAIR PART.

N:Old $\begin{matrix} \leftarrow \text{Yes} \\ \text{No} \end{matrix}$ New, Q:Old $\begin{matrix} \leftarrow \text{No} \\ \text{Yes} \end{matrix}$ New, R:Old $\begin{matrix} \leftarrow \text{Yes} \\ \text{Yes} \end{matrix}$ New, S:Old $\begin{matrix} \leftarrow \text{No} \\ \text{No} \end{matrix}$ New, W:Add, Z:Discontinued, F:Interchangeable by set, K:Q'ty Change

Fig.8. CRANKSHAFT & PISTON



(A)=3TNE74-ENYBC
(B)=
(C)=

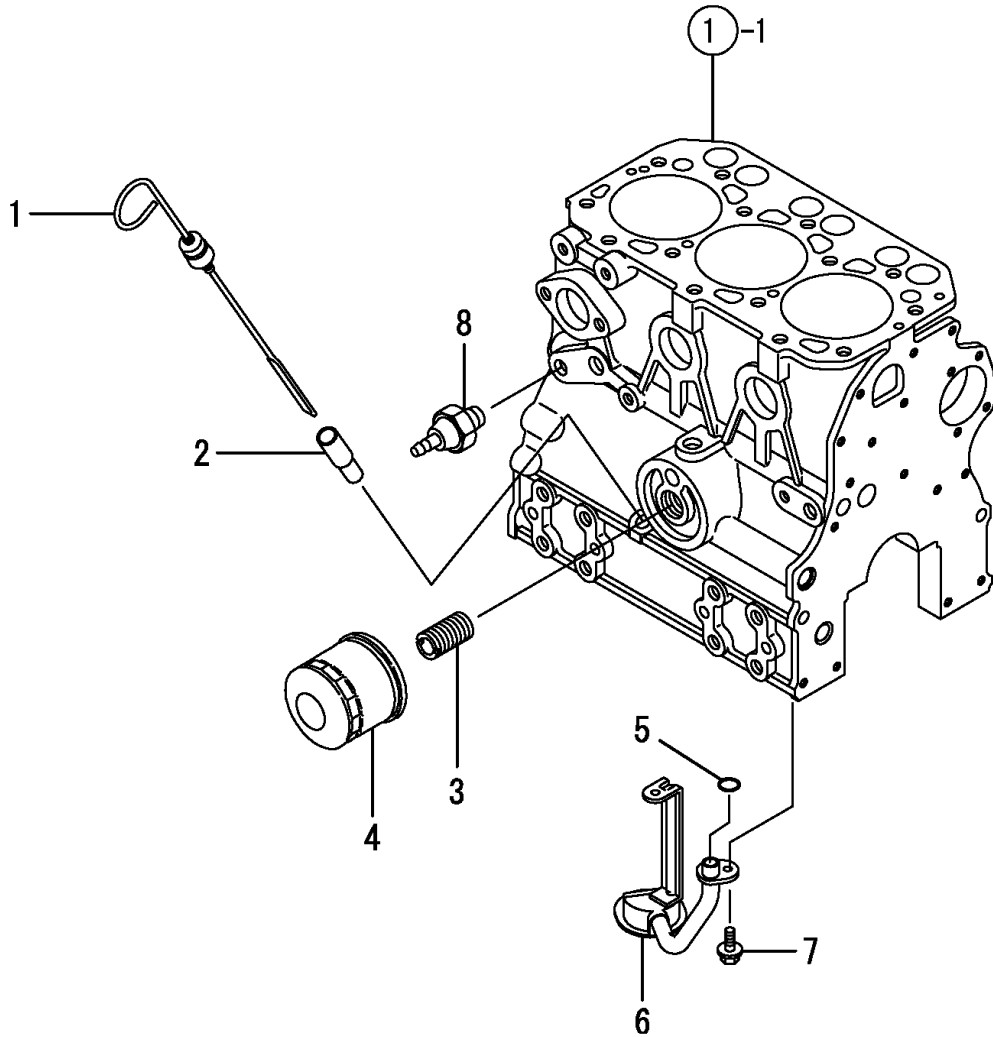
(D)=
(E)=
(F)=

No.	Lev.	Parts No.	Description	Q'ty						I	R
				(A)	(B)	(C)	(D)	(E)	(F)		
1	1	119624-21700	CRANKSHAFT ASSY	1							
2	2	129100-01580	PIN, M8X16	1							
5	2	119624-21200	GEAR, CRANKSHAFT	1							
6	2	22512-040120	KEY, 4X 12	1							
7	1	119266-21651	V-PULLEY	1							
8	1	119621-21680	BOLT, FLANGE 12X1.25	1							
9	1	119620-21941	WASHER	1							
10	1	22351-030010	PIN, SPRING 3.0X10	1							
11	1	121111-21501	BOLT, FLYWHEEL	5							
12	1	119624-21570	FLYWHEEL ASSY	1							
15	2	119865-21600	GEAR, RING	1							
16	1	119624-22082	PISTON ASSY	3							
18	2	119623-22500	RING SET, PISTON	3							
22	1	114399-22300	PIN, PISTON D=21	3							
23	1	22252-000210	RING, 21	6							
24	1	719620-23100	ROD ASSY, CONNECTING	3							
28	2	119620-23910	BEARING, PISTON PIN	3							1
29	2	105225-23200	BOLT, CONNECTING ROD	6							
30	2	719620-23600	BEARING, CRANK PIN	3							
32	1	719620-23610	BEARING ASSY, 0.25	3							2
34	1	119624-22900	PISTON ASSY, 0.25 OS	3							3
36	2	119623-22950	RING SET, 0.25 OS	3							3

Remarks

- (1) REPAIR PART.
- (2) UNDER-SIZE(U.S=0.25)PART.
- (3) OVER-SIZE(O.S=0.25)PART.

Fig.9. LUB.OIL SYSTEM



(A)=3TNE74-ENYBC
(B)=
(C)=

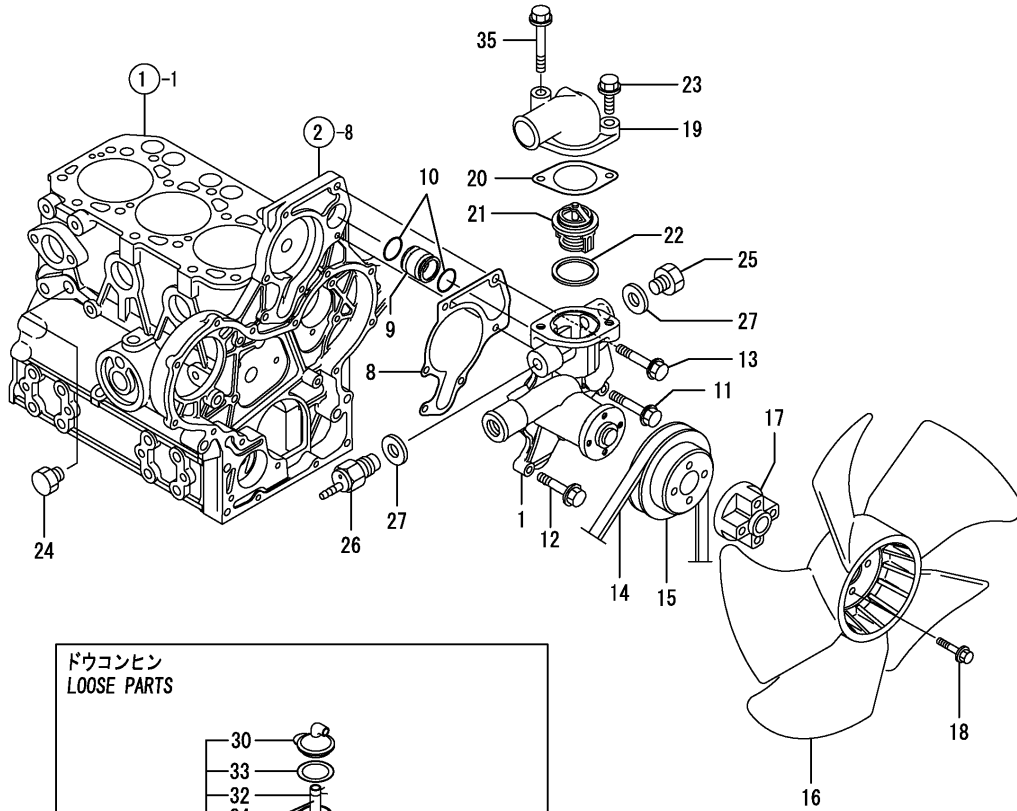
(D)=
(E)=
(F)=

No.	Lev.	Parts No.	Description	Q'ty						I	R
				(A)	(B)	(C)	(D)	(E)	(F)		
1	1	119624-34810	DIPSTICK, OIL	1							
2	1	121520-34810	GUIDE, DIPSTICK	1							
3	1	129100-35140	STUD	1							
4	1	119305-35150	FILTER, OIL	1							
5	1	119209-35030	O-RING, P11	1							
6	1	119620-35093	PIPE ASSY, OIL INLET	1							
7	1	26106-060102	BOLT, M6X 10 PLATED	2							
8	1	114250-39450	SWITCH, 0.5KG	1							

Fig.10. COOLING WATER SYSTEM

(A)=3TNE74-ENYBC
(B)=
(C)=

(D)=
(E)=
(F)=



No.	Lev.	Parts No.	Description	Q'ty						I	R
				(A)	(B)	(C)	(D)	(E)	(F)		
1	1	119624-42000	PUMP ASSY, WATER	1							
8	1	119624-42021	GASKET, WATER PUMP	1							
9	1	119266-42052	JOINT	1							
10	1	119266-42140	O-RING, P22	2							
11	1	26106-060302	BOLT, M6X 30 PLATED	3							
12	1	26106-060552	BOLT, M6X 55 PLATED	2							
13	1	26106-080452	BOLT, M8X 45 PLATED	1							
14	1	119656-42290	V-BELT, FM35.5	1							
15	1	119660-42350	V-PULLEY	1							
16	1	119233-44740	FAN, D=290XUH	1							
17	1	121267-44760	SPACER	1							
18	1	26106-060302	BOLT, M6X 30 PLATED	4							
19	1	124101-49531	COVER, THERMOSTAT	1							
20	1	129795-49551	GASKET	1							
21	1	129155-49801	THERMOSTAT, 71	1							
22	1	129150-49811	GASKET, THERMOSTAT	1							
23	1	26106-080252	BOLT, M8X 25 PLATED	1							
24	1	171056-49120	PLUG, DRAIN	1							
25	1	121450-42450	PLUG, M16	1							
26	1	121250-44901	SWITCH, 110	1							
27	1	124465-44950	GASKET, 16	2							
28	1	121468-44510	SUB-TANK ASSY	1							
30	2	121450-44531	CAP	1							
31	2	121468-44540	PLUG, SUB-TANK	1							
32	2	124450-44560	RETAINER	1							
33	2	121470-44581	GASKET	1							
34	2	23065-070130	PIPE, 7X 130	1							
35	1	26106-080652	BOLT, M8X 65 PLATED	1							

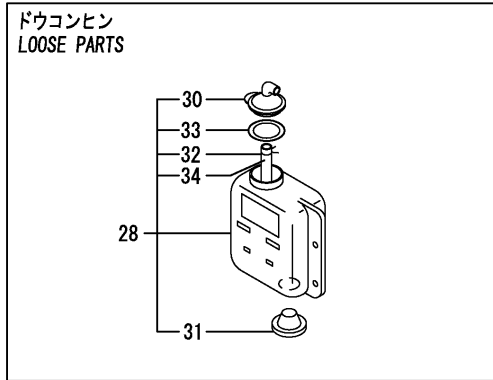
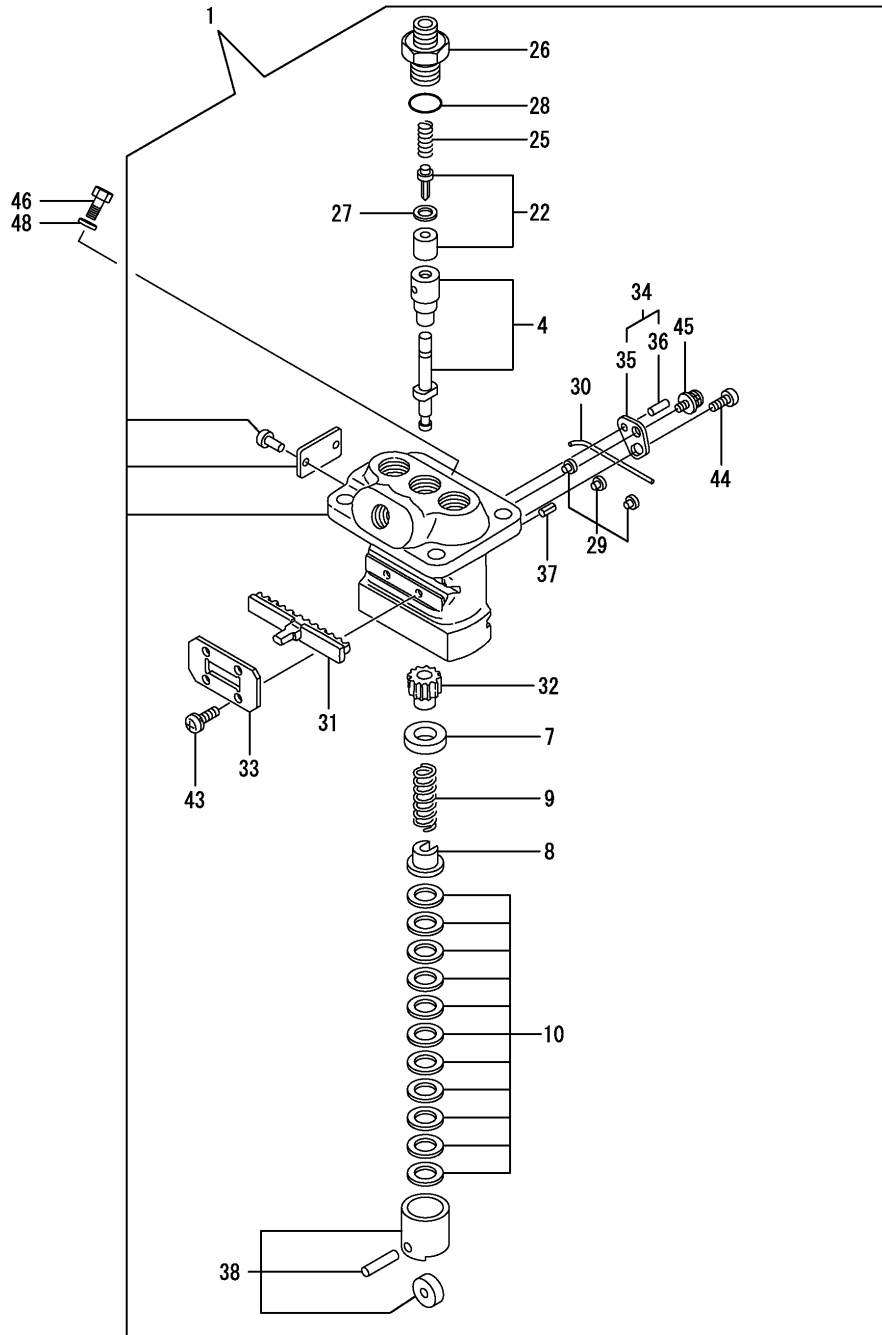


Fig.11. FUEL INJECTION PUMP

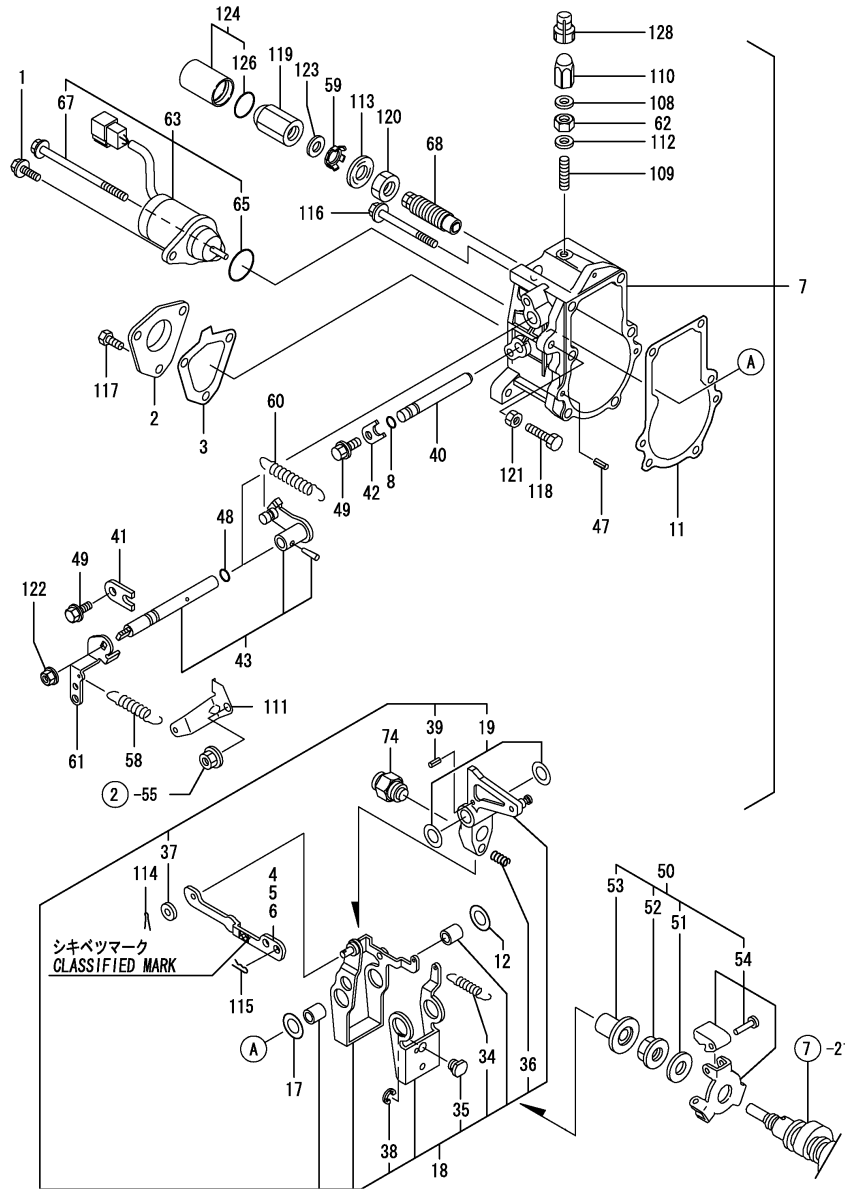


(A)=3TNE74-ENYBC
(B)=
(C)=

(D)=
(E)=
(F)=

No.	Lev.	Parts No.	Description	Q'ty						I	R
				(A)	(B)	(C)	(D)	(E)	(F)		
1	1	719624-51100	PUMP ASSY, INJECTION	1							
4	2	119620-51101	PLUNGER ASSY	3							
7	2	119620-51170	RETAINER, SPRING A	3							
8	2	119620-51180	RETAINER, SPRING B	3							
9	2	119620-51190	SPRING, PLUNGER	3							
10	2	119620-51250	SHIM SET	3							
22	2	119620-51300	VALVE ASSY, DELIVERY	3							
25	2	105546-51330	SPRING, DELIVERY	3							
26	2	119620-51340	HOLDER, DELIVERY	3							
27	2	119620-51350	GASKET	3							
28	2	119620-51370	O-RING	3							
29	2	119620-51450	PIECE	3							
30	2	119620-51461	PIN	1							
31	2	119660-51500	RACK, CONTROL	1							
32	2	119620-51510	PINION	3							
33	2	119660-51530	RETAINER, RACK	1							
34	2	119620-51640	PLATE ASSY, ADJUST	2							
35	3	119620-51650	PLATE	2							
36	3	119620-51670	PIN	2							
37	2	119620-51680	PIN	1							
38	2	119620-51700	TAPPET ASSY	3							
43	2	26022-040082	SCREW, M4X 8	4							
44	2	26033-040102	SCREW, M4X10	2							
45	2	119620-51660	SCREW	2							
46	1	119266-51900	BOLT	1							
48	1	22190-080002	WASHER, SEAL 6	1							

Fig.12. GOVERNOR



(A)=3TNE74-ENYBC
(B)=
(C)=

(D)=
(E)=
(F)=

No.	Lev.	Parts No.	Description	Q'ty						I	R
				(A)	(B)	(C)	(D)	(E)	(F)		
1	1	121465-59950	BOLT, M6X16	1							
2	1	119660-61060	COVER, GOVERNOR CASE	1							
3	1	119660-61071	GASKET	1							
4	1	119660-61122	LINK, NO MARK	1							1
5	1	119660-61141	LINK, MARK A	1							1
6	1	119660-61151	LINK, MARK :B	1							1
7	1	119632-61200	CASE ASSY, GOVERNOR	1							
8	2	129155-51280	O-RING, S6	1							
11	2	119660-61053	GASKET	1							
12	2	119632-61500	SHIM SET	1							
17	2	129156-61500	SHIM, T=0.5	1							
18	2	119232-61510	LEVER ASSY, GOVERNOR	1							
19	3	174307-51700	SHIM SET	2							
34	3	119232-61540	SPRING	1							
35	3	119600-61541	SHIFTER	1							
36	3	119660-61651	SPRING, STARTING	1							
37	3	22117-040000	WASHER, 4	1							
38	3	22272-000040	RING, E- 4	1							
39	3	22351-030014	PIN, SPRING 3.0X14	1							
40	2	119660-61590	SHAFT	1							
41	2	119600-61900	RETAINER, SHAFT	1							
42	2	119660-61901	RETAINER, SHAFT	1							
43	2	119285-66080	SHAFT ASSY	1							
47	2	22351-040010	PIN, SPRING 4.0X10	2							
48	2	24341-000070	O-RING, 1AS7.0	1							
49	2	26106-060102	BOLT, M6X 10 PLATED	2							
50	1	119266-61300	DRIVE ASSY	1							
51	2	119266-61230	SPACER	1							
52	2	119660-61300	NUT	1							
53	2	119660-61341	SLEEVE	1							
54	2	119600-61400	WEIGHT ASSY,GOVERNOR	1							
58	1	119840-61870	SPRING	1							
59	1	129209-61970	PLATE	1							
60	1	119600-66020	SPRING, REGULATOR	1							
61	1	119640-66051	HANDLE, REGULATOR	1							
62	1	26857-060002	NUT, M6	1							
63	1	119233-66511	STOPPER ASSY	1							
65	2	24341-000280	O-RING, 1AS28.0	1							
67	2	119620-01530	BOLT	1							
68	1	119600-66530	LIMITER ASSY, FUEL	1							
74	1	119610-66700	ANGLEICH ASSY	1							
108	1	119285-66620	GASKET	1							
109	1	121575-66830	SCREW	1							
110	1	119285-66600	NUT, CAP M6	1							
111	1	119656-66910	HOOK	1							
112	1	22190-060003	WASHER,SEAL 6	1							
113	1	22190-120002	WASHER, SEAL 12	2							
114	1	22360-040000	PIN, SNAP 4	1							
115	1	22360-060000	PIN, SNAP 6	1							
116	1	26106-060702	BOLT, M6X 70 PLATED	5							
117	1	26116-050102	BOLT, M5X 10 PLATED	3							

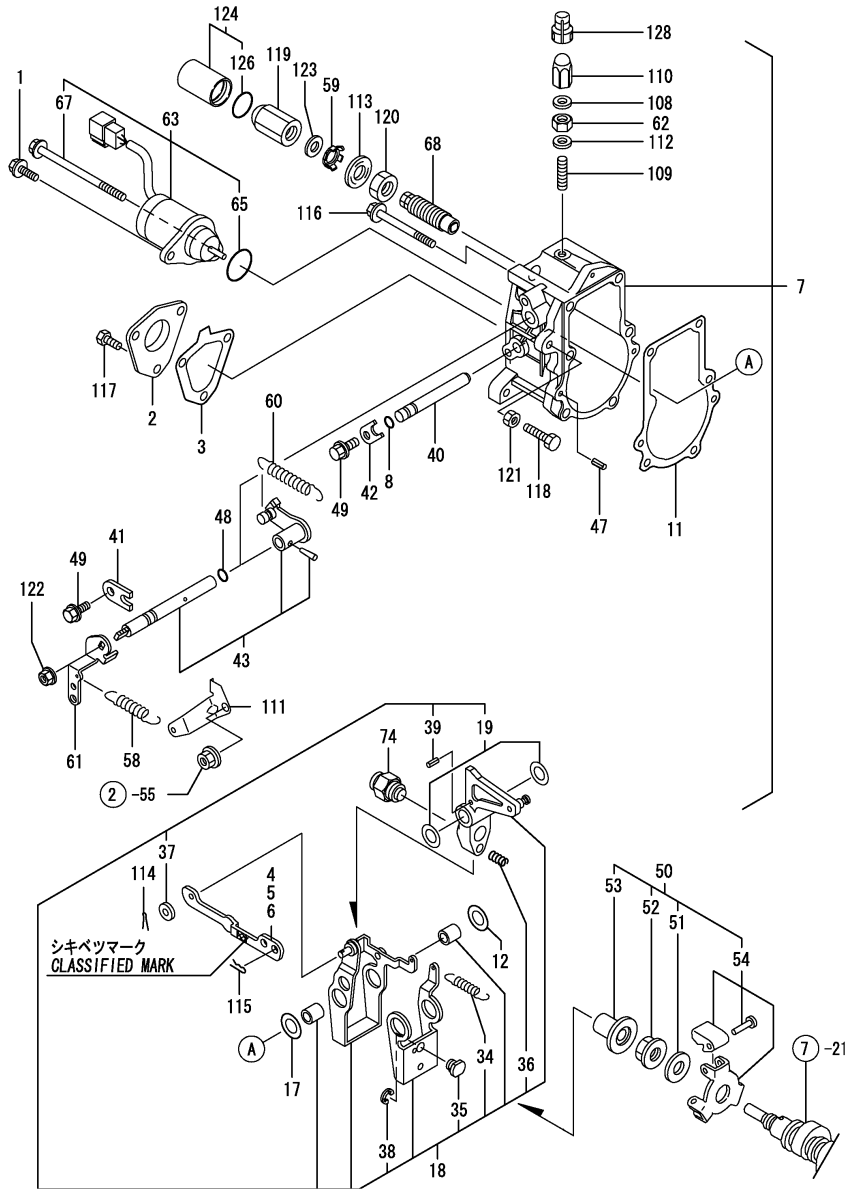
Remarks

- (1) SELECTIVE PARTS: CERTAIN THE CLASSIFICATION MARK, THEN PLACE YOUR ORDER(REFER TO ILLUSTRATION)
- (2) REPAIR PART.

Fig.12. GOVERNOR

(A)=3TNE74-ENYBC
(B)=
(C)=

(D)=
(E)=
(F)=



No.	Lev.	Parts No.	Description	Q'ty						I	R
				(A)	(B)	(C)	(D)	(E)	(F)		
118	1	119266-61460	BOLT	1							
119	1	26687-120002	NUT, CAP M12	1							
120	1	26736-120002	NUT, M12	1							
121	1	26756-060002	NUT, LOCK M6	1							
122	1	26366-080002	NUT, M8	1							
123	1	23414-120016	GASKET, 12X1.0	1							
124	1	129209-61940	CASE ASSY	1							
126	2	24311-000150	O-RING, 1AP15.0	1							
128	1	119285-66650	CAP, HIGH-IDLE	1							2

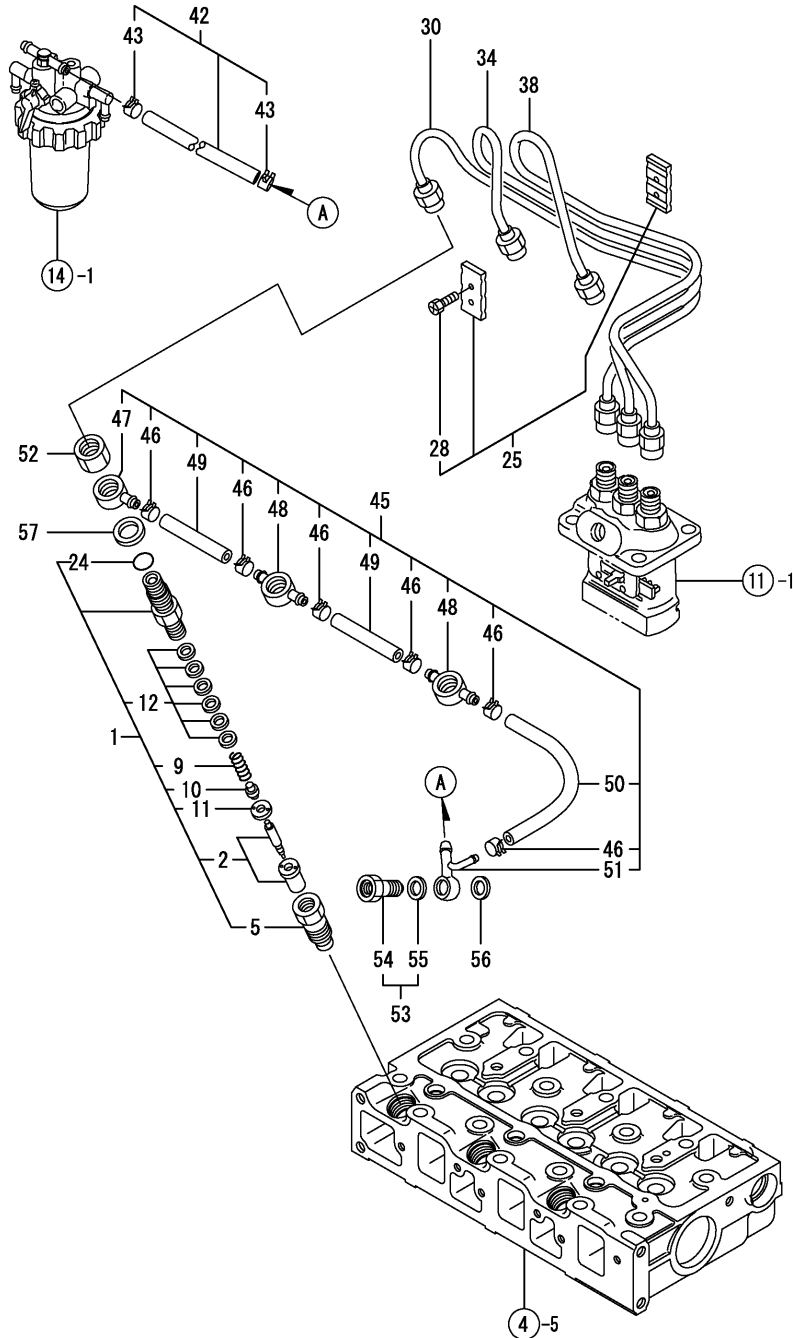
Remarks

- (1) SELECTIVE PARTS: CERTAIN THE CLASSIFICATION MARK, THEN PLACE YOUR ORDER(REFER TO ILLUSTRATION)
- (2) REPAIR PART.

Fig.13. FUEL INJECTION VALVE

(A)=3TNE74-ENYBC
(B)=
(C)=

(D)=
(E)=
(F)=



No.	Lev.	Parts No.	Description	Q'ty						I	R
				(A)	(B)	(C)	(D)	(E)	(F)		
1	1	719255-53100	VALVE ASSY,INJECTION	3							
2	2	119620-53000	VALVE ASSY,INJECTION	3							
5	2	119620-53080	NUT, NOZZLE	3							
9	2	119620-53120	SPRING, NOZZLE	3							
10	2	114250-53130	SEAT, SPRING	3							
11	2	119620-53140	SPACER, VALVE STOP	3							
12	2	114250-53400	SHIM SET	3							
24	2	129155-61830	O-RING, S10	3							
25	1	129150-59120	RETAINER, PIPE	1							
28	2	129150-59131	BOLT, M4X14	2							
30	1	119624-59811	PIPE ASSY, INJECTION	1							
34	1	119624-59821	PIPE ASSY, INJECTION	1							
38	1	119624-59831	PIPE ASSY, INJECTION	1							
42	1	721250-59080	PIPE ASSY, FUEL	1							
43	2	124766-59050	CLIP, HOSE 12	2							
45	1	119642-59540	PIPE ASSY, RETURN	1							
46	2	124066-59100	CLIP, HOSE 8	6							
47	2	119260-59520	JOINT	1							
48	2	119260-59530	JOINT	2							
49	2	105025-59550	PIPE, FUEL RETURN	2							
50	2	119642-59550	PIPE, FUEL RETURN	1							
51	2	119642-59570	JOINT, OVER FLOW	1							
52	1	119620-59700	NUT, NOZZLE	3							
53	1	124550-59830	BOLT ASSY, JOINT M8	1							
54	2	124550-59820	BOLT, PIPE JOINT M8	1							
55	2	22190-080002	WASHER, SEAL 6	1							
56	1	22190-080002	WASHER, SEAL 6	1							
57	1	22190-140002	WASHER, SEAL 14	3							

Fig.14. FUEL LINE

(A)=3TNE74-ENYBC

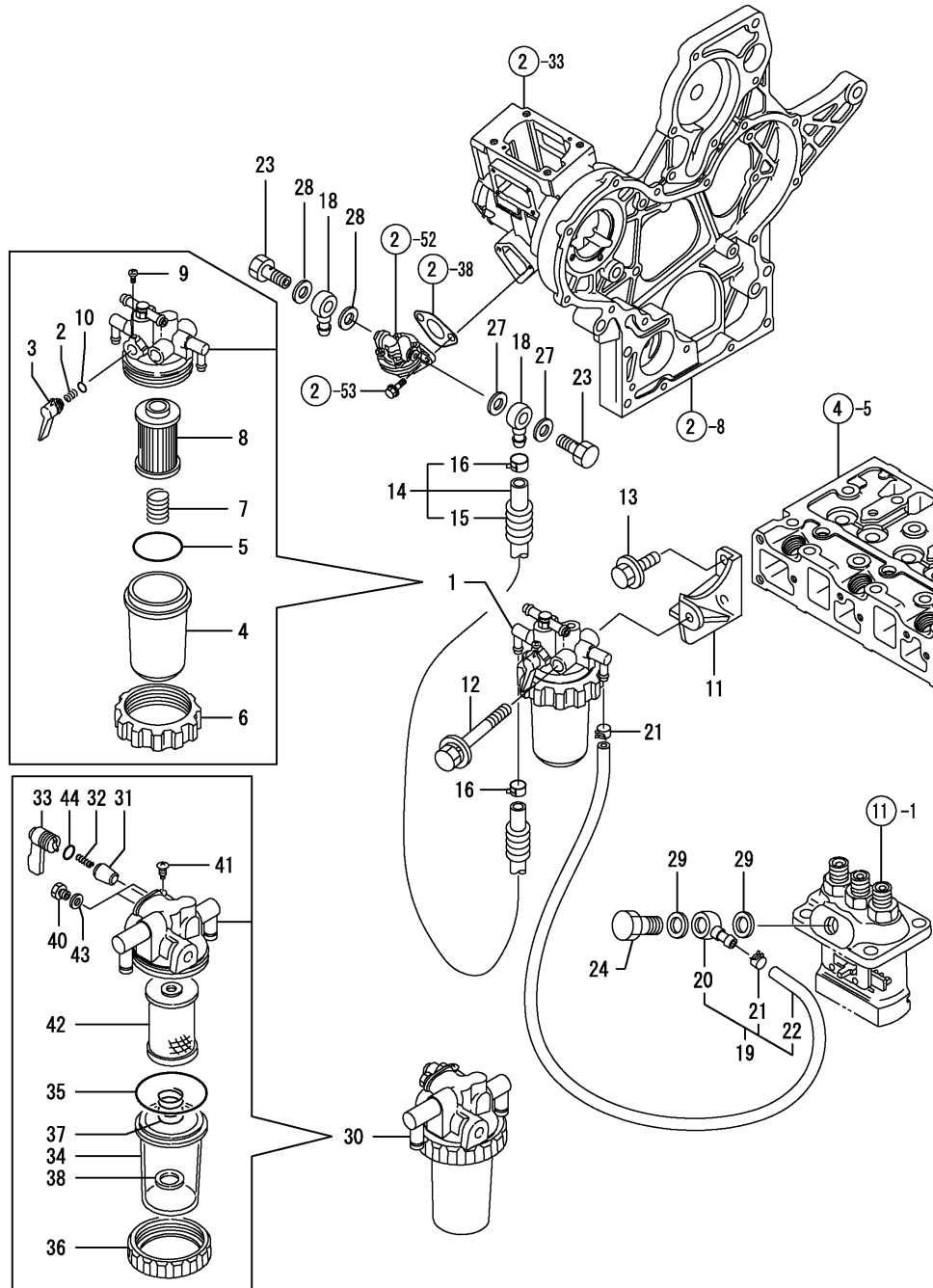
(B)=

(C)=

(D)=

(E)=

(F)=



No.	Lev.	Parts No.	Description	Q'ty						I	R
				(A)	(B)	(C)	(D)	(E)	(F)		
1	1	119255-55620	FILTER ASSY, FUEL	1							
2	2	104200-55330	SPRING, VALVE	1							
3	2	119810-55340	LEVER	1							
4	2	121254-55510	COVER	1							
5	2	102103-55520	O-RING	1							
6	2	110250-55610	RING, RETAINING	1							
7	2	121250-55620	SPRING	1							
8	2	124550-55700	FILTER, FUEL L=90	1							
9	2	104200-55750	SCREW, M4	1							
10	2	24311-240100	O-RING, 1AP10A	1							
11	1	119624-55910	BRACKET, FILTER	1							
12	1	26014-080702	BOLT, M8X 70	1							
13	1	26106-080182	BOLT, M8X 18 PLATED	2							
14	1	119624-59020	PIPE ASSY, FUEL	1							
15	2	119624-59110	TUBE, CORRUGATED	1							
16	2	124766-59050	CLIP, HOSE 12	2							
18	1	104264-59030	JOINT, PIPE 8	2							
19	1	119325-59030	PIPE ASSY, FUEL	1							
20	2	101304-59020	JOINT, PIPE 12	1							
21	2	124766-59050	CLIP, HOSE 12	2							
22	2	119325-59080	PIPE, FUEL	1							
23	1	105582-59150	BOLT, PIPE JOINT	2							
24	1	119462-59190	BOLT ASSY, JOINT	1							
27	1	22190-080002	WASHER, SEAL 6	2							
28	1	22190-080002	WASHER, SEAL 6	2							
29	1	22190-120002	WASHER, SEAL 12	2							
30	1	129335-55700	SEPARATOR ASSY, WATER	1							
31	2	104200-55321	VALVE, TAPER	1							
32	2	104200-55330	SPRING, VALVE	1							
33	2	104200-55341	HANDLE	1							
34	2	124064-55510	COVER	1							
35	2	102103-55520	O-RING	1							
36	2	110250-55610	RING, RETAINING	1							
37	2	121257-55720	SPRING	1							
38	2	121257-55731	FLOAT	1							
40	2	101720-55750	PLUG, 6	2							
41	2	104200-55750	SCREW, M4	1							
42	2	171081-55910	SCREEN	1							
43	2	23418-060000	GASKET, 6X1.0	2							
44	2	24311-240100	O-RING, 1AP10A	1							

Fig.15. STARTING MOTOR

(A)=3TNE74-ENYBC

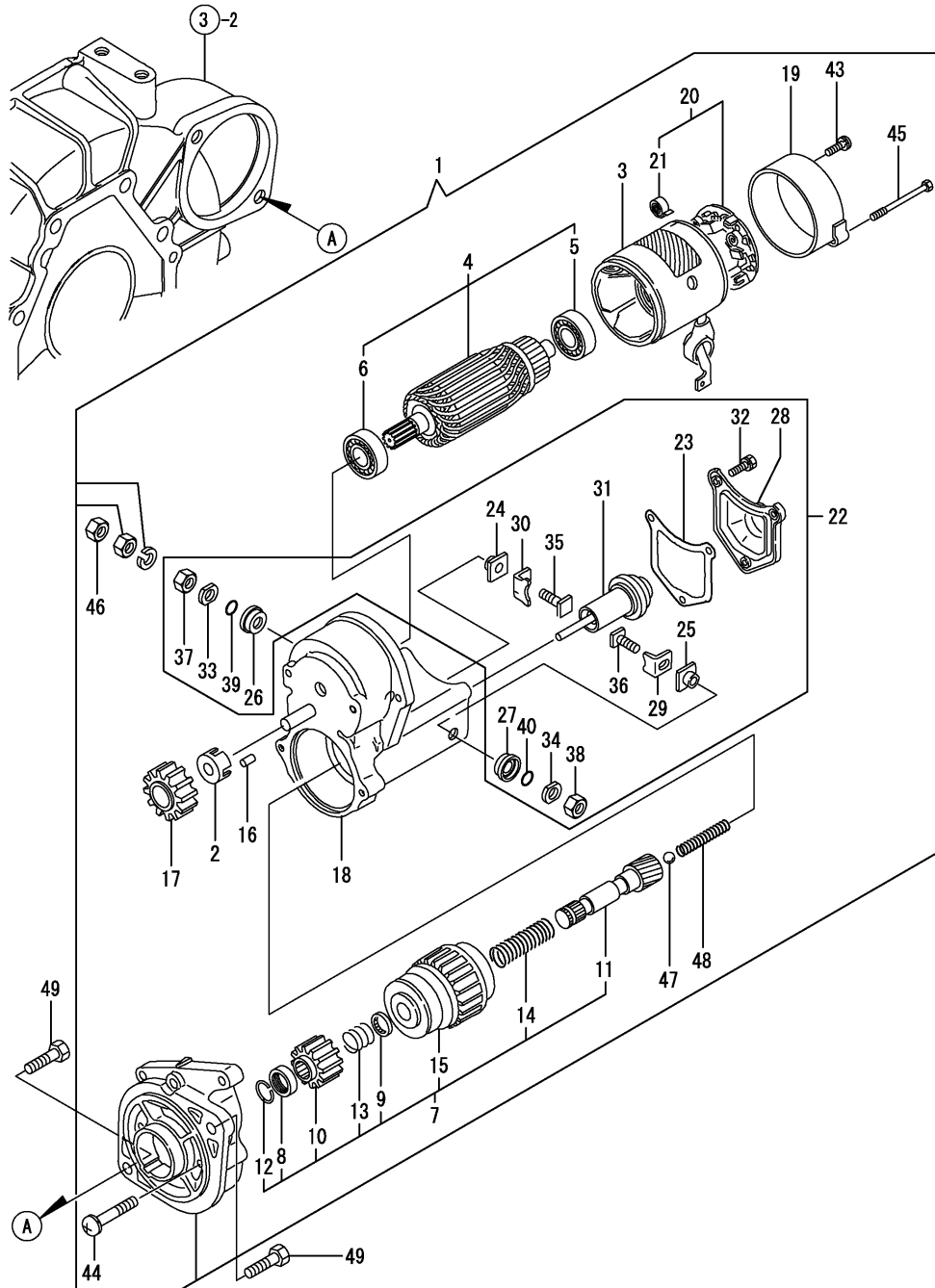
(B)=

(C)=

(D)=

(E)=

(F)=



No.	Lev.	Parts No.	Description	Q'ty						I	R
				(A)	(B)	(C)	(D)	(E)	(F)		
1	1	119620-77011	STARTER	1							
2	2	X0280630011	RETAINER	1							
3	2	X0281003751	YOKE ASSY	1							
4	2	X0282001531	ARMATURE ASSY	1							
5	3	X9491001360	BEARING	1							
6	3	X9491001860	BALL BEARING	1							
7	2	X0283005050	CLUTCH, STARTER	1							
8	3	X0280210230	NUT	1							
9	3	X0283270140	RETAINER	1							
10	3	X0283715030	PINION, STARTER	1							
11	3	X0283810040	SHAFT	1							
12	3	X9490721080	RING	1							
13	3	X9491703371	SPRING, COIL	1							
14	3	X9491704260	SPRING	1							
15	3	121120-77930	CASE ASSY, STARTER	1							
16	2	X0283060061	ROLLER	5							
17	2	X0283711420	PINION	1							
18	2	X0284004910	HOUSING, STARTER	1							
19	2	X0285040631	FRAME ASSY	1							
20	2	X0285100460	HOLDER ASSY, BRUSH	1							
21	3	X9491730461	SPRING	4							
22	2	X0534006460	SWITCH, MAGNETIC	1							
23	3	X0534040320	GASKET	1							
24	3	X0534490120	BUSH	1							
25	3	X0534490120	BUSH	1							
26	3	X0534490230	BUSH	1							
27	3	X0534490230	BUSH	1							
28	3	X0535050620	COVER	1							
29	3	X0535130241	PLATE (B)	1							
30	3	X0535130320	PLATE (A)	1							
31	3	X0536600401	PLUNGER	1							
32	3	X9151005141	BOLT W/WASHER	3							
33	3	X9490170900	WASHER	1							
34	3	X9490170900	WASHER	1							
35	3	X9490441303	BOLT	1							
36	3	X9490441312	BOLT	1							
37	3	X9490502820	NUT	1							
38	3	X9490502820	NUT	1							
39	3	X9491402100	O-RING	1							
40	3	X9491402100	O-RING	1							
43	2	X9490071810	SCREW W/WASHER	2							
44	2	X9490071970	SCREW W/WASHER	2							
45	2	X9490471500	BOLT W/WASHER	2							
46	2	X9490561370	NUT	1							
47	2	X9491200240	BALL	1							
48	2	X9491703380	SPRING	1							
49	1	26116-120252	BOLT, M12X 25 PLATED	2							

Fig.16. GENERATOR

(A)=3TNE74-ENYBC

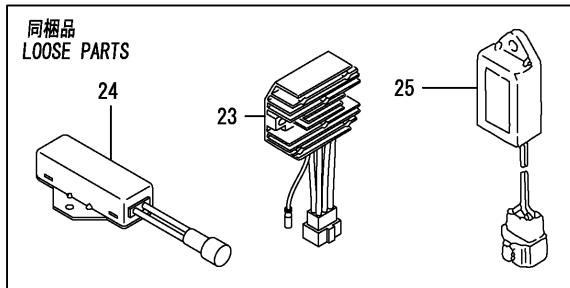
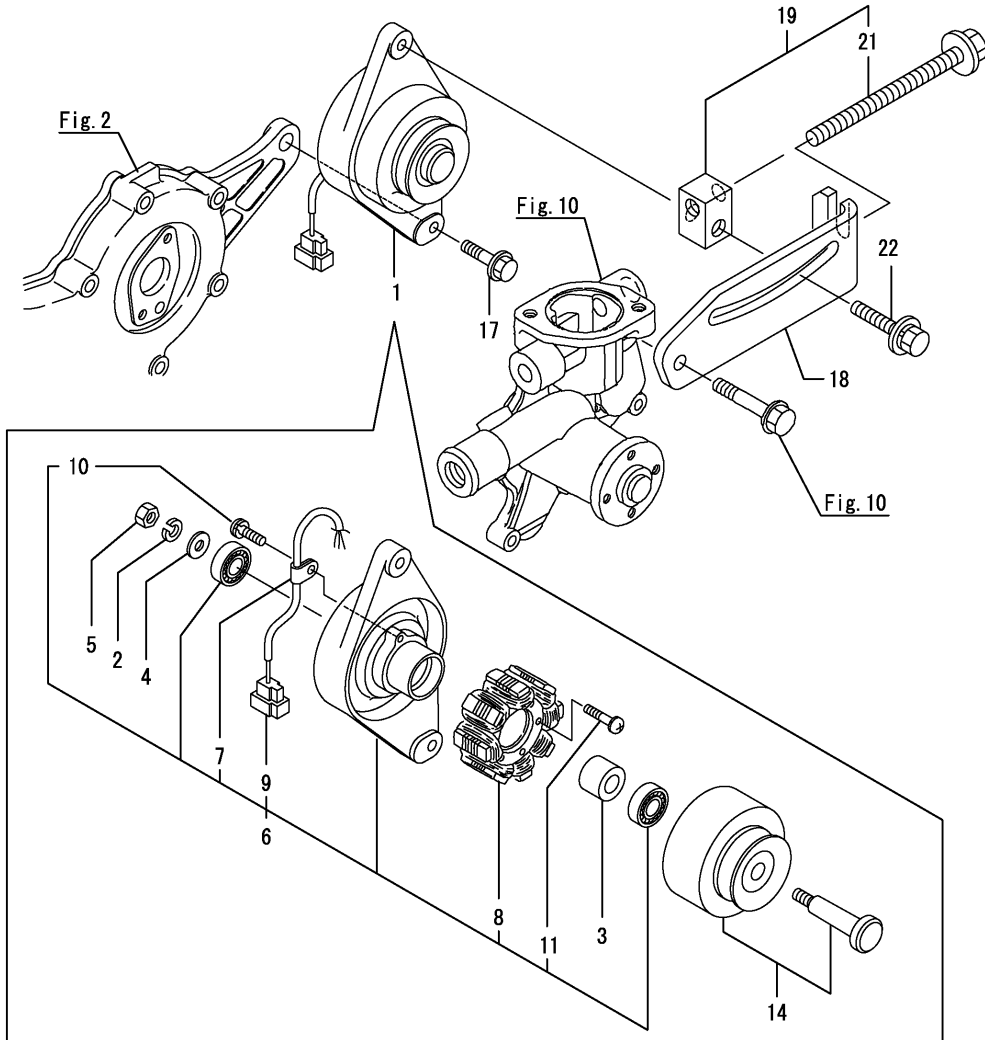
(B)=

(C)=

(D)=

(E)=

(F)=



No.	Lev.	Parts No.	Description	Q'ty						I	R
				(A)	(B)	(C)	(D)	(E)	(F)		
1	1	129150-77202	GENERATOR	1							
1-1	1	129150-77203	DINAMO ASSY	1							N
(A=EN19954)											
2	2	XM219230000	WASHER, SPRING	1							
3	2	XM329830000	COLLAR	1							
4	2	XM860250000	WASHER, 10	1							
5	2	XM863720000	NUT	1							
6	2	129150-77210	PLATE ASSY	1							
7	3	XM069000000	CLAMP	1							
8	3	XM081780000	STATOR	1							
9	3	XM178780000	COUPLER	1							
10	3	XYSPS400800	SCREW	1							
11	3	XYSPS402400	SCREW	2							
14	2	129150-77230	FLYWHEEL ASSY	1							
14-1	2	129150-77280	FLYWHEEL ASSY	1							N
(A=EN19954)											
17	1	26106-100402	BOLT, M10X 40 PLATED	1							
18	1	119624-77340	ADJUSTER	1							
19	1	119624-77350	BLOCK, ADJUSTER	1							
21	2	26106-081004	BOLT, M8X100 PLATED	1							
22	1	26014-080452	BOLT, M8X 45	1							
23	1	119653-77710	CURRENT LIMITER	1							
24	1	129155-77810	REGISTER	1							
25	1	129211-77920	TIMER	1							

Fig.17. GASKET SET

(A)=3TNE74-ENYBC

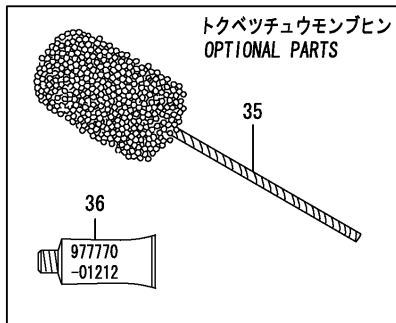
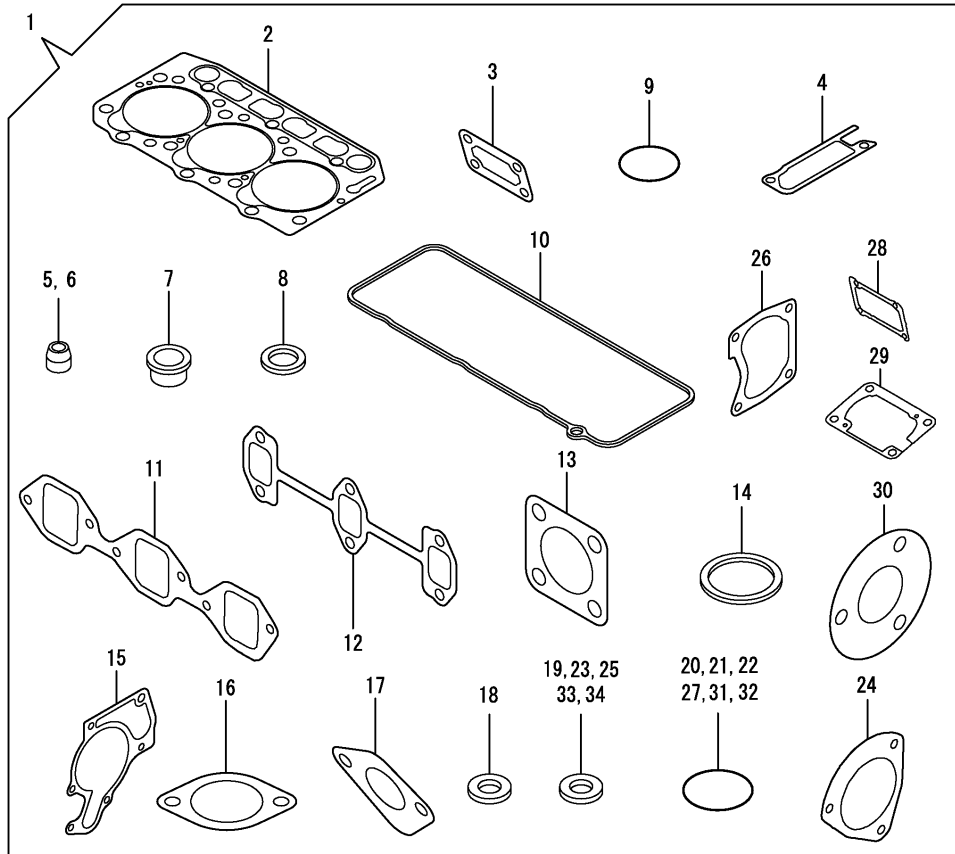
(B)=

(C)=

(D)=

(E)=

(F)=



No.	Lev.	Parts No.	Description	Q'ty						I	R
				(A)	(B)	(C)	(D)	(E)	(F)		
1	1	719636-92620	GASKET SET	1							1
2	2	119636-01330	GASKET, HEAD	1							
3	2	119660-01562	GASKET	1							
4	2	119624-11610	GASKET	1							
5	2	124950-11340	SEAL, VALVE STEM	3							
6	2	124160-11340	SEAL, VALVE STEM	3							
7	2	119600-11450	PROTECTOR, NOZZLE	3							
8	2	119600-11460	GASKET, NOZZLE	6							
9	2	24311-000320	O-RING, 1AP32.0	2							
10	2	119624-11311	GASKET, BONNET	1							
11	2	119620-12111	GASKET, MANIFOLD	1							
12	2	119620-13110	GASKET	1							
13	2	124701-11911	GASKET, SILENCER	1							
14	2	129150-49811	GASKET, THERMOSTAT	1							
15	2	119624-42021	GASKET, WATER PUMP	1							
16	2	129795-49551	GASKET	1							
17	2	121520-01851	GASKET	1							
18	2	124465-44950	GASKET, 16	2							
19	2	22190-120002	WASHER, SEAL 12	2							
20	2	24311-000120	O-RING, 1AP12.0	2							
21	2	129155-61830	O-RING, S10	3							
22	2	24341-000240	O-RING, 1AS24.0	1							
23	2	22190-220002	WASHER, SEAL 22	1							
24	2	119266-01871	GASKET	1							
25	2	22190-060003	SEAL WASER 6	1							
26	2	119636-01750	GASKET	1							
27	2	119624-32040	O-RING, P12.0	2							
28	2	119266-01890	GASKET	1							
29	2	119623-01950	SHIM SET, ADJUSTING	1							
30	2	103954-13201	GASKET, SILENCER	1							
31	2	119209-35030	O-RING, P11	1							
32	2	119266-42140	O-RING, P22	2							
33	2	22190-080002	WASHER, SEAL 6	7							
34	2	22190-140002	WASHER, SEAL 14	3							
35	1	129400-92410	FLEX HORN	1							1
36	1	977770-01212	GASKET, LIQUID	1							1

Remarks

(1) OPTIONAL PART.

N:Old $\begin{matrix} \leftarrow \text{Yes} \\ \text{No} \end{matrix}$ New, Q:Old $\begin{matrix} \leftarrow \text{No} \\ \text{Yes} \end{matrix}$ New, R:Old $\begin{matrix} \leftarrow \text{Yes} \\ \text{Yes} \end{matrix}$ New, S:Old $\begin{matrix} \leftarrow \text{No} \\ \text{No} \end{matrix}$ New, W:Add, Z:Discontinued, F:Interchangeable by set, K:Q'ty Change

Parts No. Index

Parts No.	Fig. No.	Ref. No.
101304-59020	14	20
101720-55750	14	40
102103-55520	14	5
		35
103954-13201	6	8
	17	30
104200-55321	14	31
104200-55330	14	2
		32
104200-55341	14	33
104200-55750	14	9
		41
104211-11370	4	20
104264-59030	14	18
105010-11230	4	32
		36
105025-59550	13	49
105225-23200	8	29
105546-51330	11	25
105582-59150	14	23
110250-55610	14	6
		36
114250-39450	9	8
114250-53130	13	10
114250-53400	13	12
114399-22300	8	22
119131-18320	6	3
119209-35030	9	5
	17	31
119232-61510	12	18
119232-61540	12	34
119233-44740	10	16
119233-66511	12	63
119255-55620	14	1
119260-59520	13	47
119260-59530	13	48
119266-01840	2	33
119266-01871	2	29
	17	24
119266-01880	2	39
119266-01890	2	40
	17	28
119266-01900	7	20
119266-01910	2	16
119266-07900	4	2 -1
119266-11390	4	49
119266-14200	7	21
119266-21651	8	7
119266-25050	7	10
119266-42052	10	9

Parts No.	Fig. No.	Ref. No.
119266-42140	10	10
	17	32
119266-51900	11	46
119266-61230	12	51
119266-61300	12	50
119266-61460	12	118
119285-66080	12	43
119285-66600	12	110
119285-66620	12	108
119285-66650	12	128
119305-35150	9	4
119325-59030	14	19
119325-59080	14	22
119462-59190	14	24
119600-01050	1	9
		10
119600-11450	4	21
	17	7
119600-11460	4	22
	17	8
119600-13100	6	1
119600-52021	2	52
119600-61400	12	54
119600-61541	12	35
119600-61900	12	41
119600-66020	12	60
119600-66530	12	68
119610-66700	12	74
119620-01200	1	25
119620-01530	12	67
119620-01750	3	3
119620-01800	2	4
119620-02020	1	12
119620-02450	7	4
119620-11110	4	15
119620-11120	4	16
119620-11180	4	17
119620-11240	4	26
119620-11280	4	30
119620-11350	4	41
119620-11801	4	9
119620-12111	5	2
	17	11
119620-13110	6	2
	17	12
119620-14100	7	7
119620-14200	7	1
119620-14401	7	2
119620-21941	8	9
119620-23910	8	28

Parts No.	Fig. No.	Ref. No.
119620-25102	7	11
119620-25912	7	14
119620-35093	9	6
119620-51101	11	4
119620-51170	11	7
119620-51180	11	8
119620-51190	11	9
119620-51250	11	10
119620-51300	11	22
119620-51340	11	26
119620-51350	11	27
119620-51370	11	28
119620-51450	11	29
119620-51461	11	30
119620-51510	11	32
119620-51640	11	34
119620-51650	11	35
119620-51660	11	45
119620-51670	11	36
119620-51680	11	37
119620-51700	11	38
119620-53000	13	2
119620-53080	13	5
119620-53120	13	9
119620-53140	13	11
119620-59700	13	52
119620-77011	15	1
119620-77820	4	57
119621-21680	8	8
119623-01250	1	11
119623-01550	2	5
119623-01950	2	41
	17	29
119623-11100	4	14
119623-22500	8	18
119623-22950	8	36
119624-01511	2	9
119624-01591	2	8
119624-01600	3	2
119624-02410	1	13
119624-03100	2	17
119624-07900	4	1
119624-11200	4	25
119624-11311	4	48
	17	10
119624-11331	4	44
119624-11600	4	50
119624-11610	4	51
	17	4
119624-11741	4	5

Parts No.	Fig. No.	Ref. No.
119624-21200	8	5
119624-21570	8	12
119624-21700	8	1
119624-22082	8	16
119624-22900	8	34
119624-25900	7	17
119624-32000	2	11
119624-32040	2	18
	17	27
119624-34810	9	1
119624-42000	10	1
119624-42021	10	8
	17	15
119624-55910	14	11
119624-59020	14	14
119624-59110	14	15
119624-59811	13	30
119624-59821	13	34
119624-59831	13	38
119624-77340	16	18
119624-77350	16	19
119629-14580	7	3
119632-61200	12	7
119632-61500	12	12
119636-01330	1	26
	17	2
119636-01740	2	14
119636-01750	2	15
	17	26
119636-01780	3	6
119640-01640	3	7
119640-66051	12	61
119642-59540	13	45
119642-59550	13	50
119642-59570	13	51
119645-12100	5	1
119653-77710	16	23
119656-42290	10	14
119656-66910	12	111
119660-01551	2	31
119660-01562	2	32
	17	3
119660-01570	2	35
119660-25022	7	9
119660-42350	10	15
119660-51500	11	31
119660-51530	11	33
119660-61053	12	11
119660-61060	12	2
119660-61071	12	3

Parts No. Index

Parts No.	Fig. No.	Ref. No.
119660-61122	12	4
119660-61141	12	5
119660-61151	12	6
119660-61300	12	52
119660-61341	12	53
119660-61590	12	40
119660-61651	12	36
119660-61901	12	42
119802-13600	6	4
119810-55340	14	3
119831-13580	6	9
119840-61870	12	58
119865-21600	8	15
121023-01550	2	26
121111-21501	8	11
121120-77930	15	15
121250-44901	10	26
121250-55620	14	7
121254-55510	14	4
121257-55720	14	37
121257-55731	14	38
121267-44760	10	17
121450-01560	2	34
121450-42450	10	25
121450-44531	10	30
121465-59950	12	1
121468-44510	10	28
121468-44540	10	31
121470-44581	10	33
121520-01851	2	38
	17	17
121520-34810	9	2
121575-66830	12	109
122710-51090	7	23
124064-55510	14	34
124066-59100	13	46
124085-02220	3	4
124101-49531	10	19
124160-01751	2	24
	4	64
124160-11340	4	18
	17	6
124160-11360	4	54
124295-11260	4	29
124295-11650	4	31
124295-11660	4	35
124450-44560	10	32
124465-44950	10	27
	17	18
124550-55700	14	8

Parts No.	Fig. No.	Ref. No.
124550-59820	13	54
124550-59830	13	53
124701-11911	6	7
	17	13
124736-07900	4	2
124766-59050	13	43
	14	16
		21
124950-11340	4	19
	17	5
129054-13210	6	5
129100-01580	3	1
	8	2
129100-35140	9	3
129150-49811	10	22
	17	14
129150-59120	13	25
129150-59131	13	28
129150-77202	16	1
129150-77203	16	1 -1
129150-77210	16	6
129150-77230	16	14
129150-77280	16	14 -1
129155-49801	10	21
129155-51280	12	8
129155-61830	13	24
	17	21
129155-77801	4	56
129155-77810	16	24
129156-61500	12	17
129209-61940	12	124
129209-61970	12	59
129211-77920	16	25
129335-55700	14	30
129400-92410	17	35
129795-49551	10	20
	17	16
171056-49120	10	24
171081-55910	14	42
174307-51700	12	19
194990-22050	2	51
22117-040000	12	37
22190-060003	2	6
	12	112
	17	25
22190-080002	11	48
	13	55
		56
	14	27
		28

Parts No.	Fig. No.	Ref. No.
22190-080002	17	33
22190-120002	12	113
	14	29
	17	19
22190-140002	13	57
	17	34
22190-220002	3	9
	17	23
22217-120000	7	18
22242-000120	4	39
22242-000200	7	15
22252-000210	8	23
22272-000040	12	38
22351-030010	8	10
22351-030014	12	39
22351-040010	2	37
	12	47
22351-060012	4	24
22360-040000	12	114
22360-060000	12	115
22512-040120	7	8
	8	6
22857-500100	4	52
23065-070130	10	34
23414-120016	12	123
23418-060000	14	43
23876-005000	4	12
23876-010000	1	14
24101-060034	7	24
24102-063034	7	25
24311-000120	4	55
	17	20
24311-000150	12	126
24311-000320	2	25
	4	65
	17	9
24311-240100	14	10
		44
24341-000070	12	48
24341-000240	2	27
	17	22
24341-000280	12	65
26014-080452	16	22
26014-080702	14	12
26022-040082	11	43
26033-040102	11	44
26106-060102	3	10
		11
	9	7
	12	49

Parts No.	Fig. No.	Ref. No.
26106-060122	1	27
	2	19
	3	12
	4	3
	7	16
26106-060162	2	20
		28
		53
26106-060202	2	7
	5	3
26106-060252	2	12
26106-060282	2	56
26106-060302	10	11
		18
26106-060402	2	21
26106-060552	10	12
26106-060652	2	22
26106-060702	2	23
	12	116
26106-080142	4	4
26106-080182	14	13
26106-080252	10	23
26106-080452	10	13
26106-080502	4	42
26106-080652	10	35
26106-081004	16	21
26106-100402	16	17
26116-050082	2	54
26116-050102	12	117
26116-120252	15	49
26206-100252	3	5
26216-080202	2	13
26306-080002	2	30
	4	43
	6	6
		10
26366-060002	2	55
26366-080002	12	122
26557-060102	7	26
26687-120002	12	119
26716-120002	7	19
26736-120002	12	120
26756-060002	12	121
26856-060002	4	34
		38
26857-060002	12	62
26979-050162	4	40
27241-120000	1	15
		16
27241-250000	1	17

Parts No. Index

Parts No.	Fig. No.	Ref. No.
27241-300000	1	18
27241-400000	4	13
27310-070001	4	23
719255-53100	13	1
719620-02800	1	19
719620-02870	1	28
719620-02930	1	22
719620-23100	8	24
719620-23600	8	30
719620-23610	8	32
719624-01561	1	1
719624-01610	2	1
719624-51100	11	1
719636-92620	17	1
721250-59080	13	42
977770-01212	2	57
	3	13
	17	36
X0280210230	15	8
X0280630011	15	2
X0281003751	15	3
X0282001531	15	4
X0283005050	15	7
X0283060061	15	16
X0283270140	15	9
X0283711420	15	17
X0283715030	15	10
X0283810040	15	11
X0284004910	15	18
X0285040631	15	19
X0285100460	15	20
X0534006460	15	22
X0534040320	15	23
X0534490120	15	24
		25
X0534490230	15	26
		27
X0535050620	15	28
X0535130241	15	29
X0535130320	15	30
X0536600401	15	31
X9151005141	15	32
X9490071810	15	43
X9490071970	15	44
X9490170900	15	33
		34
X9490441303	15	35
X9490441312	15	36
X9490471500	15	45
X9490502820	15	37

Parts No.	Fig. No.	Ref. No.
X9490502820	15	38
X9490561370	15	46
X9490721080	15	12
X9491001360	15	5
X9491001860	15	6
X9491200240	15	47
X9491402100	15	39
		40
X9491703371	15	13
X9491703380	15	48
X9491704260	15	14
X9491730461	15	21
XM069000000	16	7
XM081780000	16	8
XM178780000	16	9
XM219230000	16	2
XM329830000	16	3
XM860250000	16	4
XM863720000	16	5
XYSPS400800	16	10
XYSPS402400	16	11

Parts No.	Fig. No.	Ref. No.
-----------	----------	----------

Parts No.	Fig. No.	Ref. No.
-----------	----------	----------