

0CD10-M76901EN

P R E F A C E

1. This parts catalog is the 2nd edition of 3TNV84-GDG for DENYO Co.,Ltd.

Pub.No. : 0CD10-G76901

Published : December, 2008

2. Model name

Engine model	Vehicle	Vehicle made by
3TNV84-GDG	GENERATOR	DENYO Co.,Ltd.

Directions for the Parts Catalog.

1. This Parts Catalog shows both standard and optional parts.
2. Parts may change without prior notice.
3. The following is an example of the Parts Catalog format.

REF.	LEV.	PARTS NO.	DESCRIPTION	Q'TY						I	R
				(A)	(B)	(C)	(D)	(E)	(F)		
1	1	729595-51390	FUEL INJECTION PUMP	1	1	1	1	1			1
1-1	1	729595-51391	FUEL INJECTION PUMP	1	1	1	1	1		N	1
		(A=E00185) (B=E00200)									
3	2	26022-060162	SCREW M 6X 16	9	9	9	9	9			
3-1	2	26022-060162	SCREW M 6X 16	4	4	4	4	4		K	
		(A=E00156) (B=E00156) (C=E00156) (D=E00156) (E=E00156)									
4	2	129470-51040	CAMSHAFT	1	1	1	1	1			
5	2	122710-51050	BEARING, ROLLER	2	2	2	2	2			
6	2	129470-51060	RETAINER	1	1	1	1	1			

Remarks
(1) BOOST COMPEMSATOR TYPE. OPTIONAL PART, TO E00155,(4JH-DT, 4JH-DTZ

① Ref. No.

The Ref. No. listed may not be in accordance with the illustration Ref. No.

(Ex.) Illustration No.

List Ref No.

1

1

(Before change)

1-1

(After change)

For interchangeable symbols N, R and K, illustrations for new parts may be abbreviated.

② Lev. (Level)

Level indication

The numbers below indicate the level of relativity towards the main part.

1 ----- Main parts (Assembly parts)

2 ----- Sub component included in " 1 ".

3 ----- Sub component included in " 2 ".

Note) Parts that are not for sale are partially illustrated but not listed.

③ Interchangeability Symbol

When a part change takes place, one of the following interchangeability symbols is indicated beside the part.

Symbol	Interchangeability	Contents note
N	Old $\begin{matrix} \leftarrow \text{Yes} \\ \text{No} \rightarrow \end{matrix}$ New	New Part is interchangeable for Old Part but Old Part is not interchangeable for New Part.
Q	Old $\begin{matrix} \leftarrow \text{No} \\ \text{Yes} \rightarrow \end{matrix}$ New	New Part is not interchangeable for Old Part but Old Part is interchangeable for New Part.
R	Old $\begin{matrix} \leftarrow \text{Yes} \\ \text{Yes} \rightarrow \end{matrix}$ New	New/ Old Parts are both interchangeable.
S	Old $\begin{matrix} \leftarrow \text{No} \\ \text{No} \rightarrow \end{matrix}$ New	New/ Old Parts are both not interchangeable.
W		Part newly added.
Z		Part discontinued.
F		Not interchangeable by a single part but interchangeable together with related parts.
K		Changes only for used parts quantities.

④ Effective Machine No.

When a part changes, the effective Machine No. will be indicated in the (A)-(F) column.

Product Symbol	Product No.	Product Symbol	Product No.
C	Clutch No. Compressor No.	F	Machine No. (Agricultural Equip.)
D	Drive No.	M	Machine No.
E	Engine No.		

Note 1) A date may follow the symbol. (Ex.) 1996.01

Note 2) "XXXXX" and "ZZZZZ" are for parts that could not be predicted or for engine models that could not be identified.

Note 3) (A=E00185) is the E (Engine Serial Number) for the column (A) model (in this case 4JH-DT) after the parts design change.

⑤ Remarks

Figures or alphabets (symbols) are entered in the remarks column.

The comments (remarks) on parts that are indicated at the bottom of the illustration are the same symbols as those stated above.

Contents

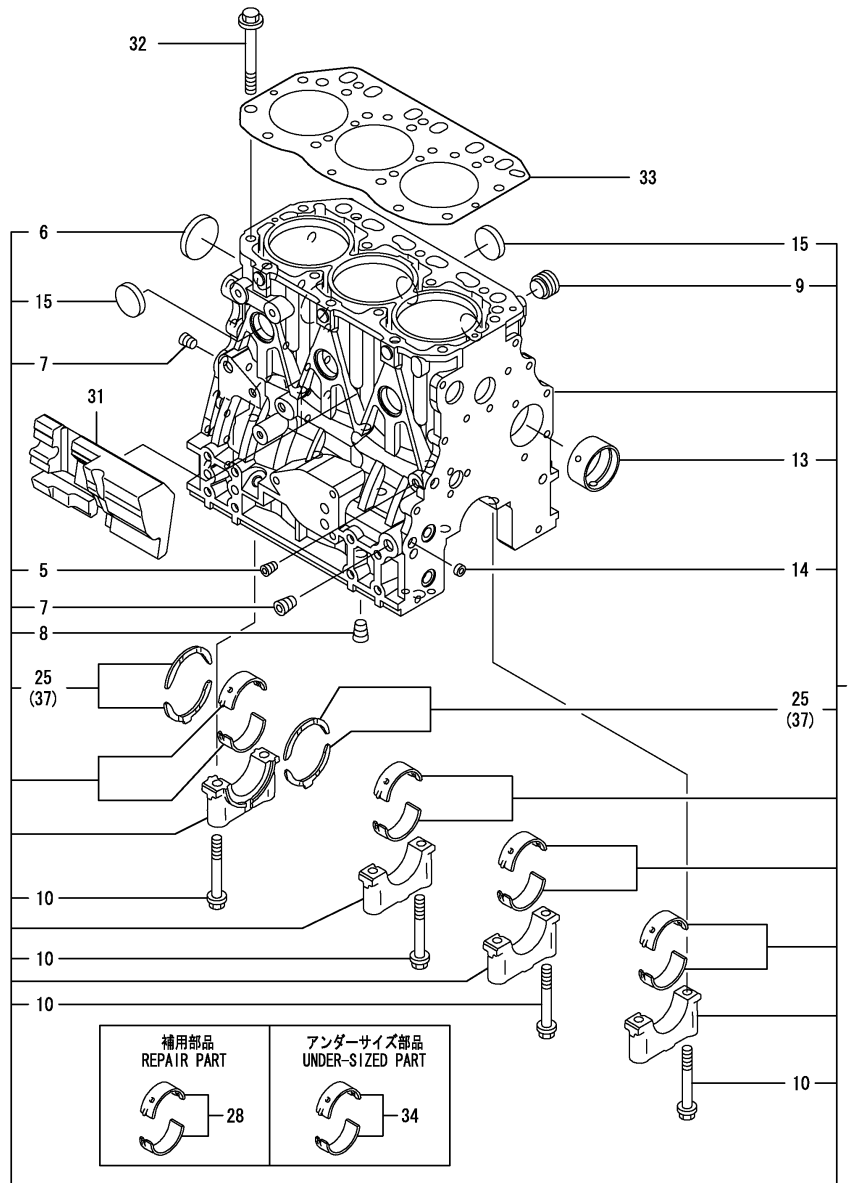
Fig. No. Fig. Name

3TNV84-GDG

1. CYLINDER BLOCK
2. GEAR HOUSING
3. FLYWHEEL HOUSING & OIL SUMP
4. CYLINDER HEAD & BONNET
5. SUCTION MANIFOLD
6. EXHAUST MANIFOLD
7. CAMSHAFT & DRIVING GEAR
8. CRANKSHAFT & PISTON
9. LUB.OIL SYSTEM
10. COOLING WATER SYSTEM
11. FUEL INJECTION PUMP
12. FUEL INJECTION VALVE
13. FUEL LINE
14. STARTING MOTOR
15. GENERATOR
16. ELECTLIC PARTS
17. GASKET SET
18. FUEL INJECTION PUMP(INNER PARTS)
19. GOVERNOR(INNER PARTS)

Fig. No. Fig. Name

Fig.1. CYLINDER BLOCK



(A)=3TNV84-GDG

(B)=

(C)=

(D)=

(E)=

(F)=

No.	Lev.	Parts No.	Description	Q'ty						I	R
				(A)	(B)	(C)	(D)	(E)	(F)		
1	1	729004-01560	BLOCK ASSY, CYLINDER	1							
5	2	124060-01050	PLUG, PT1/8	1							
6	2	129001-01250	PLUG, 50	1							
7	2	124160-01910	PLUG, PT1/4	2							
8	2	124160-01910	PLUG, PT1/4	1							
9	2	171051-01921	PLUG, NPTF1	1							
10	2	129150-02020	BOLT, METAL CAP	8							
13	2	129795-02411	BUSH, CAMSHAFT	1							
13-1	2	129795-02412	BUSH, CAMSHAFT	1							N
(A=E28115)											
14	2	27241-120000	PLUG, 12	2							
15	2	27241-300000	PLUG 30	6							
25	2	129150-02930	BEARING, THRUST	2							
25-1	2	129150-02931	BEARING, THRUST	2							N
(A=E28115)											
28	1	129001-02930	BEARING, MAIN	4							3
28-1	1	129001-02931	BEARING, MAIN	4							N 3
(A=E28115)											
31	1	129004-01190	SPACER	1							
32	1	129150-01200	BOLT, HEAD	14							
33	1	129002-01331	GASKET, HEAD	1							
34	1	129150-02870	BEARING, 0.25 US	4							1
34-1	1	129150-02871	BEARING, 0.25 US	4							N 1
(A=E28115)											
37	1	129150-02940	BEARING, THRUST 0.25	1							2
37-1	1	129150-02941	BEARING, THRUST 0.25	1							N 2
(A=E28115)											

Remarks

- (1) UNDER-SIZE(U.S=0.25)PART.
- (2) OVER-SIZE(O.S=0.25)PART.
- (3) REPAIR PART.

Fig.2. GEAR HOUSING

(A)=3TNV84-GDG

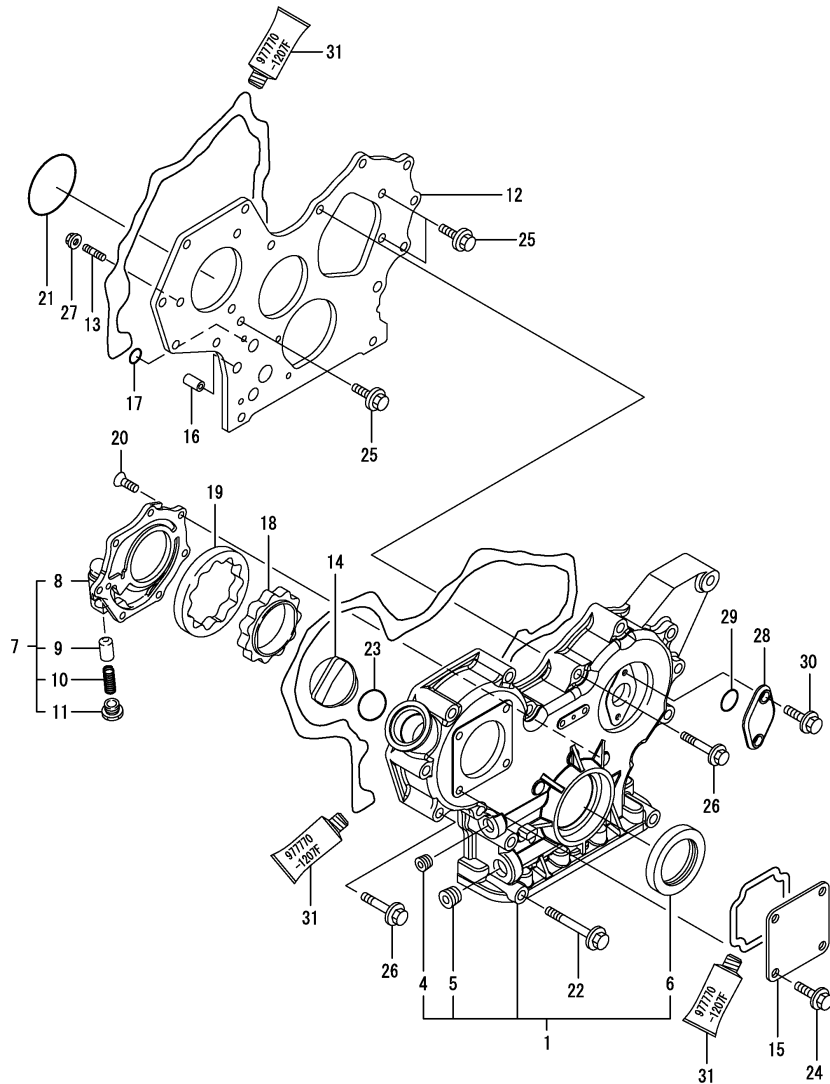
(B)=

(C)=

(D)=

(E)=

(F)=

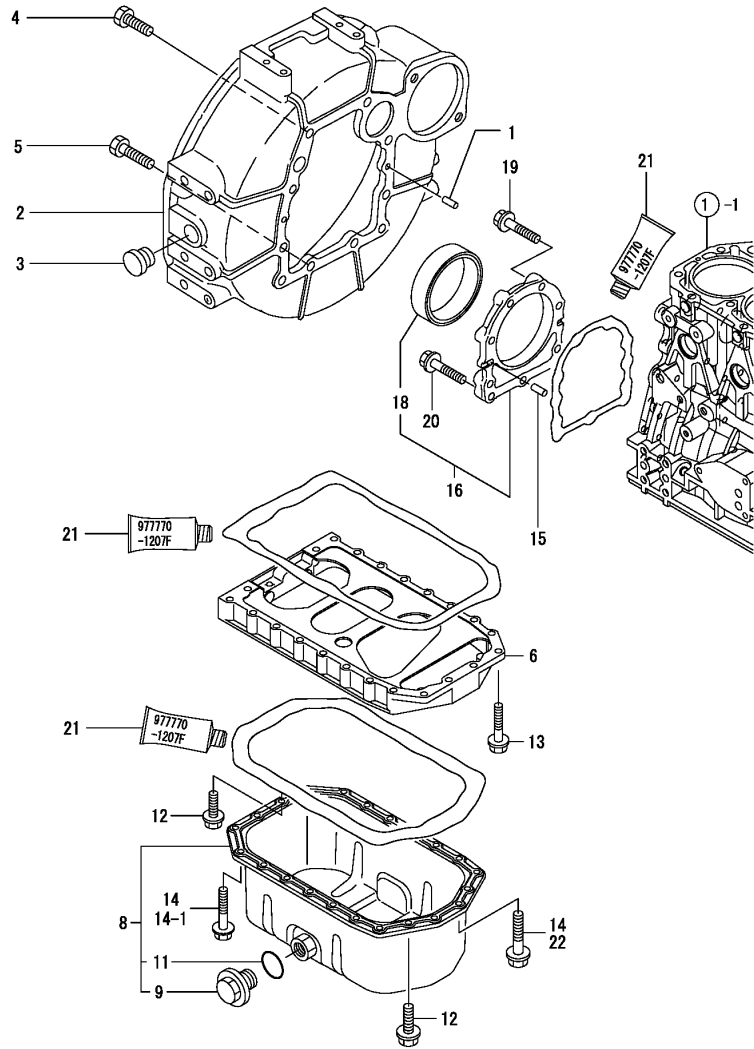


No.	Lev.	Parts No.	Description	Q'ty						I	R
				(A)	(B)	(C)	(D)	(E)	(F)		
1	1	719802-01500	CASE ASSY, GEAR	1							
4	2	23876-030000	PLUG, R03	1							
5	2	23876-040000	PLUG, R04	1							
6	2	129795-01800	SEAL, OIL	1							
6-1	2	119934-01800	SEAL, OIL	1							N
(A=E33390)											
7	1	119802-32100	COVER ASSY	1							
8	2	119802-32070	COVER	1							
9	2	129900-32130	VALVE, RELIEF	1							
10	2	129418-32320	SPRING	1							
11	2	129001-32330	PLUG	1							
12	1	119802-01520	FLANGE, GEAR CASE	1							
13	1	119802-01560	STUD, M8X25	3							
13-1	1	119802-01561	STUD, M8X25	3							R
(A=E22430)											
14	1	124160-01751	COVER, FILLER	1							
15	1	124240-01871	COVER	1							
16	1	129795-01950	PIPE, KNOCK L=18	2							
17	1	119609-32040	O-RING, P16	4							
18	1	119802-32110	ROTOR, INNER	1							
18-1	1	119802-32111	ROTOR, INNER	1							S 2
(A=E04993)											
19	1	119802-32120	ROTOR, OUTER	1							
20	1	119802-32130	SCREW, M6X16	7							
21	1	121850-51960	O-RING	1							
22	1	129001-91841	BOLT, M8X85	3							
22-1	1	26106-080852	BOLT, M8X 85 PLATED	3							R
(A=*2008.12.)											
23	1	24311-000320	O-RING, 1AP32.0	1							
24	1	26106-080162	BOLT, M8X 16 PLATED	4							
25	1	26106-080162	BOLT, M8X 16 PLATED	3							
26	1	26106-080552	BOLT, M8X 55 PLATED	12							
27	1	26306-080002	NUT, M8	3							
28	1	121023-01550	COVER	1							
28-1	1	121023-01551	COVER	1							R
(A=E23040)											
29	1	24341-000240	O-RING, 1AS24.0	1							
30	1	26106-060162	BOLT, M6X 16 PLATED	2							
31	1	977770-1207F	GASKET.LIQUID	1							1

Remarks

- (1) OPTIONAL PART.
- (2) THERE IS COMPACTIBILITY BY SET EXCHANGE REF.NO.18 AND REF.NO.18-1 & FIG.8 REF.NO.1-1.

Fig.3. FLYWHEEL HOUSING & OIL SUMP



(A)=3TNV84-GDG

(B)=

(C)=

(D)=

(E)=

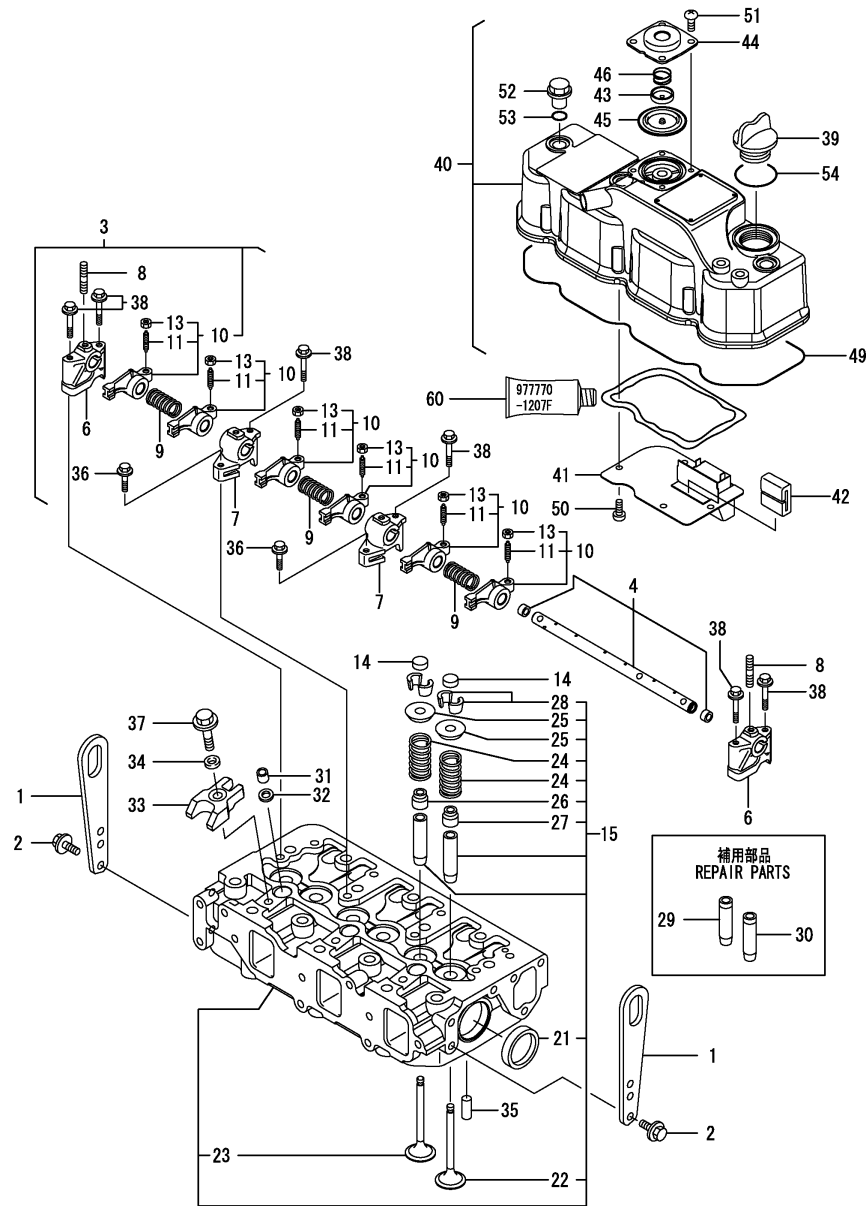
(F)=

No.	Lev.	Parts No.	Description	Q'ty						I	R
				(A)	(B)	(C)	(D)	(E)	(F)		
1	1	129100-01580	PIN, M8X16	2							
2	1	171420-01600	HOUSING, FLYWHEEL	1							
3	1	119620-01750	CAP	1							
4	1	26206-100252	BOLT, M10X 25 PLATED	6							
5	1	26206-100302	BOLT, M10X 30 PLATED	4							
6	1	129100-01730	SPACER, OIL SUMP	1							
8	1	129100-01760	SUMP ASSY, OIL	1							
9	2	171301-01640	PLUG, 22	1							
9-1	2	119640-01640	PLUG, DRAIN M22	1						F	2
(A=E10380)											
11	2	24341-000250	O-RING, 1AS25.0	1							
11-1	2	22190-220002	WASHER, SEAL 22	1						F	2
(A=E10380)											
12	1	26106-080162	BOLT, M8X 16 PLATED	4							
13	1	26106-080252	BOLT, M8X 25 PLATED	2							
14	1	26106-080452	BOLT, M8X 45 PLATED	20							
14-1	1	26106-080452	BOLT, M8X 45 PLATED	16							K
(A=FROM 1ST)											
15	1	129100-01580	PIN, M8X16	2							
16	1	129100-01640	CASE ASSY, OIL SEAL	1							
18	2	129795-01780	SEAL, OIL	1							
19	1	129486-01670	BOLT, M8X30	6							
20	1	26106-080352	BOLT, M8X 35 PLATED	3							
21	1	977770-1207F	GASKET,LIQUID	1							1
22	1	26106-080502	BOLT, M8X 50 PLATED	4							W
(A=FROM 1ST)											

Remarks

- (1) OPTIONAL PART.
- (2) THERE IS COMPACTIBILITY BY SET EXCHANGE REF.NO.9 & NO.11 AND NO.9-1 & NO.11-1.

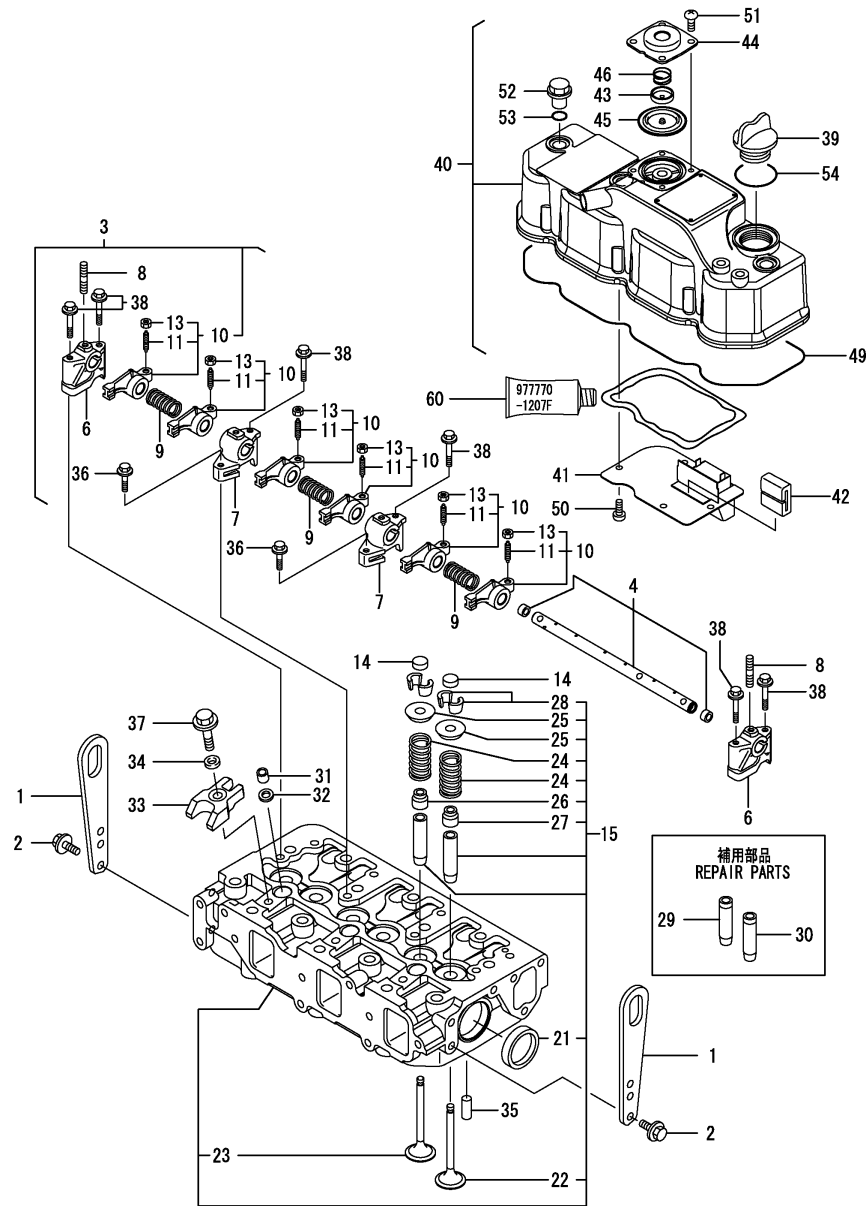
Fig.4. CYLINDER HEAD & BONNET



No.	Lev.	Parts No.	Description	Q'ty						I	R
				(A)	(B)	(C)	(D)	(E)	(F)		
1	1	129900-07900	LIFTER	2							
2	1	26106-080142	BOLT, M8X 14 PLATED	4							
2-1	1	26106-080162	BOLT, M8X 16 PLATED	4							N
(A=E14637)											
3	1	129004-11240	SHAFT ASSY, ROCKER	1							
3-1	1	129004-11241	SHAFT ASSY, ROCKER	1							R
(A=E00165)											
4	2	129004-11250	SHAFT, ROCKER ARM	1							
4-1	2	129004-11251	SHAFT, ROCKER ARM	1							R
(A=E00165)											
6	2	119802-11260	SUPPORT, ROCKER ARM	2							
7	2	119802-11270	SUPPORT, ROCKER ARM	2							
8	2	119802-11280	STUD	3							
9	2	129150-11280	SPRING	3							
10	2	129004-11650	ARM, ROCKER	6							
11	3	129150-11230	SCREW, VALVE ADJUST	6							
13	3	129150-11750	NUT, M8	6							
14	1	129150-11370	CAP, VALVE	6							
15	1	129004-11700	HEAD ASSY, CYLINDER	1							
21	2	27241-400000	PLUG, 40	2							
22	2	129004-11100	VALVE, INTAKE	3							
22-1	2	129004-11101	VALVE, INTAKE	3							R
(A=E12641)											
22-2	2	129004-11130	VALVE, INTAKE	3							R
(A=E22430)											
23	2	129100-11110	VALVE, EXHAUST	3							
23-1	2	129100-11111	VALVE, EXHAUST	3							R
(A=E12641)											
23-2	2	129100-11112	VALVE, EXHAUST	3							R
(A=E22430)											
24	2	129795-11120	SPRING, VALVE	6							
25	2	129795-11180	RETAINER, SPRING	6							
26	2	121400-11340	SEAL, VALVE STEM	3							
27	2	124460-11340	SEAL, VALVE STEM	3							
28	2	27310-080001	COTTER, 8	6							W
(A=FROM 1ST.)											
29	1	120130-11860	GUIDE, VALVE	3							1
30	1	129150-11810	GUIDE, VALVE	3							1
31	1	119625-11872	PROTECTOR, NOZZLE	3							
31-1	1	119802-11870	PROTECTOR, NOZZLE	3							N
(A=E00980)											
32	1	119625-11880	SEAT, NOZZLE	3							
33	1	129004-11909	RETAINER, NOZZLE	3							
33-1	1	129004-11900	RETAINER, NOZZLE	3							R
(A=E01608)											
34	1	120270-54410	WASHER, INJECTOR	3							
35	1	22351-060012	PIN, SPRING 6.0X12	2							
36	1	26106-080252	BOLT, M8X 25 PLATED	2							
37	1	26106-080352	BOLT, M8X 35 PLATED	3							
38	1	26106-080502	BOLT, M8X 50 PLATED	6							
39	1	124160-01751	COVER, FILLER	1							

Remarks
 (1) REPAIR PART.
 (2) OPTIONAL PART.

Fig.4. CYLINDER HEAD & BONNET



(A)=3TNV84-GDG

(B)=

(C)=

(D)=

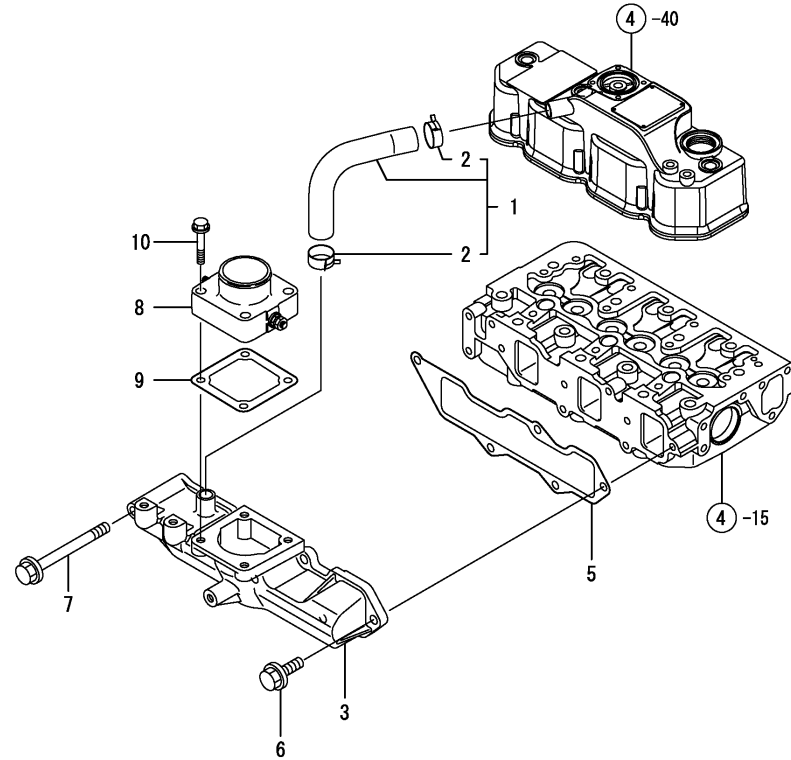
(E)=

(F)=

No.	Lev.	Parts No.	Description	Q'ty						I	R
				(A)	(B)	(C)	(D)	(E)	(F)		
40	1	129004-11350	BONNET ASSY, HEAD	1							
41	2	129004-03010	PLATE	1							
42	2	129150-03070	BAFFLE, BREATHER	1							
43	2	119802-03110	PLATE	1							
44	2	119802-03120	COVER, DIAPHRAGM	1							
44-1	2	119802-03121	COVER, DIAPHRAGM	1							N
(A=E10987)											
45	2	119802-03130	DIAPHRAGM	1							
46	2	119802-03140	SPRING, DIAPHRAGM	1							
46-1	2	119802-03141	SPRING, DIAPHRAGM	1							R
(A=E10987)											
49	2	129004-11310	GASKET, BONNET	1							
50	2	22857-500100	SCREW, 5X10	4							
51	2	22857-500100	SCREW, 5X10	4							
52	1	124160-11360	KNOB	3							
53	1	24311-000120	O-RING, 1AP12.0	3							
54	1	24311-000320	O-RING, 1AP32.0	1							
60	1	977770-1207F	GASKET.LIQUID	1							2

Remarks
 (1) REPAIR PART.
 (2) OPTIONAL PART.

Fig.5. SUCTION MANIFOLD

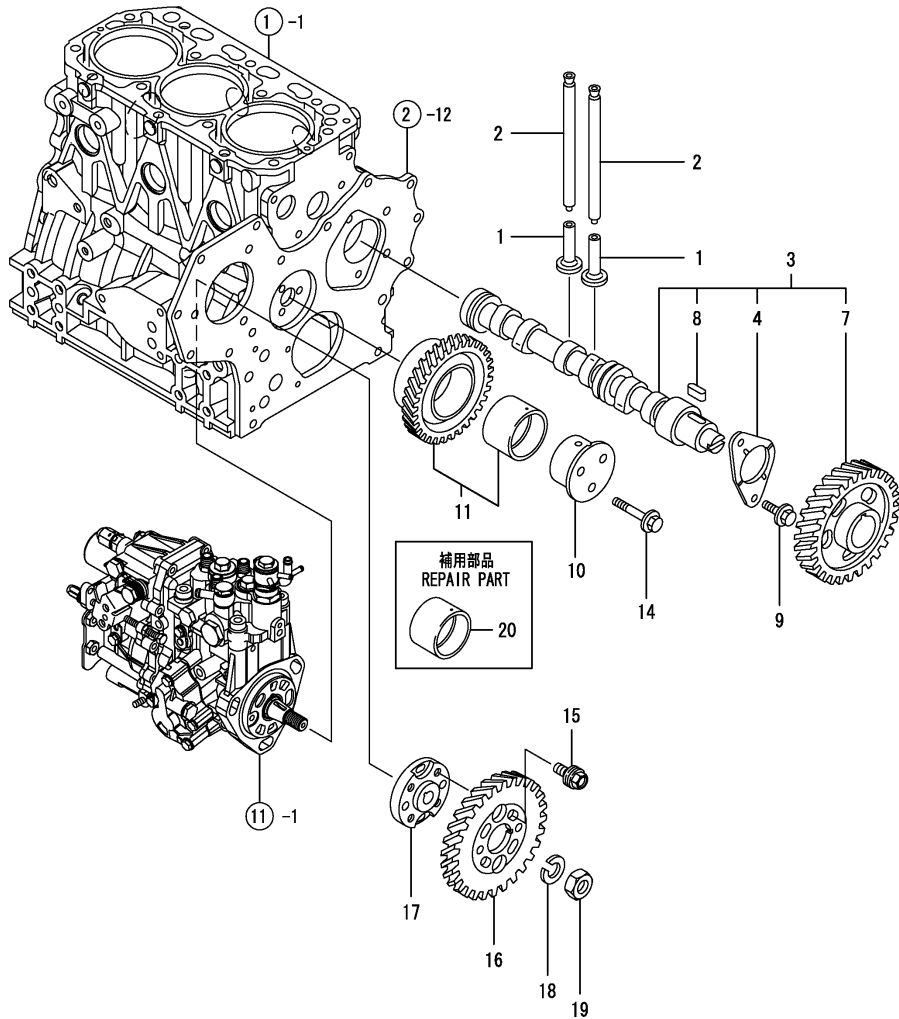


(A)=3TNV84-GDG
(B)=
(C)=

(D)=
(E)=
(F)=

No.	Lev.	Parts No.	Description	Q'ty						I	R
				(A)	(B)	(C)	(D)	(E)	(F)		
1	1	129005-03080	PIPE , BREATHER	1							
2	2	129410-03990	CLAMP 22	2							
3	1	129005-12100	MANIFOLD, AIR INTAKE	1							
3-1	1	129005-12101 (A=*2008.06.)	MANIFOLD, AIR INTAKE	1							R
5	1	129001-12110	GASKET, MANIFOLD	1							
6	1	26106-080202	BOLT, M8X 20 PLATED	4							
7	1	26106-080802	BOLT, M8X 80 PLATED	1							
8	1	129120-77501	HEATER	1							
8-1	1	129120-77502 (A=E30952)	HEATER	1							N
9	1	129150-77511	GASKET	1							
10	1	26106-080352	BOLT, M8X 35 PLATED	4							

Fig.7. CAMSHAFT & DRIVING GEAR



(A)=3TNV84-GDG

(B)=

(C)=

(D)=

(E)=

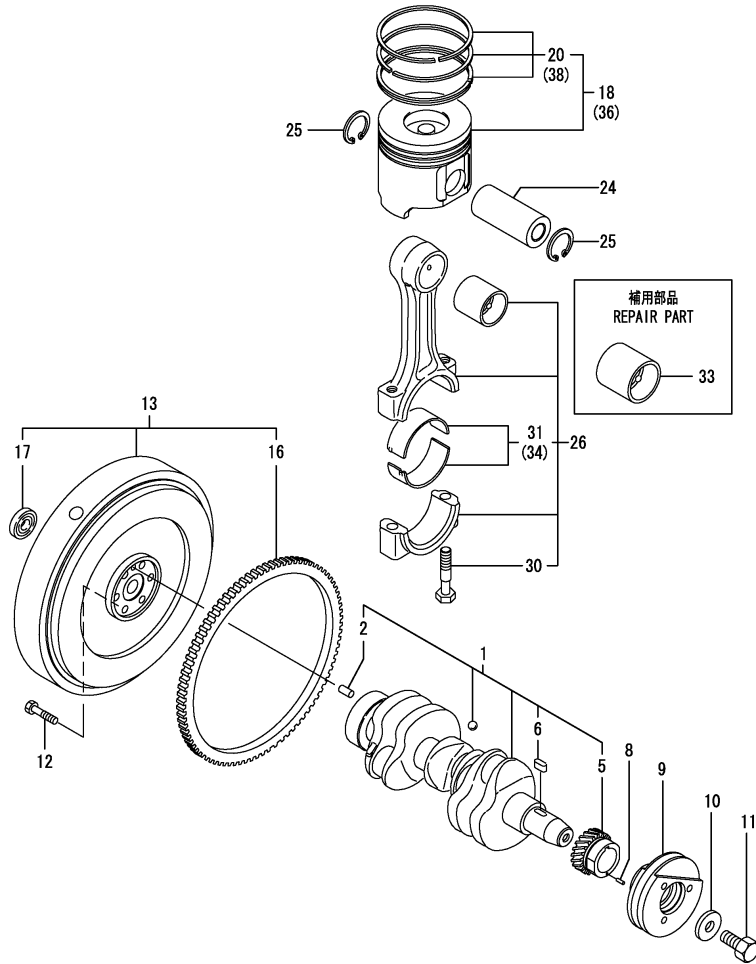
(F)=

No.	Lev.	Parts No.	Description	Q'ty						I	R
				(A)	(B)	(C)	(D)	(E)	(F)		
1	1	129150-14200	TAPPET	6							
2	1	129150-14400	ROD, PUSH L=178	6							
3	1	129004-14580	CAMSHAFT ASSY	1							
4	2	129150-02450	BEARING, THRUST	1							
7	2	129150-14101	GEAR, CAMSHAFT	1							
8	2	22512-070140	KEY, 7X 14	1							
9	1	26106-080142	BOLT, M8X 14 PLATED	2							
10	1	119802-25051	SHAFT, IDLE	1							
11	1	119802-25100	GEAR ASSY, IDLE	1							
11-1	1	119802-25101	GEAR ASSY, IDLE	1							N
(A=E28115)											
14	1	26106-080402	BOLT, M8X 40 PLATED	3							
15	1	129150-25301	BOLT	4							
16	1	119802-25900	GEAR, PUMP	1							
16-1	1	119802-25901	GEAR, PUMP	1							N
(A=E00980)											
17	1	158552-51151	FLANGE	1							
18	1	22217-140000	WASHER, SPRING 14	1							
19	1	26776-140002	NUT, LOCK M14	1							
20	1	119802-25070	BUSH, IDLE GEAR	1							1
20-1	1	119802-25071	BUSH, IDLE GEAR	1							N 1
(A=E28115)											

Remarks

(1) REPAIR PART.

Fig.8. CRANKSHAFT & PISTON



Remarks

- (1) REPAIR PART.
- (2) UNDER-SIZE(U.S=0.25)PART.
- (3) OVER-SIZE(O.S=0.25)PART.
- (4) THERE IS COMPACTIBILITY BY SET EXCHANGE REF.NO.1 AND NO.1-1 & NO.5-1 & FIG.2 REF.NO18-1.

(A)=3TNV84-GDG

(B)=

(C)=

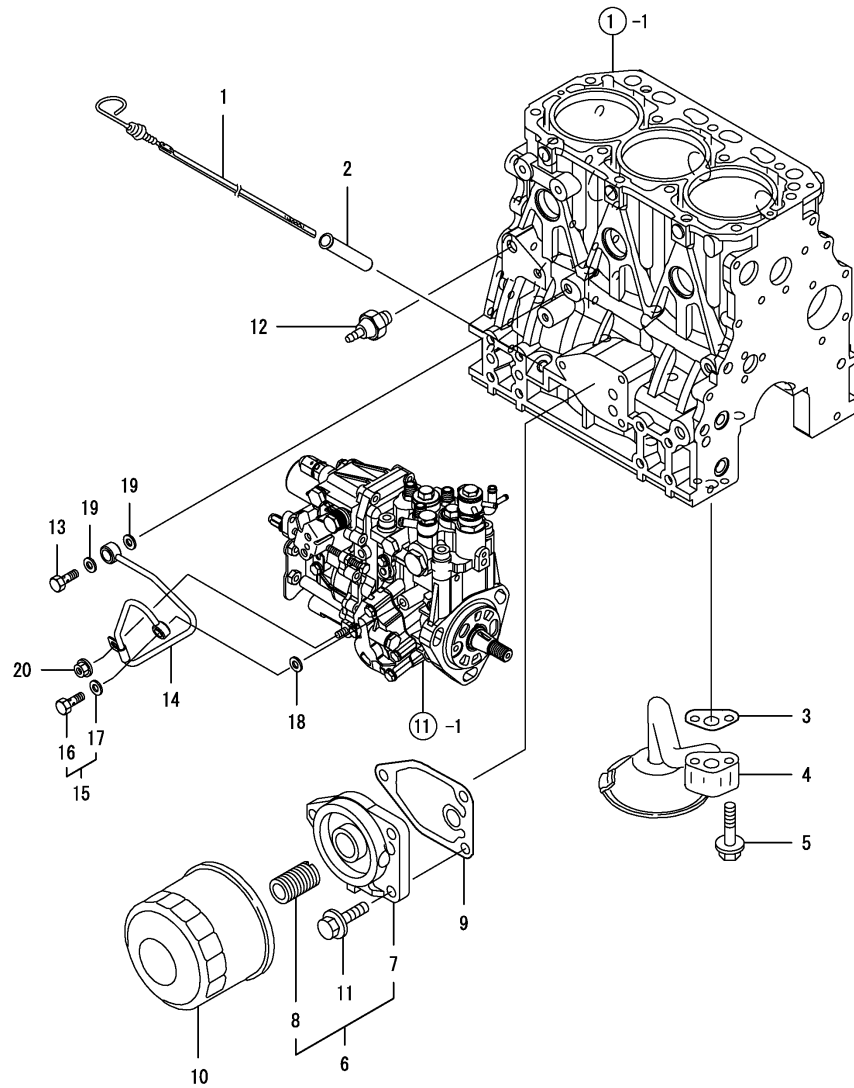
(D)=

(E)=

(F)=

No.	Lev.	Parts No.	Description	Q'ty						I	R	
				(A)	(B)	(C)	(D)	(E)	(F)			
1	1	129004-21000	CRANKSHAFT ASSY	1								
1-1	1	129004-21001	CRANKSHAFT ASSY	1							S	4
(A=E04993)												
1-2	1	129004-21002	CRANKSHAFT ASSY	1								N
(A=E10987)												
2	2	129100-01580	PIN, M8X16	1								
5	2	119802-21200	GEAR, CRANKSHAFT	1								
5-1	2	119802-21201	GEAR, CRANKSHAFT	1							S	4
(A=E04993)												
5-2	2	119802-21202	GEAR, CRANKSHAFT	1								N
(A=E10987)												
6	2	22512-070140	KEY, 7X 14	1								
8	1	22351-030012	PIN, SPRING 3.0X12	1								
8-1	1	22351-030010	PIN, SPRING 3.0X10	1								S
(A=E00193)												
9	1	129005-21650	V-PULLEY, 120	1								
10	1	129795-21661	WASHER	1								
11	1	121850-21680	BOLT	1								
12	1	121111-21501	BOLT, FLYWHEEL	6								
13	1	129116-21590	FLYWHEEL ASSY	1								
16	2	124550-21600	GEAR, RING	1								
17	2	24107-060034	BEARING, BALL 6003ZZ	1								
18	1	129004-22080	PISTON ASSY	3								
20	2	129004-22500	RING SET, PISTON	3								
24	1	129202-22300	PIN, PISTON D26 L70	3								
25	1	22252-000260	RING, 26	6								
26	1	729402-23100	ROD ASSY, CONNECTING	3								
30	2	121550-23200	BOLT, CONNECTING ROD	6								
31	2	129150-23600	BEARING, CRANK PIN	3								
31-1	2	129150-23601	BEARING, CRANK PIN	3								N
(A=E28115)												
33	1	129100-23910	BEARING, PISTON PIN	3								1
34	1	129150-23610	BEARING, 0.25 US	3								2
34-1	1	129150-23611	BEARING, 0.25 US	3								N 2
(A=E28115)												
36	1	129004-22900	PISTON ASSY, 0.25 OS	3								3
38	2	129004-22950	RING SET, 0.25 OS	3								3

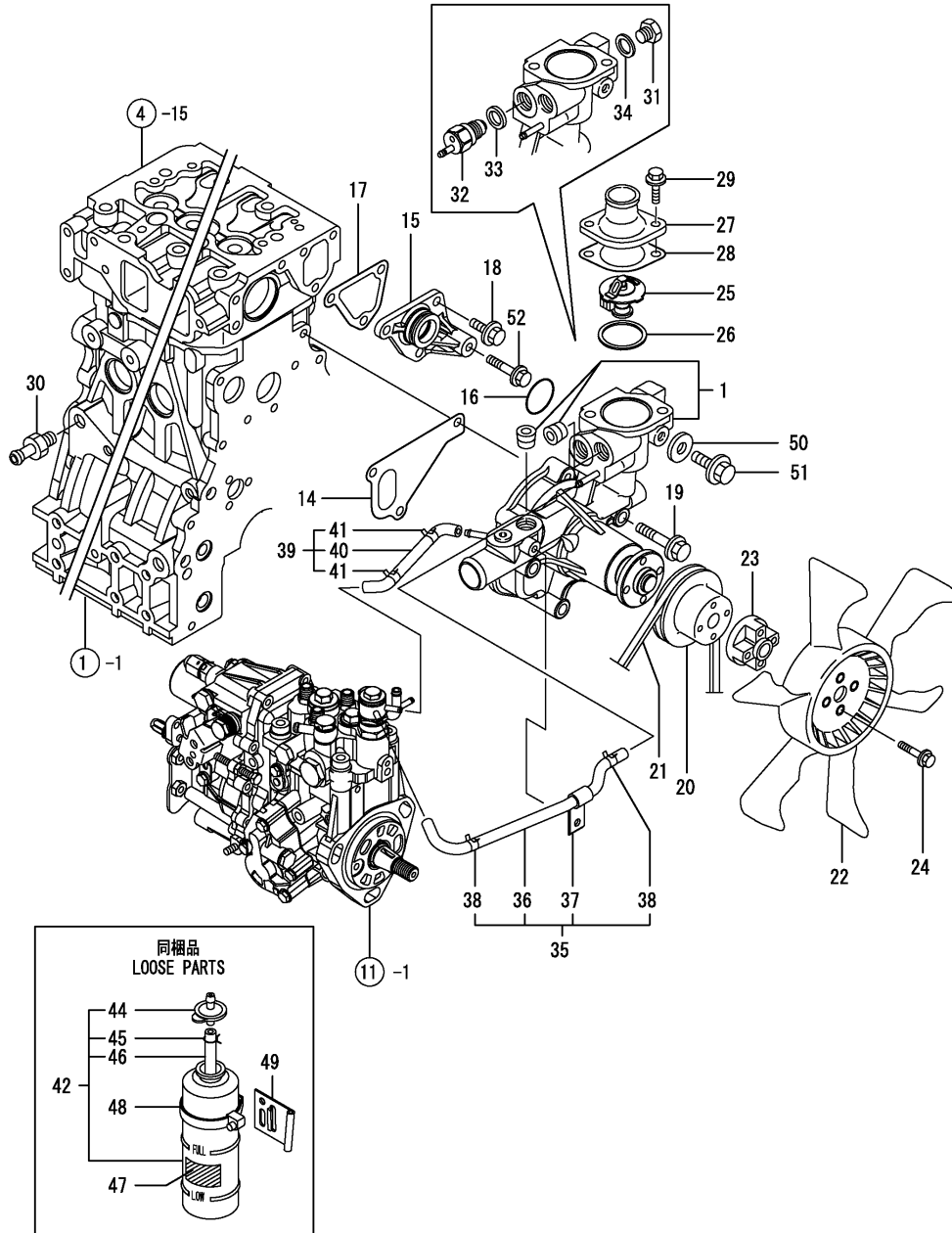
Fig.9. LUB.OIL SYSTEM



No.	Lev.	Parts No.	Description	Q'ty						I	R
				(A)	(B)	(C)	(D)	(E)	(F)		
1	1	129004-34801	DIPSTICK, OIL	1							
1-1	1	129004-34802	DIPSTICK, OIL	1							N
(A=E11211)											
2	1	121520-34810	GUIDE, DIPSTICK	1							
3	1	129150-35041	GASKET	1							
3-1	1	129150-35042	GASKET	1							N
(A=E11819)											
4	1	129100-35301	PIPE ASSY, OIL INLET	1							
5	1	26106-080352	BOLT, M8X 35 PLATED	2							
6	1	119802-35100	BRACKET ASSY, FILTER	1							
7	2	119802-35110	BRACKET, FILTER	1							
8	2	129100-35140	STUD	1							
9	1	129150-35111	GASKET	1							
10	1	129150-35153	FILTER 80X80L	1							1
11	1	26106-080202	BOLT, M8X 20 PLATED	3							
12	1	114250-39450	SWITCH, 0.5KG	1							
13	1	124160-39140	BOLT, PIPE JOINT M10	1							
14	1	119802-39450	PIPE ASSY, OIL	1							
15	1	124550-59830	BOLT ASSY, JOINT M8	1							
15-1	1	129005-59830	BOLT ASSY, JOINT M8	1							R
(A=E00466)											
16	2	124550-59820	BOLT, PIPE JOINT M8	1							
16-1	2	23857-030000	BOLT, JOINT 3	1							R
(A=E00466)											
17	2	22190-080002	WASHER, SEAL 6	1							
18	1	22190-080002	WASHER, SEAL 6	1							
19	1	22190-100002	WASHER, SEAL 10	2							
20	1	26366-060002	NUT, M6	1							

Remarks
(1) REPAIR PART.

Fig.10. COOLING WATER SYSTEM



(A)=3TNV84-GDG

(B)=

(C)=

(D)=

(E)=

(F)=

No.	Lev.	Parts No.	Description	Qty						I	R
				(A)	(B)	(C)	(D)	(E)	(F)		
1	1	129004-42000	PUMP ASSY, WATER	1							
1-1	1	129004-42001	PUMP ASSY, WATER	1							R
(A=E07019)											
14	1	129486-42021	GASKET, WATER PUMP	1							
15	1	129004-42040	JOINT	1							
16	1	129486-42140	O-RING, G30	1							
17	1	124395-49840	GASKET	1							
18	1	26106-080162	BOLT, M8X 16 PLATED	3							
19	1	26106-080602	BOLT, M8X 60 PLATED	3							
20	1	129155-42350	V-PULLEY	1							
21	1	129612-42330	V-BELT, A37.5	1							
22	1	171340-44740	FAN, COOLING D335XNF	1							
23	1	121267-44760	SPACER	1							
24	1	26014-060302	BOLT, M6X 30	4							
24-1	1	26106-060302	BOLT, M6X 30 PLATED	4							N
(A=E00269)											
25	1	129155-49800	THERMOSTAT, 71	1							
25-1	1	129155-49801	THERMOSTAT, 71	1							N
(A=E03569)											
26	1	129150-49811	GASKET, THERMOSTAT	1							
27	1	129350-49530	COVER, THERMOSTAT	1							
28	1	129795-49551	GASKET	1							
29	1	26106-080222	BOLT, M8X 22 PLATED	2							
30	1	121550-49111	JOINT, PT1/4	1							
31	1	121450-42450	PLUG, M16	1							
32	1	121250-44901	SWITCH, 110	1							
33	1	124465-44950	GASKET, 16	1							
34	1	124465-44950	GASKET, 16	1							
35	1	129004-49610	PIPE ASSY, WATER	1							
36	2	129004-49711	PIPE ASSY, WATER	1							
37	2	119802-49730	RETAINER, PIPE	1							
38	2	124722-59050	CLIP, HOSE 9	2							
39	1	129004-49620	PIPE ASSY, WATER	1							
40	2	129004-49721	PIPE ASSY, WATER	1							
41	2	124722-59050	CLIP, HOSE 9	2							
42	1	124450-44510	TANK ASSY, SUB	1							
44	2	124450-44530	CAP	1							
45	2	124450-44560	RETAINER	1							
46	2	23061-070230	PIPE, 7X 230	1							
47	1	121470-44540	LABEL, SUB-TANK	1							
48	1	124450-44550	BAND	1							
49	1	121256-44600	BRACKET, SUB TANK	1							
50	1	23414-080000	GASKET, 8X1.0	1							W
(A=E00165)											
51	1	26106-080122	BOLT, M8X 12 PLATED	1							W
(A=E00165)											
52	1	26106-080452	BOLT, M8X 45 PLATED	1							W
(A=FROM 1ST.)											

Fig.11. FUEL INJECTION PUMP

(A)=3TNV84-GDG

(B)=

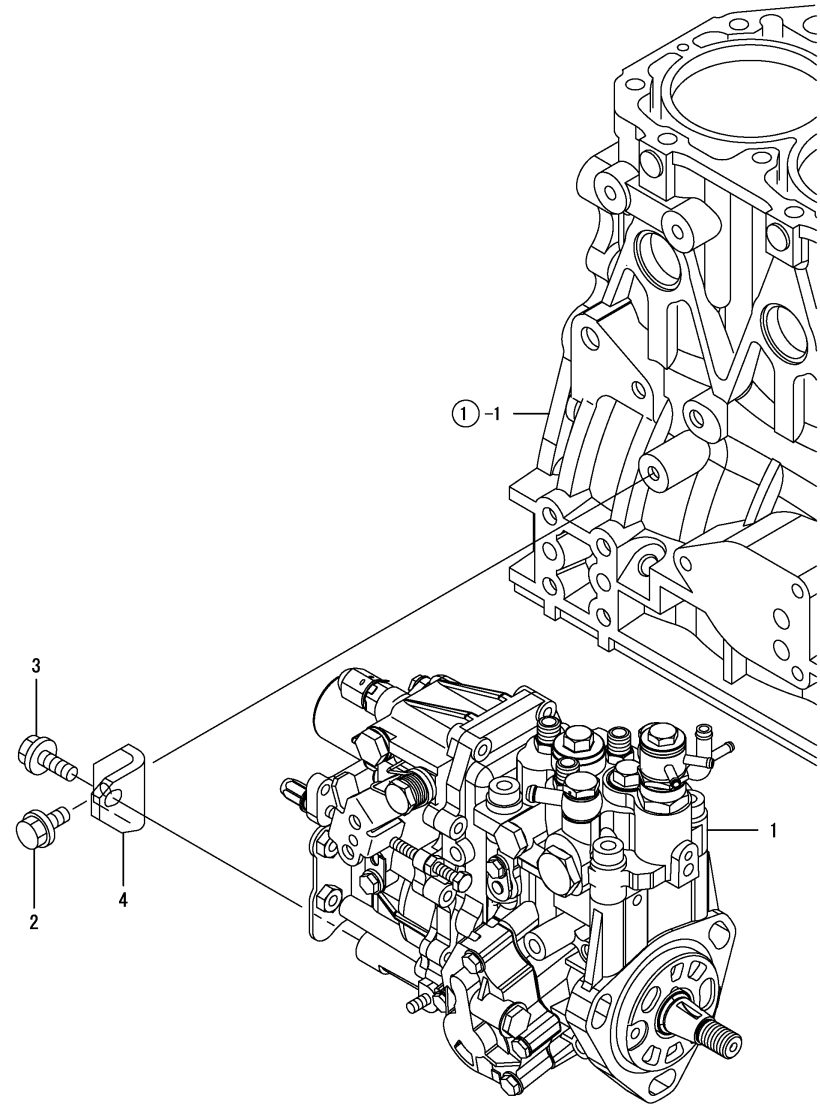
(C)=

(D)=

(E)=

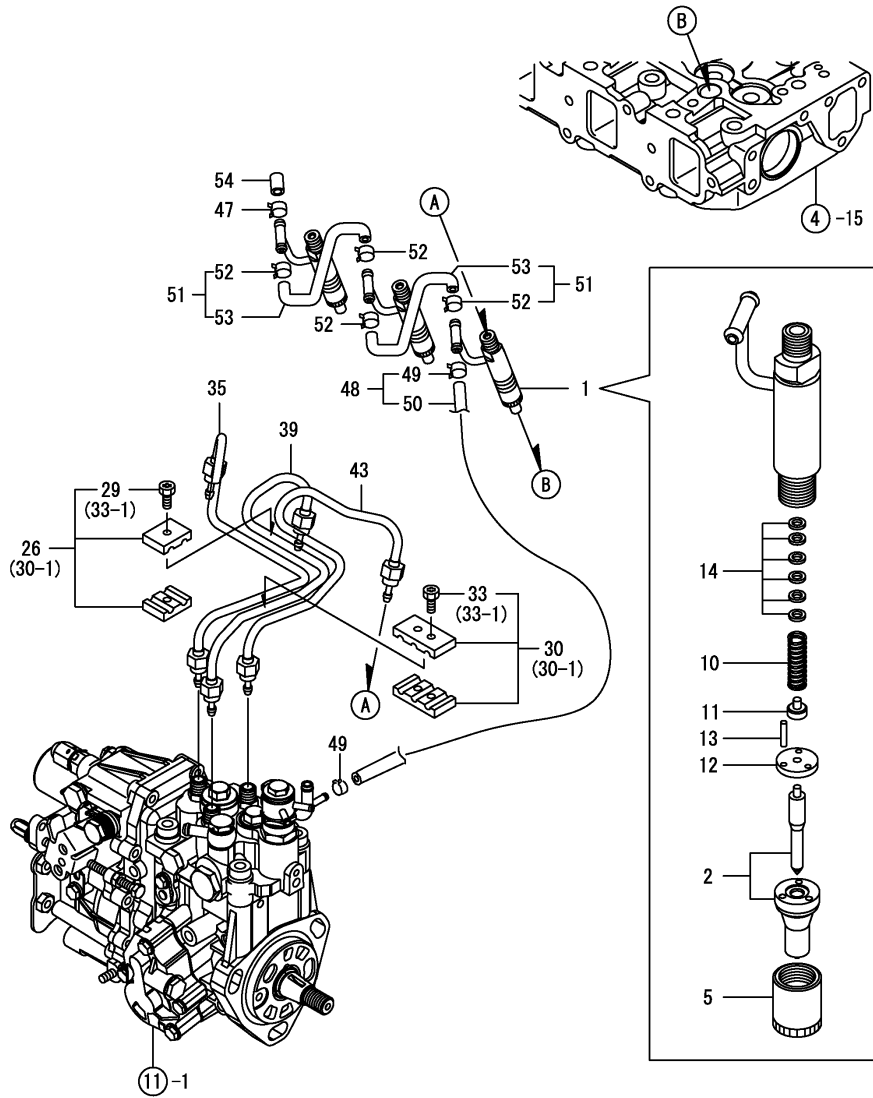
(F)=

No.	Lev.	Parts No.	Description	Qty						I	R
				(A)	(B)	(C)	(D)	(E)	(F)		
1	1	729246-51300	PUMP ASSY, INJECTION	1							1
1-1	1	729246-51301	PUMP ASSY, INJECTION	1							S 1
(A=E09245)											
2	1	26106-080162	BOLT, M8X 16 PLATED	1							
3	1	26106-080202	BOLT, M8X 20 PLATED	1							
4	1	119802-51250	RETAINER, PUMP	1							



Remarks
 (1) REFER TO FI.18 & 19 FOR INNER PARTS.

Fig.12. FUEL INJECTION VALVE



(A)=3TNV84-GDG

(B)=

(C)=

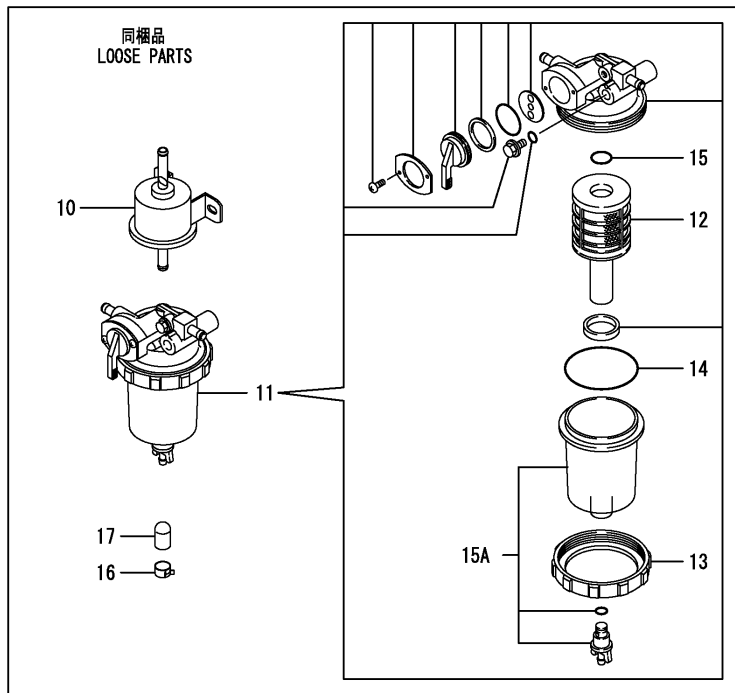
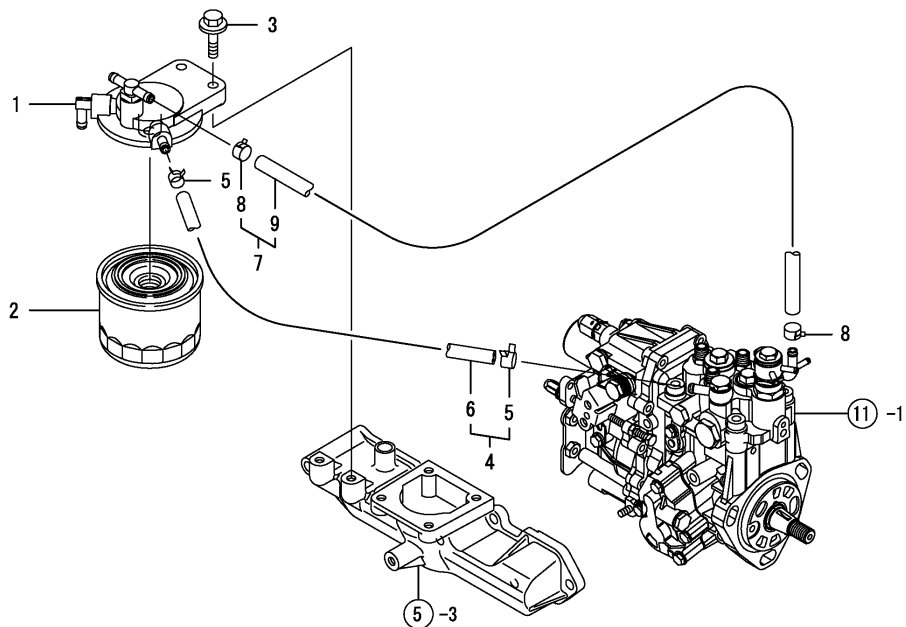
(D)=

(E)=

(F)=

No.	Lev.	Parts No.	Description	Q'ty						I	R
				(A)	(B)	(C)	(D)	(E)	(F)		
1	1	729246-53101	VALVE ASSY,INJECTION	3							
2	2	129246-53001	VALVE ASSY,INJECTION	3							
5	2	114250-53080	NUT, NOZZLE D16.95	3							
10	2	114250-53120	SPRING, NOZZLE	3							
11	2	114250-53130	SEAT, SPRING	3							
12	2	114250-53140	PLATE	3							
13	2	114250-53210	PIN	6							
14	2	114250-53400	SHIM SET	3							
14-1	2	119803-53400	SHIM SET	3							R
		(A=E35992)									
26	1	119305-59120	RETAINER, PIPE	1							Z
		(A=E21589)									
29	2	129150-59131	BOLT, M4X14	1							Z
		(A=E21589)									
30	1	129150-59120	RETAINER, PIPE	1							
30-1	1	129150-59120	RETAINER, PIPE	2							K
		(A=E21589)									
33	2	129150-59131	BOLT, M4X14	2							
33-1	2	129150-59131	BOLT, M4X14	4							K
		(A=E21589)									
35	1	129004-59810	PIPE ASSY, INJECTION	1							
35-1	1	129004-59811	PIPE ASSY, INJECTION	1							N
		(A=E21589)									
39	1	129004-59820	PIPE ASSY, INJECTION	1							
39-1	1	129004-59821	PIPE ASSY, INJECTION	1							N
		(A=E21589)									
43	1	129004-59830	PIPE ASSY, INJECTION	1							
43-1	1	129004-59831	PIPE ASSY, INJECTION	1							N
		(A=E21589)									
47	1	124066-59100	CLIP, HOSE 8	2							
48	1	119802-59550	PIPE ASSY, RETURN	1							
49	2	124722-59050	CLIP, HOSE 9	2							
50	2	119802-59560	PIPE, FUEL RETURN	1							
51	1	129486-59551	PIPE ASSY, RETURN	2							
52	2	124722-59050	CLIP, HOSE 9	4							
53	2	129486-59510	PIPE, FUEL RETURN	2							
54	1	119593-59580	CAP	1							
54-1	1	119593-59581	CAP	1							R
		(A=E23040)									

Fig.13. FUEL LINE

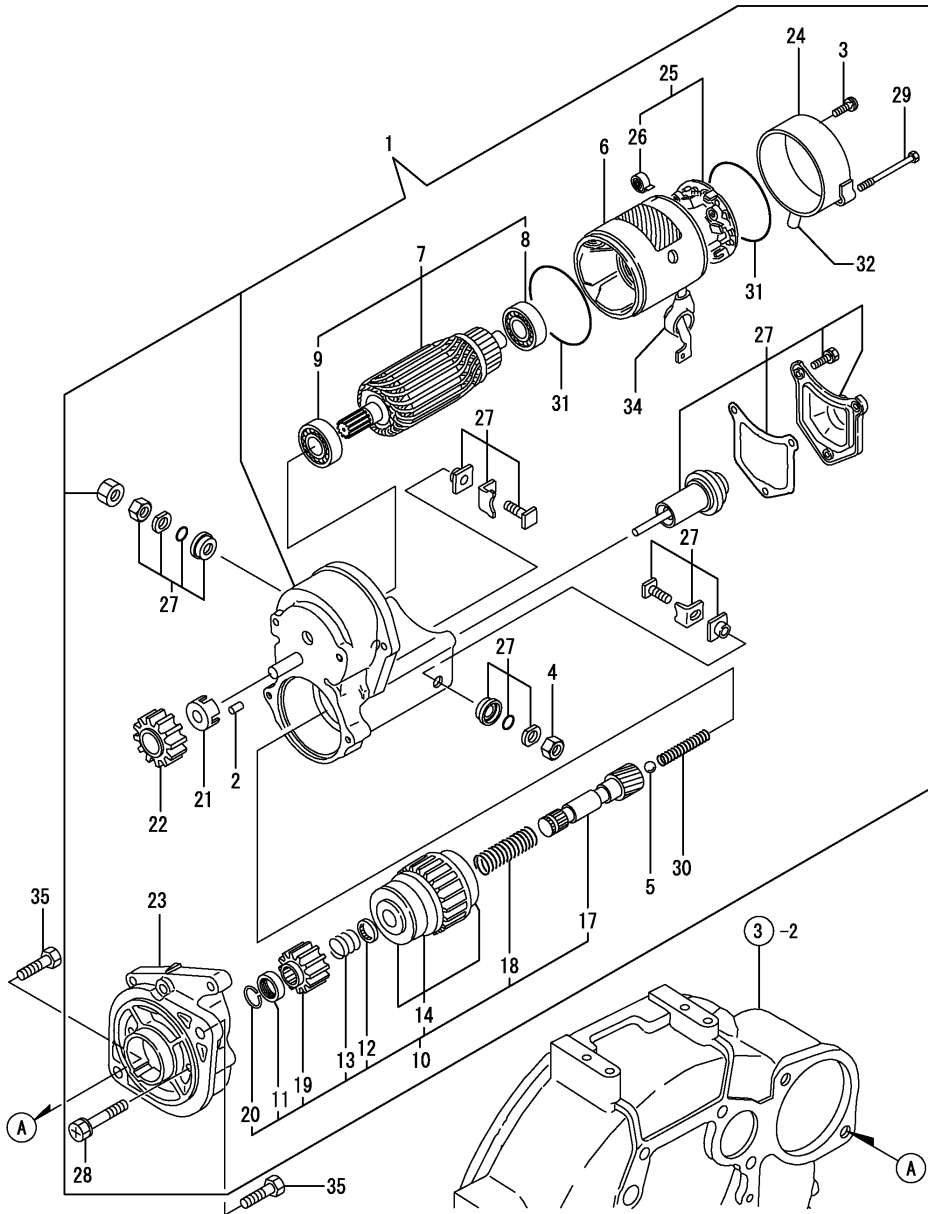


(A)=3TNV84-GDG
(B)=
(C)=

(D)=
(E)=
(F)=

No.	Lev.	Parts No.	Description	Q'ty						I	R
				(A)	(B)	(C)	(D)	(E)	(F)		
1	1	129004-55610	BRACKET, FILTER	1							
1-1	1	129004-55611	BRACKET, FILTER	1							R
(A=E18082)											
1-2	1	129004-55612	BRACKET, FILTER	1							R
(A=E27043)											
2	1	119802-55800	FILTER, FUEL	1							
2-1	1	119802-55801	FILTER, FUEL	1							R
(A=E27730)											
3	1	26106-080302	BOLT, M8X 30 PLATED	2							
4	1	129210-59100	PIPE ASSY, FUEL	1							
5	2	124766-59050	CLIP, HOSE 12	2							
6	2	105025-59580	PIPE, FUEL	1							
7	1	129210-59230	PIPE ASSY, FUEL	1							
8	2	124766-59050	CLIP, HOSE 12	2							
9	2	129555-59511	PIPE, FUEL	1							
10	1	129612-52100	PUMP ASSY, FUEL FEED	1							
11	1	119802-55700	SEPARATOR ASSY	1							
12	2	119802-55710	ELEMENT	1							
13	2	129100-55690	RING, RETAINING	1							
14	2	24321-000650	O-RING, 1AG65.0	1							
15	2	24311-000160	O-RING, 1AP16.0	1							
15A	2	119802-55730	CUP ASSY	1							W
(A=E35788)											
16	1	124766-59050	CLIP, HOSE 12	1							
17	1	129461-59580	CAP, FUEL OIL	1							

Fig.14. STARTING MOTOR



(A)=3TNV84-GDG

(B)=

(C)=

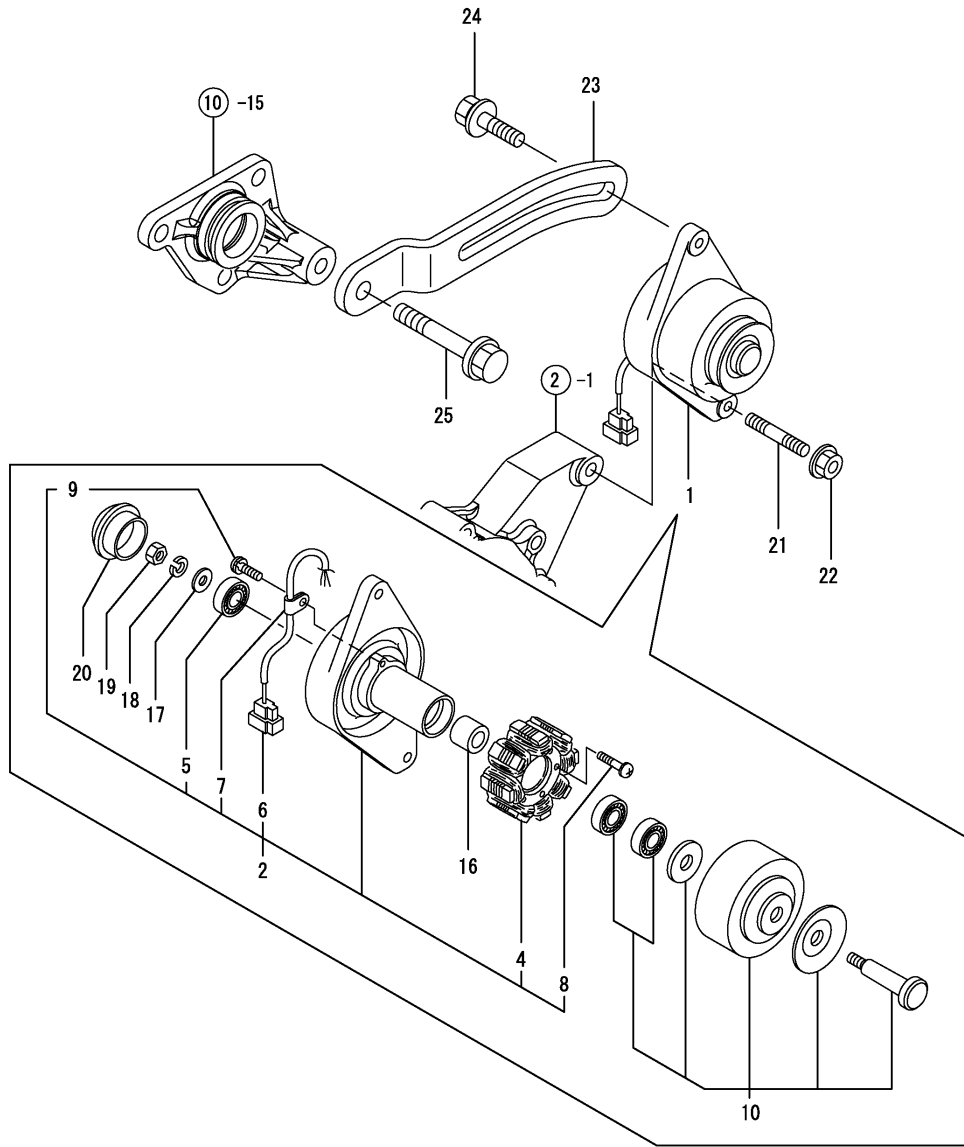
(D)=

(E)=

(F)=

No.	Lev.	Parts No.	Description	Q'ty						I	R
				(A)	(B)	(C)	(D)	(E)	(F)		
1	1	129129-77010	STARTER ASSY	1							
2	2	X0283060061	ROLLER	5							
3	2	129129-77460	SCREW	2							
4	2	X9490561370	NUT	1							
5	2	X9491200240	BALL	1							
6	2	129129-77210	YOKE ASSY	1							
7	2	129129-77220	ARMATURE ASSY	1							
8	3	129129-77230	BEARING	1							
9	3	129129-77240	BEARING	1							
10	2	129129-77250	STARTER	1							
11	3	X0280210230	NUT	1							
12	3	X0283270140	RETAINER, SNAP	1							
13	3	X9491703371	SPRING, COIL	1							
14	3	129129-77390	CLUTCH ASSY, STARTER	1							
17	3	129129-77400	SHAFT	1							
18	3	129129-77410	SPRING, COIL	1							
19	3	129129-77420	PINION, STARTER	1							
20	3	129129-77430	RING, SNAP	1							
21	2	129129-77260	RETAINER	1							
22	2	129129-77270	PINION	1							
23	2	129129-77280	HOUSING	1							
24	2	129129-77290	FRAME	1							
25	2	129129-77300	HOLDER ASSY	1							
26	3	X9491730461	SPRING	4							
27	2	129129-77310	SWITCH ASSY	1							
28	2	129129-77320	BOLT	2							
29	2	129129-77330	BOLT	2							
30	2	129129-77340	SPRING	1							
31	2	129129-77350	O-RING	2							
32	2	129129-77362	COVER	1							
34	2	129129-77380	CAP	1							
35	1	26116-120252	BOLT, M12X 25 PLATED	2							

Fig.15. GENERATOR



(A)=3TNV84-GDG
(B)=
(C)=

(D)=
(E)=
(F)=

No.	Lev.	Parts No.	Description	Q'ty						I	R
				(A)	(B)	(C)	(D)	(E)	(F)		
1	1	171301-77201	DYNAMO ASSY, 15A	1							
2	2	XM08137	PLATE ASSY	1							
4	3	XM08180	STATOR ASSY	1							
5	3	XM27436	BALL BEARING	1							
6	3	XM17878	COUPLER	1							
7	3	XM36410	CLAMP	1							
8	3	26022-040252	SCREW, M4X25	2							
9	3	XYSPS4008	SCREW	1							
10	2	XM82184	FLYWHEEL ASSY	1							
16	2	106383-44720	SPACER	1							
17	2	106383-44730	WASHER	1							
18	2	22212-100000	SPRING WASHER 10	1							
19	2	26716-100002	NUT, M10	1							
20	2	XM61014	CAP	1							
21	1	129795-01900	STUD	1							
22	1	26306-100002	NUT, M10	1							
23	1	129004-77320	ADJUSTER	1							
24	1	119810-77340	BOLT, ADJUSTER	1							
25	1	26106-080502	BOLT, M8X 50 PLATED	1							Z

(A=FROM 1ST.)

Fig.16. ELECTLIC PARTS

(A)=3TNV84-GDG

(B)=

(C)=

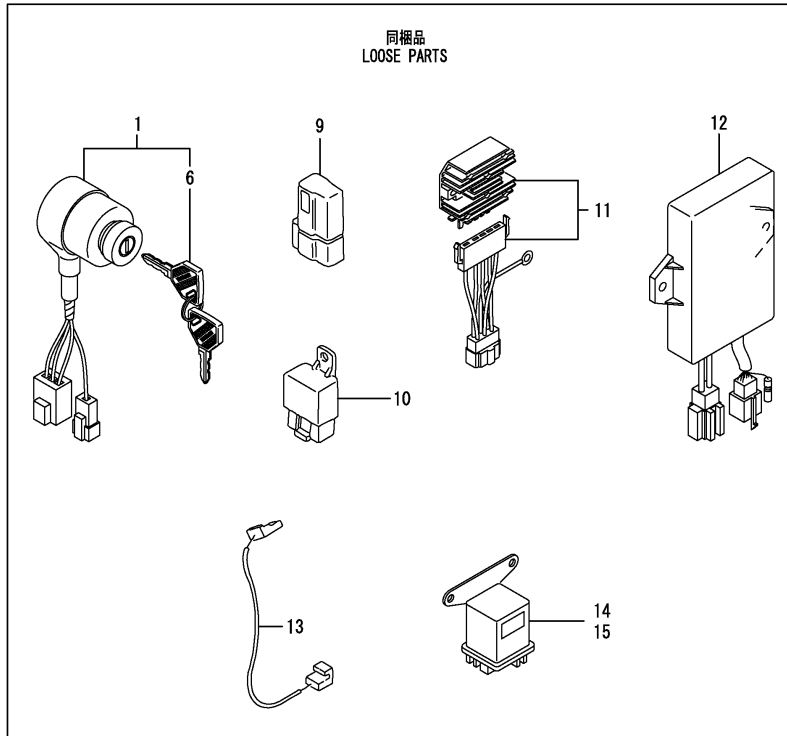
(D)=

(E)=

(F)=

Q'ty

No.	Lev.	Parts No.	Description	Q'ty						I	R
				(A)	(B)	(C)	(D)	(E)	(F)		
1	1	194940-52110	SWITCH, STARTING	1							
6	2	198360-52160	KEY ASSY	1							
9	1	119643-66900	DIODE	1							
9-1	1	119643-66900 (A=E08679)	DIODE	2							K
10	1	119247-77100	RELAY, SAFETY	1							
11	1	119865-77700	LIMITER ASSY,CURRENT	1							
12	1	119265-77801	RELAY, EMERGENCY	1							
12-1	1	129246-77800 (A=E08679)	RELAY, EMERGENCY	1							S 1
13	1	119006-77900	CONNECTOR, STARTER	1							
14	1	119646-77900	RELAY, POWER	1							Z
15	1	119650-77910 (A=E08679)	RELAY ASSY, GLOW	1							



Remarks

(1) CONNECTOR COLOR:
REF.NO.12 NATURAL + BLACK
REF.NO.12-1 BLACK + BLACK

Fig.17. GASKET SET

(A)=3TNV84-GDG

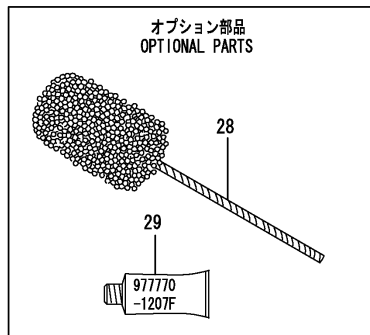
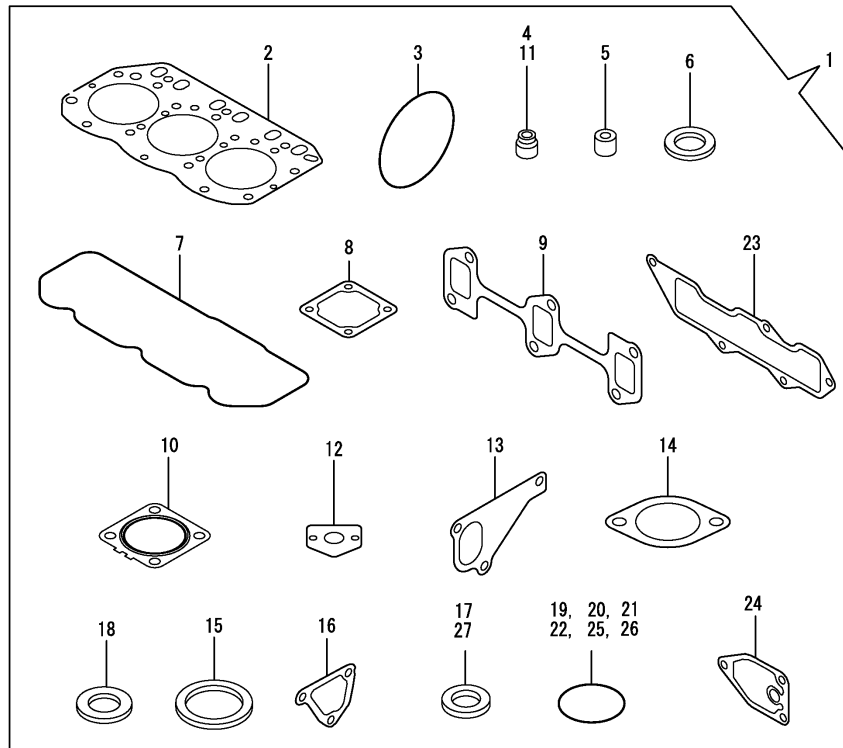
(B)=

(C)=

(D)=

(E)=

(F)=

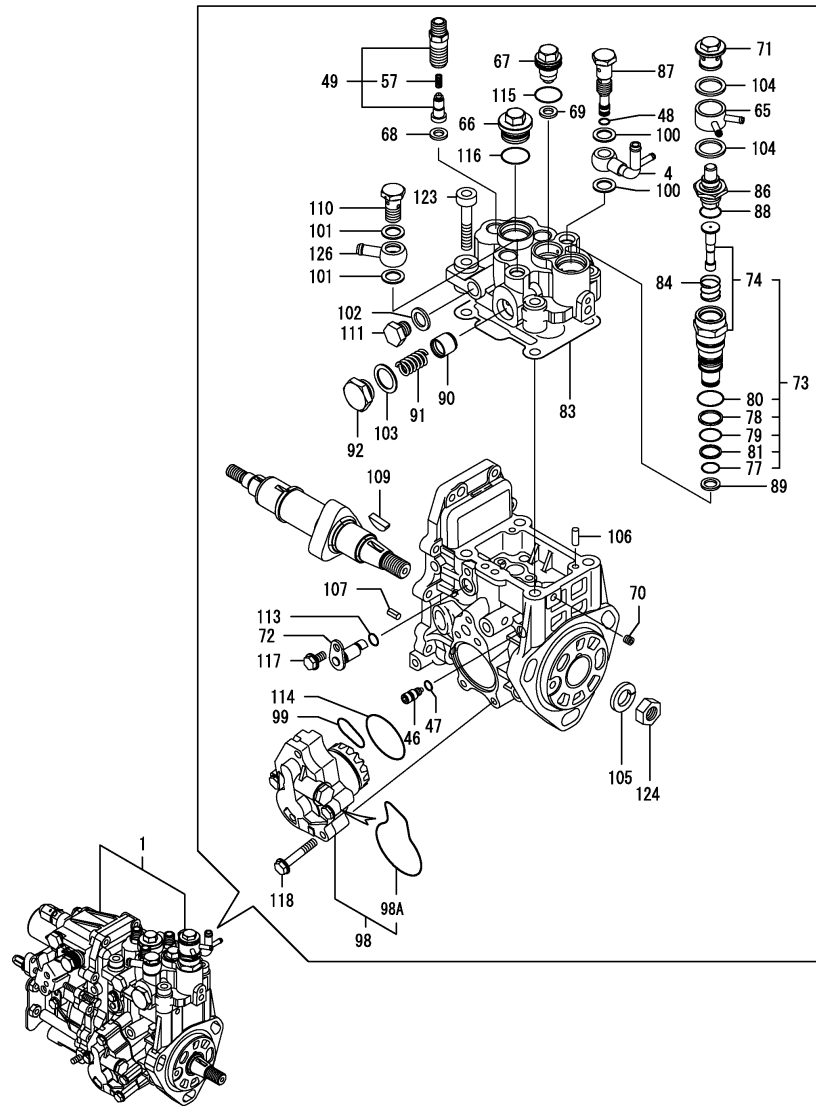


No.	Lev.	Parts No.	Description	Q'ty						I	R
				(A)	(B)	(C)	(D)	(E)	(F)		
1	1	729246-92600	GASKET SET	1							1
2	2	129002-01331	GASKET, HEAD	1							
3	2	121850-51960	O-RING	1							
4	2	124460-11340	SEAL, VALVE STEM	3							
5	2	119625-11872	PROTECTOR, NOZZLE	3							
6	2	119625-11880	SEAT, NOZZLE	3							
7	2	129004-11310	GASKET, BONNET	1							
8	2	129150-77511	GASKET	1							
9	2	129150-13110	GASKET	1							
10	2	129004-13200	GASKET, SILENCER	1							
11	2	121400-11340	SEAL, VALVE STEM	3							
12	2	129150-35041	GASKET	1							
13	2	129486-42021	GASKET, WATER PUMP	1							
14	2	129795-49551	GASKET	1							
15	2	129150-49811	GASKET, THERMOSTAT	1							
16	2	124395-49840	GASKET	1							
17	2	22190-080002	WASHER, SEAL 6	2							
18	2	124465-44950	GASKET, 16	2							
19	2	24311-000120	O-RING, 1AP12.0	3							
20	2	24311-000320	O-RING, 1AP32.0	2							
21	2	24341-000240	O-RING, 1AS24.0	1							
22	2	129486-42140	O-RING, G30	1							
23	2	129001-12110	GASKET, MANIFOLD	1							
24	2	129150-35111	GASKET	1							
25	2	24341-000250	O-RING, 1AS25.0	1							
26	2	119609-32040	O-RING, P16	4							
27	2	22190-100002	WASHER, SEAL 10	2							
28	1	129400-92420	FLEX HORN	1							1
29	1	977770-01212	GASKET, LIQUID	1							1

Remarks

(1) OPTIONAL PART.

Fig.18. FUEL INJECTION PUMP(INNER PARTS)



No.	Lev.	Parts No.	Description	Q'ty						I	R
				(A)	(B)	(C)	(D)	(E)	(F)		
1	1	729246-51300	PUMP ASSY, INJECTION	1							1
1-1	1	729246-51301	PUMP ASSY, INJECTION	1							S 2
(A=E09245)											
4	2	158552-51670	JOINT, OVER FLOW	1							
46	2	158600-51270	STOPPER, TAPPET	1							
47	2	158563-51281	O-RING, 4D S6	1							
48	2	158563-51281	O-RING, 4D S6	1							
49	2	129509-51390	VALVE ASSY, DELIVERY	3							
57	3	158563-51330	SPRING, DELIVERY	3							
65	2	158553-51551	JOINT	1							
66	2	158601-51550	PLUG	1							
67	2	119802-51560	PLUG, BARREL	1							
68	2	158552-51570	GASKET	3							
68-1	2	158552-51571	GASKET	3							R
(A=*2008.06.)											
69	2	158552-51570	GASKET	1							
69-1	2	158552-51571	GASKET	1							R
(A=*2008.06.)											
70	2	158557-51570	PLUG	1							
71	2	158601-51570	PLUG	1							
72	2	158552-51580	LIFTER	1							
73	2	119802-51590	TIMER SET	1							
74	3	119802-51600	TIMER ASSY	1							
77	3	158553-51670	O-RING, 1011	1							
78	3	119802-51680	RING, BACK UP	1							
79	3	119802-51690	O-RING	1							
80	3	24356-010200	O-RING, 4D1020	1							
81	3	24372-000150	RING, BACK UP T2P15	1							
83	2	158552-51600	GASKET	1							
84	2	158553-51630	SPRING, TIMER	1							
86	2	158553-51640	ELEMENT	1							
87	2	158601-51650	JOINT, OVER FLOW	1							
88	2	158553-51660	O-RING, P14	1							
89	2	158553-51680	GASKET	1							
90	2	158601-51770	PISTON	1							
91	2	158552-51780	SPRING	1							
91-1	2	158552-51781	SPRING	1							R
(A=E32250)											
92	2	158601-51790	PLUG	1							
98	2	158552-52100	PUMP ASSY, FUEL FEED	1							
98A	3	158552-52500	O-RING	1							
99	2	158552-52310	O-RING	1							
100	2	22190-120002	WASHER, SEAL 12	2							
101	2	22190-120002	WASHER, SEAL 12	2							
102	2	22190-120002	WASHER, SEAL 12	1							
103	2	22190-180002	WASHER, SEAL 18	1							
104	2	22190-180002	WASHER, SEAL 18	2							
105	2	22217-140000	WASHER, SPRING 14	1							
106	2	22312-050140	PIN, PARALLEL M5X14	2							
107	2	22351-050010	PIN, SPRING 5.0X10	2							
109	2	119802-51090	KEY, 4X16	1							

Remarks
 (1) GOVERNOR ASSY(FIG.19) IS INCORPORATED IN THIS FOP.CMP (REF.NO.1).
 (2) REF.NO.1-1: FIG.19 REF.NO.98 & 99 ARE NOT USED.

Fig.18. FUEL INJECTION PUMP(INNER PARTS)

(A)=3TNV84-GDG

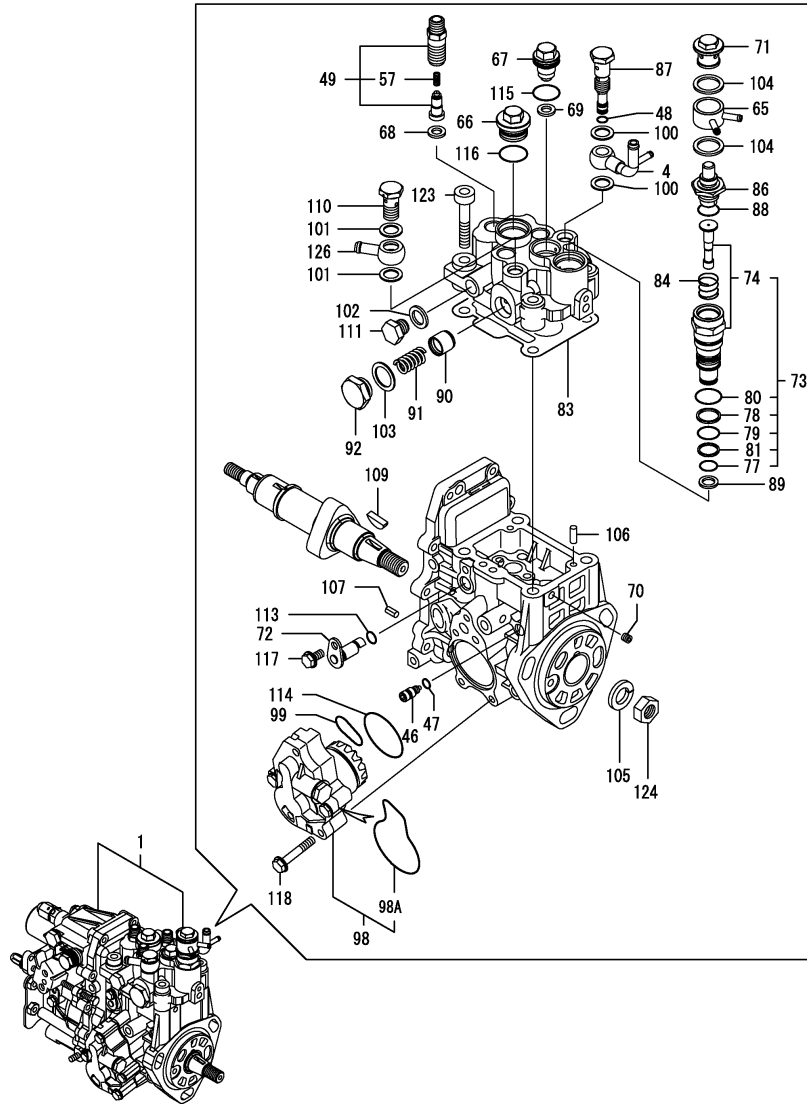
(B)=

(C)=

(D)=

(E)=

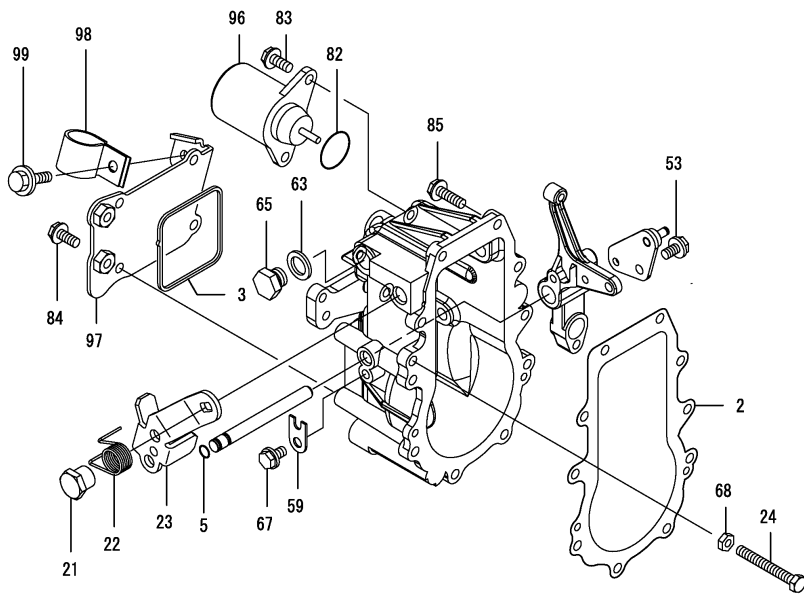
(F)=



No.	Lev.	Parts No.	Description	Q'ty						I	R
				(A)	(B)	(C)	(D)	(E)	(F)		
110	2	23857-060000	BOLT, JOINT 6	1							
111	2	23887-120002	PLUG, 12	1							
113	2	24311-000070	O-RING, 1AP7.0	1							
114	2	158552-52400	O-RING, 4E S42	1							
115	2	24356-010180	O-RING, 4D1018	1							
116	2	24356-010200	O-RING, 4D1020	1							
117	2	26106-060102	BOLT, M6X 10 PLATED	1							
118	2	158553-51770	BOLT	4							
123	2	26450-080452	BOLT, M8X 45	4							
124	2	26776-140002	NUT, LOCK M14	1							
126	2	129916-59020	JOINT, PIPE 12	1							

Remarks
 (1) GOVERNOR ASSY(FIG.19) IS INCORPORATED IN THIS FOP.CMP (REF.NO.1).
 (2) REF.NO.1-1: FIG.19 REF.NO.98 & 99 ARE NOT USED.

Fig.19. GOVERNOR(INNER PARTS)



(A)=3TNV84-GDG

(B)=

(C)=

(D)=

(E)=

(F)=

No.	Lev.	Parts No.	Description	Q'ty						I	R
				(A)	(B)	(C)	(D)	(E)	(F)		
2	2	158553-61050	GASKET	1							
3	2	158553-61070	GASKET	1							
5	2	129155-51280	O-RING, S6	1							
21	2	129255-61410	NUT, LOCK	1							
22	2	119807-61420	SPRING, RETURN	1							
23	2	129246-61441	LEVER, REGULATOR	1							
24	2	129155-61460	BOLT, IDLE	1							
53	2	26106-060102	BOLT, M6X 10 PLATED	1							
59	2	119660-61901	RETAINER, SHAFT	1							
63	2	22190-120002	WASHER, SEAL 12	1							
65	2	23887-120002	PLUG, 12	1							
67	2	26106-060102	BOLT, M6X 10 PLATED	1							
68	2	26756-060002	NUT, LOCK M6	1							
82	2	24341-000280	O-RING, 1AS28.0	1							
82-1	2	158552-61900	O-RING	1							N
		(A=EXXXXX)									
83	2	26106-060142	BOLT, M6X 14 PLATED	2							
84	2	26106-060142	BOLT, M6X 14 PLATED	4							
85	2	26106-060202	BOLT, M6X 20 PLATED	10							
96	2	129004-77950	SOLENOID, STOP	1							
96-1	2	119233-77932	SOLENOID, STOP	1							S 1
		(A=E09245)									
97	2	129246-61600	COVER ASSY	1							W
		(A=*2008.07.)									
98	2	158552-61980	CLAMP	1							Z
		(A=E09245)									
99	2	26106-060142	BOLT, M6X 14 PLATED	1							Z
		(A=E09245)									

Remarks

* THIS FIGURE(GOVERNOR ASSY)IS INCORPORATED IN THE FUEL INJECTION PUMP ASSY(FIG.18).
 (1) REF.NO.96: COMMANDER IS NOT USED.
 REF.NO.96-1: COMMANDER IS USED.

Parts No. Index

Parts No.	Fig. No.	Ref. No.
105025-59580	13	6
106383-44720	15	16
106383-44730	15	17
114250-39450	9	12
114250-53080	12	5
114250-53120	12	10
114250-53130	12	11
114250-53140	12	12
114250-53210	12	13
114250-53400	12	14
119006-77900	16	13
119131-18320	6	3
119233-77932	19	96 -1
119247-77100	16	10
119265-77801	16	12
119305-59120	12	26
119593-59580	12	54
119593-59581	12	54 -1
119609-32040	2	17
	17	26
119620-01750	3	3
119625-11872	4	31
	17	5
119625-11880	4	32
	17	6
119640-01640	3	9 -1
119643-66900	16	9
		9 -1
119646-77900	16	14
119650-77910	16	15
119660-61901	19	59
119802-01520	2	12
119802-01560	2	13
119802-01561	2	13 -1
119802-03110	4	43
119802-03120	4	44
119802-03121	4	44 -1
119802-03130	4	45
119802-03140	4	46
119802-03141	4	46 -1
119802-11260	4	6
119802-11270	4	7
119802-11280	4	8
119802-11870	4	31 -1
119802-21200	8	5
119802-21201	8	5 -1
119802-21202	8	5 -2
119802-25051	7	10
119802-25070	7	20
119802-25071	7	20 -1

Parts No.	Fig. No.	Ref. No.
119802-25100	7	11
119802-25101	7	11 -1
119802-25900	7	16
119802-25901	7	16 -1
119802-32070	2	8
119802-32100	2	7
119802-32110	2	18
119802-32111	2	18 -1
119802-32120	2	19
119802-32130	2	20
119802-35100	9	6
119802-35110	9	7
119802-39450	9	14
119802-49730	10	37
119802-51090	18	109
119802-51250	11	4
119802-51560	18	67
119802-51590	18	73
119802-51600	18	74
119802-51680	18	78
119802-51690	18	79
119802-55700	13	11
119802-55710	13	12
119802-55730	13	15 A
119802-55800	13	2
119802-55801	13	2 -1
119802-59550	12	48
119802-59560	12	50
119803-53400	12	14 -1
119807-61420	19	22
119810-77340	15	24
119865-77700	16	11
119934-01800	2	6 -1
120130-11860	4	29
120270-54410	4	34
121023-01550	2	28
121023-01551	2	28 -1
121111-21501	8	12
121250-44901	10	32
121256-44600	10	49
121267-44760	10	23
121400-11340	4	26
	17	11
121450-42450	10	31
121470-44540	10	47
121520-34810	9	2
121550-23200	8	30
121550-49111	10	30
121850-21680	8	11
121850-51960	2	21

Parts No.	Fig. No.	Ref. No.
121850-51960	17	3
123900-13610	6	5 -1
123900-13630	6	4 -1
124060-01050	1	5
124066-59100	12	47
124160-01751	2	14
	4	39
124160-01910	1	7
		8
124160-11360	4	52
124160-39140	9	13
124240-01871	2	15
124395-49840	10	17
	17	16
124450-44510	10	42
124450-44530	10	44
124450-44550	10	48
124450-44560	10	45
124460-11340	4	27
	17	4
124465-44950	10	33
		34
	17	18
124550-21600	8	16
124550-59820	9	16
124550-59830	9	15
124722-59050	10	38
		41
	12	49
		52
124766-59050	13	5
		8
		16
129001-01250	1	6
129001-02930	1	28
129001-02931	1	28 -1
129001-12110	5	5
	17	23
129001-32330	2	11
129001-91841	2	22
129002-01331	1	33
	17	2
129004-01190	1	31
129004-03010	4	41
129004-11100	4	22
129004-11101	4	22 -1
129004-11130	4	22 -2
129004-11240	4	3
129004-11241	4	3 -1
129004-11250	4	4

Parts No.	Fig. No.	Ref. No.
129004-11251	4	4 -1
129004-11310	4	49
	17	7
129004-11350	4	40
129004-11650	4	10
129004-11700	4	15
129004-11900	4	33 -1
129004-11909	4	33
129004-13200	6	7
	17	10
129004-14580	7	3
129004-21000	8	1
129004-21001	8	1 -1
129004-21002	8	1 -2
129004-22080	8	18
129004-22500	8	20
129004-22900	8	36
129004-22950	8	38
129004-34801	9	1
129004-34802	9	1 -1
129004-42000	10	1
129004-42001	10	1 -1
129004-42040	10	15
129004-49610	10	35
129004-49620	10	39
129004-49711	10	36
129004-49721	10	40
129004-55610	13	1
129004-55611	13	1 -1
129004-55612	13	1 -2
129004-59810	12	35
129004-59811	12	35 -1
129004-59820	12	39
129004-59821	12	39 -1
129004-59830	12	43
129004-59831	12	43 -1
129004-77320	15	23
129004-77950	19	96
129005-03080	5	1
129005-12100	5	3
129005-12101	5	3 -1
129005-21650	8	9
129005-59830	9	15 -1
129100-01580	3	1
		15
	8	2
129100-01640	3	16
129100-01730	3	6
129100-01760	3	8
129100-11110	4	23

Parts No. Index

Parts No.	Fig. No.	Ref. No.
129100-11111	4	23 -1
129100-11112	4	23 -2
129100-23910	8	33
129100-35140	9	8
129100-35301	9	4
129100-55690	13	13
129116-21590	8	13
129120-77501	5	8
129120-77502	5	8 -1
129129-77010	14	1
129129-77210	14	6
129129-77220	14	7
129129-77230	14	8
129129-77240	14	9
129129-77250	14	10
129129-77260	14	21
129129-77270	14	22
129129-77280	14	23
129129-77290	14	24
129129-77300	14	25
129129-77310	14	27
129129-77320	14	28
129129-77330	14	29
129129-77340	14	30
129129-77350	14	31
129129-77362	14	32
129129-77380	14	34
129129-77390	14	14
129129-77400	14	17
129129-77410	14	18
129129-77420	14	19
129129-77430	14	20
129129-77460	14	3
129150-01200	1	32
129150-02020	1	10
129150-02450	7	4
129150-02870	1	34
129150-02871	1	34 -1
129150-02930	1	25
129150-02931	1	25 -1
129150-02940	1	37
129150-02941	1	37 -1
129150-03070	4	42
129150-11230	4	11
129150-11280	4	9
129150-11370	4	14
129150-11750	4	13
129150-11810	4	30
129150-13110	6	2
	17	9

Parts No.	Fig. No.	Ref. No.
129150-14101	7	7
129150-14200	7	1
129150-14400	7	2
129150-23600	8	31
129150-23601	8	31 -1
129150-23610	8	34
129150-23611	8	34 -1
129150-25301	7	15
129150-35041	9	3
	17	12
129150-35042	9	3 -1
129150-35111	9	9
	17	24
129150-35153	9	10
129150-49811	10	26
	17	15
129150-59120	12	30
		30 -1
129150-59131	12	29
		33
		33 -1
129150-77511	5	9
	17	8
129155-42350	10	20
129155-49800	10	25
129155-49801	10	25 -1
129155-51280	19	5
129155-61460	19	24
129202-22300	8	24
129210-59100	13	4
129210-59230	13	7
129246-53001	12	2
129246-61441	19	23
129246-61600	19	97
129246-77800	16	12 -1
129255-61410	19	21
129350-49530	10	27
129400-92420	17	28
129410-03990	5	2
129418-32320	2	10
129461-59580	13	17
129486-01670	3	19
129486-42021	10	14
	17	13
129486-42140	10	16
	17	22
129486-59510	12	53
129486-59551	12	51
129509-51390	18	49
129555-59511	13	9

Parts No.	Fig. No.	Ref. No.
129612-42330	10	21
129612-52100	13	10
129795-01780	3	18
129795-01800	2	6
129795-01900	15	21
129795-01950	2	16
129795-02411	1	13
129795-02412	1	13 -1
129795-11120	4	24
129795-11180	4	25
129795-21661	8	10
129795-49551	10	28
	17	14
129900-07900	4	1
129900-32130	2	9
129916-59020	18	126
158552-51151	7	17
158552-51570	18	68
		69
158552-51571	18	68 -1
		69 -1
158552-51580	18	72
158552-51600	18	83
158552-51670	18	4
158552-51780	18	91
158552-51781	18	91 -1
158552-52100	18	98
158552-52310	18	99
158552-52400	18	114
158552-52500	18	98 A
158552-61900	19	82 -1
158552-61980	19	98
158553-51551	18	65
158553-51630	18	84
158553-51640	18	86
158553-51660	18	88
158553-51670	18	77
158553-51680	18	89
158553-51770	18	118
158553-61050	19	2
158553-61070	19	3
158557-51570	18	70
158563-51281	18	47
		48
158563-51330	18	57
158600-51270	18	46
158601-51550	18	66
158601-51570	18	71
158601-51650	18	87
158601-51770	18	90

Parts No.	Fig. No.	Ref. No.
158601-51790	18	92
171051-01921	1	9
171301-01640	3	9
171301-77201	15	1
171340-44740	10	22
171350-13100	6	1
171420-01600	3	2
194940-52110	16	1
198360-52160	16	6
22190-080002	9	17
		18
	17	17
22190-100002	9	19
	17	27
22190-120002	18	100
		101
		102
	19	63
22190-180002	18	103
		104
22190-220002	3	11 -1
22212-100000	15	18
22217-140000	7	18
	18	105
22252-000260	8	25
22312-050140	18	106
22351-030010	8	8 -1
22351-030012	8	8
22351-050010	18	107
22351-060012	4	35
22512-070140	7	8
	8	6
22857-500100	4	50
		51
23061-070230	10	46
23414-080000	10	50
23857-030000	9	16 -1
23857-060000	18	110
23876-030000	2	4
23876-040000	2	5
23887-120002	18	111
	19	65
24107-060034	8	17
24311-000070	18	113
24311-000120	4	53
	17	19
24311-000160	13	15
24311-000320	2	23
	4	54
	17	20

Parts No. Index

Parts No.	Fig. No.	Ref. No.
24321-000650	13	14
24341-000240	2	29
	17	21
24341-000250	3	11
	17	25
24341-000280	19	82
24356-010180	18	115
24356-010200	18	80
		116
24372-000150	18	81
26014-060302	10	24
26022-040252	15	8
26106-060102	18	117
	19	53
		67
26106-060142	19	83
		84
		99
26106-060162	2	30
26106-060202	19	85
26106-060302	10	24 -1
26106-080122	10	51
26106-080142	4	2
	7	9
26106-080162	2	24
		25
	3	12
	4	2 -1
	10	18
	11	2
26106-080202	5	6
	9	11
	11	3
26106-080222	10	29
26106-080252	3	13
	4	36
26106-080302	13	3
26106-080352	3	20
	4	37
	5	10
	9	5
26106-080402	7	14
26106-080452	3	14
		14 -1
	10	52
26106-080502	3	22
	4	38
	15	25
26106-080552	2	26
26106-080602	10	19

Parts No.	Fig. No.	Ref. No.
26106-080802	5	7
	6	4
26106-080852	2	22 -1
26116-120252	14	35
26206-100252	3	4
26206-100302	3	5
26216-080802	6	5
26306-080002	2	27
	6	6
26306-100002	15	22
26366-060002	9	20
26450-080452	18	123
26716-100002	15	19
26756-060002	19	68
26776-140002	7	19
	18	124
27241-120000	1	14
27241-300000	1	15
27241-400000	4	21
27310-080001	4	28
719802-01500	2	1
729004-01560	1	1
729246-51300	11	1
	18	1
729246-51301	11	1 -1
	18	1 -1
729246-53101	12	1
729246-92600	17	1
729402-23100	8	26
977770-01212	17	29
977770-1207F	2	31
	3	21
	4	60
X0280210230	14	11
X0283060061	14	2
X0283270140	14	12
X9490561370	14	4
X9491200240	14	5
X9491703371	14	13
X9491730461	14	26
XM08137	15	2
XM08180	15	4
XM17878	15	6
XM27436	15	5
XM36410	15	7
XM61014	15	20
XM82184	15	10
XYSPS4008	15	9

Parts No.	Fig. No.	Ref. No.
-----------	----------	----------

Parts No.	Fig. No.	Ref. No.
-----------	----------	----------