

0CD10-M76500EN

PREFACE

1. This parts catalog is the Second edition of 4TNE98-TBW for Takeuchi Mfg. Co., Ltd.
2. This parts catalog does not contain the technical data needed for maintenance service.
3. The illustrations used in this parts catalog have been simplified for clarity.

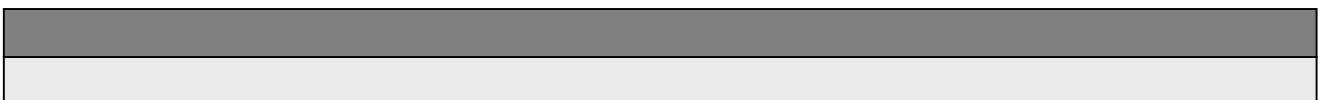
Pub. No.: 000Y00D7650

Published: August.,2001

4. Model name

Engine model	Vehicle		Vehicle made by
	Products	Model name	
4TNE98-TBW	WHEEL EXCAVATOR	AC14CW	Takeuchi Mfg. Co., Ltd.

5. The contents of this parts catalog are subject to change without prior notice.



How to read this Parts Catalog.

1. Parts mentioned in Parts Catalog may not necessarily be standard equipping parts
2. Parts change may be made without prior notice.
3. Form of this Parts Catalog.

REF.	LEV.	PARTS No.	DESCRIPTION	QTY						I	R
				(A)	(B)	(C)	(D)	(E)	(F)		
1		729595-51390	FUEL INJECTION PUMP		1	1	1	1			
1-1	1	729595-51391	FUEL INJECTION PUMP	1	1	1	1	1		N	1
3	2	26022-060162	SCREW M 6X16		9	9	9	9	9		
1 3-1	2	26022-060162	SCREW M 6X16		4	4	4	4	4		K
4	2	129470-51040	CAMSHFT		9	9	9	9	9		
5	2	122710-51050	BEARING. ROLLER		9	9	9	9	9		
6	2	129470-51060	RETAINER		9	9	9	9	9		

Remarks	(1) BOOST COMPENSATOR TYPE. OPTIONAL PART. TO E#00155 (4JH-DT, 4JH-DTZ)
---------	---

① Ref. No.

The Ref. No. in the list may not be in accordance with the Ref. No. on illustration.

(Ex.) illustration No. List head No.

1 1 (Before change) → 1-1 (After change)

When interchangeable symbol N, and k, illustrations for the new parts are sometimes omitted.

② Lev. (Level)

Indication and Meaning of Level

Level Hereunder is given the relation among the number of number (1,2,3) the level and the nominal parent-child relationship.

1 ---- Parent parts (Assembly parts)

2 ---- Child parts included in " 1 " (Semi-Assembly parts, component parts of Assembly parts.)

3 ---- Child parts included in " 2 ", Grand-child parts in terms of " 1 ".

(Component parts of Semi-Assembly parts.)

Note) A parts of non-sale parts are illustrated but not listed.




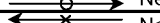
③ Change Mark

Change Mark " I " is given to the part for which a design change was made at this time.

The design change was not shown in the last published Parts Catalog.

④ Interchangeability Mark

In the case where a part change took place, one of the following interchangeability marks is indicated for that part

Symbol	Interchangeability	Contents note
N	Old ←  New	New Part is interchangeable for Old Part but not interchangeable conversely.
Q	Old ←  New	New Part is not interchangeable for Old Part but interchangeable conversely.
R	Old ←  New	New Part is interchangeable for Old Part and vice versa.
S	Old ←  New	New Part is not interchangeable for Old Part and vice versa.
W		Part newly added.
Z		Part discontinued.
F		Not interchangeable single part but interchangeable by set of the related parts.
K		Changed only in quantity used.

⑤ Effective Machine No.

When a part is changed, Effective Machine No. of a Model for which the part is applicable is indication

In each column of (A)-(F).

Product Symbol	Product No.	Product Symbol	Product No.
C	Clutch No, Compressor No,	M	Machine No,
D	Drive No,	T	Tractor No,
E	Engine No,	Note 1)※	Date

Note 1) Date may follow the symbol in some cases. (Ex.) ※1996.01

Note 2) As far as engine models shown by " XXX " are concerned, the modification of the parts could not be Predicted or the engine models themselves could not be identified.

Note 3) (A=E/#00185) means that the design change on the part has been effective for the model at the, column (A) (in the case, for 4JH-DT) on and from E/(Engine Serial Number) 00185

⑥ Remarks Mark

Figures or alphabets (Symbols) are entered in the remark column.

The comments (remarks) on the pertinent parts are indicated in the lower part of the list by the same symbols a those stated above.

Contents

Fig. No. Fig. Name

Fig. No. Fig. Name

4TNE98-TBW

1. CYLINDER BLOCK
2. GEAR HOUSING
3. FLYWHEEL HOUSING & OIL SUMP
4. CYLINDER HEAD & BONNET
5. SUCTION MANIFOLD & AIR CLEANER
6. EXHAUST MANIFOLD & SILENCER
7. CAMSHAFT & DRIVING GEAR
8. CRANKSHAFT & PISTON
9. HYDRAULIC PUMP
10. OIL COOLER
11. LUB.OIL SYSTEM
12. COOLING WATER SYSTEM
13. FUEL INJECTION PUMP
14. GOVERNOR
15. FEED PUMP
16. FUEL INJECTION VALVE
17. FUEL LINE
18. STARTING MOTOR
19. GENERATOR
20. TOOL & GASKET SET

Fig.1. CYLINDER BLOCK

(A)=4TNE98-TBW

(B)=

(C)=

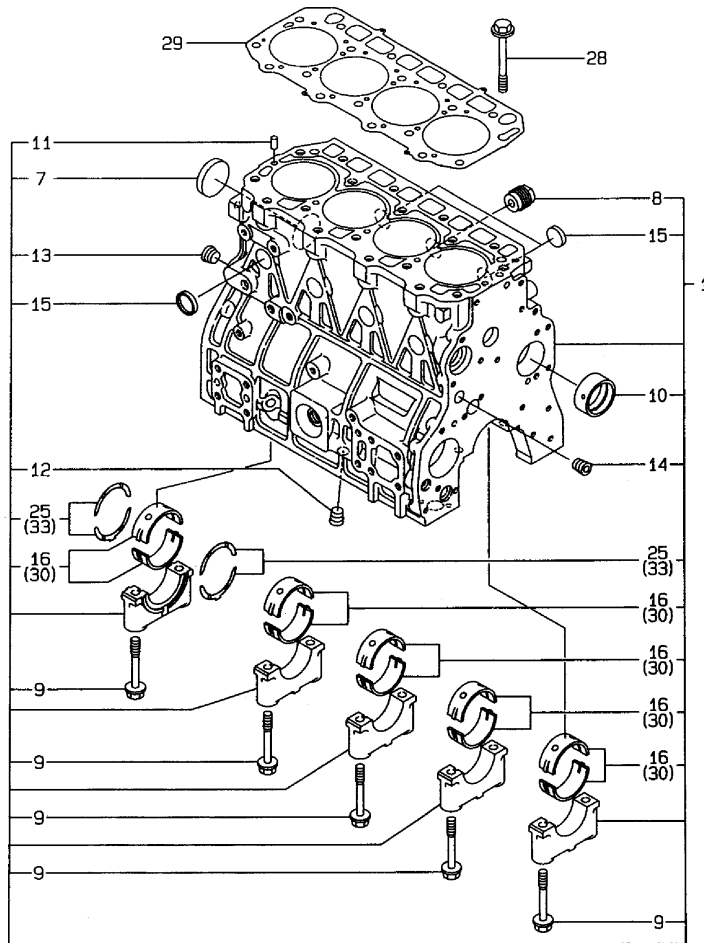
(D)=

(E)=

(F)=

Q'ty

No.	Lev.	Parts No.	Description	Q'ty						I	R
				(A)	(B)	(C)	(D)	(E)	(F)		
1	1	729953-01560	BLOCK ASSY, CYLINDER	1							
7	2	129900-01250	PLUG, 55	1							
8	2	129953-01920	JOINT	1							
9	2	129900-02020	BOLT, METAL CAP	10							
10	2	129900-02410	BUSH, CAMSHAFT	1							
11	2	22351-060012	PIN, SPRING 6.0X12	2							
12	2	23876-030000	PLUG, R03	1							
13	2	23876-030000	PLUG, R03	1							
14	2	23876-030000	PLUG, R03	1							
15	2	27241-300000	PLUG 30	8							
16	2	129900-02800	BEARING, MAIN	5							
25	2	129900-02930	BEARING, THRUST	2							
28	1	129900-01200	BOLT, HEAD	18							
29	1	129902-01331	GASKET, HEAD	1							
30	1	129900-02340	BEARING, 0.25 US	5							1
33	1	129900-02940	BEARING, THRUST 0.25	2							2



Remarks

- (1) UNDER-SIZED(U.S=0.25)PART.
- (2) OVER-SIZED(O.S=0.25)PART.

Fig.2. GEAR HOUSING

(A)=4TNE98-TBW

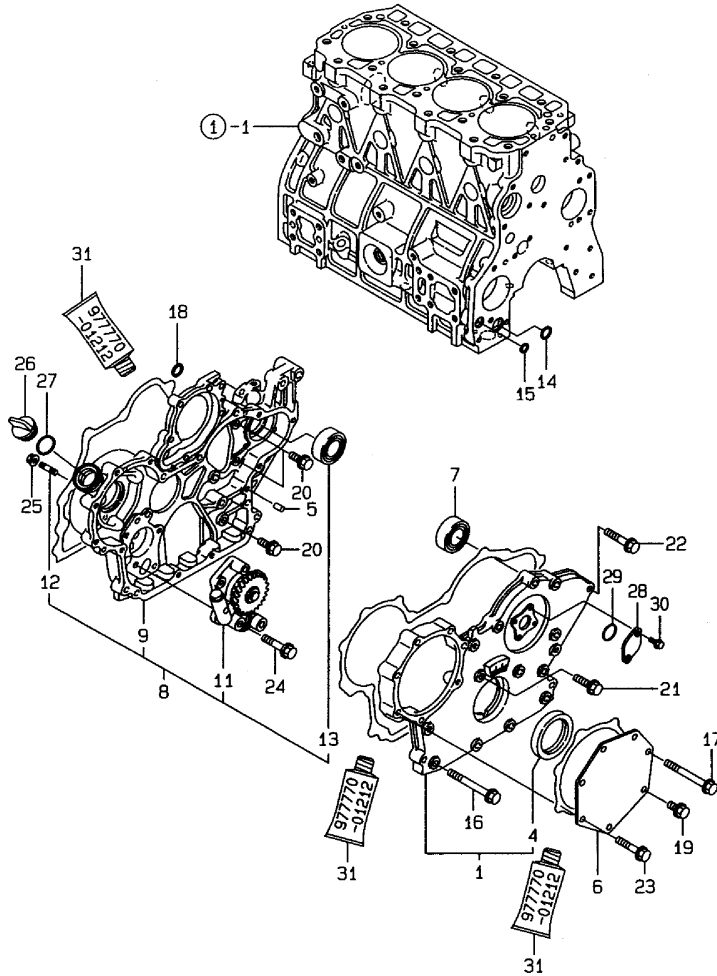
(B)=

(C)=

(D)=

(E)=

(F)=



No.	Lev.	Parts No.	Description	Q'ty						I	R
				(A)	(B)	(C)	(D)	(E)	(F)		
1	1	729900-01570	COVER ASSY,GEAR CASE	1							
4	2	129900-01780	SEAL, OIL	1							
5	1	129100-01580	PIN, M8X16	4							
6	1	129951-01740	COVER	1							
7	1	129900-26250	BEARING, BALL 6206C3	1							
8	1	129900-01810	CASE ASSY, GEAR	1							
9	2	129900-01520	CASE, GEAR	1							
11	2	129900-32000	PUMP ASSY, OIL	1							
12	2	26216-100302	STUD, M10X 30	4							
13	2	129900-26250	BEARING, BALL 6206C3	1							
14	1	129900-32030	O-RING, P20	1							
15	1	129900-32040	O-RING, P14	1							
16	1	129001-91810	BOLT, M8X70	6							
17	1	129001-91810	BOLT, M8X70	1							
18	1	24311-000070	O-RING, 1AP7.0	1							
19	1	26106-080162	BOLT, M8X 16 PLATED	1							
20	1	26106-080202	BOLT, M8X 20 PLATED	3							
21	1	26106-080302	BOLT, M8X 30 PLATED	1							
22	1	26106-080402	BOLT, M8X 40 PLATED	5							
23	1	26106-080402	BOLT, M8X 40 PLATED	5							
24	1	26106-080452	BOLT, M8X 45 PLATED	3							
25	1	26306-100002	NUT, M10	4							
26	1	124160-01751	COVER, FILLER	1							
27	1	24311-000320	O-RING, 1AP32.0	1							
28	1	121023-01550	COVER	1							
29	1	24341-000240	O-RING, 1AS24.0	1							
30	1	26106-060162	BOLT, M6X 16 PLATED	2							
31	1	977770-01212	GASKET, LIQUID	1							1

Remarks

(1) OPTIONAL PART.

Fig.3. FLYWHEEL HOUSING & OIL SUMP

(A)=4TNE98-TBW

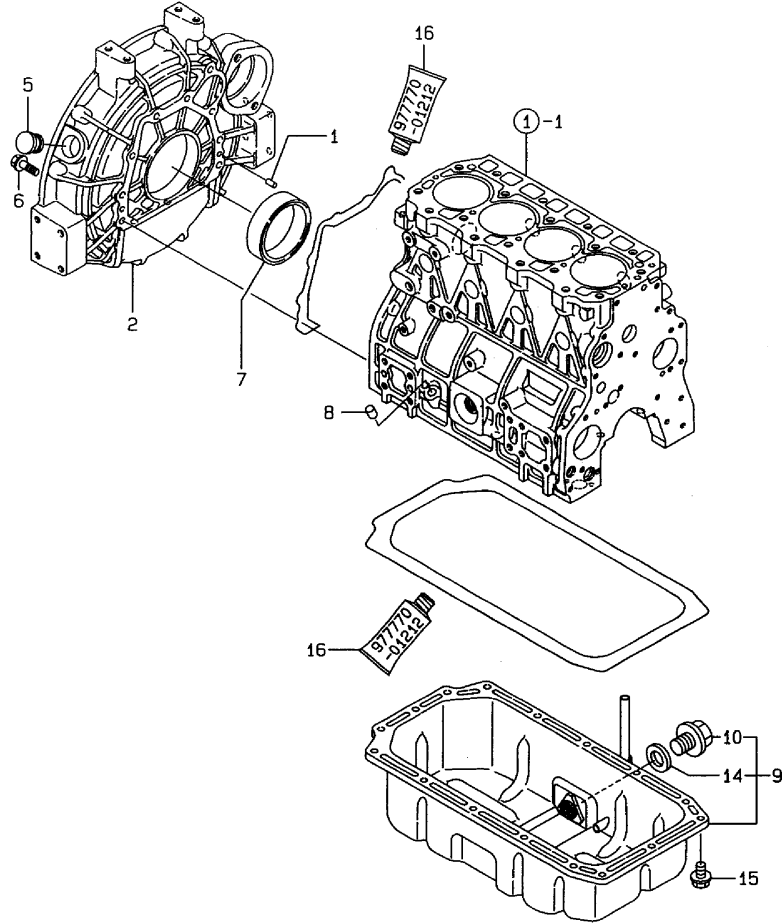
(B)=

(C)=

(D)=

(E)=

(F)=

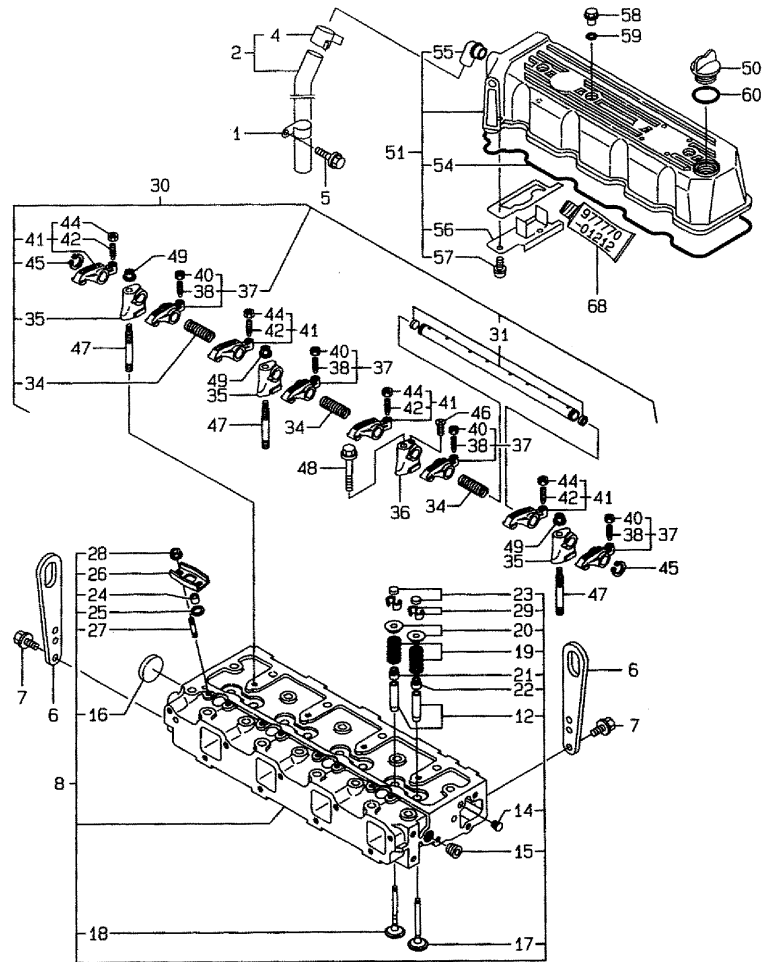


No.	Lev.	Parts No.	Description	Q'ty						I	R
				(A)	(B)	(C)	(D)	(E)	(F)		
1	1	129100-01580	PIN, M8X16	2							
2	1	129951-01620	HOUSING, FLYWHEEL	1							
5	1	119000-01840	PLUG, RUBBER	1							
6	1	26206-100352	BOLT, M10X 35 PLATED	9							
7	1	124411-01780	SEAL, HTC95X115X12	1							
8	1	27225-100140	PLUG, 10X14	1							
9	1	129953-01730	SUMP ASSY, OIL	1							
10	2	119640-01640	PLUG, DRAIN M22	1							
14	2	22190-220002	WASHER, SEAL 22	1							
15	1	26106-080122	BOLT, M8X 12 PLATED	16							
16	1	977770-01212	GASKET, LIQUID	1							1

Remarks

(1) OPTIONAL PART.

Fig.4. CYLINDER HEAD & BONNET



Remarks
 (1) REPAIR PART.
 (2) OPTIONAL PART.

(A)=4TNE98-TBW
 (B)=
 (C)=

(D)=
 (E)=
 (F)=

No.	Lev.	Parts No.	Description	Q'ty						I	R
				(A)	(B)	(C)	(D)	(E)	(F)		
1	1	129910-03100	RETAINER, PIPE	1							
2	1	129953-03100	HOSE ASSY, BREATHER	1							
4	2	129960-03990	CLIP, HOSE 22	1							
5	1	26106-080122	BOLT, M8X 12 PLATED	1							
6	1	129900-07900	LIFTER	2							
7	1	26106-080162	BOLT, M8X 16 PLATED	4							
8	1	729900-11100	HEAD ASSY, CYLINDER	1							
12	2	129150-11810	GUIDE, VALVE	8							1
14	2	23871-005000	PLUG, R005	1							
15	2	23876-030000	PLUG, R03	1							
16	2	27241-400000	PLUG, 40	1							
17	2	129900-11100	VALVE, INTAKE	4							
18	2	129900-11110	VALVE, EXHAUST	4							
19	2	129900-11120	SPRING, VALVE	8							
20	2	129795-11180	RETAINER, SPRING	8							
21	2	121400-11340	SEAL, VALVE STEM	4							
22	2	124460-11340	SEAL, VALVE STEM	4							
23	2	129150-11370	CAP, VALVE	8							
24	2	119625-11870	PROTECTOR, NOZZLE	4							
25	2	119625-11880	SEAT, NOZZLE	4							
26	2	119625-11900	RETAINER, NOZZLE	4							
27	2	26216-060202	STUD, M6X 20	8							
28	2	26366-060002	NUT, M6	8							
29	2	27310-080000	COTTER 8	16							
30	1	129900-11200	SUPPORT ASSY, ARM	1							
31	2	129900-11240	SHAFT ASSY, ROCKER	1							
34	2	129900-11280	SPRING	3							
35	2	129900-11510	SUPPORT, ROCKER ARM	3							
36	2	129900-11520	SUPPORT, ROCKER ARM	1							
37	2	129900-11650	ARM, ROCKER	4							
38	3	129150-11230	SCREW, VALVE ADJUST	4							
40	3	129150-11750	NUT, M8	4							
41	2	129900-11660	ARM, ROCKER	4							
42	3	129150-11230	SCREW, VALVE ADJUST	4							
44	3	129150-11750	NUT, M8	4							
45	2	22242-000180	RING, 18	2							
46	2	26577-040162	SCREW, M4X16	1							
47	1	129900-11530	STUD	3							
48	1	26106-100652	BOLT, M10X 65 PLATED	1							
49	1	26306-100002	NUT, M10	3							
50	1	124160-01751	COVER, FILLER	1							
51	1	129902-11350	BONNET ASSY, HEAD	1							
54	2	129900-11310	GASKET, BONNET	1							
55	2	119100-11330	ELBOW	1							
56	2	129900-11600	PLATE, BAFFLE	1							
57	2	22857-500100	SCREW, 5X10	2							
58	1	124160-11360	KNOB	3							
59	1	24311-000120	O-RING, 1AP12.0	3							
60	1	24311-000320	O-RING, 1AP32.0	1							
68	1	977770-01212	GASKET, LIQUID	1							2

Fig.5. SUCTION MANIFOLD & AIR CLEANER

(A)=4TNE98-TBW

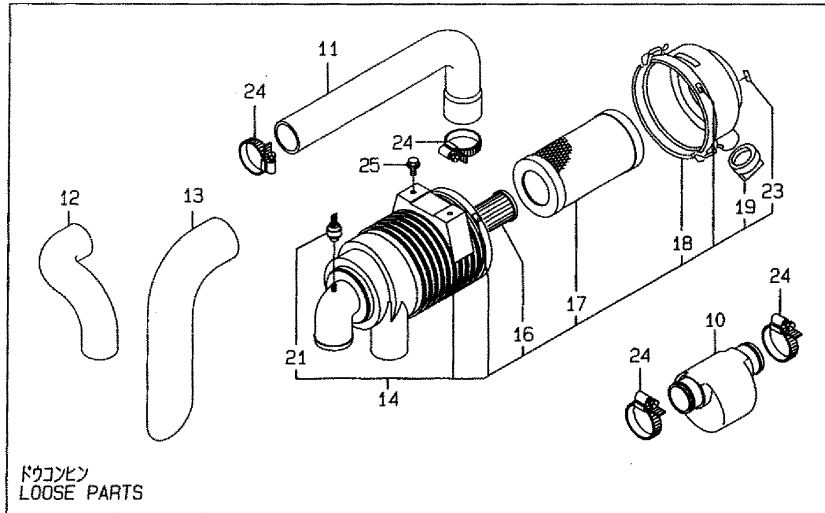
(B)=

(C)=

(D)=

(E)=

(F)=



No.	Lev.	Parts No.	Description	Q'ty						I	R
				(A)	(B)	(C)	(D)	(E)	(F)		
1	1	129900-12050	GASKET, MANIFOLD	1							
2	1	129900-12100	MANIFOLD, AIR INTAKE	1							
4	1	26106-080452	BOLT, M8X 45 PLATED	9							
5	1	119129-77020	GASKET	1							
6	1	121850-77021	GASKET	1							
7	1	121850-77100	CAPSULE	1							
8	1	119129-77500	HEATER	1							
9	1	26106-080302	BOLT, M8X 30 PLATED	4							
10	1	119005-12060	SILENCER ASSY	1							
11	1	129953-12220	PIPE, AIR INTAKE	1							
12	1	129953-12230	PIPE, AIR INTAKE	1							
13	1	129953-12250	PIPE, AIR INTAKE	1							
14	1	129953-12501	CLEANER ASSY, AIR	1							
16	2	119005-12571	ELEMENT	1							
17	2	129062-12560	ELEMENT	1							
18	2	129900-12530	COVER ASSY	1							
19	2	119808-12540	VALVE, UNLOADER	1							
21	2	119140-12680	INDICATOR	1							
23	2	129612-12650	MARKING,(W)	1							
24	1	23000-080000	CLAMP, 80	4							
25	1	26106-080162	BOLT, M8X 16 PLATED	2							

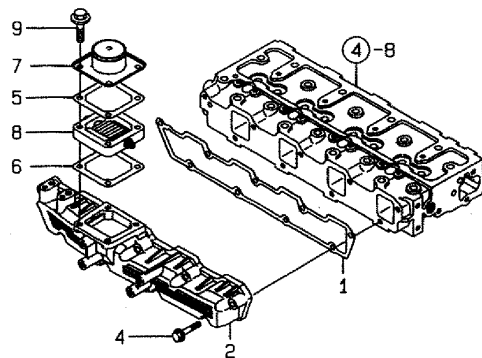
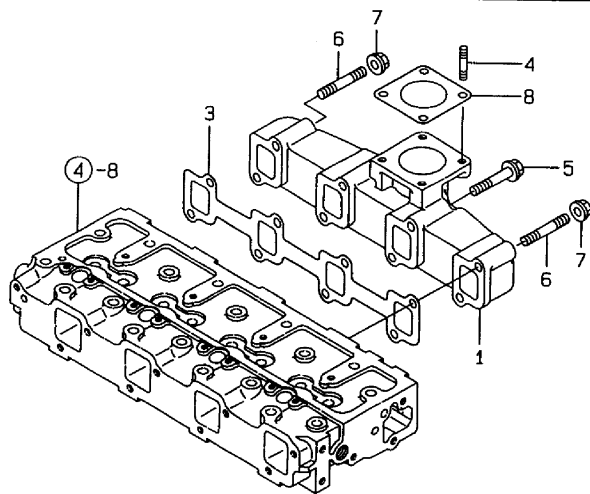
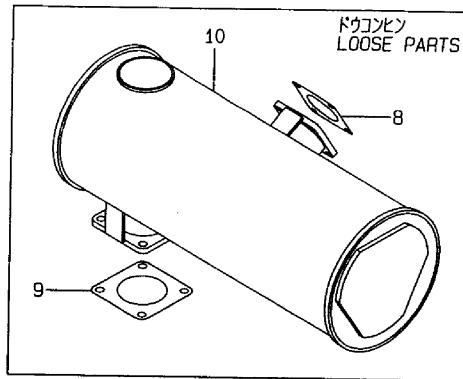


Fig.6. EXHAUST MANIFOLD & SILENCER

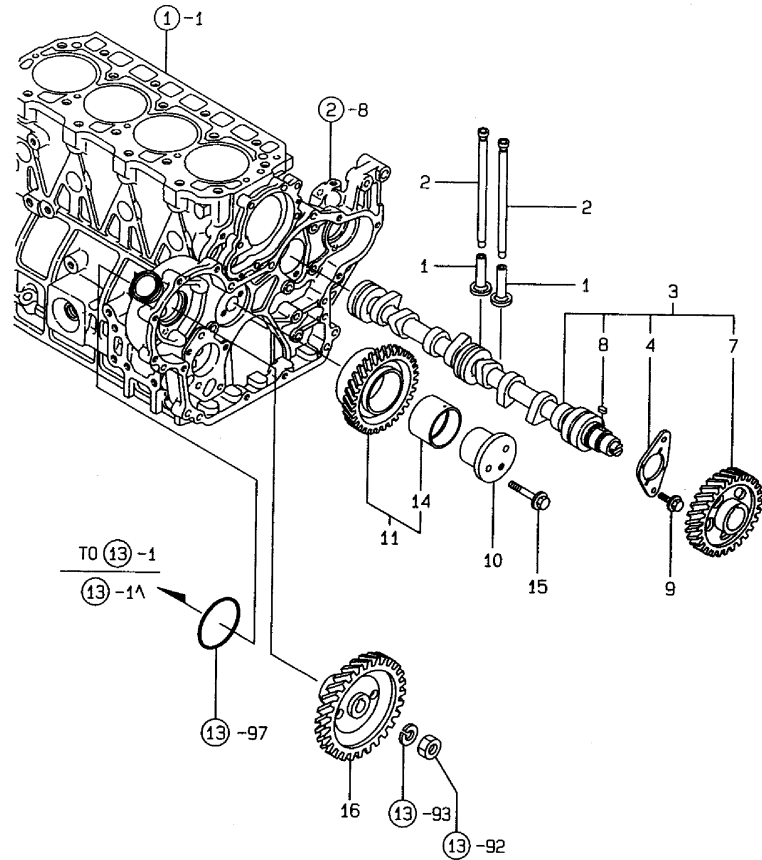
(A)=4TNE98-TBW
(B)=
(C)=

(D)=
(E)=
(F)=



No.	Lev.	Parts No.	Description	Q'ty						I	R
				(A)	(B)	(C)	(D)	(E)	(F)		
1	1	129900-13200	MANIFOLD, EXHAUST	1							
3	1	129900-13251	GASKET	1							
4	1	119131-18320	STUD, M8X22	4							
5	1	26106-080802	BOLT, M8X 80 PLATED	6							
6	1	26216-080802	STUD, M8X 80	2							
7	1	26306-080002	NUT, M8	2							
8	1	129400-13201	GASKET, SILENCER	2							
9	1	128300-13230	GASKET, SILENCER	1							
10	1	129953-13551	SILENCER	1							

Fig.7. CAMSHAFT & DRIVING GEAR



(A)=4TNE98-TBW

(B)=

(C)=

(D)=

(E)=

(F)=

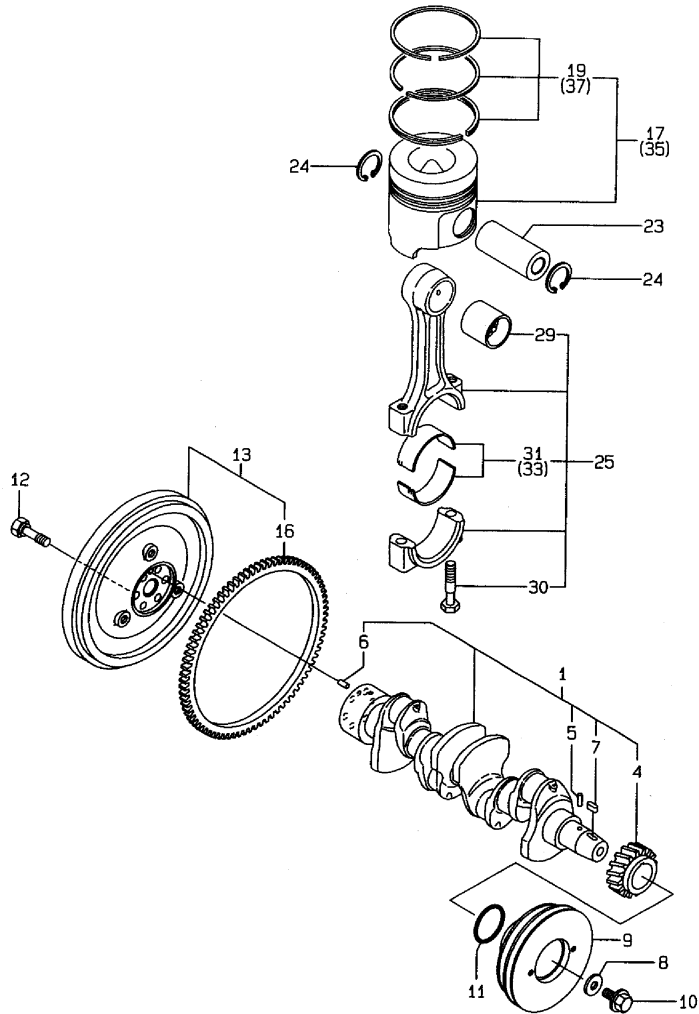
No.	Lev.	Parts No.	Description	Q'ty						I	R
				(A)	(B)	(C)	(D)	(E)	(F)		
1	1	129150-14200	TAPPET	8							
2	1	129900-14400	ROD, PUSH	8							
3	1	129900-14580	CAMSHAFT ASSY	1							
4	2	129150-02450	BEARING, THRUST	1							
7	2	129900-14100	GEAR, CAMSHAFT	1							
8	2	22512-070140	KEY, 7X 14	1							
9	1	26106-080162	BOLT, M8X 16 PLATED	2							
10	1	129900-25060	SHAFT, IDLE	1							
11	1	129900-25100	GEAR ASSY, IDLE	1							
14	2	129150-25920	BUSH, IDLE GEAR	1							1
15	1	26106-080552	BOLT, M8X 55 PLATED	2							
16	1	129900-25900	GEAR, PUMP	1							

Remarks

(1) REPAIR PART.

N:Old $\xrightarrow{\text{Yes}}$ New, Q:Old $\xrightarrow{\text{No}}$ New, R:Old $\xrightarrow{\text{Yes}}$ New, S:Old $\xrightarrow{\text{No}}$ New, W:Add, Z:Discontinued, F:Interchangeable by set, K:Q'ty Change

Fig.8. CRANKSHAFT & PISTON



(A)=4TNE98-TBW
(B)=
(C)=

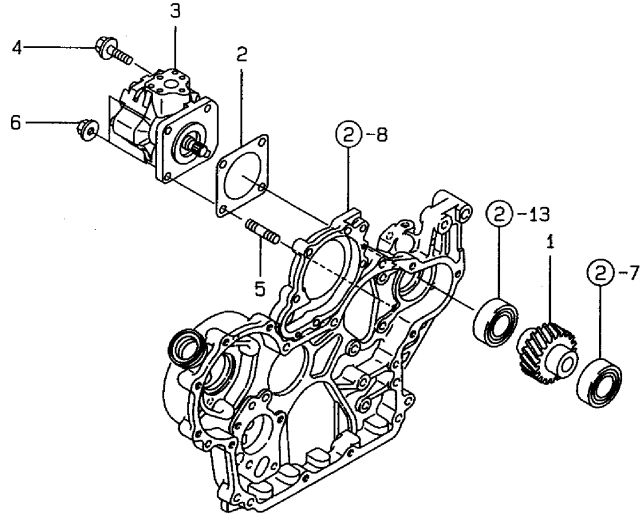
(D)=
(E)=
(F)=

No.	Lev.	Parts No.	Description	Q'ty						I	R
				(A)	(B)	(C)	(D)	(E)	(F)		
1	1	129902-21000	CRANKSHAFT ASSY	1							
4	2	129900-21200	GEAR, CRANKSHAFT	1							
5	2	121850-21290	PIN	1							
6	2	121850-21920	PIN, M10X22	1							
7	2	22512-070140	KEY, 7X 14	1							
8	1	129960-21640	WASHER	1							
9	1	129916-21650	V-PULLEY	1							
10	1	121850-21680	BOLT	1							
11	1	24341-000530	O-RING, 1AS53.0	1							
12	1	121850-21130	BOLT, FLYWHEEL	6							
13	1	129902-21580	FLYWHEEL ASSY	1							
16	2	127410-21480	GEAR, RING Z=129	1							
17	1	129902-22080	PISTON ASSY, DI	4							
19	2	129903-22050	RING SET, PISTON	4							
23	1	120130-22301	PIN, PISTON	4							
24	1	22252-000300	RING, 30	8							
25	1	129900-23000	ROD ASSY, CONNECTING	4							
29	2	129900-23910	BEARING, PISTON PIN	4							1
30	2	129900-23200	BOLT, CONNECTING ROD	8							
31	2	129900-23600	BEARING, CRANK PIN	4							
33	1	129900-23610	BEARING, 0.25 US	4							2
35	1	129902-22900	PISTON ASSY, 0.25 OS	4							3
37	2	129903-22950	RING SET, 0.25 OS	4							3

Remarks

- (1) REPAIR PART.
- (2) UNDER-SIZE(U.S=0.25)PART.
- (3) OVER-SIZE(O.S=0.25)PART.

Fig.9. HYDRAULIC PUMP



(A)=4TNE98-TBW
(B)=
(C)=

(D)=
(E)=
(F)=

No.	Lev.	Parts No.	Description	Q'ty						I	R
				(A)	(B)	(C)	(D)	(E)	(F)		
1	1	129900-26210	GEAR, PUMP	1							
2	1	124240-01883	GASKET	1							
3	1	129953-26010	PUMP ASSY, GPW1-C-4A	1							
4	1	26106-080252	BOLT, M8X 25 PLATED	2							
5	1	26216-080202	STUD, M8X 20	2							
6	1	26306-080002	NUT, M8	2							

Fig.10. OIL COOLER

(A)=4TNE98-TBW
(B)=
(C)=

(D)=
(E)=
(F)=

No.	Lev.	Parts No.	Description	Q'ty						I	R
				(A)	(B)	(C)	(D)	(E)	(F)		
1	1	119642-33030	COOLER, OIL	1							
2	1	119642-33100	BRACKET, COOLER	1							
3	1	129150-35350	NUT								
4	1	129122-44480	JOINT	1							
5	1	129970-49060	PIPE, WATER	1							
6	1	121550-49111	JOINT, PT1/4	1							
7	1	129466-49300	ELBOW, PT3/8	1							
8	1	123910-49600	PIPE, WATER	1							
9	2	123910-49020	PIPE ASSY, WATER	1							
10	2	123910-49610	TUBE, CORRUGATED	1							
11	1	121750-59890	BAND, 140	1							
12	1	23000-025000	CLAMP, 25	4							
13	1	24321-000600	O-RING, 1AG60.0	1							
14	1	24321-000700	O-RING, 1AG70.0	1							

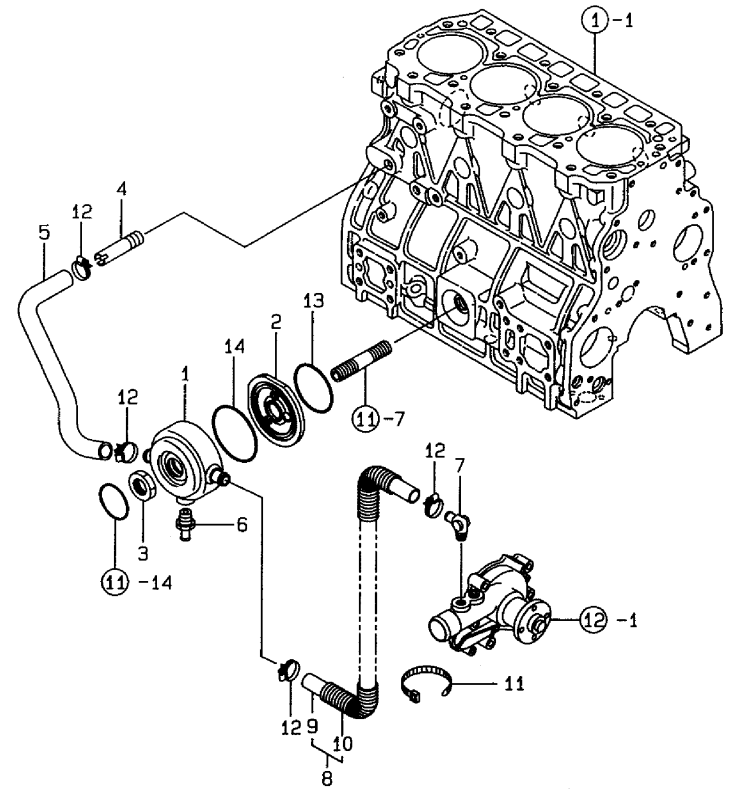
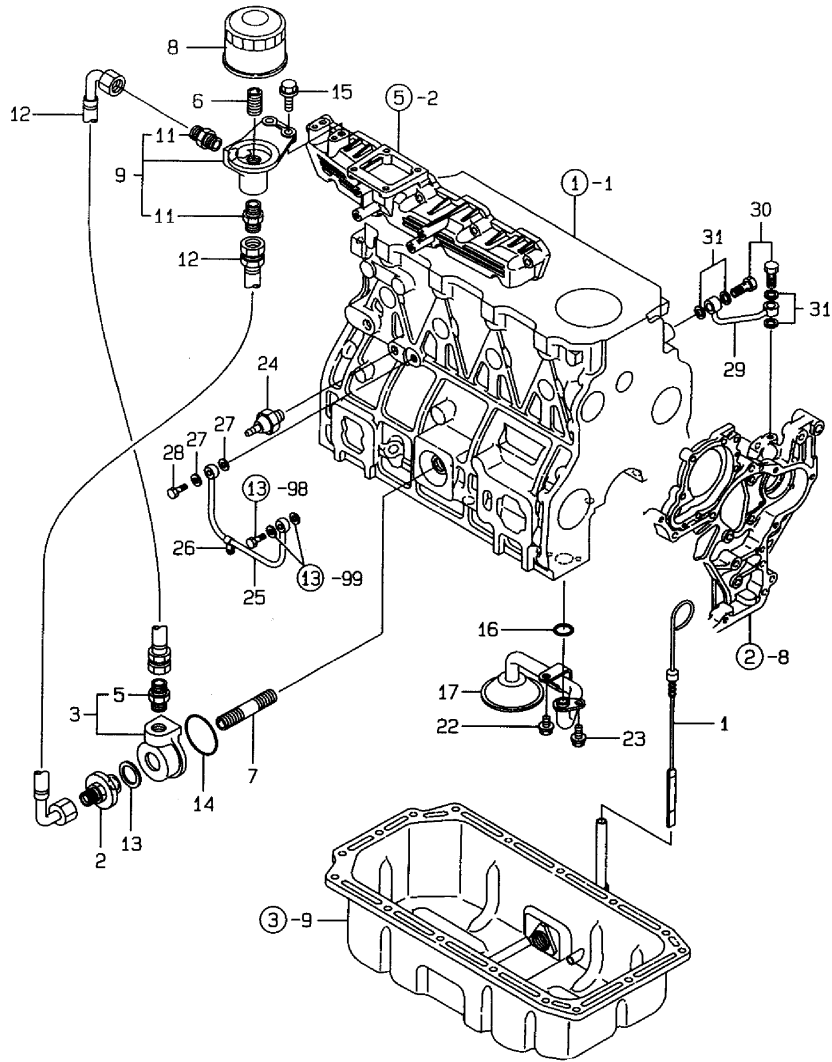


Fig.11. LUB.OIL SYSTEM



(A)=4TNE98-TBW

(B)=

(C)=

(D)=

(E)=

(F)=

No.	Lev.	Parts No.	Description	Qty						I	R
				(A)	(B)	(C)	(D)	(E)	(F)		
1	1	119812-34800	DIPSTICK, OIL	1							
2	1	129953-35110	RETAINER	1							
3	1	129953-35121	CASE ASSY	1							
5	2	129953-39500	ADAPTER, R-G1/2	1							
6	1	119000-35140	BOLT, FILTER	1							
7	1	129970-35140	BOLT, FILTER	1							
8	1	129150-35151	FILTER, D80XL80	1							
9	1	129953-35210	BRACKET ASSY	1							
11	2	129953-39500	ADAPTER, R-G1/2	2							
12	1	129953-39100	PIPE ASSY, OIL	2							
13	1	22190-300002	WASHER, SEAL 30	1							
14	1	24321-000600	O-RING, 1AG60.0	1							
15	1	26106-100252	BOLT, M10X 25 PLATED	2							
16	1	129900-32030	O-RING, P20	1							
17	1	129900-35000	PIPE ASSY, OIL INLET	1							
22	1	26106-080122	BOLT, M8X 12 PLATED	1							
23	1	26106-080162	BOLT, M8X 16 PLATED	1							
24	1	114250-39450	SWITCH, 0.5KG	1							
25	1	129900-39350	PIPE, OIL	1							
26	1	23297-060081	CLAMP, A6X 8	1							
27	1	23414-080000	GASKET, 8X1.0	2							
28	1	23857-030000	BOLT, JOINT 3	1							
29	1	129930-39050	PIPE, OIL	1							
30	1	105010-39140	BOLT, PIPE JOINT	2							
31	1	22190-080002	WASHER, SEAL 6	4							

Fig.12. COOLING WATER SYSTEM

(A)=4TNE98-TBW

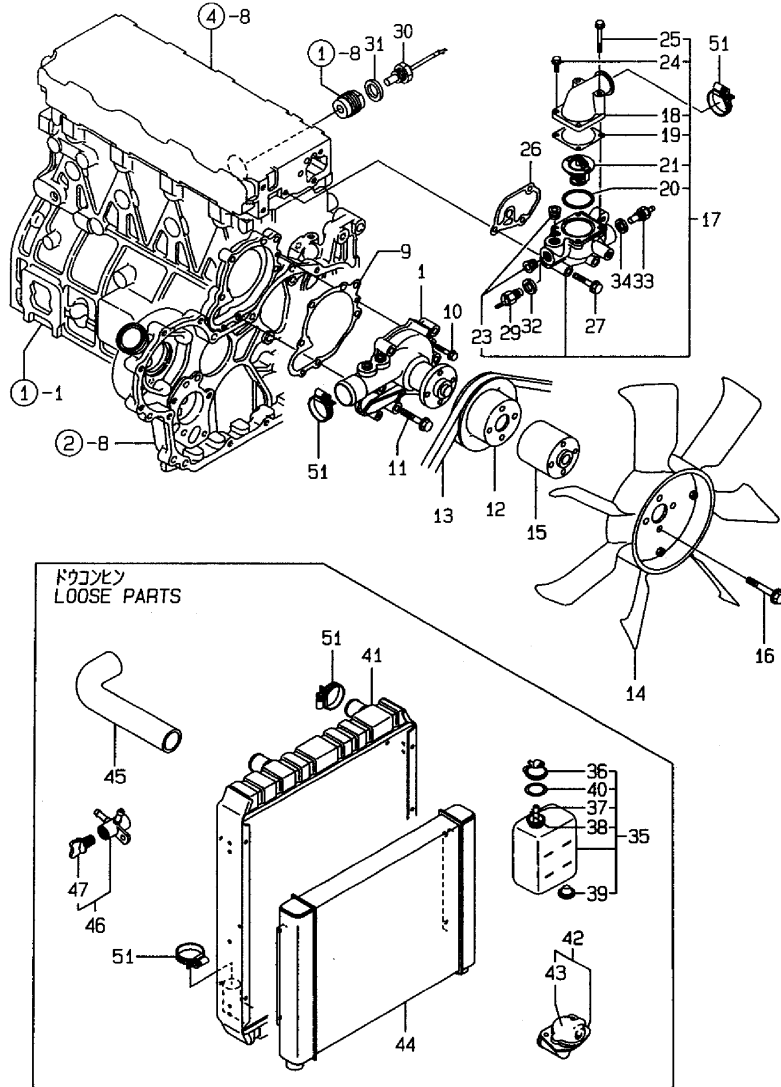
(B)=

(C)=

(D)=

(E)=

(F)=



No.	Lev.	Parts No.	Description	Qty						I	R
				(A)	(B)	(C)	(D)	(E)	(F)		
1	1	129900-42001	PUMP ASSY, WATER	1							
9	1	129900-42020	GASKET, WATER PUMP	1							
10	1	26106-060302	BOLT, M6X 30 PLATED	2							
11	1	26106-080552	BOLT, M8X 55 PLATED	5							
12	1	129900-42461	V-PULLEY	1							
13	1	25132-004500	V-BELT, A45	1							
14	1	129981-44740	FAN, COOLING D=450	1							
15	1	119117-44760	SPACER, FAN	1							
16	1	26106-080802	BOLT, M8X 80 PLATED	4							
17	1	129916-49800	CASE ASSY, THERMOSTAT	1							
18	2	129980-49530	COVER, THERMOSTAT	1							
19	2	121850-49540	GASKET, THERMOSTAT	1							
20	2	121850-49550	GASKET, THERMOSTAT	1							
21	2	121850-49800	THERMOSTAT, 82	1							
23	2	23875-030000	PLUG, R03	2							
24	2	26106-060202	BOLT, M6X 20 PLATED	2							
25	2	26106-060552	BOLT, M6X 55 PLATED	2							
26	1	129900-49870	GASKET	1							
27	1	26106-080602	BOLT, M8X 60 PLATED	3							
29	1	121250-44901	SWITCH, 110	1							
30	1	129107-44901	SENSOR	1							
31	1	124465-44950	GASKET, 16	1							
32	1	124465-44950	GASKET, 16	1							
33	1	171056-49351	SENSOR	1							
34	1	129150-49360	GASKET	1							
35	1	129466-44510	TANK ASSY, SUB	1							
36	2	121450-44531	CAP	1							
37	2	124450-44560	RETAINER	1							
38	2	121267-44590	PIPE	1							
39	2	121468-44540	PLUG, SUB-TANK	1							
40	2	121470-44581	GASKET	1							
41	1	129953-44530	RADIATOR ASSY	1							
42	1	129959-44600	TUBE ASSY, FILLER	1							
43	2	119259-44570	CAP, RADIATOR	1							
44	1	129953-44940	COOLER ASSY, OIL	1							
45	1	129953-49010	PIPE, WATER	1							
46	1	129150-49100	COCK ASSY, 3-WAY	1							
47	2	129150-49080	COCK, DRAIN	1							
51	1	23000-054000	CLAMP, 54	4							

Fig.13. FUEL INJECTION PUMP

(A)=4TNE98-TBW

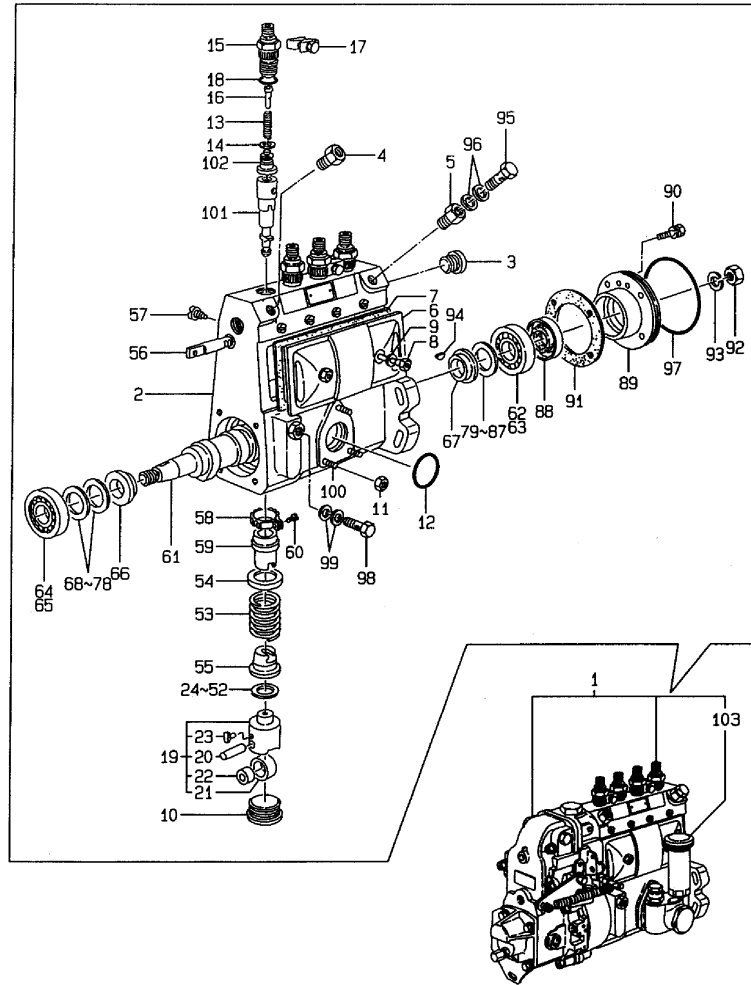
(B)=

(C)=

(D)=

(E)=

(F)=



No.	Lev.	Parts No.	Description	Qty						I	R
				(A)	(B)	(C)	(D)	(E)	(F)		
1	1	129953-51120	PUMP ASSY, INJECTION	1							1
2	2	X1310642220	FLANGED HOUSING	1							
3	2	X1340260000	PLUG	1							
4	2	X1310022000	CAP	1							
5	2	X1310022000	CAP	1							
6	2	X1310286220	COVER	1							
7	2	X1310111900	GASKET	1							
8	2	X1310171000	SCREW	2							
9	2	X0293406020	GASKET	2							
10	2	X1310341401	PLUG	4							
11	2	X1392060400	NUT	3							
12	2	X0296331010	O-RING	1							
13	2	X1311123500	SPRING	4							
14	2	X1311151600	GASKET	4							
15	2	X1311167600	HOLDER	4							
16	2	X1311172300	STOPPER	4							
17	2	X1311220520	PLATE	2							
18	2	X0296320030	O-RING, 21X17X2	4							
19	2	X1312000220	TAPPET	4							
20	3	X1312030200	PIN	4							
21	3	X1312041000	ROLLER	4							
22	3	X1312050500	BUSH	4							
23	3	X1312060200	GUIDE	4							
24	2	X0293110020	SHIM	1							
25	2	X0293110030	SHIM	1							
26	2	X0293110040	SHIM	1							
27	2	X0293110050	SHIM	1							
28	2	X0293110060	SHIM	1							
29	2	X0293110070	SHIM	1							
30	2	X0293110080	SHIM	1							
31	2	X0293110090	SHIM	1							
32	2	X0293110110	SHIM	1							
33	2	X0293110120	SHIM	1							
34	2	X0293110130	SHIM	1							
35	2	X0293110140	SHIM	1							
36	2	X0293110270	SHIM	1							
37	2	X0293110280	SHIM	1							
38	2	X0293110290	SHIM	1							
39	2	X0293110310	SHIM	1							
40	2	X0293110320	SHIM	1							
41	2	X0293110330	SHIM	1							
42	2	X0293110340	SHIM	1							
43	2	X0293110350	SHIM	1							
44	2	X0293110490	SHIM	1							
45	2	X0293110500	SHIM	1							
46	2	X0293110580	SHIM	1							
47	2	X0293110590	SHIM	1							
48	2	X0293110600	SHIM	1							
49	2	X0293110610	SHIM	1							
50	2	X0293110620	SHIM	1							
51	2	X0293110630	SHIM	1							

Remarks

(1) GOVERNOR(FIG.NO.14) & FEED PUMP (FIG.NO.15) IS INCORPORATED IN THIS FUEL INJECTION PUMP (REF.NO.1).

Fig.13. FUEL INJECTION PUMP

(A)=4TNE98-TBW

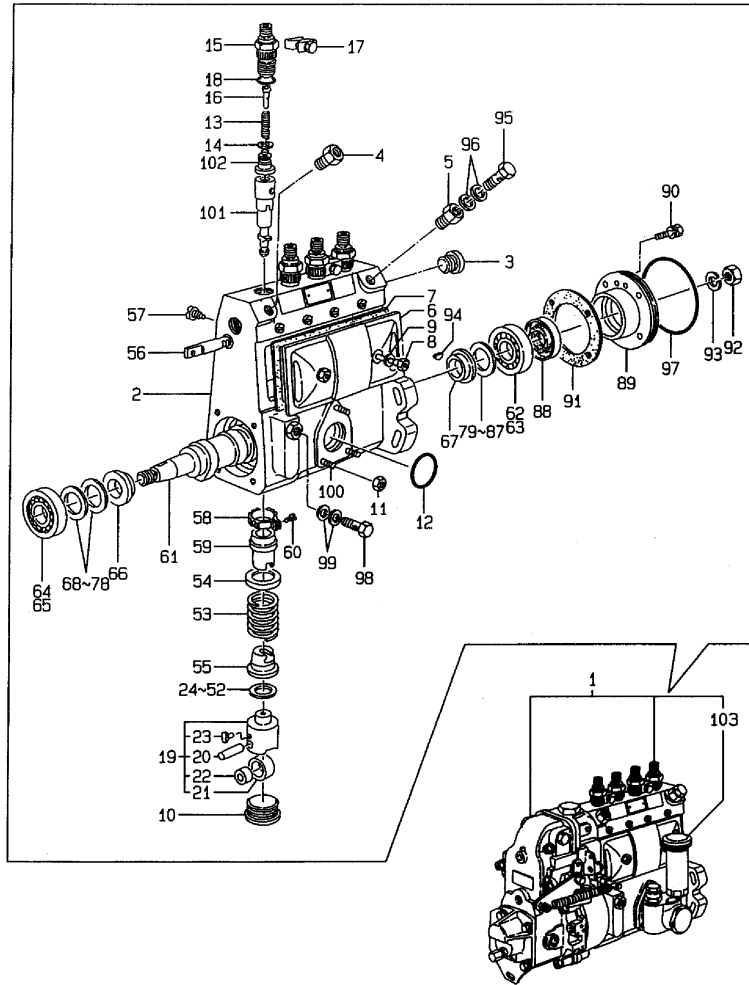
(B)=

(C)=

(D)=

(E)=

(F)=



No.	Lev.	Parts No.	Description	Qty						I	R
				(A)	(B)	(C)	(D)	(E)	(F)		
52	2	X0293110710	SHIM	1							
53	2	X1312152500	SPRING	4							
54	2	X1312160100	SEAT, SPRING	4							
55	2	X1312170200	SEAT, SPRING	4							
56	2	X1312540600	RACK, CONTROL	1							
57	2	X1312260300	SCREW	1							
58	2	X1312400100	PINION	4							
59	2	X1312410100	SLEEVE, CONTROL	4							
60	2	X1312420100	SCREW	4							
61	2	X1313612700	CAMSHAFT	1							
62	2	X0166402030	BEARING	1							
63	2	X0282020020	BEARING	1							
64	2	X0166302030	BEARING	1							
65	2	X0282017020	BEARING	1							
66	2	X1313020300	RING	1							
67	2	X1313021000	RING	1							
68	2	X0293117010	SHIM	1							
69	2	X0293117020	SHIM	1							
70	2	X0293117030	SHIM	1							
71	2	X0293117040	SHIM	1							
72	2	X0293117050	SHIM	1							
73	2	X0293117060	SHIM	1							
74	2	X0293117070	SHIM	1							
75	2	X0293117090	SHIM	1							
76	2	X0293117210	SHIM	1							
77	2	X0293117220	SHIM	1							
78	2	X1394170000	SHIM	1							
79	2	X0293120220	SHIM	1							
80	2	X0293120230	SHIM	1							
81	2	X0293120240	SHIM	1							
82	2	X0293120250	SHIM	1							
83	2	X0293120260	SHIM	1							
84	2	X0293120270	SHIM	1							
85	2	X0293120290	SHIM	1							
86	2	X0293120300	SHIM	1							
87	2	X1394200400	SHIM	1							
88	2	X0296220190	SEAL, D30/20 T=6	1							
89	2	X1313301800	COVER	1							
90	2	X0200062040	BOLT	4							
91	2	X1313211900	GASKET	1							
92	2	X0131214140	NUT	1							
93	2	X0293214010	SPRING WASHER	1							
94	2	X0294704030	WOODRUFF KEY	1							
95	2	X0297314680	EYE BOLT	1							
96	2	X0265141840	GASKET	2							
97	2	X0296375020	O-RING	1							
98	2	X0297310120	EYE BOLT	1							
99	2	X0265101340	GASKET	2							
100	2	X0290406020	STUD	3							
101	2	X1311523420	PLUNGER	4							
102	2	X1311607920	DELIVERY VALVE	4							

Remarks

(1) GOVERNOR (FIG. NO. 14) & FEED PUMP (FIG. NO. 15) IS INCORPORATED IN THIS FUEL INJECTION PUMP (REF. NO. 1).

N:Old $\xrightarrow{\text{Yes}}$ New, Q:Old $\xrightarrow{\text{No}}$ New, R:Old $\xrightarrow{\text{Yes}}$ New, S:Old $\xrightarrow{\text{No}}$ New, W:Add, Z:Discontinued, F:Interchangeable by set, K:Q'ty Change

++ CONTINUE ++

Fig.14. GOVERNOR

(A)=4TNE98-TBW

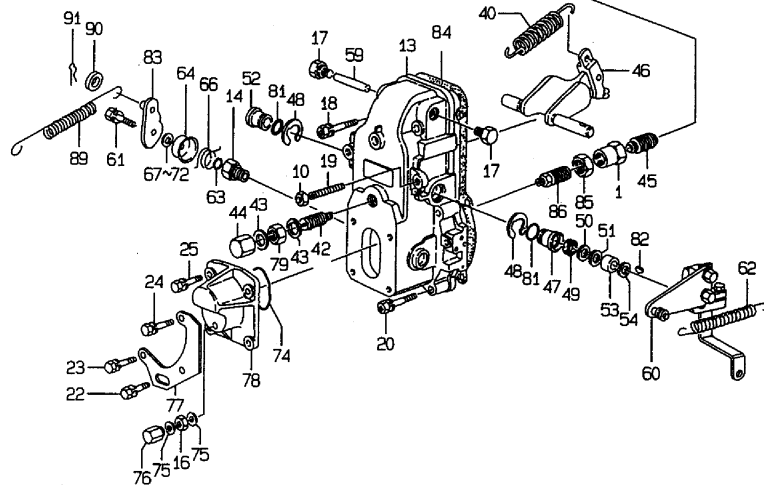
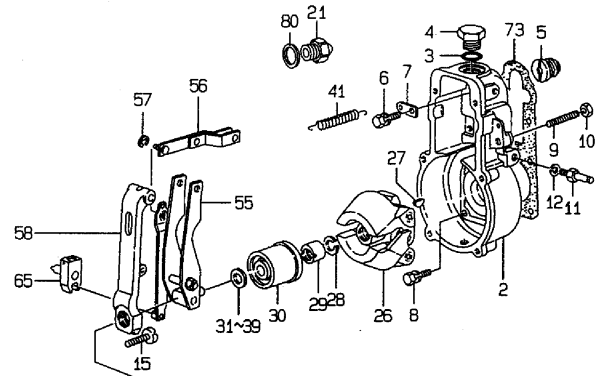
(B)=

(C)=

(D)=

(E)=

(F)=



No.	Lev.	Parts No.	Description	Q'ty						I	R
				(A)	(B)	(C)	(D)	(E)	(F)		
1	2	X0292016010	NUT	1							
2	2	X1540006400	FLANGED HOUSING	1							
3	2	X0296325070	O-RING	1							
4	2	X1540072900	PLUG	1							
5	2	X1540070200	ADAPTOR	1							
6	2	X0200181840	BOLT	1							
7	2	X1543501900	PLATE	1							
8	2	X0290106810	BOLT	6							
9	2	X1540100100	SCREW	1							
10	2	X1540110100	NUT	2							
11	2	X1540132320	BOLT	1							
12	2	X0141108440	SPRING WASHER	1							
13	2	X1545001020	COVER	1							
14	2	X1543210400	BUSH	1							
15	2	X1540313000	SCREW	1							
16	2	X1392060600	NUT	1							
17	2	X1540360300	PLUG	2							
18	2	X0201065040	BOLT	2							
19	2	X1540100100	SCREW	1							
20	2	X0201063840	BOLT	4							
21	2	X1530205220	LIMITER	1							
22	2	X0290206260	BOLT	1							
23	2	X0290206260	BOLT	1							
24	2	X0200062040	BOLT	1							
25	2	X0200061640	BOLT	1							
26	2	X1541010020	FLYWAIGHT ASSY.	1							
27	2	X0258031610	WOODRUFF KEY	1							
28	2	X0293212020	SPRING WASHER	1							
29	2	X0292312030	NUT	1							
30	2	X1541230120	SLEEVE	1							
31	2	X0293110010	SHIM	1							
32	2	X0293110180	SHIM	1							
33	2	X0293110190	SHIM	1							
34	2	X0293110210	SHIM	1							
35	2	X1394100000	SHIM	1							
36	2	X1394100100	SHIM	1							
37	2	X1394103000	SHIM	1							
38	2	X1394103100	SHIM	1							
39	2	X1394103200	SHIM	1							
40	2	X1541502900	SPRING	1							
41	2	X1541540701	SPRING	1							
42	2	X1541580920	CAPSULE, SPRING	1							
43	2	X0265121540	GASKET	2							
44	2	X1541591200	NUT, CAP	1							
45	2	X1541856120	SPRING	1							
46	2	X1542006920	LEVER	1							
47	2	X1542044300	BUSH	1							
48	2	X0160101640	RING, SNAP	2							
49	2	X1396110000	SEAL, OIL	1							
50	2	X1394110000	SHIM	1							
51	2	X0293111070	SHIM	1							

Remarks

* THIS FIGURE(GOVERNOR ASSY)IS INCORPORATED IN THE FUEL INJECTION PUMP ASSY(FIG.13).

Fig.14. GOVERNOR

(A)=4TNE98-TBW

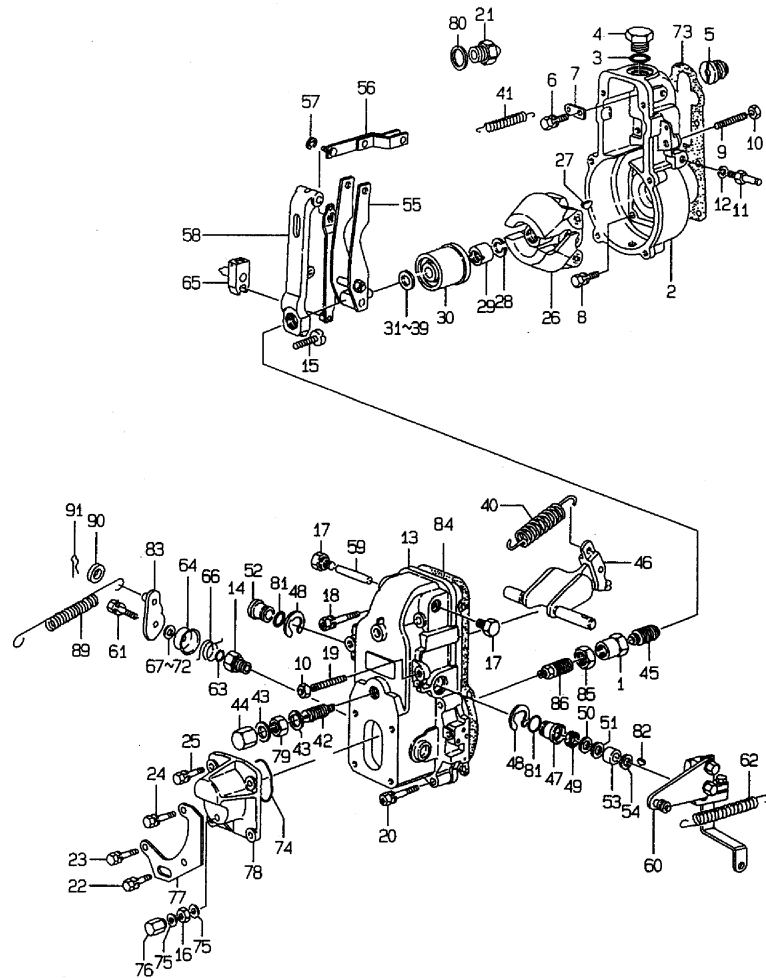
(B)=

(C)=

(D)=

(E)=

(F)=

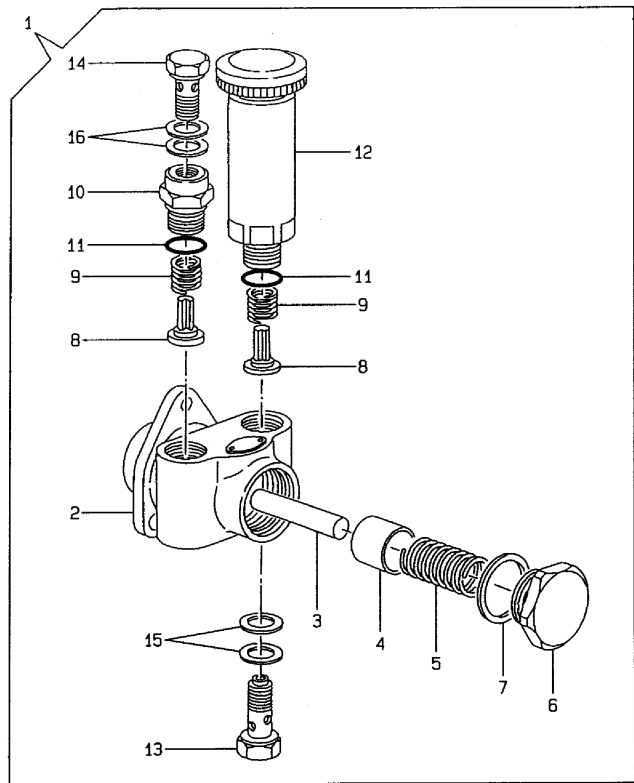


No.	Lev.	Parts No.	Description	Q'ty						I	R
				(A)	(B)	(C)	(D)	(E)	(F)		
52	2	X1542044400	BUSH	1							
53	2	X1542062800	COLLAR	1							
54	2	X1542060200	WASHER	1							
55	2	X1542163820	LEVER ASSY, GUIDE	1							
56	2	X1542303920	LINK	1							
57	2	X0160100540	RING, SNAP	1							
58	2	X1542364100	LEVER, TENSION	1							
59	2	X1542370100	PIN	1							
60	2	X1543956420	LEVER	1							
61	2	X0200061640	BOLT	1							
62	2	X1543142600	SPRING	1							
63	2	X0296310030	O-RING	1							
64	2	X1543220100	CAP	1							
65	2	X1543265020	LEVER ASSY	1							
66	2	X1543277600	SPRING	1							
67	2	X0293110520	SHIM	1							
68	2	X0293110530	SHIM	1							
69	2	X0293110540	SHIM	1							
70	2	X0293110550	SHIM	1							
71	2	X0293110560	SHIM	1							
72	2	X0293110570	SHIM	1							
73	2	X1543900000	GASKET	1							
74	2	X0296352020	O-RING	1							
75	2	X0265061040	GASKET	2							
76	2	X1540351600	CAP NUT	1							
77	2	X1543587200	BRACKET	1							
78	2	X1540635100	COVER	1							
79	2	X1540111700	NUT	1							
80	2	X0265182240	GASKET	1							
81	2	X0296318020	O-RING	2							
82	2	X0258031310	WOODRUFF KEY	1							
83	2	X1543826020	LEVER	1							
84	2	X1543900300	GASKET	1							
85	2	X0292016080	NUT	1							
86	2	X1541883320	SPRING	1							
89	1	129900-66830	SPRING, STOP MOTOR	1							
90	1	22117-080000	WASHER, 8	1							
91	1	22360-080000	PIN 8	1							

Remarks

* THIS FIGURE(GOVERNOR ASSY)IS INCORPORATED IN THE FUEL INJECTION PUMP ASSY(FIG.13).

Fig.15. FEED PUMP



No.	Lev.	Parts No.	Description	Q'ty						I	R
				(A)	(B)	(C)	(D)	(E)	(F)		
1	2	129900-52010	PUMP ASSY, FUEL FEED	1							
2	3	X1520620020	HOUSING	1							
3	3	X1520300200	ROD, PUSH	1							
4	3	X1521002301	PISTON	1							
5	3	X1521020400	SPRING	1							
6	3	X1521051500	PLUG	1							
7	3	X1395260000	GASKET	1							
8	3	X1521150500	VALVE	2							
9	3	X1521160200	SPRING	2							
10	3	X1521180900	ADAPTER	1							
11	3	X0296316060	O-RING	2							
12	3	X1522006720	PRIMING PUMP	1							
13	3	X1523005920	BOLT	1							
14	3	X0297314680	EYE BOLT	1							
15	3	X0265141840	GASKET	2							
16	3	X0265141840	GASKET	2							

Remarks

* THIS FIGURE(FEED PUMP ASSY)IS INCORPORATED IN THE FUEL INJECTION PUMP ASSY(FIG.13).

Fig.16. FUEL INJECTION VALVE

(A)=4TNE98-TBW

(B)=

(C)=

(D)=

(E)=

(F)=

Q'ty

No.	Lev.	Parts No.	Description	Q'ty						I	R
				(A)	(B)	(C)	(D)	(E)	(F)		
1	1	129900-01950	RETAINER	1							
2	1	26106-100142	BOLT, M10X 14 PLATED	1							
3	1	26106-080202	BOLT, M8X 20 PLATED	1							
4	1	729902-53200	VALVE ASSY,INJECTION	4							
5	2	129902-53050	VALVE ASSY,INJECTION	4							
8	2	114250-53080	NUT, NOZZLE D16.95	4							
12	2	114250-53120	SPRING, NOZZLE	4							
13	2	114250-53130	SEAT, SPRING	4							
14	2	114250-53140	PLATE	4							
15	2	114250-53210	PIN	8							
16	2	114250-53400	SHIM SET	4							
28	1	119305-59120	RETAINER, PIPE	2							
31	2	129150-59131	BOLT, M4X14	2							
32	1	129550-59120	RETAINER, PIPE	1							
35	2	129150-59131	BOLT, M4X14	2							
37	1	129910-59810	PIPE ASSY, INJECTION	1							
41	1	129910-59820	PIPE ASSY, INJECTION	1							
45	1	129910-59830	PIPE ASSY, INJECTION	1							
49	1	129910-59840	PIPE ASSY, INJECTION	1							

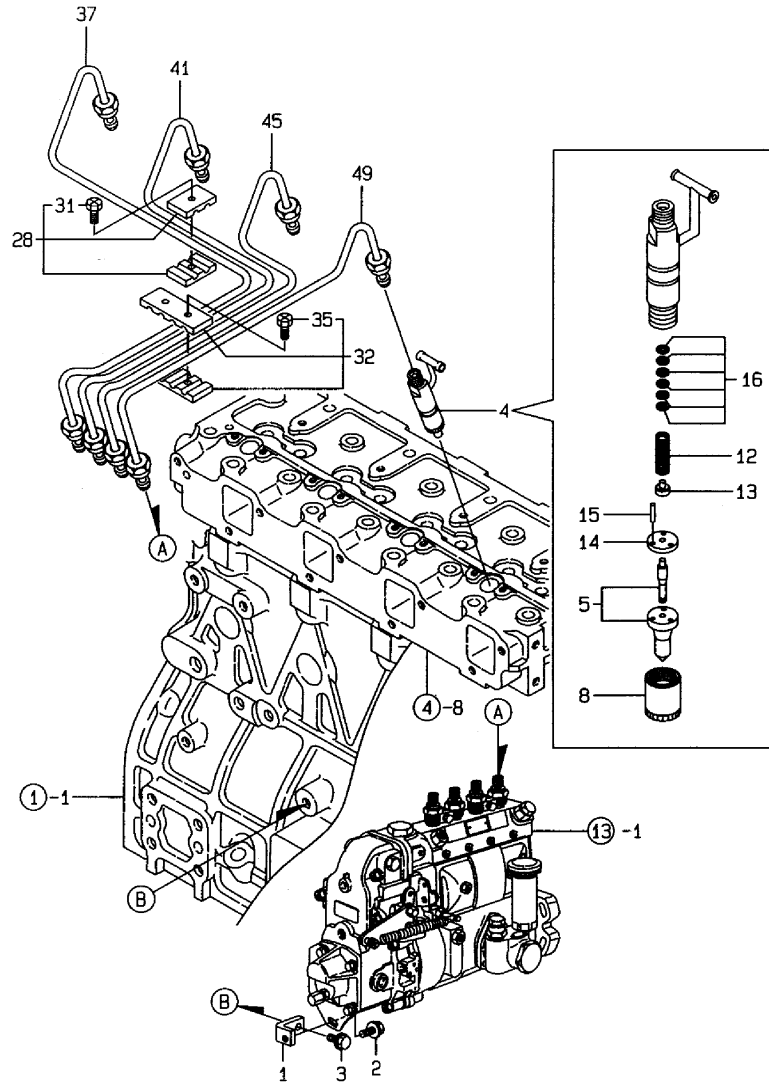
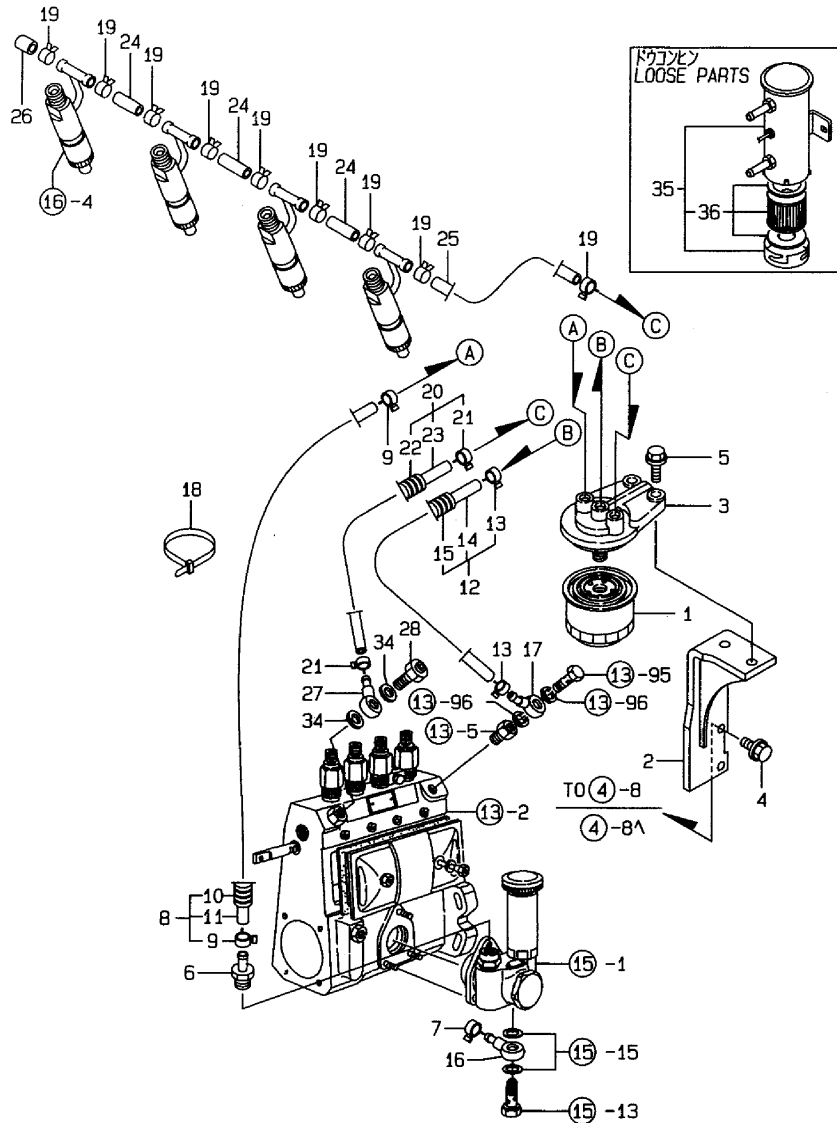


Fig.17. FUEL LINE



(A)=4TNE98-TBW

(B)=

(C)=

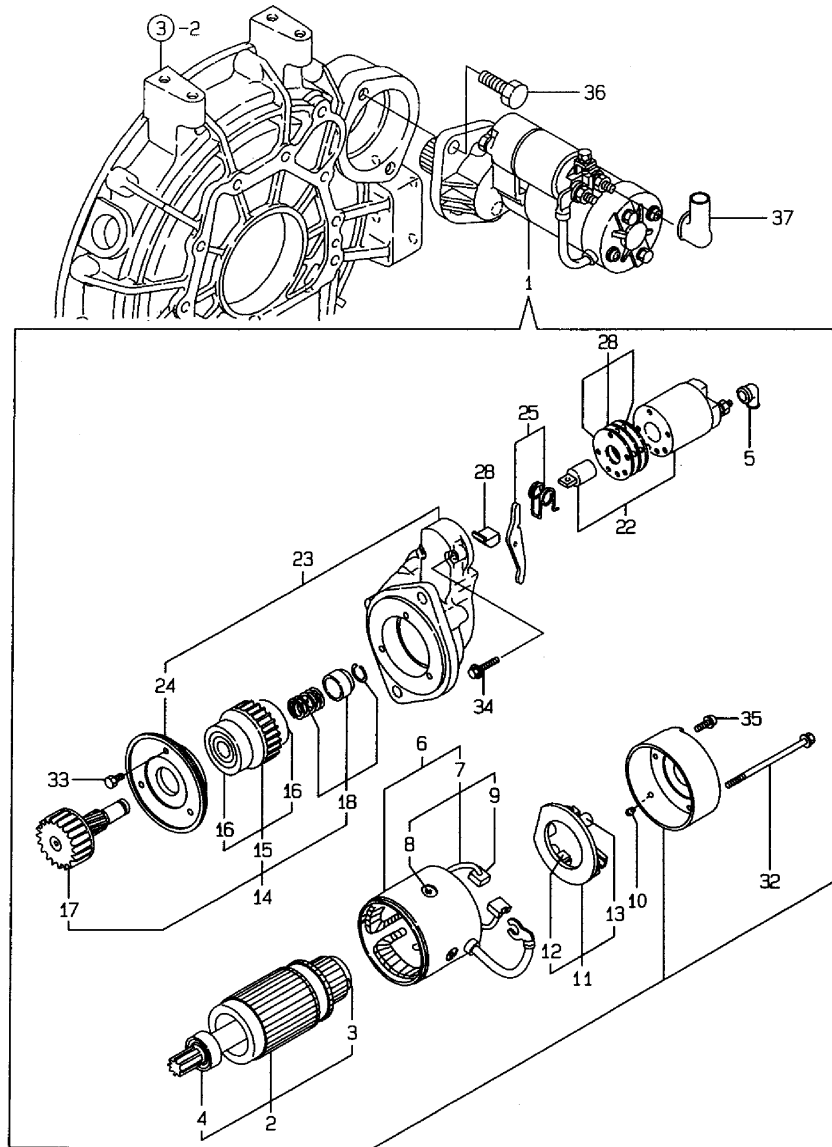
(D)=

(E)=

(F)=

No.	Lev.	Parts No.	Description	Qty						I	R
				(A)	(B)	(C)	(D)	(E)	(F)		
1	1	119000-55600	FILTER, FUEL	1							
2	1	129920-55600	BRACKET, FILTER	1							
3	1	129470-55610	BODY, STRAINER	1							
4	1	26106-080162	BOLT, M8X 16 PLATED	2							
5	1	26106-100202	BOLT, M10X 20 PLATED	2							
6	1	121250-49110	JOINT, PIPE	1							
7	1	124766-59050	CLIP, HOSE 12	4							
8	1	129950-59211	PIPE, FUEL	1							
9	2	124766-59050	CLIP, HOSE 12	2							
10	2	129950-59221	TUBE, CORRUGATED	1							
11	2	105025-59530	PIPE, FUEL D13X400	1							
12	1	129961-59310	PIPE ASSY, FUEL	1							
13	2	124766-59050	CLIP, HOSE 12	2							
14	2	129136-59110	PIPE, D13/7.5X270	2							
15	2	129961-59110	TUBE, CORRUGATED	1							
16	1	121855-59880	JOINT, PIPE	1							
17	1	129950-59880	JOINT, PIPE	1							
18	1	121750-59890	BAND, 140	2							
19	1	124066-59100	CLIP, HOSE 8	9							
20	1	129950-59211	PIPE, FUEL	1							
21	2	124766-59050	CLIP, HOSE 12	2							
22	2	129950-59221	TUBE, CORRUGATED	1							
23	2	105025-59530	PIPE, FUEL D13X400	1							
24	1	121250-59550	PIPE, FUEL D8X120	3							
25	1	124950-59560	PIPE, RETURN L=280	1							
26	1	129150-59580	CAP	1							
27	1	121855-59880	JOINT, PIPE	1							
28	1	128300-59910	VALVE ASSY, OVERFLOW	1							
34	1	22190-140002	WASHER, SEAL 14	2							
35	1	129953-52100	PUMP ASSY, FUEL FEED	1							
36	2	129535-52150	FILTER ASSY	1							

Fig.18. STARTING MOTOR



(A)=4TNE98-TBW

(B)=

(C)=

(D)=

(E)=

(F)=

No.	Lev.	Parts No.	Description	Q'ty						I	R
				(A)	(B)	(C)	(D)	(E)	(F)		
1	1	119131-77010	STARTING MOTOR	1							
2	2	119131-77400	ARMATURE ASSY	1							
3	3	X2130350900	BEARING(1)	1							
4	3	119131-77420	BALL BEARING	1							
5	2	121254-77810	COVER, TERMINAL	1							
6	2	119131-77430	YOKE ASSY	1							
7	3	119131-77440	COIL ASSY, FIELD	1							
8	4	171008-77450	SCREW	4							
9	4	119131-77450	BRUSH (+)	2							
10	2	119131-77470	BUSH	1							
11	2	119131-77480	HOLDER ASSY, BRUSH	1							
12	3	119131-77500	BRUSH (-)	2							
13	3	119131-77490	SPRING, BRUSH	4							
14	2	119131-77510	PINION	1							
15	3	119131-77520	CLUTCH ASSY	1							
16	4	X2240610100	BALL BEARING (3	2							
17	3	119131-77540	PINION SHAFT	1							
18	2	119131-77550	STOPPER KIT, PINION	1							
22	2	119131-77590	SWITCH, MAGNETIC	1							
23	2	119131-77600	CASE ASSY, GEAR	1							
24	3	119131-77610	METAL, GEAR CASE	1							
25	2	119131-77620	LEVER SET, SHIFT	1							
28	2	119131-77650	COVER SET, DUST	1							
32	2	129400-77640	BOLT, THROUGH	2							
33	2	26014-060162	BOLT, M6X 16	3							
34	2	119131-77690	BOLT M 6X 45 PLATED	2							
35	2	26557-040102	SCREW, M4X10	2							
36	1	26116-120302	BOLT, M12X 30 PLATED	2							
37	1	124550-77030	COVER, TERMINAL	1							

Fig.19. GENERATOR

(A)=4TNE98-TBW

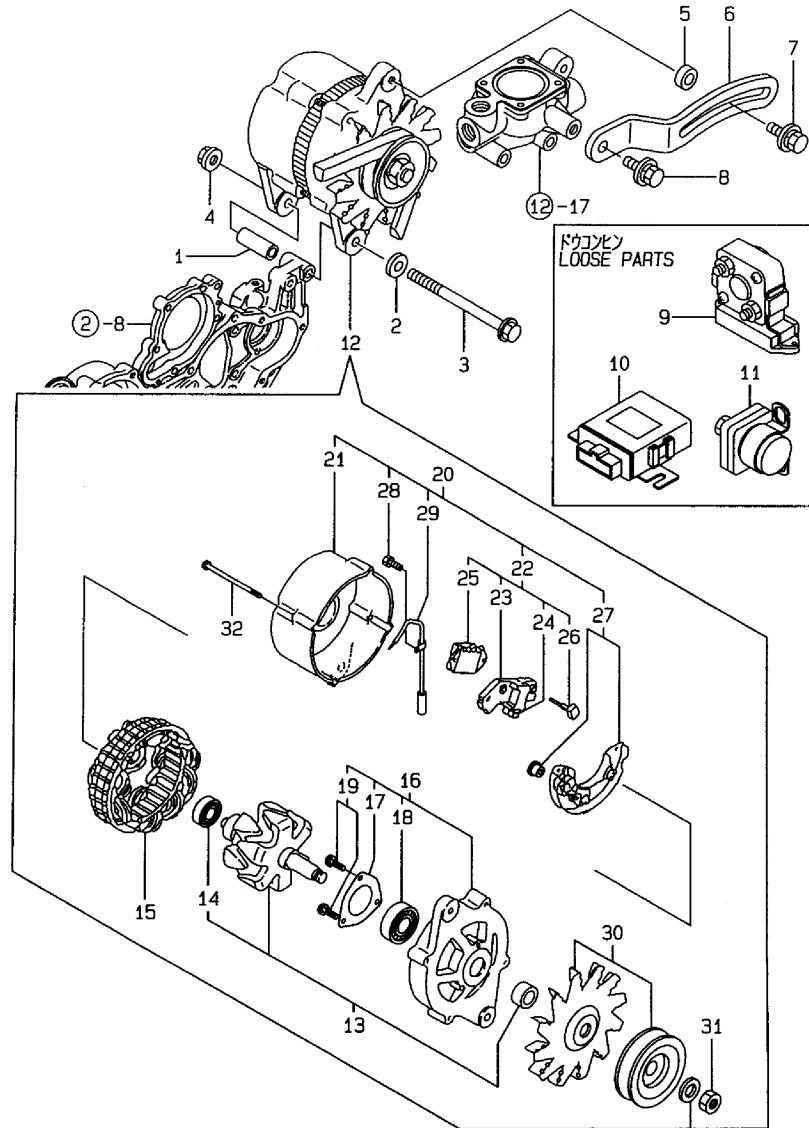
(B)=

(C)=

(D)=

(E)=

(F)=



No.	Lev.	Parts No.	Description	Q'ty						I	R
				(A)	(B)	(C)	(D)	(E)	(F)		
1	1	129470-77340	PIECE, DISTANCE	1							
2	1	22137-100000	WASHER, 10	1							
3	1	26116-101202	BOLT, M10X120 PLATED	1							
4	1	26306-100002	NUT, M10	1							
5	1	106500-44810	SPACER	1							
6	1	129953-77330	ADJUSTER	1							
7	1	119810-77340	BOLT, ADJUSTER	1							
8	1	26014-080252	BOLT, M8X 25	1							
9	1	129900-77100	RELAY, SAFETY	1							
10	1	119503-77520	CONTROLLER	1							
11	1	127488-77530	RELAY, GROW	1							
12	1	129953-77210	ALTERNATOR ASSY	1							
13	2	XL240G5100	ROTOR ASSY	1							
14	3	119129-77320	BALL BEARING	1							
15	2	XL24092001	STATOR ASSY	1							
16	2	XL2351400	COVER ASSY, FRONT	1							
17	3	119129-77870	RETAINER, BEARING	1							
18	3	119129-77850	BALL BEARING	1							
19	3	119129-77930	SCREW KIT	1							
20	2	XL240G23001	REAR COVER ASSY	1							
21	3	XL240G4301	REAR COVER	1							
22	3	XL23513151	BRUSH REGULATOR ASSY	1							
23	4	XL17093201	DIODE ASSY	1							
24	4	XL15023252	BRUSH SET	1							
25	4	119129-77820	REGULATOR ASSY, I.C.	1							
26	4	XL1501313	BOLT(M5	2							
27	3	XL17093201	DIODE ASSY	1							
28	3	26116-050122	BOLT, M5X 12 PLATED	1							
29	3	119129-77250	WIRE, LEAD	1							
30	2	129535-77880	PULLEY	1							
31	2	XL2252805	NUT ASSY, PULLEY	1							
32	2	119129-77890	BOLT, THROUGH	4							

Fig.20. TOOL & GASKET SET

(A)=4TNE98-TBW

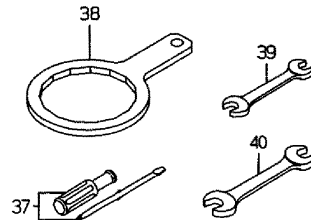
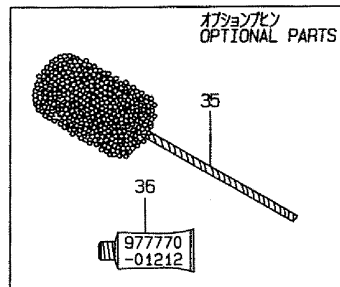
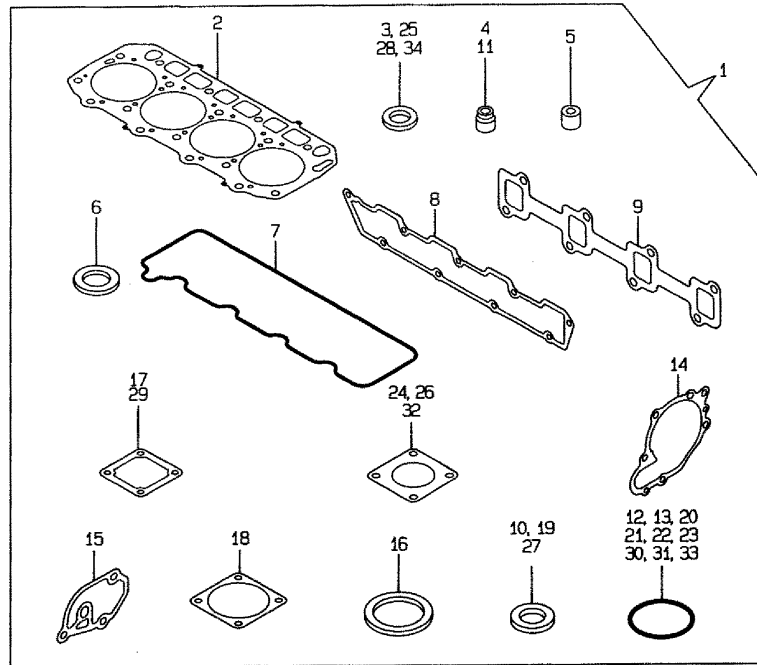
(B)=

(C)=

(D)=

(E)=

(F)=



No.	Lev.	Parts No.	Description	Q'ty						I	R
				(A)	(B)	(C)	(D)	(E)	(F)		
1	1	729902-92770	GASKET SET	1							1
2	2	129902-01331	GASKET, HEAD	1							
3	2	22190-220002	WASHER, SEAL 22	1							
4	2	124460-11340	SEAL, VALVE STEM	4							
5	2	119625-11870	PROTECTOR, NOZZLE	4							
6	2	119625-11880	SEAT, NOZZLE	4							
7	2	129900-11310	GASKET, BONNET	1							
8	2	129900-12050	GASKET, MANIFOLD	1							
9	2	129900-13251	GASKET	1							
10	2	23414-080000	GASKET, 8X1.0	2							
11	2	121400-11340	SEAL, VALVE STEM	4							
12	2	129900-32030	O-RING, P20	2							
13	2	129900-32040	O-RING, P14	1							
14	2	129900-42020	GASKET, WATER PUMP	1							
15	2	129900-49870	GASKET	1							
16	2	121850-49550	GASKET, THERMOSTAT	1							
17	2	121850-77021	GASKET	1							
18	2	121850-49540	GASKET, THERMOSTAT	1							
19	2	124465-44950	GASKET, 16	2							
20	2	24311-000070	O-RING, 1AP7.0	1							
21	2	24311-000120	O-RING, 1AP12.0	3							
22	2	24341-000240	O-RING, 1AS24.0	1							
23	2	24311-000320	O-RING, 1AP32.0	2							
24	2	129400-13201	GASKET, SILENCER	2							
25	2	22190-080002	WASHER, SEAL 6	4							
26	2	128300-13230	GASKET, SILENCER	1							
27	2	129150-49360	GASKET	1							
28	2	22190-140002	WASHER, SEAL 14	2							
29	2	119129-77020	GASKET	1							
30	2	24321-000600	O-RING, 1AG60.0	2							
31	2	24341-000530	O-RING, 1AS53.0	1							
32	2	124240-01883	GASKET	1							
33	2	24321-000700	O-RING, 1AG70.0	1							
34	2	22190-300002	WASHER, SEAL 30	1							
35	1	129400-92450	HONE	1							1
36	1	977770-01212	GASKET, LIQUID	1							1
37	1	104200-92350	DRIVER, SCREW	1							
38	1	119640-92750	WRENCH, FILTER 80	1							
39	1	28110-100120	SPANNER, 10X12	1							
40	1	28110-140170	SPANNER, 14X17	1							

Remarks
(1) OPTIONAL PART.

Parts No. Index

Parts No.	Fig. No.	Ref. No.
104200-92350	20	37
105010-39140	11	30
105025-59530	17	11
		23
106500-44810	19	5
114250-39450	11	24
114250-53080	16	8
114250-53120	16	12
114250-53130	16	13
114250-53140	16	14
114250-53210	16	15
114250-53400	16	16
119000-01840	3	5
119000-35140	11	6
119000-55600	17	1
119005-12060	5	10
119005-12571	5	16
119100-11330	4	55
119117-44760	12	15
119129-77020	5	5
	20	29
119129-77250	19	29
119129-77320	19	14
119129-77500	5	8
119129-77820	19	25
119129-77850	19	18
119129-77870	19	17
119129-77890	19	32
119129-77930	19	19
119131-18320	6	4
119131-77010	18	1
119131-77400	18	2
119131-77420	18	4
119131-77430	18	6
119131-77440	18	7
119131-77450	18	9
119131-77470	18	10
119131-77480	18	11
119131-77490	18	13
119131-77500	18	12
119131-77510	18	14
119131-77520	18	15
119131-77540	18	17
119131-77550	18	18
119131-77590	18	22
119131-77600	18	23
119131-77610	18	24
119131-77620	18	25
119131-77650	18	28
119131-77690	18	34

Parts No.	Fig. No.	Ref. No.
119140-12680	5	21
119259-44570	12	43
119305-59120	16	28
119503-77520	19	10
119625-11870	4	24
	20	5
119625-11880	4	25
	20	6
119625-11900	4	26
119640-01640	3	10
119640-92750	20	38
119642-33030	10	1
119642-33100	10	2
119808-12540	5	19
119810-77340	19	7
119812-34800	11	1
120130-22301	8	23
121023-01550	2	28
121250-44901	12	29
121250-49110	17	6
121250-59550	17	24
121254-77810	18	5
121267-44590	12	38
121400-11340	4	21
	20	11
121450-44531	12	36
121468-44540	12	39
121470-44581	12	40
121550-49111	10	6
121750-59890	10	11
	17	18
121850-21130	8	12
121850-21290	8	5
121850-21680	8	10
121850-21920	8	6
121850-49540	12	19
	20	18
121850-49550	12	20
	20	16
121850-49800	12	21
121850-77021	5	6
	20	17
121850-77100	5	7
121855-59880	17	16
		27
123910-49020	10	9
123910-49600	10	8
123910-49610	10	10
124066-59100	17	19
124160-01751	2	26

Parts No.	Fig. No.	Ref. No.
124160-01751	4	50
124160-11360	4	58
124240-01883	9	2
	20	32
124411-01780	3	7
124450-44560	12	37
124460-11340	4	22
	20	4
124465-44950	12	31
		32
	20	19
124550-77030	18	37
124766-59050	17	7
		9
		13
		21
124950-59560	17	25
127410-21480	8	16
127488-77530	19	11
128300-13230	6	9
	20	26
128300-59910	17	28
129001-91810	2	16
		17
129062-12560	5	17
129100-01580	2	5
	3	1
129107-44901	12	30
129122-44480	10	4
129136-59110	17	14
129150-02450	7	4
129150-11230	4	38
		42
129150-11370	4	23
129150-11750	4	40
		44
129150-11810	4	12
129150-14200	7	1
129150-25920	7	14
129150-35151	11	8
129150-35350	10	3
129150-49080	12	47
129150-49100	12	46
129150-49360	12	34
	20	27
129150-59131	16	31
		35
129150-59580	17	26
129400-13201	6	8
	20	24

Parts No.	Fig. No.	Ref. No.
129400-77640	18	32
129400-92450	20	35
129466-44510	12	35
129466-49300	10	7
129470-55610	17	3
129470-77340	19	1
129535-52150	17	36
129535-77880	19	30
129550-59120	16	32
129612-12650	5	23
129795-11180	4	20
129900-01200	1	28
129900-01250	1	7
129900-01520	2	9
129900-01780	2	4
129900-01810	2	8
129900-01950	16	1
129900-02020	1	9
129900-02340	1	30
129900-02410	1	10
129900-02800	1	16
129900-02930	1	25
129900-02940	1	33
129900-07900	4	6
129900-11100	4	17
129900-11110	4	18
129900-11120	4	19
129900-11200	4	30
129900-11240	4	31
129900-11280	4	34
129900-11310	4	54
	20	7
129900-11510	4	35
129900-11520	4	36
129900-11530	4	47
129900-11600	4	56
129900-11650	4	37
129900-11660	4	41
129900-12050	5	1
	20	8
129900-12100	5	2
129900-12530	5	18
129900-13200	6	1
129900-13251	6	3
	20	9
129900-14100	7	7
129900-14400	7	2
129900-14580	7	3
129900-21200	8	4
129900-23000	8	25

Parts No. Index

Parts No.	Fig. No.	Ref. No.
129900-23200	8	30
129900-23600	8	31
129900-23610	8	33
129900-23910	8	29
129900-25060	7	10
129900-25100	7	11
129900-25900	7	16
129900-26210	9	1
129900-26250	2	7
		13
129900-32000	2	11
129900-32030	2	14
	11	16
	20	12
129900-32040	2	15
	20	13
129900-35000	11	17
129900-39350	11	25
129900-42001	12	1
129900-42020	12	9
	20	14
129900-42461	12	12
129900-49870	12	26
	20	15
129900-52010	13	103
	15	1
129900-66830	14	89
129900-77100	19	9
129902-01331	1	29
	20	2
129902-11350	4	51
129902-21000	8	1
129902-21580	8	13
129902-22080	8	17
129902-22900	8	35
129902-53050	16	5
129903-22050	8	19
129903-22950	8	37
129910-03100	4	1
129910-59810	16	37
129910-59820	16	41
129910-59830	16	45
129910-59840	16	49
129916-21650	8	9
129916-49800	12	17
129920-55600	17	2
129930-39050	11	29
129950-59211	17	8
		20
129950-59221	17	10

Parts No.	Fig. No.	Ref. No.
129950-59221	17	22
129950-59880	17	17
129951-01620	3	2
129951-01740	2	6
129953-01730	3	9
129953-01920	1	8
129953-03100	4	2
129953-12220	5	11
129953-12230	5	12
129953-12250	5	13
129953-12501	5	14
129953-13551	6	10
129953-26010	9	3
129953-35110	11	2
129953-35121	11	3
129953-35210	11	9
129953-39100	11	12
129953-39500	11	5
		11
129953-44530	12	41
129953-44940	12	44
129953-49010	12	45
129953-51120	13	1
129953-52100	17	35
129953-77210	19	12
129953-77330	19	6
129959-44600	12	42
129960-03990	4	4
129960-21640	8	8
129961-59110	17	15
129961-59310	17	12
129970-35140	11	7
129970-49060	10	5
129980-49530	12	18
129981-44740	12	14
171008-77450	18	8
171056-49351	12	33
22117-080000	14	90
22137-100000	19	2
22190-080002	11	31
	20	25
22190-140002	17	34
	20	28
22190-220002	3	14
	20	3
22190-300002	11	13
	20	34
22242-000180	4	45
22252-000300	8	24
22351-060012	1	11

Parts No.	Fig. No.	Ref. No.
22360-080000	14	91
22512-070140	7	8
	8	7
22857-500100	4	57
23000-025000	10	12
23000-054000	12	51
23000-080000	5	24
23297-060081	11	26
23414-080000	11	27
	20	10
23857-030000	11	28
23871-005000	4	14
23875-030000	12	23
23876-030000	1	12
		13
		14
	4	15
24311-000070	2	18
	20	20
24311-000120	4	59
	20	21
24311-000320	2	27
	4	60
	20	23
24321-000600	10	13
	11	14
	20	30
24321-000700	10	14
	20	33
24341-000240	2	29
	20	22
24341-000530	8	11
	20	31
25132-004500	12	13
26014-060162	18	33
26014-080252	19	8
26106-060162	2	30
26106-060202	12	24
26106-060302	12	10
26106-060552	12	25
26106-080122	3	15
	4	5
	11	22
26106-080162	2	19
	4	7
	5	25
	7	9
	11	23
	17	4
26106-080202	2	20

Parts No.	Fig. No.	Ref. No.
26106-080202	16	3
26106-080252	9	4
26106-080302	2	21
	5	9
26106-080402	2	22
		23
26106-080452	2	24
	5	4
26106-080552	7	15
	12	11
26106-080602	12	27
26106-080802	6	5
	12	16
26106-100142	16	2
26106-100202	17	5
26106-100252	11	15
26106-100652	4	48
26116-050122	19	28
26116-101202	19	3
26116-120302	18	36
26206-100352	3	6
26216-060202	4	27
26216-080202	9	5
26216-080802	6	6
26216-100302	2	12
26306-080002	6	7
	9	6
26306-100002	2	25
	4	49
	19	4
26366-060002	4	28
26557-040102	18	35
26577-040162	4	46
27225-100140	3	8
27241-300000	1	15
27241-400000	4	16
27310-080000	4	29
28110-100120	20	39
28110-140170	20	40
729900-01570	2	1
729900-11100	4	8
729902-53200	16	4
729902-92770	20	1
729953-01560	1	1
977770-01212	2	31
	3	16
	4	68
	20	36
X0131214140	13	92
X0141108440	14	12

Parts No. Index

Parts No.	Fig. No.	Ref. No.
X0160100540	14	57
X0160101640	14	48
X0166302030	13	64
X0166402030	13	62
X0200061640	14	25
		61
X0200062040	13	90
	14	24
X0200181840	14	6
X0201063840	14	20
X0201065040	14	18
X0258031310	14	82
X0258031610	14	27
X0265061040	14	75
X0265101340	13	99
X0265121540	14	43
X0265141840	13	96
	15	15
		16
X0265182240	14	80
X0282017020	13	65
X0282020020	13	63
X0290106810	14	8
X0290206260	14	22
		23
X0290406020	13	100
X0292016010	14	1
X0292016080	14	85
X0292312030	14	29
X0293110010	14	31
X0293110020	13	24
X0293110030	13	25
X0293110040	13	26
X0293110050	13	27
X0293110060	13	28
X0293110070	13	29
X0293110080	13	30
X0293110090	13	31
X0293110110	13	32
X0293110120	13	33
X0293110130	13	34
X0293110140	13	35
X0293110180	14	32
X0293110190	14	33
X0293110210	14	34
X0293110270	13	36
X0293110280	13	37
X0293110290	13	38
X0293110310	13	39
X0293110320	13	40

Parts No.	Fig. No.	Ref. No.
X0293110330	13	41
X0293110340	13	42
X0293110350	13	43
X0293110490	13	44
X0293110500	13	45
X0293110520	14	67
X0293110530	14	68
X0293110540	14	69
X0293110550	14	70
X0293110560	14	71
X0293110570	14	72
X0293110580	13	46
X0293110590	13	47
X0293110600	13	48
X0293110610	13	49
X0293110620	13	50
X0293110630	13	51
X0293110710	13	52
X0293111070	14	51
X0293117010	13	68
X0293117020	13	69
X0293117030	13	70
X0293117040	13	71
X0293117050	13	72
X0293117060	13	73
X0293117070	13	74
X0293117090	13	75
X0293117210	13	76
X0293117220	13	77
X0293120220	13	79
X0293120230	13	80
X0293120240	13	81
X0293120250	13	82
X0293120260	13	83
X0293120270	13	84
X0293120290	13	85
X0293120300	13	86
X0293212020	14	28
X0293214010	13	93
X0293406020	13	9
X0294704030	13	94
X0296220190	13	88
X0296310030	14	63
X0296316060	15	11
X0296318020	14	81
X0296320030	13	18
X0296325070	14	3
X0296331010	13	12
X0296352020	14	74
X0296375020	13	97

Parts No.	Fig. No.	Ref. No.
X0297310120	13	98
X0297314680	13	95
	15	14
X1310022000	13	4
		5
X1310111900	13	7
X1310171000	13	8
X1310286220	13	6
X1310341401	13	10
X1310642220	13	2
X1311123500	13	13
X1311151600	13	14
X1311167600	13	15
X1311172300	13	16
X1311220520	13	17
X1311523420	13	101
X1311607920	13	102
X1312000220	13	19
X1312030200	13	20
X1312041000	13	21
X1312050500	13	22
X1312060200	13	23
X1312152500	13	53
X1312160100	13	54
X1312170200	13	55
X1312260300	13	57
X1312400100	13	58
X1312410100	13	59
X1312420100	13	60
X1312540600	13	56
X1313020300	13	66
X1313021000	13	67
X1313211900	13	91
X1313301800	13	89
X1313612700	13	61
X1340260000	13	3
X1392060400	13	11
X1392060600	14	16
X1394100000	14	35
X1394100100	14	36
X1394103000	14	37
X1394103100	14	38
X1394103200	14	39
X1394110000	14	50
X1394170000	13	78
X1394200400	13	87
X1395260000	15	7
X1396110000	14	49
X1520300200	15	3
X1520620020	15	2

Parts No.	Fig. No.	Ref. No.
X1521002301	15	4
X1521020400	15	5
X1521051500	15	6
X1521150500	15	8
X1521160200	15	9
X1521180900	15	10
X1522006720	15	12
X1523005920	15	13
X1530205220	14	21
X1540006400	14	2
X1540070200	14	5
X1540072900	14	4
X1540100100	14	9
		19
X1540110100	14	10
X1540111700	14	79
X1540132320	14	11
X1540313000	14	15
X1540351600	14	76
X1540360300	14	17
X1540635100	14	78
X1541010020	14	26
X1541230120	14	30
X1541502900	14	40
X1541540701	14	41
X1541580920	14	42
X1541591200	14	44
X1541856120	14	45
X1541883320	14	86
X1542006920	14	46
X1542044300	14	47
X1542044400	14	52
X1542060200	14	54
X1542062800	14	53
X1542163820	14	55
X1542303920	14	56
X1542364100	14	58
X1542370100	14	59
X1543142600	14	62
X1543210400	14	14
X1543220100	14	64
X1543265020	14	65
X1543277600	14	66
X1543501900	14	7
X1543587200	14	77
X1543826020	14	83
X1543900000	14	73
X1543900300	14	84
X1543956420	14	60
X1545001020	14	13

Parts No. Index

Parts No.	Fig. No.	Ref. No.
X2130350900	18	3
X2240610100	18	16
XL1501313	19	26
XL15023252	19	24
XL17093201	19	23
		27
XL2252805	19	31
XL23513151	19	22
XL2351400	19	16
XL24092001	19	15
XL240G23001	19	20
XL240G4301	19	21
XL240G5100	19	13

Parts No.	Fig. No.	Ref. No.
-----------	----------	----------

Parts No.	Fig. No.	Ref. No.
-----------	----------	----------

Parts No.	Fig. No.	Ref. No.
-----------	----------	----------