

OCD10-M76400EN

PREFACE

1. This parts catalog is the Second edition of 2TNE68-ETBA for Takeuchi Mfg. Co., Ltd.
2. This parts catalog does not contain the technical data needed for maintenance service.
3. The illustrations used in this parts catalog have been simplified for clarity.

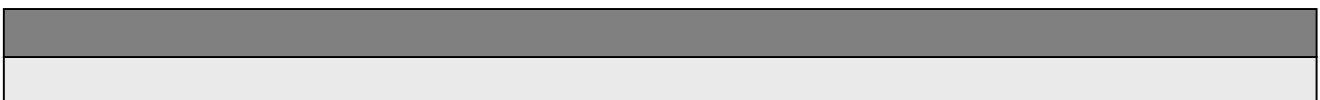
Pub. No.: 000Y00D7640

Published: August.,2001

4. Model name

Engine model	Vehicle		Vehicle made by
	Products	Model name	
2TNE68-ETBA	EXCAVATOR	TB108 A2C	Takeuchi Mfg. Co., Ltd.

5. The contents of this parts catalog are subject to change without prior notice.



Directions for the Parts Catalog.

1. This Parts Catalog shows both standard and optional parts.
2. Parts may change without prior notice.
3. The following is an example of the Parts Catalog format.

REF.	LEV.	PARTS NO.	DESCRIPTION	Q'TY						I	R
				(A)	(B)	(C)	(D)	(E)	(F)		
1	1	729595-51390	FUEL INJECTION PUMP	1	1	1	1	1			1
1-1	1	729595-51391	FUEL INJECTION PUMP	1	1	1	1	1		N	1
		(A=E00185) (B=E00200)									
3	2	26022-060162	SCREW M 6X 16	9	9	9	9	9			
3-1	2	26022-060162	SCREW M 6X 16	4	4	4	4	4		K	
		(A=E00156) (B=E00156) (C=E00156) (D=E00156) (E=E00156)									
4	2	129470-51040	CAMSHAFT	1	1	1	1	1			
5	2	122710-51050	BEARING, ROLLER	2	2	2	2	2			
6	2	129470-51060	RETAINER	1	1	1	1	1			

Remarks
(1) BOOST COMPEMSATOR TYPE. OPTIONAL PART, TO E00155,(4JH-DT, 4JH-DTZ

① Ref. No.

The Ref. No. listed may not be in accordance with the illustration Ref. No.

(Ex.) Illustration No.

List Ref No.

1

1

(Before change)

1-1

(After change)

For interchangeable symbols N, R and K, illustrations for new parts may be abbreviated.

② Lev. (Level)

Level indication

The numbers below indicate the level of relativity towards the main part.

1 ----- Main parts (Assembly parts)

2 ----- Sub component included in " 1 ".

3 ----- Sub component included in " 2 ".

Note) Parts that are not for sale are partially illustrated but not listed.

③ Interchangeability Symbol

When a part change takes place, one of the following interchangeability symbols is indicated beside the part.

Symbol	Interchangeability	Contents note
N	Old $\begin{matrix} \leftarrow \text{Yes} \\ \text{No} \rightarrow \end{matrix}$ New	New Part is interchangeable for Old Part but Old Part is not interchangeable for New Part.
Q	Old $\begin{matrix} \leftarrow \text{No} \\ \text{Yes} \rightarrow \end{matrix}$ New	New Part is not interchangeable for Old Part but Old Part is interchangeable for New Part.
R	Old $\begin{matrix} \leftarrow \text{Yes} \\ \text{Yes} \rightarrow \end{matrix}$ New	New/ Old Parts are both interchangeable.
S	Old $\begin{matrix} \leftarrow \text{No} \\ \text{No} \rightarrow \end{matrix}$ New	New/ Old Parts are both not interchangeable.
W		Part newly added.
Z		Part discontinued.
F		Not interchangeable by a single part but interchangeable together with related parts.
K		Changes only for used parts quantities.

④ Effective Machine No.

When a part changes, the effective Machine No. will be indicated in the (A)-(F) column.

Product Symbol	Product No.	Product Symbol	Product No.
C	Clutch No. Compressor No.	F	Machine No. (Agricultural Equip.)
D	Drive No.	M	Machine No.
E	Engine No.		

Note 1) A date may follow the symbol. (Ex.) 1996.01

Note 2) "XXXXX" and "ZZZZZ" are for parts that could not be predicted or for engine models that could not be identified.

Note 3) (A=E00185) is the E (Engine Serial Number) for the column (A) model (in this case 4JH-DT) after the parts design change.

⑤ Remarks

Figures or alphabets (symbols) are entered in the remarks column.

The comments (remarks) on parts that are indicated at the bottom of the illustration are the same symbols as those stated above.

Contents

OCD10-M76400

Fig. No. Fig. Name

Fig. No. Fig. Name

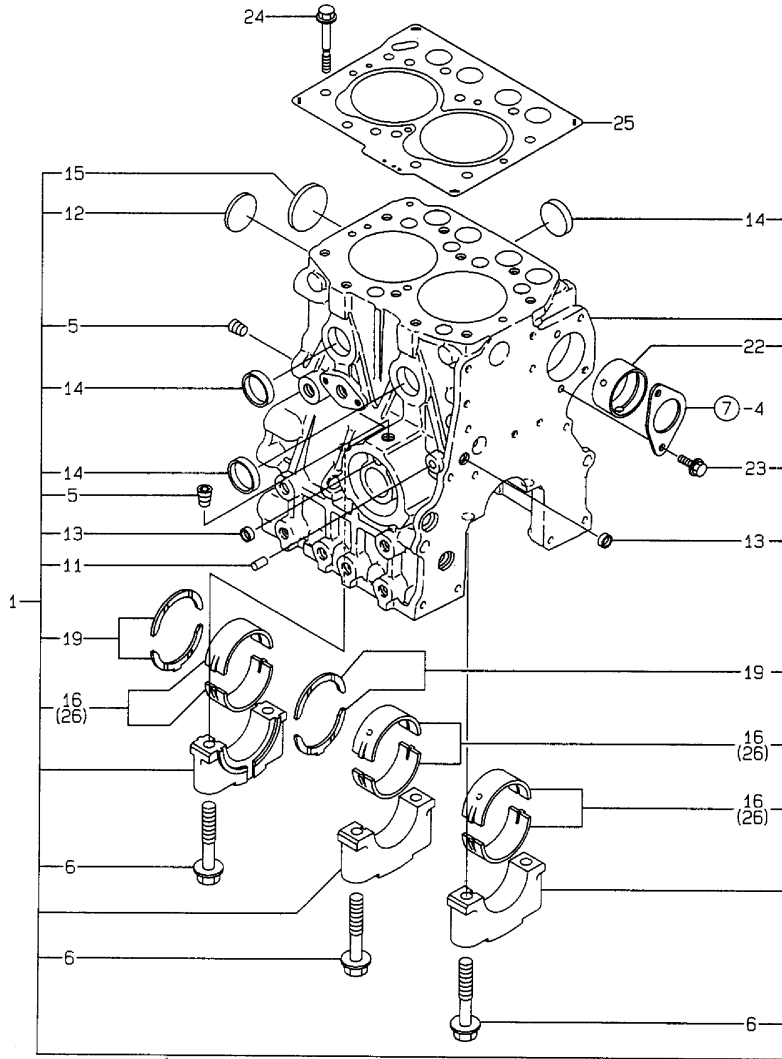
2TNE68-ETBA

1. CYLINDER BLOCK
2. GEAR HOUSING
3. FLYWHEEL HOUSING & OIL SUMP
4. CYLINDER HEAD & BONNET
5. SUCTION MANIFOLD & AIR CLEANER
6. EXHAUST MANIFOLD & SILENCER
7. CAMSHAFT & DRIVING GEAR
8. CRANKSHAFT & PISTON
9. LUB.OIL SYSTEM
10. COOLING WATER SYSTEM
11. FUEL INJECTION PUMP
12. GOVERNOR
13. FUEL INJECTION VALVE
14. FUEL FILTER
15. STARTING MOTOR
16. GENERATOR
17. TOOL & GASKET SET

Fig.1. CYLINDER BLOCK

(A)=2TNE68-ETBA
(B)=
(C)=

(D)=
(E)=
(F)=



No.	Lev.	Parts No.	Description	Q'ty						I	R
				(A)	(B)	(C)	(D)	(E)	(F)		
1	1	719325-01560	BLOCK ASSY, CYLINDER	1							
5	2	124060-01050	PLUG, PT1/8	2							
6	2	119260-02020	BOLT, METAL CAP	6							
11	2	27221-060100	PLUG, 6X10	1							
12	2	119265-01250	PLUG, 40	1							
13	2	27241-100000	PLUG, 10	2							
14	2	27241-250000	PLUG, 25	3							
15	2	27241-300000	PLUG 30	1							
16	2	119260-02800	BEARING, MAIN	3							
19	2	119260-02930	BEARING, THRUST	2							
22	2	119266-02410	BUSH	1							
23	2	26106-060122	BOLT, M6X 12 PLATED	2							
24	1	119266-01200	BOLT, HEAD	10							
25	1	119309-01330	GASKET, CYL. HEAD	1							
26	1	719260-02870	BEARING, 0.25 US	3							1

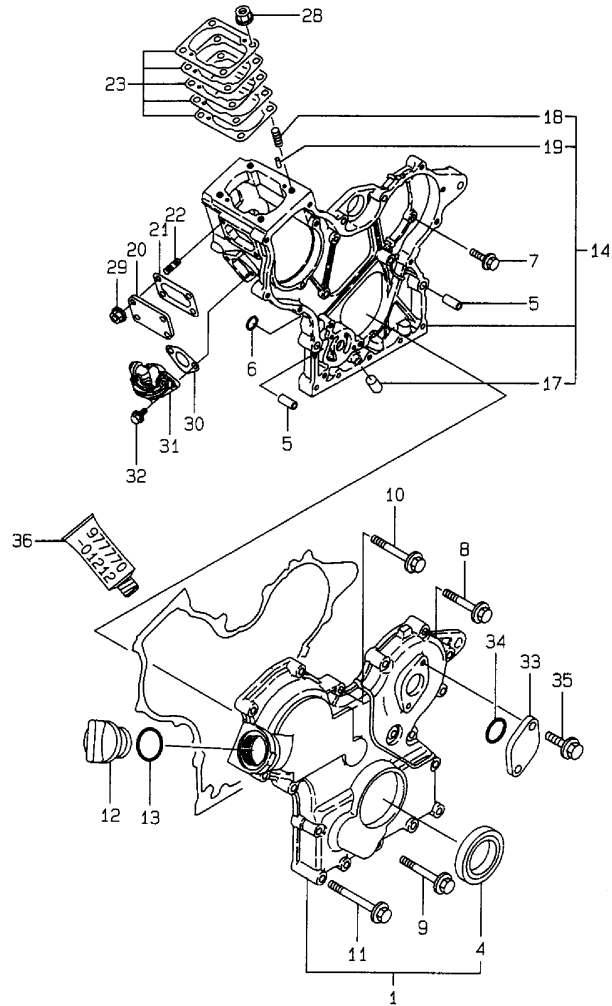
Remarks

(1) UNDER-SIZE(U.S=0.25)PART.

Fig.2. GEAR HOUSING

(A)=2TNE68-ETBA
(B)=
(C)=

(D)=
(E)=
(F)=



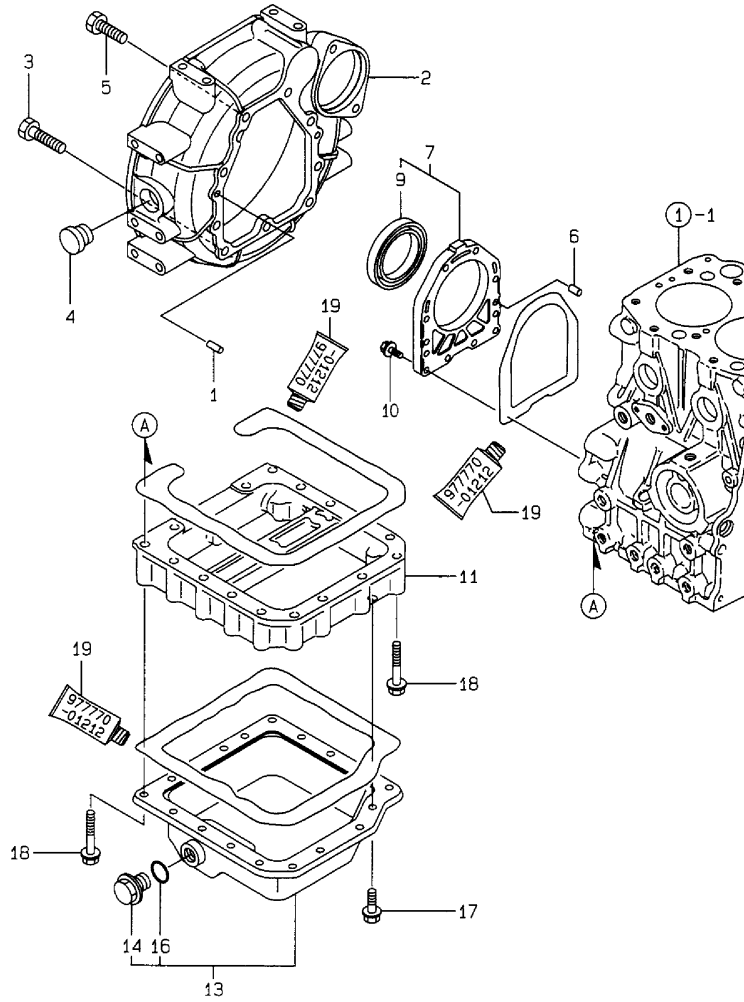
No.	Lev.	Parts No.	Description	Q'ty						I	R
				(A)	(B)	(C)	(D)	(E)	(F)		
1	1	119260-01590	COVER ASSY,GEAR CASE	1							
4	2	119620-01800	SEAL, OIL	1							
5	1	119660-01911	PIPE, KNOCK	4							
6	1	119624-32040	O-RING, P12.0	2							
7	1	26106-060162	BOLT, M6X 16 PLATED	5							
8	1	26106-060302	BOLT, M6X 30 PLATED	5							
9	1	26106-060402	BOLT, M6X 40 PLATED	3							
10	1	26106-060502	BOLT, M6X 50 PLATED	4							
11	1	26106-060652	BOLT, M6X 65 PLATED	6							
12	1	124160-01751	COVER, FILLER	1							
13	1	24311-000320	O-RING, 1AP32.0	1							
14	1	119305-01490	CASE ASSY, GEAR	1							
17	2	119260-01510	PLUG	1							
18	2	121450-01560	STUD, M8X22	4							
19	2	22351-040010	PIN, SPRING 4.0X10	2							
20	1	119660-01551	COVER	1							
21	1	119660-01562	GASKET	1							
22	1	119660-01570	STUD, M6X12	4							
23	1	119305-01950	SHIM SET, ADJUSTING	1							
28	1	194990-22050	NUT, M8	4							
29	1	26366-060002	NUT, M6	4							
30	1	121520-01851	GASKET	1							
31	1	119600-52021	PUMP ASSY, FUEL FEED	1							
32	1	26106-060162	BOLT, M6X 16 PLATED	2							
33	1	121023-01550	COVER	1							
34	1	24341-000240	O-RING, 1AS24.0	1							
35	1	26106-060162	BOLT, M6X 16 PLATED	2							
36	1	977770-01212	GASKET, LIQUID	1							1

Remarks
(1) OPTIONAL PART.

Fig.3. FLYWHEEL HOUSING & OIL SUMP

(A)=2TNE68-ETBA
(B)=
(C)=

(D)=
(E)=
(F)=



No.	Lev.	Parts No.	Description	Q'ty						I	R
				(A)	(B)	(C)	(D)	(E)	(F)		
1	1	129100-01580	PIN, M8X16	2							
2	1	119230-01600	HOUSING, FLYWHEEL	1							
3	1	121120-01620	BOLT, M10X28	3							
4	1	119620-01750	CAP	1							
5	1	26206-100252	BOLT, M10X 25 PLATED	6							
6	1	119620-01620	PIN, M6X10	2							
7	1	119660-01640	CASE ASSY, OIL SEAL	1							
9	2	124085-02220	SEAL, OIL	1							
10	1	26106-060222	BOLT, M6X 22 PLATED	10							
11	1	119305-01760	SPACER, OIL SUMP	1							
13	1	119332-01771	SUMP ASSY, OIL	1							
14	2	121400-01640	PLUG, 16	1							
16	2	24311-000180	O-RING, 1AP18.0	1							
17	1	26106-060102	BOLT, M6X 10 PLATED	3							
18	1	26106-060452	BOLT, M6X 45 PLATED	16							
19	1	97770-01212	GASKET, LIQUID	1							1

Remarks

(1) OPTIONAL PART.

Fig.4. CYLINDER HEAD & BONNET

(A)=2TNE68-ETBA

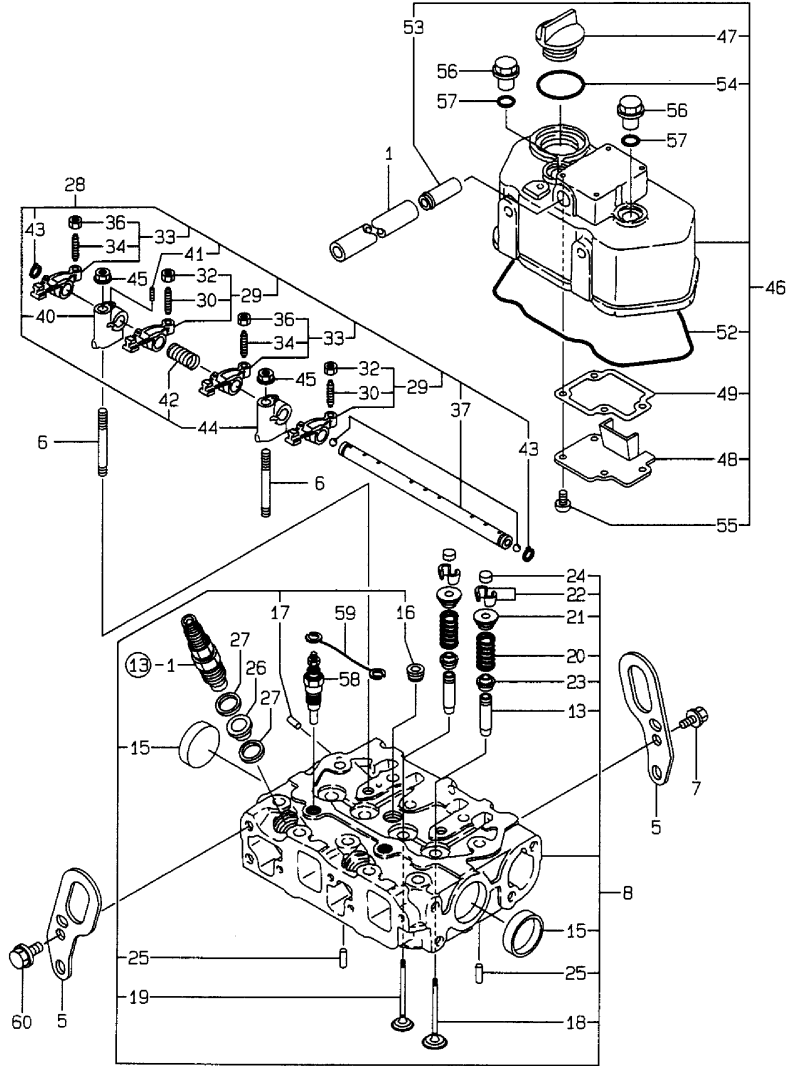
(B)=

(C)=

(D)=

(E)=

(F)=



No.	Lev.	Parts No.	Description	Q'ty						I	R
				(A)	(B)	(C)	(D)	(E)	(F)		
1	1	23065-120500	PIPE, 12X 500	1							
5	1	119260-07900	LIFTER	2							
6	1	119620-11350	STUD	2							
7	1	26106-080142	BOLT, M8X 14 PLATED	1							
8	1	719325-11700	HEAD ASSY, CYLINDER	1							
13	2	119260-11800	GUIDE, VALVE	4							1
15	2	27241-350000	PLUG, 35	2							
16	2	23876-020000	PLUG, R02	1							
17	2	27221-050080	PLUG, 5X 8	1							
18	2	119260-11100	VALVE, INTAKE	2							
19	2	119260-11110	VALVE, EXHAUST	2							
20	2	114250-11120	SPRING, VALVE	4							
21	2	114250-11180	RETAINER, SPRING	4							
22	2	27310-055001	COTTER, 5.5	4							
23	2	119260-11340	SEAL, VALVE STEM	4							
24	2	119260-11370	CAP, VALVE	4							
25	2	22351-060012	PIN, SPRING 6.0X12	2							
26	1	119600-11450	PROTECTOR, NOZZLE	2							
27	1	119600-11460	GASKET, NOZZLE	4							
28	1	119305-11200	SUPPORT ASSY, ARM	1							
29	2	719260-11650	ARM ASSY, ROCKER	2							
30	3	105010-11230	SCREW, VALVE ADJUST	2							
32	3	26856-060002	NUT, M6	2							
33	2	719260-11660	ARM ASSY, ROCKER	2							
34	3	105010-11230	SCREW, VALVE ADJUST	2							
36	3	26856-060002	NUT, M6	2							
37	2	119305-11240	SHAFT ASSY, ROCKER	1							
40	2	119260-11260	SUPPORT, ROCKER ARM	1							
41	2	119260-11270	SCREW	1							
42	2	119260-11280	SPRING	1							
43	2	22242-000100	RING, 10	2							
44	2	119265-11260	SUPPORT, ROCKER ARM	1							
45	1	26306-080002	NUT, M8	2							
46	1	119305-11350	BONNET ASSY, HEAD	1							
47	2	124160-01751	COVER, FILLER	1							
48	2	119305-03020	PLATE, SHELTER	1							
49	2	119305-03031	GASKET	1							
52	2	119305-11310	GASKET, BONNET	1							
53	2	118400-03060	JOINT, BREATHER	1							
54	2	24311-000320	O-RING, 1AP32.0	1							
55	2	22857-500100	SCREW, 5X10	4							
56	1	124160-11360	KNOB	2							
57	1	24311-000120	O-RING, 1AP12.0	2							
58	1	129155-77801	PLUG, GLOW	2							
59	1	119305-77820	CONNECTOR, GLOW PLUG	1							
60	1	26106-080142	BOLT, M8X 14 PLATED	2							

Remarks

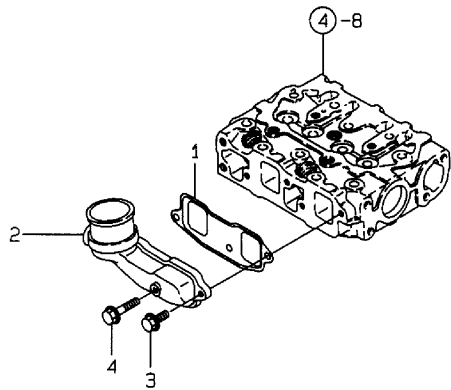
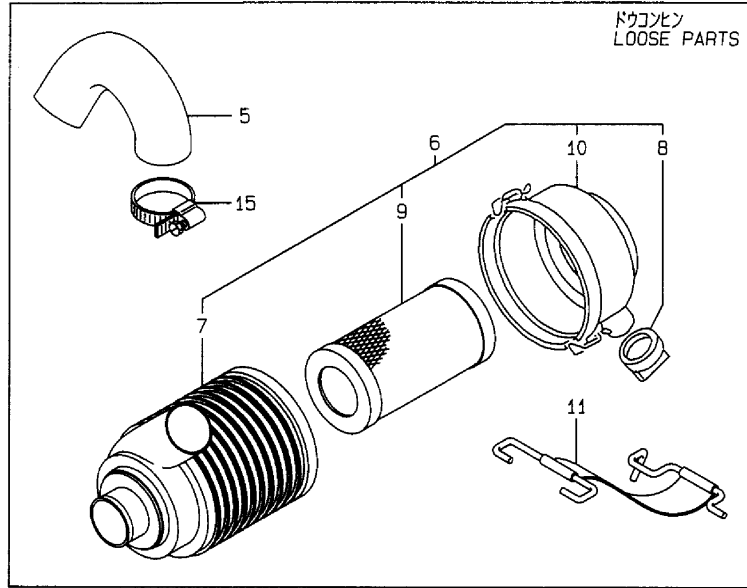
(1) REPAIR PART.

N:Old $\xrightarrow{\text{Yes}}$ New, Q:Old $\xrightarrow{\text{No}}$ New, R:Old $\xrightarrow{\text{Yes}}$ New, S:Old $\xrightarrow{\text{No}}$ New, W:Add, Z:Discontinued, F:Interchangeable by set, K:Q'ty Change

Fig.5. SUCTION MANIFOLD & AIR CLEANER

(A)=2TNE68-ETBA
(B)=
(C)=

(D)=
(E)=
(F)=

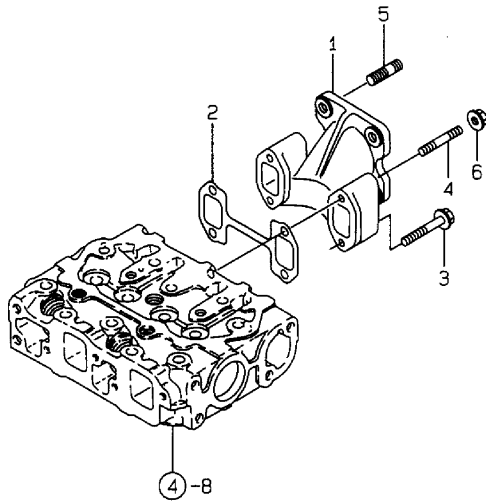
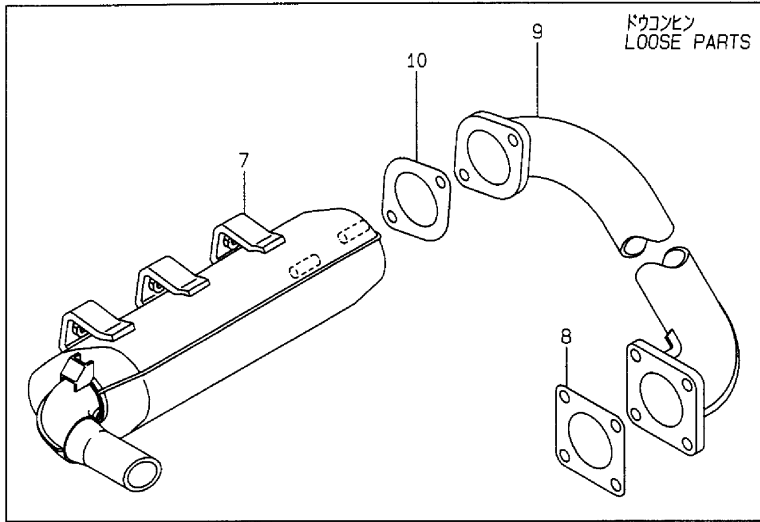


No.	Lev.	Parts No.	Description	Q'ty						I	R
				(A)	(B)	(C)	(D)	(E)	(F)		
1	1	119326-12111	GASKET, MANIFOLD	1							
2	1	119305-12150	MANIFOLD, AIR INTAKE	1							
3	1	26106-060162	BOLT, M6X 16 PLATED				2				
4	1	26106-060282	BOLT, M6X 28 PLATED				1				
5	1	119332-12210	PIPE, AIR INTAKE	1							
6	1	119325-12560	CLEANER ASSY, AIR	1							
7	2	119258-12510	BODY ASSY, CLEANER				1				
8	2	119808-12540	VALVE, UNLOADER				1				
9	2	119655-12560	ELEMENT				1				
10	2	119686-12570	COVER ASSY				1				
11	1	119865-12600	BAND ASSY, CLEANER				1				
15	1	23000-060000	CLAMP, 60				3				

Fig.6. EXHAUST MANIFOLD & SILENCER

(A)=2TNE68-ETBA
(B)=
(C)=

(D)=
(E)=
(F)=

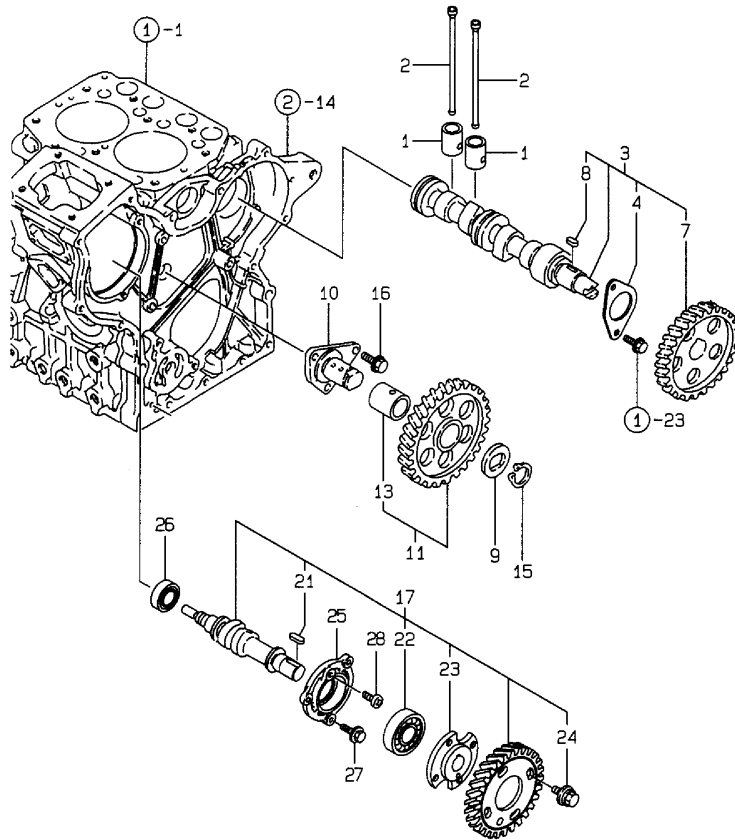


No.	Lev.	Parts No.	Description	Q'ty						I	R
				(A)	(B)	(C)	(D)	(E)	(F)		
1	1	119305-13100	MANIFOLD, EXHAUST	1							
2	1	119305-13110	GASKET	1							
3	1	26106-060402	BOLT, M6X 40 PLATED								
4	1	26216-060402	STUD, M6X 40	2							
5	1	119131-18320	STUD, M8X22	4							
6	1	26366-060002	NUT, M6	2							
7	1	119332-13501	SILENCER	1							
8	1	124701-11911	GASKET, SILENCER	1							
9	1	119332-13551	PIPE	1							
10	1	129107-13550	GASKET	1							

Fig.7. CAMSHAFT & DRIVING GEAR

(A)=2TNE68-ETBA
(B)=
(C)=

(D)=
(E)=
(F)=



No.	Lev.	Parts No.	Description	Q'ty						I	R
				(A)	(B)	(C)	(D)	(E)	(F)		
1	1	119260-14200	TAPPET	4							
2	1	119260-14400	ROD, PUSH	4							
3	1	119305-14580	CAMSHAFT ASSY	1							
4	2	119620-02450	BEARING, THRUST	1							
7	2	119260-14100	GEAR, CAMSHAFT	1							
8	2	22512-040120	KEY, 4X 12	1							
9	1	119660-25022	RETAINER	1							
10	1	119660-25052	SHAFT, IDLE	1							
11	1	119260-25100	GEAR ASSY, IDLE	1							
13	2	119620-25912	BUSH	1							1
15	1	22242-000200	RING, 20	1							
16	1	26106-060122	BOLT, M6X 12 PLATED	3							
17	1	119305-14210	CAM ASSY	1							
21	2	22512-040120	KEY, 4X 12	1							
22	2	24102-063034	BEARING, BALL 6303U	1							
23	2	119660-25920	FLANGE	1							
24	2	119660-25930	BOLT	4							
25	1	119660-01821	BEARING, FUEL CAM	1							
26	1	24101-062034	BEARING, BALL 6203	1							
27	1	26106-060162	BOLT, M6X 16 PLATED	3							
28	1	26587-080102	SCREW, M8X10	1							

Remarks
(1) REPAIR PART.

Fig.8. CRANKSHAFT & PISTON

(A)=2TNE68-ETBA

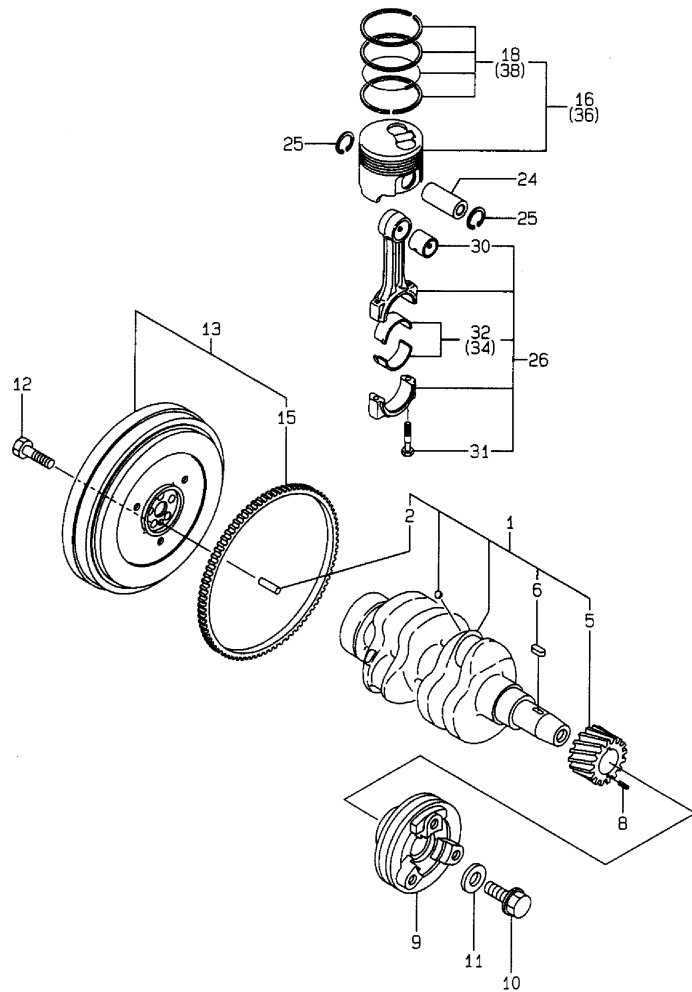
(B)=

(C)=

(D)=

(E)=

(F)=



No.	Lev.	Parts No.	Description	Q'ty						I	R
				(A)	(B)	(C)	(D)	(E)	(F)		
1	1	119309-21700	CRANKSHAFT ASSY	1							
2	2	129100-01580	PIN, M8X16	1							
5	2	119260-21200	GEAR, CRANKSHAFT	1							
6	2	22512-040120	KEY, 4X 12	1							
8	1	22351-030012	PIN, SPRING 3.0X12	1							
9	1	119305-21650	V-PULLEY	1							
10	1	119621-21680	BOLT, FLANGE 12X1.25	1							
11	1	119620-21941	WASHER	1							
12	1	119620-21500	BOLT, FLYWHEEL	5							
13	1	119325-21580	FLYWHEEL ASSY	1							
15	2	124950-21600	GEAR, RING	1							
16	1	119265-22601	PISTON ASSY	2							
18	2	119265-22500	RING SET, PISTON	2							
24	1	119265-22300	PIN, PISTON	2							
25	1	22252-000200	RING, 20	4							
26	1	119265-23100	ROD ASSY, CONNECTING	2							
30	2	119260-23910	BEARING, PISTON PIN	2							1
31	2	119265-23200	BOLT, CONNECTING ROD	4							
32	2	719260-23600	BEARING, CRANK PIN	2							
34	1	719260-23610	BEARING ASSY, 0.25	2							2
36	1	119265-22930	PISTON ASSY, 0.25 OS	2							3
38	2	119265-22950	RING SET, 0.25 OS	2							3

Remarks

(1) REPAIR PART.

(2) UNDER-SIZE(U.S=0.25)PART.

(3) OVER-SIZE(O.S=0.25)PART.

Fig.9. LUB.OIL SYSTEM

(A)=2TNE68-ETBA
(B)=
(C)=

(D)=
(E)=
(F)=

No.	Lev.	Parts No.	Description	Qty						I	R
				(A)	(B)	(C)	(D)	(E)	(F)		
1	1	119260-32000	PUMP ASSY, OIL	1							
11	1	119660-32020	GASKET, PUMP	1							
12	1	26450-060202	BOLT, M6X 20	3							
13	1	119332-34880	DIPSTICK, OIL	1							
14	1	119332-34890	GUIDE, DIPSTICK	1							
15	1	119305-35150	FILTER, OIL	1							
16	1	119225-35300	VALVE ASSY	1							
24	1	129150-35350	NUT	1							
25	1	119332-35080	PIPE ASSY, OIL INLET	1							
26	1	119209-35030	O-RING, P11	1							
27	1	26106-060122	BOLT, M6X 12 PLATED	2							
28	1	114250-39450	SWITCH, 0.5KG	1							

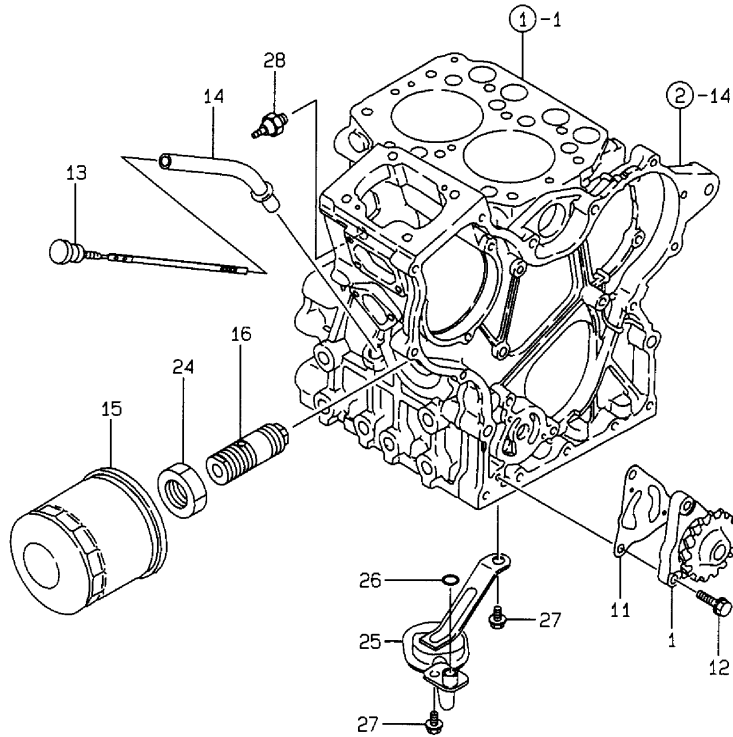
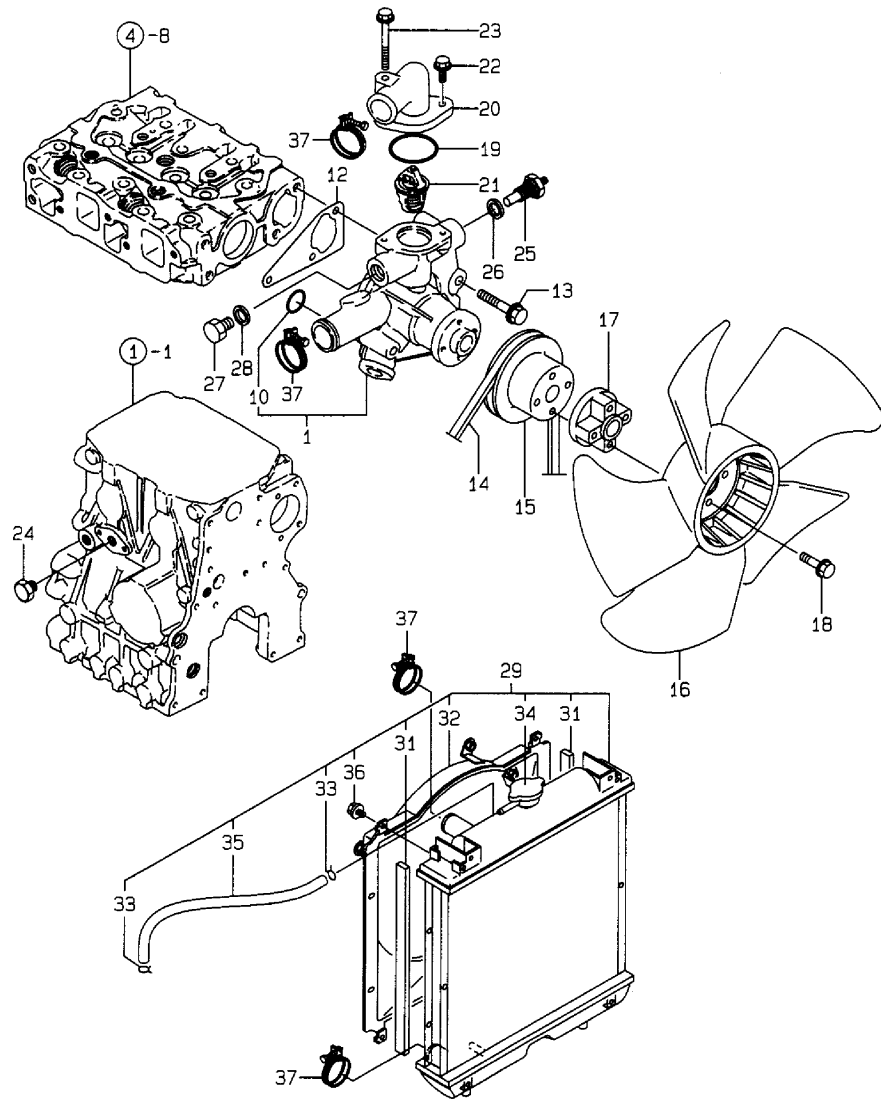


Fig.10. COOLING WATER SYSTEM



(A)=2TNE68-ETBA
(B)=
(C)=

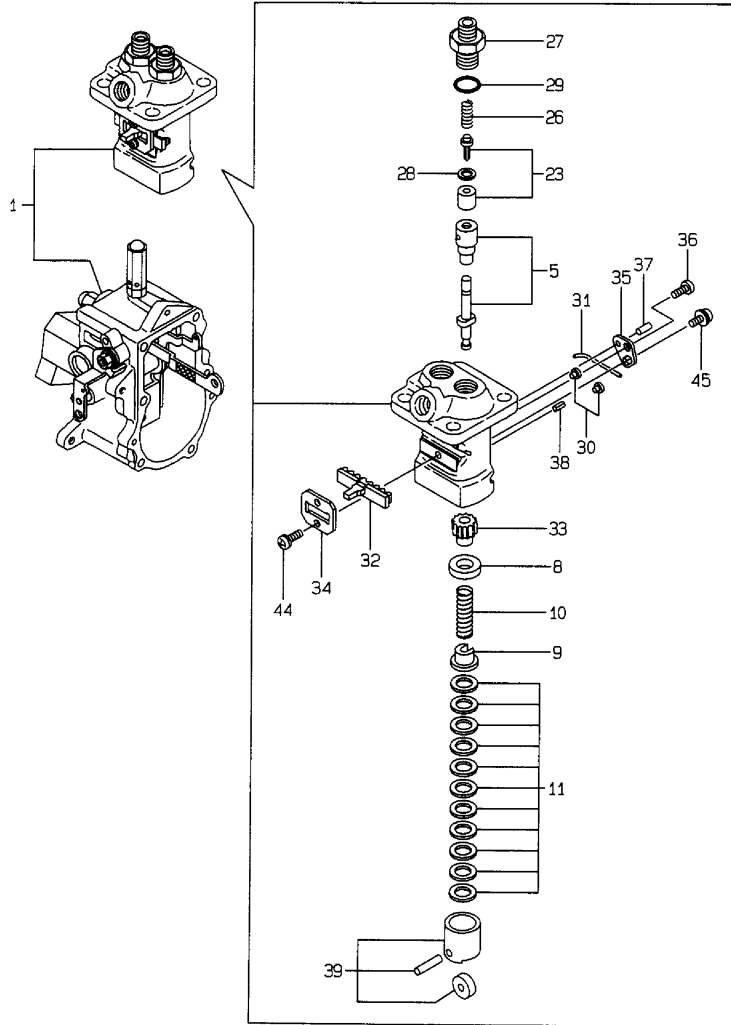
(D)=
(E)=
(F)=

No.	Lev.	Parts No.	Description	Q'ty						I	R
				(A)	(B)	(C)	(D)	(E)	(F)		
1	1	119260-42002	PUMP ASSY, WATER	1							
10	2	119225-42320	O-RING	1							
12	1	119260-42021	GASKET, WATER PUMP	1							
13	1	26106-080452	BOLT, M8X 45 PLATED	3							
14	1	119256-42290	V-BELT, FM33.5	1							
15	1	119256-42360	V-PULLEY	1							
16	1	119233-44740	FAN, D=290XUH	1							
17	1	121267-44760	SPACER	1							
18	1	26106-060302	BOLT, M6X 30 PLATED	4							
19	1	119209-42140	O-RING, G 35	1							
20	1	119256-49530	COVER, THERMOSTAT	1							
21	1	119289-49800	THERMOSTAT	1							
22	1	26106-060162	BOLT, M6X 16 PLATED	1							
23	1	26106-060552	BOLT, M6X 55 PLATED	1							
24	1	171056-49120	PLUG, DRAIN	1							
25	1	124250-49351	SENSOR	1							
26	1	129150-49360	GASKET	1							
27	1	121450-42450	PLUG, M16	1							
28	1	124465-44950	GASKET, 16	1							
29	1	119325-44520	RADIATOR ASSY	1							
31	2	119325-44560	GASKET	2							
32	2	119325-44570	SHROUD	1							
33	2	121250-44590	CLAMP	2							
34	2	129107-44590	CAP, RADIATOR	1							
35	2	121492-59090	PIPE, FUEL	1							
36	2	26014-060122	BOLT, M6X 12	4							
37	1	23010-038000	CLAMP, 38	4							

Fig.11. FUEL INJECTION PUMP

(A)=2TNE68-ETBA
(B)=
(C)=

(D)=
(E)=
(F)=



No.	Lev.	Parts No.	Description	Q'ty						I	R
				(A)	(B)	(C)	(D)	(E)	(F)		
1	1	719325-51740	PUMP ASSY, INJECTION	1							1
5	2	119225-51100	PLUNGER ASSY	2							
8	2	119620-51170	RETAINER, SPRING A	2							
9	2	119620-51180	RETAINER, SPRING B	2							
10	2	119620-51190	SPRING, PLUNGER	2							
11	2	119620-51250	SHIM SET	2							
23	2	119225-51300	VALVE ASSY, DELIVERY	2							
26	2	105546-51330	SPRING, DELIVERY	2							
27	2	119620-51340	HOLDER, DELIVERY	2							
28	2	119620-51350	GASKET	2							
29	2	119620-51370	O-RING	2							
30	2	119620-51450	PIECE	2							
31	2	174307-51460	PIN, LOCK	1							
32	2	119305-51500	RACK, CONTROL	1							
33	2	119620-51510	PINION	2							
34	2	119305-51530	RETAINER, RACK	1							
35	2	119620-51650	PLATE	1							
36	2	119620-51660	SCREW	1							
37	2	119620-51670	PIN	1							
38	2	119620-51680	PIN	1							
39	2	119620-51700	TAPPET ASSY	2							
44	2	26022-040082	SCREW, M4X 8	2							
45	2	26033-040102	SCREW, M4X10	1							

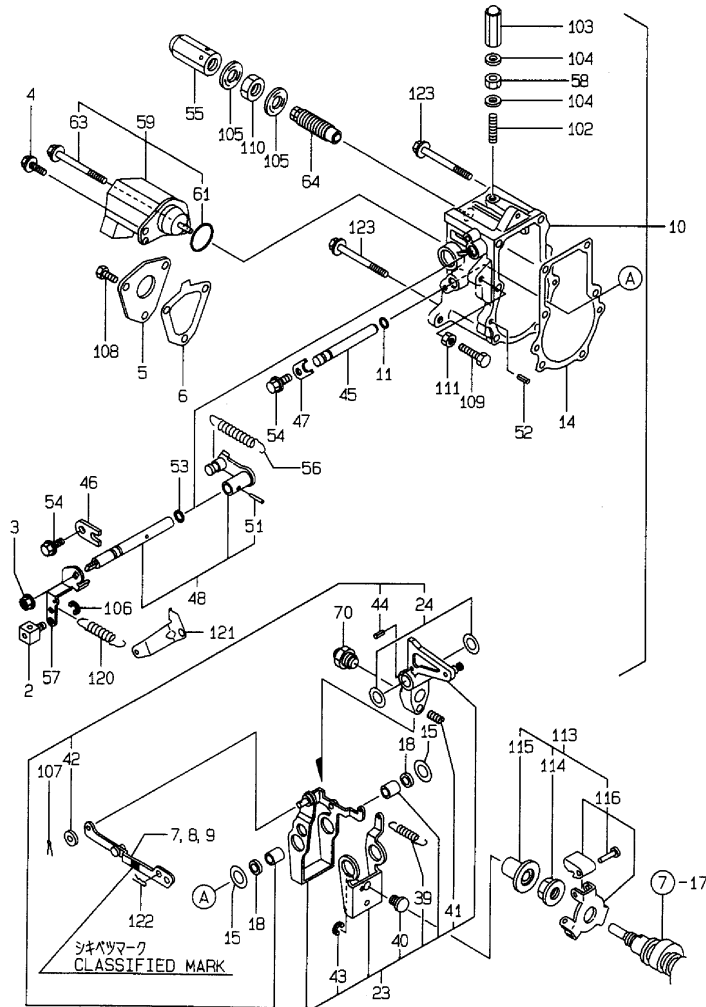
Remarks

(1) GOVERNOR ASSY(FIG.12) IS INCORPORATED IN THIS FIE(SERVICE ASSY(REF.NO.1)).

Fig.12. GOVERNOR

(A)=2TNE68-ETBA
(B)=
(C)=

(D)=
(E)=
(F)=



No.	Lev.	Parts No.	Description	Q'ty						I	R
				(A)	(B)	(C)	(D)	(E)	(F)		
2	2	124066-03770	RETAINER	1							
3	2	194990-22050	NUT, M8	1							
4	2	121465-59950	BOLT, M6X16	1							
5	2	119660-61060	COVER, GOVERNOR CASE	1							
6	2	119660-61071	GASKET	1							
7	2	119285-61120	LINK, NO MARK	1							1
8	2	119285-61130	LINK, MARK :2	1							1
9	2	119285-61140	LINK, MARK :3	1							1
10	2	119632-61200	CASE ASSY, GOVERNOR	1							
11	3	129155-51280	O-RING, S6	1							
14	3	119660-61052	GASKET	1							
15	3	119660-61460	SHIM SET	2							
18	3	129155-61480	SPACER ASSY	2							
23	3	119232-61510	LEVER ASSY, GOVERNOR	2							
24	4	174307-51700	SHIM SET	2							
39	4	119232-61540	SPRING	1							
40	4	119600-61541	SHIFTER	1							
41	4	119660-61651	SPRING, STARTING	1							
42	4	22117-040000	WASHER, 4	1							
43	4	22272-000040	RING, E- 4	1							
44	4	22351-030014	PIN, SPRING 3.0X14	1							
45	3	119660-61590	SHAFT	1							
46	3	119600-61900	RETAINER, SHAFT	1							
47	3	119660-61901	RETAINER, SHAFT	1							
48	3	119285-66080	SHAFT ASSY	1							
51	4	22322-030160	PIN, TAPER 3X16	1							
52	3	22351-040010	PIN, SPRING 4.0X10	2							
53	3	24341-000070	O-RING, 1AS7.0	1							
54	3	26106-060102	BOLT, M6X 10 PLATED	2							
55	2	129100-61930	NUT, CAP	1							
56	2	119600-66020	SPRING, REGULATOR	1							
57	2	119640-66051	HANDLE, REGULATOR	1							
58	2	124550-66370	NUT, M6	1							
59	2	119285-66500	STOPPER ASSY	1							
61	3	24341-000280	O-RING, 1AS28.0	1							
63	3	26106-060952	BOLT, M6X 95 PLATED	1							
64	2	119600-66530	LIMITER ASSY, FUEL	1							
70	2	119610-66700	ANGLEICH ASSY	1							
102	2	121575-66830	SCREW	1							
103	2	119600-66840	NUT, CAP	1							
104	2	22190-060003	SEAL WASER 6	2							
105	2	22190-120002	WASHER, SEAL 12	2							
106	2	22272-000070	RING, E- 7	1							
107	2	22360-040000	PIN, SNAP 4	1							
108	2	26116-050102	BOLT, M5X 10 PLATED	3							
109	2	26116-060304	BOLT, M6X 30 PLATED	1							
110	2	26736-120002	NUT, M12	1							
111	2	26756-060002	NUT, LOCK M6	1							
113	1	119600-61300	DRIVE ASSY	1							
114	2	119660-61300	NUT	1							
115	2	119660-61341	SLEEVE	1							

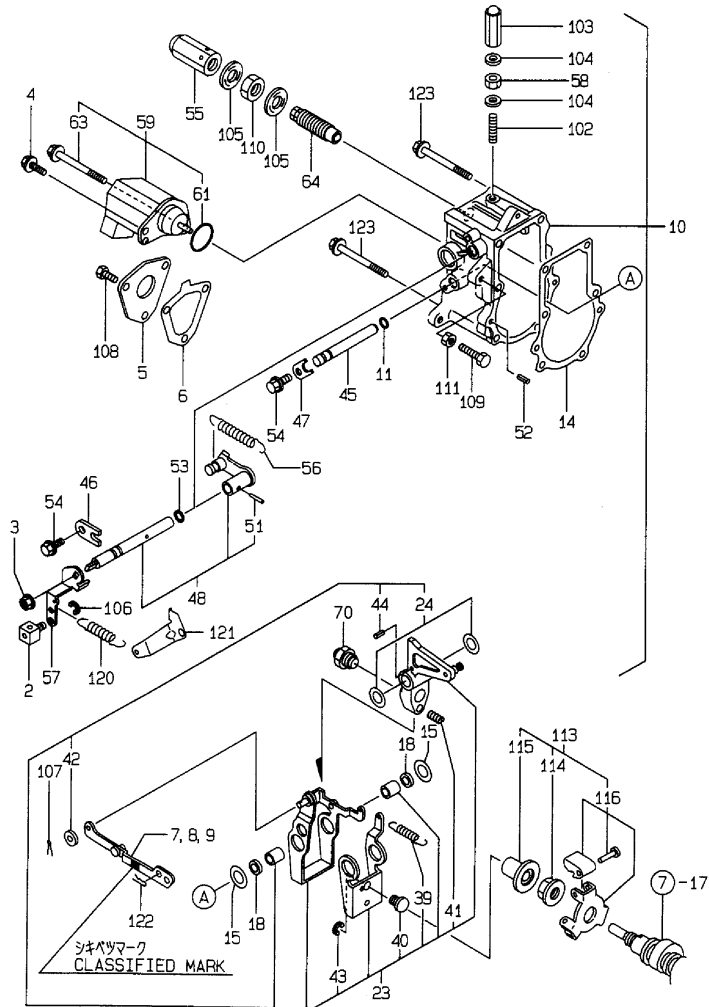
Remarks

(1) SELECTIVE PARTS: CERTAIN THE CLASSIFICATION MARK, THEN PLACE YOUR ORDER.(REFER TO ILLUSTRATION).

Fig.12. GOVERNOR

(A)=2TNE68-ETBA
(B)=
(C)=

(D)=
(E)=
(F)=

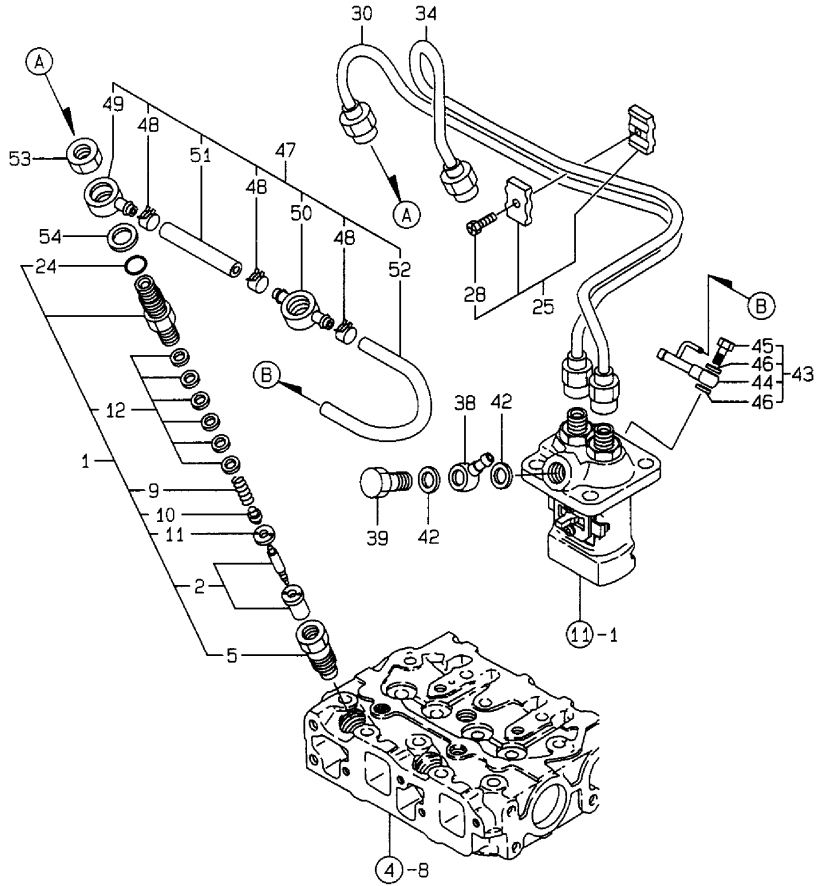


No.	Lev.	Parts No.	Description	Q'ty						I	R
				(A)	(B)	(C)	(D)	(E)	(F)		
116	2	119600-61400	WEIGHT ASSY,GOVERNOR	1							
120	1	119840-61870	SPRING	1							
121	1	119656-66910	HOOK	1							
122	1	22360-060000	PIN, SNAP 6	1							
123	1	26106-060702	BOLT, M6X 70 PLATED	5							

Remarks

(1) SELECTIVE PARTS: CERTAIN THE CLASSIFICATION MARK, THEN PLACE YOUR ORDER.(REFER TO ILLUSTRATION).

Fig.13. FUEL INJECTION VALVE



(A)=2TNE68-ETBA
(B)=
(C)=

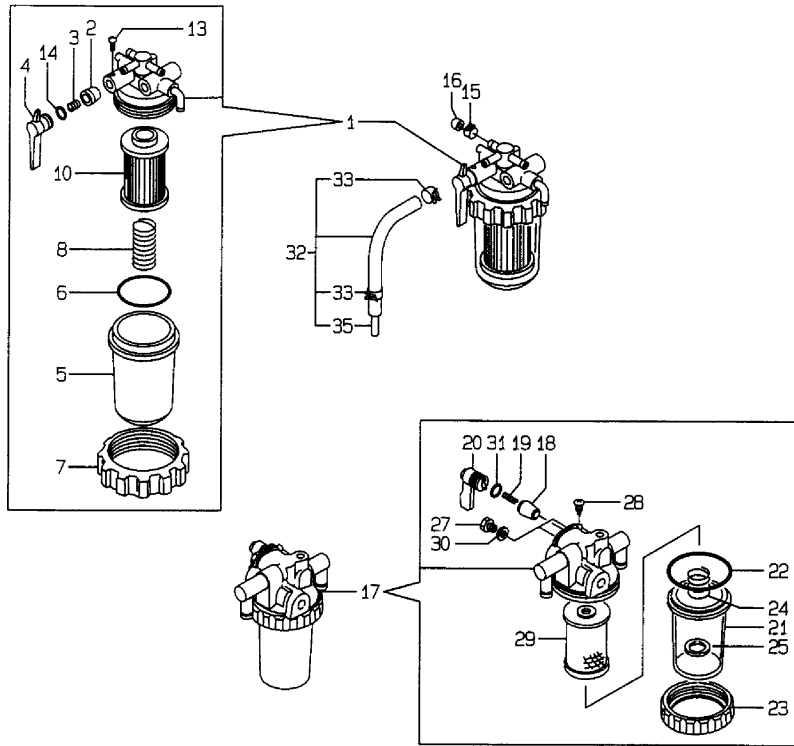
(D)=
(E)=
(F)=

No.	Lev.	Parts No.	Description	Q'ty						I	R
				(A)	(B)	(C)	(D)	(E)	(F)		
1	1	719255-53100	VALVE ASSY,INJECTION	2							
2	2	119620-53000	VALVE ASSY,INJECTION	2							
5	2	119620-53080	NUT, NOZZLE	2							
9	2	119620-53120	SPRING, NOZZLE	2							
10	2	114250-53130	SEAT, SPRING	2							
11	2	119620-53140	SPACER, VALVE STOP	2							
12	2	114250-53400	SHIM SET	2							
24	2	129155-61830	O-RING, S10	2							
25	1	119305-59120	RETAINER, PIPE	1							
28	2	129150-59131	BOLT, M4X14	1							
30	1	119309-59810	PIPE ASSY, INJECTION	1							
34	1	119309-59820	PIPE ASSY, INJECTION	1							
38	1	101304-59020	JOINT, PIPE 12	1							
39	1	105340-59190	BOLT ASSY, JOINT	1							
42	1	22190-120002	WASHER, SEAL 12	2							
43	1	119266-59501	JOINT ASSY, PIPE	1							
44	2	119266-59570	JOINT, OVER FLOW	1							
45	2	119266-59580	BOLT, PIPE JOINT M8	1							
46	2	22190-080002	WASHER, SEAL 6	2							
47	1	119520-59540	PIPE ASSY, RETURN	1							
48	2	124066-59100	CLIP, HOSE 8	3							
49	2	119260-59520	JOINT	1							
50	2	119260-59530	JOINT	1							
51	2	119260-59550	PIPE, FUEL	1							
52	2	119000-59560	PIPE, FUEL RETURN	1							
53	1	119620-59700	NUT, NOZZLE	2							
54	1	22190-140002	WASHER, SEAL 14	2							

Fig.14. FUEL FILTER

(A)=2TNE68-ETBA
(B)=
(C)=

(D)=
(E)=
(F)=

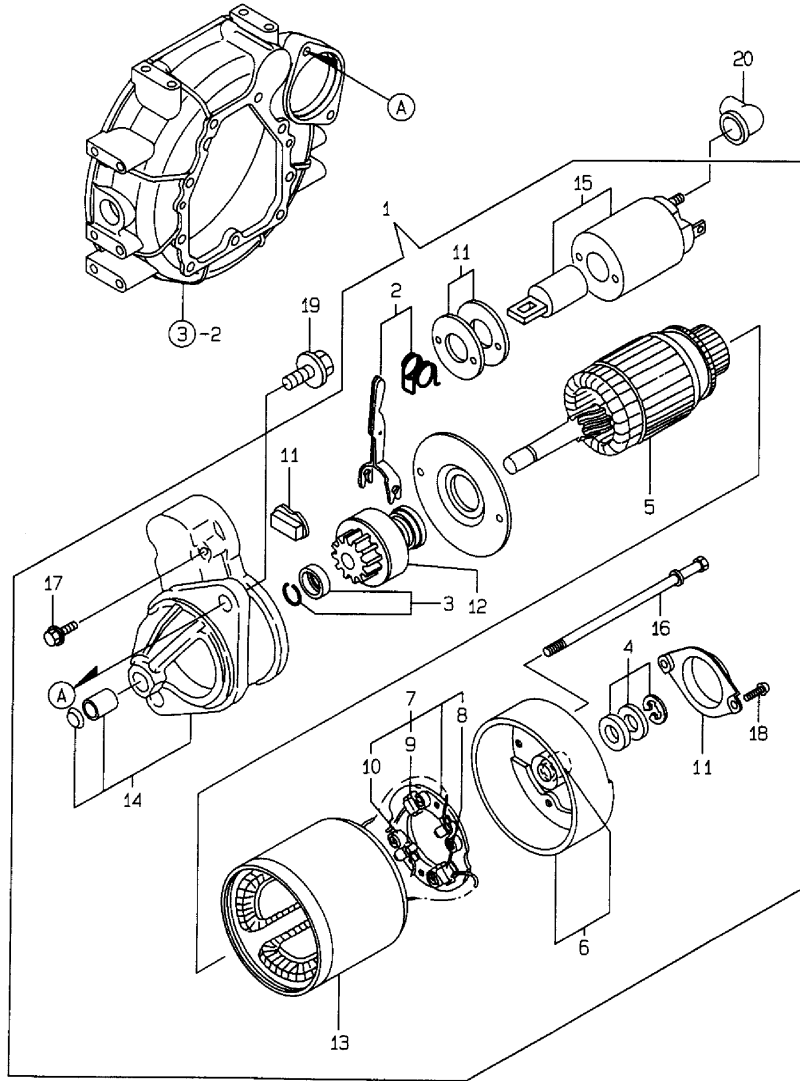


No.	Lev.	Parts No.	Description	Q'ty						I	R
				(A)	(B)	(C)	(D)	(E)	(F)		
1	1	119632-55620	FILTER ASSY, FUEL	1							
2	2	104200-55321	VALVE, TAPER	1							
3	2	104200-55330	SPRING, VALVE	1							
4	2	119810-55340	LEVER	1							
5	2	121254-55510	COVER	1							
6	2	102103-55520	O-RING	1							
7	2	110250-55610	RING, RETAINING	1							
8	2	121250-55620	SPRING	1							
10	2	124550-55700	FILTER, FUEL L=90	1							
13	2	104200-55750	SCREW, M4	1							
14	2	24311-240100	O-RING, 1AP10A	1							
15	1	124066-59100	CLIP, HOSE 8	1							
16	1	129150-59580	CAP	1							
17	1	129335-55700	SEPARATOR ASSY,WATER	1							
18	2	104200-55321	VALVE, TAPER	1							
19	2	104200-55330	SPRING, VALVE	1							
20	2	104200-55341	HANDLE	1							
21	2	124064-55510	COVER	1							
22	2	102103-55520	O-RING	1							
23	2	110250-55610	RING, RETAINING	1							
24	2	121257-55720	SPRING	1							
25	2	121257-55731	FLOAT	1							
27	2	101720-55750	PLUG, 6	2							
28	2	104200-55750	SCREW, M4	1							
29	2	171081-55910	SCREEN	1							
30	2	23418-060000	GASKET, 6X1.0	2							
31	2	24311-240100	O-RING, 1AP10A	1							
32	1	119840-59601	BEND	1							
33	2	124766-59050	CLIP, HOSE 12	2							
35	2	119840-59621	JOINT	1							

Fig.15. STARTING MOTOR

(A)=2TNE68-ETBA
(B)=
(C)=

(D)=
(E)=
(F)=

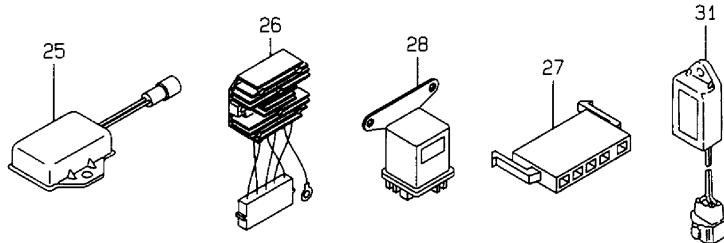
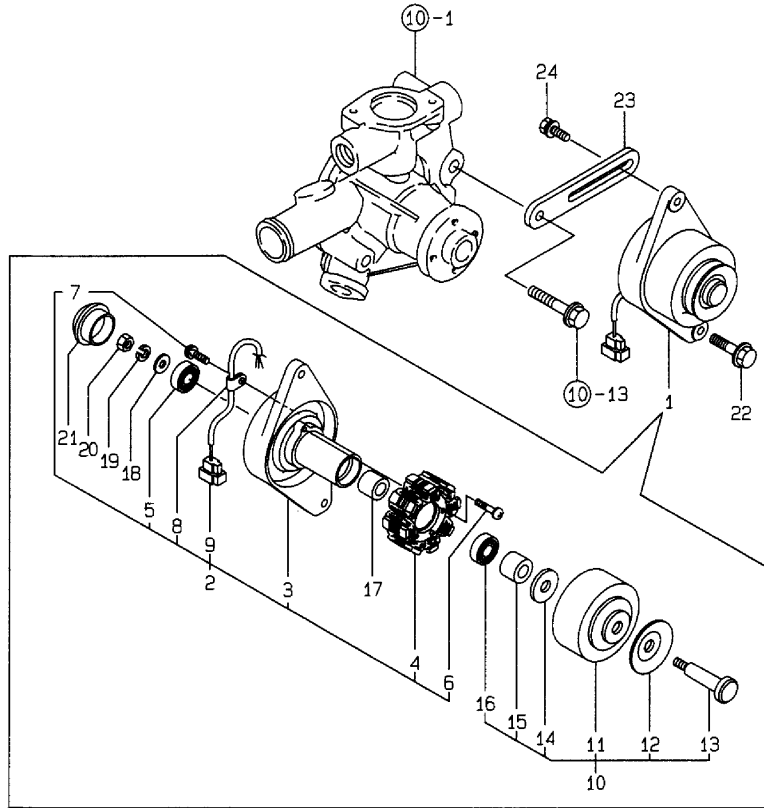


No.	Lev.	Parts No.	Description	Q'ty						I	R
				(A)	(B)	(C)	(D)	(E)	(F)		
1	1	119226-77010	STARTER,12V-0.8KW	1							
2	2	X2114560130	LEVER KIT, SHIFT	1							
3	2	X2114715500	STOPPER SET	1							
4	2	X2114811000	WASHER KIT, THRUST	1							
5	2	114371-77110	ARMATURE	1							
6	2	114371-77140	COVER ASSY, REAR	1							
7	2	114371-77160	HOLDER ASSY, BRUSH	1							
8	3	114371-79040	BRUSH	2							
9	3	114371-79050	BRUSH	1							
10	3	114371-79060	SPRING	4							
11	2	114371-77170	COVER ASSY, DUST	1							
12	2	119226-77650	CLUTCH ASSY	1							
13	2	124097-77710	YOKE ASSY	1							
14	2	124097-77760	CASE ASSY, GEAR	1							
15	2	124195-77760	MAGNETIC SWITCH ASSY	1							
16	2	124195-77770	BOLT, THROUGH	2							
17	2	114371-79070	BOLT	2							
18	2	26022-040122	SCREW, M4X12	2							
19	1	26106-100252	BOLT, M10X 25 PLATED	2							
20	1	124160-77020	COVER, TERMINAL	1							

Fig.16. GENERATOR

(A)=2TNE68-ETBA
(B)=
(C)=

(D)=
(E)=
(F)=

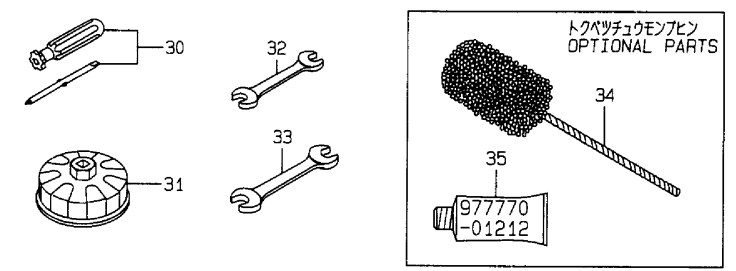
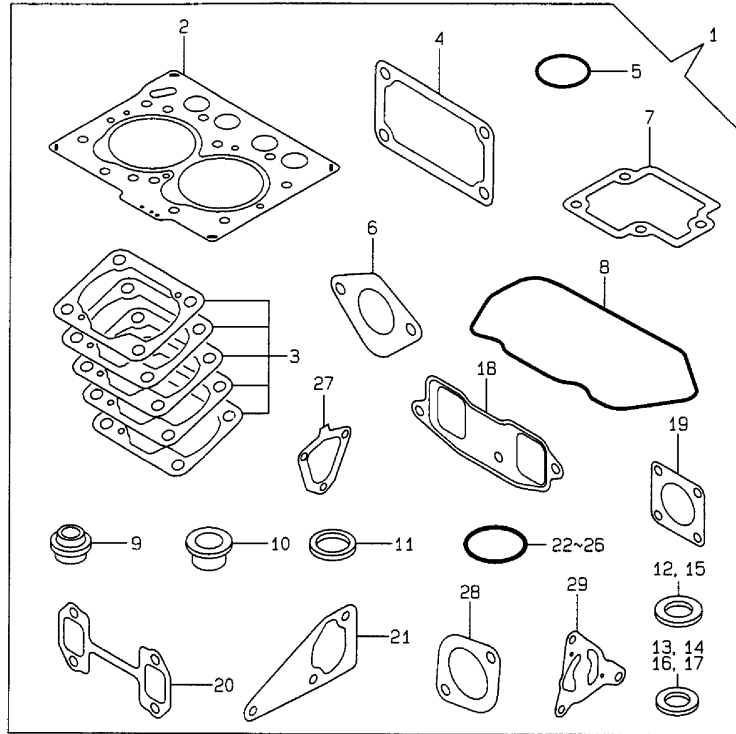


No.	Lev.	Parts No.	Description	Q'ty						I	R
				(A)	(B)	(C)	(D)	(E)	(F)		
1	1	119663-77200	DYNAMO	1							
2	2	XM91967	PLATE ASSY	1							
3	3	XM91968	PLATE	1							
4	3	XM91969	STATOR	1							
5	3	XM27436	BEARING, BALL	1							
6	3	26022-040252	SCREW, M4X25	2							
7	3	XYSPS4008	SCREW	1							
8	3	XM36410	CLAMP	1							
9	3	XM17878	COUPLER	1							
10	2	XM82099	FLYWHEEL ASSY	1							
11	3	XM82110	FLYWHEEL	1							
12	3	XM72174	PULLEY	1							
13	3	XM42927	SHAFT	1							
14	3	XM47549	WASHER	1							
15	3	XM72701	COLLAR	1							
16	3	XM27436	BEARING, BALL	1							
17	2	106383-44720	SPACER	1							
18	2	106383-44730	WASHER	1							
19	2	22212-100000	SPRING WASHER 10	1							
20	2	26716-100002	NUT, M10	1							
21	2	105225-44790	CAP	1							
22	1	26106-100402	BOLT, M10X 40 PLATED	1							
23	1	121450-77330	ADJUSTER	1							
24	1	119810-77340	BOLT, ADJUSTER	1							
25	1	119332-77810	REGISTER	1							
26	1	119660-77711	LIMITER, CURRENT 15A	1							
27	1	171301-77720	COUPLER	1							
28	1	119650-77910	RELAY ASSY, GLOW	2							
31	1	129211-77920	TIMER	1							

Fig.17. TOOL & GASKET SET

(A)=2TNE68-ETBA
(B)=
(C)=

(D)=
(E)=
(F)=



No.	Lev.	Parts No.	Description	Q'ty						I	R
				(A)	(B)	(C)	(D)	(E)	(F)		
1	1	719325-92620	GASKET SET	1							1
2	2	119309-01330	GASKET, CYL. HEAD	1							
3	2	119305-01950	SHIM SET, ADJUSTING	1							
4	2	119660-01562	GASKET	1							
5	2	24311-000320	O-RING, 1AP32.0	2							
6	2	121520-01851	GASKET	1							
7	2	119305-03031	GASKET	1							
8	2	119305-11310	GASKET, BONNET	1							
9	2	119260-11340	SEAL, VALVE STEM	4							
10	2	119600-11450	PROTECTOR, NOZZLE	2							
11	2	119600-11460	GASKET, NOZZLE	4							
12	2	124465-44950	GASKET, 16	1							
13	2	22190-060003	SEAL WASER 6	2							
14	2	22190-120002	WASHER, SEAL 12	4							
15	2	129150-49360	GASKET	1							
16	2	22190-080002	WASHER, SEAL 6	2							
17	2	22190-140002	WASHER, SEAL 14	2							
18	2	119326-12111	GASKET, MANIFOLD	1							
19	2	124701-11911	GASKET, SILENCER	1							
20	2	119305-13110	GASKET	1							
21	2	119260-42021	GASKET, WATER PUMP	1							
22	2	119209-42140	O-RING, G 35	1							
23	2	24311-000120	O-RING, 1AP12.0	2							
24	2	24341-000240	O-RING, 1AS24.0	1							
25	2	119209-35030	O-RING, P11	1							
26	2	119624-32040	O-RING, P12.0	2							
27	2	119660-61071	GASKET	1							
28	2	129107-13550	GASKET	1							
29	2	119660-32020	GASKET, PUMP	1							
30	1	104200-92350	DRIVER, SCREW	1							
31	1	119332-92751	WRENCH, FILTER 68	1							
32	1	28110-100120	SPANNER, 10X12	1							
33	1	28110-140170	SPANNER, 14X17	1							
34	1	129400-92400	HONE	1							1
35	1	977770-01212	GASKET, LIQUID	1							1

Remarks
(1) OPTIONAL PART.

Parts No. Index

Parts No.	Fig. No.	Ref. No.
101304-59020	13	38
101720-55750	14	27
102103-55520	14	6
		22
104200-55321	14	2
		18
104200-55330	14	3
		19
104200-55341	14	20
104200-55750	14	13
		28
104200-92350	17	30
105010-11230	4	30
		34
105225-44790	16	21
105340-59190	13	39
105546-51330	11	26
106383-44720	16	17
106383-44730	16	18
110250-55610	14	7
		23
114250-11120	4	20
114250-11180	4	21
114250-39450	9	28
114250-53130	13	10
114250-53400	13	12
114371-77110	15	5
114371-77140	15	6
114371-77160	15	7
114371-77170	15	11
114371-79040	15	8
114371-79050	15	9
114371-79060	15	10
114371-79070	15	17
118400-03060	4	53
119000-59560	13	52
119131-18320	6	5
119209-35030	9	26
		17
119209-42140	10	19
		17
119225-35300	9	16
119225-42320	10	10
119225-51100	11	5
119225-51300	11	23
119226-77010	15	1
119226-77650	15	12
119230-01600	3	2
119232-61510	12	23
119232-61540	12	39

Parts No.	Fig. No.	Ref. No.
119233-44740	10	16
119256-42290	10	14
119256-42360	10	15
119256-49530	10	20
119258-12510	5	7
119260-01510	2	17
119260-01590	2	1
119260-02020	1	6
119260-02800	1	16
119260-02930	1	19
119260-07900	4	5
119260-11100	4	18
119260-11110	4	19
119260-11260	4	40
119260-11270	4	41
119260-11280	4	42
119260-11340	4	23
	17	9
119260-11370	4	24
119260-11800	4	13
119260-14100	7	7
119260-14200	7	1
119260-14400	7	2
119260-21200	8	5
119260-23910	8	30
119260-25100	7	11
119260-32000	9	1
119260-42002	10	1
119260-42021	10	12
	17	21
119260-59520	13	49
119260-59530	13	50
119260-59550	13	51
119265-01250	1	12
119265-11260	4	44
119265-22300	8	24
119265-22500	8	18
119265-22601	8	16
119265-22930	8	36
119265-22950	8	38
119265-23100	8	26
119265-23200	8	31
119266-01200	1	24
119266-02410	1	22
119266-59501	13	43
119266-59570	13	44
119266-59580	13	45
119285-61120	12	7
119285-61130	12	8
119285-61140	12	9

Parts No.	Fig. No.	Ref. No.
119285-66080	12	48
119285-66500	12	59
119289-49800	10	21
119305-01490	2	14
119305-01760	3	11
119305-01950	2	23
	17	3
119305-03020	4	48
119305-03031	4	49
	17	7
119305-11200	4	28
119305-11240	4	37
119305-11310	4	52
	17	8
119305-11350	4	46
119305-12150	5	2
119305-13100	6	1
119305-13110	6	2
	17	20
119305-14210	7	17
119305-14580	7	3
119305-21650	8	9
119305-35150	9	15
119305-51500	11	32
119305-51530	11	34
119305-59120	13	25
119305-77820	4	59
119309-01330	1	25
	17	2
119309-21700	8	1
119309-59810	13	30
119309-59820	13	34
119325-12560	5	6
119325-21580	8	13
119325-44520	10	29
119325-44560	10	31
119325-44570	10	32
119326-12111	5	1
	17	18
119332-01771	3	13
119332-12210	5	5
119332-13501	6	7
119332-13551	6	9
119332-34880	9	13
119332-34890	9	14
119332-35080	9	25
119332-77810	16	25
119332-92751	17	31
119520-59540	13	47
119600-11450	4	26

Parts No.	Fig. No.	Ref. No.
119600-11450	17	10
119600-11460	4	27
	17	11
119600-52021	2	31
119600-61300	12	113
119600-61400	12	116
119600-61541	12	40
119600-61900	12	46
119600-66020	12	56
119600-66530	12	64
119600-66840	12	103
119610-66700	12	70
119620-01620	3	6
119620-01750	3	4
119620-01800	2	4
119620-02450	7	4
119620-11350	4	6
119620-21500	8	12
119620-21941	8	11
119620-25912	7	13
119620-51170	11	8
119620-51180	11	9
119620-51190	11	10
119620-51250	11	11
119620-51340	11	27
119620-51350	11	28
119620-51370	11	29
119620-51450	11	30
119620-51510	11	33
119620-51650	11	35
119620-51660	11	36
119620-51670	11	37
119620-51680	11	38
119620-51700	11	39
119620-53000	13	2
119620-53080	13	5
119620-53120	13	9
119620-53140	13	11
119620-59700	13	53
119621-21680	8	10
119624-32040	2	6
	17	26
119632-55620	14	1
119632-61200	12	10
119640-66051	12	57
119650-77910	16	28
119655-12560	5	9
119656-66910	12	121
119660-01551	2	20
119660-01562	2	21

Parts No. Index

Parts No.	Fig. No.	Ref. No.
119660-01562	17	4
119660-01570	2	22
119660-01640	3	7
119660-01821	7	25
119660-01911	2	5
119660-25022	7	9
119660-25052	7	10
119660-25920	7	23
119660-25930	7	24
119660-32020	9	11
	17	29
119660-61052	12	14
119660-61060	12	5
119660-61071	12	6
	17	27
119660-61300	12	114
119660-61341	12	115
119660-61460	12	15
119660-61590	12	45
119660-61651	12	41
119660-61901	12	47
119660-77711	16	26
119663-77200	16	1
119686-12570	5	10
119808-12540	5	8
119810-55340	14	4
119810-77340	16	24
119840-59601	14	32
119840-59621	14	35
119840-61870	12	120
119865-12600	5	11
121023-01550	2	33
121120-01620	3	3
121250-44590	10	33
121250-55620	14	8
121254-55510	14	5
121257-55720	14	24
121257-55731	14	25
121267-44760	10	17
121400-01640	3	14
121450-01560	2	18
121450-42450	10	27
121450-77330	16	23
121465-59950	12	4
121492-59090	10	35
121520-01851	2	30
	17	6
121575-66830	12	102
124060-01050	1	5
124064-55510	14	21

Parts No.	Fig. No.	Ref. No.
124066-03770	12	2
124066-59100	13	48
	14	15
124085-02220	3	9
124097-77710	15	13
124097-77760	15	14
124160-01751	2	12
	4	47
124160-11360	4	56
124160-77020	15	20
124195-77760	15	15
124195-77770	15	16
124250-49351	10	25
124465-44950	10	28
	17	12
124550-55700	14	10
124550-66370	12	58
124701-11911	6	8
	17	19
124766-59050	14	33
124950-21600	8	15
129100-01580	3	1
	8	2
129100-61930	12	55
129107-13550	6	10
	17	28
129107-44590	10	34
129150-35350	9	24
129150-49360	10	26
	17	15
129150-59131	13	28
129150-59580	14	16
129155-51280	12	11
129155-61480	12	18
129155-61830	13	24
129155-77801	4	58
129211-77920	16	31
129335-55700	14	17
129400-92400	17	34
171056-49120	10	24
171081-55910	14	29
171301-77720	16	27
174307-51460	11	31
174307-51700	12	24
194990-22050	2	28
	12	3
22117-040000	12	42
22190-060003	12	104
	17	13
22190-080002	13	46

Parts No.	Fig. No.	Ref. No.
22190-080002	17	16
22190-120002	12	105
	13	42
	17	14
22190-140002	13	54
	17	17
22212-100000	16	19
22242-000100	4	43
22242-000200	7	15
22252-000200	8	25
22272-000040	12	43
22272-000070	12	106
22322-030160	12	51
22351-030012	8	8
22351-030014	12	44
22351-040010	2	19
	12	52
22351-060012	4	25
22360-040000	12	107
22360-060000	12	122
22512-040120	7	8
	21	
	8	6
22857-500100	4	55
23000-060000	5	15
23010-038000	10	37
23065-120500	4	1
23418-060000	14	30
23876-020000	4	16
24101-062034	7	26
24102-063034	7	22
24311-000120	4	57
	17	23
24311-000180	3	16
24311-000320	2	13
	4	54
	17	5
24311-240100	14	14
	31	
24341-000070	12	53
24341-000240	2	34
	17	24
24341-000280	12	61
26014-060122	10	36
26022-040082	11	44
26022-040122	15	18
26022-040252	16	6
26033-040102	11	45
26106-060102	3	17
	12	54

Parts No.	Fig. No.	Ref. No.
26106-060122	1	23
	7	16
	9	27
26106-060162	2	7
		32
		35
	5	3
	7	27
	10	22
26106-060222	3	10
26106-060282	5	4
26106-060302	2	8
	10	18
26106-060402	2	9
	6	3
26106-060452	3	18
26106-060502	2	10
26106-060552	10	23
26106-060652	2	11
26106-060702	12	123
26106-060952	12	63
26106-080142	4	7
		60
26106-080452	10	13
26106-100252	15	19
26106-100402	16	22
26116-050102	12	108
26116-060304	12	109
26206-100252	3	5
26216-060402	6	4
26306-080002	4	45
26366-060002	2	29
	6	6
26450-060202	9	12
26587-080102	7	28
26716-100002	16	20
26736-120002	12	110
26756-060002	12	111
26856-060002	4	32
		36
27221-050080	4	17
27221-060100	1	11
27241-100000	1	13
27241-250000	1	14
27241-300000	1	15
27241-350000	4	15
27310-055001	4	22
28110-100120	17	32
28110-140170	17	33
719255-53100	13	1

Parts No. Index

Parts No.	Fig. No.	Ref. No.
719260-02870	1	26
719260-11650	4	29
719260-11660	4	33
719260-23600	8	32
719260-23610	8	34
719325-01560	1	1
719325-11700	4	8
719325-51740	11	1
719325-92620	17	1
977770-01212	2	36
	3	19
	17	35
X2114560130	15	2
X2114715500	15	3
X2114811000	15	4
XM17878	16	9
XM27436	16	5
		16
XM36410	16	8
XM42927	16	13
XM47549	16	14
XM72174	16	12
XM72701	16	15
XM82099	16	10
XM82110	16	11
XM91967	16	2
XM91968	16	3
XM91969	16	4
XYS4008	16	7

Parts No.	Fig. No.	Ref. No.
-----------	----------	----------

Parts No.	Fig. No.	Ref. No.
-----------	----------	----------

Parts No.	Fig. No.	Ref. No.
-----------	----------	----------