

0CD10-M75501EN

PREFACE

1. This parts catalog is the 2nd edition of 4TNE94-EIK for IHI Construction Machinery Limited.

Pub.No. : 000Y00D7551

Published : November.,2006

2. Model name

Engine model	Vehicle		Vehicle made by
	Products	Model name	
4TNE94-EIK	Excavator	55N/55J	IHI Construction Machinery Ltd.

Directions for the Parts Catalog.

1. This Parts Catalog shows both standard and optional parts.
2. Parts may change without prior notice.
3. The following is an example of the Parts Catalog format.

REF.	LEV.	PARTS NO.	DESCRIPTION	Q'TY						I	R
				(A)	(B)	(C)	(D)	(E)	(F)		
1	1	729595-51390	FUEL INJECTION PUMP	1	1	1	1	1			1
1-1	1	729595-51391	FUEL INJECTION PUMP	1	1	1	1	1		N	1
		(A=E00185) (B=E00200)									
3	2	26022-060162	SCREW M 6X 16	9	9	9	9	9			
3-1	2	26022-060162	SCREW M 6X 16	4	4	4	4	4		K	
		(A=E00156) (B=E00156) (C=E00156) (D=E00156) (E=E00156)									
4	2	129470-51040	CAMSHAFT	1	1	1	1	1			
5	2	122710-51050	BEARING, ROLLER	2	2	2	2	2			
6	2	129470-51060	RETAINER	1	1	1	1	1			

Remarks
(1) BOOST COMPEMSATOR TYPE. OPTIONAL PART, TO E00155,(4JH-DT, 4JH-DTZ

① Ref. No.

The Ref. No. listed may not be in accordance with the illustration Ref. No.

(Ex.) Illustration No.

List Ref No.

1

1

(Before change)

1-1

(After change)

For interchangeable symbols N, R and K, illustrations for new parts may be abbreviated.

② Lev. (Level)

Level indication

The numbers below indicate the level of relativity towards the main part.

1 ----- Main parts (Assembly parts)

2 ----- Sub component included in " 1 ".

3 ----- Sub component included in " 2 ".

Note) Parts that are not for sale are partially illustrated but not listed.

③ Interchangeability Symbol

When a part change takes place, one of the following interchangeability symbols is indicated beside the part.

Symbol	Interchangeability	Contents note
N	Old $\begin{matrix} \leftarrow \text{Yes} \\ \text{No} \rightarrow \end{matrix}$ New	New Part is interchangeable for Old Part but Old Part is not interchangeable for New Part.
Q	Old $\begin{matrix} \leftarrow \text{No} \\ \text{Yes} \rightarrow \end{matrix}$ New	New Part is not interchangeable for Old Part but Old Part is interchangeable for New Part.
R	Old $\begin{matrix} \leftarrow \text{Yes} \\ \text{Yes} \rightarrow \end{matrix}$ New	New/ Old Parts are both interchangeable.
S	Old $\begin{matrix} \leftarrow \text{No} \\ \text{No} \rightarrow \end{matrix}$ New	New/ Old Parts are both not interchangeable.
W		Part newly added.
Z		Part discontinued.
F		Not interchangeable by a single part but interchangeable together with related parts.
K		Changes only for used parts quantities.

④ Effective Machine No.

When a part changes, the effective Machine No. will be indicated in the (A)-(F) column.

Product Symbol	Product No.	Product Symbol	Product No.
C	Clutch No. Compressor No.	F	Machine No. (Agricultural Equip.)
D	Drive No.	M	Machine No.
E	Engine No.		

Note 1) A date may follow the symbol. (Ex.) 1996.01

Note 2) "XXXXX" and "ZZZZZ" are for parts that could not be predicted or for engine models that could not be identified.

Note 3) (A=E00185) is the E (Engine Serial Number) for the column (A) model (in this case 4JH-DT) after the parts design change.

⑤ Remarks

Figures or alphabets (symbols) are entered in the remarks column.

The comments (remarks) on parts that are indicated at the bottom of the illustration are the same symbols as those stated above.

Contents

Fig. No. Fig. Name

Fig. No. Fig. Name

ENGINE SECTION

1. CYLINDER BLOCK
2. GEAR HOUSING
3. FLYWHEEL HOUSING & OIL SUMP
4. CYLINDER HEAD & BONNET
5. SUCTION MANIFOLD & AIR CLEANER
6. EXHAUST MANIFOLD & SILENCER
7. CAMSHAFT & DRIVING GEAR
8. CRANKSHAFT & PISTON
9. LUB.OIL SYSTEM
10. COOLING WATER SYSTEM
11. FUEL INJECTION PUMP
12. FUEL INJECTION VALVE
13. FUEL LINE
14. ENGINE STOP DEVICE
15. STARTING MOTOR
16. GENERATOR
17. GASKET SET

Fig.1. CYLINDER BLOCK

(A)=4TNE94-EIK

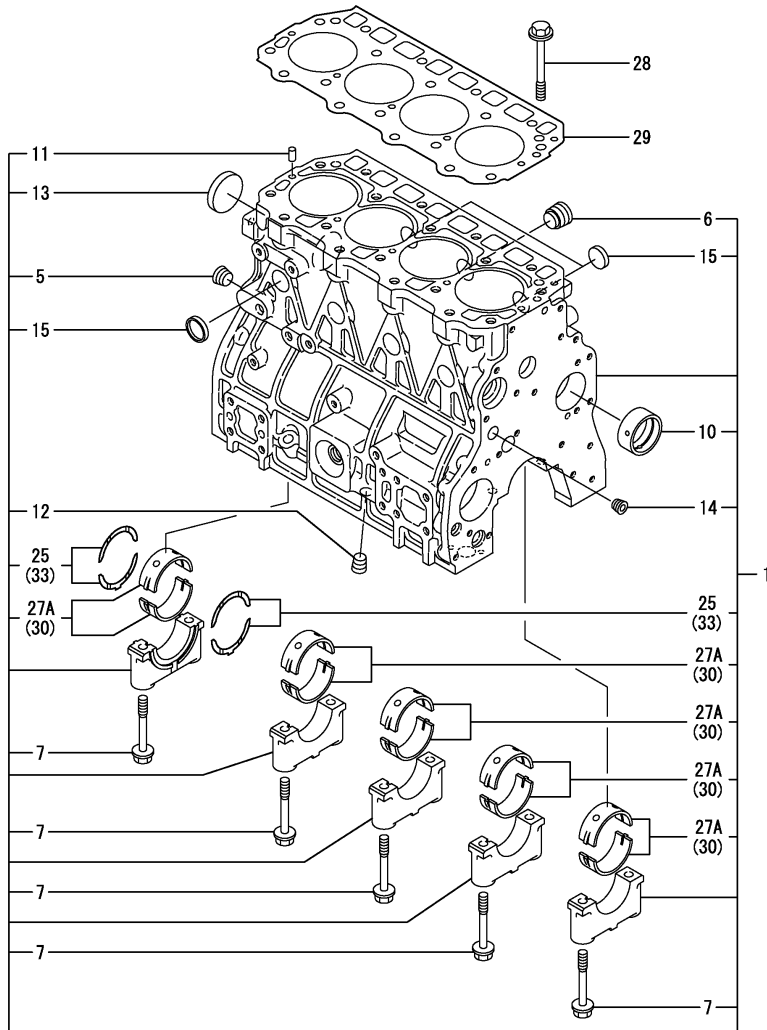
(B)=

(C)=

(D)=

(E)=

(F)=

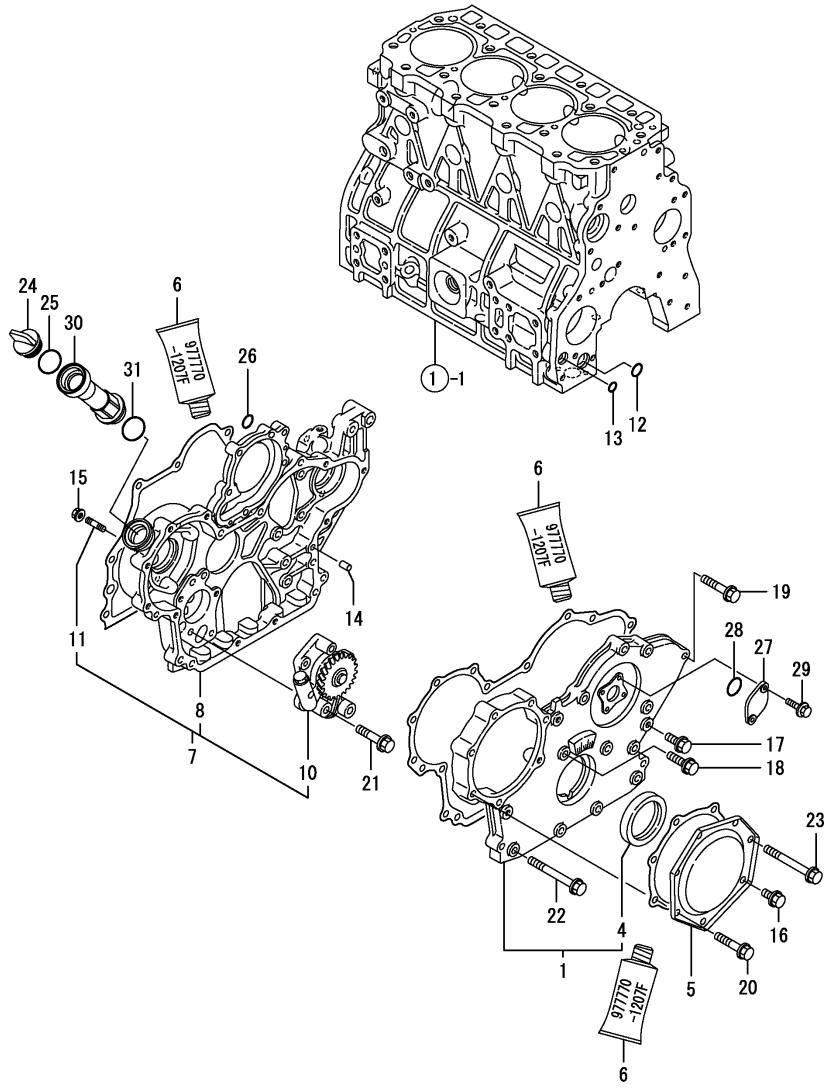


No.	Lev.	Parts No.	Description	Q'ty						I	R
				(A)	(B)	(C)	(D)	(E)	(F)		
1	1	729900-01560	BLOCK ASSY, CYLINDER	1							
5	2	23876-030000	PLUG, R03	1							
6	2	171051-01921	PLUG, NPTF1	1							
7	2	129900-02020	BOLT, METAL CAP	10							
10	2	129900-02410	BUSH, CAMSHAFT	1							
11	2	22351-060012	PIN, SPRING 6.0X12	2							
12	2	23876-030000	PLUG, R03	1							
13	2	129900-01250	PLUG, 55	1							
14	2	23876-030000	PLUG, R03	1							
15	2	27241-300000	PLUG 30	8							
25	2	129900-02930	BEARING, THRUST	2							
25-1	2	129900-02931	BEARING, THRUST	2							N
(A=E37087)											
27A	2	729900-02800	BEARING, MAIN	5							3
27A-1	2	729900-02801	BEARING, MAIN	5							N 3
(A=E37087)											
28	1	129900-01200	BOLT, HEAD	18							
29	1	129900-01331	GASKET, HEAD	1							
30	1	129900-02340	BEARING, 0.25 US	5							1
30-1	1	129900-02341	BEARING, 0.25 US	5							N 1
(A=E37087)											
33	1	129900-02940	BEARING, THRUST 0.25	2							2
33-1	1	129900-02941	BEARING, THRUST 0.25	2							N 2
(A=E37087)											

Remarks

- (1) UNDER-SIZED(U.S=0.25)PART.
- (2) OVER-SIZED(O.S=0.25)PART.
- (3) REPAIR PART.

Fig.2. GEAR HOUSING



(A)=4TNE94-EIK

(B)=

(C)=

(D)=

(E)=

(F)=

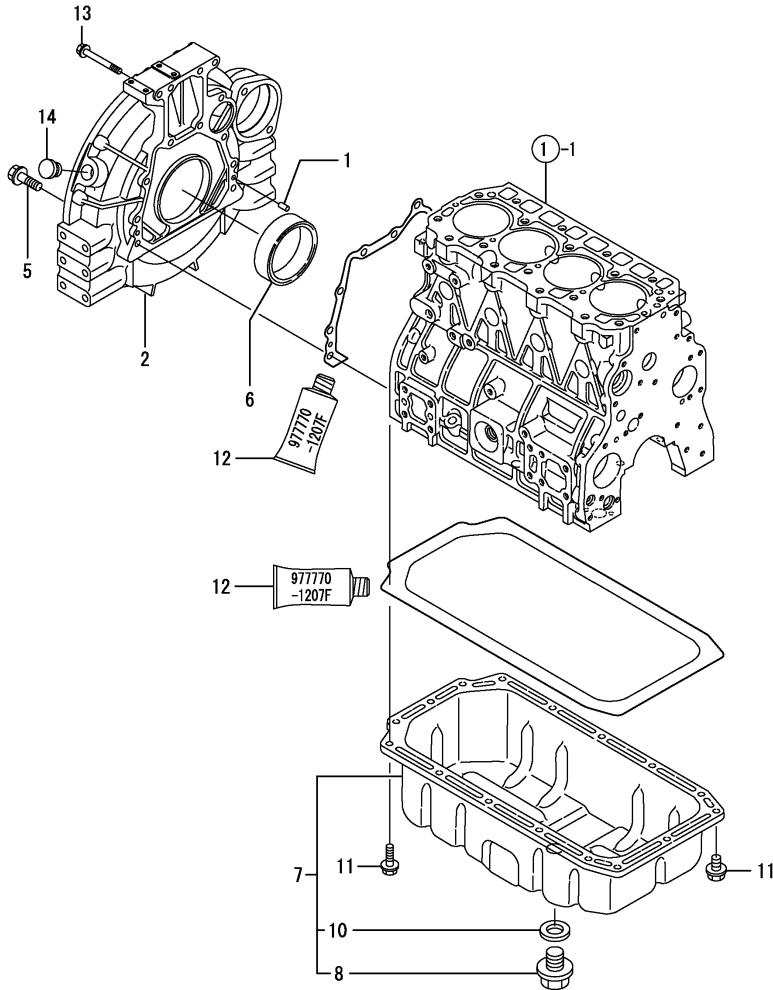
No.	Lev.	Parts No.	Description	Q'ty						I	R
				(A)	(B)	(C)	(D)	(E)	(F)		
1	1	729900-01570	COVER ASSY,GEAR CASE	1							
4	2	129900-01780	SEAL, OIL	1							
5	1	129900-01740	COVER	1							
6	1	977770-1207F	GASKET,LIQUID	1							1
7	1	129900-01820	CASE ASSY, GEAR	1							
8	2	129900-01400	CASE, GEAR	1							
10	2	129900-32000	PUMP ASSY, OIL	1							
10-1	2	129900-32001	PUMP ASSY, OIL	1							R
(A=E36556)											
11	2	26216-100302	STUD, M10X 30	4							
12	1	129900-32030	O-RING, P20	1							
13	1	129900-32040	O-RING, P14	1							
14	1	22312-080160	PIN, PARALLEL M8X16	4							
14-1	1	129100-01580	PIN, M8X16	4							N
(A=E30387)											
15	1	26366-100002	NUT, M10	4							
16	1	26106-080162	BOLT, M8X 16 PLATED	1							
17	1	26106-080202	BOLT, M8X 20 PLATED	3							
18	1	26106-080302	BOLT, M8X 30 PLATED	1							
19	1	26106-080402	BOLT, M8X 40 PLATED	5							
20	1	26106-080402	BOLT, M8X 40 PLATED	5							
21	1	26106-080452	BOLT, M8X 45 PLATED	3							
22	1	129001-91810	BOLT, M8X70	6							
23	1	129001-91810	BOLT, M8X70	1							
24	1	124160-01751	COVER, FILLER	1							
25	1	24311-000320	O-RING, 1AP32.0	1							
26	1	24311-000070	O-RING, 1AP7.0	1							
27	1	121023-01550	COVER	1							
27-1	1	121023-01551	COVER	1							R
(A=E37087)											
28	1	24341-000240	O-RING, 1AS24.0	1							
29	1	26106-060162	BOLT, M6X 16 PLATED	2							
30	1	171031-11741	PIPE	1							
31	1	24311-000320	O-RING, 1AP32.0	1							

Remarks

(1) OPTIONAL PART.

N:Old $\xrightarrow{\text{Yes}}$ New, Q:Old $\xrightarrow{\text{No}}$ New, R:Old $\xrightarrow{\text{Yes}}$ New, S:Old $\xrightarrow{\text{No}}$ New, W:Add, Z:Discontinued, F:Interchangeable by set, K:Q'ty Change

Fig.3. FLYWHEEL HOUSING & OIL SUMP



(A)=4TNE94-EIK
(B)=
(C)=

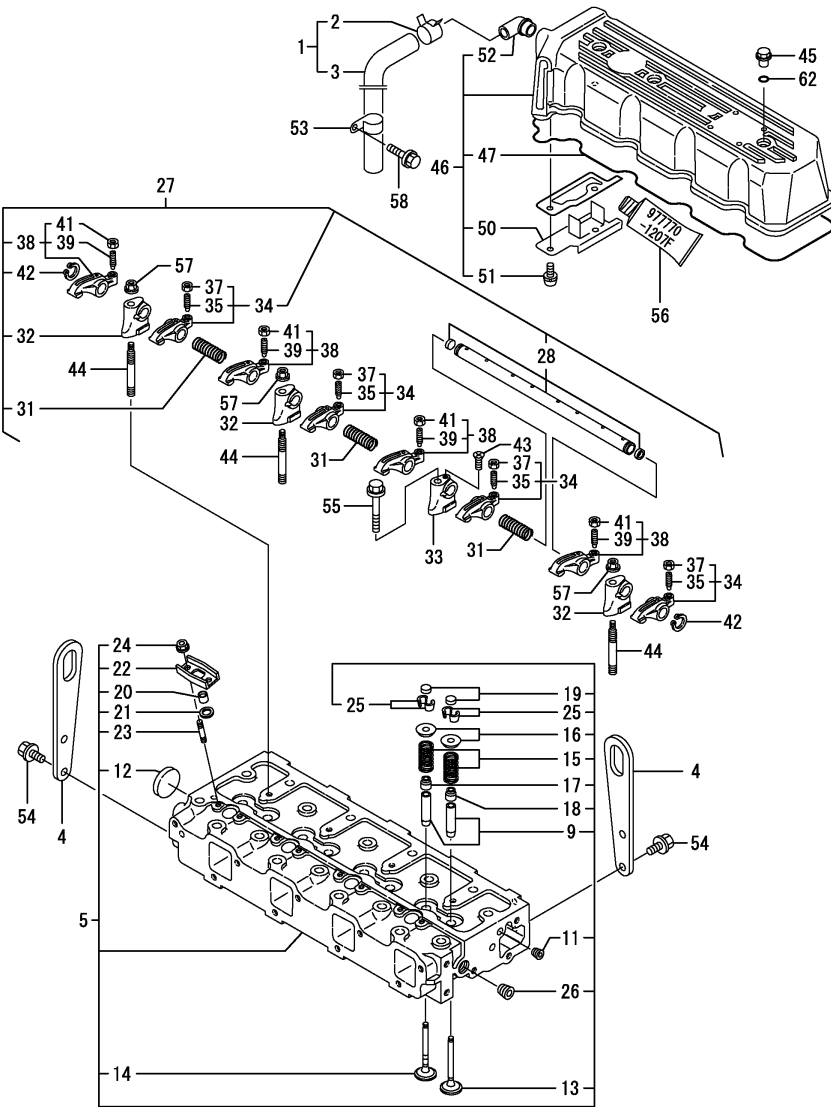
(D)=
(E)=
(F)=

No.	Lev.	Parts No.	Description	Q'ty						I	R
				(A)	(B)	(C)	(D)	(E)	(F)		
1	1	129100-01580	PIN, M8X16	2							
2	1	129953-01620	HOUSING, FLYWHEEL	1							
5	1	26206-100352	BOLT, M10X 35 PLATED	9							
6	1	124411-01780	SEAL, HTC95X115X12	1							
7	1	129916-01710	SUMP ASSY, OIL	1							
8	2	119640-01640	PLUG, DRAIN M22	1							
10	2	22190-220002	WASHER, SEAL 22	1							
11	1	26106-080122	BOLT, M8X 12 PLATED	16							
12	1	977770-1207F	GASKET.LIQUID	1							1
13	1	26206-100702	BOLT, M10X 70 PLATED	4							
14	1	119620-01750	CAP	1							W

(A=E37087)

Remarks
(1) OPTIONAL PART.

Fig.4. CYLINDER HEAD & BONNET



(A)=4TNE94-EIK

(B)=

(C)=

(D)=

(E)=

(F)=

No.	Lev.	Parts No.	Description	Q'ty						I	R
				(A)	(B)	(C)	(D)	(E)	(F)		
1	1	129915-03100	PIPE ASSY, BREATHER	1							
2	2	129960-03990	CLIP, HOSE 22	1							
3	2	119006-03090	HOSE, BREATHER	1							
4	1	129900-07900	LIFTER	2							
5	1	729900-11100	HEAD ASSY, CYLINDER	1							
9	2	129150-11810	GUIDE, VALVE	8							1
11	2	23871-005000	PLUG, R005	1							
12	2	27241-400000	PLUG, 40	1							
13	2	129900-11100	VALVE, INTAKE	4							
14	2	129900-11110	VALVE, EXHAUST	4							
15	2	129900-11120	SPRING, VALVE	8							
16	2	129795-11180	RETAINER, SPRING	8							
17	2	121400-11340	SEAL, VALVE STEM	4							
18	2	124460-11340	SEAL, VALVE STEM	4							
19	2	129150-11370	CAP, VALVE	8							
20	2	119625-11870	PROTECTOR, NOZZLE	4							
21	2	119625-11880	SEAT, NOZZLE	4							
22	2	119625-11900	RETAINER, NOZZLE	4							
23	2	26216-060202	STUD, M6X 20	8							
24	2	26366-060002	NUT, M6	8							
25	2	27310-080001	COTTER, 8	8							
26	2	23876-030000	PLUG, R03	1							
27	1	129900-11200	SUPPORT ASSY, ARM	1							
28	2	129900-11240	SHAFT ASSY, ROCKER	1							
31	2	129900-11280	SPRING	3							
32	2	129900-11510	SUPPORT, ROCKER ARM	3							
33	2	129900-11520	SUPPORT, ROCKER ARM	1							
34	2	129900-11650	ARM, ROCKER	4							
35	3	129150-11230	SCREW, VALVE ADJUST	4							
37	3	129150-11750	NUT, M8	4							
38	2	129900-11660	ARM, ROCKER	4							
39	3	129150-11230	SCREW, VALVE ADJUST	4							
41	3	129150-11750	NUT, M8	4							
42	2	22242-000180	RING, 18	2							
43	2	26577-040162	SCREW, M4X16	1							
44	1	129900-11530	STUD	3							
45	1	124160-11360	KNOB	3							
46	1	129916-11350	BONNET ASSY, HEAD	1							
46-1	1	129951-11350	BONNET ASSY, HEAD	1							N
(A=E18418)											
47	2	129900-11310	GASKET, BONNET	1							
50	2	129900-11600	PLATE, BAFFLE	1							
51	2	22857-500100	SCREW, 5X10	2							
52	2	119100-11330	ELBOW	1							
53	1	129150-03100	RETAINER, PIPE	1							
54	1	26106-080162	BOLT, M8X 16 PLATED	4							
55	1	26106-100652	BOLT, M10X 65 PLATED	1							
56	1	977770-1207F	GASKET.LIQUID	1							2
57	1	26366-100002	NUT, M10	3							
57-1	1	26306-100002	NUT, M10	3							N

(A=E19560)

N:Old $\xrightarrow{\text{Yes}}$ New, Q:Old $\xrightarrow{\text{No}}$ New, R:Old $\xrightarrow{\text{Yes}}$ New, S:Old $\xrightarrow{\text{No}}$ New, W:Add, Z:Discontinued, F:Interchangeable by set, K:Q'ty Change
 ++ CONTINUE ++
 Copyright (C) YANMAR CO., LTD. All Rights Reserved.

Remarks
 (1) REPAIR PART.
 (2) OPTIONAL PART.

Fig.4. CYLINDER HEAD & BONNET

(A)=4TNE94-EIK

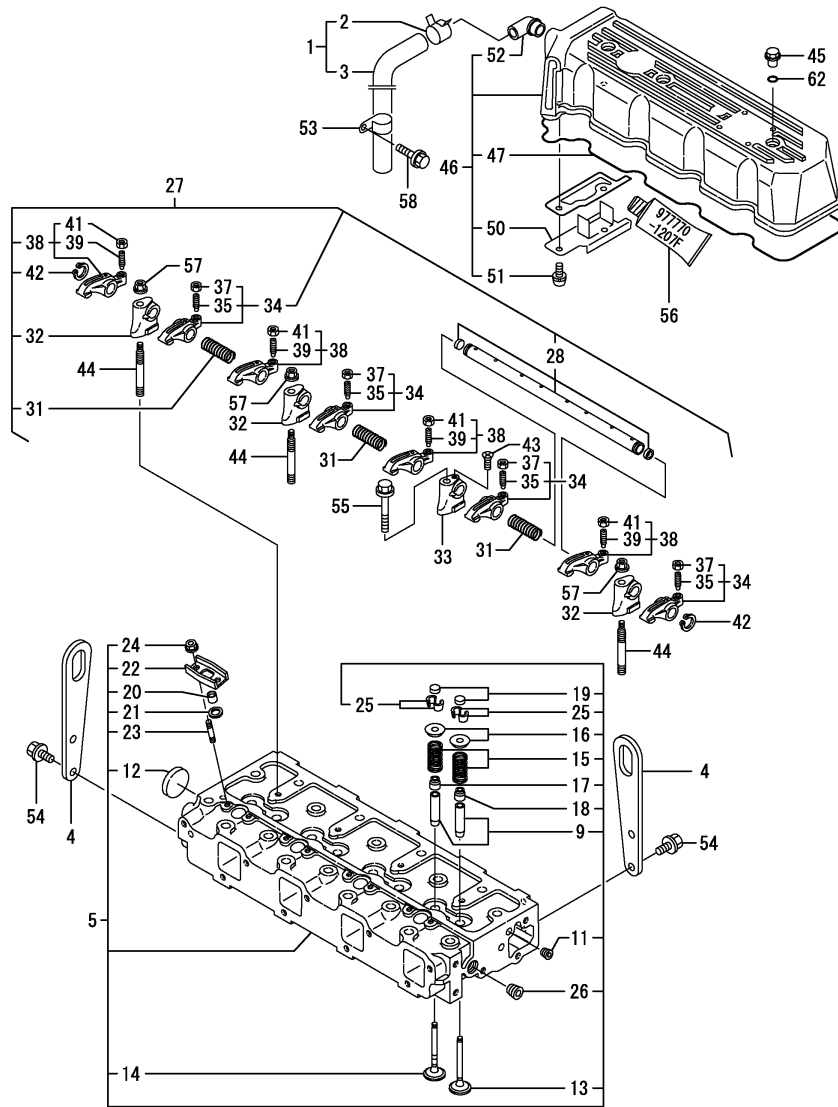
(B)=

(C)=

(D)=

(E)=

(F)=



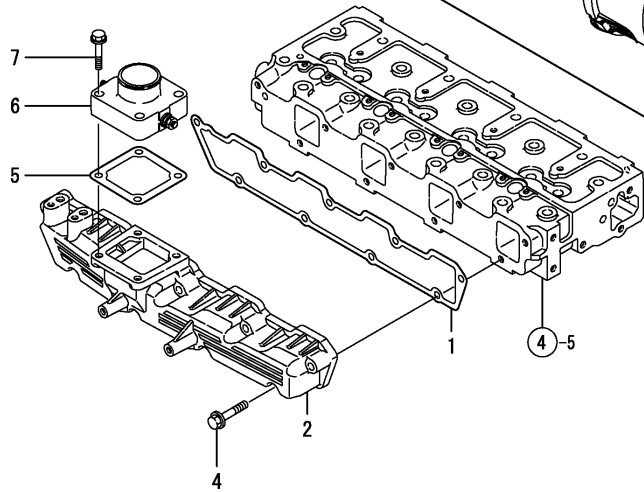
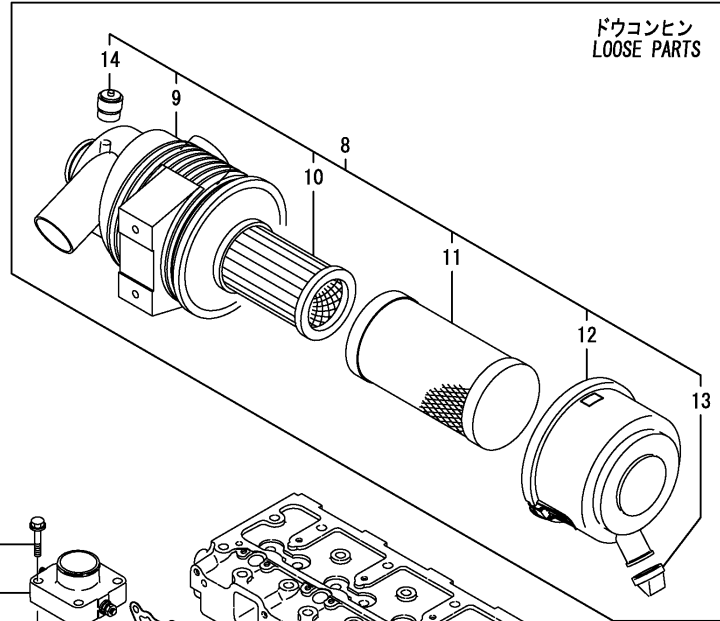
No.	Lev.	Parts No.	Description	Q'ty						I	R
				(A)	(B)	(C)	(D)	(E)	(F)		
58	1	26106-080122	BOLT, M8X 12 PLATED	1							
62	1	24311-000120	O-RING, 1AP12.0	3							

Remarks
 (1) REPAIR PART.
 (2) OPTIONAL PART.

Fig.5. SUCTION MANIFOLD & AIR CLEANER

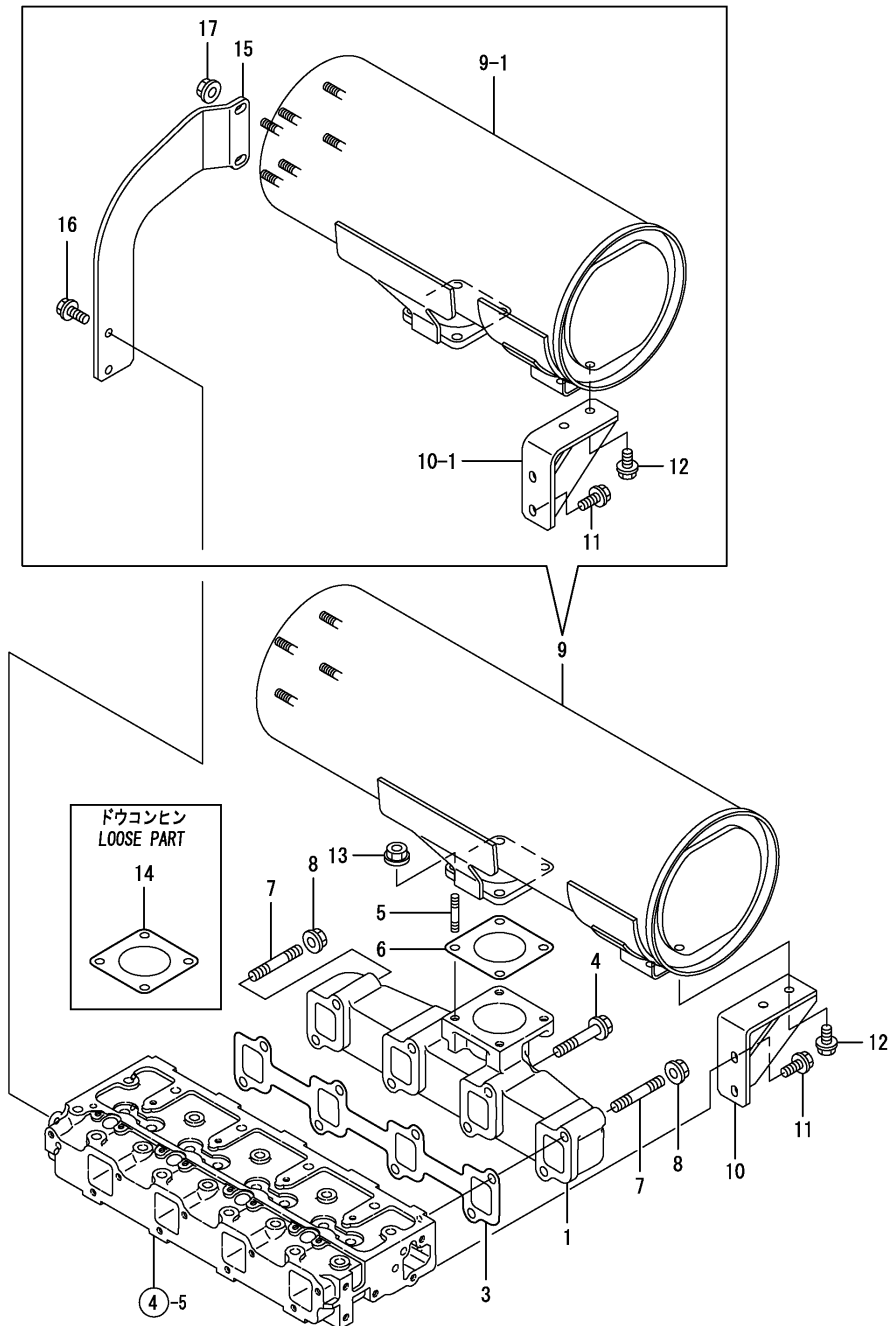
(A)=4TNE94-EIK
(B)=
(C)=

(D)=
(E)=
(F)=



No.	Lev.	Parts No.	Description	Q'ty						I	R
				(A)	(B)	(C)	(D)	(E)	(F)		
1	1	129900-12050	GASKET, MANIFOLD	1							
2	1	129900-12100	MANIFOLD, AIR INTAKE	1							
4	1	26106-080452	BOLT, M8X 45 PLATED	9							
5	1	121850-77021	GASKET	1							
6	1	129915-77050	HEATER	1							
7	1	26106-080352	BOLT, M8X 35 PLATED	4							
8	1	129916-12500	CLEANER ASSY, AIR	1							
9	2	129916-12510	BODY ASSY	1							
10	2	119005-12571	ELEMENT	1							
11	2	129062-12560	ELEMENT	1							
12	2	129900-12530	COVER ASSY	1							
13	2	119808-12540	VALVE, UNLOADER	1							
14	2	126650-12680	INDICATOR	1							

Fig.6. EXHAUST MANIFOLD & SILENCER



(A)=4TNE94-EIK

(B)=

(C)=

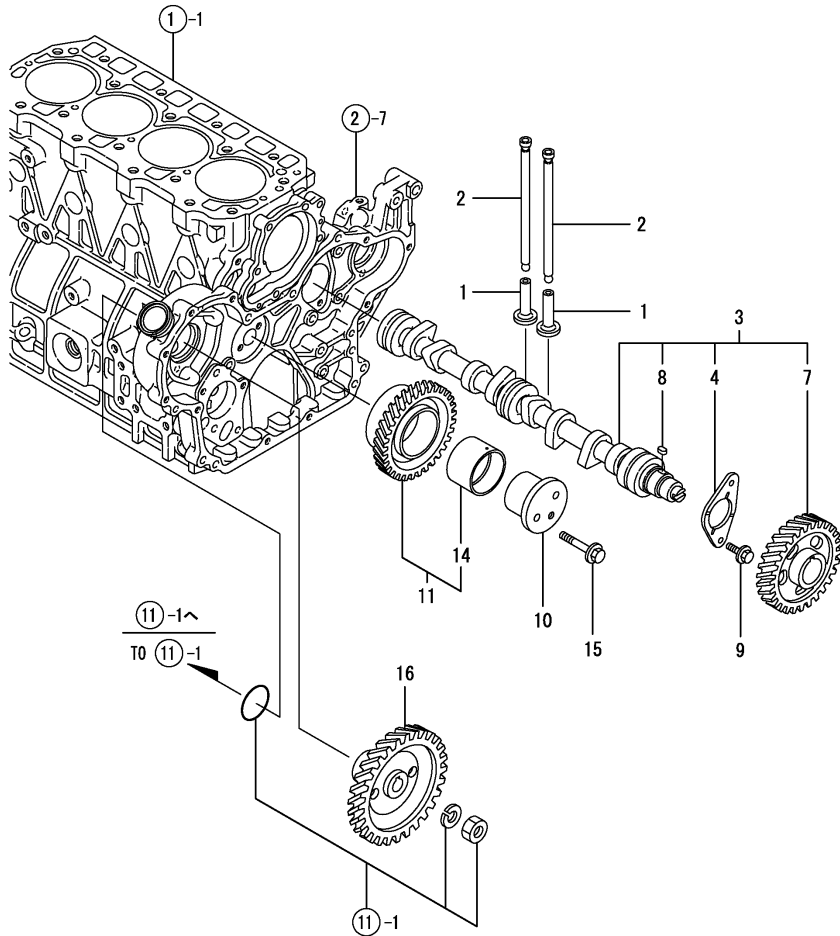
(D)=

(E)=

(F)=

No.	Lev.	Parts No.	Description	Q'ty						I	R
				(A)	(B)	(C)	(D)	(E)	(F)		
1	1	129900-13200	MANIFOLD, EXHAUST	1							
3	1	129900-13251	GASKET	1							
4	1	26106-080802	BOLT, M8X 80 PLATED	6							
4-1	1	123900-13630 (A=E28800)	BOLT, M8X80	6							N
5	1	119131-18320	STUD, M8X22	4							
6	1	129400-13201	GASKET, SILENCER	1							
7	1	26216-080802	STUD, M8X 80	2							
7-1	1	123900-13610 (A=E28800)	STUD, M8X80	2							N
8	1	26366-080002	NUT, M8	2							
8-1	1	26306-080002 (A=E19560)	NUT, M8	2							N
9	1	129953-13510	SILENCER	1							
9-1	1	129916-13520 (A=E19560)	SILENCER	1							N
10	1	129953-13650	STAY, SILENCER	1							
10-1	1	129916-13650 (A=E19560)	STAY, SILENCER	1							N
11	1	26106-080162	BOLT, M8X 16 PLATED	2							
12	1	26106-080202	BOLT, M8X 20 PLATED	2							
13	1	26366-080002	NUT, M8	4							
13-1	1	26306-080002 (A=E19560)	NUT, M8	4							N
14	1	129400-13201	GASKET, SILENCER	1							
15	1	129916-13690 (A=E19560)	STAY	1							W
16	1	26106-080162 (A=E19560)	BOLT, M8X 16 PLATED	2							W
17	1	26306-080002 (A=E19560)	NUT, M8	2							W

Fig.7. CAMSHAFT & DRIVING GEAR



(A)=4TNE94-EIK

(B)=

(C)=

(D)=

(E)=

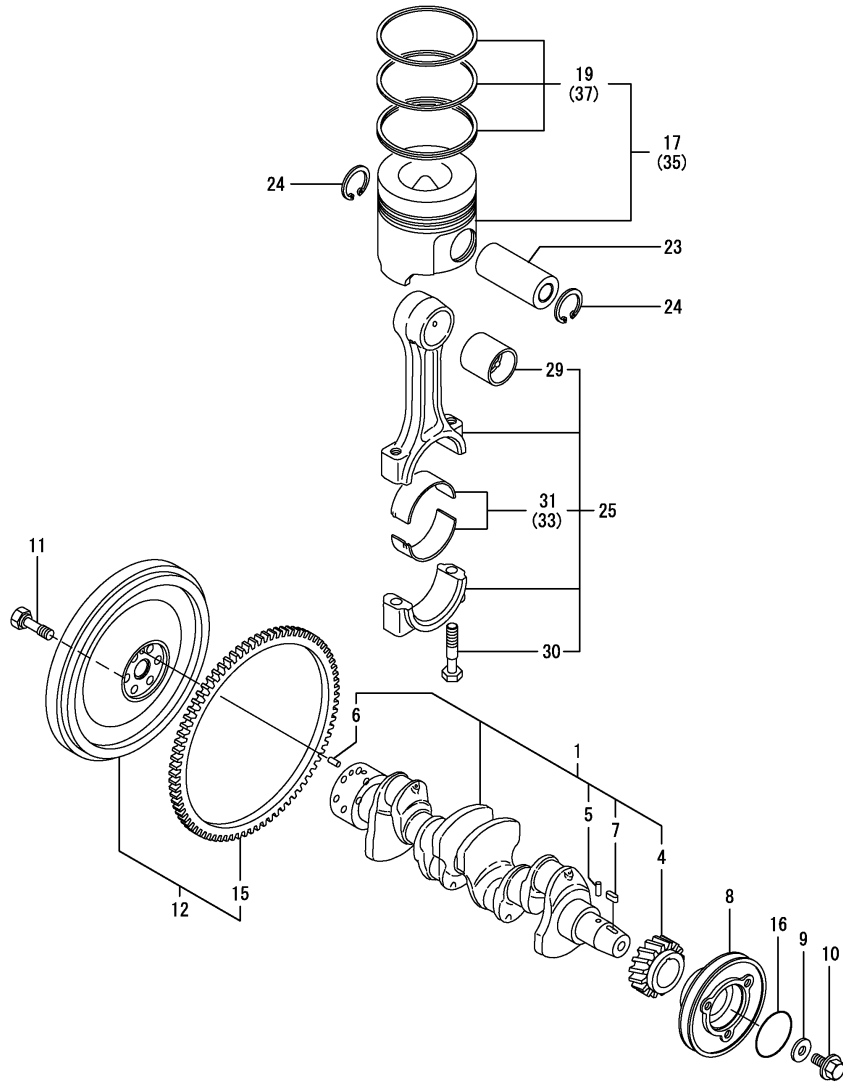
(F)=

No.	Lev.	Parts No.	Description	Q'ty						I	R
				(A)	(B)	(C)	(D)	(E)	(F)		
1	1	129150-14200	TAPPET	8							
2	1	129900-14400	ROD, PUSH	8							
3	1	129900-14580	CAMSHAFT ASSY	1							
4	2	129150-02450	BEARING, THRUST	1							
7	2	129900-14100	GEAR, CAMSHAFT	1							
8	2	22512-070140	KEY, 7X 14	1							
9	1	26106-080162	BOLT, M8X 16 PLATED	2							
10	1	129900-25060	SHAFT, IDLE	1							
11	1	129900-25100	GEAR ASSY, IDLE	1							
14	2	129150-25920	BUSH, IDLE GEAR	1							1
15	1	26106-080552	BOLT, M8X 55 PLATED	2							
16	1	129900-25900	GEAR, PUMP	1							

Remarks

(1) REPAIR PART.

Fig.8. CRANKSHAFT & PISTON



(A)=4TNE94-EIK

(B)=

(C)=

(D)=

(E)=

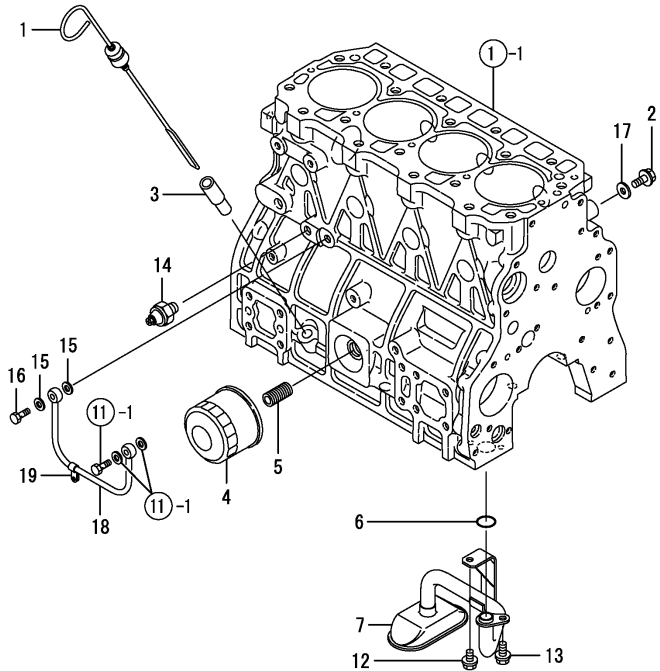
(F)=

No.	Lev.	Parts No.	Description	Q'ty						I	R
				(A)	(B)	(C)	(D)	(E)	(F)		
1	1	129900-21000	CRANKSHAFT ASSY	1							
4	2	129900-21200	GEAR, CRANKSHAFT	1							
5	2	121850-21290	PIN	1							
6	2	121850-21920	PIN, M10X22	1							
7	2	22512-070140	KEY, 7X 14	1							
8	1	129900-21670	V-PULLEY, 130	1							
9	1	129960-21640	WASHER	1							
10	1	121850-21680	BOLT	1							
11	1	121850-21130	BOLT, FLYWHEEL	6							
12	1	129953-21581	FLYWHEEL ASSY	1							
15	2	129900-21600	GEAR, RING	1							
16	1	24341-000530	O-RING, 1AS53.0	1							
17	1	129900-22080	PISTON ASSY, DI	4							
19	2	129901-22050	RING SET, PISTON	4							
23	1	120130-22301	PIN, PISTON	4							
24	1	22252-000300	RING, 30	8							
25	1	129900-23000	ROD ASSY, CONNECTING	4							
25-1	1	129900-23001	ROD ASSY, CONNECTING	4							N
(A=E37087)											
29	2	129900-23910	BEARING, PISTON PIN	4							1
29-1	2	129900-23911	BEARING, PISTON PIN	4							N 1
(A=E37087)											
30	2	129900-23200	BOLT, CONNECTING ROD	8							
31	2	129900-23600	BEARING, CRANK PIN	4							
31-1	2	129900-23601	BEARING, CRANK PIN	4							N
(A=E37087)											
33	1	129900-23610	BEARING, 0.25 US	4							2
33-1	1	129900-23611	BEARING, 0.25 US	4							N 2
(A=E37087)											
35	1	129900-22900	PISTON ASSY, 0.25 OS	4							3
37	2	129901-22950	RING SET, 0.25 OS	4							3

Remarks

- (1) REPAIR PART.
- (2) UNDER-SIZE(U.S=0.25)PART.
- (3) OVER-SIZE(O.S=0.25)PART.

Fig.9. LUB.OIL SYSTEM



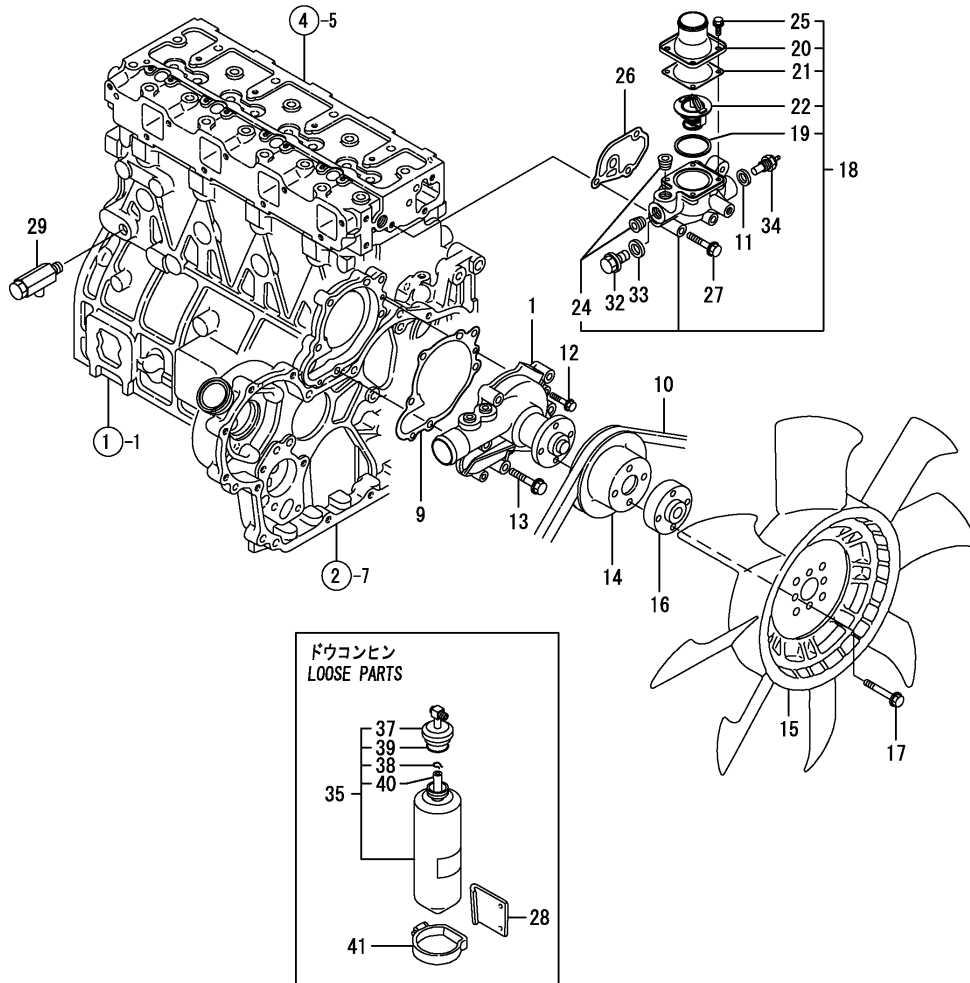
(A)=4TNE94-EIK
(B)=
(C)=

(D)=
(E)=
(F)=

No.	Lev.	Parts No.	Description	Q'ty						I	R
				(A)	(B)	(C)	(D)	(E)	(F)		
1	1	129953-34830	DIPSTICK, OIL	1							
2	1	26106-080122	BOLT, M8X 12 PLATED	1							
3	1	121520-34810	GUIDE, DIPSTICK	1							
4	1	129150-35153	FILTER 80X80L	1							1
5	1	119000-35140	BOLT, FILTER	1							
6	1	129900-32030	O-RING, P20	1							
7	1	129953-35000	PIPE ASSY, OIL INLET	1							
12	1	26106-080122	BOLT, M8X 12 PLATED	1							
13	1	26106-080162	BOLT, M8X 16 PLATED	1							
14	1	121252-39450	SWITCH, 0.5KG	1							
15	1	23414-080000	GASKET, 8X1.0	2							
16	1	23857-030000	BOLT, JOINT 3	1							
17	1	22190-080002	WASHER, SEAL 6	1							
18	1	129900-39350	PIPE, OIL	1							
18-1	1	129900-39351	PIPE ASSY, OIL	1							N
19	1	23297-060081	CLAMP, A6X 8	1							

Remarks
(1) REPAIR PART.

Fig.10. COOLING WATER SYSTEM



(A)=4TNE94-EIK

(B)=

(C)=

(D)=

(E)=

(F)=

No.	Lev.	Parts No.	Description	Q'ty						I	R
				(A)	(B)	(C)	(D)	(E)	(F)		
1	1	129900-42001	PUMP ASSY, WATER	1							
1-1	1	129900-42002	PUMP ASSY, WATER	1							N
(A=E37087)											
9	1	129900-42020	GASKET, WATER PUMP	1							
10	1	25132-004100	V-BELT, A41	1							
11	1	129150-49360	GASKET	1							
12	1	26106-060302	BOLT, M6X 30 PLATED	2							
13	1	26106-080552	BOLT, M8X 55 PLATED	5							
14	1	129900-42461	V-PULLEY	1							
15	1	119130-44740	FAN, COOLING D=410	1							
16	1	119130-44760	SPACER, FAN	1							
17	1	26014-080352	BOLT, M8X 35	4							
18	1	129900-49860	CASE ASSY, THERMOSTAT	1							
18-1	1	129900-49861	CASE ASSY, THERMOSTAT	1							N
(A=E23860)											
19	2	121850-49550	GASKET, THERMOSTAT	1							
20	2	121850-49530	COVER, THERMOSTAT	1							
20-1	2	129916-49530	COVER, THERMOSTAT	1							N
(A=E23860)											
21	2	121850-49540	GASKET, THERMOSTAT	1							
22	2	121850-49810	THERMOSTAT, 71	1							
24	2	23875-030000	PLUG, R03	2							
25	2	26106-060142	BOLT, M6X 14 PLATED	4							
25-1	2	26106-060202	BOLT, M6X 20 PLATED	4							N
(A=E23860)											
26	1	129900-49870	GASKET	1							
27	1	26106-080602	BOLT, M8X 60 PLATED	3							
28	1	121256-44600	BRACKET, SUB TANK	1							
29	1	119620-49290	COCK ASSY, 1/4	1							
32	1	121450-42450	PLUG, M16	1							
33	1	124465-44950	GASKET, 16	1							
34	1	119266-49350	SWITCH	1							
34-1	1	171056-49351	SENSOR	1							N
(A=EXXXXX)											
35	1	171064-44510	TANK ASSY, SUB	1							
37	2	121450-44531	CAP	1							
38	2	124450-44560	RETAINER	1							
39	2	121470-44581	GASKET	1							
40	2	23065-070225	HOSE 7X 225	1							
41	1	124450-44550	BAND	1							

Fig.11. FUEL INJECTION PUMP

(A)=4TNE94-EIK
(B)=
(C)=

(D)=
(E)=
(F)=

No.	Lev.	Parts No.	Description	Q'ty						I	R
				(A)	(B)	(C)	(D)	(E)	(F)		
1	1	129916-51060	PUMP ASSY, INJECTION	1							
1-1	1	129916-51061 (A=E27434)	PUMP ASSY, INJECTION	1							N
2	2	X02963-75020		1							

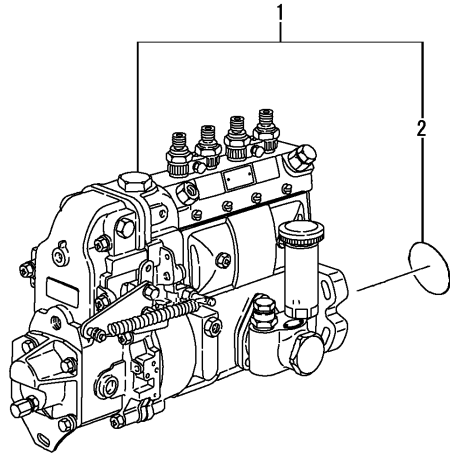


Fig.12. FUEL INJECTION VALVE

(A)=4TNE94-EIK

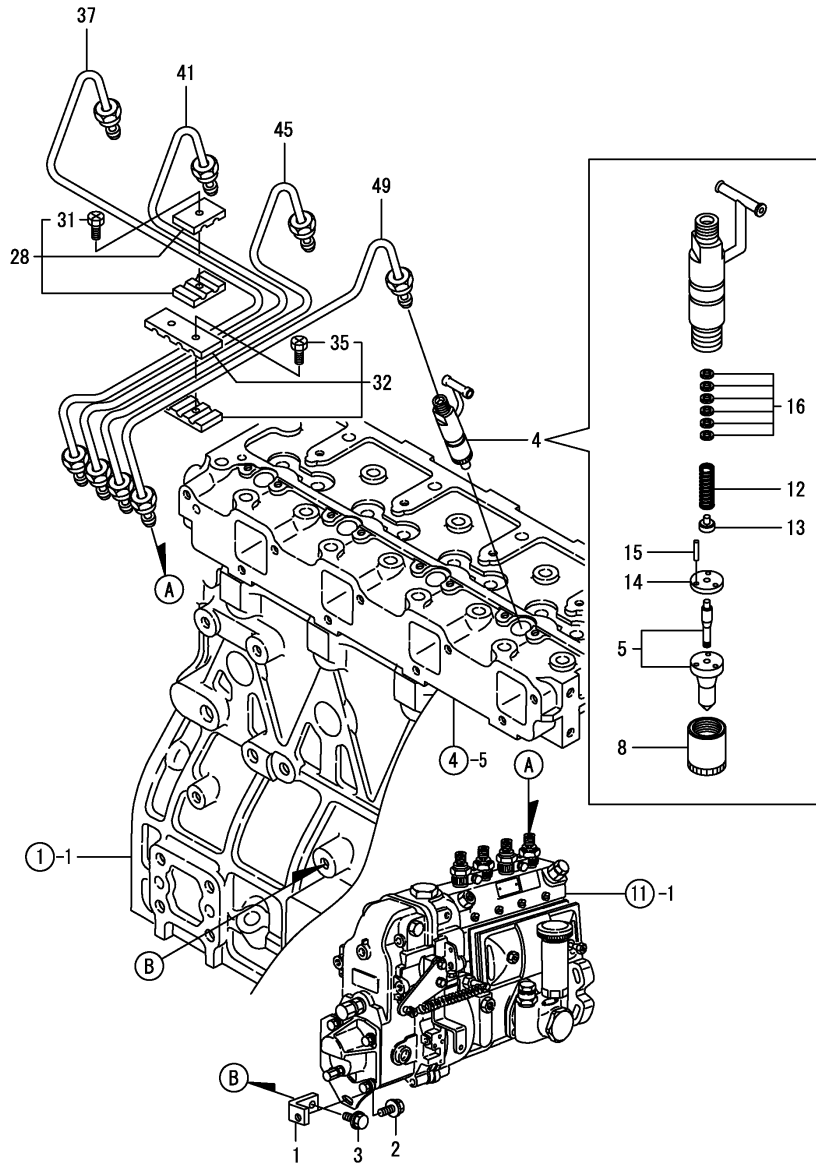
(B)=

(C)=

(D)=

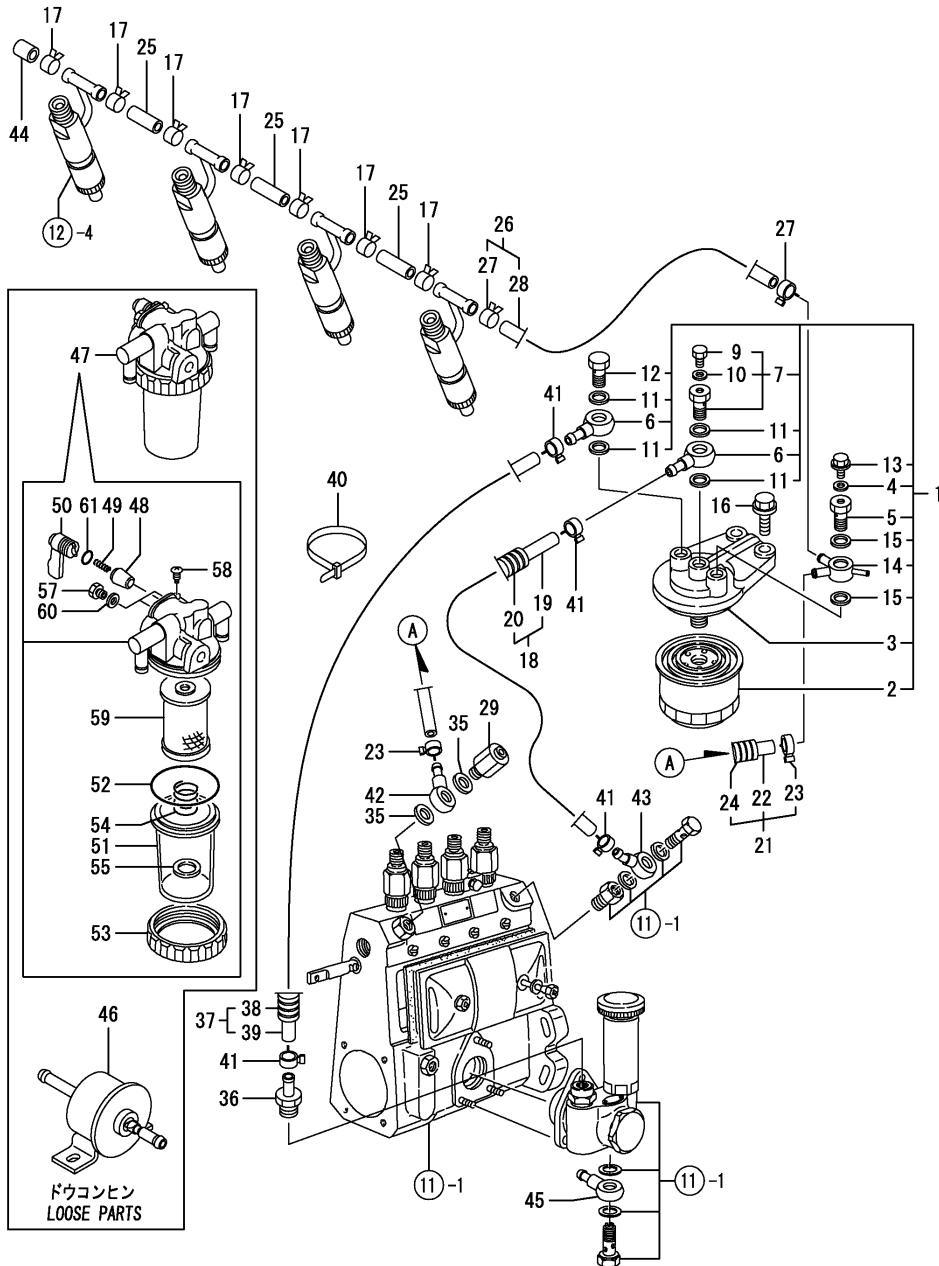
(E)=

(F)=



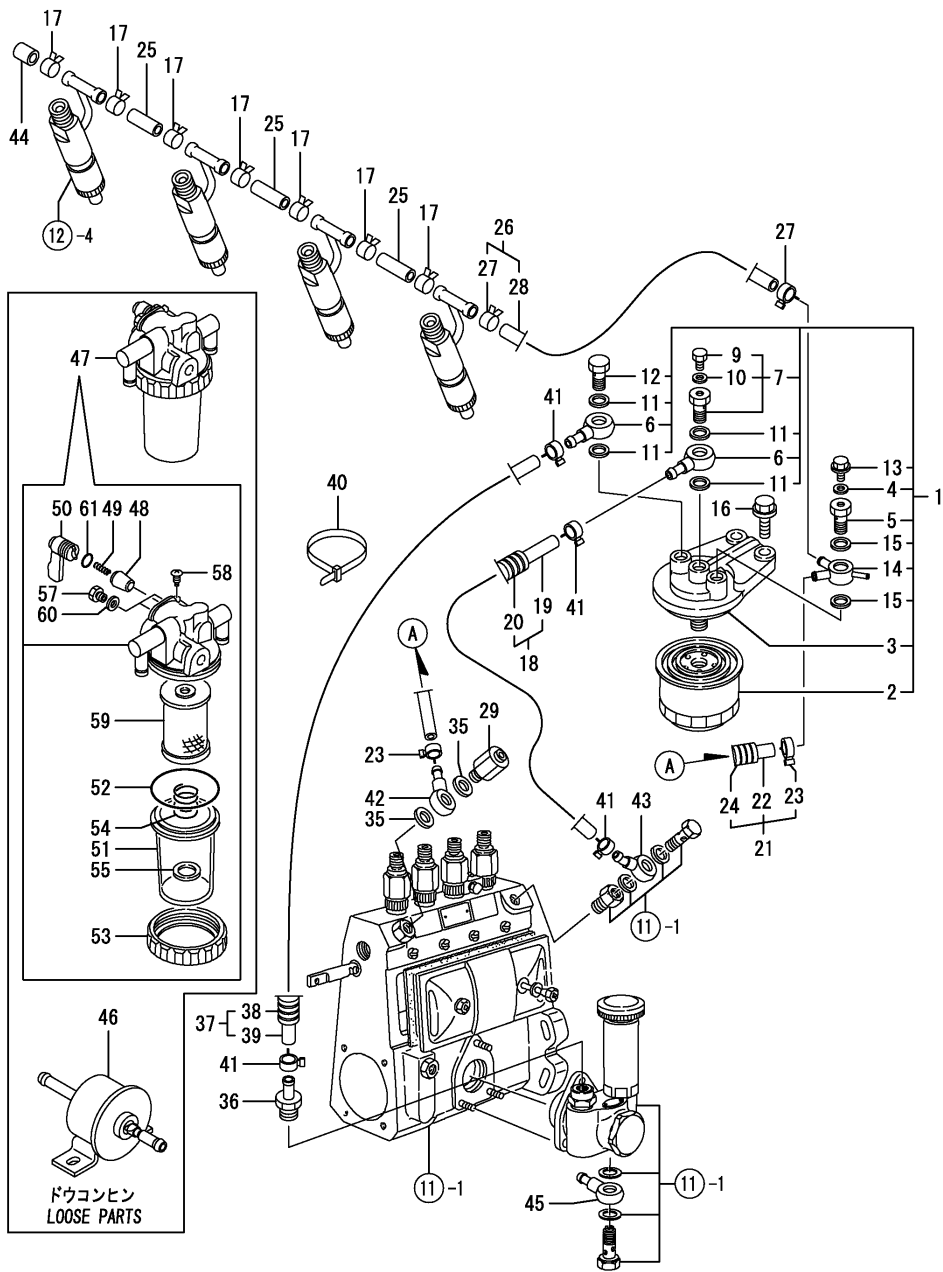
No.	Lev.	Parts No.	Description	Qty						I	R
				(A)	(B)	(C)	(D)	(E)	(F)		
1	1	129900-01950	RETAINER	1							
2	1	26106-100142	BOLT, M10X 14 PLATED	1							
3	1	26106-080202	BOLT, M8X 20 PLATED	1							
4	1	729902-53100	VALVE ASSY,INJECTION	4							
5	2	129902-53000	VALVE ASSY,INJECTION	4							
8	2	114250-53080	NUT, NOZZLE D16.95	4							
12	2	114250-53120	SPRING, NOZZLE	4							
13	2	114250-53130	SEAT, SPRING	4							
14	2	114250-53140	PLATE	4							
15	2	114250-53210	PIN	8							
16	2	114250-53400	SHIM SET	4							
28	1	119305-59120	RETAINER, PIPE	2							
31	2	129150-59131	BOLT, M4X14	2							
32	1	129550-59120	RETAINER, PIPE	1							
35	2	129150-59131	BOLT, M4X14	2							
37	1	129902-59811	PIPE ASSY, INJECTION	1							
41	1	129902-59821	PIPE ASSY, INJECTION	1							
45	1	129902-59831	PIPE ASSY, INJECTION	1							
49	1	129902-59841	PIPE ASSY, INJECTION	1							

Fig.13. FUEL LINE



No.	Lev.	Parts No.	Description	Q'ty						I	R
				(A)	(B)	(C)	(D)	(E)	(F)		
1	1	129982-55600	FILTER ASSY, FUEL	1							
2	2	119000-55600	FILTER, FUEL	1							
2-1	2	119000-55601	FILTER, FUEL	1							N
(A=E36078)											
2-2	2	119000-55602	FILTER, FUEL	1							N
(A=E37087)											
3	2	129470-55610	BODY, STRAINER	1							
4	2	22190-080002	WASHER, SEAL 6	1							
5	2	129495-59300	BOLT, PIPE JOINT	1							
6	2	101304-59020	JOINT, PIPE 12	2							
6-1	2	129916-59020	JOINT, PIPE 12	2							N
(A=E32310)											
7	2	103854-59191	BOLT ASSY, JOINT M12	1							
9	3	124060-59380	PLUG, 6	1							
10	3	22190-060002	WASHER, SEAL 6	1							
11	2	22190-120002	WASHER, SEAL 12	4							
12	2	23857-060000	BOLT, JOINT 6	1							
13	2	26106-080102	BOLT, M8X 10 PLATED	1							
14	2	129980-59530	JOINT	1							
15	2	22190-140002	WASHER, SEAL 14	2							
16	1	26106-100252	BOLT, M10X 25 PLATED	2							
17	1	124066-59100	CLIP, HOSE 8	7							
18	1	129957-59040	PIPE, FUEL	1							
19	2	129335-59090	PIPE, FUEL D13X500	1							
20	2	119560-59110	TUBE, CORRUGATED	1							
21	1	129950-59311	PIPE, FUEL	1							
22	2	105025-59580	PIPE, FUEL	1							
23	2	124766-59050	CLIP, HOSE 12	2							
24	2	129961-59110	TUBE, CORRUGATED	1							
25	1	121250-59550	PIPE, FUEL D8X120	3							
26	1	129915-59500	PIPE ASSY, RETURN	1							
27	2	124066-59100	CLIP, HOSE 8	2							
28	2	129915-59120	PIPE, FUEL RETURN	1							
29	1	128300-59910	VALVE ASSY, OVERFLOW	1							
35	1	22190-140002	WASHER, SEAL 14	2							
36	1	121250-49110	JOINT, PIPE	1							
37	1	129957-59040	PIPE, FUEL	1							
38	2	119560-59110	TUBE, CORRUGATED	1							
39	2	129335-59090	PIPE, FUEL D13X500	1							
40	1	121750-59890	BAND, 140	1							
41	1	124766-59050	CLIP, HOSE 12	4							
42	1	121855-59880	JOINT, PIPE	1							
43	1	121855-59880	JOINT, PIPE	1							
43-1	1	129916-59870	JOINT, PIPE	1							N
(A=E32310)											
44	1	129150-59580	CAP	1							
45	1	121855-59880	JOINT, PIPE	1							
46	1	119225-52102	PUMP ASSY, FUEL FEED	1							
47	1	129335-55700	SEPARATOR ASSY, WATER	1							
48	2	104200-55321	VALVE, TAPER	1							
49	2	104200-55330	SPRING, VALVE	1							

Fig.13. FUEL LINE



(A)=4TNE94-EIK

(B)=

(C)=

(D)=

(E)=

(F)=

No.	Lev.	Parts No.	Description	Q'ty						I	R
				(A)	(B)	(C)	(D)	(E)	(F)		
50	2	104200-55341	HANDLE	1							
51	2	124064-55510	COVER	1							
52	2	102103-55520	O-RING	1							
53	2	110250-55610	RING, RETAINING	1							
54	2	121257-55720	SPRING	1							
55	2	121257-55731	FLOAT	1							
57	2	101720-55750	PLUG, 6	2							
58	2	104200-55750	SCREW, M4	1							
59	2	171081-55910	SCREEN	1							
60	2	23418-060000	GASKET, 6X1.0	2							
61	2	24311-240100	O-RING, 1AP10A	1							

Fig.14. ENGINE STOP DEVICE

(A)=4TNE94-EIK

(B)=

(C)=

(D)=

(E)=

(F)=

No.	Lev.	Parts No.	Description	Q'ty						I	R
				(A)	(B)	(C)	(D)	(E)	(F)		
1	1	129915-66810	BRACKET, SOLENOID	1							
1-1	1	129953-66828	BRACKET, SOLENOID	1							N
(A=E27434)											
2	1	129953-77811	SOLENOID ASSY	1							
3	2	119620-66820	JOINT	1							
3-1	2	119620-66821	JOINT	1							N
(A=EXXXXX)											
5	2	26716-060002	NUT, M6	1							
6	1	22117-060000	WASHER, 6	1							
7	1	22360-060000	PIN, SNAP 6	1							
8	1	26106-060102	BOLT, M6X 10 PLATED	2							
8-1	1	26106-060142	BOLT, M6X 14 PLATED	2							N
(A=E27434)											
9	1	26106-080162	BOLT, M8X 16 PLATED	2							

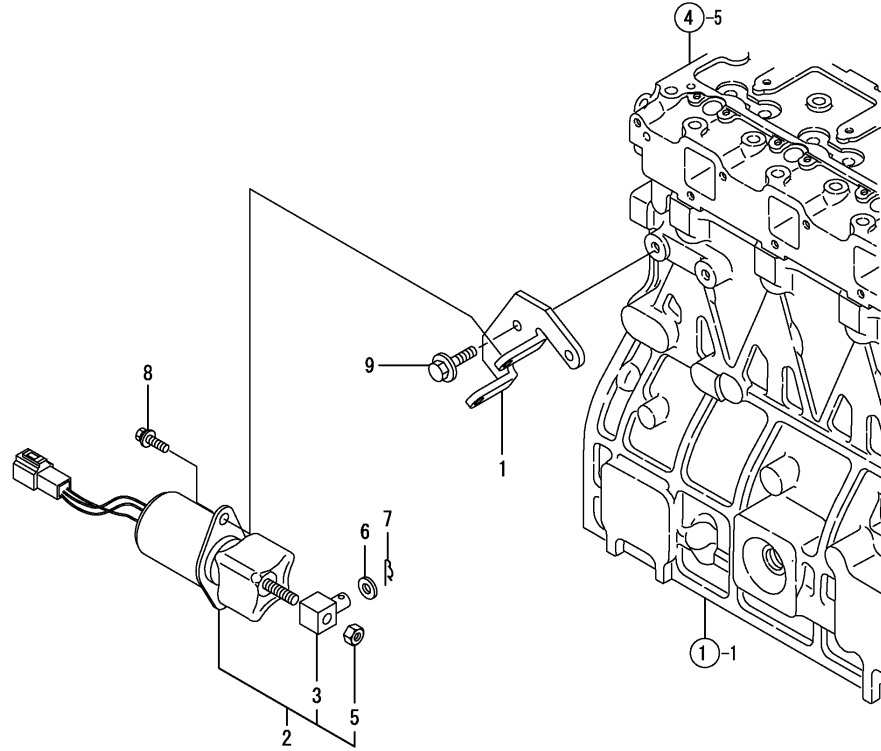
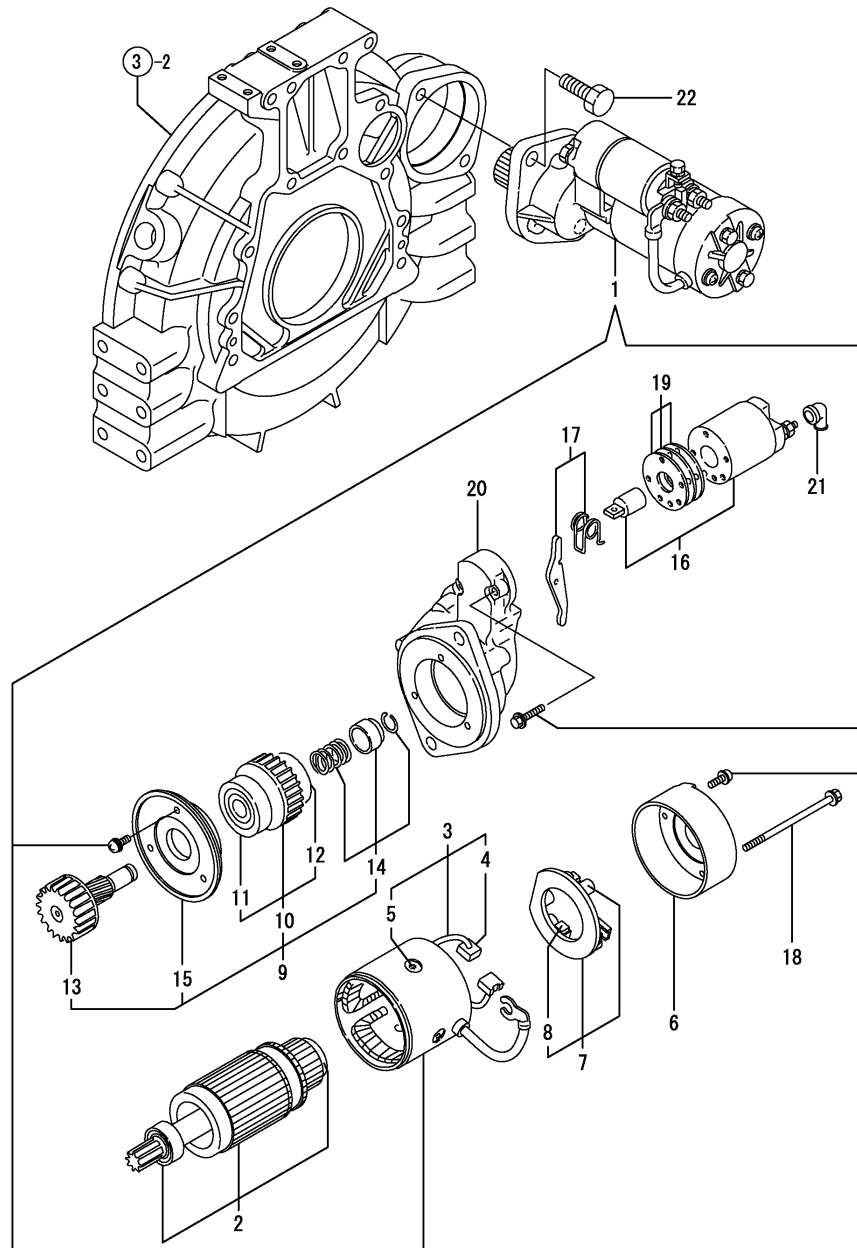
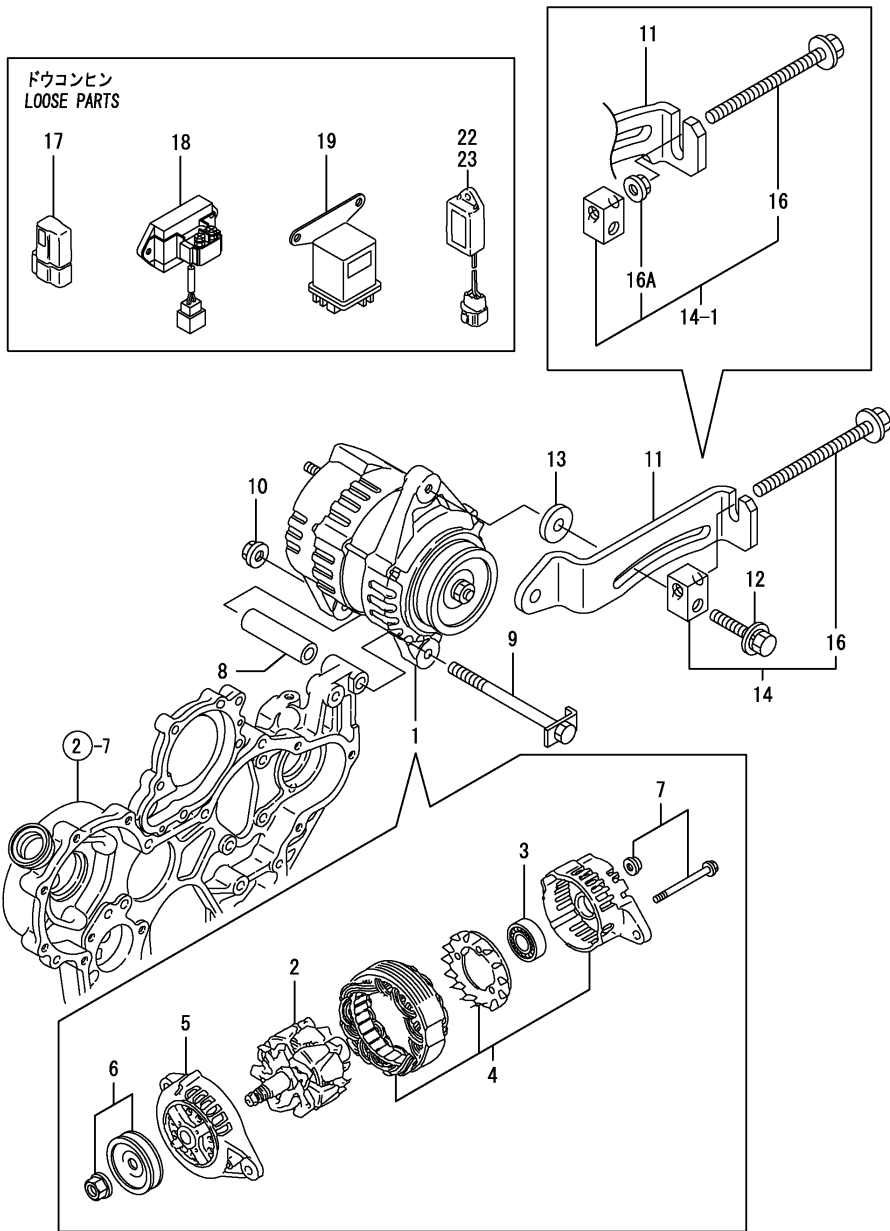


Fig.15. STARTING MOTOR



No.	Lev.	Parts No.	Description	Q'ty						I	R
				(A)	(B)	(C)	(D)	(E)	(F)		
1	1	129900-77010	STARTER(2.3KW	1							
2	2	129900-77400	ARMATURE ASSY	1							
3	2	129900-77440	COIL ASSY, FIELD	1							
4	3	129900-77450	BRUSH (+)	2							
5	3	171008-77450	SCREW	4							
6	2	129900-77460	COVER, REAR	1							
7	2	129900-77480	HOLDER ASSY, BRASH	1							
8	3	129900-77500	BRASH (-)	2							
9	2	129900-77510	PINION ASSY	1							
10	3	129900-77520	CLUTCH ASSY	1							
11	4	171008-77730	BALL BEARING (3)	1							
12	4	171008-77740	BALL BEARING (4)	1							
13	3	129900-77540	SHAFT, PINION	1							
14	3	129900-77550	STOPPER SET	1							
15	3	129900-77610	RETAINER, BEARING	1							
16	2	129900-77591	SWITCH ASSY,MAGNETIC	1							
17	2	129900-77620	SHIFT LEVER SET	1							
18	2	129900-77640	BOLT, THROUGH	2							
19	2	129900-77650	COVER ASSY, DUST	1							
20	2	129900-77710	HOUSING, GEARS	1							
21	2	171008-77750	COVER, M TERMINAL	1							
22	1	26116-120302	BOLT, M12X 30 PLATED	2							

Fig.16. GENERATOR



(A)=4TNE94-EIK

(B)=

(C)=

(D)=

(E)=

(F)=

No.	Lev.	Parts No.	Description	Q'ty						I	R
				(A)	(B)	(C)	(D)	(E)	(F)		
1	1	119836-77201	GENERATOR (AC)	1							
2	2	129612-77700	ROTOR ASSY	1							
3	2	129612-77710	BEARING, BALL	1							
4	2	119836-77920	BRACKET ASSY	1							
5	2	129612-77730	BRACKET ASSY, FILTER	1							
6	2	129612-77740	PULLEY	1							
7	2	129612-77750	SCREW KIT	1							
8	1	129150-77340	SPACER	1							
9	1	129136-77251	BOLT, M8X110	1							
9-1	1	129953-77201	BOLT	1							N
		(A=EXXXXX)									
10	1	129612-77260	NUT, ALTERNATOR	1							
11	1	129953-77300	ADJUSTER	1							
12	1	26014-080452	BOLT, M8X 45	1							
12-1	1	26106-080452	BOLT, M8X 45 PLATED	1							N
		(A=E37087)									
13	1	121236-77340	SPACER	1							
14	1	119624-77350	BLOCK, ADJUSTER	1							
14-1	1	119624-77351	BLOCK ASSY, ADJUSTER	1							N
		(A=E37087)									
16	2	26106-081004	BOLT, M8X100 PLATED	1							
16A	2	26306-080002	NUT, M8	1							W
		(A=E37087)									
17	1	119643-66900	DIODE	1							
18	1	129136-77200	RELAY, SAFETY	1							
19	1	119650-77910	RELAY ASSY, GLOW	1							
22	1	128300-77920	TIMER	1							
23	1	129211-77920	TIMER	1							

Fig.17. GASKET SET

(A)=4TNE94-EIK

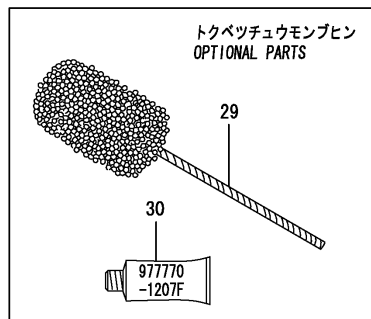
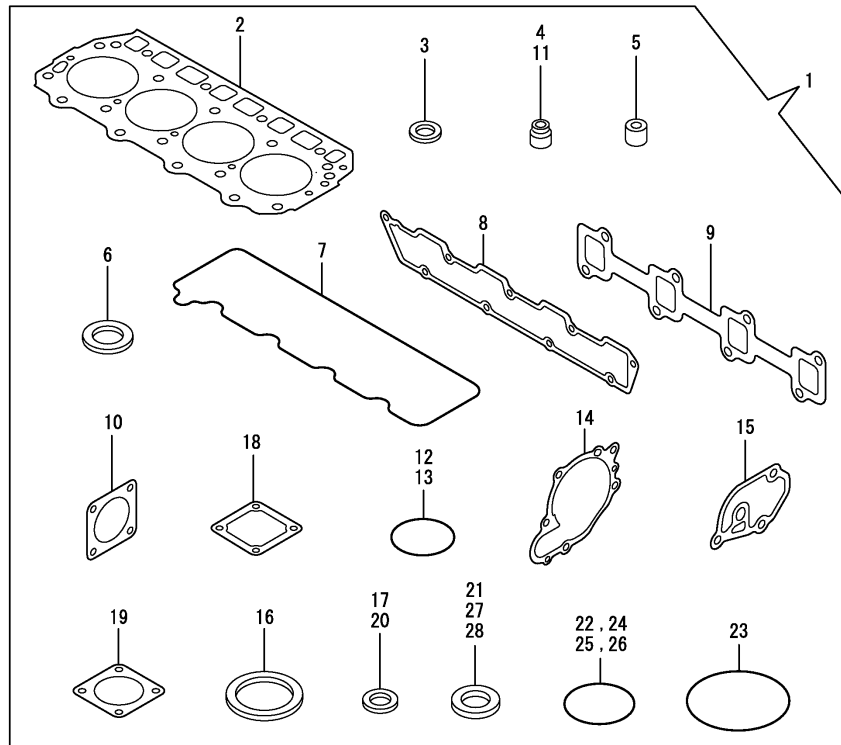
(B)=

(C)=

(D)=

(E)=

(F)=



No.	Lev.	Parts No.	Description	Q'ty						I	R
				(A)	(B)	(C)	(D)	(E)	(F)		
1	1	729900-92680	GASKET SET	1							1
2	2	129900-01331	GASKET, HEAD	1							
3	2	129150-49360	GASKET	1							
4	2	124460-11340	SEAL, VALVE STEM	4							
5	2	119625-11870	PROTECTOR, NOZZLE	4							
6	2	119625-11880	SEAT, NOZZLE	4							
7	2	129900-11310	GASKET, BONNET	1							
8	2	129900-12050	GASKET, MANIFOLD	1							
9	2	129900-13251	GASKET	1							
10	2	129400-13201	GASKET, SILENCER	1							
11	2	121400-11340	SEAL, VALVE STEM	4							
12	2	129900-32030	O-RING, P20	2							
13	2	129900-32040	O-RING, P14	1							
14	2	129900-42020	GASKET, WATER PUMP	1							
15	2	129900-49870	GASKET	1							
16	2	121850-49550	GASKET, THERMOSTAT	1							
17	2	22190-140002	WASHER, SEAL 14	4							
18	2	121850-77021	GASKET	1							
19	2	121850-49540	GASKET, THERMOSTAT	1							
20	2	23414-080000	GASKET, 8X1.0	2							
21	2	124465-44950	GASKET, 16	2							
22	2	24311-000070	O-RING, 1AP7.0	1							
23	2	24341-000530	O-RING, 1AS53.0	1							
24	2	24311-000120	O-RING, 1AP12.0	3							
25	2	24341-000240	O-RING, 1AS24.0	1							
26	2	24311-000320	O-RING, 1AP32.0	2							
27	2	22190-080002	WASHER, SEAL 6	2							
28	2	22190-120002	WASHER, SEAL 12	4							
29	1	129400-92440	HONE	1							1
30	1	977770-1207F	GASKET.LIQUID	1							1

Remarks

(1) OPTIONAL PARTS.

Parts No. Index

Parts No.	Fig. No.	Ref. No.
101304-59020	13	6
101720-55750	13	57
102103-55520	13	52
103854-59191	13	7
104200-55321	13	48
104200-55330	13	49
104200-55341	13	50
104200-55750	13	58
105025-59580	13	22
110250-55610	13	53
114250-53080	12	8
114250-53120	12	12
114250-53130	12	13
114250-53140	12	14
114250-53210	12	15
114250-53400	12	16
119000-35140	9	5
119000-55600	13	2
119000-55601	13	2 -1
119000-55602	13	2 -2
119005-12571	5	10
119006-03090	4	3
119100-11330	4	52
119130-44740	10	15
119130-44760	10	16
119131-18320	6	5
119225-52102	13	46
119266-49350	10	34
119305-59120	12	28
119560-59110	13	20
		38
119620-01750	3	14
119620-49290	10	29
119620-66820	14	3
119620-66821	14	3 -1
119624-77350	16	14
119624-77351	16	14 -1
119625-11870	4	20
	17	5
119625-11880	4	21
	17	6
119625-11900	4	22
119640-01640	3	8
119643-66900	16	17
119650-77910	16	19
119808-12540	5	13
119836-77201	16	1
119836-77920	16	4
120130-22301	8	23
121023-01550	2	27

Parts No.	Fig. No.	Ref. No.
121023-01551	2	27 -1
121236-77340	16	13
121250-49110	13	36
121250-59550	13	25
121252-39450	9	14
121256-44600	10	28
121257-55720	13	54
121257-55731	13	55
121400-11340	4	17
	17	11
121450-42450	10	32
121450-44531	10	37
121470-44581	10	39
121520-34810	9	3
121750-59890	13	40
121850-21130	8	11
121850-21290	8	5
121850-21680	8	10
121850-21920	8	6
121850-49530	10	20
121850-49540	10	21
	17	19
121850-49550	10	19
	17	16
121850-49810	10	22
121850-77021	5	5
	17	18
121855-59880	13	42
		43
		45
123900-13610	6	7 -1
123900-13630	6	4 -1
124060-59380	13	9
124064-55510	13	51
124066-59100	13	17
		27
124160-01751	2	24
124160-11360	4	45
124411-01780	3	6
124450-44550	10	41
124450-44560	10	38
124460-11340	4	18
	17	4
124465-44950	10	33
	17	21
124766-59050	13	23
		41
126650-12680	5	14
128300-59910	13	29
128300-77920	16	22

Parts No.	Fig. No.	Ref. No.
129001-91810	2	22
		23
129062-12560	5	11
129100-01580	2	14 -1
	3	1
129136-77200	16	18
129136-77251	16	9
129150-02450	7	4
129150-03100	4	53
129150-11230	4	35
		39
129150-11370	4	19
129150-11750	4	37
		41
129150-11810	4	9
129150-14200	7	1
129150-25920	7	14
129150-35153	9	4
129150-49360	10	11
	17	3
129150-59131	12	31
		35
129150-59580	13	44
129150-77340	16	8
129211-77920	16	23
129335-55700	13	47
129335-59090	13	19
		39
129400-13201	6	6
		14
	17	10
129400-92440	17	29
129470-55610	13	3
129495-59300	13	5
129550-59120	12	32
129612-77260	16	10
129612-77700	16	2
129612-77710	16	3
129612-77730	16	5
129612-77740	16	6
129612-77750	16	7
129795-11180	4	16
129900-01200	1	28
129900-01250	1	13
129900-01331	1	29
	17	2
129900-01400	2	8
129900-01740	2	5
129900-01780	2	4
129900-01820	2	7

Parts No.	Fig. No.	Ref. No.
129900-01950	12	1
129900-02020	1	7
129900-02340	1	30
129900-02341	1	30 -1
129900-02410	1	10
129900-02930	1	25
129900-02931	1	25 -1
129900-02940	1	33
129900-02941	1	33 -1
129900-07900	4	4
129900-11100	4	13
129900-11110	4	14
129900-11120	4	15
129900-11200	4	27
129900-11240	4	28
129900-11280	4	31
129900-11310	4	47
	17	7
129900-11510	4	32
129900-11520	4	33
129900-11530	4	44
129900-11600	4	50
129900-11650	4	34
129900-11660	4	38
129900-12050	5	1
	17	8
129900-12100	5	2
129900-12530	5	12
129900-13200	6	1
129900-13251	6	3
	17	9
129900-14100	7	7
129900-14400	7	2
129900-14580	7	3
129900-21000	8	1
129900-21200	8	4
129900-21600	8	15
129900-21670	8	8
129900-22080	8	17
129900-22900	8	35
129900-23000	8	25
129900-23001	8	25 -1
129900-23200	8	30
129900-23600	8	31
129900-23601	8	31 -1
129900-23610	8	33
129900-23611	8	33 -1
129900-23910	8	29
129900-23911	8	29 -1
129900-25060	7	10

Parts No. Index

Parts No.	Fig. No.	Ref. No.
129900-25100	7	11
129900-25900	7	16
129900-32000	2	10
129900-32001	2	10 -1
129900-32030	2	12
	9	6
	17	12
129900-32040	2	13
	17	13
129900-39350	9	18
129900-39351	9	18 -1
129900-42001	10	1
129900-42002	10	1 -1
129900-42020	10	9
	17	14
129900-42461	10	14
129900-49860	10	18
129900-49861	10	18 -1
129900-49870	10	26
	17	15
129900-77010	15	1
129900-77400	15	2
129900-77440	15	3
129900-77450	15	4
129900-77460	15	6
129900-77480	15	7
129900-77500	15	8
129900-77510	15	9
129900-77520	15	10
129900-77540	15	13
129900-77550	15	14
129900-77591	15	16
129900-77610	15	15
129900-77620	15	17
129900-77640	15	18
129900-77650	15	19
129900-77710	15	20
129901-22050	8	19
129901-22950	8	37
129902-53000	12	5
129902-59811	12	37
129902-59821	12	41
129902-59831	12	45
129902-59841	12	49
129915-03100	4	1
129915-59120	13	28
129915-59500	13	26
129915-66810	14	1
129915-77050	5	6
129916-01710	3	7

Parts No.	Fig. No.	Ref. No.
129916-11350	4	46
129916-12500	5	8
129916-12510	5	9
129916-13520	6	9 -1
129916-13650	6	10 -1
129916-13690	6	15
129916-49530	10	20 -1
129916-51060	11	1
129916-51061	11	1 -1
129916-59020	13	6 -1
129916-59870	13	43 -1
129950-59311	13	21
129951-11350	4	46 -1
129953-01620	3	2
129953-13510	6	9
129953-13650	6	10
129953-21581	8	12
129953-34830	9	1
129953-35000	9	7
129953-66828	14	1 -1
129953-77201	16	9 -1
129953-77300	16	11
129953-77811	14	2
129957-59040	13	18
		37
129960-03990	4	2
129960-21640	8	9
129961-59110	13	24
129980-59530	13	14
129982-55600	13	1
171008-77450	15	5
171008-77730	15	11
171008-77740	15	12
171008-77750	15	21
171031-11741	2	30
171051-01921	1	6
171056-49351	10	34 -1
171064-44510	10	35
171081-55910	13	59
22117-060000	14	6
22190-060002	13	10
22190-080002	9	17
	13	4
	17	27
22190-120002	13	11
	17	28
22190-140002	13	15
		35
	17	17
22190-220002	3	10

Parts No.	Fig. No.	Ref. No.
22242-000180	4	42
22252-000300	8	24
22312-080160	2	14
22351-060012	1	11
22360-060000	14	7
22512-070140	7	8
	8	7
22857-500100	4	51
23065-070225	10	40
23297-060081	9	19
23414-080000	9	15
	17	20
23418-060000	13	60
23857-030000	9	16
23857-060000	13	12
23871-005000	4	11
23875-030000	10	24
23876-030000	1	5
	12	
	14	
	4	26
24311-000070	2	26
	17	22
24311-000120	4	62
	17	24
24311-000320	2	25
		31
	17	26
24311-240100	13	61
24341-000240	2	28
	17	25
24341-000530	8	16
	17	23
25132-004100	10	10
26014-080352	10	17
26014-080452	16	12
26106-060102	14	8
26106-060142	10	25
	14	8 -1
26106-060162	2	29
26106-060202	10	25 -1
26106-060302	10	12
26106-080102	13	13
26106-080122	3	11
	4	58
	9	2
	12	
26106-080162	2	16
	4	54
	6	11

Parts No.	Fig. No.	Ref. No.
26106-080162	6	16
	7	9
	9	13
	14	9
26106-080202	2	17
	6	12
	12	3
26106-080302	2	18
26106-080352	5	7
26106-080402	2	19
		20
26106-080452	2	21
	5	4
	16	12 -1
26106-080552	7	15
	10	13
26106-080602	10	27
26106-080802	6	4
26106-081004	16	16
26106-100142	12	2
26106-100252	13	16
26106-100652	4	55
26116-120302	15	22
26206-100352	3	5
26206-100702	3	13
26216-060202	4	23
26216-080802	6	7
26216-100302	2	11
26306-080002	6	8 -1
		13 -1
		17
	16	16 A
26306-100002	4	57 -1
26366-060002	4	24
26366-080002	6	8
		13
26366-100002	2	15
	4	57
26577-040162	4	43
26716-060002	14	5
27241-300000	1	15
27241-400000	4	12
27310-080001	4	25
729900-01560	1	1
729900-01570	2	1
729900-02800	1	27 A
729900-02801	1	27 A-1
729900-11100	4	5
729900-92680	17	1
729902-53100	12	4

Parts No. Index

Parts No.	Fig. No.	Ref. No.
977770-1207F	2	6
	3	12
	4	56
	17	30
X02963-75020	11	2

Parts No.	Fig. No.	Ref. No.
-----------	----------	----------

Parts No.	Fig. No.	Ref. No.
-----------	----------	----------

Parts No.	Fig. No.	Ref. No.
-----------	----------	----------