

0CD10-M75100EN

# PREFACE

1. This parts catalog is the Second edition of 4TNE106-TB for Takeuchi Mfg. Co., Ltd.
2. This parts catalog does not contain the technical data needed for maintenance service.
3. The illustrations used in this parts catalog have been simplified for clarity.

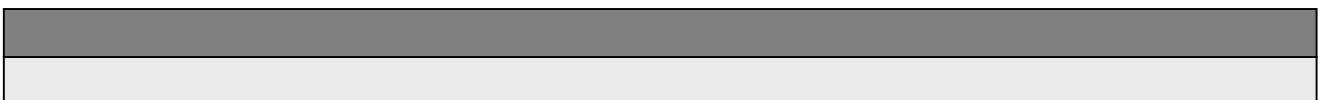
Pub. No.: 000Y00D7510

Published: August.,2001

#### 4. Model name

Engine model	Vehicle		Vehicle made by
	Products	Model name	
4TNE106-TB	DUMP CARRIER	C9	Takeuchi Mfg. Co., Ltd.

5. The contents of this parts catalog are subject to change without prior notice.



## Directions for the Parts Catalog.

1. This Parts Catalog shows both standard and optional parts.
2. Parts may change without prior notice.
3. The following is an example of the Parts Catalog format.

REF.	LEV.	PARTS NO.	DESCRIPTION	Q'TY						I	R
				(A)	(B)	(C)	(D)	(E)	(F)		
1	1	729595-51390	FUEL INJECTION PUMP	1	1	1	1	1			1
1-1	1	729595-51391	FUEL INJECTION PUMP	1	1	1	1	1		N	1
		(A=E00185) (B=E00200)									
3	2	26022-060162	SCREW M 6X 16	9	9	9	9	9			
3-1	2	26022-060162	SCREW M 6X 16	4	4	4	4	4		K	
		(A=E00156) (B=E00156) (C=E00156) (D=E00156) (E=E00156)									
4	2	129470-51040	CAMSHAFT	1	1	1	1	1			
5	2	122710-51050	BEARING, ROLLER	2	2	2	2	2			
6	2	129470-51060	RETAINER	1	1	1	1	1			

Remarks
(1) BOOST COMPEMSATOR TYPE. OPTIONAL PART, TO E00155,(4JH-DT, 4JH-DTZ

### ① Ref. No.

The Ref. No. listed may not be in accordance with the illustration Ref. No.

(Ex.) Illustration No.

List Ref No.

1

1

(Before change)

1-1

(After change)

For interchangeable symbols N, R and K, illustrations for new parts may be abbreviated.

### ② Lev. (Level)

Level indication

The numbers below indicate the level of relativity towards the main part.

1 ----- Main parts (Assembly parts)

2 ----- Sub component included in " 1 ".

3 ----- Sub component included in " 2 ".

Note) Parts that are not for sale are partially illustrated but not listed.

### ③ Interchangeability Symbol

When a part change takes place, one of the following interchangeability symbols is indicated beside the part.

Symbol	Interchangeability	Contents note
N	Old $\begin{matrix} \leftarrow \text{Yes} \\ \text{No} \rightarrow \end{matrix}$ New	New Part is interchangeable for Old Part but Old Part is not interchangeable for New Part.
Q	Old $\begin{matrix} \leftarrow \text{No} \\ \text{Yes} \rightarrow \end{matrix}$ New	New Part is not interchangeable for Old Part but Old Part is interchangeable for New Part.
R	Old $\begin{matrix} \leftarrow \text{Yes} \\ \text{Yes} \rightarrow \end{matrix}$ New	New/ Old Parts are both interchangeable.
S	Old $\begin{matrix} \leftarrow \text{No} \\ \text{No} \rightarrow \end{matrix}$ New	New/ Old Parts are both not interchangeable.
W		Part newly added.
Z		Part discontinued.
F		Not interchangeable by a single part but interchangeable together with related parts.
K		Changes only for used parts quantities.

### ④ Effective Machine No.

When a part changes, the effective Machine No. will be indicated in the (A)-(F) column.

Product Symbol	Product No.	Product Symbol	Product No.
C	Clutch No. Compressor No.	F	Machine No. (Agricultural Equip.)
D	Drive No.	M	Machine No.
E	Engine No.		

Note 1) A date may follow the symbol. (Ex.) 1996.01

Note 2) "XXXXX" and "ZZZZZ" are for parts that could not be predicted or for engine models that could not be identified.

Note 3) (A=E00185) is the E (Engine Serial Number) for the column (A) model (in this case 4JH-DT) after the parts design change.

### ⑤ Remarks

Figures or alphabets (symbols) are entered in the remarks column.

The comments (remarks) on parts that are indicated at the bottom of the illustration are the same symbols as those stated above.

# Contents

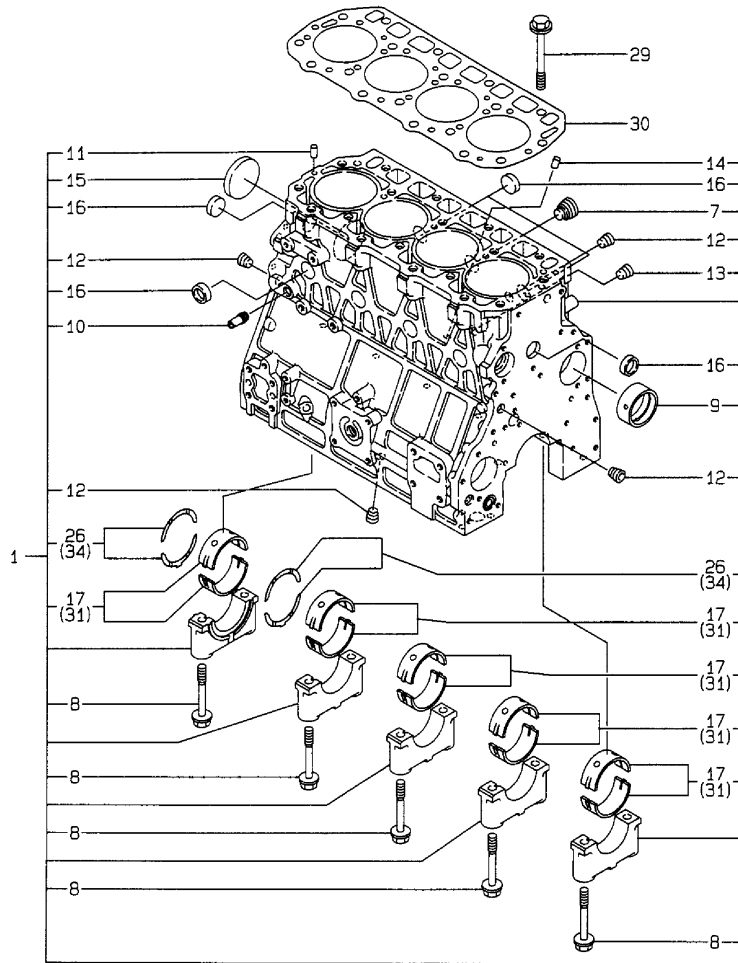
Fig. No.    Fig. Name

4TNE106-TB

1. CYLINDER BLOCK
2. GEAR HOUSING
3. FLYWHEEL HOUSING & OIL SUMP
4. CYLINDER HEAD & BONNET
5. SUCTION MANIFOLD & AIR CLEANER
6. EXHAUST MANIFOLD & SILENCER
7. CAMSHAFT & DRIVING GEAR
8. CRANKSHAFT & PISTON
9. LUB.OIL SYSTEM
10. LUB.OIL LINE
11. COOLING WATER SYSTEM
12. RADIATOR
13. FUEL INJECTION PUMP
14. FUEL INJECTION VALVE
15. FUEL LINE
16. ENGINE STOP DEVICE
17. STARTING MOTOR
18. GENERATOR
19. TOOL & GASKET SET

Fig. No.    Fig. Name

Fig.1. CYLINDER BLOCK



(A)=4TNE106-TB

(B)=

(C)=

(D)=

(E)=

(F)=

No.	Lev.	Parts No.	Description	Q'ty						I	R
				(A)	(B)	(C)	(D)	(E)	(F)		
1	1	723900-01560	BLOCK ASSY, CYLINDER	1							
7	2	171051-01921	PLUG, NPTF1	1							
8	2	123900-02020	BOLT, METAL CAP	10							
9	2	123900-02410	BUSH	1							
10	2	121851-11970	JOINT, PIPE	1							
11	2	22351-060012	PIN, SPRING 6.0X12	2							
12	2	23875-030000	PLUG, R03	4							
13	2	23875-030000	PLUG, R03	1							
14	2	27225-120160	PLUG, 12X16	1							
15	2	27231-700000	PLUG, 70	1							
16	2	27241-300000	PLUG 30	8							
17	2	123900-02800	BEARING, MAIN	5							
26	2	123900-02930	BEARING, THRUST	2							
29	1	119174-01200	BOLT, HEAD	18							
30	1	123900-01340	GASKET, HEAD	1							
31	1	123900-02340	BEARING, 0.25 US	5							1
34	1	123900-02940	BEARING, THRUST 0.25	2							2

Remarks

- (1) UNDER-SIZE(U.S=0.25)PART.
- (2) OVER-SIZE(O.S=0.25)PART.

Fig.2. GEAR HOUSING

(A)=4TNE106-TB

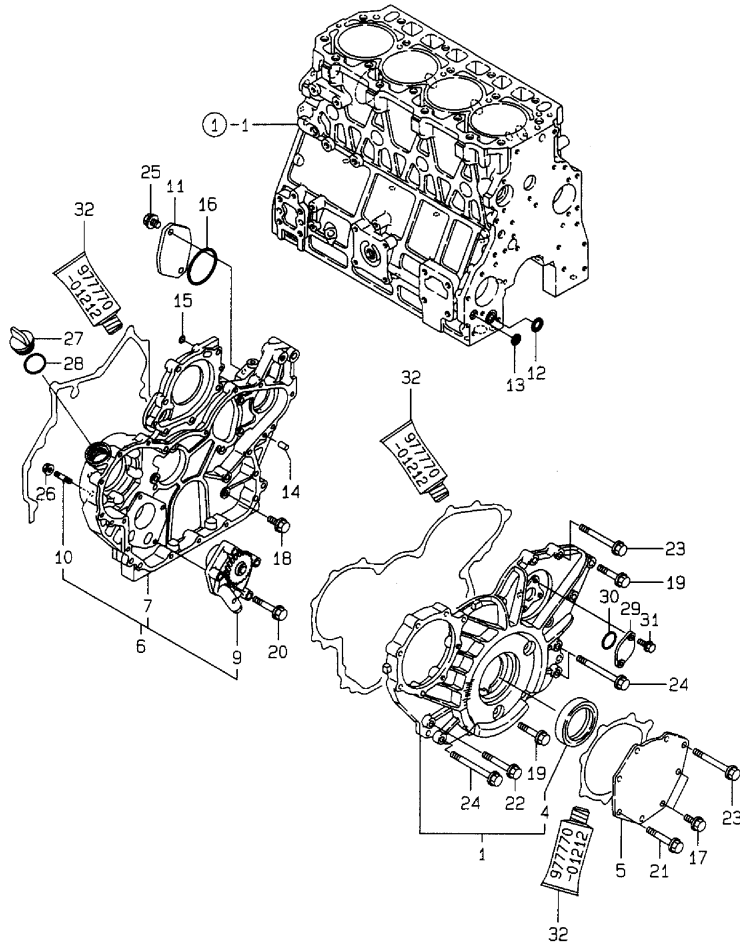
(B)=

(C)=

(D)=

(E)=

(F)=



No.	Lev.	Parts No.	Description	Q'ty						I	R
				(A)	(B)	(C)	(D)	(E)	(F)		
1	1	723900-01570	COVER ASSY,GEAR CASE	1							
1-1	1	723900-01580	COVER ASSY,GEAR CASE	1						F	2
(A=*2008.01.)											
4	2	123900-01780	SEAL, OIL	1							
4-1	2	123946-01780	SEAL, OIL	1						F	2
(A=*2008.01.)											
5	1	123900-01740	COVER	1							
6	1	123900-01810	CASE ASSY, GEAR	1							
7	2	123900-01500	CASE, GEAR	1							
9	2	123900-32001	PUMP ASSY, OIL	1							
10	2	26216-100302	STUD, M10X 30	4							
11	1	121023-26070	COVER	1							
12	1	129900-32030	O-RING, P20	1							
13	1	129900-32040	O-RING, P14	1							
14	1	22312-080160	PIN, PARALLEL M8X16	4							
15	1	24311-000110	O-RING, 1AP11.0	1							
16	1	24321-000850	O-RING, 1AG85.0	1							
17	1	26106-080202	BOLT, M8X 20 PLATED	2							
18	1	26106-080202	BOLT, M8X 20 PLATED	5							
19	1	26106-080402	BOLT, M8X 40 PLATED	6							
20	1	26106-080452	BOLT, M8X 45 PLATED	4							
21	1	26106-080452	BOLT, M8X 45 PLATED	5							
22	1	26106-080502	BOLT, M8X 50 PLATED	1							
23	1	26106-080702	BOLT, M8X 70 PLATED	5							
24	1	26106-080802	BOLT, M8X 80 PLATED	3							
25	1	26106-100222	BOLT, M10X 22 PLATED	2							
26	1	26306-100002	NUT, M10	4							
27	1	124160-01751	COVER, FILLER	1							
28	1	24311-000320	O-RING, 1AP32.0	1							
29	1	121023-01550	COVER	1							
30	1	24341-000240	O-RING, 1AS24.0	1							
31	1	26106-060162	BOLT, M6X 16 PLATED	2							
32	1	97770-01212	GASKET, LIQUID	1							1

Remarks

(1) OPTIONAL PART.

(2) FIG.NO.8 REF.NO.8-1,9-1,11-1 & 43 INTERCHANGEABLE BY SET.

Fig.3. FLYWHEEL HOUSING & OIL SUMP

(A)=4TNE106-TB

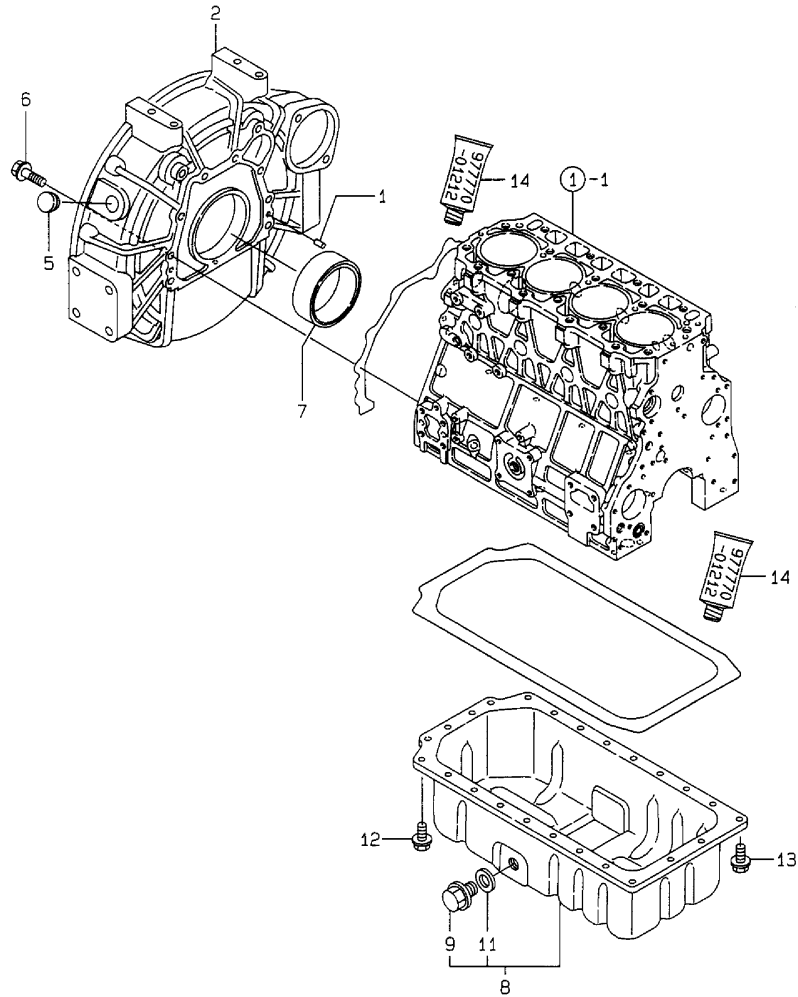
(B)=

(C)=

(D)=

(E)=

(F)=



No.	Lev.	Parts No.	Description	Q'ty						I	R
				(A)	(B)	(C)	(D)	(E)	(F)		
1	1	129100-01580	PIN, M8X16	2							
2	1	123900-01620	HOUSING, FLYWHEEL	1							
5	1	119620-01750	CAP	1							
6	1	26106-100352	BOLT, M10X 35 PLATED	10							
7	1	123672-01782	SEAL, SD105X135X14L	1							
8	1	123900-01710	SUMP ASSY, OIL	1							
9	2	119640-01640	PLUG, DRAIN M22	1							
11	2	22190-220002	WASHER, SEAL 22	1							
12	1	26106-080122	BOLT, M8X 12 PLATED	22							
13	1	26106-080162	BOLT, M8X 16 PLATED	4							
14	1	977770-01212	GASKET, LIQUID	1							1

Remarks  
(1) OPTIONAL PART.

Fig.4. CYLINDER HEAD & BONNET

(A)=4TNE106-TB

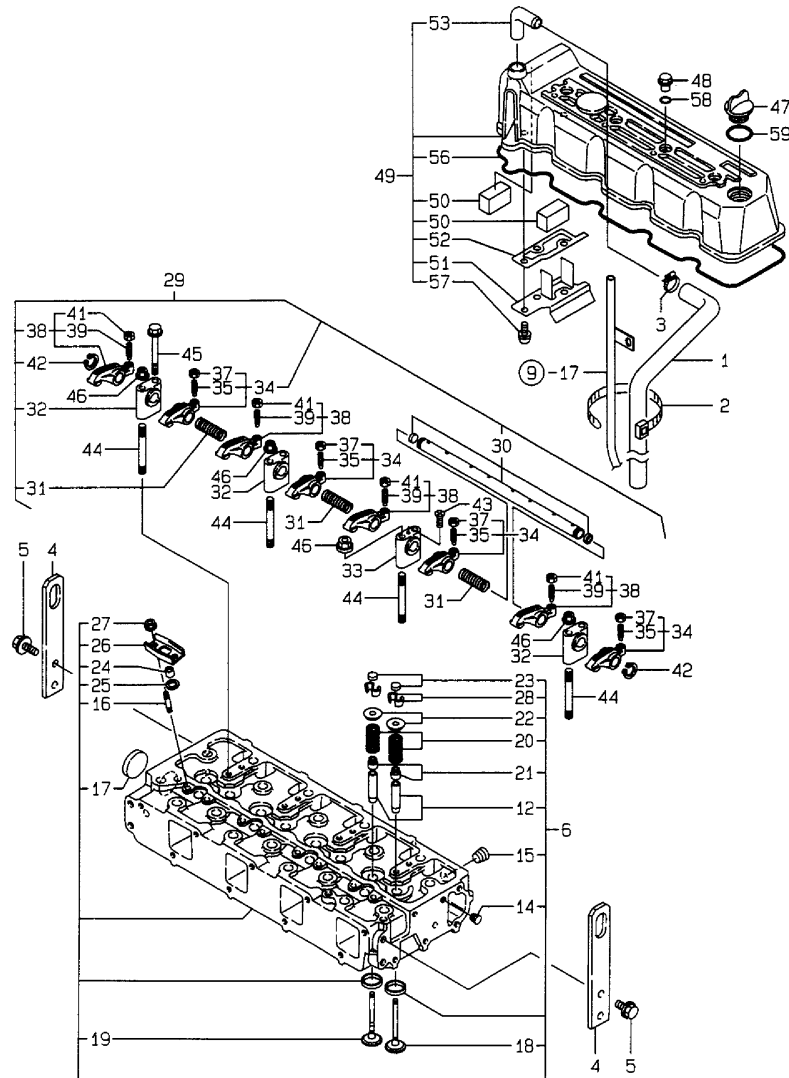
(B)=

(C)=

(D)=

(E)=

(F)=



No.	Lev.	Parts No.	Description	Q'ty						I	R
				(A)	(B)	(C)	(D)	(E)	(F)		
1	1	123911-03400	HOSE, BREATHER	1							
2	1	121750-59890	BAND, 140	1							
3	1	23000-035000	CLAMP, 35	1							
4	1	123900-07900	LIFTER	2							
5	1	26106-100202	BOLT, M10X 20 PLATED	4							
6	1	723900-11100	HEAD ASSY, CYLINDER	1							
12	2	119000-11810	GUIDE, VALVE	8							1
14	2	23876-005000	PLUG, R005	1							
15	2	23876-030000	PLUG, R03	1							
16	2	26216-060252	STUD, M6X 25	8							
17	2	27241-400000	PLUG, 40	1							
18	2	123900-11100	VALVE, INTAKE	4							
19	2	123900-11110	VALVE, EXHAUST	4							
20	2	123900-11120	SPRING, VALVE	8							
21	2	121850-11150	SEAL, VALVE STEM	8							
22	2	121850-11180	RETAINER, SPRING	8							
23	2	119171-11370	CAP, VALVE	8							
24	2	119625-11870	PROTECTOR, NOZZLE	4							
25	2	119625-11880	SEAT, NOZZLE	4							
26	2	119625-11900	RETAINER, NOZZLE	4							
27	2	26366-060002	NUT, M6	8							
28	2	27310-090000	COTTER 9	16							
29	1	123900-11200	SUPPORT ASSY, ARM	1							
30	2	123900-11240	SHAFT, ROCKER ARM	1							
31	2	119000-11280	SPRING	3							
32	2	123900-11510	SUPPORT, ROCKER ARM	3							
33	2	123900-11520	SUPPORT, ROCKER ARM	1							
34	2	123900-11650	ARM, ROCKER	4							
35	3	129150-11230	SCREW, VALVE ADJUST	4							
37	3	129150-11750	NUT, M8	4							
38	2	123900-11660	ARM, ROCKER	4							
39	3	129150-11230	SCREW, VALVE ADJUST	4							
41	3	129150-11750	NUT, M8	4							
42	2	22242-000180	RING, 18	2							
43	2	26577-040162	SCREW, M4X16	1							
44	1	119593-11300	STUD, M8X80	4							
45	1	26106-080702	BOLT, M8X 70 PLATED	4							
46	1	26306-080002	NUT, M8	4							
47	1	124160-01751	COVER, FILLER	1							
48	1	124160-11360	KNOB	4							
49	1	123911-11370	BONNET ASSY, HEAD	1							
50	2	129150-03070	BAFFLE, BREATHER	2							
51	2	123900-03202	PLATE, BAFFLE	1							
52	2	123900-03210	GASKET	1							
53	2	123900-03220	JOINT	1							
56	2	123900-11310	GASKET, BONNET	1							
57	2	26022-050122	SCREW, M5X12	3							
58	1	24311-000120	O-RING, 1AP12.0	4							
59	1	24311-000320	O-RING, 1AP32.0	1							

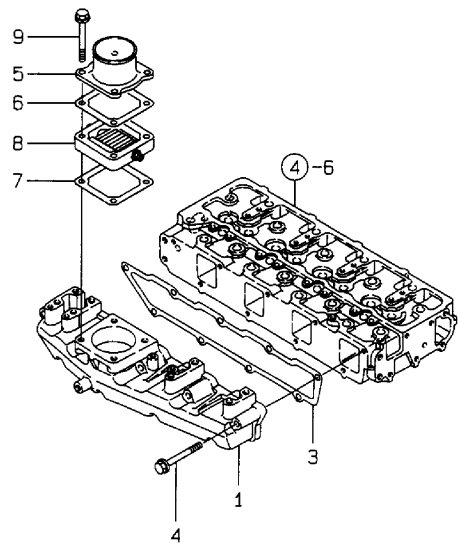
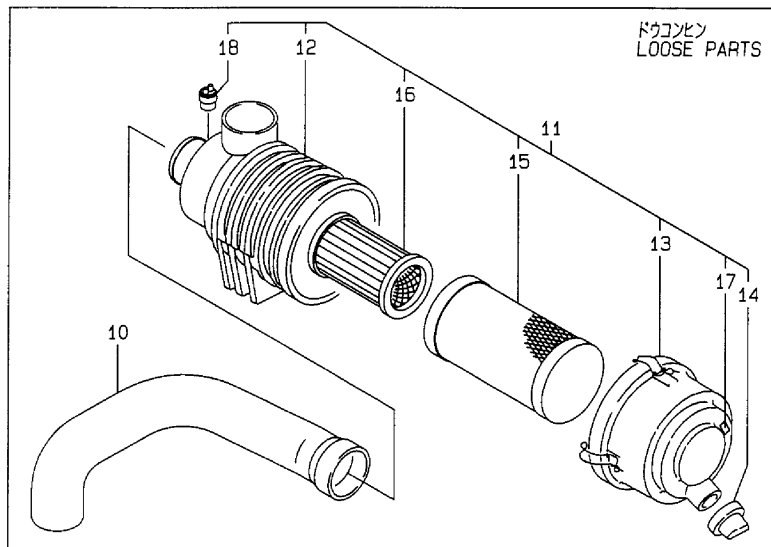
Remarks

(1) REPAIR PART.

N:Old  $\xrightarrow{\text{Yes}}$  New, Q:Old  $\xrightarrow{\text{No}}$  New, R:Old  $\xrightarrow{\text{Yes}}$  New, S:Old  $\xrightarrow{\text{No}}$  New, W:Add, Z:Discontinued, F:Interchangeable by set, K:Q'ty Change



Fig.5. SUCTION MANIFOLD & AIR CLEANER

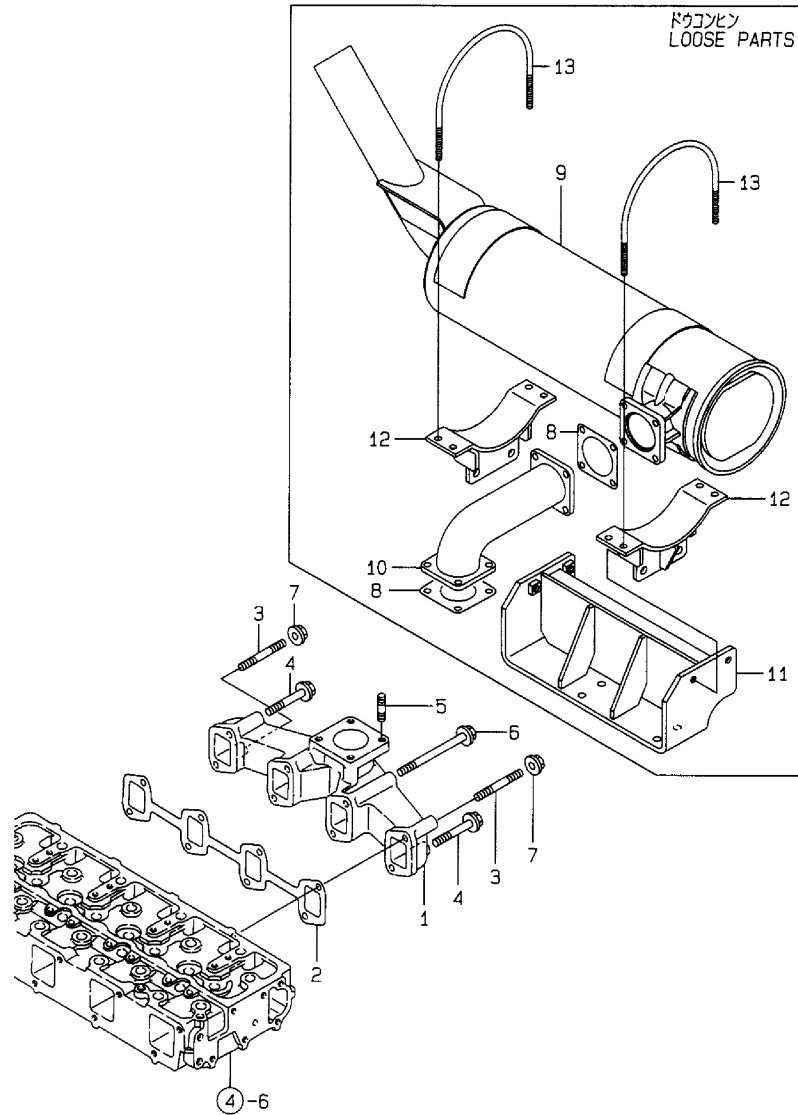


(A)=4TNE106-TB  
(B)=  
(C)=

(D)=  
(E)=  
(F)=

No.	Lev.	Parts No.	Description	Q'ty						I	R
				(A)	(B)	(C)	(D)	(E)	(F)		
1	1	123900-12100	MANIFOLD, AIR INTAKE	1							
3	1	123900-12110	GASKET, MANIFOLD	1							
4	1	26106-080702	BOLT, M8X 70 PLATED	9							
5	1	124610-12580	JOINT, AIR HEATER	1							
6	1	123900-77020	GASKET	1							
7	1	123900-77030	GASKET	1							
8	1	123915-77500	HEATER	1							
9	1	26106-100452	BOLT, M10X 45 PLATED	4							
10	1	123911-12040	PIPE, AIR INTAKE	1							
11	1	123911-12500	CLEANER ASSY, AIR	1							
12	2	123911-12510	BODY ASSY, CLEANER	1							
13	2	119117-12530	COVER	1							
14	2	119160-12540	VALVE	1							
15	2	119117-12560	ELEMENT	1							
16	2	119117-12570	ELEMENT	1							
17	2	129612-12650	MARKING,(W)	1							
18	2	119140-12680	INDICATOR	1							

Fig.6. EXHAUST MANIFOLD & SILENCER

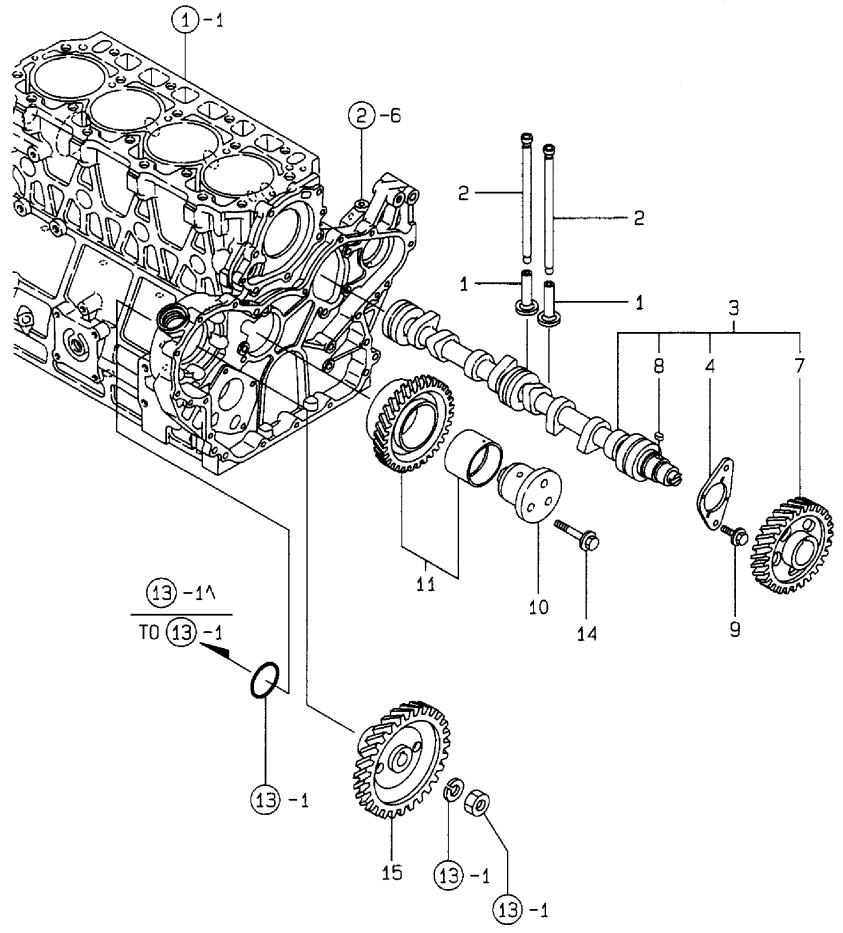


(A)=4TNE106-TB  
(B)=  
(C)=

(D)=  
(E)=  
(F)=

No.	Lev.	Parts No.	Description	Q'ty						I	R
				(A)	(B)	(C)	(D)	(E)	(F)		
1	1	123900-13100	MANIFOLD, EXHAUST	1							
2	1	123900-13110	GASKET	1							
3	1	123900-13600	STUD, M8X70	2							
4	1	123900-13620	BOLT, M8X70	2							
5	1	119131-18320	STUD, M8X22	4							
6	1	129693-44310	BOLT	4							
6-1	1	119802-13820	BOLT, M8X100 9.8T	4							N
		(A=*2009.12)									
7	1	26306-080002	NUT, M8	2							
8	1	129400-13201	GASKET, SILENCER	2							
9	1	123911-13510	SILENCER	1							
10	1	123911-13550	BEND, EXHAUST	1							
11	1	123911-13650	BRACKET, SILENCER	1							
12	1	123911-13660	STAY, SILENCER	2							
13	1	123911-13670	BOLT	2							

Fig.7. CAMSHAFT & DRIVING GEAR

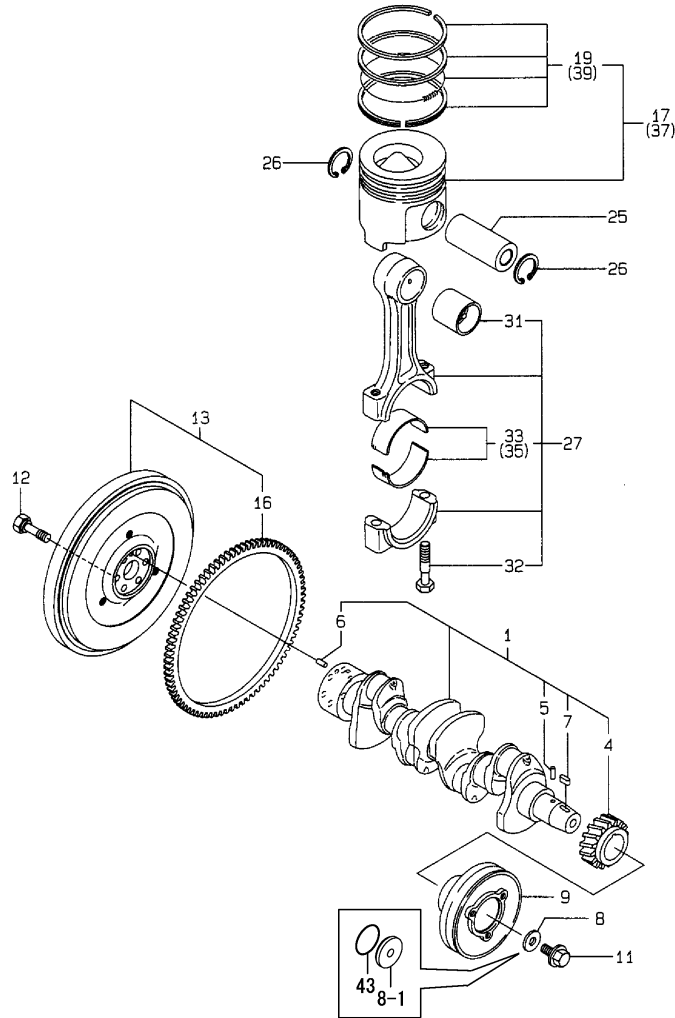


(A)=4TNE106-TB  
(B)=  
(C)=

(D)=  
(E)=  
(F)=

No.	Lev.	Parts No.	Description	Q'ty						I	R
				(A)	(B)	(C)	(D)	(E)	(F)		
1	1	123900-14200	TAPPET	8							
2	1	123900-14400	ROD, PUSH	8							
3	1	123900-14580	CAMSHAFT ASSY	1							
4	2	129150-02450	BEARING, THRUST	1							
7	2	129900-14100	GEAR, CAMSHAFT	1							
8	2	22512-070140	KEY, 7X 14	1							
9	1	26106-080142	BOLT, M8X 14 PLATED	2							
10	1	123900-25060	SHAFT, IDLE GEAR	1							
11	1	123900-25120	GEAR ASSY, IDLE	1							
14	1	26106-080552	BOLT, M8X 55 PLATED	3							
15	1	129900-25900	GEAR, PUMP	1							

Fig.8. CRANKSHAFT & PISTON



(A)=4TNE106-TB

(B)=

(C)=

(D)=

(E)=

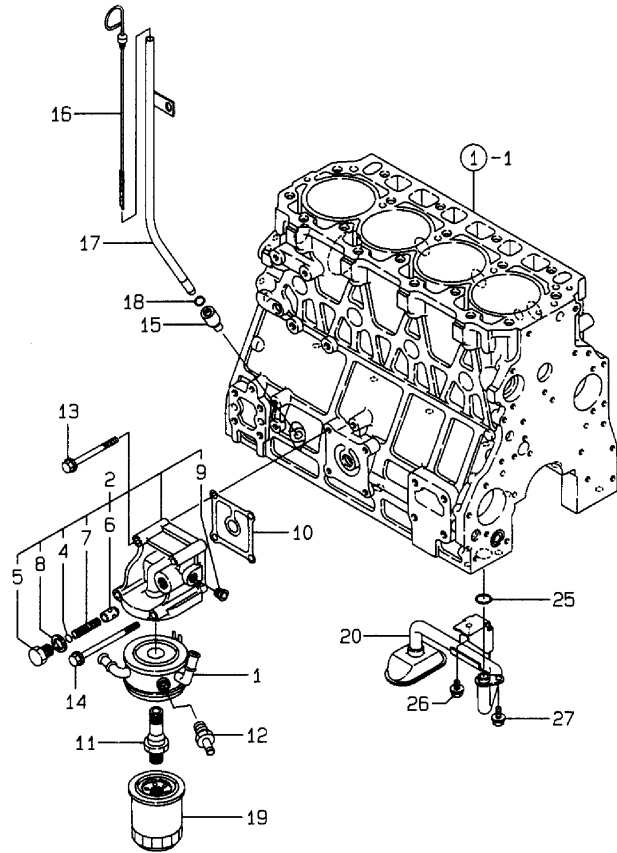
(F)=

No.	Lev.	Parts No.	Description	Q'ty						I	R
				(A)	(B)	(C)	(D)	(E)	(F)		
1	1	123900-21000	CRANKSHAFT ASSY	1							
4	2	129900-21200	GEAR, CRANKSHAFT	1							
5	2	121850-21290	PIN	1							
6	2	121850-21920	PIN, M10X22	1							
7	2	22512-070140	KEY, 7X 14	1							
8	1	129900-21640	WASHER	1							
8-1	1	129960-21640	WASHER	1						F	4
(A=*2008.01.)											
9	1	123900-21650	V-PULLEY	1							
9-1	1	123946-21660	V-PULLEY, 150	1						F	4
(A=*2008.01.)											
11	1	121850-21680	BOLT	1							
11-1	1	129916-21610	BOLT	1						F	4
(A=*2008.01.)											
12	1	121850-21130	BOLT, FLYWHEEL	6							
13	1	123900-21580	FLYWHEEL ASSY	1							
16	2	127410-21480	GEAR, RING Z=129	1							
17	1	123900-22080	PISTON ASSY	4							
19	2	123900-22050	RING SET, PISTON	4							
25	1	119173-22300	PIN, PISTON	4							
26	1	22252-000370	RING, 37	8							
27	1	123900-23000	ROD ASSY, CONNECTING	4							
31	2	123900-23910	BEARING, PISTON PIN	4							1
32	2	123900-23200	BOLT, CONNECTING ROD	8							
33	2	123900-23600	BEARING, CRANK PIN	4							
35	1	123900-23610	BEARING, 0.25 US	4							2
37	1	123900-22900	PISTON ASSY, 0.25 OS	4							3
39	2	123900-22950	RING SET, 0.25 OS	4							3
43	1	24341-000530	O-RING, 1AS53.0	1							W 4
(A=*2008.01.)											

Remarks

- (1) REPAIR PART.
- (2) UNDER-SIZE (U.S=0.25) PART.
- (3) OVER-SIZE (O.S=0.25) PART.
- (4) REF.NO.8-1,9-1,11-1 & 43 FIG.NO.2  
REF.NO.4-1 INTERCHANGEABLE BY SET

Fig.9. LUB.OIL SYSTEM



(A)=4TNE106-TB  
(B)=  
(C)=

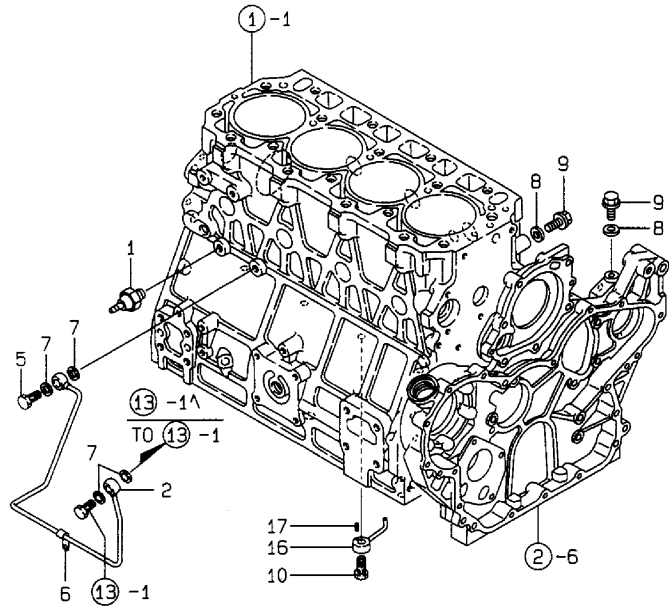
(D)=  
(E)=  
(F)=

No.	Lev.	Parts No.	Description	Q'ty						I	R
				(A)	(B)	(C)	(D)	(E)	(F)		
1	1	123910-33011	COOLER ASSY, OIL	1							
2	1	123910-33041	BRACKET ASSY, COOLER	1							
4	2	121850-35230	SHIM, T=1.0	1							
5	2	124223-35510	RETAINER, SPRING	1							
6	2	121850-35531	VALVE, CONTROL	1							
7	2	121952-39830	SPRING	1							
8	2	23414-180000	GASKET, 18X1.0	1							
9	2	23876-020000	PLUG, R02	1							
10	1	123900-33060	GASKET	1							
11	1	123910-33100	BOLT	1							
12	1	121550-49111	JOINT, PT1/4	1							
13	1	26106-080752	BOLT, M8X 75 PLATED	2							
14	1	26106-081002	BOLT, M8X100 PLATED	2							
15	1	119260-34810	GUIDE, DIPSTICK	1							
16	1	123910-34830	DIPSTICK, OIL	1							
17	1	123910-34840	GUIDE, DIPSTICK	1							
18	1	24311-240100	O-RING, 1AP10A	1							
19	1	119005-35100	FILTER, D80X100L	1							
20	1	123900-35003	PIPE ASSY, OIL INLET	1							
25	1	24314-000180	O-RING, 4CP18.0	1							
26	1	26106-080122	BOLT, M8X 12 PLATED	1							
27	1	26106-080162	BOLT, M8X 16 PLATED	1							

Fig.10. LUB.OIL LINE

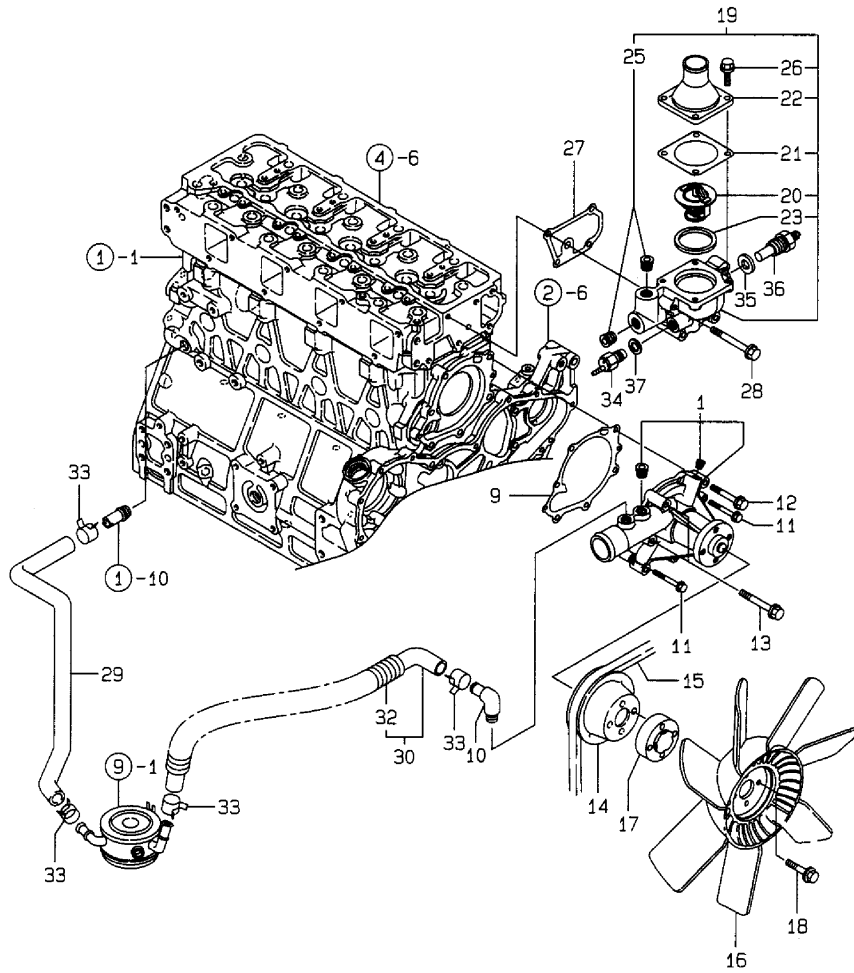
(A)=4TNE106-TB  
(B)=  
(C)=

(D)=  
(E)=  
(F)=



No.	Lev.	Parts No.	Description	Q'ty						I	R
				(A)	(B)	(C)	(D)	(E)	(F)		
1	1	114250-39450	SWITCH, 0.5KG	1							
2	1	123911-39060	PIPE ASSY, OIL	1							
5	1	124160-39140	BOLT, PIPE JOINT M10	1							
6	1	23297-060081	CLAMP, A6X 8	1							
7	1	23414-100000	GASKET, 10X1.0	4							
8	1	22190-080002	WASHER, SEAL 6	2							
9	1	26106-080122	BOLT, M8X 12 PLATED	2							
10	1	129792-39410	VALVE ASSY, CHECK	4							
16	1	123900-39650	NOZZLE	4							
17	1	22351-030010	PIN, SPRING 3.0X10	4							

Fig.11. COOLING WATER SYSTEM



(A)=4TNE106-TB

(B)=

(C)=

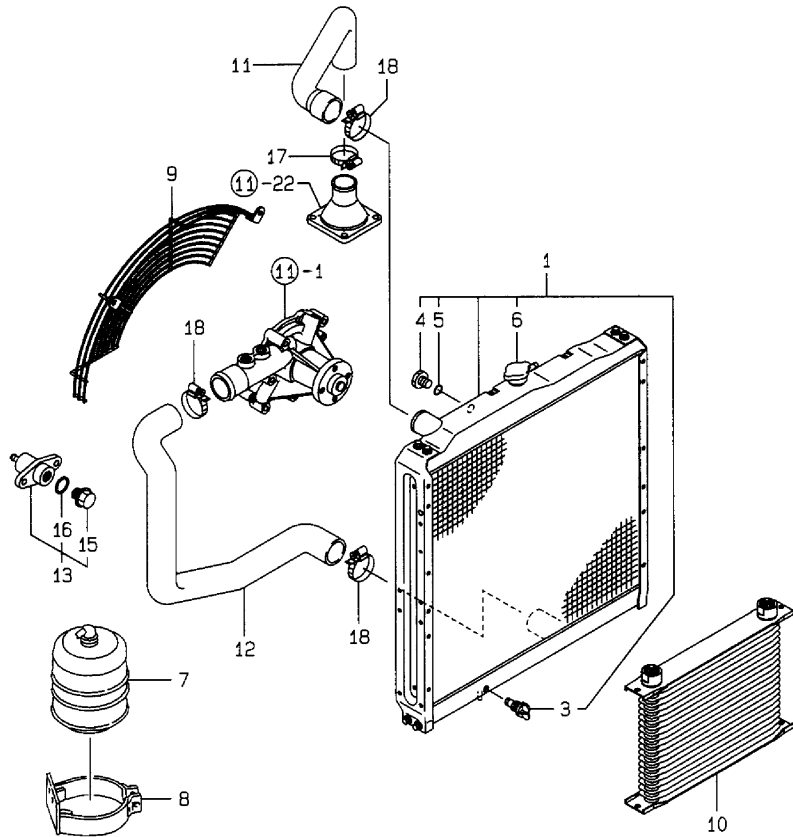
(D)=

(E)=

(F)=

No.	Lev.	Parts No.	Description	Qty						I	R
				(A)	(B)	(C)	(D)	(E)	(F)		
1	1	123900-42000	PUMP ASSY, WATER	1							
9	1	123900-42050	GASKET, WATER PUMP	1							
10	1	129466-49300	ELBOW, PT3/8	1							
11	1	26106-060502	BOLT, M6X 50 PLATED	2							
12	1	26106-080552	BOLT, M8X 55 PLATED	4							
13	1	26106-080702	BOLT, M8X 70 PLATED	2							
14	1	123900-42460	V-PULLEY, B 160	1							
15	1	123900-42480	V-BELT, B49	1							
16	1	123758-44740	FAN, COOLING 550X7	1							
17	1	123911-44760	SPACER, FAN 25	1							
18	1	26106-100452	BOLT, M10X 45 PLATED	4							
19	1	123900-49800	CASE ASSY,THERMOSTAT	1							
20	2	124610-48620	THERMOSTAT, 82	1							
21	2	124610-49291	GASKET	1							
22	2	123962-49500	COVER, THERMOSTAT	1							
23	2	123500-49550	GASKET	1							
25	2	23876-030000	PLUG, R03	2							
26	2	26106-080252	BOLT, M8X 25 PLATED	4							
27	1	123900-49820	GASKET	1							
28	1	26106-080602	BOLT, M8X 60 PLATED	4							
29	1	123910-49033	PIPE, WATER	1							
30	1	123910-49600	PIPE, WATER	1							
32	2	123910-49610	TUBE, CORRUGATED	1							
33	1	23000-025000	CLAMP, 25	4							
34	1	121250-44901	SWITCH, 110	1							
35	1	124465-44950	GASKET, 16	1							
36	1	171056-49351	SENSOR	1							
37	1	129150-49360	GASKET	1							

Fig.12. RADIATOR



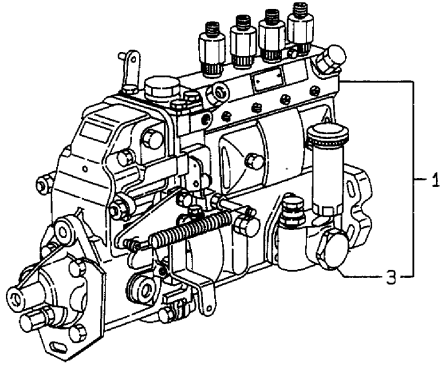
(A)=4TNE106-TB  
(B)=  
(C)=

(D)=  
(E)=  
(F)=

No.	Lev.	Parts No.	Description	Q'ty						I	R
				(A)	(B)	(C)	(D)	(E)	(F)		
1	1	123930-44500	RADIATOR ASSY	1							
3	2	123930-44560	COCK ASSY	1							
4	2	123930-44570	PLUG	1							
5	2	123930-44580	O-RING	1							
6	2	129107-44590	CAP, RADIATOR	1							
7	1	148616-44510	TANK, SUB	1							
8	1	148616-44551	BRACKET	1							
9	1	123655-44600	NET, WIRE	1							
10	1	123930-44900	COOLER ASSY, OIL	1							
11	1	123911-49010	PIPE, WATER	1							
12	1	123911-49020	PIPE, WATER	1							
13	1	721521-49100	COCK ASSY, 2-WAY	1							
15	2	121250-49121	PLUG, DRAIN	1							
16	2	24311-000160	O-RING, 1AP16.0	1							
17	1	23000-054000	CLAMP, 54	1							
18	1	23000-060000	CLAMP, 60	3							



Fig.13. FUEL INJECTION PUMP



(A)=4TNE106-TB  
(B)=  
(C)=

(D)=  
(E)=  
(F)=

No.	Lev.	Parts No.	Description	Q'ty						I	R
				(A)	(B)	(C)	(D)	(E)	(F)		
1	1	123900-51000	PUMP ASSY, INJECTION	1							
3	2	129900-52010	PUMP ASSY, FUEL FEED	1							

Fig.14. FUEL INJECTION VALVE

(A)=4TNE106-TB

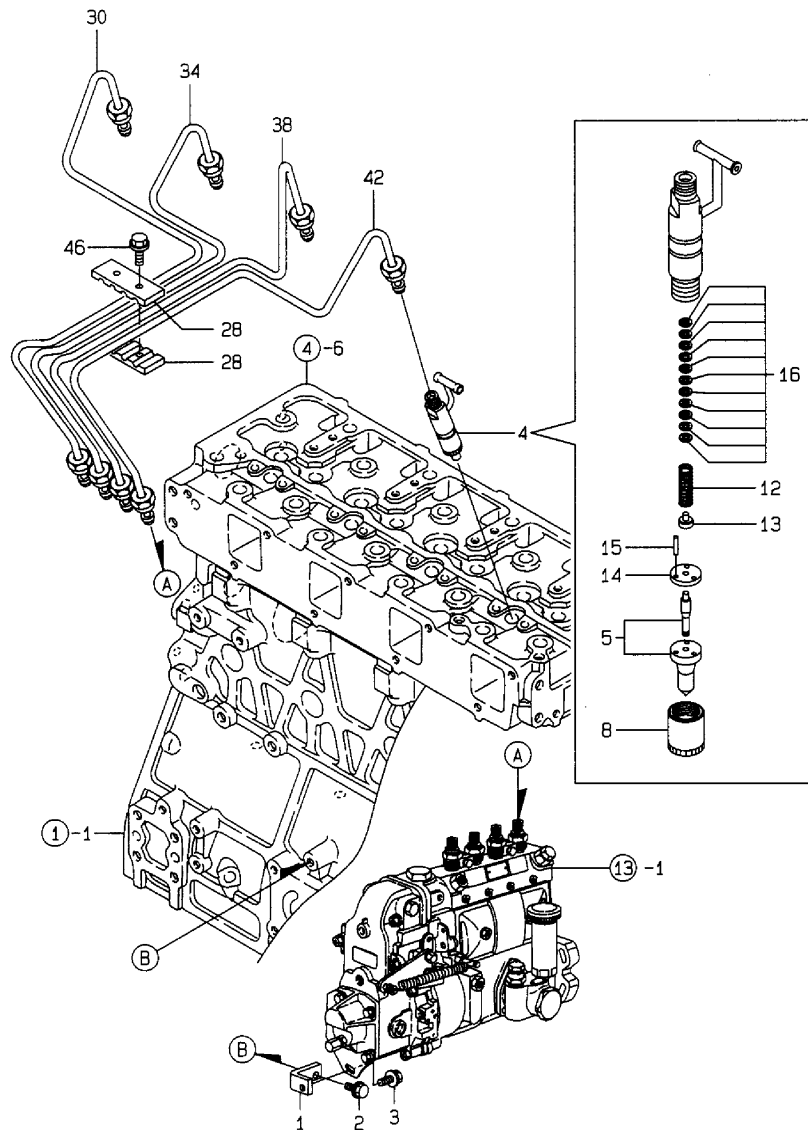
(B)=

(C)=

(D)=

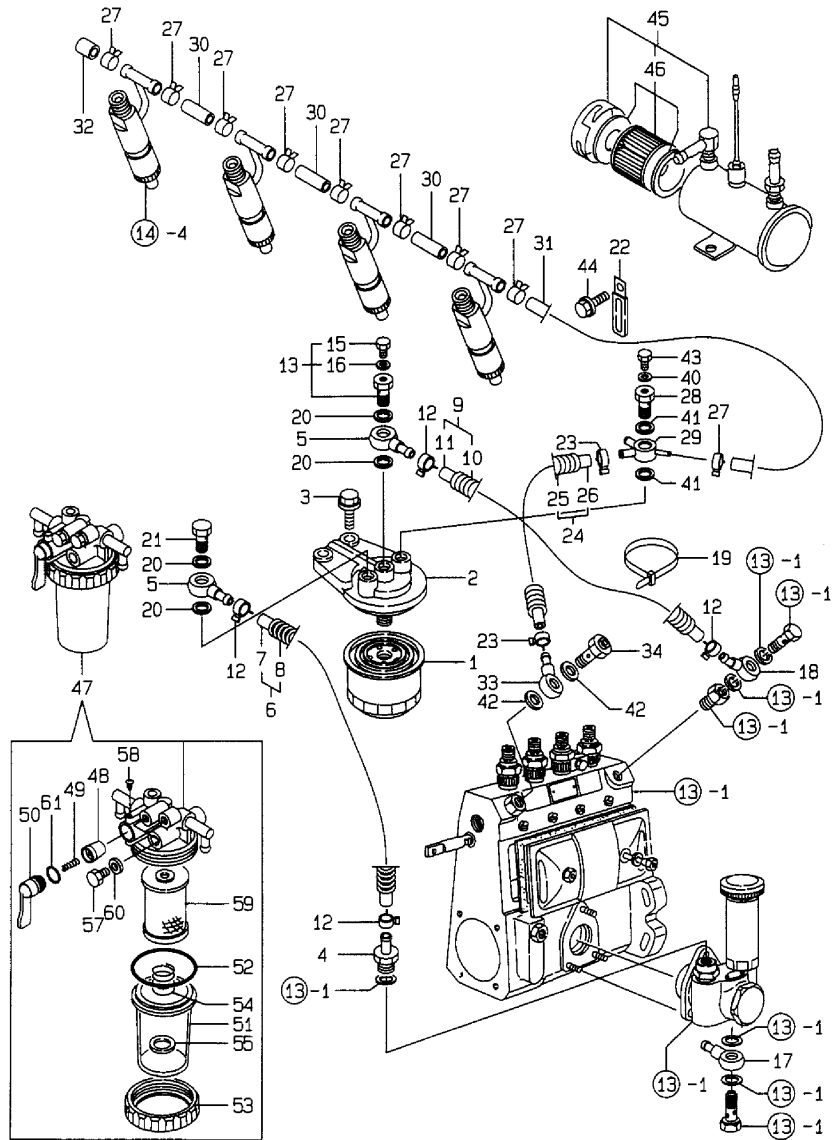
(E)=

(F)=



No.	Lev.	Parts No.	Description	Q'ty						I	R
				(A)	(B)	(C)	(D)	(E)	(F)		
1	1	123900-01950	STAY	1							
2	1	26106-080202	BOLT, M8X 20 PLATED	1							
3	1	26106-100142	BOLT, M10X 14 PLATED	1							
4	1	723900-53100	VALVE ASSY,INJECTION	4							
5	2	123900-53000	VALVE ASSY,INJECTION	4							
8	2	114250-53080	NUT, NOZZLE D16.95	4							
12	2	114250-53120	SPRING, NOZZLE	4							
13	2	114250-53130	SEAT, SPRING	4							
14	2	114250-53140	PLATE	4							
15	2	114250-53210	PIN	8							
16	2	114250-53400	SHIM SET	4							
28	1	123472-59120	RETAINER, PIPE	2							
30	1	123900-59811	PIPE ASSY, INJECTION	1							
34	1	123900-59821	PIPE ASSY, INJECTION	1							
38	1	123900-59830	PIPE ASSY, INJECTION	1							
42	1	123900-59840	PIPE ASSY, INJECTION	1							
46	1	26106-060202	BOLT, M6X 20 PLATED	2							

Fig.15. FUEL LINE



(A)=4TNE106-TB

(B)=

(C)=

(D)=

(E)=

(F)=

No.	Lev.	Parts No.	Description	Q'ty						I	R
				(A)	(B)	(C)	(D)	(E)	(F)		
1	1	119000-55600	FILTER, FUEL	1							
2	1	129470-55610	BODY, STRAINER	1							
3	1	26106-100252	BOLT, M10X 25 PLATED				2				
4	1	121250-49110	JOINT, PIPE	1							
5	1	101304-59020	JOINT, PIPE 12	2							
6	1	129957-59040	PIPE, FUEL	1							
7	2	129335-59090	PIPE, FUEL D13X500	1							
8	2	119560-59110	TUBE, CORRUGATED	1							
9	1	119560-59051	PIPE ASSY, FUEL	1							
10	2	119560-59110	TUBE, CORRUGATED	1							
11	2	129129-59510	PIPE ASSY, RETURN	1							
12	1	124766-59050	CLIP, HOSE 12	4							
13	1	103854-59191	BOLT ASSY, JOINT M12	1							
15	2	124060-59380	PLUG, 6	1							
16	2	22190-060002	WASHER, SEAL 6	1							
17	1	121855-59880	JOINT, PIPE	1							
18	1	121855-59880	JOINT, PIPE	1							
19	1	121750-59890	BAND, 140	1							
20	1	22190-120002	WASHER, SEAL 12	4							
21	1	23857-060000	BOLT, JOINT 6	1							
22	1	194180-51640	CLAMP, HARNESS	1							
23	1	124766-59050	CLIP, HOSE 12	2							
24	1	129957-59050	PIPE ASSY, FUEL	1							
25	2	129957-59120	TUBE, CORRUGATED	1							
26	2	105025-59750	PIPE, FUEL	1							
27	1	124066-59100	CLIP, HOSE 8	9							
28	1	129495-59300	BOLT, PIPE JOINT	1							
29	1	129980-59530	JOINT	1							
30	1	121250-59550	PIPE, FUEL D8X120	3							
31	1	124732-59562	PIPE, FUEL D8X230	1							
32	1	129150-59580	CAP	1							
33	1	121855-59880	JOINT, PIPE	1							
34	1	128300-59910	VALVE ASSY, OVERFLOW	1							
40	1	22190-080002	WASHER, SEAL 6	1							
41	1	22190-140002	WASHER, SEAL 14	2							
42	1	22190-140002	WASHER, SEAL 14	2							
43	1	26106-080102	BOLT, M8X 10 PLATED	1							
44	1	26106-100142	BOLT, M10X 14 PLATED	1							
45	1	129535-52100	PUMP ASSY, FUEL FEED	1							
46	2	129535-52150	FILTER ASSY	1							
47	1	129335-55700	SEPARATOR ASSY, WATER	1							
48	2	104200-55321	VALVE, TAPER	1							
49	2	104200-55330	SPRING, VALVE	1							
50	2	104200-55341	HANDLE	1							
51	2	124064-55510	COVER	1							
52	2	102103-55520	O-RING	1							
53	2	110250-55610	RING, RETAINING	1							
54	2	121257-55720	SPRING	1							
55	2	121257-55731	FLOAT	1							
57	2	101720-55750	PLUG, 6	2							
58	2	104200-55750	SCREW, M4	1							

Fig.15. FUEL LINE

(A)=4TNE106-TB  
 (B)=  
 (C)=

(D)=  
 (E)=  
 (F)=

No.	Lev.	Parts No.	Description	Q'ty						I	R
				(A)	(B)	(C)	(D)	(E)	(F)		
59	2	171081-55910	SCREEN	1							
60	2	23418-060000	GASKET, 6X1.0	2							
61	2	24311-240100	O-RING, 1AP10A	1							

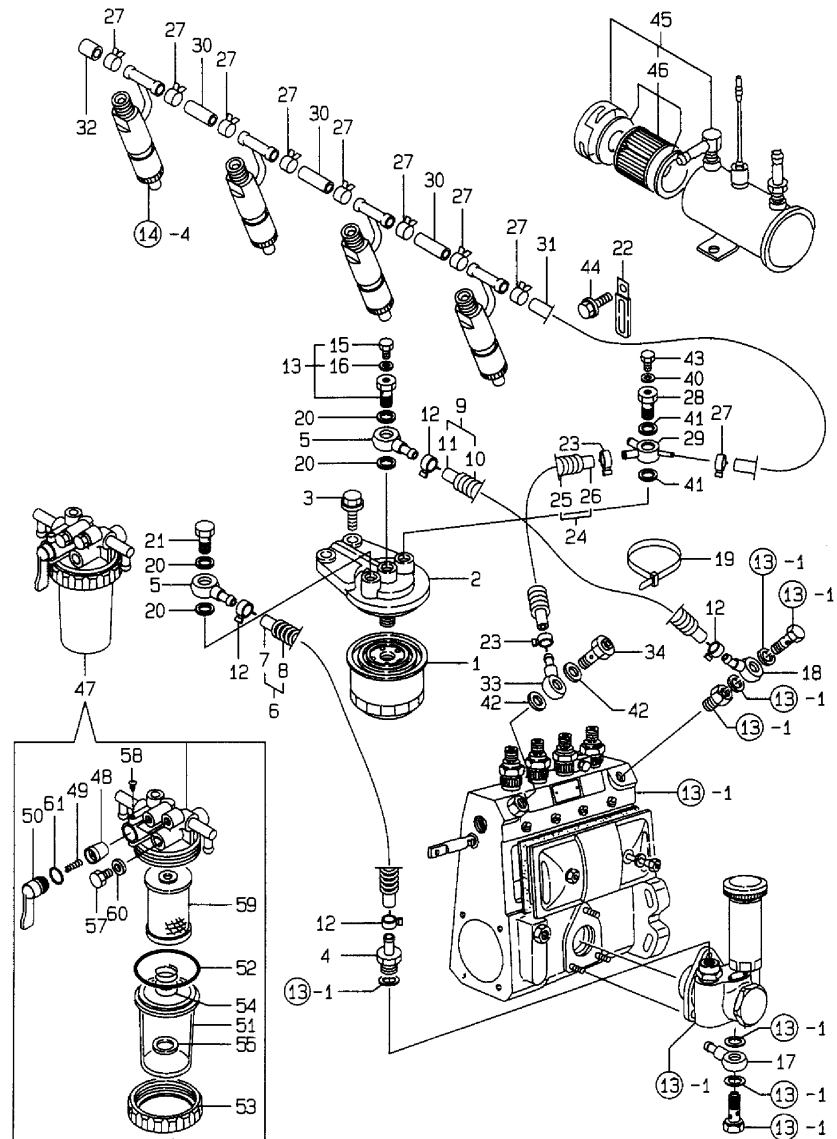
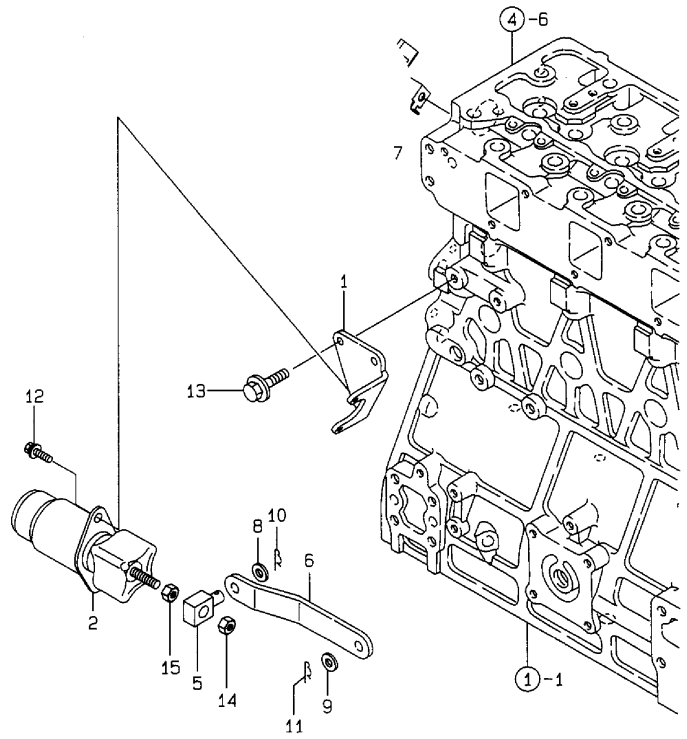


Fig.16. ENGINE STOP DEVICE



(A)=4TNE106-TB

(B)=

(C)=

(D)=

(E)=

(F)=

No.	Lev.	Parts No.	Description	Q'ty						I	R
				(A)	(B)	(C)	(D)	(E)	(F)		
1	1	123900-66810	BRACKET, SOLENOID	1							
1-1	1	123900-66811	BRACKET, SOLENOID	1							F 1
(A=E18419)											
2	1	129920-66810	SOLENOID, STOP	1							
5	1	123900-66820	JOINT	1							
5-1	1	119620-66820	JOINT	1							F 1
(A=E18419)											
6	1	123900-66831	LINK, SOLENOID	1							
6-1	1	129953-66810	LINK	1							F 1
(A=E18419)											
7	1	129136-66852	SUPPORT	1							
8	1	22117-060000	WASHER, 6	1							
9	1	22117-060000	WASHER, 6	1							
10	1	22360-060000	PIN, SNAP 6	1							
11	1	22360-060000	PIN, SNAP 6	1							
12	1	26106-060102	BOLT, M6X 10 PLATED	2							
13	1	26106-080162	BOLT, M8X 16 PLATED	2							
14	1	26346-060002	NUT, M6	1							
14-1	1	26716-060002	NUT, M6	1							F 1
(A=E18419)											
15	1	26716-060002	NUT, M6	1							Z
(A=E18419)											

Remarks

(1) REF.NO.1-1,5-1,6-1 & 14-1  
INTERCHANGEABLE BY SET.

Fig.17. STARTING MOTOR

(A)=4TNE106-TB

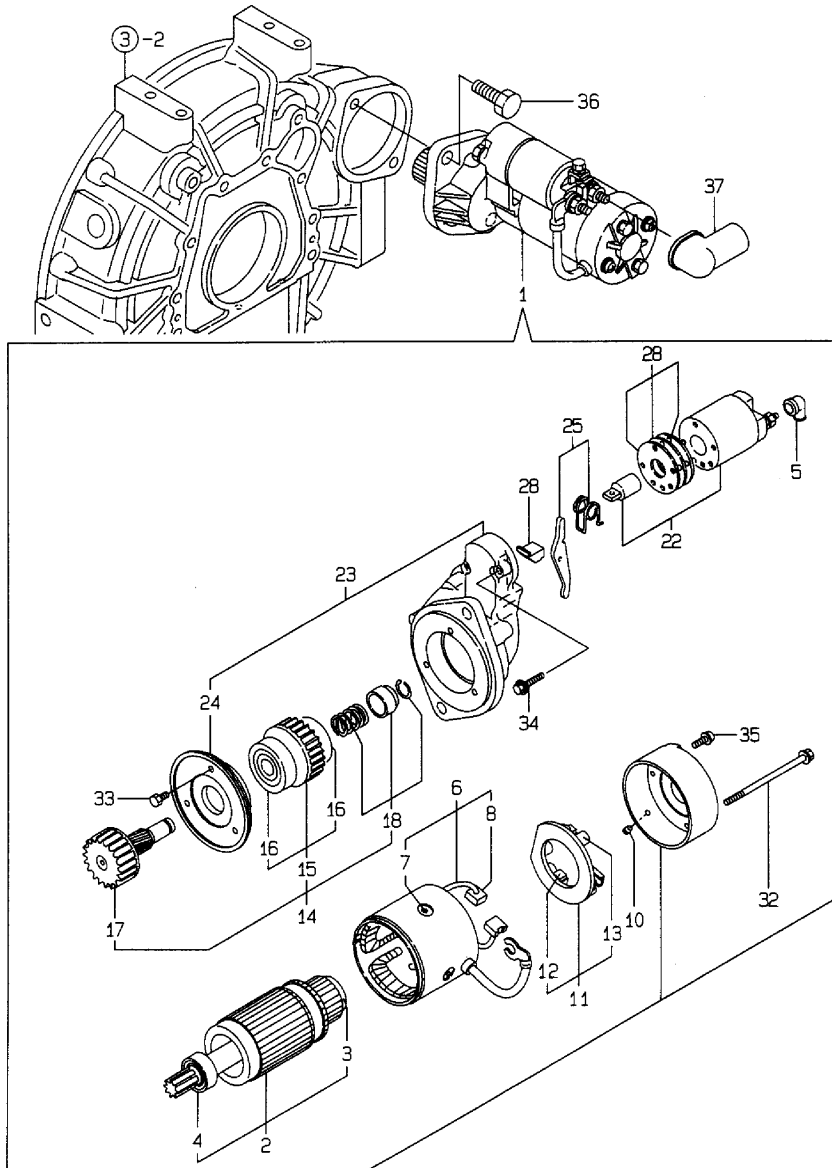
(B)=

(C)=

(D)=

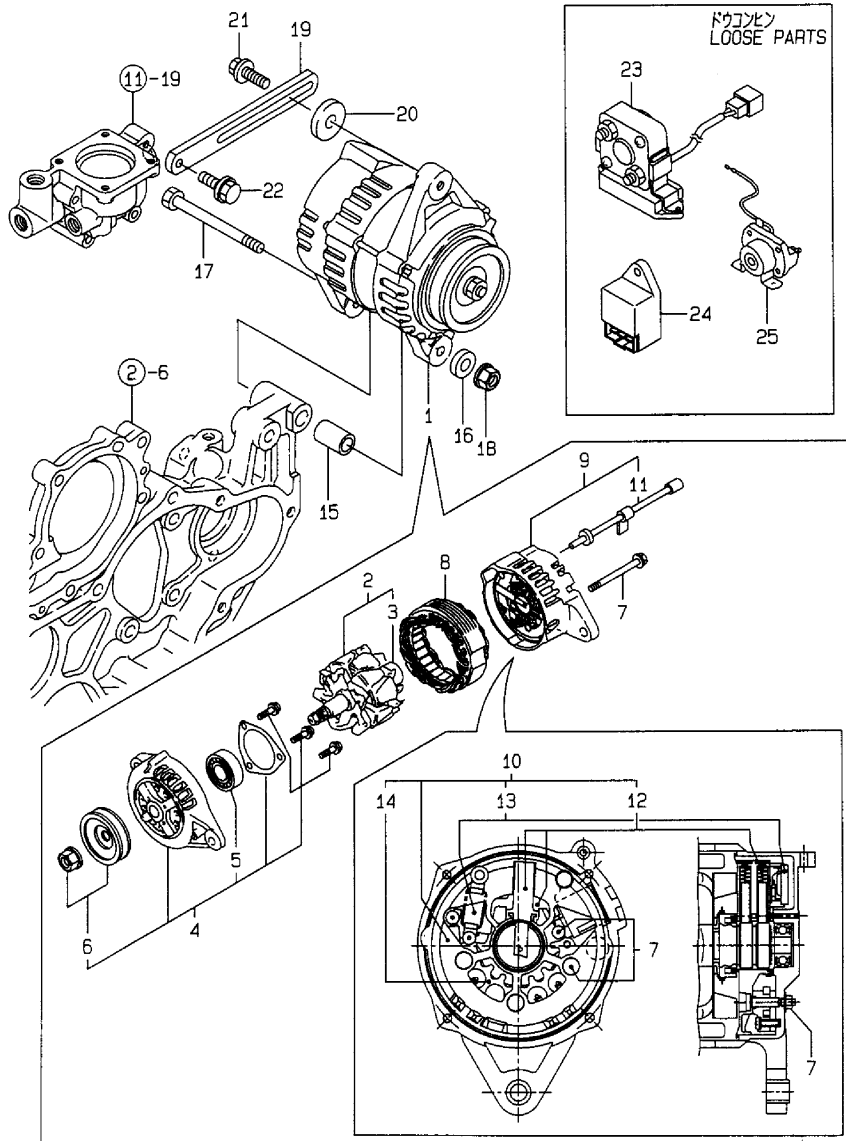
(E)=

(F)=



No.	Lev.	Parts No.	Description	Q'ty						I	R
				(A)	(B)	(C)	(D)	(E)	(F)		
1	1	119131-77010	STARTING MOTOR	1							
2	2	119131-77400	ARMATURE ASSY	1							
3	3	X2130350900	BALL BEARING	1							
4	3	119131-77420	BALL BEARING	1							
5	2	121254-77810	COVER, TERMINAL	1							
6	2	119131-77440	COIL ASSY, FIELD	1							
7	3	171008-77450	SCREW	4							
8	3	119131-77450	BRUSH (+)	2							
10	2	119131-77470	BUSH	1							
11	2	119131-77480	HOLDER ASSY, BRUSH	1							
12	3	119131-77500	BRUSH (-)	2							
13	3	119131-77490	SPRING, BRUSH	4							
14	2	119131-77510	PINION	1							
15	3	119131-77520	CLUTCH ASSY	1							
16	4	X2240610100	BALL BEARING (3	2							
17	3	119131-77540	PINION SHAFT	1							
18	3	119131-77550	STOPPER KIT, PINION	1							
22	2	119131-77590	SWITCH, MAGNETIC	1							
23	2	119131-77600	CASE ASSY, GEAR	1							
24	3	119131-77610	METAL, GEAR CASE	1							
25	2	119131-77620	LEVER SET, SHIFT	1							
28	2	119131-77650	COVER SET, DUST	1							
32	2	129400-77640	BOLT, THROUGH	2							
33	2	26014-060162	BOLT, M6X 16	3							
34	2	119131-77690	BOLT M 6X 45 PLATED	2							
35	2	26557-040102	SCREW, M4X10	2							
36	1	26116-120302	BOLT, M12X 30 PLATED	2							
37	1	124550-77030	COVER, TERMINAL	1							

Fig.18. GENERATOR



(A)=4TNE106-TB

(B)=

(C)=

(D)=

(E)=

(F)=

No.	Lev.	Parts No.	Description	Qty						I	R
				(A)	(B)	(C)	(D)	(E)	(F)		
1	1	123900-77220	GENERATOR	1							
1-1	1	123900-77221	ALTERNATOR, 24V-35A	1							N
(A=EXXXXX)											
2	2	129900-77800	ROTOR ASSY	1							
3	3	129900-77810	BEARING, BALL	1							
4	2	129900-77890	BRACKET ASSY	1							
5	3	129900-77900	BEARING, BALL	1							
6	2	123910-77910	PULLEY	1							
7	2	129900-77920	SCREW KIT	1							
8	2	129900-77930	STATOR ASSY	1							
9	2	129900-77980	BRACKET ASSY, REAR	1							
9-1	2	123900-77820	BRACKET ASY	1							N
(A=EXXXXX)											
10	3	129900-77970	RECTIFIER ASSY	1							
11	4	129900-77860	LEAD WIRE ASSY	1							
12	4	129900-77940	HOLDER, BRUSH	1							
13	4	129900-77950	REGURATOR	1							
14	4	129900-77960	DIODE ASSY	1							
15	1	123900-77340	PIECE, DISTANCE	1							
16	1	22137-100000	WASHER, 10	1							
17	1	26116-101202	BOLT, M10X120 PLATED	1							
18	1	26306-100002	NUT, M10	1							
19	1	123900-77330	ADJUSTER	1							
20	1	121236-77340	SPACER	1							
21	1	119005-77350	BOLT, M8X25	1							
22	1	26014-080252	BOLT, M8X 25	1							
23	1	129900-77100	RELAY, SAFETY	1							
24	1	119129-77920	TIMER	1							
25	1	124612-77920	SWITCH	1							

Fig.19. TOOL & GASKET SET

(A)=4TNE106-TB

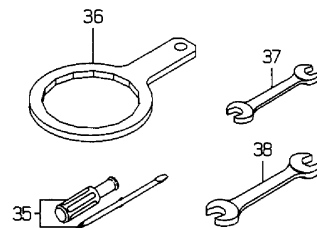
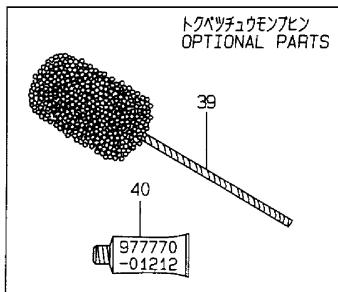
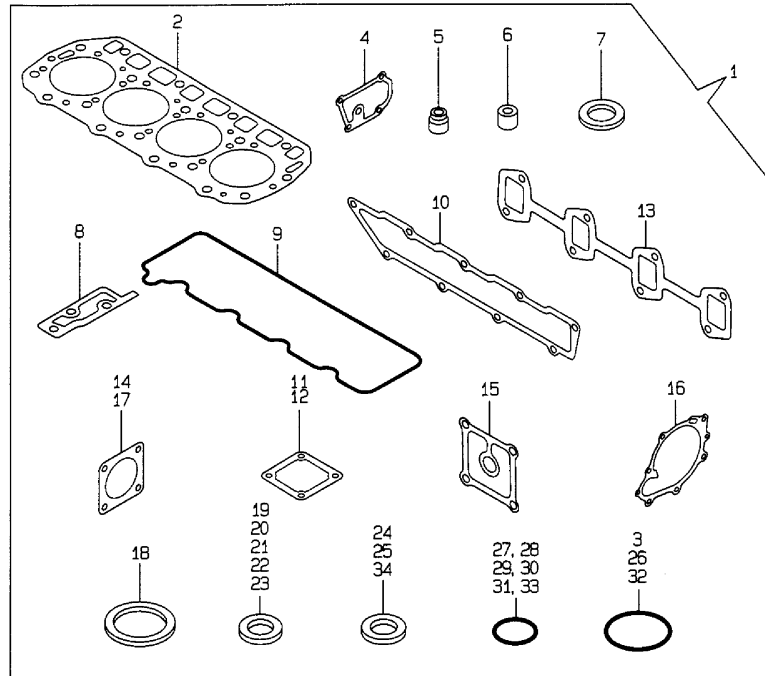
(B)=

(C)=

(D)=

(E)=

(F)=



No.	Lev.	Parts No.	Description	Q'ty						I	R
				(A)	(B)	(C)	(D)	(E)	(F)		
1	1	723900-92700	GASKET SET	1							1
2	2	123900-01340	GASKET, HEAD	1							
3	2	24311-000320	O-RING, 1AP32.0	2							
4	2	123900-49820	GASKET	1							
5	2	121850-11150	SEAL, VALVE STEM	8							
6	2	119625-11870	PROTECTOR, NOZZLE	4							
7	2	119625-11880	SEAT, NOZZLE	4							
8	2	123900-03210	GASKET	1							
9	2	123900-11310	GASKET, BONNET	1							
10	2	123900-12110	GASKET, MANIFOLD	1							
11	2	123900-77020	GASKET	1							
12	2	123900-77030	GASKET	1							
13	2	123900-13110	GASKET	1							
14	2	129400-13201	GASKET, SILENCER	2							
15	2	123900-33060	GASKET	1							
16	2	123900-42050	GASKET, WATER PUMP	1							
17	2	124610-49291	GASKET	1							
18	2	123500-49550	GASKET	1							
19	2	22190-080002	WASHER, SEAL 6	3							
20	2	22190-120002	WASHER, SEAL 12	4							
21	2	22190-140002	WASHER, SEAL 14	4							
22	2	22190-220002	WASHER, SEAL 22	1							
23	2	22190-060002	WASHER, SEAL 6	1							
24	2	23414-100000	GASKET, 10X1.0	4							
25	2	124465-44950	GASKET, 16	1							
26	2	24321-000850	O-RING, 1AG85.0	1							
27	2	129900-32030	O-RING, P20	1							
28	2	129900-32040	O-RING, P14	1							
29	2	24311-000110	O-RING, 1AP11.0	1							
30	2	24311-000120	O-RING, 1AP12.0	4							
31	2	24314-000180	O-RING, 4CP18.0	1							
32	2	24341-000240	O-RING, 1AS24.0	1							
33	2	24311-240100	O-RING, 1AP10A	1							
34	2	129150-49360	GASKET	1							
35	1	104200-92350	DRIVER, SCREW	1							
36	1	119640-92750	WRENCH, FILTER 80	1							
37	1	28110-100120	SPANNER, 10X12	1							
38	1	28110-140170	SPANNER, 14X17	1							
39	1	129400-92450	HONE	1							1
40	1	977770-01212	GASKET, LIQUID	1							1

Remarks  
(1) OPTIONAL PART.



## Parts No. Index

Parts No.	Fig. No.	Ref. No.
101304-59020	15	5
101720-55750	15	57
102103-55520	15	52
103854-59191	15	13
104200-55321	15	48
104200-55330	15	49
104200-55341	15	50
104200-55750	15	58
104200-92350	19	35
105025-59750	15	26
110250-55610	15	53
114250-39450	10	1
114250-53080	14	8
114250-53120	14	12
114250-53130	14	13
114250-53140	14	14
114250-53210	14	15
114250-53400	14	16
119000-11280	4	31
119000-11810	4	12
119000-55600	15	1
119005-35100	9	19
119005-77350	18	21
119117-12530	5	13
119117-12560	5	15
119117-12570	5	16
119129-77920	18	24
119131-18320	6	5
119131-77010	17	1
119131-77400	17	2
119131-77420	17	4
119131-77440	17	6
119131-77450	17	8
119131-77470	17	10
119131-77480	17	11
119131-77490	17	13
119131-77500	17	12
119131-77510	17	14
119131-77520	17	15
119131-77540	17	17
119131-77550	17	18
119131-77590	17	22
119131-77600	17	23
119131-77610	17	24
119131-77620	17	25
119131-77650	17	28
119131-77690	17	34
119140-12680	5	18
119160-12540	5	14
119171-11370	4	23

Parts No.	Fig. No.	Ref. No.
119173-22300	8	25
119174-01200	1	29
119260-34810	9	15
119560-59051	15	9
119560-59110	15	8
		10
119593-11300	4	44
119620-01750	3	5
119620-66820	16	5 -1
119625-11870	4	24
	19	6
119625-11880	4	25
	19	7
119625-11900	4	26
119640-01640	3	9
119640-92750	19	36
119802-13820	6	6 -1
121023-01550	2	29
121023-26070	2	11
121236-77340	18	20
121250-44901	11	34
121250-49110	15	4
121250-49121	12	15
121250-59550	15	30
121254-77810	17	5
121257-55720	15	54
121257-55731	15	55
121550-49111	9	12
121750-59890	4	2
	15	19
121850-11150	4	21
	19	5
121850-11180	4	22
121850-21130	8	12
121850-21290	8	5
121850-21680	8	11
121850-21920	8	6
121850-35230	9	4
121850-35531	9	6
121851-11970	1	10
121855-59880	15	17
		18
		33
121952-39830	9	7
123472-59120	14	28
123500-49550	11	23
	19	18
123655-44600	12	9
123672-01782	3	7
123758-44740	11	16

Parts No.	Fig. No.	Ref. No.
123900-01340	1	30
	19	2
123900-01500	2	7
123900-01620	3	2
123900-01710	3	8
123900-01740	2	5
123900-01780	2	4
123900-01810	2	6
123900-01950	14	1
123900-02020	1	8
123900-02340	1	31
123900-02410	1	9
123900-02800	1	17
123900-02930	1	26
123900-02940	1	34
123900-03202	4	51
123900-03210	4	52
	19	8
123900-03220	4	53
123900-07900	4	4
123900-11100	4	18
123900-11110	4	19
123900-11120	4	20
123900-11200	4	29
123900-11240	4	30
123900-11310	4	56
	19	9
123900-11510	4	32
123900-11520	4	33
123900-11650	4	34
123900-11660	4	38
123900-12100	5	1
123900-12110	5	3
	19	10
123900-13100	6	1
123900-13110	6	2
	19	13
123900-13600	6	3
123900-13620	6	4
123900-14200	7	1
123900-14400	7	2
123900-14580	7	3
123900-21000	8	1
123900-21580	8	13
123900-21650	8	9
123900-22050	8	19
123900-22080	8	17
123900-22900	8	37
123900-22950	8	39
123900-23000	8	27

Parts No.	Fig. No.	Ref. No.
123900-23200	8	32
123900-23600	8	33
123900-23610	8	35
123900-23910	8	31
123900-25060	7	10
123900-25120	7	11
123900-32001	2	9
123900-33060	9	10
	19	15
123900-35003	9	20
123900-39650	10	16
123900-42000	11	1
123900-42050	11	9
	19	16
123900-42460	11	14
123900-42480	11	15
123900-49800	11	19
123900-49820	11	27
	19	4
123900-51000	13	1
123900-53000	14	5
123900-59811	14	30
123900-59821	14	34
123900-59830	14	38
123900-59840	14	42
123900-66810	16	1
123900-66811	16	1 -1
123900-66820	16	5
123900-66831	16	6
123900-77020	5	6
	19	11
123900-77030	5	7
	19	12
123900-77220	18	1
123900-77221	18	1 -1
123900-77330	18	19
123900-77340	18	15
123900-77820	18	9 -1
123910-33011	9	1
123910-33041	9	2
123910-33100	9	11
123910-34830	9	16
123910-34840	9	17
123910-49033	11	29
123910-49600	11	30
123910-49610	11	32
123910-77910	18	6
123911-03400	4	1
123911-11370	4	49
123911-12040	5	10

## Parts No. Index

Parts No.	Fig. No.	Ref. No.
123911-12500	5	11
123911-12510	5	12
123911-13510	6	9
123911-13550	6	10
123911-13650	6	11
123911-13660	6	12
123911-13670	6	13
123911-39060	10	2
123911-44760	11	17
123911-49010	12	11
123911-49020	12	12
123915-77500	5	8
123930-44500	12	1
123930-44560	12	3
123930-44570	12	4
123930-44580	12	5
123930-44900	12	10
123946-01780	2	4 -1
123946-21660	8	9 -1
123962-49500	11	22
124060-59380	15	15
124064-55510	15	51
124066-59100	15	27
124160-01751	2	27
	4	47
124160-11360	4	48
124160-39140	10	5
124223-35510	9	5
124465-44950	11	35
	19	25
124550-77030	17	37
124610-12580	5	5
124610-48620	11	20
124610-49291	11	21
	19	17
124612-77920	18	25
124732-59562	15	31
124766-59050	15	12
		23
127410-21480	8	16
128300-59910	15	34
129100-01580	3	1
129107-44590	12	6
129129-59510	15	11
129136-66852	16	7
129150-02450	7	4
129150-03070	4	50
129150-11230	4	35
		39
129150-11750	4	37

Parts No.	Fig. No.	Ref. No.
129150-11750	4	41
129150-49360	11	37
	19	34
129150-59580	15	32
129335-55700	15	47
129335-59090	15	7
129400-13201	6	8
	19	14
129400-77640	17	32
129400-92450	19	39
129466-49300	11	10
129470-55610	15	2
129495-59300	15	28
129535-52100	15	45
129535-52150	15	46
129612-12650	5	17
129693-44310	6	6
129792-39410	10	10
129900-14100	7	7
129900-21200	8	4
129900-21640	8	8
129900-25900	7	15
129900-32030	2	12
	19	27
129900-32040	2	13
	19	28
129900-52010	13	3
129900-77100	18	23
129900-77800	18	2
129900-77810	18	3
129900-77860	18	11
129900-77890	18	4
129900-77900	18	5
129900-77920	18	7
129900-77930	18	8
129900-77940	18	12
129900-77950	18	13
129900-77960	18	14
129900-77970	18	10
129900-77980	18	9
129916-21610	8	11 -1
129920-66810	16	2
129953-66810	16	6 -1
129957-59040	15	6
129957-59050	15	24
129957-59120	15	25
129960-21640	8	8 -1
129980-59530	15	29
148616-44510	12	7
148616-44551	12	8

Parts No.	Fig. No.	Ref. No.
171008-77450	17	7
171051-01921	1	7
171056-49351	11	36
171081-55910	15	59
194180-51640	15	22
22117-060000	16	8
		9
22137-100000	18	16
22190-060002	15	16
	19	23
22190-080002	10	8
	15	40
	19	19
22190-120002	15	20
	19	20
22190-140002	15	41
		42
	19	21
22190-220002	3	11
	19	22
22242-000180	4	42
22252-000370	8	26
22312-080160	2	14
22351-030010	10	17
22351-060012	1	11
22360-060000	16	10
		11
22512-070140	7	8
	8	7
23000-025000	11	33
23000-035000	4	3
23000-054000	12	17
23000-060000	12	18
23297-060081	10	6
23414-100000	10	7
	19	24
23414-180000	9	8
23418-060000	15	60
23857-060000	15	21
23875-030000	1	12
		13
23876-005000	4	14
23876-020000	9	9
23876-030000	4	15
	11	25
24311-000110	2	15
	19	29
24311-000120	4	58
	19	30
24311-000160	12	16

Parts No.	Fig. No.	Ref. No.
24311-000320	2	28
	4	59
	19	3
24311-240100	9	18
	15	61
	19	33
24314-000180	9	25
	19	31
24321-000850	2	16
	19	26
24341-000240	2	30
	19	32
24341-000530	8	43
26014-060162	17	33
26014-080252	18	22
26022-050122	4	57
26106-060102	16	12
26106-060162	2	31
26106-060202	14	46
26106-060502	11	11
26106-080102	15	43
26106-080122	3	12
	9	26
	10	9
26106-080142	7	9
26106-080162	3	13
	9	27
	16	13
26106-080202	2	17
		18
	14	2
26106-080252	11	26
26106-080402	2	19
26106-080452	2	20
		21
26106-080502	2	22
26106-080552	7	14
	11	12
26106-080602	11	28
26106-080702	2	23
	4	45
	5	4
	11	13
26106-080752	9	13
26106-080802	2	24
26106-081002	9	14
26106-100142	14	3
	15	44
26106-100202	4	5
26106-100222	2	25

# Parts No. Index

Parts No.	Fig. No.	Ref. No.
26106-100252	15	3
26106-100352	3	6
26106-100452	5	9
	11	18
26116-101202	18	17
26116-120302	17	36
26216-060252	4	16
26216-100302	2	10
26306-080002	4	46
	6	7
26306-100002	2	26
	18	18
26346-060002	16	14
26366-060002	4	27
26557-040102	17	35
26577-040162	4	43
26716-060002	16	14 -1
		15
27225-120160	1	14
27231-700000	1	15
27241-300000	1	16
27241-400000	4	17
27310-090000	4	28
28110-100120	19	37
28110-140170	19	38
721521-49100	12	13
723900-01560	1	1
723900-01570	2	1
723900-01580	2	1 -1
723900-11100	4	6
723900-53100	14	4
723900-92700	19	1
977770-01212	2	32
	3	14
	19	40
X2130350900	17	3
X2240610100	17	16

Parts No.	Fig. No.	Ref. No.
-----------	----------	----------

Parts No.	Fig. No.	Ref. No.
-----------	----------	----------

Parts No.	Fig. No.	Ref. No.
-----------	----------	----------