

0CD10-M75000EN

PREFACE

1. This parts catalog is the Second edition of 4TNE98-TBL for Takeuchi Mfg. Co., Ltd.
2. This parts catalog does not contain the technical data needed for maintenance service.
3. The illustrations used in this parts catalog have been simplified for clarity.

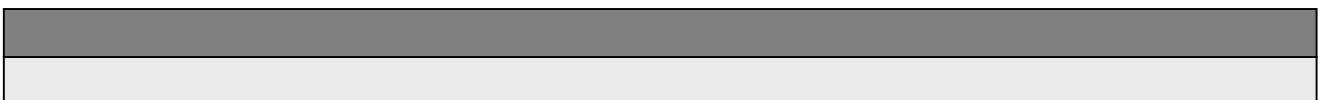
Pub. No.: 000Y00D7500

Published: January, 2001

4. Model name

Engine model	Vehicle		Vehicle made by
	Products	Model name	
4TNE98-TBL	CRAWLER LOADER	L6A	Takeuchi Mfg. Co., Ltd.

5. The contents of this parts catalog are subject to change without prior notice.



Directions for the Parts Catalog.

1. The parts stipulated in this Parts Catalog are not necessarily standard equipped parts.
2. Parts may change without prior notice.
3. The following is an example of the Parts Catalog format.

REF.	LEV.	PARTS NO.	DESCRIPTION	Q'TY						I	R
				(A)	(B)	(C)	(D)	(E)	(F)		
1	1	729595-51390	FUEL INJECTION PUMP	1	1	1	1	1			1
1-1	1	729595-51391	FUEL INJECTION PUMP	1	1	1	1	1		N	1
		(A=E00185) (B=E00200)									
3	2	26022-060162	SCREW M 6X 16	9	9	9	9	9			
3-1	2	26022-060162	SCREW M 6X 16	4	4	4	4	4		K	
		(A=E00156) (B=E00156) (C=E00156) (D=E00156) (E=E00156)									
4	2	129470-51040	CAMSHAFT	1	1	1	1	1			
5	2	122710-51050	BEARING, ROLLER	2	2	2	2	2			
6	2	129470-51060	RETAINER	1	1	1	1	1			

Remarks
(1) BOOST COMPEMSATOR TYPE. OPTIONAL PART, TO E00155,(4JH-DT, 4JH-DTZ

① Ref. No.

The Ref. No. listed may not be in accordance with the illustration Ref. No.

(Ex.) Illustration No.

List Ref No.

1

1

(Before change)

1-1

(After change)

For interchangeable symbols N, R and K, illustrations for new parts may be abbreviated.

② Lev. (Level)

Level indication

The numbers below indicate the level of relativity towards the main part.

1 ----- Main parts (Assembly parts)

2 ----- Sub component included in " 1 ".

3 ----- Sub component included in " 2 ".

Note) Parts that are not for sale are partially illustrated but not listed.

③ Interchangeability Mark

When a part change takes place, one of the following interchangeability symbols is indicated beside the part.

Symbol	Interchangeability	Contents note
N	Old $\begin{matrix} \leftarrow \text{Yes} \\ \text{No} \rightarrow \end{matrix}$ New	New Part is interchangeable for Old Part but Old Part is not interchangeable for New Part.
Q	Old $\begin{matrix} \leftarrow \text{No} \\ \text{Yes} \rightarrow \end{matrix}$ New	New Part is not interchangeable for Old Part but Old Part is interchangeable for New Part.
R	Old $\begin{matrix} \leftarrow \text{Yes} \\ \text{Yes} \rightarrow \end{matrix}$ New	New/ Old Parts are both interchangeable.
S	Old $\begin{matrix} \leftarrow \text{No} \\ \text{No} \rightarrow \end{matrix}$ New	New/ Old Parts are both not interchangeable.
W		Part newly added.
Z		Part discontinued.
F		Not interchangeable by a single part but interchangeable together with related parts.
K		Changes only for used parts quantities.

④ Effective Machine No.

When a part changes, the effective Machine No. will be indicated in the (A)-(F) column.

Product Symbol	Product No.	Product Symbol	Product No.
C	Clutch No. Compressor No.	F	Machine No. (Agricultural Equip.)
D	Drive No.	M	Machine No.
E	Engine No.		

Note 1) A date may follow the symbol. (Ex.) 1996.01

Note 2) "XXXXX" and "ZZZZZ" are for parts that could not be predicted or for engine models that could not be identified.

Note 3) (A=E00185) is the E (Engine Serial Number) for the column (A) model (in this case 4JH-DT) after the parts design change.

⑤ Remarks Mark

Figures or alphabets (symbols) are entered in the remarks column.

The comments (remarks) on parts that are indicated at the bottom of the illustration are the same symbols as those stated above.

Contents

Fig. No. Fig. Name

4TNE98-TBL

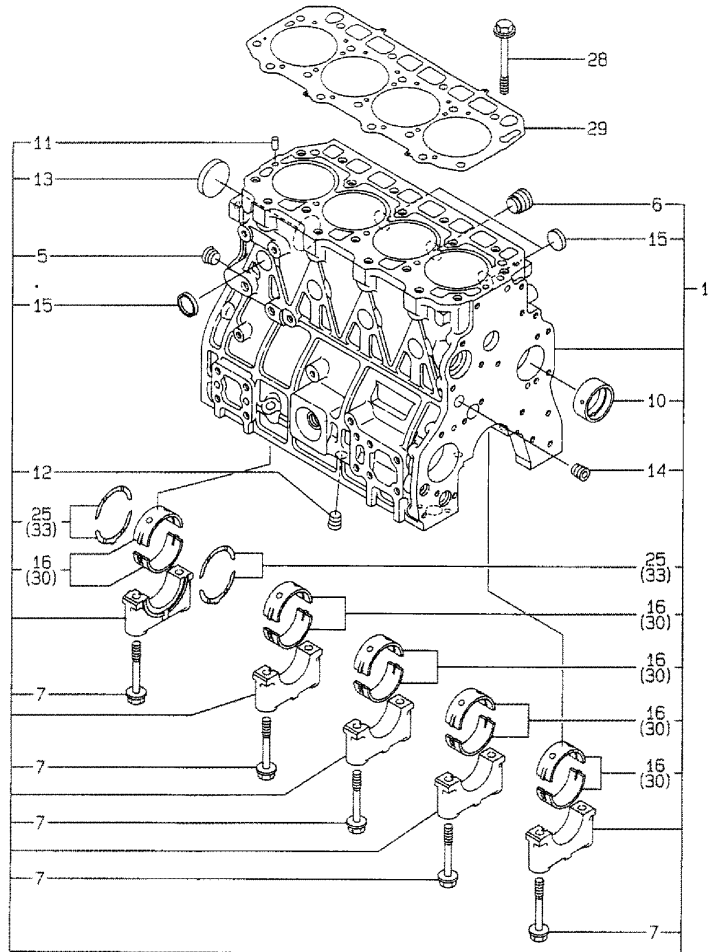
1. CYLINDER BLOCK
2. GEAR HOUSING
3. FLYWHEEL HOUSING & OIL SUMP
4. CYLINDER HEAD & BONNET
5. SUCTION MANIFOLD & AIR CLEANER
6. EXHAUST MANIFOLD & SILENCER
7. CAMSHAFT & DRIVING GEAR
8. CRANKSHAFT & PISTON
9. LUB.OIL SYSTEM
10. COOLING WATER SYSTEM
11. FUEL INJECTION PUMP
12. FUEL INJECTION VALVE
13. FUEL LINE
14. ENGINE STOP DEVICE
15. STARTING MOTOR
16. GENERATOR
17. GASKET SET

Fig. No. Fig. Name

Fig.1. CYLINDER BLOCK

(A)=4TNE98-TBL
(B)=
(C)=

(D)=
(E)=
(F)=



No.	Lev.	Parts No.	Description	Q'ty						I	R
				(A)	(B)	(C)	(D)	(E)	(F)		
1	1	729902-01560	BLOCK ASSY, CYLINDER	1							
5	2	23876-030000	PLUG, R03	1							
6	2	171051-01921	PLUG, NPTF1	1							
7	2	129900-02020	BOLT, METAL CAP	10							
10	2	129900-02410	BUSH, CAMSHAFT	1							
11	2	22351-060012	PIN, SPRING 6.0X12	2							
12	2	23876-030000	PLUG, R03	1							
13	2	129900-01250	PLUG, 55	1							
14	2	23876-030000	PLUG, R03	1							
15	2	27241-300000	PLUG 30	8							
16	2	129900-02800	BEARING, MAIN	5							
25	2	129900-02930	BEARING, THRUST	2							
28	1	129900-01200	BOLT, HEAD	18							
29	1	129902-01331	GASKET, HEAD	1							
30	1	129900-02340	BEARING, 0.25 US	5							1
33	1	129900-02940	BEARING, THRUST 0.25	2							2

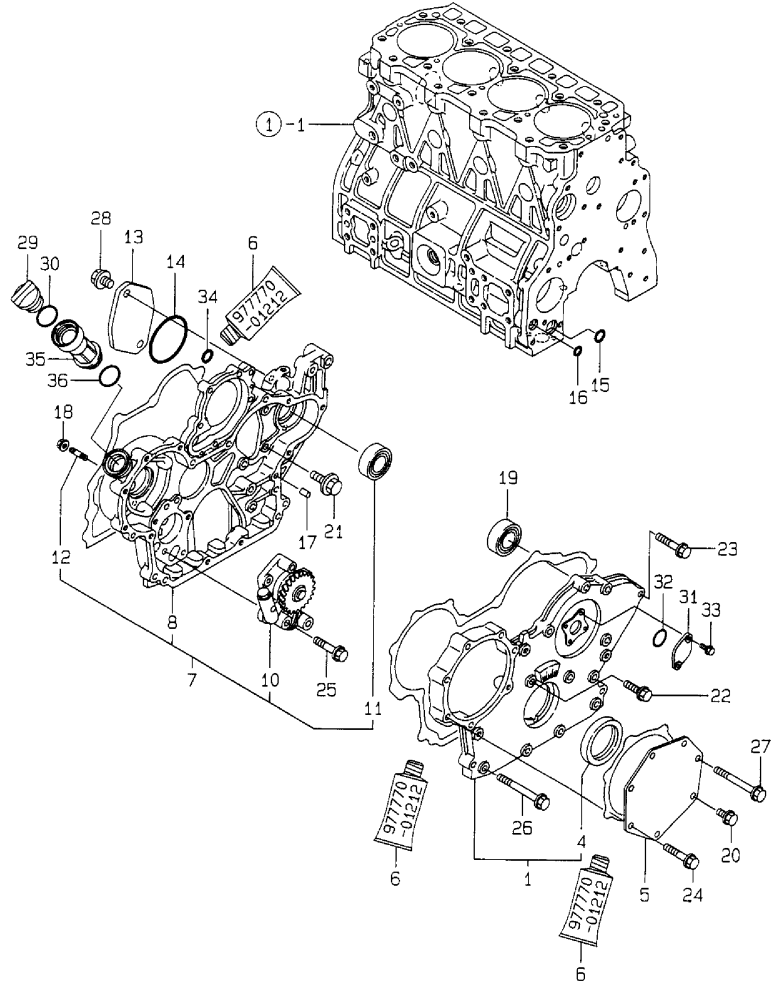
Remarks

- (1) UNDER-SIZED(U.S=0.25)PART.
- (2) OVER-SIZED(O.S=0.25)PART.

Fig.2. GEAR HOUSING

(A)=4TNE98-TBL
(B)=
(C)=

(D)=
(E)=
(F)=



No.	Lev.	Parts No.	Description	Qty						I	R
				(A)	(B)	(C)	(D)	(E)	(F)		
1	1	729900-01570	COVER ASSY,GEAR CASE	1							
4	2	129900-01780	SEAL, OIL	1							
5	1	129951-01740	COVER	1							
6	1	977770-01212	GASKET, LIQUID	1							1
7	1	129900-01800	CASE ASSY, GEAR	1							
8	2	129900-01500	CASE, GEAR	1							
10	2	129900-32000	PUMP ASSY, OIL	1							
11	2	129900-26250	BEARING, BALL 6206C3	1							
12	2	26216-100302	STUD, M10X 30	4							
13	1	121023-26070	COVER	1							
14	1	24321-000850	O-RING, 1AG85.0	1							
15	1	129900-32030	O-RING, P20	1							
16	1	129900-32040	O-RING, P14	1							
17	1	129100-01580	PIN, M8X16	4							
18	1	26366-100002	NUT, M10	4							
19	1	129900-26250	BEARING, BALL 6206C3	1							
20	1	26106-080162	BOLT, M8X 16 PLATED	1							
21	1	26106-080202	BOLT, M8X 20 PLATED	3							
22	1	26106-080302	BOLT, M8X 30 PLATED	1							
23	1	26106-080402	BOLT, M8X 40 PLATED	5							
24	1	26106-080402	BOLT, M8X 40 PLATED	5							
25	1	26106-080452	BOLT, M8X 45 PLATED	3							
26	1	129001-91810	BOLT, M8X70	6							
27	1	129001-91810	BOLT, M8X70	1							
28	1	26106-100122	BOLT, M10X 12 PLATED	2							
29	1	124160-01751	COVER, FILLER	1							
30	1	24311-000320	O-RING, 1AP32.0	1							
31	1	121023-01550	COVER	1							
32	1	24341-000240	O-RING, 1AS24.0	1							
33	1	26106-060162	BOLT, M6X 16 PLATED	2							
34	1	24311-000070	O-RING, 1AP7.0	1							
35	1	171031-11741	PIPE	1							
36	1	24311-000320	O-RING, 1AP32.0	1							

Remarks

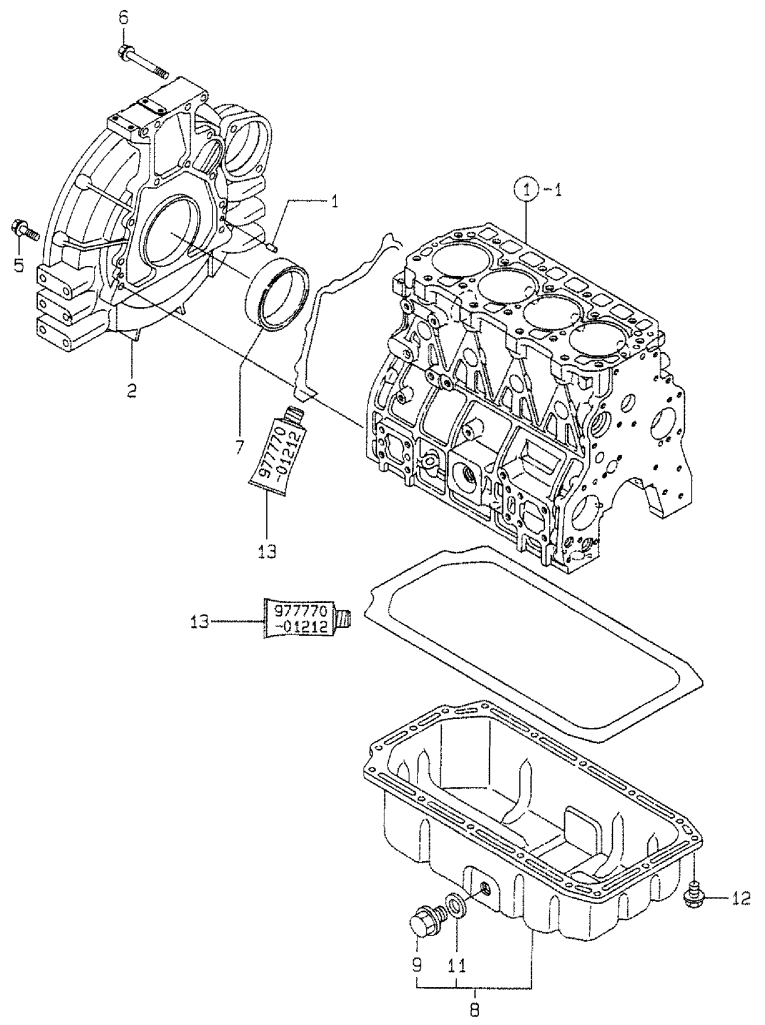
(1) OPTIONAL PART.

N:Old $\begin{matrix} \leftarrow \text{Yes} \\ \text{No} \rightarrow \end{matrix}$ New, Q:Old $\begin{matrix} \leftarrow \text{No} \\ \text{Yes} \rightarrow \end{matrix}$ New, R:Old $\begin{matrix} \leftarrow \text{Yes} \\ \text{Yes} \rightarrow \end{matrix}$ New, S:Old $\begin{matrix} \leftarrow \text{No} \\ \text{No} \rightarrow \end{matrix}$ New, W:Add, Z:Discontinued, F:Interchangeable by set, K:Qty Change

Fig.3. FLYWHEEL HOUSING & OIL SUMP

(A)=4TNE98-TBL
(B)=
(C)=

(D)=
(E)=
(F)=



No.	Lev.	Parts No.	Description	Q'ty						I	R
				(A)	(B)	(C)	(D)	(E)	(F)		
1	1	129100-01580	PIN, M8X16	2							
2	1	129953-01620	HOUSING, FLYWHEEL	1							
5	1	26106-100352	BOLT, M10X 35 PLATED	9							
6	1	26206-100702	BOLT, M10X 70 PLATED	4							
7	1	124411-01780	SEAL, HTC95X115X12	1							
8	1	129902-01710	SUMP ASSY, OIL	1							
9	2	119640-01640	PLUG, DRAIN M22	1							
11	2	22190-220002	WASHER, SEAL 22	1							
12	1	26106-080122	BOLT, M8X 12 PLATED	16							
13	1	977770-01212	GASKET, LIQUID	1							1

Remarks
(1) OPTIONAL PART.

Fig.4. CYLINDER HEAD & BONNET

(A)=4TNE98-TBL

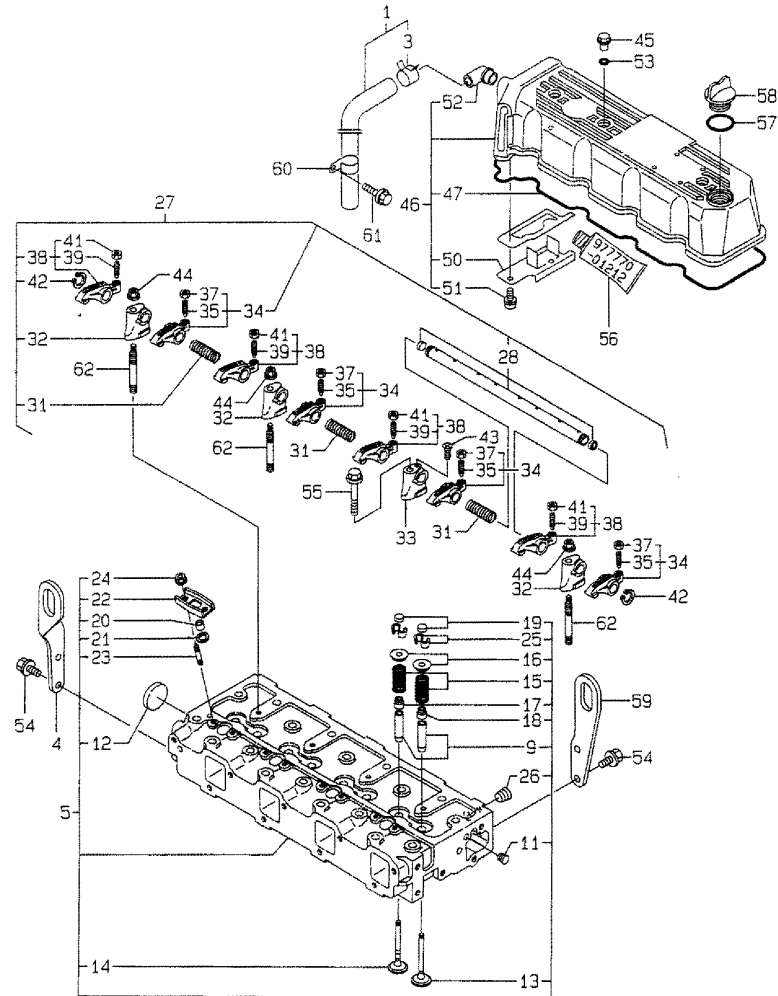
(B)=

(C)=

(D)=

(E)=

(F)=



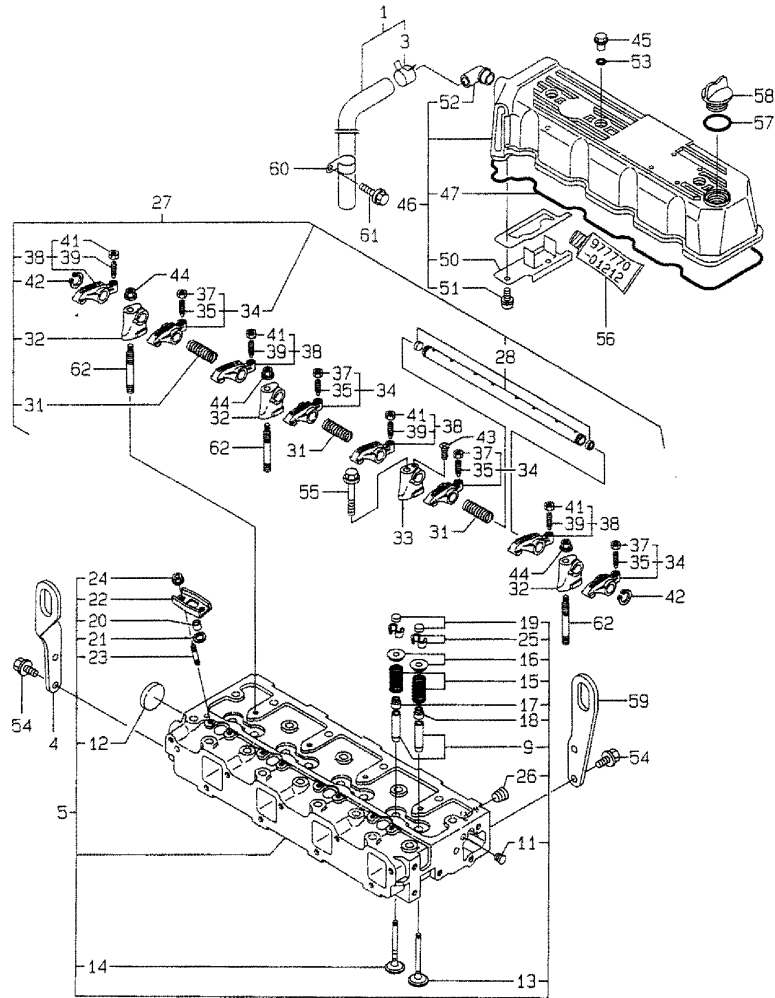
No.	Lev.	Parts No.	Description	Q'ty						I	R
				(A)	(B)	(C)	(D)	(E)	(F)		
1	1	129916-03100	HOSE ASSY, BREATHER	1							
3	2	129960-03990	CLIP, HOSE 22	1							
4	1	129910-07900	LIFTER	1							
4-1	1	129910-07900 (A=E11775)	LIFTER	2							K
5	1	729900-11100	HEAD ASSY, CYLINDER	1							
9	2	129150-11810	GUIDE, VALVE	8							1
11	2	23871-005000	PLUG, R005	1							
12	2	27241-400000	PLUG, 40	1							
13	2	129900-11100	VALVE, INTAKE	4							
14	2	129900-11110	VALVE, EXHAUST	4							
15	2	129900-11120	SPRING, VALVE	8							
16	2	129795-11180	RETAINER, SPRING	8							
17	2	121400-11340	SEAL, VALVE STEM	4							
18	2	124460-11340	SEAL, VALVE STEM	4							
19	2	129150-11370	CAP, VALVE	8							
20	2	119625-11870	PROTECTOR, NOZZLE	4							
21	2	119625-11880	SEAT, NOZZLE	4							
22	2	119625-11900	RETAINER, NOZZLE	4							
23	2	26216-060202	STUD, M6X 20	8							
24	2	26366-060002	NUT, M6	8							
25	2	27310-080001	COTTER, 8	8							
26	2	23876-030000	PLUG, R03	1							
27	1	129900-11200	SUPPORT ASSY, ARM	1							
28	2	129900-11240	SHAFT ASSY, ROCKER	1							
31	2	129900-11280	SPRING	3							
32	2	129900-11510	SUPPORT, ROCKER ARM	3							
33	2	129900-11520	SUPPORT, ROCKER ARM	1							
34	2	129900-11650	ARM, ROCKER	4							
35	3	129150-11230	SCREW, VALVE ADJUST	4							
37	3	129150-11750	NUT, M8	4							
38	2	129900-11660	ARM, ROCKER	4							
39	3	129150-11230	SCREW, VALVE ADJUST	4							
41	3	129150-11750	NUT, M8	4							
42	2	22242-000180	RING, 18	2							
43	2	26577-040162	SCREW, M4X16	1							
44	1	26366-100002	NUT, M10	3							
45	1	124160-11360	KNOB	3							
46	1	129910-11350	BONNET ASSY, HEAD	1							
47	2	129900-11310	GASKET, BONNET	1							
50	2	129900-11600	PLATE, BAFFLE	1							
51	2	22857-500100	SCREW, 5X10	2							
52	2	119100-11330	ELBOW	1							
53	1	24311-000120	O-RING, 1AP12.0	3							
54	1	26106-080162	BOLT, M8X 16 PLATED	4							
55	1	26106-100652	BOLT, M10X 65 PLATED	1							
56	1	977770-01212	GASKET, LIQUID	1							2
57	1	24311-000320	O-RING, 1AP32.0	1							
58	1	124160-01751	COVER, FILLER	1							
59	1	129953-07910	LIFTER	1							Z

Remarks
 (1) REPAIR PART.
 (2) OPTIONAL PART.

Fig.4. CYLINDER HEAD & BONNET

(A)=4TNE98-TBL
(B)=
(C)=

(D)=
(E)=
(F)=



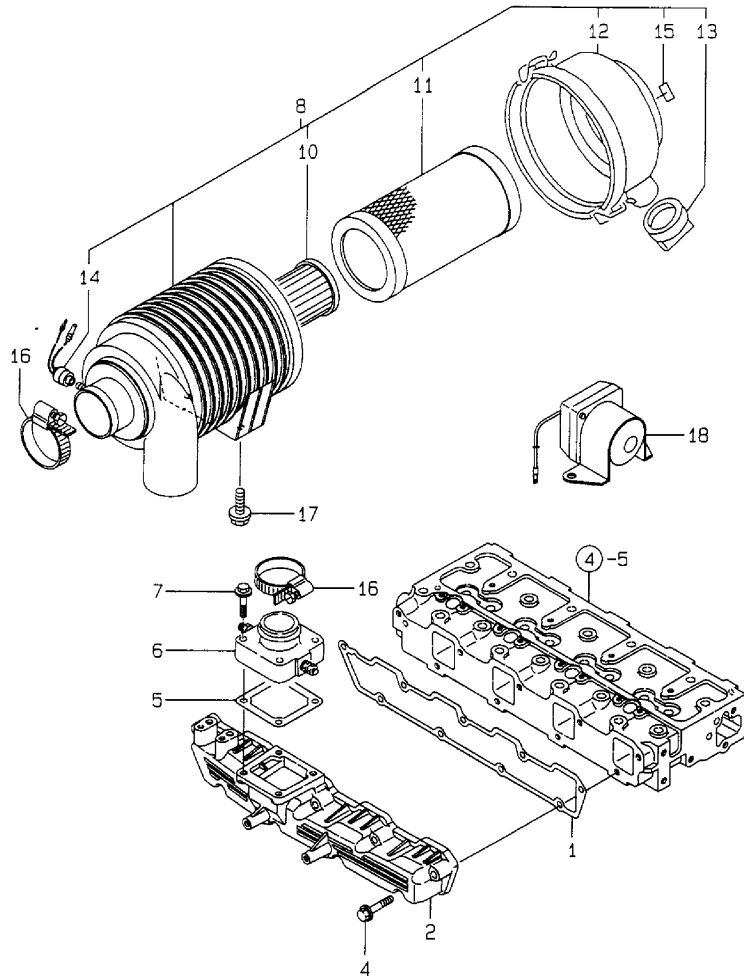
No.	Lev.	Parts No.	Description	Q'ty						I	R
				(A)	(B)	(C)	(D)	(E)	(F)		
60	1	129910-03100	RETAINER, PIPE	1							
61	1	26106-080122	BOLT, M8X 12 PLATED	1							
62	1	129900-11530	STUD	3							

Remarks
(1) REPAIR PART.
(2) OPTIONAL PART.

Fig.5. SUCTION MANIFOLD & AIR CLEANER

(A)=4TNE98-TBL
(B)=
(C)=

(D)=
(E)=
(F)=

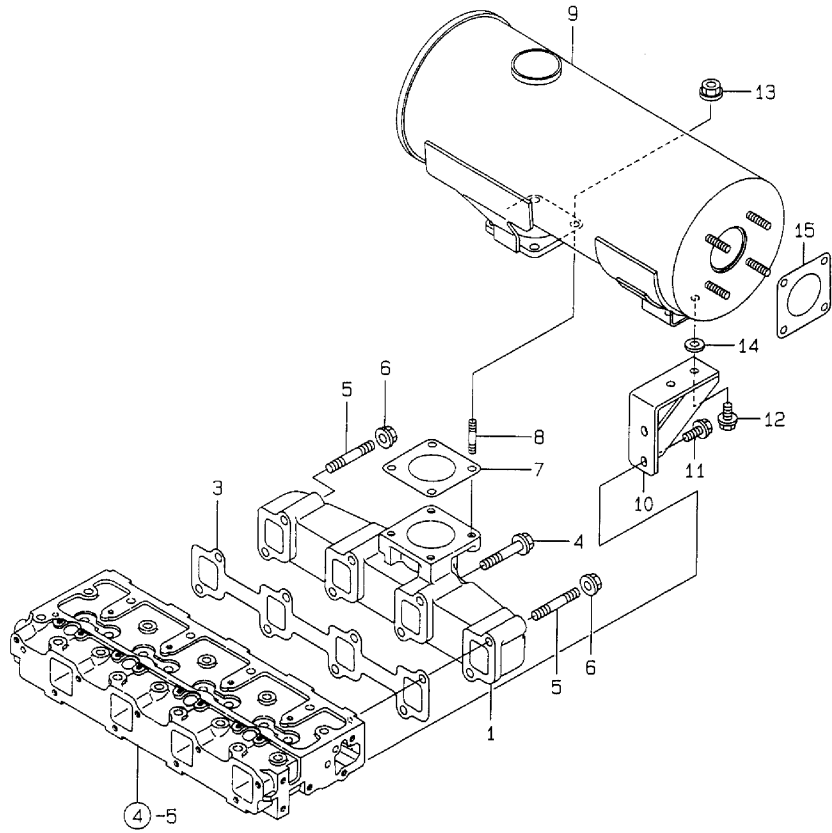


No.	Lev.	Parts No.	Description	Q'ty						I	R
				(A)	(B)	(C)	(D)	(E)	(F)		
1	1	129900-12050	GASKET, MANIFOLD	1							
2	1	129900-12100	MANIFOLD, AIR INTAKE	1							
4	1	26106-080452	BOLT, M8X 45 PLATED	9							
5	1	121850-77021	GASKET	1							
6	1	129915-77050	HEATER	1							
7	1	26106-080352	BOLT, M8X 35 PLATED	4							
8	1	129953-12530	CLEANER ASSY, AIR	1							
10	2	119005-12571	ELEMENT	1							
11	2	129062-12560	ELEMENT	1							
12	2	129900-12530	COVER ASSY	1							
13	2	119808-12540	VALVE, UNLOADER	1							
14	2	119140-12680	INDICATOR	1							
15	2	129612-12650	MARKING,(W)	1							
16	1	23000-080000	CLAMP, 80	2							
17	1	26106-080202	BOLT, M8X 20 PLATED	2							
18	1	129100-77910	RELAY, MAGNETIC	1							

Fig.6. EXHAUST MANIFOLD & SILENCER

(A)=4TNE98-TBL
(B)=
(C)=

(D)=
(E)=
(F)=

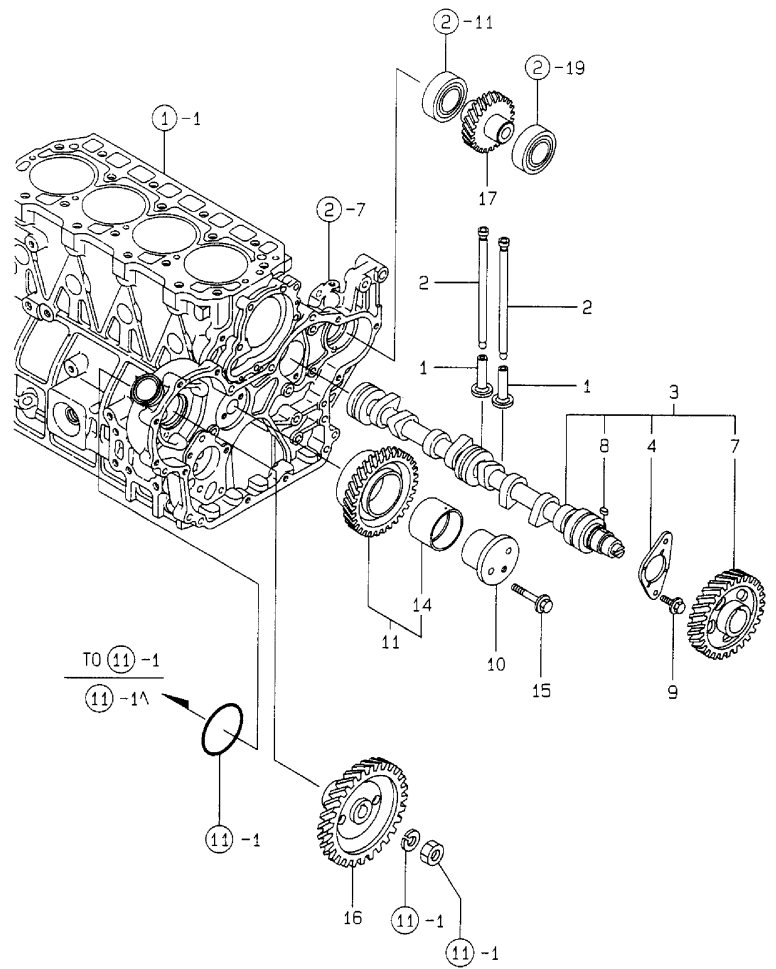


No.	Lev.	Parts No.	Description	Q'ty						I	R
				(A)	(B)	(C)	(D)	(E)	(F)		
1	1	129900-13200	MANIFOLD, EXHAUST	1							
3	1	129900-13251	GASKET	1							
4	1	26106-080802	BOLT, M8X 80 PLATED	6							
5	1	26216-080802	STUD, M8X 80	2							
6	1	26366-080002	NUT, M8	2							
7	1	129400-13201	GASKET, SILENCER	1							
8	1	119131-18320	STUD, M8X22	4							
9	1	129953-13570	SILENCER	1							
10	1	129953-13650	STAY, SILENCER	1							
11	1	26106-080162	BOLT, M8X 16 PLATED	2							
12	1	26106-080162	BOLT, M8X 16 PLATED	2							
13	1	26366-080002	NUT, M8	4							
14	1	22157-080000	WASHER, 8	2							
15	1	129400-13201	GASKET, SILENCER	1							

Fig.7. CAMSHAFT & DRIVING GEAR

(A)=4TNE98-TBL
(B)=
(C)=

(D)=
(E)=
(F)=



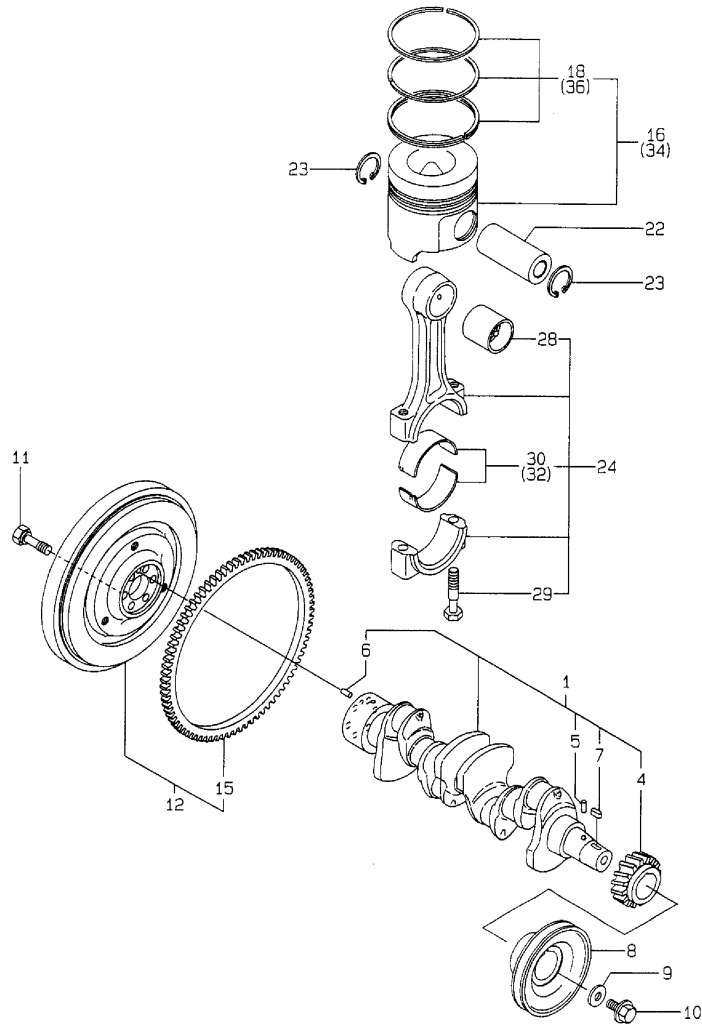
No.	Lev.	Parts No.	Description	Q'ty						I	R
				(A)	(B)	(C)	(D)	(E)	(F)		
1	1	129150-14200	TAPPET	8							
2	1	129900-14400	ROD, PUSH	8							
3	1	129900-14580	CAMSHAFT ASSY	1							
4	2	129150-02450	BEARING, THRUST	1							
7	2	129900-14100	GEAR, CAMSHAFT	1							
8	2	22512-070140	KEY, 7X 14	1							
9	1	26106-080162	BOLT, M8X 16 PLATED	2							
10	1	129900-25060	SHAFT, IDLE	1							
11	1	129900-25100	GEAR ASSY, IDLE	1							
14	2	129150-25920	BUSH, IDLE GEAR	1							1
15	1	26106-080552	BOLT, M8X 55 PLATED	2							
16	1	129900-25900	GEAR, PUMP	1							
17	1	129900-26000	GEAR ASSY, PUMP	1							

Remarks
(1) REPAIR PART.

Fig.8. CRANKSHAFT & PISTON

(A)=4TNE98-TBL
(B)=
(C)=

(D)=
(E)=
(F)=



No.	Lev.	Parts No.	Description	Q'ty						I	R
				(A)	(B)	(C)	(D)	(E)	(F)		
1	1	129902-21000	CRANKSHAFT ASSY	1							
4	2	129900-21200	GEAR, CRANKSHAFT	1							
5	2	121850-21290	PIN	1							
6	2	121850-21920	PIN, M10X22	1							
7	2	22512-070140	KEY, 7X 14	1							
8	1	129900-21660	V-PULLEY, 130	1							
9	1	129900-21640	WASHER	1							
10	1	121850-21680	BOLT	1							
11	1	121850-21130	BOLT, FLYWHEEL	6							
12	1	129953-21570	FLYWHEEL ASSY	1							
15	2	129900-21600	GEAR, RING	1							
16	1	129902-22080	PISTON ASSY, DI	4							
18	2	129903-22050	RING SET, PISTON	4							
22	1	120130-22301	PIN, PISTON	4							
23	1	22252-000300	RING, 30	8							
24	1	129900-23000	ROD ASSY, CONNECTING	4							
28	2	129900-23910	BEARING, PISTON PIN	4							1
29	2	129900-23200	BOLT, CONNECTING ROD	8							
30	2	129900-23600	BEARING, CRANK PIN	4							
32	1	129900-23610	BEARING, 0.25 US	4							2
34	1	129902-22900	PISTON ASSY, 0.25 OS	4							3
36	2	129903-22950	RING SET, 0.25 OS	4							3

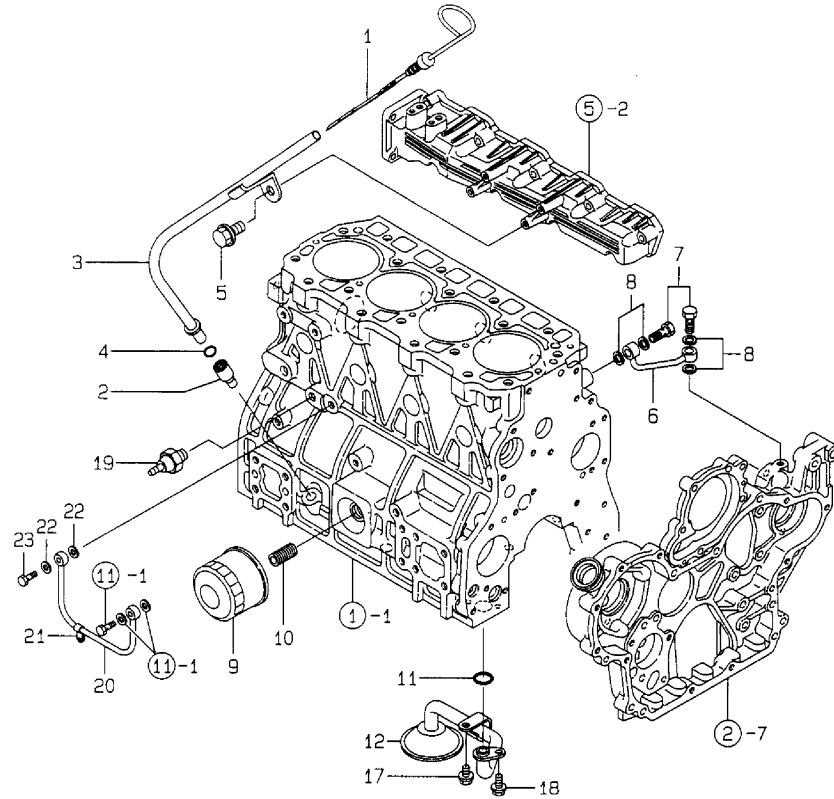
Remarks

- (1) REPAIR PART.
- (2) UNDER-SIZE(U.S=0.25)PART.
- (3) OVER-SIZE(O.S=0.25)PART.

Fig.9. LUB.OIL SYSTEM

(A)=4TNE98-TBL
(B)=
(C)=

(D)=
(E)=
(F)=



No.	Lev.	Parts No.	Description	Q'ty						I	R
				(A)	(B)	(C)	(D)	(E)	(F)		
1	1	129953-34840	DIPSTICK, OIL	1							
2	1	119260-34810	GUIDE, DIPSTICK	1							
3	1	129953-34810	GUIDE, DIPSTICK	1							
4	1	24311-240100	O-RING, 1AP10A	1							
5	1	26106-080162	BOLT, M8X 16 PLATED	1							
6	1	129930-39050	PIPE, OIL	1							
7	1	105010-39140	BOLT, PIPE JOINT	2							
8	1	22190-080002	WASHER, SEAL 6	4							
9	1	129150-35151	FILTER, D80XL80	1							
10	1	119000-35140	BOLT, FILTER	1							
11	1	129900-32030	O-RING, P20	1							
12	1	129900-35000	PIPE ASSY, OIL INLET	1							
17	1	26106-080122	BOLT, M8X 12 PLATED	1							
18	1	26106-080162	BOLT, M8X 16 PLATED	1							
19	1	114250-39450	SWITCH, 0.5KG	1							
20	1	129900-39350	PIPE, OIL	1							
21	1	23297-060081	CLAMP, A6X 8	1							
22	1	23414-080000	GASKET, 8X1.0	2							
23	1	23857-030000	BOLT, JOINT 3	1							

Fig.10. COOLING WATER SYSTEM

(A)=4TNE98-TBL

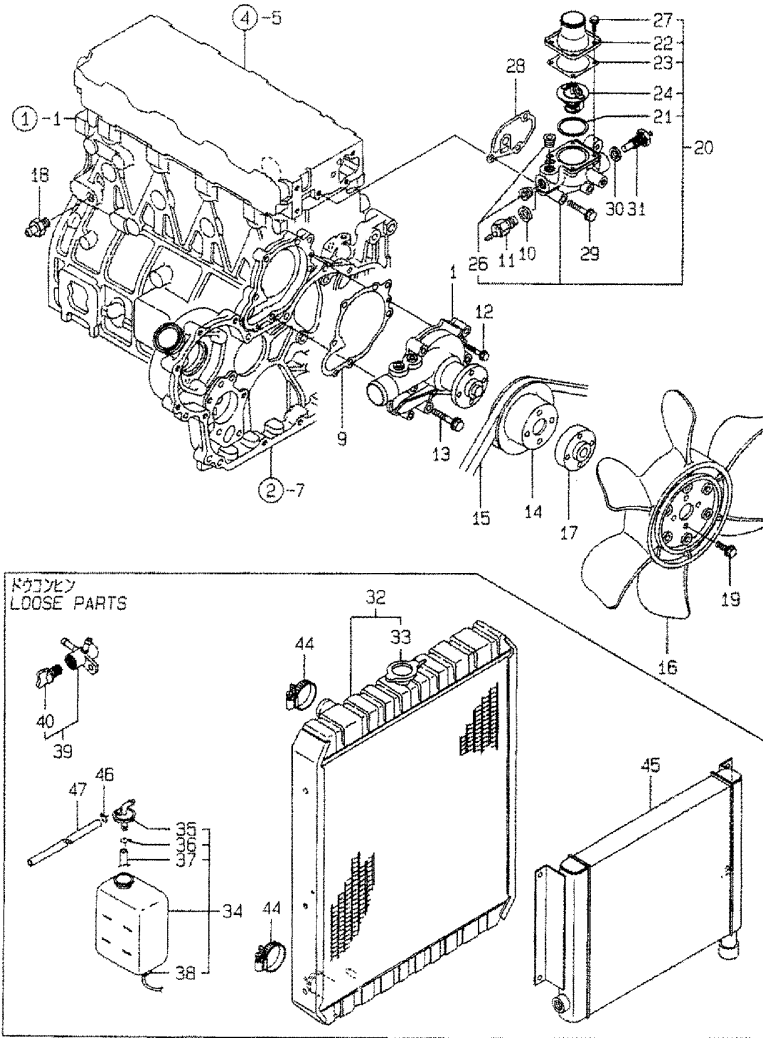
(B)=

(C)=

(D)=

(E)=

(F)=



No.	Lev.	Parts No.	Description	Q'ty						I	R
				(A)	(B)	(C)	(D)	(E)	(F)		
1	1	129900-42001	PUMP ASSY, WATER	1							
9	1	129900-42020	GASKET, WATER PUMP	1							
10	1	124465-44950	GASKET, 16	1							
11	1	121250-44901	SWITCH, 110	1							
12	1	26106-060302	BOLT, M6X 30 PLATED	2							
13	1	26106-080552	BOLT, M8X 55 PLATED	5							
14	1	129900-42450	V-PULLEY	1							
15	1	25132-004200	V-BELT, A42	1							
16	1	129900-44700	FAN, COOLING D=410	1							
17	1	119130-44760	SPACER, FAN	1							
18	1	121550-49111	JOINT, PT1/4	1							
19	1	26014-080352	BOLT, M8X 35	4							
20	1	129916-49860	CASE ASSY, THERMOSTAT	1							
21	2	121850-49550	GASKET, THERMOSTAT	1							
22	2	121850-49530	COVER, THERMOSTAT	1							
23	2	121850-49540	GASKET, THERMOSTAT	1							
24	2	121850-49800	THERMOSTAT, 82	1							
26	2	23875-030000	PLUG, R03	2							
27	2	26106-060142	BOLT, M6X 14 PLATED	4							
28	1	129900-49870	GASKET	1							
29	1	26106-080602	BOLT, M8X 60 PLATED	3							
30	1	129150-49360	GASKET	1							
31	1	119266-49350	SWITCH	1							
32	1	129953-44521	RADIATOR ASSY	1							
33	2	119259-44570	CAP, RADIATOR	1							
34	1	121267-44510	TANK ASSY, SUB	1							
35	2	121450-44530	CAP	1							
36	2	124450-44560	RETAINER	1							
37	2	121267-44590	PIPE	1							
38	2	121470-44550	SWITCH	1							
39	1	129150-49100	COCK ASSY, 3-WAY	1							
40	2	129150-49080	COCK, DRAIN	1							
44	1	23000-054000	CLAMP, 54	4							
45	1	129953-44920	COOLER ASSY, OIL	1							
46	1	124722-59050	CLIP, HOSE 9	1							
47	1	105840-59100	PIPE	1							

Remarks

(1) D= REF.NO.14 130M/M,14-1 110M/M.

N:Old $\xrightarrow{\text{Yes}}$ New, Q:Old $\xrightarrow{\text{No}}$ New, R:Old $\xrightarrow{\text{Yes}}$ New, S:Old $\xrightarrow{\text{No}}$ New, W:Add, Z:Discontinued, F:Interchangeable by set, K:Q'ty Change

Fig.11. FUEL INJECTION PUMP

(A)=4TNE98-TBL
(B)=
(C)=

(D)=
(E)=
(F)=

No.	Lev.	Parts No.	Description	Q'ty						I	R
				(A)	(B)	(C)	(D)	(E)	(F)		
1	1	129953-51120	PUMP ASSY, INJECTION	1							

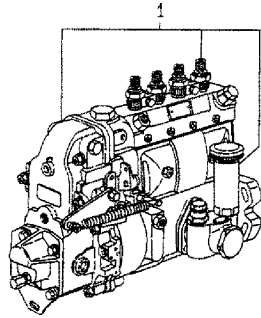
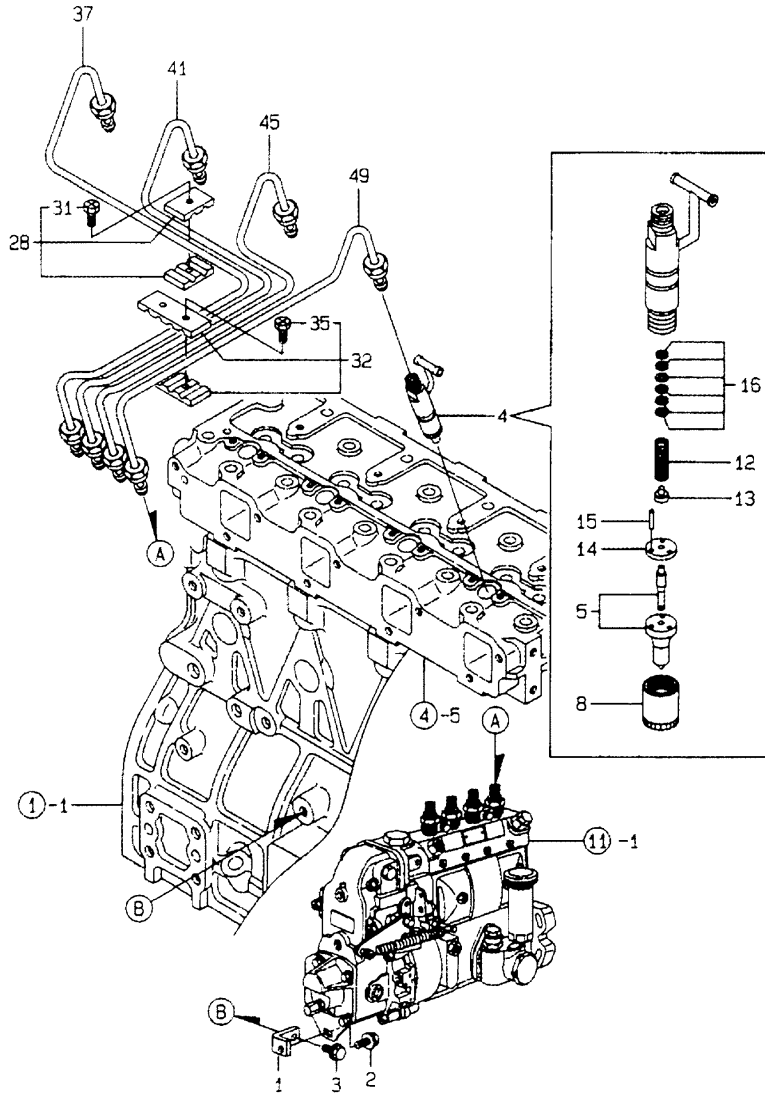


Fig.12. FUEL INJECTION VALVE

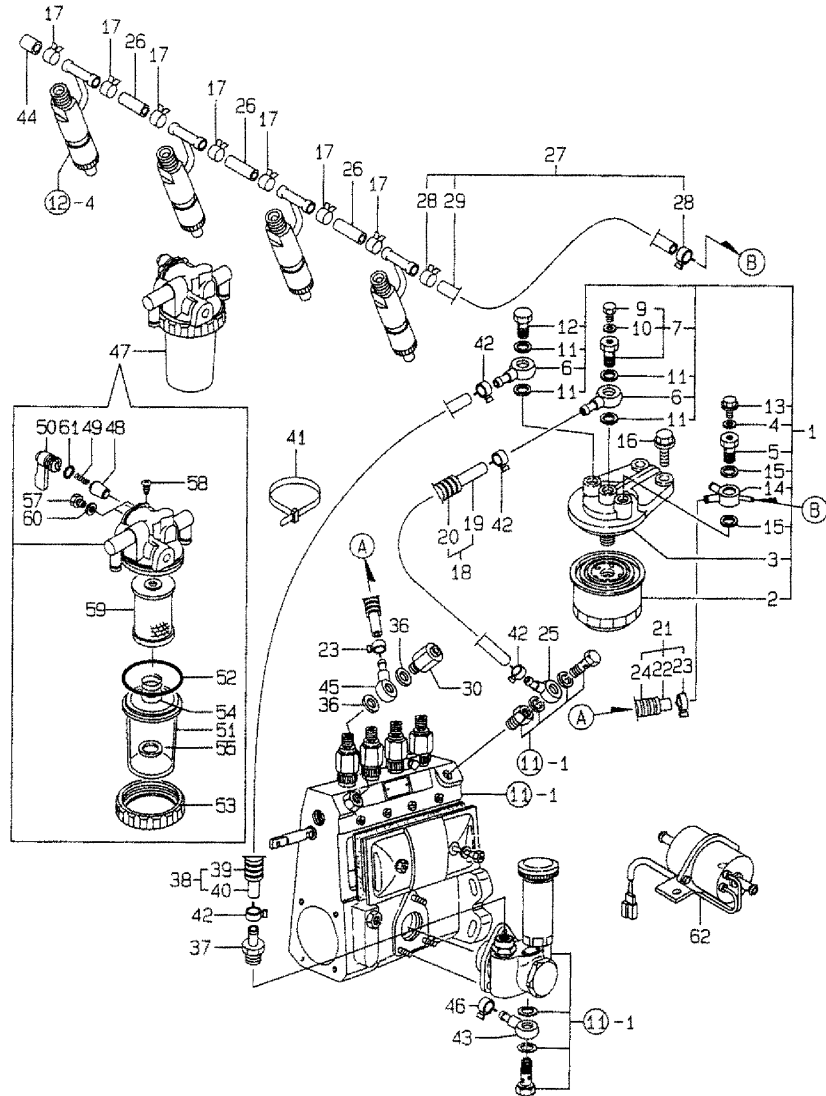
(A)=4TNE98-TBL
(B)=
(C)=

(D)=
(E)=
(F)=



No.	Lev.	Parts No.	Description	Q'ty						I	R
				(A)	(B)	(C)	(D)	(E)	(F)		
1	1	129900-01950	RETAINER	1							
2	1	26106-100142	BOLT, M10X 14 PLATED	1							
3	1	26106-080202	BOLT, M8X 20 PLATED	1							
4	1	729902-53200	VALVE ASSY,INJECTION	4							
5	2	129902-53050	VALVE ASSY,INJECTION	4							
8	2	114250-53080	NUT, NOZZLE D16.95	4							
12	2	114250-53120	SPRING, NOZZLE	4							
13	2	114250-53130	SEAT, SPRING	4							
14	2	114250-53140	PLATE	4							
15	2	114250-53210	PIN	8							
16	2	114250-53400	SHIM SET	4							
28	1	119305-59120	RETAINER, PIPE	2							
31	2	129150-59131	BOLT, M4X14	2							
32	1	129550-59120	RETAINER, PIPE	1							
35	2	129150-59131	BOLT, M4X14	2							
37	1	129910-59810	PIPE ASSY, INJECTION	1							
41	1	129910-59820	PIPE ASSY, INJECTION	1							
45	1	129910-59830	PIPE ASSY, INJECTION	1							
49	1	129910-59840	PIPE ASSY, INJECTION	1							

Fig.13. FUEL LINE



(A)=4TNE98-TBL

(B)=

(C)=

(D)=

(E)=

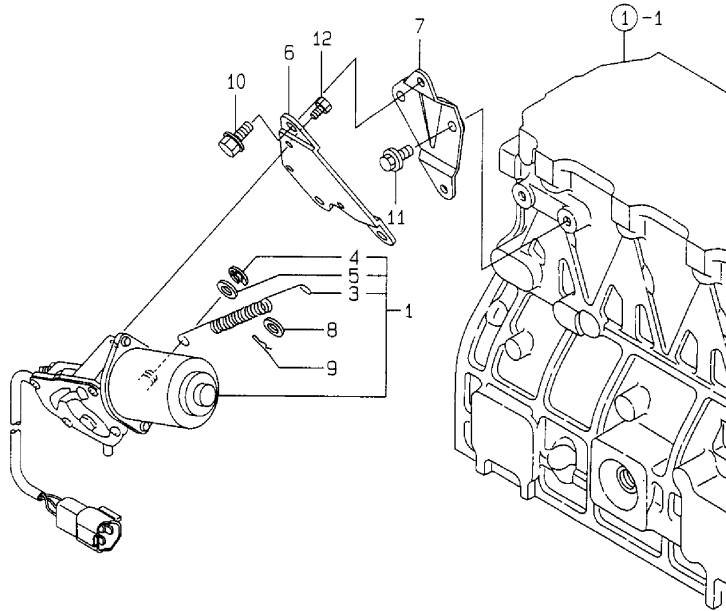
(F)=

No.	Lev.	Parts No.	Description	Q'ty						I	R
				(A)	(B)	(C)	(D)	(E)	(F)		
1	1	129982-55600	FILTER ASSY, FUEL	1							
2	2	119000-55600	FILTER, FUEL	1							
3	2	129470-55610	BODY, STRAINER	1							
4	2	22190-080002	WASHER, SEAL 6	1							
5	2	129495-59300	BOLT, PIPE JOINT	1							
6	2	101304-59020	JOINT, PIPE 12	2							
7	2	103854-59191	BOLT ASSY, JOINT M12	1							
9	3	124060-59380	PLUG, 6	1							
10	3	22190-060002	WASHER, SEAL 6	1							
11	2	22190-120002	WASHER, SEAL 12	4							
12	2	23857-060000	BOLT, JOINT 6	1							
13	2	26106-080102	BOLT, M8X 10 PLATED	1							
14	2	129980-59530	JOINT	1							
15	2	22190-140002	WASHER, SEAL 14	2							
16	1	26106-100252	BOLT, M10X 25 PLATED	2							
17	1	124066-59100	CLIP, HOSE 8	7							
18	1	129957-59040	PIPE, FUEL	1							
19	2	129335-59090	PIPE, FUEL D13X500	1							
20	2	119560-59110	TUBE, CORRUGATED	1							
21	1	129950-59311	PIPE, FUEL	1							
22	2	105025-59580	PIPE, FUEL	1							
23	2	124766-59050	CLIP, HOSE 12	2							
24	2	129961-59110	TUBE, CORRUGATED	1							
25	1	121855-59880	JOINT, PIPE	1							
26	1	121250-59550	PIPE, FUEL D8X120	3							
27	1	129915-59500	PIPE ASSY, RETURN	1							
28	2	124066-59100	CLIP, HOSE 8	2							
29	2	129915-59120	PIPE, FUEL RETURN	1							
30	1	128300-59910	VALVE ASSY, OVERFLOW	1							
36	1	22190-140002	WASHER, SEAL 14	2							
37	1	121250-49110	JOINT, PIPE	1							
38	1	129957-59040	PIPE, FUEL	1							
39	2	119560-59110	TUBE, CORRUGATED	1							
40	2	129335-59090	PIPE, FUEL D13X500	1							
41	1	121750-59890	BAND, 140	1							
42	1	124766-59050	CLIP, HOSE 12	4							
43	1	121855-59880	JOINT, PIPE	1							
44	1	129150-59580	CAP	1							
45	1	121855-59880	JOINT, PIPE	1							
46	1	124766-59050	CLIP, HOSE 12	2							
47	1	129335-55700	SEPARATOR ASSY,WATER	1							
48	2	104200-55321	VALVE, TAPER	1							
49	2	104200-55330	SPRING, VALVE	1							
50	2	104200-55341	HANDLE	1							
51	2	124064-55510	COVER	1							
52	2	102103-55520	O-RING	1							
53	2	110250-55610	RING, RETAINING	1							
54	2	121257-55720	SPRING	1							
55	2	121257-55731	FLOAT	1							
57	2	101720-55750	PLUG, 6	2							
58	2	104200-55750	SCREW, M4	1							

Fig.14. ENGINE STOP DEVICE

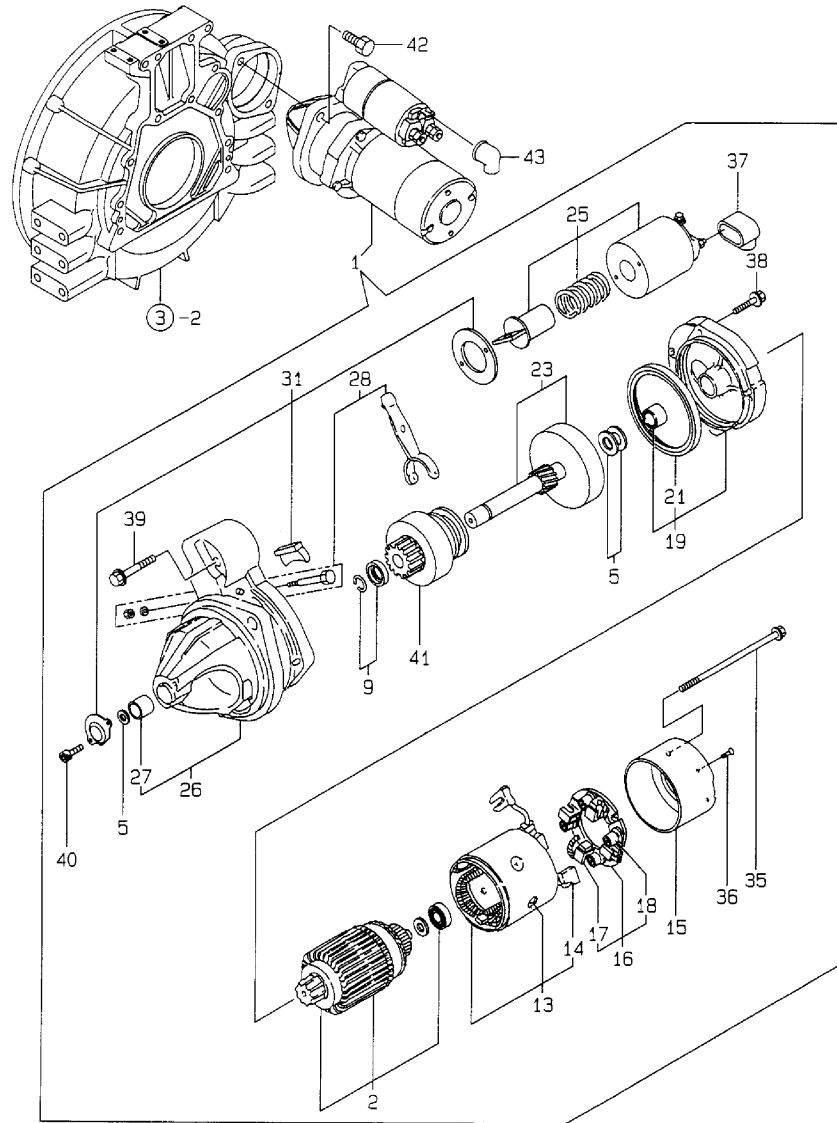
(A)=4TNE98-TBL
(B)=
(C)=

(D)=
(E)=
(F)=



No.	Lev.	Parts No.	Description	Q'ty						I	R
				(A)	(B)	(C)	(D)	(E)	(F)		
1	1	129900-66790	MOTOR ASSY, STOP	1							
3	2	129900-66830	SPRING, STOP MOTOR	1							
4	2	129566-66880	RING, SNAP	1							
5	2	129566-66890	WASHER	1							
6	1	119840-66811	BRACKET, STOP MOTOR	1							
7	1	129900-66820	BRACKET, STOP MOTOR	1							
8	1	22117-080000	WASHER, 8	1							
9	1	22360-080000	PIN 8	1							
10	1	26106-080122	BOLT, M8X 12 PLATED	2							
11	1	26106-080122	BOLT, M8X 12 PLATED	2							
12	1	26116-050102	BOLT, M5X 10 PLATED	3							

Fig.15. STARTING MOTOR



(A)=4TNE98-TBL
(B)=
(C)=

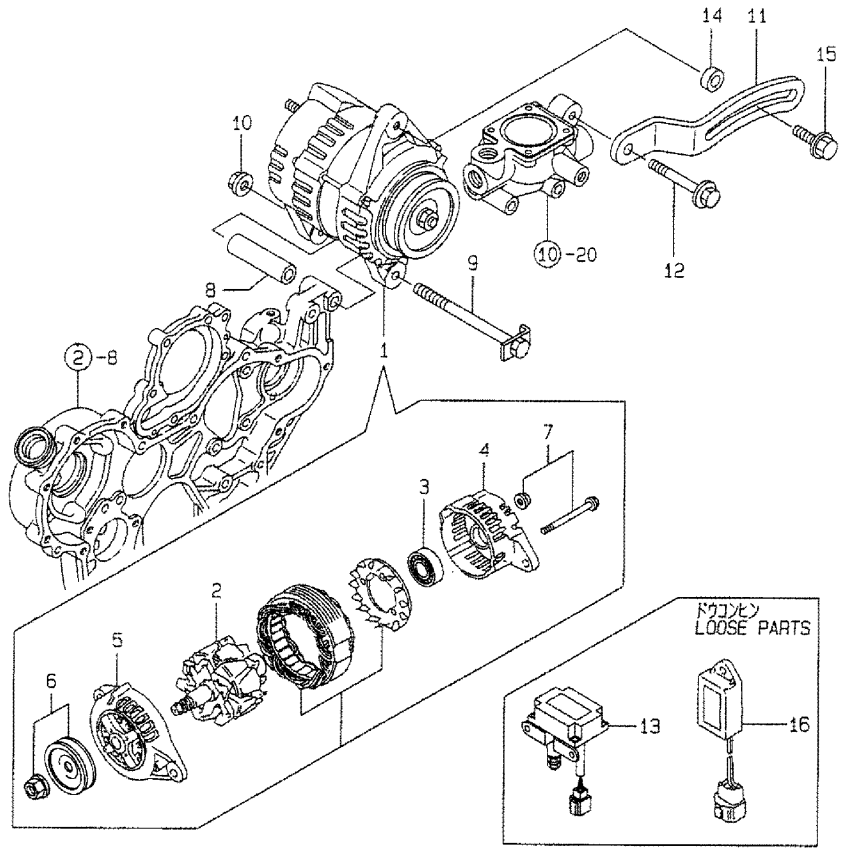
(D)=
(E)=
(F)=

No.	Lev.	Parts No.	Description	Q'ty						I	R
				(A)	(B)	(C)	(D)	(E)	(F)		
1	1	129953-77019	STARTING MOTOR	1							
2	2	121254-77402	ARMATURE ASSY	1							
5	2	121254-77430	WASHER KIT, THRUST	1							
9	2	121254-77480	STOPPER KIT, PINION	1							
13	2	121254-77521	COIL ASSY, FIELD	1							
14	3	121254-77541	BRUSH (+)	2							
15	2	121254-77550	COVER ASSY, REAR	1							
16	2	121254-77571	HOLDER ASSY	1							
17	3	121254-77581	BRUSH, -	2							
18	3	121254-77590	SPRING	4							
19	2	121254-77600	BEARING ASSY, CENTER	1							
21	3	121254-77610	SEAL, OIL	1							
23	2	121254-77640	SHAFT ASSY, GEAR	1							
25	2	129953-77670	SWITCH	1							
26	2	121254-77681	CASE ASSY, GEAR	1							
27	3	121254-77690	METAL, GEAR CASE	1							
28	2	121254-77700	LEVER SET, SHIFT	1							
31	2	121254-77730	DUST COVER SET	1							
35	2	121254-77770	BOLT, THROUGH	2							
36	2	121254-77790	SCREW 4	2							
37	2	121254-77810	COVER, TERMINAL	1							
38	2	26106-060302	BOLT, M6X 30 PLATED	3							
39	2	26106-060452	BOLT, M6X 45 PLATED	2							
40	2	121254-77780	SCREW 5	2							
41	2	129953-77660	PINION ASSY	1							
42	1	26116-120302	BOLT, M12X 30 PLATED	2							
43	1	124550-77030	COVER, TERMINAL	1							

Fig.16. GENERATOR

(A)=4TNE98-TBL
(B)=
(C)=

(D)=
(E)=
(F)=

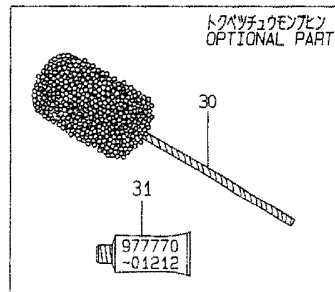
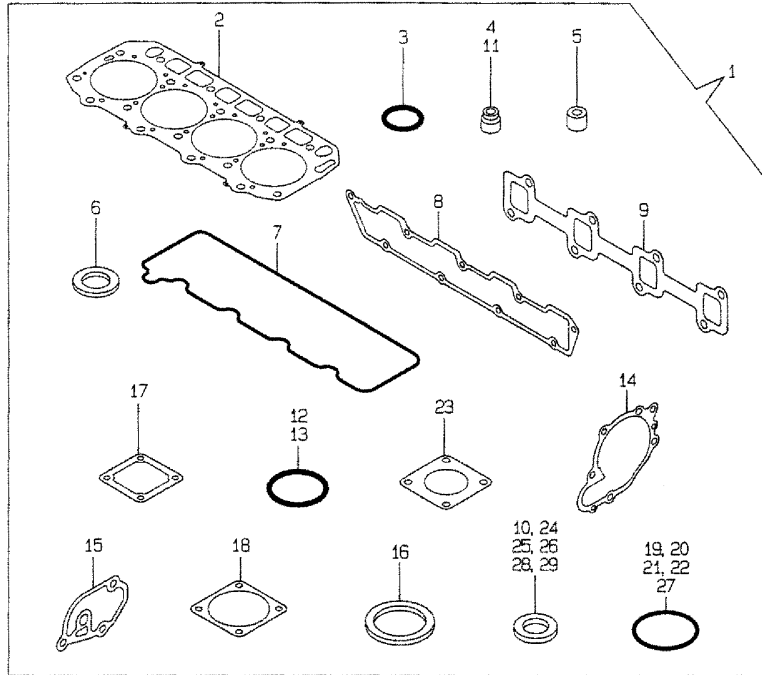


No.	Lev.	Parts No.	Description	Q'ty						I	R
				(A)	(B)	(C)	(D)	(E)	(F)		
1	1	119836-77201	GENERATOR (AC)	1							
2	2	129612-77700	ROTOR ASSY	1							
3	2	129612-77710	BEARING, BALL	1							
4	2	119836-77920	BRACKET ASSY	1							
5	2	129612-77730	BRACKET ASSY, FILTER	1							
6	2	129612-77740	PULLEY	1							
7	2	129612-77750	SCREW KIT	1							
8	1	129150-77340	SPACER	1							
9	1	129953-77201	BOLT	1							
10	1	129612-77260	NUT, ALTERNATOR	1							
11	1	129953-77330	ADJUSTER	1							
12	1	26014-080252	BOLT, M8X 25	1							
13	1	129136-77100	RELAY, SAFETY	1							
14	1	106500-44810	SPACER	1							
15	1	119810-77340	BOLT, ADJUSTER	1							
16	1	128300-77920	TIMER	1							W
			(A=E11775)								

Fig.17. GASKET SET

(A)=4TNE98-TBL
(B)=
(C)=

(D)=
(E)=
(F)=



No.	Lev.	Parts No.	Description	Q'ty						I	R
				(A)	(B)	(C)	(D)	(E)	(F)		
1	1	729902-92740	GASKET SET	1							1
2	2	129902-01331	GASKET, HEAD	1							
3	2	24311-240100	O-RING, 1AP10A	1							
4	2	124460-11340	SEAL, VALVE STEM	4							
5	2	119625-11870	PROTECTOR, NOZZLE	4							
6	2	119625-11880	SEAT, NOZZLE	4							
7	2	129900-11310	GASKET, BONNET	1							
8	2	129900-12050	GASKET, MANIFOLD	1							
9	2	129900-13251	GASKET	1							
10	2	23414-080000	GASKET, 8X1.0	2							
11	2	121400-11340	SEAL, VALVE STEM	4							
12	2	129900-32030	O-RING, P20	2							
13	2	129900-32040	O-RING, P14	1							
14	2	129900-42020	GASKET, WATER PUMP	1							
15	2	129900-49870	GASKET	1							
16	2	121850-49550	GASKET, THERMOSTAT	1							
17	2	121850-77021	GASKET	1							
18	2	121850-49540	GASKET, THERMOSTAT	1							
19	2	24311-000070	O-RING, 1AP7.0	1							
20	2	24311-000120	O-RING, 1AP12.0	3							
21	2	24341-000240	O-RING, 1AS24.0	1							
22	2	24311-000320	O-RING, 1AP32.0	3							
23	2	129400-13201	GASKET, SILENCER	2							
24	2	22190-080002	WASHER, SEAL 6	4							
25	2	129150-49360	GASKET	1							
26	2	22190-140002	WASHER, SEAL 14	2							
27	2	24321-000850	O-RING, 1AG85.0	1							
28	2	22190-220002	WASHER, SEAL 22	1							
29	2	124465-44950	GASKET, 16	1							
30	1	129400-92450	HONE	1							1
31	1	977770-01212	GASKET, LIQUID	1							1

Remarks
(1) OPTIONAL PART.

Parts No. Index

Parts No.	Fig. No.	Ref. No.
101304-59020	13	6
101720-55750	13	57
102103-55520	13	52
103854-59191	13	7
104200-55321	13	48
104200-55330	13	49
104200-55341	13	50
104200-55750	13	58
105010-39140	9	7
105025-59580	13	22
105840-59100	10	47
106500-44810	16	14
110250-55610	13	53
114250-39450	9	19
114250-53080	12	8
114250-53120	12	12
114250-53130	12	13
114250-53140	12	14
114250-53210	12	15
114250-53400	12	16
119000-35140	9	10
119000-55600	13	2
119005-12571	5	10
119100-11330	4	52
119130-44760	10	17
119131-18320	6	8
119140-12680	5	14
119259-44570	10	33
119260-34810	9	2
119266-49350	10	31
119305-59120	12	28
119560-59110	13	20
		39
119625-11870	4	20
	17	5
119625-11880	4	21
	17	6
119625-11900	4	22
119640-01640	3	9
119808-12540	5	13
119810-77340	16	15
119836-77201	16	1
119836-77920	16	4
119840-66811	14	6
120130-22301	8	22
121023-01550	2	31
121023-26070	2	13
121250-44901	10	11
121250-49110	13	37
121250-59550	13	26

Parts No.	Fig. No.	Ref. No.
121254-77402	15	2
121254-77430	15	5
121254-77480	15	9
121254-77521	15	13
121254-77541	15	14
121254-77550	15	15
121254-77571	15	16
121254-77581	15	17
121254-77590	15	18
121254-77600	15	19
121254-77610	15	21
121254-77640	15	23
121254-77681	15	26
121254-77690	15	27
121254-77700	15	28
121254-77730	15	31
121254-77770	15	35
121254-77780	15	40
121254-77790	15	36
121254-77810	15	37
121257-55720	13	54
121257-55731	13	55
121267-44510	10	34
121267-44590	10	37
121400-11340	4	17
	17	11
121450-44530	10	35
121470-44550	10	38
121550-49111	10	18
121750-59890	13	41
121850-21130	8	11
121850-21290	8	5
121850-21680	8	10
121850-21920	8	6
121850-49530	10	22
121850-49540	10	23
	17	18
121850-49550	10	21
	17	16
121850-49800	10	24
121850-77021	5	5
	17	17
121855-59880	13	25
		43
		45
124060-59380	13	9
124064-55510	13	51
124066-59100	13	17
		28
124160-01751	2	29

Parts No.	Fig. No.	Ref. No.
124160-01751	4	58
124160-11360	4	45
124411-01780	3	7
124450-44560	10	36
124460-11340	4	18
	17	4
124465-44950	10	10
	17	29
124550-77030	15	43
124722-59050	10	46
124766-59050	13	23
		42
		46
128300-59910	13	30
128300-77920	16	16
129001-91810	2	26
		27
129062-12560	5	11
129100-01580	2	17
	3	1
129100-77910	5	18
129136-77100	16	13
129150-02450	7	4
129150-11230	4	35
		39
129150-11370	4	19
129150-11750	4	37
		41
129150-11810	4	9
129150-14200	7	1
129150-25920	7	14
129150-35151	9	9
129150-49080	10	40
129150-49100	10	39
129150-49360	10	30
	17	25
129150-59131	12	31
		35
129150-59580	13	44
129150-77340	16	8
129322-77401	13	62
129335-55700	13	47
129335-59090	13	19
		40
129400-13201	6	7
		15
	17	23
129400-92450	17	30
129470-55610	13	3
129495-59300	13	5

Parts No.	Fig. No.	Ref. No.
129550-59120	12	32
129566-66880	14	4
129566-66890	14	5
129612-12650	5	15
129612-77260	16	10
129612-77700	16	2
129612-77710	16	3
129612-77730	16	5
129612-77740	16	6
129612-77750	16	7
129795-11180	4	16
129900-01200	1	28
129900-01250	1	13
129900-01500	2	8
129900-01780	2	4
129900-01800	2	7
129900-01950	12	1
129900-02020	1	7
129900-02340	1	30
129900-02410	1	10
129900-02800	1	16
129900-02930	1	25
129900-02940	1	33
129900-11100	4	13
129900-11110	4	14
129900-11120	4	15
129900-11200	4	27
129900-11240	4	28
129900-11280	4	31
129900-11310	4	47
	17	7
129900-11510	4	32
129900-11520	4	33
129900-11530	4	62
129900-11600	4	50
129900-11650	4	34
129900-11660	4	38
129900-12050	5	1
	17	8
129900-12100	5	2
129900-12530	5	12
129900-13200	6	1
129900-13251	6	3
	17	9
129900-14100	7	7
129900-14400	7	2
129900-14580	7	3
129900-21200	8	4
129900-21600	8	15
129900-21640	8	9

Parts No. Index

Parts No.	Fig. No.	Ref. No.
129900-21660	8	8
129900-23000	8	24
129900-23200	8	29
129900-23600	8	30
129900-23610	8	32
129900-23910	8	28
129900-25060	7	10
129900-25100	7	11
129900-25900	7	16
129900-26000	7	17
129900-26250	2	11
		19
129900-32000	2	10
129900-32030	2	15
	9	11
	17	12
129900-32040	2	16
	17	13
129900-35000	9	12
129900-39350	9	20
129900-42001	10	1
129900-42020	10	9
	17	14
129900-42450	10	14
129900-44700	10	16
129900-49870	10	28
	17	15
129900-66790	14	1
129900-66820	14	7
129900-66830	14	3
129902-01331	1	29
	17	2
129902-01710	3	8
129902-21000	8	1
129902-22080	8	16
129902-22900	8	34
129902-53050	12	5
129903-22050	8	18
129903-22950	8	36
129910-03100	4	60
129910-07900	4	4
		4 -1
129910-11350	4	46
129910-59810	12	37
129910-59820	12	41
129910-59830	12	45
129910-59840	12	49
129915-59120	13	29
129915-59500	13	27
129915-77050	5	6

Parts No.	Fig. No.	Ref. No.
129916-03100	4	1
129916-49860	10	20
129930-39050	9	6
129950-59311	13	21
129951-01740	2	5
129953-01620	3	2
129953-07910	4	59
129953-12530	5	8
129953-13570	6	9
129953-13650	6	10
129953-21570	8	12
129953-34810	9	3
129953-34840	9	1
129953-44521	10	32
129953-44920	10	45
129953-51120	11	1
129953-77019	15	1
129953-77201	16	9
129953-77330	16	11
129953-77660	15	41
129953-77670	15	25
129957-59040	13	18
		38
129960-03990	4	3
129961-59110	13	24
129980-59530	13	14
129982-55600	13	1
171031-11741	2	35
171051-01921	1	6
171081-55910	13	59
22117-080000	14	8
22157-080000	6	14
22190-060002	13	10
22190-080002	9	8
	13	4
	17	24
22190-120002	13	11
22190-140002	13	15
		36
	17	26
22190-220002	3	11
	17	28
22242-000180	4	42
22252-000300	8	23
22351-060012	1	11
22360-080000	14	9
22512-070140	7	8
	8	7
22857-500100	4	51
23000-054000	10	44

Parts No.	Fig. No.	Ref. No.
23000-080000	5	16
23297-060081	9	21
23414-080000	9	22
	17	10
23418-060000	13	60
23857-030000	9	23
23857-060000	13	12
23871-005000	4	11
23875-030000	10	26
23876-030000	1	5
		12
		14
	4	26
24311-000070	2	34
	17	19
24311-000120	4	53
	17	20
24311-000320	2	30
		36
	4	57
	17	22
24311-240100	9	4
	13	61
	17	3
24321-000850	2	14
	17	27
24341-000240	2	32
	17	21
25132-004200	10	15
26014-080252	16	12
26014-080352	10	19
26106-060142	10	27
26106-060162	2	33
26106-060302	10	12
	15	38
26106-060452	15	39
26106-080102	13	13
26106-080122	3	12
	4	61
	9	17
	14	10
		11
26106-080162	2	20
	4	54
	6	11
		12
	7	9
	9	5
		18
26106-080202	2	21

Parts No.	Fig. No.	Ref. No.
26106-080202	5	17
	12	3
26106-080302	2	22
26106-080352	5	7
26106-080402	2	23
		24
26106-080452	2	25
	5	4
26106-080552	7	15
	10	13
26106-080602	10	29
26106-080802	6	4
26106-100122	2	28
26106-100142	12	2
26106-100252	13	16
26106-100352	3	5
26106-100652	4	55
26116-050102	14	12
26116-120302	15	42
26206-100702	3	6
26216-060202	4	23
26216-080802	6	5
26216-100302	2	12
26366-060002	4	24
26366-080002	6	6
		13
26366-100002	2	18
	4	44
26577-040162	4	43
27241-300000	1	15
27241-400000	4	12
27310-080001	4	25
729900-01570	2	1
729900-11100	4	5
729902-01560	1	1
729902-53200	12	4
729902-92740	17	1
977770-01212	2	6
	3	13
	4	56
	17	31